



- Engineered in the U.S.A.
- Lifetime Marathon Warranty®

For more than 75 years, automotive service professionals have depended on the quality and durability of OTC's heavy-duty tools and shop equipment.

OTC's full range of tools and equipment has been designed for the professional service technician and represents the highest standard in quality and reliability. Engineered in the U.S.A. and backed by a Lifetime Marathon Warranty, OTC-branded tools and equipment set the standard by which all other tools and equipment are measured.

Power Train Lifts	250
Transmission Jacks / Accessories. . .	251–253
Truck and Trailer Lifts	253–254
Truck Ramps	255
Air Under-Axle Jacks.	255–256
Service Jacks & Accessories	257–259
Wheel Step	258
Jack Stands & Underhoist Stands. . .	259–260
Clutch & Flywheel Handler	261
Brake Drum Dolly	262
Truck Wheel Dollies & Levers.	262–263
Blade Buddy®, Fork Lift Jack.	264
Transfer Tanker	264
Oil Filter Crushers	265–266
Engine Stands & Holding Fixture . . .	267–269
Engine Support Bar.	268
Car Dollies.	270
Floor Cranes & Accessories	270–273
Shop Presses & Accessories	274–281
Protective Blankets	280
Bottle Jacks.	282
Collision Repair Sets.	283
Magnetic Induction Heater	284–285
Pumps, Rams, Accessories.	283, 286–300
Bushing Service Tools.	300–305
Hydraulic Flow Tester	305



- Competitively priced
- Two-year limited warranty

In addition to offering “the right tool for every job,” OTC also offers “the right line of tools for every budget!”

OTC's **Stinger** line of products is designed for the cost-conscious shop owner who still wants the reliability of an OTC product. Since being introduced in 2000, Stinger products have become recognized for their value and performance. Competitively priced, Stinger products carry a two-year limited warranty.

Stinger Transmission Jacks.	306–307
Stinger Under-Axle Jack	308
Stinger Dual Wheel Dolly	308
Stinger Service Jacks	309–311
Stinger ATV Lift & Easy Roller	312
Stinger Fork Lift Jack	312
Stinger Drum Dolly	313
Stinger Floor Cranes.	314
Stinger Engine Stands.	315
Stinger Stands and Bottle Jacks. . . .	315–317
Stinger Pumps and Rams	318
Stinger Collision Repair Sets	319
Stinger Wheel Step	319
ANSI/ASME PALD Summary	320



SHOP EQUIPMENT

Power Train Lifts



1585

ANSI
PALD



215324



62338

Power Train Lift – 1,250 lb. Capacity

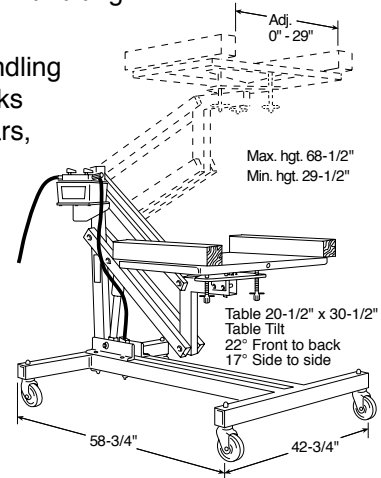
- For easy removal and installation of engine/transaxle assemblies on FWD vehicles. Also handy for pulling rear ends, leaf springs, and more.
- Your shop air supply is the only thing you need to get the precise control offered by this OTC power train lift.
- Width between wooden support blocks is adjustable from 0–29". Load is secured with a tough nylon strap.
- Covered by OTC Lifetime Marathon Warranty®.

No. 1585 – Power train lift with tilting plate. Wt., 303 lbs.

No. 62338 – Fuel tank handling adapter for No. 1585. Works on domestic and import cars, and light trucks. Includes nylon tie-down straps and safety grounding straps. Wt., 62 lbs., 3 oz.

No. 215324 – Universal transmission adapter for No. 1585. Wt., 33 lbs.

No. 61243 – Replacement reservoir.



2,500 lb. Capacity Power Train Lift

This lift will handle engine and transmission assemblies, gas tanks, drive axle assemblies, engine / transaxle assemblies, electric bus batteries, and more.

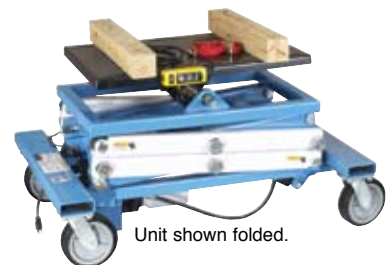
- Scissors-type design allows access to all four sides of a component.
- Powered by a quiet, 110V 14 amp. electric/hydraulic pump.
- Smooth, steady lifting and lowering motion controlled by hand-held remote.
- Width between wooden support blocks is adjustable from 0–29". Load is secured with a tough nylon strap.
- Lifting range is from 29" to 80".
- Two patent pending, independent, adjusting screws tilt the table $\pm 15^\circ$ side-to-side, or fore-and-aft, and ensure maximum stability of the table in any position.
- Larger casters accommodate heavy loads.

No. 1595 – 2,500 lb. capacity power train lift. Wt. 525 lbs.



1595

ANSI
PALD



Unit shown folded.

2,200 lb. Capacity Low-Lift Transmission Jack

- The 8-1/4" low height is perfect for aerodynamic trucks with low ground clearance.
- Special mounting adapter fits popular Eaton® Fuller® RoadRanger® transmissions used on nearly all Class 7 and 8 heavy-duty trucks. Mounting plate angle is adjusted with the turn of a wrench.
- Degree of tilt: 20° back, 15° forward, 12° side-to-side.
- Swiveling pump handle permits ease of operation in restricted working spaces. Fast-acting pump quickly raises lifting arm.

No. 5019 – Low-lift transmission jack. Includes No. 220492 adapter for Eaton® Fuller® RoadRanger® transmissions (also available separately). Wt., 330 lbs.

Model	Capacity (tons)	Overall Length	Overall Width	Max. Height	Min. Height	Weight
5019	1.1	52"	32-1/2"	36-1/2"	8-1/4"	330 lbs.



Air-Assisted 2,000 lb. Capacity High-Lift Transmission Jack...for Trucks and Buses

- For shops with in-ground or above-the-floor vehicle hoists. Covered by OTC Lifetime Marathon Warranty®.
- Low height of 41-1/2" allows transmission to be rolled out from under bus or other vehicle's frame; a clearance problem with competitors' jacks.
- Metered, foot-operated air pump allows effortless lifting of the transmission into place, controlling the load precisely during removal and installation.
- Operation is twice as fast as competitive jacks powered by a hand pump, and it costs less!
- A dedicated adapter that fits the popular Allison 500 and 600 series automatic transmissions is included with No. 5078. (Adapter is also available separately as No. 314729.)
- Safety bypass prevents damage caused by a system overload.

No. 5078 – High-lift transmission jack with air-assist. Wt., 254 lbs.

Model	Max. Load Capacity	Overall Height (low pos.)	Max. Height	Max. Forward Tilt	Max. Backward Tilt	Max. Side Tilt (either side)	Leg Width
5078	2,000 lbs.	41-1/2"	65"	50°	38°	14°	46"



Accessories for No. 5019 and No. 5078 Jacks

No. 221790 – Mack transmission mounting brackets. Provides a stable platform for Mack T200 series transmissions. Wt., 20 lbs., 14 oz.

No. 49611 – Eaton® Fuller® RoadRanger® auxiliary housing adapter. Bolts directly to the countershaft bearing caps to provide a stable platform for removing and installing the auxiliary housing. Wt., 11 lbs., 13 oz.

No. 305811 – AdjustaGrip® mounting arm (one only). Each arm has five points of adjustment, permitting its attachment to the normal mounting holes of the component. Wt., 3 lbs., 11 oz.

No. 220492 – Eaton® Fuller® Road Ranger® transmission adapter. Wt., 22 lbs.

No. 528150 – Eaton® "Lightning" adapter. Used with the No. 5019 transmission jack. Wt., 12 lbs.

No. 314729 – Allison 500/600 series automatic transmission adapter used with No. 5078 transmission jack. Wt., 39 lbs., 4 oz.



SHOP EQUIPMENT

Transmission Jacks & Fuel Tank Handler



Air-Assisted 1,000 lb. Capacity High-Lift Transmission Jack

- Unique foot pedal design gives you complete control over the air-driven first stage to rapidly raise the mounting head to the transmission; second stage is hydraulically actuated — permitting precise operator control during removal and installation.
- Transmission mounting head features four ratcheting brackets that adjust to fit a wide range of transmissions. Four-wheel base with locking swivel casters provides stability and portability.
- Safety bypass prevents damage caused by a system overload.
- Carries OTC Lifetime Marathon Warranty®.

No. 1728 – 1,000 lb. air/hydraulic transmission jack. Wt. 117 lbs.

No. 1728-19 – Replacement air valve. Wt., 2 lbs.

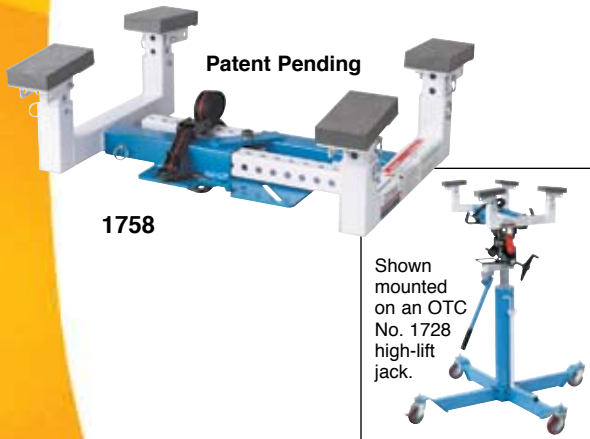
Model	Max. Load Capacity	Overall Height (low pos.)	Max. Height	Max. Forward Tilt	Max. Backward Tilt	Max. Side Tilt (either side)	Leg Width
1728	1,000 lbs.	34-1/2"	75"	50°	20°	10°	41"



Transmission Jack Mounting Adapter Set

- Used with No. 1728 transmission jack. Ideal for use on larger standard transmissions with irregularly shaped oil pans.
- Four adjustable arms help stabilize transmissions that have rounded bottom surfaces.

No. 223196 – Mounting adapter set of (4). Wt., 12 lbs., 6 oz.



Fuel Tank Handler

- Provides safe and efficient handling of fuel tanks. Adjustable from 24" to 38" horizontally, and 7" to 11" vertically, to service tanks up to 40 gallons.
- Universal adapter plate fits all OTC, Stinger, and virtually all competitive transmission jacks in the market.
- Patent-pending gearing mechanism ensures equal extension of lift arms to ensure load is properly balanced over jack.
- Four adjustable support risers can be individually adjusted to ensure a perfect fit to any fuel tank design.
- Cross-link polyethylene foam pads protect tank from damage.

No. 1758 – Fuel tank handler. Wt., 32 lbs.

...adapters for earlier model
No. 1789 Economy High-Lift Transmission Jack.

Transmission Jack Adapters

No. 310355 – Reducer adapter. Needed when using adapter Nos. 61968, 61516, and 51085. Wt., 2 lbs.

No. 61968 – Universal transmission adapter. Must be used with reducer adapter No. 310355. Wt., 33 lbs.

No. 51085 – Transfer case adapter for New Process 4WD transfer cases. Must be used with reducer adapter No. 310355 and universal transmission adapter No. 61968. Wt., 8 lbs., 3 oz.

No. 61516 – Transmission jack adapter for GM 125/440 and Ford E4OD transmissions. Must be used with reducer adapter No. 310355 and universal transmission adapter No. 61968. Wt., 15 lbs.

1,000 lb. Capacity High-Lift Transmission Jack

- Universal mounting head provides wide fore and aft tilt range, making alignment of transmission easier.
- Foot pump and pedal release mechanism of No. 1791 gives precise control when positioning or removing a transmission.
- Adjustable nylon tie-down strap safely secures load.
- Two-stage hydraulic cylinder design speeds lifting of transmission into position for installing.
- Carries OTC's Lifetime Marathon Warranty®.

No. 1791 – High-lift transmission jack with foot pump. Wt., 118 lbs.

No. 1792 – Same features and construction as No. 1791, except it has a hand-operated integral hydraulic pump. Handle is conveniently located for precise control when removing or replacing a transmission.

Model	Max. Load Capacity	Overall Height (low pos.)	Max. Height	Max. Forward Tilt	Max. Backward Tilt	Max. Side Tilt (either side)	Leg Width
1791	1,000 lbs.	36"	73-1/2"	50°	38°	14°	40"
1792	1,000 lbs.	36"	73-1/2"	50°	38°	14°	40"



Mobile Vehicle Lift System

- Mobile, tandem system is air-operated to handle your class 7 and 8 tractor lifting needs. No need to waste time re-blocking and making additional lifts for the clearance you need for under-vehicle service. Roll the system to the vehicle anywhere in the shop or outside on a level surface.
- Unique design provides lift from the tires, not the frame or axle members. Ideal for situations where limited ground clearance or a lack of clear access complicates lifting.
- Single controller operates both sides of the system for a smooth, level lift up to two full feet from the bottom of the tires to the ground. Units can double as support stands when retention pin is inserted.
- Covered by OTC Lifetime Marathon Warranty®.

No. 1520 – Lifting system. Includes two lifts. Wt., 1,080 lbs.

Specifications	1520
Capacity	10-tons (20,000 lbs.) (pair)
Air pressure	150 PSI
Lifting range	0"-24"
Saddle width	19-1/2"-24" dia. rim sizes
Height	53-1/4"
Width	41-1/2"
Length	39-1/2"





1590



10-Ton Capacity Air Lift Jack for Trucks and Trailers

- Just roll it under a load, adjust the lifting saddles, connect an air line, and actuate. That's all it takes to lift the end of a truck or trailer. Lifting range is 13" to 52" with a 14" reach.
- Develops 10 tons of lift at 200 PSI air pressure. An automatic mechanical safety catch engages in five height positions; it must be manually released to lower the load.
- Two large swivel casters and pneumatic tires make it easy to maneuver, even on loose gravel.
- Covered by OTC Marathon Lifetime Warranty®.

No. 1590 – Air lift. Wt., 697 lbs.

Specifications	1590
Capacity	10 tons (at 200 PSI air)
Air pressure	100–200 PSI
Lifting range	13"–52"
Saddle width	29"–41-3/4"
Height	67-1/2"
Width	41"
Length	36"
Distance from lift arm to floor support	12-1/2"



1591A



10-Ton Capacity Combination Air Lift Jack and Support Stand

- Commonly used in pairs, these air-operated units are perfect for heavy-duty lifting jobs.
- Remote actuating valve and an 8 ft. air hose give you control from a distance.
- Can be used as a support stand, as well as a lift, thanks to an innovative internal design.
- Wide range of height adjustment and durable, free-rolling wheels make the jack easy to maneuver and position where it's needed.
- Covered by OTC Lifetime Marathon Warranty®.

No. 1591A – Combination air lift jack and support stand. Wt., 179 lbs.

Specifications	1591A
Capacity	10 tons (at 200 PSI air)
Minimum height (unpinned, no extension)	19-1/2"
Maximum height (pinned in top hole, with extension)	49-1/4"
Stroke	10-7/8"



222338



222337

Tractor Lift Kits

- When used with an air lift jack, these kits will raise the front end of Freightliner 120 series cab-over and conventional tractors utilizing air dam plastic bumpers and low-profile farings. Applies to 1988 through 2002 class 7 and 8 vehicles.
- Kits include extension tube and frame lifting bracket.

No. 222337 – Tractor lift kit for No. 1591A air lift jack. Wt., 61 lbs.

No. 222338 – Tractor lift kit for No. 1590 air lift jack. Wt., 54 lbs.

20-Ton Truck Ramps

- Long, retractable T-handle enhances mobility.
- Non-skid rubber matting prevents slippage during use.
- Durable, heavy-duty rubber wheels.
- Capacity per pair is 20 tons
- Covered by OTC Lifetime Marathon Warranty®.

No. 5268 – 20-ton truck ramps handle up to 10" tread width. Wt., 230 lbs./pair

No. 5269 – Wide 20-ton truck ramps handle up to 16" tread width. Wt., 312 lbs./pair

Model	Frame Height	Frame Width	Frame Length	Wheel Diameter	Handle Length
5268	9-1/4" (23.5 cm)	13-1/2" (34.29 cm)	47" (119.38 cm)	5" (12.7 cm)	33" (83.82 cm)
5269	9-1/4" (23.5 cm)	18-1/4" (46.36 cm)	47" (119.38 cm)	5" (12.7 cm)	33" (83.82 cm)



5268



5269

25-Ton Capacity Under-Axle Jack and Accessories

- Self-retracting, air-driven ram uses standard shop air. Release valve automatically applies air to retract ram.
- Low 8" minimum working height enables jack to get under any truck in the shop.
- Positioning jack is easy, even under vehicles with set-back axles, thanks to a 53" handle that locks into any of three positions, from vertical to horizontal.
- Maximum lift is 21" when used with the 3" lifting extension.
- Covered by the OTC Lifetime Marathon Warranty®. Exceeds ANSI PALD standards.

No. 5012A – Under-axle hydraulic jack with a 25-ton capacity, self-retracting ram. Includes No. 220972 – 3" lifting extension. Wt., 117 lbs.

No. 220972 – Replacement lifting extension for 5012A, 3" long and has a 1" diameter. Wt., 3 lbs., 4 oz.

No. 215009* – In-line oil lubricator. Add to air line to meter precise flow of lubricant to air motor. Has 1/4" NPT fitting. Wt., 8 oz.

Specifications	5012A
Lifting range, screw retracted	8" min. height 13-1/8" max. height
Lifting range, screw extended	12-7/8" min. height 18" max. height
Cylinder stroke	5-1/8"
Extended screw length	4-7/8"
PSI range	100-200

*Not included, order separately. Prevents harmful contamination caused by moisture in the air line!



215009



220972

Now includes No. 220972 – 3" lifting extension.

5012A



SHOP EQUIPMENT

Under-Axle Jacks

3-Stage Under-Axle Jack

Three-stage lift capacity – 71.5-, 38.5-, and 22-tons. Ideal for lifting loaded trailers, buses, and other Class 7 and 8 vehicles.

- Piston and cylinders are made from chromium molybdenum vanadium steel for durability and then liquid nitrated to prevent rust and seizing.
- Features a high load-approach speed.
- Self-retracting, air-driven cylinder eliminates manual lowering.
- 4-position handle: horizontal, 45 degrees, vertical, or collapsed.
- 7-inch minimum height for low clearance vehicles.
- Comes complete with a 3-15/16 in. (100 mm) lifting extension.
- Complies with ASME / PALD test requirements.

No. 5093A – 3-stage under-axle jack. Wt., 165 lbs.



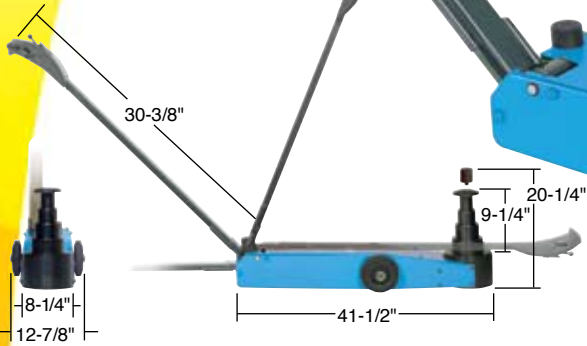
Operate hand lever to move handle to one of four positions: horizontal, 45 degrees, vertical, or collapsed for easier transport.



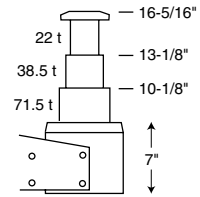
Single control switch, handy and easy to use.



A reduced width for easy access to the lifting point.



5093A
ANSI
PALD



Portable Under-Axle Jack (27.5-/11-Ton)

Ideal for roadside service – ultra low weight and integrated design – no loose tubes, handles, or valves.

- Portable – only 65 lbs.
- User friendly - control valve, steering, and carrying handle integrated into one function.
- Built-in safety valve to prevent overloading.
- Complies with ASME / PALD and CE standards.
- Hard chrome-plated piston rods for long life.
- Manually operated dead man's control.
- Comes with two extensions: 2" and 3-7/8".

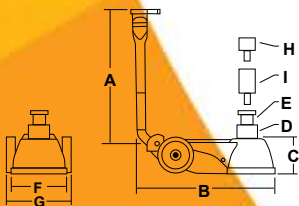
No. 5225 – Portable under-axle jack. Wt., 65 lbs.



5225
ANSI
PALD

Specifications: No. 5225

	Specifications:	No. 5225
A	Handle length	20"
B	Frame length	21-1/4"
C	Min. height	6-3/8"
D	Lifting height/capacity	9-3/16"/27.5-ton
E	Lifting height/capacity	12-1/2"/11-ton
F	Frame width	8-7/8"
G	Frame width incl. wheels	10-11/16"
H	Standard extensions	1-15/16"
I	Standard extensions	3-15/16"



No. 539288 – Transit locking device offers an option for safe storage in service trucks or in the workshop.



No. 539287 – 17-5/8" extension handle.

6-Ton and 10-Ton Air/Hydraulic Service Jacks

- Bring the versatility of air-assist operation to your shop's lifting tasks. The 10-ton model can also be operated manually, when shop air is not available.
- Huge front wheels mounted in bearings provide trouble-free service life. Rugged steel frame members.
- Rear swivel casters make spotting the jack easy. Spring-loaded handle may be locked in three positions, from horizontal to vertical.

No. 5106 – 6-ton air/hydraulic service jack.
OTC Lifetime Marathon Warranty®. Wt., 294 lbs.

No. 5110 – 10-ton air/hydraulic service jack.
OTC Lifetime Marathon Warranty®. Wt., 410 lbs.

Specifications:	No. 5106	No. 5110
Capacity	6 ton	10 ton
Air pressure	90–175 PSI	90–175 PSI
Lifting range	4-3/4" to 23-1/4"	6-1/2" to 26-5/8"
Saddle dia.	7"	7-3/8"
Overall reach	87"	93"
Frame height	8"	9-3/4"
Handle length	45"	46"



5106, 5110



4-Ton, 10-Ton, and 20-Ton Hydraulic Service Jacks

- Built of the highest quality heavy gauge steel, these jacks feature precision hydraulics for a lifetime of hard work.
- Low-profile stance and extended height add to versatility. They lift everything from cars to trucks to heavy-duty commercial vehicles. Huge metal wheels and swivel casters roll effortlessly on internal bearings.
- Either the foot pedal or jack handle may be used for pumping action. Counter-balanced, spring-assisted handle has a three-position lock.
- OTC Lifetime Marathon Warranty®.

No. 5007 – 4-ton service jack. Wt., 212 lbs.

No. 5008 – 10-ton service jack. Wt., 356 lbs.

No. 5009 – 20-ton service jack. Wt., 531 lbs.

Specifications:	No. 5007	No. 5008	No. 5009
Capacity	4 ton	10 ton	20 ton
Lifting range	5-1/2" to 26-1/2"	7" to 25-1/2"	7-1/2" to 26-1/4"
Saddle	7-7/8" dia.	9" dia.	9-1/4" sq.
Overall reach	58"	66"	69"
Frame height	5-1/2"	7"	10-1/4"
Handle length	40"	40"	40"



5007, 5008



5009



SHOP EQUIPMENT

Service Jacks, Wheel Step



NEW

5202
ANSI
PALD

5203
ANSI
PALD

Model	Capacity (tons)	Overall Length	Overall Width	Min. Height	Max. Height	Weight
5202	2-Ton	34-5/8"	14-3/6"	3"	18-1/4"	71 lbs.
5203	3-Ton	45-3/4"	14-3/6"	5-1/2"	20-3/4"	110 lbs.

2- & 3-Ton Service Jacks

Unique, innovative design featuring...

- Ergonomic handle for user comfort and easy mobility.
- CE marked – ASME/PALD tested.
- Minimum clearance of 3" (2-Ton).
- Tensile and virtually indestructible to usual impact, and bending stress.
- Demonstrate exceptional resistance to wear and tear.
- Will not damage garage floors, do not rust, and are quiet in operation.

No. 5202 – Two-ton service jack. Wt., 71 lbs.

No. 5203 – Three-ton service jack. Wt., 110 lbs.



Polyamide wheels are superior to cast wheels due to their high mechanical strength and durability.



Foot pedal for quick approach of the lifting saddle to load.



Built-in tray for fasteners and tools.

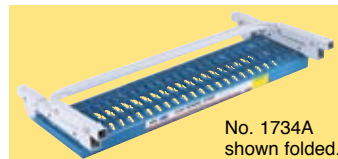


1734A

Heavy-Duty Wheel Step

- Tire-mounted wheel step provides quick, easy access to under-hood components.
- Fits heavy-duty vehicles (Class 7/8).
- Installs in seconds; adjusts to fit 22-1/2" to 24" wheel sizes and folds for easy storage.
- 300 pound capacity.
- Non-skid platform surface.

No. 1734A – Heavy-duty wheel step. Wt., 14 lbs.



No. 1734A shown folded.

2-Ton Service Jack

- The strongest jack frame in its class; features flanged edges, both top and bottom, to resist twisting.
- Sealed cylinder prevents contamination of hydraulic system.
- Conforms to ANSI PALD Part 10. Carries OTC Lifetime Marathon Warranty®.

No. 1525 – 2-ton service jack. Wt., 105 lbs.



FloorBoss™

Nylon Wheel Kit

- Can be used on OTC service jack Nos. 1525, 1717, and 1739.
- Nylon wheels will not damage the epoxy paint coating found on many shop floors.

No. 530097 – Nylon wheel kit. Wt., 4 lbs.



Jack Replacement Saddles

- Can be used on OTC service jack Nos. 1525, 1717, and 1739.
- The stem on this saddle will fit jack lift arms measuring 1" diameter. Bushing included will enable this saddle to also be used on jack lift arms of 1-5/32" diameter.
- Form-fitted saddle top is made of rubber to prevent damage to the finish of the undercarriage.

No. 529219 – Jack replacement saddles. Wt., 5 lbs.



Aluminum Racing Jack

Lifts two tons and weighs only 43 lbs.!

- Five pumps to max. height – 18".
- Low profile – 3-1/2" – makes it perfect for ground hugging, high performance cars.
- Includes side-mounted handles for quick and easy carrying.
- Made from aircraft-grade aluminum.
- Two-piece, 45" long handle snaps together for quick setup.
- Removable, rubber saddle pad protects vehicle and prevents slipping.

No. 1532 – 2-ton aluminum racing jack. Wt. 43 lbs.



ANSI PALD



Aluminum Jack Stands

- 2-ton capacity. • 10-1/4" min. height.
- 15-1/4" max. height.
- The pair weighs only 11 lbs.!
- Made from aircraft-grade aluminum.

No. 1582 – A pair of 2-ton aluminum jack stands. Wt. 11 lbs.

2-Ton Racing Jack Pack

No. 1533 – 2-ton racing jack pack. Includes 2-ton aluminum racing jack and a pair of 2-ton aluminum jack stands. Wt. 54 lbs.

Cap. (tons)	Min. Hgt.	Max. Lift Hgt.	Body Lgth.	Handle Lgth.	Saddle Dia.	Rear Wheel	Front Caster	Wt. (lbs.)
2	3-1/2"	18"	25"	45"	4-1/2"	2"	1-3/4"	43

SHOP EQUIPMENT

Jack Stands



3-Ton and 6-Ton Capacity Ratcheting Jack Stands

- These jack stands feature a formed steel frame for strength and long life, and rolled base edges that resist sinking into soft ground or asphalt.
- Recessed column saddle for acceptance of vehicle panel rail (pinch weld).
- Dual purpose handle serves as carrying handle and column release.
- Investment cast rack bar for long life strength.
- Covered by OTC Lifetime Marathon Warranty®.

No. 1733 – Pair of 3-ton jack stands. Height range of 12-1/2" to 18-1/2". Wt., 20 lbs., 1 oz.

No. 1736 – Pair of 6-ton jack stands. Height range of 15-1/2" to 24-1/2". Wt., 44 lbs., 4 oz.



12-Ton Capacity Low and High Jack Stands

- Spun steel base won't dig or sink into asphalt or sand. Covered by OTC Lifetime Marathon Warranty®.

No. 1778A – 12-ton low jack stand. **One only.** Height range of 19" to 29-1/2". Wt., 32 lbs., 8 oz.

No. 1779A – 12-ton high jack stand. **One only.** Height range of 33-3/4" to 44-1/4". Wt., 40 lbs., 8 oz.

No. 53871 – Extension tube for low jack stand. Wt., 8 lbs., 8 oz.

No. 53872 – Extension tube for high jack stand. Wt., 16 lbs.



Heavy-Duty 20-Ton Capacity Adjustable Support

- Designed for the really big service jobs. Rugged steel construction, and large 15-1/2" square base will satisfy support requirements up to 40,000 lbs.
- Features include 4-point adjustment. Height range is 15-1/4" to 24". Saddle diameter is 6".
- Covered by OTC Lifetime Marathon Warranty®.

No. 1783 – Adjustable support stand. **One only.** Wt., 54 lbs.



10-Ton Capacity Ratcheting Jack Stands (pair)

- These ratcheting jack stands are highest quality steel and factory tested to ANSI PALD standards.
- The form-fit saddle design and 12" x 14" base ensures stability.
- Height range is 20" to 31-1/2".

No. 1774B – 10-ton capacity ratcheting jack stands (pair) Wt., 82 lbs

4,000 lb. Capacity Underhoist Tripod Stand

- Ideal for undercar maintenance. An ACME take-up screw precisely positions and secures the support stand in place.
- Height range of 65-3/4" to 74-5/8".

No. 1781A – Tripod stand. Wt., 28 lbs.

Truck Clutch and Flywheel Handler – Low Clearance

- Open stance for ease of access to the work. Unique, patented linkage design raises the load from horizontal to vertical as the pump is cycled. This eliminates any lifting of the clutch by the operator.
- Handles 14" and 15-1/2" clutch assemblies weighing up to 250 lbs. Swivel casters provide easy maneuverability. Includes a 2" splined shaft with a 1-1/4" pilot to aid in alignment.
- 360° swivel head.
- Minimum height of 15" allows access below side faring.
- When raised, centerline of clutch will be 38-1/4" off floor.
- Floor space is 32-3/8" long by 24-1/2" at widest point.
- Makes the task an easy, one-person job.

No. 5018 – Truck clutch handler – low clearance.
Wt., 125 lbs.

Optional Accessories:

No. 516160 – Flywheel handling attachment for use on No. 5018 only. Wt., 5 lbs., 11 oz.

No. 515686 – Splined shaft, 1-3/4" dia. with 1-1/4" pilot. Wt., 5 lbs., 7 oz.

No. 516159 – Splined shaft, 1-3/4" dia. with 1" pilot. Needed for clutch service on some Navistar 466 series engines. Wt., 5 lbs., 7 oz.

No. 506981 – Replacement handle.



Truck Clutch and Flywheel Handler

- Handles 14" and 15-1/2" clutch assemblies weighing up to 150 lbs. Lifting range of 9" to 37". Swivel casters provide easy maneuverability. Includes a 2" spline shaft with a 1-1/4" pilot to aid in alignment.
- Makes the task an easy, one-person job.
- Covered by OTC Lifetime Marathon Warranty®.

No. 5015A – Clutch and flywheel handler.
Wt., 95 lbs., 3 oz.

No. 218174 – Flywheel handling attachment for use on No. 5015 only. Wt., 5 lbs., 13 oz.

No. 48625 – Optional splined shaft, 1-3/4" dia. with a 1-1/4" pilot. Wt., 5 lbs., 7 oz.

No. 440533 – Optional splined shaft, 1-3/4" dia. with a 1" pilot. Needed for clutch service on some Navistar 466 series engines. Wt., 5 lbs., 7 oz.

No. 314386 – Optional 1-3/4" dia. alignment shaft extension. Used for 2-plate clutch of Navistar 466 series engine. Wt., 2 lbs., 12 oz.

No. 207050 – Replacement swivel caster wheel.

No. 310945 – Replacement bottle jack assembly.



SHOP EQUIPMENT

Wheel & Drum Service



Adapter



Adapter Set

Back Buddy™ II

Takes the strain and pain out of wheel-end work, enabling mechanics to easily—and safely—remove, transport, service, and install heavy truck brake drums and hub assemblies.

- Fast-motion ratcheting jack with a 14" vertical lift.
- Floor space dimensions are 24" by 34" and total height is 49".
- Pneumatic rear tires roll smoothly across any shop floor.
- Tilting mechanism to achieve the exact angle necessary for precise reassembly.
- Fold-down handle for open access to the work area.
- Onboard lube tray and toolbox.
- An array of optional adapter sets capable of grabbing almost any truck hub assembly or brake drum, inboard or outboard.

No. 513926 – 10 stud inboard hub & drum assemblies – 335 mm.

No. 513927 – 10 hole outboard drums – 3/4" thick back plates

No. 5090 – Back Buddy™ II. Wt., 115 lbs.

Truck Hub / Brake Drum Adapter Sets (sold separately)

No. 513926 – 10 stud inboard hub & drum assemblies – 335 mm

No. 513927 – 10 hole outboard drums – 3/4" thick back plates

No. 513925 – 5 & 6 spoke wheels

No. 514644 – 8 stud inboard hub & drum assemblies

No. 514645 – 8 hole outboard drums

No. 514646 – 6 stud inboard hub & drum assemblies

No. 514647 – 6 hole outboard drums

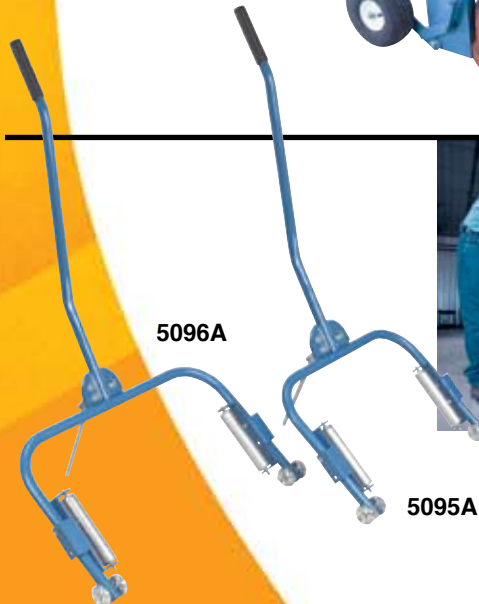
No. 514648 – Humvee/Hummer geared hubs



Brake Drum Dolly

- Removes, installs, and transports truck brake drums without physically lifting them.
- Works on all 15" and 16-1/2" drums found on most class 7 and 8 tractor and trailer brake systems.
- 5" height adjustment (13" to 18") aids installation.
- Heavy-gauge steel construction, 10" pneumatic tires, and telescoping, adjustable handle, which adjusts from 37" to 55".
- OTC Lifetime Marathon Warranty®.

No. 5017 – Brake drum dolly. Wt., 52 lbs.



Easy Lever Wheel Dollies

Gives technicians the leverage they need to easily remove or install truck tire-and-wheel assemblies.

- Heavy-duty construction capable of toting 300 pounds.
- Onboard rollers that make stud-hole alignment a snap.
- Spring-loaded kickstand for handy parking.
- Rugged tubular steel construction.
- Two models that, together, can accommodate tire diameters from 24 to 48 inches.

No. 5095A – Easy Lever wheel dolly. With a width of 22", this dolly handles tire diameters of 24" to 36". Wt., 20 lbs.

No. 5096A – Heavy-duty Easy Lever wheel dolly. With a width of 26", this dolly handles tire diameters of 36" to 48". Wt., 20 lbs.

Wheel Mate™

Enables truck technicians to easily remove, install, rotate, and transport single tire-wheel assemblies.

- Internal ratcheting jack with 14 inches of vertical travel —almost a foot higher than conventional dollies.
- U-shaped chassis that provides close, unhindered access to work area.
- A design that accommodates—and securely holds—almost any truck wheel, including wide-based singles, without restraining chains.
- Heavy-duty ball-bearing wheels mounted under ball-bearing swivel casters for maximum maneuverability.
- Foot-operated wheel lock.
- Rugged structural steel tubing construction that meets the demands of the toughest shop environments.

No. 5100 – Wheel Mate™. Wt., 120 lbs.



Truck Dual Wheel Dolly

- Remove, transport, and replace dual wheel and tire assemblies without strain or struggle. 1,500 lb. capacity and 3-1/2" swivel casters provide easy maneuverability.
- No. 1770A hydraulic jack provides 0 to 5" of lift and tilts wheel assembly 4° to prevent damage to wheel seal.
- Floor space is 45" by 41".
- Includes a 6' support chain to hold load in place.

No. 1770A – Truck dual wheel dolly. Wt., 165 lbs.

1770A



High-Lift Dual Wheel Dolly

- Effortless air-powered hydraulic lift system for a variety of applications.
- 1,500 lb. capacity.
- 0 to 42" lifting range.
- Six-inch lateral adjustment.
- Tilt adjustment of +15° to -8° ensures easy alignment.
- Features four swivel casters, two locking, for enhanced mobility.

No. 5105 – High-lift dual wheel dolly. Wt., 360 lbs.



5105

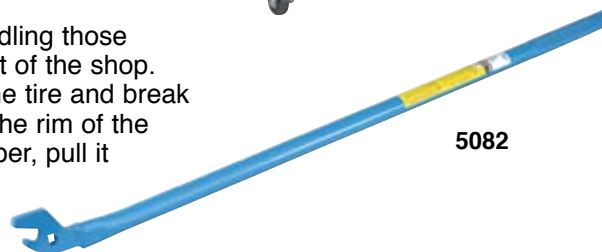


Wheel Tipper

This heavy-duty wheel tipper makes handling those hard-to-manage truck tires easy, in or out of the shop. To use the wheel tipper, simply deflate the tire and break the bead, then hook the wheel tipper to the rim of the wheel. With both hands on the wheel tipper, pull it towards you.

- Designed for both aluminum and steel wheels.
- Reduces back strain when tilting deflated wheel assemblies for maintenance – won't damage wheel rim.

No. 5082 – Wheel tipper. Wt., 7 lbs.



5082



SHOP EQUIPMENT

Blade Buddy, Fork Lift Jack & Transfer Tanker

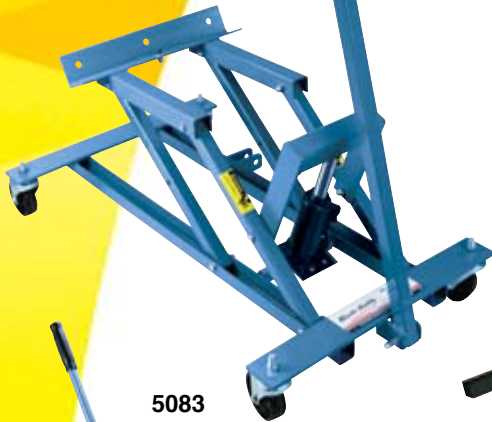


Blade Buddy™

Handles cutting edges on plows and motor graders.

- Replacing the cutting edges of front, wing, or underbody plows is now done with speed and ease. Greatly reduces the risk of back injury and the workers' comp claims which can result.
- One person can bring heavy, awkward cutting edges to the plow and raise them into position easily with the built-in, 4-ton capacity hydraulic jack. Handles cutting edges from three to 12 feet in length, weighing as much as 140 lbs.

No. 5083 – Blade Buddy. Wt., 80 lbs.



5083



223171

Specifications:

No. 5083

Minimum cradle height

5-1/4"

Maximum cradle height

19"

Floor space

24-1/2" x 41"

No. 223171 – Cutting edge extension adapter. This 60" extension bolts onto the Blade Buddy. Accommodates a 10-ft. or 12-ft. long cutting edge and up to three 4-ft. pieces. Wt., 40 lbs.

4-Ton Capacity Fork Lift Jack

- 8,000 lb. capacity with a low starting height of 2-1/4".
- Two-position lift pad permits handling of all lift truck configurations with flat or edged surfaces.
- Minimum low lift: 2-1/4". Maximum high lift: 16".
- Features include high-quality seals, chrome-plated internal components, and high-strength steel construction.

No. 5014 – 4-ton fork lift jack. Wt., 68 lbs.



ANSI
PALD

5014

Transfer Tanker

- Draining oil from a large displacement engine and getting it to your bulk storage container is a snap with OTC's Transfer Tanker on your team.
- Used oil is collected in a reservoir, and then rolls smoothly on 4" free-wheeling casters to your storage location.
- Pump moves five gallons a minute through the 8-foot transfer hose to the a 15-gallon reservoir.
- Handle is removable for easy storage.
- Screen attached to reservoir allows assembly to be stored on its side.
- Can also be used for transferring antifreeze.

No. 5077 – Low profile Transfer Tanker is only 7-1/2" from floor to top of reservoir. Comes equipped with an electric pump (No. 528093). Wt., 49 lbs.

No. 5097 – Low profile Transfer Tanker is only 7-1/2" from floor to top of reservoir. Comes equipped with a pneumatic pump (No. 529966). Wt., 49 lbs.



5097

10-Ton Capacity, Air-operated Automotive Oil Filter Crusher

- Crushes up to four automotive filters (3-7/8" dia. x 9" high) at one time, in approximately 20 seconds. Engineered and built for dependable operation. Covered by OTC Lifetime Marathon Warranty®.
- 100% air operation eliminates electrical connections. Generous size of crushing chamber easily accommodates the largest automotive spin-on filters.
- Includes mounting stand. No wall mounting or time consuming installation required.

No. 1821 – Oil filter crusher. Wt., 245 lbs.

Why crush your used oil filters?

- EPA standards for landfills and hazardous waste are becoming tougher and tougher...crushing filters and collecting the used oil helps your firm comply to avoid a fine and a negative image.
- Crushing eliminates the need for costly TCLP testing of wastes, which may otherwise be necessary for disposal in a landfill.
- Reducing the size of the filter helps reduce your trash removal costs. In some locations, crushed filters can be recycled as scrap metal.



25-Ton Capacity Press Accessory Automotive Oil Filter Crusher

- Works with any 25-ton or smaller shop press, removing 95% of the oil from pre-drained filters.
- Crushes most filters to just 1/4 of their original size. Works on most automotive and light truck filters, up to 6" long and 4" in diameter. Covered by OTC Lifetime Marathon Warranty®.

No. 1874 – Press accessory oil filter crusher. Includes adjustable press plate, shield, and drain hose. Wt., 32 lbs.



25-Ton Capacity Automotive Oil Filter Crusher

- Crushes most automotive and light truck filters up to 6" long.
- Automatic cycle feature: load the filter, push a button, and walk away. Includes air/hydraulic pump that works on standard shop air. No electrical components needed.
- Removes 95% of the residual oil from a pre-drained filter, and crushes filter to 1/6 of original size. Covered by OTC Lifetime Marathon Warranty®.

No. 1875 – Oil filter crusher with air/hydraulic pump. Wt., 104 lbs.

No. 1876 – Optional floor stand for No. 1875. Wt., 40 lbs.





1877

25-Ton Capacity Heavy-Duty Oil Filter Crusher

- Handles the big filters (up to 6" dia. and 12-1/2" long) found in trucks, construction equipment, farm implements, etc. May also be used for automotive and light truck filters. It does it all!
- Crushes filters to 1/4 of original size, removing up to 95% of filter's oil capacity. Automatic cycle feature: load the filter, push a button, and walk away.
- Air/hydraulic pump works on standard shop air (requires 9 CFM at 100 psi). Special valving returns ram automatically at the end of each cycle. No electrical connections needed.
- Built-in floor stand (completely assembled). Whole unit requires just 5 square feet of floor space.
- Covered by OTC Lifetime Marathon Warranty®.

No. 1877 – Oil filter crusher with stand. Wt., 242 lbs.



1896

25-Ton Capacity High-Speed Heavy-Duty/Automotive Oil Filter Crusher

- Automotive and heavy-duty filters up to 15-1/4" long and 6" diameter are crushed in approximately 8 to 16 seconds. Filters are reduced to 20% of original size, with 95% of residual oil removed.
- Automatic cycle feature lets you load the filter, push a button, and walk away.
- Powered by 2 hp electric/hydraulic pump, 230 volt, 20 amp, 60 cycle, single phase, 3,450 rpm. Has a 2-gallon reservoir.
- Built-in, heavy-duty floor stand with leveling pads is designed to accept a 30-gallon drum for oil drainage. Comes assembled. Covered by OTC Lifetime Marathon Warranty®.

No. 1896 – Oil filter crusher. **Shipped assembled.** Wt., 363 lbs.



Note: Crushing times are approximate; crushing times may vary depending on air pressure available, size of filter, type of filter, etc.

Oil Filter Crusher Comparison Chart

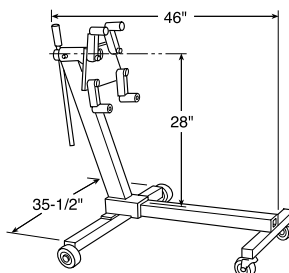
No.	Tonnage	Pump	Crushing Time	% Oil Removed	Filter Size	Stand Dimensions
1821	10-ton	Air	20 Seconds	95%	Chamber: 8" x 8" x 9" H.	18 1/2" W x 24" D x 63 1/2" H
1875	25-ton	Air/Hyd.	49 Seconds	95%	4 1/2" Dia. - 6" Long	18 1/2" W x 24" D x 63 1/2" H
1877	25-ton	Air/Hyd.	80 Seconds	95%	6" Dia. - 12 1/2" Long	18 1/2" W x 30" D x 74 1/2" H
1896	25-ton	Elec./Hyd.	16 Seconds	95%	6" Dia. - 15 1/4" Long	27" W x 30" D x 78" H

1,000 lb. Capacity Engine Stand

- A timesaver for passenger car and light truck engine rebuilding or repair. Four adjustable attachment arms make engine mounting fast and easy.
- Engine can be rotated a full 360° with a turn of the handle; a locking pin secures the work in any of eight positions.
- Two rear wheels lock tightly to anchor the stand in place.
- Easy one-bolt disassembly for transport of stand.
- Covered by OTC Lifetime Marathon Warranty®.

No. 1726 – Engine stand. Wt., 96 lbs.

No. 60796 – Drip pan (ABS material) for No. 1726. Wt., 3 lbs., 3 oz.



1726



60796



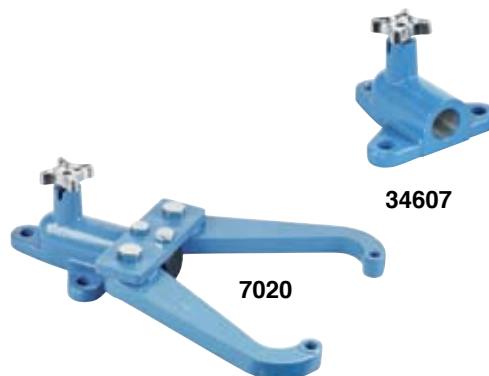
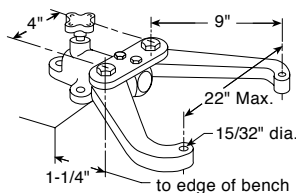
Model	Capacity	Height To Center Line	Length	Width	Wheel Diameter	Front Wheels	Back Wheels	Handle Length
1726	1,000 lbs.	28"	46"	35-1/2"	3-1/2"	Swivel Caster	Fixed	24"

Bench-Mounted Holding Fixture

Holds and positions small engines, transmissions, rear axle differentials, etc., leaving both hands free for work! With load correctly positioned, any component weighing 250 lbs. or less may be safely rotated 360° with positive stops at 90° increments. Movable arms can be removed when not in use.

No. 7020 – Bench-mounted holding fixture. Wt., 10 lbs., 13 oz.

No. 34607 – Base assembly. Wt., 2 lbs., 8 oz.



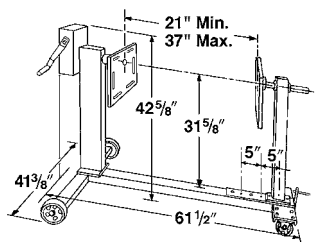
34607

7020

2,000 lb. Capacity Heavy-Duty Motor-Rotor® Repair Stand

- Handles a wide variety of engines, transmissions, torque converters, and rear axles from trucks, tractors, and construction machinery.
- Twin-post design, featuring laterally adjustable, 3-position outboard support; provides an extremely stable work-holding unit.
- The 50:1 ratio gearbox allows full rotation of mounted unit with just a turn of the crank and locks in position. Easily maneuvered when loaded.
- Locking rear wheels anchor stand in position.
- Covered by OTC Lifetime Marathon Warranty®.

No. 1735 – Motor-Rotor® repair stand. Wt., 265 lbs.



1735



SHOP EQUIPMENT

Engine Support Bar & Stand



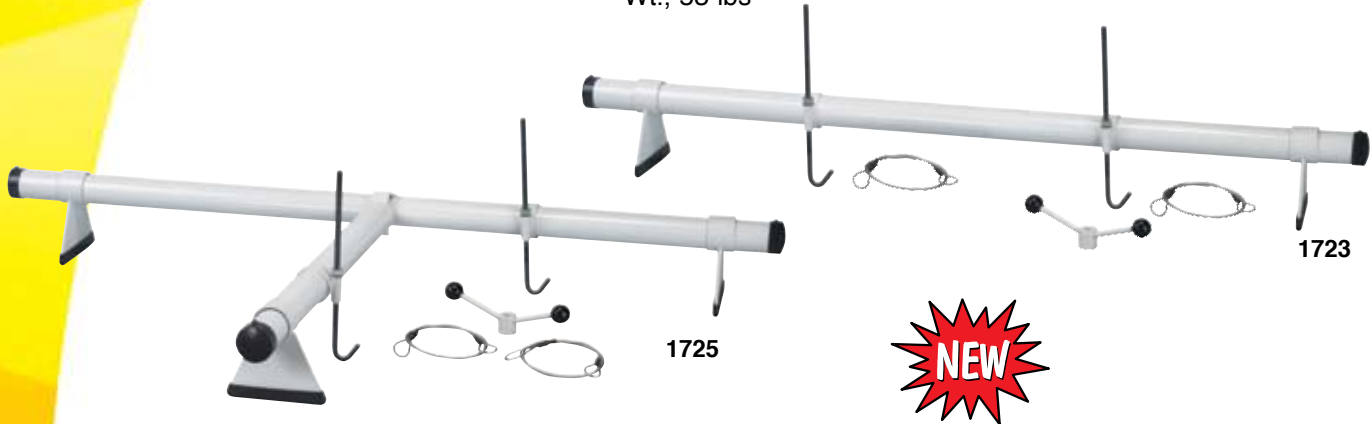
Engine Support Bars

Unique, innovative design featuring...

- Cutting edge, patent pending design self-centers load to prevent tipping on inclined surfaces.
- Smooth sliding legs adjust easily to different vehicle widths.
- PVC-coated support legs don't scratch vehicle surfaces.
- "Quick Connect" third-point bar (No.1725) makes setup a snap.
- Spinner handle enables lightning fast adjustment.

No. 1723 – Engine support bar (2-Point), 500 lb. capacity. Wt., 37 lbs.

No. 1725 – Engine support bar (3-Point), 700 lb. capacity. Wt., 53 lbs



1750A



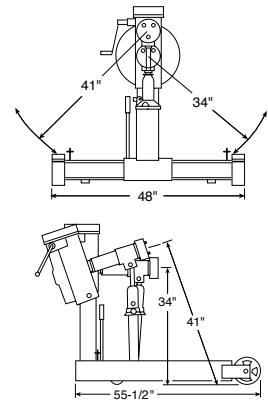
6,000 lb. Capacity Revolver® Diesel Engine Stand...handles the Big Ones!

- Rotating even a 6,000 lb. diesel engine is easy; a 96:1 ratio worm and gear set does the job. The crank handle can be locked in any position. Covered by OTC Lifetime Marathon Warranty®.
- Integral 12-ton jack raises the work to provide the swing radius needed for clearance. Two front wheels and two rear casters provide mobility.

- Universal adapter assembly permits use with a wide variety of mounting plates for Caterpillar, Cummins, Mack, IH, and Detroit in-line or "V" series diesel engines, as well as Allison transmissions.

No. 1750A – Revolver diesel engine stand with No. 205061 universal engine adapter assembly. Wt., 722 lbs.

No. 1750 – Engine stand without universal engine adapter assembly. Wt., 626 lbs.



Revolver® Engine Adapter Plates

You can order only those plates you need for the engines you work on. The universal adapter assembly is required for mounting all plates to the stand.

No. 205061 – Universal Adapter Plate Assembly. Included with 1750A engine stand. (Must be used with all plates below.) Wt., 110 lbs.

Detroit Diesel

No. 205058* – For Detroit engines: 53 series in-line 6 cyl., 6V & 8V; 71 series in-line 6 cyl., 6V, 8V, & 12V; 92 series 6V & 8V; 8.2 liter V-8. Wt., 61 lbs., 8 oz.

No. 52871* – For coach 6V and 8V series 71 Detroit Diesel. Wt., 55 lbs.

No. 218504* – For Detroit series 60 in-line 6-cylinder engines. Wt., 38 lbs.

Detroit Allison

No. 208160* – Allison transmission mounting plate for transmission Nos. AT500, MT600, MT 6-speed, VH, VS, and V730. Wt., 26 lbs., 13 oz.

No. 61373* – Allison transmission adapter plate for transmission series HT-750, CLB, HT-740D, CR/DR, and HT-750CT. Wt., 42 lbs.

Cummins

No. 205059* – For Cummins engines: All NH, NTC, NTE, N14 855 series in-line 6 cyl; 378 series V6; 504, 555, & 903 series V8; KT 1150 series in-line 6 cyl., L10. Wt., 59 lbs.

No. 61405* – For Cummins L-10 and M11 series engines. Plate attaches to the left side of engine for complete teardown. Wt., 85 lbs.

Cummins

No. 218098* – For Cummins "B" series 5.9L in-line 6 cyl. engines. Wt., 15 lbs., 10 oz.

No. 218099* – For Cummins "C" series 8.3L in-line 6 cylinder engines. Wt., 41 lbs.

Caterpillar

No. 205060* – For Caterpillar engines: Nos. 1673, 1674, 1693, 3306, & 3406 in-line 6 cyl.; Nos. 1100, 3208, 3408 V8 and 3406E. Wt., 72 lbs.

No. 217687* – For Caterpillar 3114, 3116, and 3176 in-line 6 cylinder and C12 engines. Wt., 48 lbs., 3 oz.

Mack

No. 205101* – For Mack engines: All 672, 673, 675, & 711 series in-line 6 cyl. Wt., 68 lbs.

No. 206629* – For Mack engines: V8 1000, E6, & E7 in-line 6 cyl. Wt., 42 lbs., 13 oz.

No. 528854* – For Mack E3, E5, & Midliner. Wt., 50 lbs.

No. 528858* – For Mack 865, and 868. Wt., 62 lbs.

International Harvester

No. 206386* – For International Harvester engines: DT-466, DT-360, DT408, and 530 in-line 6 cylinder; DV-550, MV-404, MV-446, V304, V345, V392, 4-152, 4-196, 4-194; 9.0 liter and T444E V8; and Ford 6.9L, and 7.3L DIT. Wt., 61 lbs., 13 oz.

No. 528856* – For IH300 & 400 Series. Wt., 59 lbs.

No. 528857* – For IH BC144, BD154, C200, D155A, D179, D239, D310, D361. Wt., 41 lbs.

No. 528867* – For International 1313. Wt., 40 lbs.

No. 528868* – For International VT365. Wt., 30 lbs.

Ford

No. 61681* – For mounting Ford 6.6L/7.8L engines. Wt., 63 lbs.

No. 206386* – For Ford 7.3 engines. Wt., 60 lbs.

Volvo

No. 528853* – For Volvo TD67 and TD71 engines. Wt., 49 lbs.

Isuzu

No. 528855* – For Isuzu HE1-TC. Wt., 38 lbs.

John Deere

No. 528859* – For JD 400 and 500 engines. Wt., 132 lbs.

No. 528860* – For JD 300 engines. Wt., 39 lbs.

No. 528861* – For JD Powertech 4.5L & 6.8L. Wt., 40 lbs.

No. 528862* – For JD Powertech 2.4L & 3.0L. Wt., 23 lbs.

No. 528863* – For JD 8995 V6, must be used with 528859.

Case

No. 528865* – For Case 148 & 207 series & 251 to 504 series.

*NOTE: Must be used with No. 205061 univ. adpt. plate assembly. Each engine mounting plate includes all the necessary hardware and an engine application chart.



205061 – Universal Adapter Plate Assembly



205058 Detroit



52871 Detroit



218504 Detroit



208160 Allison



61373 Allison



205059 Cummins



61405 Cummins



218098 Cummins



218099 Cummins



205060 Caterpillar



217687 Caterpillar



205101 Mack



206629 Mack



528853 Volvo



206386 International Harvester, Ford



61681 Ford 303-DO61 (Same as D87T-6000-A)



528855 Isuzu



528857 IH



528854 Mack



528859 John Deere



528861 John Deere



528856 IH



528862 John Deere



528863 John Deere



528867 International



528860 John Deere



528868 IH

SHOP EQUIPMENT

Car Dollies, Floor Cranes



1572

Car Dolly (pair)

- Innovative patent-pending design — clamps directly to pinch welds to prevent slippage during use.
- Independent units eliminate the need to adjust dolly width for different vehicle designs.
- Each unit has an independently adjustable threaded lift saddle with rubber pads to protect the vehicle frame.
- Universal design for use on all vehicle types without additional adapters.
- Provides easy movement of FWD vehicle after removal of drive train.
- The material on the 5" casters is polypropene.
- Each unit has 1,800 lbs. capacity (3,600 lbs., pair) with low height of 9" and high of 14".
- May be used with or without tires on vehicle.

No. 1572 – Car dolly (pair). Wt., 85 lbs.



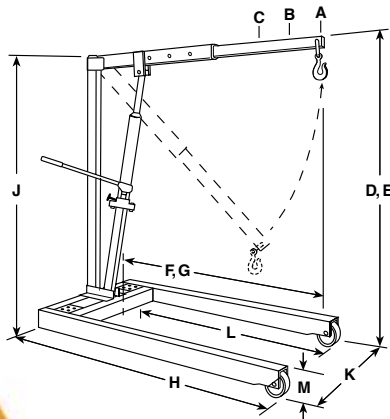
1807



1,000 lb. Capacity Mobile Floor Crane

- Innovative “auto-lock” positioning system allows you to raise boom by hand into any position without using the hydraulic pump. Covered by OTC Lifetime Marathon Warranty®.
- Hydraulic jacking power provides fast engine removal and replacement; tele-scopic boom extension reaches even the engines in vehicles with protruding energy-absorbing bumpers.

No. 1807 – 1,000 lb. capacity fixed-leg crane with hydraulic lifting jack, grab hook and safety eye hook for lifting chain (chain not included). Wt., 194 lbs.



	Specifications	1807
A	Maximum capacity, boom extended	600 lbs.
B	Max. capacity, boom in center	750 lbs.
C	Maximum capacity, boom retracted	1,000 lbs.
D	Maximum boom height, boom extended	112"
E	Minimum boom height, boom extended	23"
F	Effective boom reach (extended)	51-1/2"
G	Effective boom reach (retracted)	40-1/2"
H	Overall length	65-1/2"
J	Overall height, boom horizontal	64-1/2"
K	Outside leg width (fixed)	32"
L	Inside leg length (fixed)	54-3/4"
M	Leg height	5-3/4"

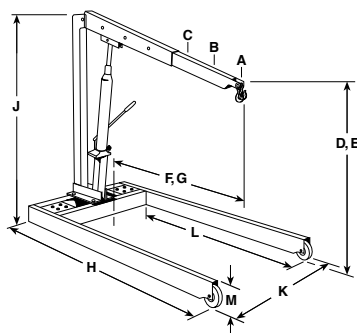
2,200 lb. Capacity Mobile Floor Crane

- The "auto-lock" positioning feature allows you to lift the boom into position without using the hydraulic pump. Telescoping boom provides extra reach (65-1/2") and height (127").

Specifications	1815
A Maximum capacity, boom extended	1,300 lbs.
B Maximum capacity, boom in center	1,700 lbs.
C Maximum capacity, boom retracted	2,200 lbs.
D Maximum boom height, boom extended	127"
E Minimum boom height, boom retracted	21"
F Effective boom reach, boom extended	65-1/2"
G Effective boom reach, boom retracted	42-1/2"
H Overall length	83-1/2"
J Overall height, boom horizontal	69"
K Outside leg width	40"
L Inside leg length	67"
M Leg height	6"

- A full "metric ton" of lifting power at a very attractive price.

No. 1815 – 2,200 lb. capacity fixed-leg crane with hydraulic lifting jack. Lifting chain not included. Wt., 429 lbs.



1815
ANSI
PALD

2,200 and 4,400 lb. Capacity Heavy-Duty Floor Cranes

- To conserve valuable floor space, crane folds into a compact package for storage.
- For "close-in" work, leg spread adjusts to clear vehicle's wheels, telescoping boom extension gives additional reach. Roller bearing mounted wheels and steering dolly provide ease of mobility.
- A two-speed hydraulic hand pump provides fast boom travel; descent of boom is under precise control of operator.

No. 1819 – 2,200 lb. capacity crane. Has hydraulic hand pump and 16-7/8" lifting chain. Wt., 454 lbs.

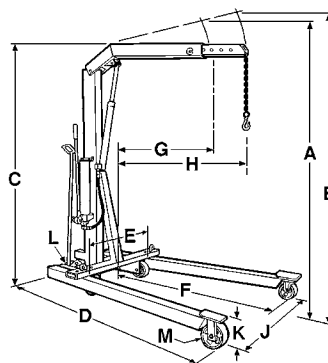
No. 1820 – 4,400 lb. capacity crane. Has hydraulic hand pump and 18-3/8" lifting chain. Wt., 618 lbs.

Specifications	1819	1820
Cap., boom retracted	2,200	4,400
Cap., boom extended	1,650	3,300
A Max. boom height, boom retracted	107"	111"
B Max. boom height, boom extended	117"	122"
C Overall height, boom horizontal	80"	82"
D Overall length	83"	89"
E Minimum throat width	24"	25"
F Inside leg length	54"	57-1/2"
G Effective boom reach (retracted)	33"	35-1/2"
H Effective boom reach (extended)	48"	50-1/2"
J Inside leg width (3-position)	24" 36" 48"	26" 40" 52-1/2"
K Leg height	8"	9-1/2"
L Dolly wheel diameter	5"	5"
M Wheel diameter	6"	8"
Height, folded	79"	86"
1819 Floor space folded	27" x 38"	
1820 Floor space folded	31" x 42"	



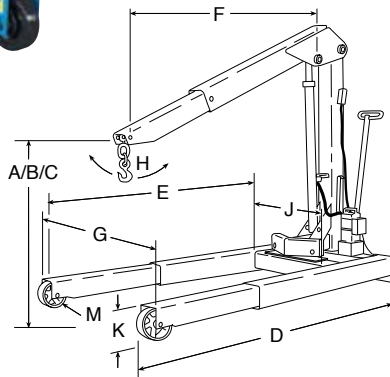
1819, 1820

ANSI
PALD



SHOP EQUIPMENT

Floor Cranes



6,000 lb. Capacity Heavy-Duty Mobile Floor Cranes

- Three boom positions give capacities of 4,000, 5,000, and 6,000 lbs. to handle the biggest engines, and often the transmission right along with the engine! Usable reach is almost 92".
- Boom swivels for vertical and lateral positioning; legs extend to straddle the biggest tires.

No. 1814 – 6,000 lb. capacity crane with electric/ hydraulic pump (115V) with remote motor control. Wt., 1,250 lbs.

No. 1813 – 6,000 lb. capacity crane with two-speed hydraulic hand pump. Wt., 1,215 lbs.

Boom Capacity (lbs.) Description	Extended 4,000	Centered 5,000	Retracted 6,000
A Maximum boom height	161-7/8"	150-11/16"	139-1/2"
B Minimum boom height	6"	17-3/8"	28-3/4"
C Overall height (boom horizontal)	87"	87"	87"
D Overall length*	129-1/8"	113-7/8"	98-1/4"
E Inside leg length	91-11/16"	76-1/8"	43-1/4"
F Effective boom horizontal reach	94-1/4"	78-3/4"	63-1/4"
G Outside leg width**	59-3/4"	57-3/4"	55-3/4"
H Boom swing	36"	31"	26"
J Inside leg width		35-3/4"	
K Leg height		9-1/16"	
M Wheel diameter		8"	
Dolly wheel diameter		5"	

* Legs in storage position: 80-7/8"*** Legs in storage position: 53-1/2"



Load-Rotor® Positioning Slings

- Use with a floor crane. Engine, transmission, or other component is tilted or leveled by turning sling's 5/8" hex drive end with a common speed handle and socket.
- Makes engine removal and installation a snap, even in close quarters.
- For use with floor cranes only; not to be used with overhead hoists or lifts.

No. 1805 – 2,000 lb. capacity Load-Rotor®. Has 56-1/2" long chain (1/4") and hook assembly with forged swiveling hook on each end. Pair of special lifting brackets included. Wt., 11 lbs., 13 oz.

No. 1806 – 4,000 lb. capacity Load-Rotor®. Has 65-3/4" long chain (5/16") and hook assembly with forged hook on each end. Pair of special lifting brackets included. Wt., 27 lbs.



Lifting Brackets

- Attach directly to component for easy lifting; will take 1/2" diameter bolts.

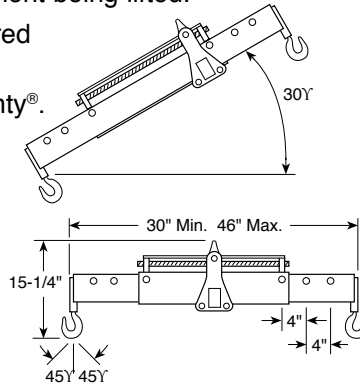
No. 7100 – Pair of lifting brackets, 4,000 lb. capacity. Wt., 3 lbs., 3 oz.

Load-Rotor® Positioning Sling

- Carriage on main support beam moved by turning lead screw manually or with air-powered tools. This permits fine adjustment of the tilt angle of component being lifted.
- Spreader bar adjustment secured with locking bolts.
- OTC Lifetime Marathon Warranty®.

No. 1812 – 6,000 lb. capacity Load-Rotor® positioning sling. Distance between hooks is 30" to 46". Chain grade is 80. Wt., 69 lbs.

No. 1822 – 10,000 lb. capacity Load-Rotor® positioning sling. Distance between hooks is 36" to 56". Chain grade is 80. Wt., 117 lbs.



Lifting Chains for Floor Cranes

- For use with floor cranes only; not recommended for overhead hoists or lifts.
- No. 38839** – 1/4" steel chain, 56-1/2" long, 2,000 lb. capacity. Has safety hook on both ends. Use with No. 205049. Wt., 4 lbs., 10 oz.
- No. 38840** – 5/16" steel chain, 65-3/4" long, 4,000 lb. capacity. Has safety hook on both ends. Use with No. 205050. Wt., 5 lbs.
- No. 31609** – 1/4" steel chain, 56-1/2" long, 2,000 lb. capacity. With swiveling safety hooks on both ends. Use with No. 1805. Wt., 3 lbs.
- No. 31800** – 5/16" steel chain, 65-3/4" long, 4,000 lb. capacity. With swiveling safety hooks on both ends. Use with No. 1806. Wt., 5 lbs.

Alloy Chains for Overhead Lifts and Hoists

- No. 302249** – 3/8" alloy chain, 28-3/8" long, 6,000 lb. capacity. With safety hook on one end. Wt., 7 lbs.
- No. 302941** – 5/16" alloy chain, 26-13/16" long, 4,000 lb. capacity. With safety hook on one end. Use on No. 1812. Wt., 6 lbs.
- No. 533473** – 9/32" grade 80 alloy chain, 60" long, 3,000 lb. capacity. With safety hook on both ends. Wt., 8 lbs., 10 oz.
- No. 533474** – 5/16" grade 80 alloy chain, 71" long, 5,000 lb. capacity. With safety hook on both ends. Wt., 14 lbs.



Heavy-Duty Adjustable Slings

- For lifting and positioning engines, transmissions, etc. Each chain can be adjusted independently for length; plate design enables chain to be "short-hooked" for correct tilt.
- No. 205049** – 2,000 lb. capacity sling with 1/4" chain, 56" long. Wt., 7 lbs., 3 oz.
- No. 205050** – 4,000 lb. capacity sling with 5/16" chain, 65" long. Wt., 10 lbs., 10 oz.
- No. 38841** – Plate only, use with any 1/4" or 5/16" alloy steel chain. Wt., 2 lbs., 2 oz.



SHOP EQUIPMENT

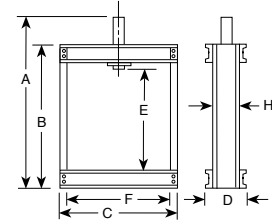
Bench & Floor Presses



1884

10-Ton Capacity Bench Press

- Ideal for hundreds of small pressing jobs, including the repair of electric motors and armatures, and the removal and installation of gears, bearings, and other press-fit parts.
- Provides a 15-3/8" x 22" working area. Hydraulic power is supplied by a No. 4004 two-speed OTC hydraulic hand pump, complete with hose and fittings.
- OTC 10-ton single-acting hydraulic ram has a 10-1/8" stroke.
- Press bench space is 7-1/4" x 25-1/4"; overall height is 33-3/4".



No. 1884 – Bench press.
Wt., 91 lbs.

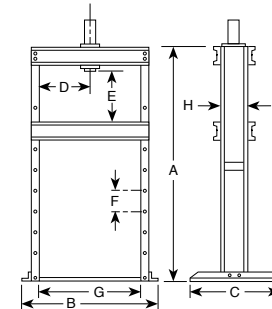
A	B	C	D	E	F	H	Bench Space
33-3/4"	24-3/4"	25-1/4"	7-1/4"	15-3/8"	22"	4"	7-1/4" x 25-1/4"



1887

10-Ton Capacity Press

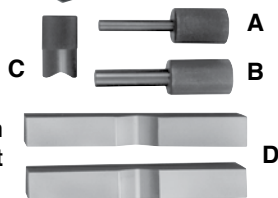
- Adjustable press bed height of 6" to 36" with a width between the uprights of 22" to handle bulky pressing jobs.
- No. 4004 two-speed hydraulic hand pump, complete with hose and fittings.
- OTC 10-ton hydraulic ram has a 10-1/8" stroke.
- Press floor space is 28" x 25-1/4".



No. 1887 – Floor press.
Wt., 171 lbs.

A	B	C	D	E	F	G	H	Floor Space
68-1/2"	28"	18"	11"	6"-36"	6"	22"	4"	28" x 25-1/4"

1899 10-Ton Press Accessory Set



10-Ton Capacity Press Accessory Set

- Adapters and accessories are attached to the ram's forcing screw or used on the press bed to support the work.
- Set includes:
 - (A) No. 201923 ram pushing adapter with a 1/2" dia. shank.
 - (B) No. 201454 ram pushing adapter with a 3/4" dia. shank.
 - (C) No. 34806 V-pushing adapter.
 - (D) No. 1890 V-blocks (pair).

No. 1899 – Press accessory set. Wt., 15 lbs., 12 oz.

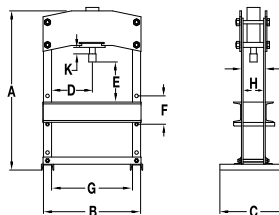
16-1/2 Ton Capacity Bench Press

This innovative press integrates all the hydraulic elements within the chassis. The compact and functional design saves workshop space and ensures protection during transport.

- Workbench adjustable for height.
- Automatic spring return piston.
- Pressure gauge with damper to extend its working life—positioned at eye level for easy reading.
- Includes set of two V-blocks and legs with bolt-holes for fixing to bench.

No. 5230 – 16-1/2 ton capacity bench press.

Wt., 170 lbs.



5230

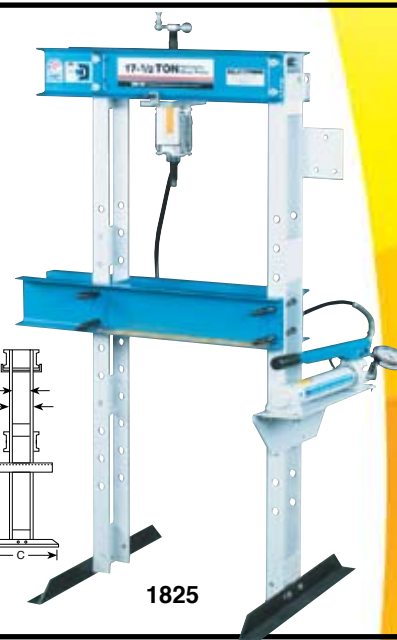
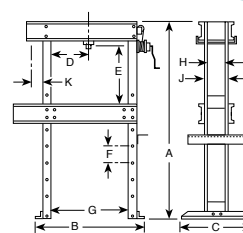
A	B	C	D	E	F	G	H	J	K
37"	16-1/2"	23-7/8"	9-1/2"	5-7/8" –17-5/8"	6"	19-5/8"	4-3/4"	5-1/2"	3"

17-1/2 Ton Capacity Heavy-Duty “Open Throat” Press

- Ram head moves side to side for off-center pressing; ram-to-work distance is adjusted by a forcing screw that is extended or retracted by a speed crank.
- “Open-throat” frame extensions make handling of bulky jobs possible outside of the press frame.
- This press does not have a lifting mechanism. If a lifting mechanism is needed, order No. 211407.
- Covered by OTC Lifetime Marathon Warranty®.

No. 1825 – 17-1/2 ton press. Has No. 201832 hydraulic ram with 2" stroke, No. 4002 hydraulic hand pump, No. 9650 gauge, No. 9767 hose, adjusting screw, speed crank, ram cap, and pump mounting bracket. Wt., 284 lbs.

No. 211407 – Lifting mechanism.

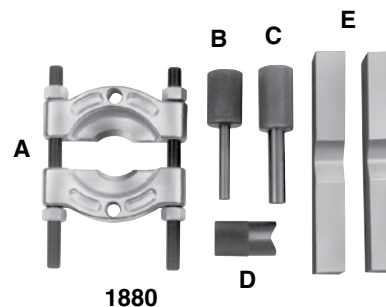


1825

A	B	C	D	E	F	G	H	J	K	Bench Space
64"	28"	28"	17/8"	34/8"	3/8"	20"	4/4"	5"	4/8"	28" x 28"

17-1/2 Ton Press Accessory Set

- Adapters and accessories attach to ram’s forcing screw or are used on press bed to support work.
- Set includes
 - (A) No. 1123 bearing pulling attachment.
 - (B) No. 201923 ram pushing adapter with a 1/2" dia. shank.
 - (C) No. 201454 ram pushing adapter with a 3/4" dia. shank.
 - (D) No. 34806 V-pushing adapter.
 - (E) No. 1890 V-blocks (pair).



1880

No. 1880 – Press accessory set. Wt., 21 lbs., 10 oz.

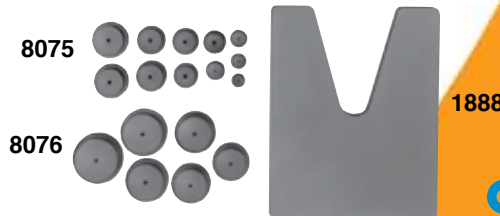
17-1/2 Ton Press Accessory Sets

No. 8075 – Step plate adapter set. Wt., 5 lbs., 5 oz.

No. 8076 – Step plate adapter set. Wt., 10 lbs., 6 oz.

No. 1888 – V-throat press plate. Dimensions are 9-1/4" x 10" and 3/4" thick. Wt., 17 lbs.

See page 212 for sizes of step plate adapters in sets.



8075

8076

1888

SHOP EQUIPMENT

Shop Presses

Hydraulic Bottle Jack Presses

- All bottle jacks have an overload valve built into them.

No. 1823 – 12-ton capacity press with a Stinger bottle jack. Wt., 221 lbs.

No. 1823A – 12-ton capacity press with a OTC bottle jack. Wt., 221 lbs.

No. 1824 – 20-ton capacity press with a Stinger bottle jack. Wt., 357 lbs.

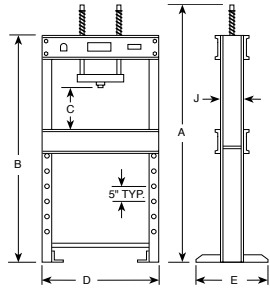
No. 1824A – 20-ton capacity press with a OTC bottle jack. Wt., 357 lbs.

Press Specifications

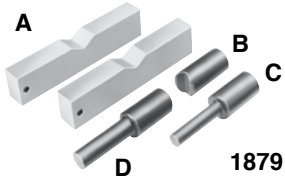
OTC No.	A	B	C	D	E	J
1823 – 1823A	84-1/2"	72"	2" – 42"	28-3/4"	28"	4-3/8"
1824 – 1824A	85-7/8"	72"	2" – 37"	37-1/2"	28"	7-3/8"

Bottle Jack Specifications

OTC No.	Stroke	No. of Pump Strokes to Extend Piston 1 inch	Height with Screw Ext.
1823	5-7/8"	17	18-7/8"
1823A	6-1/4"	19	19"
1824	6-5/8"	33	20-3/16"
1824A	7-1/2"	30	20-1/2"



1823A, 1824A



1879

Accessory Set for Bottle Jack Presses

No. 1879 – Accessory set for 12-ton and 20-ton bottle jack presses. Includes (A) No. 1890 9" long V-block set; (B) No. 215703 1-1/2" dia. V-pushing adapter; (C) No. 309119 3/4" dia. pushing adapter; (D) No. 309120 1" dia. pushing adapter. Wt., 33 lbs., 8 oz.

25-Ton Capacity Shop Presses

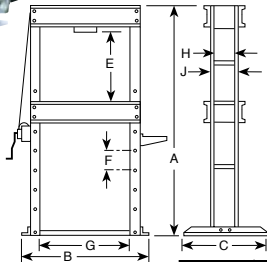
- Tough, economical press is ideal for pressing rear axle bearings, piston pins, and much more.
- Large 30" x 46" work area under ram makes positioning of even bulky work easy. Press bed is easily raised and lowered by a dependable lifting mechanism. Choice of model with hand- or air-driven hydraulic pump.

No. 1833 – 25-ton press, complete with No. 4002 hydraulic hand pump; No. 9652 gauge; No. 24815 tee; No. 9767 hose (1/4" ID x 6'); hydraulic ram No. 51426 with 6-1/4" stroke; and 42733-WH2 pump mounting bracket. Wt., 464 lbs.

No. 1834 – 25-ton press, complete with air-driven No. 4020 hydraulic pump; No. 9652 gauge; No. 24815 tee; No. 9768 hose (1/4" ID x 8') and hydraulic ram with 6-1/4" stroke. Wt., 440 lbs.



1833 (shown)



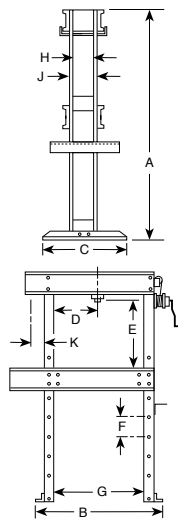
OTC No.	A	B	C	E	F	G	H	J	Floor Space
1833	69-1/2"	40-1/2"	28"	5-3/4" – 46"	4"	30"	5-1/2"	6-1/2"	41-1/2 x 28"
1834	69-1/2"	40-1/2"	28"	5-3/4" – 46"	4"	30"	5-1/2"	6-1/2"	41-1/2 x 28"

25-Ton Capacity Heavy-Duty “Open Throat” Press

- “Open throat” feature enables ram to be positioned outside of press frame for fast axle bearing removal and installation, as well as other tasks. Rugged press is covered by OTC Lifetime Marathon Warranty®.
- Press bed is raised or lowered with a hand crank, and a spring-return hydraulic ram is laterally adjustable for off-center work at full capacity.

No. 1826 – 25-ton press. Includes No. 4016 hydraulic hand pump; No. 52025 hydraulic ram with 14" stroke; No. 9652 gauge; No. 303563 hose (3/8" ID x 8'); and pump mounting bracket. Wt., 646 lbs.

No. 1826A – 25-ton press. Includes No. 4020 air/hydraulic hand pump; equipped the same as 1826.



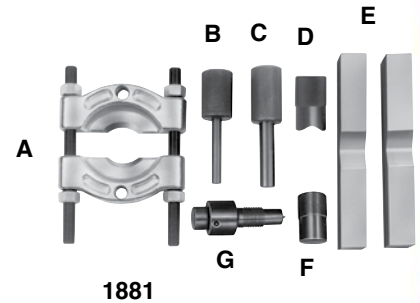
1826

A	B	C	D*	E	F	G	H	J	K	Floor Space
68"	43"	28"	3"-29"	6-7/8"-4-3/8"	4-1/2"	32"	5-1/2"	6-1/2"	7"	28" x 25-1/4"

*Lateral head movement. Frame shipped assembled.

Accessory Set for 25-Ton Capacity Presses

- Accessories attach to ram's forcing screw or support work on the press bed.
- Set includes
 - (A) No. 1124 bearing pulling attachment;
 - (B) No. 34510 ram pushing adapter with 3/4" dia. shank;
 - (C) No. 34511 ram pushing adapter with 1" dia. shank;
 - (D) No. 34807 V-pushing adapter;
 - (E) No. 1891 11-1/2" long V-blocks (pr.);
 - (F) No. 28229 ram forcing cap;
 - (G) No. 38953 threaded adapter.



1881

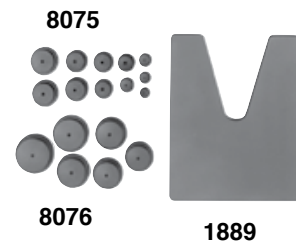
No. 1881 – Press accessory set. Wt., 43 lbs.

Accessories for 25-Ton Capacity Presses

No. 8075 – Step plate adapter set. Set includes No. 8057, No. 8058, No. 8059, No. 8060, No. 8061, No. 8062, No. 8063, No. 8064, No. 8065, No. 8066, and No. 8067. Wt., 5 lbs., 5 oz.

No. 8076 – Step plate adapter set. Set includes No. 8068, No. 8069, No. 8070, No. 8071, No. 8072, and No. 8073. Wt., 10 lbs., 6 oz.,

No. 1889 – V-throat press plate. Dimensions are 11-5/8" x 14-1/2" and 3/4" thick. Wt., 50 lbs.



8075

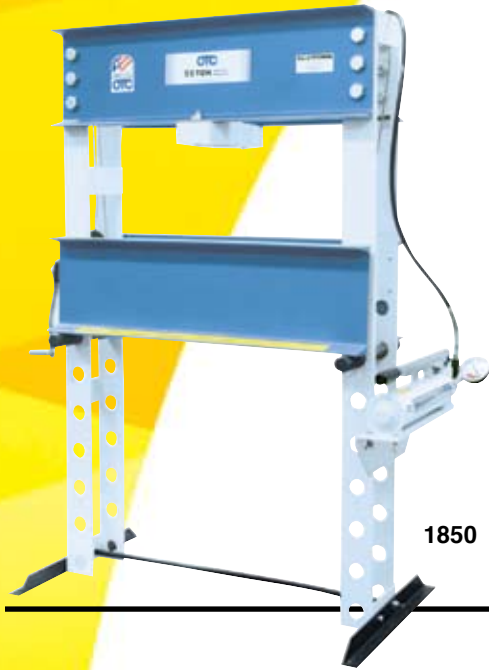
8076

1889

See page 212 for sizes of step plate adapters in sets.

SHOP EQUIPMENT

Shop Presses



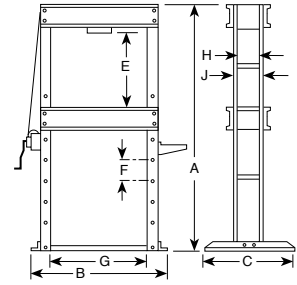
1850

55-Ton Capacity Economy Shop Presses

- Durable steel frame resists buckling and bending. Covered by OTC Lifetime Marathon Warranty®.
- Hand-operated winch and cable mechanism adjusts lower press bolster.

No. 1850 – 55-ton press. Includes No. 52457 hydraulic ram with 6-1/4" stroke; No. 4016 hydraulic hand pump; No. 9651 gauge; No. 9767 hose (1/4" ID x 6'); and pump mounting bracket. Wt., 725 lbs.

No. 1851 – Same as No. 1850 except with No. 4020 air/ hydraulic pump. Wt., 698 lbs.



A	B	C	E	F	G	H	J	Floor Space
70-3/4"	47-1/2"	28"	6-1/8"-41-1/8"	5"	35"	7-1/16"	10"	55-1/2" x 28"



1846A

1845

55-Ton Capacity Heavy-Duty Presses

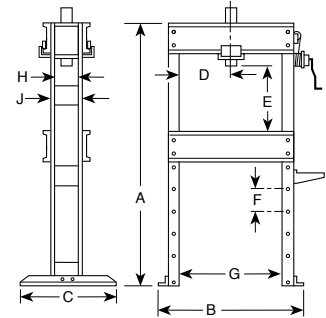
- Side-to-side positioning of ram allows full capacity pressing along entire bolster length without buckling or bending. Covered by OTC Lifetime Marathon Warranty®.
- Hydraulic ram features 13" of stroke. Choice of hydraulic power units.

No. 1845 – 55-ton press. Includes single-acting ram No. 52380 with 13" stroke; No. 4044 electric/hydraulic pump; No. 9651 gauge; No. 303563 hose (3/8" ID x 8'); and pump mounting bracket. Wt., 990 lbs.

No. 1846A – Same as No. 1845 except has No. 4016 hydraulic hand pump and single-acting ram No. 65458 with 10-1/8" stroke. Wt., 911 lbs.

No. 1847 – Same as No. 1845 except has a No. 4022 air/ hydraulic pump and a No. 9781 hose (3/8" ID x 10'). Wt., 893 lbs.

No. 1872 – 55-ton press. Includes double-acting ram No. 51682 with 13" stroke; No. 4046 electric/hydraulic pump; No. 9651 gauge; No. 36887 hoses; and pump mounting bracket. Wt., 961 lbs.



A	B	C	D*	E	F	G	H	J	Floor Space
72"	48-1/2"	36"	3-1/4"-32-3/4"	6"-42"	6"	36"	6-3/4"	8"	56-1/2" x 36"

*Lateral head movement.

Accessories for 55-Ton Capacity Presses

No. 8075 – Step plate adapter set. Set includes No. 8057, No. 8058, No. 8059, No. 8060, No. 8061, No. 8062, No. 8063, No. 8064, No. 8065, No. 8066, and No. 8067. Wt., 5 lbs., 5 oz.

No. 8076 – Step plate adapter set. Set includes No. 8068, No. 8069, No. 8070, No. 8071, No. 8072, and No. 8073. Wt., 10 lbs., 6 oz.,



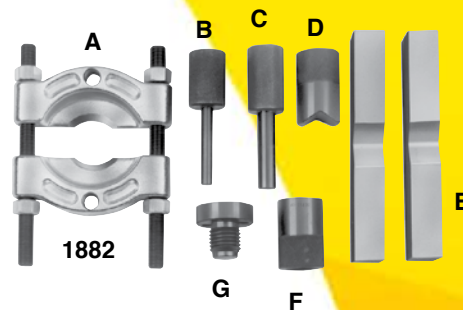
8076

8075

See page 212 for sizes of step plate adapters in sets.

Accessory Set for 55-Ton Capacity Presses

- Accessories attach to ram's forcing screw or support work on press bed.
- Set Includes
 - (A) No. 1126 bearing pulling attachment;
 - (B) No. 34755 ram pushing adapter with 1" dia. shank;
 - (C) No. 34756 ram pushing adapter with 1-1/4" dia. shank;
 - (D) No. 34808 V-pushing adapter;
 - (E) No. 1892 14" long V-blocks (pr.);
 - (F) No. 28230 ram forcing cap;
 - (G) No. 37368 threaded adapter – for single acting only.
 - (H) No. 38954 For 1872 double acting press.

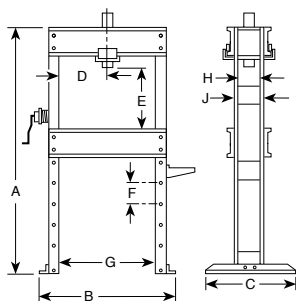


No. 1882 – Press accessory set. Wt., 94 lbs.

100-Ton Capacity Economy Shop Press

- Large 35" opening between press uprights allows easy handling of large gears, shafts, sprockets, and other components serviced in truck, construction, and agricultural equipment shops. Covered by OTC Lifetime Marathon Warranty®.
- Hand-operated winch and cable mechanism gives operator precise control in adjustment of lower press bolster to any height.

No. 1854 – 100-ton press. Includes hydraulic ram No. 52434 with 10" stroke; No. 4044 electric/hydraulic pump; No. 9651 gauge; No. 9768 hose (1/4" ID x 8'); and pump mounting bracket. Wt., 1,528 lbs.



A	B	C	D	E	F	G	H	J	Floor Space
86-5/8"	47-1/2"	28"	17-1/2"	9-5/8"-49-5/8"	8"	35"	6-3/8"	10"	55-1/2" x 28"



Accessories for 100-Ton Capacity Presses

- No. 50392** – Straightening fixtures (pr.). Wt., 192 lbs.
- No. 1893** – V-blocks, 14" long (pr.). Wt., 58 lbs.
- No. 21332** – Pushing adapter (must be used with reducing adapter). Wt., 4 lbs., 7 oz.
- No. 36469** – V-pushing adapter (must be used with reducing adapter). Wt., 5 lbs., 9 oz.
- No. 43563** – Reducing adapter (for double-acting ram). Wt., 8 lbs., 8 oz.
- No. 43562** – Reducing adapter (for single-acting ram, not pictured). Wt., 3 lbs.

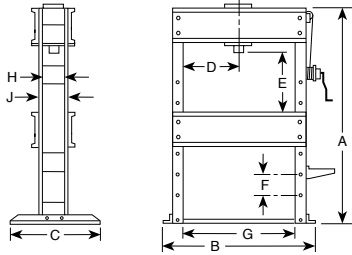


SHOP EQUIPMENT

Shop Presses



1857 (shown)



100- and 150-Ton Capacity Heavy-Duty Shop Presses

- Wide open uprights allow easy positioning of bars and shafts for straightening or bending.
- Upper bolster can be lowered for convenient positioning during repetitive jobs.
- Ram head glides smoothly on rollers for easy horizontal adjustments; rugged press frame will withstand a full capacity load with the ram head in any position across the upper bolster.
- Covered by OTC Lifetime Marathon Warranty®.

No. 1857 – 100-ton press. Includes single-acting No. 52434 ram with 10" stroke; No. 4008 hydraulic hand pump; No. 9651 gauge; No. 9781 hose (3/8" ID x 10'); and pump mounting bracket. Wt., 1,740 lbs.

No. 1858 – Same as No. 1857, except has double-acting No. 51683 ram with 13" stroke; No. 61217 3-phase, 220V, 3450 rpm electric/hydraulic pump; and two No. 9769 hoses. Wt., 1,822 lbs.

No. 1858-1P – Same as No. 1858, except it has a No. 4064 2-stage, 1-phase hydraulic pump.

A	B	C	D*	E	F	G	H	J	Floor Space
77-1/4"	64"	36"	7"-43"	2"-42"	8"	50"	8"	10"	36" x 78-1/4"

*Lateral head movement. Frame shipped assembled.

No. 1868 – 150-ton press. Includes double-acting ram with 13" stroke; No. 61217 3-phase, 220V, 3450 rpm electric/hydraulic pump; No. 9651 gauge; No. 9769 hoses; and pump mounting bracket. Wt., 2,960 lbs.

A	B	C	D*	E	F	G	H	J	Floor Space
90"	71"	44"	11"-39"	9"-43-1/4"	11"	50"	12-1/2"	15"	44" x 71"

*Lateral head movement. Frame shipped assembled.



207395



44458

Accessories for 150-Ton Capacity Shop Presses

No. 207395 – V-blocks, 14" long, (pr.). Wt., 134 lbs.

No. 44458 – Pushing adapter with 2-1/4" dia. shank. Wt., 23 lbs., 3 oz.



No. 1230PB

Protective Blankets

Think of them as "security blankets." They wrap around pulling, pressing, and other high-force jobs to protect you and your employees from work-related injuries as much as possible. They're made of high tensile, tear resistant ballistic nylon – similar to military flak jackets – that, when tested, withstood the shattering of a neck-down grade 8 bolt without any visible damage.

NOTE: Always reduce the force from the workpiece prior to removing the blanket. Protective blankets may afford protection from injuries to users and others should part breakage occur. Because of the variety of situations that require guarding, it is the user's responsibility to determine the best method of protection.

No. 1230PB – Protective blanket. 12" x 30". Wt., 2 lbs., 3 oz.

No. 2036PB – Protective blanket. 20" x 36". Wt., 3 lbs.

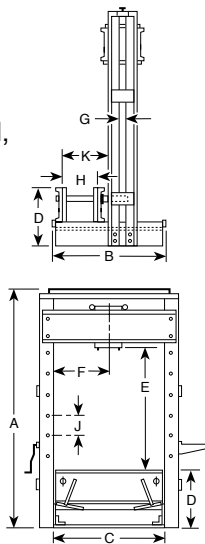
No. 2860PB – Protective blanket. 28" x 60". Wt., 7 lbs.

100- and 150-Ton Capacity Roll-Bed® Shop Presses

- Lower press bed rolls out smoothly for easy loading and unloading of heavy work using an overhead lifting device.
- Movable ram head and remote pump control, combined with large, open work area, allow operator to easily view work from any side during the pressing operation.
- Heavy-duty, cold-rolled steel construction ensures durability to withstand loads of full-rated capacity.
- Covered by OTC Lifetime Marathon Warranty®.

No. 1865 – 100-ton press. Includes double-acting ram with 13" stroke; No. 61217 three-phase, 220V, 3450 rpm electric/hydraulic pump; No. 9651 gauge; No. 9669 hoses; and pump mounting bracket. Wt., 2,910 lbs.

No. 1865P – Same as No. 1865 except with No. 4064 Vanguard 2-stage hydraulic pump with 3-position/4-way valve and 6 ft. remote motor control (115V). Wt., 2,910 lbs.



A	B	C	D	E	F*	G	H	J	K	Floor Space
112-5/8"	64-1/4"	50-1/2"	27"	12"-60"	14-1/2-36"	3"	4-27-1/2"	8"	36-1/2"	36" x 78-1/4"

*Lateral head movement. Frame shipped assembled.

No. 1866 – 150-ton press. Includes double-acting ram with 13" stroke; No. 61217 3-phase, 220V, 3450 rpm electric/hydraulic pump; No. 9651 gauge; No. 9770 hoses; and pump mounting bracket. Wt., 4,338 lbs.

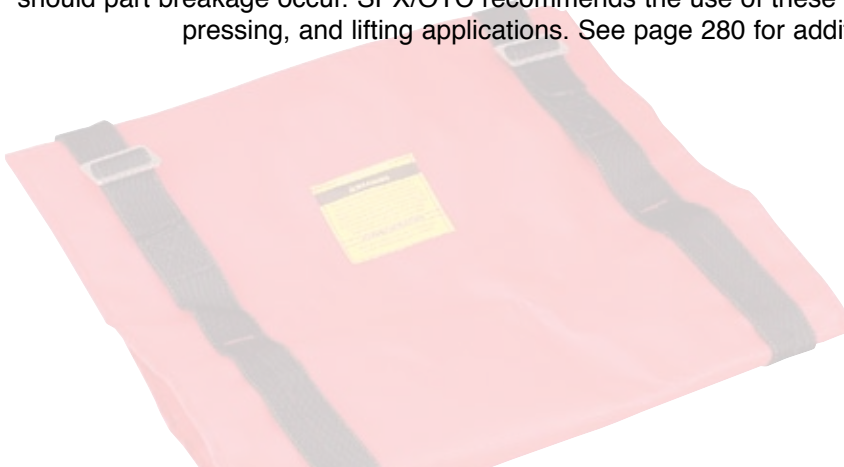
A	B	C	D	E	F*	G	H	J	K	Floor Space
123-1/4"	68-1/4"	51-1/4"	30"	9"-64"	3-7/8-37-3/8"	3"	4-27-1/2"	11"	37-1/4"	36" x 78-1/4"

*Lateral head movement. Frame shipped assembled.

IMPORTANT SAFETY INFORMATION

Certain press applications may require guarding. Because of the multitude of possible press uses, it is impossible to design a guard that will meet every customer need. The end user must provide their own guarding where the situations dictate.

SPX/OTC has protective blankets available which may afford protection from injury to users and others should part breakage occur. SPX/OTC recommends the use of these blankets for all pushing, pulling, pressing, and lifting applications. See page 280 for additional information.



SHOP EQUIPMENT

Bottle Jacks



**ANSI
PALD**

Bottle Jacks....All-American Weight Lifters

- OTC's industrial grade bottle jacks carry OTC Lifetime Marathon Warranty®.
- Pressure cylinder, oil reservoir, pump housing, and base are welded as one unit to resist oil leakage. Jacks can be used in vertical or horizontal positions.
- Unique valve seat design provides unequaled reliability.
- Chrome-plated piston rod resists wear and corrosion. Extension screw provides added lifting height. Jacks meet and exceed ANSI PALD standard for overload protection.

Cap. (tons)	Stroke	OTC No.	Retracted Height Min.	Length of Screw Extension	Height with Screw Extended	Pump Strokes to Extend Piston One Inch	Saddle Dia.	Base Size	Carry Handle	Weight
12	3-1/2"	5112*	6-3/4"	2-1/4"	12-1/2"	19	1-3/4"	5-1/2" x 6"	Yes	18 lbs.
12	6-1/4"	5212	9-1/2"	3-1/4"	19"	19	1-3/4"	5-1/2" x 6"	Yes	22 lbs.
20	5"	5120*	8-1/4"	2-1/4"	15-1/2"	30	2-1/4"	6" x 6-3/8"	Yes	26 lbs.
20	7-1/2"	5220	10-3/4"	2-1/4"	20-1/2"	30	2-1/4"	6" x 6-3/8"	Yes	31 lbs.

*Low profile models



**ANSI
PALD**



High Performance Bottle Jacks

- Base, pressure cylinder, and oil reservoir form one internal part, and provide more strength and safety to these jacks.
- Piston never contacts cylinder, so pressure will be absorbed and not damage jack if vehicle tilts.
- The No. 5213T jack is telescopic, allowing for very low initial height with high lifting.

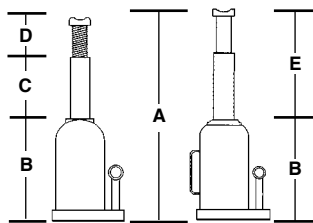
No. 5213 – 12-ton bottle jack. Wt., 17.6 lbs.

No. 5221 – 20-ton bottle jack. Wt., 26.6 lbs.

No. 5213T – 12-ton telescopic bottle jack. Wt., 37.4 lbs.

Bottle Jack Dimensions

Jack	A	B	C	D	E
5213	17-3/4"	8-7/8"	5-7/8"	2-15/16"	
5221	18-1/16"	9-1/4"	5-7/8"	2-15/16"	
5213T	22-1/2"	9-5/8"			12-13/16"



10-Ton Collision Repair Set

- Exert hydraulic force just where it's needed to lift, spread, bend, or straighten. Handles the high-force jobs you face daily in trailer maintenance or other applications.
- Includes reliable components including 10-ton, 10-1/8" stroke hydraulic ram; air/hydraulic pumping unit; hydraulic hose; four snap-together extension tubes; extension tube coupling; serrated saddle; flat base; 90° wedge head; flex head; storage case.
- All set components are covered by OTC Lifetime Marathon Warranty®.

No. 5086 – 10-ton collision repair set. Wt., 65 lbs.



OTC Series 4- and 10-Ton Collision Repair Sets

- We've matched our OTC hydraulics with versatile tooling.
- Components snap together, permitting you to apply pushing, spreading, or pulling force.
- Components include: hydraulic pump, hose, and ram; ram flat base; 1/2-ton hydraulic spreader; extension tubes (4); tube coupling; ram toe; wedge head; serrated saddle; flex head; plunger toe; 90° wedge head; storage case. The case for the 10-ton set has wheels for mobility.

No. 1517A – 4-ton collision repair set. Has single-speed hydraulic hand pump and ram with 5" stroke. Wt., 40 lbs.

No. 1519A – 10-ton collision repair set. Has two-speed hydraulic hand pump and ram with 6-1/8" stroke. Wt., 75 lbs.

No. 504888 – Replacement quick coupler. Wt., 3 oz.

No. 504889 – Replacement quick coupler. Wt., 3 oz.

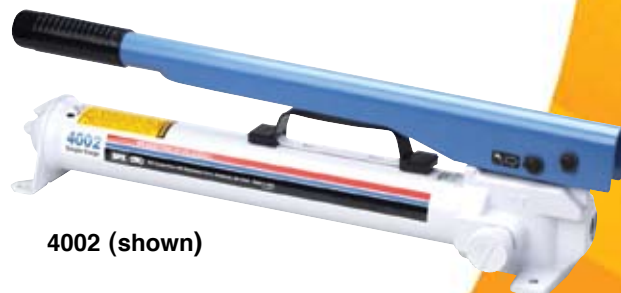


Single-Speed Hydraulic Hand Pump

This single-speed pump is ideal for single-acting rams. Developing up to 10,000 psi operating pressure, the pump operates horizontally or vertically in the "head down" position. Fingertip control provides instant release or pumping action. Has a built-in safety overload valve. Ideal for use with OTC single-acting rams, or similar competitors' rams.

No. 4000 – Hand pump only. Wt., 6 lbs., 13 oz.

No. 4002 – Hand pump only. Wt., 17 lbs., 3 oz.



Specifications:	4000	4002
Max. operating pressure	10,000 psi	10,000 psi
Volume per stroke	.069 cu. in.	160 cu. in.
Reservoir capacity	12.5 cu. in.	45 cu. in.
Oil port	1/4" NPT	3/8" NPT

4002 (shown)

SHOP EQUIPMENT

Magnetic Induction Heater



Focused and Flameless Heat Make Parts Removal Easy and Fast!

BOLTS

The bolt inductor produces concentrated heat in a small area for a multitude of applications. It produces temperatures in excess of 1400° F in just seconds. This concentrated heat is ideal for the heating and easy removal of seized fasteners and can also be used to remove caulk and seam sealer.



GLASS

The glass inductor produces heat in a 1" x 4" area, which is ideal for heating channels behind glass components. This inductor achieves a channel temperature of 350° F in about 30 seconds and easily accesses areas normal glass removal tools can't. Great for encapsulated window adhesive, bonded body panels, spray-in bedliners, the glass inductor can also be used to fully cure high-build primers in just seconds, allowing them to be block-sanded quickly and efficiently, saving both labor time and abrasive costs.



BODY PANELS

The body inductor produces mild heat in flat or contoured body panels for the removal of moldings, pin stripes and vinyl graphics. The flexible, heat-resistant fiberglass blanket conforms to most body contours and includes a hand-strap for easy manipulation.



OTC 6650 Magnetic Induction Heater

Every technician knows the hardest and most time consuming job in the repair process is parts removal — especially on vehicles with stubborn rust-caked bolts, fasteners and bonded components. With today's razor-thin margins, inefficient parts removal can seriously erode your profitability. The sooner vehicles can be disassembled and repairs begun, the sooner you start making money.

With the OTC 6650 Magnetic Induction Heater, technicians can quickly and easily perform damage-free parts removal of all metal parts that can't easily be accomplished with flame or other radiant heat sources. With an available power rating of 1500 watts, the OTC 6650 is ideal for mechanical repair, auto body repair and recycling facilities. It produces heat in seconds within metal objects such as body panels, nuts, bolts and pinch weld areas behind glass—without heating or damaging non-metallic objects such as glass, paint or plastic.

- Fast, effortless removal of glass, emblems, bonded body components, rusty bolts and much more.
- Flameless heat reduces the need for torches, solvents and abrasives.
- Less flame and solvents reduce potential safety hazards and insurance rates.
- Only heats metal objects, enabling it to be used in or near heat-sensitive areas.
- Wide range of heating inductors for increased versatility.
- Easy-to-read heat output meter to quickly verify induction heat.
- Output isolation transformer provides the safest possible operation.
- CE and CSA approval with UL compliance offers proof of OTC 6650 quality construction and safety design.

This versatile inductor also removes core support labels and VIN tags without damage.

- The bolt and glass inductors are molded using an impact-resistant, flame-retardant polymer, and molded-in, waterproof cord grip prevents HF cable from being pulled from the heating attachment.
- The body inductor edges are surged and interior is silicone coated to improve water resistance and eliminate fraying.
- Power supply has a remote start/stop input receptacle for connecting foot switch or other alternative devices.
- The OTC 6650 has a durable 8-foot long foot switch constructed from impact-resistant thermal plastic and includes a circular quick disconnect for easy, convenient servicing and storage.



For increased versatility, these other inductors can be purchased and used with the OTC 6650 Magnetic Induction Heater:

- Interior molding removal tools No. 4489
- Hail dent inductor No. 543036
- Bearing heater inductor – Available late in 2007
- Brake inductor – Coming soon!
- Exhaust inductor – Coming soon!



543036 – Hail Dent Inductor

CONTACT YOUR OTC SUPPLIER TODAY!

Specifications

Cabinet Size	9.00" W x 14" L x 8.5" H
Input Voltage	110 Vac: 60 Hz 1 Phase
Input Current	15 Amps
Output	(maximum values to induction coil)
Power	1500 Watts
Voltage	400 Vrms 45-60KHz 1 Phase
Current	50 Amps .14 P.F. Minimum
Cooling	Forced air cooling via internal cooling fans
Operating Temperature	125° F/52° C Max

Magnetic Induction Heating System

The OTC 6650 package comes with bolt inductor (542936), glass inductor (542937), body inductor (542938), foot switch (543055) and instructional CD. All inductors, with exception of the body inductor, are encapsulated in a flame-retardant polymer which provides protection against impact, abrasion, heat or other accidental damage. All inductors have an electrical interlock and/or molded strain reliefs.

No. 6650 – Magnetic Induction Heating System. Wt., 25 lbs.



SHOP EQUIPMENT

Hydraulic Rams



Hydraulic Rams for Collision Repair Sets

These premium quality rams are designed for long, trouble-free service. Backed by a life-time warranty, they are ideal replacements for worn-out, leaky rams. They feature a special piston rod that permits their use with the snap-together components of OTC's collision repair sets, or with most similar competitive products.

No. 4082B – 4-ton ram with 5" stroke and special piston rod end designed to fit most collision repair set components. Wt., 8 lbs., 13 oz.

No. 4083B – 10-ton ram with 6-1/8" stroke and special piston rod end designed to fit most collision repair set components. Wt., 9 lbs., 6 oz.

OTC No.	Cap. in Tons	Stroke	Collapsed Height	Extended Height	Spring Return	Rod End Dia.	Max. Oper. Pressure (PSI)	Oil Cap. (cu. in.)	Oil Port
4082B	4	5"	10-7/8"	15-7/8"	Yes	.874"	8,950	4.97	1/4" NPT
4083B	10	6-1/8"	14-5/8"	20-3/4"	Yes	1.310"	8,950	13.69	3/8" NPT

Hydraulic Rams

These rams feature the same quality design and construction as the Nos. 4082B and 4083B hydraulic rams listed above, but have threaded ram collars and internal base threads to simplify mounting, as well as threaded piston rod ends. Ideal replacements for worn-out, leaky rams on body and frame equipment.

No. 4088A – 10-ton ram with 6-1/8" stroke. Has threaded ram collar, internal base threads, and threaded piston rod end. Wt., 11 lbs., 10 oz.

No. 4089A – 10-ton ram with 10-1/8" stroke. Has threaded ram collar, internal base threads, and threaded piston rod end. Wt., 14 lbs., 13 oz.

OTC No.	Cap. in Tons	Stroke "A"	Oil Cap. (cu. in.)	Effective Ram Area (sq. in.)	Tons at 8,950 PSI	Spring Return	Height		Piston Protrusion at Collapsed Height	Diameter		Piston Thread (NPT) "F"	Collar Thread (Straight) "G"	Internal Base Thread (NPSM) "H"
							Collapsed "B"	Extended "C"		"D"	"E"			
4088A	10	6-1/8"	13.9	2.236	10	Yes	11-1/2"	17-5/8"	1-1/16"	2-1/4"	1-5/8"	1-1/4"	2-1/4"-14	1-1/4"-11-1/2
4089A	10	10-1/8"	22.9	2.236	10	Yes	15-1/2"	25-5/8"	1-1/16"	2-1/4"	1-5/8"	1-1/4"	2-1/4"-14	1-1/4"-11-1/2



Hydraulic Ram, Pump, and Hose Set

This versatile set is usable in a wide variety of hydraulic power applications. Combines our No. 4026 air/hydraulic power unit, hose, and hose half coupler with the No. 4089A 10-ton hydraulic ram with 10-1/8" stroke. Ram has threaded collar, internal base threads, and threaded piston rod end for mounting adaptability.

No. 4042 – Hydraulic ram, pump, and hose set. Wt., 25 lbs., 2 oz.

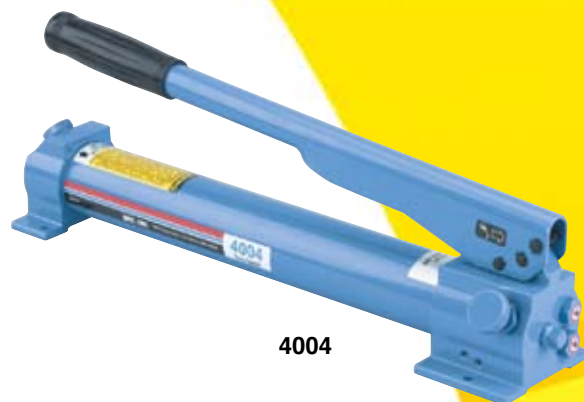
2-Speed Hydraulic Hand Pump

Use with single-acting hydraulic rams. Rugged all-metal construction. Maximum handle effort is 90 lbs. Two-speed action provides rapid approach of ram piston to the work. An appropriate and economical power source for applications in which 20 cu. in. of usable oil is adequate.

No. 4004 – 2-speed hydraulic hand pump. Wt., 6 lbs., 9 oz.

Specifications:

Maximum operating pressure	10,000 PSI
Volume per stroke (first stage)	.305 cu. in.
Volume per stroke (second stage)	.091 cu. in.
Reservoir capacity	24.4 cu. in.
Oil port	3/8" NPT



4004

Air/Hydraulic Power Unit

Features a heavy-duty, one-piece, aluminum body for durability and light weight. A perfect replacement pump for body and frame straightening equipment. Performs in either vertical or horizontal positions. Has a time-tested motor design. All internal moving parts are constructed of metal, not plastic! Unique external relief valve ensures damage-free operation should oil reservoir be overfilled. Internal vent eliminates external oil leakage. Rotary-style pressure release provides superior operator control. Carries OTC's unsurpassed Lifetime Marathon Warranty®.

No. 4026 – Air/hydraulic power unit. Wt., 13 lbs., 8 oz.

Specifications:

Oil delivery	10 cu. in. of oil @ 9,500 PSI
Reservoir capacity	39 cu. in. (34 cu. in. usable)
Internal relief setting	10,000 PSI
Air operating pressure	40-120 PSI
Dimensions	16-15/16" long x 6-3/8" high x 5-5/8" wide



4026

Hydraulic Spreaders

Included as standard equipment with our collision sets, these versatile hydraulic spreader tools are also available individually. Ideal for removing dents and creases, performing straightening jobs, or for use as a clamp. Makes working in tight spots easy.

- Maximum spread is 3-1/4".

No. 9101A – 1/2-ton spreader with 1/4" NPT ram half coupler. Wt., 3 lbs., 11 oz.

No. 9102 – 1/2-ton spreader with 3/8" NPT ram half coupler. Wt., 3 lbs., 11 oz.



SHOP EQUIPMENT

Hydraulic Rams

Automotive-Style Quick Couplers

Precision designed and built for high pressures. Permits disconnecting hose without loss of oil.

- Ideal for use in body shop equipment applications.
- Works with OTC No. 1515 and 1513 collision repair sets.

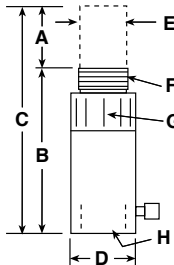
No. 9195 – Complete quick coupler, 1/4" NPT. Wt., 5 oz.

No. 9196 – Complete quick coupler, 3/8" NPT. Wt., 10 oz.



Single-Acting, Spring-Return Rams

Available in capacities of 5 to 100 tons and for maximum working pressures up to 10,000 PSI; 2 to 1 safety factor on material yield; designed and tested to meet ANSI B30.1. Standard stroke lengths of 5/8" to 14-1/4", these compact rams require a minimum of mounting space. Several of the rams feature threaded ram collars and internal base threads to simplify mounting. Also, some of the models have threaded piston rod ends. OTC's design ensures positive, leak-resistant sealing throughout all pressure ranges, yet full piston return characteristics are maintained. Additional bearing surface



has been designed into these units, to effectively resist the punishing stress exerted by off-center loads. Depending on capacity, these rams can handle a variety of bending and straightening jobs, construction maintenance applications, pressing operations, body and frame straightening, and rear housing and axle correction.



OTC No.	Capacity		Oil Cap. (cu. in.)	Effective Ram Area (sq. in.)	Tons at 10,000 PSI	Spring Return	Height		Piston Protrusion at Collapsed Height	Diameter		Piston Thread (N.P.T.) "F"	Collar Thread (Straight) "G"	Internal Base Thread (N.P.S.M.) "H"	Wt. (lbs./oz.)
	in Tons	Stroke "A"					Collapsed "B"	Extended "C"		"D"	"E"				
SINGLE-ACTING, SPRING-RETURN RAMS															
4100	5	3"	3.0	.994	4.97	No	5-11/16"	† 8-11/16"	1/4"	1-1/2"	7/8"	None	None	None	3 / 5
4101	5	5-1/4"	5.2	.994	4.97	Yes	10-1/2"	15-3/4"	1-1/8"	1-1/2"	1-1/16"	3/4"	1-1/2"-16	3/4"-14	5
4108	5	5/8"	.62	.994	4.97	Yes	1-5/8"	2-1/4"	1/8"	2-9/16"x1-5/8"	5/8"	None	None	None	2 / 5
4103	10	2-1/8"	4.8	2.236	11.2	Yes	5-9/16"	7-11/16"	1-1/16"	2-1/4"	1-5/8"	1-1/4"	2-1/4"-14	None	5 / 14
4104	10	6-1/8"	13.9	2.236	11.2	Yes	11-1/2"	17-5/8"	1-1/16"	2-1/4"	1-5/8"	1-1/4"	2-1/4"-14	1-1/4"-11-1/2	11 / 10
4105	10	10-1/8"	22.9	2.236	11.2	Yes	15-1/2"	25-7/8"	1-1/16"	2-1/4"	1-5/8"	1-1/4"	2-1/4"-14	1-1/4"-11-1/2	14 / 13
4106	25	6-1/4"	32.2	5.157	25.8	Yes	13-3/8"	19-5/8"	1-7/8"	3-3/8"	2-3/8"	2"	3-5/16"-12	2"-11-1/2	26
4107	25	14-1/4"	73.5	5.157	25.8	Yes	21-3/8"	35-5/8"	1-7/8"	3-3/8"	2-3/8"	2"	3-5/16"-12	2"-11-1/2	42 / 10
4110	55	6-1/4"	69.0	11.04	55.2	Yes	11-1/8"	17-3/8"	1/8"	5"	3-1/8"	None	None	None	60
4115	100	6-5/8"	137.0	20.62	103.1	Yes	13-1/4"	19-7/8"	1/8"	6-1/4"	4-1/8"	None	None	None	105
ALUMINUM RAMS (See listing on page 290)															
4111	55	6-1/8"	67.6	11.04	55.2	Yes	10-3/4"	16-7/8"	1/4"	5-1/4"	3-1/8"	None	None	None	25 / 10
4116	100	6-1/4"	129.0	20.62	103.1	Yes	11-3/4"	18"	1/8"	7-3/8"	4-1/8"	None	None	None	64

† No. 4100 has a piston "screw-extension" (1-1/2"), which will extend the maximum height to 10".

See ram accessories listed on the next page. These accessories thread onto the ram's piston rod end, collar, or into the ram base. All rams include No. 9796 3/8" NPTF half coupler; oil port threads are 3/8" NPTF.

Single-Acting Ram Accessories

These versatile attachments let you “harness” OTC hydraulic force and put it to work exactly where it’s needed to handle various maintenance tasks. Accessories thread onto the ram’s piston rod end or into the ram base.

Use with 5-ton hydraulic ram, No. 4101

Item	No.	Description
G	38908	Extension tube

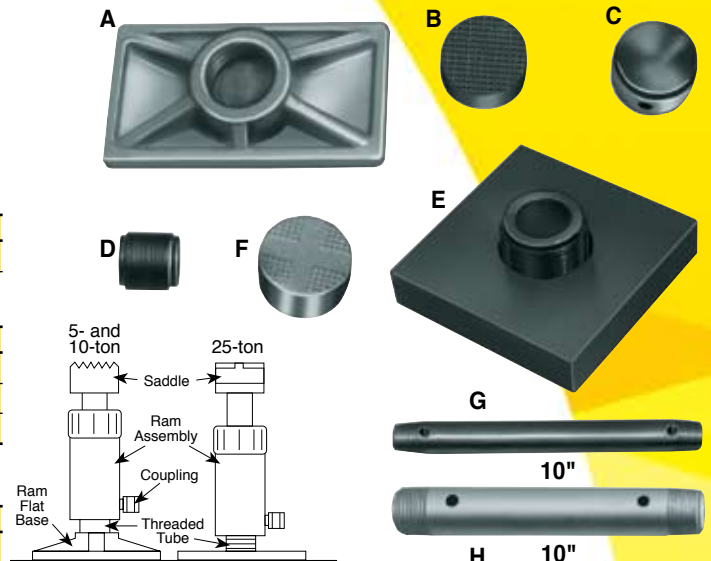
Use with 10-ton hydraulic rams, Nos. 4103, 4104, and 4105

Item	No.	Description	Item	No.	Description
A	32325*	Ram flat base	C	24016	Smooth saddle
B	31772	Serrated saddle	D	25664*	Threaded tube coupling
H	38909	Extension tube			

* NOTE: 32325 and 25664 cannot be used on No. 4103 hydraulic ram.

Use with 25-ton hydraulic rams, Nos. 4106 and 4107

Item	No.	Description	Item	No.	Description
E	25653	Ram flat base	F	31776	Serrated saddle with coupling



Spring-Return Hollow Center Hydraulic Rams

Ideal for push/pull applications found in off-highway, construction, mining, and other industries where heavy equipment is maintained. Center hole permits extending screws, cables, etc., straight through the ram for versatility of application. Rams withstand full “dead-end” loads. Chrome-plated piston rods resist wear, and superior packings and seals provide high cycle life without leakage. Piston head inserts are interchangeable for versatility, and tapped base mounting holes provide easy installation in fixed applications.

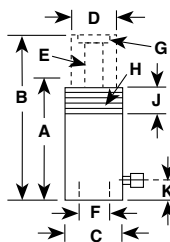
Head Inserts



For Use With	Threaded Insert No.	Inside Dia. of Plain Insert * (in.)
4131	28632 3/4"-16 **	49/64"
4132	28612 1"-8 **	1-3/64"
4139	38904 1-1/4"-7 **	1-19/64"
4140	34251 1-5/8"-5-1/2 **	2-1/8"

* Plain insert comes standard with rams.

** Internal thread size.



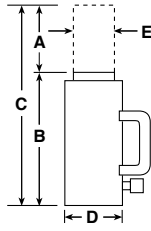
Cylinder Cap. (tons)	Stroke (in.)	Order No.	A Re-tracted Height (in.)	B Ex- tended Height (in.)	C Outside Dia. (in.)	D Piston Rod Dia. (in.)	E Center Hole Dia. (in.)	F Inches Between Base Holes	G Insert Thread Size (in.)	H Collar Thread (in.)	J Thread Length (in.)	Oil Cap. (cu. in.)	Int. Press. at Cap. (PSI)	Tons at 10,000 PSI	K Base to Inlet Port (in.)	Mounting Holes (in.)	Base Cyl. Eff. Area (sq. in.)	Prod. Wt. (lbs.)
10	2-1/2-	4131	5-5/16	7-13/16	3	2-1/16	49/64	2-3/8	1-3/4-12	None	None	5.52	9,054	11	1	1/4-20	2.21	9
20	3	4132	6-1/8	8-1/8	3-7/8	2-1/8	1-5/64	3-1/4	1-9/16-16	None	None	9.45	8,466	23.6	1	3/8-16	4.72	20.0
30	2-1/2	4139	6-1/4	8-3/4	4-3/4	3-1/4	1-19/64	3-5/8	2-3/4-12	4-3/4-12	1-1/2	15.85	9,457	31.7	1-5/32	7/16-20	6.34	25.6
60	6	4140	12-1/4	18-1/4	6-1/4	3-19/32	2-1/8	5-1/8	3-12	6-1/4-12	2-1/2	73.86	9,750	61.6	1	1/2-13	12.31	78

SHOP EQUIPMENT

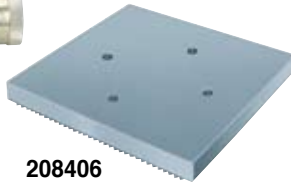
Hydraulic Rams



4111



NOTE: See chart on page 288 for specifications.



208406

55- and 100-Ton Aluminum Rams

Get the strength of a steel ram but about half the weight. Easily carry these single-acting, spring-return rams around the garage, shop, or into the field for on-the-vehicle repairs. They are ideal for truck axle correction, trailer frame straightening, general vehicle maintenance, and heavy-duty lifting.

No. 4111 – 55-ton aluminum ram. 6-1/8" stroke.

Wt., 25 lbs., 10 oz.

No. 4116 – 100-ton aluminum ram. 6-1/4" stroke. Wt., 64 lbs.

Ram Base

No. 208406 – Ram base. Attaches directly to bottom of ram by means of two 3/8"-16 screws, included. Serrated base provides extra support and stability. 7" square. For use on 55-ton ram only. Wt., 4 lbs., 6 oz.



No. 4121



Quick change inserts.
See accessory chart below.

Center-Hole, Power Twin® Rams

In capacities of 17-1/2, 30, 50, and 100 tons and for operating pressures up to 10,000 PSI; use these rams on Grip-O-Matic® pullers, Push-Pullers, and shop presses.

OTC's center-hole rams are ideal for jobs that require a great deal of force and a relatively short stroke. Compared to the force it develops, each center-hole Power Twin ram is light-weight, compact, and easy to handle, permitting its use in confined quarters. Center-hole feature permits extending jacking screws, cables, puller screws, etc., straight through the ram.

Quick change inserts

For added job versatility, Power Twin rams also feature a basic head which allows the operator to change from a tapped hole to a plain hole by merely changing the head insert (held in place by a socket-head set screw). In certain applications, the use of a plain insert is desired, since it permits using a speed nut for necessary readjustment after the ram has been extended, rather than turning the screw with a speed crank.

No. 4120 – 17-1/2-ton Power Twin single-acting hydraulic ram. Complete with No. 21669 threaded ram head insert, ram attaching screws, and No. 9796 ram half coupler. Wt., 15 lbs., 3 oz.

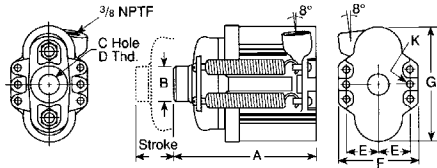
No. 4121 – 30-ton Power Twin single-acting hydraulic ram. Complete with No. 21873 threaded ram head insert, ram attaching screws, and No. 9796 ram half coupler. Wt., 29 lbs., 3 oz.

No. 4122 – 50-ton Power Twin single-acting hydraulic ram. Complete with No. 22274 threaded ram head insert, ram attaching screws, and No. 9796 ram half coupler. Wt., 57 lbs.

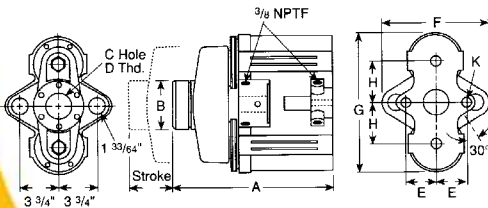
No. 4130 – 100-ton Power Twin double-acting hydraulic ram. Complete with No. 24197 threaded ram head insert and two No. 9796 ram half couplers. Wt., 181 lbs.

DIMENSIONS FOR REFERENCE ONLY

Single-Acting, Spring-Return Rams



Double-Acting Ram



Specifications

OTC No.	Capacity (tons)		Stroke	Oil Capacity (cu. in.)	Eff. Area (sq. in.)	Internal PSI at Capacity	A	B	C	D	E	F	G	H	J	K
	Push	Pull														
4120	17-1/2	-	2"	7.06	3.53	10,000	6-7/8"	1-3/4"	1-1/16"	1"-8	1-1/2"	3-3/4"	5-3/4"	-	-	11/32"
4121	30	-	2-1/2"	15.7	6.28	10,000	8-7/16"	2-1/4"	1-19/64"	1-1/4"-7	1-13/16"	4-1/2"	7-1/2"	-	-	15/32"
4122	50	-	3"	29.4	9.81	10,000	10-9/16"	2-7/8"	1-43/64"	1-5/8"-5-1/2	2-3/8"	5-7/8"	9-3/8"	-	-	21/32"
4130	100	5	4-7/8"	93.8	19.24*	10,000	15-1/8"	4-3/4"	2-9/16"	2-1/2"-8	2-7/8"	10-1/8"	13-1/4"	4"	3/4"-16	25/32"

* Push side only.

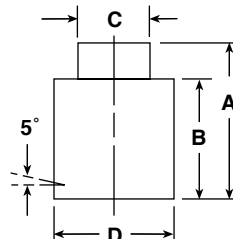
Passes ANSI B30.1 Static and Dynamic Tests.

Power Twin® Ram Accessories

Description	17-1/2 Ton	30-Ton	50-Ton	100-Ton
Speed crank	24814	27198	29595	303785
Speed nut	302482 1"-8 thread	302483 1-1/4"-7 thread	33439 1-5/8"-5-1/2 thread	34136 2-1/2"-8 thread
Adjusting screw	32118 1"-8 thread, 20" long	34758 1-1/4"-7 thread, 24" long	32698 1-5/8"-5-1/2 thread, 30" long	32699 2-1/2"-8 thread, 36" long
Threaded insert	21669 1"-8 thread	21873 1-1/4"-7 thread	22274 1-5/8"-5-1/2 thread	24197 2-1/2"-8 thread
Plain-hole insert	21714 1-1/16" dia. hole	21872 1-5/16" dia. hole	22275 1-11/16" dia. hole	24196 2-9/16" dia. hole
Pushing adapter	201923 1"-8 thread, 1/2" dia. shank	34510 1-1/4"-7 thread, 3/4" dia. shank	34755 1-5/8"-5-1/2 thread, 1" dia. shank	-
Pushing adapter	201454 1"-8 thread, 3/4" dia. shank	34511 1-1/4"-7 thread, 1" dia. shank	34756 1-5/8"-5-1/2 thread, 1-1/4" dia. shank	-
Jack screw	24813 1"-8 thread, 7" long	25931 1-1/4"-7 thread, 9" long	-	-
Ram cap	28228 1"-8 thread, 1-1/2" dia.	28229 1-1/4"-7 thread, 1-3/4" dia.	28230 1-5/8"-5-1/2 thread, 2-1/4" dia.	-

"Shorty" Rams, Single-Acting, Spring-Return

Forcing a gravity return ram to retract wastes both time and money. This OTC series of single-acting, spring-return rams eliminates that waiting. With their low collapsed height and the stroke you really need, these rams are ideal for a variety of applications. You can choose from capacities of 10 to 100 tons and strokes from 1-1/2" to 2-7/16", with the largest ram being only 7-3/8" high! Bronze-plated piston rods resist scoring, and each ram can be "dead-ended" at full capacity for maximum safety. Each "Shorty" ram has an angled coupler port (5°) for easy hook-up. So, if you're tired of waiting for your rams to retract, these OTC "Shorty" rams are just the answer to your problems!



Specifications

OTC No.	Capacity (tons)	Stroke (in.)	(A) Extended Height (in.)	(B) Retracted Height (in.)	(C) Piston Rod Dia. (in.)	(D) Outside Dia. (in.)	Cyl. Eff. Area (sq. in.)	Oil Capacity (cu. in.)	Int. Pressure at Capacity (PSI)	Tons at 10,000 PSI	Oil Port NPTF	Type	Piston Return	Wt. (lbs./oz.)
4141	10	1-1/2	5	3-1/2	1-1/2	2-3/4	2.24	3.4	8,943	11.2	3/8"-18	Spring		6
4142	20	1-3/4	5-1/2	3-3/4	2-5/32	3-9/16	4.43	7.7	9,029	22.1	3/8"-18	Spring		9 / 9
4143	30	2-7/16	7-1/16	4-5/8	2-1/2	4	6.49	15.8	9,243	32.5	3/8"-18	Spring		14 / 7
4144	50	2-3/8	7-3/8	5	3-1/8	4-7/8	9.62	22.8	10,393	48.1	3/8"-18	Spring		23 / 2
4145	100	2-1/4	7-3/8	5-1/2	4-3/8	6-5/8	19.63	44.2	10,186	98.2	3/8"-18	Spring		47 / 3

SHOP EQUIPMENT

Ram & Pumps

“Shorty” Ram and Pump Set

Shorty rams provide lifting or pushing force in limited working space. Visual centering of load is simplified by a concentric ring pattern on piston top.

- Single-acting, spring-return.
- Two-speed hand pump gives fast piston approach. (See chart below for specifications.)

No. 4175 – Set includes 4143 30-ton, 2-7/16" stroke single-acting spring-return hydraulic ram; 4016 pump; 9767 hose; and 9798 hose half coupler. Wt., 52 lbs.



4175

Air/Hydraulic Ram and Pump Sets

Ideal for applications where an air supply of 40–120 PSI is available. Internal relief valve protects hydraulic system components regardless of air pressure, and two-stage release mechanism allows fast or metered ram return.

- The perfect replacement pump for hand pumps on body and frame straightening equipment.

No. 4185 – Set includes 4104 10-ton, 6-1/8" stroke single-acting hydraulic ram; 4020 air/hydraulic pump; 9767 hose; and 9798 hose half coupler. Wt., 31 lbs.

No. 4186 – Set includes 4105 10-ton, 10-1/8" stroke single-acting hydraulic ram; 4020 air/hydraulic pump; 9767 hose; and 9798 hose half coupler. Wt., 33 lbs.

Specifications

OTC Set No.	Capacity (tons)	Ram Stroke	Ram Collapsed Height	Handle Strokes to Obtain Full Ram Stroke	Pump Speed
4175	30	2-7/16"	4-5/8"	55*	Two
4185	10	6-1/8"	11-1/2"	–	Multiple
4186	10	10-1/8"	15-1/4"	–	Multiple

* Based on 50% of the stroke being made in low-pressure stage, 50% in high-pressure stage.



4186

Power Twin® Ram and Pump Set

Center-hole feature permits extending adjusting screws, cables, puller screws, etc., straight through the ram.

- This spring return unit is compact and lightweight.
- Ideal for jobs having restricted working space.

No. 4180 – Set includes 4120 17-1/2 ton, 2" stroke single-acting hydraulic ram; 4002 pump; 9650 gauge; 24815 tee; 9767 hose; and 9798 hose half coupler. Wt., 39 lbs.

Specifications

OTC Set No.	Capacity (tons)	Ram Stroke	Ram Collapsed Height	Handle Strokes to Obtain Full Ram Stroke	Pump Speed
4180	17-1/2	2"	6-7/8"	48	Single



4180

Hydraulic Push-Type Ram and Pump Sets

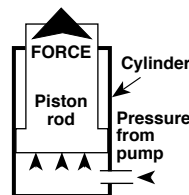
Compact and lightweight, these ram and pump sets are ideal for use in a wide variety of lifting and pushing applications. They feature a single-acting ram with a single-speed hydraulic hand pump. Requiring a minimum of mounting space, their remote operation is facilitated by a 6-foot, high-pressure hose.

No. 4169 – Set includes 4103 single-acting hydraulic ram, 4002 pump, 9767 hose, and 9798 hose half coupler. Wt., 28 lbs., 3 oz.

No. 4170 – Set includes 4104 single-acting hydraulic ram, 4002 pump, 9767 hose, and 9798 hose half coupler. Wt., 34 lbs., 6 oz.

OTC Set No.	Capacity (tons)	Cylinder Stroke	Cylinder Collapsed Height	Handle Strokes to Obtain Full Cylinder Stroke	Pump Speed
4169	10	2-1/8"	5-9/16"	32	Single
4170	10	6-1/8"	11-1/2"	93	Single

See page 288 for ram specs., and this page for hand pump specs.



Push-type rams apply force in a single direction. Spring or gravity return is featured.



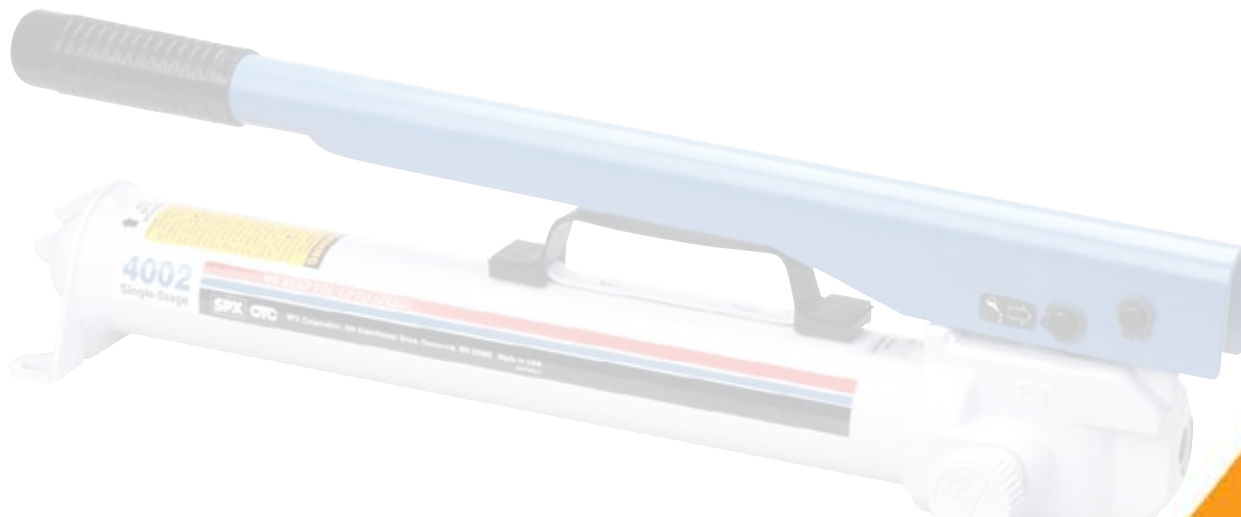
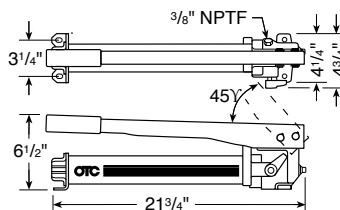
Single-Stage Hand Operated Pump

Ideal for operating single-acting rams. Use to power gear and bearing pullers, shop forcing presses, and in other hydraulic applications. A single-piston, single-stage type, this pump develops pressures up to 10,000 PSI. Operates horizontally or vertically with the pump head in the "down" position. Fingertip control valve provides instant release or pumping action. Features built-in overload valve. Ideal for use with Power Twin and single-acting rams. Maximum handle effort: 140 lbs.

No. 4002 – Hand pump only. Has 55 cu. in. reservoir. Wt., 17 lbs., 3 oz.

NOTE: See pages 299 and 300 for optional hose and hose half couplers.

Pump No.	Maximum Pressure	Volume Per Stroke	Piston Dia.	Piston Stroke	Reservoir Capacity	Oil Port
4002	10,000 PSI	.160 cu. in.	1/2"	13/16"	55 cu. in. (45 cu. in. usable)	3/8" NPTF



SHOP EQUIPMENT

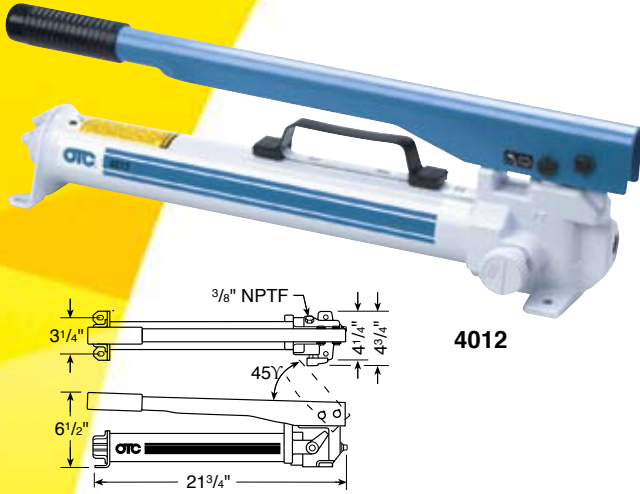
Hand Hydraulic Pumps

Two-Speed Hand Pump

The 4012 two-speed hand pump's all-metal construction almost eliminates the chance of leaking, or damage to the pump from regular use or accidents. It's the perfect pump for use with single-acting rams or combinations where 45 cu. in. of usable oil capacity will do the job. Has 2-way valve; welded steel carrying handle; automatic switching from low to high pressure mode; handle effort under 140 lbs. at 10,000 PSI; unique fill cap to prevent over-filling and over-pressurization; non-vented reservoir; fingertip control valve with 180° throw for on/off control. In other words, this pump has it all!

No. 4012 – Hand pump only. Has 55 cu. in. reservoir. Wt., 18 lbs., 6 oz.

Pump No.	Maximum Pressure	Volume Per Stroke	Piston Dia.	Piston Stroke	Reservoir Capacity	Oil Port
4012	1st-325 PSI 2nd-10,000 PSI	.662 cu. in. .160 cu. in.	3/8"	13/16"	55 cu. in. (45 cu. in. usable)	3/8" NPTF



4012

Dualmaster Jr.® Two-Stage Hand Pumps

Here's two-stage flexibility at a popular price! These pumps have extra-large reservoirs (125 cu. in. usable oil) and permit use with large hydraulic rams or in multiple small ram applications. Compact and lightweight, Dualmaster Jr. provides maximum flexibility with minimum effort in a portable pump. The 4016 and 4017 deliver... providing high oil volume (2.6 cu. in. per stroke) for rapid ram approach and return. Then they automatically switch at 300 PSI to the high pressure, low volume stage (.16 cu. in. per stroke) for high force applications. Both have a large, non-vented reservoir with safety relief valve to prevent over-pressurization of the reservoir. Piston stroke is 3/4", maximum handle effort is 130 lbs. at 10,000 PSI. The 4016 is equipped with a 2-way valve for use with single-acting rams. The 4017 has a 4-way valve for use with double-acting rams. Two versatile hydraulic pumps...dependable power for automotive, heavy-duty truck, agricultural, and construction maintenance needs.

No. 4016 – Pump with a 2-way valve for use with single-acting rams. Delivers 2.6 cu. in. of oil per stroke in low pressure stage. Wt., 29 lbs., 13 oz.

No. 4017 – Pump with a 4-way valve for use with double-acting rams. Delivers 2.6 cu. in. of oil per stroke in low pressure stage. Wt., 29 lbs.

Pump No.	Maximum Pressure	Volume Per Stroke	Piston Dia.	Piston Stroke	Reservoir Capacity	Oil Port
* 4016	1st stage 300 PSI 2nd stage 10,000 PSI	2.6 cu. in. .16 cu. in.	2"	3/4" 1/2"	125 cu. in. usable	3/8" NPTF
† 4017	1st stage 300 PSI 2nd stage 10,000 PSI	2.6 cu. in. .16 cu. in.	2"	3/4" 1/2"	125 cu. in. usable	3/8" NPTF

† Has built-in 4-way control valve.



4016

Pump No.	Maximum Pressure	Volume Per Stroke	Piston Dia.	Piston Stroke	Reservoir Capacity	Oil Port
* 4016	1st stage 300 PSI 2nd stage 10,000 PSI	2.6 cu. in. .16 cu. in.	2"	3/4" 1/2"	125 cu. in. usable	3/8" NPTF

* Has built-in 2-way control valve.

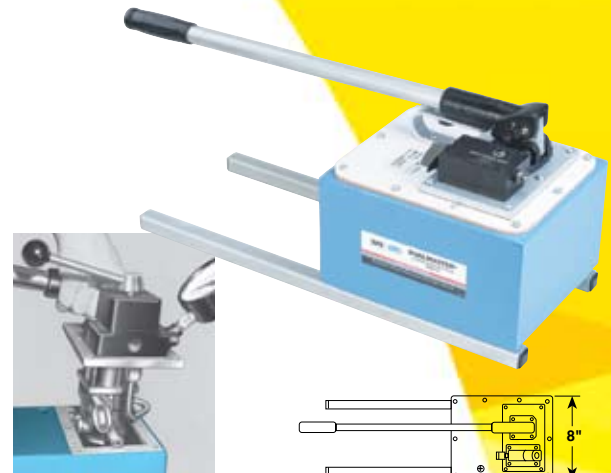
Dualmaster® Two-Stage Hand Pumps

Our finest hand-operated power units! These fast-acting, two-stage pumps not only handle high force, high pressure requirements up to 10,000 PSI, but deliver extremely high volume at low pressure (7.35 cu. in. per stroke from 0 to 200 PSI) to quickly move the ram piston to and from the work! Pumps have a built-in relief valve, pre-set at the factory for 10,000 PSI. Maximum handle effort is 90 lbs. Two basic Dualmaster models are offered: No. 4008 for use with single-acting rams, and No. 4009 for use with double-acting rams. For information on pressure gauges, hoses, and other accessories for your Dualmaster, see pages 299 and 300.

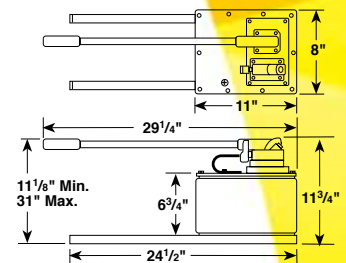
No. 4008 – Hydraulic hand pump with No. 9584 2-position, 3-way control valve (for operating single-acting rams), and No. 4006 BL2 2-gallon reservoir with legs. Wt., 50 lbs.

No. 4009 – Hydraulic hand pump with No. 9500 3-position, 4-way control valve (for operating double-acting rams), and No. 4006 BL2 2-gallon reservoir with legs. Wt., 64 lbs., 3 oz.

Pump No.	Maximum Pressure	Piston Dia.	Piston Stroke	Reservoir Capacity	Oil Port
4008 and 4009	1st stage 200 PSI 2nd stage 10,000 PSI	2-1/2" 1/2"	1-1/2"	460 cu. in. usable	3/8" NPTF



Pump and valving mount on common cover plate; permits use on other than standard OTC reservoirs.



Performance Example

Job: To fully extend an OTC 4105 ram (has 10 7/8" stroke)	4008/4009 Pump	4016 Pump	4002 Pump
5" of ram travel is under no load, 5" is under load	37 strokes	74 strokes	141 strokes

Air/Hydraulic Pump

With shop air as the energy source, these pumps have the power and oil capacity (80 cu. in. usable oil) to drive even the large 55-ton rams. They are ideal all-around power sources for dozens of body, frame, and alignment applications. They can be used with a variety of rams, presses, and hydraulic pullers operating at up to 10,000 PSI. An internal relief valve protects the hydraulic components regardless of hydraulic pressure. In addition, a two-stage release mechanism gives fast or metered ram return while reducing hydraulic shock.

In addition to all the features and performance characteristics of the 4020/4025, the 4021 is equipped with a 15 ft. remote control cord. The 4022 is equipped with a 2-gal. reservoir. These pumps require 9 cfm at 100 PSI air pressure at the pump.

No. 4020 – Air/hydraulic pump. Develops 10,000 PSI at 100 PSI air pressure. 3/8" NPTF oil port. 98 cu. in. usable oil capacity in plastic reservoir. Wt., 15 lbs., 3 oz.

No. 4021 – Air/hydraulic pump with a remote control actuator, 15 ft. cord. Develops 10,000 PSI at 100 PSI air pressure. 3/8" NPTF oil port. 105 cu. in. capacity plastic reservoir. Wt., 19 lbs., 3 oz.

No. 4022 – Air/hydraulic pump with a 2-gallon (442 cu. in.) plastic reservoir. Wt., 26 lbs., 3 oz.

No. 4025 – Air/hydraulic pump. Develops 10,000 PSI at 100 PSI air pressure. 3/8" NPTF oil port. 98 cu. in. usable oil capacity in metal reservoir. Wt., 14 lbs., 13 oz.

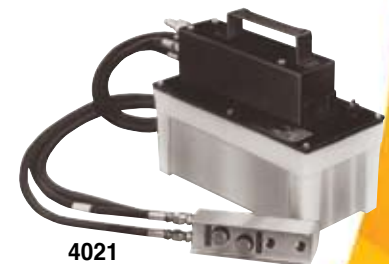
No. 213896 – Metal reservoir. 98 cu. in. usable oil capacity. Includes gasket and fasteners. Wt., 6 lbs., 2 oz.

No. 61243 – Replacement plastic reservoir for 4020 pump, 98 cu. in. usable oil capacity. Wt., 1 lb., 1 oz.

No. 33853 – Replacement gasket for 4020 pump reservoir. Wt., 1 oz.



4020



4021

Performance @ 100 PSI

Hydraulic Pressure*	Oil Delivery
0 PSI	59 cu. in./min.
5,000 PSI	30 cu. in./min.
10,000 PSI	4 cu. in./min.

* Oil delivery based on 20 cfm air supply at the pump.

SHOP EQUIPMENT

Hydraulic Pumps



Two-Gallon Reservoir

Increase the oil capacity of your 4020, 4021, or 4025 air/hydraulic pumps with this kit. It gives you a two-gallon reservoir and everything else needed to make those pumps ideal for large, single-acting rams or for multiple ram applications.

No. 207436 – 2-gallon reservoir kit for 4020, 4021, or 4025 air/hydraulic pumps. Includes reservoir, gasket, top mounting plate, bolts, and fittings. Gives 442 cu. in. usable oil capacity. 11-1/2" x 9-1/2" x 6-1/2". Wt., 6 lbs., 13 oz.

No. 40063-BL2 – 2-gallon (462 cu. in. usable) "standard" reservoir only for Vanguard® pumps. Size: 12-1/2" x 10-1/2" x 6-1/2" high. Wt., 9 lbs., 3 oz.



Universal Motor Version
U.S. Patent No. 3,053,186



Vanguard® Two-Stage, High-Pressure Power Units

Thousands of users have put Vanguard to work in a variety of hydraulic power applications. And the reputation for trouble-free performance this pumping unit has earned is a proven, documented fact, not just a sales claim! Vanguard is a fast-acting, precision-built, two-stage pumping unit consisting of a gear pump for the low-pressure stage and an axial-piston pump for the high-pressure stage, the latter being "supercharged" by the gear pump. Vanguard delivers low volume at high pressure, yet provides high volume at low pressure for fast cylinder piston approach and return. Units feature a 10,000 PSI universal motor, which starts under full load. They are suitable for operation up to 10,000 PSI. Motor is 1-1/8 h.p., 12,000 RPM, (27 amp draw). Rated for intermittent duty.

No. 4062 – Vanguard 2-stage hydraulic pump with 2-position/ 3-way valve and 6 ft. remote motor control (115V). 2 gal. of oil supplied. Wt., 71 lbs., 10 oz.

No. 4064 – Vanguard 2-stage hydraulic pump with 3-position/ 4-way valve and 6 ft. remote motor control (115V). 2 gal. of oil supplied. Wt., 74 lbs., 7 oz.

Specifications

A	B	C	D	E	F
18-1/4"	12-1/2"	10-1/2"	7"	10"	8"

Performance Oil Delivery

100 PSI	1,000 PSI	5,000 PSI	10,000 PSI
650 cu. in./min.	80 cu. in./min.	70 cu. in./min.	55 cu. in./min.

Pump No.	For use with:	Control Valve	Reser-voir	Motor Control	Voltage
4062	Sgl.-acting rams	2-pos., 3-way	2 gal.	Remote 6 ft. cord	1-1/8 H.P., 115V*
4064	Dble.-acting rams	3-pos., 4-way	2 gal.	Remote 6 ft. cord	50/60Hz, Sgl. Phase

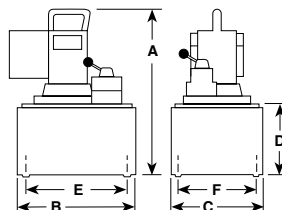
* For 230 volt, please specify.

Speed Comparison Chart

The job — Fully extend a 10-ton ram with a 10-1/8" stroke:

Pump No.	5" travel No load	5" travel Under load	Total Time
4062 Power	1.5 sec.	12 sec.	13.5 sec.
4002 Hand Pump	141 strokes of pump handle		4 to 5 min.*

* Handle effort at max. pressure is 140 lbs.



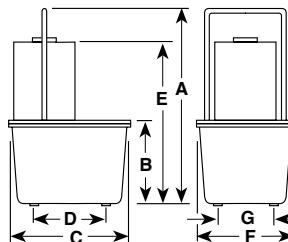
Two-Stage Electric/Hydraulic Pumps

They're called "RamRunners" and that's just what they do...run large single- or double-acting rams for fast frame straightening, wheel alignment, etc. They deliver up to 45 cu. in./min. at max. operating pressure of 10,000 PSI. The 4044 has a 2-position/2-way valve with "advance" and "return" positions and is for use with single-acting rams. The 4046 and 4057 have a 3-position/4-way valve with "advance," "hold," and "return" positions; for use with double-acting or multiple single-acting rams. Nos. 4044 and 4046 are equipped with a 1/2 h.p. single-phase, 60 Hz, 115 volt thermal protected electric motor and are designed to start under load. No. 4057 has a 1-1/2 h.p. electric motor. The RamRunners also feature a 6 ft. remote control cord for "on/off" control. One gallon and two quarts of oil are supplied.

No. 4044 – RamRunner two-stage hyd. pump with 2-position/2-way manual valve and a 6 ft. remote control cord. Supplied with one gallon and two quarts of oil. Wt., 58 lbs.

No. 4046 – RamRunner two-stage hydraulic pump with 3-position/4-way manual valve for double-acting rams, and a 6 ft. remote control cord. Supplied with one gallon and two quarts of oil. Wt., 54 lbs.

No. 4057 – RamRunner two-stage hydraulic pump with 3-position/4-way valve for double-acting rams, and a 6 ft. remote control cord. Supplied with one gallon and two quarts of oil. Wt., 54 lbs.



Speed Comparison Chart

The job — Fully extend a 10-ton ram with a 10" stroke:

Pump No.	5" travel No load	5" travel Under load	Total Time
4044	3 sec.	39 sec.	42 sec.
4046	1.2 sec.	14 sec.	15.2 sec.

Pump No.	Max. Press. Output	RPM	Oil Del.* (cu. in./min. @)			Voltage	Reservoir		Dimensions						
			0 PSI	100 PSI	10,000 PSI		Cap.	Usable	A	B	C	D	E	F	G
4044	10,000 PSI	3,450	290	240	17	1/2 h.p., 115 volt** 60 Hz, Sgl. Phase	1.9 gal.	295 cu. in.	18-1/2"	7"	11-3/8"	7-1/8"	14-7/8"	9-1/4"	5-1/8"
4046	10,000 PSI	3,450	525	490	45	1-1/2 h.p., 115 volt** 60 Hz, Sgl. Phase	1.9 gal.	315 cu. in.	20"	7"	11-3/8"	7-1/8"	14-7/8"	9-1/4"	5-1/8"

* Typical delivery, actual flow will vary with field conditions.

** For 230 volt, please specify.

Control Valves

No. 9582 – This is a 2-position/3-way, lever operated, detent positioned valve for use with single-acting rams. It has "advance" and "hold" positions. Wt., 2 lbs., 5 oz.

No. 9500 – A 3-position/4-way, lever operated, detent positioned valve for use with double-acting rams. Has "advance," "neutral," and "return" positions. Cylinder ports are blocked in "neutral" and pump flow is directed back to the reservoir. Wt., 4 lbs., 8 oz.



9582

9500

SHOP EQUIPMENT

Hydraulic Pumps

Vanguard Jr.® Two-Stage, High-Pressure Power Units

Combines compact size and light weight with 2-stage high performance. Choose from several models with electric motors and many options. Designed for operating pressures up to 10,000 PSI.

Vanguard Jr. gives you just what you need: 2-stage flexibility with high performance, and a selection of units and options that lets you tailor the pump to your needs. Refer to the performance and speed tables below, and you'll see how these pumps cut down the time needed for almost any job. The 2-stage operation automatically matches pump performance to the job requirements. The low-pressure, high-volume stage provides fast ram approach and return. Then at approximately 200 PSI, the high-pressure, low-volume stage takes over to handle high force requirements. These pumps are ideal for hundreds of hydraulic applications such as clamping, bending, straightening, pressing, forming, testing, pushing, and pulling. Each is equipped with a relief valve factory-set at 10,000 PSI (the maximum operating pressure of the pump). Choose from models with electric (115 or 230 volt) motors and options that include remote hand- and foot-operated motor controls, adjustable pressure regulator, and pressure switch. Vanguard Jr. starts easily under load and has been thoroughly field-tested for high cycle reliability.

Speed Comparison Chart

The job — Fully extend a 10-ton ram with a 10-1/8" stroke:

Pump No.	5" travel No load	5" travel Under load	Total Time
4031	4 sec.	34 sec.	38 sec.
4002 Hand Pump	141 strokes of pump handle		4 to 5 min.*

* Handle effort at max. pressure is 140 lbs.

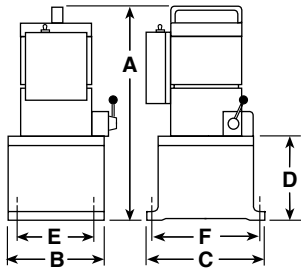
No. 4031 – Vanguard Jr. two-stage hydraulic pump with 2-position/3-way valve and 6 ft. remote motor control (specify 115V or 230V). 1 gal. of oil supplied. Wt., 35 lbs., 7 oz.

No. 4033 – Vanguard Jr. two-stage hydraulic pump with 3-position/4-way valve and 6 ft. remote motor control (specify 115V or 230V). 1 gal. of oil supplied. Wt., 36 lbs.

No. 4036 – Vanguard Jr. two-stage hydraulic pump with 3-position/4-way valve and run/off/jog motor control (specify 115V or 230V). 2 gal. of oil supplied. Wt., 61 lbs., 7 oz.

Universal Motor Version

U.S. Patent No. 3,053,186



Specifications Note: Dimensions shown apply to pumps with 104 cu. in. reservoir.

A	B	C	D	E	F
16"	6"	8"	4-3/4"	5-1/8"	7-1/8"

Performance

The low-pressure, high-volume stage provides fast ram approach. When high force is needed, the high-pressure, low-volume stage takes over. The figures below indicate oil delivery of the electric power unit at various pressure levels.

170 cu. in./min. at 100 PSI **32 cu. in./min. at 1,000 PSI**
25 cu. in./min. at 5,000 PSI **18 cu. in./min. at 10,000 PSI**

Pump No.	For use with:	Control Valve	Reservoir	Motor Control
4031	Single-acting rams	2-position 3-way	.45 gallon 104 cu. in.	Remote 6 ft. cord
4033	Double-acting rams	3-position 4-way	.45 gallon 104 cu. in.	Remote 6 ft. cord
4036	Double-acting rams	3-position 4-way	2 gallon 462 cu. in.	Run/off/jog

Universal Motor Version and Large Reservoir Models

These all have a 10,000 PSI pump and universal motor: 1/2 h.p., 12,000 RPM, 115 or 230 volt (specify), 60/50 cycle A.C. single phase. No. 4036 has an extra-large 2-gallon (462 cu. in.) reservoir to permit full stroke of large displacement rams. Also suited for applications where several rams are used.

High Capacity Reservoir Conversion Kit









Increase the oil capacity of your No. 4031 or No. 4033 pump with this kit. It gives you a plastic reservoir and everything else needed to give you 462 cu. in. of oil.

No. 27874 – 2-gallon reservoir conversion kit. 6-1/2" x 9-1/2" x 11-1/2". Wt., 12 lbs., 13 oz.



Pressure Regulator/Check Valves and Accessories














	OTC No.	Description
	9623	Pressure regulator valve. For remote location in a hydraulic system. Adjusts from 1,000 to 10,000 PSI. Wt. 2 lbs., 2 oz.
	9575	Needle valve for fine metering. Use several for controlling multiple single-acting rams simultaneously, yet independently. 3/8" NPTF ports. Wt., 1 lb., 3 oz.
	9596	Load lowering valve. 3/8" NPTF ports, 10,000 PSI max. operating pressure. Wt., 2 lbs., 3 oz.
	7312	O-ring/oil seal pick. An extremely handy little tool! Makes removal and installation of oil seals and o-rings a snap. Pick has a metal shaft. Wt., 2 oz.
	10461	Remote control foot switch, 10 ft. cord. Press for "on," release for "off." Wt., 2 lbs., 13 oz.
	25017	Remote control hand switch, 10 ft. cord. Press for "on," release for "off." Wt., 1 lb. (Replacement rocker switch only, No.16772)
	9625	Pressure switch. 1/4" NPTF external thread. Wt., 1 lb., 5 oz.

Gauges - All gauges have 1/4" NPTF threads

	9650	Pressure and tonnage gauge. Four scales: 0-10,000 PSI, 0-17-1/2-ton, 0-30 ton, and 0-50 ton. 3-1/2" dia. face (Dry). Wt., 8 oz.
	9651	Pressure and tonnage gauge. Four scales: 0-10,000 PSI, 0-55 ton, 0-75 ton, and 0-100 ton. 3-1/2" dia. face (Dry). Wt., 8 oz.
	9652	Pressure and tonnage gauge. Four scales: 0-10,000 PSI, 0-5 ton, 0-10 ton, and 0-25 ton. 3-1/2" dia. face (Dry). Wt., 8 oz.
	9653	Pressure gauge. Two scales: 0-10,000 PSI, and 0-689 BAR. 3-1/2" dia. face. Use with any OTC pump or ram (Dry). Wt., 8 oz.
	9654	Pressure gauge. Two scales: 0-10,000 PSI, and 0-689 BAR. 2-1/2" dia. face. Use with any OTC pump (Dry). Wt., 5 oz.
	9655	Pressure gauge. One scale: 0-6,000 PSI. 3-1/2" dia. face (Dry). Wt., 8 oz.
	9658	Pressure gauge. Two scales: 0-10,000 PSI, and 0-689 BAR. 2-1/2" dia. face. Gauge is filled with glycerin or silicone to dampen vibration and fluid pulsation. Use with any OTC pump or ram. Wt., 8 oz.
	9659	Pressure gauge. Same as 9658 except is liquid filled and has 3-1/2" diameter face. Wt., 14 oz.







Adapters and Fittings

	24815	Tee adapter. For installing gauge between pump and hose coupling. Has 1/4" and 3/8" NPTF internal and 3/8" NPTF external.
	25919	Double tee adapter. Permits use of more than one ram in series with one pump. Three 3/8" NPTF ports.

	OTC No.	Description
	9617	Manifold block. For use when a multiple-ram system is required. Has six 3/8" NPTF ports.
	22641	"Y" manifold. Useful when connecting two rams to a single line. Three 3/8" NPTF ports.
	10645	45° fitting. Used when mounting gauge at an angle on connection such as 24815. External and internal 1/4" NPTF ends.
	10469	Swivel connector. 3/8" NPTF external, 3/8" NPSM internal.
	10682	Coupling. Both ends 3/8" NPTF internal.
	10474	Street elbow. Internal and external 3/8" NPTF ends.
	10673	Short nipple. 1-1/2" long, 3/8" NPTF external ends.
	13828	Long nipple. 2" long, 3/8" NPTF external ends.
	10675	Long nipple. 2" long, 1/4" NPTF external ends.
	10647	90° elbow. 3/8" NPTF internal ends.
	10909	Pipe plug. Heat-treated, 3/8" NPTF.
	10479	Pipe plug. Heat-treated, 1/4" NPTF.
	13888	Coupling. Ends - 3/8" NPTF internal and 1/2" NPTF external.

Quick Couplers

Precision built and designed for high pressure. Permits disconnecting hose without loss of oil. 3/8" NPTF

	9795	Complete quick coupler
	9796	Ram half coupler and dust cap
	9797	Ram half coupler dust cap only
	9798	Hose half coupler only
	9799	Hose half coupler dust cap only
	9866	Hose or ram half cap

SHOP EQUIPMENT

Hydraulic and Bushing Tools




Hydraulic Oil

Ensure dependable performance of rams and pumps by using this high-grade, specially prepared oil. Contains foam suppressant additives; high viscosity index.

OTC No.	Size	Viscosity	Recommended for use with
9636	1 quart	215 SSU @ 100°F	4000, 4002, 4016, 4017, 4020, 4021, Vanguard, RamRunner and Stinger pumps
9637	1 gallon		

Hydraulic Hose

Lightweight, rugged hose in lengths to 20 ft. Choose from 1/4" I.D. or 3/8" I.D. high flow hose. All have 3/8" NPTF ends. Operating pressure is 10,000 PSI. Hoses comply with MHI Std. IJ100.



OTC No.	Hose Length	Hose Inside Diameter	Hose Type	
9767	6 ft.	1/4"	Braid (2-ply Rating)	
9768	8 ft.			
9769	10 ft.			
9770	12 ft.	3/8"	Nylon Core Synthetic Fiber Reinforced *	
9780	6 ft.			
9781	10 ft.			High
9782	20 ft.			Flow

* Note: This hose is not recommended for use where heat or weld spatter conditions exist.

80-Ton Capacity Truck Center and End Bushing Service Equipment

For fast, easy bushing replacement on 340, 380, 440, and 450 series Hendrickson suspensions. Recommended by Hendrickson as the only correct method for bushing replacement—eliminates “torching”!

Knock off about six to eight hours when replacing center and end bushings. Center bushings, which often require more frequent service, can be replaced in under two hours, and the beam and wheels stay in place! The No. 1741 and 1742 sets include a hydraulic pump and ram to deliver up to 80 tons of force!

If center bushings are allowed to wear from lack of maintenance, the end bushings may soon fail, which can also lead to excessive tire wear. Correct bushing maintenance with one of OTC’s heavy-duty service sets can save needless parts costs and downtime.

Center Bushing Service

Two hours. That’s about what it takes to replace center bushings with this equipment. Best of all, the beam and wheels are not removed.

End Bushing Removal & Installation

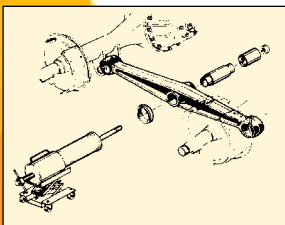
This is almost as easy as center bushing replacement. Of course, the wheels have to be removed first, then the hanger tubes or end beam adapter plugs. (See page 302 for 1743 hanger tube service set and 1745 end bushing adapter service set.) After that, the procedure is much like center bushing replacement. Typically save six to eight hours because the beams are not removed from the truck.

NOTE: Hendrickson Mfg. Co. has changed the numerical designations on the following suspension models. These numerical changes **DO NOT** affect service procedures or tooling required to service their suspensions.

Original Model Number	New Model Number
380	400
440	460
450	480
500	650



Order information for center and end beam bushing service sets is below and on the following pages.



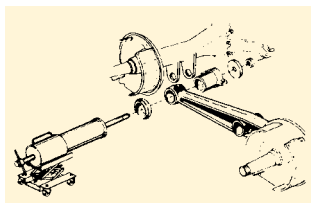
OTC No. 1740 tooling set up for center bushing replacement.

For 340 thru 450 Series Hendrickson Suspensions

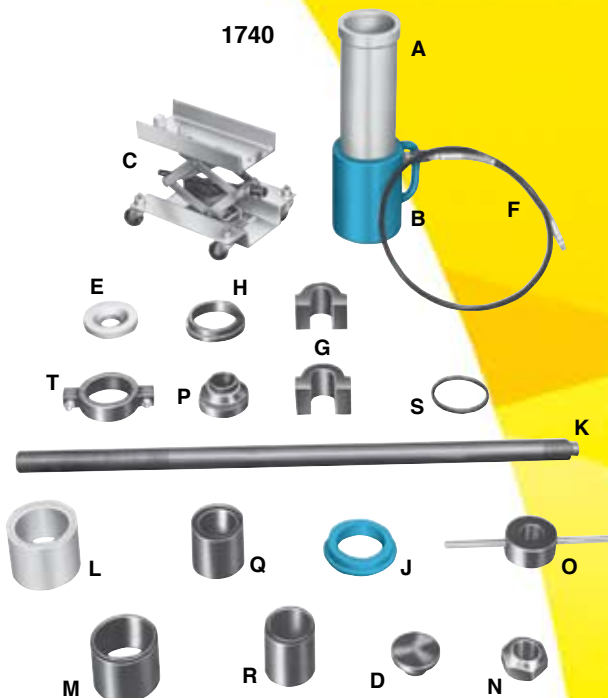
Item	No.	Description
A	44119	Receiving tube
B	51678	80-ton cylinder
C	51695	Jack cart
D	206457	Press adapter
E	206459	Clamp plate
F	303839	Hydraulic hose
G	302018	Spacer (2)
H	302019	Receiving adapter
J	302021	Receiving adapter
K	302023	Pulling screw
L	302026	Installing adapter
M	302027	Removing adapter
N	302028	Hex nut
O	302029	Speed nut
P	302030	Removing adapter
Q	302031	Installing adapter
R	302032	Removing adapter
S	302401	Spacer ring (3)
T	42052	Inst. adapter clamp

Basic Tooling Set

No. 1740 – This is the basic tooling set for servicing center and end beam bushings. It does not include the hydraulic pump or gauge. If you are already equipped with hydraulics, you can be replacing bushings right away! (Does not include tooling for hanger tube or end plug adapter removal.)
Wt., 250 lbs.



No. 1740 tooling setup for end bushing installation.



Hendrickson Service Sets with Hydraulics

The preferred method for servicing center and end beam bushings. You get the complete No. 1740 basic set, plus OTC's No. 4031 two-stage electric/hydraulic pump with remote hand switch, a No. 9654 pressure gauge, hose half coupler, and 80-ton single-acting ram. (Tooling for hanger tube or end plug adapter removal not included.)

No. 1742 – Hendrickson service set includes Basic Tooling Set No. 1740 plus hydraulics.
Wt., 285 lbs.

The method Hendrickson recommends for suspension service. You get the No. 1740 basic set, plus OTC's No. 4062 two-stage electric/hydraulic pump with remote hand switch, a No. 9653 pressure gauge, hose half coupler, and 80-ton single-acting ram. (Tooling for hanger tube or end plug adapter removal not included.)

No. 1741 – Hendrickson service set with hydraulics.
Wt., 285 lbs.



For 340 – 450 series
Hendrickson suspensions;
includes No. 4031 pump

For 340 – 450 series
Hendrickson suspensions;
includes No. 4062 pump



R400 Center Bushing Adapter Set

Used with OTC's No. 1740 suspension tool set, these adapters let you remove and install the new style R400 center bushings on Hendrickson suspensions. Set includes one No. 310248 removing adapter and one No. 310249 installing adapter.

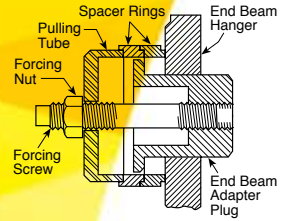
No. 1746 – Removing/installing bushing adapter set. For R400 series Hendrickson suspensions having center bushing No. 49400 or field service center bushing No. 49600. Wt., 27 lbs., 7 oz.



1746

SHOP EQUIPMENT

Bushing Service Tools



1745

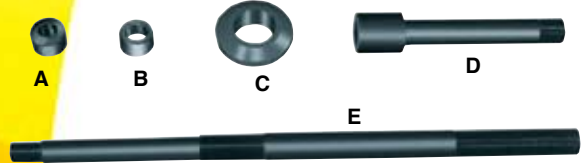
End Bushing Adapter Puller Set

No. 1745 – Set contains everything needed to remove end bushing adapter plugs in 380 thru 440 series suspensions. The plugs have to be removed prior to end bushing replacement.

The set is complete in a handy plastic case.

For use with 1740 series tooling sets (order separately). Wt., 9 lbs., 13 oz.

Item	No.	Description
A	207025	Spacers (3)
B	302592	Screw (7/8"-14)
C	302593	Screw (15/16"-12)
D	207027	Screw
E	207026	Plug gauge
F	207030	Hand tap (7/8"-14)
G	207031	Hand tap (15/16"-12)
H	207039	Nut assembly
I	302595	Receiving cup



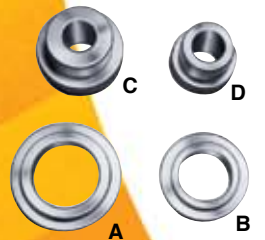
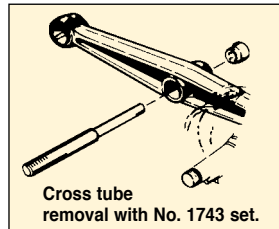
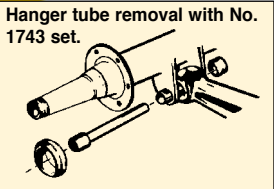
1743

End Bushing Hanger Tube/ RU Series Center Bushing Service Set

No. 1743 – Required for servicing RU340 series center bushings. The long puller screw is used to remove the beam cross tube.

The 1743 also removes end bushing hanger tube assemblies. For use with 1740 tooling (order separately). Wt., 44 lbs.

Item	No.	Description
A	25417	Nut
B	206455	Removing adapter
C	302015	Receiving adapter
D	302119	Special screw
E	302020	Pulling screw



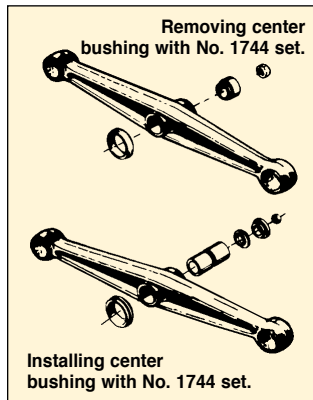
1744

Bronze Center Bushing Service Set

No. 1744 – Designed for replacing bronze center bushings on 340, 380, 440, and 460 Hendrickson suspensions. Also installs bronze center bushing grease seals. For use with 1740 series tooling set (order separately). Wt., 15 lbs., 10 oz.

For 340, 380, 440, & 460 series suspensions.

Item	No.	Description
A	28536	Installing adapter
B	28538	Installing adapter
C	302024	Removing/Installing adapter
D	302025	Removing/Installing adapter



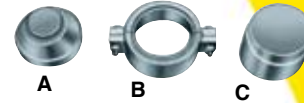
Center and End Bushing Service Set

No. 1763 – This set is required for bushing service on 500 and 700 series heavy-duty suspensions. It is intended for use with a 100-ton capacity shop press. It allows replacement of center and end bushings.

Wt., 39 lbs., 11 oz.

For 500 & 700 series suspensions. Use with a shop press.

Item	No.	Description
A	208350	Adapter
B	208349	Adapter clamp
C	28541	Adapter



1763

Bronze Center Bushing Service Set

No. 1762 – Saves hours replacing bronze center bushings on Hendrickson 500 and 700 suspensions. Use with a 100-ton capacity shop press.

Wt., 17 lbs., 7 oz.

For 500 & 700 series suspensions. Use with a shop press.

Item	No.	Description
A	204266	Installing adapter
B	38095	Removing adapter

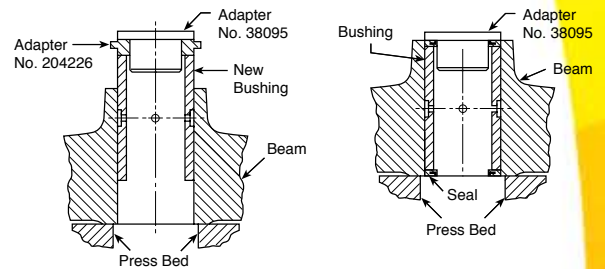


A



1762

B



Center and End Bushing Tool Set

No. 1764 – This set is the answer for replacing center and end bushings on Hendrickson 340 and 380/440 series suspensions. The 1764 is for use with a 100-ton or larger hydraulic press. The press plate sits on the press bolster to provide a level, cradle-like surface for the beam to rest on during pressing.

Wt., 109 lbs.

For 340 and 380/440 series suspensions. Use with a shop press.

Item	No.	Description
A	51100	Press plate
B	302032	Removing adapter
C	302031	Installing adapter
D	302030	Removing adapter
E	42052	Inst. adapter clamp
F	206459	Clamp plate
G	206457	Press adapter
H	302027	Removing adapter
I	302026	Installing adapter



B

C

D

E

F

G

H

I

A

B

C

D

E

F

G

H

I

1764





1748



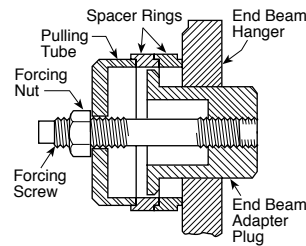
End Bushing Adapter Puller Set for Hendrickson Truck Suspensions

No. 1748 – This set contains everything needed to remove end bushing adapter plugs used on 400 series and the larger 460–520 series suspensions. The plugs have to be removed prior to end bushing replacement. The set is complete in a handy plastic case. For use with 1740 series tooling sets (order separately).

Wt., 12 lbs.

For servicing the 400 and larger 460–520 series suspensions.

Item	No.	Description
A	207025	Spacers (3)
B	302592	Screw (7/8"–14)
C	302593	Screw (15/16"–12)
D	207027	Screw
E	207026	Plug gauge
F	207030	Hand tap (7/8"–14)
G	207031	Hand tap (15/16"–12)
H	207039	Nut assembly
I	302595	Receiving cup
J	*221378	Hand tap (M30 x 2)
K	*313342	Screw (M30 x 2)



* For use on 460–520 series adapter plugs (can be purchased separately and used with set No. 1745).

Hendrickson Bar Pin Adapter Set

Servicing bar pin end bushings used on Hendrickson equalizing beam tandem truck suspensions requires the use of special tooling. OTC's No. 1757 adapter set is used with the beam removed from the truck, and in conjunction with OTC No. 51100 press plate and a 100-ton hydraulic shop press.

The 1757 set, which replaces the No. 1747 set, includes an adapter for installing bushings in older forged beams as well as the fabricated beams introduced in 1999.

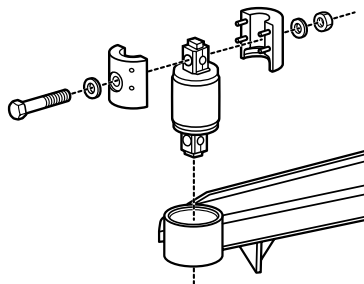
To remove bushings, use OTC's previously introduced No. 302030 removing adapter and No. 206457 press adapter, both of which may be ordered separately. Reinstall bushings following procedures recommended by the suspension manufacturer.

No. 1757 – Hendrickson bar pin adapter set.

Wt., 18 lbs.



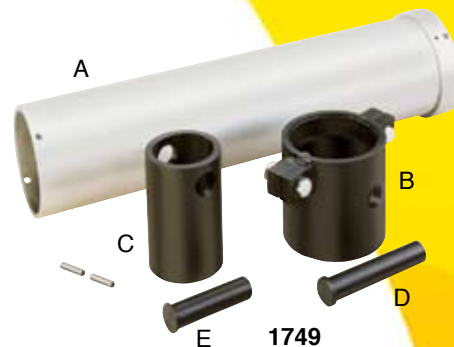
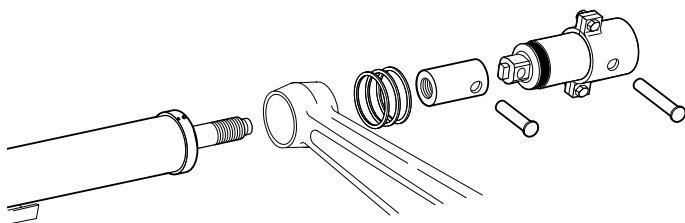
1757



Hendrickson Suspension Bar Pin End Bushing Adapter Set

Extend your No. 1741 and No. 1742 bushing service equipment sets. You can now remove and install worn end bushings on the Hendrickson new style bar pin end bushings without removing the equalizing beam from the vehicle. The No. 1749 works in conjunction with OTC's No. 1741 and No. 1742 80-ton portable service equipment to do the job quickly, using procedures recommended by the manufacturer.

No. 1749 – Hendrickson suspension bar pin end bushing adapter set. Wt., 53 lbs.



Item	No.	Description
A	314557	Receiving tube
B	49050	Installer
C	314556	Receiving adapter
D	314558	Pin
E	314559	Pin

Hendrickson Primaax Quick Alignment Socket

- Hendrickson – Approved tool.
- Used to adjust axle alignment on the Primaax air suspension.
- Works on Primaax models 230, 460, and 690 rear suspensions.

No. 1767 – Hendrickson Primaax quick alignment socket. Wt., 3 lbs., 8 oz.



Hydraulic Flow Testers

50 and 75 GPM hydraulic oil flow testers accurately measure oil flow, temperature, and pressures against manufacturers' specifications.

Troubleshoot hydraulic circuits and isolate faulty components on mobile equipment, machine tools, fork lifts, agricultural and industrial tractors, and equipment (open or closed) hydraulic systems with capabilities up to 75 GPM at pressures to 5,000 PSI. Models include features such as an automatic pressure compensating load valve that lets you increase flow without affecting the pressure settings. Temperature flow and RPM readings are displayed in metric or English, and accurate to within plus or minus 2% of full scale. Each tester is protected by a safety disc, which ruptures automatically if pressures exceed the upper limits.

No. 4221 – 75 GPM hydraulic circuit tester. Comes with two pressure gauges and three 9-volt batteries. Wt., 21 lbs., 3 oz.

No. 4235 – 50 GPM hydraulic circuit tester with single liquid-filled pressure gauge. Includes two adapter unions for 3/4" NPTF fittings. Wt., 33 lbs.



Fittings, hoses, and tachometer accessories are available separately.

SHOP EQUIPMENT

Transmission Jacks



1521A



1,000 lb. Capacity Low-Lift Transmission Jack

- Universal mounting head, with adjustable brackets, tilts front to back and side to side for easy transmission alignment.
- With a height range of 6-1/2" to 29-1/2", it is ideal for today's ground-hugging cars.
- Safety chains hold the load securely, even while moving about the shop.
- Wide, stable wheel base with four swivel casters, and two handle grips make it easy to position under the vehicle.
- Safety overload prevents jack from being used beyond its rated capacity.
- Pump handle rotates a full 360° for use in any position.
- Flash-chromed ram inhibits rust from entering the hydraulic system.

No. 1521A – Low-lift transmission jack. Wt., 141 lbs.

Model	Cap. (tons)	Overall Length	Overall Width	Max. Height	Min. Height	Tilt			Weight
						Side	Front	Back	
1521A	1/2	34-1/2"	19-3/8"	29-3/4"	7-1/2"	30°	60°	17°	128 lbs.



1522A



Heavy-Duty 2,000 lb. Capacity Low-Lift Transmission Jack...for Class 7 and 8 Trucks

- Rugged, stable unit is ideal for handling heavy transmissions. Includes adapter plate for Eaton® Fuller® RoadRanger® transmissions.
- Low profile design gets under the lowest clearance trucks, making it ideal for clutch repair work. There's even a built-in tool tray on each side rail.
- Pump handle rotates 360° for operator convenience; ball bearing 3.5" diameter swivel casters provide easy positioning of jack.
- Safety overload system prevents use of jack beyond its rated capacity, and a safety bypass protects the hydraulic cylinder from damage. Cylinder features a chrome-plated piston for long life.

No. 1522A – Low-lift transmission jack. Includes No. 220492 adapter for Eaton® Fuller® RoadRanger® transmissions. Wt., 328 lbs.

Model	Cap. (tons)	Overall Length	Overall Width	Max. Height	Min. Height	Tilt			Weight
						Side	Front	Back	
1522A	1	43-1/2"	26"	35-1/4"	6-7/8"	11°	24°	18°	287 lbs.



Air-Assisted 1,000 lb. Capacity High-Lift Transmission Jack

- Air-assist primary stage for rapidly raising the mounting head, activated by depressing foot pedal.
- Hydraulic secondary stage for precise operator control, activated by a hand pump to raise the load, and a release knob to lower the load.
- Big, easy-to-grip knobs that make mounting head adjustments simple, and a safety chain for securing the load.
- Wide leg base with 4" polyurethane swivel wheels that provide stability and easy maneuvering. (Brakes on two of the wheels.)
- Safety overload system to prevent jack from being used beyond its rated capacity.

No. 1794A – 1,000 lb. air/hydraulic transmission jack.
Wt., 166 lbs., 4 oz.

Model	Max. Load Capacity	Overall Height (low posit.)	Max. Height	Max. Forward Tilt	Max. Backward Tilt	Max. Side Tilt (either side)	Leg Width
1794A	1,000 lbs.	37-5/8"	76-1/2"	42°	46°	±12°	37-1/8"



1,000 lb. Capacity High-Lift Transmission Jack

- Universal saddle tilts front to back and side to side; features adjustable corner brackets and safety chain for optimum positioning of the load.
- Flash-chromed rams inhibit rust from entering the hydraulic system.
- Foot-operated pump and lowering pedal for ease of control when positioning or removing a transmission.
- Wide leg base with 4" polyurethane swivel wheels that provide stability and easy maneuvering. (Brakes on two of the wheels.)
- Safety overload system to prevent jack from being used beyond its rated capacity.

No. 1793A – High-lift transmission jack with foot pump.
Wt., 162 lbs.

Model	Max. Load Capacity	Overall Height (low posit.)	Max. Height	Max. Forward Tilt	Max. Backward Tilt	Max. Side Tilt (either side)	Leg Width
1793A	1,000 lbs.	35"	71-5/8"	24°	19°	±20°	37-1/8"



SHOP EQUIPMENT

Jacks and Wheel Dolly



22-Ton Capacity Under-Axle Jack

- Self-retracting, spring return feature.
- Long 50" T-handle lets you easily position jack under vehicles with long overhangs.
- One pull of the handle activates the self-retracting 22-ton capacity ram without having to crawl underneath the vehicle. Jack has large rubber-tired wheels.
- Lifting range:
 - Screw Extd. – 8" min./17" max. height with adapter
 - Screw Retd. – 8" min./12-1/2" max. height
- Cylinder stroke, 4-3/4"; extended screw length, 5"; PSI range, 90–145.

No. 1788A – Under-axle hydraulic jack with 22-ton capacity self-retracting ram. Wt., 102 lbs.

No. 215009* – In-line oil lubricator. Add to air line to meter precise flow of lubricant to air motor. Has 1/4" NPT fitting. Wt., 8 oz.

*Not included, order separately. Prevents harmful contamination caused by moisture in the air line!



Truck Dual Wheel Dolly

- This 1,500 capacity dolly will remove, transport, and replace dual wheel and tire assemblies without strain or struggle. Swivel casters, 3-1/2" front and 3" rear, provide easy maneuverability.
- Floor space is 43" by 42".
- No. 1769 hydraulic jack provides over 6-1/2" of lift and tilts wheel assembly 7° to prevent damage to wheel seal.
- Includes a 6' support chain to hold load in place.

No. 1769A – Dual wheel dolly. Wt., 187 lbs.

5-Ton and 10-Ton Service Jacks

- A built-in safety overload prevents using the jack beyond its rated capacity.
- Convenient foot pedal speeds the lifting operation. Handle lock and release control are located on top of the handle. Handle can be locked into any position from vertical to horizontal.
- Both models have a spring-loaded 40" handle.

No. 1505B – 5-ton service jack. Wt., 232 lbs.

No. 1510B – 10-ton service jack. Wt., 412 lbs.

20-Ton Capacity Service Jack

- Low-profile stance and extended height add to versatility.
- Wheels and swivel casters feature internal bearings.
- Either the foot pedal or jack handle may be used for pumping action. Counter-balanced, spring-assisted handle has a three-position lock.

No. 1512 – 20-ton service jack. Wt., 505 lbs.

Specifications:	No. 1505B	No. 1510B	No. 1512
Capacity	5-ton	10-ton	20-ton
Lifting range	6" to 22"	6-1/4" to 22"	7-1/2" to 24"
Saddle dia.	5-1/8"	6"	7-1/2"
Overall reach	47"	51"	97"
Frame height	7-3/4"	9-3/4"	10-1/4"
Handle Length	43"	43-1/4"	42"
Floor space	14-3/4" to 56"	18" to 60"	18-1/8" to 61-3/8"

OTC Stinger

1505B,
1510B

**ANSI
PALD**

1512

5-Ton and 10-Ton Air/Hydraulic Service Jacks

- Bring the versatility of air-assist operation to your shop's lifting tasks. The 10-ton model can also be operated manually, when shop air is not available.
- Huge front wheels mounted in bearings provide trouble-free service life. Rugged steel frame members.
- Rear swivel casters make spotting the jack easy. Spring-loaded handle may be locked in three positions, from horizontal to vertical.

No. 1507A – 5-ton air/hydraulic service jack. Wt., 232 lbs.

No. 1511A – 10-ton air/hydraulic service jack. Wt., 330 lbs.

Specifications:	No. 1507A	No. 1511A
Capacity	5 ton	10 ton
Air pressure	80–120 PSI	80–120 PSI
Lifting range	5-7/8" to 22"	6-3/8" to 22"
Saddle dia.	6-5/8"	7-3/8"
Overall reach	87"	90"
Frame height	8"	12-3/4"
Handle length	40"	42"

OTC Stinger

1507A, 1511A

**ANSI
PALD**

OTC Stinger

SHOP EQUIPMENT

Service Jacks



1503A



1504A



2-1/2 Ton and 3-Ton Service Jacks

- The Stinger series 2-1/2 and 3-ton hydraulic service jacks are designed for the budget-minded shop owner, who still wants the quality of an OTC product.
- Built from select steel, these jacks can stand up to the abuse that jacks are subjected to daily. Yet, their light, compact design makes them easy and convenient to use.
- Each jack has a built-in safety overload system that prevents use beyond its rated capacity.
- With rear swivel casters, maneuvering and positioning of these jacks is an easy task.

No. 1503A – 2-1/2 ton service jack with lifting range of 5" to 20". Wt., 80 lbs., 5 oz.

No. 1504A – 3-ton service jack with lifting range of 6" to 23-1/2". Wt., 91 lbs., 5 oz.

Specifications:	No. 1503A	No. 1504A
Capacity	2-1/2 ton	3 ton
Lifting range	5" to 20"	5-3/8" to 20-1/4"
Saddle dia.	5"	5"
Overall reach	21"	21"
Frame height	6-1/4"	6-1/4"
Handle Length	37-1/2"	37-1/2"
Floor space	14" x 26"	14" x 26"



1500A



3-Ton Stinger Jack Pack

- Pack includes both a No. 1504A 3-ton hydraulic service jack and a pair of No. 1772C 3-ton ratcheting jack stands.
- The stands have a steel base for strength, self-locking ratchet handle, durable baked enamel finish, and conform to ANSI PALD-4 load rating standard. Base: 8-1/4" x 7-1/2". Height range: 11-5/8" to 17-1/8".
- Jack has a light, compact design with a 37-1/2" handle length, and a lifting range of 5" to 20-1/4".

No. 1500A – 3-ton capacity jack pack. Wt., 106 lbs., 5 oz.

Two-Speed 3-1/2 Ton Service Jack

The ideal floor jack for both a large automotive service center or a one person shop.

- Gets to the load quickly.
- One pump to load; three pumps to full height unloaded.
- Extra wide lift range – from 4" to 21".
- A long 48" spring-loaded handle provides rapid return after each pump.
- Heavy-duty construction – rolled edges add strength and resist twisting.
- With a wheel base of 23", the front wheels are 3-1/2" diameter and rear casters are 2-1/8".
- Pinned 4-3/4" saddle will not lift off during use.
- 2-year limited warranty.

No. 1526 – 3-1/2 ton quick lift service jack.
Wt., 96 lbs.



OTC Stinger

1526

**ANSI
PALD**

SUV Jack Pack

Pack includes No. 1526, 3-1/2 ton service jack, combined with No. 1773C, 6-ton jack stands.

- One pump to load; three pumps to full height unloaded.
- Extra wide lift range – from 4" to 21".
- 48" long, spring-loaded handle provides rapid return after each pump.
- Heavy-duty construction – rolled edges add strength and resist twisting.
- Gets to the load quickly.
- Pinned 4-3/4" rubber saddle will not lift off during use and minimizes scuffing of lifting surface.
- Stands have a steel base for strength, self-locking ratchet handle, and a durable baked enamel finish.
- 2-year limited warranty.

No. 1536 – SUV jack pack. Wt., 130 lbs.



OTC Stinger

1536

**ANSI
PALD**

1-1/2 Ton Racing Jack

- Dual pump pistons – just four pumps get you to maximum height of 18 inches.
- Low profile – 3-1/2 inches – makes it perfect for ground hugging, high-performance cars.
- Weighs just 42 pounds and includes side-mounted handles for quick and easy carrying.
- Aircraft-grade billet aluminum provides strength with maximum weight savings.
- Two-piece, 44-1/2" long handle quickly snaps together.
- Removable, rubber saddle pad protects vehicle and prevents slipping.
- 2-year limited warranty.

No. 1537 – 1-1/2 ton racing jack. Wt., 42 lbs.



1537

**ANSI
PALD**

OTC Stinger

SHOP EQUIPMENT

Lifts and Easy Roller



Motorcycle / ATV Lift

- 1,500 lb. capacity.
- Large, 17" long skids will lift the largest, widest cruisers.
- Lowest clearance available, 3-1/2" at lowest level, with a lift range of 3-1/2" to 16-3/4".
- Removable handle makes for easy movement around load.
- Features also include foot pedal release, locking rear casters, automatic safety lock, and two ratcheting tie down straps for safety.
- Two-year warranty.

No. 1545 – 1,500 lb. capacity motorcycle/ATV lift.
Wt., 74 lbs.



Easy Roller™ Vehicle Positioning System

The Stinger No. 1580 Easy Roller provides a technician with a simple and efficient method of moving a disabled vehicle around a shop environment. Just position an Easy Roller at each wheel of a vehicle weighing up to 6,000 lbs., and use the foot pedals to activate the hydraulic lift mechanisms. Within minutes, one individual can easily move the car throughout the garage. The Easy Roller fits tread widths up to 12", and the four heavy-duty casters can support up to 1,500 lbs. per unit, while, at the same time, protecting the shop floor from damage.

- Four heavy-duty phenolic casters.
- 1,500 lb. capacity per unit.
- Hydraulic lift mechanism with locking pin.
- Fits tread widths up to 12".

No. 1580 – 1,500 lb. Easy Roller™ (sold individually).
Wt., 44 lbs.



4-Ton Capacity Fork Lift Jack

- 8,000 lb. capacity with a low starting height of 2-5/8".
- Two-position lift pad permits handling of all lift truck configurations with flat or edged surfaces.
- Minimum low lift: 2-1/4".
Maximum high lift: 16-1/4".
- Features include high-quality seals and high-strength steel construction.
- Handle stop makes for easy maneuverability.
- 30" long handle.

No. 1540 – 4-ton capacity fork lift jack. Wt., 73 lbs.

Brake Drum Dolly

- Removes, installs, and transports truck brake drums without physically having to lift them.
- Works on all 15" and 16-1/2" drums found on most class 7 and 8 tractor and trailer brake systems.
- 6" height adjustment aids installation.
- Heavy-gauge steel construction, 8" tires, and 36" handle.

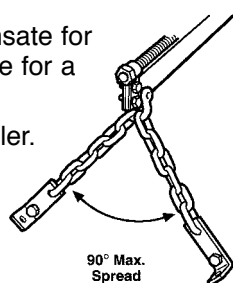
No. 1543 – Brake drum dolly. Wt., 62 lbs.



Engine Load Leveler

- Designed to hook to a crane or hoist to handle and position large, bulky components.
- The horizontal tilt can be adjusted to compensate for off-center loads, or adjusted to a certain angle for a component being positioned.

No. 4305 – 1,500 lb. capacity engine load leveler. Wt., 15 lbs.



Engine Support Bar

- 1,100 pound capacity.
- Rubber padded support legs ensure stability during use.
- Tubular steel construction for long life.
- Adjustable width: 57" x 27".
- Features two hook assemblies for ease of use.
- Includes two 36" chain assemblies.

No. 4324 – Engine support bar. Wt., 50 lbs.



SHOP EQUIPMENT

Cranes and Engine Support



2002, 2004



2,000 and 4,000 lb. Capacity Folding Floor Cranes

- Both of these cranes fold up for compact storage.
- Front wheels are 3-1/2"; rear casters 5-7/8".

No. 2002 – 2000 lb. capacity crane with a reach of 24" to 36". Wt., 185 lbs.

No. 2004 – 4000 lb. capacity crane with a reach of 25" to 46". Wt., 225 lbs.

Specifications	2002	2004
Maximum capacity, boom extended	500 lbs.	1,000 lbs.
Maximum capacity, boom retracted	2,000 lbs.	4,000 lbs.
Maximum height, boom extended	94"	104"
Maximum height, boom retracted	87"	81"
Effective boom reach, boom extended	36"	48"
Effective boom reach, boom retracted	24"	26"
Leg width @ front wheels	32-1/2"	25"
Leg height	6-1/2"	7-3/4"
Floor space folded	57" x 38"	16" x 17-1/2"
Floor space unfolded	70" x 32"	33" x 33-1/2"



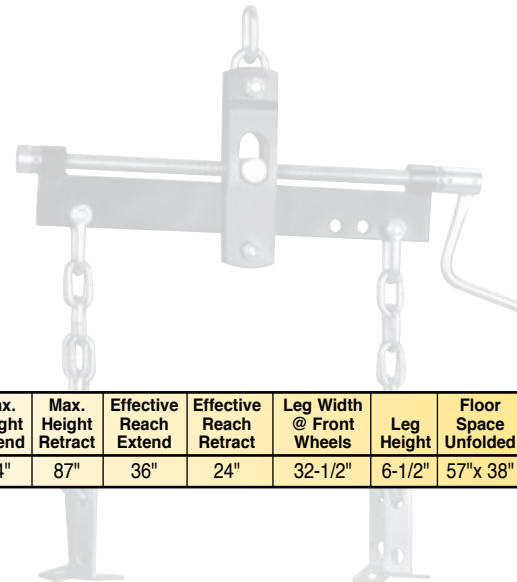
2003

Engine Lift Package

Combines a No. 4305 Load Leveler with a No. 2002 Stinger Crane.

- 1,500 lb. capacity.
- 2,000 lb. capacity crane folds up for compact storage, out of your way.
- Load leveler provides the flexibility you need for pulling engines.

No. 2003 – Engine lift package. Wt., 210 lbs.



Model	Max. Cap. Boom Extend	Max. Cap. Boom Retract	Max. Height Extend	Max. Height Retract	Effective Reach Extend	Effective Reach Retract	Leg Width @ Front Wheels	Leg Height	Floor Space Unfolded	Floor Space Folded
2003	500 lbs.	1,500 lbs.	94"	87"	36"	24"	32-1/2"	6-1/2"	57" x 38"	16" x 17-1/2"

1,000 lb. and 1,250 lb. Capacity Engine Stands

- Heavy-duty mounting plate and adapter arms for servicing light truck and car engines.
- Fixed polyurethane back wheels; poly swivel castors on front for smooth travel.
- 24" handle makes easy work of rotating the engine 360°; hitch pin locks engine in place.
- Model 2012A has a built-in tool tray.

No. 2010A – 1,000 lb. capacity engine stand.
Wt., 51 lbs., 11 oz.

No. 2012A – 1,250 lb. capacity engine stand.
Wt., 73 lbs., 12 oz.

Model	Capacity	Height To Center Line	Length	Width	Wheel Diameter	Front Wheels	Back Wheels	Handle Length
2010A	1,000 lbs.	24"	31-1/4"	26"	3-1/2"	Swivel Caster	Fixed	24"
2012A	1,250 lbs.	24"	33"	33-3/4"	3-1/2"	Swivel Caster	Fixed	24"



Ratchet-Style Jack Stands

- Formed and welded steel base for strength; self-locking ratchet handle cannot be released under load. Durable baked enamel finish resists corrosion.
- Stands conform to ANSI PALD-4 load rating standard; factory tested before shipment.

No. 1772C – Pair of 3-ton jack stands.
Base: 8-1/4" x 7-1/2". Height range: 11" to 17".
Wt., 15 lbs.

No. 1773C – Pair of 6-ton jack stands.
Base: 11-7/16" x 10". Height range: 15-3/8" to 24-1/4".
Wt., 25 lbs.

No. 1784C – Pair of 12-ton jack stands.
Base: 12-5/8" x 11-3/8". Height range: 19-1/2" to 30-3/4".
Wt., 80 lbs.



SHOP EQUIPMENT

Stands & Jacks



2015A
ANSI
PALD



2016A
ANSI
PALD



2018A
ANSI
PALD

Tripod and Underhoist Stands

4,000 lb. Capacity Underhoist Tripod Stand

- Lifting height of 58-7/8" to 91-5/8"; saddle measures 3-1/4" x 3-1/4".
- 24" x 24" x 24" tripod base.

No. 2018A – Underhoist stand.
Wt., 40 lbs.

1,500 lb. Capacity Underhoist Stand

- Lifting height of 54-1/4" to 80-3/4"; saddle measures 5-1/4" x 1-1/4". 11-7/8" dia. base.

No. 2015A – Underhoist stand.
Wt., 30 lbs.

1,500 lb. Capacity Underhoist Stand with Foot Pedal

- Foot pedal actuated lifting mechanism.
- Lifting height of 54-1/4" to 80-3/4"; saddle measures 5-1/4" x 1-1/4".

No. 2016A – Underhoist stand.
Wt., 35 lbs.



9220B
ANSI
PALD



4313A
ANSI
PALD

Air/Hydraulic Bottle Jacks

- Compact, yet heavy-duty units designed for the truck and construction industries; in the shop, roadside, or at the job site.
- Can be operated either manually or pneumatically. Air hose can swivel in any direction of connection from air source. Minimum air pressure required is 100 psi. Safety valve prevents overloading.
- Extension screw gives added height when needed.

No. 9212B – 12-ton air-assist hydraulic bottle jack.
Wt., 31 lbs.

No. 9220B – 20-ton air-assist hydraulic bottle jack.
Wt., 42 lbs.

No. 4313A – 12-ton air-assist hydraulic bottle jack.
Wt., 29 lbs.

No. 4321B – 20-ton air-assist hydraulic bottle jack.
Wt., 45 lbs.

Order No.	Cap.	Min. Height	Stroke	Max. Height	Screw/Adp.	Air Pressure	Base Area
9212B	12	9-1/2"	5-7/8"	18-1/2"	3-1/8"	100–200 psi	4-3/4" x 8"
9220B	20	9-1/2"	5-3/8"	18-1/4"	3-3/8"	100–200 psi	5-3/4" x 8-1/2"
4313A	12	9-1/2"	6-1/8"	18-3/8"	2-3/4"	100–200 psi	6-3/8" x 7-5/8"
4321B	20	9-7/16"	5-7/8"	17-11/16"	2-5/16"	100–200 psi	8-1/32" x 7-1/16"

Hydraulic Bottle Jacks

- OTC breaks the price barrier! A very competitively priced line of bottle jacks that offers the quality and reliability that the market has come to expect from OTC.
- Jacks can be used in vertical or horizontal positions.
- Fewer working parts, extremely smooth bearing surfaces, and close tolerances ensure long life.
- Oil bypass system prevents the lifting ram from being over-extended.



Cap. (tons)	Stroke	OTC No.	Retracted Height Min.	Length of Screw Extension	Height with Screw Extended	Pump Strokes to Extend Piston One Inch	Saddle Dia.	Base Size	Carry Handle	Weight
5	4-3/4"	9005B	7-7/8"	2-3/4"	15-3/8"	12	1-3/8"	5-3/16" x 3-31/32"	No	8 lbs.
8	4-3/4"	9008B	7-7/8"	2-3/4"	15-3/8"	18	1-1/2"	6" x 3-1/2"	Yes	13 lbs.
12	3-3/4"	9012B*	6-3/4"	3"	13-1/2"	26	1-7/8"	6-1/2" x 4-3/16"	Yes	15 lbs.
12	5-7/8"	9112B	9-1/2"	3-1/8"	18-1/2"	26	1-7/8"	6-1/2" x 4-3/16"	Yes	20 lbs.
20	3-3/8"	9020B*	7-1/8"	1-9/16"	12"	22	2"	7-3/16" x 5-1/16"	Yes	22 lbs.
20	6-1/4"	9120B	10-5/8"	3-1/8"	16-7/8"	22	2"	7-3/16" x 5-1/16"	Yes	30 lbs.
30	6-1/4"	9030B	11"	-	17-1/4"	35	2-3/8"	7-9/16" x 5-9/16"	Yes	45 lbs.
50	6-3/4"	9050B	12"	-	18-3/4"	35	3"	9-5/16" x 7-3/8"	Yes	97 lbs.
2	4-9/16"	4302A	7-3/16"	1-7/8"	13-5/8"	10	13/16"	3-3/4" x 3-3/8"	No	5.8 lbs.
4	4-9/16"	4304A	7-11/16"	2-9/16"	14-13/16"	11	1-1/4"	3-7/8" x 3-9/16"	No	7.4 lbs.
6	6-3/4"	4306A	8-5/8"	2-5/8"	17-1/4"	14	1-3/8"	3-3/4" x 4-3/8"	Yes	10 lbs.
8	5-7/8"	4308A	9-1/16"	3-1/4"	18-3/16"	14	1-3/8"	4-3/4" x 4-1/16"	Yes	13.2 lbs.
12	6-1/8"	4312A	9-1/4"	3-5/16"	18-11/16"	18	1-11/16"	5-1/4" x 4-9/16"	Yes	16.4 lbs.
12 (shorty)	2-13/16"	4314A	6-3/16"	1-5/8"	10-5/8"	23	1-9/16"	5-1/4" x 5-3/8"	Yes	13 lbs.
20	5-9/16"	4320A	9-5/8"	2-1/4"	17-1/2"	26	1-13/16"	5-5/8" x 6-1/4"	Yes	24 lbs.
20 (shorty)	6-3/4"	4322A	6-3/8"	1-5/16"	11-1/4"	26	1-13/16"	6" x 6-1/2"	Yes	18.5 lbs.
32	6-9/16"	4332A	9-15/16"	-	16-1/2"	22	2-1/8"	6-5/8" x 5-1/8"	Yes	34.4 lbs.
50	5"	4350	9-1/2"	-	14-1/2"	40	3-1/4"	7" x 8-1/2"	Yes	64.8 lbs.

*Low profile models

SHOP EQUIPMENT

Pumps and Rams



2510A



Air/Hydraulic Pump

- 10,000 PSI air/hydraulic pump.
- Internal relief valve.
- Two-stage release mechanism.
- Pump, hold, or release load with pedal control.
- 98 cu. in. useable capacity.
- 3/8 NPT oil port.

No. 2510A – Air/hydraulic pump.
Wt., 21 lbs.



9110A

9104A



Hydraulic Rams for Collision Repair Sets

These premium quality rams are designed for long, trouble-free service. Backed by a two-year warranty, they feature a special piston rod that permits their use with the snap-together components of OTC Stinger's new collision repair sets, or with most similar competitive products.

No. 9104A – 4-ton ram with 4" stroke and special piston rod end designed to fit most collision repair set components. Wt., 4 lbs.

No. 9110A – 10-ton ram with 6" stroke and special piston rod end designed to fit most collision repair set components. Wt., 12 lbs.

OTC No.	Cap. in Tons	Stroke	Collapsed Height	Extended Height	Spring Return	Rod End Dia.	Max. Oper. Pressure (PSI)	Oil Cap. (cu. in.)	Oil Port
9104A	4	4"	10-3/8"	14-3/8"	Yes	.874"	8,950	4.97	1/4" NPT
9110A	10	6"	15"	21"	Yes	1.310"	8,950	13.69	1/4" NPT



9106A



9107A

Single-Speed Hydraulic Hand Pumps

These single-speed pumps are ideal for single-acting rams. Developing up to 10,000 psi operating pressure, the pumps operate horizontally or vertically in the "head down" position. Finger tip control provides instant release or pumping action. Has a built-in safety overload valve. Ideal for use with OTC Stinger single-acting rams, or similar competitive rams.

No. 9106A – Hand pump only.
Wt., 5 lbs., 10 oz.

No. 9107A – Hand pump only.
Wt., 13 lbs.

Specifications:	9106A	9107A
Maximum operating pressure	10,000 psi	10,000 psi
Volume per stroke	0.17 cu. in.	0.17 cu. in.
Reservoir capacity	18 cu. in.	30 cu. in.
Oil port	1/4" NPT	1/4" NPT

Stinger Series 4- and 10-Ton Collision Repair Sets

- Very competitively priced, yet high quality sets include single-speed hydraulic hand pump, hose, and ram.
- Components snap together for quick setups to apply pushing, spreading, or pulling force.
- Components include: hydraulic pump, hose, and ram; ram flat base; extension tubes (4); 1/2-ton spreader; tube coupling; ram toe; wedge head; serrated saddle; flex head; plunger toe; 90° wedge head; storage case. The case for the 10-ton set has wheels for mobility.

No. 1513A – 4-ton collision repair set. Has single-speed hydraulic hand pump and ram with 4" stroke. Wt., 40 lbs.

No. 1515A – 10-ton collision repair set. Has single-speed hydraulic hand pump and ram with 6" stroke. Wt., 75 lbs.



Passenger and Light Truck Wheel Step

- Provides quick, easy access to your vehicle's roof for loading/unloading cargo.
- Fits passenger and light trucks.
- Installs in seconds.
- Adjusts to fit 14" to 20" wheel sizes.
- 300 pound capacity.
- Non-skid platform surface.
- Two-year warranty.

No. 1534A – Light truck wheel step. Wt., 12.5 lbs.



Low Profile Fluid Receiver

- Designed for receiving waste fluid during a wide range of repair jobs.
- Fluid capacity: 7.5 gallons.
- Constructed of polyethylene plastic for heavy-duty use—yet, only weighs 13 pounds.
- Low profile, only 5" high, it easily slides under passenger cars.
- Designed with four casters to provide efficient maneuverability.
- Suitable for cooling system repair jobs—can be used for antifreeze.
- Includes splash screen to prevent spillage and splashing.
- Two-year warranty.



No. 1577 – Low profile fluid receiver. Wt., 12 lbs., 8 oz.



Summary of ANSI/ASME PALD, Safety Standard for Portable Automotive Lifting Devices

This standard is intended as a guide to manufacturers, suppliers, purchasers, and operators of equipment, as well as governmental authorities. The following are typical test requirements:

- A: Load Sustaining Test – The lift device shall hold a rated load at maximum height without dropping more than 1/8" in a minute, or more than 3/16" in 10 minutes.
- B: Mobility Test – The lift device must move over a 1/2" high, 15 degree slope rise in the floor and a 1/2" drop back to the floor while traveling at 1-1/2 to 2 ft./sec. and supporting a rated load at the minimum height position. The device must not lose the load or tip over.
- C: Stability Test – The lift device must be moved against a 2" high vertical rise at 90 degrees to the direction of travel, while supporting a rated load at the minimum height and moving at 1-1/2 to 2 ft./sec. The device must not lose the load or tip over when tested at the point of greatest instability.
- D: Proof Load Test – The lift device shall function throughout its lift range with a proof load centrally located on the lift platform. Proof load shall be 125% of rated capacity for devices equipped with an internal relief valve, or 150% of rated load for devices with no internal relief.

	Bottle Jacks	Transmission Jacks Low & High Lift	Engine Stands	Support Stands	Upright Mobile Lifts	Service Jacks	Wheel Dollies	Shop Cranes	High Reach Supplementary Auxiliary Stands	Vehicle Ramps	Forklift Jacks
A Load Sustaining Test	X	X	X	X	X	X	X	X	X	X	X
B Mobility Test		X	X				X	X			
C Stability Test		X	X				X	X			
D Proof Load Test	X	X	X	X	X	X	X	X	X	X	X

ANSI

PALD