

SYSTEM SCHEMATICS

PC60-III

JANUARY, 1990

PN-314676-01

 **Commodore**

SYSTEM SCHEMATICS

PC60-III

JANUARY, 1990

PN-314676-01

Commodore Business Machines, Inc.

1200 Wilson Drive, West Chester, Pennsylvania 19380 U.S.A.

Commodore makes no express or implied warranties with regard to the information contained herein. The information is made available solely on an as is basis, and the entire risk as to completeness, reliability, and accuracy is with the user. Commodore shall not be liable for any damages in connection with the use of the information contained herein. The listing of any available replacement part herein does not constitute in any case a recommendation, warranty or guaranty as to quality or suitability of such replacement part. Reproduction or use without express permission, of editorial or pictorial content, in any matter is prohibited.

This manual contains copyrighted and proprietary information. No part of this publication may be reproduced, stored in a retrieval system, or transmitted in any form or by any means, electronic, mechanical, photocopying, recording or otherwise, without the prior written permission of Commodore Electronics Limited.

Copyright © 1990 by Commodore Electronics Limited.
All rights reserved.

TABLE OF CONTENTS

- **SPECIFICATIONS**
- **PARTS LISTS**
- **SCHEMATICS**

PC60-III SPECIFICATIONS

STANDARD FEATURES

MICROPROCESSOR	80386DX-25 MHz
CACHE	32KBytes 2-way set associative
MEMORY CAPACITY	2 Mbytes onboard expandable to 18 Mbytes (via 32 bit memory cards)
VIDEO OUTPUT	VGA 31.5 KHz, EVGA 35 KHz
VIDEO DISPLAY RAM	256 KByte
PARALLEL OUTPUT	Centronics (IBM Compatible)
SERIAL OUTPUT	RS-232 (IBM Compatible)
MOUSE PORT	with Commodore 1352 mouse Hardware and Software compatible with Microsoft Bus Mouse
AutoConfig™ BIOS	
BATTERY BACKED-UP CLOCK	
EXPANSION SLOTS	9 AT Full length slots 2 with 32 bit compatible slots
DISK STORAGE (standard configuration)	80 MByte hard disk (formatted) (AT integrated drive with embedded controller) 5.25" High Density Floppy Disk (1.2 MB) 3.5" High Density Floppy Disk (1.44 MB)
280 WATT POWER SUPPLY	

OPTIONAL FEATURES

Math Coprocessor 80387-25 or Weitek 3164-25

Disk and Tape Storage

One 80 MByte hard disk inside the case. One 5.25" 1.2 MByte floppy drive and one 3.5" 1.4 MByte floppy drive, accessible from the front of the unit.

Available Expansion

Floppy Disk Bays

1 5.25" unused slot

1 3.5" unused slot

Hard Disk Bay

One full height Hard Disk bay

Expansion Slots

There are nine expansion slots. Each of these slots is capable of accepting a card measuring 333.5 mm (13.13in.) in length by 97.02 mm (3.81 in) height (excluding the connector fingers).

IBM, AT AND XT are registered trademarks of International Business Machines.
AutoConfig is a registered trademark of Commodore Business Machines.

VIDEO FEATURES

Alphanumeric Modes

Mode#	Col x Row	Char Matrix	Resolution	Colors	Standard
0,1	40x25	8x8	320x200	16	CGA [1]
		9x16	360x400	16 of 256k	VGA [2]
2,3	80x25	8x8	640x200	16	CGA [1]
		9x16	720x400	16 of 256k	VGA [1]
7	80x25	9x14	720x350	monochrome	MDA
		9x16	720x400	monochrome	VGA [2]
54	132x43	7x9	924x387	color	enhanced
55	132x25	7x16	924x400	color	enhanced
56	132x43	7x9	924x387	monochrome	enhanced
57	132x25	7x16	924x400	monochrome	enhanced

Graphics Modes

4,5			320x200	4	CGA [1]
				4 of 256k	VGA [1]&[2]
6			640x200	2	CGA
				2 of 256k	VGA [1]&[2]
D			320x200	16 of 256k	VGA [1]
E			640x200	16 of 256k	VGA [1]
F			640x350	monochrome	VGA
10			640x350	16 of 256k	VGA/MCGA
11			640x480	2 of 256k	VGA
12			640x480	16 of 256k	VGA
13			320x200	256 of 256k	VGA/MCGA[1]
58			800x600	16 of 256k	EVGA
59			800x600	2	EVGA
60			640x400	256 of 256k	EVGA

NOTES:

[1] All 200 line modes are double scanned for 400 line resolution.

[2] The VGA implementation of these modes is the default.

[3] The interface to the VGA RAM/ROM is 16 bits wide.

Video Signals

Vertical Resolution	Horizontal Frequency	Sync Polarity	Vertical Sync Frequency	Sync Polarity
350 lines	31.5 KHz	+	70.1 Hz	-
400 lines	31.5 KHz	-	70.1 Hz	+
480 lines	31.5 KHz	-	59.9 Hz	-
600 lines*	35.2 HHZ	-	56.2 Hz	-

*Requires an Analog MultiSync compatible monitor.

Block Memory Map

Standard Memory

640 KBytes from 0 to 655360 decimal (0hto 9FFFFh). The 384K from the 640K to 1 MByte boundary can be allocated as Shadow RAM for the BIOS/VGA BIOS ROM. The 1MByte above the 1MByte boundary is configured as extended RAM.

Keyboard Features

Standard

United States ASCII 101
International 102 Key

Optional

Dvorak

Special keyboards and drivers are available (via DOS 4.01) to customize the keyboard for the following countries: Germany, Spain, France, Italy and the United Kingdom.

Additional Features:

numeric keypad
4 cursor keys in an inverted "T" formation

Other Features

Security lock for keyboard lockout, and front panel reset in addition to rear panel reset
Built in speaker
External configuration switches
Battery Backed-up Real-Time Clock/Calendar

Physical Specifications

Height 24"
Depth 17.5"
Width 7"
Weight 35 lbs.

Minimum Clearances

Right Side 4" 10.2 cm
Back Side 4" 10.2 cm

Regulatory Approvals

Standard Description

USA/Canada

UL478 Electronic Data Processing Units and Systems
FCC FCC Class B, Part 15 Subpart J
CSA 22.2 Data Processing Equipment, Consumer and Commercial Products.

Europe

VDE
IEC 435

Commodore International Spare Parts List SHIPPING ASSEMBLIES

Commodore part numbers are provided for reference only and do not indicate the availability of spare parts from Commodore. Industry standard parts (Resistors, Capacitors, Connectors) should be secured locally. Part number information may vary according to country, some parts may not be available in all countries.

526004-01 SHIPPING ASSY PC60-III (U.S.A.) 80MB HDD	526004-05 SHIPPING ASSY PC60-III (CANADA) 40MB HDD
363280-01 BOX, PACKING	363280-01 BOX, PACKING
318241-01 SPACER, CARDBOARD	318241-01 SPACER, CARDBOARD
320408-01 BAG, FLAT 812.8 X 1066.8 CPU	320408-01 BAG, FLAT 812.8 X 1066.8 CPU
318984-01 SUPPORT, FOAM - CPU CORNER QTY = 8	318984-01 SUPPORT, FOAM - CPU CORNER
318240-01 SPACER, STYROFOAM	318240-01 SPACER, STYROFOAM
318170-01 CARD, READ THIS FIRST	318170-01 CARD, READ THIS FIRST
903508-15 CORD, POWER, SHIELDED (U.S.)	903508-04 CORD, POWER (CANADA)
313328-02 MAIN ASSY (CSA,UL) 80 MB HDD	313328-04 MAIN ASSY (CSA,UL) 40 MB HDD
251006-01 BAG, PLASTIC (KEYS)	251006-01 BAG, PLASTIC (KEYS)
363267-01 MANUAL, USER/DOS 4.01 (ENGLISH)	363267-01 MANUAL, USER/DOS 4.01 (ENGLISH)
319292-01 MANUAL, BASIC 3.22 (ENGLISH)	319292-01 MANUAL, BASIC 3.22 (ENGLISH)
315961-01 SOFTWARE SUB ASSY (U.S.)	315961-02 SOFTWARE SUB ASSY (CANADA)
316787-01 LABEL, UPC	316787-01 LABEL, UPC
324527-01 BAG, DRYING AGENT	324527-01 BAG, DRYING AGENT
312709-01 KEYBOARD (U.S./CANADA)	312709-01 KEYBOARD (U.S./CANADA)
526004-02 SHIPPING ASSY PC60-III (CANADA) 80MB HDD	526004-06 SHIPPING ASSY PC60-III (AUSTRALIA) 40MB HDD
363280-01 BOX, PACKING	363280-01 BOX, PACKING
318241-01 SPACER, CARDBOARD	318241-01 SPACER, CARDBOARD
320408-01 BAG, FLAT 812.8 X 1066.8 CPU	320408-01 BAG, FLAT 812.8 X 1066.8 CPU
318984-01 SUPPORT, FOAM - CPU CORNER	318984-01 SUPPORT, FOAM - CPU CORNER
318240-01 SPACER, STYROFOAM	318240-01 SPACER, STYROFOAM
318170-01 CARD, READ THIS FIRST	318170-01 CARD, READ THIS FIRST
903508-04 CORD, POWER (CANADA)	903508-03 CORD, POWER (AUSTRALIA)
313328-02 MAIN ASSY (CSA,UL) 80 MB HDD	313328-03 MAIN ASSY (VDE,BSI,SEV & SAA) 40 MB HDD
251006-01 BAG, PLASTIC (KEYS)	251006-01 BAG, PLASTIC (KEYS)
363267-01 MANUAL, USER/DOS 4.01 (ENGLISH)	363267-01 MANUAL, USER/DOS 4.01 (ENGLISH)
319292-01 MANUAL, BASIC 3.22 (ENGLISH)	319292-01 MANUAL, BASIC 3.22 (ENGLISH)
315961-02 SOFTWARE SUB ASSY (CANADA)	315961-03 SOFTWARE SUB ASSY (AUSTRALIA)
316787-01 LABEL, UPC	316787-01 LABEL, UPC
324527-01 BAG, DRYING AGENT	324527-01 BAG, DRYING AGENT
312709-01 KEYBOARD (U.S./CANADA)	312702-02 KEYBOARD (AUSTRALIA)
526004-03 SHIPPING ASSY PC60-III (AUSTRALIA) 80MB HDD	526004-07 SHIPPING ASSY PC60-III (U.S.A.) NO HDD
363280-01 BOX, PACKING	363280-01 BOX, PACKING
318241-01 SPACER, CARDBOARD	318241-01 SPACER, CARDBOARD
320408-01 BAG, FLAT 812.8 X 1066.8 CPU	320408-01 BAG, FLAT 812.8 X 1066.8 CPU
318984-01 SUPPORT, FOAM - CPU CORNER	318984-01 SUPPORT, FOAM - CPU CORNER
318240-01 SPACER, STYROFOAM	318240-01 SPACER, STYROFOAM
318170-01 CARD, READ THIS FIRST	318170-01 CARD, READ THIS FIRST
903508-03 CORD, POWER (AUSTRALIA)	903508-15 CORD, POWER, SHIELDED (U.S.)
313328-01 MAIN ASSY (VDE,BSI,SEV & SAA) 80MB HDD	313328-06 MAIN ASSY (CSA,UL) NO HDD
251006-01 BAG, PLASTIC (KEYS)	251006-01 BAG, PLASTIC (KEYS)
363267-01 MANUAL, USER/DOS 4.01 (ENGLISH)	363267-01 MANUAL, USER/DOS 4.01 (ENGLISH)
319292-01 MANUAL, BASIC 3.22 (ENGLISH)	319292-01 MANUAL, BASIC 3.22 (ENGLISH)
315961-03 SOFTWARE SUB ASSY (AUSTRALIA)	315961-01 SOFTWARE SUB ASSY (U.S.)
316787-01 LABEL, UPC	316787-01 LABEL, UPC
324527-01 BAG, DRYING AGENT	324527-01 BAG, DRYING AGENT
312702-02 KEYBOARD (AUSTRALIA)	312709-01 KEYBOARD (U.S./CANADA)
526004-04 SHIPPING ASSY PC60-III (U.S.A.) 40MB HDD	526004-08 SHIPPING ASSY PC60-III (CANADA) NO HDD
363280-01 BOX, PACKING	363280-01 BOX, PACKING
318241-01 SPACER, CARDBOARD	318241-01 SPACER, CARDBOARD
320408-01 BAG, FLAT 812.8 X 1066.8 CPU	320408-01 BAG, FLAT 812.8 X 1066.8 CPU
318984-01 SUPPORT, FOAM - CPU CORNER	318984-01 SUPPORT, FOAM - CPU CORNER
318240-01 SPACER, STYROFOAM	318240-01 SPACER, STYROFOAM
318170-01 CARD, READ THIS FIRST	318170-01 CARD, READ THIS FIRST
903508-15 CORD, POWER, SHIELDED (U.S.)	903508-04 CORD, POWER (CANADA)
313328-04 MAIN ASSY (CSA,UL) 40 MB HDD	313328-06 MAIN ASSY (CSA,UL) NO HDD
251006-01 BAG, PLASTIC (KEYS)	251006-01 BAG, PLASTIC (KEYS)
363267-01 MANUAL, USER/DOS 4.01 (ENGLISH)	363267-01 MANUAL, USER/DOS 4.01 (ENGLISH)
319292-01 MANUAL, BASIC 3.22 (ENGLISH)	319292-01 MANUAL, BASIC 3.22 (ENGLISH)
315961-01 SOFTWARE SUB ASSY (U.S.)	315961-02 SOFTWARE SUB ASSY (CANADA)
316787-01 LABEL, UPC	316787-01 LABEL, UPC
324527-01 BAG, DRYING AGENT	324527-01 BAG, DRYING AGENT
312709-01 KEYBOARD (U.S./CANADA)	312709-01 KEYBOARD (U.S./CANADA)

Commodore International Spare Parts List

SHIPPING ASSEMBLIES (Continued)

526004-09 SHIPPING ASSY PC60-III (AUSTRALIA) NO HDD	363280-01 BOX, PACKING 318241-01 SPACER, CARDBOARD 320408-01 BAG, FLAT 812.8 X 1066.8 CPU 318984-01 SUPPORT, FOAM - CPU CORNER 318240-01 SPACER, STYROFOAM 318170-01 CARD, READ THIS FIRST 903508-03 CORD, POWER (AUSTRALIA) 313328-05 MAIN ASSY (VDE,BSI,SEV & SAA) NO HDD 251006-01 BAG, PLASTIC (KEYS) 363267-01 MANUAL, USER/DOS 4.01 (ENGLISH) 319292-01 MANUAL, BASIC 3.22 (ENGLISH) 315961-03 SOFTWARE SUB ASSY (AUSTRALIA) 316787-01 LABEL, UPC 324527-01 BAG, DRYING AGENT 312702-02 KEYBOARD (AUSTRALIA)	526014-02 SHIPPING ASSY KEYBOARD PC60-III (GERMAN)	319968-01 BOX, PACKING 318172-01 SPACER 903508-01 CORD, POWER (VDE) 318239-01 BINDER, 3-RING 318238-01 HOLDER, DISKETTE 5.25, 3-RING 318237-01 HOLDER, DISKETTE 3.5, 3-RING 312702-03 KEYBOARD ASSY (GERMAN) 363270-01 MANUAL, DOS 4.01 (GERMAN) 319288-01 MANUAL, BASIC 3.22 (GERMAN) 363294-01 MANUAL, MSDOS SHELL (GERMAN) 363284-01 MANUAL, OPERATIONS GUIDE (GERMAN) 367025-01 DISK ASSY, MSDOS 4.01 INSTALL#1 5.25 (GERMAN) 367026-01 DISK ASSY, MSDOS 4.01 INSTALL#2 5.25 (GERMAN) 367027-01 DISK ASSY, MSDOS 4.01 INSTALL#3 5.25 (GERMAN) 367028-01 DISK ASSY, MSDOS 4.01 INSTALL#4 5.25 (GERMAN) 367029-01 DISK ASSY, MSDOS 4.01 INSTALL#5 5.25 (GERMAN) 367030-01 DISK ASSY, MSDOS SHELL 1.01 5.25 (GERMAN) 317206-01 DISK ASSY PC60III UTILITIES 5.25 (GERMAN) 317184-01 DISK ASSY MSDOS 4.01 INSTALL 3.5 (GERMAN) 317185-01 DISK ASSY, MSDOS 4.01 OPER SYS 3.5 (GERMAN) 317186-01 DISK ASSY, MSDOS SHELL 1.01 3.5 (GERMAN) 317237-01 DISK ASSY, PC60III UTILITIES 3.5 (GERMAN)
526006-01 SHIPPING ASSY PC60-III (EUROPE) 80 MB HDD	363356-01 BOX, PACKING-CPU 320408-01 BAG, FLAT 812.8 X 1066.8 MM CPU 318984-01 SUPPORT, FOAM, CORNER CPU QTY = 8 318240-01 SPACER, STYROFOAM 313328-01 MAIN ASSY (VDE,BSI,SEV & SAA) 80MB HDD 324257-01 BAG, DRYING AGENT 251006-01 BAG, PLASTIC (KEYS)	526014-03 SHIPPING ASSY KEYBOARD PC60-III (FRANCE)	319968-01 BOX, PACKING 318172-01 SPACER 903508-01 CORD, POWER (VDE) 318239-01 BINDER, 3-RING 318238-01 HOLDER, DISKETTE 5.25, 3-RING 318237-01 HOLDER, DISKETTE 3.5, 3-RING 312702-05 KEYBOARD ASSY (FRENCH) 363268-01 MANUAL, DOS 4.01 (FRENCH) 319289-01 MANUAL, BASIC 3.22 (FRENCH) 363292-01 MANUAL, MSDOS SHELL (FRENCH) 362282-01 MANUAL, OPERATIONS GUIDE (FRENCH) 367031-01 DISK ASSY, MSDOS 4.01 INSTALL#1 5.25 (FRENCH) 367032-01 DISK ASSY, MSDOS 4.01 INSTALL#2 5.25 (FRENCH) 367033-01 DISK ASSY, MSDOS 4.01 INSTALL#3 5.25 (FRENCH) 367034-01 DISK ASSY, MSDOS 4.01 INSTALL#4 5.25 (FRENCH) 367035-01 DISK ASSY, MSDOS 4.01 INSTALL#5 5.25 (FRENCH) 367036-01 DISK ASSY, MSDOS SHELL 1.01 5.25 (FRENCH) 317207-01 DISK ASSY, PC60III UTILITIES 5.25 (FRENCH) 317187-01 DISK ASSY, MSDOS 4.01 INSTALL 3.5 (FRENCH) 317188-01 DISK ASSY, MSDOS 4.01 OPER SYS 3.5 (FRENCH) 317189-01 DISK ASSY, MSDOS SHELL 1.01 3.5 (FRENCH) 317238-01 DISK ASSY, PC60III UTILITIES 3.5 (FRENCH)
526006-02 SHIPPING ASSY PC60-III (EUROPE) 40MB HDD	363356-01 BOX, PACKING-CPU 320408-01 BAG, FLAT 812.8 X 1066.8 MM CPU 318984-01 SUPPORT, FOAM, CORNER CPU QTY = 8 318240-01 SPACER, STYROFOAM 313328-03 MAIN ASSY (VDE,BSI,SEV & SAA) 40MB HDD 324257-01 BAG, DRYING AGENT 251006-01 BAG, PLASTIC (KEYS)	526014-04 SHIPPING ASSY KEYBOARD PC60-III (ITALY)	319968-01 BOX, PACKING 318172-01 SPACER 903508-01 CORD, POWER (VDE) 318239-01 BINDER, 3-RING 318238-01 HOLDER, DISKETTE 5.25, 3-RING 318237-01 HOLDER, DISKETTE 3.5, 3-RING 312702-04 KEYBOARD ASSY (ITALIAN) 363269-01 MANUAL, DOS 4.01 (ITALIAN) 319290-01 MANUAL, BASIC 3.22 (ITALIAN) 363293-01 MANUAL, MSDOS SHELL (ITALIAN) 363283-01 MANUAL, OPERATIONS GUIDE (ITALIAN) 317888-01 DISK ASSY, MSDOS INSTALL#1 5.25 (ITALIAN) 317889-01 DISK ASSY, MSDOS INSTALL#2 5.25 (ITALIAN) 317890-01 DISK ASSY, MSDOS INSTALL#3 5.25 (ITALIAN) 317891-01 DISK ASSY, MSDOS INSTALL#4 5.25 (ITALIAN) 317892-01 DISK ASSY, MSDOS INSTALL#5 5.25 (ITALIAN) 367037-01 DISK ASSY, MSDOS SHELL 1.01 5.25 (ITALIAN) 317208-01 DISK ASSY, PC60III UTILITIES 5.25 (ITALIAN) 317190-01 DISK ASSY, MSDOS 4.01 INSTALL 3.5 (ITALIAN) 317191-01 DISK ASSY, MSDOS 4.01 OPER SYS 3.5 (ITALIAN) 317192-01 DISK ASSY, MSDOS SHELL 1.01 3.5 (ITALIAN) 317239-01 DISK ASSY, PC60III UTILITIES 3.5 (ITALIAN)
526006-03 SHIPPING ASSY PC60-III (EUROPE) NO HDD	363356-01 BOX, PACKING-CPU 320408-01 BAG, FLAT 812.8 X 1066.8 MM CPU 318984-01 SUPPORT, FOAM, CORNER CPU QTY = 8 318240-01 SPACER, STYROFOAM 313328-05 MAIN ASSY (VDE,BSE,SEV & SAA) NO HDD 324257-01 BAG, DRYING AGENT 251006-01 BAG, PLASTIC (KEYS)		
526014-01 SHIPPING ASSY KEYBOARD PC60-III (U.K.)	319968-01 BOX, PACKING 318172-01 SPACER 903508-07 CORD, POWER (BSI) 318239-01 BINDER, 3-RING 318238-01 HOLDER, DISKETTE 5.25, 3-RING 318237-01 HOLDER, DISKETTE 3.5, 3-RING 312702-01 KEYBOARD ASSY (U.K.) 363267-01 MANUAL, DOS 4.01 (ENGLISH) 319292-01 MANUAL, BASIC 3.22 (ENGLISH) 363291-01 MANUAL, MSDOS SHELL (ENGLISH) 363281-01 MANUAL, OPERATIONS GUIDE (ENGLISH) 317882-01 DISK ASSY, MSDOS 4.01 INSTALL 5.25 (ENGLISH) 317883-01 DISK ASSY, MSDOS 4.01 SELECT 5.25 (ENGLISH) 317884-01 DISK ASSY, MSDOS 4.01 OPER SYS1 5.25 (ENGLISH) 317885-01 DISK ASSY, MSDOS 4.01 OPER SYS2 5.25 (ENGLISH) 317886-01 DISK ASSY, MSDOS 4.01 OPER SYS3 5.25 (ENGLISH) 317887-01 DISK ASSY, MSDOS SHELL 1.01 5.25 (ENGLISH) 317174-01 DISK ASSY, PC60III UTILITIES 5.25 (ENGLISH) 317181-01 DISK ASSY, MSDOS 4.01 INSTALL 3.5 (ENGLISH) 317182-01 DISK ASSY, MSDOS 4.01 OPER SYS 3.5 (ENGLISH) 317183-01 DISKETTE ASSY, MSDOS 4.01 SHELL 1.01 3.5 (ENGLISH) 317218-01 DISKETTE ASSY, PC60III UTILITIES 3.5 (ENGLISH)		

Commodore International Spare Parts List

SHIPPING ASSEMBLIES (Continued)

526014-05 SHIPPING ASSY KEYBOARD PC60-III (SPAIN)	526014-08 SHIPPING ASSY KEYBOARD PC60-III (SWISS-ITALY)
319968-01 BOX, PACKING	319968-01 BOX, PACKING
318172-01 SPACER	318172-01 SPACER
903508-01 CORD, POWER (VDE)	903508-02 CORD, POWER (SEV)
318239-01 BINDER, 3-RING	318239-01 BINDER, 3-RING
318238-01 HOLDER, DISKETTE 5.25, 3-RING	318238-01 HOLDER, DISKETTE 5.25, 3-RING
318237-01 HOLDER, DISKETTE 3.5, 3-RING	318237-01 HOLDER, DISKETTE 3.5, 3-RING
312702-06 KEYBOARD ASSY (SPANISH)	312702-04 KEYBOARD ASSY (ITALIAN)
363271-01 MANUAL, DOS 4.01 (SPANISH)	363269-01 MANUAL, DOS 4.01 (ITALIAN)
319291-01 MANUAL, BASIC 3.22 (SPANISH)	319290-01 MANUAL, BASIC 3.22 (ITALIAN)
363295-01 MANUAL, MSDOS SHELL (SPANISH)	363293-01 MANUAL, MSDOS SHELL (ITALIAN)
363285-01 MANUAL, OPERATIONS GUIDE (SPANISH)	363283-01 MANUAL, OPERATIONS GUIDE (ITALIAN)
317871-01 DISK ASSY, MSDOS 4.01 INSTALL#1 5.25 (SPANISH)	317888-01 DISK ASSY, MSDOS INSTALL#1 5.25 (ITALIAN)
317872-01 DISK ASSY, MSDOS 4.01 INSTALL#2 5.25 (SPANISH)	317889-01 DISK ASSY, MSDOS INSTALL#2 5.25 (ITALIAN)
317873-01 DISK ASSY, MSDOS 4.01 INSTALL#3 5.25 (SPANISH)	317890-01 DISK ASSY, MSDOS INSTALL#3 5.25 (ITALIAN)
317874-01 DISK ASSY, MSDOS 4.01 INSTALL#4 5.25 (SPANISH)	317891-01 DISK ASSY, MSDOS INSTALL#4 5.25 (ITALIAN)
317875-01 DISK ASSY, MSDOS 4.01 INSTALL#5 5.25 (SPANISH)	317892-01 DISK ASSY, MSDOS INSTALL#5 5.25 (ITALIAN)
317876-01 DISK ASSY, MSDOS SHELL 1.01 5.25 (SPANISH)	367037-01 DISK ASSY, MSDOS SHELL 1.01 5.25 (ITALIAN)
317209-01 DISK ASSY, PC60III UTILITIES 5.25 (SPANISH)	317208-01 DISK ASSY, PC60III UTILITIES 5.25 (ITALIAN)
317193-01 DISK ASSY, MSDOS 4.01 INSTALL 3.5 (SPANISH)	317190-01 DISK ASSY, MSDOS 4.01 INSTALL 3.5 (ITALIAN)
317194-01 DISK ASSY, MSDOS 4.01 OPER SYS 3.5 (SPANISH)	317191-01 DISK ASSY, MSDOS 4.01 OPER SYS 3.5 (ITALIAN)
317195-01 DISK ASSY, MSDOS SHELL 1.01 3.5 (SPANISH)	317192-01 DISK ASSY, MSDOS SHELL 1.01 3.5 (ITALIAN)
317233-01 DISK ASSY, PC60III UTILITIES 3.5 (SPANISH)	317239-01 DISK ASSY, PC60III UTILITIES 3.5 (ITALIAN)
526014-06 SHIPPING ASSY KEYBOARD PC60-III (SWISS-GERMAN)	526014-09 SHIPPING ASSY KEYBOARD PC60-III (SWEDEN)
319968-01 BOX, PACKING	319968-01 BOX, PACKING
318172-01 SPACER	318172-01 SPACER
903508-02 CORD, POWER (SEV)	903508-01 CORD, POWER (VDE)
318239-01 BINDER, 3-RING	318239-01 BINDER, 3-RING
318238-01 HOLDER, DISKETTE 5.25, 3-RING	318238-01 HOLDER, DISKETTE 5.25, 3-RING
318237-01 HOLDER, DISKETTE 3.5, 3-RING	318237-01 HOLDER, DISKETTE 3.5, 3-RING
312702-07 KEYBOARD ASSY (SWISS-GERMAN)	312702-10 KEYBOARD ASSY (SWEDEN)
363270-01 MANUAL, DOS 4.01 (GERMAN)	319292-01 MANUAL, BASIC 3.22 (ENGLISH)
319288-01 MANUAL, BASIC 3.22 (GERMAN)	363273-01 MANUAL, DOS 4.01 (SWEDISH)
363294-01 MANUAL, MSDOS SHELL (GERMAN)	363297-01 MANUAL, MSDOS SHELL (SWEDISH)
363284-01 MANUAL, OPERATIONS GUIDE (GERMAN)	363290-01 MANUAL, OPERATIONS GUIDE (SWEDISH)
367025-01 DISK ASSY, MSDOS 4.01 INSTALL#1 5.25 (GERMAN)	317168-01 DISK ASSY, MSDOS 4.01 INSTALL#1 5.25 (SWEDISH)
367026-01 DISK ASSY, MSDOS 4.01 INSTALL#2 5.25 (GERMAN)	317169-01 DISK ASSY, MSDOS 4.01 INSTALL#2 5.25 (SWEDISH)
367027-01 DISK ASSY, MSDOS 4.01 INSTALL#3 5.25 (GERMAN)	317170-01 DISK ASSY, MSDOS 4.01 INSTALL#3 5.25 (SWEDISH)
367028-01 DISK ASSY, MSDOS 4.01 INSTALL#4 5.25 (GERMAN)	317171-01 DISK ASSY, MSDOS 4.01 INSTALL#4 5.25 (SWEDISH)
367029-01 DISK ASSY, MSDOS 4.01 INSTALL#5 5.25 (GERMAN)	317172-01 DISK ASSY, MSDOS 4.01 INSTALL#5 5.25 (SWEDISH)
367030-01 DISK ASSY, MSDOS SHELL 1.01 5.25 (GERMAN)	317173-01 DISK ASSY, MSDOS SHELL 1.01 5.25 (SWEDISH)
317206-01 DISK ASSY, PC60III UTILITIES 5.25 (GERMAN)	317217-01 DISK ASSY, PC60III UTILITIES 5.25 (SWEDISH)
317184-01 DISK ASSY, MSDOS 4.01 INSTALL 3.5 (GERMAN)	317199-01 DISK ASSY, MSDOS 4.01 INSTALL 3.5 (SWEDISH)
317185-01 DISK ASSY, MSDOS 4.01 OPER SYS 3.5 (GERMAN)	317200-01 DISK ASSY, MSDOS 4.01 OPER SYS 3.5 (SWEDISH)
317186-01 DISK ASSY, MSDOS SHELL 1.01 3.5 (GERMAN)	317202-01 DISK ASSY, MSDOS SHELL 1.01 3.5 (SWEDISH)
317237-01 DISK ASSY, PC60III UTILITIES 3.5 (GERMAN)	317252-01 DISK ASSY, PC60III UTILITIES 3.5 (SWEDISH)
526014-07 SHIPPING ASSY KEYBOARD PC60-III (SWISS-FRANCE)	526014-10 SHIPPING ASSY KEYBOARD PC60-III (NETHERLANDS)
319968-01 BOX, PACKING	319968-01 BOX, PACKING
318172-01 SPACER	318172-01 SPACER
903508-02 CORD, POWER (SEV)	903508-01 CORD, POWER (VDE)
318239-01 BINDER, 3-RING	318239-01 BINDER, 3-RING
318238-01 HOLDER, DISKETTE 5.25, 3-RING	318238-01 HOLDER, DISKETTE 5.25, 3-RING
318237-01 HOLDER, DISKETTE 3.5, 3-RING	318237-01 HOLDER, DISKETTE 3.5, 3-RING
312702-12 KEYBOARD ASSY (SWISS-FRENCH)	312702-02 KEYBOARD ASSY (US, ASCII)
363268-01 MANUAL, DOS 4.01 (FRENCH)	363272-01 MANUAL, DOS 4.01 (DUTCH)
319289-01 MANUAL, BASIC 3.22 (FRENCH)	319174-01 MANUAL, BASIC 3.22 (DUTCH)
363292-01 MANUAL, MSDOS SHELL (FRENCH)	363296-01 MANUAL, MSDOS SHELL (DUTCH)
362282-01 MANUAL, OPERATIONS GUIDE (FRENCH)	362287-01 MANUAL, OPERATIONS GUIDE (DUTCH)
367031-01 DISK ASSY, MSDOS 4.01 INSTALL#1 5.25 (FRENCH)	317877-01 DISK ASSY, MSDOS 4.01 INSTALL#1 5.25 (DUTCH)
367032-01 DISK ASSY, MSDOS 4.01 INSTALL#2 5.25 (FRENCH)	317878-01 DISK ASSY, MSDOS 4.01 INSTALL#2 5.25 (DUTCH)
367033-01 DISK ASSY, MSDOS 4.01 INSTALL#3 5.25 (FRENCH)	317879-01 DISK ASSY, MSDOS 4.01 INSTALL#3 5.25 (DUTCH)
367034-01 DISK ASSY, MSDOS 4.01 INSTALL#4 5.25 (FRENCH)	317880-01 DISK ASSY, MSDOS 4.01 INSTALL#4 5.25 (DUTCH)
367035-01 DISK ASSY, MSDOS 4.01 INSTALL#5 5.25 (FRENCH)	317881-01 DISK ASSY, MSDOS 4.01 INSTALL#5 5.25 (DUTCH)
367036-01 DISK ASSY, MSDOS SHELL 1.01 5.25 (FRENCH)	367038-01 DISK ASSY, MSDOS SHELL 1.01 5.25 (DUTCH)
317207-01 DISK ASSY, PC60III UTILITIES 5.25 (FRENCH)	317215-01 DISK ASSY, PC60III UTILITIES 5.25 (DUTCH)
317187-01 DISK ASSY, MSDOS 4.01 INSTALL 3.5 (FRENCH)	317196-01 DISK ASSY, MSDOS 4.01 INSTALL 3.5 (DUTCH)
317188-01 DISK ASSY, MSDOS 4.01 OPER SYS 3.5 (FRENCH)	317197-01 DISK ASSY, MSDOS 4.01 OPER SYS 3.5 (DUTCH)
317189-01 DISK ASSY, MSDOS SHELL 1.01 3.5 (FRENCH)	317198-01 DISK ASSY, MSDOS SHELL 1.01 3.5 (DUTCH)
317238-01 DISK ASSY, PC60III UTILITIES 3.5 (FRENCH)	317250-01 DISK ASSY, PC60III UTILITIES 3.5 (DUTCH)

Commodore International Spare Parts List

SHIPPING ASSEMBLIES (Continued)

526014-11 SHIPPING ASSY KEYBOARD PC60-III (NORWAY)	526014-14 SHIPPING ASSY KEYBOARD PC60-III (BELGIUM)
319968-01 BOX, PACKING	319968-01 BOX, PACKING
318172-01 SPACER	318172-01 SPACER
903508-01 CORD, POWER (VDE)	903508-01 CORD, POWER (VDE)
318239-01 BINDER, 3-RING	318239-01 BINDER, 3-RING
318238-01 HOLDER, DISKETTE 5.25, 3-RING	318238-01 HOLDER, DISKETTE 5.25, 3-RING
318237-01 HOLDER, DISKETTE 3.5, 3-RING	318237-01 HOLDER, DISKETTE 3.5, 3-RING
312702-09 KEYBOARD ASSY (NORWAY)	312702-02 KEYBOARD ASSY (U.S. ASCII)
363289-01 MANUAL, OPERATIONS GUIDE (NORWEGIAN)	363272-01 MANUAL, DOS 4.01 (DUTCH)
363267-01 MANUAL, DOS 4.01 (ENGLISH)	319174-01 MANUAL, BASIC 3.22 (DUTCH)
319292-01 MANUAL, BASIC 3.22 (ENGLISH)	363296-01 MANUAL, MSDOS SHELL (DUTCH)
363291-01 MANUAL, MSDOS SHELL (ENGLISH)	362287-01 MANUAL, OPERATIONS GUIDE (DUTCH)
317882-01 DISK ASSY, MSDOS 4.01 INSTALL 5.25 (ENGLISH)	317877-01 DISK ASSY, MSDOS 4.01 INSTALL#1 5.25 (DUTCH)
317883-01 DISK ASSY, MSDOS 4.01 SELECT 5.25 (ENGLISH)	317878-01 DISK ASSY, MSDOS 4.01 INSTALL#2 5.25 (DUTCH)
317884-01 DISK ASSY, MSDOS 4.01 OPER SYS1 5.25 (ENGLISH)	317879-01 DISK ASSY, MSDOS 4.01 INSTALL#3 5.25 (DUTCH)
317885-01 DISK ASSY, MSDOS 4.01 OPER SYS2 5.25 (ENGLISH)	317880-01 DISK ASSY, MSDOS 4.01 INSTALL#4 5.25 (DUTCH)
317886-01 DISK ASSY, MSDOS 4.01 OPER SYS3 5.25 (ENGLISH)	317881-01 DISK ASSY, MSDOS 4.01 INSTALL#5 5.25 (DUTCH)
317887-01 DISK ASSY, MSDOS SHELL 1.01 5.25 (ENGLISH)	367038-01 DISK ASSY, MSDOS SHELL 1.01 5.25 (DUTCH)
317174-01 DISK ASSY, PC60III UTILITIES 5.25 (ENGLISH)	317215-01 DISK ASSY, PC60III UTILITIES 5.25 (DUTCH)
317181-01 DISK ASSY, MSDOS 4.01 INSTALL 3.5 (ENGLISH)	317196-01 DISK ASSY, MSDOS 4.01 INSTALL 3.5 (DUTCH)
317182-01 DISK ASSY, MSDOS 4.01 OPER SYS 3.5 (ENGLISH)	317197-01 DISK ASSY, MSDOS 4.01 OPER SYS 3.5 (DUTCH)
317183-01 DISK ASSY, MSDOS SHELL 1.01 3.5 (ENGLISH)	317198-01 DISK ASSY, MSDOS SHELL 1.01 3.5 (DUTCH)
317218-01 DISK ASSY, PC60III UTILITIES 3.5 (ENGLISH)	317250-01 DISK ASSY, PC60III UTILITIES 3.5 (DUTCH)
526014-12 SHIPPING ASSY KEYBOARD PC60-III (FINLAND)	526014-15 SHIPPING ASSY KEYBOARD PC60-III (PORTUGAL)
319968-01 BOX, PACKING	319968-01 BOX, PACKING
318172-01 SPACER	318172-01 SPACER
903508-01 CORD, POWER (VDE)	903508-01 CORD, POWER (VDE)
318239-01 BINDER, 3-RING	318239-01 BINDER, 3-RING
318238-01 HOLDER, DISKETTE 5.25, 3-RING	318238-01 HOLDER, DISKETTE 5.25, 3-RING
318237-01 HOLDER, DISKETTE 3.5, 3-RING	318237-01 HOLDER, DISKETTE 3.5, 3-RING
312702-11 KEYBOARD ASSY (FINLAND)	312702-02 KEYBOARD ASSY (U.S. ASCII)
363288-01 MANUAL, OPERATIONS GUIDE (FINNISH)	363364-01 MANUAL, DOS 4.01 (PORTUGUESE)
363267-01 MANUAL, DOS 4.01 (ENGLISH)	363365-01 MANUAL, BASIC 3.22 (PORTUGUESE)
319292-01 MANUAL, BASIC 3.22 (ENGLISH)	363366-01 MANUAL, MSDOS SHELL (PORTUGUESE)
363291-01 MANUAL, MSDOS SHELL (ENGLISH)	363367-01 MANUAL, OPERATIONS GUIDE (PORTUGUESE)
317882-01 DISK ASSY, MSDOS 4.01 INSTALL 5.25 (ENGLISH)	317162-01 DISK ASSY, MSDOS 4.01 INSTALL#1 (PORTUGUESE)
317883-01 DISK ASSY, MSDOS 4.01 SELECT 5.25 (ENGLISH)	317163-01 DISK ASSY, MSDOS 4.01 INSTALL#2 (PORTUGUESE)
317884-01 DISK ASSY, MSDOS 4.01 OPER SYS1 5.25 (ENGLISH)	317164-01 DISK ASSY, MSDOS 4.01 INSTALL#3 (PORTUGUESE)
317885-01 DISK ASSY, MSDOS 4.01 OPER SYS2 5.25 (ENGLISH)	317165-01 DISK ASSY, MSDOS 4.01 INSTALL#4 (PORTUGUESE)
317886-01 DISK ASSY, MSDOS 4.01 OPER SYS3 5.25 (ENGLISH)	317166-01 DISK ASSY, MSDOS 4.01 INSTALL#5 (PORTUGUESE)
317887-01 DISK ASSY, MSDOS SHELL 1.01 5.25 (ENGLISH)	317167-01 DISK ASSY, MSDOS SHELL 1.01 (PORTUGUESE)
317174-01 DISK ASSY, PC60III UTILITIES 5.25 (ENGLISH)	317216-01 DISK ASSY, PC60III UTILITIES 5.25 (PORTUGUESE)
317181-01 DISK ASSY, MSDOS 4.01 INSTALL 3.5 (ENGLISH)	317203-01 DISK ASSY, MSDOS 4.01 INSTALL 3.5 (PORTUGUESE)
317182-01 DISK ASSY, MSDOS 4.01 OPER SYS 3.5 (ENGLISH)	317204-01 DISK ASSY, MSDOS 4.01 OPER SYS 3.5 (PORTUGUESE)
317183-01 DISK ASSY, MSDOS SHELL 1.01 3.5 (ENGLISH)	317205-01 DISK ASSY, MSDOS SHELL 1.01 3.5 (PORTUGUESE)
317218-01 DISK ASSY, PC60III UTILITIES 3.5 (ENGLISH)	317251-01 DISK ASSY, PC60III UTILITIES 3.5 (PORTUGUESE)
526014-13 SHIPPING ASSY KEYBOARD PC60-III (DENMARK)	
319968-01 BOX, PACKING	
318172-01 SPACER	
903508-01 CORD, POWER (VDE)	
318239-01 BINDER, 3-RING	
318238-01 HOLDER, DISKETTE 5.25, 3-RING	
318237-01 HOLDER, DISKETTE 3.5, 3-RING	
312702-08 KEYBOARD ASSY (DENMARK)	
363286-01 MANUAL, OPERATIONS GUIDE (DANISH)	
363267-01 MANUAL, DOS 4.01 (ENGLISH)	
319292-01 MANUAL, BASIC 3.22 (ENGLISH)	
363291-01 MANUAL, MSDOS SHELL (ENGLISH)	
317882-01 DISK ASSY, MSDOS 4.01 INSTALL 5.25 (ENGLISH)	
317883-01 DISK ASSY, MSDOS 4.01 SELECT 5.25 (ENGLISH)	
317884-01 DISK ASSY, MSDOS 4.01 OPER SYS1 5.25 (ENGLISH)	
317885-01 DISK ASSY, MSDOS 4.01 OPER SYS2 5.25 (ENGLISH)	
317886-01 DISK ASSY, MSDOS 4.01 OPER SYS3 5.25 (ENGLISH)	
317887-01 DISK ASSY, MSDOS SHELL 1.01 5.25 (ENGLISH)	
317174-01 DISK ASSY, PC60III UTILITIES 5.25 (ENGLISH)	
317181-01 DISK ASSY, MSDOS 4.01 INSTALL 3.5 (ENGLISH)	
317182-01 DISK ASSY, MSDOS 4.01 OPER SYS 3.5 (ENGLISH)	
317183-01 DISK ASSY, MSDOS SHELL 1.01 3.5 (ENGLISH)	
317218-01 DISK ASSY, PC60III UTILITIES 3.5 (ENGLISH)	

Commodore International Spare Parts List
SHIPPING ASSEMBLIES (Continued)

315960-01	SOFTWARE SUB ASSY PC60-III (U.S.A.)	315960-03	SOFTWARE SUB ASSY PC60-III (AUSTRALIA)
363291-01	MANUAL, MS DOS SHELL	363291-01	MANUAL MS DOS SHELL
363281-01	MANUAL, OPERATIONS GUIDE PC60-III	363281-01	MANUAL, OPERATIONS GUIDE PC60-III
318896-01	PROGRAM LICENSE AGREEMENT	318896-01	PROGRAM LICENSE AGREEMENT
314877-04	LIST, SERVICE CENTER (U.S.)	318876-01	LIST, SERVICE CENTER (AUSTRALIA)
251528-06	CARD, WARRANTY (U.S.)	318239-01	BINDER SOFTWARE PC50/60
312341-02	CARD, DISK EXCHANGE (U.S.)	318238-01	HOLDER DISK 3 RING 5.25"
318239-01	BINDER SOFTWARE PC50/60	318237-01	HOLDER DISK 3 RING 3.5"
318238-01	HOLDER DISK 3 RING 5.25"	317882-01	DISKETTE ASSY DOS 4.01 INSTALL 5.25"
318237-01	HOLDER DISK 3 RING 3.5"	317883-01	DISKETTE ASSY DOS 4.01 SELECT 5.25"
317882-01	DISKETTE ASSY DOS 4.01 INSTALL 5.25"	317884-01	DISKETTE ASSY DOS 4.01 OPER SYS 1, 5.25"
317883-01	DISKETTE ASSY DOS 4.01 SELECT 5.25"	317885-01	DISKETTE ASSY DOS 4.01 OPER SYS 2, 5.25"
317884-01	DISKETTE ASSY DOS 4.01 OPER SYS 1, 5.25"	317886-01	DISKETTE ASSY DOS 4.01 OPER SYS 3, 5.25"
317885-01	DISKETTE ASSY DOS 4.01 OPER SYS 2, 5.25"	317887-01	DISKETTE ASSY DOS 4.01 SHELL 1.01, 5.25"
317886-01	DISKETTE ASSY DOS 4.01 OPER SYS 3, 5.25"	317174-01	DISKETTE ASSY PC60-III UTILITIES 5.25"
317887-01	DISKETTE ASSY DOS 4.01 SHELL 1.01, 5.25"	317181-01	DISKETTE ASSY DOS 4.01 INSTALL 3.5"
317174-01	DISKETTE ASSY PC60-III UTILITIES 5.25"	317182-01	DISKETTE ASSY DOS 4.01 OPER SYS 3.5"
317181-01	DISKETTE ASSY DOS 4.01 INSTALL 3.5"	317183-01	DISKETTE ASSY DOS 4.01 SHELL 1.01, 3.5"
317182-01	DISKETTE ASSY DOS 4.01 OPER SYS 3.5"	317218-01	DISKETTE ASSY PC 60-III UTILITIES 3.5"
317183-01	DISKETTE ASSY DOS 4.01 SHELL 1.01 3.5"	318834-01	SHRINK WRAP 12"
317218-01	DISKETTE ASSY PC 60-III UTILITIES 3.5"	318884-01	CARD, WARRANTY (AUSTRALIA)
318834-01	SHRINK WRAP 12"		
315960-02	SOFTWARE SUB ASSY PC60-III (CANADA)		
363291-01	MANUAL MS DOS SHELL		
363281-01	MANUAL, OPERATIONS GUIDE PC60-III		
318896-01	PROGRAM LICENSE AGREEMENT		
318239-01	BINDER SOFTWARE PC50/60		
318238-01	HOLDER DISK 3 RING 5.25"		
318237-01	HOLDER DISK 3 RING 3.5"		
317882-01	DISKETTE ASSY DOS 4.01 INSTALL 5.25"		
317883-01	DISKETTE ASSY DOS 4.01 SELECT 5.25"		
317884-01	DISKETTE ASSY DOS 4.01 OPER SYS 1, 5.25"		
317885-01	DISKETTE ASSY DOS 4.01 OPER SYS 2, 5.25"		
317886-01	DISKETTE ASSY DOS 4.01 OPER SYS 3, 5.25"		
317887-01	DISKETTE ASSY DOS 4.01 SHELL 1.01, 5.25"		
317174-01	DISKETTE ASSY PC60-III UTILITIES 5.25"		
317181-01	DISKETTE ASSY DOS 4.01 INSTALL 3.5"		
317182-01	DISKETTE ASSY DOS 4.01 OPER SYS 3.5"		
317183-01	DISKETTE ASSY DOS 4.01 SHELL 1.01 3.5"		
317218-01	DISKETTE ASSY PC 60-III UTILITIES 3.5"		
318556-02	CARD, DISK EXCHANGE (CANADA)		
318834-01	SHRINK WRAP 12"		
318882-01	CARD, WARRANTY (CANADA)		

Commodore International Spare Parts List MAJOR ASSEMBLIES

Commodore part numbers are provided for reference only and do not indicate the availability of spare parts from Commodore. Industry standard parts (Resistors, Capacitors, Connectors) should be secured locally. Part number information may vary according to country, some parts may not be available in all countries.

MAIN ASSY		CPU BASE ASSY (Continued)	
313328-01	MAIN ASSY (VDE,BSI,SEV & SAA) 80MB HDD	380851-01	SLIDER,FDD 5.25" LEFT
313328-02	MAIN ASSY (CSA,UL) 80 MB HDD	380851-02	SLIDER,FDD 5.25" RIGHT
313328-03	MAIN ASSY (VDE,BSI,SEV & SAA) 40MB HDD	312948-01	BRACKET,SUPPORT RETAINER 5.25" FDD
313328-04	MAIN ASSY (CSA,UL) 40MB HDD	325542-02	SCREW MACH EXT TH M4 X 6.0 LG QTY = 8 (ON HDD CHASSIS ASSY)
313328-05	MAIN ASSY (VDE,BSI,SEV & SAA) NO HDD	390329-01	SCREW MACH M3.5 X 0.5 X 5.0 LG QTY = 9 (ON EXT CARD PANEL)
313328-06	MAIN ASSY (CSA,UL) NO HDD	906800-03	SCREW MACH M3 X 0.5 X 8.0 LG QTY = 10 (USE ON FDDDRIVES)
312937-01	COVER, TOP	906800-05	SCREW MACH M3 X 0.5 X 6.0 LG QTY = 9 (USE TO MOUNT PCB)
313334-01	BEZEL ASSY	906803-01	SCREW MACH FLT HD M3 X 0.5 X 6.0 LG QTY = 6 (USE ON REAR PANEL, FDD)
312938-01	COVER, SIDE	906884-02	SCREW MACH M4 X 8.0 LG QTY = 2 (USE ON SUPPORT FEET)
325542-02	SCREW EXT. TOOTH M4 X 6.0 LG QTY = 14 (SIDE & TOP COVERS)	390251-03	STANDOFF "D" CONN QTY = 6
316785-02	LABEL,RATING (VDE,BSI,SEV & SAA)	390251-04	STANDOFF HEX M/F 5 MM QTY = 2- VIDEO D CONN
316785-04	LABEL,RATING (CSA,UL)	313342-01	COPPER FOIL (ON TOP OF KYBD CONN & REAR PANEL)
316785-01	LABEL,RATING	312832-01	RF SHIELD H.D.D.
316785-03	LABEL,RATING	312833-01	RF SHIELD 3.5" FD
316785-05	LABEL,RATING	312834-01	RF SHIELD 5.25"
316785-06	LABEL,RATING	905453-01	TERMINAL LUG (ON P/S FAN OPENING & CONN PWR CABLE GROUND)
316585-04	LABEL,HDD TYPE	MAIN CHASSIS WELDMENT ASSY	
316585-01	LABEL,HDD TYPE	313333-01	MAIN CHASSIS WELDMENT ASSY
313329-01	CPU BASE ASSY (VDE,BSI,SEV & SAA) 80MB HDD	312935-01	CHASSIS, MAIN WELDMENT
313329-02	CPU BASE ASSY (CSA,UL) 80MB HDD	312940-01	PANEL, FRONT
313329-03	CPU BASE ASSY (VDE,BSI,SEV & SAA) 40MB HDD	312936-01	SUPPORT,CORNER ANGLE
313329-04	CPU BASE ASSY (CSA,UL) 40MB HDD	312962-01	PANEL, GUIDE
313329-06	CPU BASE ASSY (CSA,UL) NO HDD	312945-01	BRACKET,SUPPORT 5.25" FDD
380851-01	FDD SLIDER 5.25" LEFT (PLACE IN PLASTIC BAG)	312946-01	BRACKET,SUPPORT 3.5" FDD
380851-02	FDD SLIDER 5.25" RIGHT (PLACE IN PLASTIC BAG)	*****	STAND-OFF, 3M 0.5X10.0 MM (PRESS OR WELD IN PLACE)
312953-01	FDD SLIDER 3.5" (PLACE IN PLASTIC BAG)	KEYSWITCH LOCK ASSEMBLY	
312958-01	HDD SLIDE RETAINER RIGHT LONG	312970-01	LOCK ASSY, KEYSWITCH
312958-02	HDD SLIDE RETAINER LEFT LONG	312965-01	SWITCH KEYLOCK 3 POSITIONS
312958-03	HDD SLIDE RETAINER RIGHT SHORT	903756-06	WIRE,LEAD AWG 24 L = 400MM (BLUE)
312958-04	HDD SLIDE RETAINER LEFT SHORT	903756-10	WIRE,LEAD AWG 24 L = 400MM (BLACK)
318951-01	BAG PLASTIC ZIPLOCK (FOR HDD RETAINERS & SCREWS)	903756-03	WIRE,LEAD AWG 24 L = 400MM (ORANGE)
318889-01	TAPE	903353-01	CONNECTOR PIN
BEZEL ASSEMBLY		903351-01	CONNECTOR HOUSING 3P
313334-01	BEZEL ASSEMBLY	905475-03	TUBING, HEAT SHRINK (LENGTH = 25 MM)
312939-02	BEZEL	POWER LINE SWITCH ASSEMBLY	
316788-01	NAMEPLATE	312969-01	SWITCH,POWER ASSY
906883-02	SCREW SELF TAPPING M3 X 4.0 LG QTY = 8 (USE ON FDD HOLE COVERS)	390552-01	SHEILDLED CABLE 4 CONNECTOR AWG 14
312679-03	FDD HOLE COVERS BEZEL 5.25" QTY = 3 (LIGHT BEIGE)	313340-01	TORIOD RING
312955-01	FDD HOLE COVER BEZEL 3.5" (LIGHT BEIGE)	390535-01	RECEPTACLE, CONTACT SOCKET
CPU BASE ASSY		390626-01	HOUSING, CONTACTOR SOCKET
313329-01	CPU BASE ASSY (VDE,BSI,SEV & SAA) 80MB HDD	905475-03	TUBING,HEAT SHRINK (LENGTH = 25 MM)
313329-02	CPU BASE ASSY (CSA,UL) 80MB HDD	905051-03	TY-WRAP
313329-03	CPU BASE ASSY (VDE,BSI,SEV & SAA) 40MB HDD	390394-01	ANCHOR FOR TY WRAP
313329-04	CPU BASE ASSY (CSA,UL) 40MB HDD	906115-03	TORIOD
313329-05	CPU BASE ASSY (VDE,BSI,SEV & SAA) NO HDD	FLOPPY DISK CABLE ASSY	
313329-06	CPU BASE ASSY (CSA,UL) NO HDD	312968-01	CABLE,FLOPPY DISK ASSY 2 - 5.25" &
313306-01	PCB ASSY	903135-10	CABLE,FLAT 34 POS (LENGTH = 450 MM)
313333-01	FRAME,MAIN WELDMENT ASSY	903468-05	CONN,34P DUAL ROW
313332-01	CHASSIS,HDD ASSY 80MB HDD	380328-01	PLUG,KEYING
313332-02	CHASSIS,HDD ASSY 40MB HDD	380319-02	CONN, 34 POS EDGE CARD
313332-03	CHASSIS,HDD ASSY NO HDD	380320-01	PLUG,KEYING
313331-01	KEYSWITCH HOLDER ASSY	SUPPORT FEET ASSY	
313330-01	FOOT ASSY QTY = 2	313330-01	SUPPORT FEET ASSY
312943-01	PANEL, REAR	312944-01	SUPPORT CPU, FOOT
380120-01	PANEL, EXTENSION CARD QTY = 3	312971-01	SUPPORT SLIDE, FOOT
251118-01	GUIDE,PCB QTY = 9	KEYSWITCH HOLDER ASSY	
313341-01	FLOPPY DRIVE GROUND CABLE	313331-01	HOLDER ASSY, KEYSWITCH
390484-01	POWER SUPPLY (VDE,BSI,SEV & SAA)	312954-01	SWITCH POWER ILLUMINATED GREEN
390484-02	POWER SUPPLY (CSA,UL)	312941-02	HOLDER, KEYSWITCH
313067-02	DRIVE ASSY, FDD 3.5" 1.44MB	312969-01	SWITCH, KEY ASSY
380025-02	DRIVE ASSY, FDD 5.25" 1.2MB	312970-01	LOCK ASSY, KEYSWITCH
312968-01	CABLE ASSY, FDD 5 CONN/34P/460MM	380020-03	LED,HARD DISK YELLOW (360 MM LG.)
312695-02	CABLE ASSY, HD	313340-02	TORIOD RING
312953-01	SLIDER,FDD 3.5"		
312949-01	BRACKET,SUPPORT RETAINER 3.5" FDD		

Commodore International Spare Parts List MAJOR ASSEMBLIES *(Continued)*

Commodore part numbers are provided for reference only and do not indicate the availability of spare parts from Commodore. Industry standard parts (Resistors, Capacitors, Connectors) should be secured locally. Part number information may vary according to country, some parts may not be available in all countries.

HARD DISK CHASSIS ASSY		FLOPPY DRIVE GROUND CABLE ASSY	
313332-01	HARD DISK CHASSIS ASSY 80MB HDD	313341-01	FLOPPY DRIVE GROUND CABLE
313332-02	HARD DISK CHASSIS ASSY 40MB HDD	905451-01	TERMINAL RING TONGUE
313332-03	HARD DISK CHASSIS ASSY NO HDD	324594-02	SPADE TERMINAL
312947-01	CHASSIS,HDD	903753-10	LEAD WIRE AWG 18 BLACK LENGTH = 120MM
312951-01	PLATE,ADJUSTER SLIDE	903753-10	LEAD WIRE AWG 18 BLACK LENGTH = 100MM
312950-01	RETAINER, HDD	903753-10	LEAD WIRE AWG 18 BLACK LENGTH = 70MM
313065-01	DRIVE,40 MB HARD DISK	905475-05	HEAT SHRINK TUBING LENGTH = 20MM
312966-01	DRIVE,80MB HARD DISK		
906610-01	SCREW MACH #6 - 32 X .250" QTY = 4 (USE ON HDD)		
906800-05	SCREW MACH M3 X 0.5 X 6.0 QTY = 14 (USE ON HDD RETAINER, PLATE)		
380811-01	CABLE ASSY, GROUND		
313339-01	HDD SUPPORT STOP QTY = 4		

Commodore International Spare Parts List PCB Components PCB Assembly #313306-01

Commodore part numbers are provided for reference only and do not indicate the availability of spare parts from Commodore. Industry standard parts (Resistors, Capacitors, Connectors) should be secured locally. Part number information may vary according to country, some parts may not be available in all countries.

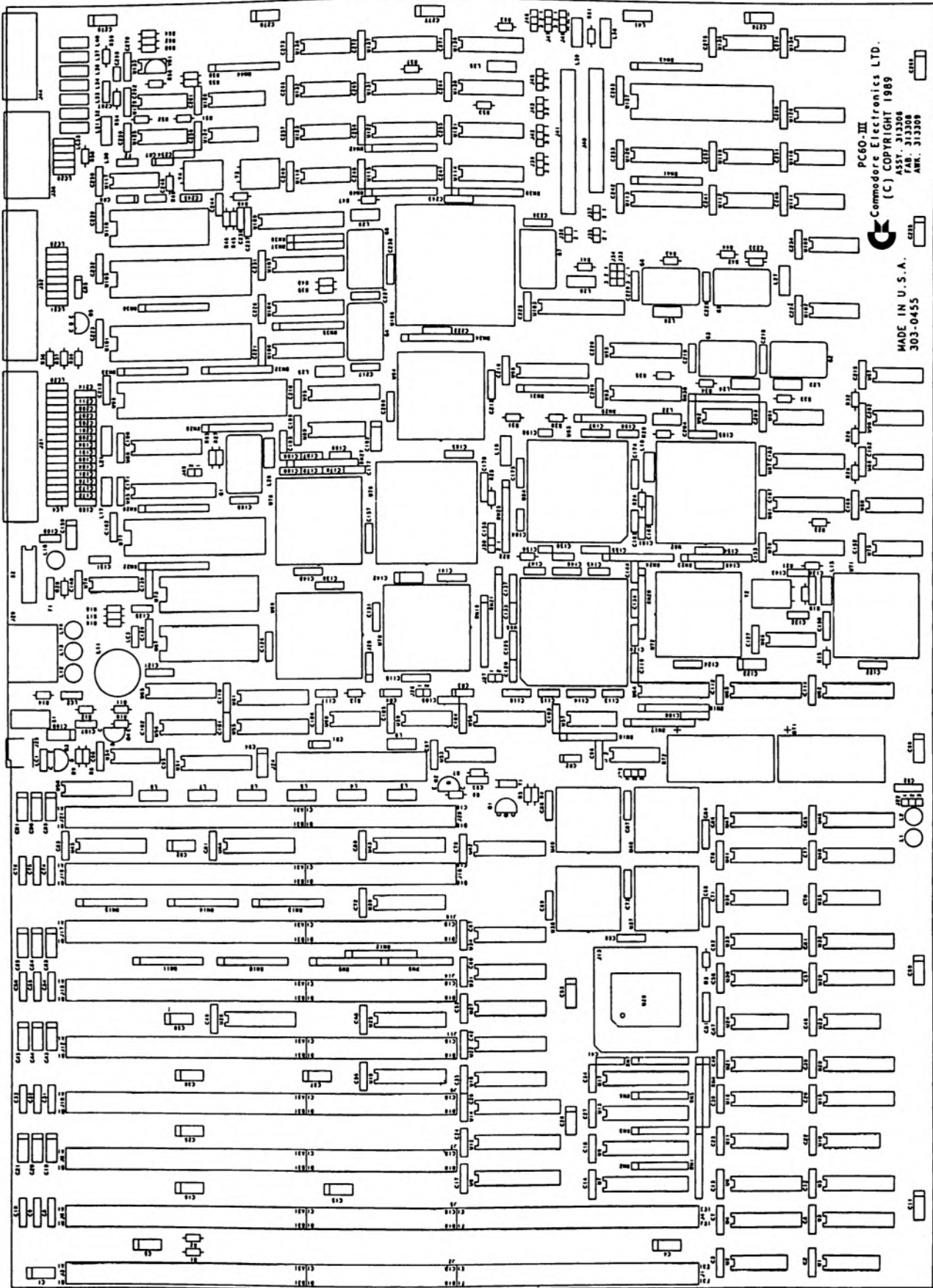
IC COMPONENTS			OSCILLATORS		
390486-02	80386 CPU 25 MHZ	U68	325566-27	50.00 MHZ	G3
390468-04	P82A303 ADDRESS BUFFER (HIGH)	U70	325566-20	36.00 MHZ	G6
390469-01	P82C301-25 25 MHZ BUS CONTROLLER	U82	325566-18	25.175 MHZ	G4
390463-01	P82C206 PERIPHERALS CONTROLLER	U79	325566-19	28.322 MHZ	G8
390464-01	F82C307-25 25 MHZ CACHE CONTROLLER	U23	325566-10	16.00 MHZ	G7
390465-01	P82A306 CONTROL SIGNAL BUFFER	U71	325566-17	9.6 MHZ	G5
390466-01	P82B305 DATA BUFFER	U72,U94	325566-05	6.00 MHZ	G1
390467-01	P82A304 ADDRESS BUFFER (LOW)	U69	325566-21	20.00 MHZ	G2
390302-01	PVGA-1A PARADISE VIDEO	U106	CRYSTALS		
390423-01	SERIAL/PRINTER COMBO CHIP	U96	900560-01	32.768 MHZ	Y1
390304-03	37C65B FDC	U127	900556-13	1.8432 MHZ	Y4
390303-02	IMS171 COLOR LOOKUP TABLE	U110	900558-01	14.31818 MHZ	Y2
390580-01	P8242 MICROCONTROLLER	U77	RESISTOR NETWORKS		
318087-01	5720 IO/MOUSE CNTRL	U78	390227-04	33 OHM 10P 5EL SIL	RN1,RN4,RN5,RN18, RN28,RN32,RN33,RN36, RN39,RN40,RN42-RN44 RN19,RN29
390510-01	PAL16L8B - RESET/READY/IOCHRDY	U55	902410-10	1K 10P 9EL SIP	RN31
390512-01	PAL16L8B - DATA BUFF CNTRL	U87	902410-18	2.2K 10P 9EL SIP	RN30
390514-01	PAL16L8B - BUSY/PREREQ/IRQ13	U93	902410-20	270 OHM 10P 9EL SIP	RN22,RN26,RN27,RN35 RN8-RN15,RN17,RN20, RN21,RN23-RN25,RN34
390511-01	PAL20L10 - AT HD INTFC	U85	902410-08	4.7K 10P 9EL SIP	RN2,RN3,RN6,RN7, RN16,RN37,RN38
390513-01	PAL20L10 - CHIP SELECT	U88	902410-07	10K 10P 9EL SIP	RN41
390515-01	PAL20L8B - VGA BUS CNTRL	U103	902422-03	33 OHM 8P 4EL SIL	
390516-01	PAL20L8B - VGA PAGE/IO CNTRL	U109	902410-19	150 OHM 10P 9EL SIP	
390083-04	DRAM 64 X 4 (256K BIT) @100NS	U114,U115,U121,U122, U130,U131,U136,U137 U3-U6,U15,U16,U20, U21,U29,U30,U32,U33, U40,U41,U46,U47	RESISTORS 5% @ 1/4 WATT, CARBON FILM, UNLESS OTHERWISE SPECIFIED		
318099-02	DRAM 256 X 4 (1 MEG BIT DRAM)@100NS	U1,U2,U10,U11,U23, U24,U35,U36	901550-39	3.9K	R8
390226-04	DRAM 256K X 1 @100NS	U37,U38,U48,U49	901550-64	10 OHM	R12,R14,R22,R24,R29, R31,R44
390485-01	SRAM 2K X 2K X 16 @35 NS	U67	901550-63	22 OHM	R27,R39,R41,R43,R47
390473-01	ROM VGA/BIOS LOW PC60III	U73	901550-105	33 OHM	R15,R21,R33,R34
390474-01	ROM VGA/BIOS HIGH PC60III	U117	901550-94	68 OHM	R42
901882-01	1488	U125	901550-83	2MEG OHM	R7
901883-01	1489	U116	901550-124	160K OHM	R28
901521-21	74LS02	U132	901550-21	39K OHM	R5
901521-03	74LS08	U60	901550-58	470 OHM	R3,R17,R18,R30
901521-30	74LS14	U123,U138	901550-01	1K OHM	R9,R25,R50
901521-38	74LS38	U89	901550-112	200 OHM	R10
901521-34	74LS175	U58,U98,U99,U113,U120	901550-18	2.2K OHM	R36
901521-13	74LS244	U66	901550-19	4.7K OHM	R23,R38,R58
318066-01	74F00	U86,U108,U126	901550-03	5.1K OHM	R11
390110-01	74F04	U75,U102,U134	901550-20	10K OHM	R4,R6,R13,R16,R35,R37, R40,R53,R57
390203-01	74F08	U52,U57,U90,U91	901550-84	1M OHM	R49
390077-01	74F32	U111,U118	901550-17	1.2K OHM	R26
390081-01	74F74	U92	901550-27	1.8K OHM	R19
390198-01	74F86	U97,U135	901550-12	22K OHM	R32
380280-02	74F125	U56	901550-14	330 OHM	R2
390523-01	74F157	U22,U50,U104,U107	901550-52	220 OHM	R61,R63
318050-01	74F244	U25,U34,U39,U43,U44, U45	901550-67	820 OHM	R1
390089-01	74F245	U80	901550-75	120 OHM	R51
390091-01	74F257	U62,U63,U76	901600-28	2.2 OHM 5% @ 1/2 WATT	R20,R59
390108-01	74F373	U7,U9	RESISTORS 1% @ 1/4 WATT, CARBON FILM		
390517-01	74F827	U8,U12,U14	901751-44	150 OHM	R52,R55,R56
390519-01	74F841	U13,U17	901751-61	365 OHM	R60
390518-01	74F828	U112	901751-55	2K OHM	R62,R64
390520-01	74ALS04	U128	901751-38	4.64K OHM	R54
390521-01	74ALS174	U81	901751-62	340 OHM	R51
390522-01	74ALS240	U19,U26,U51,U61,U64, U65	RADIAL CERAMIC CAPACITORS 5% @ 50 VOLT		
390579-01	74ALS244A	U18,U27,U31,U42	900019-07	.047 UF	C268
318092-01	74ALS245	U95,U100	900019-25	27 PF	C93,C150,C161,C196
390058-01	74ALS373	U54	900019-17	47 PF	C107,C132,C135,C143, C151,C244,C245,C254
390310-01	74HCT74	U119			
901522-06	7406	U74,U59			
901522-30	7407	U133			
390324-01	TL431	U53,U124			
390323-01	4069	U129			
318827-01	LM339				

Commodore International Spare Parts List

PCB Components (Continued)

PCB Assembly #313306-01

RADIAL CERAMIC CAPACITORS (Continued)		MISCELLANEOUS	
900019-15	100 PF	C169,C172,C173,C176-C181,C184,C186-C189,C191,C193,C194,C200,C201,C205,C207,C208,C211,C214,C246	251842-02 EMI FILTER 100 PF 390257-02 EMI FILTER 100 PF 390275-04 EMI FILTER 100 PF 903025-08 FERRITE BEADS (AXIAL) 903025-01 FERRITE BEADS (AXIAL)
900019-21	1000 PF	C156,C198,C117,C160,C233,C267	390253-02 FERRITE BEADS THREE TURN 390650-01 FERRITE BEADS (AXIAL)
900022-03	.1 UF	C48,C49,C51,C52,C54-C56,C60,C66-C69,C72-C76,C79-C81,C83,C84,C87,C88,C92,C95-C98,C101-C103,C104-C106,C108,C110-C112,C114,C116,C118,C119,C121,C122,C124-C127,C129-C131,C134,C136-C141,C146,C148,C149,C152-C155,C157,C162,C165-C168,C170,C171,C174,C175,C182,C183,C185,C190,C195,C197,C199,C202-C204,C206,C209,C210,C212,C213,C215-C232,C234,C236,C237,C239-C243,C249-C253,C257-C263,C266,C270,C273-C275,C8-C10,C14,C17,C18,C24,C27,C28,C31-C36,C41,C42	390471-01 BATTERY, HOLDER 390471-02 BATTERY, COVER 390472-01 BATTERY, LITHIUM 390280-01 FUSE PICO 4A 902658-01 TRANSISTOR 2N3904 902707-01 TRANSISTOR 2N3906 312680-01 BEEPER, PIEZO QMB12 900850-01 DIODE 1N4148 251260-01 SWITCH, PUSH BUTTON N. O. 904775-05 SWITCH, PIANO DIP 16P 8 POS 251313-01 SOCKET 48P DIP 390296-06 SOCKET 121P PGA 13 X 13 390296-07 SOCKET 132P PGA 14 X 14 904150-05 SOCKET 28P DIP 904150-06 SOCKET 40P DIP 390185-03 SOCKET 44P PLCC 390185-02 SOCKET 68P PLCC
900022-05	.33 UF	C2,C3,C6,C7,C12,C13,C22,C23,C29,C30,C39,C40,C46,C47,C57,C58,C61,C62,C70,C71,C77,C78,C85,C86,C247,C248,C255,C256,C264,C265,C271,C272	390185-01 SOCKET 84P PLCC 390185-04 SOCKET 100P PLCC 390043-01 BLOCK, SHORTING 2 POS 390186-01 JUMPER
900020-04	.0047 UF	C158	SUBSTITUTE PARTS
900020-05	1 UF	C109,C113,C115,C120,C128,C133,C144,C145,C147,C163,C164	318091-01 IC PPC1 PRINTER INTERFACE 380205-01 IC 8250 SERIAL INTERFACE 904150-06 SOCKET 40 PIN DIP 900556-13 CRYSTAL 1.8432 MHZ 901550-109 RESISTOR CARBON FILM 4 MEG 901550-84 RESISTOR CARBON FILM 1 MEG 901550-105 RESISTOR CARBON FILM 33 OHM 900019-13 CAPACITOR RADIAL LEAD 22 PF 900019-17 CAPACITOR RADIAL LEAD 47 PF ABOVE SUBSTITUTE PARTS ARE TO BE USED WITH DELETION OF:
ELECTROLYTIC CAPACITORS			U101 U105 U101 Y3 R45 R48 R46 C238 C244 Y4,R49,C246,C254,U95
900402-15	ELECT TANT RAD 10 UF	C1,C4,C5,C11,C15,C16,C19-C21,C25,C26,C37,C38,C43-C45,C50,C53,C59,C63-C65,C82,C89-C91,C94,C99,C100,C123,C142,C159,C192,C235,C269,C276-C279	
CONNECTORS			
390242-01	D SUB 9P RT ANGLE MA	J44	
390334-01	D SUB 15P RT ANGLE FE	J38	
390242-05	D SUB 25P RT ANGLE MA	J32	
390241-05	D SUB 25P RT ANGLE FE	J31	
903446-07	EXPANSION 36/62 P	J2/J3,J5/J6,J7/J8,J9/J10,J11/J12,J14/J15,J16/J17,J18	
903446-02	EXPANSION 62 P	J1,J4	
252166-03	DIN 5 PIN ROUND FE	J28	
390649-01	POST W/W .025 SQ	J22-1,2,3/J23-1,2,3/ J26-1,2/J27-1,2/J28-1,3, 4/J30-1,2/J33-1,2,3/ J34-1,2,3/J35-1,2/J36-1, 2/J37-1,2,3/J39-1,2,3/ J42-1,2,3/J43-1,2,3/J45- 1,2,3/J46-1,2,3/J47-1,2, 3/J48-1,2,3	
903345-17	HEADER 34P DIL	J40	
903345-20	HEADER 40P DIL	J44	
390475-01	POWER 24P	J24	

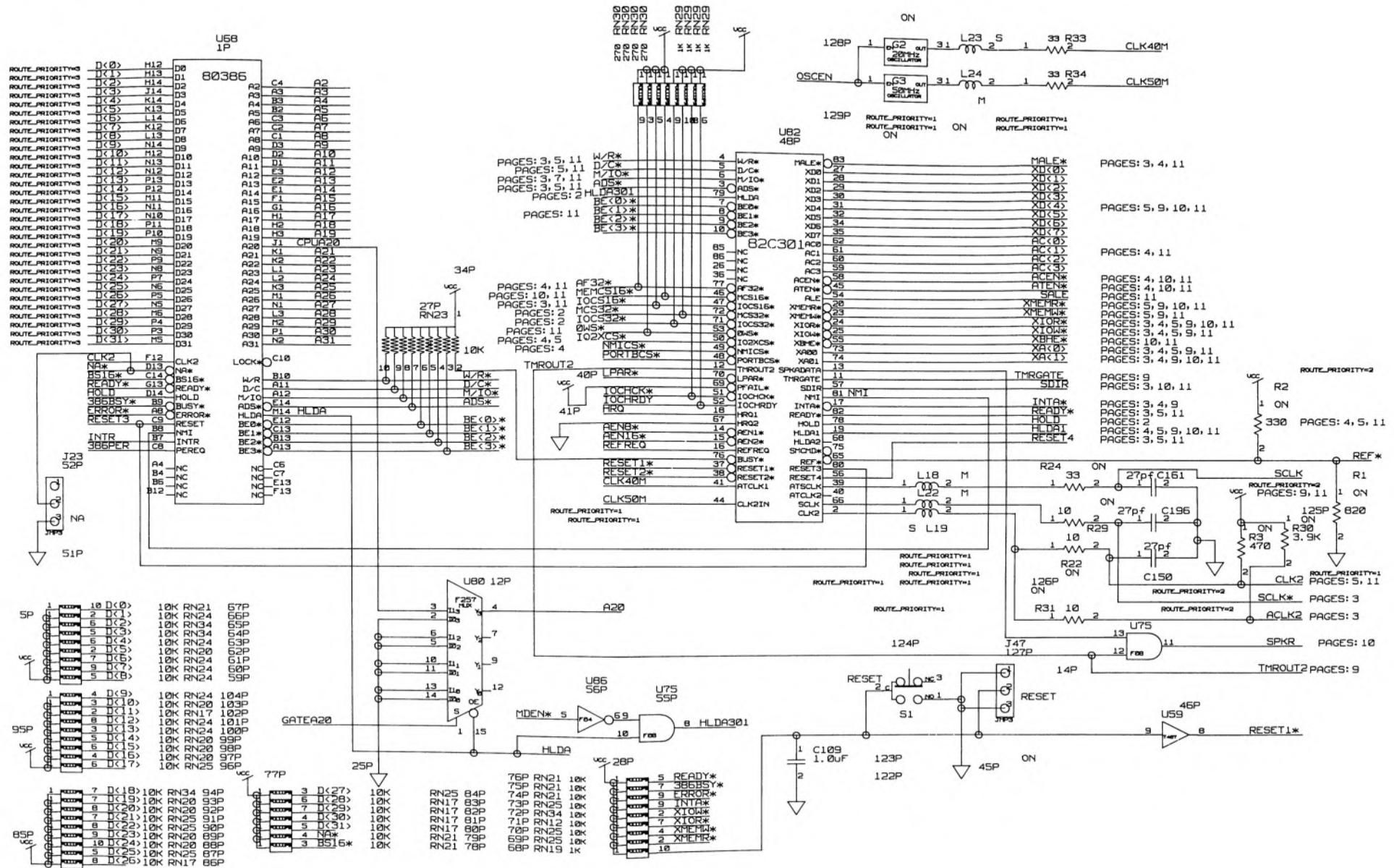


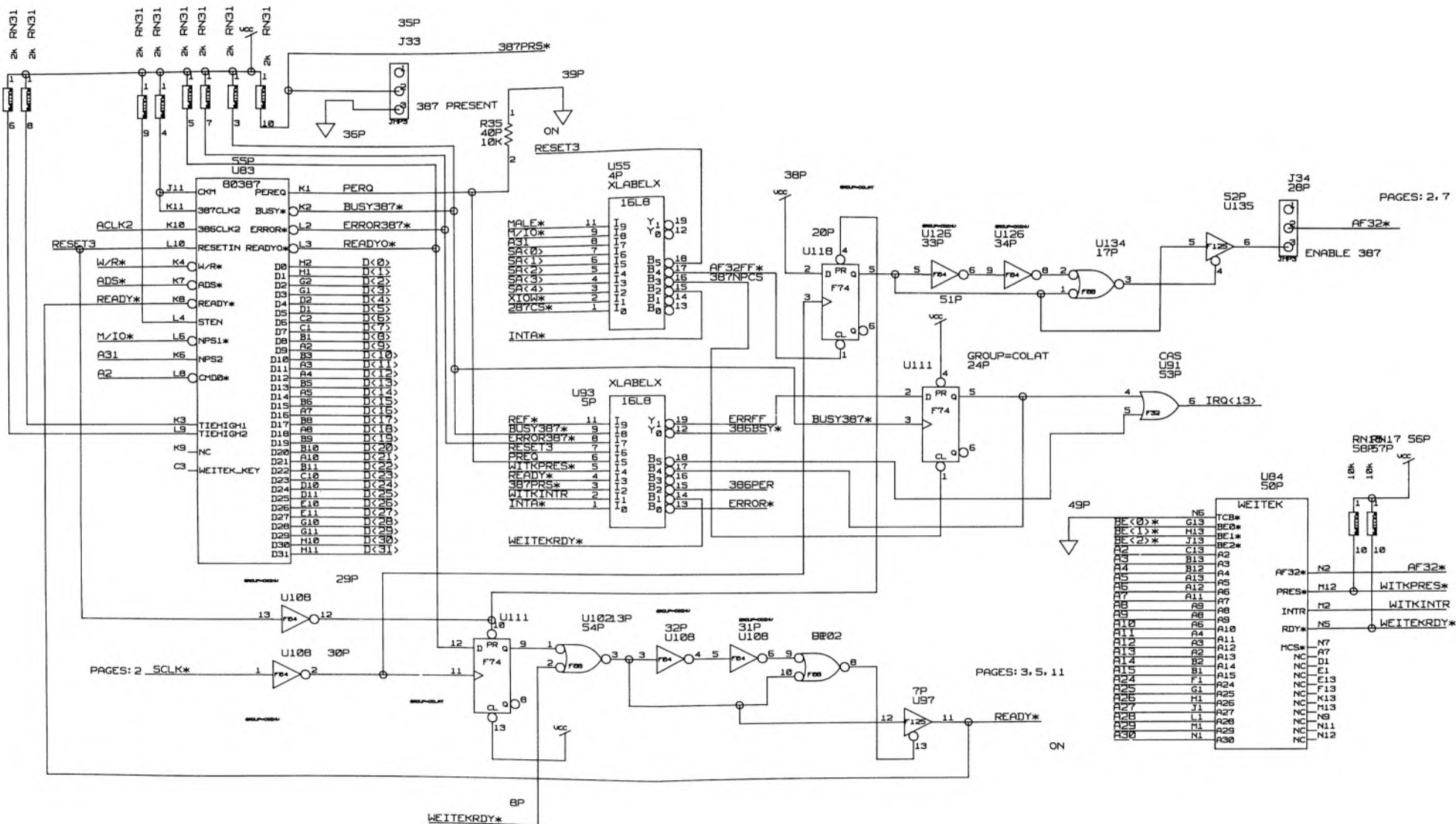
PC60-III
Commodore Electronics LTD.
ASSY. 313308
AM. 313308
REV. 313308



MADE IN U.S.A.
303-0455

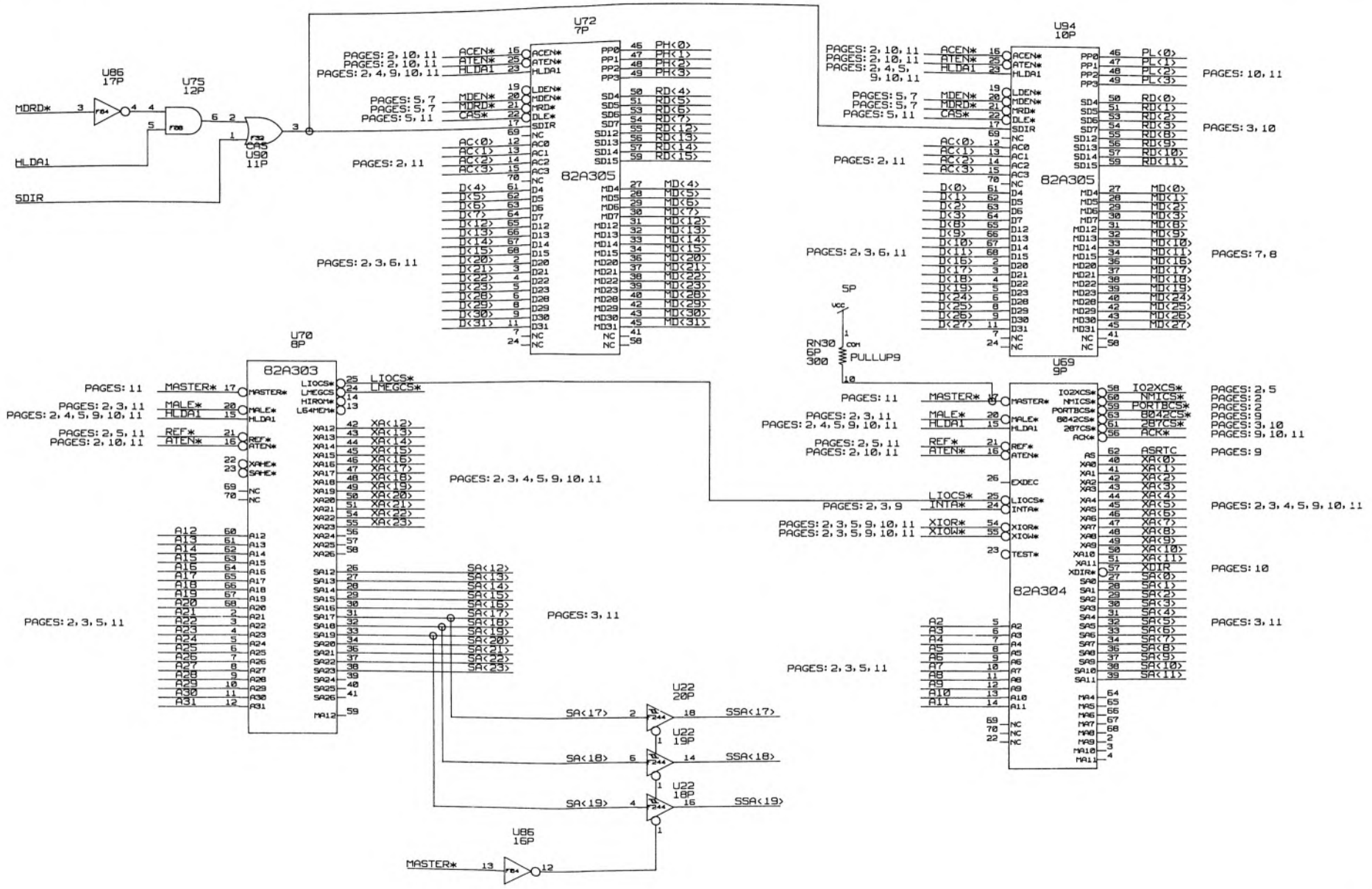
PCB Board Layout #313309, Rev. A

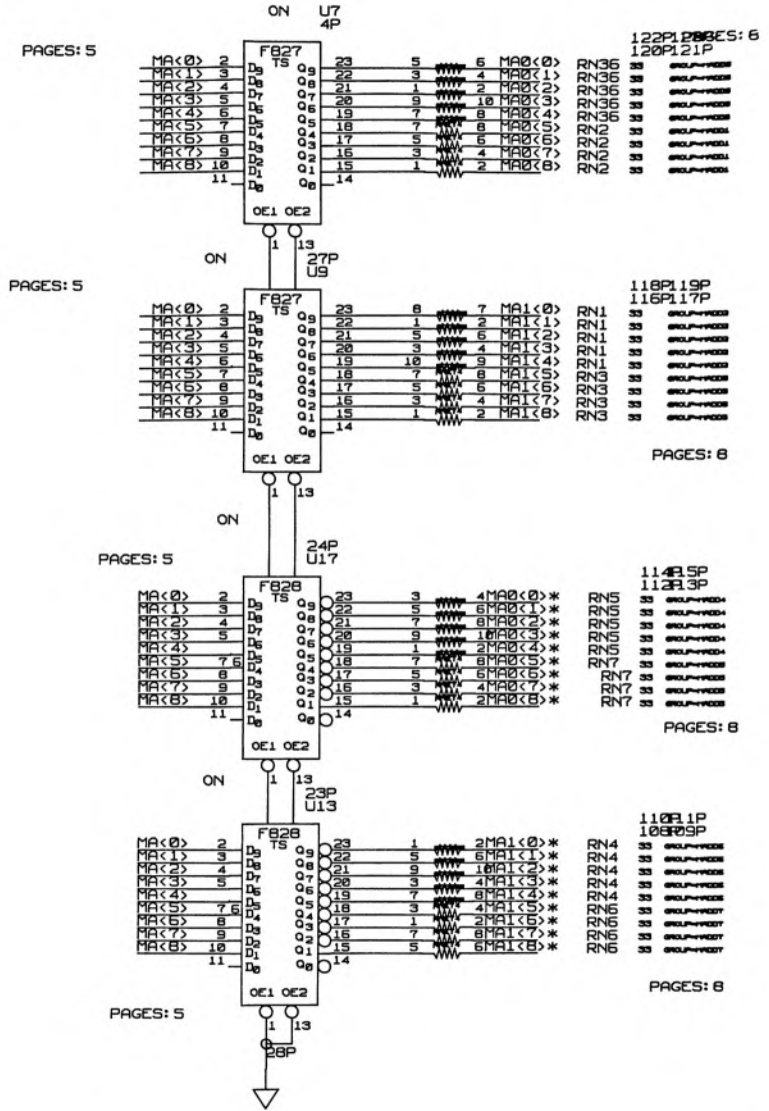
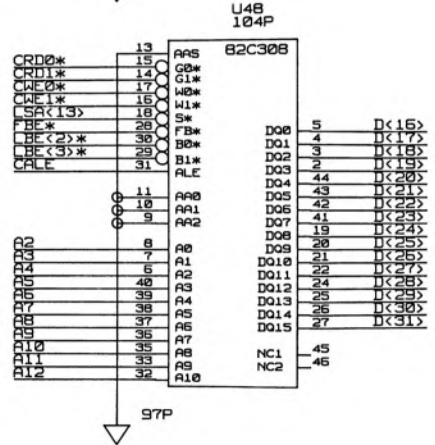
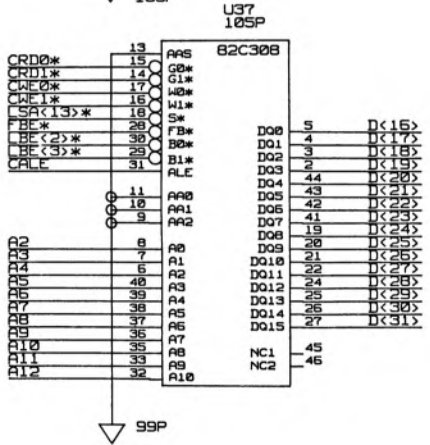
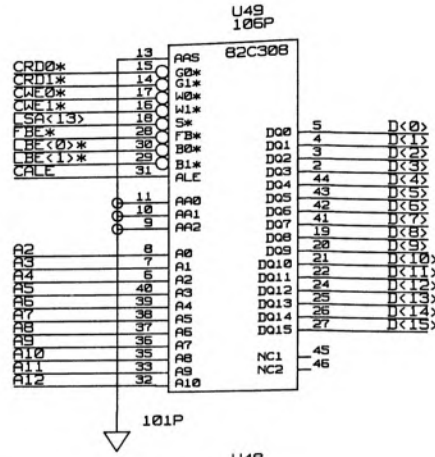
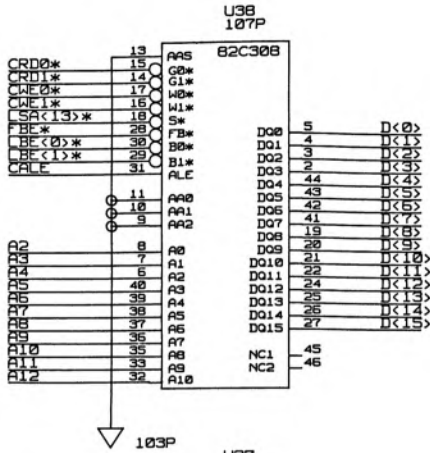




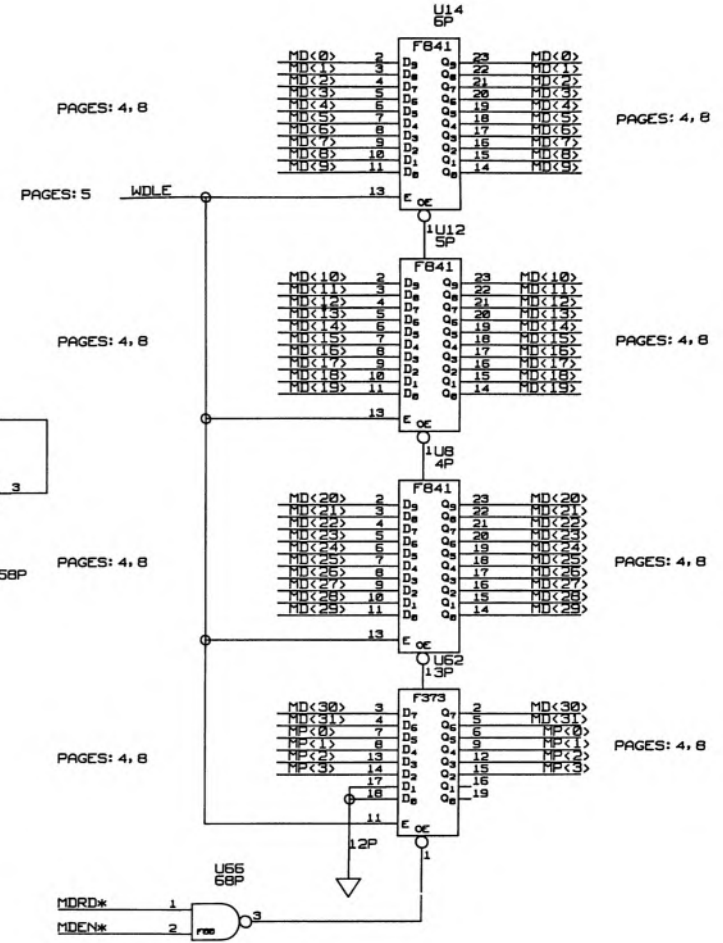
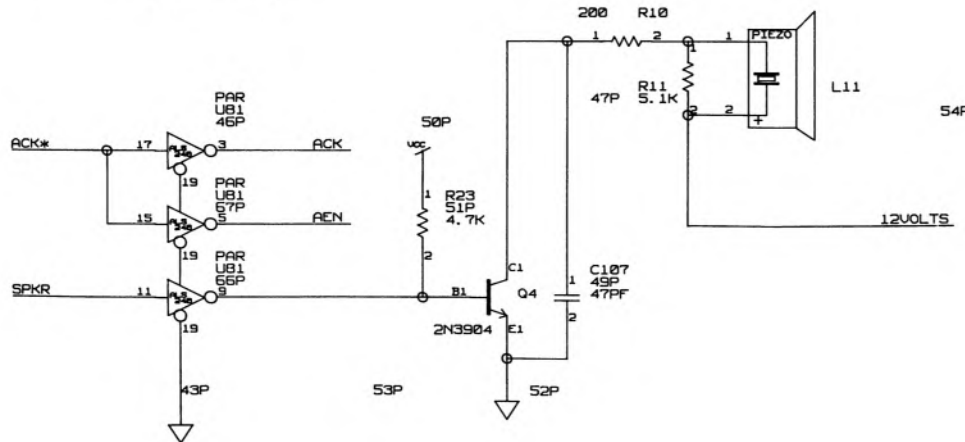
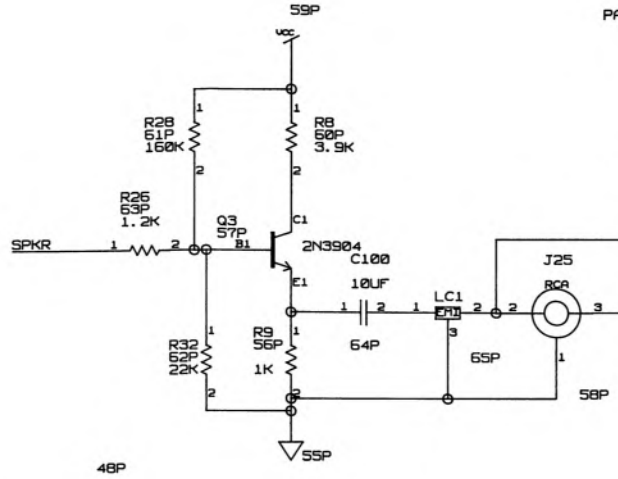
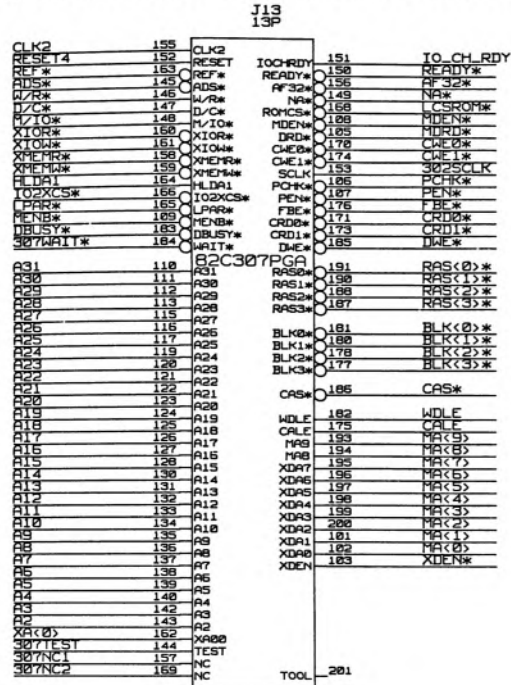
PAGES: 2, 7

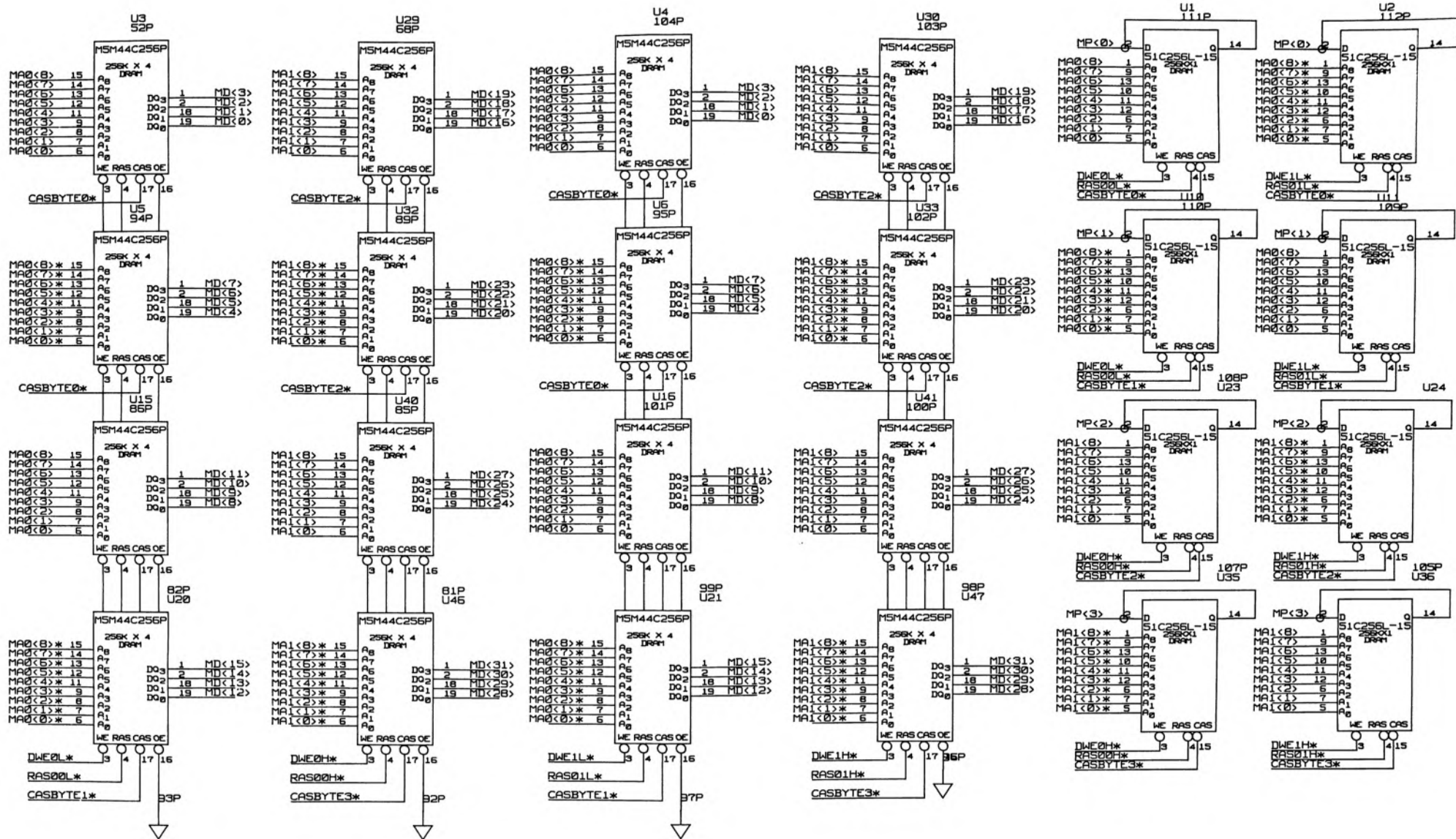
PAGES: 3, 5, 11

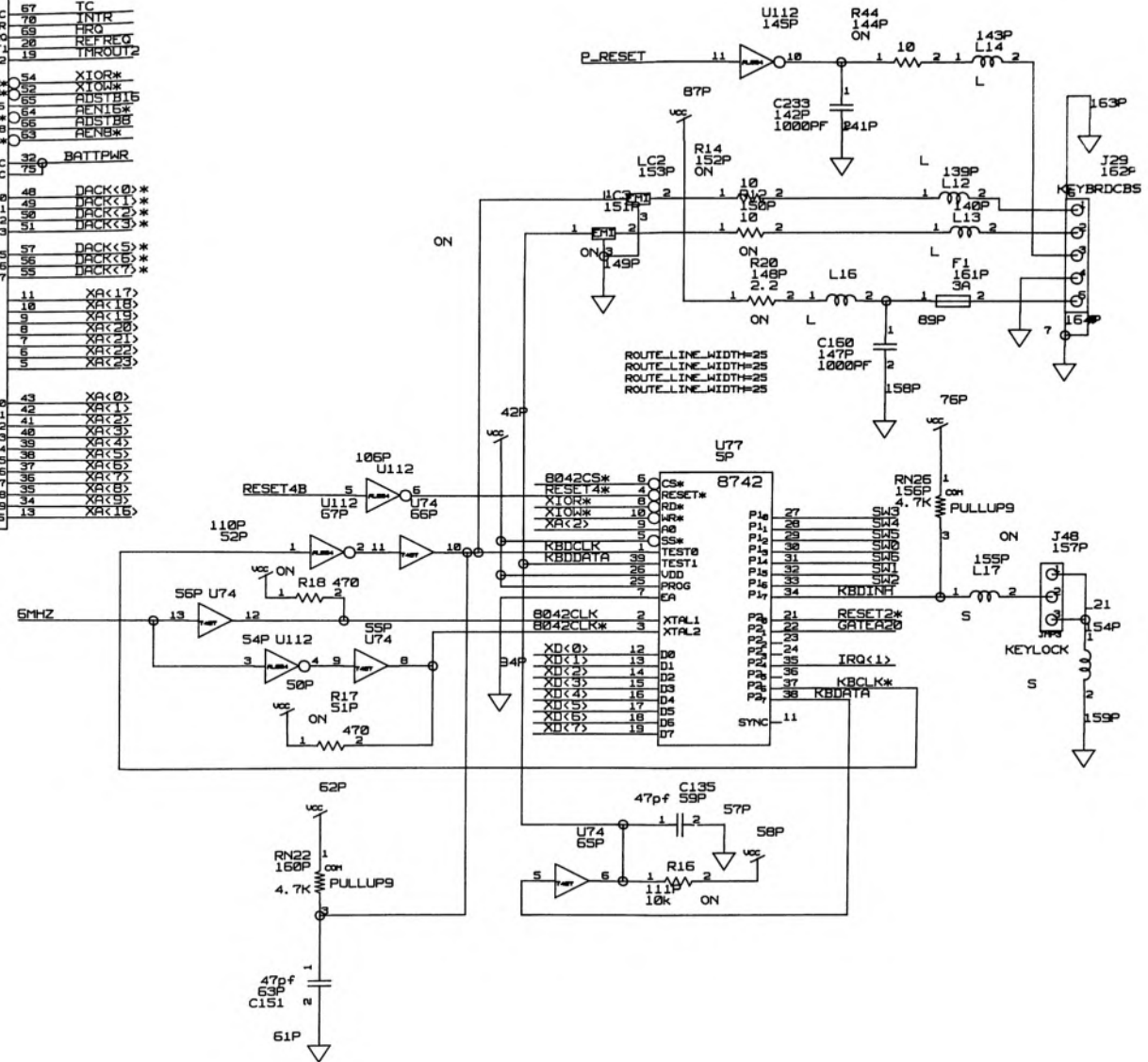
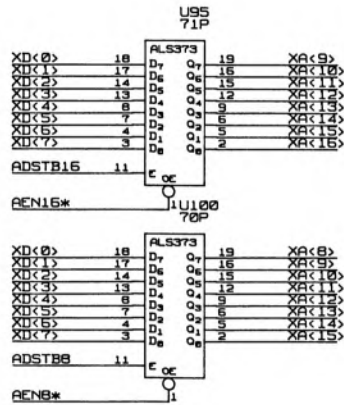
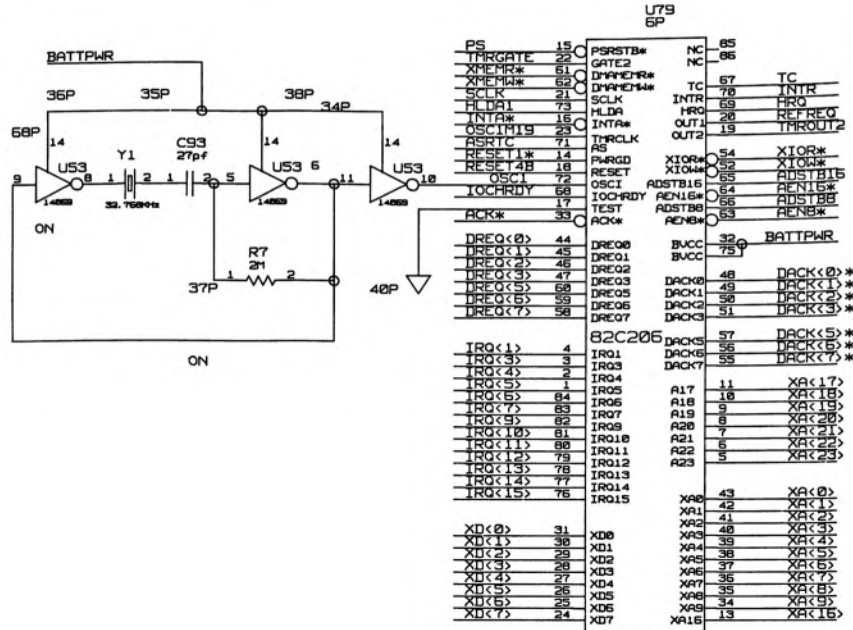


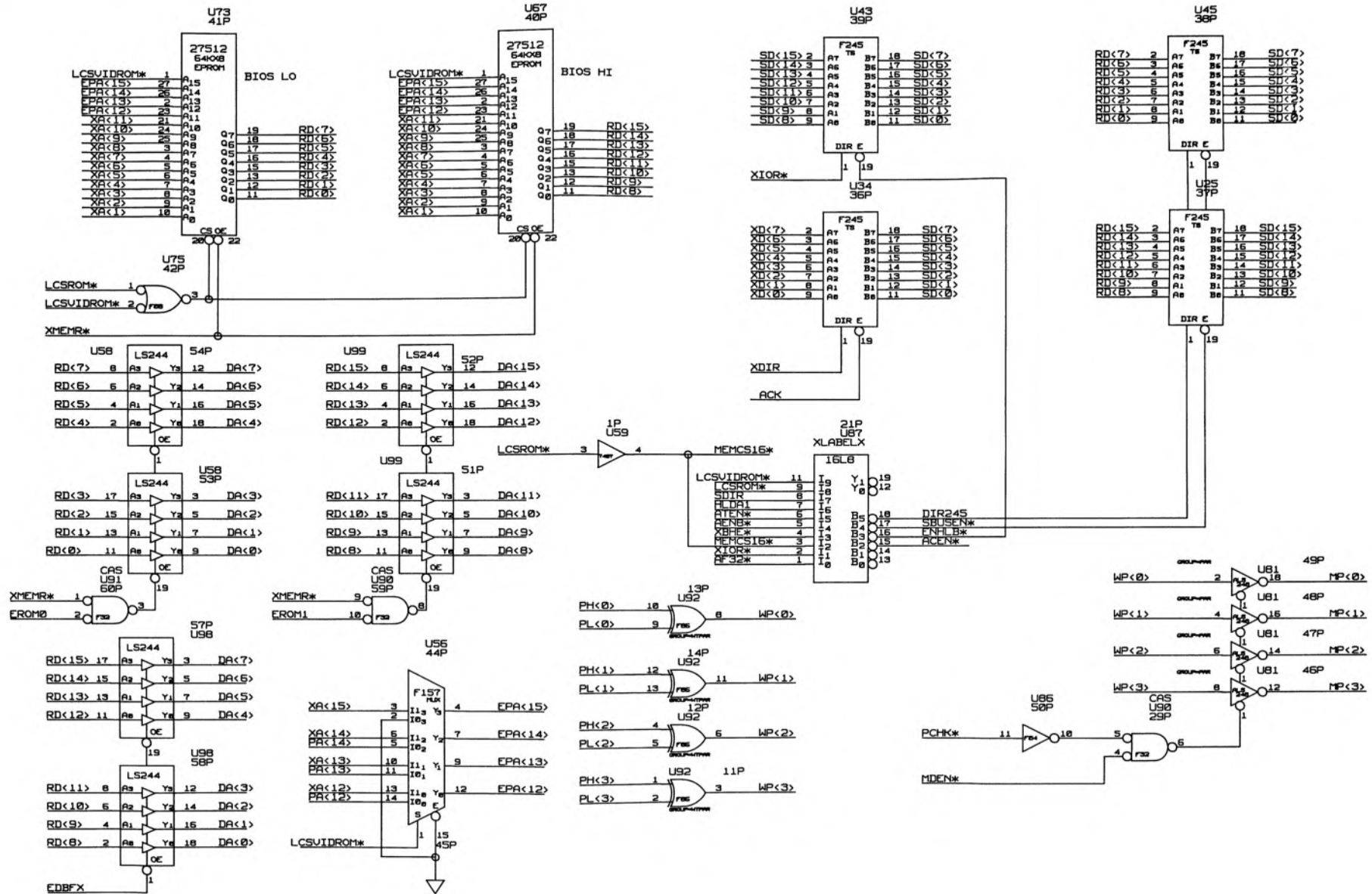


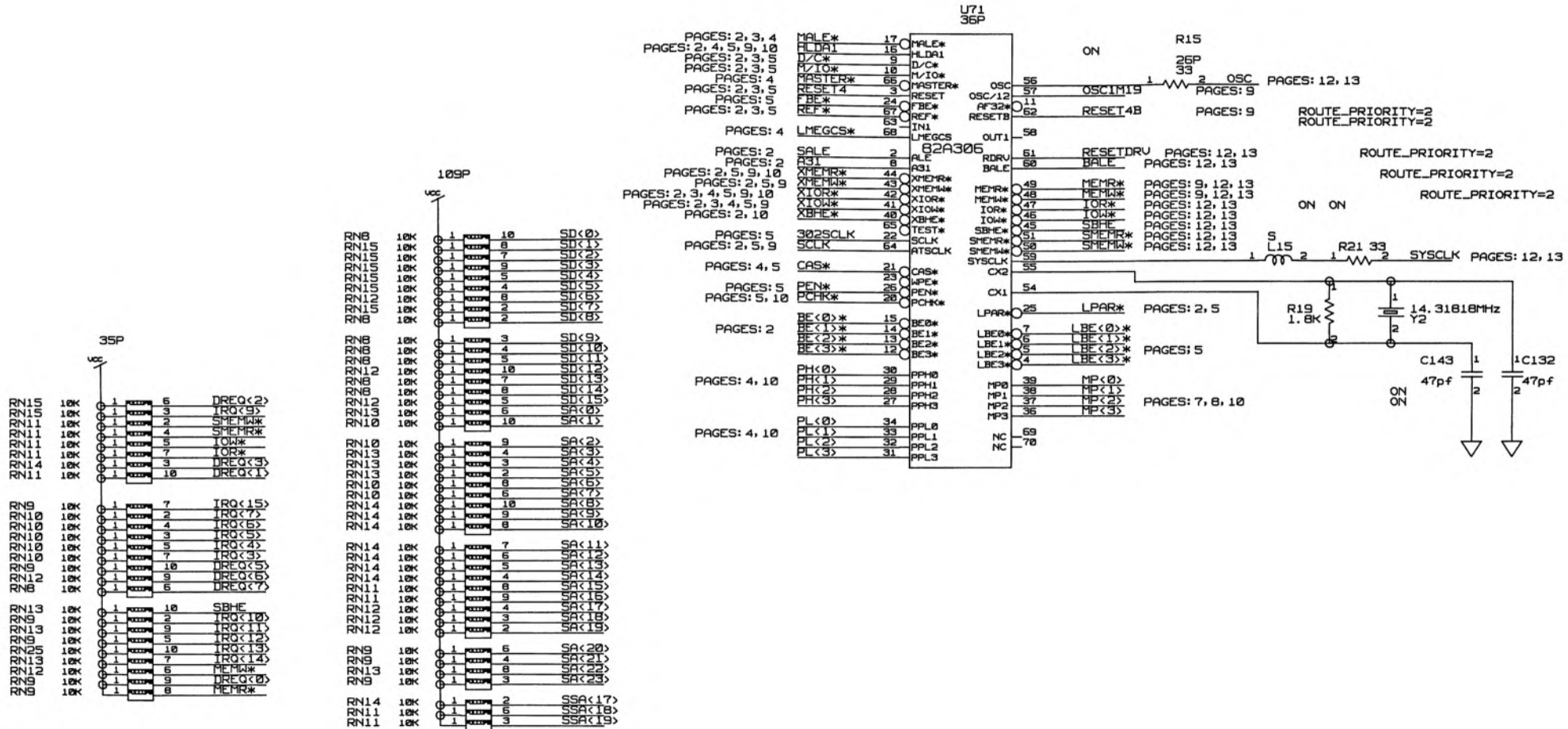
This is the PGA version of the B2c307 the flat pack is on page 5 (one or the other will be used).

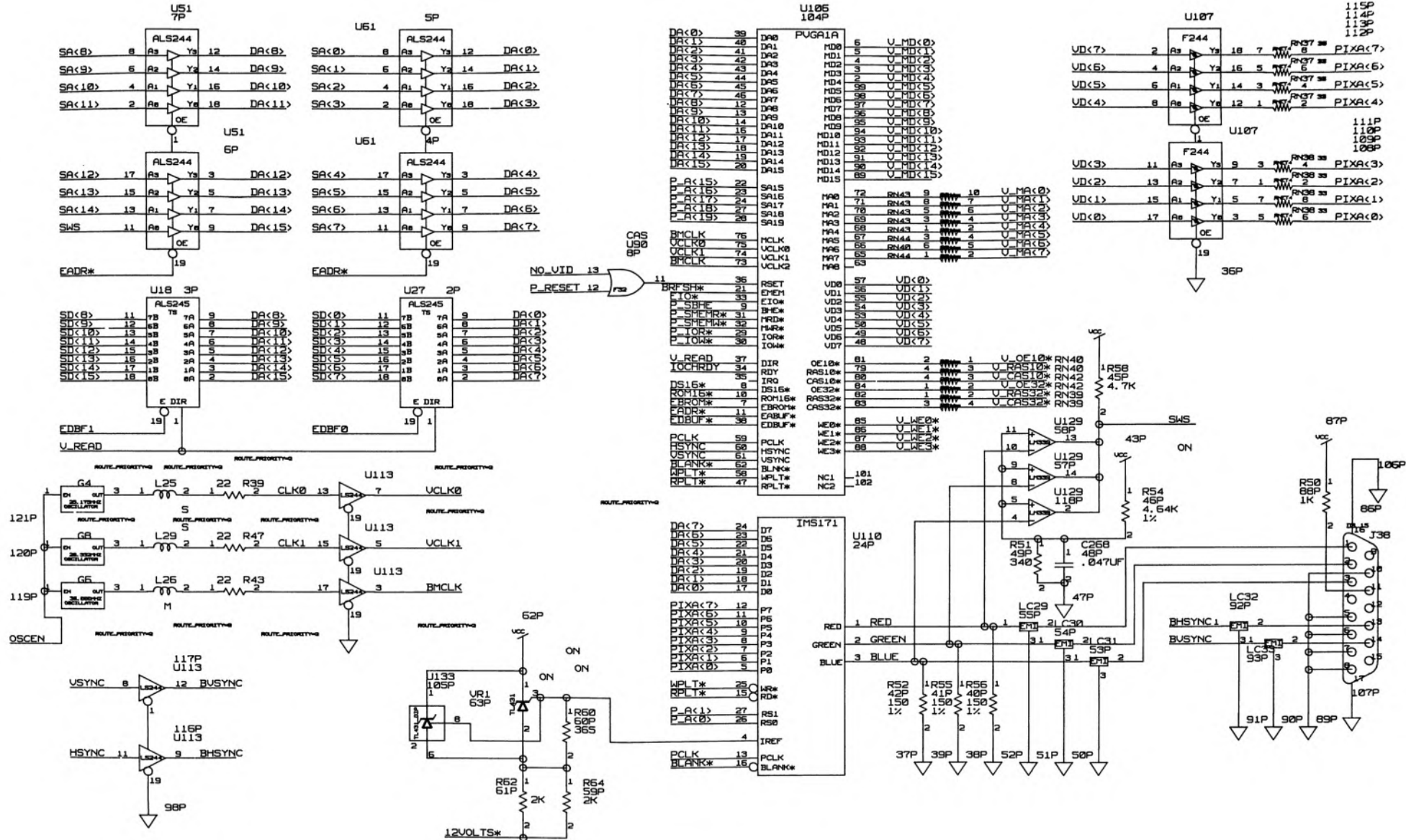


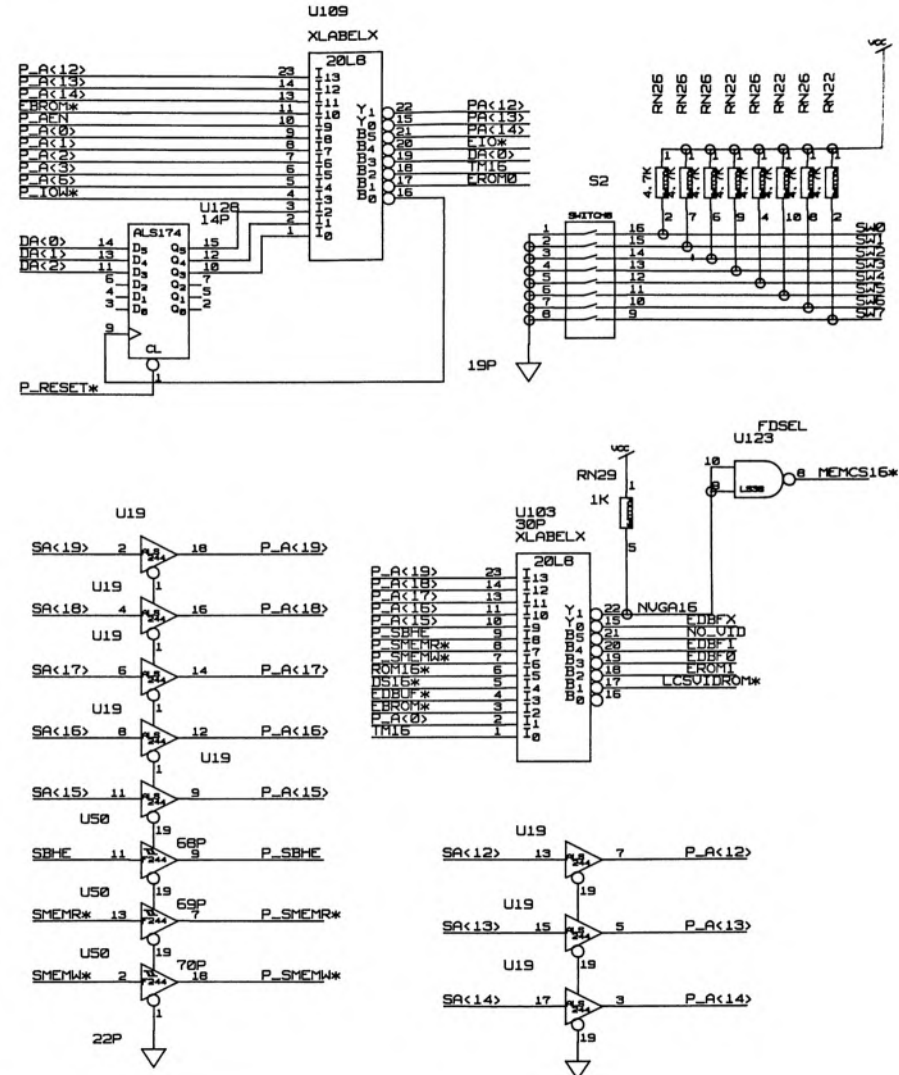
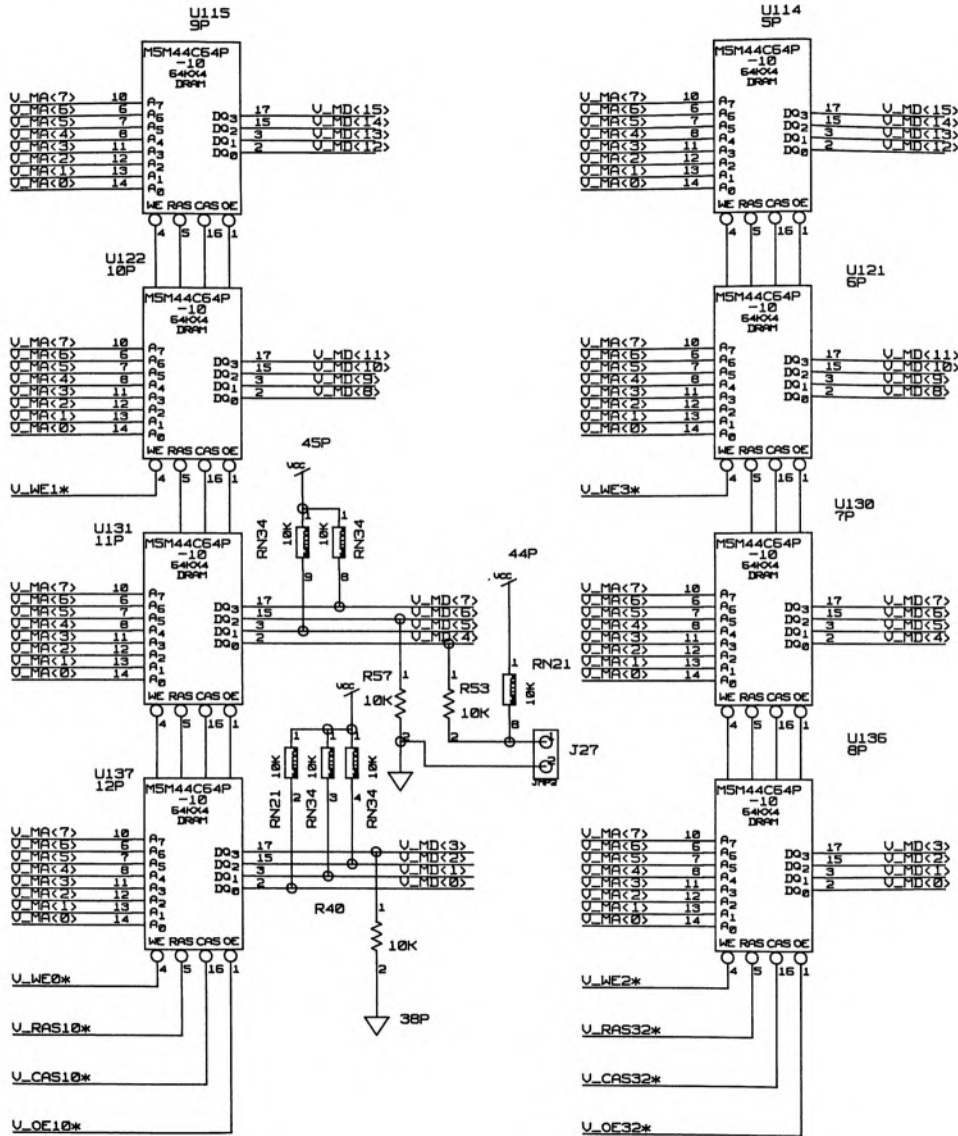


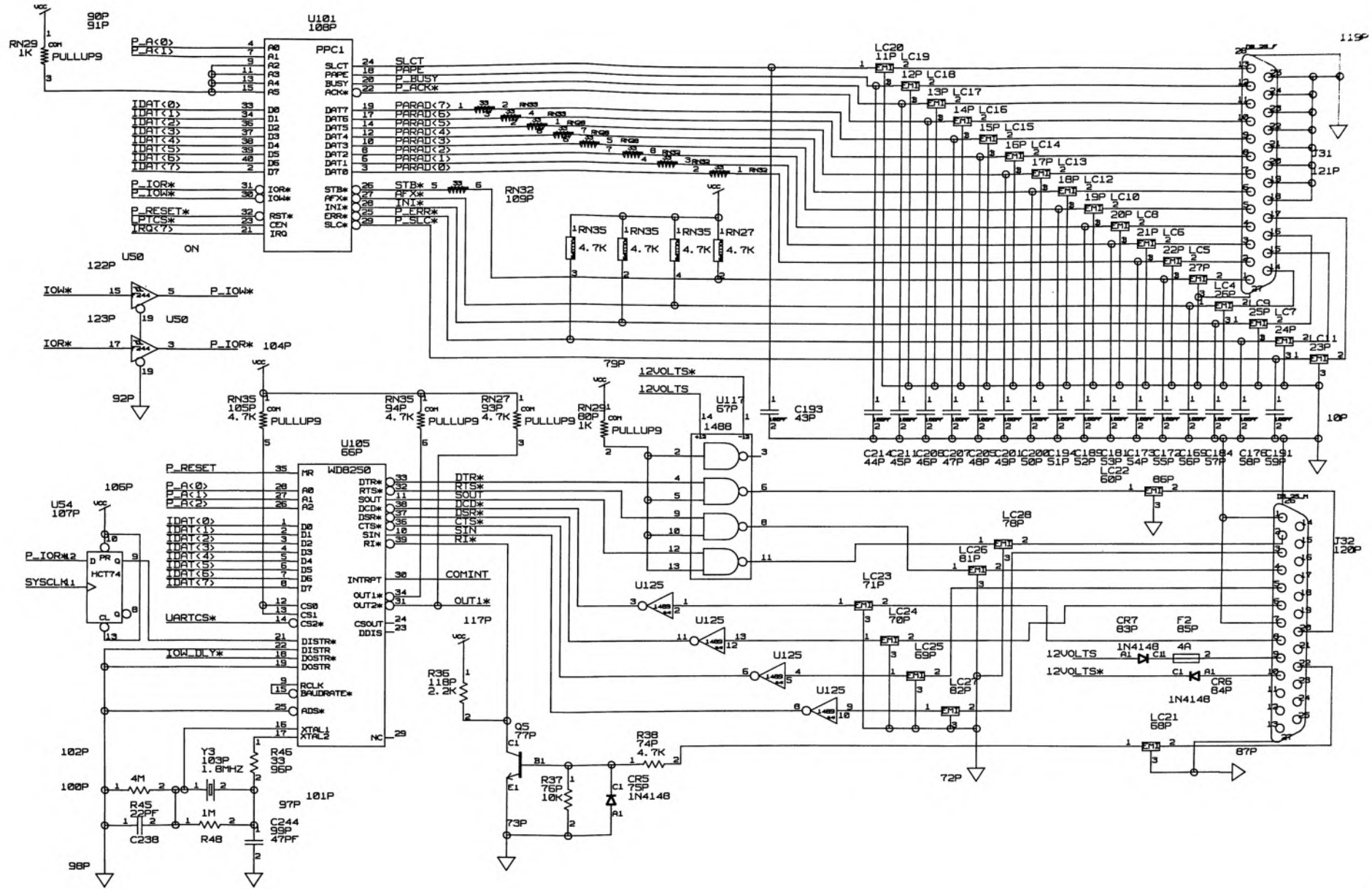


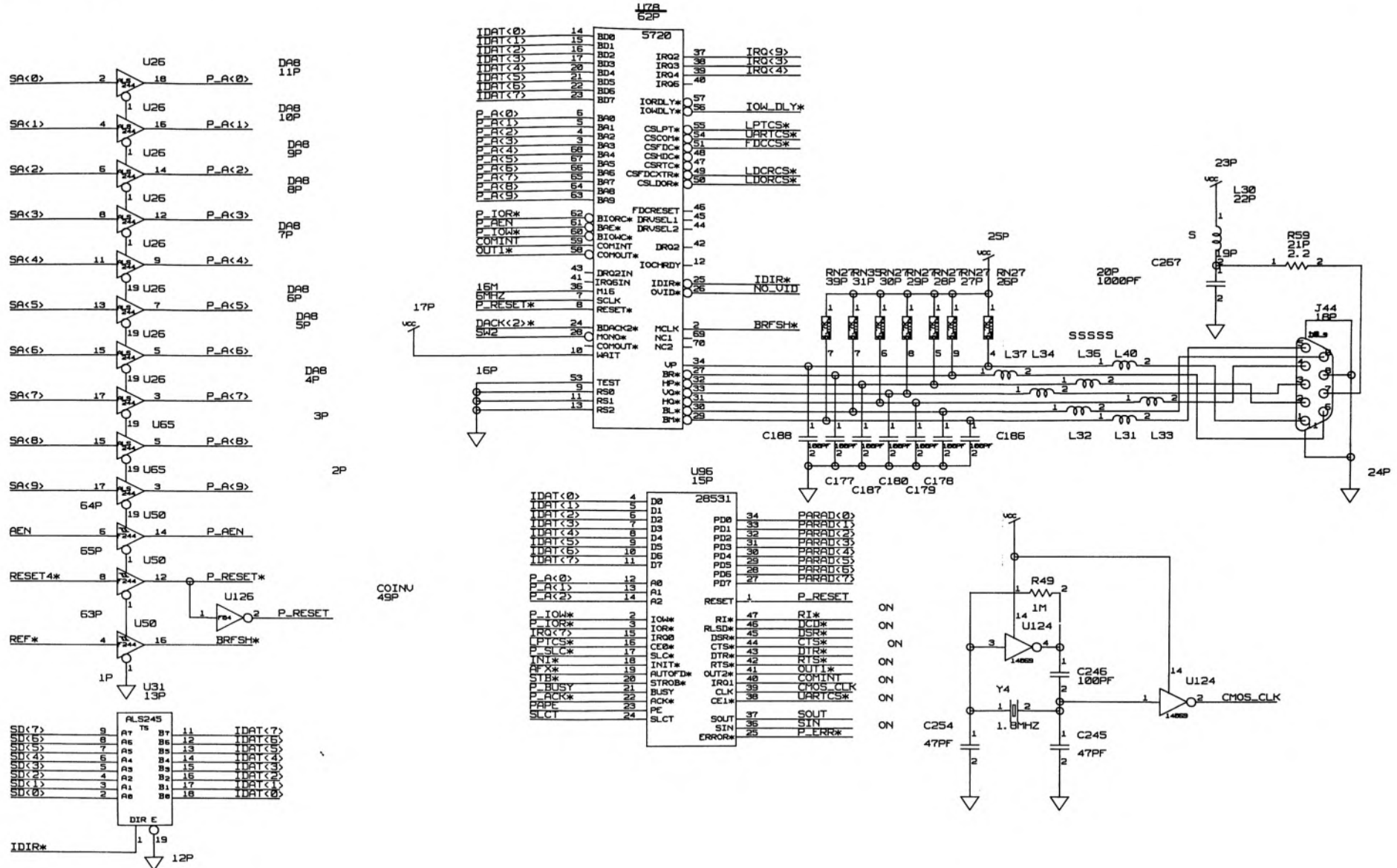


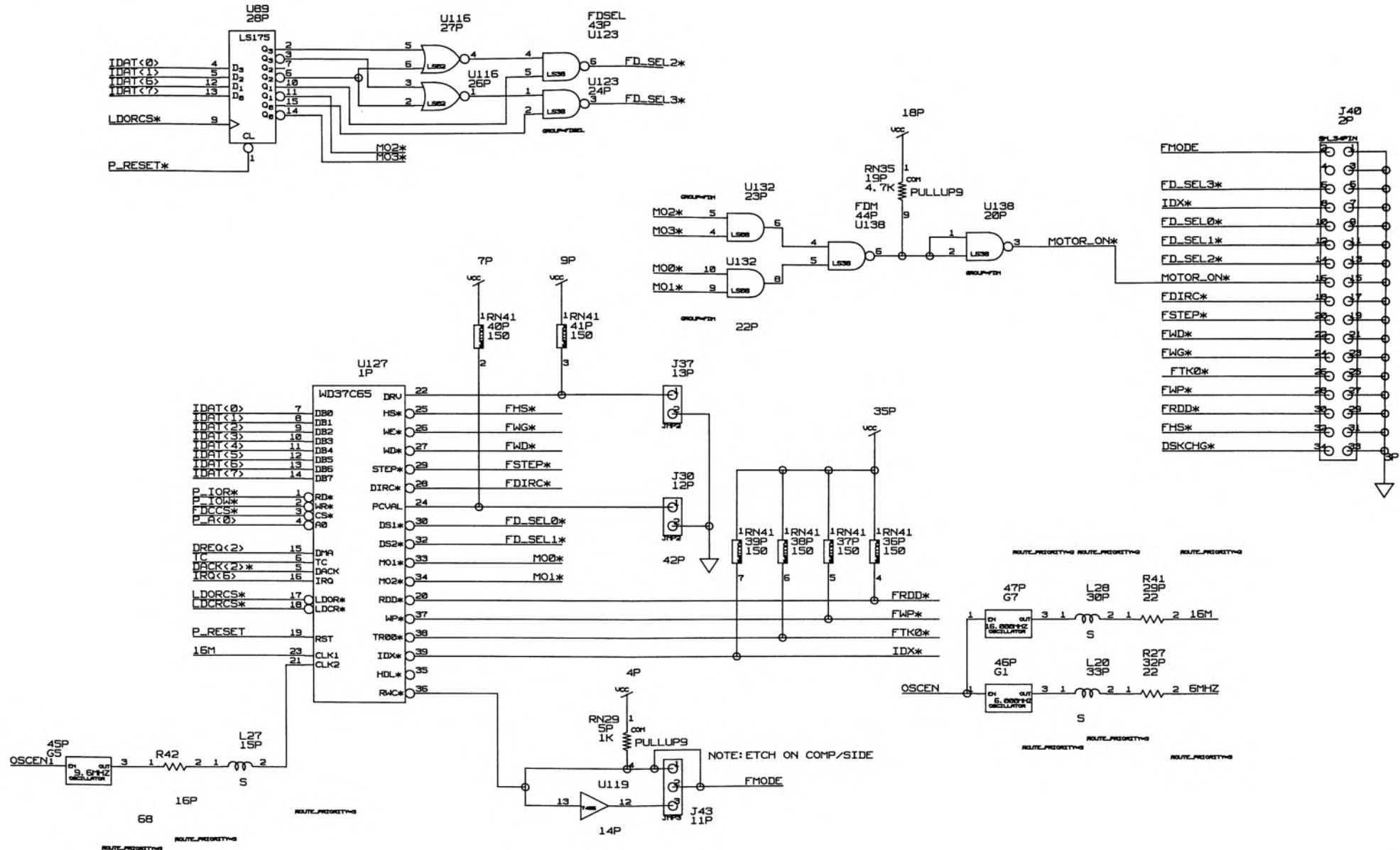


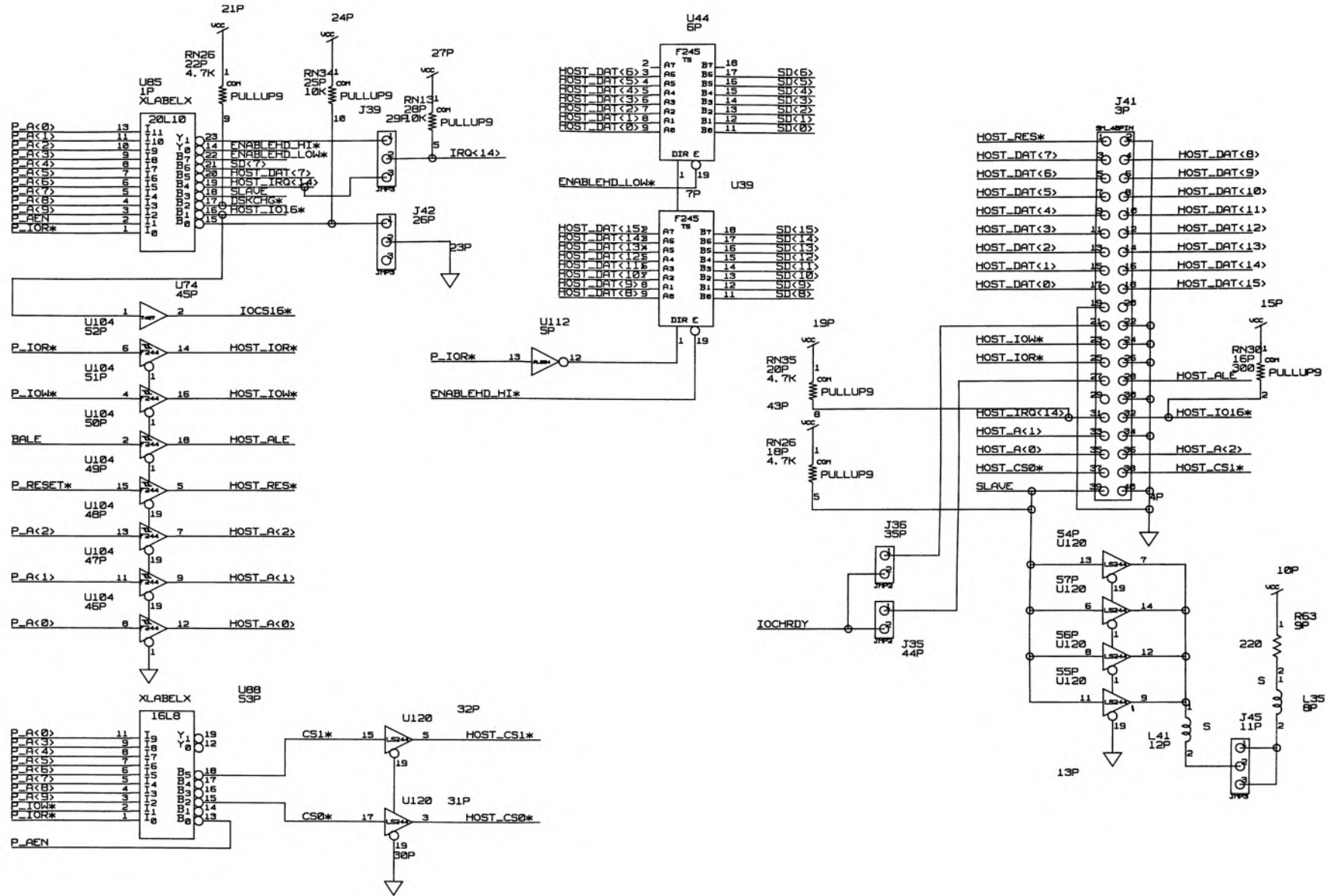


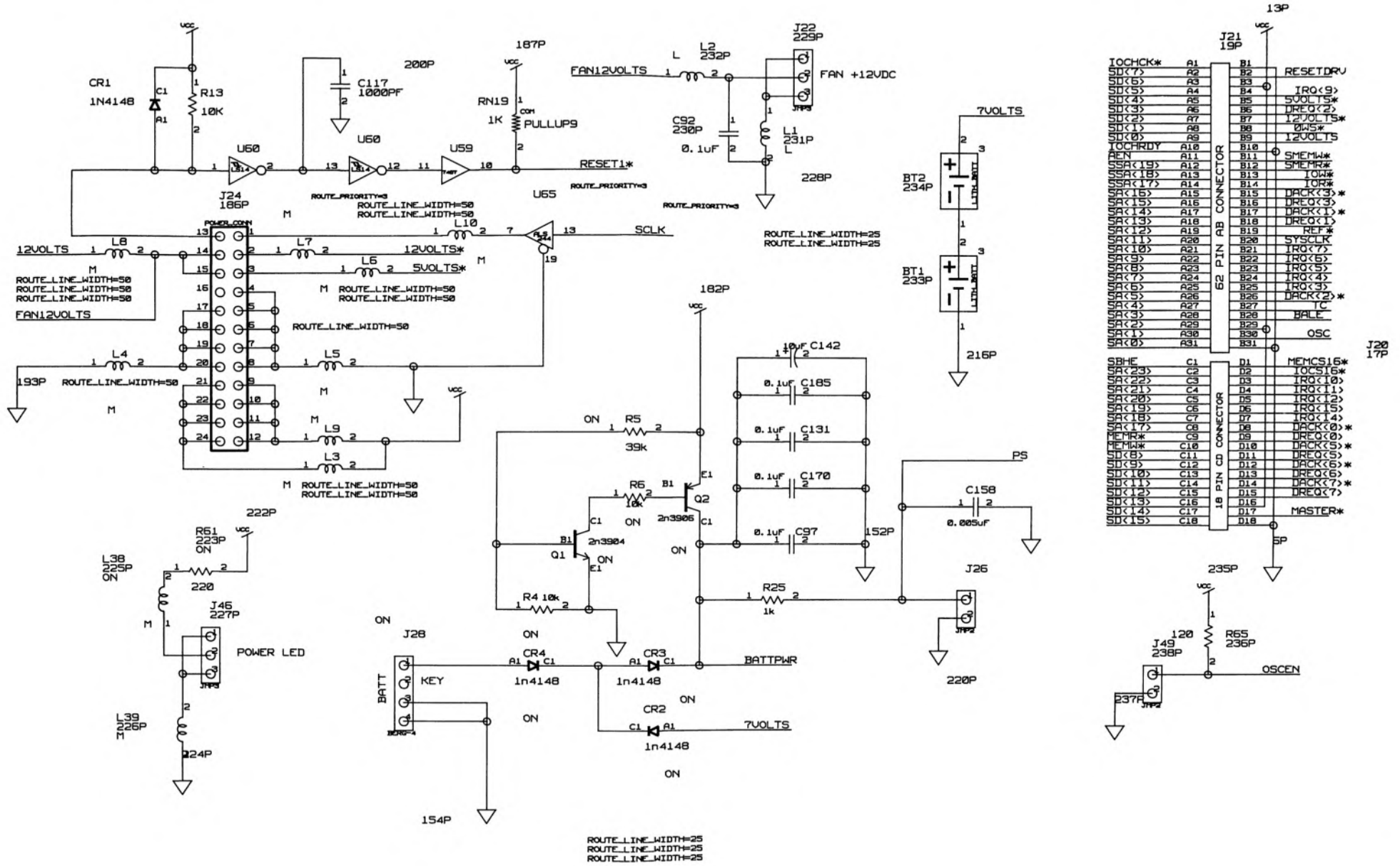


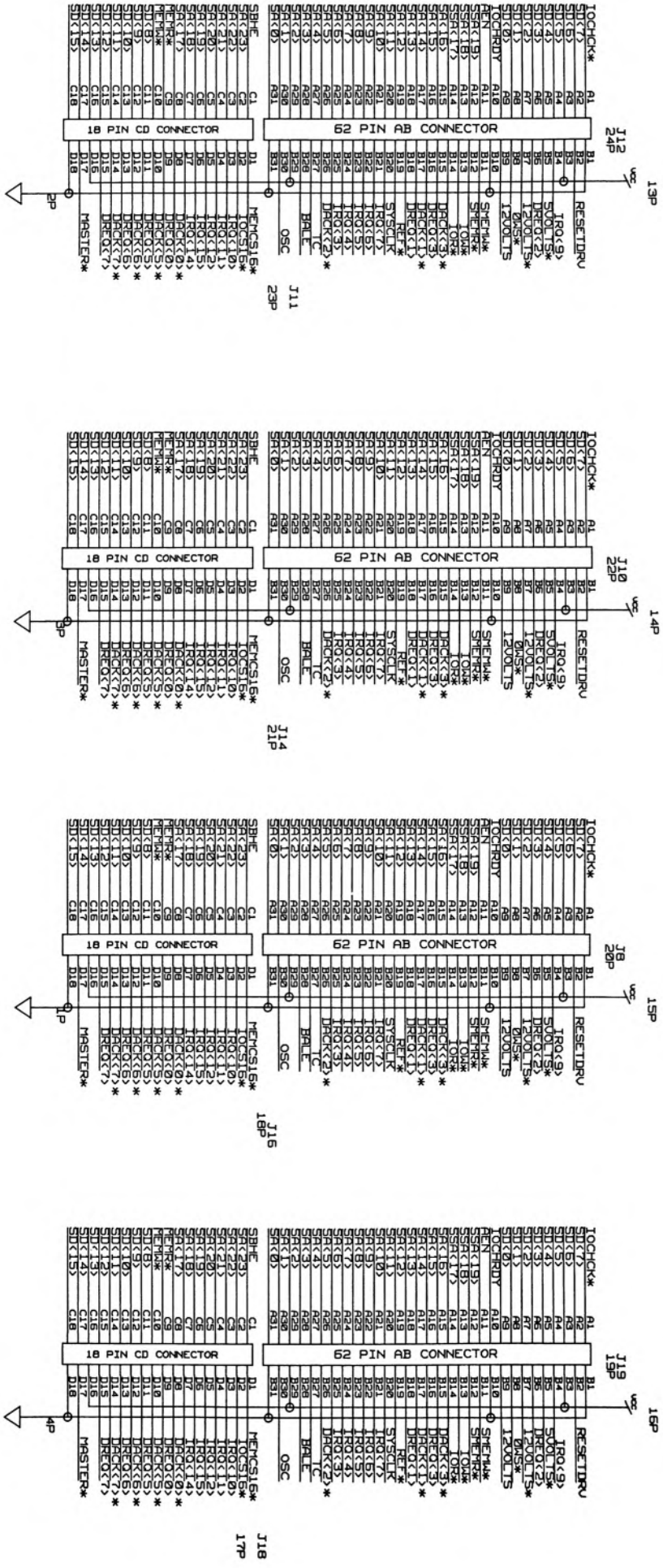


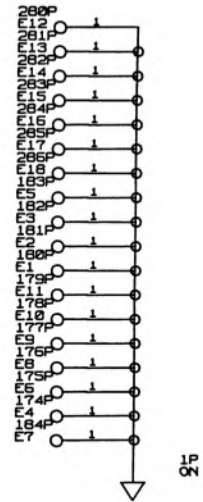
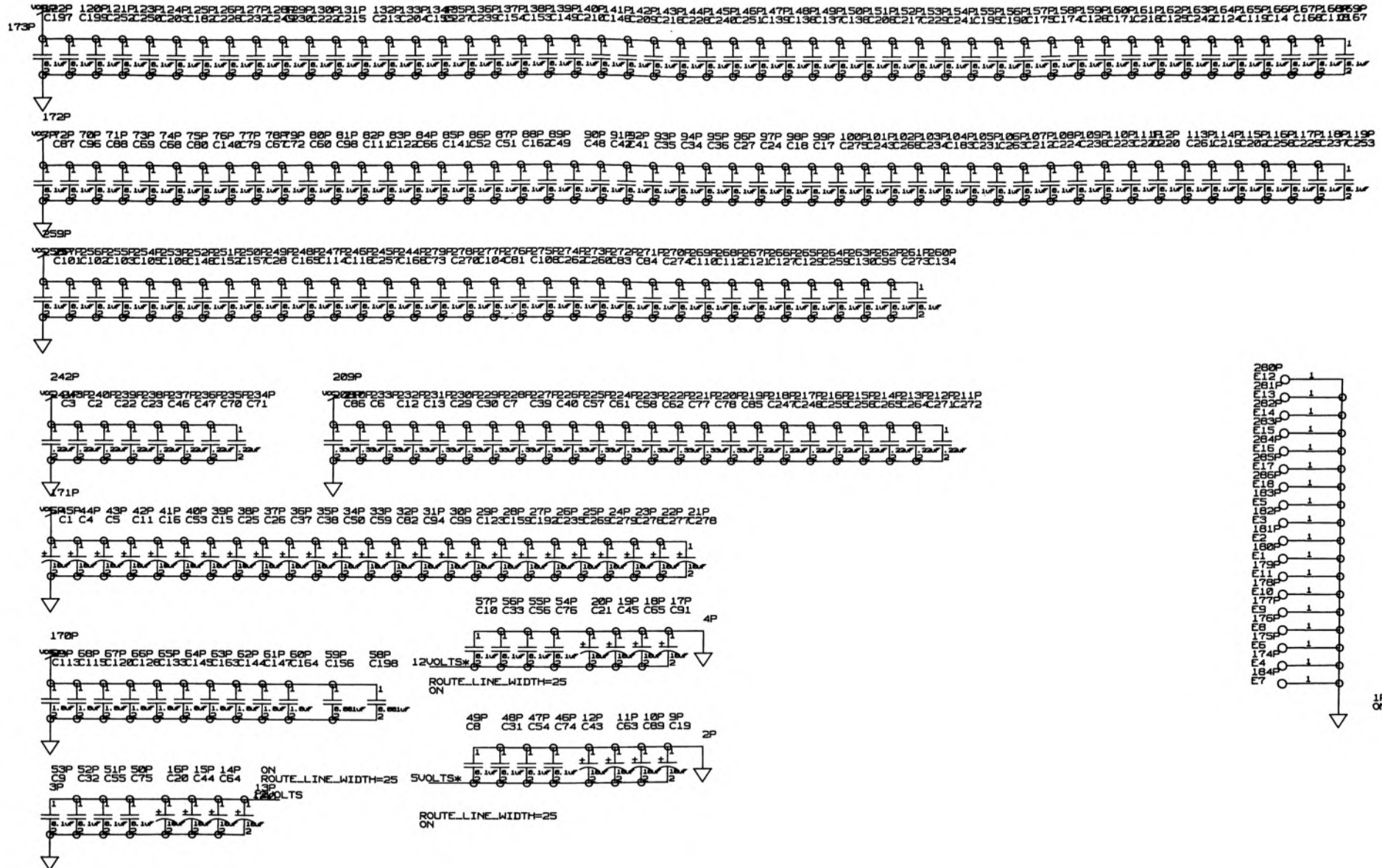














Computer Systems Division
1200 Wilson Drive
West Chester, PA 19380