

PFI 3035 Display interface

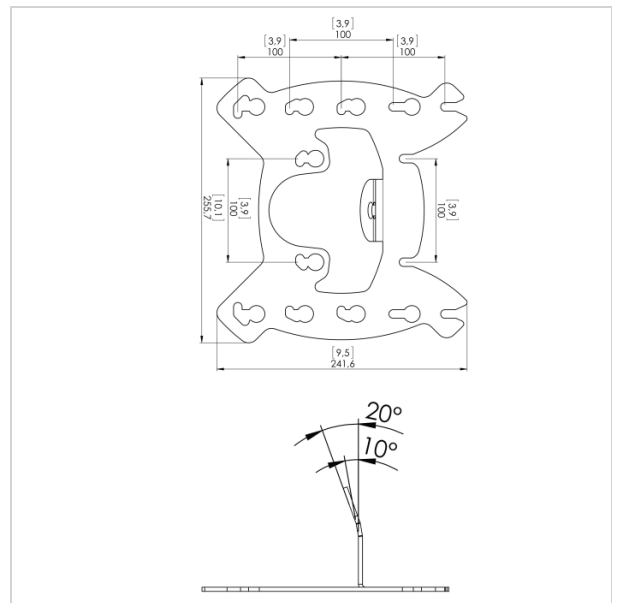
Article number (SKU) 7230350
Colour Black

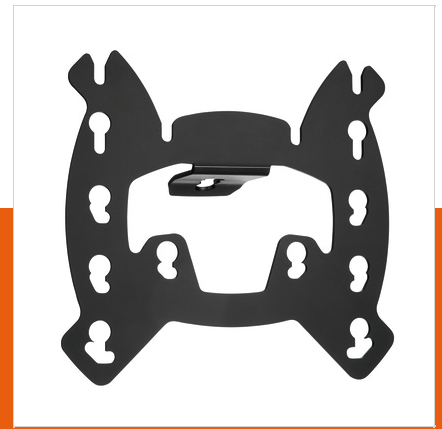
Key Benefits

- Stylish design
- Easy to install
- Modular components
- Theft prevention
- TÜV certified

The PFI 3035 display interface is a part of the modular Connect-it system. This interface is suitable for VESA up to 200x200.

The PFI 3035 is suitable for VESA 100x100, 200x100 or 200x200 mm and up to 30 kg. This interface is equipped with a levelling and tilting function (increments 0-10-20°). Combine this display interface with one of the Connect-it ceiling plates and poles for a perfect ceiling solution.





PFI 3035 Display interface

VOGEL'S HOLDING BV 2018 (c) All rights reserved
Subject to printing errors, technical and price
amendments
Date: 11-07-2018

www.vogels.com

Specifications

Product specifications

Product type number	PFI 3035
Article number (SKU)	7230350
Colour	Black
EAN single box	8712285330803
TÜV certified	Yes
Tilt	Tilt up to 20°
Guarantee	5 years
Min. screen size (inch)	23
Max. screen size (inch)	42
Max. weight load (kg)	30
Min. hole pattern	0mm x 0mm
Max. hole pattern	0mm x 0mm
Standard fixed VESA patterns	100 mm x 100 mm 200 mm x 100 mm 200 mm x 200 mm
Max. bolt size	M8
Max. height of interface (mm)	242
Max. width of interface (mm)	256

Features

Functionality	Tilt
Remote controlled	

