



PRODUCT LITERATURE

Lennox Industries Inc.
Dallas, Texas

**PARTS, KITS &
OPTIONAL
ACCESSORIES**

**GCWB95W-150
GCWB95W-205**

**CONDENSING GAS FIRED
WALL MOUNTED BOILER**

ORDERING INSTRUCTIONS

ORDER PARTS THROUGH YOUR NEAREST SUPPLIER.

WHEN ORDERING PARTS, OBTAIN MODEL NUMBER AND SERIAL
NUMBER FROM DATA PLATE ON YOUR BOILER.

INCLUDE FOLLOWING INFORMATION WHEN ORDERING.

PART NUMBER _____

PART DESCRIPTION _____

BOILER MODEL NUMBER _____

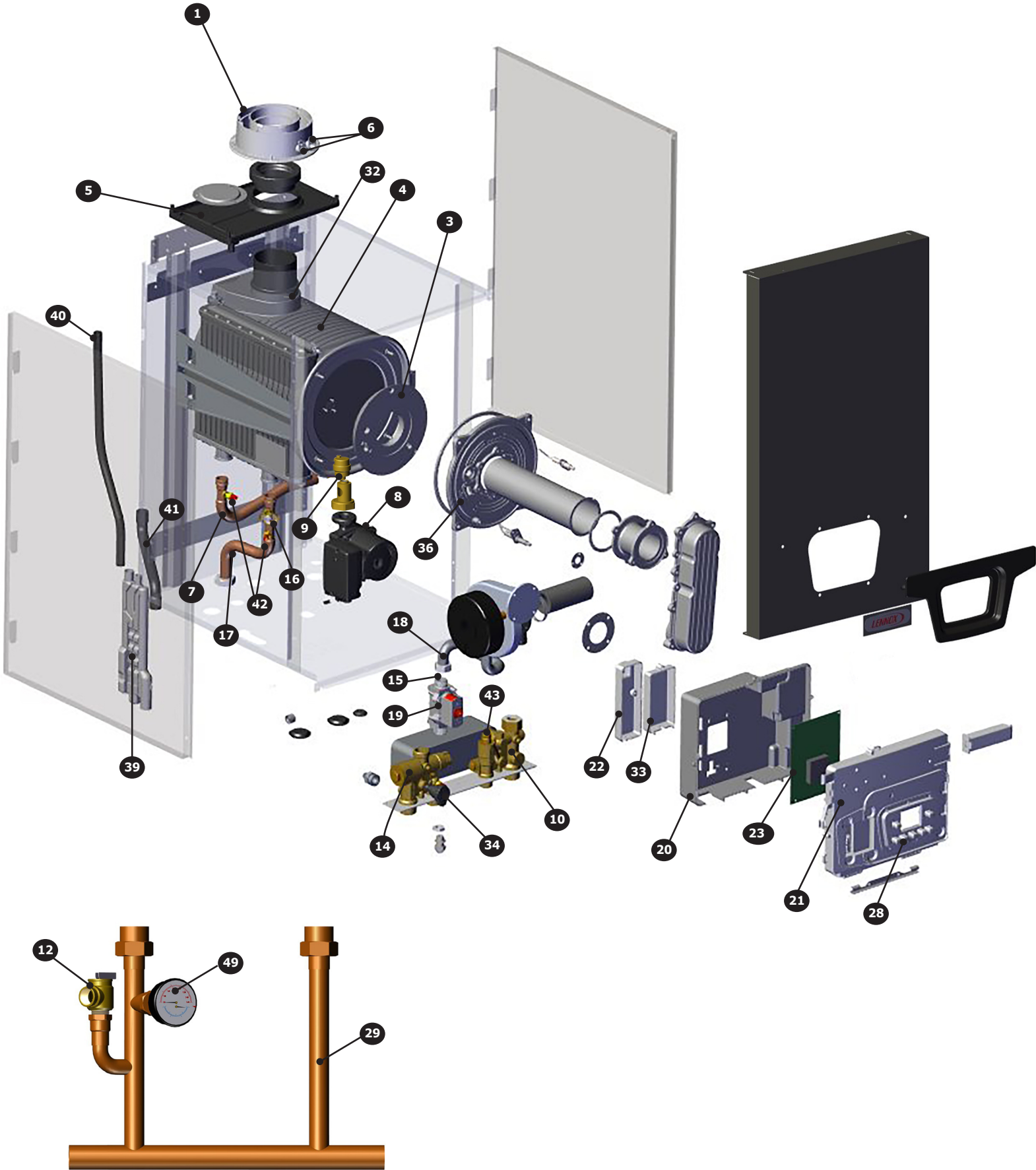
BOILER SERIAL NUMBER _____

TABLE OF CONTENTS

EXPLODED VIEWS W/ PARTS LISTINGS			
3	GCWB95W-150 EXPLODED VIEW	●	
4	GCWB95W-205 EXPLODED VIEW		●
5-12	PARTS LISTING	●	●
KITS			
PAGE	DESCRIPTION	150	205
7	FRONT JACKET KITS	●	●
7	RIGHT SIDE JACKET KITS	●	●
7	LEFT SIDE JACKET KITS	●	●
7	SIGHT GLASS REPLACEMENT KITS	●	●
7	IGNITION ELECTRODE REPLACEMENT KITS	●	●
7	FLAME SENSOR REPLACEMENT KITS	●	●
8	COMBUSTION CHAMBER GASKET REPLACEMENT KITS	●	●
8	BURNER REPLACEMENT KITS	●	●
9	FAN, AIR MIXER, BLOWER REPLACEMENT KIT	●	
9	FAN, REPLACEMENT KIT		●
10	DHW PLATE REPLACEMENT EXCHANGER KITS	●	●
10	THREE WAY VALVE MOTOR REPLACEMENT KITS	●	●
10	DHW TEMPERATURE SENSOR REPLACEMENT KITS	●	●
11	PCB/CONTROL REPLACEMENT KIT	●	●
11	SERVICE KEY REPLACEMENT KIT	●	●
11	COMBUSTION CHAMBER CLEANING KIT	●	●
12	FLUE CONNECTION REPLACEMENT KITS	●	●
12	FLUE GASKET REPLACEMENT KITS	●	●
13	SEALS, CLIPS, ETC, KIT	●	●
14	ACCESSORIES - 150/205/OTHER	●	●

PARTS AND ACCESSORIES

GCWB95W-205



PARTS AND ACCESSORIES

ITEM	CATNO.	PART NO.	DESCRIPTION	150	205
1	N/A	BD711085102V	FLUE CONNECTION 150	●	
		BD000005670522	FLUE CONNECTION 205		●
2	20C71	BD000005679722	FLUE PRESSURE SWITCH 400-350PA	●	
3	N/A	BD710111601V	INSULATION PANEL (HEAT EXCHANGER)	●	●
4	20C58	BD711447001V	HEAT EXCHANGER 150	●	
	20C62	BD767801501V	HEAT EXCHANGER 205		●
5	N/A	BD710282302V	CONDENSING WATER COLLECTOR 150	●	
		BD767553501V	CONDENSING WATER COLLECTOR 205		●
6	N/A	BD7718578	TEST POINT PLUG	●	●
7	N/A	BD711425802V	PUMP/EXCHANGER PIPE ASSY 150	●	
		BD766949001V	PUMP/EXCHANGER PIPE ASSY 205		●
8	20C74	BD710786502V	PUMP UPR 120V 150	●	
	20C75	BD722354801V	PUMP UPR 120V 205		●
9	N/A	BD710493600V	AIR VENT PUMP 150	●	
		BD710715302V	AIR VENT PUMP 205		●
10	N/A	BD711607101V	RETURN BLOCK ASSY 150	●	
		240012164	RETURN BLOCK ASSY 205		●
11	N/A	BD710188101V	120074 DRAINING TAP	●	
12	Y5385	VR-001.01	30 PSI PRESSURE RELIEF VALVE	●	●
14	N/A	BD7720211	SUPPLY BLOCK / 3 WAY VALVE ASSY 150	●	
		240012165	SUPPLY BLOCK / 3 WAY VALVE ASSY 205		●
15	N/A	BD710458501V	GAS NOZZLE 5,8 MM ORIFICE 150	●	
		BD768414801V	GAS NOZZLE 9MM ORIFICE 205		●
16	20C73	BD710626001V	TEMP SENSOR / HIGH LIMIT	●	●
17	N/A	BD711425902V	PIPE HTEX SUPPLY 150	●	
		BD766948901V	PIPE HTEX SUPPLY 205		●
18	N/A	BD711007101V	FLEXIBLE GAS PIPE 150	●	
		BD769059001V	FLEXIBLE GAS PIPE 205		●
19	N/A	BD766630601V	GAS VALVE B&P SGV100	●	●
*	N/A	BD7731657	BD,MIXER 165/205 B&P,402		●
20	N/A	BD711075102V	CONTROL PANEL COVER	●	●
21	N/A	BD711074801V	CONTROL PANEL	●	●
22	N/A	BD711075601V	TERMINAL BLOCK COVER	●	●
23	20C49	550003746	KIT, RPLMT, CTRL, 0-10V	●	●
*	N/A	BD000005688441	TERMINAL BLOCK	●	●
*	N/A	BD5405340V	FUSE HOLDER	●	●
*	N/A	BD8422730V	FUSE 3,15A 250V FAST BLOW	●	●
*	N/A	BD711265102V	120V INTERFACE BOARD WIRE HARN	●	●
*	N/A	BD5677892	120V INTERFACE BRD TH. ENVIRONMENT	●	●
28	N/A	BD710126301V	7 PUSH BUTTON PANEL B&P WASHER	●	●
29	N/A	550003365	MANIFOLD CONNECTION ASSY 150	●	
		240011866	MANIFOLD CONNECTION ASSY 205		●
*	20C67	BD000005643331	GAS SHUTOFF VALVE	●	●
31	N/A	BD711052301V	FILLING PIPE	●	

* NOT SHOWN

PARTS AND ACCESSORIES

ITEM	CATNO.	PART NO.	DESCRIPTION	150	205
32	N/A	BD711180100	NTC SENSOR FLUE	●	●
33	N/A	BD711075801V	COVER CLIP-IN	●	●
34	20C59	BD710109101V	PRESSURE SENSOR WATER	●	●
*	N/A	BD710127501V	FLAME SENSOR WIRE	●	
		BD710993801V	CABLE DETECTION ELECTRODE		●
36	N/A	BD711407900	HX ALUMINUM DOOR 150	●	
		BD766847401V	HX ALUMINUM DOOR 205		●
37	20C72	BD710016703V	SIPHON BODY (CONDENSATE CONNECTION)	●	
38	N/A	BD710522301V	PLUG SIPHON (CONDENSATE CONNECTION)	●	
39	20C60	BD765674901V	CONDENSATE TRAP 205		●
40	N/A	BD710066102V	HOSE EX / COND TRAP 150	●	
		BD766859301V	HOSE EX / COND TRAP 205		●
41	N/A	BD710066001V	HOSE CONDENSATE TRAY TO TRAP	●	
		BD766859801V	HOSE CONDENSATE TRAY TO TRAP		●
42	N/A	BD722143801V	TEMP SENSOR - CLIP ON 150	●	
		BD710831501V	TEMP SENSOR - WELL MOUNT 205		●
43	N/A	BD710189401V	FLOW DETECTOR	●	●
*	N/A	BD710117601V	TERMINAL BLOCK (6-POSITION)	●	
*	20C61	109009874	WALL MOUNT BRACKET	●	●
47	N/A	BD711085501V	REDUCTION FLUE SUPPORT	●	
48	N/A	BD710156201V	SEAL FILLING TAP	●	
*	N/A	BD710117901V	TERMINAL BLOCK 10 PIN	●	●
49	20C66	1260006SP	PRESSURE/TEMPERATURE GAUGE	●	●
*	N/A	240011392	PLASTIC PLUG	●	
*	N/A	BD000008417651	POWER CABLE UL-CSA	●	●
*	N/A	BD710993801V	CABLE GROUND FRAME	●	●
*	N/A	BD710992901V	REMOTE CONTROL CABLE	●	●
*	N/A	BD710993001V	GAS VALVE POWER CABLE	●	●
*	N/A	BD710993101V	LOW TENSION CABLE	●	●
*	N/A	BD710993201V	CABLE PWM FAN	●	●
*	N/A	BD710993301V	CABLE 3WV/PUMP/FAN	●	
*	N/A	BD768348801V	CABLE FAN POWER		●
*	N/A	BD710993405V	PCB POWER CABLE	●	●
*	N/A	BD7676183	CABLE EXTERNAL BOILER 150	●	
*	N/A	240012775	CABLE EXTERNAL BOILER 205		●
*	N/A	BD710993702V	CABLE SAFETY THERMOSTAT	●	
*	N/A	BD768243201V	CABLE SAFETY THERMOSTAT		●
*	N/A	BD711065801V	CABLE NTC FLUE	●	●
*	N/A	BD711250601V	IGNITION CABLE	●	●
*	N/A	BD767486200	INLET FILTER 150	●	
*	N/A	240012782	INLET FILTER 205		●
*	N/A	BD710283700	HTEX REAR INSULATION	●	●

PARTS AND ACCESSORIES

JACKET KITS

CAT NO. 20C52 FRONT JACKET REPLACEMENT KIT 550003918 INCLUDES:

DESCRIPTION	QTY PER	150	205
KIT,JKT,FRNT	1	●	●
BD,FRONTAL INSULATION PANEL	1	●	●
RVT, 1/8",SEALING	1	●	●
BEZEL,WNDW	1	●	●
NUT,PUSH,1/4"X17/32",PS2500850H	1	●	●
LBL,LOGO	1	●	●

150

205

CAT NO. 20C54 - RIGHT SIDE JACKET REPLACEMENT KIT 550003920 INCLUDES:

DESCRIPTION	QTY PER	150
JKT,SIDE,RT,	1	●
BD, SIDE, INSULATION PANEL	1	●

CAT NO. 20C56 - RIGHT SIDE JACKET REPLACEMENT KIT 550003922 INCLUDES:

DESCRIPTION	QTY PER	205
JKT,SIDE,RT	1	●
LBL,WARN,SFTY	1	●

CAT NO. 20C53 - LEFT SIDE JACKET REPLACEMENT KIT 550003919

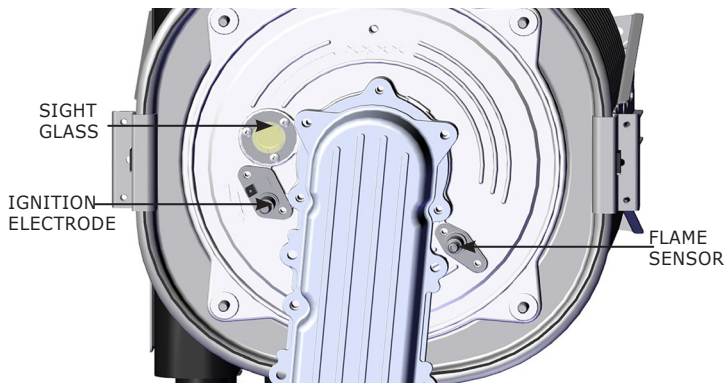
DESCRIPTION	QTY PER	150
JKT,SIDE,LT,	1	●

CAT NO. 20C55 - LEFT SIDE JACKET REPLACEMENT KIT 550003921

DESCRIPTION	QTY PER	205
JKT,SIDE,LT,HO	1	●

SIGHT GLASS, FLAME SENSOR, AND IGNITION ELECTRODE REPLACEMENT KITS

150/205



CAT NO. 20C35 - SIGHT GLASS REPLACEMENT KIT 550003157 INCLUDES

PART NO.	DESCRIPTION	QTY PER	150	205
BD710112202V	SIGHT GLASS GASKET	1	●	●
BD710112101V	SIGHT GLASS	1	●	●
240011403	INSTRUCTIONS	1	●	●

CAT NO. 20C30 - IGNITION ELECTRODE REPLACEMENT KIT 550003152 INCLUDES

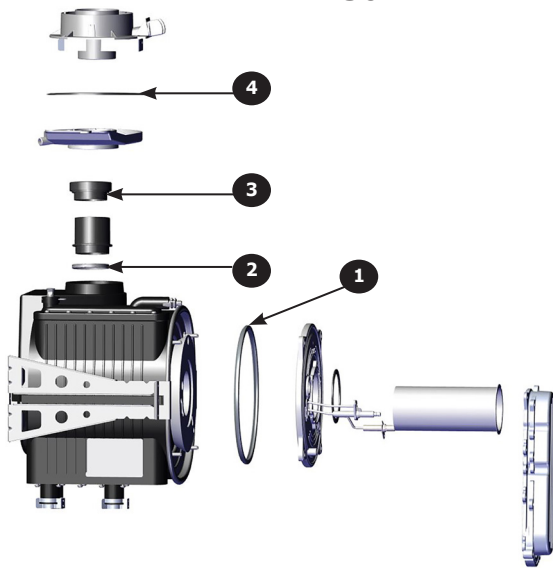
PART NO.	DESCRIPTION	QTY PER	150	205
BD711010702V	BD,ELECTRODE IGNITION	1	●	●
BD710185302V	BD,GSKT,IGN,PEN	1	●	●
240011398	INSTRUCTIONS	1	●	●

CAT NO. 20C29 - FLAME SENSOR REPLACEMENT KIT 550003151 INCLUDES

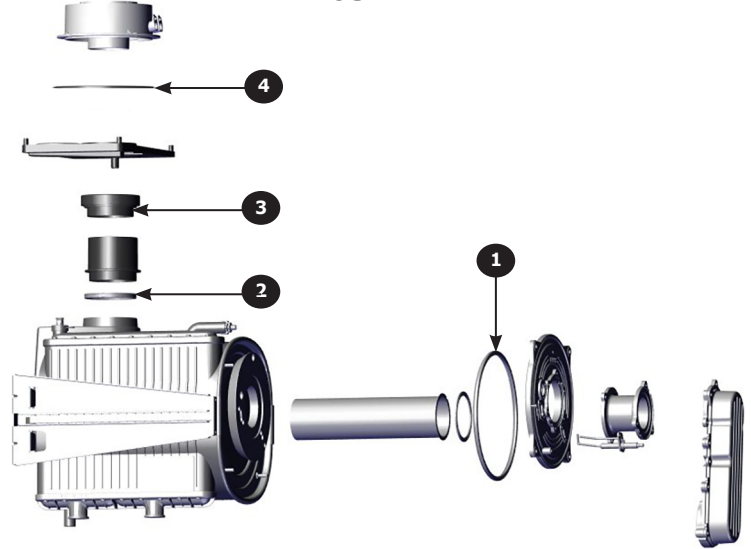
PART NO.	DESCRIPTION	QTY PER	150	205
BD711010802V	BD,FLAME SENSOR,B&P	1	●	●
BD710185202V	BD,FLAME SENSING ELECTRIC GASKET	1	●	●
240011397	INSTRUCTIONS	1	●	●

COMBUSTION CHAMBER GASKET REPLACEMENT KITS

150



205



CAT NO. 20C34 - COMBUSTION CHAMBER GASKET REPLACEMENT KIT 550003156 INCLUDES:

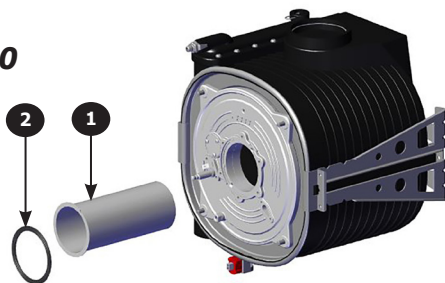
POS	PART NO.	DESCRIPTION	QTY	125	150
1	BD710111502V	COMBUSTION CHAMBER GASKET	1	●	●
2	BD710108001V	GASKET WITH DOUBLE LIP (CONDENSATE TRAY)	1	●	●
3	BD710107601V	FLUE ADAPTER GASKET	1	●	●
NS	BD000005411030	GASKET (WATER TRAY TO HEAT EXCHANGER)	1	●	●
NS	240011402	INSTRUCTIONS	1	●	●

CAT NO. 20C45- COMBUSTION CHAMBER GASKET REPLACEMENT KIT 550003458 INCLUDES:

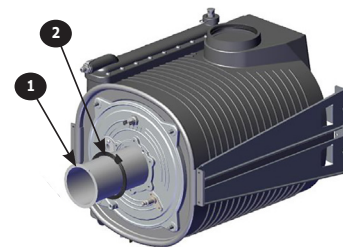
POS	PART NO.	DESCRIPTION	QTY	205
1	BD722003801V	SEAL HEAT EXCHANGER DOOR FRONT	1	●
2	BD76373901V	GASKET WITH DOUBLE LIP (CONDENSATE TRAY)	1	●
3	BD00000541071	FLUE ADAPTER GASKET	1	●
NS	BD000005411030	GASKET (WATER TRAY TO HEAT EXCHANGER)	1	●
NS	BD00000521278	FIBERGLASS ROPE GASKET (DOOR)	1	●
NS	BD710113001V	GASKET G3/4 17X24X2	1	●
NS	240012082	INSTRUCTIONS	1	●

BURNER REPLACEMENT KITS

150



205



CAT NO. 20C33 - BURNER REPLACEMENT KIT 550003155 INCLUDES:

POS	PART NO.	DESCRIPTION	QTY PER	150
1	BD7728712	BURNER	1	●
2	BD711408002V	BD,GASKET, BURNER, ASSY	1	●
NS	240011401	INSTRUCTION	1	●

CAT NO. 20C44 - BURNER REPLACEMENT KIT 550003456 INCLUDES:

POS	PART NO.	DESCRIPTION	QTY PER	205
1	BD769578001V	55 KW BURNER	1	●
2	BD711408002V	BD,GASKET, BURNER	1	●
NS	240011401	INSTRUCTION	1	●

NS= NOT SHOWN

FAN, AIR MIXER, BLOWER REPLACEMENT KIT

150



205



CAT NO. 20C32 - REPLACEMENT FAN KIT 550003154 INCLUDES:

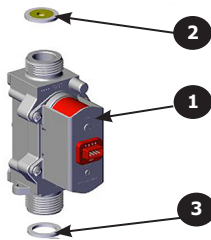
POS	PART NO.	DESCRIPTION	QTY PER	150
1	BD711073902V	FAN NRG 118 115W 120V (INDUCER)	1	●
2	BD710042401V	BD, VENTURI,GASKET MIXER TO FAN	1	●
3	BD710115601V	BD,GASKET, MIXER TO AIR/GAS DUCT	1	●
NS	BD710011401V	BD,CLIP - FIXING GAS PIPE	1	●
NS	BD710061402V	BD,O-RING 18X3 NBR	2	●
4	BD711408002V	BD,GASKET, BURNER	1	●
NS	240011400	INST,RPLMT,FAN, KIT INSTRUCTIONS	1	●

CAT NO. 20C42 - REPLACEMENT FAN KIT 550003454 INCLUDES:

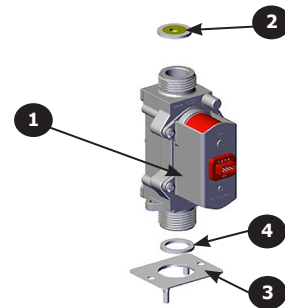
POS	PART NO.	DESCRIPTION	QTY PER	205
1	BD769577901V	FAN NRG 118 115W 120V	1	●
2	BD710042401V	BD,VENTURI GASKET MIXER TO FAN	1	●
3	BD710115602V	BD,GASKET, MIXER TO AIR/GAS DUCT	1	●
4	BD710114502V	BD,GSKT,BNR,SPCR/EXTN	1	●
NS	BD710011401V	BD,CLIP - FIXING GAS PIPE	1	●
NS	BD710061402V	BD,O-RING 18X3 NBR	2	●
NS	240011400	INST,RPLMT,FAN, KIT INSTRUCTIONS	1	●

GAS VALVE REPLACEMENT KIT

150



205



CAT NO. 20C47 - GAS VALVE REPLACEMENT KIT 550003535 INCLUDES:

POS	PART NO.	DESCRIPTION	QTY	150
1	BD766630601V	GAS VALVE B & P	1	●
2	BD710458501V	GAS NOZZLE B&P D5.8	1	●
3	BD710039501V	GAS ORIFICE 5.8 MM	1	●
NS	BD710090801V	SCREW M5X12 TCEI 8.8	2	●
NS	BD710113001V	GASKET G3/4 17X24X2	1	●
NS	240012264	INSTRUCTIONS	1	●

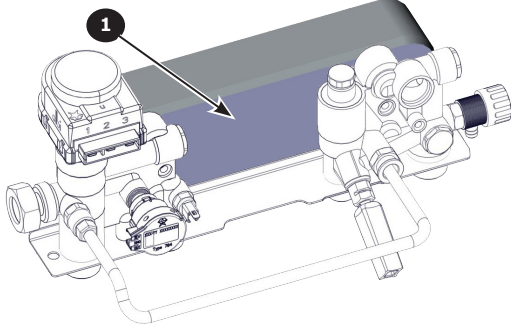
CAT NO.20C48 - GAS VALVE REPLACEMENT KIT 550003536 INCLUDES:

POS	PART NO.	DESCRIPTION	QTY	205
1	BD766630601V	GAS VALVE B & P	1	●
2	BD768414801V	GAS NOZZLE B&P 9MM DIA	1	●
3	BD721567101V	GAS ORIFICE 9MM	1	●
4	BD710113001V	GASKET G3/4 17X24X2	1	●
NS	BD710090801V	SCREW M5X12 TCEI 8.8	2	●
NS	240012265	INSTRUCTIONS	1	●

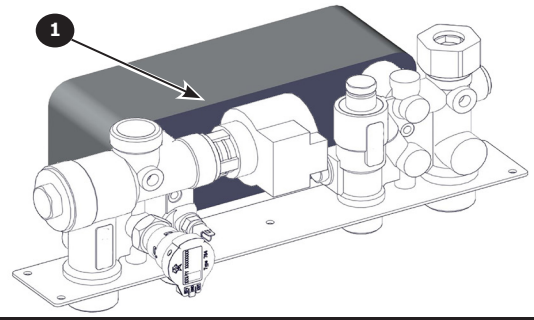
NS= NOT SHOWN

DHW PLATE REPLACEMENT KIT WITH GASKETS

150



205



CAT NO. 20C31 - DHW PLATE REPLACEMENT KIT 550003153 WITH GASKETS

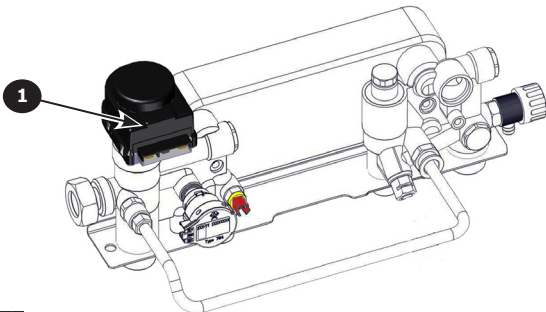
POS	PART NO.	DESCRIPTION	QTY PER	150
1	BD711612501V	DHW PLATE EXCHANGER 20 PLATES	1	●
NS	BD722275601V	DHW PLATE EXCHANGER O-RING	4	●
NS	240011399	INST,RPLMT,DHW PLT	1	●

CAT NO. 20C43 - DHW PLATE REPLACEMENT KIT 550003455 WITH GASKETS

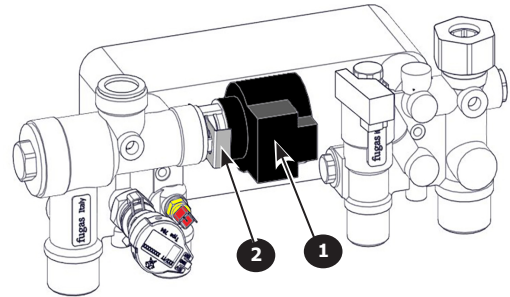
POS	PART NO.	DESCRIPTION	QTY PER	205
1	240012161	FLAT PLATE HEAT EXCHANGER : PTP EXCHANGER SEPE6TH 26P	1	●
NS	BD5404520	DHW PLATE EXCHANGER GASKET	4	●
NS	240011399	INST,RPLMT,DHW PLT	1	●

3 WAY VALVE MOTOR REPLACEMENT - KIT

150



205



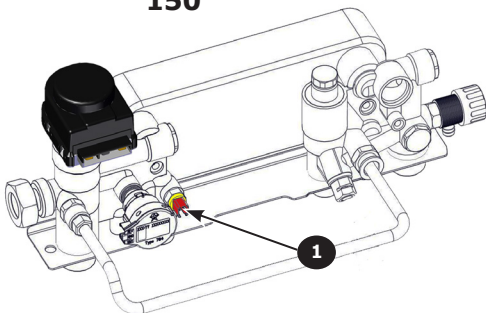
CAT NO. 20C38 - 3 WAY VALVE MOTOR REPLACEMENT KIT 550003166 INCLUDES:

POS	PART NO.	DESCRIPTION	QTY	150
1	BD000005696391	3 VALVE MOTOR 120V	1	●
NS	BD710188501V	FIXING CLIP-3 WAY VALVE MOTOR	1	●
NS	240011406	INSTRUCTIONS	1	●

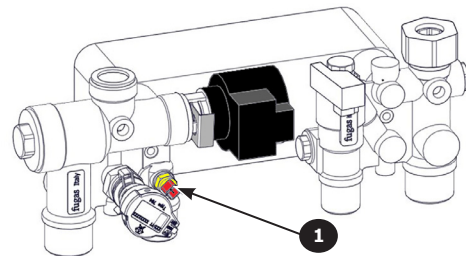
CAT NO. 20C46 - 3 WAY VALVE MOTOR REPLACEMENT KIT 550003460 INCLUDES:

POS	PART NO.	DESCRIPTION	QTY	205
1	240012162	3 VALVE MOTOR 110V	1	●
2	BD710188501V	FIXING CLIP 3 WAY VALVE MOTOR	1	●
NS	240012116	INSTRUCTIONS	1	●

150



205



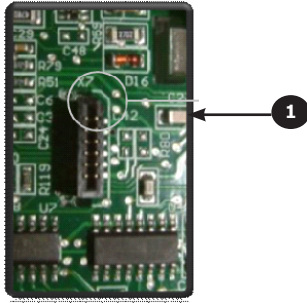
CAT NO. 20C37 - 150 / 205 DHW TEMPERATURE SENSOR REPLACEMENT KIT 550003159 INCLUDES:

POS	PART NO.	DESCRIPTION	QTY	150	205
1	BD710831501V	NTC SENSOR HONEYWELL-S011026	1	●	●
NS	BD710189001V	GASKET 9,7X15X2	1	●	●
NS	240011405	INSTRUCTIONS	1	●	●

NS= NOT SHOWN

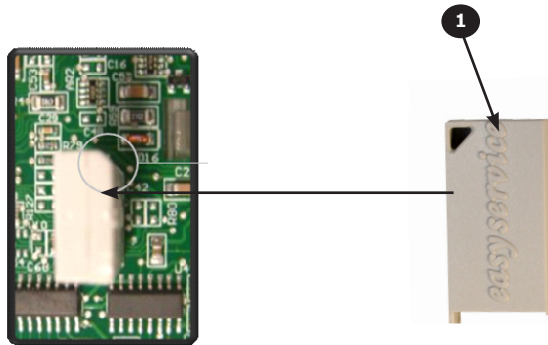
PCB /CONTROL REPLACEMENT KIT

150/205



CAT NO. 20C49 - PCB /CONTROL REPLACEMENT W/O KEY KIT 550003746 INCLUDES:					
POS	PART NO.	DESCRIPTION	QTY PER	150	205
1	BD7721032	PCB,B&P,HAGC03-BX04,LESS SVC KEY,0-10V	1	●	●
-	240012706	INST,CTRL RPLMT,GWC/H,GWC/B 125-205,0-10V	1	●	●

150/205



CAT NO. 20C39 - SERVICE KEY REPLACEMENT KIT 550003191 INCLUDES:					
POS	PART NO.	DESCRIPTION	QTY PER	150	205
1	BD710707701N	BD,SERVICE KEY	1	●	●
-	240012706	INST,CTRL RPLMT,125-205,0-10V	1	●	●

COMBUSTION CHAMBER CLEANING KIT

CAT NO. 20C40 - COMBUSTION CHAMBER CLEANING KIT 550003212 INCLUDES:					
PART NO.	DESCRIPTION	QTY PER	150	205	
240011636	GLOVE, LATEX, BLK,LRG	4	●	●	
240011637	SHIELD, HTEX, CLING	1	●	●	
240011639	BAG, POLY 12"X 26"	4	●	●	
240011640	BRUSH, 2"X", W HANDLE 1" STIFF BRISTLES	1	●	●	
BD710111502V	COMB,CHAMBER GASKET	1	●		
BD722003801V	SEAL,HTEX,DOOR, FRONT	1		●	
BD000005212781	SEAL,FBRGLS,ROPE	1		●	
BD710061402V	O-RING 18X3 NBR	1	●	●	
240011648	INST, HTX CLNG KIT	1	●	●	

FLUE GASKET CONNECTION REPLACEMENT - KIT

150

CAT NO. 20C51 - FLUE CONNECTION GASKET REPLACEMENT 150 KIT 550003851 INCLUDES:			
PART NO.	DESCRIPTION	QTY PER	150
BD710107601V	GASKET ADAPTER (FLUE)	1	●
BD710107401V	WASHER DIA 60 OUTLET BEND (FLUE ADAPTER)	1	●
BD710107101V	WASHER DIA 100 OUTER ADAPTER SEAL (FLUE ADAPTER)	1	●
BD710107801V	O-RING 8.73 X 1.78	2	●
BD7103005V	GASKET, RING, COVER PLATE, TWIN PIPE	1	●
BD710300601V	COVER PLATE, TWIN PIPE	1	●
240011404	INSTRUCTIONS - 240011404	1	●

205

CAT NO. 20C50 - FLUE CONNECTION GASKET REPLACEMENT 205 KIT 550003848 INCLUDES:			
PART NO.	DESCRIPTION	QTY PER	205
BD5410850	GASKET ADAPTER (FLUE) 80MM	1	●
BD5410860	GASKET ADAPTER (FLUE) 125MM	1	●
BD000005670522	GASKET SEALING TOP, 80MM	1	●
BD000005410712	SEAL, FLUE ADAPTER	1	●
BD710107801V	O-RING 8.73 X 1.78	2	●
BD7103005V	GASKET, RING, COVER PLATE, TWIN PIPE	1	●
BD710300601V	COVER PLATE, TWIN PIPE	1	●
240011727	INSTRUCTIONS - 240011727	1	●

FLUE CONNECTION REPLACEMENT - KITS

150

CAT NO. 20C36- FLUE CONNECTION REPLACEMENT 150 KIT 550003158 INCLUDES:			
PART NO.	DESCRIPTION	QTY PER	150
BD710107601V	GASKET ADAPTER (FLUE)	1	●
BD710107401V	WASHER DIA 60 OUTLET BEND (FLUE ADAPTER)	1	●
BD710107101V	WASHER DIA 100 OUTER ADAPTER SEAL (FLUE ADAPTER)	1	●
BD711085101V	FLUE ADAPTER 60/100	1	●
BD7718578	TEST POINT PLUG SCREW HOLE	2	●
BD710107801V	O-RING 8.73 X 1.78	2	●
BD711088501V	PRESSURE CONNECTION L4	2	●
240011378	LABEL TEST POINT	1	●
240011404	INSTRUCTIONS - 240011404	1	●

205

CAT NO. 20C41- FLUE CONNECTION REPLACEMENT 205 KIT 550003264 INCLUDES:			
PART NO.	DESCRIPTION	QTY PER	205
BD000005670522	FLUE ADAPTER ASSEMBLY	1	●
BD000005410712	SEAL, FLUE ADAPTER	1	●
BD7718578	TEST POINT PLUG SCREW HOLE	2	●
BD710107801V	O-RING, 8.73X1.78	2	●
240011727	INSTRUCTIONS	1	●

SEALS, CLIPS, ETC. - KIT

CAT NO.20C28 - SEALS, CLIPS, ETC - KIT 550003150 INCLUDES:				
PART NO.	DESCRIPTION	QTY PER	150	205
BD721623501V	BD, FIXING CLIP - HEX PIPES	2	●	●
BD710963001V	BD, O-RING 21,5X3 EP7	2	●	●
BD722275601V	BD, O-RING 18.3X3.6 R15	4	●	
BD5404520	BD, DHW PLATE EXCHANGER GASKET	4		●
BD710188902V	BD, FIXING CLIP	2	●	●
BD710189001V	BD, GASKET 9,7X15X2	1	●	●
BD710113601V	BD, GASKET G1/2 AFM	2	●	
BD710113001V	BD, GASKET G3/4 17X24X2	2	●	●
BD710188501V	BD, FIXING CLIP - 3WAY VALVE MOTOR	1	●	
BD000005411331	BD, O-RING 20,24X2,62	4	●	●
BD710188701V	BD, FIXING SPRING	1	●	
BD710107801V	BD, O-RING 8,73X1,78	5	●	
BD710039501V	BD, HYDRAULIC GROUP GASKET	5	●	●
BD710110901V	BD, O-RING 40,95X2,62	1	●	
BD000005402141	BD, PUMP GASKET G1 1/2	2		●
BD000005405001	BD, GASKET G1 22X30,3X2 WRC	1		●
BD710011401V	BD, CLIP - FIXING GAS PIPE	1	●	●
BD710061402V	BD, O-RING 18X3 NBR	1	●	●
BD710111001V	BD, SPRING CLIP BIFM182	2	●	●
BD710151101V	BD, SPRING CLIP BIFM252	2	●	●
BD710397801V	BD, GSKT, G1", 31X42, FOAM	2		●

ACCESSORIES

ITEM	CATNO.	PART NO.	DESCRIPTION	150	205	HOT WATER BOILER INSTALLS
*	20X33	H20I40UB	INDIRECT WATER HEATER (40 GALLON)			●
*	20X34	H20I60UB	INDIRECT WATER HEATER (60 GALLON)			
*	20X35	Z158	MOD,ZONE,AD-1	●	●	●
*	20X36	Z164	CTRL,ASSY,AD-4,4 ZONE,EXP MOD	●	●	●
*	20X37	Z214	CTRL,ASSY,ARM-4P	●	●	●
*	20X38	Z216	CTRL,ASSY,ARM-6P	●	●	●
*	20X39	Z297	CTRL,ASSY,AZ-4CP,4 ZONE W/PRIORITY	●	●	●
*	20X40	Z298	CTRL,ASSY,AZ-6CP,6 ZONE W/PRIORITY	●	●	●
*	20X41	KUG714135813	COAXIAL VERT. TERMINATION 150	●		
*	20X42	KHG714093512	COAXIAL VERT. TERMINATION 205		●	
*	20X43	KUG714059611	COAXIAL HORIZ. TERMINATION 150	●		
*	20X44	KHG714088911	COAXIAL HORIZ. TERMINATION 205		●	
*	20X45	KUG714059511	COAXIAL PIPE (1M) 150MBH	●		
*	20X47	KHG714088512	COAXIAL PIPE (1M) 205MBH		●	
*	20X48	KUG714059711	COAXIAL ELBOW 90 150	●		
*	20X49	KHG714088713	COAXIAL ELBOW 90 205		●	
*	20X50	KUG714059811	COAXIAL ELBOW 45 150	●		
*	20X51	KHG714088812	COAXIAL ELBOW 45 205		●	
*	20X52	KHG714059113	2-PIPE POLYPROPYLENE VENT ADAPTERS 150MBH	●		
*	20X53	KHG714089010	2-PIPE POLYPROPYLENE VENT ADAPTERS 205MBH		●	
*	20X54	550003184	2-PIPE CPVC VENT ADAPTERS 150	●		
*	20X55	550003403	2-PIPE CPVC VENT ADAPTERS 205		●	
*	20X56	550003452	80 MM VENT CLAMP (5 PACK)	●	●	
*	20X59		NU FREEZ-KONTR'L PROPYLENE GLYCOL, 5-GAL PL	●	●	●
*	20X60		NU BURST-KONTR'L AP-100 PROPYLENE GLYCOL, 5 GAL PAIL			●
*	20Y20		DV POLYPRO VENT PIPE 3-INCH DIA X 1 METER			
*	20Y23		DV POLYPRO 90-DEGREE EL			
*	20Y24		DV POLYPRO 45-DEGREE EL			
*	21A27	BD710487302V	OUTDOOR TEMPERATURE SENSOR	●	●	
*	21G64		SPIROVENT AIR ELIMINATOR			●
*	21G66		BACK/WATERFEED			●
*	21G72		WEBSTONE VALVES			●
*	21G73		PS AT30 30EXTROL EXPANSION TANK EX30			●
*	21G74		PS AT60 60EXTROL EXPANSION TANK EX60			●
*	21G75		PS LB-0750H01LF TACO LEAKBREAKER			
*	21G76		PS HLS-2 TACO HOT LINK			



PRODUCT LITERATURE
Lennox Industries Inc.
Dallas, Texas