




Installation Guide

24dBi 2.4GHz Grid Parabolic Antenna

TL-ANT2424B

7106506909 REV 2.0.0

COPYRIGHT & TRADEMARK

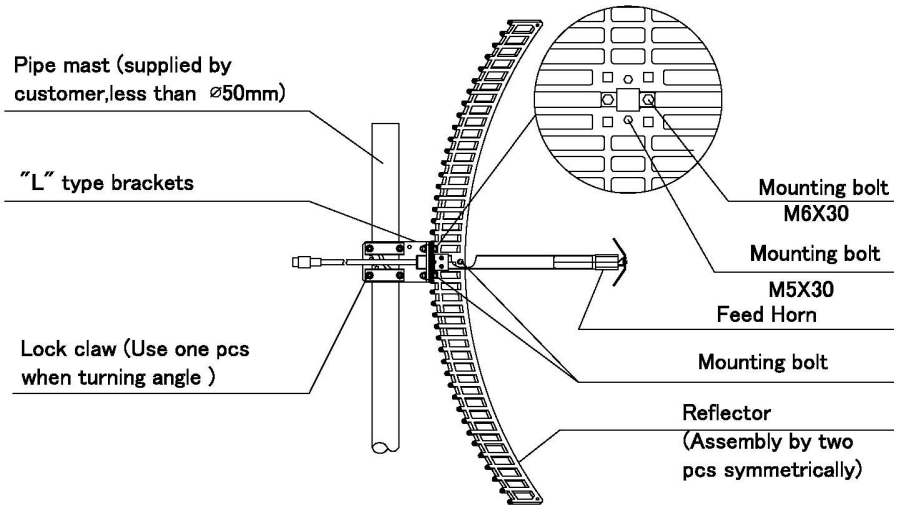
Specifications are subject to change without notice.  tp-link is a registered trademark of TP-Link Technologies Co., Ltd. Other brands and product names are trademarks or registered trademarks of their respective holders.

No part of the specifications may be reproduced in any form or by any means or used to make any derivative such as translation, transformation, or adaptation without permission from TP-Link Technologies Co., Ltd. Copyright © 2016 TP-Link Technologies Co., Ltd. All rights reserved.

<http://www.tp-link.com>



Mounting diagram



Installation:

1. Assemble the two pieces of reflector symmetrically.
2. Mount the feed horn on the reflector according to the Mounting diagram. Make sure the feed dipoles are parallel with most bars of the grid reflector. When the feed dipoles and most grid bars are vertical to the ground, the antenna is vertical polarized. When the feed dipole and most grid bars are horizontal to the ground, the antenna is horizontal polarized.
3. Mount the "L" type bracket at the back of the reflector, then mount the antenna on the mast supplied by customer according to the Mounting diagram.
4. Test the antenna with equipment to make sure the antenna receives the best signal by turning the azimuth and pitching angle, then lock all the screws and seal the connector between antenna and cable.

Electrical Specifications	
Frequency Range	2.4GHz to 2.5GHz
Impedance	50Ω
Gain	24dBi
VSWR	≤1.5
Horizontal Beamwidth	14°
Vertical Beamwidth	10°
F/B Ratio	> 30dB
Polarization	Vertical or Horizontal
Maximum Input Power	100W
Connector	N Female
Application	Outdoor
Mount Style	Pole Mount / Wall Mount
Mechanical Specifications	
Antenna Dimension	600×1000 mm
Weight	3.5 +/-0.15 KG
Mounting Mast Diameter	Ø30~Ø50 mm
Rated Wind Velocity	216 Km/h

