



Countries: AUSTRALIA, BRAZIL, CANADA, UNITED STATES, PUERTO RICO, SOUTH AFRICA
Document ID: IK0900003
Availability: ISIS
Revision: 2
Major System: COOLING
Created: 11/28/2006
Current Language: English
Last Modified: 12/13/2013
Other Languages: [Français](#), [Español](#),
Author: Thomas Hoffmeister
Viewed: 1041

[Less Info](#)

Hide Details

Coding Information

Copy Link 	Copy Relative Link 	Bookmark View My Bookmarks	Add to Favorites 	Print 	Provide Feedback 	Helpful 213	Not Helpful 374
----------------------	-------------------------------	--	-----------------------------	------------------	-----------------------------	---------------------------	-------------------------------

Title: Redesigned Upper Radiator Inlet Pipe and Mounting

Applies To: 5500i **Start Date:** 04/10/2006 **5600i Start Date:** 04/10/2006
5900i Start Date: 04/10/2006 **Engine Family:** Cummins ISM Cummins ISX Caterpillar C-13 Caterpillar C-15

DESCRIPTION

Table 2 and Figure 2 were revised.

Starting on 04/10/06 a redesigned upper radiator inlet pipe has been used on International 5500i, 5600i, and 5900i model trucks. The redesigned pipe reduces the strain on the radiator upper inlet. The new upper pipe incorporates a clip extension (standoff bracket) to support the pipe and the 90 degree inlet hose.

PARTS INFORMATION

Cummins ISM

Part Number	Description	Quantity
3610829C1	Hose, Radiator Inlet, Elbow, 2.5" ID 90 Degree (Premium)	1
3621107C1	Pipe, Radiator, Upper, Assembly	1
3617845C1	Extension Clip	1
471200C1	Bolt, U	1

Part Number	Description	Quantity
359783C1	Nut, 3/8 - 16UNC CAD	2
30848R2	Bolt, M10 X 20 mm	1
25709R1	Washer, Hardened M10 or 3/8" ZND	2

Cummins ISX

Part Number	Description	Quantity
3621106C1	Pipe, Radiator, Upper, Assembly	1
2008027C1	Hose, Radiator Inlet, Elbow, 90 Degree 2.5" ID (Premium)	1
3610829C1	Hose, Radiator Inlet, Elbow, 2.5" ID 90 Degree	1
3617847C1	Extension, Clip	1
471200C1	Bolt, U	1
30848R2	Bolt, M10 x 20 mm	1
359783C1	Unclassified, 3/8-16UNC CAD	2
25709R1	Washer, Hardened M10 or 3/8" ZND	2

Caterpillar C-13

Part Number	Description	Quantity
-------------	-------------	----------

Part Number	Description	Quantity
3615787C1	Hose, Radiator Inlet, Elbow, 2.5" ID 90 Degree (Premium)	1
3621109C1	Pipe, Radiator, Upper, Assembly	1
3617848C1	Extension Clip	1
359783C1	Nut, 3/8 - 16UNC CAD	2
471200C1	Bolt, U	1
25709R1	Washer, Hardened M10 or 3/8" ZND	3
30168R1	Nut, Hex, M10 - 1.5	1

Caterpillar C-15

Part Number	Description	Quantity
3615787C1	Hose, Radiator Inlet, Elbow, 2.5" ID 90 Degree (Premium)	1
3621108C1	Pipe, Radiator, Upper, Assembly	1
3622927C1	Extension Clip	1
359783C1	Nut, 3/8 - 16UNC CAD	3
26311R11	Bolt, 3/8 - 16UNC X 1.25" Type 8 PHC	1
471200C1	Bolt, U	1
25709R1	Washer, Hardened M10 or 3/8" ZND	2
120382	Washer, 3/8" ZP	1

SERVICE PROCEDURE

Figures 1, 2, 3, and 4 illustrate the typical installation for Cummins ISM, Cummins ISX, Caterpillar C-13, and Caterpillar C-15 engine installations respectively. Parts listed in the above tables can be used to update vehicles built prior to the effective date.

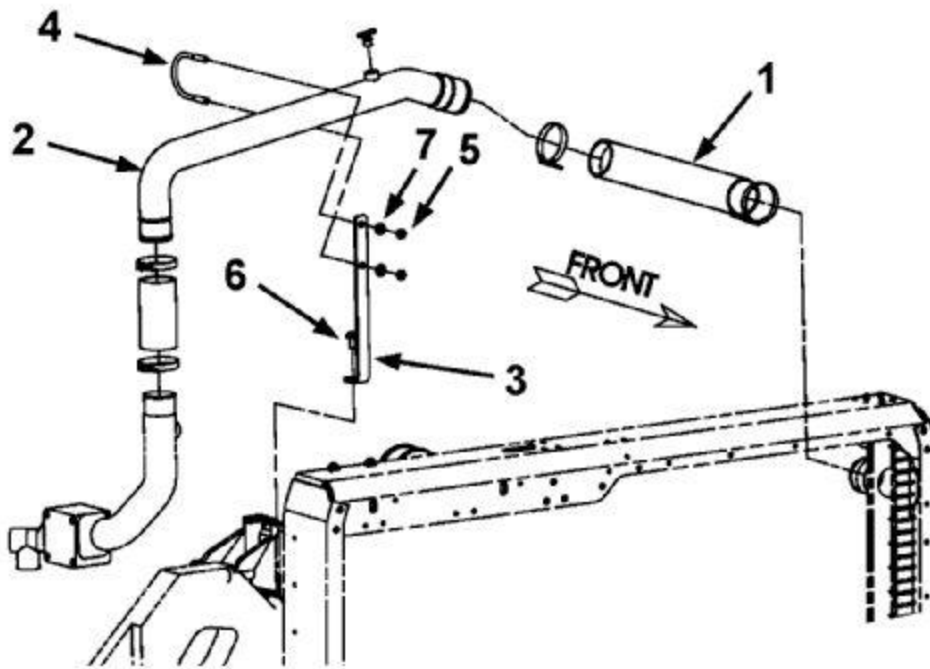


Figure 1. Typical Cummins ISM Installation

1. RADIATOR INLET HOSE
2. UPPER RADIATOR PIPE ASSEMBLY
3. CLIP EXTENSION
4. U-BOLT
5. NUT, 3/8-16
6. BOLT, M10 X 20 MM
7. WASHER, M10 OR 3/8 INCH

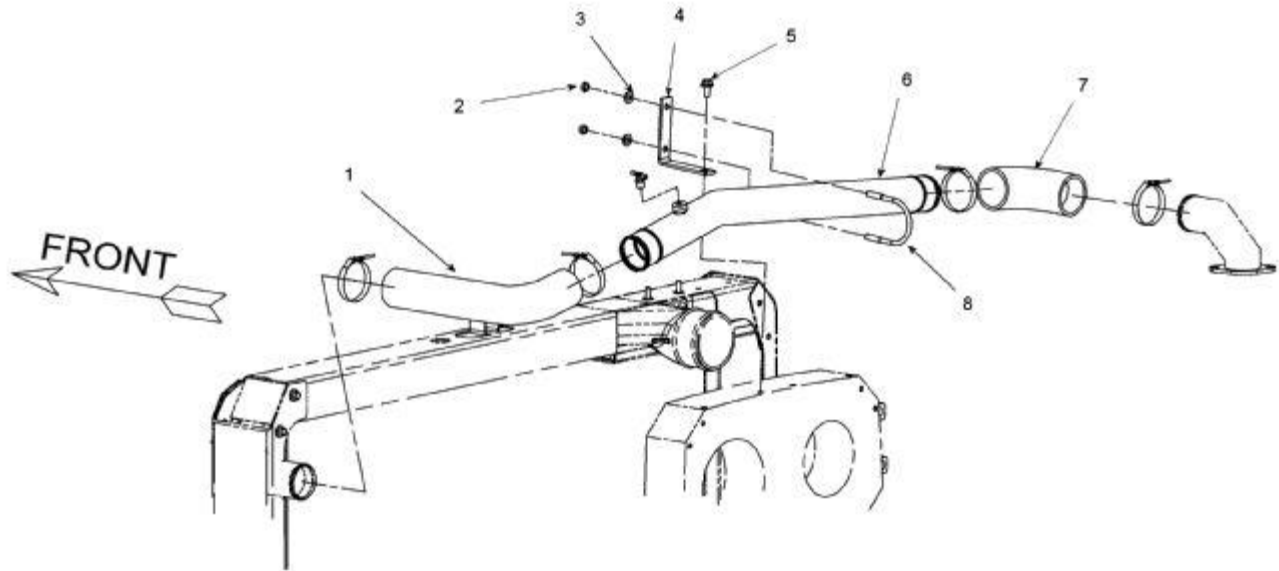


Figure 2. Typical Cummins ISX Installation

1. HOSE, RADIATOR INLET, ELBOW, 2.5" ID 90 DEGREE
2. UNCLASSIFIED, 3/8-16UNC CAD
3. WASHER, HARDENED M10 OR 3/8 " ZND
4. EXTENSION, CLIP
5. BOLT, M10 X20 MM
6. PIPE, RADIATOR, UPPER, ASSEMBLY
7. HOSE, RADIATOR INLET, ELBOW, 90 DEGREE 2.5" ID (PREMIUM)
8. BOLT, U

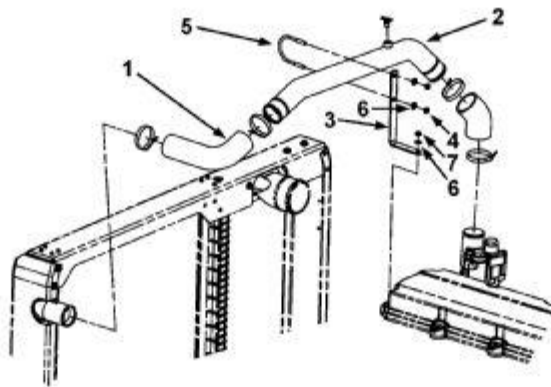


Figure 3. Typical Caterpillar C-13 Installation

1. RADIATOR INLET HOSE
2. UPPER RADIATOR PIPE ASSEMBLY
3. CLIP EXTENSION
4. NUT, 3/8-16
5. U-BOLT
6. WASHER, M10 OR 3/8 INCH
7. NUT, M10-1.5

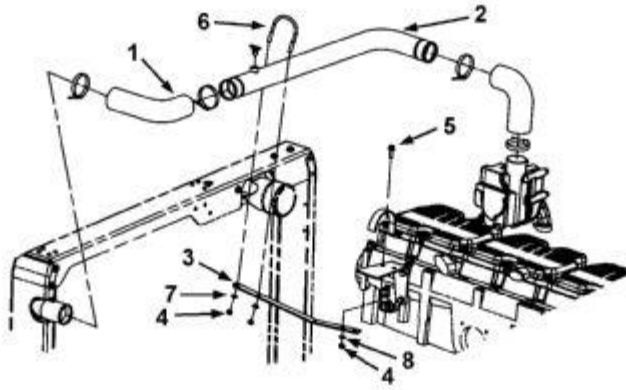


Figure 4. Typical Caterpillar C-15 Installation

1. RADIATOR INLET HOSE
2. UPPER RADIATOR PIPE ASSEMBLY
3. CLIP EXTENSION
4. NUT, 3/8-16
5. BOLT, 3/8-16 X 1.25 INCH
6. U-BOLT
7. WASHER, M10 OR 3/8 INCH ZND
8. WASHER, 3/8 INCH ZP

 Hide Details

Feedback Information

Viewed: 1040

Helpful: 213

Not Helpful: 374

No Feedback Found