



ALL NEW

PACKAGED REFRIGERATION SYSTEM

A single unit that houses everything
needed to cool a space

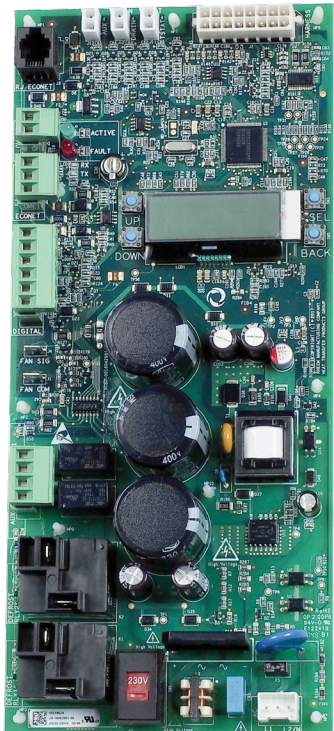


PACKAGED REFRIGERATION SYSTEM

This DOE AWEF rated self-contained system comes in two sizes that satisfy low and medium temperature refrigeration needs and is ideal for holding applications. Once installed - either indoors or outside - setting up the unit is practically as easy as plugging it in. The system is EcoNet Enabled with Electronic Expansion Valve and can be operated with an optional Command Center from anywhere.

The Packaged Refrigeration System comes in 8 Scroll Compressor models & 2 Hermetic Compressor models. Our equipment is designed with the future in mind. We strive to incorporate sustainable solutions along with options and functionality that satisfy regulatory compliance. The Packaged Refrigeration System is easy to install and service. It's everything you need in one box.

OPTIONAL ECONET COMMAND CENTER



Control Board

Using Rheem's SMART technology, the EcoNet Command Center can program, monitor, and troubleshoot equipment outside of the space being cooled. The Packaged Refrigeration System is already assembled with the EcoNet Control Board which analyzes and optimizes defrost cycles to provide a consistent temperature and extend the life of the unit.

By adding the optional Command Center, a Technician or Building Manager never has to step foot into the freezer in order to control temperature or maintain the equipment. Control up to 32 devices (including the Command Center) on one touchscreen.



Command Center

BTUH

Medium Temperature // 4,790 to 15,830

Low Temperature // 3,790 to 15,130



HIGHLIGHTS

- EcoNet Enabled to maximize energy efficiency with less compressor runtime
- EcoNet optimizes defrost by using adaptive defrost or managing compressor runtime
- EcoNet improves product quality by reducing temperature fluctuation
- Available outdoor options include a Roof Kit and Hail Guard
- Factory pre-charged with R-448A
- One electrical wiring point with the ability to add a plug on select models
- Boil-out pan is offered with an option of a PVC drain line connection
- Lift-off panels & large electrical box

MODEL NOMENCLATURE

H	P	H	050	M	48	A	A
HTPG	Product	Compressor	Horsepower	Temperature	Refrigerant	Voltage	Vintage
	Packaged Refrigeration System	H = Hermetic O = Scroll		M = Medium L = Low	48 = R-448A	A = 115/1/60 D = 208-230/1/60	

AIR DEFROST CAPACITIES // Medium Temperature

Model	AMBIENT TEMPERATURE									
	80°		90°		95°		100°		110°	
	BOX TEMPERATURE									
	35°F	38°F	35°F	38°F	35°F	38°F	35°F	38°F	35°F	38°F
HPH050M48*A	5,960	6,290	5,550	5,870	5,360	5,670	5,170	5,470	4,790	5,090
HPH055M48*A	6,480	6,870	6,040	6,400	5,830	6,170	5,610	5,950	5,170	5,490
HPO080M48*A	8,200	8,600	7,750	8,120	7,530	7,890	7,310	7,660	6,850	7,180
HPO100M48*A	9,290	9,820	8,790	9,260	8,530	9,000	8,260	8,740	7,730	8,180
HPO120M48*A	11,900	12,480	11,250	11,800	10,910	11,460	10,590	11,110	9,870	10,390
HPO150M48*A	15,110	15,830	14,280	14,940	13,840	14,510	13,350	14,030	12,410	13,010

ELECTRIC DEFROST CAPACITIES // Low Temperature

Model	AMBIENT TEMPERATURE								
	80°			90°			95°		
	BOX TEMPERATURE								
	0°F	-10°F	-20°F	0°F	-10°F	-20°F	0°F	-10°F	-20°F
HPO150L48*A	7,030	5,790	4,630	6,640	5,460	4,360	6,440	5,290	4,210
HPO250L48*A	9,770	8,230	6,830	9,210	7,770	6,440	8,930	7,520	6,240
HPO300L48*A	13,550	11,340	9,340	12,810	10,730	8,830	12,440	10,400	8,570
HPO350L48*A	15,130	12,740	10,680	14,090	11,950	10,050	13,770	11,650	9,750

Model	100°			110°		
	0°F	-10°F	-20°F	0°F	-10°F	-20°F
HPO150L48*A	6,230	5,110	4,070	5,810	4,650	3,790
HPO250L48*A	8,630	7,280	6,040	8,030	6,770	5,650
HPO300L48*A	12,040	10,070	8,290	11,210	9,370	7,720
HPO350L48*A	13,310	11,300	9,430	12,320	10,540	8,810

Asterix (*) represents voltage. Please refer to Model Nomenclature on page 3 for additional breakdown

ELECTRICAL DATA

Model	Defrost Type	Voltage	MCA	MOPD	Unit Amps
HPH050M48AA	AIR	115	15	20	10.5
HPH055M48AA	AIR	115	15	20	11.8
HPO080M48AA	AIR	115	18.4	30	15.1
HPO100M48AA	AIR	115	20	30	16.4
HPO120M48AA	AIR	115	21.7	35	18.1
HPH050M48DA	AIR	208	15	15	6.6
HPH055M48DA	AIR	208	15	15	6.7
HPO080M48DA	AIR	208	15	15	7.4
HPO100M48DA	AIR	208	15	15	7.6
HPO120M48DA	AIR	208	15	15	10.2
HPO150M48DA	AIR	208	17.2	25	14.3
HPO150L48DA	ELECTRIC	208	15	15	9.8
HPO250L48DA	ELECTRIC	208	17.5	25	14.4
HPO300L48DA	ELECTRIC	208	19.9	30	15.8
HPO350L48DA	ELECTRIC	208	23.4	35	19.3

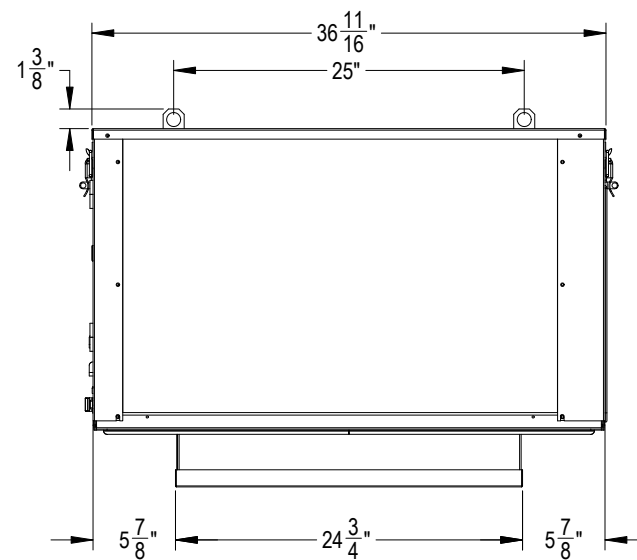
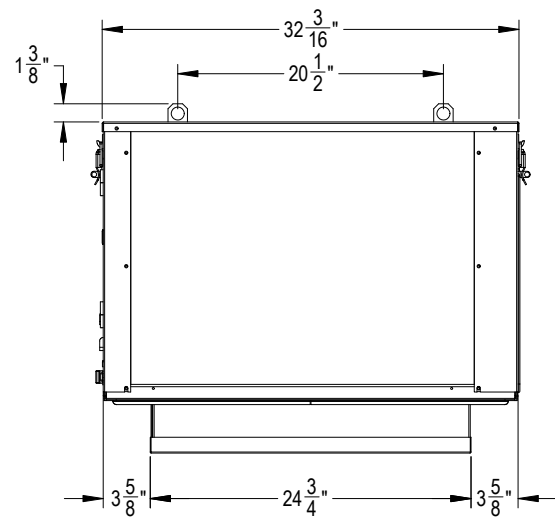
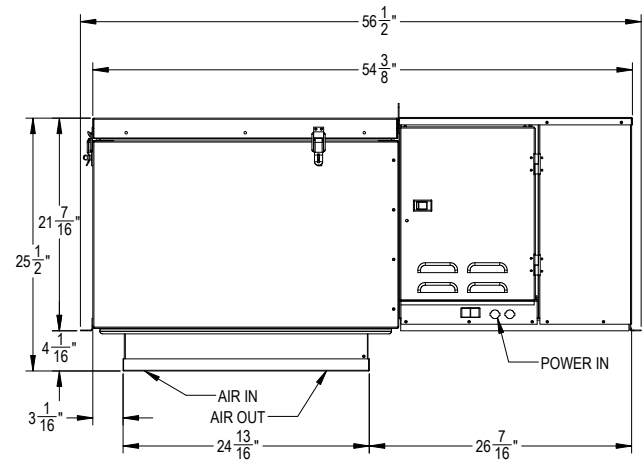
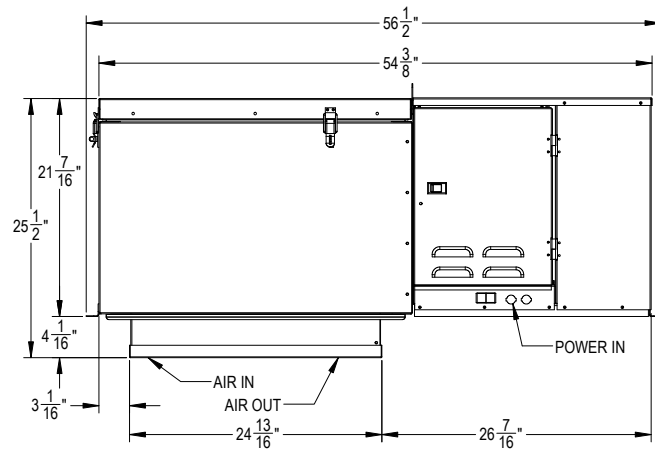
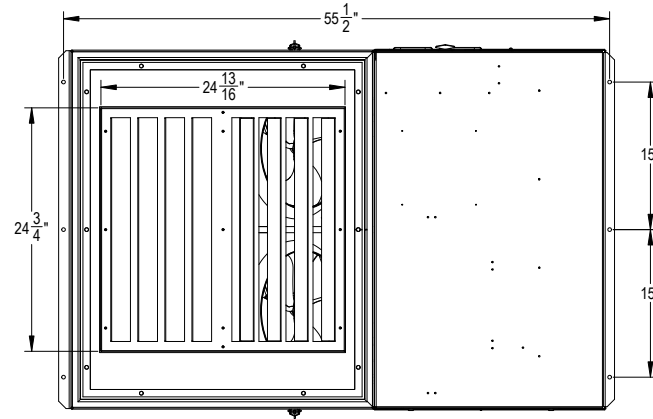
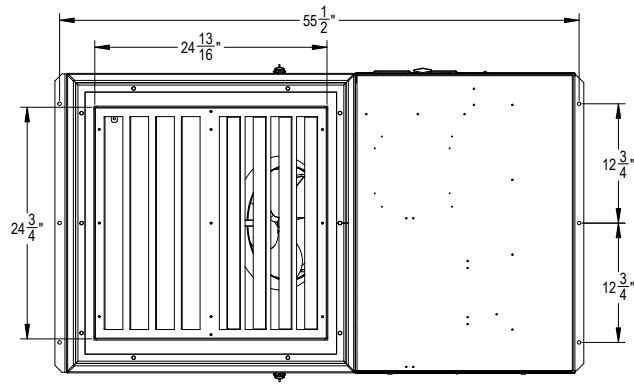
Model	U.C. CFM*	Plug Supplied?	Matching NEMA Receptacle	Cabinet Size	APX. NET WEIGHT		APX. SHIP WEIGHT	
					LB	KG	LB	KG
HPH050M48AA	600	KIT	5-20R	SMALL	206	93.4	286	129.7
HPH055M48AA	600	KIT	5-20R	SMALL	206	93.4	286	129.7
HPO080M48AA	600	KIT	5-20R	SMALL	206	93.4	286	129.7
HPO100M48AA	600	NO KIT	-	SMALL	206	93.4	286	129.7
HPO120M48AA	1200	NO KIT	-	LARGE	235	106.6	313	142
HPH050M48DA	600	KIT	6-15R	SMALL	206	93.4	286	129.7
HPH055M48DA	600	KIT	6-15R	SMALL	206	93.4	286	129.7
HPO080M48DA	600	KIT	6-15R	SMALL	206	93.4	286	129.7
HPO100M48DA	600	KIT	6-15R	SMALL	206	93.4	286	129.7
HPO120M48DA	1200	KIT	6-15R	LARGE	235	106.6	313	142
HPO150M48DA	1200	KIT	6-20R	LARGE	235	106.6	313	142
HPO150L48DA	600	KIT	6-15R	SMALL	218.5	99.1	298.5	135.4
HPO250L48DA	600	KIT	6-20R	SMALL	218.5	99.1	298.5	135.4
HPO300L48DA	1200	NO KIT	-	LARGE	264	119.7	342	155.1
HPO350L48DA	1200	NO KIT	-	LARGE	264	119.7	342	155.1

*U.C. CFM = Unit Cooler Cubic Feet Per Minute

PHYSICAL DIMENSIONS

Small Cabinet

Large Cabinet



AWEF DATA

Medium Temperature

Low Temperature

Model	INDOOR	OUTDOOR
HPH050M48*A	-	-
HPH055M48*A	-	-
HPO080M48*A	5.61	7.6
HPO100M48*A		
HPO120M48*A		
HPO150M48*A		

Model	INDOOR	OUTDOOR
HPO150L48*A	2.17	3.15
HPO250L48*A		
HPO300L48*A		
HPO350L48*A		

Asterix (*) represents voltage. Please refer to Model Nomenclature on page 3 for additional breakdown

NOTES

- If the Medium Temperature model has a numerical value in the table above, the following statement applies: "This refrigeration system is designed and certified for use in walk-in cooler applications"
- If the Low Temperature model has a numerical value in the table above, the following statement applies: "This refrigeration system is designed and certified for use in walk-in freezer applications."



Due to continuing product development, specifications are subject to change without notice.

KRAMER

Kramer.HTPG.com

©2023 Heat Transfer Products Group
Published March 2023
2303TBPRS