

**Application**



**LD30-S001**



**LD30-S011**

The general purpose external pressure level transmitter is offered in two styles of termination and provides continuous level measurement up to 69' (21m) of water column with a 4-20 mA signal output. Select the -S\_01 level sensor for cable termination or the -S\_11 level sensor for conduit termination with an integral junction box. This liquid level sensor is well suited for clean liquid or gas media. Applications include cutting oil and air.



**Features**

- Corrosion resistant 316 SS transducer with threaded mount
- Available with polyurethane cable or junction box termination
- Automatic temperature compensation for accurate measurement

**Key Benefits**

- Ideal for applications with heavy foam, vapors & air
- Connects directly to PLC/SCADA or display
- Great for existing lower entry ports
- 4-20 mA signal output
- Pressure is not affected by specific gravity or liquid

**Compatible Products**

**DataLoop™**  
Level Indicator



**LI25**

**DataView™**  
Level Controller



**LI55**

**Commander™**  
Multi-Tank Level Controller



**LI90**

**DataPoint™**  
Level Controller



**LC52**

### Specifications

Range: -S0X1: 0 to 5 psi (0.34 bar),  
0 to 11' (0 to 3.4m) wc  
-S2X1: 0 to 15 psi (1 bar),  
0 to 34' (0 to 10.4m) wc  
-S4X1: 0 to 30 psi (2 bar),  
0 to 69' (0 to 21.1m) wc

Accuracy: ± 0.25% of full scale

Configuration: None, fixed span

Supply voltage: 13-30 VDC

Loop resist.: 1300 Ohms max @ 30 VDC

Signal output: 4-20 mA, two-wire

Process temp.: F: 0° to 200°  
C: -18° to 93°

Temp. comp.: F: 0° to 175°  
C: -18 to 79°

Proof pressure: 2 x full span

Response time: 50ms

Weight: 10 oz (283 g)

Enclosure rating: NEMA 4X (IP65)

Enclosure mat.: 316 SS

Termination: -SX01: Cable  
-SX11: Junction box  
with 1/2" NPT conduit

Cable type: -SX01: 2-cond., shielded

Cable length: -SX01: 9' (2.7m)

Cable material: -SX01: Polyurethane

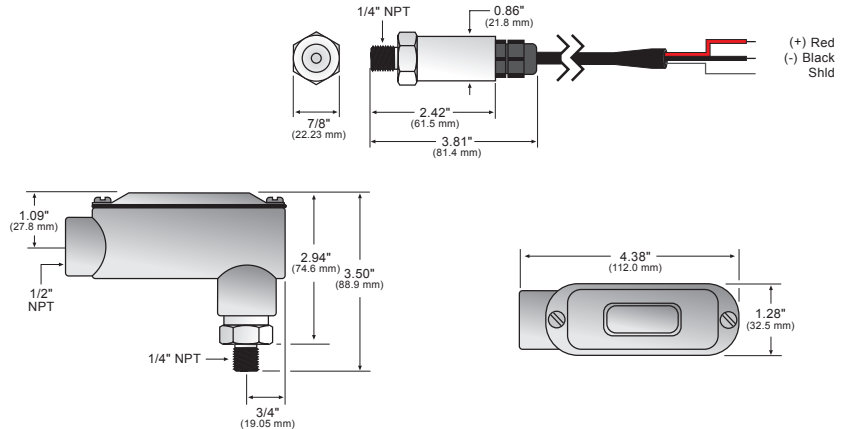
Process mount: 1/4" NPT

Trans. material: 316 SS

Classification: General purpose

Compliance: CE

### Dimensions



### Accessories

For enhanced flexibility and performance, use the recommended power supply.



P/N	Description
LC95-1001	AC-DC Sensor & Indicator Power Supply 100-240 VAC, 24 VDC @ 0.60A, 35mm Rail

### Ordering

LD30-S   1

**Sensor range**

- 0 5 psi (0.34 bar) / 11' (3.4m) wc
- 2 15 psi (1.0 bar) / 34' (10.4m) wc
- 4 30 psi (2.0 bar) / 69' (21.1m) wc

**Termination (1)**

- 0 Cable
- 1 Junction box

**Notes**

- 1) For level sensor power, order the LC95-1001 AC-DC power supply.