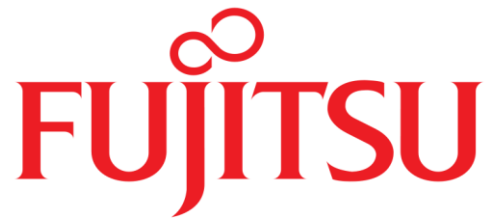


PRIMERGY RX2530 M1
1U Rack Server



4x 3.5"



4x 2.5" (exp. to 8x2.5")



10x 2.5"



Chapter	Folder	Content
	Cover	List of content, Instructions for usage of this configurator, abbreviations
	Description	System Description for easier understanding
1	Base	describes base unit of TX2560 M1 and RX2560 M1
2		describes rack mount kits and services
3	CPU	Order code and Infos of E5-2600v3 series processors
4	RAM	DDR4 System memory (RAM) and memory modes
5	GFX	Graphics-, Grid-cards, GPU and Xeon Co processors and other graphics options
6	HD cage	n.a. - not required for PRIMERGY RX2530
7	RAID	SAS / RAID Controller and components
8	ODD	optical disk drives (DVD, DVD-rw, Blu ray)
9	Backup	LTO drives & RDX drive
10	HD SSD	Storage drives - PCIe SSD - SAS/SATA SSD & HDD
11		LAN Components
12	LAN_FC_IB	Fibre Channel Controller
13		Infiniband Controller
14	PSU	Power supply units, power cables, country specific op
15	USB devices	Keyboards, Mice, USB devices
16	others	System Management, ATD, RS232 port, TPM module
	LLC	Long life cycle components

Instructions

This document contains basic product and configuration information supporting you in more complicated configurations.

In any case we recommend to use the PC-/SystemArchitect to make sure, that you configure a valid system.

This System configurator is divided into several chapters. They are identical to the current price list and PC-/SystemArchitect.

Please follow this document step by step from the top to the bottom.

Chapter xx - description of chapter

Text fields with grey color offer extra information for related topics (e.g prerequisites, technical back ground, configuration rules, limitations, ...)

S26361-F4610-E2	<-- order code E-part (bold) --
S26361-F4610-L3	<-- order code L-part (bold)
PLAN 2x1Gb Ethern. Controller	<-- "name" of this part
i350-T2 chip (based on Intel Powerville) offers 2x1Gb RJ45 connectors	<--description of this part, in some cases as well description of content
PCIe Gen2 x4 full height card	<--requires a free PCIe slot --> means total amount of PCIe slots reduced
max. 6x per system	<--indicates how often this part can be configured in the related Server

For further information see:

Link to datasheet:

[http:// xxx](http://xxx)

http://ts.fujitsu.com/products/standard_servers/index.html

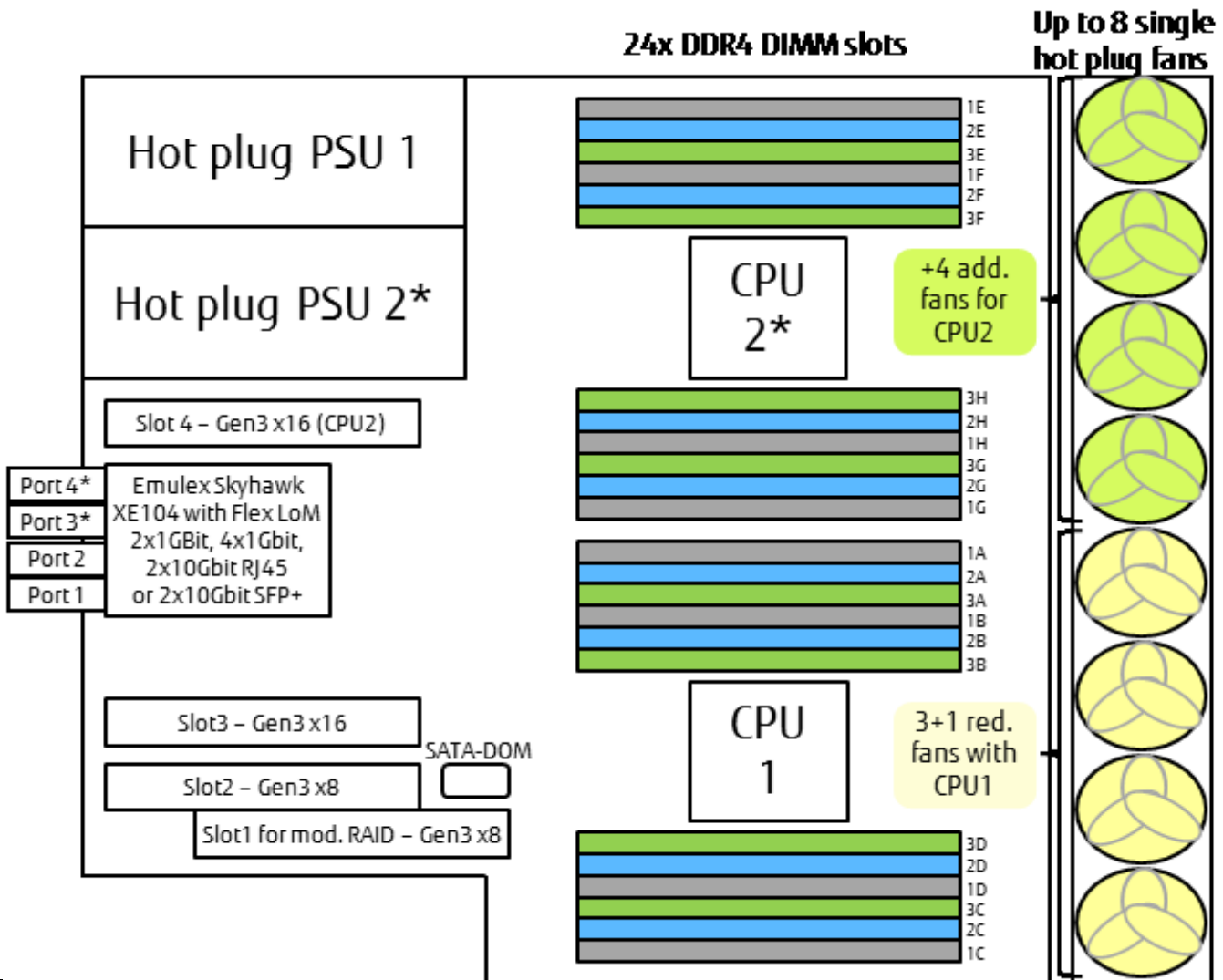
(internet)

https://partners.ts.fujitsu.com/com/order-supply/configurators/primergy_config/Pages/default.aspx

(extranet)

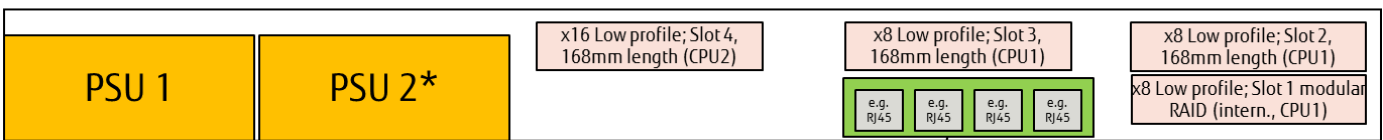
Fujitsu is providing the content of this document with very high accuracy. In case you identify a mistake, we would kindly encourage you to inform us. We kindly ask for understanding, that errors still may occur and that Fujitsu may change this document without notice

PRIMERGY RX2530 M1 schematics of the System board and fans

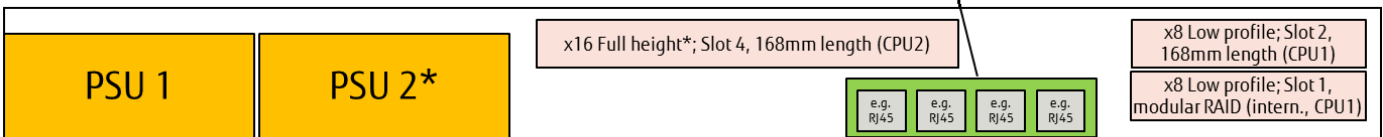


PRIMERGY RX2530 M1 rear view with PSU, PCIe slots and dynamic LoM

Standard: RX2530 - Rear view



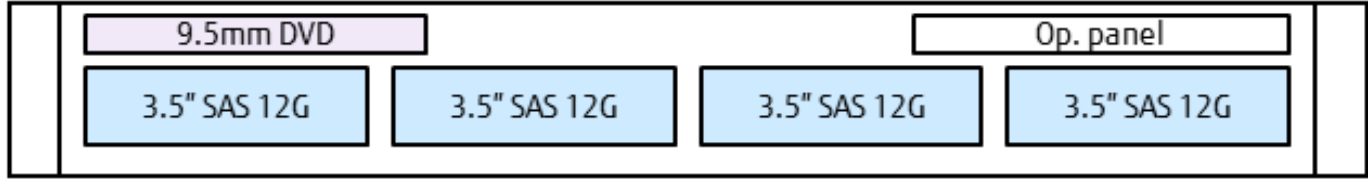
Option: Full height riser



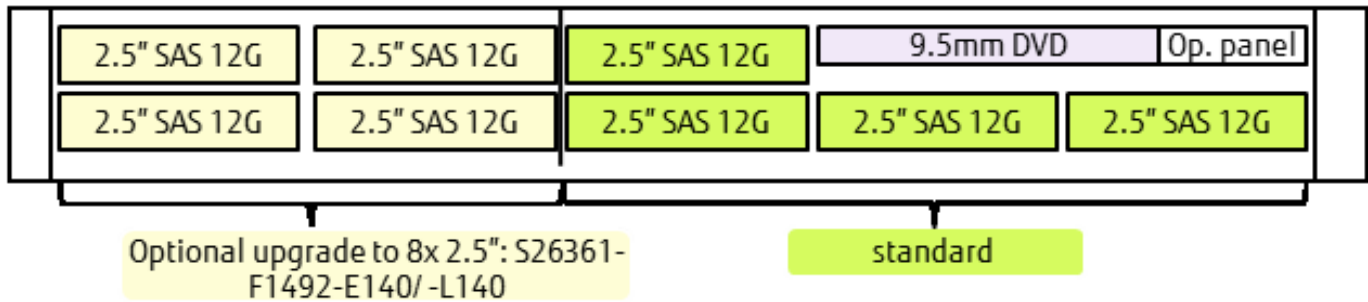
* = option

PRIMERGY RX2530 M1 front view with drives and operation panel

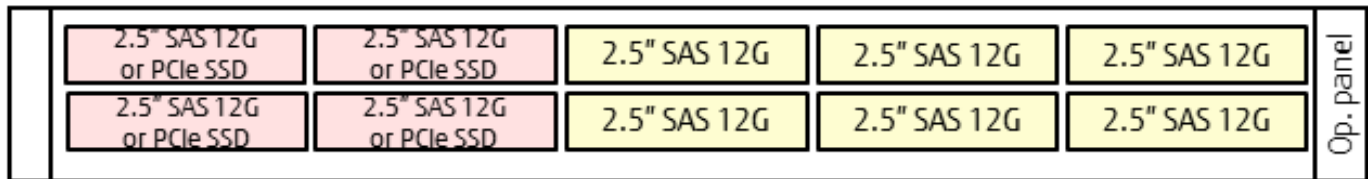
RX2530 4x3.5"- Front view



RX2530 4x2.5"- Front view



RX2530 10x2.5"- Front view



recommended components for RX2530 M1	#
Independant Mode installation	1x
PLAN EM 4x1Gb T interface card	1x
Region kit APAC/EMEA/India	1x
iRMC S4 advanced pack	1x
Cool safe Advanced Thermal design	1x
Modular PSU 450W platinum hot plug	2x

Chapter 1 - base unit

Start

Power supply units & cooling

The PRIMERGY RX2530 M1 offer bays for 1x or 2x direct attached hot plug (opt. redundant) power supply units of 450W or 800W with up to 96% efficiency. The PRIMERGY RX2530 M1 are equipped with ultimate performance processor heat pipes and 3+1 (1CPU) or 7+1 (2 CPU) high performance single hot plug fans (3+1 or 7+1 redundant).

Server Management

iRMC S4 (integrated Remote Management Controller) on-board with dedicated (or shared) 10/100/1000 Service LAN-port and integrated graphics controller. With the integrated onboard indicators and controls You can highlight easily failed components via LEDs. The LEDs can be displayed during service even without mains connection by simply pressing the "indicate CSS" button.

Platform

Fujitsu Systemboard D3279 "made in Germany" based on Chipset Intel® C612

> 2 serial QPI links (Quick Path Interconnect)

> Up to two Xeon E5-2600 v3 series CPUs

Slots: as standard 4 PCIe slots are on Board - please see schematics in "description"

> 3 PCIe slots low profile, 167mm length @ first CPU:

Slot 1 **PCIe-Gen3 x8** (internal) - only for modular RAID/SAS controller

Slot 2 **PCIe-Gen3 x8**

Slot 3 **PCIe-Gen3 x16**

> 1 PCIe slot low profile, 167mm length @ second CPU:

Slot 4 **PCIe-Gen3 x16**

PCIe controller population has to be according to internal or external connectivity requirements.

The system offers 1x internal PCIe slot for SAS / RAID controllers only 3x freely configurable PCIe slots for other PCIe controllers.

The required riser cards for the above configuration are part of the standard delivery.

Slot 4 can also be upgraded to PCIe Gen3 x16 full height, 167mm length (!Slot 3 and it's riser is not available in this case!)

Onboard RAID 0/1 6Gbit/s

available for up to 4x 3.5" SATA drives (up to 8x 2.5" SATA drives starting Febr. 2015)

System RAM up to DDR4-2133 MHz

2x12 memory slots for max. 1.5TB* DDR4 RAM available (12 slots per CPU). Memory speed depends on CPU and configuration, please see folder "CPU" and "RAM" for further details.

* Chipset supports with future models up to 3TB - implementation in PRIMERGY RX2530 M1 pending.

LAN

LAN on Motherboard based on the high performance Chip Emulex XE104 with flexible LAN connections - options for 2x1Gbit/s (RJ45), 4x1Gbit/s (RJ45), 2x10Gbit/s (RJ45), 2x10Gbit/s (SFP+) available.

Software

* ServerView Suite Software incl. ServerStart, ServerBooks, Management Software and Updates

Connectivity

Interfaces at rear side

- 1 service LAN RJ45 (1 Gbit)

- 1x VGA (15 pins)

- 2x USB 3.0 & 1x USB2.0

Flex LoM with 1 of these options:

RJ45: 2x1Gbit, 4x1Gbit or 2x10Gbit

SFP+: 2x10Gbit ... or Dummy module (i.e. no LAN connector)

Interfaces at front

for base units with up to 8 HDD: 2x USB 3.0

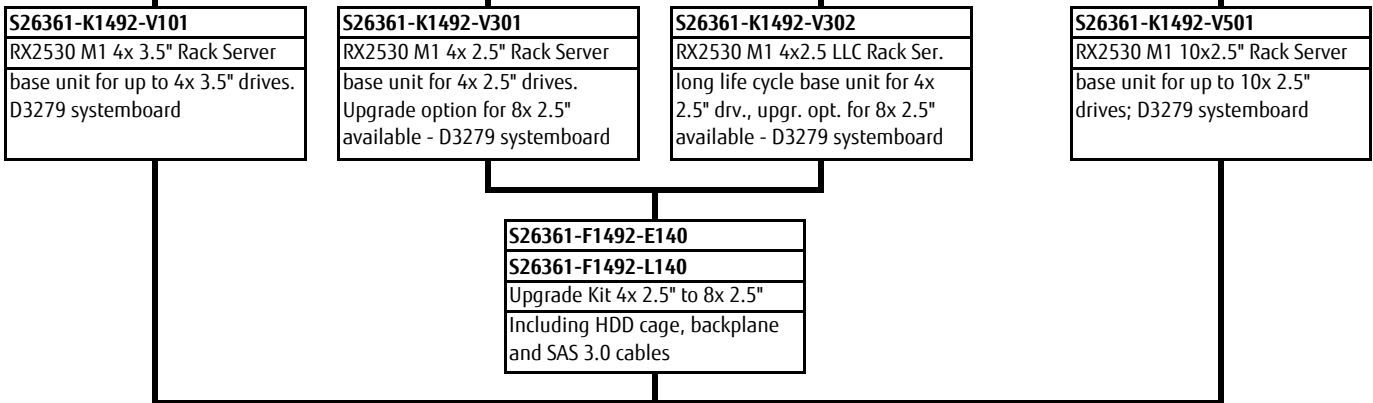
for base units with 10HDD: 1x USB2.0 (on "ear")

Interfaces internal

- 1x USB 3.0, 1x UFM

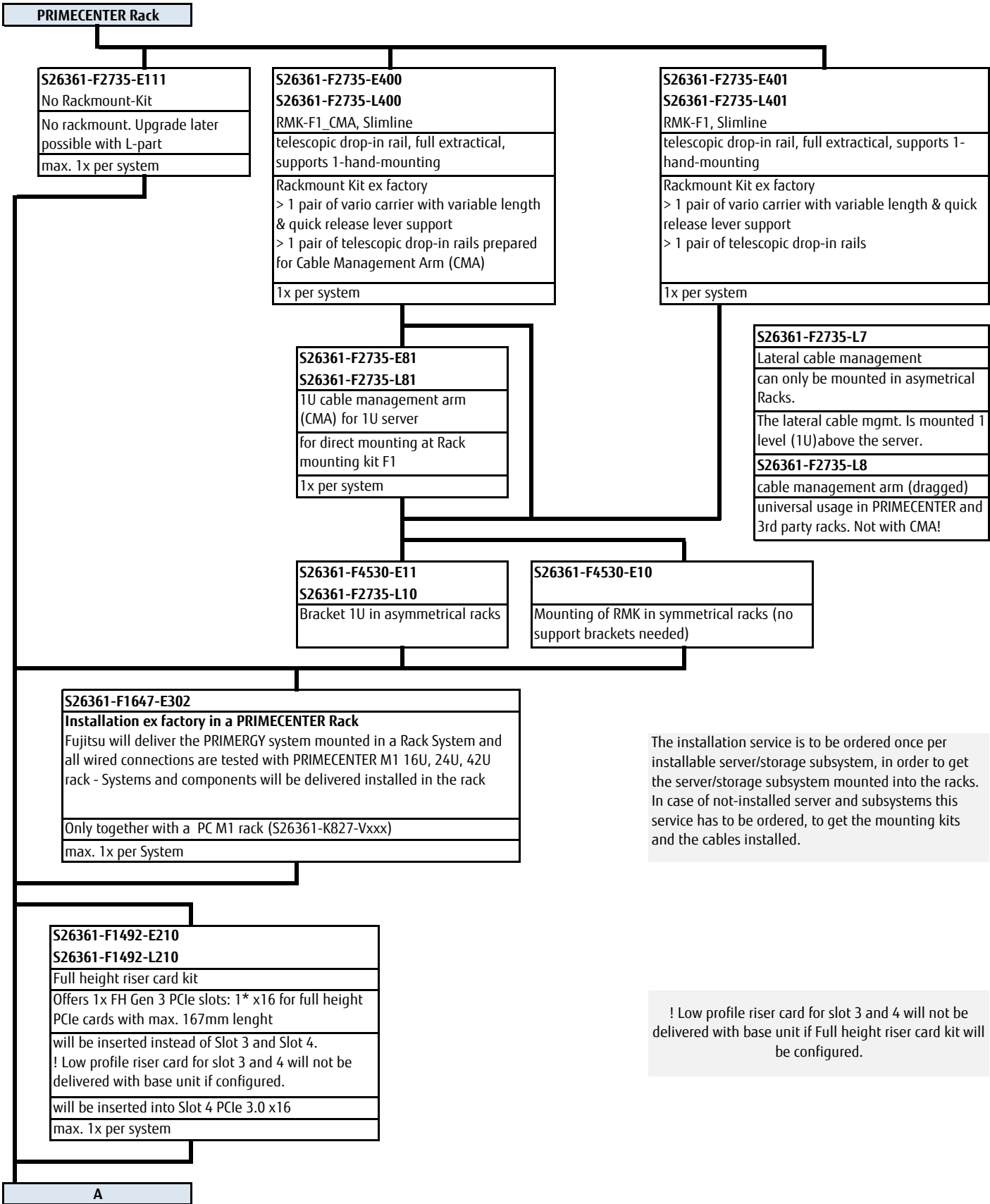
- 1x SATA DOM

- 2x 4* SATA 6G



PRIMECENTER Rack

Chapter 2 - Rack architecture



The installation service is to be ordered once per installable server/storage subsystem, in order to get the server/storage subsystem mounted into the racks. In case of not-installed server and subsystems this service has to be ordered, to get the mounting kits and the cables installed.

! Low profile riser card for slot 3 and 4 will not be delivered with base unit if Full height riser card kit will be configured.

Chapter 3 - CPU

A

There are 2 processor sockets available. Please configure minimum 1 Processor, maximum 2 processors.
 >> In case of Dual processor operation, processor 2 must be the same as processor 1.
 >> for the processors on the left side (marked with blue headers) you may choose 1x or 2x CPUs
 >> for the processors on the right side (marked with orange headers) you must choose 2x CPUs ("Dual processor only")

CPUs for 1 or 2-socket configuration

* HT = Hyper Threading

Xeon E5-26xx v3 series (R) Basic		
64-bit Intel Xeon processor supporting DDR4 @ 1.600MHz & QPI Bus @ 6.4 GT/s		
Xeon E5-2603v3 6C/6T 1.60GHz 15MB 6.4GT/s 1600MHz 85W	S26361-F3849-E103	S26361-F3849-L303
Xeon E5-2609v3 6C/6T 1.90GHz 15MB 6.4GT/s 1600MHz 85W	S26361-F3849-E109	S26361-F3849-L309
Xeon E5-26xx v3 series (R) Standard		
64-bit Intel Xeon processor supporting HT*, DDR4 @ 1866 MHz & QPI Bus 8.0 GT/s		
Xeon E5-2620v3 6C/12T 2.40GHz 15MB 8.0GT/s 1866MHz 85W	S26361-F3849-E120	S26361-F3849-L320
Xeon E5-2630v3 8C/16T 2.40GHz 20MB 8.0GT/s 1866MHz 85W	S26361-F3849-E130	S26361-F3849-L330
Xeon E5-2640v3 8C/16T 2.60GHz 20MB 8.0GT/s 1866MHz 90W	S26361-F3849-E140	S26361-F3849-L340
Xeon E5-26xx v3 series (R) Advanced		
64-bit Intel Xeon processor supporting HT*, DDR4 @ 2133 MHz & QPI Bus @ 9.6 GT/s		
Xeon E5-2650v3 10C/20T 2.30GHz 25MB 9.6GT/s 2133MHz 105W	S26361-F3849-E150	S26361-F3849-L350
Xeon E5-26xx v3 series (R) Frequency optimized		
64-bit Intel Xeon processor supporting HT*, DDR4 @ 1866 MHz & QPI Bus @ 8.0 GT/s		
Xeon E5-2623v3 4C/8T 3.00GHz 10MB 8.0GT/s 1866MHz 105W	S26361-F3849-E123	S26361-F3849-L323
Xeon E5-26xx v3 series (R) Advanced -- Dual processor only		Special Release only
64-bit Intel Xeon processor supporting HT*, DDR4 @ 2133 MHz & QPI Bus @ 9.6 GT/s		
Xeon E5-2660v3 10C/20T 2.60GHz 25MB 9.6GT/s 2133MHz 105W	S26361-F3849-E160	S26361-F3849-L360
Xeon E5-2670v3 12C/24T 2.30GHz 30MB 9.6GT/s 2133MHz 120W	S26361-F3849-E170	
Xeon E5-2680v3 12C/24T 2.50GHz 30MB 9.6GT/s 2133MHz 120W	S26361-F3849-E180	S26361-F3849-L380
Xeon E5-2690v3 12C/24T 2.60GHz 30MB 9.6GT/s 2133MHz 135W	S26361-F3849-E190	
Xeon E5-26xx v3 series (R) Frequency optimized -- Dual processor only		
64-bit Intel Xeon processor supporting HT*, DDR4 @ 2133 MHz & QPI Bus @ 9.6 GT/s		
Xeon E5-2637v3 4C/8T 3.50GHz 15MB 9.6GT/s 2133MHz 135W	S26361-F3849-E137	
Xeon E5-2643v3 6C/12T 3.40GHz 20MB 9.6GT/s 2133MHz 135W	S26361-F3849-E143	
Xeon E5-2667v3 8C/16T 3.20GHz 20MB 9.6GT/s 2133MHz 135W	S26361-F3849-E167	S26361-F3849-L367
Xeon E5-2600v3 (R) High Core Count -- Dual processor only		
64-bit Intel Xeon processor supporting HT*, DDR4 @ 2133 MHz & QPI Bus @ 9.6 GT/s		
Xeon E5-2683v3 14C/28T 2.00GHz 35MB 9.6GT/s 2133MHz 120W	S26361-F3849-E183	
Xeon E5-2695v3 14C/28T 2.30GHz 35MB 9.6GT/s 2133MHz 120W	S26361-F3849-E195	
Xeon E5-2697v3 14C/28T 2.60GHz 35MB 9.6GT/s 2133MHz 145W	S26361-F3849-E197	S26361-F3849-L397
Xeon E5-2698v3 16C/32T 2.30GHz 40MB 9.6GT/s 2133MHz 135W	S26361-F3849-E198	
Xeon E5-2699v3 18C/36T 2.30GHz 45MB 9.6GT/s 2133MHz 145W	S26361-F3849-E199	S26361-F3849-L399
Xeon E5-2600v3 (R) Low Power -- Dual processor only		
64-bit Intel Xeon processor supporting HT*		
Xeon E5-2630Lv3 8C/16T 1.80GHz 20MB 8.0GT/s 1866MHz 55W	S26361-F3849-E131	
Xeon E5-2650Lv3 12C/24T 1.80GHz 30MB 9.6GT/s 2133MHz 65W	S26361-F3849-E151	

S26361-F3849-E100
Cooling Kit 2nd CPU

Contains 4x fans and cooling equipment to support the 2nd CPU in RX2530 .

B1

B2

B1	B2
Xeon E5-26xx v3 series (R) Basic	
64-bit Intel Xeon processor supporting DDR4 @ 1.600MHz & QPI Bus @ 6.4 GT/s	
Xeon E5-2603v3 6C/6T 1.60GHz 15MB 6.4GT/s 1600MHz 85W	S26361-F3849-E103
Xeon E5-2609v3 6C/6T 1.90GHz 15MB 6.4GT/s 1600MHz 85W	S26361-F3849-E109
Xeon E5-26xx v3 series (R) Standard	
64-bit Intel Xeon processor supporting HT*, DDR4 @ 1866 MHz & QPI Bus 8.0 GT/s	
Xeon E5-2620v3 6C/12T 2.40GHz 15MB 8.0GT/s 1866MHz 85W	S26361-F3849-E120
Xeon E5-2630v3 8C/16T 2.40GHz 20MB 8.0GT/s 1866MHz 85W	S26361-F3849-E130
Xeon E5-2640v3 8C/16T 2.60GHz 20MB 8.0GT/s 1866MHz 90W	S26361-F3849-E140
Xeon E5-26xx v3 series (R) Advanced	
64-bit Intel Xeon processor supporting HT*, DDR4 @ 2133 MHz & QPI Bus @ 9.6 GT/s	
Xeon E5-2650v3 10C/20T 2.30GHz 25MB 9.6GT/s 2133MHz 105W	S26361-F3849-E150
Xeon E5-26xx v3 series (R) Frequency optimized	
64-bit Intel Xeon processor supporting HT*, DDR4 @ 1866 MHz & QPI Bus @ 8.0 GT/s	
Xeon E5-2623v3 4C/8T 3.00GHz 10MB 8.0GT/s 1866MHz 105W	S26361-F3849-E123
Xeon E5-26xx v3 series (R) Advanced -- Dual processor only	
64-bit Intel Xeon processor supporting HT*, DDR4 @ 2133 MHz & QPI Bus @ 9.6 GT/s	
Xeon E5-2660v3 10C/20T 2.60GHz 25MB 9.6GT/s 2133MHz 105W	S26361-F3849-E160
Xeon E5-2670v3 12C/24T 2.30GHz 30MB 9.6GT/s 2133MHz 120W	S26361-F3849-E170
Xeon E5-2680v3 12C/24T 2.50GHz 30MB 9.6GT/s 2133MHz 120W	S26361-F3849-E180
Xeon E5-2690v3 12C/24T 2.60GHz 30MB 9.6GT/s 2133MHz 135W	S26361-F3849-E190
Xeon E5-26xx v3 series (R) Frequency optimized -- Dual processor only	
64-bit Intel Xeon processor supporting HT*, DDR4 @ 2133 MHz & QPI Bus @ 9.6 GT/s	
Xeon E5-2637v3 4C/8T 3.50GHz 15MB 9.6GT/s 2133MHz 135W	S26361-F3849-E137
Xeon E5-2643v3 6C/12T 3.40GHz 20MB 9.6GT/s 2133MHz 135W	S26361-F3849-E143
Xeon E5-2667v3 8C/16T 3.20GHz 20MB 9.6GT/s 2133MHz 135W	S26361-F3849-E167
Xeon E5-2600v3 (R) High Core Count -- Dual processor only	
64-bit Intel Xeon processor supporting HT*, DDR4 @ 2133 MHz & QPI Bus @ 9.6 GT/s	
Xeon E5-2683v3 14C/28T 2.00GHz 35MB 9.6GT/s 2133MHz 120W	S26361-F3849-E183
Xeon E5-2695v3 14C/28T 2.30GHz 35MB 9.6GT/s 2133MHz 120W	S26361-F3849-E195
Xeon E5-2697v3 14C/28T 2.60GHz 35MB 9.6GT/s 2133MHz 145W	S26361-F3849-E197
Xeon E5-2698v3 16C/32T 2.30GHz 40MB 9.6GT/s 2133MHz 135W	S26361-F3849-E198
Xeon E5-2699v3 18C/36T 2.30GHz 45MB 9.6GT/s 2133MHz 145W	S26361-F3849-E199
Xeon E5-2600v3 (R) Low Power -- Dual processor only	
64-bit Intel Xeon processor supporting HT*, DDR4 1866/2133 MHz,QPI @ 8.0, 9.6 GT/s	
Xeon E5-2630Lv3 8C/16T 1.80GHz 20MB 8.0GT/s 1866MHz 55W	S26361-F3849-E131
Xeon E5-2650Lv3 12C/24T 1.80GHz 30MB 9.6GT/s 2133MHz 65W	S26361-F3849-E151
C	

Chapter 4 - DDR4 System memory

C

The Systemboard of RX2530 M1, D3279, offers 24 DDR4 slots with up to 2.133MHz.
 768GB DDR4 LRDIMM (12x 64GB 4R per CPU)
 384GB DDR4 RDIMM (12x 32GB 2R per CPU)
 The memory area is divided into 4 channels per CPU with 3 slots each
 up to 2.133 MHz with 1DPC R-DIMM (depending on CPU*)
 up to 2.133 MHz with 2DPC LR-DIMM (depending on CPU*)
 up to 1.866 MHz with 2DPC (depending on CPU*)
 1.600 MHz with 3DPC
 DDR4 memory is operated at 1.2V
 Registered and load reduced DIMM cannot be operated together in one Server.
 * = means: some CPU types support less than 2.133MHz, please check the details in the chapter "CPU"

S26361-F3694-E10 | Independent Memory Mode

Independent Channel Mode allows all channels to be populated in any order. All channels must run at the same interface frequency. But each channel may run at different DIMM timings (RAS latency, CAS latency, and so forth). The slowest memory module defines to bus speed.

Configuration: minimum 1 memory module per CPU, maximum 12 memory modules per CPU

S26361-F3694-E1 | Rank sparing mode

BIOS preconfiguration for rank sparing. Spare of other ranks on the same channel. Spare Rank is not shown in System Memory.

Configuration: minimum 2x 1R/2R or 1x 4R memory modul(es) per CPU, maximum 12 memory modules per CPU

S26361-F3694-E2 | Performance Memory Mode

BIOS preconfiguration for maximum Performance. Four identical memory modules will be equipped in each slot of each channel to achieve highest memory performance. Always a multiple of 4 identical modules must be configured per CPU. All four modules are active and full capacity can be used.

Configuration: minimum 4 memory module or 8 memory module or 12 memory modules per CPU

BIOS preconfiguration for Mirror mode. Four identical memory modules are always equipped in one memory bank to use the mirrored channel mode. Only two modules contain active data, the remain two modules contain mirrored data.

Configuration: minimum 4 memory module or 8 memory module or 12 memory modules per CPU



Resulting memory capacity / Rank Sparing Mode, 1 Channel populated										
	RDIMM						LRDIMM			
	8GB	1R	16GB	2R	32GB	2R	32GB	4R	64GB	4R
1DPC							24GB		48GB	
2DPC	8GB		24GB		48GB		56GB		112GB	
3DPC	16GB		40GB		80GB		88GB		176GB	

Registered Memory (RDIMM) with SDDC (chipkill) and ECC support

8GB (1x8GB) 1Rx4 DDR4-2133 R ECC	single rank	S26361-F3843-E514	S26361-F3843-L514
16GB (1x16GB) 2Rx4 DDR4-2133 R ECC	Dual rank	S26361-F3843-E516	S26361-F3843-L516
32GB (1x32GB) 2Rx4 DDR4-2133 R ECC	Dual rank	S26361-F3843-E517	S26361-F3843-L517

Registered Memory (RDIMM) without SDDC and ECC support

8GB (1x8GB) 2Rx8 DDR4-2133 R ECC	Dual rank	S26361-F3843-E515	S26361-F3843-L515
----------------------------------	-----------	-------------------	-------------------

Load Reduced Memory (LRDIMM) with SDDC (chipkill) and ECC support

32GB (1x32GB) 4Rx4 DDR4-2133 LR ECC	Quad rank	S26361-F3844-E517	S26361-F3844-L517
64GB (1x64GB) 4Rx4 DDR4-2133 LR ECC	Quad rank	S26361-F3844-E518	S26361-F3844-L518

D

Detailed information

Mode	Configuration	RDIMM	RDIMM	Use case, advantage
			LRDIMM	
		x8	x4	
SDDC (chipkill) support	any	no	yes	supports detecting multi-bit errors
Independant channel mode	1, 2 or 3 Modules per Bank	yes	yes	offers max. flexibility, upgradeability, capacity
Mirrored channel mode *)	4 identical Modules / Bank	no	yes	offers maximum security
Performance mode	4 identical Modules / Bank	yes	yes	offers maximum performance and capacity
Rank sparing mode *)	min. 2 Ranks / Channel	no	yes	balances performance and capacity

*) For the delivery ex factory the system will be prepared with dedicated BIOS setting.

Capacity	Configuration	RDIMM	LRDIMM	Notes
Min. Memory per CPU	1 Module / CPU	1x8GB	1x32GB	with one CPU
Max. Memory per CPU	12 Modules / CPU	12x32GB	12x64GB	with one CPU
Max. Memory per System	24 Modules / System	768GB	1536GB	if second CPU is configured

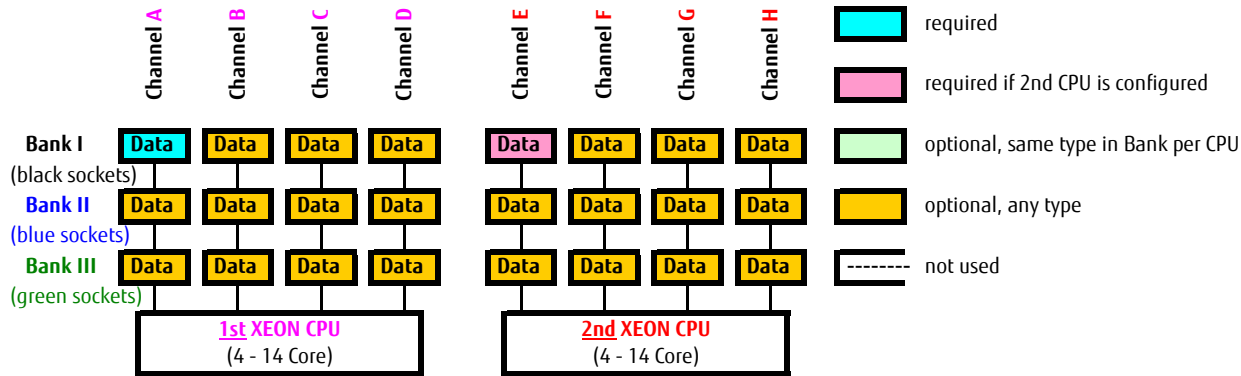
Max. DDR4 memory speed depends on the memory configuration (DIMM per channel) and the type of CPU. The memory channel with the lowest speed defines the speed of all CPU channels in the system

Mem. Speed provided by CPU	Maximum memory-bus speed [MHz]					
	RDIMM 2133MHz			LRDIMM 2133MHz		
Type of Memory						
Voltage setting (BIOS)	1.2V					
CPU type \ Dimm per channel	1 DPC*	2 DPC	3 DPC	1 DPC	2 DPC	3 DPC
CPU with 2133MHz DDR4 Bus	2 133	2 133	1 600	2 133	2 133	1 600
CPU with 1866MHz DDR4 Bus	1 866	1 866	1 600	1 866	1 866	1 600
CPU with 1600MHz DDR4 Bus	1 600	1 600	1 600	1 600	1 600	1 600

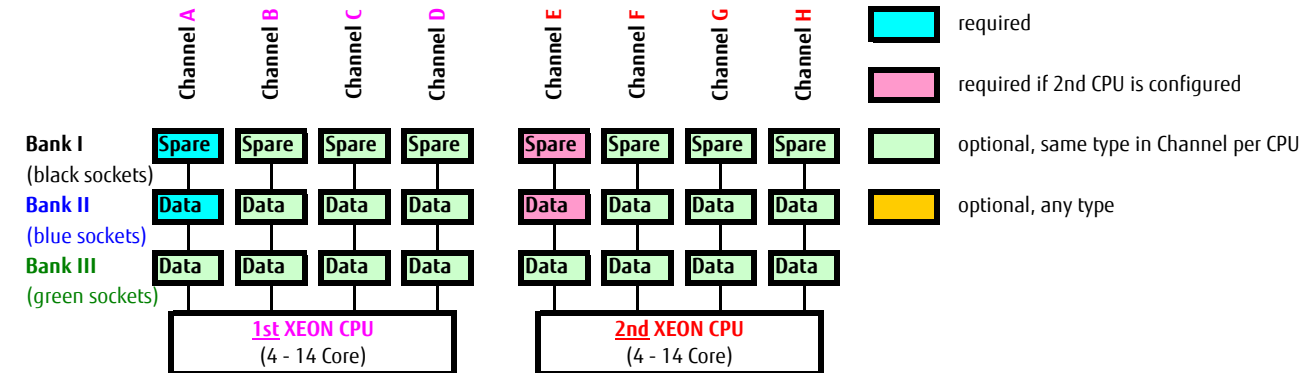
The memory sockets on the Systemboards are color coded

Bank I	black sockets	Bank II	blue sockets	Bank III	green sockets
---------------	---------------	----------------	--------------	-----------------	---------------

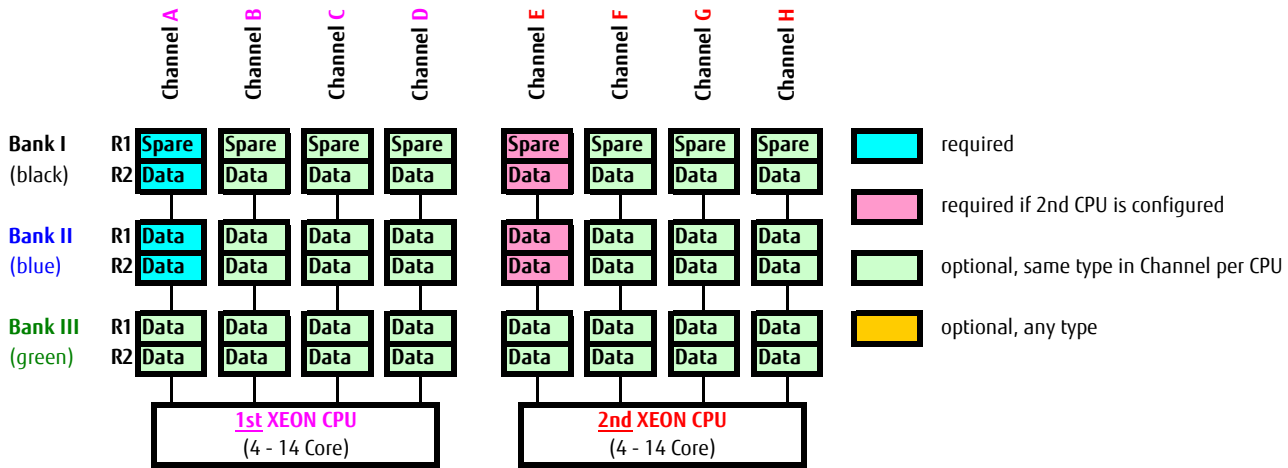
Independant channel mode



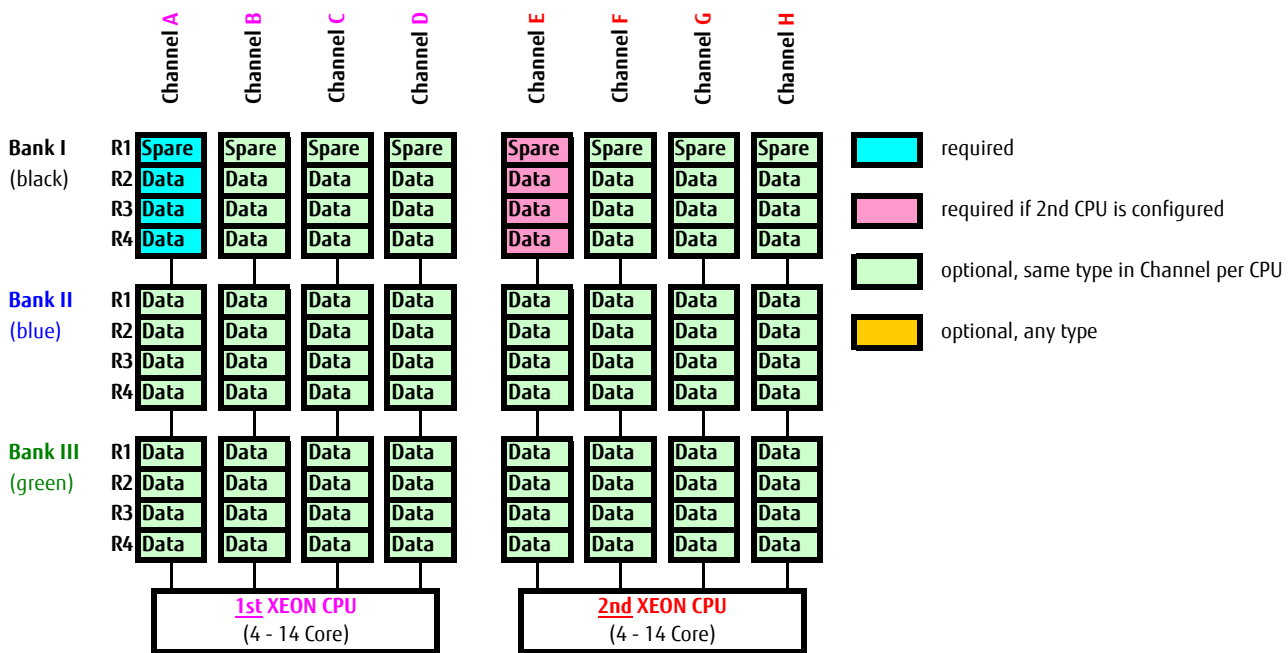
Rank sparing mode --- 1-Rank Memory modules (R-DIMM)



Rank sparing mode --- 2-Rank Memory modules (R-DIMM)

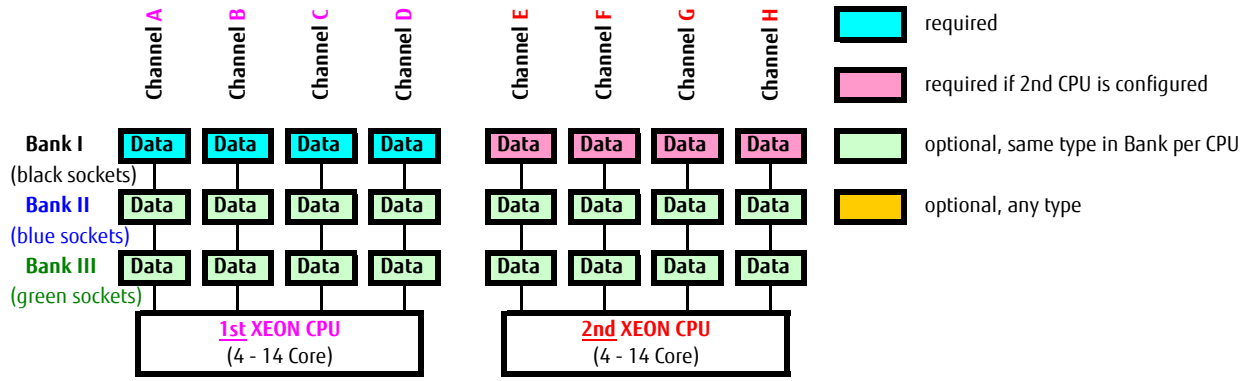


Rank sparing mode --- 4-Rank Memory modules (LR-DIMM)

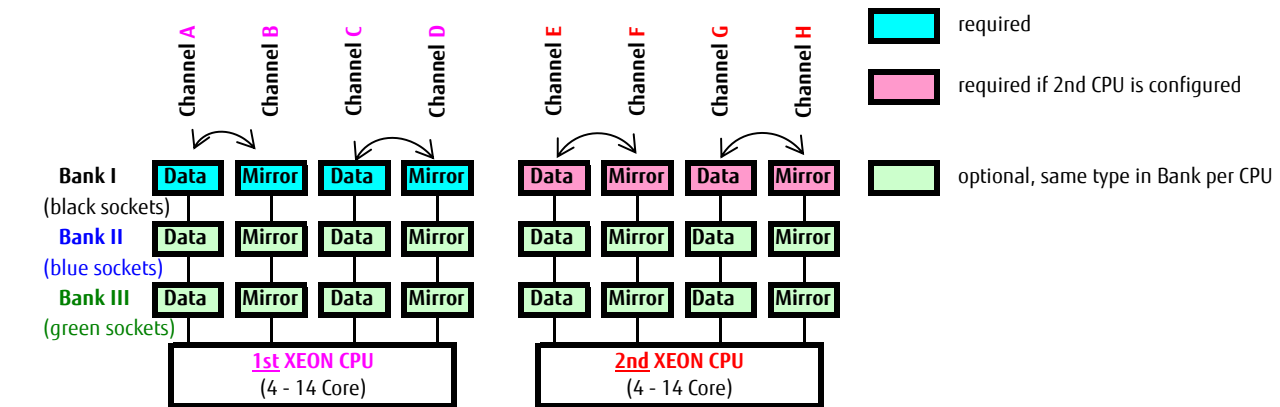


Rank Sparing Mode requires identical modules (same capacity and technology) within the same channel. The available memory for applications will vary depending on configuration. Please refer to the spreadsheet above "Effective Memory capacity with active Rank Sparing Mode". Population rule for Rank sparing mode is to achieve max. available memory, e.g. 6 DIMMs will be spread across two channels, each with 3DPC

Performance Channel Mode

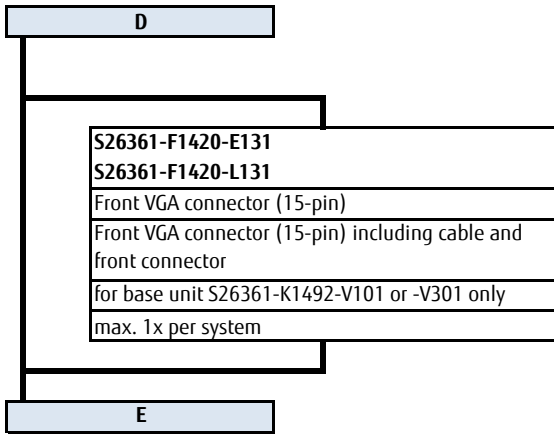


Mirror Channel Mode

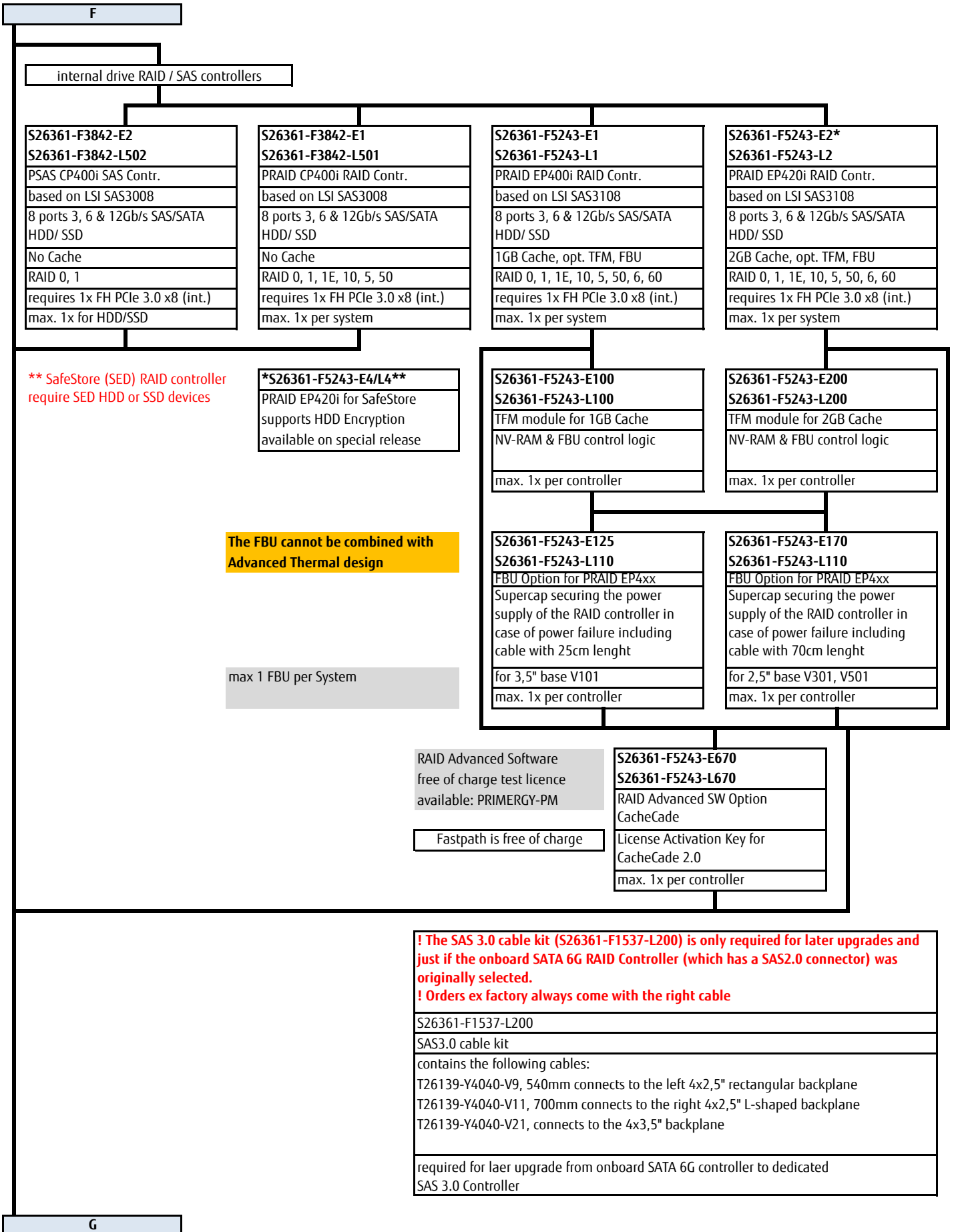


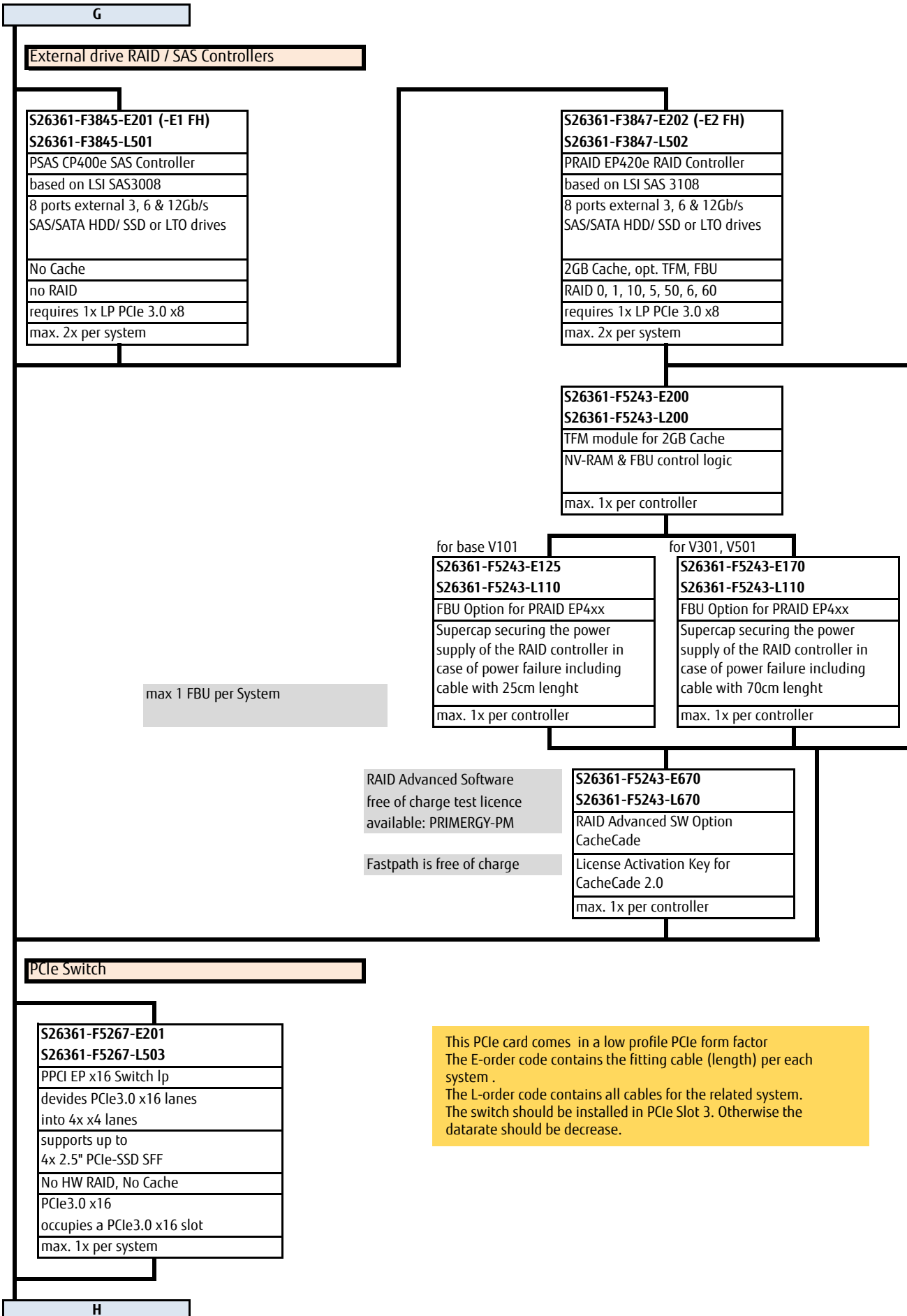
Mirrored Channel Mode requires identical modules on channel A,B, C, D (1st CPU) or channel E, F, G and H (2nd CPU) 50% of the capacity is used for the mirror => the available memory for applications is only half of the installed memory. If this mode is used, a multiple of 4 identical modules has to be ordered.

Chapter 5 - Graphics options



Chapter 7 - SAS / RAID Controller

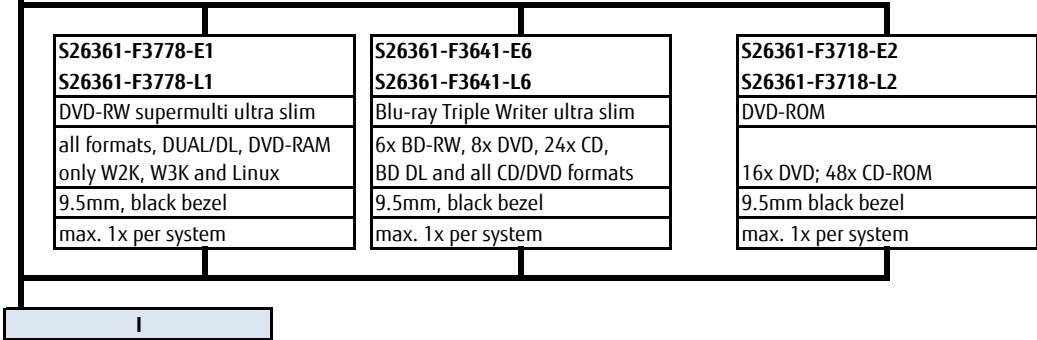




Chapter 8 - ODD optical disk drives

The base units with up to 8x HDD offer 1x 9.5mm optical drive bay

H
Config with 1x 9.5mm bay



Chapter 10 - storage drives

I

Currently, BC SAS/ BC SATA drives can not be mixed with SAS/SATA drives without restrictions. This affects V301 and V501 versions. It is possible, though, to apply a mixture between those types of following rules are obeyed: Even numbers (2,4,6,8) of BC SATA or BC SAS drives can be mixed with any number of non-BC drives. (in V301, also 7 of 8 slots can be BC SAS or BC SATA). Until further notice, in case our customer requires a drive mix as permitted above, unfortunately it can only be served via special release. SAS drives and SATA drives can be mixed, but cannot be used in one logical RAID volume. SATA drives can be connected to the onboard Controller (max. 8x), SAS drives require a dedicated SAS / RAID Controller
 Hard Disk Sector Format
 512n HDD: 512 byte sectors on the drive media.

2.5" PCIe-SSD, SSD and SATADOM

2.5" PCIe-SSD's require the PCIe switch S26361-F5267-E201/L503

PCIe-SSD 2.5" (SFF) with hot plug/hot replace tray									
capacity	Formfactor	Interface	read	write	latency	Endurance	dwpd (5y)	order code E-part	order code L-part
800GB	2.5" (SFF)	Gen 3 x4			20µs	mainstream	10	S26361-F5534-E800	S26361-F5534-L800
1.6TB	2.5" (SFF)	Gen 3 x4			20µs	mainstream	10	S26361-F5534-E161	S26361-F5534-L161
2.0TB	2.5" (SFF)	Gen 3 x4			20µs	mainstream	10	S26361-F5534-E201	S26361-F5534-L201

only possible in RX2530 M1 with "up to 10x HDD/SSD", S26361-K1492-V501; max. 4x PCIe-SSD per system.

SSD SAS 2.5" (SFF) Enterprise performance with hot plug/hot replace tray									
capacity	Formfactor	Interface	read	write	latency	Endurance	dwpd (5y)	order code E-part	order code L-part
200GB	2.5" (SFF)	12GBit/s				mainstream	10	S26361-F5298-E200	S26361-F5298-L200
400GB	2.5" (SFF)	12GBit/s	as long as in stock			mainstream	10	S26361-F5298-E400	S26361-F5298-L400
800GB	2.5" (SFF)	12GBit/s				mainstream	10	S26361-F5298-E800	S26361-F5298-L800
1.6TB	2.5" (SFF)	12GBit/s	as long as in stock			mainstream	10	S26361-F5298-E160	S26361-F5298-L160
400GB *)	2.5" (SFF)	12GBit/s	as soon as available			mainstream	10	S26361-F5608-E400	S26361-F5608-L400
800GB *)	2.5" (SFF)	12GBit/s	as soon as available			mainstream	10	S26361-F5608-E800	S26361-F5608-L800

max. 10x - depending on base unit & configuration
 *) only possible in RX2530 M1 base unit (S26361-K1492-V302)

SSD SATA 2.5" (SFF) Enterprise performance with hot plug/hot replace tray									
capacity	Formfactor	Interface	read	write	latency	Endurance	dwpd (5y)	order code E-part	order code L-part
100GB	2.5" (SFF)	6GBit/s				mainstream	10	S26361-F3821-E100	S26361-F3821-L100
400GB	2.5" (SFF)	6GBit/s				mainstream	10	S26361-F3821-E400	S26361-F3821-L400
800GB	2.5" (SFF)	6GBit/s				mainstream	10	S26361-F3821-E800	S26361-F3821-L800

max. 10x - depending on base unit & configuration

SSD SATA 2.5" (SFF) Enterprise Read-Intensive with hot plug/hot replace tray									
capacity	Formfactor	Interface	read	write	latency	Endurance	dwpd (5y)	order code E-part	order code L-part
120GB	2.5" (SFF)	6GBit/s				read intensive	0.3	S26361-F5525-E120	S26361-F5525-L120
240GB	2.5" (SFF)	6GBit/s				read intensive	0.3	S26361-F5525-E240	S26361-F5525-L240
480GB	2.5" (SFF)	6GBit/s				read intensive	0.3	S26361-F5525-E480	S26361-F5525-L480
800GB	2.5" (SFF)	6GBit/s				read intensive	0.3	S26361-F5525-E800	S26361-F5525-L800

max. 10x - depending on base unit & configuration

SATA DOM Non volatile storage drive for booting									
capacity	FF	Interface	read	write	latency	Endurance	dwpd (5y)	order code E-part	order code L-part
32GB	DOM	6GBit/s				86 TBW (Seq. write)		S26361-F5522-E32	S26361-F5522-L32
64GB	DOM	6GBit/s				172 TBW (Seq. write)		S26361-F5522-E64	S26361-F5522-L64
128GB	DOM	6GBit/s				345 TBW (Seq. write)		S26361-F5522-E128	S26361-F5522-L128

SATADOM is designed for use as a boot drive with the Endurance Spec. above.
 max. 1x per Server; connector located on Motherboard (please see folder "description"). Vmware is not supported.

J

J

2.5" (SFF) Hard drives

HDD SAS 2.5" 7.2K (SFF) Business critical with hot plug/hot replace tray									
capacity	RPM	Interface	Cache	sector				order code E-part	order code L-part
500GB	7 200	6GBit/s	64MB	512n				S26361-F3817-E500	*)
1.0TB	7 200	6GBit/s	64MB	512n				S26361-F3817-E100	*)

*) L-part support by special release request only (depending on base unit revision)
 For mixed use of SAS-HDD with BC-SAS / BC-SATA-HDD the HDD population order fixed in the user manual must be followed!
 max. 2/4x or 8x - depending on base unit & configuration

512e HDDs as soon as available

HDD SAS 2.5" 10K (SFF) Enterprise performance with hot plug/hot replace tray									
capacity	RPM	Interface	Cache	sector				order code E-part	order code L-part
300GB	10 000	6GBit/s	64MB	512n				S26361-F3818-E130	S26361-F3818-L130
600GB	10 000	6GBit/s	64MB	512n				S26361-F3818-E160	S26361-F3818-L160
900GB	10 000	6GBit/s	64MB	512n				S26361-F3818-E190	S26361-F3818-L190
1.2TB	10 000	6GBit/s	64MB	512n				S26361-F3818-E112	S26361-F3818-L112
300GB	10 000	12GBit/s	128MB	512n				S26361-F5550-E130	S26361-F5550-L130
600GB	10 000	12GBit/s	128MB	512n				S26361-F5550-E160	S26361-F5550-L160
900GB	10 000	12GBit/s	128MB	512n				S26361-F5550-E190	S26361-F5550-L190
1.2TB	10 000	12GBit/s	128MB	512n				S26361-F5550-E112	S26361-F5550-L112
450GB	10 000	12GBit/s	128MB	512e				S26361-F5543-E145	S26361-F5543-L145
600GB	10 000	12GBit/s	128MB	512e				S26361-F5543-E160	S26361-F5543-L160
900GB	10 000	12GBit/s	128MB	512e				S26361-F5543-E190	S26361-F5543-L190
1.2TB	10 000	12GBit/s	128MB	512e				S26361-F5543-E112	S26361-F5543-L112
1.8TB	10 000	12GBit/s	128MB	512e				S26361-F5543-E118	S26361-F5543-L118

max. 10x - depending on base unit & configuration. No Vmware support for 512e HDDs.

600GB as soon as available

HDD SAS 2.5" 15K (SFF) Enterprise performance with hot plug/hot replace tray									
capacity	RPM	Interface	Cache	sector				order code E-part	order code L-part
146GB	15 000	6GBit/s	32MB	512n				S26361-F3818-E514	S26361-F3818-L514
300GB	15 000	12GBit/s	128MB	512n				S26361-F5531-E530	S26361-F5531-L530
450GB	15 000	12GBit/s	128MB	512n				S26361-F5531-E545	S26361-F5531-L545
600GB	15 000	12GBit/s	128MB	512n				S26361-F5531-E560	S26361-F5531-L560

max. 10x - depending on base unit & configuration

HDD SATA 2.5" 7.2K (SFF) Business critical with hot plug/hot replace tray									
capacity	RPM	Interface	Cache	sector				order code E-part	order code L-part
250GB	7 200	6GBit/s	64MB	512n				S26361-F3816-E250	*)
500GB	7 200	6GBit/s	64MB	512n				S26361-F3816-E500	*)
1.0TB	7 200	6GBit/s	64MB	512n				S26361-F3816-E100	*)

*) L-part support by special release request only (depending on base unit revision)
 For mixed use of SAS-HDD with BC-SAS / BC-SATA-HDD the HDD population order fixed in the user manual must be followed!
 max. 2/4x or 8x - depending on base unit & configuration

K

K

3.5" (LFF) Hard drives

SSD SAS 3.5" (LFF) Enterprise performance with hot plug/hot replace tray

capacity	Formfactor	SAS 12G			Endurance	fwpd (5y)	order code E-part	order code L-part
200GB	3.5" (LFF)	SAS 3.0			mainstream	10	S26361-F5320-E200	S26361-F5320-L200
400GB	3.5" (LFF)	SAS 3.0			mainstream	10	S26361-F5320-E400	S26361-F5320-L400
800GB	3.5" (LFF)	SAS 3.0			mainstream	10	S26361-F5320-E800	S26361-F5320-L800
1.6TB	3.5" (LFF)	SAS 3.0			mainstream	10	S26361-F5320-E160	S26361-F5320-L160

only possible in RX2530 M1 base unit with up to 4x3.5" HDD (S26361-K1492-V101) max. 4x HDD

SSD SATA 3.5" (LFF) Enterprise performance with hot plug/hot replace tray

capacity	Formfactor	SATA 6G			Endurance	fwpd (5y)	order code E-part	order code L-part
100GB	3.5" (LFF)	6GBit/s			mainstream	10	S26361-F5289-E100	S26361-F5289-L100
200GB	3.5" (LFF)	6GBit/s			mainstream	10	S26361-F5289-E200	S26361-F5289-L200
400GB	3.5" (LFF)	6GBit/s			mainstream	10	S26361-F5289-E400	S26361-F5289-L400
800GB	3.5" (LFF)	6GBit/s			mainstream	10	S26361-F5289-E800	S26361-F5289-L800

only possible in RX2530 M1 base unit with up to 4x3.5" HDD (S26361-K1492-V101) max. 4x HDD

SSD SATA 3.5" (LFF) Enterprise Read-Intensive with hot plug/hot replace tray

capacity	Formfactor	SATA 6G			Endurance	fwpd (5y)	order code E-part	order code L-part
120GB	3.5" (LFF)	6GBit/s			read intensive	0.3	S26361-F5530-E120	S26361-F5530-L120
240GB	3.5" (LFF)	6GBit/s			read intensive	0.3	S26361-F5530-E240	S26361-F5530-L240
480GB	3.5" (LFF)	6GBit/s			read intensive	0.3	S26361-F5530-E480	S26361-F5530-L480
800GB	3.5" (LFF)	6GBit/s			read intensive	0.3	S26361-F5530-E800	S26361-F5530-L800

only possible in RX2530 M1 base unit with up to 4x3.5" HDD (S26361-K1492-V101) max. 4x HDD

HDD SAS 3.5" 10K (LFF) Enterprise 2.5" HDD performance with 3.5" hot plug/hot replace tray

capacity	RPM	SAS	Cache	sector			order code E-part	order code L-part
300GB	10 000	12GBit/s	128MB	512n		as soon as available	S26361-F5568-E130	S26361-F5568-L130
600GB	10 000	12GBit/s	128MB	512n		as soon as available	S26361-F5568-E160	S26361-F5568-L160
1.2TB	10 000	12GBit/s	128MB	512n		as soon as available	S26361-F5568-E112	S26361-F5568-L112
1.8TB	10 000	12GBit/s	128MB	512e		as soon as available	S26361-F5569-E118	S26361-F5569-L118

only possible in RX2530 M1 base unit with up to 4x3.5" HDD (S26361-K1492-V101) max. 4x HDD

HDD SAS 3.5" 15K (LFF) Enterprise performance with hot plug/hot replace tray

capacity	RPM	SAS	Cache	sector			order code E-part	order code L-part
300GB	15 000	12GBit/s	128MB	512n			S26361-F5532-E530	S26361-F5532-L530
450GB	15 000	12GBit/s	128MB	512n			S26361-F5532-E545	S26361-F5532-L545
600GB	15 000	12GBit/s	128MB	512n			S26361-F5532-E560	S26361-F5532-L560

only possible in RX2530 M1 base unit with up to 4x3.5" HDD (S26361-K1492-V101) max. 4x HDD

HDD SAS 3.5" 7.2K (LFF) business critical with hot plug/hot replace tray

capacity	RPM	SAS 6G	Cache	sector			order code E-part	order code L-part
1TB	7 200	6GBit/s	32MB	512n			S26361-F3820-E100	S26361-F3820-L100
2TB	7 200	6GBit/s	32MB	512n			S26361-F3820-E200	S26361-F3820-L200
3TB	7 200	6GBit/s	32MB	512n			S26361-F3820-E300	S26361-F3820-L300
4TB	7 200	6GBit/s	32MB	512n			S26361-F3820-E400	S26361-F3820-L400

only possible in RX2530 M1 base unit with up to 4x3.5" HDD (S26361-K1492-V101) max. 4x HDD

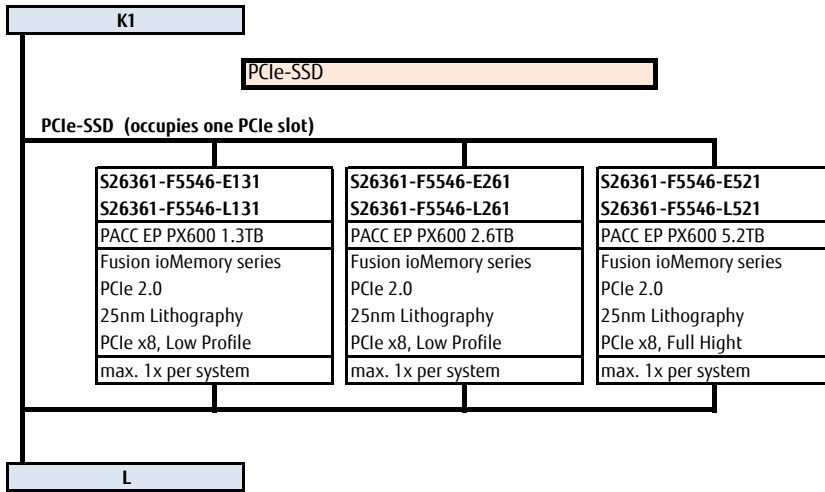
512e HDDs as soon as available

HDD SATA 3.5" 7.2K (LFF) business critical with hot plug/hot replace tray. No VMware support for 512e HDDs.

capacity	RPM	S-ATA	Cache	sector			order code E-part	order code L-part
1TB	7 200	6GBit/s	64MB	512n			S26361-F3815-E100	S26361-F3815-L100
2TB	7 200	6GBit/s	64MB	512n			S26361-F3815-E200	S26361-F3815-L200
3TB	7 200	6GBit/s	64MB	512n			S26361-F3815-E300	S26361-F3815-L300
4TB	7 200	6GBit/s	64MB	512n			S26361-F3815-E400	S26361-F3815-L400
2TB	7 200	6GBit/s		512e			S26361-Fxxxx-E200	S26361-Fxxxx-L200
4TB	7 200	6GBit/s		512e			S26361-Fxxxx-E400	S26361-Fxxxx-L400
6TB	7 200	6GBit/s	128MB	512e			S26361-F3904-E600	S26361-F3904-L600

only possible in RX2530 M1 base unit with up to 4x3.5" HDD (S26361-K1492-V101) max. 4x HDD

K1



Chapter 11 - LAN Components

L

Dynamic LoM interface cards

one DynamicLoM order code is mandatory

Interface card to provide the external connectors for on-board LAN				
PLAN EM blind panel	Blind panel if no DynamicLoM	S26361-F5302-E100	n/a	
PLAN EM 2x1Gb T interface card	2x RJ45 plug for 1000BASE-T	S26361-F5302-E201	S26361-F5302-L201	
PLAN EM 4x1Gb T interface card	4x RJ45 plug for 1000BASE-T	S26361-F5302-E401	S26361-F5302-L401	
PLAN EM 2x10Gb T interface card	2x RJ45 plug for 10GBASE-T	S26361-F5302-E210	S26361-F5302-L210	
PLAN EM 2x10Gb SFP interface card	2x SFP+ plugs for twinax or modules for SFP modules and cables see link	S26361-F5302-E211	S26361-F5302-L211	

required 1x per system

1Gb Ethernet network components

Max. 3x LAN Controller per System (configuration of different Contr. possible)

1Gb Ethernet controller with RJ45 interface (1000BASE-T)

PLAN CP 2x1Gbit Cu Intel I350-T2 LP	3x	2 port, Intel	S26361-F4610-E202	S26361-F4610-L502
PLAN CP 4x1Gbit Cu Intel I350-T4 LP	3x	4 port, Intel	S26361-F4610-E204	S26361-F4610-L504

max. 3 Controller per system

10Gb Ethernet network components

10Gb Ethernet controller with RJ45 interface (10GBASE-T)

Eth Ctrl 2x10GBase-T PCIe x8 X540-T2 LP	2x	2 port NIC, Intel	S26361-F3752-E202	S26361-F3752-L502
PLAN EP X550-T2 2x10GBASE-T LP	2x	2 port NIC, Intel	S26361-F3948-E202	S26361-F3948-L502
PLAN EP OCe14102 2x 10GBase-T LP	2x	2 port NIC with RDMA, Emulex	S26361-F5557-E201	S26361-F5557-L501

10Gb Ethernet controller with SFP+ interface (for SFP+ modules or twinax cables, Fujitsu / Intel based)

Eth Ctrl 2x10Gbit PCIe x8 D2755 SFP+ LP	2x	2 port NIC, Intel 82599 based	S26361-F3629-E202	S26361-F3629-L502
PLAN EP X710-DA2 2x10Gb SFP+ LP	2x	2 port NIC, Intel	S26361-F3640-E202	S26361-F3640-L502

optional 10Gb SFP+ module with LC connector for Fujitsu / Intel based controller

SFP+ Module MMF 10GbE LC	2x	MMF / SR SFP+ module, up to 400m	S26361-F3986-E3	S26361-F3986-L3
SFP+ Module SMF 10GbE LC	2x	SMF / LR SFP+ module, up to 10km	S26361-F3986-E4	S26361-F3986-L4
Twinax Anschlussplatz Primergy	2x	virtual connector for twinax cables	V:TWX CONNECTOR-PY	
SFP+ active Twinax Cable Fujitsu	2x	customized cable length	S26361-F3989-E600	see table at the bottom of this page
SFP+ active Twinax Cable Brocade	2x	(best fitting cable length is defined during rack installation at the factory)	S26361-F3873-E500	
SFP+ passive Twinax Cable Cisco	2x		S26361-F4571-E500	

max. 2x SFP+ or Twinax Cable per controller

10Gb Ethernet controller with SFP+ interface (for SFP+ modules or twinax cables, Emulex)

PLAN EP OCe14102 2x10Gb LP	2x	2 port NIC with RDMA, Emulex	S26361-F5536-E202	S26361-F5536-L502
PCNA EP OCe14102 2x 10Gb LP	2x	2 port CNA with FCoE & RDMA, Emulex	S26361-F5250-E201	S26361-F5250-L501
PCNA EP OCe14102 2x 10Gb DMF LP	1x	2 port CNA with DMF for PAN, Emulex	S26361-F5250-E210	S26361-F5250-L510

optional 10Gb SFP+ module with LC connector for Emulex controller

PCNA SFP+ MMF Modul OCe14102	2x	MMF / SR SFP+ module, up to 400m	S26361-F5250-E110	S26361-F5250-E110
Twinax Anschlussplatz Primergy	2x	virtual connector for twinax cables	V:TWX CONNECTOR-PY	
SFP+ active Twinax Cable Fujitsu	2x	customized cable length	S26361-F3989-E600	see table at the bottom of this page
SFP+ active Twinax Cable Brocade	2x	(best fitting cable length is defined during rack installation at the factory)	S26361-F3873-E500	
SFP+ passive Twinax Cable Cisco	2x		S26361-F4571-E500	

max. 2 Controller per system

special release only; max 1 controller

as soon as available

40Gb Ethernet controller with QSFP+ interface (for QSFP+ modules or twinax cables, Emulex)

PCNA EP OCe14401 1x 40Gb LP	1x	2x QSFP+ plugs for twinax or modules	S26361-F5539-E201	S26361-F5539-L501
-----------------------------	----	--------------------------------------	-------------------	-------------------

optional 40Gb QSFP+ module with MTO connector for Emulex controller

SFP+ Module MMF 10GbE LC	1x	MMF / SR SFP+ module, up to 400m	S26361-F5539-E140	S26361-F5539-L140
Twinax Anschlussplatz Primergy	1x	virtual connector for twinax cables	V:TWX CONNECTOR-40	
QSFP+ active Twinax Cable	1x	customized cable length	S26361-F3986-E400	see table at the bottom of this page
QSFP+ aktives Twinax Kabel Brocade	1x	(best fitting cable length is defined during rack installation at the factory)	S26361-F5317-E40	

max. 1x QSFP+ or Twinax Cable per controller

max. 2 Controller per system

Network cables for later upgrade

Fujitsu active SFP+ Twinax 10Gb cable		Fujitsu QSFP+ / QSFP+ Twinax 40Gb cable	
SFP+ active Twinax Cable Fujitsu 2m	S26361-F3989-L102	QSFP+ passive Twinax Cable Fujitsu 2m	S26361-F3986-L402
SFP+ active Twinax Cable Fujitsu 5m	S26361-F3989-L105	QSFP+ passive Twinax Cable Fujitsu 5m	S26361-F3986-L405
SFP+ active Twinax Cable Fujitsu 10m	S26361-F3989-L110	QSFP+ active Twinax Cable Fujitsu 10m	S26361-F3986-L410
Brocade active SFP+ Twinax 10Gb cable		Brocade active QSFP+ / QSFP+ Twinax 40Gb cable	
SFP+ active Twinax Cable Brocade 1m	S26361-F3873-L501	QSFP+ active Twinax Cable Brocade 1m	S26361-F5317-L41
SFP+ active Twinax Cable Brocade 3m	S26361-F3873-L503	QSFP+ active Twinax Cable Brocade 3m	S26361-F5317-L43
SFP+ active Twinax Cable Brocade 5m	S26361-F3873-L505	QSFP+ active Twinax Cable Brocade 5m	S26361-F5317-L45
Cisco passive SFP+ Twinax 10Gb Ethernet		Brocade active QSFP+ / 4xSFP+ Twinax 40Gb cable	
SFP+ passive Twinax Cable Cisco 1m	S26361-F4571-L101	QSFP+/4xSFP+ Breakout Cable Brocade 1m	S26361-F5317-L401
SFP+ passive Twinax Cable Cisco 3m	S26361-F4571-L103	QSFP+/4xSFP+ Breakout Cable Brocade 3m	S26361-F5317-L403
SFP+ passive Twinax Cable Cisco 5m	S26361-F4571-L105	QSFP+/4xSFP+ Breakout Cable Brocade 5m	S26361-F5317-L405
SFP+ active Twinax Cable Cisco 7m	S26361-F4571-L107	4x10GE Direct QSFP-4SFP Cable, 10m, 1-pack	D:QSFP-4SFP-AOC10L
SFP+ active Twinax Cable Cisco 10m	S26361-F4571-L110		

Chapter 12 - Fibre Channel Controller

Max. 3x FC Controller per System (configuration of different Controllers possible)

S26361-F3631-E201 S26361-F3631-L201 FC Ctrl 8Gb/s 1 ch. QLE2560 MMF Qlogic QLE2560 1 channel 8Gbit/s FC Controller LC Interface for 50µm Fibre PCIe Gen2 x8 low profile bracket max. 3x per system	S26361-F3631-E202 S26361-F3631-L202 FC Ctrl 8Gb/s 2 ch. QLE2562 MMF Qlogic QLE2562 2 channel 8Gbit/s FC Controller LC Interface for 50µm Fibre PCIe Gen2 x8 low profile bracket max. 3x per system	S26361-F3961-E201 S26361-F3961-L201 FC Ctrl 8Gb/s 1 ch. LPe1250 MMF Emulex LPe1250 1 channel 8Gbit/s FC Controller LC Interface for 50µm Fibre PCIe Gen2 x8 low profile bracket max. 3x per system	S26361-F3961-E202 S26361-F3961-L202 FC Ctrl 8Gb/s 1 ch. LPe12002 MMF Emulex LPe12002 2 channel 8Gbit/s FC Controller LC Interface for 50µm Fibre PCIe Gen2 x8 low profile bracket max. 3x per system
S26361-F5313-E201 S26361-F5313-L501 PFC EP QLE2670 1x 16Gb Qlogic QLE2670 1 channel 16Gbit/s FC Controller LC Interface for 50µm Fibre PCIe Gen3 x8 low profile bracket max. 3x per system	S26361-F5313-E202 S26361-F5313-L502 PFC EP QLE2672 2x 16Gb Qlogic QLE2672 2 channel 16Gbit/s FC Controller LC Interface for 50µm Fibre PCIe Gen3 x8 low profile bracket max. 3x per system	S26361-F4994-E201 S26361-F4994-L501 PFC EP LPe16000 1x 16Gb Emulex LPe16000 1 channel 16Gbit/s FC Controller LC Interface for 50µm Fibre PCIe Gen3 x8 low profile bracket max. 3x per system	S26361-F4994-E202 S26361-F4994-L502 PFC EP LPe16002 2x 16Gb Emulex LPe16002 2 channel 16Gbit/s FC Controller LC Interface for 50µm Fibre PCIe Gen3 x8 low profile bracket max. 3x per system

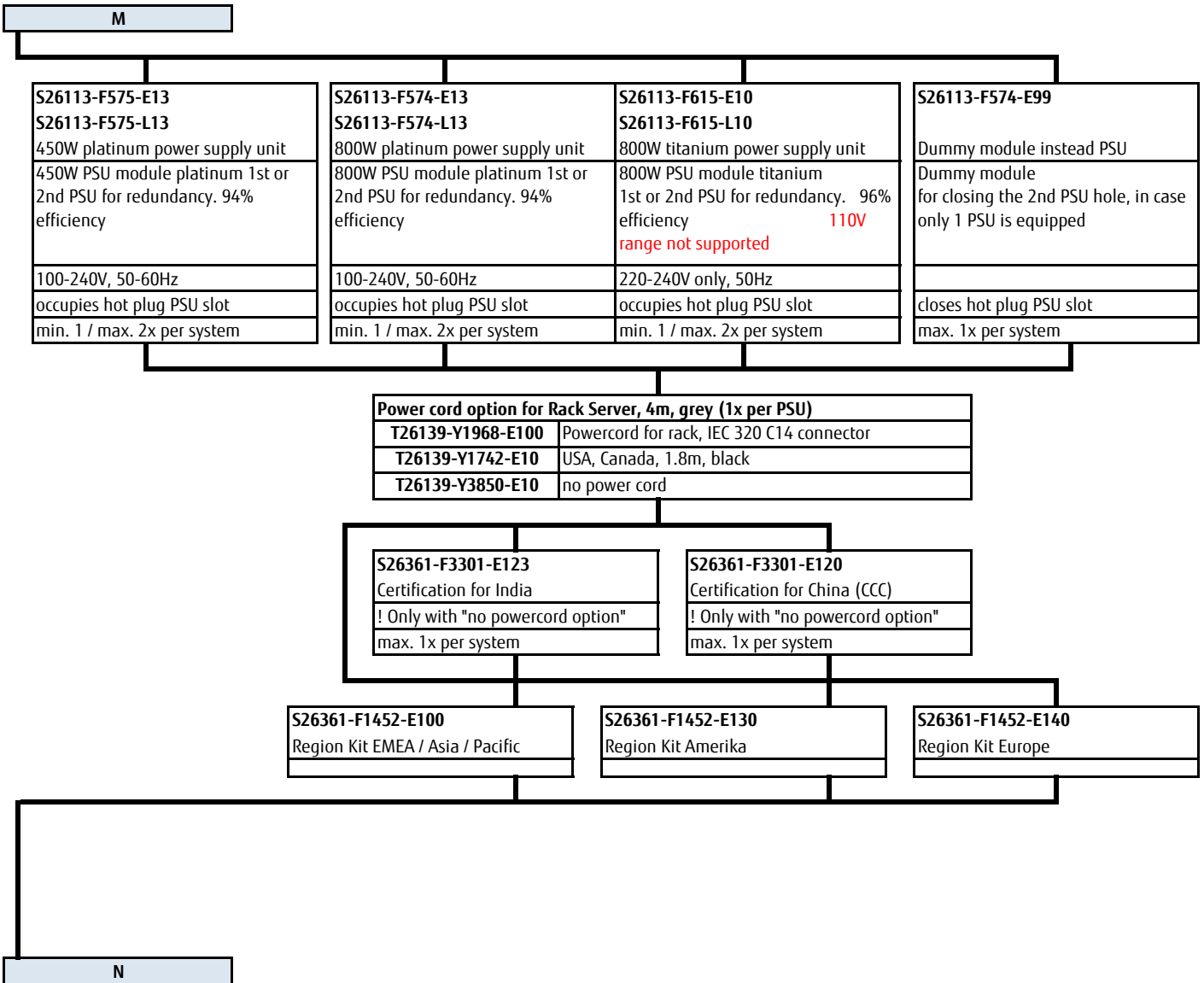
Chapter 13 - Infiniband Controllers

S26361-F4475-E122/E222 S26361-F4475-L122/L222 PIB EP QLE7340e/ 7342e Intel IB HCA 1x/2x 40Gb PCIe Gen2 (5GT/s) 1x / 2x Q-SFP+ connector PCIe Gen2 x8 low profile Card, 170mm max. 2x per system	S26361-F4475-E103/E203 S26361-F4475-L103/L203 IB HCA 40Gb 1 / 2channel QDR 40Gbit 1 / 2channel Infiniband Controller QDR technology (8.0GT/s) 1x / 2x Q-SFP+ connector PCIe Gen3 x8 low profile Card, 170mm max. 2x per system	S26361-F4533-E102/E202 S26361-F4533-L102/L202 IB HCA 56Gb 1 / 2channel FDR 56Gbit 1 / 2channel Infiniband Controller FDR technology (8.0GT/s) 1x / 2x Q-SFP+ connector PCIe Gen3 x8 low profile Card, 170mm max. 2x per system	S26361-F5540-E102/E202 S26361-F5540-L102/L202 IB HCA 100Gb 1 / 2channel EDR 100Gbit 1 / 2channel Infiniband Controller EDR technology (8.0GT/s) 1x / 2x Q-SFP+ connector PCIe Gen3 x8 low profile Card, 170mm max. 2x per system	
S26361-F3996-E203 Intel IB Cu Cable 40Gb QSFP, 3m max. 1/ 2x per Controller	S26361-F3996-E210 Intel IB FO Cable 40Gb QSFP, 10m max. 1/ 2x per Controller	S26361-F3996-E556 IB Cu Cable 56Gb QSFP, 1 or 3m max. 1/ 2x per Controller	S26361-F3996-L561 QSFP, 1m S26361-F3996-L563 QSFP, 3m	S26361-F5549-E561/-E563 IB Cu Cable 100Gb QSFP, 1 or 3m max. 1/ 2x per Controller

M

Max. 2x IB Controller per System (configuration of different Controllers possible)

Chapter 14 - Power supply unit, power cable, country specific options



Chapter 15 - Accessories

N

<http://www.fujitsu.com/de/products/computing/peripheral/accessories/>

USB sticks (FOR PROJECTS ONLY) - no standard release

ADATA USB 3.0 Flash Stick UE700 - 32GB	S26391-F6048-L332
ADATA USB 3.0 Flash Stick UE700 - 64GB	S26391-F6048-L364

external optical drives: very low request --> no standard offer

0



Chapter 16 - others

0

S26361-F1790-E243
S26361-F1790-L244
iRMC S4 advanced pack
integrated remote Management controller activation key for graphical console redirection and remote media redirection
max. 1x per system

S26361-F3776-E101
Cool-safe [®] Advanced Thermal design
enables the PRIMERGY Server to cope with temperatures from 5-40° in operating mode due to extended Fan settings
this setting can be activated ex factory only
max. 1x per system

Advanced Thermal design cannot be combined with the Flash backup unit of the RAID controllers

S26361-F3552-E6
S26361-F3552-L6
TPM Module
TPM module
max. 1x per system

S26361-F3120-E3
S26361-F3120-L3
serial port (RS232)
serial port (RS232) mounted on a low profile PCIe slot
max. 1x per system

You would like to add some customer specific solutions?



With our made4you service we fulfill any individual requirement and wish of our customers perfectly - e.g.

- > special hardware configurations,
- > staging services ex factory,
- > extended lifecycle management,
- > customer specific logos, component,
- > BIOS fixes and many more.

For further information please contact us via customer.projects@ts.fujitsu.com.



Fujitsu Portfolio

Build on industry standards, Fujitsu offers a full portfolio of IT hardware and software products, services, solutions and cloud offering, ranging from clients to datacenter solutions and includes the broad stack of Business Solutions, as well as the full stack of Cloud offering. This allows customers to leverage from alternative sourcing and delivery models to increase their business agility and to improve their IT operation's reliability.

Your Server is ready

Group	Description	order code	Status LLC
Base unit	RX2530 M1 4x2.5 LLC Rack Server	S26361-K1492-V302	agreed
Base unit	RX2530 M1 with 10x 2,5 Zoll HDD Bays	S26361-K1492-V501	NO
Base unit	RX2530 M1 with 4x 3,5 Zoll HDD Bays	S26361-K1492-V101	NO
CPU	Intel Xeon E5-2609v3 6C/6T 1.90 GHz	S26361-F3849-E109	agreed
CPU	Intel Xeon E5-2620v3 6C/12T 2.40 GHz	S26361-F3849-E120	agreed
CPU	Intel Xeon E5-2640v3 8C/16T 2.60 GHz	S26361-F3849-E140	agreed
CPU	Intel Xeon E5-2660v3 10C/20T 2.60 GHz	S26361-F3849-E160	NO
CPU	Intel Xeon E5-2667v3 8C/16T 3.20 GHz	S26361-F3849-E167	NO
CPU	Intel Xeon E5-2670v3 12C/24T 2.30 GHz	S26361-F3849-E170	NO
CPU	Intel Xeon E5-2680v3 12C/24T 2.50 GHz	S26361-F3849-E180	agreed
CPU	Intel Xeon E5-2695v3 14C/28T 2.30 GHz	S26361-F3849-E195	agreed
CPU	Intel Xeon E5-2697v3 14C/28T 2.60 GHz	S26361-F3849-E197	NO
CPU	Intel Xeon E5-2698v3 16C/32T 2.30 GHz	S26361-F3849-E198	NO
CPU	Kühlösung für 2te CPU	S26361-F3849-E100	agreed
CPU	Xeon E5-2609v3 6C/6T 1.90GHz 15MB 6.4GT/s 1600MHz 85W	S26361-F3849-E109	agreed
FC	FC Ctrl 8Gb/s 2 Kanal LPe12002 MMF LC LP	S26361-F3961-E202	agreed
FC	PFC EP LPe16002 LP	S26361-F4994-E202	agreed
GFX	Front VGA	S26361-F1420-E130	agreed
HDD	2.5" PCIe-SSD 1.6TB, MLC	S26361-F5534-E161	NO
HDD	2.5" PCIe-SSD 2TB, MLC	S26361-F5534-E201	NO
HDD	HD SAS 12G 1.2TB 10K HOT PL 2.5" EP	S26361-FXXXX-E112	agreed
HDD	HD SAS 12G 300GB 15K HOT PL 2.5" EP	S26361-F5531-E530	agreed
HDD	HD SAS 12G 600GB 15K HOT PL 2.5" EP	S26361-F5531-E560	agreed
HDD	HD SAS 12G 900GB 10K HOT PL 2.5" EP	S26361-FXXXX-E190	agreed
HDD	HD SAS 12G 900GB 15K HOT PL 2.5" EP		agreed
HDD	SSD SATA 6G 120GB ReadIntensive 3.5" H-P	S26361-F5530-E120	open
HDD	SSD SAS 12G 400GB High Endurance 2.5" H-P EP		agreed
HDD	SSD SAS 12G 400GB Main 2.5" H-P EP	S26361-F5298-E400	agreed
HDD	SSD SAS 12G 800GB High endurance 2.5" H-P EP		NO
HDD	SSD SAS 12G 800GB Main 2.5" H-P EP	S26361-F5298-E800	agreed
LAN	Eth Ctrl 2x10Gbit PCIe x8 D2755 SFP+ lp	S26361-F3629-E202	agreed
LAN	LAN Dummy	S26361-F5302-E100	agreed
LAN	PCNA EP OCe14102 2x 10Gb LP	S26361-F5250-E201	agreed
LAN	PLAN CP 2x1Gbit Cu Intel I350-T2 LP	S26361-F4610-E202	agreed
LAN	PLAN CP 2x1Gbit Cu Intel I350-T24 LP	S26361-F4610-E204	agreed
LAN	PLAN EM 2x10Gb SFP interface card	S26361-F5302-E211	agreed
LAN	PLAN EM 2x1Gb T OCl14000-LOM interface	S26361-F5302-E201	agreed
ODD	DVD-RW supermulti ultraslim SATA	S26361-F3778-E1	agreed
others	Cool-safe® Advanced Thermal Design	S26361-F3776-E101	agreed
PSU	Leitung Netzanschluss Rack, 4m, grau	T26139-Y1968-E100	agreed
PSU	Modular PSU 450W platinum hp	S26113-F575-E13	agreed
PSU	Modulare SV 800W platinum hp	S26113-F574-E13	agreed
PSU	Power cable Rack, 4m, grey	T26139-Y1968-E100	agreed
PSU	Stromversorgung Blende	S26113-F574-E99	agreed
Rack	Einbau in symmetrische Racks	S26361-F4530-E10	agreed
Rack	Rack Mount Kit F1 CMA QRL LV	S26361-F2735-E400	agreed
Rack	Rack Mount Kit F1 Slim Line	S26361-F2735-E401	agreed
Rack	Tragewinkel 1HE in asymmetrische Racks	S26361-F4530-E11	agreed
Rack	Rack Cable Arm 1U	S26361-F2735-E81	agreed
RAID	PRAID CP400i	S26361-F3842-E1	agreed
RAID	PRAID EP420i	S26361-F5243-E2	agreed
RAID	RAID Ctrl FBU Option mit 70cm Kabel	S26361-F5243-E170	agreed
RAID	TFM Modul für FBU auf PRAID EP420i	S26361-F5243-E200	agreed
RAM	4 GB (1x4 GB) DDR4-2133 R ECC		NO
RAM	8GB (1x8GB) 1Rx4 DDR4-2133 R ECC	S26361-F3843-E514	NO
RAM	16GB (1x16GB) 2Rx4 DDR4-2133 R ECC	S26361-F3843-E516	agreed
RAM	16GB (1x16GB) 2Rx4 DDR4-2133 R ECC	S26361-F3843-E516	agreed
RAM	32GB (1x32GB) 4Rx4 DDR4-2133 LR ECC	S26361-F3844-E517	agreed
RAM	Performance Mode Installation	S26361-F3694-E2	agreed
Region	Region-Kit APAC/EMEA/Indien	S26361-F1452-E100	agreed
TPM	TPM Module	S26361-F3552-E6	agreed
PCIe switch	PPCI EP x16 Switch	S26361-F5267-E201	NO
SMM	iRMC S4 advanced pack	S26361-F1790-E243	freeze in 2018

Date of change [dd.mm.yyyy]	Folder / order code / description	Name	What has been changed / comment
25.10.2017	RAID	Anna Spörl	note in C21 changed
13.06.2017	RAID	Fabian Seil	descriptions of FBU options changed
29.03.2017	S26361-F5243-E4/L4	Fabian Seil	comment changed
09.02.2017	S26361-F5243-E4/L4	Fabian Seil	comment added
15.07.2016	S26361-F5608-*	Sudo, Tatsuya	added
03.06.2016	S26361-F3849-L367	Fabian Seil	Special Release CPU added
02.06.2016	S26361-F5243-E4/L4	Fabian Seil	added
21.03.2016	S26361-F1452-E140	Fabian Seil	added region kit Europe
14.03.2016	T26139-Y1742-E10	Fabian Seil	changed color to black
15.02.2016	CPU / S26361-F3849-L399	Klaus-Dieter Ruf	Added loose CPU components
15.12.2015	RAID: PRAID EP420e, PSAS CP400e	Linne, Johannes	allow combination of external SAS and Raid Ctrl.
28.10.2015	USB keyboards	Michail Maridakis	USB keyboards removed
14.10.2015	S26361-F5243-E125/E170 and L	Johannes Linne	add comemnt: max # of FBU is 1 per system
01.10.2015	USB accessories	Michail Maridakis	USB mouse removed
01.10.2015	S26361-F5243-E660	Johannes Linne	changed comment for FastPath and CacheCade
01.09.2015	S26361-F3849-L397	Klaus-Dieter Ruf	Special Release CPU added
26.08.2015	S26361-F556*-*	Özcan Karakas	added 3.5" SAS 10K HDDs
26.08.2015	S26361-F5539-E201	Freise	added Emulex Single Port 40Gb CNA
26.08.2015	S26361-F5557-E201	Freise	added Emulex Dual Port 10GBASE-T NIC
19.08.2015	S26361-F5243-E125	Linne	added again FBU with 25cm cable for V101
07.08.2015	S26361-F1537-L200	Linne	changed Comments for L-Part for SAS3 Cable Kit
21.07.2015	RAID	Anja Ertl	RAID controller updated
21.07.2015	S26361-F5550-E*/L*	Özcan Karakas	Added 2.5" HDD SAS 12G 10K 512n
16.07.2015	LLC	Özcan Karakas	LLC options updated S26361-F5531-E530
24.06.2015	LLC	Robert Brunnb.	LLC options updated
22.06.2015	S26361-F3844-E518	Anja Ertl	available later removed
29.05.2015	S26361-F3816-L*	Özcan Karakas	L - order codes as special release added.
29.05.2015	S26361-F3817-L*	Özcan Karakas	L - order codes as special release added.
29.05.2015	S26361-F3904-E600/L600	Özcan Karakas	HDD 3.5" SATA 6G 7.2Krpm 512e 6TB added.
13.03.2015	LAN, new 10Gbit/s cloud card	Peter Freise	Emulex Cloud card (S26361-F5250-E210) added
17.02.2015	RAID -- PCIe switch /// GFX	Martin Keil	new L-code: S26361-F5267-L503 (PCIe Switch incl cables), changed order code E131 for Front VGA
17.02.2015	CPU	Klaus-Dieter Ruf	S26361-F3849-L180 on special release only
16.02.2015	RAID/ others	Martin Keil	restriction added " FBU & Atd cannot be combined.
28.01.2015	LLC - long life cycle	Martin Keil	folder "LLC" - long lifecycle added
22.01.2015	LAN	Martin Keil	max.# of 10Gbit PCIe cards reduced to 2x (before: 3x)
22.01.2015	base unit (Rack)	Martin Keil	rack components added / corrected
20.01.2015	RAID	Martin Keil	L-code for SAS3.0 cable kit added
07.01.2015	First Release		