

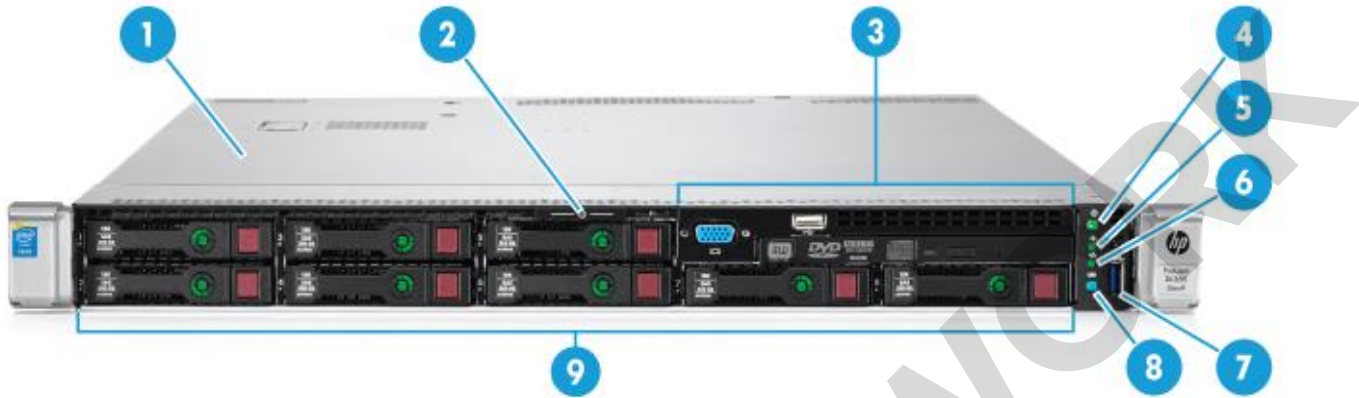
QuickSpecs

HP ProLiant DL360 Generation9 (Gen9)

Overview

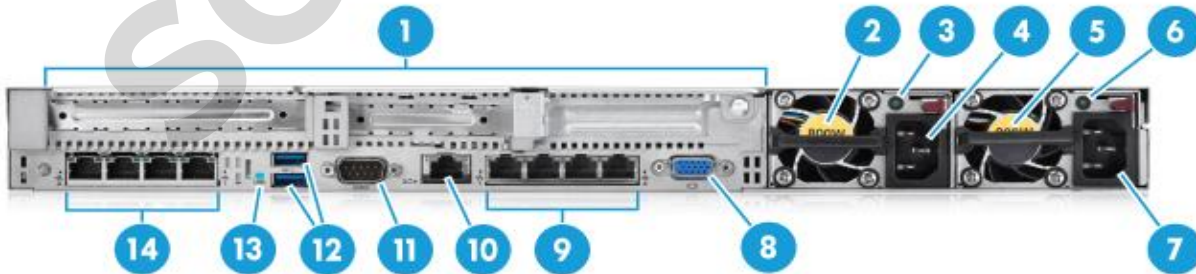
HP ProLiant DL360 Generation9 (Gen9)

HP's leading server for dense general-purpose computing, the HP ProLiant DL360 Gen9 Server delivers increased performance with the best memory and I/O expandability packed in a 1U dense rack design. Reliability, serviceability and always on availability, backed by a comprehensive warranty, make it ideal for the most space constrained server workloads.



Front View

1. Access Panel
2. Serial Label Pull Tab
3. HP Universal Media Bay or NVMe
NOTE: Shown w/VGA, USB 2.0 and DVD-ROM or DVD-RW option. Alternative options 2 SFF HDDs or VGA and USB 2.0.
4. Power On/Standby button and system power LED button
5. Health LED
6. NIC Status LED
7. USB 3.0 Connector
8. Unit Identification Button & LED
9. SAS/SATA/SSD/NVMe Drive Bays
NOTE: 8SFF Model shown. 8SFF can also be configured as 4 SAS/SATA (Drives 1-4) + 4 NVMe (Drives 5-8). 4LFF and 8 + 2SFF Models are also available.



Rear view

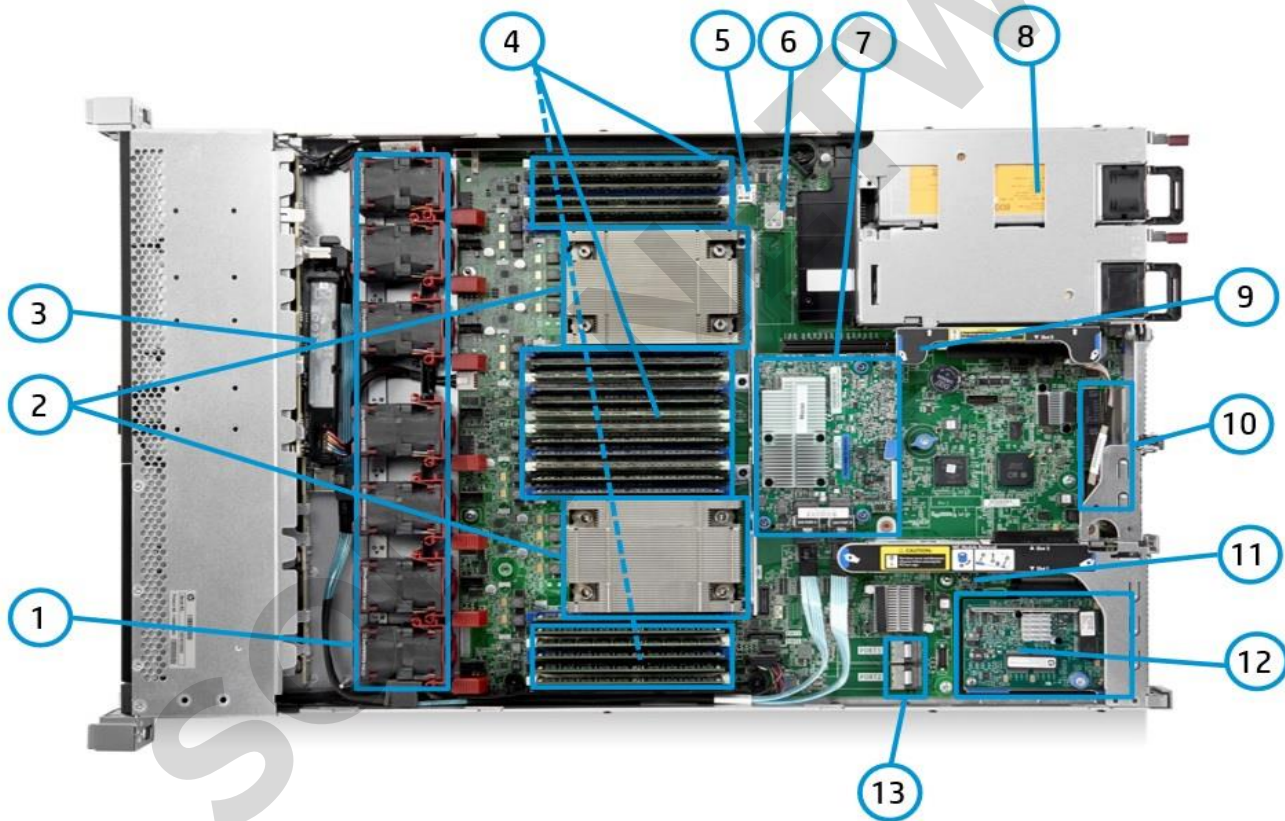
1. PCIe 3.0 Slots 1-3

Overview

NOTE: Slot 1 and 2 Riser Ships Standard, Slot 3 Optional
FH $\frac{3}{4}$ length and two Low Profile slots available (shown)
or two FH $\frac{3}{4}$ length slots.

2. HP Flexible Slot Power Supply Bay 2
3. Power Supply 2 Status LED
4. Power Supply 2 C13 Connection
5. HP Flexible Slot Power Supply Bay 1
6. Power Supply 1 Status LED
7. Power Supply 1 C13 Connection
8. Video Connector
9. Embedded 4x1GbE Network Adapter
10. Dedicated iLO 4 connector
11. Serial Port Connector (Optional)
12. USB 3.0 Connectors (2)
13. Unit Identification LED
14. FlexibleLOM bay (Optional)

NOTE: Shown: 4x1GbE.



Internal View

1. 5 Standard Fans Ship for 1P and 7 Standard Fans Ship for 2P
NOTE: High Performance Fans also available as an option.
2. 2 Processors with HP Smart Socket Guide
3. HP Smart Storage Battery (Optional)
4. 24 DDR4 DIMM slots (12 per processor)
5. MicroSD card slot

Overview

NOTE: Optional Dual Micro-SD option.

6. Dual Internal USB 3.0 connector
7. HP Flexible Smart Array or Smart HBA (Optional)
NOTE: H240ar shown and P440ar available.
8. 2 HP Flexible Slot Power supplies
NOTE: Optional Micro UPS option.
9. Secondary PCIe 3.0 riser for PCIe slot 3 (requires CPU 2)
10. Embedded 4x1 Gbe NIC
11. Primary PCIe 3.0 riser for PCIe slots 1 & 2
12. FlexibleLOM Bay (Optional)
13. Embedded SATA Controller ports

What's New

- Support for PCIe Solid State Drives
- Support for additional 6Gb SATA SSD drives
- Support for new Network adapters
- Support for new PCIe workload accelerators

SOLO NETWORK

Standard Features

NOTE: For more information regarding Intel Xeon processors, please see the following <http://www.intel.com/xeon>.

Processor	Model	CPU frequency	Cores	L3 Cache	Power	QPI	DDR4 Hz
	E5-2699v3	2.3GHz	18	45MB	145W	9.6GT/s	2133
	E5-2698v3	2.3GHz	16	40MB	135W	9.6GT/s	2133
	E5-2697v3	2.6GHz	14	35MB	145W	9.6GT/s	2133
	E5-2695v3	2.3GHz	14	35MB	120W	9.6GT/s	2133
	E5-2690v3	2.6GHz	12	30MB	135W	9.6GT/s	2133
	E5-2687Wv3	3.1GHz	10	25MB	160W	9.6GT/s	2133
	E5-2683v3	2.0GHz	14	35MB	120W	9.6GT/s	2133
	E5-2680v3	2.5GHz	12	30MB	120W	9.6GT/s	2133
	E5-2670v3	2.3GHz	12	30MB	120W	9.6GT/s	2133
	E5-2667v3	3.2GHz	8	20MB	135W	9.6GT/s	2133
	E5-2660v3	2.6GHz	10	25MB	105W	9.6GT/s	2133
	E5-2650v3	2.3GHz	10	25MB	105W	9.6GT/s	2133
	E5-2650Lv3	1.8GHz	12	30MB	65W	9.6GT/s	2133
	E5-2643v3	3.4GHz	6	20MB	135W	9.6GT/s	2133
	E5-2640v3	2.6GHz	8	20MB	90W	8.0GT/s	1866
	E5-2637v3	3.5GHz	4	15MB	135W	9.6GT/s	2133
	E5-2630v3	2.4GHz	8	20MB	85W	8.0GT/s	1866
	E5-2630Lv3	1.8GHz	8	20MB	55W	8.0GT/s	1866
	E5-2623v3	3.0GHz	4	10MB	105W	8.0GT/s	1866
	E5-2620v3	2.4GHz	6	15MB	85W	8.0GT/s	1866
	E5-2609v3	1.9GHz	6	15MB	85W	6.4GT/s	1600
	E5-2603v3	1.6GHz	6	15MB	85W	6.4GT/s	1600

Chipset

Intel® C610 Series Chipset

Intel® E5-2600v3 Processor Family

NOTE: For more information regarding Intel® chipsets, please see the following URL:
<http://www.intel.com/products/server/chipsets/>.

On System Management Chipset

HP iLO (Firmware HP iLO4 2.0) 4GB NAND

NOTE: 1GB USB user space configurable via UEFI and accessible via iLO. Read and learn more in the [iLO QuickSpecs](#).

Memory

Type:

One of the following HP SmartMemory

depending on model DDR4 Registered (RDIMM) or Load Reduced (LRDIMM)

DIMM Slots Available 24 (12 DIMM slots per processor, 4 channels per processor, 3 DIMMs per channel)

Maximum Capacity (LRDIMM) 1.5TB (24 x 64GB LRDIMM @2133MHz)

Maximum Capacity (RDIMM) 768GB (24 x 32GB LRDIMM @2133MHz)

Memory Protection Advanced ECC

Advanced ECC uses single device data correction to detect and correct single and all multibit error that occurs within a single DRAM chip.

QuickSpecs

HP ProLiant DL360 Generation9 (Gen9)

Standard Features

Online spare Memory online spare mode detects a rank that is degrading and switches operation to the spare rank.

Expansion Slots

Primary Riser	Expansion Slots #	Technology	Bus Width	Connector Width	Bus Number	Form Factor	Notes
	1	PCIe 3.0	x16	x16		Full-height, ¾ length (up to 9.5") Slot	Processor 1
	2	PCIe 3.0	x8	x8		Low profile slot	Processor 1

NOTE: Bus Width indicates the number of physical electrical lanes running to the connector.

Secondary Riser	Expansion Slots #	Technology	Bus Width	Connector Width	Bus Number	Device Number	Form Factor	Notes
	3	PCIe 3.0	x16	x16			Low profile	Processor 2
	3	PCIe 3.0	x16	x16			Full-height, ¾ length (up to 9.5") Slot	Processor 2*

*PCI-E Slot 2 cannot be used in conjunction with the FH/¾ Length option kit (744644-B21)

Storage Controller

Entry Models	HP Dynamic Smart Array B140i Controller
Base Models	HP H240ar Smart Host Bus Adapter
Performance Models	HP Flexible Smart Array P440ar/2GB

Internal Storage Devices

Optical Drives	8 SFF with optional Universal Media bay NOTE: Option Kit 764632-B21 VGA, USB 2.0, and DVD-RW kit. 4 LFF NOTE: Two option kits available for optical drive: 726536-B21 or 726537-B21; Optical cable kit required for optical drives: 766203-B21.
Hard Drives	None ship standard
Hard Drive Bays	8 SFF with optional Universal Media bay or NVMe drive support 8SFF (4 SAS/SATA + 4 NVMe) 4 LFF 10 SFF; 8 SFF Model with optional 2 SFF SAS/SATA kit: 764630-B21 NOTE: HP ProLiant DL360 Series servers offer both SFF and LFF versions in CTO. NOTE: All Pre-configured Models come populated with some hard drive blanks installed. Should the customer need additional hard drive blanks, they can order more using either P/N 666987-B21: HP SFF Hard Drive Blank Kit or P/N 666986-B21: HP LFF Hard Drive Blank Kit. These part numbers for single HDD blanks below are also provided should the customer require replacement HDD blanks for their server. NOTE: The 2SFF kit comes with the cable needed to attach the 2 drives to the internal B140i SATA controller. For SAS an alternate storage controller and it associated cable kit are required.

Maximum Internal Storage

	CAPACITY	CONFIGURATION
Hot Plug SFF SAS SSD	19.2TB	10x1.92TB
Hot Plug SFF SATA SSD	38.4TB	10x3.84TB
Hot Plug LFF SATA SSD	3.84TB	4x960GB
Hot Plug LFF SAS SSD	6.4TB	4x1.6TB
Hot Plug SFF SAS	20.0TB	10x2.0TB
Hot Plug SFF SATA	20.0TB	10x2.0TB

Standard Features

Hot Plug LFF SAS	32.0TB	4x8TB
Hot Plug LFF SATA	32.0TB	4x8TB
Hot Plug SFF NVMe SSD	3.2TB NVMe + 16TB SFF	2x1.6TB NVMe + 8x2TB SFF

Power Supply

One of the following depending on model

HP 500W Flex Slot Platinum Hot Plug Power Supply

NOTE: Available in 94% efficiency.

HP 800W Flex Slot Platinum Hot Plug Power Supply

NOTE: Available in 94% and 96% efficiency.

NOTE: Also available in -48VDC and 227VAC/380VDC power inputs.

HP 1400W Flex Slot Platinum Plus Hot Plug Power Supply

NOTE: Available in 94% efficiency.

HP Flexible Slot Battery Backup Unit Kits

NOTE: Flex Slot Battery Backup provides 750W output and 500W in paralleled configuration.

HP Flexible Slot (Flex Slot) Power Supplies share a common electrical and physical design that allows for hot plug, tool-less installation into HP ProLiant Gen9 Performance Servers. Flex Slot power supplies are certified for high-efficiency operation and offer multiple power output options, allowing users to "right-size" a power supply for specific server configurations. This flexibility helps to reduce power waste, lower overall energy costs, and avoid "trapped" power capacity in the data center.

All pre-configured servers ship with a standard 6-foot IEC C-13/C-14 jumper cord (A0K02A). This jumper cord is also included with each standard AC power supply option kit. If a different power cord is required, please check the [ProLiant Power Cables](#) web page.

To review the power requirements for your selected system, please use the HP Power Advisor Tool located at <http://www.hp.com/go/hppoweradvisor>.

Power specifications and technical content for all HP Server power supplies can be found at <http://www.hp.com/go/proliant/powersupply>.

System Fans

One of the following depending on model

1P model

Non-redundant

N/A

Redundant

5 fans

2P model

Non-redundant

N/A

Redundant

7 fans

NOTE: The second processor option kit contains two fans.

NOTE: High Performance Fan Kit, 766201-B21, is available to meet some extended ambient operating temperatures above 35° C. Qualifications for extended ambient configurations are detailed at: <https://www.hp.com/servers/ashrae>.

Interfaces

Serial

1

NOTE: Optional kit: 764646-B21.

Video

1 rear (Standard)

1 front (Optional)

NOTE: Front VGA options available for 8SFF and 4LFF models as detailed in the core options section of this QuickSpecs.

Network RJ-45 (Ethernet)

Both the SFF and LFF Chassis have an embedded 4x1GB NIC and a FlexibleLOM bay. (See HP Networking section below for more details and options).

HP iLO Remote Management Network Port

1Gb Dedicated

SD Connector

1 micro SD Internal

NOTE: The SD slot is not a hot-pluggable device. Customers should not attempt to plug an SD card into the SD slot while the server is powered.

Standard Features

USB 3.0

5 total: 2 rear, 1 front, 2 internal

Operating Systems and Virtualization Software Support for ProLiant Servers[Microsoft Windows Server](#)[Canonical Ubuntu](#)[Red Hat Enterprise Linux \(RHEL\)](#)[SUSE Linux Enterprise Server \(SLES\)](#)[Oracle Solaris](#)[VMware](#)[Citrix XenServer](#)

NOTE: For more information on HP's Certified and Supported ProLiant Servers for OS and Virtualization Software and latest listing of software drivers available for your server including how to purchase from HP, please visit our OS Support Site at: <http://www.hp.com/go/ossupport> and our driver download page.

Upgradeability

Upgradeable to two processors (36 Cores)

Up to 24 DIMM slots available for higher Memory capacity

Up to 10 SFF Hard Drive Bays; or 4 LFF Hard Drive Bays

FlexibleLOM slot for 1 Gigabit or 10 Gigabit Ethernet or QDR/FDR InfiniBand networking options

3 PCIe 3.0 I/O slots for additional communications and storage expansion

NOTE: Slot 1 and 2 Riser Shipped Standard, Slot 3 Optional 1 FH / $\frac{3}{4}$ length and two Low Profile slots available (shown) or two FH / $\frac{3}{4}$ length slots.

Redundant Power Supplies

Optical Drive supported via Universal Media Bay

NOTE: 8SFF Chassis via VGA, USB 2.0 and DVD-RW Option kit: 764732-B21; 4LFF Chassis via DVD-RW 726537-B21, DVD 726536-B21 and the Optical Cable: 766203-B21.

Industry Standard Compliance

ACPI 2.0b Compliant

PCIe 3.0 Compliant

PXE Support

WOL Support

Microsoft® Logo certifications

USB 3.0 Support

Energy Star

ASHRAE A3/A4

NOTE: The DL360 Gen9 is now one of the first HP ProLiant Gen9 Servers with Extended Ambient Support up to 45 C for data center infrastructures designed for better energy efficiency such as but not limited to fresh air cooling.

For additional technical thermal details regarding ambient temperatures, humidity and features support please visit <https://www.hp.com/servers/ashrae>.

Graphics

Integrated Matrox G200 video standard

- 1280 x 1024 (32 bpp)
- 1920 x 1200 (16 bpp)

HP Server UEFI/Legacy ROM**HP Server UEFI /Legacy ROM**

Unified Extensible Firmware Interface (UEFI) is an industry standard that provides better manageability and more secured configuration while interacting with your server at boot time. HP ProLiant Gen9 platform defaults to UEFI and can be factory or field configured for Legacy BIOS Boot Mode.

NOTE: The UEFI System Utilities function is analogous to the HP ROM-Based Setup Utility (RBSU) of legacy BIOS. For more information, please visit <http://www.hp.com/go/proliantuefi/docs>.

Standard Features

UEFI enables numerous new capabilities specific to HP ProLiant servers such as:

- Secure Boot
- Operating system specific functionality
- Support for > 2.2 TB (using GPT) boot drives
- USB 3.0 Stack
- Embedded UEFI Shell
- Mass Configuration Deployment Tool using HP RESTful API.
- PXE boot support for IPv6 networks
- Boot support for option cards that only support a UEFI option ROM

For more information please visit <http://www.hp.com/go/proliant/uefi>.

NOTE: For UEFI Boot Mode, boot environment and OS image installations should be configured properly to support UEFI.

NOTE: HP Legacy FIO Mode Setting (758959-B22) can be selected to configure the system in Legacy mode in the factory.

Form Factor	1U Rack form factor
One of the following depending on model	8 SFF Drive Bay Version and 10 SFF Drive Bay Version: 1.7" (4.32cm) Height x 17.11" (43.47cm) Width x 27.5" (69.85cm) Length 4 LFF Drive Bay Version: 1.7" (4.32cm) Height x 17.11" (43.47cm) Width x 29.5" (74.67cm) Length

Embedded Management	HP Integrated Lights-Out (HP iLO)	Monitor your servers for ongoing management, service alerting, reporting and remote management with iLO. Learn more at http://www.hp.com/go/ilo .
	UEFI	Configure and boot your servers securely with industry standard Unified Extensible Firmware Interface (UEFI). Learn more at http://www.hp.com/go/ProLiant/uefi .
	HP RESTful API	RESTful API is an application programming interface. RESTful Web Service API served by iLO's web server. Learn more at http://www.hp.com/go/restfulapi .
	Intelligent Provisioning	Provision servers by discovering and deploying 1 to few servers with Intelligent Provisioning. Learn more at http://www.hp.com/go/intelligentprovisioning .
	Embedded Remote Support	HP's embedded remote support, used with Insight Online direct connect or HP Insight Remote Support, allows HP ProLiant servers to transmit hardware events directly to HP or an HP Authorized Partner for automated phone home support. Learn more at http://www.hp.com/go/insightonline/info .

Server utilities	HP Smart Update	Optimize firmware and driver updates with HP Smart Update solutions. Learn more at http://www.hp.com/go/smartupdate .
	HP Systems Insight Manager (HP SIM)	HP SIM allows you to monitor the health of your HP ProLiant Servers and HP Integrity Servers, and also provides you with basic support for non-HP servers. HP SIM also integrates with HP SUM to provide quick and seamless firmware updates. Learn more at http://www.hp.com/go/sim .

Standard Features

Scripting Tool Kit and Windows PowerShell	Provision 1 to many servers using your own scripts to discover and deploy them with HP Scripting Tool Kit for Windows and Linux or HP Scripting Tools for Windows PowerShell. Learn more at http://www.hp.com/go/ProLiantSTK or http://www.hp.com/go/powershell .
HP RESTful Interface Tool	HP RESTful Interface tool is a scripting tool to provision servers using RESTful API Interface to discover and deploy servers at scale. Learn more at http://www.hp.com/go/restfulapi .
HP iLO Mobile Application	Enables the ability to access, deploy, and manage your server anytime from anywhere from select smartphones and mobile devices. For additional information please visit: http://www.hp.com/go/ilo/mobileapp .
HP Insight Online	HP Insight Online, available at no additional cost as part of your HP warranty, Care Pack or contractual support agreement with HP, is a personalized dashboard for simplified tracking of IT operations and support information from anywhere, anytime. Learn more at http://www.hp.com/go/insightonline/info .

Security

Power-on password
 Keyboard password
 QuickLock, Network Server Mode
 Serial interface control
 Administrator's password
 iLO 4 (Integrated Lights-Out 4) has 12 customizable user accounts and SSL encryption
 iLO 4 can be disabled via a Global Setting
 iLO Advanced supports directory services integration
 TPM 1.2
 UEFI

Warranty

This product is covered by a global limited warranty and supported by HP Services and a worldwide network of HP Authorized Channel Partners resellers. Hardware diagnostic support and repair is available for three years from date of purchase. Support for software and initial setup is available for 90 days from date of purchase. Enhancements to warranty services are available through HP Care Pack services or customized service agreements. Hard drives have either a one year or three year warranty; refer to the specific hard drive QuickSpecs for details.

Optional Features

Server Management	HP Insight Control	HP Insight Control, lets you deploy, migrate, monitor, remote control, and optimize your IT infrastructure through a single, simple management console. For more information, see http://www.hp.com/go/insightcontrol .
	HP OneView Advanced	HP OneView Advanced is converged management that eliminates infrastructure complexity with automation simplicity. This modern architecture is designed to accelerate your IT operations across servers, storage, and network resources using software-defined approaches and automation, see http://www.hp.com/go/oneview .
	HP Insight Cluster Management Utility (CMU)	HP Insight Cluster Management Utility is a hyperscale-optimized management framework that includes software for the provisioning, control, performance management and monitoring of groups of nodes and infrastructure. Learn more at http://www.hp.com/go/cmu .
Rack and Power Infrastructure	HP Rack and Power Infrastructure products and services create highly efficient and intelligent solutions for existing or new IT data centers. HP Rack and Power infrastructure solutions – rack infrastructure, power protection and management, performance optimized data centers (PODs) – are the foundation you are looking for to help secure your long-term IT success. These products are designed to help you react to changes in the industry. They deliver efficient, easy-to-use capabilities to manage, monitor, deploy and provision infrastructure from entry to enterprise. As an industry leader, HP is uniquely positioned to address the key concerns of power, cooling, cable management and system access. Learn more at HP Rack and Power Infrastructure .	
High Performance Clusters	HP Insight Cluster Management Utility (CMU)	HP Insight Cluster Management Utility is a Hyperscale management framework that includes software for the centralized provisioning, management and monitoring of nodes and infrastructure. Learn more at http://www.hp.com/go/cmu .
HPC Interconnects	NOTE: High Performance Computing (HPC) interconnect technologies are available for this server under the HP Cluster Platform product portfolio. These high-speed interconnects are fully supported by HP when they are part of these configure to order clusters. Solutions can be defined with a lot of flexibility with the help of configuration tools. Please visit the following URL to configure HPC Clusters with InfiniBand Interconnects: http://www.hp.com/techservers/clusters/ucp/index.html .	
Storage Software	Whether you need to solve a specific data protection, archiving, or storage command and control challenge, or deliver on strategic consolidation, compliance, or continuity initiatives, look no further than HP storage software. Our storage software helps you reduce costs, simplify storage infrastructure, protect vital assets and respond faster to business opportunities. Storage software that gets the job done: <ul style="list-style-type: none"> • Data Protection and Recovery Software Whether you're a large enterprise or a smaller business, HP data protection and recovery software will cost-effectively protect you against disaster and ensure business continuity. • Data Archive and Migration Software HP's storage software enables you to comply with data retention and retrieval requirements, improve application performance, and reduce costs by efficiently migrating infrequently accessed or less valuable data to lower cost storage. • Storage Resource Management Software (SRM) HP's storage resource management software reduces operational costs and provides the command and control foundation you need to efficiently manage and visualize your physical and virtual environments. 	

Optional Features

- **Data Replication Software**
HP offers array-based and host-based replication software for use in disaster recovery, testing, application development and reporting.
- **Storage Device Management Software**
Maximize your investment in HP storage and networking with software that enables hardware-specific configuration, performance tuning and connectivity management.
- **HP StoreVirtual VSA**
With HP StoreVirtual VSA you can use the power of virtualization to create a virtual array within your host server. Manage it as a single pool of shared storage capacity, and scale it to match your evolving needs. HP ProLiant Gen9 servers include a 3-year limited license for HP StoreVirtual VSA software with 1TB of capacity at no extra cost. Simply select to install HP StoreVirtual VSA software during server setup within Intelligent Provisioning. More information, instructional videos, and free console management software are available at <http://www.hp.com/go/vsa1TB>.

NOTE: For more information about Storage Software including QuickSpecs, please see: <http://www.hp.com/go/storage/software>.

One Config Simple (SCE)

SCE is a guided self-service tool to help sales and non-technical people provide customers with initial configurations in 3 to 5 minutes. You may then send the configuration on for configuration help, or use in your existing ordering processes. If you require "custom" rack configuration or configuration for products not available in SCE, please contact HP's Customer Business Center or an Authorized Partner for assistance. <http://www.hp.com/products/configurator>.

Service and Support**HP Technology Services**

HP Technology Services delivers confidence, reduces risk and helps customers realize agility and stability. Connect to HP to help prevent problems and solve issues faster. Our support technology lets you to tap into the knowledge of millions of devices and thousands of experts to stay informed and in control, anywhere, any time.

Protect your business beyond warranty with HP Care Pack Services

HP Care Pack Services enable you to order the right service level, length of coverage and response time as you purchase your new server, giving you full entitlement for the term you select.

Optimized Support recommendation**HP Proactive Care - Call to Repair commitment, 24x7 coverage, three year Care Pack Service**

Prevent problems and stabilize IT by utilizing secure, real-time, predictive analytics and proactive consultations when your products are connected to HP. Includes enhanced escalation management and the industry's highest level of hardware support commitment – hardware will be returned to operating conditions within six (6) hours after you open your case. Comes with collaborative software call management with two hour call back to reduce troubleshooting.

As a leading global support provider for Microsoft, Red Hat, VMware, SUSE and other operating systems, HP is able to simplify and shorten your time to resolution with one call for hardware or software questions. <http://h20195.www2.hp.com/v2/GetPDF.aspx/4AA3-8855ENW.pdf>

HP ProLiant Server Hardware Installation

Help ensure your new HP ProLiant hardware is installed smoothly, efficiently and with minimal disruption to your IT and business operations. <http://h20195.www2.hp.com/V2/GetPDF.aspx/5981-9356EN.pdf>

Standard Support recommendation**HP Proactive Care - 24x7 coverage, three year Care Pack Service**

This service helps prevent problems and stabilize IT by utilizing secure, real-time, predictive analytics and proactive consultations when your products are connected to HP. Includes four hour response for hardware, and collaborative call management for software with a two hour callback. <http://h20195.www2.hp.com/v2/GetPDF.aspx/4AA3-8855ENW.pdf>

HP ProLiant Hardware Installation

Help ensure your new HP ProLiant hardware is installed smoothly, efficiently and with minimal disruption to your IT and business operations. <http://h20195.www2.hp.com/V2/GetPDF.aspx/5981-9356EN.pdf>

Related Services**Data Center Platform Consulting Services**

These services help modernize key systems and leverage new technology to support a changing business climate and prepare you for the new style of IT. HP understands the needs of the data center of the future and will serve as your guide for the journey. <http://www.hp.com/services/consulting>

Data Privacy Services

Protect your data through better media management. HP Data privacy services help manage and protect sensitive data. <http://www.hp.com/services/dataprivacy>

Factory Express for Servers and storage

HP Factory Express offers configuration, customization, integration and deployment services for HP servers and storage products. Choose how your factory solutions are built, tested, integrated, shipped and deployed. <http://www.hp.com/go/factory-express>

HP Foundation Care

Hardware and software support services provide easy connection to HP to resolve support issues quickly. Includes collaborative call management for industry leading software; full software support may also be purchased, giving you one place to call for help. <http://www.hp.com/services/foundationcare>

Additional HP Care Pack services can be found at: <http://www.hp.com/go/cpc>

Service and Support

Parts and Materials HP will provide HP-supported replacement parts and materials necessary to maintain the covered hardware product in operating condition, including parts and materials for available and recommended engineering improvements.

Parts and components that have reached their maximum supported lifetime and/or the maximum usage limitations as set forth in the manufacturer's operating manual, product quick-specs, or the technical product data sheet will not be provided, repaired, or replaced as part of these services.

The defective media retention service feature option applies only to Disk or eligible SSD/Flash Drives replaced by HP due to malfunction.

SOLO NETWORK

Pre-configured Models

For the Standard Features shipped in the "Factory Integrated Models", please see the "Configuration Information - Factory Integrated Models" section.

1. Pre-configured models ship with the configurations below. Options can be selected from the Core or Additional options section of this QuickSpecs.
2. HP does not allow factory integration of options into pre-configured models. Any additional options purchased will be shipped separately.
3. If you desire a custom configuration please see "Configuration Information - Factory Integrated Models" section of this QuickSpecs.
4. Not all models are available in all regions. Check with your local country HP offices for availability.

NOTE: All Pre-configured Models come populated with some hard drive blanks installed. Should the customer need additional hard drive blanks, they can order more using either P/N 666987-B21: HP SFF Hard Drive Blank Kit or P/N 666986-B21: HP LFF Hard Drive Blank Kit.

NOTE: All pre-configured servers ship with a standard 6-foot IEC C-13/C-14 jumper cord (AOK02A). This jumper cord is also included with each standard AC power supply option kit. If a different power cord is required, please check the [ProLiant Power Cables](#) web page.

Caution: HP recommends that a minimum of two people are required for all Rack Server installations. Please refer to your installation instructions for proper tools and number of people to use for any installation.

	Entry Models		Base Models
[SKU Number]	755260-B21	755261-B21	755262-B21
Model Name	HP ProLiant DL360 Gen9 E5-2603v3 1P 8GB-R B140i 500W PS Entry SATA Server	HP ProLiant DL360 Gen9 E5-2603v3 1P 8GB-R H240ar 500W PS Entry SAS Server	HP ProLiant DL360 Gen9 E5-2630v3 1P 16GB-R P440ar 500W PS Base SAS Server
Processor	Intel® Xeon® E5-2603v3		Intel® Xeon® E5-2630v3
Number of Processors	One		
Memory	8GB (1x8GB Registered DIMMs, 2133 MHz) NOTE: The DIMM will operate at 1600 MHz with the E5-2603v3 Processor.		16GB (1x16GB Registered DIMMs, 2133 MHz) NOTE: The DIMM will operate at 1866 MHz with the E5-2603v3 Processor.
Network Controller	HP Embedded 1Gb Ethernet 4-port 331i Adapter		
Storage Controller	HP Dynamic Smart Array B140i	HP H240ar Smart Host Bus Adapter	HP Flexible Smart Array P440ar/2GB
Hard Drive	None ship standard NOTE: Only Supports SATA HDD unless HP Smart HBA or HP Smart Array Controller is added.	None ship standard	
Internal Storage	8 SFF HDD Bays		
Optical Drive Bay	Optional via Universal Media Bay		
PCI-Express Slots	2 Standard (1-FH/¾ L, 1-LP) PCIe 3.0		
Power Supply	(1) HP 500W Flex Slot Platinum Power Supply		
Fans	5 Standard hot plug fans, redundant		
Management	iLO Management (standard), Intelligent Provisioning (standard), iLO Advanced (optional), Insight Control (optional), HP OneView (optional)		
Form Factor	Rack (1U), HP Easy Install Rails		
Warranty	Server Warranty includes 3-Year Parts, 3-Year Labor, 3-Year Onsite support with next business day response		

QuickSpecs

HP ProLiant DL360 Generation9 (Gen9)

Pre-configured Models

	Performance Models	
[SKU Number]	755263-B21	795236-B21
Model Name	HP ProLiant DL360 Gen9 E5-2650v3 2P 32GB-R P440ar 800W RPS Performance SAS Server	HP ProLiant DL360 Gen9 E5-2670v3 2P 64GB P440ar 8SFF 2x10Gb-T 2x800W OneView Server
Processor	Intel® Xeon® E5-2650v3	Intel® Xeon® E5-2670v3
Number of Processors	Two	
Memory	32GB (2x16GB Registered DIMMs, 2133 MHz)	64GB (4x16GB Registered DIMMs, 2133 MHz)
Network Controller	HP Embedded 4x1Gb, plus 2x10Gb FLR-T FlexFabric Flexible LOM	
Storage Controller	HP Flexible Smart Array P440ar/2GB	
Hard Drive	None ship standard	
Internal Storage	8 SFF HDD Bays	
Optical Drive Bay	Optional via Universal Media Bay	
PCI-Express Slots	2 Standard (1-FH/¾ L, 1-LP) PCIe 3.0	3 Standard (1-FH/HL, 2-LP) PCIe 3.0
Power Supply	(2) HP 800W Flex Slot Platinum Power Supply	
Fans	7 standard hot plug fans, redundant	
Management	iLO Management (standard), Intelligent Provisioning (standard), iLO Advanced (standard), HP OneView (optional)	iLO Management (standard), Intelligent Provisioning (standard), iLO Advanced (standard), HP OneView Advanced (Standard)
Energy Star	Meets Energy Star requirements	
Form Factor	Rack (1U), HP Easy Install Rails	
Warranty	Server Warranty includes 3-Year Parts, 3-Year Labor, 3-Year Onsite support with next business day response	

Country Code Key

xx1 = B21	Worldwide
xx1 = 291	Japan
xx1 = AA1	PRC

Configuration Information - Factory Integrated Models

This section lists some of the steps required to configure a Factory Integrated Model. To ensure only valid configurations are ordered, HP recommends the use of an HP approved configurator. Contact your local sales representative for information on configurable product offerings and requirements.

1. Factory Integrated Models must start with a CTO Server.
2. FIO indicates that this option is only available as a factory installable option.
3. All Factory Integrated Models will be populated with sufficient hard drive blanks based on the number of initial hard drives ordered with the server.
4. Some options may not be integrated at the factory. Contact your local sales representative for additional information.

Step 1: Base Configuration (choose one of the following configurable models)

[Chassis]	HP ProLiant DL360 Gen9 4LFF Configure-to-order Server	HP ProLiant DL360 Gen9 8SFF Configure-to-order Server
SKU Number	755259-B21	755258-B21
Processor	2 (optional) x HP Smart Socket Guide	
DIMM Slots	24 DIMM slots for RDIMM, LRDIMM DDR4 Memory	
Storage Controller	HP Dynamic Smart Array B140i	
PCIe	2 PCIe 3.0 Slots: Slot 1, FH / ¾ Length; Slot 2, Low Profile	
Drive Cage	4LFF Hot Plug	8SFF Hot Plug
Network Controller	HP Embedded 1Gb Ethernet 4-port 331i Adapter	
Fans	5 Standard hot plug fans, redundant	
Management	iLO Management (standard), Intelligent Provisioning (standard), iLO Advanced (optional), Insight Control (optional), HP OneView (optional)	
USB	1 front, 2 internal, 2 rear	
Ears	HP Quick Release Ears	

NOTE: This section lists some of the steps required to configure a Factory Integrated Model. To ensure only valid configurations are ordered, HP recommends the use of an HP approved configurator. Contact your local sales representative for information on configurable product offerings and requirements.

NOTE: Factory Integrated Models must start with a CTO Server.

NOTE: FIO indicates that this option is only available as a factory installable option.

NOTE: All Factory Integrated Models will be populated with sufficient hard drive blanks based on the number of initial hard drives ordered with the server.

NOTE: 4LFF CTO Chassis includes 1 SATA Cable, option kit: 766213-B21, which attaches to the B140i controller.

NOTE: 8SFF CTO Chassis includes two 4 x Mini-SAS Cables, option kit: 766209-B21, which attaches to an optional HP Smart HBA H240ar or HP Smart Array P440ar controller.

Step 2: Choose Required Options (only one of the following from each list unless otherwise noted)

HP Processors

Select one or two processors from Core options-Processor section below:

- If one processor is desired, select one xxxxxx-L21
- If two processors are desired, select one xxxxxx-L21 and one xxxxxx-B21.
- Up to 2 processors supported. Mixing different processor models is not supported.
- DDR4 speed is the maximum memory speed of the processor. Actual memory speed may depend on the quantity and type of DIMMs installed.

For the Intel® C600 Chipset E5-2600 Series, the letter preceding the model number indicates the Product Line (E3, E5, E7); 2600x v#, 2 = number of CPUs in a Node, 6 is socket/segment designation, 00 = Processor SKU, x = L for low power SKUs and v# (not yet designated) = version number.

HP Memory

Select one or more memory from Core options-Memory section below:

Configuration Information - Factory Integrated Models

- LRDIMM, RDIMM are all distinct memory technologies and cannot be mixed within a server. The majority of ProLiant Gen9 servers support LRDIMM and RDIMM.
- HP memory from previous generation servers are not qualified or warranted with this HP ProLiant Server. HP SmartMemory is required to realize the memory performance improvements and enhanced functionality listed in this document for Gen9.
- If only one processor is installed, only half of the total DIMM slots are available. When populating with two processors all DIMM slots are available.
- Kits described as LP include Low Power DIMMs. For more information on ProLiant Energy Efficient Features, see: <http://www.hp.com/go/proliant-energy-efficient>.
- Depending on the memory configuration and processor model, the memory speed may run at 2133MHz, 1866MHz, 1600MHz or 1333MHz. Please see Memory Population Table or the Online Memory Configuration Tool at: <http://www.hp.com/go/ddr4config>.

HP Power Supplies Select one or more power supplies from Core Options-Power Supplies section below:

- Prior to selecting a power supply option, it is highly recommended that you review your server configuration in the HP Power Advisor tool to determine the right size power supply for your server configuration. The HP Power Advisor is located at: <http://www.hp.com/go/hppoweradvisor>.
- Mixing of power supplies in the same server is not supported. All power supplies must be of the same input voltage, output rating, and efficiency rating. If non-matching power supplies are installed, you may receive an error message and/or experience operational issues with your server.

Step 3: Choose Additional Factory Integratable Options

HP Unique Options Select one or more Unique options from Core options section below:

- This section may contain FIO options, please see the Unique options section below.
- FIO indicates that this option is only available as a factory installable option.

HP Drives Select one or more drives from Core options-HP Drives section below:

- The components of a storage subsystem (e.g. the drive, the HBA/controller, firmware, and the server backplane) should operate at the same data transfer rate or the system bandwidth will be negotiated down to an acceptable level for all components.
- Hard drives have either a one year or three year warranty; refer to the specific hard drive QuickSpecs for details.
- The HP ProLiant Gen9 Smart Storage solutions are equipped with re-designed Small Form Factor (SFF 2.5 in) and Large Form Factor (LFF 3.5 in) hot plug carriers for HP Qualified Hard Drives and Solid State Drives. These new carriers provide status and activity indicators as well as caution indicators for "Do Not Remove".

HP Flexible LOM Select a FlexibleLOM from Core options-Networking section below:

- Only one FlexibleLOM can be added to the server. These options are upgradeable and can be changed from the original configuration after the server is shipped.
- For 10Gb adapters, a minimum of two Gigabytes (2 GB) of server memory is required per each adapter.
- Please see the QuickSpecs for Technical Specifications and additional information: <http://www.hp.com/go/ProLiantNICs>.

HP Networking Select a standup NIC adapter from Core options-Networking section below:

Configuration Information - Factory Integrated Models

- Please see the QuickSpecs for Technical Specifications and additional information: <http://www.hp.com/go/ProLiantNICs>.
- These options are upgradeable and can be changed from the original configuration after the server is shipped.
- For 10Gb adapters, a minimum of two Gigabytes (2 GB) of server memory is required per each adapter.

HP Storage Controllers

Select one or more Storage options from Additional options section below:

- The embedded B140i controller will operate in UEFI only mode. For legacy support an additional controller will be needed, and for CTO orders please also select the Legacy mode settings part, 758959-B22
- This section may contain FIO options, please see HP Storage Controllers section below.
- FIO indicates that this option is only available as a factory installable option.

HP Graphics Options

Select one or more graphics adapter from Additional options section below:

- Please see the HP Power Advisor for estimated power consumption of your individual system configuration prior to installing GPUs. The HP Power Advisor is located at: <http://www.hp.com/go/hppoweradvisor>.
- This section may contain FIO options, please see HP Computation & Graphics Accelerators section below.

HP I/O Expansion Options

Select one or more Riser Kit options from Core options section below:

- To take advantage of the additional PCI slot upgrade, the second processor must be installed.
- This section may contain FIO options, please see HP I/O Expansion Options section below.
- FIO indicates that this option is only available as a factory installable option.

HP Cooling Options Select one or more Fan Kits from Core options section below:

- This section may contain FIO options, please see HP Cooling Options section below.
- FIO indicates that this option is only available as a factory installable option.

HP Rail Kits

Select one type of rail kit from Additional options section below:

- Please take a moment to review the installation documentation that comes with the server to help you with the installation of your Gen9 server.
- To assist in the installation of the server into the rack, an optional installation tool is available by contacting your local services representative (p/n 695539-001).
- See HP Rack Options in Additional Options section of this QuickSpecs for more rack kit choices.

Caution: HP recommends that a minimum of two people are required for all Rack Server installations. Please refer to your installation instructions for proper tools and number of people to use for any installation.

Core Options

NOTE: Some options may not be integrated at the factory. To ensure only valid configurations are ordered, HP recommends the use of an HP approved configurator. Contact your local sales representative for additional information.

HP Unique Options	<p>HP DL360 Gen9 2SFF SAS/SATA Universal Media Bay Kit 764630-B21 NOTE: Required when upgrading an 8SFF config to a 10SFF config, not supported in 4LFF Chassis; when this option kit is installed it cannot be used in conjunction with the optical drive or USB 2.0/VGA option kits. NOTE: Adds 2SFF drives to the 8SFF model for a total of 10SFF SAS/SATA drives. This kit comes with the cable needed to attach the 2 drives to the internal B140i SATA controller. For SAS, an alternate storage controller and its associated cable kit are required.</p> <p>HP DL360 Gen9 SFF DVD-RW/USB Universal Media Bay Kit 764632-B21 NOTE: DVD RW (Drive Included), USB 2.0, and VGA; when this option kit is installed it cannot be used in conjunction with the 2 SFF SAS/SATA option kit.</p> <p>HP DL360 Gen9 SFF USB/VGA Universal Media Bay Kit 764634-B21 NOTE: Front USB 2.0 and VGA, when this option kit is installed it cannot be used in conjunction with the 2 SFF SAS/SATA option kit.</p> <p>HP DL360 Gen9 SFF DVD-ROM/USB Universal Media Bay Kit 818213-B21</p> <p>HP DL360 Gen9 Location Discovery Services Ear Kit 764757-B21 NOTE: Requires ProLiant Location Discovery Services Infrastructure within server racks.</p> <p>HP DL360 Gen9 Rear Serial Port and Enablement Kit 764646-B21</p> <p>HP DL360 Gen9 SFF Systems Insight Display Kit 764636-B21 NOTE: For the 8SFF or 10SFF models, adds a System Insight Display for improved diagnosis capabilities.</p> <p>HP DL360 Gen9 LFF USB/VGA Kit 764638-B21 NOTE: Adds front VGA and USB 2.0 ports to LFF.</p> <p>HP DL360 Gen9 LFF Systems Insight Display Kit 764640-B21 NOTE: For the 8SFF or 10SFF models, adds a System Insight Display for improved diagnosis capabilities. NOTE: Options noted with "DL360 Gen9 SFF..." are options only compatible with the 8 SFF Chassis; and Options noted with "DL360 Gen9 LFF..." are options only compatible with the 4LFF Chassis.</p> <p>HP DL360 Gen9 High Performance Heat Sink Kit 795235-B21 NOTE: These are included in some higher Watt processors (see processor section), but may be added to lower power processors to reduce fan power consumption.</p> <p>HP DL360 Gen9 NVMe 2 Solid State Drive Express Bay Enablement Kit 764628-B21 NOTE: This option provides support for up to 2NVMe drives in SFF only. Adding NVMe drives replaces support for Universal media bay. NOTE: The HP DL360 Gen9 High Performance Fan Kit (719079-B21) is required for combination of NVMe and LRDIMM support. NOTE: The PCIe card in this enablement kit can only be populated in slot1 of primary riser or in slot3 of secondary optional FH riser.</p> <p>HP DL360 Gen9 8SFF (4 NVMe Solid State Drive + 4 SAS/SATA) Express Bay Enablement Kit 817676-B21 NOTE: This option provides support for up to 4 NVMe drives (drives 5-8). NOTE: The HP DL360 Gen9 High Performance Fan Kit (719079-B21) is required for the 4 NVMe + 4 SAS/SATA kit. NOTE: The PCIe card in this enablement kit can only be populated in slot1 of primary riser.</p>
--------------------------	--

HP Processors Entry Processors - E5-2600v3 series Processors

Core Options

HP DL360 Gen9 Intel® Xeon® E5-2603v3 (1.6GHz/6-core/15MB/85W) FIO Processor Kit	755374-L21
NOTE: Ships with a standard Heatsink. A Performance Heatsink can be added to help reduce power consumption (795235-B21).	
HP DL360 Gen9 Intel® Xeon® E5-2603v3 (1.6GHz/6-core/15MB/85W) Processor Kit	755374-B21
NOTE: Ships with a standard Heatsink. A Performance Heatsink can be added to help reduce power consumption (795235-B21).	
HP DL360 Gen9 Intel® Xeon® E5-2609v3 (1.9GHz/6-core/15MB/85W) FIO Processor Kit	755378-L21
NOTE: Ships with a standard Heatsink. A Performance Heatsink can be added to help reduce power consumption (795235-B21).	
HP DL360 Gen9 Intel® Xeon® E5-2609v3 (1.9GHz/6-core/15MB/85W) Processor Kit	755378-B21
NOTE: Ships with a standard Heatsink. A Performance Heatsink can be added to help reduce power consumption (795235-B21).	
Base Processors - E5-2600v3 series Processors	
HP DL360 Gen9 Intel® Xeon® E5-2620v3 (2.4GHz/6-core/15MB/85W) FIO Processor Kit	755382-L21
NOTE: Ships with a standard Heatsink. A Performance Heatsink can be added to help reduce power consumption (795235-B21).	
HP DL360 Gen9 Intel® Xeon® E5-2620v3 (2.4GHz/6-core/15MB/85W) Processor Kit	755382-B21
NOTE: Ships with a standard Heatsink. A Performance Heatsink can be added to help reduce power consumption (795235-B21).	
HP DL360 Gen9 Intel® Xeon® E5-2623v3 (3GHz/4-core/10MB/105W) FIO Processor Kit	755376-L21
NOTE: Ships with a standard Heatsink. A Performance Heatsink can be added to help reduce power consumption (795235-B21).	
HP DL360 Gen9 Intel® Xeon® E5-2623v3 (3GHz/4-core/10MB/105W) Processor Kit	755376-B21
NOTE: Ships with a standard Heatsink. A Performance Heatsink can be added to help reduce power consumption (795235-B21).	
HP DL360 Gen9 Intel® Xeon® E5-2630v3 (2.4GHz/8-core/20MB/85W) FIO Processor Kit	755384-L21
NOTE: Ships with a standard Heatsink. A Performance Heatsink can be added to help reduce power consumption (795235-B21).	
HP DL360 Gen9 Intel® Xeon® E5-2630v3 (2.4GHz/8-core/20MB/85W) Processor Kit	755384-B21
NOTE: Ships with a standard Heatsink. A Performance Heatsink can be added to help reduce power consumption (795235-B21).	
HP DL360 Gen9 Intel® Xeon® E5-2637v3 (3.5GHz/4-core/15MB/135W) FIO Processor Kit	755404-L21
NOTE: Ships with a performance Heatsink as standard.	
HP DL360 Gen9 Intel® Xeon® E5-2637v3 (3.5GHz/4-core/15MB/135W) Processor Kit	755404-B21
NOTE: Ships with a performance Heatsink as standard.	
HP DL360 Gen9 Intel® Xeon® E5-2640v3 (2.6GHz/8-core/20MB/90W) FIO Processor Kit	755386-L21
NOTE: Ships with a standard Heatsink. A Performance Heatsink can be added to help reduce power consumption (795235-B21).	
HP DL360 Gen9 Intel® Xeon® E5-2640v3 (2.6GHz/8-core/20MB/90W) Processor Kit	755386-B21

Core Options

NOTE: Ships with a standard Heatsink. A Performance Heatsink can be added to help reduce power consumption (795235-B21).

HP DL360 Gen9 Intel® Xeon® E5-2630Lv3 (1.8GHz/8-core/20MB/55W) FIO Processor Kit 764097-L21

NOTE: Ships with a standard Heatsink. A Performance Heatsink can be added to help reduce power consumption (795235-B21).

HP DL360 Gen9 Intel® Xeon® E5-2630Lv3 (1.8GHz/8-core/20MB/55W) Processor Kit 764097-B21

NOTE: Ships with a standard Heatsink. A Performance Heatsink can be added to help reduce power consumption (795235-B21).

Performance Processors - E5-2600v3 series Processors

HP DL360 Gen9 Intel® Xeon® E5-2643v3 (3.4GHz/6-core/20MB/135W) FIO Processor Kit 755406-L21

NOTE: Ships with a performance Heatsink as standard.

HP DL360 Gen9 Intel® Xeon® E5-2643v3 (3.4GHz/6-core/20MB/135W) Processor Kit 755406-B21

NOTE: Ships with a performance Heatsink as standard.

HP DL360 Gen9 Intel® Xeon® E5-2650v3 (2.3GHz/10-core/25MB/105W) FIO Processor Kit 755388-L21

NOTE: Ships with a standard Heatsink. A Performance Heatsink can be added to help reduce power consumption (795235-B21).

HP DL360 Gen9 Intel® Xeon® E5-2650v3 (2.3GHz/10-core/25MB/105W) Processor Kit 755388-B21

NOTE: Ships with a standard Heatsink. A Performance Heatsink can be added to help reduce power consumption (795235-B21).

HP DL360 Gen9 Intel® Xeon® E5-2660v3 (2.6GHz/10-core/25MB/105W) FIO Processor Kit 755390-L21

NOTE: Ships with a standard Heatsink. A Performance Heatsink can be added to help reduce power consumption (795235-B21).

HP DL360 Gen9 Intel® Xeon® E5-2660v3 (2.6GHz/10-core/25MB/105W) Processor Kit 755390-B21

NOTE: Ships with a standard Heatsink. A Performance Heatsink can be added to help reduce power consumption (795235-B21).

HP DL360 Gen9 Intel® Xeon® E5-2667v3 (3.2GHz/8-core/20MB/135W) FIO Processor Kit 755408-L21

NOTE: Ships with a performance Heatsink as standard.

HP DL360 Gen9 Intel® Xeon® E5-2667v3 (3.2GHz/8-core/20MB/135W) Processor Kit 755408-B21

NOTE: Ships with a performance Heatsink as standard.

HP DL360 Gen9 Intel® Xeon® E5-2670v3 (2.3GHz/12-core/30MB/120W) FIO Processor Kit 755392-L21

NOTE: Ships with a standard Heatsink. A Performance Heatsink can be added to help reduce power consumption (795235-B21).

HP DL360 Gen9 Intel® Xeon® E5-2670v3 (2.3GHz/12-core/30MB/120W) Processor Kit 755392-B21

NOTE: Ships with a standard Heatsink. A Performance Heatsink can be added to help reduce power consumption (795235-B21).

HP DL360 Gen9 Intel® Xeon® E5-2680v3 (2.5GHz/12-core/30MB/120W) FIO Processor Kit 755394-L21

NOTE: Ships with a standard Heatsink. A Performance Heatsink can be added to help reduce power consumption (795235-B21).

HP DL360 Gen9 Intel® Xeon® E5-2680v3 (2.5GHz/12-core/30MB/120W) Processor Kit 755394-B21

Core Options

NOTE: Ships with a standard Heatsink. A Performance Heatsink can be added to help reduce power consumption (795235-B21).

HP DL360 Gen9 Intel® Xeon® E5-2683v3 (2GHz/14-core/35MB/120W) FIO Processor Kit 755398-L21

NOTE: Ships with a performance Heatsink as standard.

HP DL360 Gen9 Intel® Xeon® E5-2683v3 (2GHz/14-core/35MB/120W) Processor Kit 755398-B21

NOTE: Ships with a performance Heatsink as standard.

HP DL360 Gen9 Intel® Xeon® E5-2690v3 (2.6GHz/12-core/30MB/135W) FIO Processor Kit 755396-L21

NOTE: Ships with a standard Heatsink. A Performance Heatsink can be added to help reduce power consumption (795235-B21).

HP DL360 Gen9 Intel® Xeon® E5-2690v3 (2.6GHz/12-core/30MB/135W) Processor Kit 755396-B21

NOTE: Ships with a standard Heatsink. A Performance Heatsink can be added to help reduce power consumption (795235-B21).

HP DL360 Gen9 Intel® Xeon® E5-2695v3 (2.3GHz/14-core/35MB/120W) FIO Processor Kit 755400-L21

NOTE: Ships with a performance Heatsink as standard.

HP DL360 Gen9 Intel® Xeon® E5-2695v3 (2.3GHz/14-core/35MB/120W) Processor Kit 755400-B21

NOTE: Ships with a performance Heatsink as standard.

HP DL360 Gen9 Intel® Xeon® E5-2697v3 (2.6GHz/14-core/35MB/145W) FIO Processor Kit 755402-L21

NOTE: Ships with a performance Heatsink as standard.

HP DL360 Gen9 Intel® Xeon® E5-2697v3 (2.6GHz/14-core/35MB/145W) Processor Kit 755402-B21

NOTE: Ships with a performance Heatsink as standard.

HP DL360 Gen9 Intel® Xeon® E5-2698v3 (2.3GHz/16-core/40MB/135W) FIO Processor Kit 764099-L21

NOTE: Ships with a performance Heatsink as standard.

HP DL360 Gen9 Intel® Xeon® E5-2698v3 (2.3GHz/16-core/40MB/135W) Processor Kit 764099-B21

NOTE: Ships with a performance Heatsink as standard.

HP DL360 Gen9 Intel® Xeon® E5-2699v3 (2.3GHz/18-core/45MB/145W) FIO Processor Kit 780003-L21

NOTE: Ships with a performance Heatsink as standard.

HP DL360 Gen9 Intel® Xeon® E5-2699v3 (2.3GHz/18-core/45MB/145W) Processor Kit 780003-B21

NOTE: Ships with a performance Heatsink as standard.

HP DL360 Gen9 Intel® Xeon® E5-2650Lv3 (1.8GHz/12-core/30MB/65W) FIO Processor Kit 764101-L21

NOTE: Ships with a standard Heatsink. A Performance Heatsink can be added to help reduce power consumption (795235-B21).

HP DL360 Gen9 Intel® Xeon® E5-2650Lv3 (1.8GHz/12-core/30MB/65W) Processor Kit 764101-B21

NOTE: Ships with a standard Heatsink. A Performance Heatsink can be added to help reduce power consumption (795235-B21).

HP DL360 Gen9 Intel® Xeon® E5-2687Wv3 (3.1GHz/10-core/25MB/160W) FIO Processor Kit 755410-L21

NOTE: Ships with a performance Heatsink as standard.

Core Options

HP DL360 Gen9 Intel® Xeon® E5-2687Wv3 (3.1GHz/10-core/25MB/160W) 755410-B21

Processor Kit

NOTE: Ships with a performance Heatsink as standard.

NOTE: Processor XXXXXX-B21 option kits include 1 heat sink and two additional fans for 2P configs.

HP Memory

Registered DIMMs (RDIMMs) for E5-2600v3 Series

HP 32GB (1x32GB) Dual Rank x4 DDR4-2133 CAS-15-15-15 Registered Memory Kit 728629-B21

HP 16GB (1x16GB) Dual Rank x4 DDR4-2133 CAS-15-15-15 Registered Memory Kit 726719-B21

HP 8GB (1x8GB) Single Rank x4 DDR4-2133 CAS-15-15-15 Registered Memory Kit 726718-B21

HP 8GB (1x8GB) Dual Rank x8 DDR4-2133 CAS-15-15-15 Registered Memory Kit 759934-B21

HP 4GB (1x4GB) Single Rank x8 DDR4-2133 CAS-15-15-15 Registered Memory Kit 726717-B21

Load Reduced DIMMs (LRDIMMs) for E5-2600v3 Series

HP 64GB (1x64GB) Quad Rank x4 DDR4-2133 CAS-15-15-15 Load Reduced Memory Kit 726724-B21

HP 32GB (1x32GB) Quad Rank x4 DDR4-2133 CAS-15-15-15 Load Reduced Memory Kit 726722-B21

HP 16GB (1x16GB) Dual Rank x4 DDR4-2133 CAS-15-15-15 Load Reduced Memory Kit 726720-B21

NOTE: Memory speeds will vary by processor model, please see memory section of QuickSpecs.

HP Optical Drives

HP 9.5mm SATA DVD-ROM JackBlack Gen9 Optical Drive 726536-B21

NOTE: Supported only with the 4LFF Models & requires cable kit 766203-B21.

HP 9.5mm SATA DVD-RW JackBlack G9 Optical Drive 726537-B21

NOTE: Supported only with the 4LFF Models & requires cable kit 766203-B21.

HP DL360 Gen9 LFF Optical Cable 766203-B21

HP DL360 Gen9 SFF DVD-ROM/USB Universal Media Bay Kit 818213-B21

HP DL360 Gen9 SFF DVD-RW/USB Universal Media Bay Kit 764632-B21

NOTE: Front DVD-RW, USB 2.0 and VGA, and optical cable.

HP Mobile USB Non Leaded System DVD RW Drive 701498-B21

NOTE: External USB Drive.

HP Drives

SAS Hot Plug SFF (2.5-inch) Enterprise (ENT) Drives

HP 1.8TB 12G SAS 10K rpm SFF (2.5-inch) SC Enterprise 512e 3yr Warranty Hard Drive 791034-B21

HP 1.2TB 12G SAS 10K rpm SFF (2.5-inch) SC Enterprise 3yr Warranty Hard Drive 781518-B21

HP 1.2TB 6G SAS 10K rpm SFF (2.5-inch) SC Dual Port Enterprise 3yr Warranty Hard Drive 718162-B21

HP 900GB 12G SAS 10K rpm SFF (2.5-inch) SC Enterprise 3yr Warranty Hard Drive 785069-B21

HP 900GB 6G SAS 10K rpm SFF (2.5-inch) SC Enterprise 3yr Warranty Hard Drive 652589-B21

HP 600GB 12G SAS 15K rpm SFF (2.5-inch) SC 512e Enterprise 3yr Warranty Hard Drive 748387-B21

HP 600GB 12G SAS 15K rpm SFF (2.5-inch) SC Enterprise 3yr Warranty Hard Drive 759212-B21

HP 600GB 12G SAS 10K rpm SFF (2.5-inch) SC Enterprise 3yr Warranty Hard Drive 781516-B21

HP 600GB 6G SAS 10K rpm SFF (2.5-inch) SC Enterprise 3yr Warranty Hard Drive 652583-B21

HP 450GB 12G SAS 15K rpm SFF (2.5-inch) SC Enterprise 3yr Warranty Hard Drive 759210-B21

HP 450GB 6G SAS 10K rpm SFF (2.5-inch) SC Enterprise 3yr Warranty Hard Drive 652572-B21

Core Options

HP 300GB 12G SAS 15K rpm SFF (2.5-inch) SC Enterprise 3yr Warranty Hard Drive	759208-B21
HP 300GB 12G SAS 10K rpm SFF (2.5-inch) SC Enterprise 3yr Warranty Hard Drive	785067-B21
HP 300GB 6G SAS 10K rpm SFF (2.5-inch) SC Enterprise 3yr Warranty Hard Drive	652564-B21
HP 146GB 6G SAS 15K rpm SFF (2.5-inch) SC Enterprise 3yr Warranty Hard Drive	652605-B21
SAS Hot Plug SFF (2.5-inch) Midline (MDL) Drives	
HP 2TB 12G SAS 7.2K rpm SFF (2.5-inch) SC 512e 1yr Warranty Hard Drive	765466-B21
HP 1TB 12G SAS 7.2K rpm SFF (2.5-inch) SC 512e 1yr Warranty Hard Drive	765464-B21
HP 1TB 6G SAS 7.2K rpm SFF (2.5-inch) SC Midline 1yr Warranty Hard Drive	652749-B21
HP 500GB 6G SAS 7.2K rpm SFF (2.5-inch) SC Midline 1yr Warranty Hard Drive	652745-B21
SAS Hot Plug LFF (3.5-inch) Enterprise (ENT) Drives	
HP 600GB 12G SAS 15K rpm LFF (3.5-inch) SC Converter Enterprise 3yr Warranty Hard Drive	765424-B21
HP 450GB 12G SAS 15K rpm LFF (3.5-inch) SC Converter Enterprise 3yr Warranty Hard Drive	737394-B21
HP 300GB 12G SAS 15K rpm LFF (3.5-inch) SC Converter Enterprise 3yr Warranty Hard Drive	737261-B21
SAS Hot Plug LFF (3.5-inch) Midline (MDL) Drives	
HP 8TB 12G SAS 7.2K rpm LFF (3.5-inch) SC 512e Helium 1yr Warranty Hard Drive	793703-B21
HP 6TB 12G SAS 7.2K rpm LFF (3.5-inch) SC 512e Helium 1yr Warranty Hard Drive	793699-B21
HP 6TB 12G SAS 7.2K rpm LFF (3.5-inch) SC Midline 512e 1yr Warranty Hard Drive	765259-B21
HP 6TB 6G SAS 7.2K rpm LFF (3.5-inch) SC Midline 1yr Warranty Hard Drive	761477-B21
HP 6TB 12G SAS 7.2K rpm LFF (3.5-inch) SC 512e Performance 1yr Warranty Hard Drive	793671-B21
HP 4TB 12G SAS 7.2K rpm LFF (3.5-inch) SC Midline 512e 1yr Warranty Hard Drive	765257-B21
HP 4TB 6G SAS 7.2K rpm LFF (3.5-inch) SC Midline 1yr Warranty Hard Drive	695510-B21
HP 4TB 12G SAS 7.2K rpm LFF (3.5-inch) SC 512e Performance 1yr Warranty Hard Drive	793669-B21
HP 3TB 6G SAS 7.2K rpm LFF (3.5-inch) SC Midline 1yr Warranty Hard Drive	652766-B21
HP 2TB 6G SAS 7.2K rpm LFF (3.5-inch) SC Midline 1yr Warranty Hard Drive	652757-B21
HP 1TB 6G SAS 7.2K rpm LFF (3.5-inch) SC Midline 1yr Warranty Hard Drive	652753-B21
SATA Hot Plug SFF (2.5-inch) Midline (MDL) Drives	
HP 2TB 6G SATA 7.2K rpm SFF (2.5-inch) SC 512e 1yr Warranty Hard Drive	765455-B21
HP 1TB 6G SATA 7.2K rpm SFF (2.5-inch) SC 512e 1yr Warranty Hard Drive	765453-B21
HP 1TB 6G SATA 7.2K rpm SFF (2.5-inch) SC Midline 1yr Warranty Hard Drive	655710-B21
HP 500GB 6G SATA 7.2K rpm SFF (2.5-inch) SC Midline 1yr Warranty Hard Drive	655708-B21
HP 120GB 6G SATA Read Intensive-3 SFF 2.5-in SC 3yr Wty Solid State Drive	816879-B21
HP 240GB 6G SATA Read Intensive-3 SFF 2.5-in SC 3yr Wty Solid State Drive	816889-B21
HP 480GB 6G SATA Read Intensive-3 SFF 2.5-in SC 3yr Wty Solid State Drive	816899-B21
HP 960GB 6G SATA Read Intensive-3 SFF 2.5-in SC 3yr Wty Solid State Drive	816909-B21
HP 1.92TB 6G SATA Read Intensive-3 SFF 2.5-in SC 3yr Wty Solid State Drive	816919-B21
HP 3.84TB 6G SATA Read Intensive-3 SFF 2.5-in SC 3yr Wty Solid State Drive	816929-B21
HP 120GB 6G SATA Mixed Use-3 SFF 2.5-in SC 3yr Wty Solid State Drive	816965-B21
HP 120GB 6G SATA Mixed Use-3 LFF 3.5-in SC Converter 3yr Wty Solid State Drive	816969-B21
HP 240GB 6G SATA Mixed Use-3 SFF 2.5-in SC 3yr Wty Solid State Drive	816975-B21
HP 240GB 6G SATA Mixed Use-3 LFF 3.5-in SC Converter 3yr Wty Solid State Drive	816979-B21
HP 480GB 6G SATA Mixed Use-3 SFF 2.5-in SC 3yr Wty Solid State Drive	816985-B21

Core Options

HP 480GB 6G SATA Mixed Use-3 LFF 3.5-in SC Converter 3yr Wty Solid State Drive	816989-B21
HP 960GB 6G SATA Mixed Use-3 SFF 2.5-in SC 3yr Wty Solid State Drive	816995-B21
HP 960GB 6G SATA Mixed Use-3 LFF 3.5-in SC Converter 3yr Wty Solid State Drive	816999-B21
HP 1.92TB 6G SATA Mixed Use-3 SFF 2.5-in SC 3yr Wty Solid State Drive	817011-B21
HP 1.92TB 6G SATA Mixed Use-3 LFF 3.5-in SC Converter 3yr Wty Solid State Drive	817015-B21
SATA Hot Plug LFF (3.5-inch) Midline (MDL) Drives	
HP 8TB 6G SATA 7.2K rpm LFF (3.5-inch) SC 512e Helium 1yr Warranty Hard Drive	793695-B21
HP 6TB 6G SATA 7.2K rpm LFF (3.5-inch) SC 512e Helium 1yr Warranty Hard Drive	793683-B21
HP 6TB 6G SATA 7.2K rpm LFF (3.5-inch) SC Midline 512e 1yr Warranty Hard Drive	765255-B21
HP 6TB 6G SATA 7.2K rpm LFF (3.5-inch) SC Midline 1yr Warranty Hard Drive	753874-B21
HP 6TB 6G SATA 7.2K rpm LFF (3.5-inch) SC 512e Performance 1yr Warranty Hard Drive	793667-B21
HP 4TB 6G SATA 7.2K rpm LFF (3.5-inch) SC Midline 512e 1yr Warranty Hard Drive	765253-B21
HP 4TB 6G SATA 7.2k rpm LFF (3.5-inch) SC Midline 1yr Warranty Hard Drive	693687-B21
HP 4TB 6G SATA 7.2K rpm LFF (3.5-inch) SC 512e Performance 1yr Warranty Hard Drives	793665-B21
HP 3TB 6G SATA 7.2K rpm LFF (3.5-inch) SC Midline 1yr Warranty Hard Drive	628061-B21
HP 2TB 6G SATA 7.2K rpm LFF (3.5-inch) SC Midline 1yr Warranty Hard Drive	658079-B21
HP 1TB 6G SATA 7.2K rpm LFF (3.5-inch) SC Midline 1yr Warranty Hard Drive	657750-B21
HP 500GB 6G SATA 7.2K rpm LFF (3.5-inch) SC Midline 1yr Warranty Hard Drive	658071-B21
HP 80GB 6G SATA Read Intensive-2 LFF 3.5-in SCC 3yr Wty Solid State Drive	804578-B21
HP 120GB 6G SATA Read Intensive-2 LFF 3.5-in SCC 3yr Wty Solid State Drive	804584-B21
HP 240GB 6G SATA Read Intensive-2 LFF 3.5-in SCC 3yr Wty Solid State Drive	804590-B21
HP 480GB 6G SATA Read Intensive-2 LFF 3.5-in SCC 3yr Wty Solid State Drive	804596-B21
HP 800GB 6G SATA Read Intensive-2 LFF 3.5-in SCC 3yr Wty Solid State Drive	804602-B21
HP 1.6TB 6G SATA Read Intensive-2 LFF 3.5-in SCC 3yr Wty Solid State Drive	804608-B21
HP 200GB 6G SATA Mixed Use-2 LFF 3.5-in SCC 3yr Wty Solid State Drive	804616-B21
HP 800GB 6G SATA Mixed Use-2 LFF 3.5-in SCC 3yr Wty Solid State Drive	804628-B21
HP 1.6TB 6G SATA Mixed Use-2 LFF 3.5-in SCC 3yr Wty Solid State Drive	804634-B21
HP 200GB 6G SATA Write Intensive-2 LFF 3.5-in SCC 3yr Wty Solid State Drive	804642-B21
HP 400GB 6G SATA Write Intensive-2 LFF 3.5-in SCC 3yr Wty Solid State Drive	804668-B21
HP 800GB 6G SATA Write Intensive-2 LFF 3.5-in SCC 3yr Wty Solid State Drive	804674-B21
HP 1.2TB 6G SATA Write Intensive-2 LFF 3.5-in SCC 3yr Wty Solid State Drive	804680-B21
HP 480GB 6G SATA Mixed Use-2 LFF 3.5-in SCC 3yr Wty Solid State Drive	832417-B21
HP 120GB 6G SATA Read Intensive-3 LFF 3.5-in SC Converter 3yr Wty Solid State Drive	816883-B21
HP 240GB 6G SATA Read Intensive-3 LFF 3.5-in SC Converter 3yr Wty Solid State Drive	816893-B21
HP 480GB 6G SATA Read Intensive-3 LFF 3.5-in SC Converter 3yr Wty Solid State Drive	816903-B21
HP 960GB 6G SATA Read Intensive-3 LFF 3.5-in SC Converter 3yr Wty Solid State Drive	816913-B21
HP 1.92TB 6G SATA Read Intensive-3 LFF 3.5-in SC Converter 3yr Wty Solid State Drive	816923-B21
HP 3.84TB 6G SATA Read Intensive-3 LFF 3.5-in SC Converter 3yr Wty Solid State Drive	816933-B21
12G SAS Hot Plug SFF (2.5-inch) Enterprise Mainstream Solid State Drives	

Core Options

HP 1.92TB 12G SAS Read Intensive SFF 2.5-in SC 3yr Wty Solid State Drive	802891-B21
HP 1.6TB 12G SAS Mainstream Endurance SFF 2.5-in ENT Mainstream SC 3yr Wty H2 Solid State Drive	779176-B21
HP 800GB 12G SAS Mainstream Endurance SFF 2.5-in ENT Mainstream SC 3yr Wty H2 Solid State Drive	779172-B21
HP 800GB 12G SAS Write Intensive SFF 2.5-in SC 3yr Wty Solid State Drive	802586-B21
HP 400GB 12G SAS High Endurance SFF 2.5-in SC Enterprise Performance 3yr Wty Solid State Drive	741155-B21
HP 400GB 12G SAS Mainstream Endurance SFF 2.5-in ENT Mainstream SC 3yr Wty H2 Solid State Drive	779168-B21
HP 400GB 12G SAS Write Intensive SFF 2.5-in SC 3yr Wty Solid State Drive	802582-B21
HP 200GB 12G SAS Mainstream Endurance SFF 2.5-in ENT Mainstream SC 3yr Wty H2 Solid State Drive	779164-B21
HP 200GB 12G SAS Write Intensive SFF 2.5-in SC 3yr Wty Solid State Drive	802578-B21
12G SAS Hot Plug SFF (2.5-inch) Enterprise Value Solid State Drives	
HP 1.6TB 12G SAS Value Endurance SFF 2.5-in SC Enterprise Value 3yr Wty Solid State Drive	762263-B21
HP 800GB 12G SAS Value Endurance SFF 2.5-in SC Enterprise Value 3yr Wty Solid State Drive	762261-B21
12G SAS Hot Plug LFF (3.5-inch) Enterprise Value Solid State Drives	
HP 1.6TB 12G SAS Value Endurance LFF 3.5-in SC Enterprise Value 3yr Wty Solid State Drive	762272-B21
HP 800GB 12G SAS Value Endurance LFF 3.5-in SC Enterprise Value 3yr Wty Solid State Drive	762270-B21
6G SATA Hot Plug SFF (2.5-inch) Enterprise Mainstream Solid State Drives	
HP 800GB 6G SATA Mainstream Endurance SFF 2.5-in SC Enterprise Mainstream 3yr Wty Solid State Drive	691868-B21
HP 400GB 6G SATA Mainstream Endurance SFF 2.5-in SC Enterprise Mainstream 3yr Wty Solid State Drive	691866-B21
HP 200GB 6G SATA Mainstream Endurance SFF 2.5-in SC Enterprise Mainstream 3yr Wty Solid State Drive	691864-B21
HP 100GB 6G SATA Mainstream Endurance SFF 2.5-in SC Enterprise Mainstream 3yr Wty Solid State Drive	691862-B21
6G SATA Hot Plug SFF (2.5-inch) Enterprise Value Solid State Drives	
HP 1.6TB 6G SATA Value Endurance SFF 2.5-in SC Enterprise Value 3yr Wty Solid State Drive	757339-B21
HP 800GB 6G SATA Value Endurance SFF 2.5-in SC Enterprise Value 3yr Wty Solid State Drive	717973-B21
HP 600GB 6G SATA Value Endurance SFF 2.5-in SC Enterprise Value 3yr Wty Solid State Drive	739898-B21
HP 480GB 6G SATA Value Endurance SFF 2.5-in SC Enterprise Value 3yr Wty Solid State Drive	717971-B21
HP 300GB 6G SATA Value Endurance SFF 2.5-in SC Enterprise Value 3yr Wty Solid State Drive	739888-B21
HP 240GB 6G SATA Value Endurance SFF 2.5-in SC Enterprise Value 3yr Wty Solid State Drive	717969-B21
6G SATA Hot Plug SFF Value Endurance (2.5-inch) Enterprise Value G1 Solid State Drives	
HP 480GB 6G SATA Value Endurance SFF 2.5-in SC Enterprise Value 3yr Wty G1 Solid State Drive	756657-B21

Core Options

HP 240GB 6G SATA Value Endurance SFF 2.5-in SC Enterprise Value 3yr Wty G1 Solid State Drive	756636-B21
HP 120GB 6G SATA Value Endurance SFF 2.5-in SC Enterprise Value 3yr Wty G1 Solid State Drive	756621-B21
HP 960GB 6G SATA Light Endurance SFF 2.5-in SC Enterprise Light 3yr Wty G1 Solid State Drive	756601-B21
6G SATA Hot Plug SFF (2.5-inch) SC Read Intensive Solid State Drives	
HP 1.6TB 6G SATA Read Intensive-2 SFF 2.5-in SC 3yr Wty Solid State Drive	804605-B21
HP 960GB 6G SATA Read Intensive SFF 2.5-in SC 3yr Wty Solid State Drive	789155-B21
HP 800GB 6G SATA Read Intensive-2 SFF 2.5-in SC 3yr Wty Solid State Drive	804599-B21
HP 480GB 6G SATA Read Intensive SFF 2.5-in SC 3yr Wty Solid State Drive	789145-B21
HP 480GB 6G SATA Read Intensive-2 SFF 2.5-in SC 3yr Wty Solid State Drive	804593-B21
HP 240GB 6G SATA Read Intensive SFF 2.5-in SC 3yr Wty Solid State Drive	789135-B21
HP 240GB 6G SATA Read Intensive-2 SFF 2.5-in SC 3yr Wty Solid State Drive	804587-B21
HP 120GB 6G SATA Read Intensive-2 SFF 2.5-in SC 3yr Wty Solid State Drive	804581-B21
HP 80GB 6G SATA Read Intensive-2 SFF 2.5-in SC 3yr Wty Solid State Drive	804575-B21
6G SATA Hot Plug SFF (2.5-inch) Enterprise Boot Solid State Drives	
HP 120GB 6G SATA Value Endurance SFF 2.5-in SC Enterprise Boot 3yr Wty Solid State Drive	717965-B21
HP 80GB 6G SATA Value Endurance SFF 2.5-in SC Enterprise Boot 3yr Wty Solid State Drive	734360-B21
6G SATA Hot Plug LFF (3.5-inch) Enterprise Mainstream Solid State Drives	
HP 800GB 6G SATA Mainstream Endurance LFF 3.5-in SC Enterprise Mainstream 3yr Wty Solid State Drive	691860-B21
HP 400GB 6G SATA Mainstream Endurance LFF 3.5-in SC Enterprise Mainstream 3yr Wty Solid State Drive	691856-B21
HP 200GB 6G SATA Mainstream Endurance LFF 3.5-in SC Enterprise Mainstream 3yr Wty Solid State Drive	691854-B21
HP 100GB 6G SATA Mainstream Endurance LFF 3.5-in SC Enterprise Mainstream 3yr Wty Solid State Drive	691852-B21
6G SATA Hot Plug LFF Value Endurance (3.5-inch) Converter Enterprise Value G1 Solid State Drives	
HP 480GB 6G SATA Value Endurance LFF 3.5-in SC Converter ENT Value 3yr Wty G1 Solid State Drive	756660-B21
HP 240GB 6G SATA Value Endurance LFF 3.5-in SC Converter ENT Value 3yr Wty G1 Solid State Drive	756639-B21
HP 120GB 6G SATA Value Endurance LFF 3.5-in SC Converter ENT Value 3yr Wty G1 Solid State Drive	756624-B21
6G SATA Hot Plug LFF (3.5-inch) SC Read Intensive Solid State Drives	
HP 960GB 6G SATA Read Intensive LFF 3.5-in SC Converter 3yr Wty Solid State Drive	789157-B21
HP 480GB 6G SATA Read Intensive LFF 3.5-in SC Converter 3yr Wty Solid State Drive	789147-B21
HP 240GB 6G SATA Read Intensive LFF 3.5-in SC Converter 3yr Wty Solid State Drive	789137-B21
6G SATA Hot Plug LFF Value Endurance (3.5-inch) Converter Enterprise Value M1 Solid State Drives	
HP 800GB 6G SATA Value Endurance LFF 3.5-in SC Converter ENT Value 3yr Wty M1 Solid State Drive	764945-B21

Core Options

HP 480GB 6G SATA Value Endurance LFF 3.5-in SC Converter ENT Value 3yr Wty M1 Solid State Drive	764943-B21
HP 240GB 6G SATA Value Endurance LFF 3.5-in SC Converter ENT Value 3yr Wty M1 Solid State Drive	764941-B21
HP 120GB 6G SATA Value Endurance LFF 3.5-in SC Converter ENT Value 3yr Wty M1 Solid State Drive	764939-B21
6G SATA Hot Plug LFF (3.5-inch) Enterprise Value Solid State Drives	
HP 1.6TB 6G SATA Value Endurance LFF 3.5-in SC Converter Enterprise Value 3yr Wty Solid State Drive	757342-B21
HP 800GB 6G SATA Value Endurance LFF 3.5-in SC Enterprise Value 3yr Wty Solid State Drive	718189-B21
HP 600GB 6G SATA Value Endurance LFF 3.5-in SC Converter Enterprise Value 3yr Wty Solid State Drive	739900-B21
HP 480GB 6G SATA Value Endurance LFF 3.5-in SC Enterprise Value 3yr Wty Solid State Drive	718183-B21
HP 300GB 6G SATA Value Endurance LFF 3.5-in SC Converter Enterprise Value 3yr Wty Solid State Drive	739890-B21
HP 240GB 6G SATA Value Endurance LFF 3.5-in SC Enterprise Value 3yr Wty Solid State Drive	718177-B21
6G SATA Hot Plug LFF (3.5-inch) Enterprise Light G1 Solid State Drives	
HP 960GB 6G SATA Light Endurance LFF 3.5-in SC Converter ENT Light 3yr Wty G1 Solid State Drive	756604-B21
6G SATA Hot Plug LFF (3.5-inch) Enterprise Boot Solid State Drives	
HP 120GB 6G SATA Value Endurance LFF 3.5-in SC Enterprise Boot 3yr Wty Solid State Drive	718171-B21
HP 80GB 6G SATA Value Endurance LFF 3.5-in SC Enterprise Boot 3yr Wty Solid State Drive	734362-B21
HP NVMe PCIe Read Intensive SFF (2.5-inch) Solid State Drives	
HP 400GB NVMe PCIe Read Intensive SFF 2.5-in SC2 3yr Wty Solid State Drive	764904-B21
HP 1.2TB NVMe PCIe Read Intensive SFF 2.5-in SC2 3yr Wty Solid State Drive	764906-B21
HP NVMe PCIe Mixed Use SFF (2.5-inch) Solid State Drives	
HP 400GB NVMe PCIe Mixed Use SFF 2.5-in SC2 3yr Wty Solid State Drive	765034-B21
HP 800GB NVMe PCIe Mixed Use SFF 2.5-in SC2 3yr Wty Solid State Drive	765036-B21
HP 1.6TB NVMe PCIe Mixed Use SFF 2.5-in SC2 3yr Wty Solid State Drive	765038-B21
HP NVMe PCIe Write Intensive SFF (2.5-inch) Solid State Drives	
HP 400GB NVMe PCIe Write Intensive SFF 2.5-in SC2 3yr Wty Solid State Drive	736936-B21
HP 800GB NVMe PCIe Write Intensive SFF 2.5-in SC2 3yr Wty Solid State Drive	736939-B21
HP 1.6TB NVMe PCIe Write Intensive SFF 2.5-in SC2 3yr Wty Solid State Drive	764892-B21
NOTE: HP NVMe drives need the enablement kit 764628-B21.	
M.2 SSD	
HP Dual 120GB Value Endurance Solid State M.2 Enablement Kit for ProLiant ML/DL Servers	777894-B21
HP 120GB Value Endurance Solid State M.2 Enablement Kit for ProLiant ML/DL Servers	788028-B21
NOTE: M.2 drives go in PCIe slots and use B140i SATA controller only.	
NOTE: M.2 supports Software RAID only.	
NOTE: No HP Flexible Smart Array supported.	
Hard Drive Blank Kits	
HP Large Form Factor Hard Drive Blank Kit	666986-B21

Core Options

HP Small Form Factor Hard Drive Blank Kit 666987-B21

Hard Drive Kits

HP DL360 Gen9 2SFF SAS/SATA Universal Media Bay Kit 764630-B21

NOTE: Not supported in the 4LFF Chassis, required for 10SFF config, when added to the 8SFF Chassis.

HP DL360 Gen9 NVMe 2 Solid State Drive Express Bay Enablement Kit 764628-B21

NOTE: This option provides support for up to 2NVMe drives in SFF only. Adding NVMe drives replaces support for Universal media bay.

NOTE: The HP DL360 Gen9 High Performance Fan Kit (719079-B21) is required for combination of NVMe and LRDIMM support.

NOTE: The PCIe card in this enablement kit can only be populated in slot1 of primary riser or in slot3 of secondary optional FH riser.

HP DL360 Gen9 8SFF (4 NVMe Solid State Drive + 4 SAS/SATA) Express Bay Enablement Kit 817676-B21

NOTE: This option provides support for up to 4NVMe drives in SFF only.

NOTE: The HP DL360 Gen9 High Performance Fan Kit (719079-B21) is required for this kit.

NOTE: The PCIe card in this enablement kit can only be populated in slot1 of primary riser.

HP Networking

1 Gigabit Ethernet adapters

HP Ethernet 1Gb 4-port 331T Adapter 647594-B21

HP Ethernet 1Gb 2-port 332T Adapter 615732-B21

HP Ethernet 1Gb 2-port 361T Adapter 652497-B21

HP Ethernet 1Gb 4-port 366T Adapter 811546-B21

10 Gigabit Ethernet adapters

HP Ethernet 10Gb 2-port 530T Adapter 656596-B21

HP Ethernet 10Gb 2-port 530SFP Adapter 652503-B21

HP Ethernet 10Gb 2-port 546SFP+ Adapter 779793-B21

HP Ethernet 10Gb 2-port 557SFP+ Adapter 788995-B21

HP Ethernet 10Gb 2-port 560SFP+ Adapter 665249-B21

HP Ethernet 10Gb 2-port 561T Adapter 716591-B21

NOTE: The DL360 Gen9 chassis ships with 4x1Gb Embedded.

NOTE: A minimum of two Gigabytes (2 GB) of server memory is required per each adapter.

NOTE: Direct Attach Cable (DAC) for copper environments or fiber transceivers and cables for fiber-optic environments must be purchased separately. Please see the related NIC QuickSpecs for Technical Specifications and additional information: <http://www.hp.com/go/ProLiantNICs>.

FlexibleLOM Adapters

HP Ethernet 1Gb 4-port 331FLR Adapter 629135-B22

HP Ethernet 1Gb 4-port 366FLR Adapter 665240-B21

HP FlexFabric 10Gb 2-port 533FLR-T Adapter 700759-B21

HP FlexFabric 10Gb 2-port 534FLR-SFP+ Adapter 700751-B21

HP Ethernet 10Gb 2-port 546FLR-SFP+ Adapter 779799-B21

HP FlexFabric 10Gb 2-port 556FLR-SFP+ Adapter 727060-B21

HP Ethernet 10Gb 2-port 560FLR-SFP+ Adapter 665243-B21

HP Ethernet 10Gb 2-port 561FLR-T Adapter 700699-B21

NOTE: The DL360 Gen9 chassis ships with 4x1Gb Embedded.

NOTE: Only one FlexibleLOM can be added to the server. These options are upgradeable and can be changed from the original configuration after the server is shipped.

Core Options

NOTE: Direct Attach Cable (DAC) for copper environments or fiber transceivers and cables for fiber-optic environments must be purchased separately. Please see the related NIC QuickSpecs for Technical Specifications and additional information: <http://www.hp.com/go/ProLiantNICs>.

HP InfiniBand	HP InfiniBand FDR 2-port 545QSFP Adapter	702211-B21
	HP InfiniBand FDR/Ethernet 10Gb/40Gb 2-port 544+QSFP Adapter	764284-B21
	HP InfiniBand FDR/Ethernet 10Gb/40Gb 2-port 544+FLR-QSFP Adapter	764285-B21
	HP InfiniBand QDR/Ethernet 10Gb 2-port 544+FLR-QSFP Adapter	764286-B21
	QLogic InfiniBand 4X QDR PCI-E G2 Dual Port HCA	583211-B21

NOTE: Please see the QuickSpecs for additional information:

http://h18000.www1.hp.com/products/quickspecs/13078_div/13078_div.html.

HP I/O Expansion Options	HP DL360 Gen9 Low Profile PCIe Slot CPU2 Kit	764642-B21
	NOTE: After installation server will have 1 FH / ¾ Length, and 2 Low Profile PCIe 3.0 Slots, requires second CPU.	
	HP DL360 Gen9 Full Height PCIe Slot CPU2 Kit with GPU Power Cable	764644-B21
	NOTE: After installation the server will have 2 FH / ¾ Length PCIe 3.0 Slots, requires second CPU.	
	NOTE: Includes GPU power cable and bracket; when this option kit is installed the Low Profile PCIe3.0 riser is not useable.	

HP Power Supplies	HP Flex Slot Platinum Hot-plug Power supplies	
	HP 500W Flex Slot Platinum Hot Plug Power Supply Kit	720478-B21
	NOTE: Flex Slot Platinum power supplies support power efficiency of up to 94% and include a standard C-14 power inlet connector.	
	HP 800W Flex Slot Titanium Hot Plug Power Supply Kit	720482-B21
	NOTE: Flex Slot Titanium power supplies support power efficiency of up to 96% and include a standard C-14 power inlet connector.	
	HP 800W Flex Slot Platinum Hot Plug Power Supply Kit	720479-B21
	NOTE: Flex Slot Platinum power supplies support power efficiency of up to 94% and include a standard C-14 power inlet connector.	
	HP 800W Flex Slot Universal Hot Plug Power Supply Kit	720484-B21
	NOTE: Flex Slot universal power supplies support power efficiency of up to 94% and support both 277VAC/380VDC power inputs.	
	HP 800W Flex Slot -48VDC Hot Plug Power Supply Kit	720480-B21
NOTE: Flex Slot -48VDC power supplies support power efficiency of up to 94%.		
HP 1400W Flex Slot Platinum Plus Hot Plug Power Supply Kit	720620-B21	
NOTE: Flex Slot Platinum Plus power supplies support power efficiency of up to 94% and include a C-14 power inlet connector that can support HP Power Discovery Services (blue connector).		
HP 750W Flex Slot Hot Plug Battery Backup Module	738024-B21	
NOTE: Flex Slot Battery Backup provides 750W output and 500W in paralleled configuration.		
NOTE: Only 1 Battery Backup module per server, and a Flex Slot Power Supply needed in parallel.		
NOTE: All power supplies must be of the same input voltage, output rating, and efficiency rating. If non-matching power supplies are installed, you may receive an error message and/or experience operational issues with your server.		
NOTE: Mixing different power supplies in the same server may limit or disable some power supply features including support for power redundancy. To ensure access to all available features, all power supplies within the same server should have the same output and efficiency ratings		

Core Options

NOTE: Prior to selecting a power supply option, it is highly recommended that you review your server configuration in the HP Power Advisor tool to determine the right size power supply for your server configuration. The HP Power Advisor is located at: <http://www.hp.com/go/hppoweradvisor>.

NOTE: Support for HP Power Discovery Services is included with the 1400W Flex Slot option. Power specifications and technical content for all HP Server power supplies can be found at <http://www.hp.com/go/proliant/powersupply>.

NOTE: Maximum of 2 Flex Slot PS per platform.

HP Computation and Graphics Accelerators

HP NVIDIA Quadro K4200 Graphics Accelerator JOG90A

NOTE: HP DL360 Gen9 supports up to two K4200 GPU cards. A single K4200 card installed in the primary PCI-e slot requires the Gen9 GPU Cable for CPU1 Kit 766199-B21. Two cards installed in the both the primary and secondary PCI-e slots require an HP DL360 Gen9 Full Height PCIe Slot CPU2 Kit 764644-B21, and if the HDD need to be RAIDed, the HP Smart Array P440ar for two GPUS needs to be installed, option kit 726740-B21.

HP NVIDIA Quadro K2200 Graphics Accelerator JOG89A

NOTE: Supports up to two cards. Two cards installed in the both the primary and secondary PCI-e slots require an HP DL360 Gen9 Full Height PCIe Slot CPU2 Kit 764644-B21. If two K2200 GPU cards are installed it does not require HP Smart Array P440ar for two GPU option kits for RAIDed HDDs.

HP DL360 Gen9 GPU Cable for CPU1 Kit 766199-B21

NOTE: Includes GPU power cable and brackets.

HP DL360 Gen9 SFF USB/VGA Universal Media Bay Kit 764634-B21

HP DL360 Gen9 LFF USB/VGA Kit 764638-B21

NOTE: Only the above listed Graphics cards are HP standard supported options in this server.

NOTE: The NVIDIA Quadro modules are supported only on 64-bit versions of Linux and Windows operating systems as well as on Virtual Machine client operating systems. The supported bare metal operating systems are RHEL6, SLES 11 and Windows Server 2012 R2.

HP Cooling Options

HP DL360 Gen9 High Performance Fan Kit 766201-B21

NOTE: High Performance Fan Kit, is available to meet some extended ambient operating temperatures above 35° C. Qualifications for extended ambient configurations are detailed at: <https://www.hp.com/servers/ashrae>.

NOTE: High performance fan kit increases power consumption. To reduce power consumption use high performance heat sinks (795235-B21).

Additional Options

NOTE: Some options may not be integrated at the factory. To ensure only valid configurations are ordered, HP recommends the use of an HP approved configurator. Contact your local sales representative for additional information.

HP Insight Software

HP Insight Control

HP Insight Control including 1yr 24x7 Technical Support and Updates Single Server License	C6N27A
HP Insight Control including 1yr 24x7 Technical Support and Updates Electronic License	C6N28ABE
HP Insight Control Server Provisioning Media Kit	BD883A
HP Insight Management Media Kit	C6N31A

NOTE: Electronic and Flexible-Quantity licenses can be used to purchase multiple licenses with a single activation key.

NOTE: Customer will receive a license entitlement certificate. The license entitlement certificate must be redeemed online or via fax in order to obtain the license activation key(s). Includes one year of 24x7 HP Software Technical Support and Update Service.

NOTE: Licenses ship without media. The HP Insight Control Media Kit can be ordered separately, or can be downloaded at: <http://www.hp.com/go/insightupdates>.

NOTE: For additional license options please see the QuickSpecs at: http://h18000.www1.hp.com/products/quickspecs/12631_div/12631_div.html.

Embedded Management

HP iLO Advanced

HP iLO Advanced including 3yr 24x7 Technical Support and Updates E-LTU	E6U64ABE
HP iLO Advanced 1 Server License with 3yr 24x7 Tech Support and Updates	BD505A
HP iLO Advanced including 1yr 24x7 Technical Support and Updates Single Server License	512485-B21
HP Insight Control including 1yr 24x7 Support ProLiant ML/DL/BL-bundle Single Server FIO License	C6N36A
HP Insight Control including 1yr 24x7 Support ProLiant ML/DL/BL-bundle FIO Electronic License	C6N36ABE
HP iLO Advanced including 1yr 24x7 Technical Support and Updates E-LTU	E6U59ABE

HP Converged Infrastructure Management Software

HP OneView Advanced (with HP iLO Advanced)

HP OneView incl 3yr 24x7 Supp Phys 1 Svr Lic	E5Y34A
HP OneView incl 3yr 24x7 Supp Flex Qty E-LTU	E5Y35AAE
HP OneView for ProLiant DL Server incl 3yr 24x7 Supp FIO Bundle Physical 1 Svr Lic	E5Y43A

HP OneView Advanced (without HP iLO Advanced)

HP OneView w/o iLO including 3yr 24x7 Support 1 Server LTU	P8B24A
HP OneView w/o iLO including 3yr 24x7 Support Flex Quantity E-LTU	P8B26AAE
HP OneView w/o iLO including 3yr 24x7 Support FIO 1 Server LTU	P8B31A
HP OneView w/o iLO Adv incl 3yr 24x7 Supp Phys 1 Svr Lic	E5Y38A
HP OneView w/o iLO Adv inc 3yr 24x7 Supp Flex Qty E-LTU	E5Y39AAE
HP OneView Media Kit Phys No Lic	E5Y37A
HP Operations Analytics for HP OneView LTU	K8G29A
HP Operations Analytics for HP OneView E-LTU	K8G29AAE

NOTE: Full licenses of HP OneView Advanced also provide the right-to-use HP Insight Control without additional charge.

NOTE: Server provisioning (via 'HP Insight Control server provisioning') is licensed as part of HP OneView Advanced and provides multi-server OS and driver provisioning. Media kit #BD883A can be ordered for a physical copy of this software (USB flash drive).

Additional Options

NOTE: Licenses ship without media. The HP OneView Media Kit can be ordered separately, or can be downloaded at: <http://www.hp.com/go/oneview>.
NOTE: Electronic and Flexible-Quantity licenses can be used to purchase multiple licenses with a single activation key.

High Performance Clusters

HP Cluster Management Utility

HP Insight Cluster Management Utility 1yr 24x7 Flexible License QL803B
 HP Insight Cluster Management Utility 3yr 24x7 Flexible License BD476A

NOTE: These part numbers can be used to purchase one certificate for multiple licenses and support with a single activation key. Each license is for one node (server). Customer will receive a printed end user license agreement and license entitlement certificate via physical shipment. The license entitlement certificate must be redeemed online in order to obtain a license key. Customer also will receive a support agreement.

HP Insight Cluster Management Utility Media BD477A

NOTE: For additional license kits please see the QuickSpecs at http://h18004.www1.hp.com/products/quickspecs/12612_div/12612_div.html.

HP PCIe Workload Accelerator Options

Value Endurance (VE) PCIe Workload Accelerators

HP 6.4TB FH/HL Value Endurance (VE) PCIe Workload Accelerator 763840-B21
 HP 3.2TB HH/HL Value Endurance (VE) PCIe Workload Accelerator 763838-B21
 HP 1.6TB HH/HL Value Endurance (VE) PCIe Workload Accelerator 763836-B21
 HP 1.3TB HH/HL Value Endurance (VE) PCIe Workload Accelerator 763834-B21

Light Endurance (LE) PCIe Workload Accelerators

HP 5.2TB FH/HL Light Endurance (LE) PCIe Workload Accelerator 775672-B21
 HP 2.6TB HH/HL Light Endurance (LE) PCIe Workload Accelerator 775670-B21
 HP 1.3TB HH/HL Light Endurance (LE) PCIe Workload Accelerator 775668-B21
 HP 1.0TB HH/HL Light Endurance (LE) PCIe Workload Accelerator 775666-B21

NVMe PCIe Workload Accelerators

HP 2.0TB NVMe Mixed Use HH/HL PCIe Workload Accelerator 803204-B21
 HP 1.6TB NVMe Mixed Use HH/HL PCIe Workload Accelerator 803202-B21
 HP 1.6TB NVMe Write Intensive HH/HL PCIe Workload Accelerator 803197-B21
 HP 800GB NVMe Mixed Use HH/HL PCIe Workload Accelerator 803200-B21
 HP 800GB NVMe Write Intensive HH/HL PCIe Workload Accelerator 803195-B21

NOTE: Please see the QuickSpecs for Technical Specifications and additional information: http://h18004.www1.hp.com/products/quickspecs/14528_div/14528_div.html (Worldwide).

HP Security

HP 1U Security Bezel Kit 664918-B21
 HP Trusted Platform Module Option 488069-B21

NOTE: The TPM (Trusted Platform Module) is a microcontroller chip that can securely store artifacts used to authenticate the server platform. These artifacts can include passwords, certificates and encryption keys. Windows® BitLocker™ Drive Encryption (BitLocker) is a data protection feature available in Windows Server® 2008. BitLocker leverages the enhanced security capabilities of a Trusted Platform Module (TPM) version 1.2. The TPM works with BitLocker to help protect user data and to ensure that a server running Windows Server 2008 has not been tampered with while the system was offline. For more information about TPM, including a white paper, go to: <http://www.hp.com/go/TPM>.

NOTE: ProLiant OS pre-installed units will come with the partition required for TPM deployment.

Additional Options

NOTE: The TPM key is unique to every TPM deployed server and must be retained. Misplacing or losing the key could result in data loss.

HP Storage Controllers

SAS Controllers

HP Smart Array Controllers

HP Smart Array P440ar/2GB FBWC 12Gb 2-ports Int SAS Controller 726736-B21

NOTE: Provides support for up to 8 internal SAS/SATA drives without using a PCIe slot.

HP Smart Array P440ar/2GB FBWC 12Gb 2-ports Int FIO SAS Controller 749974-B21

NOTE: Provides support for up to 8 internal SAS/SATA drives without using a PCIe slot.

HP DL360 Gen9 Smart Array P840 SAS Card with Cable Kit 766205-B21

NOTE: Includes the P840 Smart Array controller with 4GB integrated cache, HP Smart Storage Battery, and associated cabling to attach it to a 10SFF chassis configuration.

HP DL360 Gen9 Smart Array P440ar Controller for 2 GPU Configurations 726740-B21

NOTE: This controller is specific for the DL360 Gen9 with 2 GPUs installed. It has a unique heatsink that will allow the 2nd GPU to fit.

HP Smart Array P441/4GB FBWC 12Gb 2-ports Ext SAS Controller 726825-B21

HP Smart Array P440/4GB FBWC 12Gb 1-port Int SAS Controller 726821-B21

NOTE: Provides support for up to 8 internal SAS/SATA drives, consumes 1 PCIe slot.

NOTE: Includes the HP Smart Storage Battery.

HP Smart Array P440/4GB FBWC 12Gb 1-port Int FIO SAS Controller 761872-B21

NOTE: Provides support for up to 8 internal SAS/SATA drives, consumes 1 PCIe slot.

NOTE: Includes the HP Smart Storage Battery.

HP Smart Array P840/4GB FBWC 12Gb 2-ports Int SAS Controller 726897-B21

HP Smart Array P841/4GB FBWC 12Gb 4-ports Ext SAS Controller 726903-B21

NOTE: When ordering controllers, please reference the HP Cable Options below for the required cable.

NOTE: FIO indicates factory integrated option via CTO.

HP Smart Host Bus Adapters

HP H240ar 12Gb 2-ports Int Smart Host Bus Adapter 726757-B21

NOTE: Provides support for up to 8 internal SAS/SATA drives without using a PCIe slot.

HP H240ar 12Gb 2-ports Int FIO Smart Host Bus Adapter 749976-B21

NOTE: Provides support for up to 8 internal SAS/SATA drives without using a PCIe slot.

HP H240 12Gb 2-ports Int Smart Host Bus Adapter 726907-B21

HP H240 12Gb 2-ports Int FIO Smart Host Bus Adapter 761873-B21

HP H241 12Gb 2-ports Ext Smart Host Bus Adapter 726911-B21

NOTE: FIO indicates factory integrated option via CTO.

HP Cable Options

HP DL360 Gen9 LFF Smart Array P440ar/H240ar SAS Cable 766211-B21

NOTE: Required for an upgrade from a B140i SATA controller to a HP Smart HBA 240ar or HP Smart Array P440ar.

HP DL360 Gen9 SFF Embedded SATA Cable 766207-B21

NOTE: Needed only when attaching drive bays to the B140i controller in a 8 SFF Chassis.

HP DL360 Gen9 SFF Smart Array P440/H240 SAS Cables 775927-B21

NOTE: Required for use with the HP Smart Array P440 (PCIe Controllers) 726821-B21 or 761872-B21, the option kit documentation details out cable placement

Additional Options

with the HP Smart Array P440 in PCIe 3.0 Slots 1 or 2 connecting to the 8SFF backplane or the 2 SFF SAS/SATA option kit.

HP DL360 Gen9 LFF Smart Array P440/H240 SAS Cables 775929-B21

NOTE: Required for use with the HP Smart Array P440 (PCIe Controllers) 726821-B21 or 761872-B21, the option kit documentation details out cable placement with the HP Smart Array P440 in PCIe 3.0 Slots 1 or 2 connecting to the 4LFF backplane.

HP DL360 Gen9 SFF Smart Array P440ar/H240ar SAS Cable 766209-B21

HP DL360 Gen9 LFF Embedded SATA Cable 766213-B21

NOTE: Options noted with "DL360 Gen9 SFF..." are options only compatible with the 8 SFF Chassis; and Options noted with "DL360 Gen9 LFF..." are options only compatible with the 4LFF Chassis.

Optional Software

HP Secure Encryption No Media Flexible License per Drive D8S84A

HP Secure Encryption No Media E-LTU per Drive D8S85AAE

NOTE: HP Secure Encryption is supported when one of the supported Smart Array Controllers or the supported Smart SAS HBA (configured in a RAID mode) is installed in the server.

HP Secure Encryption licensing is based on the number of physical drives requiring encryption.

NOTE: For more information about HP Secure Encryption, go to <http://www.hp.com/go/hpsecureencryption>.

HP SmartCache No Media 24x7 Technical Support 1 Svr License D7S26A

HP SmartCache No Media 24x7 Technical Support Flexible License D7S27A

HP SmartCache No Media 24x7 Technical Support Electronic License D7S27AAE

NOTE: HP SmartCache is supported when one of the supported Smart Array Controllers is installed in the server.

NOTE: HP SmartCache comes standard (no licensing is required) if the HP Smart Array P840 Controller is installed in the server.

Optional Upgrades

HP 96W Smart Storage Battery with 145mm Cable for DL/ML/SL Servers 727258-B21

HP Tape Backup

NOTE: For the complete range of tape drives, autoloaders, libraries and media see: <http://www.hp.com/go/tape>. For hardware and software compatibility of HP tape backup products see: <http://www.hp.com/storage/SPOCK> and <http://www.hp.com/go/ebs>.

Tape Drives

HP StoreEver LTO-6 Ultrium 6650 SAS External Tape Drive EH964A

HP StoreEver 1/8 G2 LTO-6 Ultrium 6250 FC Tape Autoloader COH19A

HP StoreEver LTO-6 Ultrium 6250 Tape Drive in 1U Rack-mount Kit COL99A

HP StoreEver LTO-6 Ultrium 6250 External Tape Drive EH970A

HP StoreEver LTO-5 Ultrium 3000 SAS Tape Drive in 1U Rack-mount EJ014B

HP StoreEver LTO-5 Ultrium 3000 SAS External Tape Drive EH958B

HP StoreEver LTO-5 Ultrium 3280 SAS Tape Drive in 3U Rack-mount EJ013B

HP StoreEver LTO-5 Ultrium 3280 SAS External Tape Drive EH900B

HP StoreEver LTO-4 Ultrium 1760 SAS (1) in 1U Rack-mount Kit EH946C

HP StoreEver LTO-4 Ultrium 1760 SAS External Tape Drive EH920B

HP StoreEver LTO-3 Ultrium 920 SAS External Tape Drive EH848B

HP StoreEver 1U SAS Rack-mount Kit AE459B

HP Mini SAS High Density to 4-lane Mini SAS External Fanout 2 Meter Cable K2R09A

HP Mini SAS High Density to 4-lane Mini SAS External Fanout 4 Meter Cable K2R10A

HP Tape Storage Systems**HP StoreEver MSL6480**

Additional Options

HP StoreEver MSL6480 Scaleable Expansion Module	QU626A
HP StoreEver MSL6480 Scalable Base Module	QU625A
HP MSL2024 0-Drive Tape Library	AK379A
HP MSL4048 0-Drive Tape Library	AK381A
NOTE: Please see the QuickSpecs for Technical Specifications and additional information: http://h18000.www1.hp.com/products/quickspecs/14604_div/14604_div.html (Worldwide).	

HP Disk Backup

HP RDX Removable Disk Backup System

HP RDX+ 1TB External Backup System	B7B69B
HP RDX+ 500GB External Backup System	B7B66B
HP RDX320 USB3.0 External Disk Backup System	B7B63A
HP RDX 2TB USB3.0 External Disk Backup System	E7X53B
HP RDX+ External Docking System	C8S07B
HP D3700 Enclosure	QW967A
HP D3600 Enclosure	QW968A

NOTE: For the complete range of RDX drives and media see:
<http://www.hp.com/go/rdx>. For hardware and software compatibility of HP disk backup products see: <http://www.hp.com/storage/SPOCK>.

NOTE: Please see the QuickSpecs for additional part numbers, Technical Specifications, and additional information:
http://h18000.www1.hp.com/products/quickspecs/13036_div/13036_div.html (Worldwide).

HP Storage Options

NOTE: The following is a list of all Fibre Channel Host Bus Adapters for Windows and Linux. For detailed compatibility information please see: <http://h18006.www1.hp.com/storage/saninfrastructure/hba.html>.

Emulex Fibre Channel HBAs

HP 81E 8Gb 1-port PCIe Fibre Channel Host Bus Adapter	AJ762B
HP 82E 8Gb 2-port PCIe Fibre Channel Host Bus Adapter	AJ763B
HP StoreFabric SN1100E 16Gb Single Port Fibre Channel Host Bus Adapter	C8R38A
HP StoreFabric SN1100E 16Gb Dual Port Fibre Channel Host Bus Adapter	C8R39A

QLogic Fibre Channel HBAs

HP 81Q 8Gb 1-port PCIe Fibre Channel Host Bus Adapter	AK344A
HP 82Q 8Gb 2-port PCIe Fibre Channel Host Bus Adapter	AJ764A
HP StoreFabric SN1000Q 16GB 1-port PCIe Fibre Channel Host Bus Adapter	QW971A
HP StoreFabric SN1000Q 16GB 2-port PCIe Fibre Channel Host Bus Adapter	QW972A

Converged Network Adapter

HP StoreFabric CN1100R Dual Port Converged Network Adapter	QW990A
HP StoreFabric CN1200E 10Gb Converged Network Adapter	E7Y06A

HP Disk Storage Systems

Disk Enclosures

HP D6000 Dual I/O Module Disk Enclosure	QQ695A
HP D6000 w/35 4TB 6G SAS 7.2K LFF Dual Port MDL HDD 140TB Bundle	E7W30A
HP D6000 w/70 4TB 6G SAS 7.2K LFF Dual Port MDL HDD 280TB Bundle	E7W31A
HP D6000 w/35 2TB 6G SAS 7.2K LFF Dual port MDL HDD 70TB Bundle	QQ697A
HP D6000 w/70 2TB 6G SAS 7.2K LFF Dual port MDL HDD 140TB Bundle	QQ698A
HP D6000 w/35 3TB 6G SAS 7.2K LFF Dual port MDL HDD 105TB Bundle	QQ699A
HP D6000 w/70 3TB 6G SAS 7.2K LFF Dual port MDL HDD 210TB Bundle	QQ700A
HP D2600 w/12 4TB 6G SAS 7.2K LFF Dual Port MDL HDD 48TB Bundle	E7W32A

Additional Options

HP Data Center Racks**HP 11000 G2 Series Racks**

HP 11642 1075mm Pallet Universal Rack	H6J65A
HP 11642 1075mm Shock Universal Rack	H6J66A
HP 11642 1200mm Pallet Universal Rack	H6J67A
HP 11642 1200mm Shock Universal Rack	H6J68A
HP 11636 1075mm Pallet Universal Rack	H6J77A
HP 11636 1075mm Shock Universal Rack	H6J78A
HP 11614 1075mm Shock Universal Rack	H6J82A
HP 11622 G2 1075mm Pallet Universal Rack	H6J83A
HP 11622 G2 1075mm Shock Universal Rack	H6J84A
HP 11648 1075mm Pallet Universal Rack	H6J87A
HP 11648 1075mm Shock Universal Rack	H6J88A

NOTE: Please see the [HP 11000 G2 Series Racks QuickSpecs](#) for information on additional racks options and rack specifications.

HP Intelligent Series Rack

HP 636 1075mm Pallet Intelligent Series Rack	BW895A
HP 636 1075mm Shock Intelligent Series Rack	BW896A
HP 642 1075mm Pallet Intelligent Series Rack	BW903A
HP 642 1075mm Shock Intelligent Series Rack	BW904A
HP 642 1200mm Pallet Intelligent Series Rack	BW907A
HP 642 1200mm Shock Intelligent Series Rack	BW908A
HP 647 1075mm Pallet Intelligent Series Rack	BW911A
HP 647 1075mm Shock Intelligent Series Rack	BW912A
HP 647 1200mm Pallet Intelligent Series Rack	BW913A
HP 647 1200mm Shock Intelligent Series Rack	BW914A
HP 842 1075mm Pallet Intelligent Series Rack	BW917A
HP 842 1075mm Shock Intelligent Series Rack	BW918A

NOTE: Please see the [HP Intelligent Series Racks QuickSpecs](#) for information on additional racks options and rack specifications.

HP Value Series Rack

HP V142 1075mm deep Pallet 100 series Rack	AF046A
--	--------

NOTE: Please see the [HP Value Series Rack QuickSpecs](#) for information on additional racks options and rack specifications.

Rail Kits

NOTE: Gen9 rail kits have changed significantly from prior generation rail kits. Please take a moment to review the installation documentation that comes with the server to help you with the installation of your Gen9 server.

NOTE: Rail kits are optional for DL3680 Gen9 and are no longer included standard with the server. Customers have the option to purchase their server without a rail kit.

NOTE: Ball bearing and Easy Install rail kits contain telescoping rails which allow for in-rack serviceability.

NOTE: To assist in the installation of the server into the rack an optional installation tool is available by contacting your local services representative (p/n 695539-001).

CAUTION: HP recommends that a minimum of two people are required for all Rack Server installations. Please refer to your installation instructions for proper tools and number of people to use for any installation

Additional Options

HP Power Distribution Units (PDUs)

HP Basic Power Distribution Unit (bPDU)

HP 1.9kVA 120 Volt L5-20 Input (12xNEMA 5-20R) NA/JP Basic PDU	H5M54A
HP 3.6kVA 200-240 Volt Detachable C20 Input (12xC13) WW Basic PDU	H5M56A
HP 2.8kVA 120 Volt L5-30 Input (18xNEMA 5-20R) NA/JP Basic PDU	H5M55A
HP 3.6kVA 200-240 Volt Detachable C20 Input (18xC13) WW Basic PDU	H5M57A
HP 4.9kVA 208 Volt L6-30 Input (20xC13) NA/JP Basic PDU	H5M58A
HP 7.3kVA 230 Volt IEC309 32A Input (20xC13) INTL Basic PDU	H5M68A
HP 8.6kVA 208 Volt L15-30 3-Phase Input (18xC13) NA/JP Basic PDU	H5M61A
HP 4.9kVA 208 Volt L6-30 Input (24xC13/6xC19) NA/JP Basic PDU	H5M59A
HP 7.3kVA 230 Volt IEC309 32A Input (24xC13/6xC19) INTL Basic PDU	H5M70A
HP 8.3kVA 208 Volt CS8265C Input (30xC13/6xC19) NA/JP Basic PDU	H5M60A
HP 11kVA 230 Volt IEC309 63A Input (30xC13/6xC19) INTL Basic PDU	H5M71A
HP Hardwired 200-240 Volt Input (30xC13/6xC19) WW Basic PDU	H5M75A
HP 5.7kVA 208 Volt L21-20 3-Phase Input (24xC13/3xNEMA 5-20R) NA/JP Basic PDU	H5M63A
HP 8.6kVA 208 Volt L21-30 3-Phase Input (24xC13/3xC19/3xNEMA 5-20R) NA/JP Basic PDU	H5M64A
HP 8.6kVA 208 Volt L15-30 3-Phase Input (24xC13/6xC19) NA/JP Basic PDU	H5M62A
HP 11kVA 400 Volt IEC309 16A 3-Phase Input (30xC13/6xC19) INTL Basic PDU	H5M72A
HP 11kVA 400 Volt IEC309 16A 3-Phase Input (36xC13/6xC19) INTL Basic PDU	H5M73A
HP 11kVA 400 Volt IEC309 30A 3-Phase Input (36xC13/6xC19) NA Basic PDU	H5M67A
HP 19.9kVA 480 Volt IEC309 30A 3-Phase Input (30 Outlet) NA Basic PDU	H3X08A
HP 800VA - 277V Input / 230V Output NA Rack Mount Transformer	H3X09A
HP 2.8kVA 24A Low Voltage NA/JP Modular Power Distribution Unit	252663-D71
HP 4.9kVA 24A High Voltage NA/JP Core Modular Power Distribution Unit	252663-D74
HP 8.3kVA 40A High Voltage NA/JP Core Modular Power Distribution Unit	252663-D75
HP 7.3kVA 32A High Voltage INTL Core Modular Power Distribution Unit	252663-B33
HP 9.2kVA 40A High Voltage INTL Core Modular Power Distribution Unit	252663-B34
HP 8.6kVA 24A Three Phase NA/JP Modular Power Distribution Unit	AF512A
HP 11kVA 16A Three Phase INTL Modular Power Distribution Unit	AF513A
HP 14.4kVA 40A Three Phase NA/JP Modular Power Distribution Unit	AF519A
HP 17.3kVA 48A Three Phase NA/JP Modular Power Distribution Unit	AF511A
HP 22kVA 32A Three Phase INTL Core Modular Power Distribution Unit	AF518A

NOTE: To learn more about HP Basic Power Distribution Units (bPDU), please visit the HP website at <http://www.hp.com/go/pdu>.

HP Monitored Power Distribution Units (mPDU)

HP 2.8kVA 120 Volt L5-30 Input (12xNEMA 5-20R)NA/JP Monitored PDU	D9N43A
HP 3.6kVA 200-240 Volt Detachable C20 Input (12xC13) WW Monitored PDU	D9N46A
HP 4.9kVA 208 Volt L6-30 Input (12xC13) NA/JP Monitored PDU	D9N44A
HP 3.6kVA 200-240 Volt Detachable C20 Input (16xC13) WW Monitored PDU	D9N45A
HP 4.9kVA 208 Volt L6-30 Input (12xC13) NA/JP Monitored PDU	G9Z05A
HP 7.3kVA 230 Volt IEC309 32A Input (12xC13) INTL Monitored PDU	G9Z06A
HP 4.9kVA 208 Volt L6-30 Input (20xC13/4xC19) NA/JP Monitored PDU	D9N47A
HP 7.3kVA 230 Volt IEC309 32A Input (20xC13/4xC19) INTL Monitored PDU	D9N48A
HP 8.6kVA 208 Volt L15-30 3-Phase Input (18xC13/3xC19) NA/JP Monitored PDU	D9N51A
HP 5.7kVA 208 Volt L21-20 3-Phase Input (18xC13/3xNEMA 5-20R) NA/JP Monitored PDU	D9N52A
HP 8.6kVA 208 Volt L21-30 3-Phase Input (20xC13/3xC19/3xNEMA 5-20R) NA/JP Monitored PDU	D9N53A
HP 11kVA 400 Volt IEC309 16A 3-Phase Input (18xC13/3xC19) INTL Monitored PDU	D9N55A

Additional Options

HP 8.3kVA 208 Volt CS8265C Input (30xC13/3xC19) NA Monitored PDU	D9N49A
HP 7.3kVA 230 Volt IEC309 32A Input (32xC13/4xC19) INTL Monitored PDU	D9N50A
HP 11kVA 400 Volt IEC309 16A 3-Phase Input (30xC13/3xC19) INTL Monitored PDU	D9N57A
HP 14.4kVA 208 Volt CS8365C 3-Phase Input (12xC13/12xC19)NA Monitored PDU	D9N58A
HP 16.6kVA 400 Volt IEC309 30A 3-Phase Input (30xC13/3xC19) NA Monitored PDU	D9N61A
HP 16.6kVA 400 Volt IEC309 30A 3-Phase Input (12xC13/12xC19) NA Monitored PDU	D9N62A
HP 17.3kVA 208 Volt IEC309 60A 3-Phase Input (24xC13/3xC19) NA/JP Monitored PDU	D9N54A
HP 17.3kVA 208 Volt IEC309 60A 3-Phase Input (12xC13/12xC19) NA/JP Monitored PDU	D9N59A
HP 17.3kVA 208 Volt IEC309 60A 3-Phase Watertight Input (12xC13/12xC19) NA/JP Monitored PDU	G9Z07A
HP 19.9kVA 480 Volt 3-Phase (30 Outlet) NA Monitored PDU	D9N63A
HP 22kVA 400 Volt IEC309 32A 3-Phase Input (30xC13/3xC19) INTL Monitored PDU	D9N56A
HP 22kVA 400 Volt IEC309 32A 3-Phase Input (12xC13/12xC19) INTL Monitored PDU	D9N60A
HP 22kVA 400 Volt IEC309 32A 3-Phase Watertight Input (12xC13/12xC19) INTL Monitored PDU	G9Z08A
HP Environmental Sensor for Remote Monitored and Managed PDUs	E2D53A
NOTE: Please see the HP Monitored Power Distribution Units QuickSpecs for information on additional options and product specifications.	
HP Intelligent Power Distribution Units (iPDU)	
HP 4.9kVA 24A Single Phase NA/JP Core Intelligent Modular Power Distribution Unit	AF520A
HP 8.3kVA 40A Single Phase NA/JP Core Intelligent Modular Power Distribution Unit	AF521A
HP 8.6kVA 24A Three Phase NA/JP Core Intelligent Modular Power Distribution Unit	AF522A
HP 17.3kVA 48A Three Phase NA/JP Core Intelligent Modular Power Distribution Unit	AF523A
HP 11.4kVA 16A 415V Three Phase L22-20 NA Core Intelligent Power Distribution Unit	AF900A
HP 17.3kVA 24A 415V Three Phase IEC309 NA Core Intelligent Power Distribution Unit	AF901A
HP 7.3kVA 32A Single Phase INTL Core Intelligent Modular Power Distribution Unit	AF525A
HP 11kVA 16A Three Phase INTL Core Intelligent Modular Power Distribution Unit	AF526A
HP 22kVA 32A Three Phase INTL Core Intelligent Modular Power Distribution Unit	AF527A
HP 17.3kVA 48A 208V Three Phase 12 Outlet Core NA/JP Intelligent Power Distribution Unit	AF535A
HP 17.3kVA 24A 415V Three Phase 12 Outlet Core NA/JP Intelligent Power Distribution Unit	AF537A
HP 22kVA 32A 400V Three Phase 12 Outlet Core INTL Intelligent Power Distribution Unit	AF538A
HP 4.9kVA 24A Single Phase NA/JP Intelligent Modular Power Distribution Kit	AF531A
HP 8.6kVA 24A Three Phase NA/JP Intelligent Modular Power Distribution Kit	AF532A
HP 14.4kVA 40A Three Phase NA/JP Intelligent Modular Power Distribution Unit	AF533A
HP 7.3kVA 32A Single Phase INTL Intelligent Modular Power Distribution Kit	AF534A
HP 5xC13 Intelligent PDU Extension Bar G2 Kit	AF547A

Additional Options

HP 5x C13 Outlets Power and UID LEDs Pair Standard Extension Bar AF528A

NOTE: Please see the [HP Intelligent Power Distribution Units QuickSpecs](#) for information on additional options and product specifications.

HP Managed Power Distribution Units (maPDU)

HP 2.8kVA 120 Volt L5-30 Input (24x NEMA 5-20) NA/JP Managed PDU H8B48A

HP 3.6kVA 200-240 Volt Detachable C20 Input (7x C13/1x C19) WW Managed PDU H8B49A

HP 4.9kVA 208 Volt L6-30 Input (20x C13/4x C19) NA/JP Managed PDU H8B50A

HP 7.3kVA 200-240 Volt IEC309 32A Input (20x C13/4x C19) INTL Managed PDU H8B51A

HP 8.6kVA 208 Volt L15-30 3 Phase Input (18x C13/6x C19) NA/JP Managed PDU H8B52A

HP 8.6kVA 208 Volt L21-30 3 Phase Input (20x C13/3x C19/1x NEMA 5-20) NA/JP Managed PDU H8B53A

HP 11kVA 400 Volt IEC309 16A 3 Phase Input (21x C13/3x C19) INTL Managed PDU H8B54A

HP 14.4kVA 208V CS8365C 3 Phase Input (12x C13/12x C19) NA/JP Managed PDU H8B55A

HP 17.3kVA 208V IEC309 60A 3 Phase Input (12x C13/12x C19) NA/JP Managed PDU H8B56A

NOTE: Please see the [HP Managed Power Distribution Units QuickSpecs](#) for information on additional options and product specifications.

NOTE: To learn more, please visit the [HP Uninterruptible Power Systems \(UPS\) web page](#).

HP Rack Mount Consoles, KVM Switches, and Keyboards**HP Location Discovery Services**

HP 36U Location Discovery Kit BW945A

HP 42U Location Discovery Kit BW946A

HP 47U Location Discovery Kit BW947A

HP Location Discovery Services LCD8500 Kit TL052A

NOTE: Please see the [QuickSpecs for Technical Specifications and additional information](#):

http://h18000.www1.hp.com/products/quickspecs/14429_div/14429_div.html (Worldwide)

HP Rack Mount Consoles

HP LCD8500 1U US Rackmount Console Kit AF630A

HP LCD8500 1U UK Rackmount Console Kit AF631A

HP LCD8500 1U DE Rackmount Console Kit AF632A

HP LCD8500 1U FR Rackmount Console Kit AF633A

HP LCD8500 1U JP Rackmount Console Kit AF642A

HP LCD8500 1U RU Rackmount Console Kit AF643A

HP LCD8500 1U INTL Rackmount Console Kit AF644A

HP LCD8500 1U US TAA Rackmount Console Kit AF645A

HP KVM Switches

HP 0x1x8 G3 KVM Console Switch AF651A

HP 0x2x16 G3 KVM Console Switch AF652A

HP TAA 0x2x16 G3 KVM Console Switch AF653A

HP USB Remote Access Key for G3 KVM Console Switches AF650A

HP KVM Console USB Interface Adapter AF628A

HP 0x2x16 KVM Server Console Switch G2 with Virtual Media CAC Software AF618A

HP 0x2x32 KVM Server Console Switch G2 with Virtual Media CAC Software AF619A

HP KVM Console USB 2.0 Virtual Media CAC Interface Adapter AF629A

HP 1x4 USB/PS2 KVM Console Switch AF611A

HP 1x1Ex8 KVM IP Console Switch G2 with Virtual Media CAC Software AF620A

HP 2x1Ex16 KVM IP Console Switch G2 with Virtual Media CAC Software AF621A

Additional Options

HP 4x1Ex32 KVM IP Console Switch G2 with Virtual Media CAC Software AF622A

NOTE: To learn more, please visit the [HP KVM Switches web page](#).

HP USB Keyboard and Mouse

HP USB BFR with PVC Free US Keyboard/Mouse Kit 631341-B21
 HP USB BFR with PVC Free UK Keyboard/Mouse Kit 631344-B21
 HP USB BFR with PVC Free FR Keyboard/Mouse Kit 631346-B21
 HP USB BFR with PVC Free ES Keyboard/Mouse Kit 631348-B21
 HP USB BFR with PVC Free DE Keyboard/Mouse Kit 631358-B21
 HP USB BFR with PVC Free JP Keyboard/Mouse Kit 631360-B21
 HP USB BFR with PVC Free IT Keyboard/Mouse Kit 631362-B21
 HP USB BFR with PVC Free CN Keyboard/Mouse Kit 631364-B21
 HP USB BFR with PVC Free AE Keyboard/Mouse Kit 638212-B21
 HP USB BFR with PVC Free RU Keyboard/Mouse Kit 638214-B21
 HP USB BFR with PVC Free IN Keyboard/Mouse Kit 672097-D63
 HP USB BFR with PVC Free AP-Intl Keyboard/Mouse Kit 672097-373
 HP USB BFR with PVC Free Intl Keyboard/Mouse Kit 672097-B33
 HP USB BFR with PVC Free PT Keyboard/Mouse Kit 672097-133
 HP USB BFR with PVC Free TR Keyboard/Mouse Kit 672097-143
 HP USB BFR with PVC Free CZ Keyboard/Mouse Kit 672097-223
 HP USB BFR with PVC Free FI Keyboard/Mouse Kit 672097-353
 HP USB BFR with PVC Free SE Keyboard/Mouse Kit 672097-103
 HP USB BFR with PVC Free CH Keyboard/Mouse Kit 672097-113
 HP USB BFR with PVC Free KR Keyboard/Mouse Kit 672097-KD3
 HP 1U INT Rackmount Keyboard with USB AG086A
 HP 1U US Rackmount Keyboard with USB AG072A

NOTE: Please see the [HP USB Keyboard and Mouse QuickSpecs](#) for information on additional options and product specifications.

Rail Kits

HP 1U LFF Gen9 Easy Install Rail Kit 789388-B21
 HP 1U Small Form Factor Easy Install Rail Kit 734807-B21
 HP 1U Cable Management Arm for Easy Install Rail Kit 734811-B21
 HP 1U Small Form Factor Ball Bearing Rail Kit 663201-B21
 HP 1U Large Form Factor Ball Bearing Rail Kit 663202-B21
 HP 1U Cable Management Arm for Ball Bearing Rail Kit 663203-B21

HP Other Options

HP Rack LED Light Kit BW939A
 HP Kit LCD 1.83m Latch Display Port Cable G7T29A
 HP Advanced Power Manager Kit 741192-B21

HP Uninterruptible Power Systems (UPS)**HP DirectFlow Three Phase UPS Power Unit (1U UPS)**

HP R12000 DirectFlow - 1U Rackmount Uninterruptible Power System G9Y75A
 HP R12000 DirectFlow - POD 1U Rackmount Uninterruptible Power System AF478A

Input/Output Module Options for 1U UPS

HP 32A 400-415 Volt Three Phase INTL R12000 DirectFlow UPS IEC309 Input/Output Module AF488A
 HP 30A 400-415 Volt Three Phase NA R10000 DirectFlow UPS IEC309 Input/Output Module AF489A
 HP 32A 380 Volt Three Phase China R12000 DirectFlow UPS Unterminated Input/Output Module AF490A

Additional Options

HP 30A 480 Volt Three Phase NA R12000 DirectFlow UPS L22-30 Input/Output Module	AF491A
HP 30A 480 Volt Three Phase NA R12000 DirectFlow UPS IEC309 Input/Output Module	AF492A
HP 30A 400-415 Volt Three Phase NA R12000 DirectFlow UPS IEC309 Input/Output Module	G9Y76A
HP DirectFlow UPS Management Card	AF493A
Power Unit (2U UPS)	
HP R18000 DirectFlow - 2U Rackmount Uninterruptible Power System	AF479A
Input/Output Module Options for 2U UPS	
HP 32A 400-415 Volt Three Phase INTL R18000 DirectFlow UPS IEC309 Input/Output Module	AF483A
HP 30A 380 Volt Three Phase China R18000 DirectFlow UPS Unterminated Input/Output Module	AF485A
HP 30A 480 Volt Three Phase NA R18000 DirectFlow UPS IEC309 Input/Output Module	AF486A
HP 30A 480 Volt Three Phase NA R18000 DirectFlow UPS IEC309 Input/Output Module	AF487A
HP 30A 400 Volt Three Phase NA R18000 DirectFlow UPS IEC309 Input/Output Module	D9Q02A
HP 30A 400-415V Three Phase NA R18000 DirectFlow UPS 1:1 IEC309 Input/Output Module	AF484A
NOTE: All Input/Output Modules support dual output outlets except the AF484A.	
Battery Pack Options	
HP DirectFlow UPS - 1U Rackmount Lithium-ion Battery Pack	AF480A
HP DirectFlow UPS - 3U Rackmount VRLA Battery Pack	AF482A
HP WW DirectFlow Secondary Battery Cable	AF497A
NOTE: Please see the HP DirectFlow Three Phase Uninterruptible Power System QuickSpecs for information on additional options and product specifications.	
HP Tower UPS	
HP T750 G4 UPS Models	
HP T750 G4 NA/JP Uninterruptible Power System	J2P85A
HP T750 G4 INTL Uninterruptible Power System	J2P88A
HP T1000 G4 UPS Models	
HP T1000 G4 NA/JP Uninterruptible Power System	J2P86A
HP T1000 G4 INTL Uninterruptible Power System	J2P89A
HP T1500 G4 UPS Models	
HP T1500 G4 NA/JP Uninterruptible Power System	J2P87A
HP T1500 G4 INTL Uninterruptible Power System	J2P90A
HP T750 G2 UPS Models	
HP T750 G2 750VA INTL Tower Uninterruptible Power System	AF447A
HP Rack/Tower UPS	
HP R/T2200 G4 UPS Models	
HP R/T2200 G4 NA/JP Uninterruptible Power System	J2R00A
HP R/T3000 G4 UPS Models	
HP R/T3000 G4 Low Voltage NA/JP Uninterruptible Power System	J2R01A
HP R/T3000 G4 High Voltage NA/JP Uninterruptible Power System	J2R02A
HP R/T3000 G4 High Voltage INTL Uninterruptible Power System	J2R04A
R1500 G4 Models	
HP R1500 G4 NA Uninterruptible Power System	J2Q99A
HP R1500 G4 JP/TWN Uninterruptible Power System	J2R05A

Additional Options

HP R1500 G4 INTL Uninterruptible Power System	J2R03A
R7000 Uninterruptible Power System (UPS)	
HP R7000 4U 50A High Voltage NA/JP Uninterruptible Power System	AF462A
HP R7000 4U IEC-32A High Voltage INTL Uninterruptible Power System	AF463A
R5000 Uninterruptible Power System (UPS)	
HP R5000 3U L630 High Voltage NA/JP Uninterruptible Power System	AF460A
HP R5000 3U IEC309-32A High Voltage INTL Uninterruptible Power System	AF461A
NOTE: Please see the HP Line Interactive Single Phase UPS QuickSpecs for information on additional options and product specifications.	
Expansion modules for RP36000/3 UPS	
HP RP12000/3 12000VA Three Phase INTL 6U Rackmount Uninterruptible Power System	AF437A
HP UPS Options	
HP R/T2200 G4 Extended Runtime Module	J2R09A
HP R/T3000 G4 Extended Runtime Module	J2R10A
HP 2U Rack/Tower UPS Shipping Kit	L4Q11A
NOTE: To learn more, please visit the HP Uninterruptible Power Systems (UPS) web page .	

HP USB and SD Options

HP Enterprise Mainstream Flash Media Kits for Memory Cards

HP 32GB microSD Enterprise Mainstream Flash Media Kit	700139-B21
HP 8GB microSD Enterprise Mainstream Flash Media Kit	726116-B21
HP 8GB USB Enterprise Mainstream Flash Media Drive Key Kit	737953-B21
HP Dual 8GB microSD Enterprise Midline USB Kit	741279-B21

HP Care Pack Services

Installation & Start-up Services

HP Install ProLiant DL36x(p) Service	U4506E
HP Startup ProLiant DL36x(p) Service	U4507E

Proactive Care

HP 3 year 24x7 DL360 Gen9 w/IC Proactive Care Service	U5HM4E
HP 3 year 24x7 with Defective Media Retention DL360 Gen9 w/IC Proactive Care Service	U5HM5E
HP 3 year 24x7 w/Comprehensive Defective Material Retention DL360 Gen9 w/IC Proactive Care Service	U5HM6E
HP 3 year Call to Repair DL360 Gen9 w/IC Proactive Care Service	U5HN3E
HP 3 year Call to Repair with Defective Media Retention DL360 Gen9 w/IC Proactive Care Service	U5HN4E
HP 3 year CTR with Comprehensive Defective Material Retention DL360 Gen9 w/IC Proactive Care Service	U5HN5E
HP 3 year 24x7 DL360 Gen9 Proactive Care Service	U7AM2E
HP 3 year 24x7 with Defective Media Retention DL360 Gen9 Proactive Care Service	U7AM3E
HP 3 year 24x7 with Comprehensive Defective Material Retention DL360 Gen9 Proactive Care Service	U7AM4E
HP 3 year Call to Repair DL360 Gen9 Proactive Care Service	U7AM8E
HP 3 year Call to Repair with Defective Media Retention DL360 Gen9 Proactive Care Service	U7AM9E
HP 3 year CTR with Comprehensive Defective Material Retention DL360 Gen9 Proactive Care Service	U7AN0E

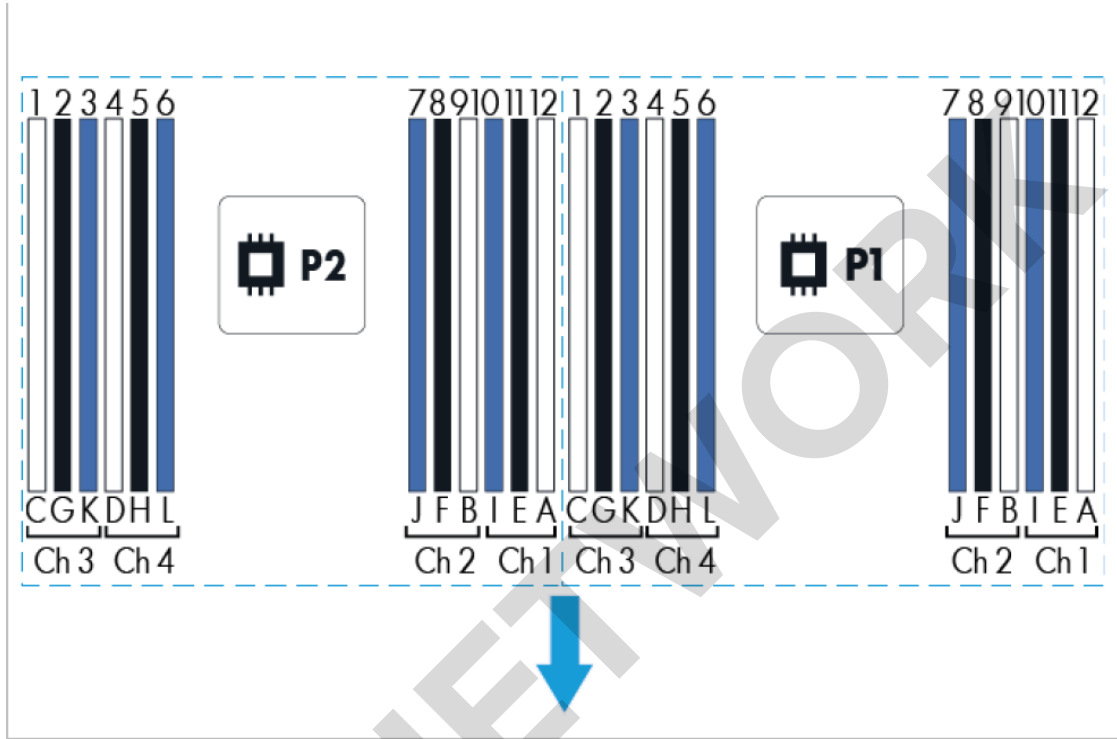
QuickSpecs

HP ProLiant DL360 Generation9 (Gen9)

Memory

Memory Subsystem Architecture Each Intel® Xeon® E5-2600v3 family processor socket contains four memory channels per installed processor with three DIMMs per channel for a total of twelve (12) DIMMs or a grand total of twenty-four (24) DIMMs for the server.

Memory Population guidelines



DIMM population order													
		1st slot of channel			2nd slot of channel			3rd slot of channel					
		A	B	C	D	E	F	G	H	I	J	K	L
Number of DIMMs to install	4												
	8												
	12												

General Memory Population Rules and Guidelines:

- White DIMM slots denote the first slot of a channel. For 1 DPC (DIMM per channel) populate white slots only.
- A minimum of one DIMM is required per processor
- Install DIMMs only if the corresponding processor is installed.
- When two processors are installed, balance the DIMMs across the two processors.
- Populate DIMMs from heaviest load (quad-rank) to lightest load (single-rank) within a channel. Heaviest load (DIMM with most ranks) within a channel goes furthest from the processor.
- Do not mix RDIMMs or LRDIMMs.
- DIMMs of different speeds may be mixed in any order; the server will select a common optimal speed.
- The maximum memory speed is a function of the memory type, memory configuration, and processor model.
- The maximum memory capacity is a function of the memory type and number of installed processors.
- HP memory from previous generation servers is not compatible with the DL360 Gen9 Server.

QuickSpecs

HP ProLiant DL360 Generation9 (Gen9)

Memory

- For memory population rules and additional memory guidelines, please see the DL360 Gen9 user guide at <http://www.hp.com/support>.
- There are four (4) Memory channels per processor; eight (8) channels per 2 processor server.
- There are three (3) DIMM slots for each memory channel; twenty four (24) total slots for 2 processor server.

Intel Gen9 Supported Memory Bandwidth for HP ProLiant Gen9 Intel® Xeon® E5-2600v3 Series Processor Family

Memory Bandwidth and Capacity							
[DIMM Type]	Registered DIMMs (RDIMMs)				Load Reduced (LRDIMMs)		
DIMM Rank	Single Rank		Dual Rank		Quad Rank		
DIMM Capacity	4GB	8GB	16GB	32GB	16GB	32GB	64GB
DIMM Native Speed (MT/s)	2133						
Voltage	Std Voltage 1.2V						
SLOTS THAT CAN BE POPULATED							
24 slot servers	24						
MAXIMUM CAPACITY (GB)							
	96	192	384	768	384	768	1536
1 DIMM Per Channel	2133						
2 DIMM Per Channel	2133						
3 DIMM Per Channel	1600				1866		

DIMM slot and configuration diagram

DIMM slot and configuration diagrams

- Population order; start with "A" first, "B" second, "C" third, etc.
- When one processor is installed, install DIMMs in sequential alphabetic order: A, B, C, D, E, F ...
- When two processors are installed, install DIMMs in sequential alphabetic order: CPU1-A, CPU2-A, CPU1-B, CPU2-B, CPU1-C, CPU2-C

CPU 1			CPU 2		
Slot #	population order		Slot #	population order	
1			1		

QuickSpecs

HP ProLiant DL360 Generation9 (Gen9)

Memory

Memory Speed by Processor Model

Processor Models	Supported Memory Speeds
E5-2603v3, E5-2609v3,	1600MHz
E5-2620v3, E5-2623v3, E5-2630v3, E5-2640v3, E5-2630Lv3,	1866MHz
E5-2637v3, E5-2643v3, E5-2650v3, E5-2660v3, E5-2667v3, E5-2670v3, E5-2680v3, E5-2683v3, E5-2690v3, E5-2695v3, E5-2697v3, E5-2698v3, E5-2699v3, E5-2650Lv3, E5-2687Wv3,	2133MHz

Standard and Maximum Memory Capacity (Pre-configured Models)

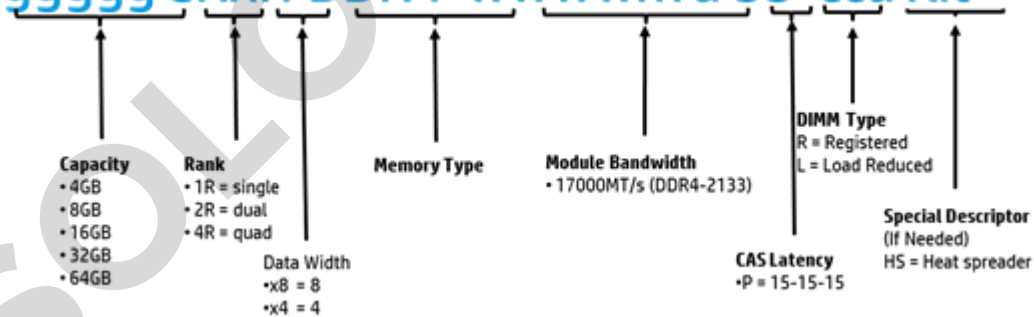
Pre-Configured Models	Standard Memory	Maximum Memory Plus Optional Memory	Standard Memory Replaced with Optional Memory
E5-2603v3,	8GB (1x8GB)	744GB (23x32GB, 1x8GB)	1536GB (24x64GB)
E5-2630v3,	16GB (1x16GB)	752GB (23x32GB, 1x16GB)	1536GB (24x64GB)
E5-2650v3,	32GB (2x16GB)	736GB (22x32GB, 2x16GB)	1536GB (24x64GB)
E5-2670v3,	64GB (4x16GB)	704GB (20x32GB, 4x16GB)	1536GB (24x64GB)

DDR4 memory options part number decoder

NOTE: Capacity references are rounded to the common gigabyte (GB) values.

- 8GB = 8,192MB
- 16GB = 16,384MB
- 32GB = 32,768MB
- 64GB = 65,536MB

HP gggggg eRx ff DDR4 wwwwm a bb-ccd Kit



QuickSpecs

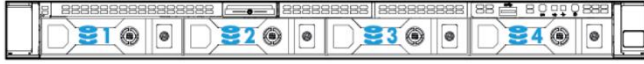
HP ProLiant DL360 Generation9 (Gen9)

Storage



1-8

8 x SFF SATA/SAS/SSD Hot Pluggable Hard Drive Bays



1-4

4 x LFF SATA/SAS/SSD Hot Pluggable Hard Drives Bays



1-10

10 x SFF SATA/SAS/SSD Hot Pluggable Hard Drive Bays

SOLO NETWORK

Technical Specifications

System Unit	Dimensions (H x W x D)	8 SFF and 10 SFF 1.7 x 17.1 x 27.5 inches (4.32 x 43.47 x 69.85 cm) 4 LFF - 1.7 x 17.1 x 29.5 inches (4.32 x 43.46 x 75.0 cm)
	Weight (approximate)	<p>Maximum: 8 SFF Chassis 33.3 lb. (15.31 kg) NOTE: Includes 2 SFF Option for a total of 10 SFF HDD power supply, and processor installed)</p> <p>4 LFF Chassis 37 lb. (16.78kg)</p> <p>Minimum: 8SFF Chassis 27 lb. (12.25 kg) (one hard drive, power supply, and processor installed)</p> <p>4 LFF Chassis 30.36 lb. (13.77 kg)</p>
	Input Requirements	<p>Range Line Voltage 100 to 120 VAC 200 to 240 VAC</p>
	BTU Rating	<p>Maximum For 800W Power Supply: 3207 BTU/hr (at 100 VAC), 3071 BTU/hr (at 200 VAC), 3112 BTU/hr (at 240 VAC) for China Only For 500W Power Supply: 1979 BTU/hr (at 100 VAC), 1911 BTU/hr (at 200 VAC), 1965 BTU/hr (at 240 VAC) for China Only</p>
	Power Supply Output	<p>Rated Steady-State Power For 1400W Power Supply: 1400W (at 240 VAC), 1400W (at 240 VAC) For 800W Power Supply: 800W (at 100 VAC), 800W (at 240 VAC), 800W (at 240 VAC) input for China only For 500W Power Supply: 500W (at 100 VAC), 500W (at 240 VAC), 500W (at 240 VAC) input for China only</p> <p>Maximum Peak Power For 1400W Power Supply: 1400W (at 200 to 240 1VAC), 1400W (at 240 VAC) input for China only For 800W Power Supply: 800W (at 100 to 127 VAC), 800W (at 200 to 240 1VAC), 800W (at 240 VAC) input for China only For 500W Power Supply: 500W (at 100 to 127 VAC), 500W (at 200 to 240 VAC), 500W (at 240 VAC) input for China only</p>
	System Inlet Temperature	<p>Standard Operating Support 10° to 35°C (50° to 95°F) at sea level with an altitude derating of 1.0°C per every 305 m (1.8°F per every 1000 ft) above sea level to a maximum of 3050 m (10,000 ft), no direct sustained sunlight. Maximum rate of change is 20°C/hr (36°F/hr). The upper limit and rate of change may be limited by the type and number of options installed. Note: System performance during standard operating support may be reduced if operating with a fan fault or above 30°C (86°F).</p> <p>Extended Ambient Operating Support For approved hardware configurations, the supported system inlet range is extended to be: 5° to 10°C (41° to 50°F) and 35° to 40°C (95° to 104°F) at sea level with an altitude derating of 1.0°C per every 175 m (1.8°F per every 574 ft) above 900 m (2953 ft) to a maximum of 3050 m (10,000 ft). The approved hardware configurations for this system are listed at the URL: http://www.hp.com/servers/ashrae</p> <p>For approved hardware configurations, the supported system inlet range is extended to be: 40° to 45°C (104° to 113°F) at sea level with an altitude derating of 1.0°C per every 125 m (1.8°F per every 410 ft) above 900 m (2953 ft) to a maximum of 3050</p>

Technical Specifications

		m (10,000 ft). The approved hardware configurations for this system are listed at the URL: http://www.hp.com/servers/ashrae
Relative Humidity	Non-operating	-30° to 60°C (-22° to 140°F). Maximum rate of change is 20°C/hr (36°F/hr).
	Operating	Minimum to be the higher (more moisture) of -12°C (10.4°F) dew point or 8% relative humidity. Maximum to be the lower (less moisture) of 24°C (75.2°F) dew point or 90% relative humidity.
(non-condensing)	Non-operating	5 to 95% relative humidity (Rh), 38.7°C (101.7°F) maximum wet bulb temperature, non-condensing.
Altitude	Operating	3050 m (10,000 ft). This value may be limited by the type and number of options installed. Maximum allowable altitude change rate is 457 m/min (1500 ft/min).
	Non-operating	9144 m (30,000 ft). Maximum allowable altitude change rate is 457 m/min (1500 ft/min).
Acoustic Noise	Listed are the declared A-Weighted sound power levels (LWAd) and declared average bystander position A-Weighted sound pressure levels (LpAm) when the product is operating in a 23°C ambient environment. Noise emissions were measured in accordance with ISO 7779 (ECMA 74) and declared in accordance with ISO 9296 (ECMA 109).	
	<p>Idle</p> <p>L WAd (1P non-redundant) 4.6 A Average Bystander (2P redundant) 5.5 A Average Bystander</p> <p>L pAm (1P non-redundant) 29 dBA (2P redundant) 37 dBA</p> <p>Operating</p> <p>L WAd (1P non-redundant) 4.6 A Average Bystander (2P redundant) 6.2 C Average Bystander</p> <p>L pAm (1P non-redundant) 30 dBA (2P redundant) 46 dBA</p> <p>NOTE: 1P Configuration tested included two Intel E5-2630 v3, 2.3GHz processors, one 500GB SAS HDD, five standard hot plug fans, one 8GB DDR4 RDIMM's 2133MHz, one 500W power supply.</p> <p>NOTE: 2P Configuration tested included two Intel E5-2650 v3, 2.6GHz processors, one 500GB SAS HDD, seven standard hot plug fans, two 16GB DDR4 RDIMM's 2133MHz, one 500W power supply, P440ar HDD controller PCI card with 2GB cache.</p> <p>NOTE: Values are subject to change without notification and are for reference only.</p> <p>NOTE: Performance of system, options, and ancillary equipment will vary depending on the system configuration.</p> <p>NOTE: Levels presented do not account for non-Hewlett-Packard installed hardware.</p>	
Emissions Classification (EMC)	FCC Rating	Class A
	Normative Standards	CISPR 22; EN55022; EN55024; FCC CFR 47, Pt 15; ICES-003; CNS13438; GB9254; K22;K24; EN 61000-3-2; EN 61000-3-3; EN 60950-1; IEC 60950-1
<p>NOTE: Product conformance to cited product specifications is based on sample (type) testing, evaluation, or assessment. This product or family of products is eligible to bear the appropriate compliance logos and statements.</p>		

QuickSpecs

HP ProLiant DL360 Generation9 (Gen9)

Technical Specifications

HP Dynamic Smart Array B140i Controller	Number of PCI links	Four
	PCI link rate	4 Gb/s
	Storage protocol support	SATA
	SAS/SATA peak data transfer rate	6 Gb/s
	Number of SAS/SATA links	10 links
	SAS/SATA connectivity	2x4 connectors; 2x1 connectors
	Expander support	No
	Drives supported (max)	Up to 10 Internal Drives
	RAID support	0, 1, 10, 5 SATA
	Software management	HP SSA, SMH, SIM
	Warranty	Server warranty
	HP Secure Encryption license	Not Supported
	HP SmartCache License	Not Supported
	HP Smart Storage Administrator	Supported

HP Ethernet 1Gb 4-port 331i Adapter	Network Interface	10Base-T/100Base-TX/1000Base-TX		
	Compatibility	IEEE 802.3 10Base-T IEEE 802.3ab 1000Base-T IEEE 802.3u 100Base-TX		
	Data Transfer Method	PCI Express, two lanes (x2)		
	Controller	BCM5719		
	Network Transfer Rate	10Base-T (Half-Duplex)	10 Mb/s per port, 40 Mb/s combined	
		10Base-T (Full-Duplex)	20 Mb/s per port, 80 Mb/s combined	
		100Base-TX (Half-Duplex)	100 Mb/s per port, 400 Mb/s combined	
		100Base-TX (Full-Duplex)	200 Mb/s per port, 800 Mb/s combined	
		1000Base-TX (Half and Full-Duplex)	1000Mb/s per port, 4000 Mb/s combined	
		1000Base-TX (Full-Duplex)	2000Mb/s per port, 8000 Mb/s combined	
Connector	Four RJ-45			
Cable Support	10 Base-T	Categories 3, 4 or 5 UTP; up to 328 ft (100 m)		
	10/100/1000 Base-TX	Category 5 or higher UTP; up to 328 ft (100 m)		

Technical Specifications

Environment-friendly Products and Approach**End-of-life Management and Recycling**

Hewlett-Packard offers end-of-life HP product return, trade-in, and recycling programs in many geographic areas. For trade-in information, please go to: <http://www.hp.com/go/green>. To recycle your product, please go to: <http://www.hp.com/go/green> or contact your nearest HP sales office. Products returned to HP will be recycled, recovered or disposed of in a responsible manner.

The EU WEEE directive (2002/95/EC) requires manufacturers to provide treatment information for each product type for use by treatment facilities. This information (product disassembly instructions) is posted on the Hewlett Packard web site at: <http://www.hp.com/go/green>. These instructions may be used by recyclers and other WEEE treatment facilities as well as HP OEM customers who integrate and re-sell HP equipment.

SOLO NETWORK

QuickSpecs

HP ProLiant DL360 Generation9 (Gen9)

Summary of Changes

Date	Version History	Action	Description of Change
28-Sep-2015	From Version 9 to 10	Added	Added support for PCIe Solid State Drives, additional 6Gb SATA SSD drives, support for new Network adapters, and support for new PCIe workload accelerators. Added new HP OneView management software.
		Changed	Internal Storage Devices, Maximum Internal Storage, and HP Drives were updated.
		Removed	Obsolete SKUs were removed from QuickSpecs.
17-Aug-2015	From Version 8 to 9	Added	Added new Solid State Drives offering.
		Changed	What's New changed to: Support for PCIe Solid State Drives Support for additional 6Gb SATA SSD drives Maximum Internal Storage and HP Unique Options were revised.
1-Jun-2015	From Version 7 to 8	Added	New DVD Universal Media Bay option was added. New larger capacity HDDs (up to 8TB LFF), Max capacity 32TB were added. New higher capacity memory (64GB), Max capacity 1.5TB was added. New Networking options were added. Optional Software was added to HP Storage Controllers.
		Changed	HP Disk Backup and HP Uninterruptible Power Systems (UPS) were updated.
30-Mar-2015	From Version 6 to 7	Added	New Hard Drives offering. Added new HP PCIe Workload Accelerator Options. Optional Software added to HP Storage Controllers. Added new HP Care Pack Services.
		Changed	What's New, Core Options, and Additional Options were revised.
		Removed	Removed obsolete HP Care Pack Services.
17-Feb-2015	From Version 5 to 6	Added	Added Smart Buy Models to the NA version only.
9-Feb-2015	From Version 4 to 5	Added	Added What's New section. Added new HP Drives, Pre-configured Models, and G4 UPS models.
		Changed	HP Processors, HP Disk Backup, HP Tape Backup, HP Rack Mount Consoles, KVM Switches, and Keyboards, HP Uninterruptible Power Systems (UPS), and HP Computation and Graphics Accelerators sections were revised.
1-Dec-2014	From Version 3 to 4	Changed	Changes were made throughout the QuickSpecs.
13-Oct-2014	From Version 2 to 3	Added	6G SATA Enterprise Value G1 Solid State Drives were added to Core Option section.

QuickSpecs

HP ProLiant DL360 Generation9 (Gen9)

Summary of Changes

			<p>HP PCIe Workload Accelerator Options, HP USB and SD options were added to the Additional Options section.</p> <p>Smart Buys section was added to NA version.</p>
		Changed	<p>Call outs description for images, Standard Features, Optional Features, Pre-Configured Models, Configuration Information - Factory Integrated Models, Core Options, Additional Options, and Memory sections were revised.</p>
23-Sep-2014	From version 1 to version 2	Changed	Changes were made throughout the QuickSpecs.



© Copyright 2015 Hewlett-Packard Development Company, L.P.

The information contained herein is subject to change without notice. The only warranties for HP products and services are set forth in the express warranty statements accompanying such products and services. Nothing herein should be construed as constituting an additional warranty. HP shall not be liable for technical or editorial errors or omissions contained herein.

Intel® and Xeon® are registered trademarks of Intel Corporation in the U.S. and other countries.

Microsoft®, Windows®, and Windows Server® are U.S. registered trademarks of the Microsoft group of companies.

For hard drives, 1GB = 1 billion bytes. Actual formatted capacity is less

SOLO NETWORK