

ACCXT200

SMARTMOUNT XT™

Soundbar Speaker Accessory

Compatible with Peerless-AV™ SAX755PU, SAX762PU and SAX772PU mounts



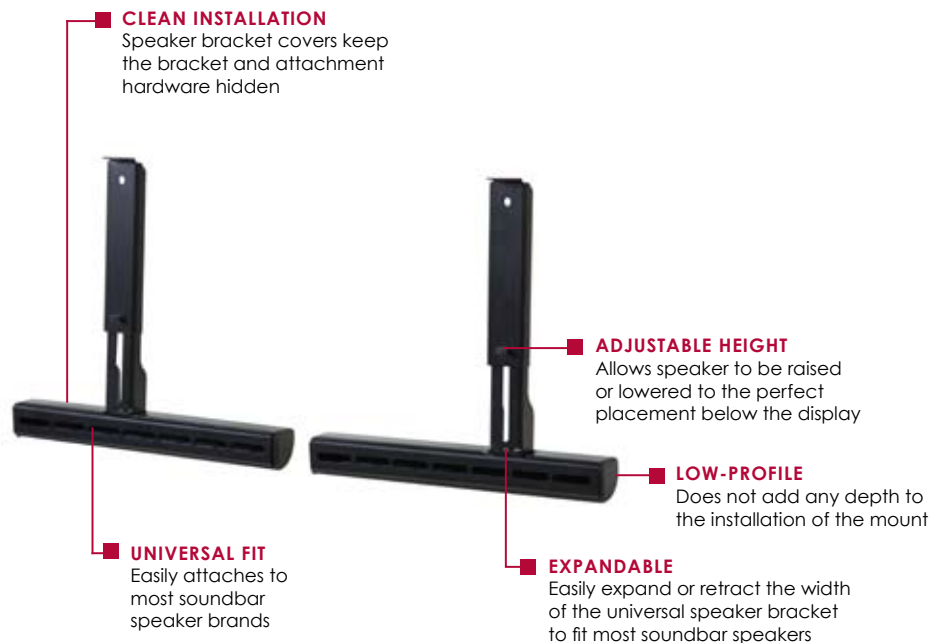
The Soundbar Speaker Accessory from Peerless-AV™ is the perfect solution for mounted flat panels. Now Soundbar speakers can fit neatly under the display, without having to retrofit them into walls or find a place to put them. Designed to make installations simple, the expandable speaker brackets expand and contract to fit the mounting hole patterns of most brands of Soundbar speakers. And it looks great, too; the height is easily adjusted for perfect placement, the low profile design keeps the slim aspect of the mount, and a speaker bracket cover creates a clean look at virtually any angle.



Max load: 25lb (11.34kg)

FEATURES

- Universal, fits most soundbar speaker brands
- Compatible with Peerless-AV SAX755PU, SAX762PU and SAX772PU mounts
- Expandable design makes it easy to expand or contract the mounting hole pattern to match the soundbar speaker
- Speaker bracket covers complement the look of the mount by hiding the bracket and attachment hardware and creating a clean, finished installation



Shown attached to Peerless-AV SAX762PU mount

RoHS



INTEGRATED
PARTNER
PROGRAM

Contact your Peerless-AV sales representative for more information

CLICK: www.peerless-av.com

CALL: 800.865.2112

FAX: 800.359.6500

peerless-AV™

ACCXT200 SmartMountXT™ Soundbar Speaker Accessory compatible with Peerless-AV SAX755PU, SAX762PU and SAX772PU mounts

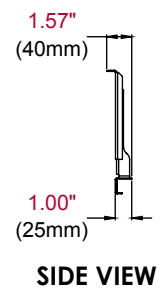
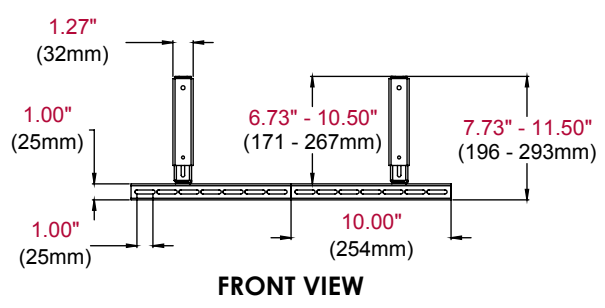
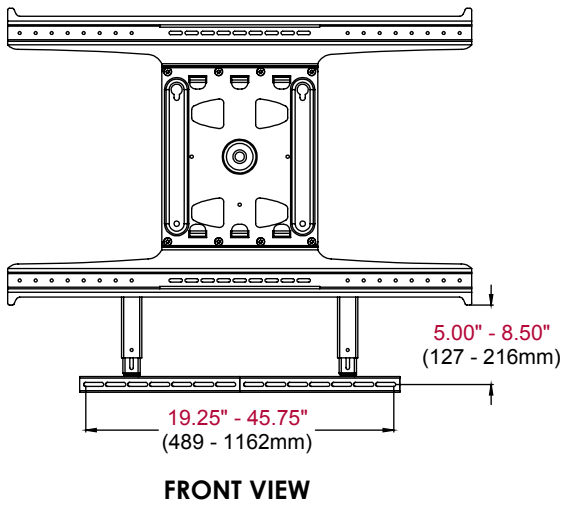
Product Specifications

	DIMENSIONS (W x H x D)	PRODUCT WEIGHT	LOAD CAPACITY	FINISH	AVAILABLE COLORS
ACCXT200	10.00" x 7.73"-11.50" x 1.57" (254 x 196-293 x 40mm)	2.3lb (1.04kg)	25lb (11.34kg)	Powder coat	Black

Package Specifications

	PACKAGE SIZE (W x H x D)	PACKAGE SHIP WEIGHT	PACKAGE UPC CODE	PACKAGE CONTENTS	UNITS IN PACKAGE
ACCXT200	6.375" x 3.25" x 13.56" (162 x 83 x 344mm)	3.13lb (1.42kg)	735029279983	Universal speaker mount, mount attachment hardware, installation instructions	1

All dimensions = inch (mm)



ARCHITECTS SPECIFICATIONS

The SmartMountXT™ Soundbar Speaker Accessory shall be a Peerless-AV model ACCXT200 and shall be located where indicated on the plans. It shall feature scratch resistant black fused epoxy finish. Assembly and installation shall be done according to instructions provided by the manufacturer.