

ACC953

SMARTMOUNT XT™

## Component Shelf Accessory

Compatible with Peerless-AV™ SAX755PU, SAX762PU and SAX772PU mounts

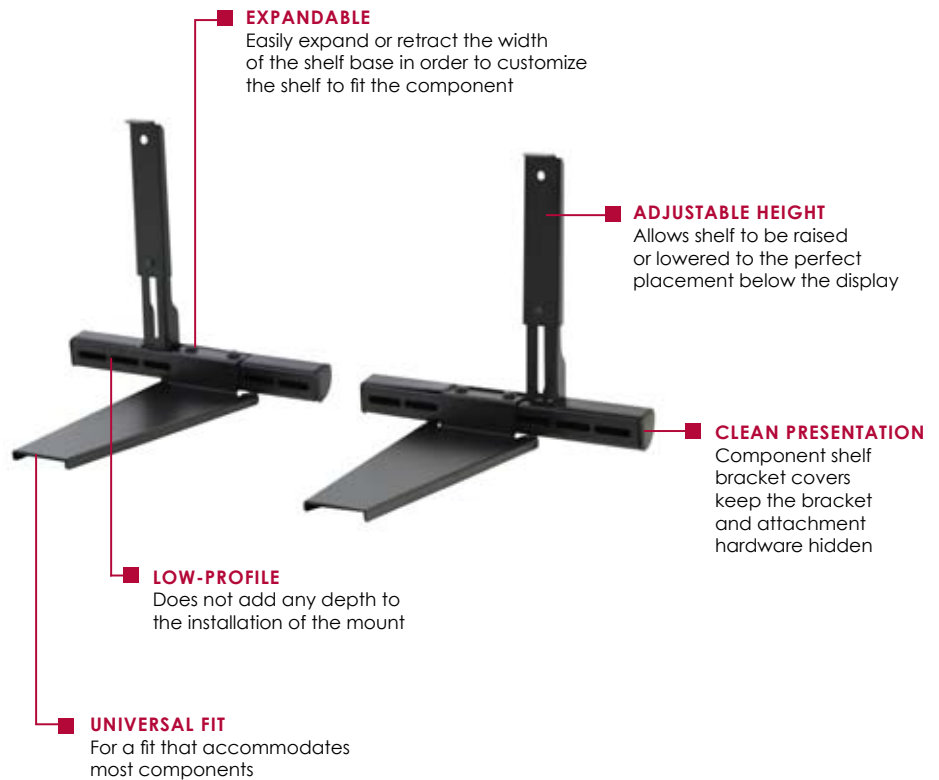
Easily mount components below a mounted flat panel with the Component Accessory Shelf from Peerless-AV™. It's a versatile solution that easily holds most components and provides a base that expands and contracts so it always looks like it was designed to hold the component placed on it. Designed to keep low profile installations sleek, adding the shelf does not any depth from mount to wall. It's easy to adjust the height and it provides a clean style that fits in any environment.



Max load: 20lb (9kg)

### FEATURES

- Compatible with Peerless-AV SAX755PU, SAX762PU and SAX772PU mounts
- Universal – works with virtually any component
- Expandable design makes the shelf look like it was designed to fit virtually any component placed on it
- Easily adjust the height of the shelf in order to get the perfect placement below the display
- Low profile design does not add any depth to slim AV mounts
- Component shelf bracket covers complement the look of the mount by hiding the bracket and attachment hardware and creating a clean, finished installation



Shown attached to Peerless-AV SAX762PU mount

RoHS



INTEGRATED  
PARTNER  
PROGRAM

Contact your Peerless-AV sales representative for more information

CLICK: [www.peerless-av.com](http://www.peerless-av.com)

CALL: 800.865.2112

FAX: 800.359.6500

peerless-AV™

**ACC953** SmartMountXT™ Component Shelf Accessory compatible with Peerless-AV SAX755PU, SAX762PU and SAX772PU mounts

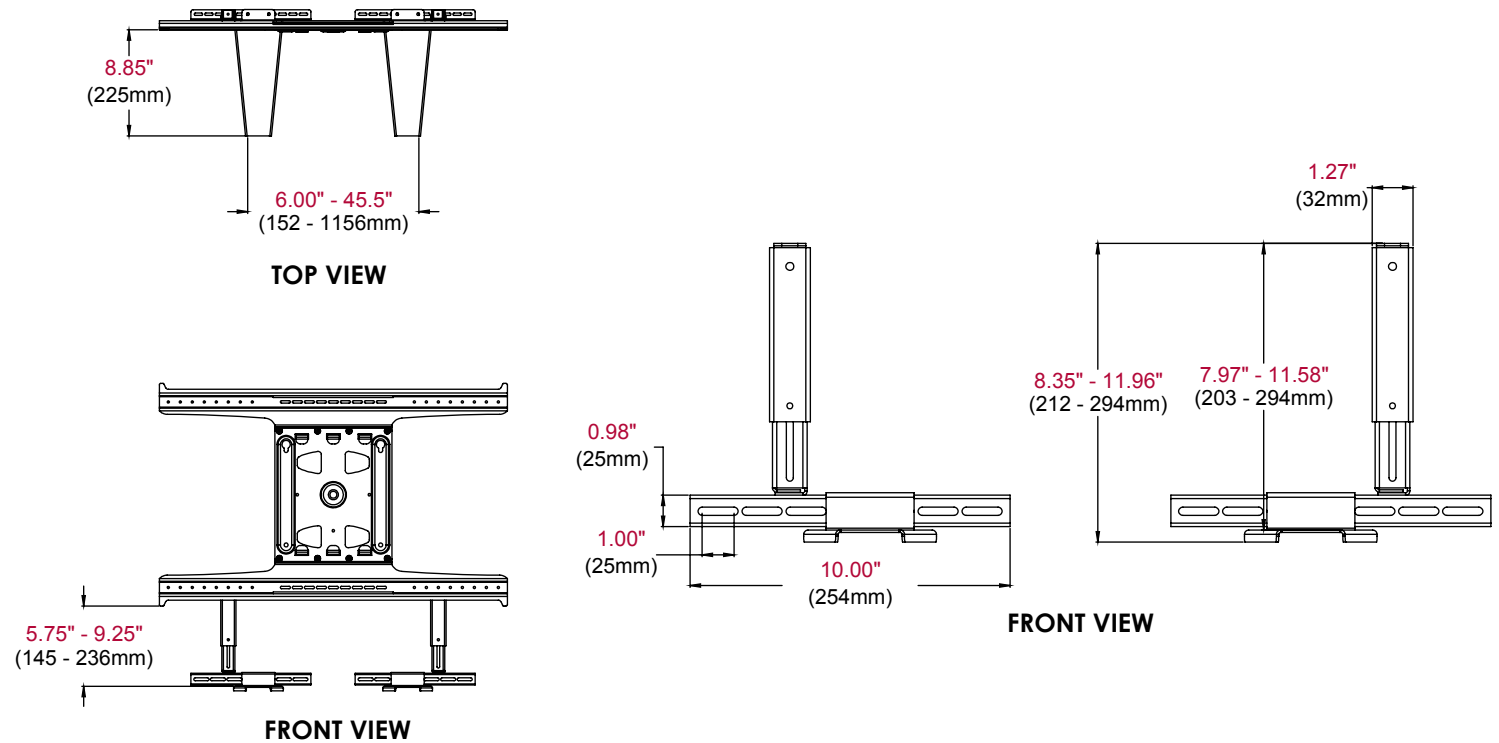
**Product Specifications**

	<b>DIMENSIONS (W x H x D)</b>	<b>PRODUCT WEIGHT</b>	<b>LOAD CAPACITY</b>	<b>FINISH</b>	<b>AVAILABLE COLORS</b>
<b>ACC953</b>	10.00" x 8.35"-11.96" x 8.85" (254 x 212-294 x 225mm)	3.55lb (1.61kg)	20lb (9kg)	Powder coat	Black

**Package Specifications**

	<b>PACKAGE SIZE (W x H x D)</b>	<b>PACKAGE SHIP WEIGHT</b>	<b>PACKAGE UPC CODE</b>	<b>PACKAGE CONTENTS</b>	<b>UNITS IN PACKAGE</b>
<b>ACC953</b>	6.375" x 3.25" x 13.56" (162 x 83 x 344mm)	4.4lb (2.0kg)	735029280002	Component shelf accessory mount, mount attachment hardware, installation instructions	1

All dimensions = inch (mm)



**ARCHITECTS SPECIFICATIONS**

The SmartMountXT™ Component Shelf Accessory shall be a Peerless-AV model ACC953 and shall be located where indicated on the plans. It shall feature scratch resistant black fused epoxy finish. Assembly and installation shall be done according to instructions provided by the manufacturer.

Peerless Industries, Inc. ■ 2300 White Oak Circle ■ Aurora, IL 60502 ■ (800) 865-2112 ■ (630) 375-5100 ■ Fax: (800) 359-6500 ■ [www.peerless-av.com](http://www.peerless-av.com)

Visit [www.peerless-av.com](http://www.peerless-av.com) to see the complete line of AV solutions from Peerless-AV, including flat panel mounts, projector mounts, carts/stands, furniture, cables, screen cleaners and a full assortment of accessories.