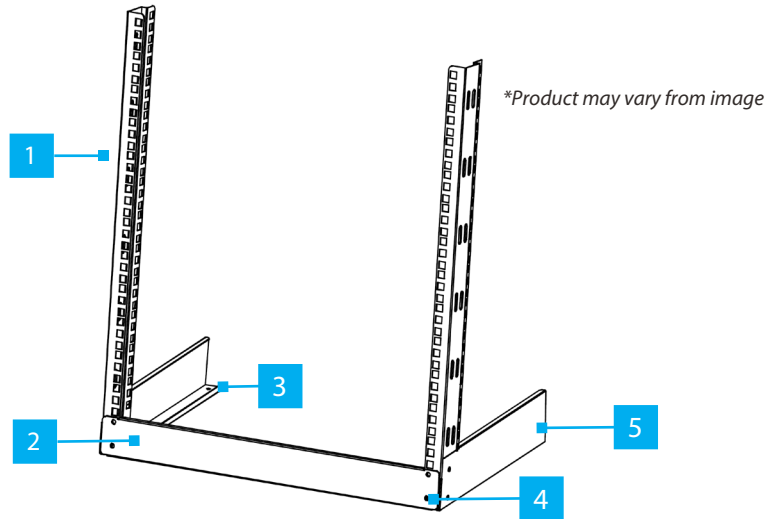


19in Open Frame 2-Post Desktop Rack (4U, 8U and 12U Models)

Product Diagram (RK4OD, RK4OD2, RK8OD, RK8OD2, RK12OD, RK12OD2)



Component	Function
1 Vertical Rails	• Feature Square Cage Nut Holes to mount your equipment
2 Front Base Bracket	• Stabilizes the frame and adds rigidity
3 Rubber Feet Holes	• Insert the Rubber Feet to protect the surface
4 Assembly Holes	• Used to connect the Vertical Rails, Front Base Bracket, and Base Brackets together
5 Base Brackets	• Stabilizes the frame and adds rigidity

Requirements

- Phillips head screwdriver
- Cage nut tool (Optional)

For the latest manuals, product information, technical specifications, and declarations of conformance, please visit:

www.StarTech.com/RK4OD www.StarTech.com/RK4OD2 www.StarTech.com/RK8OD
www.StarTech.com/RK8OD2 www.StarTech.com/RK12OD www.StarTech.com/RK12OD2

Package Contents

- Left Base Bracket x 1
- Right Base Bracket x 1
- Front Base Bracket x 1
- Left Vertical Rail x 1
- Right Vertical Rail x 1
- Rubber Feet x 4
- M5x12mm Assembly Screws x 8
- Quick-Start Guide x 1
- M5/M6 Cage Nuts (QTY outlined in table below)
- Rackmount Screws (QTY outlined in table below)
- Plastic Washers (QTY outlined in table below)

Product ID	M5/M6 Cage Nuts QTY	Rackmount Screws QTY	Plastic Washers QTY
RK4OD / RK4OD2	16x	16x	16x
RK8OD / RK8OD2	Rev 01: 20x Rev 02 or above: 32x	Rev 01: 20x Rev 02 or above: 32x	Rev 01: 20x Rev 02 or above: 32x
RK12OD / RK12OD2	Rev 01: 20x Rev 02 or above: 48x	Rev 01: 20x Rev 02 or above: 48x	Rev 01: 20x Rev 02 or above: 48x

Warning Statements

Make sure to assemble this product according to the instructions. Failure to do so might result in personal injury or property damage.

Make sure that the weight of the equipment doesn't exceed the weight capacity of this product. If you exceed the weight capacity, you might experience personal injury or damage to the equipment. This product can support the following weight:

RK4OD: Rev 01 up to 66lb (30kg); Rev 02 or above up to 88lb (40kg).
RK4OD2: up to 88lb (40kg).
RK8OD/RK8OD2/RK12OD/RK12OD2: up to 110lb (50kg).

This product poses a tipping risk. Make sure to follow the installation instructions. Failure to do so might result in personal injury or property damage.

Never operate this product if parts are missing or damaged.

Avvertimenti

Assemblez ce produit conformément aux instructions. Si vous ne respectez pas ces instructions, vous risquez de vous blesser ou d'endommager l'équipement.

Vérifiez que le poids de l'équipement ne dépasse pas la capacité pondérale du produit. Si vous dépassez la capacité pondérale, vous risquez des blessures corporelles ou des dommages matériels. Ce produit peut supporter de:

RK4OD: Rev 01 jusqu'à 30kg; Rev 02 ou supérieur jusqu'à 40kg
RK4OD2: jusqu'à 40kg.
RK8OD/RK8OD2/RK12OD/RK12OD2: jusqu'à 50kg.

Ce produit présente un risque de basculement. Veillez à bien suivre les instructions d'installation. Si vous ne respectez pas ces instructions, vous risquez de vous blesser ou d'endommager l'équipement.

N'utilisez pas ce produit si des pièces sont endommagées ou manquantes.

Dichiarazioni di avvertenza

Assemblare il prodotto rispettando le istruzioni. Il mancato rispetto delle istruzioni potrebbe causare danni a persone o proprietà.

Verificare che il peso dell'attrezzatura non superi la capacità di supporto del prodotto. In caso di superamento della capacità di supporto potrebbero verificarsi danni a persone o apparecchiature. Il prodotto è in grado di supportare i seguenti pesi:

RK4OD: Rev 01 fino a 30kg; Rev 02 o superiore fino a 40kg;
RK4OD2: fino a 40kg.
RK8OD/RK8OD2/RK12OD/RK12OD2: fino a 50kg.

Questo prodotto rappresenta un rischio di ribaltamento. Assicurarsi di seguire le istruzioni di installazione. Il mancato rispetto delle istruzioni potrebbe causare danni a persone o proprietà.

Non utilizzare il prodotto in presenza di parti mancanti o danneggiate.

Warnhinweise

Montieren Sie dieses Produkt gemäß den Anweisungen. Andernfalls kann dies zu Verletzungen von Personen oder Schäden an Eigentum führen.

Das Gewicht des Ausrüstung darf die zulässige Traglast des Produkts nicht übersteigen. Wenn die Traglast überschritten wird, kann dies zu Verletzungen von Personen oder Schäden an Geräten führen. Dieses Produkt ist für folgendes Gewicht geeignet: 45.3 kg.

RK4OD: Rev 01 bis 30kg; Rev 02 oder darüber bis zu 40kg
RK4OD2: bis 40kg.
RK8OD/RK8OD2/RK12OD/RK12OD2: bis 50kg.

Dieses Produkt kann umkippen. Befolgen Sie daher die Installationsanweisungen genau. Andernfalls kann es zu Verletzungen oder zur Beschädigung des Produkts kommen.

Das Produkt darf nicht bedient werden, wenn Teile fehlen oder beschädigt sind.

Varningsmeddelanden

Se till att du monterar produkten i enlighet med instruktionerna. Om du inte gör det kan skada på person eller egendom uppstå.

Se till att utrustning vikt inte överstiger produktens viktkapacitet. Om viktkapaciteten överstigs kan skada på person eller utrustning uppstå. Denna produkt har stöd för följande vikter:
RK40D: Rev 01 upp till 30kg; Rev 02 eller över upp till 40kg
RK40D2: upp till 40kg.
RK80D/RK80D2/RK120D/RK120D2: upp till 50kg.

Denna produkt har en tipnings risk. Var noga med att följa installationsinstruktionerna. Om du inte gör det kan skada på person eller egendom uppstå.

Använd aldrig produkten om delar saknas eller är skadade.

Waarschuwingen

Zorg dat dit product volgens de instructies in elkaar wordt gezet. Indien dit niet goed gebeurt kan lichamelijk letsel of materiële schade ontstaan.

Zorg dat het gewicht van de apparatuur de maximale capaciteit van dit product niet overschrijdt. Als u de gewichtscapaciteit overschrijdt, kan persoonlijk letsel of schade aan de apparatuur ontstaan. Dit product ondersteunt het volgende gewicht:

RK40D: Rev 01 tot 30kg; Rev 02 of hoger tot 40kg.
RK40D2: tot 40kg.
RK80D/RK80D2/RK120D/RK120D2: tot 50kg.

Dit product kan omvallen. Volg altijd de installatie-instructies op, om te voorkomen dat lichamelijk letsel of materiële schade ontstaat.

Gebruik dit product nooit als er onderdelen ontbreken of beschadigd zijn.

Mensagens de aviso

Certifique-se de que monta este produto de acordo com as instruções. O incumprimento pode resultar em ferimentos pessoais ou danos de propriedade.

Certifique-se de que o peso do equipamento não excede a capacidade de peso deste produto. Se exceder a capacidade de peso, pode sofrer ferimentos pessoais ou danos ao equipamento. Este produto pode suportar o seguinte peso:
RK40D: Rev 01 até 30kg; Rev 02 ou superior até 40kg.
RK40D2: até 40kg.
RK80D/RK80D2/RK120D/RK120D2: até 50kg.

Este produto representa um risco pois pode tombar. Certifique-se de que segue as instruções de instalação. O incumprimento pode resultar em ferimentos pessoais ou danos de propriedade.

Nunca opere este produto se faltarem peças ou estas estiverem danificadas.

Advertencias de uso

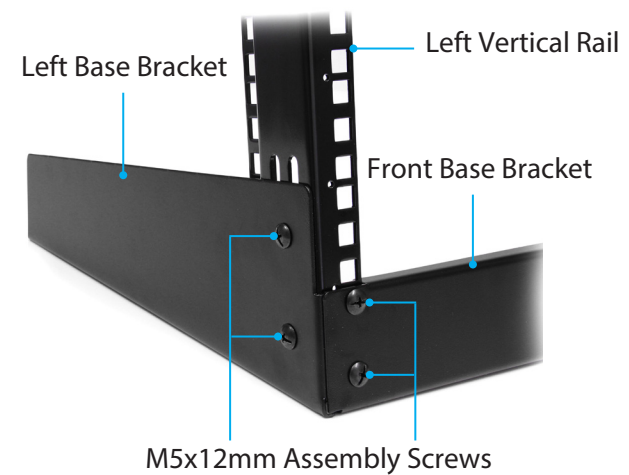
Asegúrese de ensamblar este producto según las instrucciones. De lo contrario, pueden producirse lesiones personales o daños en la propiedad.

Asegúrese de que el peso del equipo no exceda la capacidad de carga de este producto. Si se excede dicha capacidad se podrían producirse lesiones personales o daños al equipo. Este producto tiene la siguiente capacidad de carga:

RK40D: Rev 01 hasta 30kg; Rev 02 o superior hasta 40kg.
RK40D2: hasta 40kg.
RK80D/RK80D2/RK120D/RK120D2: hasta 50kg.

Este producto puede tener riesgos de vuelco. Asegúrese de seguir las instrucciones de instalación. De lo contrario, pueden producirse lesiones personales o daños en la propiedad.

Nunca opere o ponga en funcionamiento este producto si faltan piezas o hay daños en las mismas.



4. Insert the **Assembly Screws** (x 2) through the **Left Base Bracket** and into the **Left Vertical Rail**. Tighten the **Assembly Screws** (x 2) using a **Phillips Head Screwdriver**.
5. Repeat **Steps 3** and **4** with the **Right Base Bracket** and the **Right Vertical Rail**.
6. Align the **Assembly Holes** (x 2) on the **Front Base Bracket** with the **Assembly Holes** on the front of the **Left Base Bracket**.
7. Insert the **Assembly Screws** (x 2) through the **Front Base Bracket** and into the **Left Base Bracket**. Tighten the **Assembly Screws** (x 2) using a **Phillips Head Screwdriver**.
8. Repeat **Steps 6** and **7** for the **Right Base Bracket**.

Installation

Rack Assembly

1. **Push** from the **Top** to **Unlatch** the **Pins** (x 4) from the center of the **Rubber Feet** (x 4).
2. Push the **Rubber Feet** (x 4) into the **Rubber Feet Holes** (x 4) on the underside of the **Left Base Bracket** and **Right Base Bracket**. Next, **Push** from the **Bottom** to **Latch** the **Pins** (x 4) back into the center of the **Rubber Feet**.
3. Align the **Assembly Holes** (x 2) on the side of the **Left Base Bracket** with the **Assembly Holes** (x 2) on the side of the **Left Vertical Rail**.

Regulatory Compliance

Use of Trademarks, Registered Trademarks, and other Protected Names and Symbols

This manual may make reference to trademarks, registered trademarks, and other protected names and/or symbols of third-party companies not related in any way to StarTech.com. Where they occur these references are for illustrative purposes only and do not represent an endorsement of a product or service by StarTech.com, or an endorsement of the product(s) to which this manual applies by the third-party company in question. StarTech.com hereby acknowledges that all trademarks, registered trademarks, service marks, and other protected names and/or symbols contained in this manual and related documents are the property of their respective holders.

PHILLIPS® is a registered trademark of Phillips Screw Company in the United States or other countries.

Warranty Information

This product is backed by a lifetime warranty.

For further information on product warranty terms and conditions, please refer to www.startech.com/warranty.

Limitation of Liability

In no event shall the liability of StarTech.com Ltd. and StarTech.com USA LLP (or their officers, directors, employees or agents) for any damages (whether direct or indirect, special, punitive, incidental, consequential, or otherwise), loss of profits, loss of business, or any pecuniary loss, arising out of or related to the use of the product exceed the actual price paid for the product. Some states do not allow the exclusion or limitation of incidental or consequential damages. If such laws apply, the limitations or exclusions contained in this statement may not apply to you.

Equipment Installation

It is recommended that equipment be installed in a manner that spreads the load across available U height as much as possible, with the lightest device installed at the top of the rack and the heaviest device installed at the bottom of the rack.

1. Install the **M5/M6 Cage Nuts** onto the desired **Cage Nut Holes** where the **Equipment** will go. Use a **Cage Nut Tool** if available or your preferred installation method.
2. Use a **Phillips Head Screwdriver** to install the **Rackmount Screws** and secure the **Equipment** onto the rack.

Caution! Do not move the rack with the equipment mounted. If relocation of the rack is required, remove the equipment from the rack and relocate the empty rack. Mount the equipment back into the rack.

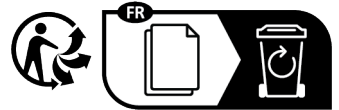


www.quefairedemesdechets.fr

StarTech.com Ltd.
45 Artisans Crescent
London, Ontario
N5V 5E9
Canada

StarTech.com LLP
4490 South Hamilton
Road
Groveport, Ohio
43125
U.S.A.

StarTech.com Ltd.
Unit B, Pinnacle 15
Gowerton Road
Brackmills,
Northampton
NN4 7BW
United Kingdom



StarTech.com Ltd.
Siriusdreef 17-27
2132 WT Hooftdorp
The Netherlands

FR: startech.com/fr
DE: startech.com/de
ES: startech.com/es
NL: startech.com/nl
IT: startech.com/it
JP: startech.com/jp