

Fisher-Price®

T4261



**Please keep this instruction sheet for future reference,
as it contains important information.**

Requires three "AA" (LR6) alkaline batteries (not included) for operation.

Adult assembly is required.

Tool required for assembly: Phillips screwdriver (not included).

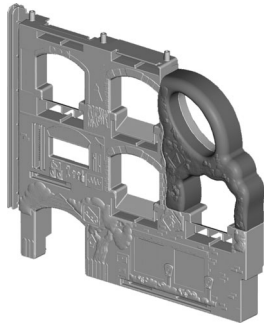
www.fisher-price.com

Assembled Parts

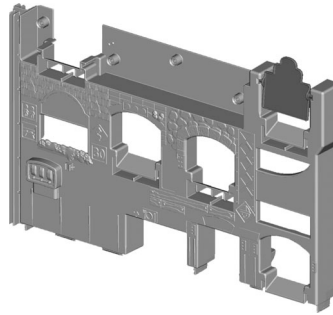


CAUTION

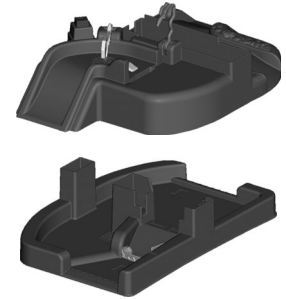
This package contains small parts in its unassembled state. Adult assembly is required.



Upper Wall



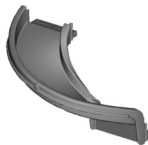
Lower Wall



2 Bases



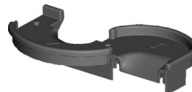
**8 Ramps
(Labeled 1)**



**Ramp
(Labeled 2)**



**Ramp
(Labeled 3)**



Top Ramp



2 Balconies



Car Lift



Elevator

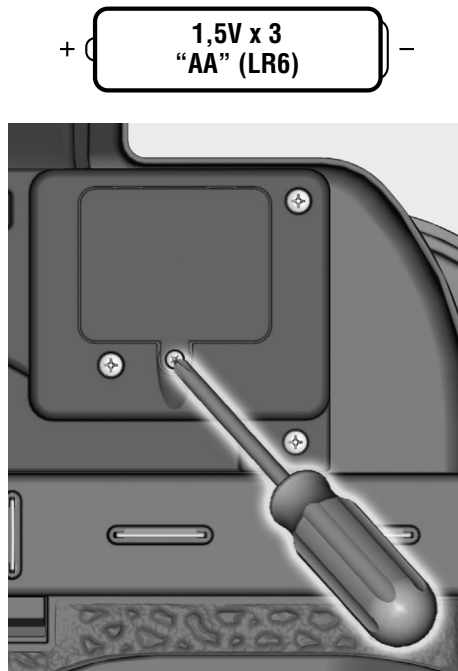


#8 x 5/8" Screw – 7

Shown Actual Size

The screw is shown actual size. Tighten or loosen all screws with a Phillips screwdriver.
Do not over-tighten the screws.

Battery Installation



Battery Safety Information

In exceptional circumstances, batteries may leak fluids that can cause a chemical burn injury or ruin your product. To avoid battery leakage:

- Do not mix old and new batteries or batteries of different types: alkaline, standard (carbon-zinc) or rechargeable (nickel-cadmium).
- Insert batteries as indicated inside the battery compartment.
- Remove batteries during long periods of non-use. Always remove exhausted batteries from the product. Dispose of batteries safely. Do not dispose of this product in a fire. The batteries inside may explode or leak.
- Never short-circuit the battery terminals.
- Use only batteries of the same or equivalent type, as recommended.
- Do not charge non-rechargeable batteries.
- Remove rechargeable batteries from the product before charging.
- If removable, rechargeable batteries are used, they are only to be charged under adult supervision

-
- Locate the battery compartment on the bottom of the toy.
 - Loosen the screw in the battery compartment door and remove the door.
 - Insert three, new "AA" (LR6) **alkaline** batteries.
- Hint:** We recommend **alkaline** batteries for longer battery life.
- Replace the battery compartment door and tighten the screw.
 - If this product begins to operate erratically, you may need to reset the electronics. Slide the power switch off then back on.
 - When sounds or lights from this toy become faint or stop, it's time for an adult to change the batteries.



- Protect the environment by not disposing of this product with household waste (2002/96/EC). Check your local authority for recycling advice and facilities (Europe only).

Consumer Information



CONSUMER ASSISTANCE
1-800-432-5437 (US & Canada)
1300 135 312 (Australia)

service.fisher-price.com

Fisher-Price, Inc., 636 Girard Avenue, East Aurora, NY 14052.
Hearing-impaired consumers: 1-800-382-7470.

Outside the United States:

Canada: Mattel Canada Inc., 6155 Freemont Blvd.,
Mississauga, Ontario L5R 3W2; www.service.mattel.com.

Great Britain: Mattel UK Ltd, Vanwall Business Park,
Maidenhead SL6 4UB. Helpline: 01628 500303.
www.service.mattel.com/uk

Mattel Europa, B.V., Gondel 1, 1186 MJ Amstelveen, Nederland.

Australia: Mattel Australia Pty. Ltd., 658 Church Street,
Locked Bag #870, Richmond, Victoria 3121 Australia.

New Zealand: 16-18 William Pickering Drive,
Albany 1331, Auckland.

Care

- Wipe this toy with a clean cloth dampened with a mild soap and water solution. Do not immerse this toy.
- This toy has no consumer serviceable parts. Do not take this toy apart.

ICES-003

- This Class B digital apparatus complies with Canadian ICES-003.
- Operation is subject to the following two conditions: (1) this device may not cause harmful interference and (2) this device must accept any interference received, including interference that may cause undesired operation.

NMB-003

- Cet appareil numérique de la classe B est conforme à la norme NMB-003 du Canada.
- L'utilisation de ce dispositif est autorisée seulement aux conditions suivantes : (1) il ne doit pas produire de brouillage et (2) l'utilisateur du dispositif doit être prêt à accepter tout brouillage radioélectrique reçu, même si ce brouillage est susceptible de compromettre le fonctionnement du dispositif.

FCC Statement (United States Only)

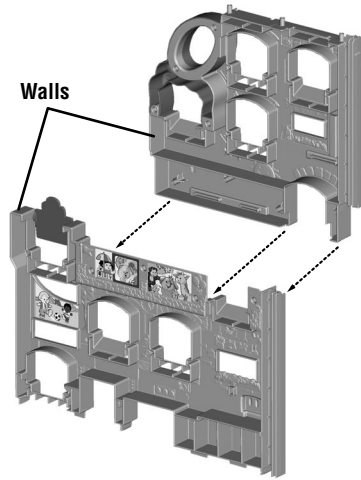
This equipment has been tested and found to comply with the limits for a Class B digital device, pursuant to Part 15 of the FCC Rules. These limits are designed to provide reasonable protection against harmful interference in a residential installation. This equipment generates, uses and can radiate radio frequency energy and, if not installed and used in accordance with the instructions, may cause harmful interference to radio communications. However, there is no guarantee that interference will not occur in a particular installation. If this equipment does cause harmful interference to radio or television reception, which can be determined by turning the equipment off and on, the user is encouraged to try to correct the interference by one or more of the following measures:

- Reorient or relocate the receiving antenna.
- Increase the separation between the equipment and receiver.
- Consult the dealer or an experienced radio/TV technician for help.

Note: Changes or modifications not expressly approved by the manufacturer responsible for compliance could void the user's authority to operate the equipment.

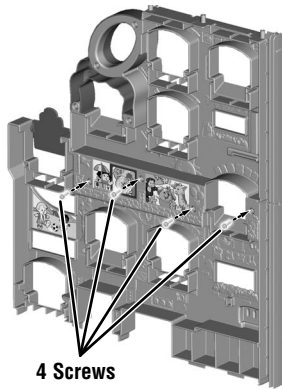
This device complies with Part 15 of the FCC Rules. Operation is subject to the following two conditions: (1) this device may not cause harmful interference and (2) this device must accept any interference received, including interference that may cause undesired operation.

Assembly



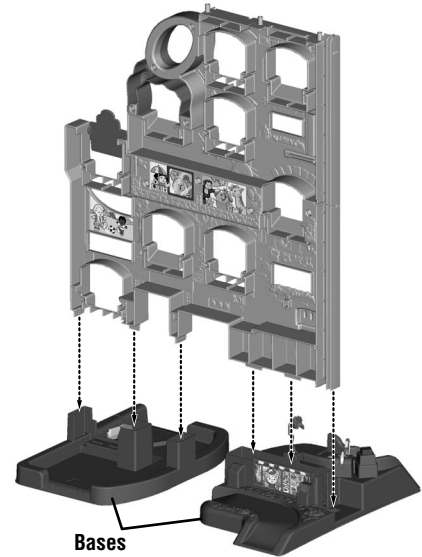
1

- Fit the upper and lower walls together, as shown.



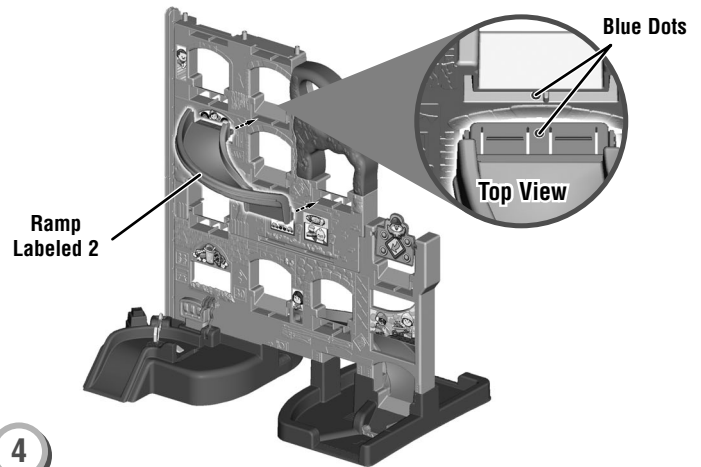
2

- Insert four screws into the holes in the wall assembly and tighten.



3

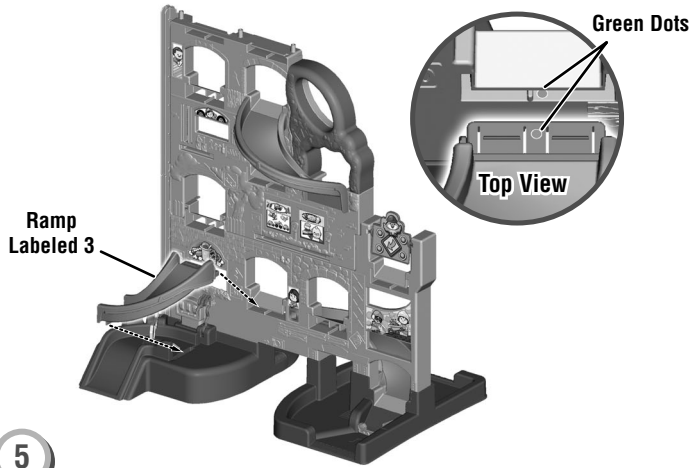
- Place the bases on a flat surface, as shown.
 - Fit the wall assembly into each base and push to “snap” in place.
- Hint: The wall is designed to fit the bases one way. If it does not seem to fit, turn or switch one or both bases around and try again!*



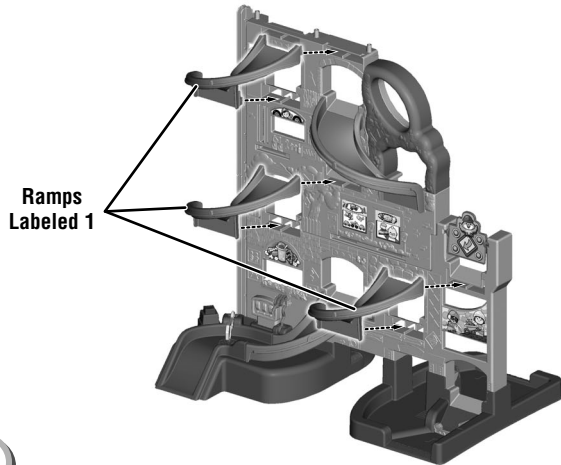
4

- Locate the ramp labeled with a 2.
 - Fit the ends of the ramp into the slots in the wall, as shown.
- Hint: The tab at the top of the ramp has a blue dot on it. Match this dot to the slot with the blue dot.*

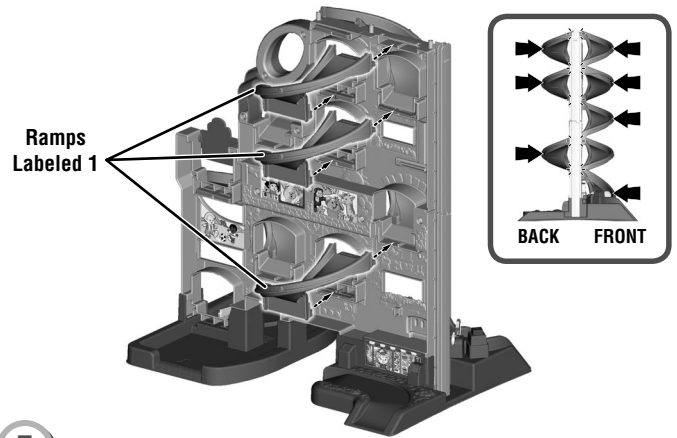
Assembly



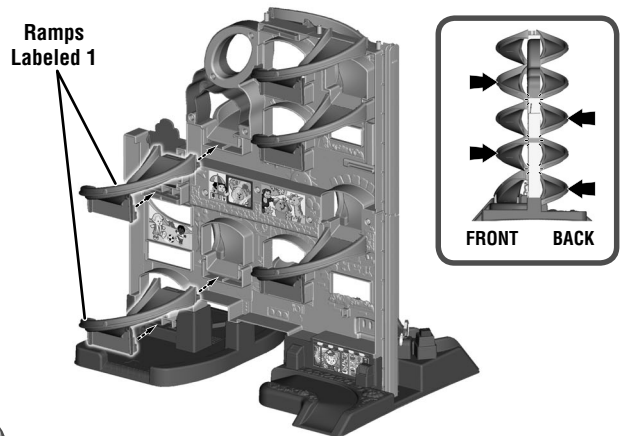
- 5
- Locate the ramp labeled **3**.
 - Fit the ends of the ramp into the slots in the wall and base, as shown.
 - *Hint: The tab at the top of the ramp has a green dot on it. Match this dot to the slot with the green dot.*
 - Push the **"snap"** the bottom of the ramp into the base.



- 6
- Locate three of the ramps labeled **1**.
 - Fit the ends of the ramps into the slots in the wall, as shown.

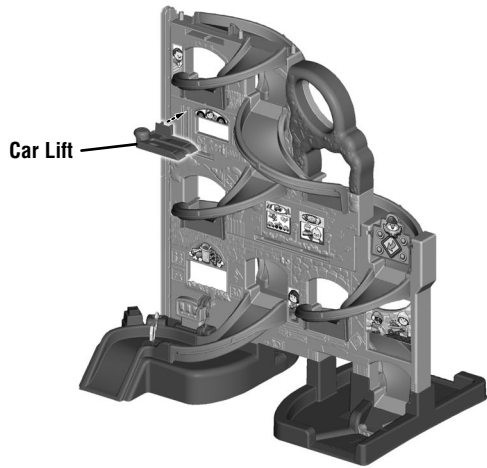


- 7
- Carefully turn the assembly around.
 - Fit the ends of the three ramps labeled **1** into the slots in the wall, as shown.
 - While holding each ramp in place, push the ramps on both sides of the wall to **"snap"** in place.



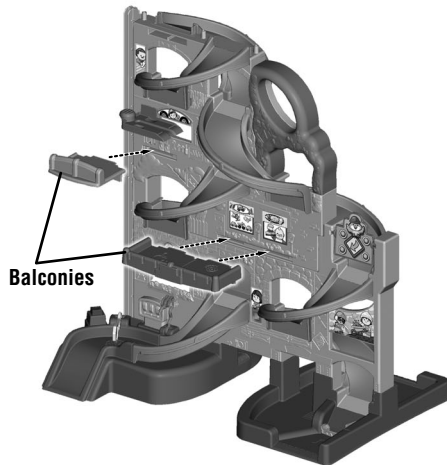
- 8
- Fit the ends of the remaining ramps labeled **1** into the slots in the wall, as shown.
 - While holding each ramp in place, push the ramps on both sides of the wall to **"snap"** in place.

Assembly



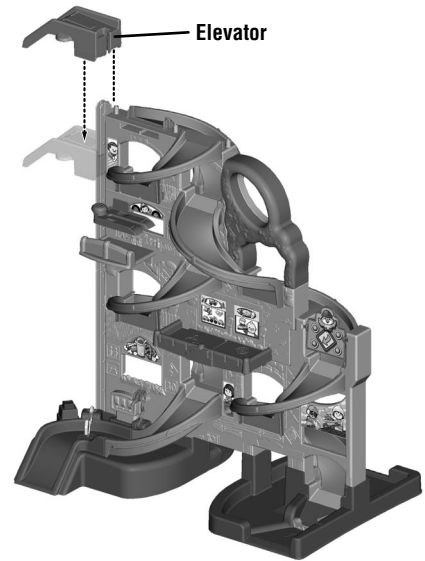
9

- Fit the tabs on the car lift into the slots on the wall, as shown.



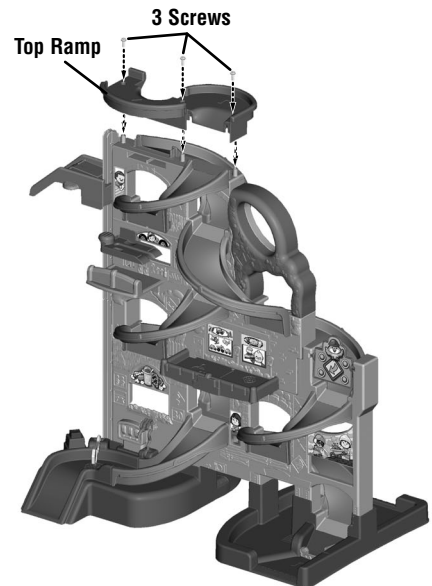
10

- Fit the balconies into the slots in the wall assembly, as shown.
- *Hint: The balconies are designed to fit one way. If a balcony does not seem to fit, turn it over and try again!*
- Push to "snap" each balcony in place.



11

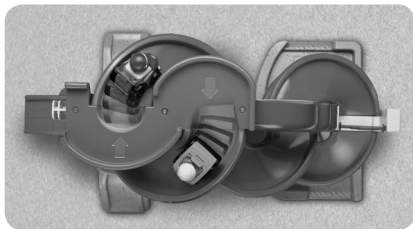
- Slide the elevator onto the end of the wall assembly, as shown.



12

- Fit the top ramp onto the assembly.
- Insert three screws into the holes in the ramp and tighten.

Spiral Speed Action!



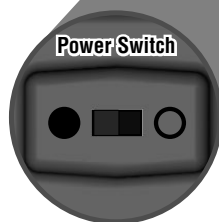
- Slide the cars down the ramps for spiral speed action!



- Lower the sign for stop lights and fun sounds!



- Lift and lower the gas hose for car sounds.



- Slide the power switch on the bottom of the toy ON ●. When you are finished playing with this toy, slide the power switch OFF ○.