

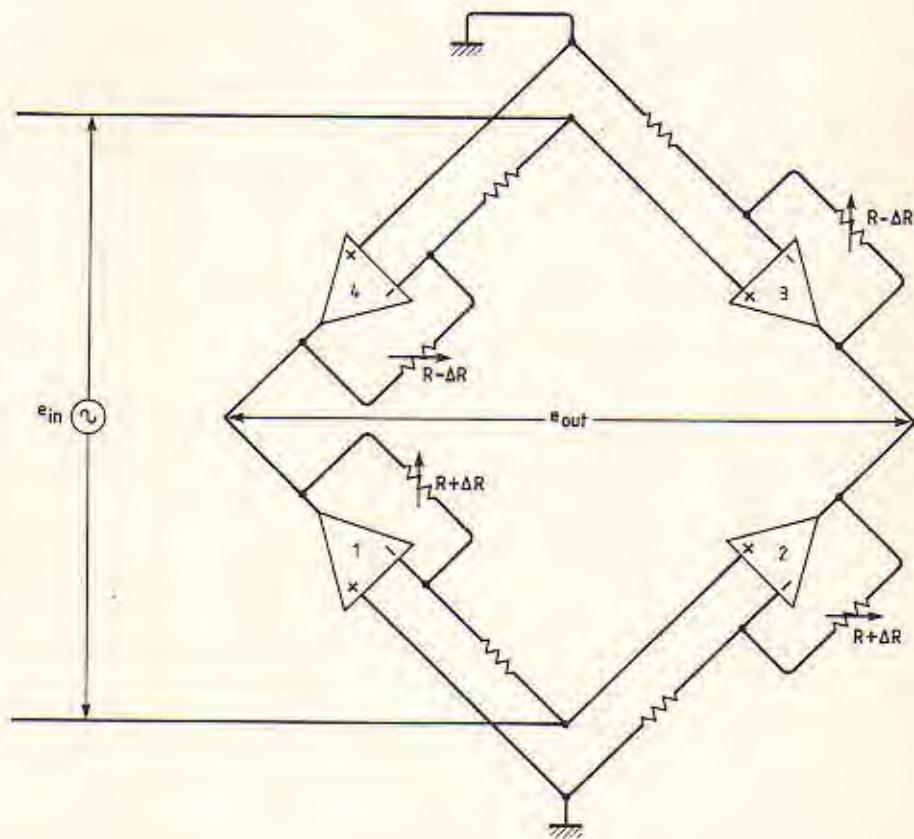
Accurate op-amp bridge

When measurements are made using resistive transducers, the sensors are often included in the arms of a balanced bridge. An improved circuit can be achieved by using an op-amp in each arm of the bridge and positive going transducers ($+\Delta R$) in arms 1 and 2 or negative going types in arms 3 and 4. The bridge can be built around a single quad op-amp such as the LM324, and four matched sensors, and can be powered by d.c. or floating a.c. Output voltage is

$$e_{out} = \frac{4e_{in}\Delta R}{R}$$

This shows that the output is linear over a wide range and has a four-fold sensitivity compared with a single op-amp bridge. The circuit can also provide high output voltage, low output impedance and high noise immunity.

N. Balakrishnan
Bangalore
India



Interfacing microprocessors

Input and output functions

by J. D. Ferguson, B.Sc., M.Sc., M.Inst.P., J. Stewart, and P. Williams, B.Sc., Ph.D., M.Inst.P.
Microelectronics Educational Development Centre, Paisley College of Technology

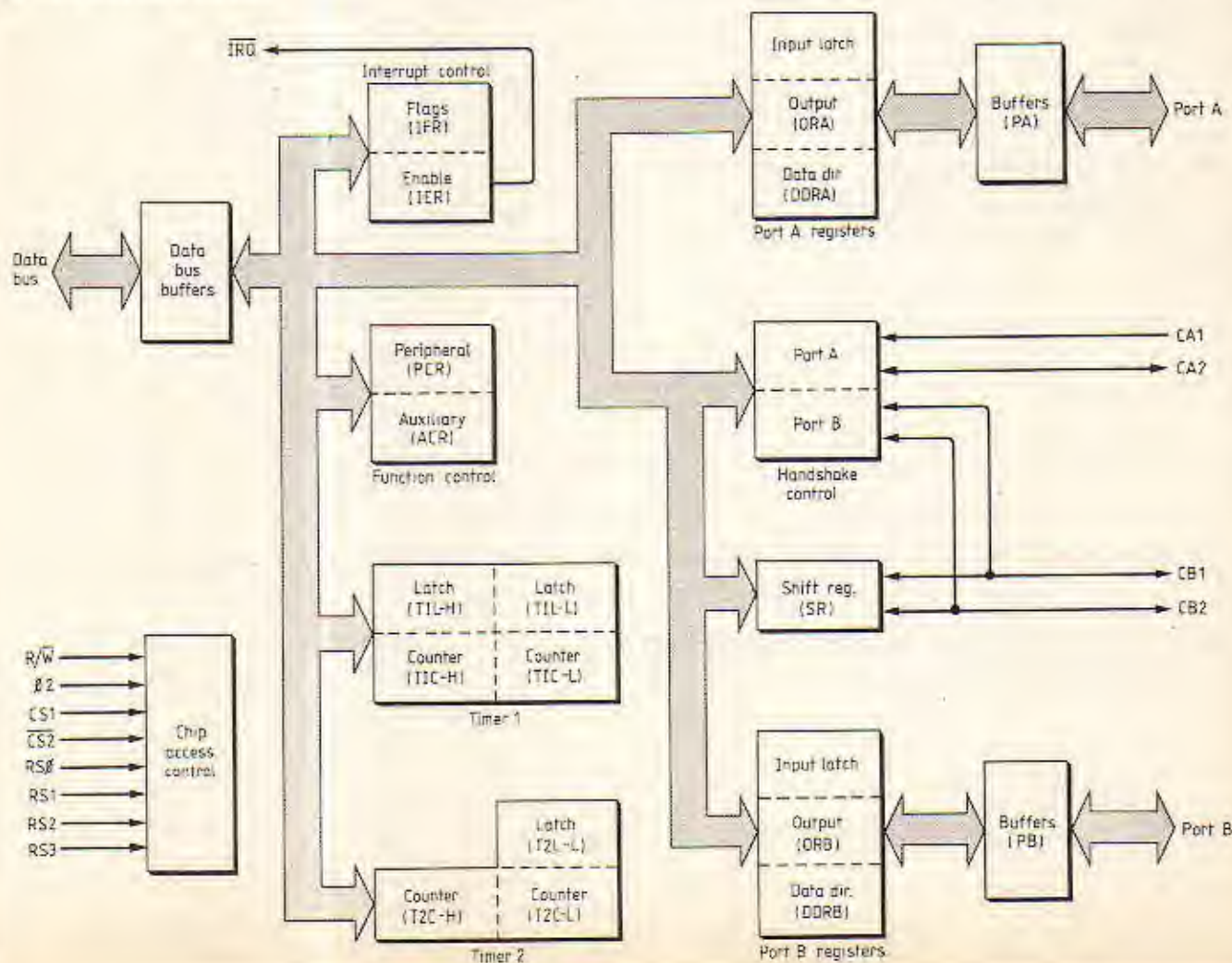
Part one of this series outlined a universal interface for 6502 microprocessor boards and microcomputers. Part two describes the operation and functions of the main i.c.s and gives simple examples of driving the devices using machine code or Basic.

The 6522 v.i.a. is a very powerful device which can perform several functions simultaneously. It consists of several independent sections controlled by 16 8-bit registers which occupy 16 sequential locations in memory, the base address being selected by decoding on the microprocessor board. Some registers are directly accessible via the pins of the i.c., while others are set and monitored by the data

Fig. 2. Block diagram of the 6522.

bus. Each register is selected by the four least-significant address bits, A0 to A3, with the i.c. activated by chip-select pins. Data enters and leaves the 6522 in 8-bit bytes and two registers, called ports A and B, are reserved for this purpose. In a hardware oriented system the designer would specify one port as an input and the other as an output, but this would take no account of a common requirement for unequal numbers of pins. For example, if a dozen sensors are scanned and two or three warning indicators are driven, it would be costly to design a range of boards to cope with the large number of possible variations. An alternative scheme has a controlling register associated with each port called the data-direction register. For every bit set to 1 in the d.d.r., the corresponding pin of the port behaves as an

output, while a 0 sets the pin to behave as an input. Changing the contents of the d.d.r. can, in one step, alter the status of any or all eight pins of the corresponding port. Similar control can be achieved over the functions, and Fig. 1 shows the format of the auxiliary control register. This is the eleventh register out of sixteen on the chip, and is itself selected by the address decoding at A000 to A00F. Therefore, the address of this register is A00B. Bits 0 and 1 determine whether the latches associated with the ports are latched, allowing data to be held during sections of a program. Bits 2 to 4 control the shift register, determining whether it is used for serial to parallel or parallel to serial conversion, and also the source of the timing pulses. One of the two internal timers can be used to generate single time delays in a so-called



monostable mode or to count the number of transitions on a particular pin of a port. The last facility is useful for event counting or as the basis of a frequency meter, while the monostable mode has wide applications in controlled time delays. The timer has an internal 16-bit register which can be reset to a prescribed value under program control, with interrupts being automatically generated at time-out. The second timer has a monostable mode

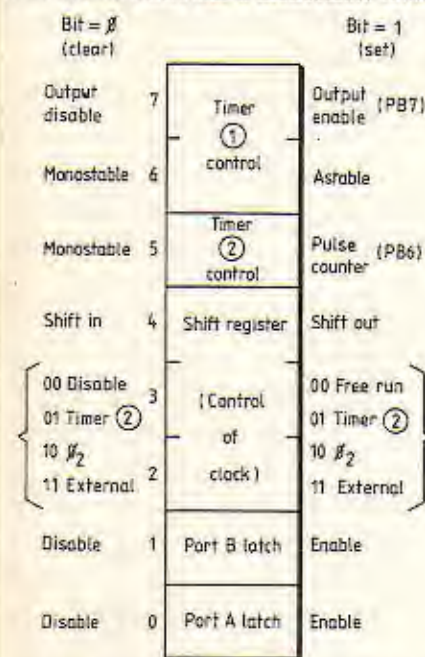
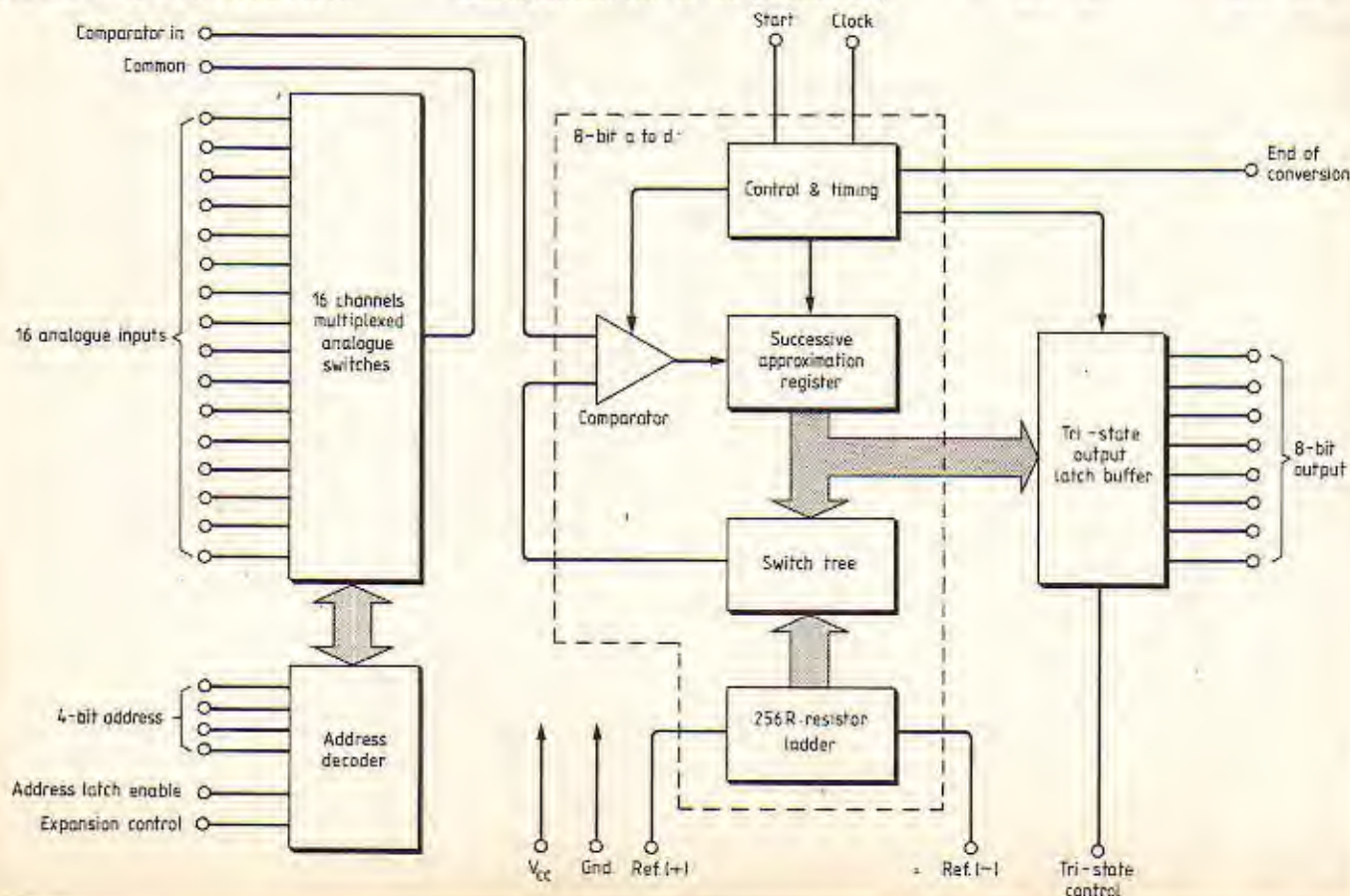


Fig. 1. Auxiliary control register of the 6522. This is the eleventh register and has the address A00B.

Fig. 3. Block diagram of the ADC 0817.



under the control of bits 6 and 7, but can also be used as a free-running generator or astable to repetitively switch an output pin from 0 to 1, with each half-cycle set by the value latched into the corresponding register. This allows the value of a given half-cycle to be continually modified until the end of the previous half-cycle is reached because the timers run independently of the microprocessor once a sequence has commenced. However, the microprocessor can always interrupt and control the sequence.

The complete range of functions is large and a summary is shown in Table 1, which should be considered in conjunction with Fig. 2. Selected functions will be covered in future articles but full details are available in references 1 and 2.

A-to-d converter

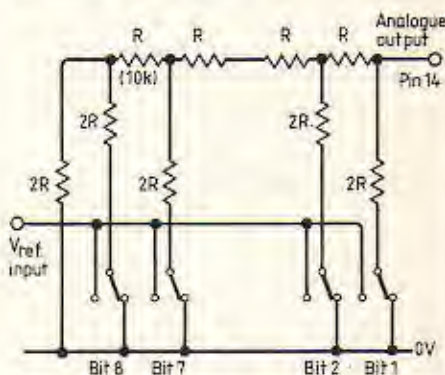
Most a-to-d converters take a single analogue input signal and produce a binary-coded output after an interval of typically tens or hundreds of microseconds. In engineering systems it is more often necessary to rapidly scan a series of inputs and collect the data for further processing. This is possible by combining an a-to-d converter with suitable analogue switching, and a suitable circuit is now available in a single low-cost i.c. The ADC 0817 covers 16-channels automatically with an expansion capability for larger systems and, although the problem of signal conditioning remains, for applications with signals above 0.5V a self-contained system is possible.

The block diagram in Fig. 3 shows the main features of the system. An address decoder, normally driven from the four least-significant bits of the address bus,

selects the analogue channel in use. The decoder can be enabled and the conversion started by the rising and falling edges of a single pulse. The appropriate analogue signal is switched through, with an intervening common stage of signal processing or filtering if required, and a chain of resistors across a reference voltage is scanned with a successive approximation register until a match is found between its output and the signal being measured. The most-significant bit is tested first and accepted or rejected after comparison with the unknown. Each further bit of the eight is similarly tested so that the cumulation voltage becomes closer and closer to the unknown voltage. Each conversion takes exactly eight test cycles regardless of the value of the unknown, which provides fast and precise timing relationships suitable for multi-channel systems.

On completion of the conversion, a

Fig. 4. Internal ladder network of a ZN425E. The ladder can be powered by an internal or external reference.



pulse is generated which can be used by the microprocessor to activate tri-state controls and give the a-to-d latched outputs access to the data bus. When data for one channel is collected and stored, the processor is ready to provide the address of the following channel.

Some simplification is possible with Basic programs which run sufficiently slowly for the conversion process to finish naturally before the start of the next instruction.

D-to-a converter

The ZN425 is a well established device which lacks the sophistication of some more recent devices, but is still worth using in general applications. Additional gating and latching is required for use with a microprocessor and at present only the d-to-a capability is used. The data bus is latched to the converter and an internal R-2R ladder network provides a proportional output as shown in Fig. 4. An internal or external reference may be used to drive the ladder, but the internal counter provided for a-to-d applications is not used. The reference may be a variable voltage if required, normally in the 0 to 5V range, and a small negative reference voltage (<0.5V) may be used although this is not covered by the specification. Further details of the ZN425 can be found in reference 4.

Processor interface

The 6522 was designed to interface directly with the 6500 series of microprocessors and therefore presents no difficulties when used with the systems mentioned in part one. Fig. 5 shows the lines used by the v.i.a., namely;

- Data bus** Eight bidirectional wires used to transfer data between the v.i.a. and c.p.u.
- R/W** A control line used by the c.p.u. to define the direction of data transfer. If the R/W is low, data is transferred from the c.p.u. to the v.i.a., i.e. a write operation. If the R/W is high, data is read by the c.p.u.
- Reset** The reset signal clears all internal registers except T1, T2 and the shift register.
- O₂ clock** O₂ acts as a time base for the various timers, shift registers etc. in the i.cs.
- Register select** The four Register select lines are normally connected to the four least-significant address-bus lines to give the processor access to the 16 registers.
- Chip select** The selected register can only be accessed when the chip select pin, CS₂, is held low. This signal is usually derived from the address decode circuit which places the i.c. in the memory map.
- Interrupt request (IRQ)** This output can be used to interrupt the c.p.u.

Table 1. V.i.a. registers and functions. L=0.4V, H=2.2V

Register select				Address	Addressed register	R/W=L	R/W=H	Notes
RS3	RS2	RS1	RS0					
L	L	L	L	0	IRB/ORB	Write ORB clear CB2 and CB1 interrupt flags (IFR3 and IFR4)	Read IRB clear CB2 and CB1 interrupt flags (IFR3 and IFR4)	1=high, 0=low
L	L	L	H	1	IRA/ORR	Write ORR clear CA2 and CA1 interrupt flags (IFR0 and IFR1)	Read IRA clear CA2 and CA1 interrupt flags (IFR0 and IFR1)	1=high, 0=low Controls CA2 handshake
L	L	H	L	2	DDRB	Write DDRB	Read DDRB	0=input, 1=output
L	L	H	H	3	DDRA	Write DDRA	Read DDRA	0=input, 1=output
L	H	L	L	4	T1	Write T1L-L	Read T1C-L clear T1 interrupt flag (IFR6)	
L	H	L	H	5	T1	Write T1L-H & T1C-H transfer T1L-L to T1C-L clear T1 interrupt flag (IFR6) initiate T1 counting	Read T1C-H	
L	H	H	L	6	T1	Write T1L-L	Read T1L-L	
L	H	H	H	7	T1	Write T1L-H clear T1 interrupt flag (IFR6)	Read T1L-H	
H	L	L	L	8	T2	Write T2L-L	Read T2C-L clear T2 interrupt flag (IFR5)	
H	L	L	H	9	T2	Write T2C-H transfer T2L-L to T2C-L clear T2 interrupt flag (IFR5) initiate T2 counting	Read T2C-H	
H	L	H	L	A	SR	Write SR clear SR interrupt flag (IFR2)	Read SR clear SR interrupt flag (IFR2)	
H	L	H	H	B	ACR	Write ACR	Read ACR	
H	H	L	L	C	PCR	Write PCR	Read PCR	
H	H	L	H	D	IFR	Write IFR	Read IFR	1=detected, 0=not detected
H	H	H	L	E	IER	Write IER	Read IER	1=enable, 0=disable
H	H	H	H	F	IRA/ORR	Write ORR clear CA2 and CA1 interrupt flags (IFR0 and IFR1)	Read IRA clear CA2 and CA1 interrupt flags (IFR0 and IFR1)	1=high, 0=low no effect on CA2 handshake

Table 2. Driving the interface i.cs in machine code and Basic. In these examples the address decode circuit has been adjusted so that each i.c. occupies the location shown.

V.i.a. (52)
4020H → 40FFH
7024 → 703F

6522 (BIT)
4070H → 40FFH
7040 → 7047

ZN425E
4070H
7040

(1) To output byte AAH on port B of the 6522

Assembler	Acorn Basic	Am/Apple Basic	Comments
Make port B an output	LDA #FFH STA 4020H	10 POKE 16384, 255	Write FFH to the direction register for port B
Output AAH to port B	LDA #AAH STA 4020H	20 POKE 16384, 170	Datakey to port B

(2) To read analog form an analogue voltmeter via ADC08D1

Assembler	Acorn Basic	Am/Apple Basic	Comments
Select input channel to be converted	STA 4014H	10 POKE 16384, 0	(1) A Write operation selects the input channel and initiates the conversion — the last digit of the pin address defines the input channel
Wait 100 μs	ISA DELAY	20 POKE 16384, 0	(2) The contents of the accumulator on the number POKE'd is not important — it is the write operation that selects the channel and initiates conversion
Read data from a to d	LDA 4014H	30 A=PEEK(16384)	(3) Basic is so slow that a delay routine is not required
			(4) A Read operation to any address between 4010 and 401F will give the result of the last conversion

(3) To output in analogue form a digital signal using the ZN425E

Assembler	Acorn Basic	Am/Apple Basic	Comments
LDA #AAH STA 4020H	10 #4020: #AA	POKE 16384, 170	Analogue equivalent of AAH is sent to output of ZN425E

Table 2(a) illustrates how the v.i.a. can be used to output a byte in parallel form on port B. The v.i.a. registers are treated as memory locations by the programmer and can be read or written to in assembly language using LDA or STA instructions, or in Basic using Peek and Poke instructions.

The ADC 0817 has been designed to be compatible with a wide range of microprocessors and Fig. 6 shows that most of the signals used by the converter can be taken directly from the 6502.

Data bus

O_2

Channel select The four least-significant address lines can be used to select each of the sixteen input channels.

The R/W line is not used directly but is gated with the O_2 clock to produce the Not Read Data Strobe, NRDS, and the Not

Write Data Strobe, NWDS. NRDS and NWDS only go to zero during the positive part of O_2 in a Read or Write cycle respectively as shown in Fig. 7. Fig. 6 shows how a Write operation to the i.c. activates the NWDS and creates the necessary transitions on the address-latch enable pin and initiate-conversion pin to perform the following tasks. Select the input channel from the address currently on the four least-significant address lines. Initiate an analogue-to-digital conversion. After a 100 μ s delay, a Read operation activates the NRDS, enabling the tri-state output and placing the digital signal on the data bus. Table 2(b) shows the programming instructions used to drive the i.c. A Write

instruction, STA or Poke, is used to define the input channel and initiate the conversion. After a delay a Read instruction, LDA or Peek, obtains the digital information.

The ZN425E is not directly compatible with a microprocessor and must be used with the 74LS373 which latches transient data from the processor and provides the 425E converter with a continuous digital input. The latch is memory mapped and enabled by a chip-select signal from the address decode circuit, see Fig. 8. This ensures that the latch captures stable data on the bus during the positive part of the O_2 clock. Table 2(c) shows how the 425E is used in Basic and assembly language.

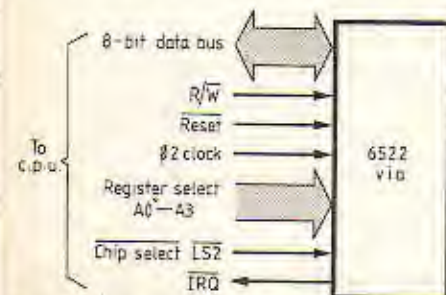


Fig. 5. V.i.a. connections to the 6502.

Fig. 6. A-to-d input/output connections and timing diagrams.

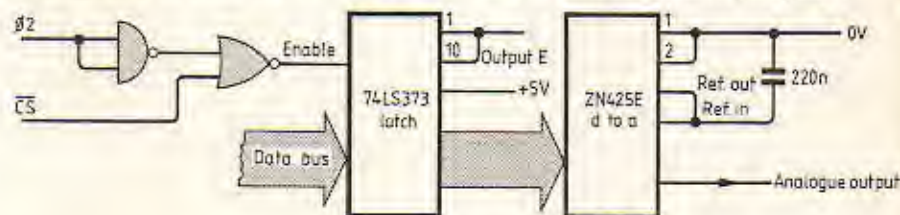
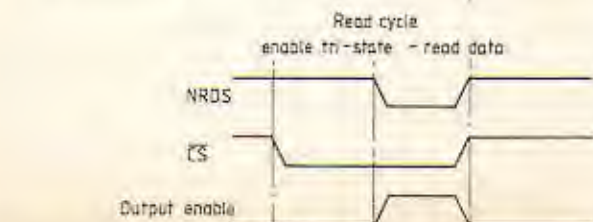
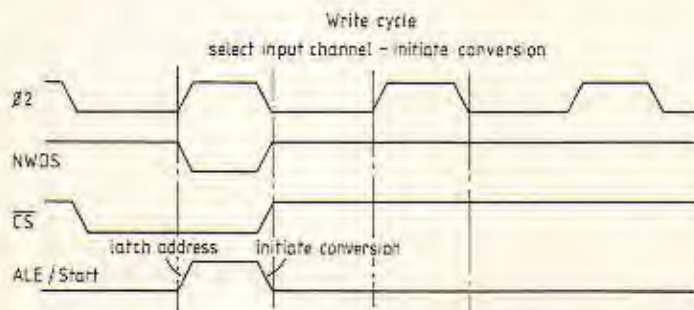
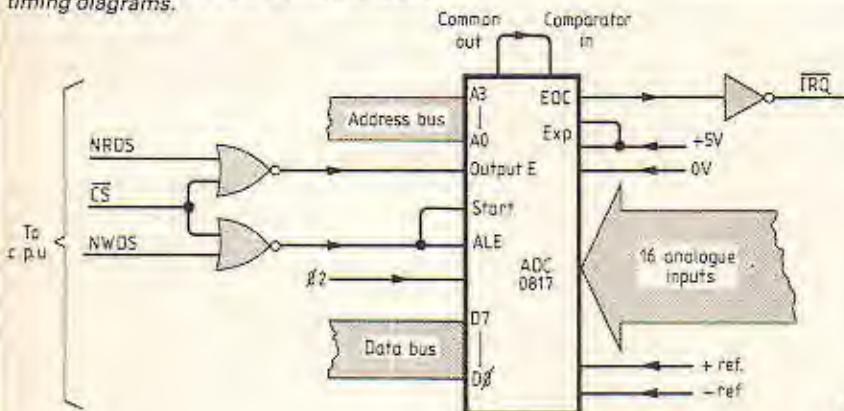
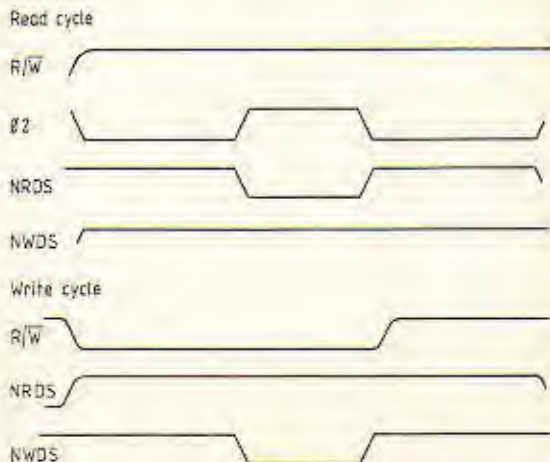
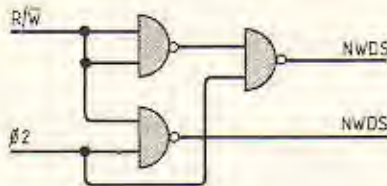


Fig. 8. Enable signal and latch timing for the d-to-a converter.

Fig. 7. Generating NWDS and NRDS signals for the ADC 0817.



References

1. Rockwell data sheet, no. 29000D47.
2. Rockwell, R6500 hardware manual, no. 29650 N. 31, p. 6-1.
3. National Semiconductor data book.
4. Ferranti data converters, application report no. 13.

Accurate sine-waves

Analogue implementation of the Darwood accurate sine-wave oscillator algorithm

by D. H. Follett

In response to Mr Darwood's 'Accurate sine-wave oscillator' article in the June '81 issue of *Wireless World*, the author shows here that the digital implementation used to generate accurate sine and cosine functions can be replaced by simple analogue circuits. A prototype circuit operated over three decades with ± 1 dB amplitude variation, less than 1° error between the quadrature outputs and around 1% or less distortion. The circuit requires only four quad-i.cs.

The algorithm recently described by N. Darwood¹ for generating sine and cosine functions with digital implementation may also be produced by analogue means, as will be shown. The circuit is really a form of recursive digital filter but I am unrepentant in calling it an analogue implementation since no digitization in the proper sense occurs.

The prototype operated over three decades of frequency with amplitude variations of ± 1 dB, distortion about 1% or less, and phase error between outputs less than 1° . Only four cheap quad i.cs are required, although Fig. 2 shows six i.cs, since the four dual op-amps can be replaced by two quad op-amps such as the LF347.

Principle

Referring to the original article for fuller explanation, each new value of $\sin n$ is computed from the previous value by adding a fraction ω of $\cos n$:

$$\sin(n+\omega) = \sin n + \omega \cos n$$

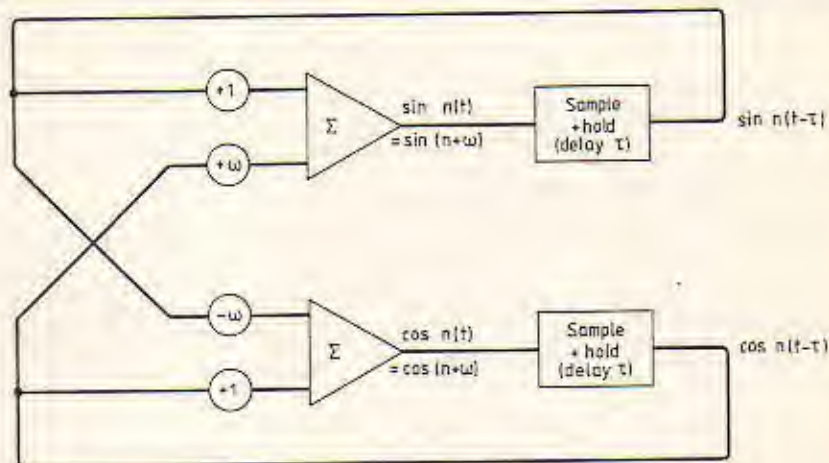
Note that ω does not have its usual significance. If we write $\sin(n+\omega)$ as $\sin n(t)$, the value of $\sin n$ at time t , and $\sin n$ as $\sin n(t-\tau)$, the value at time τ earlier, then

$$\sin n(t) = \sin n(t-\tau) + \omega \cos n(t-\tau)$$

Similarly,

$$\cos n(t) = \cos n(t-\tau) - \omega \sin n(t-\tau)$$

These equations are applied as shown in the block diagram, Fig. 1. The value of $\sin n$ is sampled and held so that the output of the sample and hold circuit is effectively delayed by the sampling interval τ and represents the value of $\sin n(t-\tau)$. To this is added the fraction ω of the \cos function to generate the new value of the sine function, $\sin(n)t$. A similar process is used for $\cos n$.



Referring again to Mr Darwood's article, the sine and cosine outputs are synthesized with $2\pi/\omega$ steps per cycle so that the output frequency is $2\pi/\omega$ times less than the sample clock frequency.

Implementation

The circuit was designed to operate in the audio-frequency range with values as shown in Fig. 2. During the first half of each clock cycle (Q high) the values of \sin and \cos are transferred to the first pair of hold capacitors while the previous values are held on the second pair. In the second half cycle the values are transferred to the second pair of capacitors. This avoids having to use very short sample times and ensures that loops are never closed while settling. The $100\text{k}\Omega$ resistors determine the fraction ω ; the optimum fraction seems to be about one-tenth, giving about 60 steps per cycle. Although the circuit will run with 400 steps per cycle, distortion occurs because circuit errors become comparable with the step size. More accurate sample-and-hold i.cs and higher accuracy resistors will decrease circuit errors.

The diode-resistor networks around A_2 and A_6 provide a small degree of non-linearity sufficient to stabilize the oscillation amplitude. If only one output is required and exact phase quadrature thus unimportant, one network and the associated preset can be omitted, leaving only the $10\text{k}\Omega$ feedback resistor.

Setting up

Initially, the $1\text{k}\Omega$ presets should be set to zero to prevent oscillation and the null offsets adjusted. The presets should then be advanced until oscillation occurs and then adjusted for phase quadrature. The output amplitudes should be about 4 to 5V

Fig. 1. Block diagram illustrating application of the equations for values of $\sin n(t)$ and $\cos n(t)$.

peak-to-peak. Finally, the null offsets may need readjusting. The output frequency is not critical during the adjustments, but should be between 50 and 5,000Hz.

Results

Figure 3 shows oscillograms for frequencies between 5Hz and 16kHz obtained by varying only the clock frequency. Single time-base sweeps were used for all but the 16kHz frequency as the steps are not, in general, synchronized with the output. In Fig. 4(a), the 500Hz signal is expanded to show the steps more clearly, while Figs 4(b) and (c) show Lissajous figures resulting from x-y display of the two outputs to illustrate the quadrature accuracy obtainable between 5Hz (b) and 5kHz (c).

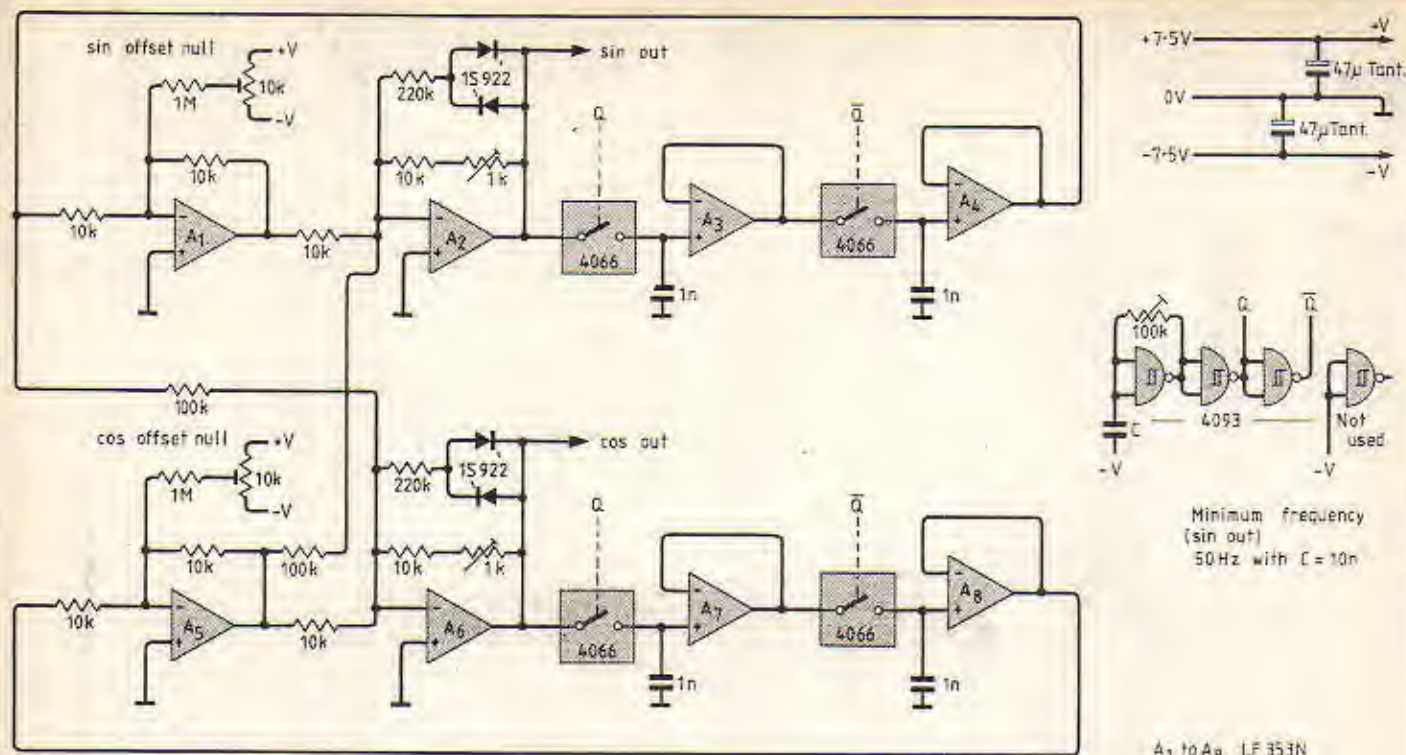
The upper frequency for constant amplitude is about 16kHz but frequencies lower than 5Hz can be obtained by increasing the InF hold capacitors proportionally. These capacitors must of course be polystyrene types, or similar, to minimize dielectric soaking effects.

If the clock is replaced by a voltage controlled oscillator the circuit can also be used as a sweep oscillator.

Comparisons

Out of interest, two other oscillators based on recursive filters were compared to the circuit described here using the same building blocks.

The first used direct implementation of the second-order differential for a series-tuned circuit (equivalent to the state-variable filter in band-pass mode). This circuit



used two op-amps fewer but was limited to about 30 steps per cycle, as second order terms make circuit errors more critical.

Phase-shift oscillators using three or four cascaded single-pole filters were also tried. These oscillators were more docile than those previously described, but four sections were required to obtain quadrature outputs and almost twice the component count of the circuit described here gave an inferior performance. D.c. stability was, however, better as feedback at

d.c. is negative and thus reduces offsets.

The circuit described here is sensitive to offsets because of positive feedback at d.c., so offset null adjustment is included.

Reference

1. N. Darwood, 'Accurate sine-wave oscillator', *Wireless World*, June 1981, pp 69-78.

Fig. 2. Circuit diagram of the oscillator and clock. Op-amps A₁ to A₈ were four LF353N i.c.s in the prototype but they can be replaced by, say, two LF347 quad i.c.s if required. These op-amps have j.f.e.t. inputs.

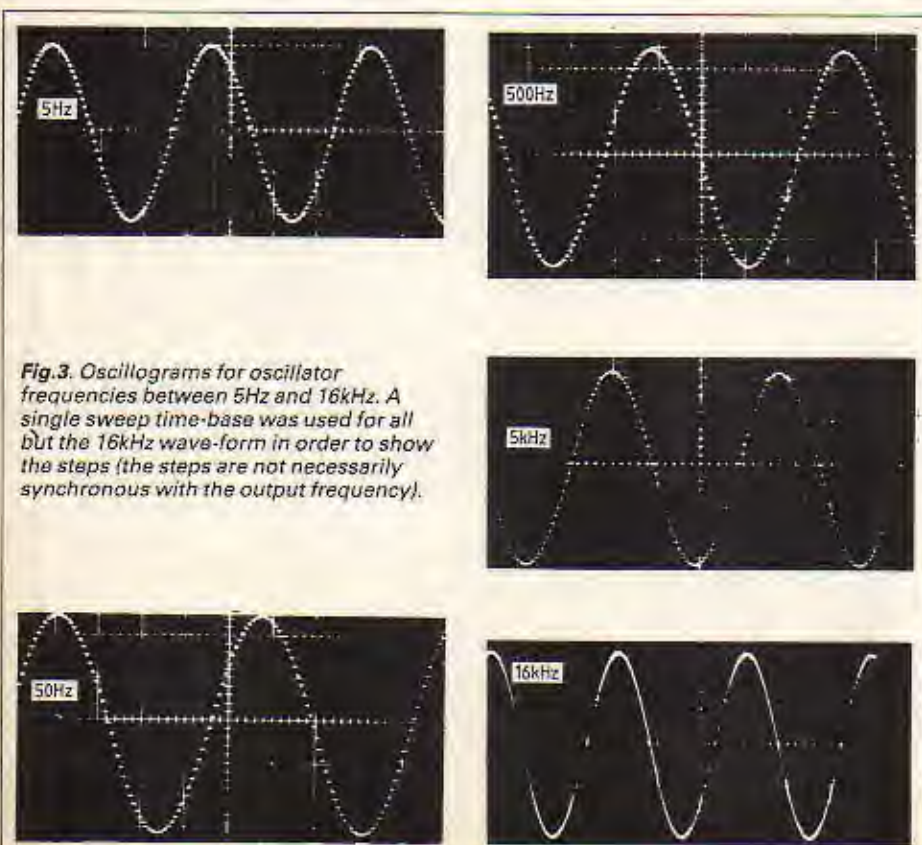


Fig. 3. Oscilloscope waveforms for oscillator frequencies between 5Hz and 16kHz. A single sweep time-base was used for all but the 16kHz wave-form in order to show the steps (the steps are not necessarily synchronous with the output frequency).

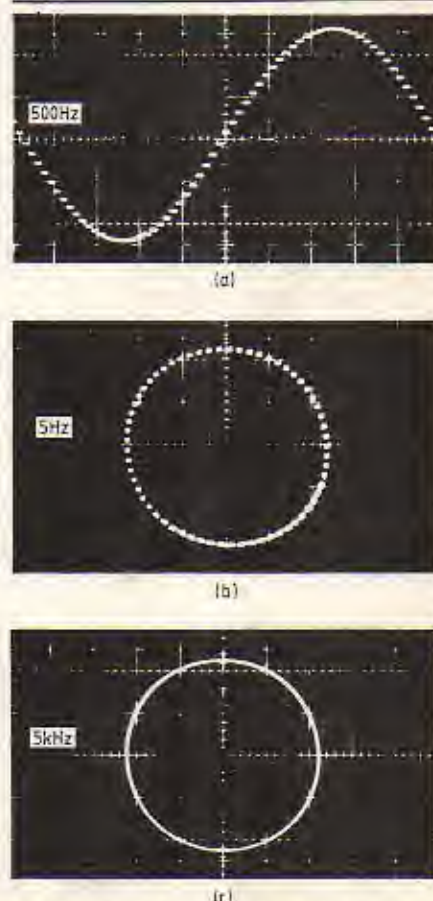


Fig. 4. (a) is the 500Hz sweep expanded to show the steps more clearly. (b) shows a Lissajous figure resulting from the two oscillator outputs at 5Hz, and (c) is as (b), but at a frequency of 5kHz.

thandar

BRINGS LOW COST TO TEMPERATURE MEASUREMENT

The TH301 is a hand-held LCD digital thermometer designed to accept any standard type K (NiCr-NiAl) sensor and offering a measurement range of -50°C to 750°C with 1°C resolution.

Accuracy is better than 0.5% and precision automatic cold junction compensation maintains specification over a wide ambient range.

Battery life from the 9V alkaline battery supplied is in excess of 1000 hours and display indicators are provided for low battery condition and open circuit thermocouple.

The TH301 is fitted with a standard type K socket which will accept a wide variety of standard probes. A general purpose fast response naked-bead thermocouple is supplied with every instrument, which makes it completely ready for use at a price of only £59.50 +VAT.



TECHNICAL SPECIFICATION

Sensor Type	Thermocouple K (NiCr-NiAl)
Calibration Conformity	To BS4837 part 4 (1973), DIN 43710 and ANSI MC96.1
Measurement Range	-50°C to $+750^{\circ}\text{C}$
Resolution	1°C
Accuracy	$\pm 0.5\%$ of reading $+1^{\circ}\text{C}$, 18°C to 28°C ambient
Environmental Operating Range	0°C to $+50^{\circ}\text{C}$, $\leq 80\%$ RH
Environmental Storage Range	-40°C to $+60^{\circ}\text{C}$ (with alkaline battery), $\leq 75\%$ RH
Accuracy Temperature Coefficient	18°C to 20°C included in accuracy specification, $\leq 18^{\circ}\text{C}$, $\pm 28^{\circ}\text{C}$: typically $\pm (0.01\%$ of reading $+ 0.05^{\circ}\text{C})$ per $^{\circ}\text{C}$, including cold junction stability
Input Impedance	$10\text{M}\Omega$
Maximum Allowable Input Voltage	100V DC or AC peak between inputs
Maximum Common Mode Voltage	500V DC or AC peak
Load Resistance	$1\text{k}\Omega$ causes no error
Open-circuit Sensor Indicator	Shows in display when sensor is open-circuit
Power Requirements	One 9V alkaline or zinc carbon battery
Battery Life	≥ 1000 hours from an alkaline battery such as UCAR 522 or Mallory MN 1504
Low Battery Indicator	BAT shows in display when typically 25 hours of battery life remain
Dimensions	$155 \times 75 \times 30$ mm
Weight	200 gms including alkaline battery



Electronic Test & Measurement

thandar

Thandar Electronics Ltd.,
London Road, St. Ives,
Huntingdon, Cambs PE17 4HJ,
England.
Tel: St. Ives (0480) 64646.
Telex: 32250.

1000 SERIES
OSCILLOSCOPES

Telequipment 1000 Series The choice is yours

Tried, Tested and now even better!

Since their introduction a few years ago, Telequipment's D1000 series of high performance low-cost oscilloscopes have established themselves at the forefront of the market. High performance because they are the result of intensive research and design efforts by one of the world's leading electronic instrument manufacturers, and low cost because of volume production in a modern automatic production plant.

Performance to spare.

With the D1000 series, Telequipment regard specifications as lower

limits, not maxima. For example, the D1016A bandwidth is specified as 20MHz. The typical figure is actually in the region of 23 to 25MHz and the usable bandwidth nearer 35MHz. Input attenuator tolerances are now specified at $\pm 3\%$ for all D1000 series oscilloscopes, a considerable improvement over the previous $\pm 5\%$. But again, the user may well find the true figure closer to $\pm 2\%$.

More Accurate Time Bases

The time bases, too, have been upgraded. All new D1000 instruments have been equipped with thermal compensation which

tightens time measurement accuracy to $\pm 3\%$, with improved stability as a bonus.

To match these improved time base specifications, trigger bandwidths and performance characteristics have been substantially enhanced.

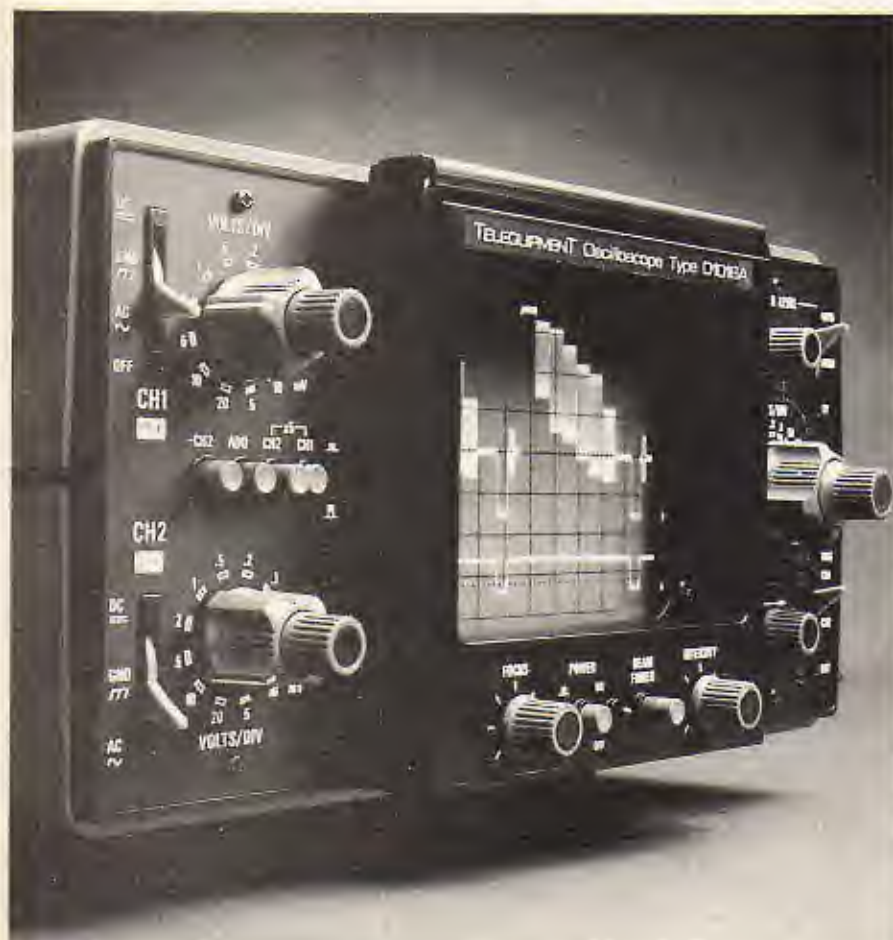
Better Display

The D1016A also has a new CRT. The size is just the same easy-to-view 10 x 8cm but with an internal graticule and a quick-heat cathode. It has a "GY" phosphor which is a near equivalent to the P31 but is more efficient actinically at low beam currents and high writing speeds.

A Choice of Bandwidth

10MHz or 20MHz with 5mV division sensitivity at full bandwidth and 1mV division at 5MHz in the D1016A, 4MHz in the D1011, and a choice of display modes; Algebraic Add, True X-Y, Channel 1 and 2 Chopped or Alternated, Channel 2 only, and Channel 2 Inverted.

For further details send reply coupon today.



Also available from Electroplan.

Please send details of the
D1016A D1010/D1011

Name _____

Position _____

Company _____

Address _____

Telephone _____

WW

Tektronix U.K. Ltd.
P.O. Box 69,
Harpenden, Herts AL5 4UP
Telephone Harpenden 63141
Telex: 25559

TELEQUIPMENT

News of the Month



Subscription tv by cable

Cables were first used for broadcast distribution in the 1920's and were extended and updated to include television, two and then three channel tv. The cables could get the broadcasts to areas where the reception was poor or non-existent. Since then, improvements and additions to the broadcasting network have made the need for cable distribution redundant and the subscribers to the cable services were reducing in numbers. However the cable networks exist, and Rediffusion, amongst others, have been pressing the Government to be allowed to institute subscription television services. *Wireless World* reported the granting of licences by the Home Office to a number of pilot schemes in the May issue, and the first to commence transmission, on Wednesday the 9th September, was the Rediffusion 'Starview'. Starview is being transmitted in five areas; Burnley, Hull, Pontypridd, Reading and Tunbridge Wells.

At the time of the launch, there were some 3,000 subscribers to Starview in the selected areas. Another 19,000 were subscribers to the public broadcast network and there was a potential audience of 56,000 houses which could be easily connected to the cables.

Rediffusion research has indicated that what the public really wanted was recent feature films. Sixteen films had been selected for broadcasting in September, with a further ten for October. Two films are shown each evening with an extra late-night film on Friday and Saturday and an afternoon 'matinee' performance on Sunday.

Rediffusion were surprised by the high distribution fees demanded by the Motion Picture Exporter Association of America. To break even, it is estimated that a subscription fee could be as much as £12 each month. Rediffusion have decided to charge the full rate, £11.95, only in Reading; in Burnley and Hull they are charging only £7.95.

Technical details of the Starview service are described elsewhere in this issue.

S.s.b. mobile radio still promising

The claim made two years ago by Pye Telecommunications Ltd that, to create more channels for land mobile radio, single-sideband operation at v.h.f. is the most promising technique (June 1979 issue p. 95) has now been given qualified support by some recent Home Office trials. The narrow-band system actually tested, in comparison with others, was s.s.b. with a channel spacing of only 5kHz. The testing was a subjective evaluation of the quality of calls and it was done by operators of a typical user of private mobile radio, Bell Fruit (UK) Ltd. The other two systems compared with the 5kHz s.s.b. were 25kHz and 12.5kHz channel spacing using f.m. It was intended to use 12.5kHz a.m. for comparison as well, but this in fact will be done later.



When Racal-Decca bought some digital displays from Hewlett-Packard for use in radar equipment, the dials incorporated in the displays were manufactured by Chequers (UK) Ltd in London, some 15 miles away from the Racal-Decca Marine Radar plant in New Malden, Surrey. To cover those 15 miles they had in fact travelled 10,000 miles across the Atlantic and back. The dials have an outer ring of 100 l.e.ds to give an analogue readout with three seven-segment l.e.d. digits in the centre. Because the printed dial has to match up with the l.e.ds, the diodes are positioned and the printing registered to within 0.003in.

According to D. M. Barnes of the Home Office's Directorate of Radio Technology: "The results have shown that from a user's assessment 5kHz s.s.b. equipment could be used to provide a land mobile radio system without any loss in quality or intelligibility when compared with 12.5kHz f.m. equipment. Furthermore, in many situations the quality of the s.s.b. equipment would be better than that of existing 12.5kHz f.m. equipment. However, it has also been shown that in general 25kHz f.m. equipment would provide a higher quality service. The use of 5kHz s.s.b. could theoretically provide an acceptable service with 5 times or 2.5 times as many channels in a given block of spectrum than 25 or 12.5kHz f.m. equipment respectively. However, further work is required on the frequency re-use characteristics of the different systems before a final conclusion can be reached".

This report comes from a paper delivered by Mr Barnes at the IERE's Clerk Maxwell Commemorative Conference on "Radio Receivers and Associated Systems" at Leeds in July. The tests were conducted over a six-week period on 21 mobiles — seven of each type — with a base station of three transmitters in Central London. Peak envelope powers of the three different systems were made equal: 10 watts p.e.p. for the mobiles and 25 watts e.r.p. for the transmitters. Frequencies were in the region of 160MHz for the mobiles and 165MHz for the transmitters. The f.m. transceivers were standard commercial land mobile radio equipments. The s.s.b. sets, produced by Pye Telecommunications, were of the single-sideband plus pilot carrier type (see June 1979 issue). The pilot carrier level was set at -12dB with respect to the peak envelope power. Details of these sets were presented by R. Wells of Pye in a companion paper at the above IERE conference.

Results were recorded for both stationary and moving vehicles and also using three areas of different field strengths between about 3uV/m and 100uV/m. Altogether nearly 3000 results were obtained, divided more or less equally

between the three systems. Subjective rating of call quality by the operators was given in terms of a CCIR five-point scale ranging from 5 (excellent) down to 1 (unusable). In the results the 25kHz f.m. equipment achieved a higher percentage of grade 5 ratings than the other two systems, but the s.s.b. equipment obtained a higher percentage of grade 5 ratings than the 12.5kHz f.m. equipment. However, when grade 4 and grade 5 ratings were combined the s.s.b. and 12.5kHz f.m. had the same percentage ratings. The paper comments: "This tends to imply that on an overall basis 25kHz f.m. would provide the best quality service but s.s.b. equipment would provide a similar or better quality than 12.5kHz f.m." Results obtained for stationary and moving vehicles in a given area were similar.

When the results were considered on an area basis "in the high field strength area the s.s.b. equipment achieved a greater percentage of grade 5 ratings than either of the two f.m. systems. However, in the medium and low field strength areas the 25kHz f.m. achieved the highest percentage of grade 5 results with the s.s.b. achieving more than the 12.5kHz f.m."

Further work, according to the paper, will aim to discover the distance at which a given s.s.b. channel frequency could be re-used without causing interference. There will also be tests to establish the adjacent channel performance of the different types of equipment.

● Pye Telecommunications have experimented with adapting one of their v.h.f.a.m. hand portable (walkie-talkie) sets, the P5001, for s.s.b. operation with a 5kHz channel spacing. For this a temperature-compensated crystal oscillator and i.f. crystal filters had to be specially made. According to a further paper by R. W. Wells at the IERE conference, the results did not fully meet operational requirements but they did show that "v.h.f. s.s.b. is indeed feasible with hand-portable equipment". There was a large cost penalty with the circuits used and this indicated a need for much more work before such a hand portable is a saleable reality.

BBC graphics

Viewers will have noticed the change to the titles for BBC news. What they won't realise is that the striped patterns and figures are generated electronically. ANT (animated news titles) came into service on the 7th September, only one month after it had been suggested that it may be possible. Priority was given to the graphic design for the main 9 o'clock news. BBC engineers were able to demonstrate this sequence within a week of starting the project. After the details of the other sequences had been produced it took a further three weeks to implement them.

The hardware for the system was based on that used for the BBC2 electronic clock and the animated Open University logo. The equipment needed modification to cater for multiple captions, the generation of 'key' signals so that pictures may be incorporated into the sequences, and for the definition of certain areas in the displays.

The software, which controls the commands and the sequences of the animations, uses only 1kbyte of memory for the programme. It requires another 6kbytes for the data. The data is stored in tables for each step of animation with a look-up table to arrange the actual sequence. Each data table defines only those parts which need to be changed, assuming a current state. This avoids the need to define the whole screen for each step. The microprocessor control is triggered 25 times a second by the display controller and the whole sequence can be started automatically.

● In a programme of work, supported by the Department of Industry, BBC research department has produced equipment to be used to study enhancements to the British teletext system.

One of the early uses of the equipment has been to produce a teletext decoder capable of displaying the normal pages as they are broadcast now, but with a better quality of character generation than is found at present. When the teletext specification was written, five years ago, the shape and style of characters were deliberately left undefined. This was so that as equipment improved, manufacturers could offer a choice of type style.

A photograph of a transmitted Ceefax page using the decoding equipment developed by the BBC Research department to study enhancements to teletext.

Spare signalling capacity to control a change of character set was also provided. When new character generators came into use, the decoders would still be compatible with existing transmissions, and existing decoders will continue to function normally.

The BBC equipment is being used to investigate coding methods for high-quality teletext graphics, using the techniques known as 'redefinable characters', 'alphageometric' and 'alphaphotographic' coding. It has already been used to display high quality still pictures at the IEEE Chicago Conference, and at the Berlin Radio Show.



Computers may Dial to each other

The British Standards Institution has published the first Part of DD 75 *The structure and representation of data for interchange at the application level (DIAL)*, a major Draft for Development describing a new system of data interchange that could lead to massive economies for users in industrial, commercial and public sectors. Entitled Part 1 *Recommendations for syntax and basic principles*, the Draft is designed to achieve direct computer-to-computer intercommunication and provides the basis for the first 'language' in the world for general applications, regardless of differences in the equipment used.

At present, communications such as invoices and purchase orders start off on one computer and certainly end up on another in a different organization. It's the bit in between that causes problems. Take, for example, a company which uses a computer to control stocks and order their replenishment. Normally, the order is printed out, put into an envelope and mailed (via a postal service now much more expensive and slower than in pre-computer days), sorted in the recipient's mail room, part processed clerically and then, ultimately, keyed into the organization's computer system.

Note the need for clerical pre-processing and key-entry operations! These happen to be two of the most expensive and error-prone tasks associated with computer systems. And at every stage of this drawn-out programme of events, the order sits waiting for attention. In the circumstances it is hardly surprising that a processing period of three days is considered to be remarkably fast, three weeks is probably typical and three months not unknown. In other words, a slow, tedious and remarkably inefficient process which stems largely from the lack of the

necessary standards that would permit more effective communication.

The major obstacle to direct inter-computer links has always been the absence of a common data language and, hence, incompatibility in the software used by the sender and the receiver, not to mention anomalies in the equipment (eg flexible discs at one end of the line - magnetic tape at the other). Where only one partner is involved, of course, it is not difficult to write programmes that will effect the necessary conversion. But there can be few suppliers with only one customer, or buyers with a single supplier. Nor is it feasible to accommodate additional organizations by writing suites of individual programmes. Quite apart from the prohibitive cost, there are just not enough analysts and programmers available to cope with interchange on this basis.

Obviously, the long-term solution is to adopt standard messages using standard software. Some industries with particularly urgent needs have, in fact, already developed their own standards, notably those now employed in banking and airline computer systems. Currently, some 16 per cent of all clearing bank transactions and probably well over 90 per cent of airline communications are dealt with in this way. Not every group of interests, however, has the necessary expertise to devise independent standards, especially where messages are required to cross sector boundaries.

BSI's new DIAL system aims to provide a common facility to all branches of industry, commerce and administration having access to computer services. Part 1 of the Draft describes a general-purpose language for the interchange of machine-readable data with a minimum of

negotiation or agreement. It contains:

- (1) A basic grammar, suitably precise for computer processing, with extensions to meet specific applications.
- (2) General recommendations for the representation of frequently-occurring categories of data.
- (3) Administrative arrangements for data interchange.

DIAL is intended for use with any interchange medium including:

- (a) Telecommunication networks providing simultaneous transmission
- (b) Telecommunications networks using a store-and-forward service
- (c) The transfer of physical media such as magnetic tape

The language is independent of the applications and equipment used and has a structure that permits the necessary degree of manual processing to ensure operational integrity and flexibility. In the interests of compatibility it uses a set of characters (letter, digits and symbols) which are restricted to those available on virtually every computer, so that messages can be sent to anyone regardless of the type and make of the equipment at the receiving end.

Another important asset is that DIAL is compatible (most of it identical) with the standards produced for international trade procedures by SITPRO (the Board for the Simplification of International Trade Procedures) which are approved by the United Nations. Thus, although DIAL will become a British Standard for internal UK use it is compatible with international equivalents - an important consideration for organizations operating both at home and overseas.

Broadcasting "radio data"

Details of the BBC's experimental broadcasting of digital signals for programme labelling, called "radio data" (News, September issue), were revealed by Dr S. R. Ely, BBC Research Department, at a recent IERE conference on "Radio receivers and associated systems" at Leeds. (And further information became available in a BBC Research Department report, RD 1981/4 "V.h.f. radio-data: experimental BBC transmissions" June 1981.) The system, developed jointly by the BBC and Televerket of Sweden, has been used on three BBC v.h.f. sound transmitters in the London area, Radio 2, Radio 4 and Radio London, in experiments running since April this year.

The digital data is conveyed on a 57kHz subcarrier which is phase-locked to the third harmonic of the 19kHz pilot tone of the stereo transmission. Frequency tolerance of this subcarrier during stereo broadcasts is ± 6 Hz. It is added to the stereo multiplex signal (or a monophonic signal) at the input to the v.h.f./f.m. transmitter. Peak deviation of the main carrier due to the 57kHz subcarrier is about ± 2.25 kHz.

This subcarrier is double-sideband suppressed-carrier, amplitude modulated by the digital data, which has the form of a bi-phase data signal with a bit rate of 1187.5 bit/s. (The method of modulation may be considered as a form of two-phase p.s.k. with a phase deviation of $\pm 90^\circ$.) The bit rate is in fact, derived by dividing the transmitted subcarrier frequency by 48. But this division ratio may occasionally be altered to 50 or 46, to facilitate phasing of the transmitted code words, in such a way as to insert or delete one 57kHz cycle in each half of the bi-phase symbol corresponding to a data bit. Data is arranged in 114-bit blocks, giving 625 blocks per minute.

About 35% of the available data channel capacity is being used at present to transmit the most likely types of message required, including the network name (e.g. BBC R4 - see September News picture) in ASCII code for display purposes. The remaining 65% of the capacity is packed with dummy data from a pseudo-random binary sequence generator.

Currently these radio data transmissions are being received by special BBC v.h.f. receivers containing circuitry for demodulating the 57kHz d.s.b.s.c. a.m. signal and decoding the bi-phase digital symbols. The first operation is to recover the 57kHz subcarrier from the suppressed carrier d.s.b. radio data signal. This is then used locally in a synchronous demodulator to recover the digital modulation at 1187.5 bit/s. Before the synchronous demodulator, though, a 57kHz bandpass filter is inserted to

attenuate the comparatively large amplitude sound signal components in the multiplex signal.

The stream of bi-phase digital data is then recovered by a symbol decoder described as an integrate and dump decoder*. For decoding purposes the 1187.5 bit/s rate must be available locally as a clocksignal. This is obtained by dividing down the recovered 57kHz subcarrier by the 48 divisor mentioned above and correctly phasing the resulting 1187.5 bit/s clock relative to the zero-crossings of the recovered bi-phase coded data stream.

Last year this BBC/Televerket system, together with three other similar ones, from France, Holland and Finland, were field tested in the Bern region of Switzerland, using a Swiss PTT broadcast transmitter in the mountains. In these conditions, all four systems were found to suffer from a high mean bit-error-rate of 10 to 20%. The principal source of errors was thought to be multipath propagation causing programme signals to intrude into the data channels. However, with two of the systems using a high frequency subcarrier (BBC/Televerket on 57kHz and TDF (France) on 58.3314kHz), 70% of data blocks were received without error, as against two systems using lower subcarriers (NOS (Holland) on 16.625kHz and YLE (Finland) on 19.6kHz) which gave only 10% and 27% respectively of data blocks received error-free.

A firm specification for a Western European standardized radio data system will eventually be decided by the EBU.

* French, R.C. "Error performance of p.s.k. and f.l.s.k. subcarrier data demodulators," *The Radio and Electronic Engineer* 46, 11, pp. 543-548, 1976. Also Norton, J.J. "Drop your costs but not your bits with a Manchester-data decoder", *Electronic Design*, 27, 15, pp. 110-116, 1979.

Two-way wrist radio by year 2000

A two-way wrist radio will become a reality by the year 2000 as a result of communications satellite developments, according to the Lockheed Missiles & Space Company.

Lockheed engineers in California are developing a 180-foot demonstration version of a communications satellite antenna suitable for transport on the Space Shuttle. Once in space, such an antenna would be unfurled and look much like a huge umbrella. It would act as a highly sensitive receiver of low-power signals from Earth which it would re-broadcast at high levels to designated areas. Thus, a small, low-power radio - even worn on the wrist - using a simple antenna, could transmit voice using the satellite as a signal booster and switchboard that would beam transmissions to selected parts of the earth, such as remote areas without telephone lines.

Other potential uses for the advanced antenna are radiometry - the measuring of temperatures, snowpack, moisture content on Earth - observations of great value to agriculture; radio astronomy, and radio telescope applications.

The antenna with its communication satellite could be launched by the Space Shuttle into a geosynchronous orbit 22,300 miles above the Earth's equator. On site, the antenna would be deployed automatically.

Present communications satellites used in

Engineers study social implications of technology

Electrical and electronics engineers in the USA are to investigate "the impact of technology on society, including both positive and negative effects, the impact of society on the engineering profession, the history of the societal aspects of electro-technology, and professional, social and economic responsibility in the practice of engineering and its related technology".

These are the stated interests of a new group, the Society on the Social Implications of Technology, now being set up by the IEEE in New York. It will publish a journal, the *IEEE Technology and Society Magazine*, the first issue of which will appear in early 1982. The Society's administrative committee will consist of representatives from each of the IEEE's seven technical divisions together with its own officers and elected representatives. Although it will be interested in ethics and will publish articles on the subject, the new society will not have sole responsibility for developing ethical standards within the IEEE. Further information can be obtained from Robert J. Bogumil, 530 W. 112th St., New York, N.Y. 10025, USA.

Two UK organizations recently set up to study this field are the Technical Change Centre (News, April issue) and the New Technology Research Group at Southampton University (May issue, p.53).

commercial communications, including television, require elaborate antenna systems on Earth. The antenna/satellite system envisaged by Lockheed - because of its great sensitivity and beam-aiming ability - would enable users to communicate nationwide using simple transmitter-receiver units.

Simulator aids reactor safety

An Advanced Gas-cooled Reactor (AGR) training simulator has been ordered from Marconi Space and Defence Systems (MSDS) to assist in training operators at Hunterston 'B' nuclear power station in Scotland.

The order, which comes from the South of Scotland Electricity Board, is valued at approximately £3 million and results from feasibility studies carried out by MSDS since 1973 for both the SSEB and the Central Electricity Generating Board.

The simulator, which will be the first in the world to provide total realism in terms of accuracy and speed in a nuclear power station control room, is to be installed at the Hunterston 'B' site by mid-1983.

The principles used in the design of the AGR simulator can be used equally for a pressurized water reactor (PWR). The PWR is based on American technology and is similar to that involved in the accident at the Three Mile Island power station, Harrisburg, Pennsylvania two years ago. Marconi hopes to gain significant export orders as well as further orders from the UK in support of the universal drive to maintain high training standards for operators in nuclear power plants.

C.b. legalized

November 2 is the date set by the Home Office for the start of legal c.b. operation in the UK, on the 27MHz and 934MHz bands, using frequency modulation. Licences costing £10 will allow operators to use up to three sets.

The relevant specifications are set out in Home Office publications MPT1320 (27MHz) and MPT1321 (934MHz), obtainable from HMSO at £1.95.

Within a day of the Home Office announcement, *Wireless World* has already received a protest from the Citizens' Band Association, pointing out that the choice of frequencies means that the UK and European systems are incompatible, and claiming that the new standard will render aircraft more vulnerable to interference than the illegal system.

LaserVision delayed

When video disc systems were first introduced into the United States, the suppliers were swamped with demands for more and more discs and could not produce them quickly enough. This led to disappointments and disillusion amongst the customers. This is the principal reason why Philips have decided to delay the launch of their LaserVision system in the UK. Originally planned for Autumn 1981, Philips now say that they will "launch in the UK when we have sufficient numbers of discs to support our initial catalogue of titles".

Jimmy Dunkley, the divisional director of LaserVision, admitted that they had some production difficulties at their Blackburn disc pressing plant which he described, rather coyly, as "progressing up the learning curve". In order to meet the higher level of demand for discs which predictions indicate, additional plant is being installed to increase the pressing capacity. Player production has commenced in two factories in Europe to supply the needs of the UK launch.

Philips have also revealed some of their plans for uses of the disc system. Of course it is highly suitable for feature films, but it may also be used, for example to store the contents of a reference book. A large illustrated encyclopaedia can be stored on the 54,000 frames available on each side of a disc and any particular frame can be found and then displayed on the tv screen. Philips are directing their attention to users of instructional, educational and business communication programmes.

Technical details of LaserVision and other disc systems were published in our September issue.

Microcomputers in schools—free

An enterprising businessman in Berkshire, Mr Len Lewis of Audio Systems Components Ltd, in Theale, has come to an arrangement with the local school whereby he will provide ten Commodore Pet microcomputers for the free use of the school. He gets in exchange the classroom space to hold evening classes for courses in computing for adults.

Mr Lewis told us that his project was not entirely philanthropic since he hoped to break even on the basis of well-attended classes, "but I like to think that any profit will be all the better for knowing that the school children are benefit-



A LaserVision disc at a visual inspection station at the Blackburn disc-pressing plant. Discs are produced under 'clean room' conditions like those needed for integrated circuit production.

ing too". He plans to plough back some of the profits from the evening classes by purchasing peripherals, to finance a users' group and to organise a project team to develop educational software. He also told us that he thought of the scheme after reading our report of the Government's Microcomputers in Schools scheme in the June 1981 issue of *Wireless World*.

Engineering Council chairman

Electronics engineers will note the fact that the chairman of the new Engineering Council is to be Sir Kenneth Corfield, for, although Sir Kenneth is by training a mechanical engineer, he is of course chairman and chief executive of Standard Telephones and Cables Ltd, the ITT subsidiary. The Engineering Council, which at the time of writing is about to receive a Royal Char-

ter, is the Government's response to the proposals of the much debated Finnieston report on the engineering profession. It is widely seen as a watered-down, and cheaper, version of what Finnieston wanted (for example, the chairman will be unpaid and part-time) with little real power to make much needed changes. Finnieston called for an Engineering Authority that would be a statutory body, funded by the government and with members appointed by the Secretary of State for Industry; it would have been accountable to the government for the use of its statutory powers and for money voted to it by Parliament.

The objects of the new Council will be "to advance education in, and to promote the science and practice of, engineering . . . for the public benefit and thereby to promote industry and commerce" in the UK. Apart from this and other similarly vaguely stated duties, the Council will have the more specific task of forming a register of professional engineers, technician engineers and engineering technicians. Since the existing Engineers' Registration Board is run by the Council of Engineering Institutions, it would appear that the CEI will have to hand over this register — and also its power to award the title "Chartered Engineer" — to the new body. But these transfers will depend on the agreement of the CEI, in the form of a two-thirds majority at an extraordinary general meeting.

High street battle of personal computers

Two items of news which affect the microcomputer came out at about the same time. One was that the mainframe computer manufacturer, IBM, is to market a micro. There have been many analyses of the impact this will have. The Venture Development Corporation in America, who produce many market analyses, have published a study which indicates that by "placing its seal of approval on low end computers, IBM will spark growth in the market for both personal and small business computers. It will be some time, though, before IBM captures a significant share of the personal computer market. IBM will have to strengthen its position with regard to distribution channels and applications software before Radio Shack [Tandy] and Apple will have anything to worry about". VDC also points out that the [American] home user

thinks that games are of the first importance and that users would not buy a home computer that didn't have Space Invaders. IBM are selling their computer through the Sears Roebuck mail order catalogue and through the US Computerland chain of retail stores.

Another analysis from Gnostics Concept gives a different answer. They suggest that the basic version of the IBM personal computer has a higher specification and a lower price than the Apple II and the full system is also better and cheaper than the Apple III. So the battle has started but at present IBM have no plans to market outside North America.

The UK domestic market is also hotting up, however, with the news that the Sinclair ZX81 is to be sold in selected High Street branches of

W. H. Smith & Son. Boots, Argos and Rumbelows are all planning to test-market the Texas Instruments' TI 99/4. Boots and Smiths are also planning to sell the Commodore VIC 20 computer, but at present there are enough to go round and Commodore will be selling only through computer shops. The VIC 20 has been beset by delays in production and by a lack of software packages to go with it. It is thought that the machine will be launched towards the end of the year.

Another 'dark horse' waiting on the sidelines is the BBC microcomputer which has not been released at the time of writing but offers a high specification at a low price. The BBC plans are to sell through mail order only, but the proliferation of high street outlets might get them to change their minds.

Display aid for microprocessors

Oscilloscope interface for alphanumeric information

by Dr K. Padmanabhan, Ph.D., M.I.E.E., and A. P. Senthilnathan

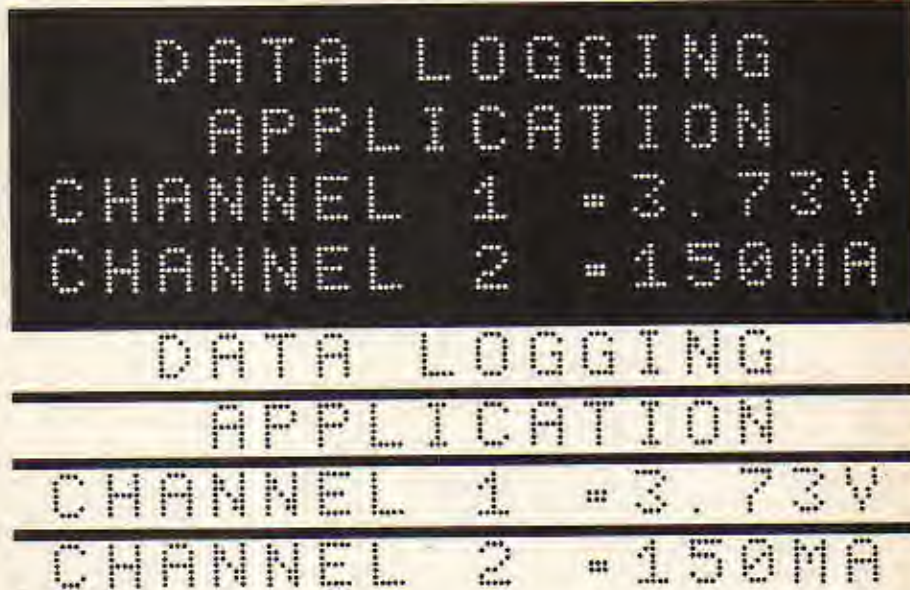
When developing, testing or repairing complex digital circuits, particularly microprocessor based systems, a means of displaying information is helpful and often essential. A convenient method of displaying data is on an oscilloscope, and this interface enables up to four lines of information to be displayed simultaneously.

The circuit is connected to the address and data lines of a microprocessor system and provides X and Y inputs suitable for a 5MHz oscilloscope. The design is based on a simple ASCII character generator which uses a dot matrix display. A surplus MK2002 is shown in Fig. 1, but any character generator which gives column outputs can be used. The display comprises four rows of 16 characters, each formed from a 5 x 7 dot matrix. Three dot spaces are used between characters and three line spaces between rows. The display does not use Z-modulation to produce the characters, instead character information is achieved by switching the Y-axis for each dot on a line. This by the simulated display produces a positive and negative image as shown in Fig. 2, and either or both can be viewed by adjusting the Y-shift control.

The circuit uses a 555 clock running at 100kHz for the dot timing, and a 4011 time-base generator operating at around 600Hz for the X-axis line generation. The character generator is provided with ASCII data from a 128 x 8 static r.a.m. and, as the MK2002 is a m.o.s. device, a t.t.l. to m.o.s. interface is provided by two 7426 high-voltage NAND gate i.cs and a 74141 one-of-ten decoder-driver.

Clock pulses are gated to a 4024 7-stage column counter which drives the column decoder through eight steps and changes the column selected for each character. At the end of every 8th count, the r.a.m. address is incremented by the address selector to present the next character on the same row. After accessing and displaying 16 characters on the first line of the first row, the clock gate is disabled by a flip-flop which detects the 128th count from the 4024.

On the next line the clock gate is enabled by the rising edge of the time-base signal and the row counter advances by one. In this way the 4158 advances for ten successive lines, out of which seven provide the display and three provide line spacing. After line 10, the remaining three



rows (10 lines each) follow in the same manner except that the memory address count continues from 16 to 64 because address lines A4 and A5 are connected to the second stage of the 4518. This stage counts up to five because only four rows of characters are used.

Column output information from the MK 2002 is selected during each of the seven lines by a 74151 1-out-of-8 switch which is addressed by the 4518. The lines are shifted below each other by adding weighted outputs from the 4518 and driving the Y-amplifier of the oscilloscope. Video shift information from the 74151 output is also combined by the CA3130.

Data from a microprocessor is fed to the memory by a 74365 unidirectional buffer. Six data lines are used as only six lines are needed for the capital letters in ASCII code. The 64 characters stored in r.a.m. are continuously displayed on the c.r.t. until the data is changed by switching the r.a.m. address to the microprocessor via the 74157 address selector, and enabling the 74365 with the latch output. For storing data, the 7475 is loaded with a 1 and software instructions load the r.a.m. Software then resets the latch by loading a 0 into it which also switches the r.a.m. addresses back to the counters.

The address decoder selects the display r.a.m., which here is given the addresses 0800 to 087F. However, in many microprocessor systems full address decoding is not necessary. Fig. 3 gives an example of the software necessary for

Fig. 2. Dot matrix display format. Because the Y-axis is switched to produce dots on a line, positive and negative displays are shown simultaneously.

displaying data and a legend on four lines in locations 0180 to 01C0 using an 8085 processor.

Part two describes hardware modifications for 8-line operation and programming details for a 2716 character generator.

Fig. 3. Software example for an 8085 processor.

```

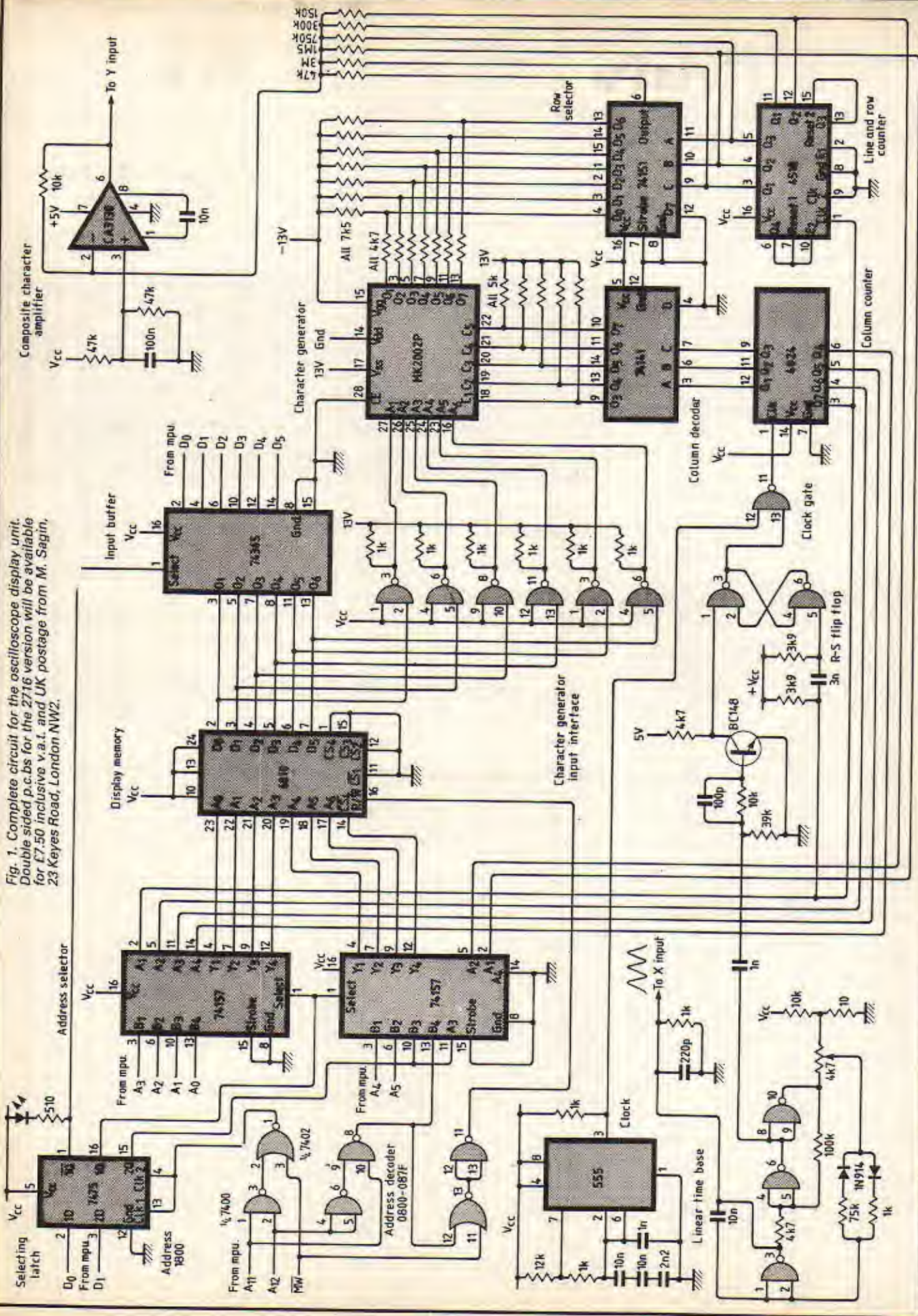
PUSH D
PUSH B
PUSH H
SUB A
INC A           Make Accumulator = 1
LXI H 00 18    Point to latch address
MOV M,A       Sets selecting latch
LXI D 00 08    Point to display r.a.m.
MVI B 40
LXI H 80 01
MOV A,M       Store the character in
               r.a.m. address

STAX D
INX D
INX H         Increment memory
               address
DCR B        Count for 64
JNZ LOOP
SUB A
LXI H 00 18
MOV M,A       Resets the selecting
               latch for counter access
               to r.a.m.

POP H
POP B
POP D
HLT

```


Fig. 1. Complete circuit for the oscilloscope display unit. Double-sided p.c.bs for the 2716 version will be available for £7.50 inclusive v.a.t. and UK postage from M. Sagin, 23 Keyes Road, London NW2.



Electronic Displays '81

With the continued success of Electronic Displays, this year's show was held in the more spacious Kensington Exhibition Centre, and attracted 55 exhibitors. Unlike some other areas of electronics, the display market does not seem to be seriously affected by the economic troubles. Several exhibitors were showing new products which had just been "unpacked" and they could not yet give prices or delivery.

L.c.ds — the fastest growing technology

Because the traditional weaknesses of liquid crystal displays are steadily being overcome, they are now receiving a great deal of attention from many equipment makers. This trend was reflected by the large number of exhibitors, nearly a third, who were offering custom or ready-made displays. Most development effort at present is aimed at increasing the step-response and temperature range of the fluids, and increasing the size of displays which is

which includes two and four-inch character sizes. These displays are supported with electroluminescent backlights and Bulgin's own range of bezel assemblies.

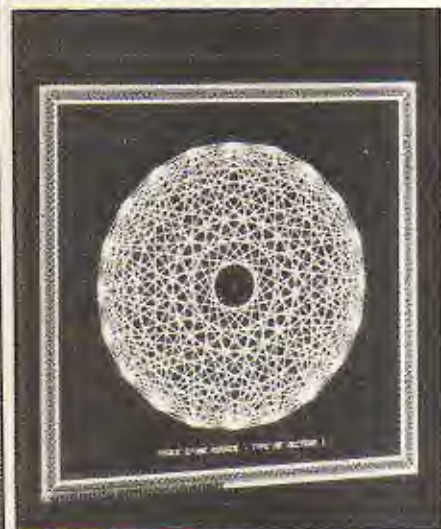
ITT Meridian have recently signed an agreement with the Japanese manufacturer Epson who claim to have produced the first range of long-life l.c.ds. These devices offer an expected lifetime of 100,000 hrs instead of the usual 50,000 hrs. Racal's stand generated a lot of interest following their announcement of a new l.c.d. division which can offer a custom design and manufacturing service for colour and large area displays.

Two innovations from this division are a display electronic module (d.e.m.) and a reconfiguring display/keyboard. D.e.m.

new set of prompts in a similar way to the "menu" on a computer v.d.u.

Flat-panel displays are replacing c.r.t.s

Flat-panel displays using liquid crystal, electroluminescent and plasma technology were all demonstrated as alternatives to the conventional bulky c.r.t. display. Hitachi, a newcomer to the show, claim to manufacture over 50% of the world l.c.d. output, including flat-panel types. One disappointment, however, was the "non-arrival" of Hitachi's prototype l.c.d. colour television. Exhibits which did arrive included a new range of colour 7-seg-



A 235mm square plasma panel from Thomson-CSF which offers a resolution of 512 lines x 512 points.

limited by the sealing process on the glass plates.

Most manufacturers are improving their hermetic sealing technique and consequently are offering much larger display sizes. Several exhibitors were demonstrating 7-segment and dot-matrix displays with character heights above 80mm. Lucid displays announced a new range of devices with an extended temperature range of -30 to +85 deg. C.

More distributors want a piece of the action

New names in the l.c.d. business include Bulgin, ITT and Racal. Bulgin are now marketing the Data Images (a splinter company from LXD) range of displays



Flat screen electroluminescent displays from Sharp. ▼

▲ An example of Racal's reconfigurable keyboard/display.



combines a l.c.d. and thick-film technology to produce a single display driver module. The l.c.d. backplane forms a thick-film substrate which carries the necessary circuits to produce, for example, a complete frequency counter and display module. This system allows the display to be used in the transmissive mode without the obstruction of a p.c.b. Racal's reconfiguring display/keyboard combines a l.c.d. with a touch-sensitive switch, when pressed, reconfigures the display to show a

ment displays and a 64x200 dot-matrix display for larger characters. To support their range of displays, Hitachi have also developed a 4-bit c.m.o.s. microprocessor which will directly drive l.c.ds.

G.E.C. have produced an 80-character d.c. electroluminescent display panel which only requires 8 and ±60V supplies. Each of the 80 characters is formed by a 5x7 dot matrix and they are arranged in four rows. The display panel is supplied with two circuit boards which provide supply regulation, data organization, character generation and display drive. A 128-character set is standard, but special character sets can be provided.

A 235mm square a.c. plasma panel from Thomson-CSF comprises 512 lines of 512 points. This panel can be used for displaying graphics where each point is individually addressed. Alternatively, for alphanumeric operation, 64 lines of 85 5x7 characters or 32 lines of 64 7x9 characters can be produced.

The three-day exhibition was supported by a conference which presented 24 papers covering display device technology, teletext, display systems, and display applications. Reprints from these sessions and those presented at the 78, 79 and 80 exhibitions are available from Network, Printers Mews, Market Hill, Buckingham, Bucks.

C.b. frequency synthesis

Generating 40 channels for 27MHz

by E. F. da Silva, M.Sc., Ph.D.

This article reviews the digital frequency synthesizer systems which can be used to generate the crystal-controlled frequencies required for 40-channel British citizens' band operating at 27 MHz. A practical design is also described which provides 40 channel operation.

The lower and upper frequency limits of c.b. are 27.601250 and 27.991250MHz, with a channel spacing of 10kHz and a frequency tolerance of 1.5kHz per channel. The carrier is frequency modulated with voice transmission and the maximum frequency deviation is 2.5kHz. In addition to the frequencies shown in Table 1, another set of forty frequencies (transmit frequencies and receiver intermediate frequency) must be supplied for the local oscillation in the superheterodyne receiver. In view of the requirements for frequency stability, manually controlled variable-tuning oscillators are not practical and, if direct crystal-controlled oscillators are used, frequency multiplication and/or mixing will generally be necessary to produce the required frequency deviation. Unfortunately, frequency multiplication and mixing produce harmonics and increase the cost, so a cheaper and more practical method is desirable. The availability of high-frequency low-power c.m.o.s. i.c.s now makes frequency synthesis a practical alternative. An ideal synthesizer for c.b. would comprise one or two i.c.s but, as there are no dedicated devices available at present, standard components must be used.

The basic frequency synthesizer as shown in Fig. 1. comprises a voltage-controlled oscillator operating at frequency f_0 . This frequency is divided by a programmable divider-counter N , to produce a frequency f_n which is compared with a reference frequency f_r . The difference between these two frequencies is translated into a d.c. voltage which controls the v.c.o. so that $f_n = f_r$. Because $f_0 = Nf_n = Nf_r$, f_0 is locked to the reference frequency by the programmable divider. In practice f_r is normally chosen to be the frequency channel step or spacing, i.e. 10kHz for 27MHz c.b., or a sub-multiple of the channel spacing so that integer changes in N will step the output frequency to the required operating frequency.

Direct synthesis for c.b.

The block diagram of a direct synthesis system, shown in Fig. 2., is similar to Fig. 1. except that a prescaler, K , is connected between the programmable divider and

Table 1. Allocated frequencies for the 27MHz citizens' band

27.601250	27.701250	27.801250	27.901250
27.611250	27.711250	27.811250	27.911250
27.621250	27.721250	27.821250	27.921250
27.631250	27.731250	27.831250	27.931250
27.641250	27.741250	27.841250	27.941250
27.651250	27.751250	27.851250	27.951250
27.661250	27.761250	27.861250	27.961250
27.671250	27.771250	27.871250	27.971250
27.681250	27.781250	27.881250	27.981250
27.691250	27.791250	27.891250	27.991250

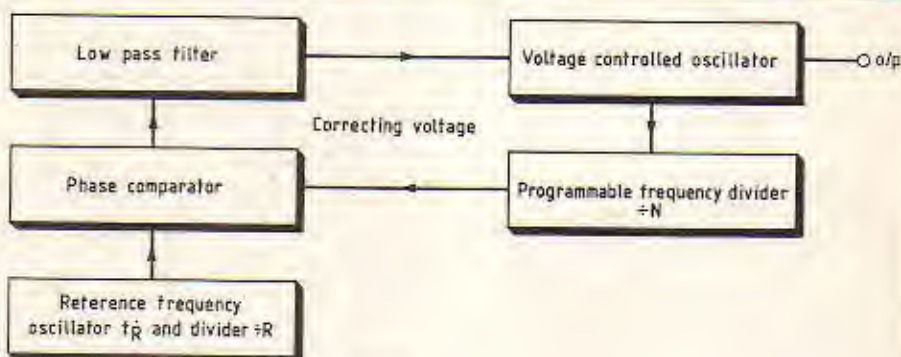


Fig. 1. Basic frequency synthesizer system.

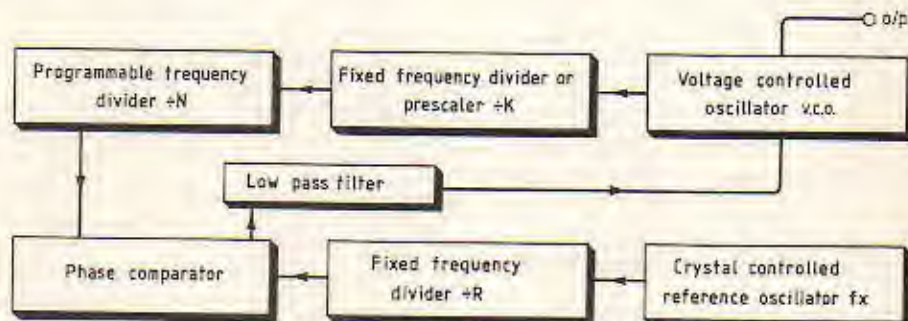
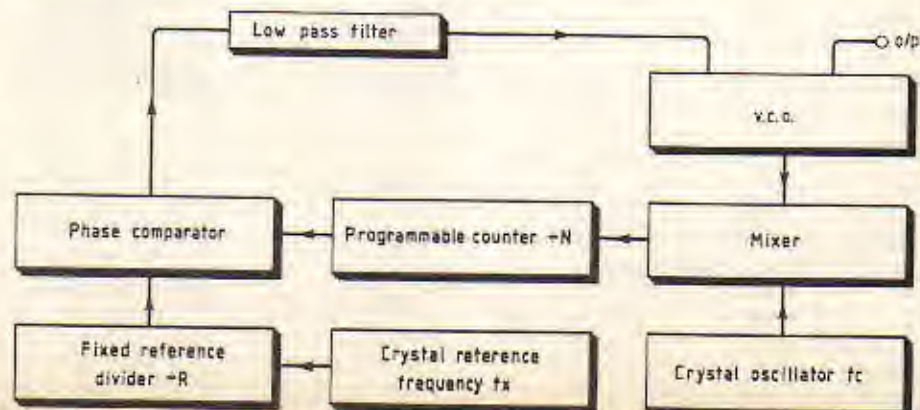


Fig. 2. Direct frequency synthesizer which uses a prescaler between the programmable divider and v.c.o.

Fig. 3. Mixing type of frequency synthesizer. The output frequency is mixed with a crystal oscillator signal to produce an intermediate frequency.



v.c.o. The prescaler is necessary because c.m.o.s. programmable counters are not readily available for direct operation at 27MHz. Also, crystal oscillators operating at a reference frequency of 10kHz are generally bulky and expensive, so it is more

of 22081-22393 to cover the band of transmitting frequencies, and the reference frequency would then be 125Hz. However, this low reference frequency will limit the capture range of the phase comparator, present difficulty in low-pass fil-

is mixed with a 26.591250MHz crystal oscillator, f_c , to produce an i.f. of 1.4MHz which can be fed directly to the programmable divider-counter. The advantages of such a system are, the reference frequency can be made equal to the channel spacing, a prescaler need not be used for c.m.o.s. programmable counters, the total division factor is greatly reduced which increases the loop bandwidth, more easily divisible frequencies can be chosen and the frequencies are lower, which eases production techniques. A disadvantage is the additional cost of a mixer and crystal oscillator. However, this cost is greatly offset by the saving in logic circuits which would normally be needed to generate the local oscillator signal.

Local oscillator frequencies

The set of forty local-oscillator frequencies for the transceiver when receiving can be obtained in several ways. The programmable counter can be made to perform an additional count when the transceiver is operating in the receive mode. For example, with f_0 at 27.991250MHz, f_r at 10kHz, a division ratio of 140, and a receiver i.f. of 460kHz, the local-oscillator frequency must be $27.991250 + 0.460$, i.e. 28.451250MHz.

This frequency can be generated by letting N count initially to 140 (the figure set by the operator), inhibiting its output and then setting N to count an additional 46 steps ($460\text{kHz} \div 10\text{kHz}$), i.e. a total of $140 + 46$. At the end of this count an output pulse is fed to the phase comparator. The additional 46 steps can be produced automatically by using multiplexing devices such as the 4019. This system produces local-oscillator frequencies greater than the transmit frequency by the chosen i.f., but it can be more costly with the additional i.c.s.

An alternative scheme uses early zero detection where, instead of letting the programmable counter reach its full count of 140, the count is stopped at $140 - 46$, i.e. the 94th step. Therefore, the frequency f_0 will initially be greater than the reference frequency and it will cause the phase comparator to decrease the v.c.o. frequency until it is 460kHz below its initial frequency of 27.991250MHz.

A third scheme, only applicable to frequency mixing systems, is simply to switch in an alternative crystal which is offset from the transmit frequency by the receiver i.f. This method permits either high or low injection of the receiver local oscillator and is relatively easy to implement.

Practical circuit

A frequency synthesizer using the mixing method described above is shown in Fig. 4. The crystal reference-oscillator frequency f_x is produced by a 1MHz crystal. No tuning controls are needed, and the frequency divider chain $\div R$ is incorporated within the 14568 phase comparator i.c.

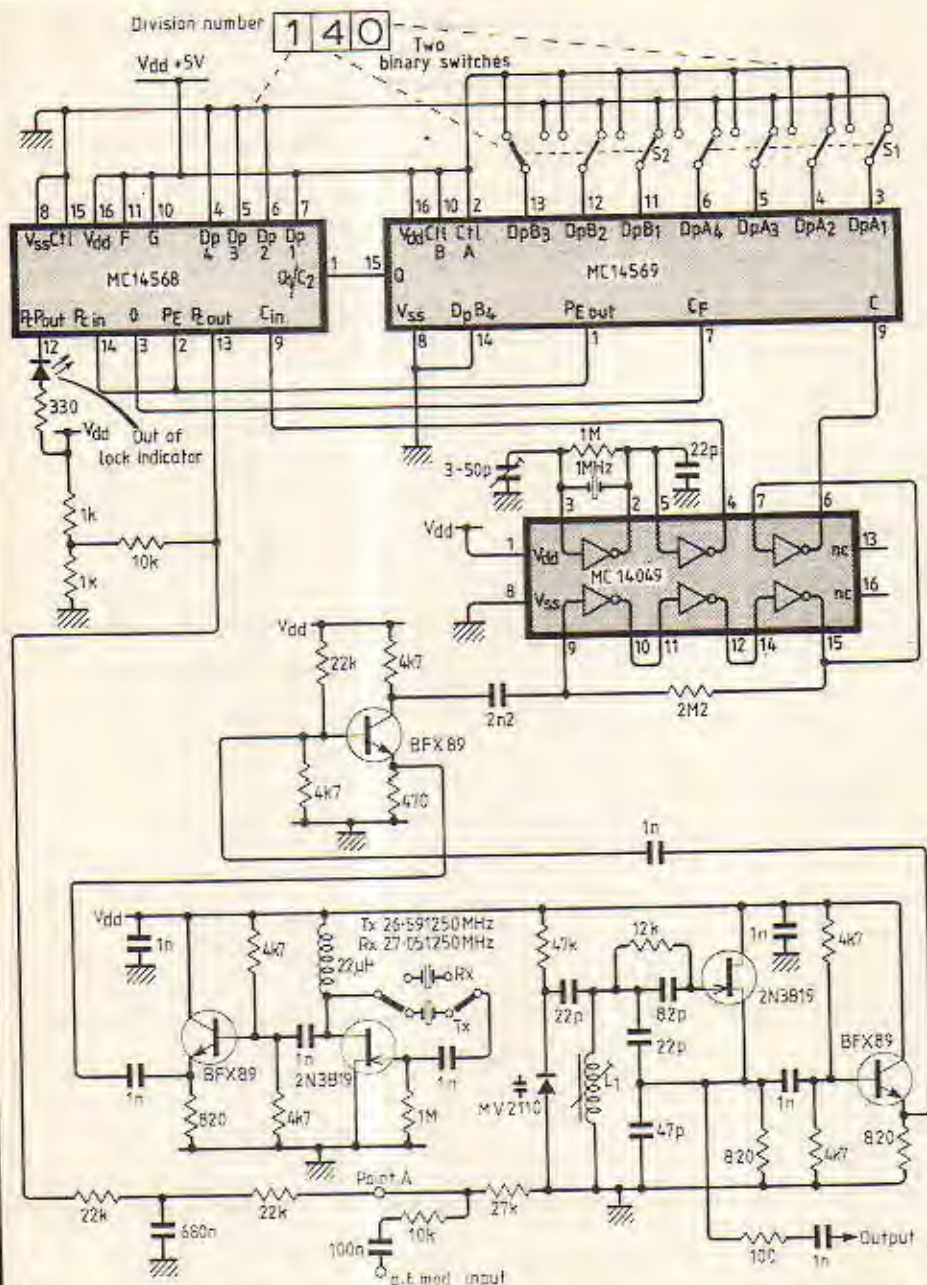


Fig. 4. Practical design for a mixing synthesizer. L_1 is 13 turns of 0.25mm wire on a Neosid A7 assembly.

convenient to use a higher crystal frequency and divide it for the reference frequency.

As mentioned earlier, the channel spacing is 10kHz, the lowest transmit frequency is 27.601250MHz and the highest transmit frequency is 27.991250MHz. The factors of these frequencies are $2 \times 5 \times 5 \times 5 \times 5 \times 22081\text{Hz}$, and $2 \times 5 \times 5 \times 5 \times 5 \times 2239\text{Hz}$ respectively. With c.m.o.s. programmable counters restricted to around 10MHz at 5V, a $\div 10$ prescaler would give programmable-counter ratios

tering and also cause a large change in N because $N = (\text{channel} \div K \div f_r)$. Therefore, eight steps in N will be required for each channel change. A similar system has been described by RCA for American citizens' band transceivers.

Synthesizer mixing methods

A block diagram of a frequency synthesizer using mixing is shown in Fig.3. The output frequency f_0 high, 27.991250MHz,

The division ratio has been programmed to 100 and the reference frequency is therefore 10kHz. The programmable divider-counter divides over the range 101 to 140. The units and tenth part of the division ratio is incorporated in the 14569 and is controlled externally by binary switches connected to the DpA and DpB inputs respectively. The hundredth part of the programmable counter is incorporated in the 14568 in conjunction with the phase comparator. This part of the counter is hard-wired to divide by 1, so no switch is necessary. The local oscillator frequencies are obtained by switching in the 27.051250 MHz crystal in place of the 26.591250MHz transmit crystal.

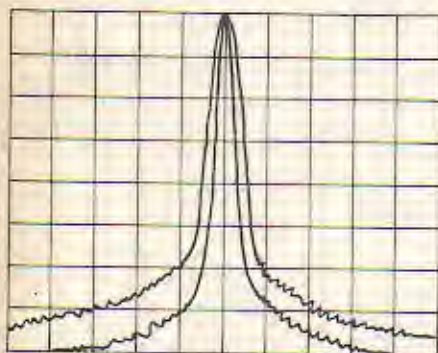


Fig. 5. Typical spectrum around the carrier for the circuit in Fig. 4.

To adjust the synthesizer, set the thumb-wheel switches to 20, i.e. a frequency-division ratio of 120 and check that the transmit crystal is being used. Adjust L_1 in the v.c.o. until the l.e.d. turns off and then set the voltage at point A to 2.6V. If a counter is available, check that the output frequency is 27.791250MHz. Set the programmable counter switches through positions 1 to 40 and check that the frequencies agree with Table 1. Switch in the receive crystal, step the programmable counter switches from 1 to 40 and check that the output frequencies are 460kHz above the corresponding values in Table 1. The synthesizer is now adjusted and should produce a spectrum similar to that shown in Fig. 5.

Further reading

1. Home Office Publications, "Open Channel Radio", citizens' band radio, HMSO, July, 1981.
2. Dance, B., "Digital Tuning Systems", *Electronic Industry*, p.41-46, June, 1981.
3. RCA application note ICAN 6374, "Applications of the COS/MOS CD4059 programmable divide by N counter", Digital frequency synthesis for FM tuners and CB transceivers.
4. RCA application note ICAN 8716, "Low Power Digital Frequency Synthesizer utilizing COS/MOS ICs".

Books

Semiconductor Data Book,

compiler A. M. Ball

184 pp., paperback

Newnes Technical Books, £5.50

Those familiar with the Radio Valve and Semiconductor Data Book, last published in 1975, will be pleased to know that a new edition – the eleventh – is now published. Valves have finally taken their leave and left the field open for a full range of discrete semiconductor devices.

In format, the book is very similar to its predecessors, giving a number of the most important characteristics against each type number, the main listing being followed by a section on pinout details and list of devices comparable to each type – though this is not cross-indexed.

Electric Circuit Theory,

by R. Yorke

331pp., hard and paper backs

Pergamon Press Ltd, £13.00 (£6.50)

Dr Yorke's intention was to provide first-year university students with a course of reading on circuit theory "of modest complexity and length". The mathematics needed for an appreciation of the text do not, therefore, extend beyond A-level.

Chapters on a.c. and d.c. circuits by the steady-state and transient analysis of linear circuits in the time and frequency domains by means of exponential and Laplace transforms. Chapters on network analysis include introductions to Kirchhoff, Thevenin and Norton, topology, the superposition theorem and the frequency response of networks with attention to poles and zeros and the Bode plot. The final chapter deals with the transmission of power in polyphase lines.

Throughout the book, the author is careful to include a large number of problems (answers given) and a short bibliography is provided.

Radio and Television Servicing,

Ed: R. N. Wainwright.

815pp., hardback

Macdonald, £17.50

This is the latest in a long series of books well known to those engaged in repairing domestic receivers. It consists of manufacturers' servicing information – circuit diagrams and alignment details at least and, in some cases, a more detailed description – of several hundred 1980/81 models of radio and television receiver, clocks, tape recorders and music centres from most of the manufacturers, with a supplement containing information which has appeared since the data sheets were published.

Computer Consciousness,

by H. D. Covey and N. H. McAlister

212 pp., paperback

Addison-Wesley, \$4.95

Computers are complicated devices; and people are jealous of status. The two together have established a new social class of computer pundit, in whose interest it is to baffle the public with computerspeak. In turn, this has led to the appearance of a great number of books which set out to dispel the fog and explain computers

in simple terms. This is one such book.

Unfortunately, since computers are indeed complicated, it is barely possible to explain them simply. No amount of weird cartoons or whimsical headings will make the subject easier to understand. This is a tentative book; in common with far too many of its kind, it spends much of its time looking at computers from a distance without ever coming into contact with them, and gives the feeling of listening to an endless overture when one would really like the opera to begin.

Faced with a computer, most lay people (to whom this book is directly addressed) will ask "What will it do?" They will not find the answer here – there is much vague generalization and background, but not much to help a businessman decide whether a computer would assist him or not. There is a need for a text which will debunk the subject in a helpful and concrete manner. This is not it.

Linear Integrated Circuits

by Sol D. Prenskey and Arthur H.

Seidman. 336 pp., hardback

Prentice/Hall International, £14.95

This is a practical book on the applications of linear i.c.s for the engineer or technician written at about the same level as *Wireless World*. It covers op-amps, including testing and bread-board work, power amplifiers, consumer and communications circuits, regulators, digital interfacing, phase-locked loops, and a-d and d-a conversion. An appendix lists commercial devices by type number and gives one-line descriptions and cross-references with the text. Much of the material appears to have been obtained from manufacturers' application notes. Seidman is a professor of electrical engineering and the book is an expansion of an earlier manual by Prenskey, now deceased.

Analog I/O Design

by Patrick H. Garrett. 272 pp., hardback

Prentice/Hall International, £16.45

With the increasing use of digital computers to process information in electronic systems, there is a new field of technology growing up concerned with making analogue devices and circuits work in conjunction with them. This book is on the design of analogue systems primarily for computer input and output applications. It is written to provide both a one-term course on analogue application and computer interfacing for students and a reference work on detailed design for practising engineers. Most chapters end with a set of problems. The book covers instrumentation amplifiers, active filter design, transducers, analogue signal processing, data conversion devices including a-d and d-a, and reconstructing the original signals from digital outputs. Three experiments are given in appendices.

High-frequency Application of Semiconductor Devices

by Ferenc Kovacs. 391 pp., hardback

Elsevier, 78 US dollars

Written by a Hungarian author from a research institute in Budapest, this expensive book is a fairly deep and rather academic treatment of the operation of discrete and integrated semiconductor devices at high frequencies. Basic design principles of many practical circuits are discussed in the 24 chapters. The bulk of the space is given to amplification, and the remainder to oscillators, frequency converters, multipliers etc. The book is well illustrated and has numerous tables and mathematical analysis. It has an extensive, 15-page list of references.

ONE UP ON THE COMPETITION.

Introducing the first 4½ digit handheld DMM in a market that's been the exclusive domain of 3½ digit models. Until now . . .

The new Keithley 135. Combining outstanding specification with impeccable performance. And confirming Keithley's position as a major innovator in D.M.M. technology:

- 0.05% DCV accuracy
- Five functions
- Low battery indicator
- Full overload protection: 1000V max DCV, 1000V peak ACV, 300V max Ohms
- 10 amp range
- ACV bandwidth to 20 kHz

Need a bench unit? Then take a look at the new Keithley 176. Five functions, 4½ digits, ±0.05% DCV accuracy, and full function annunciators. Built up to a standard — not down to a price. Yet the 176 gives quality, 4½ digit performance at a cost some 3½ digit manufacturers would dearly love to match.

To find out more, fill in the coupon. And see what keeps Keithley one step ahead.



KEITHLEY

Keithley Instruments Ltd
1 Boulton Road Reading Berkshire RG2 0NL
Telephone (0734) 861287
Telex 847047

WW - 068 FOR FURTHER DETAILS

I'm interested. Please send me your brochures on
 The Keithley 135 The Keithley 176 The Keithley Range

Name _____ Position _____
Company _____
Address _____
Tel _____

WW0714

CX80 COLOUR MATRIX PRINTER

£895 + V.A.T.

At last a low-cost Colour Matrix Printer for Text, Graphics, Histograms, Colour VDU Dumps, etc.

Colour printout is quickly assimilated, makes graphics more understandable and is an ideal medium for the presentation of complex data or concepts.



Compatible with most microprocessors, prints in 7 colours – sophisticated internal programme makes the CX80 easy to use.

Dot Addressable + 15 user programmable characters, 96 ASCII and 64 graphics characters in rom. Centronics interface with RS232 and IEEE488 options.

The CX80 is a product of our own design and development laboratories. It represents a British breakthrough in colour printer technology. Colour brochure on request. OEM pricing available.

NRDC-AMBISONIC UHJ SURROUND SOUND DECODER



The first ever kit specially produced by Integrex for this British NRDC backed surround sound system which is the result of 7 years' research by the Ambisonic team: W.W. July, Aug., '77. The unit is designed to decode not only UHJ but virtually all other 'quadrophonic' systems (Not CD²), including the new BBC H.J. 10 input selections. The decoder is linear throughout and does not rely on listener fatiguing logic enhancement techniques. Both 2 or 2 input signals and 4 or 6 output signals are provided in this most versatile unit. Complete with mains power supply, wooden cabinet, panel, knobs, etc.

Complete kit, including licence fee **£57.70 + VAT** or ready built and tested **£76.95 + VAT**



INTRUDER 1 Mk. 2 RADAR ALARM

With Home Office Type approval

The original "Wireless World" published Intruder 1 has been re-designed by Integrex to incorporate several new features, along with improved performance. The kit is even easier to build. The internal audible alarm turns off after approximately 40 seconds and the unit re-arms. 240V ac mains or 12V battery operated. Disguised as a hard-backed book. Detection range up to 45 feet. Internal mains rated voltage free contacts for external bells, etc.

Complete kit **£52.50** plus VAT, or ready built and tested **£68.50** plus VAT

Wireless World Dolby noise reducer

Trademark of Dolby Laboratories Inc.



Complete Kit **PRICE: £49.95 + VAT** (3 head model available)

Also available ready built and tested Price **£67.50 + VAT**

Calibration tapes are available for open-reel use and for cassette (specify which) Price **£2.75 + VAT**

Typical performance

Noise reduction better than 9dB weighted.
Clipping level 16 dB above Dolby level (measured at 1% third harmonic content)

Harmonic distortion 0.1% at Dolby level typically 0.05% over most of band, rising to a maximum of 0.12%

Signal-to-noise ratio: 7dB (20Hz to 20kHz, signal at Dolby level) at Monitor output

Dynamic range > 90dB

30mV sensitivity



All kits are carriage free

INTEGREX LIMITED

Please send SAE for complete lists and specifications

Portwood Industrial Estate, Church Gresley,
Burton-on-Trent, Staffs DE11 9PT
Burton-on-Trent (0283) 215432 Telex 377106

Diode function generation

Simple strategy for choosing break-points

by Muhammad Taher Abuelma'atti, B.Sc., Ph.D., University of Riyadh

This strategy for picking the necessary break-points in designing a diode-resistor networks avoids negative resistance values in the result which saves computational time. This simplifies diode-resistor network design and makes it more systematic than previously.

Resistor-diode networks are often designed to meet a given non-linear input-output specification. While modelling diodes with the diode equation gives a solution which is both accurate and general^{1,2}, the choice of break-points becomes a problem where the input is limited¹ ($V_{in} \leq 10V$), especially for highly non-linear functions. Contrary to the ideal diode model³ where any two points on a curve such as Fig. 1 can be connected by a straight line, it becomes obvious using the diode equation that if two points are chosen too close together they cannot be realised. If two points are realised close together this sets up a condition whereby the next points cannot be realised¹. This is mainly due to the need for negative resistance values which are not practically feasible. To avoid this difficulty a simple strategy for picking the break-points is needed.

Convex non-linearities

The non-linear input-output characteristic of Fig. 1(a) can be met by the diode-resistor network shown in Fig. 2(a). Design equations, rewritten from Bello¹, are

$$R_{2i} = R_{1i} \left[\frac{V_{DC}}{V_{2i}} - 1 \right], \quad i=1 \rightarrow N \quad (1)$$

$$I_{Di} = I_0 [\exp(V_{Di}/\eta V_T) - 1], \quad i=1 \rightarrow N$$

$$\frac{V_{i+1} - V_{2i+1}}{R_A} = \sum_{j=1}^i I_{Dj} + \frac{V_{2i+1}}{R_B}, \quad i=1 \rightarrow N$$

$$\frac{V_{2i+1} - V_{DC} - V_{Di}}{R_{2i}} + \frac{V_{2i+1} - V_{Di}}{R_{1i}} = I_{Di}, \quad j=1 \rightarrow i, \quad i=1 \rightarrow N. \quad (2)$$

For the i th diode initial conditions in equation are taken from the $(i-1)$ th calculation ($i > 2$). Combining equation (2) written for $j=i$ and with equation (1) solving for R_{1i} in terms of known quantities gives

$$R_{1i} = \frac{V_{DC}}{I_{Di}} \frac{V_{2i+1} - V_{2i} - V_{Di}}{V_{DC} - V_{2i}}, \quad i=1 \rightarrow N. \quad (3)$$

For R_{1i} and R_{2i} to be positive, equations (1) and (3) show that the following two conditions must be satisfied:

$$V_{DC} > V_{2i} \quad \text{and} \quad V_{2i+1} - V_{2i} > V_{Di}, \quad i=1 \rightarrow N.$$

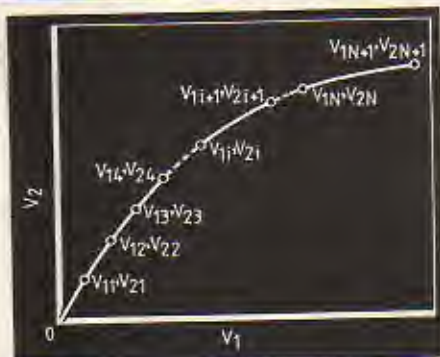


Fig. 1. Monotonically increasing non-linear characteristics, with $N+1$ break-points, synthesized by diode-resistor networks.

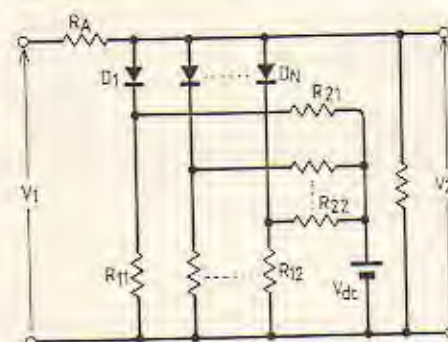
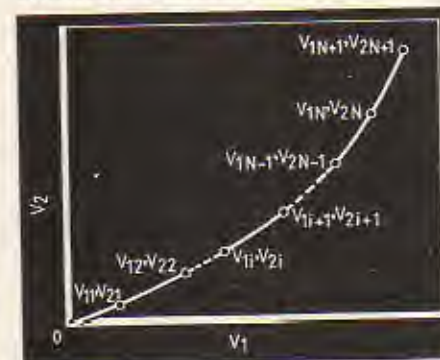
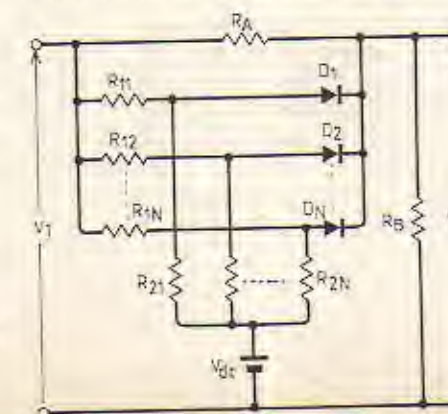


Fig. 2(a) Diode-resistor network for realising monotonically increasing convex characteristic of the type shown in Fig. 1(a). (b) Diode-resistor network for realising monotonically increasing concave characteristic of the type shown in Fig. 1(b).



This means that the supply voltage must be greater than the maximum output voltage. Also the break points must be chosen so that the difference between output voltages at two successive break-points will be greater than the voltage drop across the conducting diode (about 0.2V for Ge and 0.6V for Si diodes).

This strategy was extensively used to design diode-resistor networks to meet given monotonically increasing convex characteristics. Fig. 3(a) shows a typical example for meeting the non-linear function

$$V_o = V_i - 0.04V_i^2 + 0.001V_i^3$$

with maximum input voltage of 4V.

Concave non-linearities

The non-linear input-output characteristic of Fig. 1(b) can be met by the diode-resistor network of Fig. 2(b). Design equations, rewritten in a generalized form from Abuelma'atti², are

$$R_{2i} = R_{1i} \frac{V_{2i} + V_{DC}}{V_{1i} - V_{2i}}, \quad i=1 \rightarrow N \quad (4)$$

$$\frac{V_{2i+1}}{R_B} = \frac{V_{i+1} - V_{2i+1}}{R_A} + \sum_{j=1}^i I_{Dj}, \quad i=1 \rightarrow N$$

$$I_{Di} = I_0 [\exp(V_{Di}/\eta V_T) - 1], \quad i=1 \rightarrow N$$

$$= \frac{V_{i+1} - V_{2i+1} - V_{Di}}{R_{1i}},$$

$$j=1 \rightarrow i, \quad i=1 \rightarrow N. \quad (5)$$

$$\frac{V_{2i+1} + V_{Di} + V_{DC}}{R_{2i}} + I_{Di}$$

For the i th diode, initial conditions in equation (5) are taken from the $(i-1)$ th calculation. Combining equation (5) written for $j=i$ with equation (4) for R_{1i} in terms of known quantities gives

$$R_{1i} I_{Di} = \frac{V_{i+1} - V_{2i+1} - V_{Di} - (V_{2i+1} + V_{Di} + V_{DC})(V_{1i} - V_{2i})}{V_{2i} + V_{DC}}$$

If the supply voltage V_{DC} is chosen so that

$$V_{DC} \gg V_{2i+1} + V_{Di} \quad (6)$$

then

$$R_{1i} I_{Di} = V_{i+1} - V_{2i+1} - V_{Di} - V_{1i} + V_{2i} \quad (7)$$

For R_{1i} and R_{2i} to be positive equations (4), (6) and (7) show that the supply voltage must be sufficiently larger than the

maximum output voltage, and the break-points must be so chosen that the difference between input voltages of two successive points is greater than the difference

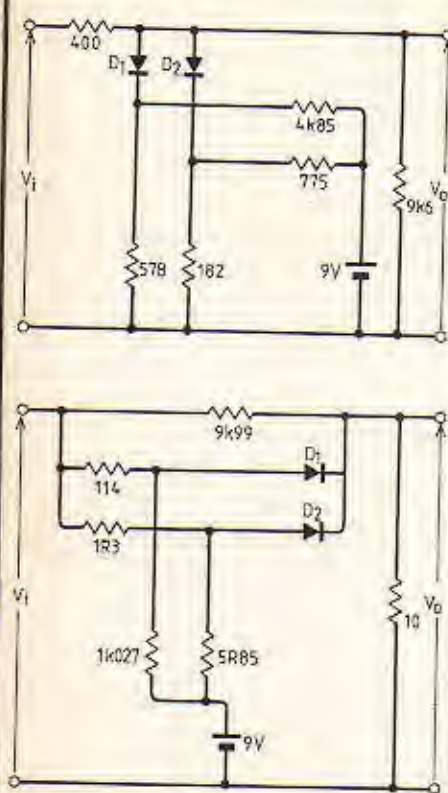


Fig. 3(a) Diode-resistor network for realising function with maximum input voltage of 4V. (b) Diode-resistor network for realising the function $V_o = V_i - 0.04V_i^2 + 0.001 V_i^3$ with maximum input 3.5V. Diodes are type 1N5404.

between the corresponding output voltages by an amount at least equal to the voltage drop across the conducting diode.

This strategy was extensively used to design diode-resistor networks to meet given monotonically increasing concave characteristics. Fig. 3(b) shows a typical example where the non-linear characteristic was expressed by

$$V_o = 0.001V_i^3$$

with maximum input voltage of 3.5V.

The means of selecting break points for diode-resistor networks presented here is intended to simplify the design of function generators. Networks for monotonically increasing concave and convex functions illustrate the validity of the selection procedure.

References

1. V. G. Bello, Design of a diode function generator using the diode equation and iteration, *IEEE Transactions on Circuit Theory*, vol. CT-19, March 1972, pp. 213/4.
2. M. T. Abuelma'atti, Synthesis of a concave monotonically increasing function using the diode equation model, *International Journal of Electronics*, in press.
3. A. E. Crump, Diode function generators, *Wireless World*, vol. 73, December 1967, pp. 594-8.

IN OUR NEXT ISSUE

Millimetre-wave lens aerials. An easier way of constructing metal plate refractor aerials, which hitherto have not been popular because of manufacturing difficulties. Dr Ken Smith gives design and construction details for aerials in the 20-30GHz region.

Understanding light units. Electronics engineers are having to use optical devices and techniques more and more but have difficulty in understanding the various units for measuring light. This interpretive guide is written specially to help them.

Direct digital frequency synthesizer generates sine waves in numerical steps, a 1MHz output, for example, being produced by stepping through the sine table at a rate of 45° every 125ns and feeding the result into a d-a converter. Range: 0-3MHz.

On sale November 18

continued from page 49

Having first set the overhang, the cartridge is then twisted round slightly until the two sighting holes at 110 and 49 mm radii both align with the centre of the turntable spindle as the arm is swung inwards. Due to the offset of the overhang-setting slot, this twisting round of the cartridge may slightly alter the overhang, but the appropriate correction is easily made in a second shot if necessary.

The amount of overhang provided by the dimensions shown is in accordance with the rule proposed in the above article: $h = 2600/C$ where C is from arm pivot to turntable axis, in mm. Needless to say, the basic design can be used for any required overhang rule, the position of the slotted hole and setting marks being changed accordingly. The 2 mm holes are only intended to act as setting marks, and could be omitted in favour of short cross lines.

The author has made up a gauge in accordance with Fig. 2, and finds it a major improvement. He can now be cer-

tain, for the first time, that the required cartridge position and offset angle are correct to something within 1° of error, whereas previously an error of several degrees would have been possible.

● **Cartridge alignment problem.** A misunderstanding over whether author's corrections had been incorporated into proofs led to errors which must have made understanding R. J. Gilson's October article difficult. Figure numbers were omitted and although the diagrams were in the right order some of the text references were incorrect. On page 60 column 1, read Fig. 2 in line 5 for Fig. 1, Fig. 2 for Fig. 3, and in column 3, Fig. 2 for the lower reference to Fig. 3. Take the multiplication signs for addition signs in the Appendix on page 61, formulae 4 a, b and c, and also prior to 2 & 2.5° on page 60, column 1. Also in the Appendix, for the upper formula 1, read $(L^2 + R^2 - C^2)/2LR$, whilst in formula 4c β_{20} should have been β_1 . Just below the Appendix in column 3, insert a stop after 13mm to end that sentence. Apologies to Mr Gilson for this marring of his constructive review of the tracking problem.

Multichannel digital tape recorder

Design requirements of the digital circuitry

by A. J. Ewins, B.Tech., Research Laboratories, London Transport

In the first part of this article, the author described the aims and design concept of this economical instrumentation recorder, which employs a modified audio cassette deck with added digital electronics. In this second part, the additional circuitry is outlined.

Having determined the number of channels per track of the tape-recorder, the number of bits per data word, the length of the sync. word, and the data and tape-clock frequencies, the digital circuitry could now be designed. Figure 2 shows the main body of the recording circuitry in block form, the heart of which is the block marked 'control circuitry'. Starting with a crystal-controlled oscillator of 3.2768 MHz, this circuitry generates the two clock frequencies, DC and TC, which are divided down and operated on by various logic elements to generate the numerous pulse trains that control the flow and direction of the serial data. The inverse clocks through the various shift registers. In this way, all gates and switches are opened or closed on negative transitions of DC or TC, whilst the serial data advances on positive transitions. A reset pulse is generated every 72 cycles of DC (or 80 cycles of TC) and serves to synchronize the various logic elements of the control circuitry.

An example of some of the pulse sequences produced by the control circuitry is shown in Fig 3. This illustrates the control of the clock pulses as seen by the two 72-stage temporary buffers (store 1 and store 2) and the sync. word buffer. Store 1 is shown being filled with serial data under the control of DC, up to the moment of reset, and then being emptied under the control of TC, up to the moment of the 72nd pulse. Having emptied store 2, the remaining eight pulses of TC, up to the moment of reset, are used to empty the sync. word buffer. After reset, store 2 is then filled with data under the control of DC. In this way, the sync. word is inserted into the data stream every 72 bits or six data words. A frame of data thus consists of one sync. word followed by six data words, one for each channel sampled. The eight bits of the sync. word are permanently present at the parallel inputs of the 8 bit shift register, and the control circuitry controls the re-entry of these 8 bits into the register once the sync.

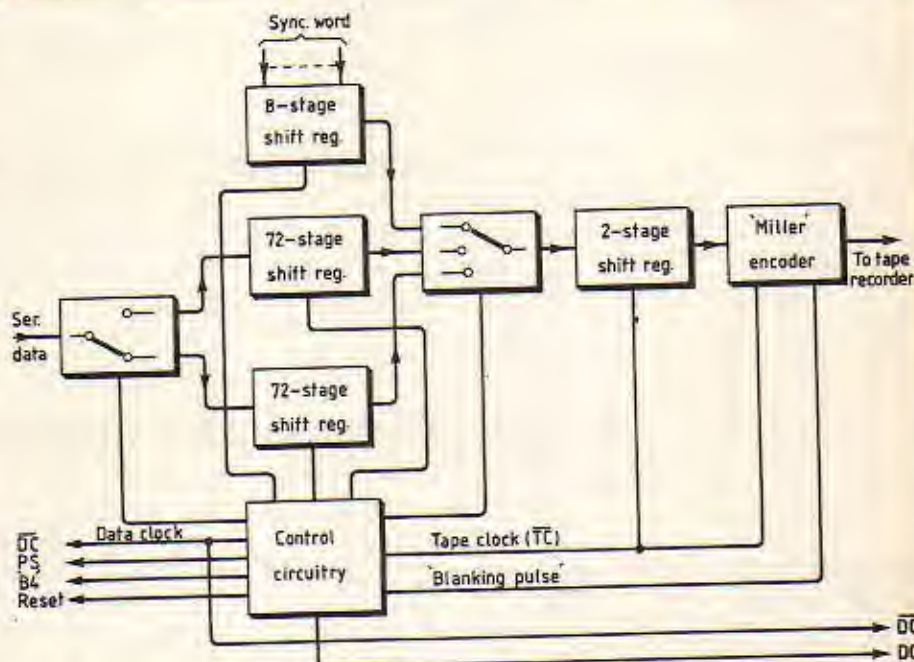


Fig. 2. Main part of recording circuitry, which controls data flow to recorder.

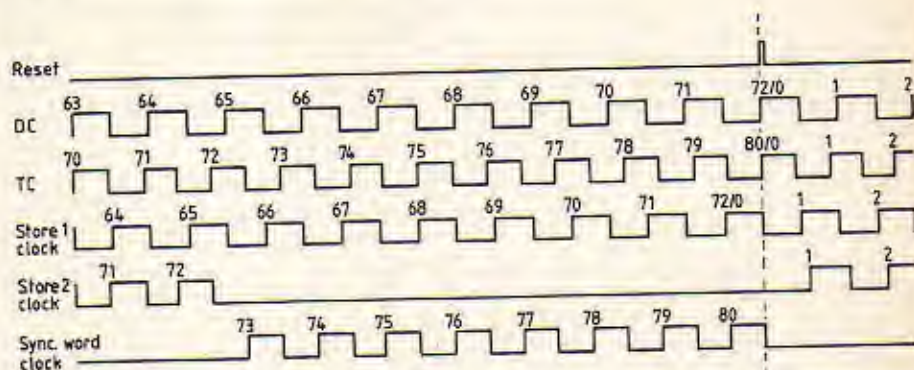


Fig. 3. Pulse trains generated by system in Fig. 2, showing sync. word being inserted into data after 72 bits in store 2.

word has been serially inserted into the data stream.

The control circuitry also generates four sequences of logic pulses, DC, PS, 'B4' and RESET, which go to the preceding stage (Fig 4) to control the multiplexing of the six analogue channels, the digitization of the selected channel and its conversion from parallel to serial form. Figure 5 shows the logical sequence of control pulses, RESET, PS, 'B4' and DC, together with the DATA READY pulse,

DR, generated by the analogue-to-digital converter. The RESET pulse is the same as that referred to earlier and occurs every six data words. Having initially synchronized the analogue multiplexer, its continuing presence checks that the multiplexer is always in its original state at the start of each data frame. PS is the parallel/serial control pulse to the 12 bit shift register. When at the logic 1 level, a positive transition at the clock input transfers the data present on the parallel inputs into the re-

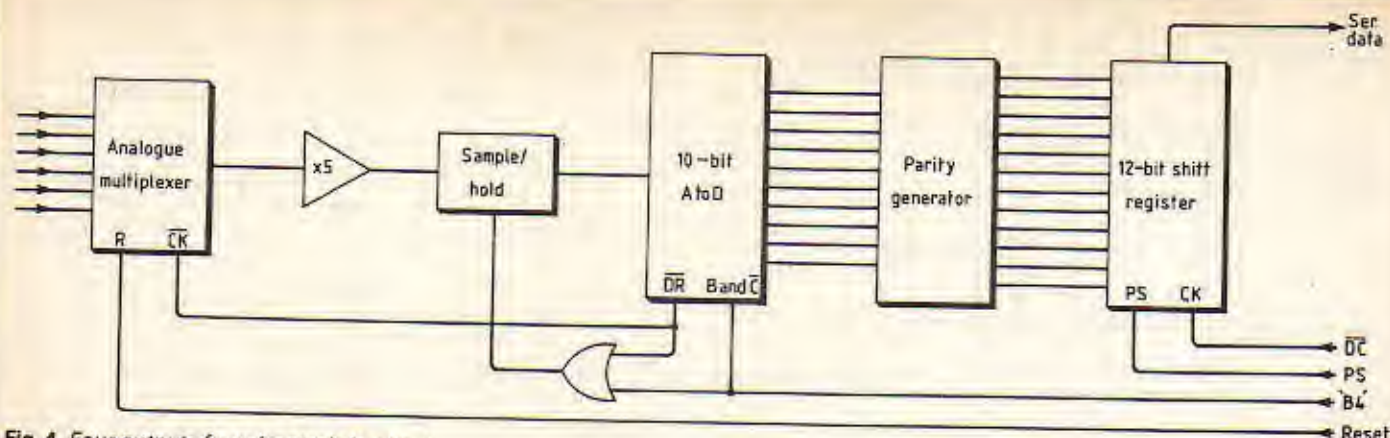


Fig. 4. Four outputs from 'control circuitry' block in Fig. 2 are used to multiplex, digitize and serialize data in six input channels.

gister. When at the logic 0 level, positive transitions of DC transfer the data serially through and out of the shift register. The control pulse B4 is derived from the control circuitry in a similar fashion to PS and occurs, as PS does, once every data word. When B4 goes to logic 1, the sample/hold circuit is put into its 'hold' mode via the OR gate. At the same time, it initiates the conversion process of the a-to-d converter and blanks its output. At the start of the conversion and until it is complete the DR pulse of the a-to-d converter goes to logic '1' to keep the sample/hold circuit in the 'hold' mode via the OR gate. Only when the data is ready and DR goes negative to logic '0' does the sample/hold circuit revert to the sample mode. As it does so, the analogue multiplexer is clocked to sample the next analogue channel.

Because of the sequencing of the RESET and PS pulses, the data that is being serially shifted out of the 12 bit shift register immediately after a RESET pulse (and during the conversion of the analogue data from channel 1) is the last data word, from channel six, of the previous data frame. The resulting sequence of data words between RESET pulses is thus in the order of channels 6,1,2,3,4 and 5. This may be resequenced to the desired arrangement of channels 1,2,3,4,5 and 6 by connecting the analogue output from channel 1 to input 6 of the multiplexer, channel 2 to input 1, channel 3 to input 2, and so on.

Referring back to Fig 2, it will be seen that a small 2-stage shift register is placed that immediately after the switch gating the output from the two storage buffers and the sync. word buffer. This register is included to remove the undesirable changes in logic level that might otherwise occur as the outputs from these buffers are switched. Remember, the serial data is clocked out of the buffers on the positive transitions of TC and therefore changes in the logic level should only occur at these instances. The switch selects the appropriate buffer on the negative transition of TC, producing possible logic level changes at the wrong moment. Without the 2-stage shift register in between the gate and the

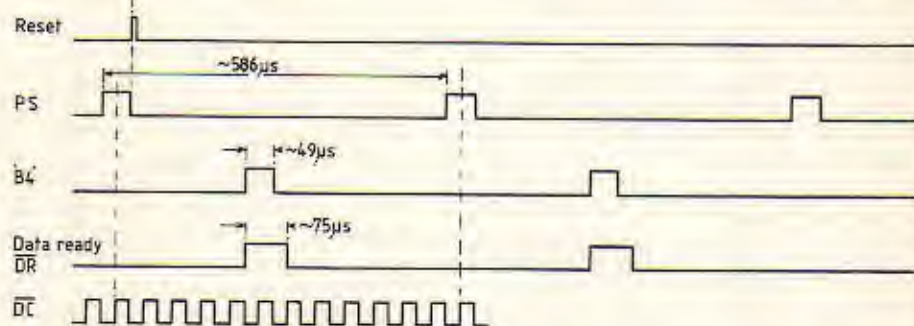


Fig. 5. Timing of control pulses from Fig. 2 system, used to control circuit in Fig. 4.

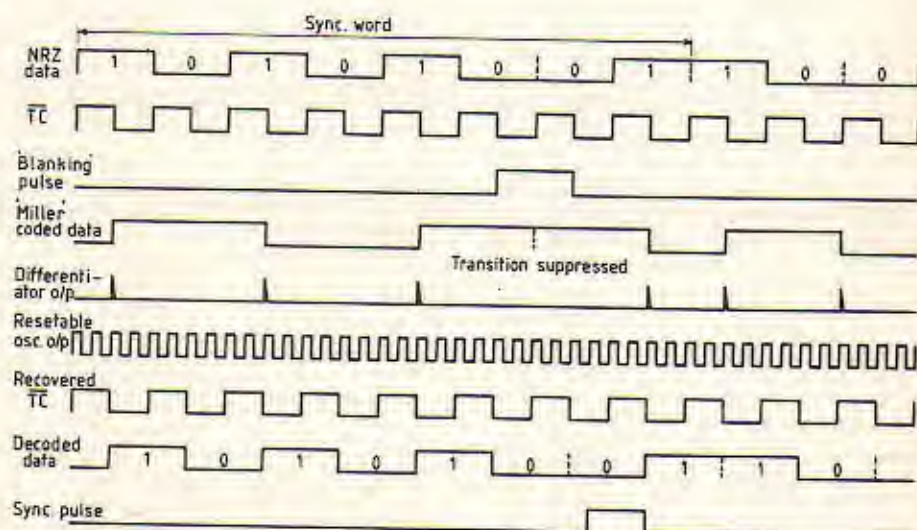


Fig. 6. Sequence 1001 must be used in sync. word to generate sync. pulse on replay. Blanking pulse suppresses a transition, causing a 'gap' which is used to generate pulse. Rest of waveforms are used by Miller decoder, which produces recovered data, recovered tape clock and a sync. pulse at its output.

Miller encoder, the Miller encoder would incorrectly interpret these logic level changes.

As mentioned earlier, it was decided that the sync. word should be 8 bits long and include the sequence 1,0,1. In order that the sync. word may be recognized on playback and decoding of the serial stream (it is quite possible for the sync. word sequence to occur within the normal data

stream) it is also essential that it includes the sequence 1,0,0,1. The need for the 1,0,1 and 1,0,0,1 sequences could be satisfied by a six-bit sync. word consisting of 1,0,1,0,0,1. However, since it was necessary for it to be 8 bits long it was chosen to be 1,0,1,0,1,0,0,1.

The need for the sequence 1,0,0,1 can be best explained by examination of the various pulse trains shown in Fig. 6. These are generated during the encoding and decoding of the NRZ serial data and are shown in their correct time sequence. The first row is an example of the NRZ serial data that emerges from the 2-stage shift register of Fig. 2 immediately before encoding. The third row shows a blanking pulse that is generated once every complete data frame (i.e. 80 cycles of TC) and

coincides with the centre of the 1,0,0,1 sequence in the sync. word. The blanking pulse is fed to the Miller encoder and suppresses the transition that would normally take place at the centre of the two zero bit cells of the 1,0,0,1 sequence. The suppression of this transition creates a unique gap in the Miller coded transitions, as shown in row four, and is used on replay to generate a synchronizing pulse. This sync. pulse is shown in correct relation to the decoded data stream in the last row of Fig. 6.

The remaining pulse trains of Fig. 6 are associated with the block-circuit diagram of Fig. 7, which shows the tape-recorder interface circuit (the peak detector), a differentiator, resettable oscillator and Miller decoder. During recording, the Miller-coded data stream is presented to the recording electronics of the tape-recorder without any attempt at reshaping. However, upon replay the Miller-coded data looks like a series of positive and negative peaks (associated with the original positive and negative transitions) due to the frequency-response characteristics of the tape-recorder circuits. The peak detector detects these peaks and reconstructs the data to look exactly like the original Miller-coded data. The recovered Miller-coded data is then differentiated to produce a series of short-duration, positive pulses, associated with every positive or negative transition (see row 5, Fig. 6). These pulses synchronize a resettable oscillator running at four times the frequency of the recovered tape clock. The outputs from both the differentiator and the resettable oscillator are fed to the Miller decoder. Apart from the decoded serial data, the outputs from the Miller decoder are the recovered tape clock, RTC, and a sync. pulse.

The three pulse trains, shown in the last three rows of Fig. 6, together with the crystal-controlled data clock, DC and DC from the recording stages, are fed to the circuit shown in Fig. 8, which is the block diagram of the four temporary storage buffers (72-stage shift registers), an 8-stage shift register and the associated control circuitry. As directed by the control circuitry, the temporary storage buffers receive the serial data under the control of the recovered tape clock. Both the serial data and RTC contain wow and flutter from the tape recorder, but will remain in sync. with each other provided the wow and flutter content does not rise above about 6%. The serial data first passes through the 8-stage shift register, which has parallel outputs so that as the 8 bit sync. word passes through it may be recognised by the control circuitry. Providing this recognition coincides with the recovered sync. pulse produced by the Miller decoder, an overall sync. pulse is produced that aligns the logic elements of the control circuitry in their correct sequence of operation.

The four temporary storage buffers are filled with data in sequence. Eighty RTC clock pulses clock a complete data frame into a buffer, and as each buffer is only 72 bits long, the leading sync. word passes all

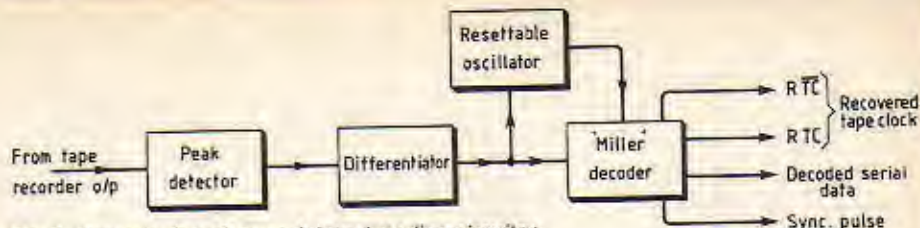
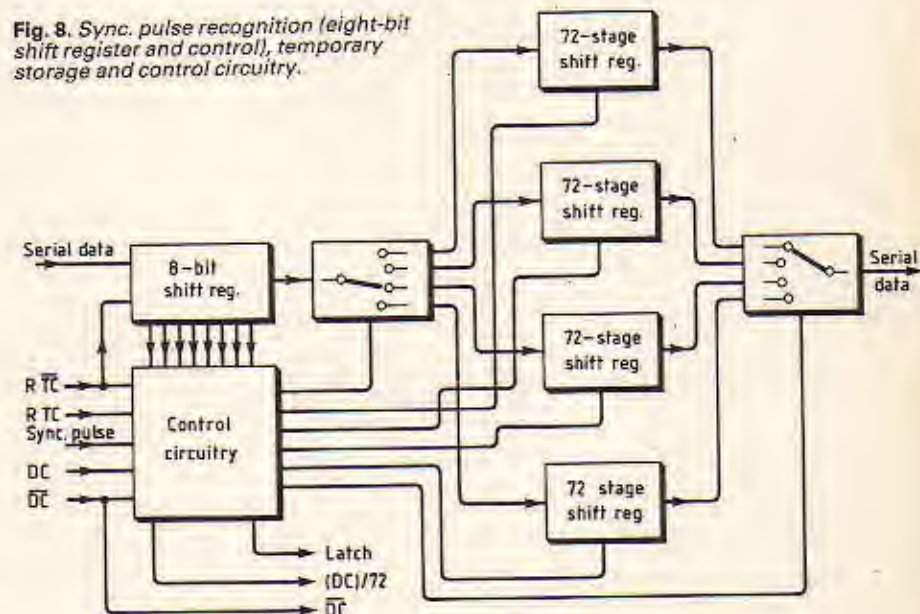


Fig. 7. Recorder interface and data decoding circuitry.

Fig. 8. Sync. pulse recognition (eight-bit shift register and control), temporary storage and control circuitry.



the way through and out and is thus removed. When the first two storage buffers are full of data, the control circuitry allows the first buffer to be emptied under the control of DC. A time difference of $(2 \times 72) / 20,480$, or about 7ms, is thus created between the filling and emptying of the buffers. This time gap has proved to be more than sufficient to absorb the small timing errors produced by the wow and flutter of the tape cassette deck.

Three control pulses, DC, LATCH and (DC)/72, are passed from the control circuitry of Fig. 8 to the succeeding circuit of Fig. 9, which controls the reconversion of the serial data stream into the 12 bit data words, their conversion from digital to analogue form and their final demultiplexing via sample/hold circuits. The serial data first passes through a 12 bit serial-in, parallel-out shift register. At the correct moment, the 12 bits present at the parallel outputs are clocked across to a 12 bit latch. A 10 bit parity checker recalculates the two parity bits, compares them with the two recorded parity bits and passes the two resultant GO/NO-GO answers to the DEMUX control circuitry. At the same time, the 10 bit data word is converted to an analogue output, via the digital-to-analogue converter, which is presented to the inputs of the six sample/hold circuits.

Synchronized by the (DC)/72 pulse and clocked by the LATCH pulse, the DEMUX control circuit switches the correct sample/hold circuit into its sample mode. If, however, the parity checker gives a NO-GO answer on one of its two outputs,

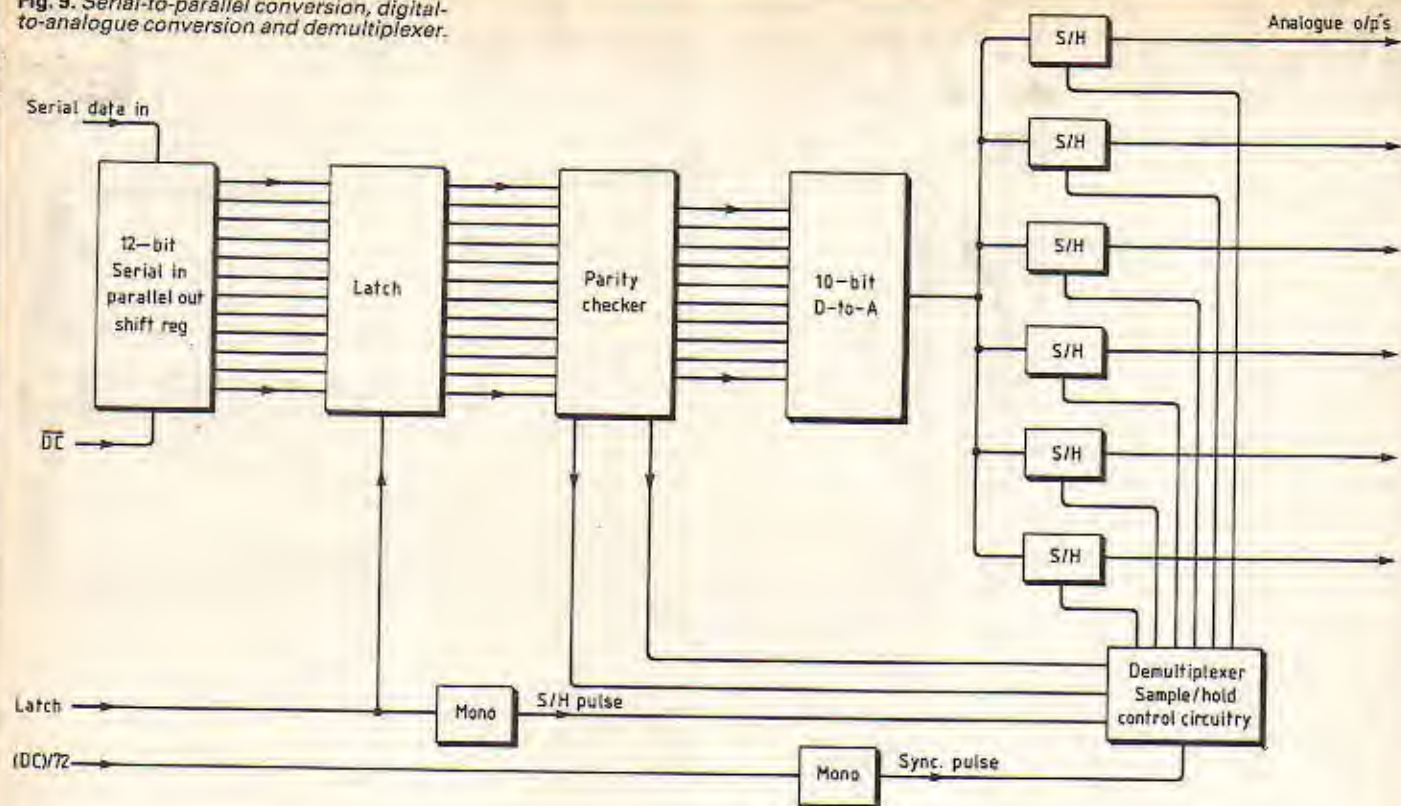
the sample/hold circuit is inhibited and remains in its hold mode. Figure 10 shows the sequence of a number of pulse trains controlling the operation of the circuit of Fig. 9. The synchronizing pulse is produced by a monostable triggered by the positive transition of the (DC)/72 pulse. Sample/hold pulse, SH, is produced by another monostable triggered by the negative transition of the LATCH pulse. Both monostables have pulse lengths of approximately five DC pulses.

Because the 12 bit serial-in/parallel-out shift register introduces a delay of exactly one data word with respect to the synchronizing pulse, the data from channel six appears at the expected output of channel 1; channel 1 appears at the expected output of channel 2; channel 2 appears at the expected output of channel 3; and so on. This is of no consequence whatsoever and it is a simple matter to re-label the output channels accordingly.

Speed control circuitry

The principle of operation of the speed-control circuitry is shown in the block diagram of Fig. 11. Ignoring, for the moment, the input to the reference frequency selector from the record/playback electronics of the digital circuitry, it will be seen that accurate speed control is achieved by means of a phase-locked loop. The frequency produced by the tachogenerator is compared with a reference frequency from the voltage-controlled oscillator (v.c.o.) of a p.l.l. integrated circuit, using the phase-sensitive detector (p.s.d.) in the i.c. The

Fig. 9. Serial-to-parallel conversion, digital-to-analogue conversion and demultiplexer.



output from the p.s.d. is fed to the motor drive circuit where it is filtered and amplified to provide the required drive for the motor.

The purpose of the frequency selector circuit was to enable the cassette tape-recorder to stand alone whilst at the same time providing an input for an external reference.

Very conveniently, the frequency produced by the tachogenerator when the recorder is running at a tape speed of $1\frac{1}{2}$ in/s is around 456Hz, which is very close to the 455.1Hz produced by dividing the tape clock of 22,755.5Hz by 50. During the recording process this crystal-derived frequency of 455Hz is therefore used as the reference frequency for the motor speed control. To obtain perfect long-term speed stability on playback, it is necessary to lock the recovered tape clock, from the recorded data, to the crystal-controlled tape clock. It might be thought that all that is necessary to achieve this is to substitute the output from the tachogenerator with that of the recovered tape clock divided by 50. However, this proved not to be the case: due to an increased amount of wow and flutter in the actual transport of the tape, with a slightly different frequency content, a satisfactory lock of the p.l.l. could not be obtained, except by altering its natural frequency (i.e. by changing the filter components). Even when this was tried, the p.l.l. was not as stable as that in the recording process.

A very satisfactory solution was found, even if it was a little unorthodox, by creating a second p.l.l. with a very much lower natural frequency. In this second p.l.l., the crystal-controlled tape clock is compared with the recovered tape clock, after dividing both clocks by 50, via a

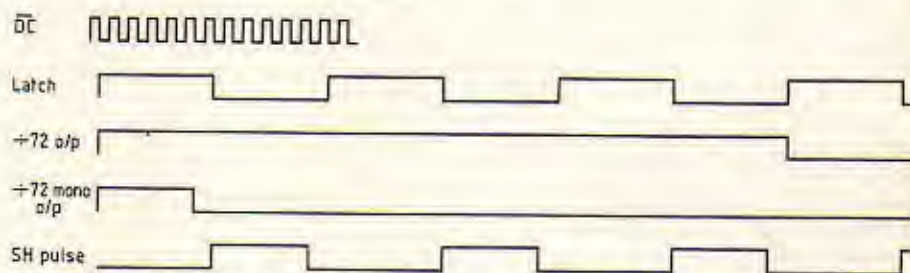


Fig. 10. Pulse train in Fig. 9.

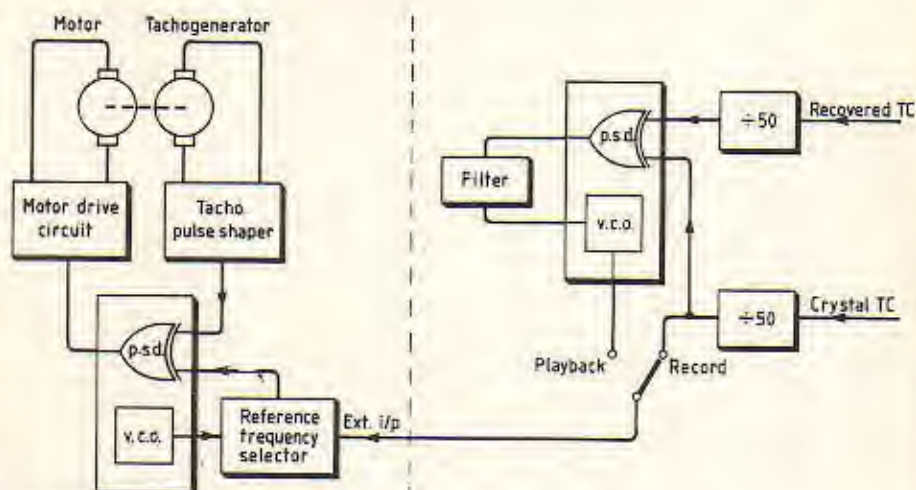


Fig. 11. Speed control circuitry.

p.s.d. The output from the p.s.d. is filtered (determining the loop's natural frequency) and used to control a v.c.o., the frequency output from which is used to provide the required reference for the motor speed control circuit. The lower natural frequency of the second p.l.l. completely removes the influence of wow and

flutter from the recovered tape clock, whilst the higher natural frequency of the first p.l.l. allows the motor speed control circuit to operate under optimum conditions. Visual and audible signals are provided by both p.l.l.s to inform the operator that they are 'in-lock'.

To be continued

New Products



Single-board computer

Not so long ago, electronics engineers strove to design systems with numerous readily replaceable printed-circuit boards to speed up repairs. But according to Dicoll Electronics there has been a trend towards single-board computers and they have responded by producing the DE530SBC 16-bit computer board, using Western Digital's WD9000 i.c. set. The board, costing around £2,600, includes colour graphics, analogue and parallel/serial i/o, disc controller and p.r.o.m. programming facility, and runs Pascal 'P' code. Up to 128K-bytes of memory can be accommodated (64K r.a.m. and 64K r.o.m.) and a 24-row x 80-column display produced using up to eight colours. Power supply requirements are 5V, $\pm 15V$ and 25V. Dicoll claim that a system incorporating their board would run 10 times faster than a DEC LSI-11/2. Dicoll Electronics Ltd, Bond Close, Kingsland Estate, Basingstoke, Hants RG24 0QB. WW301



Two-channel waveform store

An addition to Datalab's 900 series, the DL912, has two channels and a 20MHz sampling rate a-to-d converter for recording signal frequencies up to 5MHz. Each channel has a 4096-word x 8-bit memory providing a resolution of 1 in 250 vertical and 1 in 4000 horizontal. Both channels can be loaded simultaneously with waveforms from separate sources through two input amplifiers and stored information can then be displayed on an oscilloscope or chart recorder. Stored waveforms can be presented alternately with d.c. offset, so only a single-channel oscilloscope is required. The two memories can be combined for long waveforms or divided for short waveforms and the time-base frequency may be altered at a predetermined point on the sweep. Delay and pre-trigger recording are among other facilities of this unit. A digital interface is standard but may be replaced by options including RS232 and



IEEE488 (GPIB) compatible types. Data Laboratories Ltd, 28 Wates Way, Mitcham, Surrey CR4 4HR. WW302

Computer interface

Up to four analogue signals in the range 0 to $\pm 2V$ can be accommodated by WPA's WDC232 laboratory instrument interface. Data is transferred to the computer through an RS232 link in 7-bit ASCII form from a 3½-digit b.c.d. a-to-d converted with a resolution of one part in 4000. Data from the converter is collated and formatted by a microprocessor which also controls input-channel selection. Up to four of these units can be used together for processing sixteen analogue inputs. Serial data to the computer is automatically adjusted to any rate within 1200 baud. When the WDC232 is fed directly into a printer the transmit rate is fixed at 110 baud. Walden Precision Apparatus Ltd, Shire Hill, Saffron Walden, Essex CB11 3BD. WW303

U.h.f. transistors

Transistors for u.h.f. applications, namely the HXTR-3101 with a 1.8dB noise figure and maximum gain of 19.5dB at 1GHz, and the HXTR-3102 with a 1dB compressed gain of 11.5dB at 21dBm output power and 1GHz, are available from Hewlett-Packard at around £3.88 and £4.85 respectively in one-off quantities. Both n-p-n devices are supplied in HPAC-100X metal-ceramic packages. Application notes are also available. Enquiries Section, Hewlett-Packard Ltd, King Street Lane, Winnersh, Wokingham, Berks RG11 5AR. WW304



Optical/electrical signal converter

A unit for converting signals from fibre-optic cables, i.e.d.s or lasers into electrical signals for displaying on an oscilloscope, spectrum analyser, etc. is manufactured by Photodyne Inc. and distributed in the UK by Lambda Photometrics Ltd. The 1500XP has a frequency response of 0 to 200MHz with 2ns rise and fall time, and is calibrated in millivolts-out per microwatt-in over

four push-button-selectable ranges of 1, 10, 100 and 1000mV/ μW . Applications include waveform and loss analyses in optical fibres, and i.e.d. output rise and fall-time measurement. The distributors also announce availability of a calibrated optical attenuator (0 to 90dB) with flat response in the range 800nm to 1300nm from the same manufacturer. Lambda Photometrics Ltd, Lambda House, Batford Mill, Harpenden, Herts AL5 5BZ.

WW305



WW303

Housings for terminals

Injection-moulded keyboard and v.d.u. housings with panels for mounting disc-drives can be obtained from West Hyde Developments Ltd. The distributors of these German manufactured foam-plastic enclosures have options available for mounting 12in c.r.t.s with panels for floppy-disc drives and with plain front mouldings for hard-discs, power supplies, etc. Keyboard enclosures have the same widths and styling as the terminal housings. West Hyde Developments Ltd, Unit 9, Park Street Industrial Estate, Aylesbury, Bucks HP20 1ET.

WW306



Disc-data separator

Pulses from a floppy-disc consist of clock and data information which must be separated before it enters the controller. Thame Components now market an i.c. from SMC which carries out this function and replaces they say, up to 10 t.t.l. i.c.s. The 8-pin d.i.l. FDC9216 operates from a 5V supply and is t.t.l.-compatible and programmable for use with either 8in or 5¼in drives with single or double density. An 8MHz crystal clock is required by the i.c. Thame Components Ltd, Thame Park Rd, Thame, Oxon OX9 3XD.

WW307



Cable assemblies

Various lengths of cable with U.H.F. or B.N.C. connector terminations and colour-coded strain relievers (10 colours) are available from Greenpar Connectors Ltd in 50 and 70 ohm versions. All components used to make up these cables are also available as separate items. Greenpar Connectors Ltd, P.O. Box 15, Harlow, Essex CM20 2ER.

WW309

Encoder discs

Rotation-encoding discs from the electro-forming and photo-etching company Veco are now available 'off-the-shelf' for prototypes, etc. Four versions - one of 30mm diameter with 120 slots and three of 60mm diameter with 120, 240 or 360 slots - are immediately available and the range is to be extended. Some specifications of the 0.8 to 0.9mm-thick discs are $\pm 20\mu\text{m}$ on the 10mm centre hole, 1:1 mark/space ratio, $\pm 7\mu\text{m}$ on the slot width and ± 20 seconds angular tolerance on the slots. Veco Electroforming/photo-etching Ltd, 36 Essendene Rd, Caterham, Surrey CR3 5PA.

WW311

High-speed Schottky t.t.l.

A further six 74F series devices have been added to Fairchild's Advanced Schottky t.t.l. range available from Celdis. Among the six are the F109 dual flip-flop for up to 125MHz operation and the F189 64-bit r.a.m. with 20ns access time. The others are the F182, F243, F258 and F399. These devices are claimed to have on average around 75% better frequency response and 25% lower power consumption than standard Schottky types. An evaluation kit for F74 series containing 68 parts, 14 types (not those mentioned above), is available for £30. Celdis, 37 Loverock Rd, Reading, Berkshire RG3 1ED.

WW312

P.c.b. measuring aids

Folding lens/graticule assemblies for measuring p.c.b. track dimensions, hole diameters, etc. can be

obtained from Opsec Ltd. Versions for $\times 5$, $\times 8$ and $\times 10$ magnification and either Imperial or metric graticule scales are available. These units, with glass lenses, cost under £10. Opsec Ltd, Holywell Hill, St Albans, Herts AL1 1BR.

WW313

A magnifier for examining the insides of plated-through holes (see photo) is manufactured by Graticules Ltd. The Borescope gives a complete picture of the inside of the hole with adjustable magnification from $\times 40$ to $\times 80$. Hunter Equipment Ltd, High St. Bordon, Hants GU35 0AY.

WW314



Frequency-measurement module

An i.c.d. frequency meter module is available from Thurlby for £19.95 excluding v.a.t. The FM77T, with five, 9mm-high digits, can be used to measure frequencies up to 3999.9kHz directly: external pre-scalers can be used to extend the range. A crystal time-base is used and drift is said to be less than ± 1 digit from 10° to 30°C . Decimal point position, kHz/MHz legends and 23 pre-programmed i.f. offset frequencies (for use in radio-receiver applications) are selectable. Supply requirements are 4.5 to 7V, 1mA and overall dimensions, 70 by 38 by 11mm. Thurlby Electronics Ltd, Office suite 1, Coach Mews, The Broadway, St Ives, Huntingdon, Cambs PE17 4BN.

WW315



In the July issue we published details of a range of German-made power supplies that were then available through a distributor called 'Big Ears'. If you tried to contact said outlet you probably think we were pulling your leg. This is not so; EA Produktion power supplies are now available through E.A. Electronics, St Albans House, 577-579 Harehills Lane, Leeds LS9 6NQ.

Accelerometer

The A-23SI accelerometer from D. J. Birchall Ltd is a case-isolated version of the A-23 series of transducers originally designed for use on aircraft engines. Low base-strain/cross-axial sensitivities and long-term repeatability are claimed to be inherent features of the patented Konic element used in the device and specifications include 7pC/g charge sensitivity, 4.5g weight, 50kHz resonant frequency and -55 to $+300^\circ\text{C}$ temperature range. The stainless-steel housing is welded and stud-mounting (10-32 UNF stud), and the price is £190. D. J. Birchall Ltd, 102 Bath Rd, Cheltenham, Gloucestershire GL53 7JX.

WW308



Small generator for colour tv

A pattern generator for servicing PAL-system colour sets is available through House of Instruments. The Sadelta MC101 generates colour-bar, grey-scale, red-raster, white-raster, cross-hatch, dot, central-cross, central-spot and vertical-line patterns on any carrier between channels 21 and 41. Each generator measures around 131x81x23mm, weighs 250g and



is supplied with rechargeable battery, charger, connecting lead and carrying case for £149.50 inclusive of packaging and delivery, but excluding v.a.t. (quantity discounts are available). House of Instruments, 34/36 High St, Saffron Walden, Essex CB10 1EP.

WW310

World's most powerful

BASIC pocket computer

CASIO FX-702P



(RRP £134.95)

ONLY £119.95

High-speed computer using BASIC Language, with program/data storage on cassette tape via optional FA-2 adaptor.
AVAILABLE SOON: Plug-in ROM program modules and FP-10 Mini Printer for program/data printout.
 LCD dot matrix scrolling display. Input can be varied from 1680 program steps, with 26 independent memories, to 80 program steps with 226 memories, all protected (non-volatile). Up to 10 programs (P0 to P9) can be stored.
 Subroutines: 10 levels. FOR NEXT looping, 8 levels.
 Debugging by tracing. Editing by moving cursor.
 55 built-in functions including Regression Analysis and Correlation Coefficient all usable in programs. Program/data storage on cassette tape. Two lithium batteries give approximately 200 hours continuous use, with Auto Power Off after 8 mins. disuse.
 Dimensions: 17 x 165 x 82mm (5 7/8 x 6 1/2 x 3 1/4"). Weight 180g (6.3oz).

FX-602P Advanced programmable. Up to 512 steps

£74.95

★★★NEW★★★ **FX-3600P** 38 program steps

£22.95

TEMPUS

WW - 081 FOR FURTHER DETAILS

World's most versatile

alarm

chronograph watch

CASIO AX-210



10 alternative displays
 Over 60 useful functions
 ANALOGUE display of time plus:
 ★ Digital time display, 12 or 24 hour system.
 ★ Digital date, month and year, plus day flag.
 ★ Full month calendar display, current month.
 ★ Full month calendar display, next month.
 ★ Auto calendar pre-programmed to the year 2029.

Dual time modes

★ ANALOGUE display of local time, plus digital second time zone, 12 or 24 hour system.

Alarm mode

★ ANALOGUE time with "Alarm Set" digital time, 24 hour system. AM/PM and "alarm on" indicators.

Buzzer for 20 seconds, or select "Dixieland" "Greensleeves" or "My Darling Clementine."
 Hourly time signal
 "Big Ben" chimes at noon. Easily switched on or off.

(RRP £34.95)

ONLY £29.95

Countdown alarm timer mode

★ Amazing ANALOGUE display, plus digital countdown. Normal and net times from 1 to 60 minutes with automatic retrieval of pre-entered time.

Stopwatch mode

★ ANALOGUE countup, with digital timing of net, lap and first and second place times from 1/100 sec to 1 hour. Confirmation signal.

Easy setting of times and alarm with forward and backward stepping and rapid run facility. Dimensions: 9.25 x 35 x 36mm approx. Mineral glass. Long life lithium battery. Accuracy +/- 15 seconds/month.

SHORT FORM CATALOGUE ON REQUEST, 14p stamp appreciated.

Delivery normally by return of post. Prices include VAT and P&P. Send your cheque, P.O. or phone your ACCESS OR B/CARD number to:

THE LEADING U.K. SPECIALISTS

Dept. W.W.

164/167 East Road, Cambridge CB1 1DB

Telephone: 0223 312866



VOICE MICROSYSTEM SPEECH PROCESSING FOR CARRIER AND LINE COMMUNICATION SYSTEMS

Digital Speech Processors

Precision level control and waveform compression for H.F. radio systems. Bandwidth 300 Hz to 3.2 KHz.
 DSP1 - C.R.2.

Precision programmable level control and waveform compression for H.F., V.H.F. and U.H.F. radio systems. Bandwidth 300 Hz to 3.2 KHz.
 DSP1 - C.R.3/1

Precision programmable level control and waveform compression for public address and intercom systems in noisy locations. Bandwidth 100 Hz to 6.0 KHz.
 DSP1 - C.R.3/2

Analogue Speech Processors

Precision programmable level control for H.F., V.H.F. and U.H.F. radio systems. Bandwidth 300 Hz to 3.2 KHz.
 ASP1 - C.R.1

Precision programmable level control for public address and intercom systems. Bandwidth 100 Hz to 6.0 KHz.
 ASP1 - C.R.2

All processors in a 2 unit high, 19", rack mounting for operation from 240V or 110V, 50 Hz or 60 Hz mains supply. Formats to equipment manufacturers' requirements can be accommodated.

Voice Microsystem Limited

Abercynon, Mountain Ash, Mid Glamorgan CF45 4SF



Gt. Britain
 Tel: Abercynon (0443) 740331. Telex: 498606

A company in the A.B. Electronic Products Group

WW - 029 FOR FURTHER DETAILS

PRINTED CIRCUITS

FOR WIRELESS WORLD PROJECTS

Stripline r.f. power amp—Sept. 1975—1 d.s.	£5.00
Audio compressor/limiter—Dec. 1975—1 s.s. (stereo)	£4.25
F.m. tuner (advanced)—April 1976—1 s.s.	£5.00
Cassette recorder—May 1976—1 s.s.	£5.00
Audio compander—July 1976—1 s.s.	£4.25
Time code clock—August 1976—2 s.s. 3 d.s.	£15.00
Date alarm, b.s.t. switch—June 1977—2 d.s. 1 s.s.	£9.50
Audio preamplifier—November 1976—2 s.s.	£8.50
Additional circuits—October 1977—1 s.s.	£4.00
Stereo coder—April 1977—1 d.s. 2 s.s.	£8.50
Morse keyboard and memory—January 1977—2 d.s. (logic board 10 1/4 in. x 5 in.) (keyboard and matrix 13 in. x 10 in.)	£14.00
Low distortion disc amplifier (stereo)—September 1977—1 s.s.	£2.00
Low distortion audio oscillator—September 1977—1 s.s.	£3.50
Synthesized f.m. transceiver—November 1977—2 d.s. 1 s.s.	£12.00
Morse maker—June 1978—1 d.s.	£4.50
Metal detector—July 1978—1 d.s.	£3.75
Oscilloscope waveform store—October 1978—4 d.s.	£18.00
Regulator for car alternator—August 1978—1 s.s.	£2.00
Wideband noise reducer—November 1978—1 d.s.	£5.00
Versatile noise generator—January 1979—1 s.s.	£5.00
200MHz frequency meter—January 1979—1 d.s.	£7.00
High performance preamplifier—February 1979—1 s.s.	£5.50
Distortion meter and oscillator—July 1979—2 s.s.	£5.50
Moving coil preamplifier—August 1979—1 s.s.	£3.50
Multi-mode transceiver—October 1979—10 d.s.	£35.00
Amplification system—Oct. 1979—3 preamp 1 poweramp	£4.20 each
Digital capacitance meter—April 1980—2 s.s.	£7.50
Colour graphics system—April 1980—1 d.s.	£18.50
Audio spectrum analyser—May 1980—3 s.s.	£10.50
Multi-section equalizer—June 1980—2 s.s.	£8.00
Floating-bridge power amp—Oct. 1980—1 s.s. (12V or 40V)	£4.00
Nanocomp—Jan. 1981—1 d.s. 1 s.s.	£9.00
Logic probe—Feb. 1981—2 d.s.	£6.00
Modular frequency counters—March 1981—8 s.s.	£20.00
Opto-electronic contact breaker (Delco)—April 1981—2 s.s.	£4.00

Boards are glassfibre, roller-tinned and drilled. Prices include V.A.T. and U.K. postage.

Airmail add 20%, Europe add 10%, Insurance 10%.

Remittance with order to:

M. R. SAGIN, 23 KEYES ROAD, LONDON, N.W.2

WW - 060 FOR FURTHER DETAILS

Who ever heard of card frames in plastic?

There's always a first time for everything, and West Hyde are now supplying the brand new Type 02 range of plastic cases by AKA. These versatile enclosures can be used either on their own or together with a purpose-designed card frame and their ultra-smart appearance has to be seen to be believed. The card frames will accept either Eurocards or 112mm cards and all standard edge connectors. All models are designed with clip-in plain or ventilated sections at the front or back, have the option of prop-up feet (some models can be supplied with handles), and are finished in an attractive brown and beige colour.



WEST HYDE

West Hyde Developments Limited
Unit 9, Park Street Industrial Estate, Aylesbury, Bucks.
Telephone: (0296) 20441. Telex: 83570 W HYDE G.

MANUFACTURED BY **AKA**

WW-073 FOR FURTHER DETAILS

RADIATION DETECTORS

BE PREPARED WITH THIS DETECTOR

Recommended for General use.
CIVIL DEFENCE • FIRE SERVICES • MEDICAL



FREE RECHARGES AFTER PURCHASE

- THIS DOSIMETER WILL AUTOMATICALLY DETECT GAMMA AND X RAYS.
- UNIT IS SIZE OF FOUNTAIN PEN AND WILL CLIP IN TOP POCKET.
- PRECISION INSTRUMENT, METAL CASED, WEIGHT 2oz.
- CONTAINS 3 LENSES. ■ RUGGED CONSTRUCTION.
- MANUFACTURERS CURRENT PRICE OF A SIMILAR MODEL OVER £25 EACH.

British design and manufacture. Tested, calibrated and guaranteed. Ex-stock delivery by return.

Be prepared, buy whilst available.

HENRY'S

404 EDGWARE RD, LONDON W2 1ED

Telephone: 01-723 5095

Choice of 2 types
0-5 or 0-5OR
ONLY

£6.95
inc. VAT
Post & Packing 60p



Happy Memories

Part type	1 off	50-99	100 up
4116 200ns95	.85	.75
4116 250ns90	.80	.70
2114 200ns Low power	1.30	1.20	1.10
2114 450ns Low power	1.25	1.15	1.05
4118 250ns	3.50	3.15	2.95
6116 150ns CMOS	6.95	6.45	5.95
2708 450ns	1.95	1.75	1.65
2716 450ns 5 volt	2.25	2.05	1.95
2716 450ns three rail	7.40	7.00	6.75
2732 450ns Intel type	4.50	4.15	3.95
2532 450ns Texas type	4.95	4.60	4.40

Z80A-CPU £5.25 Z80A-PIO £4.75 Z80A-CTC £4.75

Low profile IC sockets:

Pins	8	14	16	18	20	22	24	28	40
Pence	9	10	11	14	15	18	19	25	33

Soft-sectored floppy discs per 10 in plastic library case:

5-inch SSDD £17 5-inch DSDD £21

8-inch SSDD £21 8-inch SSDD £26.25 8-inch DSDD £31.75

74LS series TTL: Large stocks at low prices with DIY discounts starting at a mix of just 25 pieces. Write or phone for list.

Please add 30p post and packing to orders under £15 and V.A.T. to total

Access and Barclaycard welcome:

24-hour service on (054-422) 618

Government and Educational orders welcome:

£15 minimum

Trade accounts operated; phone or write for details

Prices are still tending to drop;

phone for a quote before you buy

Happy Memories (CT)

Gladestry, Kington

Herefordshire HR5 3NY

Tel: (054-422) 618 or 628

WW - 021 FOR FURTHER DETAILS

WW - 040 FOR FURTHER DETAILS

SOUND INVESTMENT



Replacement tape heads from Monolith could mean a big improvement in sound quality from your tape recorder. A full catalogue is available, price 50p, which features a wide range of heads for cassette and reel to reel machines, as well as replacement motors, tape transports, etc.

Universal cassette heads to EIAJ standard, hole centres 17mm apart, 12mm from head face:

B12-02	Mono record/playback	£ 4.62
B24-01	Stereo playback	£ 4.62
B24-02	Stereo rip	£ 7.66
B24-07	Stereo rip for Dolby systems	£ 9.05
C42RPH20	Stereo rip sendust head, suitable for chrome & metal tapes	£10.67
C42RPH04	Stereo rip glass ferrite, the ultimate long life, high performance head	£13.34
C42RPS18	Stereo twin gap rip long life head for record monitoring	£28.99
C21ES18	Mono/Stereo erase head	£ 2.13
C44RPH03	Four channel track rip	£15.15
C22ES04	Twin half track erase	£ 5.43

Ex stock deliveries, all prices include VAT. Post and packing 40p.

MONOLITH electronic products

The Monolith Electronics Co. Ltd., 5/7 Church Street,
Crewkerne, Somerset TA18 7HR. Tel: 0460 74321. Telex:
46306 MONLTH G.

WW - 066 FOR FURTHER DETAILS

SUNITA'S FAMILY OF MONITORS HAS GROWN

Our Professional Monitors are of British
Manufacture

MPM1 (VIDEO RESPONSE 16 MHz) COMPOSITE VIDEO OR
SEPARATE VIDEO, LINE SYNC. AND FIELD SYNC. 5in., 6in.,
9in., 12in.

MPM2 (VIDEO RESPONSE 12MHz) COMPOSITE VIDEO OR
SEPARATE VIDEO, LINE SYNC. AND FIELD SYNC. 5in., 6in.,
9in., 12in.

MPM3 (VIDEO RESPONSE 12MHz) TTL COMPATIBLE, DIRECT
DRIVE. 5in., 6in., 9in., 12in.

MPM4 (VIDEO RESPONSE 25MHz) COMPOSITE VIDEO OR
SEPARATE VIDEO, LINE SYNC. AND FIELD SYNC. 9in., 12in.,
15in.

These are available in wire frame (open chassis), fully cased or
VDU DESK Type Versions.

For further information please note our new address and tele-
phone number:

SUNITA ELECTRONICS LTD.
Unit 3, Trident Industrial Estate
Blackthorne Road
Poyle, Colnbrook
Slough, Berks SL3 0AY
Telephone: 02812 2340/2349

WW - 085 FOR FURTHER DETAILS

The simple answer to all your power supply problems.



Uninterruptible Power Supplies - UPS

250va to 2000va, 50 or 60hz

STANDBY POWER. Invaluable for winding down a computer programme on mains failure and wherever continuous power is essential.

STABILISATION. $\pm 5\%$ Vital to combat mains fluctuations and ensure the operation of equipment at peak efficiency.

TRANSIENT ATTENUATION. Provides suppression of mains born interference (spikes).

An unbeatable power package from £395 ex works including maintenance free lead acid batteries. At Galatrek International, UPS are DOWN to unbeatable prices.

For more information, cut the coupon or contact Galatrek direct. Mr R Koffler, Galatrek International, Scotland Street, Llanrwst, nr Colwyn Bay, Gwynedd LL26 0AL, North Wales, Great Britain, Tel No: 0492-640311/641298 Night Service: 0492-30592 Telex: 617114 A/B Galahu



Please send full details of your range of voltage stabilisers, filters, cutouts UPS and generators.

Name _____

Address _____

Country _____

Telephone No _____

ww

WW - 011 FOR FURTHER DETAILS

20 POWER AMPS

19 FUNCTIONAL MODULES

DAWN

POWER UP TO 480 WATTS RMS SINGLE CHANNEL



AMPLIFIER WITH HEAT SINK



PLATE TYPE



PSU

Which amplifier?

L.L.P. Amplifiers now come in three basic types, each of which is available with or without heatsink. Having decided the system you want (home hi-fi (models HY30, 60 or 120 for example), super quality hi-fi with extra versatility (MOS120, MOS200) or Disco/PA/Guitar (HD120, HD200 or HD400) you will then decide whether amplifiers housed within their own heatsinks or plate amplifiers for bolting to a metal chassis will suit. With choice such as this and a brilliant new range of L.L.P. functional modules to choose from you now have the chance to build the finest audio system ever offered to the constructor.

BIPOLAR Standard, with heatsinks										Without heatsinks				
MODEL NUMBER	OUTPUT POWER Watts rms	DISTORTION		SUPPLY VOLTAGE TYP/MAX	SIZE mm	WT gms	PRICE	VAT	MODEL NUMBER	SIZE mm	WT gms	PRICE	VAT	
		T.H.D. Typ at 1kHz	I.M.D. 80Hz/7kHz 4:1											
HY30	15w/4-8Ω	0.015%	<0.006%	±16±20	75x68x40	240	£7.28	£1.09						
HY60	30w/4-8Ω	0.015%	<0.006%	±25±30	76x68x40	240	£8.33	£1.25						
HY120	60w/4-8Ω	0.01%	<0.006%	±35±40	120x78x40	410	£17.48	£2.82	HY120P	120x26x40	215	£15.50	£2.33	
HY200	120w/4-8Ω	0.01%	<0.006%	±45±50	120x78x50	515	£21.21	£3.18	HY200P	120x26x40	215	£18.46	£2.77	
HY400	240w/4Ω	0.01%	<0.006%	±45±50	120x78x100	1025	£31.83	£4.77	HY400P	120x26x70	375	£28.33	£4.25	

Protection: load line, momentary short circuit (typically 10 sec) Slow rate: 15V/μs Rise time: 5μs
 S/N ratio: 100db Frequency response: 1-3000 15Hz - 50kHz
 Input sensitivity: 500mV rms Input impedance: 100kΩ Damping factor: (8Ω/100Hz)>400

HEAVY DUTY with heatsinks							Without heatsinks						
HD120	60w/4-8Ω	0.01%	<0.006%	±35±40	120x78x50	515	£22.48	£3.37	HD120P	120x26x50	285	£18.84	£2.88
HD200	120w/4-8Ω	0.01%	<0.006%	±45±50	120x78x60	620	£27.38	£4.11	HD200P	120x26x50	265	£23.63	£3.54
HD400	240w/4Ω	0.01%	<0.006%	±45±50	120x78x100	1025	£38.63	£5.79	HD400P	120x26x70	375	£34.28	£5.14

Protection: load line, PERMANENT SHORT CIRCUIT (ideal for disco/group use should evidence of short circuit not be immediately apparent).
 The Heavy Duty range can claim additional output power devices and complementary protection circuitry with performance specs, as for standard types.

MOSFET Ultra-Fi, with heatsinks							Without heatsinks						
MOS120	60w/4-8Ω	<0.005%	<0.006%	±45±50	120x78x40	420	£25.88	£3.88	MOS120P	120x26x40	215	£23.32	£3.50
MOS200	120w/4-8Ω	<0.005%	<0.006%	±55±60	120x78x60	650	£33.46	£5.02	MOS200P	120x26x80	420	£28.53	£4.28
MOS400	240w/4Ω	<0.005%	<0.006%	±55±60	120x78x100	1025	£45.39	£6.81	MOS400P	120x26x100	525	£38.91	£5.84

Protection: Able to cope with complex loads, without the need for very special protection circuitry (fuses will suffice).
 Ultra-Fi specifications:
 Slow rate: 20V/μs Rise time: 3μs S/N ratio: 100db Frequency response: 1-3000 15Hz - 100kHz
 Input sensitivity: 500mV rms Input impedance: 100kΩ Damping factor: (8Ω/100Hz)>400

POWER SUPPLY UNITS			
MODEL NO.	FOR USE WITH	PRICE	VAT
PSU30	±15V combinations of HY6/66 series to a maximum of 100mA or one HY67 The following will also drive the HY6/66 series except HY67 which requires the PSU30	£4.50	£0.68
PSU36	1 or 2 HY30	£8.10	£1.22
PSU50	1 or 2 HY60	£10.94	£1.64
PSU60	1 x HY120/HY120P/HD120/HD120P	£13.04	£1.96
PSU65	1 x MOS120/1 x MOS120P	£13.32	£2.00
PSU70	1 or 2 HY120/HY120P/HD120/HD120P	£15.92	£2.39
PSU75	1 or 2 MOS120/MOS120P	£16.20	£2.43
PSU90	1 x HY200/HY200P/HD200/HD200P	£16.20	£2.43
PSU95	1 x MOS200/MOS200P	£16.32	£2.45
PSU180	2 x HY200/HY200P/HD200/HD200P or 1 x HY400/1 x HY400P/HD400/HD400P	£21.34	£3.20
PSU185	1 or 2 MOS200/MOS200P/1 x MOS400/1 x MOS400P	£21.46	£3.22

All models except PSU70 and PSU35 incorporate our own toroidal transformers

FP480 BRIDGING UNIT FOR DOUBLING POWER
 Designed specially by L.L.P. for use with any two power amplifiers of the same type to double the power output obtained and will function with any L.L.P. power supply. In totally sealed case, size 45 x 50 x 20mm, with edge connector. It thus becomes possible to obtain 480 watts rms (single channel into 8Ω). Contribution distortion less than 0.005%.
 Price: £4.79 - 72p. V.A.T.



FREEPOST 5 Graham Bell House, Roper Close, Canterbury, Kent CT2 7EP
 Telephone (0227 54778) (Technical) (0227 64723) Telex 965780

Available also from MARSHALLS, TECHNOMATIC, WATFORD ELECTRONICS and certain other selected retailers.

GOODS BY MAIL ORDER DESPATCHED WITHIN 7 DAYS

OF A NEW ERA



Which modules?

In launching eighteen different units all within amazingly compact cases to help make complete audio systems using I.L.P. power amplifiers, we bring the most exciting, the most versatile modular assembly scheme ever for constructors of all ages and experience. Study the list — see how these modules will combine to almost any audio project you fancy — and remember *all I.L.P. modules are compatible with each other*, they connect easily. Modules HY6 to HY13 measure 45 x 20 x 40mm. HY66 to HY77 measure 90 x 20 x 40mm. They are so reliable that all I.L.P. modules carry a 5 year no quibble guarantee.



MODEL NO.	MODULE	DESCRIPTION/FACILITIES	CURRENT REQUIRED	PRICE	VAT
HY6	MONO PRE AMP	Mic/Mag. Cartridge/Tuner/Tape/Aux + Volume/Bass/Treble	10mA	£6.44	£0.97
HY7	MONO MIXER	To mix eight signals into one	10mA	£5.15	£0.77
HY8	STEREO MIXER	Two channels, each mixing five signals into one	10mA	£6.25	£0.94
HY9	STEREO PRE AMP	Two channels mag. Cartridge/Mic + Volume	10mA	£6.70	£1.01
HY11	MONO MIXER	To mix five signals into one + Bass/Treble controls	10mA	£7.05	£1.06
*HY12	MONO PRE AMP	To mix four signals into one + Bass/Mid-range/Treble	10mA	£6.70	£1.01
*HY13	MONO VU METER	Programmable gain/LED overload driver	10mA	£5.95	£0.89
HY66	STEREO PRE AMP	Mic/Mag. Cartridge/Tape/Tuner/Aux + Volume/Bass/Treble/Balance	20mA	£12.19	£1.83
HY67	STEREO HEADPHONE	Will drive headphones in the range of 4Ω - 2KΩ	80mA	£12.35	£1.85
HY68	STEREO MIXER	Two channels, each mixing ten signals into one	20mA	£7.95	£1.19
HY69	MONO PRE AMP	Two input channels of mag. Cartridge/Mic + Mixing/Volume/Treble/Bass	20mA	£10.45	£1.57
HY71	DUAL STEREO PRE AMP	Four channels of mag. Cartridge/Mic + Volume	20mA	£10.75	£1.61
*HY72	VOICE OPERATED STEREO FADER	Depth/Delay	20mA	£13.10	£1.97
*HY73	GUITAR PRE AMP	Two Guitar (Bass/Lead) and Mic + separate Volume/Bass/Treble + Mix	20mA	£12.25	£1.84
+HY74	STEREO MIXER	Two channels, each mixing five signals into one + Treble/Bass	20mA	£11.45	£1.72
+HY75	STEREO PRE AMP	Two channels, each mixing four signals into one - Bass/Mid-range/Treble	20mA	£10.75	£1.61
+HY76	STEREO SWITCH MATRIX	Two channels, each switching one of four signals into one	20mA	<i>To be discontinued</i>	
+HY77	STEREO VU METER DRIVER	Programmable gain/LED overload driver	20mA	£9.25	£1.38

The modules are encapsulated and include latest design high quality clip-on edge connectors.

For easy mounting we recommend B6 Mounting board for modules HY6 - HY13 78p + 12p. V.A.T.

B66 Mounting board for HY66 - HY77 89p + 13p. V.A.T.

All I.L.P. modules include full connection data.

I.L.P. Products are of British Design and Manufacture.

* Ready August - may be ordered now
† Ready September - may be ordered now

All the above modules operate from ±15V minimum to ±30V maximum, higher voltages being accommodated by use of drooper resistors. HY67 can only be used with the PSU 30 power supply unit.

ALL WITH I.L.P.'S 5 YEAR NO QUIBBLE GUARANTEE

TO ORDER USING OUR FREEPOST FACILITY

Fill in the coupon as shown, or write details on a separate sheet of paper, quoting the name and date of this journal. By sending your order to our address as shown at the bottom of the page opposite, with FREEPOST clearly shown on the envelope, you need not stamp it. We pay postage for you. Cheques and money orders must be crossed and made payable to I.L.P. Electronics Ltd. If sending cash, it must be by registered post. To pay C.O.D. please add £1 to TOTAL value of order. When ordering, U.K. customers must include the appropriate V.A.T. as shown.

PAYMENT MAY BE MADE BY ACCESS OR BARCLAYCARD IF REQUIRED

WW - 084 FOR FURTHER DETAILS

To: I.L.P. ELECTRONICS LTD, ROPER CLOSE CANTERBURY CT2 7EP

Please supply

Total purchase price £

I enclose Cheque Postal Orders International Money Order

Please debit my Access/Barclaycard Account No

NAME

ADDRESS

Signature

WW/11

ALL U.K. ORDERS DESPATCHED POST FREE

OF RECEIVING YOUR ORDER

HART

LINSLEY HOOD CASSETTE RECORDER 2



Our new improved performance model of the Linsley Hood Cassette Recorder incorporates our VFL 910 vertical front mechanism and circuit modifications to increase dynamic range. Board layouts have been altered and improved but retain the outstandingly successful mother-and-daughter arrangement used on our Linsley-Hood Cassette Recorder 1.

This latest version has the following extra features: Ultra low wow-and-flutter of .09% - easily meets DIN Hi-Fi spec. Deck controls latch in rewind modes and do not have to be held. Full Auto-stop on all modes. Tape counter with memory rewind. Oil damped cassette door. Latching record button for level setting. Dual concentric input level controls. Phone output. Microphone input facility if required. Record interlock prevents rerecording on valued cassettes. Frequency generating feedback slave drive motor with built-in speed control for thermal stability. All these desirable and useful features added to the excellent design of the Linsley-Hood circuit and the quality of the components used makes this new kit comparable with built-up units of much higher cost than the model, £94.90 + V.A.T. we ask for the complete kit.

LINSLEY-HOOD CASSETTE RECORDER 1



We are the Designer Approved suppliers of kits for this excellent design. The Author's reputation tells all you need to know about the circuitry and start expertise and experience guarantees the engineering design of the kit. Advanced features include: High-quality separate VU meters with excellent ballistics. Controls, switches and sockets mounted on PCB to eliminate difficult wiring. Proper insulated earphone for cassette aperture improves appearance and removes the need for the cassette transport to be set back behind a narrow finger trapping slot. Easy to use, robust Lenco mechanism. Switched bias and equalisation for different tape formulations. All wiring is terminated with plugs and sockets for easy assembly and test. Sophisticated modular PCB system gives a spacious, easily-built and tested layout. Also included at no extra cost is our latest HS 16 Sendust Alloy super head, available separately at £8.20 but included free with the complete kit at £75 plus VAT.

Reprints of the 3 original articles describing this design £50. No VAT.

Reprint of the subsequent postscript article 30p. No VAT.

Part Cost of Post, Packing and Insurance

Order up to £10 - 80p
Orders £10 to £49 - 1.1
Over £50 - £1.50

Exp. Export Orders - Postage or shipping at cost plus
£2 Documentation and Handling

Please send 9 x 4 S.A.E. or telephone for lists giving fuller details and price breakdowns.

PRACTICAL WIRELESS 'WINTON' TUNER

Brilliant new TED rule designed Tuner with everything! Gives you fantastic stereo f.m. reception with pilot cancelling decoder i.e., fluorescent display, digital frequency readout along with clock and timer functions in addition to f.m. covers (w, m, w, s, w. and even TV sound. Further details are in our lists, send for your copy.

Instant easy ordering, telephone your requirements and credit card number to us on
Oswestry (0691) 2894



LINSLEY-HOOD 300 SERIES AMPLIFIERS



These latest designs from the drawing board of John Linsley-Hood, engineered to the very highest standard, represent the very best that is available on the kit market today. The delicacy and transparency of the tone quality enable these amplifiers to outperform, on a side-by-side comparison, the bulk of amplifiers in the commercial market-place and even exceed the high standard set by his earlier 75-watt design.

Three versions are offered, a 30-watt with Darlingtons output transistors, and a 35- and 45-watt, both with Mosfet output devices. All are of identical outside appearance which is designed to match and stack with our Linsley-Hood cassette recorder 2.

As with all Hart kits the constructors' instructions have been looked after in a unique way by reducing the conventional (and fearful) wiring almost to the point of extinction.

Any of these kits represents a most cost-effective route to the very highest sound quality with the extra bonus of the enjoyment of building a sophisticated piece of equipment.

30-watt Darlington amplifier, fully integrated with tone controls and magnetic pick-up facility. Total cost of all parts is £81.12. Special offer price for complete kits £72.

35-watt Mosfet amplifier, total cost of parts £98.41. Special offer for complete kits, £87.40.

45-watt Mosfet amplifier, total cost of parts £104.95. Special offer for complete kits £94.80.

Reprints of original Articles from Hi-Fi News 50p. Post free. No VAT.

Reprints of MOSFET article 25p. No V.A.T. Post free.

FEED YOUR MICRO BYTES WITH OUR SOLENOID CONTROLLED CASSETTE DECK



Front loading deck with full solenoid control of all functions including optional search in fast wind modes. 12 volt operation. Full 3-digit memory counter and Hall IC Motion Sensor. Standard erase and stereo R/P Head. Cheapest price ever for all these features. Only £39.90 plus VAT. Full technical specification included.

BARGAIN CASSETTE DECK, brand new Top Load, manual deck mechanism with 3-digit counter, stereo r/p and erase heads, 12v. D.C. governed motor and auto-stop solenoid. Cheap enough to use as spares at only £5 + V.A.T. and post.

HART TRIPLE-PURPOSE TEST CASSETTE TC1

One inexpensive test cassette enables you to set up VU level, head azimuth and tape speed invaluable when fitting new heads. Only £2.70 plus V.A.T. and 50p postage.

CASSETTE HEADS

HS16 SENDUST ALLOY SUPER HEAD, Stereo R/P. Longer life than Permalloy. Higher output than Ferrite. Fantastic frequency response. Complete with data.	£8.20
PC20 Stereo Permalloy R/P head for replacement uses in car players, etc.	£4.25
HM90 Stereo R/P Head for METAL tape. Complete with data.	£7.20
H061 Special Erase Head for METAL tape.	£4.50
H024 Standard Ferrite Erase Head.	£4.50
4 Track R/P Head, Standard Mounting.	£7.40
R464 1/2" Double Stereo R/P Head, Std. Mtg.	£4.90
ME15 1/2" Ferrite Erase, Large Mtg.	£4.25
CCE/8M 2/2 Erase, Std. Mtg.	£7.90

All prices plus VAT

HART

HART ELECTRONIC KITS LTD
OSWESTRY
SHROPSHIRE
phone (0691) 2894
Telex 35661
Hartel G

COMPUTER APPRECIATION

86 High Street, Bletchingley, Redhill, Surrey. RH1 4PA Godstone (0883) 843221

DTC MICROFILE

Featuring

- * DUAL or QUAD 8 inch 300K Byte floppy disc drives
- * 8080A processor



- * Dual serial interfaces externally switchable for Baud rate (110 9600B), parity and fill characters
- * 7K EPROM (2708) monitor
- * CPM BASIC, WORDSTAR letter writing software, etc., available
- * Front panel status indicators and 4 digit programmable Hexadecimal display
- * Prices from £400 for secondhand 8K system with dual floppy to £995 for NEW 56K system with quad floppy

IBM 1053 GOLFBALL PRINTER

- * Secondhand with refurbished mechanism
- * IBM 735 compatible and can be wired to connector suitable for off-the-peg interfaces which are available
- * Wide range of correspondence heads available from IBM at low cost
- * 75 cps with Tab and backspace facility

£125.00

ITEL MODEL 1051

- * IBM Selectric (golfball) typewriter complete with keyboard in compact desk top unit
- * Also complete with paper tape punch and optical reader facilitating operation as stand alone word processor
- * V24/RS 232 interface (Software code conversion from EBCDIC to ASCII will normally be required)
- * Fully refurbished

£275.00

DANAVOX ARE ALWAYS COMING UP WITH SOUND IDEAS.



STETOCLIP
JUNIOR 60
HEADSET



STETOCLIP
LIGHTWEIGHT
HEADSET



SENIOR
STETOCLIP
HEADSET



STETOCLIP
GEMINI
HEADSET



STETOMIKE
HMT 808



STANDARD &
SUB-MINOR
EARPHONES



PLASTIC
EARHANGERS



DANAMIC FIDELITY
EARSET



STETOTUBE
HEADSET &
SOUND PLUG



2,5mm 3,5mm
JACK PLUGS &
SOCKETS



INDUCTIVE LOOP AMPLIFIER TYPE 36A



FIELD STRENGTH
TESTER FS1



SUBMINIATURE
SWITCHES



DANASOUND
HEADSET

The Danavox policy has always been one of constant improvement.

Our refinement, development and research has enabled us to offer an advanced range of components and accessories for dictation machines, tape recorders, tele-communications, hearing aids and electro-acoustic equipment.

All our products are built with care and precision.

And all carry the Danavox guarantee.

WW - 076 FOR FURTHER DETAILS

For more information about any Danavox product, contact John Carter.

Danavox

DANAVOX (Gt. Britain) Ltd.,
1 Cheyne Walk, Northampton. NN1 5PT
Tel: (0604) 36351 Telex 312395



EP4000 EPROM EMULATOR PROGRAMMER

- Copy/Program/Emulate
2704/2708/2716(3)/2508/2758/2516/2716/2532/2732 Eproms
- 4K x 8 Static Ram
- Video O/P and 8 digit LED display
- Emulates simply at the push of a key
- Powerful editing facilities
- Comprehensive In/Out (RS232, TTL, 20MA Loop, Parallel, DMA) as standard
- 2764 adaptor now available
- EP4000 ex-stock at £545 + VAT + £12 delivery



P4000 EPROM PRODUCTION PROGRAMMER

- Program up to 8 Eproms simultaneously
- Covers same Eproms as EP4000
- Powered down sockets
- Independent blank check/verify/program modes
- Simple to use with mode pass/fail LEDs for each copy socket
- Ex-stock at £545 + VAT + £12 delivery



UV141 BENCH TOP UV140 EPROM ERASERS

- Two units with 14 Eprom capacity
- Safety interlocked
- Electronic timer (UV141)
- Convenient slide tray loading
- UV141 ex-stock at £78 + VAT
- UV140 ex-stock at £61.50 + VAT

GP INDUSTRIAL ELECTRONICS LTD
UNIT 6, TOTNES INDUSTRIAL ESTATE
TOTNES, DEVON TQ9 5XL. TEL: (0803) 863360. TELEX: 42596

GP

WW - 092 FOR FURTHER DETAILS

PRODUCTION
TESTING

DEVELOPMENT

SERVICING

POWER UNITS

Now available with
3 OUTPUTS



Type 250VRU/30/25

OUTPUT 1: 0-30v, 25A DC
OUTPUT 2: 0-70v, 10A AC
OUTPUT 3: 0-250v, 4A AC

ALL
Continuously
Variable

Valradio

VALRADIO LIMITED, BROWELLS LANE, FELTHAM
MIDDLESEX TW13 7EN
Telephone: 01-890 4242/4837

WW - 070 FOR FURTHER DETAILS

Catronics Specialists say
Enter the NEW
Computer Age
with the well-proven

video genie system



- 12K MICROSOFT BASIC
- 16K RAM
- UHF MODULATOR
- INTERNAL CASSETTE
- 2nd CASSETTE INTERFACE

SPECIAL DISCOUNT PRICE **£309.55 + VAT**

★ EXPANSION BOX AVAILABLE

★ DISK DRIVE IF REQUIRED

★ 100s OF PROGRAMS

★ TRS-80 LEVEL II SOFTWARE COMPATIBLE

If you cannot call write for FREE illustrated leaflet!

PRESTEL IS HERE NOW!

The fabulous 'TANTEL' adaptor is now available from Catronics at only £170+VAT.

This compact unit sits on your desk or chair and will drive virtually any television set, B/W or colour. Send to Catronics for full details.



CREDIT TERMS available. Pay by Access, Barclaycard or Catronics Creditcharge Card
Personal Shoppers Welcome

Catronics

CATRONICS LTD (Dept. 121)
COMMUNICATIONS HOUSE
20 WALLINGTON SQUARE
WALLINGTON, SURREY SM6 8RG

Tel. 01-569 6700 (9am to 5.30pm, Sat. 12.45pm)/Closed lunch 12.45-1.45

WW - 027 FOR FURTHER DETAILS

MULLARD VALVE SUPPLIES LTD

Climax House, Fallsbrook Rd., Streatham, London SW16 6ED

RST Tel: 01-677 2424 Telex: 946708 RST

SEMICONDUCTORS

AA19	0.12	AS215	1.38	BC179	0.13	BD135	0.51	BF257	0.31	CR5340	1.04	OA2201	1.73	OC205	3.45	ZTX502	0.21	2N1309	1.98	2N3771	1.61
AA30	0.20	AS216	1.27	BC173	0.13	BD136	0.46	BF258	0.31	CR536	1.73	OA2206	1.73	OC204	3.45	ZTX503	0.22	2N1613	0.17	2N3772	1.94
AA32	0.48	AS217	1.15	BC177	0.32	BD137	0.46	BF259	0.32	GEXM4	1.73	OA2207	1.73	OC205	3.16	ZTX504	0.24	2N1671	1.73	2N3773	2.07
AA33	0.17	AS220	2.64	BC178	0.16	BD138	0.55	BF260	0.48	GM378A	2.02	OC220	1.88	OC206	3.16	ZTX505	0.26	2N1893	0.37	2N3819	0.35
AA34	0.17	AS221	2.86	BC179	0.12	BD139	0.55	BF261	0.31	KS300A	0.52	OC221	1.88	OC207	2.88	ZTX506	0.29	2N2147	4.60	2N3820	0.45
AA35	0.17	AL113	2.88	BC182	0.35	BD140	0.58	BF262	0.28	MJ330	0.84	OC222	1.88	OC208	3.16	ZTX507	0.19	2N2148	4.31	2N3821	0.49
AC107	0.63	AU110	3.45	BC183	0.13	BD141	2.30	BF263	2.58	MJ331	0.84	OC223	1.88	OC209	3.16	ZTX508	0.20	2N2149	4.31	2N3822	1.15
AC125	0.29	AU110	2.88	BC184	0.13	BD142	1.38	BF264	0.28	MJ332	0.84	OC224	1.88	OC210	3.16	ZTX509	0.20	2N2150	4.31	2N3823	0.20
AC126	0.29	BA145	0.15	BC212	0.13	BD143	1.36	BF265	0.23	MJ333	0.84	OC225	1.88	OC211	3.16	ZTX510	0.20	2N2151	4.31	2N3824	0.23
AC127	0.29	BA146	0.17	BC213	0.13	BD144	1.36	BF266	0.23	MJ334	0.84	OC226	1.88	OC212	3.16	ZTX511	0.20	2N2152	4.31	2N3825	0.23
AC128	0.35	BA147	0.12	BC214	0.13	BD145	1.36	BF267	0.23	MJ335	0.84	OC227	1.88	OC213	3.16	ZTX512	0.20	2N2153	4.31	2N3826	0.23
AC141	0.32	BA148	0.13	BC217	0.13	BD146	1.36	BF268	0.23	MJ336	0.84	OC228	1.88	OC214	3.16	ZTX513	0.20	2N2154	4.31	2N3827	0.23
AC141K	0.40	BA156	0.12	BC218	0.13	BD147	1.36	BF269	0.23	MJ337	0.84	OC229	1.88	OC215	3.16	ZTX514	0.20	2N2155	4.31	2N3828	0.23
AC142	0.32	BAW62	0.06	BC301	0.38	BD148	1.36	BF270	0.23	MJ338	0.84	OC230	1.88	OC216	3.16	ZTX515	0.20	2N2156	4.31	2N3829	0.23
AC142K	0.40	BAX13	0.07	BC303	0.39	BD149	1.36	BF271	0.23	MJ339	0.84	OC231	1.88	OC217	3.16	ZTX516	0.20	2N2157	4.31	2N3830	0.23
AC176	0.35	BCA10	0.17	BC309	0.19	BD150	0.40	BF272	0.18	MJ340	0.84	OC232	1.88	OC218	3.16	ZTX517	0.20	2N2158	4.31	2N3831	0.23
AC187	0.32	BC107	0.18	BC308	0.11	BF152	3.16	BF273	0.29	MPSA25	3.30	OC244	0.98	OC219	3.16	ZTX518	0.20	2N2159	4.31	2N3832	0.23
AC188	0.32	BC108	0.18	BC327	0.14	BF151	0.18	BF274	0.29	MPSA26	3.30	OC245	0.98	OC220	3.16	ZTX519	0.20	2N2160	4.31	2N3833	0.23
AC197	1.50	BC109	0.18	BC328	0.14	BF154	0.20	BF275	0.29	MPSA27	3.30	OC246	0.98	OC221	3.16	ZTX520	0.20	2N2161	4.31	2N3834	0.23
AC198	1.32	BC118	0.17	BC357	1.14	BF159	0.20	BF276	0.29	MPSA28	3.30	OC247	0.98	OC222	3.16	ZTX521	0.20	2N2162	4.31	2N3835	0.23
AC199	1.27	BC119	0.17	BC358	1.14	BF160	0.20	BF277	0.29	MPSA29	3.30	OC248	0.98	OC223	3.16	ZTX522	0.20	2N2163	4.31	2N3836	0.23
AC199	1.27	BC120	0.21	BC359	1.14	BF161	0.20	BF278	0.29	MPSA30	3.30	OC249	0.98	OC224	3.16	ZTX523	0.20	2N2164	4.31	2N3837	0.23
AC201	1.32	BC121	0.22	BC371	1.73	BF173	0.35	BF279	0.29	MPSA31	3.30	OC250	0.98	OC225	3.16	ZTX524	0.20	2N2165	4.31	2N3838	0.23
AC201	1.32	BC122	0.22	BC372	1.73	BF174	0.35	BF280	0.29	MPSA32	3.30	OC251	0.98	OC226	3.16	ZTX525	0.20	2N2166	4.31	2N3839	0.23
AC201	1.32	BC123	0.22	BC373	1.73	BF175	0.35	BF281	0.29	MPSA33	3.30	OC252	0.98	OC227	3.16	ZTX526	0.20	2N2167	4.31	2N3840	0.23
AD149	0.86	BC138	0.21	BC373	1.27	BF178	0.40	BF282	0.29	MPSA34	3.30	OC253	0.98	OC228	3.16	ZTX527	0.20	2N2168	4.31	2N3841	0.23
AD161	0.40	BC125	0.21	BC374	1.27	BF179	0.40	BF283	0.29	MPSA35	3.30	OC254	0.98	OC229	3.16	ZTX528	0.20	2N2169	4.31	2N3842	0.23
AD162	0.46	BC136	0.21	BC375	1.27	BF180	0.40	BF284	0.29	MPSA36	3.30	OC255	0.98	OC230	3.16	ZTX529	0.20	2N2170	4.31	2N3843	0.23
AF106	0.40	BC135	0.17	BC376	1.27	BF181	0.40	BF285	0.29	MPSA37	3.30	OC256	0.98	OC231	3.16	ZTX530	0.20	2N2171	4.31	2N3844	0.23
AF114	0.86	BC136	0.22	BC377	1.27	BF182	0.40	BF286	0.29	MPSA38	3.30	OC257	0.98	OC232	3.16	ZTX531	0.20	2N2172	4.31	2N3845	0.23
AF115	0.86	BC137	0.22	BC378	1.27	BF183	0.40	BF287	0.29	MPSA39	3.30	OC258	0.98	OC233	3.16	ZTX532	0.20	2N2173	4.31	2N3846	0.23
AF116	0.86	BC140	0.14	BC379	1.27	BF184	0.40	BF288	0.29	MPSA40	3.30	OC259	0.98	OC234	3.16	ZTX533	0.20	2N2174	4.31	2N3847	0.23
AF116	0.86	BC141	0.14	BC380	1.27	BF185	0.40	BF289	0.29	MPSA41	3.30	OC260	0.98	OC235	3.16	ZTX534	0.20	2N2175	4.31	2N3848	0.23
AF129	0.38	BC149	0.15	BC371	0.21	BF194	0.16	BF290	0.29	MPSA42	3.30	OC261	0.98	OC236	3.16	ZTX535	0.20	2N2176	4.31	2N3849	0.23
AF136	1.15	BC157	0.15	BC372	0.20	BF195	0.16	BF291	0.29	MPSA43	3.30	OC262	0.98	OC237	3.16	ZTX536	0.20	2N2177	4.31	2N3850	0.23
AF229	0.45	BC158	0.15	BC373	0.20	BF196	0.16	BF292	0.29	MPSA44	3.30	OC263	0.98	OC238	3.16	ZTX537	0.20	2N2178	4.31	2N3851	0.23
AF211	4.60	BC159	0.15	BC374	0.20	BF197	0.16	BF293	0.29	MPSA45	3.30	OC264	0.98	OC239	3.16	ZTX538	0.20	2N2179	4.31	2N3852	0.23
AF212	4.60	BC160	0.15	BC375	0.20	BF198	0.16	BF294	0.29	MPSA46	3.30	OC265	0.98	OC240	3.16	ZTX539	0.20	2N2180	4.31	2N3853	0.23
AF213	4.60	BC161	0.15	BC376	0.20	BF199	0.16	BF295	0.29	MPSA47	3.30	OC266	0.98	OC241	3.16	ZTX540	0.20	2N2181	4.31	2N3854	0.23
AS227	1.84	BC171	0.12	BC124	2.30	BF244	0.46	CR536	0.52	OA2202	1.73	OC202	3.16	ZTX501	0.16	2N1308	2.01	2N3770	1.17	2N3855	1.99

VALVES

A184	10.35	E1807	19.39	EP86	1.74	GX11	16.10	PC97	1.38	QY5-3000A	1.58	UL84	1.58	4B32	39.16	6CW4	8.83	12BE6	2.79	5670	5.18
A2087	13.58	E1807	7.83	EP89	1.54	GX12	28.43	PC90	1.38	356.66	1.58	UM80	1.15	4C35	74.75	6D2	1.01	12BH7	1.29	5675	21.47
A2124	20.13	E1807	13.58	EP91	2.07	GX13	10.49	PC84	1.15	QZ20	34.16	UY4	1.44	4CX250B	51.75	6DK6	3.00	12BY7	3.11	5687	6.31
A2291	17.63	E1807	13.58	EP92	6.48	GX14	32.77	PC85	1.38	R10	5.75	UY8	1.20	4CX350A	80.56	6DQ6B	4.69	12E1	19.67	5696	4.35
A2426	17.63	E1807	28.88	EP93	1.15	GX15	17.25	PC88	1.38	R17	1.89	VL5891	15.24	4CX150A	24.41	6E8A	3.38	12E1 TT	19.26	5718	7.87
A2426	17.63	E1807	28.88	EP95	6.27	GZ32	1.64	PC129	1.54	R21	1.89	VL5891	15.24	4CX150A	24.41	6E8B	2.44	12E1 TT	19.26	5725	5.62
A2426	17.63	E1807	28.88	EP95	6.27	GZ32	1.64	PC129	1.54	R21	1.89	VL5891	15.24	4CX150A	24.41	6E8C	2.44	12E1 TT	19.26	5726	3.62
A2426	17.63	E1807	28.88	EP95	6.27	GZ32	1.64	PC129	1.54	R21	1.89	VL5891	15.24	4CX150A	24.41	6E8D	2.44	12E1 TT	19.26	5727	6.47
A2426	17.63	E1807	28.88	EP95	6.27	GZ32	1.64	PC129	1.54	R21	1.89	VL5891	15.24	4CX150A	24.41	6E8E	2.44	12E1 TT	19.26	5728	6.47
A2426	17.63	E1807	28.88	EP95	6.27	GZ32	1.64	PC129	1.54	R21	1.89	VL5891	15.24	4CX150A	24.41	6E8F	2.44	12E1 TT	19.26	5729	6.47
A2426	17.63	E1807	28.88	EP95	6.27	GZ32	1.64	PC129	1.54	R21	1.89	VL5891	15.24	4CX150A	24.41	6E8G	2.44	12E1 TT	19.26	5730	6.47
A2426	17.63	E1807	28.88	EP95	6.27	GZ32	1.64	PC129	1.54	R21	1.89	VL5891	15.24	4CX150A	24.41	6E8H	2.44	12E1 TT	19.26	5731	6.47
A2426	17.63	E1807	28.88	EP95	6.27	GZ32	1.64	PC129	1.54	R21	1.89	VL5891	15.24	4CX150A	24.41	6E8I	2.44	12E1 TT	19.26	5732	6.47
A2426	17.63	E1807	28.88	EP95	6.27	GZ32	1.64	PC129	1.54	R21	1.89	VL5891	15.24	4CX150A	24.41	6E8J	2.44	12E1 TT	19.26	5733	6.47
A2426	17.63	E1807	28.88	EP95	6.27	GZ32	1.64	PC129	1.54	R21	1.89	VL5891	15.24	4CX150A	24.41	6E8K	2.44	12E1 TT	19.26	5734	6.47
A2426	17.63	E1807	28.88	EP95	6.27	GZ32	1.64	PC129	1.54	R21	1.89	VL5891	15.24	4CX150A	24.41	6E8L	2.44	12E1 TT	19.26	5735	6.47
A2426	17.63	E1807	28.88	EP95	6.27	GZ32	1.64	PC129	1.54	R21	1.89	VL5891	15.24	4CX150A	24.41	6E8M	2.44	12E1 TT	19.26	5736	6.47
A2426	17.63	E1807	28.88	EP95	6.27	GZ32	1.64	PC129	1.54	R21	1.89	VL5891	15.24	4CX150A	24.41	6E8N	2.44	12E1 TT	19.26	5737	6.47
A2426	17.63	E1807	2																		

FIVE NEW SENSES FOR YOUR MICRO



**IEEE STANDARD
A-D CONVERTERS
D-A CONVERTERS
RELAY UNITS
APPLE INTERFACES**

CIL
electronics ltd

Decoy Rd, Worthing, Sussex,
Tel: Worthing (0903) 200673

THE COMPLETE SOLUTION TO STRAIN GAUGE AMPLIFICATION

- COMPLETE WITH BRIDGE SUPPLY
- COMPLETE WITH ALL ADJUSTMENTS (SPAN ZERO BRIDGE VOLTAGE)
- COMPLETE (NO EXTERNAL COMPONENTS NEEDED)



The series SGA 700 provides the complete solution to Strain Gauge Amplification. Simply connect the bridge, connect the power supplies and the SGA 700 does the rest. It also offers high stability, Miniature size, good supply rejection — in fact a specification as good as many instruments many times the price and size.



CIL Electronics Ltd
14 Willowbrook Road,
Worthing, Sussex BN14 8NA,
Tel: Worthing (0903) 204646
Telex: 87515 WISCO G ATT CIL

WW - 091 FOR FURTHER DETAILS

£1295 PT79 PROGRAMMABLE I.C. TESTER

with built-in protection against misuse



Full function and parametric tests for up to 24-pin devices of the following families: TTL, RTL, CMOS, Schottky TTL, DTL, HTL, & MOS.

Holds up to 500 test programmes including your own and/or from the Quartech library.

QUARTECH
Design & Development Ltd.
14 Kingsgate Place, London NW6 4TA
01-328 7987/624 1487

WW - 107 FOR FURTHER DETAILS

TV TUBE REBUILDING

Faircrest Engineering Ltd, manufacture a comprehensive range of equipment for processing all types of picture tubes, colour and mono. Standard or custom built units for established or new businesses. We export world-wide and have an excellent spares service backed by a strong technical team.

Full training courses are individually tailored to customers requirements.

For full details of our service contact Neil Jupp

FAIRCREST ENGINEERING LTD.

4 Union Road, Croydon, CR0 2XX
01-684 1422/01-684 0246

WW - 102 FOR FURTHER DETAILS

STABILIZER: FREQUENCY SHIFTERS



The Stabilizer is a variable frequency shifter for noise reduction on both speech and music. It offers variable shifts either up or down between 1 and 10 Hertz so allowing choice of the optimum shift for the particular acoustic and sound sources involved in each installation.

A shifter not only allows markable gain (4-8dB) but also gives a greater stability margin between the onset of ringing and actual howling. With a shifter this is something between 2 and 5 dB, whereas a conventional system will go from ringing to howling with a gain increase of 1 or 2 dB.

Available as a boxed unit with either balanced or unbalanced signal lines or rack mounting version offering studio quality SHIFTER control, duplicated jacks and XLR connectors and a smart anodised finish with engraved front panel. Stabilizers include a signal overload LED, a 24 Hz high pass filter to remove VLF signals before submission to power amplifiers and a mineral shielded mains transformer to achieve low noise levels.

+ 5Hz Fixed Shift Circuit Boards as WW July 1973 article, but improved noise level, lower distortion, adjustment free oscillator and IC sockets: Mark 4. Small enough to be built inside the cabinets of many amplifiers.

including **DESIGNER APPROVED**
Complete kit and board (35 PSU & mains transformer)
Board built and aligned 245

CASH WITH ORDER (usu 5%
UK POST FREE ADD VAT 15%)

*** NEW PRODUCT: BROADCAST MONITOR RECEIVER 150kHz-30MHz ***

SURREY ELECTRONICS

The Forge, Luckes Green, Cranleigh, Surrey GU8 7SG. Tel: 04886 5897

U.K. RETURN OF POST MAIL ORDER SERVICE, ALSO WORLDWIDE EXPORT SERVICE

BSR DE LUXE AUTOCHANGER £20

Plays 12", 10" or 7" records. Auto or Manual. A high quality unit backed by BSR reliability. Stereo Ceramic Cartridge, AC 200/250V. Size 13 1/2 x 11 1/2 in. 3 speeds. Above motor board 3 3/4 in. Below motor board 2 1/2 in.



Post £2 Board £1 extra

HEAVY METAL PLINTHS Post £2

Cut out for most BSR or Garrard decks. Silver grey finish. Size 16x13 3/4 in. **£4**

DECCA TEAK VENEERED PLINTH. Post £1.50
Superior finish with space and panel for small amplifier. Board is cut for B.S.R. or Garrard. 18 3/4 in. x 14 1/4 in. x 4 in. Black/silver facia trim. **£5**

WOOD PLINTH, TEAK EFFECT Size 15 x 15 x 3 in. £3
With board cut for B.S.R. (Post £1)

PIONEER and J.V.C. TEAK VENEERED PLINTH Post £2
18 x 14 1/2 in. with Plastic Cover 17 1/4 x 13 in. **£10.50**

TINTED PLASTIC COVERS Post £1.50
Sizes: 14 1/2 x 12 1/2 x 3 in. £5. 18 1/4 x 12 1/2 x 3 in. £6
16 3/4 x 13 x 4 in. £6. 14 1/4 x 13 x 3 3/4 in. £6.

BSR SINGLE PLAYER DECKS

BSR P172 RIM DRIVE QUALITY DECK
Manual or automatic play. Precision ultra slim arm. Cueing device. Bargain price. With stereo ceramic cartridge. **Post £2**



BSR P207 BUDGET SINGLE PLAYER ideal for £800 or small two-speed Hi-Fi system with stereo cartridge and cueing device. £15 Post £2
BSR ready cut mounting board. Only £1 extra.

GARRARD 8-200 SINGLE PLAYER DECK
Brushed Aluminium Arm with stereo ceramic cartridge and Diamond Stylus, 3-speeds. Manual and Auto Stop/Start. Large Metal Turntable. Cueing Device and Pause Control. **£22 Post £2**
Ready cut mounting board £1 extra.

BATTERY ELIMINATOR MAINS TO 9 VOLT D.C.
Stabilised output, 9 volt 400 mA U.K. made in plastic case with screw terminals. Safety overload cut out. Size 5 x 3 1/2 x 2 1/2 in. Transformer Rectifier Unit. Suitable Radios, Cassettes, models, £4.50. Post 65p.

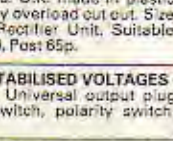
DELUXE SWITCHED MODEL STABILISED VOLTAGES
3.6-7.5-9 volt 400mA DC max. Universal output plug and lead. Pilot light, mains switch, polarity switch, **£7.50. Post 65p.**

DRILL SPEED CONTROLLER/LIGHT DIMMER KIT. Easy to build kit.
Controls up to 480 watts AC mains. £3. Post 55p.

DE LUXE MODEL READY-BUILT 800 watts plus Photo Electric Sunset "On" feature. Front plate fits standard box. £4.

ECHO CHAMBER or REVERB

Good quality unit with endless play tape cartridge. Stationary play heads ensure good reproduction and echo variance is achieved by changing tape speed. Input imp: 50k and 600 ohms. Power: 240 volts A.C.



£68. Post £2. Spare tape £5.

RELAYS. 12V DC £1.25. 6V DC 95p. 18V £1.25.

BLANK ALUMINIUM CHASSIS. 8 x 4 - £1.20; 8 x 6 - £1.50; 10 x 7 - £1.90; 12 x 8 - £2.20; 14 x 8 - £2.50; 16 x 6 - £2.40; 16 x 10 - £2.70. All 2 1/2 in. deep. 18 swg.

ANGLE ALL. 6 x 1/2 x 3/4 in. 18 swg. 25p.

ALUMINIUM PANELS. 18swg. 6 x 4 - 35p; 8 x 6 - 60p; 14 x 3 - 80p; 10 x 7 - 80p; 12 x 8 - 80p; 12 x 5 - 60p; 16 x 6 - 80p; 14 x 9 - £1.20; 12 x 12 - £1.30; 16 x 10 - £1.40.

PLASTIC AND ALI BOXES IN STOCK. MANY SIZES

ALUMINIUM BOXES. 4 x 4 x 1 1/2 £1. 4 x 2 1/2 x 2 £1. 3 x 2 x 1 80p. 6 x 4 x 2 £1.30. 7 x 5 x 2 1/2 £1.45. 8 x 6 x 3 £2.20. 10 x 7 x 3 £2.50. 12 x 5 x 3 £2.30. 12 x 8 x 3 £3. All 18swg.

BRIDGE RECTIFIER 200V PIV 2a £1. 4a £1.50. 8a £2.50.

TOGGLE SWITCHES SP 30p. DPST 40p. DPTD 50p.

RESISTORS. 100 to 10M. 1/4W, 1/2W, 1W, 1p: 2W 10p.

HIGH STABILITY. 1/2w 2% 10 ohms to 1 meg. 8p.

Ditto 5%. Preferred values. 10 ohms to 10 meg. 3p.

WIRE-WOUND RESISTORS 5 watt, 10 watt, 15 watt 20p

PICK-UP CARTRIDGES SONATONE 9TA £2.50. 9TAC £3.80

BSR Stereo Ceramic SC7 Medium Output £2.

PHILIPS PLUG-IN HEAD. AU1020 (G306 - GP310 - GP233 - AG3306 - AG3310) £2.

LOCKTITE SEALING KIT DECCA 118. Complete £1.

SOLDERING IRON 240V 40W. 5mm bit £2.95.

JACK PLUGS Mono Plastic 25p; Metal 30p.

JACK PLUGS Stereo Plastic 30p; Metal 35p.

JACK SOCKETS Mono Open 20p; Closed 25p.

JACK SOCKETS Stereo Open 25p; Closed 30p.

FREE SOCKETS - Cable end 30p.

2.5mm and 3.5mm JACK SOCKETS 20p.

2.5mm and 3.5mm JACK PLUGS 20p.

DIN TYPE CONNECTORS

Sockets 3-pin, 5-pin 10p. Free Sockets 3-pin, 5-pin 25p.

Plugs 3-pin 20p, 5-pin 25p.

PHONO PLUGS and SOCKETS ea. 10p.

Free Socket for cable end ea. 15p.

Screened Phono Plugs ea. 15p.

POTENTIOMETERS Carbon Track

5k to 2M. LOG or LIN. L/S 50p. DP 90p. Stereo L/S £1.10. DP £1.30. Edge Pot 5K, 5P 45p. Sliders Mono 85p. Stereo 85p.



MINI-MULTI TESTER

Deluxe pocket size precision moving coil instrument. Impedance - Capacity - 2000 o.p.v. Battery included. 11 instant ranges measure. DC volts 10, 50, 250, 1000. AC volts 10, 50, 250, 1000. DC amps 0-100mA. Continuity and resistance to 1 meg ohms in two ranges.

De-Luxe Range Doubler Model. 50,000 o.p.v. £18.50. 7 x 5 x 2 in. Post £1

NEW PANEL METERS £4

50ma, 100ma, 500ma, 1ma, 5ma, 50ma, 100ma, 25 volt, 50 volt, VU Meter.



500ma, 1 amp, 2 amp Facia 2 3/8 x 1 1/4 x 1 1/2 in. Lighting kit 6 or 12v 90p extra. 1ma (240° scale) 2 1/4 in. sq. **£5 Post 65p**

RCS SOUND TO LIGHT CONTROL KIT

Kit of parts to build a 3 channel sound to light unit 1,000 watts per channel. Suitable for home or disco. **£15**

Easy to build. Full instructions supplied. Cabinet Post 95p £4.50 extra. Will operate from 200MV to 100 watt signal.

200 Watt Rear Reflecting White Light Bulbs. Ideal for Disco Lights, Edison Screw, 6 for £4, or 12 for £7.50. Post 65p.

"MINOR" 10 watt AMPLIFIER KIT £14

This kit is suitable for record players, guitars, tape playback, electronic instruments or small PA systems. Two versions available: Mono, £14; Stereo, £20. Post £1. Specification 10W per channel; input 100mV; size 9 1/2 x 3 x 2 in. approx. SAE details. Full instructions supplied. AC mains powered. Input can be modified to suit guitar.

RCS STEREO PRE-AMP KIT. All parts to build this pre-amp.

Inputs for high, medium or low imp. per channel, with volume control and PC Board. Can be ganged to make multi-way stereo mixers. **£2.95 Post 65p**

MAINS TRANSFORMERS

250-0-250V 70mA, 6.5V 2A **£4.50 Post £2**

250-0-250V 500mA, 6.3V 3.5A, 6.3V 1A **£5.00 Post £2**

300-0-300V 250mA, 6.3V 8A CT **£12.00 Post £2**

300-0-300V 120mA, 2 x 6.3V 2A C.T.; 5V 2A **£10.00 Post £2**

220V 45mA, 6.3V 2A **£2.50 Post £1**

GENERAL PURPOSE LOW VOLTAGE

Tap and outputs available

2amp, 3, 4, 5, 6, 8, 9, 10, 12, 15, 18, 25 and 30V **£6.00 Post £2**

1amp, 6, 8, 10, 12, 16, 18, 20, 24, 30, 36, 40, 48, 60 **£6.00 Post £2**

2amp, 6, 8, 10, 12, 16, 18, 20, 24, 30, 36, 40, 48, 60 **£9.50 Post £2**

3amp, 6, 8, 10, 12, 16, 18, 20, 24, 30, 36, 40, 48, 60 **£12.50 Post £2**

5amp, 6, 8, 10, 12, 16, 18, 20, 24, 30, 36, 40, 48, 60 **£16.00 Post £2**

12V, 100mA **£1.25 80p**

12V, 750mA **£2.00 80p**

10-0-10V 2a **£3.00 Post £1**

30V, 5a and 17.0-17V 2a **£4.50 Post £1**

0.5, 1, 10, 10V, 1/2a **£2.50 80p**

9V, 2a **£3.50 Post £1**

25-0-25V 2a **£4.50 Post £1**

30V, 1/2a **£3.50 Post £1**

6V, 1/2a **£2.00 Post £1**

18-0-18V, 2a **£3.75 Post £1**

AUTO WOUND 115V to 240V 150V 5A; 400W, £11; 500W, £12 Post £2

CHARGER TRANS

6-12 volt 3a **£4.00 Post £2**

6-12 volt 4a **£6.50 Post £2**

RECTIFIERS

6-12 volt 2a **£1.10 - 80p**

6-12 volt 4a **£2.00 - 80p**

OPUS COMPACT SPEAKERS

FLUTED WOOD FRONTS TEAK VENEERED CABINET

11 x 8 1/2 x 7 1/2 in 15 watts

50 to 14,000 cps, 4 ohm or 8 ohm **£20 pair Post £2**

LOW VOLTAGE ELECTROLYTICS

1mf, 2mf, 4mf, 8mf, 10mf, 16mf, 25mf, 30mf, 50mf, 100mf, 250mf, All 15 volts. 22mf/6V/10v; 25mf/6V/10v; 47mf/10V; 50mf/16V; 68mf/6V/10V/16V; 25v; 100mf/10v; 150mf/6V/10v; 200mf/10v/16v; 220mf/4v/10v/15v; 330mf/1/4v/10v; 500mf/1/8v; 680mf/1/8v/10v/15v; 1000mf/2.5v/4v/10v; 1500mf/6v/10v/15v; 2200mf/6v/10v; 3300mf/10v; 4700mf/4v. ALL 10p.

5000mf 12V 15p; 25V 20p; 50V 30p; 1000mf 6V 20p; 25V 35p; 50V 50p; 100V 70p; 2000mf 8V 25p; 25V 42p; 40V 60p; 12000mf 76V 80p; 2500mf 50V 70p; 3000mf 50V 85p; 2000mf 100V £1.20. 4500mf 64V £2. 4700mf 63V £1.20. 2700mf 76V £1.

HIGH VOLTAGE ELECTROLYTICS

8/450V 45p 8-8/450V 75p 32-32+16/350V 90p

8/800V £1.20 8-8/450V 75p 100-100/275V 65p

16/350V 45p 20-20/450V 75p 150-200/275V 70p

32/850V 75p 32-32/850V 50p 220/450V 95p

32/350V 50p 32-32/500 £1.80 80-40/500V £2

50/500V £1.20 50-50/300V 50p

VALVE OUTPUT Transformers (small) 90p.

TRIMMERS 10pF, 30pF, 50pF, 5p, 100pF, 150pF, 15p.

CAPACITORS Various 10pF to 100,000pF.

PAPER 350V 0.1 7p; 0.5 13p; 1mf 150V 20p; 2mf 150V 20p;

500V 0.001 to 0.05 12p; 0.1 15p; 0.25 25p; 0.47 35p.

MICRO SWITCH SINGLE POLE CHANGEVER 30p.

SUB-MIN MICRO SWITCH, 30p. Single pole changeover.

TWIN GANG, 120V 50p; 500pF £1.

GEARED TWIN GANGS 25pF 95p, 385pF £1.

GEARED 365 + 365 + 25 + 25pF £1.

TRANSISTOR TWIN GANG, Japanese Replacement 50p.

NEON PANEL INDICATORS 250V 30p.

ILLUMINATED ROCKER SWITCH, Single pole. Red 65p.

CASSETTE MONO REPLAY. Complete working £12.50

CASSETTE MOTOR, 6 volt £1

CASSETTE MECHANISM, 8 or 12v Stereo Heads £5

U.H.F. COAXIAL CABLE SUPER LOW LOSS. 25p yd.

COAX PLUGS 20p. COAX SOCKETS 20p.

NEW baker Star sound

high power full range quality loudspeakers produced to give exceptional reproduction. Ideal for Hi-Fi, music P.A. or discotheques. These loudspeakers are recommended where high power handling is required with quality results. The high flux ceramic magnet ensures clear response.



MODEL	INCHES	OHMS	WATTS	TYPE	PRICE	POST
MAJOR	12	4-8-16	30	HI-FI	£14	£2
DELUXE MK II	12	8-16	15	HI-FI	£14	£2
SUPERB	12	8-16	30	HI-FI	£24	£2
AUDITORIUM	12	8-16	45	HI-FI	£22	£2
AUDITORIUM	15	8-16	80	HI-FI	£34	£2
GROUP 45	12	4-8-16	45	PA	£14	£2
GROUP 75	12	4-8-16	75	PA	£22	£2
GROUP 100	12	8-16	100	PA	£24	£2
GROUP 100	15	8-16	100	PA	£32	£2
DISCO 100	12	8-16	100	DISCO	£24	£2
DISCO 150	15	8-16	100	DISCO	£32	£2



BAKER 150 WATT MIXER/POWER AMPLIFIER £89 Post £2 SLAVE VERSION £75

For Organs, Discotheque, Vocal, Public Address. Three loudspeaker outlets for 4, 8 or 16 ohms. Four high gain inputs, each 20 mv, 50k ohm. Individual volume controls "Four channel" mixing. 150 watts into 8 ohms R.M.S. Music Power. Distortion less than 1%. Slave output 500 M.V. 25k ohm. Frequency Response 25 Hz - 20kHz ± 3dB. Integral Hi-Fi preamp separate Bass & Treble. Comcoat - "16" x 8" x 5 1/2". Lightweight - 14lb. Master volume control. Made in England. 12 months' guarantee. 200/250V A.C. mains or 120V to order. All transformer and solid state devices. 100 Volt Line £15 extra.

BAKERS NEW PA150 MICROPHONE PA AMPLIFIER £128. Post £3
4 channel 8 inputs, dual impedance, 50K-600 ohm 4 channel mixing, volume, treble, bass. Presence controls, Master volume control, echo/send/return sockets, Slave input/output sockets.

BAKER 50 WATT AMPLIFIER £69 Post £2

Ideal for Halls/PA systems, Discos and Groups. Two inputs. Mixer, Volume Controls, Master Bass, Treble and Gain.



RCS offers MOBILE PA AMPLIFIERS. Outputs 4-18-16 ohms

20-watt RMS 12V DC, AC 240v, 3 inputs 50K **£46 (PP £2)**

40-watt RMS 12V DC, AC 240v, 4 inputs, 50K **£75 (PP £2)**

Mic 1; Mic 2; Phone; aux. outputs 4 or 8 or 16 and 100v lin

50-watt RMS, Mobile 24 volt DC & 240-volt AC mains. Inputs 50K, 3mics + 1 music. Outputs 4-8-16 ohm + 100 volts line £95 (PP £2).

FAMOUS LOUSPEAKERS "SPECIAL PRICES"

MAKE	MODEL	SIZE	WATTS	OHMS	PRICE	POST
SEAS	TWEETER	4in	50	8	£7.50	£1
GODDMANS	TWEETER	3 1/2in	25	8	£4.00	£1

WHAT PRICE PERFORMANCE FROM CROTECH? Not a lot - you'll like it!



TYPE 3030

DC-15MHz Bandwidth
5mV/div sensitivity
200ns - 200ms/div sweep speeds
Rectangular CRT
Compact and lightweight
BUILT-IN COMPONENT TESTER

Triggered and automatic sweep
Triggering to 20MHz
Fully regulated high and low voltage supplies
200mV Calibration signal

£195*

3030 and 3131 just two models in the range, reflect the Crotech philosophy of building-in extra performance. Both scopes offer the full specification you expect and demand. But now the extra: both feature a Component Tester which displays the characteristics of active and passive components either in or out of circuit. This benefit extends both instruments beyond the limits of a normal scope. The price?, well that speaks for itself.

For details telephone Reading (0734) 866945 and ask for our full catalogue.

*U.K. LIST EXC VAT



TYPE 3131

DC-15MHz Bandwidth
5mV/div sensitivity on both channels
Algebraic addition and subtraction
X-Y Operation
BUILT-IN COMPONENT TESTER

200ns/div to 0.2s/div timabase
5" CRT
Triggering to 35MHz
Z Modulation
10 x 8 div display
TV Frame trigger

£230*

Crotech Instruments Limited

5 Nimrod Way, Elgar Road, Reading, Berks, RG2 0EB.

WW - 045 FOR FURTHER DETAILS

New KONTAKT Sprays

for the Electronics & Electrical Industries



KALTRON 601

A new cleaner for Magnetic Recording Units. Kaltron 601 has an extremely low surface tension thereby enabling the cleaning of magnetic sound heads leaving no deposit or other traces.

It is chemically pure (99.8%) - non conductive - non-flammable.

It can be used on energised electrical installations and electronic equipment, e.g. video units, tape recorders, data processing systems etc.

Also NEW

PRINTER 66

Spray cleaner for type wheel printers, matrix printers and chain printers. Can also be used for cleaning normal typewriters.

SCREEN 99

Specialty for the cleaning of all types of screens, including data terminals and T.V. Screens.

VASELINE SPRAY 701

For use in communications engineering and construction of antennae. Proved successful as corrosion inhibitor for cable clamps, connecting screw joints etc. Application from spray can with capillary tube is clean and simple. Distributed by:

Special Products Distributors Ltd.
81 Piccadilly, London, W1V 0HL

Tel: 01-629 9556 : Cables: Speciproduct, London, W.1
Telex: 265200 (answerback RACEN)

WW - 059 FOR FURTHER DETAILS

METALFILM RESISTORS 1% Tolerance, 1/4 Watt



ONLY 3p EACH

Minimum order £10
Minimum 5 pcs per value
89 Values (E24)

100R	1.4	1.5	1.00k
110R	1.4	1.1	1.10k
120R	1.4	1.2	1.20k
130R	1.4	1.3	1.30k
150R	1.4	1.5	1.50k
160R	1.4	1.6	1.60k
180R	1.4	1.8	1.80k
200R	2.4	2.0	2.00k
220R	2.4	2.2	2.20k
240R	2.4	2.4	2.40k
270R	2.4	2.7	2.70k
300R	2.4	3.0	3.00k
330R	3.4	3.3	3.30k
360R	3.4	3.6	3.60k
390R	3.4	3.9	3.90k
430R	4.4	4.3	4.30k
470R	4.4	4.7	4.70k
510R	5.4	5.1	5.10k
560R	5.4	5.6	5.60k
620R	6.4	6.2	6.20k
680R	6.4	6.8	6.80k
750R	7.4	7.5	7.50k
820R	8.4	8.2	8.20k
910R	9.4	9.1	9.10k

Special Offer: 5 PCS of EACH (445 RESISTORS) ONLY £11.50.
High Quality High Stability. Huge Strength.

VAT inclusive. Add £1.00 p&p all areas.

ORION SCIENTIFIC PRODUCTS LTD.
4 Golden Square, London, W.1

WW - 046 FOR FURTHER DETAILS

RADIATION DETECTORS

BE PREPARED

VIEW THRU LENS

Ideal for the experimenter

- THIS DOSIMETER WILL AUTOMATICALLY DETECT GAMMA AND X-RAYS
- UNIT IS SIZE OF FOUNTAIN PEN & CLIPS ONTO TOP POCKET
- PRECISION INSTRUMENT
- MANUFACTURERS CURRENT PRICE OF A SIMILAR MODEL OVER £25 EACH

British design & manufacture

Tested and fully guaranteed. Ex-stock delivery.

HENRY'S

01-723 1008/9

404 EDGWARE ROAD, LONDON W2 1ED

FREE REPAIR SERVICE AFTER PURCHASE

£6.95

inc. VAT Post & Pack 80p

COMPLETE WITH DATA



MICRO TIMES

19 Mill St., Bideford, North Devon
EX39 2JR, England (WVN)
Telephone Bideford (023 72) 79798

INTRODUCING CMOS AND TTL

see below for micro prices

CMOS	74LS	TTL	
4001	12p	74LS00	14p
4002	12p	74LS01	14p
4006	60p	74LS02	13p
4007	13p	74LS03	13p
4008	60p	74LS04	13p
4010	38p	74LS08	13p
4011	12p	74LS10	13p
4012	12p	74LS14	14p
4013	33p	74LS16	13p
4014	60p	74LS20	13p
4015	62p	74LS21	14p
4016	28p	74LS22	14p
4017	53p	74LS23	16p
4018	58p	74LS24	39p
4019	38p	74LS27	41p
4020	65p	74LS29	14p
4023	18p	74LS27A	18p
4024	38p	74LS29A	29p
4025	14p	74LS26	36p
4026	11.28	74LS28	38p
4027	35p	74LS29	38p
4028	62p	74LS107	40p
4029	70p	74LS112	70p
4030	48p	74LS123	45p
4031	1.35	74LS125	29p
4040	55p	74LS138	50p
4042	55p	74LS139	39p
4044	50p	74LS151	75p
4048	74p	74LS155	48p
4047	75p	74LS157	35p
4049	44p	74LS161	42p
4049	27p	74LS162	42p
4050	27p	74LS164	50p
4051	60p	74LS173	75p
4052	60p	74LS174	77p
4056	1.50	74LS176	59p
4059	38p	74LS221	63p
4062	11.18	74LS244	83p
4066	38p	74LS245	1.20
4068	18p	74LS251	45p
4069	15p	74LS252	50p
4070	22p	74LS261	1.30
4071	15p	74LS266	39p
4075	20p	74LS273	78p
4077	22p	74LS274	78p
4078	20p	74LS283	60p
4081	19p		
4093	42p		
4503	85p		
4510	86p		
4511	51p		
4518	70p		
4520	1.50		
4520	1.50		
4522	30p		

KITS FOR BEGINNERS

ELECTRONIC WHEEL OF FORTUNE
Fun kit £5.00

ULTRONIC FLY REPELLER
A must for campers £4.50

VOLTAGE REGULATORS

7805	1A	5V	53p
7812	1.2V	53p	
7806	5V	58p	
7912	1.2V	58p	
	100mA		
78L05	5V	29p	
78L12	1.2V	29p	
	300mA		
79M12	1.2V	62p	
79M05	5V	62p	
723		32p	

LOW PROFILE DIL SOCKETS

40 pin	30p
28 pin	26p
24 pin	24p
22 pin	22p
18 pin	16p
16 pin	14p
14 pin	12p
8 pin	9p

TTLs

TL32	45p
TL209 red	10p
TL202 green	18p
TL212 yell	18p
TL216 red	18p
TL228 red	20p
TL220 red	12p
TL224	18p
TL311	1.50
TL312/3	1.00
TL321A	1.15
TL330A	1.15

LINEAR ICs

NE555	17p
NE556	46p
RC4136	65p
LM301AN	26p
LM311P	45p
LM316	1.45
LM324N	42p
LM338N	40p
LM348N	75p
LM358P	38p
LM35C	65p

S-100 KLUGE CARD

SIMPLIFY YOUR PROJECTS WITH A PROTOTYPE BREADBOARD WITH EXTRAS!

- ★ 4 On-Board Pwr. Supplies up to 3 of which can be 5, or 7.5, or 12.
- ★ Switch Selectable Memory or Device Address.
- ★ On-Board Address/Device Decoding.
- ★ 8-Directional Data Bus Buffering.
- ★ On-Board Wait Status.
- ★ Large Breadboard Area.
- ★ Bare Board & Manual. £33.00. Delivery: 2 weeks.

S-100 PROM BLASTER

PROGRAMS MOST FAMILIES OF EPROMs

- ★ Accepts 1K/2K/4K or 8K Eproms.
- ★ Extended Device Option.
- ★ Phantom Slave Option.
- ★ All Programming Characteristics. Software Controlled!
- ★ Accepts Single or 3 Supply parts.
- ★ Device Address Switch Selectable.
- ★ On-Board Wait Status.

Put your frequently used routines into EPROM!

BAREBOARD PROMWRITER KIT £48

Incl. all parts, sockets and Promwriter. Del: 2 weeks.

FLOPPY DISC CONTROLLERS

FD1771	£51.00
FD1791-2	£32.00
WD128TD	£14.50
WD2143-01	£5.00

★ SPECIAL! Complete Pkg. £56. Includes FD1791-2 + WD1691D + WD2143-01.

Set data available £3.00 (20p SAE please).

EPROMS

1- 25-	
2705 450ns	£2.55 £2.50
2716 5V 450ns	£2.85 £2.80
2732 Intel type	£9.90 ea.
Buy 5 off for	£49.00

6809 SINGLE BOARD COMPUTER

Uses Motorola's powerful MC 6809 CPU 4K/8K/16K ROM 2K RAM, ACIA, PIA, 8080 simulated I/O, 40-231 Handshake, 8 set. Baud Rates.

BARE BOARD £48***

Uses 6809, 6850, 6821 - Buy set for £16.40. COMPLETE KIT £175 + 15% VAT - £1 P&P. Manual includes: 11x17in. Schematic Parts List, user notes, Software listings and more! ADAMONS 10716

DATA AVAILABLE ON 6809 SAE please. £24.00

MEMORIES

2114 450ns	1- 25-
2114 300ns	£1.30 £1.25
1CB514P	£1.65 £1.45
(4K CMOS RAM) (1Kx4) 450ns.	
4115 200ns	£1.20 £1.18
4115 150ns	£1.70 £1.65
CMOS RAM 6101	£3.45 £3.40
HM 6115-3116K	
150ns	£15.50 £15.25

CPU's

6502	£5.45	8080A	£4.15
6504	£7.25	8085A	£6.45
6602	£5.70	280	£4.00
6603	£15.00	730A	£5.85

SUPPORT DEVICES

6520	£3.10	280 CTC	£4.25
6522	£5.55	280 PIO	£4.25
6532	£7.70	280ACTC	£6.40
6810	£2.50	280APIC	£5.40
6821	£1.90	280DMA	£14.95
6845	£15.50	280ADMA	£18.00
6850	£1.90	280SIO	£17.50
6852	£3.25	280ASIO	£22.50
6912	£1.75	280SIO/1	£17.50
8216	£1.75	280ASIO/1	£22.50
8228	£3.95	280SIO/2	£17.50
8265	£4.10	280ASIO/2	£22.50

Z80 COMBO CHIP

MK3885, 217 meg Data £1.00 plus 51p SAE £19.50

AY-3-8910 GI SOUND COMPUTER CHIP

Features:
Full software control of sound generation
Interfaces with most 8-bit and 16-bit microprocessors
3 independently programmed analog outputs
Two 8-bit general purpose I/O ports
Single +5V supply

SPECIAL PRICE £6.95
Data £1. Large SAE please

EPROM ERASER

FAST ERASE TIME EPOXY COATED STEEL CASE HOLDS UP TO SIX EPROMs SAFETY INTERLOCKED U.V. SOURCE

Data available £48.50 each

VEROBLOC SOLDERLESS BREADBOARD

360 reliable contacts. Will accommodate any size IC. Can be full interlocked one with another. £3.55 each

S100 Prototyping Board: Microboard Pattern CS-2175L £16.40
So. Ped Universal Pattern Prototyping Board for your APPLE ATT 2020 £8.87

ANTEX SOLDERING IRONS

Model CX. 17W	£4.25
Kit SK1. 15W	£6.00
Incl. base/stand + solder	
Kit SK3. 17W	£6.00
Kit SK4. 25W	£6.00
SK3 and SK4 complete with stand.	
MLX Repair Kit	£4.80
Can be used where no mains elec. is available.	
Spare Bits	50p

ORDERING INFORMATION

Please add 50p P&P. Plus 15% VAT to all orders. EXPORT ORDERS ACCEPTED. Add 15% P&P on total order. VAT not applicable. ACCESS/BARCLAYCARD WELCOME! Please add 15% VAT after P&P.

Schools, Univ. Official Orders welcome.

It is our policy to offer you brand new, full-spec. devices. Prices subject to change without notice.

WW - 019 FOR FURTHER DETAILS

CHILTERN ELECTRONICS

B.C.M. Box 8085 London WC1N 3XX Tel: 0494 714483

VIDEO MONITORS

We still have a few of these professional Video Monitors available brand new, at less than a quarter of list price.

12 inch screen, green phosphor with anti-glare shield. Ideal for graphics or alphanumeric.

Standard composite video in, 240 Vts. Extremely attractive anodised aluminium case. Resolution better than 600 lines - 15 Mhz bandwidth. Ideal for home use - just plug into your micro system.

We believe these are the finest monitors available at any price. Full data and cables included. Only £75 plus VAT - please phone for cost of carriage.

WORD PROCESSOR PRINTERS

ICL Termi-printer (GE Terminate). Modern micro-controlled printer giving full ASCII upper and lower case correspondence quality print. RS232C input up to 50 ch/sec print speed. Compact, modern design and whisper-quiet - ideal for home use. Original cost around £1,500. Sold in used condition without guarantee, but can be demonstrated working if you collect. Only £170 plus VAT & carriage. Manual/spares available.

MAGTAPE BARGAIN

Complete industry standard top quality 9-Track Magnetic Tape units - less than two years old, and cost over £4,000 each. Standard Partec interface, 9-level parallel TTL in/out, very easy to interface to an 8-bit micro. Rack mounting, units are 2ft high taking full size computer spools. Highest quality engineering and electronics. Offered at the price of only £200 plus VAT/carriage.

OTHER COMPUTER BARGAINS

DRI series 30 2.5 Mbyte disk drives	£450
DRI 400 5 1/5 Mbyte disk drives as new	£750
PDP8A Computers 16K Core	£800
Dataproducts 2230 Line Printers	£1,000
Centronics 101A 160 cps Matrix heavy duty printers	£250
Qume sprint 55 Daisy Wheel printer	£650

PDP11 RT11 COMPUTER SYSTEM

We have a few complete DEC systems with 2.5 Mbyte hard disk drive as system device plus LS1-11 processors - and we are selling the complete RT11 systems for under £2,000. Please phone for details.

We stock a huge amount of DEC PDP8/11 spares - please phone for details. Prices exclude VAT and carriage. All equipment may be viewed at our office near High Wycombe.

WW - 038 FOR FURTHER DETAILS

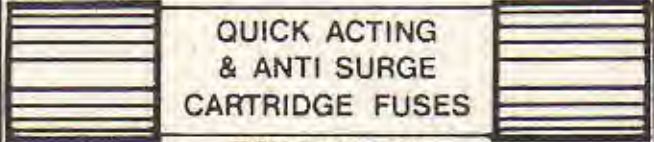
Carbon Film Resistors

(Send for lists of values available)

1/4w 5% **£2** per 1,000

Carriage & VAT extra

Cable Sleeves and Markers from £1.38 per 1,000.
Crimp Terminals from £9.60 per 1,000.
Audible Warning Devices. Buzz-tone, Bleep-tone, Banshee, Bed-lam, etc. from £1.14 each.
Self-adhesive Pcb guides from £5.04 per 100.



QUICK ACTING & ANTI SURGE CARTRIDGE FUSES

FROM £3.15 per 100

NOVAPRODUCTS

Golden Green, Tonbridge Kent TN11 6LH
Member Crystalate Group Hadlow (0732) 861345

WW - 113 FOR FURTHER DETAILS

ONLY £48.50 Post free, inc VAT



LOW COST EPROM ERASURE

- ☐ HOLDS UP TO SIX EPROMS
- ☐ SAFETY INTERLOCKED TRAY
- ☐ FAST ERASE TIME
- ☐ QUALITY STEEL CASE
- ☐ MONEY-BACK GUARANTEE

Send cheque or official order (no personal cheques). Telephone orders will be despatched FREE of invoice charge.

Also available in London from: Technomatic Ltd. Transam and in Aberdeen from: Granite Chip.

NORTHERN ELECTRONICS

51 Arundel Street, Mossley, Lancashire Tel: Mossley (04575) 4119
WW - 055 FOR FURTHER DETAILS

TRANSCENDENT 2000 single-board synthesizer**Complete Kit £159**

Designed by consultant Tim Orr (formerly synthesizer designer for EMS Ltd.) and featured as a constructional article in ETI, this fine performance synthesizer is a 3-octave instrument transposable 2 octaves up or down giving sweep control, a noise generator and an ADSR envelope shaper. There is also a slow oscillator, a new pitch detector, ADSR repeat, sample and hold, and special circuitry with precision components to ensure tuning stability amongst its many features.

The kit includes fully-finished metalwork, fully assembled solid teak cabinet, filter sweep pedal, professional quality components (all resistors either 2% metal oxide or 1% metal film), and it really is complete - right down to the last nut and bolt and last piece of wire! There is even a 13A plug in the kit - you need buy absolutely no more parts before plugging in and making great music! Virtually all the components are on the one professional quality fibreglass PCB printed with component locations. All the controls mount directly on the main board, all connections to the board are made with connectors plugs and construction is so simple it can be built in a few evenings by almost anyone capable of neat soldering! When finished you will possess a synthesizer comparable in performance and quality with ready-built units selling for many times the price. Comprehensive handbook fully describes construction and tells you how to set up your synthesizer with nothing more elaborate than a multi-meter and a pair of ears!

TRANSCENDENT POLYSYNTH

expandable polyphonic synthesizer

Complete Kit £275

(single voice)

Plug-in extra voices £43.50 (for £40 - if ordered with kit)



By brilliant design work and the use of high technology components the Polysynth brings to the reach of the home constructor a machine whose versatility and range of sound is matched only by ready-built equipment costing thousands of pounds. Designed by synthesizer expert Tim Orr and published in Electronics Today International, this latest addition to the famous Transcendent family is a 4-octave transposable over 112 octave polyphonic synthesizer with internally up to 4 voices making it possible to play simultaneously up to 4 notes, whereas conventional synthesizers handle only one at a time.

The basic instrument is supplied with 1 voice and up to 3 more may be plugged in. A further 4 voices may be added by connecting to an expander unit, the metalwork and woodwork of which is designed for side-by-side matching with the main instrument. Each voice is a complete synthesizer in itself, with 2 VCOS, 2 ADSRs, a VCA and a VCF (requiring only control voltages and power supply, the voice boards are also very suitable for modular systems). One of three voices is automatically allocated to a keyboard. There are separate tuning controls for each VCO of each voice. All other controls are common to all the voices for ease of control and to ensure consistency between the voices.

Although using very advanced electronics the kit is mechanically very simple with minimal wiring, most of which is with ribbon cable connectors. All controls are PCB mounted and the voice boards fit with PCB mounted plugs and sockets. The kit includes fully finished metalwork, solid teak cabinet, professional quality components (resistors 2% metal oxide or metal film of 0.5% and 0.1%), nuts, bolts, etc.

DE LUXE LINSLEY HOOD 75 watts/channel Amplifier**Complete Kit £85**

This easy-to-build version of our world-wide acclaimed 75W amplifier kit based upon circuit boards inter-connected with gold plated contacts resulting in minimal wiring and construction delightfully straightforward. The design was published in *ETI* News and Record Review and features include rumble filter, variable scratch filter, versatile tone controls and tape monitoring while distortion is less than 0.01%.

**T20+20 20W STEREO AMPLIFIER £29.50**

This kit, based upon a design published in *Practical Wireless*, uses a single printed circuit board and offers at very low cost, ease of construction and all the normal facilities found on quality amplifiers. A 30 watt version of this kit (T20+30) is also available for £34.50+VAT.

SP2-200 2-CHANNEL 100W. AMPLIFIER

**PORTWAY INDUSTRIAL EST.
ANDOVER, HANTS, SP10 3MM**

POWERTRAN
WORLD LEADERS IN
ELECTRONIC KITS

**ANDOVER (0264) 64455****MPA 200** 100W. (rms into 8 ohms) MIXER/AMPLIFIER**COMPLETE KIT £49.90**

Featured as a constructional article in ETI, the MPA 200 is an exceptionally low priced but professionally finished - general purpose high power amplifier. It features adjustable input mixer which accepts a wide range of sources such as microphone, guitar, etc. There are wide range tone controls and a master volume control. Mechanically the MPA 200 is simplicity itself with minimal wiring needed making construction very straightforward. The kit includes fully finished metalwork, fibreglass PCBs, controls, wire, etc. - complete down to the last nut and bolt.

1024 COMPOSER Complete Kit £85

Programmed from a synthesizer, our latest design to be featured in ELECTRONICS TODAY INTERNATIONAL, the 1024 COMPOSER controls the synth. with a sequence of up to 1024 notes of a large number of shorter sequences 2, 4, 8 or 16 notes all with programmable note length. In addition a rest or series of rests can be entered. It is mains powered but an automatically trickle charged Nickel-Cadmium battery supplying the memory, preserves the program after switch off. The kit includes fully finished metalwork, fibreglass PCB, controls, wire, etc. - Complete down to the last nut and bolt!

COMPLETE KIT £64.90

The power amplifier section of the MPA 200 has proved not only very economical but very rugged and reliable too. This new design uses two of these simplified sections powered by separate power supplies fed from a common toroidal transformer. Input sensitivity is 375mV. Even simultaneously driven, each channel delivers over 100W rms into 8 ohms. The kit includes fully finished metalwork, fibreglass PCBs, controls, wire, etc. - complete down to the last nut and bolt!

**DJ90 DISCO SYSTEM** DETAILS IN OUR FREE CATALOGUE**TRANSCENDENT DPX** MULTI-VOICE SYNTHESIZER **Complete Kit £295**

The Transcendent DPX is a really versatile 5 octave keyboard instrument. There are two audio outputs which can be used simultaneously. On the first there is a beautiful harpsichord or reed sound - fully polyphonic, i.e. you can play chords with as many notes as you like. On the second output there is a wide range of different voices, still fully polyphonic. It can be a straightforward piano or a honky-tonk piano or even a mixture of the two! Alternatively you can play strings over the whole range of the keyboard or brass over the whole range of the keyboard or should you prefer - strings on the top of the keyboard and brass on the lower end (the keyboard is electronically split after the first two octaves) or vice versa or even a combination of strings and brass sounds simultaneously. And on all voices you can switch in circuitry to make the keyboard touch sensitive! The harder you press down a key the louder it sounds - just like an acoustic piano. The digitally controlled multiplexed system makes practical touch sensitivity with the complex dynamics law necessary for a high degree of realism. There is a master volume and tone control, a separate control for the brass sounds and also a vibrato circuit with

variable depth control together with a variable delay control so that the vibrato comes in only after waiting a short time after the note is struck for even more realistic string sounds. To add interest to the sounds and make them more natural there is a chorus/ensemble unit which is a complex phasing system using CGD (charge coupled device) analogue delay lines. The overall effect of this is similar to that of several acoustic instruments playing the same piece of music. The ensemble circuitry can be switched in with either strong or mild effects.

Although the DPX is an advanced design using a very large amount of circuitry, much of it very sophisticated, the kit is mechanically extremely simple with excellent access to all the circuit boards which interconnect with multiway connectors, just four of which are removed to separate the keyboard circuitry and the panel circuitry from the main circuitry in the cabinet. The kit includes fully finished metalwork, solid teak cabinet, professional quality components (all resistors 2% metal oxide), nuts, bolts, even a 13A plug!

V.A.T. NOT INCLUDED IN PRICES

PRICE STABILITY: Order with confidence! In spite of any price changes we will honour all prices in this advertisement until December 31, 1981, if this month's advertisement is mentioned with your order. Errors and VAT rate changes excluded.

EXPORT ORDERS: No VAT. Postage charges at actual cost plus £7 handling and postal documentation.
U.K. ORDERS: Subject to 15% surcharge for VAT. No charge is made for carriage.

SECURICOR DELIVERY: For this optional service (U.K. mainland only) add £2.50 (VAT included) per kit.
SALES COUNTER: If you prefer to collect your kit from the factory. Call at Sales Counter Open 9 a.m. to 12 noon, 1 to 4.30 p.m. Monday to Thursday.

POWERFUL PORTABLE PRACTICAL

GR Electronics' hand-held terminals save time, money and effort. They form convenient, portable I/O devices for all types of digital systems, meeting the needs of:

- OEM systems manufacturers
- Field installation and maintenance personnel
- Engineers.

PACKED WITH USEFUL FEATURES:

- **POCKET VDU**
 - Receives, transmits and displays full 128 ASCII code set
 - 1600 character non-volatile memory
 - 2 x 20-character LCD display
 - LINE transmission mode selectable to 9600 baud
 - Full cursor-controlled EDIT facilities
 - Wide range of signalling options
 - Built-in RS232C and 20mA loop interfaces



POCKET TERMINAL

- Receives and transmits full 128 ASCII code set
- 30-character memory
- Clear 8-character, 16-segment display
- Transmission speeds 110 and 300 baud
- Cursor-controlled data entry
- Built-in RS232C and 20mA loop interfaces



The Pocket VDU and Pocket Terminal are real, cost-effective alternatives to fixed control panels and bulky, expensive terminal equipment. Send for more details now from:

GR ELECTRONICS LTD., Fairoak House, Church Rd., Newport, Gwent NPT 7EJ, UK. Tel: Newport (0633) 214147. Telex: 497939.

SEE US AT THE NATIONAL MICROPROCESSOR AND ELECTRONICS CENTRE

WW - 005 FOR FURTHER DETAILS

VALVES		Minimum Order £1	VALVES VAT IS INCLUDED						
A1065	1.40	FL509	2.70	QQV06/40A	0.80	11E2	18.50	6064	2.30
A2283	8.80	EL802	1.70	20	0.85	12A6	0.70	6095	3.20
A2900	3.20	EL821	8.20	QV03-12	4.20	6AM5	4.20	60A7	2.30
AMR	0.75	EL822	9.95	SC1/400	4.50	6AM6	1.50	62A7	5.30
ARP3	0.70	EM01	1.50	SC1/600	4.50	6AN8A	2.50	62A7	4.85
ATP4	0.60	EM50	0.85	SP61	1.80	6AY6	3.40	62C7	8.20
B1214	3.80	EM51	0.85	U30	0.65	6AQ5	1.00	62D7	2.85
CV31	1.40	EM84	0.85	U35	1.15	6A03W	1.80	62E6	6.60
DAF96	0.70	EM87	1.30	U26	1.15	6A50	1.15	62E6	14.00
DET22	26.96	EY51	0.95	U27	1.15	6A75	0.90	62H7	8.20
DF96	3.70	FY81	0.65	U191	0.85	6A16	0.60	62C7	3.30
DH179	0.75	FY86/87	0.65	U281	0.70	6A26	0.85	62E7	2.85
DL32	6.60	FY88	0.85	U30	0.65	6AX4T	1.30	62J5GT	0.55
DY85/87	0.65	EZ80	0.70	U600	11.50	6AX5GT	1.30	62K7G1	0.70
DY802	0.70	EZ81	0.70	U801	0.90	6BA6	0.55	62K8GT	0.80
E56L	14.90	GM4	5.90	U8C41	1.20	6BE6	0.60	62J7GT	0.80
FB8CC	1.60	GY501	1.30	UAGC0	0.75	6B06G	1.50	62S7	0.55
ES8CC/91	2.10	GZ33	1.05	UAF42	1.20	6B16	1.30	62H7	0.65
ES2CC	1.20	GZ34	2.75	UJF88	0.70	6B07A	0.85	62S7	1.45
ET80CC	2.40	GZ37	3.95	UJF21	1.75	6B8W5	6.20	62S0GT	0.85
ET80CF	6.30	KT66	8.30	UCC84	0.85	6B8W7	0.90	62T4	0.55
FL8CC	4.95	LC25	9.25	UCC85	0.70	6C4	4.50	62S7	41.85
GA76	2.25	KT88	8.95	UCR80	1.30	6C6	4.55	6306	0.90
EABG80	0.60	13.00*	UCM42	1.65	6C8E	8.20	6306	0.80	
EB91	0.80	MH4	2.50	UCH81	0.75	6CL6	1.70	6457	1.15
ELC30	1.15	ML8	2.50	UCI82	0.95	6CX5	3.80	6A025	0.85
ELC32	0.60	MX10/01	2.10	UFI41	1.35	6CY6	0.90	6B1	14.00
EF80	0.60	N73	0.90	U80	0.90	6D4	0.70	63A8	0.50
EF80S	0.60	OA2	0.70	U85	0.95	6E6	3.20	63H5	38.55
EF809	0.80	OB2	0.80	UL41	2.30	6F6	1.60	60D1	0.80
EC52	0.65	PABC80	0.60	UL84	0.95	6F6B	1.10	60E2	0.85
EC51	3.40	PC85	0.75	UM80	0.90	6F7	2.50	60E1	0.85
EC52	0.85	PC86	0.75	UM84	0.70	6G2	0.85	60F1	0.85
EC81	0.65	PC88	0.95	UY82	0.70	6H12	1.50	60F3	0.75
EC82	0.60	PC97	1.50	UY85	0.85	6F14	1.15	60P4	1.25
EC83	0.65	PC90	1.15	VR105/30	1.30	6F18	1.30	60P6	1.35
EC84	0.60	PC94	0.50	1.25	6F17	1.15	60LGT	0.95	
EC85	0.60	PC85	0.65	VR150/30	1.35	6F24	1.75	60LGT	0.75
EC86	1.70	PC108	1.55	X08	3.75	6G15	3.00	60C15	0.60
EC88	0.80	PCF80	0.80	X01M	1.70	6F33	10.60	60C17	0.55
EC160	0.95	PCF82	0.70	XR1-6A00A	0.75	6F88	4.20	60C18	2.40
EC804	0.90	PCF84	0.75	82.80	6G48	0.90	60F5	1.15	
ECF80	0.85	PCF86	1.50	2759	18.00	6G88A	0.95	60F6	1.40
ECF82	0.85	PCF87	0.50	7449	0.75	6H6	1.60	60F12	1.40
ECF801	1.05	PCF200	1.60	7800U	3.45	6J4	1.35	60L12	1.25
ECF84	2.25	PCF201	1.65	2801U	3.75	6J4WA	2.00	60L15	1.10
ECF85	1.70	PCF800	0.90	2803U	16.00	6J5	2.30	60L17	1.10
ECF842	1.20	PCF801	1.75	29001	2.45	6J5GT	0.90	60P12	1.15
ECF81	0.70	PCF86	0.95	1A3	0.85	6J6	0.85	60P13	1.25
ECF84	0.80	PCF875	2.45	114	0.80	6J6W	0.90	60P14	1.25
ECF80	0.70	PCF805	1.20	1R5	0.60	6J6C	2.95	60LGT	1.40
ECF82	0.75	PCF808	2.75	1S4	0.45	6J6C2	2.85	60W4	0.80
ECF83	1.40	PCF200	1.35	1S6	0.45	6K7	6.80	60ZGT	0.80
ECF85	0.80	PCF81	0.95	1T6	0.45	6L8M	2.80	60ZGT	3.15
ECF86	0.90	PCF82	0.95	1Y1	0.80	6L8G	2.50	60KDG	0.32
LF304	2.15	PC184	0.90	1Z8	1.40	6L8G1	1.25	60C26	1.25
EP30	1.80	PC186	1.05	2D21	1.10	6MGT	1.25	60C26G	1.25
EP80	0.65	PC1805/85	1.25	2K25	1.85	6L7G	0.65	75C1	1.70
EP85	1.75	PD500/510	4.30	2K26	11.90	6L7S	0.70	60F7	0.95
EP86	0.80	PL200	1.10	2X2	1.70	6L8	2.95	78	0.85
EP86	0.75	PL200	2.80	2A4	0.70	6L20	0.70	78	0.95
EP88	1.05	PL30	1.25	3AT2	2.40	6K06A	2.70	80	0.70
EP81	1.90	PL61	0.85	3X6	0.50	6J75	1.30	85A2	2.40
EP82	2.90	PL82	0.70	3D22	23.00	65A7	1.60	60F7	1.10
EP85	0.65	PL83	0.60	3E29	19.00	6G21	1.15	723A/B	11.80
EP86	0.60	PL84	0.95	3G4	0.60	65J7	1.95	807	1.25
EP163	0.65	PL504	1.45	3J32	18.25	6GK7	0.95	813	14.00
EP184	0.80	PL508	1.95	SR/254M	16.50	6SLGT	0.85	828U	14.00
EP804	4.95	PL508	2.90	SR/258M	14.50	6SN7GT	0.80	832A	8.90
EP817	0.75	PL515	3.20	SB/258M	12.50	6SR7	1.10	899A	6.20
FL200	1.85	PL802	3.20	SC22	29.90	6S07	0.95	885E	6.20
EH90	0.85	PY33	0.70	SR4GY	1.80	6V5G	1.50	931A	13.80
EL32	1.10	PY80	0.70	GU4G	0.75	6V5GT	0.95	954	0.60
EL34	1.80	PY81/800	0.85	6V4C	0.75	6X4	0.75	955	0.60
EL37	2.90*	PY82	0.65	6V3GT	0.80	6X4WA	2.10	956	0.60
EL81	4.40	PY83	0.95	6Z3	1.50	6X5GT	0.65	957	1.50
EL82	2.45	PY88	0.85	6Z4G	0.75	6Y5G	0.90	955	1.85
EL82	0.70	PY90	1.70	6Z4GT	1.05	6Z4	0.70	628	1.85
EL84	0.80	PY805	5.45	6Y30L2	0.90	787	1.75	2051	2.50
EL86	0.95	PY801	0.80	SAB7	0.70	7Y4	1.25	5783	4.20
EL90	1.00	QQV03/10	2.85	SAC7	1.15	8D2	0.70	5842	7.50
EL91	4.20	QQV03-20A	3.05	SAC5	0.80	8D5	2.90	5881	3.40
EL92	0.80	14.40	KAH8	1.15	10C2	0.95	5833	6.90	
EL904	1.70	QQV03-25A	3.65	8AK5	0.65	10F18	0.70	6057	2.20
EL903	5.90	21.20	8AK5	0.60	10P13	1.50	6050	1.95	

VALVES AND TRANSISTORS

Telephone enquiries for valves, transistors, etc. retail 748 3034, trade and export 743 0899

Geiger Muller Tubes GM4, MX120/01 and others. PRICES MAY VARY

TEST SET FT2 FOR TESTING Transceivers A40, A41, A42 and CPR25.
HARNESSES "A" & "B" CONTROL UNITS "A" "B" "J1" "J2" Microphones No. 5, 6, 7 connectors, frames, carrier sets, etc.
DRUM CABLE continuous connection YC 00333

FIELD TELEPHONES TYPE "J"

Tropical, in metal cases.

10-LINE MAGNETO SWITCHBOARD. Can work with every type of magneto telephones.

POSTAGE: £1-£3 45p; £3-£5 55p; £5-£10 60p; £10-£15 75p; £15-£20 90p; over £20 free.

Tel. 01-743 0899
or 01-749 3934
Open Monday to Friday
9 a.m.-5.30 p.m.

COLOMOR

(ELECTRONICS LTD.)
170 Goldhawk Rd., London W.12

FOTOLAK

POSITIVE LIGHT SENSITIVE AEROSOL LACQUER

Enables YOU to produce perfect printed circuits in minutes! Method: Spray conductive board with lacquer. When dry, place positive master of required circuit on now sensitized surface. Expose to daylight, develop and etch. Any number of exact copies can of course be made from one master. Widely used in industry for prototype work.

FOTOLAK	£2.25	Pre-coated 1/16	Fibre-glass board
Developer	35p	204mm x 114mm	£1.50
Ferric Chloride	55p	204mm x 228mm	£3.00
		408mm x 228mm	£6.00
		467mm x 305mm	£9.00

Plain Copper-clad Fibre-glass	Single-sided	Double-sided
Approx. 2.00mm thick ft. sq.	£2.25	
Approx. 1.00mm thick ft. sq.	£2.00	£1.75
Clear Acetate Sheet for making master. 260mm x 260mm		15p

Postage and packing 60p per order. VAT 15% on total
G. F. MILLWARD ELECTRONIC COMPONENTS LTD
P.O. Box 19, Praa Sands, Penzance, Cornwall
Telephone GERM0E (073-676) 2329

BUY BRITISH — BUY DOUGLAS TRANSFORMERS

MAIL ORDER FROM TITAN TRANSFORMERS & COMPONENTS

CENTRAL HALL CHAMBERS, DUNCOMBE STREET, GRIMSBY, SOUTH HUMBERSIDE
DN37 7EG



Prices include 15% VAT. Send for our catalogue

TYPE	AMPS	PRICE	P/P	TYPE	AMPS	PRICE	P/P	TYPE	AMPS	PRICE	P/P	TYPE	AMPS	PRICE	P/P
242	12v 24v	1.70	0.40	112	15v 30v	2.84	1.10	102	25v 50v	3.29	1.43	124	30v 60v	3.30	1.43
213	0.3 0.15	2.65	0.87	73	2 1.0	3.29	1.10	133	1 0.50	4.09	1.43	126	1 0.5	6.26	1.43
21	2 1	2.77	1.10	3	4 2	6.18	1.43	104	4 2	7.68	1.73	127	4 2	7.86	1.73
18	4 2	3.98	1.43	20	6 3	7.19	1.73	105	6 3	9.09	1.90	125	6 3	11.78	1.90
68	3 1.5	3.46	1.43	21	8 4	8.52	1.73	106	8 4	12.24	1.90	123	8 4	14.72	2.20
85	5 2.5	6.06	1.43	51	10 5	10.57	1.90	107	10 5	16.15	2.20	40	10 5	17.10	2.20
70	6 3	6.67	1.43	117	12 6	11.94	2.20	108	12 6	22.46	2.55	120	12 6	19.44	2.35
105	6 4	8.03	1.73	88	16 8	16.14	2.35	109	16 8	27.96	2.55	121	16 8	27.70	2.65
72	12 6	8.66	1.73	89	20 10	18.54	2.35	110	20 10	32.44	4.50	122	20 10	32.05	4.00
116	12 6	9.31	1.90	90	24 12	20.57	2.55	109	24 12	32.44	4.50	180	24 12	37.02	5.00
17	16 8	11.46	2.05	91	30 15	23.63	2.65								
115	20 10	13.89	2.05	92	40 20	33.21	4.50								
187	30 15	19.23	2.35												
232	40 20	27.51	4.50												
226	50 30	39.95	4.00												

TYPE	AMPS	PRICE	P/P	TYPE	VA	PRICE	P/P	TYPE	VA	PRICE	P/P	TYPE	VA	PRICE	P/P
430	0.5v	4.80	1.43	26	65	3.90	1.10	56W	20	6.60	0.87	416C	50	2.31	0.87
431	0.5v	7.84	1.43	64	80	4.82	1.10	64W	80	8.43	1.43	416C	100	3.46	0.87
432	4 2	12.94	2.05	69	250	6.21	1.43	69W	150	10.86	1.73	417C	200	4.00	1.70
433	6 3	14.62	2.20	93	350	9.73	1.90	69W	250	13.17	1.90	418F	300	6.26	1.48
434	8 4	20.04	2.45	87	500	11.70	2.20	67W	500	20.46	2.29	419F	500	8.74	1.70
435	10 5	28.75	2.65	84	1000	34.36	5.00	34W	1000	30.24	2.55	420F	750	8.33	1.90
436	12 6	35.16	4.00	92	2KVA	64.74	6.00	95W	2000	64.83	5.00	421F	1000	11.64	2.05
437	16 8	39.47	5.00	101	10	179.05	10.00	73W	3000	78.87	6.50				

TYPE	VA	PRICE	P/P	TYPE	VA	PRICE	P/P
149F	50	8.40	1.73	243F	60	8.40	1.43
150F	100	9.71	1.73	244F	100	9.76	1.73
151F	200	13.84	2.05	245F	200	13.93	2.05
152F	250	16.69	2.20	246F	250	16.69	2.20
153F	350	20.77	2.55	247F	350	20.77	2.55
154F	500	26.03	2.65	248F	500	26.03	2.65
155F	750	36.78	5.00	249F	750	36.75	5.00
156F	1000	47.42	6.00	250F	1000	47.42	6.00

TYPE	VA	PRICE	P/P
INVERTER			
Inv 1	Cased	49.95	2.85
Inv 2	13 amp 3 pin Open	39.95	2.85

TYPE	VA	PRICE	P/P
P.C.B.	120/220/240V		
	0-12-0-12V		
6VA	48V PCB	1.89	0.58
9VA	48V PCB	2.24	0.58
12VA	47V PCB	2.39	0.58
25VA	47V PCB	2.52	0.87
50VA	472 PCB	4.80	1.43


WW - 077 FOR FURTHER DETAILS

JUMP TO IT!

Climb aboard the breadboarding bandwagon with GSC's new WK-1 wire jumper kit — just what you've always wanted to make breadboarding easier and quicker than ever before. Here, in one neatly compartmented box, are all those different lengths of insulated hook-up wire you need — 25 pieces of each, in 14 lengths ranging from 0.1 inch to 4 inches. What's more, the GSC kit makes your job even easier by colour-coding all the different lengths and providing a quarter-inch length at each end with the insulation stripped off and bent through 90°. So GSC jumper wires come ready to plug straight into your quick-test sockets, bus strips or breadboard system. No more fiddling around with wire cutters, strippers or pliers — everything you need in one box. Take the plunge right now by filling in the GSC coupon.



GSC (UK) Ltd., Unit 1, Shire Hill Industrial Estate, Saffron Walden, Essex CB11 3AQ.
Telephone: (0799) 21682. Telex: 817477.

WK-1 Jumper Kit £5.00 Nett. Unit price inc. P&P 15% VAT £6.50 Units Range
Please deduct £1 postage from each additional order.
 I enclose cheque/PO for £.....
 or debit my Barclaycard, Access, American Express card
 No..... Exp. date.....
 or Tel: (0799) 21682 with your card number and your order
 will be in the post immediately.
 NAME.....
 ADDRESS.....
 GLOBAL SPECIALTIES CORPORATION

 FREE catalogue tick box
 Global Specialties Corporation (UK) Limited, Dept. ZRR
 Unit 1, Shire Hill Industrial Estate, Saffron Walden, Essex, CB11 3AQ
TOMORROW'S TOOLS TODAY
 WW - 025 FOR FURTHER DETAILS

Laboratory Manual for the Art of Electronics

PAUL HOROWITZ and IAN ROBINSON

This laboratory manual is designed to accompany the highly successful text/reference book on circuit design *The Art of Electronics* by Horowitz and Hill (CUP, 1980). It consists of 23 lab exercises which utilise commonly available general-purpose lab instrumentation and standard electronic parts, and should therefore be adaptable to an electronics lab anywhere where the text is used.

Hard covers £12.00 net
Paperback £4.95 net

CAMBRIDGE UNIVERSITY PRESS

WW - 053 FOR FURTHER DETAILS

ANY MAKE-UP
 OR COPY
 QUERIES CONTACT
 BRIAN BANNISTER
 01-661 3500
 extension 3561

Henry's

COMPUTER KIT DIVISION

TANGERINE COMPUTER SYSTEMS

LONDON & HOME COUNTIES STOCKISTS

ALL PRE-PAID ORDERS POST FREE

RETAIL SALES AND DEMONSTRATIONS 404 EDGWARE RD. LONDON, W2 1ED TEL: 01-402 6822

TANGERINE • TANGERINE • TANGERINE • TANGERINE • TANGERINE

MICROTAN 65

Microtan 65 is the most advanced, powerful, expandable micro computer available - it also happens to be the most cost effective!



Electronic Today International had a mammoth survey of kits. The result: Microtan 65 WINS COMPUTER CLASS!

MICROTAN 65 CONTENTS

High quality, plated thru hole printed circuit board, solder resist and silk screened component identification. 8502 microprocessor. 1K monitor TANBUG. Now with 'V' Bug. 1K RAM for user programme, stack and display memory. VDU alphanumeric display of 16 rows by 32 characters. MICROTAN 65 system file binder. 136 page, bound, users hardware/software manual with constructional details and sample programmes. Logic and discrete components to fully expand MICROTAN 65.

The MICROTAN 65 kit has won widespread acclaim for its superb presentation. We pay attention to detail!

KIT FORM £69.00 + £10.35 V.A.T., total £79.35

MICROTAN 65 assembled and tested. Specification as above, but assembled and fully bench tested by ourselves. £79.00 + £11.65 V.A.T., total £90.65

TANBUG V2.3 Kit £21.85 incl.

MICROTAN 65 OPTIONS

LOWER CASE PACK
Two integrated circuits which connect into locations on MICROTAN allowing 128 displayable characters.
£9.48 + £1.42, total £10.90

GRAPHICS PACK
Five integrated circuits which connect into locations on MICROTAN allowing the display of stinky graphics (84 x 64 pixels). What are stinky graphics? Well, imagine a piece of graph paper with 64 squares vertically and 64 squares horizontally, a total of 4096. Each square can be made black or white.
£6.52 + V.A.T. 88p, total £7.50.

20 WAY KEYPAD
Inexpensive means of getting up and running. Uses 'Schweifel' key-switches, and connects to MICROTAN through a 16 pin D.I.T. plug on ribbon cable. Black anodised aluminium, with TANGERINE legends. Finishes off what must be the best value for money keypad available. Available assembled and tested.
£10.00 + V.A.T. £1.50, total £11.50

*Space Invaders game (for use with keypad only)
£15.22 + V.A.T. £2.28 total £17.50.

POWER SUPPLIES

MPS 1. Input 120 or 240V AC. Output 5 Volts or 3 Amps Regulated. MPS 3 will power both MICROTAN and TANEX fully expanded. Built on the same size printed circuit board as MICROTAN etc. Available as a fully built and tested unit.

£23.00 + V.A.T. £2.45, total £25.45

X MPS2 +5V GA, +12V -5 and -12V switch mode system PSU
£69.13 + V.A.T.

MINI-SYSTEM RACK

We have produced a mini system rack which accepts MICROTAN 65, TANEX and our mini-mother board. It has an integral power supply, just plug it into the mains and away you go! Finished in TANGERINE/BLACK, it gives your system the professional finish. Front panel access for I/O cables. AVAILABLE AS AN ASSEMBLED UNIT.

£56.35 incl.

FULL SYSTEM RACK

For the man that has everything! 19 inch wide system rack which accepts MICROTAN 65, TANEX, TANRAM, SEVEN FURTHER EXPANSION BOARDS, TANBUGS and THE SYSTEM POWER SUPPLY. Available in many forms, e.g. Individual front panels, full width hinged front panel back panel with or without connectors.

£49.00 + V.A.T. £7.35, total £56.35.

NEW PRODUCTS

(all V.A.T. incl.)
SYSTEM MOTHERBOARD (4 CONNECTORS) £44.85
SYSTEM MOTHERBOARD (12 CONNECTORS) £72.85
EXTRA EDGE CONNECTORS £3.50
SYSTEM RACK FRONT PANEL £15.64
SERIAL I/O BOARD (MIN. 12 PORTS) £66.70

SERIAL I/O BOARD (MAX. 18 PORTS) £35.70
PARALLEL I/O BOARD (MIN. 16 LINES) £54.62
PARALLEL I/O BOARD (MAX. 128 LINES) £80.46
32K RAMCARD 16K VERSION £87.40
32K RAMCARD 32K VERSION £115.00
32K ROMBOARD (EXCL. HOME) £54.65



MICRON COMPUTER

FULLY BUILT, TESTED, and housed

SYSTEM RACK MICRON £550 incl.

£395
inc V.A.T. P&P

8502 based microcomputer VDU alpha numeric display. Powerful monitor TANBUG. 8K RAM. 32 parallel I/O lines. 2 TTL serial I/O lines. Four 16 bit counter timers. Cassette interface. Data bus buffering. Memory mapping control. 71 key ASCII Keyboard, including numeric keypad. Includes power supply. Also includes the first '10K MICROSOFT BASIC' available in the U.K. All the usual BASIC commands.

FULL MANUALS: MICROTAN, TANEX, BASIC, X BUG
All £5 each

TANRAM

AVAILABLE NOW - TANRAM - 40K Bytes on one board! Single board of bulk memory offering 7K Static RAM (2114), and 32K Dynamic RAM (4116). Colored refresh is totally transparent to CPU operation and is unaffected by normal DMA's. TANRAM fully expands the available address space of the 8502 microprocessor. MICROTAN, TANEX and TANRAM together provide 16K RAM, 48K RAM and 1K I/O, that's a lot of memory and a lot of I/O! Built and tested. TANRAM ASSEMBLED.

40K RAM CARD WITH 16K DYNAMIC RAM £76 - V.A.T.

CONTENTS: High quality plated thru hole printed circuit board, solder resist and silk screened component identification. Full complement of I.C. sockets for maximum expansion. 64 way D.I.N. edge connector. 1K RAM (2114). Data bus buffering. TANRAM users manual.

EXTRA RAM:
1K STATIC (2114) £2.95 excl. 16K DYNAMIC (4116) £1.50 each

MEMORIES EXPAND YOUR SYSTEM WITH OUR TANGERINE APPROVED CHIPS

Discounts 10% for 4, 15% for 8, 20% for 16.
2102 1K x 1 Static RAM 80p IM 6402 UART £4.50
2716 £3.50 2716 1K x 4 Static RAM £2.95
2716 £6.80
MK 4116 16K x 1 Dynamic RAM £11.80
All including V.A.T. 4116 1K x 6 Static RAM £7.50

MONITORS (PROFESSIONAL) RECONDITIONED AND NEW - FROM £35.00 to £129.95

CENTRONICS Ideal for Tangerine PRINTERS

CENTRONICS P.L. £150 + V.A.T.

Model 730 **£350** + V.A.T.
Model 737 **£395** + V.A.T.



NEW MICROTANTEL POST OFFICE APPROVED PRESTEL - VIEWDATA

● FULL COLOURGRAPH ● CAN STORE PRESTEL ● CAN BE USED AS AN EDITING TERMINAL ● CAN BE INTERFACED WITH PET, APPLE, etc.

Just connect to the serial socket of any colour or black and white domestic T.V. receiver and to your Post Office installed jack socket and you are into the exciting world of PRESTEL. Via simple push button use you are able to view 170,000 pages of file to the minute information in many services, order goods from companies - all this without leaving your armchair!

£170
+ V.A.T.



TANEX £43.00

Minimum Config Kit

High quality plated thru hole printed circuit board, solder resist and silk screened component identification. I.C. sockets for maximum expansion. 64 Way D.I.N. edge connector. 1K RAM, cassette interface, 16 parallel I/O lines, a TTL serial I/O port, two 16 bit counter timers, data bus buffering, memory mapping, logic and discrete components for maximum expansion. TANEX users manual.

TANEX (Minimum configuration) Assembled
£53.00 + V.A.T. £7.95, total £60.95



TANEX EXPANSION

Expanded TANEX offers 7K RAM locations for 4K EPROM (2716) locations for 10K expanded MICROSOFT BASIC, 32 parallel I/O lines, two TTL serial I/O ports, a third serial I/O port with RS232C/20mA loop, full in-circuit control and 16 programmable baud rates, four 16 bit counter timers, cassette interface, data bus buffering, and memory mapping.



EXPANDED TANEX KIT (Excludes ROM, XBUG and BASIC) £89.70 + V.A.T. £13.46, total £103.16

EXPANDED TANEX ASSEMBLED £99.70 + V.A.T. £14.66, total £114.66

OPTIONS TO FULLY EXPANDED TANEX

10K Extended MICROSOFT BASIC in EPROM (with manual) £49.00 + V.A.T. £7.35, total £56.35

Extra RAM - 1K (2 x 2114) £5.20 + V.A.T. 78p, total £5.98

SERIAL I/O KIT £17.25 incl.

6522 V/A £8.00 + V.A.T. £1.20, total £9.20

XBUG £11.35 + V.A.T. £2.60, total £13.95

= 12v. KIT £9.28 incl.

AS YOU CAN SEE THE PRICES OF OUR EXPANSION COMPONENTS ARE VERY, VERY COMPETITIVE!

TANGERINE DISC SYSTEM

28 CONTROLLER CARD **£150.00** + V.A.T.
DOUBLE SIDED DOUBLE DENSITY DRIVE **£215.00** + V.A.T.
CP/M DISK OPERATING SYSTEM **£60** + V.A.T.



71 KEY ASCII KEYBOARD £69.95 incl.

NO EXTRAS NEEDED
Uses gold crosspoint keys. Includes numeric keypad and ribbon cable. Available as fully assembled and tested.
SUPER METAL CABINET IN TANGERINE/BLACK
£20.00 + V.A.T. £3.00, total £23.00.



PROFESSIONAL ASCII KEYBOARDS Ideal for Tangerine

£29.95 + V.A.T.
- 57 key 7 bit ASCII coded
- Positive strobe +5V-12V
- ASCII characters
- Parallel output with strobe
- Power light on control
- Chip by General Instrument (G.I.) TTL output
- Superbly made
- Size 13 x 5.5 x 1.5 ins
- Black keys with white ledgers
- Escape shift return & reset keys
- Control repeat & ball keys
- Complete with DATA



ADD-ON KEYPAD

A compact 12 button keypad suitable for use with above keyboard to extend its functions plus four extra keys. Supplied brand new with data. A non-encoded single made keyboard.

LIST PRICE £22.00
OUR PRICE **£7.95**
+ V.A.T.

PLUS MANY NEW EXCITING PRODUCTS IN DEVELOPMENT AUTOMATICALLY AVAILABLE FROM US WHEN RELEASED BY TANGERINE LTD.

All products are available
FULLY GUARANTEED - BUY WITH CONFIDENCE
BRITISH DESIGN AND MANUFACTURE AND ON DEMONSTRATION IN OUR COMPUTER DEPT.

TANGERINE • TANGERINE • TANGERINE • TANGERINE • TANGERINE • TANGERINE • TANGERINE • TANGERINE • TANGERINE
Stockist Enquiries on headed notepaper to:
COMPUTER KIT LTD. (Principal Distributors in U.K.)
11/12 Paddington Green, London, W2. Tel: 01-723 5095
Telex 262284 Ref. 1400 TRANSONICS

SEND FOR FREE BROCHURE

PORTABLE MAINS DISTRIBUTION NOW WITH EARTH LEAKAGE

OLSON



◀ Portable unit with earth leakage

Type PEL 3

£59 + £2 pp + VAT



▲ Wall unit with earth leakage

Type WEL2

£48 + pp £2 + VAT



▲ 3 1/2" x 19" Rack Mounting

Type 13A/4SW/R

£23.65 + pp £1.25 + VAT



▲ Bench unit with earth leakage

Type BEL5SW

£55 + pp £2 + VAT

Internal Power for racks 8 types from 3-10 sockets. All fitted with illuminated switch



Type T13A/10

50mm x 890mm

£34.25

+ £2 pp & VAT



◀ 7" x 19" rack mounting with earth leakage

Type REL 7

£69 + pp £2 + VAT



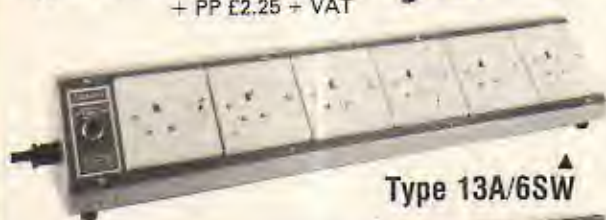
▲ 4 feet LG. 30 amp total load Instant Trunking System for Wall or Bench Mounting

TR6 — 6 sockets switched **£29.70** or **TR9** — 9 sockets switched **£35.20** + PP £2.25 + VAT

10 sockets switched in sloping box

Type 13A/10SW

£36.30 + PP £2.25 + VAT



Type 13A/6SW



TYPE 13A/4SW/10M

10mA earth leakage UNIT

£68.00

+ £2 pp & VAT



Type		Price	PP
13A/4	not switched	£17.00	£1.25
13A/6	not switched	£20.60	£1.25
13A/4SW	switched	£20.35	£1.25
13A/6SW	switched	£23.65	£1.25

ALL PRICES PLUS VAT

These four types in sloping or flat boxes

● All units are in metal boxes complete with 6ft cable and 13 amp fused plug, ready for use. Only MK sockets and plugs are used. Trade counter open 9-5 Mon.-Fri.



OLSON Electronics Ltd.

FACTORY NO. 8, 5-7 LONG STREET
LONDON E2 8HJ Tel: 01-739 2343

EPROM PROGRAMMER

with master to slave copying facilities
PKW-5000



CPU	Z-80
RAM	16k byte
Programmable EPROMs	2704, 2708, 2758, 2516, 2716, 2732, 2532.
PROM Selection	By combination of switching 2 slide switches.
Display	16-digit 7 segment LEDs.

The PKW-5000 is covered by a full 1 year warranty, backed by the skilled U.K. service staff of Sinclair Electronics Ltd.

thandar

SINCLAIR ELECTRONICS LTD

London Road, St. Ives, Huntingdon, Cambs. PE17 4HJ, England.
Tel: St. Ives (0480) 64646. Telex: 32250

WW 065 FOR FURTHER DETAILS

CLEF ELECTRONIC MUSIC

PIANOS

SPECIALISTS SINCE 1972
DOMESTIC & STAGE TYPES
KITS OR MANUFACTURED



SIX OCTAVES £207
7 1/4 OCTAVES £232

Component
Kits

The most advanced form of Touch Sensitive action simulating piano key inertia by patented technique. Four mixable voices for serious tone variation plus electronic chorus and flanger effects. See lists for Cabinets, P.A. and Manufacture.

£79 KIT



£114
Built

MASTER RHYTHM

User Programmable. Twenty-four patterns. Eight parallel tracks. Twelve instruments: sequence operation.

Write or Phone for full details of our range of high quality Kit and manufactured Electronic Musical Instruments. Prices include V.A.T., Carr. & Ins. and we operate Telephone BARCLAYCARD. Visit our Showroom.

CLEF PRODUCTS (ELECTRONICS) LIMITED

Dept. W, 44a Bramhall Lane South
Bramhall, Stockport, Cheshire SK7 1AH
061-439 3297

INSTRUMENT FANS: 4.5-inch square Rotron Papst, etc., used but cleaned, tested and boxed. 115V. £4.50 P. and P. 90p. 240V. £5 P. and P. 90p.

D.C. SERVO MOTORS, 12/24 and 48 volt. Ex. equipment and new. S.A.E. for specs.; prices £5-£20.

SWITCHING POWER SUPPLIES: New, unused; mfr. Gould, Farnell, etc. Mostly 5V., 20A., 40A., etc. Prices from £15.

TEMPERATURE CONTROLLERS made by Eurotherm. Range 0-200°C for use with thermocouple input. Relay contact rating 2A. at 250V. Brand new, £25 each. P. and P. £3.

TELETYPES ASR 33 + KSR33, as is, in various conditions, from £25. ASR33, reconditioned from £150. ASR33, new, unused from £250.

Large quantity of spare parts for Cosser V.D.U., D.R.I. Disc Heads, Tape Heads, ICL 1900 + 2900. Phone for details.

VESCO ELECTRICAL LTD.

28 PEROWNE STREET, CAMBRIDGE

Telephone: 0223 68990 Telex: 817672 VESCOL

WW - 080 FOR FURTHER DETAILS

HOW TO SUCCEED IN THE ELECTRONICS BUSINESS:

Available at your
newsagent or
direct for
60p p&p
inc

INVEST 60p AND MAKE £2.40 net profit

Buy Ambit's new concise component catalogue and get £1 vouchers. Use them for a £1 discount per £10 spent. But even without this, you will still find WR&E offers the low prices, fast service and technical support facility second to none.

Here are some examples from the current issue:

Z80 SERIES	I.C. SOCKETS	DISCRETES	BC556	12p	2SK158	35p
Z80A 4.99	A range of high quality, low cost, low profile DIL sockets ideally suited for both the OEM and hobbyist. All types feature double sided phosphor bronze contacts, tin-plated for low contact resistance.	BC237 8p	BC550	12p	J310	89p
Z80ADRT 7.50	8 x 0.3" 12p	BC238 8p	BC560	12p	J178	65p
Z80APIO 4.10	22 x 0.3" 20p	ZTX238 9p	BC639	22p	40B23	65p
Z80ASIO/1 14.00	14 x 0.3" 13p	BC239 8p	BC640	22p	3SK45	49p
Z80ASIO/2 14.00	16 x 0.3" 13p	BC307 8p	25C1775A	22p	3SK51	54p
Z80ASIO/3 14.00	22 x 0.4" 20p	BC308 9p	25A872A	16p	3SK50	58p
Z80CTC 4.00	24 x 0.6" 22p	BC309 8p	25D665A	30p	3SK88	99p
Z80ACTC 4.50	28 x 0.6" 25p	BC413 10p	25E646A	30p	MEM680	75p
Z8001 65.00	40 x 0.6" 35p	BC414 11p	25D668A	30p	BF960	99p
PROM	42 x 0.6" 38p	BC415 10p	25E648A	40p	BF256	39p
2708 2.00	20 x 0.3" 19p	BC416 11p	BF256	39p	BF951	70p
2716 3.55	20 x 0.4" 19p	BC548 12p	25K55	26p	BF963	99p
2732 8.50						
RAM	VOLTAGE REGULATORS	XTALS				
2102 1.70	78XX1A TO-220 pos 0.58	1MHz 3.00				
2112 3.40	79XX1A TO-220 neg 0.60	3.2768MHz 2.00				
2114/2 1.49	78G 1A TO-220 adj pos 1.10	4MHz 1.70				
4027 5.78	78G 1A TO-3 adj pos 3.95	4.194MHz 1.70				
4116/2 1.59	78H5A TO-3 5v pos 4.25	4.43MHz 1.25				
4116/3 1.49	78H5A TO-3 12v pos 5.45	5MHz 2.00				
4894P 12.50	78H5A TO-3 adj pos 7.45	6.5536MHz 2.00				
6116P-3 12.50	78H5A TO-3 adj neg 7.45	7MHz 2.00				
6116P-4 11.25	LM317,5A adj pos 1.30	8MHz 2.00				
8204 12.50	LM337,5A adj neg 1.75	9MHz 2.00				
	785401,5A adj pos sw reg 1.20	10MHz 2.00				
		11MHz 2.00				

Prices shown exclude VAT. Postage 50p per order (UK). ACCESS/ BARCLAYCARD may be used with written or telephone orders - official MA details on application, and a special price for those who read our ads carefully - a free 4 or 8MHz crystal filter with every CPU IC you buy - just clip out the paragraph and attach it to your order, E&OE.

AMBIT international TELEPHONE (STD 0277) 230909 TELEX 995194 AMBIT G POSTCODE CM14 4SG
200 North Service Road, Brentwood, Essex

WW - 111 FOR FURTHER DETAILS

PROFESSIONAL 100,000 OHM/VOLT MULTIMETER

SAVE
£35



• Exclusive offer for limited period of this versatile, professional, top quality multimeter.

• 30 Ranges • 15 AMP AC/DC

This special offer includes leather carry case (normally £16.50 extra)

As advertised by us at £67.50 + case i.e. £84.00

WHILST STOCKS LAST
£49 including VAT (UK c/p £1.50)

WITH LEATHER CARRY CASE AND BATTERIES

MODEL M1200 SPECIFICATIONS

DC Voltage: 0.15-0.5-1.5-5-15-50-150-500-1,500V (100k ohms per volt)

AC Voltage: 1.5-5-15-50-150-250-500-1,500V (31.6k ohms per volt)

DC Current: 10-15-5000uA-15-500mA

-1.5-15A AC Current: 0-15A

Resistance: 20k ohms-200k ohms-2-20-200Mohms (100 ohms-1-10-100k ohms-1M ohms midscale)

Accuracy:

DC Volts: ±2% of full scale

Amps/AC Volts: ±3% of full scale

Dimensions: LWD 180 x 125 x 65mm

Approximate Weight: 650g

Supplied with test leads, batteries, handbook and leather case.

OTHER FEATURES

- Mirror scale
- dBm Ranges
- Polarity
- Reverse switch
- Electronic Overload Protection
- Taut band suspension

Exclusive Limited Quantity

ORDER BY POST (OR PHONE) OR CALL IN Open 6 Days a Week

Cubegate Limited
AUDIO ELECTRONICS
301 Edgware Rd, London W2 1BN
Tel: 01-724 3564
Also at Henrys Radio 404 Edgware Rd. W2

Test Equipment Catalogue send large 20p SAE

WW - 074 FOR FURTHER DETAILS

TRANSFORMERS CONTINUOUS RATINGS

MAINS ISOLATORS (screened)
Pri 0-120; 0-100-120V (120, 220, 240V) Sec 60
55-0-55 60 twice to give 65, 80, 110, 115, 120,
125, 175, 180, 220, 230, 235, 240V.

Ref. VA (Watts)	£	P&P
07★	20	4.84
149	60	7.37
150	100	8.38
151	200	12.28
152	250	14.61
153	350	19.07
154	500	22.52
155	750	32.03
156	1000	40.82
157	1500	56.52
158	2000	67.99
159	3000	95.33
161	6000	203.65

★115 or 240v sec only. State volts required.
Pri:0-220-240V.

12 or 24-VOLT RANGE
Separate 12V windings Pri:220-240V

Ref.	12v Amps	24v	£	P&P
111	0.5	0.75	2.42	.96
213	1.0	0.5	2.90	1.00
71	2.0	1.0	3.88	1.00
18	4.0	2.0	4.46	1.20
85	5.0	2.5	6.16	1.20
70	6.0	3.0	6.99	1.20
108	8.0	4.0	8.16	1.40
72	10.0	5.0	8.93	1.60
116	12.0	6.0	9.89	1.60
17	15.0	8.0	11.79	1.72
115	20.0	10.0	15.87	2.04
187	30.0	15.0	19.72	2.04
228	60.0	30.0	40.41	OA

30 VOLT RANGE (Split Sec)
Pri:220-240V. Volt available 3, 4, 5, 6, 8, 9, 10, 12,
15, 18, 30, 34, 30V or 12V-0-12V or 15V-0-15V

50 VOLT RANGE
Pri:220-240V. Volt available 5, 7, 8, 10, 13, 15,
17, 20, 25, 30, 33, 40 or 20V-0-20V or 25V-0-25V

Ref.	50v	25v	£	P&P
102	5	1	3.75	1.20
103	1	2	4.57	1.20
104	2	4	7.88	1.44
105	3	6	9.42	1.60
106	4	8	12.82	1.72
107	6	12	16.37	1.84
118	8	16	22.29	2.20
119	10	20	27.48	2.20
109	12	24	32.89	OA

Amperes

Ref.	30v	15v	£	P&P
112	0.5	1	2.90	1.00
79	1	2	3.93	1.00
3	2	4	6.35	1.20
20	3	6	7.39	1.44
21	4	8	8.78	1.60
51	5	10	10.86	1.60
117	6	12	12.29	1.72
86	8	16	15.45	1.96
89	10	20	18.98	1.96
90	12	24	21.99	OA
91	15	30	24.78	OA
92	20	40	32.40	OA

60 VOLT RANGE

Pri:220-240V (Split Sec)
Voltages available 6, 8, 10, 12, 15,
18, 20, 24, 30, 36, 40, 48, 60V, or
24V-0-24V or 30V-0-30V

Ref.	60v	30v	£	P&P
124	5	1	4.27	1.20
126	1	2	6.50	1.20
127	2	4	8.38	1.60
125	3	6	12.10	1.72
123	4	8	13.77	1.84
40	5	10	17.42	1.84
120	6	12	19.67	2.04
121	8	16	27.92	OA
122	10	20	32.51	OA
189	12	24	37.47	OA

SCREENED MINIATURES Pri 240V

Ref.	mA	Sec Volts	£	P&P
238	200	3-0-3	2.83	.50
212	1A, 1A	0-6, 0-6	3.14	1.00
13	100	9-0-9	2.35	.50
235	330, 330	0-9, 0-9	2.19	.60
207	500, 500	0-9, 0-9	3.05	.95
208	1A, 1A	0-9, 0-9	3.88	1.20
236	200, 200	0-15, 0-15	2.19	.60
239	50MA	17-0-17	2.88	.50
214	300, 300	0-20, 0-20	3.08	1.00
221	700 (DC)	20-12-0-12-20	3.75	1.00
206	1A, 1A	0-15-20, 0-15-20	5.09	1.20
203	500, 500	0-15-27, 0-15-27	4.39	1.20
204	1A, 1A	0-15-27, 0-15-27	6.64	1.20

400/440V ISOLATORS

400/440 to 200/240

VA	Ref.	£	P&P
60	243	7.37	1.20
250	248	4.61	2.04
350	247	18.07	2.04
500	246	22.52	OA
1000	250	45.94	OA
2000	252	67.99	OA
3000	253	95.32	OA
6000	254	189.02	OA

AUTO TRANSFORMERS

Voltages available 105, 115, 190, 200, 210, 220,
230, 240. For step up or step down.

Ref. VA (Watts)	TAPS	£	P&P	
113★	15	0-10-115-210-240V	2.77	1.00
64	80	0-10-115-210-240V	4.41	1.20
4	150	0-10-115-200-220-240V	5.89	1.20
67	500	0-10-115-200-220-240V	20.64	2.20
84	1000	0-10-115-200-220-240V	20.54	2.20
93	1500	0-10-115-200-220-240V	25.61	OA
95	2000	0-10-115-200-220-240V	38.31	OA
73	3000	0-10-115-200-220-240V	65.13	OA
80s	4000	0-10-115-200-220-240V	84.55	OA
57s	5000	0-10-115-200-220-240V	98.45	OA

CASED AUTOS

240V cable input USA 115V outlets

VA	Price	P&P	Ref
25	£5.55	55	86W
75	£8.60	1.20	84W
150	£11.00	1.44	4W
200	£12.02	1.44	60W
350	£13.38	1.44	89W
500	£20.13	2.04	57W
1000	£30.67	2.20	84W
2000	£54.97	OA	95W

CONSTANT VOLTAGE TRANSFORMERS ±1%

For 'clean' mains to computers, peripherals, & I.C. sensing types for low voltage mains

250VA	£95.00	p&p	Also I.C. & I.C.
500VA	£127.00		
1kVA	£147.00		
2kVA	£229.00		

0-15 V CT (7.5-0-7.5V)

Ref.	Amp	Price	P&P
171	500MA	2.30	.52
172	1A	3.26	.90
173	2A	3.95	.90
174	3A	4.13	.99
175	4A	6.30	1.10

SPLIT BOBBIN TRANSFORMERS

Sec voltages available: 3, 4, 5, 6, 8, 9, 10, 12, 15, 18, 20, 24, 30V or 12-0-12V or 15-0-15V: 1 Amp £2.06 + 98p p&p + VAT. 2 Amps £4.11 + £1.20 p&p + VAT.

SPECIALIST TRANSFORMER WINDING SERVICE

Quotes by phone or post
PLEASE ADD 15% VAT AFTER P&P Overseas post extra

OTHER PRODUCTS

AVO TEST METERS

8 Mk. 5 Latest Model	£116.40
71 (Electronics & TV Service)	£45.80
73 (TV Service)	£63.90
MM5 Minor	£40.50
DA211 LCD Digital	£57.00
DA212 LCD Digital	£74.00
DA116 LCD Digital	£121.70
Megger 70143 500v	£97.20
Megger Battery BM7	£69.30

Avo Cases and Accessories P&P £1.32 + VAT 15%

MAINS BATTERY ELIMINATORS

No wiring, ready to plug into 13A socket. 3, 6, 7.5, 9, 12V DC 400mA £5.10 + VAT 6 7.5, 9V DC 300mA £4.60 + P&P 80p + VAT

ANTEX SOLDERING IRONS 15W. CCN240 or CE4.50
Safety stand£1.75 25W X26£4.80
12V 25W car soldering kit.....£5.30
P&P 50p + VAT

PANEL METERS £6.70 ea + 76p P/P + VAT
43 x 43mm or 62 x 78mm V.U. Indicator
50uA, 500uA, 1mA, 30V d.c. £1.95 + 30p P&P + VAT
Educational Meter 1048 30V £4.50 + VAT

Precision De-Solder Pumps Spring loaded quick action button release for one hand working. Large £5.86 P&P 35p + VAT. Small £5.17 P&P 30p + VAT. Replacement tips Small 65p + VAT. Large 86p + VAT.

ANTEX SOLDERING IRONS 15W CCN240 or C £4.50 25W X26 £4.80. 12V 25W car solder kit £5.30. Safety stand £1.75. P&P 55p + VAT

METAL OXIDE RESISTORS £1/100
Special Offer TR4 5% (Electron 1000 only). Use a piece of film. 47k 75k 100k 360k 200k 420k 470k 100k 500k 1k 1k2 1k3 1k5 1k8 2k 2k4 3k 16k 20k 22k 24k 27k 47k 82k 100k 110k 120k 130k 180k 220k 270k 300k. P&P 30p + VAT

BRIDGE RECTIFIERS

200v	2A	45p
400v	2A	55p
100v	25A	£2.10
100v	50A	£2.60
200v	4A	65p
400v	4A	85p
400v	8A	£1.40
500v	12A	£2.85

P&P 20p. VAT 15%

Send 20p for catalogue Prices correct at 20/3/81

Barrie Electronics Ltd.
3, THE MINORIES, LONDON EC3N 1BJ
TELEPHONE: 01-488 3316/8
NEAREST TUBE STATIONS: ALDGATE & LIVERPOOL ST.

WW - 035 FOR FURTHER DETAILS

TAKE IT UP A CHANNEL

write for details of our CLUB DISCOUNT CARD



With J.W.R.'s Big Range for Breakers. Over 450 listed items

Send £1 for Accessory Catalogue

JWR

John Woolfe Racing Ltd., Woolfe House, Horse Road, Bedford, MK41 0LF England. Telephone: 0234 41441. Telex: 825483.

27 FM LEGAL RIG DEMONSTRATIONS BY APPOINTMENT ONLY

WW - 018 FOR FURTHER DETAILS

NEEDS NO EXAMINATION

You don't need to look too closely at the GSC Proto-Clip range of IC test clips to see that they provide instant connection to dual-inline packaged components. Use them on ICs, networks or relays to provide a high-integrity interface for 'hands-off' testing with oscilloscopes, signal sources, logic analysers and other instruments. Contact spacings designed to suit all standard IC packages, GSC Proto-Clips feature a moulded webhinge construction, non-corroding nickel-silver contacts, and clip notches to prevent slippage during testing. Make contact with GSC Proto-Clips right away by filling in the coupon.

GSC (UK) Ltd. Unit 1, Shire Hill Industrial Estate, Saffron Walden, Essex CB11 3AQ. Telephone: (0799) 21682. Telex: 817477.

For larger quantity orders, available in bulk, please contact your local distributor.

14 PIN PC14 100-200 Nom £3.85	16 PIN PC16 100-200 Nom £4.02	20 PIN PC20 100-200 Nom £6.45	40 PIN PC40 100-200 Nom £10.22
----------------------------------	----------------------------------	----------------------------------	-----------------------------------

Bold prices include P & H and 10% VAT. Please deduct £1 postage from each additional order.

I enclose cheque/PO for £.....
or debit my Barclaycard, Access, American Express card

No..... Exp. date.....
or Tel: (0799) 21682 with your card number and your order will be in the post immediately.

NAME.....

ADDRESS.....

GLOBAL SPECIALTIES CORPORATION

GSC

FREE catalogue tick box

Global Specialties Corporation (UK) Limited, Dept. 700
Unit 1, Shire Hill Industrial Estate, Saffron Walden, Essex CB11 3AQ.

TOMORROW'S TOOLS TODAY

WW - 024 FOR FURTHER DETAILS

DUAL CHANNEL KIKUSUI 5520 20MHz SCOPE ONLY £245+VAT - FREE DELIVERY



- 20MHz, 5mV **5X MAG** 1mV, 10MHz
- One Touch X-Y Operation
- TV Sync. Separator (Trigger)
- Single Sweep Function
- High Brightness CRT

VERTICAL AXIS 1-2-6 sequence 11 ranges
SENSITIVITY 5 mV - 10V/DIV (within ± 5%)
(WITH 5X MAG 1 mV - 2V/DIV (within ± 5%))
FREQUENCY RESPONSE DC (AC 2Hz) - 20MHz (-3 dB, 8 DIV)
(WITH 5X MAG 1 DC (AC 2Hz) - 10MHz (-3 dB, 8 DIV)
RISE TIME Approx 17.5n sec. (20MHz) Approx 35n sec. (10MHz)
INPUT IMPEDANCE 1M Ω ± 2%, 30pF ± 2pF
INPUT COUPLING AC, DC w/ GND
OPERATION MODE CH1, CH2, DUAL, X-Y (DUAL, automatic switching ALT and CHOP)
CHOP FREQUENCY Approx 200 kHz
*HORIZONTAL AXIS 1-2-6 sequence, 20 ranges

SWEEP TIME 0.4µsec 0.5µsec/DIV (within ± 5%)
(WITH 5X MAG 0.04µsec 0.1µsec/DIV (within ± 5%))
SWEEP STOP Sweep stops and lines becomes 3µsec
*EXTERNAL SWEEP MODE X-Y mode (CH1, X axis)
SENSITIVITY 5mV - 10V/DIV
FREQUENCY RESPONSE DC (AC 2Hz) - 10MHz
INPUT IMPEDANCE 1 MΩ ± 2%, 30pF ± 2pF
X-Y PHASE DIFFERENCE within 3° at 50kHz
* TRIGGERING TRIGGER MODE AUTO, NORM, SINGLE, TV
TRIGGER SOURCE INT, EXT
COUPLING AC and DC
POLARITY "+" and "-"
* 2 AXIS SENSITIVITY 1V/p1 trace becomes brighter with negative input signal
FREQUENCY RESPONSE DC - 5MHz

INPUT RESISTANCE Approx 10kΩ
* CALIBRATION VOLTAGE WAVEFORM Square wave, Approx. 1kHz
OUTPUT VOLTAGE 1V/p1 ± 3%
* CRT TYPE 5 inch round-type PHOSPHOR B31 (Green)
ACCELERATION VOLTAGE Approx. 2kV
EFFECTIVE AREA 8.0V x 10 DIV (1 DIV = 0.5mm)
GRATICULE ILLUMINATION Brightness is continuously variable
* POWER REQUIREMENTS AC LINE VOLTAGE 100V, 110V, 120V, 220V, 230V, 240V, ± 10%
FREQUENCY 50/60 Hz
POWER CONSUMPTION Approx. 40VA
* MECHANICAL SPECIFICATION MAXIMUM DIMENSIONS 200(A) x 210(B) x 450(D) mm
WEIGHT Approx. 8kg (17.5 lb)

TELONIC/BERKELEY UK
2 Castle Hill Terrace, Maidenhead, Berkshire SL6 4JR
Tel: Maidenhead (0628) 73933 Telex: 849131 (TELBER G)

Orders to Telonic Berkeley UK

Please send me: 5520 Scope(s) at £281.75 incl. VAT at 15%..... Telephone PO/ Cheque

for..... or debit my Barclaycard/Access Card No.

Name (print)..... Signature.....

Address.....

..... Tel. No.

WW - 099 FOR FURTHER DETAILS

ELECTRONIC POWER UNITS FOR XENON ARC AND MERCURY ARC LAMPS

UNITS AVAILABLE FOR LAMPS RANGING FROM 75 TO 8500 WATTS.

Lamp housings and lens systems manufactured as standard off the shelf models or to specific design.



K. T. Manners Design Ltd.

P.O. Box 936, London, W4 4NW Telephone: 01-994 7155. Telex: 28604

WW - 110 FOR FURTHER DETAILS

GRAMPIAN REPRODUCER LTD.

All made-up Amplifiers, Column Speakers, Microphones, P.A. Horns, Drive Units, heavy-duty Speaker Stands, including spare parts and equipment from the above company are in stock in our warehouse. Companies requiring spares or replacement equipment contact:

Electronic Equipment Co., Springfield House, Tyssen Street, London E8 2ND. Tel: 01-249 5217 : Telex: 8953906.

WW - 098 FOR FURTHER DETAILS

ALWAYS A CHANGING RANGE OF OSCILLOSCOPES, COMPUTERS, TERMINALS, etc.

Item No.	Description	Price
1	TEKTRONIX STORAGE OSCILLOSCOPE type 548 with 1A1 - 30MHz	£495
2	TEKTRONIX Dual Trace OSCILLOSCOPE type 581A with type 82 plug-in, 85MHz	£245
3	TELEQUIPMENT OSCILLOSCOPE type 561A, Dual Trace 10MHz	£225
5	SCOPEX OSCILLOSCOPE type 4D10, Dual Trace 10MHz	£170
151	TEKTRONIX STORAGE OSCILLOSCOPE type 564B with 304 and 3A6 plug-ins, Delay Sweep	£375
153	S.E. LABS OSCILLOSCOPE type 3M112, 10MHz, Delay Sweep, Portable	£425
173	B & K ACCELEROMETER PREAMPLIFIER type 252	£50
174	B & K DEVIATION BRIDGE type 1503	£85
175	B & K MICROPHONE AMPLIFIER type 2602	£75
177	B & K MICROPHONE AMPLIFIER type 2605	£60
178	B & K BAND PASS FILTER SET type 1611	£50
179	B & K BAND PASS FILTER SET type 1612	£50
180	B & K RANDOM NOISE GENERATOR type 1402	£85
181	B & K BEAT FREQUENCY OSCILLATOR type 1913	£185
183	B & K BEAT FREQUENCY OSCILLATOR type 1916	£50
184	B & K AUDIO FREQUENCY SPECTROMETER type 2112	£225
185	B & K FREQUENCY RESPONSE TRACER type 4704	£325
186	HEWLETT PACKARD LOG BRIDGE type 4215A	£85
187	HEWLETT PACKARD D.C. METER type 4342A	£1,450
188	AUTO TRANSFORMER 1AKVA Pri/Volts 90/240, Sec 115V	£18
189	POLAROID FIELD STRENGTH METER type FIM-82 with RF Tuning unit FIM-X2 10-300MHz	£150
190	POLAROID MICROWAVE RECEIVER MODEL R with RF Tuning units covering 400-1000MHz and 1400-27,000MHz	£295
191	POLAROID MICROWAVE SIGNAL GENERATOR Model MS9-1 350-2400MHz	£295
192	POLAROID MICROWAVE SIGNAL GENERATOR Model MS9-2 2150-4600MHz	£295
193	MARCONI D METER type TF1245 with TF1246 Oscillator	£175
194	TEKTRONIX CURVE TRACER type 575	£225
197	KROHN-HITE BAND PASS FILTER Model 330A	£30
198	KROHN-HITE REJECTION FILTER Model 350A	£35
110	MARCONI In Situ UNIVERSAL BRIDGE type TF2791 Battery Operated	£135
171	BRANDENBURGH HIGH VOLTAGE GENERATOR type MR50	£95
6	PHILIPS FM STEREO GENERATOR type PMS46, Separate L & R Signals Carrier Freq 100MHz - 15, RF 0.7-3mV pk-pk	£150
8	MARCONI STANDARD SIGNAL GENERATOR type TF14M 190KHz-72MHz	£195
9	HEWLETT PACKARD DC CURRENT SOURCE 6141B	£185
10	SCHLUMBERGER AUTOMATIC COUNTER type F82922 DC - 50MHz	£135
11	DECIMA (KORTING) COLOUR BAR GENERATOR type 62515	£125
12	SIEMENS FREQ METER 456-1000MHz	£175
13	HEWLETT PACKARD AUDIO OSCILLATOR type 204B	£90
15	AUD MULTI METER type 71, unused	£25
17	MARCONI WIDE RANGE OSCILLATOR TF1370, 10Hz-10MHz	£90
18	RACAL H.F. SELECTIVE ANALYSER type 3056	£250
24	MARCONI AM FM MODULATION METER type TF2300, 4MHz-15Hz	£375
25	RANK ABENA L.H.T. METER 5-30V	£40
28	MARCONI (SANDERS) MICROWAVE POWER METER type 5598 with probe	£225
29	RHODE & SCHWARZ INDUCTANCE METER LRT, BM1010	£90
31	ADVANCE DIGITAL MULTIMETER type DMM2	£20
32	FARNELL DIGITAL MULTIMETER type DM131	£30
33	FEEDBACK FUNCTION GENERATOR type F6500 Sine Square/Triangle	£100
34	GRIFFIN SIGNAL GENERATOR & AMPLIFIER 1R2-100KHz	£150
35	MARCONI TUNABLE REJECTION FILTER type TF2334	£110

Item No.	Description	Price
36	TEKTRONIX SAMPLING PLUG-IN type 1S1	£200
37	BRADLEY DC SIGNAL GENERATOR type 123	£60
38	FLUKE VOLTMETER type 623	£50
39	MURKHEAD WAVE ANALYSER type K-13A-A	£140
41	SOLARTRON SCHLUMBERGER COMPACT WIG VOLTMETER type JM1770	£50
42	HEWLETT PACKARD DIGITAL VOLTMETER type 340A	£55
43	PSI - RMS VOLTMETER type A1301	£30
45	STODDART RADIO INTERFERENCE & FIELD INTENSITY METER type N-M 52A	£250
47	MARCONI (SANDERS) LEVELLING AMPLIFIER type 657	£140
50	KETHELVE REGULATED HIGH VOLTAGE SUPPLY type 241	£275
52	GENERAL RADIO type 1398R Microwave Oscillator 1.7-4.1GHz	£650
53	GENERAL RADIO type 1142A Frequency Discriminator Meter 0-1.5MHz	£200
54	GENERAL OSCILLATORS types 1206C, 12090L, 1219C with Power Unit type 1265A, 30-360MHz	£225
55	BRADLEY MULTIMETER type C7471B	£70
54	SEMEX Switched Dec Generator UHF VHF	£30
62	MARCONI OUTPUT POWER METER type TF83	£25
63	RHODE & SCHWARZ NOISE GENERATOR SKTU BM151 2.00-3.1000MHz	£125
64	RHODE & SCHWARZ STANDING SIG GENERATOR AM/FM, SDAF BM41023.2	£125
66	TAYLOR RF SIGNAL GENERATOR type 68A-M Mk2	£40
67	ADVANCE O METER type T1 100KHz-100MHz	£40
68	ADVANCE PULSE GENERATOR type P056000	£40
70	AIRMEC MILLIVOLTMETER type 201	£25
71	TAYLOR VALVE TESTER type 450	£50
73	MOSLEY X-Y RECORDER type 2D-2, As is	£120
74	B & K LEVEL RECORDER type 2305, 30dB Pencil/pen/lead, Brand new with accessories	£350
75	B & K LEVEL RECORDER type 2305	£375
76	MARCONI AM SIGNAL GENERATOR type TF801D 0.5-485MHz	£150
77	MARCONI UHF SIGNAL GENERATOR type TF1000	£100
82	AVO TRANSISTOR ANALYSER type TA	£40
87	ADVANCED STABILISED POWER UNIT type PPI 0-600V, 300mA	£140
86	PYE SCALAMP 40KV RMS Max ELECTROSTATIC VOLTMETER	£90
81	PYE SCALAMP 20KV RMS Max ELECTROSTATIC VOLTMETER	£55
53	AIRMEC MODULATION METER type 210 3-300MHz	£35
58	AVO IN CIRCUIT TRANSISTOR TESTER	£30
59	VARIACS, 0-250V, 500mA, Good condition, 8 Amp	£25
100	DC SERVO MOTORS 110V 2.5 Amp continuous, Double shaft, Brand new 4 wire, 4 1/2 inch	£18
104	HEWLETT PACKARD DC VACUUM TUBE VOLTMETER type 412A	£30
108	WAYNE KERR COMPONENT BRIDGE type 9521	£50
112	ADVANCE O METER type CM1	£30
113	BRUEL & KJØER LEVEL RECORDER type 204	£30
114	RHODE & SCHWARZ UHF MESSINGFÄNDER BM1523 280-940MHz	£120
115	R & S FREQUENCY METER VHF-UHF, 30-300MHz type VID BM442	£50
116	R & S ATTENUATOR type PPI 0-600V, 300mA	£40
121	MARCONI AM FM SIGNAL GENERATOR type TF1988E.1	£175
122	HEWLETT PACKARD WIDE RANGE OSCILLATOR type 206CD	£200
123	HEWLETT PACKARD AUDIO OSCILLATOR type 206J	£75
126	PAL COLOUR BAR GENERATOR type EP 685A GB (Decol)	£175
132	FERROGRAPH RECORDER TEST SET type RTS 2	£295
140	MARCONI VHF WAVE METER type TF63C, 29-300MHz, Portable	£115
145	HOUSTON INSTRUMENTS LOG VOLTMETER - CONVERTOR Model HVC150	£130
147	STANDARD DISTORTION METER type DMS2 20Hz-20KHz	£150
148	GOULD-ADVANCE Audio Sig Gen, Sine Square J4A, 10-100KHz	£120

PLEASE CHECK AVAILABILITY BEFORE ORDERING COMPONENT LIST AVAILABLE S.A.F. OR PHONE

A MUST FOR THE COMPUTER OR VIDEO MAN
CONTRAC 14" MONITOR, Solid state sync, plus video input sockets. Not cased. Used but tested.
£35 each, Carriage £5
Other monitors available including colour. Please enquire.

CREED MODEL 75
Printer with keyboard. Late model
ONLY £25 each
Receive only £18 each, Carriage £6

COSSOR VDU with KEYBOARD
80 characters x 13 lines; 800/1200 baud; RS232; standard 240 volt input; screen size 9 inches.
Very good condition. Tested. Limited quantity.
£90 each
Carriage at cost

GENERAL PURPOSE OSCILLOSCOPE
TECH TYPE TP2
Single beam. Size approx. 6 x 7 x 9 1/2 in. Weight 7lbs. Ideal for the beginner or school user.
ONLY £49.50 each, P&P £3

SINE & SQUARE WAVE AUDIO GENERATOR
TYPE TR-22, 20Hz-200KHz, Portable, as new.
ONLY £55 each, P&P £3

MULTIMETER
Russian Type 4324
AC/DC volts; AC/DC current; ohms, etc. Brand new, boxed.
£12.50 each, P&P £2.50

METROHM INSULATION AND CONTINUITY TESTER 500 volts
Portable, Battery Operated. Standards P.P.7 (Battery not supplied). Complete with carrying case.
As New £40 each
Used but good condition £25 each
As above but 200 volts. Used
£17.50 each, P&P £3

RADAR AERIALS
Rotary, complete with Waveguide Couplers. These are brand new, Ministry boxed. Very impressive. Dish diameter 27 inches.
£65 each, Carriage £8

BARCLAYCARD (VISA) and ACCESS taken. Official orders welcome
CALLERS VERY WELCOME STRICTLY BETWEEN 9am-1pm and 2-5pm Monday to Saturday inc.

All units £6 carriage. Plus V.A.T. on total

CHILTMHEAD LTD

NORWOOD ROAD, READING

TELEPHONE NO. READING 669656

(2nd turning left past Reading Technical College in King's Road then first right - look on right for door with "Spoked Wheel")

WW-047 FOR FURTHER DETAILS

LOW VOLTAGE POWER DRILLS AND ACCESSORIES

(Illustration shows Titan Drill and Stand (Price £27 inc. VAT and Postage) which is One of the combinations which can be purchased from our comprehensive range of Drills and Accessories.

Prices from **£8.34** (Reliant Drill only) inc. VAT and Postage

Send 25p for Catalogue.

A. D. BAYLISS & SON LTD.

PFERA WORKS, REDMARLEY, GLOUCESTER GL19 3JU

Barclaycard, Access Welcome

Tel. Bromesberrow (053 181) 273

Stockists: Richards Electric, Gloucester
D & D Models, Hereford
Hoopers of Ludbury
Hobbs of Leabury



UNITED KINGDOM

OMENEX LTD,
7 HUGHENBEN ROAD
HASTINGS SUSSEX TN34 3TG
TEL HASTINGS 04241 428151

ELECTRONIC COMPONENTS

600 MHz Digital Frequency Counter

The basis of the design is an LSI chip which is a seven decade counter. This is extended to full 8 digits by feeding the processed signal to a single decade counter that is then cascaded and fed to the least significant digit LSI for display. The LSI then sums, decodes and feeds the digit drivers for the other seven most significant digits (MSD) at A. A further LSI chip which performs the functions of Xall oscillator, gating dividers and driver, multiplying signal generator, etc. Other complex discrete circuitry provides for signal conditioning, shaping, amplification and protection.
A pre scale and amplifier provide facilities for extending the 8 digit counter block to 600MHz. This is switched in from the front panel. Also provided is switching for gate time and power. A 'gate open' LED indicates when the count is active.
Power supply required is 100V-240V AC 40-60Hz, feeding a 5 volt IC stabiliser and power. A facility (user lock socket) is provided for input to the stabiliser for powering with 9-16 volts DC for mobile use. Reverse polarity protection is included.
Display is an optically filtered multiplexed 8 digit presentation of 0.6" LEDs driven to high brightness by discrete and IC display drivers. The displays are of the latest reflector technology types with sculptured segments giving a pleasing, easily read display even under high ambient lighting.



Range 1Hz-60MHz
600MHz
Resolution 1Hz
Sensitivity Typically 10mV at 60MHz, 125mV at 600MHz
Initial Accuracy ± 10ppm
Short term stability ± 10ppm after 30 mins
Long term stability ± 10ppm per 1000 hours
Timing stability ± 20ppm 20-40°C
Linearity errors ± 10% (better than ± 0.01 ppm)

MODEL NUMBER UK522

Input 1MΩ in parallel with 15pF at 60MHz
50Ω with pre-scaler
Protection Up to 200V pp
Gate Xtal. 5.24280MHz
1.0 or 0.1 sec. by push button selection
Power 100-240V AC 40-60Hz ± 10% at 10 watts
9-16V DC at 800mA Typical

£108 inc. VAT

P.&R. COMPUTER SHOP

IBM GOLF BALL PRINTER 3982, £70

EPSON MX-80 80.GPs 3982 IBM I/O PRINTERS DOT MATRIX PRINTER WITH SPECIAL INTERFACES. VDUs, ASCII KEYBOARDS, ASR, KSR, TELETYPE, PAPER TAPE READERS, PAPER TAPE PUNCHES, SCOPES, TYPEWRITERS, FANS 4" 5" 6", POWER SUPPLIES, STORE CORES, TEST EQUIPMENT AND MISCELLANEOUS COMPUTER EQUIPMENT.
OPEN: MONDAY TO FRIDAY 9 a.m.-5 p.m., SATURDAY TILL 1 p.m.

COME AND LOOK AROUND
SALCOTT MILL, GOLDHANGER ROAD
HEYBRIDGE, ESSEX
PHONE MALDON (0621) 57440

WW - 101 FOR FURTHER DETAILS



COMPUTER WAREHOUSE

NOW OPEN
MONDAY-SATURDAY
9.30-5.30

BULK BUY SPECIALS



RAM SCOOP
4116 200 NSB for £12.95
2102-660 NS 8 for £5.50
INC VAT

25 WAY "D" CONNECTORS

	50+	100+
25p	1.70	1.10
25S	1.90	1.20

ALL + VAT

WIRE WRAP SKTS.
24 Pin Vers 25p
14 Pin Gold 22p
18 Pin Gold 24p
100 PCS Min Ord.

C10 DATA CASSETTES
10 for £5.75
INC. VAT

RF CONNECTORS
50C BNC PLG 50p
75C BNC PLG 50p
PL259 PLG 40p
S0239 SKT 35p
100 PCS MIN ORD.

TELETYPE ASR33 I/O TERMINALS



From £195 + CAR + VAT

Fully fledged industry standard ASR33 data terminal. Many features including: ASCII keyboard and printer for data I/O, auto data detect circuitry, RS232 serial interface, 110 baud, 8 bit paper tape punch and reader for off line data preparation and ridiculously cheap and reliable data storage. Supplied in good condition and in working order. Options: Floor stand £12.50 + VAT
Sound proof enclosure £25.00 + VAT

ICL TERMIPRINTER 300 BAUD TERMINALS



REDUCED TO CLEAR

NOW ONLY £80 + CAR + VAT

Made under licence from the world famous GE Co. The ICL Termiprinter is a small attractive unit with so many features it is impossible to list them in the space available! Brief spec. as follows: RS232 serial interface, switchable baud rates 110, 150, 300, (30 cps), upper and lower case correspondence type face, standard paper, almost silent running, form feed, electronic tab settings, suited for word processor applications plus many more features.
Supplied complete, in as seen condition, no guarantee.

MPU EXPERIMENTORS +5v +12v +12v +24v POWER SUPPLY

Once again we are very pleased to offer this superb Power Supply Unit, and hope to satisfy most of our previous customers who were disappointed when we sold out due to demand last time they were advertised!! These units may just have well been made for your lab, they consist of a semi-enclosed chassis measuring 180mm x 120mm x 35mm containing all silicon electronics to give the following fully regulated and short circuit proof outputs of:
+5v @ 2 amps DC +12v @ 800 ma DC
-12v @ 800 ma DC +24v @ 350 ma DC
and if that's not enough a fully floating 5v output @ 50 ma DC which may be selected to give a host of other voltages. All outputs are brought out to the front panel via miniature jack sockets and are also duplicated at the rear on short flying leads. Units accept standard 240v mains input. They are ex GPU and may have minor scratches on the front panel, they are sold untreated but in good internal condition. £16.50 each + £2.50 p+p complete with circuit and component list. Transformer guaranteed. HURRY WHILE STOCKS LAST!!

HIGH SPEED DATA MODEMS

A superb piece of engineering made by SE Labs Ltd. to a "no cost spared" spec for the GPU, the Modem 12 is a synchronous Modem for use on DATEL 2412 services, or other data links. Many features include switchable V26 modulation, 2400 baud full duplex 600/1200 standby, auto answer, 4 wire or 2 wire operation. Self test, LED status indication, CMOS technology, modular construction, original cost over £700 each. Believed brand new, supplied complete with PSU etc.
£185.00 + £9.50 carriage + VAT
*Permission may be required for connection to PD lines.

PERTEC

PERTEC TAPE DRIVES
7 track 6840 — 75-25 £175.00 + VAT
9 track 6840 — 9-25 £295.00 + VAT
Phone for more details

DIABLO S30 DISK DRIVES

Another shipment allows us to offer you even greater savings on this superb 2.5 MB (formatted) hard disk drive. Two types are available both fully refurbished and electronically identical, the only difference is the convenience of changing the disk packs.
S30 front loader, pack change via front door £550 + vat
S30 fixed, pack change via removal of top cover £295 + vat
+ & - 15v PSU for 2 drives £125 + vat
SPECIAL OFFER new, 12 sector packs £20 + vat carriage & insurance on drives £15.00 + vat fully DEC RK05, NOVA, TEXAS compatible further info on controllers etc on request.

NATIONAL MA1012 LED CLOCK MODULE

★ 12 HOUR
★ ALARM
★ 50/60 HZ



The same module as used in most ALARM/CLOCK radios today, the only difference is our price! All electronics are mounted on a PCB measuring only 3" x 1 1/2" and by addition of a few switches and 5/16 volts AC you have a multi function alarm clock at a fraction of cost. Other features include snooze timer, am pm, alarm set, power fail indicator, flashing seconds cursor, modulated alarm output etc. Supplied brand new with full data only
Suitable transformer £1.75. £5.25

MAINS FILTERS

Professional type mains filters as used by "Main Frame Manufacturers" ideal for curing those annoying tingling and data glitches, fit one now and cure your problems! Suppression Devices SD5 A10 5 amp £8.95
Corcom Inc F1900 30 amp £13.95 + pp £1.00

MUFFIN FANS

Keep your equipment Cool and Reliable with our tested ex-equipment "Muffin Fans" almost silent running and easily mounted. Available in two voltages. 110 V.A.C. £5.05 + pp 90p OR 240v A.C. £6.50 + pp 90p. DIMENSIONS 4 3/4" x 4 3/4" x 1 1/2"

ELECTRONIC COMPONENTS & EQUIPMENT

66% DISCOUNT

Due to our massive bulk purchasing programme which enables us to bring you the best possible bargains, we have thousands of I.C.'s, Transistors, Relays, Cap's., P.C.B.'s, Sub assemblies, Switches, etc. etc. surplus to our requirements. Because we don't have sufficient stocks of any one item to include in our ads., we are packing all these items into the "BARGAIN PARCEL OF A LIFETIME" Thousands of components at giveaway prices! Guaranteed to be worth at least 3 times what you pay plus we always include something from our ads. for unbeatable value!! Sold by weight

2.5lbs £ 4.75 + pp £1.25
5lbs £ 6.75 + pp £1.80
10lbs £11.75 + pp £2.25
20lbs £19.99 + pp £4.75

THE PRINTER SCOOP OF THE YEAR THE LOGABAX Z80 MICROPROCESSOR CONTROLLED LX180L MATRIX PRINTER

SAVE OVER £1000



A massive bulk purchase enables us to offer you this superb bulk purchase printer at a fraction of its recent cost of over £2000. Utilising the very latest in microprocessor technology, it features a host of facilities with all electronics on one plug in P.C.B. Just study the specification and you will instantly realise it meets all the requirements of the most exacting professional or hobbyist user.

STANDARD FUNCTIONS ★ Full ASCII character set ★ Standard ink ribbon ★ RS232C/V24 serial interface ★ 7 bit controlled baud rates up to 9600 ★ 194 characters per line ★ Parallel interface ★ Handshakes on serial and parallel ports ★ 4 Type fonts, italic script, double width, italic large, standard ★ Internal buffer ★ Internal self test ★ 170 CPS ★ Variable paper tractor up to 17.5" wide ★ Solid steel construction ★ All software in 2708 eeproms easily reconfigured for custom fonts etc.

All this and more, not refurbished but BRAND NEW At Only £525 + VAT
Also available identical to above LESS Electronics Card £250 + VAT + carriage and ins. £18.00 + VAT

OPTIONAL EXTRAS ★ Lower case £25.00 ★ 18K buffer £30.00 ★ Second tractor for simultaneous dual forms £85.00 ★ Logabax maintenance, P.O.A.

8" FLOPPY DISK DRIVES

Yet again we've managed to secure a large shipment of tomorrow's technology at prices as yet unheard of!! And as with most of our purchases can pass these savings direct to you!! The DR 7100 & 7200 8" floppy disk drives have many inbuilt features to provide literally any BUS configuration with full delay chain via internal jumpers 77 tracks on the single sided 7100 give upto 0.8 MB of data and 154 tracks on the 7200 double sided drive give a massive 1.6 MB of data. Many other features such as soft or hard sectoring, IBM or ANSI standards, only 240v AC, +24 +5v dc power requirements, and our unbelievable prices make these drives a snip.
Supplied BRAND NEW and boxed complete with user manual:
7100 single sided £225.00 + 8.50 ins. & carr. + vat.
7200 double sided £295.00 + 8.50 ins. & carr. + vat.
Full technical manual available £7.50 write or phone for more details.



LAMBDA

LMC C5V
5V 10 AMP
PSU, 240V
NEW £45 + VAT
+ £2.50 P&P

DEC CORNER

DECTU60 TWIN CASSETTE DRIVE £375 + VAT
PDP1105 MINI I/O MEMORY, CPU ETC. £450 + VAT
LSI1132K BYTE CMOS MEMORY CARDS £295 + VAT
RK05 MEMOREX DISK PACKS
(12 sector) £20.00 + VAT
LSI1102 PROCESSOR CARD £275.00 + VAT
** All types of DEC equipment purchased for cash **

SOFTY 1 & 2 EPROM BLOWER

Software development system invaluable tool for designers, hobbyists, etc. Enables open heart surgery on 2716, 2708 etc. Blows, copies, reads EPROMs or emulates EPROM/ROM/RAM in situ whilst displaying contents on domestic TV receiver. Many other features. £115 + carr. + VAT. Optional 2716, 2716 Function Card £40 + VAT. PSU £20 + £1.50 carr. + VAT.
Softy 2 for 2716/2732 £169 + VAT
Write of phone for more details.

9" VIDEO MONITORS

Ex equipment 9" Motorola Video Monitor 753 composite input, tested but unguaranteed. £36.95 + £7.50 carriage + VAT. Complete with circuit.

SEMICONDUCTOR 'GRAB BAGS'

Mixed Semic. among other contents include transistors, diodes, linear, I.C.'s, triacs, diodes, bridge sets, etc. etc. All devices guaranteed brand new full spec. with manufacturer's markings, fully guaranteed. 50+ pc £2.95 100+ pc £5.15 TTL 74 Series

A gigantic purchase of an "across the board" range of 74 TTL series I.C.'s enables us to offer 100 mixed "mostly TTL" grab bags at a price which two or three chips in the bag would normally cost to buy.
Fully guaranteed at I.C.'s full spec. 100+ £6.95 200+ £12.35 300+ £19.50

RCA FULLY CASED ASCII CODED KEYBOARDS



IDEAL - TANGERINE, OHIO ETC.

Straight from the U.S.A. made by the world famous R.C.A. Co. the VP60 Series of cased freestanding keyboards meet all requirements of the most exacting user, right down to the price! Utilising the latest in switch technology. Guaranteed in excess of 5 million operations. The keyboard has a host of other features including full ASCII 128 character set, user definable keys, upper/lower case, rollover protection, single 5v rail keyboard impervious to liquids and dust, TTL or CMOS outputs, even an on-board tone generator for keypress feedback, and a 1 year full R.C.A. backed guarantee.

VP601 7 bit fully coded output with delayed strobe, etc. £43.95
VP611 Same as VP601 with numeric pad. £54.95
VP606 Serial, RS232, 20MA and TTL output, with 6 selectable Baud Rates. £64.26
VP616 Same as VP606, with numeric pad. £84.34
Plug and cable for VP601, VP611 £2.25
Plug for VP606, VP616 £2.10
Post, Packing and Insurance. £1.95
ORDER NOW OR SEND FOR DETAILS.

5v D.C. POWER SUPPLIES

Following the recent "SELL OUT" demand for our 5v 3 amp P.S.U. we have managed to secure a large quantity of ex-computer systems P.S.U.'s with the following spec.: 240 or 110v A.C. input, Outputs of 5v @ 3-4 amps, 7.2v @ 3 amps and 5.5v @ 1 amp. The 5v and 7.2v outputs are fully regulated and adjustable with variable current limiting on the 5v supply. Unit is self contained on a P.C.B., measuring only 12" x 5" x 3". The 7.2v output is ideal for feeding "on board" regulators or a further 3 amp LM323K regulator to give an effective 5v @ 7 amp supply.
Supplied complete with circuit at only £10.95 + £1.75 pp. Believed working but untested, unguaranteed.

ELECTRONICS

Dept. W.W. 64-66 Melfort Rd., Thornton Heath, Croydon, Surrey. Tel: 01-689 7702 or 01-689 6300

MAIL ORDER INFORMATION

Unless otherwise stated all prices inclusive of V.A.T. Cash with order. Minimum order value £20.00. Prices and Postage quoted for UK only. Where post and packing not indicated please add 60p per order. Bone Fida account orders minimum £20.00. Export and trade enquiries welcome. Orders despatched same day where possible. 3% surcharge on Access and Barclaycard orders.

C.T. ELECTRONICS (ACTON) LTD.

Registered in England 1179820

267 & 270 ACTON LANE, LONDON W4 5DG. Telephone: 01-747 1555
Telex 291429 01-994 62759.30 a.m.-6 p.m.
MON.-SAT.
CONTINUOUS

STABILISED POWER SUPPLIES

FARNELL A15: 210/240V IP. Dual Op. 12-17v per rail at 100mA. Remote sensing, current limit protection. (164 x 130 x 38mm), with manual. **£12.**

FARNELL 7/3SC: 120/240V IP. Adjustable current limit. Remote sensing. (188 x 96 x 93mm). Two versions available: 15V at 2A or 30V at 1A. **£15 ea.**

COUTANT OA2: Op. amp, psu, 120/240V IP. Dual Op. 12-15v at 100mA. (138 x 80 x 45mm). **£12 ea.** or 2 for **£22.**

BRANDENBURG Photomultiplier PSU. 19in. rack mounting. Metered, current limit protection.

374 300V-1KV at 5mA. 376 660V-1K6V at 10mA.

375 500V-1K5V at 6mA. All models **£40.**

Photo multiplier tubes available.

PIONEER MAGNETICS POWER SUPPLIES . . . 5V 150 amp, output input 115 vac. (Switchmode). Price **£120** each.

Various other makes of power supplies in stock. Please send for lists. S.A.E. please.

SPECIAL OFFER. 10MFD 500v ECC 20p ea., 10,000 MFD 16v Mullard 35p ea., 3,300 MFD 40v Mullard 35p ea. 10uF/83v WIMA polyester 10% 40p ea. Large quantities available.

5 million Disc Ceramics in stock. Ceramic plate. Multi-layer ceramic. Low voltage discs. Monolithics. Ceramics. High voltage discs. Subminiature plate, epoxy cased. Send for lists or please phone for details.

4 MILLION

I.T.T. ELECTROLYTICS NEW AND BOXED NOW IN STOCK

EN 1212 AXIAL EN 1235 RADIAL

The whole range available at unbeatable prices. Send for List

PYE HEAD CLEANING CASSETTES. Brand new or boxed, **50p ea.**

CASSETTE DECKS: With stereo heads, mechanically complete, but with no electronics. Smart black modern finish. **£5.00**

We have very large quantities of Disc Ceramics High Voltage, Plate, etc.

Special offer 0.1/16v at **£15/1000.** Please send for our Disc Ceramic Stock Lists.

PIHER PRESETS
Very large stocks, PT10, PT15 enclosed types. Please send for our preset list. Most values 100R-5M

HEAVY DUTY KEYSWITCHES
2P 12A 600V AC **£1.50**
8P 10A 380V AC **£3.00**
10P 12A 600V AC **£3.00**
49mm □ Fascia.

We have the following quantities of low profile **GOLD PLATED** I.C. sockets manufactured by Winslow,

discount on quantity. One off prices as follows:

8 PIN-9p; 14 PIN-10p; 16 PIN-11p; 18 PIN-16p; 20 PIN-18p; 22 PIN-22p; 24 PIN-22p; 28 PIN-26p; 40 PIN-30p.

CANNON 15w sockets, D type or Souvrian/McMurdo DA15S **60p** ea. Also Cannon 9w plug, brand new, **60p** ea.

WELWYN STRAIN GAUGE. (Precision Micro-Measurements). Romulus Michigan type MA-09-500B4-350. Our price **£1.25** ea. List price **£3.85.** Large quantities available.

$\frac{3}{4}$ " 15 Turn Cermet Trimpot 100k Ω . 1 off price, **20p.** By Beckman & A.B. Full range available.

REDPOINT HEATSINK, Type TV4 **15p** ea. 1 off price. Discount on quantity.

We have the following **Welwyn. 1% Resistors** available, 2K, 3K, 10K, 20K, 30K, 1 Meg. Price **25p** ea. Type 4802.

D TO A CONVERTERS

15MHz, 8 BIT

By Micro Consultants Ltd. 50 Ω cable drive op. Linearity 0.25%, max. 0.125% typ. Settling time: 2V step 70ns typ. 2MV step 50ns colour television transmission standard. Diff. gain 0.5% diff. phase shift 0.5° types rad 802 and MC2208/8. Unused. Ex-maker's pack.

SPECIAL OFFER PRICE: £20

This advertisement is mainly of our excess stockholding. We also have excellent stocks of semiconductors, hardware, cables, etc. etc. For further details send for our lists and retail price catalogue, phone or visit our shop. All prices are exclusive of VAT (and P&P). Minimum Mail Order **£5 + P&P - VAT.** Government departments, schools, colleges, trade and export welcome. (7479)

TRANSFORMERS

3-0-3V 100mA	£1.06
5-0-5V 400mA	£1.25
6-0-6V 100mA	£1.14
6-0-6V 250mA	£1.16
0/6-0/6 280mA	£2.00
8-0-8V 400mA	£1.25
9-0-9V 75mA	£1.14
9-0-9V 3A	£3.00
11V 2A, 22V 1A	£2.00
12-0-12 50mA	£1.18
12-0-12V 100mA	£1.48
12V 130mA	£0.80
12-0-12V 250mA	£1.94
12V 1A5	£1.25
13V + 6.5V Sec 2 Amp	£2.00
0-12-0-12 96VA	£8.00
15V 100mA	£1.00
0/12-0/12 500+500mA	£2.96
9-0-9V 1 Amp	£2.64
12-0-12V 1 Amp	£3.36
15-0-15V 1 Amp	£3.62
15V 100mA	£1.00
17V 300mA	£1.50
30, 24, 20, 15, 12 84 1 Amp	£4.84

6.3V 1.5 Amp	£2.64
6-0-6V 1.5 Amp	£3.20
20-0-20 400mA	£1.80
22-0-22 50mA	£1.00
24V 100mA	£1.00
24V 250mA	£1.50
25V + 6.2V Sec 1.6 Amp	£1.90
30, 24, 20, 15, 12 2 Amp	£7.96

9-0-9V 2 Amp	£4.70
12V 2 Amp	£4.84
20-0-20V 2 Amp	£6.98
30-0-30V 2 Amp	£7.96
30V 250mA	£1.50
30-25-0-25-30 1A6	£6.00
0-2-4-6-8-10 5A	£6.00

4-WAY DPDT AND 5-WAY DPDT DIL SWITCHES, by ERG Components and CTS. Gold contacts **80p** ea. Brand new and boxed.

BUZZERS, 6v and 12v, **50p** ea.

WIRE ENDED NEONS **£20/£1,000.**

SPECIAL OFFER. Mini-toggle switch by C. & K., 3 Pc/a. Long dolly or short, **50p** ea.

RESISTORS: Over 2 million in stock at last cost.

CARBON FILM 1/4W 5% E12 range 1R0-12M, 2p ea. **£1/100, £6.50/1,000.**

METAL OXIDE/FILM: Most values in E24 range, 1/4-2W 5, 2 or 1%. A few values in 0.1% tolerance available.

WIRE WOUND: ORI-100K 3-200W. A selection of mains droppers available. Good selection of metal clad high power types.

ROTARY SWITCHES
Over 30 different types available. **from 45p**
Switchcraft Cannon Connectors.
3-pin Plug. Free hanging **£1.20**

A3F 3-pin Socket. Free hanging with lock **£1.32**
D3F 3-pin Socket. Female chassis mounting with lock **£1.60**

D3M 3-pin Socket. Male. Chassis mounting **£1.10**

10,000uF/100V Electrolytic Capacitor type 36D by Sprague **£3.50** each. Brand new and boxed.

Switchcraft XLR Connectors always in stock. Discounts on quantity.

ALUMINIUM BOXES:

AB7 5.25x2.50x1.50in. (133.4x63.5x38.1mm)	£0.96
AB8 4x4x1.50in. (101.6x101.6x38.1mm)	£0.96
AB9 4x2.25x1.50in. (101.6x57.2x38.1mm)	£0.96
AB10 4x5.25x1.50in. (101.6x133.4x38.1mm)	£1.12
AB11 4x2.50x2in. (101.6x63.5x50.8mm)	£0.96
AB12 3x2x1in. (76.2x50.8x25.4mm)	£0.70
AB13 5x4x2in. (127.0x101.6x50.8mm)	£1.38
AB14 7x5x2in. (177.8x127.0x50.8mm)	£1.64
AB15 8x5x3in. (203.2x127.0x76.2mm)	£1.90
AB16 10x7x3in. (254.0x177.8x76.2mm)	£2.20
AB17 10x5.50x3in. (254.0x141.3x76.2mm)	£2.28
AB18 12x5x3in. (304.8x127.0x76.2mm)	£2.52
AB19 12x8x3in. (304.8x203.2x76.2mm)	£3.04

BLUE REXINE COVERED ALUMINIUM BOXES

RB1 6x4.50x2.50in. (152.4x114.3x63.5mm)	£1.96
RB2 8x5x3in. (203.2x127.0x76.2mm)	£2.52
RB3 9x5x3.50in. (228.6x127.0x89mm)	£2.72
RB4 11x6x4in. (279.4x152.4x101.6mm)	£3.14
RB5 11x7.50x4.50in. (279.4x190.5x114.3mm)	£3.58

BLACK PLASTIC BOXES

75x50x25mm	65p
80x60x40mm	92p
90x70x40mm	99p
115x75x30mm	90p
110x90x45mm	£1.18
170x100x50mm	£1.65
200x120x80mm	£3.55

FILTERS

3 Phase 20 AM Filters 433V 50/60HZ Phase to Phase 250V AC 50/60HZ Phase to Neutral mfr. by Corcom Chicago Ill., U.S.A., **£15** each. Single Phase Filter 30 Amps 125V 60HZ by Potter **£5.**

Sprague Filter 2 x 30 Amp 250V AC, 60HZ, **£10.**

Erie Mains Filters 3 and 5 Amp 250V AC 50HZ **£4.**

All the above mentioned Filters are brand new. Carriage extra.

SPECIAL OFFER: 0.1% TOL resistors. The following values available: 2K, 3K, 10K, 30K, 1M Ω , Welwyn or Filmet. Price **30p** each.

CERMET PRESETS 15p ea. 10A 250V AC ILLUMINATED

ROCKER SWITCH
Rad, DP ST 26x30mm rect. Snap-in type **75p**

16A 250V AC ILLUMINATED ROCKER SWITCH

(Amber). 14x30mm rectangular snap-in type. SPST **30p**

LICON ILLUMINATED SWITCHES

01-800 Rectangular Snap-in Series.
2PCO Latching **£1.50**
2PCO Momentary **£1.50**
Indicator only **50p**
Lenses available in red or white only.

WIREWOUND POTS

IRO-100K by A.B., Colvern, etc. 1/4W 40p, 3W 60p, 5W 80p.

TRIMPOTS
10R-500K 10/20 turn. 1/4in. or 3/4in. rectangular **60p** ea.



Semiconductor Supplies International Ltd

Dawson House, 128/130 Carshalton Road, Sutton, Surrey SM1 4RS.
Tel: 01-643 1126 (5 lines) Telax: 946650

CHOOSE THE SPECIALIST FOR DATA CONVERSION PRODUCTS AND L.C.D. DISPLAYS

LUCID

3½; 4; 4½
DIGIT DISPLAYS

+1.8:8.8

Clearly better
**L.C.D.
DISPLAYS
BRITISH
MADE**



PLUS

TELEDYNE SEMICONDUCTOR CONVERSION PRODUCTS

WE CARRY A COMPLETE RANGE OF DATA CONVERSION PRODUCTS FROM STOCK:

3½ DIGIT A/Ds: 7106, 7116, 7107, 7117, 7126, MC14433
MONOLITHIC A/D CONVERTERS 8, 10 and 12 BIT BI AND TRI STATE
MONOLITHIC CMOS D/A CONVERTERS, 12 BIT
V TO F AND F TO V CONVERTERS : VOLTAGE REFERENCES 1.22V, 5V AND 10V
DIGITAL PANEL METER KITS - USING EITHER L.E.D. OR L.C.D. DISPLAY

AVAILABLE SOON: ICL 7109 A/D CONVERTER FOR MICROPROCESSOR INTERFACES

For further information on our complete range of products please contact our Sales Office

WW - 088 FOR FURTHER DETAILS

SIEMENS FLOPPY DISK DRIVES UNBELIEVABLY LOW PRICES

Fully Shuggart Compatible Siemens 8" single-sided disk drives are available now with unbeatable prices.

FDD 100-8

Single Sided	Single 250 K	or	Double Density 500K	£263.16
OTHER				
CP/M 2.2				£99.00
BASIC 80				£175.00
BASIC COMPILER				£195.00
NEW				
WORDSTAR 3.0				£240.00
SPELL STAR				£75.00
MAIL MERGE				£75.00

NEW

I.B.S. Limited are Dealers for the new PBM: Performance Business Machine. (A Micro-Pro Company, the people who brought you Word Star.)

All hardware with 5 Megabyte. Winchester hard disk, terminal and printer with a full range of business software available as complete package. Prices from£6,000.00
Also Onyx Z80 and Z8000 Business Computer Systems. Prices from£6,250.00

EXTRA DISCOUNT

A FURTHER 5% DISCOUNT MAY BE DEDUCTED FROM PRICES SHOWN IF CASH/CHEQUE IS SENT WITH ORDER. ALL ABOVE PRICES ARE EXCLUSIVE OF VAT AT 15%

IRVINE BUSINESS SYSTEMS



P.O. BOX 5
IRVINE, Ayrshire

TEL: (0294) 75000
TELEX: 777582



POWER — hydraulic drive

PRECISION — feedback closed loop system

PROGRAMMABILITY —

dedicated
µ Processor

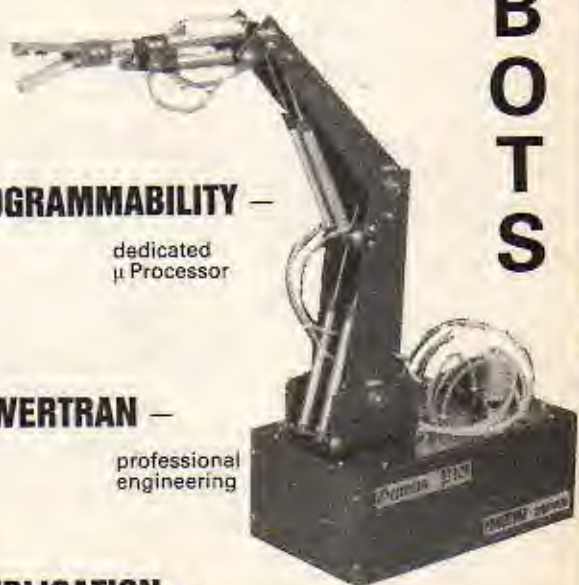
POWERTRAN —

professional
engineering

PUBLICATION —
November Issue

PRACTICAL ELECTRONICS

ROBOTS



WW - 054 FOR FURTHER DETAILS

ELECTROVALUE CATALOGUE 82

Ready now!
Improved . . . updated . . .
and a real money saver

You're going to like Catalogue 82 better than anything we have ever produced before. Of course it has masses of the everyday things you simply must have, whatever project you start on. But it also has much that is new - and right in line with today's most exciting trends in electronics and the requirements they bring with them. This is particularly true of our enlarged computer section. If you want the best at the best prices, Catalogue 82 is for you - use the coupon to make sure of receiving yours promptly.

SEND 70p for ELECTROVALUE CATALOGUE 82 - 64 large pages (A4) plus covers. WITH IT WE GIVE A RECLAIM VOUCHER WORTH 70p VALID FOR SPENDING ON ORDERS FOR £10 OR MORE.

**HARDWARE - COMPONENTS
SEMI-CONDUCTORS
COMPUTING**

DISCOUNTS

(Except items quoted NET or N)

5% on C.W.O. orders £10 or more

10% on C.W.O. orders £20 or more

FREE POSTAGE
(on U.K. C.W.O. orders)

**ELECTROVALUE
LTD.**

Dept. WW11, 28 St. Jude's
Rd., Englefield Green, Egham,
Surrey TW20 0HE. Phone
Egham 33603 (STD 0784
London 87). Telex 264475
Northern Branch (Personal
Shoppers only) 680 Burnage
Lane, Manchester M19 1NA.
Phone (0661) 432 4945



TO ELECTROVALUE LTD., 28 ST. JUDES ROAD
ENGLEFIELD GREEN, EGHAM TW20 0HE

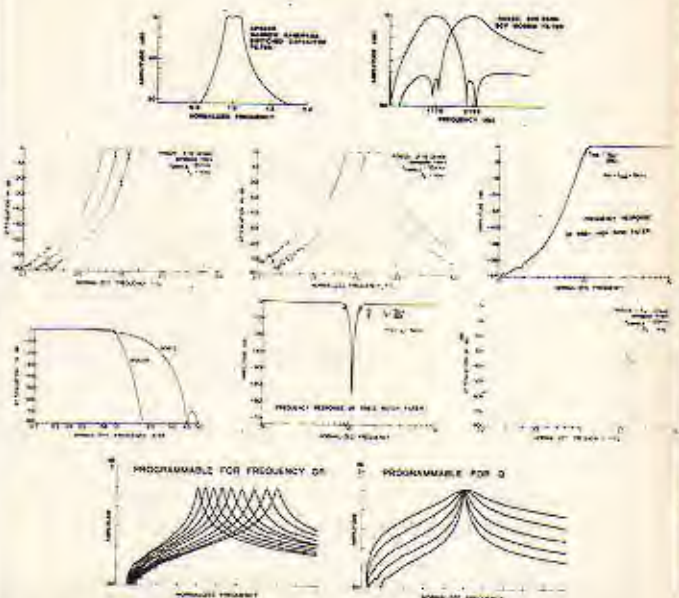
Please send..... Copy(ies) of Catalogue '82

@ 70p each for which I enclose £

Name.....

Address.....

MOS Switched Capacitor Filters



Standard products by Reticon.*

RETICON offers the world's largest selection of standard switched capacitor filters for your various active filter requirements. These fully integrated MOS filters feature.

- Low cost
- Small size
- Continuous adjustability
- Simple implementation
- Easily converted to custom spec's
- Low frequency operation
- Excellent temperature stability
- Multiple filters in one package

*RETICON also has custom design and production capability.

For further information, call us at: (408) 738-4266 or: Boston (617) 745-7400, Chicago (312) 640-7713, Tokyo, Japan (03-343 4411), Wokingham, Berks, England (0734) 790772, Munich, Germany (089) 918 061.

 **EG&G RETICON**

SEYMOUR HOUSE, THE COURTYARD, DENMARK STREET,
WOKINGHAM, BERKSHIRE RG11 2DR, ENGLAND
Telephone: Wokingham (0734) 788666 Telex: 847510 EGGUK

BY ORDER OF B. BAMBER ELECTRONICS & OTHERS

SALE BY AUCTION

TO BE SOLD BY

ANGLIA INDUSTRIAL AUCTIONS

SPECIALIST AUCTIONEERS TO THE RADIO AND ELECTRONICS INDUSTRY

LOTS INCLUDE:

Resistors, capacitors, pots, connectors, switches, transformers, relays, bulbs and neons, tools, transistors, valves, panel meters, digital watches, car radio speakers, intercom units, multimeters, cable, test equipment, radio telephones and spares, amateur radio transceivers, Weller spares.

Over 900 lots

Catalogues available

TO BE HELD ON WEDNESDAY, 25th NOVEMBER, 1981

ON THE PREMISES OF
B. BAMBER ELECTRONICS
 5 STATION ROAD
 LITTLEPORT
 CAMBS. CB6 1QE
 TEL: ELY (0353) 860185

WW - 096 FOR FURTHER DETAILS

TYPE	SERIES No.	SECONDARY Volts	RMS Current	PRICE
30va 70 x 30mm 0.45 Kg Regulation 18%	1X010	6 - 6	2.50	£4.48 + £0.87 P/P + £0.80 VAT
	1X011	9 - 9	1.66	
	1X012	12 - 12	1.25	
	1X013	15 - 15	1.00	
	1X014	18 - 18	0.83	
	1X015	22 - 22	0.69	
	1X016	25 - 25	0.65	
1X017	30 - 30	0.50		
50va 80 x 35mm 0.9 Kg Regulation 13%	2X010	6 - 6	4.15	£4.93 + £1.10 P/P + £0.90 VAT
	2X011	9 - 9	2.77	
	2X012	12 - 12	2.08	
	2X013	15 - 15	1.66	
	2X014	18 - 18	1.39	
	2X015	22 - 22	1.13	
	2X016	25 - 25	1.00	
2X017	30 - 30	0.83		
2X028	110	0.45		
2X029	220	0.22		
2X030	240	0.20		
80va 90 x 30mm 1 Kg Regulation 12%	3X010	6 - 6	5.94	£5.47 + £1.43 P/P + £1.04 VAT
	3X011	9 - 9	4.44	
	3X012	12 - 12	3.33	
	3X013	15 - 15	2.66	
	3X014	18 - 18	2.22	
	3X015	22 - 22	1.81	
	3X016	25 - 25	1.60	
3X017	30 - 30	1.33		
3X028	110	0.72		
3X029	220	0.36		
3X030	240	0.33		
120va 90 x 40mm 1.2 Kg Regulation 11%	4X010	6 - 6	10.00	£6.38 + £1.43 P/P + £1.77 VAT
	4X011	9 - 9	6.92	
	4X012	12 - 12	5.00	
	4X013	15 - 15	4.00	
	4X014	18 - 18	3.33	
	4X015	22 - 22	2.72	
	4X016	25 - 25	2.40	
4X017	30 - 30	2.00		
4X018	35 - 35	1.71		
4X028	110	1.09		
4X029	220	0.54		
4X030	240	0.50		
160va 110 x 40mm 1.8 Kg Regulation 8%	5X011	9 - 9	8.89	£8.44 + £1.43 P/P + £1.48 VAT
	5X012	12 - 12	6.66	
	5X013	15 - 15	5.33	
	5X014	18 - 18	4.44	
	5X015	22 - 22	3.63	
	5X016	25 - 25	3.20	
	5X017	30 - 30	2.69	
5X018	35 - 35	2.34		
5X028	110	1.45		
5X029	220	0.72		
5X030	240	0.66		

Also available of Electrovaux, Mapline, Marshalls, Technomatic and Watford Electronics.

LLP TRANSFORMERS

INCREASED PRODUCTION CAPACITY BRINGS LOWER PRICES

TYPE	SERIES No.	SECONDARY Volts	RMS Current	PRICE
225va 110 x 45mm 2.2 Kg Regulation 7%	6X012	12 - 12	9.38	£10.06 + £1.73 P/P + £1.77 VAT
	6X013	15 - 15	7.50	
	6X014	18 - 18	6.25	
	6X015	22 - 22	5.11	
	6X016	25 - 25	4.50	
	6X017	30 - 30	3.75	
	6X018	35 - 35	3.21	
6X028	110	2.81		
6X029	45 - 45	2.50		
6X030	220	1.12		
6X032	240	0.93		
300va 110 x 50mm 2.6 Kg Regulation 6%	7X014	18 - 18	8.00	£11.66 + £1.32 P/P + £2.01 VAT
	7X015	22 - 22	6.62	
	7X016	25 - 25	6.00	
	7X017	30 - 30	5.02	
	7X018	35 - 35	4.38	
	7X028	40 - 40	3.75	
	7X029	45 - 45	3.32	
7X030	30 - 30	3.00		
7X028	110	2.72		
7X029	220	1.36		
7X030	240	1.25		
500va 140 x 60mm 4 Kg Regulation 4%	8X017	30 - 30	8.23	£15.53 + £2.05 P/P + £2.64 VAT
	8X018	35 - 35	7.14	
	8X028	40 - 40	6.25	
	8X029	45 - 45	5.55	
	8X030	50 - 50	5.00	
	8X042	55 - 55	4.54	
	8X028	110	4.54	
8X029	220	2.27		
8X030	240	2.08		
625va 140 x 75mm 5.0 Kg Regulation 4%	9X017	30 - 30	10.41	£21.54 + £2.70 P/P + £3.56 VAT
	9X018	35 - 35	8.92	
	9X028	40 - 40	7.81	
	9X029	45 - 45	6.94	
	9X030	50 - 50	6.25	
	9X042	55 - 55	5.62	
	9X028	110	5.62	
9X029	220	2.81		
9X030	240	2.50		

IMPORTANT: Regulator references - All voltages quoted are FULL LOAD. Please add regulation figure to secondary voltage to obtain full load voltage.

See also our ads. pages 30 and 31.

NOW 95 TOROIDAL TYPES FROM 30VA TO 625VA

★★ I.L.P. TOROIDALS ★★

We use advanced winding technology to make our toroidal transformers. They have only half the weight and height of their laminated equivalents and are appreciably more efficient. Induced hum is reduced by a factor of ten. I.L.P. toroidals cost virtually the same as the older types which they are rapidly replacing. Now increased production capacity means even lower prices. Supplied with rigid mounting kit with centre bolt, steel and neoprene washers. **GUARANTEED 5 YEARS.**

CHOICE OF 3 PRIMARY INPUTS

I.L.P. Toroidal Transformers are available in choice of 110V, 220V, 240V, coded as follows: (Secondaries can be connected in series or parallel). For 110V Primary insert 0 in place of "X" in type number. For 220V Primary (Europe) insert 1 in place of "X" in type number. For 240V Primary (U.K.) insert 2 in place of "X" in type number. Example: 50VA 240V 6+6V 4.16A=22010.

- ★ CUSTOMER DESIGN ENQUIRIES INVITED. QUANTITY PRICE LIST AVAILABLE.
- ★ FREEPOST FACILITY (U.K. only). Simply send your order in envelope marked FREEPOST to address below. **NO STAMP REQUIRED.**
- ★ TO ORDER Enclose Cheque/Postal Order/Money Order payable to I.L.P. Electronics Ltd. or quote your ACCESS OR BARCLAYCARD account number. VAT must be included with U.K. order. To pay C.O.D. add £1 extra to TOTAL value of order.

GOODS DESPATCHED WITHIN 7 DAYS OF RECEIPT OF ORDER

To: I.L.P. ELECTRONICS LTD, CANTERBURY CT2 7EP

Please supply Transformer(s) No (s)

Total purchase price £.....

Enclose Cheque Postal Orders International Money Order

Debit my Access/Barclaycard Account No.

NAME

ADDRESS

Signature

LLP TRANSFORMERS

(An Approved Supplier)

FREEPOST T5, GRAHAM BELL HOUSE, ROPER CLOSE, CANTERBURY, CT2 7EP
 Phone (0227) 54778 - Technical (0227) 64723 - Telex 965 780

WW - 103 FOR FURTHER DETAILS

Appointments

Advertisements accepted up to 12 noon Monday, November 2 for December issue, subject to space being available.

DISPLAYED APPOINTMENTS VACANT: £13.50 per single col. centimetre (min. 3cm).
 LINE advertisements (run on): £2.50 per line, minimum 5 lines. (Prepayable).
 BOX NUMBERS: £1.50 extra. (Replies should be addressed to the Box Number in the advertisement, c/o Quadrant House, The Quadrant, Sutton, Surrey SM2 5AS.)
 PHONE: OPHELIA SMITH, 01-661 3033 (DIRECT LINE)

Cheques and Postal Orders payable to IPC Business Press Ltd.



ECM

ALWAYS AHEAD WITH THE BEST!

£5,000-£15,000

PDP 11: NOVA: ECLIPSE: Z80: 8080: 6800: BIT-SLICE: TTL: ECL: RADAR: SONAR: SATCOM: Phototypesetters: Wordprocessors: Flight Simulators: ATE: Electro-Medical: Teletext: Data-Comms: Automation: Microwave?

Where does your skill and interest lie – Design? Test? Service? Software? Consultancy? or perhaps Research?

- * Our clients are drawn from all sectors of industry;
- * There are opportunities for Managers, Project Managers, Engineers and Technicians.
- * Most UK locations and some Overseas.
- * Make your first call count – Contact MIKE GERNAT or PETER BROWN on 076 384 676/7

ELECTRONIC COMPUTER AND MANAGEMENT APPOINTMENTS LIMITED
 148-150 High St., Barkway, Royston, Herts SG8 8EG.

(usually until 8 p.m.)

(1328)

Dolby ELECTRONIC TEST ENGINEERS

We manufacture and market audio noise reduction equipment which is used by major recording companies, recording studios, the film industry and broadcasting authorities throughout the world.

We need experienced Test Engineers to join a dedicated team who are proud to be world leaders in the manufacture of professional noise reduction equipment.

Those with practical knowledge of electronic testing and have rapid troubleshooting ability can enjoy varied and interesting work and high rates of pay.

Telephone Jan Proos, 01-720 1111
DOLBY LABORATORIES INC.
 346 Clapham Road, London, SW9 9AP

(1364)

Molinare VISION ENGINEER

required. Major television facilities company situated in Central London needs motivated vision engineer to help with the further development and operation of studio and OB facilities. The work is with state of the art equipment. Opportunity for operations, maintenance, systems engineering and for furtherance of technical knowledge. The position requires experience in a broadcast production environment and salary will be commensurate with the responsibilities of the position and experience.

Applications in writing to:

Nell Corrales, Molinare Ltd.
 44 Great Marlborough Street, London W.1

(1343)

**PHONE YOUR
CLASSIFIEDS TO
OPHELIA SMITH
ON 01-661 3033**

HAMPSHIRE HF, VHF & UHF DESIGN ENGINEERS ANTENNA DESIGN ENGINEERS NAVIGATION SPECIALISTS (Avionics)

Salaries £7K to £13K
+ substantial relocation benefits
Immediate interviews can be arranged
if you have sound design and de-
velopment and/or systems experience
in any of the above categories -
phone or write now for further in-
formation... Remember, we do not
charge for our services.

CBS APPOINTMENTS
1 WOOTTON GARDENS
BOURNEMOUTH 292155

24 hours answering service (Agy)
(1341)

CBS Appointments
1 WOOTTON GARDENS BOURNEMOUTH 292155

ELECTRONICS PERSONNEL

ELECTRONIC ENGINEERS Ref: WW100

Good digital knowledge, test, design or program. Dynamic company.

QUALITY CONTROL Ref: WW101

Responsible position, MOD knowledge. HNC plus 5 years' experience.

ELECTRONIC MANUFACTURING MANAGER Ref: WW102

A sound background, ability to organise introduction of new products.

SALES ENGINEERS AND EXECUTIVES Ref: WW103

Large responsibility to develop complex business relationships.

ALSO: Engineers for service, test, calibration

For salaries and details telephone today

130 High Street Eton Windsor SL4 6AR Windsor 59252

(1289)

THE PAPUA NEW GUINEA UNIVERSITY OF TECHNOLOGY DEPARTMENT OF ELECTRICAL & COMMUNICATIONS ENGI- NEERING

SENIOR LECTURER AND PRINCIPAL/ SENIOR TECHNICAL INSTRUCTOR

A vacancy exists for a Senior Lecturer in Communications for the degree course. A higher degree and teaching qualification preferred. Interest in satellite and communications required. A Principal/Senior Technical Instructor is required for the Diploma in Communication Engineering course. Full professional and teaching qualifications required. Experience in broadcasting or telephony preferred.

Salary:

Senior Lecturer	K17,895
Principal Technical Instructor	K17,895
Senior Technical Instructor	K14,195

(K1 = Stg. 0.8023)

Appointment level will depend upon qualifications and experience.

Initial contract period is for three years, other benefits include a gratuity of 24% taxed at 2%, appointment and repatriation fares, leave fares for the staff member and family after 18 months of service, settling-in and out allowances, six weeks' paid leave per year, education fares and assistance towards school fees, free housing. Salary continuation and medical benefit schemes are available.

Detailed applications (two copies) with curriculum vitae together with the names and addresses of three referees should be received by the Registrar, Papua New Guinea University of Technology, P.O. Box 793, Lae, P.N.G. by 30 October 1981.

Applicants resident in the United Kingdom should also send a copy to the Association of Commonwealth Universities (Acpus.) 36 Gordon Square, London WC1H 0PF, from whom further particulars can be obtained.

(1345)

M.R.C. CLINICAL RESEARCH CENTRE (NORTHWICK PARK HOSPITAL) WATFORD ROAD, HARROW MIDDLESEX HA1 3UJ

Technician

There is a vacancy in our division of bioengineering for an Electronic Engineer with knowledge and experience in both digital and analogue circuit design and construction, to work initially on an alarm system for the elderly and disabled. Further projects will be concerned with the application of advanced technology to the everyday problems of the elderly, as well as clinical instrumentation, monitoring equipment and signal analysis. The applicant should be prepared to take his/her share of the project to the point where adequate information can be transferred to a manufacturer. Desirable qualifications would be a degree in electronic/electrical engineering, or an HNC or HND in an appropriate subject. Extensive practical experience would be an advantage.

Salary within the range £4,677-£6,597 (pay award pending) plus £527 p.a. London weighting.

Write to Miss B. A. Shaw for application form quoting ref. 103/2/3907. Closing date 11th November, 1981.

(1356)

International career opportunities with Sony Broadcast

Continued growth and success of
one of the world leaders in professional
broadcast equipment has created immediate
openings for the following:

Sales Management West Africa - UK based

Reporting to the Sales Manager Africa the successful candidate will be responsible for the sales of a world leading range of professional VTR's, TBC's and editing systems and cameras. Candidates should possess a knowledge of broadcast engineering/communications electronics and be prepared to undertake extensive travel in the West African territory. A working knowledge of the West African region and/or the French language would be an advantage and the high degree of initiative and self motivation required for this job will be reflected in an above average salary.

Technical Support Engineer - Cairo based

A competent broadcast engineer experienced in video cameras and/or professional VTR's is sought to assist the Cairo Branch Manager. The position will entail travel throughout the Middle East and the successful candidate will be provided with comprehensive product training in our UK Technical Training Centre. An attractive remuneration package will be offered which will include bachelor status accommodation.

Applications for these challenging appointments should be addressed to Barry White, Personnel Manager, and please don't forget to enclose a comprehensive CV.



Sony Broadcast Ltd.

City Wall House
Basing View, Basingstoke
Hampshire RG21 2LA
United Kingdom

(1344)

SITUATIONS WANTED

R & D OPPORTUNITIES. Senior level vacancies for Communications Hardware and Software Engineers based in West Sussex. Competitive salaries offered. Please ring David Bird at Redifusion Radio Systems on 01-874 7281. (1162)

ENGINEER, 27, with a varied background in audio electronics, presently situated in the south-west of England, seeks a position as a company representative. — Please reply to Box No. WW1337. (1337)

Instrumentation Engineer

Some Overseas Travel from £9,000

NL Information Services, one of the largest and longest established oilfield service companies requires an instrumentation engineer for its Eastern Hemisphere operations.

The job holder will be responsible for the maintenance and repair of electronic monitoring systems and equipment at a number of drilling sites throughout Europe, Africa, the Middle and Near East.



Candidates should be under 35 years of age with BSC or HND in Electronics/Electrical Engineering together with practical experience of monitoring systems and/or sophisticated instrumentation. Experience of microprocessor-based systems advantageous.

The job is based at the Hayes, Middlesex headquarters but extensive overseas travel will be involved.

This is an opportunity to develop a long term career in a progressive international oil field service company.

For further details and an application form, contact Employee Relations Dept. quoting Ref. ILS-1.



NL Petroleum Services
35/36 Grosvenor Street
London W1X 9FG

(1371)

CAD Programmers

Computer Aided Design of Digital and Analogue Systems

The Computing Applications Group at the Rutherford Appleton Laboratory is looking for two new staff to join a team involved in providing Computer Aided Design software to support integrated circuit design (digital and analogue) in universities. A range of powerful computers at the laboratory used for this purpose are networked to multi-user minicomputers in university departments. The software interfaces to the Electron Beam Microfabricator at the laboratory which is used to make masks for integrated circuit fabrication. The software also serves those who wish to design using existing ICs.

Although the work is primarily concerned with CAD techniques, applicants should have some familiarity with digital or analogue circuit design. The work will involve developing and supporting new interactive software (including interactive graphics programs), maintaining established programs and assisting research workers in their use and establishing a device, material and process library for use with the software.

Applicants should have a degree in electronic or electrical engineering. The posts will be in one of the following grades:

Scientific Officer £5176 - £9961
Higher Scientific Officer £6530 - £8589
Research Associates

(fixed 3 year term) £6302 - £8596

Appointment to a salary scale point above the minimum may be considered for candidates with good qualifications and particularly relevant experience/specialist training.

The Laboratory is a friendly community with its own restaurant and sports facilities nearby. We offer excellent working conditions and benefits include a local transport service, generous holidays, sick leave allowance and non-contributory superannuation scheme.

Application forms can be obtained from **Lorna Bird** in the Personnel Group on Abingdon (0235) 2190, ext. 510. Alternatively, write to her quoting reference VN 916R, Rutherford Appleton Laboratory, Chilton, Didcot, Oxon OX11 0QX. More technical information can be obtained via Nesta Jones (ext. 6665).

Closing date of application is 29th October, 1981.

(1375)

**Rutherford
and Appleton
Laboratories**

**In the forefront
of research**

Re-advertisement
HIGHLAND REGIONAL COUNCIL
EDUCATION DEPARTMENT

ELECTRONICS AND AUDIO VISUAL TECHNICIAN

£6501-£7371
Post No. A/28

Applications are invited from suitably qualified and experienced persons for the above post which will be based at the Education Centre, Dingwall.

The duties of the post involve the "first line" diagnosis and servicing of all electronic and audio-visual equipment in the education service primarily in the Ross and Cromarty and Inverness Divisions. On most occasions the Technician will be expected to carry out the complete servicing of the equipment. The person appointed will liaise with suppliers and will be expected to advise other Technicians on first line servicing techniques and maintenance and will maintain records of the equipment and its use.

Assistance will be given with removal/legal expenses in accordance with the Council's scheme.

Requests for application forms should be addressed to the Director of Manpower Services, Regional Buildings, Inverness, quoting the above post number. Closing date 4th November 1981.

(1374)

MARINE DIGITAL SEISMIC ENGINEERS

c. £12,000+

Norfolk and Overseas

Gardline Surveys, a division of Gardline Shipping Limited, has world-wide interests in hydrographic and geophysical surveying, operating from locations in Great Britain, Ireland, Holland, U.S.A. and the Far East.

With continuing expansion Gardline is now seeking more Marine Digital Seismic Engineers to operate and maintain the Company's range of T.I. DFS III and Quantum DAS 1A shallow seismic digital acquisition systems for surveys offshore Europe and overseas. Successful candidates will have proven field experience with these or similar systems, and it is desirable that they will be qualified to H.N.D. or Degree level in electronics. Candidates must also be self-motivated and be able to work alone or as part of a small team.

Engineers will spend at least 150 days a year at sea working on dedicated seismic vessels or from air transportable laboratories. Good basic salary, plus high daily sea-going allowance. Excellent working conditions and career prospects. Usual company benefits.

Opportunities also exist for suitable applicants to enter as Trainee Operators for above or other types of geophysical equipment for navigational positioning systems.

Write to Technical Manager, Gardline Surveys, Oilmar House, Admiralty Road, GREAT YARMOUTH, Norfolk, for an application form.

(1366)

TELECOMMUNICATIONS ENGINEERS AND TECHNICIANS

Expansion of Granger Associates support facilities is creating a requirement for engineers to diagnose faults and make repairs to our UHF communication systems.

Vacancies exist for base workshop and overseas work. Salary range £8,000-£10,000 p.a. with generous overseas allowances. Write or phone in confidence giving brief career details to:

Peter Welsh
Granger Associates Ltd.
1 Brooklands Road
Weybridge, Surrey
Tel: Byfleet (09323) 44261

(1369)

BOX NOS.

Box number replies should be addressed to:

Box No.
c/o Wireless World
Quadrant House
The Quadrant
Sutton
Surrey SM2 5AS

SULTANATE OF OMAN VTR MAINTENANCE ENGINEER VACANCIES

Oman TV has a number of vacancies for experienced VTR maintenance engineers to work on Ampex videotape recording machines.

Applicants should be qualified to HNC level or equivalent and have not less than six years' maintenance experience on Ampex videotape recording machines with particular reference to the VR 1200B. Experience on 1" "C" format would be advantageous.

Salaries, which are paid in rials Omani, are fully remittable and tax-free and range from £1,100 to £1,300 sterling per month upwards.

Married accommodation is provided together with free air passage at beginning and end of contract for family. Air tickets are also provided for leave after the first year of service.

Applicants should write stating age, nationality, qualifications and full details of experience to:

Ministry of Information and Youth Affairs, Post Box 600, Muscat, Sultanate of Oman, marking the envelope "Technical Office" in top left-hand corner.

(1334)

HARDWARE — SOFTWARE — EVERYWHERE

£9,000 — ACTON

SOFTWARE ENGINEER: HND level with two years' PLM/Z80 experience, for interesting software job.

£9,000 — DORSET

SOFTWARE ENGINEER: HND/Graduate with two years' 8085 assembler experience, to develop software packages for use in conjunction with stepper motors.

£11,000 — SOUTH COAST

HARDWARE/SOFTWARE ENGINEER: Graduate with four-five years' machine code/ assembler experience, to be involved with a wide range of software activities.

£7,000 — CAMBS.

DEVELOPMENT ENGINEER: HND/Graduate with one year's experience, required to design control system used in printing industry.

WE ARE ALWAYS HAPPY TO HEAR FROM GRADUATE LEVEL ENGINEERS WITH GOOD INDUSTRIAL EXPERIENCE IN HARDWARE/SOFTWARE DESIGN.

Please ring Tony or Anne, quoting TA/W.

Charles Airey Associates

13/16 Jacob's Well Mews, George Street, London W1
Tel: 01-486 9607

(1357)

TRAINEE RADIO OFFICERS

First-class, secure career opportunities.

A number of vacancies will be available in 1981/82 for suitable qualified candidates to be appointed as Trainee Radio Officers.

If your trade or training involves Radio Operating, you qualify to be considered for a Radio Officer post with the Composite Signals Organisation.

Candidates must have had at least 2 years' radio operating experience or hold a PMG, MPT or MRGC certificate, or expect to obtain this shortly.

On successful completion of between 36 and 42 weeks specialist training, promotion will occur to the Radio Officer grade.

Registered disabled people may be considered.

SALARY & PROSPECTS

TRAINEE RADIO OFFICER: £3859 at 19 to £4549 at 25 and over. On promotion to **RADIO OFFICER:** £5288 at 19 to £6884 at 25 and over. Then by 4 annual increments to £9339 inclusive of shift working and Saturday and Sunday elements. Salaries reviewed annually.

For full details please contact Dinah Shobrook, our Recruitment Officer on Cheltenham (0242) 21491 Ext. 2269 or write to her at:

Recruitment Officer, Government Communications Headquarters, Oakley, Priors Road, Cheltenham, Gloucestershire GL52 5AJ



CAPITAL
APPOINTMENTS LTD.

THE UK's No. 1 ELECTRONICS AGENCY

Design, Development and Test to £14,000
Ask for Brian Cornwell

SALES to £15,000 plus car
Ask for Maurice Wayne

FIELD SERVICE to £12,000 plus car
Ask for Paul Wallis

We have vacancies in ALL AREAS of the U.K.

Ask for a Free Jobs List

Telephone: 01-637 5551 (3 lines)

(281)

CAPITAL HOUSE
29-30 WINDMILL
STREET
LONDON W1P 1HG
TEL: 01-637 5551

Communications Manager – Sudan

Radio & Telecommunications

KENANA SUGAR COMPANY LIMITED, in which the Sudan Government is a major shareholder, is developing Africa's largest sugar estate, including a sugar factory and refinery, on the White Nile some 200 miles south of Khartoum. The company has recently installed a VHF radio system (RCA) with over 300 mobile sets, 18 base stations and 10 channels. Other equipment includes UHF systems and HF with FSK for teleprinter communications. A contract for a microwave and multiplex estate system (1,000 line exchange and 8 PABXs) will be let shortly.

The Communications Manager will work closely with the company's consultants whilst the new equipment is installed and after installation accept it for the company. Thereafter he will be responsible for running the Communications Department (about 20 people) and for maintaining all radio and telecommunications equipment.

An electrical/electronic engineering qualification to at least HNC level, management competence and a minimum of five years' experience servicing radio/telecommunications equipment as specified are essential.

A highly competitive salary will be negotiated plus 15% end of contract gratuity, discretionary bonus, free life assurance and education allowances (where applicable). 60 days' annual leave, passages paid. Free air conditioned accommodation and medical attention. Sports and club facilities and school for younger children.

Please send relevant details – in confidence – to R. M. Cooper ref. ZH.60691.



United Kingdom Australasia Benelux
Canada France Germany Ireland
Italy Scandinavia South Africa
Switzerland U.S.A.

Management Selection Limited
International Management Consultants
474 Royal Exchange Manchester M2 7EJ

(1362)

APPOINTMENTS IN ELECTRONICS to £15,000

**MICROPROCESSORS
COMPUTERS - MEDICAL
DATA COMMS - RADIO**

Design, test, field and support engineers – for immediate action on salary and career advancement, please contact.

Technomark

Engineering and Technical Recruitment
11, Westbourne Grove
London W2. 01-229 9239 (1296)

TELEVISION SERVICE ENGINEER

We are an expanding Television Rental and Retail company with a vacancy for an additional Television Service Engineer.

Suitable applicant will preferably hold an R.T.E.B. certificate or be training towards this qualification.

The post is directly responsible to the Service Manager.

A clean driving licence is essential.

A spacious flat is available if required.

Hydes of Chertsey Ltd., 56/60 Guildford Street, Chertsey, Surrey, KT16 9BE, Chertsey 63243.

(1352)

Molinare TELECINE OPERATOR/ENGINEER

required. Must have experience of Rank Cintel Mark III with Topsy. Applicant will be required to operate a small vision mixer, a small audio mixer, caption camera and other associated equipment.

Salary in excess of ACTT rates.

Applications in writing to:

Nell Corrales, Molinare Ltd.
44 Great Marlborough Street, London W.1

(1342)



Television Automation Ltd.

TELEVISION ENGINEER

We are a rapidly expanding television company with an established market place and have the need of a full time engineer. In addition to a practical knowledge of normal broadcast procedures and requirements, the successful candidate should have a working experience of lightweight broadcast cameras, both portable and editing 'C' format and BVU VTRs, computer controlled editing systems, Cintel telecine and various support equipment.

Duties will include the planning and implementation of regular maintenance schedules plus maintaining the technical standard of in-house facilities.

A sense of responsibility and the ability to work unsupervised is essential. It will also be necessary to work flexible hours.

The salary offered will be in keeping with the calibre of person we require.

Initial application to Sheila Clare,
Television Automation Limited, 16-18 Grape Street, London WC2.

01-240 5515

(1308)

ARTICLES FOR SALE

IONISER KIT (MAINS OPERATED)

This negative ion generator gives you the power to saturate your home or office with millions of refreshing ions. Without fans or moving parts it puts out a pleasant breeze. A pure flow of ions pours out like water from a fountain, filling your room. The result? Your air feels fresh, pure, crisp and wonderfully refreshing.

All parts, PCB and full instructions..... £12.50
A suitable case including front panel, neon switch, etc..... £10.50

Hours: Mon. to Fri. 9 a.m. - 5 p.m. Sat. 9 a.m. - 4.30 p.m.

Price includes post and VAT, Barclaycard/Access welcome

T. POWELL

ADVANCE WORKS, 44 WALLACE ROAD, LONDON N1. TEL: 01-226 1489

(1358)

FOR SALE BY TENDER

Power plant consisting of:
Lister 18.2 twin-cylinder, vertical diesel engine; 17.6 b.h.p. at 1,000 r.p.m.;
Three low-voltage generators;
Two rectifiers;
Control cubicle with meters; 60-gallon fuel tank; bed for engine and generators;
All at King's Lynn, Norfolk.

For further details and a tender form, which is to be returned by November 30, 1981, please write or telephone, quoting reference AF10/CB 380.

Contracts Officer
BRITISH TELECOMMUNICATIONS
Cambridge Telephone Area
1 Regent Street
CAMBRIDGE, CB2 1BA
Tel: Cambridge (0223) 356776

(1367)

BUYERS & DISPOSAL OFFICERS

Please note

COOKE INTERNATIONAL SERVICES are Wholesalers & Factors of Surplus Test Equipment & Components

Buying or Selling contact:

COOKE INTERNATIONAL SERVICES

Ramella House, Ancton Lane
Middleton-on-Sea, Bognor Regis
Sussex PO22 6NJ, Tel: 024-369 2845

(1340)

- 1 **MARKETING MANAGER** with digital design background to support sales of computer based A.T.E. in Europe, Africa and Far East. - £14,000.
- 2 **SUPPORT ENGINEER** to provide Technical Support and development expertise for on-line PDP 11 system £10,800 Kent.
- 3 **Q.A. ENGINEER** work on Micro-Electronic Commercial and Military equipment. £9,200 Northants.
- 4 **SENIOR ELECTRONIC TECHNICIAN** running laboratory developing specialist handling equipment £10,000 Berks.
- 5 **SENIOR ENGINEERS** to design computerised display systems for Military applications. £10,000 Middlesex.
- 6 **DEVELOPMENT ENGINEER** experience of microbased control systems £10,000 London.

Phone or write, Anthony Giles, M.Sc., Eng., M.I.E.E.

CLIVEDEN CONSULTANTS

87 St. Leonard's Road
Windsor, Berks
Windsor (07535) 57818-58022
24-hour service (11.19)

CLIVEDEN

DIGITAL EXPERIENCE?

FIELD SUPPORT
R & D AND SALES
VACANCIES IN COMPUTERS
NC, COMMS., MEDICAL
VIDEO, ETC.

For free registration ring
0453 883264
01-290 0267

LOGEX

ELECTRONICS RECRUITMENT SERVICE
LOGEX HOUSE, BURLEIGH, STROUD
GLOUCESTERSHIRE GL5 2PW
TEL. 0453 883264, 01-290 0267 (321)

DEVELOPMENT ENGINEER ELECTRONICS £8k-£9k

Young successful company based in the development of specialist instrumentation in the field of forensic science wish to appoint an electronics engineer to progress current projects in video image processing.

Applicants should be qualified to degree level with at least three years' design/development experience. In addition to having a sound knowledge of both analogue and digital techniques, a specialist background in video and microprocessor-based systems would be an obvious advantage.

This is an opportunity to join a small company committed to innovation. Initiative and creative ability are essential.

Written applications with full CV to:

FOSTER & FREEMAN LTD.
TUNNEL INDUSTRIAL ESTATE
LONDON ROAD
GRAYS, ESSEX

For more information phone Purfleet (04026) 7692 (1348)

ARTICLES FOR SALE

ENCAPSULATING, coils, transformers, components, degassing, silicone rubber, resin, epoxy. Lost wax casting for brass, bronze, silver, etc. Impregnating coils, transformers, components. Vacuum equipment low cost, used and new. Also for CRT regunning metalising. Research & Development. Barratts, Mayo Road, Croydon, OR0 2QP. 01-684 9917. (9878)

SIEMENS TYPE T1000, R/O triple speed electronic triple speed electronic teleprinter. Less than 130 hours of use following purchase from Siemens Limited, May 1980. £595 ono. - Morris, Bolton 52384.

BRIDGES, waveform, transistor analysers, Calibrators, Standards. Multivoltmeters, Oscilloscopes, Recorders. Signal Generators. (8250) 376236.

OVERSEAS DEVELOPMENT

KNOW-HOW-vital to developing countries

Senior Technical Officer (Line Planning)

Kiribati

DUTIES: Planning for the upgrading of the urban Tarawa, outer islands and international telecommunications service.

POSTING: Betio, Tarawa with visits within the Kiribati island group. Applicants should have City and Guilds Telecommunications Technician's Certificate or equivalent with specialisation in local line and trunk planning. Experience of HF or VHF radio links and telex networks is desirable.

APPOINTMENT: Two years. Salary (UK taxable) in accordance with qualifications and experience plus a variable tax free overseas allowance, currently in range of £1,365 pa to £3,590 pa according to marital status.

The post is wholly financed by the British Government under Britain's programme of aid to the developing countries. In addition to basic salary and overseas allowances other benefits normally include paid leave, free family passages, children's education allowances and holiday visits, free accommodation and medical attention. Applicants should be citizens of the United Kingdom.

For full details and application form please apply, quoting ref AH 372/X(RC255/68/01) stating post concerned, and giving details of age, qualifications and experience to:-



Recruitment Executive,

OVERSEAS DEVELOPMENT ADMINISTRATION,

Room 351, Abercrombie House,
Eaglesham Road, East Kilbride,
Glasgow G75 8EA.

HELPING NATIONS HELP THEMSELVES

(1354)

UNIVERSITY OF SOUTHAMPTON
INSTITUTE OF SOUND AND VIBRATION
RESEARCH

Applications are sought for the post of

Engineer

in a small group working on the development of **SPEECH COMMUNICATIONS SYSTEMS** for industrially sponsored projects.

Applicants should be graduates in an appropriate discipline, with some industrial experience in one or more of the following areas: Analogue circuit design; Electroacoustic transducers; Acoustic measurements; Active control of noise and vibration.

Work will involve equipment development, production of prototypes, testing and some field trials.

Salary within range £5,000 to £12,500 plus USS benefits.

Further details may be obtained from D. A. S. Copland, The University, Southampton SO8 5NH, to whom applications giving a brief curriculum vitae and the names of two referees should be sent in duplicate quoting reference 370A.

(1368)

ARTICLES FOR SALE

SURPLUS STOCK

Omron Relays, Crouzet Timing Motors, Crouzet Micro Switches, Bulgin Lep and Panel Lampholders, Transformers -

S.A.E. for list
Mr. P. Givens

c/o R. G. MITCHELL LTD.
HEATH ROAD, SKEGNESS, Lincs.
TEL: 0754 67373 (1265)

VIDEO Game Printed Circuit Boards £25-£50 each. Some with diagrams. 19in Mono Monitors £25-£50 each. 2708 E Proms erased £1.50 each. All prices - VAT. - The Logic Workshop, Sandy Lane, Mitcham, Surrey. (1346)

ARTICLES FOR SALE

TIME WRONG?

MSF CLOCK is ALWAYS CORRECT - never gains or loses, SELF-SETTING at switch-on, 8 digits show Date, Hours, Minutes and Seconds, auto. S.M.T./B.S.T. and Leap Year, also parallel B.C.D. output and audio to record and show time on playback, receives Rugby 50KHz atomic time signals, built-in antenna, 1000Km range, TIME RIGHT £62.80.

V.L.F. 7 10-150KHz Receiver, £16.50.

60KHz RUGBY RECEIVER, as in M.S.F. Clock, serial date output, £17.90.

Each fun-to-build kit includes all parts, printed circuit, case, postage, etc., money-back assurance, so GET yours NOW!

CAMBRIDGE KITS

45 (WY) Old School Lane
Milton, Cambridge (1338)

INVERTERS

High quality DC-AC. Also "no break" (2ms) static switch, 19" rack. Auto Charger.



COMPUTER POWER SYSTEMS
Interport Mains-Store Ltd.
POB 51, London W11 3BZ
Tel: 01-727 7042 or 0225 310916

(9101)

ARTICLES FOR SALE

Laboratory Manual for the Art of Electronics

PAUL HOROWITZ and IAN ROBINSON

This laboratory manual is designed to accompany the highly successful text/reference book on circuit design *The Art of Electronics* by Horowitz and Hill (CUP, 1980). It consists of 23 lab exercises which utilise commonly available general-purpose lab instrumentation and standard electronic parts, and should therefore be adaptable to an electronics lab anywhere where the text is used.

Hard covers £12.00 net
Paperback £4.95 net

(1335)

CAMBRIDGE UNIVERSITY PRESS

TO MANUFACTURERS, WHOLESALE & BULK BUYERS ONLY

Large quantities of Radio, T.V. and Electronic Components.
RESISTORS CARBON & C/F 1/4, 1/2, 1, 2, 5, 10, 25 Watt from 1 ohm to 10 meg.
RESISTORS WIREWOUND. 1/2, 2, 3, 5, 10, 14, 25 Watt.
CAPACITORS. Silver mica, Polystyrene, Polyester, Disc Ceramics, Metalumite, C280, etc.
Convergence Pots, Slider Pots, Electrolytic condensers, Can Types, Axial, Radial, etc.
Transformers, chokes, hopts, tuners, speakers, cables, screened wires, connecting wires, screws, nuts, transistors, ICs, Diodes, etc., etc.
All at Knockout prices. Come and pay us a visit. Telephone 445 2713. 445 0749.

BROADFIELDS & MAYCO DISPOSALS

21 Lodge Lane, N. Finchley, London, N.12. 5 mins. from Tally Ho Corner (9461)

EQUIPMENT WANTED

**TO ALL MANUFACTURERS
AND WHOLESALE
IN THE ELECTRONIC
RADIO AND TV
FIELD**

BROADFIELDS & MAYCO DISPOSALS

We pay you top prices for any large stocks of surplus or redundant components which you may wish to clear. We will call anywhere in the United Kingdom.

21 LODGE LANE
NORTH FINCHLEY, LONDON N12 8JG
Telephone Nos. 01-445 0749/445 2713
After office hours 958 7624

(9123)

WANTED

Test equipment, receivers, valves, transmitters, components, cable and electronic scrap, any quantity. Prompt service and cash. Member of A.R.R.A.

M & B RADIO
86 Bishopsgate Street
Leeds LS1 4BB
0532-35649

SPOT CASH

paid for all forms of electronics equipment and components.

FRG General Supplies Ltd.
Unit 3
Longhill Industrial Estate
March, Cambridgeshire
Tel: March 56614
Tel: 01-404 5011

Telex: 24224. Quote Ref. 3165

(8742)

GERMAN vintage-tube collector looks for old valves and valve literature. Either I buy them or change against German tubes and radio-sets. Data for many tubes avail. Correspond in English. — B. Namendorf, 498 Bunde 1, Dogmagkstr. 3, West Germany. (1349)



RYDER ORGAN SYSTEM

The WW classical design for full-size keyboards, including couplers. Expanded range of p.c. boards & data available includes chorus, vibrato, combination stop control.
Reverberation. A new compact solid-state unit gives smooth natural sound. Dime cassette, on loan, deposit £1.50, refund £1.00. (Price UK only).

HYKON LTD. (), Woodside Croft,
Ladybridge Lane, Bolton BL1 5ED. (1313)

SERVICES

BOARDRAVEN LTD.

PRINTED CIRCUIT BOARDS

Manufactured to your specifications. Single/double sided. Very speedy deliveries on prototypes and quantity. Master layouts if required. Contact:

J. K. Harrison, Camaby Industrial Estate, Bridlington, North Humberside YO15 3QY. Tel. 04623 78788. (1168)

P.C.B. MANUFACTURE AND ASSEMBLY

Wave Soldering and inspection. High-quality PCBs from your artwork. Prototype design. Artwork from your circuit. Plating through hole PCBs. Silk screen resist and legend. Fast turn around.

Endean Communications Services Ltd.,
Baileys Mill, The Cliff, Matlock, Derbyshire (0629) 4929. Tlx. 378267 ECS G. (649)

**SMALL BATCH PCB'S PRODUCED
FROM YOUR ARTWORK. ALSO DIALS,
PANELS, LABELS. Camera work
undertaken. FAST TURNAROUND.**
— Details: Winston Promotions, 9
Hatton Place, London EC1N 8AV.
Tel. 01-405 4127/0980. (9794)

DESIGN SERVICE. Electronic Design Development and Production Service available in Digital and Analogue Instruments, RF Transmitters and Receivers for control of any function at any range. Telemetry, Video Transmitters and Monitors, Motorised Pan and Tilt Heads etc. Suppliers to the Industry for 13 years. Phone or write Mr. Falkner, R.C.S. Electronics, 6 Wolsey Road, Ashford, Middlesex. Phone Ashford 53861. (8341)

HAVE YOU SEEN THE GREEN CAT?

1000s of components, audio, radio, electronic, C.B., everything electronic for the constructor and the trade, at unbelievably low prices. Includes many industrial items. Special discounts to the trade and public. SEND 89p for GREEN CAT and receive sample component parcel worth £3 plus FREE RECORD SPEED INDICATOR. Send £1.75 for parcel worth £5. Send £2.50 for parcel worth £8. Send £10 for parcel worth over £50. Money back if not delighted. State whether trade or retail.
NEW RETAIL PREMISES now open at 12 Harper Street, Leeds, LS2 4EA. Next to UNION JACK clothing store. Open 9 till 5 weekdays and Saturdays, Callers welcome.

INSTANT CASH

Top prices paid for most electronic components and equipment, accessories, test equipment, valves, receivers, etc. We buy anything electronic. Send samples/details and an offer will be made by return.

MYERS

Dept. WW, 12 Harper Street, LEEDS, LS2 4EA
Telephone: 452045 (1348)

TENDERS

SEVERN-TRENT WATER AUTHORITY

DERWENT DIVISION

Tenders are invited for the purchase of redundant radio equipment including five VHF base stations, five base station controllers, two UHF receivers/transmitters, 37 Pye Cambridge mobile radios and three Pye Vanguard radios. Tenders will be considered for all or part of the equipment.

The equipment which will be sold without the operating crystals is stored at Raynesway, Derby and may be inspected by arrangement with Messrs E. S. Dodd or R. G. Potter (telephone Derby 661481, Extension 453 and 449 respectively).

The Authority does not bind itself to accept the highest or any tender.

Tender forms are obtainable from the Divisional Manager, Severn-Trent Water Authority, Derwent Division, Raynesway, Derby DE2 7JA. (1350)

SERVICES

30,000 SERVICE SHEETS IN STOCK

Colour manuals also available

T.V. Monos, Radios £1.25 — Tuners £1.25 — Tape Recorders, Record Players, Transistors from £1.25 — Car Radio £2 + S.A.E. — Stereograms, Radiograms from £1.25 — Except Colour T.V. Circuits from £2. State if circuit will do, if sheets are full length 24" x 12" not in Bits and Pieces. All other data full lengths. Free Fault Finding Chart or T.V. catalogue with order. Crossed P.O.s returned, if sheets not in stock. S.A.E. please. Please quote ad no. with order. (1325)

FACILITIES AVAILABLE

★ Circuit Design & Development
Digital and Analogue

★ Artwork Layout

Free prototype pd. Iron (PTH)

Supplied with orders over £100.

★ Board Manufacture

Prototype to semi-production.

★ Wiring & Assembly

PCB assembly, wiring and cable forming

★ Test

Full test facilities available.

★ Copper Clad Board

D/S fibreglass 1000-30 inches of assorted

useful sizes. £5.00 inc. post.

One or all services available, no order too small. Please telephone Chelmsford 367930 or write to H.C.R., 1 Bankside, off New Street, Chelmsford, Essex.



(1169)

2 TEKTRONIX 555 Double Beam scopes, 1 fully working, 1 for spares. With service manual, £200. Mr L. Berry. Tel: 061-869 1699, after 6 pm. (1347)

DESIGN AND DEVELOPMENT. ANALOGUE, DIGITAL, RF AND MICROWAVE CIRCUIT AND SYSTEM DESIGN. Also PCB design, mechanical design and prototype/small batch production. — Adenmore Limited, Unit 103 Liscombe, Bracknell, Berks. Tel: Bracknell 52023. (656)

ELECTRONIC DESIGN and production including R.F. transmitters and receivers, far video, telemetry and control. 18 years of experience in most fields. — Contact Mr Falkner, R.C.S. Electronics, Wolsey Road, Ashford, Middlesex. Phone Ashford (Mx.) 53861. (8341)

TURN YOUR SURPLUS Capacitors, transistors, etc. into cash. Contact COLES-HARDING & Co., 103 South Brink, Wisbech, Cambs. 0945-4188. Immediate settlement. We also welcome the opportunity to quote for complete factory clearance. (9368)

CIRCOLEC

THE COMPLETE ELECTRONIC SERVICE

Artwork, Circuit Design, PCB Assembly, Test & Repair Service, Q.A. Consultancy, Prototypes, Final Assembly. Quality workmanship by professionals at economic prices. Please telephone 01-767 1235 for advice or further details.

1 FRANCISCAN ROAD
TOOTING, LONDON SW17

(544)

SANGTRONIC LTD

SUB-CONTRACT ENGINEERS

We specialise in PCB Assy, Unit Assy, Cable harnessing, Testing etc.,

ALSO

We supply B.I.C.C. Equipment Cable, Plain or Colour Coded to customers requirement and Passive Components. For further details please ring Mr Avtar on: 02812-2851/2. (1353)

BRYANS X-Y Recorder 26000A4. £155. Hivac installation, rotary, diffusion pumps etc. £175. Tektronix Transistor Curve Tracer, £185. Stereo headphones £5. Centrifuge £59. Laboratory Oven £49. Ultraviolet Multichannel Recorder, £95. Dynamco Calibration DVM £175. Tektronix Time/Mark Calibrator, £55. He/Ne Laser £75. Micromanometer £65. Avo In-Circuit Transistor Tester 148. Rohde & Schwartz Selektomat £95. Precision Phase-meter £77. Oxygen meter £60. Fenlow SA4 Spectrum Analyser £145. Advance PG54 Pulse Generator £98. Unitemp 6650 GP Electronic Thermometer, Marconi FM Receiver Tester 21-165MHz. Bellingham & Stanley Precision Refractometer £150. Hilger Precision Optical Circulator Divider £100. Generators 230v AC Compressor. Electric Motors, various. Water pumps, various, up to 270ft lift. — Telephone Lower Beeding 236. (1366)

TELEVISION SOUND TUNER

for hi-fi reproduction and the hard of hearing

Get the best from television programmes by connecting the MINIM TELEVISION SOUND TUNER through your hi-fi system or listening directly on headphones. Suddenly music, wildlife and even the news comes to life.

Particularly useful for the HARD-OF-HEARING enabling them to listen at a high volume without disturbing others.

Please send me further information on Minim Audio Ltd., Ambisonic Decoders/Weekly Programmable/Daily Timers

Name

Address

.....WW11



MiniM

make a note
of our name!

Minim Audio Limited, Lent Rise Road, Burnham
Slough SL1 7NY. Tel: Burnham 63724

WW - 086 FOR FURTHER DETAILS

INDEX TO ADVERTISERS NOVEMBER

Appointments Vacant Advertisements appear on pages 121-127

PAGE	PAGE	PAGE
Acoustical Mfg. Co. Ltd. 12	Galatrek International 89	Quartech Design and Develop. 96
Adcola Products Ltd. 19	GAS Electronics 28	Radio Components Specialists 97
Ambit International 108	Global Specialities Corp. (U.K.) Ltd. 18, 104, 110	Ralfe, P. F., Electronics 24
Analogue Associates 17	GP Industrial Electronics Ltd. 3, 94	RST Valve 95
Anglia Components 112	GR Electronics 102	Safgan Electronics Ltd. 16
Antex (Electronics) Ltd. Cover iii	Hall Electric Ltd. 25	Sagin, M. R. 87
Audio Electronics 20, 21, 31, 114	Hameg Ltd. 8	Sandwell Plant Ltd. 115
Avel Lindberg 112	Happy Memories 88	Scopex Instruments 113
Bamber, B. Electronics 119	Harris Electronics (London) Ltd. 31	Semiconductor Supplies International Ltd. 106
Barrie Electronics 109	Harrison Brothers 115	Service Trading Co. Ltd. 106
Bayliss, A. D., and Sons Ltd. 111	Hart Electronic Kits Ltd. 92	Shure Electronics 32
Black Star Ltd. 22	Henry's Radio 88, 98, 105	Siemens Ltd. 14, 15
Breadboard (Mod. Mags.) 30	House of Instruments 2	Sinclair 108
Cambridge University Press 104	ILP Electronics Ltd. 90, 91	Sinclair Electronics 65
Carston Electronics Ltd. 9	ILP Transformers Ltd. 119	Sinclair Research 10, 11
Catronics Ltd. 94	Interface Quartz Devices 29	S.M.E. 13
Cavern Electronics 22	Intergrex Ltd. 78	Southern Electronics 106
Chiltern Electronics 100	Irvine Business Systems 117	Sowler, E. A. Ltd. 112
Chilthmead Ltd. 111	John Wolfe Racing 110	Special Products Distributors Ltd. 98
CIL 96	Keithley Instruments 77	Stromech Engineering 31
Clark Masts Ltd. 16	Kelsey Acoustics 22	Surita Electronics Ltd. 89
Clef Products (Electronics) Ltd. 108	Langrex Supplies Ltd. 95	Surrey Electronics Ltd. 96
Colomor Electronics Ltd. 102	Manners, K. T., Design Ltd. 110	Technomatic Ltd. 99
Computer Appreciation 92	MCP Electronics 30	Tektronix UK Ltd. 66
Crimson Components 115	Micro Times 100	Television Magazine 29
Crotech Instruments Ltd. 98	Midwich Computer Co. Ltd. 29	Teloman Products Cover iv
CT Electronics (Acton) Ltd. 116	Millward, G. F., Electronic Components Ltd. 102	Telonic - Berkeley UK 110
Danavox (Gt. Britain) Ltd. 93	Minim Audio Ltd. 128	Tempus 87
Darom Supplies 115	Monolith Electronics Co. Ltd. 89	Thurlby Electronics 106
Display Electronics 114	Northern Electronics 100	Titan Transformers and Components 104
EG & G Reticon 118	Nova Products 100	Valradio Ltd. 94
Electronic Brokers Ltd. 4, 5, 6, 7	Olson Electronics Ltd. 107	Vellerman 26, 27
Electronic Equipment 110	Omenex Ltd. 111	Vesco Electrical 108
Electrovalue Ltd. 118	Orion Scientific Products Ltd. 98	Voice Microsystems 87
Faircrest Engineering Ltd. 96	OK Machine and Tool 18	West Hyde Development Corp. 88
Farnell Instruments Ltd. Cover ii	PM Components 103	Wilmslow Audio 16
Feedback Instruments Ltd. 24	Powertran 101, 117	Zacrix Electronics 8
Fieldtech Heatbrow Ltd. 22	Practical Wireless 106	
Fluke 23	P & R Computer Shop 111	
Fylde Electronic Laboratories Ltd. 22		

OVERSEAS ADVERTISEMENT

AGENTS:

France & Belgium: Norbert Hellin, 50 Rue de Chamin
Veat, F-9100, Boulogne, Paris.

Hungary: Mrs Edit, Bejusz, Hungexpo Advertising
Agency, Budapest XIV, Varosiget.
Telephone: 225 008 - Telex: Budapest 22-4525
INTFOIRE

Italy: Sig C. Epis, Etas-Kompass, S.p.a. Servizio Estero,
Via Mantegna 6, 20154 Milan.
Telephone: 347051 - Telex: 37342 Kompass.

Japan: Mr. Inatsuki, Trade Media - IBPA (Japan), 8 212,
Azabu Heights, 1-5-10 Roppongi, Minato-ku, Tokyo 106.
Telephone: (03) 585 0581.

United States of America: Ray Barnes, IPC Business
Press, 205 East 42nd Street, New York NY 10017 - Tele-
phone: (212) 867-2080, Telex: 238327.

Mr Jack Farley Jnr., The Farley Co., Suite 1584, 35 East
Walker Drive, Chicago, Illinois 60601 - Telephone: (312)
63074.

Mr Victor A. Jauch, Elmatex International, P.O. Box 34607,
Los Angeles, Calif. 90034, USA - Telephone: (213) 821-
8581 - Telex: 18-1053.

Mr Jack Mental, The Farley Co., Suite 650, Ranna Build-
ing, Cleveland, Ohio 44115 - Telephone: (216) 621 1919.
Mr Ray Rickles, Ray Rickles & Co., P.O. Box 2028, Miami
Beach, Florida 33140 - Telephone (305) 532 7301.
Mr Tim Parks, Ray Rickles & Co., 3116 Maple Drive N.E.,
Atlanta, Georgia 30305. Telephone: (404) 237 7432.
Mike Loughlin, IPC Business Press, 15085, Memorial Ste
119, Houston, Texas 77079 - Telephone (713) 783 8673.

Canada: Mr Colin H. MacCulloch, International Advertis-
ing Consultants Ltd., 815 Carlton Tower, 2 Carlton Street,
Toronto 2 - Telephone (416) 364 2269.

* Also subscription agents.

Models XS-BP (25 watt) and CS-BP (17 watt) have moulded-on safety plugs, 'unbreakable' handles and detachable hook-cum-finger guides. High class insulation, with ceramic shafts inside stainless steel ones. Negligible leakage. A range of long-life iron and nickel plated bits, easily interchanged, slide on or off the shafts which enclose the heating elements for maximum efficiency of heat transfer. Available for 240v, 115v, 24v or 12 volt.
R.S.P. £5.30 plus VAT.

◀ The bit is the only visible metal of the new CCN iron. A very strong plastic handle and hook and a ceramic shaft (leakage current of less than 1uA) for safe soldering of delicate components and IC's. Length 19.5cm weight 25gr (without lead). Fitted with 3/32" (2.3mm) bit, 4 other bit sizes available. 2 core lead. 15 watts, 230/240 volts.
R.S.P. £4.70 plus VAT.

ANTEX
THE HOT TIP
WITH PINK
CERAMIC SHAFT

ANTEX
THE HOT TIP
WITH BUILT-IN
FINGER PROTECTOR

A N T E X

THE HOT TIP FOR SOLDERING

TCSU1 micro soldering station for accurate (2% tol.) and safe temperature-controlled soldering at 24 volts. Temperature range 65 - 420°C. Anti-Static earth cable, separate sponge tray. Zero voltage switching, no spikes or magnetic fields. Choice of XSTC - 40 watt or CSTC - 30 watt iron, fitted with thermocouple sensors and LED indicators for operator's check. Bits range from 0.5mm to 2.3mm and 1mm to 4.7mm.
R.S.P. £38.00 plus VAT.



ANTEX
THE HOT TIP
WITH
VISUAL CHECK

ANTEX LIMITED, Mayflower House, Plymouth, Devon PL1 1BR. Telephone: (0752) 667377

PROFESSIONAL TOOLCASES for Service Engineers

£43.70
inc. VAT

£39.90
inc. VAT

Size TL100 19" x 14" x 6"



Size TL99 17" x 12" x 6"

The TL99 and TL100 are designed for the Professional Electronics, TV or Instrument Technician who needs to carry a large number of specialist tools. Constructed from hard wearing ABS with strong aluminium frames, twin handles and toggle locks. They offer a moulded tray in the base, a comprehensive 2 sided tool pallet that's reversible with space for up to 40 tools. - The TL100 will take quite a few more. There's space for documents and a heat-sink for a hot soldering iron to prevent any damage being caused.

TLW4 Toolwallet measures 11" x 14" x 2½" when closed. Made from reinforced PVC with a heavy duty industrial zip. The TLW4 Toolwallet is a compact alternative when only tools are needed to be carried.

£13.75
inc. VAT

Mail Order

Please send

Enclosed my cheque £

(P&P £2.60 extra)

Name

Company

Address

Tools NOT included. British made.
Money back guarantee. Allow 7-21 days for delivery.



TLW4

Teloman Products Ltd
Ermine House, Post St, Godmanchester, Cambs. PE 18 8BA (01480) 65534