



# SBI METAL BUILDINGS & COMPONENTS

## SBI COMPONENT CATALOG



Date: 03 / 16 / 2017

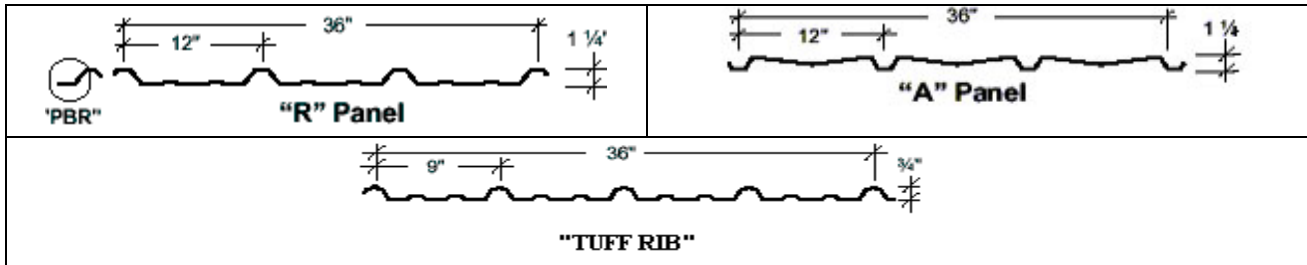
### COMMERCIAL PRODUCTS

- *Commercial Panels and Trim*
- *Cee, Zee, Eave Struts, Angle, Channel, and Clips*
- *Accessories*



# SBI Metal Buildings & Components

114 Trooper Drive Hot Springs, Arkansas 71913  
 Phone: 501-262-0600 Fax: 501-262-5107 1-800-814-3311  
 www.sbimetalbuildings.com



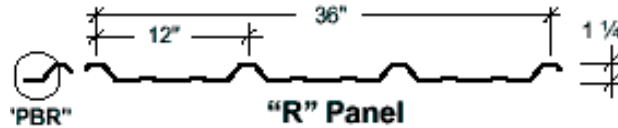
FT	0"	1"	2"	3"	4"	5"	6"	7"	8"	9"	10"	11"
1'	3.19	3.45	3.72	3.98	4.25	4.52	4.78	5.05	5.31	5.58	5.84	6.11
2'	6.38	6.64	6.91	7.17	7.44	7.70	7.97	8.23	8.50	8.77	9.03	9.30
3'	9.56	9.83	10.09	10.36	10.63	10.89	11.16	11.42	11.69	11.95	12.22	12.48
4'	12.75	13.02	13.28	13.55	13.81	14.08	14.34	14.61	14.88	15.14	15.41	15.67
5'	15.94	16.20	16.47	16.73	17.00	17.27	17.53	17.80	18.06	18.33	18.59	18.86
6'	19.13	19.39	19.66	19.92	20.19	20.45	20.72	20.98	21.25	21.52	21.78	22.05
7'	22.31	22.58	22.84	23.11	23.38	23.64	23.91	24.17	24.44	24.70	24.97	25.23
8'	25.50	25.77	26.03	26.30	26.56	26.83	27.09	27.36	27.63	27.89	28.16	28.42
9'	28.69	28.95	29.22	29.48	29.75	30.02	30.28	30.55	30.81	31.08	31.34	31.61
10'	31.88	32.14	32.41	32.67	32.94	33.20	33.47	33.73	34.00	34.27	34.53	34.80
11'	35.06	35.33	35.59	35.86	36.13	36.39	36.66	36.92	37.19	37.45	37.72	37.98
12'	38.25	38.52	38.78	39.05	39.31	39.58	39.84	40.11	40.38	40.64	40.91	41.17
13'	41.44	41.70	41.97	42.23	42.50	42.77	43.03	43.30	43.56	43.83	44.09	44.36
14'	44.63	44.89	45.16	45.42	45.69	45.95	46.22	46.48	46.75	47.02	47.28	47.55
15'	47.81	48.08	48.34	48.61	48.88	49.14	49.41	49.67	49.94	50.20	50.47	50.73
16'	51.00	51.27	51.53	51.80	52.06	52.33	52.59	52.86	53.13	53.39	53.66	53.92
17'	54.19	54.45	54.72	54.98	55.25	55.52	55.78	56.05	56.31	56.58	56.84	57.11
18'	57.38	57.64	57.91	58.17	58.44	58.70	58.97	59.23	59.50	59.77	60.03	60.30
19'	60.56	60.83	61.09	61.36	61.63	61.89	62.16	62.42	62.69	62.95	63.22	63.48
20'	63.75	64.02	64.28	64.55	64.81	65.08	65.34	65.61	65.88	66.14	66.41	66.67
21'	66.94	67.20	67.47	67.73	68.00	68.27	68.53	68.80	69.06	69.33	69.59	69.86
22'	70.13	70.39	70.66	70.92	71.19	71.45	71.72	71.98	72.25	72.52	72.78	73.05
23'	73.31	73.58	73.84	74.11	74.38	74.64	74.91	75.17	75.44	75.70	75.97	76.23
24'	76.50	76.77	77.03	77.30	77.56	77.83	78.09	78.36	78.63	78.89	79.16	79.42
25'	79.69	79.95	80.22	80.48	80.75	81.02	81.28	81.55	81.81	82.08	82.34	82.61
26'	82.88	83.14	83.41	83.67	83.94	84.20	84.47	84.73	85.00	85.27	85.53	85.80
27'	86.06	86.33	86.59	86.86	87.13	87.39	87.66	87.92	88.19	88.45	88.72	88.98
28'	89.25	89.52	89.78	90.05	90.31	90.58	90.84	91.11	91.38	91.64	91.91	92.17
29'	92.44	92.70	92.97	93.23	93.50	93.77	94.03	94.30	94.56	94.83	95.09	95.36
30'	95.63	95.89	96.16	96.42	96.69	96.95	97.22	97.48	97.75	98.02	98.28	98.55
31'	98.81	99.08	99.34	99.61	99.88	100.14	100.41	100.67	100.94	101.20	101.47	101.73
32'	102.00	102.27	102.53	102.80	103.06	103.33	103.59	103.86	104.13	104.39	104.66	104.92
33'	105.19	105.45	105.72	105.98	106.25	106.52	106.78	107.05	109.31	107.68	107.84	108.11
34'	108.38	108.64	108.91	109.17	109.44	109.70	109.97	110.23	110.50	110.77	111.03	111.30
35'	111.56	111.83	112.09	112.36	112.63	112.89	113.16	113.42	113.69	113.95	114.22	114.48
36'	114.75	115.02	115.28	115.55	115.81	116.08	116.34	116.61	116.88	117.14	117.41	117.67
37'	117.94	118.20	118.47	118.73	119.00	119.27	119.53	119.80	120.06	120.33	120.59	120.86
38'	121.13	121.39	121.66	121.92	122.19	122.45	122.72	122.98	123.25	123.52	123.78	124.05
39'	124.31	124.58	124.84	125.11	125.38	125.64	125.91	126.17	126.44	126.70	126.97	127.23
40'	127.50	127.77	128.03	128.30	128.56	128.83	129.09	129.36	129.63	129.89	130.16	130.42



# SBI Metal Buildings & Components

114 Trooper Drive Hot Springs, Arkansas 71913  
 Phone: 501-262-0600 Fax: 501-262-5107 1-800-814-3311  
 www.sbimetalbuildings.com

## COMMERCIAL PANELS



### STANDARD

Gauge	Net Cover Width	Yield P.S.I.	Finish
26	36"	80,000	Galvalume
26	36"	80,000	Standard SP40
26	36"	80,000	Premium SP40
26	36"	80,000	Kynar

### SPECIAL ORDER

24	36"	80,000	Galvalume
24	36"	80,000	Standard SP40
24	36"	80,000	Premium SP40
24	36"	80,000	Kynar

#### Panel Pricing:

1. Add \$0.50 per sheet for lengths under 6' 0".
2. Add \$20.00 for set up charge for reverse sheets.

#### Packaging:

1. Maximum bundle weight: 3000#
2. Blocked and banded no cover sheet - \$15.00
3. Blocked and banded with cover sheet top only \$25.00 (up to 15' - 0) \$35.00 (over 15' - 0).

#### Notes:

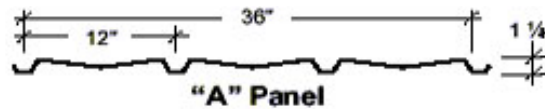
1. For panel guarantees see warranty section.
2. Ask your salesman for architectural panels SBI has to offer



# SBI Metal Buildings & Components

114 Trooper Drive Hot Springs, Arkansas 71913  
Phone: 501-262-0600 Fax: 501-262-5107 1-800-814-3311  
www.sbimetalbuildings.com

## COMMERCIAL PANELS



### STANDARD

Gauge	Net Cover Width	Yield P.S.I.	Finish
26	36"	80,000	Galvalume
26	36"	80,000	Standard SP40
26	36"	80,000	Premium SP40
26	36"	80,000	Kynar

#### Panel Pricing:

1. Add \$0.50 per sheet for lengths under 6' 0".
2. Add \$20.00 for set up charge for reverse sheets.

#### Packaging:

1. Maximum bundle weight: 3000#
2. Blocked and banded no cover sheet - \$15.00
3. Blocked and banded with cover sheet top only \$25.00 (up to 15' - 0) \$35.00 (over 15' - 0).

#### Notes:

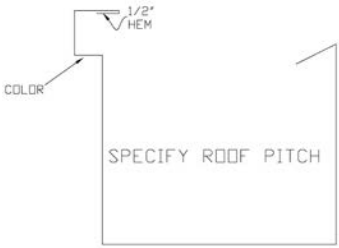

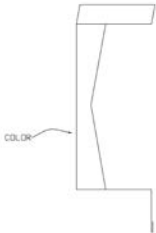


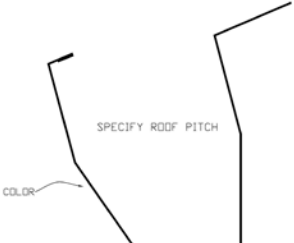
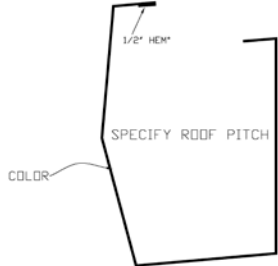
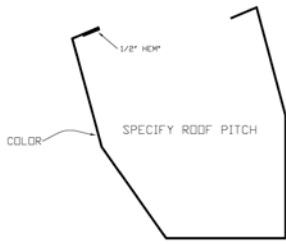
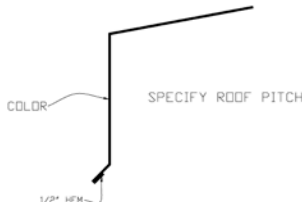

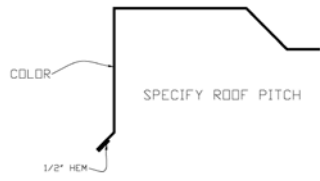
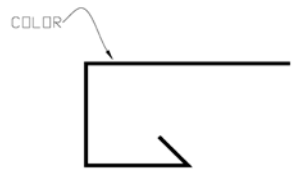
1. For panel guarantees see warranty section.
2. Ask your salesman for architectural panels SBI has to offer



# SBI Metal Buildings & Components

114 Trooper Drive Hot Springs, Arkansas 71913  
Phone: 501-262-0600 Fax: 501-262-5107 1-800-814-3311  
www.sbimetalbuildings.com

## “PBR” “R” “A” Panel Trim (See Trim Manual for Dimensions)

<p>FL-14 Box Hang-On Gutter</p>  <p>1/2" HEM COLOR SPECIFY ROOF PITCH</p>	<p>FL-16 “PBR” Sculptured Rake</p>  <p>COLOR 1/2" HEM</p>	<p>FL-16B Sculptured Peak Box</p>  <p>COLOR</p>
<p>FL-17 Sculptured High Side Eave</p>  <p>COLOR SPECIFY ROOF PITCH 1/2" HEM</p>	<p>FL-18 Sculpt Gutter 1:12-4:12</p>  <p>1/2" HEM COLOR SPECIFY ROOF PITCH</p>	<p>FL-18 Sculpt Gutter 5:12-12:12</p>  <p>COLOR SPECIFY ROOF PITCH</p>
<p>FL-18C Sculpt Hang-On Gutter 1:12-4:12</p>  <p>1/2" HEM COLOR SPECIFY ROOF PITCH</p>	<p>FL-18C Sculpt Hang-On Gutter 5:12-12:12</p>  <p>1/2" HEM COLOR SPECIFY ROOF PITCH</p>	<p>FL-19 Eave Trim</p>  <p>COLOR SPECIFY ROOF PITCH 1/2" HEM</p>
<p>FL-119 PBR Roof to FL-19 Eave Trim</p>  <p>COLOR SPECIFY ROOF PITCH 1/2" HEM</p>	<p>FL-120LG PBR Roof to LG-120 Eave Trim</p>  <p>COLOR SPECIFY ROOF PITCH 1/2" HEM</p>	<p>FL-22 Jamb Trim</p>  <p>COLOR</p>

### Notes:

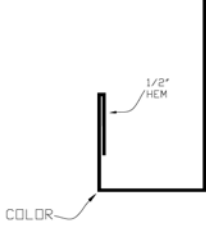
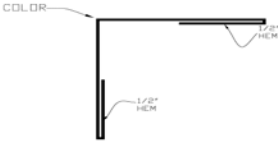
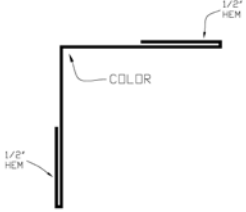
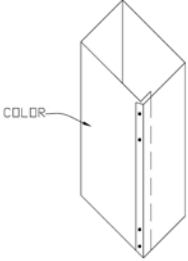
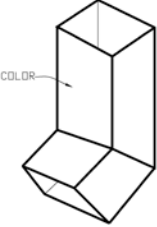
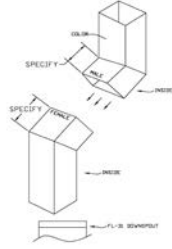

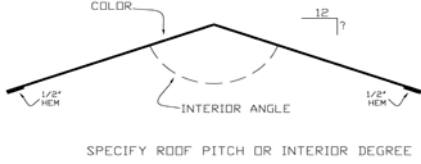
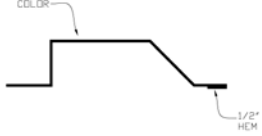
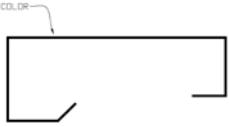
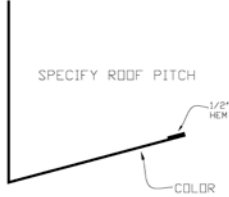
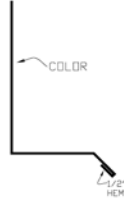
1. Min Length 10'-2", Max Length 20-2".
2. Custom Profiles available, sketch required, Call for pricing.
3. Custom Colors Available, Call for pricing and Availability.



# SBI Metal Buildings & Components

114 Trooper Drive Hot Springs, Arkansas 71913  
 Phone: 501-262-0600 Fax: 501-262-5107 1-800-814-3311  
 www.sbimetalbuildings.com

## “PBR” “R” “A” Panel Trim (See Trim Manual for Dimensions)

<p>FL-24 Head Trim</p> 	<p>FL-27 2x2 Outside Angle          FL-29 3x3 Outside Angle          FL-2910 5x3 Outside Angle          FL-2912 7x3 Outside Angle          FL-55 5x5 Outside Angle</p> 	<p>FL-28 2x2 Inside Angle          FL-30 3x3 Inside Angle</p> 
<p>FL-31 Downspout (Straight) w/ Kickout</p> 	<p>FL-3145 Downspout w/ 45° Elbow</p> 	<p>FL-788 2pc. Downspout w/ 45° Elbow</p> 
<p>FL-37 8" Jamb or Head Cover          FL-3710 10" Jamb or Head Cover          FL-3712 12" Jamb or Head Cover</p> 	<p>FL-38 Flat Ridge Flashing          FL-41 Raised Ridge Flashing Also Avail.</p> 	<p>FL-46 “A” Panel Starter</p> 
<p>FL-47 “A” Panel Jamb Trim</p> 	<p>FL-65 Lo Eave Underflash 8" Eave Strut          FL-6510 Lo Eave Underflash 10" ES          FL-6512 Lo Eave Underflash 12" ES</p> 	<p>FL-72 Base Trim – All Panels</p> 

Notes:

1. Min Length 10'-2", Max Length 20-2".
2. Custom Profiles available, sketch required, Call for pricing.
3. Custom Colors Available, Call for pricing and Availability.



# SBI Metal Buildings & Components

114 Trooper Drive Hot Springs, Arkansas 71913  
 Phone: 501-262-0600 Fax: 501-262-5107 1-800-814-3311  
 www.sbimetalbuildings.com

## “PBR” “R” “A” Panel Trim (See Trim Manual for Dimensions)

<p>FL-74 Box Eave Gutter</p>	<p>FL-195 Parapet High Eave Trim</p>	<p>FL-272 Counter Flashing (Use w/ FL-18C)</p>
<p>FL-556 Standard Valley</p>	<p>FL-797 Downspout Strap</p>	<p>FL-893 Gutter Strap</p>
<p>FL-830 Outside Corner (PBR &amp; A)</p>	<p>FL-800 Inside Corner (PBR)</p>	<p>FL-852 Parapet Rake/Transition Trim</p>
<p>FL-874 Parapet High Eave</p>	<p>FL-132 Sculptured Corner Box</p>	

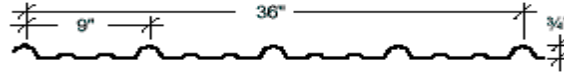
Notes:

1. Min Length 10'-2", Max Length 20-2".
2. Custom Profiles available, sketch required, Call for pricing.
3. Custom Colors Available, Call for pricing and Availability.



**SBI Metal Buildings & Components**  
 114 Trooper Drive Hot Springs, Arkansas 71913  
 Phone: 501-262-0600 Fax: 501-262-5107 1-800-814-3311  
 www.sbimetalbuildings.com

## COMMERCIAL PANELS



**"TUFF RIB"**

### STANDARD

Gauge	Net Cover Width	Yield P.S.I.	Finish
26	36"	80,000	Galvalume
26	36"	80,000	Standard SP40
26	36"	80,000	Premium SP40
26	36"	80,000	Kynar
29	36"	80,000	Galvalume
29	36"	80,000	Standard SP40
29	36"	80,000	Premium SP40
29	36"	80,000	Kynar

**Panel Pricing:**

1. Add \$0.50 per sheet for lengths under 6' 0".
2. Add \$20.00 for set up charge for reverse sheets.

**Packaging:**

1. Maximum bundle weight: 3000#
2. Blocked and banded no cover sheet - \$15.00
3. Blocked and banded with cover sheet top only \$25.00 (up to 15' - 0) \$35.00 (over 15' - 0).

**Notes:**

1. For panel guarantees see warranty section.
2. Ask your salesman for architectural panels SBI has to offer





# SBI Metal Buildings & Components

114 Trooper Drive Hot Springs, Arkansas 71913  
 Phone: 501-262-0600 Fax: 501-262-5107 1-800-814-3311  
 www.sbimetalbuildings.com

## Tuff Rib Standard Trim (See Trim Manual for Dimensions)

<p>LG-101 Raised Ridge Flash          LG-200 Flat Ridge Flashing Also Avail.</p>	<p>LG-103 High Eave Trim</p>	<p>LG-107 Roof-Wall Flashing</p>
<p>LG-108 High Eave Roof-Wall Flashing</p>	<p>LG-115 Inside Corner</p>	<p>LG-117 Rake/Outside Corner</p>
<p>LG-119 Rake Trim</p>	<p>LG-120 Low Eave Trim</p>	<p>LG-123 Jamb Trim</p>
<p>LG-124 Soffit Cap/Head Trim</p>	<p>LG-129 Drip Cap</p>	<p>LG-138 Valley Flashing</p>

Notes:


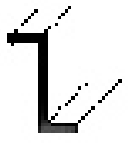
1. Min Length 10'-2", Max Length 20-2".
2. Custom Profiles available, sketch required, Call for pricing.
3. Custom Colors Available, Call for pricing and Availability.



# SBI Metal Buildings & Components

114 Trooper Drive Hot Springs, Arkansas 71913  
 Phone: 501-262-0600 Fax: 501-262-5107 1-800-814-3311  
 www.sbi-metalbuildings.com

## CEE & ZEE - Girts & Purlins

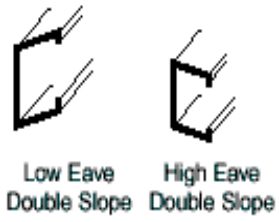
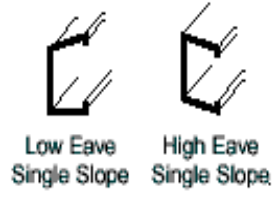
ITEM	DESCRIPTION				
CEES OR ZEEs	PART NUMBER	*ACTUAL SIZE	GA	WT/ FT	FINISH
  	04x25C14	4 x 2 1/8" x 2 3/8"	14	2.55#	R / O
	04X25Z14				
	04X25C16	4 x 2 1/8" x 2 3/8"	16	1.94#	R / O
	04X25Z16				
	06X25C14	6 x 2 1/8" x 2 3/8"	14	3.07#	R / O
	06X25Z14				
	06X25C16	6 x 2 1/8" x 2 3/8"	16	2.33#	R / O
	06X25Z16				
	08X25C16	8 x 2 1/8" x 2 3/8"	16	2.79#	R / O GALV.
	08X25Z16				
	08X25C14	8 x 3 1/8" x 3 3/8"	14	3.32#	R / O
	08X25Z14				
	08X25C12	8 x 2 1/8" x 2 3/8"	12	4.97#	R / O
	08X25Z12				
	08X35C16	8 x 3 1/8" x 3 3/8"	16	3.20#	R / O
	08X35Z16				
	08X35C14	8 x 3 1/8" x 3 3/8"	14	3.79#	R / O
	08X35Z14				
	08X35C12	8 x 3 1/8" x 3 3/8"	12	5.69#	R/O
	08X35Z12				
	10X25C16	10 x 2 1/8" x 2 3/8"	16	3.20#	R / O
	10X25Z16				
	10X25C14	10 x 2 1/8" x 2 3/8"	14	3.79#	R/O
	10X25Z14				
	10X25C12	10 x 2 1/8" x 2 3/8"	12	5.69#	R / O
	10X25Z12				
	10X35C14	10 x 3 1/8" x 3 3/8"	14	4.26#	R / O
	10X35Z14				
	10X35C12	10 x 3 1/8" x 3 3/8"	12	6.40#	R/O
	10X35Z12				
12X25C14	12 x 2 1/8" x 2 3/8"	14	4.26#	R/O	
12X25Z14					
12X25C12	12 x 3 1/8" x 3 3/8"	12	6.40#	R / O	
12X25Z12					




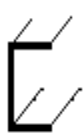
# SBI Metal Buildings & Components

114 Trooper Drive Hot Springs, Arkansas 71913  
 Phone: 501-262-0600 Fax: 501-262-5107 1-800-814-3311  
 www.sbimetalbuildings.com

## EAVE STRUTS

ITEM	DESCRIPTION				WT/FT	Finish	
	Part	Pitch	Size	GA			
 Low Eave Double Slope    High Eave Double Slope   Low Eave Single Slope    High Eave Single Slope	08E14	1:12-4:12	8 x 5	14	4.06#	R / O	
	08E14	5:12-12:12	8 x 5	14	4.06#	R / O	
	10E14	1:12-4:12	8 x 5	14	4.58#	R / O	
	10E14	5:12-12:12	8 x 5	14	4.58#	R / O	
	08E12	1:12-4:12	8 x 5	12	5.69#	R / O	
	08E12	5:12-12:12	8 x 5	12	5.69#	R / O	
	10E12	1:12-4:12	8 x 5	12	6.40#	R / O	
	10E12	5:12-12:12	8 x 5	12	6.40#	R / O	
	<b>SPECIFY SLOPE &amp; Single Slope or Double Slope</b> SBI's Standard Eave Struts are 14 gauge, Red Oxide finish Stock lengths of 19' – 11 ½ and 24' – 11 ½ with standard punch.						

## ANGLES & CHANNELS

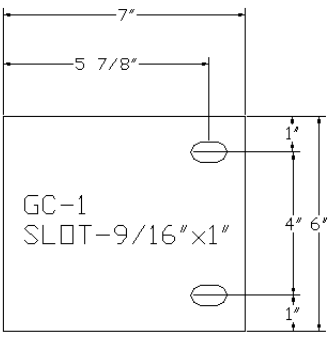
ITEM	DESCRIPTION					
	PART NUMBER	SIZE	GA	WT / FT	FINISH	LENGTH
	B-ANG	2" x 3 7/8"	14	1.03#	R / O	20'0"
	R-ANG	4" x 2"	14	1.55#	R / O	20'0"
	L6x4	6" x 4"	14	2.54#	R/O	20'0"
	04X02	4 x 2	14	??	R / O	20'0"
	06X02	6 x 2	14	2.55#	R / O	20'0"
	08X02	8 x 2	14	3.05#	R / O	20' 0"
	10X02	10 x 2	14	3.59#	R / O	20' 0"

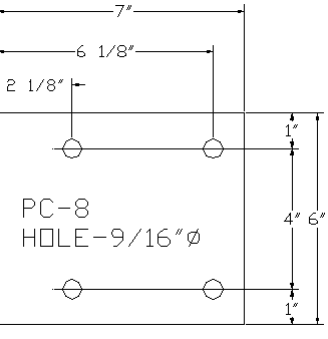


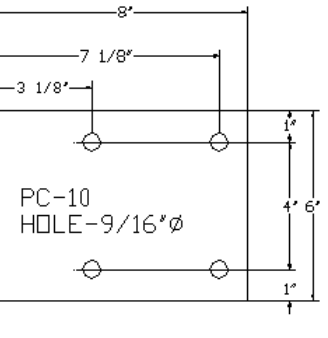
# SBI Metal Buildings & Components

114 Trooper Drive Hot Springs, Arkansas 71913  
 Phone: 501-262-0600 Fax: 501-262-5107 1-800-814-3311  
 www.sbimetalbuildings.com

## PURLIN/GIRT CLIPS

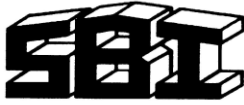
ITEM	DESCRIPTION			
	Part Number	Size	Finish	WT
 <p>GC-1 SLOT-9/16" x 1"</p>	GC-1	3/16" x 6" x 7"	Black	2.23 LBS / PLATE

ITEM	DESCRIPTION			
	Part Number	Size	Finish	WT
 <p>PC-8 HOLE-9/16" Ø</p>	PC-8	3/16" x 6" x 7"	Black	2.23 LBS / PLATE

ITEM	DESCRIPTION			
	Part Number	Size	Finish	WT
 <p>PC-10 HOLE-9/16" Ø</p>	PC-10	3/16" x 6" x 8"	Black	2.55 LBS / PLATE

Notes:

1. Standard clips available in limited quantities. For large order processing, lead time is required.
2. Custom clips and plates are available upon request. Call for pricing and availability.



# SBI Metal Buildings & Components

114 Trooper Drive Hot Springs, Arkansas 71913  
 Phone: 501-262-0600 Fax: 501-262-5107 1-800-814-3311  
 www.sbimetalbuildings.com

## PURLIN/GIRT CLIPS

ITEM	DESCRIPTION			
	Part Number	Size	Finish	WT
<p>IC1 D=9/16" x 1"</p>	IC-1	3/16" x 6" x 4"	Black	1.28 LBS / PLATE

ITEM	DESCRIPTION			
	Part Number	Size	Finish	WT
<p>c1 GAGE=4" D=9/16" SLOTS</p>	C1	3/16" x 6" x 6"	Black	1.92 LBS / PLATE

ITEM	DESCRIPTION			
	Part Number	Size	Finish	WT
<p>b1 GAGE=4" D=9/16"</p>	B1	3/16" x 6" x 9 3/4"	Black	3.11 LBS / PLATE

Notes:

1. Standard clips available in limited quantities. For large order processing, lead time is required.
2. Custom clips and plates are available upon request. Call for pricing and availability.



# SBI Metal Buildings & Components

114 Trooper Drive Hot Springs, Arkansas 71913  
 Phone: 501-262-0600 Fax: 501-262-5107 1-800-814-3311  
 www.sbimetalbuildings.com

## PURLIN/GIRT CLIPS

ITEM	DESCRIPTION			
	Part Number	Size	Finish	WT
	B2	3/16" x 6" x 8 1/2"	Black	2.71 LBS / PLATE

ITEM	DESCRIPTION			
	Part Number	Size	Finish	WT
	D1	3/16" x 6" x 10"	Black	3.19 LBS / PLATE

ITEM	DESCRIPTION			
	Part Number	Size	Finish	WT
	F1	3/16" x 6" x 6"	Black	1.92 LBS / PLATE

Notes:







- Standard clips available in limited quantities. For large order processing, lead time is required.
- Custom clips and plates are available upon request. Call for pricing and availability.



# SBI Metal Buildings & Components

114 Trooper Drive Hot Springs, Arkansas 71913  
 Phone: 501-262-0600 Fax: 501-262-5107 1-800-814-3311  
 www.sbimetalbuildings.com

## FOAM PANEL CLOSURES

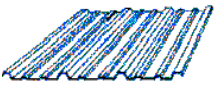
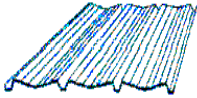
ITEM	DESCRIPTION		
	Part Number	Type	Size
 Inside "R"	HW-455-AD	Inside	3'-0" wide
 Outside "R"	HW-456-AD	Outside	3'-0" wide
 Inside "A"	HW-464	Inside	3'-0" wide
 Outside "A"	HW465	Outside	3'-0" wide
 Inside "Tuff Rib"	HW-472	Inside	3'-0" wide
 Outside "Tuff Rib"	HW473	Outside	3'-0" wide




# SBI Metal Buildings & Components

114 Trooper Drive Hot Springs, Arkansas 71913  
 Phone: 501-262-0600 Fax: 501-262-5107 1-800-814-3311  
 www.sbimetalbuildings.com

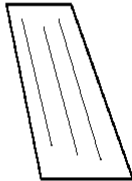
## TRANSLUSANT LIGHT PANELS

ITEM	DESCRIPTION				
	Part Number	Length	Color	SQ. FT / WT	WT Each
 "R" Panel   "A" Panel	HW1502	10'-8"	White	8oz.	16.78#
	HW1502A	5'-4"	White	8oz.	18.97#
	HW1555	10'-8"	White	8oz.	17.30#

## DIE-FORMED RIDGE CAP

	Part Number	Type	Length	WT	Finish
	FL-50	"PBR" panel 26 Gauge	2'-6"	7.5#	Galvalume
					Standard -SP40
					Premium -SP40
					Kynar
					<i>NOTE: Specify Slope</i>

## FLAT SHEETS

ITEM	DESCRIPTION				
	Part Number	Width	Length	GA	Finish
FLAT SHEETS  		43"	10'-0"	26	Galvalume
		41 9/16"	10'-0"	26	Standard SP40
		41 9/16"	10'-0"	26	Premium SP40
		41 9/16"	10'-0"	26	Kynar
		43"	10'-0"	24	Galvalume
		41 9/16"	10'-0"	24	Standard SP40
		41 9/16"	10'-0"	24	Premium SP40
	41 9/16"	10'-0"	24	Kynar	





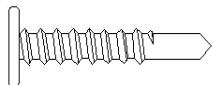
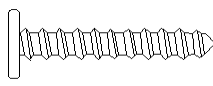

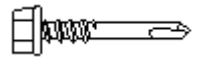





# SBI Metal Buildings & Components

114 Trooper Drive Hot Springs, Arkansas 71913  
 Phone: 501-262-0600 Fax: 501-262-5107 1-800-814-3311  
 www.sbimetalbuildings.com

## SCREWS


ITEM	DESCRIPTION			
	Part Number	Size	Type	
	17- __	?	12 x 1"	Driller
	17A- __	?	12 x 1 1/4"	Driller
	4A- __	?	14 x 7/8"	Lap Tek
	14- __		1/8"	Pop Rivet
	12- __	?	14 x 1"	Pancake Head Driller "Metal"
	13- __	?	14 x 1"	Pancake Head Driller "Wood"
	8- __	?	9-15 x 1"-1 1/2"	Metal to Wood Driller
	1AA- __	?	12-14 x 1 1/4"	Framing Driller No Washer
	6- __	?	12-24 x 1 1/4 "	Tek 5 Driller
<b>Fill in the Blanks ( __ ) - with the correct color code.</b> <b>( ie... 17 - LS )</b> <b>See chart below</b>				
	LS - Light Stone PW - Polar White AS - Ash Gray CH - Charcoal Gray	AZ - Sand Gold RR - Country Red BS - Burnished Slate ST - Sahara Tan	EG - Emerald Green HB - Hawaiian Blue CR - Crimson Red CB - Cocoa Brown	



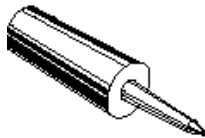
# SBI Metal Buildings & Components


114 Trooper Drive Hot Springs, Arkansas 71913  
 Phone: 501-262-0600 Fax: 501-262-5107 1-800-814-3311  
 www.sbimetalbuildings.com

## BOLTS

ITEM	DESCRIPTION				
	Part Number	Size	Grade	Finish	
	HW-3536	3/4" - 10 x 2"	A- 325	Plated	
	HW-3537	3/4" - 10 x 2-1/2"	A- 325	Plated	
	HW-3545	5/8" - 11 x 1-3/4"	A-325	Plated	
	HW-355	1/2" - 13 x 1"	A-307	Plated	
	HW-356	1/2" - 13 x 1-1/4"	A-307	Plated	
	HW-357	5/8" - 11 x 1-1/2"	A-325	Plated	
	HW-358	5/8" - 11 x 2"	A-325	Plated	
	HW-358A	5/8" - 11 x 2-1/2"	A-325	Plated	
	HW-361A	3/4" - 10 x 3"	A-325	Plated	
	HW-361B	1" - 8 x 2-1/2"	A-325	Plated	
	HW-361C	1-1/4" - 7 x 3-1/4"	A-325	Plated	
	HW-361D	1" - 8 x 3"	A-325	Plated	
	HW-361E	1" - 8 x 3-1/2"	A-325	Plated	
	HW-362	1/2" - 13 x 1-1/4"	?	Zinc Plated	
	HW-362A	7/8" - 9 x 2-1/4"	A-325	Plated	
	HW-362B	7/8" - 9 x 2-3/4"	A-325	Plated	
	HW-363	1/2" - 13 x 1-1/4"	A-325	Plated	
		WF50ST	1/2"	F-436	Plated ??
		WF63ST	5/8"	F-436	Plated ??
	WF75ST	3/4"	F-436	Plated ??	

## CAULK & MASTIC

ITEM	DESCRIPTION			
	Part Number	Color	Size	No Per Carton
	HW-540	White	10.3 oz.	30
	HW-542	Medium Bronze	10.3 oz.	30
	HW-544	Aluminum Gray	10.3 oz.	30
	HW-548	Non-Skinning Off White	10.5 oz.	30


 TAPE SEALER FLAT	Part Number	Size	Carton
	HW-505	3/32" x 3/8" x 45'	40
	HW-506	3/32" x 3/4" x 50'	30




# SBI Metal Buildings & Components

114 Trooper Drive Hot Springs, Arkansas 71913  
 Phone: 501-262-0600 Fax: 501-262-5107 1-800-814-3311  
 www.sbimetalbuildings.com

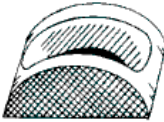
## WIND CABLE ASSEMBLIES

ITEM	DESCRIPTION						
	Part Number	Size	Eye Diameter	Shank Length	Thread Length	Yield Strength (lbs.)	Weight Each
	HW-352A	1/2"	1"	9"	6"	36,000	.33#
	HW-353A	5/8"	1 1/4"	9"	6"	55,000	.70#
	Note: Eye Bolts with Flat Washer, Hillside Washer, & Nut						
	HW-352B	1/2"	1"	9"	6"	36,000	.33#
	HW-353B	5/8"	1 1/4"	9"	6"	55,000	.70#
	Note: Eye Bolts with Flat Washer & Nut						

## WIND CABLES

ITEM	DESCRIPTION	
	Part Number	Size
	HW-374	5/16"
	HW-375	3/8"
	HW-380	1/2"
	HW-378	3/8"
	HW-377	5/16"
	HW-383	1/2"

## HILLSIDE WASHERS

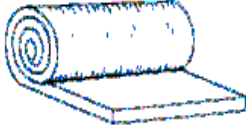
ITEM	DESCRIPTION				
	Part Number	Type	Size	Finish	Weight / 100
	HW-394	Hillside	1/2"	Black	28.00#
	HW-395	Hillside	5/8"	Black	40.00#



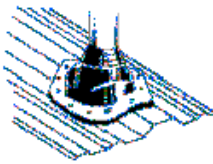
# SBI Metal Buildings & Components

114 Trooper Drive Hot Springs, Arkansas 71913  
 Phone: 501-262-0600 Fax: 501-262-5107 1-800-814-3311  
 www.sbimetalbuildings.com

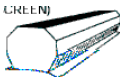
## INSULATION & ACCESSORIES

ITEM	DESCRIPTION		
	Part Number	Type	Size
	3VR72X050	Vinyl Rein.	50' - 72"
	3VR72X100	Vinyl Rein.	100' - 72"

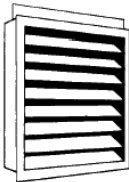
## DEKTITES (PIPE FLASHING)

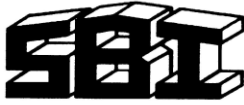
ITEM	DESCRIPTION		
	Part Number	Type	Pipe Size
	HW-1000	# 1	1/4" - 2"
	HW-1001	# 3	1/4" - 4"
	HW-1001A	# 4	3" - 6"
	HW-1002	# 5	4" - 7"
	HW-1003	# 7	6" - 11"

## RIDGEVENTS (Non-Inventory \*\*Special Order\*\*)

ITEM	DESCRIPTION					
	Part Number	Size	GA	Damper Flat	WT	Finish
	HW-702	9" x 10'-0"	26	Yes	125#	Galvalume
	HW-702WH	9" x 10'-0"	26	Yes	125#	White
	HW-704	12" x 10'-0"	26	Yes	175#	Galvalume
	HW-704WH	12" x 10'-0"	26	Yes	175#	White
Note: Other vent sizes available on request. Special order only. ???						

## LOUVERS (Non-Inventory \*\*Special Order\*\*)

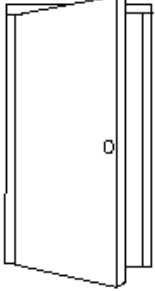
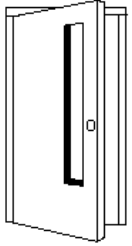
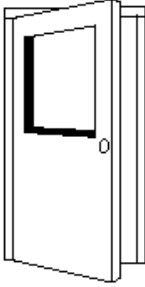
ITEM	DESCRIPTION				
	Part Number	Size	Finish	Type	Weight
	FL-64	2' x 2'	?	Fixed	?
	FL-65	3' x 3'	Light Stone	Fixed	40.00#
	FL-65	3' x 3'	Bare Galvalume	Fixed	40.00# ?
	FL-65A	3' x 3'	?	Operable ?	?
	FL-67	4' x 4'	Painted ?	Fixed	77.00#
	FL-67A	4' x 4'	?	Operable ?	77.00# ?
	HW-69A	3' x 4'	Painted Bronze?	Operable ?	?

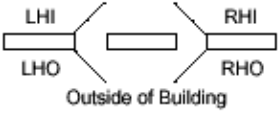


# SBI Metal Buildings & Components

114 Trooper Drive Hot Springs, Arkansas 71913  
 Phone: 501-262-0600 Fax: 501-262-5107 1-800-814-3311  
 www.sbimetalbuildings.com

## MAN DOORS

ITEM	DESCRIPTION				
	Part Number	Size	Type	Finish	Weight
 (M)-Solid	HW-898	3070	N/A	White	215.00#
	HW-899	4070	N/A	White	215.00#
	HW-900A	3070	M	White	215.00#
 (SL)-Slim Light	HW-902A	3070	SL	White	195.00#
	HW-904A	4070	M	White	273.00#
	HW-908A	6070	M	White	330.00#
 (GL)-1/2 Glass	HW-914A	3070	GL	White	195.00#

ITEM	DESCRIPTION	
<b>GUIDE FOR DOOR SWING</b>  Outside of Building	Part Number	Accessories
	HW-955	Lockset Standard Duty
	HW-955A	Dead Bolt Single Cylinder
	HW-961	Door Closure
	HW-963	Anti-Panic with Knob Lock Set
	HW-984	Anti-Panic with Lever Handle Lock Set

Notes:

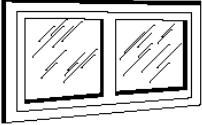
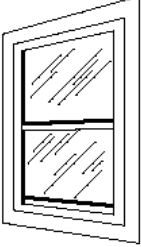

1. Deadbolt frame and door packages available upon request.
2. Not all doors kept in stock. Call for options and availability.



# SBI Metal Buildings & Components

114 Trooper Drive Hot Springs, Arkansas 71913  
 Phone: 501-262-0600 Fax: 501-262-5107 1-800-814-3311  
 www.sbimetalbuildings.com

## WINDOWS (Non-Inventory \*\*Special Order\*\*)

ITEM	DESCRIPTION			
	Part Number	Size	Finish	WT
	HW-802	3030HS	Aluminum	27#
	HW-804	4030HS	Aluminum	36#
	HW-808	6030HS	Aluminum	50#
	HW-822	3040SH	Bronze	N/A
	HW-824A	3050SH	Bronze	N/A
	HW-832	2070FX	Bronze	N/A