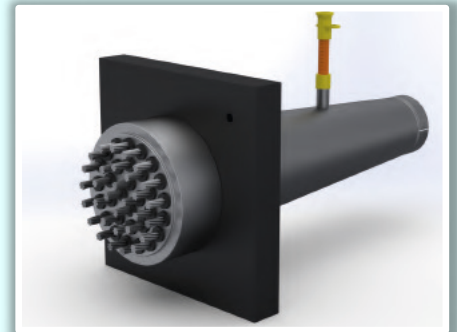
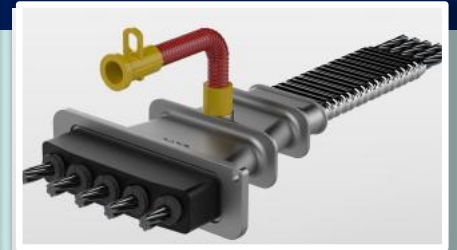


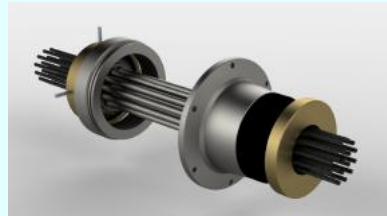
SARE GLOBAL POSTTENSION SYSTEMS

-TECHNICAL DETAILS-



sare[®]
GLOBAL
High quality Turkish brand

DATA
SHEET



SJM SERIES

**MULTI STRAND
STRESSING
JACKS**



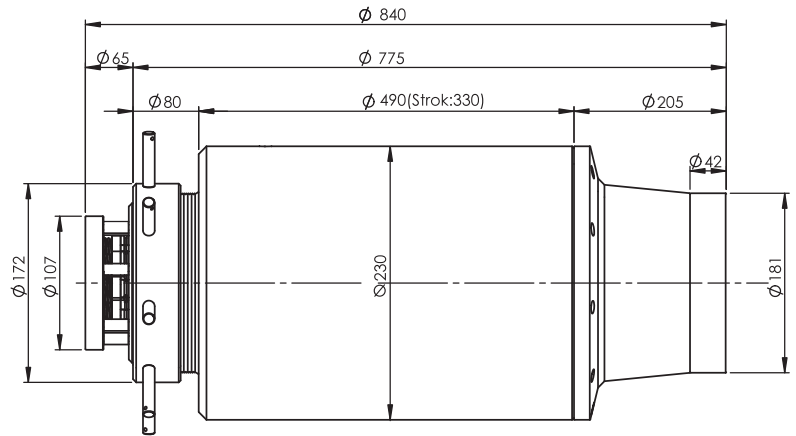
SJM Series - Multi Strand Stressing Jacks



Sare
GLOBAL

Cylinder Model No.	Number of Strands	Cylinder Capacity (Ton)	Suggested Power Pump	Power Pump Capacity (Bar)	Order Numbers of Complete Set
SJM-11033	4 Strand	110	EPMS-257	700	SJ.04.110-01
SJM-17533	7 Strand	175	EPMS-257	700	SJ.07.175-01
SJM-23533	9 Strand	235	EPMS-257	700	SJ.09.235-01
SJM-31533	12 Strand	315	EPMS-257	700	SJ.12.315-01
SJM-38833	15 Strand	388	EPMS-507	700	SJ.15.388-01
SJM-49533	19 Strand	495	EPMS-507	700	SJ.19.495-01
SJM-58033	22 Strand	580	EPMS-507	700	SJ.22.580-01
SJM-68033	27 Strand	680	EPMS-607	700	SJ.27.680-01
SJM-80533	31 Strand	805	EPMS-607	700	SJ.31.805-01
SJM-97533	37 Strand	975	EPMS-607	700	SJ.37.975-01


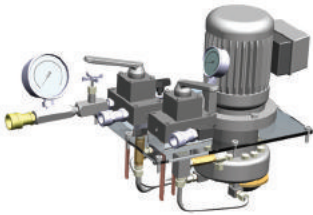

4
STRAND

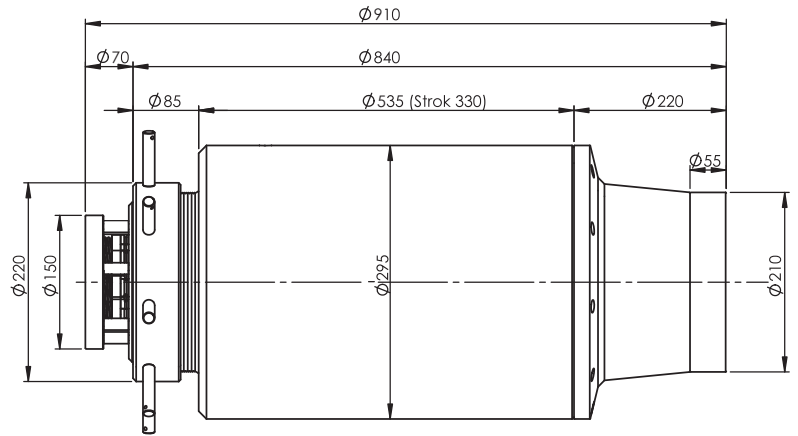
Model No.	Number of Stressing Strand	Capacity	Strok	Center Hole Diameter	Rod Diameter	Cylinder Inside Diameter	Cylinder Effective Area	Oil Capacity	Locking Capacity	Working Pressure (max.)	Test Pressure	Weight
		Ton	mm	mm	mm	mm	cm ²	cm ³	Ton	Bar	Bar	Kg
SJM 11033	0,6" 0,62" 4 Strand	110	330	92	145	180	159,45	2.313	5	700	800	147

Product Description

Order No.

Multi Strand Stressing Jack System For 4 Strand		SJ-11033.04.01	
	Cylinder	110 Ton Capacity - 4 Strand	MSJ-110.04.33.01
	Anchor Head Adaptor	For 4 Strand Anchor Head	AH-A.06.04.01
	Locking Adaptor	0,6" x 4 Strand	LA.06.04.01
	Complete Pipe Adaptor	0,6" x 4 Strand	PA.06.04.01
	Stressing Plate Group	0,6" x 4 Strand	SP06.04.01
	Stressing Wedge	0,6" Stressing Wedge	SW.06.01
	Power Pack	700 Bar Working Pressure	PWL.700.1
	Gauge For Pressure Line	Ø 100 mm 0-700 Bar	G-GL100.01
	Gauge For Locking Line	Ø 63 mm 0-200 Bar	G-GL63.01
	V5B	Shut-Off Valve	V5B.700.01
	Pressure Regulator Valve	Adjustable - 0-700 Bar	AP-R.700.01
	Starter Box	On / Off	SB.3P-01
	Hose For Pressure Line	Internal Dia 6,4 mm (8 mt)	HS-2208.01
	Hose For Return Line	Internal Dia 6,4 mm (8 mt)	HS-2208.02
	Hose For Locking Line	Internal Dia 6,4 mm (8 mt)	HS-2208.03
	Quick Coupler For Pressure Line	3/8" - C209 / 700 Bar wp	C.209.01
	Quick Coupler For Return Line	1/4" - C200 / 700 Bar wp	C.200.01
	Quick Coupler For Locking Line	3/8" - C509 / 700 Bar wp	C.509.01

7 STRAND



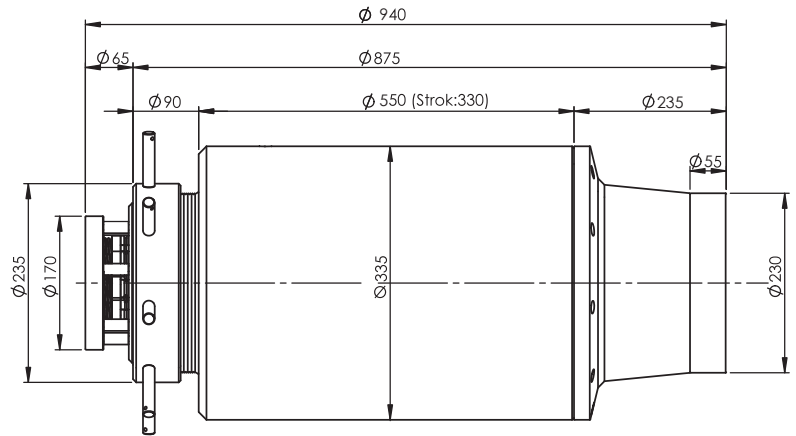
Model No.	Number of Stressing Strand	Capacity	Strok	Center Hole Diameter	Rod Diameter	Cylinder Inside Diameter	Cylinder Effective Area	Oil Capacity	Locking Capacity	Working Pressure (max.)	Test Pressure	Weight
		Ton	mm	mm	mm	mm	cm ²	cm ³	Ton	Bar	Bar	Kg
SJM 17533	0,6" 0,62" 7 Strand	175	330	117	190	230	250,24	8.261	8	700	800	160

Product Description

Order No.

Multi Strand Stressing Jack System For 7 Strand			SJ-17533.07.01
	Cylinder	175 Ton Capacity - 7 Strand	MSJ-175.07.33.01
	Anchor Head Adaptor	For 7 Strand Anchor Head	AH-A.06.07.01
	Locking Adaptor	0,6" x 7 Strand	LA.06.07.01
	Complete Pipe Adaptor	0,6" x 7 Strand	PA.06.07.01
	Stressing Plate Group	0,6" x 7 Strand	SP06.07.01
	Stressing Wedge	0,6" Stressing Wedge	SW.06.01
	Power Pack	700 Bar Working Pressure	PWL.700.1
	Gauge For Pressure Line	Ø 100 mm 0-700 Bar	G-GL100.01
	Gauge For Locking Line	Ø 63 mm 0-200 Bar	G-GL63.01
	V5B	Shut-Off Valve	V5B.700.01
	Pressure Regulator Valve	Adjustable - 0-700 Bar	AP-R.700.01
	Starter Box	On / Off	SB.3P-01
	Hose For Pressure Line	Internal Dia 6,4 mm (8 mt)	HS-2208.01
	Hose For Return Line	Internal Dia 6,4 mm (8 mt)	HS-2208.02
	Hose For Locking Line	Internal Dia 6,4 mm (8 mt)	HS-2208.03
	Quick Coupler For Pressure Line	3/8" - C209 / 700 Bar wp	C.209.01
	Quick Coupler For Return Line	1/4" - C200 / 700 Bar wp	C.200.01
	Quick Coupler For Locking Line	3/8" - C509 / 700 Bar wp	C.509.01


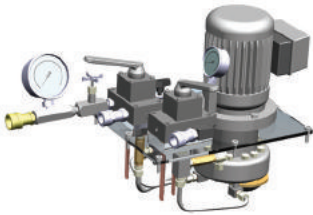

9 STRAND



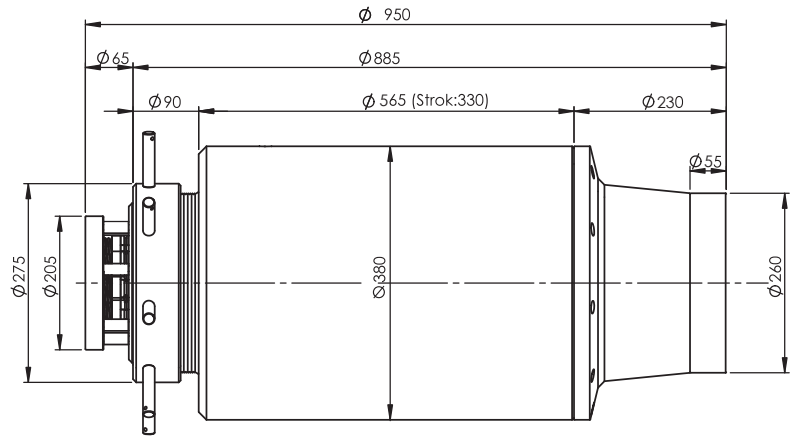
Model No.	Number of Stressing Strand	Capacity	Strok	Center Hole Diameter	Rod Diameter	Cylinder Inside Diameter	Cylinder Effective Area	Oil Capacity	Locking Capacity	Working Pressure (max.)	Test Pressure	Weight
		Ton	mm	mm	mm	mm	cm ²	cm ³	Ton	Bar	Bar	Kg
SJM 23533	0,6" 0,62" 9 Strand	235	330	137	212	265	337,72	11.144	18	700	800	306

Product Description

Order No.

Multi Strand Stressing Jack System For 9 Strand		SJ-23533.09.01	
	Cylinder	235 Ton Capacity - 9 Strand	MSJ-235.09.33.01
	Anchor Head Adaptor	For 9 Strand Anchor Head	AH-A.06.09.01
	Locking Adaptor	0,6" x 9 Strand	LA.06.09.01
	Complete Pipe Adaptor	0,6" x 9 Strand	PA.06.09.01
	Stressing Plate Group	0,6" x 9 Strand	SP06.09.01
	Stressing Wedge	0,6" Stressing Wedge	SW.06.01
	Power Pack	700 Bar Working Pressure	PWL.700.1
	Gauge For Pressure Line	Ø 100 mm 0-700 Bar	G-GL100.01
	Gauge For Locking Line	Ø 63 mm 0-200 Bar	G-GL63.01
	V5B	Shut-Off Valve	V5B.700.01
	Pressure Regulator Valve	Adjustable - 0-700 Bar	AP-R.700.01
	Starter Box	On / Off	SB.3P-01
	Hose For Pressure Line	Internal Dia 6,4 mm (8 mt)	HS-2208.01
	Hose For Return Line	Internal Dia 6,4 mm (8 mt)	HS-2208.02
	Hose For Locking Line	Internal Dia 6,4 mm (8 mt)	HS-2208.03
	Quick Coupler For Pressure Line	3/8" - C209 / 700 Bar wp	C.209.01
	Quick Coupler For Return Line	1/4" - C200 / 700 Bar wp	C.200.01
	Quick Coupler For Locking Line	3/8" - C509 / 700 Bar wp	C.509.01

12 STRAND



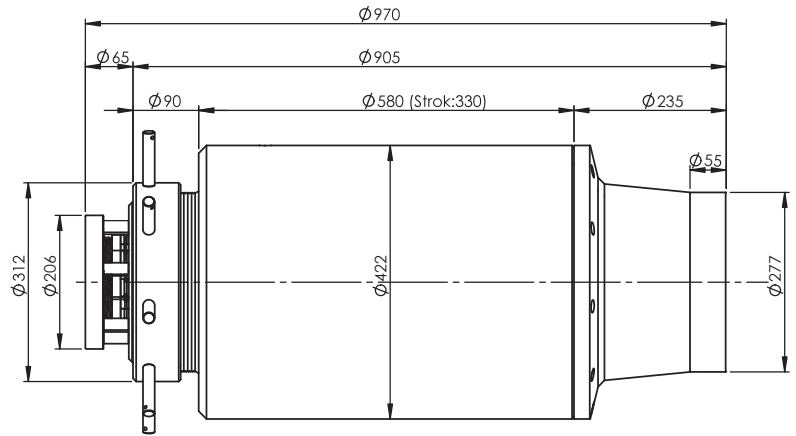
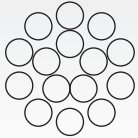
Model No.	Number of Stressing Strand	Capacity	Strok	Center Hole Diameter	Rod Diameter	Cylinder Inside Diameter	Cylinder Effective Area	Oil Capacity	Locking Capacity	Working Pressure (max.)	Test Pressure	Weight
		Ton	mm	mm	mm	mm	cm ²	cm ³	Ton	Bar	Bar	Kg
SJM 31533	0,6" 0,62" 12 Strand	315	330	160	250	305	447,05	14.753	12	700	800	289

Product Description

Order No.

Multi Strand Stressing Jack System For 12 Strand		SJ-31533.12.01	
	Cylinder	315 Ton Capacity - 12 Strand	MSJ-315.12.33.01
	Anchor Head Adaptor	For 12 Strand Anchor Head	AH-A.06.12.01
	Locking Adaptor	0,6" x 12 Strand	LA.06.12.01
	Complete Pipe Adaptor	0,6" x 12 Strand	PA.06.12.01
	Stressing Plate Group	0,6" x 12 Strand	SP06.12.01
	Stressing Wedge	0,6" Stressing Wedge	SW.06.01
	Power Pack	700 Bar Working Pressure	PWL.700.1
	Gauge For Pressure Line	Ø 100 mm 0-700 Bar	G-GL100.01
	Gauge For Locking Line	Ø 63 mm 0-200 Bar	G-GL63.01
	V5B	Shut-Off Valve	V5B.700.01
	Pressure Regulator Valve	Adjustable - 0-700 Bar	AP-R.700.01
	Starter Box	On / Off	SB.3P-01
	Hose For Pressure Line	Internal Dia 6,4 mm (8 mt)	HS-2208.01
	Hose For Return Line	Internal Dia 6,4 mm (8 mt)	HS-2208.02
	Hose For Locking Line	Internal Dia 6,4 mm (8 mt)	HS-2208.03
	Quick Coupler For Pressure Line	3/8" - C209 / 700 Bar wp	C.209.01
	Quick Coupler For Return Line	1/4" - C200 / 700 Bar wp	C.200.01
	Quick Coupler For Locking Line	3/8" - C509 / 700 Bar wp	C.509.01

15 STRAND



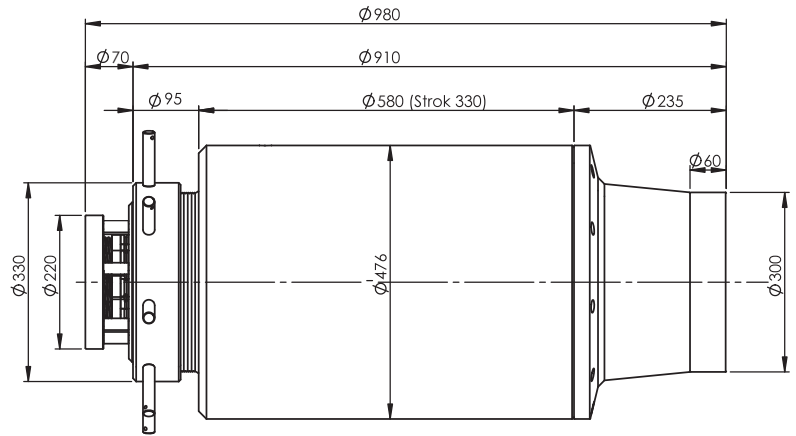
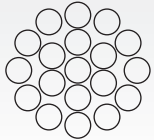
Model No.	Number of Stressing Strand	Capacity	Strok	Center Hole Diameter	Rod Diameter	Cylinder Inside Diameter	Cylinder Effective Area	Oil Capacity	Locking Capacity	Working Pressure (max.)	Test Pressure	Weight
		Ton	mm	mm	mm	mm	cm ²	cm ³	Ton	Bar	Bar	Kg
SJM 38833	0,6" 0,62" 15 Strand	388	330	180	280	340	554,9	18.313	15	700	800	282

Product Description

Order No.

Multi Strand Stressing Jack System For 15 Strand		SJ-38833.15.01	
	Cylinder	388 Ton Capacity - 15 Strand	MSJ-388.15.33.01
	Anchor Head Adaptor	For 15 Strand Anchor Head	AH-A.06.15.01
	Locking Adaptor	0,6" x 15 Strand	LA.06.15.01
	Complete Pipe Adaptor	0,6" x 15 Strand	PA.06.15.01
	Stressing Plate Group	0,6" x 15 Strand	SP06.15.01
	Stressing Wedge	0,6" Stressing Wedge	SW.06.01
	Power Pack	700 Bar Working Pressure	PWL.700.2
	Gauge For Pressure Line	Ø 100 mm 0-700 Bar	G-GL100.01
	Gauge For Locking Line	Ø 63 mm 0-200 Bar	G-GL63.01
	V5B	Shut-Off Valve	V5B.700.01
	Pressure Regulator Valve	Adjustable - 0-700 Bar	AP-R.700.01
	Starter Box	On / Off	SB.3P-01
	Hose For Pressure Line	Internal Dia 6,4 mm (8 mt)	HS-2208.01
	Hose For Return Line	Internal Dia 6,4 mm (8 mt)	HS-2208.02
	Hose For Locking Line	Internal Dia 6,4 mm (8 mt)	HS-2208.03
	Quick Coupler For Pressure Line	3/8" - C209 / 700 Bar wp	C.209.01
	Quick Coupler For Return Line	1/4" - C200 / 700 Bar wp	C.200.01
	Quick Coupler For Locking Line	3/8" - C509 / 700 Bar wp	C.509.01

19 STRAND



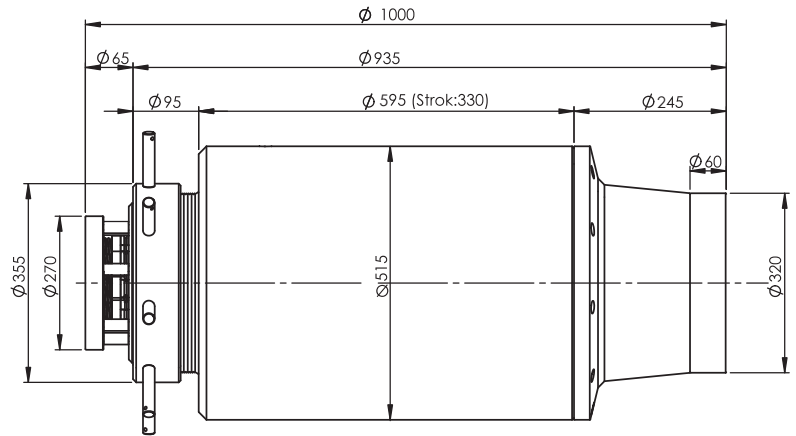
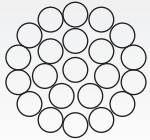
Model No.	Number of Stressing Strand	Capacity	Strok	Center Hole Diameter	Rod Diameter	Cylinder Inside Diameter	Cylinder Effective Area	Oil Capacity	Locking Capacity	Working Pressure (max.)	Test Pressure	Weight
		Ton	mm	mm	mm	mm	cm ²	cm ³	Ton	Bar	Bar	Kg
SJM 49533	0,6" 0,62" 19 Strand	495	330	190	300	375	706,85	23.326	18	700	800	644

Product Description

Order No.

Multi Strand Stressing Jack System For 19 Strand		SJ-49533.19.01
	Cylinder	495 Ton Capacity - 19 Strand MSJ-495.19.33.01
	Anchor Head Adaptor	For 19 Strand Anchor Head AH-A.06.19.01
	Locking Adaptor	0,6" x 19 Strand LA.06.19.01
	Complete Pipe Adaptor	0,6" x 19 Strand PA.06.19.01
	Stressing Plate Group	0,6" x 19 Strand SP06.19.01
	Stressing Wedge	0,6" Stressing Wedge SW.06.01
	Power Pack	700 Bar Working Pressure PWL.700.2
	Gauge For Pressure Line	Ø 100 mm 0-700 Bar G-GL100.01
	Gauge For Locking Line	Ø 63 mm 0-200 Bar G-GL63.01
	V5B	Shut-Off Valve V5B.700.01
	Pressure Regulator Valve	Adjustable - 0-700 Bar AP-R.700.01
	Starter Box	On / Off SB.3P-01
	Hose For Pressure Line	Internal Dia 6,4mm (8 mt) HS-2208.01
	Hose For Return Line	Internal Dia 6,4 mm (8 mt) HS-2208.02
	Hose For Locking Line	Internal Dia 6,4 mm (8 mt) HS-2208.03
	Quick Coupler For Pressure Line	3/8" - C209 / 700 Bar wp C.209.01
	Quick Coupler For Return Line	1/4" - C200 / 700 Bar wp C.200.01
	Quick Coupler For Locking Line	3/8" - C509 / 700 Bar wp C.509.01

**22
STRAND**



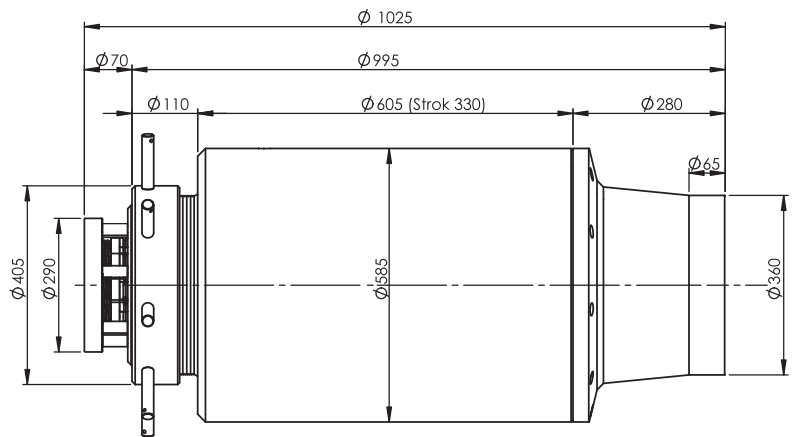
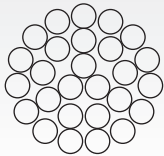
Model No.	Number of Stressing Strand	Capacity	Strok	Center Hole Diameter	Rod Diameter	Cylinder Inside Diameter	Cylinder Effective Area	Oil Capacity	Locking Capacity	Working Pressure (max.)	Test Pressure	Weight
		Ton	mm	mm	mm	mm	cm ²	cm ³	Ton	Bar	Bar	Kg
SJM 58033	0,6" 0,62" 22 Strand	580	330	216	330	410	829,38	27.370	22	700	800	698

Product Description

Order No.

Multi Strand Stressing Jack System For 22 Strand		SJ-58033.22.01	
	Cylinder	580 Ton Capacity - 22 Strand	MSJ-580.22.33.01
	Anchor Head Adaptor	For 22 Strand Anchor Head	AH-A.06.22.01
	Locking Adaptor	0,6" x 22 Strand	LA.06.22.01
	Complete Pipe Adaptor	0,6" x 22 Strand	PA.06.22.01
	Stressing Plate Group	0,6" x 22 Strand	SP06.22.01
	Stressing Wedge	0,6" Stressing Wedge	SW.06.01
	Power Pack	700 Bar Working Pressure	PWL.700.2
	Gauge For Pressure Line	Ø 100 mm 0-700 Bar	G-GL100.01
	Gauge For Locking Line	Ø 63 mm 0-200 Bar	G-GL63.01
	V5B	Shut-Off Valve	V5B.700.01
	Pressure Regulator Valve	Adjustable - 0-700 Bar	AP-R.700.01
	Starter Box	On / Off	SB.3P-01
	Hose For Pressure Line	Internal Dia 6,4 mm (8 mt)	HS-2208.01
	Hose For Return Line	Internal Dia 6,4 mm (8 mt)	HS-2208.02
	Hose For Locking Line	Internal Dia 6,4 mm (8 mt)	HS-2208.03
	Quick Coupler For Pressure Line	3/8" - C209 / 700 Bar wp	C.209.01
	Quick Coupler For Return Line	1/4" - C200 / 700 Bar wp	C.200.01
	Quick Coupler For Locking Line	3/8" - C509 / 700 Bar wp	C.509.01

27 STRAND



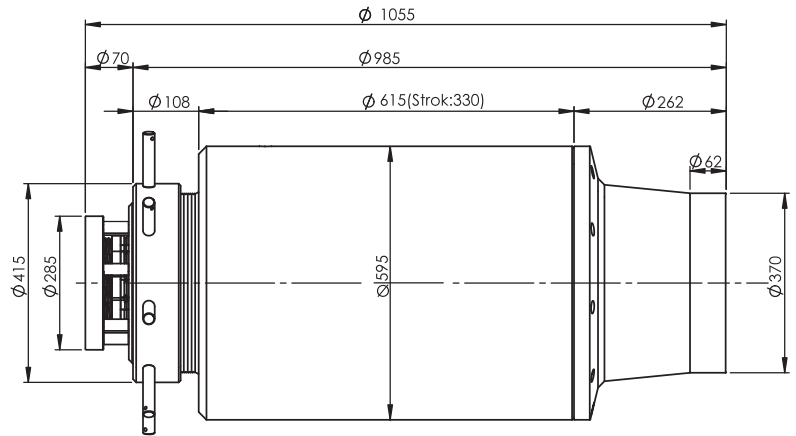
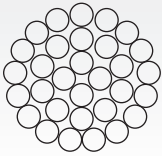
Model No.	Number of Stressing Strand	Capacity	Strok	Center Hole Diameter	Rod Diameter	Cylinder Inside Diameter	Cylinder Effective Area	Oil Capacity	Locking Capacity	Working Pressure (max.)	Test Pressure	Weight
		Ton	mm	mm	mm	mm	cm ²	cm ³	Ton	Bar	Bar	Kg
SJM 68033	0,6" 0,62" 27 Strand	680	330	255	375	460	978,4	13.893	28	700	800	1045

Product Description

Order No.

Multi Strand Stressing Jack System For 27 Strand		SJ-68033.27.01
	Cylinder	680 Ton Capacity - 22 Strand MSJ-680.27.33.01
	Anchor Head Adaptor	For 27 Strand Anchor Head AH-A.06.27.01
	Locking Adaptor	0,6" x 27 Strand LA.06.27.01
	Complete Pipe Adaptor	0,6" x 27 Strand PA.06.27.01
	Stressing Plate Group	0,6" x 27 Strand SP06.27.01
	Stressing Wedge	0,6" Stressing Wedge SW.06.01
	Power Pack	700 Bar Working Pressure PWL.700.3
	Gauge For Pressure Line	Ø 100 mm 0-700 Bar G-GL100.01
	Gauge For Locking Line	Ø 63 mm 0-200 Bar G-GL63.01
	V5B	Shut-Off Valve V5B.700.01
	Pressure Regulator Valve	Adjustable - 0-700 Bar AP-R.700.01
	Starter Box	On / Off SB.3P-01
	Hose For Pressure Line	Internal Dia 6,4 mm (8 mt) HS-2208.01
	Hose For Return Line	Internal Dia 6,4 mm (8 mt) HS-2208.02
	Hose For Locking Line	Internal Dia 6,4 mm (8 mt) HS-2208.03
	Quick Coupler For Pressure Line	3/8" - C209 / 700 Bar wp C.209.01
	Quick Coupler For Return Line	1/4" - C200 / 700 Bar wp C.200.01
	Quick Coupler For Locking Line	3/8" - C509 / 700 Bar wp C.509.01

31 STRAND



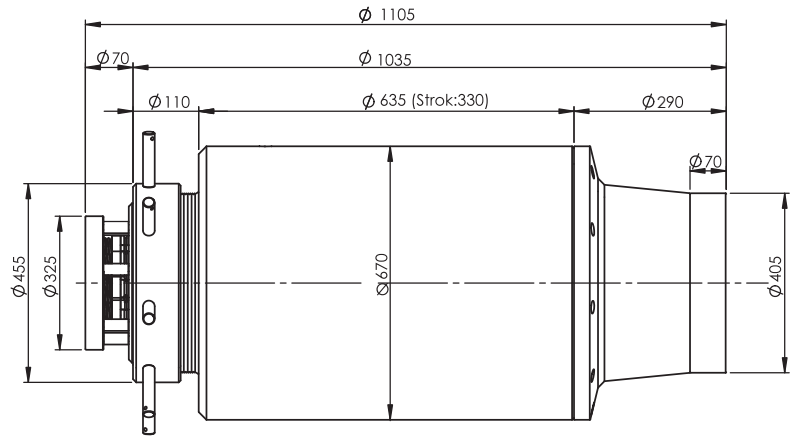
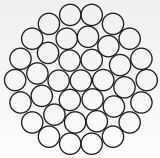
Model No.	Number of Stressing Strand	Capacity	Strok	Center Hole Diameter	Rod Diameter	Cylinder Inside Diameter	Cylinder Effective Area	Oil Capacity	Locking Capacity	Working Pressure (max.)	Test Pressure	Weight
		Ton	mm	mm	mm	mm	cm ²	cm ³	Ton	Bar	Bar	Kg
SJM 80533	0,6" 0,62" 31 Strand	805	330	252	390	480	1149,03	37.918	31	700	800	988

Product Description

Order No.

Multi Strand Stressing Jack System For 31 Strand		SJ-80533.31.01	
	Cylinder	805 Ton Capacity - 31 Strand	MSJ-805.31.33.01
	Anchor Head Adaptor	For 31 Strand Anchor Head	AH-A.06.31.01
	Locking Adaptor	0,6" x 31 Strand	LA.06.31.01
	Complete Pipe Adaptor	0,6" x 31 Strand	PA.06.31.01
	Stressing Plate Group	0,6" x 31 Strand	SP06.31.01
	Stressing Wedge	0,6" Stressing Wedge	SW.06.01
	Power Pack	700 Bar Working Pressure	PWL.700.3
	Gauge For Pressure Line	Ø 100 mm 0-700 Bar	G-GL100.01
	Gauge For Locking Line	Ø 63 mm 0-200 Bar	G-GL63.01
	V5B	Shut-Off Valve	V5B.700.01
	Pressure Regulator Valve	Adjustable - 0-700 Bar	AP-R.700.01
	Starter Box	On / Off	SB.3P-01
	Hose For Pressure Line	Internal Dia 6,4 mm (8 mt)	HS-2208.01
	Hose For Return Line	Internal Dia 6,4 mm (8 mt)	HS-2208.02
	Hose For Locking Line	Internal Dia 6,4 mm (8 mt)	HS-2208.03
	Quick Coupler For Pressure Line	3/8" - C209 / 700 Bar wp	C.209.01
	Quick Coupler For Return Line	1/4" - C200 / 700 Bar wp	C.200.01
	Quick Coupler For Locking Line	3/8" - C509 / 700 Bar wp	C.509.01

37 STRAND



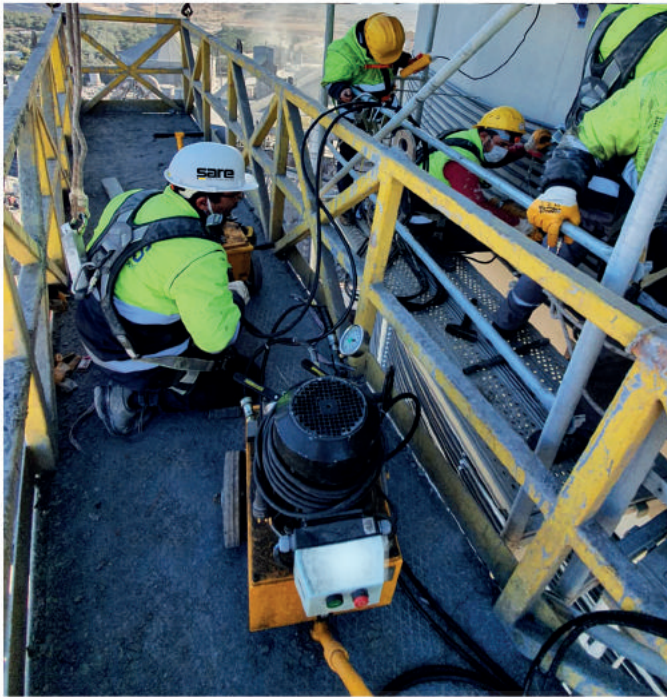
Model No.	Number of Stressing Strand	Capacity	Strok	Center Hole Diameter	Rod Diameter	Cylinder Inside Diameter	Cylinder Effective Area	Oil Capacity	Locking Capacity	Working Pressure (max.)	Test Pressure	Weight
		Ton	mm	mm	mm	mm	cm ²	cm ³	Ton	Bar	Bar	Kg
SJM 97533	0,6" 0,62" 37 Strand	975	330	285	430	535	1392,7	19.699	40	700	800	1395

Product Description

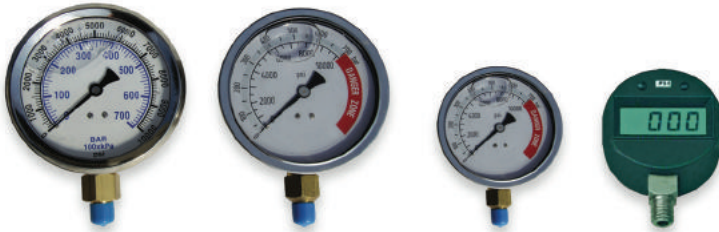
Order No.

Multi Strand Stressing Jack System For 37 Strand		SJ-97533.37.01	
	Cylinder	975 Ton Capacity - 37 Strand	MSJ-975.37.33.01
	Anchor Head Adaptor	For 37 Strand Anchor Head	AH-A.06.37.01
	Locking Adaptor	0,6" x 37 Strand	LA.06.37.01
	Complete Pipe Adaptor	0,6" x 37 Strand	PA.06.37.01
	Stressing Plate Group	0,6" x 37 Strand	SP06.37.01
	Stressing Wedge	0,6" Stressing Wedge	SW.06.01
	Power Pack	700 Bar Working Pressure	PWL.700.3
	Gauge For Pressure Line	Ø 100 mm 0-700 Bar	G-GL100.01
	Gauge For Locking Line	Ø 63 mm 0-200 Bar	G-GL63.01
	V5B	Shut-Off Valve	V5B.700.01
	Pressure Regulator Valve	Adjustable - 0-700 Bar	AP-R.700.01
	Starter Box	On / Off	SB.3P-01
	Hose For Pressure Line	Internal Dia 6,4 mm (8 mt)	HS-2208.01
	Hose For Return Line	Internal Dia 6,4 mm (8 mt)	HS-2208.02
	Hose For Locking Line	Internal Dia 6,4 mm (8 mt)	HS-2208.03
	Quick Coupler For Pressure Line	3/8" - C209 / 700 Bar wp	C.209.01
	Quick Coupler For Return Line	1/4" - C200 / 700 Bar wp	C.200.01
	Quick Coupler For Locking Line	3/8" - C509 / 700 Bar wp	C.509.01

EPMS Series - Power Pack Technical Details



Model No.		EPMS-207	EPMS-257	EPMS-507	EPMS-607
Order Number		PW.L.700.0	PW.L.700.1	PW.L.700.2	PW.L.700.3
Power Pump Type		For Multi strand stressing jack with locking system			
Working Pressure	bar	700			
Displacement	l / min	2,0	2,5	5,0	6,0
Motor Power	kw	2,2	3	5,5	7,5
Motor Rpm	rpm	1400			
Reservoir Capacity	liter	32		68	92
Usable Oil Capacity	liter	25		55	70
Return Line Pressure	bar	160			
Locking Line Pressure	bar	200			
Pressure gauge (pressure line)		Ø100 mm x 0-1000 bar (gliserin filled)			
Pressure gauge (locking line)		Ø63 mm x 0-250 bar (gliserin filled)			
Directional Control Valve (stressing)		4 Way - 3 Position Manual			
Directional Control Valve (locking)		3 Way - 3 Position Manual			
Pressure Control Valve		20-700 bar Adjustable Pressure Regulator Valve			
Motor Specifications		380 V., 50Hz, 3-phase			
Motor Remote Control		With 3 meter Cord			
Hoses		10 meter long (3 pcs)			
Tank Size	kg	330 x 450 x 230		440 x 610 x 260	510 x 705 x 260
Weight	kg	95	98	158	207



Model No.	Pressure Range	Scale Diameter	Oil Port	Description
	mm	mm		
G-637D	0-700	63	1/4"	Glycerine filled. 0-700 bar calibrated scale 700-1000 bar as a danger zone. 50 bar increment.
G-1007D		100		
G-1007				63
GD-1		Digital gauge		

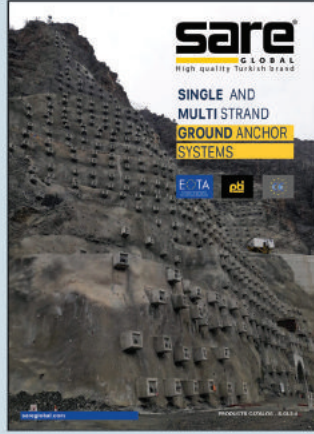
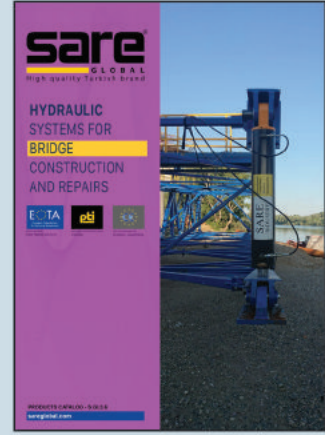
High quality Turkish brand



Model No.			Description
Complete Set	Female	Male	
C-209	C-211	C-213	Coupler 3/8" NPT threads max. flow capacity 35 l/min
CT-200	CT-202	CT-201	Coupler 1/4" NPT threads max. flow capacity 8 l/min

HS Series - Hoses

Model No.	Hose Length	Hose End		Internal Diameter	Max. Working Pressure		
	mm			mm	bar		
HS-2201	1			6,40	700		
HS-2202	2						
HS-2203	3						
HS-2204	4						
HS-2206	6						
HS-2208	8	3/8" NPT male	3/8" NPT male				
HS-2210	10						
HS-2212	12						
HS-2215	15						
HSC-2201	1						
HSC-2202	2						
HSC-2203	3						
HSC-2204	4						
HSC-2206	6						
HSC-2208	8	3/8" NPT male	C-213 male coupler				
HSC-2210	10						
HSC-2212	12						
HSC-2215	15						



sare[®]
GLOBAL
High Quality Turkish Brand

Merkez Mah. Çavuşbaşı Cad. No.42 D.5-8 Çekmeköy 34782 İstanbul - Türkiye
P: +90 216 313 11 13 pbx
info@sareglobal.com • www.sareglobal.com

