




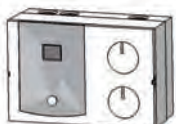





FAR

flow evolution

перейти на сайт: www.san-detal.ru

Catalogue Price List 2010.3

	<p>Manifold for booster units</p>	<p>Page 19</p>
	<p>Safety valve Range completion</p>	<p>Page 25</p>
	<p>Thermostatic mixers</p>	<p>Page 26</p>
	<p>New pressure reducing valves small size, high reliability</p>	<p>Page 31</p>
	<p>Pressure reducing valves New sizes: 1"1/2 - 2"</p>	<p>Page 32</p>
	<p>Inclined strainers for domestic services and heating systems</p>	<p>Page 35</p>
	<p>SOLARFAR Solar components</p>	<p>Page 42-46</p>

	<p>1"1/2 - 2" zone valves complete with actuator</p>	<p>Page 56-57</p>
	<p>Electronic controller for heating regulating units</p>	<p>Page 78-81</p>
	<p>New thermo-electric actuators</p>	<p>Page 84-121</p>
	<p>New thermostatic head</p>	<p>Page 121-144</p>
	<p>Top^{serie} Valves for radiators</p>	<p>Page 137-139</p>
	<p>PRESSFAR  new shapes and sizes</p>	<p>Page 152-162</p>



Far Rubinetterie S.p.A. was established in 1974 by the brothers Alberto and Guerrino Allesina and Nicola Rovaletti. Thirty years of activity in the plumbing, heating and sanitation fields has seen the company achieve great success both in Italy and abroad.

By utilising the latest high tech machinery under strict quality control procedures Far is able to optimize the production process, creating a wide range of top quality products at competitive prices.

Our highly skilled technical team of qualified designers is permanently dedicated to product design and development enabling us to keep pace with changing market demands. Every item is tested and proven in our own laboratory.

Far, determined as ever to offer the best and most reliable customer service, has recently reaffirmed its dedication to quality by achieving UNI EN ISO 9001:2008 certification.

The spreading range of our clients and our growing reputation are the real evidence of our success on a world-wide level.

Now we invite you to glance through our latest catalogue, which includes our wide range of ready-to-install products. In its pages you'll all find the innovation and the quality you need to satisfy your requirements.



FAR

flow evolution

Sistema di Gestione Certificato



ANCCP

Organismo Notificato CE 0302

UNI EN ISO 9001

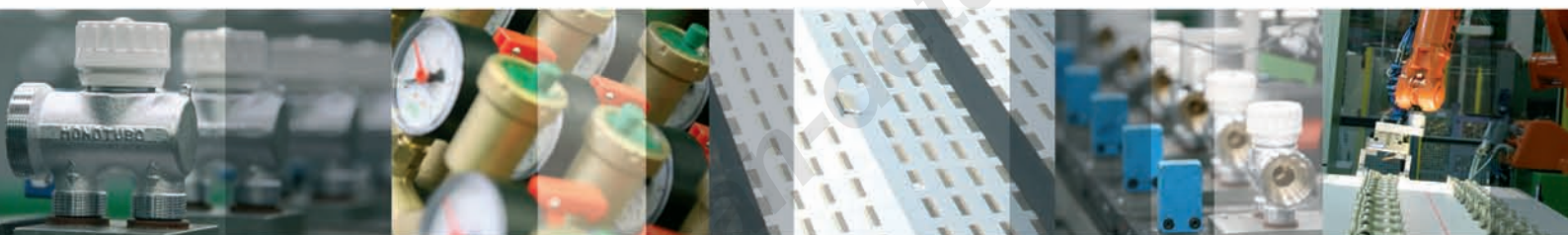
FAR

FAR rubinetterie s.p.a.

FAR

FAR

FAR factory in Gozzano (NO). Production departments, warehouse and offices.



FAR factory in Gozzano (NO). PRESSFAR fittings production departments.

CERTIFICAZIONE DI SISTEMA DI GESTIONE QUALITA'



SI CERTIFICA CHE IL SISTEMA DI GESTIONE PER LA QUALITA' DI FAR RUBINETTERIE S.p.A. E' CONFORME ALLA NORMA UNI EN ISO 9001: 2008 PER LE SEGUENTI ATTIVITA':
Progettazione, fabbricazione e commercializzazione di componenti per impianti idrotermosanitari



CERTIFICAZIONE SQU 408 AQ 045/4
Sett. EA 18
EA code
22.12.1995
PRIMA EMISSIONE
FIRST ISSUE
10.04.2009
EMISSIONE CORRENTE
CURRENT ISSUE
19.02.2010
DATA SCADENZA
EXPIRY ON

Giuseppe Gozzano
[Signature]



Il presente certificato è soggetto alle disposizioni ANCCP per la certificazione dei Sistemi di Gestione Qualità. Per eventuali variazioni sullo stato della presente certificazione contattare gli uffici ANCCP. This certificate satisfies the ANCCP requirements for certification of Quality Management Systems. Any change must be communicated.



COMITATO DEL MARCHIO QAVR

CERTIFICATO n° 6

Si certifica che l'azienda
FAR RUBINETTERIE S.P.A.
VIA MORENA 20 - 28024 GOZZANO (NO)
E' conforme ai requisiti del marchio QAVR

Milano, 20 giugno '02

Il Presidente del Comitato del marchio QAVR
[Signature]

Il rilascio del presente certificato è soggetto al rispetto del regolamento del marchio stesso

Associazione Comitati Valvole e Rubinetterie
Via L. Battistoni Sassi 1/B - 20133 Milano



ФЕДЕРАЛЬНАЯ СЛУЖБА ПО НАДЗОРУ В СФЕРЕ ЗАЩИТЫ ПРАВ ПОТРЕБИТЕЛЕЙ И БЛАГОПОЛУЧИЯ ЧЕЛОВЕКА
УПРАВЛЕНИЕ ФЕДЕРАЛЬНОЙ СЛУЖБЫ ПО НАДЗОРУ В СФЕРЕ ЗАЩИТЫ ПРАВ ПОТРЕБИТЕЛЕЙ И БЛАГОПОЛУЧИЯ ЧЕЛОВЕКА ПО ГОРОДУ МОСКВЕ

САНИТАРНО-ЭПИДЕМИОЛОГИЧЕСКОЕ ЗАКЛЮЧЕНИЕ
№ 77.01.16.570.П.037924.05.07 от 25.05.2007
Настоящим санитарно-эпидемиологическим заключением удостоверяется, что продукция: Арматура трубопроводная из металлов сплавов

СООТВЕТСТВУЕТ (НЕ СООТВЕТСТВУЕТ) санитарным правилам (техническим регламентам, указывая полные наименования государственных санитарно-эпидемиологических правил и нормативов) СанПиН 2.1.2.729-99 «Полимерные и полимеросодержащие строительные материалы, изделия и конструкции. Гигиенические требования безопасности», ГН 2.1.6.1339-03, ГН 2.1.6.1339-03, ГН 2.1.5.1315-03. Италия

Организация-изготовитель
"FAR RUBINETTERIE S.p.A."
Via Morena, 20-280024 Gozzano (NO) Италия

Получатель санитарно-эпидемиологического заключения
"FAR RUBINETTERIE S.p.A."
Via Morena, 20-280024 Gozzano (NO) Италия

Основанием для признания продукции, соответствующей (не соответствующей) санитарным правилам, является (перечислить соответствующие протоколы исследований, лабораторные исследования, производственные испытания, другие результаты исследований, акты) Протокол испытаний № 705-06139 ДА от 22.05.2007 г. Госовного ИИЦ материалов, промышленности и товаров для детей при ИЦЗ РАМН, аттестат аккредитации в ГСН.ИИ.ИОА.140.; Экспертное заключение № 38762 от 23.05.2007 г. ФГУЗ «Центр гигиены и эпидемиологии в г. Москва»

№1288254



ATTESTATION DE CONFORMITE SANITAIRE
Prise en compte à l'arrêté du 29 Mai 1997 modifié et la circulaire du Ministère de la Santé - Direction Générale de la Santé DGCS-SD7A/2002 N° 571 du 25 Novembre 2002

Objets du demandeur d'ACS :
Rubinetterie Spa
Morena 20
Gozzano - ITALIE

de l'accessoire représentatif :
tendeur pour tube en plastique, cuivre et multicouche Réf. 6051 16.2 x 20
dossier attribué par le laboratoire :
C.PA036

de réalisation des essais d'inertie, le cas échéant : -
mentaires :-

de d'accessoires couverts par l'ACS :
tendeur pour tubes :
Réf. 6051
7, 12.5x17, 13.6x18, 13x18, 14x18, 11.6x15, 10x15, 12x15, 11x15, 9x12, 7.7x12, 8x12,
16, 12.4x16, 12x16, 11x16, 13x16, 10.6x17.8, 13x17.8, 10x14, 14.4x20, 16x20, 15.4x20,
20, 13x20, 14x20, 15.7x20
Réf. 6052
7, 12.5x17, 13.6x18, 13x18, 14x18, 11.6x15, 10x15, 12x15, 11x15, 9x12, 7.7x12, 8x12,
16, 12.4x16, 12x16, 11x16, 13x16, 10.6x17.8, 13x17.8, 10x14, 14.4x20, 16x20, 15.4x20,
20, 13x20, 14x20, 15.7x20
Réf. 6054
16.2x2.6, 18x2, 16x2, 16x2.25, 14x2, 20x2.9, 20x2.25, 20x2.5, 20x2
Réf. 6055
16.2x2.6, 18x2, 16x2, 16x2.25, 14x2, 20x2.9, 20x2.25, 20x2.5, 20x2
mentaires :-

Centre de recherche d'expertise et de contrôle des eaux de Paris
144 et 156 av. Paul Villard-Chabrier • 75019 Paris • Tél. 01 40 94 70 70 • Fax 01 40 94 77 64 • www.crecep.fr
Page 4 Information : le fabricant est à responsabilité morale quelle que soit la valeur de la garantie. Page 5 Information : le fabricant est à responsabilité morale quelle que soit la valeur de la garantie.

CERTIFICATO DI OMOLOGAZIONE
N. MAC/461003

Si certifica che il seguente prodotto soddisfa le prescrizioni del tipo:
Descrizione Tipo Valvole a sfera a 3 vie pass. 3 vie con tee di ARTICOLE: 3015 12; 3015 34; 3016 34; 3025 34; 3030 34; 3032 1; 3025 1; 303 FAR RUBINETTERIE VIA MORENA, 20 28024 GOZZANO ITALY FAR RUBINETTERIE VIA MORENA, 28024 GOZZANO ITALY Norme RINA p

Bilasciano a Genova il 19 Febbraio 2004

Questo Certificato è composto di 1 pagina e di 1 allegato

kiwa
Caratterizzare il processo

Certificate Number: A030220
Date Issued: 16th May 2003

Large Bodied Strainers
Product Designations: FAR 3930, FAR 3943

This is to certify that the above range of products manufactured by
FAR RUBINETTERIE SPA
has been tested and found to comply with the requirements of the Water Supply (Water Fittings) Regulations 1999 for England and Wales, the Water Byelaws 2000, Scotland and the Water Regulations Northern Ireland.

To comply with the Regulations and Byelaws all products require the correct installation. Details of the installation requirements may be obtained from the installation instructions supplied with the products.

D. S. Hodges
Director
Kiwa Quality Services Ltd

Manufacturer
FAR RUBINETTERIE SPA
Via Morena 20
Gozzano
Italy
Tel: 0039 (0) 0322 94722
Fax: 0039 (0) 322 95532
E-mail: info@far-spa.it
Web: www.far-spa.it

kiwa
CERTIFIED
BY

Kiwa Quality Services Ltd
Unit 1
Sutton Lane Distribution Centre
Suttons Farm Industrial Estate
Chesham
Manufacturers
SP4 6LN
UK
Tel: 0044 (0) 1295 83880
Fax: 0044 (0) 1295 83220
E-mail: info@kiwa.co.uk
Web: www.kiwa.co.uk

**СИСТЕМА СЕРТИФИКАЦИИ ГОСТ Р
ГОССТАНДАРТ РОССИИ**

СЕРТИФИКАТ СООТВЕТСТВИЯ

№ РОСС.ИЛ.458.П.06549
Срок действия с 22.08.2007 по 21.08.2010
7440209

ОРГАН ПО СЕРТИФИКАЦИИ: пер. № РОСС RU.0001.П.АН50
ОС ПРОДУКЦИИ АВТОНОМНАЯ НЕКОММЕРЧЕСКАЯ ОРГАНИЗАЦИЯ "АКАДЕММАШ"
РФ, 115404, г. Москва, 11-я Радиальная, 2, оф. 213, тел. (495) 326-36-35, факс (495) 326-19-77
e-mail: akademash@bk.ru

ПРОДУКЦИЯ: Арматура промышленная трубопроводная, типич (см.приложение)
Серийный выпуск

КОД ОК 005 (ОКСТУ): 37 1209
КОД ТН ВЭД России: 8481 80 190 0

СООТВЕТСТВУЕТ ТРЕБОВАНИЯМ НОРМАТИВНЫХ ДОКУМЕНТОВ
ГОСТ 12.2.003-91, ГОСТ 356-88, ГОСТ 12.2.063-81, ГОСТ 5761-74,
ГОСТ 9544-93, ГОСТ 11881-76, ГОСТ 21345-78

ИЗГОТОВИТЕЛЬ: «FAR RUBINETTERIE S.p.A.»
Via Morena 20 280024, Gozzano (NO) Italy, Италия

СЕРТИФИКАТ ВЫДАН «FAR RUBINETTERIE S.p.A.»
Via Morena 20 280024, Gozzano (NO) Italy, Италия

НА ОСНОВАНИИ протоколов сертификационных испытаний №№ 486/3-07, 487/3-07 от 22.08.2007 г.
ФГУП "НИИЦЕРМЕТ им. И.П.Бардина" (ИИ "Металлдетект"), пер. № РОСС RU.0001.П.ИЧ06, адрес:
107005, г. Москва, ул. 2-я Базовская, д. 9/23; санитарно-эпидемиологического заключения
№77.01.16.579.П.037924.05.07 от 25.05.2007 г., выданного Управлением Федеральной службы по надзору в сфере
защиты прав потребителей и благополучия человека по г. Москве; сертификата системы менеджмента
качества ISO 9001:2000 № SQU 408 AQ 045/2, выданного ОС "АНССТ"

ДОПОЛНИТЕЛЬНАЯ ИНФОРМАЦИЯ: Место нанесения знака соответствия: знак соответствия по
ГОСТ Р 50460-92 наносится на корпус изделия и (или) на несъемную документацию
Система сертификации: М.П. Руководитель органа: В.И. Шалкин
Эксперт: В.И. Шалкин

Сертификат имеет юридическую силу на всей территории Российской Федерации

...ZIONE DI TIPO
...S

...ioni delle norme RINA per l'omologazione di

...3 vie; 3 vie deviatrici; 3 vie con sfera di by
...by pass.
...; 3016 12; 3017 12; 3020 12; 3021 12; 3022 12;
...; 3017 34; 3020 34; 3021 34; 3022 34; 3032 34;
...15 1; 3016 1; 3017 1; 3020 1; 3021 1; 3022 1;
...1; 3015 114; 3017 114; 3020 114; 3022 114
...RIE S.P.A.
... (NO)
...RIE S.P.A.
...20
...O (NO)
...er la Classificazione delle Navi

...stato Certificato e valido fino al 18 Febbraio 2009

RINA

...ffegato

This WaterMark certification is for the serial indicated herein and is valid after the date shown above. Any change in material, manufacturing process, marking or design without having first obtained the approval of IAPMO R&T Oceana, or any evidence of non-compliance with applicable Standards, Specifications or of future withdrawal, may be deemed sufficient cause for revocation of the certification. Reproduction of or reference to this certificate for advertising purposes may be made only by specific written permission of IAPMO R&T Oceana. Any alteration of this certificate could be grounds for revocation of this certificate.

IAPMO R&T OCEANA
4 Florence Street, Burwood, VIC 3125 AUSTRALIA

WaterMark

JAS-ANZ

WaterMark LICENCE
Level 1

IAPMO R&T Oceana hereby grants to:
FAR Rubinetterie S.p.A.
Via Morena 20, Gozzano 28024 ITALY

...in accordance with the AS5200 2000 and the Building Code of Australia only in respect of the
...in the attached WaterMark Schedule. The Licence is granted subject to the rules governing the
...ification Scheme and the Terms and Conditions for WaterMark Certification.

Evaluated to:
primarily for use in heated water systems - Control valves

Manufacturer:
FAR Rubinetterie S.p.A.
Certified Date: 15 September 2009
Expiry Date: 15 March 2012

.../MKA20344
...5 September 2009

[Signature]
Managing Director

DVGW
Zertifizierungsstelle

W-Baumusterprüfzertifikat
W type examination certificate

DW-6501BS0155
Registrierungsnummer
registration number

...ungsbereich
...application
...anhaber
...certificato
...or
...r
...art
...category
...bezeichnung
...description

Produkte der Wasserversorgung
products of water supply
FAR RUBINETTERIE S.p.A.
via Morena, 20, I-28024 Gozzano (NO)
FAR RUBINETTERIE S.p.A.
via Morena, 20, I-28024 Gozzano (NO)
Installationsysteme und Systemverbinder:
Trinkwasserinstallationsystem (8501)
Trinkwasserinstallationsystem, bestehend aus Verbundrohr:
PE-RT/AlPE-HD und Pressverbinder (Presskonturen TH, H und U) aus:
Metall, Typ M-MV
PRESSFAR

...richte
...arts
...ndlagen
...type examination

Mechanikprüfung: B013/6 vom 29.03.2007 (IMA)
Mechanikprüfung: 67711/05 vom 11.05.2006 (SKZ)
Mechanikprüfung: 05/193/5114/01 vom 28.09.2005 (EBI)
KTW-Prüfung: 059A05_1 vom 08.09.2005 (TZW)
KTW-Prüfung: KA 019A/05 vom 05.12.2004 (TZW)

DVGW W 534 (01.05.2004)
DVGW W 542 (01.04.1997)
BGA KTW (07.01.1977)

...datum / AZ
...expiry / file no.

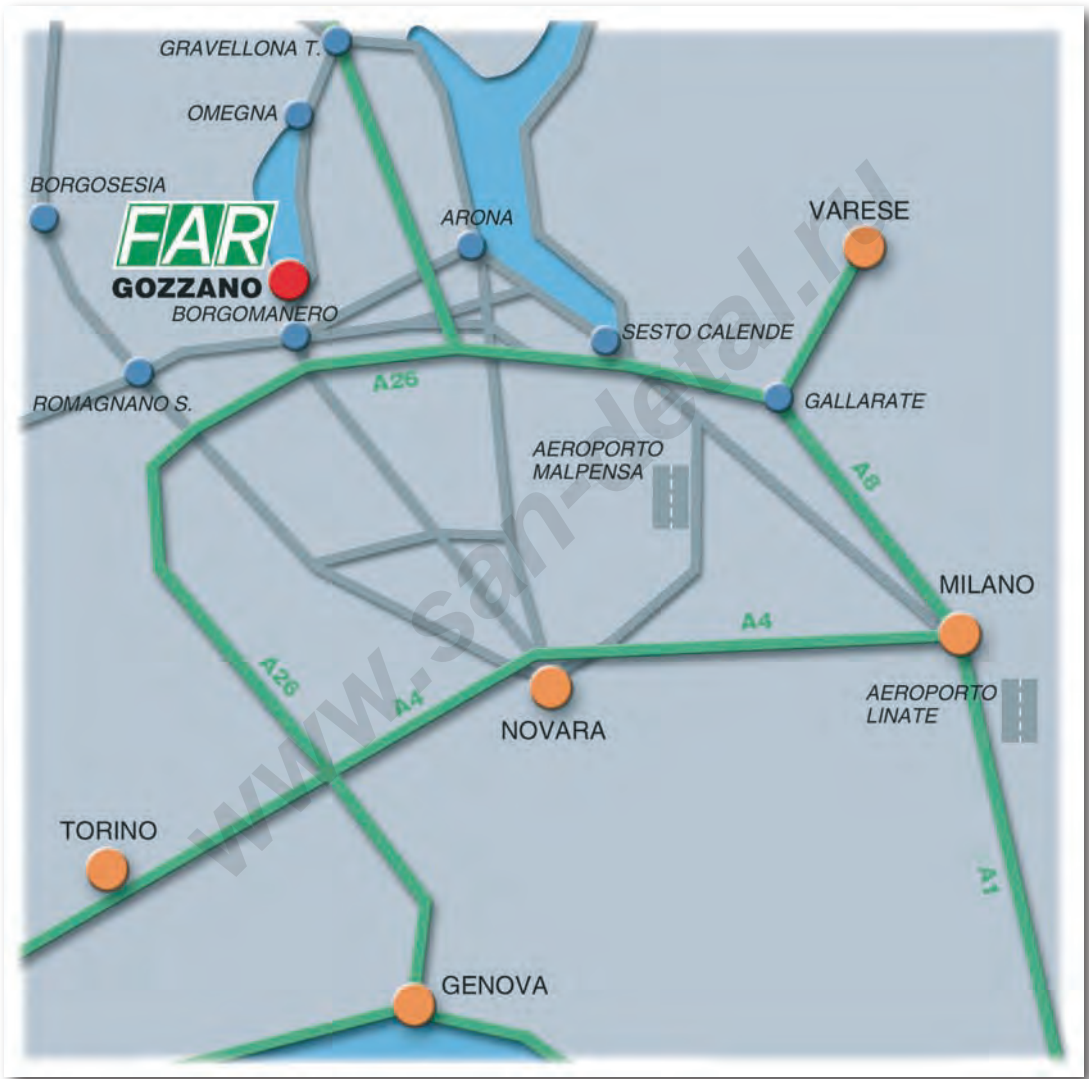
29.03.2012 / 05-0182-WNE

1007 Rio A-112
...certification body

DVGW Deutsche Vereinigung
für Gas- und Wasserfachwesen
Technisch-wissenschaftliche
Gesellschaft
Zertifizierungsstelle
für Wasser- und Gas-
fachwesen
Südwestdeutsches
Institut für Wasser- und
Gasfachwesen
Postfach 1007, D-69102
Heidelberg
Telefon +49 6224 64 100-1007
Telefax +49 6224 64 100-1000

DVGW-Zertifizierungsstelle - von der Deutschen Akkreditierungsstelle Technischer
Fachverfahren ist akkreditiert für die Konformitätsbewertung von Produkten des Gas-
und Wasserfachwesens
DVGW Certification Body - accredited by Deutsche Akkreditierungsstelle Technischer
Fachverfahren
DVGW Certification Body - for conformity assessment of products of gas and water supply

DAT-ZE-008/96-02



BUSINESS ORGANISATION



HEAD OFFICE

Via Morena, 20 - 28024 GOZZANO (NO)

Tel. +39 0322 94722 +39 0322 956450 +39 0322 956393 Fax +39 0322 955332 Fax technical department +39 0322 93952

Url: www.far.eu Email: info@far.eu

Export office: export@far.eu Italy office: vendite.italia@far.eu

Technical department: ufficio.tecnico@far.eu



ITALY

MORA MARIO

Via XXV Luglio, 20

28078 ROMAGNANO SESIA (NO)

Tel. 0163 831531

Fax 0163 831531

Cell 335 5278182

E-Mail moramario@cheapnet.it

PIEMONTE (TO - CN - AT) - VALLE D'AOSTA

BRUGO RENZO & C. S.a.s.

Via E. De Amicis, 38

28077 PRATO SESIA (NO)

Tel. 0322 839069

Fax 0163 851205

Cell 335 451465

E-Mail agenzia_brugo@alice.it

PIEMONTE (NO - VB - VC - BI - AL) - LIGURIA

ARTESANI ALFIO OTELLO

Via Taccona, 29

20052 MONZA (MB)

Tel. 039 735503

Fax 039 735503

Cell 335 5305358

E-Mail artesiani.a@alice.it

LOMBARDIA - TRENTO ALTO ADIGE

PENACCHINI RAPPRESENTANZE S.a.s.

Via dell'Industria, 359

45021 BADIA POLESINE (RO)

Tel. 0425 594855

Fax 0425 588469

Cell 335 5276470

E-Mail penacchinirappze@virgilio.it

VENETO (PD-RO-VI-VR)

PAOLO GIUSTO RAPPRESENTANZE S.a.s

Via Giorgione, 106

30027 S. DONA' DI PIAVE (VE)

Tel. 0421 225454

Fax 0421 42093

Cell 335 6190324

E-Mail gjustopaolorappresentanzesnc@virgilio.it

VENETO (BL-TV-VE) - FRIULI VENEZIA GIULIA

MERIGHI MAURO

Via degli Orti, 6

40137 BOLOGNA

Tel. 051 6237207

Fax 051 6237207

Cell 335 333382

E-Mail merighi.rapp@libero.it

EMILIA ROMAGNA

DATA RAPPRESENTANZE S.n.c di F. Dapelo & C.

Via U. Forti, 2 - Loc. Montacchiello

56121 PISA (PI)

Tel. 050 985032

Fax 050 985289

Cell 335 7579436

E-Mail info@datarappresentanze.it

TOSCANA

ARTICO LUCIANO

Viale Carlo Felice, 49

00185 ROMA

Tel. 06 7005330

Fax 06 7005522

Cell 335 7899667

E-Mail idras_srl@hotmail.com

LAZIO

CRISCUOLI MARCO

Via Della Libertà, 16

63044 COMUNANZA (AP)

Tel. 0736 844135

Fax 0736 844135

Cell 348 3705016

E-Mail criscuolimarco@tiscalinet.it

MARCHE - ABRUZZO - MOLISE

POLITI GIUSEPPE RAPPRESENTANZE

Via E. Simini, 12/14

73100 LECCE

Tel. 0832 458510

Fax 0832 458510

Cell 335 8249004

E-Mail gieran@libero.it

PUGLIA

MINASI ARMANDO

Via F. Dell'Erba, 8

80128 NAPOLI

Tel. 081 5600284

Fax 081 5600284

Cell 336 848822

E-Mail cerini.minasi2005@libero.it

CAMPANIA

RORRO TOMMASO

Via Manzoni, 10

83049 MONTEVERDE (AV)

Tel. 0827 86045

Fax 0827 86277

Cell 337 866671

E-Mail t.rorro@tiscali.it

BASILICATA

I.A.R.C. S.n.c. di IMPIERI & ROGATO

Via G. Fiorillo, 101

87021 MARINA DI BELVEDERE M.MO (CS)

Tel. 0985 82765

Fax 0985 84789

Cell 337 875303 Impieri Antonio

Cell 337 987872 Rogato Ciriaco

E-Mail info@iarc.it

CALABRIA

AIOLA ORAZIO

Via Pozzo, 77

95022 ACI CATENA (CT)

Tel. 095 8036931

Fax 095 7644488

Cell 340 2449300

E-Mail orazio@agenziaaiola.it

SICILIA ORIENTALE (ME - CT - SR - RG - EN - CL)

CARLINO VINCENZO RAPPRESENTANZE

Via dei Fiori, 12

90129 PALERMO (PA)

Tel. 091 6572521

Fax 091 598418

Cell 335 8438919

E-Mail vincenzo.carlino2@tin.it

SICILIA OCCIDENTALE (PA - TP - AG)

SINERGIE RAPPRESENTANZE di Pau & Pili S.n.c.

Viale Raffaello, 9

09096 SANTA GIUSTA (OR)

Fax 0783 359975

Cell 328 6173139 Pau Stefano

Cell 347 9534846 Pili Nicola

E-Mail sinergie@freemail.it

SARDEGNA

EUROPE AND NON-EUROPEAN COUNTRIES



ZANELLA CLAUDIO

Via Garibaldi, 19

20059 VIMERCATE (MB) ITALY

Tel. +39 039 6260046

Fax +39 039 6260046

Mob. +39 340 9253301

E-Mail info@claudiozanela.com

Url www.claudiozanela.com

THERMO INTERNATIONAL S.r.l

Autoporto di Gorizia - Padiglione F

34170 GORIZIA

Tel. 0481 522323

Fax 0481 522313

E-Mail info@thint.eu

Sales Office for:

SLOVENIA-CROAZIA-BOSNIA ERZEGOVINA

SERBIA-MACEDONIA-MONTENEGRO

1

Booster unit and spare parts	Page 19	Balancing valves and spare parts	Page 29
3-point actuator for mixing valve	Page 21	Pressure reducing valves - Strainers for domestic services	Page 31
Hydraulic separator - Air vent valves and safety valves	Page 23	Control units for water main delivery	Page 37
Filling units - Air separator units	Page 26	"Cim FAR" zone control ball valves	Page 39
3-piece connections - Connection kit for pump	Page 27	Adapters and sealing kit	Page 40

2

Thermostatic mixer - Diverter zone valve	Page 44		
Air vent valve and safety valve - 3-piece connection	Page 45		
Fittings	Page 46		

3

Actuators	Page 49		
1/2" - 3/4" - 1" - 1 1/4" motorized zone valves	Page 50		
1 1/2" - 2" motorized zone valves	Page 56		
Zone valves	Page 58		

4

Thermo-electric manifolds	Page 64	Accessories	Page 85
Fixed point regulating units	Page 73	Intermediate connections	Page 87
Modulating regulating units	Page 79	Plugs and reductions for manifolds	Page 89
Manifolds for large surfaces	Page 82	Adapters and sealing kit	Page 90
Thermo-electric actuators-Chrono-thermostats-Thermostats	Page 84		

5

Multifar manifolds for domestic services and heating systems	Page 93	Adapters and sealing kit	Page 104
'START' multipurpose modular manifolds and spare parts	Page 96	Products complete with nut and sealing kit for Ø 18 copper pipe	Page 105
Distribution manifolds	Page 98		
Coplanar manifolds	Page 102		
Plugs and reductions for manifolds	Page 103		

6

Metal inspection boxes	Page 112		
'TUTTO' plastic inspection boxes	Page 115		

7

Thermostatic valves and lockshield valves	Page 119	Manual single-pipe valves	Page 126
Thermostatic and thermo-electric heads	Page 121	Accessories	Page 129
Manual valves and lockshield valves	Page 122	Air vent valves	Page 131
Single/double pipe valves for panel radiators	Page 123	Adapters and sealing kit	Page 132
Thermostatic single/double pipe valves	Page 124	Products complete with nut and sealing kit for Ø 18 copper pipe	Page 133

8

TOP LINE thermostatic valves and lockshield valves	Page 137	Thermostatic head - Air vent valve	Page 144
Thermostatic valves and lockshield valves with vertical control	Page 140	Spare parts	Page 145
Angled thermostatic valves and lockshield valves	Page 141	Adapters and sealing kit	Page 147
Straight thermostatic valves and lockshield valves	Page 142	Products complete with nut and sealing kit for Ø 18 copper pipe	Page 149
Single-pipe, double-pipe and single/double pipe thermostatic valves	Page 143		

9

Straight fittings	Page 153		
Angled fittings	Page 155		
T fittings	Page 156		
Distribution fitting for domestic services	Page 160		
Built-in stop cock and spare parts	Page 161		

10

Fittings for gas and hydrocarbon fluids	Page 165	Reduced fittings complete with tightening connections	Page 172
Brass and chrome-plated straight fittings	Page 167	Adapters and sealing kit	Page 173
Brass and chrome-plated elbows	Page 168	Fittings complete with adapter for multilayer pipe	Page 175
Brass and chrome-plated T connections	Page 169	Fittings for EUROKONUS connection	Page 183
Fittings and accessories for AcquaFar system	Page 171	Products complete with nut and sealing kit for Ø 18-20-22 copper pipe	Page 184

11

Spare parts	Page 191		

12

Thermo-electric manifolds	Page 200	Intermediate connections	Page 220
Fixed point regulating unit	Page 209	Multifar manifolds for domestic services and heating systems	Page 224
Modulating regulating unit	Page 215	Distribution manifolds	Page 226
Thermo-electric actuators-Chrono-thermostats-Thermostats	Page 218	Plugs and reductions for manifolds	Page 228
Spare parts	Page 219		

13

Components for central heat	Page 231	Mechanical compression fittings	Page 252
Zone valves	Page 234		
Manifolds	Page 235		
Valves for radiators	Page 244		
PRESSFAR fittings	Page 249		

X

Components for central heat

SOLARFAR - Components for solar systems

Zone valves

W

Thermo-electric manifolds and spare parts

Manifolds and spare parts

Inspection boxes

D

Valves for radiators
Thermostatic and thermo-electric heads

LadyFar valves for radiators and spare parts

PressFar fittings

Z

Fittings for gas and hydrocarbon fluids
Fittings with interchangeable sizes

Spare parts

Manifolds with Eurokonus or flat-faced connection

I

Dimensional sheets

PRODUCTS INDEX BY CODE

Code	Page	Code	Page	Code	Page	Code	Page	Code	Page
0100	141	0195	142	0405	146	1500	126	2004	25
0101	137	0220	142	0410	146	1550	126	2005	25
0102	137	0225	142	0415	146	1575	128	2006	45
0103	138	0230	142	0420	147	1586	128	2007	25
0104	138	0235	142	0425	147	1590	128	2040	24
0105	141	0240	142	0430	148	1595	128	2041	24
0106	140	0245	142	0435	148	1600	126	2042	45
0107	140	0250	142	0436	148	1610	120	2043	24
0108	139	0255	142	0440	145	1615	119	2043	131
0109	139	0260	143	1050	122	1616	119	2044	24
0110	141	0265	143	1100	120	1617	119	2045	24
0111	137	0270	143	1100	122	1620	120	2050	24
0112	137	0275	143	1116	119	1625	119	2055	24
0113	138	0280	143	1117	119	1626	119	2060	24
0114	138	0285	143	1126	119	1627	119	2075	24
0115	141	0290	143	1127	119	1630	120	2080	24
0120	141	0291	143	1150	122	1640	120	2100	26
0121	137	0292	143	1200	120	1800	121	2110	26
0122	137	0293	143	1200	122	1810	121	2115	26
0123	138	0294	143	1250	122	1824	121	2116	26
0124	138	0295	143	1300	120	1827	144	2125	29
0125	141	0296	143	1300	122	1830	121	2129	29
0126	140	0297	143	1350	122	1832	121	2130	29
0127	140	0298	143	1400	120	1909	84	2133	29
0128	139	0299	143	1400	122	1909	121	2140	29
0129	139	0300	144	1420	125	1909	218	2145	29
0130	141	0301	144	1421	123	1913	84	2150	29
0131	137	0305	144	1422	123	1913	121	2159	23
0132	137	0306	144	1423	123	1913	218	2160	23
0133	138	0310	145	1424	123	1914	84	2161	23
0134	138	0315	145	1430	125	1914	121	2162	23
0135	141	0316	144	1431	124	1914	218	2165	23
0140	141	0320	145	1432	124	1919	84	2170	19
0145	141	0325	145	1433	124	1919	121	2171	19
0146	140	0330	145	1435	124	1919	218	2185	73
0147	140	0335	145	1436	124	1923	84	2185	74
0148	139	0340	145	1437	124	1923	121	2185	75
0149	139	0345	145	1438	125	1923	218	2185	76
0150	141	0350	145	1440	125	1924	84	2185	77
0155	141	0355	145	1442	125	1924	121	2185	79
0160	141	0360	146	1444	129	1924	218	2185	80
0165	141	0365	146	1445	129	1929	84	2185	81
0166	140	0366	146	1450	126	1929	121	2185	209
0167	140	0367	146	1451	126	1929	218	2185	210
0168	139	0370	146	1452	127	1939	84	2185	211
0169	139	0375	146	1455	126	1939	121	2185	212
0170	141	0376	146	1456	127	1939	218	2185	213
0175	141	0377	146	1462	127	1941	121	2185	215
0180	142	0390	146	1463	127	1942	121	2185	216
0185	142	0395	146	1472	127	1950	191	2185	217
0190	142	0400	146	1473	127	1950	192	2191	19

PRODUCTS INDEX BY CODE

Code	Page	Code	Page	Code	Page	Code	Page	Code	Page
2390	35	300520	53	3031	59	3433	219	3485	210
2392	35	300521	53	3032	59	3434	85	3486	211
2500	38	300522	53	3035	39	3435	87	3487	212
2501	38	300525	53	3038	39	3435	220	3488	213
2550	38	3006	49	3039	56	3436	87	3489	209
2600	38	300615	52	303915	56	3436	220	3490	79
2650	38	300616	52	303916	56	3438	87	3490	215
2651	38	300617	52	303917	56	3438	220	3491	79
2800	32	300620	53	303920	57	3439	88	3492	215
2805	32	300621	53	303921	57	3439	221	3500	226
2810	32	300622	53	303922	57	3440	87	3525	227
2815	32	300625	53	3040	56	3440	220	3550	226
2820	32	3007	49	304015	56	3441	87	3560	70
2825	33	300715	54	304016	56	3441	220	3561	71
2830	33	300716	54	304017	56	3442	87	3562	66
2835	33	300717	54	304020	57	3442	220	3563	67
2840	33	300720	55	304021	57	3443	87	3564	74
2845	33	300720	55	304022	57	3443	220	3565	75
2850	33	300721	55	3041	39	3444	87	3566	76
2855	33	300722	55	3043	39	3444	220	3567	77
2864	31	300725	55	3045	39	3445	87	3568	80
2865	31	300729	44	3046	39	3445	220	3569	80
2866	31	3008	49	3050	100	3446	87	3570	81
2867	31	300815	54	3100	100	3446	220	3571	81
2868	31	300816	54	3150	226	3447	88	3575	227
2869	31	300817	54	3175	227	3447	221	3580	206
2870	31	300820	55	3200	226	3450	226	3581	207
2871	31	300821	55	3225	227	3452	97	3582	202
2890	33	300822	55	3250	226	3457	83	3583	203
2892	33	300825	55	3275	227	3458	83	3584	210
3000	100	300829	44	3300	100	3459	83	3585	211
3001	49	3009	44	3350	100	3460	70	3586	212
300115	50	3009	49	3350	100	3461	70	3587	213
300116	50	3010	21	3400	100	3462	71	3588	216
300117	50	301020	21	3401	100	3463	66	3589	216
300120	51	301021	21	3402	100	3464	66	3590	217
300121	51	301022	21	3403	100	3465	67	3591	217
300122	51	3011	21	3410	100	3466	206	3600	226
300125	51	301120	21	3420	85	3467	206	3610	98
3002	49	301121	21	3421	85	3468	207	3611	98
300215	50	301122	21	3422	85	3469	202	3612	98
300216	50	3015	58	3423	85	3470	202	3614	98
300217	50	3016	58	3427	83	3471	203	3615	98
300220	51	3017	58	3428	219	3475	227	3616	98
300221	51	3020	58	3429	85	3477	73	3617	98
300222	51	3021	58	3430	87	3480	73	3618	99
300225	51	3022	58	3430	220	3480	209	3619	99
3005	49	3025	59	3431	88	3481	74	3620	99
300515	51	3026	59	3431	221	3482	75	3625	227
300516	52	3027	59	3432	88	3483	76	3650	226
300517	52	3030	59	3432	221	3484	77	3675	227

PRODUCTS INDEX BY CODE

Code	Page	Code	Page	Code	Page	Code	Page	Code	Page
3700	226	3923	68	4060	221	5101	177	5610	171
3710	226	3927	82	4061	88	5110	167	5650	171
3725	227	3928	205	4061	221	5111	177	5700	171
3750	102	3929	69	4070	88	5140	27	5750	171
3751	102	3930	34	4070	221	5150	27	5800	183
3752	102	3931	34	4071	88	5152	45	5805	183
3753	102	3932	34	4071	221	5153	19	5810	183
3754	102	3933	34	4099	99	5190	27	5815	183
3755	98	3934	34	4100	89	5200	27	5820	183
3818	224	3935	34	4100	103	5226	128	5825	183
3819	224	3936	34	4100	228	5227	128	5830	183
3821	224	3937	34	4101	95	5229	128	5835	183
3822	224	3938	35	4110	192	5232	128	5840	183
3823	224	3939	35	4125	89	5250	168	5845	183
3824	224	3940	35	4125	103	5251	178	5850	183
3825	93	3941	35	4125	228	5260	168	5860	165
3826	93	3942	36	4149	99	5261	178	5862	165
3827	95	3943	36	4150	89	5300	168	5864	165
3834	95	3944	36	4150	97	5301	179	5866	165
3835	95	3945	36	4150	103	5310	168	5868	165
3836	95	3946	36	4150	228	5311	179	5870	46
3837	95	3947	36	4199	99	5350	168	5872	46
3850	93	3948	36	4200	89	5351	177	5874	46
3851	93	3949	36	4200	97	5360	168	5876	46
3855	93	3950	26	4200	103	5361	177	5878	46
3856	93	3951	85	4200	228	5400	169	5880	46
3859	225	3953	44	4250	89	5401	180	5900	153
3860	225	3954	44	4250	103	5410	169	5901	153
3869	225	3955	44	4299	99	5411	180	5902	154
3870	225	3956	26	4300	89	5450	169	5903	154
3872	225	3960	37	4300	103	5451	181	5904	155
3873	225	3961	37	4301	99	5460	169	5905	155
3874	96	3962	37	4310	89	5461	181	5906	155
3875	94	3963	37	4310	97	5500	169	5907	155
3876	94	3964	37	4310	103	5501	182	5908	156
3877	97	3965	37	4310	228	5505	170	5909	156
3900	94	3970	68	5000	167	5506	170	5910	157
3901	94	3971	69	5001	175	5510	169	5911	157
3905	94	3972	64	5010	167	5511	182	5912	158
3906	94	3973	65	5011	176	5515	170	5913	158
3910	82	3980	204	5050	167	5516	170	5914	158
3911	204	3981	205	5051	175	5550	170	5915	159
3914	64	3982	200	5060	167	5551	180	5916	159
3915	64	3983	201	5061	176	5552	170	5917	159
3916	65	4000	89	5065	172	5555	170	5918	159
3917	200	4000	103	5070	172	5556	180	5919	159
3918	200	4000	228	5075	172	5557	170	5920	160
3919	68	4050	89	5080	172	5560	129	5921	160
3919	201	4050	103	5085	172	5563	129	5922	159
3920	82	4050	228	5090	172	5600	171	5923	160
3921	204	4060	88	5100	167	5601	182	5924	160

PRODUCTS INDEX BY CODE

Code	Page	Code	Page	Code	Page	Code	Page	Code	Page
5925	159	7149	113	8220	193	8575	196	9150	194
5926	160	7150	112	8225	191	8600	196	9200	194
5927	158	7152	112	8230	191	8625	196	9300	86
5930	162	7153	113	8231	191	8655	193	9300	219
5960	161	7155	112	8240	195	8700	192	9301	86
5961	161	7156	112	8250	195	8700	195	9301	219
5962	161	7165	112	8253	191	8724	193	9302	86
5963	162	7166	112	8260	192	8725	195	9302	219
5964	161	7405	196	8270	195	8727	195	9303	101
5970	161	7410	115	8280	195	8750	192	9304	101
5971	161	7420	115	8300	193	8770	195	9305	101
5972	161	7425	115	8310	193	8780	195	9610	79
5973	162	7450	115	8324	191	8781	36	9610	80
5974	161	7460	115	8325	191	8782	36	9610	81
5981	162	7470	97	8326	191	8782	37	9610	215
5985	162	7475	113	8327	191	8790	195	9610	216
6000	196	7477	162	8335	127	8800	192	9610	217
6010	131	7478	19	8336	127	8800	195	9611	79
6015	131	7480	113	8344	27	8803	192	9611	80
6020	131	7485	113	8345	27	8820	129	9611	81
6049	82	7490	113	8346	23	8850	86	9612	19
6050	147	7495	97	8346	27	8850	101	9613	19
6051	173	7500	115	8350	194	8850	130		
6052	40	7510	115	8400	192	8851	95		
6052	90	7550	115	8405	191	8852	83		
6052	104	7551	115	8406	191	8865	86		
6052	132	7945	84	8426	173	8865	101		
6052	174	7945	218	8427	40	8865	130		
6053	148	7946	19	8427	90	8870	86		
6054	173	7946	84	8427	104	8870	101		
6055	40	7946	218	8427	132	8870	130		
6055	90	7947	84	8427	174	8900	130		
6055	104	7947	218	8428	173	8901	130		
6055	132	7948	84	8429	40	8950	194		
6055	174	7948	218	8429	90	8971	95		
6056	95	7949	84	8429	104	8975	194		
6056	104	7949	218	8429	132	8976	194		
6057	82	7950	25	8429	174	8977	196		
6075	222	7951	19	8430	148	8980	194		
6076	224	7951	25	8431	148	8985	194		
6080	123	7952	25	8450	196	8990	194		
6081	123	8000	193	8455	196	9000	191		
6135	131	8050	193	8475	196	9000	192		
6140	115	8051	193	8480	196	9001	171		
6141	115	8100	192	8500	195	9002	171		
6150	129	8125	193	8550	194	9003	171		
6200	129	8126	193	8555	194	9004	171		
6250	196	8130	193	8556	113	9005	162		
6300	131	8140	195	8557	113	9050	191		
6300	196	8150	193	8558	113	9050	192		
7148	113	8200	193	8560	194	9140	194		

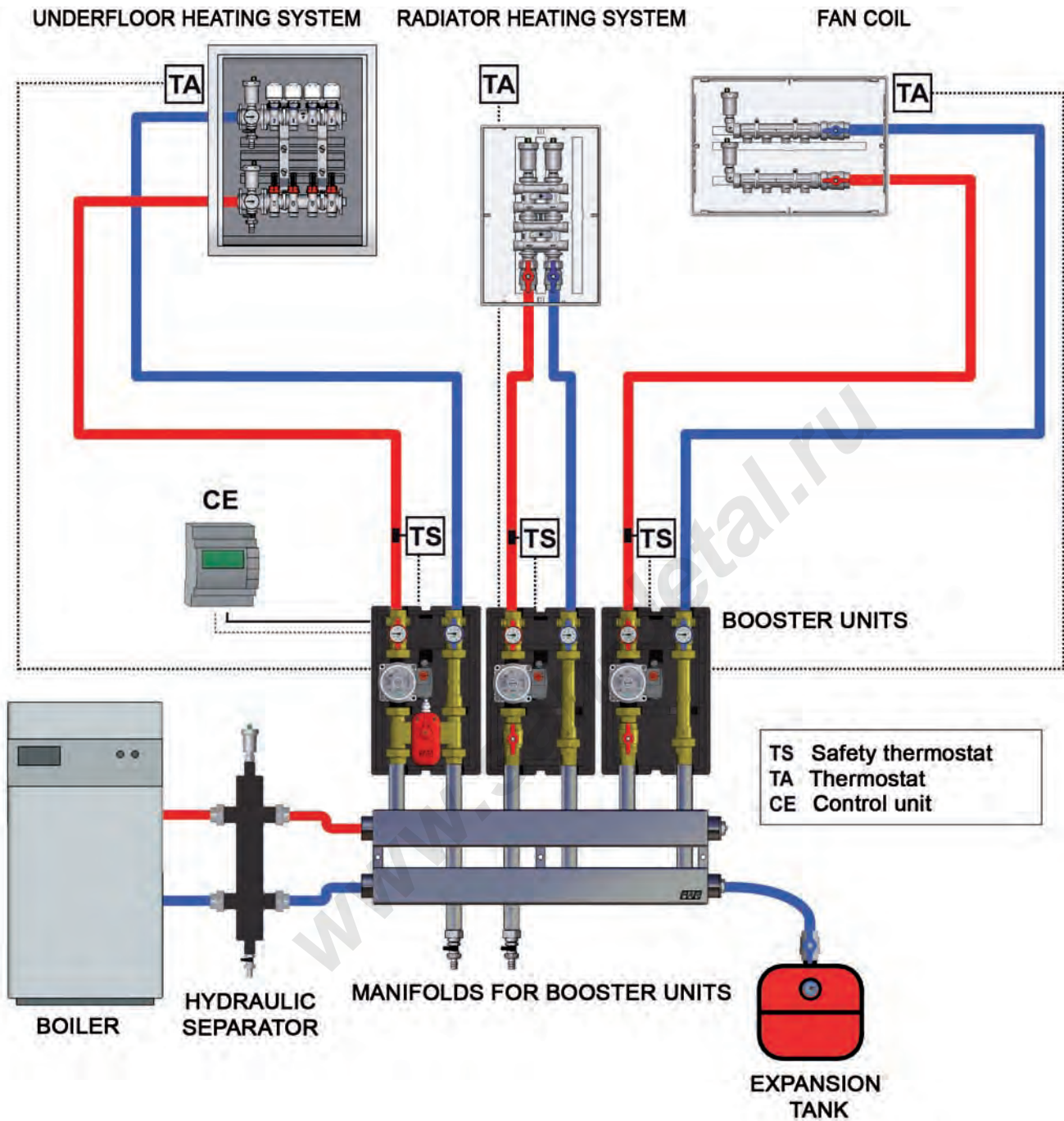
www.san-detal.ru



Components for central heat

Booster unit and spare parts	Page 19
3-point actuator for mixing valve	Page 21
Hydraulic separator	Page 23
Air vent valves	Page 24
Safety valves	Page 25
Filling units - Air separator units	Page 26
3-piece connections - Connection kit for pump	Page 27
Balancing valves and spare parts	Page 29
Pressure reducing valves	Page 31
Strainers for domestic services	Page 34
Control units for water main delivery	Page 37
Pressure gauges and temperature gauges	Page 38
“CIM FAR” zone control ball valves	Page 39
Adapters and sealing kit	Page 40

FAR booster units are components designed for installation in central heating plant serving a variety of systems.



Every booster unit is provided with shut-off valves complete with temperature gauge and seats, 3- speed pump, an extension piece with non-return valve and insulation.

Units are available in two versions:

- **Booster unit complete with modulating mixing valve** Art. 2170
- **Booster unit for high temperature** Art. 2171

When using the modulating mixing valve it is necessary to include the control unit:

- **Fix point functioning** Art. 9612 - Complete with control unit and delivery probe.
- **Temperature control** Art. 9613 - Complete with control unit, delivery probe and external probe.

To complete the installation we recommend inclusion of a safety thermostat, art. 7951, on the supply pipe - using thermostat art. 7946 as a minimum.

BOOSTER UNIT

Booster unit complete with:

- modulating mixing valve with 3-point actuator
- pump
- shut-off valves with built-in temperature gauges
- insulation

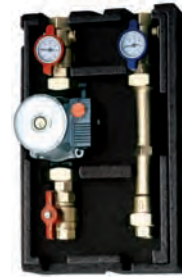


ART. 2170

Code	size	pump	centre line	€	box	carton
2170 1130	1"	3-speed	130 mm	433,65	1	1
2170 1130EA	1"	energy class A	130 mm	665,06	1	1
2170 1180	1"	3-speed	180 mm	437,00	1	1

Booster unit for high temperature complete with:

- pump
- shut-off valves with built-in temperature gauges
- insulation



ART. 2171

Code	size	pump	centre line	€	box	carton
2171 1130	1"	3-speed	130 mm	214,97	1	1
2171 1130EA	1"	energy class A	130 mm	433,75	1	1
2171 1180	1"	3-speed	180 mm	219,94	1	1

Manifolds for central heat.

- External painted surface
- Centre line between ports: 125 mm
- Side connections: 1"1/4 female
- Outlets: 1" male
- Pmax = 8bar
- Tmax = 95°C
- Supplied with PPE insulation



ART. 2191

Code	size	ports	€	box	carton
2191 11402	1"1/4	2+1	319,08	1	
2191 11403	1"1/4	3+1	392,81	1	

Chrome-plated straight 3-piece connection for connection of manifolds for central heat.

- male-male threaded connections



ART. 5153

Code	size	€	box	carton
5153 114	1"1/4	14,87	10	80

Temperature control unit preset for **fixed point operation** complete with delivery probe and 3/8" seat.



ART. 9612

Code	€	box	carton
9612	262,52	1	

Temperature control unit preset for **temperature operation** complete with delivery probe, 3/8" seat and external probe.



ART. 9613

Code	€	box	carton
9613	345,11	1	

Digital wall chrono-thermostat complete with weekly programmable clock on two adjustable and pre-set temperature levels, battery operated.

- Summer/Winter switch
- Programme range: 30 minutes
- Three pre-set and adjustable programmes
- Complete with battery



ART. 7946

Code	€	box	carton
7946	115,82	1	

Safety thermostat with contact probe.

- control temperature range: 0/90°C
- regulator handle



ART. 7951

Code	€	box	carton
7951	23,08	1	

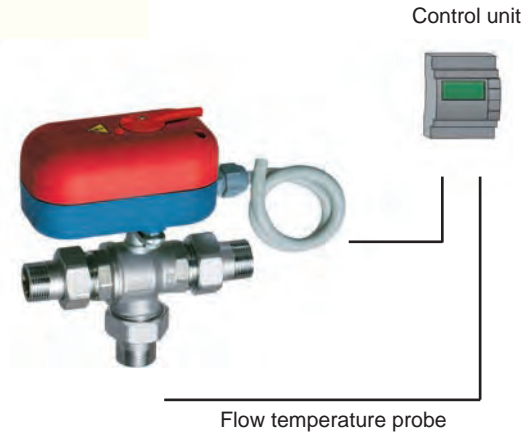
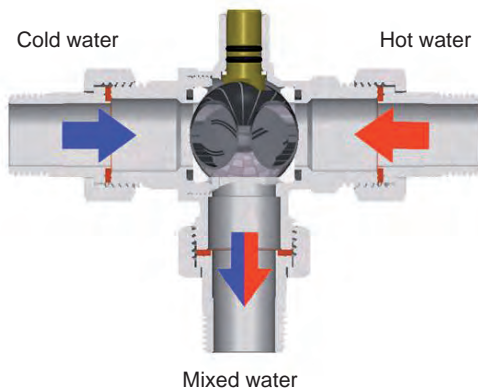
Couple of brackets for booster unit.



ART. 7478

Code	€	box	carton
7478	5,33	1	

The 3-way mixing valve is a ball valve with full bore flow. They are available in M-M, M-F and F-F versions in 1/2", 3/4", 1", 1 1/4 sizes.



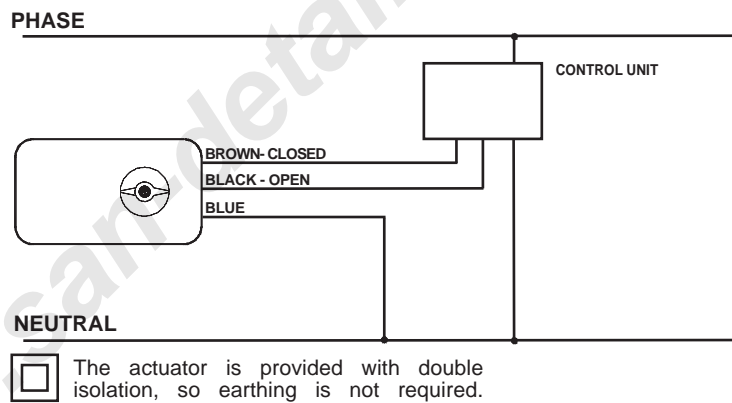
In order to maintain the mixed water at the desired temperature, a control unit - properly connected to an actuator - adjusts the position of the ball via a signal from a temperature probe located at the valve outlet.

When using the modulating mixing valve it is necessary to include the control unit:

- **Fix point functioning** **Art. 9612 - Complete with control unit and delivery probe.**
- **Temperature control** **Art. 9613 - Complete with control unit, delivery probe and external probe.**

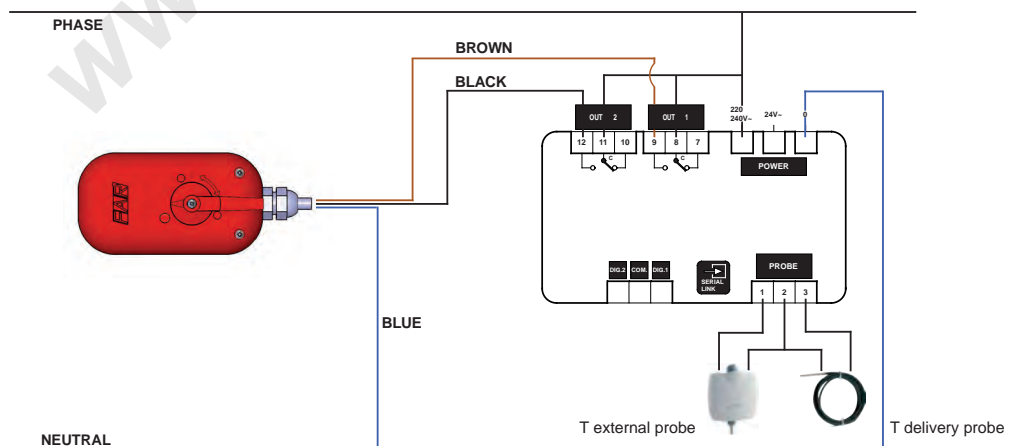
Description and connection scheme:

COLOUR	CONNECTION	DESCRIPTION
BLUE	NEUTRAL	CONNECTION TO THE NEUTRAL
BROWN	PHASE - CLOSED	VALVE CLOSING
BLACK	PHASE - OPEN	VALVE OPENING



Description and connection scheme with control unit, art. 9613:

The schema shows an example of control unit connection, Art.9613, (with supply and external probe) with the mixing valve installed with cold water on the left and hot water on the right. In the opposite situation, just reverse the black and brown cables.



Technical features:

Actuator type:	3-point
Feed voltage:	24V - 50Hz / 230V - 50Hz
Torque:	10Nm
Rotation angle:	90°
Protection level:	IP54
Rotation time:	180 s

3-POINT ACTUATOR FOR MIXING VALVE

SMALL - 3-point actuator with manual release and auxiliary microswitch for mixing zone control ball valves.

- External connection cable length: 1 m.
- Feed voltage: 230 V 50 Hz
- Rotation angle: 90°
- Rotation time: 40 seconds
- Protection level: IP54

SMALL - 3-point actuator with manual release and auxiliary microswitch for mixing zone control ball valves.

- External connection cable length: 1 m.
- Feed voltage: 24 V 50 Hz
- Rotation angle: 90°
- Rotation time: 40 seconds
- Protection level: IP54

ART. 3010

Code	voltage	opening time	€	box	carton
3010 40	230 V	180 s	130,44	1	30



ART. 3011

Code	voltage	opening time	€	box	carton
3011 40	24 V	180 s	130,44	1	30

Chrome-plated 3-way mixing zone control ball valve equipped with unions, nuts and 3-point 230 V actuator.

Chrome-plated 3-way mixing zone control ball valve equipped with unions, nuts and 3-point 24 V actuator.

ART. 301020

Code	size	opening time	€	box	carton
301020 1240	1/2"	180 s	148,40	1	12
301020 3440	3/4"	180 s	155,42	1	12
301020 140	1"	180 s	165,30	1	12
301020 11440	1 1/4"	180 s	178,79	1	12



CONNECTIONS: MALE
FULL BORE FLOW

ART. 301120

Code	size	opening time	€	box	carton
301120 1240	1/2"	180 s	148,40	1	12
301120 3440	3/4"	180 s	155,42	1	12
301120 140	1"	180 s	165,30	1	12
301120 11440	1 1/4"	180 s	178,79	1	12

Chrome-plated 3-way mixing zone control ball valve equipped with 3-point 230 V actuator.

Chrome-plated 3-way mixing zone control ball valve equipped with 3-point 24 V actuator.

ART. 301021

Code	size	opening time	€	box	carton
301021 1240	1/2"	180 s	144,73	1	12
301021 3440	3/4"	180 s	149,11	1	12
301021 140	1"	180 s	156,59	1	12



CONNECTIONS: FEMALE
FULL BORE FLOW

ART. 301121

Code	size	opening time	€	box	carton
301121 1240	1/2"	180 s	144,73	1	12
301121 3440	3/4"	180 s	149,11	1	12
301121 140	1"	180 s	156,59	1	12

Chrome-plated 3-way mixing zone control ball valve equipped with 3-point 230 V actuator.

Chrome-plated 3-way mixing zone control ball valve equipped with 3-point 24 V actuator.

ART. 301022

Code	size	opening time	€	box	carton
301022 1240	1/2"	180 s	146,51	1	12
301022 3440	3/4"	180 s	151,93	1	12
301022 140	1"	180 s	160,93	1	12
301022 11440	1 1/4"	180 s	174,66	1	12



CONNECTIONS: MALE-FEMALE
FULL BORE FLOW

ART. 301122

Code	size	opening time	€	box	carton
301122 1240	1/2"	180 s	146,51	1	12
301122 3440	3/4"	180 s	151,93	1	12
301122 140	1"	180 s	160,93	1	12
301122 11440	1 1/4"	180 s	174,66	1	12

Why use a Separator?

The FAR Hydraulic Separator, Series 2160, is designed for installation in heating and cooling systems requiring a distribution manifold and equipped with 2 or more pumps. Its function is to separate the primary circuit coming from the boiler, or "packaged chiller" from the secondary circuit, which distributes the heating or cooling medium. It is available in the following sizes: 1", 1"1/4, 1"1/2 and 2".

More functions from a single unit

The FAR separator offers a variety of functions. It is equipped with a mesh type strainer, any impurities can thus be removed from the system by opening a drain cock located in the lower section of the separator, while an air vent valve in the top section makes it easy to purge air. The inner mesh, besides capturing any impurities in the water passing through the separator, also causes any air bubbles to slow down and rise to the top where they can be vented out of the system. To simplify routine maintenance or component replacement, the air vent valve incorporates a non-return valve. The separator is equipped with a 1/2in connection at the front, which permits installation of a temperature gauge. Pre-formed insulation can be used to thermally isolate the separator.

Benefits

The separator combines a range of functions and benefits; its installation protects against any kind of interference to either primary and secondary circuit pumps. It can also operate as a by-pass valve in the event of flow failure due to demand from diverted circuits. In certain circumstances pumps may have to operate beyond their working range and the separator protects them against burn out, ensuring proper functioning of each and every circuit.



The illustration shows the separator mesh section. Depending on flow demand from the secondary circuit, the circulation flows will change inside the separator. This means that, if there's no flow demand from the secondary circuit, flow will automatically be redirected back to the boiler.

Here you can see an example of hydraulic separator application. Three pumps are located on the secondary circuit: this kind of system requires a separator in order to avoid interference to the pumps.



TECHNICAL FEATURES

Body:	Painted steel
Main connections:	Female unions
Drain cock connection:	1/2"
Air vent valve connection:	1/2"
Front connection:	1/2"
Max. pressure:	8 bar
Max temperature:	110°C
Max. temperature with insulation:	100°C
Compatible fluids:	Water with and without glycol
Measures:	1"-1"1/4-1"1/2-2"

MAX. RECOMMENDED FLOW

Size	Flow - m³/h
1"	2,1
1"1/4	3,5
1"1/2	5,4
2"	6,5

HYDRAULIC SEPARATOR

Hydraulic separator complete with automatic air vent valve with non-return valve and drain cock.

- 1/2" frontal connection for installation of temperature or pressure gauge
- Painted steel body
- Max. pressure=8bar - Max. temperature=110°C.



ART. 2159

Code	size	connections	€	box	carton
2159 1	1"	1"1/2	161,65	1	
2159 114	1"1/4	2"	192,42	1	
2159 112	1"1/2	2"1/4	216,34	1	
2159 2	2"	2"1/4	261,45	1	

Hydraulic separator complete **with female unions**, automatic air vent valve with non-return valve and drain cock.

- 1/2" frontal connection for installation of temperature or pressure gauge
- Painted steel body
- Max. pressure=8bar - Max. temperature=110°C.



ART. 2160

Code	size	€	box	carton
2160 1	1"	191,12	1	
2160 114	1"1/4	249,08	1	
2160 112	1"1/2	286,75	1	
2160 2	2"	360,41	1	

Hydraulic separator complete **with female unions**, automatic air vent valve with non-return valve and drain cock.

- 1/2" frontal connection for installation of temperature or pressure gauge
- Painted steel body
- Max. pressure=8bar - Max. temperature=110°C.
- Supplied with PPE pre-formed anti-condensation insulation



ART. 2161

Codice	mis	€	conf	pacco
2161 1	1"	212,43	1	
2161 114	1"1/4	270,05	1	
2161 112	1"1/2	309,80	1	
2161 2	2"	398,94	1	

PPE pre-formed anti-condensation insulation for hydraulic separator.



ART. 2165

Code	size	€	box	carton
2165 1	1"	21,58	1	
2165 114	1"1/4	23,42	1	
2165 112	1"1/2	25,79	1	
2165 2	2"	42,65	1	

Female union for hydraulic separator.



ART. 8346

Code	size	€	box	carton
8346 1	1" x 1"1/2	7,37	10	
8346 114	1"1/4 x 2"	14,17	10	
8346 112	1"1/2 x 2"1/4	17,60	5	
8346 2	2" x 2"1/4	24,75	5	

Galvanized bracket for hydraulic separator.



ART. 2162

Code	size	€	box	carton
2162 1	1"	7,21		
2162 114	1"1/4	7,33		
2162 112	1"1/2	8,42		
2162 2	2"	9,26		

GAISER - Air vent valve with lateral purge.
Supplied with gasket on the thread to make installation easier.

- Body made of CW617N stamped brass
- Nominal pressure: 10 bar
- Max. working differential pressure: 4 bar
- Max. working temperature: 110°C
- Float: PP



ART. 2040 - 2043

Code	finish	size	€	box	carton
2040 38	brass	3/8"	6,36	10	100
2040 12	brass	1/2"	6,50	10	100
2043 38	chrome	3/8"	6,94	10	100
2043 12	chrome	1/2"	7,07	10	100

New

New

GAISER - Air vent valve with lateral purge.
Supplied with non-return valve and gasket on the thread to make installation easier.

- Body made of CW617N stamped brass
- Nominal pressure: 10 bar
- Max. working differential pressure: 4 bar
- Max. working temperature: 110°C
- Float: PP



ART. 2041 - 2044

Code	finish	size	€	box	carton
2041 38	brass	3/8"	7,55	10	100
2041 12	brass	1/2"	8,26	10	100
2044 38	chrome	3/8"	7,96	10	100
2044 12	chrome	1/2"	8,78	10	100

New

New

GAISER - Straight automatic air vent valve.

- Nominal pressure: 10 bar
- Max. working differential pressure: 4 bar
- Max. working temperature: 110°C
- Float: PP



ART. 2045 - 2050

Code	finish	size	€	box	carton
2045 14	brass	1/4"	5,00	10	100
2045 38	brass	3/8"	5,38	10	100
2045 12	brass	1/2"	5,53	10	100
2045 34	brass	3/4"	5,84	10	100
2050 14	chrome	1/4"	5,44	10	100
2050 38	chrome	3/8"	5,84	10	100
2050 12	chrome	1/2"	6,00	10	100
2050 34	chrome	3/4"	6,34	10	100

GAISER - Angled automatic air vent valve.

- Nominal pressure: 10 bar
- Max. working differential pressure: 4 bar
- Max. working temperature: 110°C
- Float: PP



ART. 2055 - 2060

Code	finish	size	€	box	carton
2055 14	brass	1/4"	5,24	10	100
2055 38	brass	3/8"	5,61	10	100
2055 12	brass	1/2"	5,88	10	100
2055 34	brass	3/4"	6,07	10	100
2060 14	chrome	1/4"	5,74	10	100
2060 38	chrome	3/8"	6,08	10	100
2060 12	chrome	1/2"	6,34	10	100
2060 34	chrome	3/4"	6,54	10	100

Non-return valve for air vent valve.



ART. 2075 - 2080

Code	finish	size	€	box	carton
2075 3814	brass	3/8"x1/4"	1,68	10	
2075 38	brass	3/8"x3/8"	1,34	10	
2075 3812	brass	3/8"x1/2"	2,09	10	
2075 12	brass	1/2"x1/2"	1,93	10	
2080 38	chrome	3/8"x3/8"	1,41	10	
2080 3812	chrome	3/8"x1/2"	2,19	10	
2080 12	chrome	1/2"x1/2"	2,05	10	

Brass safety valve for heating systems and domestic services.

- Set pressure: 1 - 1,5 - 2 - 2,5 - 3 - 3,5 - 4 - 5 - 6 - 7 - 8 - 10 bar
- Inlet: 1/2" male
- Outlet: 1/2" female
- Max. temperature: 115°C

In accordance with 97/23/CE "PED" class IV and D.Lgs.25.02.2000 n.93.



New

ART. 2004

Code	bar	size	€	box	carton
2004 121210	1	1/2"x1/2"	9,55	10	100
2004 121215	1,5	1/2"x1/2"	9,55	10	100
2004 121220	2	1/2"x1/2"	9,55	10	100
2004 121225	2,5	1/2"x1/2"	9,55	10	100
2004 121230	3	1/2"x1/2"	9,55	10	100
2004 121235	3,5	1/2"x1/2"	9,55	10	100
2004 121240	4	1/2"x1/2"	9,55	10	100
2004 121250	5	1/2"x1/2"	9,55	10	100
2004 121260	6	1/2"x1/2"	9,55	10	100
2004 121270	7	1/2"x1/2"	9,55	10	100
2004 121280	8	1/2"x1/2"	9,55	10	100
2004 121200	10	1/2"x1/2"	9,55	10	100

Brass safety valve for heating systems and domestic services.

- Set pressure: 1 - 1,5 - 2 - 2,5 - 3 - 3,5 - 4 - 5 - 6 - 7 - 8 - 10 bar
- Inlet: 1/2" female
- Outlet: 1/2"-3/4" female
- Max. temperature: 115°C

In accordance with 97/23/CE "PED" class IV and D.Lgs.25.02.2000 n.93.



New

ART. 2005

Code	bar	size	€	box	carton
2005 121210	1	1/2"x1/2"	9,55	10	100
2005 121215	1,5	1/2"x1/2"	9,55	10	100
2005 121220	2	1/2"x1/2"	9,55	10	100
2005 121225	2,5	1/2"x1/2"	9,55	10	100
2005 121230	3	1/2"x1/2"	9,55	10	100
2005 121235	3,5	1/2"x1/2"	9,55	10	100
2005 121240	4	1/2"x1/2"	9,55	10	100
2005 121250	5	1/2"x1/2"	9,55	10	100
2005 121260	6	1/2"x1/2"	9,55	10	100
2005 121270	7	1/2"x1/2"	9,55	10	100
2005 121280	8	1/2"x1/2"	9,55	10	100
2005 121200	10	1/2"x1/2"	9,55	10	100
2005 123410	1	1/2"x3/4"	11,03	10	100
2005 123415	1,5	1/2"x3/4"	11,03	10	100
2005 123420	2	1/2"x3/4"	11,03	10	100
2005 123425	2,5	1/2"x3/4"	11,03	10	100
2005 123430	3	1/2"x3/4"	11,03	10	100
2005 123435	3,5	1/2"x3/4"	11,03	10	100
2005 123440	4	1/2"x3/4"	11,03	10	100
2005 123450	5	1/2"x3/4"	11,03	10	100
2005 123460	6	1/2"x3/4"	11,03	10	100
2005 123470	7	1/2"x3/4"	11,03	10	100
2005 123480	8	1/2"x3/4"	11,03	10	100
2005 123400	10	1/2"x3/4"	11,03	10	100

Brass safety valve for heating systems and domestic services.

- Set pressure: 3 bar
- Inlet: quick connection
- Outlet: 3/4" female
- Max. temperature: 115°C

In accordance with 97/23/CE "PED" class IV and D.Lgs.25.02.2000 n.93.



New

ART. 2007

Code	bar	size	€	box	carton
2007 3430	3	3/4"	10,10	10	100

Immersion thermostat for regulating unit for underfloor heating systems.

- Connection: 1/2"
- Length: 60 mm
- Control temperature range: 0/90°C
- Manual control



ART. 7950

Code	€	box	carton
7950	38,73	1	

Safety thermostat with contact probe.

- Control temperature range: 0/90°C
- Manual control



ART. 7951

Code	€	box	carton
7951	23,08	1	

Double immersion thermostat.

- Connection: 1/2"
- Length: 100 mm
- Control temperature range: 0/90°C
- 100° fix setting limiter with manual reset



ART. 7952

Code	€	box	carton
7952	64,44	1	

Chrome-plated automatic filling unit without pressure gauge for closed circuit systems. Complete with non-return valve, stop cock and strainer.

- Inlet connection (union): 1/2" male
- Outlet connection: 1/2" female
- Pressure gauge connection: 1/4" female
- Max. working temperature: 95°C
- Minimum working temperature: 5°C
- Max. upstream pressure: 10 bar
- Set pressure: 0,5÷4 bar



ART. 2100

Code	size	€	box	carton
2100	1/2"	29,94	1	20

Chrome-plated automatic filling unit with pressure gauge for closed circuit systems. Complete with non-return valve, stop cock and strainer.

- Inlet connection (union): 1/2" male
- Outlet connection: 1/2" female
- Pressure gauge connection: 1/4" female
- Max. working temperature: 95°C
- Minimum working temperature: 5°C
- Max. upstream pressure: 10 bar
- Set pressure: 0,5÷4 bar
- Scale: 0÷6 bar



ART. 2110

Code	size	€	box	carton
2110	1/2"	37,48	1	20

Air separator unit for boiler, brass version. Complete with:

- 4 bar pressure gauge
- Air vent valve
- 3 bar safety valve
- Insulation



ART. 2116

Code	size	€	box	carton
2116	1"	69,30	1	

Air separator unit for boiler, brass version. Complete with:

- 4 bar pressure gauge
- Air vent valve
- 3 bar safety valve



ART. 2115

Code	size	€	box	carton
2115	1"	55,12	1	

TERMO-FAR - Chrome-plated thermostatic mixer.

- Setting range: 27÷65°C
- Connections: female
- Max. input temperature: 95°C



ART. 3950

Code	size	€	box	carton
3950 12	1/2"	58,38	1	85
3950 34	3/4"	60,01	1	85
3950 1	1"	62,91	1	45

TERMO-FAR - Chrome-plated thermostatic mixer.

- Setting range: 27÷65°C
- Connections: male, complete with unions and gaskets
- Max. input temperature: 95°C



ART. 3956

Code	size	€	box	carton
3956 34	3/4"	74,52	1	

3-piece straight connection, brass version.
• threaded male-female connections



ART. 5140

Code	size	€	box	carton
5140 38	3/8"	2,87	50	400
5140 12	1/2"	3,68	25	200
5140 34	3/4"	5,34	20	120
5140 1	1"	9,54	10	80
5140 114	1"1/4	13,89	10	80
5140 112	1"1/2	30,80	5	
5140 2	2"	38,99	2	

3-piece bent connection, brass version.
• threaded male-female connections



ART. 5190

Code	size	€	box	carton
5190 38	3/8"	3,30	50	400
5190 12	1/2"	4,67	25	200
5190 34	3/4"	7,29	20	120
5190 1	1"	12,87	10	80
5190 114	1"1/4	18,90	5	40
5190 112	1"1/2	40,00	2	
5190 2	2"	54,15	2	

3-piece straight connection, chrome-plated version.
• male-female connections



ART. 5150

Code	size	€	box	carton
5150 38	3/8"	3,15	50	400
5150 12	1/2"	4,00	25	200
5150 34	3/4"	5,66	20	120
5150 1	1"	9,98	10	80
5150 114	1"1/4	14,61	10	80
5150 112	1"1/2	31,96	5	
5150 2	2"	40,59	2	

3-piece bent connection, chrome-plated version.
• male-female connections



ART. 5200

Code	size	€	box	carton
5200 38	3/8"	3,62	50	400
5200 12	1/2"	5,04	25	200
5200 34	3/4"	7,63	20	120
5200 1	1"	13,41	10	80
5200 114	1"1/4	19,53	5	40
5200 112	1"1/2	41,34	5	
5200 2	2"	55,95	2	

Chrome-plated connection kit for pump complete with 1" 1/2 nut, gasket and **non-return valve**.

- Connection: 3/4" male
- Connection: 1" male



ART. 8344

Code	size	€	box
8344 34	3/4"	11,30	10
8344 1	1"	11,66	10

Chrome-plated connection kit for pump complete with 1" 1/2 nut and gasket.

- Connection: 3/4" male
- Connection: 1" male



ART. 8345

Code	size	€	box
8345 34	3/4"	7,90	10
8345 1	1"	7,78	10

Chrome-plated connection kit for pump complete with 1" 1/2 nut and gasket.

- connection: 3/4" - 1" female



ART. 8346

Code	size	€	box
8346 34	3/4"	6,65	10
8346 1	1"	7,37	10

Balancing valves combine a double regulating valve with a "fixed orifice" metering station.

Double regulating valve

"Double regulation" makes it possible to regulate and measure the fluid flow through the valve.



"Fixed orifice" metering

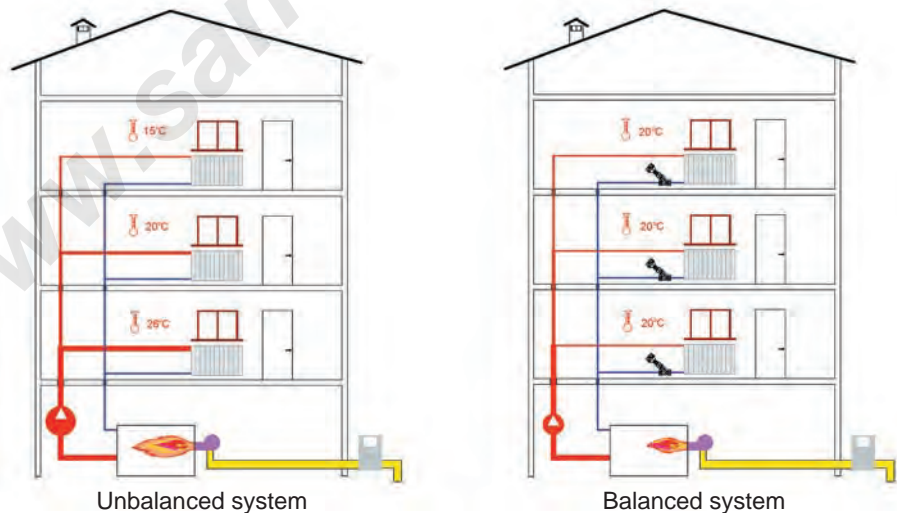
"Fixed orifice" provides an accurate means for measuring flow capacity.

Art. 2129

The valve is designed to regulate the flow capacity in a water-based heating or cooling system. A balancing circuit ensures good performance from the terminal units in the system in line with the project design, thus maintaining uniform temperature conditions in the building. Correct balancing permits optimization and reduction of energy consumption, avoiding losses from incorrect fluid distribution and limiting the velocity of the fluid medium, which could cause noise disturbance. Use of a balancing valve makes it possible to select smaller pumps and to ensure they operate at higher efficiency - reducing electricity consumption and the risk of overheating.

Balancing valves can be used in a range of application:

- To regulate the capacity of the risers, or single terminals in an air-conditioning, or heating system.
- To balance the circuits equipped with 3-way valves.
- To balance the water circuits of heating or cooling batteries, or of evaporating towers.
- To balance the water flow in the sanitation system.



Using balancing valves in a cooling or heating system ensures that both flow volume and temperature distribution are uniform, thus reducing consumption.



Art. 2130

- Dimensions: threaded sizes from 1/2" to 2".
- Body material: CR (DZR) brass.
- Shaped shutter complete with EPDM closing gasket.
- Micrometric regulating valve with anti-tampering "memory" device.
- Graduated scale with reading to 360°.

BALANCING VALVES

Balancing valve and flow measurement valve.

- Body: CR (DZR) brass
- Shaped shutter complete with EPDM closing gasket
- Micrometric regulating valve
- Anti-tampering "memory" device
- Graduated scale with reading to 360°



ART. 2130

Code	size	€	box	carton
2130 12	1/2"	35,84	1	
2130 34	3/4"	44,41	1	
2130 1	1"	57,01	1	
2130 114	1"1/4	79,36	1	
2130 112	1"1/2	113,98	1	
2130 2	2"	159,30	1	

Balancing valve with flow measurement device and plugs.

- Body: CR (DZR) brass
- Shaped shutter complete with EPDM closing gasket
- Micrometric regulating valve
- Anti-tampering "memory" device
- Graduated scale with reading to 360°



ART. 2129

Code	size	€	box	carton
2129 12	1/2"	46,30	1	
2129 34	3/4"	55,84	1	
2129 1	1"	69,51	1	
2129 114	1"1/4	87,08	1	
2129 112	1"1/2	129,61	1	
2129 2	2"	184,65	1	

Pressure plugs.



ART. 2140

Code	size	€	box	carton
2140	1/4"	25,86	1	

Electronic measurer of differential pressure and flow capacity for system balancing.

Range:

- 0,1 kPa÷250 kPa
- 0÷95°C



ART. 2125

Code	€	box	carton
2125	9.542,02	1	

Balancing valve complete with PRESSFAR fittings.

- Body: CR (DZR) brass
- Shaped shutter complete with EPDM closing gasket
- Micrometric regulating valve
- Anti-tampering "memory" device
- Graduated scale with reading to 360°



ART. 2133

Code	size	Ø pipe	€	box	carton
21332001	1/2"	20x2	46,12	1	
21332002	1/2"	20x2,25	46,45	1	
21332003	1/2"	20x2,5	47,05	1	
21332501	3/4"	25x2,5	63,49	1	
21332601	3/4"	26x3	63,83	1	
21333201	1"	32x3	84,07	1	
21334001	1"1/4	40x3,5	126,99	1	
21334002	1"1/4	40x4	126,99	1	
21335001	1"1/2	50x4	192,20	1	
21335002	1"1/2	50x4,5	192,20	1	
21336301	2"	63x4,5	273,81	1	

Measuring needle for pressure plugs.



ART. 2145

Code	€	box	carton
2145	42,91	1	

Pre-formed anti-condensation insulation for balancing valves.



ART. 2150

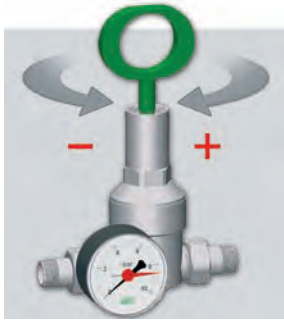
Code	size	€	box	carton
2150 12	1/2"	30,79	1	
2150 34	3/4"	30,79	1	
2150 1	1"	30,79	1	
2150 114	1"1/4	40,12	1	
2150 112	1"1/2	57,95	1	
2150 2	2"	57,95	1	

RELIABILITY, DURABILITY AND EASY MAINTENANCE ARE THE MAIN FEATURES OF THIS PRESSURE REDUCING VALVE

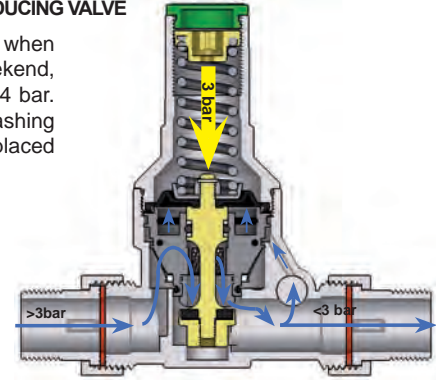
The main purpose of pressure reducing valves is to keep constant pressure in the system, even when the upstream pressure varies widely. Such variations usually occur during the night, or at the weekend, when the use of water decreases. Pressure variation between night and day can range from 3-4 bar. Maintaining constant system pressure avoids leaks and/or malfunction of taps, dishwashers, washing machines etc...Inside the pressure reducing valve there is a cartridge which can be cleaned or replaced thanks to an easy extraction system.

For construction and testing we took as reference UNI EN 1567:2002 Valves for buildings - Water and water combined pressure reducing valves - Requirements and test methods.

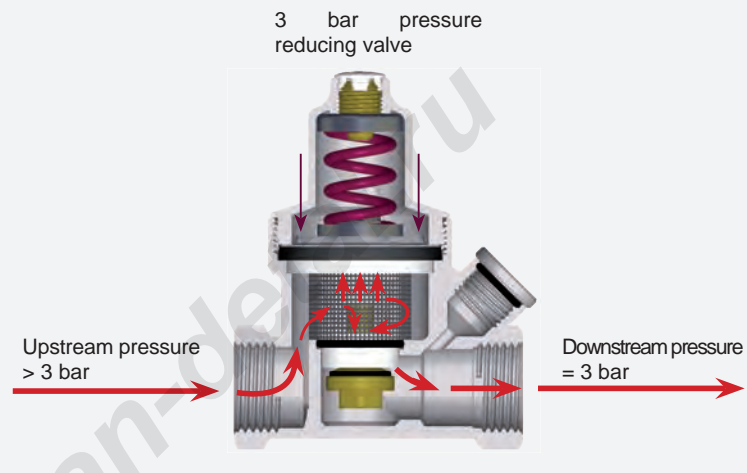
FAST AND EASY ADJUSTMENT



Turning the screw in a clockwise direction – with the aid of the Allen key supplied – increases the pressure, while unscrewing counter-clockwise will cause it to decrease.



**NEW PRESSURE REDUCING VALVE
SMALL SIZE, HIGH RELIABILITY**



TECHNICAL FEATURES

Reducing valve body	CR brass
Sealing seat	Stainless steel
Cartridge material	Hostaform®
O-Rings and gaskets material	EPDM
Downstream adjustable pressure	from 1 to 6 bar
Nominal pressure	16 and 25 bar
Max. working temperature	75°C

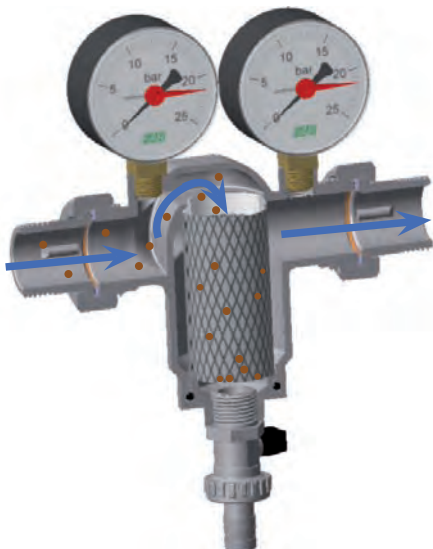
STRAINERS FOR DOMESTIC SERVICES

In order to protect the whole system from any impurity that, over time, might damage components and/or impair system function, it is essential to install a strainer at the system inlet - after the water meter and before the pressure reducing valve. It is a mechanical strainer which is ideal for stopping impurities such as sand, broken bricks or parts of seals which might possibly get into the pipeline during installation.

The body of the FAR strainer for domestic systems is fabricated entirely from Dezincification Resistant (DZR) brass. It is a known fact that components made of standard brass can suffer corrosion from stagnant water, or water rich in oxygen and carbon dioxide.

TECHNICAL FEATURES

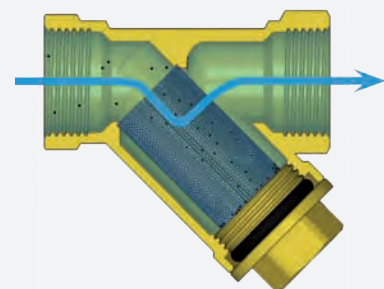
Body material:	CC752S (CR) brass
Mesh filter material:	AISI 304 steel
Filtration level:	100 - 300 - 700 µm
Max. working pressure:	25 bar
Max. working temperature:	95°C



The FAR inclined strainer is a hydraulic component of small dimensions that permits removal of impurities and particles which could pollute the system and damage the components within it. The cartridge is easily removable for simple, fast maintenance and is just as easy to replace.

TECHNICAL FEATURES

Compatible media:	water
Max. water temperature:	95°C
PN:	16 bar
Filtration level:	600 µm
Strainer body:	CW617N brass
Cartridge:	AISI 304 steel
Terminal plug:	CW617N brass
O-ring:	EPDM



Brass pressure reducing valve for domestic services and heating systems.

- Body material: CR (DZR) brass
- Downstream adjustable pressure: from 1 to 6 bar
- Nominal pressure: 16 bar
- Max. working temperature: 75°C
- Compatible fluids: water and air
- 3 bar calibrated



New



WITH PRESSURE GAUGE CONNECTION

Code	size	€	box	carton
2864 12	1/2"	27,30	1	50
2864 34	3/4"	29,88	1	50

Male-female connections

ART. 2864-2865

WITH PRESSURE GAUGE

Code	size	€	box	carton
2865 12	1/2"	34,37	1	50
2865 34	3/4"	36,96	1	50

Chrome-plated pressure reducing valve for domestic services and heating systems.

- Body material: CR (DZR) brass
- Downstream adjustable pressure: from 1 to 6 bar
- Nominal pressure: 16 bar
- Max. working temperature: 75°C
- Compatible fluids: water and air
- 3 bar calibrated



New



WITH PRESSURE GAUGE CONNECTION

Code	size	€	box	carton
2866 12	1/2"	28,28	1	50
2866 34	3/4"	30,69	1	50

Male-female connections

ART. 2866-2867

WITH PRESSURE GAUGE

Code	size	€	box	carton
2867 12	1/2"	35,36	1	50
2867 34	3/4"	37,77	1	50

Brass pressure reducing valve for domestic services and heating systems.

- Body material: CR (DZR) brass
- Downstream adjustable pressure: from 1 to 6 bar
- Nominal pressure: 16 bar
- Max. working temperature: 75°C
- Compatible fluids: water and air
- 3 bar calibrated



New



WITH PRESSURE GAUGE CONNECTION

Code	size	€	box	carton
2868 12	1/2"	24,29	1	50
2868 34	3/4"	24,98	1	50

Female-female connections

ART. 2868-2869

WITH PRESSURE GAUGE

Code	size	€	box	carton
2869 12	1/2"	31,36	1	50
2869 34	3/4"	32,05	1	50

Chrome-plated pressure reducing valve for domestic services and heating systems.

- Body material: CR (DZR) brass
- Downstream adjustable pressure: from 1 to 6 bar
- Nominal pressure: 16 bar
- Max. working temperature: 75°C
- Compatible fluids: water and air
- 3 bar calibrated



New



WITH PRESSURE GAUGE CONNECTION

Code	size	€	box	carton
2870 12	1/2"	25,10	1	50
2870 34	3/4"	25,79	1	50

Female-female connections

ART. 2870-2871

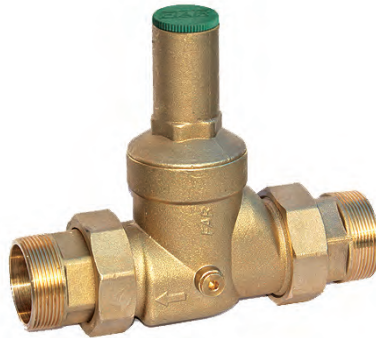
WITH PRESSURE GAUGE

Code	size	€	box	carton
2871 12	1/2"	32,17	1	50
2871 34	3/4"	32,86	1	50

Brass pressure reducing valve for domestic services and heating systems.

- Sealing seat: stainless steel
- Body material: CR (DZR) brass
- Downstream adjustable pressure: from 1 to 6 bar
- Nominal pressure: 25 bar
- Max. working temperature: 75°C
- O'Ring and gaskets material: EPDM
- Compatible fluids: water and air
- Supplied with regulation key

New
1"1/2-2"



Male-male connections

ART. 2800-2805



WITH PRESSURE GAUGE CONNECTION

Code	size	€	box	carton
2800 12	1/2"	68,11	1	20
2800 34	3/4"	80,06	1	20
2800 1	1"	119,74	1	12
2800 114	1"1/4	161,03	1	12
2800 112	1"1/2	260,69	1	
2800 2	2"	288,07	1	

WITH PRESSURE GAUGE

Code	size	€	box	carton
2805 12	1/2"	76,38	1	20
2805 34	3/4"	88,34	1	20
2805 1	1"	128,00	1	12
2805 114	1"1/4	169,31	1	12
2805 112	1"1/2	268,97	1	
2805 2	2"	296,34	1	

Chrome-plated pressure reducing valve for domestic services and heating systems.

- Sealing seat: stainless steel
- Body material: CR (DZR) brass
- Downstream adjustable pressure: from 1 to 6 bar
- Nominal pressure: 25 bar
- Max. working temperature: 75°C
- O'Ring and gaskets material: EPDM
- Compatible fluids: water and air
- Supplied with regulation key

New
1"1/2-2"



Male-male connections

ART. 2810-2815



WITH PRESSURE GAUGE CONNECTION

Code	size	€	box	carton
2810 12	1/2"	69,75	1	20
2810 34	3/4"	82,91	1	20
2810 1	1"	123,25	1	12
2810 114	1"1/4	165,07	1	12
2810 112	1"1/2	268,65	1	
2810 2	2"	297,72	1	

WITH PRESSURE GAUGE

Code	size	€	box	carton
2815 12	1/2"	78,04	1	20
2815 34	3/4"	91,19	1	20
2815 1	1"	131,52	1	12
2815 114	1"1/4	173,35	1	12
2815 112	1"1/2	276,92	1	
2815 2	2"	306,10	1	

Brass pressure reducing valve for domestic services and heating systems.

- Sealing seat: stainless steel
- Body material: CR (DZR) brass
- Downstream adjustable pressure: from 1 to 6 bar
- Nominal pressure: 25 bar
- Max. working temperature: 75°C
- O'Ring and gaskets material: EPDM
- Compatible fluids: water and air
- Supplied with regulation key

New
1"1/2-2"



Male-female connections

ART. 2820-2825



WITH PRESSURE GAUGE CONNECTION

Code	size	€	box	carton
2820 12	1/2"	65,47	1	20
2820 34	3/4"	75,44	1	20
2820 1	1"	113,81	1	12

WITH PRESSURE GAUGE

Code	size	€	box	carton
2825 12	1/2"	73,75	1	20
2825 34	3/4"	83,73	1	20
2825 1	1"	122,08	1	12

PRESSURE REDUCING VALVES FOR DOMESTIC SERVICES

Chrome-plated pressure reducing valve for domestic services and heating systems.

- Sealing seat: stainless steel
- Body material: CR (DZR) brass
- Downstream adjustable pressure: from 1 to 6 bar
- Nominal pressure: 25 bar
- Max. working temperature: 75°C
- O'Ring and gaskets material: EPDM
- Compatible fluids: water and air
- Supplied with regulation key



Male-female connections

ART. 2830-2835

WITH PRESSURE GAUGE CONNECTION

Code	size	€	box	carton
2830 12	1/2"	66,91	1	20
2830 34	3/4"	77,56	1	20
2830 1	1"	116,52	1	12



WITH PRESSURE GAUGE

Code	size	€	box	carton
2835 12	1/2"	75,19	1	20
2835 34	3/4"	85,84	1	20
2835 1	1"	124,80	1	12

Brass pressure reducing valve for domestic services and heating systems.

- Sealing seat: stainless steel
- Body material: CR (DZR) brass
- Downstream adjustable pressure: from 1 to 6 bar
- Nominal pressure: 25 bar
- Max. working temperature: 75°C
- O'Ring and gaskets material: EPDM
- Compatible fluids: water and air
- Supplied with regulation key



Female-female connections

ART. 2840-2845

WITH PRESSURE GAUGE CONNECTION

Code	size	€	box	carton
2840 12	1/2"	63,32	1	20
2840 34	3/4"	71,48	1	20
2840 1	1"	107,56	1	12



WITH PRESSURE GAUGE

Code	size	€	box	carton
2845 12	1/2"	71,59	1	20
2845 34	3/4"	79,76	1	20
2845 1	1"	115,84	1	12

Chrome-plated pressure reducing valve for domestic services and heating systems.

- Sealing seat: stainless steel
- Body material: CR (DZR) brass
- Downstream adjustable pressure: from 1 to 6 bar
- Nominal pressure: 25 bar
- Max. working temperature: 75°C
- O'Ring and gaskets material: EPDM
- Compatible fluids: water and air
- Supplied with regulation key



Female-female connections

ART. 2850-2855

WITH PRESSURE GAUGE CONNECTION

Code	size	€	box	carton
2850 12	1/2"	64,57	1	20
2850 34	3/4"	73,27	1	20
2850 1	1"	109,79	1	12



WITH PRESSURE GAUGE

Code	size	€	box	carton
2855 12	1/2"	72,85	1	20
2855 34	3/4"	81,55	1	20
2855 1	1"	118,06	1	12

Spare cartridge for pressure reducing valves.

- Sizes: 1/2" - 3/4" - 1" - 1"1/4



ART. 2890

Code	size	€	box
2890 1234	1/2"-3/4"	23,75	1
2890 1114	1"-1"1/4	42,50	1

Spare cartridge for pressure reducing valves.

- Sizes: 1"1/2 - 2"



ART. 2892

Code	size	€	box
2892 1122	1"1/2 - 2"	114,57	1

Brass strainer for domestic services and heating systems.

- Body material: CR (DZR) brass
- Mesh strainer material: AISI 304 steel
- Filtration level: 300 µm
- Nominal pressure: 25 bar
- Max. working temperature: 95°



Male-male connections

ART. 3930-3931



WITH PRESSURE GAUGE CONNECTIONS

Code	size	€	box	carton
3930 34	3/4"	58,13	1	20
3930 1	1"	69,58	1	15
3930 114	1"1/4	86,09	1	15

WITH PRESSURE GAUGES

Code	size	€	box	carton
3931 34	3/4"	73,56	1	20
3931 1	1"	85,02	1	15
3931 114	1"1/4	101,52	1	15

Chrome-plated strainer for domestic services and heating systems.

- Body material: CR (DZR) brass
- Mesh strainer material: AISI 304 steel
- Filtration level: 300 µm
- Nominal pressure: 25 bar
- Max. working temperature: 95°C



Male-male connections

ART. 3932-3933



WITH PRESSURE GAUGE CONNECTIONS

Code	size	€	box	carton
3932 34	3/4"	61,15	1	20
3932 1	1"	72,79	1	15
3932 114	1"1/4	89,86	1	15

WITH PRESSURE GAUGES

Code	size	€	box	carton
3933 34	3/4"	76,58	1	20
3933 1	1"	88,23	1	15
3933 114	1"1/4	105,32	1	15

Brass strainer for domestic services and heating systems.

- Body material: CR (DZR) brass
- Mesh strainer material: AISI 304 steel
- Filtration level: 300 µm
- Nominal pressure: 25 bar
- Max. working temperature: 95°C



Male-female connections

ART. 3934-3935



WITH PRESSURE GAUGE CONNECTIONS

Code	size	€	box	carton
3934 34	3/4"	54,10	1	20
3934 1	1"	63,19	1	15
3934 114	1"1/4	76,31	1	15

WITH PRESSURE GAUGES

Code	size	€	box	carton
3935 34	3/4"	69,52	1	20
3935 1	1"	78,64	1	15
3935 114	1"1/4	91,74	1	15

Chrome-plated strainer for domestic services and heating systems.

- Body material: CR (DZR) brass
- Mesh strainer material: AISI 304 steel
- Filtration level: 300 µm
- Nominal pressure: 25 bar
- Max. working temperature: 95°C



Male-female connections

ART. 3936-3937



WITH PRESSURE GAUGE CONNECTIONS

Code	size	€	box	carton
3936 34	3/4"	56,73	1	20
3936 1	1"	65,91	1	15
3936 114	1"1/4	79,49	1	15

WITH PRESSURE GAUGES

Code	size	€	box	carton
3937 34	3/4"	72,15	1	20
3937 1	1"	81,34	1	15
3937 114	1"1/4	94,90	1	15

STRAINERS FOR DOMESTIC SERVICES

Brass strainer for domestic services and heating systems.

- Body material: CR (DZR) brass
- Mesh strainer material: AISI 304 steel
- Filtration level: 300 µm
- Nominal pressure: 25 bar
- Max. working temperature: 95°C



WITH PRESSURE GAUGE CONNECTIONS

Code	size	€	box	carton
3938 34	3/4"	50,05	1	20
3938 1	1"	56,80	1	15
3938 114	1 1/4"	66,51	1	15

Female-female connections

ART. 3938-3939

WITH PRESSURE GAUGES

Code	size	€	box	carton
3939 34	3/4"	65,51	1	20
3939 1	1"	72,26	1	15
3939 114	1 1/4"	81,94	1	15

Chrome-plated strainer for domestic services and heating systems.

- Body material: CR (DZR) brass
- Mesh strainer material: AISI 304 steel
- Filtration level: 300 µm
- Nominal pressure: 25 bar
- Max. working temperature: 95°C



WITH PRESSURE GAUGE CONNECTIONS

Code	size	€	box	carton
3940 34	3/4"	52,28	1	20
3940 1	1"	59,02	1	15
3940 114	1 1/4"	69,07	1	15

Female-female connections

ART. 3940-3941

WITH PRESSURE GAUGES

Code	size	€	box	carton
3941 34	3/4"	67,73	1	20
3941 1	1"	74,47	1	15
3941 114	1 1/4"	84,52	1	15

Strainer for domestic services and heating systems.

- Body material: CW617N brass
- Mesh strainer material: AISI 304 steel
- Filtration level: 600 µm
- Connections: female-female
- Removable cartridge for cleaning



New

ART. 2390

Code	size	€	box	carton
2390 12	1/2"	6,24	1	50
2390 34	3/4"	9,32	1	50
2390 1	1"	11,09	1	50

Strainer for domestic services and heating systems.

- Body material: CW617N brass
- Mesh strainer material: AISI 304 steel
- Filtration level: 600 µm
- Connections: male-female with union
- Removable cartridge for cleaning



New

ART. 2392

Code	size	€	box	carton
2392 12	1/2"	8,46	1	50
2392 34	3/4"	12,58	1	50

Chrome-plated strainer for domestic services and heating systems.

- Body material: CR (DZR) brass
- Mesh strainer material: AISI 304 steel
- Filtration level: 300 µm
- Nominal pressure: 25 bar
- Max. working temperature: 95°C



Male-male connections

ART. 3943-3944



WITH PRESSURE GAUGES

WITH PRESSURE GAUGE CONNECTIONS

Code	size	€	box	carton
3943 12	1/2"	43,36	1	20

Code	size	€	box	carton
3944 12	1/2"	51,06	1	20

Chrome-plated strainer for domestic services and heating systems.

- Body material: CR (DZR) brass
- Mesh strainer material: AISI 304 steel
- Filtration level: 300 µm
- Nominal pressure: 25 bar
- Max. working temperature: 95°C



Male-female connections

ART. 3945-3946



WITH PRESSURE GAUGES

WITH PRESSURE GAUGE CONNECTIONS

Code	size	€	box	carton
3945 12	1/2"	40,63	1	20

Code	size	€	box	carton
3946 12	1/2"	48,33	1	20

Chrome-plated strainer for domestic services and heating systems.

- Body material: CR (DZR) brass
- Mesh strainer material: AISI 304 steel
- Filtration level: 300 µm
- Nominal pressure: 25 bar
- Max. working temperature: 95°C



Female-female connections

ART. 3947-3948



WITH PRESSURE GAUGES

WITH PRESSURE GAUGE CONNECTIONS

Code	size	€	box	carton
3947 12	1/2"	37,91	1	20

Code	size	€	box	carton
3948 12	1/2"	45,61	1	20

1/2" brass reduction connection for strainer, ART. 3930 34.



ART. 8781

Code	size	€	box
8781 12	1/2"	1,81	10

Chrome-plated 1/2" brass reduction connection for strainer, ART. 3932 34.



ART. 8782

Code	size	€	box
8782 12	1/2"	1,93	10

1/2" spare cartridge for strainer for domestic services and heating systems.

(ART. 3943-3944-3945-3946-3947-3948).

- Mesh strainer material: AISI 304 steel
- Filtration level: 300 µm



NB. They are also available to special order with 100 µm and 700 µm filtration levels.

ART. 3949

Code	size	filtration level	€	box
3949 12300	1/2"	300 µm	7,78	1

Spare cartridge for strainer for domestic services and heating systems, sizes 3/4"-1"-1"1/4.

(ART. 3930-3931-3932-3933-3934-3935-3936-3937-3938-3939-3940-3941)

- Mesh strainer material: AISI 304 steel
- Filtration level: 300 µm

NB. They are also available to special order with 100 µm and 700 µm filtration levels.



ART. 3942

Code	size	filtration level	€	box
3942 34300	3/4"	300 µm	12,87	1
3942 1300	1"	300 µm	14,55	1
3942 114300	1"1/4	300 µm	15,22	1

The "SMALL" actuator can be installed at the inlet to the domestic system, just after the water meter. It can be activated by a switch, so every time you leave the house, for even a brief period, you can turn off water supplies from the mains. No need to worry ever again about possible damage from a forgotten open tap!

PRE-ASSEMBLED chrome-plated control unit for water main delivery complete with:

- 230 V motorized ball zone valve with manual release
- strainer for domestic services
- pressure reducing valve

WITH PRESSURE GAUGE CONNECTION

ART. 3960

Code	size	€	box	carton
3960 34	3/4"	333,71	1	
3960 1	1"	395,11	1	

PRE-ASSEMBLED chrome-plated control unit for water main delivery complete with:

- 24 V motorized ball zone valve with manual release
- strainer for domestic services
- pressure reducing valve

WITH PRESSURE GAUGE CONNECTION

ART. 3962

Code	size	€	box	carton
3962 34	3/4"	333,71	1	
3962 1	1"	395,11	1	



WITH PRESSURE GAUGES

ART. 3961

Code	size	€	box	carton
3961 34	3/4"	357,43	1	
3961 1	1"	418,83	1	

WITH PRESSURE GAUGES

ART. 3963

Code	size	€	box	carton
3963 34	3/4"	357,43	1	
3963 1	1"	418,83	1	

Chrome-plated 1/2" brass reduction connection for control unit for water main delivery, ART. 3960-3961-3962-3963.



ART. 8782

Code	size	€	conf
8782 12	1/2"	1,93	10

PRE-ASSEMBLED chrome-plated control unit for water main delivery complete with:

- strainer for domestic systems
- pressure reducing valve



WITH PRESSURE GAUGE CONNECTION

ART. 3964

Code	size	€	box	carton
3964 34	3/4"	146,63	1	
3964 1	1"	196,15	1	
3964 114	1"1/4	251,53	1	

WITH PRESSURE GAUGES

ART. 3965

Code	size	€	box	carton
3965 34	3/4"	170,35	1	
3965 1	1"	219,86	1	
3965 114	1"1/4	275,23	1	

Ø 63 mm pressure gauge.

- 1/4" radial or rear connection
- Protection level: IP 31
- Accuracy: Cl. 1,6
- Scale: 0÷4 bar
- Scale: 0÷6 bar
- Scale: 0÷10 bar
- Scale: 0÷25 bar



R = RADIAL
P = REAR

ART. 2500

Code	pressure scale	size	€	box	carton
2500 R04	0-4 bar	1/4"	7,74	1	100
2500 R06	0-6 bar	1/4"	7,74	1	100
2500 R10	0-10 bar	1/4"	7,74	1	100
2500 R25	0-25 bar	1/4"	7,74	1	100
2500 P04	0-4 bar	1/4"	8,28	1	100
2500 P06	0-6 bar	1/4"	8,28	1	100
2500 P10	0-10 bar	1/4"	8,28	1	100

Ø 50 mm pressure gauge.

- 1/4" radial connection
- Protection level: IP 31
- Accuracy: Cl. 1,6
- Scale: 0÷25 bar



ART. 2501

Code	pressure scale	size	€	box	carton
2501 R25	0-25 bar	1/4"	7,74	1	100

Ø 80 mm thermo-manometer.

- 1/4" central rear connection in brass
- Non-return valve: 1/4" female x 1/2" male
- Protection level: IP 31
- Accuracy: Cl. 1,6
- Temperature scale: 0÷120°C
- Pressure scale: 0÷4 bar



ART. 2550

Code	temperature scale	pressure scale	€	box	carton
2550	0-120 °C	0-4 bar	20,67	1	50

Ø 80 mm bimetallic temperature gauge.

- 1/2" male connection seat
- Temperature scale: 0÷120°C
- 50 mm sheath



ART. 2600

Code	temperature scale	size	€	box	carton
2600	0-120 °C	1/2"	9,57	1	50

Ø 40 mm bimetallic temperature gauge.

- 3/8" male connection seat
- Temperature scale: 0÷120°C
- 36 mm sheath



ART. 2650

Code	temperature scale	€	box	carton
2650	0-120 °C	8,17	1	240

Ø 40 mm bimetallic temperature gauge.

- 3/8" male connection seat
- Temperature scale: 0÷80°C
- 36 mm sheath



ART. 2651

Code	temperature scale	€	box	carton
2651	0-80 °C	8,17	1	240

CIM-FAR - Ball valve for water meter.

- Interchangeable connection for copper, plastic and multilayer pipe
- Connection to water meter by 3/4" nut



ART. 3035

Code	size	€	box	carton
3035 34	3/4"	11,97	10	

CIM-FAR - Full bore ball valve.

- Interchangeable connection for copper, plastic and multilayer pipe
- 1/2" female connection



ART. 3038

Code	size	€	box	carton
3038 12	1/2"	8,52	10	

CIM-FAR - Full bore ball valve.

- Interchangeable connection for copper, plastic and multilayer pipe
- 1/2" male connection



ART. 3041

Code	size	€	box	carton
3041 12	1/2"	8,52	10	

CIM-FAR - Ball valve complete with strainer.

- Interchangeable connection for copper, plastic and multilayer pipe
- 1/2" female connection



ART. 3043

Code	size	€	box	carton
3043 12	1/2"	14,27	10	

Manual ball valve complete with temperature gauge (art. 2651), brass version.

- Body in stamped CW617N brass
- Chrome-plated ball
- PTFE inner seats
- 1"1/2 swivel nut
- EPDM sealing O'ring
- Lateral caps can be removed, in order to assemble the seat for outside temperature sensor connection
- Temperature gauge scale: 0-80°C



ART. 3045

Code	size	handle	€	box	carton
3045 1B	1"x1"1/2	blue	35,35	1	
3045 1R	1"x1"1/2	red	35,35	1	

Manual ball valve complete with temperature gauge (art. 2651), chrome-plated version.

- Body in stamped CW617N brass
- Chrome-plated ball
- PTFE inner seats
- 1"1/2 swivel nut
- EPDM sealing O'ring
- Lateral caps can be removed, in order to assemble the seat for outside temperature sensor connection
- Temperature gauge scale: 0-80°C



ART. 3046

Code	size	handle	€	box	carton
3046 1B	1"x1"1/2	blue	36,47	1	
3046 1R	1"x1"1/2	red	36,47	1	

Kit for plastic pipes. Suitable for all our products with 24x19 interchangeable connections.

Complete with:

- adapter for plastic pipe
- brass ring
- chrome-plated nut with 24x19 thread



ART. 6052

Code	pipe	external diameter	€	box	carton	
6052 6563	plastic	10,5x1,25	2,57	50	500	New
6052 48186	plastic	12x2,15	2,57	50	500	
6052 4847	plastic	12x2	2,57	50	500	
6052 48184	plastic	12x1,5	2,57	50	500	
6052 481005	plastic	12x1,35	2,57	50	500	New
6052 9761005	plastic	12,7x1,7	2,57	50	500	New
6052 976186	plastic	12,7x2,4	2,57	50	500	New
6052 6563	plastic	14x1,5	2,57	50	500	New
6052 6545	plastic	14x2	2,57	50	500	
6052 4645	plastic	15x2,5	2,57	50	500	
6052 4663	plastic	15x2	2,57	50	500	
6052 46173	plastic	15x1,7	2,57	50	500	
6052 4661	plastic	15x1,5	2,57	50	500	
6052 5863	plastic	16x2,5	2,57	50	500	
6052 58173	plastic	16x2,2	2,57	50	500	
6052 5861	plastic	16x2	2,57	50	500	
6052 58262	plastic	16x1,8	2,57	50	500	
6052 5864	plastic	16x1,5	2,57	50	500	
6052 58180	plastic	16x2,7	2,57	50	500	New
6052 15061	plastic	16,8x2,4	2,57	50	500	New
6052 150829	plastic	17x2,25	2,57	50	500	
6052 15043	plastic	17x2	2,57	50	500	
6052 6043	plastic	17,8x2,4	2,57	50	500	
6052 60180	plastic	17,8x3,6	2,57	50	500	
6052 4443	plastic	18x2,5	2,57	50	500	
6052 44221	plastic	18x2,2	2,57	50	500	
6052 4468	plastic	18x2	2,57	50	500	
6052 8043	plastic	20x3,5	2,57	50	500	
6052 8068	plastic	20x3	2,57	50	500	
6052 80185	plastic	20x2,8	2,57	50	500	
6052 80222	plastic	20x2,3	2,57	50	500	
6052 8069	plastic	20x2,15	2,57	50	500	
6052 80214	plastic	20x2	2,57	50	500	
6052 80261	plastic	20x1,9	2,57	50	500	

Kit for MULTILAYER pipes. Suitable for all our products with 24x19 interchangeable connections.

Complete with:

- adapter for multilayer pipe
- brass ring
- chrome-plated nut with 24x19 thread



ART. 6055

Code	pipe	external diameter	€	box	carton
6055 902901	multilayer	11,6x1,5	2,78	50	500
New 6055 48901	multilayer	12x1,8	2,78	50	500
6055 65193	multilayer	14X2	2,78	50	500
New 6055 46193	multilayer	15X2,5	2,78	50	500
6055 58190	multilayer	16X2	2,78	50	500
6055 58200	multilayer	16X2,25	2,78	50	500
6055 58278	multilayer	16,2X2,6	2,78	50	500
New 6055 150200	multilayer	16,8x2,5	2,78	50	500
6055 150810	multilayer	17X2	2,78	50	500
6055 44191	multilayer	18X2	2,78	50	500
6055 80204	multilayer	20X2	2,78	50	500
6055 80192	multilayer	20X2,25	2,78	50	500
6055 80201	multilayer	20X2,5	2,78	50	500
6055 80191	multilayer	20X2,9	2,78	50	500

Sealing compression KIT in rubber for copper pipe.

Complete with:

- brass pipe guide washer
- rubber compression single-taper
- brass ring
- chrome-plated nut with 24x19 thread



ART. 8427

Code	pipe	size	€	box	carton
8427 10	copper	Ø 10	1,49	100	500
8427 12	copper	Ø 12	1,49	100	500
8427 14	copper	Ø 14	1,49	100	500

Sealing compression KIT in rubber for copper pipe.

Complete with:

- rubber compression single-taper
- brass ring
- chrome-plated nut with 24x19 thread



ART. 8429

Code	pipe	size	€	box	carton
8429 15	copper	Ø 15	1,39	100	500
8429 16	copper	Ø 16	1,39	100	500



FAR

flow evolution

2

SOLARFAR - Components for solar systems

Thermostatic mixer - Diverter zone valve

Page 44

Air vent valve - Safety valve - 3-piece connection

Page 45

Fittings

Page 46

THERMOSTATIC MIXER

The main purpose of SOLAR FAR mixers is to constantly maintain the temperature of the mixed water distributed to system outlets at the set value, even when temperature and pressure of incoming fluids varies.

The mixer is equipped with a temperature sensitive sensor, which detects the temperature of the mixed fluid. The sensor is directly immersed into the mixed water, thus ensuring a high degree of accuracy and a quick response. The sensor detects changes in water temperature and adjusts opening and closing of cold and hot water inlets to achieve the right balance and thus the set temperature. In the event of insufficient cold water, the inner cartridge can completely close off the hot water inlet so as to avoid any possibility of burns.

N.B. in order to increase mixer accuracy, pressure differentials between hot and cold water inlets must be balanced.



HANDLE POSITION	MIN	1	2	3	4	5	MAX
TEMPERATURE °C	27	34	38	42	45	50	65

Valve calibration, i.e. mixed water temperature setting, is carried out manually by turning the graduated handle.

SAFETY VALVE

In order to protect solar panels, a safety valve and an expansion tank should be installed in the circuit. The valve can also be used for protection of any solar tank.

The safety valve limits hot water pressure in such a way as not to exceed the calibrated set limit.

Once this value is reached the valve will discharge a sufficient quantity of water to ensure that pressure is within the limits for correct operation of the system.

In order to achieve proper valve calibration, it is important that calibration pressure plus permitted overpressure does not exceed max. working pressure.

All safety valves are calibrated in our laboratories and it is not possible to change the value without tampering with them.

In the event of a pipeline section being installed on the outlet, the diameter of the discharge pipeline must not be less than that of the outlet fitting and must not prevent the proper operation of the valves. The outlet must be located near the safety valve and be both easily visible and accessible.

To avoid any possibility of impurities being deposited on the shutter, the safety valve must not be installed with the leaflet downward.



AIR VENT VALVES

The air vent valve has to be installed on closed solar heating systems to automatically vent any air in the circuit, thus ensuring a better heat transfer. Air discharge from the system avoids noise problems arising from imperfect fluid circulation. The valve must be installed at the highest point of the system and in a vertical position in order to guarantee perfect operation.

Normally the cap has to be slightly loose to allow air to escape from the valve through a notch on the male thread. The closing cap is only required in special circumstances, i.e. when the valve does not work properly, in which case it should be closed in order to avoid dripping. Once the air has been removed during system filling, it is necessary to close the shut-off valve located under the air vent valve.

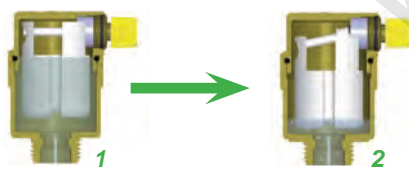


Fig.1 If there is no air in the circuit, water inside the air vent valve keeps the float in such a position as to close the shutter.

Fig.2 The air in the circuit reduces the water level in the air vent valve, thus lowering the float and opening the air discharge.

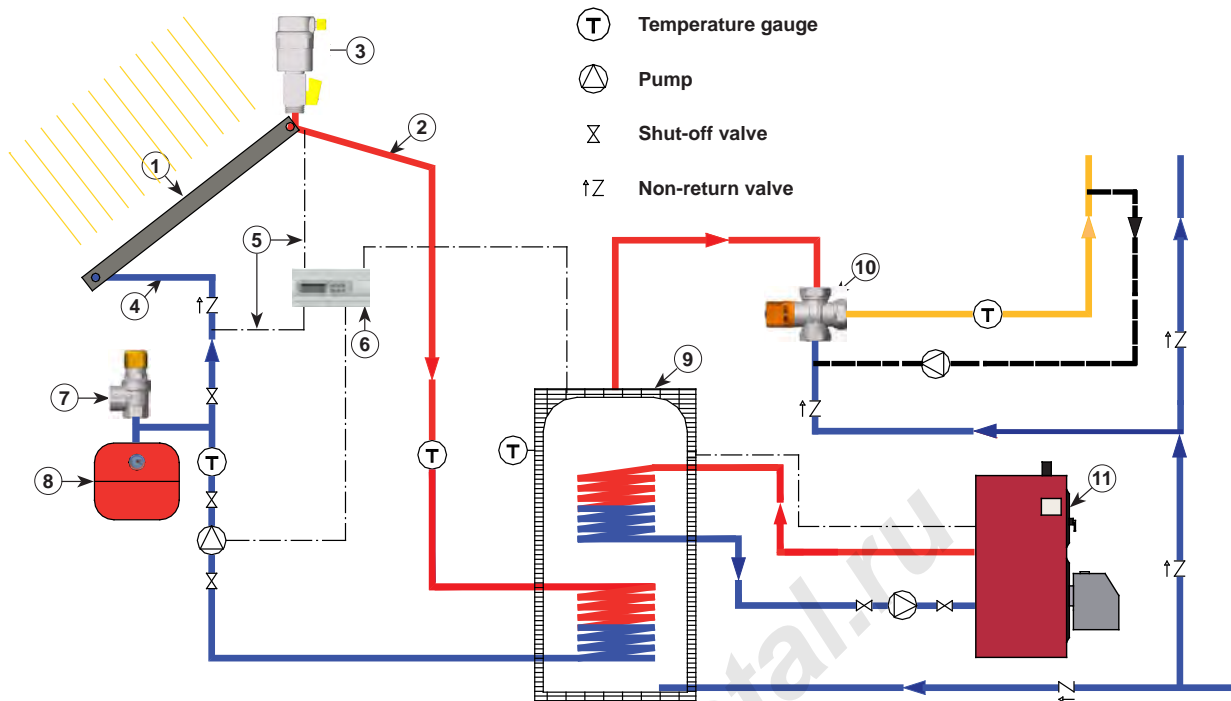


INTERMEDIATE CONNECTIONS

Solar-FAR fittings permit connection of copper and steel pipes in solar systems and have a max. working temperature of 160°C.

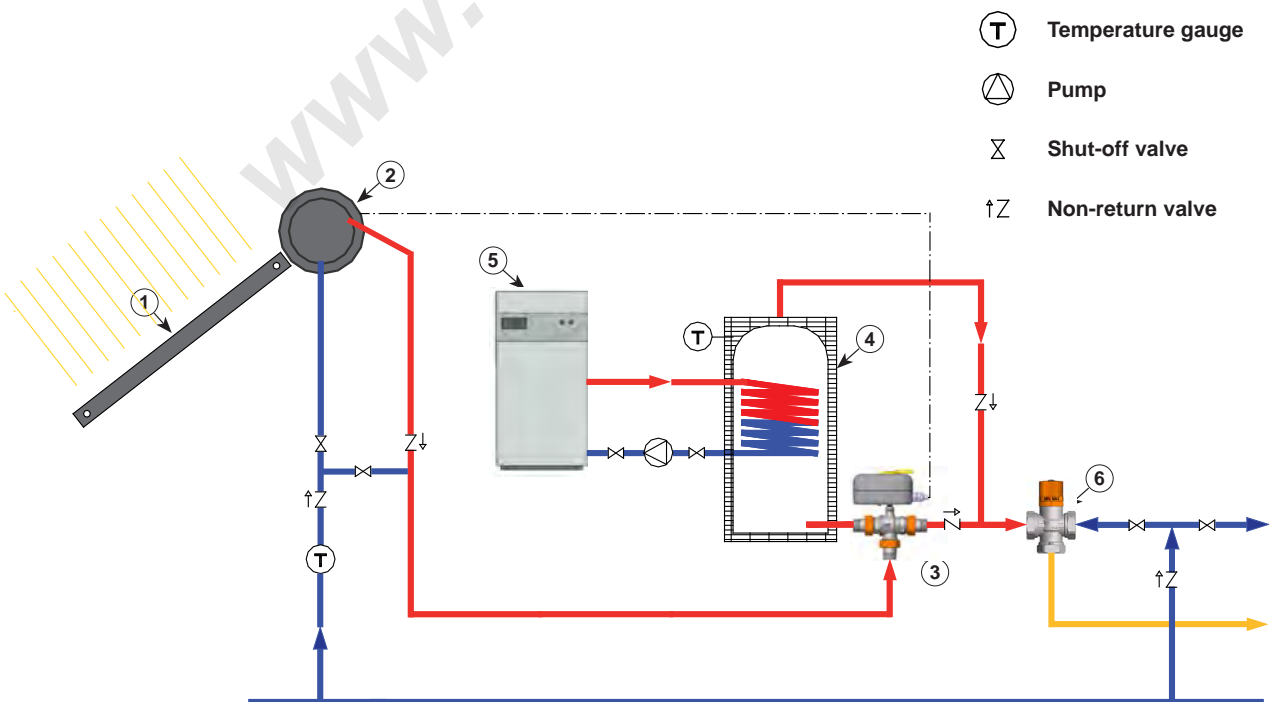
Male nipple		3-piece connection	
	<p>1. CONICAL SEAT 2. SINGLE TAPER 3. REDUCER 4. HEX.27 NUT 5. STEEL OR COPPER PIPE</p>		<p>1. FEMALE THREAD BODY 2. SEALING O-RING 3. NUT 4. MALE THREAD BODY</p>

SOLAR SYSTEM WITH FORCED CIRCULATION - INSTALLATION OVERVIEW



- | | | |
|-----------------------------|---------------------------|----------------------------------|
| 1. Thermal solar panel | 5. Temperature probe | 9. Tank |
| 2. Supply pipe | 6. Control unit | 10. SOLAR-FAR THERMOSTATIC MIXER |
| 3. SOLAR-FAR AIR VENT VALVE | 7. SOLAR-FAR SAFETY VALVE | 11. Boiler |
| 4. Return pipe | 8. Expansion tank | |

SOLAR SYSTEM WITH NORMAL CIRCULATION - INSTALLATION OVERVIEW



- | | |
|-----------------------------|---------------------------------|
| 1. Thermal solar panel | 5. Boiler |
| 2. Panel tank | 6. SOLAR-FAR THERMOSTATIC MIXER |
| 3. SOLAR-FAR DIVERTER VALVE | |
| 4. Tank | |

SOLAR-FAR - Chrome-plated thermostatic mixer for solar systems.

- Setting range: 27÷65°C
- Connections: female
- Max. input temperature: 110°C



New

ART. 3953

Code	size	€	box	carton
3953 12	1/2"	65,43	1	85
3953 34	3/4"	67,05	1	85
3953 1	1"	69,95	1	45

SOLAR-FAR - Chrome-plated thermostatic mixer for solar systems.

- Flat-faced connection preset for unions
- Setting range: 27÷65°C
- Connections: male
- Max. working temperature: 110°C



ART. 3954

Code	size	€	box	carton
3954 1	1"	69,95	1	45

SOLAR-FAR - Chrome-plated thermostatic mixer for solar systems.

- Flat-faced connection complete with unions and GOLD GASKET
- Setting range: 27÷65°C
- Connections: male
- Max. input temperature: 110°C



New

ART. 3955

Code	size	€	box	carton
3955 34	3/4"	86,91	1	

Anti-condensation insulation for **SMALL** actuators (ART. 3007-3008).



ART. 3009

Code	height/mm	€	box
3009 40	40	17,06	1

SOLAR-FAR - Chrome-plated 3-way diverter zone control ball valve for solar systems equipped with unions, nuts and 230 V actuator with manual release.

- Max. working temperature: 130°C
- Nominal pressure: 16 bar



New

SOLAR-FAR - Chrome-plated 3-way diverter zone control ball valve for solar systems equipped with unions, nuts and 24 V actuator with manual release.

- Max. working temperature: 130°C
- Nominal pressure: 16 bar

ART. 300729

Code	size	opening time	€	box	carton
300729 3408	3/4"	8 s	191,05	1	12
300729 108	1"	8 s	218,56	1	12



CONNECTIONS: MALE
FULL BORE FLOW

ART. 300829

Code	size	opening time	€	box	carton
300829 3408	3/4"	8 s	191,05	1	12
300829 108	1"	8 s	218,56	1	12

SOLAR-FAR - Air vent valve with lateral purge for solar systems.

- Body made of CW617N stamped brass
- Nominal pressure: 10 bar
- Max. working differential pressure: 4 bar
- Max. working temperature: 160°C



ART. 2042

Code	size	€	box	carton
2042 38	3/8"	11,90	10	100
2042 12	1/2"	12,65	10	100

SOLAR-FAR - Chrome-plated safety valve for solar systems.

- Set pressure: 2,5 - 3 - 3,5 - 4 - 5 - 6 - 7 - 8 - 10 bar
- Inlet: 1/2" female
- Outlet: 3/4" female
- Max. temperature: 160°C

In accordance with 97/23/CE "PED"
class IV and D.Lgs.25.02.2000 n.93.



ART. 2006

Code	bar	size	€	box	carton
2006 123425	2,5	1/2"	12,71	10	100
2006 123430	3	1/2"	12,71	10	100
2006 123435	3,5	1/2"	12,71	10	100
2006 123440	4	1/2"	12,71	10	100
2006 123450	5	1/2"	12,71	10	100
2006 123460	6	1/2"	12,71	10	100
2006 123470	7	1/2"	12,71	10	100
2006 123480	8	1/2"	12,71	10	100
2006 123400	10	1/2"	12,71	10	100

3-piece connection for solar systems.

- Connections: male-female
- Max. working temperature: 160°C



ART. 5152

Code	size	€	box	carton
5152 34	3/4"	6,68	10	
5152 1	1"	10,52	10	

Male nipple complete with sealing kit for solar systems.

- Max. working temperature: 160°C
- Suitable for connection to copper and steel pipelines



New

ART. 5870

Code	size	Ø pipe	€	box	carton
5870 3415	3/4"	15	8,19	25	250
5870 3416	3/4"	16	8,19	25	250
5870 3418	3/4"	18	8,46	25	250
5870 3422	3/4"	22	8,86	25	250
5870 122	1"	22	10,38	25	250

Female nipple complete with sealing kit for solar systems.

- Max. working temperature: 160°C
- Suitable for connection to copper and steel pipelines



New

ART. 5872

Code	size	Ø pipe	€	box	carton
5872 3415	3/4"	15	8,19	25	250
5872 3416	3/4"	16	8,19	25	250
5872 3418	3/4"	18	8,46	25	250
5872 3422	3/4"	22	8,86	25	250
5872 122	1"	22	10,38	25	250

Double nipple complete with sealing kit for solar systems.

- Max. working temperature: 160°C
- Suitable for connection to copper and steel pipelines



New

ART. 5874

Code	Ø pipe	€	box	carton
5874 1215	15	11,97	25	250
5874 1216	16	11,97	25	250
5874 1218	18	12,26	25	250
5874 3422	22	14,82	25	250

Male elbow complete with sealing kit for solar systems.

- Max. working temperature: 160°C
- Suitable for connection to copper and steel pipelines



New

ART. 5876

Code	size	Ø pipe	€	box	carton
5876 3415	3/4"	15	9,05	25	250
5876 3416	3/4"	16	9,05	25	250
5876 3418	3/4"	18	9,32	25	250
5876 3422	3/4"	22	11,41	20	200
5876 122	1"	22	12,91	20	200

Female elbow complete with sealing kit for solar systems.

- Max. working temperature: 160°C
- Suitable for connection to copper and steel pipelines



New

ART. 5878

Code	size	Ø pipe	€	box	carton
5878 3415	3/4"	15	9,05	25	250
5878 3416	3/4"	16	9,05	25	250
5878 3418	3/4"	18	9,32	25	250
5878 3422	3/4"	22	11,41	20	200
5878 122	1"	22	13,52	15	150

Double elbow complete with sealing kit for solar systems.

- Max. working temperature: 160°C
- Suitable for connection to copper and steel pipelines



New

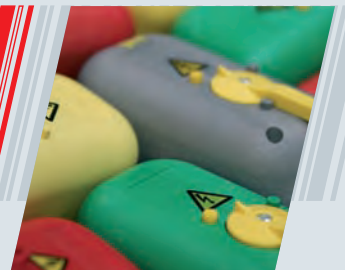
ART. 5880

Code	Ø pipe	€	box	carton
5880 1215	15	13,48	25	250
5880 1216	16	13,48	25	250
5880 1218	18	13,78	25	250
5880 3422	22	17,48	10	100



FAR

flow evolution



3

Zone valves

Actuators	Page 49
1/2" - 3/4" - 1" - 1"1/4 motorized zone valves	Page 50
1"1/2 - 2" motorized zone valves	Page 56
Zone valves	Page 58

ELECTRICAL CONNECTIONS FOR ACTUATORS FOR ZONE VALVES



ART. 3001 - 3002

230V or 24V without manual release
opening time: 40s



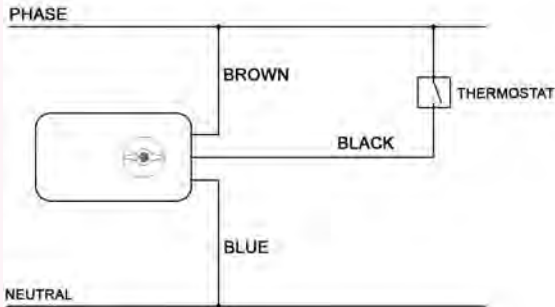
ART. 3005 - 3006

230V or 24V with manual release
opening time: 40s



ART. 3007 - 3008

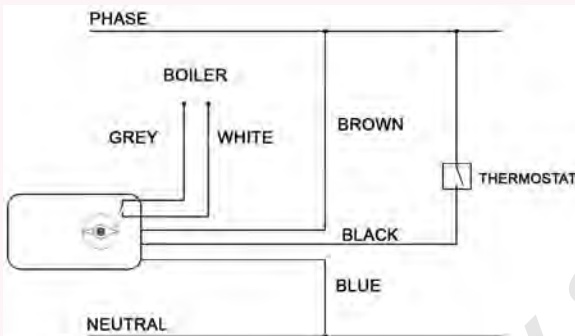
230V or 24V with manual release
opening time: 8s



3 WIRING CONNECTIONS:

Control through the thermostat.

To control opening and closing of a zone valve via an actuator, connect the blue wire to the neutral one, the brown to the phase and the black to the thermostat. The valve opens in the presence of phase on the black wire.



3 WIRING CONNECTIONS AND MICROSWITCH:

Control through thermostat and pump ignition.

An inner auxiliary microswitch (clean contact) connected to the grey and white wires, independent from the actuator circuit, permits connection in parallel of more than one actuator to control a single device, such as a pump or boiler. To control the pump ignition connect the grey and white wires to the 2 terminals provided on the boiler for connection to the thermostat.

3-WAY ZONE VALVES MODELS

<p>3-way diverter zone valve art. 3020-3021-3022</p>	<p>3-way zone valve with by-pass art. 3031-3032</p>	<p>3-way zone valve with by-pass Tee art. 3025 -3030</p>
<p>A</p>	<p>A</p>	<p>A</p>
<p>B</p>	<p>B</p>	<p>B</p>

ON-OFF ACTUATOR

SMALL - Actuator with relay and auxiliary microswitch for zone control ball valves.

- External connection cable length: 1 m.
- Feed voltage: 230 V 50 Hz
- Rotation angle: 90°
- Rotation time: 40 seconds
- Protection level: IP54



ART. 3001

Code	voltage	opening time	€	box	carton
3001 40	230 V	40 s	114,18	1	30



SMALL - Actuator with relay and auxiliary microswitch for zone control ball valves.

- External connection cable length: 1 m.
- Feed voltage: 24 V 50 Hz
- Rotation angle: 90°
- Rotation time: 40 seconds
- Protection level: IP54

ART. 3002

Code	voltage	opening time	€	box	carton
3002 40	24 V	40 s	114,18	1	30

MALL - Actuator with manual release, relay and auxiliary microswitch for zone control ball valves.

- External connection cable length: 1 m.
- Feed voltage: 230 V 50 Hz
- Rotation angle: 90°
- Rotation time: 40 seconds
- Protection level: IP54



ART. 3005

Code	voltage	opening time	€	box	carton
3005 40	230 V	40 s	126,59	1	30



SMALL - Actuator with manual release, relay and auxiliary microswitch for zone control ball valves.

- External connection cable length: 1 m.
- Feed voltage: 24 V 50 Hz
- Rotation angle: 90°
- Rotation time: 40 seconds
- Protection level: IP54

ART. 3006

Code	voltage	opening time	€	box	carton
3006 40	24 V	40 s	126,59	1	30

SMALL - Actuator with manual release, relay and auxiliary microswitch for zone control ball valves.

- External connection cable length: 1 m.
- Feed voltage: 230 V 50 Hz
- Rotation angle: 90°
- Rotation time: 8 seconds
- Protection level: IP54



ART. 3007

Code	voltage	opening time	€	box	carton
3007 08	230 V	8 s	150,13	1	30



SMALL - Actuator with manual release, relay and auxiliary microswitch for zone control ball valves.

- External connection cable length: 1 m.
- Feed voltage: 24 V 50 Hz
- Rotation angle: 90°
- Rotation time: 8 seconds
- Protection level: IP54

ART. 3008

Code	voltage	opening time	€	box	carton
3008 08	24 V	8 s	150,13	1	30

Anti-condensation insulation for **SMALL** actuators (ART. 3001-3002-3005-3006-3007-3008) for cooling systems.



ART. 3009

Code	height/mm	€	box
3009 40	40	17,06	1
3009 100	100	27,90	1



Assembled view

Chrome-plated 2-way zone control ball valve equipped with unions, nuts and 230 V actuator.

Chrome-plated 2-way zone control ball valve equipped with unions, nuts and 24 V actuator.



ART. 300115

ART. 300215

Code	size	opening time	€	box	carton
300115 1240	1/2"	40 s	128,74	1	12
300115 3440	3/4"	40 s	135,00	1	12
300115 140	1"	40 s	142,02	1	12
300115 11440	1"1/4	40 s	156,81	1	12

Code	size	opening time	€	box	carton
300215 1240	1/2"	40 s	128,74	1	12
300215 3440	3/4"	40 s	135,00	1	12
300215 140	1"	40 s	142,02	1	12
300215 11440	1"1/4	40 s	156,81	1	12

CONNECTIONS: MALE
FULL BORE FLOW

Chrome-plated 2-way zone control ball valve equipped with 230 V actuator.

Chrome-plated 2-way zone control ball valve equipped with 24 V actuator.



ART. 300116

ART. 300216

Code	size	opening time	€	box	carton
300116 1240	1/2"	40 s	126,31	1	12
300116 3440	3/4"	40 s	130,35	1	12
300116 140	1"	40 s	134,79	1	12

Code	size	opening time	€	box	carton
300216 1240	1/2"	40 s	126,31	1	12
300216 3440	3/4"	40 s	130,35	1	12
300216 140	1"	40 s	134,79	1	12

CONNECTIONS: FEMALE
FULL BORE FLOW

Chrome-plated 2-way zone control ball valve equipped with 230 V actuator.

Chrome-plated 2-way zone control ball valve equipped with 24 V actuator.



ART. 300117

ART. 300217

Code	size	opening time	€	box	carton
300117 1240	1/2"	40 s	127,81	1	12
300117 3440	3/4"	40 s	132,93	1	12
300117 140	1"	40 s	138,64	1	12
300117 11440	1"1/4	40 s	150,70	1	12

Code	size	opening time	€	box	carton
300217 1240	1/2"	40 s	127,81	1	12
300217 3440	3/4"	40 s	132,93	1	12
300217 140	1"	40 s	138,64	1	12
300217 11440	1"1/4	40 s	150,70	1	12

CONNECTIONS: MALE-FEMALE
FULL BORE FLOW

ON-OFF ACTUATOR

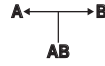
Chrome-plated 3-way diverter zone control ball valve equipped with unions, nuts and 230 V actuator.



Chrome-plated 3-way diverter zone control ball valve equipped with unions, nuts and 24 V actuator.

ART. 300120

Code	size	opening time	€	box	carton
300120 1240	1/2"	40 s	135,43	1	12
300120 3440	3/4"	40 s	141,63	1	12
300120 140	1"	40 s	150,64	1	12
300120 11440	1"1/4	40 s	166,17	1	12



CONNECTIONS: MALE
FULL BORE FLOW

ART. 300220

Code	size	opening time	€	box	carton
300220 1240	1/2"	40 s	135,43	1	12
300220 3440	3/4"	40 s	141,63	1	12
300220 140	1"	40 s	150,64	1	12
300220 11440	1"1/4	40 s	166,17	1	12

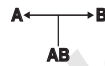
Chrome-plated 3-way diverter zone control ball valve equipped with 230 V actuator.



Chrome-plated 3-way diverter zone control ball valve equipped with 24 V actuator.

ART. 300121

Code	size	opening time	€	box	carton
300121 1240	1/2"	40 s	131,75	1	12
300121 3440	3/4"	40 s	135,91	1	12
300121 140	1"	40 s	142,80	1	12



CONNECTIONS: FEMALE
FULL BORE FLOW

ART. 300221

Code	size	opening time	€	box	carton
300221 1240	1/2"	40 s	131,75	1	12
300221 3440	3/4"	40 s	135,91	1	12
300221 140	1"	40 s	142,80	1	12

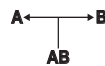
Chrome-plated 3-way diverter zone control ball valve equipped with 230 V actuator.



Chrome-plated 3-way diverter zone control ball valve equipped with 24 V actuator.

ART. 300122

Code	size	opening time	€	box	carton
300122 1240	1/2"	40 s	133,51	1	12
300122 3440	3/4"	40 s	138,45	1	12
300122 140	1"	40 s	146,65	1	12
300122 11440	1"1/4	40 s	161,98	1	12



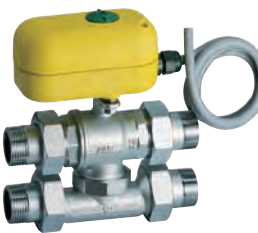
CONNECTIONS: MALE-FEMALE
FULL BORE FLOW

ART. 300222

Code	size	opening time	€	box	carton
300222 1240	1/2"	40 s	133,51	1	12
300222 3440	3/4"	40 s	138,45	1	12
300222 140	1"	40 s	146,65	1	12
300222 11440	1"1/4	40 s	161,98	1	12

Chrome-plated 3-way zone control ball valve with by-pass Tee equipped with unions, nuts and 230 V actuator.

• ADJUSTABLE CENTRE LINE BETWEEN PORTS:
from 52 mm to 63 mm

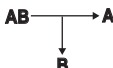


Chrome-plated 3-way zone control ball valve with by-pass Tee equipped with unions, nuts and 24 V actuator.

• ADJUSTABLE CENTRE LINE BETWEEN PORTS:
from 52 mm to 63 mm

ART. 300125

Code	size	opening time	€	box	carton
300125 3440	3/4"	40 s	150,50	1	12
300125 140	1"	40 s	162,93	1	12



CONNECTIONS: MALE
FULL BORE FLOW

ART. 300225

Code	size	opening time	€	box	carton
300225 3440	3/4"	40 s	150,50	1	12
300225 140	1"	40 s	162,93	1	12

Chrome-plated 2-way zone control ball valve equipped with unions, nuts and 230 V actuator with manual release.



ART. 300515

Code	size	opening time	€	box	carton
300515 1240	1/2"	40 s	137,82	1	12
300515 3440	3/4"	40 s	144,35	1	12
300515 140	1"	40 s	152,66	1	12
300515 11440	1"1/4	40 s	165,77	1	12

CONNECTIONS: MALE
FULL BORE FLOW

Chrome-plated 2-way zone control ball valve equipped with 230 V actuator with manual release.



ART. 300516

Code	size	opening time	€	box	carton
300516 1240	1/2"	40 s	134,90	1	12
300516 3440	3/4"	40 s	139,05	1	12
300516 140	1"	40 s	144,61	1	12

CONNECTIONS: FEMALE
FULL BORE FLOW

Chrome-plated 2-way zone control ball valve equipped with 230 V actuator with manual release.



ART. 300517

Code	size	opening time	€	box	carton
300517 1240	1/2"	40 s	136,68	1	12
300517 3440	3/4"	40 s	142,01	1	12
300517 140	1"	40 s	148,95	1	12
300517 11440	1"1/4	40 s	159,78	1	12

CONNECTIONS: MALE-FEMALE
FULL BORE FLOW

Chrome-plated 2-way zone control ball valve equipped with unions, nuts and 24 V actuator with manual release.

Code	size	opening time	€	box	carton
300615 1240	1/2"	40 s	137,82	1	12
300615 3440	3/4"	40 s	144,35	1	12
300615 140	1"	40 s	152,66	1	12
300615 11440	1"1/4	40 s	165,77	1	12

ART. 300615

Chrome-plated 2-way zone control ball valve equipped with 24 V actuator with manual release.

Code	size	opening time	€	box	carton
300616 1240	1/2"	40 s	134,90	1	12
300616 3440	3/4"	40 s	139,05	1	12
300616 140	1"	40 s	144,61	1	12

ART. 300616

Chrome-plated 2-way zone control ball valve equipped with 24 V actuator with manual release.

Code	size	opening time	€	box	carton
300617 1240	1/2"	40 s	136,68	1	12
300617 3440	3/4"	40 s	142,01	1	12
300617 140	1"	40 s	148,95	1	12
300617 11440	1"1/4	40 s	159,78	1	12

ART. 300617

ON-OFF ACTUATOR

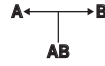
Chrome-plated 3-way diverter zone control ball valve equipped with unions, nuts and 230 V actuator with manual release.



Chrome-plated 3-way diverter zone control ball valve equipped with unions, nuts and 24 V actuator with manual release.

ART. 300520

Code	size	opening time	€	box	carton
300520 1240	1/2"	40 s	144,55	1	12
300520 3440	3/4"	40 s	151,57	1	12
300520 140	1"	40 s	161,45	1	12
300520 11440	1"1/4	40 s	174,94	1	12



CONNECTIONS: MALE
FULL BORE FLOW

ART. 300620

Code	size	opening time	€	box	carton
300620 1240	1/2"	40 s	144,55	1	12
300620 3440	3/4"	40 s	151,57	1	12
300620 140	1"	40 s	161,45	1	12
300620 11440	1"1/4	40 s	174,94	1	12

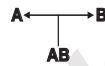
Chrome-plated 3-way diverter zone control ball valve equipped with 230 V actuator with manual release.



Chrome-plated 3-way diverter zone control ball valve equipped with 24 V actuator with manual release.

ART. 300521

Code	size	opening time	€	box	carton
300521 1240	1/2"	40 s	140,88	1	12
300521 3440	3/4"	40 s	145,26	1	12
300521 140	1"	40 s	152,74	1	12



CONNECTIONS: FEMALE
FULL BORE FLOW

ART. 300621

Code	size	opening time	€	box	carton
300621 1240	1/2"	40 s	140,88	1	12
300621 3440	3/4"	40 s	145,26	1	12
300621 140	1"	40 s	152,74	1	12

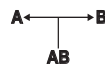
Chrome-plated 3-way diverter zone control ball valve equipped with 230 V actuator with manual release.



Chrome-plated 3-way diverter zone control ball valve equipped with 24 V actuator with manual release.

ART. 300522

Code	size	opening time	€	box	carton
300522 1240	1/2"	40 s	142,66	1	12
300522 3440	3/4"	40 s	148,08	1	12
300522 140	1"	40 s	157,08	1	12
300522 11440	1"1/4	40 s	170,81	1	12



CONNECTIONS: MALE-FEMALE
FULL BORE FLOW

ART. 300622

Code	size	opening time	€	box	carton
300622 1240	1/2"	40 s	142,66	1	12
300622 3440	3/4"	40 s	148,08	1	12
300622 140	1"	40 s	157,08	1	12
300622 11440	1"1/4	40 s	170,81	1	12

Chrome-plated 3-way diverter zone control ball valve with by-pass Tee equipped with unions, nuts and 230 V actuator with manual release.

• ADJUSTABLE CENTRE LINE BETWEEN PORTS:
from 52 mm to 63 mm

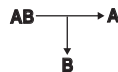


Chrome-plated 3-way diverter zone control ball valve with by-pass Tee equipped with unions, nuts and 24 V actuator with manual release.

• ADJUSTABLE CENTRE LINE BETWEEN PORTS:
from 52 mm to 63 mm

ART. 300525

Code	size	opening time	€	box	carton
300525 3440	3/4"	40 s	160,96	1	12
300525 140	1"	40 s	175,04	1	12



CONNECTIONS: MALE
FULL BORE FLOW

ART. 300625

Code	size	opening time	€	box	carton
300625 3440	3/4"	40 s	160,96	1	12
300625 140	1"	40 s	175,04	1	12

Chrome-plated 2-way zone control ball valve equipped with unions, nuts and 230 V actuator with manual release.

Chrome-plated 2-way zone control ball valve equipped with unions, nuts and 24 V actuator with manual release.



ART. 300715

Code	size	opening time	€	box	carton
300715 1208	1/2"	8 s	158,17	1	12
300715 3408	3/4"	8 s	164,78	1	12
300715 108	1"	8 s	173,02	1	12



CONNECTIONS: MALE
FULL BORE FLOW

ART. 300815

Code	size	opening time	€	box	carton
300815 1208	1/2"	8 s	158,17	1	12
300815 3408	3/4"	8 s	164,78	1	12
300815 108	1"	8 s	173,02	1	12

Chrome-plated 2-way zone control ball valve equipped with 230 V actuator with manual release.

Chrome-plated 2-way zone control ball valve equipped with 24 V actuator with manual release.



ART. 300716

Code	size	opening time	€	box	carton
300716 1208	1/2"	8 s	155,34	1	12
300716 3408	3/4"	8 s	159,37	1	12
300716 108	1"	8 s	164,98	1	12



CONNECTIONS: FEMALE
FULL BORE FLOW

ART. 300816

Code	size	opening time	€	box	carton
300816 1208	1/2"	8 s	155,34	1	12
300816 3408	3/4"	8 s	159,37	1	12
300816 108	1"	8 s	164,98	1	12

Chrome-plated 2-way zone control ball valve equipped with 230 V actuator with manual release.

Chrome-plated 2-way zone control ball valve equipped with 24 V actuator with manual release.



ART. 300717

Code	size	opening time	€	box	carton
300717 1208	1/2"	8 s	157,11	1	12
300717 3408	3/4"	8 s	162,39	1	12
300717 108	1"	8 s	169,33	1	12



CONNECTIONS: MALE-FEMALE
FULL BORE FLOW

ART. 300817

Code	size	opening time	€	box	carton
300817 1208	1/2"	8 s	157,11	1	12
300817 3408	3/4"	8 s	162,39	1	12
300817 108	1"	8 s	169,33	1	12

ON-OFF ACTUATOR

Chrome-plated 3-way diverter zone control ball valve equipped with unions, nuts and 230 V actuator with manual release.



ART. 300720

Code	size	opening time	€	box	carton
300720 1208	1/2"	8 s	165,10	1	12
300720 3408	3/4"	8 s	171,83	1	12
300720 108	1"	8 s	181,38	1	12



CONNECTIONS: MALE
FULL BORE FLOW

Chrome-plated 3-way diverter zone control ball valve equipped with unions, nuts and 24 V actuator with manual release.

ART. 300820

Code	size	opening time	€	box	carton
300820 1208	1/2"	8 s	165,10	1	12
300820 3408	3/4"	8 s	171,83	1	12
300820 108	1"	8 s	181,38	1	12

Chrome-plated 3-way diverter zone control ball valve equipped with 230 V actuator with manual release.



ART. 300721

Code	size	opening time	€	box	carton
300721 1208	1/2"	8 s	161,42	1	12
300721 3408	3/4"	8 s	165,43	1	12
300721 108	1"	8 s	172,64	1	12



CONNECTIONS: FEMALE
FULL BORE FLOW

Chrome-plated 3-way diverter zone control ball valve equipped with 24 V actuator with manual release.

ART. 300821

Code	size	opening time	€	box	carton
300821 1208	1/2"	8 s	161,42	1	12
300821 3408	3/4"	8 s	165,43	1	12
300821 108	1"	8 s	172,64	1	12

Chrome-plated 3-way diverter zone control ball valve equipped with 230 V actuator with manual release.



ART. 300722

Code	size	opening time	€	box	carton
300722 1208	1/2"	8 s	163,19	1	12
300722 3408	3/4"	8 s	168,29	1	12
300722 108	1"	8 s	177,02	1	12



CONNECTIONS: MALE-FEMALE
FULL BORE FLOW

Chrome-plated 3-way diverter zone control ball valve equipped with 24 V actuator with manual release.

ART. 300822

Code	size	opening time	€	box	carton
300822 1208	1/2"	8 s	163,19	1	12
300822 3408	3/4"	8 s	168,29	1	12
300822 108	1"	8 s	177,02	1	12

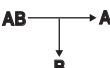
Chrome-plated 3-way zone control ball valve with by-pass Tee equipped with unions, nuts and 230 V actuator with manual release.

- ADJUSTABLE CENTRE LINE BETWEEN PORTS:
from 52 mm to 63 mm



ART. 300725

Code	size	opening time	€	box	carton
300725 3408	3/4"	8 s	181,50	1	12
300725 108	1"	8 s	195,42	1	12



CONNECTIONS: MALE
FULL BORE FLOW

Chrome-plated 3-way zone control ball valve with by-pass Tee equipped with unions, nuts and 24 V actuator with manual release.

- ADJUSTABLE CENTRE LINE BETWEEN PORTS:
from 52 mm to 63 mm

ART. 300825

Code	size	opening time	€	box	carton
300825 3408	3/4"	8 s	181,50	1	12
300825 108	1"	8 s	195,42	1	12

Actuator with ISO 5211 connection for 1"1/2 and 2" zone valves.
 Suitable also for installation on all FAR zone valves from 1/2" up to 1"1/4.

- Feed voltage 230V 50Hz - 24V 50Hz
- Protection level: IP65
- Manual release with automatic reset
- Opening/closing time: 30s – 80s
- Double cable gland: PG11
- Torque: 35Nm

New



ART. 3039

Code	voltage	opening time	€	box	carton
3039 80	230 V	80 s	215,26	1	
3039 30	230 V	30 s	221,21	1	

ART. 3040

Code	voltage	opening time	€	box	carton
3040 80	24 V	80 s	215,26	1	
3040 30	24 v	30 s	221,21	1	

Chrome-plated 2-way zone control ball valve equipped with unions, nuts and 230 V actuator with manual release.

Chrome-plated 2-way zone control ball valve equipped with unions, nuts and 24 V actuator with manual release.

New

ART. 303915

Code	size	opening time	€	box	carton
303915 11280	1"1/2	80 s	305,45	1	
303915 280	2"	80 s	342,00	1	
303915 11230	1"1/2	30 s	310,86	1	
303915 230	2"	30 s	347,42	1	



CONNECTIONS: MALE
FULL BORE FLOW

New

ART. 304015

Code	size	opening time	€	box	carton
304015 11280	1"1/2"	80 s	305,45	1	
304015 280	2"	80 s	342,00	1	
304015 11230	1"1/2"	30 s	310,86	1	
304015 230	2"	30 s	347,42	1	

Chrome-plated 2-way zone control ball valve equipped with 230 V actuator with manual release.

Chrome-plated 2-way zone control ball valve equipped with 24 V actuator with manual release.

New

ART. 303916

Code	size	opening time	€	box	carton
303916 11280	1"1/2	80 s	270,96	1	
303916 280	2"	80 s	291,32	1	
303916 11230	1"1/2	30 s	276,38	1	
303916 230	2"	30 s	296,73	1	



CONNECTIONS: FEMALE
FULL BORE FLOW

New

ART. 304016

Code	size	opening time	€	box	carton
304016 11280	1"1/2"	80 s	270,96	1	
304016 280	2"	80 s	291,32	1	
304016 11230	1"1/2"	30 s	276,38	1	
304016 230	2"	30 s	296,73	1	

Chrome-plated 2-way zone control ball valve equipped with 230 V actuator with manual release.

Chrome-plated 2-way zone control ball valve equipped with 24 V actuator with manual release.

New

ART. 303917

Code	size	opening time	€	box	carton
303917 11280	1"1/2	80 s	288,21	1	
303917 280	2"	80 s	316,66	1	
303917 11230	1"1/2	30 s	293,62	1	
303917 230	2"	30 s	322,08	1	



CONNECTIONS: MALE-FEMALE
FULL BORE FLOW

New

ART. 304017

Code	size	opening time	€	box	carton
304017 11280	1"1/2"	80 s	288,21	1	
304017 280	2"	80 s	316,66	1	
304017 11230	1"1/2"	30 s	293,62	1	
304017 230	2"	30 s	322,08	1	

Chrome-plated 3-way diverter zone control ball valve equipped with unions, nuts and 230 V actuator with manual release.

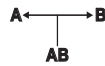
Chrome-plated 3-way diverter zone control ball valve equipped with unions, nuts and 24 V actuator with manual release.



New

ART. 303920

Code	size	opening time	€	box	carton
303920 11280	1"1/2	80 s	339,67	1	
303920 280	2"	80 s	400,10	1	
303920 11230	1"1/2	30 s	345,08	1	
303920 230	2"	30 s	405,52	1	



CONNECTIONS: MALE
FULL BORE FLOW

New

ART. 304020

Code	size	opening time	€	box	carton
304020 11280	1"1/2	80 s	339,67	1	
304020 280	2"	80 s	400,10	1	
304020 11230	1"1/2	30 s	345,08	1	
304020 230	2"	30 s	405,52	1	

Chrome-plated 3-way diverter zone control ball valve equipped with 230 V actuator with manual release.

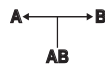
Chrome-plated 3-way diverter zone control ball valve equipped with 24 V actuator with manual release.



New

ART. 303921

Code	size	opening time	€	box	carton
303921 11280	1"1/2	80 s	305,18	1	
303921 280	2"	80 s	349,43	1	
303921 11230	1"1/2	30 s	310,60	1	
303921 230	2"	30 s	354,84	1	



CONNECTIONS: FEMALE
FULL BORE FLOW

New

ART. 304021

Code	size	opening time	€	box	carton
304021 11280	1"1/2	80 s	305,18	1	
304021 280	2"	80 s	349,43	1	
304021 11230	1"1/2	30 s	310,60	1	
304021 230	2"	30 s	354,84	1	

Chrome-plated 3-way diverter zone control ball valve equipped with 230 V actuator with manual release.

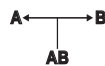
Chrome-plated 3-way diverter zone control ball valve equipped with 24 V actuator with manual release.



New

ART. 303922

Code	size	opening time	€	box	carton
303922 11280	1"1/2	80 s	322,43	1	
303922 280	2"	80 s	374,78	1	
303922 11230	1"1/2	30 s	327,84	1	
303922 230	2"	30 s	380,20	1	



CONNECTIONS: MALE-FEMALE
FULL BORE FLOW

New

ART. 304022

Code	size	opening time	€	box	carton
304022 11280	1"1/2	80 s	322,43	1	
304022 280	2"	80 s	374,78	1	
304022 11230	1"1/2	30 s	327,84	1	
304022 230	2"	30 s	380,20	1	

Chrome-plated 2-way zone control ball valve.

- Valve body: CW617N brass
- Sealing gaskets: EPDM O'ring and PTFE seats
- Nominal pressure: 16 bar
- Max. differential pressure: 5 bar
- Circulating fluid temperature: -10°C (with antifreeze) + 100°C
- Compatible fluids: water with or without glycol
- Connections: male-male
- Full bore flow



ART. 3015

Code	size	€	box	carton
3015 12	1/2"	25,24	1	
3015 34	3/4"	29,79	1	
3015 1	1"	44,11	1	
3015 114	1"1/4	65,03	1	

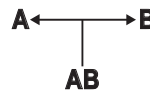
Chrome-plated 3-way diverter zone control ball valve.

- Valve body: CW617N brass
- Sealing gaskets: EPDM O'ring and PTFE seats
- Nominal pressure: 16 bar
- Max. differential pressure: 5 bar
- Circulating fluid temperature: -10°C (with antifreeze) + 100°C
- Compatible fluids: water with or without glycol
- Connections: male-male
- Full bore flow



ART. 3020

Code	size	€	box	carton
3020 12	1/2"	34,46	1	
3020 34	3/4"	53,06	1	
3020 1	1"	69,48	1	
3020 114	1"1/4	78,51	1	



Chrome-plated 2-way zone control ball valve.

- Valve body: CW617N brass
- Sealing gaskets: EPDM O'ring and PTFE seats
- Nominal pressure: 16 bar
- Max. differential pressure: 5 bar
- Circulating fluid temperature: -10°C (with antifreeze) + 100°C
- Compatible fluids: water with or without glycol
- Connections: female-female
- Full bore flow



ART. 3016

Code	size	€	box	carton
3016 12	1/2"	19,91	1	
3016 34	3/4"	22,41	1	
3016 1	1"	31,69	1	

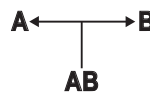
Chrome-plated 3-way diverter zone control ball valve.

- Valve body: CW617N brass
- Sealing gaskets: EPDM O'ring and PTFE seats
- Nominal pressure: 16 bar
- Max. differential pressure: 5 bar
- Circulating fluid temperature: -10°C (with antifreeze) + 100°C
- Compatible fluids: water with or without glycol
- Connections: female-female
- Full bore flow



ART. 3021

Code	size	€	box	carton
3021 12	1/2"	28,65	1	
3021 34	3/4"	43,20	1	
3021 1	1"	54,73	1	



Chrome-plated 2-way zone control ball valve.

- Valve body: CW617N brass
- Sealing gaskets: EPDM O'ring and PTFE seats
- Nominal pressure: 16 bar
- Max. differential pressure: 5 bar
- Circulating fluid temperature: -10°C (with antifreeze) + 100°C
- Compatible fluids: water with or without glycol
- Connections: male-female
- Full bore flow



ART. 3017

Code	size	€	box	carton
3017 12	1/2"	22,59	1	
3017 34	3/4"	26,10	1	
3017 1	1"	37,92	1	
3017 114	1"1/4	56,28	1	

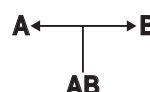
Chrome-plated 3-way diverter zone control ball valve.

- Valve body: CW617N brass
- Sealing gaskets: EPDM O'ring and PTFE seats
- Nominal pressure: 16 bar
- Max. differential pressure: 5 bar
- Circulating fluid temperature: -10°C (with antifreeze) + 100°C
- Compatible fluids: water with or without glycol
- Connections: male-female
- Full bore flow



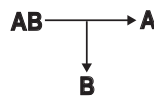
ART. 3022

Code	size	€	box	carton
3022 12	1/2"	31,44	1	
3022 34	3/4"	48,19	1	
3022 1	1"	62,19	1	
3022 114	1"1/4	72,63	1	



Chrome-plated 3-way zone valve with by-pass ball arrangement.

- Valve body: CW617N brass
- Sealing gaskets: EPDM O'ring and PTFE seats
- Nominal pressure: 16 bar
- Max. differential pressure: 5 bar
- Circulating fluid temperature: -10°C (with antifreeze) + 100°C
- Compatible fluids: water with or without glycol
- Connections: male

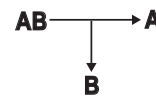


ART. 3032

Code	size	€	box	carton
3032 12	1/2"	34,46	1	
3032 34	3/4"	53,06	1	
3032 1	1"	69,48	1	
3032 114	1"1/4	78,51	1	

Chrome-plated 3-way zone valve with by-pass ball and 24x19 central connection.

- Valve body: CW617N brass
- Sealing gaskets: EPDM O'ring and PTFE seats
- Nominal pressure: 16 bar
- Max. differential pressure: 5 bar
- Circulating fluid temperature: -10°C (with antifreeze) + 100°C
- Compatible fluids: water with or without glycol
- Connections: male

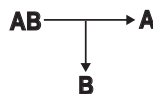


ART. 3031

Code	size	€	box	carton
3031 34	3/4"	51,92	1	
3031 1	1"	74,31	1	

Chrome-plated 3-way MOTORIZED zone valve with by-pass Tee.

- Valve body: CW617N brass
- Sealing gaskets: EPDM O'ring and PTFE seats
- Nominal pressure: 16 bar
- Max. differential pressure: 5 bar
- Circulating fluid temperature: -10°C (with antifreeze) + 100°C
- Compatible fluids: water with or without glycol
- Connections: male
- Adjustable centre line between ports: from 52 mm to 63 mm

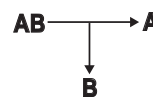


ART. 3025

Code	size	€	box	carton
3025 34	3/4"	73,87	1	
3025 1	1"	105,50	1	

Chrome-plated 3-way MOTORIZED zone valve with by-pass Tee and 24x19 central connection.

- Valve body: CW617N brass
- Sealing gaskets: EPDM O'ring and PTFE seats
- Nominal pressure: 16 bar
- Max. differential pressure: 5 bar
- Circulating fluid temperature: -10°C (with antifreeze) + 100°C
- Compatible fluids: water with or without glycol
- Connections: male



ART. 3030

Code	size	€	box	carton
3030 34	3/4"	70,04	1	
3030 1	1"	104,79	1	

Chrome-plated Tee connection for zone valve, art. 3025.



ART. 3026

Code	size	€	box	carton
3026 34	3/4"	25,09	1	
3026 1	1"	36,69	1	

Chrome-plated Tee for copper connection for zone valve, art. 3030.



ART. 3027

Code	size	€	box	carton
3027 34	3/4"	19,48	1	
3027 1	1"	32,56	1	



flow evolution



Thermo-electric manifolds and spare parts

Thermo-electric manifolds	Page 64
Fixed point regulating units	Page 73
Modulating regulating units	Page 79
Manifolds for large surfaces	Page 82
Thermo-electric actuators - Chrono-thermostats - Thermostats	Page 84
Accessories	Page 85
Intermediate connections	Page 87
Plugs and reductions for manifolds	Page 89
Adapters and sealing kit	Page 90



FAR thermo-electric manifolds are suitable for flow distribution within **heating** and **cooling** systems.

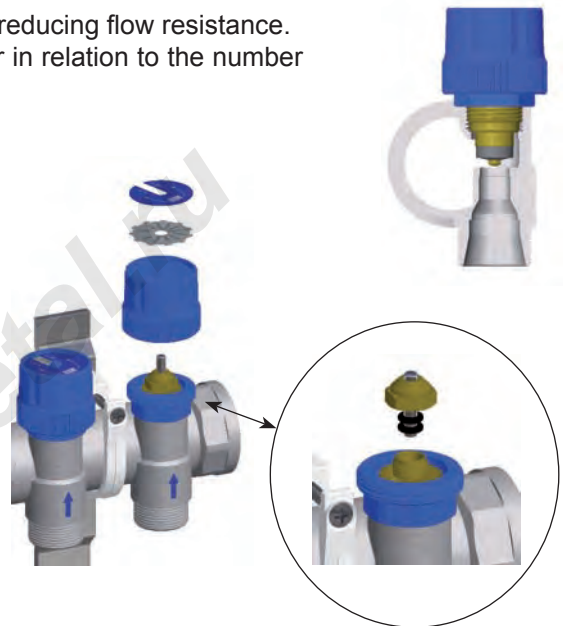
They are available in 1", 1"1/4 and 1"1/2 sizes.

The special shape of FAR manifolds facilitates high flow rates by reducing flow resistance. This special feature permits optimum choice of manifold diameter in relation to the number of circuits to be connected.

The return manifold is equipped with a blue handle and two silk-screen printed discs for circuit identification.

A thermo-electric actuator can be fixed to the manifold once the blue handle is removed.

Thanks to the simple safety system, it is possible to replace the double "O"-ring seal of the body, without any need to drain the system.



The supply manifold is equipped with a micrometric regulation system, with which it is possible to regulate or shut off flow within the system.

FAR offers two different versions:

- one complete with a regulating valve
- one provided with flowmeters for flow-rate control



With the aid of the right sealing kit it is possible to connect a variety of types of pipe to the manifolds using FAR interchangeable connections.

Kit for copper and low-carbon steel pipe



Art. 8427-8429

Adapter for multilayer pipe



Art. 6055

Adapter for plastic pipe



Art. 6052

Chrome-plated brass FLANGED modular return manifold.

- Built-in shut-off valves suitable for thermo-electric actuators
- Interchangeable sizes for copper, plastic and multilayer pipes
- Screws and O'rings for connection
- Connection: 1" female-female
- Centre line between ports: mm.50



ART. 3914

Code	outlets	size	€	box
3914 102	2	1"	30,92	1
3914 103	3	1"	42,86	1
3914 104	4	1"	62,60	1
3914 105	5	1"	74,27	1
3914 106	6	1"	86,11	1
3914 107	7	1"	106,21	1
3914 108	8	1"	117,87	1
3914 109	9	1"	129,81	1
3914 110	10	1"	149,87	1
3914 111	11	1"	161,58	1
3914 112	12	1"	173,06	1

Chrome-plated brass FLANGED modular supply manifold.

- Built-in regulating valves
- Interchangeable sizes for copper, plastic and multilayer pipes
- Screws and O'rings for connection
- Connection: 1" female-female
- Centre line between ports: mm.50



ART. 3915

Code	outlets	size	€	box
3915 102	2	1"	26,86	1
3915 103	3	1"	36,74	1
3915 104	4	1"	54,45	1
3915 105	5	1"	64,09	1
3915 106	6	1"	73,91	1
3915 107	7	1"	91,96	1
3915 108	8	1"	101,61	1
3915 109	9	1"	111,50	1
3915 110	10	1"	129,55	1
3915 111	11	1"	139,22	1
3915 112	12	1"	148,67	1

Chrome-plated brass FLANGED modular supply manifold.

- Flowmeters and flow-rate balancing valves
- Interchangeable sizes for copper, plastic and multilayer pipes
- Screws and O'rings for connection
- Connection: 1" female-female
- Centre line between ports: mm.50



ART. 3972

Code	outlets	size	€	box
3972 102	2	1"	33,33	1
3972 103	3	1"	46,44	1
3972 104	4	1"	67,38	1
3972 105	5	1"	80,26	1
3972 106	6	1"	93,32	1
3972 107	7	1"	114,60	1
3972 108	8	1"	127,48	1
3972 109	9	1"	140,60	1
3972 110	10	1"	161,89	1
3972 111	11	1"	174,79	1
3972 112	12	1"	187,48	1

PRE-ASSEMBLED chrome-plated brass FLANGED manifold complete with:

- Supply manifold with built-in regulating valves
 - Return manifold with built-in shut-off valves suitable for thermo-electric actuators
 - Fixing brackets, art. 7480
- Interchangeable sizes for copper, plastic and multilayer pipes
 - Screws and O'rings for connection
 - Connection: 1" female-female
 - Centre line between ports: mm.50



ART. 3916

Code	outlets	size	€	box
3916 102	2	1"	64,86	1
3916 103	3	1"	94,62	1
3916 104	4	1"	133,24	1
3916 105	5	1"	154,85	1
3916 106	6	1"	176,51	1
3916 107	7	1"	214,79	1
3916 108	8	1"	236,27	1
3916 109	9	1"	257,77	1
3916 110	10	1"	296,07	1
3916 111	11	1"	317,53	1
3916 112	12	1"	339,06	1

PRE-ASSEMBLED chrome-plated brass FLANGED manifold complete with:

- Supply manifold with flowmeters and flow-rate balancing valves
 - Return manifold with built-in shut-off valves suitable for thermo-electric actuators
 - Fixing brackets, art. 7480
- Interchangeable sizes for copper, plastic and multilayer pipes
 - Screws and O'rings for connection
 - Connection: 1" female-female
 - Centre line between ports: mm.50



ART. 3973

Code	outlets	size	€	box
3973 102	2	1"	71,33	1
3973 103	3	1"	104,32	1
3973 104	4	1"	146,18	1
3973 105	5	1"	171,02	1
3973 106	6	1"	195,92	1
3973 107	7	1"	237,43	1
3973 108	8	1"	262,15	1
3973 109	9	1"	286,87	1
3973 110	10	1"	328,41	1
3973 111	11	1"	353,11	1
3973 112	12	1"	377,87	1

- Chrome-plated brass FLANGED modular manifold complete with:
- Return manifold with built-in shut-off valves suitable for thermo-electric actuators
 - Intermediate connection, art. 3445
- Interchangeable sizes for copper, plastic and multilayer pipes
 - Screws and o'rings for connection
 - Connection: 1" female-female
 - Centre line between ports: mm.50



ART. 3463

Code	outlets	size	€	box
3463 104	4	1"	108,15	1
3463 105	5	1"	120,35	1
3463 106	6	1"	132,59	1
3463 107	7	1"	153,48	1
3463 108	8	1"	165,67	1
3463 109	9	1"	177,84	1
3463 110	10	1"	198,74	1
3463 111	11	1"	210,95	1
3463 112	12	1"	223,13	1

- Chrome-plated brass FLANGED modular manifold complete with:
- Supply manifold with built-in regulating valves
 - Intermediate connection, art. 3445
- Interchangeable sizes for copper, plastic and multilayer pipes
 - Screws and O'rings for connection
 - Connection: 1" female-female
 - Centre line between ports: mm.50



ART. 3464

Code	outlets	size	€	box
3464 104	4	1"	99,71	1
3464 105	5	1"	109,81	1
3464 106	6	1"	119,96	1
3464 107	7	1"	138,72	1
3464 108	8	1"	148,79	1
3464 109	9	1"	158,88	1
3464 110	10	1"	177,67	1
3464 111	11	1"	187,75	1
3464 112	12	1"	197,84	1

- Chrome-plated brass FLANGED modular manifold complete with:
- Supply manifold with flowmeters and flow-rate balancing valves
 - Intermediate connection, art. 3445
- Interchangeable sizes for copper, plastic and multilayer pipes
 - Screws and O'rings for connection
 - Connection: 1" female-female
 - Centre line between ports: mm.50



ART. 3562

Code	outlets	size	€	box
3562 104	4	1"	112,64	1
3562 105	5	1"	125,98	1
3562 106	6	1"	139,36	1
3562 107	7	1"	161,35	1
3562 108	8	1"	174,66	1
3562 109	9	1"	187,99	1
3562 110	10	1"	210,01	1
3562 111	11	1"	223,32	1
3562 112	12	1"	236,64	1

PRE-ASSEMBLED chrome-plated brass FLANGED manifold complete with:

- Supply manifold with built-in regulating valves
 - Return manifold with built-in shut-off valves suitable for thermo-electric actuators
 - Intermediate connections, art. 3445
 - Fixing brackets, art. 7480
- Interchangeable sizes for copper, plastic and multilayer pipes
 - Screws and O'rings for connection
 - Connection: 1" female-female
 - Centre line between ports: mm.50



ART. 3465

Code	outlets	size	€	box
3465 103	3	1"	192,87	1
3465 104	4	1"	223,59	1
3465 105	5	1"	245,82	1
3465 106	6	1"	268,14	1
3465 107	7	1"	307,87	1
3465 108	8	1"	330,14	1
3465 109	9	1"	352,42	1
3465 110	10	1"	392,17	1
3465 111	11	1"	414,42	1
3465 112	12	1"	436,81	1

PRE-ASSEMBLED chrome-plated brass FLANGED manifold complete with:

- Supply manifold with flowmeters and flow-rate balancing valves
 - Return manifold with built-in shut-off valves suitable for thermo-electric actuators
 - Intermediate connections, art. 3445
 - Fixing brackets, art. 7480
- Interchangeable sizes for copper, plastic and multilayer pipes
 - Screws and O'rings for connection
 - Connection: 1" female-female
 - Centre line between ports: mm.50



ART. 3563

Code	outlets	size	€	box
3563 103	3	1"	202,57	1
3563 104	4	1"	236,53	1
3563 105	5	1"	261,99	1
3563 106	6	1"	287,54	1
3563 107	7	1"	330,51	1
3563 108	8	1"	356,01	1
3563 109	9	1"	381,53	1
3563 110	10	1"	424,51	1
3563 111	11	1"	450,00	1
3563 112	12	1"	475,61	1

Chrome-plated brass modular return manifold.

- Built-in shut-off valves suitable for thermo-electric actuators
- Interchangeable sizes for copper, plastic and multilayer pipes
- Connection: 1" – 1"1/4 male-female
- Centre line between ports: mm.50

ART. 3913

Code	outlets	size	€	box
3913 102	2	1"	27,22	1
3913 103	3	1"	39,39	1
3913 104	4	1"	57,26	1
3913 105	5	1"	69,36	1
3913 106	6	1"	81,66	1
3913 107	7	1"	98,59	1
3913 108	8	1"	110,71	1
3913 109	9	1"	123,08	1
3913 110	10	1"	140,01	1
3913 111	11	1"	152,14	1
3913 112	12	1"	164,09	1



ART. 3913

Code	outlets	size	€	box
3913 11402	2	1"1/4	33,68	1
3913 11403	3	1"1/4	47,43	1
3913 11404	4	1"1/4	69,44	1
3913 11405	5	1"1/4	83,09	1
3913 11406	6	1"1/4	96,91	1
3913 11407	7	1"1/4	118,38	1
3913 11408	8	1"1/4	132,08	1
3913 11409	9	1"1/4	146,00	1
3913 11410	10	1"1/4	167,44	1
3913 11411	11	1"1/4	181,10	1
3913 11412	12	1"1/4	194,60	1

Chrome-plated brass modular supply manifold.

- Built-in regulating valves
- Interchangeable sizes for copper, plastic and multilayer pipes
- Connection: 1" – 1"1/4 male-female
- Centre line between ports: mm.50

ART. 3923

Code	outlets	size	€	box
3923 102	2	1"	23,59	1
3923 103	3	1"	33,90	1
3923 104	4	1"	49,13	1
3923 105	5	1"	59,21	1
3923 106	6	1"	69,45	1
3923 107	7	1"	84,35	1
3923 108	8	1"	94,43	1
3923 109	9	1"	104,77	1
3923 110	10	1"	119,68	1
3923 111	11	1"	129,75	1
3923 112	12	1"	139,68	1



ART. 3923

Code	outlets	size	€	box
3923 11402	2	1"1/4	29,61	1
3923 11403	3	1"1/4	41,33	1
3923 11404	4	1"1/4	61,29	1
3923 11405	5	1"1/4	72,93	1
3923 11406	6	1"1/4	84,73	1
3923 11407	7	1"1/4	104,14	1
3923 11408	8	1"1/4	115,79	1
3923 11409	9	1"1/4	127,67	1
3923 11410	10	1"1/4	147,11	1
3923 11411	11	1"1/4	158,74	1
3923 11412	12	1"1/4	170,21	1

Chrome-plated brass modular supply manifold.

- Flowmeters and flow-rate balancing valves
- Interchangeable sizes for copper, plastic and multilayer pipes
- Connection: 1" – 1"1/4 male-female
- Centre line between ports: mm.50

ART. 3970

Code	outlets	size	€	box
3970 102	2	1"	30,06	1
3970 103	3	1"	43,61	1
3970 104	4	1"	62,06	1
3970 105	5	1"	75,38	1
3970 106	6	1"	88,86	1
3970 107	7	1"	106,98	1
3970 108	8	1"	120,30	1
3970 109	9	1"	133,87	1
3970 110	10	1"	152,02	1
3970 111	11	1"	165,32	1
3970 112	12	1"	178,49	1



ART. 3970

Code	outlets	size	€	box
3970 11402	2	1"1/4	36,08	1
3970 11403	3	1"1/4	51,04	1
3970 11404	4	1"1/4	74,23	1
3970 11405	5	1"1/4	89,10	1
3970 11406	6	1"1/4	104,13	1
3970 11407	7	1"1/4	126,78	1
3970 11408	8	1"1/4	141,66	1
3970 11409	9	1"1/4	156,78	1
3970 11410	10	1"1/4	179,97	1
3970 11411	11	1"1/4	194,31	1
3970 11412	12	1"1/4	209,02	1

PRE-ASSEMBLED chrome-plated brass manifold complete with:

- Supply manifold with built-in regulating valves
 - Return manifold with built-in shut-off valves suitable for thermo-electric actuators
 - Fixing brackets, art. 7480
- Interchangeable sizes for copper, plastic and multilayer pipes
 - Connection: 1" – 1 1/4" male-female
 - Centre line between ports: mm.50



ART. 3929

Code	outlets	size	€	box
3929 102	2	1"	59,60	1
3929 103	3	1"	90,19	1
3929 104	4	1"	122,55	1
3929 105	5	1"	145,00	1
3929 106	6	1"	167,50	1
3929 107	7	1"	199,51	1
3929 108	8	1"	221,82	1
3929 109	9	1"	244,15	1
3929 110	10	1"	279,20	1
3929 111	11	1"	301,54	1
3929 112	12	1"	323,86	1
3929 113	13	1"	353,22	1

ART. 3929

Code	outlets	size	€	box
3929 11402	2	1 1/4"	72,37	1
3929 11403	3	1 1/4"	106,71	1
3929 11404	4	1 1/4"	148,17	1
3929 11405	5	1 1/4"	173,70	1
3929 11406	6	1 1/4"	199,30	1
3929 11407	7	1 1/4"	240,39	1
3929 11408	8	1 1/4"	265,80	1
3929 11409	9	1 1/4"	291,20	1
3929 11410	10	1 1/4"	335,32	1
3929 11411	11	1 1/4"	360,75	1
3929 11412	12	1 1/4"	386,16	1
3929 11413	13	1 1/4"	427,70	1



PRE-ASSEMBLED chrome-plated brass manifold complete with:

- Supply manifold with flowmeters and flow-rate balancing valves
 - Return manifold with built-in shut-off valves suitable for thermo-electric actuators
 - Fixing brackets, art. 7480
- Interchangeable sizes for copper, plastic and multilayer pipes
 - Connection: 1" – 1 1/4" male-female
 - Centre line between ports: mm.50



ART. 3971

Code	outlets	size	€	box
3971 102	2	1"	66,07	1
3971 103	3	1"	99,89	1
3971 104	4	1"	135,49	1
3971 105	5	1"	161,17	1
3971 106	6	1"	186,90	1
3971 107	7	1"	222,15	1
3971 108	8	1"	247,69	1
3971 109	9	1"	273,26	1
3971 110	10	1"	311,54	1
3971 111	11	1"	337,11	1
3971 112	12	1"	362,67	1
3971 113	13	1"	395,26	1

ART. 3971

Code	outlets	size	€	box
3971 11402	2	1 1/4"	78,84	1
3971 11403	3	1 1/4"	116,41	1
3971 11404	4	1 1/4"	161,11	1
3971 11405	5	1 1/4"	189,87	1
3971 11406	6	1 1/4"	218,70	1
3971 11407	7	1 1/4"	263,02	1
3971 11408	8	1 1/4"	291,67	1
3971 11409	9	1 1/4"	320,30	1
3971 11410	10	1 1/4"	367,66	1
3971 11411	11	1 1/4"	396,33	1
3971 11412	12	1 1/4"	424,96	1
3971 11413	13	1 1/4"	469,74	1



Chrome-plated brass modular manifold complete with:

- Return manifold with built-in shut-off valves suitable for thermo-electric actuators
- Intermediate connection, art. 3438
- Interchangeable sizes for copper, plastic and multilayer pipes
- Connection: 1" – 1"1/4 female-female
- Centre line between ports: mm.50

ART. 3460

Code	outlets	size	€	box
3460 104	4	1"	98,56	1
3460 105	5	1"	111,22	1
3460 106	6	1"	123,92	1
3460 107	7	1"	141,53	1
3460 108	8	1"	154,18	1
3460 109	9	1"	166,83	1
3460 110	10	1"	184,44	1
3460 111	11	1"	197,10	1
3460 112	12	1"	209,77	1



ART. 3460

Code	outlets	size	€	box
3460 11404	4	1"1/4	115,51	1
3460 11405	5	1"1/4	129,81	1
3460 11406	6	1"1/4	144,11	1
3460 11407	7	1"1/4	166,43	1
3460 11408	8	1"1/4	180,67	1
3460 11409	9	1"1/4	194,91	1
3460 11410	10	1"1/4	217,25	1
3460 11411	11	1"1/4	231,50	1
3460 11412	12	1"1/4	245,78	1

Chrome-plated brass modular manifold complete with:

- Supply manifold with built-in regulating valves
- Intermediate connection, art. 3438
- Interchangeable sizes for copper, plastic and multilayer pipes
- Connection: 1" – 1"1/4 female-female
- Centre line between ports: mm.50

ART. 3461

Code	outlets	size	€	box
3461 104	4	1"	90,11	1
3461 105	5	1"	100,70	1
3461 106	6	1"	111,27	1
3461 107	7	1"	126,78	1
3461 108	8	1"	137,32	1
3461 109	9	1"	147,85	1
3461 110	10	1"	163,38	1
3461 111	11	1"	173,91	1
3461 112	12	1"	184,44	1



ART. 3461

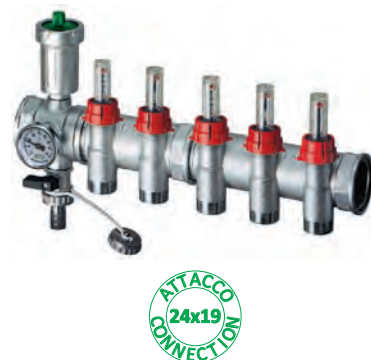
Code	outlets	size	€	box
3461 11404	4	1"1/4	107,10	1
3461 11405	5	1"1/4	119,27	1
3461 11406	6	1"1/4	131,45	1
3461 11407	7	1"1/4	151,67	1
3461 11408	8	1"1/4	163,81	1
3461 11409	9	1"1/4	175,97	1
3461 11410	10	1"1/4	196,16	1
3461 11411	11	1"1/4	208,32	1
3461 11412	12	1"1/4	220,47	1

Chrome-plated brass modular manifold complete with:

- Supply manifold with flowmeters and flow-rate balancing valves
- Intermediate connection, art. 3438
- Interchangeable sizes for copper, plastic and multilayer pipes
- Connection: 1" – 1"1/4 female-female
- Centre line between ports: mm.50

ART. 3560

Code	outlets	size	€	box
3560 104	4	1"	103,05	1
3560 105	5	1"	116,87	1
3560 106	6	1"	130,68	1
3560 107	7	1"	149,42	1
3560 108	8	1"	163,19	1
3560 109	9	1"	176,95	1
3560 110	10	1"	195,72	1
3560 111	11	1"	209,49	1
3560 112	12	1"	223,25	1



ART. 3560

Code	outlets	size	€	box
3560 11404	4	1"1/4	120,04	1
3560 11405	5	1"1/4	135,44	1
3560 11406	6	1"1/4	150,85	1
3560 11407	7	1"1/4	174,31	1
3560 11408	8	1"1/4	189,68	1
3560 11409	9	1"1/4	205,07	1
3560 11410	10	1"1/4	228,50	1
3560 11411	11	1"1/4	243,89	1
3560 11412	12	1"1/4	259,28	1

PRE-ASSEMBLED chrome-plated brass manifold complete with:

- Supply manifold with built-in regulating valves
- Return manifold with built-in shut-off valves suitable for thermo-electric actuators
- Intermediate connections, art. 3438
- Fixing brackets, art. 7480

- Interchangeable sizes for copper, plastic and multilayer pipes
- Connection: 1" – 1"1/4 female-female
- Centre line between ports: mm.50



ART. 3462

Code	outlets	size	€	box
3462 102	2	1"	143,98	1
3462 103	3	1"	173,25	1
3462 104	4	1"	204,40	1
3462 105	5	1"	227,50	1
3462 106	6	1"	250,67	1
3462 107	7	1"	283,93	1
3462 108	8	1"	307,08	1
3462 109	9	1"	330,21	1
3462 110	10	1"	366,57	1
3462 111	11	1"	389,77	1
3462 112	12	1"	412,94	1
3462 113	13	1"	438,89	1
3462 114	14	1"	468,43	1

ART. 3462

Code	outlets	size	€	box
3462 11403	3	1"1/4	208,73	1
3462 11404	4	1"1/4	239,66	1
3462 11405	5	1"1/4	265,99	1
3462 11406	6	1"1/4	292,37	1
3462 11407	7	1"1/4	335,02	1
3462 11408	8	1"1/4	361,37	1
3462 11409	9	1"1/4	387,72	1
3462 11410	10	1"1/4	433,47	1
3462 11411	11	1"1/4	459,85	1
3462 11412	12	1"1/4	486,26	1
3462 11413	13	1"1/4	536,11	1
3462 11414	14	1"1/4	565,25	1



PRE-ASSEMBLED chrome-plated brass manifold complete with:

- Supply manifold with flowmeters and flow-rate balancing valves
- Return manifold with built-in shut-off valves suitable for thermo-electric actuators
- Intermediate connections, art. 3438
- Fixing brackets, art. 7480

- Interchangeable sizes for copper, plastic and multilayer pipes
- Connection: 1" – 1"1/4 female-female
- Centre line between ports: mm.50



ART. 3561

Code	outlets	size	€	box
3561 102	2	1"	150,45	1
3561 103	3	1"	182,95	1
3561 104	4	1"	217,34	1
3561 105	5	1"	243,67	1
3561 106	6	1"	270,08	1
3561 107	7	1"	306,57	1
3561 108	8	1"	332,95	1
3561 109	9	1"	359,32	1
3561 110	10	1"	398,91	1
3561 111	11	1"	425,34	1
3561 112	12	1"	451,74	1
3561 113	13	1"	480,93	1
3561 114	14	1"	513,71	1

ART. 3561

Code	outlets	size	€	box
3561 11403	3	1"1/4	218,43	1
3561 11404	4	1"1/4	252,60	1
3561 11405	5	1"1/4	282,16	1
3561 11406	6	1"1/4	311,77	1
3561 11407	7	1"1/4	357,66	1
3561 11408	8	1"1/4	387,24	1
3561 11409	9	1"1/4	416,82	1
3561 11410	10	1"1/4	465,81	1
3561 11411	11	1"1/4	495,43	1
3561 11412	12	1"1/4	525,06	1
3561 11413	13	1"1/4	578,15	1
3561 11414	14	1"1/4	610,53	1



The control unit is suitable for systems combining both high and low temperature circuits eg. projects with underfloor heating in some areas and radiators in say the bathrooms. It is designed for connection to both flow and return lines with provision for an integral pump.

The Fixed Point Regulation version is suitable for heating systems: this unit can be manually adjusted by turning the handle of the thermostatic mixer to the desired flow temperature value. The pump should always be installed at the mixer outlet, in place of the brass extension piece.

The unit is provided with a safety thermostat and a bypass valve between flow and return from the boiler.

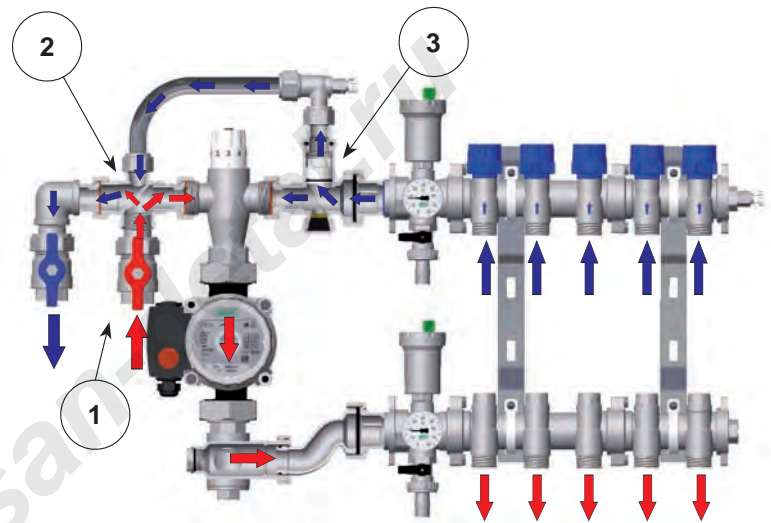
It is also available pre-assembled with manifolds for both high and low temperatures depending on the version selected.



ART. 3480

FUNCTION

Circulation is as follows: the high temperature water supplied from the boiler reaches the mixer unit through a ball valve (1) and a by-pass diverter connection (2). The connection (2) makes it possible to divert the high temperature water refused by the thermostatic mixer back to the boiler while, the same time, it directing to the boiler the water coming from the manifolds through the return connection (3). The mixer unit is designed to ensure a constant supply of water at the required temperature to the underfloor heating loops - blending in supplies of high temperature water from the boiler as necessary. Water leaves the mixer unit and is pumped to the flow side of the manifolds from whence it is distributed to the individual underfloor heating loops. Water coming back from the loops enters the return side of the manifolds and through the return connection (3) a proportion of the water re-enters the mixing unit restarting circulation while the remainder is diverted back to the boiler.



THERMOSTATIC MIXER

The thermostatic mixer is designed to ensure a constant supply of water for the low temperature system. The delivery temperature set-up must be carried out when starting up the system taking the design temperature as a reference. An initial set-up can be achieved based on the relation between the setting on the mixer and the flow water temperature. See below:



POSITION	Min.	1	2	3	4	5	Max
T ±2 [°C]	18	20	22	30	40	50	55

IMMERSION SAFETY THERMOSTAT

The immersion thermostat located on the regulating unit is designed to shut down the pump, or the boiler, when required. It is a liquid-filled type thermostat. The graduated knob allows the operator to set the maximum temperature value for the system.



Temperature setting range: 0 - 90°C
Protection level: IP 40

PUMPS FOR UNDERFLOOR HEATING SYSTEMS

In order to operate correctly, the brass template on the unit must ALWAYS be replaced with an appropriately sized pump in order to avoid flow resistance in the low temperature circuit.

FAR offers 3 kinds of pumps to complement these units:

- Art.2185 130: 3-speed pump with 130mm centre line. Max. head: 6m.
- Art.2185 130EB: Electronic pump, energy class B, with 130mm centre line. Variable head: from 1 to 5 m.
- Art.2185 130EA: Electronic pump, energy class A, with 130mm centre line. Variable head: from 1 to 7m.

All pumps have a 130mm centre line, 1"1/2 male connections and 230 V supply.

The pumps are only sold in combination with pre-assembled units.

Fixed point regulating unit for underfloor heating systems.

- Connection to flow and return pipelines: 3/4" female



ACCESSORIES:



PUMP

The pump will be supplied pre-assembled

Code	pump	€
2185 130	3-speed pump	130,01
2185 130EB	Electronic pump, class B	275,64
2185 130EA	Electronic pump, class A	385,95

ART. 3480

Code	size	€	box
3480 34	3/4"	503,33	1
3480 1	1"	503,33	1
3480 114	1"1/4	505,46	1

NB Pumps and control units are supplied only in combination with art. 3480

Pre-assembled unit for underfloor heating systems, complete with fixed point regulating unit and high temperature distribution manifolds.

- Interchangeable sizes for copper, plastic and multilayer pipes
- Fixing brackets, art. 7480



ACCESSORIES:



PUMP

The pump will be supplied pre-assembled

Code	pump	€
2185 130	3-speed pump	130,01
2185 130EB	Electronic pump, class B	275,64
2185 130EA	Electronic pump, class A	385,95



ART. 3477

Code	radiator outlets	size	€	box
3477 102	2	1"	684,18	1
3477 103	3	1"	716,82	1
3477 104	4	1"	751,04	1
3477 105	5	1"	777,18	1

NB Pumps and control units are supplied only in combination with art. 3477

Pre-assembled unit for underfloor heating systems, complete with:

- fixed point regulating unit
 - low temperature supply manifold with built-in regulating valves
 - low temperature return manifold with built-in shut-off valves
 - fixing brackets, art. 7480
- Interchangeable sizes for copper, plastic and multilayer pipes
 - Centre line between ports: mm.50



ART. 3481

ACCESSORIES:



PUMP

The pump will be supplied pre-assembled

Code	pump	€
2185 130	3-speed pump	130,01
2185 130EB	Electronic pump, class B	275,64
2185 130EA	Electronic pump, class A	385,95

NB Pumps and control units are supplied only in combination with art. 3481

Code	outlets	size	€	box
3481 102	2	1"	666,27	1
3481 103	3	1"	696,87	1
3481 104	4	1"	728,44	1
3481 105	5	1"	752,66	1
3481 106	6	1"	776,93	1
3481 107	7	1"	813,17	1
3481 108	8	1"	837,24	1
3481 109	9	1"	861,32	1
3481 110	10	1"	897,61	1
3481 111	11	1"	921,66	1
3481 112	12	1"	945,81	1

Pre-assembled unit for underfloor heating systems, complete with:

- fixed point regulating unit
 - low temperature supply manifold with flowmeters and flow-rate balancing valves
 - low temperature return manifold with built-in shut-off valves
 - fixing brackets, art. 7480
- Interchangeable sizes for copper, plastic and multilayer pipes
 - Centre line between ports: mm.50



ART. 3564

ACCESSORIES:



PUMP

The pump will be supplied pre-assembled

Code	pump	€
2185 130	3-speed pump	130,01
2185 130EB	Electronic pump, class B	275,64
2185 130EA	Electronic pump, class A	385,95

NB Pumps and control units are supplied only in combination with art. 3564

Code	outlets	size	€	box
3564 102	2	1"	672,73	1
3564 103	3	1"	706,58	1
3564 104	4	1"	741,38	1
3564 105	5	1"	768,83	1
3564 106	6	1"	796,33	1
3564 107	7	1"	835,80	1
3564 108	8	1"	863,12	1
3564 109	9	1"	890,43	1
3564 110	10	1"	929,95	1
3564 111	11	1"	957,23	1
3564 112	12	1"	984,62	1

Pre-assembled unit for underfloor heating systems, complete with:

- fixed point regulating unit
 - low temperature supply manifold with built-in regulating valves
 - low temperature return manifold with built-in shut-off valves
 - painted sheet steel wall box
- Interchangeable sizes for copper, plastic and multilayer pipes
 - Centre line between ports: mm.50



ART. 3482

ACCESSORIES:



PUMP

The pump will be supplied pre-assembled

Code	pump	€
2185 130	3-speed pump	130,01
2185 130EB	Electronic pump, class B	275,64
2185 130EA	Electronic pump, class A	385,95

NB Pumps and control units are supplied only in combination with art. 3482

Code	outlets	size	box sizes	€	box
3482 103	3	1"	700x600x150	950,13	1
3482 104	4	1"	700x600x150	981,80	1
3482 105	5	1"	800x600x150	1.019,23	1
3482 106	6	1"	800x600x150	1.038,61	1
3482 107	7	1"	900x600x150	1.108,04	1
3482 108	8	1"	900x600x150	1.127,43	1
3482 109	9	1"	1000x600x150	1.203,14	1
3482 110	10	1"	1000x600x150	1.250,80	1
3482 111	11	1"	1100x600x150	1.293,48	1
3482 112	12	1"	1100x600x150	1.312,92	1

Pre-assembled unit for underfloor heating systems, complete with:

- fixed point regulating unit
 - low temperature supply manifold with flowmeters and flow-rate balancing valves
 - low temperature return manifold with built-in shut-off valves
 - painted sheet steel wall box
- Interchangeable sizes for copper, plastic and multilayer pipes
 - Centre line between ports: mm.50



ART. 3565

ACCESSORIES:



PUMP

The pump will be supplied pre-assembled

Code	pump	€
2185 130	3-speed pump	130,01
2185 130EB	Electronic pump, class B	275,64
2185 130EA	Electronic pump, class A	385,95

NB Pumps and control units are supplied only in combination with art. 3565

Code	outlets	size	box sizes	€	box
3565 103	3	1"	700x600x150	959,83	1
3565 104	4	1"	700x600x150	994,74	1
3565 105	5	1"	800x600x150	1.035,40	1
3565 106	6	1"	800x600x150	1.058,02	1
3565 107	7	1"	900x600x150	1.130,68	1
3565 108	8	1"	900x600x150	1.153,31	1
3565 109	9	1"	1000x600x150	1.232,25	1
3565 110	10	1"	1000x600x150	1.283,14	1
3565 111	11	1"	1100x600x150	1.329,06	1
3565 112	12	1"	1100x600x150	1.351,73	1

Pre-assembled high and low temperature unit for underfloor heating systems complete with:

- fixed point regulating unit
 - low temperature supply manifold with built-in regulating valves
 - low temperature return manifold with built-in shut-off valves
 - high temperature distribution manifolds
 - fixing brackets, art. 7480
- Interchangeable sizes for copper, plastic and multilayer pipes
 - Centre line between ports: mm.50



ART. 3483

Code	floor outlets	radiator outlets	size	€	box
3483 10302	3	2	1"	810,35	1
3483 10402	4	2	1"	843,64	1
3483 10502	5	2	1"	866,80	1
3483 10602	6	2	1"	887,02	1
3483 10702	7	2	1"	931,75	1
3483 10802	8	2	1"	951,98	1
3483 10902	9	2	1"	972,20	1
3483 11002	10	2	1"	1.022,12	1
3483 11102	11	2	1"	1.042,30	1
3483 10303	3	3	1"	842,72	1
3483 10403	4	3	1"	875,98	1
3483 10503	5	3	1"	899,17	1
3483 10603	6	3	1"	919,39	1
3483 10703	7	3	1"	964,12	1
3483 10803	8	3	1"	984,35	1
3483 10903	9	3	1"	1.004,59	1
3483 11003	10	3	1"	1.054,50	1

ACCESSORIES:



PUMP

The pump will be supplied pre-assembled

Code	pump	€
2185 130	3-speed pump	130,01
2185 130EB	Electronic pump, class B	275,64
2185 130EA	Electronic pump, class A	385,95

NB Pumps and control units are supplied only in combination with art. 3483

Pre-assembled high and low temperature unit for underfloor heating systems complete with:

- fixed point regulating unit
 - low temperature supply manifold with flowmeters and flow-rate balancing valves
 - low temperature return manifold with built-in shut-off valves
 - high temperature distribution manifolds
 - fixing brackets, art. 7480
- Interchangeable sizes for copper, plastic and multilayer pipes
 - Centre line between ports: mm.50



ART. 3566

Code	floor outlets	radiator outlets	size	€	box
3566 10302	3	2	1"	820,05	1
3566 10402	4	2	1"	856,57	1
3566 10502	5	2	1"	882,97	1
3566 10602	6	2	1"	906,43	1
3566 10702	7	2	1"	954,38	1
3566 10802	8	2	1"	977,85	1
3566 10902	9	2	1"	1.001,31	1
3566 11002	10	2	1"	1.054,46	1
3566 11102	11	2	1"	1.077,87	1
3566 10303	3	3	1"	852,42	1
3566 10403	4	3	1"	888,92	1
3566 10503	5	3	1"	915,34	1
3566 10603	6	3	1"	938,79	1
3566 10703	7	3	1"	986,76	1
3566 10803	8	3	1"	1.010,22	1
3566 10903	9	3	1"	1.033,69	1
3566 11003	10	3	1"	1.086,84	1

ACCESSORIES:



PUMP

The pump will be supplied pre-assembled

Code	pump	€
2185 130	3-speed pump	130,01
2185 130EB	Electronic pump, class B	275,64
2185 130EA	Electronic pump, class A	385,95

NB Pumps and control units are supplied only in combination with art. 3566

Pre-assembled high and low temperature unit for underfloor heating systems complete with:

- fixed point regulating unit
- low temperature supply manifold with built-in regulating valves
- low temperature return manifold with built-in shut-off valves
- high temperature distribution manifolds
- painted sheet steel wall box

- Interchangeable sizes for copper, plastic and multilayer pipes
- Centre line between ports: mm.50



ART. 3484

Code	floor outlets	radiator outlets	size	box sizes	€	box
3484 10302	3	2	1"	800x600x150	1.077,49	1
3484 10402	4	2	1"	800x600x150	1.109,19	1
3484 10502	5	2	1"	900x600x150	1.158,23	1
3484 10602	6	2	1"	900x600x150	1.177,64	1
3484 10702	7	2	1"	1000x600x150	1.276,64	1
3484 10802	8	2	1"	1000x600x150	1.296,04	1
3484 10902	9	2	1"	1100x600x150	1.338,80	1
3484 11002	10	2	1"	1100x600x150	1.386,45	1
3484 11102	11	2	1"	1200x600x150	1.437,15	1
3484 10303	3	3	1"	800x600x150	1.108,32	1
3484 10403	4	3	1"	900x600x150	1.166,84	1
3484 10503	5	3	1"	900x600x150	1.189,06	1
3484 10603	6	3	1"	1000x600x150	1.264,89	1
3484 10703	7	3	1"	1000x600x150	1.307,47	1
3484 10803	8	3	1"	1100x600x150	1.350,34	1
3484 10903	9	3	1"	1100x600x150	1.369,61	1
3484 11003	10	3	1"	1200x600x150	1.448,77	1

ACCESSORIES:



PUMP

The pump will be supplied pre-assembled

Code	pump	€
2185 130	3-speed pump	130,01
2185 130EB	Electronic pump, class B	275,64
2185 130EA	Electronic pump, class A	385,95

NB Pumps and control units are supplied only in combination with art. 3484

Pre-assembled high and low temperature unit for underfloor heating systems complete with:

- fixed point regulating unit
- low temperature supply manifold with flowmeters and flow-rate balancing valves
- low temperature return manifold with built-in shut-off valves
- high temperature distribution manifolds
- painted sheet steel wall box

- Interchangeable sizes for copper, plastic and multilayer pipes
- Centre line between ports: mm.50



ART. 3567

Code	floor outlets	radiator outlets	size	box sizes	€	box
3567 10302	3	2	1"	800x600x150	1.087,19	1
3567 10402	4	2	1"	800x600x150	1.122,12	1
3567 10502	5	2	1"	900x600x150	1.174,40	1
3567 10602	6	2	1"	900x600x150	1.197,04	1
3567 10702	7	2	1"	1000x600x150	1.299,28	1
3567 10802	8	2	1"	1000x600x150	1.321,91	1
3567 10902	9	2	1"	1100x600x150	1.367,91	1
3567 11002	10	2	1"	1100x600x150	1.418,79	1
3567 11102	11	2	1"	1200x600x150	1.472,73	1
3567 10303	3	3	1"	800x600x150	1.118,02	1
3567 10403	4	3	1"	900x600x150	1.179,78	1
3567 10503	5	3	1"	900x600x150	1.205,23	1
3567 10603	6	3	1"	1000x600x150	1.284,30	1
3567 10703	7	3	1"	1000x600x150	1.330,11	1
3567 10803	8	3	1"	1100x600x150	1.376,21	1
3567 10903	9	3	1"	1100x600x150	1.398,72	1
3567 11003	10	3	1"	1200x600x150	1.481,11	1

ACCESSORIES:



PUMP

The pump will be supplied pre-assembled

Code	pump	€
2185 130	3-speed pump	130,01
2185 130EB	Electronic pump, class B	275,64
2185 130EA	Electronic pump, class A	385,95

NB Pumps and control units are supplied only in combination with art. 3567

Modulating/Regulating units for underfloor heating systems are available in HOT only or HOT/COLD versions. They are equipped with a 3-point actuator and a mixing valve. Used in association with a control unit they can manage the flow temperature of an underfloor heating system in accordance with climatic and room conditions.

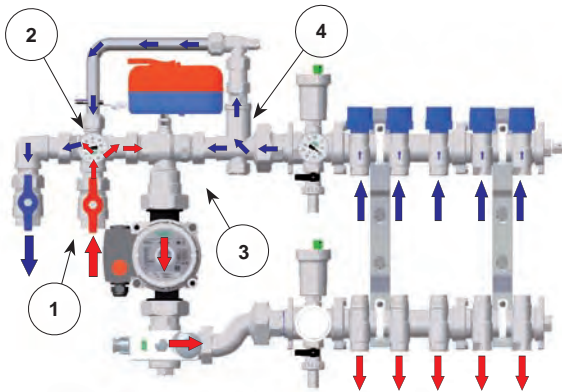
The MODULATING version is suitable for both heating and cooling systems: the main feature is the facility to manage the plant by modulating the supply temperature via a control unit equipped with an external temperature probe. Temperature can be maintained to a set value.

The brass template at the outlet of the mixing valve must always to be replaced by a pump. The unit is equipped with a by-pass between the supply and return sides of the heat emitter and a safety thermostat.

It is also available with pre-assembled manifolds for distribution of flow for low temperature only, high temperature only, or both.



ART. 3490



The mixing valve is designed to ensure a constant supply of water, blended to the required temperature, to the underfloor heating loops. Circulation is as follows: water leaves the mixing valve (3), passes through the pump (installed in place of the template) and is pumped to the flow side of the manifold(s) from whence it is distributed to the individual underfloor heating loops. Water coming back from the loops enters the return side of the manifold(s) and, passing through the return connection (4), re-enters the mixing valve. High temperature water is supplied from the boiler to the mixing valve via a ball valve (1) and diverter connection (2). As it enters the mixing valve an equal quantity of lower temperature return water is diverted back to the boiler, thus automatically keeping the system in balance.



+



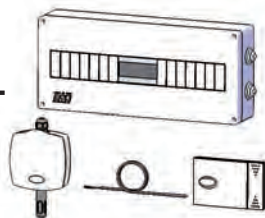
HOT ONLY (HEATING)

If you wish to set up to a "hot only" system, you will require both the regulating unit and an electronic controller, Art. 9611, comprising:

- HOT Only electronic controller
- Supply temperature probe
- External temperature probe
- Seat for supply probe



+



HOT and COLD (HEATING and COOLING)

However, if you need to use a climatic control which operates the circuit in winter and summer, you will also require a control unit, art.9610. It comprises:

- HOT - COLD electronic controller
- Supply temperature probe
- External temperature probe
- Internal temperature + humidity probe
- Seat for supply probe
- Box for controller

PUMPS FOR UNDERFLOOR HEATING SYSTEMS

In order to operate correctly, the brass template on the unit must ALWAYS be replaced with an appropriately sized pump in order to avoid flow resistance in the low temperature circuit. FAR offers 3 kinds of pumps to complement these units:

- Art.2185 130: 3-speed pump with 130mm centre line. Max. head: 6m.
- Art.2185 130EB: Electronic pump, energy class B, with 130mm centre line. Variable head: from 1 to 5 m.
- Art.2185 130EA: Electronic pump, energy class A, with 130mm centre line. Variable head: from 1 to 7m.

All pumps have a 130mm centre line, 1 1/2" male connections and 230 V supply. The pumps are only sold in combination with pre-assembled units.

Modulating regulating unit for underfloor heating systems, complete with 3-point actuator.

- Connection to flow and return pipelines: 3/4" female



ACCESSORIES:



PUMP

The pump will be supplied pre-assembled

Code	pump	€
2185 130	3-speed pump	130,01
2185 130EB	Electronic pump, class B	275,64
2185 130EA	Electronic pump, class A	385,95



ELECTRONIC CONTROLLER

Code	electronic regulation type	€
9610	hot and cold	1.245,65
9611	only hot	363,18

ART. 3490

NB Pumps and control units are supplied only in combination with art. 3490

Code	size	voltage	€	box
3490 110	1"	230 V	549,63	1

Pre-assembled unit for underfloor heating systems, complete with 3- point actuator and high temperature distribution manifolds.

- Interchangeable sizes for copper, plastic and multilayer pipes
- Fixing brackets, art. 7480

www.con-detal.ru

ACCESSORIES:



PUMP

The pump will be supplied pre-assembled

Code	pump	€
2185 130	3-speed pump	130,01
2185 130EB	Electronic pump, class B	275,64
2185 130EA	Electronic pump, class A	385,95



ELECTRONIC CONTROLLER

Code	electronic regulation type	€
9610	hot and cold	1.245,65
9611	only hot	363,18



ART. 3491

NB Pumps and control units are supplied only in combination with art. 3491

Code	radiator outlets	size	voltage	€	box
3491 10210	2	1"	230 V	749,68	1
3491 10310	3	1"	230 V	785,76	1
3491 10410	4	1"	230 V	816,18	1
3491 10510	5	1"	230 V	846,22	1

Pre-assembled unit for underfloor heating systems complete with:

- regulating unit with mixing valve and 3-point actuator
 - safety thermostat
 - low temperature supply manifold with built-in regulating valves
 - low temperature return manifold with built-in shut-off valves
 - painted sheet steel wall box
- Interchangeable sizes for copper, plastic and multilayer pipes
 - Centre line between ports: mm. 50



ACCESSORIES:



PUMP

The pump will be supplied pre-assembled

Code	pump	€
2185 130	3-speed pump	130,01
2185 130EB	Electronic pump, class B	275,64
2185 130EA	Electronic pump, class A	385,95



ELECTRONIC CONTROLLER

Code	electronic regulation type	€
9610	hot and cold	1.245,65
9611	only hot	363,18

NB Pumps and control units are supplied only in combination with art. 3568



ART. 3568

Code	outlets	size	box sizes	€	box
3568 105	5	1"	800x600x150	1.052,36	1
3568 106	6	1"	800x600x150	1.076,75	1
3568 107	7	1"	900x600x150	1.135,04	1
3568 108	8	1"	900x600x150	1.162,58	1
3568 109	9	1"	1000x600x150	1.198,71	1
3568 110	10	1"	1000x600x150	1.275,73	1
3568 111	11	1"	1100x600x150	1.300,94	1
3568 112	12	1"	1100x600x150	1.356,22	1

Pre-assembled unit for underfloor heating systems complete with:

- regulating unit with mixing valve and 3-point actuator
 - safety thermostat
 - low temperature supply manifold with flowmeters and flow-rate balancing valves
 - low temperature return manifold with built-in shut-off valves
 - painted sheet steel wall box
- Interchangeable sizes for copper, plastic and multilayer pipes
 - Centre line between ports: mm. 50



ACCESSORIES:



PUMP

The pump will be supplied pre-assembled

Code	pump	€
2185 130	3-speed pump	130,01
2185 130EB	Electronic pump, class B	275,64
2185 130EA	Electronic pump, class A	385,95



ELECTRONIC CONTROLLER

Code	electronic regulation type	€
9610	hot and cold	1.245,65
9611	only hot	363,18

NB Pumps and control units are supplied only in combination with art. 3569



ART. 3569

Code	outlets	size	box sizes	€	box
3569 105	5	1"	800x600x150	1.092,39	1
3569 106	6	1"	800x600x150	1.124,38	1
3569 107	7	1"	900x600x150	1.187,73	1
3569 108	8	1"	900x600x150	1.220,32	1
3569 109	9	1"	1000x600x150	1.316,48	1
3569 110	10	1"	1000x600x150	1.349,69	1
3569 111	11	1"	1100x600x150	1.410,24	1
3569 112	12	1"	1100x600x150	1.442,83	1

Pre-assembled high and low temperature unit for underfloor heating systems complete with:

- regulating unit with mixing valve and 3-point actuator
 - safety thermostat
 - low temperature supply manifold with built-in regulating valves
 - low temperature return manifold with built-in shut-off valves
 - high temperature distribution manifolds
 - painted sheet steel wall box
- Interchangeable sizes for copper, plastic and multilayer pipes
 - Centre line between ports: mm. 50



ART. 3570

ACCESSORIES:



PUMP

The pump will be supplied pre-assembled

Code	pump	€
2185 130	3-speed pump	130,01
2185 130EB	Electronic pump, class B	275,64
2185 130EA	Electronic pump, class A	385,95



ELECTRONIC CONTROLLER

Code	electronic regulation type	€
9610	hot and cold	1.245,65
9611	only hot	363,18

NB Pumps and control units are supplied only in combination with art. 3570

Code	floor outlets	radiator outlets	size	box sizes	€	box
3570 10502	5	2	1"	900x600x150	1.203,02	1
3570 10602	6	2	1"	900x600x150	1.222,22	1
3570 10702	7	2	1"	1000x600x150	1.322,66	1
3570 10802	8	2	1"	1000x600x150	1.341,74	1
3570 10902	9	2	1"	1100x600x150	1.383,07	1
3570 11002	10	2	1"	1100x600x150	1.431,25	1
3570 11102	11	2	1"	1200x600x150	1.502,25	1
3570 10503	5	3	1"	900x600x150	1.233,84	1
3570 10603	6	3	1"	1000x600x150	1.311,39	1
3570 10703	7	3	1"	1000x600x150	1.353,47	1
3570 10803	8	3	1"	1100x600x150	1.394,44	1
3570 10903	9	3	1"	1100x600x150	1.413,89	1
3570 11003	10	3	1"	1200x600x150	1.514,35	1

Pre-assembled high and low temperature unit for underfloor heating systems complete with:

- regulating unit with mixing valve and 3-point actuator
 - safety thermostat
 - low temperature supply manifold with flowmeters and flow-rate balancing valves
 - low temperature return manifold with built-in shut-off valves
 - high temperature distribution manifolds
 - painted sheet steel wall box
- Interchangeable sizes for copper, plastic and multilayer pipes
 - Centre line between ports: mm. 50



ART. 3571

ACCESSORIES:



PUMP

The pump will be supplied pre-assembled

Code	pump	€
2185 130	3-speed pump	130,01
2185 130EB	Electronic pump, class B	275,64
2185 130EA	Electronic pump, class A	385,95



ELECTRONIC CONTROLLER

Code	electronic regulation type	€
9610	hot and cold	1.245,65
9611	only hot	363,18

NB Pumps and control units are supplied only in combination with art. 3571

Code	floor outlets	radiator outlets	size	box sizes	€	box
3571 10502	5	2	1"	900x600x150	1.218,28	1
3571 10602	6	2	1"	900x600x150	1.240,58	1
3571 10702	7	2	1"	1000x600x150	1.344,20	1
3571 10802	8	2	1"	1000x600x150	1.366,50	1
3571 10902	9	2	1"	1100x600x150	1.410,83	1
3571 11002	10	2	1"	1100x600x150	1.462,28	1
3571 11102	11	2	1"	1200x600x150	1.535,81	1
3571 10503	5	3	1"	900x600x150	1.249,12	1
3571 10603	6	3	1"	1000x600x150	1.329,77	1
3571 10703	7	3	1"	1000x600x150	1.375,04	1
3571 10803	8	3	1"	1100x600x150	1.419,29	1
3571 10903	9	3	1"	1100x600x150	1.441,69	1
3571 11003	10	3	1"	1200x600x150	1.544,84	1

Chrome-plated brass modular manifold.

- Built-in shut-off valves suitable for thermo-electric actuators
- Interchangeable sizes for d. 25-26 plastic and multilayer pipes
- Connection: 1"1/2 male-female
- Centre line between ports: mm.70



ART. 3910

Code	outlets	size	€	box
3910 11202	2	1"1/2	48,63	1
3910 11203	3	1"1/2	67,13	1
3910 11204	4	1"1/2	101,09	1
3910 11205	5	1"1/2	120,10	1
3910 11206	6	1"1/2	138,66	1
3910 11207	7	1"1/2	170,75	1
3910 11208	8	1"1/2	189,54	1
3910 11209	9	1"1/2	209,54	1
3910 11210	10	1"1/2	241,65	1
3910 11211	11	1"1/2	260,42	1
3910 11212	12	1"1/2	278,39	1

Chrome-plated brass modular manifold.

- Built-in vertical regulating valves
- Interchangeable sizes for d. 25-26 plastic and multilayer pipes
- Connection: 1"1/2 male-female
- Centre line between ports: mm.70



ART. 3920

Code	outlets	size	€	box
3920 11202	2	1"1/2	43,93	1
3920 11203	3	1"1/2	59,17	1
3920 11204	4	1"1/2	91,68	1
3920 11205	5	1"1/2	107,44	1
3920 11206	6	1"1/2	122,74	1
3920 11207	7	1"1/2	153,39	1
3920 11208	8	1"1/2	168,92	1
3920 11209	9	1"1/2	185,65	1
3920 11210	10	1"1/2	216,32	1
3920 11211	11	1"1/2	231,85	1
3920 11212	12	1"1/2	246,55	1

PRE-ASSEMBLED chrome-plated brass manifold complete with:

- Supply manifold with built-in regulating valves
- Return manifold with built-in shut-off valves suitable for thermo-electric actuators
- Fixing brackets, art. 7470

- Interchangeable sizes for d. 25-26 plastic and multilayer pipes
- Connection: 1"1/2 male-female
- Centre line between ports: mm.70



ART. 3927

Code	outlets	size	€	box
3927 11202	2	1"1/2	111,99	1
3927 11203	3	1"1/2	164,86	1
3927 11204	4	1"1/2	230,68	1
3927 11205	5	1"1/2	264,99	1
3927 11206	6	1"1/2	299,68	1
3927 11207	7	1"1/2	362,54	1
3927 11208	8	1"1/2	396,94	1
3927 11209	9	1"1/2	431,49	1
3927 11210	10	1"1/2	494,18	1
3927 11211	11	1"1/2	548,28	1
3927 11212	12	1"1/2	582,73	1

Adapter for PLASTIC pipe suitable for our manifolds. Complete with chrome-plated nut with M33x1,5 thread.



ART. 6049

Code	pipe	size	€	box	carton
6049 219834	plastic	25x2,3	4,97	25	250

Adapter for MULTILAYER pipe suitable for our manifolds. Complete with chrome-plated nut with M33x1,5 thread.



ART. 6057

Code	pipe	size	€	box	carton
6057 263274	multilayer	20x2	5,51	25	250
6057 263264	multilayer	20x2,25	5,51	25	250
6057 263265	multilayer	20x2,5	5,51	25	250
6057 219218	multilayer	25x2,5	5,51	25	250
6057 220218	multilayer	26x3	5,51	25	250

- Chrome-plated brass modular manifold complete with:
- Return manifold with built-in shut-off valves suitable for thermo-electric actuators
 - Intermediate connection, art. 3438
- Interchangeable sizes for d. 25-26 plastic and multilayer pipes
 - Connection: 1"1/2 female-female
 - Centre line between ports: mm.70



ART. 3457

Code	outlets	size	€	box
3457 11204	4	1"1/2	161,47	1
3457 11205	5	1"1/2	181,80	1
3457 11206	6	1"1/2	202,46	1
3457 11207	7	1"1/2	235,44	1
3457 11208	8	1"1/2	255,78	1
3457 11209	9	1"1/2	276,39	1
3457 11210	10	1"1/2	309,36	1
3457 11211	11	1"1/2	328,81	1
3457 11212	12	1"1/2	349,16	1

- Chrome-plated brass modular manifold complete with:
- Supply manifold with built-in regulating valves
 - Intermediate connection, art. 3438
- Interchangeable sizes for d. 25-26 plastic and multilayer pipes
 - Connection: 1"1/2 female-female
 - Centre line between ports: mm.70



ART. 3458

Code	outlets	size	€	box
3458 11204	4	1"1/2	150,66	1
3458 11205	5	1"1/2	167,31	1
3458 11206	6	1"1/2	184,27	1
3458 11207	7	1"1/2	215,53	1
3458 11208	8	1"1/2	232,19	1
3458 11209	9	1"1/2	249,12	1
3458 11210	10	1"1/2	280,38	1
3458 11211	11	1"1/2	296,13	1
3458 11212	12	1"1/2	312,78	1

- PRE-ASSEMBLED chrome-plated brass manifold complete with:
- Supply manifold with built-in regulating valves
 - Return manifold with built-in shut-off valves suitable for thermo-electric actuators
 - Intermediate connections, art. 3438
 - Fixing brackets, art. 7470
- Interchangeable sizes for d. 25-26 plastic and multilayer pipes
 - Connection: 1"1/2 female-female
 - Centre line between ports: mm.70



ART. 3459

Code	outlets	size	€	box
3459 11204	4	1"1/2	352,04	1
3459 11205	5	1"1/2	389,03	1
3459 11206	6	1"1/2	426,53	1
3459 11207	7	1"1/2	490,77	1
3459 11208	8	1"1/2	527,77	1
3459 11209	9	1"1/2	565,33	1
3459 11210	10	1"1/2	629,58	1
3459 11211	11	1"1/2	687,71	1
3459 11212	12	1"1/2	724,71	1

Chrome-plated reduction with M33X1,5 thread.



ART. 8852

Code	from size	to size	€	box
8852 30	25-26	24x19	3,99	
8852 G1830	25-26	24x19 Ø 18	5,25	
8852 G2230	25-26	Ø 22	6,17	

Chrome-plated temperature gauge fitting complete with bimetallic temperature gauge.

- Interchangeable sizes for d. 25-26 plastic and multilayer pipes
- Temperature gauge: 0÷80°C



ART. 3427

Code	€	box
3427	18,47	1

2 wired thermo-electric actuator provided with selector. Suitable to be installed on thermostatic valves and manifolds.

- NC = NORMALLY CLOSED
- NA = NORMALLY OPEN



N.B. For installation on thermostatic valves, use the chrome-plated adapter, art. 1941.

ART. 1909-1919-1929-1939

Code	voltage	opening time	type	€	box	carton
1909	24 V	180 s	NC	29,99	1	100
1919	230 V	180 s	NC	29,99	1	100
1929	24 V	180 s	NA	29,99	1	100
1939	230 V	180 s	NA	29,99	1	100

4 wired thermoelectric actuator with auxiliary micro-switch and selector. Suitable for installation on thermostatic valves and manifolds.

- NC = NORMALLY CLOSED



N.B. For installation on thermostatic valves, use the chrome-plated adapter, art. 1941.

ART. 1914-1924-1913-1923

Code	voltage	opening time	type	€	box	carton
1914	24 V	180 s	NC	32,26	1	100
1924	230 V	180 s	NC	32,26	1	100
1913	24 V	90 s	NC	34,73	1	100
1923	230 V	90 s	NC	34,73	1	100

Digital wall chrono-thermostat complete with daily programmable clock with 2 adjustable and pre-set temperature levels, battery operated.

- Summer/winter switch
- Programme range: 30 minutes
- 2 pre-set and adjustable programmes
- Complete with batteries



ART. 7945

Code	€	box	carton
7945	115,82	1	

Digital wall chrono-thermostat complete with weekly programmable clock with 2 adjustable and pre-set temperature levels, battery operated.

- Summer/winter switch
- Programme range: 30 minutes
- 3 pre-set and adjustable programmes
- Complete with batteries



ART. 7946

Code	€	box	carton
7946	115,82	1	

Electronic analog wall chrono-thermostat complete with weekly programmable clock with 2 adjustable and pre-set temperature levels, battery operated.

- Summer/winter switch
- Programme range: 60 minutes
- Switch with 4 functions:
 - antifreeze
 - comfort temperature
 - reduced manual temperature
 - automatic
- Complete with battery



ART. 7947

Code	€	box	carton
7947	144,94	1	

Electromechanical room thermostat complete with steam sensor.

- Diverting contact: 6(2)A 250V a.c.



ART. 7948

Code	€	box	carton
7948	16,01	1	

Electronic 230V room thermostat complete with steam sensor.

- OFF/summer/winter switch
- Diverting relay outlet: 6(1)A 250 V a.c..



ART. 7949

Code	€	box	carton
7949	48,41	1	

Chrome-plated flowmeter.

- Measuring scale: 1-3,5 litres/min.
- Measuring scale: 2-8 litres/min.
- Interchangeable size for copper, plastic and multilayer pipes
- Suitable for installation on return manifolds



ART. 3429

Code	l/min	€	box
3429 4	1 - 3,5	26,77	12
3429 8	2 - 8	26,77	12

Chrome-plated temperature gauge fitting.

- Interchangeable size for copper, plastic and multilayer pipes
- Temperature gauge: 0÷80°C



ART. 3434

Code	€	box
3434	14,98	1

Chrome-plated revolving terminal connection suitable for manifolds with fixed setting differential by-pass valve. Complete with chrome-plated air vent valve.



ART. 3420

Code	size	€	box
3420 1	1"	13,59	1
3420 114	1"1/4	14,98	1

Chrome-plated revolving terminal connection suitable for manifolds.



ART. 3421

Code	size	€	box
3421 1	1"	6,65	1
3421 114	1"1/4	8,09	1

Chrome-plated by-pass kit for manifolds, complete with revolving connections, fixed setting differential by-pass valve and air vent valve.



ART. 3422

Code	size	€	box
3422 1	1"	19,99	1
3422 114	1"1/4	22,78	1

Chrome-plated by-pass kit for manifolds, complete with revolving connections, fixed setting differential by-pass valve, chrome-plated pipe and air vent valve.



ART. 3423

Code	size	€	box
3423 1	1"	28,41	1
3423 114	1"1/4	31,19	1

Chrome-plated thermostatic mixer for underfloor heating systems.

- Control temperature range: 18÷55°C



ART. 3951

Code	size	€	box
3951 1	1"	111,95	1

Anti-condensate protection shell made of thermo-formed expanded polyethylene for thermoelectric manifolds.
(ART. 3913-3923-3914-3915-3911-3921-3917-3918)



ART. 9300

Code	outlets	size	€	box
9300 102	2	1"	12,77	1
9300 103	3	1"	13,28	1
9300 104	4	1"	13,81	1
9300 11402	2	1"1/4	13,27	1
9300 11403	3	1"1/4	13,87	1
9300 11202	2	1"1/2	13,45	1
9300 11203	3	1"1/2	15,36	1

End plug made of velcro for protection shell (ART. 9300) suitable for manifolds with built-in regulating valves (ART. 3923-3915-3921-3918).



ART. 9302

Code	outlets	size	€	box
9302 102	2	1"	5,35	1
9302 103	3	1"	5,83	1

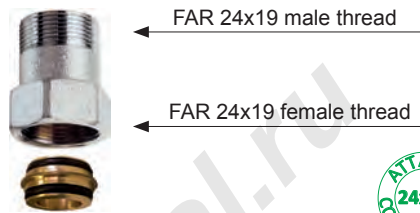
Anti-condensate protection shell made of thermo-formed expanded polyethylene for intermediate connections (ART. 3438-3445).



ART. 9301

Code	size	€	box
9301 1	1"	12,53	1
9301 114	1"1/4	12,83	1
9301 112	1"1/2	13,81	1

Chrome-plated straight extension.
• interchangeable sizes for copper, plastic and multilayer pipe
• sealing metal gasket with double O-RING

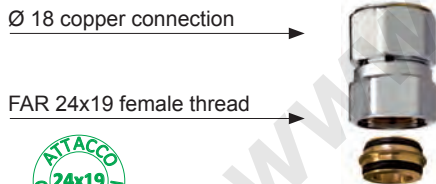


ART. 8850

Code	length/mm	€	box
8850 30	30	2,78	25
8850 35	35	2,78	25
8850 40	40	2,78	25

Chrome-plated straight extension. Permits changing a FAR 24 x 19 female thread in a Ø 18 connection for copper pipe.

- interchangeable sizes for copper, plastic and multilayer pipe
- sealing metal gasket with double O-RING

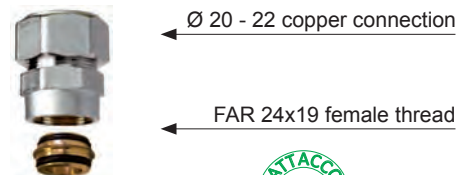


ART. 8850

Code	size	length/mm	€	box	carton
8850 G1830	24x19 - Ø18	30	5,21	25	200
8850 G1835	24x19 - Ø18	35	5,21	25	200
8850 G1840	24x19 - Ø18	40	5,21	25	200

Chrome-plated straight extension. Permits changing a FAR 24 x 19 female thread in a Ø 20-22 connection for copper pipe.

- interchangeable sizes for copper, plastic and multilayer pipe
- sealing metal gasket with double O-RING

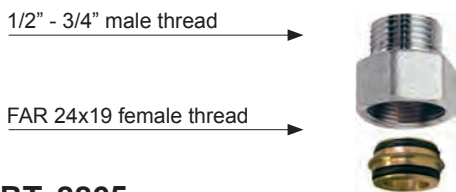


ART. 8850

Code	size	length/mm	€	box	carton
8850 G2030	24x19 - Ø20	30	6,51	25	200
8850 G2230	24x19 - Ø22	30	6,51	25	200

Chrome-plated reducer. Permits changing a FAR 24X19 female thread in a 1/2" - 3/4" male thread.

- sealing metal gasket with double O-RING

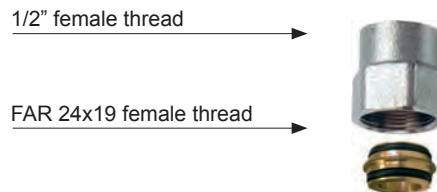


ART. 8865

Code	size	length/mm	€	box	carton
8865 3012	24x19 - 1/2"	30	2,74	25	200
8865 3034	24x19 - 3/4"	30	2,74	25	200

Chrome-plated reducer. Permits changing a FAR 24X19 female thread in a 1/2" female thread.

- sealing metal gasket with double O-RING



ART. 8870

Code	size	length/mm	€	box	carton
8870 30	24x19 - 1/2"	30	2,74	25	200

Chrome-plated intermediate connection.
• Size: 1"-1"1/4 female-female



ART. 3430

Code	size	€	box	carton
3430 1	1"	7,18	10	80
3430 114	1"1/4	11,60	5	40

Chrome-plated intermediate connection for manifolds, preset for installation of air vent valve, temperature gauge and drain cock.
• Size: 1" male-female



ART. 3440

Code	size	€	box
3440 1	1"	11,59	80

Chrome-plated intermediate FLANGED connection. Provided with screws and O'RING for connection.
• Size: 1" female-female



ART. 3441

Code	size	€	box	carton
3441 1	1"x3/8"	9,67	10	80

Chrome-plated intermediate connection complete with air vent valve, temperature gauge and plug.

- Size: 1"-1"1/4 -1"1/2 female-female
- Temperature gauge: 0+80°C

ART. 3435

Code	size	€	box
3435 1	1"	24,16	1
3435 114	1"1/4	27,75	1
3435 112	1"1/2	35,65	1



Chrome-plated intermediate connection complete with air vent valve, thermo-manometer and plug.

- Size: 1"-1"1/4 female-female
- Thermo-manometer: 0+4 bar - 0+120°C



ART. 3436

Code	size	€	box
3436 1	1"	35,29	1
3436 114	1"1/4	38,75	1

Chrome-plated intermediate connection complete with automatic air vent valve, temperature gauge and boiler drain cock.

- Size: 1"-1"1/4 -1"1/2 female-female
- Temperature gauge: 0+80°C

ART. 3438

Code	size	€	box
3438 1	1"	30,11	1
3438 114	1"1/4	33,56	1
3438 112	1"1/2	41,31	1



Chrome-plated intermediate connection complete with automatic air vent valve, thermo-manometer and boiler drain cock.

- Size: 1"-1"1/4 female-female
- Thermo-manometer: 0+4 bar - 0+120°C



ART. 3442

Code	size	€	box
3442 1	1"	42,28	1
3442 114	1"1/4	45,74	1

Chrome-plated intermediate FLANGED connection, complete with automatic air vent valve, temperature gauge and plug.

- Provided with screws and O'RING for connection
- Size: 1" female-female
- Temperature gauge: 0+80°C

ART. 3443

Code	size	€	box
3443 1	1"	26,10	1



Chrome-plated intermediate FLANGED connection complete with automatic air vent valve, thermo-manometer and plug.

- Provided with screws and O'RING for connection
- Size: 1" female-female
- Thermo-manometer: 0+4 bar - 0+120°C



ART. 3444

Code	size	€	box
3444 1	1"	36,54	1

Chrome-plated intermediate FLANGED connection complete with automatic air vent valve, temperature gauge and drain cock.

- Provided with screws and O'RING for connection
- Size: 1" female-female
- Temperature gauge: 0+80°C

ART. 3445

Code	size	€	box
3445 1	1"	33,75	1



Chrome-plated intermediate FLANGED connection complete with automatic air vent valve, thermo-manometer and drain cock.

- Provided with screws and O'RING for connection
- Size: 1" female-female
- Thermo-manometer: 0+4 bar - 0+120°C



ART. 3446

Code	size	€	box
3446 1	1"	45,85	1

Chrome-plated temperature gauge fitting.

- Size: 1" male-female



ART. 3431

Code	size	€	box
3431 1	1"	6,01	5

Chrome-plated temperature gauge fitting complete with temperature gauge.

- Size: 1" male-female
- Temperature gauge: 0÷80°C



ART. 3432

Code	size	€	box
3432 1	1"	15,20	1

Chrome-plated terminal connection for manifolds. Double radial connection.

- Connection: 3/4" - 1" - 1"1/4 - 1"1/2 female
- Outlets: 1/2" x 1/2" female
3/8" x 1/2" female



ART. 4060

Code	size	outlets	€	box	carton
4060 3438	3/4"	3/8"x1/2"	5,01	25	250
4060 3412	3/4"	1/2"x1/2"	5,01	25	250
4060 138	1"	3/8"x1/2"	5,54	25	250
4060 112	1"	1/2"x1/2"	5,54	25	250
4060 11438	1"1/4	3/8"x1/2"	7,29	20	200
4060 11412	1"1/4	1/2"x1/2"	7,29	20	200
4060 11238	1"1/2	3/8"x1/2"	8,94		
4060 11212	1"1/2	1/2"x1/2"	8,94		

Chrome-plated terminal connection for manifolds, complete with automatic air vent valve and drain cock.

- Connection: 3/4" - 1" - 1"1/4 - 1"1/2 female
- Outlets: 3/8" x 1/2" female



ART. 4070

Code	size	outlets	€	box
4070 3438	3/4"	3/8"x1/2"	19,75	1
4070 138	1"	3/8"x1/2"	20,64	1
4070 11438	1"1/4	3/8"x1/2"	22,12	1
4070 11238	1"1/2	3/8"x1/2"	23,84	1

Chrome-plated terminal connection for manifolds. Double radial connection.

- Connection: 3/4" - 1" - 1"1/4 - 1"1/2 male
- Outlets: 1/2" x 1/2" female
3/8" x 1/2" female



ART. 4061

Code	size	outlets	€	box	carton
4061 3438	3/4"	3/8"x1/2"	5,42	25	250
4061 3412	3/4"	1/2"x1/2"	5,42	25	250
4061 138	1"	3/8"x1/2"	6,52	25	250
4061 112	1"	1/2"x1/2"	6,52	25	250
4061 11438	1"1/4	3/8"x1/2"	8,56	20	200
4061 11412	1"1/4	1/2"x1/2"	8,56	20	200
4061 11238	1"1/2	3/8"x1/2"	10,49		
4061 11212	1"1/2	1/2"x1/2"	10,49		

Chrome-plated terminal connection for manifolds, complete with automatic air vent valve and drain cock.

- Connection: 3/4" - 1" - 1"1/4 - 1"1/2 male
- Outlets: 3/8" x 1/2" female



ART. 4071

Code	size	outlets	€	box
4071 3438	3/4"	3/8"x1/2"	20,20	1
4071 138	1"	3/8"x1/2"	21,34	1
4071 11438	1"1/4	3/8"x1/2"	23,48	1
4071 11238	1"1/2	3/8"x1/2"	25,49	1

Chrome-plated boiler drain cock.

ART. 3439

Code	size	€	box
3439 12	1/2"	7,75	10



Brass boiler drain cock.

ART. 3447

Code	size	€	box
3447 12	1/2"	6,70	10



Chrome-plated STRAIGHT terminal blanking plug for modular manifolds complete with gasket.

- Connection: 3/4"-1" female
- Outlets: 1/4"-3/8"-1/2" female
- Connection: 1"1/4 female
- Outlets: 1/4"-3/8"-1/2" female



ART. 4000

Code	size	€	box	carton
4000 3414	3/4"x1/4"	2,19	30	300
4000 3438	3/4"x3/8"	2,19	30	300
4000 3412	3/4"x1/2"	2,19	30	300
4000 114	1"x1/4"	2,86	30	300
4000 138	1"x3/8"	2,86	30	300
4000 112	1"x1/2"	2,86	30	300
4000 11414	1"1/4x1/4"	3,17	25	250
4000 11438	1"1/4x3/8"	3,17	25	250
4000 11412	1"1/4x1/2"	3,17	25	250

Chrome-plated L-SHAPED terminal blanking plug for modular manifolds.

- Connection: 3/4"-1" - 1"1/4 female
- Outlets: 1/4"-3/8"-1/2" female



ART. 4050

Code	size	€	box	carton
4050 3414	3/4"x1/4"	3,24	30	240
4050 3438	3/4"x3/8"	3,24	30	240
4050 3412	3/4"x1/2"	3,24	30	240
4050 114	1"x1/4"	4,07	30	180
4050 138	1"x3/8"	4,07	30	180
4050 112	1"x1/2"	4,07	30	180
4050 11438	1"1/4x3/8"	5,41	30	180
4050 11412	1"1/4x1/2"	5,41	30	180

Chrome-plated blind cap complete with gasket.



ART. 4100

Code	size	€	box	carton
4100 12	1/2"	1,10	50	500
4100 34	3/4"	1,66	40	400
4100 1	1"	2,24	30	300
4100 114	1"1/4	2,82	30	300
4100 112	1"1/2	4,66	15	240

Complete KIT for manifold outlets complete with chrome-plated nut. (Adaptable to all interchangeable outlets). Ø 18 outlets excluded.



ART. 4250

Code	size	€	box	carton
4250	24x19	1,46	50	400

Chrome-plated male plug for manifold outlets.



ART. 4125

Code	size	€	box	carton
4125 12	1/2"	0,91	30	

Chrome-plated terminal blanking plug with O'RING seal for manifolds.



ART. 4150

Code	size	€	box	carton
4150 34	3/4"	1,91	25	250
4150 1	1"	2,23	25	250
4150 114	1"1/4	3,69	25	250
4150 112	1"1/2	6,04	10	100

Chrome-plated terminal blanking reduction with O'RING seal for manifolds with connection for air vent valve.



ART. 4200

Code	size	€	box	carton
4200 3414	3/4"x1/4"	2,06	25	250
4200 3438	3/4"x3/8"	2,06	25	250
4200 3412	3/4"x1/2"	2,24	25	250
4200 114	1"x1/4"	2,37	25	250
4200 138	1"x3/8"	2,37	25	250
4200 112	1"x1/2"	2,56	25	250
4200 11412	1"1/4x1/2"	3,63	25	250
4200 1121	1"1/2x1"	6,34	10	100

Chrome-plated connection for coplanar and flanged manifolds. Interchangeable sizes for copper, plastic and multilayer pipe.



ART. 4300

Code	size	€	box	carton
4300 34	3/4"	2,63	25	200
4300 1	1"	3,00	25	200

End closing plug for flanged manifolds.



ART. 4310

Code	size	€	box
4310 1	1"	3,00	30

Kit for plastic pipes. Suitable for all our products with 24x19 interchangeable connection.

Complete with:

- adapter for plastic pipe
- brass ring
- chrome-plated nut with 24x19 thread



ART. 6052

Code	pipe	external diameter	€	box	carton
6052 6563	plastic	10,5x1,25	2,57	50	500
6052 48186	plastic	12x2,15	2,57	50	500
6052 4847	plastic	12x2	2,57	50	500
6052 48184	plastic	12x1,5	2,57	50	500
6052 481005	plastic	12x1,35	2,57	50	500
6052 9761005	plastic	12,7x1,7	2,57	50	500
6052 976186	plastic	12,7x2,4	2,57	50	500
6052 6563	plastic	14x1,5	2,57	50	500
6052 6545	plastic	14x2	2,57	50	500
6052 4645	plastic	15x2,5	2,57	50	500
6052 4663	plastic	15x2	2,57	50	500
6052 46173	plastic	15x1,7	2,57	50	500
6052 4661	plastic	15x1,5	2,57	50	500
6052 5863	plastic	16x2,5	2,57	50	500
6052 58173	plastic	16x2,2	2,57	50	500
6052 5861	plastic	16x2	2,57	50	500
6052 58262	plastic	16x1,8	2,57	50	500
6052 5864	plastic	16x1,5	2,57	50	500
6052 58180	plastic	16x2,7	2,57	50	500
6052 15061	plastic	16,8x2,4	2,57	50	500
6052 150829	plastic	17x2,25	2,57	50	500
6052 15043	plastic	17x2	2,57	50	500
6052 6043	plastic	17,8x2,4	2,57	50	500
6052 60180	plastic	17,8x3,6	2,57	50	500
6052 4443	plastic	18x2,5	2,57	50	500
6052 44221	plastic	18x2,2	2,57	50	500
6052 4468	plastic	18x2	2,57	50	500
6052 8043	plastic	20x3,5	2,57	50	500
6052 8068	plastic	20x3	2,57	50	500
6052 80185	plastic	20x2,8	2,57	50	500
6052 80222	plastic	20x2,3	2,57	50	500
6052 8069	plastic	20x2,15	2,57	50	500
6052 80214	plastic	20x2	2,57	50	500
6052 80261	plastic	20x1,9	2,57	50	500

New

New

New

New

New

New

New

Kit for MULTILAYER pipes. Suitable for all our products with 24x19 interchangeable connection.

Complete with:

- adapter for multilayer pipe
- brass ring
- chrome-plated nut with 24x19 thread



ART. 6055

Code	pipe	external diameter	€	box	carton
6055 902901	multilayer	11,6x1,5	2,78	50	500
6055 48901	multilayer	12x1,8	2,78	50	500
6055 65193	multilayer	14X2	2,78	50	500
6055 58190	multilayer	16X2	2,78	50	500
6055 58200	multilayer	16X2,25	2,78	50	500
6055 58278	multilayer	16,2X2,6	2,78	50	500
6055 150200	multilayer	16,8x2,5	2,78	50	500
6055 150810	multilayer	17X2	2,78	50	500
6055 44191	multilayer	18X2	2,78	50	500
6055 80204	multilayer	20X2	2,78	50	500
6055 80192	multilayer	20X2,25	2,78	50	500
6055 80201	multilayer	20X2,5	2,78	50	500
6055 80191	multilayer	20X2,9	2,78	50	500

New

New

Sealing compression KIT in rubber for copper pipe.

Complete with:

- brass pipe guide washer
- rubber compression single-taper
- brass ring
- chrome-plated nut with 24x19 thread



ART. 8427

Code	pipe	size	€	box	carton
8427 10	copper	Ø 10	1,49	100	500
8427 12	copper	Ø 12	1,49	100	500
8427 14	copper	Ø 14	1,49	100	500

Sealing compression KIT in rubber for copper pipe.

Complete with:

- rubber compression single-taper
- brass ring
- chrome-plated nut with 24x19 thread



ART. 8429

Code	pipe	size	€	box	carton
8429 15	copper	Ø 15	1,39	100	500
8429 16	copper	Ø 16	1,39	100	500



FAR

flow evolution

Manifolds and spare parts

Multifar manifolds for domestic services and heating systems	Page 93
'START' multipurpose modular manifolds and spare parts	Page 96
Distribution manifolds	Page 98
Coplanar manifolds	Page 102
Plugs and reductions for manifolds	Page 103
Adapters and sealing kit	Page 104
Products complete with nut and sealing kit for Ø 18 copper pipe	Page 105

MULTIFAR - 2 port chrome-plated modular manifold for both domestic services and heating systems. Complete with manual controls. Each port is equipped with 2 silk-screen printed discs for circuit identification.

- Interchangeable sizes for copper, plastic and multilayer pipe.
- Side connections: 3/4" - 1" male-female
- Centre line between ports: 45 mm



ART. 3825

Code	size	€	box	carton
3825 34	3/4"	16,73	1	25
3825 1	1"	19,23	1	25

MULTIFAR - 3 port chrome-plated modular manifold for both domestic services and heating systems. Complete with manual controls. Each port is equipped with 2 silk-screen printed discs for circuit identification.

- Interchangeable sizes for copper, plastic and multilayer pipe.
- Side connections: 3/4" - 1" male-female
- Centre line between ports: 45 mm



ART. 3850

Code	size	€	box	carton
3850 34	3/4"	23,10	1	25
3850 1	1"	25,71	1	25

MULTIFAR - 4 port chrome-plated modular manifold for both domestic services and heating systems. Complete with manual controls. Each port is equipped with 2 silk-screen printed discs for circuit identification.

- Interchangeable sizes for copper, plastic and multilayer pipe.
- Side connections: 3/4" female-female
- Centre line between ports: 45 mm



ART. 3855

Code	size	€	box	carton
3855 34	3/4"	30,28	1	25

MULTIFAR - 4 port chrome-plated modular manifold for both domestic services and heating systems. Complete with manual controls. Each port is equipped with 2 silk-screen printed discs for circuit identification.

- Interchangeable sizes for copper, plastic and multilayer pipe.
- Side connections: 3/4" - 1" male-female
- Centre line between ports: 45 mm



ART. 3856

Code	size	€	box	carton
3856 34	3/4"	30,28	1	25
3856 1	1"	34,03	1	25

MULTIFAR - 2 port chrome-plated modular manifold for both domestic services and heating systems. Complete with manual controls. Each port is equipped with 2 silk-screen printed discs for circuit identification.

- Interchangeable sizes for copper, plastic and multilayer pipe.
- Side connection: 3/4" female
- Centre line between ports: 45 mm



ART. 3826

Code	size	€	box	carton
3826 34	3/4"	16,73	1	25

MULTIFAR - 3 port chrome-plated modular manifold for both domestic services and heating systems. Complete with manual controls. Each port is equipped with 2 silk-screen printed discs for circuit identification.

- Interchangeable sizes for copper, plastic and multilayer pipe.
- Side connection: 3/4" female
- Centre line between ports: 45 mm



ART. 3851

Code	size	€	box	carton
3851 34	3/4"	23,10	1	25

MULTIFAR - 2 port chrome-plated modular manifold for both domestic services and heating systems. Complete with regulating valves.

- Interchangeable sizes for copper, plastic and multilayer pipe.
- Side connections: 3/4" - 1" male-female
- Centre line between ports: 45 mm



ART. 3875

Code	size	€	box	carton
3875 34	3/4"	16,10	1	25
3875 1	1"	18,59	1	25

MULTIFAR - 3 port chrome-plated modular manifold for both domestic services and heating systems. Complete with regulating valves.

- Interchangeable sizes for copper, plastic and multilayer pipe.
- Side connections: 3/4" - 1" male-female
- Centre line between ports: 45 mm



ART. 3900

Code	size	€	box	carton
3900 34	3/4"	22,18	1	25
3900 1	1"	24,79	1	25

MULTIFAR - 4 port chrome-plated modular manifold for both domestic services and heating systems. Complete with regulating valves.

- Interchangeable sizes for copper, plastic and multilayer pipe.
- Side connections: 3/4" female-female
- Centre line between ports: 45 mm



ART. 3905

Code	size	€	box	carton
3905 34	3/4"	29,05	1	25

MULTIFAR - 4 port chrome-plated modular manifold for both domestic services and heating systems. Complete with regulating valves.

- Interchangeable sizes for copper, plastic and multilayer pipe.
- Side connections: 3/4" - 1" male-female
- Centre line between ports: 45 mm



ART. 3906

Code	size	€	box	carton
3906 34	3/4"	29,05	1	25
3906 1	1"	32,79	1	25

MULTIFAR - 2 port chrome-plated modular manifold for both domestic services and heating systems. Complete with regulating valves.

- Interchangeable sizes for copper, plastic and multilayer pipe.
- Side connection: 3/4" female
- Centre line between ports: 45 mm



ART. 3876

Code	size	€	box	carton
3876 34	3/4"	16,10	1	25

MULTIFAR - 3 port chrome-plated modular manifold for both domestic services and heating systems. Complete with regulating valves.

- Interchangeable sizes for copper, plastic and multilayer pipe.
- Side connection: 3/4" female
- Centre line between ports: 45 mm



ART. 3901

Code	size	€	box	carton
3901 34	3/4"	22,18	1	25

For connections to different kinds of pipe
see catalogue page 104

MULTIFAR - 2 port modular manifold made of "CR" (DZR) brass for both domestic services and heating systems. Complete with manual controls. Each port is equipped with 2 silk-screen printed discs for circuit identification.

- Interchangeable sizes for copper, plastic and multilayer pipe.
- Side connections: 3/4" - 1" male-female
- Centre line between ports: 45 mm



ART. 3834

Code	size	€	box	carton
3834 34	3/4"	17,29	1	25
3834 1	1"	20,02	1	25

MULTIFAR - 3 port modular manifold made of "CR" (DZR) brass for both domestic services and heating systems. Complete with manual controls. Each port is equipped with 2 silk-screen printed discs for circuit identification.

- Interchangeable sizes for copper, plastic and multilayer pipe.
- Side connections: 3/4" - 1" male-female
- Centre line between ports: 45 mm



ART. 3835

Code	size	€	box	carton
3835 34	3/4"	24,62	1	25
3835 1	1"	28,07	1	25

MULTIFAR - 4 port modular manifold made of "CR" (DZR) brass for both domestic services and heating systems. Complete with manual controls. Each port is equipped with 2 silk-screen printed discs for circuit identification.

- Interchangeable sizes for copper, plastic and multilayer pipe.
- Side connections: 3/4" female-female
- Centre line between ports: 45 mm



ART. 3836

Code	size	€	box	carton
3836 34	3/4"	33,19	1	25

MULTIFAR - 4 port modular manifold made of "CR" (DZR) brass for both domestic services and heating systems. Complete with manual controls. Each port is equipped with 2 silk-screen printed discs for circuit identification.

- Interchangeable sizes for copper, plastic and multilayer pipe.
- Side connections: 3/4" - 1" male-female
- Centre line between ports: 45 mm



ART. 3837

Code	size	€	box	carton
3837 34	3/4"	33,19	1	25
3837 1	1"	36,95	1	25

MULTIFAR - Modular manifold made of "CR" (DZR) brass for both domestic services and heating systems. Complete with manual controls. Each port is equipped with 2 silk-screen printed discs for circuit identification.

- Interchangeable sizes with M33x1,5 thread for ø 25-26 plastic and multilayer pipe
- Side connections: 1"1/4" male-female
- Centre line between ports: 70 mm

ART. 3827

Code	outlets	size	€	box
3827 11402	2	1"1/4	47,85	1
3827 11403	3	1"1/4	68,11	1
3827 11404	4	1"1/4	96,90	1
3827 11405	5	1"1/4	117,65	1
3827 11406	6	1"1/4	138,01	1
3827 11407	7	1"1/4	166,91	1
3827 11408	8	1"1/4	187,26	1
3827 11409	9	1"1/4	207,75	1
3827 11410	10	1"1/4	236,53	1



Kit for multilayer pipes. Suitable for our MULTIFAR manifold art. 3827.

Complete with:

- adapter for multilayer pipe
- brass ring
- brass nut with M33x1,5 thread



ART. 6056

Code	pipe	external diameter	€	box	carton
6056 263274	multilayer	20X2	5,27	25	250
6056 263264	multilayer	20X2,25	5,27	25	250
6056 263265	multilayer	20X2,5	5,27	25	250
6056 219218	multilayer	25x2,5	5,27	25	250
6056 220218	multilayer	26x3	5,27	25	250

Brass reduction with M33x1,5 thread for modular "MULTIFAR" manifolds art. 3827.



ART. 8851

Code	from size	to size	€	box
8851 30	25-26	24x19	3,83	
8851 G1830	25-26	24x19 Ø 18	5,17	
8851 G2230	25-26	Ø 22	6,08	

Reduction with M33x1,5 - 3/4" thread for modular "MULTIFAR" manifolds art. 3827.



ART. 8791

Code	size	€	box
8791 34	3/4"	3,86	

Blind cap with M33x1,5 thread for modular "MULTIFAR" manifolds art. 3827.



ART. 4101

Code	size	€	box
4101 126	25-26	2,69	

“START” (Main module)

Chrome-plated multipurpose modular FLANGED manifold for water distribution and heating systems. Manual regulation. Complete with plug, regulating valve, BLUE - RED double-face disc and disc with numeric references for the connection to the water meter.

- INLET - 1”1/4 female
- OUTLET - 1/2” female
- INLET: 1”1/2 female
- OUTLET: 1/2” - 3/4” female
- INLET: 2” female
- OUTLET: 1” female



ART. 3874

Code	outlets	size	€	box
3874 11412	1/2”	1”1/4	38,95	1
3874 11212	1/2”	1”1/2	49,26	1
3874 11234	3/4”	1”1/2	49,26	1
3874 21	1”	2”	73,71	1

“START” (Joining module - 100 mm centre line between ports)

Chrome-plated multipurpose modular FLANGED manifold for water distribution and heating systems. Manual regulation. Complete with plug, regulating valve, BLUE - RED double-face disc and disc with numeric references for the connection to the water meter.

- INLET - 1”1/4 female
- OUTLET - 1/2” female
- INLET: 1”1/2 female
- OUTLET: 1/2” - 3/4” female
- INLET: 2” female
- OUTLET: 1” female



ART. 3874

Code	outlets	centre line	size	€	box
3874 11412100	1/2”	100 mm	1”1/4	39,84	1
3874 11212100	1/2”	100 mm	1”1/2	49,36	1
3874 11234100	3/4”	100 mm	1”1/2	49,36	1
3874 21100	1”	100 mm	2”	65,96	1

“START” (Joining module - 200 mm centre line between ports)

Chrome-plated multipurpose modular FLANGED manifold for water distribution and heating systems. Manual regulation. Complete with plug, regulating valve, BLUE - RED double-face disc and disc with numeric references for the connection to the water meter.

- INLET - 1”1/4 female
- OUTLET - 1/2” female
- INLET: 1”1/2 female
- OUTLET: 1/2” - 3/4” female
- INLET: 2” female
- OUTLET: 1” female



ART. 3874

Code	outlets	centre line	size	€	box
3874 11412200	1/2”	200 mm	1”1/4	53,33	1
3874 11212200	1/2”	200 mm	1”1/2	64,80	1
3874 11234200	3/4”	200 mm	1”1/2	64,80	1
3874 21200	1”	200 mm	2”	80,39	1

FLANGED extension for START manifolds with 100 mm centre line between ports



ART. 3877

Code	centre line	size	€	box
3877 112	100 mm	1"1/2	38,38	1
3877 2	100 mm	2"	48,78	1

Chrome-plated intermediate connection.

- Size: 2" male-female



ART. 3452

Code	size	€	box
3452 2	2"	25,66	1

Metal bracket complete with collars for 'START' manifolds and manifolds with 100 mm. centre line between ports.



ART. 7470

Code	size	€	box
7470 114	1"1/4	9,09	2
7470 112	1"1/2	9,44	2
7470 2	2"	10,03	2

Kit complete with 2 collars for 'START' manifolds and manifolds with 100 mm. centre line between ports. Preset to be hooked on metal brackets, art. 7485.



ART. 7495

Code	size	€	box
7495 114	1"1/4	6,35	10
7495 112	1"1/2	6,78	7
7495 2	2"	7,42	7

Chrome-plated terminal blanking plug for START manifolds.

- Complete with O'RING seal



ART. 4150

Code	size	€	box
4150 114	1"1/4	3,69	25
4150 112	1"1/2	6,04	10
4150 2	2"	9,61	10

Chrome-plated terminal blanking reduction for START manifolds.

- Complete with O'RING seal



ART. 4200

Code	size	€	box
4200 11412	1"1/4x1/2"	3,63	25
4200 11434	1"1/4x3/4"	4,40	25
4200 1141	1"1/4x1"	4,40	25
4200 1121	1"1/2x1"	6,34	10
4200 21	2"x1"	10,11	10

Chrome-plated flanged end closing plug for START manifolds.

- Complete with O'RING seal and screws



ART. 4310

Code	size	€	box
4310 114	1"1/4	4,66	25
4310 112	1"1/2	5,96	10
4310 2	2"	7,61	10

2 port BRASS coplanar modular manifold.

- CW617N brass body
- Complete with O'RING and connecting screw
- Inlet: 1"1/4 female
- Outlets: 3/4" flat faced male

New



ART. 3755

Code	outlet	size	€	box	carton
3755 11434	3/4"	1"1/4	59,76	1	10

1 port brass modular manifold.

- CR (DZR) brass body
- Suitable for manifolds with 100 mm. centre line between ports
- Inlet: 1" male-female
- Outlet: 1/2" female



ART. 3610

Code	outlet	size	€	box
3610 112	1/2"	1"	10,32	5

2 port brass modular manifold.

- CR (DZR) brass body
- Inlet: 1"-1"1/4 -1"1/2 - 2" male-female
- Outlets: 1/2"-3/4"-1" female
- Centre line between ports: 100 mm



ART. 3611

Code	outlets	size	€	box
3611 112	1/2"	1"	17,70	5
3611 11412	1/2"	1"1/4	27,28	1
3611 11434	3/4"	1"1/4	27,28	1
3611 11234	3/4"	1"1/2	34,10	1
3611 1121	1"	1"1/2	34,10	1
3611 234	3/4"	2"	46,82	1
3611 21	1"	2"	46,82	1

3 port brass modular manifold.

- CR (DZR) brass body
- Inlet: 1"-1"1/4 -1"1/2 - 2" male-female
- Outlets: 1/2"-3/4"-1" female
- Centre line between ports: 100 mm



ART. 3612

Code	outlets	size	€	box
3612 112	1/2"	1"	25,83	4
3612 11412	1/2"	1"1/4	38,72	2
3612 11434	3/4"	1"1/4	38,72	1
3612 11234	3/4"	1"1/2	50,46	1
3612 1121	1"	1"1/2	50,46	1
3612 234	3/4"	2"	67,36	1
3612 21	1"	2"	67,36	1

3 port brass modular manifold.

- CR (DZR) brass body
- Inlet: 3/4" female
- Outlets: 1/2" female
- Centre line between ports: 100 mm



ART. 3614

Code	outlet	size	€	box
3614 3412	1/2"	3/4"	19,12	6

1 port brass modular manifold.

- CR (DZR) brass body
- Suitable for manifolds with 100 mm. centre line between ports
- Inlet: 1" male-female
- Outlet: 3/4" male



ART. 3615

Code	outlet	size	€	box
3615 134	3/4"	1"	10,40	5

2 port brass modular manifold.

- CR (DZR) brass body
- Inlet: 1" - 1"1/4 male-female
- Outlets: 3/4" male
- Centre line between ports: 100 mm



ART. 3616

Code	outlet	size	€	box
3616 134	3/4"	1"	17,70	5
3616 11434	3/4"	1"1/4	25,63	3

3 port brass modular manifold.

- CR (DZR) brass body
- Inlet: 1" - 1"1/4 male-female
- Outlets: 3/4" male
- Centre line between ports: 100 mm



ART. 3617

Code	outlets	size	€	box
3617 134	3/4"	1"	25,83	4
3617 11434	3/4"	1"1/4	38,38	2

2 port brass modular manifold to be used with manifolds with 100 mm. centre line between ports.

- CR (DZR) brass body
- Inlet: 1"1/2 male-female
- Outlets: 1/2" - 3/4" female



ART. 3618

Code	outlets	size	€	box	carton
3618 11212	1/2"	1"1/2	20,56	1	18
3618 11234	3/4"	1"1/2	20,56	1	18

4 port brass modular manifold.

- CR (DZR) brass body
- Inlet: 1"1/2 male-female
- Outlets: 1/2" - 3/4" female
- Centre line between ports: 100 mm



ART. 3619

Code	outlets	size	€	box	carton
3619 11212	1/2"	1"1/2	34,83	1	10
3619 11234	3/4"	1"1/2	34,83	1	10

6 port brass modular manifold.

- CR (DZR) brass body
- Inlet: 1"1/2 male-female
- Outlets: 1/2" - 3/4" female
- Centre line between ports: 100 mm



ART. 3620

Code	outlets	size	€	box	carton
3620 11212	1/2"	1"1/2	48,63	1	10
3620 11234	3/4"	1"1/2	48,63	1	10

Brass terminal blanking plug for modular manifolds.

- CR (DZR) brass body
- O-RING seal



ART. 4149

Code	size	€	box	carton
4149 1	1"	2,06	25	250
4149 114	1"1/4	3,87	25	250
4149 112	1"1/2	6,11	10	160
4149 2	2"	8,00	10	100

Brass terminal blanking reduction for modular manifolds.

- CR (DZR) brass body
- O-RING seal



ART. 4199

Code	size	€	box	carton
4199 138	1"x3/8"	2,14	25	250
4199 112	1"x1/2"	2,35	25	250
4199 134	1"x3/4"	3,84	25	400
4199 11434	1"1/4x3/4"	4,62	25	400
4199 1141	1"1/4x1"	4,62	25	400
4199 1121	1"1/2x1"	6,38	10	160
4199 21	2"x1"	8,32	10	100

Brass CR (DZR) blind cap.

- Complete with gasket



ART. 4099

Code	size	€	box	carton
4099 1	1"	2,37	30	300
4099 114	1"1/4	3,04	30	300
4099 112	1"1/2	5,04	15	240
4099 2	2"	7,50	10	160

Brass connection for modular manifolds.

- CR (DZR) brass body
- Interchangeable sizes for copper, plastic and multilayer pipe
- O-RING seal



ART. 4299

Code	size	€	box	carton
4299 34	3/4"	2,63	25	200
4299 1	1"	3,00	25	200

Brass connection for modular manifolds.

- CR (DZR) brass body
- Adapter for multilayer pipe Ø 25-26



ART. 4301

Code	size	Ø pipe	€	box	carton
4301 1219218	1"	25	9,08	10	100
4301 1220218	1"	26	9,08	10	100

Chrome-plated manifold.

- Interchangeable sizes for copper, plastic and multilayer pipe.
- Side connection: 3/4" - 1" female
- Centre line between ports: 36 mm



ART. 3000-3050-3100

Code	outlets	size	€	box	carton
3000 34	2	3/4"	6,23	14	140
3000 1	2	1"	7,26	12	120
3050 34	3	3/4"	8,61	10	100
3050 1	3	1"	9,57	8	80
3100 34	4	3/4"	10,66	8	80
3100 1	4	1"	13,09	6	60

Chrome-plated modular manifold

- Interchangeable sizes for copper, plastic and multilayer pipe.
- Side connections: 3/4" - 1" male - female
- Centre line between ports: 36 mm



ART. 3300-3350-3400

Code	outlets	size	€	box	carton
3300 34	2	3/4"	6,88	12	120
3300 1	2	1"	8,09	10	100
3350 34	3	3/4"	9,58	9	90
3350 1	3	1"	10,89	7	70
3400 34	4	3/4"	11,87	8	80
3400 1	4	1"	13,07	6	60

Chrome-plated modular manifold.

- Interchangeable sizes for copper, plastic and multilayer pipe.
- Side connections: 3/4"-1"-1"1/4 male-female
- Centre line between ports: 50 mm



ART. 3401-3402-3403

Code	outlets	size	€	box	carton
3401 34	2	3/4"	8,03	12	120
3401 1	2	1"	9,29	8	80
3401 114	2	1"1/4	13,25	8	80
3402 34	3	3/4"	11,00	8	80
3402 1	3	1"	12,64	6	60
3402 114	3	1"1/4	18,93	6	60
3403 34	4	3/4"	14,09	8	80
3403 1	4	1"	16,32	6	60
3403 114	4	1"1/4	23,15	6	60

Chrome-plated modular FLANGED manifold complete with screws and O'RING for connection.

- Interchangeable sizes for copper, plastic and multilayer pipe.
- Side connections: 1" female-female
- Centre line between ports: 50 mm



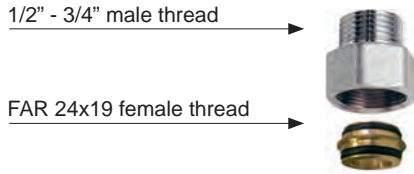
ART. 3410

Code	outlets	size	€	box
3410 102	2	1"	13,27	1
3410 103	3	1"	16,97	1
3410 104	4	1"	28,67	1
3410 105	5	1"	32,32	1
3410 106	6	1"	35,96	1
3410 107	7	1"	47,49	1
3410 108	8	1"	51,14	1
3410 109	9	1"	54,78	1
3410 110	10	1"	65,73	1
3410 111	11	1"	69,35	1
3410 112	12	1"	72,98	1

For connections to different kinds of pipe
see catalogue page 104

Chrome-plated reducer. Permits changing a FAR 24X19 female thread in a 1/2" - 3/4" male thread.

- sealing metal gasket with double O-RING

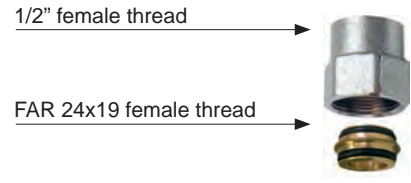


ART. 8865

Code	size	length/mm	€	box	carton
8865 3012	24x19 - 1/2"	30	2,74	25	200
8865 3034	24x19 - 3/4"	30	2,74	25	200

Chrome-plated reducer. Permits changing a FAR 24X19 female thread in a 1/2" female thread.

- sealing metal gasket with double O-RING

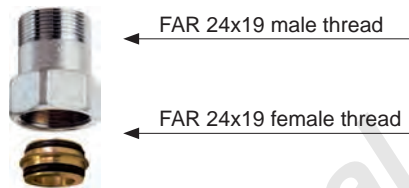


ART. 8870

Code	size	length/mm	€	box	carton
8870 30	24x19 - 1/2"	30	2,74	25	200

Chrome-plated straight extension.

- interchangeable sizes for copper, plastic and multilayer pipe
- sealing metal gasket with double O-RING

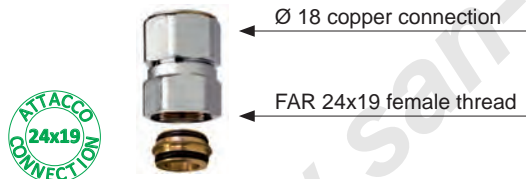


ART. 8850

Code	length/mm	€	box
8850 30	30	2,78	25
8850 35	35	2,78	25
8850 40	40	2,78	25

Chrome-plated straight extension. Permits changing a FAR 24 x 19 female thread in a Ø 18 connection for copper pipe.

- interchangeable sizes for copper, plastic and multilayer pipe
- sealing metal gasket with double O-RING

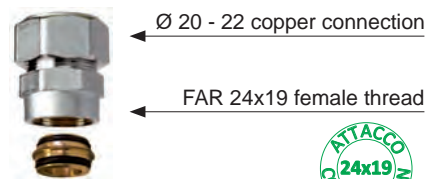


ART. 8850

Code	size	length/mm	€	box	carton
8850 G1830	24x19 - Ø18	30	5,21	25	200
8850 G1835	24x19 - Ø18	35	5,21	25	200
8850 G1840	24x19 - Ø18	40	5,21	25	200

Chrome-plated straight extension. Permits changing a FAR 24 x 19 female thread in a Ø 20-22 connection for copper pipe.

- interchangeable sizes for copper, plastic and multilayer pipe
- sealing metal gasket with double O-RING



ART. 8850

Code	size	length/mm	€	box	carton
8850 G2030	24x19 - Ø20	30	6,51	25	200
8850 G2230	24x19 - Ø22	30	6,51	25	200

Anti-condensate protection shell made of thermo-formed expanded polyethylene for 1" 1/4" manifolds, 50 mm centre line between ports (ART. 3401-3402-3403-3600-3650-3700-3625-3675-3725).

ART. 9303

Code	outlets	size	€	box
9303 11402	2	1"1/4	15,30	1
9303 11403	3	1"1/4	15,78	1
9303 11404	4	1"1/4	16,45	1



Anti-condensate protection shell made of thermo-formed expanded polyethylene for 1" 1/4"-1" 1/2" - 2" manifolds, 100 mm centre line between ports (ART. 3611-3612-3616-3617).

ART. 9304

Code	outlets	size	€	box
9304 11402	2	1"1/4	16,45	1
9304 11403	3	1"1/4	18,57	1
9304 11202	2	1"1/2	16,52	1
9304 11203	3	1"1/2	18,65	1
9304 202	2	2"	16,52	1
9304 203	2	2"	18,65	1

Anti-condensate protection shell made of thermo-formed expanded polyethylene for 1" manifolds with 36 mm centre line between ports (ART. 3000-3050-3100-3300-3350-3400-3150-3200-3250-3175-3225-3275-3450-3500-3550-3475-3525-3575).

ART. 9305

Code	outlets	size	€	box
9305 102	2	1"	12,77	1
9305 103	3	1"	13,28	1
9305 104	4	1"	13,81	1



Chrome-plated modular coplanar manifold.
Each manifold is complete with M8 screw and O'RING for connection.

- Interchangeable sizes for copper, plastic and multilayer pipe.



ART. 3750

Code	outlets	size	€	box	carton
3750 34	2+2	3/4"	21,56	1	20
3750 1	2+2	1"	25,26	1	20

Chrome-plated modular coplanar manifold with manual controls, right version. Each manifold is complete with M8 screw and O'RING for connection.

- Interchangeable sizes for copper, plastic and multilayer pipe



ART. 3753

Code	outlets	size	€	box
3753 34	2	3/4"	23,62	1

Brass modular coplanar manifold with manual controls, left version. Each manifold is complete with M8 screw and O'RING for connection.

- Interchangeable sizes for copper, plastic and multilayer pipe



ART. 3752

Code	outlets	size	€	box
3752 34	2	3/4"	23,19	1

PRE-ASSEMBLED chrome-plated coplanar manifold.
• Interchangeable sizes for copper, plastic and multilayer pipe.



ART. 3751

Code	outlets	size	€	box
3751 3404	4+4	3/4"	49,32	1
3751 3406	6+6	3/4"	74,41	1
3751 3408	8+8	3/4"	99,63	1
3751 3410	10+10	3/4"	124,78	1
3751 104	4+4	1"	55,22	1
3751 106	6+6	1"	83,25	1
3751 108	8+8	1"	111,40	1
3751 110	10+10	1"	139,45	1

PRE-ASSEMBLED coplanar manifold with manual controls.
• Interchangeable sizes for copper, plastic and multilayer pipe



ART. 3754

Code	outlets	size	€	box
3754 3404	4	3/4"	47,36	1
3754 3406	6	3/4"	72,12	1
3754 3408	8	3/4"	95,73	1
3754 3410	10	3/4"	119,78	1
3754 3412	12	3/4"	143,45	1

Chrome-plated STRAIGHT terminal blanking plug for modular manifolds complete with gasket.

- Connection: 3/4"-1" female
- Outlets: 1/4"-3/8"-1/2"- female
- Connection: 1"1/4 female
- Outlets: 1/4"-3/8"-1/2" female



ART. 4000

Code	size	€	box	carton
4000 3414	3/4"x1/4"	2,19	30	300
4000 3438	3/4"x3/8"	2,19	30	300
4000 3412	3/4"x1/2"	2,19	30	300
4000 114	1"x1/4"	2,86	30	300
4000 138	1"x3/8"	2,86	30	300
4000 112	1"x1/2"	2,86	30	300
4000 11414	1"1/4x1/4"	3,17	25	250
4000 11438	1"1/4x3/8"	3,17	25	250
4000 11412	1"1/4x1/2"	3,17	25	250

Chrome-plated L-SHAPED terminal blanking plug for modular manifolds.

- Connection: 3/4"-1" - 1"1/4 female
- Outlets: 1/4"-3/8"-1/2" female



ART. 4050

Code	size	€	box	carton
4050 3414	3/4"x1/4"	3,24	30	240
4050 3438	3/4"x3/8"	3,24	30	240
4050 3412	3/4"x1/2"	3,24	30	240
4050 114	1"x1/4"	4,07	30	180
4050 138	1"x3/8"	4,07	30	180
4050 112	1"x1/2"	4,07	30	180
4050 11438	1"1/4x3/8"	5,41	30	180
4050 11412	1"1/4x1/2"	5,41	30	180

Chrome-plated blind cap complete with gasket.



ART. 4100

Code	size	€	box	carton
4100 12	1/2"	1,10	50	500
4100 34	3/4"	1,66	40	400
4100 1	1"	2,24	30	300
4100 114	1"1/4	2,82	30	300
4100 112	1"1/2	4,66	15	240

Complete KIT for manifold outlets complete with chrome-plated nut. (Adaptable to all interchangeable outlets). Ø 18 outlets excluded.



ART. 4250

Code	size	€	box	carton
4250	24x19	1,46	50	400

Chrome-plated male plug for manifold outlets.



ART. 4125

Code	size	€	box	carton
4125 12	1/2"	0,91	30	

Chrome-plated terminal blanking plug with O'RING seal for manifolds.



ART. 4150

Code	size	€	box	carton
4150 34	3/4"	1,91	25	250
4150 1	1"	2,23	25	250
4150 114	1"1/4	3,69	25	250
4150 112	1"1/2	6,04	10	100

Chrome-plated terminal blanking reduction with O'RING seal for manifolds with connection for air vent valve.



ART. 4200

Code	size	€	box	carton
4200 3414	3/4"x1/4"	2,06	25	250
4200 3438	3/4"x3/8"	2,06	25	250
4200 3412	3/4"x1/2"	2,24	25	250
4200 114	1"x1/4"	2,37	25	250
4200 138	1"x3/8"	2,37	25	250
4200 112	1"x1/2"	2,56	25	250
4200 11412	1"1/4x1/2"	3,63	25	250
4200 1121	1"1/2x1"	6,34	10	100

Chrome-plated connection for coplanar and flanged manifolds. Interchangeable sizes for copper, plastic and multilayer pipe.



ART. 4300

Code	size	€	box	carton
4300 34	3/4"	2,63	25	200
4300 1	1"	3,00	25	200

End closing plug for flanged manifolds.



ART. 4310

Code	size	€	box
4310 1	1"	3,00	30

Kit for plastic pipes. Suitable for all our products with 24x19 interchangeable connection.

Complete with:

- adapter for plastic pipe
- brass ring
- chrome-plated nut with 24x19 thread

ART. 6052



Code	pipe	external diameter	€	box	carton	
6052 6563	plastic	10,5x1,25	2,57	50	500	New
6052 48186	plastic	12x2,15	2,57	50	500	
6052 4847	plastic	12x2	2,57	50	500	
6052 48184	plastic	12x1,5	2,57	50	500	
6052 481005	plastic	12x1,35	2,57	50	500	New
6052 9761005	plastic	12,7x1,7	2,57	50	500	New
6052 976186	plastic	12,7x2,4	2,57	50	500	New
6052 6563	plastic	14x1,5	2,57	50	500	New
6052 6545	plastic	14x2	2,57	50	500	
6052 4645	plastic	15x2,5	2,57	50	500	
6052 4663	plastic	15x2	2,57	50	500	
6052 46173	plastic	15x1,7	2,57	50	500	
6052 4661	plastic	15x1,5	2,57	50	500	
6052 5863	plastic	16x2,5	2,57	50	500	
6052 58173	plastic	16x2,2	2,57	50	500	
6052 5861	plastic	16x2	2,57	50	500	
6052 58262	plastic	16x1,8	2,57	50	500	
6052 5864	plastic	16x1,5	2,57	50	500	
6052 58180	plastic	16x2,7	2,57	50	500	New
6052 15061	plastic	16,8x2,4	2,57	50	500	New
6052 150829	plastic	17x2,25	2,57	50	500	
6052 15043	plastic	17x2	2,57	50	500	
6052 6043	plastic	17,8x2,4	2,57	50	500	
6052 60180	plastic	17,8x3,6	2,57	50	500	
6052 4443	plastic	18x2,5	2,57	50	500	
6052 44221	plastic	18x2,2	2,57	50	500	
6052 4468	plastic	18x2	2,57	50	500	
6052 8043	plastic	20x3,5	2,57	50	500	
6052 8068	plastic	20x3	2,57	50	500	
6052 80185	plastic	20x2,8	2,57	50	500	
6052 80222	plastic	20x2,3	2,57	50	500	
6052 8069	plastic	20x2,15	2,57	50	500	
6052 80214	plastic	20x2	2,57	50	500	
6052 80261	plastic	20x1,9	2,57	50	500	

Sealing compression KIT in rubber for copper pipe.

Complete with:

- rubber compression single-taper
- brass ring
- chrome-plated nut with 24x19 thread

ART. 8429



Code	pipe	size	€	box	carton
8429 15	copper	Ø 15	1,39	100	500
8429 16	copper	Ø 16	1,39	100	500

Kit for multilayer pipes. Suitable for all our products with 24x19 interchangeable connection.

Complete with:

- adapter for multilayer pipe
- brass ring
- chrome-plated nut with 24x19 thread

ART. 6055



Code	pipe	external diameter	€	box	carton	
6055 902901	multilayer	11,6x1,5	2,78	50	500	
New 6055 48901	multilayer	12x1,8	2,78	50	500	
6055 65193	multilayer	14X2	2,78	50	500	
6055 58190	multilayer	16X2	2,78	50	500	
6055 58200	multilayer	16X2,25	2,78	50	500	
6055 58278	multilayer	16,2X2,6	2,78	50	500	
New 6055 150200	multilayer	16,8x2,5	2,78	50	500	
6055 150810	multilayer	17X2	2,78	50	500	
6055 44191	multilayer	18X2	2,78	50	500	
6055 80204	multilayer	20X2	2,78	50	500	
6055 80192	multilayer	20X2,25	2,78	50	500	
6055 80201	multilayer	20X2,5	2,78	50	500	
6055 80191	multilayer	20X2,9	2,78	50	500	

Kit for multilayer pipes. Suitable for our MULTIFAR manifold art. 3827.

Complete with:

- adapter for multilayer pipe
- brass ring
- brass nut with M33x1,5 thread

ART. 6056



Code	pipe	external diameter	€	box	carton
6056 263274	multilayer	20X2	5,27	25	250
6056 263264	multilayer	20X2,25	5,27	25	250
6056 263265	multilayer	20X2,5	5,27	25	250
6056 219218	multilayer	25x2,5	5,27	25	250
6056 220218	multilayer	26x3	5,27	25	250

Sealing compression KIT in rubber for copper pipe.

Complete with:

- brass pipe guide washer
- rubber compression single-taper
- brass ring
- chrome-plated nut with 24x19 thread

ART. 8427



Code	pipe	size	€	box	carton
8427 10	copper	Ø 10	1,49	100	500
8427 12	copper	Ø 12	1,49	100	500
8427 14	copper	Ø 14	1,49	100	500

Products complete with nut and sealing kit for Ø 18 copper pipe

Code	Description	size	gasket	€	box	carton
3825 34G18	2 PORT MALE-FEMALE "MULTIFAR" MANIFOLD COMPLETE WITH BUILT-IN MANUAL CONTROLS	3/4"x18	Rubber	20,41	1	25
3825 34T18	2 PORT MALE-FEMALE "MULTIFAR" MANIFOLD COMPLETE WITH BUILT-IN MANUAL CONTROLS	3/4"x18	PTFE	20,78	1	25
3825 1G18	2 PORT MALE-FEMALE "MULTIFAR" MANIFOLD COMPLETE WITH BUILT-IN MANUAL CONTROLS	1"x18	Rubber	23,03	1	25
3825 1T18	2 PORT MALE-FEMALE "MULTIFAR" MANIFOLD COMPLETE WITH BUILT-IN MANUAL CONTROLS	1"x18	PTFE	23,42	1	25
3850 34G18	3 PORT MALE-FEMALE "MULTIFAR" MANIFOLD COMPLETE WITH BUILT-IN MANUAL CONTROLS	3/4"x18	Rubber	28,51	1	25
3850 34T18	3 PORT MALE-FEMALE "MULTIFAR" MANIFOLD COMPLETE WITH BUILT-IN MANUAL CONTROLS	3/4"x18	PTFE	29,10	1	25
3850 1G18	3 PORT MALE-FEMALE "MULTIFAR" MANIFOLD COMPLETE WITH BUILT-IN MANUAL CONTROLS	1"x18	Rubber	31,23	1	25
3850 1T18	3 PORT MALE-FEMALE "MULTIFAR" MANIFOLD COMPLETE WITH BUILT-IN MANUAL CONTROLS	1"x18	PTFE	31,85	1	25
3855 34G18	4 PORT FEMALE-FEMALE "MULTIFAR" MANIFOLD COMPLETE WITH BUILT-IN MANUAL CONTROLS	3/4"x18	Rubber	37,46	1	25
3855 34T18	4 PORT FEMALE-FEMALE "MULTIFAR" MANIFOLD COMPLETE WITH BUILT-IN MANUAL CONTROLS	3/4"x18	PTFE	38,22	1	25
3856 34G18	4 PORT MALE-FEMALE "MULTIFAR" MANIFOLD COMPLETE WITH BUILT-IN MANUAL CONTROLS	3/4"x18	Rubber	37,46	1	25
3856 34T18	4 PORT MALE-FEMALE "MULTIFAR" MANIFOLD COMPLETE WITH BUILT-IN MANUAL CONTROLS	3/4"x18	PTFE	38,22	1	25
3856 1G18	4 PORT MALE-FEMALE "MULTIFAR" MANIFOLD COMPLETE WITH BUILT-IN MANUAL CONTROLS	1"x18	Rubber	41,40	1	25
3856 1T18	4 PORT MALE-FEMALE "MULTIFAR" MANIFOLD COMPLETE WITH BUILT-IN MANUAL CONTROLS	1"x18	PTFE	42,18	1	25
3875 34G18	2 PORT MALE-FEMALE "MULTIFAR" MANIFOLD COMPLETE WITH BUILT-IN REGULATING VALVES	3/4"x18	Rubber	19,76	1	25
3875 34T18	2 PORT MALE-FEMALE "MULTIFAR" MANIFOLD COMPLETE WITH BUILT-IN REGULATING VALVES	3/4"x18	PTFE	20,16	1	25
3875 1G18	2 PORT MALE-FEMALE "MULTIFAR" MANIFOLD COMPLETE WITH BUILT-IN REGULATING VALVES	1"x18	Rubber	22,38	1	25
3875 1T18	2 PORT MALE-FEMALE "MULTIFAR" MANIFOLD COMPLETE WITH BUILT-IN REGULATING VALVES	1"x18	PTFE	22,75	1	25
3900 34G18	3 PORT MALE-FEMALE "MULTIFAR" MANIFOLD COMPLETE WITH BUILT-IN REGULATING VALVES	3/4"x18	Rubber	27,54	1	25
3900 34T18	3 PORT MALE-FEMALE "MULTIFAR" MANIFOLD COMPLETE WITH BUILT-IN REGULATING VALVES	3/4"x18	PTFE	28,11	1	25
3900 1G18	3 PORT MALE-FEMALE "MULTIFAR" MANIFOLD COMPLETE WITH BUILT-IN REGULATING VALVES	1"x18	Rubber	30,31	1	25
3900 1T18	3 PORT MALE-FEMALE "MULTIFAR" MANIFOLD COMPLETE WITH BUILT-IN REGULATING VALVES	1"x18	PTFE	30,85	1	25
3905 34G18	4 PORT FEMALE-FEMALE "MULTIFAR" MANIFOLD COMPLETE WITH BUILT-IN REGULATING VALVES	3/4"x18	Rubber	36,16	1	25
3905 34T18	4 PORT FEMALE-FEMALE "MULTIFAR" MANIFOLD COMPLETE WITH BUILT-IN REGULATING VALVES	3/4"x18	PTFE	36,91	1	25
3906 34G18	4 PORT MALE-FEMALE "MULTIFAR" MANIFOLD COMPLETE WITH BUILT-IN REGULATING VALVES	3/4"x18	Rubber	36,16	1	25
3906 34T18	4 PORT MALE-FEMALE "MULTIFAR" MANIFOLD COMPLETE WITH BUILT-IN REGULATING VALVES	3/4"x18	PTFE	36,91	1	25
3906 1G18	4 PORT MALE-FEMALE "MULTIFAR" MANIFOLD COMPLETE WITH BUILT-IN REGULATING VALVES	1"x18	Rubber	40,14	1	25
3906 1T18	4 PORT MALE-FEMALE "MULTIFAR" MANIFOLD COMPLETE WITH BUILT-IN REGULATING VALVES	1"x18	PTFE	40,89	1	25
3834 34G18	2 PORT "CR" (DZR) MALE-FEMALE "MULTIFAR" MANIFOLD COMPLETE WITH BUILT-IN MANUAL CONTROLS	3/4"x18	Rubber	20,78	1	25
3834 34T18	2 PORT "CR" (DZR) MALE-FEMALE "MULTIFAR" MANIFOLD COMPLETE WITH BUILT-IN MANUAL CONTROLS	3/4"x18	PTFE	21,17	1	25
3834 1G18	2 PORT "CR" (DZR) MALE-FEMALE "MULTIFAR" MANIFOLD COMPLETE WITH BUILT-IN MANUAL CONTROLS	1"x18	Rubber	23,66	1	25
3834 1T18	2 PORT "CR" (DZR) MALE-FEMALE "MULTIFAR" MANIFOLD COMPLETE WITH BUILT-IN MANUAL CONTROLS	1"x18	PTFE	24,05	1	25
3835 34G18	3 PORT "CR" (DZR) MALE-FEMALE "MULTIFAR" MANIFOLD COMPLETE WITH BUILT-IN MANUAL CONTROLS	3/4"x18	Rubber	29,79	1	25
3835 34T18	3 PORT "CR" (DZR) MALE-FEMALE "MULTIFAR" MANIFOLD COMPLETE WITH BUILT-IN MANUAL CONTROLS	3/4"x18	PTFE	30,35	1	25
3835 1G18	3 PORT "CR" (DZR) MALE-FEMALE "MULTIFAR" MANIFOLD COMPLETE WITH BUILT-IN MANUAL CONTROLS	1"x18	Rubber	33,41	1	25
3835 1T18	3 PORT "CR" (DZR) MALE-FEMALE "MULTIFAR" MANIFOLD COMPLETE WITH BUILT-IN MANUAL CONTROLS	1"x18	PTFE	33,99	1	25
3836 34G18	4 PORT "CR" (DZR) FEMALE-FEMALE "MULTIFAR" MANIFOLD COMPLETE WITH BUILT-IN MANUAL CONTROLS	3/4"x18	Rubber	40,08	1	25
3836 34T18	4 PORT "CR" (DZR) FEMALE-FEMALE "MULTIFAR" MANIFOLD COMPLETE WITH BUILT-IN MANUAL CONTROLS	3/4"x18	PTFE	40,88	1	25
3837 34G18	4 PORT "CR" (DZR) MALE-FEMALE "MULTIFAR" MANIFOLD COMPLETE WITH BUILT-IN MANUAL CONTROLS	3/4"x18	Rubber	40,08	1	25
3837 34T18	4 PORT "CR" (DZR) MALE-FEMALE "MULTIFAR" MANIFOLD COMPLETE WITH BUILT-IN MANUAL CONTROLS	3/4"x18	PTFE	40,88	1	25
3837 1G18	4 PORT "CR" (DZR) MALE-FEMALE "MULTIFAR" MANIFOLD COMPLETE WITH BUILT-IN MANUAL CONTROLS	1"x18	Rubber	44,04	1	25
3837 1T18	4 PORT "CR" (DZR) MALE-FEMALE "MULTIFAR" MANIFOLD COMPLETE WITH BUILT-IN MANUAL CONTROLS	1"x18	PTFE	44,81	1	25
3000 34G18	2 PORT FEMALE MANIFOLD	3/4"x18	Rubber	8,81	14	140
3000 34T18	2 PORT FEMALE MANIFOLD	3/4"x18	PTFE	9,20	14	140
3000 1G18	2 PORT FEMALE MANIFOLD	1"x18	Rubber	10,02	12	120
3000 1T18	2 PORT FEMALE MANIFOLD	1"x18	PTFE	10,40	12	120
3050 34G18	3 PORT FEMALE MANIFOLD	3/4"x18	Rubber	12,74	10	100
3050 34T18	3 PORT FEMALE MANIFOLD	3/4"x18	PTFE	13,31	10	100
3050 1G18	3 PORT FEMALE MANIFOLD	1"x18	Rubber	13,71	8	80
3050 1T18	3 PORT FEMALE MANIFOLD	1"x18	PTFE	14,25	8	80
3100 34G18	4 PORT FEMALE MANIFOLD	3/4"x18	Rubber	16,13	8	80
3100 34T18	4 PORT FEMALE MANIFOLD	3/4"x18	PTFE	16,89	8	80
3100 1G18	4 PORT FEMALE MANIFOLD	1"x18	Rubber	18,59	6	60

Products complete with nut and sealing kit for Ø 18 copper pipe

Code	Description	size	gasket	€	box	carton
3100 1T18	4 PORT FEMALE MANIFOLD	1"x18	PTFE	19,36	6	60
3300 34G18	2 PORT MALE-FEMALE MANIFOLD	3/4"x18	Rubber	9,67	12	120
3300 34T18	2 PORT MALE-FEMALE MANIFOLD	3/4"x18	PTFE	10,02	12	120
3300 1G18	2 PORT MALE-FEMALE MANIFOLD	1"x18	Rubber	10,86	10	100
3300 1T18	2 PORT MALE-FEMALE MANIFOLD	1"x18	PTFE	11,24	10	100
3350 34G18	3 PORT MALE-FEMALE MANIFOLD	3/4"x18	Rubber	13,59	9	90
3350 34T18	3 PORT MALE-FEMALE MANIFOLD	3/4"x18	PTFE	14,15	9	90
3350 1G18	3 PORT MALE-FEMALE MANIFOLD	1"x18	Rubber	15,05	7	70
3350 1T18	3 PORT MALE-FEMALE MANIFOLD	1"x18	PTFE	15,63	7	70
3400 34G18	4 PORT MALE-FEMALE MANIFOLD	3/4"x18	Rubber	17,22	8	80
3400 34T18	4 PORT MALE-FEMALE MANIFOLD	3/4"x18	PTFE	17,98	8	80
3400 1G18	4 PORT MALE-FEMALE MANIFOLD	1"x18	Rubber	18,58	6	60
3400 1T18	4 PORT MALE-FEMALE MANIFOLD	1"x18	PTFE	19,32	6	60
3401 34G18	2 PORT MALE-FEMALE MANIFOLD WITH 50 mm. CENTRE LINE BETWEEN PORTS	3/4"x18	Rubber	11,36	12	120
3401 34T18	2 PORT MALE-FEMALE MANIFOLD WITH 50 mm. CENTRE LINE BETWEEN PORTS	3/4"x18	PTFE	11,79	12	120
3401 1G18	2 PORT MALE-FEMALE MANIFOLD WITH 50 mm. CENTRE LINE BETWEEN PORTS	1"x18	Rubber	12,69	8	80
3401 1T18	2 PORT MALE-FEMALE MANIFOLD WITH 50 mm. CENTRE LINE BETWEEN PORTS	1"x18	PTFE	13,08	8	80
3401 114G18	2 PORT MALE-FEMALE MANIFOLD WITH 50 mm. CENTRE LINE BETWEEN PORTS	1"1/4x18	Rubber	16,86	8	80
3401 114T18	2 PORT MALE-FEMALE MANIFOLD WITH 50 mm. CENTRE LINE BETWEEN PORTS	1"1/4x18	PTFE	17,27	8	80
3402 34G18	3 PORT MALE-FEMALE MANIFOLD WITH 50 mm. CENTRE LINE BETWEEN PORTS	3/4"x18	Rubber	15,95	8	80
3402 34T18	3 PORT MALE-FEMALE MANIFOLD WITH 50 mm. CENTRE LINE BETWEEN PORTS	3/4"x18	PTFE	16,55	8	80
3402 1G18	3 PORT MALE-FEMALE MANIFOLD WITH 50 mm. CENTRE LINE BETWEEN PORTS	1"x18	Rubber	17,66	6	60
3402 1T18	3 PORT MALE-FEMALE MANIFOLD WITH 50 mm. CENTRE LINE BETWEEN PORTS	1"x18	PTFE	18,28	6	60
3402 114G18	3 PORT MALE-FEMALE MANIFOLD WITH 50 mm. CENTRE LINE BETWEEN PORTS	1"1/4x18	Rubber	24,29	6	60
3402 114T18	3 PORT MALE-FEMALE MANIFOLD WITH 50 mm. CENTRE LINE BETWEEN PORTS	1"1/4x18	PTFE	24,91	6	60
3403 34G18	4 PORT MALE-FEMALE MANIFOLD WITH 50 mm. CENTRE LINE BETWEEN PORTS	3/4"x18	Rubber	20,67	6	60
3403 34T18	4 PORT MALE-FEMALE MANIFOLD WITH 50 mm. CENTRE LINE BETWEEN PORTS	3/4"x18	PTFE	21,49	6	60
3403 1G18	4 PORT MALE-FEMALE MANIFOLD WITH 50 mm. CENTRE LINE BETWEEN PORTS	1"x18	Rubber	23,03	4	40
3403 1T18	4 PORT MALE-FEMALE MANIFOLD WITH 50 mm. CENTRE LINE BETWEEN PORTS	1"x18	PTFE	23,82	4	40
3403 114G18	4 PORT MALE-FEMALE MANIFOLD WITH 50 mm. CENTRE LINE BETWEEN PORTS	1"1/4x18	Rubber	30,18	4	40
3403 114T18	4 PORT MALE-FEMALE MANIFOLD WITH 50 mm. CENTRE LINE BETWEEN PORTS	1"1/4x18	PTFE	31,02	4	40
3410 102G18	2 PORT FEMALE-FEMALE FLANGED MANIFOLD WITH 50 mm. CENTRE LINE BETWEEN PORTS	1"x18	Rubber	16,76	1	
3410 102T18	2 PORT FEMALE-FEMALE FLANGED MANIFOLD WITH 50 mm. CENTRE LINE BETWEEN PORTS	1"x18	PTFE	17,14	1	
3410 103G18	3 PORT FEMALE-FEMALE FLANGED MANIFOLD WITH 50 mm. CENTRE LINE BETWEEN PORTS	1"x18	Rubber	23,03	1	
3410 103T18	3 PORT FEMALE-FEMALE FLANGED MANIFOLD WITH 50 mm. CENTRE LINE BETWEEN PORTS	1"x18	PTFE	23,61	1	
3410 104G18	4 PORT FEMALE-FEMALE FLANGED MANIFOLD WITH 50 mm. CENTRE LINE BETWEEN PORTS	1"x18	Rubber	36,03	1	
3410 104T18	4 PORT FEMALE-FEMALE FLANGED MANIFOLD WITH 50 mm. CENTRE LINE BETWEEN PORTS	1"x18	PTFE	36,84	1	
3410 105G18	5 PORT FEMALE-FEMALE FLANGED MANIFOLD WITH 50 mm. CENTRE LINE BETWEEN PORTS	1"x18	Rubber	41,31	1	
3410 105T18	5 PORT FEMALE-FEMALE FLANGED MANIFOLD WITH 50 mm. CENTRE LINE BETWEEN PORTS	1"x18	PTFE	42,33	1	
3410 106G18	6 PORT FEMALE-FEMALE FLANGED MANIFOLD WITH 50 mm. CENTRE LINE BETWEEN PORTS	1"x18	Rubber	46,61	1	
3410 106T18	6 PORT FEMALE-FEMALE FLANGED MANIFOLD WITH 50 mm. CENTRE LINE BETWEEN PORTS	1"x18	PTFE	47,82	1	
3410 107G18	7 PORT FEMALE-FEMALE FLANGED MANIFOLD WITH 50 mm. CENTRE LINE BETWEEN PORTS	1"x18	Rubber	60,22	1	
3410 107T18	7 PORT FEMALE-FEMALE FLANGED MANIFOLD WITH 50 mm. CENTRE LINE BETWEEN PORTS	1"x18	PTFE	61,63	1	
3410 108G18	8 PORT FEMALE-FEMALE FLANGED MANIFOLD WITH 50 mm. CENTRE LINE BETWEEN PORTS	1"x18	Rubber	65,50	1	
3410 108T18	8 PORT FEMALE-FEMALE FLANGED MANIFOLD WITH 50 mm. CENTRE LINE BETWEEN PORTS	1"x18	PTFE	67,13	1	
3410 109G18	9 PORT FEMALE-FEMALE FLANGED MANIFOLD WITH 50 mm. CENTRE LINE BETWEEN PORTS	1"x18	Rubber	70,77	1	
3410 109T18	9 PORT FEMALE-FEMALE FLANGED MANIFOLD WITH 50 mm. CENTRE LINE BETWEEN PORTS	1"x18	PTFE	72,60	1	
3410 110G18	10 PORT FEMALE-FEMALE FLANGED MANIFOLD WITH 50 mm. CENTRE LINE BETWEEN PORTS	1"x18	Rubber	83,77	1	
3410 110T18	10 PORT FEMALE-FEMALE FLANGED MANIFOLD WITH 50 mm. CENTRE LINE BETWEEN PORTS	1"x18	PTFE	85,80	1	
3410 111G18	11 PORT FEMALE-FEMALE FLANGED MANIFOLD WITH 50 mm. CENTRE LINE BETWEEN PORTS	1"x18	Rubber	89,05	1	
3410 111T18	11 PORT FEMALE-FEMALE FLANGED MANIFOLD WITH 50 mm. CENTRE LINE BETWEEN PORTS	1"x18	PTFE	91,29	1	
3410 112G18	12 PORT FEMALE-FEMALE FLANGED MANIFOLD WITH 50 mm. CENTRE LINE BETWEEN PORTS	1"x18	Rubber	94,33	1	
3410 112T18	12 PORT FEMALE-FEMALE FLANGED MANIFOLD WITH 50 mm. CENTRE LINE BETWEEN PORTS	1"x18	PTFE	96,76	1	

Products complete with nut and sealing kit for Ø 18 copper pipe

Code	Description	size	gasket	€	box	carton
3750 34G18	2+2 PORT MODULAR COPLANAR MANIFOLD	3/4"x18	Rubber	28,12	1	
3750 34T18	2+2 PORT MODULAR COPLANAR MANIFOLD	3/4"x18	PTFE	28,81	1	
3750 1G18	2+2 PORT MODULAR COPLANAR MANIFOLD	1"x18	Rubber	30,79	1	
3750 1T18	2+2 PORT MODULAR COPLANAR MANIFOLD	1"x18	PTFE	31,46	1	
3751 3404G18	4+4 PORT MODULAR COPLANAR MANIFOLD	3/4"x18	Rubber	61,08	1	
3751 3404T18	4+4 PORT MODULAR COPLANAR MANIFOLD	3/4"x18	PTFE	62,64	1	
3751 3406G18	6+6 PORT MODULAR COPLANAR MANIFOLD	3/4"x18	Rubber	92,08	1	
3751 3406T18	6+6 PORT MODULAR COPLANAR MANIFOLD	3/4"x18	PTFE	94,43	1	
3751 3408G18	8+8 PORT MODULAR COPLANAR MANIFOLD	3/4"x18	Rubber	123,18	1	
3751 3408T18	8+8 PORT MODULAR COPLANAR MANIFOLD	3/4"x18	PTFE	126,30	1	
3751 3410G18	10+10 PORT MODULAR COPLANAR MANIFOLD	3/4"x18	Rubber	154,22	1	
3751 3410T18	10+10 PORT MODULAR COPLANAR MANIFOLD	3/4"x18	PTFE	158,11	1	
3751 104G18	4+4 PORT MODULAR COPLANAR MANIFOLD	1"x18	Rubber	66,59	1	
3751 104T18	4+4 PORT MODULAR COPLANAR MANIFOLD	1"x18	PTFE	68,09	1	
3751 106G18	6+6 PORT MODULAR COPLANAR MANIFOLD	1"x18	Rubber	100,36	1	
3751 106T18	6+6 PORT MODULAR COPLANAR MANIFOLD	1"x18	PTFE	102,57	1	
3751 108G18	8+8 PORT MODULAR COPLANAR MANIFOLD	1"x18	Rubber	134,16	1	
3751 108T18	8+8 PORT MODULAR COPLANAR MANIFOLD	1"x18	PTFE	137,16	1	
3751 110G18	10+10 PORT MODULAR COPLANAR MANIFOLD	1"x18	Rubber	167,94	1	
3751 110T18	10+10 PORT MODULAR COPLANAR MANIFOLD	1"x18	PTFE	171,66	1	
4300 34G18	CONNECTION FOR COPLANAR MANIFOLD	3/4"x18	Rubber	4,28	25	200
4300 34T18	CONNECTION FOR COPLANAR MANIFOLD	3/4"x18	PTFE	4,50	25	200
4300 1G18	CONNECTION FOR COPLANAR MANIFOLD	1"x18	Rubber	4,67	25	200
4300 1T18	CONNECTION FOR COPLANAR MANIFOLD	1"x18	PTFE	4,88	25	200



FAR

flow evolution



Inspection boxes

6

Metal inspection boxes

Page 112

'TUTTO' plastic inspection boxes

Page 115

Sheet steel boxes and compatible manifolds

In the drawings shown below "components to install" refers to 2 or 3 port assembled thermo-electric manifolds, intermediate connection complete with automatic air vent valve, drain cock, temperature gauge and terminal plug.

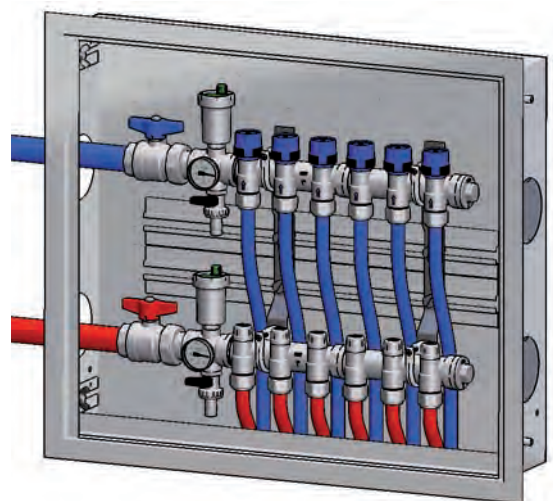
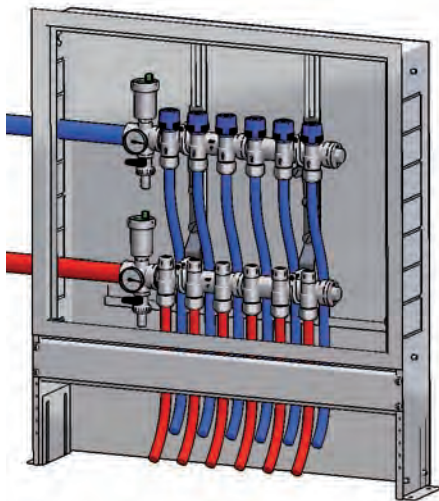
The tables show the approximate number of outlets of a thermo-electric manifold with 1" flanged and 1" and 1 1/4" male-female connections that can be installed in the box.

In the first table dimensions have been calculated in relation to manifold, intermediate connection and closing plug, while in the second consideration has also been made for a zone ball valve with actuator.



box width	components to install
400	6 PORT MANIFOLD + CONNECTION + PLUG
600	9 PORT MANIFOLD + CONNECTION + PLUG
800	12 PORT MANIFOLD + CONNECTION + PLUG

box width	components to install
400	VALVE + 4 PORT MANIFOLD + CONNECTION + PLUG
600	VALVE + 7 PORT MANIFOLD + CONNECTION + PLUG
800	VALVE + 10 PORT MANIFOLD + CONNECTION + PLUG
1000	VALVE + 12 PORT MANIFOLD + CONNECTION + PLUG



Painted sheet steel box for distribution manifolds.

- Adjustable depth from 110 mm to 150 mm
- Cover with lock



ART. 7150

Code	size/mm	€	box
7150 40	400x450x110	117,61	1
7150 50	500x450x110	126,43	1
7150 60	600x450x110	130,59	1
7150 80	800x450x110	145,65	1
7150 100	1000x450x110	166,17	1
7150 120	1200x450x110	192,02	1

Painted sheet steel frame complete with cover for distribution manifolds.

- Cover with lock



ART. 7152

Code	size/mm	€	box
7152 40	400x450x110	70,89	1
7152 60	600x450x110	78,39	1
7152 80	800x450x110	86,35	1
7152 100	1000x450x110	101,76	1
7152 120	1200x450x110	121,91	1

Painted sheet steel box for distribution manifolds. Built-in feet.

- Adjustable depth from 120 mm to 170 mm
- Cover with lock



ART. 7155

Code	size/mm	€	box
7155 40	400x480x120	134,03	1
7155 60	600x480x120	151,06	1
7155 80	800x480x120	170,37	1
7155 100	1000x480x120	187,41	1
7155 120	1200x480x120	213,53	1

Painted sheet steel frame complete with cover for distribution manifolds.

- Cover with lock



ART. 7156

Code	size/mm	€	box
7156 40	400x480x120	82,46	1
7156 60	600x480x120	96,83	1
7156 80	800x480x120	111,16	1
7156 100	1000x480x120	118,15	1
7156 120	1200x480x120	136,17	1

Painted sheet steel box for distribution manifolds. Built-in feet.

- Adjustable depth from 150 mm to 190 mm
- Cover with lock



ART. 7165

Code	size/mm	€	box
7165 70	700x600x150	203,56	1
7165 80	800x600x150	214,66	1
7165 90	900x600x150	234,28	1
7165 100	1000x600x150	275,48	1
7165 110	1100x600x150	292,63	1
7165 120	1200x600x150	315,64	1

Painted sheet steel frame complete with cover for distribution manifolds.

- Cover with lock



ART. 7166

Code	size/mm	€	box
7166 70	700x600x150	108,72	1
7166 80	800x600x150	119,84	1
7166 90	900x600x150	127,94	1
7166 100	1000x600x150	136,92	1
7166 110	1100x600x150	146,05	1
7166 120	1200x600x150	153,88	1

Zinc-coated sheet box with painted cover for distribution manifolds.

- Adjustable depth from 110 mm to 150 mm
- Cover with lock

ART. 7148

Code	size/mm	€	box
7148 40	400x500x110	81,44	1
7148 50	500x500x110	87,13	1
7148 60	600x500x110	90,50	1
7148 80	800x500x110	100,85	1
7148 100	1000x500x110	115,01	1
7148 120	1200x500x110	132,92	1



Support for floor installation of zinc-coated sheet box, art. Art. 7148.



ART. 7149

Code	size/mm	€	box
7149 40	400x500x110	36,52	1
7149 50	500x500x110	38,60	1
7149 60	600x500x110	42,32	1
7149 80	800x500x110	51,80	1
7149 100	1000x500x110	59,04	1
7149 120	1200x500x110	64,58	1

Metal bracket complete with supports for inspection box (Art . 7150 - 7155 - 7165).

ART. 7480

Code	size	€	box
7480 34	3/4"	4,54	6
7480 1	1"	4,63	6
7480 114	1"1/4	5,03	6



Metal bracket for inspection box (ART. 7150 - 7155 - 7165).



ART. 7485

Code	€	box
7485	2,18	25

Supports for manifolds preset to be hooked on metal bracket (Art. 7485).



ART. 7490

Code	size	€	box
7490 34	3/4"	2,48	50
7490 1	1"	2,48	50
7490 114	1"1/4	3,07	50

Plastic UNIVERSAL BRACKET.

Suitable for housing all types of manifolds with the aid of the special supports (Art. 7500 - 7550).

Available in WHITE, BLUE and RED colour.

BI = WHITE BL = BLUE RO = RED



ART. 7475

Code	size/mm	€	box
7475 BI	300	2,66	1
7475 BL	300	2,66	1
7475 RO	300	2,66	1

Slide for bracket locking on sheet inspection box (Art. 7150 - 7155)

ART. 7153

Code	€	box
7153	4,44	



Wing nut bolt for frame locking on sheet inspection box (Art. 7150 - 7155).



ART. 8556

Code	size	€	box
8556	M6X10	0,51	

M8 nut complete with screw for bracket locking on sheet inspection box (Art. 7150 - 7155).

ART. 8557

Code	size	€	box
8557	M8	1,75	



M10 nut complete with screw for slide locking on sheet inspection box (Art. 7150 - 7155).



ART. 8558

Code	size	€	box
8558	M10	1,25	

Dimensions have been calculated in relation to assembled manifold, blind plug and 3-piece bent connection.



3/4"-1" manifold. Centre line between ports: 36mm

Number of outlets	Boxes width
3	300
4	300
5	400
6	400
7	400
8	480
9	480
10	600
11	600
12	600

Manifolds with 36mm centre line between ports

3000-3050-3100-3300-3350-3400-3150-3200-3250
3175-3225-3275-3450-3500-3550-3475-3525-3575



3/4"-1"-1 1/4" manifold. Centre line between ports: 50mm

Number of outlets	Boxes width
3	300
4	400
5	400
6	480
7	480
8	480
9	600

Manifolds with 50mm centre line between ports

3401-3402-3403-3410-3600-3650-3700-3625-3675-3725-3710



3/4" - 1" coplanar manifold. Centre line between ports: 40mm

Number of outlets	Boxes width	Number of manifolds
4+4	300	2
6+6	400	3
8+8	480	4
10+10	600	5

Manifolds with 40mm centre line between ports

3750-3751



3/4" coplanar manifold with manual controls. Centre line between ports: 48mm

Number of outlets	Boxes width	Number of manifolds
2+2	300	2
2+4	300	3
4+4	300	4
4+6	400	5
6+6	400	6

Manifolds with 48mm centre line between ports

3752-3753-3754



3/4"-1" Multifar manifold. Centre line between ports: 45mm

Number of outlets	Boxes width
3	300
4	300
5	400
6	480
7	480
8	600
9	600
10	600

Manifolds with 45mm centre line between ports

3821-3822-3823-3824-3825-3850-3855-3856-3860-3870
3872-3873-3875-3900-3905-3906-3834-3835-3836-3837



“TUTTO” plastic inspection box.
Suitable for installation of zone valves and thermo-electric manifolds for heating systems.
To fix the manifolds in the box use the supports (Art. 7500 - 7550).
The cover can be fixed with an interference fit, or with screws.



ART. 7410

Code	size/mm	€	box	carton
7410 50	500x350x100	35,19	1	4
7410 70	700x410x100	53,74	1	4
7410 90	900x410x100	79,32	1	4

“TUTTO” plastic inspection box.
Suitable for housing all types of manifolds with the aid of the special supports (Art. 7500 - 7550).
Cover fixed with screws.



ART. 7420-7425-7450-7460

Code	size/mm	€	box	carton
7420	300x250x80	16,09	1	14
7425	400x250x80	18,03	1	12
7450	480x250x80	21,50	1	10
7460	600x300x80	27,65	1	5

UNIVERSAL support for the fixing of coplanar manifolds (Art. 3750 - 3751) to the following products:

- Art. 7410-7420-7425-7450-7460
- Art. 7475



ART. 7500

Code	€	box	carton
7500	0,96	100	

UNIVERSAL support for the fixing of coplanar manifolds with stop valves (Art. 3752-3753-3754) to the following items:

- Art. 7410-7420-7425-7450-7460
- Art. 7475



ART. 7510

Code	€	box	carton
7510	0,96	100	

Supports for the fixing of simple, modular, thermo-electric and “multifar” manifolds to the following items:

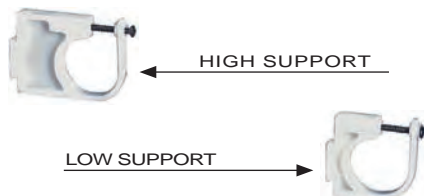
- Art. 7410-7420-7425-7450-7460
- Art. 7475



ART. 7550

Code	size	€	box	carton
7550 34	3/4"	2,23	100	
7550 1	1"	2,23	100	
7550 114	1"1/4	2,80	100	

Single support for the fixing of simple, modular, thermo-electric and Multifar manifolds.



ART. 7551

Code	size	type	€
7551 34A	3/4"	high	1,23
7551 1A	1"	high	1,23
7551 114A	1"1/4	high	1,68
7551 34B	3/4"	low	1,09
7551 1B	1"	low	1,09
7551 114B	1"1/4	low	1,48

Cover for “TUTTO” box with fixing screws.

- [6140 300](#) for Art. 7420
- [6140 400](#) for Art. 7425
- [6140 480](#) for Art. 7450
- [6140 600](#) for Art. 7460



ART. 6140

Code	size/mm	€	box
6140 300	300x250	6,19	1
6140 400	400x250	6,55	1
6140 480	480x250	8,32	1
6140 600	600x300	11,08	1

Cover for “TUTTO” box Art. 7410 with fixing screws.



ART. 6141

Code	size/mm	€	box
6141 500	500x340	12,24	4
6141 700	700x410	20,60	4
6141 900	900x410	30,46	4

**FAR***flow evolution*

Valves for radiators Thermostatic and thermo-electric heads

Thermostatic valves and lockshield valves	Page 119
Thermostatic and thermo-electric heads	Page 121
Manual valves and lockshield valves	Page 122
Single/double pipe valves for panel radiators	Page 123
Thermostatic single/double pipe valves	Page 124
Manual single-pipe valves	Page 126
Accessories	Page 129
Air vent valves	Page 131
Adapters and sealing kit	Page 132
Products complete with nut and sealing kit for Ø 18 copper pipe	Page 133



It is possible to fit FAR thermostatic valves with either a thermostatic, or a thermo-electric head to control opening and closing. Unscrew the white manual regulating valve (1), insert the green joint provided in the box onto the stainless steel pin (2) and screw the manual regulating valve tight once again. In this way it is possible to remove the manual regulating valve and the joint (3) without damaging them and then set up the selected head. In order to set up the FAR thermostatic head it is necessary to set the selector to position 5. Fix the head on the valve body and screw the plastic locking ring. To install thermo-electric actuators first screw the adapter, art.1941 (page 36), onto the valve and then start assembly, as detailed below.



Position	Corresponding temperature
0	No radiator
*	7
1	12
2	16
3	20
4	24
5	28



ACCESSORIES

If there is a substantial distance between pipe and valve, as may occur during a renovation or restoration project, for example, connect the extension, art. 8850, to the copper or plastic pipe. If there is distance between valve and radiator use the extension terminal, art. 8820.



The replacement of the double sealing pin is done by unscrewing the nut and removing the pin and 'O'rings and replacing them with a new art. 9050. This process can be carried without draining the system.

Chrome-plated angled **thermostatic** valve with horizontal control.

- interchangeable sizes for copper, plastic and multilayer pipe
- easy extraction system for manual regulating valve
- stainless steel pin with double sealing OR
- strengthened back spring and flat lock
- terminal provided with Loctite® Dri-Seal® 5061



ART. 1615

THERMOSTATIC

Code	size	€	box	carton
1615 38	3/8"	11,22	5	
1615 12	1/2"	11,22	5	



Chrome-plated angled **thermostatic** valve with horizontal control.

- iron pipe connection
- easy extraction system for manual regulating valve
- stainless steel pin with double sealing OR
- strengthened back spring and flat lock
- terminal provided with Loctite® Dri-Seal® 5061

THERMOSTATIC

ART. 1625

Code	size	€	box	carton
1625 12	1/2"	11,22	5	



Chrome-plated **thermostatic** valve, left-angled version.

- interchangeable sizes for copper, plastic and multilayer pipe
- easy extraction system for manual regulating valve
- stainless steel pin with double sealing OR
- strengthened back spring and flat lock
- terminal provided with Loctite® Dri-Seal® 5061



ART. 1616

THERMOSTATIC

Code	size	€	box	carton
1616 38	3/8"	12,50	10	100
1616 12	1/2"	12,50	10	100



Chrome-plated lockshield valve, right-angled version.

- interchangeable sizes for copper, plastic and multilayer pipe
- brass covering cap
- double sealing O-ring on the arm
- metallic sealing lock and O-ring seal
- terminal provided with Loctite® Dri-Seal® 5061



ART. 1117

Code	size	€	box	carton
1117 38	3/8"	10,38	10	100
1117 12	1/2"	10,38	10	100



Chrome-plated **thermostatic** valve, left-angled version.

- iron pipe connection
- easy extraction system for manual regulating valve
- stainless steel pin with double sealing OR
- strengthened back spring and flat lock
- terminal provided with Loctite® Dri-Seal® 5061

THERMOSTATIC

ART. 1626

Code	size	€	box	carton
1626 38	3/8"	12,50	10	100
1626 12	1/2"	12,50	10	100



Chrome-plated lockshield valve, right-angled version.

- iron pipe connection
- brass covering cap
- double sealing O-ring on the arm
- metallic sealing lock and O-ring seal
- terminal provided with Loctite® Dri-Seal® 5061

ART. 1127

Code	size	€	box	carton
1127 38	3/8"	10,38	10	100
1127 12	1/2"	10,38	10	100



Chrome-plated **thermostatic** valve, right-angled version.

- interchangeable sizes for copper, plastic and multilayer pipe
- easy extraction system for manual regulating valve
- stainless steel pin with double sealing OR
- strengthened back spring and flat lock
- terminal provided with Loctite® Dri-Seal® 5061



ART. 1617

THERMOSTATIC

Code	size	€	box	carton
1617 38	3/8"	12,50	10	100
1617 12	1/2"	12,50	10	100



Chrome-plated lockshield valve, left-angled version.

- interchangeable sizes for copper, plastic and multilayer pipe
- brass covering cap
- double sealing O-ring on the arm
- metallic sealing lock and O-ring seal
- terminal provided with Loctite® Dri-Seal® 5061



ART. 1116

Code	size	€	box	carton
1116 38	3/8"	10,38	10	100
1116 12	1/2"	10,38	10	100



Chrome-plated **thermostatic** valve, right-angled version.

- iron pipe connection
- easy extraction system for manual regulating valve
- stainless steel pin with double sealing OR
- strengthened back spring and flat lock
- terminal provided with Loctite® Dri-Seal® 5061

THERMOSTATIC

ART. 1627

Code	size	€	box	carton
1627 38	3/8"	12,50	10	100
1627 12	1/2"	12,50	10	100



Chrome-plated lockshield valve, left-angled version.

- iron pipe connection
- brass covering cap
- double sealing O-ring on the arm
- metallic sealing lock and O-ring seal
- terminal provided with Loctite® Dri-Seal® 5061

ART. 1126

Code	size	€	box	carton
1126 38	3/8"	10,38	10	100
1126 12	1/2"	10,38	10	100



Chrome-plated angled **thermostatic** valve.

- interchangeable sizes for copper, plastic and multilayer pipe
- easy extraction system for manual regulating valve
- stainless steel pin with double sealing OR
- strengthened back spring and flat lock
- terminal provided with Loctite® Dri-Seal® 5061

ART. 1610



THERMOSTATIC



Code	size	€	box	carton
1610 38	3/8"	9,08	10	100
1610 12	1/2"	10,03	10	100

Chrome-plated angled lockshield valve.

- interchangeable sizes for copper, plastic and multilayer pipe
- brass covering cap
- double sealing O-ring on the arm
- metallic sealing lock and O-ring seal
- terminal provided with Loctite® Dri-Seal® 5061

ART. 1100



Code	size	€	box	carton
1100 38	3/8"	6,32	10	100
1100 12	1/2"	7,46	10	100

Chrome-plated straight **thermostatic** valve.

- interchangeable sizes for copper, plastic and multilayer pipe
- easy extraction system for manual regulating valve
- stainless steel pin with double sealing OR
- strengthened back spring and flat lock
- terminal provided with Loctite® Dri-Seal® 5061

ART. 1630



THERMOSTATIC



Code	size	€	box	carton
1630 38	3/8"	9,46	10	100
1630 12	1/2"	10,34	10	100

Chrome-plated straight lockshield valve.

- interchangeable sizes for copper, plastic and multilayer pipe
- brass covering cap
- double sealing O-ring on the arm
- metallic sealing lock and O-ring seal
- terminal provided with Loctite® Dri-Seal® 5061

ART. 1300



Code	size	€	box	carton
1300 38	3/8"	7,11	10	100
1300 12	1/2"	8,11	10	100

Chrome-plated angled **thermostatic** valve.

- iron pipe connection
- easy extraction system for manual regulating valve
- stainless steel pin with double sealing OR
- strengthened back spring and flat lock
- terminal provided with Loctite® Dri-Seal® 5061

ART. 1620



THERMOSTATIC



Code	size	€	box	carton
1620 38	3/8"	8,88	10	100
1620 12	1/2"	10,02	10	100
1620 34	3/4"	13,87	10	50
1620 1	1"	23,25	5	40

Chrome-plated angled lockshield valve.

- iron pipe connection
- brass covering cap
- double sealing O-ring on the arm
- metallic sealing lock and O-ring seal
- terminal provided with Loctite® Dri-Seal® 5061

ART. 1200

Code	size	€	box	carton
1200 38	3/8"	6,28	10	100
1200 12	1/2"	7,83	10	100
1200 34	3/4"	12,97	5	60
1200 1	1"	20,66	5	40

Chrome-plated straight **thermostatic** valve.

- iron pipe connection
- easy extraction system for manual regulating valve
- stainless steel pin with double sealing OR
- strengthened back spring and flat lock
- terminal provided with Loctite® Dri-Seal® 5061

ART. 1640



THERMOSTATIC



Code	size	€	box	carton
1640 38	3/8"	9,23	10	100
1640 12	1/2"	10,40	10	100
1640 34	3/4"	14,35	10	60
1640 1	1"	23,67	5	40

Chrome-plated straight lockshield valve.

- iron pipe connection
- brass covering cap
- double sealing O-ring on the arm
- metallic sealing lock and O-ring seal
- terminal provided with Loctite® Dri-Seal® 5061

ART. 1400

Code	size	€	box	carton
1400 38	3/8"	6,99	10	100
1400 12	1/2"	8,23	10	100
1400 34	3/4"	13,06	5	50
1400 1	1"	21,06	5	40

2 wired thermo-electric actuator provided with selector. Suitable for installation on thermostatic valves and manifolds.

- NC = NORMALLY CLOSED
- NA = NORMALLY OPEN



N.B. For installation on thermostatic valves, use the chrome-plated adapter, art. 1941.

ART. 1909-1919-1929-1939

Code	voltage	opening time	type	€	box	carton
1909	24 V	180 s	NC	29,99	1	100
1919	230 V	180 s	NC	29,99	1	100
1929	24 V	180 s	NA	29,99	1	100
1939	230 V	180 s	NA	29,99	1	100

Chrome-plated adapter suitable for installation of electric actuators on thermostatic valves.

ART. 1941

Code	€	box	carton
1941	2,19	1	



Thermostatic control head. Remote sensor with liquid-filled element.

- remote selector
- length of capillary: 2 mt.
- temperature range: 0°±28°C

Provided with regulation scale numbered from 1 to 5, in order to choose the desired temperature.



ART. 1800

Code	€	box	carton
1800	108,39	1	

Thermostatic control head. Built-in sensor with liquid-filled element.

- temperature range: 0°±28°C.

Provided with regulation scale numbered from 1 to 5, in order to choose the desired temperature.



ART. 1824

Code	€	box	carton
1824	14,00	1	100

4 wired thermo-electric actuator with auxiliary micro-switch and selector. Suitable for installation on thermostatic valves and manifolds.

- NC = NORMALLY CLOSED



N.B. For installation on thermostatic valves, use the chrome-plated adapter, art. 1941.

ART. 1914-1924-1913-1923

Code	voltage	opening time	type	€	box	carton
1914	24 V	180 s	NC	32,26	1	100
1924	230 V	180 s	NC	32,26	1	100
1913	24 V	90 s	NC	34,73	1	100
1923	230 V	90 s	NC	34,73	1	100

Chrome-plated adapter suitable for installation of electric actuators on thermo-electric manifolds.



ART. 1942

Code	€	box	carton
1942	2,19	1	

Thermostatic control head. Remote sensor with liquid-filled element.

- remote selector
- length of capillary: 2 mt.
- temperature range: 0°±28°C

Provided with regulation scale numbered from 1 to 5, in order to choose the desired temperature.



ART. 1810

Code	€	box	carton
1810	39,03	1	

Antitampering protection for public bodies for art.1810.



ART. 1830

Code	€	box	carton
1830	9,04	1	

Antitampering protection for public bodies for art. 1824. Complete with:

- Allen screw and nut
- Allen key



ART. 1832

Code	€	box	carton
1832	2,23	1	

Chrome-plated angled **manual** radiator valve.

- interchangeable sizes for copper, plastic and multilayer pipe
- handle with reinforced metal insert
- arm with double seal, O-ring and stuffing box
- metallic sealing lock and O-ring seal
- terminal provided with Loctite® Dri-Seal® 5061

MANUAL
VERSION



ART. 1050



Code	size	€	box	carton
1050 38	3/8"	6,84	10	100
1050 12	1/2"	7,65	10	100

Chrome-plated angled lockshield valve.

- interchangeable sizes for copper, plastic and multilayer pipe
- brass covering cap
- double sealing O-ring on the arm
- metallic sealing lock and O-ring seal
- terminal provided with Loctite® Dri-Seal® 5061



ART. 1100



Code	size	€	box	carton
1100 38	3/8"	6,32	10	100
1100 12	1/2"	7,46	10	100

Chrome-plated straight **manual** radiator valve.

- interchangeable sizes for copper, plastic and multilayer pipe
- handle with reinforced metal insert
- arm with double seal, O-ring and stuffing box
- metallic sealing lock and O-ring seal
- terminal provided with Loctite® Dri-Seal® 5061

MANUAL
VERSION



ART. 1250



Code	size	€	box	carton
1250 38	3/8"	7,61	5	100
1250 12	1/2"	8,28	10	100

Chrome-plated straight lockshield valve.

- interchangeable sizes for copper, plastic and multilayer pipe
- brass covering cap
- double sealing O-ring on the arm
- metallic sealing lock and O-ring seal
- terminal provided with Loctite® Dri-Seal® 5061



ART. 1300



Code	size	€	box	carton
1300 38	3/8"	7,11	5	100
1300 12	1/2"	8,11	10	100

Chrome-plated angled **manual** radiator valve.

- iron pipe connection
- handle with reinforced metal insert
- arm with double seal, O-ring and stuffing box
- metallic sealing lock and O-ring seal
- terminal provided with Loctite® Dri-Seal® 5061

MANUAL
VERSION

ART. 1150



Code	size	€	box	carton
1150 38	3/8"	6,76	10	100
1150 12	1/2"	8,03	10	100
1150 34	3/4"	13,81	5	50
1150 1	1"	20,52	5	40

Chrome-plated angled lockshield valve.

- iron pipe connection
- brass covering cap
- double sealing O-ring on the arm
- metallic sealing lock and O-ring seal
- terminal provided with Loctite® Dri-Seal® 5061

ART. 1200



Code	size	€	box	carton
1200 38	3/8"	6,28	10	100
1200 12	1/2"	7,83	10	100
1200 34	3/4"	12,97	5	50
1200 1	1"	20,66	5	40

Chrome-plated straight **manual** radiator valve.

- iron pipe connection
- handle with reinforced metal insert
- arm with double seal, O-ring and stuffing box
- metallic sealing lock and O-ring seal
- terminal provided with Loctite® Dri-Seal® 5061

MANUAL
VERSION

ART. 1350



Code	size	€	box	carton
1350 38	3/8"	7,51	5	100
1350 12	1/2"	8,39	10	100
1350 34	3/4"	13,94	5	50
1350 1	1"	20,93	5	40

Chrome-plated straight lockshield valve.

- iron pipe connection
- brass covering cap
- double sealing O-ring on the arm
- metallic sealing lock and O-ring seal
- terminal provided with Loctite® Dri-Seal® 5061

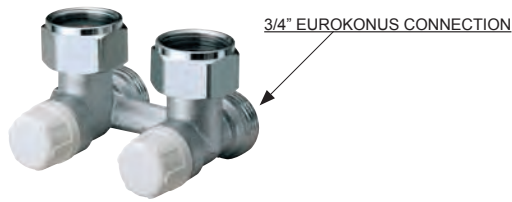
ART. 1400



Code	size	€	box	carton
1400 38	3/8"	6,99	5	100
1400 12	1/2"	8,23	10	100
1400 34	3/4"	13,06	5	50
1400 1	1"	21,06	5	40

Chrome-plated **manual SINGLE/DOUBLE PIPE** angled valve for panel radiators.

- adjustable by-pass
- connections: 3/4" EUROKONUS
- centre line between ports: 50 mm



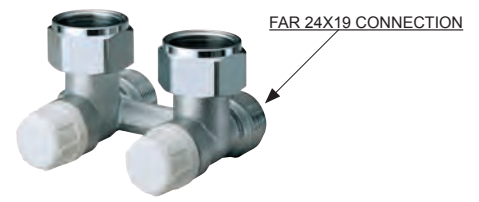
MANUAL
VERSION

ART. 1421

Code	outlets	€	box	carton
1421	3/4" EUROKONUS	17,63	5	50

Chrome-plated **manual SINGLE/DOUBLE PIPE** angled valve for panel radiators.

- adjustable by-pass
- connections: FAR 24 X 19
- centre line between ports: 50 mm



MANUAL
VERSION



ART. 1422

Code	outlets	€	box	carton
1422	24 x 19	17,63	5	50

Chrome-plated **manual SINGLE/DOUBLE PIPE** straight valve for panel radiators.

- adjustable by-pass
- connections: 3/4" EUROKONUS
- centre line between ports: 50 mm



MANUAL
VERSION

ART. 1423

Code	outlets	€	box	carton
1423	3/4" EUROKONUS	18,00	5	50

Chrome-plated **manual SINGLE/DOUBLE PIPE** straight valve for panel radiators.

- adjustable by-pass
- connections: FAR 24 X 19
- centre line between ports: 50 mm



MANUAL
VERSION



ART. 1424

Code	outlets	€	box	carton
1424	24 x 19	18,00	5	50

Sealing KIT complete with 2 adapters for ART.1421-1422-1423-1424 for panel radiators with 3/4" male connection.



ART. 6080

Code	€	box
6080	1,04	25

Sealing KIT complete with 2 adapters for ART.1421-1422-1423-1424 for panel radiators with 1/2" female connection.



ART. 6081

Code	€	box
6081	3,00	25

Chrome-plated **thermostatic SINGLE/DOUBLE PIPE** straight valve without union and nut.

- interchangeable sizes for copper, plastic and multilayer pipe
- central connection to the heating body
- centre line between ports: 35 mm

THERMOSTATIC



ART. 1431

Code	€	box	carton
1431	23,08	10	40

Chrome-plated **thermostatic SINGLE/DOUBLE PIPE** straight valve complete with union and nut.

- 450 mm Ø 10 mm metal probe
- interchangeable sizes for copper, plastic and multilayer pipe
- central connection to the heating body
- centre line between ports: 35 mm

THERMOSTATIC



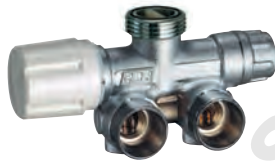
ART. 1435

Code	probe	size	€	box	carton
1435	Ø 10	1/2"	29,22	10	40

Chrome-plated **thermostatic SINGLE/DOUBLE PIPE** angled valve, right-hand version. Without union and nut.

- interchangeable sizes for copper, plastic and multilayer pipe
- central connection to the heating body
- centre line between ports: 35 mm

THERMOSTATIC



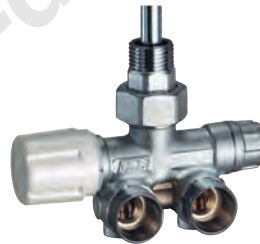
ART. 1432

Code	€	box	carton
1432	27,07	10	40

Chrome-plated **thermostatic SINGLE/DOUBLE PIPE** angled valve, right-hand version. Complete with union and nut.

- 450 mm Ø 10 mm metal probe
- interchangeable sizes for copper, plastic and multilayer pipe
- central connection to the heating body
- centre line between ports: 35 mm

THERMOSTATIC



ART. 1436

Code	probe	size	€	box	carton
1436	Ø 10	1/2"	33,14	10	40

Chrome-plated **thermostatic SINGLE/DOUBLE PIPE** angled valve, left-hand version. Without union and nut.

- interchangeable sizes for copper, plastic and multilayer pipe
- central connection to the heating body
- centre line between ports: 35 mm

THERMOSTATIC



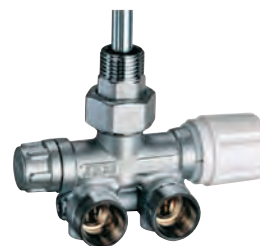
ART. 1433

Code	€	box	carton
1433	28,27	10	40

Chrome-plated **thermostatic SINGLE/DOUBLE PIPE** angled valve, left-hand version. Complete with union and nut.

- 450 mm Ø 10 mm metal probe
- interchangeable sizes for copper, plastic and multilayer pipe
- central connection to the heating body
- centre line between ports: 35 mm

THERMOSTATIC



ART. 1437

Code	probe	size	€	box	carton
1437	Ø 10	1/2"	33,14	10	40

Chrome-plated **thermostatic SINGLE-PIPE** valve.
 • interchangeable sizes for copper, plastic and multilayer pipe
 • 450 mm Ø 12 mm metal probe
 • centre line between ports: 35 mm

D = RIGHT connection
 S = LEFT connection

THERMOSTATIC



ART. 1420

Code	probe	size	€	box	carton
1420 12	Ø 12	1/2"	23,60	13	26
1420 34	Ø 12	3/4"	23,60	13	26
1420 1D	Ø 12	1"	25,90	13	26
1420 1S	Ø 12	1"	25,90	13	26

Chrome-plated **thermostatic DOUBLE-PIPE** valve.
 • interchangeable sizes for copper, plastic and multilayer pipe
 • 450 mm Ø 12 mm metal probe
 • centre line between ports: 35 mm

D = RIGHT connection
 S = LEFT connection

THERMOSTATIC



ART. 1430

Code	probe	size	€	box	carton
1430 12	Ø 12	1/2"	21,81	13	26
1430 34	Ø 12	3/4"	21,81	13	26
1430 1D	Ø 12	1"	24,12	13	26
1430 1S	Ø 12	1"	24,12	13	26

Chrome-plated **thermostatic SINGLE/DOUBLE PIPE** valve.
 • interchangeable sizes for copper, plastic and multilayer pipe
 • 450 mm Ø 12 mm metal probe
 • centre line between ports: 35 mm

D = RIGHT connection
 S = LEFT connection

THERMOSTATIC



ART. 1438

Code	size	€	box	carton
1438 12	1/2"	24,10	5	40
1438 34	3/4"	24,55	5	40
1438 1D	1"	26,46	5	40
1438 1S	1"	26,46	5	40

New
New

Chrome-plated **thermostatic SINGLE-PIPE "GRT"** valve.
 • interchangeable sizes for copper, plastic and multilayer pipe
 • external probe and input for heating medium from above
 • centre line between ports: 35 mm

NB the connection probe must be purchased separately.

THERMOSTATIC



ART. 1440

Code	size	€	box	carton
1440 12	1/2"	27,22	5	40

Chrome-plated **thermostatic SINGLE-PIPE** valve.
 • interchangeable sizes for copper, plastic and multilayer pipe
 • reversible union for external probe
 • input for heating medium from above
 • centre line between ports: 35 mm

NB the connection probe must be purchased separately.

THERMOSTATIC



ART. 1442

Code	size	€	box	carton
1442 12	1/2"	31,36	5	

Chrome-plated **manual "MONOSTILE"** valve for single-pipe systems.

- interchangeable sizes for copper, plastic and multilayer pipe
- 450 mm ø 12 mm metal probe
- centre line between ports: 35 mm

D = RIGHT connection
S = LEFT connection



MANUAL
VERSION



ART. 1450

Code	probe	size	€	box	carton
1450 1212	Ø 12	1/2"	18,94	13	26
1450 3412	Ø 12	3/4"	19,28	13	26
1450 3414	Ø 14	3/4"	19,28	13	26
1450 114D	Ø 14	1"	19,53	13	26
1450 114S	Ø 14	1"	19,53	13	26

Chrome-plated **manual "MONOTUBO"** valve for single-pipe systems.

- interchangeable sizes for copper, plastic and multilayer pipe
- 450 mm ø 12 mm metal probe
- centre line between ports: 35 mm



MANUAL
VERSION



ART. 1455

Code	probe	size	€	box	carton
1455 1212	Ø 12	1/2"	16,47	5	50
1455 3412	Ø 12	3/4"	16,99	5	50

Chrome-plated **manual "MONOFAR"** valve for single-pipe systems.

- interchangeable sizes for copper, plastic and multilayer pipe
- 450 mm ø 12 mm metal probe
- centre line between ports: 35 mm



MANUAL
VERSION



ART. 1451

Code	probe	size	€	box	carton
1451 1212	Ø 12	1/2"	16,56	5	50
1451 3412	Ø 12	3/4"	17,09	5	50

Chrome-plated **manual "MONOSTILE"** valve for single-pipe systems.

- interchangeable sizes for copper, plastic and multilayer pipe
- bent probe for panel radiators
- centre line between ports: 35 mm



MANUAL
VERSION

ART. 8050

- Single-panel bent probe.



ART. 8051

- Double-panel bent probe.



ART. 1500

Code	probe	size	€	box	carton
1500 121R	1 rank	1/2"	21,57	13	26
1500 122R	2 ranks	1/2"	21,57	13	26

Chrome-plated **manual "MONODET"** valve for single-pipe systems.

- interchangeable sizes for copper, plastic and multilayer pipe
- 450 mm ø 12 mm metal probe
- centre line between ports: 35 mm

D = RIGHT connection
S = LEFT connection



MANUAL
VERSION



ART. 1550

Code	probe	size	€	box	carton
1550 1212	Ø 12	1/2"	25,67	10	20
1550 3412	Ø 12	3/4"	26,03	10	20
1550 3414	Ø 14	3/4"	26,03	10	20
1550 114D	Ø 14	1"	26,32	10	20
1550 114S	Ø 14	1"	26,32	10	20

Chrome-plated **manual "MONOTUBO"** valve for convector.

- interchangeable sizes for copper, plastic and multilayer pipe
- input for heating medium from above
- centre line between ports: 35 mm

NB the connection probe must be purchased separately.



MANUAL
VERSION



ART. 1600

Code	size	€	box	carton
1600 12	1/2"	28,21	3	24

Chrome-plated **manual "MONOSTILE"** valve for single-pipe systems.

- reversible union for external probe
- interchangeable sizes for copper, plastic and multilayer pipe
- centre line between ports: 35 mm

MANUAL
VERSION



ART. 1462

Code	size	€	box	carton
1462 12	1/2"	23,60	5	40

Chrome-plated **manual "MONOSTILE"** valve for single-pipe systems.

- reversible union for external probe
- chrome-plated male elbow
- interchangeable sizes for copper, plastic and multilayer pipe
- centre line between ports: 35 mm

MANUAL
VERSION



ART. 1472

Code	size	€	box	carton
1472 12	1/2"	26,70	5	40

Chrome-plated **manual "BITUBO"** valve.

- interchangeable sizes for copper, plastic and multilayer pipe
- 450 mm ø 12 mm metal probe
- centre line between ports: 35 mm

MANUAL
VERSION



ART. 1456

Code	size	€	box	carton
1456 1212	1/2"	17,26	5	50

Chrome-plated **manual "MONOFAR"** valve.

- reversible union for external probe
- chrome-plated male elbow
- interchangeable sizes for copper, plastic and multilayer pipe
- centre line between ports: 35 mm

MANUAL
VERSION



ART. 1452

Code	size	€	box	carton
1452 12	1/2"	20,91	5	40

Chrome-plated **manual "MONOTUBO"** valve.

- reversible union for external probe
- interchangeable sizes for copper, plastic and multilayer pipe
- centre line between ports: 35 mm

MANUAL
VERSION



ART. 1463

Code	size	€	box	carton
1463 12	1/2"	17,87	5	40

Chrome-plated **manual "MONOTUBO"** valve.

- reversible union for external probe
- chrome-plated male elbow
- interchangeable sizes for copper, plastic and multilayer pipe
- centre line between ports: 35 mm

MANUAL
VERSION



ART. 1473

Code	size	€	box	carton
1473 12	1/2"	20,52	5	40

Chrome-plated reversible union for "Monostile" valve ART.1462-1472, with connection for external probe.



ART. 8335

Code	size	€	box
8335 12	1/2"	7,92	10

Chrome-plated reduced reversible union for "Monotubo" valve ART.1452-1463-1473, with connection for external probe.



ART. 8336

Code	size	€	box
8336 12	1/2"	7,15	10

Chrome-plated **manual SINGLE-PIPE GRD** valve.

- interchangeable sizes for copper, plastic and multilayer pipe
- input for heating medium from above
- preset for connection to ART. 1630
- centre line between ports: 35 mm

NB the connection probe must be purchased separately.



MANUAL
VERSION



ART. 1575

Code	size	€	box	carton
1575 12	1/2"	17,97	5	40

Chrome-plated **manual SINGLE-PIPE GR** valve.

- interchangeable sizes for copper, plastic and multilayer pipe
- input for heating medium from above
- centre line between ports: 35 mm

NB the connection probe must be purchased separately.



MANUAL
VERSION



ART. 1585

Code	size	€	box	carton
1585 12	1/2"	17,00	5	40

Chrome-plated **manual SINGLE-PIPE GR 3P** valve.

- interchangeable sizes for copper, plastic and multilayer pipe
- input for heating medium from above
- centre line between ports: 35 mm

NB the connection probe must be purchased separately.



MANUAL
VERSION



ART. 1590

Code	size	€	box	carton
1590 12	1/2"	18,87	5	40

Chrome-plated **manual SINGLE-PIPE GRM** valve.

- interchangeable sizes for copper, plastic and multilayer pipe
- input for heating medium from above
- centre line between ports: 35 mm

NB the connection probe must be purchased separately.



MANUAL
VERSION



ART. 1595

Code	size	€	box	carton
1595 12	1/2"	21,04	5	40

Chrome-plated elbow for GR valve (art. 1585).



ART. 5226

Code	size	€	box	carton
5226	1/2"	3,63	25	

Chrome-plated elbow for GRD valve (art. 1575).



ART. 5227

Code	size	€	box	carton
5227	1/2"	4,20	25	

Chrome-plated elbow for GR 3P valve (art. 1590).



ART. 5229

Code	size	€	box	carton
5229	1/2"	5,91	25	

Chrome-plated elbow for GRM valve (art. 1595).



ART. 5232

Code	size	€	box	carton
5232	1/2"	3,56	25	

For connections to different kinds of pipe
see catalogue page 132

Chrome-plated eccentric fitting for connection in case of heating body replacement, with variation of centre line between ports.

- connections: FEMALE-MALE

ART. 5560

Code	centre l.	size	€	box	carton
5560 138	cm. 1	3/8"x3/8"	3,19	25	250
5560 238	cm. 2	3/8"x3/8"	3,77	25	250
5560 338	cm. 3	3/8"x3/8"	4,07	25	250
5560 438	cm. 4	3/8"x3/8"	4,43	25	250
5560 538	cm. 5	3/8"x3/8"	4,70	25	250
5560 638	cm. 6	3/8"x3/8"	5,01	25	250



Code	centre l.	size	€	box	carton
5560 112	cm. 1	1/2"x1/2"	3,19	25	250
5560 212	cm. 2	1/2"x1/2"	3,77	25	250
5560 312	cm. 3	1/2"x1/2"	4,07	25	250
5560 412	cm. 4	1/2"x1/2"	4,43	25	250
5560 512	cm. 5	1/2"x1/2"	4,70	25	250
5560 612	cm. 6	1/2"x1/2"	5,01	25	250

Code	centre l.	size	€	box	carton
5560 134	cm. 1	3/4"x3/4"	4,27	10	300
5560 234	cm. 2	3/4"x3/4"	5,17	10	300
5560 334	cm. 3	3/4"x3/4"	5,66	10	160
5560 434	cm. 4	3/4"x3/4"	5,93	10	160
5560 534	cm. 5	3/4"x3/4"	6,53	10	160
5560 634	cm. 6	3/4"x3/4"	7,09	10	100

Chrome-plated eccentric fitting for connection in case of heating body replacement, with variation of centre line between ports.

- connections: MALE-MALE

ART. 5563



Code	centre l.	size	€	box	carton
5563 13412	cm. 1	3/4"x1/2"	3,19	25	250
5563 23412	cm. 2	3/4"x1/2"	3,77	25	250
5563 33412	cm. 3	3/4"x1/2"	4,07	25	250
5563 43412	cm. 4	3/4"x1/2"	4,43	25	250
5563 53412	cm. 5	3/4"x1/2"	4,70	25	250
5563 63412	cm. 6	3/4"x1/2"	5,01	25	250

Brass plug for plant test.

Brass external template without nuts for testing of SINGLE/DOUBLE PIPE systems.

- centre line between ports: 35 mm

ART. 1444

Code	€	box	carton
1444	1,56	50	



ART. 1445

Code	€	box	carton
1445	4,47	50	



Chrome-plated telescopic terminal.

- size: 3/8" - extension from 32mm to 55mm
- size: 1/2" - extension from 35mm to 60mm



ART. 8820

Code	size	€	box	carton
8820 38	3/8" 32-55 mm	3,84	10	
8820 12	1/2" 35-60 mm	4,74	10	

Plastic wall covering plate for valves and lockshield valves.

Plastic wall covering plate for single-double pipe valves.

ART. 6200

Code	size	€	box	carton
6200 10	Ø 10	0,43	150	600
6200 12	Ø 12	0,43	150	600
6200 14	Ø 14	0,43	150	600
6200 16	Ø 16	0,43	150	600
6200 18	Ø 18	0,43	150	600
6200 22	Ø 22	0,43	150	600



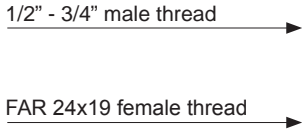
ART. 6150

Code	size	€	box	carton
6150 12	Ø 12	0,48	100	400
6150 14	Ø 14	0,48	100	400
6150 16	Ø 16	0,48	100	400
6150 18	Ø 18	0,48	100	400



Chrome-plated reducer. Permits changing a FAR 24X19 female thread in a 1/2" - 3/4" male thread.

- sealing metal gasket with double O-RING

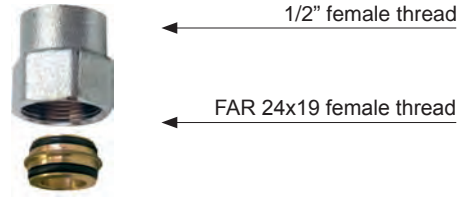


ART. 8865

Code	size	length/mm	€	box	carton
8865 3012	24x19 - 1/2"	30	2,74	25	200
8865 3034	24x19 - 3/4"	30	2,74	25	200

Chrome-plated reducer. Permits changing a FAR 24X19 female thread in a 1/2" female thread.

- sealing metal gasket with double O-RING

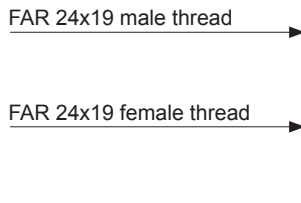


ART. 8870

Code	size	length/mm	€	box	carton
8870 30	24x19 - 1/2"	30	2,74	25	200

Chrome-plated straight extension.

- interchangeable sizes for copper, plastic and multilayer pipe
- sealing metal gasket with double O-RING

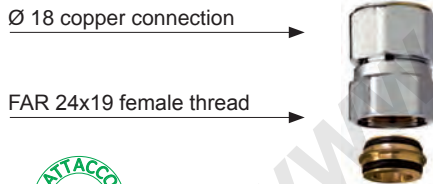


ART. 8850

Code	length/mm	€	box
8850 30	30	2,78	25
8850 35	35	2,78	25
8850 40	40	2,78	25

Chrome-plated straight extension. Permits changing a FAR 24 x 19 female thread in a Ø 18 connection for copper pipe.

- interchangeable sizes for copper, plastic and multilayer pipe
- sealing metal gasket with double O-RING

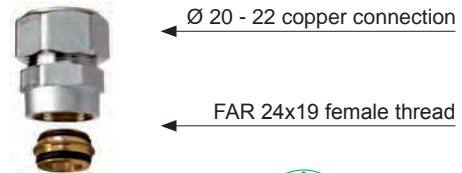


ART. 8850

Code	size	length/mm	€	box	carton
8850 G1830	24x19 - Ø18	30	5,21	25	200
8850 G1835	24x19 - Ø18	35	5,21	25	200
8850 G1840	24x19 - Ø18	40	5,21	25	200

Chrome-plated straight extension. Permits changing a FAR 24 x 19 female thread in a Ø 20-22 connection for copper pipe.

- interchangeable sizes for copper, plastic and multilayer pipe
- sealing metal gasket with double O-RING



ART. 8850

Code	size	length/mm	€	box	carton
8850 G2030	24x19 - Ø 20	30	6,51	25	200
8850 G2230	24x19 - Ø 22	30	6,51	25	200

Chrome-plated special elbow.

- interchangeable sizes for copper, plastic and multilayer pipe
- Ø 16 mm cylindrical part



ART. 8900

Code	length/mm	€	box
8900 35	30	3,61	25
8900 100	100	8,05	25

Chrome-plated special elbow.

- interchangeable sizes for copper, plastic and multilayer pipe
- complete with chrome-plated manual air vent valve
- Ø 16 mm cylindrical part

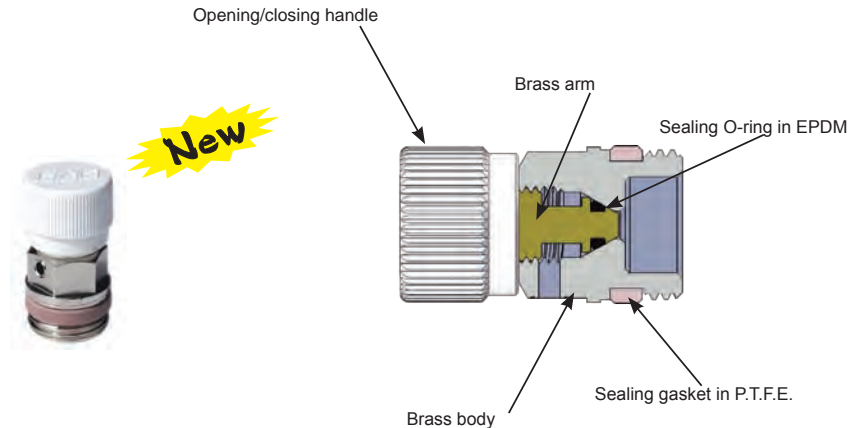


ART. 8901

Code	€	box
8901	5,08	25

Manual air vent valve.

- Plastic handle
- Sealing O-ring on the arm
- Gasket in PTFE for high temperature
- Nominal pressure: 10 bar
- Max. working temperature: 95°C



ART. 6135

Code	size	€	box	carton
6135 18	1/8"	1,24	50	500
6135 14	1/4"	1,24	50	500
6135 38	3/8"	1,45	50	500
6135 12	1/2"	2,10	50	500

GAISER - Air vent valve with lateral purge. Supplied with gasket on the thread to make installation easier.

- Body made of CW617N stamped brass
- Nominal pressure: 10 bar
- Max. working differential pressure: 4 bar
- Max. working temperature: 110°C
- Float: PP



ART. 2043

Code	finish	size	€	box	carton
2043 38	chrome	3/8"	6,94	10	100
2043 12	chrome	1/2"	7,07	10	100

Chrome-plated manual air vent valve with swivelling purge, hose and sealing O-Ring.



ART. 6015

Code	size	€	box	carton
6015 14	1/4"	2,43	50	500
6015 38	3/8"	2,58	50	500

Chrome-plated swivelling manual vent valve complete with square head and sealing O-Ring.



ART. 6010

Code	size	€	box	carton
6010 12	1/2"	2,34	25	

Key with square head for vent valves ART. 6010-6020.



ART. 6300

Code	size	€	box	carton
6300	□ 5	0,73	1	

Chrome-plated manual air vent valve with swivelling purge. Opening handle with square head and sealing O-Ring.



ART. 6020

Code	size	€	box	carton
6020 38	3/8"	1,54	40	
6020 12	1/2"	1,68	40	

Kit for plastic pipes. Suitable for all our products with 24x19 interchangeable connection.

Complete with:

- adapter for plastic pipe
- brass ring
- chrome-plated nut with 24x19 thread



ART. 6052



Code	pipe	external diameter	€	box	carton
6052 6563	plastic	10,5x1,25	2,57	50	500
6052 48186	plastic	12x2,15	2,57	50	500
6052 4847	plastic	12x2	2,57	50	500
6052 48184	plastic	12x1,5	2,57	50	500
6052 481005	plastic	12x1,35	2,57	50	500
6052 9761005	plastic	12,7x1,7	2,57	50	500
6052 976186	plastic	12,7x2,4	2,57	50	500
6052 6563	plastic	14x1,5	2,57	50	500
6052 6545	plastic	14x2	2,57	50	500
6052 4645	plastic	15x2,5	2,57	50	500
6052 4663	plastic	15x2	2,57	50	500
6052 46173	plastic	15x1,7	2,57	50	500
6052 4661	plastic	15x1,5	2,57	50	500
6052 5863	plastic	16x2,5	2,57	50	500
6052 58173	plastic	16x2,2	2,57	50	500
6052 5861	plastic	16x2	2,57	50	500
6052 58262	plastic	16x1,8	2,57	50	500
6052 5864	plastic	16x1,5	2,57	50	500
6052 58180	plastic	16x2,7	2,57	50	500
6052 15061	plastic	16,8x2,4	2,57	50	500
6052 150829	plastic	17x2,25	2,57	50	500
6052 15043	plastic	17x2	2,57	50	500
6052 6043	plastic	17,8x2,4	2,57	50	500
6052 60180	plastic	17,8x3,6	2,57	50	500
6052 4443	plastic	18x2,5	2,57	50	500
6052 44221	plastic	18x2,2	2,57	50	500
6052 4468	plastic	18x2	2,57	50	500
6052 8043	plastic	20x3,5	2,57	50	500
6052 8068	plastic	20x3	2,57	50	500
6052 80185	plastic	20x2,8	2,57	50	500
6052 80222	plastic	20x2,3	2,57	50	500
6052 8069	plastic	20x2,15	2,57	50	500
6052 80214	plastic	20x2	2,57	50	500
6052 80261	plastic	20x1,9	2,57	50	500

Kit for MULTILAYER pipes. Suitable for all our products with 24x19 interchangeable connection.

Complete with:

- adapter for plastic pipe
- brass ring
- chrome-plated nut with 24x19 thread



ART. 6055

Code	pipe	external diameter	€	box	carton
6055 902901	multilayer	11,6x1,5	2,78	50	500
6055 48901	multilayer	12x1,8	2,78	50	500
6055 65193	multilayer	14X2	2,78	50	500
6055 46193	multilayer	15X2,5	2,78	50	500
6055 58190	multilayer	16X2	2,78	50	500
6055 58200	multilayer	16X2,25	2,78	50	500
6055 58278	multilayer	16,2X2,6	2,78	50	500
6055 150200	multilayer	16,8x2,5	2,78	50	500
6055 150810	multilayer	17X2	2,78	50	500
6055 44191	multilayer	18X2	2,78	50	500
6055 80204	multilayer	20X2	2,78	50	500
6055 80192	multilayer	20X2,25	2,78	50	500
6055 80201	multilayer	20X2,5	2,78	50	500
6055 80191	multilayer	20X2,9	2,78	50	500

Sealing compression KIT in rubber for copper pipe.

Complete with:

- brass pipe guide washer
- rubber compression single-taper
- brass ring
- chrome-plated nut 24x19 thread



ART. 8427

Code	pipe	size	€	box	carton
8427 10	copper	Ø 10	1,49	100	500
8427 12	copper	Ø 12	1,49	100	500
8427 14	copper	Ø 14	1,49	100	500

Sealing compression KIT in rubber for copper pipe.

Complete with:

- rubber compression single-taper
- brass ring
- chrome-plated nut with 24x19 thread



ART. 8429

Code	pipe	size	€	box	carton
8429 15	copper	Ø 15	1,39	100	500
8429 16	copper	Ø 16	1,39	100	500

Products complete with nut and sealing kit for Ø 18 copper pipe

Code	Description	size	gasket	€	box	carton
1610 38G18	ANGLED THERMOSTATIC VALVE	3/8"x18	Rubber	11,07	10	100
1610 38T18	ANGLED THERMOSTATIC VALVE	3/8"x18	PTFE	11,29	10	100
1610 12G18	ANGLED THERMOSTATIC VALVE	1/2"x18	Rubber	12,08	10	100
1610 12T18	ANGLED THERMOSTATIC VALVE	1/2"x18	PTFE	12,30	10	100
1630 38G18	STRAIGHT THERMOSTATIC VALVE	3/8"x18	Rubber	11,47	10	100
1630 38T18	STRAIGHT THERMOSTATIC VALVE	3/8"x18	PTFE	11,69	10	100
1630 12G18	STRAIGHT THERMOSTATIC VALVE	1/2"x18	Rubber	12,40	10	100
1630 12T18	STRAIGHT THERMOSTATIC VALVE	1/2"x18	PTFE	12,59	10	100
1050 38G18	ANGLED VALVE	3/8"x18	Rubber	8,42	10	100
1050 38T18	ANGLED VALVE	3/8"x18	PTFE	8,57	10	100
1050 12G18	ANGLED VALVE	1/2"x18	Rubber	9,30	10	100
1050 12T18	ANGLED VALVE	1/2"x18	PTFE	9,46	10	100
1100 38G18	ANGLED LOCKSHIELD VALVE	3/8"x18	Rubber	7,86	10	100
1100 38T18	ANGLED LOCKSHIELD VALVE	3/8"x18	PTFE	8,05	10	100
1100 12G18	ANGLED LOCKSHIELD VALVE	1/2"x18	Rubber	9,14	10	100
1100 12T18	ANGLED LOCKSHIELD VALVE	1/2"x18	PTFE	9,31	10	100
1250 38G18	STRAIGHT VALVE	3/8"x18	Rubber	9,24	10	100
1250 38T18	STRAIGHT VALVE	3/8"x18	PTFE	9,39	10	100
1250 12G18	STRAIGHT VALVE	1/2"x18	Rubber	9,96	10	100
1250 12T18	STRAIGHT VALVE	1/2"x18	PTFE	10,13	10	100
1300 38G18	STRAIGHT LOCKSHIELD VALVE	3/8"x18	Rubber	8,70	10	100
1300 38T18	STRAIGHT LOCKSHIELD VALVE	3/8"x18	PTFE	8,88	10	100
1300 12G18	STRAIGHT LOCKSHIELD VALVE	1/2"x18	Rubber	9,46	10	100
1300 12T18	STRAIGHT LOCKSHIELD VALVE	1/2"x18	PTFE	9,59	10	100
1420 12G18	SINGLE-PIPE THERMOSTATIC VALVE	1/2"x18	Rubber	27,84	13	26
1420 12T18	SINGLE-PIPE THERMOSTATIC VALVE	1/2"x18	PTFE	28,28	13	26
1420 34G18	SINGLE-PIPE THERMOSTATIC VALVE	3/4"x18	Rubber	27,84	13	26
1420 34T18	SINGLE-PIPE THERMOSTATIC VALVE	3/4"x18	PTFE	28,28	13	26
1430 12G18	DOUBLE-PIPE THERMOSTATIC VALVE	1/2"x18	Rubber	25,76	13	26
1430 12T18	DOUBLE-PIPE THERMOSTATIC VALVE	1/2"x18	PTFE	26,14	13	26
1430 34G18	DOUBLE-PIPE THERMOSTATIC VALVE	3/4"x18	Rubber	25,76	13	26
1430 34T18	DOUBLE-PIPE THERMOSTATIC VALVE	3/4"x18	PTFE	26,14	13	26
1440 12G18	"GRT" THERMOSTATIC VALVE	1/2"x18	Rubber	31,45	5	40
1440 12T18	"GRT" THERMOSTATIC VALVE	1/2"x18	PTFE	31,85	5	40
1450 1212G18	"MONOSTILE" VALVE WITH Ø12 METAL PROBE	1/2"x18	Rubber	22,30	13	26
1450 1212T18	"MONOSTILE" VALVE WITH Ø12 METAL PROBE	1/2"x18	PTFE	22,66	13	26
1450 3412G18	"MONOSTILE" VALVE WITH Ø12 METAL PROBE	3/4"x18	Rubber	22,66	13	26
1450 3412T18	"MONOSTILE" VALVE WITH Ø12 METAL PROBE	3/4"x18	PTFE	22,99	13	26
1450 3414G18	"MONOSTILE" VALVE WITH Ø14 METAL PROBE	3/4"x18	Rubber	22,66	13	26
1450 3414T18	"MONOSTILE" VALVE WITH Ø14 METAL PROBE	3/4"x18	PTFE	22,99	13	26
1450 114DG18	"MONOSTILE" VALVE WITH RIGHT CONNECTION AND Ø14 METAL PROBE	1"x18	Rubber	22,89	13	26
1450 114SG18	"MONOSTILE" VALVE WITH LEFT CONNECTION AND Ø14 METAL PROBE	1"x18	Rubber	22,89	13	26
1450 114DT18	"MONOSTILE" VALVE WITH RIGHT CONNECTION AND Ø14 METAL PROBE	1"x18	PTFE	23,26	13	26
1450 114ST18	"MONOSTILE" VALVE WITH LEFT CONNECTION AND Ø14 METAL PROBE	1"x18	PTFE	23,26	13	26
1455 1212G18	"MONOTUBO" VALVE WITH Ø12 METAL PROBE	1/2"x18	Rubber	20,12	5	40
1455 1212T18	"MONOTUBO" VALVE WITH Ø12 METAL PROBE	1/2"x18	PTFE	20,52	5	40
1455 3412G18	"MONOTUBO" VALVE WITH Ø12 METAL PROBE	3/4"x18	Rubber	20,67	5	40
1455 3412T18	"MONOTUBO" VALVE WITH Ø12 METAL PROBE	3/4"x18	PTFE	21,06	5	40
1500 121RG18	"MONOSTILE" VALVE WITH ONE-RANK BENT ANGLED PROBE FOR PANEL RADIATORS	1/2"x18	Rubber	22,75	13	26
1500 121RT18	"MONOSTILE" VALVE WITH ONE-RANK BENT ANGLED PROBE FOR PANEL RADIATORS	1/2"x18	PTFE	23,10	13	26
1500 122RG18	"MONOSTILE" VALVE WITH TWO-RANK BENT ANGLED PROBE FOR PANEL RADIATORS	1/2"x18	Rubber	22,75	13	26
1500 122RT18	"MONOSTILE" VALVE WITH TWO-RANK BENT ANGLED PROBE FOR PANEL RADIATORS	1/2"x18	PTFE	23,10	26	
1550 1212G18	"MONODET" VALVE WITH Ø12 METAL PROBE	1/2"x18	Rubber	29,84	10	20

Products complete with nut and sealing kit for Ø 18 copper pipe

Code	Description	size	gasket	€	box	carton
1550 1212T18	"MONODET" VALVE WITH Ø12 METAL PROBE	1/2"x18	PTFE	30,22	10	20
1550 3412G18	"MONODET" VALVE WITH Ø12 METAL PROBE	3/4"x18	Rubber	30,22	10	20
1550 3412T18	"MONODET" VALVE WITH Ø12 METAL PROBE	3/4"x18	PTFE	30,61	10	20
1550 3414G18	"MONODET" VALVE WITH Ø14 METAL PROBE	3/4"x18	Rubber	30,22	10	20
1550 3414T18	"MONODET" VALVE WITH Ø14 METAL PROBE	3/4"x18	PTFE	30,61	10	20
1550 114DG18	"MONODET" VALVE WITH RIGHT CONNECTION AND Ø14 METAL PROBE	1"x18	Rubber	30,50	10	20
1550 114SG18	"MONODET" VALVE WITH LEFT CONNECTION AND Ø14 METAL PROBE	1"x18	Rubber	30,50	10	20
1550 114DT18	"MONODET" VALVE WITH RIGHT CONNECTION AND Ø14 METAL PROBE	1"x18	PTFE	30,90	10	20
1550 114ST18	"MONODET" VALVE WITH LEFT CONNECTION AND Ø14 METAL PROBE	1"x18	PTFE	30,90	10	20
1600 12G18	"MONOTUBO" VALVE FOR CONVECTOR	1/2"x18	Rubber	32,49	3	24
1600 12T18	"MONOTUBO" VALVE FOR CONVECTOR	1/2"x18	PTFE	32,89	3	24
1462 12G18	"MONOSTILE" VALVE WITH REVERSIBLE UNION FOR EXTERNAL PROBE	1/2"x18	Rubber	27,80	5	40
1462 12T18	"MONOSTILE" VALVE WITH REVERSIBLE UNION FOR EXTERNAL PROBE	1/2"x18	PTFE	28,24	5	40
1472 12G18	"MONOSTILE" VALVE WITH REVERSIBLE UNION FOR EXTERNAL PROBE COMPLETE WITH ELBOW	1/2"x18	Rubber	31,45	5	40
1472 12T18	"MONOSTILE" VALVE WITH REVERSIBLE UNION FOR EXTERNAL PROBE COMPLETE WITH ELBOW	1/2"x18	PTFE	31,94	5	40
1463 12G18	"MONOTUBO" VALVE WITH REVERSIBLE UNION FOR EXTERNAL PROBE	1/2"x18	Rubber	21,82	5	40
1463 12T18	"MONOTUBO" VALVE WITH REVERSIBLE UNION FOR EXTERNAL PROBE	1/2"x18	PTFE	22,28	5	40
1473 12G18	"MONOTUBO" VALVE WITH REVERSIBLE UNION FOR EXTERNAL PROBE COMPLETE WITH ELBOW	1/2"x18	Rubber	25,06	5	40
1473 12T18	"MONOTUBO" VALVE WITH REVERSIBLE UNION FOR EXTERNAL PROBE COMPLETE WITH ELBOW	1/2"x18	PTFE	25,59	5	40
1575 12G18	"MONOTUBO" "GRD" VALVE WITH INPUT FOR HEATING MEDIUM FROM ABOVE	1/2"x18	Rubber	21,46	5	40
1575 12T18	"MONOTUBO" "GRD" VALVE WITH INPUT FOR HEATING MEDIUM FROM ABOVE	1/2"x18	PTFE	21,81	5	40
1585 12G18	"MONOTUBO" "GR" VALVE WITH INPUT FOR HEATING MEDIUM FROM ABOVE	1/2"x18	Rubber	20,32	5	40
1585 12T18	"MONOTUBO" "GR" VALVE WITH INPUT FOR HEATING MEDIUM FROM ABOVE	1/2"x18	PTFE	20,67	5	40
1590 12G18	"MONOTUBO" "GR 3P" VALVE WITH INPUT FOR HEATING MEDIUM FROM ABOVE	1/2"x18	Rubber	22,31	5	40
1590 12T18	"MONOTUBO" "GR 3P" VALVE WITH INPUT FOR HEATING MEDIUM FROM ABOVE	1/2"x18	PTFE	22,67	5	40
1595 12G18	"MONOTUBO" "GRM" VALVE WITH INPUT FOR HEATING MEDIUM FROM ABOVE	1/2"x18	Rubber	24,93	5	40
1595 12T18	"MONOTUBO" "GRM" VALVE WITH INPUT FOR HEATING MEDIUM FROM ABOVE	1/2"x18	PTFE	25,32	5	40
8850 G1830	30 mm. STRAIGHT EXTENSION	(24x19)x18	Rubber	5,21	25	
8850 G1835	35 mm. STRAIGHT EXTENSION	(24x19)x18	Rubber	5,21	25	
8850 G1840	40 mm. STRAIGHT EXTENSION	(24x19)x18	Rubber	5,21	25	
8850 T1830	30 mm. STRAIGHT EXTENSION	(24x19)x18	PTFE	5,41	25	
8850 T1835	35 mm. STRAIGHT EXTENSION	(24x19)x18	PTFE	5,41	25	
8850 T1840	40 mm. STRAIGHT EXTENSION	(24x19)x18	PTFE	5,41	25	
8900 35G18	SPECIAL ELBOW	(24x19)x18	Rubber	5,45	25	
8900 35T18	SPECIAL ELBOW	(24x19)x18	PTFE	5,67	25	



LadyFar valves for radiators and spare parts

TOP LINE thermostatic valves and lockshield valves	Page 137
Thermostatic valves and lockshield valves with vertical control	Page 140
Angled thermostatic valves and lockshield valves	Page 141
Straight thermostatic valves and lockshield valves	Page 142
Single-pipe, double-pipe and single/double pipe thermostatic valves	Page 143
Thermostatic head - Air vent valve	Page 144
Spare parts	Page 145
Adapters and sealing kit	Page 147
Products complete with nut and sealing kit for Ø 18 copper pipe	Page 149

LadyFAR TOP line - Thermostatic valve complete with nut, left-angled version.

- interchangeable sizes for copper, plastic and multilayer pipe
- high finish
- individually boxed with protection

New



ART. 0101



ART. 0111



serie
Top

Code	finish	size	€	box
0101 38	Chrome	3/8"	30,28	1
0101 12	Chrome	1/2"	30,28	1
0111 38	White-Chrome	3/8"	28,57	1
0111 12	White-Chrome	1/2"	28,57	1

LadyFAR TOP line - Lockshield valve complete with nut, right-angled.

- interchangeable sizes for copper, plastic and multilayer pipe
- high finish
- individually boxed with protection

New



ART. 0122



ART. 0132

serie
Top



Code	finish	size	€	box
0122 38	Chrome	3/8"	28,01	1
0122 12	Chrome	1/2"	28,01	1
0132 38	White-Chrome	3/8"	26,04	1
0132 12	White-Chrome	1/2"	26,04	1

LadyFAR TOP line - Thermostatic valve complete with nut, right-angled version.

- interchangeable sizes for copper, plastic and multilayer pipe
- high finish
- individually boxed with protection

New



ART. 0102



ART. 0112



serie
Top

Code	finish	size	€	box
0102 38	Chrome	3/8"	30,28	1
0102 12	Chrome	1/2"	30,28	1
0112 38	White-Chrome	3/8"	28,57	1
0112 12	White-Chrome	1/2"	28,57	1

LadyFAR TOP line - Lockshield valve complete with nut, left-angled version.

- interchangeable sizes for copper, plastic and multilayer pipe
- high finish
- individually boxed with protection

New



ART. 0121



ART. 0131

serie
Top



Code	finish	size	€	box
0121 38	Chrome	3/8"	28,01	1
0121 12	Chrome	1/2"	28,01	1
0131 38	White-Chrome	3/8"	26,04	1
0131 12	White-Chrome	1/2"	26,04	1

LadyFAR TOP line - Thermostatic valve, left-angled version.

- iron pipe connection
- high finish
- individually boxed with protection

New



ART. 0103



ART. 0113

serie Top

Code	finish	size	€	box
0103 38	Chrome	3/8"	28,60	1
0103 12	Chrome	1/2"	28,60	1
0113 38	White-Chrome	3/8"	26,93	1
0113 12	White-Chrome	1/2"	26,93	1

LadyFAR TOP line - Lockshield valve, right-angled version.

- iron pipe connection
- high finish
- individually boxed with protection

New



ART. 0124



ART. 0134

serie Top

Code	finish	size	€	box
0124 38	Chrome	3/8"	25,73	1
0124 12	Chrome	1/2"	25,73	1
0134 38	White-Chrome	3/8"	23,82	1
0134 12	White-Chrome	1/2"	23,82	1

LadyFAR TOP line - Thermostatic valve, right-angled version.

- iron pipe connection
- high finish
- individually boxed with protection

New



ART. 0104



ART. 0114

serie Top

Code	finish	size	€	box
0104 38	Chrome	3/8"	28,60	1
0104 12	Chrome	1/2"	28,60	1
0114 38	White-Chrome	3/8"	26,93	1
0114 12	White-Chrome	1/2"	26,93	1

LadyFAR TOP line - Lockshield valve, left-angled version.

- iron pipe connection
- high finish
- individually boxed with protection

New



ART. 0123



ART. 0133

serie Top

Code	finish	size	€	box
0123 38	Chrome	3/8"	25,73	1
0123 12	Chrome	1/2"	25,73	1
0133 38	White-Chrome	3/8"	23,82	1
0133 12	White-Chrome	1/2"	23,82	1

LadyFAR TOP line - Thermostatic angled valve complete with nut

- interchangeable sizes for copper, plastic and multilayer pipe
- high finish
- individually boxed with protection

LadyFAR TOP line - Angled lockshield valve complete with nut.

- interchangeable sizes for copper, plastic and multilayer pipe
- high finish
- individually boxed with protection



ART. 0108



ART. 0109



ART. 0128



ART. 0129



serie
Top

Code	finish	size	€	box
0108 38	Chrome	3/8"	28,06	1
0108 12	Chrome	1/2"	28,06	1
0109 38	White-Chrome	3/8"	26,45	1
0109 12	White-Chrome	1/2"	26,45	1

serie
Top



Code	finish	size	€	box
0128 38	Chrome	3/8"	25,56	1
0128 12	Chrome	1/2"	25,56	1
0129 38	White-Chrome	3/8"	23,75	1
0129 12	White-Chrome	1/2"	23,75	1

LadyFAR TOP line - Thermostatic angled valve.

- iron pipe connection
- high finish
- individually boxed with protection

LadyFAR TOP line - Angled lockshield valve.

- iron pipe connection
- high finish
- individually boxed with protection



ART. 0148



ART. 0149



ART. 0168



ART. 0169

serie
Top

Code	finish	size	€	box
0148 38	Chrome	3/8"	26,52	1
0148 12	Chrome	1/2"	26,52	1
0149 38	White-Chrome	3/8"	24,91	1
0149 12	White-Chrome	1/2"	24,91	1

serie
Top

Code	finish	size	€	box
0168 38	Chrome	3/8"	23,65	1
0168 12	Chrome	1/2"	23,65	1
0169 38	White-Chrome	3/8"	21,84	1
0169 12	White-Chrome	1/2"	21,84	1

LadyFAR - Thermostatic valve complete with nut, left-angled version.

- interchangeable sizes for copper, plastic and multilayer pipe
- high **chrome** finish
- individually boxed with protection

ART. 0106



Code	size	€	box
0106 38	3/8"	27,93	1
0106 12	1/2"	27,93	1

LadyFAR - Lockshield valve complete with nut, right-angled version.

- interchangeable sizes for copper, plastic and multilayer pipe
- high **chrome** finish
- individually boxed with protection



ART. 0127

Code	size	€	box
0127 38	3/8"	27,44	1
0127 12	1/2"	27,44	1

LadyFAR - Thermostatic valve, left-angled version.

- iron pipe connection
- high **chrome** finish
- individually boxed with protection



ART. 0146

Code	size	€	box
0146 38	3/8"	25,51	1
0146 12	1/2"	25,51	1

LadyFAR - Lockshield valve, right-angled version.

- iron pipe connection
- high **chrome** finish
- individually boxed with protection



ART. 0167

Code	size	€	box
0167 38	3/8"	24,39	1
0167 12	1/2"	24,39	1

LadyFAR - Thermostatic valve complete with nut, right-angled version.

- interchangeable sizes for copper, plastic and multilayer pipe
- high **chrome** finish
- individually boxed with protection



ART. 0107



Code	size	€	box
0107 38	3/8"	27,93	1
0107 12	1/2"	27,93	1

LadyFAR - Lockshield valve complete with nut, left-angled version.

- interchangeable sizes for copper, plastic and multilayer pipe
- high **chrome** finish
- individually boxed with protection



ART. 0126

Code	size	€	box
0126 38	3/8"	27,44	1
0126 12	1/2"	27,44	1

LadyFAR - Thermostatic valve, right-angled version.

- iron pipe connection
- high **chrome** finish
- individually boxed with protection



ART. 0147

Code	size	€	box
0147 38	3/8"	25,51	1
0147 12	1/2"	25,51	1

LadyFAR - Lockshield valve, left-angled version.

- iron pipe connection
- high **chrome** finish
- individually boxed with protection



ART. 0166

Code	size	€	box
0166 38	3/8"	24,39	1
0166 12	1/2"	24,39	1

LadyFAR - Thermostatic angled valve complete with nut.

- interchangeable sizes for copper, plastic and multilayer pipe
- high finish
- individually boxed with protection



ART. 0100



ART. 0105



ART. 0110



ART. 0115



Code	finish	size	€	box
0100 38	Brass	3/8"	31,65	1
0100 12	Brass	1/2"	31,65	1
0105 38	Chrome	3/8"	25,49	1
0105 12	Chrome	1/2"	25,49	1
0110 38	White-Brass	3/8"	27,90	1
0110 12	White-Brass	1/2"	27,90	1
0115 38	White-Chrome	3/8"	24,74	1
0115 12	White-Chrome	1/2"	24,74	1

LadyFAR - Angled lockshield valve complete with nut.

- interchangeable sizes for copper, plastic and multilayer pipe
- high finish
- individually boxed with protection



ART. 0120



ART. 0125



ART. 0130



ART. 0135



Code	finish	size	€	box
0120 38	Brass	3/8"	30,81	1
0120 12	Brass	1/2"	30,81	1
0125 38	Chrome	3/8"	25,07	1
0125 12	Chrome	1/2"	25,07	1
0130 38	White-Brass	3/8"	28,76	1
0130 12	White-Brass	1/2"	28,76	1
0135 38	White-Chrome	3/8"	25,51	1
0135 12	White-Chrome	1/2"	25,51	1

LadyFAR - Thermostatic angled valve.

- iron pipe connection
- high finish
- individually boxed with protection



ART. 0140



ART. 0145



ART. 0150



ART. 0155

Code	finish	size	€	box
0140 12	Brass	1/2"	28,00	1
0145 12	Chrome	1/2"	22,95	1
0150 12	White-Brass	1/2"	24,24	1
0155 12	White-Chrome	1/2"	22,18	1

LadyFAR - Angled lockshield valve.

- iron pipe connection
- high finish
- individually boxed with protection



ART. 0160



ART. 0165



ART. 0170



ART. 0175

Code	finish	size	€	box
0160 12	Brass	1/2"	27,05	1
0165 12	Chrome	1/2"	22,45	1
0170 12	White-Brass	1/2"	25,00	1
0175 12	White-Chrome	1/2"	22,88	1

LadyFAR - Thermostatic straight valve complete with nut.

- interchangeable sizes for copper, plastic and multilayer pipe
- high finish
- individually boxed with protection



ART. 0180



ART. 0185



ART. 0190



ART. 0195



Code	finish	size	€	box
0180 38	Brass	3/8"	32,04	1
0180 12	Brass	1/2"	32,04	1
0185 38	Chrome	3/8"	25,89	1
0185 12	Chrome	1/2"	25,89	1
0190 38	White-Brass	3/8"	28,28	1
0190 12	White-Brass	1/2"	28,28	1
0195 38	White-Chrome	3/8"	25,13	1
0195 12	White-Chrome	1/2"	25,13	1

LadyFAR - Thermostatic straight valve.

- iron pipe connection
- high finish
- individually boxed with protection



ART. 0220



ART. 0225



ART. 0230



ART. 0235

Code	finish	size	€	box
0220 12	Brass	1/2"	28,41	1
0225 12	Chrome	1/2"	23,35	1
0230 12	White-Brass	1/2"	24,66	1
0235 12	White-Chrome	1/2"	22,60	1

LadyFAR - Straight lockshield valve complete with nut.

- interchangeable sizes for copper, plastic and multilayer pipe
- high finish
- individually boxed with protection



ART. 0200



ART. 0205



ART. 0210



ART. 0215



Code	finish	size	€	box
0200 38	Brass	3/8"	31,21	1
0200 12	Brass	1/2"	31,21	1
0205 38	Chrome	3/8"	25,49	1
0205 12	Chrome	1/2"	25,49	1
0210 38	White-Brass	3/8"	29,17	1
0210 12	White-Brass	1/2"	29,17	1
0215 38	White-Chrome	3/8"	25,91	1
0215 12	White-Chrome	1/2"	25,91	1

LadyFAR - Straight lockshield valve.

- iron pipe connection
- high finish
- individually boxed with protection



ART. 0240



ART. 0245



ART. 0250



ART. 0255

Code	finish	size	€	box
0240 12	Brass	1/2"	27,47	1
0245 12	Chrome	1/2"	22,88	1
0250 12	White-Brass	1/2"	25,43	1
0255 12	White-Chrome	1/2"	23,30	1

LadyFAR - Thermostatic **SINGLE-PIPE** valve.

- interchangeable sizes for copper, plastic and multilayer pipe
- high finish
- 450 mm ø 12 mm metal probe
- centre line between ports: 35mm
- individually boxed with protection



ART. 0260



ART. 0265



ART. 0270



ART. 0275



Code	finish	size	€	box
0260 12	Brass	1/2"	55,61	1
0260 34	Brass	3/4"	56,29	1
0265 12	Chrome	1/2"	42,77	1
0265 34	Chrome	3/4"	43,26	1
0270 12	White-Brass	1/2"	46,24	1
0270 34	White-Brass	3/4"	46,89	1
0275 12	White-Chrome	1/2"	41,09	1
0275 34	White-Chrome	3/4"	41,61	1

LadyFAR - Thermostatic **DOUBLE-PIPE** valve.

- interchangeable sizes for copper, plastic and multilayer pipe
- high finish
- 450 mm ø 12 mm metal probe
- centre line between ports: 35mm
- individually boxed with protection



ART. 0280



ART. 0285



ART. 0290



ART. 0295



Code	finish	size	€	box
0280 12	Brass	1/2"	55,54	1
0280 34	Brass	3/4"	56,20	1
0285 12	Chrome	1/2"	42,70	1
0285 34	Chrome	3/4"	43,18	1
0290 12	White-Brass	1/2"	46,14	1
0290 34	White-Brass	3/4"	46,81	1
0295 12	White-Chrome	1/2"	41,04	1
0295 34	White-Chrome	3/4"	41,52	1

LadyFAR - Thermostatic **SINGLE/DOUBLE PIPE** valve with central connection to the heating body, right-hand version. Complete with union and nuts.

- interchangeable sizes for copper, plastic and multilayer pipe
- high finish
- 450 mm ø 10 mm metal probe
- centre line between ports: 35mm
- individually boxed with protection



ART. 0291



ART. 0292



ART. 0293



ART. 0294



Code	finish	size	€	box
0291	Brass	1/2"	73,04	1
0292	Chrome	1/2"	56,36	1
0293	White-Brass	1/2"	64,07	1
0294	White-Chrome	1/2"	57,34	1

LadyFAR - Thermostatic **SINGLE/DOUBLE PIPE** valve with central connection to the heating body, left-hand version. Complete with union and nuts.

- interchangeable sizes for copper, plastic and multilayer pipe
- high finish
- 450 mm ø 10 mm metal probe
- centre line between ports: 35mm
- individually boxed with protection



ART. 0296



ART. 0297



ART. 0298



ART. 0299



Code	finish	size	€	box
0296	Brass	1/2"	73,04	1
0297	Chrome	1/2"	56,36	1
0298	White-Brass	1/2"	64,07	1
0299	White-Chrome	1/2"	57,34	1

Thermostatic control head. Built-in sensor with liquid-filled element.

- temperature range: 0°±28° C.
- provided with regulation scale numbered from 1 to 5, in order to choose the desired temperature.
- high **chrome** finish



New

ART. 1827

Code	€	box	carton
1827	21,84	1	100

Manual control for **LadyFAR TOP line** valves.

- high **chrome** finish

serie
Top



New

ART. 0316

Code	€	box
0316	6,45	1

LadyFAR - Angled automatic air vent valve.

- high finish
- float: PP
- individually boxed with protection



ART. 0300



ART. 0305

Code	finish	size	€	box
0300 12	White-Brass	1/2"	19,60	1
0305 12	White-Chrome	1/2"	17,83	1

LadyFAR - Straight automatic air vent valve.

- high finish
- float: PP
- individually boxed with protection



ART. 0301



ART. 0306

Code	finish	size	€	box
0301 12	White-Brass	1/2"	19,09	1
0306 12	White-Chrome	1/2"	17,27	1

Manual control for "LadyFAR" valves.

- high **brass** finish



ART. 0310

Code	€	box
0310	2,06	1

Manual control for "LadyFAR" valves.

- high **chrome** finish



ART. 0315

Code	€	box
0315	1,91	1

Adapter for connection of electric actuator to thermostatic "LadyFAR" valves.

- high **brass** finish



ART. 0320

Code	€	box
0320	4,68	1

Adapter for connection of electric actuator to thermostatic "LadyFAR" valves.

- high **chrome** finish



ART. 0325

Code	€	box
0325	3,67	1

Nut for "LadyFAR" valves and lockshield valves with copper pipe connection.

- high **brass** finish



ART. 0330

Code	size	€	box
0330 16	Ø 16	3,42	1
0330 18	Ø 18	3,42	1
0330 20	Ø 20	3,42	1

Nut for "LadyFAR" valves and lockshield valves with copper pipe connection.

- high **chrome** finish



ART. 0335

Code	size	€	box
0335 16	Ø 16	2,33	1
0335 18	Ø 18	2,33	1
0335 20	Ø 20	2,33	1

Covering cap for "LadyFAR" lockshield valves.

- high **brass** finish



ART. 0340

Code	€	box
0340	3,41	1

Covering cap for "LadyFAR" lockshield valves.

- high **chrome** finish



ART. 0345

Code	€	box
0345	2,33	1

Covering cap for single-pipe and double-pipe "LadyFAR" valves.

- high **brass** finish



ART. 0350

Code	€	box
0350	3,11	1

Covering cap for single-pipe and double-pipe "LadyFAR" valves.

- high **chrome** finish



ART. 0355

Code	€	box
0355	2,02	1

Wall covering plate for "LadyFAR" valves and lockshield valves.

- high **chrome** finish



ART. 0440

Code	size	€	box	carton
0440 12	Ø 12	1,22	150	600
0440 14	Ø 14	1,22	150	600
0440 16	Ø 16	1,22	150	600

Nut for single-pipe and double-pipe "LadyFAR" valves.

- high **brass** finish

ART. 0360

Code	size	€	box
0360	1"	4,34	1



Nut for single-pipe and double-pipe "LadyFAR" valves.

- high **chrome** finish

ART. 0365

Code	size	€	box
0365	1"	3,27	1



Nut for angled single-pipe and double-pipe "LadyFAR" valves.

- high **brass** finish

ART. 0366

Code	size	€	box
0366	3/4"	3,59	1



Nut for angled single-pipe and double-pipe "LadyFAR" valves.

- high **chrome** finish

ART. 0367

Code	size	€	box
0367	3/4"	2,49	1



Union for single-pipe and double-pipe "LadyFAR" valves.

- high **brass** finish

ART. 0370

Code	size	€	box
0370 12	1/2"	3,63	1
0370 34	3/4"	4,33	1



Union for single-pipe and double-pipe "LadyFAR" valves.

- high **chrome** finish

ART. 0375

Code	size	€	box
0375 12	1/2"	2,61	1
0375 34	3/4"	3,13	1



Union for angled single-pipe and double-pipe "LadyFAR" valves.

- high **brass** finish

ART. 0376

Code	size	€	box
0376 12	1/2"	3,72	1



Union for angled single-pipe and double-pipe "LadyFAR" valves.

- high **chrome** finish

ART. 0377

Code	size	€	box
0377 12	1/2"	2,70	1



Nut for "LadyFAR" valves and lockshield valves.

- high **brass** finish

ART. 0390

Code	size	€	box
0390	26x1,5	3,23	1



Nut for "LadyFAR" valves and lockshield valves.

- high **chrome** finish

ART. 0395

Code	size	€	box
0395	26x1,5	2,14	1



Terminal for "LadyFAR" valves and lockshield valves.

- high **brass** finish

ART. 0400

Code	size	€	box
0400 38	3/8"	3,63	1
0400 12	1/2"	3,63	1



Terminal for "LadyFAR" valves and lockshield valves.

- high **chrome** finish

ART. 0405

Code	size	€	box
0405 38	3/8"	2,67	1
0405 12	1/2"	2,67	1



Ring nut for "LadyFAR" air vent valves.

- high **brass** finish

ART. 0410

Code	€	box
0410	4,84	1



Ring nut for "LadyFAR" air vent valves.

- high **chrome** finish

ART. 0415

Code	€	box
0415	2,96	1



Kit for plastic pipes. Suitable for all our articles with 24x19 interchangeable connection.

Complete with:

- adapter for plastic pipe
- brass ring

NB. The $\varnothing 16$ nut is already provided with all **LadyFAR** products with copper connection.



ART. 6050

Code	pipe	external diameter	€	box	carton
6050 48186	plastic	12x2,15	1,74	100	500
6050 4847	plastic	12x2	1,74	100	500
6050 48184	plastic	12x1,5	1,74	100	500
6050 6545	plastic	14x2	1,74	100	500
6050 4645	plastic	15x2,5	1,74	100	500
6050 4663	plastic	15x2	1,74	100	500
6050 46173	plastic	15x1,7	1,74	100	500
6050 5863	plastic	16x2,5	1,74	100	500
6050 58173	plastic	16x2,2	1,74	100	500
6050 5861	plastic	16x2	1,74	100	500
6050 58262	plastic	16x1,8	1,74	100	500
6050 5864	plastic	16x1,5	1,74	100	500

Kit for plastic pipes. Suitable for all our articles with 24x19 interchangeable connection.

Complete with:

- adapter for plastic pipe
- brass ring
- nut with 24x19 thread, high **brass** finish



ART. 0420

Code	pipe	external diameter	€	box	carton
0420 15043	plastic	17x2	4,87	50	500
0420 6043	plastic	17,8x2,4	4,87	50	500
0420 60180	plastic	17,8x3,6	4,87	50	500
0420 4443	plastic	18x2,5	4,87	50	500
0420 44221	plastic	18x2,2	4,87	50	500
0420 4468	plastic	18x2	4,87	50	500
0420 8043	plastic	20x3,5	4,87	50	500
0420 8068	plastic	20x3	4,87	50	500
0420 80185	plastic	20x2,8	4,87	50	500
0420 80222	plastic	20x2,3	4,87	50	500
0420 8069	plastic	20x2,15	4,87	50	500
0420 80214	plastic	20x2	4,87	50	500
0420 80261	plastic	20x1,9	4,87	50	500

Kit for plastic pipes. Suitable for all our articles with 24x19 interchangeable connection.

Complete with :

- adapter for plastic pipe
- brass ring
- nut with 24x19 thread, high **chrome** finish



ART. 0425

Code	pipe	external diameter	€	box	carton
0425 15043	plastic	17x2	3,93	50	500
0425 6043	plastic	17,8x2,4	3,93	50	500
0425 60180	plastic	17,8x3,6	3,93	50	500
0425 4443	plastic	18x2,5	3,93	50	500
0425 44221	plastic	18x2,2	3,93	50	500
0425 4468	plastic	18x2	3,93	50	500
0425 8043	plastic	20x3,5	3,93	50	500
0425 8068	plastic	20x3	3,93	50	500
0425 80185	plastic	20x2,8	3,93	50	500
0425 80222	plastic	20x2,3	3,93	50	500
0425 8069	plastic	20x2,15	3,93	50	500
0425 80214	plastic	20x2	3,93	50	500
0425 80261	plastic	20x1,9	3,93	50	500

Kit for MULTILAYER pipes. Suitable for all our articles with 24x19 interchangeable connection.

Complete with:

- adapter for multilayer pipe
- brass ring

NB. The ø16 nut is already provided with all **LadyFAR** products with copper connection.



ART. 6053

Code	pipe	external diameter	€	box
6053 65193	multilayer	14x2	1,93	100
6053 58190	multilayer	16x2	1,93	100
6053 58200	multilayer	16x2,25	1,93	100
6053 58278	multilayer	16,2X2,6	1,93	100

Kit for MULTILAYER pipes. Suitable for **LadyFAR TOP line** products.

Complete with :

- adapter for multilayer pipe
- brass ring
- nut with 24x19 thread, high **chrome** finish

serie
Top



ART. 0436

Code	pipe	external diameter	€	box
0436 150810	multilayer	17X2	4,99	50
0436 44191	multilayer	18x2	4,99	50
0436 80204	multilayer	20x2	4,99	50
0436 80192	multilayer	20x2,25	4,99	50
0436 80201	multilayer	20x2,5	4,99	50

Kit for MULTILAYER pipes. Suitable for all our articles with 24x19 interchangeable connection.

Complete with:

- adapter for multilayer pipe
- brass ring
- nut with 24x19 thread, high **brass** finish



ART. 0430

Code	pipe	external diameter	€	box
0430 150810	multilayer	17X2	5,21	50
0430 44191	multilayer	18x2	5,21	50
0430 80204	multilayer	20x2	5,21	50
0430 80192	multilayer	20x2,25	5,21	50
0430 80201	multilayer	20x2,5	5,21	50

Kit for MULTILAYER pipes. Suitable for all our articles with 24x19 interchangeable connection.

Complete with:

- adapter for multilayer pipe
- brass ring
- nut with 24x19 thread, high **chrome** finish



ART. 0435

Code	pipe	external diameter	€	box
0435 150810	multilayer	17X2	4,28	50
0435 44191	multilayer	18x2	4,28	50
0435 80204	multilayer	20x2	4,28	50
0435 80192	multilayer	20x2,25	4,28	50
0435 80201	multilayer	20x2,5	4,28	50

Sealing compression KIT in rubber for copper pipe.

Complete with:

- brass pipe guide washer
- rubber compression single-taper
- brass ring

NB. The ø16 nut is already provided with all **LadyFAR** products with copper connection.



ART. 8430

Code	pipe	size	€	box
8430 10	copper	Ø 10	0,79	500
8430 12	copper	Ø 12	0,79	500
8430 14	copper	Ø 14	0,79	500

Sealing compression KIT in rubber for copper pipe.

Complete with:

- rubber compression single-taper
- brass ring

NB. The ø16 nut is already provided with all **LadyFAR** products with copper connection.



ART. 8431

Code	pipe	size	€	box
8431 15	copper	Ø 15	0,66	500
8431 16	copper	Ø 16	0,66	500

Products complete with nut and sealing kit for Ø 18 copper pipe

Code	Description	size	gasket	€	box	carton
0100 38G18	ANGLED THERMOSTATIC VALVE, HIGH BRASS FINISH	3/8"x18	Rubber	33,91	1	
0100 38T18	ANGLED THERMOSTATIC VALVE, HIGH BRASS FINISH	3/8"x18	PTFE	34,14	1	
0100 12G18	ANGLED THERMOSTATIC VALVE, HIGH BRASS FINISH	1/2"x18	Rubber	33,91	1	
0100 12T18	ANGLED THERMOSTATIC VALVE, HIGH BRASS FINISH	1/2"x18	PTFE	34,14	1	
0105 38G18	ANGLED THERMOSTATIC VALVE, HIGH CHROME FINISH	3/8"x18	Rubber	27,47	1	
0105 38T18	ANGLED THERMOSTATIC VALVE, HIGH CHROME FINISH	3/8"x18	PTFE	27,70	1	
0105 12G18	ANGLED THERMOSTATIC VALVE, HIGH CHROME FINISH	1/2"x18	Rubber	27,47	1	
0105 12T18	ANGLED THERMOSTATIC VALVE, HIGH CHROME FINISH	1/2"x18	PTFE	27,70	1	
0110 38G18	ANGLED THERMOSTATIC VALVE, HIGH WHITE-BRASS FINISH	3/8"x18	Rubber	30,03	1	
0110 38T18	ANGLED THERMOSTATIC VALVE, HIGH WHITE-BRASS FINISH	3/8 x18	PTFE	30,28	1	
0110 12G18	ANGLED THERMOSTATIC VALVE, HIGH WHITE-BRASS FINISH	1/2"x18	Rubber	30,03	1	
0110 12T18	ANGLED THERMOSTATIC VALVE, HIGH WHITE-BRASS FINISH	1/2"x18	PTFE	30,28	1	
0115 38G18	ANGLED THERMOSTATIC VALVE, HIGH WHITE-CHROME FINISH	3/8"x18	Rubber	26,73	1	
0115 38T18	ANGLED THERMOSTATIC VALVE, HIGH WHITE-CHROME FINISH	3/8"x18	PTFE	26,98	1	
0115 12G18	ANGLED THERMOSTATIC VALVE, HIGH WHITE-CHROME FINISH	1/2"x18	Rubber	26,73	1	
0115 12T18	ANGLED THERMOSTATIC VALVE, HIGH WHITE-CHROME FINISH	1/2"x18	PTFE	26,98	1	
0120 38G18	ANGLED LOCKSHIELD VALVE, HIGH BRASS FINISH	3/8"x18	Rubber	33,13	1	
0120 38T18	ANGLED LOCKSHIELD VALVE, HIGH BRASS FINISH	3/8"x18	PTFE	33,37	1	
0120 12G18	ANGLED LOCKSHIELD VALVE, HIGH BRASS FINISH	1/2"x18	Rubber	33,13	1	
0120 12T18	ANGLED LOCKSHIELD VALVE, HIGH BRASS FINISH	1/2"x18	PTFE	33,37	1	
0125 38G18	ANGLED LOCKSHIELD VALVE, HIGH CHROME FINISH	3/8"x18	Rubber	27,11	1	
0125 38T18	ANGLED LOCKSHIELD VALVE, HIGH CHROME FINISH	3/8"x18	PTFE	27,35	1	
0125 12G18	ANGLED LOCKSHIELD VALVE, HIGH CHROME FINISH	1/2"x18	Rubber	27,11	1	
0125 12T18	ANGLED LOCKSHIELD VALVE, HIGH CHROME FINISH	1/2"x18	PTFE	27,35	1	
0130 38G18	ANGLED LOCKSHIELD VALVE, HIGH WHITE-BRASS FINISH	3/8"x18	Rubber	30,97	1	
0130 38T18	ANGLED LOCKSHIELD VALVE, HIGH WHITE-BRASS FINISH	3/8"x18	PTFE	31,22	1	
0130 12G18	ANGLED LOCKSHIELD VALVE, HIGH WHITE-BRASS FINISH	1/2"x18	Rubber	30,97	1	
0130 12T18	ANGLED LOCKSHIELD VALVE, HIGH WHITE-BRASS FINISH	1/2"x18	PTFE	31,22	1	
0135 38G18	ANGLED LOCKSHIELD VALVE, HIGH WHITE-CHROME FINISH	3/8"x18	Rubber	27,56	1	
0135 38T18	ANGLED LOCKSHIELD VALVE, HIGH WHITE-CHROME FINISH	3/8"x18	PTFE	27,82	1	
0135 12G18	ANGLED LOCKSHIELD VALVE, HIGH WHITE-CHROME FINISH	1/2"x18	Rubber	27,56	1	
0135 12T18	ANGLED LOCKSHIELD VALVE, HIGH WHITE-CHROME FINISH	1/2"x18	PTFE	27,82	1	
0180 38G18	STRAIGHT THERMOSTATIC VALVE, HIGH BRASS FINISH	3/8"x18	Rubber	34,30	1	
0180 38T18	STRAIGHT THERMOSTATIC VALVE, HIGH BRASS FINISH	3/8"x18	PTFE	34,53	1	
0180 12G18	STRAIGHT THERMOSTATIC VALVE, HIGH BRASS FINISH	1/2"x18	Rubber	34,30	1	
0180 12T18	STRAIGHT THERMOSTATIC VALVE, HIGH BRASS FINISH	1/2"x18	PTFE	34,53	1	
0185 38G18	STRAIGHT THERMOSTATIC VALVE, HIGH CHROME FINISH	3/8"x18	Rubber	27,87	1	
0185 38T18	STRAIGHT THERMOSTATIC VALVE, HIGH CHROME FINISH	3/8"x18	PTFE	28,11	1	
0185 12G18	STRAIGHT THERMOSTATIC VALVE, HIGH CHROME FINISH	1/2"x18	Rubber	27,87	1	
0185 12T18	STRAIGHT THERMOSTATIC VALVE, HIGH CHROME FINISH	1/2"x18	PTFE	28,11	1	
0190 38G18	STRAIGHT THERMOSTATIC VALVE, HIGH WHITE-BRASS FINISH	3/8"x18	Rubber	30,46	1	
0190 38T18	STRAIGHT THERMOSTATIC VALVE, HIGH WHITE-BRASS FINISH	3/8"x18	PTFE	30,68	1	
0190 12G18	STRAIGHT THERMOSTATIC VALVE, HIGH WHITE-BRASS FINISH	1/2"x18	Rubber	30,46	1	
0190 12T18	STRAIGHT THERMOSTATIC VALVE, HIGH WHITE-BRASS FINISH	1/2"x18	PTFE	30,68	1	
0195 38G18	STRAIGHT THERMOSTATIC VALVE, HIGH WHITE-CHROME FINISH	3/8"x18	Rubber	27,16	1	
0195 38T18	STRAIGHT THERMOSTATIC VALVE, HIGH WHITE-CHROME FINISH	3/8"x18	PTFE	27,37	1	
0195 12G18	STRAIGHT THERMOSTATIC VALVE, HIGH WHITE-CHROME FINISH	1/2"x18	Rubber	27,16	1	
0195 12T18	STRAIGHT THERMOSTATIC VALVE, HIGH WHITE-CHROME FINISH	1/2"x18	PTFE	27,37	1	
0200 38G18	STRAIGHT LOCKSHIELD VALVE, HIGH BRASS FINISH	3/8"x18	Rubber	33,53	1	
0200 38T18	STRAIGHT LOCKSHIELD VALVE, HIGH BRASS FINISH	3/8"x18	PTFE	33,77	1	
0200 12G18	STRAIGHT LOCKSHIELD VALVE, HIGH BRASS FINISH	1/2"x18	Rubber	33,53	1	
0200 12T18	STRAIGHT LOCKSHIELD VALVE, HIGH BRASS FINISH	1/2"x18	PTFE	33,77	1	
0205 38G18	STRAIGHT LOCKSHIELD VALVE, HIGH CHROME FINISH	3/8"x18	Rubber	27,53	1	

Products complete with nut and sealing kit for Ø 18 copper pipe

Code	Description	size	gasket	€	box	carton
0205 38T18	STRAIGHT LOCKSHIELD VALVE, HIGH CHROME FINISH	3/8"x18	PTFE	27,77	1	
0205 12G18	STRAIGHT LOCKSHIELD VALVE, HIGH CHROME FINISH	1/2"x18	Rubber	27,53	1	
0205 12T18	STRAIGHT LOCKSHIELD VALVE, HIGH CHROME FINISH	1/2"x18	PTFE	27,77	1	
0210 38G18	STRAIGHT LOCKSHIELD VALVE, HIGH WHITE-BRASS FINISH	3/8"x18	Rubber	31,40	1	
0210 38T18	STRAIGHT LOCKSHIELD VALVE, HIGH WHITE-BRASS FINISH	3/8"x18	PTFE	31,63	1	
0210 12G18	STRAIGHT LOCKSHIELD VALVE, HIGH WHITE-BRASS FINISH	1/2"x18	Rubber	31,40	1	
0210 12T18	STRAIGHT LOCKSHIELD VALVE, HIGH WHITE-BRASS FINISH	1/2"x18	PTFE	31,63	1	
0215 38G18	STRAIGHT LOCKSHIELD VALVE, HIGH WHITE-CHROME FINISH	3/8"x18	Rubber	28,00	1	
0215 38T18	STRAIGHT LOCKSHIELD VALVE, HIGH WHITE-CHROME FINISH	3/8"x18	PTFE	28,23	1	
0215 12G18	STRAIGHT LOCKSHIELD VALVE, HIGH WHITE-CHROME FINISH	1/2"x18	Rubber	28,00	1	
0215 12T18	STRAIGHT LOCKSHIELD VALVE, HIGH WHITE-CHROME FINISH	1/2"x18	PTFE	28,23	1	
0260 12G18	SINGLE-PIPE THERMOSTATIC VALVE, HIGH BRASS FINISH	1/2"x18	Rubber	59,81	1	
0260 12T18	SINGLE-PIPE THERMOSTATIC VALVE, HIGH BRASS FINISH	1/2"x18	PTFE	60,30	1	
0260 34G18	SINGLE-PIPE THERMOSTATIC VALVE, HIGH BRASS FINISH	3/4"x18	Rubber	60,54	1	
0260 34T18	SINGLE-PIPE THERMOSTATIC VALVE, HIGH BRASS FINISH	3/4"x18	PTFE	60,99	1	
0265 12G18	SINGLE-PIPE THERMOSTATIC VALVE, HIGH CHROME FINISH	1/2"x18	Rubber	46,35	1	
0265 12T18	SINGLE-PIPE THERMOSTATIC VALVE, HIGH CHROME FINISH	1/2"x18	PTFE	46,79	1	
0265 34G18	SINGLE-PIPE THERMOSTATIC VALVE, HIGH CHROME FINISH	3/4"x18	Rubber	46,84	1	
0265 34T18	SINGLE-PIPE THERMOSTATIC VALVE, HIGH CHROME FINISH	3/4"x18	PTFE	47,30	1	
0270 12G18	SINGLE-PIPE THERMOSTATIC VALVE, HIGH WHITE-BRASS FINISH	1/2"x18	Rubber	50,03	1	
0270 12T18	SINGLE-PIPE THERMOSTATIC VALVE, HIGH WHITE-BRASS FINISH	1/2"x18	PTFE	50,48	1	
0270 34G18	SINGLE-PIPE THERMOSTATIC VALVE, HIGH WHITE-BRASS FINISH	3/4"x18	Rubber	50,70	1	
0270 34T18	SINGLE-PIPE THERMOSTATIC VALVE, HIGH WHITE-BRASS FINISH	3/4"x18	PTFE	51,18	1	
0275 12G18	SINGLE-PIPE THERMOSTATIC VALVE, HIGH WHITE-CHROME FINISH	1/2"x18	Rubber	44,67	1	
0275 12T18	SINGLE-PIPE THERMOSTATIC VALVE, HIGH WHITE-CHROME FINISH	1/2"x18	PTFE	45,11	1	
0275 34G18	SINGLE-PIPE THERMOSTATIC VALVE, HIGH WHITE-CHROME FINISH	3/4"x18	Rubber	45,17	1	
0275 34T18	SINGLE-PIPE THERMOSTATIC VALVE, HIGH WHITE-CHROME FINISH	3/4"x18	PTFE	45,63	1	
0280 12G18	DOUBLE-PIPE THERMOSTATIC VALVE, HIGH BRASS FINISH	1/2"x18	Rubber	59,74	1	
0280 12T18	DOUBLE-PIPE THERMOSTATIC VALVE, HIGH BRASS FINISH	1/2"x18	PTFE	60,18	1	
0280 34G18	DOUBLE-PIPE THERMOSTATIC VALVE, HIGH BRASS FINISH	3/4"x18	Rubber	60,42	1	
0280 34T18	DOUBLE-PIPE THERMOSTATIC VALVE, HIGH BRASS FINISH	3/4"x18	PTFE	60,88	1	
0285 12G18	DOUBLE-PIPE THERMOSTATIC VALVE, HIGH CHROME FINISH	1/2"x18	Rubber	46,26	1	
0285 12T18	DOUBLE-PIPE THERMOSTATIC VALVE, HIGH CHROME FINISH	1/2"x18	PTFE	46,72	1	
0285 34G18	DOUBLE-PIPE THERMOSTATIC VALVE, HIGH CHROME FINISH	3/4"x18	Rubber	46,77	1	
0285 34T18	DOUBLE-PIPE THERMOSTATIC VALVE, HIGH CHROME FINISH	3/4"x18	PTFE	47,22	1	
0290 12G18	DOUBLE-PIPE THERMOSTATIC VALVE, HIGH WHITE-BRASS FINISH	1/2"x18	Rubber	49,93	1	
0290 12T18	DOUBLE-PIPE THERMOSTATIC VALVE, HIGH WHITE-BRASS FINISH	1/2"x18	PTFE	50,40	1	
0290 34G18	DOUBLE-PIPE THERMOSTATIC VALVE, HIGH WHITE-BRASS FINISH	3/4"x18	Rubber	50,65	1	
0290 34T18	DOUBLE-PIPE THERMOSTATIC VALVE, HIGH WHITE-BRASS FINISH	3/4"x18	PTFE	51,09	1	
0295 12G18	DOUBLE-PIPE THERMOSTATIC VALVE, HIGH WHITE-CHROME FINISH	1/2"x18	Rubber	44,58	1	
0295 12T18	DOUBLE-PIPE THERMOSTATIC VALVE, HIGH WHITE-CHROME FINISH	1/2"x18	PTFE	45,02	1	
0295 34G18	DOUBLE-PIPE THERMOSTATIC VALVE, HIGH WHITE-CHROME FINISH	3/4"x18	Rubber	45,10	1	
0295 34T18	DOUBLE-PIPE THERMOSTATIC VALVE, HIGH WHITE-CHROME FINISH	3/4"x18	PTFE	45,54	1	



FAR

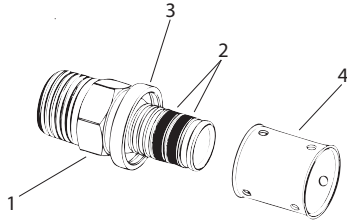
flow evolution



PressFar fittings

Straight fittings	Page 153
Angled fittings	Page 155
T fittings	Page 156
Distribution fitting for domestic systems	Page 160
Built-in stop cock and spare parts	Page 161

Patented press fitting system for multilayer pipes, designed and manufactured by FAR Rubinetterie S.p.A.



PRESSFAR comprises:

- 1 - Fitting body
- 2 - Double seal ring with rectangular section
- 3 - Plastic ring
- 4 - Reversible steel bush

ATTENTION: prior to installation please check that the multilayer pipe being used is the same size as that indicated on the fitting.



1
Cut the pipe perpendicular to its axis with suitable shears.



2
Calibrate the pipe to make the position of the fitting easier.



3
Insert the fitting, checking the position of the pipe through the holes in the bush.



4
Press the fitting.

ATTENTION: Do NOT use grease to oil the fitting!

The PRESSFAR fitting has been designed for pressing with three different profiles:



H PROFILE JAW



TH PROFILE JAW



U PROFILE JAW

The jaws must be positioned as follows: on the TH jaw the plastic ring, which supports the steel bush, has to be placed in the matching seat, while the H and U jaws have to be placed on the steel bush, so that one side of the jaw is adjacent to the plastic ring.

FAR guarantees perfect compatibility between all fittings in the range and the three types of press profiles. PRESSFAR fitting can be pressed with electrical press machines, or battery-powered pressing tools with jaws or inserts with TH, U, H profiles. The press machine must be in appropriate condition, i.e. in full working order and checked against to the manufacturer's specification as being capable of the right type of pressing. PRESSFAR fittings are suitable for use in heating and domestic systems.

To make easier the identification of press fitting sizes, the ring colour has been differentiated:

GREY RING	14x2 - 16x2 - 18x2 - 20x2 - 26x3 - 32x3 - 40x4 - 50x4
WHITE RING	16x2,25 - 20x2,25
GREEN RING	20x2,5 - 25x2,5 - 40x3,5 - 50x4,5 - 63x4,5

TECHNICAL FEATURES

Body of press fittings:	brass CW617N
Body of bar fittings:	brass CW617N
O'ring:	EPDM70P
Ring:	PPR
Bush:	steel AISI304
Surface treatment of fittings:	T.E.A.®
Nominal pressure:	16 bar
Max working temperature:	95°C
Compatible media:	water (with and without glycol) and air

N.B: the maximum temperature and pressure depend on pipe characteristics

Male nipple.

- Body made of brass
- Bush made of stainless steel



ART. 5900

Code	size	Ø pipe	€	box	carton
59001401	1/2"	14x2	4,37	25	250
59001601	1/2"	16x2	3,50	25	250
59001602	1/2"	16x2,25	3,62	25	250
59001801	1/2"	18X2	4,23	25	250
59001802	3/4"	18X2	5,09	25	250
59002001	1/2"	20X2	4,47	25	250
59002002	3/4"	20X2	5,91	25	250
59002003	1/2"	20X2,25	4,63	25	250
59002004	3/4"	20X2,25	6,11	25	250
59002005	1/2"	20X2,5	4,92	25	250
59002006	3/4"	20X2,5	6,54	25	250

Code	size	Ø pipe	€	box	carton
59002501	3/4"	25X2,5	8,62	20	200
59002502	1"	25X2,5	11,79	10	100
59002601	3/4"	26X3	8,78	20	200
59002602	1"	26X3	12,00	10	100
59003201	1"	32X3	12,30	10	100
59003202	1"1/4	32X3	17,18	10	100
59003203	3/4"	32x3	10,16	20	200
59004001	1"	40X3,5	17,46	10	100
59004002	1"1/4	40X3,5	21,97	10	100
59004003	1"	40X4	17,46	10	100
59004004	1"1/4	40X4	21,97	10	100
59005001	1"1/4	50X4	24,52	5	50
59005002	1"1/4	50X4,5	24,52	5	50
59005003	1"1/2	50X4	36,31	5	50
59005004	1"1/2	50X4,5	36,31	5	50
59006301	2"	63X4,5	53,27	4	40

Female nipple.

- Body made of brass
- Bush made of stainless steel



ART. 5901

Code	size	Ø pipe	€	box	carton
59011401	1/2"	14x2	4,92	25	250
59011601	1/2"	16x2	4,57	25	250
59011602	1/2"	16x2,25	4,74	25	250
59011801	1/2"	18X2	5,38	25	250
59011802	3/4"	18X2	6,65	25	250
59012001	1/2"	20X2	5,74	25	250
59012002	3/4"	20X2	6,93	25	250
59012003	1/2"	20X2,25	5,96	25	250
59012004	3/4"	20X2,25	7,17	25	250
59012005	1/2"	20X2,5	6,36	25	250
59012006	3/4"	20X2,5	7,62	25	250

Code	size	Ø pipe	€	box	carton
59012501	3/4"	25X2,5	10,61	20	200
59012502	1"	25X2,5	12,97	10	100
59012601	3/4"	26X3	10,83	20	200
59012602	1"	26X3	13,20	10	100
59013201	1"	32X3	13,58	10	100
59013202	1"1/4	32X3	18,47	10	100
59014001	1"	40X3,5	18,24	10	100
59014002	1"1/4	40X3,5	25,60	10	100
59014003	1"	40X4	18,24	10	100
59014004	1"1/4	40X4	25,60	10	100
59015001	1"1/4	50X4	28,04	5	50
59015002	1"1/4	50X4,5	28,04	5	50
59015003	1"1/2	50X4	39,09	5	50
59015004	1"1/2	50X4,5	39,09	5	50
59016301	2"	63X4,5	54,85	4	40

Double nipple.

- Body made of brass
- Bush made of stainless steel



ART. 5902

Code	Ø pipe	€	box	carton
59021401	14x2	5,00	25	250
59021601	16x2	4,73	25	250
59021602	16x2,25	4,82	25	250
59021701	17x2	4,89	25	250
59021801	18X2	4,99	25	250
59022001	20X2	5,85	25	250
59022002	20X2,25	6,07	25	250

Code	Ø pipe	€	box	carton
59022003	20X2,5	6,49	25	250
59022501	25X2,5	9,89	20	200
59022601	26X3	10,08	20	200
59023201	32X3	13,09	10	100
59024001	40X3,5	21,49	5	50
59024002	40X4	21,49	5	50
59025001	50X4	34,75	5	50
59025002	50X4,5	34,75	5	50
59026301	63X4,5	67,03	3	30

Double nipple, reduced version.

- Body made of brass
- Bush made of stainless steel



ART. 5903

Code	Ø pipe	€	box	carton
59031801	18X2 - 16X2	5,68	25	250
59032001	20X2 - 16X2	5,77	25	250
59032002	20X2 - 18X2	5,82	25	250
59032003	20X2,5 - 16X2	5,77	25	250
59032004	20X2,5 - 18X2	6,27	25	250
59032005	20X2,5 - 16X2,25	5,77	25	250
59032006	20X2,25 - 16X2	5,81	25	250
59032007	20X2,25 - 18X2	5,85	25	250
59032008	20x2 - 20x2,5	6,35	25	250
59032009	20x2,25 - 20x2,5	6,41	25	250
59032501	25X2,5 - 16X2	8,79	20	200
59032502	25X2,5 - 18X2	8,86	20	200
59032503	25X2,5 - 20X2	8,94	20	200
59032504	25X2,5 - 20X2,5	9,01	20	200
59032505	25X2,5 - 20X2,25	8,98	20	200
59032601	26X3 - 16X2	8,86	20	200

Code	Ø pipe	€	box	carton
59032602	26X3 - 18X2	8,93	20	200
59032603	26X3 - 20X2	9,01	20	200
59032604	26X3 - 20X2,5	9,11	20	200
59032605	26X3 - 20X2,25	9,07	20	200
59032606	26x3 - 25x2,5	10,08	20	200
59033201	32X3 - 16X2	11,42	20	200
59033202	32X3 - 18X2	11,50	20	200
59033203	32X3 - 20X2	11,52	20	200
59033204	32X3 - 20X2,5	11,52	20	200
59033205	32X3 - 25X2,5	12,55	10	100
59033206	32X3 - 26X3	12,79	10	100
59033207	32X3 - 20X2,25	11,57	20	200
59034001	40X3,5 - 25X2,5	20,72	10	100
59034002	40X3,5 - 26X3	20,78	10	100
59034003	40X3,5 - 32X3	21,04	10	100
59035001	50X4 - 32X3	33,21	5	50
59035002	50X4 - 40X3,5	33,96	5	50
59036301	63X4,5 - 32X3	50,74	4	40
59036302	63X4,5 - 40X3,5	52,85	4	40
59036303	63X4,5 - 50X4	55,41	3	30

Male elbow.

- Body made of brass
- Bush made of stainless steel

ART. 5904

Code	size	Ø pipe	€	box	carton
59041401	1/2"	14x2	5,67	25	250
59041601	1/2"	16x2	5,15	25	250
59041602	1/2"	16x2,25	5,34	25	250
59041801	1/2"	18x2	5,54	25	250
59041802	3/4"	18x2	7,36	25	250
59042001	1/2"	20x2	5,88	25	250
59042002	3/4"	20x2	7,61	25	250
59042003	1/2"	20x2,25	6,09	25	250
59042004	3/4"	20x2,25	7,88	25	250



Code	size	Ø pipe	€	box	carton
59042005	1/2"	20x2,5	6,51	25	250
59042006	3/4"	20x2,5	8,39	25	250
59042501	3/4"	25x2,5	8,70	20	200
59042502	1"	25x2,5	12,96	10	100
59042601	3/4"	26x3	8,88	20	200
59042602	1"	26x3	13,21	10	100
59043201	1"	32x3	15,93	10	100
59043202	1"1/4	32x3	20,44	5	50
59044001	1"1/4	40x3,5	22,01	5	50
59044002	1"1/4	40x4	22,01	5	50
59045001	1"1/2	50x4	36,76	5	40
59045002	1"1/2	50x4,5	36,76	5	40
59046301	2"	63x4,5	56,99	2	20

Female elbow.

- Body made of brass
- Bush made of stainless steel

ART. 5905

Code	size	Ø pipe	€	box	carton
59051401	1/2"	14x2	5,88	25	250
59051601	1/2"	16x2	5,34	25	250
59051602	1/2"	16x2,25	5,51	25	250
59051801	1/2"	18x2	5,62	25	250
59051802	3/4"	18x2	8,42	25	250
59052001	1/2"	20x2	5,84	25	250
59052002	3/4"	20x2	8,76	25	250
59052003	1/2"	20x2,25	6,04	25	250
59052004	3/4"	20x2,25	9,32	25	250



Code	size	Ø pipe	€	box	carton
59052005	1/2"	20x2,5	6,44	25	250
59052006	3/4"	20x2,5	9,66	25	250
59052501	3/4"	25x2,5	10,66	10	100
59052502	1"	25x2,5	13,44	10	100
59052601	3/4"	26x3	10,93	10	100
59052602	1"	26x3	13,74	10	100
59053201	1"	32x3	15,87	10	100
59053202	1"1/4	32x3	21,85	5	50
59054001	1"1/4	40x3,5	23,55	5	50
59054002	1"1/4	40x4	23,55	5	50
59055001	1"1/2	50x4	37,04	5	40
59055002	1"1/2	50x4,5	37,04	5	40
59056301	2"	63x4,5	60,28	2	20

Double 90° elbow.

- Body made of brass
- Bush made of stainless steel

ART. 5906

Code	Ø pipe	€	box	carton
59061401	14x2	6,17	25	250
59061601	16x2	5,54	25	250
59061602	16x2,25	5,74	25	250
59061801	18x2	6,72	25	250
59062001	20x2	7,40	25	250



Code	Ø pipe	€	box	carton
59062002	20x2,25	7,66	25	250
59062003	20x2,5	8,19	25	250
59062501	25x2,5	11,06	10	100
59062601	26x3	11,51	10	100
59063201	32x3	14,39	10	80
59064001	40x3,5	24,45	5	50
59064002	40x4	24,45	5	50
59065001	50x4	42,50	4	40
59065002	50x4,5	42,50	4	40
59066301	63x4,5	79,36	2	20

Double 45° elbow.

- Body made of brass
- Bush made of stainless steel

ART. 5907

Code	Ø pipe	€	box	carton
59072501	25x2,5	12,05	10	100
59072601	26x3	12,55	10	100
59073201	32x3	15,68	10	100
59074001	40x3,5	28,57	5	50



Code	Ø pipe	€	box	carton
59074002	40x4	28,57	5	50
59075001	50x4	46,33	4	40
59075002	50x4,5	46,33	4	40
59076301	63x4,5	86,50		

"T" fitting.

- Body made of brass
- Bush made of stainless steel



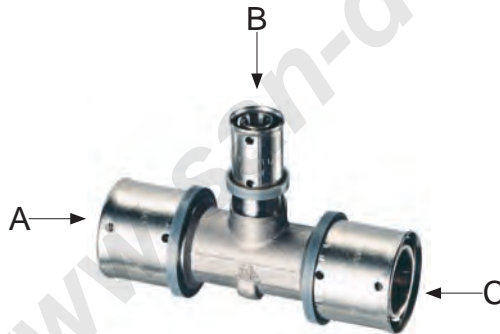
ART. 5908

Code	Ø pipe			€	box	carton
59081401	14x2	14x2	14x2	8,48	20	200
59081601	16x2	16x2	16x2	7,34	20	200
59081602	16x2,25	16x2,25	16x2,25	7,58	20	200
59081801	18x2	18x2	18x2	8,69	20	200
59082001	20x2	20x2	20x2	8,92	20	160
59082002	20x2,25	20x2,25	20x2,25	9,25	20	160
59082003	20x2,5	20x2,5	20x2,5	9,80	20	160

Code	Ø pipe			€	box	carton
59082501	25x2,5	25x2,5	25x2,5	14,29	10	100
59082601	26x3	26x3	26x3	14,48	10	100
59083201	32x3	32x3	32x3	21,48	5	50
59084001	40x3,5	40x3,5	40x3,5	30,54	3	30
59084002	40x4	40x4	40x4	30,54	3	30
59085001	50x4	50x4	50x4	62,27	2	20
59085002	50x4,5	50x4,5	50x4,5	62,27	2	20
59086301	63x4,5	63x4,5	63x4,5	110,64	1	10

"T" fitting, with CENTRAL reduction.

- Body made of brass
- Bush made of stainless steel



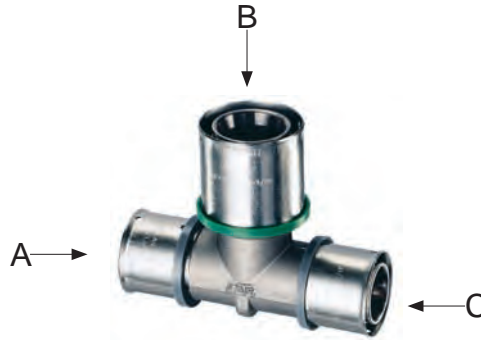
ART. 5909

Code	A	Ø pipe		€	box	carton
		B	C			
59091601	16X2	14X2	16X2	7,72	20	200
59091801	18X2	16X2	18X2	10,88	20	200
59092001	20X2	16X2	20X2	11,07	20	160
59092002	20X2	18X2	20X2	11,15	20	160
59092003	20X2,5	16X2	20X2,5	11,07	20	160
59092004	20X2,5	18X2	20X2,5	11,15	20	160
59092005	20X2,5	16X2,25	20X2,5	11,07	20	160
59092006	20X2,25	16X2	20X2,25	11,07	20	160
59092007	20X2,25	18X2	20X2,25	11,15	20	160
59092501	25X2,5	16X2	25X2,5	18,82	10	100
59092502	25X2,5	18X2	25X2,5	18,89	10	100
59092503	25X2,5	20X2	25X2,5	18,98	10	100
59092504	25X2,5	20X2,5	25X2,5	18,98	10	100
59092505	25X2,5	20X2,25	25X2,5	18,98	10	100
59092601	26X3	16X2	26X3	18,97	10	100
59092602	26X3	18X2	26X3	19,04	10	100
59092603	26X3	20X2	26X3	19,13	10	100
59092604	26X3	20X2,5	26X3	19,13	10	100

Code	A	Ø pipe		€	box	carton
		B	C			
59092605	26X3	20X2,25	26X3	19,13	10	100
59093201	32X3	16X2	32X3	22,61	10	100
59093202	32X3	18X2	32X3	22,70	10	80
59093203	32X3	20X2	32X3	22,78	10	80
59093204	32X3	20X2,5	32X3	22,78	10	80
59093205	32X3	20X2,25	32X3	22,78	10	80
59093206	32X3	25X2,5	32X3	24,26	10	80
59093207	32X3	26X3	32X3	24,33	10	80
59094001	40X3,5	32X3	40X3,5	39,47	3	30
59094002	40X4	32X3	40X4	39,47	3	30
59094003	40X3,5	26X3	40X3,5	38,07	3	30
59094004	40X4	25X2,5	40X4	37,78	3	30
59095001	50X4	26X3	50X4	49,58	2	20
59095002	50X4	32X3	50X4	49,75	2	20
59095003	50X4	40X3,5	50X4	60,22	2	20
59095004	50X4,5	25X2,5	50X4,5	49,53	2	20
59095005	50X4,5	32X3	50X4,5	49,75	2	20
59095006	50X4,5	40X4	50X4,5	60,22	2	20

"T" fitting, with SIDE reduction.

- Body made of brass
- Bush made of stainless steel



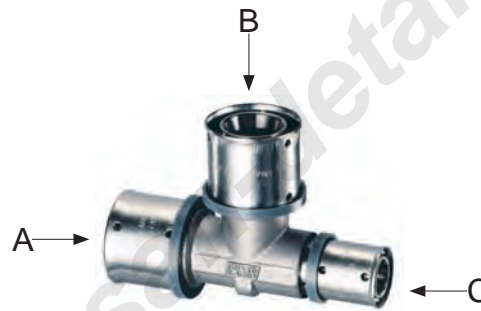
ART. 5910

Code	A	Ø pipe B	C	€	box	carton
59101601	16x2	20x2	16x2	10,90	20	160
59101602	16x2	20x2,25	16x2	10,90	20	160
59101603	16x2	20x2,5	16x2	10,90	20	160
59101604	16x2,25	20x2	16x2,25	10,90	20	160
59101605	16x2,25	20x2,25	16x2,25	10,90	20	160
59101606	16x2,25	20x2,5	16x2,25	10,90	20	160
59101607	16x2	26x3	16x2	15,00	20	160
59101608	16x2	25x2,5	16x2	14,98	20	160
59101801	18x2	25x2,5	18x2	15,06	20	160

Code	A	Ø pipe B	C	€	box	carton
59101802	18x2	26x3	18x2	15,13	20	160
59102001	20x2	26x3	20x2	17,52	10	100
59102002	20x2,25	26x3	20x2,25	17,52	10	100
59102003	20x2,5	26x3	20x2,5	17,52	10	100
59102004	20x2,25	25x2,5	20x2,25	17,46	10	100
59102501	25x2,5	32x3	25x2,5	23,85	10	80
59102601	26x3	32x3	26x3	23,92	10	80
59103201	32x3	40x3,5	32x3	37,03	5	40
59103202	32x3	40x4	32x3	37,03	5	40

REDUCED "T" fitting.

- Body made of brass
- Bush made of stainless steel



ART. 5911

Code	A	Ø pipe B	C	€	box	carton
59111801	18x2	16x2	16x2	10,88	20	200
59111802	18x2	18x2	16x2	10,88	20	200
59112001	20x2	16x2	16x2	10,90	20	160
59112002	20x2	18x2	18x2	11,05	20	160
59112003	20x2	20x2	16x2	11,07	20	160
59112004	20x2,5	16x2	16x2	10,90	20	160
59112005	20x2,5	18x2	18x2	11,05	20	160
59112006	20x2,5	20x2,5	16x2	11,07	20	160
59112007	20x2,5	16x2,25	16x2,25	10,90	20	160
59112008	20x2,25	16x2	16x2	10,90	20	160
59112009	20x2,25	18x2	18x2	11,05	20	160
59112010	20x2,25	20x2,25	16x2	11,07	20	160
59112011	20x2,25	20x2,25	18x2	11,15	20	160
59112012	20x2	26x3	16x2	17,36	10	100
59112013	20x2,5	20x2,5	16x2,25	11,07	20	160
59112501	25x2,5	20x2	20x2	17,46	10	100
59112502	25x2,5	20x2,5	20x2,5	17,46	10	100
59112503	25x2,5	25x2,5	20x2	18,98	10	100
59112504	25x2,5	25x2,5	20x2,5	18,98	10	100
59112505	25x2,5	16x2	16x2	14,98	10	100
59112506	25x2,5	18x2	18x2	15,06	10	100
59112507	25x2,5	20x2,25	20x2,25	17,46	10	100
59112601	26x3	20x2	20x2	17,52	10	100
59112602	26x3	20x2,5	20x2,5	17,52	10	100
59112603	26x3	26x3	20x2	19,13	10	100

Code	A	Ø pipe B	C	€	box	carton
59112604	26x3	26x3	20x2,5	19,13	10	100
59112605	26x3	16x2	16x2	15,00	10	100
59112606	26x3	18x2	18x2	15,13	10	100
59112607	26x3	16x2	20x2	17,36	10	100
59112608	26x3	20x2	16x2	17,36	10	100
59112609	26x3	26x3	16x2	18,97	10	100
59112610	26x3	26x3	18x2	19,04	10	100
59113201	32x3	25x2,5	25x2,5	23,85	10	80
59113202	32x3	26x3	26x3	23,92	10	80
59113203	32x3	32x3	20x2	22,78	10	80
59113204	32x3	32x3	20x2,5	22,78	10	80
59113205	32x3	32x3	25x2,5	24,26	5	50
59113206	32x3	32x3	26x3	24,33	5	50
59113207	32x3	20x2	26x3	22,58	10	100
59113208	32x3	20x2,5	20x2,5	21,76	10	80
59113209	32x3	32x3	20x2,25	22,78	10	80
59113210	32x3	20x2	20x2	21,76	10	80
59113211	32x3	20x2,25	20x2,25	21,76	10	80
59114001	40x3,5	32x3	32x3	37,03	3	30
59114002	40x4	32x3	32x3	37,03	3	30
59115001	50x4	40x3,5	40x3,5	58,54	2	20
59115002	50x4	32x3	40x3,5	48,07	2	20
59115003	50x4	26x3	40x3,5	47,90	2	20
59115004	50x4,5	40x4	40x4	58,54	2	20
59115005	50x4,5	32x3	40x4	48,07	2	20
59115006	50x4,5	26x3	40x4	47,90	2	20

Female "T" fitting.

- Body made of brass
- Bush made of stainless steel

ART. 5912

Code	size	Ø pipe	€	box	carton
59121601	1/2"	16x2	7,73	20	200
59121602	1/2"	16x2,25	7,95	20	200
59121801	1/2"	18x2	8,19	20	200
59121802	3/4"	18x2	12,27	10	100
59122001	1/2"	20x2	8,54	20	200
59122002	3/4"	20x2	12,44	10	100
59122003	1/2"	20x2,25	8,82	20	200
59122004	3/4"	20x2,25	12,89	10	100
59122005	1/2"	20x2,5	9,39	20	200
59122006	3/4"	20x2,5	13,71	10	100



Code	size	Ø pipe	€	box	carton
59122501	3/4"	25x2,5	13,90	10	100
59122502	1"	25x2,5	17,69	10	100
59122601	3/4"	26x3	14,47	10	100
59122602	1"	26x3	18,40	10	100
59123201	1"	32x3	21,39	10	80
59123202	1"1/4	32x3	29,98	5	50
59124001	1"1/4	40x3,5	33,00	5	50
59124002	1"1/4	40x4	33,00	5	50
59125001	1"1/2	50x4	47,28	4	40
59125002	1"1/2	50x4,5	47,28	4	40
59126301	3/4"	63x4,5	70,15	1	10
59126302	1"	63x4,5	70,15	1	10
59126303	1"1/4	63x4,5	82,83	1	10
59126304	1"1/2	63x4,5	87,19	1	10
59126305	2"	63x4,5	91,78	1	10

Male "T" fitting.

- Body made of brass
- Bush made of stainless steel

ART. 5913

Code	size	Ø pipe	€	box	carton
59131601	1/2"	16x2	8,47	20	200
59131602	1/2"	16x2,25	8,73	20	200
59131801	1/2"	18x2	9,01	20	200
59131802	3/4"	18x2	11,47	10	100
59132001	1/2"	20x2	9,42	20	200
59132002	3/4"	20x2	12,15	10	100
59132003	1/2"	20x2,25	9,75	20	200
59132004	3/4"	20x2,25	12,57	10	100
59132005	1/2"	20x2,5	10,36	20	200
59132006	3/4"	20x2,5	13,36	10	100



Code	size	Ø pipe	€	box	carton
59132501	3/4"	25x2,5	15,67	10	100
59132502	1"	25x2,5	20,97	10	100
59132601	3/4"	26x3	16,02	10	100
59132602	1"	26x3	21,45	10	100
59133201	1"	32x3	22,39	10	80
59133202	1"1/4	32x3	30,31	5	50
59134001	1"1/4	40x3,5	33,33	5	50
59134002	1"1/4	40x4	33,33	5	50
59135001	1"1/2	50x4	47,87	2	20
59135002	1"1/2	50x4,5	47,87	2	20

Female wall connection.

- Body made of brass
- Bush made of stainless steel

ART. 5914

Code	size	Ø pipe	€	box	carton
59141601	1/2"	16x2	7,32	20	200
59141602	1/2"	16x2,25	7,67	20	200
59141801	1/2"	18x2	7,78	20	200
59141802	3/4"	18x2	9,30	10	100
59142001	1/2"	20x2	8,11	10	100
59142002	3/4"	20x2	9,88	10	100
59142003	1/2"	20x2,25	8,39	10	100
59142004	3/4"	20x2,25	10,21	10	100
59142005	1/2"	20x2,5	8,92	10	100
59142006	3/4"	20x2,5	10,86	10	100
59142501	3/4"	25x2,5	12,12	10	100
59142601	3/4"	26x3	12,52	10	100



Wall connection for suspended services.

- Body made of brass
- Bush made of stainless steel

New



ART. 5927

Code	size	Ø pipe	€	box	carton
59271601	1/2"	16x2	7,32	20	200
59271602	1/2"	20x2	7,67	20	200
59271801	1/2"	18x2	7,78	20	200
59272001	1/2"	20x2	8,11	10	100
59272002	1/2"	20x2,25	8,34	10	100
59272003	1/2"	20x2,5	8,39	10	100

Nipple with flat-faced connection.

- Bush made of stainless steel
- Body made of brass
- Nut



Flat-faced connection →

ART. 5919

Code	nut size	Ø pipe	€	box	carton
59191601	1/2"	16x2	6,08	25	250
59191602	1/2"	16x2,25	6,28	25	250
59191603	3/4"	16x2	7,56	25	250
59191604	3/4"	16x2,25	7,82	25	250
59191801	1/2"	18x2	6,12	25	250
59191802	3/4"	18x2	7,62	25	250
59192001	1/2"	20x2	6,18	25	250
59192002	1/2"	20x2,25	6,40	25	250
59192003	1/2"	20x2,5	6,80	25	250
59192004	3/4"	20x2	7,67	25	250
59192005	3/4"	20x2,25	7,93	25	250
59192006	3/4"	20x2,5	8,43	25	250
59192501	1"	25x2,5	14,11	20	200
59192502	3/4"	25x2,5	9,11	20	200
59192601	1"	26x3	14,18	20	200
59192602	3/4"	26x3	9,20	20	200
59193201	1"	32x3	14,60	20	150

Nipple with FAR 24x19 connection.

- Bush made of stainless steel
- Body made of brass
- Nut



FAR 24x19 connection ←

ART. 5915

Code	size	Ø pipe	€	box	carton
59151601	24x19	16x2	6,65	25	250
59152001	24x19	20x2	6,81	25	250

120° through connection for bracket, art. 7477.

- Bush made of stainless steel
- Body made of brass



ART. 5916

Code	size	Ø pipe	€	box	carton
59161601	1/2"	16x2	12,77	10	100
59161602	1/2"	16x2,25	13,25	10	100
59161801	1/2"	18x2	13,51	10	100
59162001	1/2"	20x2	13,90	10	100
59162002	1/2"	20x2,25	14,17	10	100
59162003	1/2"	20x2,5	14,83	10	100

Elbow with flat-faced connection.

- Bush made of stainless steel
- Body made of brass
- Nut



← Flat-faced connection

ART. 5922

Code	nut size	Ø pipe	€	box	carton
59221601	1/2"	16x2	8,09	25	250
59221602	3/4"	16x2	8,35	25	250
59221801	1/2"	18x2	8,15	25	250
59221802	3/4"	18x2	8,42	25	250
59222001	1/2"	20x2	8,31	25	250
59222002	3/4"	20x2	8,57	25	250
59222003	3/4"	20x2,5	8,60	25	250
59222004	1/2"	20x2,5	8,29	25	250
59222501	3/4"	25x2,5	12,58	20	160
59222502	1"	25x2,5	13,42	20	160
59222601	3/4"	26x3	12,87	20	160
59222602	1"	26x3	13,74	20	160

Nipple with M33x1,5 connection.

- For art. 3827 - 3910 - 3920 - 3927 - 3457 - 3458 - 3459
- Bush made of stainless steel
- Body made of brass
- Nut

M33x1,5 connection →



ART. 5918

Code	size	Ø pipe	€	box	carton
59182001	33x1,5	20x2	12,35	25	250
59182501	33x1,5	25x2,5	13,68	20	200
59182601	33x1,5	26x3	13,68	20	200

Straight through connection for bracket, art. 7477

- Bush made of stainless steel
- Body made of brass



ART. 5925

Code	size	Ø pipe	€	box	carton
59251601	1/2"	16x2	14,32	10	100
59251801	1/2"	18x2	14,56	10	100
59252001	1/2"	20x2	14,61	10	100
59252003	1/2"	20x2,5	15,58	10	100

Terminal connection for bracket, art. 7477.

- Bush made of stainless steel
- Body made of brass

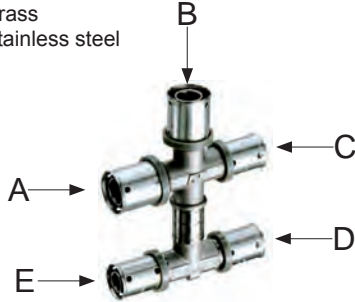


ART. 5917

Code	size	Ø pipe	€	box	carton
59171601	1/2"	16x2	8,82	10	100
59171602	1/2"	16x2,25	9,09	10	100
59171801	1/2"	18x2	9,24	10	100
59172001	1/2"	20x2	9,42	10	100
59172002	1/2"	20x2,25	9,57	10	100
59172003	1/2"	20x2,5	9,93	10	100

5-way distribution fitting for domestic systems.

- Body made of brass
- Bush made of stainless steel

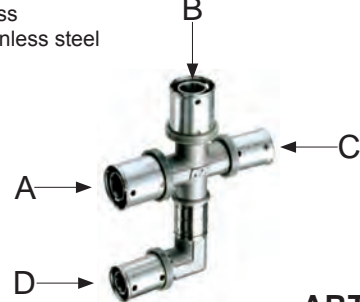


ART. 5923

Code	Ø pipe					€	box	carton
	A	B	C	D	E			
59232001	20x2,5	20x2,5	16x2	16x2	16x2	16,72	10	160
59232002	20x2	20x2	16x2	16x2	16x2	16,72	10	160
59232003	20x2,25	20x2,25	16x2,25	16x2,25	16x2,25	16,72	10	160
59232601	20x2,5	26x3	16x2	16x2	16x2	19,47	10	160
59232602	20x2	26x3	16x2	16x2	16x2	19,47	10	160

4-way distribution fitting for domestic systems.

- Body made of brass
- Bush made of stainless steel



ART. 5924

Code	Ø pipe				€	box	carton
	A	B	C	D			
59242001	20x2,5	20x2,5	16x2	16x2	14,68	10	160
59242002	20x2	20x2	16x2	16x2	14,68	10	160
59242003	20x2,25	20x2,25	16x2,25	16x2,25	14,68	10	160
59242601	20x2,5	26x3	16x2	16x2	18,70	10	160
59242602	20x2	26x3	16x2	16x2	18,70	10	160

Elbow for radiator connection complete with chrome-plated probe.

- Body made of brass
- Bush made of stainless steel



ART. 5920

Code	Ø pipe		copper pipe length	€	box	carton
	multilayer pipe	copper pipe				
5920140124	14x2	15	cm. 24	11,13	10	80
5920160124	16x2	15	cm. 24	11,24	10	80
5920160224	16x2,25	15	cm. 24	11,64	10	80
5920180124	18x2	15	cm. 24	12,10	10	80
5920200124	20x2	15	cm. 24	12,84	10	80
5920200224	20x2,25	15	cm. 24	13,29	10	80
5920200324	20x2,5	15	cm. 24	14,20	10	80

Code	Ø pipe		copper pipe length	€	box	carton
	multilayer pipe	copper pipe				
5920140109	14x2	15	cm. 9	8,92	25	200
5920160109	16x2	15	cm. 9	9,01	25	200
5920160209	16x2,25	15	cm. 9	9,33	25	200
5920180109	18x2	15	cm. 9	9,69	25	200
5920200109	20x2	15	cm. 9	10,29	25	200
5920200209	20x2,25	15	cm. 9	10,65	25	200
5920200309	20x2,5	15	cm. 9	11,38	25	200

T fitting for radiator connection complete with chrome-plated probe.

- Body made of brass
- Bush made of stainless steel



ART. 5921

Code	Ø pipe		copper pipe length	€	box	carton
	multilayer pipe	copper pipe				
5921140125	14x2	15	cm. 25	14,98	5	50
5921160125	16x2	15	cm. 25	15,13	5	50
5921160225	16x2,25	15	cm. 25	15,67	5	50
5921180125	18x2	15	cm. 25	16,29	5	50
5921200125	20x2	15	cm. 25	17,28	5	50
5921200225	20x2,25	15	cm. 25	17,89	5	50
5921200325	20x2,5	15	cm. 25	19,11	5	50

Repair and expansion joint for multilayer pipes.

- Body made of brass
- Bush made of stainless steel
- Double sealing O-ring



ART. 5926

Code	Ø pipe	€	box	carton
59261601	16x2	10,81	20	200
59261602	16x2,25	11,47	20	200
59261801	18x2	11,14	20	200
59262001	20x2	11,23	20	200
59262002	20x2,25	11,63	20	200
59262003	20x2,5	11,97	20	200

Built-in stop cock.



With brass wall covering plate

ART. 5960

Code	size	€	box	carton
5960 12	1/2"	16,85	2	60
5960 34	3/4"	22,05	1	30

With plastic wall covering plate

ART. 5970

Code	size	€	box	carton
5970 12	1/2"	16,44	2	60
5970 34	3/4"	21,64	1	30

Built-in stop cock complete with PRESSFAR fittings.

With brass wall covering plate

ART. 5961

Code	size	Ø pipe	€	box	carton
59611601	1/2"	16x2	26,36	2	40
59611602	1/2"	16x2,25	26,59	2	40
59611801	1/2"	18x2	27,73	2	40
59612001	1/2"	20x2	28,24	2	40
59612002	1/2"	20x2,25	28,57	2	40
59612003	1/2"	20x2,5	29,31	2	40
59612601	3/4"	26x3	43,52	1	40
59613201	3/4"	32x3	46,55	1	40



With plastic wall covering plate

ART. 5971

Code	size	Ø pipe	€	box	carton
59711601	1/2"	16x2	25,96	2	40
59711602	1/2"	16x2,25	26,18	2	40
59711801	1/2"	18x2	27,32	2	40
59712001	1/2"	20x2	27,84	2	40
59712002	1/2"	20x2,25	28,17	2	40
59712003	1/2"	20x2,5	28,90	2	40
59712601	3/4"	26x3	43,11	1	40
59713201	3/4"	32x3	46,15	1	40

Built-in stop cock complete with PRESSFAR elbows.

With brass wall covering plate

ART. 5962

Code	size	Ø pipe	€	box	carton
59621601	1/2"	16x2	29,05	1	20
59621801	1/2"	18x2	30,01	1	20
59622003	1/2"	20x2,5	31,93	1	20
59622601	3/4"	26x3	42,70	1	20



With plastic wall covering plate

ART. 5972

Code	size	Ø pipe	€	box	carton
59721601	1/2"	16x2	28,64	1	20
59721801	1/2"	18x2	29,60	1	20
59722003	1/2"	20x2,5	31,52	1	20
59722601	3/4"	26x3	42,29	1	20

Built-in stop cock complete with handle.

With brass wall covering plate

ART. 5964

Code	size	€	box	carton
5964 12	1/2"	18,97	2	60
5964 34	3/4"	24,16	1	30



With plastic wall covering plate

ART. 5974

Code	size	€	box	carton
5974 12	1/2"	18,56	2	60
5974 34	3/4"	23,75	1	30

Built-in stop cock complete with handle and PRESSFAR fittings.



With brass wall covering plate

ART. 5963

Code	size	Ø pipe	€	box	carton
59631601	1/2"	16x2	28,77	2	40
59631801	1/2"	18x2	30,12	2	40
59632003	1/2"	20x2,5	31,65	2	40
59632601	3/4"	26x3	45,85	1	20
59633201	3/4"	32x3	48,88	1	20

With plastic wall covering plate

ART. 5973

Code	size	Ø pipe	€	box	carton
59731601	1/2"	16x2	28,36	2	40
59731801	1/2"	18x2	29,71	2	40
59732003	1/2"	20x2,5	31,24	2	40
59732601	3/4"	26x3	45,45	1	20
59733201	3/4"	32x3	48,47	1	20

3 port CR (DZR) manifold complete with PRESSFAR fitting.



ART. 5930

Code	size	Ø pipe	€	box	carton
59302003	3/4"	20x2,5	26,71	5	50
59302601	3/4"	26x3	28,68	5	50

Gauge in nylon.



ART. 9005

Code	Ø pipe	€	box
9005 1426	14-16-18-20-25-26	6,17	10
9005 3263	32-40-50-63	12,77	2
9005 1463	14-16-18-20-25-26-32-40-50-63	18,10	2

Metal bracket complete with screws.



ART. 7477

Code	€	box	carton
7477	2,56	20	120

Bush made of stainless steel complete with ring.



ART. 5985

Code	Ø pipe	€	box
59851401	14x2	0,85	
59851601	16x2	0,88	
59851602	16x2,25	0,88	
59851801	18x2	0,89	
59852001	20x2	0,89	
59852002	20x2,25	0,89	
59852003	20x2,5	0,89	
59852501	25X2,5	1,97	
59852601	26X3	2,03	
59853201	32X3	2,09	
59854001	40X3,5	2,60	
59854002	40X4	2,60	
59855001	50X4	5,22	
59855002	50X4,5	5,22	
59856301	63X4,5	11,20	

Extension for built-in stop cock.



ART. 5981

Code	€	box	carton
5981	4,43	25	250

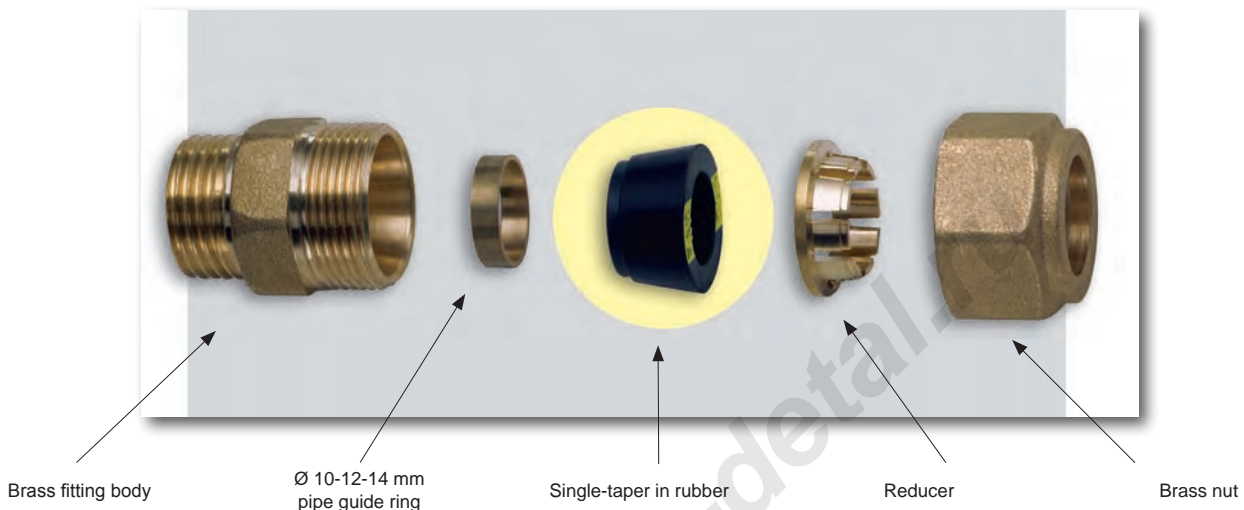
**FAR***flow evolution*

Fittings for gas
Fittings with interchangeable sizes
for copper, plastic and multilayer pipes
Fittings for eurokonus connection

Fittings for gas and hydrocarbon fluids	Page 165
Brass and chrome-plated straight fittings	Page 167
Brass and chrome-plated elbows	Page 168
Brass and chrome-plated T connections	Page 169
Fittings and accessories for AcquaFar system	Page 171
Reduced fittings complete with tightening connections	Page 172
Adapters and sealing kit	Page 173
Fittings complete with adapter for multilayer pipe	Page 175
Fittings for EUROKONUS connection	Page 183
Products complete with nut and sealing kit for Ø 18-20-22 copper pipe	Page 184

This range features mechanical compression fittings for gas and hydrocarbon fluids suitable to be used on 10, 12, 14, 15, 16, 18 and 22 mm copper pipes

Fittings for GAS and hydrocarbon fluids



In accordance with: UNI EN 1254-2 and UNI EN 682

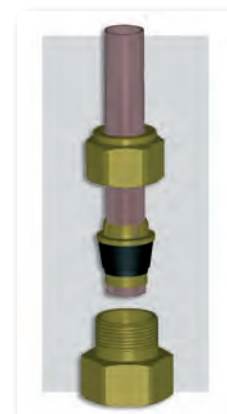


Assembly:

- Cut and deburr the pipe
- Insert the nut and reducer onto the pipe
- Insert the rubber single-taper and the optional guide ring onto the pipe
- Locate the pipe complete with kit in the conical seat, adjusting pipe to fitting body
- Tighten the nut

Technical features:

- Nominal pressure: 10 bar
- Working temperature: -15÷+50°
- Compatible media: gas and hydrocarbon fluids



Fittings range includes: male nipple, female nipple, male elbow, female elbow and wall connection complete with sealing kits depending on the different pipe sizes.

Please note: when installing this kind of fitting you must follow all recommendations detailed in UNI 7129 and UNI 7131

Male nipple complete with sealing kit for copper pipe, suitable for gas and hydrocarbon fluids.

- In accordance with UNI EN 1254-2 and UNI EN 682

ART. 5860

Code	size	Ø pipe	€	box	carton
5860 3810	3/8"	10	4,12	25	250
5860 3812	3/8"	12	4,12	25	250
5860 3814	3/8"	14	4,12	25	250
5860 1210	1/2"	10	4,12	25	250



Code	size	Ø pipe	€	box	carton
5860 1212	1/2"	12	4,12	25	250
5860 1214	1/2"	14	4,12	25	250
5860 1215	1/2"	15	3,91	25	250
5860 1216	1/2"	16	3,91	25	250
5860 1218	1/2"	18	3,91	25	250
5860 3416	3/4"	16	4,44	25	250
5860 3418	3/4"	18	4,44	25	250
5860 3422	3/4"	22	6,26	25	250
5860 122	1"	22	7,62	25	250

Female nipple complete with sealing kit for copper pipe, suitable for gas and hydrocarbon fluids.

- In accordance with UNI EN 1254-2 and UNI EN 682

ART. 5862

Code	size	Ø pipe	€	box	carton
5862 3810	3/8"	10	4,22	25	250
5862 3812	3/8"	12	4,22	25	250
5862 3814	3/8"	14	4,22	25	250
5862 1210	1/2"	10	4,22	25	250



Code	size	Ø pipe	€	box	carton
5862 1212	1/2"	12	4,22	25	250
5862 1214	1/2"	14	4,22	25	250
5862 1215	1/2"	15	3,90	25	250
5862 1216	1/2"	16	3,90	25	250
5862 1218	1/2"	18	3,90	25	250
5862 3416	3/4"	16	4,45	25	250
5862 3418	3/4"	18	4,45	25	250
5862 3422	3/4"	22	6,51	25	250
5862 122	1"	22	7,62	25	250

Male elbow complete with sealing kit for copper pipe, suitable for gas and hydrocarbon fluids.

- In accordance with UNI EN 1254-2 and UNI EN 682

ART. 5864

Code	size	Ø pipe	€	box	carton
5864 1210	1/2"	10	5,40	25	250
5864 1212	1/2"	12	5,40	25	250



Code	size	Ø pipe	€	box	carton
5864 1214	1/2"	14	5,40	25	250
5864 1215	1/2"	15	5,19	25	250
5864 1216	1/2"	16	5,19	25	250
5864 1218	1/2"	18	5,19	25	250
5864 3416	3/4"	16	6,12	25	250
5864 3418	3/4"	18	6,12	25	250
5864 3422	3/4"	22	7,67	20	200
5864 122	1"	22	8,85	20	200

Female elbow complete with sealing kit for copper pipe, suitable for gas and hydrocarbon fluids.

- In accordance with UNI EN 1254-2 and UNI EN 682

ART. 5866

Code	size	Ø pipe	€	box	carton
5866 1210	1/2"	10	5,15	25	250
5866 1212	1/2"	12	5,15	25	250



Code	size	Ø pipe	€	box	carton
5866 1214	1/2"	14	5,15	25	250
5866 1215	1/2"	15	4,95	25	250
5866 1216	1/2"	16	4,95	25	250
5866 1218	1/2"	18	4,95	25	250
5866 3416	3/4"	16	5,94	25	250
5866 3418	3/4"	18	5,94	25	250
5866 3422	3/4"	22	8,16	20	200
5866 122	1"	22	8,85	15	150

Wall connection complete with sealing kit for copper pipe, suitable for gas and hydrocarbon fluids.

- In accordance with UNI EN 1254-2 and UNI EN 682

ART. 5868

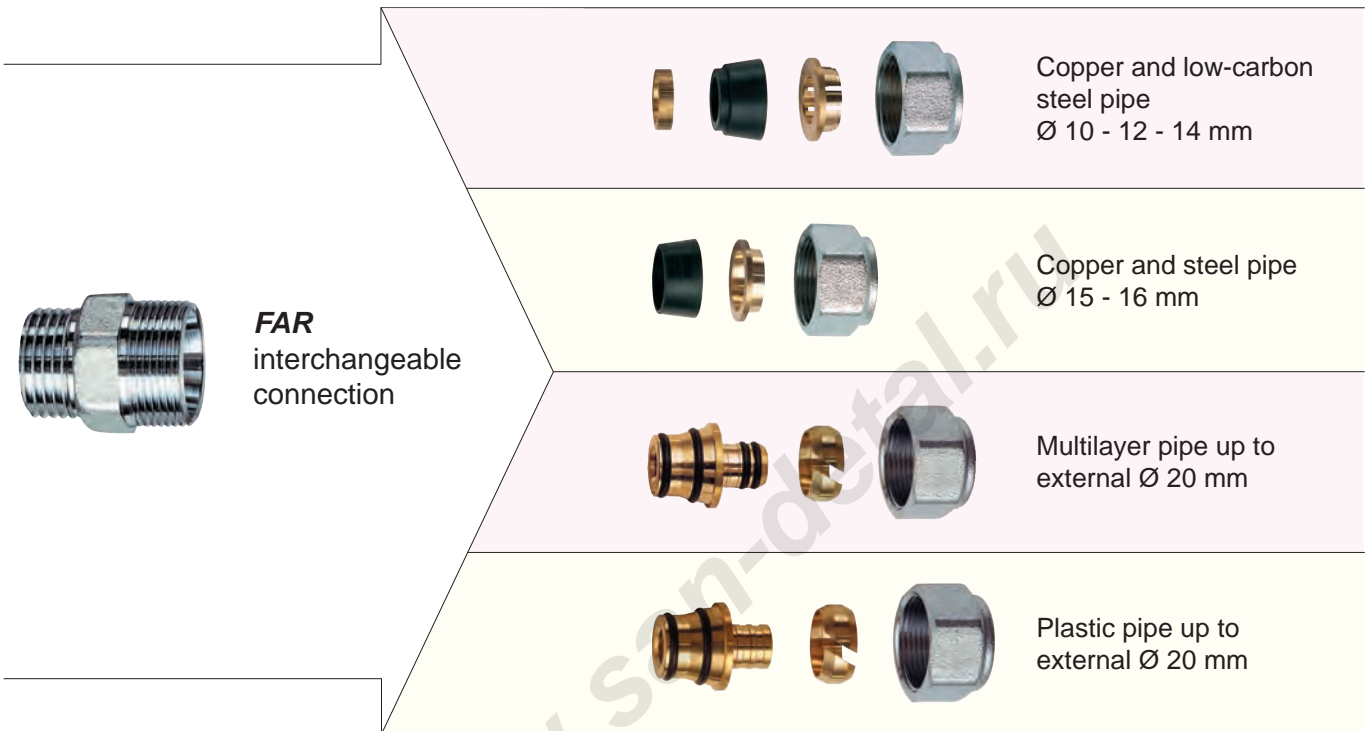
Code	size	Ø pipe	€	box	carton
5868 1210	1/2"	10	7,09	20	200
5868 1212	1/2"	12	7,09	20	200
5868 1214	1/2"	14	7,09	20	200
5868 1215	1/2"	15	6,88	20	200
5868 1216	1/2"	16	6,88	20	200
5868 1218	1/2"	18	6,88	20	200





A complete range of “INTERCHANGEABLE” mechanical fittings for heating and domestic services. Available in brass or chrome-plated versions.

FAR offers a wide range of adapters for copper or low-carbon steel pipes and for plastic and multilayer pipes.



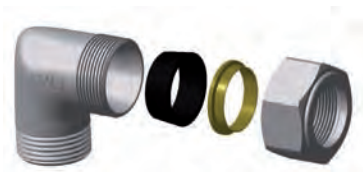
FAR's range of interchangeable fittings includes a comprehensive choice of configurations. The whole range is guaranteed up to 10 bar pressure and a maximum temperature of 95°C (except where other limits are imposed by the special characteristics of the selected pipe).

The fittings are suitable for use with water with or without added glycol.



The FAR range of fittings for multilayer pipe is also available in a ready made up version, pre-assembled with adapter up to 32x3mm. See chapter 9 of the catalogue.

You can find the range of fittings complete with sealing kit for copper pipe Ø 18 – 20 – 22 mm in chapter 11 of the catalogue.



Brass male nipple.

- Fitting body in stamped brass
- Interchangeable sizes for copper, plastic and multilayer pipe



ART. 5000

Code	size	€	box	carton
5000 38	3/8"	1,56	50	500
5000 12	1/2"	1,56	50	500
5000 34	3/4"	2,08	25	250
5000 1	1"	3,53	25	250

Chrome-plated male nipple.

- Fitting body in stamped brass
- Interchangeable sizes for copper, plastic and multilayer pipe



ART. 5010

Code	size	€	box	carton
5010 38	3/8"	1,68	50	500
5010 12	1/2"	1,68	50	500
5010 34	3/4"	2,24	25	250
5010 1	1"	3,77	25	250

Brass female nipple.

- Fitting body in stamped brass
- Interchangeable sizes for copper, plastic and multilayer pipe



ART. 5050

Code	size	€	box	carton
5050 38	3/8"	1,59	50	500
5050 12	1/2"	1,59	50	500
5050 34	3/4"	2,09	25	250
5050 1	1"	3,50	25	250

Chrome-plated female nipple.

- Fitting body in stamped brass
- Interchangeable sizes for copper, plastic and multilayer pipe



ART. 5060

Code	size	€	box	carton
5060 38	3/8"	1,73	50	500
5060 12	1/2"	1,73	50	500
5060 34	3/4"	2,24	25	250
5060 1	1"	3,77	25	250

Brass double single-taper nipple.

- Fitting body in stamped brass
- Interchangeable sizes for copper, plastic and multilayer pipe



ART. 5100

Code	size	€	box	carton
5100 12	24x19	1,89	25	250

Chrome-plated double single-taper nipple.

- Fitting body in stamped brass
- Interchangeable sizes for copper, plastic and multilayer pipe



ART. 5110

Code	size	€	box	carton
5110 12	24x19	2,00	25	250

Brass male elbow.

- Fitting body in stamped brass
- Interchangeable sizes for copper, plastic and multilayer pipe



ART. 5250

Code	size	€	box	carton
5250 12	1/2"	2,83	25	250
5250 34	3/4"	3,77	25	250
5250 1	1"	4,82	15	150

Chrome-plated male elbow.

- Fitting body in stamped brass
- Interchangeable sizes for copper, plastic and multilayer pipe



ART. 5260

Code	size	€	box	carton
5260 12	1/2"	3,01	25	250
5260 34	3/4"	4,10	25	250
5260 1	1"	5,35	15	150

Brass female elbow.

- Fitting body in stamped brass
- Interchangeable sizes for copper, plastic and multilayer pipe



ART. 5300

Code	size	€	box	carton
5300 12	1/2"	2,70	25	250
5300 34	3/4"	3,66	25	250
5300 1	1"	5,41	15	150

Chrome-plated female elbow.

- Fitting body in stamped brass
- Interchangeable sizes for copper, plastic and multilayer pipe



ART. 5310

Code	size	€	box	carton
5310 12	1/2"	2,89	25	250
5310 34	3/4"	4,10	25	250
5310 1	1"	5,93	15	150

Brass double single-taper elbow.

- Fitting body in stamped brass
- Interchangeable sizes for copper, plastic and multilayer pipe



ART. 5350

Code	size	€	box	carton
5350 12	24x19	2,56	25	250

Chrome-plated double single-taper elbow.

- Fitting body in stamped brass
- Interchangeable sizes for copper, plastic and multilayer pipe



ART. 5360

Code	size	€	box	carton
5360 12	24x19	2,72	25	250

Brass T connection with 3 single-tapers.

- Fitting body in stamped brass
- Interchangeable sizes for copper, plastic and multilayer pipe



ART. 5400

Code	size	€	box	carton
5400 12	24x19	3,40	20	200

Chrome-plated T connection with 3 single-tapers.

- Fitting body in stamped brass
- Interchangeable sizes for copper, plastic and multilayer pipe



ART. 5410

Code	size	€	box	carton
5410 12	24x19	3,63	20	200

Brass T female connection with 2 single-tapers.

- Fitting body in stamped brass
- Interchangeable sizes for copper, plastic and multilayer pipe



ART. 5450

Code	size	€	box	carton
5450 12	1/2"	3,30	20	200
5450 34	3/4"	4,60	20	200

Chrome-plated T female connection with 2 single-tapers.

- Fitting body in stamped brass
- Interchangeable sizes for copper, plastic and multilayer pipe



ART. 5460

Code	size	€	box	carton
5460 12	1/2"	3,53	20	200
5460 34	3/4"	5,12	20	200

Brass T male connection with 2 single-tapers.

- Fitting body in stamped brass
- Interchangeable sizes for copper, plastic and multilayer pipe



ART. 5500

Code	size	€	box	carton
5500 12	1/2"	3,24	20	200

Chrome-plated T male connection with 2 single-tapers.

- Fitting body in stamped brass
- Interchangeable sizes for copper, plastic and multilayer pipe



ART. 5510

Code	size	€	box	carton
5510 12	1/2"	3,34	20	200

Brass T fitting.

- Fitting body in stamped brass
- 1/2"-3/4"-1" male connections



ART. 5505

Code	size	€	box	carton
5505 12	1/2"	3,13	20	
5505 34	3/4"	4,25	10	
5505 1	1"	6,17	5	

Chrome-plated T fitting.

- Fitting body in stamped brass
- 1/2"-3/4"-1" male connections



ART. 5515

Code	size	€	box	carton
5515 12	1/2"	3,23	20	
5515 34	3/4"	4,76	10	
5515 1	1"	6,62	5	

Brass T fitting.

- Fitting body in stamped brass
- 3/4" male x 3/4" female x 1/2" male connections



ART. 5506

Code	size	€	box	carton
5506 34	3/4"	3,67	25	

Chrome-plated T fitting.

- Fitting body in stamped brass
- 3/4" male x 3/4" female x 1/2" male connections



ART. 5516

Code	size	€	box	carton
5516 34	3/4"	3,88	25	

Brass female wall connection.

- Fitting body in stamped brass
- Interchangeable sizes for copper, plastic and multilayer pipe



ART. 5550



Code	size	€	box	carton
5550 12	1/2"	3,60	20	200
5550 34	3/4"	4,41	20	200

Chrome-plated female wall connection.

- Fitting body in stamped brass
- Interchangeable sizes for copper, plastic and multilayer pipe



ART. 5555



Code	size	€	box	carton
5555 12	1/2"	3,93	20	200
5555 34	3/4"	4,75	20	200

Brass male wall connection.

- Fitting body in stamped brass
- Interchangeable sizes for copper, plastic and multilayer pipe



ART. 5552



Code	size	€	box	carton
5552 34	3/4"	3,65	20	200

Chrome-plated male wall connection.

- Fitting body in stamped brass
- Interchangeable sizes for copper, plastic and multilayer pipe



ART. 5557



Code	size	€	box	carton
5557 34	3/4"	3,99	20	200

Chrome-plated flow-through swivelling straight connection.

- Fitting body in stamped brass
- Interchangeable sizes for copper, plastic and multilayer pipe



ART. 5650

Code	size	€	box	carton
5650 12	1/2"	5,81	10	60

Chrome-plated swivelling "L" connection.

- Fitting body in stamped brass
- Interchangeable sizes for copper, plastic and multilayer pipe



ART. 5700

Code	size	€	box	carton
5700 12	1/2"	4,96	10	60

Chrome-plated terminal connection.

- Fitting body in stamped brass
- Interchangeable sizes for copper, plastic and multilayer pipe



ART. 5750

Code	size	€	box	carton
5750 12	1/2"	4,46	20	120

Brass angled connection for domestic systems.

- Fitting body in stamped brass
- Interchangeable sizes for copper, plastic and multilayer pipe
- Holes for fixing on art. 9001



ART. 5600

Code	size	€	box	carton
5600 12	1/2"	3,46	25	250

Plastic terminal box for domestic systems with plastic pipe.

- Complete with screws for fixing art. 5600



ART. 9001

Code	€	box	carton
9001	1,78	10	

Chrome-plated bent connection for domestic systems.

- Fitting body in stamped brass
- Interchangeable sizes for copper, plastic and multilayer pipe
- Holes for fixing on art. 9001



ART. 5610

Code	size	€	box	carton
5610 12	1/2"	3,67	25	250

Plastic male plug for hydraulic test, complete with O'RING seal.



ART. 9002

Code	size	€	box	carton
9002	1/2"	0,66	120	2400

Plastic fixing bracket for ART. 9001.

- Centre line between holes: 155 mm



ART. 9003

Code	size	€	box	carton
9003	int. 155	0,75	60	1200

Plastic wrench for mounting and levelling of connections.



ART. 9004

Code	size	€	box	carton
9004	1/2"	0,96	20	400

Brass MALE nipple, reduced version

- WITH ASSEMBLED SEALING KIT FOR COPPER PIPE



ART. 5065

Code	size	gasket	€	box
5065 38G08	3/8"x 8	Rubber	2,11	50
5065 38G10	3/8"x10	Rubber	2,11	50
5065 38G12	3/8"x12	Rubber	2,11	50
5065 38T08	3/8"x 8	PTFE	2,16	50
5065 38T10	3/8"x10	PTFE	2,16	50
5065 38T12	3/8"X12	PTFE	2,16	50

Chrome-plated MALE nipple, reduced version.

- WITH ASSEMBLED SEALING KIT FOR COPPER PIPE



ART. 5070

Code	size	gasket	€	box
5070 38G08	3/8"x 8	Rubber	2,34	50
5070 38G10	3/8"x10	Rubber	2,34	50
5070 38G12	3/8"x12	Rubber	2,34	50
5070 38T08	3/8"x 8	PTFE	2,39	50
5070 38T10	3/8"x10	PTFE	2,39	50
5070 38T12	3/8"X12	PTFE	2,39	50

Brass FEMALE nipple, reduced version.

- WITH ASSEMBLED SEALING KIT FOR COPPER PIPE



ART. 5075

Code	size	gasket	€	box
5075 38G08	3/8"x 8	Rubber	2,07	50
5075 38G10	3/8"x10	Rubber	2,07	50
5075 38G12	3/8"x12	Rubber	2,07	50
5075 38T08	3/8"x 8	PTFE	2,12	50
5075 38T10	3/8"x10	PTFE	2,12	50
5075 38T12	3/8"X12	PTFE	2,12	50

Chrome-plated FEMALE nipple, reduced version.

- WITH ASSEMBLED SEALING KIT FOR COPPER PIPE



ART. 5080

Code	size	gasket	€	box
5080 38G08	3/8"x 8	Rubber	2,29	50
5080 38G10	3/8"x10	Rubber	2,29	50
5080 38G12	3/8"x12	Rubber	2,29	50
5080 38T08	3/8"x 8	PTFE	2,39	50
5080 38T10	3/8"x10	PTFE	2,39	50
5080 38T12	3/8"X12	PTFE	2,39	50

Brass DOUBLE nipple, reduced version.

- WITH ASSEMBLED SEALING KIT FOR COPPER PIPE



ART. 5085

Code	size	gasket	€	box
5085 38G08	3/8"x 8	Rubber	3,24	50
5085 38G10	3/8"x10	Rubber	3,24	50
5085 38G12	3/8"x12	Rubber	3,24	50
5085 38T08	3/8"x 8	PTFE	3,41	50
5085 38T10	3/8"x10	PTFE	3,41	50
5085 38T12	3/8"X12	PTFE	3,41	50

Chrome-plated DOUBLE nipple, reduced version.

- WITH ASSEMBLED SEALING KIT FOR COPPER PIPE



ART. 5090

Code	size	gasket	€	box
5090 38G08	3/8"x 8	Rubber	3,57	50
5090 38G10	3/8"x10	Rubber	3,57	50
5090 38G12	3/8"x12	Rubber	3,57	50
5090 38T08	3/8"x 8	PTFE	3,73	50
5090 38T10	3/8"x10	PTFE	3,73	50
5090 38T12	3/8"X12	PTFE	3,73	50

Kit for plastic pipes. Suitable for all our products with 24x19 interchangeable connections.

Complete with:

- adapter for plastic pipe
- brass ring
- brass nut with 24x19 thread



ART. 6051



Code	pipe	external diameter	€	box	carton	
6051 6563	plastic	10,5x1,25	2,50	50	500	New
6051 48186	plastic	12x2,15	2,50	50	500	
6051 4847	plastic	12x2	2,50	50	500	
6051 48184	plastic	12x1,5	2,50	50	500	
6051 481005	plastic	12x1,35	2,50	50	500	New
6051 9761005	plastic	12,7x1,7	2,50	50	500	New
6051 976186	plastic	12,7x2,4	2,50	50	500	New
6051 6563	plastic	14x1,5	2,50	50	500	New
6051 6545	plastic	14x2	2,50	50	500	
6051 4645	plastic	15x2,5	2,50	50	500	
6051 4663	plastic	15x2	2,50	50	500	
6051 46173	plastic	15x1,7	2,50	50	500	
6051 4661	plastic	15x1,5	2,50	50	500	
6051 5863	plastic	16x2,5	2,50	50	500	
6051 58173	plastic	16x2,2	2,50	50	500	
6051 5861	plastic	16x2	2,50	50	500	
6051 58262	plastic	16x1,8	2,50	50	500	
6051 5864	plastic	16x1,5	2,50	50	500	
6051 58180	plastic	16x2,7	2,50	50	500	New
6051 15061	plastic	16,8x2,4	2,50	50	500	New
6051 150829	plastic	17x2,25	2,50	50	500	
6051 15043	plastic	17x2	2,50	50	500	
6051 6043	plastic	17,8x2,4	2,50	50	500	
6051 60180	plastic	17,8x3,6	2,50	50	500	
6051 4443	plastic	18x2,5	2,50	50	500	
6051 44221	plastic	18x2,2	2,50	50	500	
6051 4468	plastic	18x2	2,50	50	500	
6051 8043	plastic	20x3,5	2,50	50	500	
6051 8068	plastic	20x3	2,50	50	500	
6051 80185	plastic	20x2,8	2,50	50	500	
6051 80222	plastic	20x2,3	2,50	50	500	
6051 8069	plastic	20x2,15	2,50	50	500	
6051 80214	plastic	20x2	2,50	50	500	
6051 80261	plastic	20x1,9	2,50	50	500	

Kit for MULTILAYER pipes. Suitable for all our products with 24x19 interchangeable connections.

Complete with:

- adapter for multilayer pipe
- brass ring
- brass nut with 24x19 thread



ART. 6054

Code	pipe	external diameter	€	box	carton
6054 902901	multilayer	11,6x1,5	2,69	50	500
New 6054 48901	multilayer	12x1,8	2,69	50	500
6054 65193	multilayer	14X2	2,69	50	500
New 6054 46193	multilayer	15X2,5	2,69	50	500
6054 58190	multilayer	16X2	2,69	50	500
6054 58200	multilayer	16X2,25	2,69	50	500
6054 58278	multilayer	16,2X2,6	2,69	50	500
New 6054 150200	multilayer	16,8x2,5	2,69	50	500
6054 150810	multilayer	17X2	2,69	50	500
6054 44191	multilayer	18X2	2,69	50	500
6054 80204	multilayer	20X2	2,69	50	500
6054 80192	multilayer	20X2,25	2,69	50	500
6054 80201	multilayer	20X2,5	2,69	50	500
6054 80191	multilayer	20X2,9	2,69	50	500

Sealing compression KIT in rubber for copper pipe.

Complete with:

- brass pipe guide washer
- rubber compression single-taper
- brass ring
- brass nut with 24x19 thread



ART. 8426

Code	pipe	size	€	box	carton
8426 10	copper	Ø 10	1,41	100	500
8426 12	copper	Ø 12	1,41	100	500
8426 14	copper	Ø 14	1,41	100	500

Sealing compression KIT in rubber for copper pipe.

Complete with:

- rubber compression single-taper
- brass ring
- brass nut with 24x19 thread



ART. 8428

Code	pipe	size	€	box	carton
8428 15	copper	Ø 15	1,28	100	500
8428 16	copper	Ø 16	1,28	100	500

Kit for plastic pipes. Suitable for all our products with 24x19 interchangeable connections.

Complete with:

- adapter for plastic pipe
- brass ring
- chrome-plated nut with 24x19 thread



ART. 6052

Code	pipe	external diameter	€	box	carton	
6052 6563	plastic	10,5x1,25	2,57	50	500	New
6052 48186	plastic	12x2,15	2,57	50	500	
6052 4847	plastic	12x2	2,57	50	500	
6052 48184	plastic	12x1,5	2,57	50	500	
6052 481005	plastic	12x1,35	2,57	50	500	New
6052 9761005	plastic	12,7x1,7	2,57	50	500	New
6052 976186	plastic	12,7x2,4	2,57	50	500	New
6052 6563	plastic	14x1,5	2,57	50	500	New
6052 6545	plastic	14x2	2,57	50	500	
6052 4645	plastic	15x2,5	2,57	50	500	
6052 4663	plastic	15x2	2,57	50	500	
6052 46173	plastic	15x1,7	2,57	50	500	
6052 4661	plastic	15x1,5	2,57	50	500	
6052 5863	plastic	16x2,5	2,57	50	500	
6052 58173	plastic	16x2,2	2,57	50	500	
6052 5861	plastic	16x2	2,57	50	500	
6052 58262	plastic	16x1,8	2,57	50	500	
6052 5864	plastic	16x1,5	2,57	50	500	
6052 58180	plastic	16x2,7	2,57	50	500	New
6052 15061	plastic	16,8x2,4	2,57	50	500	New
6052 150829	plastic	17x2,25	2,57	50	500	
6052 15043	plastic	17x2	2,57	50	500	
6052 6043	plastic	17,8x2,4	2,57	50	500	
6052 60180	plastic	17,8x3,6	2,57	50	500	
6052 4443	plastic	18x2,5	2,57	50	500	
6052 44221	plastic	18x2,2	2,57	50	500	
6052 4468	plastic	18x2	2,57	50	500	
6052 8043	plastic	20x3,5	2,57	50	500	
6052 8068	plastic	20x3	2,57	50	500	
6052 80185	plastic	20x2,8	2,57	50	500	
6052 80222	plastic	20x2,3	2,57	50	500	
6052 8069	plastic	20x2,15	2,57	50	500	
6052 80214	plastic	20x2	2,57	50	500	
6052 80261	plastic	20x1,9	2,57	50	500	

Kit for MULTILAYER pipes. Suitable for all our products with 24x19 interchangeable connections.

Complete with:

- adapter for multilayer pipe
- brass ring
- chrome-plated nut with 24x19 thread



ART. 6055

Code	pipe	external diameter	€	box	carton
6055 902901	multilayer	11,6x1,5	2,78	50	500
New 6055 48901	multilayer	12x1,8	2,78	50	500
6055 65193	multilayer	14X2	2,78	50	500
New 6055 46193	multilayer	15X2,5	2,78	50	500
6055 58190	multilayer	16X2	2,78	50	500
6055 58200	multilayer	16X2,25	2,78	50	500
6055 58278	multilayer	16,2X2,6	2,78	50	500
New 6055 150200	multilayer	16,8x2,5	2,78	50	500
6055 150810	multilayer	17X2	2,78	50	500
6055 44191	multilayer	18X2	2,78	50	500
6055 80204	multilayer	20X2	2,78	50	500
6055 80192	multilayer	20X2,25	2,78	50	500
6055 80201	multilayer	20X2,5	2,78	50	500
6055 80191	multilayer	20X2,9	2,78	50	500

Sealing compression KIT in rubber for copper pipe.

Complete with:

- brass pipe guide washer
- rubber compression single-taper
- brass ring
- chrome-plated nut with 24x19 thread



ART. 8427

Code	pipe	size	€	box	carton
8427 10	copper	Ø 10	1,49	100	500
8427 12	copper	Ø 12	1,49	100	500
8427 14	copper	Ø 14	1,49	100	500

Sealing compression KIT in rubber for copper pipe.

Complete with:

- rubber compression single-taper
- brass ring
- chrome-plated nut with 24x19 thread



ART. 8429

Code	pipe	size	€	box	carton
8429 15	copper	Ø 15	1,39	100	500
8429 16	copper	Ø 16	1,39	100	500

Male nipple in stamped brass.

- complete with adapter for multilayer pipe

ART. 5001

Code	size	Ø pipe	€	box	carton
5001 3865193	3/8"	14x2	4,00	25	250
5001 3858190	3/8"	16x2	4,00	25	250
5001 3858200	3/8"	16x2,25	4,00	25	250
5001 3844191	3/8"	18x2	4,05	25	250
5001 3880204	3/8"	20x2	4,20	25	250
5001 3880192	3/8"	20x2,25	4,20	25	250
5001 3880201	3/8"	20x2,5	4,20	25	250
5001 1265193	1/2"	14x2	4,00	25	250
5001 1258190	1/2"	16x2	4,00	25	250
5001 1258200	1/2"	16x2,25	4,00	25	250
5001 1244191	1/2"	18x2	4,05	25	250
5001 1280204	1/2"	20x2	4,20	25	250
5001 1280192	1/2"	20x2,25	4,20	25	250
5001 1280201	1/2"	20x2,5	4,20	25	250



Code	size	Ø pipe	€	box	carton
5001 3465193	3/4"	14x2	4,46	25	250
5001 3458190	3/4"	16x2	4,46	25	250
5001 3458200	3/4"	16x2,25	4,46	25	250
5001 3444191	3/4"	18x2	4,54	25	250
5001 3480204	3/4"	20x2	4,70	25	250
5001 3480192	3/4"	20x2,25	4,70	25	250
5001 3480201	3/4"	20x2,5	4,70	25	250
5001 34219218	3/4"	25x2,5	8,62	10	100
5001 34220218	3/4"	26x3	8,62	10	100
5001 165193	1"	14x2	6,07	25	250
5001 158190	1"	16x2	6,07	25	250
5001 158200	1"	16x2,25	6,07	25	250
5001 144191	1"	18x2	6,17	25	250
5001 180204	1"	20x2	6,30	25	250
5001 180192	1"	20x2,25	6,30	25	250
5001 180201	1"	20x2,5	6,30	25	250
5001 1219218	1"	25x2,5	8,62	10	100
5001 1220218	1"	26x3	8,62	10	100
5001 1276275	1"	32x3	16,10	10	100

Female nipple in stamped brass.

- complete with adapter for multilayer pipe

ART. 5051

Code	size	Ø pipe	€	box	carton
5051 3865193	3/8"	14x2	3,97	25	250
5051 3858190	3/8"	16x2	3,97	25	250
5051 3858200	3/8"	16x2,25	3,97	25	250
5051 3844191	3/8"	18x2	4,03	25	250
5051 3880204	3/8"	20x2	4,18	25	250
5051 3880192	3/8"	20x2,25	4,18	25	250
5051 3880201	3/8"	20x2,5	4,18	25	250
5051 1265193	1/2"	14x2	3,97	25	250
5051 1258190	1/2"	16x2	3,97	25	250
5051 1258200	1/2"	16x2,25	3,97	25	250
5051 1244191	1/2"	18x2	4,03	25	250
5051 1280204	1/2"	20x2	4,18	25	250
5051 1280192	1/2"	20x2,25	4,18	25	250
5051 1280201	1/2"	20x2,5	4,18	25	250



Code	size	Ø pipe	€	box	carton
5051 3465193	3/4"	14x2	4,51	25	250
5051 3458190	3/4"	16x2	4,51	25	250
5051 3458200	3/4"	16x2,25	4,51	25	250
5051 3444191	3/4"	18x2	4,60	25	250
5051 3480204	3/4"	20x2	4,74	25	250
5051 3480192	3/4"	20x2,25	4,74	25	250
5051 3480201	3/4"	20x2,5	4,74	25	250
5051 34219218	3/4"	25x2,5	8,62	10	100
5051 34220218	3/4"	26x3	8,62	10	100
5051 165193	1"	14x2	6,04	25	250
5051 158190	1"	16x2	6,04	25	250
5051 158200	1"	16x2,25	6,04	25	250
5051 144191	1"	18x2	6,12	25	250
5051 180204	1"	20x2	6,28	25	250
5051 180192	1"	20x2,25	6,28	25	250
5051 180201	1"	20x2,5	6,28	25	250
5051 1219218	1"	25x2,5	8,62	10	100
5051 1220218	1"	26x3	8,62	10	100
5051 1276275	1"	32x3	16,10	10	100

Chrome-plated male nipple in stamped brass.

- complete with adapter for multilayer pipe

ART. 5011

Code	size	Ø pipe	€	box	carton
5011 3865193	3/8"	14x2	4,20	25	250
5011 3858190	3/8"	16x2	4,20	25	250
5011 3858200	3/8"	16x2,25	4,20	25	250
5011 3844191	3/8"	18x2	4,28	25	250
5011 3880204	3/8"	20x2	4,43	25	250
5011 3880192	3/8"	20x2,25	4,43	25	250
5011 3880201	3/8"	20x2,5	4,43	25	250

5011 1265193	1/2"	14x2	4,20	25	250
5011 1258190	1/2"	16x2	4,20	25	250
5011 1258200	1/2"	16x2,25	4,20	25	250
5011 1244191	1/2"	18x2	4,28	25	250
5011 1280204	1/2"	20x2	4,43	25	250
5011 1280192	1/2"	20x2,25	4,43	25	250
5011 1280201	1/2"	20x2,5	4,43	25	250



Code	size	Ø pipe	€	box	carton
5011 3465193	3/4"	14x2	4,73	25	250
5011 3458190	3/4"	16x2	4,73	25	250
5011 3458200	3/4"	16x2,25	4,73	25	250
5011 3444191	3/4"	18x2	4,78	25	250
5011 3480204	3/4"	20x2	4,94	25	250
5011 3480192	3/4"	20x2,25	4,94	25	250
5011 3480201	3/4"	20x2,5	4,94	25	250
5011 34219218	3/4"	25x2,5	8,96	10	100
5011 34220218	3/4"	26x3	8,96	10	100

5011 165193	1"	14x2	6,42	25	250
5011 158190	1"	16x2	6,42	25	250
5011 158200	1"	16x2,25	6,42	25	250
5011 144191	1"	18x2	6,51	25	250
5011 180204	1"	20x2	6,67	25	250
5011 180192	1"	20x2,25	6,67	25	250
5011 180201	1"	20x2,5	6,67	25	250
5011 1219218	1"	25x2,5	8,96	10	100
5011 1220218	1"	26x3	8,96	10	100
5011 1276275	1"	32x3	16,47	10	100

Chrome-plated female nipple in stamped brass.

- complete with adapter for multilayer pipe

ART. 5061

Code	size	Ø pipe	€	box	carton
5061 3865193	3/8"	14x2	4,18	25	250
5061 3858190	3/8"	16x2	4,18	25	250
5061 3858200	3/8"	16x2,25	4,18	25	250
5061 3844191	3/8"	18x2	4,27	25	250
5061 3880204	3/8"	20x2	4,42	25	250
5061 3880192	3/8"	20x2,25	4,42	25	250
5061 3880201	3/8"	20x2,5	4,42	25	250

5061 1265193	1/2"	14x2	4,18	25	250
5061 1258190	1/2"	16x2	4,18	25	250
5061 1258200	1/2"	16x2,25	4,18	25	250
5061 1244191	1/2"	18x2	4,27	25	250
5061 1280204	1/2"	20x2	4,42	25	250
5061 1280192	1/2"	20x2,25	4,42	25	250
5061 1280201	1/2"	20x2,5	4,42	25	250



Code	size	Ø pipe	€	box	carton
5061 3465193	3/4"	14x2	4,78	25	250
5061 3458190	3/4"	16x2	4,78	25	250
5061 3458200	3/4"	16x2,25	4,78	25	250
5061 3444191	3/4"	18x2	4,88	25	250
5061 3480204	3/4"	20x2	5,00	25	250
5061 3480192	3/4"	20x2,25	5,00	25	250
5061 3480201	3/4"	20x2,5	5,00	25	250
5061 34219218	3/4"	25x2,5	8,96	10	100
5061 34220218	3/4"	26x3	8,96	10	100

5061 165193	1"	14x2	6,41	25	250
5061 158190	1"	16x2	6,41	25	250
5061 158200	1"	16x2,25	6,41	25	250
5061 144191	1"	18x2	6,48	25	250
5061 180204	1"	20x2	6,63	25	250
5061 180192	1"	20x2,25	6,63	25	250
5061 180201	1"	20x2,5	6,63	25	250
5061 1219218	1"	25x2,5	8,96	10	100
5061 1220218	1"	26x3	8,96	10	100
5061 1276275	1"	32x3	16,47	10	100

DOUBLE nipple in stamped brass.

- complete with adapters for multilayer pipe

ART. 5101



Code	size	Ø pipe	€	box	carton
5101 1265193	1/2"	14x2	6,76	25	250
5101 1258190	1/2"	16x2	6,76	25	250
5101 1258200	1/2"	16x2,25	6,76	25	250
5101 1244191	1/2"	18x2	6,92	25	250
5101 1280204	1/2"	20x2	7,20	25	250
5101 1280192	1/2"	20x2,25	7,20	25	250
5101 1280201	1/2"	20x2,5	7,20	25	250
5101 1219218	1"	25x2,5	14,20	10	100
5101 1220218	1"	26x3	14,20	10	100

Chrome-plated DOUBLE nipple in stamped brass.

- complete with adapters for multilayer pipe

ART. 5111



Code	size	Ø pipe	€	box	carton
5111 1265193	1/2"	14x2	7,08	25	250
5111 1258190	1/2"	16x2	7,08	25	250
5111 1258200	1/2"	16x2,25	7,08	25	250
5111 1244191	1/2"	18x2	7,23	25	250
5111 1280204	1/2"	20x2	7,52	25	250
5111 1280192	1/2"	20x2,25	7,52	25	250
5111 1280201	1/2"	20x2,5	7,52	25	250
5111 1219218	1"	25x2,5	14,70	10	100
5111 1220218	1"	26x3	14,70	10	100

DOUBLE elbow in stamped brass.

- complete with adapters for multilayer pipe

ART. 5351



Code	size	Ø pipe	€	box	carton
5351 1265193	1/2"	14x2	7,32	20	200
5351 1258190	1/2"	16x2	7,32	20	200
5351 1258200	1/2"	16x2,25	7,32	20	200
5351 1244191	1/2"	18x2	7,50	20	200
5351 1280204	1/2"	20x2	7,76	20	200
5351 1280192	1/2"	20x2,25	7,76	20	200
5351 1280201	1/2"	20x2,5	7,76	20	200
5351 1219218	1"	25x2,5	15,82	10	100
5351 1220218	1"	26x3	15,82	10	100
5351 1276275	1"	32x3	34,00	10	100

Chrome-plated DOUBLE elbow in stamped brass.

- complete with adapters for multilayer pipe

ART. 5361



Code	size	Ø pipe	€	box	carton
5361 1265193	1/2"	14x2	7,76	20	200
5361 1258190	1/2"	16x2	7,76	20	200
5361 1258200	1/2"	16x2,25	7,76	20	200
5361 1244191	1/2"	18x2	7,92	20	200
5361 1280204	1/2"	20x2	8,20	20	200
5361 1280192	1/2"	20x2,25	8,20	20	200
5361 1280201	1/2"	20x2,5	8,20	20	200
5361 1219218	1"	25x2,5	16,32	10	100
5361 1220218	1"	26x3	16,32	10	100
5361 1276275	1"	32x3	35,15	10	100

Male elbow in stamped brass.

- complete with adapter for multilayer pipe



ART. 5251

Code	size	Ø pipe	€	box	carton
5251 1265193	1/2"	14x2	5,08	25	250
5251 1258190	1/2"	16x2	5,08	25	250
5251 1258200	1/2"	16x2,25	5,08	25	250
5251 1244191	1/2"	18x2	5,17	25	250
5251 1280204	1/2"	20x2	5,30	25	250
5251 1280192	1/2"	20x2,25	5,30	25	250
5251 1280201	1/2"	20x2,5	5,30	25	250
5251 3465193	3/4"	14x2	6,07	25	250
5251 3458190	3/4"	16x2	6,07	25	250
5251 3458200	3/4"	16x2,25	6,07	25	250
5251 3444191	3/4"	18x2	6,17	25	250
5251 3480204	3/4"	20x2	6,32	25	250
5251 3480192	3/4"	20x2,25	6,32	25	250
5251 3480201	3/4"	20x2,5	6,32	25	250
5251 34219218	3/4"	25x2,5	8,84	10	100
5251 34220218	3/4"	26x3	8,84	10	100
5251 1219218	1"	25x2,5	10,23	10	100
5251 1220218	1"	26x3	10,23	10	100
5251 1276275	1"	32x3	21,40	10	100

Chrome-plated male elbow in stamped brass.

- complete with adapter for multilayer pipe



ART. 5261

Code	size	Ø pipe	€	box	carton
5261 1265193	1/2"	14x2	5,41	25	250
5261 1258190	1/2"	16x2	5,41	25	250
5261 1258200	1/2"	16x2,25	5,41	25	250
5261 1244191	1/2"	18x2	5,51	25	250
5261 1280204	1/2"	20x2	5,63	25	250
5261 1280192	1/2"	20x2,25	5,63	25	250
5261 1280201	1/2"	20x2,5	5,63	25	250
5261 3465193	3/4"	14x2	6,55	25	250
5261 3458190	3/4"	16x2	6,55	25	250
5261 3458200	3/4"	16x2,25	6,55	25	250
5261 3444191	3/4"	18x2	6,63	25	250
5261 3480204	3/4"	20x2	6,84	25	250
5261 3480192	3/4"	20x2,25	6,84	25	250
5261 3480201	3/4"	20x2,5	6,84	25	250
5261 34219218	3/4"	25x2,5	9,20	10	100
5261 34220218	3/4"	26x3	9,20	10	100
5261 1219218	1"	25x2,5	10,62	10	100
5261 1220218	1"	26x3	10,62	10	100
5261 1276275	1"	32x3	22,29	10	100

Female elbow in stamped brass.

- complete with adapter for multilayer pipe



ART. 5301

Code	size	Ø pipe	€	box	carton
5301 1265193	1/2"	14x2	5,04	25	250
5301 1258190	1/2"	16x2	5,04	25	250
5301 1258200	1/2"	16x2,25	5,04	25	250
5301 1244191	1/2"	18x2	5,12	25	250
5301 1280204	1/2"	20x2	5,28	25	250
5301 1280192	1/2"	20x2,25	5,28	25	250
5301 1280201	1/2"	20x2,5	5,28	25	250
5301 3465193	3/4"	14x2	6,26	25	250
5301 3458190	3/4"	16x2	6,26	25	250
5301 3458200	3/4"	16x2,25	6,26	25	250
5301 3444191	3/4"	18x2	6,34	25	250
5301 3480204	3/4"	20x2	6,54	25	250
5301 3480192	3/4"	20x2,25	6,54	25	250
5301 3480201	3/4"	20x2,5	6,54	25	250
5301 34219218	3/4"	25x2,5	10,23	10	100
5301 34220218	3/4"	26x3	10,23	10	100
5301 34276275	3/4"	32x3	18,54	10	100
5301 1219218	1"	25x2,5	10,23	10	100
5301 1220218	1"	26x3	10,23	10	100
5301 1276275	1"	32x3	20,76	10	100

Chrome-plated female elbow in stamped brass.

- complete with adapter for multilayer pipe



ART. 5311

Code	size	Ø pipe	€	box	carton
5311 1265193	1/2"	14x2	5,40	25	250
5311 1258190	1/2"	16x2	5,40	25	250
5311 1258200	1/2"	16x2,25	5,40	25	250
5311 1244191	1/2"	18x2	5,47	25	250
5311 1280204	1/2"	20x2	5,61	25	250
5311 1280192	1/2"	20x2,25	5,61	25	250
5311 1280201	1/2"	20x2,5	5,61	25	250
5311 3465193	3/4"	14x2	6,76	25	250
5311 3458190	3/4"	16x2	6,76	25	250
5311 3458200	3/4"	16x2,25	6,76	25	250
5311 3444191	3/4"	18x2	6,86	25	250
5311 3480204	3/4"	20x2	7,03	25	250
5311 3480192	3/4"	20x2,25	7,03	25	250
5311 3480201	3/4"	20x2,5	7,03	25	250
5311 34219218	3/4"	25x2,5	10,62	10	100
5311 34220218	3/4"	26x3	10,62	10	100
5311 34276275	3/4"	32x3	19,31	10	100
5311 1219218	1"	25x2,5	10,62	10	100
5311 1220218	1"	26x3	10,62	10	100
5311 1276275	1"	32x3	21,64	10	100

T-connection with 3 outlets in stamped brass.

- complete with adapters for multilayer pipe



ART. 5401

Code	size	Ø pipe	€	box	carton
5401 1265193	1/2"	14x2	10,90	20	200
5401 1258190	1/2"	16x2	10,90	20	200
5401 1258200	1/2"	16x2,25	10,90	20	200
5401 1244191	1/2"	18x2	11,13	20	200
5401 1280204	1/2"	20x2	11,56	20	200
5401 1280192	1/2"	20x2,25	11,56	20	200
5401 1280201	1/2"	20x2,5	11,56	20	200
5401 1219218	1"	25x2,5	22,86	5	50
5401 1220218	1"	26x3	22,86	5	50
5401 1276275	1"	32x3	49,97	5	50

Chrome-plated T-connection with 3 outlets in stamped brass.

- complete with adapters for multilayer pipe



ART. 5411

Code	size	Ø pipe	€	box	carton
5411 1265193	1/2"	14x2	11,46	20	200
5411 1258190	1/2"	16x2	11,46	20	200
5411 1258200	1/2"	16x2,25	11,46	20	200
5411 1244191	1/2"	18x2	11,69	20	200
5411 1280204	1/2"	20x2	12,10	20	200
5411 1280192	1/2"	20x2,25	12,10	20	200
5411 1280201	1/2"	20x2,5	12,10	20	200
5411 1219218	1"	25x2,5	23,59	5	50
5411 1220218	1"	26x3	23,59	5	50
5411 1276275	1"	32x3	51,55	5	50

Female wall-mounted connection in stamped brass.

- complete with adapter for multilayer pipe



ART. 5551

Code	size	Ø pipe	€	box	carton
5551 1265193	1/2"	14x2	6,19	20	200
5551 1258190	1/2"	16x2	6,19	20	200
5551 1258200	1/2"	16x2,25	6,19	20	200
5551 1244191	1/2"	18x2	6,26	20	200
5551 1280204	1/2"	20x2	6,42	20	200
5551 1280192	1/2"	20x2,25	6,42	20	200
5551 1280201	1/2"	20x2,5	6,42	20	200

Chrome-plated female wall-mounted connection in stamped brass.

- complete with adapter for multilayer pipe



ART. 5556

Code	size	Ø pipe	€	box	carton
5556 1265193	1/2"	14x2	6,62	20	200
5556 1258190	1/2"	16x2	6,62	20	200
5556 1258200	1/2"	16x2,25	6,62	20	200
5556 1244191	1/2"	18x2	6,72	20	200
5556 1280204	1/2"	20x2	6,85	20	200
5556 1280192	1/2"	20x2,25	6,85	20	200
5556 1280201	1/2"	20x2,5	6,85	20	200

Female T-connection with 2 outlets in stamped brass.

- complete with adapters for multilayer pipe

ART. 5451



Code	size	Ø pipe	€	box	carton
5451 1265193	1/2"	14x2	8,24	20	200
5451 1258190	1/2"	16x2	8,24	20	200
5451 1258200	1/2"	16x2,25	8,24	20	200
5451 1244191	1/2"	18x2	8,39	20	200
5451 1280204	1/2"	20x2	8,69	20	200
5451 1280192	1/2"	20x2,25	8,69	20	200
5451 1280201	1/2"	20x2,5	8,69	20	200
5451 3465193	3/4"	14x2	9,73	10	100
5451 3458190	3/4"	16x2	9,73	10	100
5451 3458200	3/4"	16x2,25	9,73	10	100
5451 3444191	3/4"	18x2	9,89	10	100
5451 3480204	3/4"	20x2	10,20	10	100
5451 3480192	3/4"	20x2,25	10,20	10	100
5451 3480201	3/4"	20x2,5	10,20	10	100
5451 34219218	3/4"	25x2,5	17,27	5	50
5451 34220218	3/4"	26x3	17,27	5	50
5451 34276275	3/4"	32x3	32,32	5	50
5451 1219218	1"	25x2,5	17,27	5	50
5451 1220218	1"	26x3	17,27	5	50
5451 1276275	1"	32x3	36,74	5	50

Chrome-plated female T-connection with 2 outlets in stamped brass.

- complete with adapters for multilayer pipe

ART. 5461



Code	size	Ø pipe	€	box	carton
5461 1265193	1/2"	14x2	8,69	20	200
5461 1258190	1/2"	16x2	8,69	20	200
5461 1258200	1/2"	16x2,25	8,69	20	200
5461 1244191	1/2"	18x2	8,84	20	200
5461 1280204	1/2"	20x2	9,12	20	200
5461 1280192	1/2"	20x2,25	9,12	20	200
5461 1280201	1/2"	20x2,5	9,12	20	200
5461 3465193	3/4"	14x2	10,43	10	100
5461 3458190	3/4"	16x2	10,43	10	100
5461 3458200	3/4"	16x2,25	10,43	10	100
5461 3444191	3/4"	18x2	10,60	10	100
5461 3480204	3/4"	20x2	10,90	10	100
5461 3480192	3/4"	20x2,25	10,90	10	100
5461 3480201	3/4"	20x2,5	10,90	10	100
5461 34219218	3/4"	25x2,5	17,98	5	50
5461 34220218	3/4"	26x3	17,98	5	50
5461 34276275	3/4"	32x3	33,43	5	50
5461 1219218	1"	25x2,5	17,98	5	50
5461 1220218	1"	26x3	17,98	5	50
5461 1276275	1"	32x3	38,06	5	50

Male T-connection with 2 outlets in stamped brass.

- complete with adapters for multilayer pipe



ART. 5501

Code	size	Ø pipe	€	box	carton
5501 1265193	1/2"	14x2	8,20	20	200
5501 1258190	1/2"	16x2	8,20	20	200
5501 1258200	1/2"	16x2,25	8,20	20	200
5501 1244191	1/2"	18x2	8,35	20	200
5501 1280204	1/2"	20x2	8,63	20	200
5501 1280192	1/2"	20x2,25	8,63	20	200
5501 1280201	1/2"	20x2,5	8,63	20	200

Chrome-plated male T-connection with 2 outlets in stamped brass.

- complete with adapters for multilayer pipe



ART. 5511

Code	size	Ø pipe	€	box	carton
5511 1265193	1/2"	14x2	8,63	20	200
5511 1258190	1/2"	16x2	8,63	20	200
5511 1258200	1/2"	16x2,25	8,63	20	200
5511 1244191	1/2"	18x2	8,80	20	200
5511 1280204	1/2"	20x2	9,08	20	200
5511 1280192	1/2"	20x2,25	9,08	20	200
5511 1280201	1/2"	20x2,5	9,08	20	200

Brass angled connection for domestic systems.

- fixing holes on ART. 9001
- complete with adapter for multilayer pipe



ART. 5601

Code	size	Ø pipe	€	box	carton
5601 1265193	1/2"	14x2	5,88	20	200
5601 1258190	1/2"	16x2	5,88	20	200
5601 1258200	1/2"	16x2,25	5,88	20	200
5601 1244191	1/2"	18x2	5,98	20	200
5601 1280204	1/2"	20x2	6,11	20	200
5601 1280192	1/2"	20x2,25	6,11	20	200
5601 1280201	1/2"	20x2,5	6,11	20	200

Chrome-plated nipple.
• male eurokonus connection

ART. 5800

Code	size	€	box	carton
5800 12	1/2"	1,50	50	500
5800 34	3/4"	2,93	50	500



Chrome-plated nipple.
• male eurokonus connection
• female connection

ART. 5805

Code	size	€	box	carton
5805 12	1/2"	1,60	50	500
5805 34	3/4"	3,12	50	500



Chrome-plated elbow.
• male eurokonus connection

ART. 5810

Code	size	€	box	carton
5810 12	1/2"	2,73	25	250
5810 34	3/4"	3,81	25	250



Chrome-plated elbow.
• male eurokonus connection
• female connection

ART. 5815

Code	size	€	box	carton
5815 12	1/2"	2,93	25	250
5815 34	3/4"	4,09	25	250



Chrome-plated "T"- connection.
• 1/2"x1/2"x1/2" male eurokonus connection

ART. 5820

Code	size	€	box	carton
5820 12	1/2"	3,27	25	250



Chrome-plated "T"- connection.
• 1/2"x1/2" male eurokonus connections
• 1/2" female connection

ART. 5825

Code	size	€	box	carton
5825 12	1/2"	3,67	25	250



Chrome-plated wall-mounted connection.
• 1/2" male eurokonus connection

ART. 5830

Code	size	€	box	carton
5830 12	1/2"	4,24	25	250



Chrome-plated angled connection for domestic systems.
• 1/2" male eurokonus connection

ART. 5835

Code	size	€	box	carton
5835 12	1/2"	3,60	25	250



Chrome-plated through swivelling straight connection.
• 1/2"x1/2" male eurokonus connection

ART. 5840

Code	size	€	box	carton
5840 12	1/2"	6,08	25	250



Chrome-plated swivelling "L" connection.
• 1/2"x1/2" male eurokonus connection

ART. 5845

Code	size	€	box	carton
5845 12	1/2"	5,74	25	250



Chrome-plated terminal connection.
• 1/2" male eurokonus connection

ART. 5850

Code	size	€	box	carton
5850 12	1/2"	4,68	25	250



Products complete with nut and sealing kit for Ø 18-20-22 copper pipe

Code	Description	size	gasket	€	box	carton
5000 38G18	BRASS MALE NIPPLE	3/8"x18	Rubber	2,89	50	500
5000 38T18	BRASS MALE NIPPLE	3/8"x18	PTFE	3,04	50	500
5000 12G18	BRASS MALE NIPPLE	1/2"x18	Rubber	2,73	50	500
5000 12T18	BRASS MALE NIPPLE	1/2"x18	PTFE	2,95	50	500
5000 34G18	BRASS MALE NIPPLE	3/4"x18	Rubber	3,23	25	250
5000 34G20	BRASS MALE NIPPLE	3/4"x20	Rubber	4,42	25	250
5000 34G22	BRASS MALE NIPPLE	3/4"x22	Rubber	4,42	25	250
5000 34T18	BRASS MALE NIPPLE	3/4"x18	PTFE	3,42	25	250
5000 34T20	BRASS MALE NIPPLE	3/4"x20	PTFE	4,85	25	250
5000 34T22	BRASS MALE NIPPLE	3/4"x22	PTFE	4,85	25	250
5000 1G18	BRASS MALE NIPPLE	1"x18	Rubber	4,95	25	250
5000 1G20	BRASS MALE NIPPLE	1"x20	Rubber	5,84	25	250
5000 1G22	BRASS MALE NIPPLE	1"x22	Rubber	5,84	25	250
5000 1T18	BRASS MALE NIPPLE	1"x18	PTFE	5,18	25	250
5000 1T20	BRASS MALE NIPPLE	1"x20	PTFE	6,39	25	250
5000 1T22	BRASS MALE NIPPLE	1"x22	PTFE	6,39	25	250
5010 38G18	CHROME-PLATED MALE NIPPLE	3/8"x18	Rubber	3,11	50	500
5010 38T18	CHROME-PLATED MALE NIPPLE	3/8"x18	PTFE	3,27	50	500
5010 12G18	CHROME-PLATED MALE NIPPLE	1/2"x18	Rubber	2,96	50	500
5010 12T18	CHROME-PLATED MALE NIPPLE	1/2"x18	PTFE	3,16	50	500
5010 34G18	CHROME-PLATED MALE NIPPLE	3/4"x18	Rubber	3,49	25	250
5010 34G20	CHROME-PLATED MALE NIPPLE	3/4"x20	Rubber	4,68	25	250
5010 34G22	CHROME-PLATED MALE NIPPLE	3/4"x22	Rubber	4,68	25	250
5010 34T18	CHROME-PLATED MALE NIPPLE	3/4"x18	PTFE	3,69	25	250
5010 34T20	CHROME-PLATED MALE NIPPLE	3/4"x20	PTFE	5,12	25	250
5010 34T22	CHROME-PLATED MALE NIPPLE	3/4"x22	PTFE	5,12	25	250
5010 1G18	CHROME-PLATED MALE NIPPLE	1"x18	Rubber	5,34	25	250
5010 1G20	CHROME-PLATED MALE NIPPLE	1"x20	Rubber	6,24	25	250
5010 1G22	CHROME-PLATED MALE NIPPLE	1"x22	Rubber	6,24	25	250
5010 1T18	CHROME-PLATED MALE NIPPLE	1"x18	PTFE	5,54	25	250
5010 1T20	CHROME-PLATED MALE NIPPLE	1"x20	PTFE	6,76	25	250
5010 1T22	CHROME-PLATED MALE NIPPLE	1"x22	PTFE	6,76	25	250
5050 38G18	BRASS FEMALE NIPPLE	3/8"x18	Rubber	2,89	50	500
5050 38T18	BRASS FEMALE NIPPLE	3/8"x18	PTFE	3,04	50	500
5050 12G18	BRASS FEMALE NIPPLE	1/2"x18	Rubber	2,73	50	500
5050 12T18	BRASS FEMALE NIPPLE	1/2"x18	PTFE	2,93	50	500
5050 34G18	BRASS FEMALE NIPPLE	3/4"x18	Rubber	3,32	25	250
5050 34G20	BRASS FEMALE NIPPLE	3/4"x20	Rubber	4,28	25	250
5050 34G22	BRASS FEMALE NIPPLE	3/4"x22	Rubber	4,28	25	250
5050 34T18	BRASS FEMALE NIPPLE	3/4"x18	PTFE	3,49	25	250
5050 34T20	BRASS FEMALE NIPPLE	3/4"x20	PTFE	4,74	25	250
5050 34T22	BRASS FEMALE NIPPLE	3/4"x22	PTFE	4,74	25	250
5050 1G18	BRASS FEMALE NIPPLE	1"x18	Rubber	4,95	25	250
5050 1G20	BRASS FEMALE NIPPLE	1"x20	Rubber	5,84	25	250
5050 1G22	BRASS FEMALE NIPPLE	1"x22	Rubber	5,84	25	250
5050 1T18	BRASS FEMALE NIPPLE	1"x18	PTFE	5,17	25	250
5050 1T20	BRASS FEMALE NIPPLE	1"x20	PTFE	6,34	25	250
5050 1T22	BRASS FEMALE NIPPLE	1"x22	PTFE	6,34	25	250
5060 38G18	CHROME-PLATED FEMALE NIPPLE	3/8"x18	Rubber	3,05	50	500
5060 38T18	CHROME-PLATED FEMALE NIPPLE	3/8"x18	PTFE	3,26	50	500
5060 12G18	CHROME-PLATED FEMALE NIPPLE	1/2"x18	Rubber	2,95	50	500
5060 12T18	CHROME-PLATED FEMALE NIPPLE	1/2"x18	PTFE	3,11	50	500
5060 34G18	CHROME-PLATED FEMALE NIPPLE	3/4"x18	Rubber	3,57	25	250

Products complete with nut and sealing kit for Ø 18-20-22 copper pipe

Code	Description	size	gasket	€	box	carton
5060 34G20	CHROME-PLATED FEMALE NIPPLE	3/4"x20	Rubber	4,55	25	250
5060 34G22	CHROME-PLATED FEMALE NIPPLE	3/4"x22	Rubber	4,55	25	250
5060 34T18	CHROME-PLATED FEMALE NIPPLE	3/4"x18	PTFE	3,77	25	250
5060 34T20	CHROME-PLATED FEMALE NIPPLE	3/4"x20	PTFE	5,01	25	250
5060 34T22	CHROME-PLATED FEMALE NIPPLE	3/4"x22	PTFE	5,01	25	250
5060 1G18	CHROME-PLATED FEMALE NIPPLE	1"x18	Rubber	5,31	25	250
5060 1G20	CHROME-PLATED FEMALE NIPPLE	1"x20	Rubber	6,23	25	250
5060 1G22	CHROME-PLATED FEMALE NIPPLE	1"x22	Rubber	6,23	25	250
5060 1T18	CHROME-PLATED FEMALE NIPPLE	1"x18	PTFE	5,53	25	250
5060 1T20	CHROME-PLATED FEMALE NIPPLE	1"x20	PTFE	6,76	25	250
5060 1T22	CHROME-PLATED FEMALE NIPPLE	1"x22	PTFE	6,76	25	250
5100 12G18	BRASS DOUBLE NIPPLE	1/2"x18	Rubber	4,34	25	250
5100 12T18	BRASS DOUBLE NIPPLE	1/2"x18	PTFE	4,70	25	250
5100 34G20	BRASS DOUBLE NIPPLE	3/4"x20	Rubber	6,51	15	150
5100 34G22	BRASS DOUBLE NIPPLE	3/4"x22	Rubber	6,51	15	150
5100 34T20	BRASS DOUBLE NIPPLE	3/4"x20	PTFE	7,45	15	150
5100 34T22	BRASS DOUBLE NIPPLE	3/4"x22	PTFE	7,45	15	150
5110 12G18	CHROME-PLATED DOUBLE NIPPLE	1/2"x18	Rubber	4,67	25	250
5110 12T18	CHROME-PLATED DOUBLE NIPPLE	1/2"x18	PTFE	5,03	25	250
5110 34G20	CHROME-PLATED DOUBLE NIPPLE	3/4"x20	Rubber	6,99	15	150
5110 34G22	CHROME-PLATED DOUBLE NIPPLE	3/4"x22	Rubber	6,99	15	150
5110 34T20	CHROME-PLATED DOUBLE NIPPLE	3/4"x20	PTFE	7,92	15	150
5110 34T22	CHROME-PLATED DOUBLE NIPPLE	3/4"x22	PTFE	7,92	15	150
5250 12G18	BRASS MALE ELBOW	1/2"x18	Rubber	3,85	25	250
5250 12T18	BRASS MALE ELBOW	1/2"x18	PTFE	4,04	25	250
5250 34G18	BRASS MALE ELBOW	3/4"x18	Rubber	4,51	25	250
5250 34G20	BRASS MALE ELBOW	3/4"x20	Rubber	6,22	20	200
5250 34G22	BRASS MALE ELBOW	3/4"x22	Rubber	6,22	20	200
5250 34T18	BRASS MALE ELBOW	3/4"x18	PTFE	4,74	25	250
5250 34T20	BRASS MALE ELBOW	3/4"x20	PTFE	6,76	20	200
5250 34T22	BRASS MALE ELBOW	3/4"x22	PTFE	6,76	20	200
5250 1G18	BRASS MALE ELBOW	1"x18	Rubber	5,74	15	150
5250 1G20	BRASS MALE ELBOW	1"x20	Rubber	7,66	15	150
5250 1G22	BRASS MALE ELBOW	1"x22	Rubber	7,66	15	150
5250 1T18	BRASS MALE ELBOW	1"x18	PTFE	5,96	15	150
5250 1T20	BRASS MALE ELBOW	1"x20	PTFE	8,20	15	150
5250 1T22	BRASS MALE ELBOW	1"x22	PTFE	8,20	15	150
5260 12G18	CHROME-PLATED MALE ELBOW	1/2"x18	Rubber	4,20	25	250
5260 12T18	CHROME-PLATED MALE ELBOW	1/2"x18	PTFE	4,40	25	250
5260 34G18	CHROME-PLATED MALE ELBOW	3/4"x18	Rubber	4,54	25	250
5260 34G20	CHROME-PLATED MALE ELBOW	3/4"x20	Rubber	6,73	20	200
5260 34G22	CHROME-PLATED MALE ELBOW	3/4"x22	Rubber	6,73	20	200
5260 34T18	CHROME-PLATED MALE ELBOW	3/4"x18	PTFE	4,54	25	250
5260 34T20	CHROME-PLATED MALE ELBOW	3/4"x20	PTFE	7,26	20	200
5260 34T22	CHROME-PLATED MALE ELBOW	3/4"x22	PTFE	7,26	20	200
5260 1G18	CHROME-PLATED MALE ELBOW	1"x18	Rubber	6,23	15	150
5260 1G20	CHROME-PLATED MALE ELBOW	1"x20	Rubber	8,19	15	150
5260 1G22	CHROME-PLATED MALE ELBOW	1"x22	Rubber	8,19	15	150
5260 1T18	CHROME-PLATED MALE ELBOW	1"x18	PTFE	6,44	15	150
5260 1T20	CHROME-PLATED MALE ELBOW	1"x20	PTFE	8,71	15	150
5260 1T22	CHROME-PLATED MALE ELBOW	1"x22	PTFE	8,71	15	150
5300 12G18	BRASS FEMALE ELBOW	1/2"x18	Rubber	3,82	25	250
5300 12T18	BRASS FEMALE ELBOW	1/2"x18	PTFE	4,00	25	250

Products complete with nut and sealing kit for Ø 18-20-22 copper pipe

Code	Description	size	gasket	€	box	carton
5300 34G18	BRASS FEMALE ELBOW	3/4"x18	Rubber	4,50	25	250
5300 34G20	BRASS FEMALE ELBOW	3/4"x20	Rubber	6,62	20	200
5300 34G22	BRASS FEMALE ELBOW	3/4"x22	Rubber	6,62	20	200
5300 34T18	BRASS FEMALE ELBOW	3/4"x18	PTFE	4,73	25	250
5300 34T20	BRASS FEMALE ELBOW	3/4"x20	PTFE	7,17	20	200
5300 34T22	BRASS FEMALE ELBOW	3/4"x22	PTFE	7,17	20	200
5300 1G18	BRASS FEMALE ELBOW	1"x18	Rubber	6,77	15	150
5300 1G20	BRASS FEMALE ELBOW	1"x20	Rubber	7,66	15	150
5300 1G22	BRASS FEMALE ELBOW	1"x22	Rubber	7,66	15	150
5300 1T18	BRASS FEMALE ELBOW	1"x18	PTFE	6,99	15	150
5300 1T20	BRASS FEMALE ELBOW	1"x20	PTFE	8,20	15	150
5300 1T22	BRASS FEMALE ELBOW	1"x22	PTFE	8,20	15	150
5310 12G18	CHROME-PLATED FEMALE ELBOW	1/2"x18	Rubber	4,19	25	250
5310 12T18	CHROME-PLATED FEMALE ELBOW	1/2"x18	PTFE	4,35	25	250
5310 34G18	CHROME-PLATED FEMALE ELBOW	3/4"x18	Rubber	5,01	25	250
5310 34G20	CHROME-PLATED FEMALE ELBOW	3/4"x20	Rubber	7,15	20	200
5310 34G22	CHROME-PLATED FEMALE ELBOW	3/4"x22	Rubber	7,15	20	200
5310 34T18	CHROME-PLATED FEMALE ELBOW	3/4"x18	PTFE	5,23	25	250
5310 34T20	CHROME-PLATED FEMALE ELBOW	3/4"x20	PTFE	7,68	20	200
5310 34T22	CHROME-PLATED FEMALE ELBOW	3/4"x22	PTFE	7,68	20	200
5310 1G18	CHROME-PLATED FEMALE ELBOW	1"x18	Rubber	7,26	15	150
5310 1G20	CHROME-PLATED FEMALE ELBOW	1"x20	Rubber	8,19	15	150
5310 1G22	CHROME-PLATED FEMALE ELBOW	1"x22	Rubber	8,19	15	150
5310 1T18	CHROME-PLATED FEMALE ELBOW	1"x18	PTFE	7,47	15	150
5310 1T20	CHROME-PLATED FEMALE ELBOW	1"x20	PTFE	8,71	15	150
5310 1T22	CHROME-PLATED FEMALE ELBOW	1"x22	PTFE	8,71	15	150
5350 12G18	BRASS DOUBLE ELBOW	1/2"x18	Rubber	4,87	25	250
5350 12T18	BRASS DOUBLE ELBOW	1/2"x18	PTFE	5,24	25	250
5350 34G20	BRASS DOUBLE ELBOW	3/4"x20	Rubber	9,13	10	100
5350 34G22	BRASS DOUBLE ELBOW	3/4"x22	Rubber	9,13	10	100
5350 34T20	BRASS DOUBLE ELBOW	3/4"x20	PTFE	10,20	10	100
5350 34T22	BRASS DOUBLE ELBOW	3/4"x22	PTFE	10,20	10	100
5360 12G18	CHROME-PLATED DOUBLE ELBOW	1/2"x18	Rubber	5,34	25	250
5360 12T18	CHROME-PLATED DOUBLE ELBOW	1/2"x18	PTFE	5,70	25	250
5360 34G20	CHROME-PLATED DOUBLE ELBOW	3/4"x20	Rubber	9,81	10	100
5360 34G22	CHROME-PLATED DOUBLE ELBOW	3/4"x22	Rubber	9,81	10	100
5360 34T20	CHROME-PLATED DOUBLE ELBOW	3/4"x20	PTFE	10,67	10	100
5360 34T22	CHROME-PLATED DOUBLE ELBOW	3/4"x22	PTFE	10,67	10	100
5400 12G18	BRASS "T" CONNECTION WITH 3 SINGLE-TAPERS	1/2"x18	Rubber	6,91	10	200
5400 12T18	BRASS "T" CONNECTION WITH 3 SINGLE-TAPERS	1/2"x18	PTFE	7,46	10	200
5400 34G20	BRASS "T" CONNECTION WITH 3 SINGLE-TAPERS	3/4"x20	Rubber	12,01	10	100
5400 34G22	BRASS "T" CONNECTION WITH 3 SINGLE-TAPERS	3/4"x22	Rubber	12,01	10	100
5400 34T20	BRASS "T" CONNECTION WITH 3 SINGLE-TAPERS	3/4"x20	PTFE	13,62	10	100
5400 34T22	BRASS "T" CONNECTION WITH 3 SINGLE-TAPERS	3/4"x22	PTFE	13,62	10	100
5410 12G18	CHROME-PLATED "T" CONNECTION WITH 3 SINGLE-TAPERS	1/2"x18	Rubber	7,44	10	200
5410 12T18	CHROME-PLATED "T" CONNECTION WITH 3 SINGLE-TAPERS	1/2"x18	PTFE	8,00	10	200
5410 34G20	CHROME-PLATED "T" CONNECTION WITH 3 SINGLE-TAPERS	3/4"x20	Rubber	12,97	10	100
5410 34G22	CHROME-PLATED "T" CONNECTION WITH 3 SINGLE-TAPERS	3/4"x22	Rubber	12,97	10	100
5410 34T20	CHROME-PLATED "T" CONNECTION WITH 3 SINGLE-TAPERS	3/4"x20	PTFE	14,59	10	100
5410 34T22	CHROME-PLATED "T" CONNECTION WITH 3 SINGLE-TAPERS	3/4"x22	PTFE	14,59	10	100
5450 12G18	BRASS FEMALE "T" CONNECTION WITH 2 SINGLE-TAPERS	1/2"x18	Rubber	5,58	20	200
5450 12T18	BRASS FEMALE "T" CONNECTION WITH 2 SINGLE-TAPERS	1/2"x18	PTFE	5,96	20	200
5450 34G18	BRASS FEMALE "T" CONNECTION WITH 2 SINGLE-TAPERS	3/4"x18	Rubber	7,53	20	200

Products complete with nut and sealing kit for Ø 18-20-22 copper pipe

Code	Description	size	gasket	€	box	carton
5450 34G20	BRASS FEMALE "T" CONNECTION WITH 2 SINGLE-TAPERS	3/4"x20	Rubber	9,67	10	100
5450 34G22	BRASS FEMALE "T" CONNECTION WITH 2 SINGLE-TAPERS	3/4"x22	Rubber	9,67	10	100
5450 34T18	BRASS FEMALE "T" CONNECTION WITH 2 SINGLE-TAPERS	3/4"x18	PTFE	7,97	10	100
5450 34T20	BRASS FEMALE "T" CONNECTION WITH 2 SINGLE-TAPERS	3/4"x20	PTFE	10,75	10	100
5450 34T22	BRASS FEMALE "T" CONNECTION WITH 2 SINGLE-TAPERS	3/4"x22	PTFE	10,75	10	100
5450 1G22	BRASS FEMALE "T" CONNECTION WITH 2 SINGLE-TAPERS	1"x22	Rubber	10,70	10	100
5450 1T22	BRASS FEMALE "T" CONNECTION WITH 2 SINGLE-TAPERS	1"x22	PTFE	11,77	10	100
5460 12G18	CHROME-PLATED FEMALE "T" CONNECTION WITH 2 SINGLE-TAPERS	1/2"x18	Rubber	6,41	20	200
5460 12T18	CHROME-PLATED FEMALE "T" CONNECTION WITH 2 SINGLE-TAPERS	1/2"x18	PTFE	6,98	20	200
5460 34G18	CHROME-PLATED FEMALE "T" CONNECTION WITH 2 SINGLE-TAPERS	3/4"x18	Rubber	8,77	20	200
5460 34G20	CHROME-PLATED FEMALE "T" CONNECTION WITH 2 SINGLE-TAPERS	3/4"x20	Rubber	10,48	10	100
5460 34G22	CHROME-PLATED FEMALE "T" CONNECTION WITH 2 SINGLE-TAPERS	3/4"x22	Rubber	10,48	10	100
5460 34T18	CHROME-PLATED FEMALE "T" CONNECTION WITH 2 SINGLE-TAPERS	3/4"x18	PTFE	9,42	10	100
5460 34T20	CHROME-PLATED FEMALE "T" CONNECTION WITH 2 SINGLE-TAPERS	3/4"x20	PTFE	11,54	10	100
5460 34T22	CHROME-PLATED FEMALE "T" CONNECTION WITH 2 SINGLE-TAPERS	3/4"x22	PTFE	11,54	10	100
5460 1G22	CHROME-PLATED FEMALE "T" CONNECTION WITH 2 SINGLE-TAPERS	1"x22	Rubber	11,51	10	100
5460 1T22	CHROME-PLATED FEMALE "T" CONNECTION WITH 2 SINGLE-TAPERS	1"x22	PTFE	12,57	10	100
5500 12G18	BRASS MALE "T" CONNECTION WITH 2 SINGLE-TAPERS	1/2"x18	Rubber	5,54	20	200
5500 12T18	BRASS MALE "T" CONNECTION WITH 2 SINGLE-TAPERS	1/2"x18	PTFE	5,91	20	200
5510 12G18	CHROME-PLATED MALE "T" CONNECTION WITH 2 SINGLE-TAPERS	1/2"x18	Rubber	5,98	20	200
5510 12T18	CHROME-PLATED MALE "T" CONNECTION WITH 2 SINGLE-TAPERS	1/2"x18	PTFE	6,34	20	200
5550 12G18	BRASS FEMALE WALL CONNECTION	1/2"x18	Rubber	4,80	20	200
5550 12T18	BRASS FEMALE WALL CONNECTION	1/2"x18	PTFE	5,00	20	200
5555 12G18	CHROME-PLATED FEMALE WALL CONNECTION	1/2"x18	Rubber	5,24	20	200
5555 12T18	CHROME-PLATED FEMALE WALL CONNECTION	1/2"x18	PTFE	5,44	20	200



FAR

flow evolution

Spare parts

Flow separator for DOUBLE-PIPE and SINGLE-PIPE thermostatic valves. (Art.1420-1430-1442-1455-1456-1463-1473)



ART. 8225

Code	€	box
8225	0,25	10

Flow separator for DOUBLE-PIPE valves (Art.1431-1432)



ART. 8230

Code	€	box
8230	0,15	10

Flow separator for DOUBLE-PIPE and SINGLE-PIPE valves. (Art. 1433-1434-1435-1436-1437)



ART. 8231

Code	€	box
8231	0,35	10

Chrome-plated connection in stamped brass for DOUBLE-PIPE and SINGLE-PIPE thermostatic valves. (Art.1420-1430-1438-1451-1455-1456)



ART. 8325

Code	size	€	box
8325 12	1/2"	1,93	10
8325 34	3/4"	2,45	10

Chrome-plated connection in stamped brass for Art. 1420 - 1430 size 1".

- D = RIGHT THREAD
- S = LEFT THREAD



ART. 8324

Code	probe	size	€	box
8324 1D	Ø 12	1"	5,20	10
8324 1S	Ø 12	1"	5,20	10

Chrome-plated connection in stamped brass for DOUBLE-PIPE and SINGLE-PIPE thermostatic valves (Art.1420-1430-1438-1451-1455-1456) for angled probe (Art. 8050- 8051).



ART. 8326

Code	size	€	box
8326 12	1/2"	1,93	10

Plastic covering cap for SINGLE-DOUBLE PIPE valve (Art. 1421-1422-1423-1424).



ART. 8406

Code	€	box
8406	0,15	10

Chrome-plated connection in stamped brass for SINGLE-PIPE and DOUBLE-PIPE thermostatic valves (Art. 1433-1435-1436-1437).



ART. 8327

Code	size	€	box
8327 12	1/2"	1,93	10

Chrome-plated covering cap for articles Art. 1420-1430-1431-1432-1433-1435-1436-1437-1438-3461-3462-3464-3465-3467-3468-3470-3471-3859-3860-3869-3870-3872-3873-3875-3876-3900-3901-3905-3906-3915-3916-3918-3919-3920-3921-3923-3928-3929.



ART. 8405

Code	€	box
8405	0,93	10

Chrome-plated nut in stamped brass for SINGLE-PIPE and DOUBLE-PIPE thermostatic valves (Art. 1433-1435-1436-1437).



ART. 8253

Code	size	€	box
8253 34	3/4"	1,04	10

Manual control for all thermostatic valves.



ART. 1950

Code	€	box
1950	0,66	10

Brass step bolt for thermostatic valves.



ART. 9000

Code	€	box
9000	2,59	10

Stainless steel pin with O'RING for thermostatic valve step bolt.



ART. 9050

Code	€	box
9050	0,72	10

Regulating valve for radiator valves
(Art. 1050-1250-1150-1350-1585-1590).



ART. 8100

Code	size	€	box
8100 1238	1/2"-3/8"	0,52	10
8100 34	3/4"	0,77	10
8100 1	1"	0,84	10

Chrome-plated screw for regulating valve.



ART. 8750

Code	size	€	box
8750	3/16	0,09	10

Chrome-plated covering cap in stamped
brass for Art.1100-1200-1300-1400-1440-
1550- 1575.



ART. 8400

Code	size	€	box
8400 1238	1/2"-3/8"	1,09	10
8400 34	3/4"	1,49	10
8400 1	1"	2,01	10

Sealing seats.



ART. 8700

Code	size	€	box
8700 38	3/8"	0,25	10
8700 12	1/2"	0,31	10
8700 34	3/4"	0,48	10
8700 1	1"	0,83	10

Terminal provided with Loctite® Dri-Seal®
5061 for valves and lockshield valves.



ART. 8803

Code	size	€	box
8803 38	3/8"	0,95	10
8803 12	1/2"	1,57	10

Chrome-plated brass terminal for valves and
lockshield valves.



ART. 8800

Code	size	€	box
8800 34	3/4"	2,20	10
8800 1	1"	3,72	10

Chrome-plated plug for manual valves, lockshield valves and
thermostatic valves. Complete with gasket.



ART. 4110

Code	size	€	box
4110 12	1/2"	1,35	10
4110 34	3/4"	1,66	10

Chrome-plated nut in brass for manual valves, lockshield valves and
thermostatic valves.

- size 1/2" for valves 3/8"
- size 3/4" for valves 1/2"
- size 1" for valves 3/4"



ART. 8260

Code	size	€	box
8260 12	1/2"	0,83	10
8260 34	3/4"	1,04	10
8260 1	1"	1,83	10

Manual control for all thermostatic valves.



ART. 1950

Code	€	box
1950	0,66	10

Brass step bolt for thermostatic valves.



ART. 9000

Code	€	box
9000	2,59	10

Stainless steel pin with O'RING for
thermostatic valve step bolt.



ART. 9050

Code	€	box
9050	0,72	10

Chrome-plated nut in stamped brass for Art. 1450-1462-1472-1500-1550-1600.



ART. 8150

Code	size	€	box
8150	1"1/4	2,29	10

Spare gasket.
• Code 8724 30 for Art. 8225
• Code 8724 39 for Art. 8200



ART. 8724

Code	size	€	box
8724 30	Ø 30	0,11	
8724 39	Ø 39	0,13	

Threaded metal probe for single-pipe valves.



ART. 8000

Code	length/cm	Ø	€	box
8000 1045	45	10	1,20	1
8000 1070	70	10	3,12	1
8000 10100	100	10	3,38	1
8000 1245	45	12	1,41	1
8000 1270	70	12	3,32	1
8000 12100	100	12	3,68	1
8000 1445	45	14	1,61	1
8000 1470	70	14	3,45	1
8000 14100	100	14	3,80	1

Chrome-plated connection in stamped brass for Art. 1450 -1550.

- D = RIGHT THREAD
- S = LEFT THREAD



Flow separator for reversible union, Art. 8335-8336.



ART. 8220

Code	€	box
8220	0,25	10

ART. 8300

Code	probe	size	€	box
8300 1212	Ø 12	1/2"	2,84	10
8300 3412	Ø 12	3/4"	3,08	10
8300 3414	Ø 14	3/4"	3,08	10
8300 114D	Ø 14	1"	3,40	10
8300 114S	Ø 14	1"	3,40	10

Regulating valve for Art. 1450.



ART. 8125

Code	€	box
8125	0,52	10

Regulating valve for Art. 1550.



ART. 8130

Code	€	box
8130	0,77	10

Single-panel bent probe for panel radiators.



ART. 8050

Code	type	Ø	€	box
8050	1 rank	11	2,83	1

Regulating valve Art. 1451.



ART. 8126

Code	€	box
8126	0,39	10

Silk-screen printed disc for Art. 1550.



ART. 8655

Code	€	box
8655	0,23	10

Double-panel bent probe for panel radiators.



ART. 8051

Code	type	Ø	€	box
8051	2 ranks	11	2,83	1

Chrome-plated connection in stamped brass for Art. 1450-1550 for angled probe (Art. 8050-8051)



ART. 8310

Code	size	€	box
8310 12	1/2"	2,84	10

Flow separator for Art.1450-1462-1472-1500-1550-1600.



ART. 8200

Code	€	box
8200	0,45	10

BLUE-RED double face disc for "MULTIFAR" manifolds.



ART. 8950

Code	€	box
8950	0,23	10

Double face disc for manifolds with descriptions for domestic and heating systems.



ART. 8975

Code	€	box
8975	0,23	10

Pressure-sensitive KIT for manifolds describing the circuits.



- RED = DELIVERY
- BLUE = RETURN

ART. 8976

Code	€	box
8976	0,69	20

Brass body for "MULTIFAR" manifolds with manual control.



ART. 9150

Code	€	box
9150	1,40	10

Brass body for "MULTIFAR" manifolds with built-in regulating valves.



ART. 9200

Code	€	box
9200	1,23	10

Manual control for "MULTIFAR" manifolds.



ART. 8980

Code	€	box
8980	0,52	10

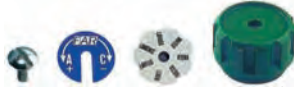
Manual control for "THERMO-ELECTRIC" manifolds.



ART. 8990

Code	€	box
8990	0,52	10

KIT for "MULTIFAR" manifolds complete with manual control, discs and screw.



ART. 8985

Code	€	box
8985	1,05	1

Brass body for "THERMO-ELECTRIC" manifolds.



ART. 9140

Code	€	box
9140	2,88	10

Allen screw for coplanar manifold.



ART. 8550

Code	€	box
8550	0,31	10

M6 STAINLESS STEEL screw for flanged manifolds and supports for metal brackets.



ART. 8560

Code	€	box
8560	0,23	10

STAINLESS STEEL self-tapping screws for "TUTTO" boxes, supports for manifold and ACQUAFAR fittings.

- 8555 10 for Art. 5650-5700-5750-5840-5845-5850
- 8555 32 for Art. 7480-7490-7500-7510-7550
- 8555 38 for Art. 6140-6141-7410-7420-7425-7450-7460

ART. 8555

Code	length/mm	Ø	€	box
8555 10	10	3,9	0,11	10
8555 32	32	3,9	0,15	10
8555 38	38	3,9	0,17	10



Spare O'RING.

- 28/24 for Art 3750 3/4"-3751 3/4"
- 34/59 for Art 3750-3710-3410-3441-3443-3445-3916-3915-3914-3751 1"



ART. 8350

Code	size	€	box
8350 2824	28/24	0,39	10
8350 3459	34/59	0,52	10

Nut in stamped brass.

ART. 8240

Code	size	€	box
8240 12	1/2"	0,79	10
8240 34	3/4"	0,91	10
8240 1	1"	1,61	10
8240 114	1"1/4	2,82	10
8240 112	1"1/2	3,76	10
8240 2	2"	7,46	10
8240 214	2"1/4	8,30	10



Chrome-plated nut in stamped brass.

ART. 8250

Code	size	€	box
8250 12	1/2"	0,83	10
8250 34	3/4"	1,04	10
8250 1	1"	1,76	10
8250 114	1"1/4	2,98	10
8250 112	1"1/2	3,93	10
8250 2	2"	7,72	10
8250 214	2"1/4	8,52	10

Size 1/2"	for Art. 5140-5150-5190-5200	size 3/8"
Size 3/4"	for Art. 5140-5150-5190-5200-2100	size 1/2"
Size 1"	for Art. 5140-5150-5190-5200	size 3/4"
Size 1"1/4	for Art. 5140-5150-5190-5200	size 1"
Size 1"1/2	for Art. 5140-5150-5190-5200	size 1"1/4
Size 2"	for Art. 5140-5150-5190-5200	size 1"1/2
Size 2"1/4	for Art. 5140-5150-5190-5200	size 2"

Brass terminal for 3-piece connections.

ART. 8790

Code	size	€	box
8790 38	3/8"	0,79	10
8790 12	1/2"	1,38	10
8790 34	3/4"	2,06	10
8790 1	1"	3,56	10
8790 114	1"1/4	5,03	10
8790 112	1"1/2	8,68	10
8790 2	2"	12,95	10



Sealing seats for 3-piece connections.

ART. 8700

Code	size	€	box
8700 38	3/8"	0,25	10
8700 12	1/2"	0,31	10
8700 34	3/4"	0,48	10
8700 1	1"	0,83	10
8700 114	1"1/4	1,38	10
8700 112	1"1/2	1,38	10
8700 2	2"	1,38	10



Chrome-plated brass terminal for 3-piece connections.

ART. 8800

Code	size	€	box
8800 38	3/8"	0,82	10
8800 12	1/2"	1,43	10
8800 34	3/4"	2,20	10
8800 1	1"	3,72	10
8800 114	1"1/4	5,24	10
8800 112	1"1/2	9,04	10
8800 2	2"	13,51	10



Nut in stamped brass for 24x19 threaded copper connections.

ART. 8270

Code	size	€	box
8270 16	Ø 16	0,79	10
8270 18	Ø 18	0,79	10
8270 20	Ø 20	0,79	10



Chrome-plated nut in stamped brass for 24x19 threaded copper connections.

ART. 8280

Code	size	€	box
8280 16	Ø 16	0,87	10
8280 18	Ø 18	0,87	10
8280 20	Ø 20	0,87	10

Manual control for filling unit (Art. 2100-2110).

ART. 8140

Code	€	box
8140	0,35	10



Sealing washer in nylon for blind plugs. (Art. 4000-4099-4100)

ART. 8727

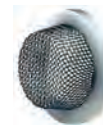
Code	size	€	box
8727 12	1/2"	0,14	10
8727 34	3/4"	0,15	10
8727 1	1"	0,16	10
8727 114	1"1/4	0,18	10
8727 112	1"1/2	0,24	10
8727 2	2"	0,28	10



Filter for filling unit. (Art. 2100 -2110).

ART. 8500

Code	€	box
8500	1,12	10



Brass flat-faced terminal for pressure reducing valves and strainers.

ART. 8770

Code	size	€	box
8770 12	1/2"	1,32	10
8770 34	3/4"	1,84	10
8770 1	1"	3,06	10
8770 114	1"1/4	4,36	10



Gold gasket for zone valves, filling unit, pressure reducing valve and strainers for domestic systems.

ART. 8725

Code	size	€	box
8725 34	3/4"	0,15	10
8725 1	1"	0,17	10
8725 114	1"1/4	0,23	10
8725 112	1"1/2	0,25	10



Chrome-plated flat faced terminal for zone valves, filling unit, pressure reducing valve and strainers for domestic systems.

ART. 8780

Code	size	€	box
8780 12	1/2"	1,46	10
8780 34	3/4"	1,93	10
8780 1	1"	3,35	10
8780 114	1"1/4	4,68	10



Rubber compression single-taper for copper pipe.



ART. 8450

Code	size	€	box
8450 10	Ø 10	0,28	10
8450 12	Ø 12	0,28	10
8450 14	Ø 14	0,28	10
8450 15	Ø 15	0,28	10
8450 16	Ø 16	0,28	10
8450 18	Ø 18	0,28	10
8450 20	Ø 20	0,43	10
8450 22	Ø 22	0,43	10

Reduction in brass for copper pipe locking.



ART. 8600

Code	size	€	box
8600 10	Ø 10	0,33	10
8600 12	Ø 12	0,33	10
8600 14	Ø 14	0,33	10
8600 15	Ø 15	0,33	10
8600 16	Ø 16	0,33	10
8600 18	Ø 18	0,33	10
8600 20	Ø 20	0,39	10
8600 22	Ø 22	0,39	10

Compression single-taper in PTFE for copper and steel pipe.



ART. 8455

Code	size	€	box
8455 10	Ø 10	0,59	10
8455 12	Ø 12	0,59	10
8455 14	Ø 14	0,59	10
8455 15	Ø 15	0,59	10
8455 16	Ø 16	0,59	10
8455 18	Ø 18	0,59	10
8455 20	Ø 20	0,81	10
8455 22	Ø 22	0,81	10

Pipe guide brass washer for copper pipe.



ART. 8575

Code	size	€	box
8575 10	Ø 10	0,12	10
8575 12	Ø 12	0,12	10
8575 14	Ø 14	0,12	10

Key with square for discharge valves Art. 6010-6020.



ART. 6300

Code	size	€	box
6300	□ 5	0,73	1

Allen key for regulation of lockshield valves and fixing terminals to heat emitters.

- Hex. 5 wrench : Coplanar manifolds
- Hex. 9 wrench : 3/8" terminal
- Hex. 13 wrench : 1/2" terminal



ART. 6250

Code	size	€	box
6250 5	HEX. 5	1,24	1
6250 9	HEX. 9	2,56	1
6250 13	HEX. 13	3,27	1

Case complete with:

- Polygonal wrench for 27 hexagonal nuts
- Ratchet wrench for 3/8"-1/2"-3/4" terminals



ART. 7405

Code	€	box
7405	46,39	1

Plastic lever for actuator complete with screw.

- 8977 G for art. 3005-3006-3007-3008
- 8977 R for art. 3010-3011



ART. 8977

Code	colour	€	box
8977 G	yellow	0,55	
8977 R	red	0,55	

Polygonal open wrench for 27 hexagon nuts.



ART. 6000

Code	size	€	box
6000	HEX. 27	12,34	1

Reduced reduction in brass for copper pipe locking for Art. 5065-5075-5080-5085-5090.



ART. 8625

Code	size	€	box
8625 8	Ø 8	0,15	10
8625 10	Ø 10	0,15	10
8625 12	Ø 12	0,15	10

Compression reduced single-taper in PTFE for copper and steel pipe; suitable for Art. 5065-5070-5075-5080 5085-5090.



ART. 8480

Code	size	€	box
8480 8	Ø 8	0,31	10
8480 10	Ø 10	0,31	10
8480 12	Ø 12	0,31	10

Compression reduced single-taper in rubber for copper pipe for Art. 5065-5070-5075 5080-5085-5090



ART. 8475

Code	size	€	box
8475 8	Ø 8	0,22	10
8475 10	Ø 10	0,22	10
8475 12	Ø 12	0,22	10



Manifolds with Eurokonus or flat-faced connection

Thermo-electric manifolds	Page 200
Fixed point regulating unit	Page 209
Modulating regulating unit	Page 215
Thermo-electric actuators-Chrono-thermostats-Thermostats	Page 218
Spare parts	Page 219
Intermediate connections	Page 220
Multifar manifolds for domestic services and heating systems	Page 224
Distribution manifolds	Page 226
Plugs and reductions for manifolds	Page 228



FAR thermo-electric manifolds are suitable for flow distribution within **heating** and **cooling** systems.

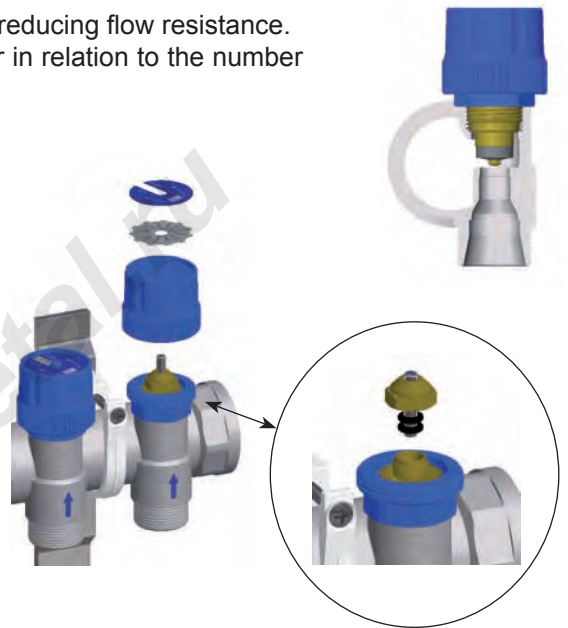
They are available in 1", 1"1/4 and 1"1/2 sizes.

The special shape of FAR manifolds facilitates high flow rates by reducing flow resistance. This special feature permits optimum choice of manifold diameter in relation to the number of circuits to be connected.

The return manifold is equipped with a blue handle and two silk-screen printed discs for circuit identification.

A thermo-electric actuator can be fixed to the manifold once the blue handle is removed.

Thanks to the simple safety system, it is possible to replace the double "O"-ring seal of the body, without any need to drain the system.



The supply manifold is equipped with a micrometric regulation system, with which it is possible to regulate or shut off flow within the system.

FAR offers two different versions:

- one complete with a regulating valve
- one provided with flowmeters for flow-rate control



With the aid of the right sealing kit it is possible to connect a variety of types of pipe to the manifolds using EUROKONUS adapters



Art. 6076 - Adapter for multilayer pipe



Art. 6075 - Adapter for plastic pipe

Chrome-plated brass FLANGED modular return manifold.

- Built-in shut-off valves suitable for thermo-electric actuators
- Screws and O'rings for connection
- Connection: 1" female-female
- Outlets: 3/4" male EUROKONUS
- Centre line between ports: mm.50



EUROKONUS

ART. 3917

Code	outlets	size	€	box
3917 13402	2	1"x3/4"	31,11	1
3917 13403	3	1"x3/4"	43,10	1
3917 13404	4	1"x3/4"	62,95	1
3917 13405	5	1"x3/4"	74,72	1
3917 13406	6	1"x3/4"	86,63	1
3917 13407	7	1"x3/4"	106,83	1
3917 13408	8	1"x3/4"	118,56	1
3917 13409	9	1"x3/4"	130,59	1
3917 13410	10	1"x3/4"	150,76	1
3917 13411	11	1"x3/4"	162,54	1
3917 13412	12	1"x3/4"	174,13	1

Chrome-plated brass FLANGED modular delivery manifold.

- Built-in regulating valves
- Screws and O'rings for connection
- Connection: 1" female-female
- Outlets: 3/4" male EUROKONUS
- Centre line between ports: mm.50



EUROKONUS

ART. 3918

Code	outlets	size	€	box
3918 13402	2	1"x3/4"	27,03	1
3918 13403	3	1"x3/4"	37,02	1
3918 13404	4	1"x3/4"	54,82	1
3918 13405	5	1"x3/4"	64,53	1
3918 13406	6	1"x3/4"	74,44	1
3918 13407	7	1"x3/4"	92,59	1
3918 13408	8	1"x3/4"	102,33	1
3918 13409	9	1"x3/4"	112,29	1
3918 13410	10	1"x3/4"	130,44	1
3918 13411	11	1"x3/4"	140,15	1
3918 13412	12	1"x3/4"	149,72	1

Chrome-plated brass FLANGED modular delivery manifold.

- Flowmeters and flow-rate balancing valves
- Screws and O'rings for connection
- Connection: 1" female-female
- Outlets: 3/4" male EUROKONUS
- Centre line between ports: mm.50



EUROKONUS

ART. 3982

Code	outlets	size	€	box
3982 13402	2	1"x3/4"	33,51	1
3982 13403	3	1"x3/4"	46,72	1
3982 13404	4	1"x3/4"	67,75	1
3982 13405	5	1"x3/4"	80,73	1
3982 13406	6	1"x3/4"	93,87	1
3982 13407	7	1"x3/4"	115,25	1
3982 13408	8	1"x3/4"	128,22	1
3982 13409	9	1"x3/4"	141,43	1
3982 13410	10	1"x3/4"	162,82	1
3982 13411	11	1"x3/4"	175,81	1
3982 13412	12	1"x3/4"	188,59	1

PRE-ASSEMBLED chrome-plated brass FLANGED manifold complete with:

- Delivery manifold with built-in regulating valves
- Return manifold with built-in shut-off valves suitable for thermo-electric actuators
- Fixing brackets, art. 7480
- Screws and O'rings for connection
- Connection: 1" female-female
- Outlets: 1/2"-3/4" male EUROKONUS
- Centre line between ports: mm.50



EUROKONUS

ART. 3919

Code	outlets	size	€	box
3919 13402	2	1"x3/4"	65,20	1
3919 13403	3	1"x3/4"	95,13	1
3919 13404	4	1"x3/4"	133,94	1
3919 13405	5	1"x3/4"	155,72	1
3919 13406	6	1"x3/4"	177,56	1
3919 13407	7	1"x3/4"	216,03	1
3919 13408	8	1"x3/4"	237,69	1
3919 13409	9	1"x3/4"	259,34	1
3919 13410	10	1"x3/4"	297,82	1
3919 13411	11	1"x3/4"	319,47	1
3919 13412	12	1"x3/4"	341,16	1

PRE-ASSEMBLED chrome-plated brass FLANGED manifold complete with:

- Delivery manifold with flowmeters and flow-rate balancing valves
- Return manifold with built-in shut-off valves suitable for thermo-electric actuators
- Fixing brackets, art. 7480
- Screws and O'rings for connection
- Connection: 1" female-female
- Outlets: 3/4" male EUROKONUS
- Centre line between ports: mm.50



EUROKONUS

ART. 3983

Code	outlets	size	€	box
3983 13402	2	1"x3/4"	71,69	1
3983 13403	3	1"x3/4"	104,87	1
3983 13404	4	1"x3/4"	146,92	1
3983 13405	5	1"x3/4"	171,95	1
3983 13406	6	1"x3/4"	197,03	1
3983 13407	7	1"x3/4"	238,72	1
3983 13408	8	1"x3/4"	263,62	1
3983 13409	9	1"x3/4"	288,53	1
3983 13410	10	1"x3/4"	330,25	1
3983 13411	11	1"x3/4"	355,14	1
3983 13412	12	1"x3/4"	380,09	1

Chrome-plated brass FLANGED modular manifold complete with:

- Return manifold with built-in shut-off valves suitable for thermo-electric actuators
- Intermediate connection, art. 3445
- Screws and O'rings for connection
- Connection: 1" female-female
- Outlets: 3/4" male EUROKONUS
- Centre line between ports: mm.50



EUROKONUS

ART. 3469

Code	outlets	size	€	box
3469 13404	4	1"x3/4"	108,49	1
3469 13405	5	1"x3/4"	120,80	1
3469 13406	6	1"x3/4"	133,12	1
3469 13407	7	1"x3/4"	154,10	1
3469 13408	8	1"x3/4"	166,37	1
3469 13409	9	1"x3/4"	178,65	1
3469 13410	10	1"x3/4"	199,61	1
3469 13411	11	1"x3/4"	211,90	1
3469 13412	12	1"x3/4"	224,18	1

Chrome-plated brass FLANGED modular manifold complete with:

- Delivery manifold with built-in regulating valves
- Intermediate connection, art. 3445
- Screws and O'rings for connection
- Connection: 1" female-female
- Outlets: 3/4" male EUROKONUS
- Centre line between ports: mm.50



EUROKONUS

ART. 3470

Code	outlets	size	€	box
3470 13404	4	1"x3/4"	100,08	1
3470 13405	5	1"x3/4"	110,26	1
3470 13406	6	1"x3/4"	120,46	1
3470 13407	7	1"x3/4"	139,32	1
3470 13408	8	1"x3/4"	149,48	1
3470 13409	9	1"x3/4"	159,66	1
3470 13410	10	1"x3/4"	178,52	1
3470 13411	11	1"x3/4"	188,71	1
3470 13412	12	1"x3/4"	198,88	1

Chrome-plated brass FLANGED modular manifold complete with:

- Delivery manifold with flowmeters and flow-rate balancing valves
- Intermediate connection, art. 3445
- Screws and O'rings for connection
- Connection: 1" female-female
- Outlets: 3/4" male EUROKONUS
- Centre line between ports: mm.50



EUROKONUS

ART. 3582

Code	outlets	size	€	box
3582 13404	4	1"x3/4"	113,01	1
3582 13405	5	1"x3/4"	126,44	1
3582 13406	6	1"x3/4"	139,92	1
3582 13407	7	1"x3/4"	162,00	1
3582 13408	8	1"x3/4"	175,40	1
3582 13409	9	1"x3/4"	188,82	1
3582 13410	10	1"x3/4"	210,93	1
3582 13411	11	1"x3/4"	224,34	1
3582 13412	12	1"x3/4"	237,75	1

PRE-ASSEMBLED chrome-plated brass FLANGED manifold complete with:

- Delivery manifold with built-in regulating valves
- Return manifold with built-in shut-off valves suitable for thermo-electric actuators
- Intermediate connections, art. 3445
- Fixing brackets, art. 7480
- Screws and O'rings for connection
- Connection: 1" female-female
- Outlets: 1/2"-3/4" male EUROKONUS
- Centre line between ports: mm.50



EUROKONUS

ART. 3471

Code	outlets	size	€	box
3471 13404	4	1"x3/4"	224,29	1
3471 13405	5	1"x3/4"	246,71	1
3471 13406	6	1"x3/4"	269,18	1
3471 13407	7	1"x3/4"	309,09	1
3471 13408	8	1"x3/4"	331,55	1
3471 13409	9	1"x3/4"	353,99	1
3471 13410	10	1"x3/4"	393,92	1
3471 13411	11	1"x3/4"	416,33	1
3471 13412	12	1"x3/4"	438,91	1

PRE-ASSEMBLED chrome-plated brass FLANGED manifold complete with:

- Delivery manifold with flowmeters and flow-rate balancing valves
- Return manifold with built-in shut-off valves suitable for thermo-electric actuators
- Intermediate connections, art. 3445
- Fixing brackets, art. 7480
- Screws and O'rings for connection
- Connection: 1" female-female
- Outlets: 3/4" male EUROKONUS
- Centre line between ports: mm.50



EUROKONUS

ART. 3583

Code	outlets	size	€	box
3583 13404	4	1"x3/4"	237,27	1
3583 13405	5	1"x3/4"	262,92	1
3583 13406	6	1"x3/4"	288,65	1
3583 13407	7	1"x3/4"	331,80	1
3583 13408	8	1"x3/4"	357,49	1
3583 13409	9	1"x3/4"	383,19	1
3583 13410	10	1"x3/4"	426,36	1
3583 13411	11	1"x3/4"	452,03	1
3583 13412	12	1"x3/4"	477,83	1

Chrome-plated brass modular return manifold.

- Built-in shut-off valves suitable for thermo-electric actuators
- Connection: 1" – 1"1/4 male-female
- Outlets: 1/2"-3/4" male EUROKONUS
- Centre line between ports: mm.50



ART. 3911 EUROKONUS

Code	outlets	size	€	box
3911 11202	2	1"x1/2"	27,22	1
3911 11203	3	1"x1/2"	39,39	1
3911 11204	4	1"x1/2"	57,26	1
3911 11205	5	1"x1/2"	69,36	1
3911 11206	6	1"x1/2"	81,66	1
3911 11207	7	1"x1/2"	98,59	1
3911 11208	8	1"x1/2"	110,71	1
3911 11209	9	1"x1/2"	123,08	1
3911 11210	10	1"x1/2"	140,01	1
3911 11211	11	1"x1/2"	152,14	1
3911 11212	12	1"x1/2"	164,09	1

Code	outlets	size	€	box
3911 13402	2	1"x3/4"	27,40	1
3911 13403	3	1"x3/4"	39,65	1
3911 13404	4	1"x3/4"	57,63	1
3911 13405	5	1"x3/4"	69,82	1
3911 13406	6	1"x3/4"	82,21	1
3911 13407	7	1"x3/4"	99,24	1
3911 13408	8	1"x3/4"	111,45	1
3911 13409	9	1"x3/4"	123,92	1
3911 13410	10	1"x3/4"	140,93	1
3911 13411	11	1"x3/4"	153,16	1
3911 13412	12	1"x3/4"	165,20	1

Code	outlets	size	€	box
3911 1143402	2	1"1/4x3/4"	33,87	1
3911 1143403	3	1"1/4x3/4"	47,69	1
3911 1143404	4	1"1/4x3/4"	69,76	1
3911 1143405	5	1"1/4x3/4"	83,54	1
3911 1143406	6	1"1/4x3/4"	97,45	1
3911 1143407	7	1"1/4x3/4"	119,00	1
3911 1143408	8	1"1/4x3/4"	132,76	1
3911 1143409	9	1"1/4x3/4"	146,77	1
3911 1143410	10	1"1/4x3/4"	168,32	1
3911 1143411	11	1"1/4x3/4"	182,07	1
3911 1143412	12	1"1/4x3/4"	195,65	1

Chrome-plated brass modular delivery manifold.

- Built-in regulating valves
- Connection: 1" – 1"1/4 male-female
- Outlets: 1/2"-3/4" male EUROKONUS
- Centre line between ports: mm.50



ART. 3921 EUROKONUS

Code	outlets	size	€	box
3921 11202	2	1"x1/2"	23,59	1
3921 11203	3	1"x1/2"	33,90	1
3921 11204	4	1"x1/2"	49,13	1
3921 11205	5	1"x1/2"	59,21	1
3921 11206	6	1"x1/2"	69,45	1
3921 11207	7	1"x1/2"	84,35	1
3921 11208	8	1"x1/2"	94,43	1
3921 11209	9	1"x1/2"	104,77	1
3921 11210	10	1"x1/2"	119,68	1
3921 11211	11	1"x1/2"	129,75	1
3921 11212	12	1"x1/2"	139,68	1

Code	outlets	size	€	box
3921 13402	2	1"x3/4"	23,76	1
3921 13403	3	1"x3/4"	34,18	1
3921 13404	4	1"x3/4"	49,50	1
3921 13405	5	1"x3/4"	59,68	1
3921 13406	6	1"x3/4"	70,00	1
3921 13407	7	1"x3/4"	85,00	1
3921 13408	8	1"x3/4"	95,17	1
3921 13409	9	1"x3/4"	105,61	1
3921 13410	10	1"x3/4"	120,59	1
3921 13411	11	1"x3/4"	130,77	1
3921 13412	12	1"x3/4"	140,79	1

Code	outlets	size	€	box
3921 1143402	2	1"1/4x3/4"	29,80	1
3921 1143403	3	1"1/4x3/4"	41,60	1
3921 1143404	4	1"1/4x3/4"	61,63	1
3921 1143405	5	1"1/4x3/4"	73,37	1
3921 1143406	6	1"1/4x3/4"	85,24	1
3921 1143407	7	1"1/4x3/4"	104,76	1
3921 1143408	8	1"1/4x3/4"	116,50	1
3921 1143409	9	1"1/4x3/4"	128,47	1
3921 1143410	10	1"1/4x3/4"	147,96	1
3921 1143411	11	1"1/4x3/4"	159,70	1
3921 1143412	12	1"1/4x3/4"	171,26	1

Chrome-plated brass modular delivery manifold.

- Flowmeters and flow-rate balancing valves
- Connection: 1" – 1"1/4 male-female
- Outlets: 1/2"-3/4" male EUROKONUS
- Centre line between ports: mm.50



ART. 3980 EUROKONUS

Code	outlets	size	€	box
3980 11202	2	1"x1/2"	30,06	1
3980 11203	3	1"x1/2"	43,61	1
3980 11204	4	1"x1/2"	62,06	1
3980 11205	5	1"x1/2"	75,38	1
3980 11206	6	1"x1/2"	88,86	1
3980 11207	7	1"x1/2"	106,98	1
3980 11208	8	1"x1/2"	120,30	1
3980 11209	9	1"x1/2"	133,87	1
3980 11210	10	1"x1/2"	152,02	1
3980 11211	11	1"x1/2"	165,32	1
3980 11212	12	1"x1/2"	178,49	1

Code	outlets	size	€	box
3980 13402	2	1"x3/4"	30,25	1
3980 13403	3	1"x3/4"	43,88	1
3980 13404	4	1"x3/4"	62,43	1
3980 13405	5	1"x3/4"	75,84	1
3980 13406	6	1"x3/4"	89,41	1
3980 13407	7	1"x3/4"	107,63	1
3980 13408	8	1"x3/4"	121,04	1
3980 13409	9	1"x3/4"	134,70	1
3980 13410	10	1"x3/4"	152,95	1
3980 13411	11	1"x3/4"	166,34	1
3980 13412	12	1"x3/4"	179,59	1

Code	outlets	size	€	box
3980 1143402	2	1"1/4x3/4"	36,27	1
3980 1143403	3	1"1/4x3/4"	51,31	1
3980 1143404	4	1"1/4x3/4"	74,60	1
3980 1143405	5	1"1/4x3/4"	89,56	1
3980 1143406	6	1"1/4x3/4"	104,69	1
3980 1143407	7	1"1/4x3/4"	127,43	1
3980 1143408	8	1"1/4x3/4"	142,40	1
3980 1143409	9	1"1/4x3/4"	157,61	1
3980 1143410	10	1"1/4x3/4"	180,90	1
3980 1143411	11	1"1/4x3/4"	195,33	1
3980 1143412	12	1"1/4x3/4"	210,13	1

PRE-ASSEMBLED chrome-plated brass manifold complete with:

- Delivery manifold with built-in regulating valves
- Return manifold with built-in shut-off valves suitable for thermo-electric actuators
- Fixing brackets, art. 7480
- Connection: 1" - 1 1/4" male-female
- Outlets: 1/2" - 3/4" male EUROKONUS
- Centre line between ports: mm.50

ART. 3928

ART. 3928

EUROKONUS

Code	outlets	size	€	box
3928 11202	2	1"x1/2"	59,60	1
3928 11203	3	1"x1/2"	90,19	1
3928 11204	4	1"x1/2"	122,55	1
3928 11205	5	1"x1/2"	145,00	1
3928 11206	6	1"x1/2"	167,50	1
3928 11207	7	1"x1/2"	199,51	1
3928 11208	8	1"x1/2"	221,82	1
3928 11209	9	1"x1/2"	244,15	1
3928 11210	10	1"x1/2"	279,20	1
3928 11211	11	1"x1/2"	301,54	1
3928 11212	12	1"x1/2"	323,86	1



Code	outlets	size	€	box
3928 13402	2	1"x3/4"	59,78	1
3928 13403	3	1"x3/4"	90,47	1
3928 13404	4	1"x3/4"	122,95	1
3928 13405	5	1"x3/4"	145,50	1
3928 13406	6	1"x3/4"	168,08	1
3928 13407	7	1"x3/4"	200,19	1
3928 13408	8	1"x3/4"	222,61	1
3928 13409	9	1"x3/4"	245,01	1
3928 13410	10	1"x3/4"	280,17	1
3928 13411	11	1"x3/4"	302,61	1
3928 13412	12	1"x3/4"	325,04	1

3928 1143402	2	1"1/4x3/4"	72,75	1
3928 1143403	3	1"1/4x3/4"	107,23	1
3928 1143404	4	1"1/4x3/4"	148,85	1
3928 1143405	5	1"1/4x3/4"	174,57	1
3928 1143406	6	1"1/4x3/4"	200,35	1
3928 1143407	7	1"1/4x3/4"	241,60	1
3928 1143408	8	1"1/4x3/4"	267,19	1
3928 1143409	9	1"1/4x3/4"	292,78	1
3928 1143410	10	1"1/4x3/4"	337,07	1
3928 1143411	11	1"1/4x3/4"	362,68	1
3928 1143412	12	1"1/4x3/4"	388,27	1

PRE-ASSEMBLED chrome-plated brass manifold complete with:

- Delivery manifold with flowmeters and flow-rate balancing valves
- Return manifold with built-in shut-off valves suitable for thermo-electric actuators
- Fixing brackets, art. 7480
- Connection: 1" - 1 1/4" male-female
- Outlets: 1/2" - 3/4" male EUROKONUS
- Centre line between ports: mm.50

ART. 3981

ART. 3981

EUROKONUS

Code	outlets	size	€	box
3981 11202	2	1"x1/2"	66,07	1
3981 11203	3	1"x1/2"	99,89	1
3981 11204	4	1"x1/2"	135,49	1
3981 11205	5	1"x1/2"	161,17	1
3981 11206	6	1"x1/2"	186,90	1
3981 11207	7	1"x1/2"	222,15	1
3981 11208	8	1"x1/2"	247,69	1
3981 11209	9	1"x1/2"	273,26	1
3981 11210	10	1"x1/2"	311,54	1
3981 11211	11	1"x1/2"	337,11	1
3981 11212	12	1"x1/2"	362,67	1



Code	outlets	size	€	box
3981 13402	2	1"x3/4"	66,44	1
3981 13403	3	1"x3/4"	100,45	1
3981 13404	4	1"x3/4"	136,23	1
3981 13405	5	1"x3/4"	162,09	1
3981 13406	6	1"x3/4"	188,01	1
3981 13407	7	1"x3/4"	223,45	1
3981 13408	8	1"x3/4"	249,17	1
3981 13409	9	1"x3/4"	274,92	1
3981 13410	10	1"x3/4"	313,39	1
3981 13411	11	1"x3/4"	339,15	1
3981 13412	12	1"x3/4"	364,89	1

3981 1143402	2	1"1/4x3/4"	79,21	1
3981 1143403	3	1"1/4x3/4"	116,96	1
3981 1143404	4	1"1/4x3/4"	161,85	1
3981 1143405	5	1"1/4x3/4"	190,79	1
3981 1143406	6	1"1/4x3/4"	219,81	1
3981 1143407	7	1"1/4x3/4"	264,32	1
3981 1143408	8	1"1/4x3/4"	293,15	1
3981 1143409	9	1"1/4x3/4"	321,97	1
3981 1143410	10	1"1/4x3/4"	369,51	1
3981 1143411	11	1"1/4x3/4"	398,36	1
3981 1143412	12	1"1/4x3/4"	427,18	1

Chrome-plated brass modular manifold complete with:

- Return manifold with built-in shut-off valves suitable for thermo-electric actuators
- Intermediate connection, art. 3438
- Connection: 1" – 1"1/4 female-female
- Outlets: 1/2"-3/4" male EUROKONUS
- Centre line between ports: mm.50

ART. 3466 EUROKONUS

Code	outlets	size	€	box
3466 11204	4	1"x1/2"	98,56	1
3466 11205	5	1"x1/2"	111,22	1
3466 11206	6	1"x1/2"	123,92	1
3466 11207	7	1"x1/2"	141,53	1
3466 11208	8	1"x1/2"	154,18	1
3466 11209	9	1"x1/2"	166,83	1
3466 11210	10	1"x1/2"	184,44	1
3466 11211	11	1"x1/2"	197,10	1
3466 11212	12	1"x1/2"	209,77	1

Code	outlets	size	€	box
3466 13404	4	1"x3/4"	98,93	1
3466 13405	5	1"x3/4"	111,68	1
3466 13406	6	1"x3/4"	124,47	1
3466 13407	7	1"x3/4"	142,18	1
3466 13408	8	1"x3/4"	154,92	1
3466 13409	9	1"x3/4"	167,66	1
3466 13410	10	1"x3/4"	185,36	1
3466 13411	11	1"x3/4"	198,12	1
3466 13412	12	1"x3/4"	210,88	1



Code	outlets	size	€	box
3466 1143404	4	1"1/4x3/4"	115,89	1
3466 1143405	5	1"1/4x3/4"	130,25	1
3466 1143406	6	1"1/4x3/4"	144,63	1
3466 1143407	7	1"1/4x3/4"	167,04	1
3466 1143408	8	1"1/4x3/4"	181,37	1
3466 1143409	9	1"1/4x3/4"	195,72	1
3466 1143410	10	1"1/4x3/4"	218,13	1
3466 1143411	11	1"1/4x3/4"	232,46	1
3466 1143412	12	1"1/4x3/4"	246,82	1

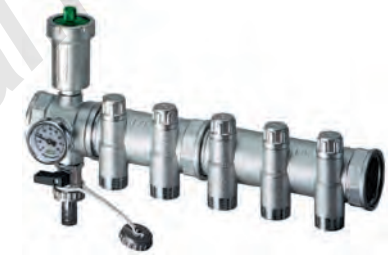
Chrome-plated brass modular manifold complete with:

- Delivery manifold with built-in regulating valves
- Intermediate connection, art. 3438
- Connection: 1" – 1"1/4 female-female
- Outlets: 1/2"-3/4" male EUROKONUS
- Centre line between ports: mm.50

ART. 3467 EUROKONUS

Code	outlets	size	€	box
3467 11204	4	1"x1/2"	90,11	1
3467 11205	5	1"x1/2"	100,70	1
3467 11206	6	1"x1/2"	111,27	1
3467 11207	7	1"x1/2"	126,78	1
3467 11208	8	1"x1/2"	137,32	1
3467 11209	9	1"x1/2"	147,85	1
3467 11210	10	1"x1/2"	163,38	1
3467 11211	11	1"x1/2"	173,91	1
3467 11212	12	1"x1/2"	184,44	1

Code	outlets	size	€	box
3467 13404	4	1"x3/4"	90,48	1
3467 13405	5	1"x3/4"	101,16	1
3467 13406	6	1"x3/4"	111,83	1
3467 13407	7	1"x3/4"	127,43	1
3467 13408	8	1"x3/4"	138,06	1
3467 13409	9	1"x3/4"	148,68	1
3467 13410	10	1"x3/4"	164,30	1
3467 13411	11	1"x3/4"	174,93	1
3467 13412	12	1"x3/4"	185,55	1



Code	outlets	size	€	box
3467 1143404	4	1"1/4x3/4"	107,44	1
3467 1143405	5	1"1/4x3/4"	119,72	1
3467 1143406	6	1"1/4x3/4"	131,99	1
3467 1143407	7	1"1/4x3/4"	152,29	1
3467 1143408	8	1"1/4x3/4"	164,50	1
3467 1143409	9	1"1/4x3/4"	176,74	1
3467 1143410	10	1"1/4x3/4"	197,04	1
3467 1143411	11	1"1/4x3/4"	209,29	1
3467 1143412	12	1"1/4x3/4"	221,52	1

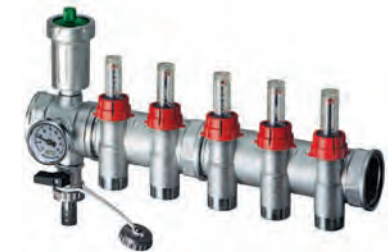
Chrome-plated brass modular manifold complete with:

- Delivery manifold with flowmeters and flow-rate balancing valves
- Intermediate connection, art. 3438
- Connection: 1" – 1"1/4 female-female
- Outlets: 1/2"-3/4" male EUROKONUS
- Centre line between ports: mm.50

ART. 3580 EUROKONUS

Code	outlets	size	€	box
3580 11204	4	1"x1/2"	103,05	1
3580 11205	5	1"x1/2"	116,87	1
3580 11206	6	1"x1/2"	130,68	1
3580 11207	7	1"x1/2"	149,42	1
3580 11208	8	1"x1/2"	163,19	1
3580 11209	9	1"x1/2"	176,95	1
3580 11210	10	1"x1/2"	195,72	1
3580 11211	11	1"x1/2"	209,49	1
3580 11212	12	1"x1/2"	223,25	1

Code	outlets	size	€	box
3580 13404	4	1"x3/4"	103,42	1
3580 13405	5	1"x3/4"	117,33	1
3580 13406	6	1"x3/4"	131,23	1
3580 13407	7	1"x3/4"	150,07	1
3580 13408	8	1"x3/4"	163,93	1
3580 13409	9	1"x3/4"	177,79	1
3580 13410	10	1"x3/4"	196,64	1
3580 13411	11	1"x3/4"	210,50	1
3580 13412	12	1"x3/4"	224,35	1



Code	outlets	size	€	box
3580 1143404	4	1"1/4x3/4"	120,40	1
3580 1143405	5	1"1/4x3/4"	135,91	1
3580 1143406	6	1"1/4x3/4"	151,41	1
3580 1143407	7	1"1/4x3/4"	174,96	1
3580 1143408	8	1"1/4x3/4"	190,42	1
3580 1143409	9	1"1/4x3/4"	205,91	1
3580 1143410	10	1"1/4x3/4"	229,42	1
3580 1143411	11	1"1/4x3/4"	244,91	1
3580 1143412	12	1"1/4x3/4"	260,39	1

PRE-ASSEMBLED chrome-plated brass manifold complete with:

- Delivery manifold with built-in regulating valves
- Return manifold with built-in shut-off valves suitable for thermo-electric actuators
- Intermediate connections, art. 3438
- Fixing brackets, art. 7480

- Connection: 1" - 1 1/4" female-female
- Outlets: 1/2" - 3/4" male EUROKONUS
- Centre line between ports: mm.50

ART. 3468

EUROKONUS

Code	outlets	size	€	box
3468 11204	4	1"x1/2"	204,40	1
3468 11205	5	1"x1/2"	227,50	1
3468 11206	6	1"x1/2"	250,67	1
3468 11207	7	1"x1/2"	283,93	1
3468 11208	8	1"x1/2"	307,08	1
3468 11209	9	1"x1/2"	330,21	1
3468 11210	10	1"x1/2"	366,57	1
3468 11211	11	1"x1/2"	389,77	1
3468 11212	12	1"x1/2"	412,94	1



EUROKONUS

ART. 3468

Code	outlets	size	€	box
3468 13404	4	1"x3/4"	205,06	1
3468 13405	5	1"x3/4"	228,33	1
3468 13406	6	1"x3/4"	251,63	1
3468 13407	7	1"x3/4"	285,06	1
3468 13408	8	1"x3/4"	308,38	1
3468 13409	9	1"x3/4"	331,68	1
3468 13410	10	1"x3/4"	368,20	1
3468 13411	11	1"x3/4"	391,55	1
3468 13412	12	1"x3/4"	414,88	1

3468 1143404	4	1"1/4x3/4"	240,35	1
3468 1143405	5	1"1/4x3/4"	266,85	1
3468 1143406	6	1"1/4x3/4"	293,41	1
3468 1143407	7	1"1/4x3/4"	336,22	1
3468 1143408	8	1"1/4x3/4"	362,78	1
3468 1143409	9	1"1/4x3/4"	389,30	1
3468 1143410	10	1"1/4x3/4"	435,23	1
3468 1143411	11	1"1/4x3/4"	461,79	1
3468 1143412	12	1"1/4x3/4"	488,36	1

PRE-ASSEMBLED chrome-plated brass manifold complete with:

- Delivery manifold with flowmeters and flow-rate balancing valves
- Return manifold with built-in shut-off valves suitable for thermo-electric actuators
- Intermediate connections, art. 3438
- Fixing brackets, art. 7480

- Connection: 1" - 1 1/4" female-female
- Outlets: 1/2" - 3/4" male EUROKONUS
- Centre line between ports: mm.50

ART. 3581

EUROKONUS

Code	outlets	size	€	box
3581 11204	4	1"x1/2"	217,34	1
3581 11205	5	1"x1/2"	243,67	1
3581 11206	6	1"x1/2"	270,08	1
3581 11207	7	1"x1/2"	306,57	1
3581 11208	8	1"x1/2"	332,95	1
3581 11209	9	1"x1/2"	359,32	1
3581 11210	10	1"x1/2"	398,91	1
3581 11211	11	1"x1/2"	425,34	1
3581 11212	12	1"x1/2"	451,74	1



EUROKONUS

ART. 3581

Code	outlets	size	€	box
3581 13404	4	1"x3/4"	218,08	1
3581 13405	5	1"x3/4"	244,59	1
3581 13406	6	1"x3/4"	271,19	1
3581 13407	7	1"x3/4"	307,86	1
3581 13408	8	1"x3/4"	334,43	1
3581 13409	9	1"x3/4"	360,98	1
3581 13410	10	1"x3/4"	400,75	1
3581 13411	11	1"x3/4"	427,37	1
3581 13412	12	1"x3/4"	453,96	1

3581 1143404	4	1"1/4x3/4"	253,34	1
3581 1143405	5	1"1/4x3/4"	283,08	1
3581 1143406	6	1"1/4x3/4"	312,88	1
3581 1143407	7	1"1/4x3/4"	358,95	1
3581 1143408	8	1"1/4x3/4"	388,72	1
3581 1143409	9	1"1/4x3/4"	418,49	1
3581 1143410	10	1"1/4x3/4"	467,66	1
3581 1143411	11	1"1/4x3/4"	497,46	1
3581 1143412	12	1"1/4x3/4"	527,28	1

This control unit is suitable for systems combining both high and low temperature circuits eg. projects with underfloor heating in some areas and radiators in say the bathrooms. It is designed for connection to both flow and return lines with provision for an integral pump.

The Fixed Point Regulation version is suitable for heating systems: this unit can be manually adjusted by turning the handle of the thermostatic mixer to the desired flow temperature value. The pump should always be installed at the mixer outlet, in place of the brass extension piece.

The unit is provided with a safety thermostat and a bypass valve between flow and return from the boiler.

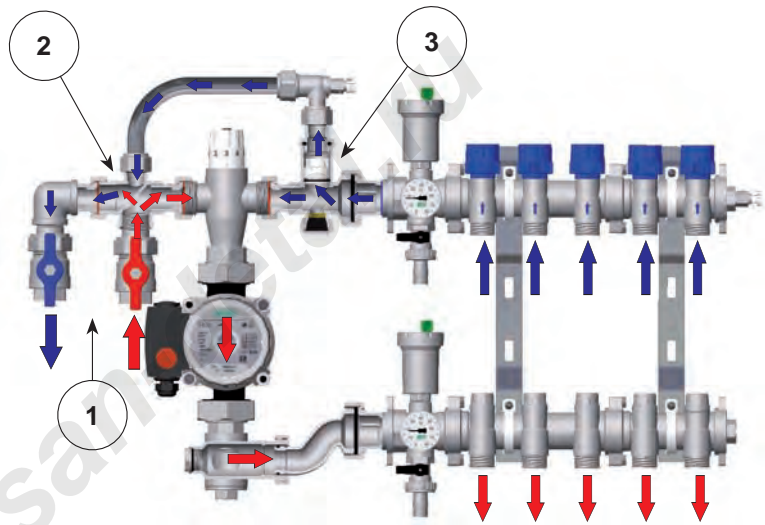
It is also available pre-assembled with manifolds for both high and low temperatures depending on the version selected.



ART. 3480

FUNCTION

Circulation is as follows: the high temperature water supplied from the boiler reaches the mixer unit through a ball valve (1) and a by-pass diverter connection (2). The connection (2) makes it possible to divert the high temperature water refused by the thermostatic mixer back to the boiler while, the same time, it directing to the boiler the water coming from the manifolds through the return connection (3). The mixer unit is designed to ensure a constant supply of water at the required temperature to the underfloor heating loops - blending in supplies of high temperature water from the boiler as necessary. Water leaves the mixer unit and is pumped to the manifolds from whence it is distributed to the individual underfloor heating loops. Water coming back from the loops enters the return side of the manifolds and through the return connection (3) a proportion of the water re-enters the mixing unit restarting circulation while the remainder is diverted back to the boiler.



THERMOSTATIC MIXER

The thermostatic mixer is designed to ensure a constant supply of water for the low temperature system. The delivery temperature set-up must be carried out when starting up the system taking the design temperature as a reference. An initial set-up can be achieved based on the relation between the setting on the mixer and the flow water temperature. See below:



POSITION	Min.	1	2	3	4	5	Max
T ±2 [°C]	18	20	22	30	40	50	55

IMMERSION SAFETY THERMOSTAT

The immersion thermostat located on the regulating unit is designed to shut down the pump, or the boiler, when required. It is a liquid-filled type thermostat. The graduated knob allows the operator to set the maximum temperature value for the system.



Temperature setting range: 0 - 90°C
Protection level: IP 40

PUMPS FOR UNDERFLOOR HEATING SYSTEMS

In order to operate correctly, the brass template on the unit must ALWAYS be replaced with an appropriately sized pump in order to avoid flow resistance in the low temperature circuit.

FAR offers 3 kinds of pumps to complement these units:

- Art.2185 130: 3-speed pump with 130mm centre line. Max. head: 6m.
- Art.2185 130EB: Electronic pump, energy class B, with 130mm centre line. Variable head: from 1 to 5 m.
- Art.2185 130EA: Electronic pump, energy class A, with 130mm centre line. Variable head: from 1 to 7m.

All pumps have a 130mm centre line, 1 1/2 male connections and 230 V supply.

The pumps are only sold in combination with pre-assembled units.

Fixed point regulating unit for underfloor heating systems.

- Connection to delivery and return pipelines: 3/4" female



ACCESSORIES:



PUMP

The pump will be supplied pre-assembled

Code	pump	€
2185 130	3-speed pump	130,01
2185 130EB	Electronic pump, class B	275,64
2185 130EA	Electronic pump, class A	385,95

ART. 3480

Code	size	€	box
3480 34	3/4"	503,33	1
3480 1	1"	503,33	1
3480 114	1"1/4"	505,46	1

NB Pumps and control units are supplied only in combination with art. 3480

Pre-assembled unit for underfloor heating systems, complete with fixed point regulating unit and high temperature distribution manifolds.

- Outlets: 3/4" EUROKONUS
- Fixing brackets, art. 7480



ACCESSORIES:



PUMP

The pump will be supplied pre-assembled

Code	pump	€
2185 130	3-speed pump	130,01
2185 130EB	Electronic pump, class B	275,64
2185 130EA	Electronic pump, class A	385,95

EUROKONUS

ART. 3489

Code	radiator outlets	size	€	box
3489 13402	2	1"x3/4"	684,18	1
3489 13403	3	1"x3/4"	716,82	1
3489 13404	4	1"x3/4"	751,04	1
3489 13405	5	1"x3/4"	777,18	1

NB Pumps and control units are supplied only in combination with art. 3489

Pre-assembled unit for underfloor heating systems, complete with:

- Fixed point regulating unit
- Low temperature delivery manifold with built-in regulating valves
- Low temperature return manifold with built-in shut-off valves
- Fixing brackets, art. 7480
- Outlets: 3/4" EUROKONUS
- Centre line between ports: mm.50



EUROKONUS

ART. 3485

ACCESSORIES:



PUMP

The pump will be supplied pre-assembled

Code	pump	€
2185 130	3-speed pump	130,01
2185 130EB	Electronic pump, class B	275,64
2185 130EA	Electronic pump, class A	385,95

NB Pumps and control units are supplied only in combination with art. 3485

Code	outlets	size	€	box
3485 13403	3	1"x3/4"	696,87	1
3485 13404	4	1"x3/4"	728,44	1
3485 13405	5	1"x3/4"	752,66	1
3485 13406	6	1"x3/4"	776,93	1
3485 13407	7	1"x3/4"	813,17	1
3485 13408	8	1"x3/4"	837,24	1
3485 13409	9	1"x3/4"	861,32	1
3485 13410	10	1"x3/4"	897,61	1
3485 13411	11	1"x3/4"	921,66	1
3485 13412	12	1"x3/4"	945,81	1

Pre-assembled unit for underfloor heating systems, complete with:

- Fixed point regulating unit
- Low temperature delivery manifold with flowmeters and flow-rate balancing valves
- Low temperature return manifold with built-in shut-off valves
- Fixing brackets, art. 7480
- Outlets: 3/4" EUROKONUS
- Centre line between ports: mm.50



EUROKONUS

ART. 3584

ACCESSORIES:



PUMP

The pump will be supplied pre-assembled

Code	pump	€
2185 130	3-speed pump	130,01
2185 130EB	Electronic pump, class B	275,64
2185 130EA	Electronic pump, class A	385,95

NB Pumps and control units are supplied only in combination with art. 3584

Code	outlets	size	€	box
3584 13402	2	1"x3/4"	672,73	1
3584 13403	3	1"x3/4"	706,58	1
3584 13404	4	1"x3/4"	741,38	1
3584 13405	5	1"x3/4"	768,83	1
3584 13406	6	1"x3/4"	796,33	1
3584 13407	7	1"x3/4"	835,80	1
3584 13408	8	1"x3/4"	863,12	1
3584 13409	9	1"x3/4"	890,43	1
3584 13410	10	1"x3/4"	929,95	1
3584 13411	11	1"x3/4"	957,23	1
3584 13412	12	1"x3/4"	984,62	1

Pre-assembled unit for underfloor heating systems, complete with:

- Fixed point regulating unit
- Low temperature delivery manifold with built-in regulating valves
- Low temperature return manifold with built-in shut-off valves
- Painted sheet steel wall box
- Outlets: 3/4" EUROKONUS
- Centre line between ports: mm.50



ACCESSORIES:



PUMP

The pump will be supplied pre-assembled

Code	pump	€
2185 130	3-speed pump	130,01
2185 130EB	Electronic pump, class B	275,64
2185 130EA	Electronic pump, class A	385,95

NB Pumps and control units are supplied only in combination with art. 3486

EUROKONUS

ART. 3486

Code	outlets	size	box sizes	€	box
3486 13403	3	1"x3/4"	700x500x150	950,13	1
3486 13404	4	1"x3/4"	700x500x150	981,80	1
3486 13405	5	1"x3/4"	800x500x150	1.019,23	1
3486 13406	6	1"x3/4"	800x500x150	1.038,61	1
3486 13407	7	1"x3/4"	900x500x150	1.108,04	1
3486 13408	8	1"x3/4"	900x500x150	1.127,43	1
3486 13409	9	1"x3/4"	1000x500x150	1.203,14	1
3486 13410	10	1"x3/4"	1000x500x150	1.250,80	1
3486 13411	11	1"x3/4"	1100x500x150	1.293,48	1
3486 13412	12	1"x3/4"	1100x500x150	1.312,92	1

Pre-assembled unit for underfloor heating systems, complete with:

- Fixed point regulating unit
- Low temperature delivery manifold with flowmeters and flow-rate balancing valves
- Low temperature return manifold with built-in shut-off valves
- Painted sheet steel wall box
- Outlets: 3/4" EUROKONUS
- Centre line between ports: mm.50



ACCESSORIES:



PUMP

The pump will be supplied pre-assembled

Code	pump	€
2185 130	3-speed pump	130,01
2185 130EB	Electronic pump, class B	275,64
2185 130EA	Electronic pump, class A	385,95

NB Pumps and control units are supplied only in combination with art. 3585

EUROKONUS

ART. 3585

Code	outlets	size	box sizes	€	box
3585 13403	3	1"x3/4"	700x500x150	959,83	1
3585 13404	4	1"x3/4"	700x500x150	994,74	1
3585 13405	5	1"x3/4"	800x500x150	1.035,40	1
3585 13406	6	1"x3/4"	800x500x150	1.058,02	1
3585 13407	7	1"x3/4"	900x500x150	1.130,68	1
3585 13408	8	1"x3/4"	900x500x150	1.153,31	1
3585 13409	9	1"x3/4"	1000x500x150	1.232,25	1
3585 13410	10	1"x3/4"	1000x500x150	1.283,14	1
3585 13411	11	1"x3/4"	1100x500x150	1.329,06	1
3585 13412	12	1"x3/4"	1100x500x150	1.351,73	1

Pre-assembled high and low temperature unit for underfloor heating systems complete with:

- Fixed point regulating unit
 - Low temperature delivery manifold with built-in regulating valves
 - Low temperature return manifold with built-in shut-off valves
 - High temperature distribution manifolds
 - Fixing brackets, art. 7480
- Outlets: 3/4" EUROKONUS
 - Centre line between ports: mm.50



ACCESSORIES:



PUMP

The pump will be supplied pre-assembled

Code	pump	€
2185 130	3-speed pump	130,01
2185 130EB	Electronic pump, class B	275,64
2185 130EA	Electronic pump, class A	385,95

NB Pumps and control units are supplied only in combination with art. 3487

EUROKONUS

ART. 3487

Code	floor outlets	radiator outlets	size	€	box
3487 1340302	3	2	1"x3/4"	810,35	1
3487 1340402	4	2	1"x3/4"	843,64	1
3487 1340502	5	2	1"x3/4"	866,80	1
3487 1340602	6	2	1"x3/4"	887,02	1
3487 1340702	7	2	1"x3/4"	931,75	1
3487 1340802	8	2	1"x3/4"	951,98	1
3487 1340902	9	2	1"x3/4"	972,20	1
3487 1341002	10	2	1"x3/4"	1.022,12	1
3487 1341102	11	2	1"x3/4"	1.042,30	1
3487 1340303	3	3	1"x3/4"	842,72	1
3487 1340403	4	3	1"x3/4"	875,98	1
3487 1340503	5	3	1"x3/4"	899,17	1
3487 1340603	6	3	1"x3/4"	919,39	1
3487 1340703	7	3	1"x3/4"	964,12	1
3487 1340803	8	3	1"x3/4"	984,35	1
3487 1340903	9	3	1"x3/4"	1.004,59	1
3487 1341003	10	3	1"x3/4"	1.022,12	1

Pre-assembled high and low temperature unit for underfloor heating systems complete with:

- Fixed point regulating unit
 - Low temperature delivery manifold with flowmeters and flow-rate balancing valves
 - Low temperature return manifold with built-in shut-off valves
 - High temperature distribution manifolds
 - Fixing brackets, art. 7480
- Outlets: 3/4" EUROKONUS
 - Centre line between ports: mm.50



ACCESSORIES:



PUMP

The pump will be supplied pre-assembled

Code	pump	€
2185 130	3-speed pump	130,01
2185 130EB	Electronic pump, class B	275,64
2185 130EA	Electronic pump, class A	385,95

NB Pumps and control units are supplied only in combination with art. 3586

EUROKONUS

ART. 3586

Code	floor outlets	radiator outlets	size	€	box
3586 1340302	3	2	1"x3/4"	820,05	1
3586 1340402	4	2	1"x3/4"	856,57	1
3586 1340502	5	2	1"x3/4"	882,97	1
3586 1340602	6	2	1"x3/4"	906,43	1
3586 1340702	7	2	1"x3/4"	954,38	1
3586 1340802	8	2	1"x3/4"	977,85	1
3586 1340902	9	2	1"x3/4"	1.001,31	1
3586 1341002	10	2	1"x3/4"	1.054,46	1
3586 1341102	11	2	1"x3/4"	1.077,87	1
3586 1340303	3	3	1"x3/4"	852,42	1
3586 1340403	4	3	1"x3/4"	888,92	1
3586 1340503	5	3	1"x3/4"	915,34	1
3586 1340603	6	3	1"x3/4"	938,79	1
3586 1340703	7	3	1"x3/4"	986,76	1
3586 1340803	8	3	1"x3/4"	1.010,22	1
3586 1340903	9	3	1"x3/4"	1.033,69	1
3586 1341003	10	3	1"x3/4"	1.086,84	1

Pre-assembled high and low temperature unit for underfloor heating systems complete with:

- Fixed point regulating unit
- Low temperature delivery manifold with built-in regulating valves
- Low temperature return manifold with built-in shut-off valves
- High temperature distribution manifolds
- Painted sheet steel wall box

- Outlets: 3/4" EUROKONUS
- Centre line between ports: mm.50



ACCESSORIES:



PUMP

The pump will be supplied pre-assembled

Code	pump	€
2185 130	3-speed pump	130,01
2185 130EB	Electronic pump, class B	275,64
2185 130EA	Electronic pump, class A	385,95

NB Pumps and control units are supplied only in combination with art. 3488

EUROKONUS

ART. 3488

Code	floor outlets	radiator outlets	size	box sizes	€	box
3488 1340302	3	2	1"x3/4"	800x500x150	1.077,49	1
3488 1340402	4	2	1"x3/4"	800x500x150	1.109,19	1
3488 1340502	5	2	1"x3/4"	900x500x150	1.158,23	1
3488 1340602	6	2	1"x3/4"	900x500x150	1.177,64	1
3488 1340702	7	2	1"x3/4"	1000x500x150	1.276,64	1
3488 1340802	8	2	1"x3/4"	1000x500x150	1.296,04	1
3488 1340902	9	2	1"x3/4"	1100x500x150	1.338,80	1
3488 1341002	10	2	1"x3/4"	1100x500x150	1.386,45	1
3488 1341102	11	2	1"x3/4"	1200x500x150	1.437,15	1
3488 1340303	3	3	1"x3/4"	800x500x150	1.108,32	1
3488 1340403	4	3	1"x3/4"	900x500x150	1.166,84	1
3488 1340503	5	3	1"x3/4"	900x500x150	1.189,06	1
3488 1340603	6	3	1"x3/4"	1000x500x150	1.264,89	1
3488 1340703	7	3	1"x3/4"	1000x500x150	1.307,47	1
3488 1340803	8	3	1"x3/4"	1100x500x150	1.350,34	1
3488 1340903	9	3	1"x3/4"	1100x500x150	1.369,61	1
3488 1341003	10	3	1"x3/4"	1200x500x150	1.448,77	1

Pre-assembled high and low temperature unit for underfloor heating systems complete with:

- Fixed point regulating unit
- Low temperature delivery manifold with flowmeters and flow-rate balancing valves
- Low temperature return manifold with built-in shut-off valves
- High temperature distribution manifolds
- Painted sheet steel wall box

- Outlets: 3/4" EUROKONUS
- Centre line between ports: mm.50



ACCESSORIES:



PUMP

The pump will be supplied pre-assembled

Code	pump	€
2185 130	3-speed pump	130,01
2185 130EB	Electronic pump, class B	275,64
2185 130EA	Electronic pump, class A	385,95

NB Pumps and control units are supplied only in combination with art. 3587

EUROKONUS

ART. 3587

Code	floor outlets	radiator outlets	size	box sizes	€	box
3587 1340302	3	2	1"x3/4"	800x500x150	1.087,19	1
3587 1340402	4	2	1"x3/4"	800x500x150	1.122,12	1
3587 1340502	5	2	1"x3/4"	900x500x150	1.174,40	1
3587 1340602	6	2	1"x3/4"	900x500x150	1.197,04	1
3587 1340702	7	2	1"x3/4"	1000x500x150	1.299,28	1
3587 1340802	8	2	1"x3/4"	1000x500x150	1.321,91	1
3587 1340902	9	2	1"x3/4"	1100x500x150	1.367,91	1
3587 1341002	10	2	1"x3/4"	1100x500x150	1.418,79	1
3587 1341102	11	2	1"x3/4"	1200x500x150	1.472,73	1
3587 1340303	3	3	1"x3/4"	800x500x150	1.118,02	1
3587 1340403	4	3	1"x3/4"	900x500x150	1.179,78	1
3587 1340503	5	3	1"x3/4"	900x500x150	1.205,23	1
3587 1340603	6	3	1"x3/4"	1000x500x150	1.284,30	1
3587 1340703	7	3	1"x3/4"	1000x500x150	1.330,11	1
3587 1340803	8	3	1"x3/4"	1100x500x150	1.376,21	1
3587 1340903	9	3	1"x3/4"	1100x500x150	1.398,72	1
3587 1341003	10	3	1"x3/4"	1200x500x150	1.481,11	1

Modulating/Regulating units for underfloor heating systems are available in HOT only or HOT/COLD versions. They are equipped with a 3-point actuator and a mixing valve. Used in association with a control unit they can manage the flow temperature of an underfloor heating system in accordance with climatic and room conditions.

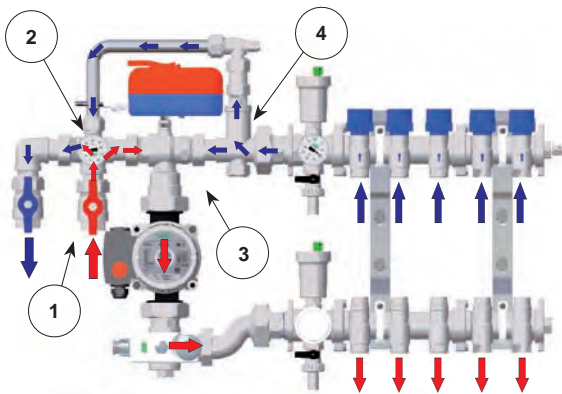
The MODULATING version is suitable for both heating and cooling systems: the main feature is the facility to manage the plant by modulating the supply temperature via a control unit equipped with an external temperature probe. Temperature can be maintained to a set value.

The brass template at the outlet of the mixing valve must always to be replaced by a pump. The unit is equipped with a by-pass between the supply and return sides of the heat emitter and a safety thermostat.

It is also available with pre-assembled manifolds for distribution of flow for low temperature only, high temperature only, or both.



ART. 3490



The mixing valve is designed to ensure a constant supply of water, blended to the required temperature, to the underfloor heating loops. Circulation is as follows: water leaves the mixing valve (3), passes through the pump (installed in place of the template) and is pumped to the flow side of the manifold(s) from whence it is distributed to the individual underfloor heating loops. Water coming back from the loops enters the return side of the manifold(s) and, passing through the return connection (4), re-enters the mixing valve. High temperature water is supplied from the boiler to the mixing valve via a ball valve (1) and diverter connection (2). As it enters the mixing valve an equal quantity of lower temperature return water is diverted back to the boiler, thus automatically keeping the system in balance.



+



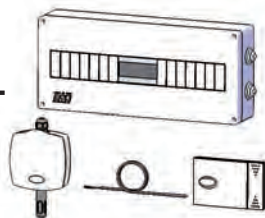
HOT ONLY (HEATING)

If you wish to set up to a "hot only" system, you will require both the regulating unit and an electronic controller, Art. 9611, comprising:

- HOT Only electronic controller
- Supply temperature probe
- External temperature probe
- Seat for supply probe



+



HOT and COLD (HEATING and COOLING)

However, if you need to use a climatic control which operates the circuit in winter and summer, you will also require a control unit, art.9610. It comprises:

- HOT - COLD electronic controller
- Supply temperature probe
- External temperature probe
- Internal temperature + humidity probe
- Seat for supply probe
- Box for controller

PUMPS FOR UNDERFLOOR HEATING SYSTEMS

In order to operate correctly, the brass template on the unit must ALWAYS be replaced with an appropriately sized pump in order to avoid flow resistance in the low temperature circuit. FAR offers 3 kinds of pumps to complement these units:

- Art.2185 130: 3-speed pump with 130mm centre line. Max. head: 6m.
- Art.2185 130EB: Electronic pump, energy class B, with 130mm centre line. Variable head: from 1 to 5 m.
- Art.2185 130EA: Electronic pump, energy class A, with 130mm centre line. Variable head: from 1 to 7m.

All pumps have a 130mm centre line, 1 1/2" male connections and 230 V supply. The pumps are only sold in combination with pre-assembled units.

Modulating regulating unit for underfloor heating systems, complete with 3-point actuator.

- Connection to delivery and return pipelines: 3/4" female



ACCESSORIES:



PUMP

The pump will be supplied pre-assembled

Code	pump	€
2185 130	3-speed pump	130,01
2185 130EB	Electronic pump, class B	275,64
2185 130EA	Electronic pump, class A	385,95



ELECTRONIC CONTROLLER

Code	electronic regulation type	€
9610	hot and cold	1.245,65
9611	only hot	363,18

NB Pumps and control units are supplied only in combination with art. 3490

ART. 3490

Code	size	voltage	€	box
3490 110	1"	230 V	549,63	1

Pre-assembled unit for underfloor heating systems, complete with 3- point actuator and high temperature distribution manifolds.

- Outlets: 3/4" EUROKONUS
- Fixing brackets, art. 7480

www.san-detal.ru

ACCESSORIES:



PUMP

The pump will be supplied pre-assembled

Code	pump	€
2185 130	3-speed pump	130,01
2185 130EB	Electronic pump, class B	275,64
2185 130EA	Electronic pump, class A	385,95



ELECTRONIC CONTROLLER

Code	electronic regulation type	€
9610	hot and cold	1.245,65
9611	only hot	363,18

NB Pumps and control units are supplied only in combination with art. 3492



EUROKONUS

ART. 3492

Code	radiator outlets	size	voltage	€	box
3492 1340210	2	1"x3/4"	230 V	749,68	1
3492 1340310	3	1"x3/4"	230 V	785,76	1
3492 1340410	4	1"x3/4"	230 V	816,18	1
3492 1340510	5	1"x3/4"	230 V	846,22	1

Pre-assembled unit for underfloor heating systems complete with:

- regulating unit with mixing valve and 3-point actuator
- safety thermostat
- low temperature delivery manifold with built-in regulating valves
- low temperature return manifold with built-in shut-off valves
- painted sheet steel wall box

- Outlets: 3/4" EUROKONUS
- Centre line between ports: mm.50



ACCESSORIES:



PUMP

The pump will be supplied pre-assembled

Code	pump	€
2185 130	3-speed pump	130,01
2185 130EB	Electronic pump, class B	275,64
2185 130EA	Electronic pump, class A	385,95



ELECTRONIC CONTROLLER

Code	electronic regulation type	€
9610	hot and cold	1.245,65
9611	only hot	363,18

NB Pumps and control units are supplied only in combination with art. 3588

EUROKONUS

ART. 3588

Code	outlets	size	box sizes	€	box
3588 13405	5	1"x3/4"	800x500x150	1.052,36	1
3588 13406	6	1"x3/4"	800x500x150	1.076,75	1
3588 13407	7	1"x3/4"	900x500x150	1.135,04	1
3588 13408	8	1"x3/4"	900x500x150	1.162,58	1
3588 13409	9	1"x3/4"	1000x500x150	1.198,71	1
3588 13410	10	1"x3/4"	1000x500x150	1.275,73	1
3588 13411	11	1"x3/4"	1100x500x150	1.300,94	1
3588 13412	12	1"x3/4"	1100x500x150	1.356,22	1

Pre-assembled unit for underfloor heating systems complete with:

- regulating unit with mixing valve and 3-point actuator
- safety thermostat
- low temperature delivery manifold with flowmeters and flow-rate balancing valves
- low temperature return manifold with built-in shut-off valves
- painted sheet steel wall box

- Outlets: 3/4" EUROKONUS
- Centre line between ports: mm.50



ACCESSORIES:



PUMP

The pump will be supplied pre-assembled

Code	pump	€
2185 130	3-speed pump	130,01
2185 130EB	Electronic pump, class B	275,64
2185 130EA	Electronic pump, class A	385,95



ELECTRONIC CONTROLLER

Code	electronic regulation type	€
9610	hot and cold	1.245,65
9611	only hot	363,18

NB Pumps and control units are supplied only in combination with art. 3589

EUROKONUS

ART. 3589

Code	outlets	size	box sizes	€	box
3589 13405	5	1"x3/4"	800x500x150	1.092,39	1
3589 13406	6	1"x3/4"	800x500x150	1.124,38	1
3589 13407	7	1"x3/4"	900x500x150	1.187,73	1
3589 13408	8	1"x3/4"	900x500x150	1.220,32	1
3589 13409	9	1"x3/4"	1000x500x150	1.316,48	1
3589 13410	10	1"x3/4"	1000x500x150	1.349,69	1
3589 13411	11	1"x3/4"	1100x500x150	1.410,24	1
3589 13412	12	1"x3/4"	1100x500x150	1.442,83	1

Pre-assembled high and low temperature unit for underfloor heating systems complete with:

- regulating unit with mixing valve and 3-point actuator
- safety thermostat
- low temperature delivery manifold with built-in regulating valves
- low temperature return manifold with built-in shut-off valves
- high temperature distribution manifolds
- painted sheet steel wall box

- Outlets: 3/4" EUROKONUS
- Centre line between ports: mm.50



ACCESSORIES:



PUMP

The pump will be supplied pre-assembled

Code	pump	€
2185 130	3-speed pump	130,01
2185 130EB	Electronic pump, class B	275,64
2185 130EA	Electronic pump, class A	385,95



ELECTRONIC CONTROLLER

Code	electronic regulation type	€
9610	hot and cold	1.245,65
9611	only hot	363,18

NB Pumps and control units are supplied only in combination with art. 3590

EUROKONUS

ART. 3590

Code	floor outlets	radiator outlets	size	box sizes	€	box
3590 1340502	5	2	1"x3/4"	900x500x150	1.203,02	1
3590 1340602	6	2	1"x3/4"	900x500x150	1.222,22	1
3590 1340702	7	2	1"x3/4"	1000x500x150	1.322,66	1
3590 1340802	8	2	1"x3/4"	1000x500x150	1.341,74	1
3590 1340902	9	2	1"x3/4"	1100x500x150	1.383,07	1
3590 1341002	10	2	1"x3/4"	1100x500x150	1.431,25	1
3590 1341102	11	2	1"x3/4"	1200x500x150	1.502,25	1
3590 1340503	5	3	1"x3/4"	900x500x150	1.233,84	1
3590 1340603	6	3	1"x3/4"	1000x500x150	1.311,39	1
3590 1340703	7	3	1"x3/4"	1000x500x150	1.353,47	1
3590 1340803	8	3	1"x3/4"	1100x500x150	1.394,44	1
3590 1340903	9	3	1"x3/4"	1100x500x150	1.413,89	1
3590 1341003	10	3	1"x3/4"	1200x500x150	1.514,35	1

Pre-assembled high and low temperature unit for underfloor heating systems complete with:

- regulating unit with mixing valve and 3-point actuator
- safety thermostat
- low temperature delivery manifold with flowmeters and flow-rate balancing valves
- low temperature return manifold with built-in shut-off valves
- high temperature distribution manifolds
- painted sheet steel wall box

- Outlets: 3/4" EUROKONUS
- Centre line between ports: mm.50



ACCESSORIES:



PUMP

The pump will be supplied pre-assembled

Code	pump	€
2185 130	3-speed pump	130,01
2185 130EB	Electronic pump, class B	275,64
2185 130EA	Electronic pump, class A	385,95



ELECTRONIC CONTROLLER

Code	electronic regulation type	€
9610	hot and cold	1.245,65
9611	only hot	363,18

NB Pumps and control units are supplied only in combination with art. 3591

EUROKONUS

ART. 3591

Code	floor outlets	radiator outlets	size	box sizes	€	box
3591 1340502	5	2	1"x3/4"	900x500x150	1.218,28	1
3591 1340602	6	2	1"x3/4"	900x500x150	1.240,58	1
3591 1340702	7	2	1"x3/4"	1000x500x150	1.344,20	1
3591 1340802	8	2	1"x3/4"	1000x500x150	1.366,50	1
3591 1340902	9	2	1"x3/4"	1100x500x150	1.410,83	1
3591 1341002	10	2	1"x3/4"	1100x500x150	1.462,28	1
3591 1341102	11	2	1"x3/4"	1200x500x150	1.535,81	1
3591 1340503	5	3	1"x3/4"	900x500x150	1.249,12	1
3591 1340603	6	3	1"x3/4"	1000x500x150	1.329,77	1
3591 1340703	7	3	1"x3/4"	1000x500x150	1.375,04	1
3591 1340803	8	3	1"x3/4"	1100x500x150	1.419,29	1
3591 1340903	9	3	1"x3/4"	1100x500x150	1.441,69	1
3591 1341003	10	3	1"x3/4"	1200x500x150	1.544,84	1

2 wired thermo-electric actuator provided with selector. Suitable for installation on thermostatic valves and manifolds.

- NC = NORMALLY CLOSED
- NA = NORMALLY OPEN



N.B. For installation on thermostatic valves, use the chrome-plated adapter, art. 1941.

ART. 1909-1919-1929-1939

Code	voltage	opening time	type	€	box	carton
1909	24 V	180 s	NC	29,99	1	100
1919	230 V	180 s	NC	29,99	1	100
1929	24 V	180 s	NA	29,99	1	100
1939	230 V	180 s	NA	29,99	1	100

4 wired thermo-electric actuator with auxiliary micro-switch and selector. Suitable for installation on thermostatic valves and manifolds.

- NC = NORMALLY CLOSED



N.B. For installation on thermostatic valves, use the chrome-plated adapter, art. 1941.

ART. 1914-1924-1913-1923

Code	voltage	opening time	type	€	box	carton
1914	24 V	180 s	NC	32,26	1	100
1924	230 V	180 s	NC	32,26	1	100
1913	24 V	90 s	NC	34,73	1	100
1923	230 V	90 s	NC	34,73	1	100

Digital wall chrono-thermostat complete with daily programmable clock with 2 adjustable and pre-set temperature levels, battery operated.

- Summer/winter switch
- Programme range: 30 minutes
- 2 pre-set and adjustable programmes
- Complete with batteries



ART. 7945

Code	€	box	carton
7945	115,82	1	

Digital wall chrono-thermostat complete with weekly programmable clock on two adjustable and preset temperature levels, battery operated.

- Summer/winter switch
- Programme range: 30 minutes
- 3 preset and adjustable programmes
- Complete with batteries



ART. 7946

Code	€	box	carton
7946	115,82	1	

Electronic analog wall chrono-thermostat complete with weekly programmable clock with 2 adjustable and pre-set temperature levels, battery operated.

- Summer/winter switch
- Programme range: 60 minutes
- Switch with 4 functions:
 - antifreeze
 - comfort temperature
 - reduced manual temperature
 - automatic
- Complete with battery



ART. 7947

Code	€	box	carton
7947	144,94	1	

Electromechanical room thermostat complete with steam sensor.

- Diverting contact: 6(2)A 250V a.c.



ART. 7948

Code	€	box	carton
7948	16,01	1	

Electronic 230V room thermostat with steam sensor.

- OFF/summer/winter switch
- Diverting relay outlet: 6(1)A 250 V a.c.



ART. 7949

Code	€	box	carton
7949	48,41	1	

Chrome-plated flowmeter.

- Measuring scale: 1-3,5 litres/min.
- Measuring scale: 2-8 litres/min.
- Connection: 3/4" EUROKONUS

3/4" EUROKONUS connection →



ART. 3428

Code	l/min	€	box
3428 4	1 - 3,5	28,84	12
3428 8	2 - 8	28,84	12

Chrome-plated temperature gauge fitting.

- Connection: 3/4" EUROKONUS
- Temperature gauge: 0+80°C



← 3/4" EUROKONUS connection

ART. 3433

Code	size	€	box
3433 34	3/4"	15,13	1

Anti-condensate protection shell made of thermo-formed expanded polyethylene for thermoelectric manifolds.
(ART. 3913-3923-3914-3915-3911-3921-3917-3918)



ART. 9300

Code	outlets	size	€	box
9300 102	2	1"	12,77	1
9300 103	3	1"	13,28	1
9300 104	4	1"	13,81	1
9300 11402	2	1"1/4	13,27	1
9300 11403	3	1"1/4	13,87	1
9300 11202	2	1"1/2	13,45	1
9300 11203	3	1"1/2	15,36	1

Anti-condensate protection shell made of thermo-formed expanded polyethylene for intermediate connections (ART. 3438-3445).



ART. 9301

Code	size	€	box
9301 1	1"	12,53	1
9301 114	1"1/4	12,83	1
9301 112	1"1/2	13,81	1

End plug made of velcro for protection shell (ART. 9300) suitable for manifolds with built-in regulating valves (ART. 3923-3915-3921-3918).



ART. 9302

Code	outlets	size	€	box
9302 102	2	1"	5,35	1
9302 103	3	1"	5,83	1

Chrome-plated intermediate connection.

- Size: 1"-1"1/4 female-female



ART. 3430

Code	size	€	box	carton
3430 1	1"	7,18	10	80
3430 114	1"1/4	11,60	5	40

Chrome-plated intermediate connection for manifolds, preset for installation of air vent valve, temperature gauge and drain cock.

- Size: 1" male-female



ART. 3440

Code	size	€	box
3440 1	1"	11,59	80

Chrome-plated intermediate FLANGED connection. Provided with screws and O'RING for connection.

- Size: 1" female-female



ART. 3441

Code	size	€	box	carton
3441 1	1"x3/8"	9,67	10	80

Chrome-plated intermediate connection complete with air vent valve, temperature gauge and plug.

- Size: 1"-1"1/2 female-female
- Temperature gauge: 0÷80°C

ART. 3435

Code	size	€	box
3435 1	1"	24,16	1
3435 114	1"1/4	27,75	1
3435 112	1"1/2	35,65	1



Chrome-plated intermediate connection complete with air vent valve, thermo-manometer and plug.

- Size: 1"-1"1/4 female-female
- Thermo-manometer: 0+4 bar - 0+120°C



ART. 3436

Code	size	€	box
3436 1	1"	35,29	1
3436 114	1"1/4	38,75	1

Chrome-plated intermediate connection complete with automatic air vent valve, temperature gauge and boiler drain cock.

- Size: 1"-1"1/2 female-female
- Temperature gauge: 0÷80°C

ART. 3438

Code	size	€	box
3438 1	1"	30,11	1
3438 114	1"1/4	33,56	1
3438 112	1"1/2	41,31	1



Chrome-plated intermediate connection complete with automatic air vent valve, thermo-manometer and boiler drain cock.

- Size: 1"-1"1/4 female-female
- Thermo-manometer: 0+4 bar - 0+120°C



ART. 3442

Code	size	€	box
3442 1	1"	42,28	1
3442 114	1"1/4	45,74	1

Chrome-plated intermediate FLANGED connection, complete with automatic air vent valve, temperature gauge and plug.

- Provided with screws and O'RING for connection
- Size: 1" female-female
- Temperature gauge: 0÷80°C

ART. 3443

Code	size	€	box
3443 1	1"	26,10	1



Chrome-plated intermediate FLANGED connection complete with automatic air vent valve, thermo-manometer and plug.

- Provided with screws and O'RING for connection
- Size: 1" female-female
- Thermo-manometer: 0+4 bar - 0+120°C



ART. 3444

Code	size	€	box
3444 1	1"	36,54	1

Chrome-plated intermediate FLANGED connection complete with automatic air vent valve, temperature gauge and drain cock.

- Provided with screws and O'RING for connection
- Size: 1" female-female
- Temperature gauge: 0÷80°C

ART. 3445

Code	size	€	box
3445 1	1"	33,75	1



Chrome-plated intermediate FLANGED connection complete with automatic air vent valve, thermo-manometer and drain cock.

- Provided with screws and O'RING for connection
- Size: 1" female-female
- Thermo-manometer: 0+4 bar - 0+120°C



ART. 3446

Code	size	€	box
3446 1	1"	45,85	1

Chrome-plated temperature gauge fitting.

- Size: 1" male-female



ART. 3431

Code	size	€	box
3431 1	1"	6,01	5

Chrome-plated temperature gauge fitting.

- Size: 1" male-female
- Temperature gauge: 0+80°C



ART. 3432

Code	size	€	box
3432 1	1"	15,20	1

Chrome-plated terminal connection for manifolds. Double radial connection.

- Connection: 3/4" - 1" - 1"1/4 - 1"1/2 female
- Outlets: 1/2" x 1/2" female
3/8" x 1/2" female



ART. 4060

Code	size	outlets	€	box	carton
4060 3438	3/4"	3/8"x1/2"	5,01	25	250
4060 3412	3/4"	1/2"x1/2"	5,01	25	250
4060 138	1"	3/8"x1/2"	5,54	25	250
4060 112	1"	1/2"x1/2"	5,54	25	250
4060 11438	1"1/4	3/8"x1/2"	7,29	20	200
4060 11412	1"1/4	1/2"x1/2"	7,29	20	200
4060 11238	1"1/2	3/8"x1/2"	8,94		
4060 11212	1"1/2	1/2"x1/2"	8,94		

Chrome-plated terminal connection for manifolds, complete with automatic air vent valve and drain cock.

- Connection: 3/4" - 1" - 1"1/4 - 1"1/2 female
- Outlets: 3/8" x 1/2" female



ART. 4070

Code	size	outlets	€	box
4070 3438	3/4"	3/8"x1/2"	19,75	1
4070 138	1"	3/8"x1/2"	20,64	1
4070 11438	1"1/4	3/8"x1/2"	22,12	1
4070 11238	1"1/2	3/8"x1/2"	23,84	1

Chrome-plated terminal connection for manifolds. Double radial connection.

- Connection: 3/4" - 1" - 1"1/4 - 1"1/2 male
- Outlets: 1/2" x 1/2" female
3/8" x 1/2" female



ART. 4061

Code	size	outlets	€	box	carton
4061 3438	3/4"	3/8"x1/2"	5,42	25	250
4061 3412	3/4"	1/2"x1/2"	5,42	25	250
4061 138	1"	3/8"x1/2"	6,52	25	250
4061 112	1"	1/2"x1/2"	6,52	25	250
4061 11438	1"1/4	3/8"x1/2"	8,56	20	200
4061 11412	1"1/4	1/2"x1/2"	8,56	20	200
4061 11238	1"1/2	3/8"x1/2"	10,49		
4061 11212	1"1/2	1/2"x1/2"	10,49		

Chrome-plated terminal connection for manifolds, complete with automatic air vent valve and drain cock.

- Connection: 3/4" - 1" - 1"1/4 - 1"1/2 male
- Outlets: 3/8" x 1/2" female



ART. 4071

Code	size	outlets	€	box
4071 3438	3/4"	3/8"x1/2"	20,20	1
4071 138	1"	3/8"x1/2"	21,34	1
4071 11438	1"1/4	3/8"x1/2"	23,48	1
4071 11238	1"1/2	3/8"x1/2"	25,49	1

Chrome-plated boiler drain cock.



ART. 3439

Code	size	€	box
3439 12	1/2"	7,75	10

Brass boiler drain cock.



ART. 3447

Code	size	€	box
3447 12	1/2"	6,70	10

Adapter for plastic pipes complete with chrome-plated nut. Suitable for all our products with EUROKONUS connection.

Adapter for multilayer pipes complete with chrome-plated nut. Suitable for all our products with EUROKONUS connection.



ART. 6075

Code	nut	size	€	box	carton
6075 65851	1/2"	14x2	2,59	50	500
6075 58845	1/2"	16x2,2	2,59	50	500
6075 65847	3/4"	14x2	3,23	50	500
6075 58855	3/4"	16x2,2	3,23	50	500
6075 150283	3/4"	17x2	3,23	50	500
6075 825848	3/4"	20x2	3,23	50	500
6075 825846	3/4"	20x2,8	3,23	50	500
6075 288287	3/4"	21x2,4	3,23	50	500
6075 288286	3/4"	21x2,5	3,23	50	500
6075 288849	3/4"	21x3,5	3,23	50	500

ART. 6076

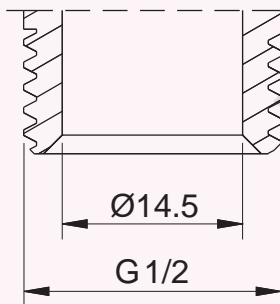
Code	nut	size	€	box	carton
6076 65803	1/2"	14x2	2,68	50	500
6076 58802	1/2"	16x2	2,68	50	500
6076 65850	3/4"	14x2	3,30	50	500
6076 823824	3/4"	16x2	3,30	50	500
6076 150875	3/4"	17x2	3,30	50	500
6076 44839	3/4"	18x2	3,30	50	500
6076 825826	3/4"	20x2	3,30	50	500
6076 825844	3/4"	20x2,5	3,30	50	500

EUROKONUS CONNECTIONS

Eurokonus connections are available for 1/2" and 3/4" sizes.

They permit connection of multilayer and plastic pipes to manifolds by means of adapters:

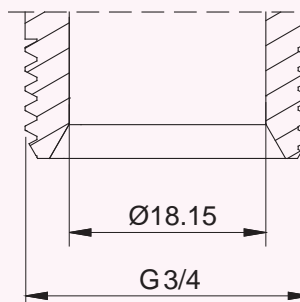
- Art. 6075 for plastic pipe
- Art. 6076 for multilayer pipe



1/2" EUROKONUS CONNECTION

Available for the following manifolds:

3466-3467-3468-3475-3525-3575-3625-3675-3725-3580-3581-3818-3819-3821-3822-3823-3824-3859-3860-3869-3870-3872-3873-3911-3921-3928-3980-3981



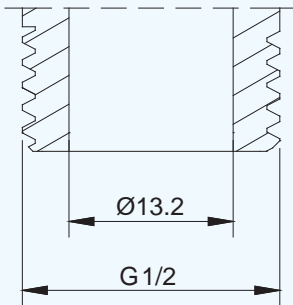
3/4" EUROKONUS CONNECTION

Available for the following manifolds:

3466-3467-3468-3469-3470-3471-3485-3486-3487-3488-3580-3581-3582-3583-3584-3585-3586-3587-3588-3589-3590-3591-3625-3675-3725-3821-3822-3824-3860-3870-3873-3911-3917-3918-3919-3921-3928-3980-3981-3982-3983

FLAT-FACED CONNECTION

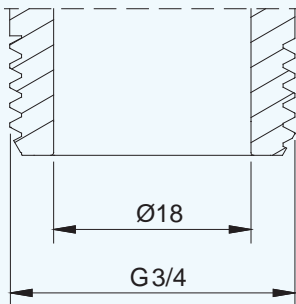
This kind of connection has a flat base on the thread head, which provides support for a flat gasket. It is available in 1/2" and 3/4" sizes.



1/2" FLAT-FACED CONNECTION

Available for the following manifolds:

3175-3225-3275-3475-3525-3575-3625-3675-3725-3821-3822-3823-3824-3818-3819-3859-3860-3869-3870-3872-3873



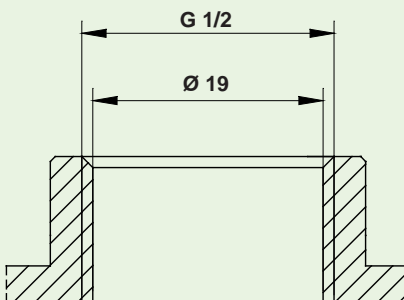
3/4" FLAT-FACED CONNECTION

Available for the following manifolds:

3625-3675-3725-3821-3822-3824-3860-3870-3873

IRON FEMALE CONNECTION

It is the normal female connection for iron pipe with BSP thread. It is available with 1/2" size .



1/2" IRON FEMALE CONNECTION

Available for the following manifolds:

3150-3200-3250-3450-3500-3550-3600-3650-3700-3710

MULTIFAR - 2 port chrome-plated modular manifold for both domestic services and heating systems. Complete with manual controls. Each port is equipped with 2 silk-screen printed discs for circuit identification.

- Side connections: 3/4" - 1" male-female
- Outlets: 1/2"-3/4" male
- Centre line between ports: 45 mm

• **AVAILABLE WITH EUROKONUS OR FLAT-FACED CONNECTION**



ART. 3821

Code	outlets	size	€	box	carton
3821 3412	1/2"	3/4"	16,73	1	25
3821 112	1/2"	1"	19,23	1	25
3821 134	3/4"	1"	19,40	1	25

MULTIFAR - 3 port chrome-plated modular manifold for both domestic services and heating systems. Complete with manual controls. Each port is equipped with 2 silk-screen printed discs for circuit identification

- Side connections: 3/4" - 1" male-female
- Outlets: 1/2"-3/4" male
- Centre line between ports: 45 mm

• **AVAILABLE WITH EUROKONUS OR FLAT-FACED CONNECTION**



ART. 3822

Code	outlets	size	€	box	carton
3822 3412	1/2"	3/4"	23,10	1	25
3822 112	1/2"	1"	25,71	1	25
3822 134	3/4"	1"	25,99	1	25

MULTIFAR - 4 port chrome-plated modular manifold for both domestic services and heating systems. Complete with manual controls. Each port is equipped with 2 silk-screen printed discs for circuit identification.

- Side connections: 3/4" female-female
- Outlets: 1/2" male
- Centre line between ports: 45 mm

• **AVAILABLE WITH EUROKONUS OR FLAT-FACED CONNECTION**



ART. 3823

Code	outlets	size	€	box	carton
3823 3412	1/2"	3/4"	30,28	1	25

MULTIFAR - 4 port chrome-plated modular manifold for both domestic services and heating systems. Complete with manual controls. Each port is equipped with 2 silk-screen printed discs for circuit identification.

- Side connections: 3/4" - 1" male-female
- Outlets: 1/2"-3/4" male
- Centre line between ports: 45 mm

• **AVAILABLE WITH EUROKONUS OR FLAT-FACED CONNECTION**



ART. 3824

Code	outlets	size	€	box	carton
3824 3412	1/2"	3/4"	30,28	1	25
3824 112	1/2"	1"	34,03	1	25
3824 134	3/4"	1"	34,37	1	25

MULTIFAR - 2 port chrome-plated modular manifold for both domestic services and heating systems. Complete with manual controls. Each port is equipped with 2 silk-screen printed discs for circuit identification.

- Side connection: 3/4" female
- Outlets: 1/2" male
- Centre line between ports: 45 mm

• **AVAILABLE WITH EUROKONUS OR FLAT-FACED CONNECTION**



ART. 3818

Code	outlets	size	€	box	carton
3818 3412	1/2"	3/4"	16,73	1	25

MULTIFAR - 3 port chrome-plated modular manifold for both domestic services and heating systems. Complete with manual controls. Each port is equipped with 2 silk-screen printed discs for circuit identification.

- Side connection: 3/4" female
- Outlets: 1/2" male
- Centre line between ports: 45 mm

• **AVAILABLE WITH EUROKONUS OR FLAT-FACED CONNECTION**



ART. 3819

Code	outlets	size	€	box	carton
3819 3412	1/2"	3/4"	23,10	1	25

MULTIFAR - 2 port chrome-plated modular manifold for both domestic services and heating systems. Complete with regulating valves.

- Side connections: 3/4" - 1" male-female
- Outlets: 1/2"-3/4" male
- Centre line between ports: 45 mm
- **AVAILABLE WITH EUROKONUS OR FLAT-FACED CONNECTION**



ART. 3860

Code	outlets	size	€	box	carton
3860 3412	1/2"	3/4"	16,10	1	25
3860 112	1/2"	1"	18,59	1	25
3860 134	3/4"	1"	18,77	1	25

MULTIFAR - 3 port chrome-plated modular manifold for both domestic services and heating systems. Complete with regulating valves.

- Side connections: 3/4" - 1" male-female
- Outlets: 1/2"-3/4" male
- Centre line between ports: 45 mm
- **AVAILABLE WITH EUROKONUS OR FLAT-FACED CONNECTION**



ART. 3870

Code	outlets	size	€	box	carton
3870 3412	1/2"	3/4"	22,18	1	25
3870 112	1/2"	1"	24,79	1	25
3870 134	3/4"	1"	25,06	1	25

MULTIFAR - 4 port chrome-plated modular manifold for both domestic services and heating systems. Complete with regulating valves.

- Side connections: 3/4" female-female
- Outlets: 1/2" male
- Centre line between ports: 45 mm
- **AVAILABLE WITH EUROKONUS OR FLAT-FACED CONNECTION**



ART. 3872

Code	outlets	size	€	box	carton
3872 3412	1/2"	3/4"	29,05	1	25

MULTIFAR - 4 port chrome-plated modular manifold for both domestic services and heating systems. Complete with regulating valves.

- Side connections: 3/4" - 1" male-female
- Outlets: 1/2"-3/4" male
- Centre line between ports: 45 mm
- **AVAILABLE WITH EUROKONUS OR FLAT-FACED CONNECTION**



ART. 3873

Code	outlets	size	€	box	carton
3873 3412	1/2"	3/4"	29,05	1	25
3873 112	1/2"	1"	32,79	1	25
3873 134	3/4"	1"	33,14	1	25

MULTIFAR - 2 port chrome-plated modular manifold for both domestic services and heating systems. Complete with regulating valves.

- Side connection: 3/4" female
- Outlets: 1/2" male
- Centre line between ports: 45 mm
- **AVAILABLE WITH EUROKONUS OR FLAT-FACED CONNECTION**



ART. 3859

Code	outlets	size	€	box	carton
3859 3412	1/2"	3/4"	16,10	1	25

MULTIFAR - 3 port chrome-plated modular manifold for both domestic services and heating systems. Complete with regulating valves.

- Side connection: 3/4" female
- Outlets: 1/2" male
- Centre line between ports: 45 mm
- **AVAILABLE WITH EUROKONUS OR FLAT-FACED CONNECTION**



ART. 3869

Code	outlets	size	€	box	carton
3869 3412	1/2"	3/4"	22,18	1	25

Chrome-plated manifold.

- Side connection: 3/4"-1" female
- Outlets: 1/2" female
- Centre line between ports: 36 mm



ART. 3150 - 3200 - 3250

Code	outlets	size	€	box	carton
3150 34	2	3/4"	6,07	14	140
3150 1	2	1"	7,26	12	120
3200 34	3	3/4"	8,28	10	100
3200 1	3	1"	9,57	8	80
3250 34	4	3/4"	10,66	8	80
3250 1	4	1"	13,09	6	60

Chrome-plated modular manifold.

- Side connections: 3/4"-1" male-female
- Outlets: 1/2" female
- Centre line between ports: 36 mm



ART. 3450 - 3500 - 3550

Code	outlets	size	€	box	carton
3450 34	2	3/4"	6,61	12	120
3450 1	2	1"	7,78	10	100
3500 34	3	3/4"	9,45	9	90
3500 1	3	1"	10,89	7	70
3550 34	4	3/4"	11,29	8	80
3550 1	4	1"	13,07	6	60

Chrome-plated modular manifold.

- Side connections: 3/4"-1"-1"1/4 male - female
- Outlets: 1/2" female
- Centre line between ports: 50 mm



ART. 3600 - 3650 - 3700

Code	outlets	size	€	box	carton
3600 34	2	3/4"	8,03	12	120
3600 1	2	1"	9,29	8	80
3600 114	2	1"1/4	13,25	8	80
3650 34	3	3/4"	11,00	8	80
3650 1	3	1"	12,64	6	60
3650 114	3	1"1/4	19,69	6	60
3700 34	4	3/4"	14,09	6	60
3700 1	4	1"	16,32	4	40
3700 114	4	1"1/4	23,15	4	40

Chrome-plated modular FLANGED manifold complete with screws and O'RING for connection.

- Side connections: 1" female-female
- Outlets: 1/2" female
- Centre line between ports: 50 mm



ART. 3710

Code	outlets	size	€	box
3710 102	2	1"	13,27	1
3710 103	3	1"	16,97	1
3710 104	4	1"	28,67	1
3710 105	5	1"	32,32	1
3710 106	6	1"	35,96	1
3710 107	7	1"	47,49	1
3710 108	8	1"	51,14	1
3710 109	9	1"	54,78	1
3710 110	10	1"	65,73	1
3710 111	11	1"	69,35	1
3710 112	12	1"	72,98	1

Chrome-plated manifold.

- Side connection: 3/4"-1" female
- Outlets: 1/2" male
- Centre line between ports: 36 mm
- **AVAILABLE WITH FLAT-FACED CONNECTION**



ART. 3175 - 3225 - 3275

Code	outlets	size	€	box	carton
3175 34	2	3/4"	5,84	14	140
3175 1	2	1"	6,98	12	120
3225 34	3	3/4"	8,28	10	100
3225 1	3	1"	9,20	8	80
3275 34	4	3/4"	10,66	8	80
3275 1	4	1"	12,59	6	60

Chrome-plated modular manifold.

- Side connections: 3/4"-1" male-female
- Outlets: 1/2" male
- Centre line between ports: 36 mm
- **AVAILABLE WITH FLAT-FACED CONNECTION**



ART. 3475 - 3525 - 3575

Code	outlets	size	€	box	carton
3475 34	2	3/4"	6,61	12	120
3475 1	2	1"	7,78	10	100
3525 34	3	3/4"	9,09	9	90
3525 1	3	1"	10,89	7	70
3575 34	4	3/4"	11,29	8	80
3575 1	4	1"	13,07	6	60

Chrome-plated modular manifold.

- Side connections: 3/4" male-female
- Outlets: 1/2" male
- Side connections: 1"-1"1/4 male-female
- Outlets: 1/2"-3/4" male
- Centre line between ports: 50 mm
- **AVAILABLE WITH EUROKONUS OR FLAT-FACED CONNECTION**



ART. 3625 - 3675 - 3725

Code	outlets	size	€	box	carton
3625 3412	2 - 1/2"	3/4"	8,03	12	120
3625 112	2 - 1/2"	1"	9,29	8	80
3625 134	2 - 3/4"	1"	9,46	8	80
3625 11412	2 - 1/2"	1"1/4	13,25	8	80
3625 11434	2 - 3/4"	1"1/4	13,42	8	80
3675 3412	3 - 1/2"	3/4"	11,00	8	80
3675 112	3 - 1/2"	1"	12,64	6	60
3675 134	3 - 3/4"	1"	12,90	6	60
3675 11412	3 - 1/2"	1"1/4	18,93	6	60
3675 11434	3 - 3/4"	1"1/4	19,18	6	60
3725 3412	4 - 1/2"	3/4"	14,09	6	60
3725 112	4 - 1/2"	1"	16,32	4	40
3725 134	4 - 3/4"	1"	16,68	4	40
3725 11412	4 - 1/2"	1"1/4	23,15	4	40
3725 11434	4 - 3/4"	1"1/4	23,49	4	40

Chrome-plated STRAIGHT terminal blanking plug for modular manifolds complete with gasket.

- Connection: 3/4"-1" female
- Outlets: 1/4"-3/8"-1/2" female
- Connection: 1"1/4 female
- Outlets: 1/4"-3/8"-1/2" female



ART. 4000

Code	size	€	box	carton
4000 3414	3/4"x1/4"	2,19	30	300
4000 3438	3/4"x3/8"	2,19	30	300
4000 3412	3/4"x1/2"	2,19	30	300
4000 114	1"x1/4"	2,86	30	300
4000 138	1"x3/8"	2,86	30	300
4000 112	1"x1/2"	2,86	30	300
4000 11414	1"1/4x1/4"	3,17	25	250
4000 11438	1"1/4x3/8"	3,17	25	250
4000 11412	1"1/4x1/2"	3,17	25	250

Chrome-plated ANGLED terminal blanking plug for modular manifolds.

- Connection: 3/4"-1" - 1"1/4 female
- Outlets: 1/4"-3/8"-1/2" female



ART. 4050

Code	size	€	box	carton
4050 3414	3/4"x1/4"	3,24	30	240
4050 3438	3/4"x3/8"	3,24	30	240
4050 3412	3/4"x1/2"	3,24	30	240
4050 114	1"x1/4"	4,07	30	180
4050 138	1"x3/8"	4,07	30	180
4050 112	1"x1/2"	4,07	30	180
4050 11438	1"1/4x3/8"	5,41	30	180
4050 11412	1"1/4x1/2"	5,41	30	180

Chrome-plated blind cap complete with gasket.



ART. 4100

Code	size	€	box	carton
4100 12	1/2"	1,10	50	500
4100 34	3/4"	1,66	40	400
4100 1	1"	2,24	30	300
4100 114	1"1/4	2,82	30	300
4100 112	1"1/2	4,66	15	240

Chrome-plated male plug for manifold outlets.



ART. 4125

Code	size	€	box	carton
4125 12	1/2"	0,91	30	

Chrome-plated terminal blanking plug with O'RING seal for manifolds.



ART. 4150

Code	size	€	box	carton
4150 34	3/4"	1,91	25	250
4150 1	1"	2,23	25	250
4150 114	1"1/4	3,69	25	250
4150 112	1"1/2	6,04	10	100

Chrome-plated terminal blanking reduction with O'RING seal for manifolds with connection for air vent valve.



ART. 4200

Code	size	€	box	carton
4200 3414	3/4"x1/4"	2,06	25	250
4200 3438	3/4"x3/8"	2,06	25	250
4200 3412	3/4"x1/2"	2,24	25	250
4200 114	1"x1/4"	2,37	25	250
4200 138	1"x3/8"	2,37	25	250
4200 112	1"x1/2"	2,56	25	250
4200 11412	1"1/4x1/2"	3,63	25	250
4200 1121	1"1/2x1"	6,34	10	100

End closing plug for flanged manifolds.



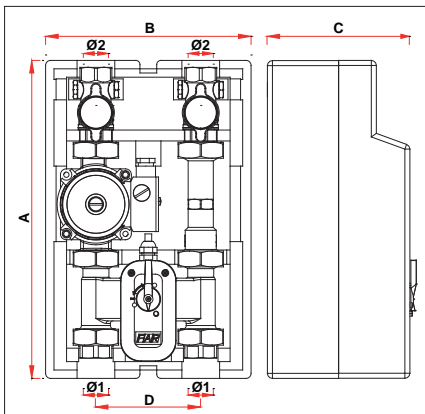
ART. 4310

Code	size	€	box
4310 1	1"	3,00	30

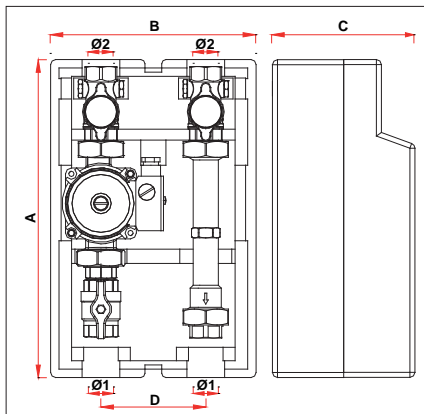


Dimensional sheets

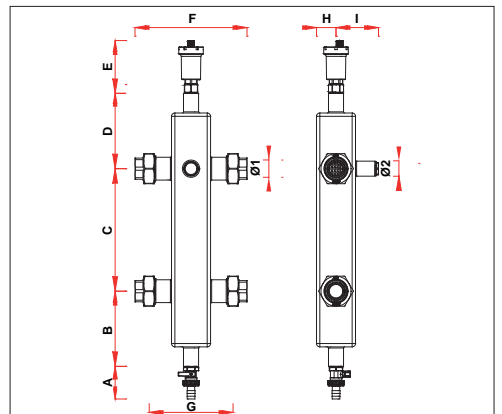
Components for central heat	Page 231
Zone valves	Page 234
Manifolds	Page 235
Valves for radiators	Page 244
PRESSFAR fittings	Page 249
Mechanical compression fittings	Page 252



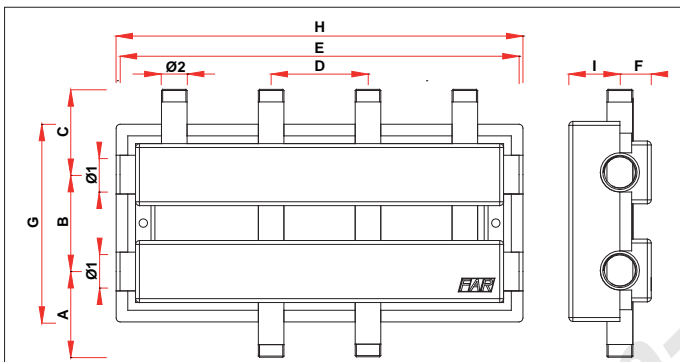
CODE	Ø1	Ø2	A	B	C	D
2170 1130	G1	G1	379	245	170	125
2170 1180	G1	G1	429	245	170	125



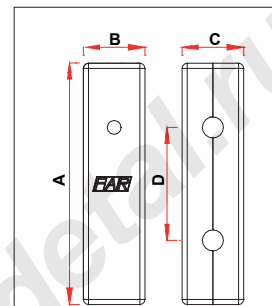
CODE	Ø1	Ø2	A	B	C	D
2171 1130	G1	G1	379	245	170	125
2171 1180	G1	G1	429	245	170	125



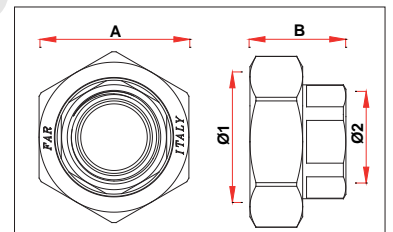
CODE	Ø1	Ø2	A	B	C	D	E	F	G	H	I
2160 1	G1	G1/2	59	135	220	135	95	201	150	35	77
2160 114	G1 1/4	G1/2	59	145	240	145	95	236	180	40	81
2160 112	G1 1/2	G1/2	59	155	260	155	95	264	200	50	91
2160 2	G2	G1/2	59	185	320	185	95	335	220	60	101



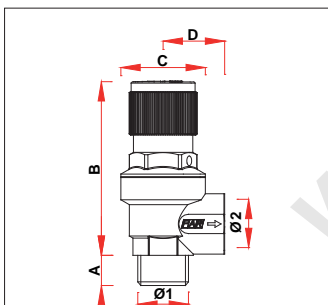
CODE	Ø1	Ø2	A	B	C	D	E	F	G	H	I
2190-2191 11402	G1 1/4	G1	110	125	110	125	515	40	255	525	65
2190-2191 11403	G1 1/4	G1	110	125	110	125	765	40	255	775	65



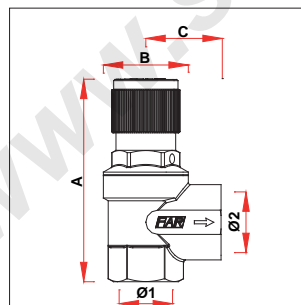
CODE	A	B	C	D
2165 1	470	120	120	220
2165 114	510	130	130	240
2165 112	550	150	150	260
2165 2	670	170	170	320



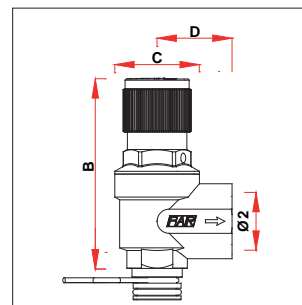
CODE	Ø1	Ø2	A	B
8343-8346 1	G1 1/2	G1	54	35
8343-8346 114	G2	G1 1/4	68	40
8343-8346 112	G2 1/4	G1 1/2	74	45
8343-8346 2	G2 1/4	G2	74	68



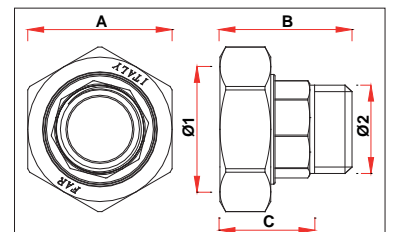
CODE	Ø1	Ø2	A	B	C	D
2004 1212xx	G1/2	G1/2	13	72	35	26
2004 1234xx	G1/2	G3/4	13	79	35	31



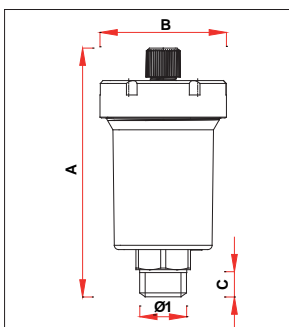
CODE	Ø1	Ø2	A	B	C
2005 1212xx	G1/2	G1/2	80	35	26
2005 1234xx	G1/2	G3/4	84	35	31
2005 3434xx	G3/4	G3/4	84	35	31
2006 1234xx	G1/2	G3/4	84	35	31



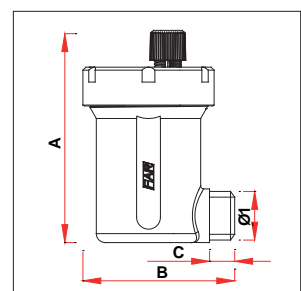
CODE	Ø2	A	B	C
2007 3430	G3/4	79	35	31



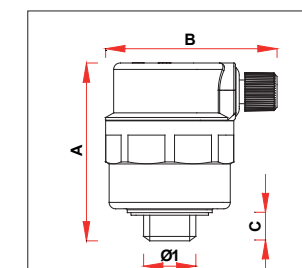
CODE	Ø1	Ø2	A	B	C
8342-8345 34	G1 1/2	G3/4	54	50	35
8342-8345 1	G1 1/2	G1	54	50	36
8342-8345 114	G1 1/2	G1 1/4	54	51	34
8344 1	G1 1/2	G1	54	50	36



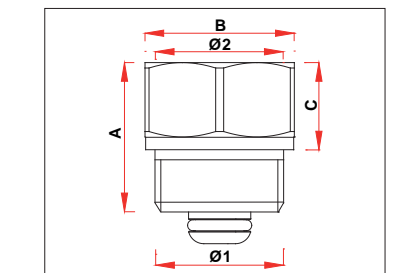
CODE	Ø1	A	B	C
2045-2050 14	G1/4	86	44	9
2045-2050 38	G3/8	87	44	10
2045-2050 12	G1/2	89	44	12
2045-2050 34	G3/4	91	44	12



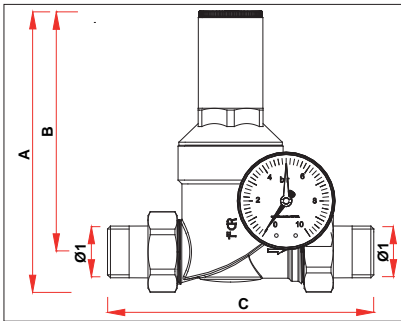
CODE	Ø1	A	B	C
2055-2060 14	G1/4	71	52	9
2055-2060 38	G3/8	71	53	10
2055-2060 12	G1/2	71	56	12
2055-2060 34	G3/4	71	56	12



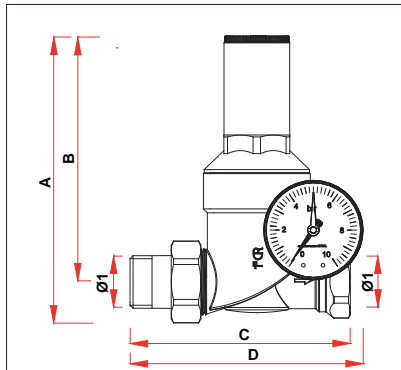
CODE	Ø1	A	B	C
2040-2043 38	G3/8	57	54	9
2040-2043 12	G1/2	57	54	9



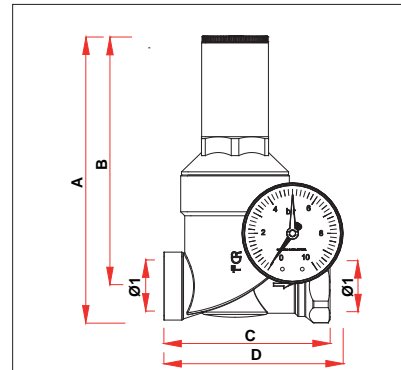
CODE	Ø1	Ø2	A	B	C
2075 3814	G3/8	G1/4	21	17	12
2075-2080 38	G3/8	G3/8	23	20	14
2075-2080 3812	G1/2	G3/8	24	22	14
2075-2080 12	G1/2	G1/2	24	24	14



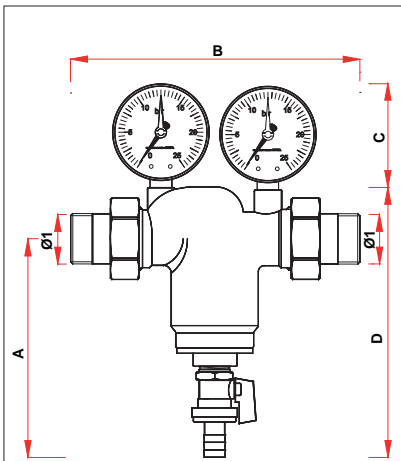
CODE	Ø1	A	B	C
2805 12	G1/2	137	121	140
2815 12	G1/2	137	121	140
2805 34	G3/4	142	121	152
2815 34	G3/4	142	121	152
2805 1	G1	185	158	170
2815 1	G1	185	158	170
2805 114	G1 1/4	190	158	188
2815 114	G1 1/4	190	158	188
2805 112	G1 1/2	198	161	208
2815 112	G1 1/2	198	161	208
2805 2	G2	201	161	228
2815 2	G2	201	161	228



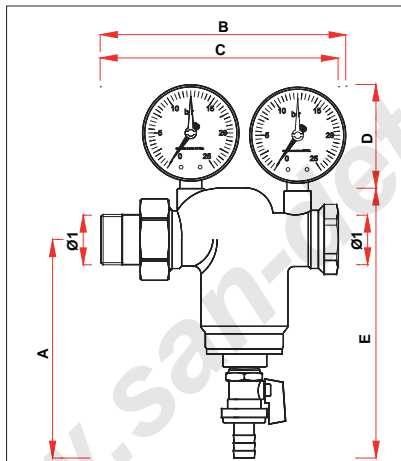
CODE	Ø1	A	B	C	D
2825 12	G1/2	137	121	115	127
2835 12	G1/2	137	121	115	127
2825 34	G3/4	142	121	126	130
2835 34	G3/4	142	121	126	130
2825 1	G1	185	158	140	155
2835 1	G1	185	158	140	155



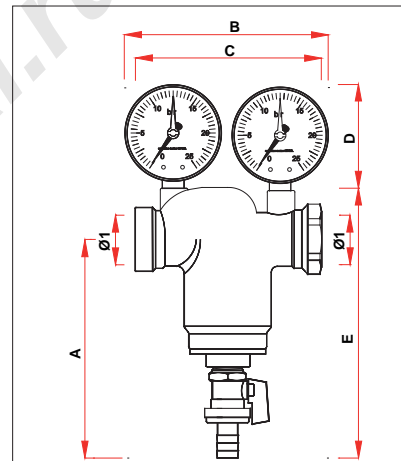
CODE	Ø1	A	B	C	D
2845 12	G1/2	136	121	87	97
2855 12	G1/2	136	121	87	97
2845 34	G3/4	137	121	95	101
2855 34	G3/4	137	121	95	101
2845 1	G1	180	158	104	113
2855 1	G1	180	158	104	113



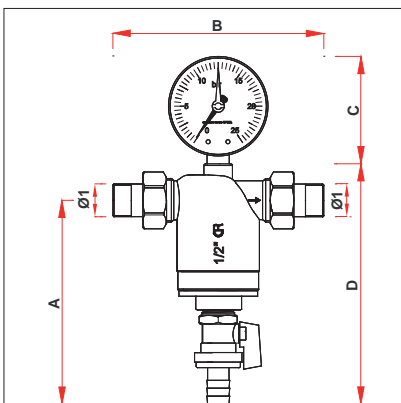
CODE	Ø1	A	B	C	D
3930 34	G3/4	125	180	--	154
3931 34	G3/4	125	180	70	154
3932 34	G3/4	125	180	--	154
3933 34	G3/4	125	180	70	154
3930 1	G1	140	190	--	175
3931 1	G1	140	190	70	175
3932 1	G1	140	190	--	175
3933 1	G1	140	190	70	175
3930 114	G1 1/4	150	200	--	186
3931 114	G1 1/4	150	200	70	186
3932 114	G1 1/4	150	200	--	186
3933 114	G1 1/4	150	200	70	186



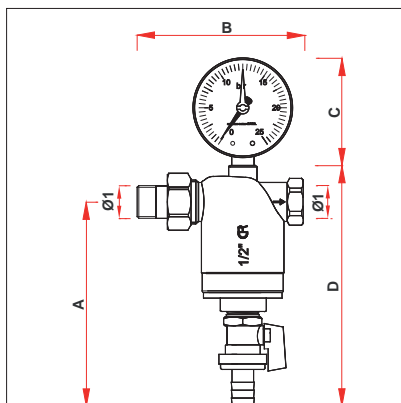
CODE	Ø1	A	B	C	D	E
3934 34	G3/4	125	--	153	--	154
3935 34	G3/4	125	156	153	70	154
3936 34	G3/4	125	--	153	--	154
3937 34	G3/4	125	156	153	70	154
3934 1	G1	140	--	156	--	175
3935 1	G1	140	162	156	70	175
3936 1	G1	140	--	156	--	175
3937 1	G1	140	162	156	70	175
3934 114	G1 1/4	150	--	165	--	186
3935 114	G1 1/4	150	163	165	70	186
3936 114	G1 1/4	150	--	165	--	186
3937 114	G1 1/4	150	163	165	70	186



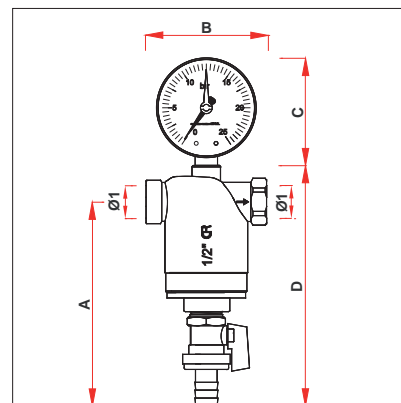
CODE	Ø1	A	B	C	D	E
3938 34	G3/4	125	--	122	--	154
3939 34	G3/4	125	132	122	70	154
3940 34	G3/4	125	--	122	--	154
3941 34	G3/4	125	132	122	70	154
3938 1	G1	140	--	122	--	175
3939 1	G1	140	132	122	70	175
3940 1	G1	140	--	122	--	175
3941 1	G1	140	132	122	70	175
3938 114	G1 1/4	150	--	126	--	186
3939 114	G1 1/4	150	132	126	70	186
3940 114	G1 1/4	150	--	126	--	186
3941 114	G1 1/4	150	132	126	70	186



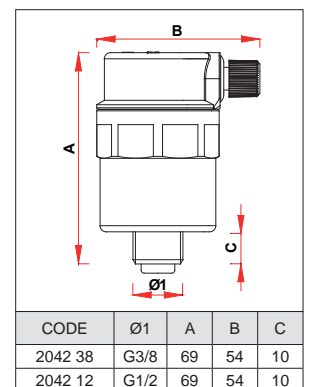
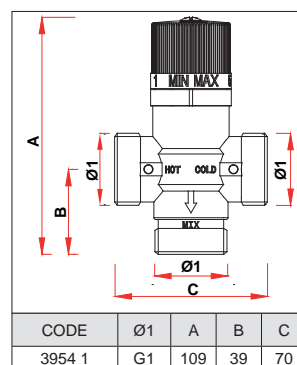
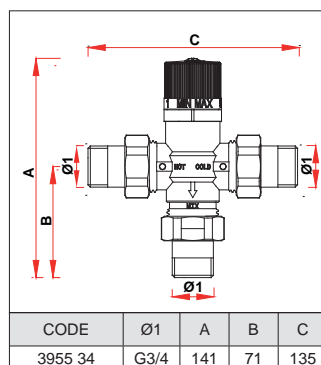
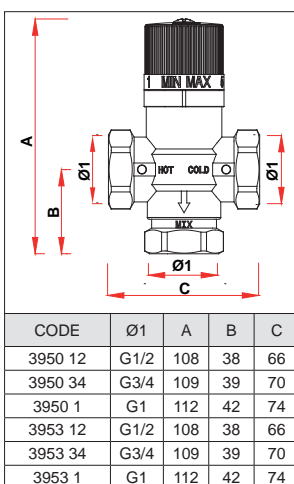
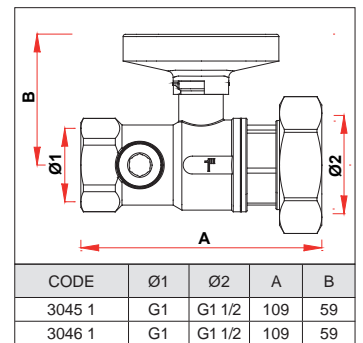
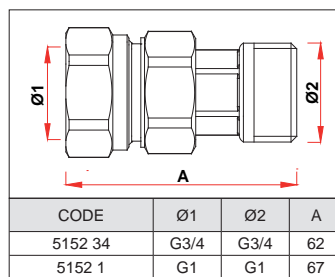
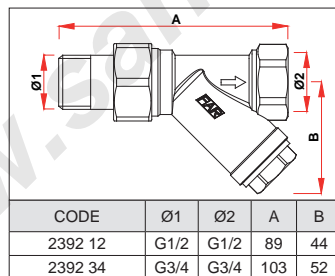
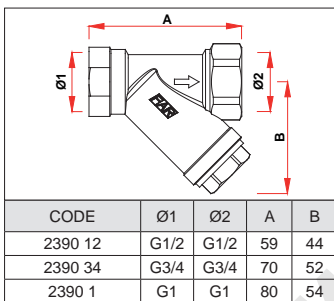
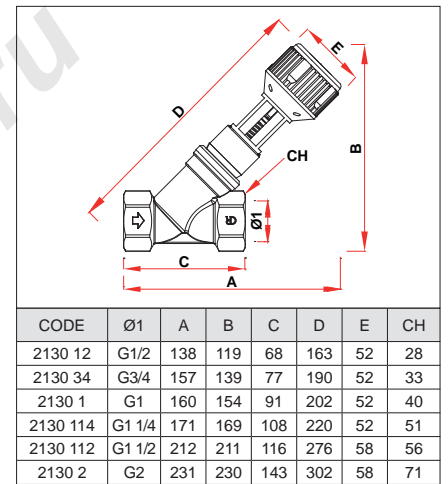
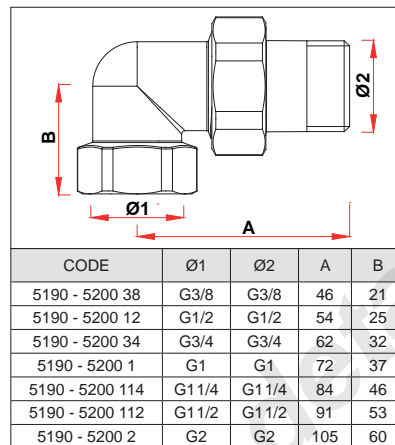
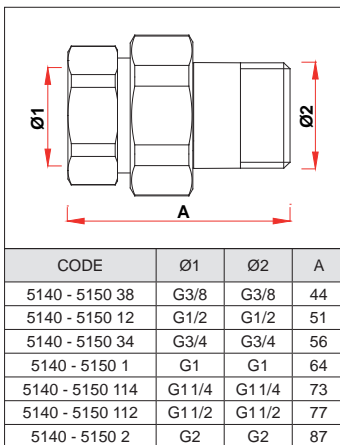
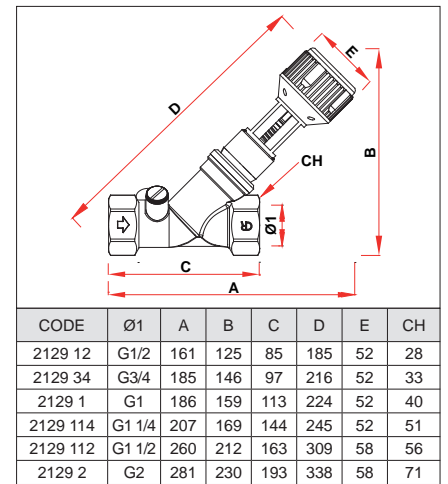
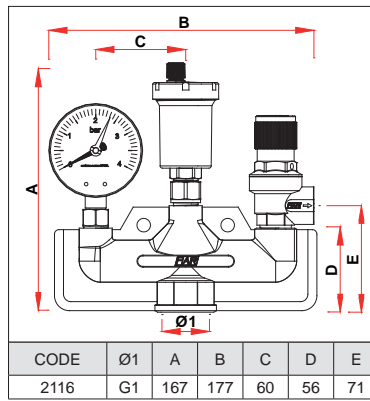
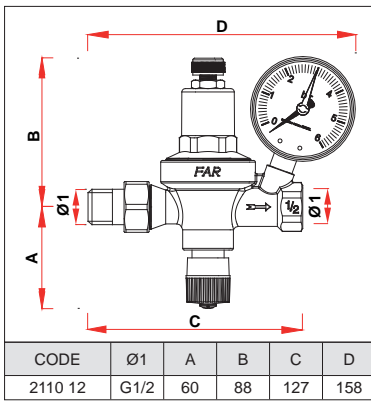
CODE	Ø1	A	B	C	D
3943 12	G1/2	126	132	--	150
3944 12	G1/2	126	132	70	150

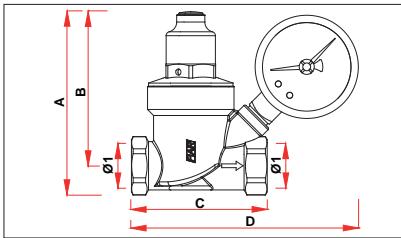


CODE	Ø1	A	B	C	D
3945 12	G1/2	126	102	--	150
3946 12	G1/2	126	102	70	150

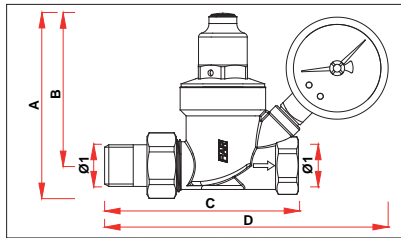


CODE	Ø1	A	B	C	D
3947 12	G1/2	126	75	--	150
3948 12	G1/2	126	75	70	150

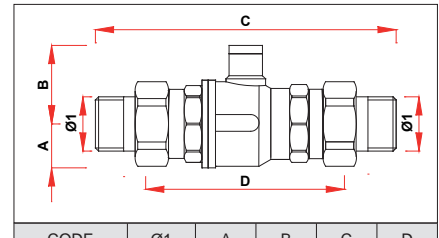




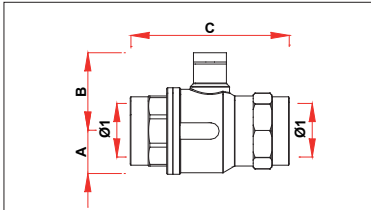
CODE	Ø1	A	B	C	D
2868-2870 12	G1/2	91	77	68	-
2868-2870 34	G3/4	93	77	71	-
2869-2871 12	G1/2	91	77	68	113
2869-2871 34	G3/4	93	77	71	115



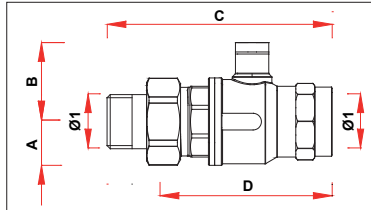
CODE	Ø1	A	B	C	D
2864-2866 12	G1/2	93	77	98	-
2864-2866 34	G3/4	96	77	102	-
2865-2867 12	G1/2	93	77	98	143
2865-2867 34	G3/4	96	77	102	146



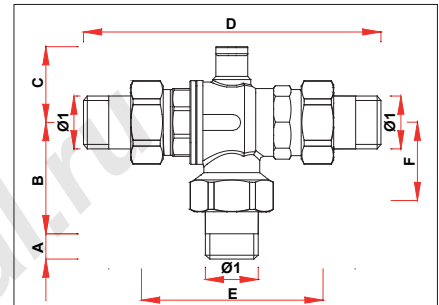
CODE	Ø1	A	B	C	D
3015 12	G1/2	16	33	135	75
3015 34	G3/4	21	38	149	84
3015 1	G1	26	42	168	94
3015 114	G1 1/4	31	47	189	107
3015 112	G1 1/2	35	53	201	112
3015 2	G2	43	61	227	128



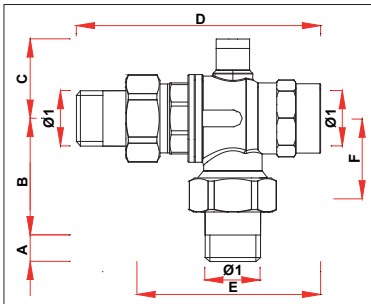
CODE	Ø1	A	B	C
3016 12	G1/2	16	33	64
3016 34	G3/4	21	38	77
3016 1	G1	26	42	90
3016 112	G1 1/2	35	53	110
3016 2	G2	43	61	129



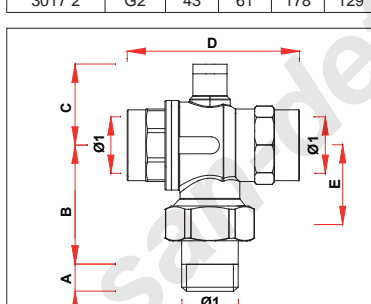
CODE	Ø1	A	B	C	D
3017 12	G1/2	16	33	100	70
3017 34	G3/4	21	38	113	80
3017 1	G1	26	42	130	92
3017 114	G1 1/4	31	47	147	106
3017 112	G1 1/2	35	53	156	111
3017 2	G2	43	61	178	129



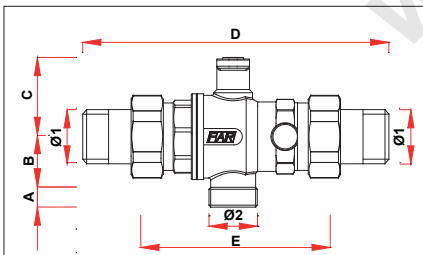
CODE	Ø1	A	B	C	D	E	F
3020 12	G1/2	11	48	33	135	75	28
3020 34	G3/4	13	56	38	149	84	36
3020 1	G1	16	63	42	170	94	41
3020 114	G1 1/4	18	71	47	189	107	48
3020 112	G1 1/2	19	78	53	202	113	52
3020 2	G2	22	90	61	227	129	63
3032 12	G1/2	11	48	33	135	75	28
3032 34	G3/4	13	56	38	149	84	36
3032 1	G1	16	63	42	170	94	41
3032 114	G1 1/4	18	71	47	189	107	48



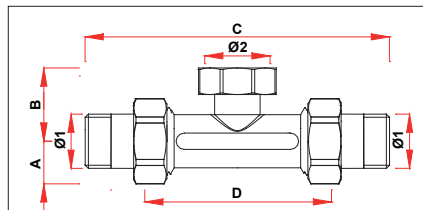
CODE	Ø1	A	B	C	D	E	F
3022 12	G1/2	11	48	33	100	70	28
3022 34	G3/4	13	56	38	113	80	36
3022 1	G1	16	63	42	130	92	41
3022 114	G1 1/4	18	71	47	147	106	48
3022 112	G1 1/2	19	78	53	158	113	52
3022 2	G2	22	90	61	178	129	63



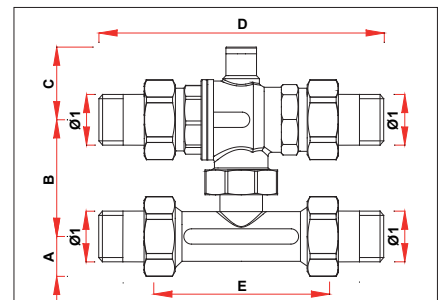
CODE	Ø1	A	B	C	D	E
3021 12	G1/2	11	48	33	64	28
3021 34	G3/4	13	56	38	77	36
3021 1	G1	16	63	42	90	41
3021 112	G1 1/2	119	78	53	112	52
3021 2	G2	22	90	61	129	63



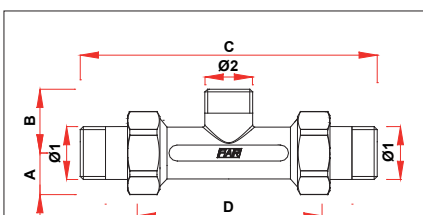
CODE	Ø1	Ø2	A	B	C	D	E
3031 34	G3/4	24x19	10	25	38	149	84
3031 1	G1	24x19	11	63	42	170	94



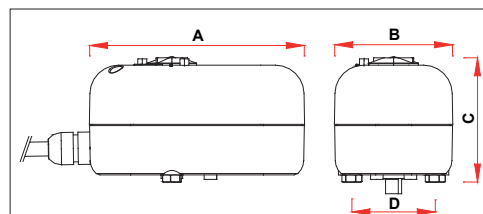
CODE	Ø1	Ø2	A	B	C	D
3026 34	G3/4	G1	21	36	149	84
3026 1	G1	G1 1/4	26	32	170	94



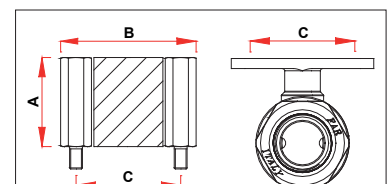
CODE	Ø1	A	B	C	D	E
3025 34	G3/4	21	52-63	38	149	84
3025 1	G1	26	52-63	42	170	94



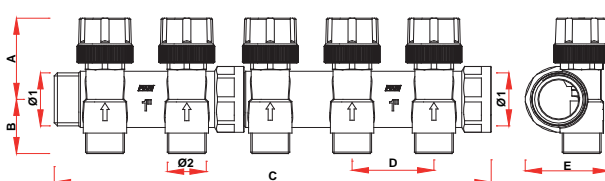
CODE	Ø1	Ø2	A	B	C	D
3027 34	G3/4	24x19	21	32	149	84
3027 1	G1	24x19	26	46	170	94



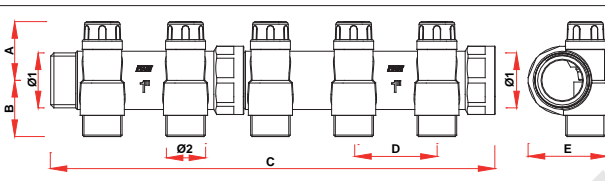
CODE	A	B	C	D	CODE	A	B	C	D
3001	120	66	73	47	3007	120	66	73	47
3002	120	66	73	47	3008	120	66	73	47
3005	120	66	73	47	3010	120	66	73	47
3006	120	66	73	47	3011	120	66	73	47



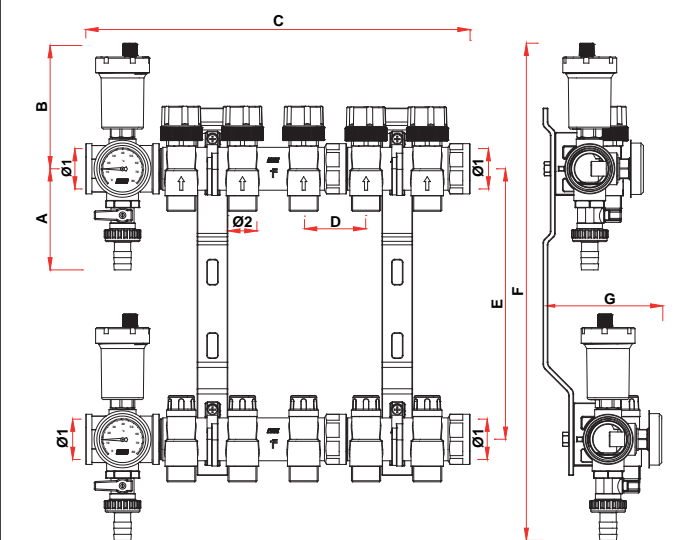
CODE	A	B	C
3009 40	40	60	47
3009 100	100	60	47



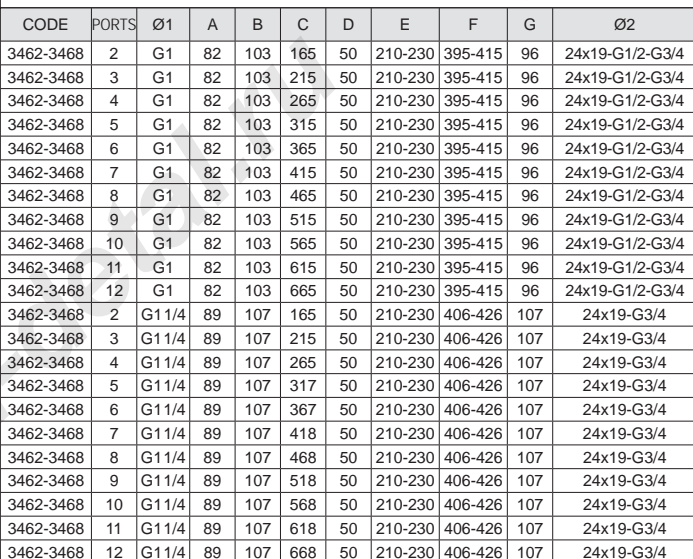
CODE	PORTS	Ø1	A	B	C	D	E	Ø2
3913-3911	2	G1	51	34	116	50	52	24X19-G1/2-G3/4
3913-3911	3	G1	51	34	166	50	52	24X19-G1/2-G3/4
3913-3911	4	G1	51	34	216	50	52	24X19-G1/2-G3/4
3913-3911	5	G1	51	34	268	50	52	24X19-G1/2-G3/4
3913-3911	6	G1	51	34	318	50	52	24X19-G1/2-G3/4
3913-3911	7	G1	51	34	368	50	52	24X19-G1/2-G3/4
3913-3911	8	G1	51	34	418	50	52	24X19-G1/2-G3/4
3913-3911	9	G1	51	34	470	50	52	24X19-G1/2-G3/4
3913-3911	10	G1	51	34	520	50	52	24X19-G1/2-G3/4
3913-3911	11	G1	51	34	570	50	52	24X19-G1/2-G3/4
3913-3911	12	G1	51	34	620	50	52	24X19-G1/2-G3/4
3913-3911	2	G11/4	56	38	116	50	62	24X19-G3/4
3913-3911	3	G11/4	56	38	166	50	62	24X19-G3/4
3913-3911	4	G11/4	56	38	218	50	62	24X19-G3/4
3913-3911	5	G11/4	56	38	268	50	62	24X19-G3/4
3913-3911	6	G11/4	56	38	318	50	62	24X19-G3/4
3913-3911	7	G11/4	56	38	368	50	62	24X19-G3/4
3913-3911	8	G11/4	56	38	418	50	62	24X19-G3/4
3913-3911	9	G11/4	56	38	470	50	62	24X19-G3/4
3913-3911	10	G11/4	56	38	520	50	62	24X19-G3/4
3913-3911	11	G11/4	56	38	570	50	62	24X19-G3/4
3913-3911	12	G11/4	56	38	620	50	62	24X19-G3/4



CODE	PORTS	Ø1	A	B	C	D	E	Ø2
3923-3921	2	G1	36	34	116	50	48	24X19-G1/2-G3/4
3923-3921	3	G1	36	34	166	50	48	24X19-G1/2-G3/4
3923-3921	4	G1	36	34	216	50	48	24X19-G1/2-G3/4
3923-3921	5	G1	36	34	268	50	48	24X19-G1/2-G3/4
3923-3921	6	G1	36	34	318	50	48	24X19-G1/2-G3/4
3923-3921	7	G1	36	34	368	50	48	24X19-G1/2-G3/4
3923-3921	8	G1	36	34	418	50	48	24X19-G1/2-G3/4
3923-3921	9	G1	36	34	470	50	48	24X19-G1/2-G3/4
3923-3921	10	G1	36	34	520	50	48	24X19-G1/2-G3/4
3923-3921	11	G1	36	34	570	50	48	24X19-G1/2-G3/4
3923-3921	12	G1	36	34	620	50	48	24X19-G1/2-G3/4
3923-3921	2	G11/4	41	38	116	50	58	24X19-G3/4
3923-3921	3	G11/4	41	38	166	50	58	24X19-G3/4
3923-3921	4	G11/4	41	38	218	50	58	24X19-G3/4
3923-3921	5	G11/4	41	38	268	50	58	24X19-G3/4
3923-3921	6	G11/4	41	38	318	50	58	24X19-G3/4
3923-3921	7	G11/4	41	38	368	50	58	24X19-G3/4
3923-3921	8	G11/4	41	38	418	50	58	24X19-G3/4
3923-3921	9	G11/4	41	38	470	50	58	24X19-G3/4
3923-3921	10	G11/4	41	38	520	50	58	24X19-G3/4
3923-3921	11	G11/4	41	38	570	50	58	24X19-G3/4
3923-3921	12	G11/4	41	38	620	50	58	24X19-G3/4

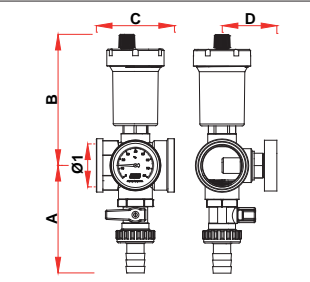


CODE	PORTS	Ø1	A	B	C	D	E	F	G	Ø2
3462-3468	2	G1	82	103	165	50	210-230	395-415	96	24X19-G1/2-G3/4
3462-3468	3	G1	82	103	215	50	210-230	395-415	96	24X19-G1/2-G3/4
3462-3468	4	G1	82	103	265	50	210-230	395-415	96	24X19-G1/2-G3/4
3462-3468	5	G1	82	103	315	50	210-230	395-415	96	24X19-G1/2-G3/4
3462-3468	6	G1	82	103	365	50	210-230	395-415	96	24X19-G1/2-G3/4
3462-3468	7	G1	82	103	415	50	210-230	395-415	96	24X19-G1/2-G3/4
3462-3468	8	G1	82	103	465	50	210-230	395-415	96	24X19-G1/2-G3/4
3462-3468	9	G1	82	103	515	50	210-230	395-415	96	24X19-G1/2-G3/4
3462-3468	10	G1	82	103	565	50	210-230	395-415	96	24X19-G1/2-G3/4
3462-3468	11	G1	82	103	615	50	210-230	395-415	96	24X19-G1/2-G3/4
3462-3468	12	G1	82	103	665	50	210-230	395-415	96	24X19-G1/2-G3/4
3462-3468	2	G11/4	89	107	165	50	210-230	406-426	107	24x19-G3/4
3462-3468	3	G11/4	89	107	215	50	210-230	406-426	107	24x19-G3/4
3462-3468	4	G11/4	89	107	265	50	210-230	406-426	107	24x19-G3/4
3462-3468	5	G11/4	89	107	317	50	210-230	406-426	107	24x19-G3/4
3462-3468	6	G11/4	89	107	367	50	210-230	406-426	107	24x19-G3/4
3462-3468	7	G11/4	89	107	418	50	210-230	406-426	107	24x19-G3/4
3462-3468	8	G11/4	89	107	468	50	210-230	406-426	107	24x19-G3/4
3462-3468	9	G11/4	89	107	518	50	210-230	406-426	107	24x19-G3/4
3462-3468	10	G11/4	89	107	568	50	210-230	406-426	107	24x19-G3/4
3462-3468	11	G11/4	89	107	618	50	210-230	406-426	107	24x19-G3/4
3462-3468	12	G11/4	89	107	668	50	210-230	406-426	107	24x19-G3/4

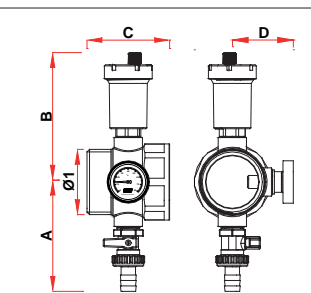


CODE	Ø1	A	B	C	D
4070 3438	G3/4	79	98	26	49
4070 138	G1	80	100	26	51
4070 11438	G11/4	86	106	26	52
4070 11238	G11/2	90	110	26	53

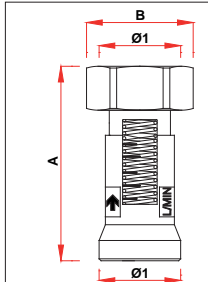
CODE	Ø1	A	B	C	D
4071 3438	G3/4	79	98	26	60
4071 138	G1	80	100	26	62
4071 11438	G11/4	86	106	26	65
4071 11238	G11/2	90	110	26	68



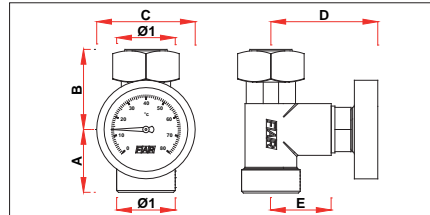
CODE	Ø1	A	B	C	D
3438 1	G1	82	103	60	43
3438 114	G1 1/4	89	107	65	50
3438 112	G1 1/2	94	112	72	52



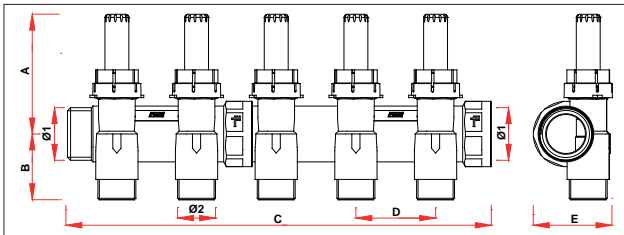
CODE	Ø1	A	B	C	D
3453 2	G2	101	119	76	56



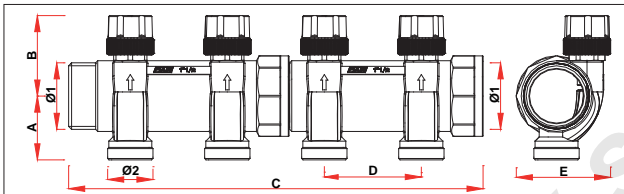
CODE	Ø1	A	B
3428	G3/4EU	62	34
3429	24x19	67	30



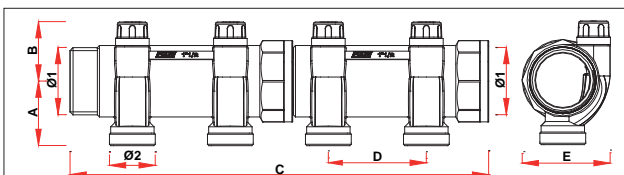
CODE	Ø1	A	B	C	D	E
3427	M33x1,5	26	44	42	44	25
3433	W24x19	25	34	--	--	25
3433 34EU	G3/4EU	26	34	39	44	25
3433 34TP	G3/4TP	26	34	39	44	25
3434	W24x19	25	34	39	44	25



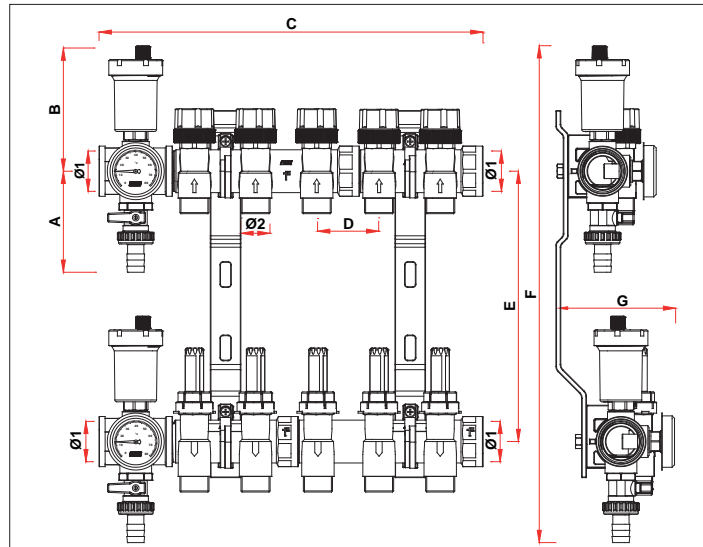
CODE	PORTS	Ø1	A	B	C	D	E	Ø2
3970-3980	2	G1	75	40	116	50	50	24x19-G1/2-G3/4
3970-3980	3	G1	75	40	166	50	50	24x19-G1/2-G3/4
3970-3980	4	G1	75	40	216	50	50	24x19-G1/2-G3/4
3970-3980	5	G1	75	40	266	50	50	24x19-G1/2-G3/4
3970-3980	6	G1	75	40	318	50	50	24x19-G1/2-G3/4
3970-3980	7	G1	75	40	368	50	50	24x19-G1/2-G3/4
3970-3980	8	G1	75	40	418	50	50	24x19-G1/2-G3/4
3970-3980	9	G1	75	40	470	50	50	24x19-G1/2-G3/4
3970-3980	10	G1	75	40	520	50	50	24x19-G1/2-G3/4
3970-3980	11	G1	75	40	570	50	50	24x19-G1/2-G3/4
3970-3980	12	G1	75	40	620	50	50	24x19-G1/2-G3/4
3970-3980	2	G1 1/4	77	39	116	50	60	24X19-G3/4
3970-3980	3	G1 1/4	77	39	166	50	60	24X19-G3/4
3970-3980	4	G1 1/4	77	39	216	50	60	24X19-G3/4
3970-3980	5	G1 1/4	77	39	266	50	60	24X19-G3/4
3970-3980	6	G1 1/4	77	39	318	50	60	24X19-G3/4
3970-3980	7	G1 1/4	77	39	368	50	60	24X19-G3/4
3970-3980	8	G1 1/4	77	39	418	50	60	24X19-G3/4
3970-3980	9	G1 1/4	77	39	470	50	60	24X19-G3/4
3970-3980	10	G1 1/4	77	39	520	50	60	24X19-G3/4
3970-3980	11	G1 1/4	77	39	570	50	60	24X19-G3/4
3970-3980	12	G1 1/4	77	39	620	50	60	24X19-G3/4



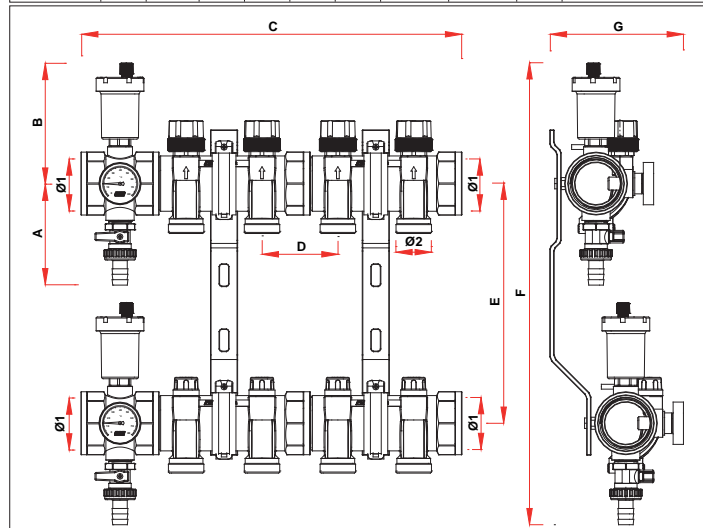
CODE	PORTS	Ø1	A	B	C	D	E	Ø2
3910 11202	2	G11/2	46	58	159	70	68	M33x1,5
3910 11203	3	G11/2	46	58	229	70	68	M33x1,5
3910 11204	4	G11/2	46	58	299	70	68	M33x1,5
3910 11205	5	G11/2	46	58	369	70	68	M33x1,5
3910 11206	6	G11/2	46	58	439	70	68	M33x1,5
3910 11207	7	G11/2	46	58	509	70	68	M33x1,5
3910 11208	8	G11/2	46	58	579	70	68	M33x1,5
3910 11209	9	G11/2	46	58	649	70	68	M33x1,5
3910 11210	10	G11/2	46	58	719	70	68	M33x1,5
3910 11211	11	G11/2	46	58	789	70	68	M33x1,5
3910 11212	12	G11/2	46	58	859	70	68	M33x1,5



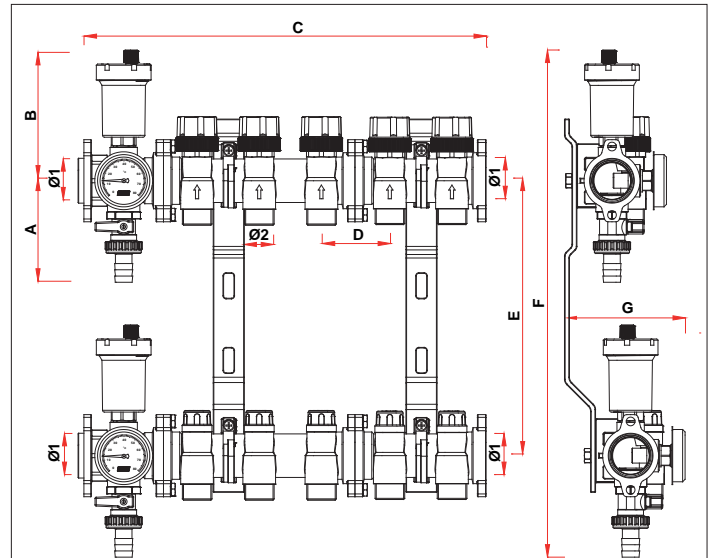
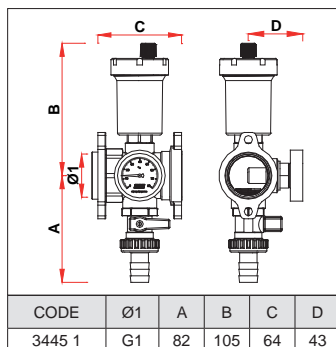
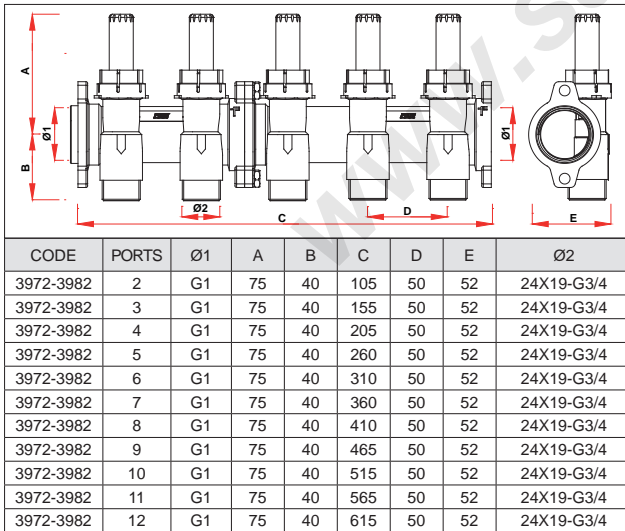
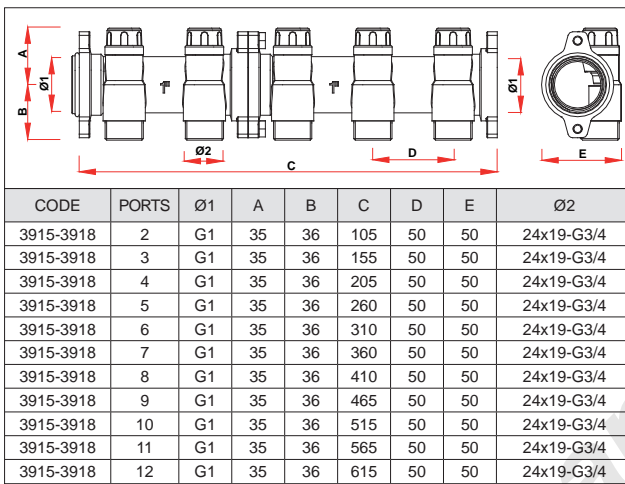
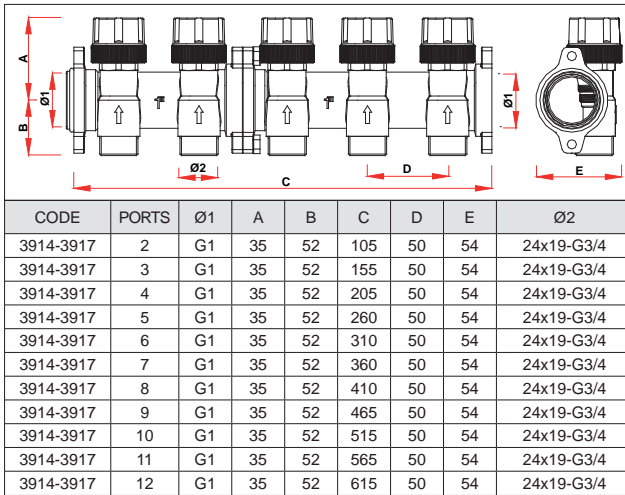
CODE	PORTS	Ø1	A	B	C	D	E	Ø2
3920 11202	2	G11/2	46	43	159	70	63	M33x1,5
3920 11203	3	G11/2	46	43	229	70	63	M33x1,5
3920 11204	4	G11/2	46	43	299	70	63	M33x1,5
3920 11205	5	G11/2	46	43	369	70	63	M33x1,5
3920 11206	6	G11/2	46	43	439	70	63	M33x1,5
3920 11207	7	G11/2	46	43	509	70	63	M33x1,5
3920 11208	8	G11/2	46	43	579	70	63	M33x1,5
3920 11209	9	G11/2	46	43	649	70	63	M33x1,5
3920 11210	10	G11/2	46	43	719	70	63	M33x1,5
3920 11211	11	G11/2	46	43	789	70	63	M33x1,5
3920 11212	12	G11/2	46	43	859	70	63	M33x1,5



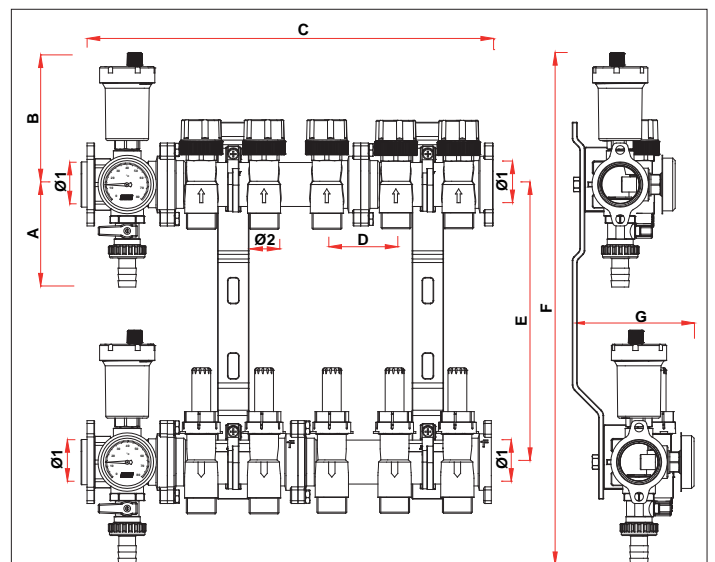
CODE	PORTS	Ø1	A	B	C	D	E	F	G	Ø2
3561-3581	2	G1	82	103	165	50	210-230	395-415	96	24x19-G1/2-G3/4
3561-3581	3	G1	82	103	215	50	210-230	395-415	96	24x19-G1/2-G3/4
3561-3581	4	G1	82	103	265	50	210-230	395-415	96	24x19-G1/2-G3/4
3561-3581	5	G1	82	103	315	50	210-230	395-415	96	24x19-G1/2-G3/4
3561-3581	6	G1	82	103	365	50	210-230	395-415	96	24x19-G1/2-G3/4
3561-3581	7	G1	82	103	415	50	210-230	395-415	96	24x19-G1/2-G3/4
3561-3581	8	G1	82	103	465	50	210-230	395-415	96	24x19-G1/2-G3/4
3561-3581	9	G1	82	103	515	50	210-230	395-415	96	24x19-G1/2-G3/4
3561-3581	10	G1	82	103	565	50	210-230	395-415	96	24x19-G1/2-G3/4
3561-3581	11	G1	82	103	615	50	210-230	395-415	96	24x19-G1/2-G3/4
3561-3581	12	G1	82	103	665	50	210-230	395-415	96	24x19-G1/2-G3/4
3561-3581	2	G11/4	89	107	165	50	210-230	406-426	107	24x19-G3/4
3561-3581	3	G11/4	89	107	215	50	210-230	406-426	107	24x19-G3/4
3561-3581	4	G11/4	89	107	265	50	210-230	406-426	107	24x19-G3/4
3561-3581	5	G11/4	89	107	317	50	210-230	406-426	107	24x19-G3/4
3561-3581	6	G11/4	89	107	367	50	210-230	406-426	107	24x19-G3/4
3561-3581	7	G11/4	89	107	418	50	210-230	406-426	107	24x19-G3/4
3561-3581	8	G11/4	89	107	468	50	210-230	406-426	107	24x19-G3/4
3561-3581	9	G11/4	89	107	518	50	210-230	406-426	107	24x19-G3/4
3561-3581	10	G11/4	89	107	568	50	210-230	406-426	107	24x19-G3/4
3561-3581	11	G11/4	89	107	618	50	210-230	406-426	107	24x19-G3/4
3561-3581	12	G11/4	89	107	668	50	210-230	406-426	107	24x19-G3/4



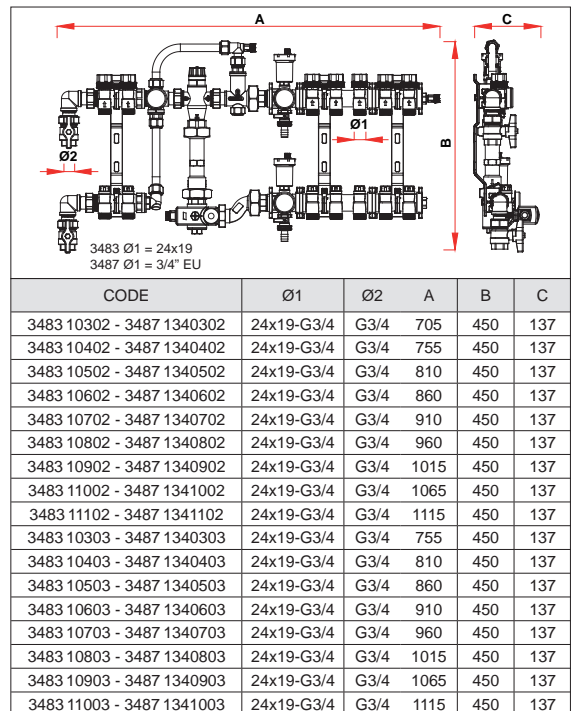
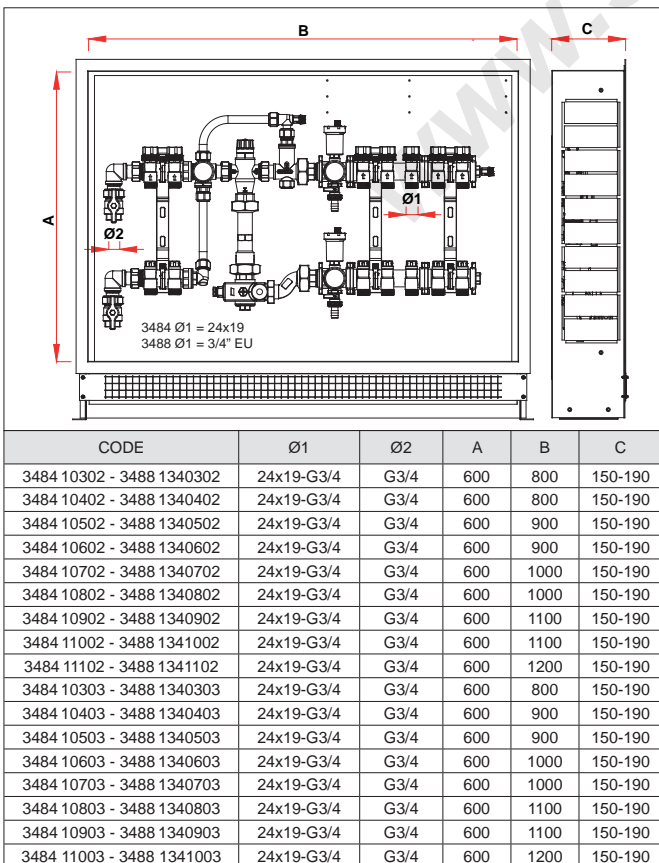
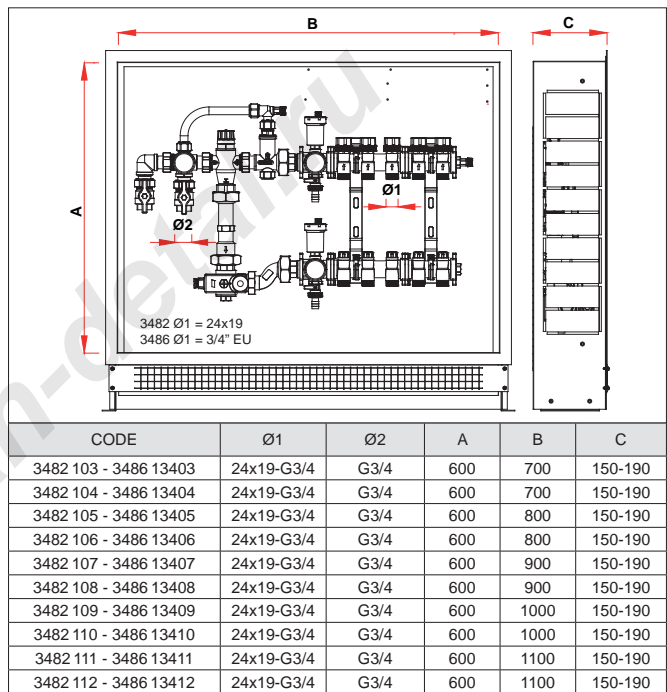
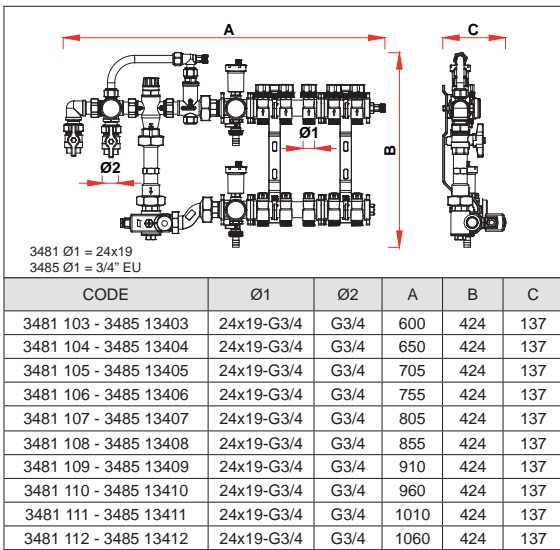
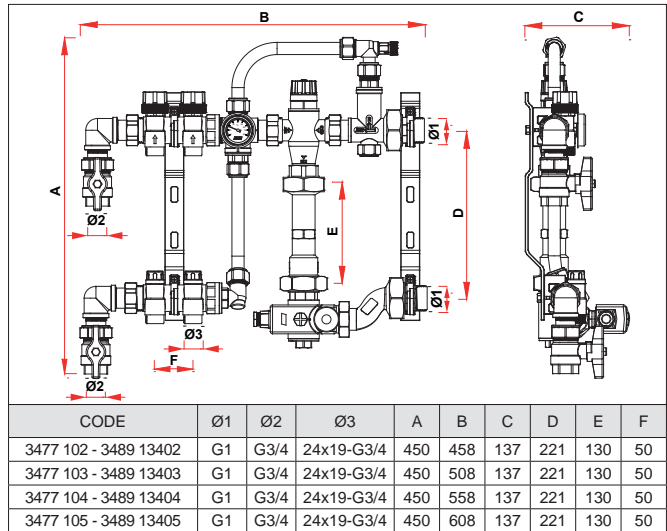
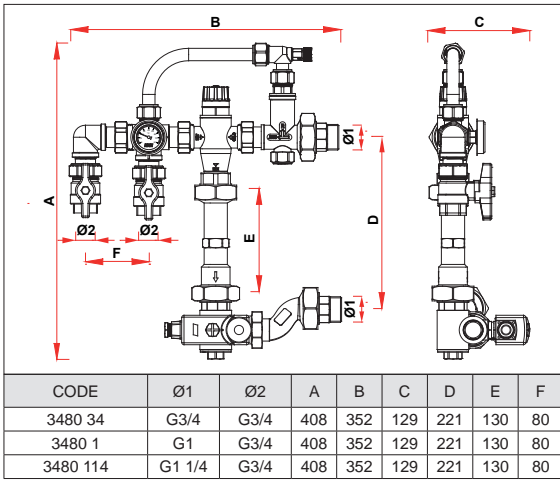
CODE	PORTS	Ø1	A	B	C	D	E	F	G	Ø2
3459 11202	2	G11/2	94	112	211	70	210-230	417-437	109	M33x1,5
3459 11203	3	G11/2	94	112	281	70	210-230	417-437	109	M33x1,5
3459 11204	4	G11/2	94	112	351	70	210-230	417-437	109	M33x1,5
3459 11205	5	G11/2	94	112	421	70	210-230	417-437	109	M33x1,5
3459 11206	6	G11/2	94	112	491	70	210-230	417-437	109	M33x1,5
3459 11207	7	G11/2	94	112	561	70	210-230	417-437	109	M33x1,5
3459 11208	8	G11/2	94	112	631	70	210-230	417-437	109	M33x1,5
3459 11209	9	G11/2	94	112	701	70	210-230	417-437	109	M33x1,5
3459 11210	10	G11/2	94	112	771	70	210-230	417-437	109	M33x1,5
3459 11211	11	G11/2	94	112	841	70	210-230	417-437	109	M33x1,5
3459 11212	12	G11/2	94	112	911	70	210-230	417-437	109	M33x1,5

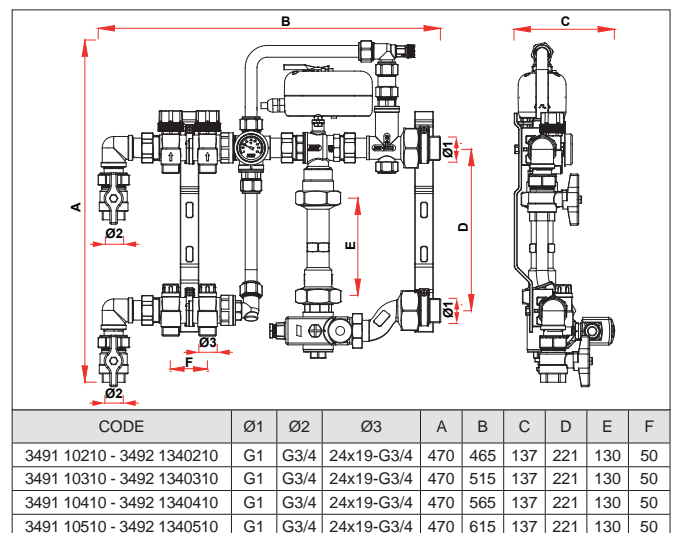
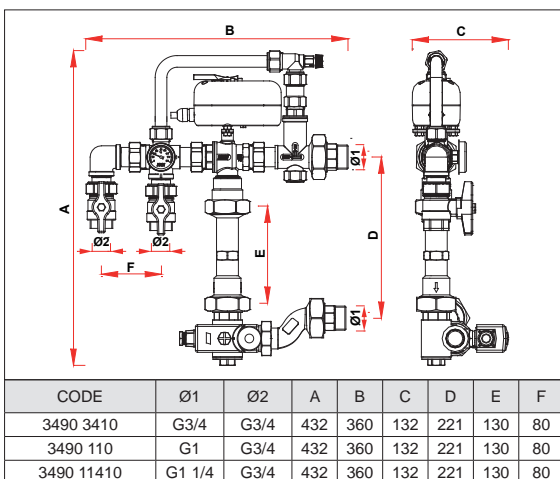
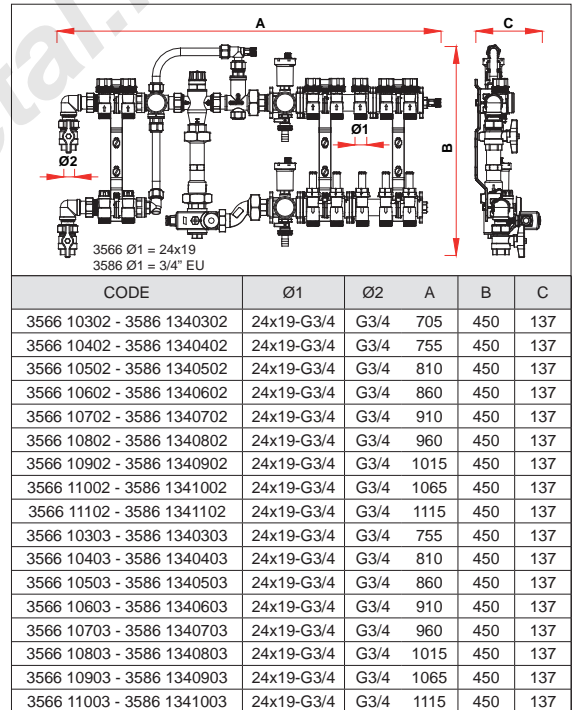
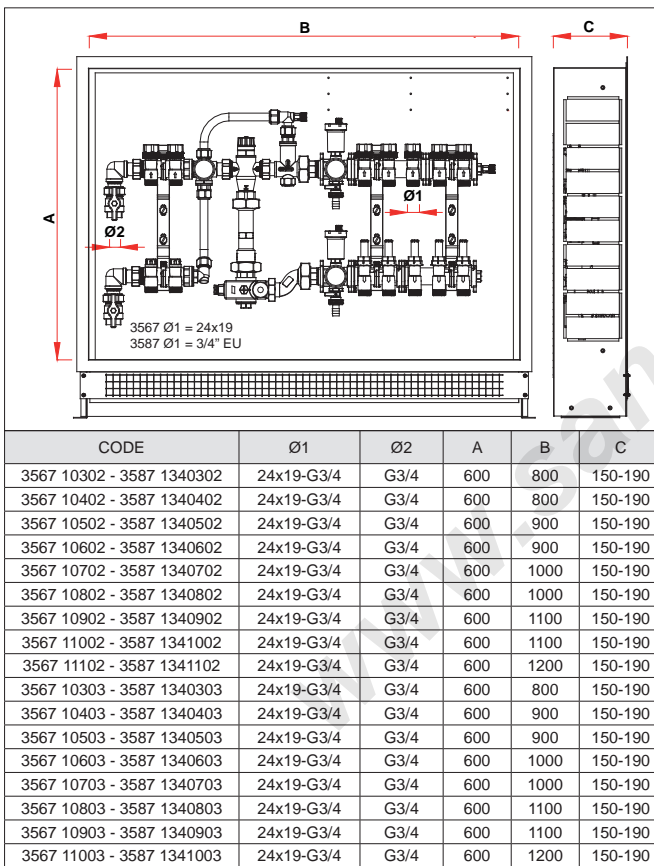
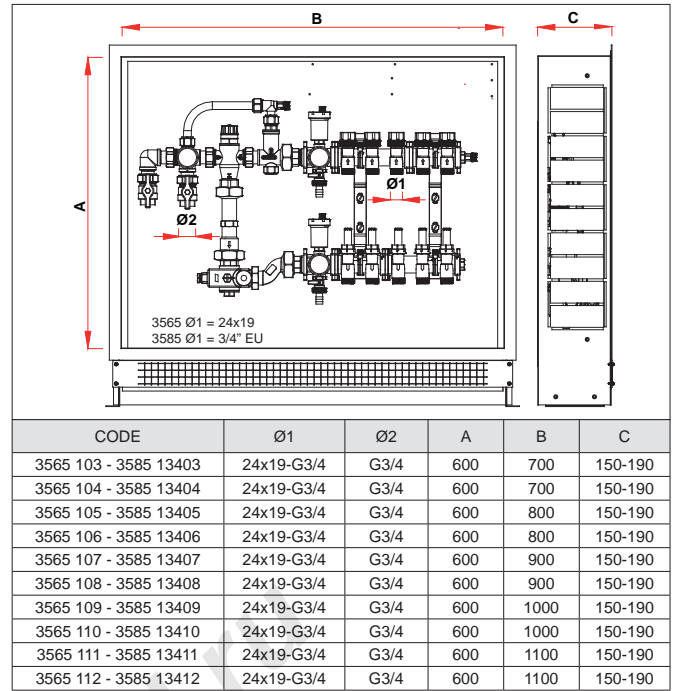
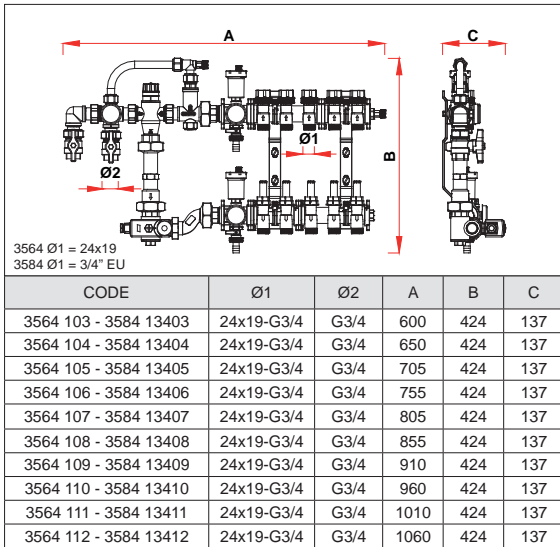


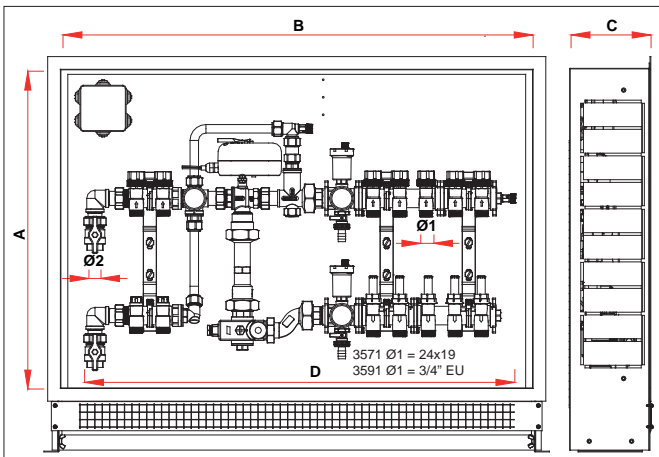
CODE	PORTS	Ø1	A	B	C	D	E	F	G	Ø2
3465-3471	2	G1	83	101	170	50	210-230	395-415	96	24x19-G3/4
3465-3471	3	G1	83	101	220	50	210-230	395-415	96	24x19-G3/4
3465-3471	4	G1	83	101	270	50	210-230	395-415	96	24x19-G3/4
3465-3471	5	G1	83	101	325	50	210-230	395-415	96	24x19-G3/4
3465-3471	6	G1	83	101	375	50	210-230	395-415	96	24x19-G3/4
3465-3471	7	G1	83	101	425	50	210-230	395-415	96	24x19-G3/4
3465-3471	8	G1	83	101	475	50	210-230	395-415	96	24x19-G3/4
3465-3471	9	G1	83	101	530	50	210-230	395-415	96	24x19-G3/4
3465-3471	10	G1	83	101	580	50	210-230	395-415	96	24x19-G3/4
3465-3471	11	G1	83	101	630	50	210-230	395-415	96	24x19-G3/4
3465-3471	12	G1	83	101	680	50	210-230	395-415	96	24x19-G3/4



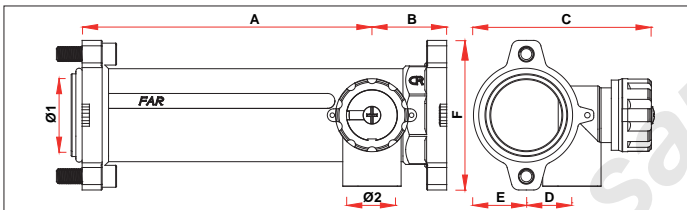
CODE	PORTS	Ø1	A	B	C	D	E	F	G	Ø2
3563-3583	2	G1	83	101	170	50	210-230	395-415	96	24x19-G3/4
3563-3583	3	G1	83	101	220	50	210-230	395-415	96	24x19-G3/4
3563-3583	4	G1	83	101	270	50	210-230	395-415	96	24x19-G3/4
3563-3583	5	G1	83	101	325	50	210-230	395-415	96	24x19-G3/4
3563-3583	6	G1	83	101	375	50	210-230	395-415	96	24x19-G3/4
3563-3583	7	G1	83	101	425	50	210-230	395-415	96	24x19-G3/4
3563-3583	8	G1	83	101	475	50	210-230	395-415	96	24x19-G3/4
3563-3583	9	G1	83	101	530	50	210-230	395-415	96	24x19-G3/4
3563-3583	10	G1	83	101	580	50	210-230	395-415	96	24x19-G3/4
3563-3583	11	G1	83	101	630	50	210-230	395-415	96	24x19-G3/4
3563-3583	12	G1	83	101	680	50	210-230	395-415	96	24x19-G3/4



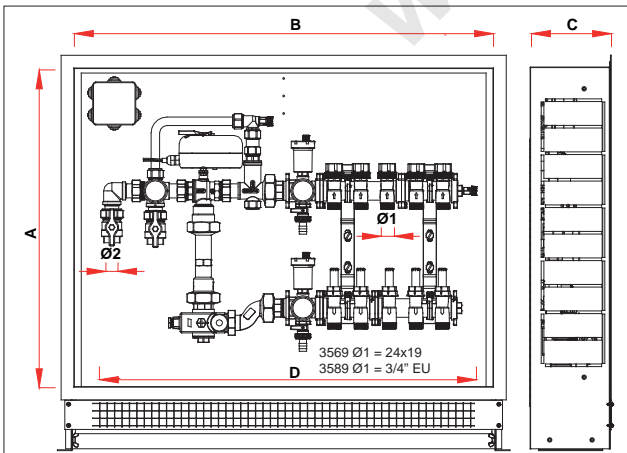




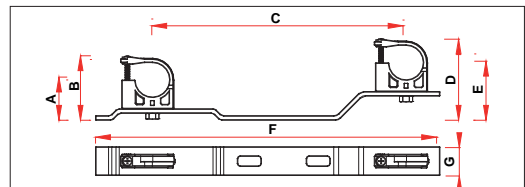
CODE	Ø1	Ø2	A	B	C	D
3571 10502 - 3591 1340502	24x19-G3/4	G3/4	600	900	150	815
3571 10602 - 3591 1340602	24x19-G3/4	G3/4	600	900	150	865
3571 10702 - 3591 1340702	24x19-G3/4	G3/4	600	1000	150	915
3571 10802 - 3591 1340802	24x19-G3/4	G3/4	600	1000	150	965
3571 10902 - 3591 1340902	24x19-G3/4	G3/4	600	1100	150	1020
3571 11002 - 3591 1341002	24x19-G3/4	G3/4	600	1100	150	1070
3571 11102 - 3591 1341102	24x19-G3/4	G3/4	600	1200	150	1120
3571 10503 - 3591 1340503	24x19-G3/4	G3/4	600	900	150	865
3571 10603 - 3591 1340603	24x19-G3/4	G3/4	600	1000	150	915
3571 10703 - 3591 1340703	24x19-G3/4	G3/4	600	1000	150	965
3571 10803 - 3591 1340803	24x19-G3/4	G3/4	600	1100	150	1020
3571 10903 - 3591 1340903	24x19-G3/4	G3/4	600	1100	150	1070
3571 11003 - 3591 1341003	24x19-G3/4	G3/4	600	1200	150	1120



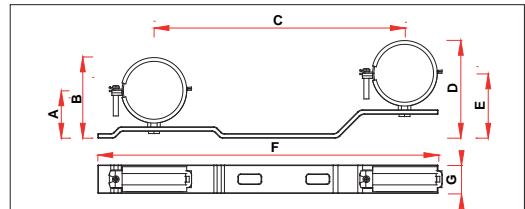
CODE	Ø1	A	B	C	D	E	F	Ø2
3874 1141200	G1 1/4	165	35	92	25	25	75	G1/2
3874 1121200	G1 1/2	159	41	99	25	29	82	G1/2
3874 11234200	G1 1/2	159	41	99	25	29	82	G3/4
3874 21200	G2	149	51	109	27	35	94	G1



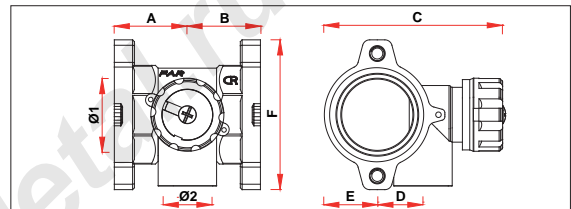
CODE	Ø1	Ø2	A	B	C	D
3569 105 - 3589 13405	24x19-G3/4	G3/4	800	500	150	709
3569 106 - 3589 13406	24x19-G3/4	G3/4	800	500	150	759
3569 107 - 3589 13407	24x19-G3/4	G3/4	900	500	150	809
3569 108 - 3589 13408	24x19-G3/4	G3/4	900	500	150	859
3569 109 - 3589 13409	24x19-G3/4	G3/4	1000	500	150	914
3569 110 - 3589 13410	24x19-G3/4	G3/4	1000	500	150	964
3569 111 - 3589 13411	24x19-G3/4	G3/4	1100	500	150	1014
3569 112 - 3589 13412	24x19-G3/4	G3/4	1100	500	150	1064



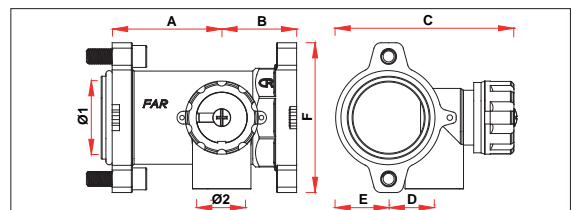
CODE	A	B	C	D	E	F	G
7480 34	36	55	210-230	70	50	300	25
7480 1	39	61	210-230	76	54	300	25
7480 114	43	70	210-230	85	58	300	25



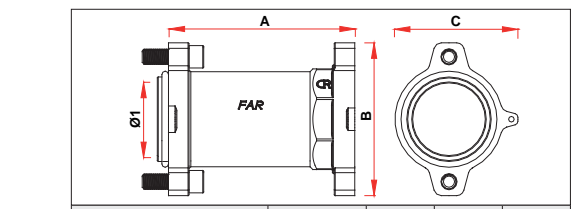
CODE	A	B	C	D	E	F	G
7470 114	38	64	210-230	79	53	300	25
7470 112	42	71	210-230	86	57	300	25
7470 2	54	92	210-230	108	69	300	25



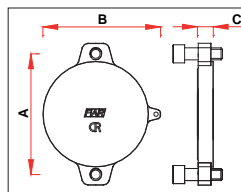
CODE	Ø1	A	B	C	D	E	F	Ø2
3874 11412	G1 1/4	35	35	92	25	26	75	G1/2
3874 11212	G1 1/2	40	40	99	25	29	82	G1/2
3874 11234	G1 1/2	40	40	99	25	29	82	G3/4
3874 21	G2	49	49	109	27	35	94	G1



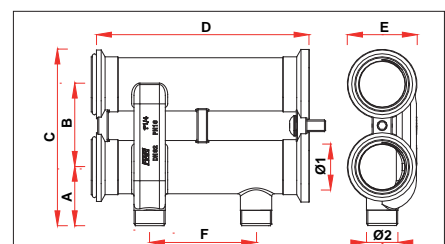
CODE	Ø1	A	B	C	D	E	F	Ø2
3874 11412100	G1 1/4	66	35	92	25	25	75	G1/2
3874 11212100	G1 1/2	60	41	99	25	29	82	G1/2
3874 11234100	G1 1/2	60	41	99	25	29	82	G3/4
3874 21100	G2	49	51	109	27	35	94	G1



CODE	Ø1	A	B	C
3877 112	G1 1/4	100	82	66
3877 2	G1 1/2	100	94	78



CODE	A	B	C
4310 1	55	46	9
4310 114	60	59	10
4310 112	67	66	10
4310 2	80	78	10



CODE	PORTS	Ø1	A	B	C	D	E	F	Ø2
3755 11434	2	G1 1/4	50	70	149	180	59	90	G3/4

CODE	PORTS	Ø1	A	B	C	D	E	Ø2
3825 34	2	G3/4	104	33	45	18	47	24x19
3825 1	2	G1	106	36	45	21	48	24x19
3850 34	3	G3/4	149	33	45	18	47	24x19
3850 1	3	G1	151	36	45	21	48	24x19
3856 34	4	G3/4	194	33	45	18	47	24x19
3856 1	4	G1	196	36	45	21	48	24x19
3834 34	2	G3/4	104	33	45	18	47	24x19
3434 1	2	G1	106	36	45	21	48	24x19
3835 34	3	G3/4	149	33	45	18	47	24x19
3835 1	3	G1	151	36	45	21	48	24x19
3837 34	4	G3/4	194	33	45	18	47	24x19
3837 1	4	G1	196	36	45	21	48	24x19
3821 3412	2	G3/4	104	32	45	18	47	G1/2
3821 112	2	G1	106	33	45	21	48	G1/2
3821 134	2	G1	106	36	45	21	48	G3/4
3822 3412	3	G3/4	149	32	45	18	47	G1/2
3822 112	3	G1	151	33	45	21	48	G1/2
3822 134	3	G1	151	36	45	21	48	G3/4
3824 3412	4	G3/4	194	32	45	18	47	G1/2
3824 112	4	G1	196	33	45	21	48	G1/2
3824 134	4	G1	196	36	45	21	48	G3/4

CODE	PORTS	Ø1	A	B	C	D	E	Ø2
3855 34	4	G3/4	196	33	45	18	47	24x19
3836 34	4	G3/4	196	33	45	18	47	24x19
3823 3412	4	G3/4	196	32	45	18	47	G1/2

CODE	PORTS	Ø1	A	B	C	D	E	Ø2
3905 34	4	G3/4	196	33	45	18	42	24x19
3872 3412	4	G3/4	196	32	45	18	42	G1/2

CODE	PORTS	Ø1	A	B	C	D	E	Ø2
3827 11402	2	G11/4	158	45	70	26	60	M33x1,5
3827 11403	3	G11/4	228	45	70	26	60	M33x1,5
3827 11404	4	G11/4	300	45	70	26	60	M33x1,5
3827 11405	5	G11/4	370	45	70	26	60	M33x1,5
3827 11406	6	G11/4	440	45	70	26	60	M33x1,5
3827 11407	7	G11/4	512	45	70	26	60	M33x1,5
3827 11408	8	G11/4	582	45	70	26	60	M33x1,5
3827 11409	9	G11/4	652	45	70	26	60	M33x1,5
3827 11410	10	G11/4	724	45	70	26	60	M33x1,5

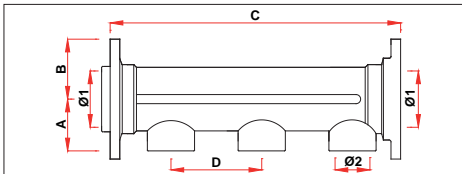
CODE	PORTS	Ø1	A	B	C	D	E	Ø2
3875 34	2	G3/4	104	33	45	18	42	24x19
3875 1	2	G1	106	36	45	21	44	24x19
3900 34	3	G3/4	149	33	45	18	42	24x19
3900 1	3	G1	151	36	45	21	44	24x19
3906 34	4	G3/4	194	33	45	18	42	24x19
3906 1	4	G1	196	36	45	21	44	24x19
3860 3412	2	G3/4	104	32	45	18	42	G1/2
3860 112	2	G1	106	33	45	21	44	G1/2
3860 134	2	G1	106	36	45	21	44	G3/4
3870 3412	2	G3/4	149	32	45	18	42	G1/2
3870 112	3	G1	151	33	45	21	44	G1/2
3870 134	3	G1	151	36	45	21	44	G3/4
3873 3412	4	G3/4	194	32	45	18	42	G1/2
3873 112	4	G1	196	33	45	21	44	G1/2
3873 134	4	G1	196	36	45	21	44	G3/4

CODE	PORTS	Ø1	A	B	C	D	E	F	G	H	I	Ø2
3752-3753 34	2	G3/4	36	55	36	21	-	49	19	30	37	24x19
3754 3404	4	G3/4	36	55	36	21	49	97	19	30	37	24x19
3754 3406	6	G3/4	36	55	36	21	49	146	19	30	37	24x19
3754 3408	8	G3/4	36	55	36	21	49	194	19	30	37	24x19
3754 3410	10	G3/4	36	55	36	21	49	243	19	30	37	24x19
3754 3412	12	G3/4	36	55	36	21	49	291	19	30	37	24x19

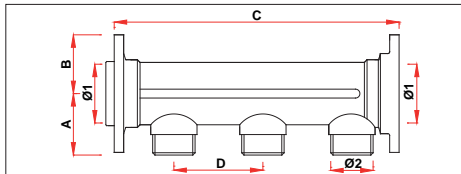
CODE	PORTS	Ø1	A	B	C	D	E	Ø2
3876 34	2	G3/4	90	33	45	18	42	24x19
3901 34	3	G3/4	135	33	45	18	42	24x19
3859 3412	2	G3/4	90	32	45	18	42	G1/2
3869 3412	3	G3/4	135	32	45	18	42	G1/2

CODE	PORTS	Ø1	A	B	C	D	E	F	G	H	I	Ø2
3750 34	2+2	G3/4	32	55	32	84	49	15	20	40	24	24x19
3751 3404	4+4	G3/4	32	55	32	168	49	15	20	40	24	24x19
3751 3406	6+6	G3/4	32	55	32	252	49	15	20	40	24	24x19
3751 3408	8+8	G3/4	32	55	32	336	49	15	20	40	24	24x19
3751 3410	10+10	G3/4	32	55	32	420	49	15	20	40	24	24x19
3750 1	2+2	G1	35	55	35	84	53	15	20	40	24	24x19
3751 104	4+4	G1	35	55	35	168	53	15	20	40	24	24x19
3751 106	6+6	G1	35	55	35	252	53	15	20	40	24	24x19
3751 108	8+8	G1	35	55	35	336	53	15	20	40	24	24x19
3751 110	10+10	G1	35	55	35	420	53	15	20	40	24	24x19

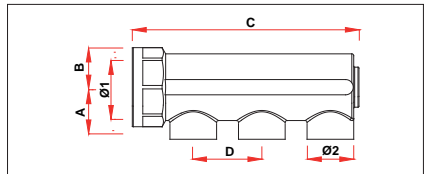
CODE	PORTS	Ø1	A	B	C	D	E	Ø2
3826 34	2	G3/4	90	33	45	18	47	24x19
3851 34	3	G3/4	135	33	45	18	47	24x19
3818 3412	2	G3/4	90	32	45	18	47	G1/2
3819 3412	3	G3/4	135	32	45	18	47	G1/2



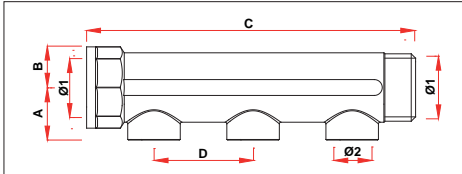
CODE	PORTS	Ø1	A	B	C	D	Ø2
3710 102	2	G1	29	33	110	50	G1/2
3710 103	3	G1	29	33	160	50	G1/2
3710 104	4	G1	29	33	220	50	G1/2
3710 105	5	G1	29	33	270	50	G1/2
3710 106	6	G1	29	33	320	50	G1/2
3710 107	7	G1	29	33	380	50	G1/2
3710 108	8	G1	29	33	430	50	G1/2
3710 109	9	G1	29	33	480	50	G1/2
3710 111	10	G1	29	33	540	50	G1/2
3710 111	11	G1	29	33	590	50	G1/2
3710 112	12	G1	29	33	640	50	G1/2



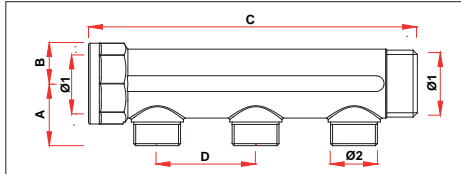
CODE	PORTS	Ø1	A	B	C	D	Ø2
3410 102	2	G1	35	33	110	50	24x19
3410 103	3	G1	35	33	160	50	24x19
3410 104	4	G1	35	33	220	50	24x19
3410 105	5	G1	35	33	270	50	24x19
3410 106	6	G1	35	33	320	50	24x19
3410 107	7	G1	35	33	380	50	24x19
3410 108	8	G1	35	33	430	50	24x19
3410 109	9	G1	35	33	480	50	24x19
3410 111	10	G1	35	33	540	50	24x19
3410 111	11	G1	35	33	590	50	24x19
3410 112	12	G1	35	33	640	50	24x19



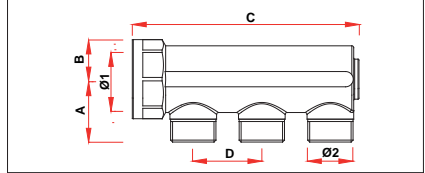
CODE	PORTS	Ø1	A	B	C	D	Ø2
3150 34	2	G3/4	24	17	85	36	G1/2
3150 1	2	G1	27	20	85	36	G1/2
3200 34	3	G3/4	24	17	121	36	G1/2
3200 1	3	G1	27	20	121	36	G1/2
3250 34	4	G3/4	24	17	157	36	G1/2
3250 1	4	G1	27	20	157	36	G1/2



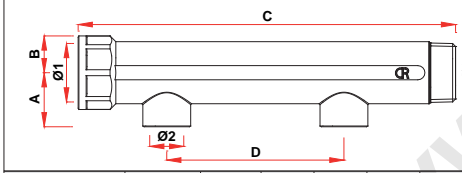
CODE	PORTS	Ø1	A	B	C	D	Ø2
3450 34	2	G3/4	25	17	96	36	G1/2
3450 1	2	G1	27	21	97	36	G1/2
3500 34	3	G3/4	25	17	132	36	G1/2
3500 1	3	G1	27	21	133	36	G1/2
3550 34	4	G3/4	25	17	168	36	G1/2
3550 1	4	G1	27	21	169	36	G1/2
3600 34	2	G3/4	25	17	115	50	G1/2
3600 1	2	G1	27	21	116	50	G1/2
3600 114	2	G1 1/4	33	26	119	50	G1/2
3650 34	3	G3/4	25	17	165	50	G1/2
3650 1	3	G1	27	21	166	50	G1/2
3650 114	3	G1 1/4	33	26	169	50	G1/2
3700 34	4	G3/4	25	17	215	50	G1/2
3700 1	4	G1	27	21	216	50	G1/2
3700 114	4	G1 1/4	33	26	219	50	G1/2



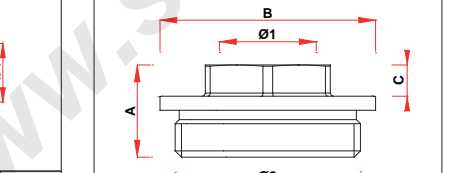
CODE	PORTS	Ø1	A	B	C	D	Ø2
3300-3475	2	G3/4	30	17	95	36	24x19-G1/2
3300-3475	2	G1	33	21	97	36	24x19-G1/2
3350-3525	3	G3/4	30	17	131	36	24x19-G1/2
3350-3525	3	G1	33	21	133	36	24x19-G1/2
3400-3575	4	G3/4	30	17	167	36	24x19-G1/2
3400-3575	4	G1	33	21	169	36	24x19-G1/2
3401-3625	2	G3/4	29	17	115	50	24x19-G1/2
3401-3625	2	G1	32	21	117	50	24x19-G1/2-G3/4
3401-3625	2	G1 1/4	38	26	117	50	24x19-G1/2-G3/4
3402-3675	3	G3/4	29	17	165	50	24x19-G1/2
3402-3675	3	G1	32	21	167	50	24x19-G1/2-G3/4
3402-3675	3	G1 1/4	38	26	167	50	24x19-G1/2-G3/4
3403-3725	4	G3/4	29	17	213	50	24x19-G1/2
3403-3725	4	G1	32	21	215	50	24x19-G1/2-G3/4
3403-3725	4	G1 1/4	38	26	217	50	24x19-G1/2-G3/4



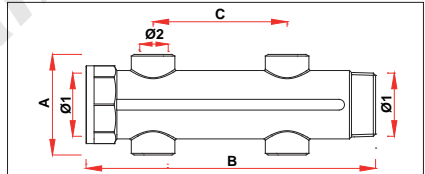
CODE	PORT	Ø1	A	B	C	D	Ø2
3000-3175	2	G3/4	30	17	82	36	24x19-G1/2
3000-3175	2	G1	33	21	83	36	24x19-G1/2
3050-3225	3	G3/4	30	17	118	36	24x19-G1/2
3050-3225	3	G1	33	21	119	36	24x19-G1/2
3100-3275	4	G3/4	30	17	154	36	24x19-G1/2
3100-3275	4	G1	33	21	155	36	24x19-G1/2



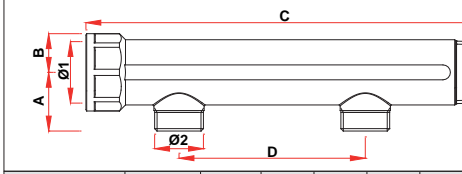
CODE	PORTS	Ø1	A	B	C	D	Ø2
3610 112	1	G1	31	21	113	-	G1/2
3611 112	2	G1	31	21	213	100	G1/2
3611 11412	2	G1 1/4	35	26	215	100	G1/2
3611 11434	2	G1 1/4	34	26	215	100	G3/4
3611 11234	2	G1 1/2	40	29	217	100	G3/4
3611 1121	2	G1 1/2	40	29	217	100	G1
3611 234	2	G2	47	35	223	100	G3/4
3611 21	2	G2	47	35	223	100	G1
3612 112	3	G1	31	21	313	100	G1/2
3612 11412	3	G1 1/4	35	26	315	100	G1/2
3612 11434	3	G1 1/4	34	26	315	100	G3/4
3612 11234	3	G1 1/2	40	29	317	100	G3/4
3612 1121	3	G1 1/2	40	29	317	100	G1
3612 234	3	G2	47	35	323	100	G3/4
3612 21	3	G2	47	35	323	100	G1



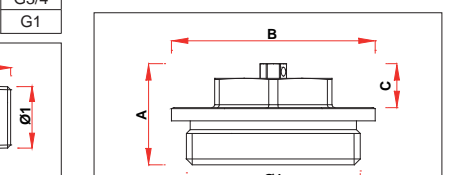
CODE	Ø1	Ø2	A	B	C
4200 3414	G1/4	G3/4	21	33	8
4200 3438	G3/8	G3/4	21	33	8
4200 3412	G1/2	G3/4	21	33	9
4200 114	G1/4	G1	22	40	8
4200 138	G3/8	G1	22	40	8
4200 112	G1/2	G1	22	40	9
4200 134	G3/4	G1	26	40	13
4200 11412	G1/2	G1 1/4	27	50	9
4200 11434	G3/4	G1 1/4	26	50	10
4200 1141	G1	G1 1/4	26	50	10
4200 1121	G1	G1 1/2	28	57	10
4200 21	G1	G2	30	69	10



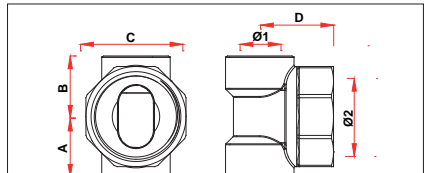
CODE	PORTS	Ø1	A	B	C	Ø2
3618 11212	2	G1 1/2	75	117	100	G1/2
3618 11234	2	G1 1/2	73	117	100	G3/4
3619 11212	4	G1 1/2	75	217	100	G1/2
3619 11234	4	G1 1/2	73	217	100	G3/4
3620 11212	6	G1 1/2	75	317	100	G1/2
3620 11234	6	G1 1/2	73	317	100	G3/4



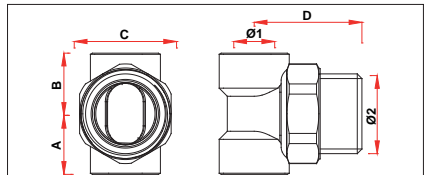
CODE	PORTS	Ø1	A	B	C	D	Ø2
3615 134	1	G1	32	21	113	-	G3/4
3616 134	2	G1	32	21	213	100	G3/4
3616 11434	2	G1 1/4	36	26	215	100	G3/4
3617 134	3	G1	32	21	313	100	G3/4
3617 11434	3	G1 1/4	36	26	315	100	G3/4



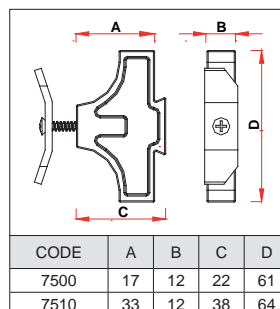
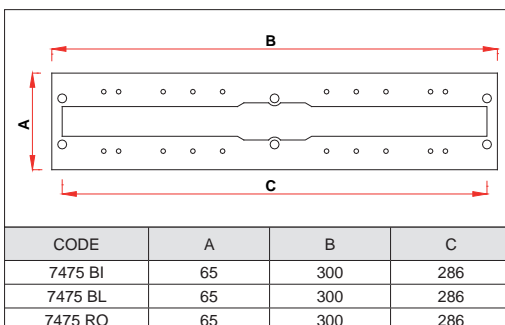
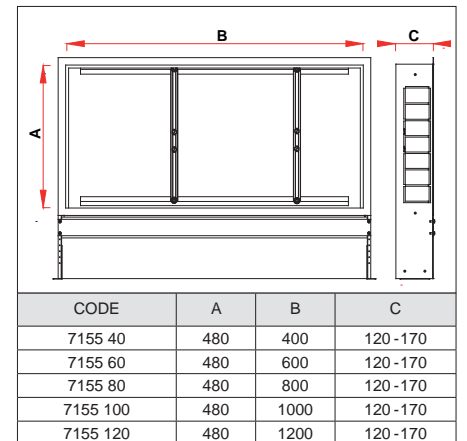
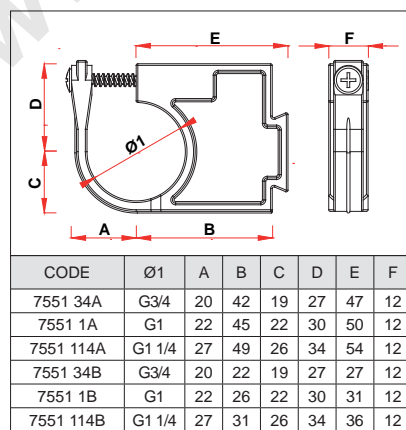
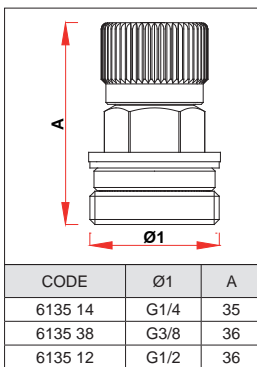
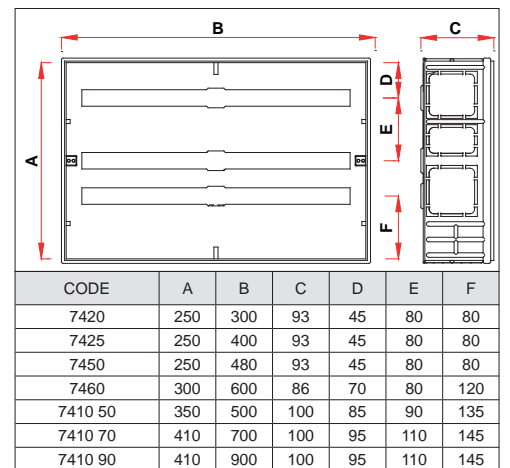
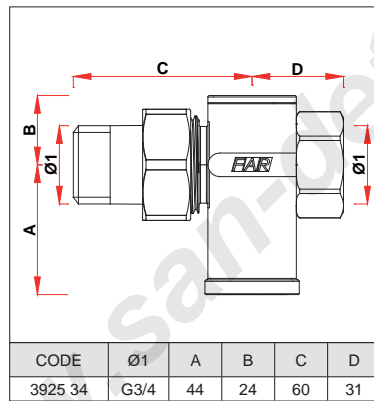
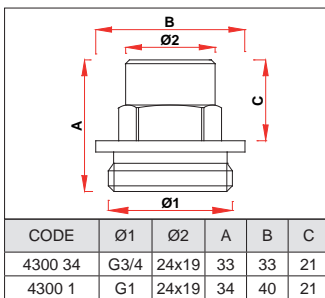
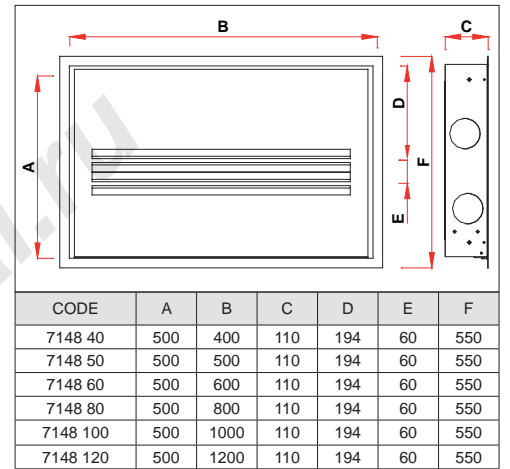
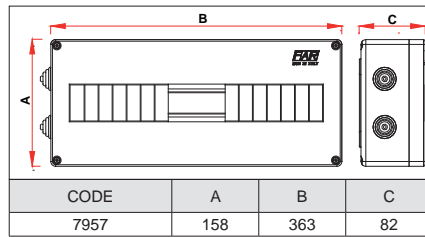
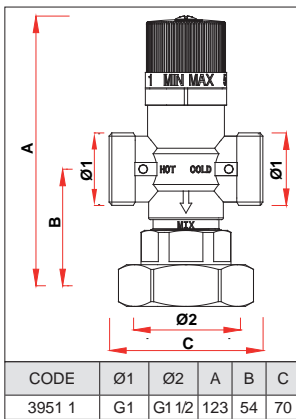
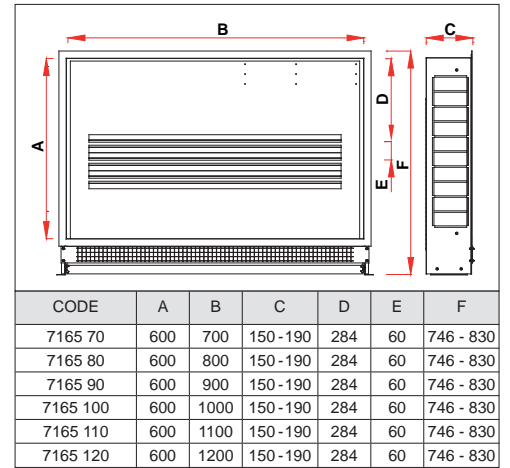
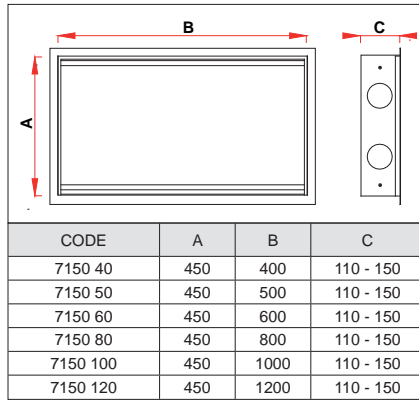
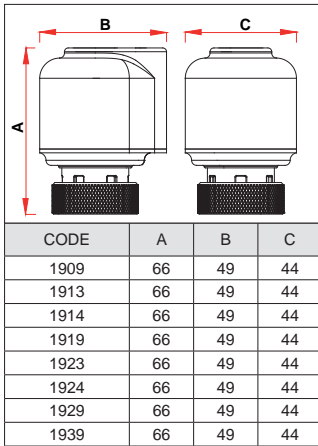
CODE	Ø1	A	B	C
4150 34	G3/4	21	33	9
4150 1	G1	22	40	9
4150 114	G1 1/4	30	50	14
4150 112	G1 1/2	33	57	15
4150 2	G2	35	69	15

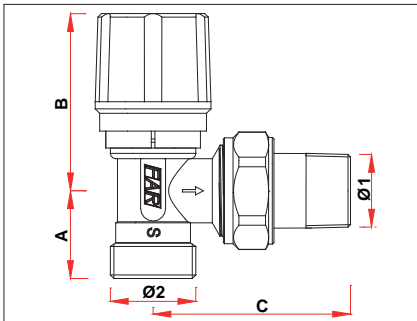


CODE	Ø1	Ø2	Ø3	A	B	C	D
4060 3438	G3/8	G3/4	G1/2	23	23	32	26
4060 3412	G1/2	G3/4	G1/2	21	21	32	26
4060 138	G3/8	G1	G1/2	23	23	38	28
4060 112	G1/2	G1	G1/2	23	23	38	28
4060 11438	G3/8	G1 1/4	G1/2	28	28	48	29
4060 11412	G1/2	G1 1/4	G1/2	28	28	48	29
4060 11238	G3/8	G1 1/2	G1/2	33	33	54	30
4060 11212	G1/2	G1 1/2	G1/2	33	33	54	30



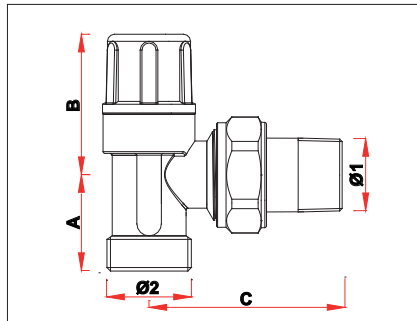
CODE	Ø1	Ø2	Ø3	A	B	C	D
4061 3438	G3/8	G3/4	G1/2	22	22	27	38
4061 3412	G1/2	G3/4	G1/2	22	22	27	38
4061 138	G3/8	G1	G1/2	23	23	34	40
4061 112	G1/2	G1	G1/2	23	23	34	40
4061 11438	G3/8	G1 1/4	G1/2	28	28	42	44
4061 11412	G1/2	G1 1/4	G1/2	28	28	42	44
4061 11238	G3/8	G1 1/2	G1/2	32	32	48	46
4061 11212	G1/2	G1 1/2	G1/2	32	32	48	46



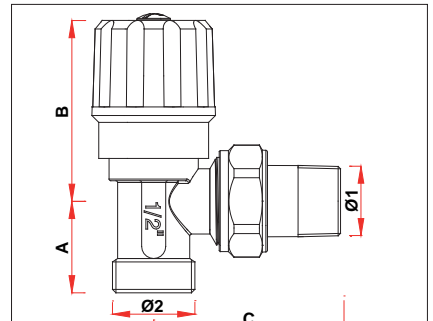


* = without and with thermostatic head

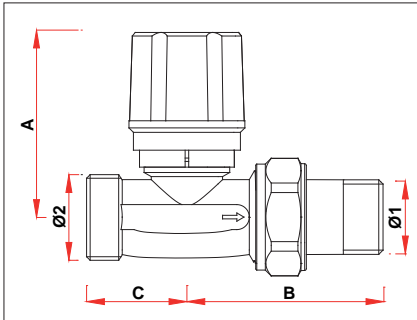
CODE	Ø1	Ø2	A	B*	C
1610 38	G3/8	24x19	26	50-98	49
1610 12	G1/2	24x19	26	50-98	56



CODE	Ø1	Ø2	A	B	C
1100 38	G3/8	24x19	26	39	49
1100 12	G1/2	24x19	26	40	56

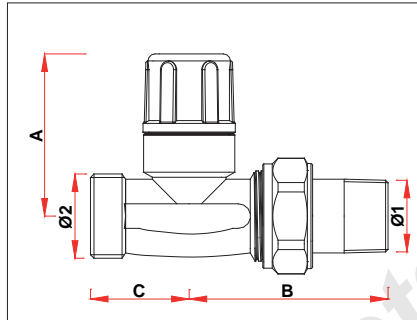


CODE	Ø1	Ø2	A	B	C
1050 38	G3/8	24x19	26	52	49
1050 12	G1/2	24x19	26	52	56

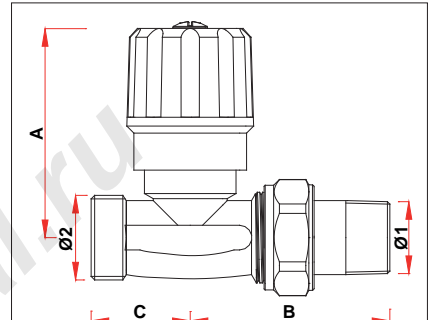


* = without and with thermostatic head

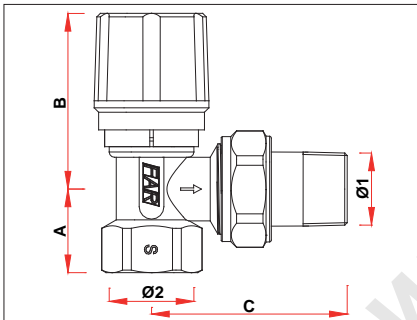
CODE	Ø1	Ø2	A*	B	C
1630 38	G3/8	24x19	50-98	51	28
1630 12	G1/2	24x19	50-98	58	28



CODE	Ø1	Ø2	A	B	C
1300 38	G3/8	24x19	44	51	28
1300 12	G1/2	24x19	46	58	28

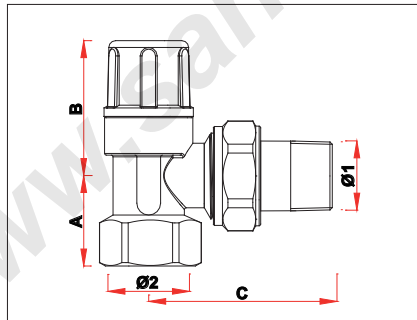


CODE	Ø1	Ø2	A	B	C
1250 38	G3/8	24x19	57	51	28
1250 12	G1/2	24x19	59	58	28

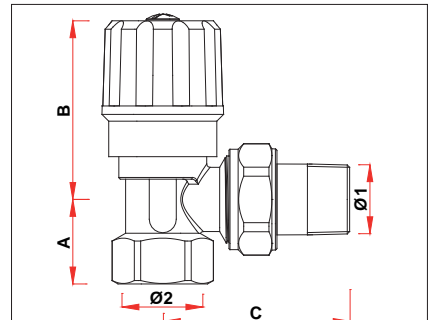


* = without and with thermostatic head

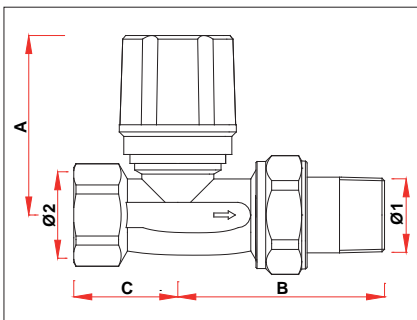
CODE	Ø1	Ø2	A	B*	C
1620 38	G3/8	G3/8	20	50-98	49
1620 12	G1/2	G1/2	24	50-98	56
1620 34	G3/4	G3/4	28	52-100	64
1620 1	G1	G1	34	52-100	75



CODE	Ø1	Ø2	A	B	C
1200 38	G3/8	G3/8	20	39	49
1200 12	G1/2	G1/2	24	40	56
1200 34	G3/4	G3/4	28	47	64
1200 1	G1	G1	34	51	75

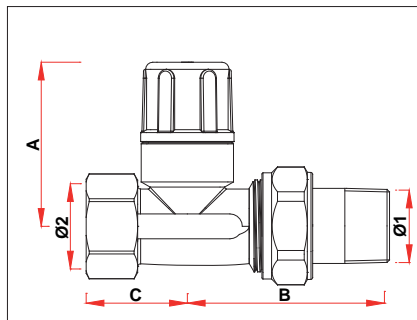


CODE	Ø1	Ø2	A	B	C
1150 38	G3/8	G3/8	20	52	49
1150 12	G1/2	G1/2	24	52	56
1150 34	G3/4	G3/4	28	57	64
1150 1	G1	G1	34	64	75

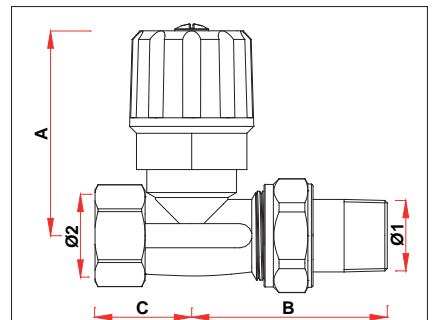


* = without and with thermostatic head

CODE	Ø1	Ø2	A*	B	C
1640 38	G3/8	G3/8	50-98	51	24
1640 12	G1/2	G1/2	50-98	58	29
1640 34	G3/4	G3/4	54-102	64	32
1640 1	G1	G1	54-102	68	39



CODE	Ø1	Ø2	A	B	C
1400 38	G3/8	G3/8	44	51	24
1400 12	G1/2	G1/2	46	58	29
1400 34	G3/4	G3/4	55	64	32
1400 1	G1	G1	61	68	39



CODE	Ø1	Ø2	A	B	C
1350 38	G3/8	G3/8	57	51	24
1350 12	G1/2	G1/2	59	58	29
1350 34	G3/4	G3/4	64	64	32
1350 1	G1	G1	73	68	39

* = without and with thermostatic head

CODE	Ø1	Ø2	A	B*	C
0108-0109 38	G3/8	24x19	33	51-100	53
0108-0109 12	G1/2	24x19	33	51-100	56

* = without and with thermostatic head

CODE	Ø1	Ø2	A*	B	C
0101-0111 38	G3/8	24x19	53-102	52	33
0101-0111 12	G1/2	24x19	53-102	55	33
0102-0112 38	G3/8	24x19	53-102	52	33
0102-0112 12	G1/2	24x19	53-102	55	33

* = without and with thermostatic head

CODE	Ø1	Ø2	A*	B	C
0103-0113 38	G3/8	G3/8	53-102	52	26
0103-0113 12	G1/2	G1/2	53-102	55	26
0104-0114 38	G3/8	G3/8	53-102	52	26
0104-0114 12	G1/2	G1/2	53-102	55	26

CODE	Ø1	Ø2	A	B	C
0128-0129 38	G3/8	24x19	33	39	53
0128-0129 12	G1/2	24x19	33	39	56

CODE	Ø1	Ø2	A	B	C
0121-0131 38	G3/8	24x19	46	52	33
0121-0131 12	G1/2	24x19	46	55	33
0122-0132 38	G3/8	24x19	46	52	33
0122-0132 12	G1/2	24x19	46	55	33

CODE	Ø1	Ø2	A	B	C
0123-0133 38	G3/8	G3/8	46	52	26
0123-0133 12	G1/2	G1/2	46	55	26
0124-0134 38	G3/8	G3/8	46	52	26
0124-0134 12	G1/2	G1/2	46	55	26

* = without and with thermostatic head

CODE	Ø1	Ø2	A	B*	C
0148-0149 38	G3/8	G3/8	26	51-100	53
0148-0149 12	G1/2	G1/2	26	51-100	56

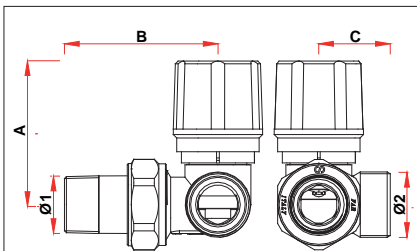
CODE	A	B	C	D	E
1800	36	83	79	79	50

CODE	A	B	C	D	E
1810	98	55	85	33	27

CODE	Ø1	Ø2	A	B	C
0168-0169 38	G3/8	G3/8	26	39	53
0168-0169 12	G1/2	G1/2	26	39	56

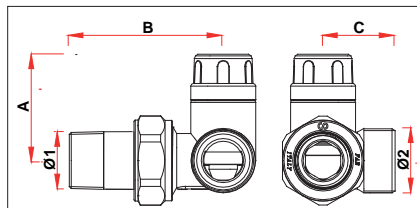
CODE	Ø1	Ø2	A
1941	M33x1.5	M20x1	20

CODE	A	B
1824	86	48
1827	86	48

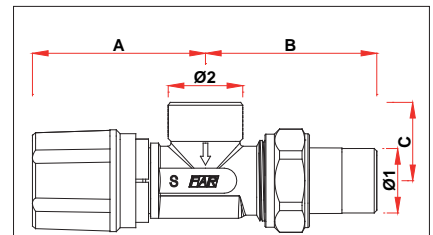


* = without and with thermostatic head

CODE	Ø1	Ø2	A*	B	C
1616 38	G3/8	24x19	52-101	52	26
1616 12	G1/2	24x19	52-101	55	26
1617 38	G3/8	24x19	52-101	52	26
1617 12	G1/2	24x19	52-101	55	26

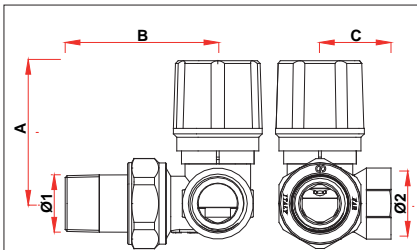


CODE	Ø1	Ø2	A	B	C
1116 38	G3/8	24x19	40	52	26
1116 12	G1/2	24x19	40	55	26
1117 38	G3/8	24x19	40	52	26
1117 12	G1/2	24x19	40	55	26



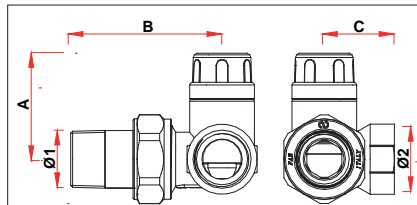
* = without and with thermostatic head

CODE	Ø1	Ø2	A	B	C
1615 38	G3/8	24x19	55-104	52	25
1615 12	G1/2	24x19	55-104	56	25

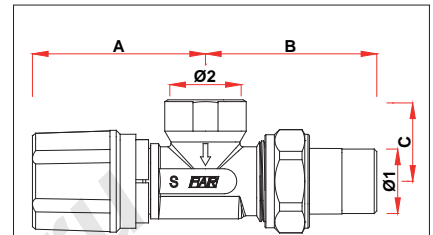


* = without and with thermostatic head

CODE	Ø1	Ø2	A*	B	C
1626 38	G3/8	G3/8	52-101	52	26
1626 12	G1/2	G1/2	52-101	55	26
1627 38	G3/8	G3/8	52-101	52	26
1627 12	G1/2	G1/2	52-101	55	26

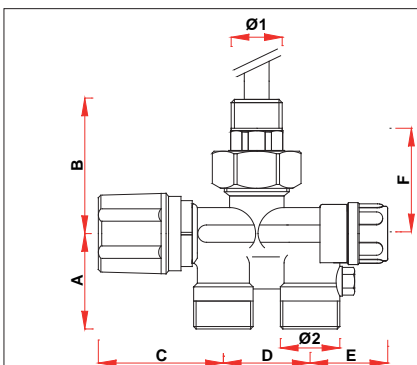


CODE	Ø1	Ø2	A	B	C
1126 38	G3/8	G3/8	40	52	26
1126 12	G1/2	G1/2	40	55	26
1127 38	G3/8	G3/8	40	52	26
1127 12	G1/2	G1/2	40	55	26



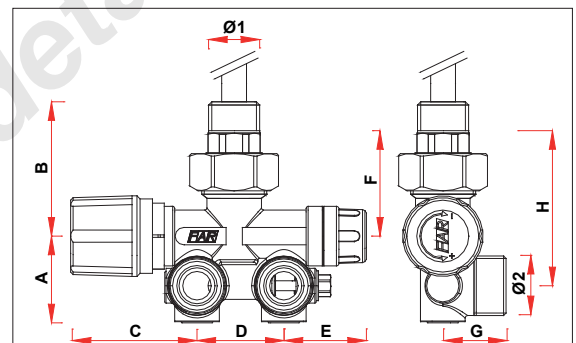
* = without and with thermostatic head

CODE	Ø1	Ø2	A*	B	C
1625 12	G1/2	G1/2	55-104	56	26



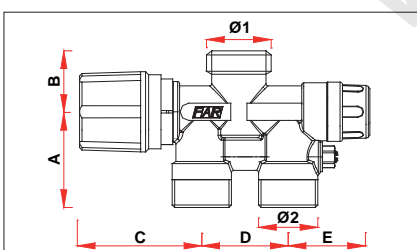
* = without and with thermostatic head

CODE	Ø1	Ø2	A	B	C*	D	E	F
1435	G1/2	24x19	40	53	50-98	35	33	42



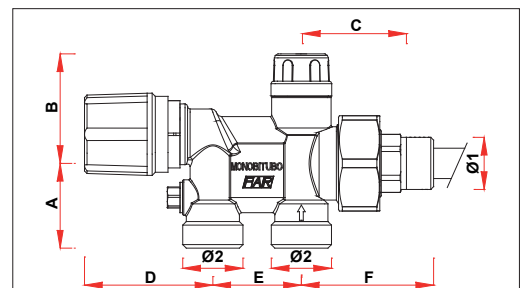
* = without and with thermostatic head

CODE	Ø1	Ø2	A	B	C*	D	E	F	G	H
1436-1437	G1/2	24x19	35	53	51-99	35	33	42	26	63



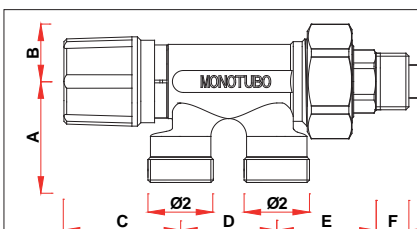
* = without and with thermostatic head

CODE	Ø1	Ø2	A	B	C*	D	E
1431	G3/4	24x19	40	24	50-98	35	33



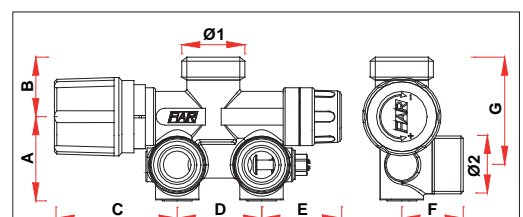
* = without and with thermostatic head

CODE	Ø1	Ø2	A	B	C	D*	E	F
1438 12	G1/2	24x19	34	43	41	51-99	35	52
1438 34	G3/4	24x19	34	43	42	51-99	35	54
1438 1	G1	24x19	34	43	44	51-99	35	60



* = without and with thermostatic head

CODE	Ø1	Ø2	A	B	C*	D	E	F
1439 12	G1/2	24x19	41	21	43-91	35	37	11
1439 34	G3/4	24x19	41	21	43-91	35	38	11



* = without and with thermostatic head

CODE	Ø1	Ø2	A	B	C*	D	E	F	G
1432	G3/4	24x19	35	24	51-100	35	33	26	44

* = without and with thermostatic head

CODE	Ø1	Ø2	A	B	C	D	E*	F
1420 12	G1/2	24x19	39	35	45	37	45-93	56
1420 34	G3/4	24x19	39	35	45	37	45-93	56
1420 1	G1	24X19	39	35	48	37	45-93	63
1430 12	G1/2	24X19	39	35	45	37	45-93	56
1430 34	G3/4	24X19	39	35	45	37	45-93	56
1430 1	G1	24X19	39	35	48	37	45-93	63

CODE	Ø1	Ø2	A	B	C	D	E	F	G	H
1442 12	G1/2	24x19	33	35	39	36	41	29	85	37

CODE	Ø1	Ø2	A	B
5226	G1/2	24x19	27	63

CODE	Ø1	Ø2	A	B	C	D
1421	G3/4	G3/4	27	37	40	50
1422	G3/4	24x19	29	37	40	50

CODE	Ø1	Ø2	A	B	C	D	E	F	G
1452 12	G1/2	24x19	41	43	35	39	36	27	36

CODE	Ø1	Ø2	A	B
5227	G1/2	26x1,5	37	64

CODE	Ø1	Ø2	A	B	C	D
1423	G3/4	G3/4	24	39	41	50
1424	G3/4	24x19	26	39	41	50

CODE	Ø1	Ø2	A	B	C	D	E	F	G
1462 12	G1/2	24x19	35	50	35	56	36	-	-
1472 12	G1/2	24x19	35	50	35	56	36	27	36

CODE	Ø1	Ø2	A	B
5229	G1/2	24x19	27	67

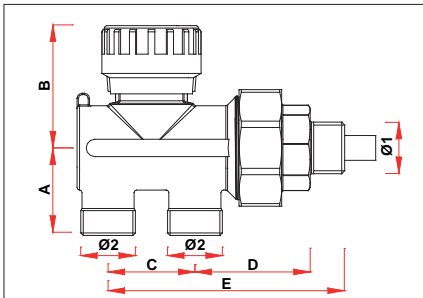
CODE	Ø1	Ø2	A	B	C	D	E	F	G	H
1440 12	G1/2	24x19	45	31	42	55	42	35	85	64

CODE	Ø1	Ø2	A	B	C	D	E	F	G	H
1463 12	G1/2	24x19	33	35	39	36	41	29	-	-
1473 12	G1/2	24x19	33	35	39	36	41	29	27	36

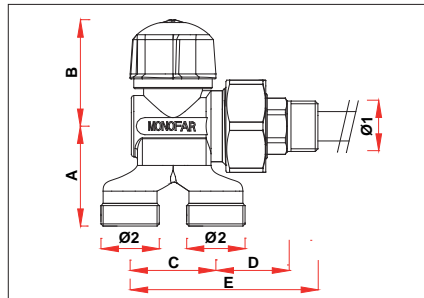
CODE	Ø1	Ø2	A	B
5232	G1/2	26x1,5	37	37

CODE	Ø1	Ø2	A	B
5250-5260	G1/2	24x19	27	36

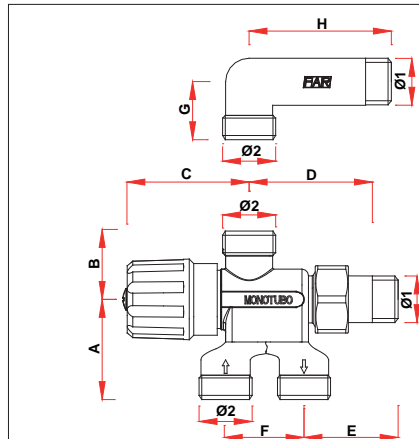
CODE	Ø1	Ø2	Ø3	A	B	C	D
8335 12	G1/2	24x19	42x19	29	74	36	24
8336 12	G1/2	24x19	G1	29	71	36	24



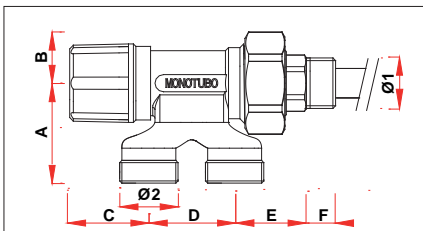
CODE	Ø1	Ø2	A	B	C	D	E
1450 1212	G1/2	24x19	35	50	35	49	95
1450 3412	G3/4	24x19	35	50	35	49	96
1450 3414	G3/4	24x19	35	50	35	49	96
1450 114D	G1DX	24x19	35	50	35	48	98
1450 114S	G1SX	24x19	35	50	35	48	98
1500 121R	G1/2	24x19	35	50	35	49	95
1500 122R	G1/2	24x19	35	50	35	49	95



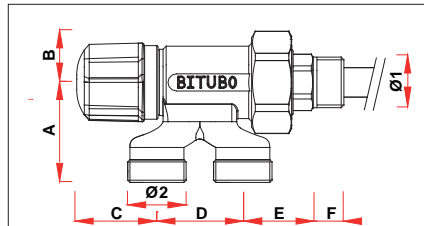
CODE	Ø1	Ø2	A	B	C	D	E
1451 1212	G1/2	24x19	41	43	35	31	77
1451 3412	G3/4	24x19	41	43	35	32	79



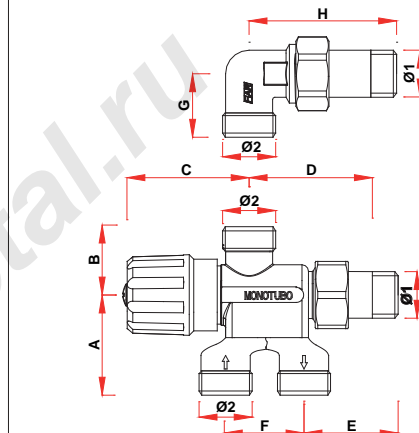
CODE	Ø1	Ø2	A	B	C	D	E	F	G	H
1585 12	G1/2	24x19	45	31	55	55	41	35	27	63



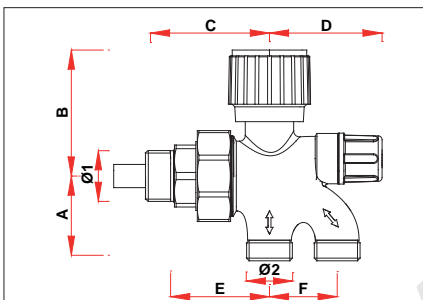
CODE	Ø1	Ø2	A	B	C	D	E	F
1455 1212	G1/2	24x19	41	21	33	35	31	11
1455 3412	G3/4	24x19	41	21	33	35	32	12



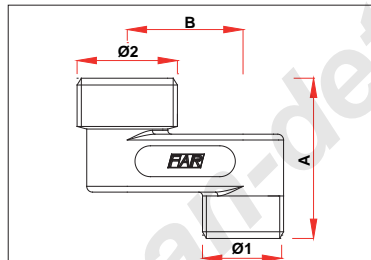
CODE	Ø1	Ø2	A	B	C	D	E	F
1456 1212	G1/2	24x19	41	21	33	35	30	11



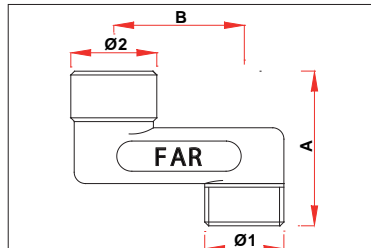
CODE	Ø1	Ø2	A	B	C	D	E	F	G	H
1590 12	G1/2	24x19	45	31	55	55	41	35	27	67



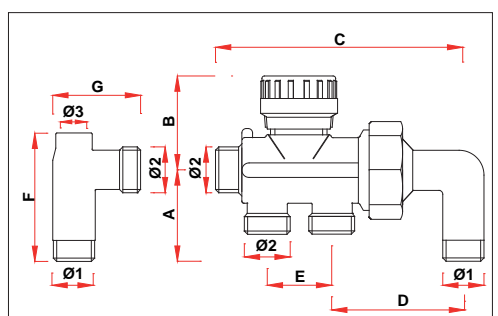
CODE	Ø1	Ø2	A	B	C	D	E	F
1550 1212	G1/2	24x19	44	65	63	59	51	35
1550 3412	G3/4	24x19	44	65	64	59	51	35
1550 3414	G3/4	24x19	44	65	64	59	51	35
1550 114D	G1DX	24x19	44	65	65	59	51	35
1550 114S	G1SX	24x19	44	65	65	59	51	35



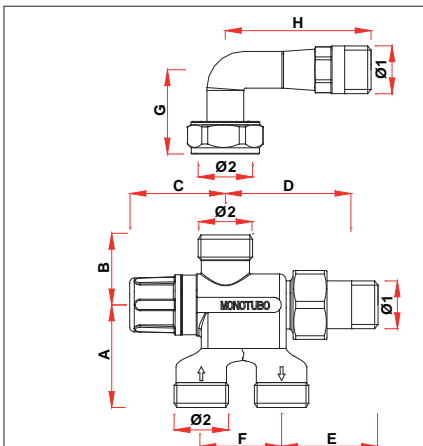
CODE	Ø1	Ø2	A	B
5563 13412	G1/2	G3/4	42	10
5563 23412	G1/2	G3/4	42	20
5563 33412	G1/2	G3/4	42	30
5563 43412	G1/2	G3/4	42	40
5563 53412	G1/2	G3/4	42	50
5563 63412	G1/2	G3/4	42	60



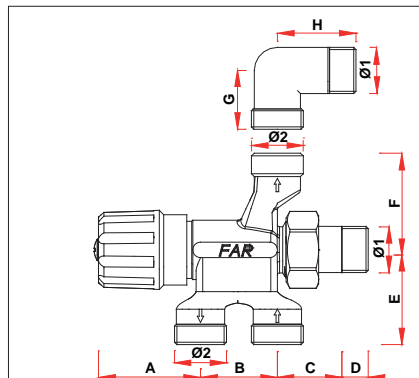
CODE	Ø1	Ø2	A	B
5560 138	G3/8	G3/8	42	10
5560 238	G3/8	G3/8	42	20
5560 338	G3/8	G3/8	42	30
5560 438	G3/8	G3/8	42	40
5560 538	G3/8	G3/8	42	50
5560 638	G3/8	G3/8	42	60
5560 112	G1/2	G1/2	42	10
5560 212	G1/2	G1/2	42	20
5560 312	G1/2	G1/2	42	30
5560 412	G1/2	G1/2	42	40
5560 512	G1/2	G1/2	42	50
5560 612	G1/2	G1/2	42	60
5560 134	G3/4	G3/4	48	10
5560 234	G3/4	G3/4	48	20
5560 334	G3/4	G3/4	48	30
5560 434	G3/4	G3/4	48	40
5560 534	G3/4	G3/4	48	50
5560 634	G3/4	G3/4	48	60



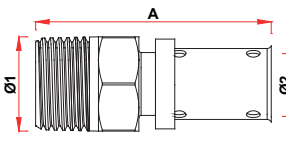
CODE	Ø1	Ø2	Ø3	A	B	C	D	E	F	G
1600	G1/2	24x19	G1/4	45	50	130	69	35	46	26



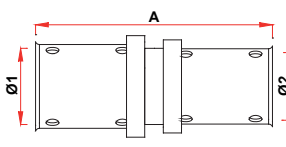
CODE	Ø1	Ø2	A	B	C	D	E	F	G	H
1575 12	G1/2	24x19	45	31	42	55	42	35	37	64



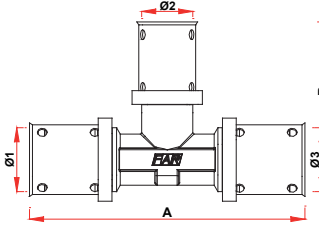
CODE	Ø1	Ø2	A	B	C	D	E	F	G	H
1595 12	G1/2	24x19	47	35	30	11	44	44	27	36



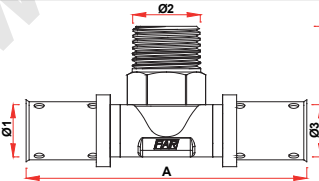
CODE	Ø1	Ø2	A
59001401	G1/2	14x2	53
59001601	G1/2	16x2	53
59001602	G1/2	16x2,25	53
59001801	G1/2	18x2	53
59001802	G3/4	18x2	55
59002001	G1/2	20x2	53
59002002	G3/4	20x2	55
59002003	G1/2	20x2,25	53
59002004	G3/4	20x2,25	55
59002005	G1/2	20x2,5	53
59002006	G3/4	20x2,5	55
59002501	G3/4	25x2,5	60
59002502	G1	25x2,5	63
59002601	G3/4	26x3	60
59002602	G1	26x3	63
59003201	G1	32x3	63
59003202	G1 1/4	32x3	66
59003203	G3/4	32x3	60
59004001	G1	40x3,5	73
59004002	G1 1/4	40x3,5	76
59004003	G1	40x4	72
59004004	G1 1/4	40x4	75
59005001	G1 1/4	50x4	79
59005002	G1 1/4	50x4,5	79
59005003	G1 1/2	50x4	80
59005004	G1 1/2	50x4,5	80
59006301	G2	63x4,5	108



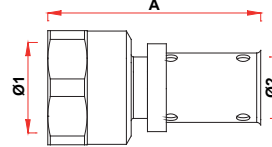
CODE	Ø1	Ø2	A
59031801	18x2	16x2	56
59032001	20x2	16x2	56
59032002	20x2	18x2	56
59032003	20x2,5	16x2	56
59032004	20x2,5	18x2	56
59032005	20x2,5	16x2,25	56
59032006	20x2,25	16x2	56
59032007	20x2,25	18x2	56
59032008	20x2,5	20x2	60
59032009	20x2,5	20x2,25	60
59032010	20x2	14x2	56
59032501	25x2,5	16x2	64
59032502	25x2,5	18x2	64
59032503	25x2,5	20x2	64
59032504	25x2,5	20x2,5	64
59032505	25x2,5	20x2,25	64
59032601	26x3	16x2	64
59032602	26x3	18x2	64
59032603	26x3	20x2	64
59032604	26x3	20x2,5	64
59032605	26x3	20x2,25	64
59032606	26x3	25x2,5	65
59033201	32x3	16x2	64
59033202	32x3	18x2	64
59033203	32x3	20x2	64
59033204	32x3	20x2,5	64
59033205	32x3	25x2,5	68
59033206	32x3	26x3	68
59033207	32x3	20x2,25	64
59034001	40x3,5	25x2,5	78
59034002	40x3,5	26x3	78
59034003	40x3,5	32x3	78
59035001	50x4	32x3	79
59035002	50x4	40x3,5	89
59036301	63x4,5	32x3	104
59036302	63x4,5	40x3,5	114
59036303	63x4,5	50x4	117



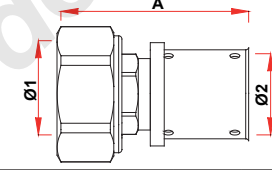
CODE	Ø1	Ø2	Ø3	A	B
59091601	16x2	14x2	16x2	82	41
59091801	18x2	16x2	18x2	86	43
59092001	20x2	16x2	20x2	86	43
59092002	20x2	18x2	20x2	86	43
59092003	20x2,5	16x2	20x2,5	86	43
59092004	20x2,5	18x2	20x2,5	86	43
59092005	20x2,5	16x2,25	20x2,5	86	43
59092006	20x2,25	16x2	20x2,25	87	44
59092007	20x2,25	18x2	20x2,25	87	44
59092008	20x2	14x2	20x2	86	43
59092501	25x2,5	16x2	25x2,5	103	51
59092502	25x2,5	18x2	25x2,5	103	51
59092503	25x2,5	20x2	25x2,5	103	51
59092504	25x2,5	20x2,5	25x2,5	103	51
59092505	25x2,5	20x2,25	25x2,5	103	51
59092601	26x3	16x2	26x3	103	51
59092602	26x3	18x2	26x3	103	51
59092603	26x3	20x2	26x3	103	51
59092604	26x3	20x2,5	26x3	103	51
59092605	26x3	20x2,25	26x3	103	51
59093201	32x3	16x2	32x3	108	53
59093202	32x3	18x2	32x3	108	53
59093203	32x3	20x2	32x3	108	53
59093204	32x3	20x2,5	32x3	108	53
59093205	32x3	20x2,25	32x3	108	53
59093206	32x3	25x2,5	32x3	108	53
59093207	32x3	26x3	32x3	108	53
59094001	40x3,5	32x3	40x3,5	135	60
59094002	40x4	32x3	40x4	136	60
59094003	40x3,5	26x3	40x3,5	135	58
59094004	40x4	25x2,5	40x4	136	58
59095001	50x4	26x3	50x4	161	66
59095002	50x4	32x3	50x4	161	65
59095003	50x4	40x3,5	50x4	161	78
59095004	50x4,5	25x2,5	50x4,5	161	66
59095005	50x4,5	32x3	50x4,5	161	65
59095006	50x4,5	40x4	50x4,5	161	78



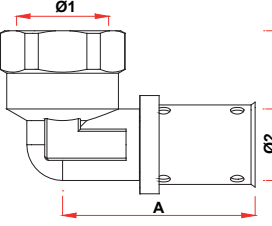
CODE	Ø1	Ø2	Ø3	A	B
59131601	G1/2	16x2	16x2	85	32
59131602	G1/2	16x2,25	16x2,25	86	32
59131801	G1/2	18x2	18x2	87	32
59131802	G3/4	18x2	18x2	93	36
59132001	G1/2	20x2	20x2	87	32
59132002	G3/4	20x2	20x2	94	36
59132003	G1/2	20x2,25	20x2,25	87	32
59132004	G3/4	20x2,25	20x2,25	94	36
59132005	G1/2	20x2,5	20x2,5	87	32
59132006	G3/4	20x2,5	20x2,5	94	36
59132501	G3/4	25x2,5	25x2,5	105	36
59132502	G1	25x2,5	25x2,5	110	41
59132601	G3/4	26x3	26x3	105	36
59132602	G1	26x3	26x3	110	41
59133201	G1	32x3	32x3	111	41
59133202	G1 1/4	32x3	32x3	121	47
59134001	G1 1/4	40x3,5	40x3,5	142	47
59134002	G1 1/4	40x4	40x4	142	47
59135001	G1 1/2	50x4	50x4	161	57
59135002	G1 1/2	50x4,5	50x4,5	161	57



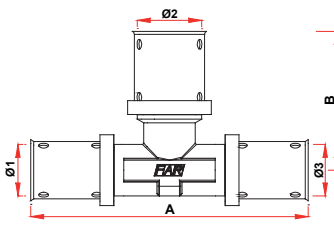
CODE	Ø1	Ø2	A
59011401	G1/2	14x2	49
59011601	G1/2	16x2	49
59011602	G1/2	16x2,25	49
59011801	G1/2	18x2	49
59011802	G3/4	18x2	51
59012001	G1/2	20x2	49
59012002	G3/4	20x2	51
59012003	G1/2	20x2,25	49
59012004	G3/4	20x2,25	51
59012005	G1/2	20x2,5	49
59012006	G3/4	20x2,5	51
59012501	G3/4	25x2,5	56
59012502	G1	25x2,5	59
59012601	G3/4	26x3	56
59012602	G1	26x3	59
59013201	G1	32x3	59
59013202	G1 1/4	32x3	62
59014001	G1	40x3,5	65
59014002	G1 1/4	40x3,5	72
59014003	G1	40x4	64
59014004	G1 1/4	40x4	71
59015001	G1 1/4	50x4	72
59015002	G1 1/4	50x4,5	72
59015003	G1 1/2	50x4	69
59015004	G1 1/2	50x4,5	69
59016301	G2	63x4,5	100



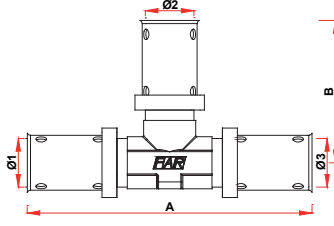
CODE	Ø1	Ø2	A
59182001	M33x1,5	20x2	55
59182501	M33x1,5	25x2,5	60
59182601	M33x1,5	26x3	60



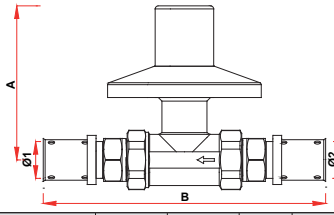
CODE	Ø1	Ø2	A	B
59051401	G1/2	14x2	43	26
59051601	G1/2	16x2	43	26
59051602	G1/2	16x2,25	43	26
59051801	G1/2	18x2	43	26
59051802	G3/4	18x2	47	29
59052001	G1/2	20x2	43	26
59052002	G3/4	20x2	47	29
59052003	G1/2	20x2,25	43	26
59052004	G3/4	20x2,25	47	29
59052005	G1/2	20x2,5	43	26
59052006	G3/4	20x2,5	47	29
59052501	G3/4	25x2,5	53	29
59052502	G1	25x2,5	55	36
59052601	G3/4	26x3	53	29
59052602	G1	26x3	55	36
59053201	G1	32x3	56	36
59053202	G1 1/4	32x3	61	43
59054001	G1 1/4	40x3,5	72	43
59054002	G1 1/4	40x4	72	43
59055001	G1 1/2	50x4	80	44
59055002	G1 1/2	50x4,5	80	44
59056301	G2	63x4,5	114	59



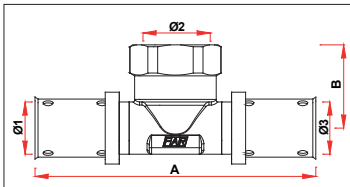
CODE	Ø1	Ø2	Ø3	A	B
59101601	16x2	20x2	16x2	86	43
59101602	16x2	20x2,25	16x2	86	43
59101603	16x2	20x2,5	16x2	86	43
59101604	16x2,25	20x2	16x2,25	86	43
59101605	16x2,25	20x2,25	16x2,25	86	43
59101606	16x2,25	20x2,5	16x2,25	86	43
59101607	16x2	26x3	16x2	101	52
59101608	16x2	25x2,5	16x2	101	52
59101801	18x2	25x2,5	18x2	101	52
59101802	18x2	26x3	18x2	101	52
59102001	20x2	26x3	20x2	101	52
59102002	20x2,25	26x3	20x2,25	101	52
59102003	20x2,5	26x3	20x2,5	101	52
59102004	20x2,25	25x2,5	20x2,25	101	52
59102501	25x2,5	32x3	25x2,5	105	55
59102601	26x3	32x3	26x3	105	55
59103201	32x3	40x3,5	32x3	111	68
59103202	32x3	40x4	32x3	111	68



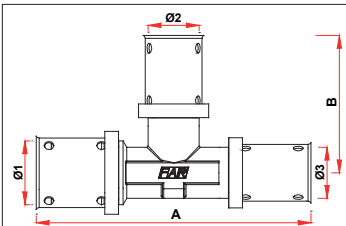
CODE	Ø1	Ø2	Ø3	A	B
59081401	14x2	14x2	14x2	82	41
59081601	16x2	16x2	16x2	82	41
59081602	16x2,25	16x2,25	16x2,25	83	42
59081801	18x2	18x2	18x2	86	43
59082001	20x2	20x2	20x2	86	43
59082002	20x2,25	20x2,25	20x2,25	87	44
59082003	20x2,5	20x2,5	20x2,5	87	44
59082501	25x2,5	25x2,5	25x2,5	103	52
59082601	26x3	26x3	26x3	103	52
59083201	32x3	32x3	32x3	109	55
59084001	40x3,5	40x3,5	40x3,5	136	68
59084002	40x4	40x4	40x4	136	68
59085001	50x4	50x4	50x4	160	80
59085002	50x4,5	50x4,5	50x4,5	160	80
59086301	63x4,5	63x4,5	63x4,5	227	113



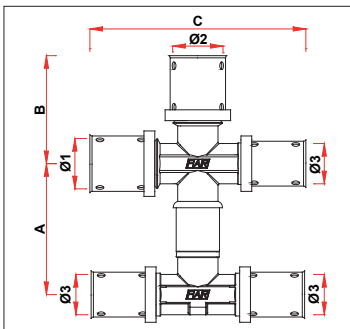
CODE	Ø1	Ø2	A	B
59711601	16x2	16x2	72	132
59711602	16x2,25	16x2,25	72	136
59711801	18x2	18x2	72	



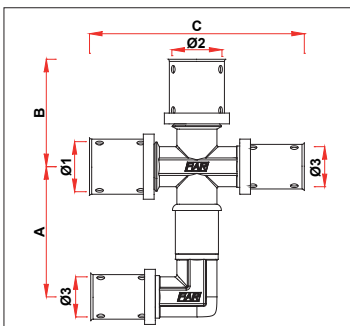
CODE	Ø1	Ø2	Ø3	A	B
59121601	G1/2	16x2	16x2	85	26
59121602	G1/2	16x2,25	16x2,25	86	26
59121801	G1/2	18x2	18x2	87	26
59121802	G3/4	18x2	18x2	93	29
59122001	G1/2	20x2	20x2	87	26
59122002	G3/4	20x2	20x2	94	29
59122003	G1/2	20x2,25	20x2,25	87	26
59122004	G3/4	20x2,25	20x2,25	94	29
59122005	G1/2	20x2,5	20x2,5	87	26
59122006	G3/4	20x2,5	20x2,5	94	29
59122501	G3/4	25x2,5	25x2,5	105	29
59122502	G1	25x2,5	25x2,5	110	36
59122601	G3/4	26x3	26x3	105	29
59122602	G1	26x3	26x3	110	36
59123201	G1	32x3	32x3	111	36
59123202	G1 1/4	32x3	32x3	121	43
59124001	G1 1/4	40x3,5	40x3,5	142	43
59124002	G1 1/4	40x4	40x4	142	43
59125001	G1 1/2	50x4	50x4	161	44
59125002	G1 1/2	50x4,5	50x4,5	161	44
59126301	G3/4	63x4,5	63x4,5	195	50
59126302	G1	63x4,5	63x4,5	195	49
59126303	G1 1/4	63x4,5	63x4,5	208	58
59126304	G1 1/2	63x4,5	63x4,5	208	58
59126305	G2	63x4,5	63x4,5	208	58



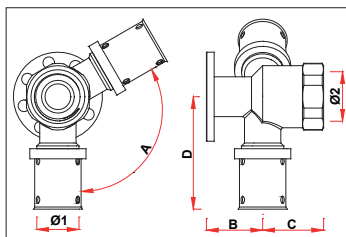
CODE	Ø1	Ø2	Ø3	A	B
59111801	18x2	16x2	16x2	86	43
59111802	18x2	18x2	16x2	86	43
59112001	20x2	16x2	16x2	86	43
59112002	20x2	18x2	18x2	86	43
59112003	20x2	20x2	16x2	86	43
59112004	20x2,5	16x2	16x2	86	43
59112005	20x2,5	18x2	18x2	86	43
59112006	20x2,5	20x2,5	16x2	86	43
59112007	20x2,5	16x2,25	16x2,25	86	43
59112008	20x2,25	16x2	16x2	87	43
59112009	20x2,25	18x2	18x2	87	43
59112010	20x2,25	20x2,25	16x2	87	44
59112011	20x2,25	20x2,25	18x2	87	44
59112012	20x2	26x3	16x2	101	51
59112013	20x2,5	20x2,5	16x2,25	86	43
59112501	25x2,5	20x2	20x2	102	51
59112502	25x2,5	20x2,5	20x2,5	102	52
59112503	25x2,5	25x2,5	20x2	101	52
59112504	25x2,5	25x2,5	20x2,25	102	52
59112505	25x2,5	16x2	16x2	101	51
59112506	25x2,5	18x2	18x2	102	51
59112507	25x2,5	20x2,25	20x2,25	102	51
59112601	26x3	20x2	20x2	102	51
59112602	26x3	20x2,5	20x2,5	102	51
59112603	26x3	26x3	20x2	101	52
59112604	26x3	26x3	20x2,5	102	52
59112605	26x3	16x2	16x2	102	51
59112606	26x3	18x2	18x2	102	51
59112607	26x3	16x2	20x2	102	51
59112608	26x3	20x2	16x2	102	51
59112609	26x3	26x3	16x2	101	52
59112610	26x3	26x3	18x2	102	51
59112611	26x3	20x2,5	16x2	102	51
59112612	26x3	16x2	20x2,5	102	51
59113201	32x3	25x2,5	25x2,5	107	54
59113202	32x3	26x3	26x3	107	54
59113203	32x3	32x3	20x2	105	55
59113204	32x3	32x3	20x2,5	105	55
59113205	32x3	32x3	25x2,5	106	55
59113206	32x3	32x3	26x3	106	55
59113207	32x3	20x2	26x3	107	53
59113208	32x3	20x2,5	20x2,5	105	53
59113209	32x3	32x3	20x2,25	104	54
59113210	32x3	20x2	20x2	96	48
59113211	32x3	20x2,25	20x2,25	97	48
59114001	40x3,5	32x3	32x3	124	59
59114002	40x4	32x3	32x3	124	59
59115001	50x4	40x3,5	40x3,5	158	78
59115002	50x4	32x3	40x3,5	158	65
59115003	50x4	26x3	40x3,5	158	66
59115004	50x4,5	40x4	40x4	158	78
59115005	50x4,5	32x3	40x4	158	66
59115006	50x4,5	26x3	40x4	158	65



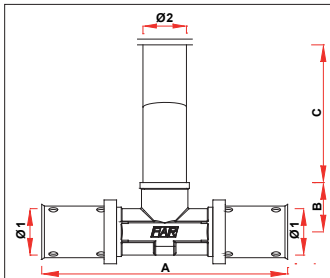
CODE	Ø1	Ø2	Ø3	A	B	C
59232001	20x2,5	20x2,5	16x2	52	43	86
59232002	20x2	20x2	16x2	52	43	86
59232003	20x2,25	20x2,25	16x2,25	52	43	86
59232601	20x2,5	26x3	16x2	52	51	92
59232602	20x2	26x3	16x2	52	51	92



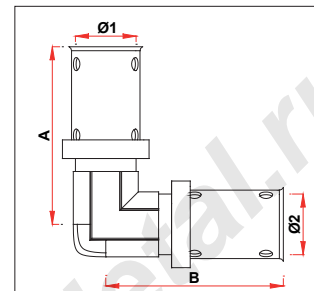
CODE	Ø1	Ø2	Ø3	A	B	C
59242001	20x2,5	20x2,5	16x2	52	43	86
59242002	20x2	20x2	16x2	52	43	86
59242003	20x2,25	20x2,25	16x2,25	52	43	86
59242601	20x2,5	26x3	16x2	52	51	92
59242602	20x2	26x3	16x2	52	51	92



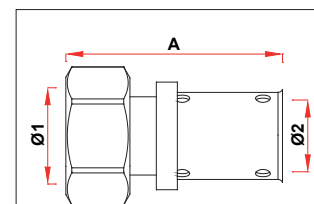
CODE	Ø1	Ø2	A	B	C	D
59161601	16x2	G1/2	120°	24	26	48
59161602	16x2,25	G1/2	120°	24	26	48
59161801	18x2	G1/2	120°	24	26	48
59162001	20x2	G1/2	120°	24	26	48
59162002	20x2,25	G1/2	120°	24	26	48
59162003	20x2,5	G1/2	120°	24	26	48



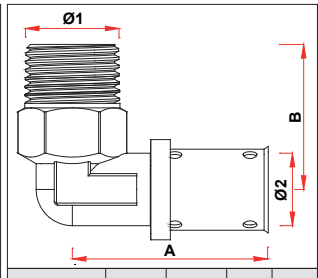
CODE	Ø1	Ø2	A	B	C
5921140125	14x2	15	86	17	250
5921160125	16x2	15	86	17	250
5921160225	16x2,25	15	86	17	250
5921180125	18x2	15	86	17	250
5921200125	20x2	15	86	17	250
5921200225	20x2,25	15	86	17	250
5921200325	20x2,5	15	86	17	250



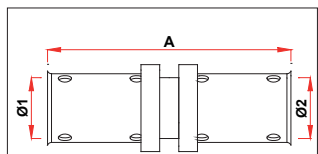
CODE	Ø1	Ø2	A	B
59061401	14x2	14x2	41	41
59061601	16x2	16x2	41	41
59061602	16x2,25	16x2,25	42	42
59061801	18x2	18x2	43	43
59062001	20x2	20x2	43	43
59062002	20x2,25	20x2,25	43	43
59062003	20x2,5	20x2,5	43	43
59062501	25x2,5	25x2,5	52	52
59062601	26x3	26x3	52	52
59063201	32x3	32x3	55	55
59064001	40x3,5	40x3,5	69	69
59064002	40x4	40x4	68	68
59065001	50x4	50x4	80	80
59065002	50x4,5	50x4,5	80	80
59066301	63x4,5	63x4,5	114	114



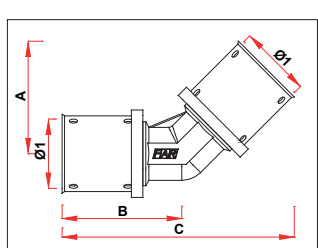
CODE	Ø1	Ø2	A
59191601	G1/2 TP	16x2	44
59191602	G1/2 TP	16x2,25	44
59191603	G3/4 TP	16x2	49
59191604	G3/4 TP	16x2,25	49
59191801	G1/2 TP	18x2	44
59191802	G3/4 TP	18x2	49
59192001	G1/2 TP	20x2	44
59192002	G1/2 TP	20x2,25	44
59192003	G1/2 TP	20x2,5	44
59192004	G3/4 TP	20x2	49
59192005	G3/4 TP	20x2,25	49
59192006	G3/4 TP	20x2,5	49
59192501	G1 TP	25x2,5	56
59192502	G3/4 TP	25x2,5	54
59192601	G1 TP	26x3	56
59192602	G3/4 TP	26x3	54
59193201	G1 TP	32x3	59



CODE	Ø1	Ø2	A	B
59041401	G1/2	14x2	43	32
59041601	G1/2	16x2	43	32
59041602	G1/2	16x2,25	43	32
59041801	G1/2	18x2	43	32
59041802	G3/4	18x2	47	36
59042001	G1/2	20x2	43	32
59042002	G3/4	20x2	47	36
59042003	G1/2	20x2,25	43	32
59042004	G3/4	20x2,25	47	36
59042005	G1/2	20x2,5	43	32
59042006	G3/4	20x2,5	47	36
59042501	G3/4	25x2,5	53	36
59042502	G1	25x2,5	55	41
59042601	G3/4	26x3	53	36
59042602	G1	26x3	55	41
59043201	G1	32x3	56	41
59043202	G1 1/4	32x3	61	47
59044001	G1 1/4	40x3,5	72	47
59044002	G1 1/4	40x4	72	47
59045001	G1 1/2	50x4	80	57
59045002	G1 1/2	50x4,5	80	57
59046301	G2	63x4,5	114	73



CODE	Ø1	Ø2	A
59021401	14x2	14x2	56
59021601	16x2	16x2	56
59021602	16x2,25	16x2,25	56
59021701	17x2	17x2	56
59021801	18x2	18x2	56
59022001	20x2	20x2	56
59022002	20x2,25	20x2,25	56
59022003	20x2,5	20x2,5	56
59022501	25x2,5	25x2,5	66
59022601	26x3	26x3	66
59023201	32x3	32x3	66
59024001	40x3,5	40x3,5	85
59024002	40x4	40x4	85
59025001	50x4	50x4	90
59025002	50x4,5	50x4,5	90
59026301	63x4,5	63x4,5	136



CODE	Ø1	A	B	C
59072501	25x2,5	42	45	87
59072601	26x3	42	45	87
59073201	32x3	45	46	91
59074001	40x3,5	59	62	122
59074002	40x4	59	62	122
59075001	50x4	66	66	131
59075002	50x4,5	66	66	131
59076301	63x4,5	89	94	183

CODE	Ø1	Ø2	A
59151601	G24x19	16x2	49
59152001	G24x19	20x2	49

CODE	Ø1	Ø2	A	B
59731601	16x2	16x2	96	132
59731801	18x2	18x2	96	136
59732001	20x2	20x2	96	133
59732003	20x2,5	20x2,5	96	133
59732601	26x3	26x3	102	148
59733201	32x3	32x3	102	152

CODE	Ø1	Ø2	A	B	C
59171601	16x2	G1/2	24	26	48
59171602	16x2,25	G1/2	24	26	48
59171801	18x2	G1/2	24	26	48
59172001	20x2	G1/2	24	26	48
59172002	20x2,25	G1/2	24	26	48
59172003	20x2,5	G1/2	24	26	48

CODE	Ø1	Ø2	A	B	C
59141601	16x2	G1/2	17	34	44
59141602	16x2,25	G1/2	17	34	44
59141801	18x2	G1/2	17	34	44
59141802	18x2	G3/4	20	29	48
59142001	20x2	G1/2	17	34	44
59142002	20x2	G3/4	20	29	48
59142003	20x2,25	G1/2	17	34	44
59142004	20x2,25	G3/4	20	29	48
59142005	20x2,5	G1/2	17	34	44
59142006	20x2,5	G3/4	20	29	48
59142501	25x2,5	G3/4	20	29	52
59142601	26x3	G3/4	20	29	52

CODE	Ø1	Ø2	A	B	C
59271601	16x2	G1/2	23	30	48
59271602	16x2,25	G1/2	23	30	48
59271801	18x2	G1/2	23	30	48
59272001	20x2	G1/2	23	30	48
59272002	20x2,25	G1/2	23	30	48
59272003	20x2,5	G1/2	23	30	48

* Min. cut width on the pipe

CODE	Ø1	A*	B	C
59261401	14x2	70	96	123
59261601	16x2	70	96	123
59261602	16x2,25	70	96	123
59261801	18x2	70	96	123
59262001	20x2	70	96	123
59262002	20x2,25	70	96	123
59262003	20x2,5	70	96	123

CODE	Ø1	Ø2	A	B
59221601	G1/2	16x2	44	36
59221602	G3/4	16x2	44	37
59221801	G1/2	18x2	44	36
59221802	G3/4	18x2	44	37
59222001	G1/2	20x2	44	36
59222002	G3/4	20x2	44	37
59222003	G3/4	20x2,5	44	37
59222004	G1/2	20x2,5	44	36
59222501	G3/4	25x2,5	53	42
59222502	G1	25x2,5	53	43
59222601	G3/4	26x3	53	42
59222602	G1	26x3	53	43

CODE	Ø1	Ø2	A	B	C	D
59251601	16x2	G1/2	88	25	24	27
59251602	16x2,25	G1/2	88	25	24	27
59251801	18x2	G1/2	88	25	24	27
59252001	20x2	G1/2	88	25	24	27
59252002	20x2,25	G1/2	88	25	24	27
59252003	20x2,5	G1/2	88	25	24	27

CODE	Ø1	Ø2	A	B	C
5920140109	14x2	15	43	17	90
5920160109	16x2	15	43	17	90
5920160209	16x2,25	15	43	17	90
5920180109	18x2	15	43	17	90
5920200109	20x2	15	43	17	90
5920200209	20x2,25	15	43	17	90
5920200309	20x2,5	15	43	17	90
5920140124	14x2	15	43	17	240
5920160124	16x2	15	43	17	240
5920160224	16x2,25	15	43	17	240
5920180124	18x2	15	43	17	240
5920200124	20x2	15	43	17	240
5920200224	20x2,25	15	43	17	240
5920200324	20x2,5	15	43	17	240

CODE	Ø1	A	B	C
59721601	16x2	72	94	43
59721801	18x2	72	94	44
59722003	20x2,5	72	94	44
59722601	26x3	82	103	64

CODE	Ø1	Ø2	A	B	C	D	E
59302003	G1/2	20x2,5	35	17	250	100	72
59302601	G1/2	26x3	35	17	250	100	76

CODE	Ø1	Ø2	A	B	C	D	E	F
5750 12	G1/2	24x19	25	25	29	21	38	26
5850 12	G1/2	G1/2	25	25	29	21	38	26

CODE	Ø1	Ø2	A	B	C	D	E	F
5650 12	G1/2	24x19	27	25	29	21	46	26
5840 12	G1/2	G1/2	27	25	29	21	46	26

CODE	Ø1	Ø2	A	B	C	D	E
5550-5555 12	G1/2	24x19	27	26	28	21	45
5550-5555 34	G3/4	24x19	28	26	31	21	45
5830 12	G1/2	G1/2	27	26	28	21	45

CODE	Ø1	Ø2	A	B	C	D
5600 - 5610 12	G1/2	24x19	26	26	46	38
5835 12	G1/2	G1/2	26	26	46	38

CODE	Ø1	Ø2	A	B	C	D	E	F
5700 12	G1/2	24x19	25	25	29	21	50	26
5845 12	G1/2	G1/2	25	25	29	21	50	26

CODE	Ø1	A	B	C
9004	G1/2	19	83	46

CODE	A	B	C	D
9001	84	26	70	50

CODE	A	B
9003	155	200

CODE	Ø1	Ø2	A	B
5100-5110 12	24x19	24x19	33	27
5100-5110 12x18	24x19	24x19	33	27
5100-5110 34x20-22	28x19	28x19	34	32
5100-5110 12x18	33x1,5	33x1,5	35	38
5100-5110 34	G1/2	G1/2	31	24

CODE	Ø1	Ø2	A	B
5500-5510 12	G1/2	24x19	27	52
5500-5510 12x18	G1/2	24x19	27	52

CODE	Ø1	Ø2	A	B
5000-5010 38	G3/8	24x19	30	27
5000-5010 38x18	G3/8	24x19	30	27
5000-5010 12	G1/2	24x19	31	27
5000-5010 12x18	G1/2	24x19	31	27
5000-5010 34	G3/4	24x19	33	33
5000-5010 34x18	G3/4	24x19	33	33
5000-5010 34x20-22	G3/4	24x19	34	32
5002-5012 34x25-26	G3/4	33x1,5	35	39
5000-5010 1	G1	24x19	37	38
5000-5010 1x18	G1	24x19	37	38
5000-5010 1x20-22	G1	28x19	37	38
5002-5012 1x25-26	G1	33x1,5	36	39

CODE	A	B	Ø1
9002	46	15	G1/2

CODE	Ø1	Ø2	A	B
5250-5260 12	G1/2	24x19	27	36
5250-5260 12x18	G1/2	24x19	27	36
5250-5260 34	G3/4	24x19	27	31
5250-5260 34x18	G3/4	24x19	27	31
5250-5260 34x20-22	G3/4	28x19	30	33
5250-5260 1	G1	24x19	30	33
5250-5260 1x18	G1	24x19	30	33
5250-5260 1x20-22	G1	28x19	30	33
5252-5262 34x25-26	G3/4	33x1,5	33	30
5252-5262 1x25-26	G1	33x1,5	33	30
5810 12	G1/2	G1/2	27	27
5810 34	G3/4	G3/4	30	31

CODE	Ø1	A	B
5400-5410 12	24x19	27	52
5400-5410 12x18	24x19	27	52
5400-5410 34x20-22	33x1,5	31	61
5402-5412 1x25-26	28x19	34	67

CODE	Ø1	Ø2	A	B	C
5050-5060 38	G3/8	24x19	25	28	15
5050-5060 12	G1/2	24x19	25	28	16
5050-5060 34	G3/4	24x19	31	30	18
5050-5060 34x20-22	G3/4	28x19	31	30	18
5050-5060 1	G1	24x19	38	32	20
5050-5060 1x20-22	G1	28x19	38	32	20
5805 12	G1/2	G1/2	25	28	15
5805 34	G3/4	G3/4	31	30	19

CODE	Ø1	Ø2	A	B
5350-5360 12	24x19	24x19	27	27
5350-5360 12x18	24x19	24x19	27	27
5350-5360 34x20-22	28x19	28x19	30	30
5352-5362 1x25-26	33x1,5	33x1,5	35	33

CODE	Ø1	A	B
5505-5515 12	G1/2	27	52
5505-5515 34	G3/4	38	60
5505-5515 1	G1	34	68
5820 12	G1/2	27	52
5820 34	G3/4	31	61

CODE	Ø1	Ø2	Ø3	A	B	C
5192-5202 12	G1/2	G1/2	M10	11	42	70
5192-5202 3412	G3/4	G1/2	M10	12	43	70
5192-5202 34	G3/4	G3/4	M10	12	49	80
5192-5202 112	G1	G1/2	M10	14	56	100
5192-5202 134	G1	G3/4	M10	14	56	100
5192-5202 1	G1	G1	M10	14	56	100
5192-5202 11434	G1 1/4	G3/4	M10	15	67	110
5192-5202 1141	G1 1/4	G1	M10	15	67	110
5192-5202 114	G1 1/4	G1 1/4	M10	15	67	110

CODE	Ø1	Ø2	A	B
5300-5310 12	G1/2	24x19	31	27
5300-5310 12x18	G3/4	24x19	31	27
5300-5310 34x18	G3/4	24x19	31	27
5300-5310 34	G3/4	24x19	31	27
5300-5310 34x20-22	G3/4	24x19	33	30
5302-5312 34x25-26	G3/4	24x19	35	33
5300-5310 1	G1	24x19	37	31
5300-5310 1x20-22	G1	28x19	37	31
5302-5312 1x25-26	G1	33x1,5	35	33
5300-5310 1x18	G1	24x19	37	30
5815 12	G1/2	24x19	31	27
5815 34	G3/4	28x19	33	30

CODE	Ø1	Ø2	A	B
5450-5460 12	G1/2	24x19	29	51
5450-5460 12x18	G3/4	24x19	29	51
5450-5460 34x20-22	G3/4	28x19	34	60
5450-5460 34	G3/4	24x19	31	55
5450-5460 34x18	G3/4	24x19	31	55
5452-5462 1x25-26	G1	33x1,5	34	67
5452-5462 34x25-26	G3/4	33x1,5	34	67
5450-5460 1x20-22	G1	28x19	37	62
5825 12	G1/2	G1/2	29	52
5825 34	G3/4	G3/4	31	55

CODE	Ø1	Ø2	A	B
5506-5516 34	G1/2	G3/4	29	55