

Samsung WindFree™ Mini 4-Way Cassette, Single Zone, Split System

Job Name _____
 Purchaser _____
 Submitted to _____
 Unit Designation _____

Location _____
 Engineer _____
 Reference _____ Approval _____ Construction _____
 Schedule # _____

Specifications

Model	Indoor Unit Model Number (US Code)	AC012BNNDCH/AA (CNH12NDB)		
	Outdoor Unit Model Number (US Code)	AC012BXADCH/AA (CXH12ADB)		
Performance	Nominal Capacity ¹	Cooling / Heating (Btu/h)	10,800 / 13,500	
	Capacity Range	Cooling (Btu/h)	3,500 - 14,500	
		Heating (Btu/h)	3,000 - 15,500	
	SEER / EER	20.5 / 12.5		
	COP (nominal heating)	3.7		
	HSPF	11.2		
AHRI Certification Number	207465444			
Power	Voltage	ø / V / Hz	1 / 208-230 / 60	
	Working Voltage Range (VAC)	176 - 254 (max. 3% deviation from each)		
	Operating Current (min. / std. / max.)	Cooling (A)	1.3 / 4.1 / 6.6	
		Heating (A)	1.1 / 4.8 / 8.0	
	Max. Breaker	Amps	15	
Min. Circuit Ampacity (A)	9.1			
Dimensions	W X H X D (in.)	Indoor Unit	22 5/8 X 9 13/16 X 22 5/8	
		Outdoor Unit	31 1/8 X 21 9/16 X 11 1/4	
	Weight (lbs.)	Indoor Unit	20.6	
		Outdoor Unit	74.3	
Sound Pressure Level	Indoor Unit dB(A)	L / M / H	25 / 30 / 34	
	Outdoor Unit dB(A)	Cooling / Heating (high)	47/ 48	
Operating Temperatures	Outdoor	Cooling	23 ~ 122°F (-5 ~ 50°C)	
		Heating	0 ~ 122°F (-18 ~ 50°C) W/Baffle	
	Indoor	Cooling	-13 ~ 75°F (-25 ~ 24°C)	
		Heating	61 ~ 90°F (16 ~ 32°C)	
Pipe Connections	Indoor & Outdoor	High side (flare)	1/4"	
		Low side (flare)	3/8"	
	Maximum (ft.)	65.6		
	Maximum Vertical Separation (ft.)	49.2		
	Condensate Connection	1 1/4" OD, 1" ID		
Refrigerant	Type	R410A		
	Factory Charge	lbs.	2.54	
	Charged for	25 ft		
	Additional Refrigerant	0.11 oz./ft. over 24.6 ft		
Compressor	Manufacturer	Samsung		
	Type	Inverter Driven, BLDC Rotary		
	RLA	Amps	6.0	
Evaporator Fan	Type	BLDC (1) With Turbo Type Fan (1)		
	Air Volume	CFM (L/M/H)	226 / 283 / 325	
	Output	Watts	65 X 1	
Condenser Fan	Motor	BLDC With Axial Type Fan (1)		
	FLA / Watts / CFM (max.)	0.42A / 40W / 1,059 CFM		
Fascia Panel	PC4SUFMUN	L X W X H (in.)	24 7/16 X 24 7/16 X 1 13/16	
		Weight (lbs.)	6.0	
Safety	Certifications	ETL (UL 1995)		
	Devices	PCB fuses, indoor unit terminal block thermal fuse, current transformer, over-voltage protection, crankcase heating, temperature limit protection logic, compressor overload sensing		



General Information

- The indoor unit shall feature WindFree™* mode. In cooling mode, as room temperature nears set temperature, the unit will close its louver and will disperse air into the space through thousands of micro-holes on the front of the indoor unit preventing cold air drafts on occupants
- The outdoor unit shall supply power to indoor unit via 14 AWG X 3 power wire
- High-voltage terminal block temperature sensor to disable unit in the event of power connection overheating
- Auto-restart after power loss
- Soft-start compressor minimizing current inrush
- Base pan heater equipped as standard
- All heat exchangers shall be mechanically bonded aluminum fin to copper tube
- The condensing unit heat exchanger salt spray test method: ASTM-B117-18 - The heat exchanger showed no unusual rust or corrosion development to 500 hours
- Integral condensate pump with maximum 29" lift from bottom of the unit with check valve and float switch to disable unit in the event of condensate overflow.
- Knock-out for outside air capability (with booster fan connection)

Option settings

- The outdoor unit shall have snow accumulation prevention option setting to prevent snow drifting against an idle outdoor unit.
- Night-time Quiet Mode: reduction of operational sound during (*automatic or manual activation*)
- Emergency Temperature Output (ETO) function: when indoor unit is in error status or when room temperature exceeds configurable temperature level, the system outputs a signal to an external source, e.g., backup system, building management system, alert device (ex: status light, warning lamp, buzzer).
- System can be configured as heating/cooling, cooling only, or heating only via outdoor unit option setting
- Maximum Current Control configurable from 50% - 100% via outdoor unit, wired controller or central controls

Indoor Fan

- Indoor fan is a single turbo type
- Three fan speed settings and auto setting
- Washable filter as standard
- Fascia panel shall have LED display, infrared receiver, and motorized louver(s)
- The WindFree™* function will close the supply air outlet louver while in cooling mode to gently disperse cool air into the space without blowing directly onto occupants. The WindFree™ feature is optional and can be enabled using central or local control options.
- The WindFree™ indoor unit has an integral humidity sensor that will open the louver for standard cool mode when space conditions could potentially cause condensation formation on the chassis surface.

Construction

- Outdoor unit: Galvanized steel with a baked-on powder coated finish for durability
- Indoor unit: Insulated, HIPS chassis and fascia panel certified to UL94 V0

Controls

- Control wiring shall be 2 X 16 AWG
- Wired controllers must be purchased separately
- Dual set temperature support when connected to MWR-WG00UN Advanced Wired Controller or central control options.
- No additional interface modules/adapters are required when connecting to Samsung central control options.
- The unit shall be operated via a wireless or wired remote control with DDC type signal

Refrigerant System

- The compressor shall be hermetically sealed, inverter-controlled BLDC rotary type
- Refrigerant flow shall be controlled by an electronic expansion valve at outdoor unit

Warranty

10 years compressor, 10 years parts, 1-year limited labor (conditions apply)

¹Certified in accordance with the AHRI Unitary Small Air-Source Heat Pumps (USHP) Certification Program which is based on the latest edition of AHRI Standard 210/240.

* The WindFree™ unit delivers an air current that is under 0.15 m/s while in WindFree™ mode. Air velocity that is below 0.15 m/s is considered "still air" as defined by ASHRAE (American Society of Heating, Refrigerating, and Air-Conditioning Engineers)

Samsung HVAC maintains a policy of ongoing development, specifications are subject to change without notice.

Select models are ENERGY STAR labeled. Proper sizing and installation of equipment is critical to achieve optimal performance. Split system air conditioners and heat pumps (excluding ductless systems) must be matched with appropriate coil components to meet ENERGY STAR criteria. Ask your contractor for details or visit www.energystar.gov.



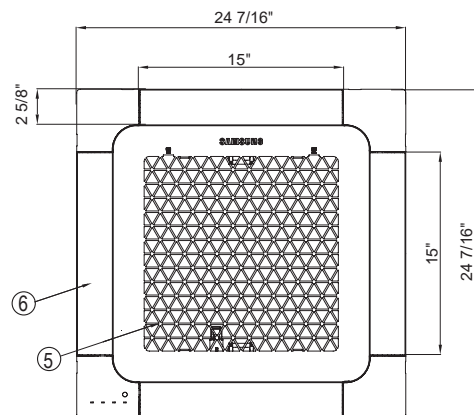
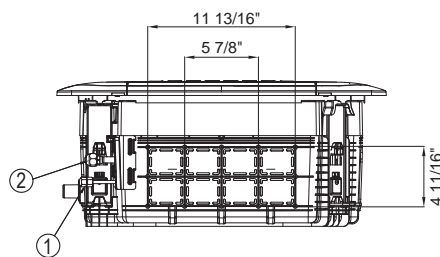
Required Accessories

Fascia panel	WindFree™ Type	PC4SUFMUN
--------------	----------------	-----------

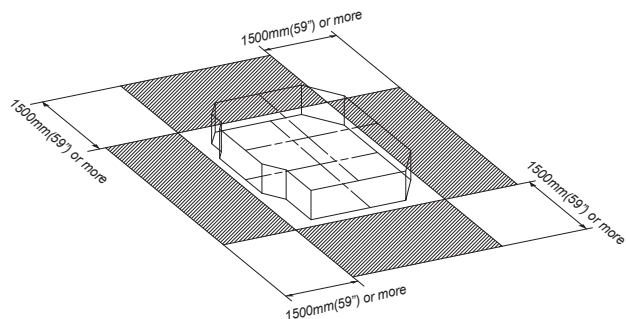
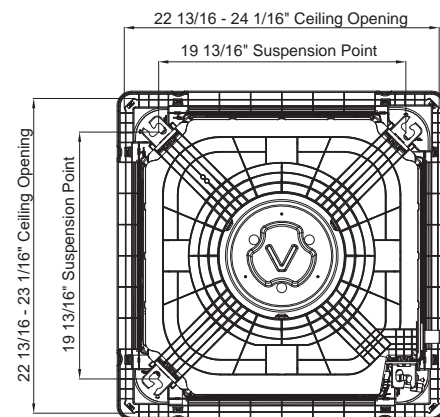
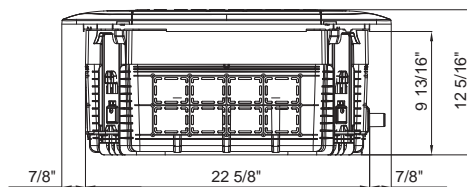
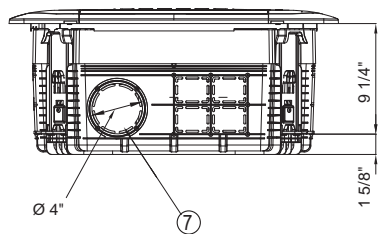
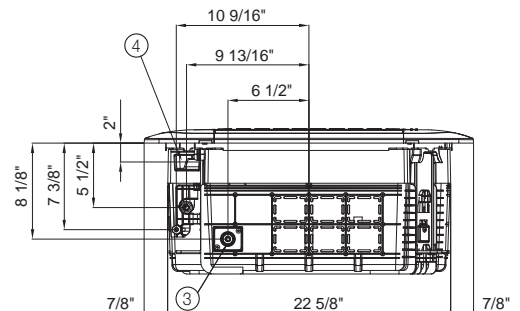
Optional Accessories

Wired controller	Advanced	MWR-WG00UN
	Touchscreen	MWR-SH11UN
Thermostat adapter (24vac)		MIM-A60UN
Wireless controller		AR-EH04U
Wi-Fi adapter	Single indoor unit	MIM-H14UN
	1-16 indoor units	MIM-H04UN
Motion Detection Sensor		MCR-SMD
External temperature sensor		MRW-TA
External contact control		MIM-B14
Wall bracket (for outdoor unit)		CKN-250
Wind baffle	Front	WBF-3M
	Back	WBB-5M
Hail guard		TBD
Line sets - insulated and flared, interconnect cables included		25' - ILS2506
		50' - ILS5006

Samsung WindFree™ Mini 4-Way Cassette, Single Zone, Split System
AC012BN1DCH/AA Dimensional Drawing



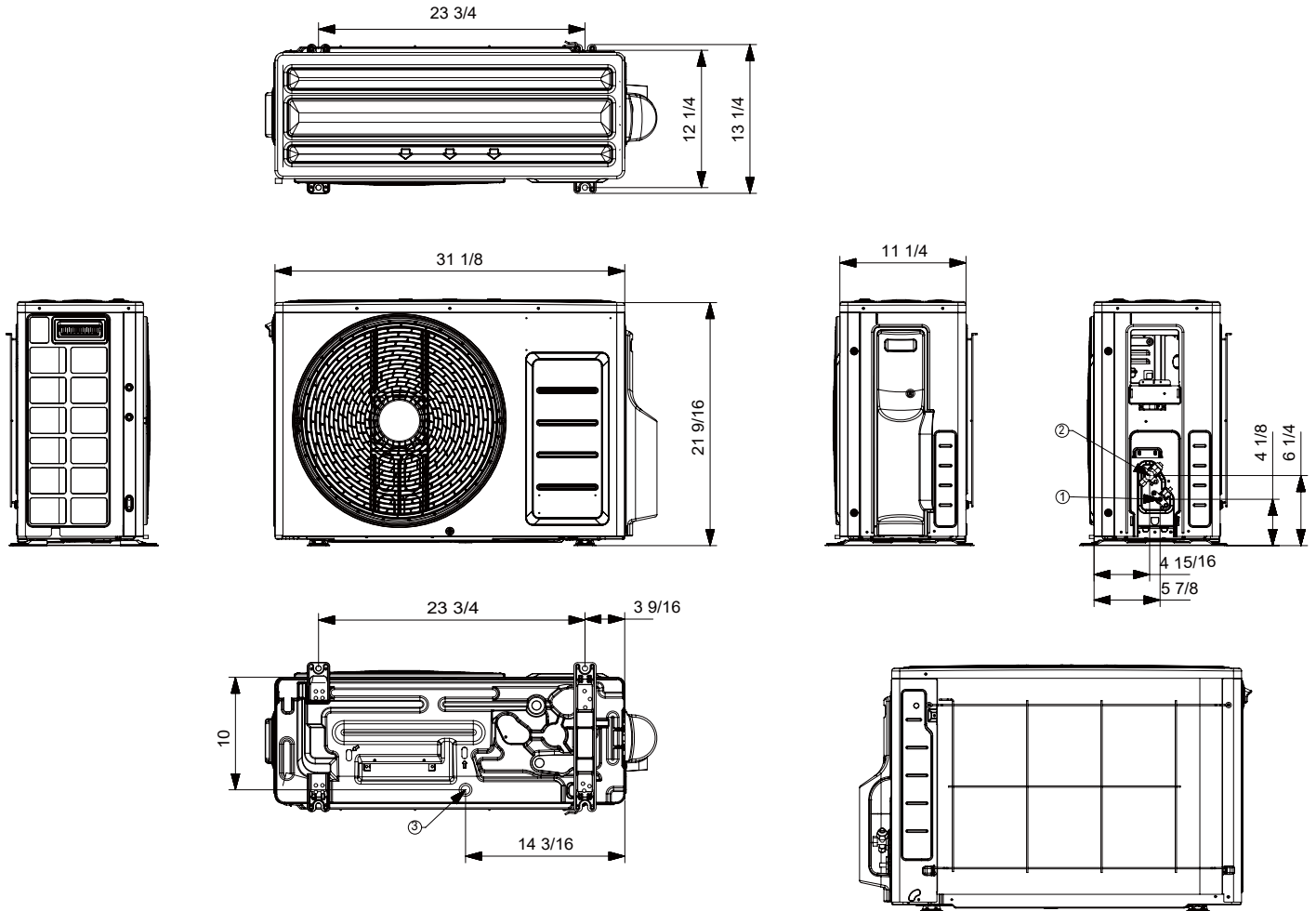
PC4SUFMUN Panel (ordered separately)



Proper clearance must be maintained around unit for proper operation.

No.	Name	Description
①	Liquid Pipe Connection	Ø 1/4" Flare
②	Gas Pipe Connection	Ø 3/8" Flare
③	Drain Pipe Connection	Quick Lock, OD 1 1/4", ID 1"
④	Conduit for Power & Communication Wiring	-
⑤	Air Inlet Grille	-
⑥	Air Outlet Louver	-
⑦	Fresh Air Intake	Ø 4"

Samsung WindFree™ Mini 4-Way Cassette, Single Zone, Split System
AC012BXADCH/AA Dimensional Drawing



No.	Name	Description
1	Refrigerant liquid pipe	Ø 1/4
2	Refrigerant gas pipe	Ø 3/8
3	Drain hole	Connect with provided drain plug