

## Data Sheet | Item Number: 221-615

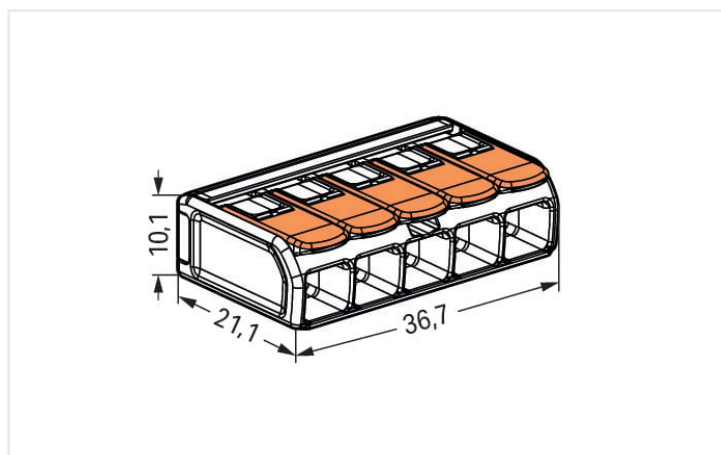
COMPACT Splicing Connector; for all conductor types; max. 6 mm<sup>2</sup>; 5-conductor; with levers; transparent housing; Surrounding air temperature: max 85°C (T85); 6,00 mm<sup>2</sup>; transparent



<https://www.wago.com/221-615>



Color:  transparent



Dimensions in mm

### Your benefits:

- Ease of use – pull the lever up, insert a conductor and push the lever back down
- Available as 2-, 3- and 5-wire connectors
- Easily terminate conductors from 0.5 to 6 mm<sup>2</sup>
- Connection of all conductor types
- Time savings for installers and device manufacturers
- Quickly install devices with higher power consumption
- Safely install long cable runs with larger conductor cross sections
- Mounting carrier for installation conforms to standards
- Custom carriers are possible

## Notes

|                      |                         |
|----------------------|-------------------------|
| Safety information 1 | in grounded power lines |
|----------------------|-------------------------|

## Electrical data

## Ratings per IEC/EN

|                            |   |
|----------------------------|---|
| Ratings per                | EN 60664  |
| Nominal voltage (II/2)     | 450 V   |
| Rated surge voltage (II/2) | 4 kV  |
| Rated current              | 41 A  |
| Legend (ratings)           | (II / 2) $\hat{=}$ Overvoltage category II / Pollution degree 2 |

## Ratings per UL 1059

|                                |         |
|--------------------------------|---------|
| Approvals per                  | UL 486C |
| Rated voltage UL (Use Group C) | 600 V   |
| Rated current UL (Use Group C) | 30 A    |

## Connection data

|                            |   |
|----------------------------|---|
| Connection points          | 5 |
| Total number of potentials | 1 |

## Connection 1

|                                 |   |
|---------------------------------|---|
| Connection technology           | CAGE CLAMP®                               |
| Actuation type                  | Lever                                     |
| Connectable conductor materials | Copper                                    |
| Fine-stranded conductor         | 0.5 ... 6 mm <sup>2</sup> / 20 ... 10 AWG |
| Wiring direction                | Side-entry wiring                         |

## Material Data

Note (material data)

[Information on material specifications can be found here](#)

|                             |                    |
|-----------------------------|--------------------|
| Color                       | transparent        |
| Cover color                 | transparent        |
| Insulation material         | Polycarbonate (PC) |
| Flammability class per UL94 | V2                 |
| Fire load                   | 0.103 MJ           |
| Actuator color              | orange             |
| Weight                      | 7.1 g              |

## Environmental requirements

|                                  |     |
|----------------------------------|-----|
| Temperature marking per EN 60998 | T85 |
|----------------------------------|-----|

## Commercial data

|                       |               |
|-----------------------|---------------|
| PU (SPU)              | 150 (15) pcs  |
| Packaging type        | Box           |
| Country of origin     | CH            |
| GTIN                  | 4055143715478 |
| Customs tariff number | 85369010000   |

## Approvals / Certificates

### General approvals



| Approval  | Standard  | Certificate Name |
|---|-----------|------------------|
| CB<br>DEKRA Certification B.V.                  | IEC 60998 | NL-81003         |
| ENEC 05<br>DEKRA Certification B.V.             | EN 60998  | 71-123784        |
| UL_Listed_64KA<br>UL International Germany GmbH | UL 467    | E201573          |
| UL<br>UL International Germany GmbH             | UL 486C   | E69654           |

### Approvals for marine applications



| Approval   | Standard | Certificate Name |
|--|----------|------------------|
| ABS<br>American Bureau of Shipping               | EN 60998 | 18-HG1755093-PDA |
| DNV GL<br>Det Norske Veritas, Germanischer Lloyd | EN 60998 | TAE000015T       |
| LR<br>Lloyds Register                            | EN 60998 | LR22207029TA     |

## Downloads

### Environmental Product Compliance

#### Compliance Search

|  |   |
|--|---|
| Environmental Product Compliance 221-615 | ↓ |
|--|---|

## Documentation

### Bid Text

|                            |            |                  |   |
|----------------------------|------------|------------------|---|
| 221-615                    | 19.02.2019 | xml<br>3.48 KB   | ↓ |
| 221-615                    | 23.01.2019 | docx<br>15.40 KB | ↓ |
| ausschreiben.de<br>221-615 |            |                  | ↓ |

## CAD/CAE-Data

### CAD data

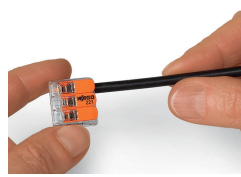
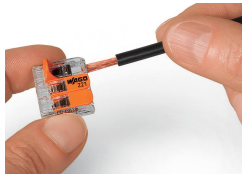
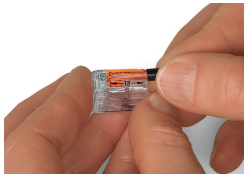
|                      |   |
|----------------------|---|
| 2D/3D Models 221-615 | ↓ |
|----------------------|---|

### CAE data

|                              |   |
|------------------------------|---|
| EPLAN Data Portal<br>221-615 | ↓ |
| ZUKEN Portal 221-615         | ↓ |

Installation Notes

Conductor termination



Application

