

LED Auxiliary Devices





Incorporated in the state of California in 1985, McWong International, Inc. has grown to become a strategic supplier of high-quality lighting control equipment and related electrical components.

For over 30 years, we have provided to our customers an unparalleled mix of innovation, quality, and service. Today, the pace of technological change has quickened and competition continues to intensify. We are meeting these challenges through heightened investment in capable individuals, promising technologies, and advanced manufacturing facilities.



Table of Contents

Product Listings

Slimline Stepdown Autotransformers (Core & Coil).....	4
Slimline Stepdown Autotransformers (Encased)	10
Slimline Stepdown Autotransformers (Encased, Bottom Lead Style)	15
Landscape Lighting Transformers	16
Surge Protectors.....	18

Additional Resources

Other Product Lines	22
Limited Warranty	23

Visit our website www.mcwonginc.com to learn more about how McWong's LED Auxiliary Devices can benefit your company.



Slimline Stepdown Autotransformers (Core & Coil)

McWong's MTM series of slimline stepdown autotransformers (Core & Coil) is designed for use in commercial and industrial lighting applications, typically where the mains power is 480VAC (industrial) or 347VAC (Canada) and the required output is 120-277VAC.

This product series is optimized for use with universal input (120-277VAC) LED drivers. Rather than placing the stepdown transformer directly inside an LED driver, it is made available as a separate add-on. The key advantage of this is it enables manufacturers to save costs by reducing the total number of LED driver SKU's.

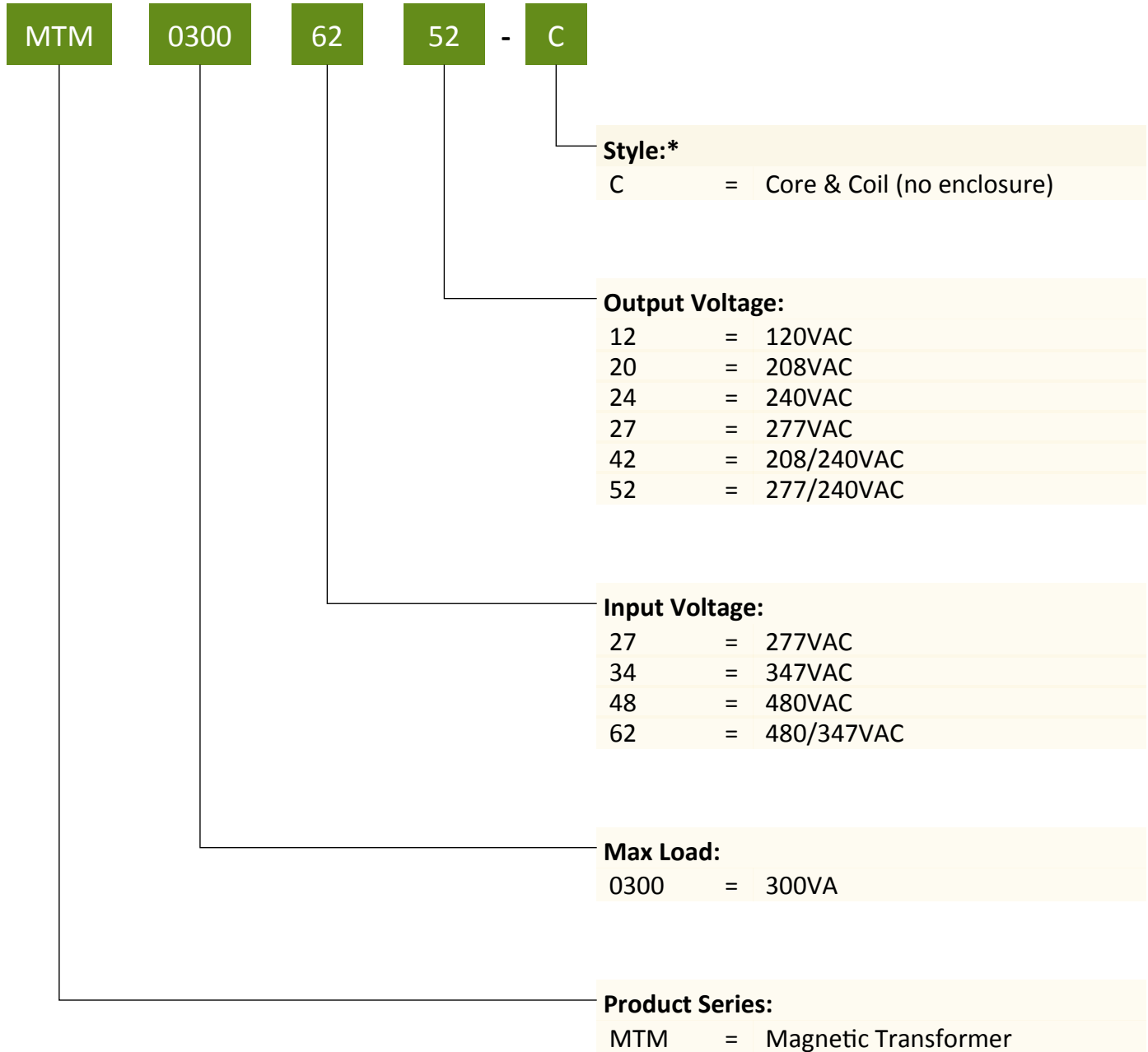
Typical applications include: warehouses, roadways, parking lots, distribution centers, sports arenas, parks, airports, and dock yards.

McWong's MTM series of slimline stepdown autotransformers (core & coil) also includes some units designed to step down from 277VAC to 120VAC. This is intended to cover LED drivers that may only be available with dedicated 120V input.

Suitable for indoor and outdoor applications, the UL insulation system thermal ratings on McWong core & coil auto-transformer units are substantially higher than those of most commercial/industrial LED drivers: 130°C for 30VA and 50VA units and 180°C for all models \geq 70VA ratings. All core & coil units in our product listing are UL recognized components for US and Canada unless otherwise specified.

Efficiency is typically greater than 90% (better as output wattage increases).

How to Order



*For welded foot bracket add the suffix "-WB". For questions regarding mounting options please contact technical support.



Slimline Stepdown Autotransformers (Core & Coil)



E356951

Max Load (VA)	Model No.	Input Voltage (VAC)	Output Voltage (VAC)	Full Load			Dimensions (in)				Net Wt. (lbs)	Applied Mounting Bracket	UL Temp. Rating (°C)	UL
				Eff. (%)	THD (%)	PF	W	H	A	B				
30	MTM00302712C	277	120	88	4.8	0.98	1.6	1.3	2.0	1.2	0.8	Fig.A	130	v
	MTM00303424C	347	240	93	10.6	0.95	1.6	1.3	2.0	1.2	0.8	Fig.A	130	v
	MTM00303427C	347	277	93	10.6	0.95	1.6	1.3	2.0	1.2	0.8	Fig.A	130	v
	MTM00303452C	347	277/240	93	10.6	0.95	1.6	1.3	2.0	1.2	0.8	Fig.A	130	v
	MTM00304824C	480	240	91	10.3	0.95	1.6	1.3	2.0	1.2	0.8	Fig.A	130	v
	MTM00304827C	480	277	91	10.3	0.95	1.6	1.3	2.0	1.2	0.8	Fig.A	130	v
	MTM00304852C	480	277/240	91	10.3	0.95	1.6	1.3	2.0	1.2	0.8	Fig.A	130	v
	MTM00306224C	480/347	240	91/93	10.3/10.6	0.95/0.95	1.6	1.3	2.0	1.2	0.8	Fig.A	130	v
	MTM00306227C	480/347	277	91/93	10.3/10.6	0.95/0.95	1.6	1.3	2.0	1.2	0.8	Fig.A	130	v
	MTM00306252C	480/347	277/240	91/93	10.3/10.6	0.95/0.95	1.6	1.3	2.2	1.2	0.8	Fig.A	130	v
50	MTM00502712C	277	120	89	4.8	0.98	1.6	1.3	2.6	1.8	1.1	Fig.A	130	v
	MTM00503424C	347	240	92	6.7	0.97	1.6	1.3	2.1	1.2	1.1	Fig.A	130	v
	MTM00503427C	347	277	92	6.7	0.97	1.6	1.3	2.6	1.8	1.1	Fig.A	130	v
	MTM00503442C	347	240/208	93/89	11.5/8.4	0.99/0.99	1.6	1.3	2.1	1.2	0.7	Fig.A	130	v
	MTM00503452C	347	277/240	92	6.7	0.97	1.6	1.3	2.6	1.8	1.1	Fig.A	130	v
	MTM00504824C	480	240	90	6.2	0.98	1.6	1.3	2.6	1.8	1.1	Fig.A	130	v
	MTM00504827C	480	277	90	6.2	0.98	1.6	1.3	2.6	1.8	1.1	Fig.A	130	v
	MTM00504852C	480	277/240	90	6.2	0.98	1.6	1.3	2.6	1.8	1.1	Fig.A	130	v
	MTM00506224C	480/347	240	90/92	6.2/6.7	0.98/0.97	1.6	1.3	2.6	1.8	1.1	Fig.A	130	v
	MTM00506227C	480/347	277	90/92	6.2/6.7	0.98/0.97	1.6	1.3	2.6	1.8	1.1	Fig.A	130	v
	MTM00506252C	480/347	277/240	90/92	6.2/6.7	0.98/0.97	1.6	1.3	2.8	1.8	1.1	Fig.A	130	v
70	MTM00702712C	277	120	89	5.3	0.98	1.6	1.3	3.2	2.4	1.3	Fig.A	180	v
	MTM00703424C	347	240	92	5.3	0.98	1.6	1.3	3.2	2.4	1.3	Fig.A	180	v
	MTM00703427C	347	277	92	5.3	0.98	1.6	1.3	3.2	2.4	1.3	Fig.A	180	v
	MTM00703452C	347	277/240	92	5.3	0.98	1.6	1.3	3.2	2.4	1.3	Fig.A	180	v
	MTM00704824C	480	240	90	5.0	0.98	1.6	1.3	3.2	2.4	1.3	Fig.A	180	v
	MTM00704827C	480	277	90	5.0	0.98	1.6	1.3	3.2	2.4	1.3	Fig.A	180	v
	MTM00704852C	480	277/240	90	5.0	0.98	1.6	1.3	3.2	2.4	1.3	Fig.A	180	v
	MTM00706224C	480/347	240	90/92	5.0/5.3	0.98/0.98	1.6	1.3	3.2	2.4	1.3	Fig.A	180	v
	MTM00706227C	480/347	277	90/92	5.0/5.3	0.98/0.98	1.6	1.3	3.2	2.4	1.3	Fig.A	180	v
	MTM00706252C	480/347	277/240	90/92	5.0/5.3	0.98/0.98	1.6	1.3	3.5	2.4	1.3	Fig.A	180	v

Product Listing continued on the next page.

Slimline Stepdown Autotransformers (Core & Coil)



E356951

Max Load (VA)	Model No.	Input Voltage (VAC)	Output Voltage (VAC)	Full Load			Dimensions (in)				Net Wt. (lbs)	Applied Mounting Bracket	UL Temp. Rating (°C)	UL
				Eff. (%)	THD (%)	PF	W	H	A	B				
100	MTM01003424C	347	240	95	4.3	0.99	1.6	1.3	3.3	2.4	1.3	Fig.A	180	✓
	MTM01004824C	480	240	91	6.4	0.98	1.6	1.3	3.9	2.4	1.7	Fig.A	180	✓
	MTM01006224C	480/347	240	91/93	6.4/6.7	0.98/0.98	1.6	1.3	3.9	2.4	1.7	Fig.A	180	✓
125	MTM01253424C	347	240	92	5.2	0.98	1.6	1.3	3.9	3.1	1.9	Fig.B	180	✓
	MTM01253427C	347	277	92	5.2	0.98	1.6	1.3	3.9	3.1	1.9	Fig.B	180	✓
	MTM01253452C	347	277/240	92	5.2	0.98/0.98	1.6	1.3	3.9	3.1	1.9	Fig.B	180	✓
	MTM01254824C	480	240	91	4.9	0.98	1.6	1.3	3.9	3.1	1.9	Fig.B	180	✓
	MTM01254827C	480	277	91	4.9	0.98	1.6	1.3	3.9	3.1	1.9	Fig.B	180	✓
	MTM01254852C	480	277/240	91	4.9	0.98/0.98	1.6	1.3	3.9	3.1	1.9	Fig.B	180	✓
	MTM01256224C	480/347	240	91	4.9/5.2	0.98	1.6	1.3	3.9	3.1	1.9	Fig.B	180	✓
	MTM01256227C	480/347	277	91/92	4.9/5.2	0.98	1.6	1.3	3.9	3.1	1.9	Fig.B	180	✓
	MTM01256252C	480/347	277/240	91/92	4.9/5.2	0.98/0.98	1.6	1.3	3.9	3.1	1.9	Fig.B	180	✓
160	MTM01602712C	277	120	90	4.3	0.99	1.9	1.6	4.0	3.1	2.4	Fig.B	180	✓
	MTM01603424C	347	240	94	4.1	0.99	1.9	1.6	3.8	3.1	2.4	Fig.B	180	✓
	MTM01603427C	347	277	94	4.1	0.99	1.9	1.6	3.8	3.1	2.4	Fig.B	180	✓
	MTM01603452C	347	277/240	94	4.1	0.99	1.9	1.6	3.8	3.1	2.4	Fig.B	180	✓
	MTM01604824C	480	240	92	4.3	0.99	1.9	1.6	4.0	3.1	2.4	Fig.B	180	✓
	MTM01604827C	480	277	92	4.3	0.99	1.9	1.6	4.0	3.1	2.4	Fig.B	180	✓
	MTM01604852C	480	277/240	92	4.3	0.99	1.9	1.6	4.0	3.1	2.4	Fig.B	180	✓
	MTM01606224C	480/347	240	92/94	4.3/4.1	0.99/0.99	1.9	1.6	4.0	3.1	2.4	Fig.B	180	✓
	MTM01606227C	480/347	277	92/94	4.3/4.1	0.99/0.99	1.9	1.6	4.0	3.1	2.4	Fig.B	180	✓
	MTM01606252C	480/347	277/240	92/94	4.3/4.1	0.99/0.99	1.9	1.6	4.2	3.1	2.4	Fig.B	180	✓
215	MTM02153424C	347	240	93	5.8	0.99	1.9	1.6	3.4	2.4	2.1	Fig.B	180	✓
	MTM02154824C	480	240	93/94	5.6/5.8	0.99/0.99	1.9	1.6	4.1	3.1	2.5	Fig.B	180	✓
	MTM02156224C	480/347	240	93/94	5.6/5.8	0.99/0.99	1.9	1.6	4.1	3.1	2.5	Fig.B	180	✓

Product Listing continued on the next page.



Slimline Stepdown Autotransformers (Core & Coil)



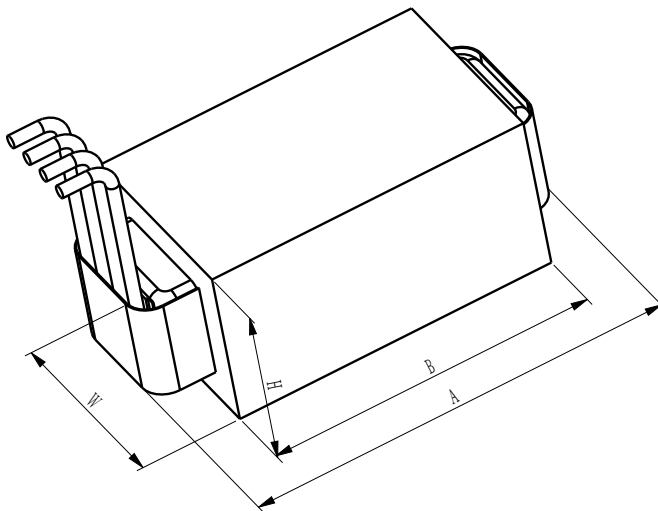
E356951

Max Load (VA)	Model No.	Input Voltage (VAC)	Output Voltage (VAC)	Full Load			Dimensions (in)				Net Wt. (lbs)	Applied Mounting Bracket	UL Temp. Rating (°C)	UL
				Eff. (%)	THD (%)	PF	W	H	A	B				
250	MTM02503424C	347	240	94	3.5	0.99	2.6	2.2	3.5	2.2	3.3	Fig.B	180	v
	MTM02503427C	347	277	94	3.5	0.99	2.6	2.2	3.5	2.2	3.3	Fig.B	180	v
	MTM02503452C	347	277/240	94	3.5	0.99/0.99	2.6	2.2	3.5	2.2	3.3	Fig.B	180	v
	MTM02504824C	480	240	93	3.3	0.99	2.6	2.2	3.5	2.2	3.3	Fig.B	180	v
	MTM02504827C	480	277	93	3.3	0.99	2.6	2.2	3.5	2.2	3.3	Fig.B	180	v
	MTM02504852C	480	277/240	93	3.3	0.99/0.99	2.6	2.2	3.5	2.2	3.3	Fig.B	180	v
	MTM02506224C	480/347	240	93/94	3.3/3.5	0.99	2.6	2.2	3.5	2.2	3.3	Fig.B	180	v
	MTM02506227C	480/347	277	93/94	3.3/3.5	0.99	2.6	2.2	3.5	2.2	3.3	Fig.B	180	v
	MTM02506252C	480/347	277/240	93/94	3.3/3.5	0.99/0.99	2.6	2.2	3.5	2.2	3.3	Fig.B	180	v
300	MTM03002712C	277	120	93	3.1	0.99	2.6	2.2	3.5	2.2	3.0	Fig.B	180	v
	MTM03003424C	347	240	95	3.1	0.99	2.6	2.2	3.3	2.2	3.4	Fig.B	180	v
	MTM03003427C	347	277	95	3.1	0.99	2.6	2.2	3.3	2.2	3.4	Fig.B	180	v
	MTM03003452C	347	277/240	95	3.1	0.99	2.6	2.2	3.3	2.2	3.4	Fig.B	180	v
	MTM03004824C	480	240	94	3.1	0.99	2.6	2.2	3.5	2.2	3.4	Fig.B	180	v
	MTM03004827C	480	277	94	3.1	0.99	2.6	2.2	3.5	2.2	3.4	Fig.B	180	v
	MTM03004852C	480	277/240	94	3.1	0.99	2.6	2.2	3.5	2.2	3.4	Fig.B	180	v
	MTM03006224C	480/347	240	94/95	3.1/3.1	0.99/0.99	2.6	2.2	3.5	2.2	3.4	Fig.B	180	v
	MTM03006227C	480/347	277	94/95	3.1/3.1	0.99/0.99	2.6	2.2	3.5	2.2	3.4	Fig.B	180	v
	MTM03006252C	480/347	277/240	94/95	3.1/3.1	0.99/0.99	2.6	2.2	3.7	2.2	3.4	Fig.B	180	v
450	MTM04506252C	480/347	277/240	94/95	3.1/3.1	0.995/0.995	2.6	2.2	4.6	3.0	3.4		180	v
675	MTM06753424C	347	240	96	2.2	0.99	2.6	2.2	4.6	3.5	5.2		180	
	MTM06753427C	347	277	96	2.2	0.99	2.6	2.2	4.6	3.5	5.2		180	v
	MTM06753452C	347	277/240	96	2.2	0.99	2.6	2.2	4.6	3.5	5.2		180	
	MTM06754824C	480	240	94	2.4	0.99	2.6	2.2	4.8	3.5	5.2		180	
	MTM06754827C	480	277	94	2.4	0.99	2.6	2.2	4.8	3.5	5.2		180	v
	MTM06754852C	480	277/240	94	2.4	0.99	2.6	2.2	4.8	3.5	5.2		180	
	MTM06756224C	480/347	240	94/96	2.4/2.2	0.99/0.99	2.6	2.2	4.8	3.5	5.2		180	
	MTM06756227C	480/347	277	94/96	2.4/2.2	0.99/0.99	2.6	2.2	4.8	3.5	5.2		180	v
	MTM06756252C	480/347	277/240	94/96	2.4/2.2	0.99/0.99	2.6	2.2	5.0	3.5	5.2		180	

*Contact technical support for custom transformer requirements not listed in this catalog.

Dimensions: MTMxxxxxxxC

Transformer:



*For welded foot bracket add the suffix "-WB". For questions regarding mounting options please contact technical support.

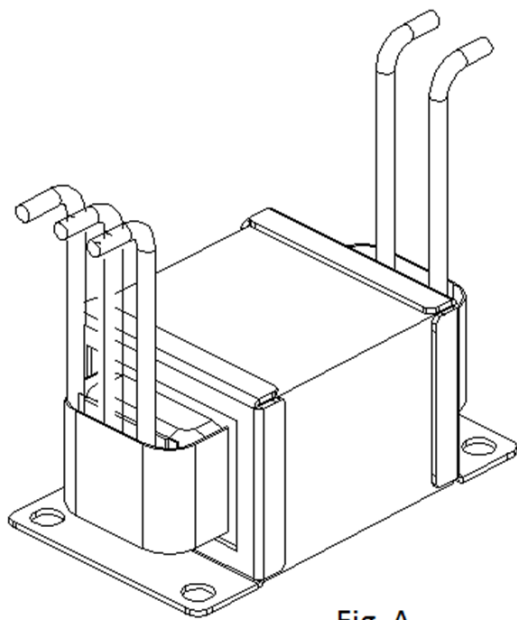


Fig. A

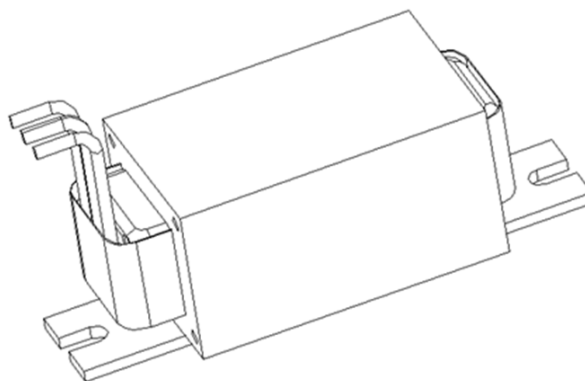


Fig. B





Slimline Stepdown Autotransformers (Encased)

McWong's MTM series of slimline stepdown auto-transformers (encased) is designed for use in commercial and industrial lighting applications, typically where the mains power is 480VAC (industrial) or 347VAC (Canada) and the required output is 120-277VAC.

This product series is optimized for use with universal input (120-277VAC) LED drivers. Rather than placing the stepdown transformer directly inside an LED driver, it is made available as a separate add-on. The key advantage of this is it enables manufacturers to save costs by reducing the total number of LED driver SKU's.

Typical applications include: warehouses, roadways, parking lots, distribution centers, sports arenas, parks, airports, and dock yards. Encased units are sealed and potted for extra protection against inclement weather or for

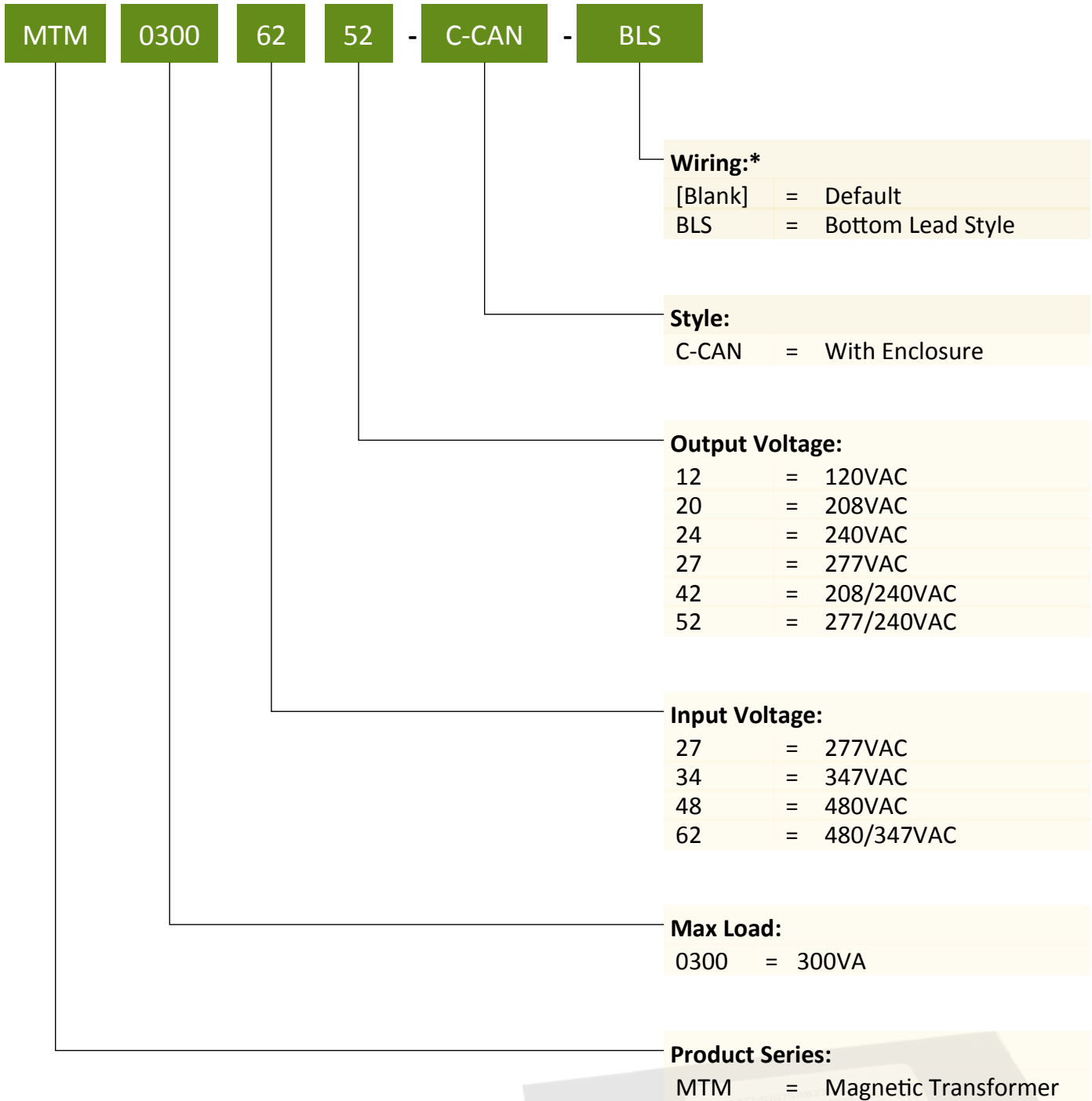
external installations using bottom lead style ("-BLS" suffix).

McWong's MTM series of slimline stepdown autotransformers (encased) also includes some units designed to step down from 277VAC to 120VAC. This is intended to cover LED drivers that may only be available with dedicated 120V input.

Suitable for indoor and outdoor applications, the 130°C UL insulation system thermal ratings on McWong encased auto-transformer units are substantially higher than those of most commercial/industrial LED drivers.

All encased units in our product listing are UL listed for US and Canada unless otherwise noted. Efficiency is typically greater than 90%.

How to Order



*BLS indicates that lead wires come out of the bottom of the enclosure. This option is not available on all units. The default is wires coming out of the side of the enclosure. For questions regarding wiring style or for custom design please contact technical support.

Slimline Stepdown Autotransformers (Encased)



E356951

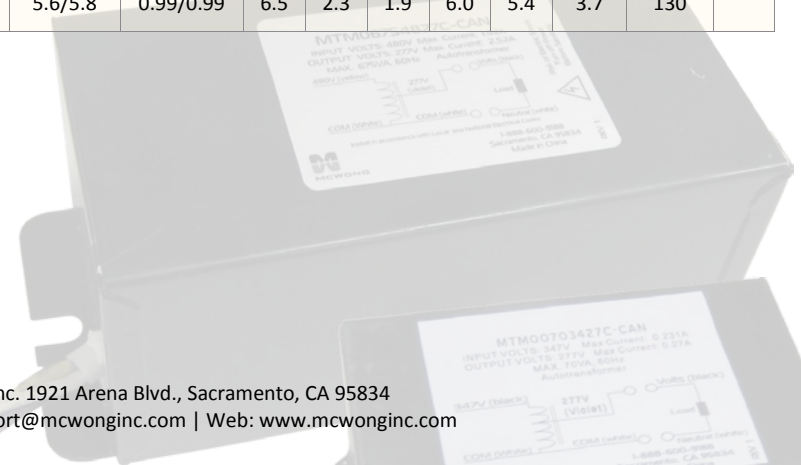
Max Load (VA)	Model No.	Input Voltage (VAC)	Output Voltage (VAC)	Full Load			Case Dimensions (in)					Net Wt. (lbs)	UL Temp. Rating (°C)	UL
				Eff. (%)	THD (%)	PF	L	W	H	M	C			
30	MTM00302712C-CAN	277	120	88	4.8	0.98	4.8	1.9	1.6	4.4	4.4	1.4	130	v
	MTM00303424C-CAN	347	240	93	10.6	0.95	4.8	1.9	1.6	4.4	4.4	1.4	130	v
	MTM00303427C-CAN	347	277	93	10.6	0.95	4.8	1.9	1.6	4.4	4.4	1.4	130	v
	MTM00303452C-CAN	347	277/240	93	10.6	0.95	4.8	1.9	1.6	4.4	4.4	1.4	130	v
	MTM00304824C-CAN	480	240	91	10.3	0.95	4.8	1.9	1.6	4.4	4.4	1.4	130	v
	MTM00304827C-CAN	480	277	91	10.3	0.95	4.8	1.9	1.6	4.4	4.4	1.4	130	v
	MTM00304852C-CAN	480	277/240	91	10.3	0.95	4.8	1.9	1.6	4.4	4.4	1.4	130	v
	MTM00306224C-CAN	480/347	240	91/93	10.3/10.6	0.95/0.95	4.8	1.9	1.6	4.4	4.4	1.4	130	v
	MTM00306227C-CAN	480/347	277	91/93	10.3/10.6	0.95/0.95	4.8	1.9	1.6	4.4	4.4	1.4	130	v
	MTM00306252C-CAN	480/347	277/240	91/93	10.3/10.6	0.95/0.95	4.8	1.9	1.6	4.4	4.4	1.4	130	v
50	MTM00502712C-CAN	277	120	89	4.8	0.98	4.8	1.9	1.6	4.4	4.4	1.4	130	v
	MTM00503424C-CAN	347	240	92	6.7	0.97	4.8	1.9	1.6	4.4	4.4	1.4	130	v
	MTM00503427C-CAN	347	277	92	6.7	0.97	4.8	1.9	1.6	4.4	4.4	1.4	130	v
	MTM00503452C-CAN	347	277/240	92	6.7	0.97	4.8	1.9	1.6	4.4	4.4	1.4	130	v
	MTM00504824C-CAN	480	240	90	6.2	0.98	4.8	1.9	1.6	4.4	4.4	1.4	130	v
	MTM00504827C-CAN	480	277	90	6.2	0.98	4.8	1.9	1.6	4.4	4.4	1.4	130	v
	MTM00504852C-CAN	480	277/240	90	6.2	0.98	4.8	1.9	1.6	4.4	4.4	1.4	130	v
	MTM00506224C-CAN	480/347	240	90/92	6.2/6.7	0.98/0.97	4.8	1.9	1.6	4.4	4.4	1.4	130	v
	MTM00506227C-CAN	480/347	277	90/92	6.2/6.7	0.98/0.97	4.8	1.9	1.6	4.4	4.4	1.4	130	v
	MTM00506252C-CAN	480/347	277/240	90/92	6.2/6.7	0.98/0.97	4.8	1.9	1.6	4.4	4.4	1.4	130	v
70	MTM00702712C-CAN	277	120	89	5.3	0.98	4.8	1.9	1.6	4.4	4.4	1.4	130	v
	MTM00703424C-CAN	347	240	92	5.3	0.98	4.8	1.9	1.6	4.4	4.4	1.4	130	v
	MTM00703427C-CAN	347	277	92	5.3	0.98	4.8	1.9	1.6	4.4	4.4	1.4	130	v
	MTM00703452C-CAN	347	277/240	92	5.3	0.98	4.8	1.9	1.6	4.4	4.4	1.4	130	v
	MTM00704824C-CAN	480	240	90	5.0	0.98	4.8	1.9	1.6	4.4	4.4	1.4	130	v
	MTM00704827C-CAN	480	277	90	5.0	0.98	4.8	1.9	1.6	4.4	4.4	1.4	130	v
	MTM00704852C-CAN	480	277/240	90	5.0	0.98	4.8	1.9	1.6	4.4	4.4	1.4	130	v
	MTM00706224C-CAN	480/347	240	90/92	5.0/5.3	0.98/0.98	4.8	1.9	1.6	4.4	4.4	1.4	130	v
	MTM00706227C-CAN	480/347	277	90/92	5.0/5.3	0.98/0.98	4.8	1.9	1.6	4.4	4.4	1.4	130	v
	MTM00706252C-CAN	480/347	277/240	90/92	5.0/5.3	0.98/0.98	4.8	1.9	1.6	4.4	4.4	1.4	130	v

Slimline Stepdown Autotransformers (Encased)



E356951

Max Load (VA)	Model No.	Input Voltage (VAC)	Output Voltage (VAC)	Full Load			Case Dimensions (in)					Net Wt. (lbs)	UL Temp. Rating (°C)	UL
				Eff. (%)	THD (%)	PF	L	W	H	M	C			
100	MTM01003424C-CAN	347	240	95	4.3	0.99	6.5	1.9	1.6	6.0	5.4	1.9	130	
	MTM01004824C-CAN	480	240	91	6.4	0.98	6.5	1.9	1.6	6.0	5.4	1.9	130	
	MTM01006224C-CAN	480/347	240	91/93	6.4/6.7	0.98/0.98	6.5	1.9	1.6	6.0	5.4	1.9	130	
125	MTM01253424C-CAN	347	240	92	5.2	0.98	6.5	2.3	1.9	6.0	5.4	3.6	130	v
	MTM01253427C-CAN	347	277	92	5.2	0.98	6.5	2.3	1.9	6.0	5.4	3.6	130	v
	MTM01253452C-CAN	347	277/240	92	5.2	0.98/0.98	6.5	2.3	1.9	6.0	5.4	3.6	130	v
	MTM01254824C-CAN	480	240	91	4.9	0.98	6.5	2.3	1.9	6.0	5.4	3.6	130	v
	MTM01254827C-CAN	480	277	91	4.9	0.98	6.5	2.3	1.9	6.0	5.4	3.6	130	v
	MTM01254852C-CAN	480	277/240	91	4.9	0.98/0.98	6.5	2.3	1.9	6.0	5.4	3.6	130	v
	MTM01256224C-CAN	480/347	240	91	4.9/5.2	0.98	6.5	2.3	1.9	6.0	5.4	3.6	130	v
	MTM01256227C-CAN	480/347	277	91/92	4.9/5.2	0.98	6.5	2.3	1.9	6.0	5.4	3.6	130	v
	MTM01256252C-CAN	480/347	277/240	91/92	4.9/5.2	0.98/0.98	6.5	2.3	1.9	6.0	5.4	3.6	130	v
160	MTM01602712C-CAN	277	120	90	4.3	0.99	6.5	2.3	1.9	6.0	5.4	3.6	130	v
	MTM01603424C-CAN	347	240	94	4.1	0.99	6.5	2.3	1.9	6.0	5.4	3.6	130	v
	MTM01603427C-CAN	347	277	94	4.1	0.99	6.5	2.3	1.9	6.0	5.4	3.6	130	v
	MTM01603452C-CAN	347	277/240	94	4.1	0.99	6.5	2.3	1.9	6.0	5.4	3.6	130	v
	MTM01604824C-CAN	480	240	92	4.3	0.99	6.5	2.3	1.9	6.0	5.4	3.6	130	v
	MTM01604827C-CAN	480	277	92	4.3	0.99	6.5	2.3	1.9	6.0	5.4	3.6	130	v
	MTM01604852C-CAN	480	277/240	92	4.3	0.99	6.5	2.3	1.9	6.0	5.4	3.6	130	v
	MTM01606224C-CAN	480/347	240	92/94	4.3/4.1	0.99/0.99	6.5	2.3	1.9	6.0	5.4	3.6	130	v
	MTM01606227C-CAN	480/347	277	92/94	4.3/4.1	0.99/0.99	6.5	2.3	1.9	6.0	5.4	3.6	130	v
MTM01606252C-CAN	480/347	277/240	92/94	4.3/4.1	0.99/0.99	6.5	2.3	1.9	6.0	5.4	3.6	130	v	
215	MTM02153424C-CAN	347	240	93	5.8	0.99	6.5	2.3	1.9	6.0	5.4	3.7	130	
	MTM02154824C-CAN	480	240	93/94	5.6/5.8	0.99/0.99	6.5	2.3	1.9	6.0	5.4	3.7	130	
	MTM02156224C-CAN	480/347	240	93/94	5.6/5.8	0.99/0.99	6.5	2.3	1.9	6.0	5.4	3.7	130	



Slimline Stepdown Autotransformers (Encased)



E356951

Max Load (VA)	Model No.	Input Voltage (VAC)	Output Voltage (VAC)	Full Load			Case Dimensions (in)					Net Wt. (lbs)	UL Temp. Rating (°C)	UL
				Eff. (%)	THD (%)	PF	L	W	H	M	C			
250	MTM02503424C-CAN	347	240	94	3.5	0.99	6.6	3.0	2.5	6.0	5.4	6.8	130	v
	MTM02503427C-CAN	347	277	94	3.5	0.99	6.6	3.0	2.5	6.0	5.4	6.8	130	v
	MTM02503452C-CAN	347	277/240	94	3.5	0.99/0.99	6.6	3.0	2.5	6.0	5.4	6.8	130	v
	MTM02504824C-CAN	480	240	93	3.3	0.99	6.6	3.0	2.5	6.0	5.4	6.8	130	v
	MTM02504827C-CAN	480	277	93	3.3	0.99	6.6	3.0	2.5	6.0	5.4	6.8	130	v
	MTM02504852C-CAN	480	277/240	93	3.3	0.99/0.99	6.6	3.0	2.5	6.0	5.4	6.8	130	v
	MTM02506224C-CAN	480/347	240	93/94	3.3/3.5	0.99	6.6	3.0	2.5	6.0	5.4	6.8	130	v
	MTM02506227C-CAN	480/347	277	93/94	3.3/3.5	0.99	6.6	3.0	2.5	6.0	5.4	6.8	130	v
MTM02506252C-CAN	480/347	277/240	93/94	3.3/3.5	0.99/0.99	6.6	3.0	2.5	6.0	5.4	6.8	130	v	
300	MTM03002712C-CAN	277	120	93	3.1	0.99	6.6	3.0	2.5	6.0	5.4	4.8	130	v
	MTM03003424C-CAN	347	240	95	3.1	0.99	6.6	3.0	2.5	6.0	5.4	4.8	130	v
	MTM03003427C-CAN	347	277	95	3.1	0.99	6.6	3.0	2.5	6.0	5.4	4.8	130	v
	MTM03003452C-CAN	347	277/240	95	3.1	0.99	6.6	3.0	2.5	6.0	5.4	4.8	130	v
	MTM03004824C-CAN	480	240	94	3.1	0.99	6.6	3.0	2.5	6.0	5.4	4.8	130	v
	MTM03004827C-CAN	480	277	94	3.1	0.99	6.6	3.0	2.5	6.0	5.4	4.8	130	v
	MTM03004852C-CAN	480	277/240	94	3.1	0.99	6.6	3.0	2.5	6.0	5.4	4.8	130	v
	MTM03006224C-CAN	480/347	240	94/95	3.1/3.1	0.99/0.99	6.6	3.0	2.5	6.0	5.4	4.8	130	v
MTM03006227C-CAN	480/347	277	94/95	3.1/3.1	0.99/0.99	6.6	3.0	2.5	6.0	5.4	4.8	130	v	
MTM03006252C-CAN	480/347	277/240	94/95	3.1/3.1	0.99/0.99	6.6	3.0	2.5	6.0	5.4	4.8	130	v	
450	MTM04506252C-CAN	480/347	277/240	94/95	3.1/3.1	0.995/0.995	6.6	3.0	2.5	6.0	5.4	4.8	130	v
675	MTM06753424C-CAN	347	240	96	2.2	0.99	6.6	3.0	2.5	6.0		9.4	130	
	MTM06753427C-CAN	347	277	96	2.2	0.99	6.6	3.0	2.5	6.0	5.4	9.4	130	v
	MTM06753452C-CAN	347	277/240	96	2.2	0.99	6.6	3.0	2.5	6.0		9.4	130	
	MTM06754824C-CAN	480	240	94	2.4	0.99	6.6	3.0	2.5	6.0		9.4	130	
	MTM06754827C-CAN	480	277	94	2.4	0.99	6.6	3.0	2.5	6.0	5.4	9.4	130	v
	MTM06754852C-CAN	480	277/240	94	2.4	0.99	6.6	3.0	2.5	6.0		9.4	130	
	MTM06756224C-CAN	480/347	240	94/96	2.4/2.2	0.99/0.99	6.6	3.0	2.5	6.0		9.4	130	
	MTM06756227C-CAN	480/347	277	94/96	2.4/2.2	0.99/0.99	6.6	3.0	2.5	6.0	5.4	9.4	130	v
MTM06756252C-CAN	480/347	277/240	94/96	2.4/2.2	0.99/0.99	6.6	3.0	2.5	6.0		9.4	130		

Slimline Stepdown Autotransformers (Encased, Bottom Lead Style)

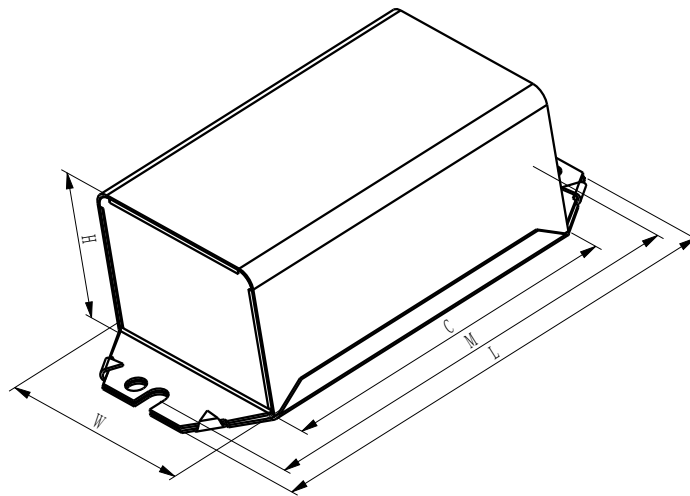


E356951

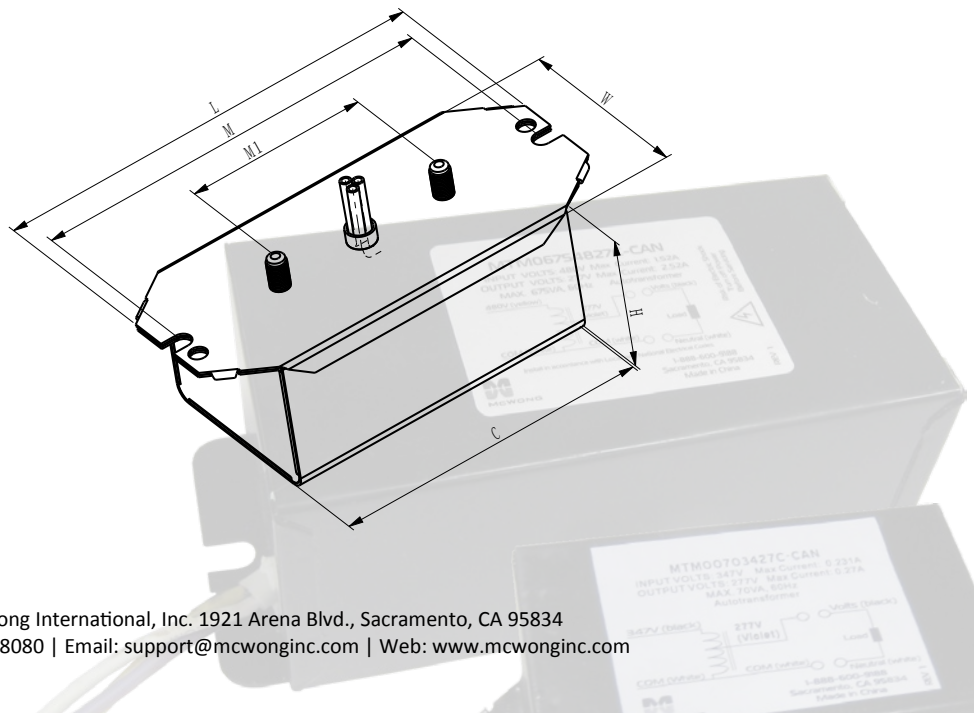
Max Load (VA)	Model No.	Input Voltage (VAC)	Output Voltage (VAC)	Full Load			Case Dimensions (in)						Net Wt. (lbs)	UL Temp. Rating (°C)	UL
				Eff. (%)	THD (%)	PF	L	W	H	M	M1	C			
BLS 30 - 70	MTM00303427C-CAN-BLS	347	277	93	10.6	0.95	4.8	2.2	1.9	4.4	2.0	3.7	1.4	130	v
	MTM00302712C-CAN-BLS	277	120	88	4.8	0.98	4.8	2.2	1.9	4.4	2.0	3.7	1.4	130	v
	MTM00502712C-CAN-BLS	277	120	89	4.8	0.98	4.8	2.2	1.9	4.4	2.0	3.7	1.5	130	v
	MTM00703427C-CAN-BLS	347	277	92	5.3	0.98	4.8	2.2	1.9	4.4	2.0	3.7	1.8	130	v
	MTM00702712C-CAN-BLS	277	120	89	5.3	0.98	4.8	2.2	1.9	4.4	2.0	3.7	1.8	130	v

Dimensions: MTMxxxxxxxxC-CAN (-BLS)

C-CAN Transformer:



Bottom Lead Style:





Landscape Lighting Transformers

McWong's MTM series of landscape lighting transformers is designed to step down from 120VAC mains to 12-15VAC. This product series is appropriate for both residential and commercial landscape lighting applications.

Electrical:

- Primary Voltage: 120VAC
- Secondary Voltage: 12-15VAC
- One magnetic breaker per 300W circuit
- 6-foot outdoor rated UL listed power cord

Construction:

- Outdoor rated NEMA 3R enclosure
- Removable hinged door
- Stainless steel / powder coated cold rolled steel

- Lockable latch on right side

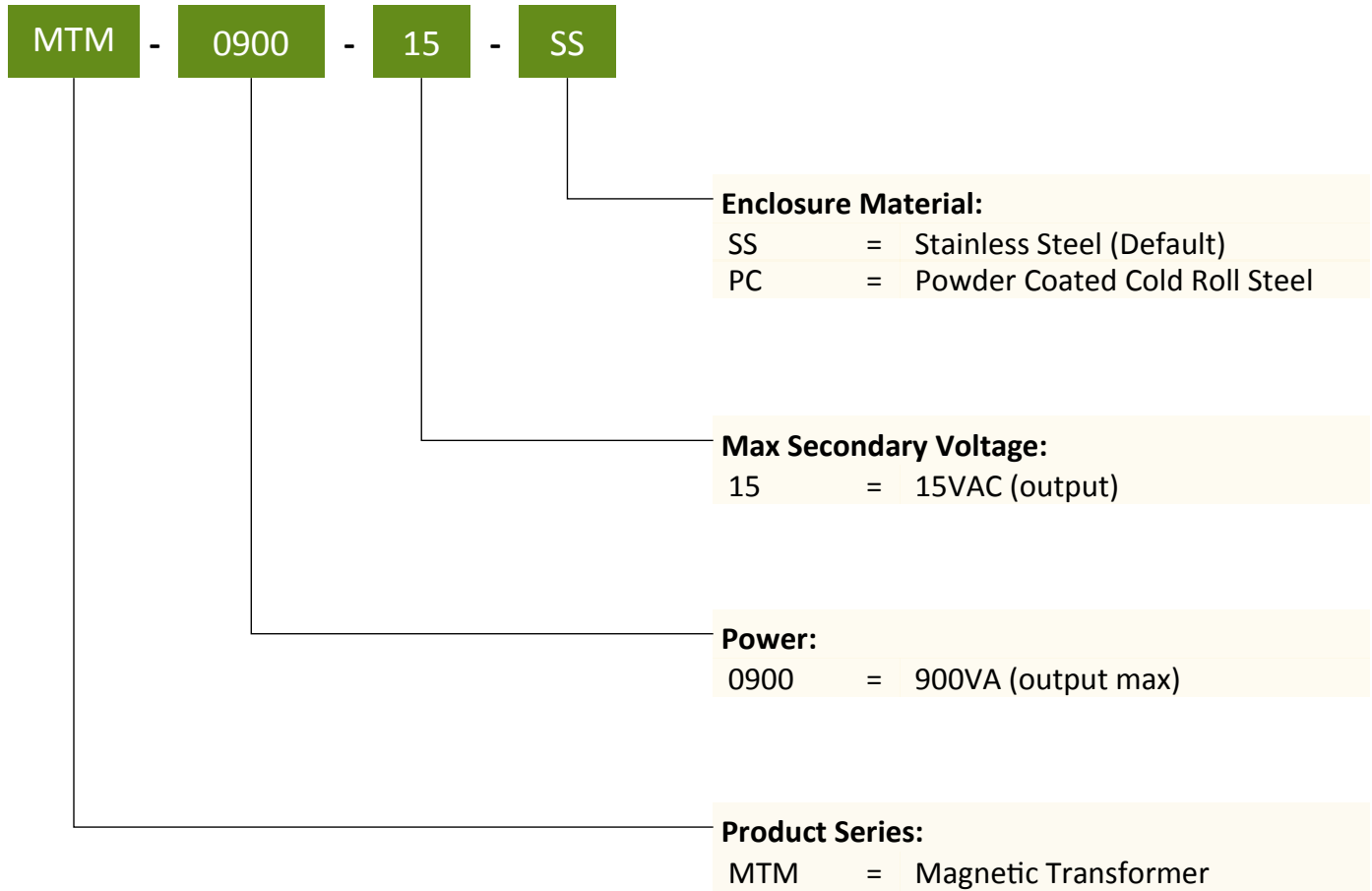
Installation:

- Mounting bracket for easy installation
- Ample knockouts in the bottom of the unit
- 1.75" plugged hole in the bottom of the unit
- Finger-safe, compression-style terminal blocks
- Terminals can accept max four 10AWG wires

Field-installed Accessories:

- Connection-ready for outdoor rated timer
- Connection-ready for photocell

How to Order



Model No.**	Primary Voltage (VAC)	Secondary Voltage (VAC)	Max Input Current (A)	Output Max (VA)	Output Circuits	Dimensions (in)			Weight (lbs)
						Height*	Depth*	Width	
MTM-0075-15-xx	120	12/13/14/15	0.625	75	1	13.2	5.2	6.0	11
MTM-0100-15-xx	120	12/13/14/15	0.96	100	1	13.5	6.0	5.3	16
MTM-0120-15-xx	120	12/13/14/15	1.2	120	1	13.5	6.0	5.3	16
MTM-0150-15-xx	120	12/13/14/15	1.25	150	1	13.2	5.2	6.0	12
MTM-0200-15-xx	120	12/13/14/15	2	200	1	13.5	6.0	5.3	17
MTM-0300-15-xx	120	12/13/14/15	3	300	1	13.5	6.0	5.3	18
MTM-0600-15-xx	120	12/13/14/15	6	600	2	17.6	6.8	6.2	25
MTM-0900-15-xx	120	12/13/14/15	7.5	900	2	17.25	6.8	8.0	30

*Dimensions includes approx. 3/8" for mounting bracket

** Electrical specifications are the same regardless of enclosure material, but you must specify "-SS" or "-PC".



Surge Protectors

McWong's SPD series of surge protectors is designed for use with LED drivers, fluorescent ballasts, HID ballasts, and induction lighting ballasts. These products provide an additional level of protection from dangerous power line transients in commercial and industrial applications. These devices protect Line-Neutral, Line-Ground, and Neutral-Ground in accordance with IEEE/ANSI C62.4.1.2. McWong's 20KA series also provide option for LED status indicator.

Typically this product is used in 24/7 outdoor applications such as street lighting, parking lots, pathway lighting, and LED signage.

Certifications:

- UL1449 recognized component E466236
- RoHS compliant

Surge Protection:

- 10KA/KV and 20KA/KV ratings
- 3-Lead surge protector for parallel 10KA and 20KA models, 4-Lead surge protector for series 10KA and 20KA models
- Protects against surges according to IEEE C62.4.1.2
- Surge location rated Category C3
- Operating ambient temperature: -45°C~+85°C

Enclosure:

- Up to IP67 rated enclosure for wet locations
- High temperature / flameproof enclosure (90°C max surface rating)

How to Order



Options:

- E = End of life indicator light
- IL = Integral indicator light
- ILR = Remote indicator light

Enclosure:

- [Blank] = Round (default)
- S = Square
- EC = Compact low profile

Rating:

- 10KA = 10KA Max. discharge current
- 20KA = 20KA Max. discharge current

Line Voltage and Connection:

- 277 = 120-277VAC
- 480 = 480VAC
- P = Parallel without thermal fuse
- S = Series with thermal fuse

Product Series:

- SPD = Surge Protection Device

Model	Mains Voltage (VAC) ⁽⁶⁾	MCOV/Uc (VAC) ⁽⁴⁾	Max. Peak Current (8/20µs)(KA)		Measured Limited Voltage (MLV)(V) ⁽³⁾			Thermal Fuse	Integral Indicator Light	Remote Indicator Light	EOL Indicator Light	Wiring Diagram	Case Dims	AWG/Leads (mm)	IP
			In ⁽¹⁾	Imax ⁽²⁾	L-N	L-G	N-G								
SPD-277S-10KA	120~277	320	3	10	1140	1140	1130	★				WDB	CPA	18/300	IP67
SPD-277S-10KA-S	120~277	320	3	10	1140	1140	1130	★				WDB	CPC	18/300	IP67
SPD-277P-10KA	120~277	320	5	10	1230	1400	1420					WDA	CPA	16/200	IP67
SPD-277P-10KA-S	120~277	320	5	10	1230	1400	1420					WDA	CPC	16/200	IP67
SPD-277P-10KA-EC	120~277	320	5	10	1230	1400	1420					WDA	CPD	16/200	IP65
SPD-277P-20KA	120~277	320	10	20	1600	1600	1600					WDA	CPB	16/200	IP67
SPD-277S-20KA ⁽⁵⁾	120~277	320	10	20	1600	1600	1600	★				WDB	CPB	16/200	IP67
SPD-277S-20KA-EIL ⁽⁵⁾	120~277	320	10	20	1600	1600	1600	★	★		★	WDC	CPB	16/200	IP67
SPD-277S-20KA-EILR ⁽⁵⁾	120~277	320	10	20	1600	1600	1600	★		★	★	WDC	CPB	16/200	IP67
SPD-480P-20KA	277~480	550	10	20	2500	2500	2500					WDA	CPB	16/200	IP67
SPD-480S-20KA ⁽⁵⁾	277~480	510	10	20	2500	2500	2500	★				WDB	CPB	16/200	IP67

(1) NOMINAL DISCHARGE CURRENT (In)(KA): Is the peak value of the current through the SPD having a current waveshape of 8/20µs where the SPD is capable of discharging 15 times

(2) MAXIMUM DISCHARGE CURRENT (Imax)(ka): Is the peak value of the current through the SPD having a current waveshape of 8/20µs where the SPD is capable of discharging once

(3) MEASURED LIMITING VOLTAGE (MLV)(V): The maximum residual voltage after the application of 8/20µs impulses at nominal discharge current

(4) MAXIMUM CONTINUOUS OPERATING VOLTAGE (MCOV/Uc)(VAC): The maximum root-mean-square (rms) voltage that may be continuously applied to the SPD

(5) 8.0 Amp maximum continuous operating load for SPD-***S-*** series.

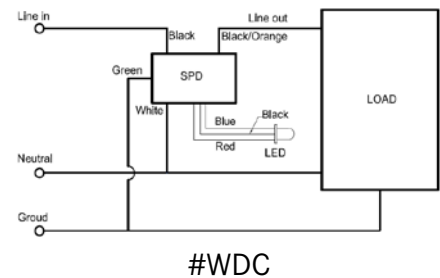
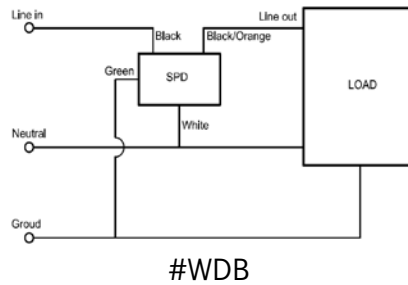
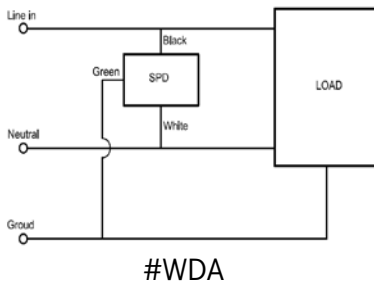
(6) CAUTION: When Mains Voltage is 120~277VAC: For use only with universal input voltage LED Drivers/Ballast (or dedicated 277 Vin)

Strike Rating:

20KA SPD Strike Rating (8 x 20µSec)	
1	@ 25,000A
2	@ 20,000A
5	@ 15,000A
18	@ 10,000A
130	@ 3,000A

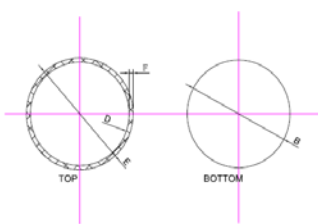
10KA SPD Strike Rating (8 x 20µSec)	
1	@ 10,000A
2	@ 6,500A
15	@ 3,000A
110	@ 1,500A

Wiring Diagrams:

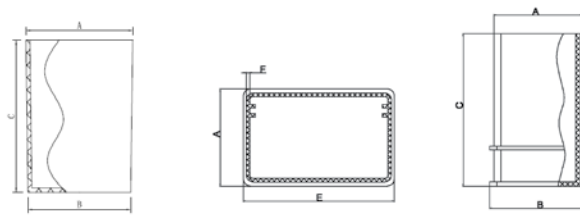


Case Dimensions :

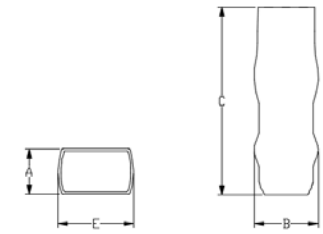
Case Physical Parameters (mm)	#CPA	#CPB	#CPC	#CPD
Diameter(E):	35	45	54	25
Height(C):	64	65	55	72
Top Width(A):	35	45	32	17
Bottom Width(B):	33	43	35	25



#CPA and #CPB



#CPC



#CPD





Sensors & Controls



LED Drivers / Modules



LED Emergency Drivers



Fluorescent Ballasts/Lamps



LED Auxiliary Devices



HID Ballasts/Lamps

Limited Warranty – LED Auxiliary Devices

McWong International, Inc. (hereafter referred to as “MCWONG”), corporate headquarters located at 1921 Arena Blvd., Sacramento, CA 95834, warrants its products to be free from defects in materials and workmanship from the date of manufacture for the following time periods:

Product Series	Warranty
Slimline Stepdown Autotransformers (Core & Coil)	60 months
Slimline Stepdown Autotransformers (Core & Coil)	60 months
Landscape Lighting Transformers	60 months
Surge Protectors	60 months

MCWONG cannot assume any obligations or liabilities for consequential or incidental damages arising from, or in connection with, the use or performance of its products or other indirect damages with respect to loss of property, revenue or profit, or cost of removal, installation or reinstallation.

This limited warranty is not applicable to any product subjected to abnormal stress, such as improper storage, installation, use and/or maintenance. This warranty is invalid for any product not installed and operated in accordance with all relevant federal, state, and local government regulations, established industry safety standards, published electrical and temperature ratings, and any specific instructions provided by MCWONG for the installation of the product(s).

This limited warranty is extended by MCWONG only to the original or first end-user purchaser.

The standards and conditions of any tests performed on any MCWONG product(s) by the original purchaser, or by any third party acting on

behalf of the original purchaser, shall be mutually agreed upon in writing and MCWONG shall be notified of, and may be represented at any such tests.

Should defects occur after installation, and within the warranty period, they should be specifically described to a MCWONG representative. MCWONG shall correct any defects, at MCWONG’s option, by furnishing materials to repair or replace any product(s) that may prove defective in materials or workmanship within the warranty period, or by extending a credit in the amount of the purchase price. This does not apply to: (1) damage caused by accident, abuse, mishandling, or dropping; (2) materials which have been subject to unauthorized repair; (3) materials not used in accordance with instructions; (4) ordinary wear and tear. MCWONG will be limited to the furnishing of new parts, free of charge, or extending credit for in the amount of the purchase price, in exchange for parts proven to be defective and does not include any other costs of removal or installation.

This limited warranty constitutes the sole and exclusive remedy of the purchase and the exclusive liability of MCWONG, and is in lieu of any and all other warranties, expressed, implied, or statutory as to merchantability, fitness for purpose sold, description, quality productiveness, or any other matter. NO IMPLIED STATUTORY WARRANTY OF MERCHANTABILITY OR FITNESS FOR A PARTICULAR PURPOSE SHALL APPLY BEYOND THE AFOREMENTIONED WARRANTY PERIOD.

Warranty claims can be submitted by calling our toll free technical support hotline **(888) 600-9188** or by visiting our website www.McWonginc.com and filling out a Warranty Replacement Form (Click on Support >> Warranty Statements). Completed forms should be faxed to (916) 371-6666 or emailed to Support@McWonginc.com.



McWong International, Inc.
1921 Arena Blvd., Sacramento, CA 95834
Tel: 916-371-8080
Fax: 916-371-6666
Email: support@mcwonginc.com
Web: www.mcwonginc.com

Copyright© 2016 McWong International, Inc.
Specifications subject to change without notice
V3.00

