



About BRB United



Everything for the workshop. Everything from a single source. Behind BRB United are strong brands, perfect service and a powerful network of partners. With our high-performance products we are covering the requirements of the tough daily workshop routine. Always in the focus: perfect ergonomics and low total cost of ownership.

At Blitz truck lifting technology, compressed air technology, tire filling and measuring technology as well as special tools are traditionally the focus. When it comes to lifting technology for passenger cars, the proven lifts of Rotary are not to be missed. Tire changers and wheel balancers as well as wheel alignment and test lanes - for workshops and tire shops - are covered by Butler. If it's about battery service and welding devices, Elektron is the perfect choice. For more information you can also visit www.BRBUnited.com

About VSG



Part of Dover Corporation's Engineered Systems segment, Vehicle Service Group (VSG) is a strong, diverse and dynamic global leader in the vehicle service industry. VSG comprises nine major vehicle lifting and collision repair brands: Rotary Lift, Blitz, Chief, Elektron, Forward Lift, Direct-Lift, Revolution Lift, nogra and Hanmecson. Headquartered in Downers Grove, Illinois USA, VSG has operations worldwide, including ISO9001 certified manufacturing centers in North America, Europe and Asia. Additional information is available at www.vsgdover.com

About Dover



Dover is a diversified global manufacturer with annual revenue of approximately \$7 billion. We deliver innovative equipment and components, specialty systems, consumable supplies, software and digital solutions, and support services through three operating segments: Engineered Systems, Fluids and Refrigeration & Food Equipment. Dover combines global scale with operational agility to lead the markets we serve. Recognized for our entrepreneurial approach for over 60 years, our team of 26,000 employees takes an ownership mindset, collaborating with customers to redefine what's possible. Additional information is available at www.dovercorporation.com.



INDEX



2-post-lift 4-13

VW AG | VAS 771031 - VAS 771033
VW AG | VAS 6353 A - VAS 6814
VW AG | VAS 6354 A - VAS 6815
VW AG | VAS 771017
VW AG | VAS 6355 A



4-post lift 14-19

VW AG | VAS 6639
VW AG | VAS 6358 A
VW AG | VAS 772005



Double Scissor Lift 20-29

VW AG | VAS 791019
VW AG | VAS 791017
VW AG | VAS 791025
VW AG | VAS 791023 - VAS 791015
VW AG | VAS 791029 - VAS 791027



Lifting Table 30-31

VW AG | VAS 6131B



Mobile wheel carriage 32-33

VW AG | VAS 6266



Tire changer 34-39

VW AG | VAS 741067
VW AG | VAS 741065
VW AG | VAS 741063



Wheel balancer 40-45

VW AG | VAS 741073
VW AG | VAS 741071
VW AG | VAS 741069

Tyre pressure regulator 46-47

VW AG | VAS 5216



Battery charger 48-49

VW AG | VAS 622009



2-POST-LIFT

ELECTRO-MECHANICAL

Due to its asymmetrical design, the **VAS 771031** offers a flexible mounting range from UP! to large vans.

The symmetrical **VAS 771033** offers flexible mounting options from UP! to long wheelbase vans.

+ Low column height
+ Broad mounting range
+ Reliable durable spindle nut system

The spindles are roll-hardened on state-of-the-art machines. In this way, you obtain press polished flanks without destroying the grain. In conjunction with the specially alloyed CNC machined bronze nuts, the platform achieves outstanding running smoothness.

The high thermal conductivity of bronze enables trouble-free and safe working even under high load and frequency.

The low column height also enables installation in low rooms.

All components together guarantee a long-lasting and smooth spindle nut system.

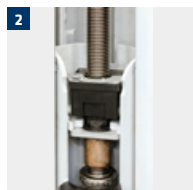
Flexible, wear-resistant plastic belts reliably protect the spindle against soiling.

Telescopic turntables in the push-in sleeve system enable the safe and fast use of inexpensive adapter sets.



Figure shows VAS 771031

HIGHLIGHTS IN DETAIL



1 Lifting and lowering via convenient push buttons on both sides (for VAS 771033 only; optional for VAS 771031).

2 Generously dimensioned fresh oil tanks placed on the lifting nuts always ensure an exactly fitting lubricating film on the spindles.

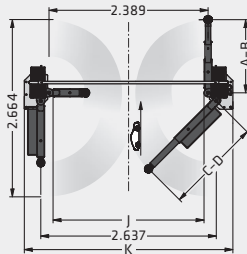
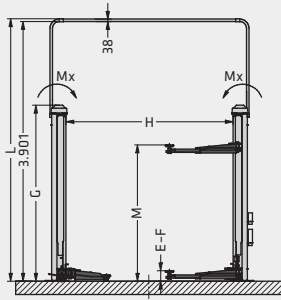


3 Two powerful 3.5 kW motors provide powerful lift and fast lifting and lowering times.

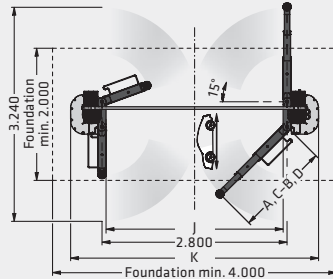
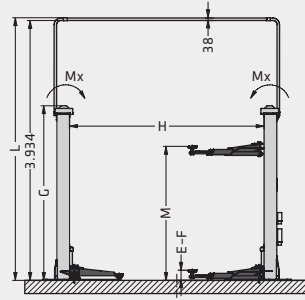
4 The electromechanical synchronization control works reliably and is easy to adjust. The lifting platform control system does not require any electronic components.



VAS 771031, asymmetrical



VAS 771033, symmetrical

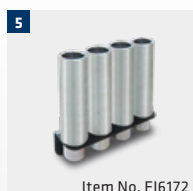
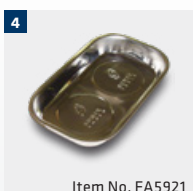


Model	VAS 771031	VAS 771033
Rated load capacity	3.200 kg	4.000 kg
Stroke	1.870 mm	1.870 mm
Lifting time	44 s	44 s
A Support bracket length on the front min.	550 mm	725 mm
B Support bracket length on the front max.	1.100 mm	1.430 mm
C Support bracket length on the rear min.	926 mm	725 mm
D Support bracket length on the rear max.	1.440 mm	1.430 mm
E Rotary plate height min.	92 mm	105 mm
F Rotary plate height max.	152 mm	165 mm
G Cylinder height at max. stroke	2.644 mm	2.643 mm
H Clear span between	2.510 mm	2.944 mm
J Drive-through width	2.269 mm	2.680 mm
Driving power	2 x 3.5 kW	2 x 3.5 kW
Power supply voltage (electrical)	400 V, 50 Hz	400 V, 50 Hz
K Overall width	3.132 mm	3.752 mm
L Overall height 2	3.939 mm	3.975 mm
M Stroke	2.042 mm	2.030 mm

ACCESSORIES



- 1** Mounting kit
- 2** Turntable extension kit for transporter
- 3** Vehicle locking device for turntable
- 4** Tool storage tray
- 5** Adapter extension set for transporters



2-POST LIFT

ELECTRO-HYDRAULIC

The electro-hydraulic 2-post lifts of the **VAS 6353 A** -series convince by an outstanding pick-up area. The control system is available in a manual and an electric version.

VAS 6353 A offers a flexible pick-up range from UPI to large vans (e.g. VW T6 long) due to its asymmetrical design.

+ VAS 6353 A series - the best-selling lift in the world
+ Maximum security with the Rotary 3PSS concept
+ Pick-up range up to VW T6 long

Rotary Hydraulic stands for maximum service-friendliness with minimum operating costs.

The upper safety switch-off effectively protects vehicles with a higher overall height from damage during lifting.

The electro-hydraulic design with only one unit ensures energy-saving operation with fast lifting and lowering times.

Flanged to the upper part of the lifting column, the unit is protected from external influences and allows more freedom of movement.

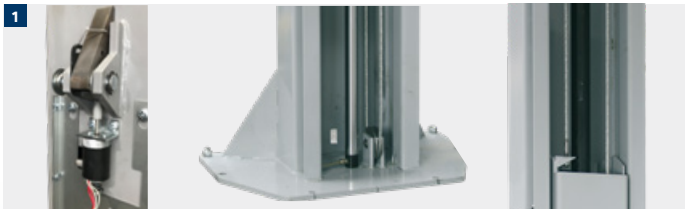
For a plus in ergonomics and economy, a 2nd control panel (for VAS 6353 A) may be selected. In this case, one control unit is equipped with a 220 V connection (fused with 16 ampere for electric hand tools) and the second with compressed air preparation.

The support arms are automatically locked when lifting. Once the platform is completely lowered, this locking device is released automatically. The particularly fine grid and a manual unlocking function extend the ease of operation.

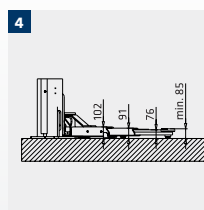


Illustration shows VAS 6353 A with 2nd control panel and accessories.

HIGHLIGHTS IN DETAIL



- 1** 3PSS Concept (3 Phase Security System) includes:
- Mechanical safety latches integrated on both sides with automatic actuation
 - Load-free synchronization pulleys secure the load during the lifting and lowering process
 - Hydraulic system secured by non-return valve including maintenance-free high-pressure cylinder in both posts.



- 2** The asymmetrical posts and support arm design allows for optimum door clearance.

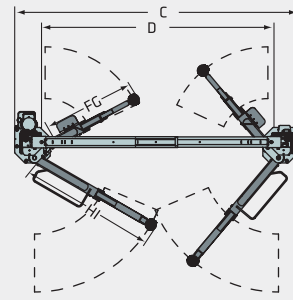
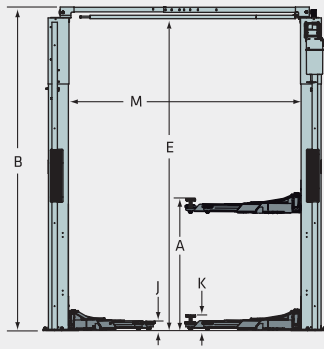
- 3** The maximum drive-through width with minimum external dimensions and the construction without a base frame ensure problem-free access to the lifting platform.

- 4** Type VAS 6814 available with sports car arms.

- + The rotary plates are pluggable and can be extended or replaced reliably and cost-effectively with attachments.



VAS 6353 A



Model	VAS 6353 A	VAS 6814
Load capacity	3500 kg	3500 kg
A Stroke	1957 mm	1940 mm
Lifting time	30 s	30 s
F Support bracket length on the front min.	550 mm	585 mm
G Support bracket length on the front max.	1106 mm	1195 mm
H Support bracket length on the rear min.	876 mm	585 mm
I Support bracket length on the rear max.	1472 mm	1195 mm
J Rotary plate height min.	94 mm	85 mm
K Rotary plate height max.	154 mm	130 mm
M Clear span between	2560 mm	2740 mm
D Drive-through width	2336 mm	2520 mm
Driving power	4,0 kW	4,0 kW
Power supply voltage (electrical)	400 V / 50 Hz	400 V / 50 Hz
C Overall width	3000 mm	3180 mm
B Overall height 2	4170 mm	4080 mm
E Switchoff level 2	4065 mm	3975 mm
Required ceiling height 2	4230 mm	4140 mm

SPECIFICATIONS

ACCESSORIES



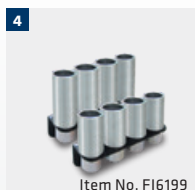
Item No. FS6353-1



Item No. FA5921



Item No. FJ6173



Item No. FJ6199



Item No.
CONTROL-VAS 6353 A-N

- 1** Vehicle securing for rotary plate, ø 120 mm
- 2** Tool tray, magnetic
- 3** Pick-up set U-shaped (1 set / 4 pieces), for delivery/small vans, 4 x U-pick-up
- 4** Adapter extension set (1 set / 4 pieces 89mm, 1 set / 4 pieces 127mm) with 2 holders for mounting on the posts
- 5** Second control panel for operation from both sides

2-POST LIFT

ELECTRO-HYDRAULIC

The electro-hydraulic 2-post lifts of the **VAS 6354 A**-series convince by an outstanding pick-up area. The control system is available in a manual and an electric version.

The electro-hydraulic 2-post lifts of the **VAS 6815**-series convince by an sportive pick-up area. The control system is available in a manual and an electric version.

- + The best-selling lift in the world
- + Maximum security with the Rotary 3PSS concept
- + VAS 6354 A up to T5/T6 long wheelbase
- + VAS 6815 for Audi and Porsche operations

Rotary Hydraulic stands for maximum service-friendliness with minimum operating costs

The upper safety switch-off effectively protects vehicles with a higher overall height from damage during lifting.

The electro-hydraulic design with only one unit ensures energy-saving operation with fast lifting and lowering times.

Flanged to the upper part of the lifting column, the unit is protected from external influences and allows more freedom of movement.

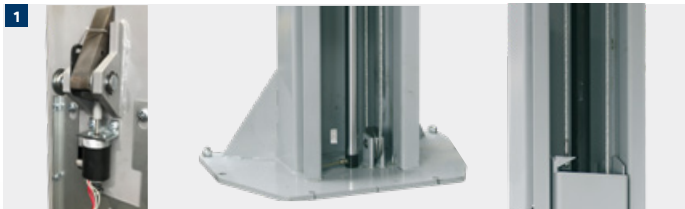
The support arms are automatically locked when lifting. Once the platform is completely lowered, this locking device is released automatically. The particularly fine grid and a manual unlocking function extend the ease of operation.

For a plus in ergonomics and economy, the 2nd control panel is standard. One control unit is equipped with a 220 V connection (fused with 16 ampere for electric hand tools) and the second with compressed air preparation.



Illustration shows VAS 6354A with optional accessories.

HIGHLIGHTS IN DETAIL



- 1** The 3PSS Concept (3 Phase Security System) includes:
- Mechanical safety latches integrated on both sides with automatic actuation
 - Load-free synchronisation pulleys secure the load during the lifting and lowering process
 - Hydraulic system secured by non-return valve including maintenance-free high-pressure cylinder in both posts



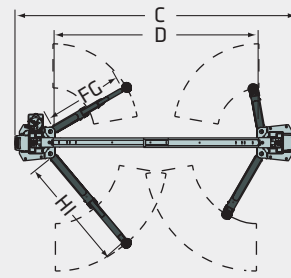
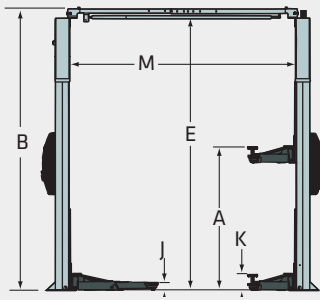
- 2** The maximum drive-through width with minimum external dimensions and the construction without a base frame ensure problem-free access to the lifting platform.

- 3** The double S-profile of the lifting posts enables maximum stability with minimum space requirement. The contact area of the lifting carriages guided in the lifting posts is significantly increased too.

- 4** The rotating plates are pluggable and can be extended or replaced with attachments in a stable and cost-effective manner.



VAS 6354 A - VAS 6815



Model	VAS 6354 A	VAS 6815
Load capacity	4500 kg	4500 kg
A Stroke	1957 mm	1957 mm
Lifting time	30 s	30 s
F Support bracket length on the front min.	550 mm	550 mm
G Support bracket length on the front max.	1106 mm	1106 mm
H Support bracket length on the rear min.	876 mm	600 mm
I Support bracket length on the rear max.	1472 mm	1280 mm
J Rotary plate height min.	95 mm	95 mm
K Rotary plate height max.	155 mm	155 mm
M Clear span between	2860 mm	2916 mm
D Drive-through width	2546 mm	2602 mm
Driving power	4,0 kW	4,0kW
Power supply voltage (electrical)	400 V / 50 Hz	400 V / 50 Hz
C Overall width	3440 mm	3496 mm
B Overall height	4170 mm	4170 mm
E Switchoff level	4065 mm	4065 mm
Required ceiling height 2	4230 mm	4230 mm

SPECIFICATIONS

ACCESSORIES



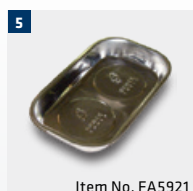
1 Adapter extension set (1 set/ 4 pieces 89mm, 1 set/ 4 pieces 127mm) with 2 holders for mounting on the posts

2 Adapter extension set (1 set/ 4 pieces 200mm) with 1 holder for mounting on the posts

3 Pick-up set U-shaped (1 set / 4 pieces)

4 Vehicle securing for rotary plate

5 Storage tray for tools



2-POST LIFT

ELECTRO-HYDRAULIC

The electro-hydraulic 2-post lifts of the **VAS 771017 series** convince with an outstanding pick-up area, they are particularly suitable for van workplaces.

+ Maximum security with the Rotary 3PSS concept
+ Pick-up range from passenger vehicle to van

Flanged to the upper part of the lifting column, the unit is protected from external influences and allows more freedom of movement.

The double S-profile of the lifting posts enables maximum stability with minimum space requirement. The contact area of the lifting carriages guided in the lifting posts is significantly increased too.

The support arms are automatically locked when lifting. Once the platform is completely lowered, this locking device is released automatically. The particularly fine grid and a manual unlocking function extend the ease of operation.

The upper safety switch-off effectively protects vehicles with a higher overall height from damage during lifting.

The electro-hydraulic design with only one unit ensures energy-saving operation with fast lifting and lowering times.

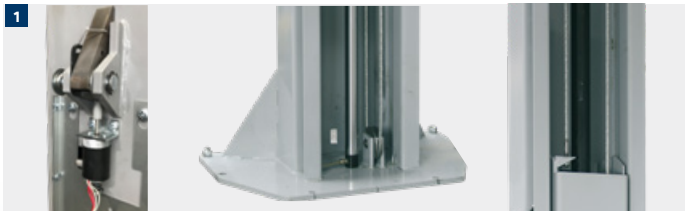
Rotary Hydraulic stands for maximum service-friendliness with minimum operating costs

For a plus in ergonomics and economy, the 2nd A control panel is standard on the VAS 771017. One control unit is equipped with a 220 V connection (fused with 16 ampere for electric hand tools) and the second with compressed air preparation.

The rotating plates are pluggable and can be extended or replaced with attachments in a stable and cost-effective manner

Illustration shows VAS 771017 with optional accessories.

HIGHLIGHTS IN DETAIL



- 1** The 3PSS concept (3 Phase Security System) includes:
- Mechanical safety latches integrated on both sides with automatic actuation
 - Load-free synchronization pulleys secure the load during the lifting and lowering process
 - Hydraulic system secured by non-return valve including maintenance-free high-pressure cylinder in both posts.



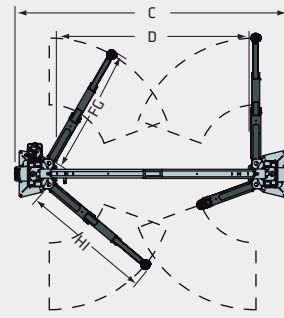
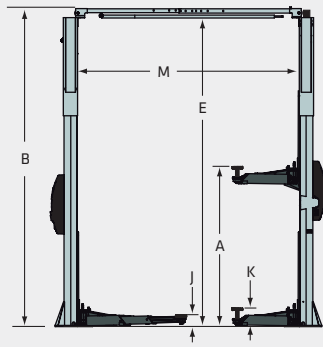
- 2** The well-conceived support arm construction allows both symmetrical and asymmetrical pick-up of the vehicles - without repositioning.

- 3** The maximum drive-through width with minimum external dimensions and the construction without a base frame ensure problem-free access to the lifting platform.

- 4** By using the optional AE250 support arm extension, long vans can also be picked up at the points recommended by the manufacturer.



VAS 771017



Model	VAS 771017
Load capacity	5500 kg
A Stroke	1981 mm
Lifting time	60 s
F Support bracket length on the front min.	790 mm
G Support bracket length on the front max.	1700 mm
H Support bracket length on the rear min.	790 mm
I Support bracket length on the rear max.	1700 mm
J Rotary plate height min.	118 mm
K Rotary plate height max.	178 mm
M Clear span between	2916 mm
D Drive-through width	2607 mm
Driving power	3,0 kW
Power supply voltage (electrical)	400 V / 50 Hz
C Overall width	3496 mm
B Overall height	5432 mm
E Switchoff level	5327 mm
Required ceiling height 2	5492 mm

SPECIFICATIONS

ACCESSORIES



- 1** Rotary plate extension kit, 4x89mm, 4x127mm, incl. 2 brackets for mounting to the posts
- 2** Rotary plate extension kit, 4x200 mm, incl. bracket for mounting to the posts
- 3** Storage tray for tools (magnetic), 240x140 mm
- 4** Vehicle securing for rotary plate, ø 120 mm
- 5** Mounting kit, for delivery/small vans, 4x U-pick-up
- 6** Mounting kit, 2x for Sprinter/Crafter (mandrel short in front)
- 7** Mounting kit, 2x for Sprinter/Crafter (semicircular for rear)

2-POST LIFT

ELECTRO-HYDRAULIC

The electro-hydraulic 2-post lifts of the **VAS 6355 A** series convince with an outstanding pick-up area, they are particularly suitable for van workplaces.

+ Maximum security with the Rotary 3PSS concept
+ Pick-up range from vans, emergency vehicles and motor homes

Flanged to the upper part of the lifting column, the unit is protected from external influences and allows more freedom of movement.

The upper safety switch-off effectively protects vehicles with a higher overall height from damage during lifting.

The electro-hydraulic design with only one unit ensures energy-saving operation with fast lifting and lowering times.

Rotary Hydraulic stands for maximum service-friendliness with minimum operating costs

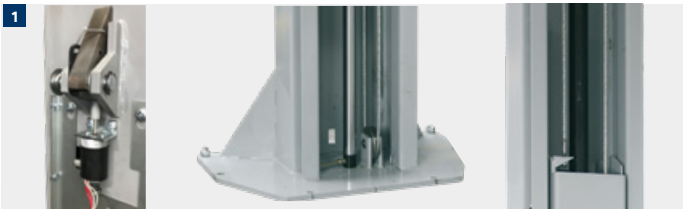
The support arms are automatically locked when lifting. Once the platform is completely lowered, this locking device is released automatically. The particularly fine grid and a manual unlocking function extend the ease of operation.

For a plus in ergonomics and economy, the 2nd control panel is standard on the VAS 6355 A. One control unit is equipped with a 220 V connection (fused with 16 ampere for electric hand tools) and the second with compressed air preparation.

The rotating plates are pluggable and can be extended or replaced with attachments in a stable and cost-effective manner.

Illustration shows VAS 6355 A with optional accessories.

HIGHLIGHTS IN DETAIL



- 1** The 3PSS Concept (3 Phase Security System) includes:
- Mechanical safety latches integrated on both sides with automatic actuation
 - Load-free synchronization pulleys secure the load during the lifting and lowering process
 - Hydraulic system secured by non-return valve including maintenance-free high-pressure cylinder in both posts.



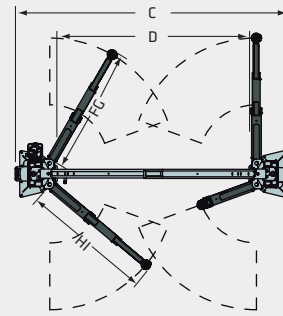
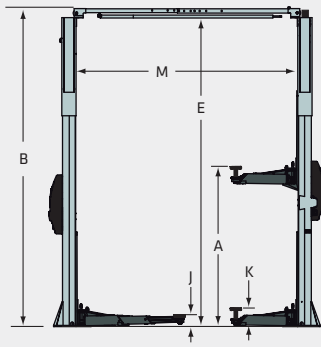
- 2** The particularly generously dimensioned support arms allow the safe pick-up of heavy transporters, emergency vehicles and motor homes

- 3** The maximum drive-through width with minimum external dimensions and the construction without a base frame ensure problem-free access to the lifting platform.

- 4** The double S-profile of the lifting posts enables maximum stability with minimum space requirement. The contact area of the lifting carriages guided in the lifting posts is significantly increased too.



VAS 6355 A



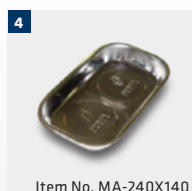
Model	VAS 6355 A
Load capacity	6500 kg
Lifting time	60 s
A Lifting height	2000 mm
B Overall height EH2	4976 mm 5432 mm
C Overall width	3937 mm
D Drive through clearance	2687 mm
E Shutdown height EH2	4791 mm 5247 mm
F Rear support beam min. length	935 mm
G Front support beam max. length	1901 mm
H Front support beam min. length	935 mm
I Rear support beam max. length	1901 mm
J Rotary table min. height	135 mm
K Rotary table max. height	163 mm
M Clear span between	3058 mm
Drive power	3,0 kW
Drive voltage (electrical)	400 V / 50 Hz
Required ceiling height EH2	5600 mm
Weight	1700 kg

SPECIFICATIONS

ACCESSORIES



- 1** Rotary Plate
- 2** Pick-up kit for Crafter/Sprinter front mandrel
- 3** Pick-up kit for Crafter/Sprinter semicircular
- 4** Storage tray for tools



4-POST LIFT

ELECTRO-HYDRAULIC

The electro-hydraulic 4-post lift VAS 6639 is suitable for lifting all passenger cars and transporters / Caravelle (T5/T6). The lifting platform is suitable for wheel alignment.

- + Wide, stable tracks
- + Precise wheel alignment kit, optionally available
- + Suitable for all passenger cars and transporters (T5/T6)

All 4-post lifts are equipped with a pneumatically lockable lowering device.

The up, down and lowering functions on the lowering device can be conveniently controlled via operating keys.

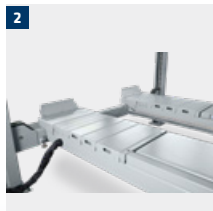
Protected from external influences, the maintenance-free lifting cylinder is positioned under the running surface.

The quiet, high-performance hydraulic unit ensures a powerful stroke and short lifting and lowering periods.

Wide tracks allow safe and comfortable driving on from small cars to vans or SUVs without having to change the track width of the track.

Figure is similar.

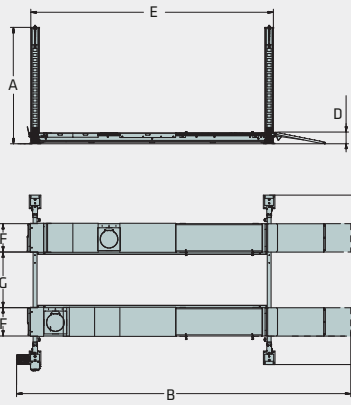
HIGHLIGHTS IN DETAIL



- 1** The cold-formed running surface profile offers high rigidity.
- 2** Rails integrated in the running surface allow all commercially available beaming jacks to be accommodated
- 3** A Premium wheel alignment kit (AK) with sliding plates is available especially for precise wheel alignment activities.
- 4** Integrated recesses in the drive-on surface allow all standard rotary tables to be fitted. If no rotary plate is used, the recesses can be closed completely with the included filling parts.
- 5** Adjustable ratchet bars in the lifting posts allow an absolutely horizontal alignment of the lift - important for precise work when used as a wheel alignment lift. This guarantees precise wheel alignment and a high degree of workplace safety.



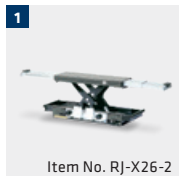
VAS 6639



Picture shows VAS 6639 with Premium AK kit.

Model	VAS 6639
Load capacity	4.000 kg
A Lifting height	1957 mm
C Overall width	3473 mm
D Drive-on/Drive-over height	167 mm
Drive-on/Drive-over height with AK kit	217 mm
E Runway length	4700 mm
F Runway width	560 mm
G Runway spacing	800/950/1100 mm
Drive through clearance	2954 mm
B Overall length	6095 mm
Wheelbase wheel alignment	1525-3987 mm
Drive power	4 kW
Drive voltage (electrical)	400 V, 50 Hz
Compressed air supply	8-10 bar
Lifting time	45 sec.

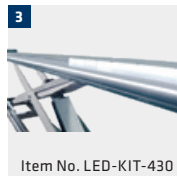
ACCESSORIES



Item No. RJ-X26-2



Item No. DZRMP-SM1N
Item No. DZRMP-SM3N



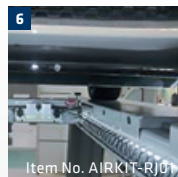
Item No. LED-KIT-430



Item No. RMP-SM40N



Item No.
EXRMP-SM40N



Item No. AIRKIT-RJ01



Item No.
AK-P-VAS-6639N

- 1 Jacking Beam, Capacity 2600 kg
- 2 Underground installation kit 4 short ramps, wheel alignment version (DZRMP-SM3N), for ramp, recommended for use with Premium AK kit (DZRMP-SM1N)
- 3 Wheel alignment kit Premium for level track (scope of delivery without rotary disks), 4300 mm, 4 LED units, 24 V
- 4 Additional drive-on ramps, 900 mm
- 5 Extension kit for ramp, recommended for use with Premium AK kit
- 6 Air supply kit for beaming jack
- 7 Wheel alignment kit Premium, for leveled runway.

4-POST LIFT

ELECTRO-HYDRAULIC

The electro-hydraulic 4-post lift **VAS 6358 A** is suitable for lifting all passenger cars, transporters (T5/T6) and Crafter. The lifting platform is suitable for wheel alignment.

- + Wide, stable tracks
- + Precise Premium wheel alignment kit, optionally available
- + Suitable for all cars and vans with long wheelbase

All 4-post lifts are equipped with a pneumatically lockable lowering device.

The up, down and lowering functions on the lowering device can be conveniently controlled via operating keys.

Protected from external influences, the maintenance-free lifting cylinder is positioned under the running surface.

The quiet, high-performance hydraulic unit ensures a powerful stroke and short lifting and lowering periods.

Wide tracks allow safe and comfortable driving on from small cars to vans or SUVs without having to change the track width of the track.

VAS 6358 A with optional wheel alignment kit and optional ramp extension kit.

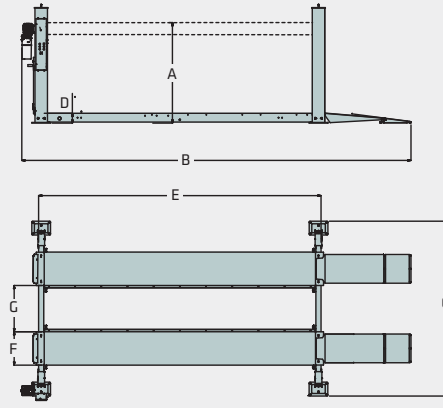
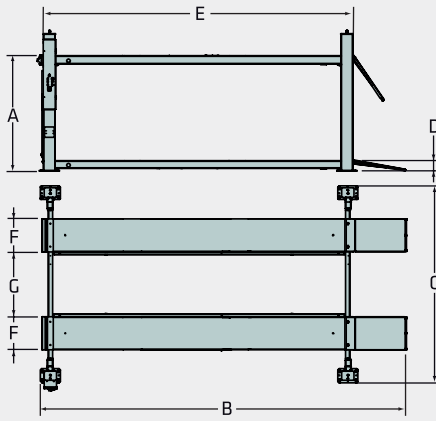
HIGHLIGHTS IN DETAIL



- 1** The cold-formed running surface profile offers high rigidity.
- 2** Rails integrated in the running surface allow all commercially available beaming jacks to be accommodated.
- 3** A wheel alignment kit (AK) with sliding plates is available especially for precise wheel alignment activities.
- 4** Integrated recesses in the drive-on surface allow all standard rotary tables to be fitted. If no rotary plate is used, the recesses can be closed completely with the included filling parts.
- 5** Adjustable ratchet bars in the lifting posts allow an absolutely horizontal alignment of the lift - important for precise work when used as a wheel alignment lift. This guarantees precise wheel alignment and a high degree of workplace safety.



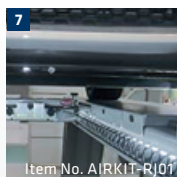
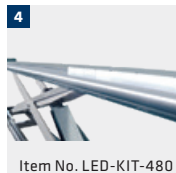
VAS 6358 A



Model	VAS 6358 A
Load capacity	6500 kg
A Lifting height	1990 mm
Lifting height with AK kit	2040 mm
B Overall length incl. ramp extension	7424 mm
C Overall width	3522 mm
D Drive-on/Drive-over height	202 mm
Drive-on/Drive-over height with AK kit	252 mm
E Runway length	5500 mm
F Runway width	650 mm
G Runway spacing	900 mm
Overall length	6930 mm
Drive through clearance	2986 mm
Wheelbase wheel alignment	1500-4530 mm
Drive power	4 kW
Drive voltage (electrical)	400 V, 50 Hz
Compressed air supply	8-10 bar
Lifting time	45 sec.

SPECIFICATIONS

ACCESSORIES



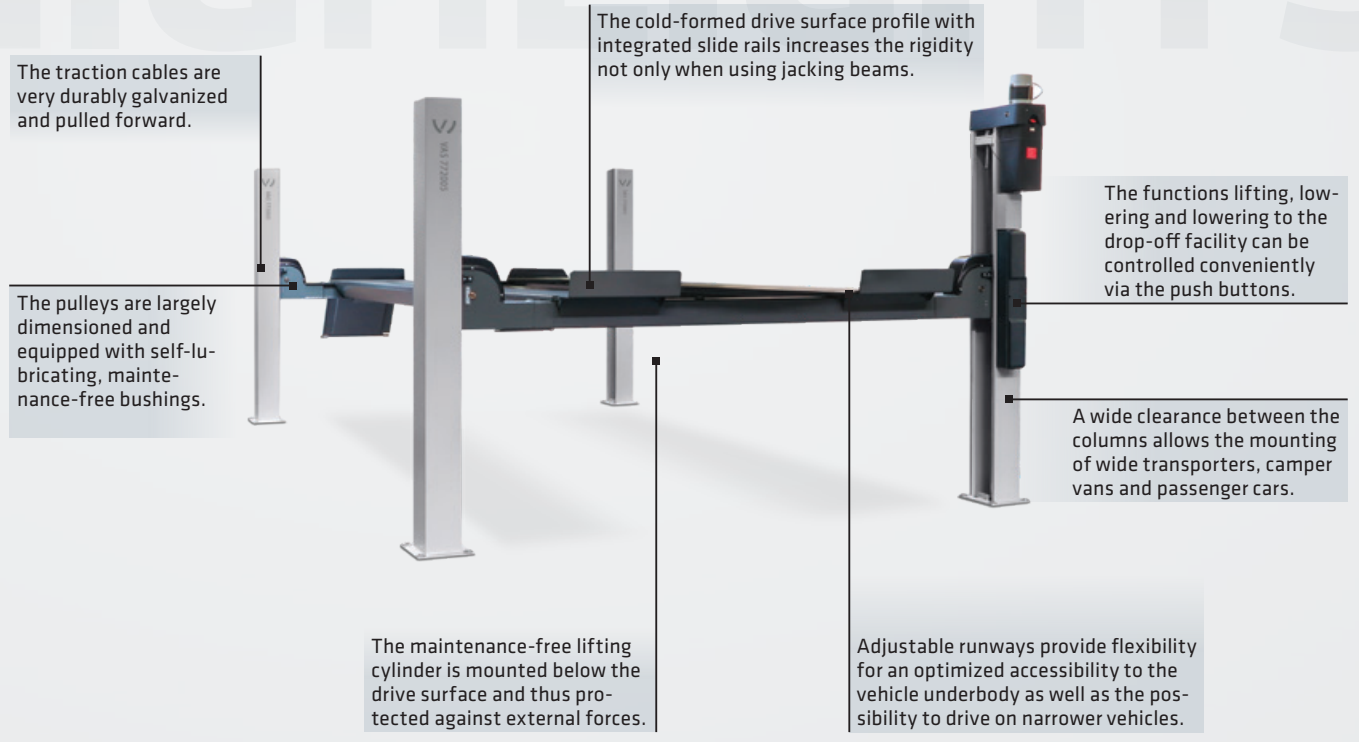
- 1** Jacking Beam, capacity 2600 kg
- 2** Jacking Beam, capacity 4.000 kg
- 3** Underfloor mounting kit for SM 65 without AK Kit, 4 short ramps
- 4** Lighting kit, 4800 mm, 4 LED units, 24 V
- 5** Additional drive-on ramps, 900 mm
- 6** Extension kit for ramp, recommended for use with Premium AK kit
- 7** Air supply kit for beaming jack
- 8** Premium wheel alignment kit for level track (scope of delivery without rotary disks)

4-POST LIFT

ELEKTCO-HYDRAULIC

The electro-hydraulic 4 Post Lift **VAS 772 005** with a lifting capacity of 8 t stands for flexible use in the commercial vehicle workshop.

+ Stable transporter platform
+ 8 t load capacity, 6,5 m track length
+ Track width adjustable

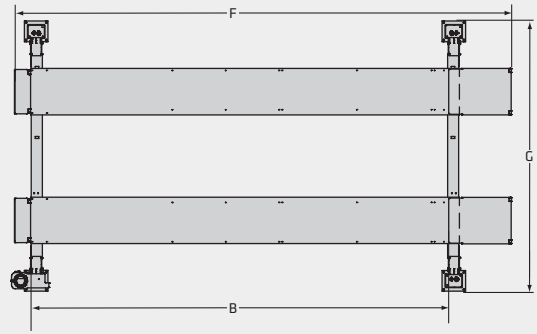
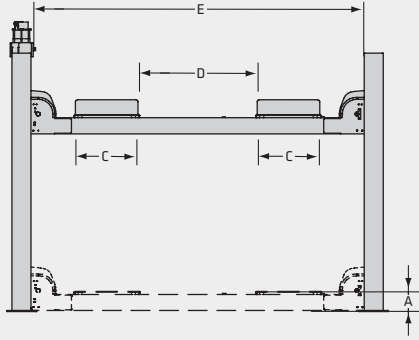


HIGHLIGHTS IN DETAIL



1 The 4 post lift is equipped with a pneumatically unlockable lowering device (every 100 mm). In this way cables and hydraulic system are relieved. Due to the adjustable ratchet strips in the lifting posts, the lift can be aligned in an absolutely horizontal way.



VAS 772005

Model	VAS 772005
Rated load capacity	8.000 kg
Stroke	1.950 mm
Lifting time	70 s
A Ascending height / Rest height	200 mm
B Length of runways	6.000 mm (+ 2 x 250 mm)
C Width of runways	650 mm
D Space of runways	850-1.150 mm
E Drive-through width	3.300 mm
F Total length	6.948 (7.775) mm
G Overall width	3.780 mm
Driving power	2.6 kW
Power supply voltage (electrical)	400 V, 50 Hz
Rated load capacity of wheel free lift	1.390 kg

SPECIFICATIONS

ACCESSORIES



- 1** Inground kit (4 short ramps) without wheel alignment
- 2** Illumination kit (4 LED units, 24 V), 4.800 mm
- 3** Air supply Kit for jacking beam
- 4** Additional ramps (900 mm)
- 5** Jacking beam, capacity 4.000 kg



SHORT STROKE SCISSOR LIFT

ELECTRO-HYDRAULIC

The **VAS 791019** short stroke scissor lift specifically covers the requirements in the field of tire and body work services. However, it is also an ideal workplace for maintenance work and work on the vehicle interior in the workshop.

A reasonable investment allows the quick set up of an additional universal workspace without foundation work.

- + Platform extension - lockable with one single operation
- + Corrosion protection - ideal with CAT 8
- + Safety through hydraulically actuated locking

The lifting platform is completely mounted and, without a significant installation effort, immediately operational after the hydraulic system has been connected.

The low drive-over height facilitates the support of vehicles with less ground clearance.

The standard CE stop provides a base protection without deflectors. That also makes the under-floor installation possible.

The built-in emergency lowering allows the lowering of the load in case of an emergency.

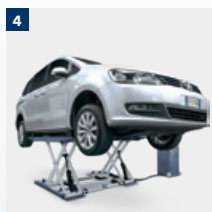
When it comes to corrosion protection, longevity comes first as well - the scissor lift, coated with cataphoresis, is protected against corrosion for a long time. The cataphoresis coating consists of primer and powder coating offering the same corrosion protection as a hot galvanizing with a significantly nicer surface.



The lifting platform is characterized by its superior serviceability: The pivot pins are running in maintenance-free bearings and the hydraulic lines are located well protected in the cross member.

Even at a high frequency the hydraulic system ensures reliable functioning. Safety and total synchronism is provided through torsional waves.

HIGHLIGHTS IN DETAIL



1 The scissor lift is equipped with a hydraulically actuated safety latch that secures the load in any situation.

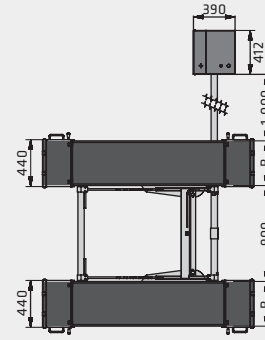
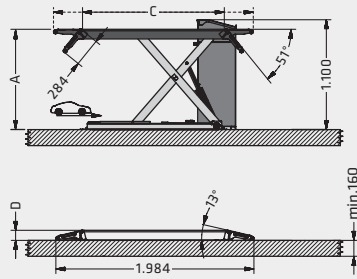
2 The operation is performed via the control panel which is perfectly suitable as a writing support in an ergonomically ideal height and angle. Documents or as well as tablet computers can be stored on the integrated storage space. The hydraulic system and electrical components in the panel are easily accessible in order to ensure the user friendliness. Solid push buttons ensure the safe operation of the scissor lift.

3 To allow a flexible support of both small and large vehicles, the VAS 791019 is equipped with unfolded ramps on both sides that can be locked with a single operation.

4 The support of lengths up to 2000 mm also allows the support of limousines.



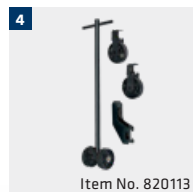
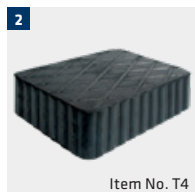
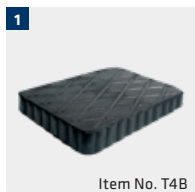
VAS 791019



Model	VAS 791019
Rated load capacity	3000 kg
A Stroke	1000 mm
Lifting time loaded	25 s
Lowering time loaded	18 s
B Width of runways	420 mm
C Length of runways	1420 - 2000 mm
D Ascending height / Rest height	100 mm
Motor power	2,6 kW
Power supply	230/400V, 50Hz
Weight	450 kg

SPECIFICATIONS

ACCESSORIES



- 1** Rubber Pads, height 40 mm, 4 pieces
- 2** Rubber Bases, height 80 mm, 4 pieces
- 3** Long drive-on ramps for sports cars
- 4** Mobile Kit incl. connecting member, for flexible use
- 5** Cross member for lifting of vehicles with pick-up points in the intermediate section of the platforms
- 6** Installation box for floor-level installation, Supporting boxes for folding ramps
- 7** Installation box for floor-level installation, incl. mounting frame (galvanized)

DOUBLE SCISSOR LIFT

ELECTRO-HYDRAULIC

The low-profile double scissor lift **VAS 791017** has been specially designed for the service and repair sector. The newly designed flexible mounting platforms allow for a broad mounting range.

- + Best corrosion protection as standard
- + Very robust steel construction
- + Fully matured, reliable hydraulics

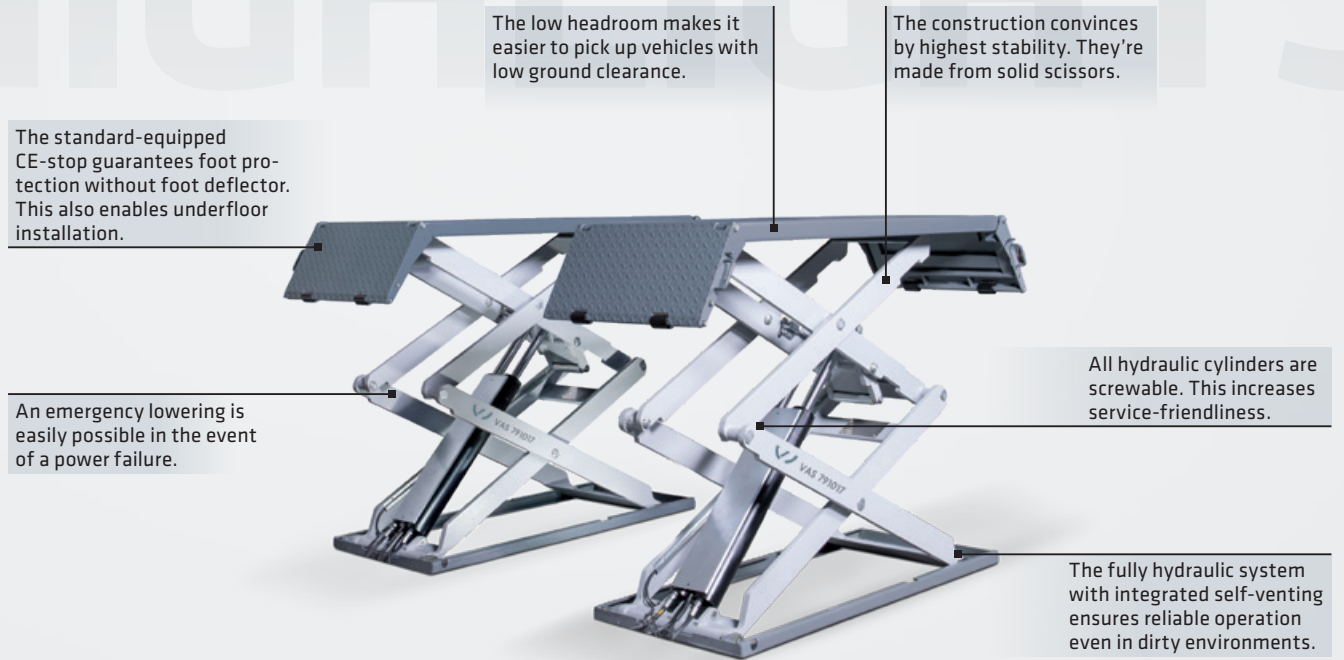


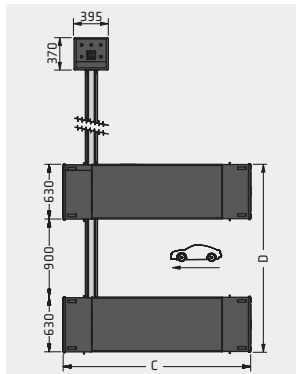
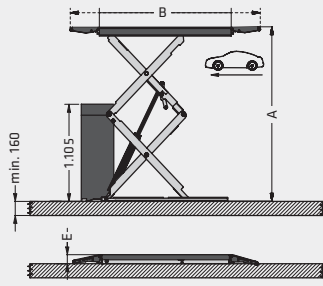
Illustration shows VAS 791017

HIGHLIGHTS IN DETAIL

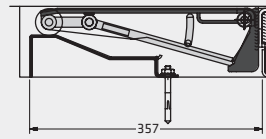
- 1** Standard hot-dip galvanizing with additional powder coating of the platform and base frame.
- 2** Simple locking of the ramps to extend the mounting area.
- 3** The redundant double master-slave hydraulic system makes it possible to dispense additional safety catches. Double safety, which prevents lifting or lowering on one side.
- 4** Broad mounting range due to newly designed flexible mounting platforms.
- 5** Easy operation of the pull-out is possible with floor-level installation.
- 6** Easiest handling of the pull-out, even in the case of vehicles above, thanks to smart design.
- 7** Easy overfloor installation possible, as the platform has low clearance height.
- 8** Rubber pads supplied reliably protect the vehicle underbody.



VAS 791017 Above ground



Roll-off ramp, Installation frame



Cleanly arranged and robust push buttons ensure safe operation of the lifting platform.

Documents or tablet computers can be stored on the integrated tray system. Also perfect as a desk pad.

The pre-assembled control panel has a quiet running hydraulic unit and thus contributes significantly to a low installation effort.

Maintenance friendliness comes first: the side panels can be removed on all 4 sides, the electrical components are located underneath the hinged operating and writing console.

It may be placed left or right hand. The tube length between lifting platform and console is 2m.

Model	VAS 791017
Rated load capacity	3500 kg
A Stroke	1945 mm
B Platform length	1500-2160 mm
C Total length	2.160 mm
D Overall width	2060/2160 mm
Lifting time loaded	40 s
Lowering time loaded	40 s
E Ascending height / Rest height	105 mm
Engine power	3 kW
Power supply voltage (electrical)	230/400 V, 50 Hz
Weight	885 kg

ACCESSORIES



- 1 Installation kit for underfloor installation.
- 2 Installation kit for underfloor installation, hot-dip galvanized with angled iron frame.
- 3 Additional ramps for sports cars, Length 860 mm (1 set / 4 pieces) Hot galvanised and powdercoated.
- 4 Crossbar for supporting vehicles whose mounting points are located in the intermediate area of the platforms.
- 5 Rotary Rubber Block, pyramidal truncated, with grip pads, height 30 mm (1 set / 4 pieces).
- 6 Rotary Rubber Block pyramidal truncated, with grip pads and e height 70 mm (1 set / 4 pieces).
- 7 POWER -Kit (230 V socket outlet).

DOUBLE SCISSOR LIFT

ELECTRO-HYDRAULIC

The low-profile double scissor lift **VAS 791025** has been specially designed for the service and repair sector. The **VAS 791025** ver-

sion even allows safe mounting of VW T5/T6 (short wheelbases) as well as long luxury sedans such as BMW 7 Series G12.

- + Mounting adjustable up to 2,358 mm
- + Best corrosion protection as standard
- + Very robust steel construction

The standard-equipped CE-stop guarantees foot protection without foot deflector. This also enables underfloor installation.

The low headroom makes it easier to pick up vehicles with low ground clearance.

The construction convinces by highest stability. They're made from solid scissors.

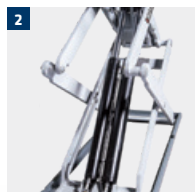
An emergency lowering is easily possible in the event of a power failure.

All hydraulic cylinders are screwable. This increases service-friendliness.

The fully hydraulic system with integrated self-venting ensures reliable operation even in dirty environments.

Ramps standing on the ground protect the hydraulic lines and enable safe access.

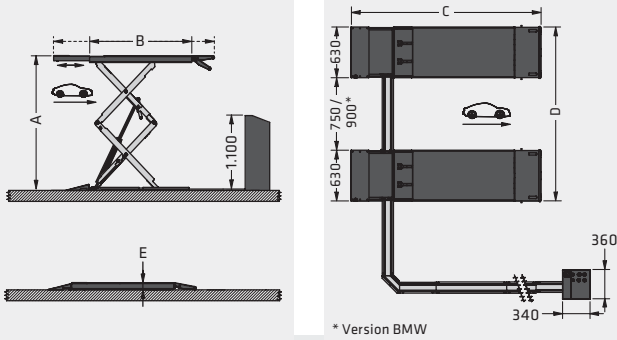
HIGHLIGHTS IN DETAIL



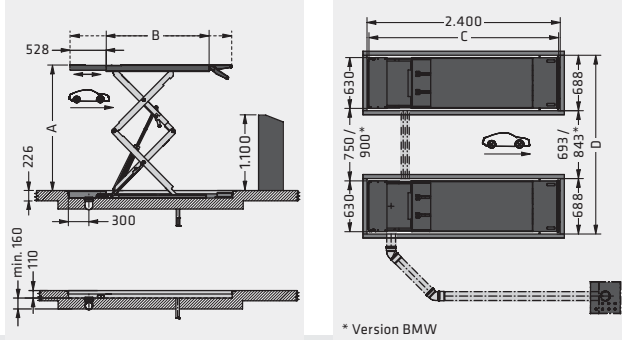
- 1** Longevity in the field of rust protection is also a top priority - among other things due to the standard hot-dip galvanizing with additional powder coating of the platform and base frame.
- 2** The redundant double master-slave hydraulic system makes it possible to dispense additional safety catches. Double safety, which prevents lifting or lowering on one side.
- 3** The smart design allows easy handling of the pull-out, even when the vehicle is above.
- 4** Easy operation of the pull-out is possible with floor-level installation.
- 5** Easy surface mounting is possible since the platform has a low clearance height.
- 6** The included rubber pads reliably protect the vehicle's underbody.



VAS 791025 Overfloor



VAS 791025 Underfloor



Cleanly arranged and robust push buttons ensure safe operation of the lifting platform.

Documents or tablet computers can be stored on the integrated tray system. Also perfect as a desk pad.

The pre-assembled control panel has a quiet running hydraulic unit and thus contributes significantly to a low installation effort.

Maintenance friendliness comes first: the side panels can be removed on all 4 sides, the electrical components are located underneath the hinged operating and writing console.

It may be placed left or right hand. The tube length between lifting platform and console is 2m.

Model	VAS 791025
Rated load capacity	3500 kg
A Stroke	1940 mm
B Platform length	1500-2358 mm
C Total length	2.358 mm
D Overall width	2060/2160 mm
Lifting time loaded	40 s
Lowering time loaded	40 s
E Ascending height / Rest height	105 mm
Engine power	3 kW
Power supply voltage (electrical)	230/400 V, 50 Hz
Weight	885 kg

ACCESSORIES



- 1 Installation kit for underfloor installation, without angle iron frame.
- 2 Installation kit DS35EX for underfloor installation, hot-dip galvanized with angled iron frame.
- 3 Additional ramps for sports cars, Length 860 mm (1 set / 4 pieces) Hot galvanised and powdercoated.
- 4 Crossbar for supporting vehicles whose mounting points are located in the intermediate area of the platforms.
- 5 Rotary Rubber Block, pyramidal truncated, with grip pads, height 30 mm (1 set / 4 pieces)
- 6 Rotary Rubber Block pyramidal truncated, with grip pads and e height 70 mm (1 set / 4 pieces)
- 7 POWER-Kit, 230 V socket outlet.

SCISSOR LIFT

ELECTRO-HYDRAULIC

The scissor lifts of the **VAS 791015** and **VAS 791023** series are high-precision wheel alignment lifts and suitable for diagnostic workstations (assistant systems) and headlamp adjustment locations.

The **VAS 791023** is ideal for all group vehicles incl. Crafter with a long wheelbase. The **VAS 791015** is suitable for pure car companies.

- + Perfect corrosion protection
- + Hot-dip galvanizing plus powder coating as standard
- + 4.5 / 5.5 t load capacity at a usable track length of 4800/5200 mm
- + Sliding plates pneumatically lockable

The control unit is equipped with a pressure gauge as standard and thus effectively supports installation and fault diagnosis.

The floor bearings are connected to a stable frame which simplifies correct assembly of the lift and provides additional stability.



The standard CE stop guarantees foot protection without foot deflector. This also enables underfloor installation.

All hydraulic cylinders are screwable. This increases the user friendliness.

For safe and professional lifting of the axles without spring relief, hydro-pneumatic jacking beams with a capacity of 2.6 t or 4.0 t are available.

The main cylinders are equipped with a pneumatically lockable lowering device. This guarantees precise wheel alignment and a high degree of workplace safety.

Stability combined with a low drive-over height ensures precise wheel alignment. The scissors themselves are made of strong solid material.

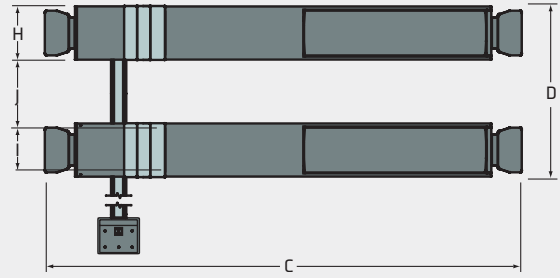
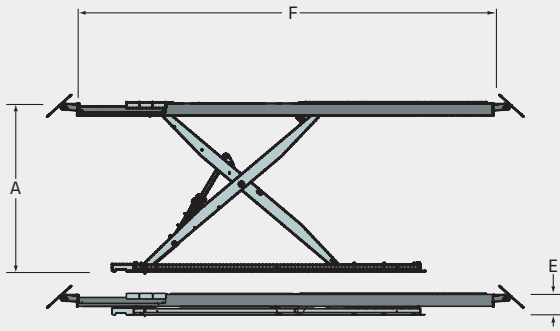
HIGHLIGHTS IN DETAIL



- 1** Longevity is also our top priority when it comes to rust protection which, among other things, is achieved via the standard hot-dip galvanizing and an additional powder coating.
- 2** The fully hydraulic system with integrated self-venting ensures reliable operation even in polluted environments.
- 3** Integrated recesses in the driving surface allow the support of all commercially available rotary disks. Both the support surface and the filler plates are hot-dip galvanized. If no rotary disk is used, the recesses can be completely closed.
- 4** The galvanized, pneumatically lockable sliding plates are the basis for effortless work during wheel alignment. The ball-bearing rollers ensure reliable and smooth operation and ensure a long service life.
- 5** Smartly designed roll-back guards allow the full length of the runway to be used.



VAS 791023



The integrated emergency lowering allows the load to be lowered in an emergency. Operation is carried out in safe distance from the control console.

Durable push buttons ensure a safe lift operation.

Documents or tablet computers will have their place on the integrated storage area. Also perfectly suited as a writing support.

The control console has an integrated hydraulic unit and thus contributes significantly to a low maintenance effort. Placement is possible on the left or right.

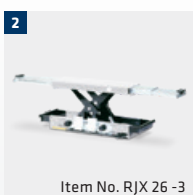
Model	VAS 791023	VAS 791015
Rated load capacity	5500 kg	4500 kg
A Stroke	1750 mm	1780 mm
C Total length	6010 mm	5610 mm
D Overall width	2230 mm	2230 mm
E Ascending height / Rest height	320 mm	285 mm
F Length of runways	5200 mm	4800 mm
H Width of runways	665 mm	665 mm
Lifting time loaded	55 s	55 s
Lowering time loaded	40 s	40 s
Driving power	3 kW	3 kW
Power supply voltage (electrical)	230/400 V, 50 Hz	230/400 V, 50 Hz
Weight	3340 kg	2010 kg

ACCESSORIES

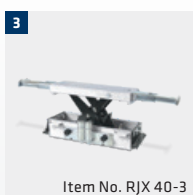


Item No. ROT-1321

- 1** Lighting kit (4 LED units, 24V)
- 2** Jacking beam (Load capacity 2600 kg)
- 3** Jacking beam (Load capacity 4000 kg)



Item No. RJX 26 -3



Item No. RJX 40-3

VERTICAL SCISSOR LIFT

ELECTRO-HYDRAULIC

Vertical scissor lifts of the V55 and V45 series (VAS 791029 und VAS 791027) are high-precision lifting platforms for wheel alignment work and diagnostic workstations (assistance

systems) with a load capacity of 5.5 or 4.5 t and a usable track length of 5400 or 4800 mm.

+ Perfect corrosion protection - KTL coating plus powder coating as standard
+ Meets requirements of the VOLKSWAGEN AG
+ A lot of space under the lifting platform with side access

The control console has a factory pre-assembled hydraulic unit and thus contributes significantly to a low installation effort. Placement is possible on the left or right.

Durable push buttons allow a sensitive operation of the lifting platform.

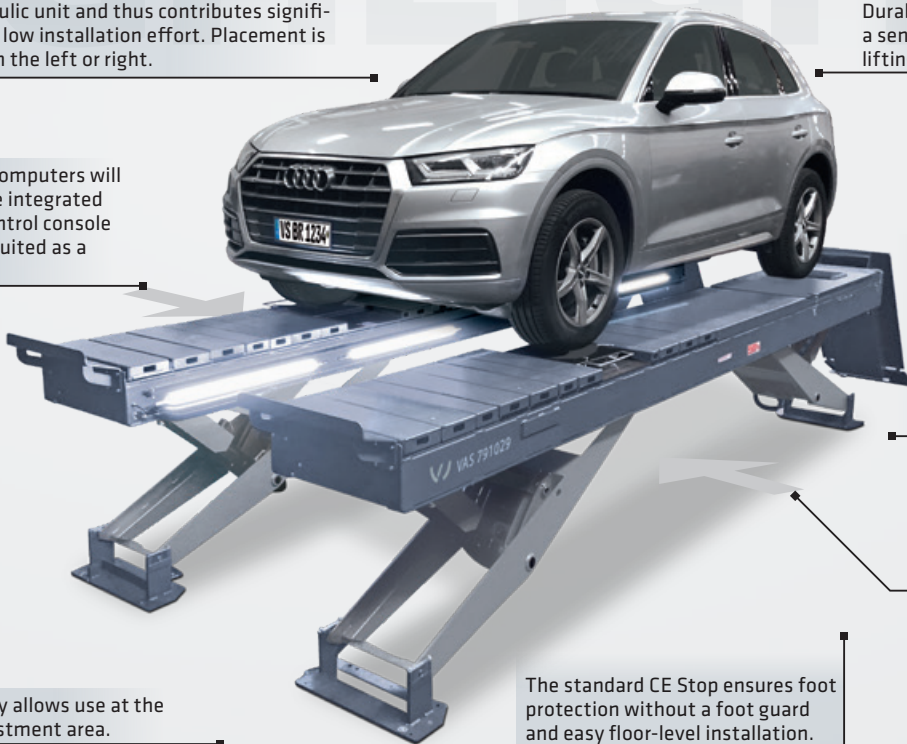
Documents or tablet computers will have their place on the integrated storage area of the control console that is also perfectly suited as a writing support.

The lifting scissors engage close to the wheel contact area and thus give the lifting platform a very high stability. In conjunction with the precisely crafted and reinforced tracks, it meets the specifications of the VOLKSWAGEN AG.

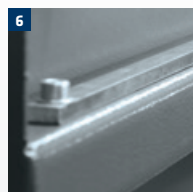
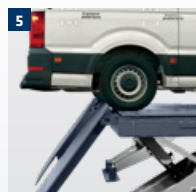
The assembly provides maximum clearance under the lifting platform and allows lateral access.

The flat runway allows use at the headlight adjustment area.

The standard CE Stop ensures foot protection without a foot guard and easy floor-level installation.



HIGHLIGHTS IN DETAIL



1 The support surface for the rotary disk can be leveled; it is pre-adjusted to "0" in the factory.

2 The filler pieces are provided with plastic stops. Thus, corrosion is prevented and the noise is reduced.

3 Sturdy plastic balls of the pneumatically lockable sliding plates ensure reliable and smooth operation and ensure a long service life.

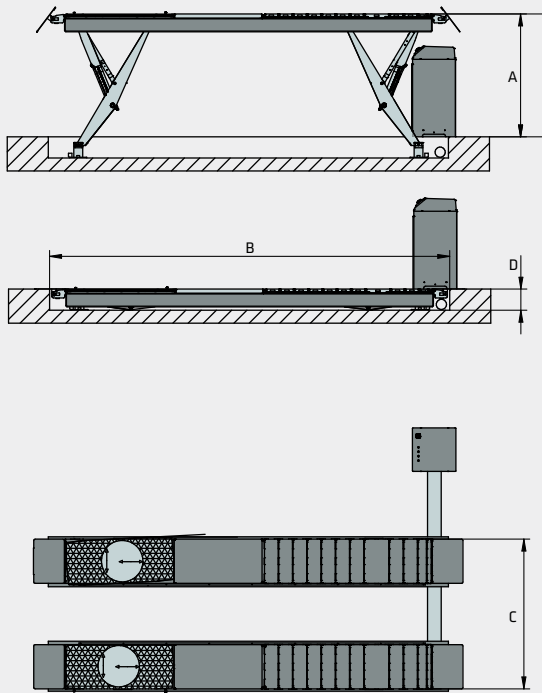
4 The main cylinders are equipped with a pneumatically unlockable lowering device. The ratchet strip is screwed and adjustable via screws. This guarantees precise wheel alignment.

5 Smartly designed roll-back guards allow the full length of the runway to be used.

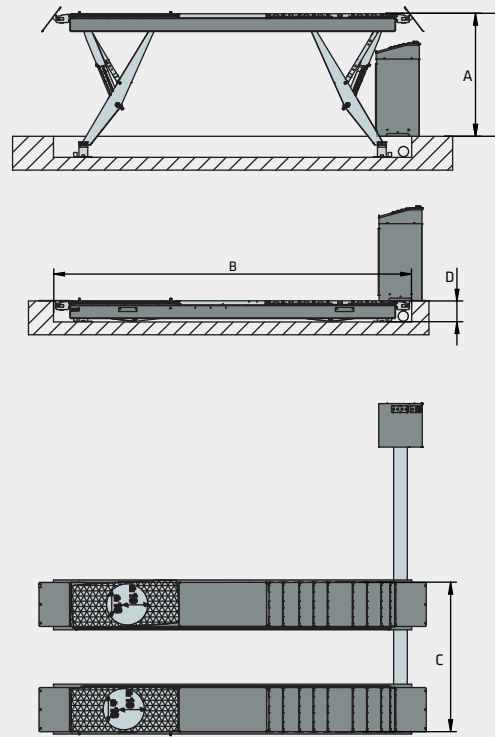
6 For the use of an additional jacking beam a galvanized track is installed.



VAS 791029 Underfloor



VAS 791027 Underfloor



Model	VAS 791029	VAS 791027
Rated load capacity	5.500 kg	4.500 kg
A Stroke	1.800 mm	1.800 mm
B Total length	6.310 mm	5.710 mm
C Overall width	2.200 mm	2.200 mm
D Ascending height / Rest height	305 mm	305 mm
Length of runways	5.400 mm	4.800 mm
Width of runways	650 mm	650 mm
Driving power	4 x 2,6 kW	4 x 2,6 kW
Power supply voltage (electrical)	230/400 V, 50 Hz	230/400 V, 50 Hz
Lifting time loaded	35 sec.	35 sec.
Lowering time loaded	35 sec.	35 sec.
Weight	2.500 kg	2.300 kg

ACCESSORIES



- 1** Lighting kit, 4 LED units, 24V
- 2** Jacking beam, Load capacity 2600 kg

LIFTING TABLE

ELECTRO-HYDRAULIC

With the introduction of the new generation of power units, Volkswagen AG is also setting new standards in the field of engine repair. The engines have to be removed and installed

with the respective gearbox as a unit from below. This is easily made possible using the lifting table **VAS 6131 B**.

- + The lifting table for all vehicle models
- + Ideal for installing and removing vehicle components
- + High stability
- + Flexible application

Neat and tidy are the evenly distributed countless threaded holes for attaching a variety of supports

Special equipment allows faster removal and installation of the engine and transmission

The slim, lean design allows for free positioning under the vehicle

The use of a mechanical drawbar ensures easy and safe positioning the lifting table.

Due to the weight of the powertrain of the vehicle of about 800kg, the existing engine and gearbox jack can not be used. This is easily possible with the lifting table VAS 6131 B. This installation and removal philosophy will be used in future vehicle models



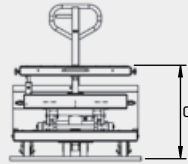
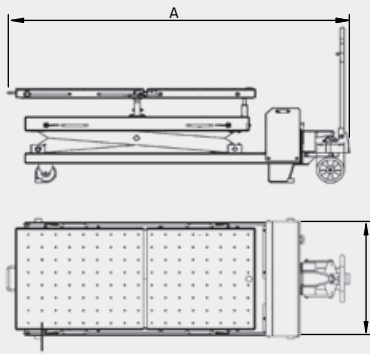
HIGHLIGHTS IN DETAIL



- 1** In order to reach all pick-up points, the loading platform can be tilted three-dimensionally by 60 mm.
- 2** The mounting plate is separated and slidable so that the motor and gear can be separated on the lifting table without much effort.
- 3** For universal use of the lifting table, the motor plate and the gear plate are provided with a grid hole pattern. For aggregate-specific adaptation, the corresponding recordings are screwed onto the plates.
- 4** The electro-hydraulic measures are easy to control with the supplied remote control.
- 5** The side locking options make it possible to lock the tabletop.
- 6** Thanks to the mechanical lifting drawbar, the lifting table is ready for use at the second stroke. With the high-performance pump, the maximum ride height is reached after just a few pump strokes.



VAS 6131B



Model	VAS 6131B
Capacity	1,2 t
Stroke	1050 mm
Lifting time - loaded	31 sec.
Lowering time - loaded	24 sec.
Usable Table length max.	1800 mm
Usable table width max.	800 mm
A Length	2481 mm
B Width	920 mm
C Height	750 mm
Weight	695 kg



SPECIFICATIONS

MOBILE WHEEL CARRIAGE

BATTERY POWERED

The wheel assembly trolley **VAS 6266** is a powerful working tool, which is suitable for mounting and transporting wheels. Numerous practical details enable the flexible use in every workshop environment.

+ Double battery allows up to 100 lifting and lowering movements
+ Maintenance-free spindle
+ Safety carriage

Maintenance-free spindle: A novel construction protects the lifting spindle effectively from dirt and other external influences. Drive is by powerful electric motor with integrated safety brakes.

Powerful: The generously dimensioned double battery allows up to 100 lifting and lowering movements. With the aid of the supplied universal-generator the battery is moreover quickly recharged.



Safety carriage: 4 rollers and a particularly low centre of gravity allow an optimum of manoeuvrability and at the same time a high stability. Two parking brakes ensure a safe stand.

HIGHLIGHTS IN DETAIL



1 The wheels of customary top-range vehicles, off-road vehicles (SUV) and small transporters have a very high dead weight of 35-45 kg.

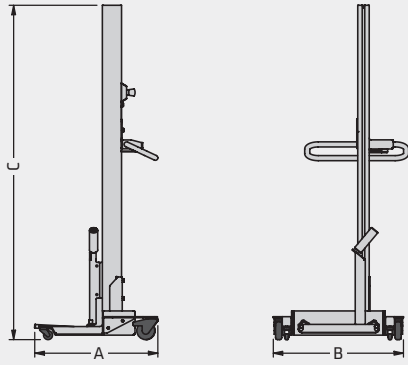
2 The mobile Wheel Carriage VAS 6266 is a powerful and efficient tool, suitable not only for mounting but also for transporting wheels.

3 Ergonomic: Under the tool holder the Up/Down Buttons. Very easy operation.



4 Vario-Fork: The Vario-Fork is a flexible pickup fork and has a total of 5 support rollers - for optimal wheel support and ease of positioning at the vehicle.



VAS 6266

Model	VAS 6266
Capacity	80 kg
Tyre size	135/80 R13-325/35 R22
Stroke	1.440 mm
Lifting time	20 s
Lowering time	15 s
A Length	688 mm
B Width	726 mm
C Height	1.865 mm
Weight per column	60 kg

SPECIFICATIONS

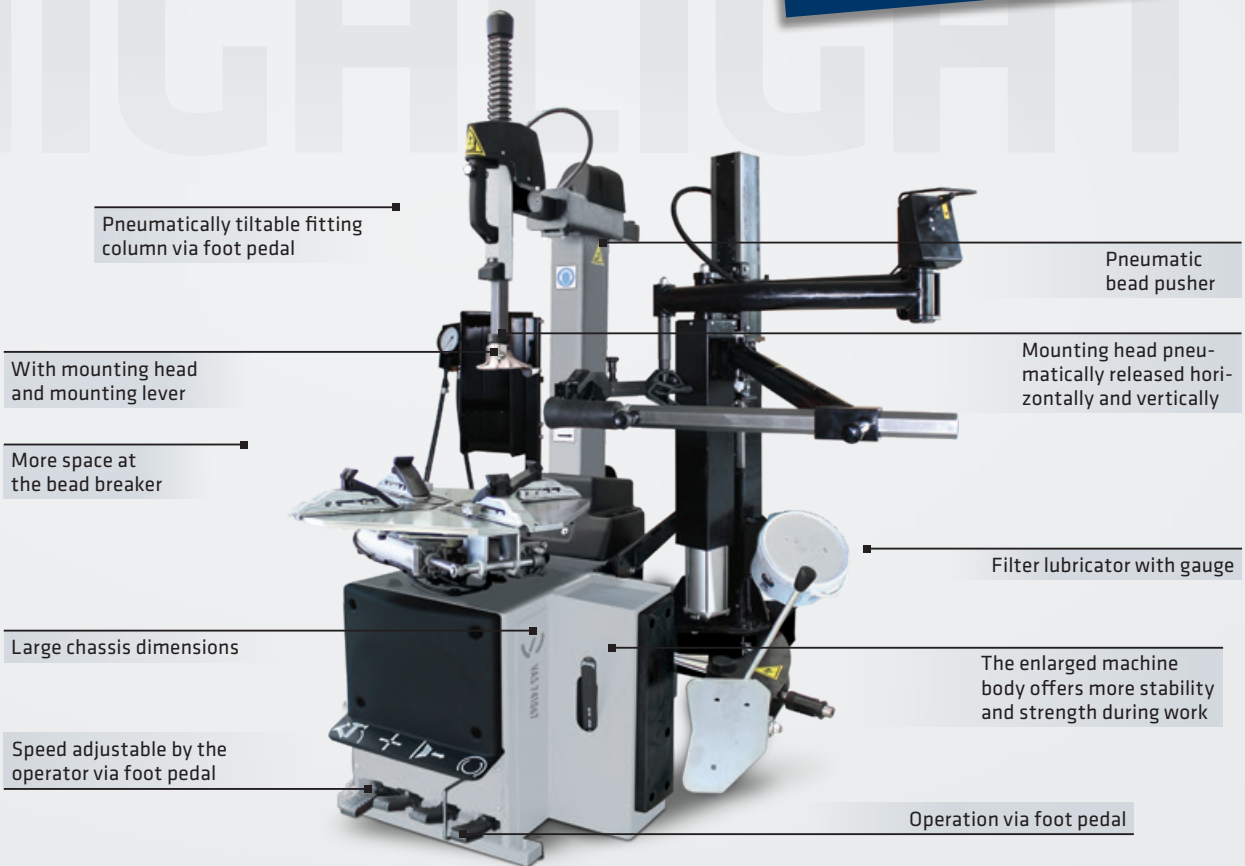
TIRE CHANGER

INVERTER TIRE CHANGER

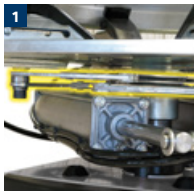
VAS 741067 Mounting head and mounting lever, passenger car, rim diameter 10" - 26,5".

+ Pneumatic 4-claw clamping for rim diameters of 10" - 24" outside clamping or 12" - 26.5" inside clamping

HIGHLIGHTS



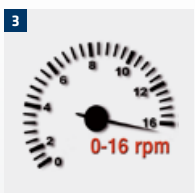
HIGHLIGHTS IN DETAIL

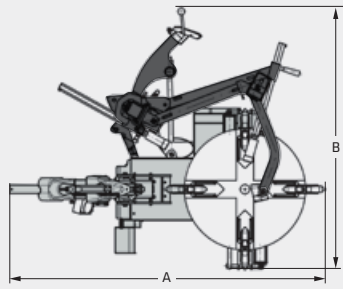
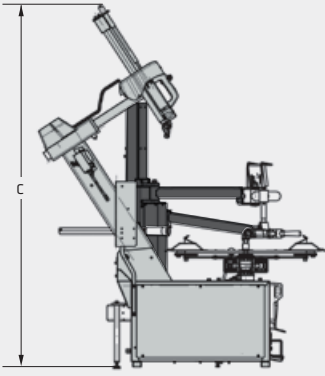


1 Double synchronization for perfect load distribution of the clamping forces

2 Removable pedal unit for easy maintenance

3 Inverter motor with speed limiter to protect the tire from excessive forces (0 - 16 rpm)

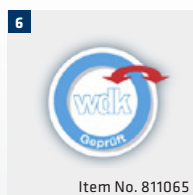
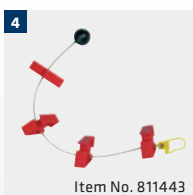
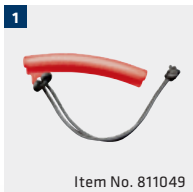


VAS 741067**Model****VAS 741067**

Rim width max.	15"
Wheel diameter max.	1092 mm
Clamping range outside	10" - 24"
Bead-breaking force	36000 N
Rotation speed	0 - 16 U/min
Torque max.	1200 Nm
Power inverter motor	1,5 kW
Motor power	0,75 kW
Compressed air supply	8 - 10 bar
Mains frequency	50/60 Hz
Mains voltage (AC)	180/260 V
Phases	1
Fuse protection	16 A träge
A Length	1556 mm
B Width	1885 mm
C Height	2016 mm
Weight	340 kg

SPECIFICATIONS

ACCESSORIES



- 1** Rim flange plastic protection
- 2** Bead breaker plastic protection
- 3** Pneumatic bead pusher
- 4** Magic cord with traction
- 5** Half moon bead lever
- 6** WDK certificate

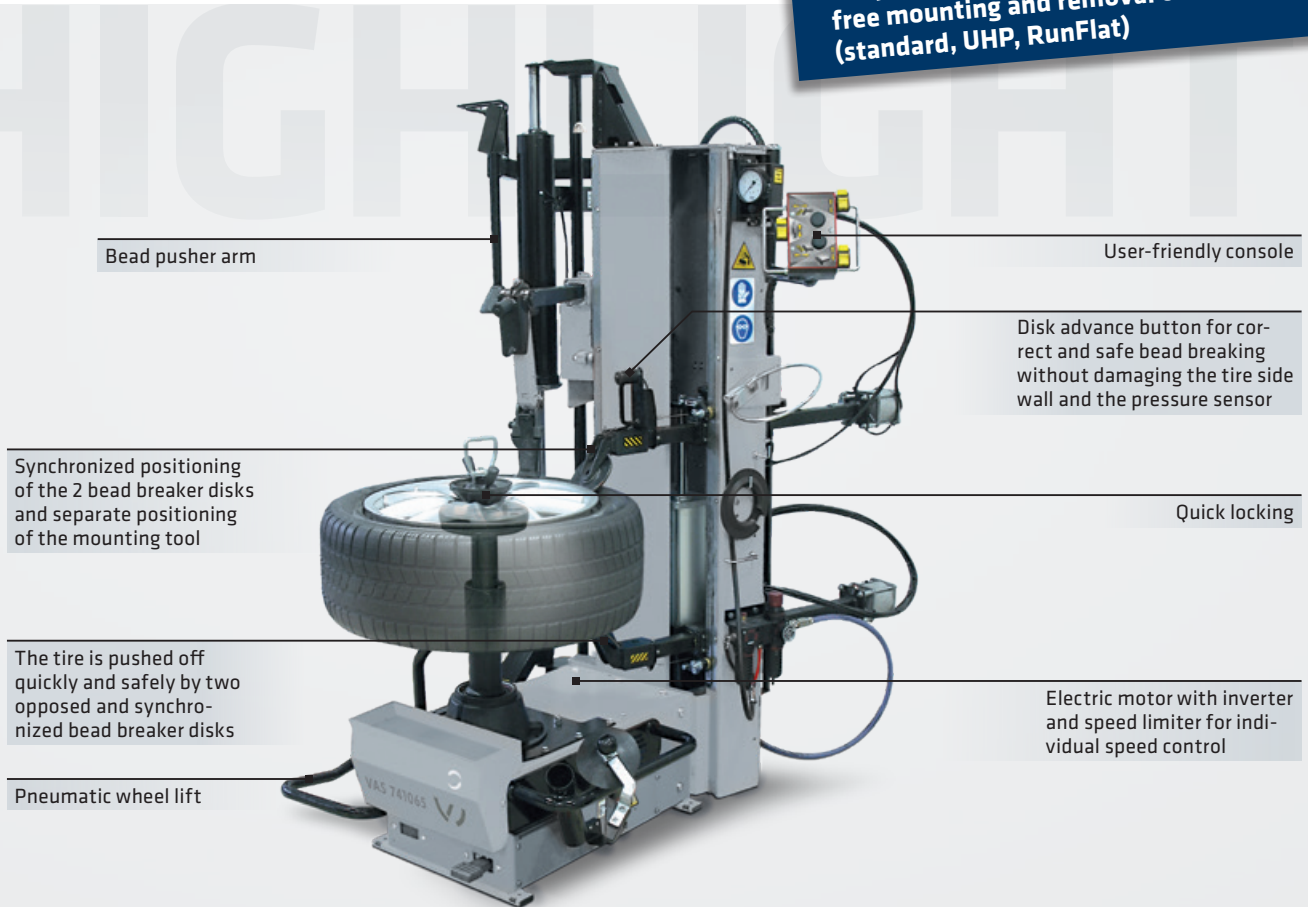
- + Mounting head plastic protection
- + Clamping jaw plastic protection
- + Tire filler operation via foot pedal
- + Additional compartment for valves/accessories
- + Conical roll for bead pusher
- + Bead protection foils
- + Bead-breaking limiter for bead breaker

TIRE CHANGER

AUTOMATIC TIRE CHANGER

VAS 741065 Leverless, incl. pneumatic bead pusher and pneumatic wheel lift, passenger car, rim diameter: 10" - 30".

+ 10" - 30" Leverless tire changer, equipped with the patented Butler mounting tool for stress-free mounting and removal of all tires and rims (standard, UHP, RunFlat)



HIGHLIGHTS IN DETAIL



1 Equipped with extra grip patented self locking plate:

- Suitable also for reverse rims
- Thanks to the self locking plate, wheel clamping is performed quickly and with minimal force

2 Synchronized positioning of the 2 bead breaker disks and separate positioning of the mounting tool

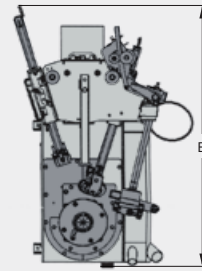
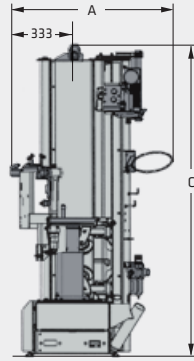
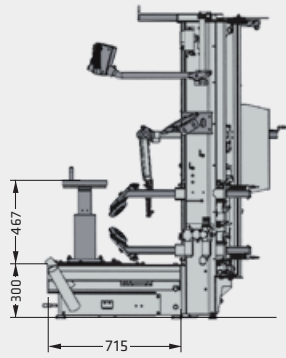
- The tire is pushed off quickly and safely by two opposed and synchronized bead breaker disks

3 Upper mounting head of non-scratching material for damage-free work on the rims near the edge (zero stress effect)

GENERAL ACCESSORY PARTS ON REQUEST

- + Universal flange for wheels without center hole, suitable also for reverse mounted wheels.

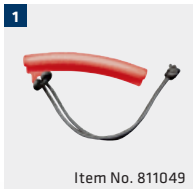


VAS 741065

Model	VAS 741065
Clamping range	10" - 30"
Rim width max.	15 "
Wheel diameter max.	1143 mm
Bead-breaking force	12000 N
Rotation speed	0 - 16 U/min
Torque max.	1200 Nm
Power inverter motor	1,5 kW
Motor power	0,75 kW
Compressed air supply	8 - 10 bar
Mains frequency	50/60 Hz
Mains voltage (AC)	200/265 V
Phases	1
Fuse protection	16 A träge
A Length	875 mm
B Width	1320 mm
C Height	1735 mm
Weight	330 kg

SPECIFICATIONS

ACCESSORIES



- 1** Rim flange plastic protection
- 2** Magic cord with traction
- 3** Bead protection foils (with traction aid)
- + Mounting head (spare)
- + Quick-clamping lock
- + Pneumatic bead pusher and pneumatic wheel lift und pneumatischer Radheber

TIRE CHANGER

AUTOMATIC TIRE CHANGER

VAS 741063 Leverless, incl. pneumatic bead pusher and wheel lift, passenger car, rim diameter: 10" - 34".

+ 10" - 34" Leverless tire changer, equipped with the patented Butler mounting tool for stress-free mounting and removal of all tires and rims (standard, UHP, RunFlat)

Upper mounting head of non-scratching material for damage-free work on the rims near the edge (zero stress effect)

Leverless - without mounting lever

Lower mounting head:
- Made of non-scratching material
- Mounting the lower bead without a mounting lever - the mounting tool is introduced between tire and rim and clamps the bead during wheel rotation

Pneumatic wheel lift

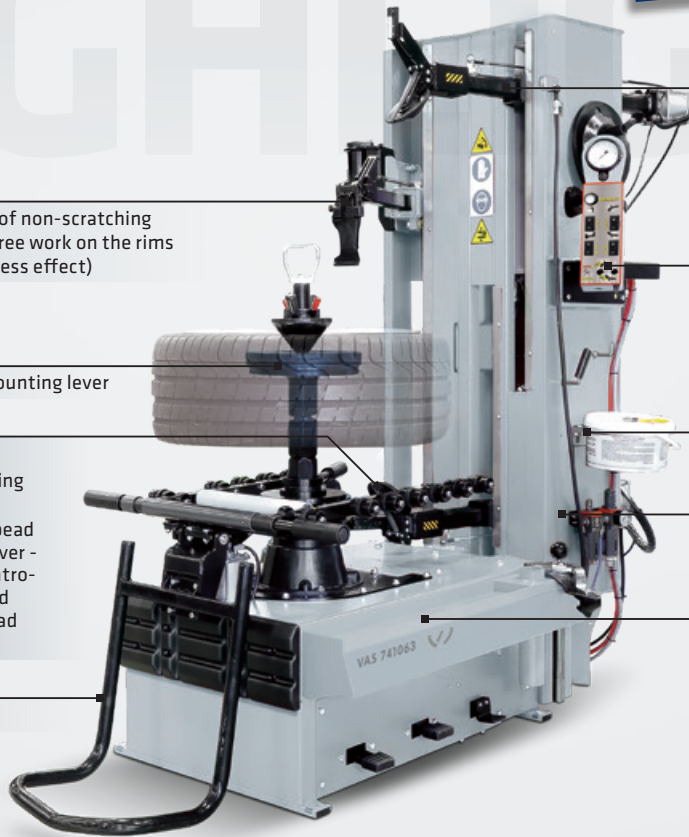
Synchronized positioning of the 4 work arms (2 mounting tools and 2 bead breaker disks rolls) according to the wheel diameter - the laser direction pointer points the operator to the correct bead-breaking position

User-friendly console with memory function

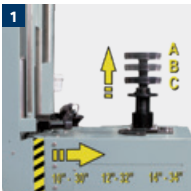
Retaining ring for mounting paste included

Air treatment unit (water separator, pressure control, and lubrication)

Storage area for depositing accessory parts, valves, and tools



HIGHLIGHTS IN DETAIL



1 Patented self locking extra-grip clamping plate, also suitable for reverse rims
Patented extra-grip self locking plate for central wheel mount:
- Automatically increases the clamping pressure during rotation
- Three adjustable working position

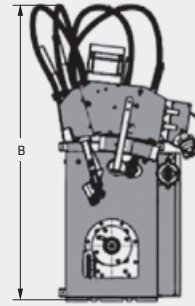
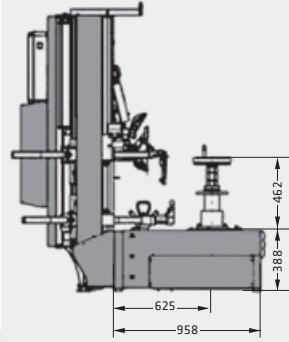
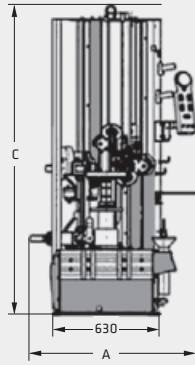


2 Rim sensors on the disks for correct and safe bead breaking without damaging the tire side wall and the pressure sensor
3 Electric motor with inverter and speed limiter for individual speed control
4 "Memory" button for storing the tool height, permits time saving during mounting and removal work

GENERAL ACCESSORY PARTS ON REQUEST

- + Universal flange for wheels without center hole, suitable also for reverse mounted wheels



VAS 741063

Model	VAS 741063
Clamping range	10" - 34"
Rim width max.	15"
Wheel diameter max.	1370 mm
Bead-breaking force	12000 N
Rotation speed	0 - 16 U/min
Torque max.	1200 Nm
Power inverter motor	1,5 kW
Motor power	0,75 kW
Compressed air supply	8 - 10 bar
Mains frequency	50/60 Hz
Mains voltage (AC)	200/265 V
Phases	1
Fuse protection	16 A träge
A Length	951 mm
B Width	1567 mm
C Height	1842 mm
Weight	370 kg

SPECIFICATIONS

ACCESSORIES



Art. Nr. 811049



Art. Nr. 811443



Art. Nr. 811053

- 1** Rim flange plastic protection
- 2** Magic cord with traction
- 3** Bead protection foils (with traction aid)

- + Mounting head (spare)
- + Quick-clamping lock
- + WDK certificate
- + Pneumatic bead pusher
- + WDK pusher
- + Pneumatic wheel lift

WHEEL BALANCER

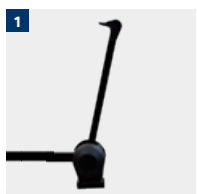
ELECTRONIC MONITOR WHEEL BALANCER

VAS 741073 Touchscreen, keyboard, cone set, cone for SUV, measuring arm for rim width, passenger car, rim diameter: 10" - 26"

+ 10" touchscreen with additional keyboard



HIGHLIGHTS IN DETAIL

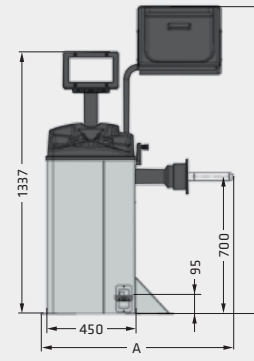
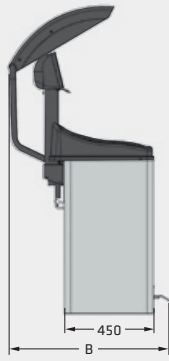


1 External width measuring arm for direct input of the rim width for dynamic program

2 Automatic start by lowering the wheel guard

+ The machine automatically stops the wheel in the outside unbalance position and pressing a button moves to the inside unbalance position



VAS 741073

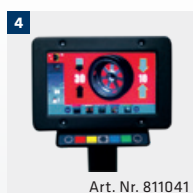
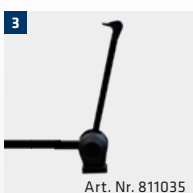
Model	VAS 741073
Measuring speed	< 100 U/min
Measuring time	6 s
Balancing accuracy	+/- 1 g
Rim width	1,5" - 22"
Rim diameter	10" - 26"
Wheel diameter max.	44"
Wheel weight max.	70 kg
Mains frequency	50/60 Hz
Mains voltage (AC)	110 - 230 V
Phases	1
A Length	979 mm
B Width	819 mm
C Height	1571 mm
Weight	120 kg

SPECIFICATIONS

ACCESSORIES



- 1** Passenger car cone set Ø 44 - 112 mm
- 2** SUV cone Ø 95 - 132 mm
- 3** Sonar for width acquisition
- 4** Keyboard for the touchscreen



WHEEL BALANCER

ELECTRONIC MONITOR WHEEL BALANCER

VAS 741071 Touchscreen, Laser line H6, cone set, cone for SUV, passenger car, rim diameter: 10" - 30".

+ 19" Touchscreen monitor



19" Touchscreen monitor

Pressing a button moves from the outside to the inside unbalance position

Automatic start by lowering the wheel guard

Programs: ALU-S, DYN, STATIC, SPLIT, SPOKE

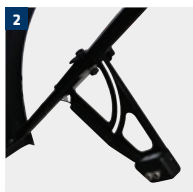
Quickly operational thanks to automatic program sequence and automatic locking in position of the outer counterweight

ECO-WEIGHT program

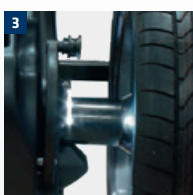
The machine automatically stops the wheel in the outside unbalance position

Automatic measuring of distance and diameter by internal 2D measuring arm

HIGHLIGHTS IN DETAIL



- 1** Indicates the weight positioning with a laser line at 6 o'clock (for adhesive weights)
- 2** Automatic wheel width sonar for measuring the wheel width
- 3** LED light
- 4** Electronic wheel balancer with pneumatic clamping device

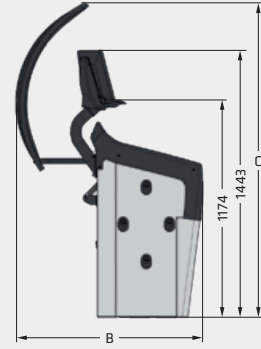
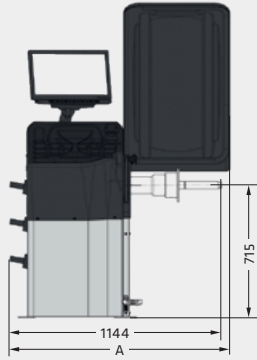


GENERAL ACCESSORY PARTS ON REQUEST:

- + Wheel lift
- + Precision flange



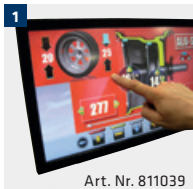
VAS 741071



Model	VAS 741071
Measuring speed	< 100 U/min
Measuring time	6 s
Balancing accuracy	+/- 1 g
Rim width	1,5" - 22"
Rim diameter	10" - 30"
Wheel diameter max.	44"
Wheel weight max.	70 kg
Mains frequency	50/60 Hz
Mains voltage (AC)	110 - 230 V
Phases	1
A Length	1188 mm
B Width	1009 mm
C Height	1697 mm
Weight	150 kg

SPECIFICATIONS

ACCESSORIES



Art. Nr. 811039

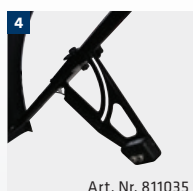


Art. Nr. 811033

- 1 Touchscreen
- 2 Passenger car, \varnothing 44 - 112 mm
- 3 SUV, \varnothing 95 - 132 mm
- 4 Sonar for width acquisition



Art. Nr. 811034



Art. Nr. 811035

WHEEL BALANCER

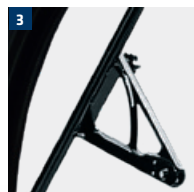
COMPUTERIZED MONITOR WHEEL BALANCER

VAS 741069 Ultrasonic runout measuring device, touchscreen, laser pointer H6 and laser H12, cone set, cone for SUV, passenger car, rim diameter: 10" - 30".

+ 19" Touchscreen monitor with additional keyboard



HIGHLIGHTS IN DETAIL



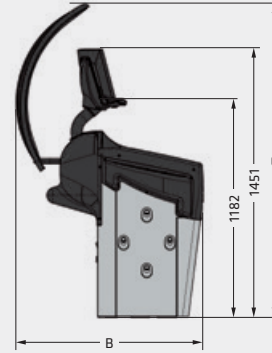
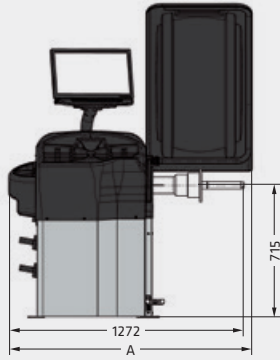
- 1** Indicates the weight positioning with a laser pointer at 6 o'clock (for adhesive weights)
- 2** Laser indication at 12 o'clock for positioning of clip weights with dynamic program
- 3** Measuring of rim runout with ultrasonic sensor
- 4** LED light
- 5** Computer-controlled wheel balancer with pneumatic clamping device

GENERAL ACCESSORY PARTS ON REQUEST:

- + Wheel lift
- + Precision flange



VAS 741069



Model	VAS 741069
Measuring speed	< 100 U/min
Measuring time	6 s
Balancing accuracy	+/- 1 g
Rim width	1,5" - 22"
Rim diameter	10" - 30"
Wheel diameter max.	44"
Wheel weight max.	70 kg
Mains frequency	50/60 Hz
Mains voltage (AC)	110 - 230 V
Phases	1
A Length	1316 mm
B Width	1009 mm
C Height	1697 mm
Weight	140 kg

SPECIFICATIONS

ACCESSORIES



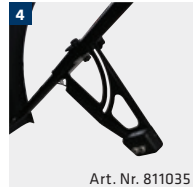
Art. Nr. 811039



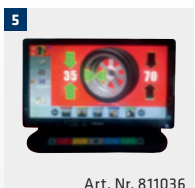
Art. Nr. 811033



Art. Nr. 811034



Art. Nr. 811035



Art. Nr. 811036



Art. Nr. 811040



Art. Nr. 811038

- 1 Touchscreen
- 2 Passenger car cone set
Ø 44 - 112 mm
- 3 SUV cone Ø 95 - 132 mm
- 4 Sonar for width acquisition
- 5 Keyboard for touchscreen
- 6 Laser pointer (at 6 o'clock position)
- 7 Ultrasonic runout measuring device

PORTABLE TYRE PRESSURE REGULATOR

0-10 BAR

The portable VAS 5216 tire pressure filler with storage tank carries compressed air at all times.

- + Portable tire pressure filler
- + Compressed air storage tank with a filling volume of 6 l
- + Automatic filling device

Weight-optimized design: By using light aluminum alloys and impact-resistant plastics, the total weight is reduced to a minimum.

Replaceable safety disk: Serviceability is a priority – to reduce maintenance costs.

Slanted precision pressure gauge (Ø 160 mm): Ensures optimal water drainage and nonglaring readability.

Safe against an overpressure of up to 16 bar: In the event of accidental pressure oversupply, built-in safeguard mechanisms prevent damage to the pressure gauge.

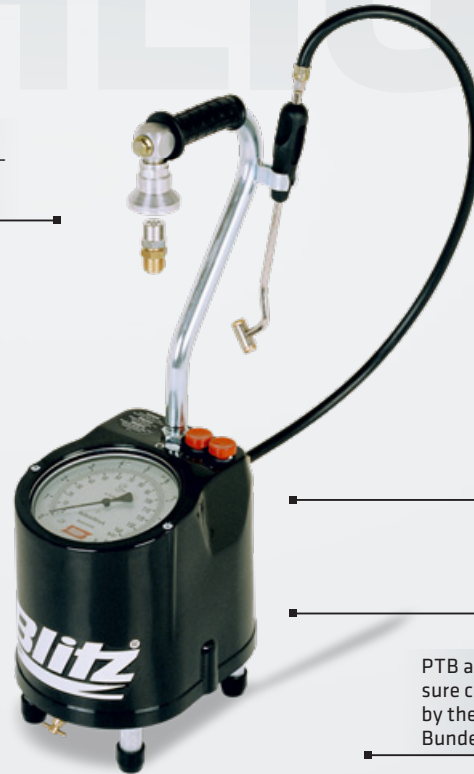
800 mm long filling hose: In conjunction with the double-sided gas station plug equipped as standard, even poorly accessible valves can be perfectly reached - the hands remain clean at all times.

Large spacing between filling bell and pressure gauge: Protects the precision pressure gauge when lifting the tire pressure controller from the filling device.

Low center of gravity: The intelligent design ensures a particularly high level of stability.

Compressed air storage tank: The compressed air supply in a galvanized version with a filling volume of 6 l.

PTB approval: All BLITZ tire pressure controller have been approved by the PTB (Physikalisch-Technische Bundesanstalt Braunschweig).



HIGHLIGHTS IN DETAIL



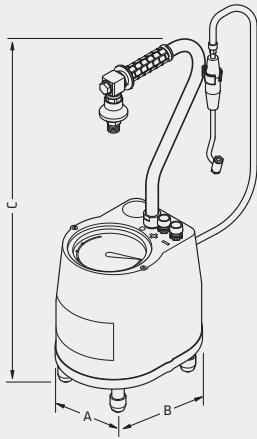
1 Ergonomic rubber handle: The non-slipping, skin-friendly material ensures pleasant comfort when carrying the tire pressure controller.

2 Elastomer-based support feet: The strong damping properties of the material serve to protect the pressure gauge when dropped in an ungentle way.

3 Two button operation: The buttons that make dosing easy and are protected against water and dust are used for filling and draining.

4 Automatic refilling device: The refilling device, consisting of a filling bell and a filling valve (counterpart), is also used for storing the tire pressure controller.



VAS 5216

Model	VAS 5216
Pressure gauge \varnothing	160 mm
Container contents	6 l
Vessel pressure max.	16 bar
Deviation	according to EWG/86/217 bar
Air supply min./max.	10 bar
Filling pressure max.	10 bar
Calibration possible	yes
Hose length	0,8 m
A Length	200 mm
B Width	270 mm
C Height	670 mm
Weight	6,1 kg

SPECIFICATIONS

BATTERY CHARGER

HIGH-FREQUENCY BATTERY CHARGER

The battery charger **VAS 622009** offers a wide range of technical possibilities. The VAS 622009 was specially designed in accordance with the requirements of the Volkswagen Group.

+ Multi-resonant converter technology
+ Permanent power supply of up to 50A
is ensured
+ Made in Germany

High-frequency battery charger with automatic IUoU charging characteristic for workshop use.

Multi-resonant converter technology for daily professional workshop use.

Deep discharge soft start function from 0.5V per cell (equivalent to 1/4 of the rated battery voltage)

The back-up mode prevents data loss when replacing the battery

Intuitive operation of the battery charger with Easy-Touch graphic display.

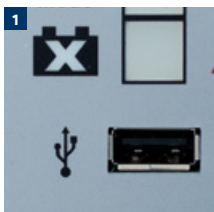
Permanent charging without voltage peaks for diagnostic work on vehicles.



Desulfation mode for refreshing sulfated batteries.

Automatic I-check of the battery to be charged.

HIGHLIGHTS IN DETAIL



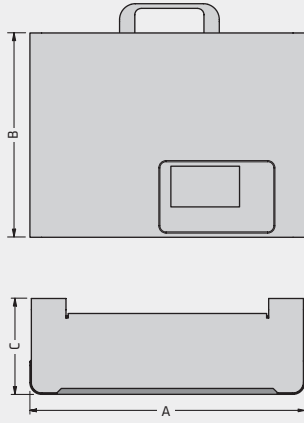
1 Battery charger with USB port for software updates in order to upload any new characteristic curves - this way the appliance is always up to date

2 Information and operation via the Easy-Touch graphic display

3 Wall bracket included

4 Easy to change the charging cable via plug connection.



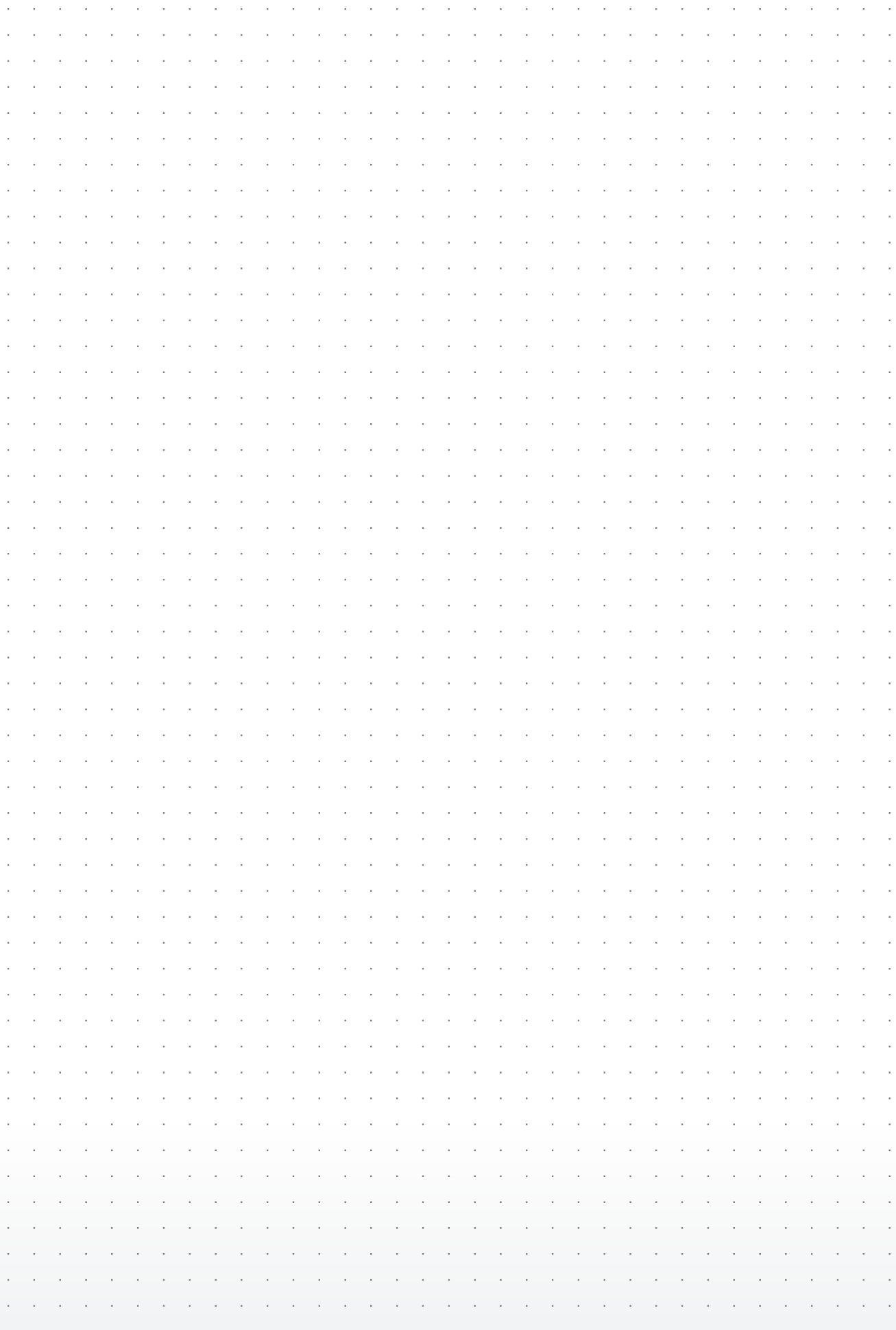
VAS 622009

Model	VAS 622009
Nominal charge voltage	12/24 V
Charge current max.	50/25 A
Battery type	Wet, gel, fleece AGM, calcium, and Li-Ion
Power (Consumption)	800 W
Characteristic line	IUoU
Protection class	21 IP
Weight (Appliance without cable)	4,5 Kg
A Width	325 mm
B Depth	245 mm
C Height	115 mm

SPECIFICATIONS

NOTE







Technical changes reserved.
Data are considered advertisement.
VW-Approvals-BR-127169-en-2019-02

© Volkswagen Aktiengesellschaft
K-GVO-RW/2
Original Teile und Service
Werkstattausrüstung
Brieffach 011/4915
38436 Wolfsburg / Deutschland

Internet
www.erwin.volkswagen.de/
Workshop Equipment &
VAS Software/Katalog
Betriebseinrichtungen und
Spezialwerkzeuge