

## Pressure gauges



### Description

Pressure gauges are mechanically operated instruments that visually display the pressure of the connected medium. In lubrication systems, they are used to show the pressure rate of air, oil or grease of either the pump or the pipe system. They are available in various pressure ranges for low-, medium- or high-pressure applications in all kinds of lubrication systems.

The following points must be considered in order to select the correct model:

- Pressure of the medium – the maximum pressure that could occur in the system shall not be higher than 2/3 of the indication range of the pressure range
- Pulsation of the pressure – use of liquid-filled gauges is highly recommended for measuring points with high dynamic pressure loads and areas with vibration
- Corrosive atmosphere – use of stainless steel pressure gauges is highly recommended
- If an electrical signal is desired – use of pressure gauges, including digital pressure indication, is highly recommended

### Features and benefits

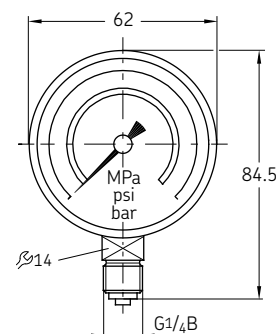
- Visual and digital pump and system pressure monitoring
- Economical, reliable and virtually maintenance-free operation
- Wide range of pressure rates and sizes
- Liquid-filled gauges for dynamic operations available
- Stainless for operation in aggressive atmosphere available

### Applications

- All kinds of lubrication systems: low, middle mechanic and plant engineering
- Oil and grease lubrication systems
- Installation at the pump or at the end of the line

## Pressure gauges

## Standard pressure gauges

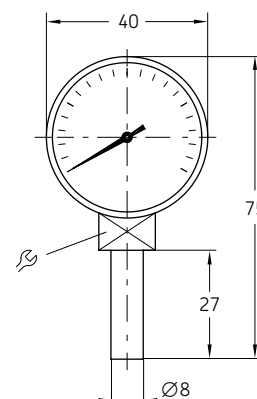


Order number	Designation	Indication range		Material	Weight	
		bar	psi		g	lb
169-101-004	PR.GAUGE D63 0-10 BAR G1/4A ABS	0-10	0-145	ABS housing	96	0.21
169-102-020 2)	PR.GAUGE D63 0-25 BAR G1/4B ABS	0-25	0-360	ABS housing	90	0.20
169-104-020 2)	PR.GAUGE D63 0-40 BAR G1/4B ABS	0-40	0-580	ABS housing	100	0.22
169-106-020 2)	PR.GAUGE D63 0-60 BAR G1/4B ABS	0-60	0-870	ABS housing	83	0.18
169-110-020 2)	PR.GAUGE D63 0-100 BAR G1/4B ABS	0-100	0-1 450	ABS housing	90	0.20
169-116-000	PR.GAUGE D63 0-160 BAR G1/4A ABS	0-160	0-2 320	ABS housing	94	0.21
169-125-020 2)	PR.GAUGE D63 0-250 BAR G1/4B ABS	0-250	0-3 625	ABS housing	84	0.19

Washer, **order No. 248-610.02**, must be ordered separately for use in solderless tube connections acc. to DIN 3862.

2) Associated connecting pieces → page 60

## Damped pressure gauges with restrictor



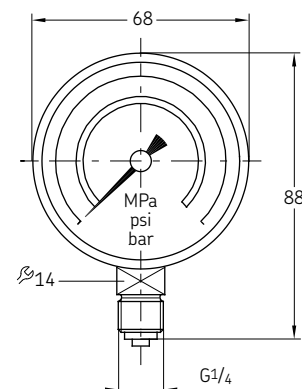
Order number	Designation	Restrictor	Lubricant	Indication range		Material	Weight	
				mm	bar		psi	g
248-602.25	PR.GAUGE D40 0-10 BAR TUBE 8	4kt 12	-	0-10	0-145	Steel housing, black	66	0.15
169-102-506 1)	PR.GAUGE D40 0-25 BAR TUBE 8	12	0,4	0-25	0-360	Steel housing, black	62	0.14
248-602.20	PR.GAUGE D40 0-40 BAR TUBE 8	12	-	0-40	0-580	Steel housing, black	59	0.13
169-104-008 1)	PR.GAUGE D40 0-40 BAR TUBE 8	4kt 14	0,4	0-40	0-580	Steel housing, black	61	0.13
169-106-004	PR.GAUGE D40 0-60 BAR TUBE 8 ABS	4kt 14	-	0-60	0-870	ABS housing	60	0.13

Fixed by means of a double-tapered sleeve and socket union (solderless tube connection) in counterbore acc. to DIN 3854/DIN 3862.

1) damped design

## Pressure gauges

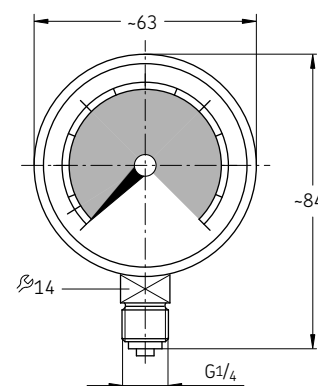
## Damped pressure gauges with glycerin filling



Order number	Designation	Mounting position	Indication range		Material	Weight	
			bar	psi		g	lb
169-102-015	PR.GAUGE D68 0- 25 BAR GLYCER G1/4B VA	vertically	0-25	0-360	Stainless steel housing	210	0.46
169-104-015	PR.GAUGE D68 0- 40 BAR GLYCER G1/4B VA	vertically	0-40	0-580	Stainless steel housing	200	0.44
169-106-015	PR.GAUGE D68 0- 60 BAR GLYCER G1/4B VA	vertically	0-60	0-870	Stainless steel housing	200	0.44
169-110-015	PR.GAUGE D68 0-100 BAR GLYCER G1/4B VA	vertically	0-100	0-1 450	Stainless steel housing	200	0.44
169-125-015	PR.GAUGE D68 0-250 BAR GLYCER G1/4B VA	vertically	0-250	0-3 625	Stainless steel housing	200	0.44
169-140-001	PR.GAUGE D62 0-400 BAR GLYCER G1/4B VA	vertically	0-400	0-5 800	Stainless steel housing	220	0.49

Washer, **order No. 248-610.02**, must be ordered separately for use in solderless tube connections acc. to DIN 3862.

## Damped pressure gauges with glycerin filling and visualization in red/green

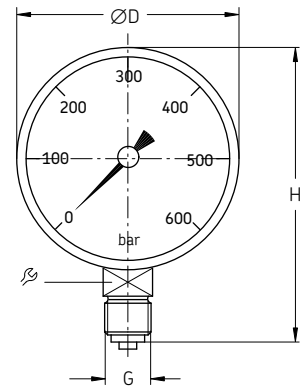


Order number	Designation	Mounting position	Indication range		Material	Weight	
			bar	psi		g	lb
169-101-607	PR.GAUGE D63 0-16 BAR GLYZ. G1/4B VA	vertically	0-16	0-230	Stainless steel housing	166	0,37
169-106-011	PR.GAUGE D63 0-60 BAR GLYZ. G1/4B VA	vertically	0-60	0-870	Stainless steel housing	220	0,49
169-110-010	PR.GAUGE D63 0-100 BAR GLYZ. G1/4B VA	vertically	0-100	0-1 450	Stainless steel housing	174	0,38

Washer, **order No. 248-610.02**, must be ordered separately for use in solderless tube connections acc. to DIN 3862.

Pressure gauges

High-pressure gauges



Pressure gauges

Order number	Designation	ØD	G	H	Mounting position	Indication range		Weight	
		mm	in	mm		bar	psi	g	lb
Steel housing, black									
234-13132-7	PR.GAUGE D 63 0- 400 BAR GLYZ.G1/4B BOT	63	G 1/4 bottom	84,5	vertically	0-400	0-5800	200	0,44
234-13132-8	PR.GAUGE D 63 0- 400 BAR G1/4B	63	G 1/4 bottom	84,5	vertically	0-400	0-5800	100	0,22
234-13156-6	PR.GAUGE D 63 0- 600 BAR	63	G 1/4 bottom	84,5	vertically	0-600	0-8700	210	0,46
234-13182-7	PR.GAUGE D 63 0- 600 BAR GLYZ.G1/4B BOT	63	G 1/4 bottom	84,5	vertically	0-600	0-8700	200	0,44
234-10396-2	PR.GAUGE D100 0- 400 BAR	100	G 1/2 bottom	133	vertically	0-400	0-5800	601	1,33
234-13101-2	PR.GAUGE D100 0- 600 BAR G1/2A	100	G 1/2 bottom	133	vertically	0-600	0-8700	560	1,23
234-13101-4	PR.GAUGE D100 0- 600 BAR G1/2B GLYZER	100	G 1/2 bottom	133	vertically	0-600	0-8700	860	1,90
Stainless steel housing									
234-10396-9	PR.GAUGE D 63 0- 400 BAR G1/4(BAR/PSI)VA	63	G 1/4 bottom	84,5	vertically	0-400	0-5800	200	0,44
234-13182-8	PR.GAUGE D 63 0- 400BAR G1/4B BACK VA	63	G 1/4 back	63	vertically	0-400	0-5800	220	0,49
234-10898-4	PR.GAUGE D100 0- 400 BAR+PSI GLYZ.1.4404	100	G 1/2 bottom	133	vertically	0-400	0-5800	993	2,19
234-13136-2	PR.GAUGE D100 0- 600 BAR HOUSING VA	100	G 1/2 bottom	133	vertically	0-600	0-8700	600	1,32