

Screws and nuts

Order code Trapezoidal nut

T G M - [] [] [] - [] [] [] [] x [] [] [] [] - [] [] - []

1 2 3 4 5 6

No	Explanation	
1	Product abbreviation	TGM
2	Nut designs	LRM = long red brass nut, cylindrical EFM = flange nut ready for installation FMR = flange nut blank LSF = travelling nut with flat surface LWZ = travelling nut with trunnion SMK = special nut according to customer requirement
3	Nominal diameter of the thread	e. g.: Tr20
4	Pitch	e. g.: 4
5	Thread direction	RH = right-handed thread LH = left-handed thread
6	Accessories	0 = without accessories 1 = attached accessories 2 = loose supplied accessories 3 = attached and loose supplied accessories
	Abbreviation accessories	MAF = nut adapter for flange nuts KAR = cardan adapter

Screws and nuts

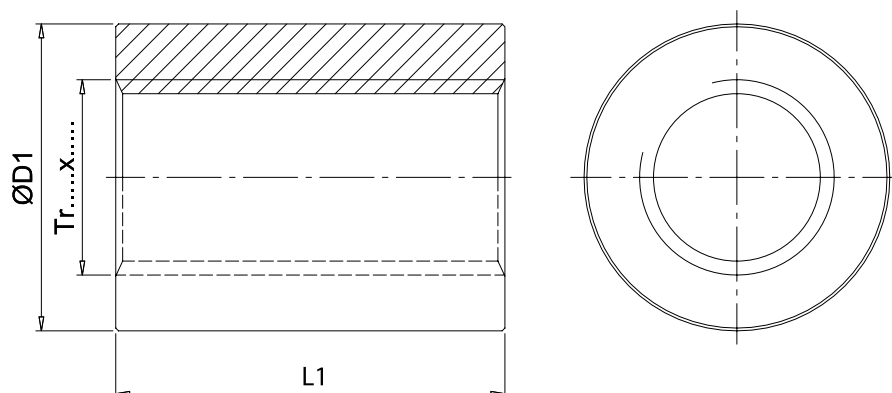
Trapezoidal nut TGM-LRM

Long red brass nut, cylindrical

- **Thread:** DIN 103-7e
- **Material:** G-CuSn7ZnPb (2.1090)



Size TGM-LRM-					
Type	Dimensions in mm		Weight kg	Item no. RH	Item no. LH
	ØD1	L1			
Tr12x3-	26	24	0.08	51003005	55003005
Tr12x6P3-	26	24	0.08	51003007	55003007
Tr14x3-	30	28	0.13	51003008	55003008
Tr14x4-	30	28	0.13	51003009	55003009
Tr16x4-	36	32	0.23	51003011	55003011
Tr16x8P4-	36	32	0.23	51003012	55003012
Tr18x4-	40	36	0.32	51003013	55003013
Tr20x4-	45	40	0.46	51003017	55003017
Tr22x5-	45	44	0.48	51003020	55003020
Tr24x5-	50	48	0.65	51003023	55003023
Tr28x5	60	56	1.10	51003028	55003028
Tr30x6-	60	60	1.14	51003033	55003033
Tr30x12P6-	60	60	1.14	51003034	55003034
Tr30x18P6-	60	60	1.14	60010826	60010825
Tr32x6-	60	64	1.18	51003037	55003037
Tr36x6-	75	72	2.19	51003041	55003041
Tr40x7-	80	80	2.73	51003047	55003047
Tr50x8-	100	90	4.01	51003055	55003055



Screws and nuts

Trapezoidal nut TGM-EFM

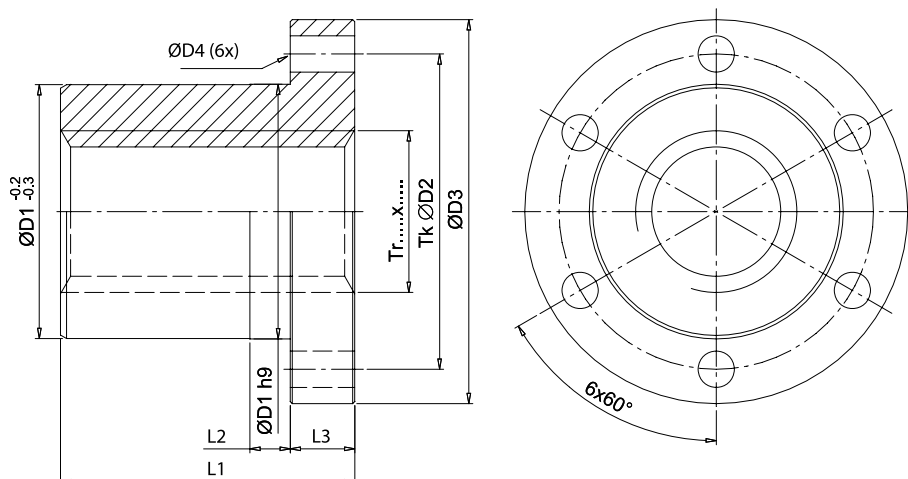
Flange nut ready for installation

- **Thread:** DIN 103-7e
- **Material:** G-CuSn7ZnPb (2.1090)



Size TGM-EFM-

Type	Dimensions in mm							Weight kg	Item no. RH	Item no. LH
	ØD1	Tk ØD2	ØD3	ØD4	L1	L2	L3			
Tr14x3-	28	38	48	6	35	8	12	0.21	60001005	60002513
Tr14x4-	28	38	48	6	35	8	12	0.21	51005009	55005009
Tr16x4-	28	38	48	6	44	8	12	0.25	51005011	55005011
Tr18x4-	28	38	48	6	44	8	12	0.25	51005013	55005013
Tr20x4-	32	45	55	7	44	8	12	0.30	51005017	55005017
Tr22x5-	32	45	55	7	44	8	12	0.30	51005020	55005020
Tr24x5-	32	45	55	7	44	8	12	0.30	51005023	55005023
Tr30x6-	38	50	62	7	46	8	14	0.40	51005033	55005033
Tr32x6-	45	58	70	7	54	10	16	0.53	51005037	60009242
Tr36x6-	45	58	70	7	59	10	16	0.60	51005041	55005041
Tr40x7-	63	78	95	9	73	10	16	1.70	51005047	55005047
Tr50x8-	72	90	110	11	97	10	18	2.60	51005055	55005055
Tr55x9	72	90	110	11	97	10	18	2.50	51005062	55005062
Tr60x9-	85	105	125	11	99	10	20	3.70	51005066	55005066



Screws and nuts

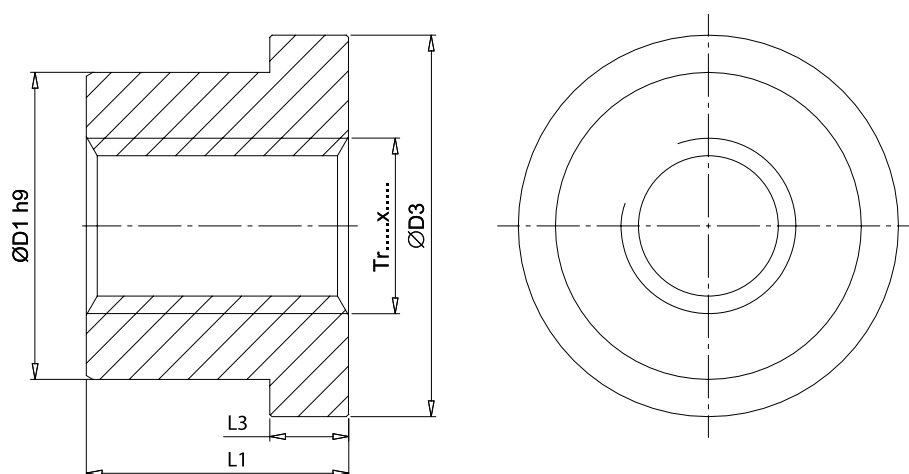
Trapezoidal nut TGM-LFM

Flange nut blank

- **Thread:** DIN 103-7e
- **Material:** G-CuZn34AL2 (2.0596)



Size TGM-LFM-							
Type	Dimensions in mm				Weight kg	Item no. RH	Item no. LH
	ØD1 h9	ØD3	L1	L3			
Tr14x4-	40	50	32	10	0.20	60006388	-
Tr18x4-	40	50	32	10	0.20	60004254	-
Tr18x6-	40	50	32	10	0.20	40011760	-
Tr20x4-	45	65	40	12	0.30	60006385	-
Tr22x5-	45	65	40	12	0.30	40029277	192009730
Tr30x6-	50	80	45	15	0.88	40020965	40061682
Tr40x7-	70	87	60	18	1.64	40020678	-
Tr60x9-	90	110	75	25	3.20	60004266	60008712
Tr60x12-	90	110	75	25	3.20	40020489	-
Tr70x12-	90	120	130	30	4.84	40033075	-
Tr80x10-	130	155	120	35	8.10	60004270	60008861



Screws and nuts

Trapezoidal nut TGM-LSF

Travelling nut with flat surface

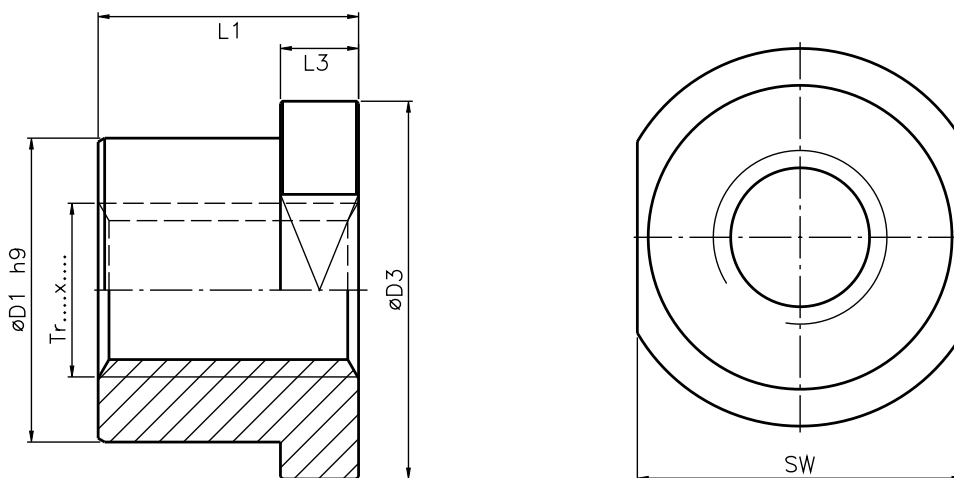
- **Thread:** DIN 103-7e
- **Material:** G-CuZn34AL2 (2.0596)



Size TGM-LSF-

Type	Dimensions in mm					Item no.
	ØD1 h9	ØD3	L1	L3	SW	
Tr24x5-RH	45	65	40	12	50	40029793
Tr30x6-RH	50	80	45	15	62	40028328
Tr40x7-RH	70	87	60	18	75	40026866
Tr60x12-RH	90	110	75	25	95	40020493
Tr70x12-RH	90	120	100	30	100	40033079
Tr90x16-RH	130	155	120	35	155	40034001
Tr100x16-RH	150	190	145	35	160	40035625

Other sizes on request



Screws and nuts

Trapezoidal nut TGM-LWZ

Travelling nut with trunnion

- **Thread:** DIN 103-7e
- **Material:** G-CuZn 34AL2 (2.0596)



Size TGM-LWZ-						
Type	Dimensions in mm					Item no.
	ØD1	ØD2 f7	L1	L2	L3	
Tr24x5-RH	60	18	50	10	40	40029795
Tr30x6-RH	80	25	60	15	50	40028330
Tr40x7-RH	95	35	70	16.5	62	40026869
Tr60x12-RH	130	50	90	25	80	40020501
Tr70x12-RH	150	65	120	29	92	40033081
Tr90x16-RH	190	75	145	35	120	40034005

Other sizes on request

