

Screws and nuts

Order code fixed bearing and movable bearing

Order code fixed bearing

S
L
G -
 F
L

 -
 -

1
2
4
5

Order code movable bearing

S
L
G -
 L
L

 -
 -
 -

1
2
3
4
5

No	Explanation	
1	Product abbreviation	SLG
2	Bearing abbreviation and size FL= fixed bearing LL= movable bearing	FL01 / FL02 / FL03 / FL04 / FL05 / FL06 / FL07/ FL08 LL01 / LL02 / LL03/ LL04 / LL05/ LL06 / LL07/ LL08
3	Bearing type for movable bearings	R = radial ball bearing N = needle bearing (without inner ring) K = plastic plain bearing
4	Housing material	1 = Alu
5	Special requirements	0 = none 1 = according to information, description or drawing

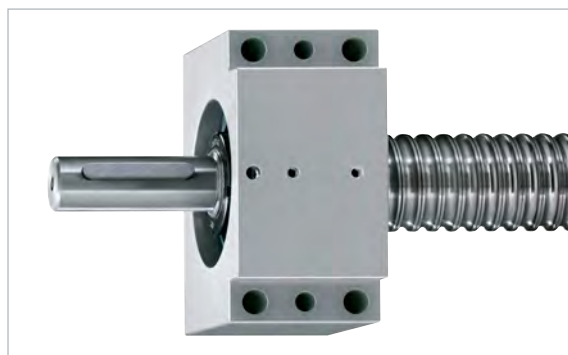
Screws and nuts

Pillow block unit fixed bearing

The pillow block consists of:

- Pillow block housing, fixed bearing, made of aluminum (standard)
- Bearing units (angular ball bearing)
- Groove nut NMS according to DIN 981 with securing plate according to DIN 5406

The pillow block units are delivered pre-installed with angular ball bearings. The groove nut is delivered loose.

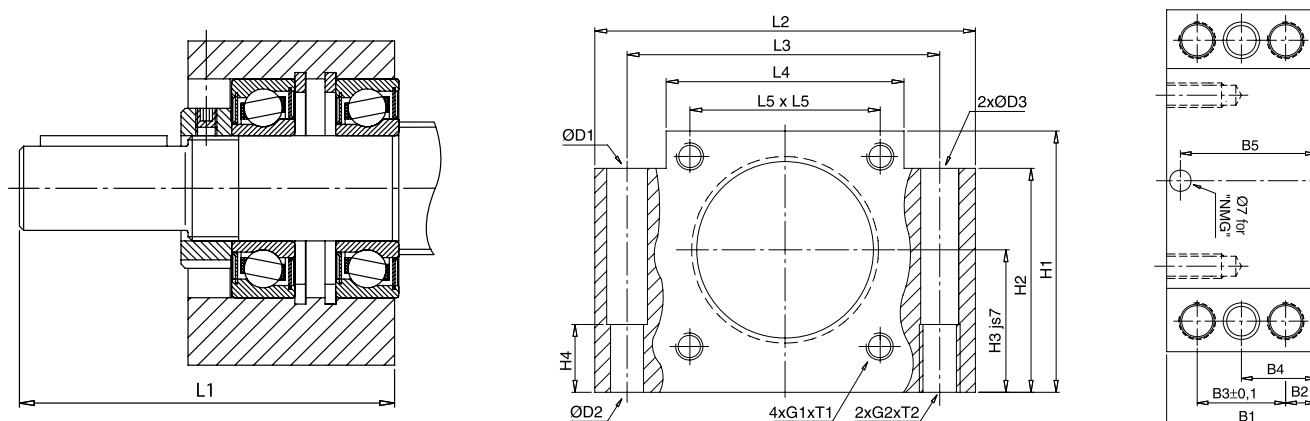


Size SLG-																					
Type	Usable thread drives		Axial load limits					Starting torque					Weight								
	TGT	KGT	kN					Nm					kg								
FL01	-	12x05	2					2					0.19								
FL02	Tr18x4	16x05	2					6					0.45								
FL02	-	16x20	2					6					0.45								
FL03	Tr20x4	20x05	4.5					8					0.61								
FL03	Tr24x5	20x20	4.5					8					0.61								
FL03	-	20x50	4.5					8					0.61								
FL04	Tr30x6	25x05	7.5					15					0.86								
FL04	-	25x10	7.5					15					0.86								
FL04	-	25x25	7.5					15					0.86								
FL05	Tr36x6	32x05	9					18					1.05								
FL05	-	32x10	9					18					1.05								

Type	Dimensions in mm																				Item no.
	L1	L2	L3	L4	L5xL5	H1	H2	H3 js7	H4	G1xT1	G2xT2	ØD1	ØD2	ØD3	B1	B2	B3	B4	B5		
FL01-	52*	62	50	38	28	41	34	22	10	M5x10	M6x10	5	3.7	5.6	32	8	16	16	-	22100005	
FL02-	57	86	68	52	39	58	49	32	15	M5x10	M10x15	10	7.7	9.3	37	7	23	18.5	33	22100007	
FL03-	67	94	77	60	45	64	55	34	15	M6x16	M10x15	10	7.7	9.3	42	8.5	25	21	37	22100010	
FL04-	78	108	88	68	52	72	61	39	22	M8x16	M12x20	12	9.7	11.2	46	8.5	29	23	39	22100012	
FL05-	89**	112	92	70	56	77	66	42	20	M8x16	M12x20	12	9.7	11.2	49**	10	29	24.5	44.5	22100015	

*Screw adapter protrudes 20 mm over the housing.

**Bearing protrudes by 1 mm over the housing and the attachment nut by 1.5 mm.



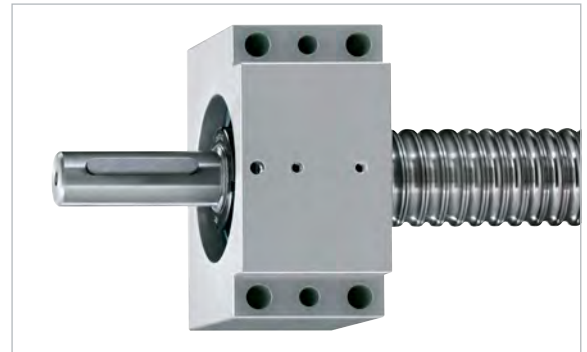
Screws and nuts

Pillow block unit fixed bearing FL

The pillow block consists of

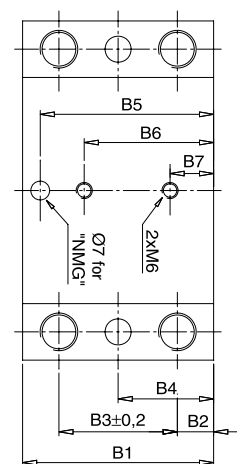
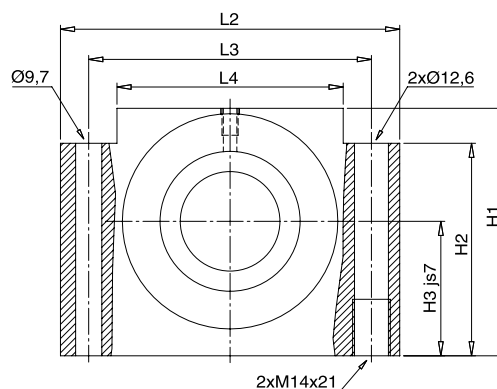
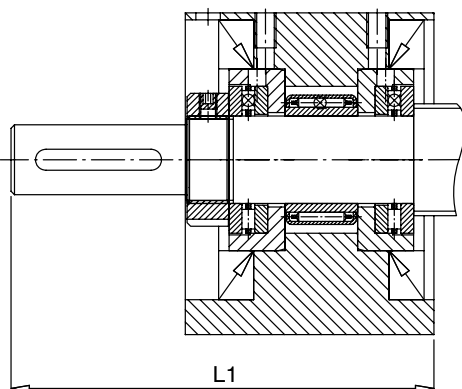
- Pillow block housing, fixed bearing, made of aluminum (standard)
- Needle bearing
- Groove nut NMG

The pillow block units are delivered pre-installed with needle bearings.
The groove nut is delivered loose.



Size SLG-																
Type	Usable thread drives		Axial load limits											Starting torque		
	TGT	KGT	kN											Nm		
FL06	Tr36x6	32x10	64											25		
FL06	-	32x20	64											25		
FL06	-	32x40	64											25		
FL07	Tr40x7	40x05	80											32		
FL07	Tr40x14P7	40x10	80											32		
FL07	-	40x20	80											32		
FL08	Tr50x8	50x10	107											40		
FL08	Tr50x16P8	50x20	107											40		
FL08	Tr60x9	63x10	107											40		

Type	Dimensions in mm															Item no.
	L1	L2	L3	L4	H1	H2	H3 js7	B1	B2	B3	B4	B5	B6	B7		
FL06-	120.75	126	105	84	92	79	50	71	13.5	44	35.5	64.5	48	16.5	60003232	
FL07-	130.75	126	105	84	92	79	50	71	13.5	44	35.5	64.5	46	14.5	60003172	
FL08-	155	146	125	104	112	97	60	75	12.5	50	37.5	66.5	47	15.5	60004773	



Screws and nuts

Pillow block unit movable bearing LL-K and LL-N

The pillow block unit consists of:

- Pillow block housing, movable bearing, made of aluminum (standard)
- Plastic plain bearing LL-K
- Needle bearing LL-N

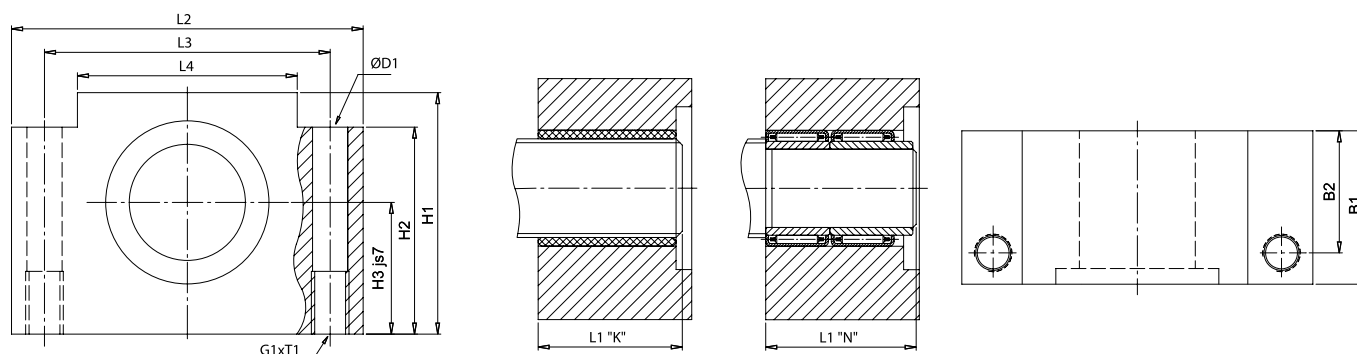


Size SLG-			
Type	Usable thread drives		Weight kg
	TGT	KGT	
LL02-K	-	16x05	0.42
LL02-K	Tr18x4	16x20	0.42
LL03-K	Tr20x4	20x05	0.57
LL03-K	Tr24x5*	20x20	0.57
LL03-K	-	20x50	0.57
LL04-K	Tr30x6*	25x05	0.82
LL04-K	-	25x10	0.82
LL04-K	-	25x25	0.82
LL05-K	-	32x05	1.00
LL05-K	-	32x10	1.00

Size SLG-			
Typ	Usable thread drives		Weight kg
	TGT	KGT	
LL02-N	-	16x05	0.47
LL02-N	Tr18x4	16x20	0.47
LL03-N	Tr20x4	20x05	0.63
LL03-N	Tr24x5	20x20	0.63
LL03-N	-	20x50	0.63
LL04-N	Tr30x6	25x05	0.90
LL04-N	-	25x10	0.90
LL04-N	-	25x25	0.90
LL05-N	Tr36x6	32x05	1.10
LL05-N	-	32x10	1.10

Type	Dimensions in mm												Item no.	
	L1	L2	L3	L4	H1	H2	H3 js7	G1xT1	ØD1	B1	B2	K	N	
LL02-	35.5	86	68	52	58	49	32	M10x15	9.3	37	25.0	60003721	60001215	
LL03-	40	94	77	60	64	55	34	M10x15	9.3	42	29.0	22200010	60001217	
LL04-	44	108	88	68	72	61	39	M12x20	11.2	46	32.0	60003726	60001218	
LL05-	48	112	92	70	77	66	42	M12x20	11.2	49	32.0	22200015	60001219	

*optional, on request



Screws and nuts

Pillow block unit movable bearing LL - R

The pillow block unit consists of:

- Pillow block housing, movable bearing, made of aluminum (standard)
- Radial ball bearing
- Snap-ring according to DIN 471



Type	Usable thread drives	
	TGT	KGT
LL06-R	Tr36x6	32x10
LL06-R	-	32x20
LL06-R	-	32x40
LL07-R	Tr40x7	40x05
LL07-R	Tr40x14P7	40x10
LL07-R	-	40x20
LL08-R	Tr50x8	50x10
LL08-R	Tr50x16P8	50x20
LL08-R	Tr60x9	63x10

Type	Dimensions in mm										Item no.
	ØD1 H7	L1	L2	L3	L4	H1	H2	H3 js7	B1		
LL06-R	52	31.7	126	105	84	92	79	50	38	60003234	
LL07-R	62	33	126	105	84	92	79	50	38	60004822	
LL08-R	80	37.5	146	125	104	112	97	60	44	60004774	

