



Model 53980F

**Model 53980S (Straight Apron)
Model 53980F (Fluted Apron)**

Length: 60 1/8" (1527mm)
Width: 34" (864mm)
Height: 25" (635mm)

Shipping Weight: 220 lbs. (100 Kg)
Water to Overflow: 90 gallons (341 Litres)

Materials: Bathing well is manufactured from a one-piece acrylic sheet, reinforced with fibreglass.

The freestanding Seamount™ 5' bath offers crisp, clean lines within an ergonomic design that becomes the focal point in any bathroom. The design has lumbar supports at both ends and a centre drain to allow bathers to relax in comfort.

Standard Features:

- ° Easy to clean high gloss surface
- ° Chip and mar resistant
- ° Moulded-in floor pattern
- ° Centre drain
- ° Choice of two apron designs (Fluted or Straight)

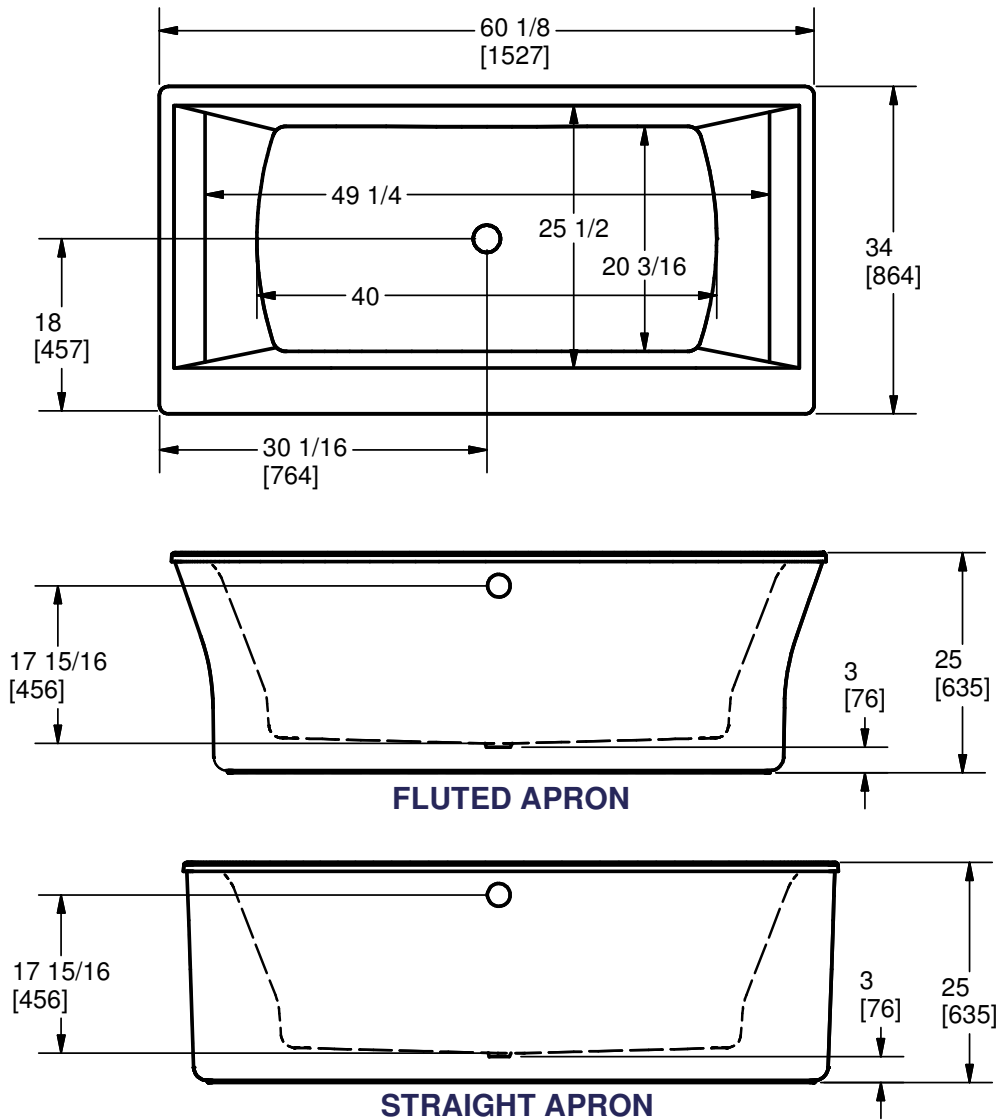
Colours:

- ° Bath available in White or Biscuit
- ° Bath Apron available in Kohler Colours

All products manufactured by Hytec are covered by a comprehensive five-year limited warranty from the date of sale to the original owner. See the Hytec Bathing Fixtures List Price Book for further details.

Hytec Plumbing Products

(Division of Kohler Canada Co.)
4150 Spallumcheen Dr, Armstrong BC V0E 1B6
Ph. (800) 871-8311 (250) 546-3196 Fax (250) 546-3170



Measurement tolerances $\pm 1/4"$ (6.3mm)

All bathing fixtures comply with the applicable Canadian Standards.

For installation procedures, please refer to instructions included with each unit.

This sheet approximately describes products and equipment manufactured or supplied by Hytec Plumbing Products. Because of ongoing efforts to improve both design and quality, products and equipment actually furnished may differ without prior notice.

Hytec Plumbing Products

(Division of Kohler Canada Co.)
 4150 Spallumcheen Dr, Armstrong BC V0E 1B6
 Ph. (800) 871-8311 (250) 546-3196 Fax (250) 546-3170

