

## Power Efficient RF/mm-wave Oscillators and Power Amplifiers for Wireless Applications

Babaie, Masoud

**DOI**

[10.4233/uuid:456a2f0e-529d-4bd8-91e0-4dba4f623f0f](https://doi.org/10.4233/uuid:456a2f0e-529d-4bd8-91e0-4dba4f623f0f)

**Publication date**

2016

**Document Version**

Final published version

**Citation (APA)**

Babaie, M. (2016). *Power Efficient RF/mm-wave Oscillators and Power Amplifiers for Wireless Applications*. [Dissertation (TU Delft), Delft University of Technology]. <https://doi.org/10.4233/uuid:456a2f0e-529d-4bd8-91e0-4dba4f623f0f>

**Important note**

To cite this publication, please use the final published version (if applicable). Please check the document version above.

**Copyright**

Other than for strictly personal use, it is not permitted to download, forward or distribute the text or part of it, without the consent of the author(s) and/or copyright holder(s), unless the work is under an open content license such as Creative Commons.

**Takedown policy**

Please contact us and provide details if you believe this document breaches copyrights. We will remove access to the work immediately and investigate your claim.

**Power Efficient RF/mm-wave  
Oscillators and Power Amplifiers for  
Wireless Applications**

Masoud Babaie



# Power Efficient RF/mm-wave Oscillators and Power Amplifiers for Wireless Applications

**Proefschrift**

ter verkrijging van de graad van doctor  
aan de Technische Universiteit Delft,  
op gezag van de Rector Magnificus prof. ir. K.C.A.M. Luyben;  
voorzitter van het College voor Promoties,  
in het openbaar te verdedigen op

donderdag 9 juni 2016 om 12.30 uur

door

Masoud BABAIE

Master of Science in Electrical Engineering,  
Sharif University of Technology, Tehran, Iran  
geboren te Teheran, Iran



This dissertation has been approved by the  
promotor: Prof. dr. R. B. Staszewski

Composition of the doctoral committee:

Rector Magnificus                      chairman  
Prof. dr. R. B. Staszewski    Delft University of Technology

Independent members:

Prof. dr. E. Charbon                      Delft University of Technology  
Prof. dr. ir. B. Nauta                      University of Twente  
Prof. dr. ir. P. Reynaert                  University of Leuven, Belgium  
Prof. dr. ing. S. Heinen                  RWTH Aachen University, Germany  
Prof. dr. P. Wambacq                      Vrije Universiteit Brussel, Belgium  
Dr. J. Craninckx                          IMEC, Leuven, Belgium  
Prof. dr. ir. W. A. Serdijn                Delft University of Technology, reserve member



Masoud Babaie,  
Power Efficient RF/mm-wave Oscillators and Power Amplifiers for Wireless Applications,  
Ph.D. Thesis Delft University of Technology,  
with summary in Dutch.

Keywords: RF, mm-wave, transmitter, oscillator, class-F, phase noise, impulse sensitivity  
function, switched-mode power amplifier, class-E/F, transformer, Bluetooth Low Energy, low  
voltage, low power, all-digital phase-locked loop (ADPLL).

ISBN 978-94-6233-305-5

Copyright © 2016 by Masoud Babaie  
Cover photo was taken from [www.hdwpics.com](http://www.hdwpics.com).

All rights reserved. No part of this publication may be reproduced, stored in a retrieval system,  
or transmitted in any form or by any means without the prior written permission of the copyright  
owner.

Printed in the Netherlands.

*To my lovely parents, Mahmoud and Shahin*  
*To my lovely brothers, Saeed and Kasra*  
*And last, but not least, to my lovely wife Mina and her respected family*

*“Insanity is doing the same thing over and over again and expecting different results.”*

Albert Einstein, 1879-1955

---

---

# Contents

---

---

<b>Contents</b>	<b>i</b>
<b>1 Introduction</b>	<b>1</b>
1.1 Technology Scaling . . . . .	3
1.1.1 Supply Voltage . . . . .	3
1.1.2 Quality Factor of Passives . . . . .	4
1.1.3 Noise of Active Devices . . . . .	6
1.2 Thesis Objectives . . . . .	6
1.3 Thesis Outline . . . . .	7
1.4 Original Contributions . . . . .	8
<b>2 A Class-F CMOS Oscillator</b>	<b>9</b>
2.1 Introduction . . . . .	9
2.2 Evolution Towards Class-F Oscillator . . . . .	12
2.2.1 Realizing a Square-Wave across the LC Tank . . . . .	12
2.2.2 Proposed Tank . . . . .	14
2.2.3 Voltage Gain of the Tank . . . . .	17
2.2.4 Proposed Class-F Oscillator . . . . .	19
2.3 Class-F Phase Noise Performance . . . . .	22
2.3.1 Quality Factor of Transformer-based Resonator . . . . .	22
2.3.2 Phase Noise Mechanism in Class-F Oscillator . . . . .	23
2.3.3 Class-F Operation Robustness . . . . .	29
2.4 Experimental Results . . . . .	29
2.4.1 Implementation Details . . . . .	29
2.4.2 Measurement Results . . . . .	30
2.5 Conclusion . . . . .	32
2.6 Extension of class-F <sub>3</sub> operation to mm-wave frequency generation . . . . .	33
<b>3 An All-Digital PLL Based on Class-F DCO for 4G Phones</b>	<b>37</b>
3.1 Introduction . . . . .	37
3.2 Time-to-Digital Converter (TDC) . . . . .	38
3.3 ADPLL Architecture . . . . .	40
3.4 Digitally Controlled Oscillator (DCO) . . . . .	42

3.5	Measurement Results . . . . .	45
3.6	Conclusion . . . . .	47
<b>4</b>	<b>An Ultra-Low Phase Noise Class-F<sub>2</sub> CMOS Oscillator with 191 dBc/Hz FoM and Long-Term Reliability</b>	<b>49</b>
4.1	Introduction . . . . .	49
4.2	Challenges in Ultra-Low Phase Noise Oscillators . . . . .	50
4.3	Evolution Towards Class-F <sub>2</sub> Operation . . . . .	53
4.4	Phase Noise Mechanism in Class-F <sub>2</sub> Oscillator . . . . .	59
4.5	Experimental Results . . . . .	64
4.6	Reliability of High-Swing RF Oscillators . . . . .	68
4.7	Conclusion . . . . .	71
4.8	Extension of class-F <sub>2</sub> operation for reducing flicker noise upconversion . . . . .	72
<b>5</b>	<b>Comprehensive Analysis of Switch-mode PAs</b>	<b>77</b>
5.1	Predicting Switching Amplifier Waveforms . . . . .	78
5.2	Determining ZVS and ZdVS Tuning . . . . .	81
5.3	Waveform Figure of Merit . . . . .	82
5.4	Technology Dependent Parameters . . . . .	84
5.5	Predicting Switching Amplifier Performance . . . . .	84
5.6	Effects of Oxide Breakdown on PA Performance . . . . .	94
5.7	Single Device Versus Cascode Structure . . . . .	97
5.8	Benefits of Non-zero Voltage Switching . . . . .	98
5.9	Conclusion . . . . .	103
<b>6</b>	<b>A Wideband 60 GHz Class-E/F<sub>2</sub> Power Amplifier in 40 nm CMOS</b>	<b>105</b>
6.1	Transmitter Architectures from mm-wave Viewpoint . . . . .	105
6.2	Optimizing Active Devices at mm-wave Frequencies . . . . .	109
6.3	Power Amplifier Design . . . . .	113
6.3.1	Amplifier Configuration . . . . .	114
6.3.2	Output Matching Network . . . . .	116
6.3.3	Output Matching Network Behavior to DM and CM Input Signals . . . . .	119
6.3.4	Extended Class-E/F <sub>2</sub> PA . . . . .	122
6.3.5	Effects of CM Resistive Loss on PA's Performance . . . . .	124
6.3.6	Optimum Output Matching Network and Device Size . . . . .	124
6.3.7	Low/Moderate Coupling-Factor Transformer for Wideband PAs . . . . .	128
6.3.8	Driver Stage . . . . .	130
6.3.9	First Stage . . . . .	132
6.3.10	Effects of Dummy Metals on Transformer's Performance . . . . .	133
6.3.11	Power Amplifier Stability . . . . .	134
6.4	Measurement Results . . . . .	136
6.5	Conclusion . . . . .	141

---

<b>7</b>	<b>Bluetooth-Low Energy Transmitter</b>	<b>143</b>
7.1	Introduction . . . . .	143
7.2	Switching Current-Source DCO . . . . .	145
7.2.1	Oscillator Power Consumption Tradeoffs . . . . .	146
7.2.2	Switching Current Source Oscillator . . . . .	150
7.2.3	Thermal Noise Upconversion in The Proposed Oscillator . . . . .	153
7.2.4	1/f Noise Upconversion in The Proposed Oscillator . . . . .	156
7.2.5	Optimizing Transformer-based Tank . . . . .	156
7.3	Class-E/ $F_2$ Switched-mode Power Amplifier . . . . .	157
7.3.1	Efficiency and Selectivity Tradeoff in Transformer-based Matching Network	158
7.3.2	Impedance Transformation . . . . .	160
7.3.3	Class-E/ $F_2$ Operation . . . . .	161
7.4	All-Digital Phase-Locked Loop and Transmitter Architecture . . . . .	163
7.5	Experimental Results . . . . .	164
7.6	Conclusion . . . . .	168
7.7	Appendix A . . . . .	169
7.8	Appendix B . . . . .	170
<b>8</b>	<b>Conclusion</b>	<b>173</b>
8.1	The Thesis Outcome . . . . .	173
8.2	Some Suggestions for Future Developments . . . . .	174
	<b>Bibliography</b>	<b>177</b>
	<b>List of Publications</b>	<b>191</b>
	<b>Summary</b>	<b>195</b>
	<b>Samenvatting</b>	<b>197</b>
	<b>Chip Micrograph Gallery</b>	<b>199</b>
	<b>List of Figures</b>	<b>200</b>
	<b>List of Tables</b>	<b>209</b>
	<b>Acknowledgments</b>	<b>211</b>
	<b>About the Author</b>	<b>215</b>



## CHAPTER

# 1

---

## Introduction

---

While mobile phones enjoy the largest production volume ever of any consumer electronics products, the demands they place on RF/mm-wave transceivers are particularly aggressive, especially on integration with digital processors, low area, low power consumption, while being robust against process-voltage-temperature (PVT) variations. Figure 1.1 (a) illustrates the evolution of data rates for wireless LAN, cellular, and wireline short links over time [1]. Interestingly, there is a constant  $\sim 10\times$  increase in bit rate every five years for both wireline and wireless links. Since mobile terminals inherently operate on batteries, their power budget is basically constant. Hence, an ever-decreasing power per bit is required to maintain the system lifetime. As shown in Fig. 1.1 (b), the RF front-end circuitry consumes significant power for typical use cases of mobile terminals such as voice call, web browsing and email [2]. Consequently, power efficiency of RF building blocks has become a major issue, especially when designing system-on-chips (SoC) for wireless communications.

On the other hand, in the upcoming years, the wireless Internet-of-Things (IoT) will enable more objects to be sensed and controlled remotely, realizing more integration between the physical and digital worlds. According to the communications giant Cisco Systems [3], there are currently approximately 15 billion internet-connected objects (things) which is slated to reach 50 billion by 2020, just 2.7 percent of all the things that will be on the planet. However, the system lifetime still tends to be severely limited by its power consumption, available battery technology and efficiency of its energy harvester. Consequently, the key challenge of these wireless sensors is the ability to function at the lowest power possible while being robust to PVT variations. Similarly, the power consumption of RF building blocks should be reduced to satisfy the lifetime demands of IoT systems. Furthermore, RF circuitries such as oscillator and PLL should be able to turn on/off quickly to permit high energy-efficiency during intermittent operation.

It is well known that the power amplifier (PA) is the most power hungry building block of



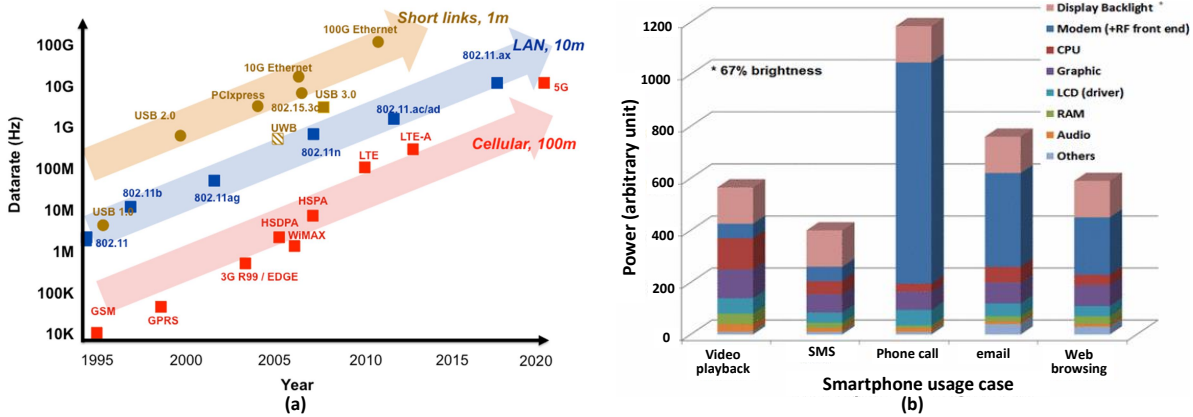


Figure 1.1: (a) evolution of data rates for wireless LAN, cellular, and wireline short links over time [1]; (b) power usage in a smartphone [2].

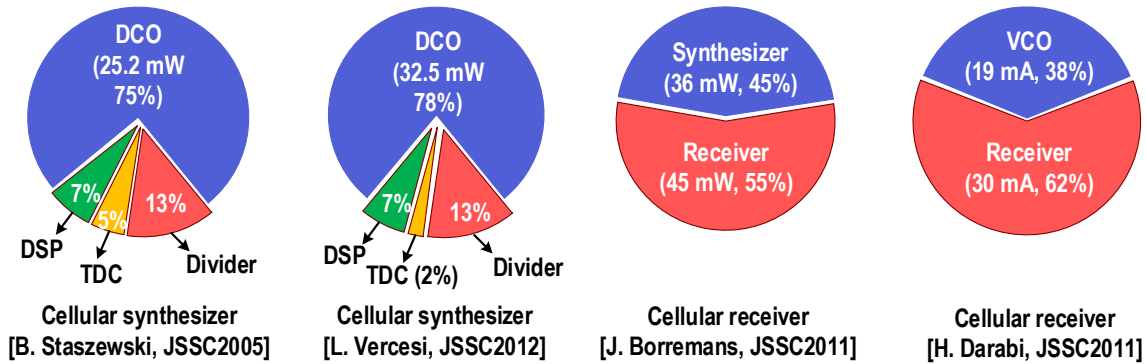


Figure 1.2: Contribution of RF oscillator to the power consumption of cellular frequency synthesizers and receivers.

any wireless radio and consequently any improvement on its power efficiency can significantly extend the battery lifetime of the entire radio. Furthermore, PAs need at least one matching network (including capacitors, inductors and transmission lines) in order to efficiently deliver power to the load. These passives usually occupy large surface on the chip thus making PA as the most area hungry and, consequently, most expensive block in any RF/mm-wave transceiver. This naturally leads to the conclusion that increasing the PA's power efficiency while reducing its size, can significantly improve the performance and cost of the entire wireless system.

The RF oscillator is the second most power hungry block of a wireless radio. As shown in Fig. 1.2, the RF oscillator consumes a disproportionate amounts of the power of a cellular frequency synthesizer [4, 5] and burns more than 30% of the cellular receiver power [6, 7]. Consequently, any power reduction in an RF oscillator will greatly benefit the overall power efficiency of the cellular transceiver. For IoT applications, the commercial perspective is now focusing on Bluetooth Low Energy (BLE). In the state-of-the-art BLE radios [8–10], the PLL power consumption is merely 3-4 $\times$  lower than that of PA at the maximum BLE output power of 1 mW. However, the frequency synthesizer activity is much longer than that of a PA, making the PLL the most energy-hungry block in a BLE transceiver.

In this dissertation, the main goal is to innovate the RF/mm-wave oscillator and power amplifier structures that demonstrate better performance, lower cost, and higher power efficiency than traditional architectures.

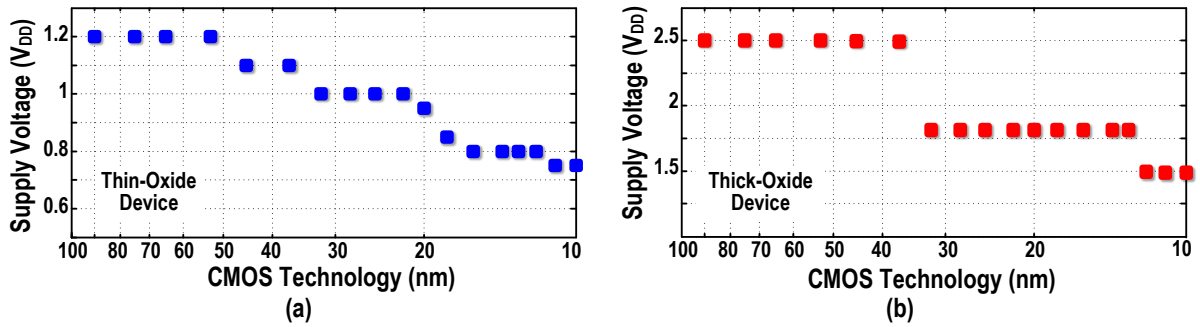


Figure 1.3: Nominal supply voltage versus CMOS technology node for (a) thin-oxide and (b) thick-oxide device.

## 1.1 Technology Scaling

The size, cost, and power consumption of digital circuits are reduced by technology scaling. However, the design of analog and RF circuits faces many difficulties using more advanced CMOS technologies. Consequently, in the semiconductor industry, there are two divergent trends for choosing a technology node for fabricating analog circuits. One trend is to implement analog circuits in older technology to exploit a higher voltage headroom. This approach is chiefly more in medical, automotive, and high-efficiency lighting applications [11]. Another trend is to implement analog and digital circuits together in the most advanced node such as a 16-nm FinFET. The approach is dictated by the market to achieve highest digital performance with lowest fabrication cost.

The vision for both wireless cellular communication and the Internet of Things keeps moving towards the second strategy [12]. For example, IMEC recently published the first integrated wireless sensor node in 40-nm CMOS including a microcontroller, digital baseband, power management, and BLE transceiver [8]. Furthermore, Intel and DMCE presented a SAW-less HSPA transceiver with on-chip integrated 3G power amplifiers in 65nm at ISSCC 2015 to enable real low-cost monolithic system integration [13]. Consequently, it is instructive to investigate the effects of technology scaling on the performance of an RF/mm-wave oscillator and power amplifiers.

### 1.1.1 Supply Voltage

To continue implementing increasingly complex functions while reducing the overall solution costs, scaling of CMOS transistors is inevitable. As circuits become denser, all of the physical dimensions of the transistors must be reduced correspondingly. The  $\text{SiO}_2$  oxide-layer thickness reduction is accompanied by migrating to smaller supply voltages (see Fig. 1.3). This is to maintain the electric field strength across the oxide in order to prevent the device performance degradation due to the time dependent dielectric breakdown (TDDB) [14]. The supply voltage,  $V_{DD}$ , is reduced while RF and analog circuits must maintain their dynamic range, noise performance and output power. For example, the oscillator phase noise performance and power amplifier output power ( $P_{out}$ ) degrade by 6 dB/octave with the reduction of their supply voltage [15]. To compensate this phase noise penalty, the equivalent input parallel resistance of an LC tank should be proportionally decreased by reducing the tank's inductance. However, the

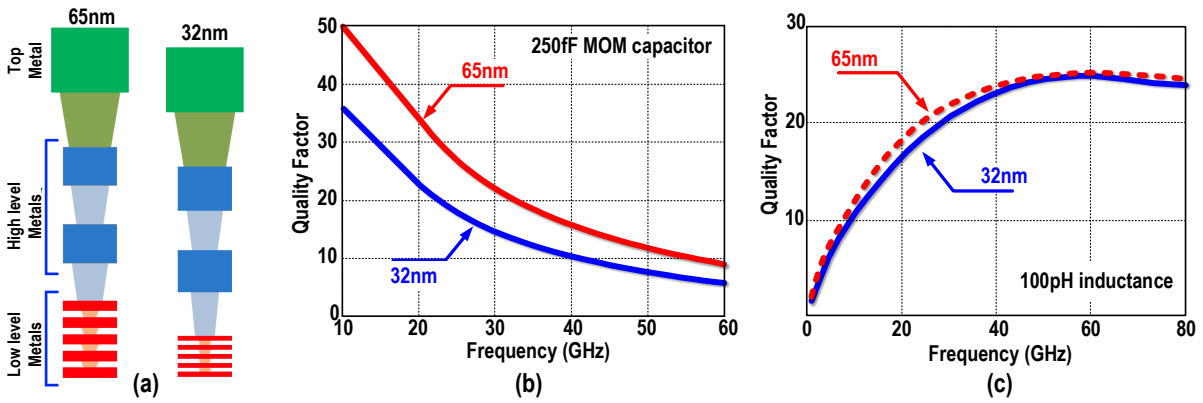


Figure 1.4: (a) Back-end-of-line (BEOL) metallization; quality factor of (b) a 250 fF capacitor, and (c) a 100 pH inductor in 65 nm and 32 nm CMOS technologies [16].

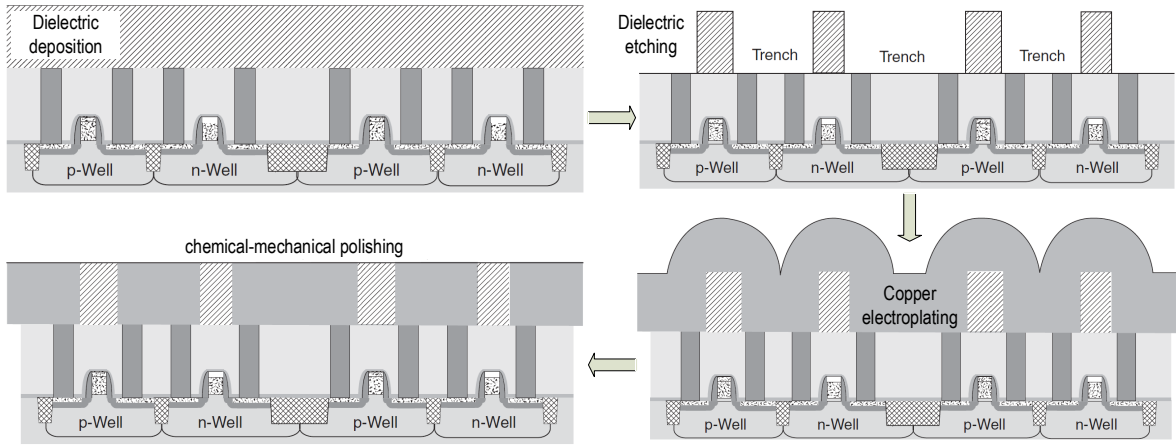


Figure 1.5: Damascene process steps [17].

resistance of the tank's interconnects will start dominating the resonator losses and, consequently, the effective Q-factor and oscillator power efficiency will dramatically drop. To compensate  $P_{out}$  penalty in the power amplifier, a smaller load must be seen by PA's transistors. Hence, the PA's matching network must provide a higher impedance transformation ratio. It leads to a larger insertion loss of the matching network and thus a lower efficiency of the PA.

### 1.1.2 Quality Factor of Passives

Most RF/mm-wave CMOS oscillators and power amplifiers employ passive components such as integrated inductors, transformers, and capacitors to realize on-chip LC tanks and matching/biasing networks. Generally, top thick metal layers are used for the realization of inductive components while thinner lower-level metals are exploited in metal-oxide-metal (MoM) capacitors. Note that the  $0.18 \mu\text{m}$  node was the last generation of 8-inch wafer processes with aluminum metallization as almost all modern processes use copper metallization that improves the resistive loss and current handling capability of passive components. Consequently, the quality factor of passives was improved when RF products migrated from  $0.18 \mu\text{m}$  to  $0.13 \mu\text{m}$  technology.

By migrating to more advanced nano-scale CMOS technologies, however, the thickness of

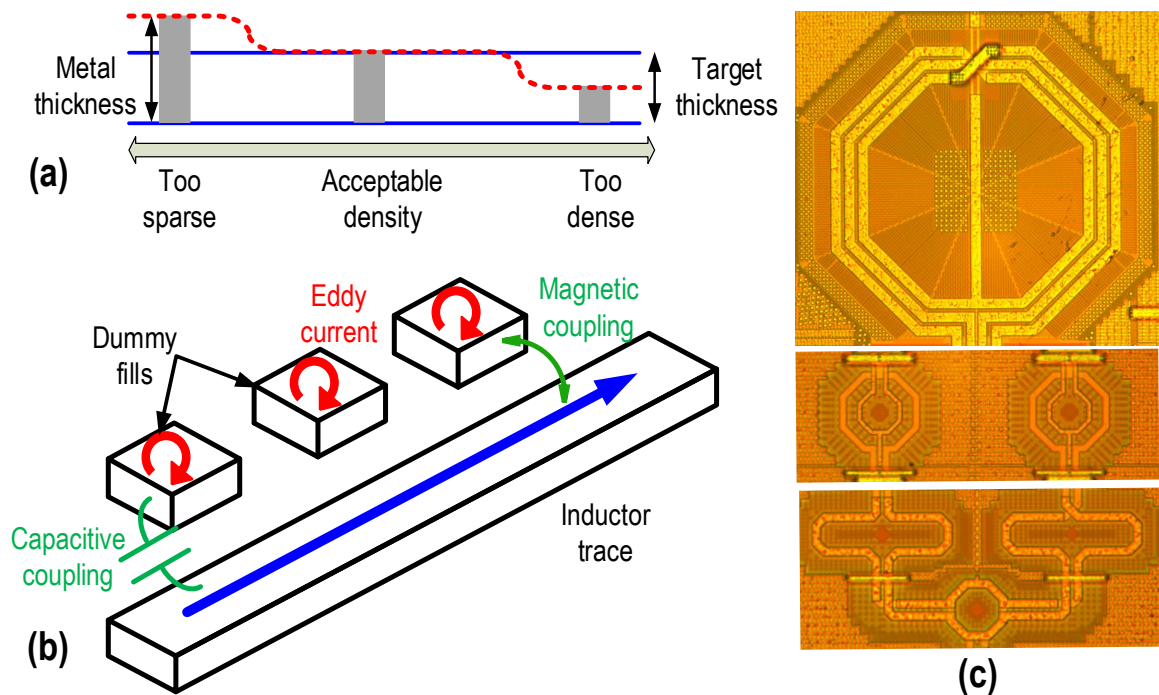


Figure 1.6: (a) Thickness variation by erosion in the CMP stage; (b) electromagnetic coupling between the wire and dummy fills; (c) inductor/transformer with lots of dummy metal fills.

lower level metals and interlayer dielectric layers reduce correspondingly as shown in Fig. 1.4 (a). As a consequence, the physical dimension of a given capacitance becomes smaller but with a worse quality factor (see Fig. 1.4 (b)). Fortunately, the thickness of top thick metal layers almost remains constant with scaling. However, the top-metal is closer to the lossy substrate. Hence, the capacitive parasitic, self-resonant frequency, and quality factor of inductor/transformer slightly degrade with scaling as shown in Fig. 1.4 (c).

As mentioned above, in most advanced CMOS technologies, copper is used for interconnections due to its low sheet resistance, high maximum current density, high thermal conductivity and resilience to electromigration failures. However, it is difficult to pattern copper using conventional etching techniques. Consequently, unlike traditional metallization of aluminum, copper metallization needs an additional damascene process as shown in Fig. 1.5 [17]. The inter-level dielectric is first deposited in the damascene process. Secondly, the dielectric is etched to define trenches where the metal lines will lie. Thirdly, copper is electroplated to fill the patterned oxide trenches. Finally, the surface is planarized and polished to remove surplus copper outside the desired metal lines using chemical-mechanical polishing (CMP). Unfortunately, CMP suffers from dishing and erosion phenomena. Since copper is much softer than the inter-level dielectric, areas with higher metal density are polished much faster than the others. Consequently, the metal thickness of the sparse areas become thicker than that of the dense places as shown in Fig. 1.6 (a) [18]. To resolve this issue, a minimum metal density must be satisfied for the entire chip. For example, the minimum metal density must be at least 25% in any  $100\ \mu\text{m} \times 100\ \mu\text{m}$  square in a 28-nm technology. Hence, inductors and transformers must include dummy metal pieces from the lowest to the highest metal layer (see Fig. 1.6 (c)). Metal dummies show negligible effects on the windings self-inductance and the coupling factor. However, as shown in Fig. 1.6 (b), eddy currents in dummy fills increase the loss and thus the inductor's/transformer's Q-factor

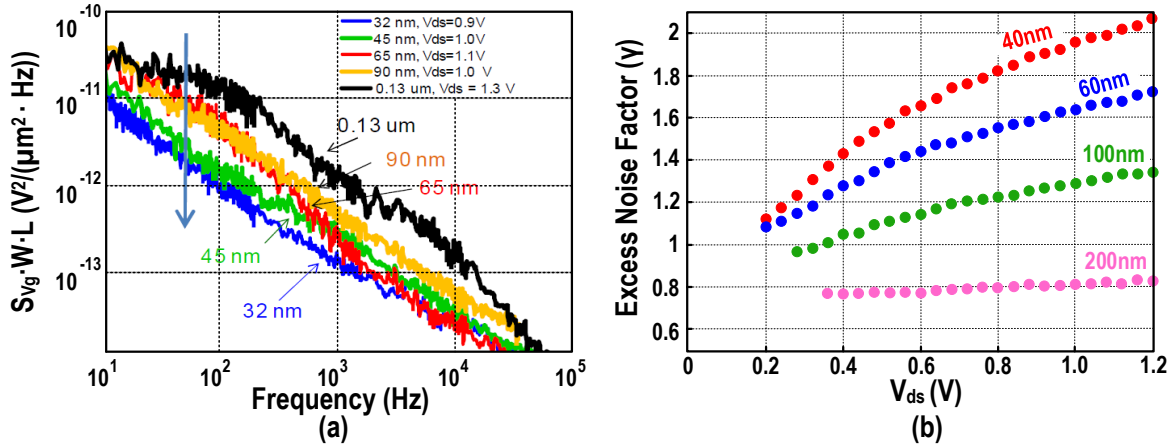


Figure 1.7: (a) Flicker noise scaling trend; (b) measured excess noise ( $\gamma$ ) factor versus drain-source voltage at 10 GHz and  $V_{gs} = 1.0$  V for different gate lengths of NMOS transistors in 40 nm LP technology [20].

could be degraded by 10% [19].

To conclude this section, the quality factor of passives degrades by migrating to more advanced nano-scale CMOS technologies. It leads to a worse phase noise performance for oscillators and a larger insertion loss for matching networks of power amplifiers.

### 1.1.3 Noise of Active Devices

Figure 1.7 (a) shows the normalized input-referred  $1/f$  noise,  $S_{vg}$ , versus frequency for different technology nodes. Due to oxide scaling enabled by high-k/metal gate technologies, the normalized  $S_{vg}$  is monotonically reduced with each successive technology node. For the same transistor area,  $S_{vg}$  decreases  $\sim 10\times$  from the 0.13  $\mu m$  node to 32 nm node. However, as shown in Fig. 1.7 (b), the excess noise factor of CMOS transistors increases by migrating to finer CMOS technologies. Consequently, oscillator's core transistors inject more thermal noise to the tank, degrading its phase noise performance.

## 1.2 Thesis Objectives

Based on the aforementioned explanations in Section 1.1, the underlying objective of this dissertation is, therefore, to implement innovative RF/mm-wave oscillator and power amplifier structures to improve the power efficiency of the entire wireless transceiver. The first objective of this thesis is to introduce a new class of operation for RF oscillators to fill the performance/power gap in the ultra-high figure of merit (FoM) and ultra-low phase noise oscillator space currently not satisfied by state-of-the-art structures. The proposed oscillator is also implemented as the heart of an all-digital phase-locked loop to demonstrate its effectiveness on improving the power efficiency of a 4G frequency synthesizer. The second objective is to analyze and understand various design parameters and tradeoffs in the design space of switched-mode power amplifiers. These insights will lead to the design and implementation of two different power amplifiers operating at 2.4 GHz and 60 GHz. The third objective of this thesis is to improve the power

efficiency of a Bluetooth Low Energy transmitter by exploiting a novel digitally controlled oscillator and a class-E/F<sub>2</sub> switched-mode power amplifier.

### 1.3 Thesis Outline

This thesis is composed of three parts. The main focus of the first part is on the design and implementation of innovative RF oscillators for cellular applications. A comprehensive analysis of switched-mode amplifiers and the design and implementation of a wideband class-E/F<sub>2</sub> mm-wave PA are presented in the second part. Finally, a new transmitter architecture for ultra-low power radios is introduced in the third part of this dissertation.

The first part starts with Chapter 2 by introducing an oscillator topology demonstrating an improved phase noise performance. The proposed oscillator operates in class-F by enforcing a pseudo-square voltage waveform around the LC tank by increasing the third harmonic of the fundamental oscillation voltage through an additional impedance peak. Measurement results of an implemented 65 nm prototype are presented and compared with state-of-the-art oscillators. Furthermore, a comprehensive study of circuit-to-phase-noise conversion mechanisms of different classes of RF oscillator is presented.

In Chapter 3, the proposed class-F oscillator is exploited in a 28 nm all-digital PLL (ADPLL) for 4G mobile phones. Functions of the different building blocks of this PLL are briefly explained. Due to the class-F operation of the digitally controlled oscillator (DCO), the ADPLL demonstrates a 72% power reduction over prior records.

In Chapter 4, a new class of operation for RF oscillators is introduced. The main idea is to enforce a clipped voltage waveform around the LC tank by increasing the second-harmonic of fundamental oscillation voltage through an additional impedance peak, thus giving rise to a class-F<sub>2</sub> operation. This oscillator specifically addresses the ultra-low phase noise design space while maintaining high power efficiency. Extensive experimental results and an insightful reliability analysis are also presented at the end of this chapter.

The second part of this thesis starts with Chapter 5 where a comprehensive analysis of switched-mode amplifiers is presented. Precise analytical voltage-current waveforms, zero-voltage, and zero-slope switching criteria and waveform-dependent parameters of any flavor of a switched-mode PA are quantified. Furthermore, closed-form equations are derived for the optimum size of the switch and different PA's characteristics such as maximum achievable power added efficiency, output power, and maximum operating frequency.

In Chapter 6, a fully integrated 60 GHz power amplifier is presented. The benefits, constraints, and trade-offs of different transmitter structures and extended class-E/F<sub>2</sub> PA are investigated from the mm-wave viewpoint. Implementation details and chip measurement results are also presented. This PA reaches the highest reported product of power-added efficiency and bandwidth. It is achieved through low/moderate coupling-factor transformers in the preliminary stages and a proper second harmonic termination of the output stage, such that it can operate as a class-E/F<sub>2</sub> switched-mode PA at the saturation point.

Chapter 7 is the last part of the dissertation. A novel digitally controlled oscillator with switching current sources is introduced to reduce supply voltage and power without sacrificing its phase noise and startup margins. A fully integrated differential class-E/F<sub>2</sub> switching PA is designed to improve system efficiency at a low output power of 0-3 dBm while fulfilling all

in-band and out of band emission masks. The required matching network is realized by exploiting different behaviors of a 2:1 step-down transformer in differential and common-mode excitations. Based on those innovations, an ultra-low power Bluetooth Low Energy transmitter is proposed that demonstrates the best ever reported system efficiency and phase purity while abiding by the strict 28 nm CMOS technology manufacturing rules.

Finally, Chapter 8 concludes this dissertation and presents suggestions for future developments.

## 1.4 Original Contributions

The original contributions to the body of knowledge of Solid-State Circuits Society are as follows:

- Introducing a new class of operation of an RF oscillator (Chapter 2, 4);
- Comprehensive analysis of circuit-to-phase-noise conversion mechanisms of different oscillators structures and dispelling common myths (Chapter 2, 4);
- Adapting the proposed class-F oscillator into a 28 nm all-digital phase-locked loop while abiding by strict metal density rules (Chapter 3);
- Applying the general knowledge of CMOS device reliability to high-performance RF oscillators (Chapter 4);
- Comprehensive analysis and systemization of different flavors of class-E/F power amplifiers (Chapter 5);
- Design, implementation, and test of a mm-wave power amplifier with the highest product of power-added efficiency and bandwidth. (Chapter 6);
- Proposing and verifying a switching current source oscillator for ultra-low voltage and power applications (Chapter 7);
- Design and implementation of a fully integrated differential class-E/F<sub>2</sub> switching PA for BLE transmitter (Chapter 7).



## CHAPTER

# 2

---

## A Class-F CMOS Oscillator

---

An oscillator topology demonstrating an improved phase noise performance is proposed in this Chapter<sup>1</sup>. It exploits a time-variant phase noise model with insights into the phase noise conversion mechanisms. The proposed oscillator is based on enforcing a pseudo-square voltage waveform around the LC tank by increasing the third-harmonic of the fundamental oscillation voltage through an additional impedance peak. This auxiliary impedance peak is realized by a transformer with moderately coupled resonating windings. As a result, the effective impulse sensitivity function (ISF) decreases thus reducing the oscillator's effective noise factor such that a significant improvement in the oscillator phase noise and power efficiency are achieved. A comprehensive study of circuit-to-phase-noise conversion mechanisms of different oscillators' structures shows the proposed class-F exhibits the lowest phase noise at the same tank's quality factor and supply voltage. The prototype of the class-F oscillator is implemented in TSMC 65-nm standard CMOS. It exhibits average phase noise of -142 dBc/Hz at 3 MHz offset from the carrier over 5.9—7.6 GHz tuning range with figure-of-merit of 192 dBc/Hz. The oscillator occupies 0.12 mm<sup>2</sup> while drawing 12 mA from 1.25 V supply.

### 2.1 Introduction

Designing voltage-controlled and digitally-controlled oscillators (VCO, DCO) of high spectral purity and low power consumption is quite challenging, especially for GSM transmitter (TX), where the oscillator phase noise must be less than -162 dBc/Hz at 20 MHz offset frequency from 915 MHz carrier [22]. At the same time, the RF oscillator consumes disproportionate amount of power of an RF frequency synthesizer [4], [5] and burns more than 30% of the cellular RX power [7], [23]. Consequently, any power reduction of RF oscillators will greatly benefit

---

<sup>1</sup>This chapter has been published in the IEEE Journal of Solid-State Circuits [21].



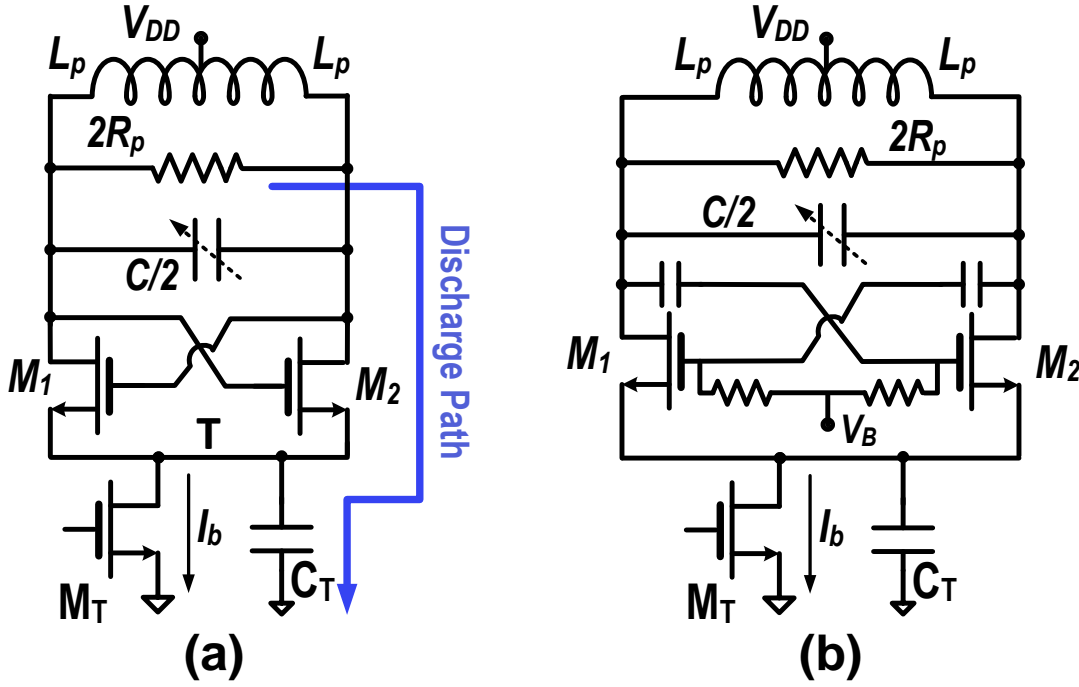


Figure 2.1: Oscillator schematic: (a) traditional class-B; (b) class-C.

the overall transceiver power efficiency and ultimately the battery lifetime. This motivation has encouraged an intensive research to improve the power efficiency of an RF oscillator while satisfying the strict phase noise requirements of the cellular standards.

The traditional class-B oscillator (Fig.2.1(a)) is the most prevalent architecture due its simplicity and robustness. However, its phase noise and power efficiency performance drops dramatically just by replacing the ideal current source with a real one. Indeed, the traditional oscillator reaches its best performance for the oscillation amplitude of near supply voltage  $V_{DD}$  [24], [25]. Therefore, the gm-devices  $M_{1/2}$  enter deep triode for part of the oscillation period. They exhibit a few tens of ohms of channel resistance. In addition, the tail capacitor  $C_T$  should be large enough to filter out thermal noise of  $M_T$  around the even harmonics of the fundamental, thus making a low impedance path between node "T" and ground. Consequently, the tank output node finds a discharge path to the ground. It means that the equivalent Q-factor of the tank is degraded dramatically. This event happens alternatively between  $M_1$  and  $M_2$  transistors in each oscillation period. Hence, the phase noise improvement would be negligible by increasing the oscillation voltage swing when the gm-devices enter the triode region and thus, FoM drops dramatically. This degradation seems rather unavoidable in the simple structure of Fig. 2.1(a) since  $M_T$  must anyway be very large to reduce the  $1/f^3$  phase noise corner of the oscillator and thus its parasitic capacitor alone (i.e., even if  $C_T$  is zero) would be large enough to provide discharge path for the tank during the gm-device triode region operation.

The noise filtering technique [26] provides a relatively high impedance between the gm-devices and the current source. Hence, the structure maintains the intrinsic Q-factor of the tank during the entire oscillation period. However, it requires an extra resonator sensitive to parasitic capacitances, increasing the design complexity, area and cost.

Class-C oscillator (Fig.2.1(b)), prevents the gm-devices from entering the triode region [27], [28]. Hence, the tank Q-factor is preserved throughout the oscillation period. The oscillator

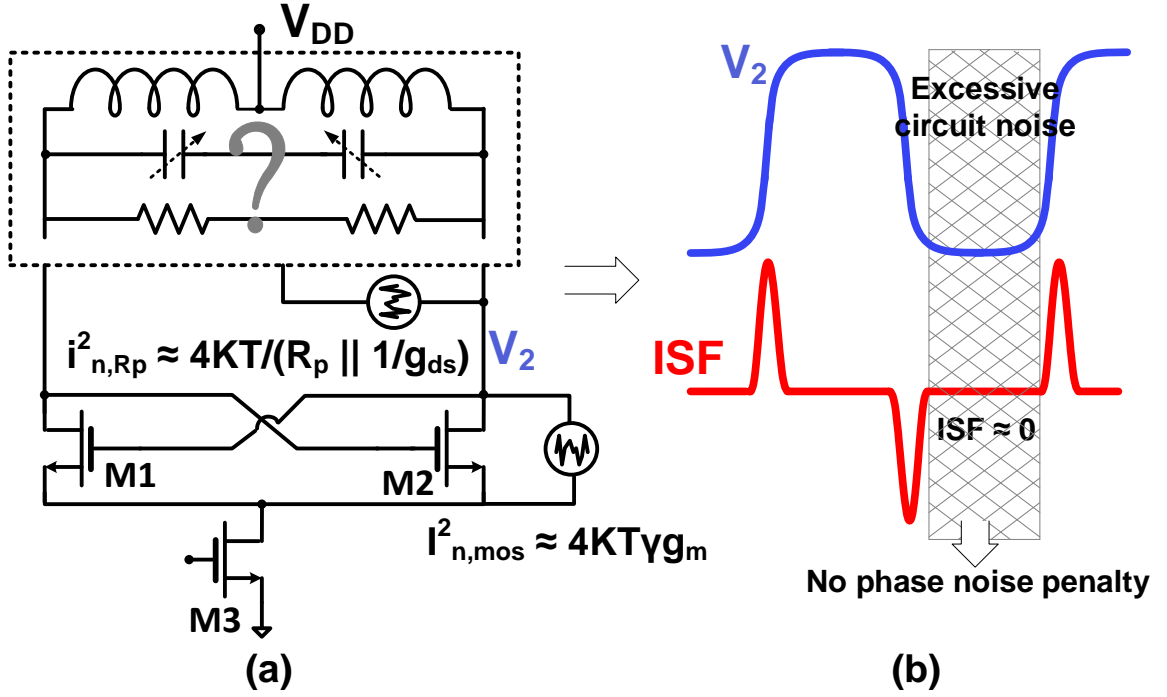


Figure 2.2: Oscillator: (a) noise sources; (b) targeted oscillation voltage (top) and its expected ISF (bottom).

also benefits with 36% power saving from changing the drain current shape from square-wave of the traditional oscillator to the “tall and narrow” form for the class-C operation. However, the constraint of avoiding entering the triode region limits the maximum oscillation amplitude of the class-C oscillator to around  $V_{DD}/2$ , for the case of bias voltage  $V_B$  as low as a threshold voltage of the active devices. It translates to 6 and 3 dB phase noise and FoM penalty, respectively. Consequently, class-C voltage swing constraint limits the lowest achievable phase noise performance.

Harmonic tuning oscillator enforces a pseudo-square voltage waveform around the LC tank through increasing the third-harmonic component of the fundamental oscillation voltage through an additional tank impedance peak at that frequency. Kim *et al.* [29] exploited this technique to improve the phase noise performance of the LC oscillator by increasing the oscillation zero-crossings’ slope. However, that structure requires more than two separate LC resonators to make the desired tank input impedance. It increases die area and cost and decreases tuning range due to larger parasitics. Furthermore, the oscillator transconductance loop gain is the same for both resonant frequencies, thus raising the probability of undesired oscillation at the auxiliary tank input impedance. We have resolved the above mentioned concerns and quantified intuitively and theoretically the phase noise and power efficiency improvement of the class-F oscillator compared to other structures [30].

The Chapter is organized as follows: Section 2.2 establishes the environment to introduce the proposed class-F oscillator. The circuit-to-phase-noise conversion mechanisms are studied in Section 2.3. Section 2.4 presents extensive measurement results of the prototype, while Section 2.5 wraps up this Chapter with conclusions.

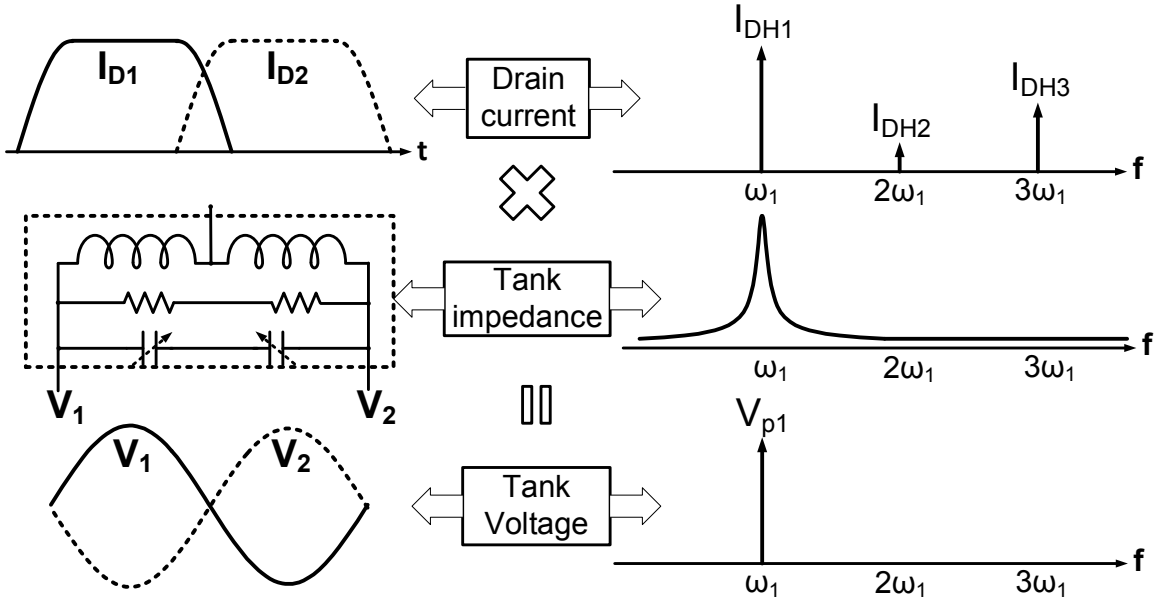


Figure 2.3: Traditional oscillator waveforms in time and frequency domains.

## 2.2 Evolution Towards Class-F Oscillator

Suppose the oscillation voltage around the tank was a square-wave instead of a sinusoidal. As a consequence, the oscillator would exploit the special ISF [31] properties of the square-wave oscillation voltage to achieve a better phase noise and power efficiency. However, the gm-devices would work in the triode region (shaded area in Fig. 2.2(b)) even longer than in case of the sinusoidal oscillator. Hence, the loaded resonator and gm-device inject more noise to the tank. Nevertheless, ISF value is expected to be negligible in this time span due to the zero derivative of the oscillation voltage [31]. Although the circuit injects huge amount of noise to the tank, the noise cannot change the phase of the oscillation voltage and thus there is no phase noise degradation.

### 2.2.1 Realizing a Square-Wave across the LC Tank

The above reasoning indicates that the square-wave oscillation voltage has special ISF properties that are beneficial for the oscillator phase noise performance. But how can a square-wave be realized across the tank? Let us take a closer look at the traditional oscillator in the frequency domain. As shown in Fig. 2.3, the drain current of a typical LC-tank oscillator is approximately a square-wave. Hence, it ideally has a fundamental and odd harmonic components. On the other hand, the tank input impedance has a magnitude peak only at the fundamental frequency. Therefore, the tank filters out the harmonic components of the drain current and finally a sinusoidal wave is seen across the tank.

Now, suppose the tank offers another input impedance magnitude peak around the third harmonic of the fundamental frequency (see Fig. 2.4). The tank would be prevented from filtering out the 3<sup>rd</sup> harmonic component of the drain current. Consequently, the oscillation voltage will contain a significant amount of the 3<sup>rd</sup> harmonic component in addition to the

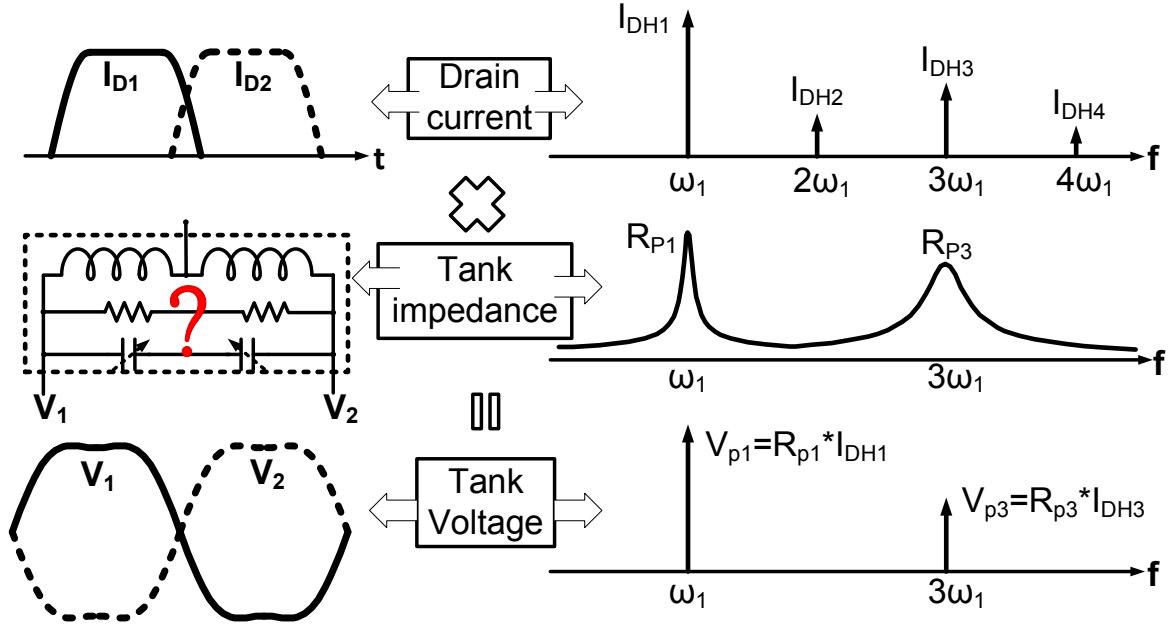


Figure 2.4: Proposed oscillator waveforms in time and frequency domains.

fundamental:

$$V_{in} = V_{p1} \sin(\omega_0 t) + V_{p3} \sin(3\omega_0 t + \Delta\phi) \quad (2.1)$$

$\zeta$  is defined as the magnitude ratio of the third-to-first harmonic components of the oscillation voltage.

$$\zeta = \frac{V_{p3}}{V_{p1}} = \left(\frac{R_{p3}}{R_{p1}}\right) \left(\frac{I_{DH3}}{I_{DH1}}\right) \approx 0.33 \left(\frac{R_{p3}}{R_{p1}}\right) \quad (2.2)$$

where,  $R_{p1}$  and  $R_{p3}$  are the tank impedance magnitudes at the main resonant frequency  $\omega_1$  and  $3\omega_1$ , respectively. Figure 2.5 illustrates the oscillation voltage and its related expected ISF function (based on the closed-form equation in [31]) for different  $\zeta$  values. The ISF rms value of the proposed oscillation waveform can be estimated by the following expression for  $-\pi/8 < \Delta\phi < \pi/8$ .

$$\Gamma_{rms}^2 = \frac{1}{2} \frac{1 + 9\zeta^2}{(1 + 3\zeta)^2} \quad (2.3)$$

The waveform would become a sinusoidal for the extreme case of  $\zeta = 0, \infty$  so (2.3) predicts  $\Gamma_{rms}^2 = 1/2$ , which is well-known for the traditional oscillators.  $\Gamma_{rms}^2$  reaches its lowest value of  $1/4$  for  $\zeta = 1/3$ , translated to a 3 dB phase noise and FoM improvement compared to the traditional oscillators. Furthermore, ISF of the proposed oscillator is negligible while the circuit injects significant amount of noise to the tank. Consequently, the oscillator FoM improvement could be larger than that predicted by just the ISF rms reduction.

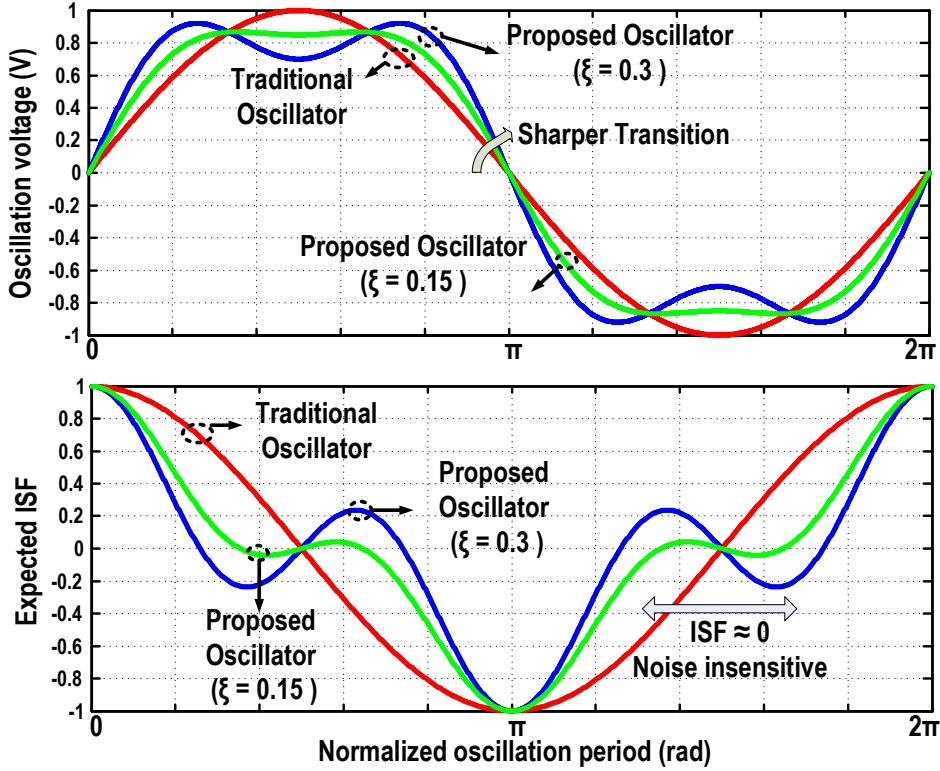


Figure 2.5: The effect of adding 3<sup>rd</sup> harmonic in the oscillation waveform (top) and its expected ISF (bottom).

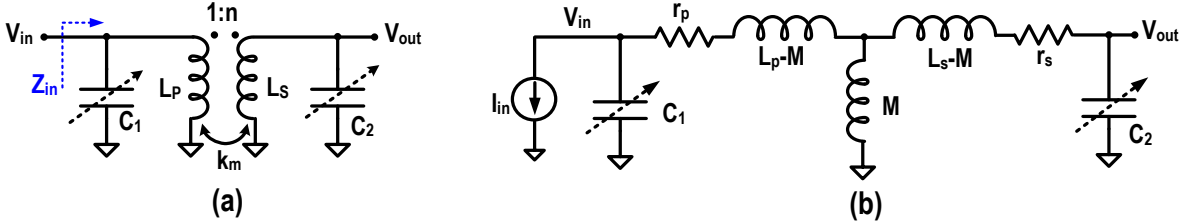


Figure 2.6: Transformer-based resonator (a); and its equivalent circuit (b).

## 2.2.2 Proposed Tank

The argumentation related to Fig. 2.4 above advocates the use of two resonant frequencies with a ratio of 3. The simplest way of realizing that would be with two separate inductors [29], [32]. However this will be bulky and inefficient. The chosen option in this work is a transformer-based resonator. The preferred resonator consists of a transformer with turns ratio  $n$  and tuning capacitors  $C_1$  and  $C_2$  at the transformer's primary and secondary windings, respectively (see Fig. 2.6). Eq. (2.4) expresses the exact mathematical equation of the input impedance of the tank.

$$Z_{in} = \frac{s^3 (L_p L_s C_2 (1 - k_m^2)) + s^2 (C_2 (L_s r_p + L_p r_s)) + s (L_p + r_s r_p C_2) + r_p}{s^4 (L_p L_s C_1 C_2 (1 - k_m^2)) + s^3 (C_1 C_2 (L_s r_p + L_p r_s)) + s^2 (L_p C_1 + L_s C_2 + r_p r_s C_1 C_2) + s (r_p C_1 + r_s C_2) + 1} \quad (2.4)$$

where,  $k_m$  is the magnetic coupling factor of the transformer,  $r_p$  and  $r_s$  model the equivalent series resistance of the primary  $L_p$  and secondary  $L_s$  inductances [33]. The denominator of

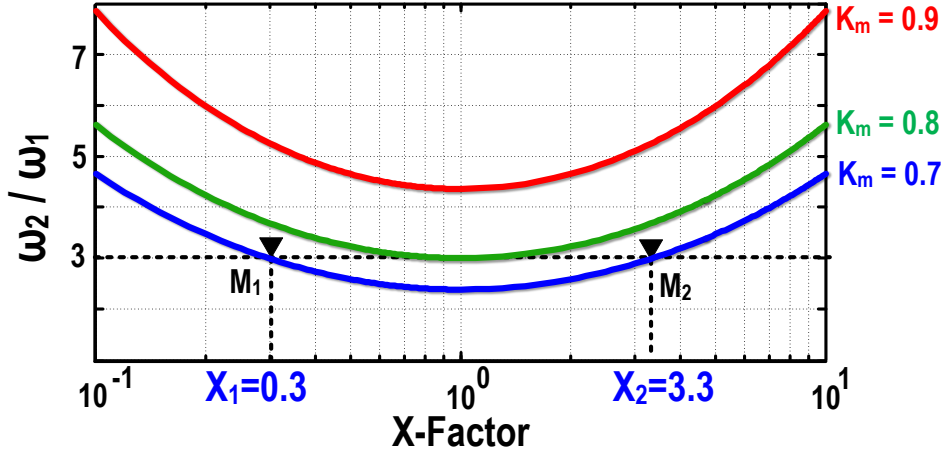


Figure 2.7: Ratio of the tank resonant frequencies versus  $X$ -factor for different  $k_m$ .

$Z_{in}$  is a fourth-order polynomial for the imperfect coupling factor (i.e.,  $k_m < 1$ ). Hence, the tank contains two different conjugate pole pairs, which realize two different resonant frequencies. Consequently, the input impedance has two magnitude peaks at these frequencies. Note that both resonant frequencies can satisfy the Barkhausen criterion with a sufficient loop gain [34]. However, the resulting multi-oscillation behavior is undesired and must be avoided [35]. In our case, it is preferred to see an oscillation at the lower resonant frequency  $\omega_1$  and the additional tank impedance at  $\omega_2$  is used to make a pseudo-square waveform across the tank. These two possible resonant frequencies can be expressed as

$$\omega_{1,2}^2 = \frac{1 + \left(\frac{L_s C_2}{L_p C_1}\right) \pm \sqrt{1 + \left(\frac{L_s C_2}{L_p C_1}\right)^2 + \left(\frac{L_s C_2}{L_p C_1}\right) (4k_m^2 - 2)}}{2L_s C_2 (1 - k_m^2)} \quad (2.5)$$

The following expression offers a good estimation of the main resonant frequency of the tank for  $0.5 \leq k_m \leq 1$ .

$$\omega_1^2 = \frac{1}{(L_p C_1 + L_s C_2)} \quad (2.6)$$

However, we are interested in the ratio of resonant frequencies as given by

$$\frac{\omega_2}{\omega_1} = \sqrt{\frac{1 + X + \sqrt{1 + X^2 + X(4k_m^2 - 2)}}{1 + X - \sqrt{1 + X^2 + X(4k_m^2 - 2)}}} \quad (2.7)$$

where,  $X$ -factor is defined as

$$X = \left(\frac{L_s}{L_p} \cdot \frac{C_2}{C_1}\right) \quad (2.8)$$

Eq. 2.7 indicates the resonant frequency ratio  $\omega_2/\omega_1$  is just a function of the transformer inductance ratio  $L_s/L_p$ , tuning capacitance ratio  $C_2/C_1$ , and transformer magnetic coupling factor  $k_m$ . The relative matching of capacitors (and inductors) in today's CMOS technology is expected to be much better than 1%, while the magnetic coupling is controlled through lithography that precisely sets the physical dimensions of the transformer. Consequently, the

relative position of the resonant frequencies is not sensitive to the process variation. The  $\omega_2/\omega_1$  ratio is illustrated versus  $X$ -factor for different  $k_m$  in Fig. 2.7. As expected, the ratio moves to higher values for larger  $k_m$  and finally the second resonance disappears for the perfect coupling factor. The ratio of  $\omega_2/\omega_1$  reaches the desired value of 3 at two points for the coupling factor of less than 0.8. Both points put  $\omega_2$  at the correct position of  $3\omega_1$ . However, the desired  $X$ -factor should be chosen based on the magnitude ratio  $R_{p2}/R_{p1}$  of the tank input impedance at resonance. The sum of the even orders of the denominator in (2.4) is zero at resonant frequencies. It can be shown that the first-order terms of the numerator and the denominator are dominant at  $\omega_1$ . By using (2.6), assuming  $Q_p = L_p\omega/r_p$ ,  $Q_s = L_s\omega/r_s$ , the tank input impedance at the fundamental frequency is expressed as

$$R_{p1} \approx \frac{L_p}{\omega_1 \left( \frac{L_p C_1}{Q_p} + \frac{L_s C_2}{Q_s} \right)} \xrightarrow{Q_p=Q_s=Q_0} R_{p1} \approx L_p \omega_1 Q_0 \quad (2.9)$$

On the other hand, it can be shown that the third-order terms of the numerator and the denominator are dominant in (2.4) at  $\omega_2 = 3\omega_1$ . It follows that

$$R_{p2} \approx \frac{(1 - k_m^2)}{C_1 \omega_2 \left( \frac{1}{Q_p} + \frac{1}{Q_s} \right)} \xrightarrow{Q_p=Q_s=Q_0} R_{p2} \approx \frac{Q_0 (1 - k_m^2)}{2 C_1 \omega_2} \quad (2.10)$$

$R_{p2}$  is a strong function of the coupling factor of the transformer and thus the resulting leakage inductance. Weaker magnetic coupling will result in higher impedance magnitude at  $\omega_2$  and, consequently, the second resonance needs a lower transconductance gain to excite. It could even become a dominant pole and the circuit would oscillate at  $\omega_2$  instead of  $\omega_1$ . This phenomenon has been used to extend the oscillator tuning range in [34], [36] and [37]. As explained before,  $R_{p2}/R_{p1}$  controls the amount of the 3<sup>rd</sup> harmonic component of the oscillation voltage. The impedance magnitude ratio is equal to

$$\frac{R_{p2}}{R_{p1}} \approx \frac{(1 - k_m^2) (1 + X)}{6} \quad (2.11)$$

Hence, the smaller  $X$ -factor results in lower tank equivalent resistance at  $\omega_2 = 3\omega_1$ . Thus, the tank filters out more of the 3<sup>rd</sup> harmonic of the drain current and the oscillation voltage becomes more sinusoidal. Figure 2.8(a) illustrates Momentum simulation results of  $Z_{in}$  of the transformer-based tank versus frequency for both  $X$ -factors that satisfy the resonant frequency ratio of 3. The larger  $X$ -factor offers significantly higher tank impedance at  $\omega_2$ , which is entirely in agreement with the theoretical analysis.

The  $X$ -factor is defined as a product of the transformer inductance ratio  $L_s/L_p$  and tuning capacitance ratio  $C_2/C_1$ . This leads to a question of how best to divide  $X$ -factor between the inductance and capacitance ratios. In general, larger  $L_s/L_p$  results in higher inter-winding voltage gain, which translates to sharper transition at zero-crossings and larger oscillation amplitude at the secondary winding. Both of these effects have a direct consequence on the phase noise improvement. However, the transformer Q-factor drops by increasing the turns ratio. In addition, very large oscillation voltage swing brings up reliability issues due to the gate-oxide breakdown. It turns out that the turns ratio of 2 can satisfy the aforementioned constraints altogether.

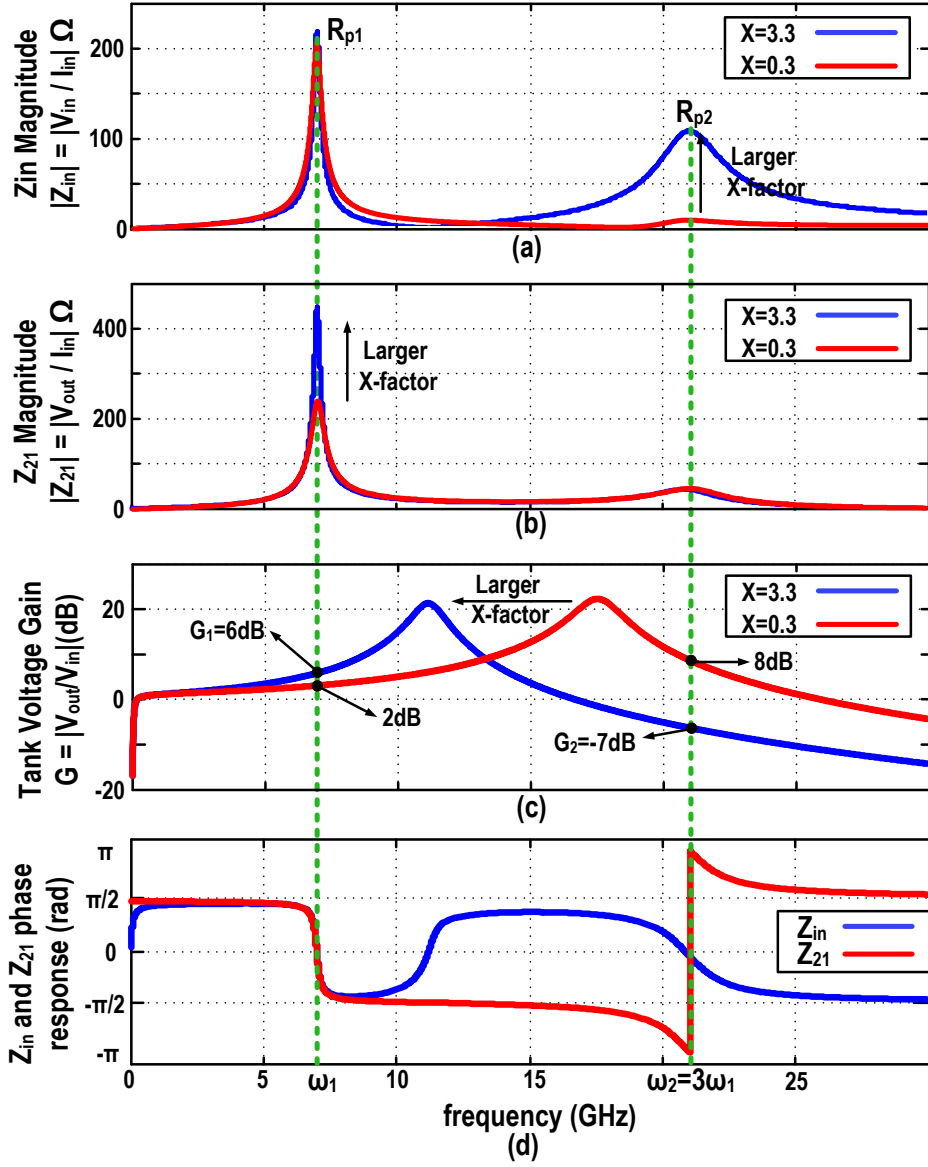


Figure 2.8: The transformer-based tank characteristics: (a) the input impedance,  $Z_{in}$  magnitude; (b) the trans-impedance,  $Z_{21}$  magnitude; (C) transformer's secondary to primary voltage gain; (d) the phase of  $Z_{in}$  and  $Z_{21}$  (Momentum simulation).

### 2.2.3 Voltage Gain of the Tank

The transformer-based resonator, whose schematic was shown in Fig. 2.6, offers a filtering function on the signal path from the primary to the secondary windings. The tank voltage gain is derived as

$$G(s) = \frac{V_{out}}{V_{in}} = \frac{Ms}{s^3(L_p L_s C_2(1 - k_m^2)) + s^2(C_2(L_s r_p + L_p r_s)) + s(L_p + r_s r_p C_2) + r_p} \quad (2.12)$$

Bode diagram of the tank voltage gain transfer function is shown in Fig. 2.9. The tank exhibits a 20 dB/dec attenuation for frequencies lower than the first pole and offers a constant voltage gain at frequencies between the first pole and the complex conjugate pole pair at  $\omega_p$ .



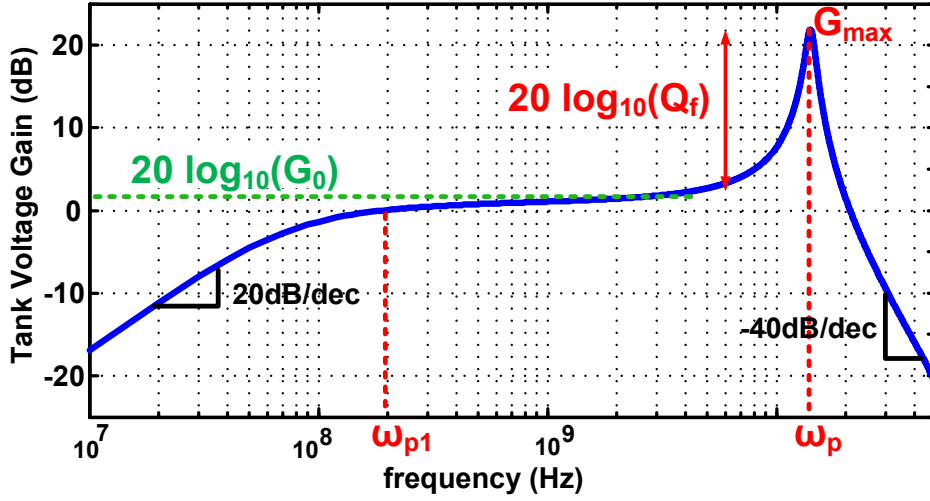


Figure 2.9: Typical secondary-to-primary winding voltage gain of the transformer-based resonator versus frequency.

The gain plot reveals an interesting peak at frequencies around  $\omega_p$ , beyond which the filter gain drops at the -40 dB/dec slope. The low frequency pole is estimated by

$$\omega_{p1} = \frac{r_p}{L_p} \quad (2.13)$$

By substituting  $r_p = L_p\omega/Q_p$ ,  $r_s = L_s\omega/Q_s$  and assuming  $Q_p \cdot Q_s \gg 1$ , the tank gain transfer function can be simplified to the following equation for the frequencies beyond  $\omega_{p1}$ .

$$G(s) = \frac{\frac{M}{L_p}}{s^2 (L_s C_2 (1 - k_m^2)) + s \left( L_s C_2 \omega \left( \frac{1}{Q_p} + \frac{1}{Q_s} \right) \right) + 1} \quad (2.14)$$

The main characteristics of the tank voltage gain can be specified by considering it as a biquad filter.

$$G(s) = \frac{G_0}{\left( \frac{s}{\omega_p} \right)^2 + \left( \frac{s}{\omega_p Q_f} \right) + 1} \quad (2.15)$$

where,

$$G_0 = k_m n \quad (2.16)$$

The peak frequency is estimated by

$$\omega_p = \sqrt{\frac{1}{L_s C_2 (1 - k_m^2)}} \quad (2.17)$$

$Q_f$  represents the amount of gain jump around  $\omega_p$  and expressed by

$$Q_f = \frac{(1 - k_m^2)}{\frac{1}{Q_p} + \frac{1}{Q_s}} \quad (2.18)$$

Table 2.1: Normalized zero-crossing slope of the proposed oscillator.

	<b>Normalized zero-crossing slope</b>
<b>Traditional LC</b>	1
<b>Proposed tank (primary)</b>	$1+3\zeta = 1+3\cdot 1/6 = 1.5$
<b>Proposed tank (secondary)</b>	$G_1-3G_2\zeta = 2.1 - 3\cdot 0.4\cdot 1/6 = 1.9$

Hence, the maximum voltage gain is calculated by

$$G_{max} = k_m n \times \frac{(1 - k_m^2)}{\frac{1}{Q_p} + \frac{1}{Q_s}} \quad (2.19)$$

Eqs. (2.19) and Fig. 2.9 demonstrate that the transformer-based resonator can offer the voltage gain above  $k_m n$  at the frequencies near  $\omega_p$  for  $k_m < 1$  and the peak magnitude is increased by improving Q-factor of the transformer individual inductors. Consequently,  $\omega_1$  should be close to  $\omega_p$  to have higher passive gain at the fundamental frequency and more attenuation at its harmonic components. Eqs. (2.6) and (2.17) indicate that  $\omega_p$  is always located at frequencies above  $\omega_1$  and the frequency gap between them decreases with greater  $X$ -factor. Figure 2.8(c) illustrates the voltage gain of the transformer-based tank for two different  $X$ -factors that exhibit the same resonant frequencies. The transformer peak gain happens at much higher frequencies for the smaller  $X$ -factor and, therefore, the gain is limited to only  $k_m n$  (2 dB in this case) at  $\omega_1$ . However,  $X$ -factor is around 3 for the proposed oscillator and, as a consequence,  $\omega_p$  moves lower and much closer to  $\omega_1$ . Now, the tank offers higher voltage gain ( $G_1=6$  dB in this case) at the main resonance and more attenuation ( $G_2=-7$  dB) at  $\omega_2$ . This former translates to larger oscillation voltage swing and thus better phase noise.

As can be seen in Fig. 2.8(d), the input impedance  $Z_{in}$  phase is zero at the first and second resonant frequencies. Hence, any injected  $3^{rd}$  harmonic current has a constructive effect resulting in sharper zero-crossings and flat peak for the transformer's primary winding voltage. However, the tank trans-impedance,  $Z_{21}$  phase shows a 180 degree phase difference at  $\omega_1$  and  $\omega_2 = 3\omega_1$ . Consequently, the  $3^{rd}$  harmonic current injection at the primary windings leads to a slower zero-crossings slope at the transformer's secondary, which has an adverse outcome on the phase noise performance of the oscillator. Figure 2.8(a-c) illustrates that the proposed transformer-based resonator effectively filters out the  $3^{rd}$  harmonic component of the drain current at the secondary winding in order to minimize these side effects and zero-crossings are sharpened by tank's voltage gain ( $G_1$ ) at  $\omega_1$ . Table 2.1 shows that the zero-crossings slope of the proposed oscillator at both transformer's windings are improved compared to the traditional oscillator for the same  $V_{DD}$ , which is translated to shorter commutating time and lower active device noise factor.

#### 2.2.4 Proposed Class-F Oscillator

The desired tank impedance, inductance and capacitance ratios were determined above to enforce the pseudo-square-wave oscillation voltage around the tank. Now, two transistors should be customarily added to the transformer-based resonator to sustain the oscillation. There are two options, however, as shown in Fig. 2.10, for connecting the transformer to the active gm-devices. The first option is a transformer-coupled class-F oscillator in which the secondary

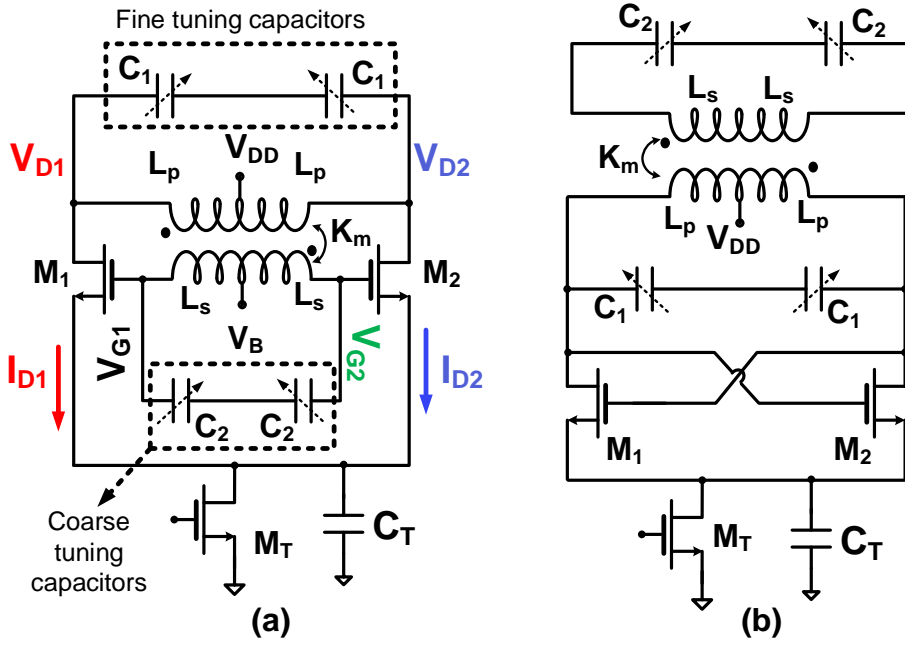


Figure 2.10: Two options of the transformer-based class-F oscillator: (a) transformer-coupled; and (b) cross-coupled. The first option was chosen as more advantageous in this work.

winding is connected to the gate of the gm-devices. The second option is a cross-coupled class-F oscillator with a floating secondary transformer winding, which only physically connects to tuning capacitors  $C_2$ . The oscillation voltage swing, the equivalent resonator quality factor and tank input impedance are the same for both options. However, the gm-device sustains larger voltage swing in the first option. Consequently, its commutation time is shorter and the active device noise factor is lower. In addition, the gm-device generates higher amount of the  $3^{rd}$  harmonic, which results in sharper pseudo-square oscillation voltage with lower ISF rms value. The second major difference is about the possibility of oscillation at  $\omega_2$  instead of  $\omega_1$ . The root-locus plot in Fig. 2.11 illustrates the route of pole movements towards zeros for different values of the oscillator loop trans-conductance gain ( $G_m$ ). As can be seen in Fig. 2.11(b), both resonant frequencies ( $\omega_1$ ,  $\omega_2$ ) can be excited simultaneously with a relatively high value of  $G_m$  for the cross-coupled class-F oscillator of Fig. 2.10(b). It can increase the likelihood of the undesired oscillation at  $\omega_2$ . However, the transformer-coupled circuit of Fig. 2.10(a) demonstrates a different behavior. The lower frequency conjugate pole pair moves into the right-hand plane by increasing the absolute value of  $G_m$ , while the higher poles are pushed far away from imaginary axis (see Fig. 2.11(a)). This guarantees the oscillation can only happen at  $\omega_1$ . Consequently, it becomes clear that the transformer-coupled oscillator is a better option due to its phase noise performance and the guaranty of operation at the right resonant frequency. Nevertheless, the gate parasitic capacitance appears at the drain through a scaling factor of  $n^2$ , which reduces its tuning range somewhat as compared to the cross-coupled candidate.

Figure 2.12 (a) illustrates the unconventional oscillation voltage waveforms of the proposed transformer-coupled class-F oscillator. As specified in Section 2.2.3, the  $3^{rd}$  harmonic component of the drain voltage attenuates at the gate and thus a sinusoidal wave is seen there. The gate-drain voltage swing goes as high as  $2.7 \cdot V_{DD}$  due to the significant voltage gain of the tank. Hence, using thick oxide gm-devices is a constraint to satisfy the time-dependent dielectric breakdown (TDDB) issue for less than 0.01% failure rate during ten years of the oscillator

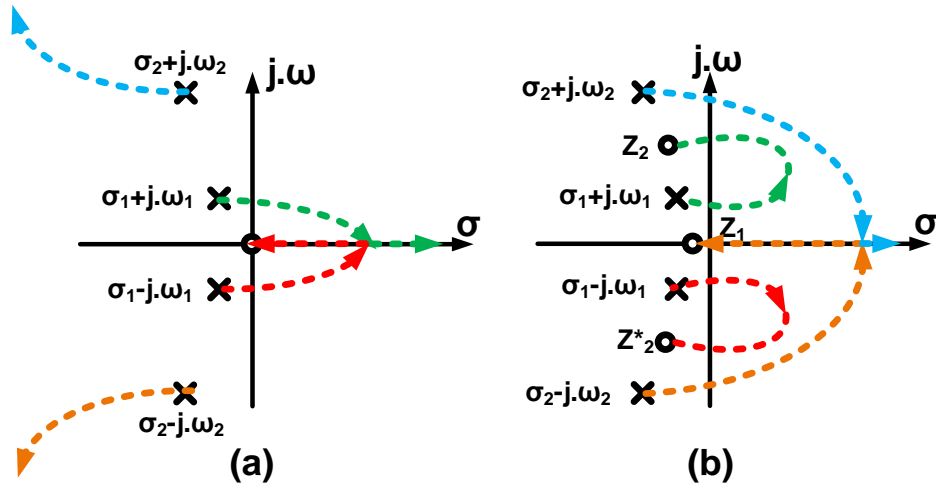


Figure 2.11: Root-locus plot of the transformer-based class-F oscillator: (a) transformer-coupled structure of Fig. 2.10(a); and (b) cross-coupled structure of Fig. 2.10(b).

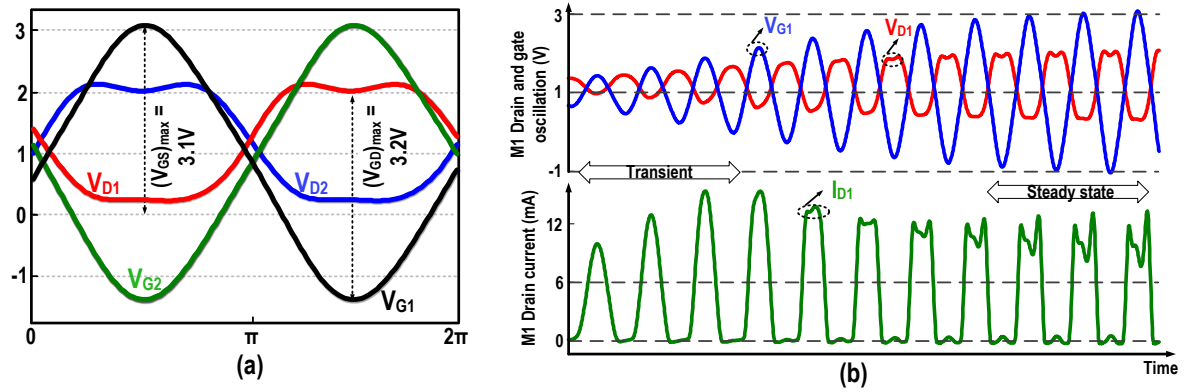


Figure 2.12: (a) Oscillation voltage waveforms and (b) transient response of the class-F oscillator.

operation [38], [39]. The costs are larger parasitics capacitance and slightly lower frequency tuning range.

The frequency tuning requires a bit different consideration in the class-F oscillator. Both  $C_1$  and  $C_2$  must, at a coarse level, be changed simultaneously to maintain  $L_s C_2 / L_p C_1$  ratio such that  $\omega_2$  aligns with  $3\omega_1$ .

Figure 2.12 (b) shows the transient response of the class-F oscillator. At power up, the oscillation voltage is very small and the drain current pulses have narrow and tall shape. Even though the tank has an additional impedance at  $3\omega_1$ , the  $3^{rd}$  harmonic component of the drain current is negligible and, consequently, the drain oscillation resembles a sinusoid. At steady state, gate oscillation voltage swing is large and the gm-device drain current is square-wave. Consequently, the combination of the tank input impedance with significant drain's  $3^{rd}$  harmonic component results in the pseudo-square wave for the drain oscillation voltage. This justifies its "class-F" designation.

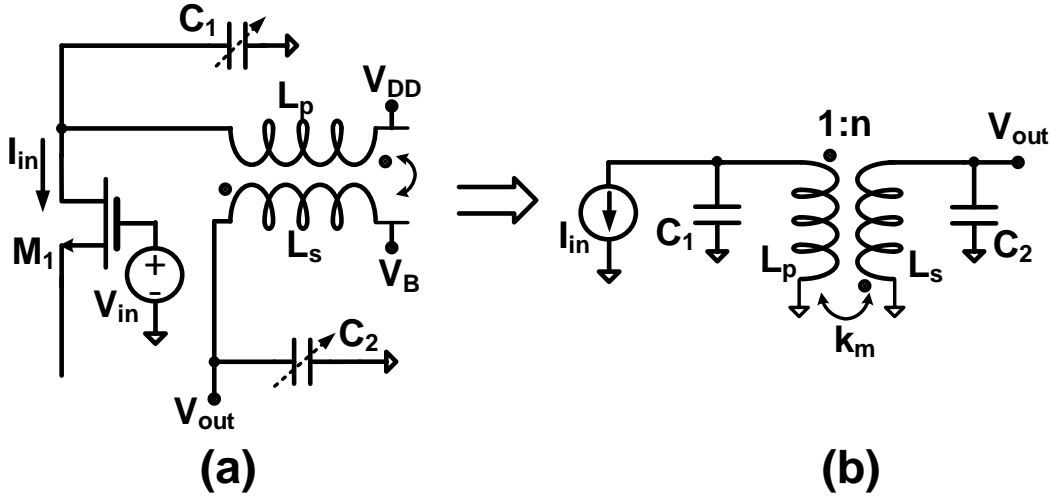


Figure 2.13: Open-loop circuit for unloaded Q-factor calculation (a); its equivalent circuit (b).

## 2.3 Class-F Phase Noise Performance

### 2.3.1 Quality Factor of Transformer-based Resonator

The Q-factor of the complex tank, which comprises two coupled resonators, does not appear to be as straightforward in intuitive understanding as the Q-factor of the individual physical inductors. It is, therefore, imperative to understand the relationship between the open-loop Q-factor of *the tank* versus the Q-factor of the inductive and capacitive parts of the resonator.

First, suppose the tuning capacitance losses are negligible. Consequently, the oscillator equivalent Q-factor just includes the tank's inductive part losses. The open-loop Q-factor of the oscillator is defined as  $\omega_0/2 \cdot d\phi/d\omega$ , where  $\omega_0$  is the resonant frequency and  $d\phi/d\omega$  denotes the slope of the phase of the oscillator open-loop transfer function [40]. To determine the open-loop Q, we need to break the oscillator loop at the gate of  $M_1$ , as shown in Fig. 2.13. The open-loop transfer function is thus given by

$$H(s) = \frac{V_{out}}{I_{in}} = \frac{Ms}{As^4 + Bs^3 + Cs^2 + Ds + 1} \quad (2.20)$$

where,  $A = L_p L_s C_1 C_2 (1 - k_m^2)$ ,  $B = C_1 C_2 (L_s r_p + L_p r_s)$ ,  $C = L_p C_1 + L_s C_2 + r_p r_s C_1 C_2$ , and,  $D = r_p C_1 + r_s C_2$ . After carrying out lengthy algebra and considering  $(1 - C\omega^2 + A\omega^4 \approx 0)$  at the resonant frequencies,

$$Q_i = -\frac{\omega}{2} \frac{d\phi(\omega)}{d\omega} = \frac{(C\omega - 2A\omega^3)}{(D - B\omega^2)} \quad (2.21)$$

Substituting A, B, C and D into (2.21), then swapping  $r_p$  and  $r_s$  with  $L_p\omega/Q_p$  and  $L_s\omega/Q_s$ , respectively, and assuming  $Q_p Q_s \gg 1$ , we obtain

$$Q_i = \frac{(L_p C_1 + L_s C_2) - 2(L_p L_s C_1 C_2 (1 - k_m^2)) \omega^2}{\left(\frac{L_p C_1}{Q_p} + \frac{L_s C_2}{Q_s}\right) - \left(C_1 C_2 L_s L_p \left(\frac{1}{Q_p} + \frac{1}{Q_s}\right)\right) \omega^2} \quad (2.22)$$

Substituting (2.5) as  $\omega$  into the above equation and carrying out the mathematics, the tank's

inductive part Q-factor at the main resonance is

$$Q_i = \frac{(1 + X^2 + 2k_m X)}{\left(\frac{1}{Q_p} + \frac{X^2}{Q_s}\right)} \quad (2.23)$$

To help with an intuitive understanding, let us consider a boundary case. Suppose, that  $C_2$  is negligible. Therefore,  $X$ -factor is zero and (2.23) predicts that the  $Q_i$  equals to  $Q_p$ . This is not surprising, because no energy would be stored at the transformer's secondary winding and its Q-factor would not have any contribution to the equivalent Q-factor of the tank. In addition, (2.23) predicts that the equivalent Q-factor of the tank's inductive part can exceed Q-factors of the individual inductors. To the authors' best knowledge, this is the first ever report of quantifying the equivalent Q-factor of the transformer-based resonator at its resonant frequency in a general case that clearly proves Q-factor enhancement over that of the transformer's individual inductors. The maximum tank's inductive part Q-factor is obtained at the following  $X$ -factor for a given  $k_m$ ,  $Q_p$  and  $Q_s$ .

$$X_{Q_{max}} = \frac{Q_s}{Q_p} \quad (2.24)$$

For a typical case of  $Q_s = Q_p = Q_0$ , the maximum  $Q_i$  at  $\omega_1$  is calculated by

$$X_{Q_{i,max}} = 1 \rightarrow Q_{i,max} = Q_0 (1 + k_m) \quad (2.25)$$

The above equation indicates that the equivalent Q-factor of the inductive part of the transformer-based resonator can be enhanced by a factor of  $1 + k_m$  at the optimum state. However, it does not necessarily mean the Q-factor of the transformer-based tank generally is superior to the simple LC resonator. The reason is that it is not possible to optimize the Q-factor of both windings of a 1: $n$  transformer at a given frequency and one needs to use lower metal layers for the transformer cross connections, which results in more losses and lower Q-factor [41], [42]. For this prototype, the  $X$ -factor is around 3 with  $k_m=0.7$  and the simulated  $Q_p$  and  $Q_s$  are 14 and 20 respectively. Based on (2.23), the equivalent Q-factor of the inductive part of the tank would be about 26, which is higher than that of the transformers' individual inductors. The Q-factor of the switched capacitance largely depends on the tuning range (TR) and operating frequency of the oscillator and is about 42 for the TR of 25% at 7 GHz resulting in an average Q-factor of 16 for the tank in this design.

### 2.3.2 Phase Noise Mechanism in Class-F Oscillator

According to the linear time-variant model [31], the phase noise of the oscillator at an offset frequency  $\Delta\omega$  from its fundamental frequency is expressed as,

$$L(\Delta\omega) = 10 \log_{10} \left( \frac{\sum_i N_{L,i}}{2 q_{max}^2 (\Delta\omega)^2} \right) \quad (2.26)$$

where,  $q_{max}$  is the maximum charge displacement across the tuning capacitor  $C$ , and  $N_{L,i}$  is the effective noise produced by  $i^{th}$  device given by

$$N_{L,i} = \frac{1}{2\pi N^2} \int_0^{2\pi} \Gamma_i^2(t) \overline{i_{n,i}^2(t)} dt \quad (2.27)$$

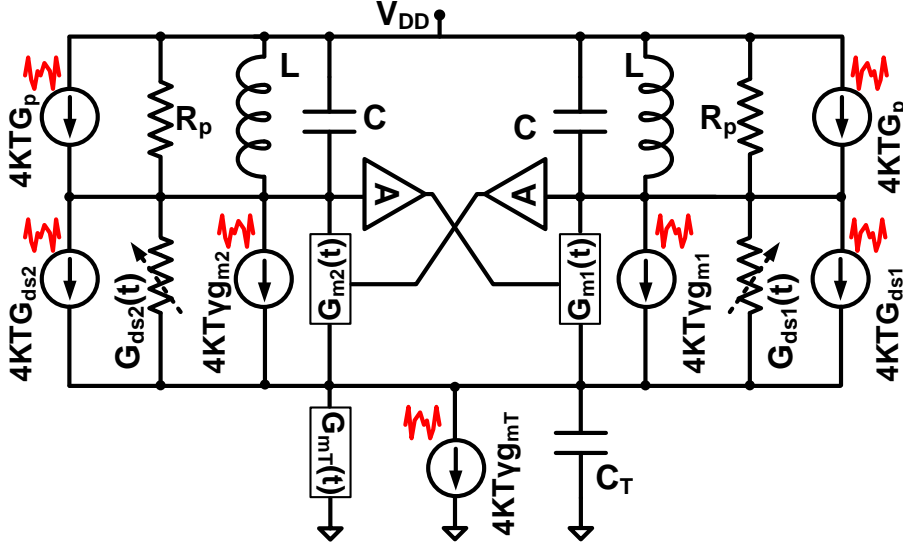


Figure 2.14: RF CMOS oscillator noise sources.

where  $\overline{i_{n,i}^2(t)}$  is the white current noise power density of the  $i^{th}$  noise source,  $\Gamma_i$  is its relevant ISF function from the corresponding  $i^{th}$  device noise, and  $N$  is the number of resonators in the oscillator.  $N$  is considered one for single-ended and two for differential oscillator topologies with a single LC tank [25].

Figure 2.14 illustrates the major noise sources of CMOS class-B, C and F oscillators.  $R_p$  and  $G_{ds1,2}(t)$  represent the equivalent tank parallel resistance and channel conductance of the gm transistors, respectively. On the other hand,  $G_{m1,2}$  and  $G_{mT}$  model the noise due to transconductance gain of active core and current source transistors, respectively. By substituting (2.27) into (2.26) and carrying out algebra, the phase noise equation is simplified to

$$L(\Delta\omega) = 10 \log_{10} \left( \frac{K_B T R_p}{2 Q_t^2 V_p^2} \cdot F \cdot \left( \frac{\omega_0}{\Delta\omega} \right)^2 \right) \quad (2.28)$$

where  $Q_t$  is the tank's equivalent quality factor and  $V_p$  is the maximum oscillation voltage amplitude, derived by

$$V_p = \begin{cases} \left( \frac{1}{3} + \zeta \right) \sqrt{\left( 1 + \frac{1}{3\zeta} \right) \cdot \alpha_I \cdot R_p \cdot I_B}, & \frac{1}{9} \leq \zeta \leq 1 \\ (1 - \zeta) \cdot \alpha_I \cdot R_p \cdot I_B, & 0 \leq \zeta \leq \frac{1}{9} \end{cases} \quad (2.29)$$

where  $\alpha_I$  is the current conversion efficiency of the oscillator, expressed as the ratio of the fundamental component of gm-devices drain current to dc current  $I_B$  of the oscillator.  $F$  in (2.28) is the effective noise factor of the oscillator, expressed by

$$F = \sum_i \frac{1}{2\pi} \int_0^{2\pi} \Gamma_i^2(t) \frac{\overline{i_{n,i}^2(t)} R_p}{4K_B T} dt \quad (2.30)$$

Suppose that  $C_T$  is large enough to filter out the thermal noise of the tail transistor. Consequently,  $F$  consists of the noise factor of the tank ( $F_{tank}$ ), transistor channel conductance

( $F_{GDS}$ ) and gm of core devices ( $F_{GM}$ ). The expressions of  $F_{tank}$  and  $F_{GDS}$  are,

$$F_{Tank} = \frac{1}{\pi} \int_0^{2\pi} \Gamma_{tank}^2(t) dt = 2\Gamma_{rms}^2 \approx \frac{1 + 9\zeta^2}{(1 + 3\zeta)^2} \quad (2.31)$$

$$F_{GDS} = \frac{1}{\pi} \int_0^{2\pi} \Gamma_{MOS}^2(t) G_{DS1}(t) R_P dt \approx 2\Gamma_{rms}^2 R_P \cdot G_{DS1EF} \quad (2.32)$$

where  $G_{DS1EF}$  is the effective drain-source conductance of one of the gm-devices expressed by

$$G_{DS1EF} = G_{DS1}[0] - G_{DS1}[2] \quad (2.33)$$

where  $G_{DS1}[k]$  describes the  $k_{th}$  Fourier coefficient of the instantaneous conductance,  $G_{ds1}(t)$  [43].  $F_{GM}$  can be calculated by

$$F_{GM} = \frac{1}{\pi} \int_0^{2\pi} \Gamma_{MOS}^2(t) \gamma G_{m1}(t) R_P dt \approx 2\Gamma_{rms}^2 \cdot \gamma \cdot R_P \cdot G_{M1EF} \quad (2.34)$$

Now, the effective negative transconductance of the oscillator needs to overcome the tank and its own channel resistance losses and therefore the noise due to  $G_M$  also increases.

$$G_{M1EF} = \frac{1}{A} \left( \frac{1}{R_P} + G_{DS1EF} \right) \quad (2.35)$$

where  $A$  is the voltage gain of feedback path between the tank and MOS gate. By substituting (2.35) into (2.34)

$$F_{GM} = 2 \Gamma_{rms}^2 \cdot \frac{\gamma}{A} \cdot (1 + R_P G_{DS1EF}) \quad (2.36)$$

Consequently, the effective noise factor of the oscillator is given by

$$F = 2 \Gamma_{rms}^2 \cdot \left( 1 + \frac{\gamma}{A} \right) \cdot (1 + R_P G_{DS1EF}) \quad (2.37)$$

This is a general result and applicable to the class-B, C and F. The oscillator FoM normalizes the phase noise performance to the oscillation frequency and power consumption, yielding

$$FoM = -10 \cdot \log_{10} \left( \frac{10^3 K_B T}{2 Q_t^2 \alpha_I \alpha_V} \cdot 2\Gamma_{rms}^2 \cdot \left( 1 + \frac{\gamma}{A} \right) \cdot (1 + R_P G_{DS1EF}) \right) \quad (2.38)$$

where  $\alpha_V$  is the voltage efficiency, defined as  $V_P/V_{DD}$ . To get a better insight, the circuit-to-phase noise mechanism, relative phase noise and power efficiency of different oscillator classes are also investigated and compared together in this section. Figure 2.15 (a-f) shows the oscillation voltage and drain current for the traditional, class-C and the proposed class-F oscillators for the same  $V_{DD}$  (i.e., 1.2 V), tank Q-factor (i.e., 15) and  $R_P$  (i.e., 220  $\Omega$ ).

The  $\alpha_V$  must be around 0.8 for the class B and F oscillators due to the voltage drop  $V_{dsat}$  across tail transistor needed to keep it in saturation. The combination of the tail capacitance and entering the gm-devices into the linear region reduces  $\alpha_I$  of class-B from the theoretical value of  $2/\pi$  to around 0.55. Fortunately,  $\alpha_I$  is maintained around  $2/\pi$  for class-F due to the pseudo-square drain voltage and larger gate amplitude. The class-C oscillator with a dynamic bias of the active transistor offers significant improvements over the traditional class-C, and



Table 2.2: Comparison of different oscillator's classes for the same  $V_{DD}$  (1.2 V), tank Q-factor (15),  $R_P$  (i.e. 220  $\Omega$ ), and carrier frequency (7 GHz) at 3 MHz offset frequency.

	Theoretical expression	Class-B	Class-C	Class-F
$F_{RP}$	$2\Gamma_{rms}^2$	1 (average)	1 (average)	0.7 (best)
$F_{GDS}$	$2\Gamma_{rms}^2 R_P G_{DSEF1}$	0.56 (worst)	0.07 (best)	0.27 (average)
$F_{GM}$	$2\Gamma_{rms}^2 \frac{\gamma}{A} (1 + R_P G_{DS1EF})$	$1.56\gamma$ (worst)	$1.07\gamma$ (average)	$0.7\gamma$ (best)
$F$	$2 \Gamma_{rms}^2 \left(1 + \frac{\gamma}{A}\right) (1 + R_P G_{DS1EF})$	5.5 dB (worst)	3.9 dB (average)	2.8 dB (best)
$\alpha_I$	$I_{H1}/I_B$	0.55 (worst)	0.9 (best)	0.63 (average)
$\alpha_V$	$V_p/V_{DD}$	0.8 (best)	0.7 (average)	0.8 (best)
$PN$ (dBc/Hz)	$10 \log_{10} \left( \frac{K_B T R_p}{2 Q_0^2 V_p^2} \cdot F \cdot \left( \frac{\omega_0}{\Delta\omega} \right)^2 \right)$	-133.5 (worst)	-134 (average)	-136 (best)
$FoM$ (dB)	$-10 \log_{10} \left( \frac{1000 K_B T}{2 Q_0^2 \alpha_I \alpha_V} F \right)$	191.2 (worst)	194.5 (best)	194.2 ( $\approx$ best)

maximizes the oscillation amplitude without compromising the robustness of the oscillator start-up [44]. Nevertheless, its  $\alpha_V$  is around 0.7 to avoid gm-devices entering the triode region. Class-C drain current composed of tall and narrow pulses results in  $\alpha_I$  equal to 0.9 (ideally 1).

Obtaining the ISF function is the first step in the calculation of the oscillator's effective noise factor. The class-B/C ISF function is a sinusoid in quadrature with the tank voltage [25], [45]. However, finding the exact equation of class-F ISF is not possible, hence, we had to resort to painstakingly long Cadence<sup>TM</sup> simulations to obtain the ISF curves. Figure 2.15(g) shows the simulated class-F tank equivalent ISF function, which is smaller than the other classes for almost the entire oscillation period.

Figure 2.15(h) demonstrates the tank effective noise factor along the oscillation period for different oscillator classes. The  $F_{RP}$  is 32% lower for the proposed class-F due to its special ISF properties. The gm-device  $M_1$  channel conductance across the oscillation period is shown in Fig. 2.15(i). As expected,  $G_{DS1}(t)$  of class-F exhibits the largest peak due to high oscillation swing at the gate and, consequently, injects more noise than other structures to the tank. On the other hand, class-C operates only in the saturation region and its effective transistor conductance is negligible. Figure 2.15(j) stronger emphasizes that the gm-device resistive channel noise could even be 7 times higher than the tank noise when the  $M_1$  operates in the linear region. To get a better insight, one need to simultaneously focus on Figs. 2.15(j) and (k). Although the class-F  $G_{DS1}$  generates lots of noise in the second half of the period, its relevant ISF value is very small there. Hence, the excessive transistor channel noise cannot convert to the phase noise and as shown in Fig. 2.15(l), the  $F_{GDS}$  of class-F is one half of the traditional oscillator. The transconductance loop gain of the different oscillator structures are shown in Fig. 2.15(m). Class-F needs to exhibit the highest effective transconductance loop gain to compensate its larger gm-devices channel resistance losses. However, half of the required loop gain is covered by the transformer-based tank voltage gain. Figure. 2.15(o) demonstrates the active device effective noise factor along the oscillation period. Class-F offers the lowest  $F_{GM}$  due to its special ISF

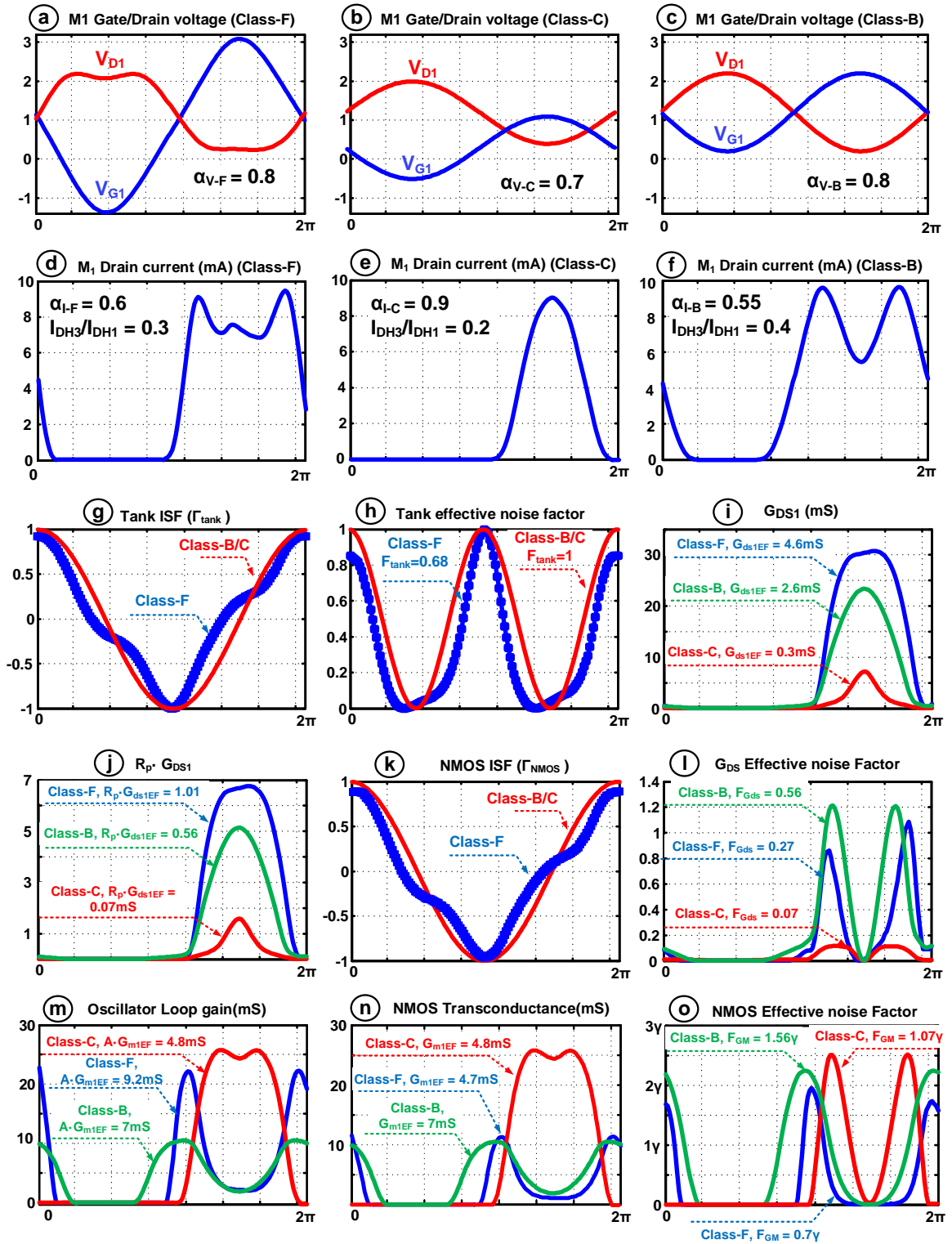


Figure 2.15: Mechanisms of circuit noise to phase noise conversion in different classes of RF CMOS oscillator.

nature and the passive voltage gain between the tank and gate of the gm-transistors.

Table 2.2 summarizes the performance of different oscillator classes of this example. It can be concluded that class-F oscillator achieves the lowest circuit-to-phase noise conversion along the best phase noise performance with almost the same power efficiency as the class-C oscillator.

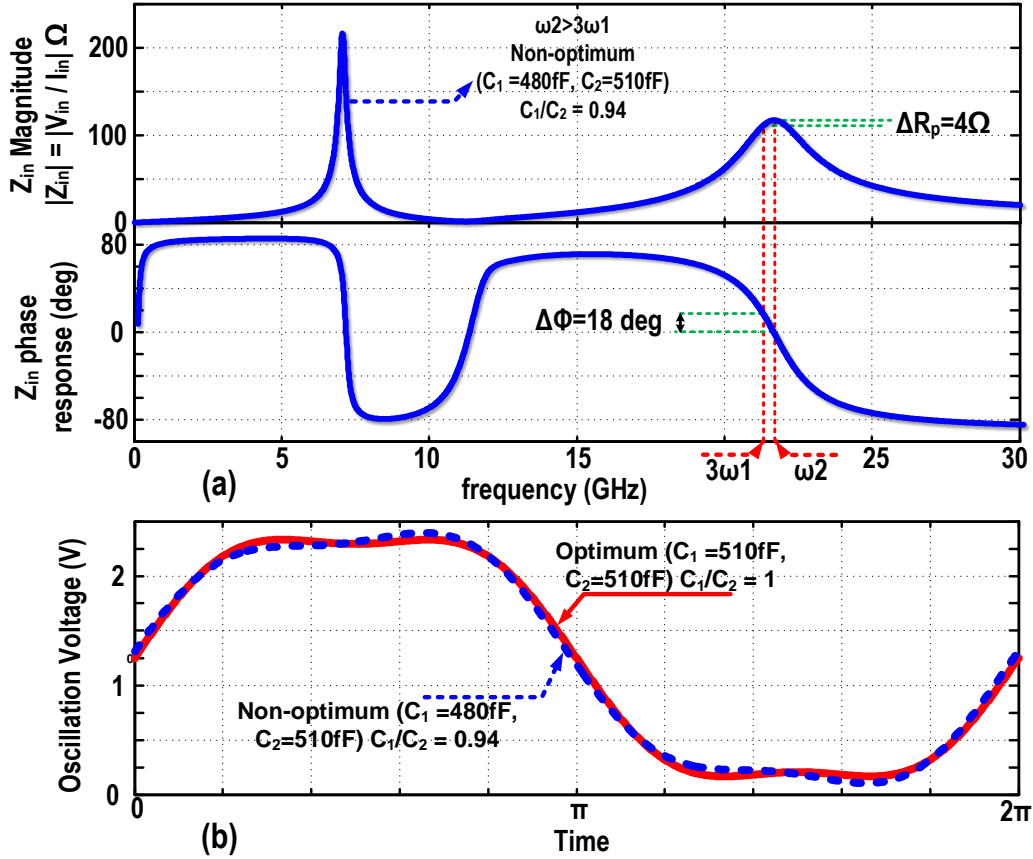


Figure 2.16: Sensitivity of class-F oscillator to the position of the second resonant frequency: tank's input impedance magnitude and phase (top), oscillation waveform (bottom).

The use of transformer in the Class-F configuration offers an additional reduction of the  $1/f^3$  phase noise corner. The transformer inherently rejects the common-mode signals. Hence, the  $1/f$  noise of the tail current source can appear at the transformer's primary but it will be effectively filtered out on the path to the secondary winding. Consequently, the AM-to-PM conversion at the  $C_2$  switched capacitors is entirely avoided.

Another  $1/f$  phase noise conversion mechanism is called Groszkowski effect [46]. Groszkowski demonstrated that the presence of harmonic components of the active device current in the tank can cause a frequency drift from the tank resonance [47]. The harmonic components of the drain current mainly take the capacitance path due its lower impedance. As a consequence, the oscillation frequency must shift down to satisfy the resonance condition. Consequently, any variation in harmonic-to-fundamental drain current value due to the  $1/f$  noise of  $M_T$  can modulate Groszkowski's frequency shift and show itself as a low frequency noise in the phase noise sidebands [47]. The class-F tank has fortunately two impedance peaks at the fundamental oscillation frequency and its  $3^{rd}$  harmonic. Hence, the  $3^{rd}$  harmonic component (i.e., the strongest among the higher harmonics) of drain current flows to the resistive part of the tank and does not contribute to Groszkowski's frequency shift. It effectively reduces the  $1/f$  noise upconversion to the  $1/f^3$  phase noise due to Groszkowski phenomenon.

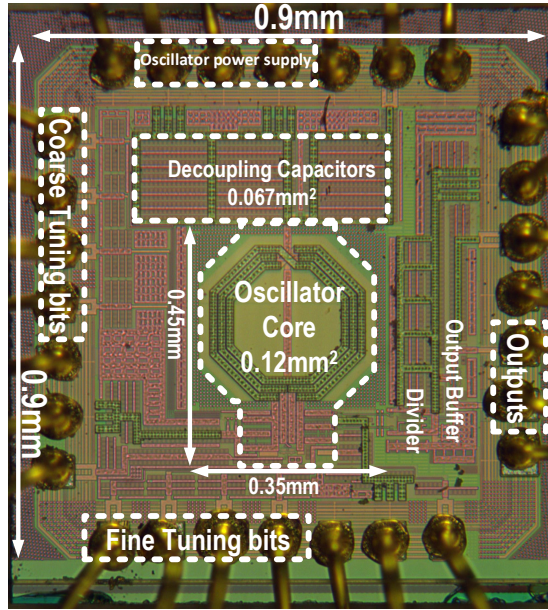


Figure 2.17: Die photograph of class-F oscillator.

### 2.3.3 Class-F Operation Robustness

Figure 2.16(a) illustrates the tank input impedance magnitude and phase for the imperfect position of the second resonance frequency  $\omega_2$ . A 6% mismatch is applied to the  $C_2/C_1$  ratio, which shifts  $\omega_2$  to frequencies higher than  $3\omega_1$ . Hence, the 3<sup>rd</sup> harmonic of the drain current is multiplied by a lower impedance magnitude with a phase shift resulting in a distorted pseudo-square oscillation waveform as shown in Fig. 2.16(b). Intuitively, if the Q-factor at  $\omega_2$  was smaller, the tank impedance bandwidth around it would be wider. Therefore, the tank input impedance phase shift and magnitude reduction would be less for a given  $\omega_2$  drift from  $3\omega_1$ . As a consequence, the oscillator would be less sensitive to the position of  $\omega_2$  and thus the tuning capacitance ratio. Based on the open-loop Q-factor analysis, substituting  $\omega^2 \approx 9/(L_s C_2 + L_p C_1)$  into (2.22), the  $Q_i$  is obtained as  $0.3Q_0$  at  $\omega_2$ . Fortunately enough, the proposed tank configuration automatically reduces the equivalent tank Q-factor at  $\omega_2$  to 30% of the main resonance Q-factor. This is completely in line with the desire to reduce the sensitivity to the position of  $\omega_2$  in class-F. Consequently, a realistic example  $\pm 30$  fF variation in  $C_1$  from its optimum point has absolutely no major side effects on the oscillator waveform and thus its phase noise performance, as apparent from Fig. 2.16. It is strongly emphasized that the circuit oscillates based on  $\omega_1$  resonance and low Q-factor at  $\omega_2$  has no adverse consequence on the oscillator phase noise performance.

## 2.4 Experimental Results

### 2.4.1 Implementation Details

The class-F oscillator, whose schematic was shown in Fig. 2.10(a), has been realized in TSMC 1P7M 65-nm CMOS technology with Alucap layer. The differential transistors are thick-oxide devices of  $12(4\text{-}\mu\text{m}/0.28\text{-}\mu\text{m})$  dimension to withstand large gate voltage swing. However, the tail

current source  $M_T$  is implemented as a thin-oxide  $500\text{-}\mu\text{m}/0.24\text{-}\mu\text{m}$  device biased in saturation. The large channel length is selected to minimize its  $1/f$  noise. Its large drain-bulk and drain-gate parasitic capacitances combined with  $C_T = 2$  pF MOM capacitor shunt the  $M_T$  thermal noise to ground. The step-up 1:2 transformer is realized by stacking the  $1.45\ \mu\text{m}$  Alucap layer on top of the  $3.4\ \mu\text{m}$  thick top (M7 layer) copper metal. Its primary and secondary differential self-inductances are about 500 pH and 1500 pH, respectively, with the magnetic coupling factor of 0.73. The transformer was designed with a goal of maximizing Q-factor of the secondary winding,  $Q_s$ , at the desired operating frequency. Based on (2.23),  $Q_s$  is the dominant factor in the tank equivalent Q-factor expression, provided  $(L_s C_2)/(L_p C_1)$  is larger than one, which is valid for this oscillator prototype. In addition, the oscillation voltage is sinusoidal across the secondary winding. It means the oscillator phase noise is more sensitive to the circuit noise at the secondary winding compared to the primary side with the pseudo-square waveform. Four switched MOM capacitors  $B_{C0} - B_{C3}$  placed across the secondary winding realize coarse tuning bits, while the fine control bits  $B_{F0} - B_{F3}$  with LSB size of 20 fF adjust the position of  $\omega_2$  near  $3\omega_1$ . The center tap of the secondary winding is connected to the bias voltage, which is fixed around 1 V to guarantee safe oscillator start-up in all process corners. A resistive shunt buffer interfaces the oscillator output to the dynamic divider [4]. A differential output buffer drives a  $50\text{-}\Omega$  load. The separation of the oscillator core and divider/output buffer voltage supplies and grounds serves to maximize the isolation between the circuit blocks. The die micrograph is shown in Fig. 2.17. The oscillator core die area is  $0.12\ \text{mm}^2$ .

## 2.4.2 Measurement Results

The measured phase noise at 3.7 GHz (after the on-chip  $\div 2$  divider) at 1.25 V and 12 mA current consumption is shown in Fig. 2.18. The phase noise of  $-142.2$  dBc/Hz at 3 MHz offset lies on the 20 dB/dec slope, which extrapolates to  $-158.7$  dBc/Hz at 20 MHz offset ( $-170.8$  dBc/Hz when normalized to 915 MHz) and meets the GSM TX mobile station (MS) specification with a very wide 8 dB margin. The oscillation purity of the class-F oscillator is good enough to compare its performance to cellular basestation (BTS) phase noise requirements. The GSM/DCS “Micro” BTS phase noise requirements are easily met. However, the phase noise would be off by 3 dB for the toughest DCS-1800 “Normal” BTS specification at 800 kHz offset frequency [48]. The  $1/f^3$  phase noise corner is around 700 kHz at the highest frequency due to the asymmetric layout of the oscillator differential nodes further magnified by the dominance of parasitics in the equivalent tank capacitance. The  $1/f^3$  phase noise corner moves to around 300 kHz at the middle and low part of the tuning range. The noise floor is  $-160$  dBc/Hz and dominated by thermal noise from the divider and buffers. The oscillator has a 25% tuning range, from 5.9 to 7.6 GHz. Figure 2.19 (a) shows the average phase noise performance of 4 samples at 3 MHz offset frequency across the tuning range (after the divider), together with the corresponding FoM. The average FoM is as high as 192 dBc/Hz and varies about 2 dB across the tuning range. The divided output frequency versus supply is shown in Fig. 2.19 (b) and reveals very low frequency pushing of 50 MHz/V and 18 MHz/V at the highest and lowest frequencies, respectively.

The phase noise of the class-F oscillator was measured at the fixed frequency of 3.5 GHz for two configurations. In the first configuration, the  $C_2/C_1$  ratio was set to one to align the second resonant frequency  $\omega_2$  exactly at the 3<sup>rd</sup> harmonic of the fundamental frequency  $\omega_1$ . This is the optimum configuration of the class-F oscillator (Fig. 2.20, top). In the second configuration,

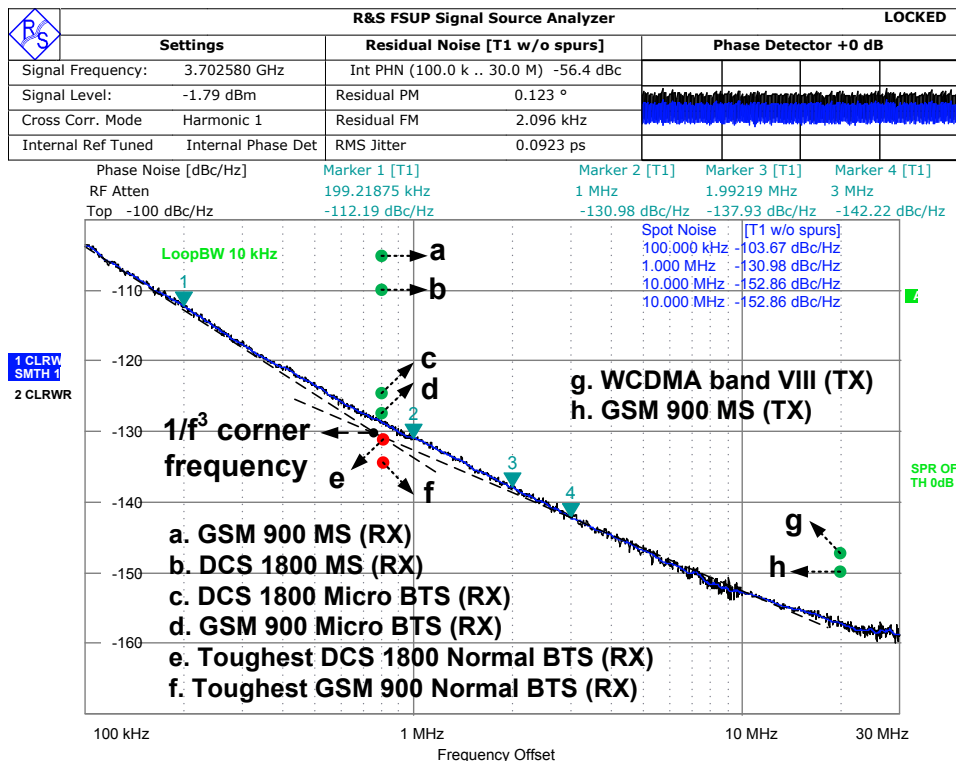


Figure 2.18: Measured phase noise at 3.7 GHz and power dissipation of 15 mW. Specifications (MS: mobile station, BTS: basestation) are normalized to the carrier frequency.

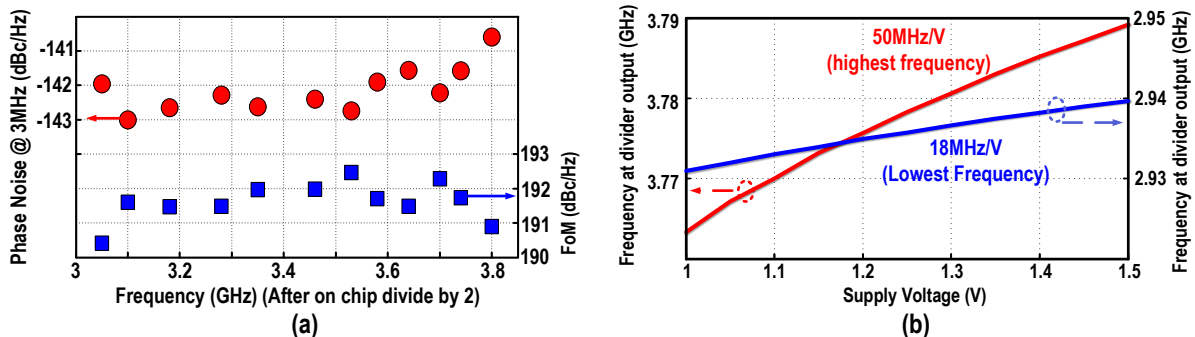


Figure 2.19: (a) Phase noise and figure-of-merit (FoM) at 3 MHz offset versus carrier frequency and (b) frequency pushing due to supply voltage variation.

the oscillation frequency is kept fixed but an unrealistically high 40% mismatch was applied to the  $C_2/C_1$  ratio, which lowers  $\omega_2$ , in order to see its effects on the phase noise performance (see Fig. 2.20, bottom). As a consequence, the 3<sup>rd</sup> harmonic component of the drain oscillation voltage is reduced and a phase shift can be seen between voltage waveform components at  $3\omega_1$  and  $\omega_1$ . Therefore, its ISF rms value is worse than optimum, thus causing a 2 dB phase noise degradation in the 20 dB/dec region. In addition, the voltage waveform demonstrates more asymmetry in the rise and fall times, which translates to the non-zero ISF dc value and increases the upconversion factor of the 1/f noise corner of gm-devices. As can be seen in Fig. 2.20, the 1/f<sup>3</sup> phase noise corner is increased by 25% or 100 kHz in the non-optimum case. It results in a 3 dB phase noise penalty in the flicker noise region.

Table 2.3 summarizes performance of the proposed class-F oscillator and compares it with

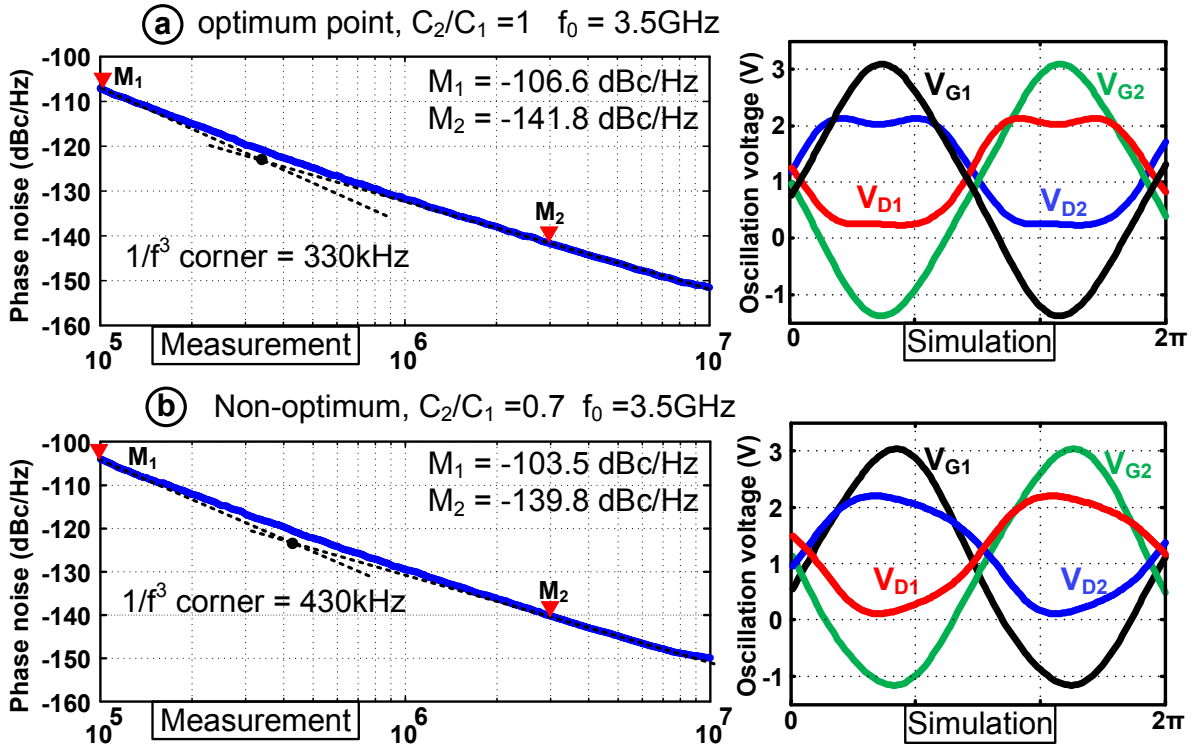


Figure 2.20: Measured phase noise at 3.5 GHz and simulated oscillation waveforms: (a) optimum case; (b) exaggerated non-optimum case.

the relevant state-of-the-art. The class-F demonstrates a 5 dB phase noise and 7 dB FoM improvements over the traditional commercial oscillator [4] with almost the same tuning range. For the same phase noise performance range (-154 to -155 dBc/Hz) at 3 MHz offset for the normalized 915 MHz carrier, the class-F oscillator consumes only 15 mW, which is much lower than with Colpitts [49], class B/C [28], and clip-and-restore [48] topologies. Only the noise-filtering-technique oscillator [26] offers a better power efficiency but at the cost of an extra dedicated inductor and thus larger die. Also, it uses a 2.5V supply thus making it unrealistic in today's scaled CMOS. From the FoM point of view, the class-C oscillator [27] exhibits a better performance than the class-F oscillator. However, the voltage swing constraint in class-C limits its phase noise performance. As can be seen, the class-F demonstrates more than 6 dB better phase noise with almost the same supply voltage. Consequently, the class-F oscillator has reached the best phase noise performance with the highest power efficiency at low voltage supply without the die area penalty of the noise-filtering technique or voltage swing constraint of the class-C VCOs.

## 2.5 Conclusion

We have proposed a new structure for LC-tank oscillators that introduces an impedance peak around the third harmonic of the oscillating waveform such that the third harmonic of the active device current converts into voltage and, together with the fundamental component, creates a pseudo-square oscillation voltage. The additional peak of the tank impedance is realized with a transformer-based resonator. As a result, the oscillator impulse sensitivity



Table 2.3: Comparison of state-of-the-art oscillators.

	This work	[27]	[26]	[48]	[28]	[49]	[4]	[37]
<b>Technology</b>	CMOS 65nm	CMOS 130nm	CMOS 350 $\mu$ m	CMOS 65nm	CMOS 55nm	BiCMOS 0.130 $\mu$ m	CMOS 90nm	CMOS 65nm
<b>Supply voltage (V)</b>	1.25	1	2.5	1.2	1.5	3.3	1.4	0.6
<b>Frequency (GHz)</b>	3.7 <sup>1</sup>	5.2	1.2	3.92 <sup>1</sup>	3.35 <sup>1</sup>	1.56	0.915	3.7
<b>Tuning range (%)</b>	25	14	18	10.2	31.4	9.6	24.3	77
<b>PN at 3 MHz (dBc/Hz)</b>	-142.2	-141.2	-152	-141.7	-142	-150.4	-149	-137.1
<b>Norm. PN<sup>2</sup> (dBc/Hz)</b>	-154.3	-147.5	-154.8	-154.4	-153.3	-155	-149	-149.21
<b>I<sub>DC</sub> (mA)</b>	12	1.4	3.74	18	12	88	18	17.5
<b>Power consumption (mW)</b>	15	1.4	9.25	25.2	27	290	25.2	10.5
<b>FoM<sup>3</sup> (dB)</b>	192.2	195	195	189.9	189	180	184.6	188.7
<b>FoM<sub>T</sub><sup>4</sup> (dB)</b>	200.2	198.4	200.7	190	199	179.7	192.3	206.5
<b>Inductor/transformer No.</b>	1	1	2	2	1	1	1	1
<b>Area (mm<sup>2</sup>)</b>	0.14	0.11	N/A	0.19	0.196	N/A	N/A	0.294
<b>Oscillator structure</b>	Class F	Class C	Noise Filtering	Clip-and- Restore	Class B/C	Colpitts	Tradi- tional	Dual mode

<sup>1</sup>after on-chip  $\div 2$  divider,<sup>2</sup> phase noise at 3 MHz offset frequency normalized to 915 MHz carrier,<sup>3</sup>  $FOM = |PN| + 20 \log_{10}((f_0/\Delta f)) - 10 \log_{10}(P_{DC}/1mW)$ ,<sup>4</sup>  $FOM_T = |PN| + 20 \log_{10}((f_0/\Delta f) (TR/10)) - 10 \log_{10}(P_{DC}/1mW)$ 

function reduces thus lowering the conversion sensitivity of phase noise to various noise sources, whose mechanisms are analyzed in depth. Chief of these mechanisms arises when the active gm-devices periodically enter the triode region during which the LC-tank is heavily loaded while its equivalent quality factor is significantly reduced. The voltage gain, relative pole position, impedance magnitude and equivalent quality factor of the transformer-based resonator are quantified at its two resonant frequencies. The gained insight reveals that the secondary to the primary voltage gain of the transformer can be even larger than its turns ratio. A comprehensive study of circuit-to-phase-noise conversion mechanisms of different oscillators' structures shows the proposed class-F exhibits the lowest phase noise at the same tank's quality factor and supply voltage. Based on this analysis, a class-F oscillator was prototyped in 65-nm CMOS technology. The measurement results prove that the proposed oscillator can achieve a state-of-the-art phase noise performance with the highest power efficiency at low voltage power supply without die area penalty or voltage swing constraint.

## 2.6 Extension of class-F<sub>3</sub> operation to mm-wave frequency generation

High data-rate wireless communications in the unlicensed 60-GHz band have recently aroused a great interest<sup>1</sup>. Complex modulation and coding schemes employed there require low distortion, leading to strict specifications on a transmit (TX) error vector magnitude (EVM). For example, the IEEE 802.11ad standard requires a TX EVM of -21 dB for a 16QAM modulation [51], which sets stringent phase noise (PN) requirement on the local oscillators (LOs) [52, 53]. Wide tuning range (TR) is also necessary to cover the specified frequency bands (e.g., 57–65 GHz) with

<sup>1</sup>The main contributor of this section is Zhirui Zong from TU Delft. This work has also been published in the IEEE Journal of Solid-State Circuits [50].



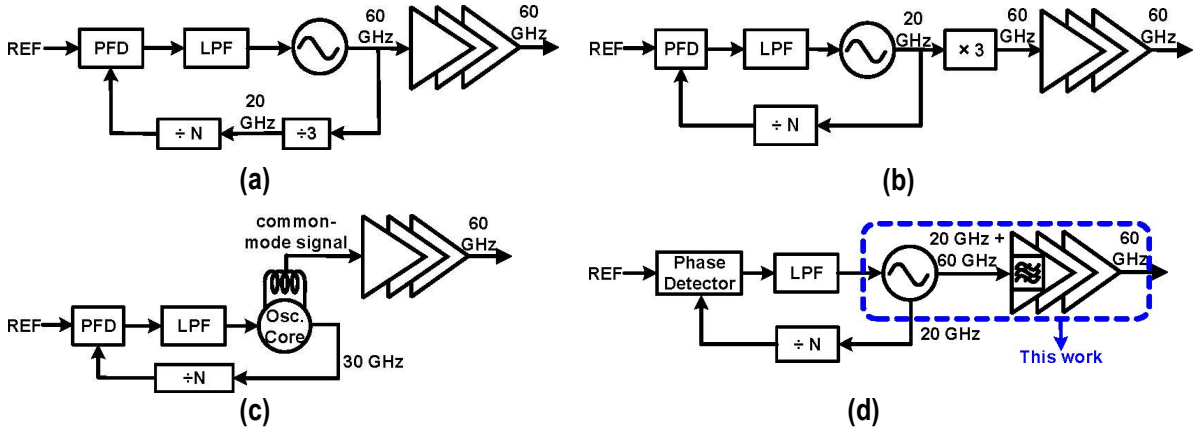


Figure 2.21: Evolution of the mm-wave PLL architecture (a): PLL with fundamental oscillator; (b): PLL with frequency multiplier; (c): PLL with push-push oscillator; (d): proposed PLL with harmonic boosting and extraction.

margin for process and temperature spreads. Meanwhile, long battery lifetime calls for high power-efficiency thus high figure-of-merit (FoM). Unfortunately, 60 GHz frequency generation in CMOS has typically suffered from poor PN, limited TR and high power consumption [54–59].

The traditional PLL architecture employs a 60 GHz oscillator (see Fig. 2.21 (a)), which feeds both a 60 GHz frequency divider back for a phase detection with a frequency reference clock, and a power amplifier to drive an antenna [55]. The difficulties of 60 GHz oscillators are: 1) the parasitic capacitance of active devices takes up a large share of the relatively small tank capacitance, thus limiting the frequency TR; 2) to achieve a TR of  $\geq 15\%$ , the poor Q-factor of the tuning capacitance dominates the Q-factor of the 60 GHz resonator, thus limiting the achievable PN. The 60 GHz frequency dividers must achieve large locking range to ensure sufficient overlap with the oscillator TR under PVT variations. However, there is a strong tradeoff between the locking range and the power consumption [60–62].

The aforementioned design challenges in the oscillators and frequency dividers are relieved in PLLs based on frequency multipliers (see Fig. 2.21 (b)) [57, 58, 63]. However, the 60 GHz frequency multipliers in this architecture typically have limited locking range, or consume large power, in order to achieve large locking range [63–66]. In PLLs with N-push oscillators (as shown in Fig. 2.21 (c) for  $N = 2$ ), the frequency dividers operate at  $60/N$  GHz, and frequency multipliers are avoided. However, this oscillator type suffers from low output power and mismatches among the N oscillators if  $N > 2$  [67–69].

To alleviate the design challenges for mm-wave oscillators and dividers without shifting more stress onto other blocks, a 60 GHz frequency generation technique based on a 20 GHz oscillator and an implicit  $\times 3$  frequency multiplier is proposed [70]. The basic concept of this work is to simultaneously generate both 20 GHz and a significant level of its third harmonic at 60 GHz inside a 20 GHz oscillator. The generated 60 GHz signal is fed forward to a buffer with natural bandpass filtering, whereas the 20 GHz signal is fed back for phase detection after further frequency division, as shown in Fig. 2.21 (d). Since the oscillator runs at the fundamental frequency of 20 GHz, its resonant tank achieves a better Q-factor than at 60 GHz, which leads to a better PN performance. Moreover, the tank has a larger inductance and capacitance. This increases the variable portion of the total tank capacitance and the frequency TR.

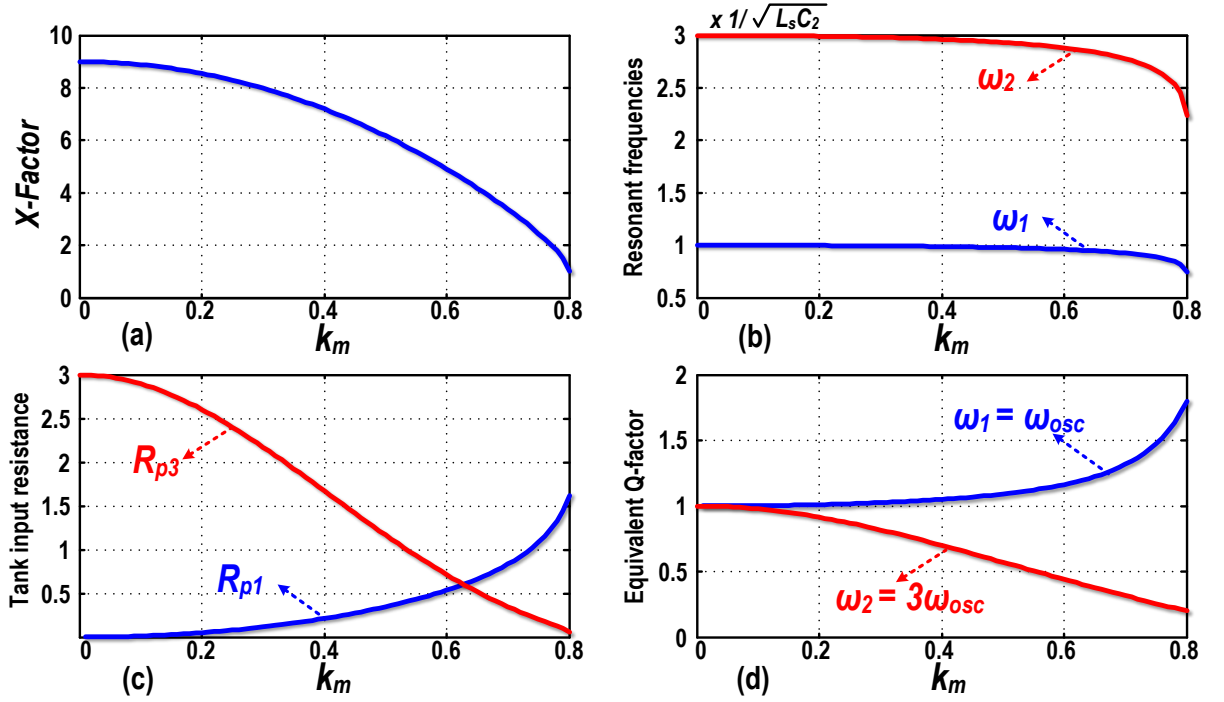


Figure 2.22: Dependency of (a) X-factor; (b) tank's first and second resonant frequencies; (c)  $R_{p1}$  and  $R_{p3}$ ; (d) tank's equivalent Q-factor on  $k_m$  (while  $\omega_2/\omega_1 = 3$ ).

As discussed in the previous sections, the third-harmonic injection technique has been exploited in a single-GHz oscillator to shape the oscillation waveforms for a better PN performance. In the original class-F oscillator [21], the magnitude ratio of the third-to-first harmonic components of the drain oscillation voltage was adjusted  $\sim 0.15$  to achieve the lowest circuit-to-phase noise sensitivity during the triode operation of core transistors. However, instead of acting as an auxiliary therein, the third-harmonic component in this work is the signal of interest; therefore, to make it sufficiently stronger, a larger  $R_{p3}/R_{p1}$  is desired. On the other hand, the equivalent Q-factor ( $Q_{eq}$ ) at the two resonant frequencies affect the oscillator performance dramatically. High  $Q_{eq}$  at  $\omega_{osc}$  promotes low PN, while low  $Q_{eq}$  at  $3\omega_{osc}$  is appreciated for better tolerance to the possible frequency misalignment between the second resonance and  $3\omega_{osc}$ . As we can see in Fig. 2.22 (c),  $R_{p1}$  decreases with smaller  $k_m$ , while  $R_{p3}$  behaves opposite. Therefore, smaller  $k_m$  is desired for larger  $R_{p3}/R_{p1}$ . However, as shown in Fig. 2.22 (d), larger  $k_m$  is required for high  $Q_{eq}$  at  $\omega_{osc}$  and low  $Q_{eq}$  at  $3\omega_{osc}$ . By reducing  $k_m$  for larger  $R_{p3}/R_{p1}$ , both the PN performance and the tolerance to the possible frequency misalignment between the second resonance and  $3\omega_{osc}$  will be degraded. As a tradeoff between large third harmonic and optimal oscillator performance,  $k_m = 0.61$  is chosen for  $R_{p3}/R_{p1} > 1$  with sufficient  $Q_{eq}$ . Under this condition, as evident from Fig. 2.22 (a), the ratio of  $\omega_2/\omega_1$  reaches the desired value of 3 for X-factor of 4.76.

With the above third-harmonic boosting technique, the magnitude ratio of the third-to-first harmonic components of the drain oscillation voltage increases to  $\sim 40\%$ . Consequently, the oscillator is able to generate a significant harmonic amplitude at  $\sim 60$  GHz in addition to the fundamental tone at  $\sim 20$  GHz. To obtain a clean output spectrum at 60 GHz, the fundamental tone needs to be filtered out. LO buffers, which are commonly found in 60 GHz transceivers, are good bandpass filters by nature and are able to provide such filtering capabilities.

To demonstrate the effectiveness of the proposed mm-wave frequency generation scheme,

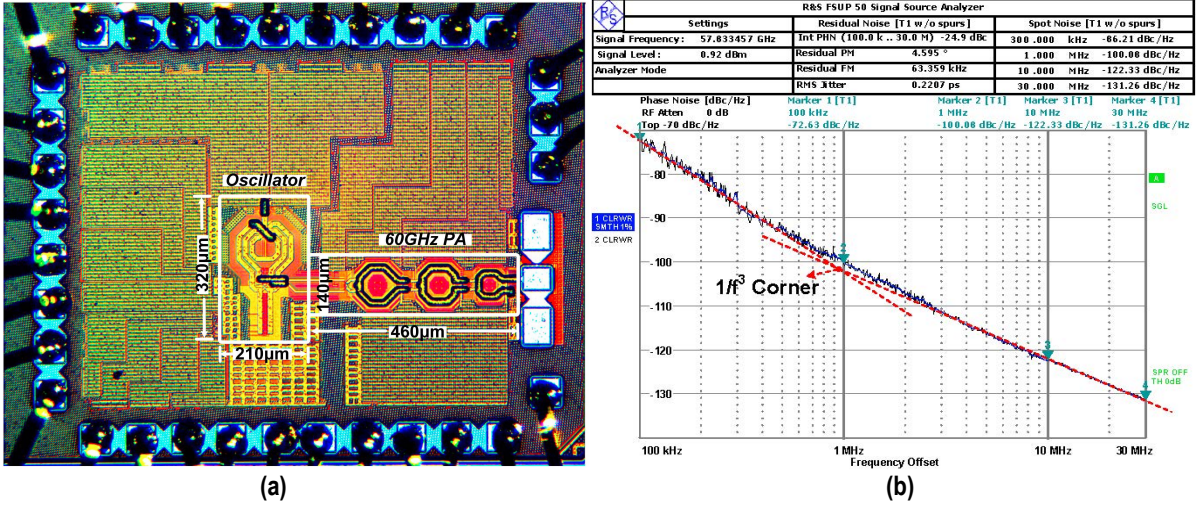


Figure 2.23: (a) Chip micrograph; (b) Measured phase noise at 57.8 GHz.

Table 2.4: Performance Comparison with State-of-the-Art 60 GHz Output Oscillator Systems.

		This work	[71]	[72]	[73]	[74]	[54]	[64]	[75]	[67]
<b>Technology (nm)</b>		40	90	130	90	65	40	65	65	32 SOI
<b>Type</b>		Harmonic extraction	Fundamental	Fundamental	Fundamental	Fundamental	Fundamental	Freq. tripling	Freq. tripling	CM extraction
<b>P<sub>DC</sub> (mW)</b>	Osc.	13.5	14	3.9	8.1	8.4-10.8	14	24	10.6	42
	buf.	10.5 <sup>1</sup>   22 <sup>2</sup>	NA	NA	NA	NA	NA	NA	NA	
	$\times / \div$ <sup>3</sup>	0	4.8	NA	NA	NA	10	23.3	14	0
<b>V<sub>DD</sub> (V)</b>		0.7/1   0.7	1.2	1	0.7	1.2	0.9	1.2/1	1.2	1
<b>TR (GHz)</b>		48.4-62.5 (25.4%)	55.8-61.6 (9.8%)	59-65.2 (10%)	53.2-58.4 (9.3%)	57.5-90.1 (41.1%)	53.8-63.3 (16%)	70.5-85.5 (19.2%)	58.3-65.4 (11.5%)	46.4-58.1 (22.4%)
<b>PN (dBc/Hz)</b>	1MHz	-100.1	-94	-95/-91	-91	NA	-91--94.5	-91.7--95.8	NA	-89
	10MHz	-122.3	NA	NA	NA	-104.6--112.2	NA	NA	-115	-118
<b>FoM (dBc/Hz)</b>	1MHz	181.5 <sup>1</sup>   179.8 <sup>2</sup>	176.8	185/181	177.2	NA	172.7-175.4	176.6	NA	167.7
	10MHz	183.7 <sup>1</sup>   182 <sup>2</sup>	NA	NA	NA	172-180	NA	NA	176.9	176.7
<b>FoM<sub>T</sub> (dBc/Hz)</b>	1MHz	189.6 <sup>1</sup>   187.9 <sup>2</sup>	176.6	185/181	176.6	NA	176.6-179.5	182.6	NA	174.7
	10MHz	191.8 <sup>1</sup>   190.1 <sup>2</sup>	NA	NA	NA	184.2-192.2	NA	NA	178.1	183.7

<sup>1</sup> including the power consumption of the first buffer/amplifier stage (10.5 mW) at  $V_{DD}=1.0$  V

<sup>2</sup> including the total power consumption of the three amplifier stages (22 mW) delivering 0 dBm at  $V_{DD}=0.7$  V

<sup>3</sup> power consumption of the 60 GHz frequency divider or multiplier

the third-harmonic boosting oscillator together with the three-stage 60 GHz output amplifier is prototyped in TSMC 40 nm 1P7M LP CMOS. The chip micrograph is shown in Fig. 2.23 (a). An R&S FSUP50 signal source analyzer is used with an external mixer to measure the oscillator's PN, whose plot is shown in Fig. 2.22 (b) at 57.8 GHz. At 1 MHz offset, the PN is -100.1 dBc/Hz, which is the best ever reported in CMOS. The  $1/f^3$  PN corner is 920 kHz. The 60 GHz frequency generator achieves a 25%TR from 48.4 to 62.5 GHz. Table 2.4 summarizes the performance of the proposed 60 GHz frequency generator and compares it with the relevant state-of-the-art.

## CHAPTER

# 3

---

---

## An All-Digital PLL Based on Class-F DCO for 4G Phones

---

---

In this Chapter, a new architecture of an all-digital PLL (ADPLL) is introduced for advanced cellular radios<sup>1</sup>. It is based on a 1/8-length time-to-digital converter (TDC); and wide tuning range, fine-resolution class-F digitally-controlled oscillator (DCO) with only switchable metal capacitors. The 8 mW DCO emits -157 dBc/Hz at 20 MHz offset at  $\sim 2$  GHz, while fully satisfying metal density rules. The 0.4 mW TDC clocked at 40 MHz achieves PVT-stabilized 7 ps resolution for -108 dBc/Hz in-band phase noise. Reference spurs are  $< -91$  dBc, while fractional spurs are  $< -72$  dBc. The ADPLL supports a 2-point modulation and consumes 12 mW while occupying  $0.22 \text{ mm}^2$ , thus demonstrating both 72% power and 38% area reductions over prior records.

### 3.1 Introduction

While mobile phones enjoy the largest production volume ever of any consumer electronics product, the demands they place on frequency synthesizers are particularly tough, especially on integration with digital processors, low area, low-power consumption, low phase noise and virtually no spurs, while being robust against PVT variations. In this difficult design environment, the all-digital PLLs (ADPLLs) have shown to outperform analog PLLs in terms of area and power dissipation while having best-in-class RF performance [76] [77]. This is in addition to their expected compatibility with the digital design flow and extensive reconfigurability. These advantages are expected to continue improving with CMOS scaling, although each process node presents a unique set of challenges.

---

<sup>1</sup>The leader of this project is Feng-Wei Kuo from TSMS RF group. The author directly designed the DCO and divider. He was also involved in the technical discussions of ADPLL design.

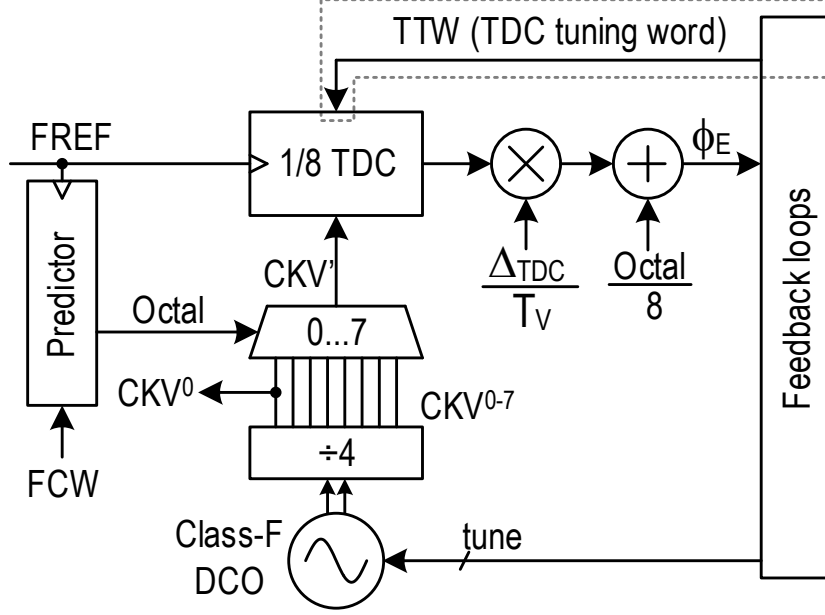


Figure 3.1: TDC within ADPLL and within adaptation loop to make its step size,  $\Delta_{TDC}$ , PVT-free.

In this Chapter, a new architecture of an ADPLL is introduced for advanced cellular radios. It is optimized to the most advanced production low-leakage CMOS technology (i.e., 28 nm). The DCO addresses the new strict metal density rules and exploits class-F operation to satisfy the strict phase noise requirement of the 4G standard with an excellent power efficiency. The TDC uses phase prediction to reduce the required range and to improve resolution and lower the required linear range, thus saving power [19].

### 3.2 Time-to-Digital Converter (TDC)

Wireless standards require low integrated phase noise and spurious tones at the same time. It is well known that the TDC quantization of timing estimation between the reference and variable clocks affects the in-band RF output phase noise of the ADPLL. According to [78]:

$$\mathcal{L} = 10 \log_{10} \left( \frac{(2\pi)^2}{12} \cdot \left( \frac{\Delta_{TDC}}{T_V} \right)^2 \cdot \frac{1}{f_R} \right) \quad (3.1)$$

where,  $T_V$  is the variable DCO period,  $f_R$  is the reference clock frequency and  $\Delta_{TDC}$  is the average time resolution of the TDC. Eq (3.1) indicates that ADPLL in-band phase noise can be significantly improved by reducing  $\Delta_{TDC}$ . The TDC resolution has traditionally been tied to the loaded delay of the basic regenerative circuit, i.e., an inverter. With only  $\sim 10$  ps inverter delay now in low-leakage 28 nm CMOS versus  $\sim 30$  ps a decade ago, there are over 50 inverters needed to cover the  $\sim 2$  GHz (i.e., cellular high-band) variable DCO period. With each inverter introducing a small differential type of non-linearity (DNL), these nonlinearities can quickly accumulate to form a much larger integral type of non-linearity (INL) of the TDC transfer function. The TDC transfer function non-linearity (i.e., INL) can create fractional spurs especially at close to integer-N channels or at wide PLL loop bandwidths [79]. Consequently, a *simultaneous* reduction of the quantization step and TDC dynamic range are required to

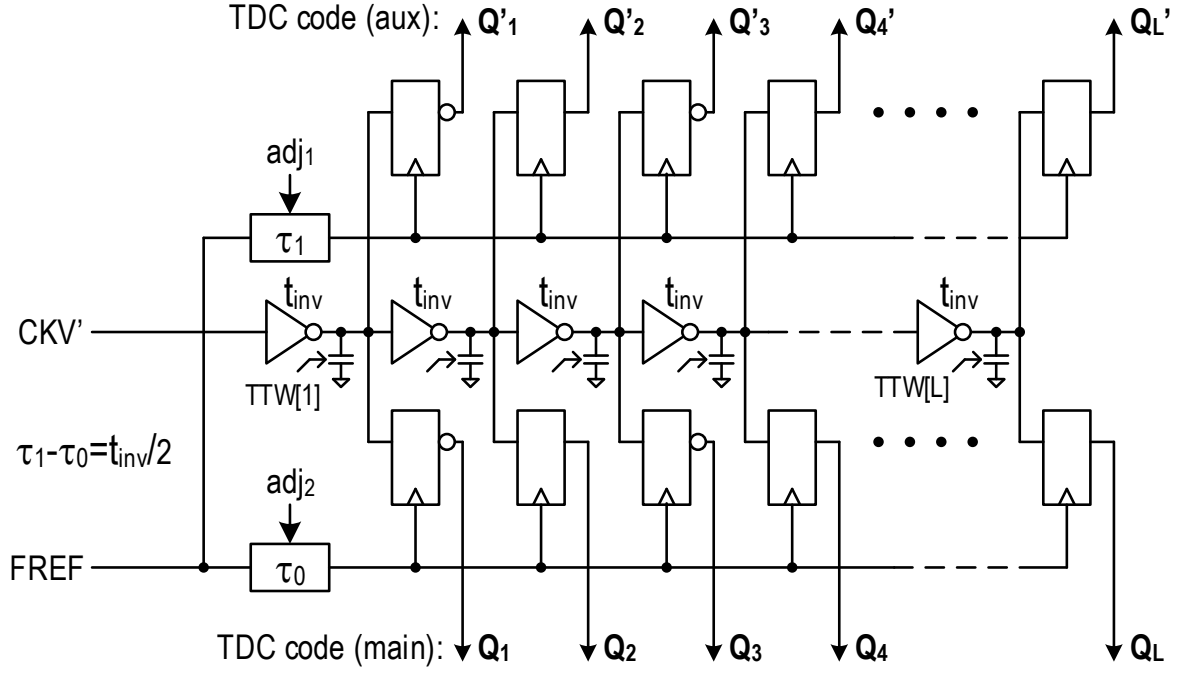


Figure 3.2: Schematic of the parallel TDC with stabilized inverter delay.

respectively achieve a low in-band phase noise and spurious tones. In this work, to keep the fine resolution and linearity, and to reduce the power consumption simultaneously, a  $1/8$ -length TDC with two-staggered-chains topology is proposed.

Traditionally, the TDC has to cover the full range of  $CKV$ , as in [76], between the  $CKV$  and  $FREF$ . TDC range can be reduced by bringing the  $CKV$  closer to  $FREF$ . This is accomplished by selecting a phase from the multi-phase DCO divider output,  $CKV^{0-7}$ , that is closest to  $FREF$ , as shown in Fig. 3.1. Consequently, the long string of  $L$  (e.g.,  $>50$ ) inverters is shortened by 8x by running the DCO at 4x the carrier frequency and dividing its output by four to create a  $CKV$  clock vector,  $CKV^{0-7}$ . A phase predictor ensures the TDC input  $CKV'$  is  $< T_V/8$  by selecting a  $CKV$  phase that is closest to  $FREF$ . This prediction is based on two MSB bits of a fractional part of reference phase,  $R_R[k]$ , which is an accumulated frequency command word (FCW). The TDC output, after decoding, is normalized to  $T_V$  by the  $\Delta t_{TDC}/T_V$  multiplier and the octal estimation, normalized to  $T_V/8$ , is added to produce the phase error  $\phi_E$ . The DCO tuning word is updated based on  $\phi_E$ .

Fig. 3.2 shows a schematic of the new TDC that exploits a 2-way parallelism to halve its quantization step [80]. The selected DCO variable clock,  $CKV'$ , goes through a string of  $L$  (e.g.,  $\sim 15$ ) inverters of  $t_{inv} \approx 10$  ps intrinsic delay. The delays are stabilized by an outer feedback loop via ‘‘TDC tuning word’’ (TTW) by digitally turning on/off the NMOS capacitors loading each inverter. This is needed to prevent excessive expansion of inverters at fast process corners and high supply voltages. The inverter output bus is fed to two arrays of flip-flops (FF), which are clocked by  $FREF$  delayed by  $\tau_0$  and  $\tau_1$  for the main and auxiliary FF arrays, respectively. The  $\tau_0$  and  $\tau_1$  are controlled to maintain their difference of  $\tau_0 - \tau_1 = t_{inv}/2$ . In this case, the quantization step will be halved to  $\Delta_{TDC} = t_{inv}/2 \approx 5$  ps thus doubling the timing resolution. However, the process, voltage and temperature (PVT) stabilizing capacitors increase that delay to 6–7 ps. For non-critical applications, the auxiliary FF array can be shut down by gating off

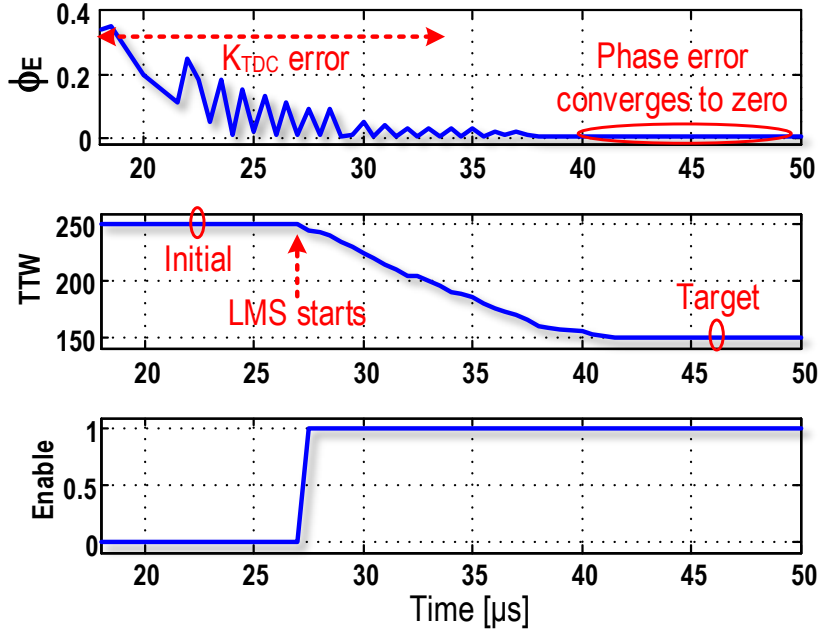


Figure 3.3: Captured real-time internal signals during TDC calibration: phase error ( $\phi_E$ ), TDC tuning word (TTW) and TDC calibration enable.

its clock to bring the step size back to  $\Delta_{TDC} = t_{inv} \approx 10\text{--}14$  ps.

Fig. 3.1 also shows a proposed technique to stabilize the TDC step size,  $\Delta_{TDC}$ . After the ADPLL is locked but before the calibration is enabled, the “ripple” of the phase error  $\phi_E$  is large due to the error between an initial (typically, unknown) value and the desired target of the TDC resolution,  $\Delta_{TDC}$ . TTW will converge into the target resolution by forcing  $\phi_E$  to zero using a signed-LMS algorithm. This way, independent from PVT, the ADPLL will always settle to the same targeted TDC resolution.

The plots in Fig. 3.3 were captured during lab measurements by dumping the digital signals into on-chip SRAM memory. Until the LMS algorithm starts at time =  $27 \mu\text{s}$ , the phase error exhibits a large ripple, which then keeps on reducing while the TTW settles to the final value corresponding to the targeted  $\Delta_{TDC}$ . At time  $\sim 41 \mu\text{s}$ , the algorithm has fully settled and the phase error is almost flat at zero.

### 3.3 ADPLL Architecture

Figure 3.4 shows a block diagram of the proposed multi-rate ADPLL [76]. A class-F DCO is at the heart of the ADPLL, and oscillates from 5.9-to-8.5 GHz. It consists of three different tuning banks with a 120 kHz raw frequency resolution at 8 GHz. A  $\Delta\Sigma$  dithering bank operating at  $CKV/4 \approx 500$  MHz improves the frequency resolution to 480 Hz for an 8 GHz carrier. The  $\sim 2$  GHz  $\div 4$  divider output of 8 phases,  $CKV^{0-7}$ , oversamples the external frequency reference (FREF: 10–50 MHz) generating  $CKR^{0-7}$  vector clock. They sample the variable DCO phase  $Rv[k]$  to calculate the phase error,  $\phi_E[k]$ . To avoid metastability in FREF retiming, FREF is simultaneously oversampled by different phases of CKV and an edge selection signal chooses the path farther away from metastability. The  $\phi_E[k]$  is fed to the type-II loop filter (LF) with 4th order IIR. The LF is dynamically switched during frequency acquisition to minimize the settling



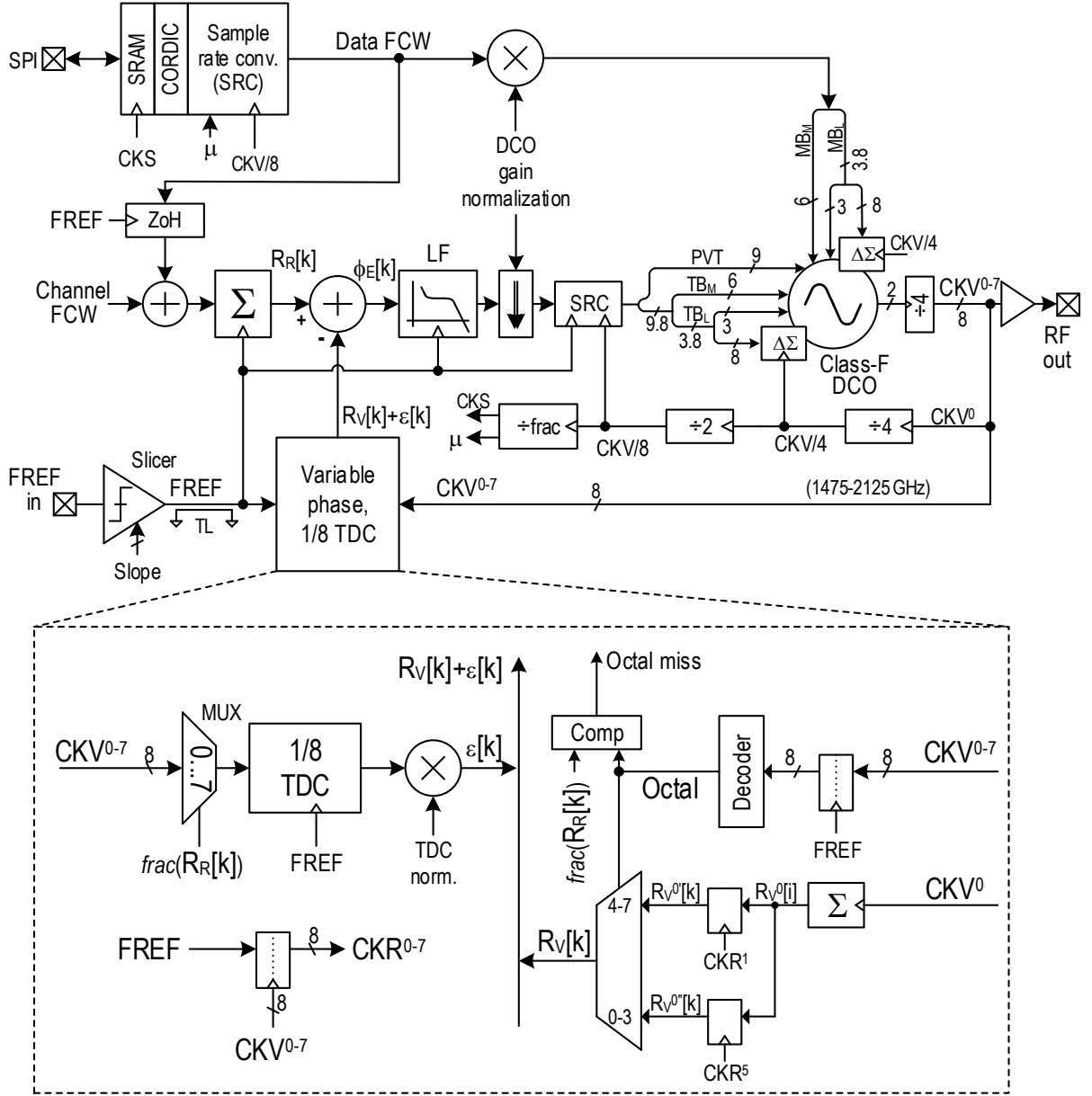


Figure 3.4: Block diagram of the proposed ADPLL with 1/8-length TDC and 2-point frequency modulation (top) and Variable phase calculation circuit (bottom).

time while keeping the phase noise (PN) at optimum. The FREF slicer contains a 3-bit slope control to reduce the FREF spurs at the cost of a slight increase of in-band PN. The built-in DCO gain,  $K_{DCO}$ , and TDC gain,  $K_{TDC}$ , calibrations are autonomously performed to ensure the wideband FM response [4], [81]. Five wide SRAMs and other digital arithmetic blocks are also integrated on-chip to enable initial system debugging.

The proposed ADPLL also supports frequency modulating (FM) with sample rates much higher than the reference frequency. One data path directly modulates the DCO, while the other data path is compensating and prevents the modulating data from changing the phase error. Consequently, the modulation rate is not limited to the ADPLL close-loop bandwidth. Furthermore, the slow drift of DCO frequency is refined by ADPLL negative feedback. The direct path has high-pass, while the compensating path has low-pass filtering characteristics.



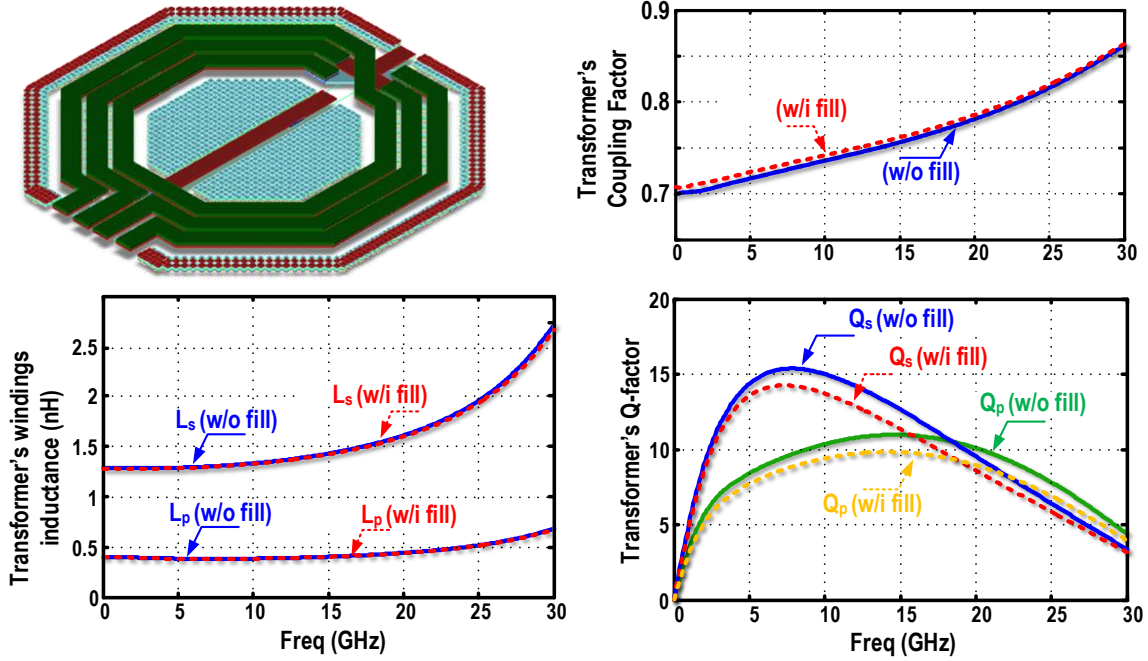


Figure 3.5: Effects of dummy metal fills on the 28 nm CMOS class-F transformer.

An all-pass transfer function for the modulating data can be realized if both paths are combined without any delay difference and DCO gain,  $K_{DCO}$ , is accurately estimated.  $K_{DCO}$  gain can be automatically estimated via digital averaging techniques as in [4], [81].

The sampling rate of the modulation should be high enough ( $\sim 250$  MHz) to satisfy 4G standard with  $I/Q$  20 MHz channel bandwidth<sup>1</sup>. Consequently, a low integer division of the variable DCO clock ( $CKV/8$ ) is used as the sampling rate of modulating data. However, the phase error correction of the ADPLL still operates at  $f_R$  rate. Hence, the ADPLL has two clock domains ( $f_R$  and  $CKV/8$ ), which interface with each other at the DCO's input. Consequently, as shown in Fig. 3.4, a sampling rate converter (SRC) is required to convert the symbol-related sampling frequency ( $f_R$ ) into the channel-frequency-dependent rate ( $CKV/8$ ).

The symbol rate should be preferably implemented in the fixed-frequency clock domain (integer multiple of data rate) for the pulse-shape filtering and the digital baseband. Consequently, a fractional divider is also implemented to produce a stable clock for the baseband signal processing.

### 3.4 Digitally Controlled Oscillator (DCO)

The 28 nm CMOS technology has strict requirements on design for manufacturing (DFM), especially the 20% minimum metal density rule, which is much stricter than in the previous 40 nm node. Hence, inductors and transformers must include a lot of dummy metal pieces on *all* metal layers. EM simulations of a transformer used in this design are shown in Fig. 3.5. Metal fills show negligible effect on the windings self-inductance and coupling factor  $k_m$ . However, Eddy currents in the dummy fills increase the resistive loss and thus transformer's Q-factor is

<sup>1</sup>Note that the Cartesian ( $I/Q$ ) to the polar ( $\rho$  and  $\theta$ ) conversion significantly expands signal's bandwidth.

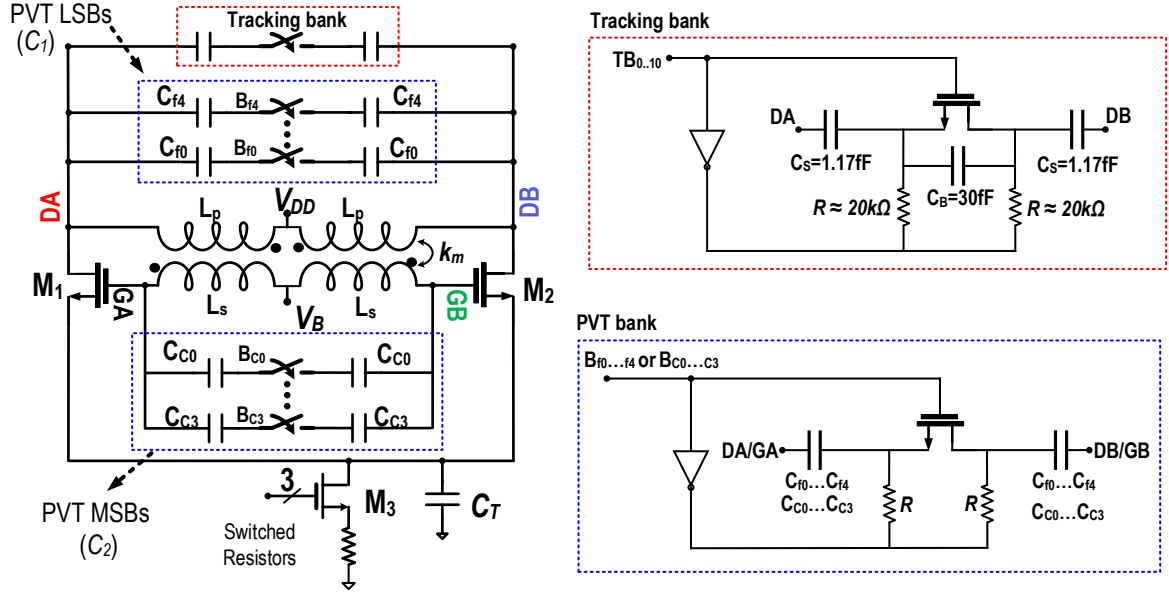


Figure 3.6: Schematic of the class-F DCO.

degraded by 10–20%. Dummy fills also increase the capacitance, thus degrading the self-resonant frequency. Furthermore, the excess noise of transistor,  $\gamma$ , is also increased by migrating to finer CMOS technologies. Consequently, both phenomena hurt the operation of an RF oscillator.

As explained in the previous Chapter, recently introduced class-F oscillator [21], addresses the above issues by: (1) enforcing a pseudo-square voltage across the tank, thus reducing the impulse sensitivity function (ISF), and (2) exploiting the transformer's voltage gain,  $G_0$ . The phase noise is less sensitive to the loss of the tank due to its lower ISF, while the effective noise factor of the gm-devices is reduced by  $G_0$ . The pseudo-square waveform is realized by increasing the 3<sup>rd</sup> harmonic of the fundamental oscillation voltage through an additional impedance peak and strong 3<sup>rd</sup> harmonic of the drain current. The transformer along with tuning switched capacitors realizes a 4th-order tank with two resonant frequencies, in which the first one determines the oscillation frequency,  $\omega_0$ , and second one should be adjusted around  $3\omega_0$  to enforce the pseudo-square voltage waveform. The ratio of resonant frequencies should be 3 with 10% accuracy and controlled by  $C_2/C_1$  for a given transformer with a  $k_m \approx 0.7$ . As shown in Fig. 3.6, the positive feedback and  $G_0$  are realized by a 1:2 step-up transformer with primary and secondary inductors  $L_p$  and  $L_s$ , respectively. The aluminum capping layer is strapped to the top copper layer to form the windings and improve the transformer's primary and secondary Q-factors. PVT banks are divided equally between  $L_p$  and  $L_s$  to guarantee the class-F operation over tuning range, while the tracking bank is located at  $L_p$ .

The switched poly resistors, which are digitally friendly and substantially free of  $1/f$  noise, define the tail current. However, a small tail resistor could load the LC tank and lower the effective Q-factor when the oscillation forces  $M_1$  or  $M_2$  into the triode region. Fortunately, tank ISF is negligible during this time span and extensive noise of loaded-Q will not convert to phase noise.

The digitally controlled varactors exploiting C-V characteristics of MOS devices, such as in [76], are entirely avoided here as they are more sensitive to supply pushing and temperature variations. There are 9-bit binary PVT switchable capacitors for coarse tuning, and 63-bit

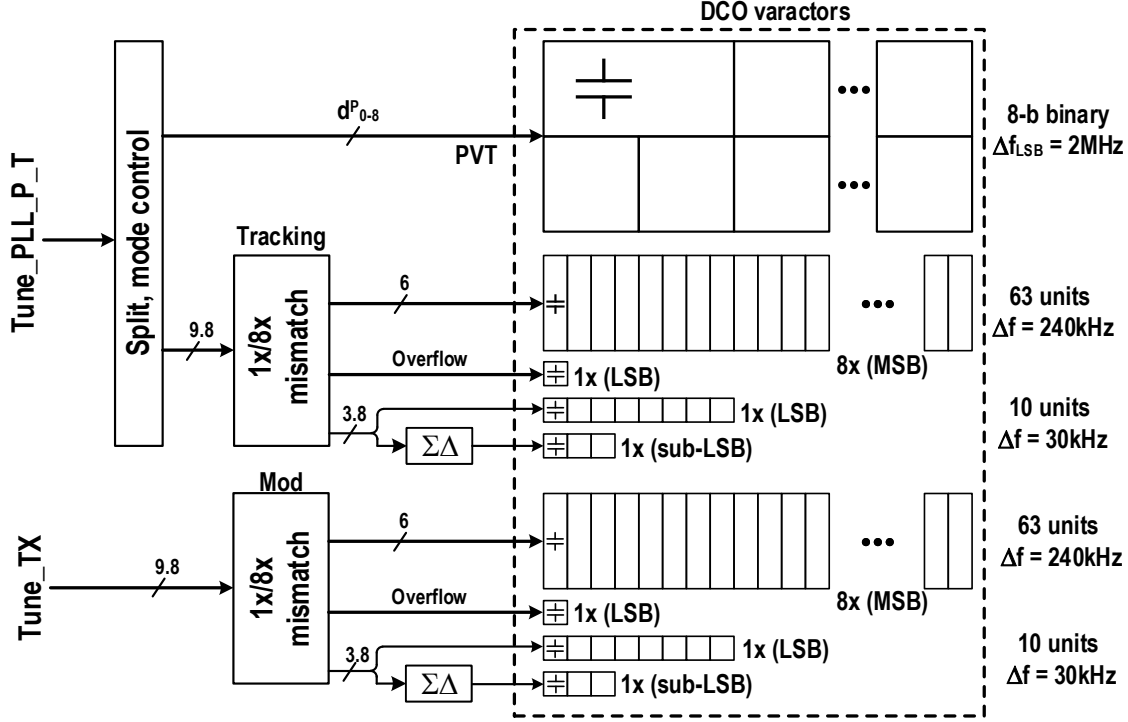


Figure 3.7: The input interface of the proposed DCO.

unary MSB (i.e., 8x) and 10-bit unary LSB (i.e., 1x) switchable capacitors for fine tuning. The segmented unit-weighted fine tuning switch-caps are well matched to provide a linear 9-bit resolution for modulation and drift tracking.

The tracking bank consists of two small capacitors ( $C_S=1.17\text{fF}$ ) and one big capacitor ( $C_B=30\text{fF}$ ). The on-state capacitance is determined by two series-connected  $C_S$  and the off-state capacitance is determined by two  $C_S$  and one  $C_B$  connected in series. The difference between the on- and off-states provides a well-defined ultra-small capacitance step size ( $\Delta C \approx C_S^2/2C_B \approx 20\text{aF}$ ) and thus a fine frequency resolution ( $\Delta f = 30\text{kHz}$  at  $f_0 = 2\text{GHz}$ ).

The digitally controlled quantized capacitance of the transformer-based tank is split into three major banks as shown in Fig. 3.7. The  $d^P$  inputs correspond to the process-voltage-temperature (PVT) and are activated during frequency locking and are frozen afterwards. The PVT bank demonstrates a coarse tuning step of  $\sim 2\text{MHz}$  at  $f_0=2\text{GHz}$ . The DCO features two separate identical tracking (TB) and modulation (MB) banks, which are respectively used for phase-error correction and direct FM modulation. Each bank is segmented with 11 LSB (i.e.,  $1x \equiv 30\text{kHz}$ ) and 64 MSB (i.e., 8x) unit-weight varactors. Consequently, the tuning range of both banks is  $30\text{kHz} \times (11 + 8 \times 64) = 15.7\text{MHz}$ . The LSB part of the tracking bank is further partitioned into 8 integer and 3 fractional varactors, with the latter undergoing high-speed  $\Delta\Sigma$  dithering for resolution enhancement. The tracking and modulation tuning words are a fixed-point number with the integer part directly controlling the number of active unit-weighted varactors. The fractional part is fed to the  $\Delta\Sigma$  modulator, which produces an integer stream whose average value is equal to that of the fractional input.

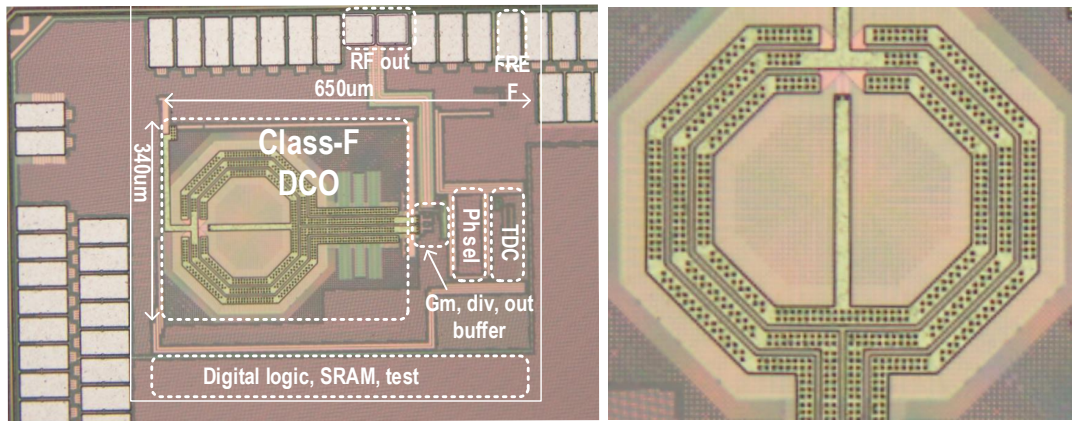


Figure 3.8: Chip micrograph of the ADPLL and the zoomed-in transformer revealing lots of dummy metal fills.

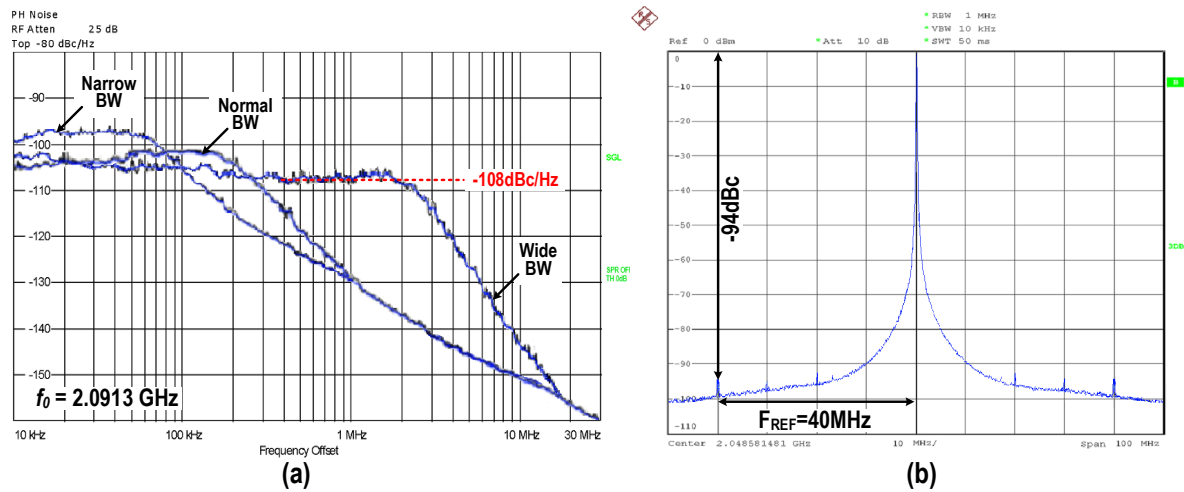


Figure 3.9: Measured ADPLL (a) phase noise and (b) spectrum (a); with 40 MHz FREF. The spectrum, taken with wide loop bandwidth of 1.5 MHz, is virtually spur-free.

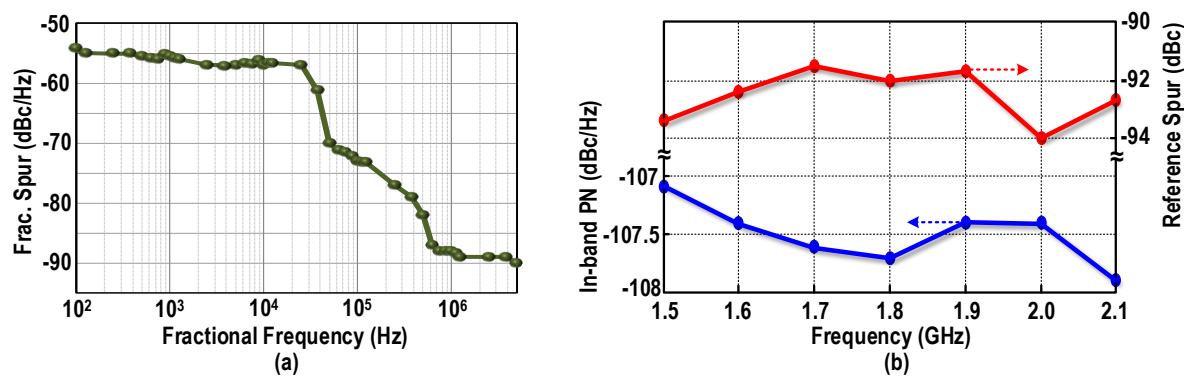


Figure 3.10: (a) Measured largest fractional spurs for fractional frequencies away from 2040 MHz integer-N channel and (b) measured in-band phase noise and reference spurs over 1.5–2.1 GHz in 100 MHz steps.

### 3.5 Measurement Results

The proposed ADPLL is implemented in 28 nm low-leakage digital CMOS process and meets the tough phase noise and spurious standards of advanced cellular radios. Figure 3.8 shows the

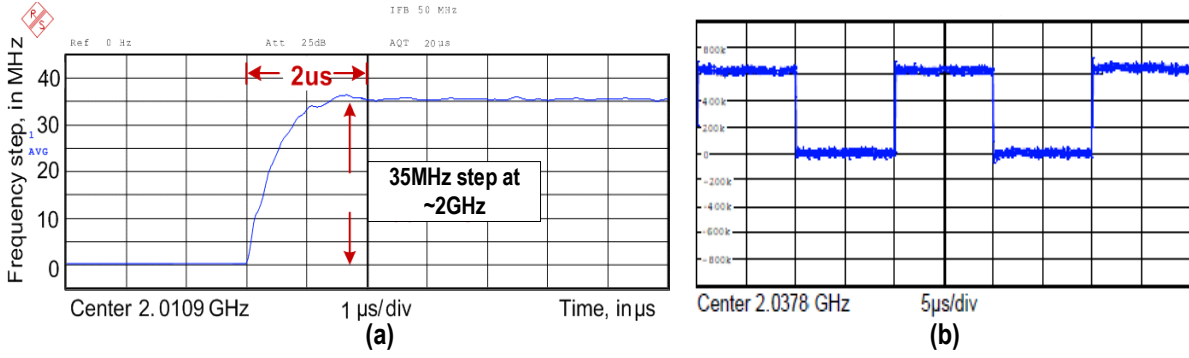


Figure 3.11: (a) Measured demodulated signal during FSK modulation and (b) Measured lock-in time for a frequency step of 35 MHz.

chip micrograph.

Fig. 3.9 shows the measured spectrum and phase noise (PN) at 2.0913 GHz ADPLL output with fractional FCW = 52.2825. An ultra-low level FREF spur of -94 dBc is measured with no other significant spurs observed. PN at 20 MHz offset from the  $\sim 2$  GHz carrier is -157 dBc/Hz. PN was measured for three different ADPLL loop bandwidths: narrow ( $\sim 80$  kHz), normal ( $\sim 250$  kHz) and wide ( $\sim 2.5$  MHz). The in-band PN of -108 dBc/Hz in wide bandwidth (to filter out the DCO noise) corresponds exactly (according to Eq. (3.1)) to the TDC quantization noise at 7 ps resolution at 40 MHz FREF, while showing no other noise sources. The measured integrated jitter of 253 fs corresponds to the total integrated PN of  $0.18^\circ$ .

The oscillator phase noise is -157 dBc/Hz at 20 MHz offset from 2.09 GHz carrier which extrapolates to -164.2 dBc/Hz when normalized to 915 MHz and meets the GSM TX mobile station specification with 2.2 dB margin. The oscillator consumes  $\sim 7.4$  mW from 1.05 V supply voltage. As a consequence, the measured FoM of this class-F oscillator is 189 dB. It is among best-in-class despite being 3 dB lower than the original design in 65 nm [21], where it can support larger  $V_{DD}$  and does not suffer from the lack of ultra-thick copper metal layer and restrictive metal density rules. It should be noted that a traditional oscillator was also fabricated on the same wafer and shows a 3–4 dB lower FoM.

As shown in Fig. 3.10, the in-band PN varies only 1 dB over the full frequency range, while the reference spur is better than -91 dBc, and the fractional spurs are below -72 dBc. The ultra-low spur levels validate the short TDC approach that limits its INL non-linearity.

To achieve simultaneous fast locking and low integrated phase noise, the loop bandwidth is dynamically controlled via a gearshift technique [82]. During frequency acquisition, the loop operates in type-I, with a wide bandwidth of 2 MHz. It is then switched to type-II, 4th-order IIR filter with the 500 kHz bandwidth when it enters tracking mode. Finally, the loop bandwidth is reduced to 250 kHz to optimize ADPLL integrated phase noise. The measured lock-in time is less than 2  $\mu\text{s}$  for a frequency step of 35 MHz at  $F_{\text{REF}}$  of 40 MHz as shown in Fig. 3.11 (a).

Figure 3.11 (b) demonstrates the ADPLL two-point frequency modulation (FM) capability when applying FCW samples corresponding to alternating (every 10  $\mu\text{s}$ ) sequences of zero and 600 kHz. Both DCO and TDC gains are calibrated automatically via digital averaging techniques as in [4], [81]. The calibrated  $\widehat{K}_{DCO}$  is then applied to the gain normalization multiplier in the direct modulation path (see Fig. 3.4). As a consequence, the FM response steps are square thus wideband (i.e., supporting many harmonics).

Table. 3.1 summarizes the ADPLL and compares it against those used in state-of-art advanced

Table 3.1: Performance summary and comparison with published ADPLLs for cellular phones.

	This work	Weltin-Wu JSSC'15	Staszewski JSSC'11	Vercesi JSSC'12	Takinami ISSCC'11	Hsu JSSC'08	Chang ISSCC'08
CMOS node	28nm	65nm	65nm	55nm	65nm	130nm	130nm
Supply (V)	1.05	1.0	1.2	1.2	1.2/1.5	1.5	N/A
Output frequency (GHz)	1.475-2.125	2.8-3.5	1.8-2	1.45-2.025	2.6-4.5	3.2-4.2	3.2-4
Tuning range (%)	36	22.2	22	33	54	27	22.2
Out-of-band PN (dBc/Hz)							
3MHz	-148.2	-149.7	N/A	N/A	N/A	-144.9	-148
20MHz	-164.2	-166	167	165.9	161	-162	-164
DCO power cons. (mW)	7.4	8.3	23	32.5	33	N/A	20 <sup>6</sup>
Ultra-thick metal	No	N/A	N/A	N/A	N/A	N/A	N/A
DCO FOM <sup>1</sup> (dB)	188.7	190	186.6	184	179	N/A	<184.2
DCO FOM <sup>2</sup> (dB)	199.8	197	193.5	194.5	193.7	N/A	<191.1
PN at 400kHz (dBc/Hz)	-121.2	-120.5	N/A	-113.9	-122.8	-120	-129
FREF (MHz)	40	26	38.4	26	78	50	26
PLL bandwidth (kHz)	250	140	N/A	800	1000	500	50
In-of-band PN (dBc/Hz)	-110	-104.6	N/A	-113.9	-122.8	-120	-90.5
Reference spur (dBc)	-94	-81	N/A	N/A	-56	-65	-84
In-band frac. Spur (dBc)	-72	-60	N/A	-50	-40	-42	N/A
Settling time ( $\mu$ sec)	2	N/A	N/A	79	N/A	20	N/A
(AD)PLL power (mW)	11.5	15.6	38.4	41.5	45	39	40 <sup>7</sup>
Integrated jitter (fsec)	253	665	N/A	N/A	N/A	200	N/A
PLL FOM <sup>3</sup> (dB)	186.8	187.3	184.4	182.9	177.7	179.3	<181.2
PLL FOM <sup>4</sup> (dB)	197.9	194.2	191.2	193.3	192.3	188	<191.1
PLL FOM <sup>5</sup> (dB)	241.3	231.6	N/A	N/A	N/A	238	N/A
PLL area (mm <sup>2</sup> )	0.22	0.35	0.35	0.7	0.6	0.95	0.86

$$^1\text{FoM} = |\text{PN}| + 20 \log_{10}(f_0/\Delta f) - 10 \log_{10}(P_{\text{DC,osc}}) \quad ^2\text{FoM}_T = |\text{PN}| + 20 \log_{10}((f_0/\Delta f) (\text{TR}/10)) - 10 \log_{10}(P_{\text{DC,osc}})$$

$$^3\text{FoM} = |\text{PN}| + 20 \log_{10}(f_0/\Delta f) - 10 \log_{10}(P_{\text{DC,PLL}}) \quad ^4\text{FoM}_T = |\text{PN}| + 20 \log_{10}((f_0/\Delta f) (\text{TR}/10)) - 10 \log_{10}(P_{\text{DC,PLL}})$$

$$^5\text{FoM} = 10 \log_{10}(\sigma_{\text{t,PLL}}^2 \cdot P_{\text{DC,PLL}}), \Delta f = 20 \text{ MHz for all FoM calculations,}$$

<sup>6,7</sup> DCO and PLL respectively draw 20 mA and 40 mA from unknown supply voltage in 130 nm CMOS

cellular radios [76, 83–87]. While keeping the best-in-class RF performance, the area and power consumption are significantly better than in the prior ADPLL implementations. The power consumption of the ADPLL is 11.5 mW and represents over 70% reduction versus the prior publications. The FoM that captures the output *spot* phase noise in the upconverted thermal region ( $1/f^2$ ) normalized to the power consumption of DCO and PLL (here they are only within  $10 \log_{10}(11.5/7.4) = 1.9$  dB to each other) is best-in-class. Further normalizing the FoM to the tuning range of 36% results in  $\text{FoM}_T$  that is 4.5 dB better than the prior record. The ADPLL loop settles within only 2  $\mu$ s, made possible by the dynamic hitless gear-shifting of the loop filter coefficients. The ADPLL area is only 0.22 mm<sup>2</sup> and it represents over 35% reduction over the prior record.

### 3.6 Conclusion

An all-digital PLL was realized in 28-nm CMOS having best-in-class phase noise and spurious emission performance sufficient for LTE cellular phones. The area and power consumption are much better than the prior publications. The new ADPLL architecture predicts the inputs to the time-to-digital converter thus substantially narrowing its range to 1/8 of the 2 GHz output clock period. The TDC resolution is improved by a factor of 2 through parallelism and stabilized to make it largely independent from PVT conditions. The DCO addresses the new strict metal

density rules and exploits class-F operation to satisfy the strict phase noise requirement of 4G standard with a higher power efficiency.

## CHAPTER

# 4

---

---

# An Ultra-Low Phase Noise Class-F<sub>2</sub> CMOS Oscillator with 191 dBc/Hz FoM and Long-Term Reliability

---

---

In this Chapter, we propose a new class of operation of an RF oscillator that minimizes its phase noise<sup>1</sup>. The main idea is to enforce a clipped voltage waveform around the LC tank by increasing the second-harmonic of fundamental oscillation voltage through an additional impedance peak, thus giving rise to a class-F<sub>2</sub> operation. As a result, the noise contribution of the tail current transistor on the total phase noise can be significantly decreased without sacrificing the oscillator's voltage and current efficiencies. Furthermore, its special impulse sensitivity function (ISF) reduces the phase sensitivity to thermal circuit noise. The prototype of the class-F<sub>2</sub> oscillator is implemented in standard TSMC 65-nm CMOS occupying 0.2 mm<sup>2</sup>. It draws 32–38 mA from 1.3 V supply. Its tuning range is 19% covering 7.2–8.8 GHz. It exhibits phase noise of -139 dBc/Hz at 3 MHz offset from 8.7 GHz carrier, translated to an average figure-of-merit of 191 dBc/Hz with less than 2 dB variation across the tuning range. The long term reliability is also investigated with estimated >10-year lifetime.

## 4.1 Introduction

Spectral purity of RF LC-tank oscillators is typically addressed by improving a quality factor (Q) of its tank, lowering its noise factor (NF), and increasing its power consumption. Even though technology scaling increases the *effective* capacitance ratio,  $C_{\max}/C_{\min}$ , of switchable tuning capacitors and, consequently, the oscillator tuning range, it does not improve the oscillator's spectral purity parameters, such as tank Q-factor and oscillator NF. In fact, the tank Q-factor

---

<sup>1</sup>This chapter has been published in the IEEE Journal of Solid-State Circuits [88].



is slightly degraded in more advanced technologies mainly due to closer separation between the top-metal and lossy substrate as well as thinner lower-level metals that are used in metal-oxide-metal (MoM) capacitors. On the other hand, transistor excess noise factor,  $\gamma$ , thus oscillator NF, keeps on degrading, thus penalizing the oscillator phase noise (PN). Consequently, the oscillators of excellent spectral purity and power efficiency are becoming more and more challenging as compared to other RF circuitry that is actually gaining from the technology scaling. This has motivated an intensive research leading to recently introduced new oscillator topologies [21]- [89].

In this Chapter, we specifically address the ultra-low phase noise design space while maintaining high power efficiency. We propose a soft-clipping class-F<sub>2</sub> oscillator topology based on enforcing a clipped voltage waveform around the LC tank by increasing the 2<sup>nd</sup>-harmonic of the fundamental oscillation voltage through an additional impedance peak [89]. This structure shifts the oscillation voltage level so that it provides enough headroom for the tail current without compromising the oscillating amplitude. Consequently, the phase noise contribution of the tail current transistor is effectively reduced while maintaining the oscillator voltage efficiency. Furthermore, the class-F<sub>2</sub> operation clips the oscillation waveform for almost half of the period, thus benefiting from the lower circuit-to-phase noise conversion during this time span.

The Chapter is organized as follows: The trade-offs between the RF oscillator PN and power consumption are investigated in Section 4.2. Section 4.3 establishes the environment to introduce the class-F<sub>2</sub> operation, its benefits and constraints. The circuit-to-PN conversion mechanisms are studied in section 4.4. Section 4.5 presents extensive experimental results. The oscillator long term reliability is studied and quantified in Section 4.6.

## 4.2 Challenges in Ultra-Low Phase Noise Oscillators

The phase noise (PN) of the traditional oscillator (i.e., class-B) with an ideal current source at an offset frequency  $\Delta\omega$  from its fundamental frequency  $\omega_0$  could be expressed as,

$$\mathcal{L}(\Delta\omega) = 10 \log_{10} \left( \frac{KT}{2 Q_t^2 P_{DC}} \frac{1}{\alpha_I \alpha_V} (1 + \gamma) \left( \frac{\omega_0}{\Delta\omega} \right)^2 \right) \quad (4.1)$$

where,  $Q_t$  is the tank quality factor;  $\alpha_I$  is the current efficiency, defined as the ratio of the fundamental current harmonic  $I_{\omega_0}$  over the oscillator DC current  $I_{DC}$ ; and  $\alpha_V$  is the voltage efficiency, defined as the ratio of the oscillation amplitude  $V_{osc}$  (single-ended) over the supply voltage  $V_{DD}$ . The oscillator power consumption is

$$P_{DC} = \frac{V_{osc}^2}{\alpha_I \cdot \alpha_V \cdot R_{in}} \quad (4.2)$$

where,  $R_{in}$  is an equivalent input parallel resistance of the tank modeling its losses. Eq. (4.1) clearly demonstrates a trade-off between power consumption and PN. To improve the oscillator PN one must increase  $P_{DC}$  by scaling down  $R_{in}$ . This could be done by lowering the tank inductance while maintaining the optimal  $Q_t$ . For example, by keeping on reducing the inductance by half,  $R_{in}$  could theoretically decrease by half at the constant  $Q_t$ , which would improve phase noise by 3 dB with twice the power consumption at the same FoM<sup>1</sup>. However, at some point, the resistance of the tank's interconnections will start dominating the resonator losses and,

<sup>1</sup>FoM = |PN| + 20 log<sub>10</sub>( $\omega_0/\Delta\omega$ ) - 10 log<sub>10</sub>( $P_{DC}/1mW$ )

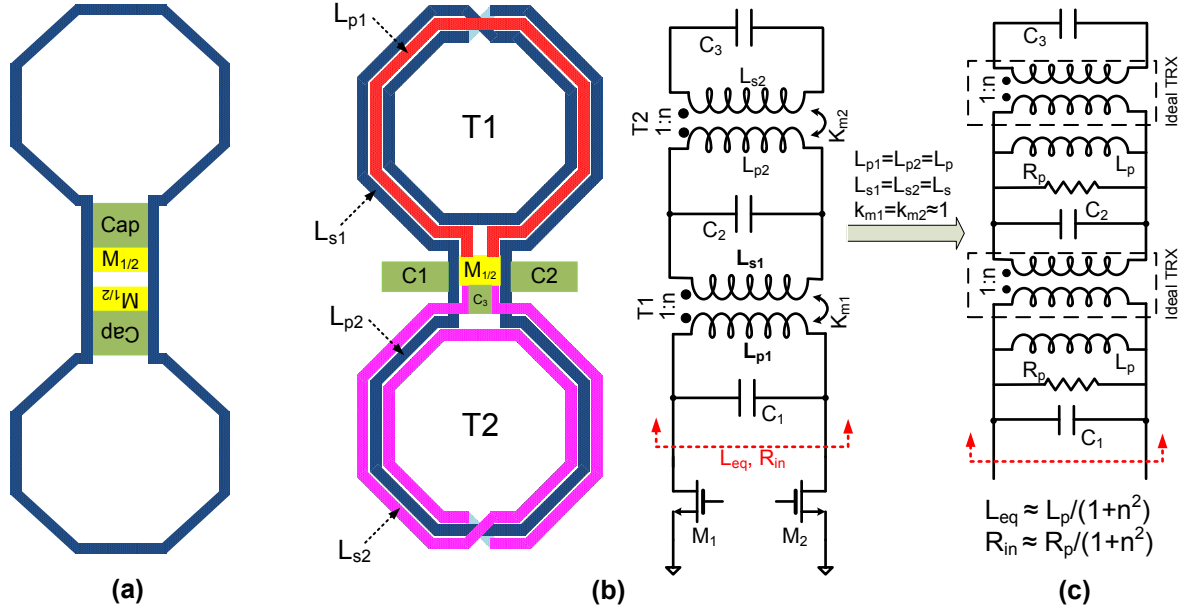


Figure 4.1: Phase noise reduction techniques without sacrificing tank's Q-factor: (a) coupled oscillators, (b) connecting two step-up transformers back-to-back, and (c) its equivalent circuit model.

consequently, the equivalent tank's Q will start decreasing. Hence, the PN-vs.-power trade-off will no longer be beneficial since the FoM will drop dramatically due to the Q-factor degradation.

Coupling  $N$  oscillators is an alternative way of trading off the power for PN since it avoids scaling the inductance down to impractically small values. It can theoretically improve PN by a factor of  $N$  compared to a single oscillator [90], [91]. Unfortunately, the oscillator size increases linearly, i.e.,  $4\times$  larger area for just 6 dB of PN improvement.

In this work, we improve the phase noise by utilizing two  $1:n$  transformers that are connected back-to-back [89], as shown in Fig. 4.1(b, c). The equivalent  $R_{in}$  and, thus, the oscillator PN are scaled down by a factor of  $\sim(1+n^2)$  without sacrificing tank's Q-factor. Hence, PN improvement can potentially be much better than with the coupled oscillators (e.g., Fig. 4.1(a)) at the same die area. In addition, the  $C_2$  and  $C_3$  tuning capacitors, which are not directly connected to the primary of the first transformer, appear at the input of the transformer network via the scaling factor of  $n^2$  and  $n^4$  as can be realized from Fig. 4.1(c). This impedance transformation results in a significant reduction in the required value of all the capacitors (i.e.,  $\sum_i C_i$ ), which reduces the routing parasitics (both inductive and capacitive), and improves the tuning range and PN of the oscillator. Even though by increasing the transformer's turns ratio the tank input impedance will be reduced, the transformer Q-factor will not stay at the optimum level and will start dropping at some point [33]. It turns out that the turns ratio of  $n=2$  can satisfy the aforementioned constraints altogether.

To sustain the oscillation of this differential tank, two transistors shall be added. Figure 4.2 illustrates the *preliminary* schematic and waveforms. Unfortunately, as gathered from Fig. 4.3, this structure suffers the same issues as the traditional class-B oscillator when the ideal current source is replaced with a tail bias transistor,  $M_T$ . The PN is ideally improved by 20 dB/dec through increasing the oscillation amplitude, provided the gm-devices  $M_{1,2}$  operate in saturation

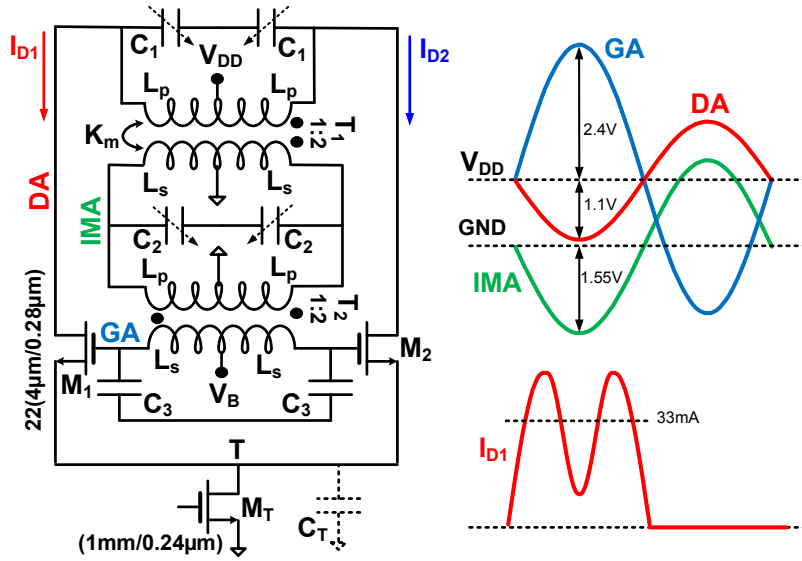


Figure 4.2: Preliminary oscillator schematic and its simulated voltage and estimated current waveforms at  $f_0=8$  GHz,  $V_{DD}=1.2$  V,  $I_{DC}=33$  mA,  $L_{eq}=80$  pH and  $C_{eq}=4.95$  pF.

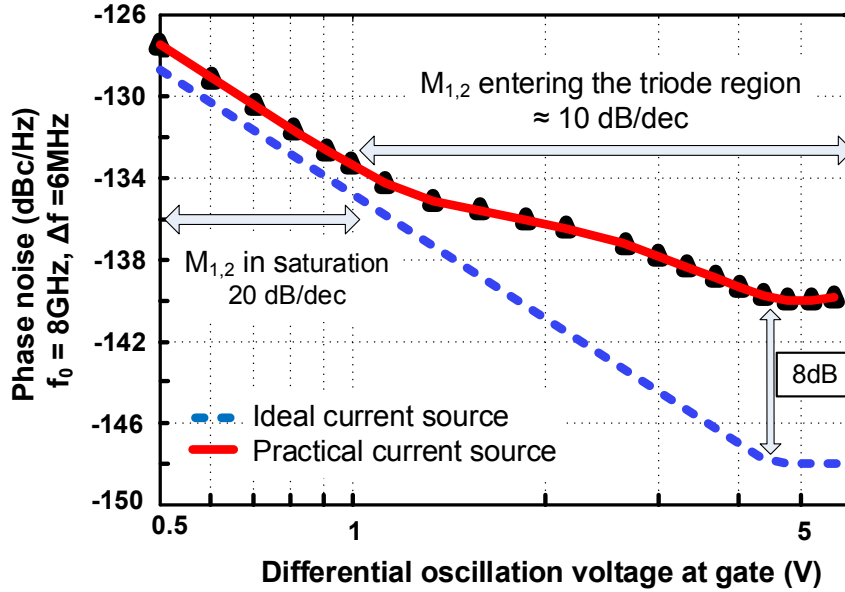


Figure 4.3: Simulated phase noise performance of the preliminary oscillator of Fig. 4.2 versus gate differential oscillation voltage for the ideal and real current sources.

over the entire period. However, the slope of PN improvement deviates from the ideal case when  $M_{1,2}$  enter the triode region for a part of the oscillation period [27]. This problem is intensified especially when the oscillator operates at higher frequencies and larger  $I_{DC}$  (i.e.  $\geq 10$  mA) is needed to satisfy the stringent spectral purity of the GSM standard [92]. Actually, the combination of the parasitic drain capacitance of the large-size  $M_T$  with the entering the triode region by  $M_{1,2}$ , will cyclically short-circuit the tank, thus degrading its equivalent Q-factor and oscillator PN [26].

Furthermore, the oscillation voltage should provide minimum  $V_{DSAT}$  across  $M_T$  throughout the entire period to keep it in saturation. Consequently,  $\alpha_V$  becomes substantially less than 1, which translates to a significant PN penalty as clearly seen from (4.1). Larger  $M_T$  needs

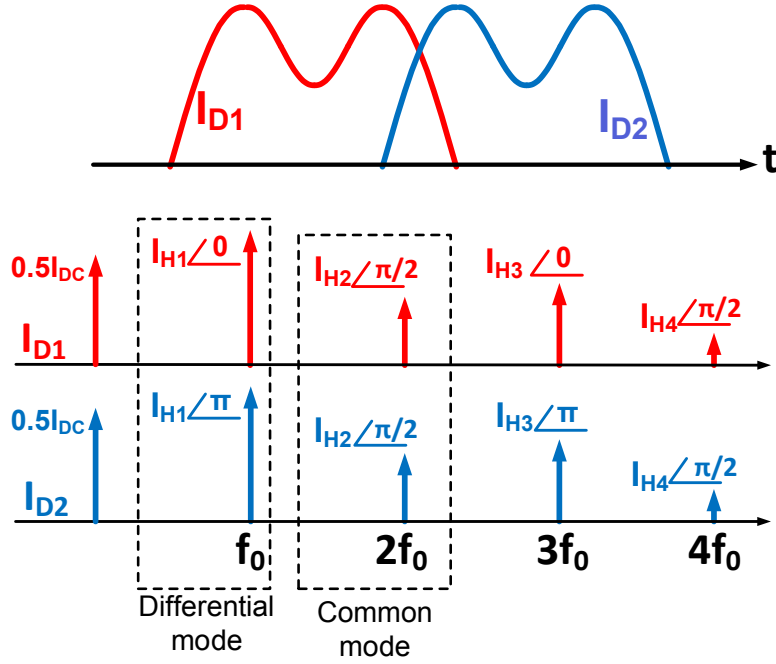


Figure 4.4: Drain current of  $M_{1,2}$  devices of Fig. 4.2 in time and frequency domains.

lower  $V_{DSAT}$ , which would increase  $\alpha_V$ . However, the tail transistor's effective thermal noise will increase significantly for the same  $I_{DC}$  [25]. As a consequence, the contribution of  $M_T$  to the PN could be larger than that of gm-devices, which translates to a significant increase of the oscillator NF and thus its PN [92]. In addition, the  $M_T$  parasitic capacitance,  $C_T$ , will also increase with the side effect of a stronger tank loading. On the other hand, the combination of the sinusoidal drain voltage, large  $C_T$  and the entering of triode region by  $M_{1,2}$ , will result in a dimple in the squarish shape of active device drain current (see Fig. 4.2) with a 10–20% reduction in  $\alpha_I$ , and thus FoM of the oscillator [21], [92]. All the above reasons contribute to reducing the rate of PN improvement versus  $V_{osc}$  to about 10 dB/dec when  $M_{1,2}$  enter the triode region for a part of the oscillation period. Hence, a huge 8 dB PN difference in Fig. 4.3 is observed between the ideal and real operation of the oscillator. Consequently, the proposed oscillator must not be sensitive to the excess gm-device noise in the triode intervals. It should also break the trade-off between  $\alpha_V$  and NF.

### 4.3 Evolution Towards Class-F<sub>2</sub> Operation

Before introducing our proposed phase noise (PN) reduction technique, let us take a closer look at the harmonic component of the drain current  $I_D$  of the  $M_1$  and  $M_2$  gm-devices in Fig. 4.2. Ideally,  $I_D$  is a square wave containing fundamental and odd harmonics. The odd harmonics through  $M_1$  and  $M_2$  are 180° mutually out-of-phase and appear as differential-mode (DM) input signals for the tank. The  $I_D$  also contains even harmonics due to the large oscillation voltage, non-linearity of  $M_{1,2}$  and large parasitic capacitance of  $M_T$ . However, the even harmonics through  $M_1$  and  $M_2$  are mutually in-phase with  $\pm 90^\circ$  phase shift to their related odd harmonics, as shown in Fig. 4.4. Consequently, these even harmonics appear as a common-mode (CM) input for the tank. The conventional tank input impedance has only one peak at the fundamental

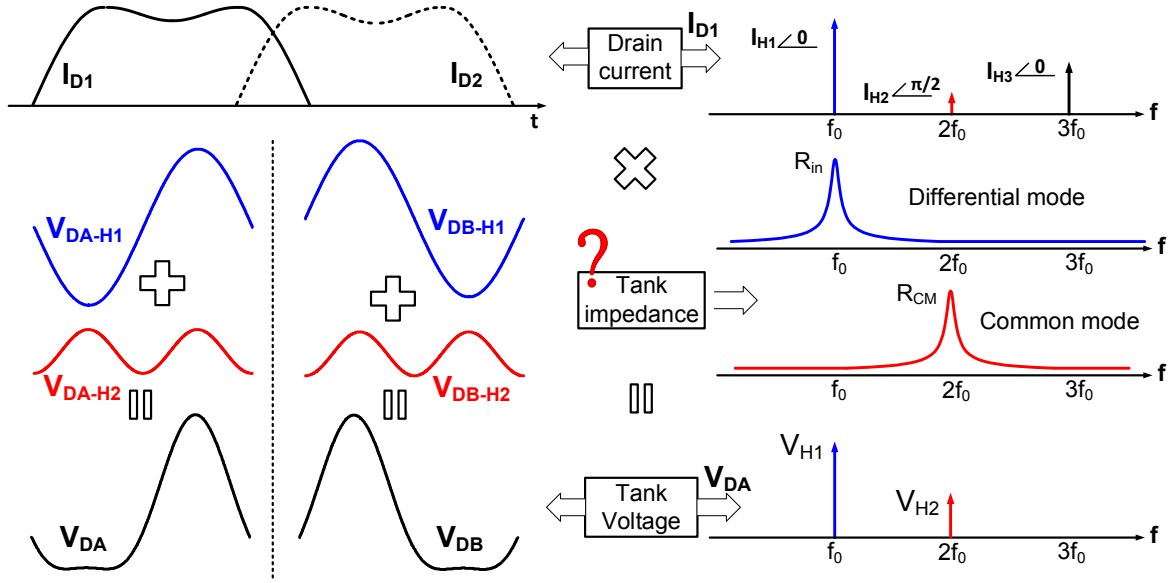


Figure 4.5: Proposed oscillator waveforms in time and frequency domains.

frequency  $\omega_0$ . Therefore, the tank filters out the drain current harmonics and ultimately a sinusoidal voltage is seen across the tank. Now, suppose the tank offers an additional CM input impedance peak around the second harmonic (see Fig. 4.5). Then, the second harmonic of  $I_D$  is multiplied by the tank's CM input impedance to produce a sinusoidal voltage at  $2\omega_0$  that is in quadrature to the fundamental oscillation voltage produced by the tank's DM impedance at  $\omega_0$ . The combination of both waveforms creates the desired oscillation voltage around the tank, as shown in Fig. 4.5, thus justifying the class-F<sub>2</sub> designation.

$$V_{DA} = V_{DD} - V_{H1} \sin(\omega_0 t) - V_{H2} \sin\left(2\omega_0 t + \frac{\pi}{2}\right) \quad (4.3)$$

$\zeta_V$  is defined as the ratio of the second-to-first harmonic components of the oscillation voltage.

$$\zeta_V = \frac{V_{H2}}{V_{H1}} = \left(\frac{R_{CM}}{R_{in}}\right) \left(\frac{I_{H2}}{I_{H1}}\right) \quad (4.4)$$

where,  $R_{in}$  and  $R_{CM}$  are, respectively, the tank DM and CM impedance magnitude at  $\omega_0$  and  $2\omega_0$ . Figure 4.6 illustrates the oscillation voltage and its related impulse sensitivity function (ISF) based on Eq. (38) in [31] for different  $\zeta_V$  values. Clearly,  $\zeta_V$  should be 0.3 to have the widest flat span in the tank's oscillation voltage. The  $\Gamma_{rms}^2$  is 0.35 for  $\zeta_V=0.3$  compared to 0.5 for the traditional oscillator, which leads to a 1.5 dB PN and FoM improvements. Furthermore, ISF is negligible when the gm-devices work in the triode region and inject the most thermal noise into the tank. Consequently, the oscillator FoM improvement should be larger than that predicted by just the  $ISF_{rms}$  reduction. More benefits of the class-F<sub>2</sub> operation will be revealed in following sections.

The argument related to Fig. 4.5 suggests the creation of an additional CM input impedance peak at the second harmonic of main differential resonance. Incidentally, the proposed step-up 1:2 transformer acts differently to the CM and DM input signals. Fig. 4.7(a) illustrates the induced current at the transformer's secondary when the primary winding is excited by a differential signal. All induced currents circulate in the same direction at the transformer's

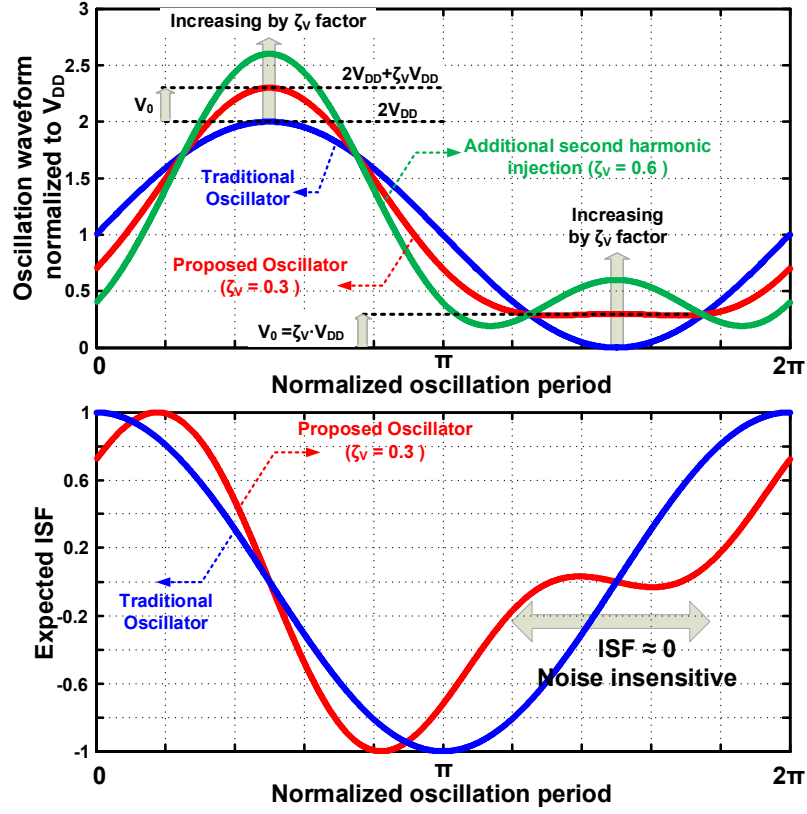


Figure 4.6: Effect of adding 2<sup>nd</sup> harmonic in the oscillation voltage waveform (top), and its expected ISF based on Eq. (38) in [31] (bottom).

secondary to satisfy Lenz's Law. Consequently, the induced currents add constructively, which leads to a strong inter-winding coupling factor ( $k_m \geq 0.7$ ). However, when the transformer's primary is excited by a CM signal (Fig. 4.7(b)), the induced currents at the right-hand and left-hand halves of the transformer's secondary winding circulate in opposite directions thus largely canceling each other. The residual current results in a very small  $k_m \leq 0.2$  for the CM excitation. Consequently, the concept of using two modes of a transformer for waveform shaping (proposed in [93] for a power amplifier) will be adopted here to realize the special tank input impedance of Fig. 4.5. Note that an equivalent lumped-element model in [33], [94] cannot simultaneously cover both CM and DM types of behavior, and would produce wrong results. Hence, we suggest to utilize the transformer's S-parameters and PSS analysis to simulate the proposed class-F<sub>2</sub> oscillator.

Figure 4.8 shows the proposed tank of a class-F<sub>2</sub> oscillator. The  $C_{1d}$  and  $C_3$  are intentionally chosen as fixed capacitors while the DM and CM resonant frequencies are tuned by  $C_{1c}$  (fine) and  $C_2$  (coarse). The DM main resonant frequency is

$$f_{1d} = \frac{1}{2\pi\sqrt{L_{eq}C_{eq}}} \approx \frac{1}{2\pi\sqrt{\left(\frac{L_p}{1+n^2}\right)(C_{1c} + C_{1d} + C_2n^2 + C_3n^4)}} \quad (4.5)$$

The inductance reduction and capacitance multiplication factors of the dual-transformer tank are directly contained in (4.5). The CM input signal can neither see the second transformer nor  $C_2$  &  $C_3$  due to negligible  $k_{m(CM)}$ . In addition, differential capacitors also act as open circuit

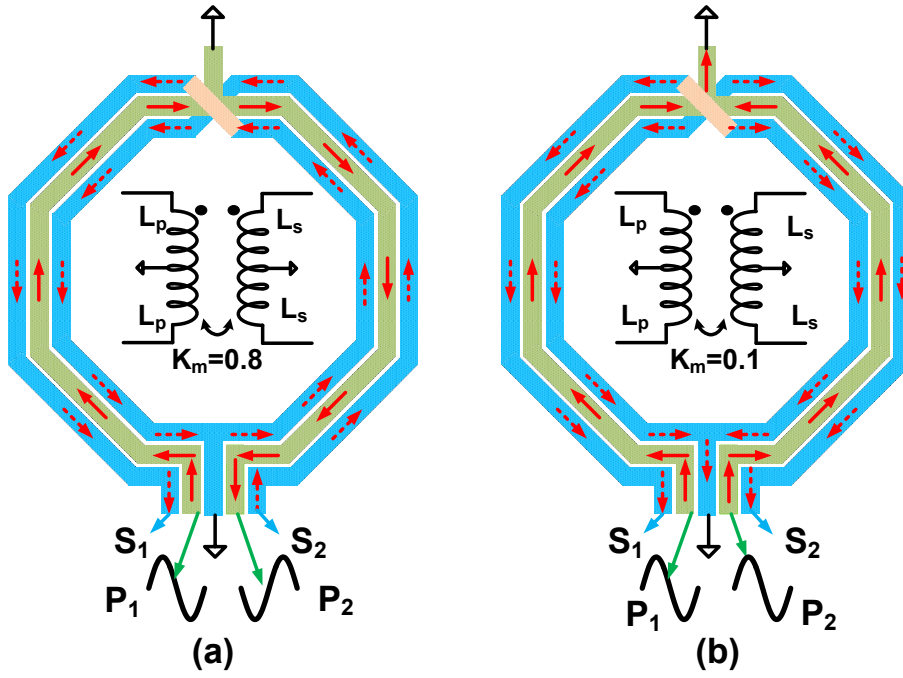


Figure 4.7: Transformer behavior in (a) differential-mode, and (b) common-mode excitations.

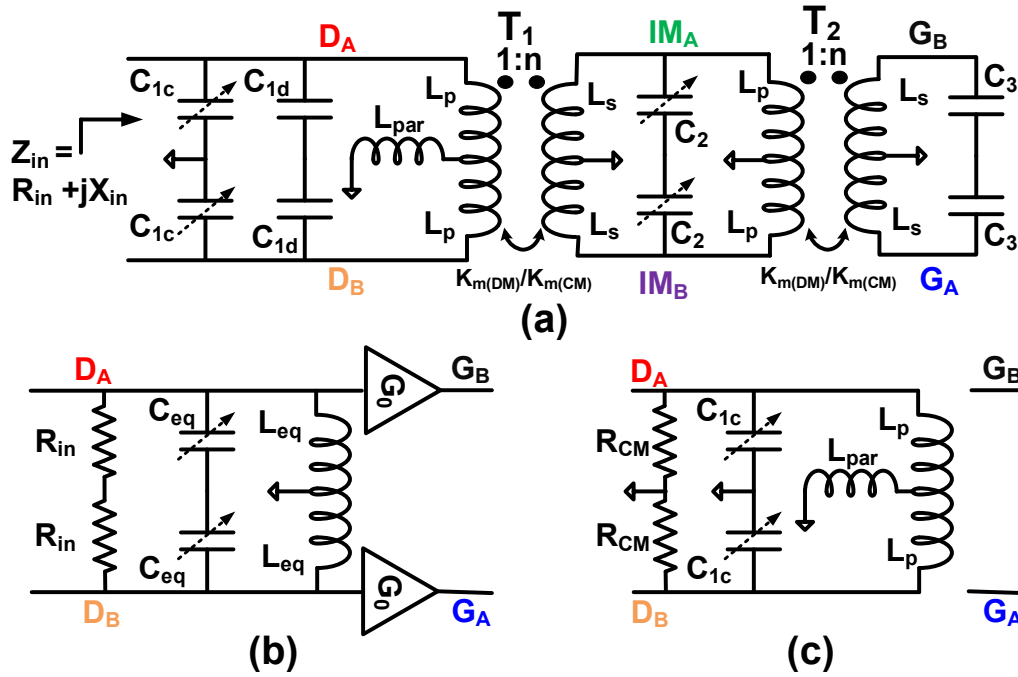


Figure 4.8: Proposed transformer-based resonator: (a) schematic, (b) its simplified equivalent differential-mode circuit ( $k_{m(DM)} \approx 1$ ), (c) simplified tank schematic for common-mode input signals ( $k_{m(CM)} \approx 0$ ).

for the CM signals. Consequently, the tank's CM resonant frequency is

$$f_{1c} = \frac{1}{2\pi\sqrt{L_{cm}C_{1c}}} \approx \frac{1}{2\pi\sqrt{(L_p + 2L_{par})C_{1c}}} \quad (4.6)$$

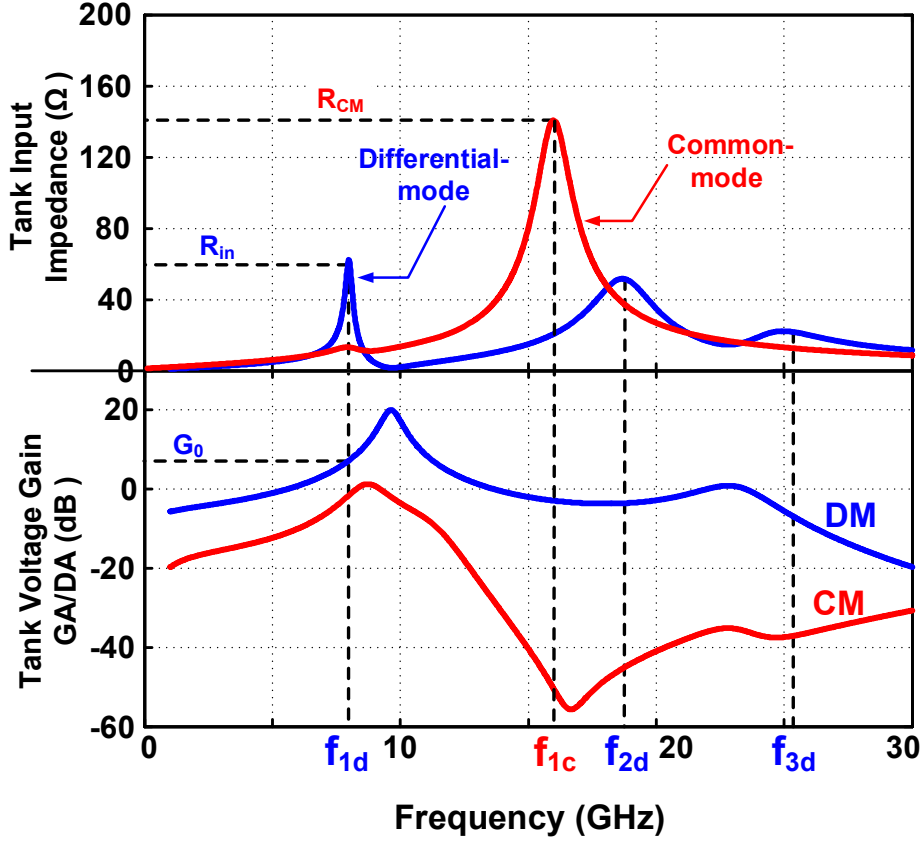


Figure 4.9: Simulated characteristics of the transformer-based tank of Fig. 4.8: (top) magnitude of input impedance  $Z_{in}$ ; (bottom) tank voltage gain between gate and drain of core devices.

There is no tank impedance scaling for the CM excitation. Hence, the CM input impedance peak should be higher than the DM peak, as clearly seen from Fig. 4.9 (top). To operate properly, CM-to-DM resonance ratio must be adjusted to 2:

$$\zeta_f = \frac{f_{1c}}{f_{1d}} = \sqrt{\frac{L_p}{L_p + 2L_{par}} \cdot \frac{C_{1c} + C_{1d} + C_2 n^2 + C_3 n^4}{C_{1c}(1 + n^2)}} = 2. \quad (4.7)$$

As a consequence, the frequency tuning requires a bit different consideration than in the class-B oscillators. Both  $C_{1c}$  and  $C_2$  must, at least at the coarse level, be changed simultaneously to satisfy (4.7) such that  $f_{1c}$  coincides with  $2f_{1d}$ . This adjustment is entirely a function of the ratio of the tuning capacitors, which is precise thus making  $\zeta_f$  largely independent from process, voltage and temperature (PVT) variations.

Let us now consider the required accuracy of this ratio  $\zeta_f$ . The transformer and switching capacitors are designed based on maximum Q-factor at the operating frequency  $f_{1d}$ . The tank Q-factor drops at least  $3\times$  at  $f_{1c} = 2f_{1d}$ . Consequently, the tank CM impedance bandwidth is very wide, as seen in Fig. 4.9. Therefore, the oscillator is less sensitive to the position of  $f_{1c}$  and thus the tuning capacitance ratio. A realistic 5% error in  $\zeta_f$  has no significant adverse effects on the oscillator waveform and thus its PN.

The schematic and waveforms of the proposed oscillator are shown in Figs. 4.10 and 4.11. Even though the second harmonic injection reduces the drain oscillation voltage by  $V_0$  during the negative clipping interval, it increases its positive peak by  $V_0$  (see Fig. 4.6(a)). It means the drain oscillation span is shifted from 0-to- $2V_{DD}$  in the traditional oscillator to  $V_0$ -to- $(2V_{DD}+V_0)$





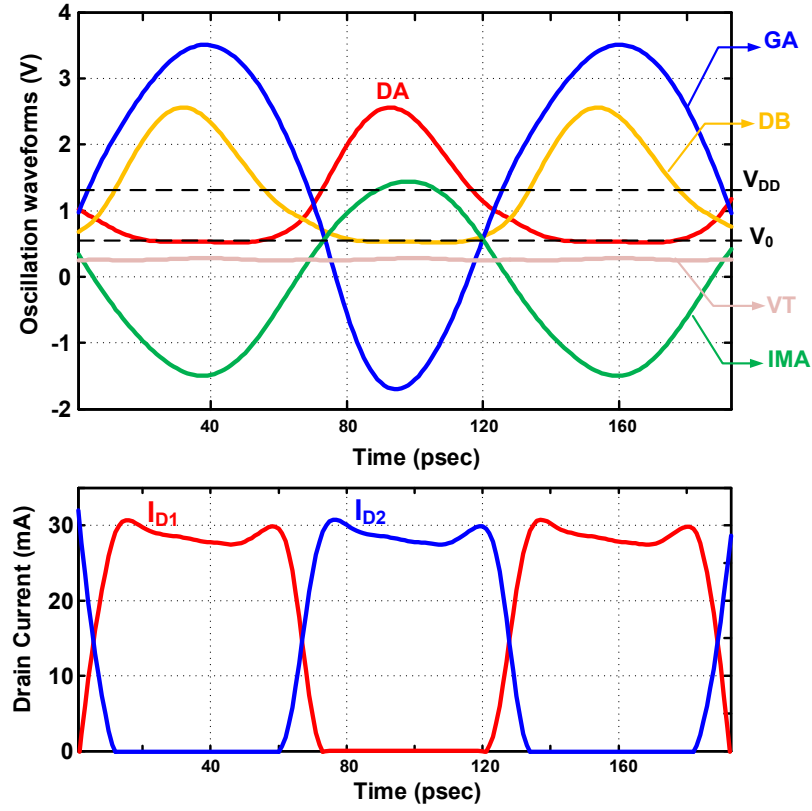


Figure 4.11: Simulated oscillation waveforms of the class-F<sub>2</sub> oscillator at  $V_{DD}=1.2$  V and  $I_{DC}=29$  mA: (top) oscillation voltage of different circuit nodes, (bottom) core transistors drain current.

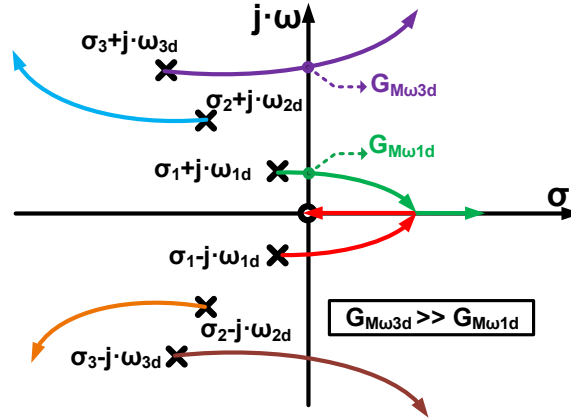


Figure 4.12: Root-locus plot of the class-F<sub>2</sub> oscillator.

#### 4.4 Phase Noise Mechanism in Class-F<sub>2</sub> Oscillator

According to the linear time-variant (LTV) model [31], the phase noise of an oscillator at an offset frequency  $\Delta\omega$  from its fundamental frequency  $\omega_0$  is expressed as

$$\mathcal{L}(\Delta\omega) = 10 \log_{10} \left( \frac{\sum_i N_{L,i}}{2 q_{max}^2 (\Delta\omega)^2} \right) \quad (4.8)$$

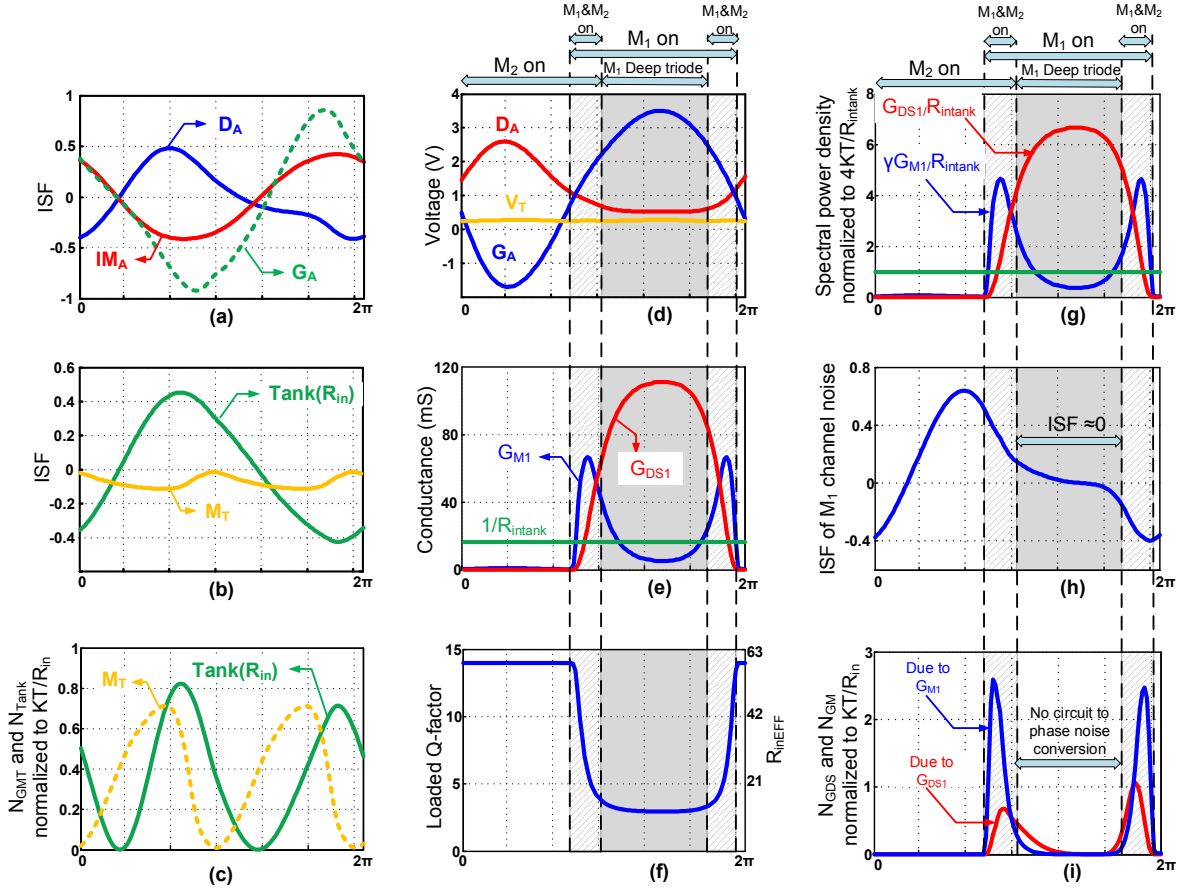


Figure 4.13: Mechanisms of circuit-to-phase noise conversion across the oscillation period in the class-F<sub>2</sub> oscillator: (a) simulated ISF of different tank nodes, (b) equivalent ISF in the simplified oscillator schematic of Fig. 4.14, (c) simulated effective power spectral density of the oscillator's noise sources normalized to  $KT/R_{in}$ , (d) oscillation waveforms and operation region of  $M_{1,2}$ , (e) transconductance and channel conductance of  $M_1$ , (f) loaded Q-factor and effective parallel input resistance of the tank, (g) power spectral density of  $M_1$  noise sources normalized to  $4KT/R_{in}$ , (h) simulated ISF function of  $M_1$  channel noise, (i) simulated effective power spectral density of different noise sources of  $M_1$  normalized to  $KT/R_{in}$ .

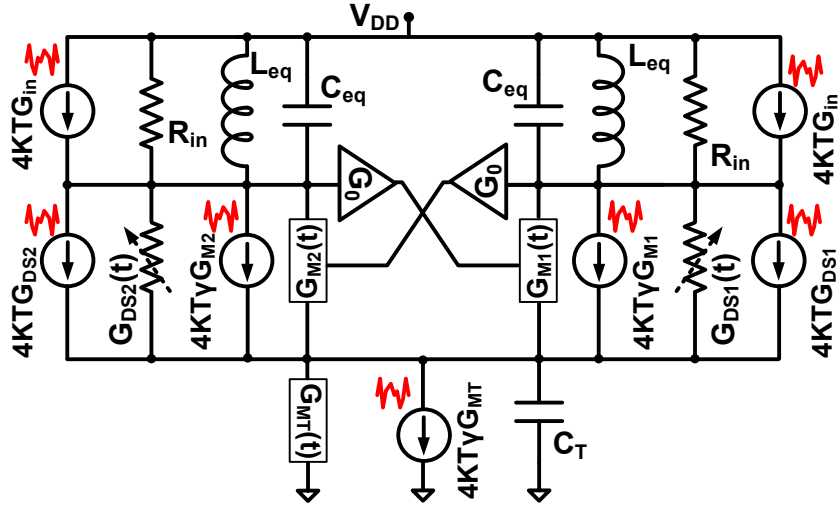
where,  $q_{max} = C_{eq} \cdot V_{osc}$  is the maximum charge displacement across the tuning capacitors and  $V_{osc} = \alpha_I \cdot R_{in} \cdot I_{DC}$  is the single-ended oscillation amplitude at the drain of gm-devices. The  $N_{L,i}$  in (4.8) is the effective noise power produced by  $i^{th}$  device given by

$$N_{L,i} = \frac{1}{2\pi} \int_0^{2\pi} \Gamma_i^2(\omega_0 t) \overline{i_{n,i}^2(\omega_0 t)} d(\omega_0 t) \quad (4.9)$$

where  $\overline{i_{n,i}^2}$  is the white noise current density of the  $i^{th}$  noise source,  $\Gamma_i$  is its corresponding ISF function. Obtaining the ISF of various oscillator nodes is the first step in calculating the oscillator's PN. The ISF functions are simulated by injecting a 20 femto-coulomb charge ( $\Delta q$ ) throughout the oscillation period and measuring the resulting time shifts,  $\Delta t_i$ .

$$\Gamma_i = \omega_0 \cdot \Delta t_i \cdot \frac{q_{max}}{\Delta q} \quad (4.10)$$

Figure.4.13(a) illustrates the ISF of various tank nodes. The soft clipping reduces by 30%

Figure 4.14: Simplified noise source model of the class-F<sub>2</sub> oscillator.

the effect of losses on the oscillator PN due to single-ended switchable  $C_{1c}$ <sup>1</sup> and  $T_1$  primary windings. However, ISF functions of the  $T_1$  secondary and  $T_2$  primary/secondary winding noise sources (including  $C_2$  and  $C_3$ ) are not improved due to the sinusoidal (i.e., conventional) waveforms at  $IM_{A,B}$  and  $G_{A,B}$  nodes. Figure 4.13(a) indicates that  $G_{A,B}$  are the most sensitive nodes. Hence,  $C_3$  is constructed as a fixed MoM capacitor and the transformer was designed with a goal of maximizing Q-factor of the secondary winding.

To calculate a closed-form PN equation, the proposed oscillator model is simplified in Fig. 4.14. The  $G_{DS1,2}(t)$  represent the channel conductance of  $M_{1,2}$ . The  $G_{M1,2}(t)$  and  $G_{MT}(t)$  model the transconductance gain of  $M_{1,2}$  and  $M_T$ , respectively. The original tank is pruned to a parallel  $L_{eq}$ ,  $C_{eq}$ ,  $R_{in}$  with noiseless voltage gain of  $G_0$  (see Fig. 4.8(b)). The simplified tank's equivalent ISF can be roughly estimated by an average of the tank's contributing ISF functions of Fig. 4.13(a) and is shown in Fig. 4.13(b) as green curve. The effective noise power of the tank is illustrated in Fig. 4.13(c) as green curve and its average power is approximated by

$$N_{Tank} = \frac{1}{\pi} \int_0^{2\pi} \frac{4KT}{R_{in}} \Gamma_{tank}^2(\omega_0 t) d(\omega_0 t) \approx 0.8 \frac{KT}{R_{in}} \quad (4.11)$$

Consequently, the soft clipping reduces  $N_{Tank}$  by 20% compared to the traditional oscillator.

The effects of noise on the oscillator PN due to channel conductance ( $G_{DS}$ ) and transconductance gain ( $G_M$ ) of  $M_{1,2}$  transistors are separately investigated. Figure 4.13(d) illustrates various operational regions of  $M_{1,2}$  across the oscillation period. When  $M_{1,2}$  are not turned off, they work mainly in the deep triode region where they exhibit a few ohms of channel resistance, as indicated in Fig. 4.13(e). Consequently, the combination of the large parasitic capacitance of  $M_T$  with low channel resistance of  $M_{1,2}$  in this deep triode region makes a low impedance path between the tank and ground. The literature interprets this as the tank loading event and defines implicit parameters such as *effective* tank Q-factor ( $Q_{eff}$ ) and input parallel resistance ( $R_{ineff}$ ) to justify the oscillator phase noise degradation due to this phenomenon. As shown in Fig. 4.13(f), the tank  $Q_{eff}$  and  $R_{ineff}$  drop 4–5 $\times$  when  $M_{1,2}$  operate in the deep triode. These

<sup>1</sup>The single-ended switchable capacitor is used to adjust the CM resonant frequency. However, its Q-factor is almost half that of the differential structure for the same  $C_{max}/C_{min}$ . The soft clipping largely compensates the effect of additional losses due to its lower  $\Gamma_{rms}$  value.

“effective” parameters merely indicate that more noise is injected then into the tank. However, they do not ordain how much of that circuit noise converts to phase noise, especially when the drain oscillation wave is not conventionally sinusoidal.

The proper approach should be based on the channel conductance noise power *and* its related ISF. If we had an ideal current source, M<sub>1,2</sub> noise would be injected to the tank only during the commutating time (hachure areas in Fig. 4.13(e-g)). At the remaining part of oscillation period, one transistor is off and other one is degenerated by the ideal current source and thus noiseless. However, the output impedance of a practical current source is low for such a high I<sub>DC</sub>=30 mA and f<sub>0</sub>=8 GHz. Consequently, M<sub>1,2</sub> can inject significant amount of noise to the tank when they operate in deep triode region outside the commutating time (i.e., gray area in Fig. 4.13(g)). Note that gm-devices generate ~7× higher amount of noise compared to the tank loss in the gray area, which can potentially increase the phase noise of the oscillator. However, the ISF of channel noise of M<sub>1,2</sub> is very small in that time span as shown in Fig. 4.13(h). Hence, the excessive transistor channel noise (or excessive loaded tank noise of the conventional approach) cannot convert to phase noise. Consequently, the effective noise power of the gm-device channel conductance is negligible, as illustrated in Fig. 4.13(i), and its average power is approximated by

$$N_{GDS} = \frac{1}{\pi} \int_0^{2\pi} 4KTG_{DS1}(\omega_0 t) \cdot \Gamma_{M1}^2(\omega_0 t) \cdot d(\omega_0 t) \approx \frac{KT}{R_{in}} \cdot (0.25) \quad (4.12)$$

Note that N<sub>GDS</sub> is at least 4× larger for the traditional oscillator, especially when a large α<sub>V</sub> is needed [43].

Fig. 4.13(e) shows M<sub>1</sub> transconductance gain G<sub>M1</sub> across the oscillation period. To sustain the oscillation, the combination of the transformers’ passive voltage gain (G<sub>0</sub>) and effective negative transconductance of the gm-devices needs to overcome the tank and M<sub>1,2</sub> channel resistance losses. Consequently,

$$G_{M1EF} = \frac{1}{G_0} \cdot \left( \frac{1}{R_{in}} + G_{DS1EF} \right) \quad (4.13)$$

where G<sub>DS1EF</sub> describes the effective value of the instantaneous conductance G<sub>DS1</sub>(t) of M<sub>1,2</sub> [43]. It can be shown that G<sub>DS1EF</sub> could be as large as 1/R<sub>in</sub> when the oscillator is biased near the voltage limited region [21]. Therefore, the effective noise due to G<sub>M</sub> of core transistors can be calculated by

$$\begin{aligned} N_{GM} &= \frac{1}{\pi} \int_0^{2\pi} 4KT\gamma_{M1}G_{M1}(\omega_0 t) \cdot \Gamma_{M1}^2(\omega_0 t) \cdot d(\omega_0 t) \\ &\approx \frac{KT}{R_{in}} \frac{\gamma_{M1}}{G_0} \cdot (1 + R_{in} \cdot G_{DS1EF}) \\ &\approx \frac{KT}{R_{in}} \cdot \left( \frac{2\gamma_{M1}}{G_0} \right) \end{aligned} \quad (4.14)$$

Eq. 4.14 indicates that the second harmonic injection (i.e., class-F<sub>2</sub> operation) demonstrates no benefit for N<sub>GM</sub> but the transformers’ voltage gain still offers significant benefits.

To estimate the PN contribution of M<sub>T</sub>, its transconductance should be calculated first.

$$G_{MT} = \frac{2I_{DC}}{V_{gs(M_T)} - V_{th}} \approx \frac{2I_{DC}}{V_T} \quad (4.15)$$

where,  $V_T$  is the overdrive voltage of  $M_T$  equal to the drain-source voltage. The clipping voltage level is

$$V_0 = V_{DD} [1 - \alpha_V (1 - \zeta_V)] \quad (4.16)$$

By dedicating a half of  $V_0$  headroom to  $M_T$ ,

$$G_{MT} = \frac{4I_{DC}}{V_0} \approx \frac{4I_{DC}}{V_{DD} (1 - \alpha_V (1 - \zeta_V))} \quad (4.17)$$

By substituting  $I_{DC}$  with  $V_{osc}/(\alpha_I R_{in})$  in (4.17),

$$G_{MT} = \frac{4}{(1 - \alpha_V (1 - \zeta_V)) R_{in} \alpha_I} \left( \frac{V_{osc}}{V_{DD}} \right) = \frac{1}{R_{in}} \frac{4\alpha_V}{(1 - \alpha_V (1 - \zeta_V)) \alpha_I} \quad (4.18)$$

As discussed earlier,  $\alpha_I$  and  $\alpha_V$  could be as large as 0.6 and 0.9 in the proposed oscillator and optimum  $\zeta_V$  is about 0.3. Hence, (4.18) is simplified to  $G_{MT} \approx 15/R_{in}$ . As revealed by Fig. 4.13(b, orange),  $\Gamma_{MT,rms}$  is only 0.08 due to relatively large  $V_T$  of the class-F<sub>2</sub> operation. Consequently,

$$N_{MT} = \frac{1}{2\pi} \int_0^{2\pi} 4KT\gamma_{MT} G_{MT}(\omega_0 t) \cdot \Gamma_{MT}^2(\omega_0 t) \cdot d(\omega_0 t) \approx \frac{KT}{R_{in}} \cdot (0.4\gamma_{MT}) \quad (4.19)$$

The contribution of  $M_T$  to the PN is less than that of the tank and is about 20% of the total. This share could easily be higher than 50% for the traditional oscillator at the same  $\alpha_V$  and  $I_{DC}$  as discussed in [92], [26]. Finally, the total oscillator effective noise power ( $N_T$ ) and noise factor ( $NF_{Total}$ ) are given by

$$N_T \approx \frac{KT}{R_{in}} \cdot NF_{Total}, \quad NF_{Total} \approx \left( 1.05 + \frac{2\gamma_{M1}}{G_0} + 0.4\gamma_{MT} \right) \quad (4.20)$$

Eq. (4.20) indicates the effective noise factor of the proposed class-F<sub>2</sub> oscillator is very close to the ideal value of  $(1 + \gamma)$  despite the aforementioned practical issues. The phase noise can easily be calculated by replacing (4.20) in (4.8). The oscillator FoM normalizes the PN performance to  $\omega_0$  and  $P_{DC}$ , yielding

$$FoM = -10 \log_{10} \left( \frac{10^3 \cdot KT}{2Q_i^2 \alpha_I \alpha_V} \cdot NF_{Total} \right). \quad (4.21)$$

Table 4.1 verifies the solidity of the presented phase noise analysis by comparing the results of SpectreRF<sup>TM</sup> PSS, Pnoise simulations with the derived theoretical equations. The expressions estimate the oscillator PN and share of different noise sources with an acceptable accuracy.

It is also instructive to compare in Table 4.2 the benefits and drawbacks of the two flavors of class-F operation. Intuitively, the third-harmonic injection in class-F<sub>3</sub> [21] demonstrates a pseudo-square waveform with smaller  $ISF_{rms}$  value and shorter commutating time. Consequently, it offers lower  $NF_{Tank}$  and  $NF_{GM}$ . On the other hand, class-F<sub>2</sub> operation provides larger voltage overhead for the gm-devices and tail current transistor without sacrificing the oscillator  $\alpha_V$ . Hence, it exhibits better  $NF_{MT}$ ,  $NF_{GDS}$  and  $\alpha_V$ . As expected, the effective noise factor and FoM of both topologies turns out to be identical. However, this implementation of class-F<sub>2</sub> automatically scales down the tank input parallel resistance and thus offers lower PN at price of larger area and slightly lower Q-factor due to the inter-connection of the two transformers.

Table 4.1: Comparison between the results of SpectreRF PSS, Pnoise simulation and theoretical equations at 8 GHz carrier for  $V_{DD}=1.2$  V,  $R_{in}=60$   $\Omega$ ,  $L_{eq}=80$  pH,  $\gamma_{MT}=1.3$  and  $\gamma_{M1,2}=1$

	Theoretical equations		SpectreRF simulation	
	Value	Share	Value	Share
$N_{Tank}$	$5.50 \cdot 10^{-23}$ V <sup>2</sup> /Hz	31%	$4.71 \cdot 10^{-23}$ V <sup>2</sup> /Hz	28.4%
$N_{M1,2} = N_{GDS} + N_{GMT}$	$8.63 \cdot 10^{-23}$ V <sup>2</sup> /Hz	48.8%	$8.78 \cdot 10^{-23}$ V <sup>2</sup> /Hz	53%
$N_{MT}$	$3.59 \cdot 10^{-23}$ V <sup>2</sup> /Hz	20.2%	$3.08 \cdot 10^{-23}$ V <sup>2</sup> /Hz	18.6%
$N_T = N_{Tank} + N_{M1,2} + N_{MT}$	$17.72 \cdot 10^{-23}$ V <sup>2</sup> /Hz	100%	$16.57 \cdot 10^{-23}$ V <sup>2</sup> /Hz	100%
$q_{max}$ (coulombs)	$5.34 \cdot 10^{-12}$		$5.34 \cdot 10^{-12}$	
Phase noise @10MHz	-151dBc/Hz		-151.33dBc/Hz	

Table 4.2: Comparison between two flavors of class-F oscillator for the same carrier frequency=8 GHz,  $V_{DD}=1.2$  V, tank Q-factor=14,  $\Delta f=10$  MHz and  $R_p=240$   $\Omega$ .

	Expression	Class-F <sub>3</sub> [21]	Class-F <sub>2</sub>
$\alpha_I$	$I_{\omega_0}/I_{DC}$	0.6	0.6
$\alpha_V$	$V_{osc}/V_{DD}$	0.8	0.9 (✓)
$NF_{Tank}$	$N_{Tank}/(KT/R_{in})$	0.7 (✓)	0.8
$NF_{GDS}$	$N_{GDS}/(KT/R_{in})$	0.3	0.25 (✓)
$NF_{GM}$	$N_{GM}/(KT/R_{in})$	$\approx 0.7\gamma_{M1}$ (✓)	$\approx \gamma_{M1}$
$NF_{GMT}$	$N_{GMT}/(KT/R_{in})$	$\approx 0.5\gamma_{MT}$	$\approx 0.4\gamma_{MT}$ (✓)
$NF_{Total}$		3.7dB (✓)	4.1dB
FoM	$\approx -10 \log_{10} \left( \frac{KT}{2Q_t^2 \alpha_I \alpha_V} NF \right)$	192.9dB (✓)	192.9dB (✓)
$R_{in}$		$\approx R_p = 240\Omega$	$\approx R_p/(1+n^2) = 60\Omega$ (✓)
$P_{DC}$	$\left( \frac{V_{DD}^2 \alpha_V}{R_{in} \alpha_I} \right)$	8mW	36mW
Phase noise	$\approx 10 \log_{10} \left( \frac{KT}{2Q_t^2 P_{DC} \alpha_I \alpha_V} NF \left( \frac{\omega_0}{\Delta\omega} \right)^2 \right)$	-144 dBc/Hz	-150.5 dBc/Hz (✓)

## 4.5 Experimental Results

This oscillator work targets GSM-900 MHz and DSC-1800 MHz base-station PN requirements. Electromagnetic (EM) simulations reveal that the tank Q-factor would be slightly (i.e.,  $\sim 10\%$ ) better at 8 GHz as compared to 4 GHz for the same  $R_{in}$  and tuning range. However, the 1/f noise up-conversion would be more severe at 8 GHz due to a larger share of the non-linear  $C_{gs}$  of gm-devices to the total tank’s capacitance. Furthermore, the output impedance of the current source is lower at higher frequencies, which would lead to higher PN penalty due to the tank loading. Consequently, there seems to be altogether no clear performance advantage of the 8 GHz over 4 GHz operation. Considering the fact that the proposed oscillator has two transformers, the 8 GHz center frequency was chosen mainly to save die area.

The proposed class-F<sub>2</sub> oscillator, whose schematic was shown in Fig. 4.10, was realized in TSMC 1P7M 65-nm CMOS process technology. The die photograph is shown in Fig. 4.15. The oscillator core die area is 0.2 mm<sup>2</sup>. The differential transistors are thick-oxide devices of 22(4- $\mu$ m/0.28- $\mu$ m) dimension. However, the tail current source  $M_T$  is implemented as a standard

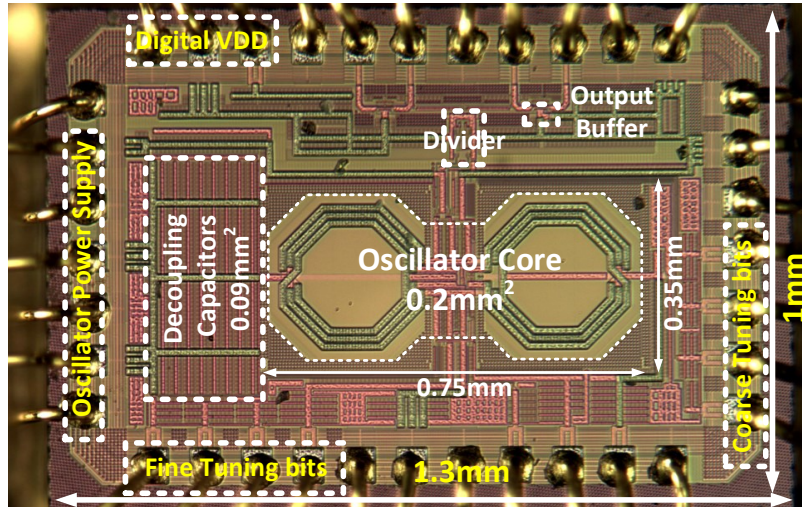


Figure 4.15: Die photograph of the class- $F_2$  oscillator.

1-mm/ $0.24\text{-}\mu\text{m}$  thin-oxide ( $t_{ox}=2.6\text{ nm}$ ) device. Note that the thin oxide device produces lower  $1/f$  noise corner than the thick one at the same area [95]. The aluminum capping layer ( $1.45\text{ }\mu\text{m}$ ), which is intended to cover bond-pads, is strapped to the ultra-thick top copper layer ( $3.4\text{ }\mu\text{m}$ ) to form the windings and improve the transformer’s primary and secondary  $Q$ -factor to 14 and 20, respectively, at 8 GHz. The transformer’s primary and secondary differential self-inductance is 560 pH and 1650 pH, respectively, with the DM and CM magnetic coupling factors of 0.8 and 0.15, respectively.

Four differential switched MOM capacitors  $B_{C0}\text{--}B_{C3}$  with the resolution of 40 fF placed across  $T_1$  secondary realize coarse tuning bits ( $C_2$ ), while the fine control bits  $B_{F0}\text{--}B_{F2}$  with LSB of 20 fF adjust  $\omega_c$  to near  $2\omega_{1d}$  to satisfy (4.7) and thus the class- $F_2$  operation. The effective  $C_{\max}/C_{\min}$  of the switched capacitor structures is determined by the strong tradeoff between the oscillator tuning range (TR) and tank  $Q$ -factor degradation due to the switch series resistance. The switched-capacitor’s  $Q$ -factor is about 45 for 25% TR at 8 GHz. Furthermore, the interconnections of the two transformers also increase the tank losses by 10%, resulting in an average  $Q$ -factor of 14 for the entire tank.

The supply voltage connects to the center tap of  $T_1$  primary along with a 100 pF on-chip decoupling capacitor. The center tap of  $T_2$  secondary is connected to the bias voltage  $V_B$ , which is fixed at  $V_{DD}$  to minimize the number of supply domains and to guarantee safe oscillator start-up. The oscillator is very sensitive to noise at the  $M_{1,2}$  gates (see Fig. 4.13(a)). Fortunately, no DC current is drawn from  $V_B$  so an RC filter of slow time constant is placed between  $V_{DD}$  and  $V_B$  to further reduce the bias voltage noise. Both  $T_1$  secondary and  $T_2$  primary windings center taps are connected to ground to avoid any floating nodes and make a return path for the negligible second harmonic current to improve the waveform symmetry.

The measured and simulated PN at 4.35 GHz (after the on-chip  $\div 2$  divider) at 1.3 V and 32 mA current consumption are shown Fig. 4.16. The PN of  $-145\text{ dBc/Hz}$  at 3 MHz offset lies on the 20 dB/dec region, which extrapolates to  $-174.7\text{ dBc/Hz}$  at 20 MHz offset (normalized to 915 MHz) and meets the GSM TX mobile station (MS) requirements with a very wide 13 dB margin. The GSM/DCS “micro” base-station (BTS) and DCS “normal” BTS specs are met with a few dB of margin. These PN numbers are the *best ever* published at low  $V_{DD}$  (i.e.,  $\leq$



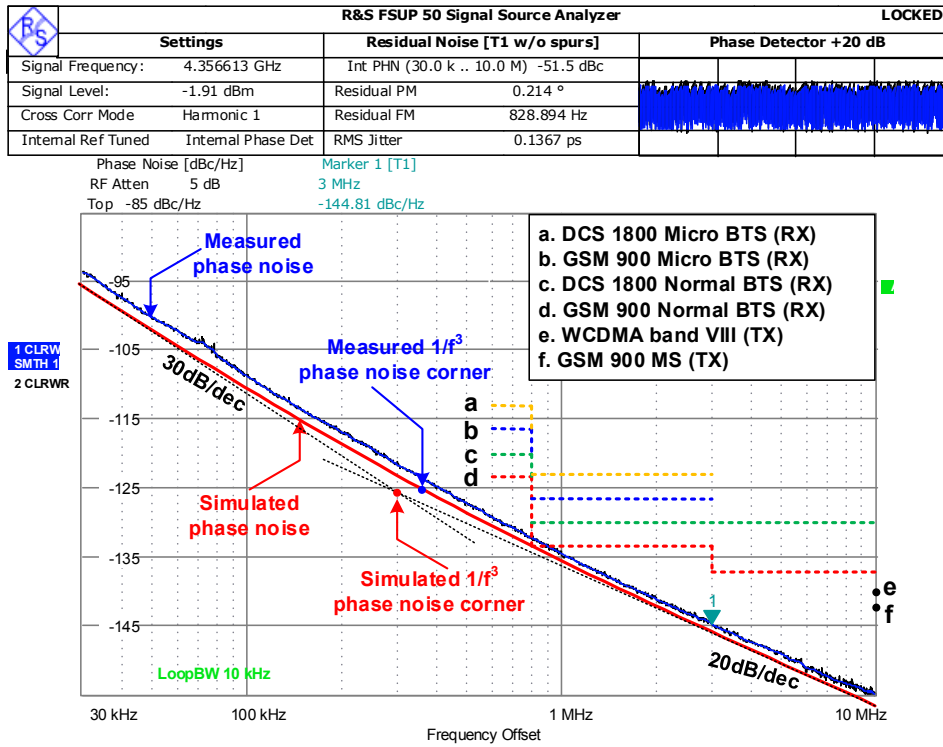


Figure 4.16: Measured (blue) and simulated (red) phase noise plots at 4.35 GHz,  $V_{DD}=1.3$  V and  $P_{DC}=41$  mW. Specifications (MS: mobile station, BTS: basestation) are normalized to the carrier frequency.

1.5 V). However, the toughest GSM base-station “normal” specifications at 800-to-900 kHz offset are within 1 dB of reach. The measured PN is just 1 dB higher than simulation in the 20 dB/dec region due to the power supply noise and additional tank loss caused by the routing of the tuning capacitors and dummy fill metals around the transformer.

The measured  $1/f^3$  PN corner shows less than 100 kHz increase over the simulation and is  $\sim 350$  kHz and  $\sim 250$  kHz at the highest and lowest side of the tuning range, respectively. This excellent  $1/f^3$  performance is achieved thanks to the following reasons: First, the  $1/f$  noise of the tail current source can appear as a CM signal at  $T_1$  primary and modulate the oscillation voltage. However, the  $T_1$  transformer will effectively filter out this CM AM signal, thus preventing any AM-to-PM conversion at the  $C_2$  switched capacitors and nonlinear  $C_{gs}$  of gm-devices. Second, the class-F<sub>2</sub> tank has two impedance peaks at the fundamental oscillation frequency and its 2<sup>nd</sup> harmonic. Hence, the 2<sup>nd</sup> harmonic of the drain current flows into a resistance of the tank instead of its capacitive part. It effectively reduces the  $1/f$  noise upconversion to the  $1/f^3$  phase noise due to Groszkowski phenomenon [24]. Third, the soft clipping effectively reduces the voltage variation of  $V_T$ , as shown in Fig. 4.11. Intuitively, it could reduce the DC and even-order coefficients of ISF at this node and thus alleviate the  $1/f$  noise conversion of the tail current transistor.

The PN noise beyond the 10 MHz offset is dominated by thermal noise floor from the divider and buffers set at -162 dBc/Hz. The oscillator has a 19% tuning range from 7.2 to 8.7 GHz. Figure 4.17 shows the phase noise and FoM of the oscillator at 3 MHz offset across the tuning range (after the  $\div 2$  divider). The average FoM is as high as 191 dBc/Hz and varies less than

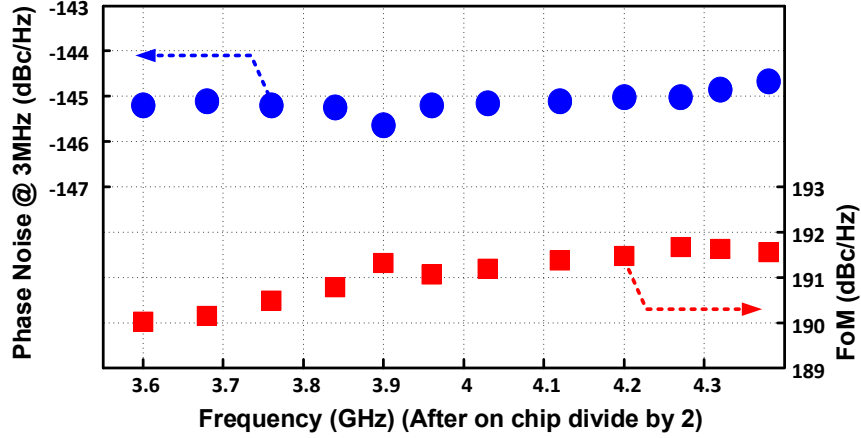


Figure 4.17: Measured phase noise and figure-of-merit (FoM) at 3 MHz offset versus carrier frequency.

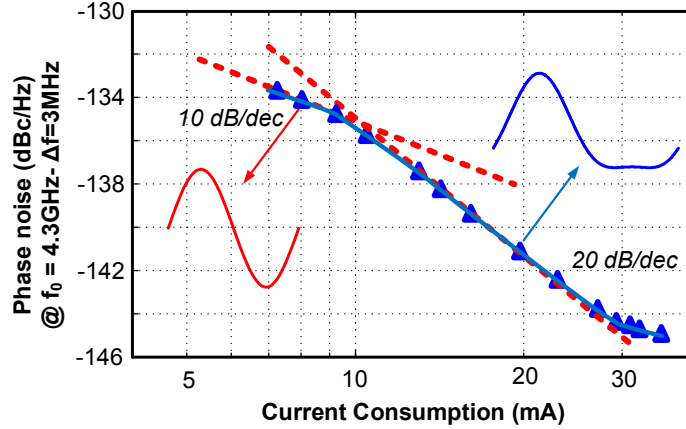


Figure 4.18: Measured phase noise at 3 MHz offset frequency from 4.3 GHz carrier versus the oscillator current consumption.

2 dB. The oscillator also reveals a very low frequency pushing of 42 and 22 MHz/V at the highest and lowest frequencies, respectively.

Figure 4.18 shows the PN performance versus its current consumption. The circuit cannot satisfy Barkhausen oscillation criterion at  $I_{DC} < 7$  mA. The oscillator phase noise is improved only by 10 dB/dec between 7 to 12 mA due to the drop in the oscillator current efficiency  $\alpha_I$  and loading of the tank's Q-factor by the gm-devices entering the linear region. Note that even though the tank has an additional impedance at  $2\omega_0$ , the 2<sup>nd</sup> harmonic of the drain current is negligible and, consequently, the drain oscillation resembles a sinusoid. However, by further increasing the drain current, the soft clipping phenomenon appears where the tank loading and tail transistor noise effects are reduced significantly due to the class-F<sub>2</sub> operation. Consequently, PN improves by almost 20 dB/dec, which demonstrates a few dB of improvement compared to the traditional class-B operation (compare Figs. 4.3 and 4.18). Figure 4.18 also indicates that the circuit can sustain the oscillation even with 4× lower  $I_{DC}$  and thus  $G_{MEF}$ , which translates into sufficient margin for the oscillator start-up over PVT variations.

Table 4.3 summarizes the performance of the proposed class-F<sub>2</sub> oscillator and compares it with the best spectral purity state-of-the-art oscillators. Note that this oscillator demonstrates

Table 4.3: Comparison of state-of-the-art in ultra-low-phase noise oscillators.

	<b>This Work</b>	[91]	[96]	[21]	[26]	[28]	[49]
<b>Technology</b>	CMOS 65nm	CMOS 65nm	CMOS 65nm	CMOS 65nm	MOS 350 $\mu$ m	CMOS 55nm	BiCMOS 130nm
<b>Supply voltage (V)</b>	1.3	2.15	1.5	1.25	2.5	1.5	3.3
<b>Frequency (GHz)</b>	4.35 <sup>1</sup>	4.07	3.92 <sup>1</sup>	3.7 <sup>1</sup>	1.2	3.35 <sup>1</sup>	1.56
<b>Tuning range (%)</b>	19	19	10.2	25	18	31.4	9.6
<b>PN at 3 MHz (dBc/Hz)</b>	-144.8	-146.7	-147.7	-142.2	-152	-142	-150.4
<b>Norm. PN<sup>2</sup> (dBc/Hz)</b>	-158.3	-159.6	-157.2	-154.3	-154.8	-153.3	-155
<b>Power consumption (mW)</b>	41.6	126.8	48	15	9.25	27	290
<b>FoM (dB)</b>	191.8 <sup>3</sup>	188.3	190.1	192.2	195	189	180
<b>FoM<sub>T</sub><sup>4</sup> (dB)</b>	197.4	193.4	190.3	200.2	200.7	199	179.7
<b>Transformers/inductors count</b>	2	2	2	1	2	1	1
<b>Oscillator structure</b>	Class F <sub>2</sub>	Dual core Class-C	Hard clipping	Class F <sub>3</sub>	Noise Filtering	Class B/C	Colpitts

<sup>1</sup>after on-chip  $\div 2$  divider. <sup>2</sup>at 3 MHz offset frequency normalized to 915 MHz carrier.

<sup>3</sup> FoM drops to 191.5 dB by considering the divider power consumption of 2.6 mW.

<sup>4</sup>FoM<sub>T</sub> = |PN| + 20 log<sub>10</sub>((f<sub>0</sub>/Δf) (TR/10)) - 10 log<sub>10</sub>(P<sub>DC</sub>/1mW)

the best PN with the highest power efficiency at relatively low supply voltage while abiding by the process technology reliability rules. Only the dual-core class-C oscillator [91] offers better PN performance but at the price of 1.65 $\times$  larger V<sub>DD</sub>, 3 $\times$  higher power consumption and 3 dB lower FoM or power efficiency.

## 4.6 Reliability of High-Swing RF Oscillators

RF oscillators are especially vulnerable to device and interconnect failures due to their large voltage and current peaks. The interconnect failure is mainly due to electromigration and can be easily cured by increasing the number of vias and widening high-current metal lines, which fortunately coincide with efforts to optimize the inductor Q-factor. However, the device failure becomes ever more serious and highly circuit dependent in scaled CMOS. Consequently, circuit designers of high-performance (thus, high-swing) RF oscillators must fully comprehend these reliability issues. Time dependent dielectric breakdown (TDDB) and hot carrier injection (HCI) are considered two main failure mechanisms, which limit the max oscillation amplitude [97].

The HCI degradation would occur when the drain current, I<sub>DS</sub>, and drain-source voltage, V<sub>DS</sub>, are large at the same time. Thanks to the transformer’s voltage gain, the proposed oscillator V<sub>DD</sub> is low enough such that V<sub>DS</sub> of its gm-devices can be much less than the standard voltage of thick-oxide transistors (2.5 V) when they operate in on-state (see Fig. 4.11). Consequently, the proposed oscillator is not inherently vulnerable to HCI. However, the large oscillation swing applies a strong electric field across the gate-oxide of gm-devices (V<sub>DG</sub>, V<sub>GS</sub>), which can potentially reduce the long term reliability of the proposed oscillator due to TDDB [39].

The oxide breakdown stems from defects, such as electron traps, in the oxide structure. The rate of defect generation is almost proportional to the gate-oxide electric field and its leakage current density. This failure is a time-dependent statistically distributed phenomenon and is

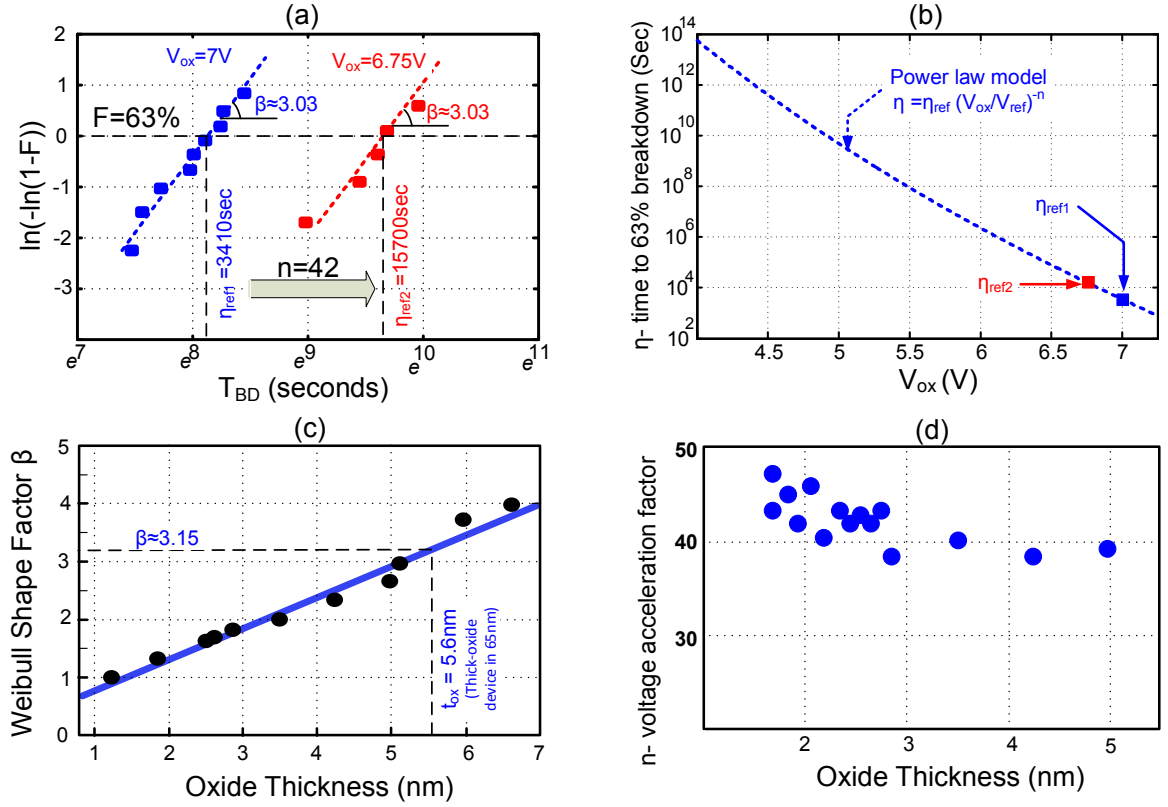


Figure 4.19: (a) Measured cumulative failure rate  $F$  versus breakdown time  $T_{BD}$  for 14 samples of a thick-oxide transistor ( $176\mu\text{m}/0.28\mu\text{m}$ ) at room temperature, (b) the projected  $\eta$  value versus different gate-oxide stress voltage based on the measured  $\eta_{ref}$ , (c) Weibull slope versus gate oxide thickness extracted from measurement results in [14], (d) voltage acceleration versus gate oxide thickness extracted from measurement results in [98].

described by a well-known Weibull distribution:

$$F = 1 - e^{-\left(\frac{T_{BD}}{\eta}\right)^\beta} \rightarrow \eta = T_{BD} (-\ln(1 - F))^{-1/\beta} \quad (4.22)$$

where  $F$  is a cumulative failure probability and  $T_{BD}$  is a random variable for time-to-breakdown [14]. Both  $\beta$  and  $\eta$  are experimental parameters and defined as a Weibull shape slope and characteristic  $T_{BD}$  at  $F = 63.2\%$ , respectively.  $\eta$  is a strong function of the total gate oxide area ( $A_{ox}$ ), absolute junction temperature ( $T_{ox}$ ) and stress voltage across the gate oxide ( $V_{ox}$ ). The  $\eta$  is usually estimated by means of voltage and temperature acceleration models from results acquired at relatively short measurements to the required product lifetime (e.g., 10 years). It is shown in [14] that  $\eta$  for a given circuit with arbitrary characteristics ( $A_{ox}$ ,  $V_{ox}$  and  $T_{ox}$ ) can be extrapolated from the reference data ( $x_{ref}$ ) by

$$\eta = \eta_{ref} \left(\frac{V_{ox}}{V_{ref}}\right)^{-n} e^{\frac{E_a}{K} \left(\frac{1}{T_{ox}} - \frac{1}{T_{ref}}\right)} \left(\frac{A_{ox}}{A_{ref}}\right)^{-1/\beta} \quad (4.23)$$

where,  $n$  and  $E_a$  are, respectively, voltage acceleration and thermal activity energy factors.

The above procedure is now applied to our proposed class- $F_2$  oscillator to determine its  $T_{BD}$ .

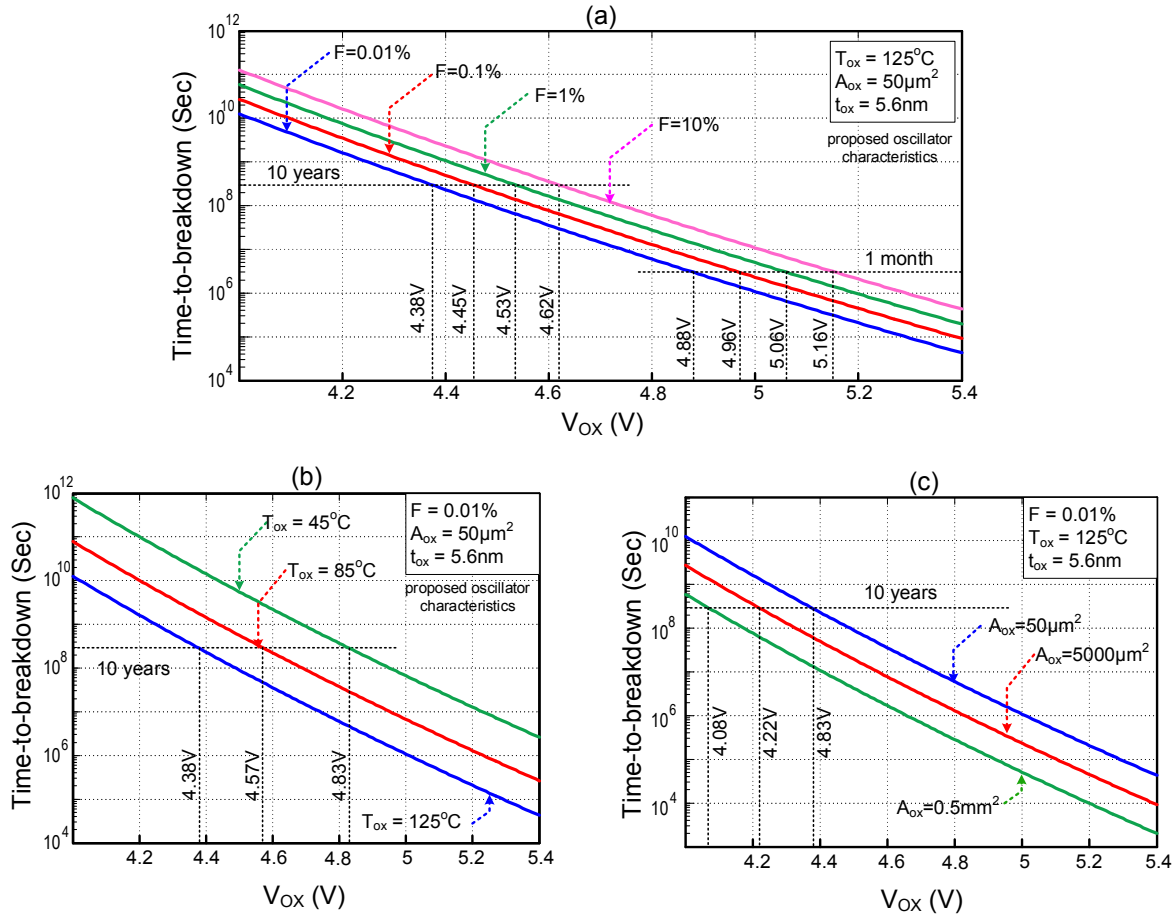


Figure 4.20: Estimated time-to-breakdown (based on the measured parameters of Fig. 4.19(a)) of thick-oxide transistors in 65 nm CMOS versus maximum gate-oxide stress voltage for different (a) cumulative failure rates, (b) temperatures, (c) gate-oxide areas.

Figure 4.19(a) shows the measured  $F$  versus  $T_{BD}$  for 14 samples of the thick-oxide transistor ( $176 \mu\text{m}/0.28 \mu\text{m}$ ) at room temperature when a large voltage ( $6.75 \text{ V}$  &  $7 \text{ V}$ ) is applied across the gate. The data points are easily mapped to a Weibull distribution curve as indicated by the dashed line. The cross-over of these curves at  $F=63.2\%$  specifies the reference  $\eta$  values ( $\eta_{ref}$ ). The voltage acceleration ratio  $n$  is calculated by applying  $\eta_{ref}$  values and their related  $V_{ox}$  in (4.23). Furthermore, the slope of the curves determines  $\beta$ . Consequently, the estimated  $n$  and  $\beta$  values are respectively 42 and 3 for the thick-oxide devices ( $t_{ox}=5.6 \text{ nm}$ ) in 65nm CMOS, which are close to extracted measured numbers from literature, as shown in Fig. 4.19(c-d) [14], [98]. The  $E_a$  is  $\sim 0.55 \text{ eV}$  and independent from the oxide thickness and temperature [99]. Consequently, the given oscillator  $\eta$  can be estimated by substituting the measured reference and technology parameters and circuit characteristics ( $A_{ox}$ ,  $V_{ox}$ ,  $T_{ox}$ ) in (4.23). Finally,  $T_{BD}$  is calculated by substituting the estimated  $\eta$  and the desired  $F$  in (4.22).

The lifetime estimation of our circuit as a function of  $V_{ox}$  is plotted in Fig. 4.20 for various  $F$ ,  $T_{ox}$  and  $A_{ox}$ . The plots indicate that the maximum voltage across the oxide for  $M_{1,2}$  transistors should be  $< 4.4 \text{ V}$  to ensure  $< 0.01\%$  failure during 10 years at  $125^\circ\text{C}$ . The max  $V_{ox}$  could be increased if higher failure rate or lower max operating temperature are accepted. The maximum dc voltage is thus established across the gate-oxide. However, the actual nature of stress in

RF oscillators is not dc but an ac voltage  $V_{ox}(\omega_0 t)$ . Consequently, it is instructive to compare the static max  $V_{ox}$  with the actual operation when  $\eta$  changes over the period of the resonant frequency. Hence, the “effective”  $\eta$  is calculated as

$$\frac{1}{\eta_{\text{eff}}} = \frac{1}{2\pi} \int_0^{2\pi} \frac{1}{\eta(V_{ox}(\omega_0 t))} d(\omega_0 t) \quad (4.24)$$

where,  $\eta(V_{ox}(\omega_0 t))$  is given by (4.23) and can be expediently simplified to  $\eta = B \cdot (V_{ox}(\omega_0 t))^{-n}$ .

Starting with the application’s desired operating time (i.e.,  $T_{\text{BD}}$ ) at a given failure rate ( $F$ ) in a given technology (i.e.,  $\beta$ ), the parameter  $\eta_{\text{eff}}$  is first established as per (4.22) and is identical for dc and ac operations. For a dc operation,  $\eta = B \cdot (V_{dc})^{-n}$  and (4.24) results in

$$V_{dc} = \left( \frac{B}{\eta_{\text{eff}}} \right)^{1/n} \quad (4.25)$$

However, for an ac operation,

$$\frac{1}{\eta_{\text{eff}}} = \frac{1}{2\pi} \int_0^{2\pi} \frac{1}{B(0.5V_{ac,max}(1 + \sin(\omega_0 t)))^{-n}} d(\omega_0 t) \quad (4.26)$$

Solving this integral for the voltage acceleration factor  $n$  of 42 for the 65-nm CMOS thick-oxide devices,

$$V_{ac,max} = \left( \frac{11.5 \cdot B}{\eta_{\text{eff}}} \right)^{1/n} \quad (4.27)$$

Consequently, the ac to dc maximum tolerable stress voltage ratio ( $V_{ac,max}/V_{dc}$ ) will be  $(11.5)^{1/n} \approx 1.06$ . We strongly emphasize that there are no significant differences in max  $V_{ox}$  at ac-peak and dc conditions due to the sharp slope of  $T_{\text{BD}}-V_{ox}$  curves in Fig. 4.20. As shown by integrating the voltage-dependent  $\eta(V_{ox})$  over the full oscillation cycle, the peak magnitude of the  $V_{ox}$  sine wave can be just 6% higher than what is determined for a fixed dc  $V_{ox}$ . Consequently, the slightly lower pessimistic value of  $V_{ox}$  in the dc condition could be used as an extra margin.

## 4.7 Conclusion

In this Chapter, we have proposed and analyzed a class- $F_2$  oscillator where an auxiliary impedance peak is introduced around the second harmonic of the oscillating waveform. The second harmonic of the active device current converts into voltage and, together with the fundamental component, creates a soft clipped oscillation waveform. The class- $F_2$  operation offers enough headroom for the low noise operation of the tail current transistor without compromising the oscillator current and voltage efficiencies. Furthermore, the special ISF of the soft clipping waveform reduces significantly the circuit-to-phase noise conversion. The additional resonant frequency is realized by exploiting a different transformer behavior in common-mode and differential-mode excitations. In addition, the tank input impedance is also scaled down without sacrificing its Q-factor. Consequently, the proposed structure is able to push the phase noise much lower than practically possible with the traditional LC oscillators while satisfying long-term reliability requirements. The proposed reliability acceleration analysis indicates that the oscillator will function for >10 years with <0.01% failure rate at 125°C.

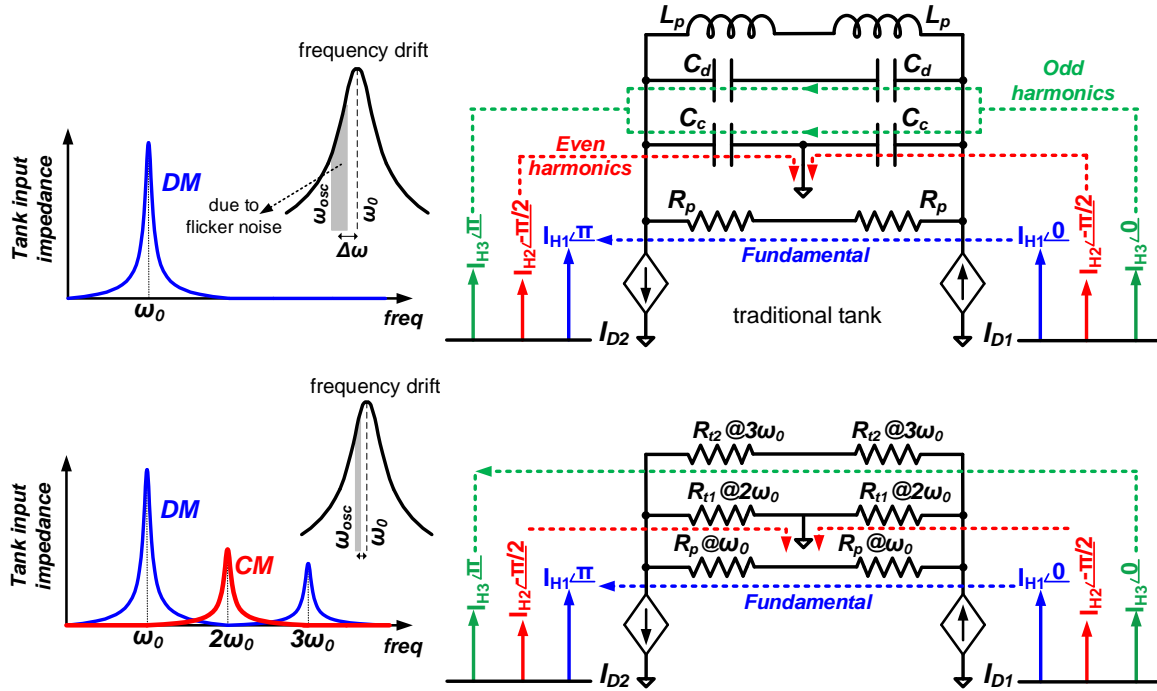


Figure 4.21: Current harmonic paths and frequency drift for a tank without (top) and with (bottom) resistive traps at higher harmonics.

## 4.8 Extension of class-F<sub>2</sub> operation for reducing flicker noise upconversion

The  $1/f$  (flicker) noise upconversion degrades the close-in spectrum of CMOS RF oscillators<sup>1</sup>. The resulting  $1/f^3$  phase noise (PN) can be an issue in PLLs with a loop bandwidth of  $<1$  MHz, which practically implies all cellular phones. A previously published noise-filtering technique [101] and adding resistors in series with gm-device drains [102] have shown significant reduction of the  $1/f^3$  oscillator PN corner. However, the former needs an additional tunable inductor and the latter degrades PN in the 20 dB/dec region.

The flicker noise can upconvert via two major phenomena. First, tail current flicker noise can modulate the oscillating waveform amplitude, which can convert to PN through a nonlinear C-V characteristic of varactors and active devices. The second mechanism is the Groszkowski effect [46]: The presence of harmonic components of the active gm device current can cause a frequency drift of the tank resonance (see Fig. 4.21 (top)). The fundamental drain current  $I_{H1}$  flows into  $R_p$  (equivalent parallel resistance of the tank), while its 2nd- and 3rd-harmonic components,  $I_{H2}$  and  $I_{H3}$ , mainly take the capacitance path due to its lower impedance. Consequently, the reactive energy stored in the inductance and capacitance is perturbed, shifting the oscillation frequency  $\Delta\omega$  lower to satisfy the resonance condition. It can be shown that

$$\Delta\omega = -\frac{\omega_0}{2Q^2} \sum_{k=2}^{\infty} a_k \left( \frac{I_{Hk}}{I_{H1}} \right)^2. \quad (4.28)$$

<sup>1</sup>The main contributor of this section is Mina Shahmohammadi from TU Delft. This work has been published in the ISSCC2016 digest [100].

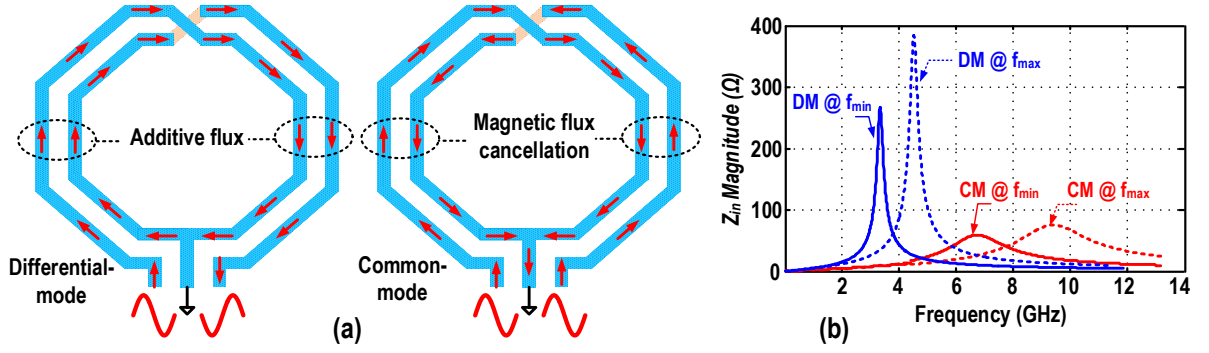


Figure 4.22: Proposed  $F_2$  inductor in DM and CM excitation (top),  $F_2$  tank and its input impedance (bottom).

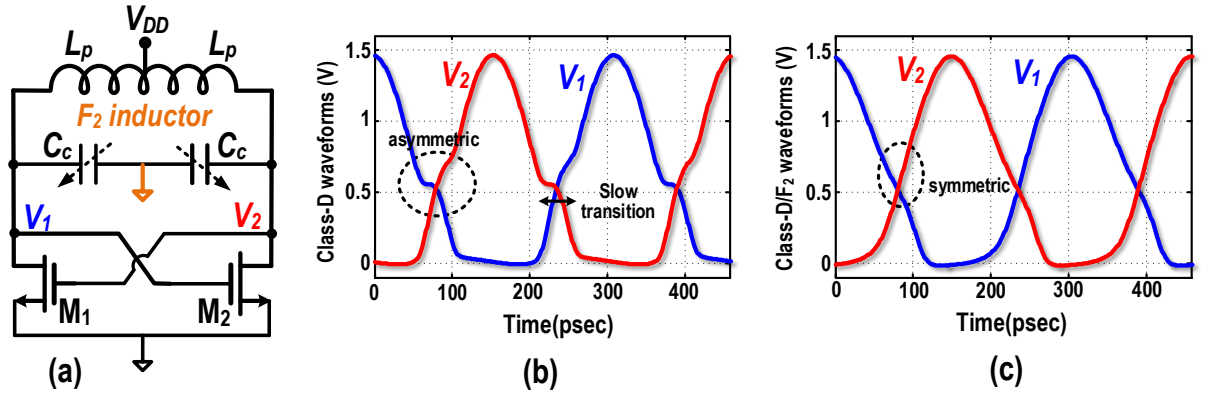


Figure 4.23: (a) Schematic of the proposed class-D/ $F_2$  oscillator; oscillation waveforms of (b) the class-D and (c) class-D/ $F_2$ .

This shift is static but any variation in the  $I_{H2}$  (or  $I_{H3}$ )-to- $I_{H1}$  ratio due to the  $1/f$  noise can modulate  $\Delta\omega$  and show itself as the  $1/f^3$  PN. This phenomenon is clearly visible and now dominant in oscillators with the customary tail current source transistor removed, which is the trend in nanoscale CMOS.

Suppose the tank input impedance  $Z_{in}$  demonstrates other peaks at the strong harmonics of the fundamental frequency  $\omega_0$ . These harmonics would mainly flow into their relative equivalent resistance of  $Z_{in}$  instead of its capacitive part as is shown in Fig. 4.21 (bottom). Consequently, Groszkowski's effect on the  $1/f$  noise up-conversion will reduce significantly. Specifically, core transistor flicker noise modulates the 2nd harmonic of the oscillator's virtual ground. This modulation generates 2nd-harmonic current in the parasitic  $C_{gs}$  capacitors and gets injected into the tank. Consequently, the  $I_{H2}$  component is usually the main contributor to the frequency shift. In this work, we introduce a tank topology that effectively traps  $I_{H2}$  in its resistive part without the cost of an extra area. The tank acquires this characteristic from the different behavior of inductors in differential (DM) and common mode (CM) excitations.

Figure 4.22 shows a 2-turn inductor in DM and CM excitations. In DM, the currents in each turn are in the same direction resulting in an additive flux, while in CM, the opposite currents cancel each other's magnetic flux. Due to this cancellation, the effective CM inductance is very low. The " $F_2$  inductor" is designed with appropriate spacing between the windings and demonstrates a  $4\times$  smaller effective inductance for CM inputs than for DM inputs. The CM input signals cannot see the differential capacitances, hence to be able to set a CM resonance,



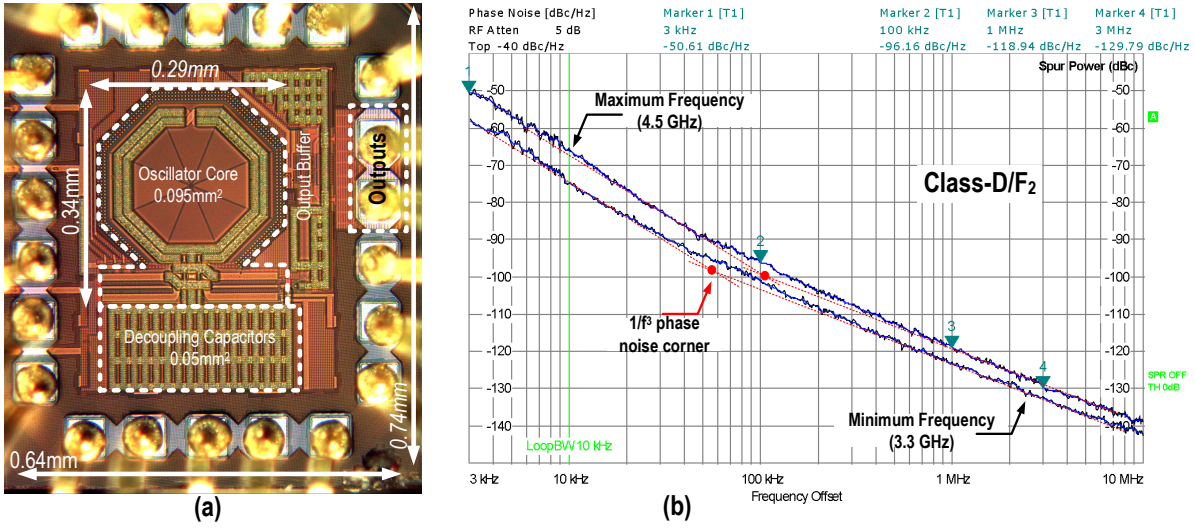

 Figure 4.24: (a) Die micrograph of class-D/ $F_2$  oscillator; (b) its measured phase noise.

Table 4.4: Performance summary and comparison with relevant state-of-the-art oscillators.

		This work Class-D/ $F_2$		Fanori [JSSC'13] Class-D		Fanori [JSSC'13] Noise filtering class-D		Babaie [JSSC'13]	Pepe [JSSC'13]	Murphy [ISSCC'15]	Mostajeran [ISSCC'15]
<b>Technology</b>		40 nm		65 nm		65 nm		65 nm	65 nm	28 nm	130 nm
<b>Thick metal</b>		No		Yes		Yes		Yes	NA	NA	NA
<b>V<sub>DD</sub> (V)</b>		0.5		0.4		0.4		1.25	1.2	0.9	1.4
<b>Tuning range (%)</b>		31		45		45		25	18	27.2	1.7
<b>Core area (mm<sup>2</sup>)</b>		0.1		0.12		0.15		0.12	0.08	0.19	0.09
<b>Freq. (GHz)</b>		f <sub>min</sub>	f <sub>max</sub>	f <sub>min</sub>	f <sub>max</sub>	f <sub>min</sub>	f <sub>max</sub>	f <sub>max</sub>	f <sub>max</sub>	f <sub>mid</sub>	f <sub>mid</sub>
		3.3	4.5	3	4.8	3	4.8	7.4	3.6	3.3	2.4
<b>P<sub>DC</sub> (mW)</b>		4.1	2.5	6.8	4	6.8	3.6	15	0.72	6.8	4.2
<b>PN (dBc /Hz)</b>	<b>100kHz</b>	-101.2	-96.2	-101	-91	-102	-92.5	-98.5	-94.4	-106	88.4
	<b>1MHz</b>	-123.4	-119	-127	-119	-128	-121	-125	-114.4	-130	128.4
	<b>10MHz</b>	-143.4	-139	-149.5	-143.5	-150	-144.5	-147	-134.4	-150	148.4
<b>FoM† (dB)</b>	<b>100kHz</b>	185.4	185.3	182.2	178.6	183.2	180.6	184.1	187	188.2	189.8
	<b>1MHz</b>	187.6	188	188.2	186.6	189.2	189.1	190.6	187	192.2	189.8
	<b>10MHz</b>	187.6	188	190.7	191.1	191.2	192.6	192.6	187	192.2	189.8
<b>1/f<sup>3</sup> corner (kHz)</b>		60	100	800	2100	650	1500	700	10	200	<10
<b>Freq. pushing (MHz/V)</b>		40 @0.5V	60 @0.5V	140 @0.5V	480 @0.5V	90 @0.5V	390 @0.5V	50 @1.25V	15 @1.2V	NA	NA

$$\dagger \text{FoM} = |\text{PN}| + 20 \log_{10}(\omega_0/\Delta\omega) - 10 \log_{10}(P_{\text{DC,osc}}/1\text{mW})$$

the capacitors across the tank have to be single-ended. The input impedance of the  $F_2$  tank,  $Z_{in}$ , demonstrates two resonant frequencies,  $\omega_{DM} = \omega_0$ , and  $\omega_{CM} = 2\omega_0$ . The precise inductor geometry controlled by lithography maintains  $L_{DM}/L_{CM} \approx 4$  and hence  $\omega_{CM}/\omega_{DM} \approx 2$  over the full tuning range, TR. The lower and broader CM impedance, compared to that of DM, guarantees the 2nd-harmonic current flowing mainly to the additional resistive part, even if CM resonant frequency is mistuned by 10%.

To demonstrate how this technique can reduce the flicker noise upconversion, we employ the  $F_2$ -tank to a Class-D oscillator [103]. This class of oscillator is chosen for its strong amount of  $I_{H2}$ . The original Class-D oscillator shows promising performance in the  $1/f^2$  region but it suffers from the strong  $1/f$  noise upconversion and frequency supply pushing. All known mitigation techniques (e.g., [26]) seem either ineffective or unsuitable. As shown in Fig. 4.23 (top) (a), the Class-D/ $F_2$  oscillator adopts the  $F_2$  tank. The gm-devices  $M_1$  and  $M_2$  inject a large  $I_{H2}$  current into the tank due to the ground-clipping of signals. Figure 4.23 (b) and (c) compare Class-D and

D/F<sub>2</sub> waveforms. Clearly the rise/fall times are more symmetric in the Class-D/F<sub>2</sub> oscillator, which translates to lower DC value of the gm-transistor ISF function and thus lowers the 1/f noise up-conversion. The Class-D oscillator shows 0.8 to 2.5 MHz 1/f<sup>3</sup> corner frequency. A version of Class-D with a tail-filter technique was also designed in [103]. A resonator at  $2\omega_0$  is interposed between the common source of the transistors and ground. This method is only partially effective, lowering the 1/f<sup>3</sup> PN corner to 0.6 to 1 MHz, since it only linearizes the gm device and partially reduces the  $I_{H2}$  amount. Our method traps  $I_{H2}$  in the tank and simulations predict the 1/f<sup>3</sup> PN corner of <50 kHz.

The Class-D/F<sub>2</sub> oscillator was prototyped in a 40 nm 1P8M CMOS process without ultra-thick metal layers. The chip micrograph is shown in Fig. 4.24 (a). The tank employs a 1.5 nH inductor with simulated Q-factor of 12 at 3 GHz.  $M_{1,2}$  are (200 $\mu$ m/40nm) low- $V_t$  devices which guarantee start-up and Class-D operation over PVT. Figure 4.24 (b) shows the PN plots at  $f_{\max}$  and  $f_{\min}$  oscillation frequencies, with  $V_{DD}=0.5$  V. The 1/f<sup>3</sup> PN corner is  $\sim$ 100 kHz at  $f_{\max}$  and reduces to 60 kHz when all switches are on at  $f_{\min}$ . Table 4.4 summarizes the oscillator performance and compares it with relevant state-of-the-art oscillators.



## CHAPTER

# 5

---

## Comprehensive Analysis of Switch-mode PAs

---

Due to the relentless customer demand for high data rate wireless communication, the need for higher frequencies and more efficient power amplifiers has been increasing. The power amplifier is the one of the most power-hungry elements in an RF/mm-wave transceiver, and consequently, any improvement on its power efficiency can extend the battery lifetime of a mobile device. Furthermore, even in the wireless base stations, power-efficient PAs are in demand to reduce the cost of expensive cooling equipment and improve system's long time reliability.

The drain efficiency of the switched-mode power amplifiers is ideally 100% [104,105], which makes them an attractive candidate for amplifying RF signals. However, they usually demonstrate a significant amplitude-to-amplitude (AM-AM) and amplitude-to-phase (AM-PM) distortions. Fortunately, they are linear in phase and their phase-to-phase (PM-PM) distortion is negligible. Consequently, as a standalone module, switched-mode PA can only support phase modulated signals like FSK. However, by utilizing more advanced digitally-assisted transmitters such as outphasing, envelope elimination & restoration, and direct digital-to-RF conversion architectures, switched-mode PAs can be exploited to support more complex modulation schemes and enhance the system efficiency.

In this chapter, different characteristics of switched-mode PAs are investigated and quantified. It will allow designers to better understand how to choose the best topology among different flavors of switched-mode PAs, suited to meet their various specifications. Different trade-offs between the power gain, output power, drain efficiency, maximum operating frequency, and power added efficiency will be comprehensively studied for various kinds of switched-mode PAs. Thanks to our general approach, the study is even extended to include the non-zero voltage switching (NZVS) operation of power amplifiers. Note that this research picks up where Scott Kee has left the analysis of class-E/F harmonic-tuned switching power amplifier and extend it to more general results [106]. In this work, practical non-idealities are applied to the analysis such that much more accurate equations are obtained for different characteristics of switched-mode

PAs. The new insights provide a better understanding of the tradeoffs in RF/mm-wave PA design.

## 5.1 Predicting Switching Amplifier Waveforms

Figure 5.1 illustrates a generalized schematic suitable for analyzing most switch-mode power amplifiers [106]. The active device,  $M_1$ , is modeled by a perfect switch with its parasitic.  $\overline{R_{on}}$  and  $\overline{C_{out}}$  respectively model the normalized on-state channel resistance and off-state output capacitance of  $M_1$  transistor. Furthermore, a simple parallel  $\overline{R_{in}C_{in}}$  network is added for input power approximation.  $C_s$  is the PA desired shunt capacitance to satisfy the zero-voltage and zero-slope switching (ZVS & ZdVS) criteria. The transistor is driven periodically at a fundamental frequency,  $f_0$ , with duty cycle  $D$ . The matching network contains a bank of bandpass filters, which provide the desired impedance at their tuned frequency and act as an open circuit at other frequencies. Consequently, the current  $i_x$  out of the matching network can be calculated as

$$i_x(\theta) = a_0 + \sum_{k=1}^n (a_k \cdot \cos(k\theta) + b_k \cdot \sin(k\theta)) \quad (5.1)$$

where  $\theta = \omega_0 t$ .  $a_k$  and  $b_k$  are respectively in-phase and quadrature current component of the matching network at  $k \cdot f_0$ . At the switch's off-to-on transition instant, the drain voltage is forced from  $V_0$  to zero and thus the  $C_s$  charge  $Q = C_s \cdot V_0$  is approximately depleted via the switch in the form of Dirac impulse. For the remaining conducting phase, drain voltage almost sticks to 0 and thus  $i_c$  reduces to zero [106]. As a result,  $i_x$  has to flow to ground through the switch. Hence, the switch current can be calculated by

$$i_s(\theta) = \begin{cases} Q \cdot \delta(\theta) - a_0 - \sum_{k=1}^n (a_k \cdot \cos(k\theta) + b_k \cdot \sin(k\theta)) & 0 < \theta \leq 2\pi D \\ 0 & 2\pi D < \theta \leq 2\pi \end{cases} \quad (5.2)$$

As shown in [106], the above equation can be simplified to

$$i_s(\theta) = -s(\theta) \cdot i_x(\theta) + Q \cdot \sum_{p=-\infty}^{\infty} \delta(\theta - p \cdot 2\pi) \quad (5.3)$$

where  $s(\theta)$  is a gate function with a value of one during the conducting phase of the switch and zero otherwise.

$$s(\theta) = \begin{cases} 1 & 0 \leq \theta \leq 2\pi D \\ 0 & 2\pi D \leq \theta \leq 2\pi \end{cases} \xrightarrow{FT} S_k = \begin{cases} D & k = 0 \\ \frac{\sin(2\pi Dk)}{2\pi k} - j \frac{\sin^2(\pi Dk)}{\pi k} & k \neq 0 \end{cases} \quad (5.4)$$

The switch is off in the second phase and thus,  $i_x$  has to flow to ground through  $C_s$  [106]. Consequently, the shunt capacitor current may be estimated by

$$i_c(\theta) = \begin{cases} Q \cdot \delta(\theta) & 0 < \theta \leq 2\pi D \\ -a_0 - \sum_{k=1}^n (a_k \cdot \cos(k\theta) + b_k \cdot \sin(k\theta)) & 2\pi D < \theta \leq 2\pi \end{cases} \quad (5.5)$$



Furthermore, the ratio of the  $k_{th}$  harmonic component of drain voltage and  $I_x$  must be the same as impedance  $Z_k$  seen from the input of the matching network at that frequency [106].

$$V_d(k) = Z_k I_x(k) = (r_k + jx_k) I_x(k) \quad (5.12)$$

By equating the equations of (5.11) and (5.12), we have

$$j \cdot k \cdot Z_k \cdot C_s \omega_0 \cdot I_x(k) - I_c(k) = 0 \quad (5.13)$$

By replacing (5.9) in (5.13), a series of equations are obtained for different harmonic components of  $i_x$ .

$$j \cdot k \cdot Z_k \cdot C_s \omega_0 \cdot I_x(k) + \bar{S}(k) * I_x(k) + \frac{Q}{2\pi} = 0 \quad (5.14)$$

Eq. (5.14) contains  $2n+1$  linear equations (one at DC, two equations at each tuned harmonic) with  $2n+2$  unknown variables ( $a_0, a_1, \dots, a_n, b_1, \dots, b_n$ , and  $Q$ ) [106]. For example, suppose that the fundamental and third-harmonic filters are just terminated by certain load impedances. Consequently, there are six unknown variables in the system ( $a_0, a_1, b_1, a_3, b_3$ , and  $Q$ ). However, Eq. (5.14) offers only 5 linear equations (one at DC, two at  $\omega_0$  and two at  $3\omega_0$ ). Hence, another equation is needed to help to solve the system. Since the shunt capacitor is directly connected to the supply by a big choke, the capacitor's average voltage must be equal to  $V_{DD}$ . This condition provides the last required equation to find the system's unknown variables [106].

$$V_{DD} = \frac{1}{2\pi} \int_0^{2\pi} v_d(\theta) d\theta = V_{sat} - \frac{\bar{D}^2 \pi a_0}{C_s \omega_0} + \frac{1}{C_s \omega_0} \sum_{k=1}^n \left( \frac{\bar{D}}{k} \sin(2\pi k D) + \frac{1 - \cos(2\pi k D)}{2\pi k^2} \right) a_k - \left( \frac{\bar{D}}{k} \cos(2\pi k D) + \frac{\sin(2\pi k D)}{2\pi k^2} \right) b_k \quad (5.15)$$

This expression should be appended to (5.14) to reach a solvable matrix of equations. For example, the matrix of equations would become as follows if the first four harmonics were terminated in the matching network and input duty cycle was 50% [106].

$$\begin{bmatrix} \frac{1}{2} & 0 & \frac{-1}{\pi} & 0 & 0 & 0 & \frac{-1}{3\pi} & 0 & 0 & \frac{1}{2\pi} \\ 0 & \frac{1}{4} - \frac{X_1}{2} & 0.5R_1 & 0 & \frac{-2}{3\pi} & 0 & 0 & 0 & \frac{-4}{15\pi} & \frac{1}{2\pi} \\ \frac{1}{\pi} & 0.5R_1 & \frac{X_1}{2} - \frac{1}{4} & \frac{-1}{3\pi} & 0 & 0 & 0 & \frac{-1}{15\pi} & 0 & 0 \\ 0 & 0 & \frac{1}{3\pi} & \frac{1}{4} - X_2 & R_2 & 0 & \frac{-3}{5\pi} & 0 & 0 & \frac{1}{2\pi} \\ 0 & \frac{2}{3\pi} & 0 & R_2 & X_2 - \frac{1}{4} & \frac{-2}{5\pi} & 0 & 0 & 0 & 0 \\ 0 & 0 & 0 & 0 & \frac{2}{5\pi} & \frac{1}{4} - \frac{3X_3}{2} & 1.5R_3 & 0 & \frac{-4}{7\pi} & \frac{1}{2\pi} \\ \frac{1}{3\pi} & 0 & 0 & \frac{3}{5\pi} & 0 & 1.5R_3 & \frac{3X_3}{2} - \frac{1}{4} & \frac{-3}{7\pi} & 0 & 0 \\ 0 & 0 & \frac{1}{15\pi} & 0 & 0 & 0 & \frac{3}{7\pi} & \frac{1}{4} - 2X_4 & 2R_4 & \frac{1}{2\pi} \\ 0 & \frac{4}{15\pi} & 0 & 0 & 0 & \frac{4}{7\pi} & 0 & 2R_4 & 2X_4 - \frac{1}{4} & 0 \\ \frac{-\pi Z_{cs}}{4} & \frac{Z_{cs}}{\pi} & \frac{Z_{cs}}{2} & 0 & \frac{-Z_{cs}}{4} & \frac{Z_{cs}}{9\pi} & \frac{Z_{cs}}{6} & 0 & \frac{-Z_{cs}}{8} & 0 \end{bmatrix} \begin{bmatrix} a_0 \\ a_1 \\ b_1 \\ a_2 \\ b_2 \\ a_3 \\ b_3 \\ a_4 \\ b_4 \\ Q \end{bmatrix} = \begin{bmatrix} 0 \\ 0 \\ 0 \\ 0 \\ 0 \\ 0 \\ 0 \\ 0 \\ 0 \\ V_{DD} - V_{sat} \end{bmatrix} \quad (5.16)$$

where  $R_k$  and  $X_k$  are respectively the real and imaginary parts of tuning impedance  $Z_k$  at  $k_{th}$

harmonic, normalized to  $Z_{CS} = C_s\omega_0$ .

$$R_k = \frac{Re\{Z_k\}}{Z_{cs}} = r_k C_s \omega_0, \quad X_k = \frac{Im\{Z_k\}}{Z_{cs}} = L_k C_s \omega_0^2 \quad (5.17)$$

For consistency with other papers on this topic [107,108], the design set of  $K_C, K_X$  are respectively defined as the normalized tuning resistance and reactance at the fundamental frequency (see Fig. 5.1).

$$K_C = R_1 = r_L C_s \omega_0, \quad K_X = X_1 = L_s C_s \omega_0^2 \quad (5.18)$$

and the effective quality factor of the fundamental load,  $K_L$ , is defined as

$$K_L = \frac{L_s \omega_0}{r_L} = \frac{K_X}{K_C} \quad (5.19)$$

By applying the values of harmonic-tuned loads in the matrix equation (5.16), the system unknown variables ( $a_0 \dots a_n, b_1 \dots b_n$ , and  $Q$ ) and thus the exact voltage/current waveform of all circuit elements are determined.

## 5.2 Determining ZVS and ZdVS Tuning

Even though the matrix equation of (5.16) enables us to analyze and extract different current and voltage waveforms of any circuit of the type shown in Fig. 5.1, however, the design set has not yet been determined for ZVS and ZdVS criteria. At the switch off-to-on transition, the drain voltage is calculated by

$$V_0 = V_{sat} + \frac{1}{C_s \omega_0} \left( -2\pi \bar{D} a_0 + \sum_{k=1}^n \left( \frac{a_k}{k} \sin(2\pi k D) + \frac{b_k}{k} (1 - \cos(2\pi k D)) \right) \right) \quad (5.20)$$

The ZVS condition requires that  $V_0$  should be about  $V_{sat}$ . This condition should be added to (5.14) to generate a set of equations, which satisfy ZVS criterion [106].

$$\begin{bmatrix} \frac{1}{2} & 0 & \frac{-1}{\pi} & 0 & 0 & 0 & \frac{-1}{3\pi} & 0 & 0 & \frac{1}{2\pi} \\ 0 & \frac{1}{4} - \frac{X_1}{2} & 0.5R_1 & 0 & \frac{-2}{3\pi} & 0 & 0 & 0 & \frac{-4}{15\pi} & \frac{1}{2\pi} \\ \frac{1}{\pi} & 0.5R_1 & \frac{X_1}{2} - \frac{1}{4} & \frac{-1}{3\pi} & 0 & 0 & 0 & \frac{-1}{15\pi} & 0 & 0 \\ 0 & 0 & \frac{1}{3\pi} & \frac{1}{4} - X_2 & R_2 & 0 & \frac{-3}{5\pi} & 0 & 0 & \frac{1}{2\pi} \\ 0 & \frac{2}{3\pi} & 0 & R_2 & X_2 - \frac{1}{4} & \frac{-2}{5\pi} & 0 & 0 & 0 & 0 \\ 0 & 0 & 0 & 0 & \frac{2}{5\pi} & \frac{1}{4} - \frac{3X_3}{2} & 1.5R_3 & 0 & \frac{-4}{7\pi} & \frac{1}{2\pi} \\ \frac{1}{3\pi} & 0 & 0 & \frac{3}{5\pi} & 0 & 1.5R_3 & \frac{3X_3}{2} - \frac{1}{4} & \frac{-3}{7\pi} & 0 & 0 \\ 0 & 0 & \frac{1}{15\pi} & 0 & 0 & 0 & \frac{3}{7\pi} & \frac{1}{4} - 2X_4 & 2R_4 & \frac{1}{2\pi} \\ 0 & \frac{4}{15\pi} & 0 & 0 & 0 & \frac{4}{7\pi} & 0 & 2R_4 & 2X_4 - \frac{1}{4} & 0 \\ -\pi & 0 & 2 & 0 & 0 & 0 & \frac{2}{3} & 0 & 0 & 0 \end{bmatrix} \cdot \begin{bmatrix} a_0 \\ a_1 \\ b_1 \\ a_2 \\ b_2 \\ a_3 \\ b_3 \\ a_4 \\ b_4 \\ Q \end{bmatrix} = \begin{bmatrix} 0 \\ 0 \\ 0 \\ 0 \\ 0 \\ 0 \\ 0 \\ 0 \\ 0 \\ V_0 - V_{sat} \end{bmatrix} \quad (5.21)$$

The above equation indicates that the determinant of the coefficient matrix must be zero to have a set of answers for unknown variables ( $a_0$  to  $Q$ ) satisfying ZVS criterion. The most common situation is where the impedances are known at the harmonic frequencies and it is desired to



find the load impedance ( $r_L$  and  $L_s$ ) at the fundamental frequency to satisfy ZVS and ZdVS conditions. As explained in [109], resulting equation of (5.21) demonstrates that the normalized fundamental load ( $K_C$  and  $K_X$ ) must lie on a circle, in which the circle center and its radius are a function of the harmonic impedances. On the other hand, the ZdVS condition also demands that the derivative of the drain voltage should be zero at the switch off-to-on transition [106]. Consequently,

$$\frac{dv_d}{d\theta} = Z_{cs} \sum_{k=1}^n a_k \longrightarrow \sum_{k=1}^n a_k = 0 \quad (5.22)$$

This condition should be added to (5.14) to generate a set of equations for ZdVS satisfaction [106].

$$\begin{bmatrix} \frac{1}{2} & 0 & \frac{-1}{\pi} & 0 & 0 & 0 & \frac{-1}{3\pi} & 0 & 0 & \frac{1}{2\pi} \\ 0 & \frac{1}{4} - \frac{X_1}{2} & 0.5R_1 & 0 & \frac{-2}{3\pi} & 0 & 0 & 0 & \frac{-4}{15\pi} & \frac{1}{2\pi} \\ \frac{1}{\pi} & 0.5R_1 & \frac{X_1}{2} - \frac{1}{4} & \frac{-1}{3\pi} & 0 & 0 & 0 & \frac{-1}{15\pi} & 0 & 0 \\ 0 & 0 & \frac{1}{3\pi} & \frac{1}{4} - X_2 & R_2 & 0 & \frac{-3}{5\pi} & 0 & 0 & \frac{1}{2\pi} \\ 0 & \frac{2}{3\pi} & 0 & R_2 & X_2 - \frac{1}{4} & \frac{-2}{5\pi} & 0 & 0 & 0 & 0 \\ 0 & 0 & 0 & 0 & \frac{2}{5\pi} & \frac{1}{4} - \frac{3X_3}{2} & 1.5R_3 & 0 & \frac{-4}{7\pi} & \frac{1}{2\pi} \\ \frac{1}{3\pi} & 0 & 0 & \frac{3}{5\pi} & 0 & 1.5R_3 & \frac{3X_3}{2} - \frac{1}{4} & \frac{-3}{7\pi} & 0 & 0 \\ 0 & 0 & \frac{1}{15\pi} & 0 & 0 & 0 & \frac{3}{7\pi} & \frac{1}{4} - 2X_4 & 2R_4 & \frac{1}{2\pi} \\ 0 & \frac{4}{15\pi} & 0 & 0 & 0 & \frac{4}{7\pi} & 0 & 2R_4 & 2X_4 - \frac{1}{4} & 0 \\ 1 & 1 & 0 & 1 & 0 & 1 & 0 & 1 & 0 & 0 \end{bmatrix} \cdot \begin{bmatrix} a_0 \\ a_1 \\ b_1 \\ a_2 \\ b_2 \\ a_3 \\ b_3 \\ a_4 \\ b_4 \\ Q \end{bmatrix} = \begin{bmatrix} 0 \\ 0 \\ 0 \\ 0 \\ 0 \\ 0 \\ 0 \\ 0 \\ 0 \\ 0 \end{bmatrix} \quad (5.23)$$

This equation indicates that the determinant of the coefficient matrix must be zero to have a set of answers for unknown variables ( $a_0$  to  $Q$ ) satisfying ZdVS criterion. The resulting equation of (5.23) is another circle for different sets of  $K_C$  and  $K_X$ , where its center and radius are the functions of the impedances of the tuned harmonics [106]. The intersection point of ZVS and ZdVS circles will satisfy both criteria and shows the optimal set for class-E/F tuning.

### 5.3 Waveform Figure of Merit

Figure 5.2 illustrates the ZVS and ZdVS circles for different flavors of class-E/F<sub>X</sub> PA. The subscript of  $X$  lists the harmonics tuned to class-F<sup>-1</sup> impedances. Note that the effective load is respectively an open-circuit and short-circuit for even and odd harmonics in a class-F<sup>-1</sup> PA. However, the optimal fundamental load has a resistive and inductive combination like in a class-E PA. The black points in Fig. 5.2 show the optimal design set ( $K_C, K_X, K_L$ ) to satisfy both ZVS/ZdVS simultaneously. Now, the value of all circuit elements are obtained and thus, the PA's unknown variables ( $a_0$  to  $Q$ ) can be calculated via (5.16). As a consequence, PA's waveform and performance figure-of-merits can be also extracted by the equations.

$$F_I = \frac{I_{rms1}}{I_{DC1}}, \quad F_{PI} = \frac{I_{peak1}}{I_{DC1}}, \quad F_V = \frac{V_{pk} - V_{sat}}{V_{DD} - V_{sat}}, \quad F_C = \frac{I_{DC1}}{C_s \omega_0 (V_{DD} - V_{sat})} \quad (5.24)$$

where,  $I_{DC1}$ ,  $I_{rms1}$  are respectively the root mean square and average values of the switch

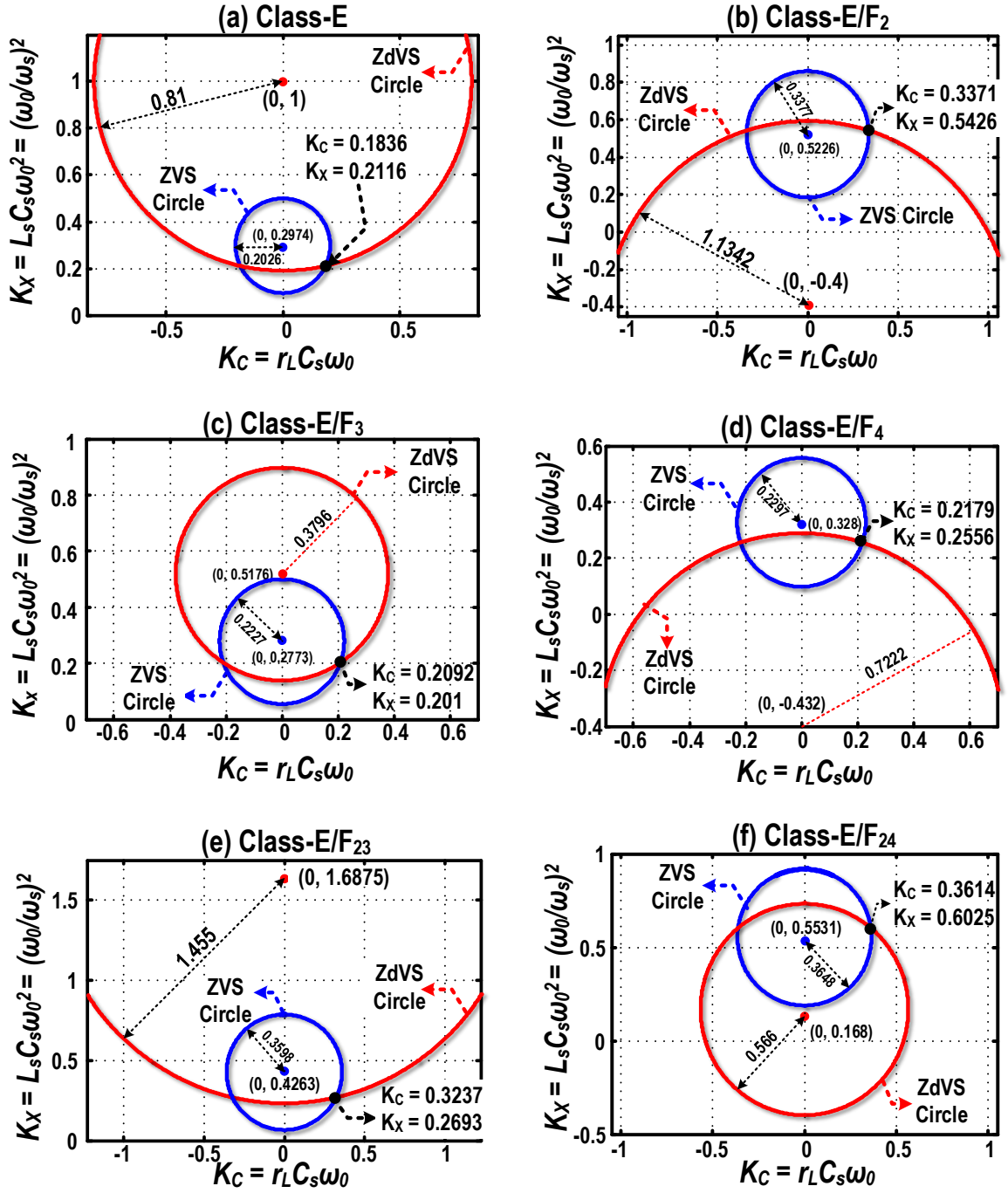


Figure 5.2: ZVS and ZdVS circles for different flavors of class-E/F PA in the normalized impedance plane. The black points show the optimal ZVS/ZdVS tuning.

current waveform. Note that the discharge current of shunt capacitance should not be included in the calculation of  $I_{rms1}$  and  $I_{DC1}$ . The waveform figure of merits are just a function of matching network strategy and do not change with the operating frequency  $\omega_0 = 2\pi f_0$  or CMOS technology. Note that  $F_C$  definition is different than in [109]. Since  $F_C$  cannot change over frequency,  $C_s$  has to reduce with increasing  $f_0$ . Hence,  $C_s$  limits the transistor's width at mm-wave, which leads to a dramatic increase in  $R_{on}$  and thus  $V_{sat}$  of the switching device. Consequently, we include

Table 5.1: Waveform FoMs for different flavors of class-E/F PA at ZVS/ZdVS tuning.

Tuning	$K_C$	$K_L$	$K_X$	$K_P$	$F_V$	$F_I$	$F_{PI}$	$F_C$
<b>E</b>	0.184	1.152	0.217	0.577	3.56	1.54	2.86	3.14
<b>E/F<sub>2</sub></b>	0.337	1.609	0.543	0.381	3.67	1.48	3.33	1.13
<b>E/F<sub>3</sub></b>	0.209	0.961	0.201	0.657	3.14	1.52	3.06	3.14
<b>E/F<sub>2,3</sub></b>	0.323	0.832	0.256	0.747	3.13	1.47	2.67	2.31
<b>E/F<sub>4</sub></b>	0.218	1.173	0.269	0.533	3.34	1.55	3.27	2.45
<b>E/F<sub>2,4</sub></b>	0.361	1.667	0.602	0.350	3.43	1.46	3.6	0.97

Table 5.2: Technology dependent parameters for 40 nm CMOS technology.

Parameter	Description	Value
$\overline{R_{on}}$	normalized transistor on-resistance	$850 \Omega \cdot \mu m$
$\overline{C_{out}}$	normalized transistor off-state output capacitance	$0.65 fF/\mu m$
$\overline{C_{in}}$	normalized transistor input capacitance	$1 fF/\mu m$
$\overline{R_{in}}$	normalized transistor input equivalent parallel resistance	$27 k\Omega \cdot \mu m$
$\overline{I_{out}}$	normalized transistor drain current	$0.6 mA/\mu m$

the effect of  $V_{sat}$  in  $F_C$  definition to achieve more practical analytic results than in [109]. Table 5.1 lists the waveform and performance FoMs for different flavors of class-E/F PA at ZVS/ZdVS tuning.

## 5.4 Technology Dependent Parameters

A simplified model of MOS transistor as a switch is shown in Fig. 5.1. The transistor is modeled by a channel on-resistance ( $\overline{R_{on}}/W$ ), a linear output capacitor ( $\overline{C_{out}} \cdot W$ ) and a parallel ( $\overline{R_{in}}/W$ )( $\overline{C_{out}} \cdot W$ ) network at the input. It will be shown that the optimum size of the transistor and PA's performance are also strong functions of technology dependent parameters ( $\overline{R_{on}}, \overline{C_{out}}, \overline{R_{in}}, \overline{C_{in}}$ ). Figure 5.3 illustrates the variation of those parameters versus  $V_{gs}$  for different  $V_{ds}$ . Based on these plots, the effective value of technology dependent parameters is also calculated and shown in Table 5.2 for TSMC 40 nm LP technology.

## 5.5 Predicting Switching Amplifier Performance

Up to now, we have learned to calculate the waveform FoMs for any given tuning strategy. In the following sections of this chapter, different characteristics of an arbitrary switched-mode PA will be determined versus technology and topology-dependent parameters.

In the non-ZVS condition, the shunt capacitance  $C_s$  will be discharged through the switch in the conducting phase. The loss associated with this discharge can be easily calculated by

$$P_{C_s} = 0.5 \cdot C_s \cdot V_0^2 \cdot f_0. \quad (5.25)$$

where,  $V_0$  is the value of drain voltage right before the closing of the switch. By replacing  $C_s$  by

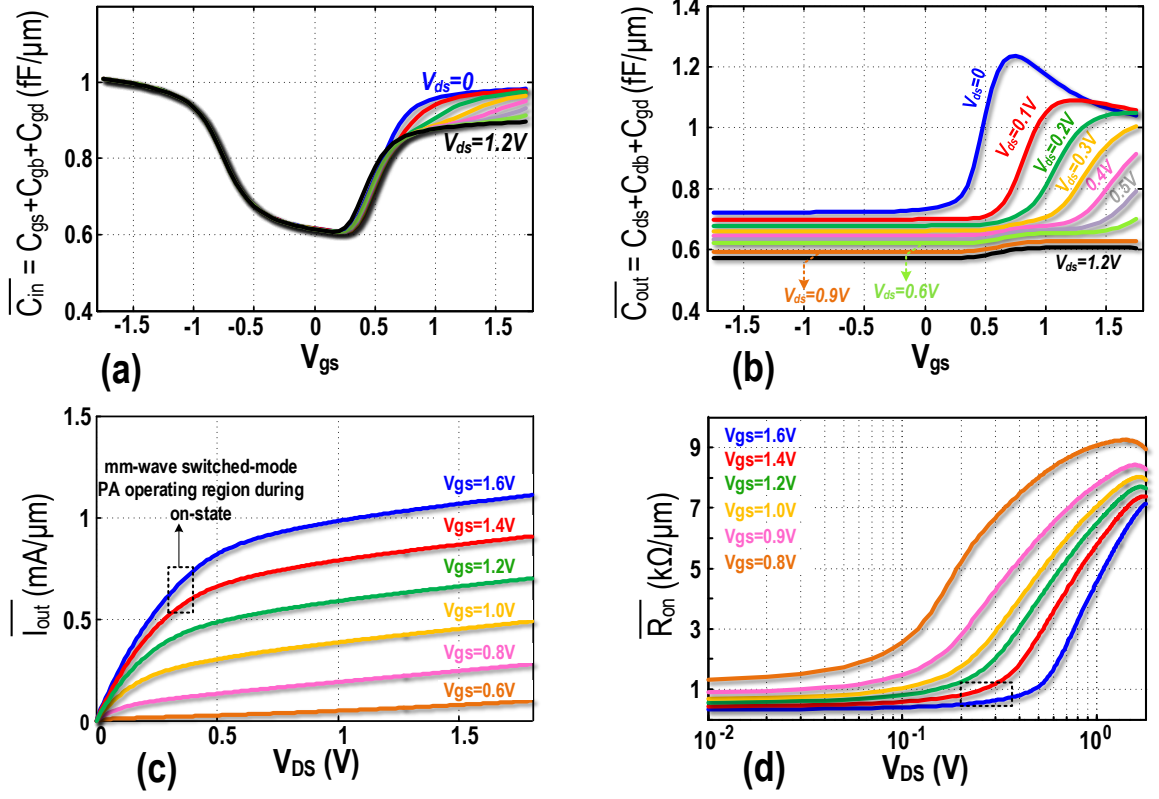


Figure 5.3: Technology dependent parameters in 40 nm CMOS technology, (a)  $\overline{C_{in}}$  and (b)  $\overline{C_{out}}$  versus  $V_{gs}$  for different  $V_{ds}$ , (c)  $I_{out}$  and  $\overline{R_{on}}$  versus  $V_{ds}$  for different  $V_{gs}$ .

$K_C/(r_L \cdot \omega_0)$ ,  $P_{Cs}$  is simplified to

$$P_{Cs} = \frac{K_C}{4\pi} \cdot \frac{V_0^2}{r_L}. \quad (5.26)$$

This capacitive loss results in drawing an additional DC current  $I_{DC2}$  from the PA's supply voltage.

$$I_{DC2} = \frac{P_{Cs}}{V_{DD}} \rightarrow I_{DC2} = \frac{K_C \gamma^2}{4\pi} \cdot \frac{V_{DD}}{r_L}. \quad (5.27)$$

where,  $\gamma$  is defined as the ratio of  $V_0$  over  $V_{DD}$ . The second part of dissipated power originates from the current flow through the switch on-resistance. The resulting average dissipated power  $P_{ron}$  is evaluated by

$$P_{ron} = V_{sat} I_{DC1} = R_{on} I_{rms1}^2. \quad (5.28)$$

where,  $V_{sat}$  represents the transistor's average  $V_{DS}$  in on-state. By utilizing the last two terms of (5.28),  $V_{sat}$  can be estimated by

$$V_{sat} = \frac{R_{on} I_{rms1}^2}{I_{DC1}} \rightarrow V_{sat} = R_{on} I_{DC1} F_I^2. \quad (5.29)$$

By replacing  $R_{on} = \overline{R_{on}}/W$  and substituting  $F_C$  in (5.29),

$$V_{sat} = V_{DD} \cdot \frac{F_I^2 \overline{R_{on}}}{\left(\frac{W \cdot r_L}{K_C \cdot F_C}\right) + F_I^2 \overline{R_{on}}} \quad (5.30)$$

For the sake of simplicity of the next equations,  $X$  and  $\beta$  factors are defined.

$$X = \frac{W \cdot r_L}{K_C \cdot F_C} \quad \beta = F_I^2 \cdot \overline{R_{on}} \quad (5.31)$$

As a consequence (5.30) is shortened to

$$V_{sat} = V_{DD} \cdot \frac{\beta}{X + \beta} \quad (5.32)$$

The remaining DC current of PA can be estimated by

$$I_{DC1} = F_C \cdot C_s \cdot \omega_0 \cdot (V_{DD} - V_{sat}) \quad \rightarrow \quad I_{DC1} = F_C \cdot K_C \cdot \frac{V_{DD}}{r_L} \cdot \frac{X}{X + \beta} \quad (5.33)$$

Now, the  $P_{ron}$  of (5.28) can be rewritten in the form of technology- and topology-dependent parameters.

$$P_{ron} = F_C \cdot K_C \cdot \frac{V_{DD}^2}{r_L} \cdot \frac{\beta X}{(X + \beta)^2} \quad (5.34)$$

The total DC current of PA can be derived by

$$I_{DC} = I_{DC1} + I_{DC2} \quad \rightarrow \quad I_{DC} = F_C \cdot K_C \cdot \frac{V_{DD}}{r_L} \cdot \left( \frac{X}{X + \beta} + \frac{\gamma^2}{4\pi F_C} \right) \quad (5.35)$$

and consequently,

$$P_{DC} = F_C \cdot K_C \cdot \frac{V_{DD}^2}{r_L} \cdot \left( \frac{X}{X + \beta} + \frac{\gamma^2}{4\pi F_C} \right) \quad (5.36)$$

the delivered power to the matching network can be evaluated by

$$P_{out} = P_{DC} - P_{Cs} - P_{ron} \quad \rightarrow \quad P_{out} = F_C \cdot K_C \cdot \frac{V_{DD}^2}{r_L} \cdot \left( \frac{X}{X + \beta} \right)^2 \quad (5.37)$$

The matching network has a vital role of transforming  $R_L = 50 \Omega$  to the desired resistive load ( $r_L$ ) seen by the transistor. However, the signal power is attenuated by its losses. Hence, a smaller power is delivered to the  $50 \Omega$  load.

$$P_L = \eta_p \cdot P_{out} \quad \rightarrow \quad P_L = \eta_p \cdot F_C \cdot K_C \cdot \frac{V_{DD}^2}{r_L} \cdot \left( \frac{X}{X + \beta} \right)^2 \quad (5.38)$$

where  $\eta_p$  is the matching network efficiency.  $K_P$  is a waveform FoM, which determines the capability of a switched-mode PA in delivering power to the load.  $K_P$  is described by

$$K_P \equiv \frac{P_{out} \cdot r_L}{(V_{DD} - V_{sat})^2} \quad (5.39)$$

By combining (5.37) and (5.32),  $K_P$  can be written as the product of other waveform parameters

$$K_P = K_C \cdot F_C \quad (5.40)$$

It is interesting to see that PA's with higher capacitance tolerance (smaller  $F_C$ ) can deliver lower power to the load. However, the optimum  $K_P$  value depends on the application. In general, the

insertion loss of an on-chip matching network dramatically increases if a very small or very large impedance transformation ratio ( $ITR$ ) is needed. Hence, it is wise to choose a switched-mode PA that requires  $ITR$  of  $\sim 1$  to deliver the desired  $P_{out}$ . For example, switched-mode PAs with lower  $K_P$  are more attractive for ultra-low power applications, like Bluetooth Low Energy. However, a larger  $K_P$  is desired for WiFi or GSM standard, when the switches are in low-voltage CMOS technology.

The drain efficiency  $\eta_D$  of Fig. 5.1 PA can be estimated by

$$\eta_D = \frac{P_{out}}{P_{DC}} = \left( \frac{X}{X + \beta} \right) \cdot \left( \frac{4\pi F_C X}{(4\pi F_C + \gamma^2) X + \gamma^2 \beta} \right). \quad (5.41)$$

The term  $\beta$  inside the first parentheses shows the effect of the switch on-resistance on the  $\eta_D$ . However, the second term reduces the efficiency due to non-zero voltage switching. Consequently,

$$\eta_r = \frac{X}{X + \beta} \quad (5.42)$$

$$\eta_c = \frac{4\pi F_C X}{(4\pi F_C + \gamma^2) X + \gamma^2 \beta} \quad (5.43)$$

Eqs. (5.32) and (5.41) indicate that  $V_{sat}$  and  $\eta_D$  improve by using a matching network with lower  $F_I$ ,  $K_C$ , and  $F_C$ . Furthermore, migrating to a more advanced technology (lower  $\overline{R_{on}}$ ) is also beneficial to get higher  $\eta_D$ . As expected, increasing the size of the transistor reduces the  $R_{on}$  and thus, a better  $\eta_D$  is achievable but at the price of lower gain and increasing the power consumption of driver stage.

The input power  $P_{in}$  must also be determined to ensure that the transistor will be properly switched. The driver stage is typically an inverter-based amplifier at  $f_0 \leq 10$  GHz, which charges and discharges the input capacitance,  $\overline{C_{in}} \cdot W$ , of the switching transistor. As a consequence,

$$P_{in1} = W \cdot \overline{C_{in}} \cdot V_{DDBF}^2 \cdot f_0 \quad (5.44)$$

where,  $V_{DDBF}$  is a supply voltage of the driver stage. The required input power increases linearly with frequency, which limits the power gain of switching transistor at  $f_0 \geq 10$  GHz. To alleviate that dependency, the driver stage should tune out  $\overline{C_{in}} \cdot W$  by utilizing a resonant matching network with a loaded quality factor of  $Q_{in}$ . Now, the input signal is sinusoidal and its amplitude should be about  $V_{DDBF}$  to force the transistor to operate as a switch. Consequently,

$$\begin{cases} P_{in2} = \frac{V_{DDBF}^2}{2 \cdot R_{in}} \\ R_{in} = \frac{Q_{in}}{\overline{C_{in}} \cdot W \cdot \omega_0} \end{cases} \rightarrow P_{in2} = \frac{\pi}{Q_{in}} \cdot W \cdot \overline{C_{in}} \cdot V_{DDBF}^2 \cdot f_0 \quad (5.45)$$

For consistency throughout the text, we define

$$P_{in} = \epsilon \cdot W \cdot \overline{C_{in}} \cdot V_{DDBF}^2 \cdot f_0, \quad \text{where } \epsilon = \begin{cases} 1 & \text{w/o matching network} \\ \frac{\pi}{Q_{in}} & \text{w/i matching network} \end{cases} \quad (5.46)$$

The gain may be found by the ratio of  $P_L$  over  $P_{in}$ .

$$G_P = \frac{P_L}{P_{in1}} = \eta_p \cdot \frac{X}{(X + \beta)^2} \cdot \frac{1}{\epsilon C_{in} f_0} \cdot \left( \frac{V_{DD}}{V_{DDBF}} \right)^2 \quad (5.47)$$

PA's gain can be improved by utilizing a matching network with lower  $F_I$  or migrating to more advanced technology (lower  $\overline{R_{on}}$ ). For the simplicity of the next few equations, the following parameters are defined.

$$\alpha_V = \frac{V_{DD}}{V_{DDBF}}, \quad \zeta = \frac{1}{\epsilon C_{in} f_0} \quad (5.48)$$

As a consequence, (5.47) can be simplified to

$$G_P = \eta_P \cdot \zeta \cdot \alpha_V^2 \cdot \frac{X}{(X + \beta)^2} \quad (5.49)$$

The gain efficiency,  $\eta_G$ , of a switched-mode PA can be found by

$$\eta_G = 1 - \frac{1}{G_P} = 1 - \frac{(X + \beta)^2}{\eta_p \cdot \zeta \cdot \alpha_V^2 \cdot X} \quad (5.50)$$

Using this, the power added efficiency (PAE) may be estimated by

$$PAE = \frac{P_L - P_{in}}{P_{DC}} = \eta_p \cdot \frac{P_{out}}{P_{DC}} \cdot \left( 1 - \frac{P_{in}}{P_L} \right) = \eta_p \cdot \eta_D \cdot \eta_G \quad (5.51)$$

Consequently,

$$PAE = \eta_p \cdot \left( 1 - \frac{(X + \beta)^2}{\eta_p \cdot \zeta \cdot \alpha_V^2 \cdot X} \right) \cdot \left( \frac{X}{X + \beta} \right) \cdot \left( \frac{4\pi F_C X}{(4\pi F_C + \gamma^2) X + \gamma^2 \beta} \right) \quad (5.52)$$

As can be gathered from (5.52) and Fig. 5.4, using a larger transistor leads to a lower on-resistance and thus higher drain efficiency. However, that large transistor needs higher input power while generating the same  $P_{out}$ . As a result, PA gain and  $\eta_G$  are reduced. Since  $\eta_D$  and  $\eta_G$  exhibit different trends with the increase of transistor size, their product should have a peak at a certain device width. Simulations show that the optimum X-factor changes a bit ( $\leq 10\%$ ) in the non-zero voltage switching condition (compare Fig. 5.4 (a) and (d)). Hence, the optimum X-factor is just calculated at the ZVS condition for the sake of simplicity.

$$\begin{aligned} \frac{d(PAE)}{dX} = 0 &\rightarrow X_{opt} = \alpha_V \cdot \sqrt{\eta_p \cdot \zeta \cdot \beta} - \beta \rightarrow \\ X_{opt} &= F_I \overline{R_{on}} \left( \alpha_V \sqrt{\frac{\eta_p}{\epsilon R_{on} C_{in} f_0}} - F_I \right) \end{aligned} \quad (5.53)$$

The above equation and Fig. 5.4 (a)-(c) indicate that both the voltage efficiency and  $\eta_p$  affect the optimum size of the transistor. Furthermore,  $X_{opt}$  is only a function of  $F_I$  among different waveform FoMs. Class-E/ $F_{3,4}$  and  $F^{-1}$  or  $D^{-1}$  PAs respectively exhibit the highest and lowest value of  $F_I$ . Since  $F_I$  is almost identical for different flavors of class-E/F amplifier,  $X_{opt}$  is not a function of our tuning strategy. Fig. 5.4 also confirms this reasoning.

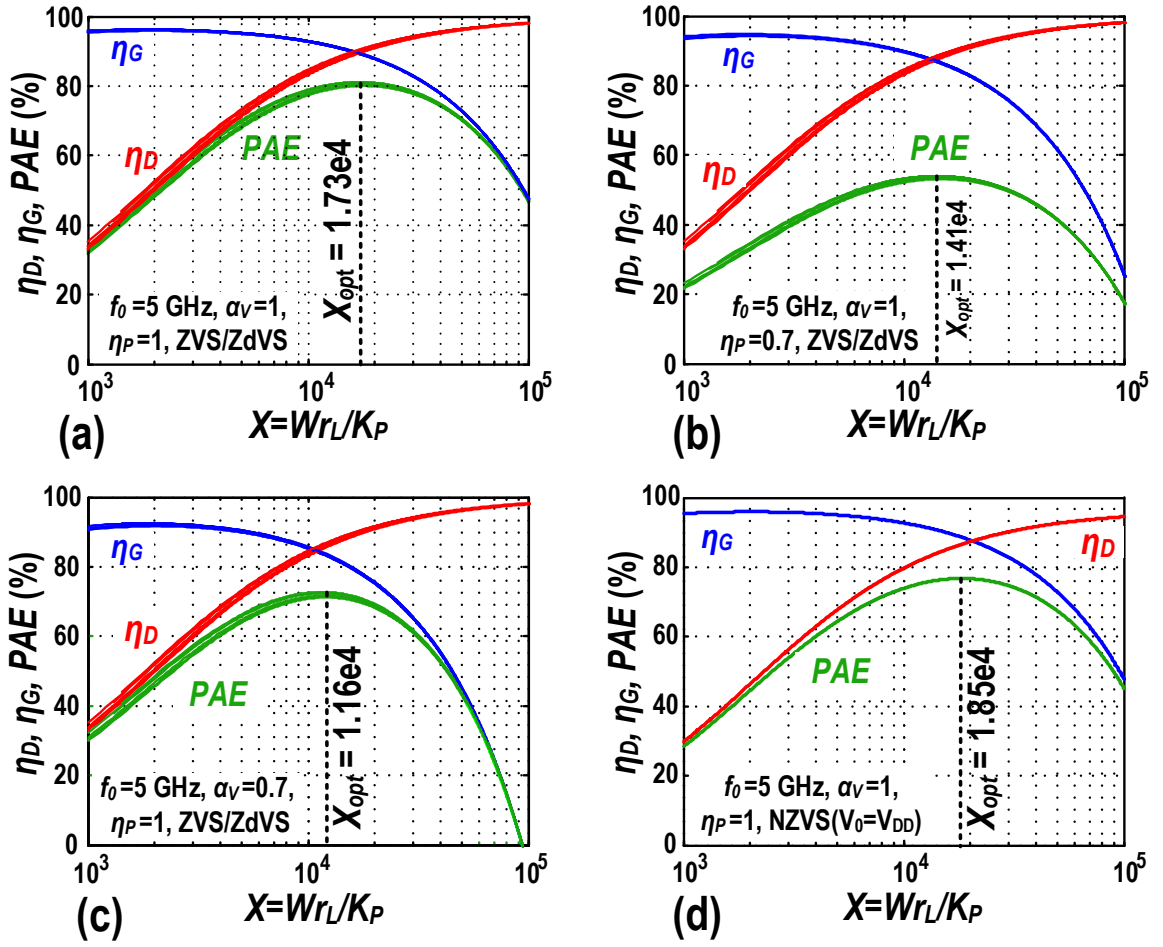


Figure 5.4: Drain, gain and power added efficiency for different flavors of class-E/F PA versus X-factor for technology parameters of  $\overline{R_{on}} = 850 \Omega \mu m$ .

The optimum size of the transistor can be estimated by exploiting X-factor definition.

$$W_{opt} = \frac{K_P F_I \overline{R_{on}}}{r_L} \left( \alpha_V \sqrt{\frac{\eta_p}{\epsilon R_{on} C_{in} f_0}} - F_I \right) \quad (5.54)$$

The transistor optimum size is a linear function of the PA's output power. Furthermore,  $W_{opt}$  reduces at higher frequencies, which makes the PA more sensitive to the transistor's parasitic output capacitance and its channel on-resistance. Beyond  $W_{opt}$ , the  $\eta_G$  drop is more severe than  $\eta_D$  improvement. Consequently, it is reasonable to say that the PA operates under a *gain-limited* condition. This optimum point, however, may not be achievable in some cases. It is possible that the current capability of the device  $W_{opt} \overline{I_{out}}$  becomes smaller than the required peak current,  $I_{peak1}$ , of a switched-mode PA (see Fig. 5.5 (c)). It means the device is too small to provide the required peak current of switched-mode PA. Consequently, it is reasonable to say the PA is under *current-limited* condition. Under this situation, the optimum device size is  $W_{min}$  wherein  $I_{peak1} = \overline{I_{out}} \cdot W_{min}$ .

$$\overline{I_{out}} \cdot W_{min} = I_{peak1} \quad \rightarrow \quad \overline{I_{out}} \cdot W_{min} = F_{PI} \cdot I_{DC1} \quad (5.55)$$



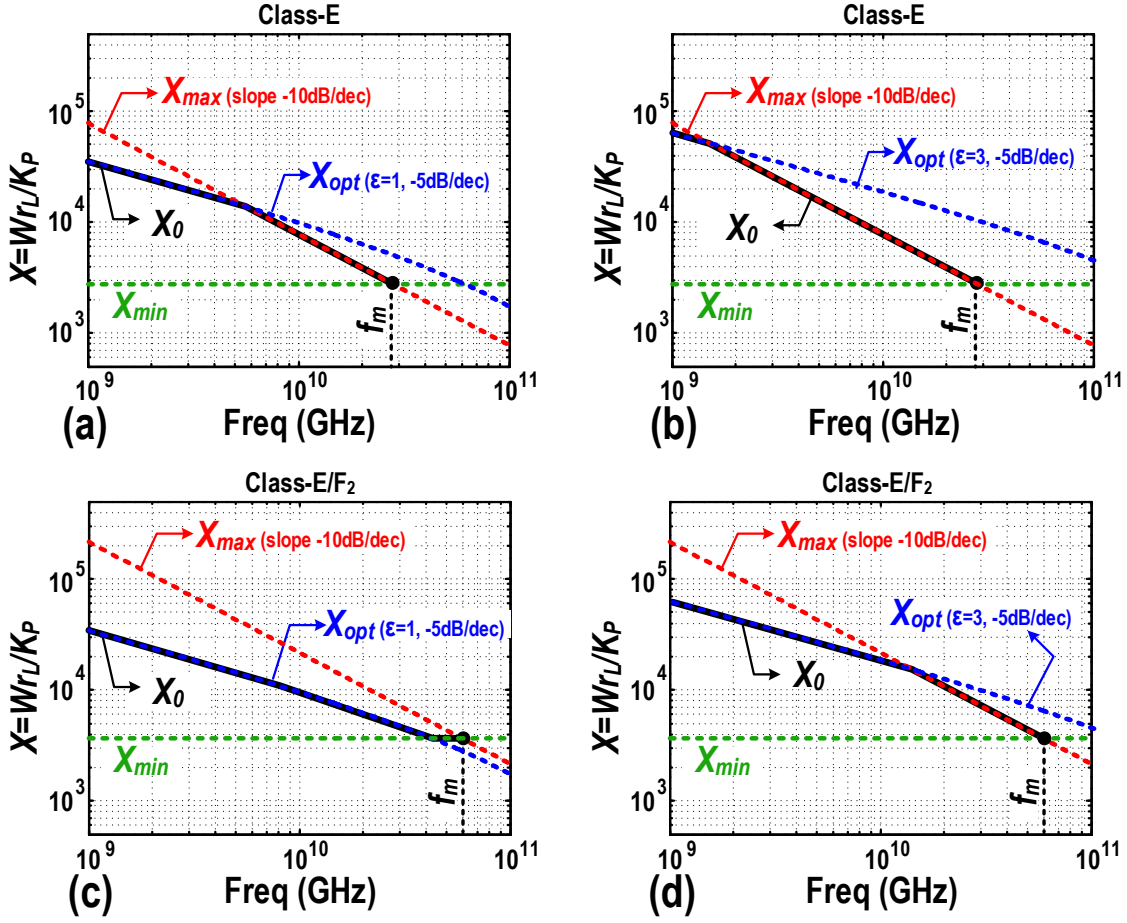


Figure 5.5:  $X_{opt}$ ,  $X_{min}$ ,  $X_{max}$  and  $X_0$  of class-E and class-E/ $F_2$  PA over frequency. ( $\overline{R_{on}} = 850 \Omega \mu m$ ,  $\overline{C_{in}} = 1 fF/\mu m$ ,  $\overline{C_{out}} = 0.65 fF/\mu m$ ,  $\overline{I_{out}} = 0.6 mA/\mu m$ )

By using (5.18), (5.33) and carrying out some algebra, we will have

$$W_{min} = \frac{K_P}{r_L \cdot \overline{I_{out}}} \cdot \left( F_{PI} \cdot V_{DD} - F_I^2 \cdot \overline{R_{on}} \cdot \overline{I_{out}} \right) \quad (5.56)$$

and thus,

$$X_{min} = \frac{1}{\overline{I_{out}}} \cdot \left( F_{PI} \cdot V_{DD} - F_I^2 \cdot \overline{R_{on}} \cdot \overline{I_{out}} \right) \quad (5.57)$$

This author has rarely encountered a case which  $X_{opt}$  becomes lower than  $X_{min}$  for typical values of technology and topology parameters. It is, however, possible that the output parasitic capacitance of the device  $W_{opt} \overline{C_{out}}$  becomes larger than the required  $C_s$ . It means the device is prohibited from becoming sufficiently large and the PA is under a *capacitance limited* condition. Under this situation, the optimum device size is  $W_{max}$ , wherein  $C_s = C_{out}$ .

$$W_{max} = \frac{C_s}{\overline{C_{out}}} \rightarrow W_{max} = \frac{K_C}{r_L \cdot \overline{C_{out}} \cdot \omega_0} \quad (5.58)$$

As a consequence,

$$X_{max} = \frac{W_{max} \cdot r_L}{K_P} \rightarrow X_{max} = \frac{1}{F_C \cdot \overline{C_{out}} \cdot \omega_0} \quad (5.59)$$

Figure 5.5 illustrates some cases where  $X_{opt}$  becomes larger than  $X_{max}$ . Consequently, the practical optimum  $X$ -factor,  $X_0$ , can be found by

$$X_0 = \begin{cases} X_{min} & X_{opt} < X_{min} \\ X_{opt} & X_{min} \leq X_{opt} \leq X_{max} \\ X_{max} & X_{opt} > X_{max} \end{cases} \quad (5.60)$$

Figure 5.6 (a) shows  $X_0$  over frequency for different flavors of switched-mode PA. At low frequencies,  $X_0$  is equal to  $X_{opt}$  and thus is almost identical for all flavors of class-E/F PA with the same technology parameters. However, as the frequency increases,  $X_0$  is limited by the switch self-parasitic output capacitance and thus becomes  $X_{max}$ . As a result, the PA structures with lower  $F_C$  offer larger  $X_0$  and width at their highest PAE. The effect of  $X_0$  on PA's characteristic will be quantified soon.

Figure 5.6 (a) also indicates that the maximum operating frequency is different for each class of switched-mode PAs. Generally, MOS devices must satisfy two conditions for the proper switched-mode PA operation. First, transistor cut-off frequency  $f_{max}$  should be at least 3-4 $\times$  higher than  $f_0$ . NMOS  $f_{max}$  is about 250 GHz in 40-nm LP CMOS. Hence, the transistors should be fast enough to turn on/off rapidly at  $f_0 \leq 60$  GHz. Second, the transistor must be capable of providing the required systematic peak current during switching while its output capacitance  $C_{out}$  remains below  $C_s$ . Eq. (5.58) indicates that  $W_{max}$  reduces linearly with the operating frequency. However,  $W_{min}$  is constant over frequency. Consequently, two curves intersect at a frequency of  $\omega_m = 2\pi f_m$  as shown in Fig. 5.5. Beyond that frequency, the transistor size becomes impractically small such that the device would not be able to provide the required current. Consequently,

$$X_{max} = X_{min} \quad \rightarrow \quad f_m = \frac{1}{2\pi} \cdot \frac{\overline{I_{out}}}{C_{out}} \cdot \frac{1}{F_C (F_{PI} V_{DD} - F_I^2 R_{on} I_{out})}. \quad (5.61)$$

The  $f_m$  increases by migrating to a more advanced technology, which achieves transistors with a higher current capability ( $\overline{I_{out}}/C_{out}$ ). Another  $f_m$  improvement strategy would be using a PA with lower  $F_{PI}$  and  $F_C$ . Figure 5.7 predicts  $f_m$  for different flavors of class-E/F PA by utilizing (5.61) and waveform and technology parameters of Table. 5.1. Figure 5.7 indicates  $f_m$  can be extended to 60 GHz in 40 nm CMOS for the class-E/F<sub>2</sub> operation when the transistor's effective load is realized as an open circuit at the 2nd harmonic,  $2\omega_0$ . We will see the implementation of that PA in the following chapter.

Eq. (5.61) also indicates that  $f_m$  can be improved by reducing  $V_{DD}$  and sacrificing  $P_{out}$ . However, this conclusion is not ultimately correct, since other parameters are also affected. Indeed,  $V_{sat}$  also drops linearly by lowering  $V_{DD}$  as can be gathered from (5.30). Since the transistor operates in the triode region, its current capability is a linear function of  $V_{sat}$ . Consequently,  $\overline{I_{out}}$  reduction will cancel out the improvement of a lower  $V_{DD}$  on the  $f_m$ . Hence, the maximum operating frequency is more and less constant versus  $V_{DD}$  for any switched-mode PA.

The next step is to calculate the PA's different characteristic at the optimum practical transistor size to obtain the highest possible PAE. Under this condition, the drain efficiency due

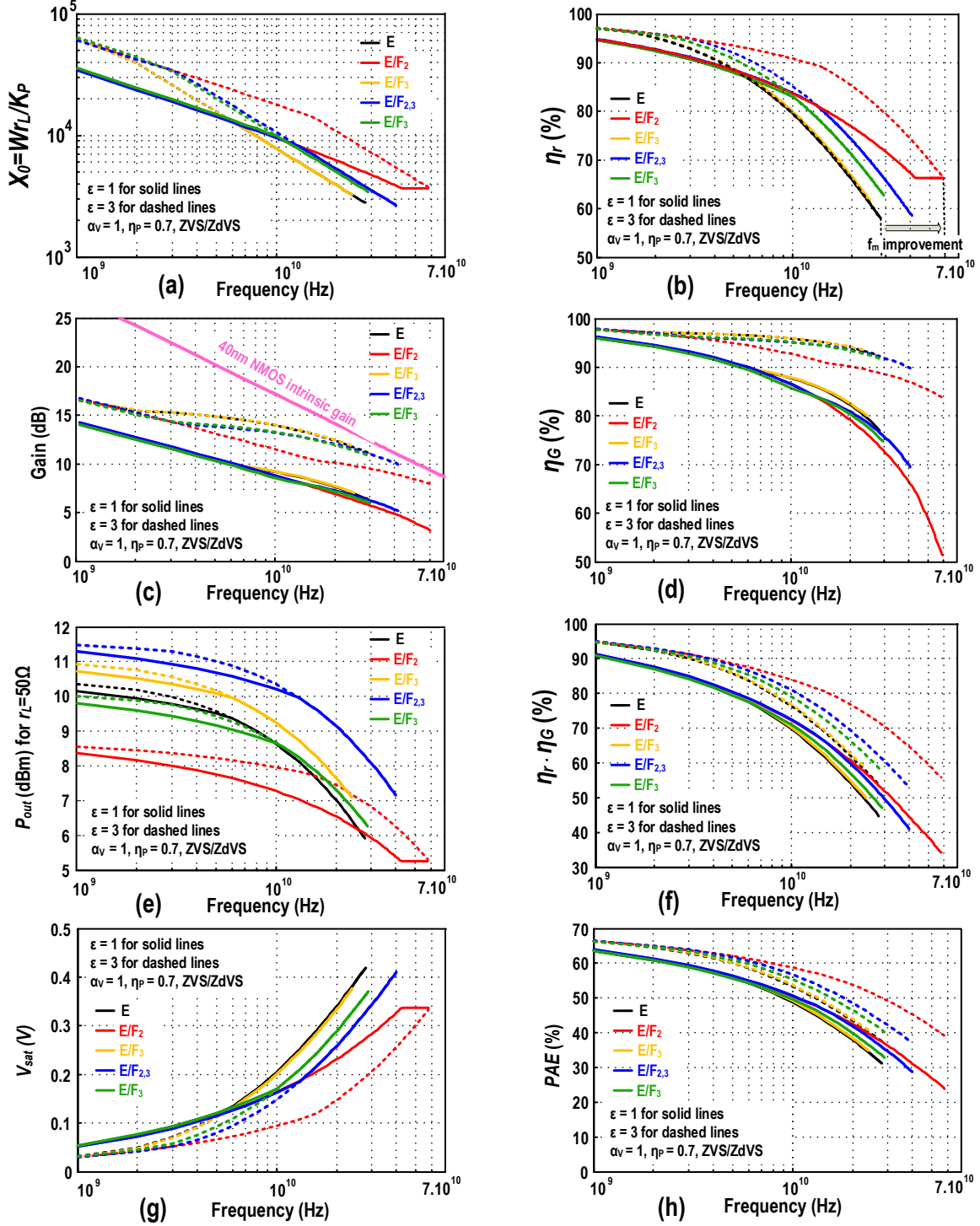


Figure 5.6: Characteristics of different flavors of class-E/F PA versus frequency at the maximum achievable PAE. (40 nm TSMC LP technology:  $\overline{R_{on}} = 850 \Omega\mu m$ ,  $\overline{C_{in}} = 1 fF/\mu m$ ,  $\overline{C_{out}} = 0.65 fF/\mu m$ ,  $\overline{I_{out}} = 0.6 mA/\mu m$ )

to the switch on-resistance,  $\eta_r$ , can be estimated by replacing  $X_0$  value of (5.60) in (5.42).

$$\eta_{r(m)} = \begin{cases} 1 - \frac{F_I}{\alpha_V} \cdot \sqrt{\frac{\epsilon \overline{R_{on}} \cdot \overline{C_{in}} \cdot f_0}{\eta_p}} & X_{opt} \leq X_{max} \\ \frac{1}{1 + F_C F_I^2 \overline{R_{on}} \overline{C_{out}} \omega_0} & X_{opt} > X_{max} \end{cases} \quad (5.62)$$

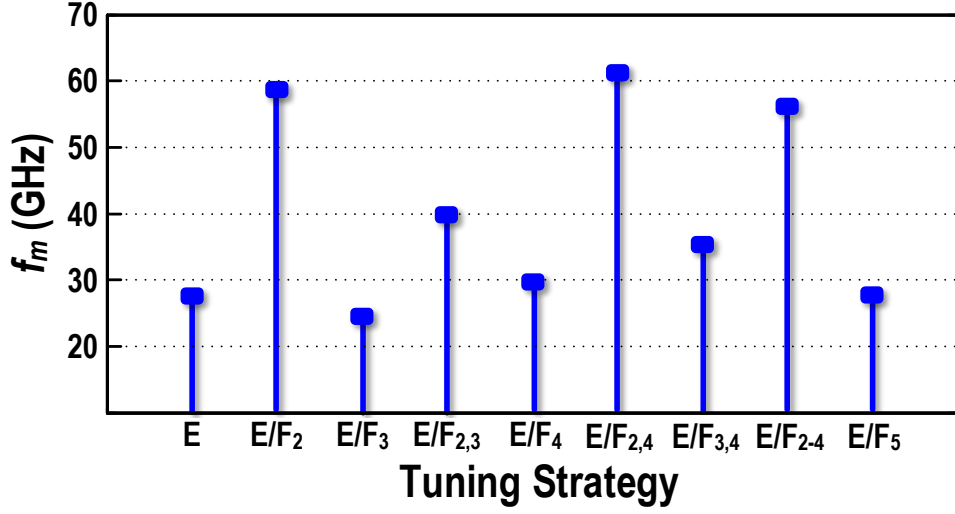


Figure 5.7: Maximum operating frequency of different flavors of class-E/F<sub>2</sub> PA. ( $\overline{R_{on}} = 850 \Omega \mu m$ ,  $\overline{C_{in}} = 1 fF/\mu m$ ,  $\overline{C_{out}} = 0.65 fF/\mu m$ ,  $\overline{I_{out}} = 0.6 mA/\mu m$ )

Figure 5.6 (b) shows the  $\eta_{r(m)}$  versus frequency for different flavors of switched-mode PA. At low frequencies,  $X_0 = X_{opt}$  and thus  $\eta_{r(m)}$  is almost identical for all flavors of class-E/F PAs with the same technology parameters. However, as the frequency increases,  $X_0$  is limited by the switch self-parasitic output capacitance and thus  $X_{max}$ . As a result, PA structures with a lower  $F_C$  can tolerate a larger transistor width and demonstrate a higher  $\eta_{r(m)}$  at their highest PAE. Figure 5.6 (b) also predicts  $\eta_{r(m)}=65\%$  for 40 nm class-E/F<sub>2</sub> PA at 60 GHz. Even though the transistor acts as a switch and provides the PA's required peak current, however, the switch size is relatively small such that its  $R_{on}$  degrades  $\eta_{r(m)}$  to somewhere between class-A and B.

At the highest PAE, the transistor power gain and its related efficiency  $\eta_{G(m)}$  can be respectively found by substituting (5.60) in (5.49) and (5.50).

$$G_{P(m)} = \begin{cases} \frac{\alpha_V}{F_I} \cdot \sqrt{\frac{\eta_p}{\epsilon \cdot \overline{R_{on}} \cdot \overline{C_{in}} \cdot f_0}} - 1 & X_{opt} \leq X_{max} \\ \frac{2\pi}{\epsilon} \cdot \frac{\overline{C_{out}}}{\overline{C_{in}}} \cdot \frac{\alpha_V^2 \eta_p F_C}{\left(1 + F_C F_I^2 \overline{R_{on}} \overline{C_{out}} \omega_0\right)^2} & X_{opt} > X_{max} \end{cases} \quad (5.63)$$

At lower frequencies, the optimum size of the transistor is almost the same for different PA classes and consequently, their  $G_{P(m)}$  and  $\eta_{G(m)}$  are identical as can be gathered from Fig. 5.6 (c) and (d). However, PA's with a lower  $F_C$  demonstrate a lower power gain at the higher frequencies. Furthermore, the output power is also lower for PA's with lower  $F_C$  at the same  $V_{DD}$  and  $r_L$  as shown in Fig. 5.6 (e). It can be concluded that the product of power gain and maximum operating frequency is almost the same for different flavors of switched-mode PA. Consequently, higher  $f_m$  and  $\eta_{r(m)}$  of class-E/F<sub>2</sub> operation is achieved through painful reduction of  $P_{out}$  and precious device  $G_P$ .

The maximum achievable PAE may be calculated by replacing  $X_0$  value of (5.60) in (5.52).

$$PAE_{max} = \begin{cases} \eta_P \cdot \left( 1 - \frac{2F_I}{\alpha_V} \cdot \sqrt{\frac{\epsilon \cdot \overline{R_{on}} \cdot \overline{C_{in}} \cdot f_0}{\eta_P}} \right) & X_{opt} \leq X_{max} \\ \eta_P \cdot \left( \frac{1}{1 + F_C F_I^2 \overline{R_{on}} \overline{C_{out}} \omega_0} \right) \left( 1 - \frac{\epsilon}{2\pi} \cdot \frac{\overline{C_{in}}}{\overline{C_{out}}} \cdot \frac{(1 + F_C F_I^2 \overline{R_{on}} \overline{C_{out}} \omega_0)^2}{\alpha_V^2 \eta_P F_C} \right) & X_{opt} > X_{max} \end{cases} \quad (5.64)$$

Interestingly, at low frequencies, the highest achievable PAE is almost the same for different flavors of class-E/F PA and it is just a function of  $V_{DD}$  and the technology dependent parameters. However, the tuning strategy plays a more important role at the higher frequencies, where the practical optimum size of the transistor is determined by its own parasitic output capacitance. PAs with lower  $F_C$  demonstrate a huge PAE advantage over traditional class-E tuning. This superiority is the motivation behind the implementation of a mm-wave class-E/F<sub>2</sub> PA in the next chapter.

## 5.6 Effects of Oxide Breakdown on PA Performance

Eq (5.64) indicates that  $PAE_{max}$  can be improved by utilizing a larger  $\alpha_V = V_{DD}/V_{DDBF}$ . Unfortunately,  $V_{DDBF}$  reduction will increase  $\overline{R_{on}}$  with an adverse effect on the PA's efficiency. On the other hand, increasing PA's supply voltage is beneficial for better PAE. It can be understood in the way that the transistor's on-resistance loss  $P_{ron}$  results from the switch current, not  $V_{DD}$ . One can increase  $V_{DD}$  while reducing the device current simultaneously to get the same  $P_{out}$  but with a lower  $P_{ron}$  and thus higher PAE. Consequently, it is suggested to choose  $V_{DD}$  as high as possible. However, this voltage/current trade-off can be applied as long as the peak drain-gate voltage remains below a gate-oxide breakdown voltage  $V_{BK}$ . By utilizing the  $F_V$  definition and replacing  $V_{sat}$  by (5.32), the maximum  $\alpha_V$  may be estimated by

$$\alpha_{V-max} = \frac{V_{BK}}{V_{DDBF}} \frac{X + \beta}{F_V \cdot X + \beta} \quad (5.65)$$

By replacing  $X$ -factor with the  $X_{opt}$  equation,  $\alpha_{V-max}$  can be simplified to

$$\alpha_{V-max} = \frac{1}{F_V} \left( \frac{V_{BK}}{V_{DDBF}} + F_I \cdot (F_V - 1) \sqrt{\frac{\epsilon \cdot \overline{R_{on}} \cdot \overline{C_{out}} \cdot f_0}{\eta_P}} \right) \quad (5.66)$$

As expected, PA structures with a lower  $F_V$  offer higher  $\alpha_V$  and thus better PAE.  $V_{BK}$  is a strong function of a transistor technology, temperature and gate oxide area. It is well known that the oxide breakdown can be described by the Weibull distribution [14]:

$$F = 1 - e^{-\left(\frac{T_{BD}}{\eta_B}\right)^\beta} \rightarrow \eta_B = T_{BD} (-\ln(1 - F))^{-1/\beta} \quad (5.67)$$

where  $F$  is a cumulative failure probability and  $T_{BD}$  is a random variable for time-to-breakdown.  $\eta_B$  is a characteristic time-to-breakdown at 63.2% failure probability and  $\beta$  is a Weibull shape slope. The solid circles in Fig. 5.8 (c) are extracted from literature and show the measured  $\eta_B$  for

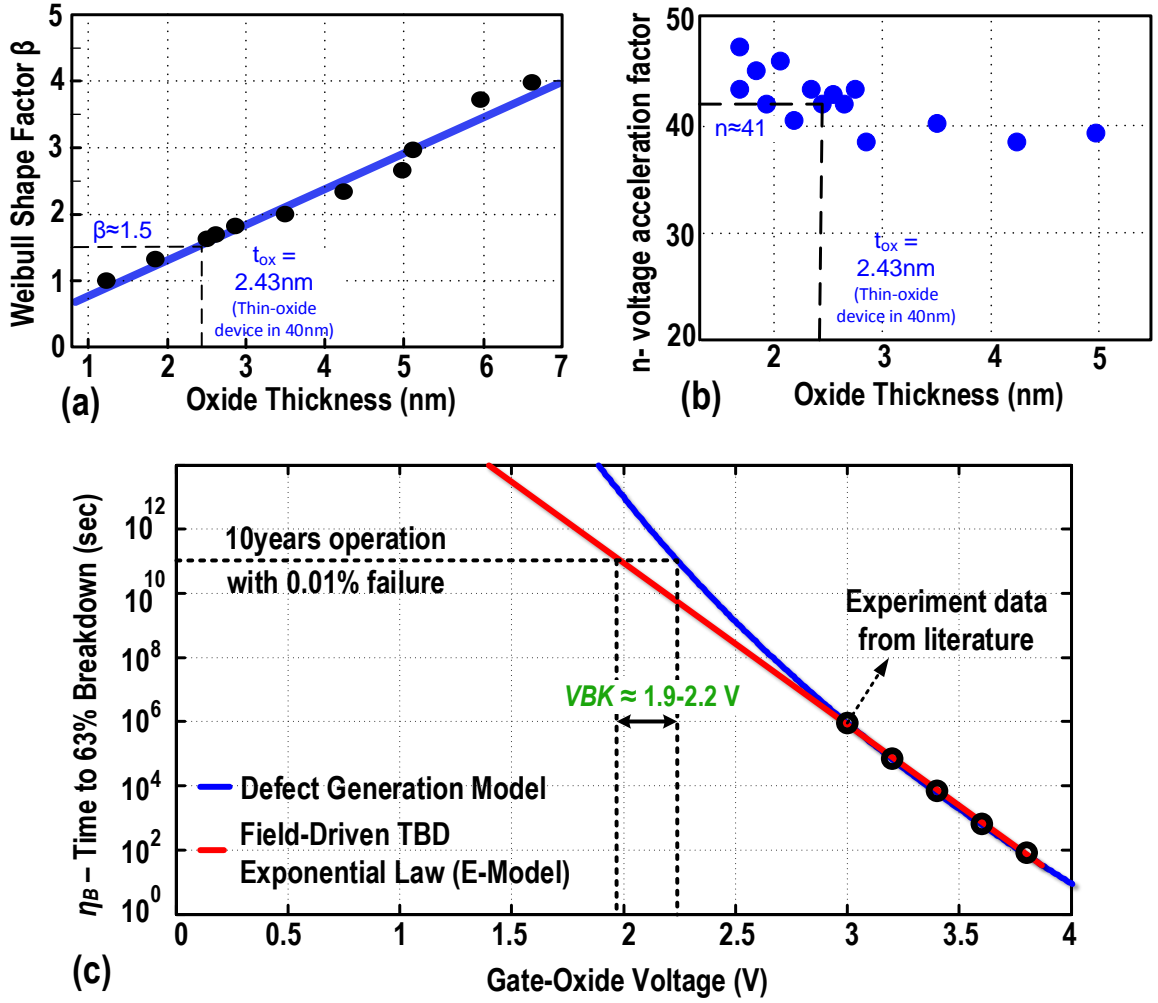


Figure 5.8: (a) Weibull slope versus gate oxide thickness extracted from [14], (b) voltage acceleration versus gate oxide thickness extracted from measurement results in [98], (c)  $\eta_B$  versus gate-oxide voltage. The data points (solid circles) are extracted from literature [110].

a gate-oxide thickness of 2.3 nm, an area of  $10^3 \mu\text{m}^2$  and a temperature of  $140^\circ\text{C}$  [110]. However, the measured  $\eta_B$  are acquired at relatively short measurements to the required product lifetime (e.g., 10 years). Consequently, means of voltage and temperature acceleration models are needed to estimate  $\eta_B$  at lower gate-oxide voltage,  $V_{ox}$ .

The field-driven E-model refers to the experimental observation that  $T_{BD}$  data can be characterized by  $T_0 \cdot e^{(-\gamma_e \cdot E_{ox})}$ , where  $T_0$  and  $\gamma_e$  are curve fitting parameters, and  $E_{ox}$  is the electric field across the gate-oxide [111]. The  $\eta$  variations based on E-model curve fitting are illustrated by a red line in Fig. 5.8 (c). The model can be safely ruled out for both thin and thick oxide at  $E_{ox} \leq 7\text{ MV/cm}$ . However, this model is not accurate at  $V_{ox} \leq 2\text{ V}$ . Nevertheless, it is possible to use E-model as a conservative projection [110].

A more realistic projection is the physics-based breakdown model [110] [14], which considers both tunneling current and defect generation phenomena. Based on this model,  $\eta_B$  for a given circuit with arbitrary characteristics ( $A_{ox}$ ,  $V_{ox}$  and  $T_{ox}$ ) can be extrapolated from the reference

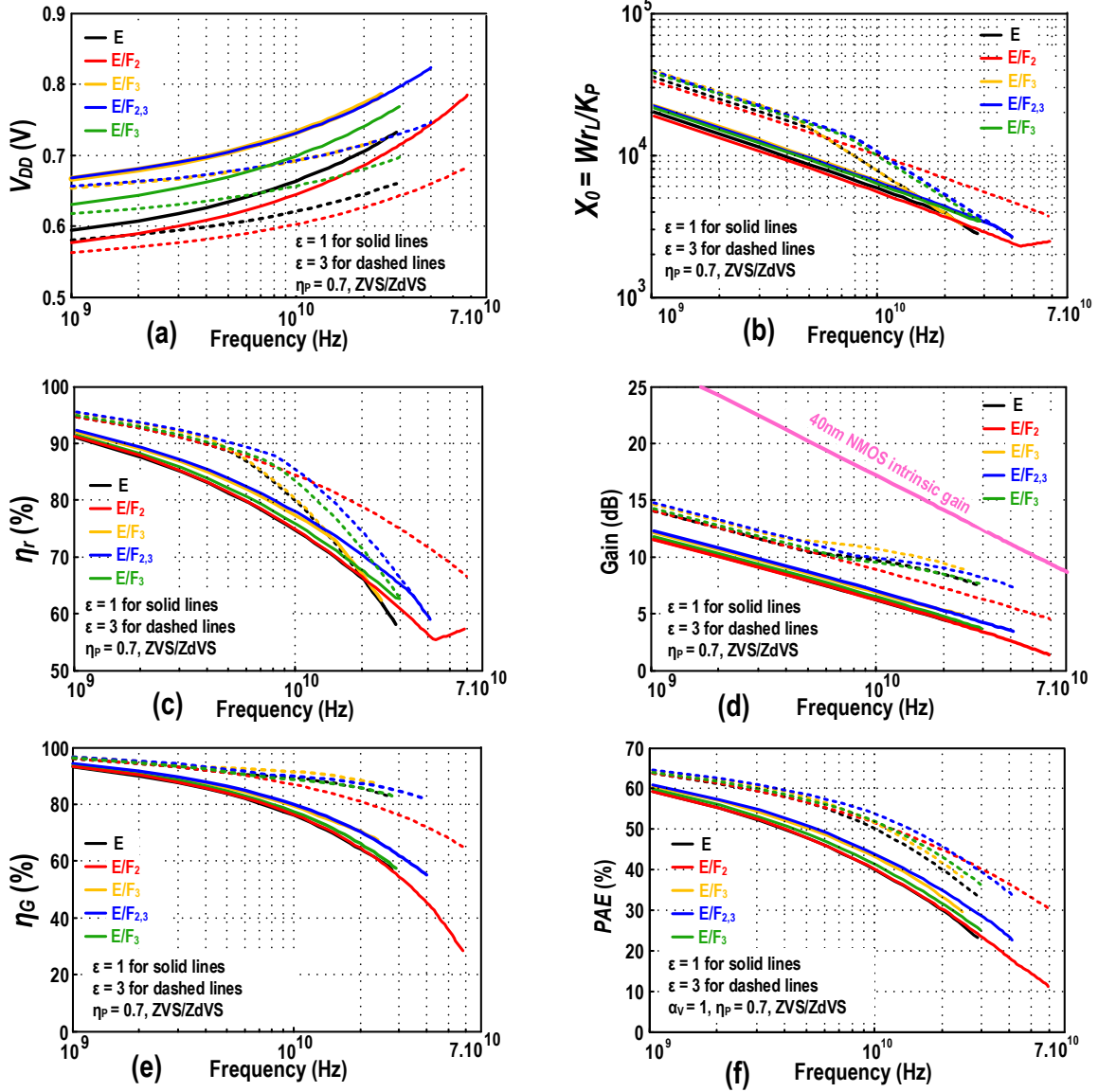


Figure 5.9: Characteristics of different flavors of class-E/F PA versus frequency at the maximum achievable PAE when taken  $V_{BK}$  into consideration. ( $\overline{R_{on}} = 850 \Omega \mu m$ ,  $\overline{C_{in}} = 1 fF/\mu m$ ,  $\overline{C_{out}} = 0.65 fF/\mu m$ ,  $\overline{I_{out}} = 0.6 mA/\mu m$ ,  $V_{BK} = 2 V$ )

data ( $x_{ref}$ ) by

$$\eta_B = \eta_{ref} \left( \frac{V_{ox}}{V_{ref}} \right)^{-n} e^{\frac{E_a}{K} \left( \frac{1}{T_{ox}} - \frac{1}{T_{ref}} \right)} \left( \frac{A_{ox}}{A_{ref}} \right)^{-1/\beta} \quad (5.68)$$

where, ( $A_{ox}$ ) is the total gate oxide area, ( $T_{ox}$ ) absolute junction temperature and ( $V_{ox}$ ) stress voltage across the gate oxide. Furthermore,  $n$  and  $E_a$  are, respectively, voltage acceleration and thermal activity energy factors. The  $\eta$  extrapolation based on “defect-generation” model is also added by a blue line in Fig. 5.8.

The above procedure is now applied to a 40 nm CMOS technology to determine its transistor maximum  $V_{ox}$  for less than 0.01% failure rate during 10 years of operating time. Figure 5.8 (a) indicates that Weibull slope is  $\approx 1.5$  for 2.43 nm oxide thickness in 40 nm CMOS technology. By exploiting (5.67), the required  $\eta_B$  should be  $\sim 1.5 \cdot 10^{11}$ . Figure 5.8 (c) shows  $\eta_B$  versus  $V_{ox}$

projection for  $A_{ox} = 10^3 \mu m$  and  $T_{ox}=140^\circ C$ . The plot indicates that the maximum voltage across the gate-oxide should be  $<2V$ . Note that the gate area of most PAs is less than  $10^3 \mu m$ , which translates to a slightly higher maximum  $V_{ox}$  as implied in (5.68).

By considering  $V_{BK} = 2V$ , Fig. 5.9(a) shows the maximum allowed  $V_{DD}$  for a single transistor PA versus frequency. Note that  $\alpha_{V-max}$  is only function of  $F_V$  and  $F_I$  among different waveform FoMs, which are almost identical for all switched-mode PAs as can be gathered from Table 5.1. Consequently, the maximum allowed  $V_{DD}$  are similar for different flavors of the class-E/F amplifier.

Figures 5.9(b)-(d) illustrate different characteristics of switched-mode PA versus frequency when taken  $V_{BK}$  into consideration. As a general result, the main specifications of various flavors of class-E/F PAs are very similar at low frequencies (i.e.  $\leq 7-8$  GHz). However, as frequency increases, PAs with lower  $F_C$  exhibit higher  $\eta_{r(m)}$  and  $PAE_{max}$  at the price of lower gain and output power.

## 5.7 Single Device Versus Cascode Structure

The output power of a single-transistor switched-mode PA is limited by the maximum allowed  $V_{DDmax}$  due to the time dependent dielectric breakdown (TDDB) phenomenon. It is well-known that the PA's voltage supply can be linearly increased by using cascode devices. In this section, different characteristics of cascode switched-mode PA will be quantified and compared to a single-device scenario. For simplicity, the size of all cascode transistors is assumed to be identical. Note that the effective value of some technology dependent parameters, like  $\overline{C_{out}}$ ,  $\overline{C_{in}}$ , and  $\overline{I_{out}}$ , are the same as with a single-device PA. However, the effective  $\overline{R_{on}}$  and  $V_{DDmax}$  increase linearly by a number of cascode devices,  $N$ . Furthermore, waveform FoM parameters are a function of the tuning strategy and do not change with  $N$ . Consequently, by utilizing the effective values for technology-dependent parameters, all derived equations of the previous sections are also valid for the cascode structures.

Figure 5.10 compares class-E/F<sub>2</sub> PAs' characteristics for single and cascode structures. The maximum operating frequency,  $f_m$  is the first victim of the cascode structure. Except  $V_{DD}$  and  $\overline{R_{on}}$ , other variables of  $f_m$  equation (see (5.61)) are identical for both single-device and cascode PAs. However,  $V_{DD}$  and  $\overline{R_{on}}$  are twice for the cascode structure, resulting in  $2\times$  reduction of  $f_m$ . However, the output power, gain,  $\eta_{G(m)}$  and  $PAE_{max}$  of the cascode structure are higher than with the single-device PA at their optimum points for the same load and technology. Consequently, the cascode structure is beneficial for high output power PAs at relatively low frequency (i.e  $\leq 10$  GHz). Note that the breakdown voltage of drain-bulk junction is about 8-9 V in 40-nm CMOS technology. As a result,  $V_{DD}$  of any switched-mode PA should be lower than  $\approx 2.5V$ , which translates to a maximum of 3 or 4 cascode transistors. The bulk of NMOS transistors is isolated in SOI technology. Hence, cascoding a number of transistors is a common solution for improving  $P_{out}$  and PAE of a power amplifier but it is limited to only lower operating frequencies.



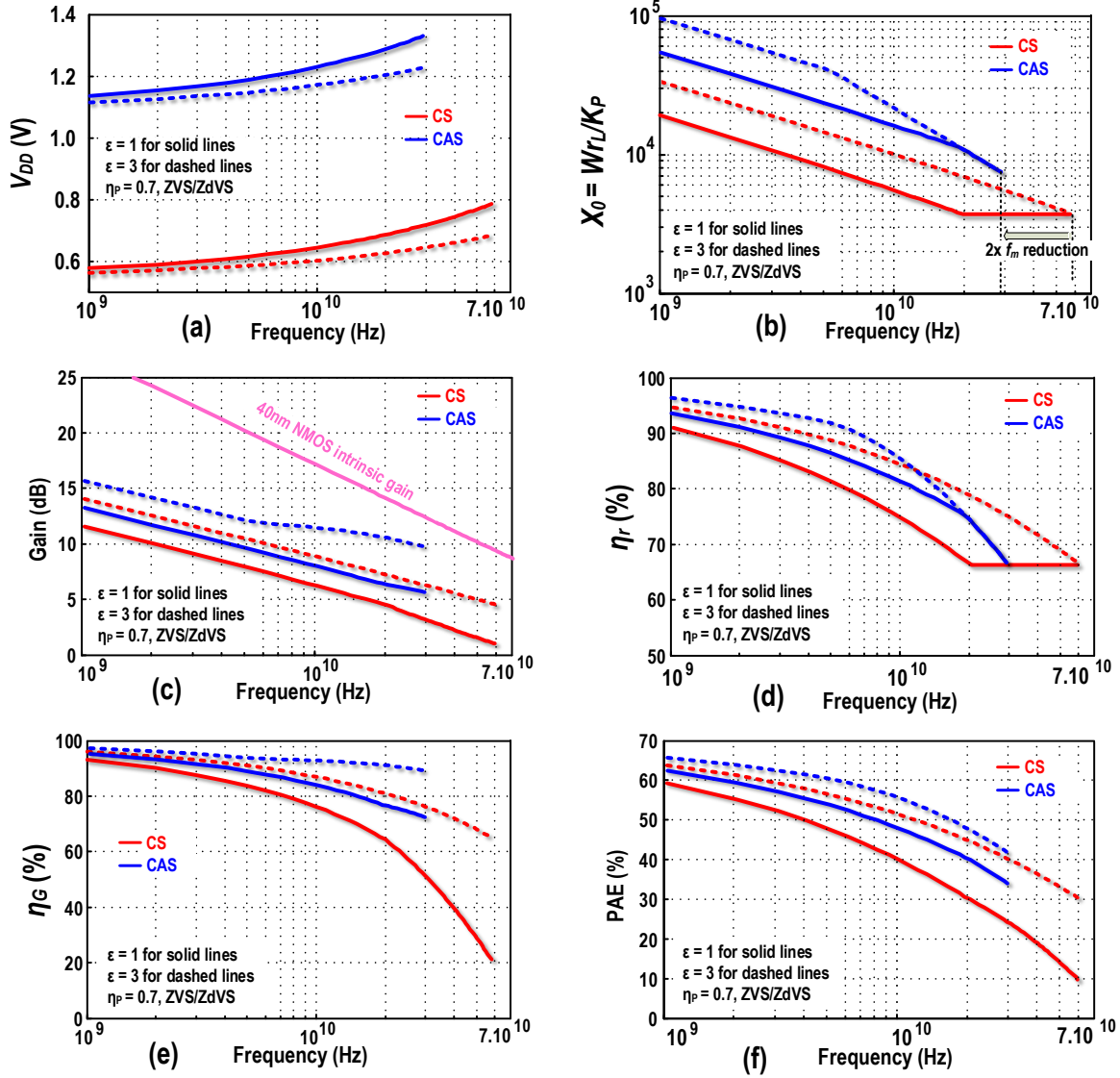


Figure 5.10: Characteristics of single-device and cascode class-E/F<sub>2</sub> PA versus frequency at the maximum achievable PAE. ( $\overline{R_{on}} = 850 \Omega \mu m$ ,  $\overline{C_{in}} = 1 fF / \mu m$ ,  $\overline{C_{out}} = 0.65 fF / \mu m$ ,  $\overline{I_{out}} = 0.6 mA / \mu m$ ,  $V_{BK} = 2 V$ )

## 5.8 Benefits of Non-zero Voltage Switching

It is well-known that the zero voltage switching, ZVS, is a necessary criterion for switched-mode PAs to avoid any overlap between the transistor's voltage-current waveforms and charge loss at the off-to-on transition. Hence, ZVS could guarantee the perfect efficiency of 100% if an ideal switch would be available. However, the channel on-resistance, input, and output parasitic capacitance of the MOS transistor play an important role in adversely affecting the operation of switched-mode PAs. As explained in the previous sections, those imperfections limit significantly the PA's performance even when meeting the ZVS condition.

The above reasoning raises the question of whether introducing some charge loss can help us improve other PA's characteristics, such as on-resistance loss, waveform FoMs, gain, output power and ultimately the system efficiency. From another perspective, zero derivative voltage switching

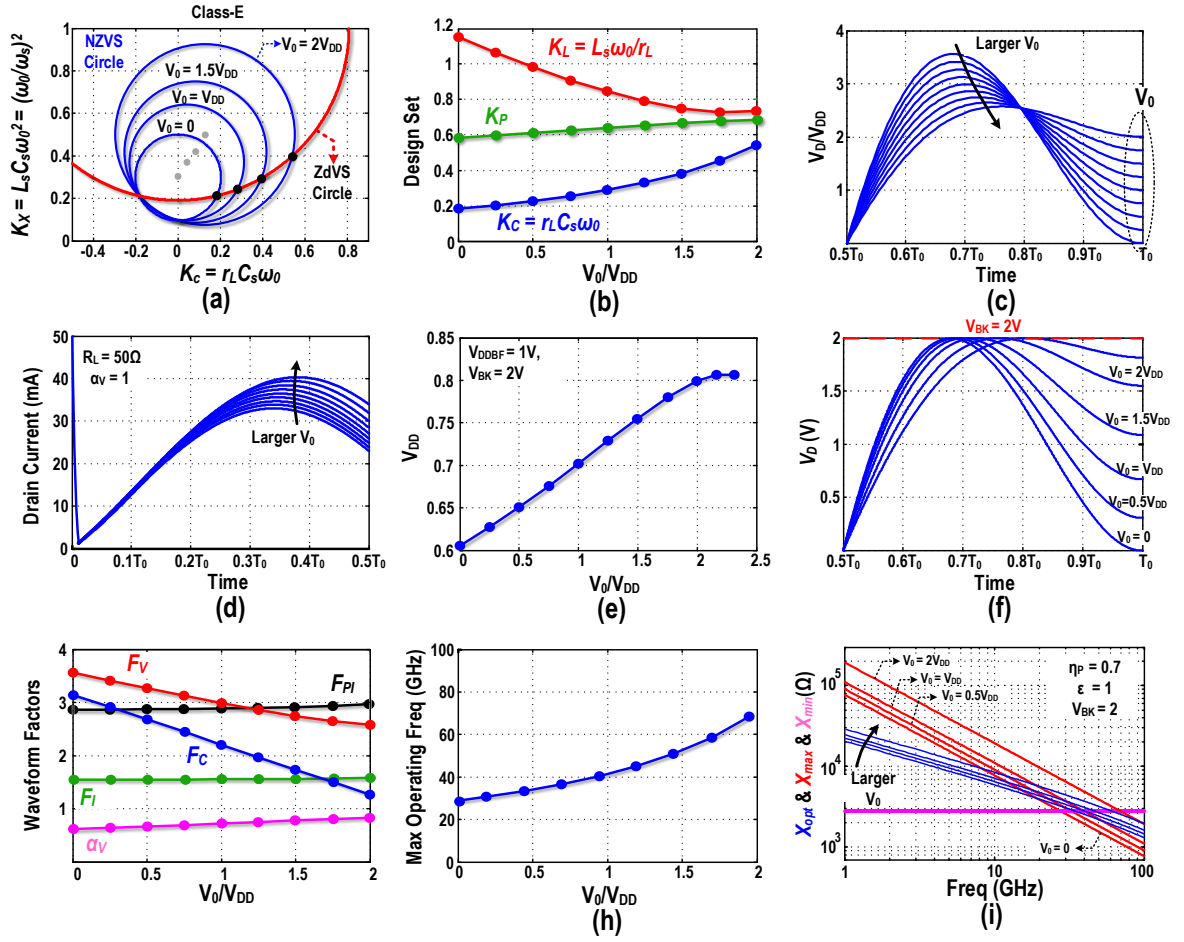


Figure 5.11: The characteristics of non-zero voltage switching PA with class-E type matching network. (a) NZVS and ZdVS circles, (b) PA's design sets versus  $V_0$ , (c) Normalized drain voltage and (d) current waveforms, (e) Maximum supply's voltage and (f) shape of drain voltage by considering  $V_{BK} = 2V$ , (g) Waveform FoM parameters, (h) Maximum operating frequency and (i)  $X_{min}$ ,  $X_{max}$  and  $X_{opt}$  versus  $V_0$ . ( $R_{on} = 850 \Omega \mu m$ ,  $C_{in} = 1 fF/\mu m$ ,  $C_{out} = 0.65 fF/\mu m$ ,  $I_{out} = 0.6 mA/\mu m$ ,  $V_{BK} = 2V$ )

(ZdVS) alleviates the sensitivity of PA's performance to the passive component variations. Hence, it is desired to satisfy the ZdVS criterion even if PA works at the non-zero voltage switching (NZVS) condition. In this section, the benefits and constraints of NZVS/ZdVS switched-mode PAs are investigated and quantified.

At the first step, the optimal design set ( $K_C, K_L, K_X$ ) of class-E/ $F_X$  PA should be found through the intercept point of NZVS and ZdVS circles obtained by the matrix equations of (5.21) and (5.23). Figure 5.11 (a) illustrates those circles for the class-E tuning strategy at different off-to-on switching voltage levels,  $V_0$ . The center of NZVS circles move to right and top in the  $K_X - K_C$  plane and their radius becomes larger as  $V_0$  increases. As a result, the optimal  $K_C$  and thus shunt capacitance,  $C_s$  are larger by increasing  $V_0$  as shown in Fig. 5.11 (b). It means the transistor is allowed to potentially have more parasitic output capacitance and become wider with less channel on-resistance. This trend shows a clear trade-off between charge and on-resistance losses in a NZVS switched-mode PA.

The required series inductance of the PA,  $L_s$ , is typically realized by a multi-turn inductor

or the leakage inductance of a transformer. As can be gathered from Fig. 5.11 (a) and (b),  $K_L$  and thus  $L_s$ , reduce with an increased  $V_0$ . Hence, the size and number of turns of the inductive part of the matching network are shrunk thanks to the NZVS operation. This leads to an improvement in the effective quality factor and insertion loss of the matching network. Consequently, there is a trade-off between the charge loss and matching network efficiency in a NZVS PA.

By replacing thus obtained matching network design sets in the matrix equation of (5.16), the voltage and current waveforms are derived and shown in Fig. 5.11 (c) and (d). Since the drain is connected to the supply via a big choke, its average voltage should be equal to  $V_{DD}$ . The peak of the drain voltage waveform and thus  $F_V$  reduce significantly at a higher  $V_0$ . This directly translates to a higher tolerated  $\alpha_V$  and  $V_{DD}$  for NZVS PAs, as shown in Fig. 5.11 (e). Note that the transistor's on-resistance loss  $P_{ron}$  originates from the device current. NZVS PAs increase  $V_{DD}$  while reducing the device current simultaneously to get the same  $P_{out}$  but with a lower  $P_{ron}$ . This reasoning points to the second trade-off between the charge and on-resistance losses in NZVS PAs.

As the switch closes, the shunt capacitance,  $C_s$  is discharged through the transistor in a form of impulse current with a time constant  $\tau_{cs}$ . Beyond the discharge span, however, the shape of the drain current is very similar to that for ZVS PA at the same tuning conditions. Hence,  $F_I$  and  $F_{PI}$  are almost identical over  $V_0$  as shown in Fig. 5.11 (g). However, the fundamental component of the drain current, and the thus PA's power capability coefficient  $K_P$ , slightly increases with a larger  $V_0$ , as shown in Fig. 5.11 (b). Consequently, Except for  $F_I$  and  $F_{PI}$ , other waveform FoM parameters improve significantly with the NZVS operation as summarized in Fig. 5.11 (g) for a NZVS PA with a class-E type of matching network.

The maximum operating frequency,  $f_m$ , and  $X_{max}$  of the switched-mode PA are a strong function of  $F_C$  and thus they linearly improve with a larger  $V_0$ , as can be gathered from Fig. 5.11 (h) and (i), respectively. This demonstrates an explicit trade-off between the charge loss and maximum operation frequency of a NZVS PA.

Figure 5.12 compares various efficiencies and power breakdown of a class-E type of matching network switched-mode PA at the ZVS and NZVS criteria. Note that the PAs' supply voltage is assumed to be fixed for left-side figures (a, c, and e). However,  $V_{DDPA}$  is adjusted such that the peak drain voltage of the PA remains constant at  $V_{BK} = 2V$  for the right-side figures (b, d, and f). The trend of  $\eta_G$  and  $\eta_D$  versus X-factor are shown in Fig. 5.12 (a) and (b). Since the output power is ideally not a function of the switch size, the power gain and  $\eta_G$  should be higher at small X-factors. However, the device channel resistance and thus  $\eta_D$  improve as X-factor grows. Consequently, the optimum PAE happens somewhere between those regions. Since  $K_P$  is larger for the NZVS operation, the switch can generate higher  $P_{out}$  at the same transistor width and input power. As a result, the device power gain and thus  $\eta_G$  is slightly higher for the NZVS operation at the same X-factor. However, the  $\eta_D$  is less for the NZVS switched-mode PA due to its additional charge loss. Consequently, the highest achievable PAE occurs at the larger X-factor, and thus the device width, for NZVS operation. Furthermore, the  $PAE_{max}$  is just  $\leq 10\%$  lower for the extreme case of  $V_0/V_{DD} = 1.5$ .

Figures 5.12 (c) and (d) show the breakdown of PA's DC versus the transition voltage level,  $V_0$ , at  $PAE_{max}$ . All power levels are normalized to  $P_{DC}$  of a traditional ZVS class-E PA. For  $V_0/V_{DD} \leq 0.5$ , the charge loss,  $P_{Cs}$ , is negligible compared to the wasted power due to device

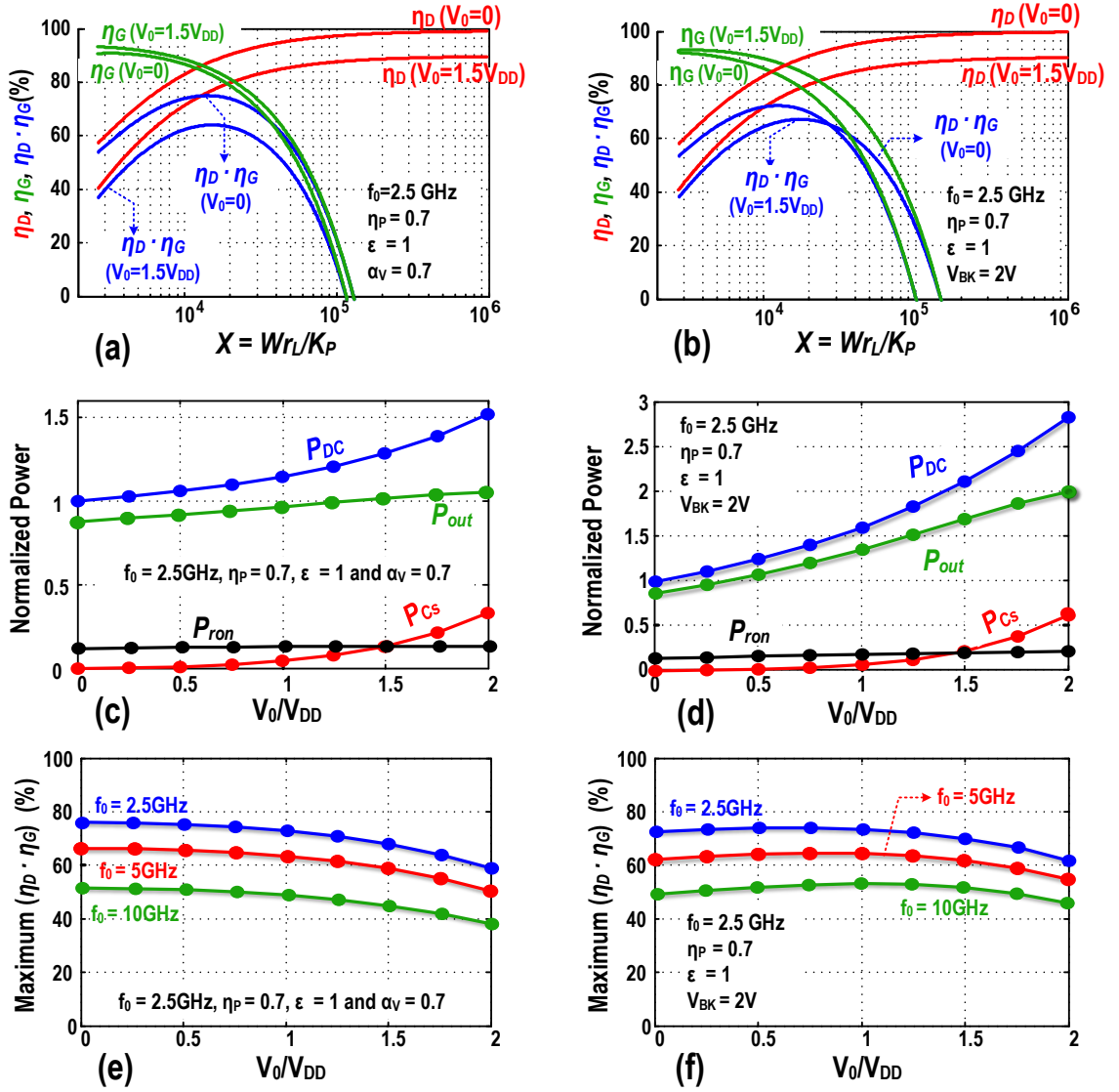


Figure 5.12: Different characteristics of non-zero voltage switching PA with class-E type matching network. (a), (b) The drain and gain efficiencies versus X-factor, (c), (d) the normalized power breakdown of PA versus  $V_0$ , (e) and (f) maximum achievable product of drain and gain efficiencies versus  $V_0$ . Note that the  $V_{DD}$  is constant over  $V_0$  in the left-side figures. However, the maximum drain voltage is kept fixed at  $V_{BK}$  for the right-side figures.

channel resistance,  $P_{ron}$ . However,  $P_{Cs}$  grows quadratically with  $V_0$  in NZVS operation and finally becomes the dominant loss mechanism for  $V_0 \geq 1.5V_{DD}$ . As aforementioned, the optimum device width becomes larger as  $V_0$  grows, reducing the device channel resistance. However, the switch current slightly increases with a larger  $V_0$ , as can be gathered from Fig. 5.11 (d). Consequently, those effects almost cancel out their influence on  $P_{ron}$ , making it insensitive to the  $V_0$  variations. The output power,  $P_{out}$  also increases in the NZVS operation due to two phenomena. First, the fundamental component of the drain voltage-current waveforms and thus  $K_P$  increase by a larger  $V_0$ . Second, the PA's supply voltage can be raised to higher values due to the  $F_V$  reduction as suggested in Fig. 5.11 (e). The  $P_{DC}$  should also increase to cover the additional output power and  $P_{Cs}$  loss.

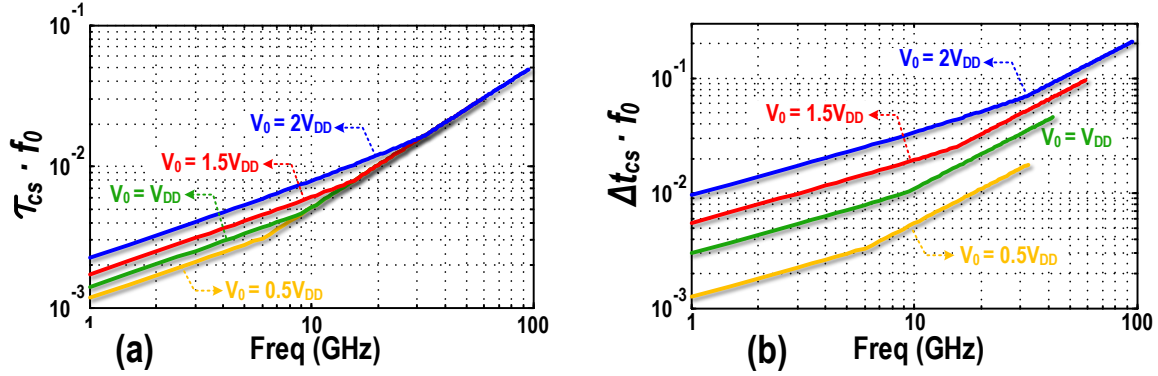


Figure 5.13: (a) The shunt capacitance discharge time constant  $\tau_{cs}$  and (b) its discharge time  $\Delta t$  versus frequency for different  $V_0$ .

In NZVS operation, the improvement of PA's vital parameters, such as  $F_V$ ,  $F_C$ ,  $K_C$  and  $K_P$  can easily compensate the side effect of additional charge loss on the maximum achievable PAE. As shown in Fig. 5.12 (e), even at the constant  $V_{DD}$ , the  $\text{PAE}_{\max}$  remains at the same level for  $V_0 \leq 0.75V_{DD}$ . More interestingly, as evident from Fig. 5.12 (f), the PAE reaches its maximum at  $V_0 \approx 0.75V_{DD}$  while  $V_{DDPA}$  is adjusted such that the peak drain voltage of PA remains constant at  $V_{BK} = 2V$ .

Note that the insertion loss of the matching network has been considered and stays the same for different  $V_0$  in this analysis. However, as mentioned before,  $K_L$  and thus the inductive part of the matching network is shrunk as  $V_0$  grows. It leads to a higher quality factor for the matching network, and, consequently the superiority of NZVS operation is extended from the system efficiency standpoint.

For the sake of simplicity of the above analysis, it was assumed that the shunt capacitance discharge is completed within a small fraction of the device turn-on time. The validity of that assumption is investigated in this section. The time constant of the discharge current is derived by

$$\tau_{cs} = \frac{\overline{R_{on}} \cdot C_s}{W}. \quad (5.69)$$

Using the definitions of  $K_C$  and X-factor,  $\tau_{cs}$  can be written as

$$\tau_{cs} = \frac{\overline{R_{on}}}{X \cdot F_C \cdot \omega_0} \rightarrow \frac{\tau_{cs}}{T_0} = \frac{\overline{R_{on}}}{2\pi \cdot F_C \cdot X}. \quad (5.70)$$

Figure 5.13 (a) illustrates the period-normalized discharge time constant versus frequency at the  $\text{PAE}_{\max}$  for a class-E type matching network in 40 nm CMOS technology. Since  $F_C$  reduces in the NZVS operation,  $\tau_{cs}$  increases with a larger  $V_0$ . As can be gathered from Fig. 5.13 (a),  $\tau_{cs}$  only occupies a small fraction of the switch on-state time. Consequently, it is possible and convenient to model the discharge event by an impulse current flowing to ground through the transistor. Note that X-factor can be as large as  $X_{max}$  at the extreme condition. It sets a minimum limit for  $\tau_{cs}$ , which can be estimated by

$$\left(\frac{\tau_{cs}}{T_0}\right)_{min} = \overline{R_{on}} \cdot \overline{C_{out}} \cdot f_0. \quad (5.71)$$

As expected, the minimum achievable  $\tau_{cs}$  is just a function of the technology-dependent parameters and gets improved with the technology. Unfortunately, the limited current sinking capability of practical MOS transistors changes the shape of the discharge current waveform from an impulse to a pulse with the amplitude of  $\overline{I_{out} \cdot W}$  and duration of  $\Delta t_{ch}$ . The discharge time may be estimated by

$$\Delta t_{ch} = \frac{C_s \cdot V_0}{\overline{I_{out} \cdot W}} \quad . \quad (5.72)$$

Replacing  $C_s$  and  $W$  with  $K_C/r_L\omega_0$  and  $K_P X/r_L$ , respectively,  $\Delta t_{ch}$  is calculated by

$$\Delta t_{ch} = \frac{V_0}{\overline{I_{out} \cdot X \cdot F_C \cdot \omega_0}} \rightarrow \frac{\Delta t_{ch}}{T_0} = \frac{V_0}{2\pi \cdot F_C \cdot X \cdot \overline{I_{out}}} \quad . \quad (5.73)$$

Figure 5.13 (b) illustrates the normalized discharge time versus frequency at the  $PAE_{max}$  for a class-E type matching network in 40 nm CMOS technology. The  $\Delta t_{ch}$  may occupy more than 20% of the switch on-state time at the mm-wave frequencies. Nevertheless, it is possible to safely model the discharge event by a short pulse current flowing to ground through the transistor. The minimum  $\Delta t_{ch}$  is achieved at  $X = X_{max}$ , where

$$\Delta t_{ch} = \frac{\overline{C_{out}}}{\overline{I_{out}}} \cdot V_0 \cdot f_0 \quad (5.74)$$

The minimum achievable  $\Delta t_{ch}$  is a function of  $V_0$  and technology-dependent parameters and gets improved over the technology.

## 5.9 Conclusion

The precise analytical voltage-current waveforms, zero-voltage and zero-slope switching criteria and waveform dependent parameters of any flavor of a switched-mode PA have been quantified in this chapter. Closed-form equations are derived for the optimum size of the switch and different PA's characteristics, such as maximum achievable power added efficiency,  $PAE_{max}$ , output power, and maximum operating frequency. In the current CMOS technologies, the  $PAE_{max}$  is almost identical at the relatively low operating frequency of  $f_0 \leq 10 \text{ GHz}$  for all flavors of class-E/F power amplifiers. However, as frequency increases, the optimum size of the switch is dictated by the transistor parasitic capacitance and, consequently, PAs with lower  $F_C$  demonstrate a higher  $PAE_{max}$ . It was also concluded that the output power and even  $PAE_{max}$  of a switched-mode PA improve in the cascode structure but at the price of  $2\times$  lower maximum operating frequency. It was also shown that almost all vital parameters of the switched mode PA like  $F_C$ ,  $F_V$ ,  $K_C$  and  $K_L$  improve by NZVS operation such that they can easily compensate the side effect of additional charge loss on the maximum achievable PAE. Interestingly,  $PAE_{max}$  is even higher at  $V_0 \approx 0.75V_{DD}$  for a class-E type switched-mode PA while the drain voltage is kept below the gate-oxide breakdown threshold.



---

---

## A Wideband 60 GHz Class-E/ $F_2$ Power Amplifier in 40 nm CMOS

---

---

A key challenge of 60 GHz CMOS radios is the poor efficiency of their power amplifier (PA). Employing nonlinear switched-mode PAs within digitally intensive transmitter architectures such as outphasing and direct digital-to-RF conversion can improve the total system efficiency. However, switching at mm-wave is not a trivial matter due to the substantial output capacitance and low current driving capability of CMOS transistors.

This chapter presents a fully integrated 60 GHz power amplifier in 40 nm CMOS that reaches the highest reported product of power-added efficiency and bandwidth. It is achieved through low/moderate coupling-factor transformers in preliminary stages and a proper second-harmonic termination of the output stage to enable it to operate as a class-E/ $F_2$  switched-mode PA at the saturation point. The three-stage PA delivers 17.9 dBm saturated output power with a 20% peak PAE. It demonstrates a bandwidth of 9.7 GHz with a peak gain of 21.6 dB.

### 6.1 Transmitter Architectures from mm-wave Viewpoint

The wireless standard dubbed WiGig (802.11ad WiFi) enables devices to support applications that require extremely rapid communication such as uncompressed video transmission, wireless display, rapid upload/download, and wireless docking. This technology uses the 60 GHz frequency band to achieve the required multi-giga bit data rate of the aforementioned applications. Figure 6.1 illustrates the channel plan and frequency allocations of the 60 GHz band in different regions. The band comprises four channels, each 2.16 GHz wide [112]. Consequently, a transmitter must have  $\sim 9$  GHz bandwidth to support the WiGig worldwide standard.

To support the high data rate in a spectrally efficient manner, WiGig employs complex



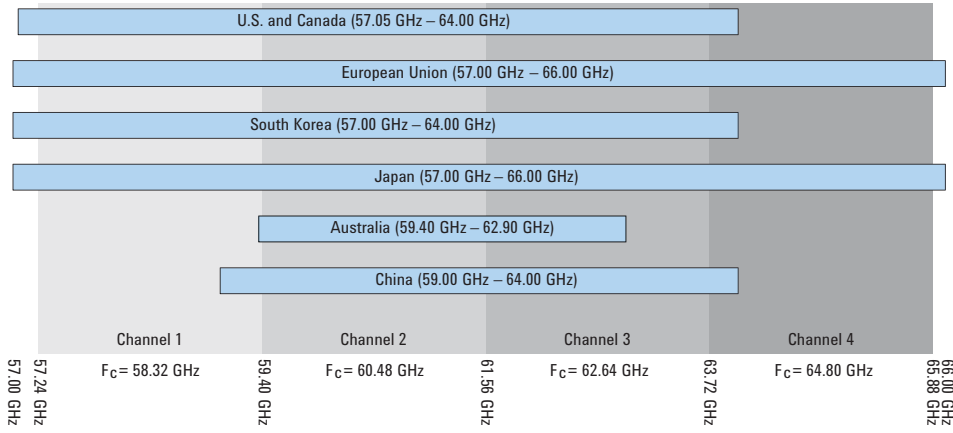


Figure 6.1: 60 GHz band channel plan and frequency allocations by region [112].

Table 6.1: WiGig data rates and modulation schemes for single-carrier and OFDM configurations.

Modulation type	Coding rate					Raw Rate (Mbit/s)					Sensitivity (dBm)					EVM (dB)				
<b>Single Carrier</b>																				
$\pi/2$ BPSK	1/4	1/2	5/8	3/4	13/16	385	770	962	1155	1251	-68	-66	-65	-64	-62	-6	-7	-9	-10	-12
$\pi/2$ QPSK	1/2	5/8	3/4	13/16		1540	1925	2310	2502		-63	-62	-61	-59		-11	-12	-13	-15	
$\pi/2$ 16QAM	1/2	5/8	3/4			3080	3850	4620			-55	-54	-53			-19	-20	-21		
<b>OFDM</b>																				
SQPSK	1/2	5/8	3/4			693	866				-66	-64				-7	-9			
QPSK	1/2	5/8	3/4	13/16		1386	1732	2079			-63	-62	-60			-10	-11	-13		
16-QAM	1/2	5/8	3/4	13/16		2772	3465	4158	4504		-58	-56	-54	-53		-15	-17	-19	-20	
64-QAM	5/8	3/4	13/16			5197	6237	6756			-51	-49	-47			-22	-24	-26		

modulation schemes (quadrature amplitude modulation, QAM) as shown in Table 6.1. It also exploits an orthogonal frequency-division multiplexing (OFDM) scheme to mitigate multi-path effect. The use of the QAM modulation and multiple subcarriers increases the peak-to-average power ratio (PAPR) of the signal, imposing stringent linearity requirements on the transmitter. Consequently, a linear power amplifier must be used in the conventional  $I/Q$  transmitter architecture as shown in Fig. 6.2 (a) [113]. However, the efficiency of a linear class-A PA diminishes quickly by  $P_{out}$  with backing off from PA's peak power leading to a poor system efficiency (i.e., <10%) for mm-wave traditional  $I/Q$  transmitters [52, 114, 115].

To improve the system efficiency, envelope tracking architecture dynamically adjusts the PA supply voltage according to the signal envelope (see Fig. 6.2 (b)). However, the PA's input signal has a non-constant envelope and thus a linear PA is still required. In this structure, the supply voltage adaptively scales with the signal amplitude while its DC current remains constant. Consequently, the system efficiency decreases by  $\sim \sqrt{P_{out}}$  with reducing its output power.

Since the realization of a simultaneous linearity and efficiency is extremely challenging, intensive research has been conducted for transmitter structures that can exploit nonlinear switched-mode PAs and yet transmit amplitude information [116]. The benefits and constraints of those structures are investigated from the mm-wave perspective.

Polar transmitter structures [117] with origins in the envelope elimination and restoration techniques (EER) [118] can further enhance the system efficiency by exploiting switched-mode PAs. In this architecture, the baseband  $I/Q$  signal is first converted to amplitude (AM) and (PM) signals. Since the PA amplifies the constant envelope PM signal, it can be non-linear

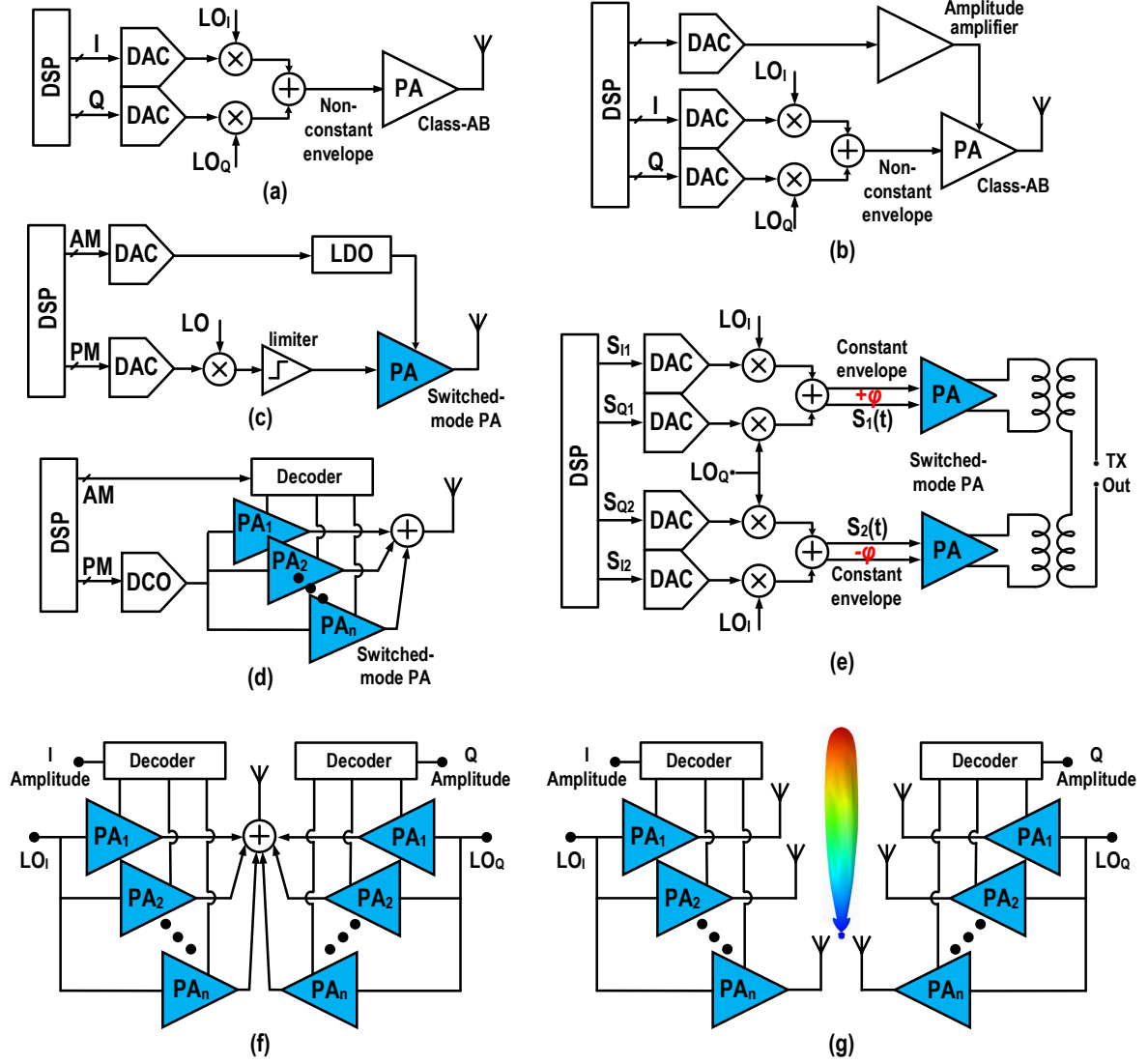


Figure 6.2: Different transmitter architectures: (a) traditional analog-intensive  $I/Q$ ; (b) Envelope tracking; (c) analog-intensive polar; (d) digitally-intensive polar; (e) outphasing; (f) digitally intensive  $I/Q$  structure with on-chip and (g) spatial combining.

and thus efficient. In the analog-intensive approach, the amplitude data is also restored by modulating the PA's supply voltage as demonstrated in Fig. 6.2 (c) [119, 120]. As a consequence, PA drain efficiency remains almost constant at back-off. In the digitally-intensive approach, however, the power amplifier acts as an RF digital-to-analog converter (RFDAC) [4]. The amplitude information is restored by modulating the effective width of the PA's transistor. The PA works as a switched-mode amplifier at the maximum power. However, as  $P_{out}$  reduces, the transistor becomes smaller and thus works as a current source rather than a switch. The PA almost operates as a linear amplifier at back-off where its DC current adaptively scales by the signal amplitude while  $V_{DD}$  remains constant. Consequently, in a digitally-intensive polar structure, PA's efficiency drops by  $\sqrt{P_{out}}$ , and resembles the class-B behavior.

Due to a bandwidth expansion of  $I/Q$  to polar conversion, both AM and PM paths should support signals with at least 10 GHz bandwidth even for a relatively relaxed adjacent channel

leakage ratio (ACLR) of -30 dBc in the WiGig standard. However, realizing such a large BW is extremely challenging for both the phase and supply modulators. Furthermore, matching the delay between the envelope and phase paths could be very difficult [121]. Consequently, the polar architecture can hardly satisfy the data rate requirement of mm-wave transmitters.

In an outphasing architecture, the linear amplification is achieved by vector summation of two constant-envelope signals as shown in Fig. 6.2 (e) [122, 123]. Since each PA only deals with a constant envelope signal, non-linear switched-mode amplifiers can be used to maximize the peak efficiency. Since two signal paths are identical, delay mismatch is lower and easier to compensate compared with the polar architecture. Furthermore, as explained in [124], for an outphasing TX, the bandwidth of baseband circuitry (i.e., DAC) should be only  $2\times$  higher compared with the  $I/Q$  structure to reach the same error vector magnitude (EVM). The back-off characteristic of this topology is a strong function of its combining matching network. The transmitter demonstrates a class-A type behavior at back-off if an isolating combiner, such as the Wilkinson combiner, is used. The back-off efficiency of the outphasing structure improves if non-isolating combiners are used. However, the interaction between PAs results in spectral regrowth, and thus a complicated two-dimensional pre-distortion scheme is required to alleviate this phenomenon. Recently, mm-wave outphasing transmitters have been demonstrated with both transformer combining [124] and spatial combining [125]. However, both designs utilize a saturated linear PA, and their back-off curves are close to class-A behavior.

The digitally intensive  $I/Q$  modulators are a strong candidate for realization of high data rate mm-wave transmitters [93]. They do not suffer from bandwidth expansion of polar and outphasing structures due to linear summation of  $I$  and  $Q$  signals as exhibited in Fig. 6.2 (g) and (h) [126]. The structure consists of separate arrays of sub-PAs for  $I$  and  $Q$  paths. The  $I/Q$  amplitude information is realized by digitally switching on a certain number of sub PAs [127, 128]. Consequently, each sub-PA deals with a constant envelope signal and thus non-linear switched-mode amplifiers can be employed to improve the system efficiency. Furthermore, PA's DC current dynamically scales with the signal amplitude by switching off unnecessary sub-PAs. Consequently, PA's efficiency decreases by  $\sqrt{P_{out}}$  at back-off output power similar to that of a class-B amplifier.

In spite of the aforementioned benefits, an implementation of the  $I/Q$  combiner is the most difficult challenge of this approach. Transformer-based combiners exhibit very small insertion loss, however, they suffer from mutual interactions between  $I/Q$  paths due to a lack of isolation [128]. Consequently, a complex two dimensional pre-distortion scheme is required for the transmitter linearization. This issue is alleviated by employing 25% duty-cycle non-overlap clocks for  $I$  and  $Q$  paths [127]. However, realizing such a clock scheme is not yet possible at mm-wave frequencies. The  $I/Q$  interaction would be completely prevented by employing non-isolating combiners such as Wilkinson. However, such combiners demonstrate higher insertion loss and thus reduce the total system efficiency. In a quadrature spatial combining TX [93],  $I$  and  $Q$  signals are summed in the far field. Consequently, the combiner insertion loss will be negligible, and the isolation between  $I$  and  $Q$  paths can easily exceed 20 dB by separating  $I/Q$  antenna greater than half wavelength. Unfortunately,  $I/Q$  summation is ideally realized only at one

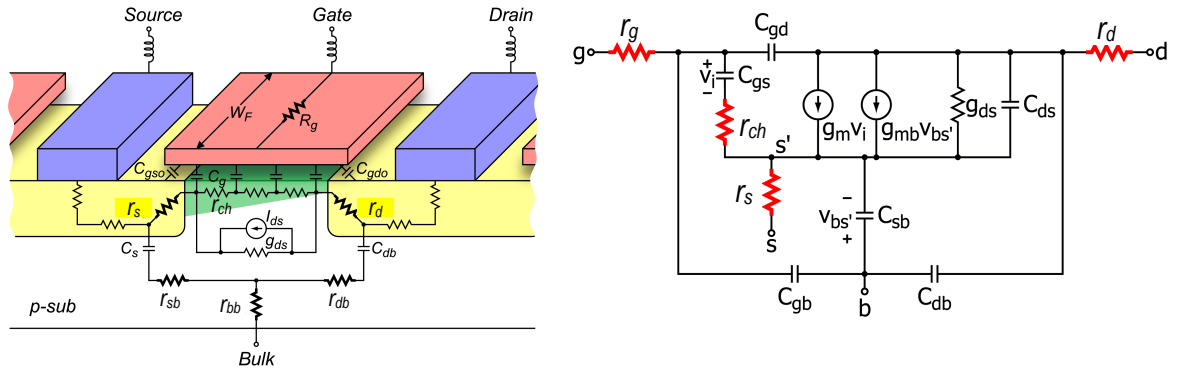


Figure 6.3: Structure and circuit model of a MOSFET with its parasitic elements [129].

particular spatial angle. Hence, transmitter EVM gradually degrades when the receiver is moved away from that angle. This issue can potentially limit the application of this structure to cellular backhauls where the receiver is spatially fixed and highly directional antennas are used.

To conclude this section, a key challenge of 60 GHz CMOS radios is the poor efficiency of their power amplifier. Employing nonlinear switched-mode PAs within digitally intensive transmitter architectures such as outphasing and direct digital-to-RF conversion can improve the total system efficiency. However, switching PAs are rarely seen at mm-wave due to the large output capacitance and low current capability of CMOS transistors. The only such report, Chen et al. [93], exploits a special two-turn inductor to realize a switch-mode PA at 60 GHz. However, that inductor must be large enough to simultaneously satisfy the required reactance for both fundamental and second harmonic. Consequently, its relatively large inductance limits the output transistor size so the PA output power is  $\leq 10$  dBm.

In this chapter, we propose a new architecture of a fully integrated *switched-mode* wideband 60 GHz PA in standard digital 40 nm CMOS. With a proper second-harmonic termination of its output matching network, the required systematic peak current of the final stage is reduced such that it can act as a class-E/ $F_2$  *switched-mode* PA at saturation. Transformers of low/moderate coupling are also utilized in the preliminary stages to improve the overall bandwidth. We also propose a technique to stabilize transformer-based mm-wave amplifiers against various modes of undesired oscillations.

## 6.2 Optimizing Active Devices at mm-wave Frequencies

The output power, gain, and efficiency of an mm-wave power amplifier can be significantly improved by optimizing the maximum frequency of current gain ( $f_t$ ) and power gain ( $f_{max}$ ) of the NMOS transistor. Both cut-off frequencies are strong functions of device and interconnect parasitics and may be estimated by the following equations [129].

$$f_t = \frac{1}{2\pi} \cdot \frac{g_m}{C_{gs} + C_{gd} + C_{gb}} \quad (6.1)$$

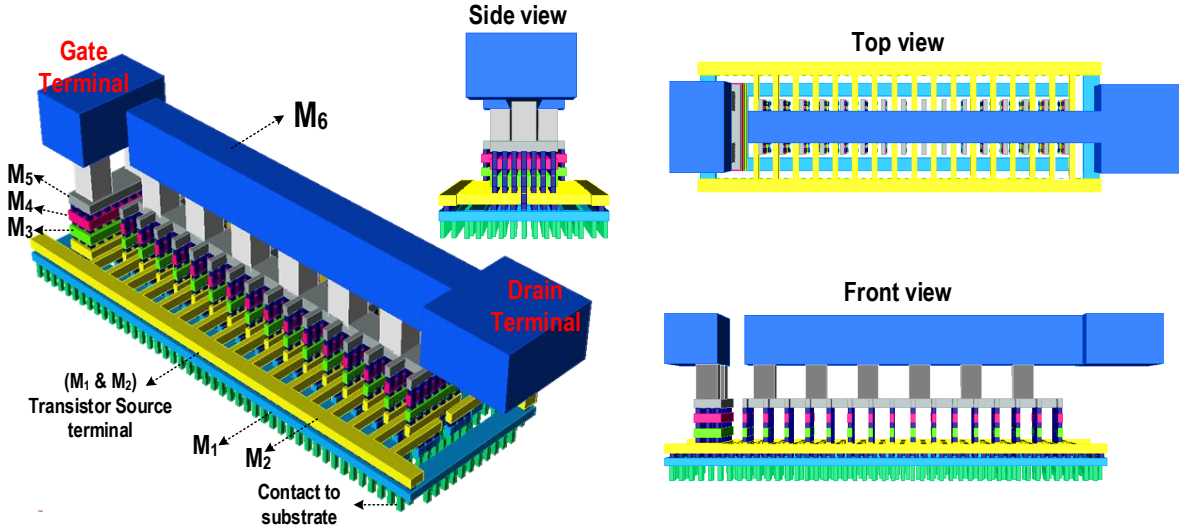


Figure 6.4: Optimal layout of 32·1μm/40nm transistor.

$$f_{max} = \frac{g_m}{2\sqrt{r_g \left( g_m \frac{C_{gd}}{C_{gg}} \right) + (r_g + r_{ch} + r_s)g_{ds}}} \quad (6.2)$$

where,  $g_m$  is the transistor's transconductance gain,  $C_{gg}$  is its total gate capacitance,  $g_{ds}$  is the device's output conductance, and  $r_g$ ,  $r_{ch}$  and  $r_s$  are, respectively, the gate, channel, and source resistances as shown in Fig. 6.3. The  $f_{max}$  can be improved by increasing a device  $g_m$  (thus its power consumption) and minimizing the gate-drain ( $C_{gd}$ ) along the gate resistance ( $r_g$ ). The gate is made of the salicide polysilicon and its resistances is given by [130, 131]

$$r_g = \kappa \cdot \frac{1}{3} \cdot \frac{W_F}{N_F L_F} \cdot R_{g,sh} \quad (6.3)$$

where,  $R_{g,sh}$  is the sheet resistance of the polysilicon gate,  $W_F$  and  $L_F$  are the finger width and channel length, respectively, and  $N_F$  is the number of transistor's finger. The factor 1/3 accounts for the distributed nature of the RC line across the channel. The  $\kappa$  factor is equal to unity for a gate contacted on one side and to 1/4 when the gate is connected by metal lines on both the source and drain sides.

As can be ascertained from (6.2) and (6.3), at the constant transistor width,  $W$ ,  $r_g$ , and thus  $f_{max}$  can be improved by increasing  $N_F$  (lowering  $W_F$ ). However, at some point, this approach stops increasing  $f_{max}$  because the device layout becomes larger and longer routes are required to connect the transistor's different terminals from its multiple fingers, leading to a larger parasitic capacitance (i.e.,  $C_{gd}$ ). It also introduces additional resistive losses as well as reduction in the device power gain due to resistive/inductive source degeneration. Considering both scenarios, finger widths of 0.8-1.5 μm and  $N_F$  of ~100 are an optimal set for maximizing  $f_{max}$  and maximum stable gain (MSG) of MOS transistor at 60 GHz in 40 nm CMOS technology.

Figure 6.4 shows the layout of unit transistor cell which is designed to optimize the transistor interconnect parasitic and power gain<sup>1</sup>. It includes 32 fingers with a finger width of 1 μm (i.e., 32×1μm/40 nm), occupying an area of 6.7×3.2 μm<sup>2</sup>. As suggested in (6.3), the gate poly fingers

<sup>1</sup>This structure is first proposed in [132] and adopted here by some modifications.

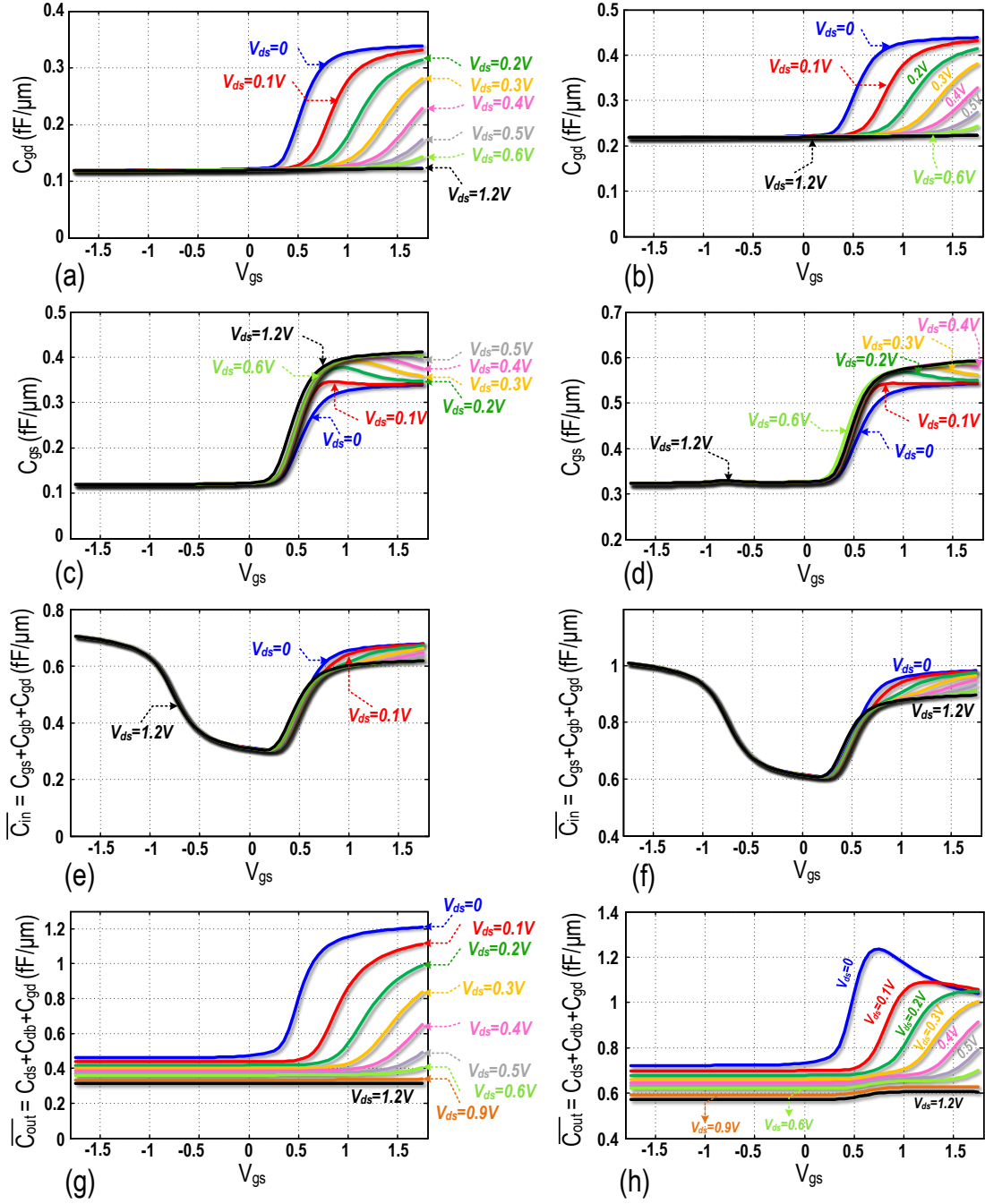


Figure 6.5: Normalized parasitic capacitances of an NMOS transistor excluding (left) and including (right) extrinsic interconnect parasitics.

are brought out from both transistor sides. Double contacts connect the gate poly fingers to metal-1. Two metal-1 line with width of  $0.25\ \mu\text{m}$  connect all gate fingers of each side and travel the entire distance to one end of the layout. Finally, vias<sub>1-6</sub> connect the gate terminal to metal-6 for further top-level routings.

Each of the source fingers are first connected to metal-2 by 6 parallel vias<sub>1-2</sub>. The source nodes are then brought out from both transistor sides on metal-2 and connected to the bulk ring at a  $0.5\ \mu\text{m}$  distance to the device. Source lines on metal-2 perpendicularly cross the gate lines on metal-1, increasing device  $C_{gs}$ . Note that  $C_{gs}$  demonstrates much less effect on the

device stability,  $f_{max}$  and power gain rather than  $C_{gd}$ . Hence, minimizing interconnect parasitic capacitance of  $C_{gd}$  should be the first priority of layout optimization. To prevent the resistive and inductive degeneration, the source lines are then distributed on both metal-1 and metal-2 with width of  $1.5 \mu\text{m}$ .

Each of the drain fingers are first connected to metal-5 by 7 parallel via<sub>1-5</sub>. The drain line runs on top of the transistors on both metal-5 and metal-6 at a width of  $0.5 \mu\text{m}$  to keep the current density well below the maximum rate allowed by the manufacturer. Finally, the drain node is brought out from the opposite side of gate terminal, minimizing the overlap between the gate and drain and thus the extrinsic  $C_{gd}$ .

Figure 6.5 illustrates normalized parasitic capacitances of an NMOS transistor in different regions of operation with and without the extrinsic interconnect parasitics. For the intrinsic device,  $C_{gd}/W=C_{gs}/W=C_{ov} \approx 0.1 \text{ fF}/\mu\text{m}$  while the transistor is off. The  $C_{gd}/W$  remains constant to  $C_{ov}$  in the saturation region. However, the nonuniform vertical electrical field of the gate oxide along the channel increases  $C_{gs}/W$  to  $\approx C_{ov} + 0.66LC_{ox} \approx 0.4 \text{ fF}/\mu\text{m}$  [133]. If the device operates in the deep triode, the source and drain will almost have identical voltages. Hence, the gate channel capacitance,  $WL \cdot (C_{ox} \approx 14 \text{ mF}/\mu\text{m}^2)$ , must be equally divided between gate-source and gate-drain terminals. Therefore,  $C_{gd}/W=C_{gs}/W \approx C_{ov} + 0.5LC_{ox} \approx 0.33 \text{ fF}/\mu\text{m}$ . As can be gathered from 6.5 (a-d), the interconnections increase the  $C_{gd}/W$  and  $C_{gs}/W$  of the intrinsic transistors by  $0.1 \text{ fF}/\mu\text{m}$  and  $0.2 \text{ fF}/\mu\text{m}$ , respectively. Consequently, the normalized equivalent input and output capacitance ( $\overline{C_{in}}$  &  $\overline{C_{out}}$ ) may be respectively estimated by  $\sim 1 \text{ fF}/\mu\text{m}$  and  $\sim 0.65 \text{ fF}/\mu\text{m}$ .

To deliver even higher power to the load, more unit transistors can be placed next to each other and connected in parallel to realize a larger device [134]. Figure 6.6 illustrates the schematic and layout of a pseudo differential amplifier with naturalization capacitors. Each device consists of 4 unit transistors which are located on both sides. The gate and drain terminals of unit transistors are directly connected by thick metal layers to minimize the length and resistance of interconnections. The source of transistors are connected to the ground plane which is realized by stacking the first two lower metal layers. The neutralization capacitors are made by metal-oxide-metal capacitors and placed in the middle of the layout.

A key advantage of this structure is that the normalized input and output capacitance of the transistors, and thus the maximum operating frequency of the switched-mode PA, almost remains fairly constant with increasing the device width. However, the source current of the last unit experiences a longer path to reach the common ground node of the pseudo differential amplifier, introducing a distributed impedance,  $Z_u$ , in the source network. It can be shown that the overall transconductance of the large transistor can be calculated by [135]

$$g_{m,T} = \frac{N \cdot g_{m,u}}{1 + N \cdot g_{m,u} \cdot \left( \frac{N \cdot Z_u}{3} \right)} \quad (6.4)$$

where,  $g_{m,u}$  is the transconductance gain of the unit transistors. Eq. 6.4 indicates that, as the number of units  $N$  increases,  $g_{m,T}$  rises and finally reaches a maximum. It also suggests the number of units should be well below the saturation point to avoid a waste of current. By considering  $g_{m,u}$  of  $\sim 25 \text{ mA}/\text{V}$  for a  $32 \mu\text{m}/40 \text{ nm}$  device at  $V_{gs}=0.7 \text{ V}$  and  $Z_u = 0.25 + j\omega_0 3 \text{ pH}$ , the overall transconductance increases almost linearly for  $N \leq 4$ . Consequently, the devices used in the different stages of the proposed PA include 2-to-4 unit transistors simultaneously







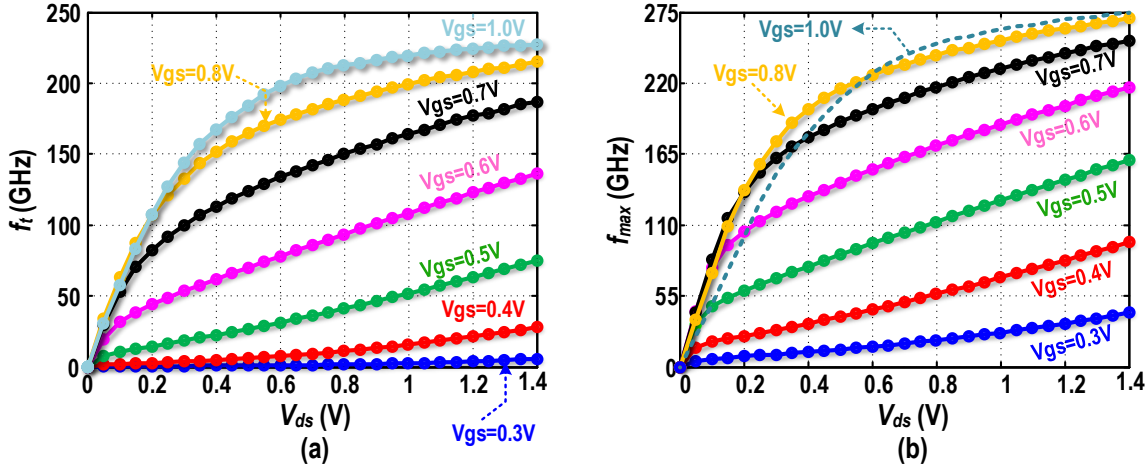


Figure 6.7: Simulated (a)  $f_t$  and (b)  $f_{max}$  of a  $96.1\mu\text{m}/40\text{nm}$  with extrinsic interconnect parasitics versus  $V_{ds}$  for different  $V_{gs}$ .

CMOS transistors. As discussed in the previous chapter, the MOS transistor must be capable of providing the required systematic peak current of a switched-mode PA while its output capacitance,  $C_{out}$ , remains smaller than the PA desired shunt capacitance,  $C_s$ . Unfortunately, the MOS transistor's current capability ( $\overline{I_{out}}/C_{out}$ ) is relatively inadequate and places a limit on the maximum operating frequency of switched-mode PA,  $f_m$ .

As quantified in the previous chapter,  $f_m$  increases by migrating to a more advanced technology to obtain transistors with a higher current capability ( $\overline{I_{out}}/C_{out}$ ). Another  $f_m$  improvement strategy would be using a PA with lower waveform FoM of  $F_C$ . It has been shown that  $F_C$  reduces  $\sim 3\times$  just by realizing an open circuit as the transistor's effective load at the 2nd harmonic ( $2\omega_0$ ). Consequently,  $f_m$  can be extended to 60 GHz in 40nm CMOS technology for a class-E/F<sub>2</sub> operation. However, smaller  $F_C$  also reduces the PA's power gain ( $G_p$ ), DC current, and output power ( $P_{out}$ ). Consequently, higher  $f_m$  of class-E/F<sub>2</sub> operation is achieved through painful reduction of  $P_{out}$  and precious device  $G_p$ , which can potentially reduce the total PAE.

Figure 6.8 depicts the schematic of the proposed PA [136]. A 3-stage common-source pseudo-differential pair is selected to compensate for the gain penalty of the class-E/F<sub>2</sub> operation in the last stage. A transformer-based power splitter converts the singled-ended  $S_{in}$  input to two differential signals feeding pre-drivers. Another set of splitters is added before the four parallel units of the output stage. A combination of series-parallel combining is used in the output matching network to sum up the output power from four pseudo-differential pairs [137]. The detailed design procedure of each stage is investigated in the following subsections.

### 6.3.1 Amplifier Configuration

Common-source (CS), common-gate (CG), cascode, and neutralized common-source pseudo differential pair (N-CS) can be generally used for implementing an amplifier stage at mm-wave frequencies. Figure 6.9 (a) compares the simulated maximum available gain (MAG) for abovementioned structures. All transistors are biased near peak  $f_{max}$  ( $V_{gs} = 0.7\text{V}$  and  $V_{DS} = 1\text{V}$ ). The CG topology is not an appropriate candidate for a 60 GHz amplifier due to its lowest power

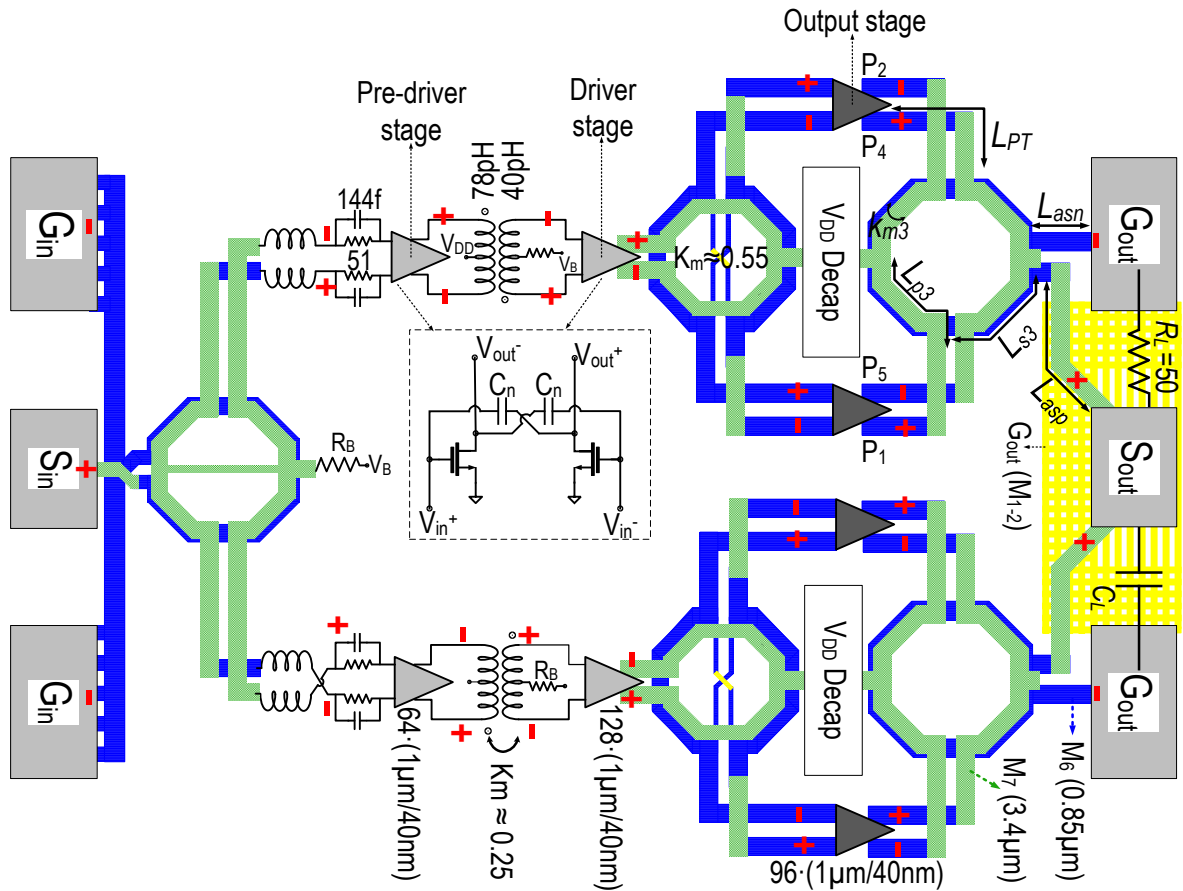


Figure 6.8: Schematic and layout of the proposed 60 GHz PA.

gain. It can merely compensate the insertion loss of its own input and output matching networks at mm-wave frequencies. However, it can be used at the input to simplify the matching to  $50\ \Omega$  [132].

By utilizing the cascode structure, the supply voltage can be increased to twice the nominal value and thus the output power can also increase. The cascode amplifier exhibits a power gain,  $G_p$ , of  $\sim 14$  dB at 60 GHz, which is  $\sim 4$  dB larger than that for the CS stage. However, cascode topology is potentially more sensitive to parasitics and undesired oscillations. At mm-wave frequencies, the cascode device is degenerated at the source by a parasitic capacitance to ground. It can be shown that this capacitance reduces  $G_p$  and realizes a negative resistance seen from the gate of the cascode device. Furthermore, due to the reduced pitch in the 40-nm technology, the drain-source capacitance,  $C_{ds}$ , of the cascode transistor is so substantial such that it degrades the reverse isolation of the structure at mm-wave frequencies and thus can potentially create stability issues. Finally, as explained in the previous chapter, the maximum operating frequency of any switched-mode PA reduces to half by replacing the CS with the cascode structure.

The  $C_{gd}$  parasitic creates a negative feedback path between the transistor's drain (output) and gate (input) which limits the device power gain and reverse isolation and potentially causes instability. Providing a compensating current to cancel this unwanted feedback is referred to as neutralization [138]. This technique can be easily implemented by cross-connecting two metal-oxide-metal (MOM) capacitors,  $C_n$ , between the drains and gates of a pseudo differential pair as shown in Fig. 6.9 (b). The optimum value of  $C_n$  should be chosen  $\sim C_{gd}$  to maximize the

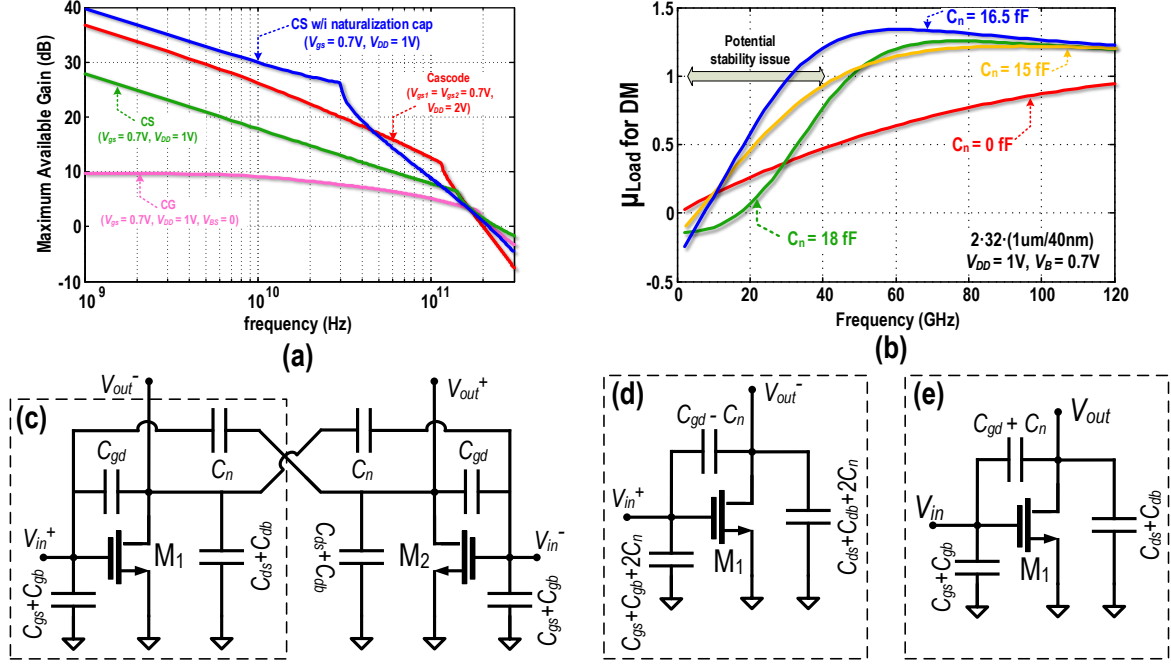


Figure 6.9: (a) Simulated maximum available gain for different amplifier structures; (b) Edwards-Sinsky stability factor for differential amplifier with various  $C_n$ ; (c) neutralized differential amplifier with its parasitic capacitances; Equivalent model for parasitic capacitances of a neutralized transistor in (d) DM and (e) CM excitation.

Edwards-Sinsky stability factor,  $\mu$  (see Fig. 6.9(c)) [132]. As can be determined from Fig. 6.9, the neutralized amplifier offers a 3 dB higher gain along greater stability at 60 GHz. Hence, this technique is exploited for the first two stages of the proposed amplifier.

Figures 6.9(d) and (e) respectively show the equivalent model for parasitic capacitances of a neutralized transistor for DM and CM input signals. Due to the loading effect of the neutralized capacitors, the effective input and output capacitance of the device increase by  $C_n$  in the differential mode. It leads to a significant reduction of  $\overline{I_{out}}/\overline{C_{out}}$ , degrading the maximum operating frequency of any switched mode PA (see (5.61)). Furthermore, the neutralization capacitors degrade the common-mode stability by increasing the feedback capacitance of each device from  $C_{gd}$  to  $C_{gd} + C_n$ . It will also be shown that the output stage is more sensitive to CM instability rather than a differential one. Consequently, the neutralization technique is not employed for the output stage of the proposed amplifier.

### 6.3.2 Output Matching Network

Transformers are widely used in the output matching network of mm-wave PAs due to their low insertion loss, compactness, and providing the optimum load impedance for the output transistors. Figure 6.10 illustrates a general schematic of a transformer-based matching network which simultaneously performs  $m$ -series (i.e., voltage) and  $p$ -parallel (i.e., current) combining. It can be shown that the equivalent load resistance,  $r_L$ , seen by each PA's transistor, may be estimated by

$$r_L = \frac{p}{m} \cdot \left(\frac{k_m}{n}\right)^2 \cdot R_L \quad (6.5)$$

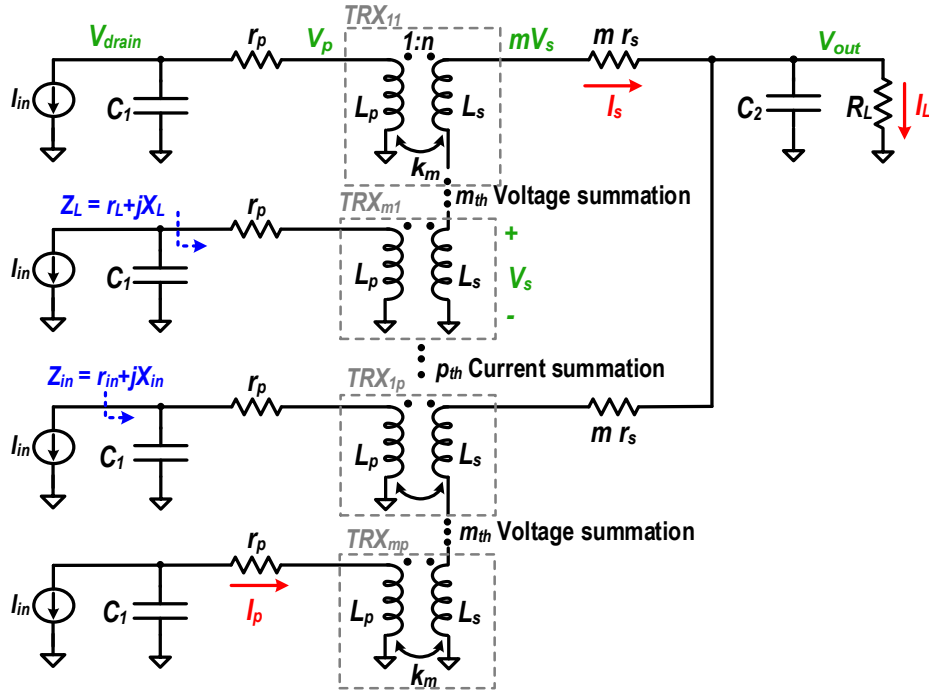


Figure 6.10: Transformer-based matching network with  $m$ -way voltage and  $p$ -way current summation.

while the insertion loss of the matching network is optimized. As a consequence, the output power of the PA is calculated by

$$P_{out} = m \cdot p \cdot K_P \cdot \frac{V_{DD}^2}{r_L} \rightarrow P_{out} = \left( \frac{m \cdot n}{k_m} \right)^2 \cdot K_P \cdot \frac{V_{DD}^2}{R_L}. \quad (6.6)$$

Given the  $V_{DD}$  constraints, in order to deliver greater power to the load, it is desirable to reduce  $r_L$  by employing larger  $m$  and transformer's turns ratio,  $n$ . The insertion loss of the transformer-based matching network is, in theory, independent of  $n$ . At mm-wave frequencies, however, the transformer's coupling factor,  $k_m$ , and its windings Q-factors significantly reduce when  $n > 1$ . Since the efficiency of a transformer is a strong function of its  $k_m$  and Q-factors, its insertion loss increases dramatically as  $n$  increases. Consequently, substantially increasing  $n$  is not a wise choice to raise  $P_{out}$ . On the other hand, as  $m$  grows, each transistor experiences smaller  $r_L$  and thus can theoretically deliver  $m$  times larger power. The output power of  $m$  transistors are combined by the matching network, and consequently,  $P_{out}$  can increase by a factor of  $m^2$ . However, this approach cannot be easily adapted for mm-wave PAs. For example,  $r_L$  theoretically reduces to  $6.25 \Omega$  for a four-way ( $m = 4$ ) distributed active transformer (DAT) combiner [139] with  $n = 1$  and  $k_m = 0.7$ . Load-pull simulations indicate that such a low  $r_L$  is a suitable load for a  $200 \mu\text{m}/40\text{nm}$  transistor. It means that six unit-transistors of  $32 \mu\text{m}/40\text{nm}$  should be connected in parallel to realize such a large device, thus introducing a significant penalty on the transistor's  $G_p$ ,  $f_{max}$  and  $P_{sat}$ , as can also be determined from Fig 6.6 (d). By adding a two-way current ( $p=2$ ) combiner to that four-way ( $m = 4$ ) DAT structure,  $r_L$  enhances to  $12.5 \Omega$  which is now the suitable load for a  $100 \mu\text{m}/40\text{nm}$  transistor. In this approach, the output devices can be smaller for the same  $P_{out}$  which effectively improves the transistors' internal loss and  $f_{max}$ . Hence, they can generate a stronger 2<sup>nd</sup> harmonic current that is also

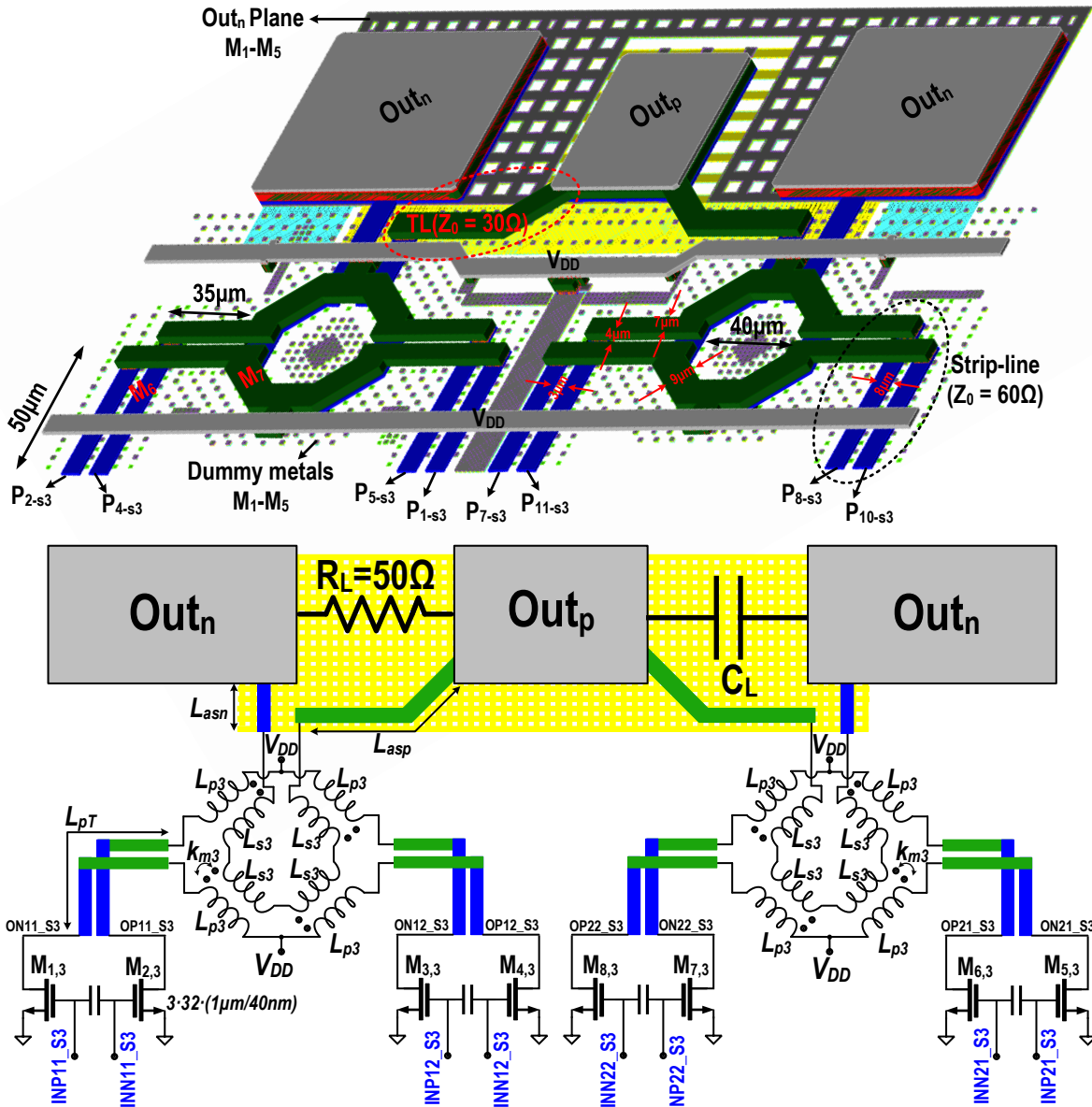


Figure 6.11: Schematic and layout of the last stage of PA.

beneficial for the intended class-E/F<sub>2</sub> operation.

Figure 6.11 shows the schematic and layout of the output stage of the proposed amplifier. It consists of two 2-way differential series ( $m=4$ ) and one 2-way parallel ( $p=2$ ) combiners to sum up the output power from four pseudo-differential pairs. The voltage and current summations are respectively performed by two transformers and the output RF ground-signal-ground (GSG) pads. The ground pads are connected to each other with a stack of metal-1 to metal-5 lines. However, they are isolated from the chip ground to improve the balance of the impedance seen at different input ports of the matching network. Unfortunately, the inductance of the transformer's primary winding is not large enough to provide the required imaginary impedance of the output transistors. To satisfy that, two pairs of differential strip lines are inserted between the transformer and the output differential pairs.

A self-shielding transformer structure is employed as the power combiner. In general, the winding with a lower voltage swing should be selected as a shield to the other winding. However,

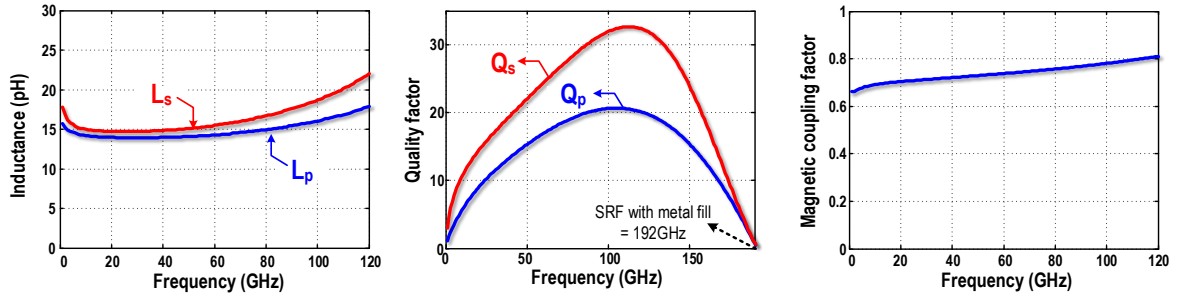


Figure 6.12: Different characteristics of the transformer used in the output matching network.

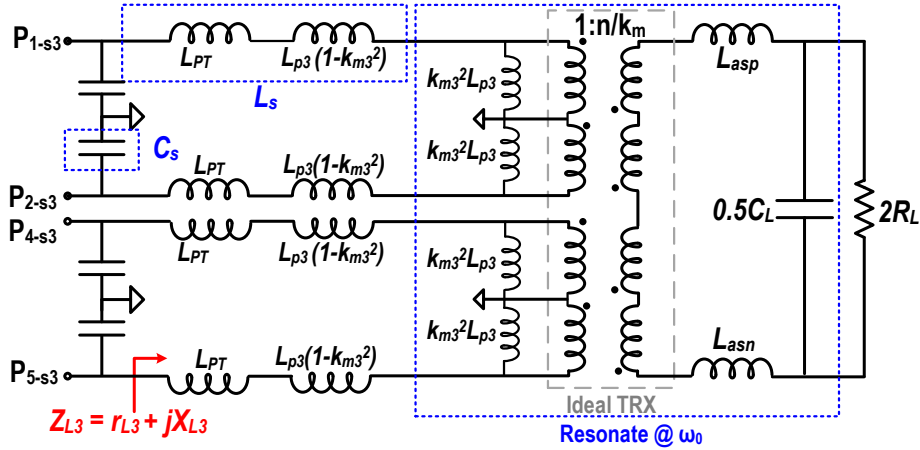


Figure 6.13: Equivalent half-circuit model of output matching network for differential excitation.

the parasitic capacitance from the transformer's primary winding to the substrate increases the total shunt capacitance experienced by the PA's transistors and can potentially limit the maximum operating frequency and proper operation of class-E/ $F_2$  PA. Hence, the primary winding is implemented in the top metal. Employing the broadside-coupled transformer also improves the transformer's coupling factor to  $\sim 0.75$  but at the expense of increased interwinding capacitance which subsequently reduces the self-resonance frequency of the transformer to  $\sim 190$  GHz for the differential-mode excitation. As shown in Fig. 6.12, the simulated self-inductance of the primary and secondary windings are, respectively, 14 pF and 16 pF with a Q-factor of 16 and 22 at 60 GHz. The center taps of the transformer's primary winding are virtual grounds that are used for the DC feed lines. The maximum allowed DC current due to electro-migration is  $\sim 8$  mA/ $\mu$ m for thick metal layer (metal-6) in 40-nm technology used in this work. By considering a  $\sim 25$  mA DC current for each transistor, supply lines should be wider than  $8$   $\mu$ m to abide by the manufacturability rules.

### 6.3.3 Output Matching Network Behavior to DM and CM Input Signals

Figure 6.13 shows the half-circuit model of the output matching network for the differential-mode (DM) input signals. It can be demonstrated that the total effective inductance at the output of the matching network  $(4L_{s3} + L_{asn} + L_{asp})/2$  must approximately resonate with the parasitic capacitance of the pad,  $C_L$ , at the operating frequency,  $\omega_0$ , to optimize its insertion



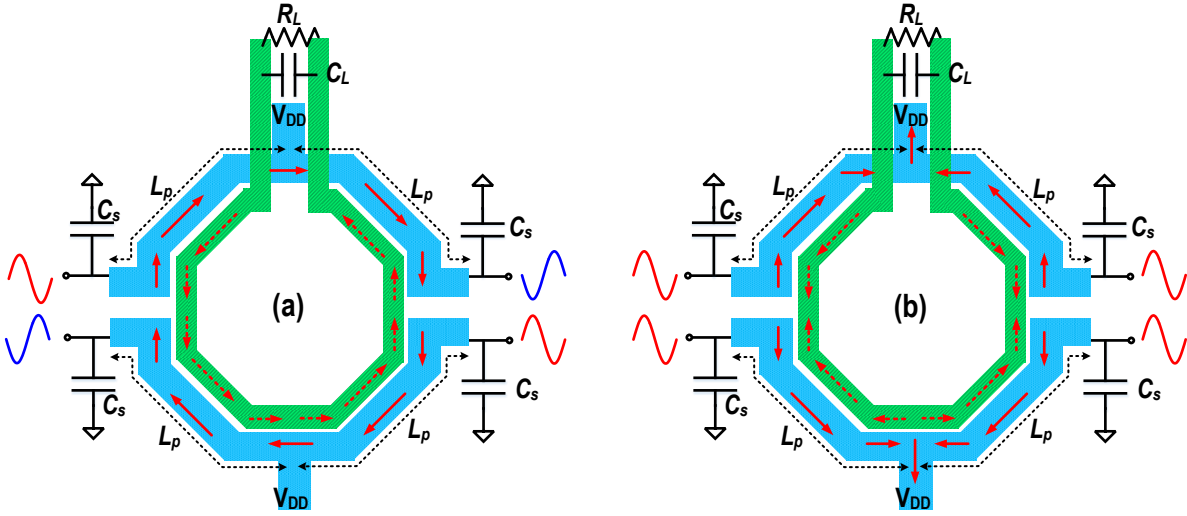


Figure 6.14: Transformer behavior in differential-mode (a) and common-mode (b) excitations.

loss.

$$\omega_0 = \frac{1}{\sqrt{0.5(4L_{s3} + L_{asn} + L_{asp})C_L}} \quad (6.7)$$

The combination of the transformer leakage inductance  $L_{p3}(1-k_{m3}^2)$  and the effective inductance of differential strip-lines,  $L_{PT}$ , along with output parasitic capacitance of the transistor,  $(\overline{C_{out}} \cdot W)$  respectively realize the required series inductance,  $L_{ser}$ , and shunt capacitance,  $C_s$ , of a switched-mode PA. Consequently,

$$L_{ser} = L_{PT} + L_{p3}(1 - k_{m3}^2) \quad C_s = \overline{C_{out}} \cdot W \quad (6.8)$$

Furthermore,  $L_{ser}$  and  $C_s$  must also satisfy the zero voltage and zero-slope operation of class-E/F<sub>2</sub> PA by

$$L_{ser} = \frac{K_L \cdot r_L}{\omega_0} \quad \text{and} \quad C_s = \frac{K_C}{r_L \cdot \omega_0}. \quad (6.9)$$

As explained in the previous chapter,  $K_L$  and  $K_C$  are the design sets obtained from the intersection point of ZVS and ZdVS circles. The design sets will be quantified for the proposed mm-wave PA in the next subsection.

Class-E/F<sub>2</sub> PA requires the creation of an additional CM resonance at  $2\omega_0$ . Fortunately, the output matching network behavior is quite different for the DM and CM input signals. As shown in Fig. 6.14 (a), for the DM input signals, all induced currents circulate in the same direction at the transformer's secondary to satisfy Lenz's Law. Consequently, the induced currents add up constructively which leads to a strong inter-winding coupling factor ( $k_m \geq 0.7$ ). However, when the transformer's primary is excited by a CM signal (Fig. 6.14 (b)), the induced currents at the right-up/left-down and right-down/left-up quarters of the transformer's secondary winding circulate in opposite directions thus largely canceling each other. The residual current results in a very small  $k_m \leq 0.2$  for the CM excitation. Hence, the circuit elements at the transformer's secondary side such as  $R_L$ ,  $C_L$ ,  $L_{s3}$  and even inter-winding capacitance cannot be seen by the even harmonics. Consequently, the transmission line and the transformer primary inductance, which is seen by the CM signals, has to resonate with  $C_s$  at  $2\omega_0$  to satisfy the

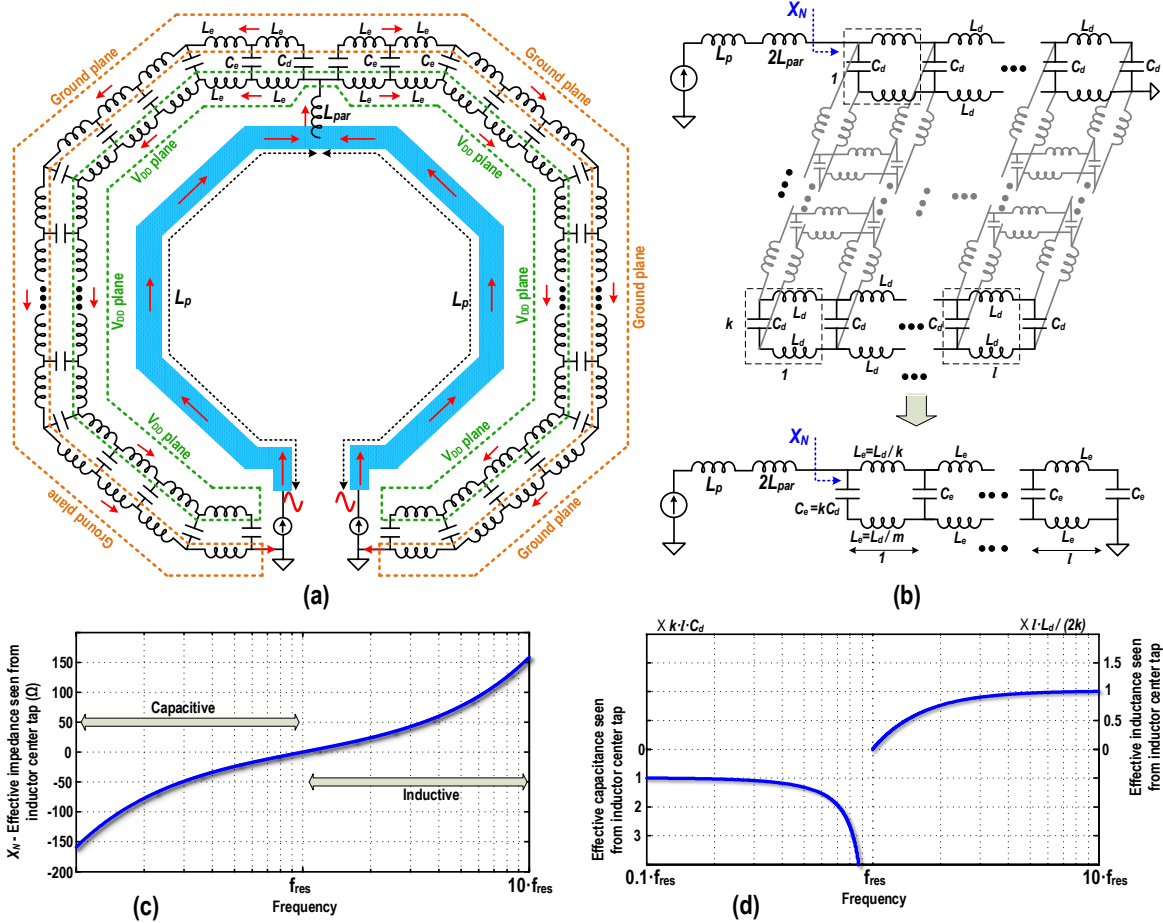


Figure 6.15: (a) Simplified layout and (b) equivalent circuit model of the effective CM inductance seen by PA transistors; (c, d) effective impedance of the bypass network.

class-E/ $F_2$  operation. Note that the meaningful inductance must be defined for a closed loop. The statement “the inductance of the transmission line and transformer’s primary” is rather meaningless as this is only a partial inductance. The complete inductance must also include the route from the transformer’s center tap to the transistors’ source.

For the sake of simplicity, the layout and equivalent circuit model of the effective CM inductance seen by the PA’s transistors is shown in Fig. 6.15 (a) and (b) for a single turn differential inductor. The combination of bypass capacitors with the supply and ground inductance realizes a distributed LC line between the inductor’s center tap and transistor’s source. This structure exhibits a resonant frequency at

$$f_{res} = \frac{1}{2\pi \cdot l \cdot \sqrt{(L_d/\sqrt{2}) \cdot C_d}} \tag{6.10}$$

where,  $l$  is the total length between the inductor’s center tap and transistor’s source. The  $L_d$  and  $C_d$  respectively represent the density of ground/supply inductance and bypass capacitance per area. As can be ascertained from Fig. 6.15 (c) and (d), the effective impedance of the bypass structure reaches zero at  $f_{res}$  and respectively becomes capacitive and inductive at frequencies below and beyond  $f_{res}$ . To achieve simultaneous efficient bypassing and reducing the CM inductance seen by the PA’s transistors,  $f_{res}$  should be adjusted to  $\sim 2\omega_0$ . Since both  $L_d$  and



$l$  are respectively fixed by metal thickness (technology) and the transformer's dimension,  $C_d$  is the only 'knob' to tune  $f_{res}$ . For example, by considering  $L_d = 1\text{pH}/\mu\text{m}^2$  and  $l = 50\ \mu\text{m}$ , the density of the bypass capacitors should be  $\sim 1\text{fF}/\mu\text{m}^2$  to adjust  $f_{res}$  at 120 GHz. Under this condition, the CM inductance seen by PA's transistors is given by

$$L_{cm} = L_{PT} + L_{p3} \approx L_{ser}. \quad (6.11)$$

Consequently, the inductance experienced by the PA's transistors is almost identical at fundamental and second harmonic frequencies. It means that if  $\omega_{cm}$  is adjusted to  $2\omega_0$ , conjugate matching is also achieved at  $2\omega_0$  which can potentially degrade the transistor's gain and output power. It raises the question: what is the optimum  $\omega_{cm}$  to simultaneously achieve high power gain, large  $P_{out}$ , and switched-mode operation for a mm-wave PA?

### 6.3.4 Extended Class-E/F<sub>2</sub> PA

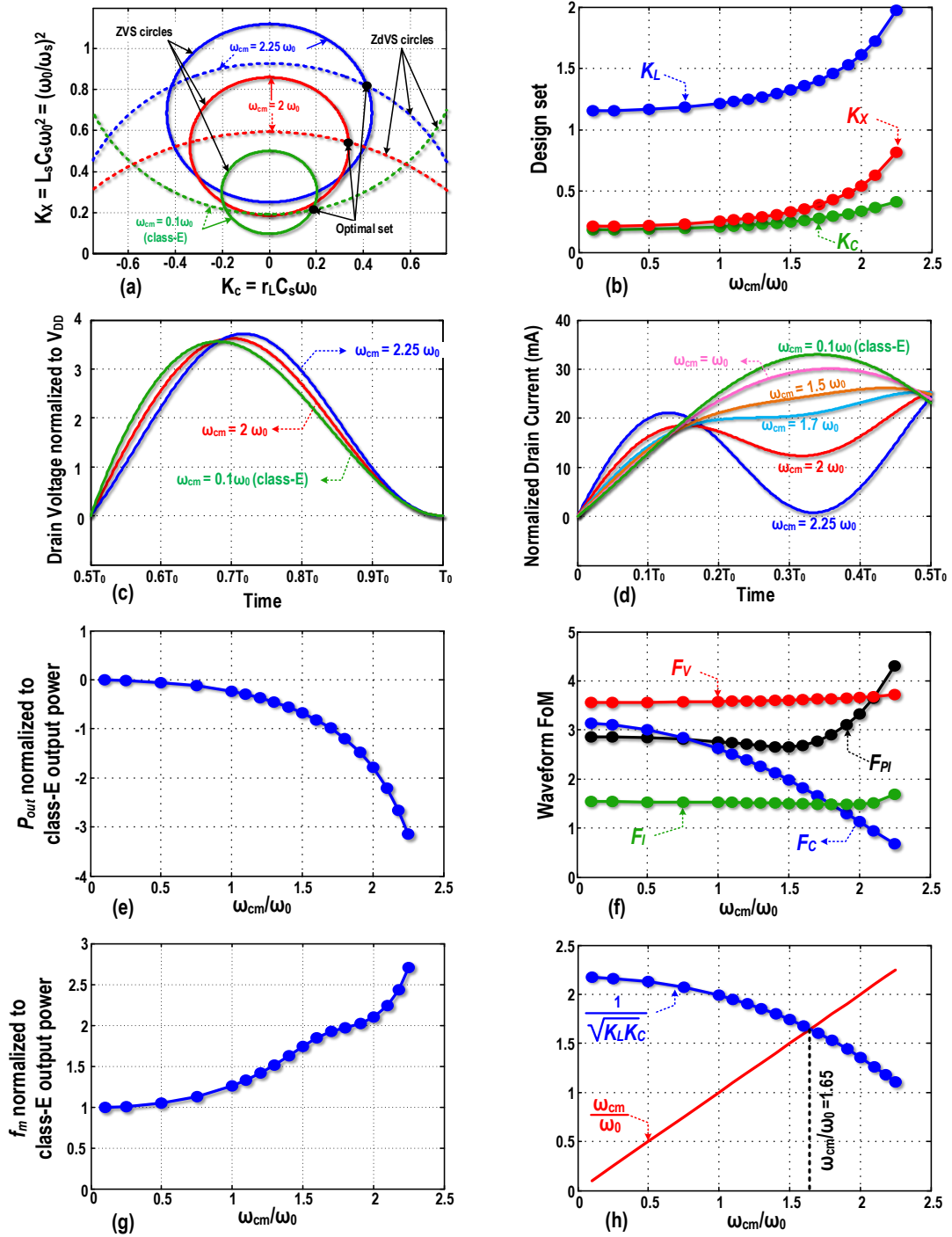
Class-E/F<sub>2</sub> operation relies on realizing an open circuit as the transistor effective load at  $2\omega_0$ . However, it turns out that ZVS and ZdVS compliant waveform can be also achieved even if the common-mode resonant frequency,  $\omega_{cm}$ , is adjusted at an arbitrary frequency. It means the second harmonic impedance seen by the switch devices can be any arbitrary point on the entire perimeter of the Smith Chart [140]. The extended Class-E/F<sub>2</sub> tuning can potentially offer more flexibility for making mutual tradeoffs between waveform FoMs and PA's maximum operating frequency ( $f_m$ ), gain,  $P_{out}$  and PAE.

Figure 6.16 (a) illustrates the ZVS and ZdVS circles of an extended class-E/F<sub>2</sub> PA for different  $\xi = \omega_{cm}/\omega_0$ . The optimal design sets ( $K_C$ ,  $K_L$ ,  $K_X$ ) are obtained through the intercept point of ZVS and ZdVS circles and shown in Fig. 6.16 (b). By reducing  $\xi$ , all design sets become smaller and finally reach the same values as in the traditional class-E PA. As can be concluded from (6.9),  $L_{ser}$  is proportional to  $K_L$  thus the inductive part of the matching network is diminished by a smaller  $\xi$ . This leads to an improvement in the effective quality factor and insertion loss of the matching network. However, the optimal  $K_C$ , and thus  $C_s$ , reduce by a smaller  $\xi$ . It means the switching transistor can potentially have less parasitic output capacitance and becomes smaller with higher on-resistance thereby lowering the drain efficiency. This trend shows a clear tradeoff between the insertion loss of the matching network and the transistor's on-resistance loss in the extended class-E/F<sub>2</sub> operation.

By replacing the obtained design sets in the matrix equation of (5.16), the drain voltage and current waveforms are derived and depicted in Fig. 6.16 (c) and (d). The voltage waveforms are almost identical for different  $\xi$ . However, as  $\xi$  increases, stronger second harmonic content is present in the current waveforms such that the direction of the switch current is reversed for  $\xi > 2.25$ . The fundamental component of the drain current, and thus the PA's power capability, reduces with a larger  $\xi$  as shown in Fig. 6.16 (e).

Based on V-I waveforms, the four waveform FoMs of  $F_V$ ,  $F_I$ ,  $F_C$ , and  $F_{PI}$  are calculated and shown in Fig. 6.16 (f). Neither  $F_V$  and  $F_I$  change significantly with  $\xi$ . However,  $F_C$  reduces with a larger  $\xi$ , resulting in more tolerance to the transistor's output capacitance. The behavior of  $F_{PI}$  is not monotonic. It initially reduces slightly and reaches its minimum at  $\xi = 1.5$  and then begins increasing.

Based on the variation of topology-dependent parameters, the performance of the extended

Figure 6.16: Different characteristics of extended class-E/F<sub>2</sub> PA versus  $\omega_{cm}$ .

class-E/F<sub>2</sub> PA is almost identical for  $1.6 < \xi < 2.1$ . As an example,  $f_m$  of the extended class-E/F<sub>2</sub> PA is shown in Fig. 6.16 (g). Due to the lower product of  $F_C$  and  $F_{PI}$  (see (5.61)),  $f_m$  increases monotonically with  $\xi$ . However, the slope of  $f_m$  improvement becomes smaller for  $\xi > 1.5$  due to  $F_{PI}$  increase. Consequently,  $f_m$  is almost constant for  $1.6 < \xi < 2.1$ .

As explained in the previous subsection, for the proposed matching network, the inductance seen by PA's transistors is almost identical at fundamental and 2nd harmonic frequencies.

Consequently,

$$\omega_{cm} = \frac{1}{\sqrt{L_{cm} \cdot C_s}} \rightarrow \omega_{cm} = \frac{1}{\sqrt{L_{ser} \cdot C_s}} \quad (6.12)$$

By exploiting the  $K_L$  and  $K_C$  definitions, we have

$$\omega_{cm} = \frac{1}{\sqrt{L_{cm} \cdot C_s}} \xrightarrow{L_{ser} = \frac{K_L r_L}{\omega_0}, C_s = \frac{K_C}{r_L \omega_0}} \frac{\omega_{cm}}{\omega_0} = \frac{1}{\sqrt{K_L K_C}}. \quad (6.13)$$

It places another constraint on the position of  $\omega_{cm}$  for the extended class-E/F<sub>2</sub> operation. As illustrated in Fig. 6.16 (g), the above equation is merely satisfied at  $\omega_{cm} = 1.7\omega_0$ . The effects of this tuning strategy on  $G_p$  and  $P_{out}$  of output transistors will be investigated in the next subsection.

### 6.3.5 Effects of CM Resistive Loss on PA's Performance

The drain current of any switched-mode PA contains significant higher-order harmonic components such that any resistive termination at such harmonics would lead to an additional power loss. Consequently, the input impedance of the matching network with these harmonics must be either purely reactive, open-circuit, or short-circuit to avoid wasting power at the harmonics. However, the quality factor of on-chip passive components are quite inadequate, resulting in the resistive termination at the harmonics and thus degrading the PA's efficiency. In this subsection, the side effects of the poor Q-factor of the common-mode resonance,  $Q_{cm}$  on the performance of an extended class-E/F<sub>2</sub> PA are investigated.

Figure 6.17 (a) shows the ZVS and ZdVS circles of the extended class-E/F<sub>2</sub> PA for different  $Q_{cm}$ . The optimal design sets ( $K_C$ ,  $K_L$ ,  $K_X$ ) are obtained through the intercept point of ZVS and ZdVS circles and shown in Fig. 6.17 (b). The design sets do not change significantly when  $Q_{cm} > 10$ . However, as  $Q_{cm}$  diminishes,  $K_C$  becomes smaller, leading to a smaller output transistor with a higher channel on-resistance and thus lower drain efficiency.

By replacing the obtained design sets in the matrix equation of (5.16), the drain voltage and current waveforms are derived and shown in Fig. 6.17 (c) and (d). The voltage waveforms are almost identical for different  $Q_{cm}$ . However, as  $Q_{cm}$  reduces, weaker second harmonic content is present in the current waveform such that both  $F_I$  and  $F_{PI}$  degrade as shown in Fig. 6.17 (e).

Figure 6.17 (f) illustrates the drain efficiency of the extended class-E/F<sub>2</sub> PA versus  $Q_{cm}$  for different  $\omega_{cm}$ . It was assumed that both switch and matching network at  $\omega_0$  are ideal (insertion loss and channel on-resistance are zero). Therefore, the resistive loss at  $2\omega_0$  is the only source of the drain efficiency degradation. As expected, this penalty increases with lower  $Q_{cm}$ . However, the degradation is almost tolerable for  $Q_{cm} > 15$ . This plot also indicates that the efficiency penalty is more significant while  $\omega_{cm}$  is adjusted closer to  $2\omega_0$ . However, as  $\omega_{cm}$  moves farther away from  $2\omega_0$ , the benefits of class-E/F<sub>2</sub> operation, like its higher maximum operating frequency, begin disappearing. By considering both scenarios, it is again desired to select  $\omega_{cm} \approx 1.7\omega_0$ .

### 6.3.6 Optimum Output Matching Network and Device Size

The matching network geometry is initiated by choosing the switch transistor dimension such that its output capacitor absorbs the entire  $C_s$ . However,  $C_s$  also depends on series inductance,  $L_{ser}$ , and the load resistance presented by the matching network. Hence, several iterations

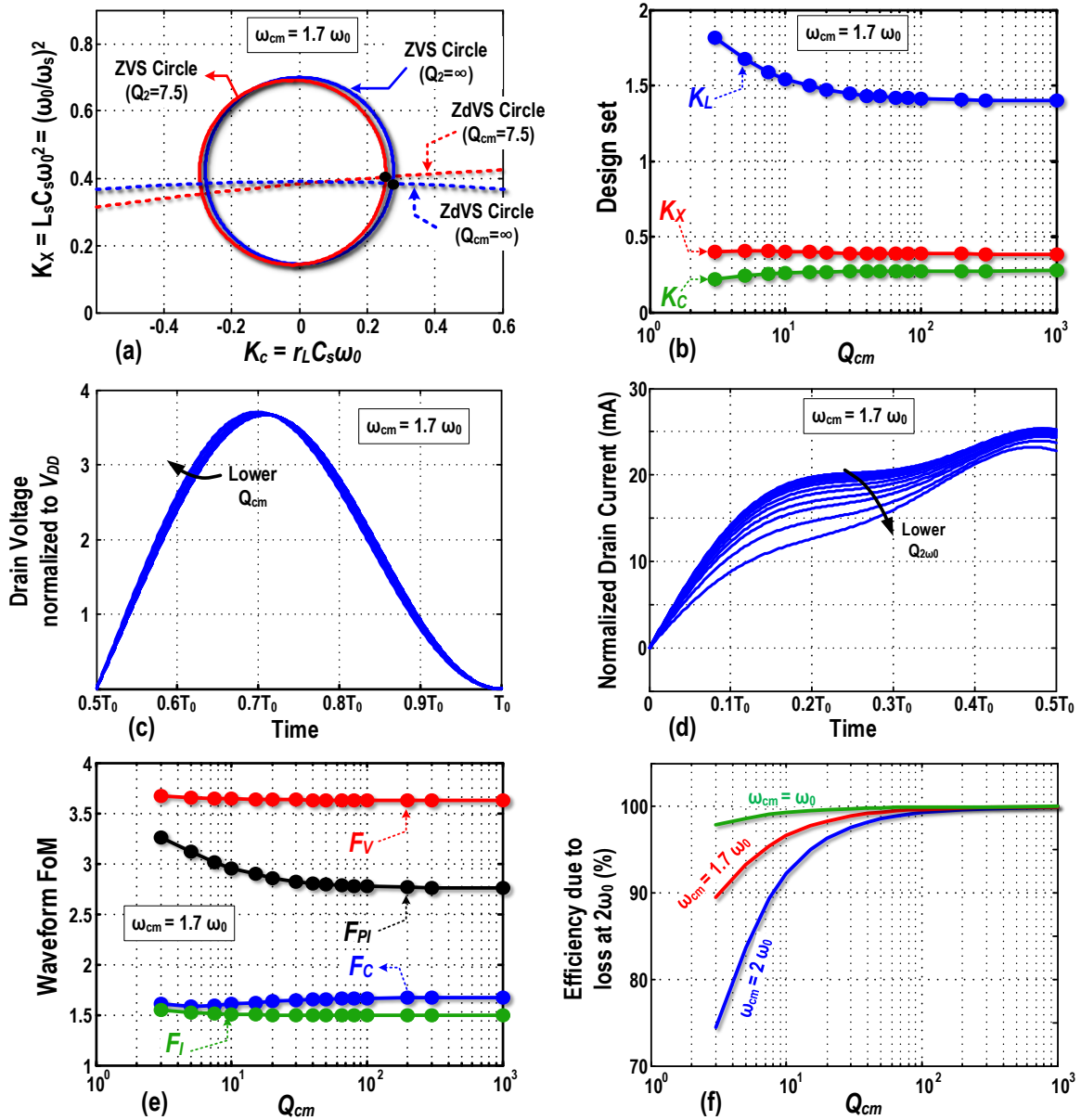


Figure 6.17: Different characteristics of class-E/F<sub>2</sub> PA versus the quality factor of common-mode resonant frequency.

are needed to find the optimal size combination of the transistor, transformer, and matching network. This procedure results in an optimal unit power transistor size of  $3 \cdot 32 \cdot (1 \mu\text{m}/40\text{nm})$ .

For the next step, the optimum load impedance of the output transistor must be selected by giving simultaneous considerations to the PA's output power, gain, and efficiency while ensuring stability over all frequencies. At the optimum load, the output transistors must be capable of delivering the required output power with the highest possible efficiency and power gain. Figure 6.18 illustrates the load stability circle, constant power gain ( $G_p$ ) contours, constant  $P_{sat}$ , and PAE circles on the Smith charts for output transistors with an ideal series-parallel combiner. The main goal is to find a load impedance that offers simultaneous high  $P_{sat}$ ,  $G_p$  and PAE, however, as far as possible from the load stability circle. Furthermore, as explained in the previous subsections, the inductive part of that optimum load and transistor's output capacitor must create a CM resonance at  $\sim 1.7\omega_0$  to satisfy the extended class-E/F<sub>2</sub> operation.

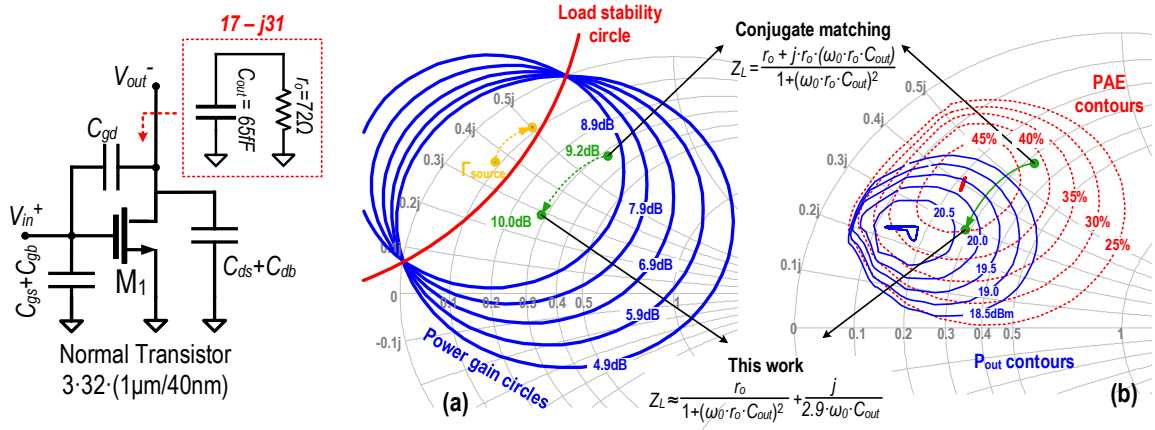


Figure 6.18: (a) Load stability circle and constant power gain circles for 3.32·(1μm/40nm) transistor; (b) constant PAE and  $P_{sat}$  circles for the last stage with an ideal series-parallel combiner.

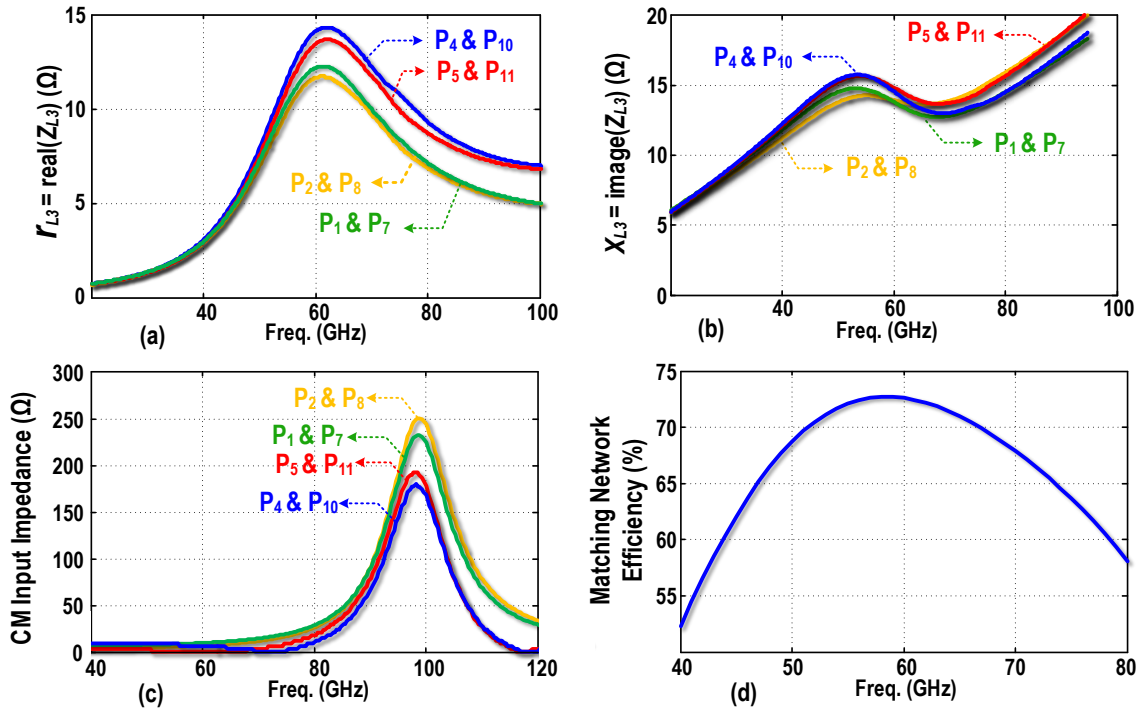


Figure 6.19: (a) Real and (b) imaginary parts of the impedance seen at the different input ports of the output matching network; (c) CM input impedance; (d) passive efficiency of the output matching network.

Consequently, the optimum load impedance ( $Z_{opt} = r_{opt} + j \cdot X_{opt}$ ) may be estimated by

$$r_{opt} \approx \text{real}\left\{r_o \parallel \frac{1}{C_{out} \cdot \omega_0}\right\} \rightarrow r_o \approx \frac{1}{1 + (r_o \cdot C_{out} \cdot \omega_0)^2}, \quad (6.14)$$

$$X_{opt} \approx \frac{1}{C_{out} \cdot \omega_0 \cdot \left(\frac{\omega_{cm}}{\omega_0}\right)^2} \rightarrow L_{opt} \approx \frac{1}{C_{out} \cdot \omega_0^2}. \quad (6.15)$$

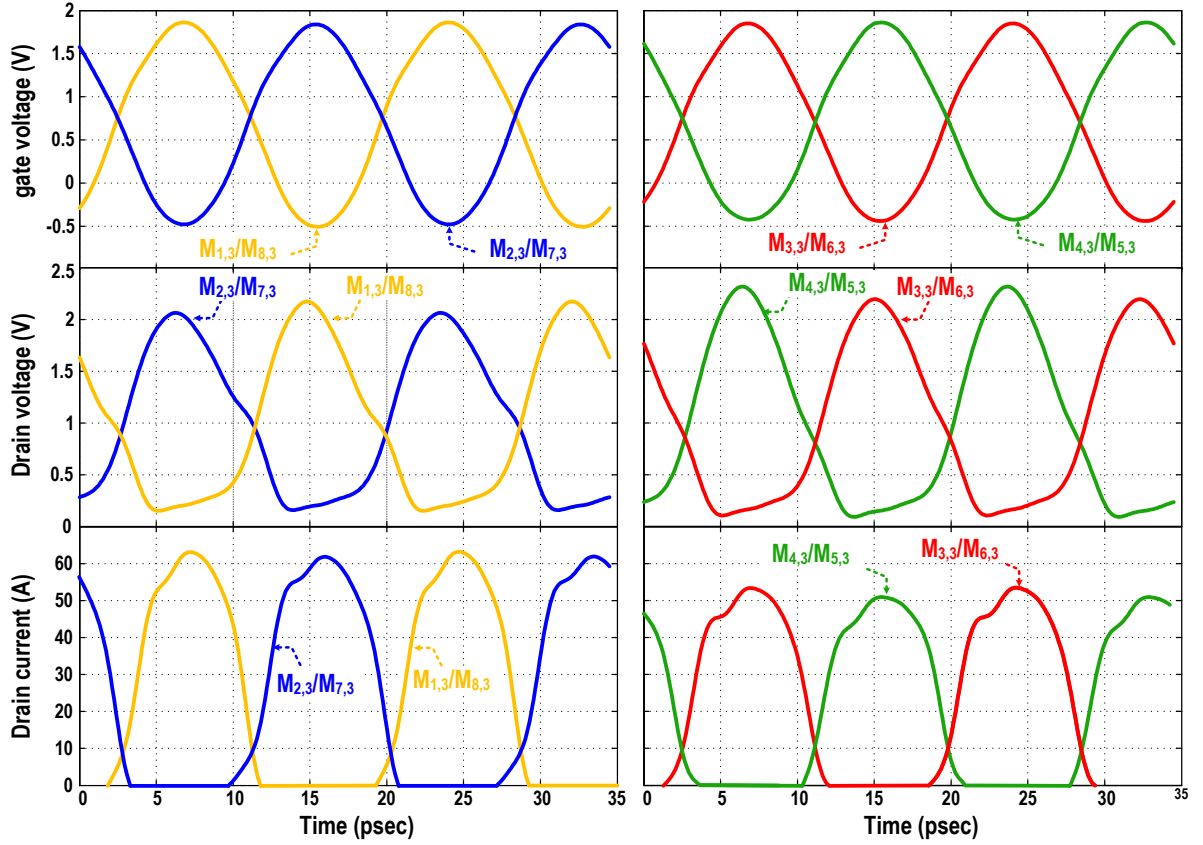


Figure 6.20: Different waveforms of output transistors at 58 GHz.

where  $r_o$  and  $C_{out}$  are respectively output resistance and capacitance of the output transistors. As shown in Fig. 6.18, the optimal normalized impedance is approximately  $0.26+0.22j$ , giving an output power of 20 dBm with 40% PAE for eight output transistors with an ideal series-parallel combiner. Load-pull and small-signal simulation also indicate that  $Z_{opt}$  is almost identical for  $0.6\text{ V} < V_{gs} < 0.9\text{ V}$  and  $0.9\text{ V} < V_{DD} < 1.1\text{ V}$  which helps to fairly compare the performance of the proposed PA under different bias conditions.

For the next step, the geometry of the output matching network of Fig. 6.11 should be optimized to efficiently transform the load impedance ( $50\ \Omega$  load plus pad parasitic capacitance,  $C_L$ ) to the chosen value of  $Z_{opt}$  for each output transistors.

Figures 6.19 (a) and (b) illustrate the real ( $r_{L3}$ ) and imaginary ( $X_{L3}$ ) parts of the impedance seen in Fig. 6.11 at the different input ports of the output matching network. As explained in subsection 6.3.2,  $r_{L3}$  is mainly determined by the voltage ( $m$ ) and current ( $p$ ) summation factors of the output matching network as well as the transformer's turns ratio ( $n$ ) and coupling factor ( $k_m$ ). However, the interwinding capacitance between the transformer's primary and secondary windings ( $C_{ov}$ ) creates an imbalance in the impedance transformation ratio of different input ports of the matching network. The ports ( $P_{4-s3}$  and  $P_{5-s3}$ ) that are farther from the virtual ground of secondary winding see a larger output voltage swing. Consequently, they see a higher load resistance as shown in Fig. 6.19 (a). However, since most of the required series inductance is provided by the strip lines,  $C_{ov}$  has fewer side effects on  $X_{L3}$ , and consequently, a smaller imbalance is seen in Fig. 6.19 (b).

The CM resonant frequency of the output matching network is simulated by adding a 65 fF

capacitor (as  $C_s$ ) in parallel with each input port and exciting the structure with in-phase current sources. The transmission line and transformer primary inductance, which are seen by CM signals, resonate with  $C_s$  at  $\sim 100$  GHz to satisfy the extended class-E/F<sub>2</sub> operation (see Fig. 6.19 (c)). Note that, since the secondary winding acts as a floating metal for CM input signals,  $C_{ov}$  connects in series with the parasitic capacitance between the secondary coil and substrate. It effectively reduces the transformer's undesired parasitic capacitance and thus the self-resonance frequency of the transformer improves in the CM excitation.

The passive power transfer efficiency ( $\eta_p$ ) of the matching network is simulated by exciting the input ports of the structure with differential-mode signals and calculating the ratio of  $P_{out}$  (power delivered to the  $50\ \Omega$  load) to the total input power. Note that  $\eta_p$  cannot be directly calculated from the simulated maximum available gain (MAG) of the structure. MAG is calculated by the assumption of load conjugate matching. However, the load impedance is fixed by the  $50\ \Omega$  load here. The complete output matching network (including the output RF ground-signal-ground (GSG) pads) demonstrates a simulated  $\eta_p$  exceeding 70% from 52-to-66 GHz, as shown in Fig. 6.19 (d).

The voltage and current waveforms of output transistors are exhibited in Fig. 6.20. Clearly, the waveforms are almost identical to the ideal waveforms of extended class-E/F<sub>2</sub> PA with  $\omega_{cm}/\omega_0 \approx 1.7$ . Furthermore, the overlap between large voltage and current has been significantly reduced. However, the mismatch between the effective loads seen from different input ports of the output matching network creates a minor imbalance between V-I waveforms of the output transistors.

### 6.3.7 Low/Moderate Coupling-Factor Transformer for Wideband PAs

The effective Q-factor of the PA input/output matching network is degraded by the  $50\ \Omega$  load and RF pad parasitic capacitance,  $C_L \leq 50$  fF, to approximately 1–2 at 60 GHz, thus making these networks wideband. However, the input impedance of the output MOS transistors is considered as load to the inter-stage matching network where  $Q_{eff} = \overline{R_{in} C_{in} \omega_0} \approx 10$  at 60 GHz. Hence, the impedance seen at the input of the transformer network ( $r_{in} + jX_{in}$  in Fig. 6.21 (a)) changes significantly over frequency and thus limits the PA bandwidth. One could employ a low Q-factor inter-stage matching network to enhance the amplifier bandwidth. However, this approach dramatically degrades insertion loss of the matching network and efficiency of the PA. As an alternative, this work employs low/moderate magnetic coupling factor transformers for matching the successive PA stages.

Figure 6.21 (a) shows a simplified schematic of a transformer-based matching network where  $R_L$  and  $C_L$  respectively represent the equivalent input parallel resistance and capacitance of the subsequent stage. The input impedance of this network can be calculated by

$$Z_{in} = \frac{s \cdot ((L_p L_s R_L C_L (1 - k_m^2)) s^2 + (L_p L_s (1 - k_m^2)) s + L_p R_L)}{L_s C_L R_L s^2 + L_s s + R_L} \quad (6.16)$$

As a result, the imaginary part of  $Z_{in}$  may be estimated by

$$X_{in} = L_p \omega \cdot \frac{1 - L_s C_L (1 - k_m^2) \omega^2}{1 - L_s C_L \omega^2} \quad (6.17)$$

Consequently, the transfer function of the imaginary part of the impedance seen by the

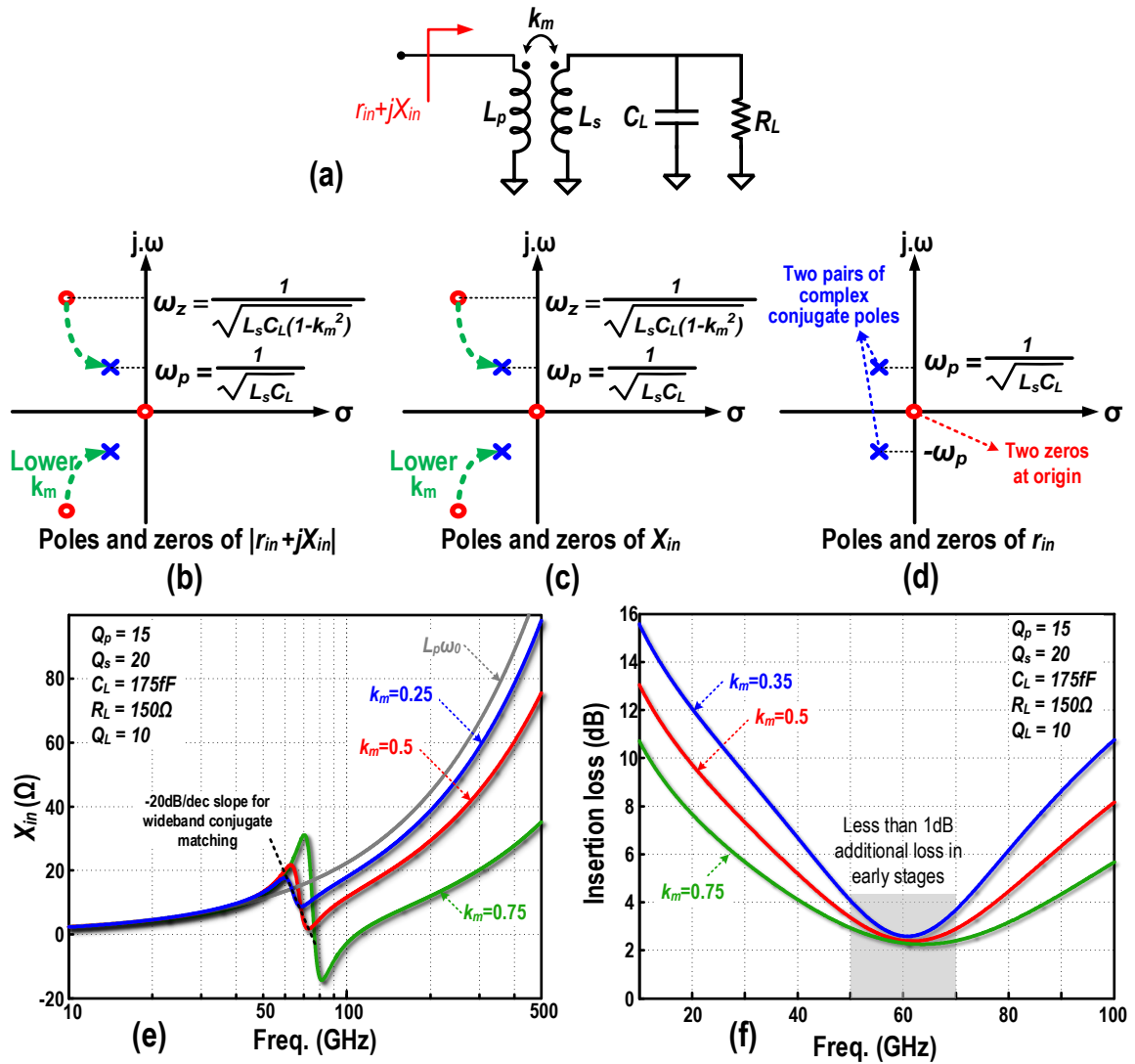


Figure 6.21: (a) Transformer for inter-stage matching; poles and zeros of (b)  $|Z_{in}|$ , (c)  $X_{in}$  and (d)  $r_{in}$ ; (e)  $X_{in}$  and (f) transformer power transfer efficiency versus frequency for different  $k_m$ .

successive stage has two conjugate poles at  $\omega_p = \pm 1/\sqrt{L_s C_L}$  and two conjugate zeros at  $\omega_z = \pm 1/\sqrt{L_s C_L (1 - k_m^2)}$  (see Fig. 6.21 (c)). Under a high  $k_m$  case ( $\geq 0.7$ ), the conjugate zeros pair occurs at a much higher frequency than the poles of the system. Hence, a significant variation is seen in  $X_{in}$  (see Fig. 6.21 (e)). However, the zero/pole pairs come closer together with lower  $k_m$ , and a flatter region is observed in the  $X_{in}$  plot. Hence, the transistor sees its desired reactance over a wider frequency range. However, as  $k_m$  reduces, the transformer's efficiency drops. EM simulations show that the additional insertion loss penalty is only  $\leq 1.0 \text{ dB}$  over the BW by using a  $k_m = 0.35$  transformer (see Fig. 6.21 (f)). That penalty occurs at the primary stages where it has negligible effect on the total PAE [141].

It can also be shown that the transfer function of the real part of the impedance seen by the successive stage has two zeros at origin and two pairs of conjugate poles at  $\omega_p = \pm 1/\sqrt{L_s C_L}$  (see Fig. 6.21 (d)). Consequently, reducing  $k_m$  does not help the transistor of the successive stage to see its desired resistance for a wider bandwidth. However, since the device gain is more sensitive to the reactive part of its load impedance, PA's bandwidth increases anyway with a



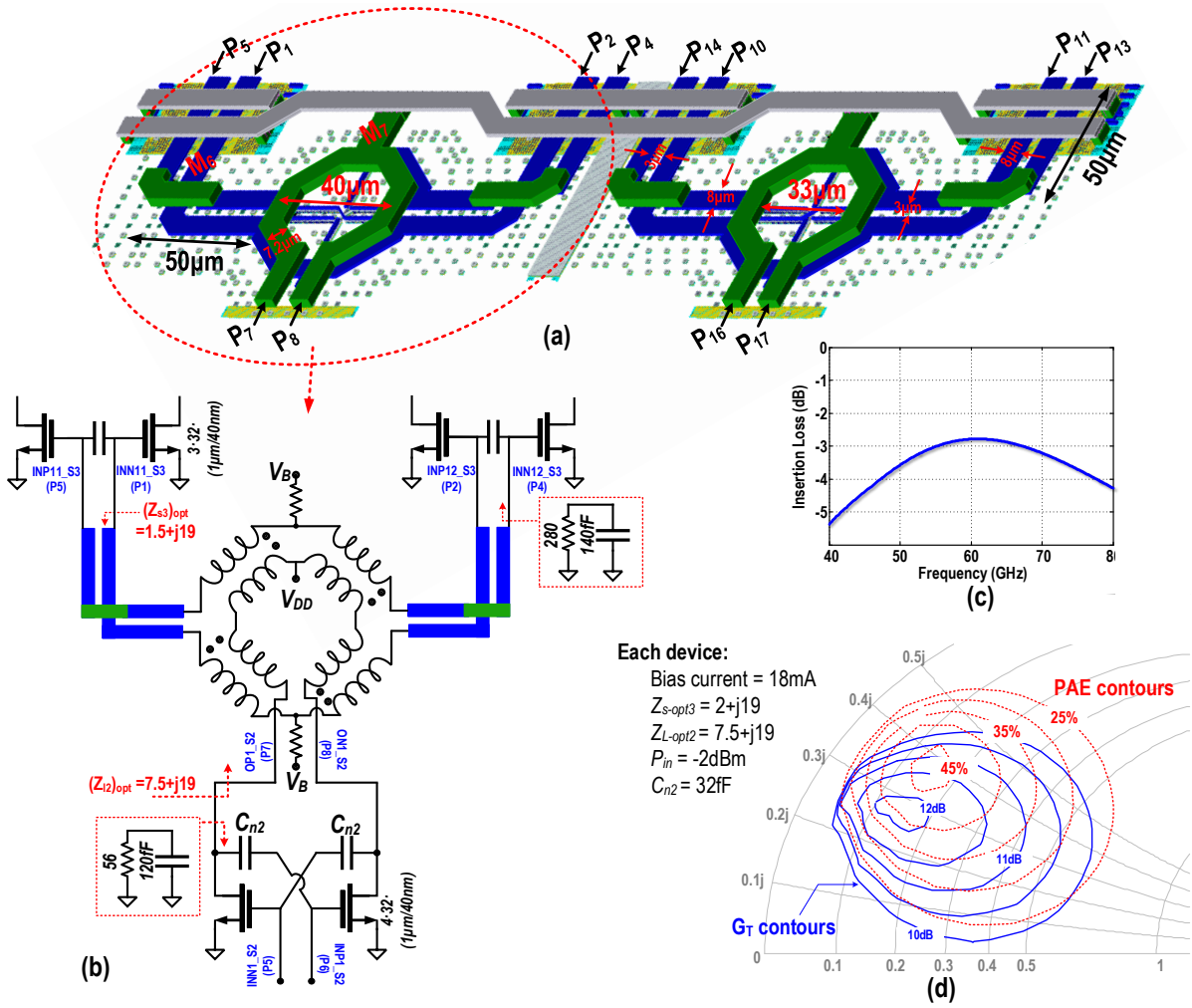


Figure 6.22: (a) Layout of the driver matching network; (b) simplified schematic of the driver amplifier; (c) constant  $G_p$  and PAE contours for  $4\cdot 32\cdot(1\mu\text{m}/40\text{nm})$  device; (d) insertion loss of the driver matching network.

lower  $k_m$ . Hence, low and moderate  $k_m$  transformers are respectively used for matching input and driver stages.

### 6.3.8 Driver Stage

The input power of each transistor of the output stage should be  $\sim 3$  dBm in order to reach its compression point. By considering  $\sim 3$  dB insertion loss for the inter-stage matching network, the driver stage must be capable of delivering  $\sim 6$  dBm. Furthermore, special attention should be paid to avoid compressing the driver stage when the output stage begins saturating. In other words, the linearity of the PA should not be degraded by the driver stages. To consider both scenarios, the total width of the driver devices are just scaled down by a factor of 1.5 compared to that of the output transistors. Note that the preceding stages are progressively sized down by  $2\times$  in most of the state-of-the-art mm-wave PAs [132, 134, 137, 139, 141, 142]. Consequently, in this work, the power consumption of the driver stage are traded for higher linearity and  $P_{1dB}$  of the entire PA.

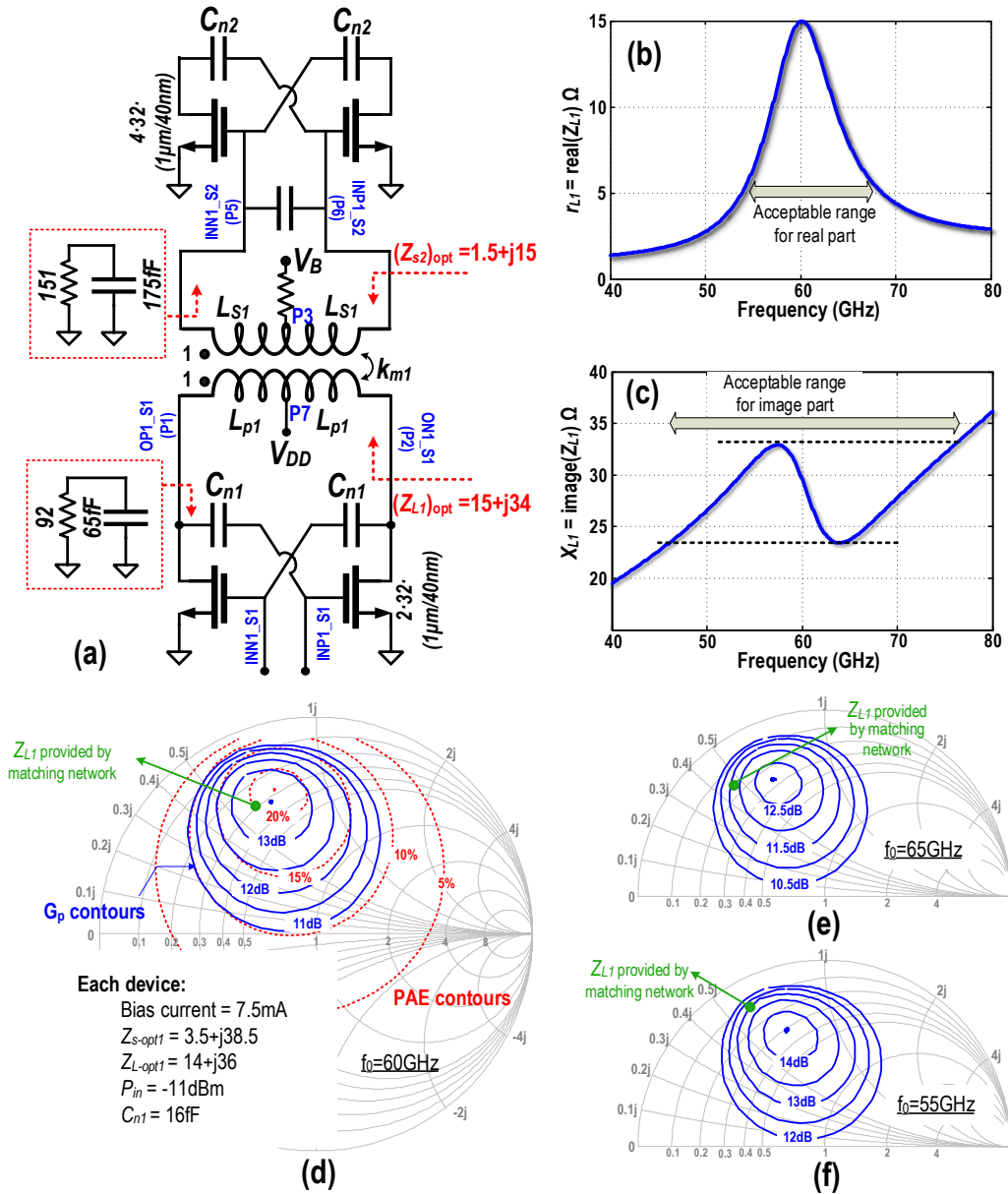


Figure 6.23: (a) simplified schematic of the driver amplifier; (b) real and (c) imaginary parts of the impedance seen at the input ports of the pre-driver matching network; constant  $G_p$  contours for  $2.32 \cdot (1\mu\text{m}/40\text{nm})$  device at (d) 60 GHz, (e) 55 GHz and (f) 65 GHz.

The driver stage is shown in Fig. 6.22 (b) and realized by the neutralized pseudo-differential amplifier with the transistor dimension of  $4.32 \cdot (1\mu\text{m}/40\text{nm})$  which is biased in the class-A regime with a current density of  $0.14 \text{ mA}/\mu\text{m}$ . The neutralization capacitor,  $C_{n2}$ , is 32 fF, making the amplifier unconditionally stable in the differential-mode. Figure 6.22 (d) illustrates the constant power gain ( $G_p$ ) and PAE contours of the driver transistor for  $P_{in} = -2 \text{ dBm}$ . The optimal normalized impedance is approximately  $0.15 + 0.3j$ , giving a  $G_p$  of 12 dB with 40% PAE.

The inter-stage matching network is illustrated in Fig. 6.22 (a) and realized by the transformer-based splitter along with the differential transmission lines. It transforms the input impedance of the output stage ( $Z_{s3} = 1.5 - j19 \Omega$ ) to the desired load impedance of the driver stage ( $Z_{opt2} = 7.5 + j15 \Omega$ ). The complete driver matching network demonstrates a simulated insertion loss of  $\sim 3 \text{ dB}$  as shown in Fig. 6.22 (c).

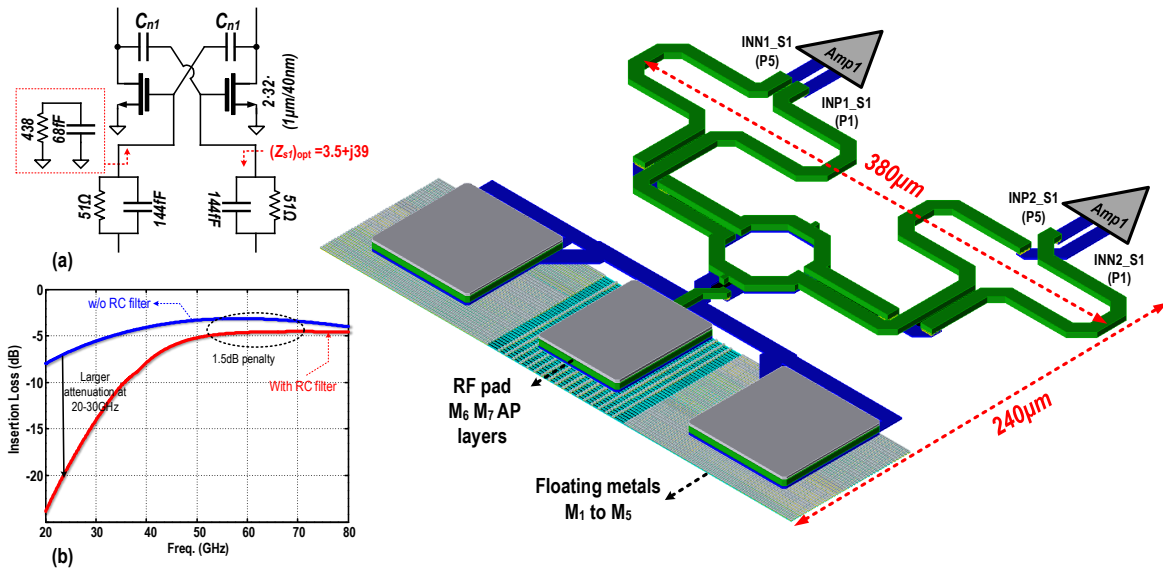


Figure 6.24: (a) Schematic and (b) insertion loss of the input matching network.

### 6.3.9 First Stage

A similar procedure can be adopted for the design of the pre-driver and its matching network. The key difference is that the required output power level of the pre-driver is much lower and more attention should be paid to power gain. The required input power of each transistor of the driver stage should be  $\sim -6$  dBm to push output devices to their compression point. By considering the  $\sim 3$  dB insertion loss for the inter-stage matching network, the pre-driver transistor must be capable of solely generating  $\sim -3$  dBm. Hence, the width of pre-driver devices are scaled down by  $2\times$  compared to that of the driver transistors.

The pre-driver stage is shown in Fig. 6.23 (a) and realized by a low  $k_m$  transformer and the neutralized pseudo-differential amplifier with the transistor dimension of  $2.32 \cdot (1\mu\text{m}/40\text{nm})$ . Figure 6.23 (d) illustrates the constant power gain ( $G_p$ ) and PAE contours of the pre-driver transistor for  $P_{in} = -11$  dBm. The optimal normalized impedance is approximately  $0.15 + 0.7j$ , giving a  $G_p$  of 13 dB with 20% PAE. Figure 6.23 (b) illustrates the real ( $r_{L1}$ ) and imaginary ( $X_{L1}$ ) parts of the impedance seen at the input ports of the pre-driver matching network. As can be ascertained from Fig. 6.23 (d), (e) and (f), due to the loosely coupled transformer, the driver transistors see their desired impedance for a very wide frequency range (55-to-65 GHz).

Figure 6.24 shows the input matching network of the proposed PA. A transformer-based power splitter converts the input signal to two differential transmission lines feeding pre-drivers. Since input capacitance of the pre-driver transistors is relatively small, a large inductance is needed to resonate with it at 60 GHz. Hence, two series differential inductors are also added to the input matching network. As can be concluded from Fig 6.9 (b), even with the neutralization capacitors, the pseudo differential pair is not unconditionally stable for frequencies below 35 GHz. To ensure the pre-driver stability, a parallel RC network is added to its input to introduce  $>10$  dB resistive loss at  $f_0 < 35$  GHz. At the desired frequency band, the impedance of the 144 fF capacitor is lower than  $51 \Omega$  resistance, allowing input signal to reach the input of the pre-driver. However, the Q-factor of 144 fF MOM capacitor is inadequate poor at 60 GHz, increasing the insertion loss of the input matching network by 1.5 dB as shown in Fig. 6.24 (b).

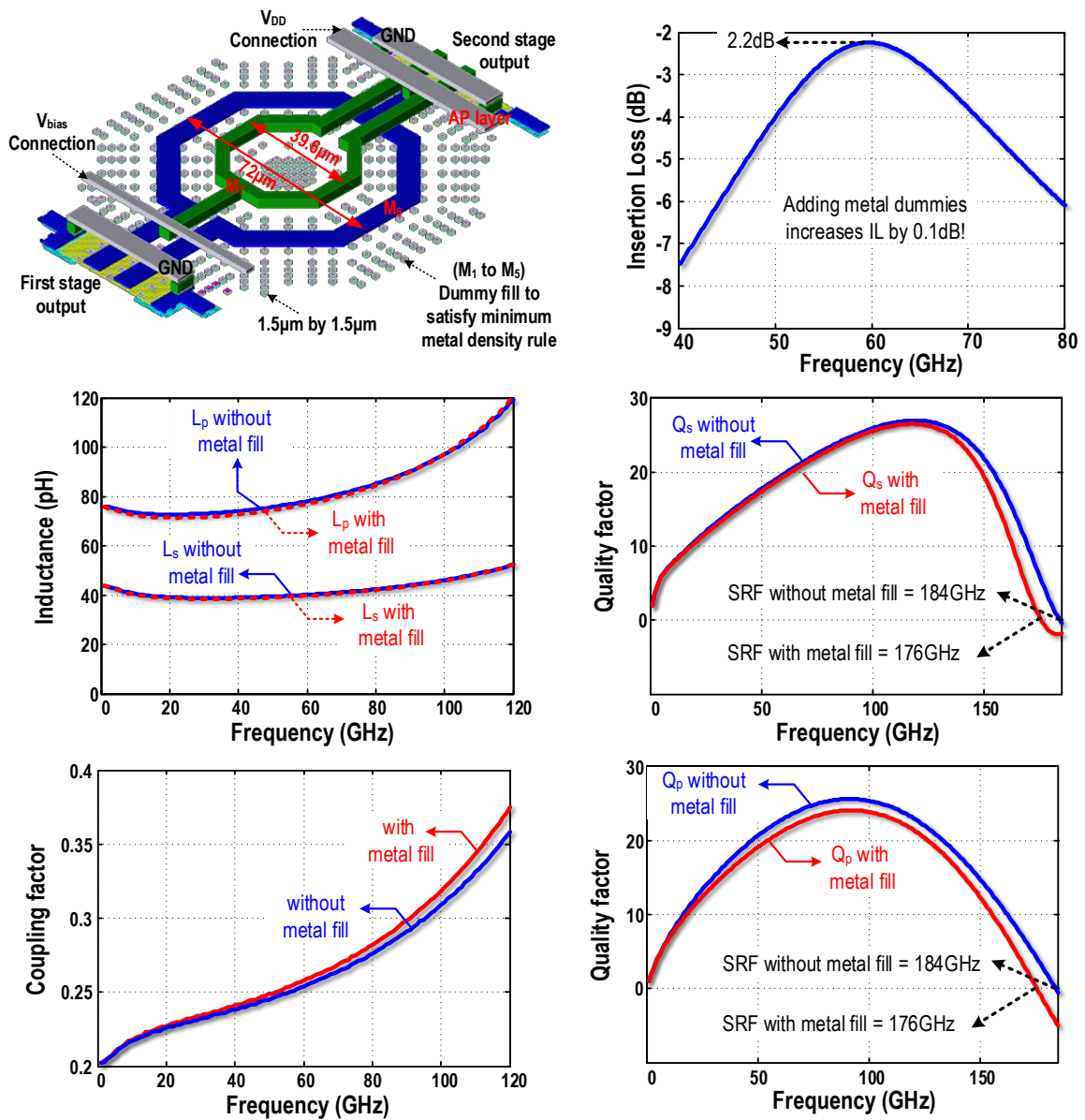


Figure 6.25: Different characteristics of the pre-driver matching network with and without dummy metals.

### 6.3.10 Effects of Dummy Metals on Transformer's Performance

To comply with the strict metal density rules, all transformers are completely filled with dummy metal strips. The amount of the metal fills directly below the transformer windings is kept at a minimum to reduce the extra parasitic capacitance and eddy current losses. However, EM simulations also reveal an additional loss of 0.1–0.4 dB for each matching network. Figure 6.25 shows different characteristics of the pre-driver matching network with and without dummy metals. Metal fills show negligible effect on the windings self-inductance and coupling factor  $k_m$ . However, eddy currents in the dummy fills increase the resistive loss and thus the transformer's Q-factor is degraded by  $\sim 10\%$ . Dummy fills also increase the capacitance, thus degrading the self-resonant frequency.

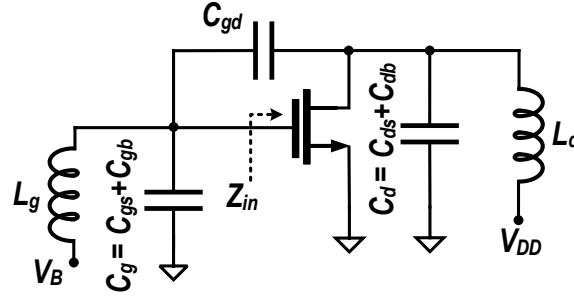


Figure 6.26: Common-source amplifier with its parasitic capacitances and matching networks.

### 6.3.11 Power Amplifier Stability

Stability is one of the major concerns in PA design. Since undesired oscillation can occur at any frequency, the load/source impedance of PA's transistors should be far away from the load/source stability circles over all frequencies. These conditions can be tested by employing Edwards and Sinsky Factors ( $\mu_{source}$  and  $\mu_{load}$ ) [143]. It can be shown that either  $\mu_{source} > 1$  or  $\mu_{load} > 1$  is necessary and sufficient for the unconditional stability of a two-port network. Furthermore, a larger  $\mu_{source}$  ( $\mu_{load}$ ) means that the amplifier's load (source) impedance is farther away from the load (source) instability circle and thus is more stable. Note that the Edwards and Sinsky stability condition should be separately satisfied for both differential-mode (DM) and common-mode (CM) excitations to ensure the PA's stability.

Any common-source amplifier along with its parasitic capacitance  $C_{gd}$  and matching networks (see Fig. 6.26) can potentially act as a dual circuit to a Pierce oscillator. The input admittance of the amplifier can be calculated by

$$Y_{in} = \frac{L_d L_g (C_g C_{gd} + C_g C_d + C_{gd} C_d) s^4 + g_m L_d L_g C_{gd} s^3 + (L_d (C_{gd} + C_d) + L_g (C_g + C_{gd})) s^2 + 1}{L_g s + L_g L_d (C_{gd} + C_d) s^3}. \quad (6.18)$$

As a consequence, the resonant frequency of this circuit may be estimated by

$$\omega_{osc}^2 = \frac{1}{(L_d + L_g) \cdot \left( C_{gd} + \frac{C_g C_d}{C_g + C_d} \right)}. \quad (6.19)$$

Since both gate and drain inductors are selected to respectively resonate with the transistor's input and output capacitances,  $\omega_{osc}$  is always smaller but very close to the operating frequency band ( $\approx 0.7-0.8\omega_0$ ) where the transistor gain is higher but the insertion loss of the wideband transformers does not significantly increase. It increases the possibility of both CM and DM instabilities. The input conductance of the amplifier can be approximated by

$$G_{in} = -\frac{g_m L_d C_{gd} \omega_{osc}^2}{1 - L_d (C_{gd} + C_d) \omega_{osc}^2}. \quad (6.20)$$

Note that  $L_d (C_{gd} + C_d) \cdot \omega_{osc}^2$  is always smaller than 1. Consequently,  $G_{in}$  is negative, indicating that the circuit can potentially oscillate. Note that the effective Q-factor of the PA input/output matching network is degraded by the 50  $\Omega$  load to about 1–2 at 60 GHz and even lower at  $\omega_{osc}$ . Consequently,  $G_{in}$  cannot compensate the effective parallel resistance of

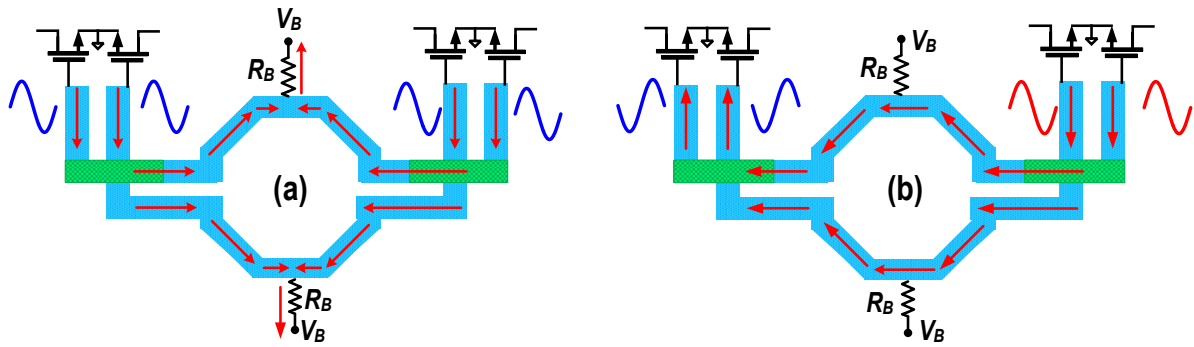


Figure 6.27: (a) Damping the undesired CM oscillation; (b) a combination of CM and DM oscillation.

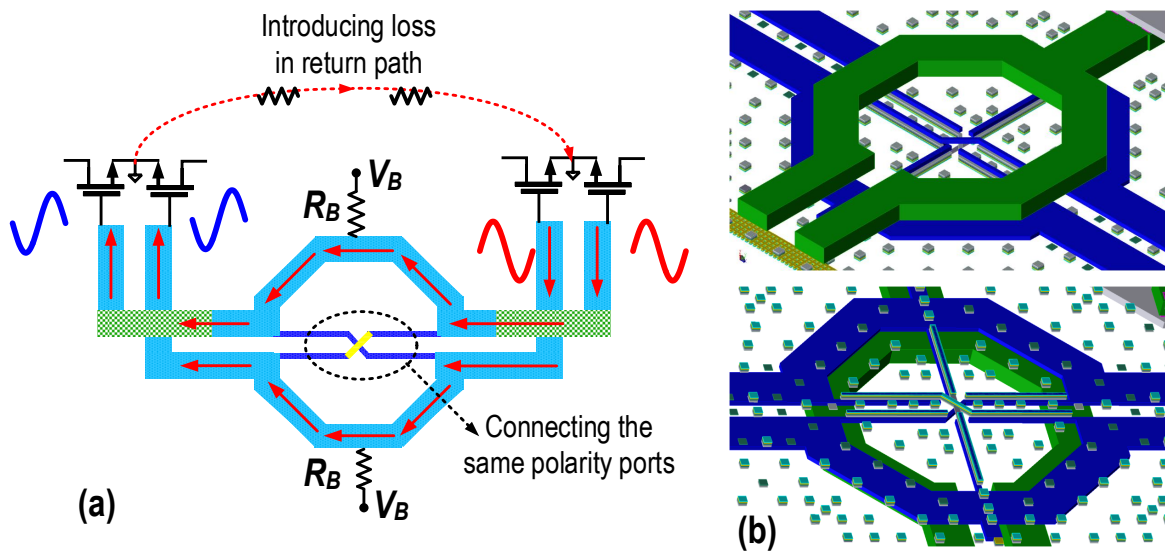


Figure 6.28: (a) Damping the undesired combination of CM and DM oscillation; (b) layout of the proposed transformer-based splitter.

those networks, and any DM oscillation is dampened. On the other hand, by employing the neutralization technique in the driver stages, the effective gate-drain capacitance, and thus  $|G_{in}|$  significantly reduce, making that amplifier unconditionally stable in the differential mode.

The situation is entirely different for the CM stability. As explained in Section 6.3.3, the CM signals cannot see the  $50\ \Omega$  input/output loads. Hence, the effective Q-factor of the input/output matching network is relatively large such that  $G_{in}$  can easily compensate the effective parallel resistance of those networks. Furthermore, the effective gate-drain capacitance is  $C_{gd} + C_n$  as shown in Fig. 6.9 (e). Hence, the neutralization technique degrades the CM stability. Since  $\omega_{osc}$  is very close to  $\omega_0$ , neither adding an RC stabilization network at the MOS gate nor matching network loss can dampen the oscillation without affecting the precious power gain at the operating frequency. Fortunately, using relatively large resistors ( $R_B \sim 3\ \text{k}\Omega$ ) between the center tap of the secondary windings of the input and inter-stage transformers and gate bias voltage can cancel out the CM currents at the transformer secondary winding as depicted in Fig. 6.27 (a). Hence, any CM oscillation will be dampened.

Interestingly, a combination of CM and DM oscillation can potentially happen in the transformer splitter. As shown in Fig. 6.27 (b), each differential pair could oscillate in CM but



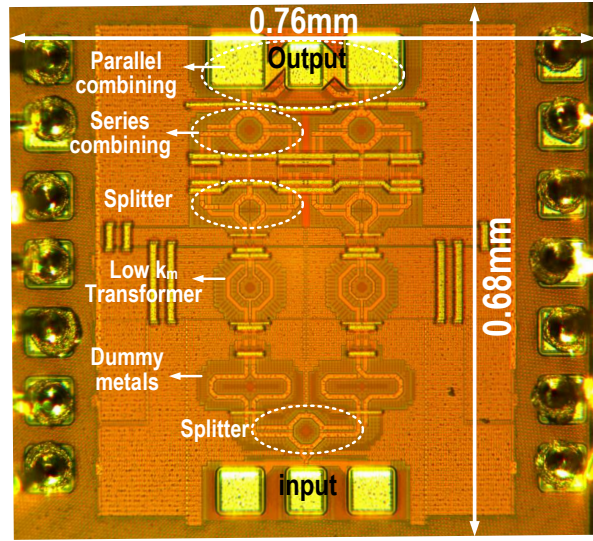


Figure 6.29: Chip micrograph.

with a  $180^\circ$  phase shift to each other. Hence, neither neutralization capacitors nor  $R_B$  will dampen this oscillation. We propose adding a weak cross connection between the splitter's in-phase ports to reduce the loop gain in this oscillation mode without affecting the splitter's primary function (see Fig. 6.28). Another solution would be to add a lossy path between the ground connections of two pseudo-differential pairs across the splitter.

## 6.4 Measurement Results

The proposed mm-wave PA is fabricated in TSMC 40 nm 1.1 V 1P7M LP CMOS technology. The chip micrograph is shown in Fig. 6.29 and is completely filled with dummy metal strips to comply with the strict metal density rules. Due to the use of transformer-based splitters and combiners, PA only occupies  $0.26 \text{ mm}^2$  including the input and output pads. The PA is immune to the stray magnetic field since it is almost symmetrical across the axis of the input and output RF pads. The DC pads are wire bonded to a printed circuit board (PCB) while input and output RF pads are accessed by infinity I67 GSG probes.

Small-signal measurements are performed by the Agilent E8361 vector network analyzer, and the results are calibrated employing a Cascade Microtech (short-open-thru-load) calibration kit with the substrate specifications of Material: Alumina, Thickness:  $635 \mu\text{m}$ , Dielectric constant: 9.9. The measured and simulated small signal gain ( $S_{21}$ ) of the PA is exhibited in Fig. 6.30. Note that the losses of the input and output GSG pads have not been de-embedded from simulations or measurements. With 1 V supply, the PA achieves a peak power gain of 21.6 dB at 58 GHz with  $\text{BW}_{-3\text{dB}}$  of 9.7 GHz (51.5 to 61.2 GHz). Compared to the simulation, the measured  $S_{21}$  is  $\sim 2.5$  dB is lower and PA bandwidth is shifted  $\sim 2.5$  GHz towards lower frequencies. The difference between the simulated and measured data is likely due to misalignment of the center frequencies of the bandpass response of PA's stages. It appears that the parasitic capacitances of the transistors are slightly larger than the values predicted in the model. The lower gain is probably due to resistive/inductive degeneration of common-source amplifiers.

Figure 6.30 (b) and (c) show the measured and simulated  $S_{11}$  and  $S_{22}$  from 35-to-67 GHz

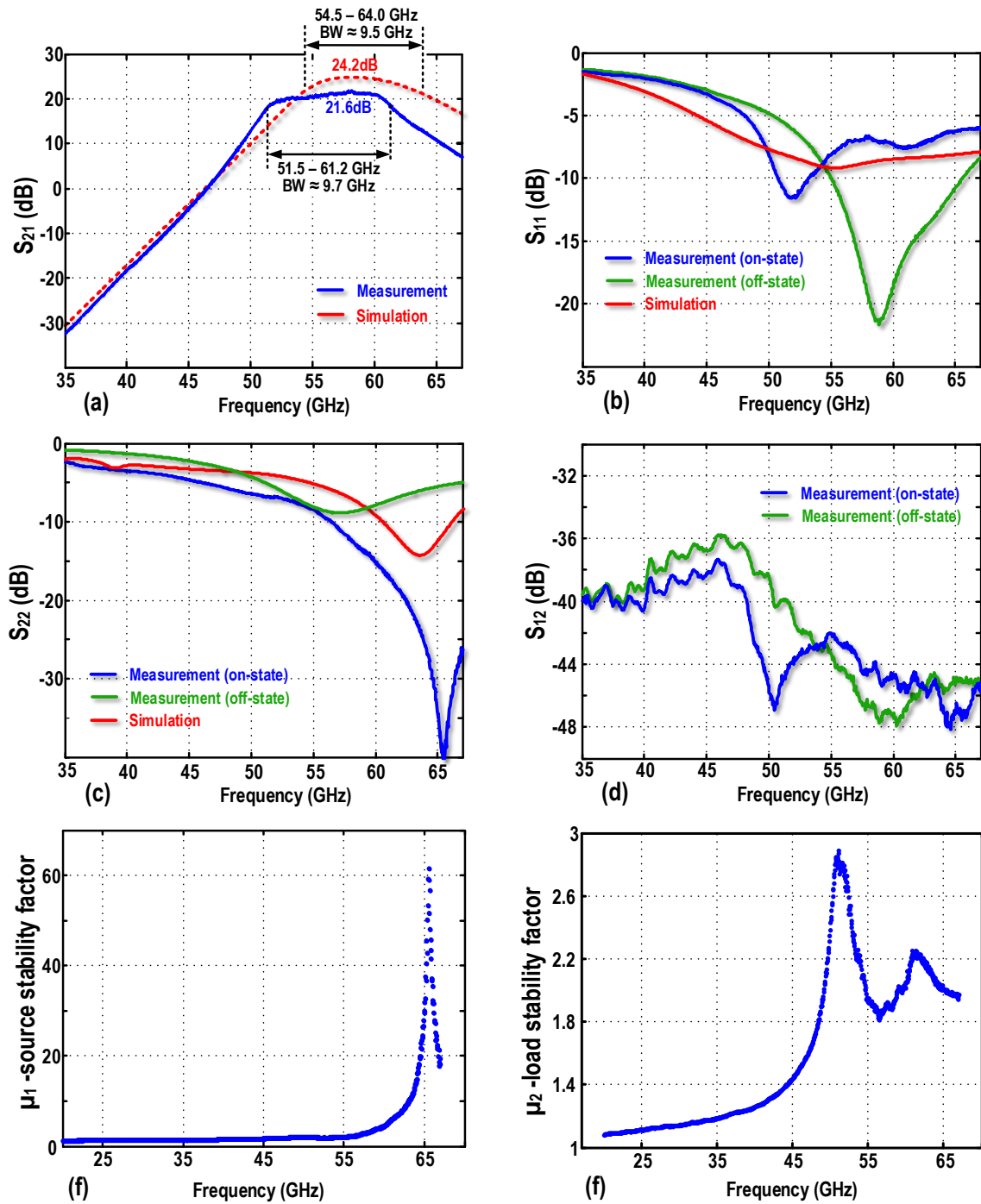


Figure 6.30: (a-d) S-parameter measurement results; measured (e)  $\mu_{source}$  and  $\mu_{load}$  stability factors.

with the 1 V supply. Both return losses conform to the trend predicted by simulations. The  $S_{11}$ ,  $S_{22}$  are respectively better than -6 dB and -7 dB within 50–67 GHz. The reverse isolation ( $S_{12}$ ) is better than -35 dB across the measured band. The  $S_{12}$  is almost identical when PA is on or off, showing the substrate leakage limits the PA's reverse isolation. The measured  $\mu_{source}$  and  $\mu_{load}$  stability factors are respectively shown in Fig. 6.30 (e) and (f), indicating the PA is unconditionally stable over the measured frequency band.

The large-signal measurements are performed by a mixed-signal active load-pull setup [144],



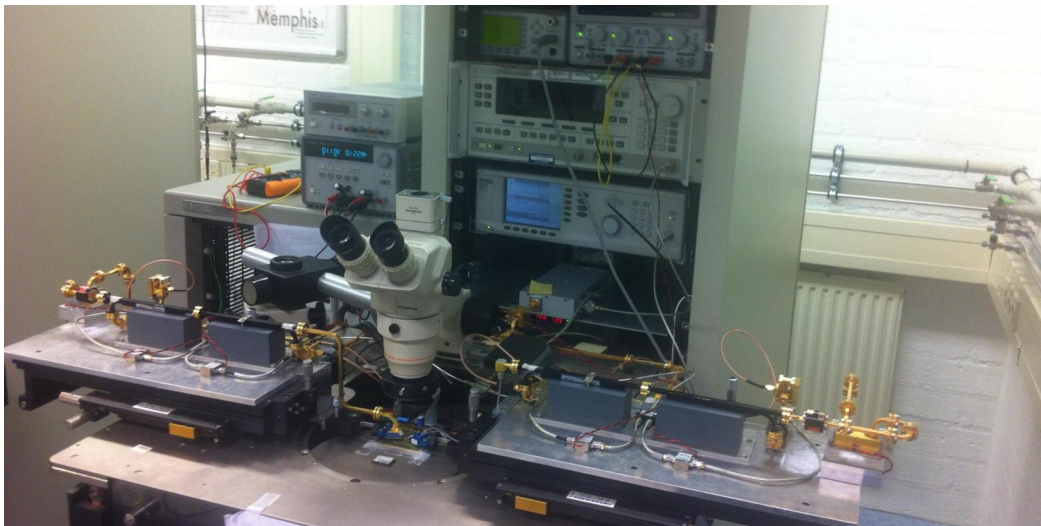
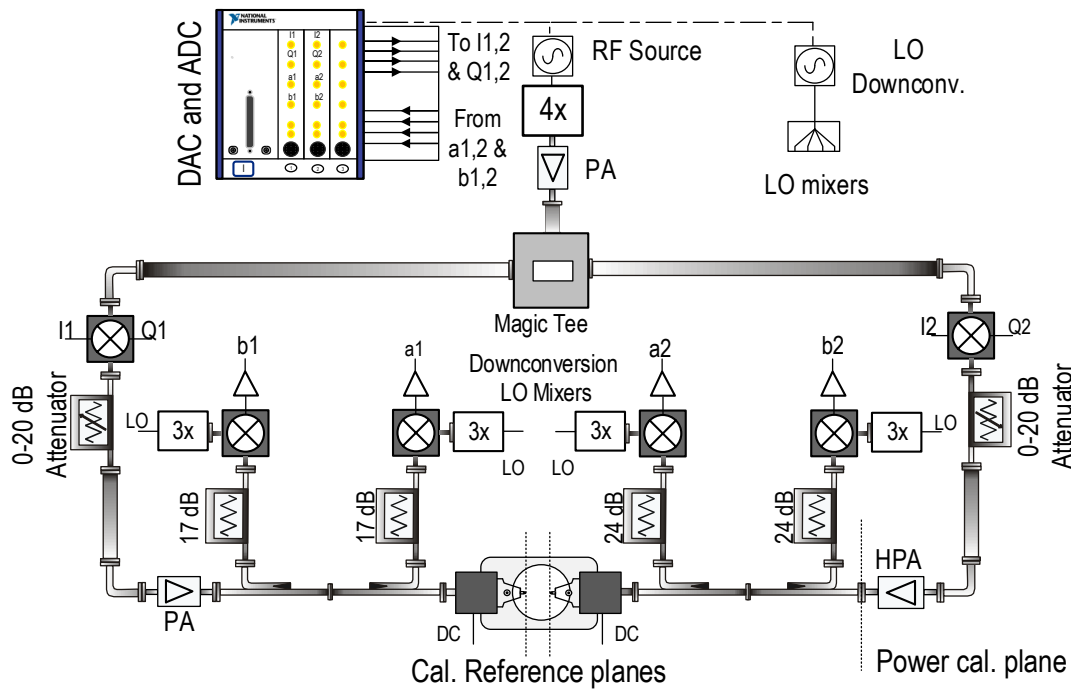


Figure 6.31: Mixed-signal active load-pull setup for large-signal measurements [144].

which is shown in Fig. 6.31<sup>1</sup>. A quick overview of the system is offered below, and the interested reader is directed to [144] for more details. The mm-wave input signal is generated by a  $\sim 15$  GHz signal generator followed by a  $4\times$  multiplier. The RF signal is then split using a waveguide Magic Tee. Note that the open-loop active load-pull systems realize the desired reflection coefficients by directly injecting a signal with a proper amplitude and phase into the device under test (DUT). Consequently, an in-phase/quadrature (IQ) mixer is placed in both input and output branches to control the amplitude and phase of RF signals. An attenuator is then employed to improve the dynamic range of the generated signal by maximizing the voltage swing at the IF ports of the mixer for a given mm-wave power level. A power amplifier is also exploited in both input and output sections to guarantee sufficient driving power for DUT. Two bi-directional waveguide reflectometers are finally added for the real-time measurement of the incident and

<sup>1</sup>The mixed-signal active load-pull measurement was implemented by Luca Galatro from TU Delft.

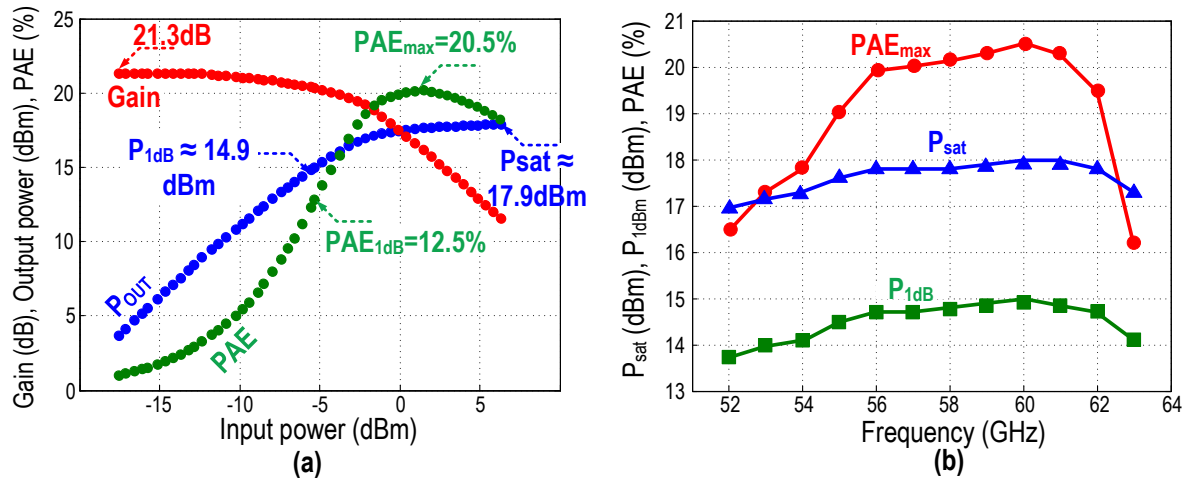


Figure 6.32: (a) Measured gain, output power and power added efficiency versus input power; (b) Measured  $P_{sat}$ ,  $P_{1dB}$  and PAE across frequency.

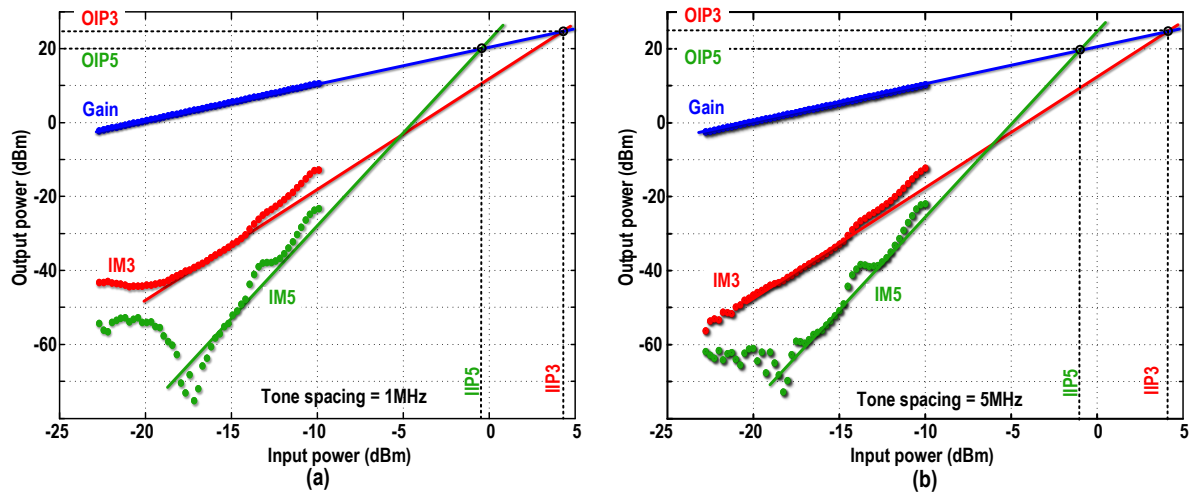


Figure 6.33: Measured two-tone intermodulation for the PA with tone frequency spacing of (a) 1 MHz and (b) 5 MHz.

reflected waves. The coupled waves are then down-converted by fundamental mixers and the resulting IF signals are acquired with 14-bits 40 MHz ADC converters.

Figure 6.32 (a) illustrates the measured output power, gain, and PAE versus input power at 58 GHz for a 1 V supply. The monotonic behavior between the input/output power also indicates PA's stability. The measured  $P_{1dB}$  and  $P_{sat}$  are respectively 14.9 dBm and 17.9 dBm. Consuming  $\sim 0.28$  A from a 1 V supply, the peak-PAE is 20.5% for 1.5 dBm input power. However, the simulated  $P_{sat}$  and PAE are respectively 18.6 dBm and 25%. The difference between the simulated and measured data is likely due to the greater imbalance in the CM resonance and impedance transformation ratio of different input ports of the output matching. Figure 6.32 (b) shows the measured  $P_{sat}$ ,  $P_{1dB}$  and PAE over the bandwidth of the PA. The PA maintains over 16.9 dBm  $P_{sat}$ , 13.8 dBm  $P_{1dB}$  and 16% PAE from 52 GHz to 63 GHz.

A two-tone intermodulation measurement is performed on the PA to assess its linearity. Figure 6.33 shows the third-order and fifth-order intermodulation distortion (IMD<sub>3</sub> and IMD<sub>5</sub>) as a function of input power for different frequency spacing between the two tones. It can

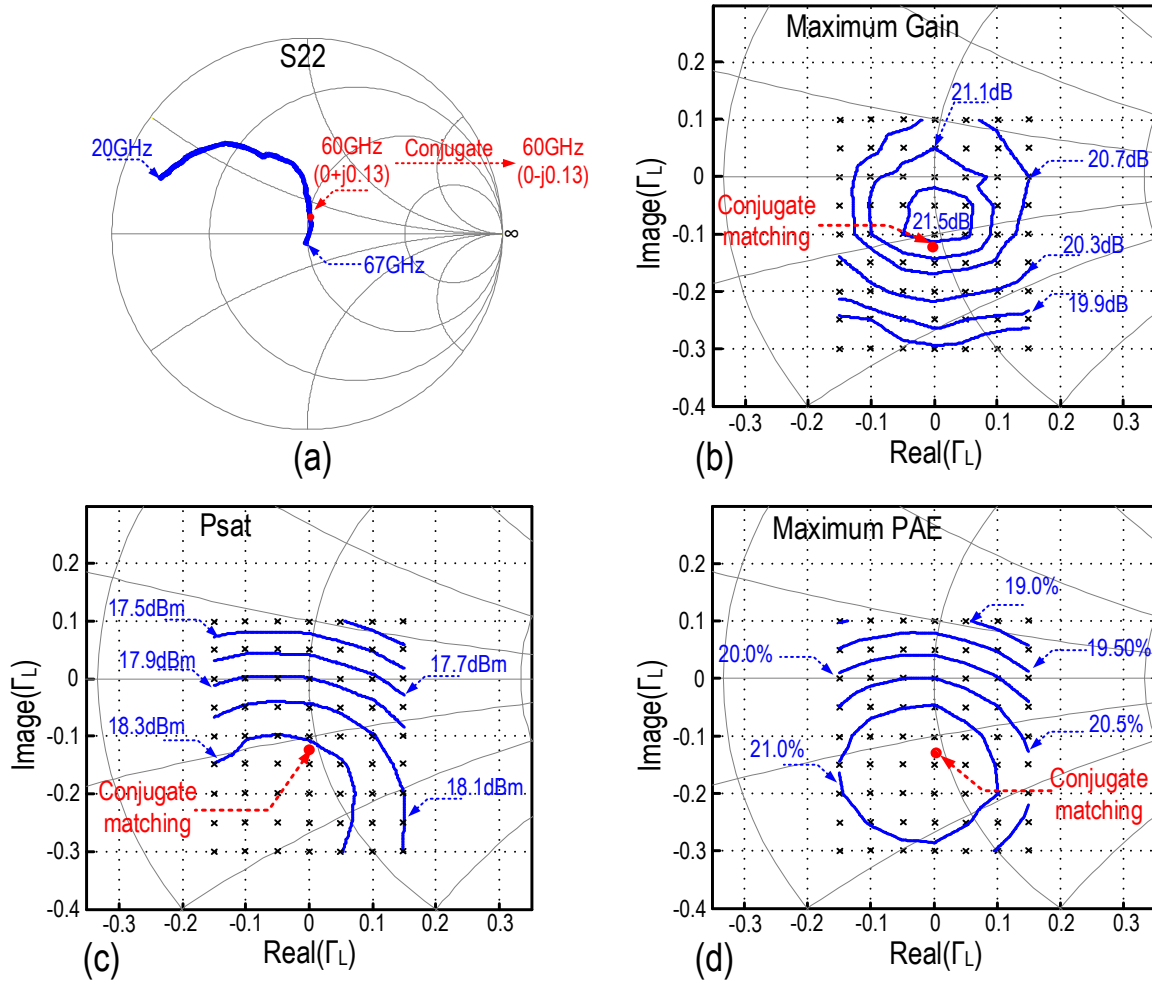


Figure 6.34: Measured (a)  $S_{22}$ , (b) constant gain, (c) constant  $P_{sat}$ , and (d) constant PAE contours at 60 GHz.

be seen that the  $IMD_3$  and  $IMD_5$  point respectively demonstrate a slope of 30 dB/dec and 50 dB/dec, as would be expected in a linear amplifier. The measured  $IIP_3$  and  $OIP_3$  are 4 dBm and 24 dBm, respectively. On the other hand, the measured  $IIP_5$  and  $OIP_5$  are -0.5 dBm and 20 dBm, respectively.

The mixed-signal open-loop active load-pull setup also allows generating any desired reflection coefficient at both input and output ports of the DUT by controlling the amplitude and phase of injected signals. Consequently, the large signal performance of the proposed PA is evaluated for  $-0.15 + j0.3 \leq \Gamma_L \leq 0.15 + j0.15$  ( $40 \leq R_L \leq 60$ , and  $-18 \leq X_L \leq 6$ ) at 60 GHz. Figure 6.34 illustrates PA's constant gain,  $P_{sat}$ , and PAE contours and also verifies the PA stability over load variation.

Table 6.2 shows a comparison of state-of-the-art 60 GHz CMOS PAs. Our PA achieves comparable  $BW_{-3dB}$  as in a 28 nm PA [141] (which uses higher  $f_{max}$  devices) but with a much higher PAE. For  $P_{sat} \approx 18$  dBm, only class-AB PA in [124] demonstrates a better PAE but at a lower gain and BW. Furthermore, the product of PAE and BW reaches the best reported.

Table 6.2: Comparison table of 60 GHz CMOS power amplifiers.

	This Work	Zhao JSSC2013	Chen ISSCC2013	Chen ISSCC2011	Thyagarajan TCAS2014	Law ISSCC2010
CMOS Technology	40nm	40nm	65nm	65nm	28nm	90nm
Supply Voltage (V)	1	1	1	1	2.1	1.2
Frequency (GHz)	60	60	60	60	60	60
Max Gain (dB)	21.5	21.2	N/A	20.3	24.4	20.6
3dB BW (GHz)	9.7	5.5	7	9	11	8
BW/ $f_c$ (%)	16	10	11.5	15	18.4	13.4
$P_{-1dB}$ (dBm)	14.9	14	N/A	15	11.7	18.2
$P_{-1dB}$ variation over BW	1.2dB	3 dB	N/A	1.2 dB	3.7 dB	N/A
$P_{sat}$ (dBm)	17.9	17.4	9.6	18.6	16.5	19.9
$P_{sat}$ variation over BW	1dB	0.8 dB	2 dB	0.6dB	2.5 dB	N/A
PAE <sub>max</sub> %	20.5	28.5	28.5	15.1	12.6	14.2
Active area (mm <sup>2</sup> )	0.25	0.115 <sup>†</sup>	0.11 <sup>†</sup>	0.175 <sup>†</sup>	0.22 <sup>†</sup>	1.75 <sup>†</sup>
FoM <sup>‡</sup>	88.1	88.7	N/A	86.5	87.5	87.6
PAE·BW/ $f_c$	3.32%	2.78%	3.32%	2.27%	2.31%	2.31%
Topology	3 stage CS Parallel/series E/F <sub>2</sub>	1 <sup>st</sup> -stage CG 2 <sup>nd</sup> , 3 <sup>rd</sup> stage CS Series Comb.	Cartesian Digital-to-RF E/F <sub>2</sub>	3 stage CS Series Comb.	1 <sup>st</sup> -stage CS 2 <sup>nd</sup> , 3 <sup>rd</sup> stage CA Parallel Comb.	2 stage CS Wilkinson

CS: common source, CG: common gate, CA: cascode

<sup>†</sup>: Graphically estimated (including RF pads)

<sup>‡</sup>: FoM =  $P_{sat}$ [dBm] + Gain[dB] + 20log( $f_c$ [GHz]) + 10log(PAE<sub>max</sub>[%])

## 6.5 Conclusion

The benefits, constraints, and trade-offs of different transmitter structures and extended class-E/F<sub>2</sub> PA have been investigated from the mm-wave perspective. Several design techniques are employed in this design to achieve the best product of PAE and bandwidth. First, this PA utilizes a proper second-harmonic termination in the last stage so that it can operate as a class-E/F<sub>2</sub> switched-mode PA at the saturation point. Second, the additional resonance is realized without degrading the insertion loss of the output matching network and by exploiting a different transformer behavior in common-mode and differential-mode excitations. Third, a current-voltage combiner is proposed to simultaneously optimize  $f_{max}$  of the output transistors, PA's output power, and the insertion loss of the output matching network. Forth, low/moderate coupling-factor transformers are used in the preliminary stages to provide the transistors optimum load for a larger bandwidth. Fifth, the PA is stabilized against the combination of DM and CM oscillation mode. The resulting new proposed architecture of a fully integrated 60 GHz power amplifier was realized in 40-nm bulk CMOS. The PA prototype produces a saturated power of 17.9 dBm with 20.5% PAE at 60 GHz from a 1 V supply. The PA maximum gain is 21.5 dB, and its -3 dB bandwidth exceeds 9 GHz. The PA stability was also verified over load variation with a mixed-signal active load-pull measurement setup.



## CHAPTER

# 7

---

---

## Bluetooth-Low Energy Transmitter

---

---

We propose a new transmitter (TX) architecture for ultra-low power radios<sup>1</sup>. An all-digital PLL employs a digitally controlled oscillator with switching current sources to reduce supply voltage and power without sacrificing its phase noise and startup margins. It also reduces  $1/f$  noise allowing the ADPLL, after settling, to reduce its sampling rate or shut it off entirely during direct DCO data modulation. The switching power amplifier integrates its matching network while operating in class-E/ $F_2$  to maximally enhance its efficiency. The transmitter is realized in 28nm CMOS and satisfies all metal density and other manufacturing rules. It consumes 3.6 mW/5.5 mW while delivering 0 dBm/3 dBm RF power in Bluetooth Low-Energy.

### 7.1 Introduction

Ultra-low-power (ULP) radios underpin short-range communications for wireless internet-of-things (IoT). Since RF transmitters (TX) have consumed a significant portion, if not the majority, of the radio's power, the IoT system lifetime tends to be severely limited by the TX power consumption and available battery technology.

Figure 7.1 shows the system lifetime for various battery choices as a function of current consumption. State-of-the-art Bluetooth Low Energy (BLE) radios [8, 10] consume  $\sim 7$  mW and thus can *continuously* operate no more than 40 hours on an SR44 battery, which has a comparable dimension to the radio module. This directly causes inconvenient battery replacements at least every few months, which limits their attractiveness from the market perspective. The lifetime can be easily increased by employing larger batteries but that comes at a price of increased weight and dimensions and it is clearly against the miniaturization vision of IoT. This has motivated an

---

<sup>1</sup>This chapter is based on the paper published in the IEEE Journal of Solid-State Circuits [145].

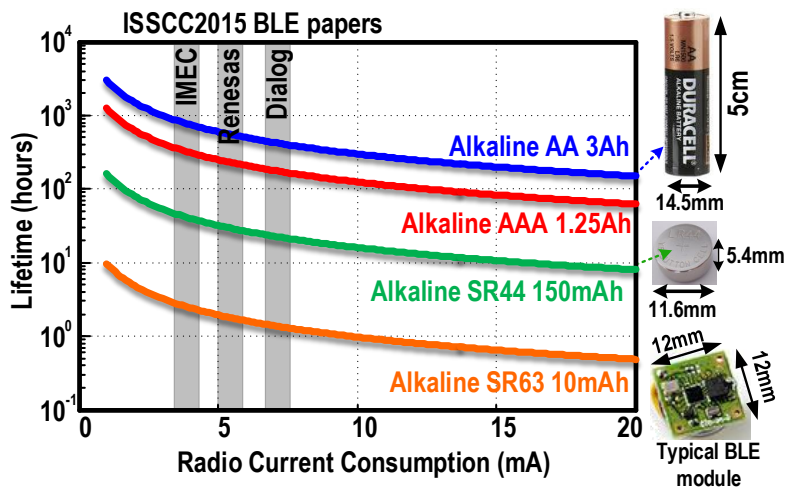


Figure 7.1: BLE system lifetime versus radio current consumption for various battery types.

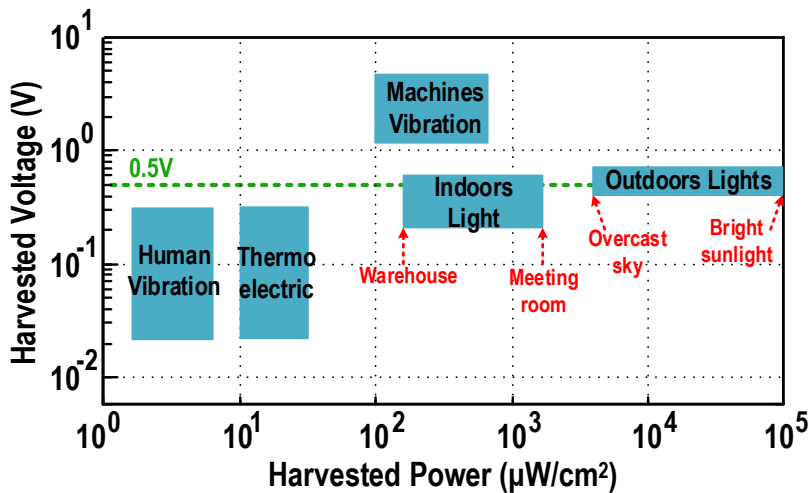


Figure 7.2: Delivered voltage and power density for various harvester types.

intensive research leading to miniaturized transceivers with a high power efficiency [8–10,146–154].

Energy harvesting from a surrounding environment can enable and further spur the IoT applications by significantly extending their lifetime. The delivered voltage versus power density of different harvesting methodologies is depicted in Fig.7.2 [152] [155]. Solar cells offer the highest harvested power per area in both indoor and outdoor conditions. However, they provide lower voltages (0.25–0.75 V) than the expected deep-nanoscale CMOS supply of ~1 V. Hence, boost converters are typically used to bring the supply level up to the required ~1 V. As can be gathered from Table 7.1, the relatively poor efficiency ( $\leq 80\%$ ) of state-of-the-art boost converters wastes the harvested energy, thus worsening the system-level efficiency, in addition to increasing the hardware complexity coupled with issues of switching ripples. Consequently, it would be highly desirable for the ULP transceivers to operate directly from the harvested voltage.

In this paper, several new system and circuit techniques are exploited to enhance the ULP transmitter efficiency: First, the most energy-hungry circuitry, such as a digitally controlled oscillator (DCO) and an output stage of a power amplifier (PA), can operate directly at the

Table 7.1: Performance summary of state-of-the-art boost converters.

	[156] ISSCC'12	[157] ISSCC'14	[158] ISSCC'15
<b>Technology</b>	N/A	65nm CMOS	0.18 $\mu$ m CMOS
<b>Input voltage range</b>	0.1–2.9 V	0.15–0.5 V	0.45–3 V
<b>Output voltage range</b>	3 V	0.5–0.6 V	3.3 V
<b>Efficiency @<math>V_{in}=0.5</math>V</b>	$\leq 80\%$	$\leq 72.5\%$	$\leq 78.5\%$

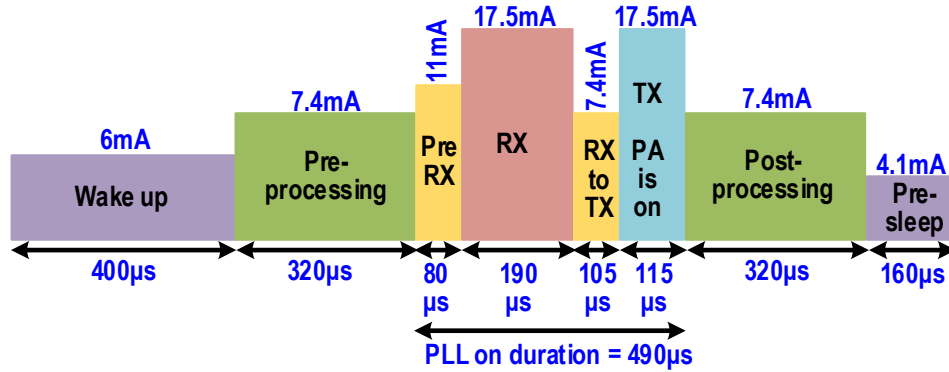


Figure 7.3: Power consumption breakdown of a Texas Instruments CC2541 BLE device during a single connection event.

low voltage of harvesters. Second, a new switching current-source oscillator optimized for 28 nm CMOS reduces power and supply voltage without compromising the robustness of the oscillator start-up or loading its tank quality factor. Third, thanks to the low wander (i.e, low flicker noise) of the DCO, digital power consumption of the rest of all-digital PLL (ADPLL) is saved by scaling the rate of a sampling clock to the point of complete stillness. Last, a fully integrated differential class-E/ $F_2$  switching PA is utilized to optimize high power added efficiency (PAE) at low output power of 0–3 dBm.

The paper is organized as follows: Section 7.2 introduces a new RF oscillator topology that is suitable for ultra-low voltage/power applications. The tradeoffs between the output power, matching network insertion loss, drain and power added efficiency (PAE) of the class-E/ $F_2$  PA are investigated in Section 7.3. The all-digital PLL (ADPLL) and the TX architecture are discussed in Section 7.4. Section 7.5 presents extensive experimental results.

## 7.2 Switching Current-Source DCO

Designers shall be able to better optimize the power budget of various IoT radio blocks by understanding the characteristics of BLE power profile. Figure 7.3 illustrates an example power transient breakdown of a commercial BLE device, CC2541, from Texas Instruments during a single connection event [159]. Detailed characteristics of the BLE power profile will, of course, depend on a specific application and the BLE device itself. However, the durations of data reception and transmission will typically remain stable for a specific event. Consequently, representative activity times of various BLE RF blocks can be discerned from Fig. 7.3. Henceforth, the frequency synthesizer activity is at least 3 times longer than that for a PA. Furthermore,



the literature survey indicates that the power consumption of a PLL is merely 3–4 times lower than that of the PA at the maximum BLE output power of 1 mW. This ratio gets even more dramatic as the transmitter output power goes down. By considering both scenarios, the energy consumption of the frequency synthesizer could be as large as the PA. Consequently, RF oscillators, as one of the BLE transceiver’s most power hungry circuitry, must be very power efficient and preferably operate directly at the energy harvester output. In this section, a new RF oscillator topology is proposed to address the aforementioned constraints without sacrificing manufacturability and phase purity [160].

### 7.2.1 Oscillator Power Consumption Tradeoffs

The oscillator phase noise (PN) requirements can be calculated by considering the toughest BLE blocking profile:

$$\mathcal{L}(\Delta\omega) = P_{signal} - P_{blocker} - SNR_{min} - 10\log_{10}(BW). \quad (7.1)$$

The received packet error rate (PER) must be better than 30.8% while the wanted signal is just 3 dB above the reference sensitivity level of -70 dBm and in face of an in-band blocker of -40 dBm located at 3 MHz offset from the desired channel. Furthermore, the required signal-to-noise ratio (SNR) should be better than 15 dB to support such PER for a GFSK signal with a modulation index  $m = 0.5$  [161]. By replacing the aforementioned values in (7.1), PN shall be better than -105 dBc/Hz at  $\Delta\omega = 2\pi \cdot 3$  MHz. Hence, the PN requirements are quite trivial for IoT applications and can be easily met by LC oscillators as long as Barkhausen start-up criterion is satisfied over process, voltage and temperature (PVT) variations<sup>1</sup>. Consequently, reducing oscillator power consumption,  $P_{DC}$ , is the ultimate goal in IoT applications.

The PN of any class of an RF oscillator (i.e., class-B) at an offset frequency  $\Delta\omega$  from its resonating frequency  $\omega_0$  can be expressed as

$$\mathcal{L}(\Delta\omega) = 10\log_{10} \left( \frac{KT}{2Q_t^2 \alpha_I \alpha_V P_{DC}} \cdot F \cdot \left( \frac{\omega_0}{\Delta\omega} \right)^2 \right) \quad (7.2)$$

where,  $K$  is the Boltzmann’s constant,  $T$  is the absolute temperature,  $Q_t$  is the LC-tank quality factor;  $\alpha_I$  is the current efficiency, defined as ratio of the fundamental current harmonic  $I_{\omega_0}$  over the oscillator DC current  $I_{DC}$ ; and  $\alpha_V$  is the voltage efficiency, defined as a ratio of the single-ended oscillation amplitude,  $V_{osc}/2$ , over the supply voltage  $V_{DD}$  [88] [163]. Furthermore,  $F$  is the effective noise factor of the oscillator.

Eq. 7.2 clearly demonstrates a trade-off between the oscillator’s  $P_{DC}$  and PN. Furthermore, the oscillator’s figure-of-merit (FoM) normalizes the PN performance to the oscillation frequency and power consumption, yielding

$$FoM = 10\log_{10} \left( \frac{10^3 KT}{2Q_t^2 \alpha_I \alpha_V} \cdot F \right) \quad (7.3)$$

---

<sup>1</sup>Ring oscillators can also satisfy such a relaxed phase noise requirement. However, they consume much higher power than LC oscillators at  $f_0 \geq 1$  GHz [162].

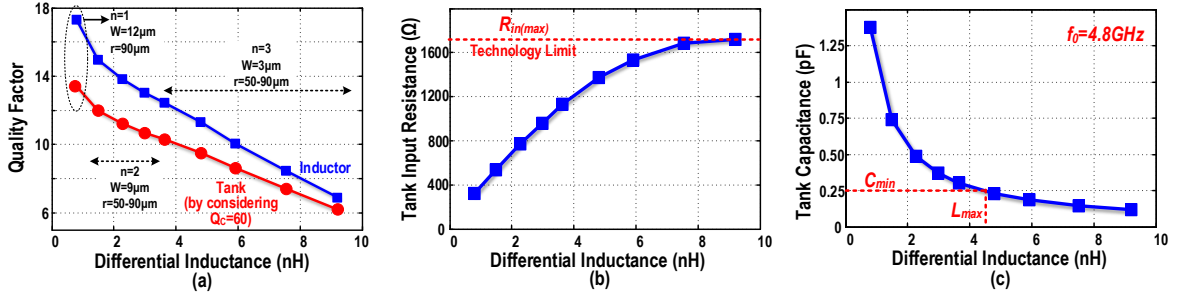


Figure 7.4: Dependency of various inductor parameters in 28 nm LP CMOS across inductance value: (a) inductor and tank Q-factor; (b) equivalent differential input resistance of the tank; and (c) required tank capacitance at 4.8 GHz resonance. Note that at this point the inductors are without dummy metal fills.

The effective noise factor  $F$  is expressed by [27] [21]

$$F = \frac{R_{in}}{2KT} \cdot \sum_i \frac{1}{2\pi} \int_0^{2\pi} \overline{i_{n,i}^2(\phi)} \cdot \Gamma_i^2(\phi) d\phi \quad (7.4)$$

where,  $\phi = \omega_0 t$ ,  $\overline{i_{n,i}^2(\phi)}$  is the white current noise power density of the  $i^{th}$  noise source,  $\Gamma_i$  is its relevant ISF function from the corresponding  $i^{th}$  device noise [31]. Finally,  $R_{in}$  is an equivalent differential input parallel resistance of the tank's losses. The oscillator  $I_{DC}$  may be estimated by one of the following equations:

$$I_{DC} = \frac{I_{\omega_0}}{\alpha_I} \xrightarrow{I_{\omega_0} = \frac{V_{osc}}{R_{in}}} I_{DC} = \frac{V_{osc}}{R_{in}} \cdot \frac{1}{\alpha_I} \xrightarrow{V_{osc} = 2\alpha_V V_{DD}} I_{DC} = \frac{2V_{DD}}{R_{in}} \cdot \frac{\alpha_V}{\alpha_I}. \quad (7.5)$$

As a result, the RF oscillator's  $P_{DC}$  is derived by

$$P_{DC} = \frac{V_{DD}^2}{R_{in}} \cdot \frac{\alpha_V}{\alpha_I}. \quad (7.6)$$

Eq. 7.6 indicates that the minimum achievable  $P_{DC}$  can be expressed in terms of a set of *optimization* parameters, such as  $R_{in}$ , and a set of *topology*-dependent parameters, such as minimum supply voltage ( $V_{DD,min}$ ), current and voltage efficiencies.

Lower  $P_{DC}$  is typically achieved by scaling up  $R_{in} = L_P \omega_0 Q_t$  simply via a large multi-turn inductor, as in [164]. For example, while maintaining a constant  $Q_t$ , doubling  $L_P$  would theoretically double  $R_{in}$ , which would reduce  $P_{DC}$  by half but at a cost of a 3 dB PN degradation. However, at some point, that tradeoff stops due to a dramatic drop in the inductor's self-resonant frequency and Q-factor. Figure 7.4 (a) shows the simulated Q-factor of several multi-turn inductors in 28 nm CMOS versus their inductance values. As the inductor enlarges, the magnetic and capacitive coupling to the low-resistivity substrate increases, such that the tank Q-factor drops almost linearly with  $L_P$ . As can be gathered from Fig. 7.4 (b), this constraint sets an upper limit on maximum  $R_{in} = L_P \omega_0 Q_t$ , which is chiefly a function of the technology node. Note that the inductor's value is largely dependent on its physical dimensions, rather than on the technology. However, the tank Q-factor is a bit degraded in the most recent process nodes (i.e., 28 nm) mainly due to more stringent minimum metal density rules, closer separation between the top-metal and substrate as well as thinner lower-level metals that are used in metal-oxide-metal

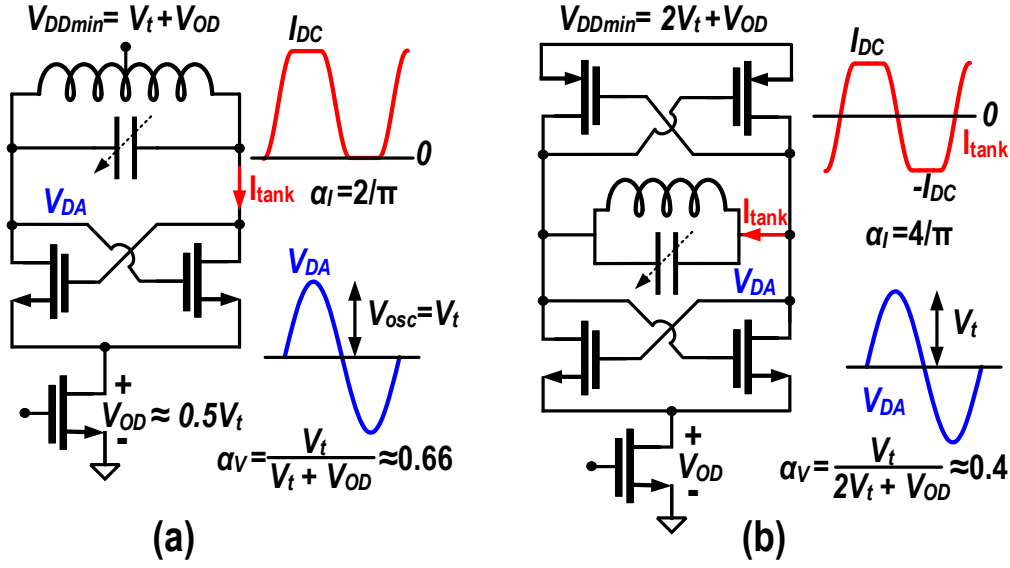


Figure 7.5:  $V_{DD,min}$ ,  $\alpha_I$  and  $\alpha_V$  parameters for: (a) cross-coupled NMOS; and (b) complementary push-pull oscillators.

Table 7.2: Minimum  $P_{DC}$  for different RF oscillator topologies.

Topology	$V_{DD,min}^\dagger$	$\alpha_V^\ddagger$	$\alpha_I^*$	$P_{DCmin}$	$\alpha_V \cdot \alpha_I$
OSC <sub>N</sub>	$V_t + V_{OD} \approx 1.5V_t$	0.66	$2/\pi$	$4.66 V_t^2 / R_{in}$	0.42
OSC <sub>NP</sub>	$2V_t + V_{OD} \approx 2.5V_t$	0.4	$4/\pi$	$3.92 V_t^2 / R_{in}$	0.51
OSC <sub>NP</sub> with tail filter	$2V_t + V_{OD} \approx 2.5V_t$	0.63	$4/\pi$	$6.2 V_t^2 / R_{in}$	0.8
Class-C <sub>NP</sub>	$2V_t + V_{OD} \approx 2.5V_t$	0.25	2	$0.15\text{mW} + 1.56 V_t^2 / R_{in}$	0.5
Class-D	$\approx V_t$	1.635	0.5	$6.54 V_t^2 / R_{in}$	0.82
Class-F <sub>3</sub>	$V_t + V_{OD} \approx 1.5V_t$	0.66	$2/\pi$	$4.66 V_t^2 / R_{in}$	0.42
This work	$V_t + V_{OD} \approx 1.5V_t$	0.33	$4/\pi$	$1.2 V_t^2 / R_{in}$	0.42

<sup>†</sup> by considering  $V_{OD} = 0.5V_t$  for the current source, <sup>‡</sup> at the minimum  $V_{DD}$ , \* ideal value

(MoM) capacitors. As a consequence, it is expected that  $R_{in(max)}$  slightly reduces by migrating to finer CMOS technologies.

Parasitic capacitance of inductor windings, gm-devices, switchable capacitors and oscillator routings determines a minimum floor of the tank's capacitance, which appears to be  $\sim 250$  fF at  $f_0 = 4.8$  GHz. It puts another restriction on  $L_p$  and  $R_{in(max)}$  to  $\sim 4.5$  nH and  $\sim 1.3$  k $\Omega$  and sets an lower limit on  $P_{DC}$  of each oscillator structure. Under this condition, the tank's Q-factor drops to  $\leq 9$ . This explains the poor FoM of RF oscillators in modern BLE transceivers.

The topology-dependent parameters also play an important role in trying to reduce  $P_{DC}$ . Eq. (7.6) favors structures that offer higher  $\alpha_I$  or can sustain oscillation with smaller  $V_{DD}$  and  $\alpha_V$ . On the other hand,  $\alpha_V \cdot \alpha_I$  should be maximized to avoid any penalty on FoM [163] [165], as evident from (7.2). Consequently, to efficiently reduce  $P_{DC}$  without disproportionately worsening the FoM, it is desired to employ structures with a higher  $\alpha_I$  and a lower minimum  $V_{DD}$ . To get a better insight, Fig. 7.5 shows such effects for the traditional cross-coupled NMOS-only

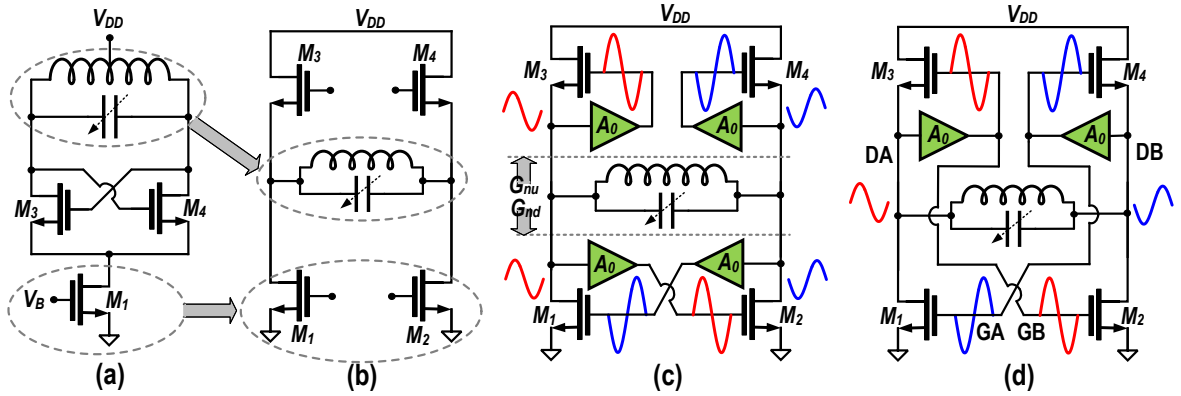


Figure 7.6: Evolution towards the switching current-source oscillator.

(OSC<sub>N</sub>) and complementary push-pull (OSC<sub>NP</sub>) structures [25] [45]. Due to the less stacking of transistors, the  $V_{DD,min}$  of OSC<sub>N</sub> can go 40% lower than in OSC<sub>NP</sub>. However,  $\alpha_I$  of OSC<sub>NP</sub> is doubled due to the switching of tank current direction every half period. Its oscillation swing, and thus  $\alpha_V$ , is also 50% smaller. Hence, OSC<sub>NP</sub> offers  $\sim 3\times$  lower  $\alpha_V/\alpha_I$ . However, both structures demonstrate similar  $\alpha_V \cdot \alpha_I$  product [166]. Consequently, each of them has its own set of advantages and drawbacks such that the minimum achievable  $P_{DC}$  and FoM is almost identical, as shown in Table 7.2. Note that applying a tail filtering technique to a class-B oscillator increases its  $\alpha_V$  [163] [167], which is in line of the FoM optimization but against the  $P_{DC}$  reduction, as evident from (7.2) and (7.6). Furthermore, while maintaining the same  $R_{in}$ , a class-F<sub>3</sub> operation does not reduce  $P_{DC}$  of traditional oscillators, since its minimum  $V_{DD}$ ,  $\alpha_V$  and  $\alpha_I$  are identical to OSC<sub>N</sub> [21].

A push-pull class-C oscillator appears as an excellent choice for ULP applications due to its largest  $\alpha_I$  and smallest  $\alpha_V$  [168], as per Table 7.2. However, it needs an additional complex biasing circuitry (e.g., an opamp) to guarantee the proper oscillator start-up and to keep the transistors in saturation during the on-state. There are also strong mutual tradeoffs between the biasing circuit's  $P_{DC}$ , oscillator's amplitude stability and PN, much intensified in ULP applications where the tank capacitance tends to be smaller [169]. As a consequence, the biasing circuitry can end up consuming comparable power as the ULP oscillator itself. On the other hand,  $V_{DD}$  of class-D oscillators can go below a threshold voltage,  $V_t$ . However, due to hard switching of core transistors, its  $\alpha_V$  and  $\alpha_I$  are respectively higher and lower than other structures [103], as shown in Table 7.2. According to (7.6), this trend is against the  $P_{DC}$  reduction. Consequently, the current oscillator structures have issues with reaching simultaneous ultra-low power *and* voltage operation.

In this work, we propose to convert the fixed current source of the traditional NMOS topology into a structure with alternating current sources such that the tank current direction can change every half-period. Consequently, the benefits of low supply of the OSC<sub>N</sub> topology and higher  $\alpha_I$  of OSC<sub>NP</sub> structure are combined to reduce power consumption further than practically possible in the traditional oscillators.

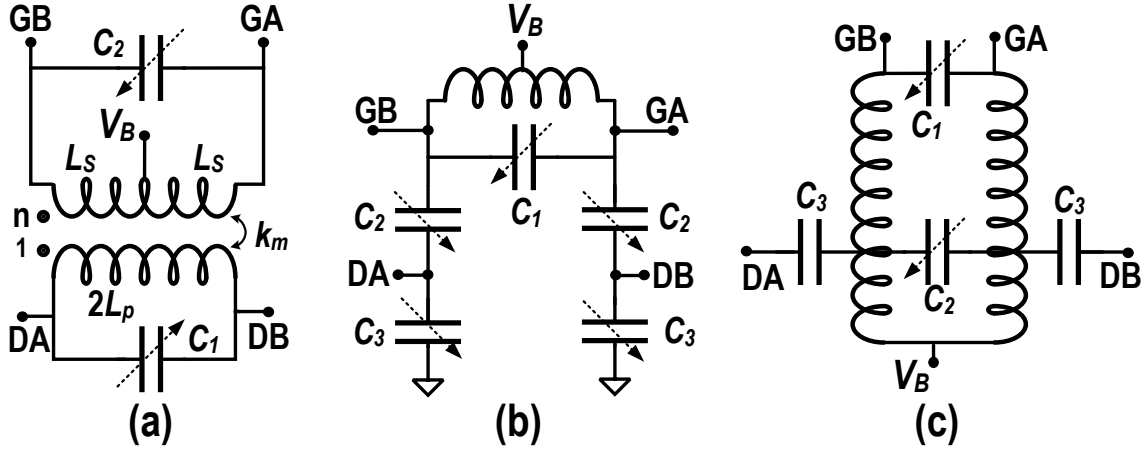


Figure 7.7: Various options of a tank providing voltage gain.

### 7.2.2 Switching Current Source Oscillator

Figure 7.6 shows an evolution towards the switching current-source oscillator. The  $OSC_N$  topology is chosen as a starting point due to its low  $V_{DD}$  capability. To reduce  $P_{DC}$  further, it is desired to switch the direction of the LC-tank current in each half period, which will double  $\alpha_I$ . Consequently, we propose to split the fixed current source  $M_1$  in Fig. 7.6 (a) into two switchable current sources,  $M_1$  and  $M_2$ , as suggested in Fig. 7.6 (b). This allows for the tank to be disconnected from the  $V_{DD}$  feed and be moved in-between the upper and lower NMOS transistor pairs to give rise to an H-bridge configuration. In the next step, the passive voltage gain blocks,  $A_0$ , are added to the NMOS gates, as shown in Fig. 7.6 (c). Both upper and lower NMOS pairs should each independently demonstrate *synchronized* positive feedback to realize the switching of the tank current direction. The “master” positive feedback enforces the differential-mode operation and is realized by the lower-pair transistors configured in a conventional cross-coupled manner. Its negative conductance seen by the tank may be estimated by

$$G_{down} = \frac{-A_0}{4} \cdot (g_{m1}(\phi) + g_{m2}(\phi)). \quad (7.7)$$

On the other upper side, the differential-mode oscillation of the tank is reinforced by the  $M_{3,4}$  devices which realize the second positive feedback.<sup>1</sup> The negative conductance seen by the tank into the upper pair can be calculated by

$$G_{up} = G_{down} = \frac{-(A_0 - 1)}{4} \cdot (g_{m3}(\phi) + g_{m4}(\phi)). \quad (7.8)$$

Eq. (7.8) clearly indicates that the voltage gain block is necessary and  $A_0$  must be safely larger than 1 to be able to present a negative conductance to the tank, thus enabling the H-bridge switching. By merging the redundant voltage gain blocks, the proposed switching current-source oscillator is shown in Fig. 7.6 (d). Note that the tank with an implicit voltage gain can be realized by using a capacitive divider, autotransformer or step-up transformer, as illustrated in Fig. 7.7. The transformer-based tank is chosen in this work due to its simplicity.

<sup>1</sup>It should be noted that the “master/slave” view is mainly valid from a small-signal standpoint. Both are equally important when considering the large-signal switching operation.

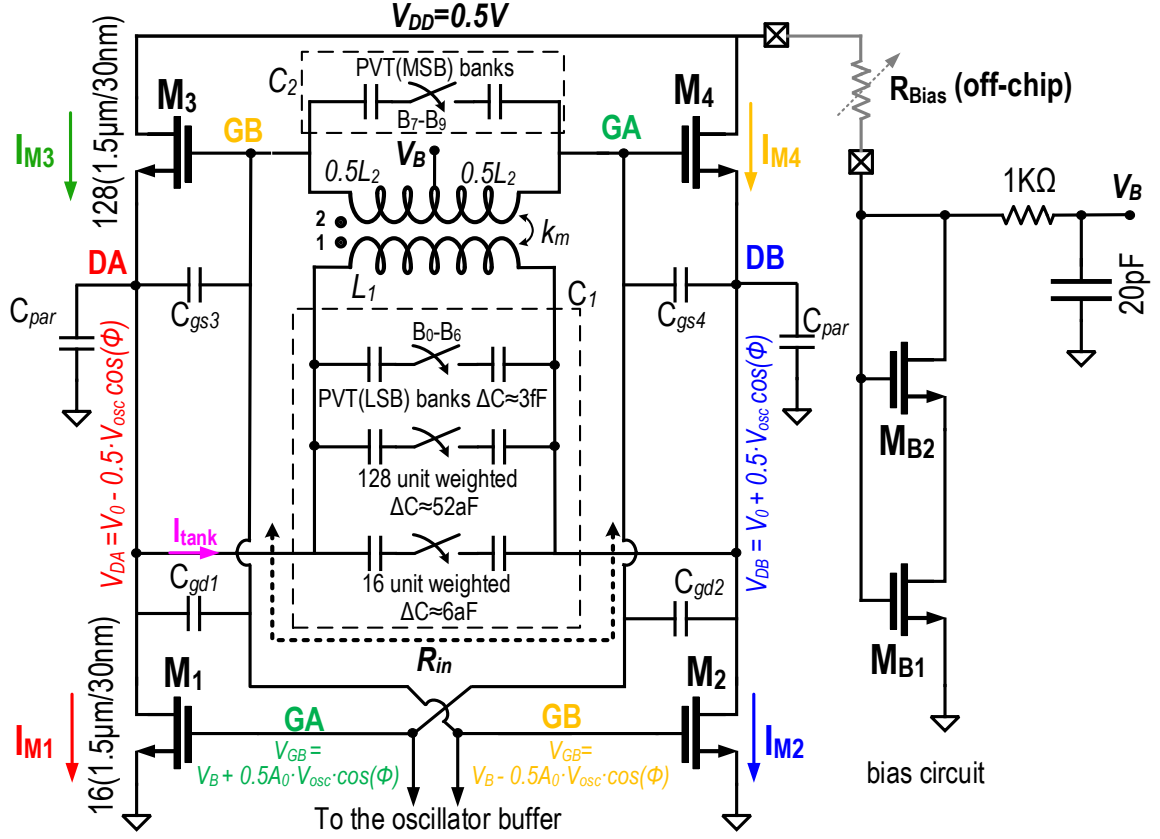


Figure 7.8: Schematic of the proposed switching current-source oscillator.

Figures 7.8–7.9 illustrate the proposed oscillator schematic as well as waveforms and various operational regions of  $M_{1-4}$  transistors across the oscillation period. The two-port resonator consists of a step-up 1:2 transformer and tuning capacitors,  $C_1$ ,  $C_2$ , at its primary and secondary windings. The transistors  $M_{1,2}$  set the oscillator's DC current, while the  $M_{3,4}$  pair acts as a switching current source. Both  $M_{1,2}$  and  $M_{3-4}$  pairs play an equally vital role of switching the tank current direction. As can be gathered from Fig. 7.9,  $G_B$  oscillation voltage is high within the first half-period. Hence, only  $M_2$  and  $M_3$  transistors are on and the current flows from left to right side of the tank. However,  $M_1$  and  $M_4$  are turned on for the second half-period and the tank's current direction is reversed. Consequently, just like in the push-pull structure, the tank current flow is reversed every half-period, thus doubling the oscillator's  $\alpha_I$  to  $4/\pi$ .

The  $V_{DD}$  of the proposed oscillator can be as low as  $V_{OD1} + V_{OD3} \approx V_t$ , which is extremely small for an oscillator with a capability of switching the tank current direction. This makes it suitable for a direct connection to solar cells. Note that the oscillation swing cannot go further than  $V_{OD1,2}$  at DA/DB nodes, which is chosen  $\sim 150$  mV to satisfy the system's phase noise requirement by a few dB margin. However, the maximum required voltage of the circuit is determined by the bias voltage  $V_B$ .

$$V_B \approx V_{OD1} + V_{gs3}. \quad (7.9)$$

Eq. (7.9) implies that  $M_{3,4}$  should work in weak-inversion keeping  $V_{gs3} < V_t$  to achieve lower  $V_{DD,min}$ . However, the transistor's cut-off frequency  $f_{max}$  drops dramatically in the subthreshold

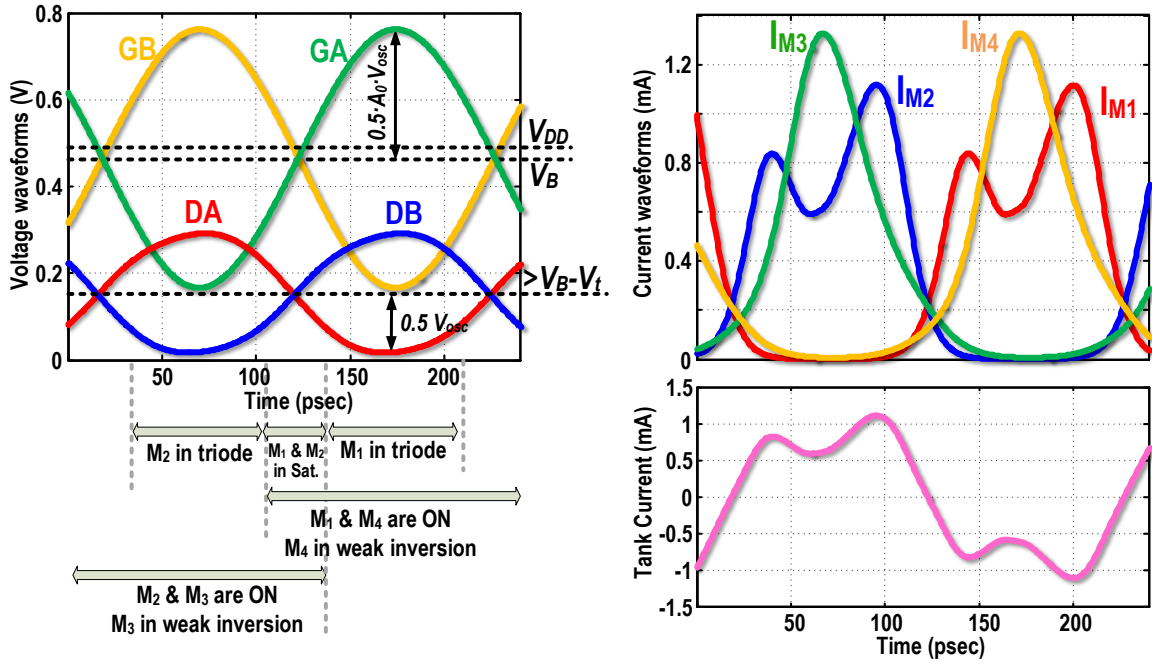


Figure 7.9: Waveforms and various operational regions of  $M_{1-4}$  transistors across the oscillation period.

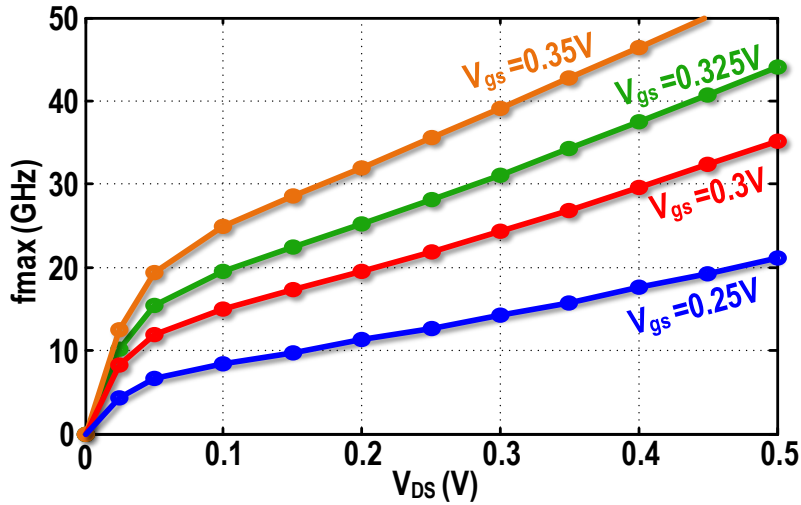


Figure 7.10:  $f_{max}$  of low- $V_t$  28 nm transistor versus  $V_{DS}$  for different  $V_{GS}$ .

operation. Note that  $f_{max}$  should be at least  $4\times$  higher than the operating frequency  $f_0 = 4.8$  GHz to guarantee the oscillator start-up over PVT variations. This constraint limits  $V_{gs3} \approx 0.32$  V for  $V_{OD3} \approx 150$  mV, as can be gathered from Fig. 7.10. Consequently, even by considering only the tougher  $V_B$  requirement, the proposed structure can operate at  $V_{DD}$  as low as 0.5 V, on par with  $OSC_N$ .

Such a low  $V_{DD}$  and oscillation swing can easily lead to start-up problems in the traditional structures. It will certainly increase power consumption,  $P_{buf}$ , of the following buffer, which would require more gain in order to provide a rail-to-rail swing at its output that is interpreted as a local oscillator (LO) clock. Fortunately, the transformer gain enhances the oscillation swing at  $M_{1,2}$  gates to even beyond  $V_{DD}$ , guaranteeing the oscillator start-up and reduction of  $P_{buf}$ . Consequently, the oscillator buffer is connected to the secondary winding of the transformer in

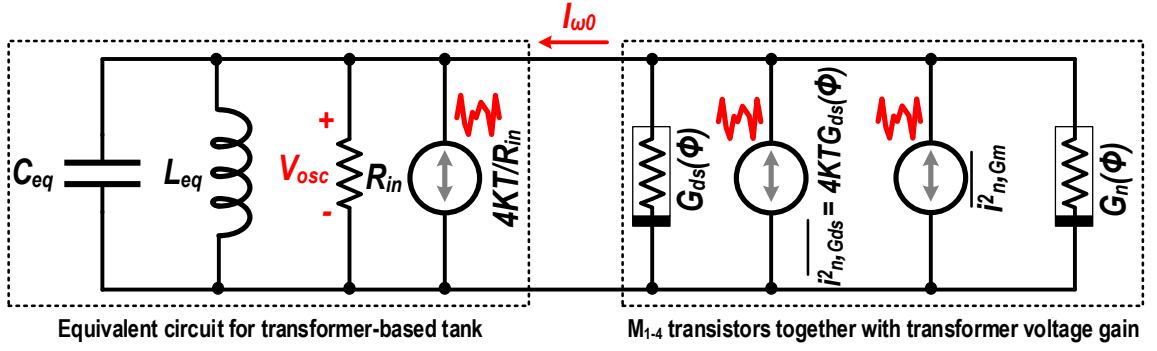


Figure 7.11: Generic noise circuit model of the proposed oscillator.

this design.

As can be gathered from Fig. 7.9, the  $M_{3,4}$  switching current source transistors operate in a class-C manner as in a Colpitts oscillator, meaning that they deliver more or less narrow-and-tall current pulses. However, their non-zero conduction angle is quite wide,  $\sim\pi$ , due to the low overdrive voltage in the subthreshold operation. On the other hand,  $M_{1,2}$  operate in a class-B manner like cross-coupled oscillators, meaning that they deliver square-shape current pulses. Hence, the shapes of drain currents are quite different for the lower and upper pairs. However, their fundamental components demonstrate the same amplitude ( $\alpha_I \approx 2/\pi$ ) and phase to realize the constructive oscillation voltage across the tank. The higher drain harmonics obviously show different characteristics. However, they are filtered out by the tank's selectivity characteristic. Note that the current through a transistor of the upper pair will have two paths to ground: through the corresponding transistor of the lower pair and through the single-ended capacitors. Consequently, the single-ended capacitors sink the higher current harmonics of  $M_{3,4}$  transistors.

### 7.2.3 Thermal Noise Upconversion in The Proposed Oscillator

To calculate a closed-form PN equation, the proposed oscillator model is simplified in Fig.7.11. At the resonant frequency, the transformer-based tank can be modeled by an equivalent LC-tank of elements  $L_{eq}$ ,  $C_{eq}$  and  $R_{in}$ <sup>1</sup>. On the other hand,  $M_{1-4}$  transistors together with the passive voltage gain of the transformer are decomposed into two nonlinear time-variant conductances. The first one is always negative to compensate for the circuit losses<sup>2</sup>:  $G_n(\phi) = G_{nd}(\phi) + G_{nu}(\phi) = \frac{-1}{4} [A_0 (g_{m1}(\phi) + g_{m2}(\phi)) + (A_0 - 1) \cdot (g_{m3}(\phi) + g_{m4}(\phi))]$ . The second one is always positive,  $G_{ds}(\phi) = \frac{1}{4} \sum g_{ds,1:4}(\phi)$ , modeling the equivalent channel conductance of  $M_{1-4}$  devices. The noise sources of  $M_{1-4}$  are uncorrelated and always find a path through the tank and via  $C_{par}$  to ground. To get a better insight, the equivalent noise due to channel conductance,  $\overline{i_{n,Gds}^2}(\phi) = 4KT G_{ds}(\phi)$ , and due to transconductance gain,  $\overline{i_{n,Gm}^2}(\phi) = KT(\gamma_1 (g_{m1}(\phi) + g_{m2}(\phi)) + \gamma_4 (g_{m3}(\phi) + g_{m4}(\phi)))$ , of  $M_{1-4}$  are modeled separately here.

It is well known that the relevant impulse sensitivity function of noise sources associated with a sinusoidal waveform oscillator,  $V_{osc} \cdot \cos \phi$ , may be estimated by  $\Gamma = \sin(\phi)$  [31] [25]. By

<sup>1</sup>The interested reader is directed to [170] for accurate closed-form equations of  $L_{eq}$ ,  $C_{eq}$  and  $R_{in}$ .

<sup>2</sup>Calculated following the method in [43].



exploiting (7.4), the effective noise factor due to resistive losses of the oscillator becomes

$$\begin{aligned}
F_{loss} &= \frac{R_{in}}{2KT} \cdot \frac{1}{2\pi} \int_0^{2\pi} 4KT \left( \frac{1}{R_{in}} + G_{ds}(\phi) \right) \cdot \sin^2(\phi) \cdot d\phi = \\
&\frac{1}{2\pi} \int_0^{2\pi} 2 \sin^2(\phi) d\phi + R_{in} \left( \frac{1}{2\pi} \int_0^{2\pi} G_{ds}(\phi) \cdot d\phi - \frac{1}{2\pi} \int_0^{2\pi} G_{ds}(\phi) \cdot \cos(2\phi) \cdot d\phi \right) \rightarrow \\
F_{loss} &= 1 + R_{in} (G_{DS}[0] - G_{DS}[2]) = 1 + R_{in} G_{DSEF} = 1 + \frac{R_{in}}{2} (G_{DS1EF} + G_{DS4EF}). \tag{7.10}
\end{aligned}$$

where,  $G_{DS}[k]$  describes the  $k_{th}$  Fourier coefficient of the instantaneous  $G_{ds}(\phi)$ . To get better insight, different components of above equation are graphically illustrated in Fig. 7.12 (a)-(c). The literature interprets  $R_{in}G_{DSEF}$  term in (7.10) as the tank loading effect<sup>1</sup>. In our design,  $M_1$  and  $M_2$  alternatively enter the triode region for part of the oscillation period and exhibit a large channel conductance. As shown in Fig. 7.12 (a), simulated  $0.5R_{in}G_{DS1EF}$  can be as large as 0.6 for the lower pair transistors. However,  $M_{3,4}$  work only in saturation and demonstrate small channel conductance for their entire on-state operation, as evident from Fig. 7.12 (a). Hence, the simulated value of  $0.5R_{in}G_{DS4EF}$  is as low as 0.15 for upper pair transistors. Note that both NMOS and PMOS pairs of the  $OSC_{NP}$  structure simultaneously enter the triode region for part of the oscillation period and load the tank from both sides. In the proposed structure, however, only one side of the tank is connected to the AC ground when either  $M_1/M_2$  is in triode while the other side sees high impedance. Hence, this structure at least preserves the charge of differential capacitors over the entire oscillation period. Consequently, compared to the traditional oscillators, the tank loading effect is somewhat reduced here.

To sustain the oscillation, the average power dissipated in the oscillator's resistive loss,  $R_{in} + 1/G_{ds}(\phi)$ , must equal the average power delivered by the negative resistance,  $G_n(\phi)$ , of the active devices. As proved in [43], this energy conservation requirement results in

$$\begin{aligned}
G_{NEF} &= G_{NDEF} + G_{NUEF} = - \left( \frac{1}{R_{in}} + G_{DSEF} \right) \rightarrow \\
\frac{A_0}{4} (G_{M1EF} + G_{M2EF}) &+ \frac{(A_0 - 1)}{4} \cdot (G_{M3EF} + G_{M4EF}) = \frac{1 + R_{in}G_{DSEF}}{R_{in}}. \tag{7.11}
\end{aligned}$$

As with  $OSC_{NP}$  [45] [43], both upper and lower feedback mechanisms should exhibit almost identical, i.e.,  $\sim 50\%$ , contribution to the compensation of oscillator losses. Consequently,

$$G_{M1EF} + G_{M2EF} = \frac{2}{A_0} \cdot \frac{1 + R_{in}G_{DSEF}}{R_{in}}, \quad \text{and}, \quad G_{M3EF} + G_{M4EF} = \frac{2}{A_0 - 1} \cdot \frac{1 + R_{in}G_{DSEF}}{R_{in}} \tag{7.12}$$

By exploiting (7.4), the effective noise factor due to transconductance gain is calculated as

$$\begin{aligned}
F_{active} &= \frac{1}{2\pi} \int_0^{2\pi} \overline{i_{Gm}^2(\phi)} \cdot \sin^2(\phi) \cdot \frac{R_{in}}{2KT} \cdot d\phi = \\
R_{in} \left( \frac{1}{2\pi} \int_0^{2\pi} \frac{1}{4} \sum_{i=1}^4 \gamma_i g_{m,i}(\phi) d\phi - \frac{1}{2\pi} \int_0^{2\pi} \frac{1}{4} \sum_{i=1}^4 \gamma_i g_{m,i}(\phi) \cdot \cos(2\phi) d\phi \right) &\rightarrow \\
F_{active} &= \frac{R_{in}}{4} [\gamma_1 (G_{M1EF} + G_{M2EF}) + \gamma_4 (G_{M3EF} + G_{M4EF})] \tag{7.13}
\end{aligned}$$

<sup>1</sup>The interested reader is directed to Appendix A for accurate closed-form equations of  $G_{DS1EF}$  and  $G_{DS4EF}$ .

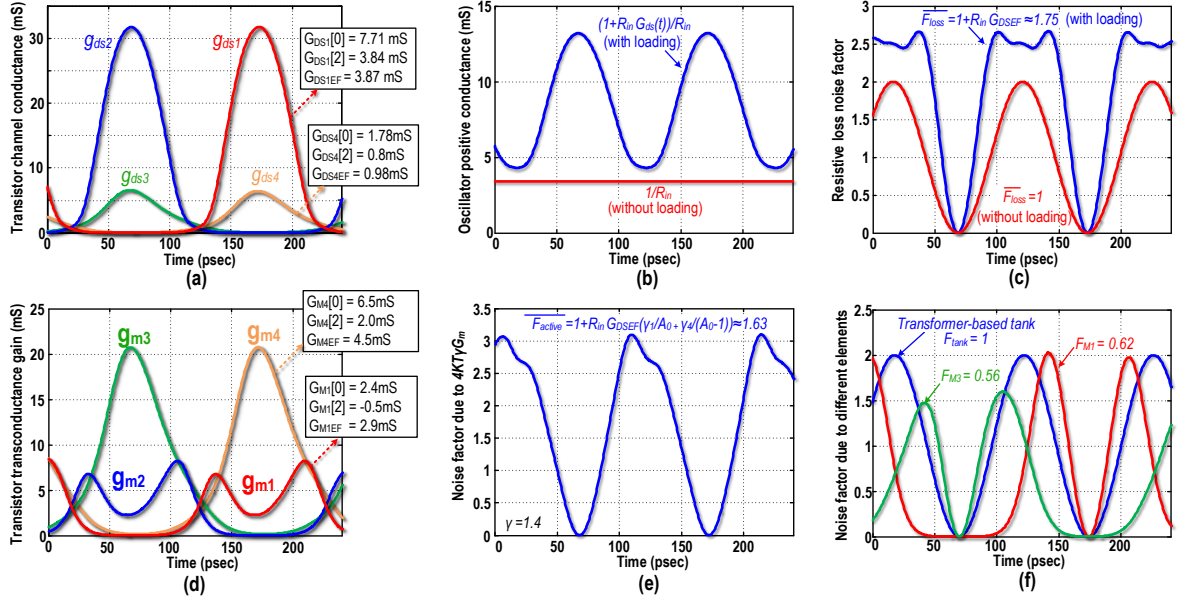


Figure 7.12: Circuit-to-phase noise conversion across the oscillation period in the switching current-source oscillator. Simulated (a) Channel conductance of  $M_{1-4}$ ; (b) Conductance due to resistive losses; (c) Noise factor due to losses; (d) Transconductance of  $M_{1-4}$ ; (e) Effective noise factor due to transconductance gain; (f) Effective noise factors due to different oscillator's components.

To get better insight, different components of above equation are graphically illustrated in Fig. 7.12 (d)–(e). By merging (7.12) into (7.13), we have

$$F_{active} = (1 + R_{in}G_{DSEF}) \cdot \left( \frac{\gamma_1}{2A_0} + \frac{\gamma_4}{2(A_0 - 1)} \right) \quad (7.14)$$

As discussed in conjunction with Fig. 7.6 (c), the transformer's passive voltage gain,  $A_0$ , covers a significant part of the required loop gain of the lower positive feedback. Hence, the lower-pair transistors have to compensate only  $1/(2A_0)$  of the circuit losses. For the upper positive feedback however,  $A_0$  covers a smaller part of the required loop gain. Consequently, the upper transistors should work harder and compensate  $1/(2(A_0 - 1))$  of the oscillator loss. Consequently, as (7.14) indicates, the  $G_M$  noise contribution by the lower pair is smaller. However, its effect on  $F_{loss}$  is larger such that both pairs demonstrate more or less the same contribution to the oscillator PN (see Fig. 7.12 (f)). Finally, the total oscillator effective noise factor is given by

$$F = F_{loss} + F_{active} = (1 + R_{in}G_{DSEF}) \cdot \left( 1 + \frac{\gamma_1}{2A_0} + \frac{\gamma_4}{2(A_0 - 1)} \right) \quad (7.15)$$

By considering  $\gamma_1 = \gamma_4 = 1.4$  and  $A_0 = 2.15$ , the noise factor of the proposed oscillator is  $\sim 5.3$  dB, which is just 1.5 dB higher than the ideal value of  $(1 + \gamma)$  despite the aforementioned practical issues of designing ultra-low voltage and power oscillators. The phase noise and FoM of the proposed oscillator can be calculated by replacing (7.15) in (7.2).

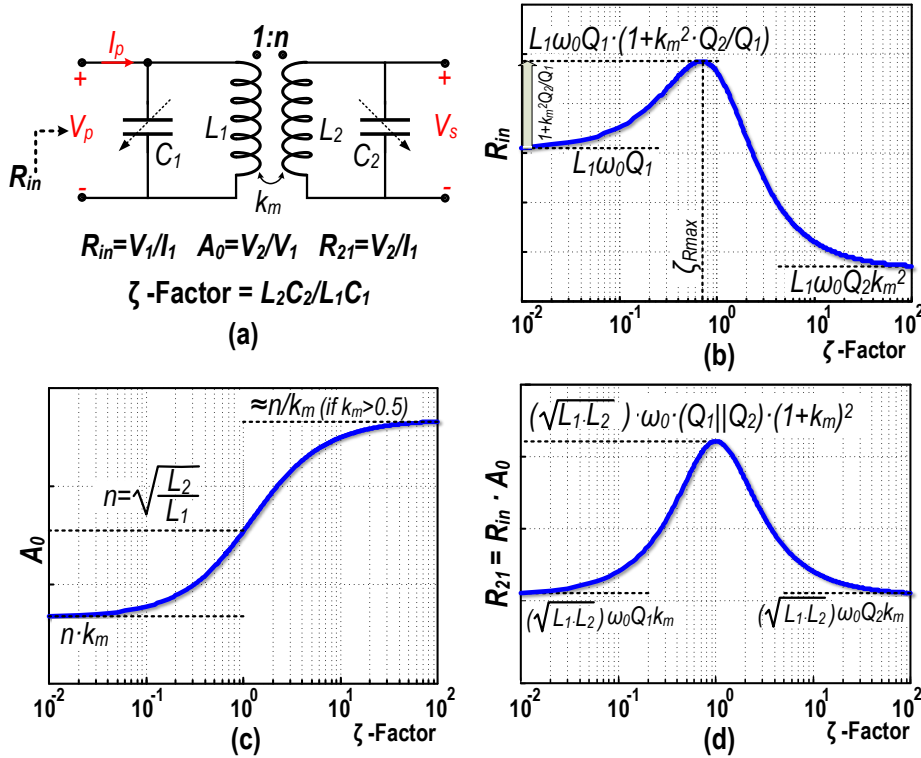


Figure 7.13: Transformer-based tank: (a) schematic; (b) input parallel resistance; (c) voltage gain; and (d)  $R_{21}$  versus  $\zeta$ -factor.

## 7.2.4 1/f Noise Upconversion in The Proposed Oscillator

Several techniques have been exploited to improve the oscillator's 1/f noise upconversion. First, dynamically switching the bias-setting devices  $M_{1,2}$  will reduce their flicker noise, as also demonstrated in [171]. It also lowers a DC component of their effective impulse sensitivity function. Second, as discussed in [100], a second-order harmonic of the gm-devices' drain current flows into the capacitive part of the tank due to its lower impedance and creates asymmetric rise and fall times for the oscillation waveform. It directly increases a DC value of the oscillator ISF and thus its  $1/f^3$  PN corner. As suggested in [100] and [172], this phenomenon can be alleviated by realizing an auxiliary resonance at  $2\omega_0$  such that the second harmonic current flows into equivalent resistance of the tank in order to avoid disturbing the rise and fall time symmetry of the oscillation voltage. Since common-mode signals, such as a second harmonic of the drain current, cannot see the tuning capacitance at the transformer secondary winding [88], the auxiliary  $2\omega_0$  can be realized without die area penalty and by adjusting the single-ended capacitance at the transformer primary winding [100].

The last source of the 1/f noise is  $M_{B1}$  in the biasing circuitry. By exploiting long channel device for biasing, its power consumption becomes negligible compared to the oscillator core while  $M_{B1/B2}$  occupy larger area and thus generate lower 1/f noise. Consequently, based on aforementioned techniques, a lower  $1/f^3$  PN corner is expected than in the traditional oscillators.

## 7.2.5 Optimizing Transformer-based Tank

The transformer-based tank's input equivalent resistance,  $R_{in}$ , and voltage gain,  $A_0$ , should be maximized for the best system efficiency. Both optimization parameters are a strong function

of  $\zeta=L_2C_2/L_1C_1$  [170], as shown in Fig. 7.13.  $R_{in}$  may be estimated by

$$R_{in} = L_1\omega_0Q_1 \cdot \frac{(1 - (\frac{\omega_0}{\omega_s})^2(1 - k_m^2))\zeta}{-(\frac{\omega_0}{\omega_s})^4(1 + \frac{Q_1}{Q_2}) + (\frac{\omega_0}{\omega_s})^2(1 + \frac{Q_1}{Q_2}\zeta)} \quad (7.16)$$

where,  $\omega_s^2 = 1/L_2C_2$ , and  $Q_1$  and  $Q_2$  are respectively the Q-factors of the transformer's primary and secondary windings. It can be shown that  $R_{in}$  reaches its maximum when

$$\zeta_{Rmax} = \frac{Q_2}{Q_1} \cdot \left( \frac{Q_2}{Q_1 + Q_2} \cdot k_m^2 + \frac{Q_1}{Q_1 + Q_2} \right). \quad (7.17)$$

Note that the tank Q-factor is maximized at different  $\zeta = Q_2/Q_1$  [21]. The maximum  $R_{in}$  is obtained by inserting (7.17) into (7.16)

$$R_{inmax} = L_1\omega_0Q_1 \cdot \left( 1 + k_m^2 \cdot \frac{Q_2}{Q_1} \right). \quad (7.18)$$

Consequently, the transformer's coupling factor  $k_m$  enhances  $R_{in}$  by a factor of  $\sim(1+k_m^2)$  at  $\zeta_{Rmax}$ . For this reason, the switched-capacitor banks are distributed between the transformer's primary and secondary to roughly satisfy (7.17). For  $k_m \geq 0.5$ , the voltage gain of the transformer-based tank may be estimated by

$$A_0 = \frac{2k_m n}{1 - \zeta + \sqrt{1 + \zeta^2 + \zeta(4k_m^2 - 2)}}. \quad (7.19)$$

As shown in Fig. 7.13 (c),  $A_0$  increases with larger  $\zeta$ . Note that larger  $R_{in}$  and  $A_0$  are desired to reduce  $P_{DC}$  and  $P_{buf}$ , respectively. To consider both scenarios, trans-impedance  $R_{21}=R_{in} \cdot A_0$  term is defined and depicted in Fig. 7.13 (d).  $R_{21}$  reaches its maximum at  $\zeta=1$  for  $Q_1 \approx Q_2$ , which is reasonable for monolithic transformers. We also define the maximum of  $R_{21}$  as the transformer FoM  $= (Q_1 \parallel Q_2) \cdot (1+k_m)^2 \cdot \sqrt{L_1L_2} \cdot \omega_0$ . Consequently, the transformer dimensions and winding spacing are chosen to maximize this term.

### 7.3 Class-E/F<sub>2</sub> Switched-mode Power Amplifier

The second most energy-hungry block in a BLE transceiver is the PA<sup>1</sup>. Designing a fully integrated PA optimized for low output power ( $P_{out} < 3$  dBm) with high power-added efficiency (PAE > 40%) is very challenging, especially when the level of all harmonics must be suppressed to below -41 dBm to fulfill the FCC 15.247 regulation. To deliver such a low  $P_{out}$  with the highest PAE to the  $R_L = 50 \Omega$  load, the equivalent resistance  $r_L$  seen by PA switching transistors must be *scaled up* by the PA's output matching network.

A single-ended class-D PA generates the lowest  $P_{out}$  among various flavors of switched-mode PAs when compared at the same supply voltage  $V_{DDPA}$  and  $r_L$ . Hence, the impedance transformation ratio,  $ITR=r_L/R_L$ , and therefore insertion loss of its matching network, can be theoretically the lowest, making the class-D PA an attractive choice for efficient and fully integrated BLE transmitters, as can be also gathered from literature [8]– [10]. However, the

<sup>1</sup>PA is the most power-hungry block in a BLE radio, but it is the second in energy consumption due to its shorter operational cycles – see Fig. 7.3.

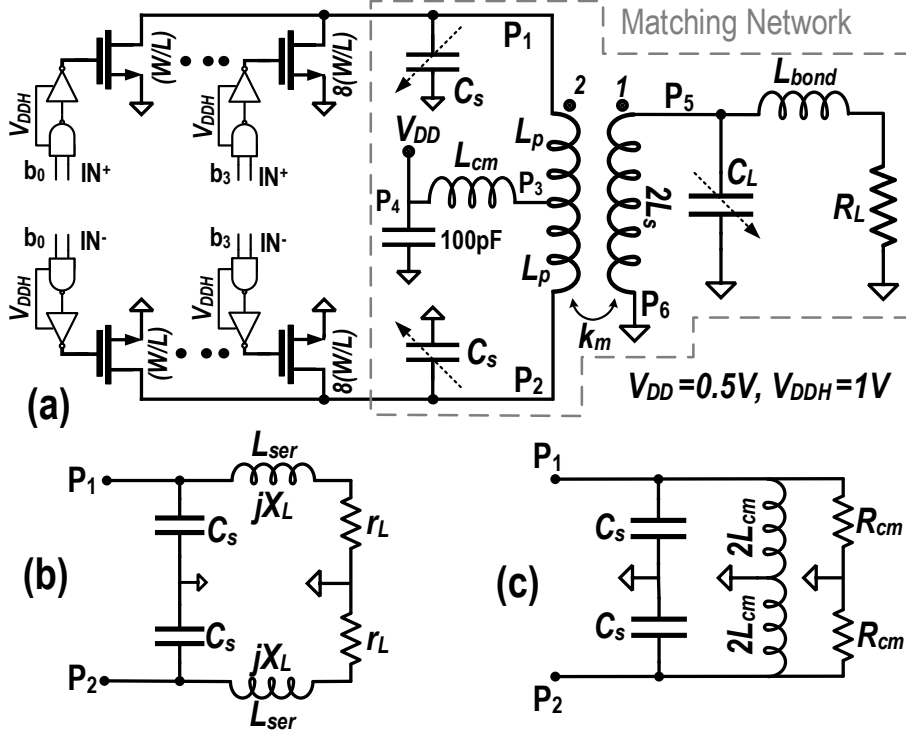


Figure 7.14: (a) Schematic of the proposed class-E/F<sub>2</sub> PA. Equivalent circuit PA's matching network for (b) differential, and (c) common-mode excitations.

second-harmonic emission of single-ended class-D PAs is quite poor and thus an additional feedback structure is needed to adjust the PA's conduction angle to  $\sim\pi$  in order to suppress all even-order harmonics [8]– [10]. However, that circuitry worsens the system power consumption, die area and complexity. Furthermore, a loaded Q-factor of a class-D series LC matching network  $Q_L = L_s\omega_0/R_L$  is quite low ( $\sim 1$  for  $L_s$  as large as 3.5 nH). Hence, its filtering function would not be even close enough to suppress the 3rd harmonic to  $\leq -41$  dBm. As a consequence, an additional on-chip [9], [10] or off-chip [8] low-pass filter is required. This approach dramatically increases the matching network insertion loss and area such that the original benefits of single-ended class-D PAs are lost and the BLE system efficiency is limited to  $\leq 20\%$  in the state-of-the-art publications [8]– [10]. It is also well-known that a discharge of parasitic capacitance of the class-D output switches further increases the PA losses. Furthermore, Q-factor of a single-ended inductor used in a class-D PA is lower than that of a differential one [173], which makes its matching network's insertion loss even worse. Finally, the last stage of class-D PA cannot operate directly at the low solar cell voltage due to stacking of NMOS and PMOS transistors.

In this work, a fully integrated differential class-E/F<sub>2</sub> PA (Fig. 7.14 (a)) is exploited to address the aforementioned issues. The unique characteristics of the proposed PA and its matching network will be optimized in the following subsections.

### 7.3.1 Efficiency and Selectivity Tradeoff in Transformer-based Matching Network

Figure 7.15 illustrates a general schematic of a transformer-based matching network of a switched-mode PA, which performs simultaneously  $m$ -series (i.e., voltage) and  $p$ -parallel (i.e., current) combining [174] [175]. As proven in Appendix B, the matching network efficiency  $\eta_p$

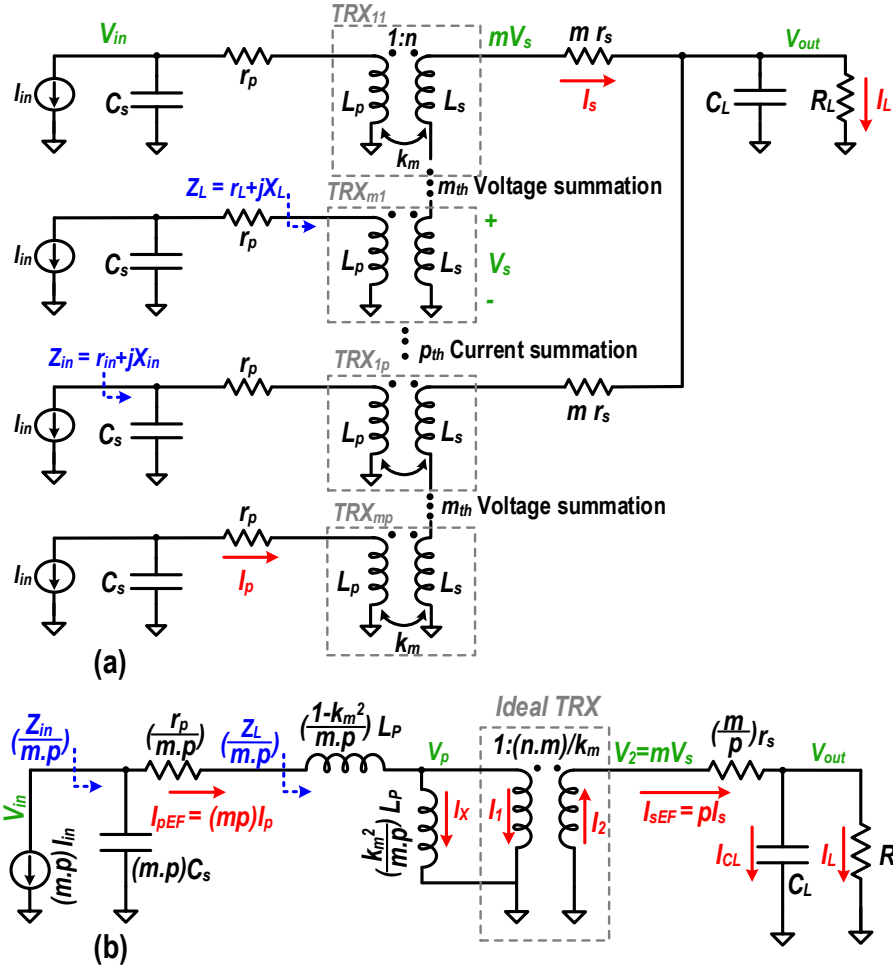


Figure 7.15: (a) Transformer-based matching network with  $m$ -way voltage and  $p$ -way current summation; and (b) its equivalent circuit model.

can be calculated as

$$\eta_p = \frac{R_L}{R_L + \frac{m}{p} \frac{L_s \omega_0}{Q_s} |1 + jR_L C_L \omega_0|^2 + \frac{m}{p} \frac{L_s \omega_0}{k_m^2 Q_p} \left| \frac{1}{Q_s} + \frac{pR_L}{mL_s \omega_0} - R_L C_L \omega_0 + j \left( 1 + \frac{R_L C_L \omega_0}{Q_s} \right) \right|^2}. \quad (7.20)$$

$\eta_p$  is a strong function of the effective inductance seen by the load,  $mL_s/p$ , and  $C_L$ . Hence, for the sake of simplicity,  $\xi$  is defined as  $p/(mL_s C_L \omega_0^2)$ . We also define  $Q_L = R_L C_L \omega_0$  as the loaded Q-factor of the secondary side of the matching network. The  $\eta_p$  reaches its local maximum when

$$\frac{\partial \eta_p}{\partial C_L} = 0 \rightarrow \xi_{opt} = \frac{p}{mL_{s(opt)} C_L \omega_0^2} = 1 + \frac{1}{Q_s^2} + k_m^2 \left( \frac{Q_p}{Q_s} \right) \quad (7.21)$$

By exploiting the  $Q_L$  definition above and replacing  $L_{s(opt)}$  from (7.21) into  $L_s$  in (7.20), and carrying out lengthy algebra, the local maximum of  $\eta_p$  may be estimated by

$$\eta_{p(opt)} = \frac{1}{1 + \frac{1+Q_L^2}{\xi_{opt} Q_s Q_L} + \frac{1}{\xi_{opt} k_m^2 Q_p Q_L} \cdot \left( \left( \frac{1}{Q_s} + Q_L (\xi_{opt} - 1) \right)^2 + \left( 1 + \frac{Q_L}{Q_s} \right)^2 \right)}. \quad (7.22)$$

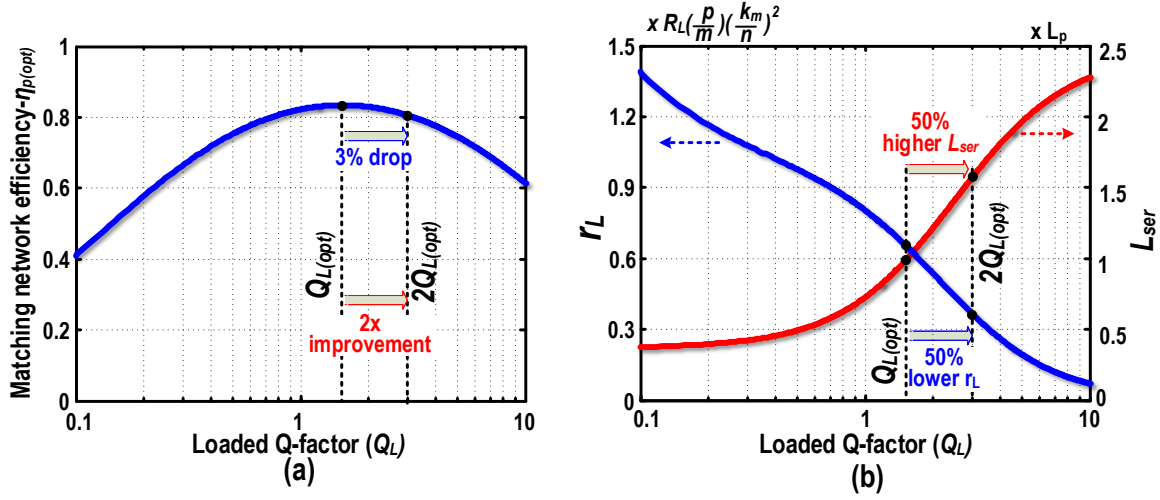


Figure 7.16: (a) Maximum possible efficiency,  $\eta_{p(opt)}$ , and estimated effective Q-factor,  $Q_{MN}$ ; and (b) real and imaginary parts of the equivalent impedance,  $Z_L$ , seen at the transformer's primary winding versus  $C_L$ . Conditions:  $Q_p=11$ ,  $Q_s=17$ ,  $k_m=0.8$ ,  $n=0.5$  and  $f_0=2.45$  GHz.

Figure 7.16 (a) shows the maximum possible passive efficiency  $\eta_{p(opt)}$  versus  $Q_L$ . As can be seen, there exists a global optimum  $Q_L$  that maximizes the transformer-based matching network efficiency at a given frequency. The  $\eta_p$  reaches its global maximum when

$$\frac{\partial \eta_{p(opt)}}{\partial Q_L} = 0 \rightarrow Q_{L(opt)} = \sqrt{\frac{Q_s^2}{1 + k_m^2 Q_p Q_s}} \xrightarrow{k_m^2 Q_p Q_s \gg 1} Q_{L(opt)} \approx \frac{1}{k_m} \sqrt{Q_s}. \quad (7.23)$$

As a result, the global optimum load capacitance,  $C_{L(opt)}$ , may be estimated by  $\frac{1}{k_m R_L \omega_0} \sqrt{\frac{Q_s}{Q_p}}$ . Note that both (7.21) and (7.23) are more general and accurate than in [174]. Using the optimum  $\xi$  and  $Q_L$ , the maximum  $\eta_p$  will be given by

$$\eta_{p(max)} = \frac{1}{1 + \frac{2}{k_m^2 Q_p Q_s} \left(1 + \sqrt{1 + k_m^2 Q_p Q_s}\right)}, \quad (7.24)$$

which is the same result as in [174]. As can be realized from Fig. 7.16 (a), there is a strong tradeoff between the frequency selectivity and efficiency of the transformer-based matching network for  $Q_L \geq Q_{L(opt)}$ . Fortunately, the  $\partial \eta_p / \partial Q_L$  slope is small around  $Q_L = Q_{L(opt)}$ . Combined with the fact that the effective Q-factor of the matching network improves almost linearly with  $Q_L$ , it is therefore desired to use  $Q_L = 2Q_{L(opt)}$  ( $C_L = 2C_{L(opt)}$ ) to double the frequency selectivity of the matching network for the price of a negligible, i.e.,  $\leq 5\%$ , efficiency drop.

### 7.3.2 Impedance Transformation

The matching network should also realize the required load resistance,  $r_L$ , and series inductance,  $L_{ser}$  for proper zero-voltage and zero-slope switching (ZVS and ZdVS) operation of the class-E/F PA. As shown in Appendix B,  $r_L$  may be estimated by

$$r_L \approx R_L \cdot \frac{p}{m} \left(\frac{k_m}{n}\right)^2 \cdot \frac{Q_s + Q_L/\xi}{2\xi Q_L + Q_s + Q_L^2 Q_s (\xi - 1)^2} \quad (7.25)$$

To deliver a relatively low output power  $P_{out} \leq 3$  dBm to the antenna, realizing a larger  $r_L$  is desired. Unfortunately, as can be gathered from (7.25), the voltage summation and imperfect magnetic coupling factor  $k_m$  of the matching network's transformer exhibit reverse effect of reducing  $r_L$ . The  $p$ -way current combining enhances  $r_L$  but at the price of  $(p - 1)$  extra transformers and thus a dramatic increase in the PA die area [175] [136]. Hence, the parallel combining is not considered in this work. Eq. (7.25) further indicates that a step-down transformer ( $n:1$ ) with a large turns ratio ( $n > 1$ ) could be used to enhance  $r_L$ . However, Q-factor of transformer windings, and thus its efficiency, drops dramatically as  $n$  grows. Consequently, the turns ratio of 2 was chosen in consideration of both the  $r_L$  enhancement and  $\eta_p$  optimization scenarios.  $P_{out}$  is further reduced by using  $V_{DD}=0.5$  V (i.e., half the regular supply level) for the drains of switching transistors with the side effect of  $\sim 6$  dB lower power gain for PA's transistors. However, the power gain of 28 nm NMOS devices is high enough at a relatively low frequency of 2.4 GHz such that the 6 dB power gain penalty has a negligible effect on the total system efficiency. Furthermore, the drain voltage peak of the switching transistors is now  $\leq 1.5$  V, thus alleviating reliability issues due to a gate-oxide breakdown [88] [39].

As shown in Appendix B, the equivalent series inductance,  $L_{ser}$ , seen from the transformer's primary is

$$L_{ser} = L_p \left[ (1 - k_m^2) + k_m^2 \cdot \frac{2\xi Q_L + Q_L^2 Q_s \xi (\xi - 1)}{2\xi Q_L + Q_s + Q_L^2 Q_s (\xi - 1)^2} \right]. \quad (7.26)$$

Note that switched-mode PAs typically need a large  $L_{ser}$  to satisfy the ZVS/ZdVS criteria, which leads to a big inductor with a reduced Q-factor. As can be gathered from (7.26) and Fig. 7.16 (b),  $L_{ser}$  increases with a larger  $C_L$  and thus  $Q_L$  for  $\xi \geq 1$ , which coincides with efforts to optimize  $\eta_p$  (see (7.21)). More interestingly,  $L_{ser}$  can even be larger than the transformer's primary inductance,  $L_p$ , for  $C_L \geq C_{L(opt)}$ , which helps to reduce both matching network dimensions and insertion loss. Unfortunately,  $r_L$  reduces with  $C_L$  and thus the highest PA efficiency occurs at higher output power levels. Consequently, it is again desired to choose  $C_L \approx 2C_{L(opt)}$  by considering the tradeoff between  $r_L$  and  $L_{ser}$  enhancement factors.

### 7.3.3 Class-E/F<sub>2</sub> Operation

Figure 7.14 (b) illustrates an equivalent circuit of the PA matching network in the differential mode at the fundamental frequency  $\omega_0$ . At all higher odd harmonics,  $L_{ser}$  presents high impedance and thus the only load seen by the switch is its parallel capacitance,  $C_s$ . Hence, for odd harmonics the load impedance behaves similarly as in the traditional class-E PA.

As illustrated in Fig. 7.17, the step-down 2:1 transformer acts differently to the common-mode (CM) and differential-mode (DM) input signals. When the transformer's primary is excited by a CM signal [Fig. 7.17(b)], the magnetic flux excited within two turns of the primary winding cancels itself out [93]. Consequently, the transformer's primary inductance is negligible and no current is induced at the transformer's secondary ( $k_{m-CM} \approx 0$ ). Hence,  $R_L$ ,  $L_s$  and  $C_L$  cannot be seen by even harmonics of drain current.

Furthermore, the CM inductance,  $2L_{cm}$ , seen by the switching transistors is mainly determined by the dimension of the trace between the transformer's center-tap and decoupling capacitors at the  $V_{DD}$  node. Together with  $C_s$ ,  $2L_{cm}$  realizes a CM resonance,  $\omega_{cm}$ . Note that  $P_{out}$  of the class-E PA can be reduced by  $\sim 2$  dB at the same  $r_L$  and  $V_{DD}$  by means of an addi-



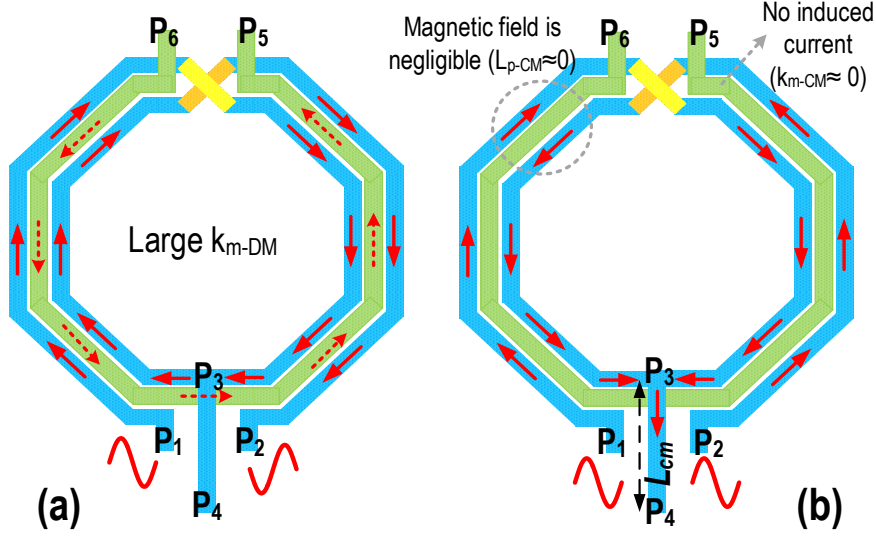


Figure 7.17: Behavior of a 2:1 step-down transformer in: (a) differential-mode, and (b) common-mode excitations.

Table 7.3: Design sets for different flavors of class-E/F PA.

Tuning	$K_C$	$K_L$	$K_P$
<b>E</b>	0.184	1.152	0.577
<b>E/F<sub>2</sub></b>	0.337	1.609	0.381
<b>E/F<sub>3</sub></b>	0.209	0.961	0.657
<b>E/F<sub>2,3</sub></b>	0.323	0.832	0.747
<b>E/F<sub>4</sub></b>	0.218	1.173	0.533
<b>E/F<sub>2,4</sub></b>	0.361	1.667	0.350

tional open circuit acting as the switches' effective load at  $\sim 2\omega_0$  (i.e., class-E/F<sub>2</sub> operation [109]), as can be gathered from the power factor,  $K_P$ , column in Table 7.3. Consequently, this PA needs smaller impedance transformation ratio for  $P_{out} < 3\text{dBm}$ , which results in a lower insertion loss for its matching network and thus higher system efficiency. However, in practice, limited value of an equivalent parallel resistance of the CM resonance,  $R_{cm}$ , leads to a power loss at the second harmonic and thus a penalty on the PA's efficiency if  $\omega_{cm}$  is set at precisely  $2\omega_0$ . Consequently, in this design, we adjust the CM resonance slightly lower (i.e., at  $\sim 1.8\omega_0$ ) to benefit from the lower power factor of semi class-E/F<sub>2</sub> operation while avoiding the additional power loss at even harmonics.

Table 7.3 summarizes the design sets of class-E/F<sub>X</sub> PAs for satisfying the ZVS/ZdVS criteria. The design procedure starts by calculating  $r_L$  for a given  $V_{DD}$  and  $P_{out}$  by

$$r_L = m \cdot p \cdot K_P \cdot \frac{(V_{DD} - V_{Dsat})^2}{P_{out}} \cdot \eta_p. \quad (7.27)$$

where,  $V_{Dsat}$  represents the transistor's average  $V_{DS}$  in the on-state. As explained in [136],  $V_{Dsat}$  is a strong function of the switch size, technology and topology-dependent parameters, and it is set to  $\sim 0.12\text{V}$  to maximize the PAE of the proposed PA. The shunt capacitance,  $C_s$ , and series

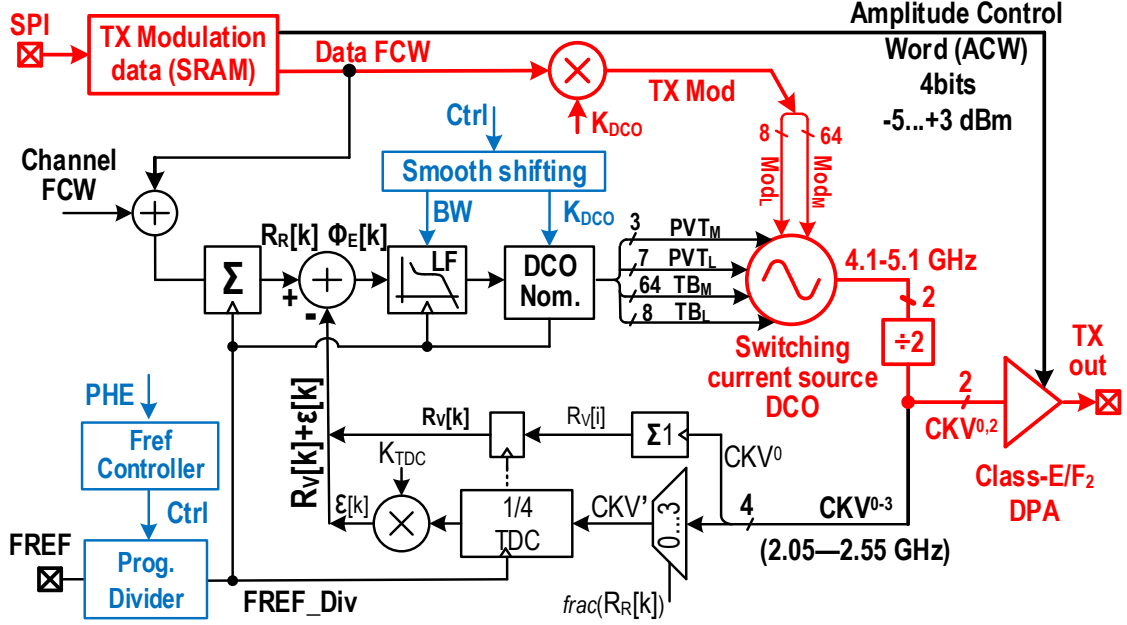


Figure 7.18: Block diagram of the 2.4 GHz ULP Bluetooth Low-Energy transmitter.

inductance,  $L_{ser}$ , may be estimated by exploiting  $K_C$  and  $K_L$  definitions:

$$C_s = \frac{K_C}{r_L \cdot \omega_0} \quad \text{and} \quad L_{ser} = \frac{K_L \cdot r_L}{\omega_0}. \quad (7.28)$$

Now, the transformer geometry should be designed to realize the required  $r_L$  and  $L_{ser}$  by (7.25)–(7.26) while optimizing the matching network efficiency via (7.21)–(7.24). In this work, the circuit variables are as follows:  $r_L \approx 30 \Omega$ ,  $C_s \approx 750 \text{ fF}$ ,  $L_s \approx 440 \text{ pH}$ ,  $C_L \approx 3.5 \text{ pF}$ .

## 7.4 All-Digital Phase-Locked Loop and Transmitter Architecture

Fig. 7.18 shows a block diagram of the proposed ultra-low power (ULP) all-digital PLL (ADPLL), whose architecture is adapted from a high-performance cellular 4G ADPLL disclosed in [19]. Due to the relaxed PN requirements of BLE, the DCO  $\Sigma\Delta$  dithering [82] was removed thanks to the fine switchable capacitance of the tracking bank varactors producing a fine step size of 4 kHz. The DCO features two separate tracking banks (TB): 1) phase-error correction, and 2) direct FM modulation. Each bank is segmented with LSB (i.e.,  $1x \equiv 4 \text{ kHz}$ ) and MSB (i.e.,  $8x$ ) unit-weights. The each TB range is  $4 \text{ kHz} \times (8 + 8 \times 64) = 2.08 \text{ MHz}$ .

The DCO clock is divided by two to generate four phases of a variable carrier clock,  $CKV^{0-3}$ , in the Bluetooth frequency range of  $f_V = 2402\text{--}2478 \text{ MHz}$ . Two of its phases,  $CKV^{0,2}$ , are fed as differential clock signals to the digital PA (DPA) in Fig. 7.14 (a). The four  $CKV^{0-3}$  phases are routed to the phase detection circuitry, which selects the phase whose rising clock edge is *expected* to be the closest to the rising clock edge of a frequency reference (FREF) clock. This prediction is based on two MSB bits of a fractional part of reference phase,  $R_R[k]$ , which is an accumulated frequency command word (FCW). By means of this prediction, the selected TDC

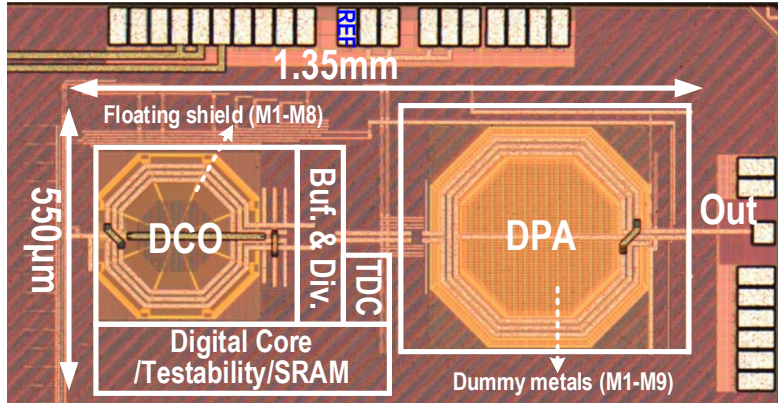


Figure 7.19: Die micrograph of the proposed ULP transmitter.

input clock  $CKV'$  spans a quarter of the original required TDC range, i.e.,  $T_V/4$ , where  $T_V$  is the  $CKV$  clock period. This way, the long string of  $417\text{ ps}/12\text{ ps} > 35$  TDC inverters is shortened by 4x, improving linearity and power consumption by the same amount.

The TDC output, after decoding, is normalized to  $T_V$  by the  $\Delta_{TDC}/T_V$  multiplier and the quadrant estimation, normalized to  $T_V/4$ , is added to produce the phase error  $\phi_E$ . The DCO tuning word is updated based on  $\phi_E$ . The  $\phi_E[k]$  is fed to the type-II loop filter (LF) with 4th-order IIR. The LF is dynamically switched during frequency acquisition to minimize the settling time while keeping the phase noise (PN) at optimum. The built-in DCO gain,  $K_{DCO}$ , and TDC gain,  $K_{TDC}$ , calibrations are autonomously performed to ensure the wideband FM response.

The following architectural innovations allow the ADPLL to support ULP operation (highlighted in blue): The effective sampling rate of the phase detector and its related DCO update is dynamically controlled by scaling-down the FREF clock and simultaneously adjusting the LF coefficients in order to keep the same bandwidth and LF transfer-function characteristics. During the ADPLL settling, the full FREF rate is used, but afterwards its rate could get substantially reduced (e.g., 8x), or completely shut down, thus saving power consumption of the digital circuitry. The resulting in-band PN degradation is tolerable due to low PN of the DCO. In fact, freezing FREF would incur sufficiently low frequency drift during the BLE  $376\mu\text{s}$  packets, while keeping in operation the bare minimum of circuitry highlighted in red.

## 7.5 Experimental Results

Figure 7.19 shows the die photo of the  $0.75\text{ mm}^2$  ULP TX in TSMC 1P9M 28 nm CMOS. Both DCO and PA transformers' windings are realized with top ultra-thick metal<sup>1</sup>. However, they include a lot of dummy metal pieces on *all* metal layers (M1–M9) to satisfy very strict minimum metal density manufacturing rule of advanced ( $\leq 28\text{ nm}$ ) technology nodes. Note that the dummy metals must be significantly thinner than the skin depth at the given frequency to avoid any attenuation of the magnetic field. The skin depth of copper is  $\sim 0.9\mu\text{m}$  at 4.8 GHz, which is much larger than the thickness of lower level metals (M1–M7). Hence, adding small

<sup>1</sup>Implementation of this transmitter has been a joint project with the RF group of TSMC. All measurements have been done by TSMC.

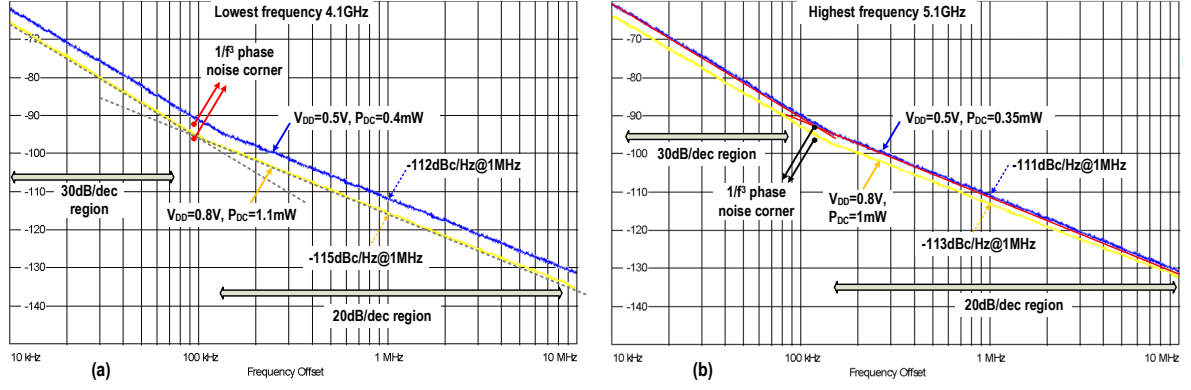


Figure 7.20: Measured phase noise of the proposed oscillator at (a) lowest and (b) highest frequency.

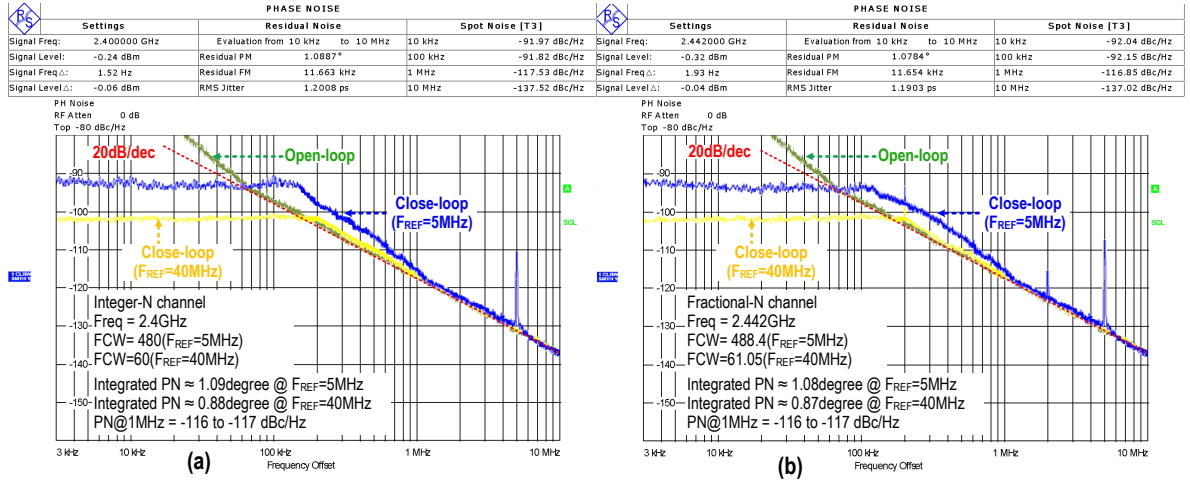


Figure 7.21: Measured transmitter phase noise in open-loop and different close-loop configurations for (a) integer-N and (b) fractional-N channels.

metal pieces (i.e.,  $3\ \mu\text{m} \times 3\ \mu\text{m}$ ) on these layers should not cause any major issues on the performance of inductive elements. However, the thickness of top metal layers (M8 & M9) is comparable with the copper skin depth at  $f_0 \geq 1\ \text{GHz}$ . Hence, adding M8 and M9 dummy metals reduces the transformers' magnetic field and thus their Q-factor by  $\sim 10\%$ . This leads to a negligible reduction of PA's matching network efficiency (i.e.,  $\leq 3\%$ ), 10% increase in the DCO's power consumption and  $\sim 1\ \text{dB}$  degradation of its FoM.

Figure 7.20 displays the phase noise of the proposed oscillator at the lowest and highest tuning frequencies for  $V_{DD} = 0.5\ \text{V}$  and  $0.8\ \text{V}$ , while  $R_{in} \approx 310\ \Omega$ . The measured PN is  $-111\ \text{dBc/Hz}$  at  $1\ \text{MHz}$  offset from  $5.1\ \text{GHz}$  carrier while consuming  $\sim 0.35\ \text{mW}$  at  $0.5\ \text{V}$ . As justified in Section 7.2.4, the  $1/f^3$  PN corner of the oscillator is extremely low (i.e.,  $\leq 100\ \text{kHz}$ ) across the tuning range (TR) of 22% (i.e., from  $4.1$  to  $5.1\ \text{GHz}$ ). Its average FoM is  $189\ \text{dBc}$  and varies  $\pm 1\ \text{dB}$  across the TR. For the supply frequency pushing measurements, the oscillator's  $V_{DD}$  supply is swept within  $0.4$ – $0.6\ \text{V}$  while the off-chip bias resistor  $R_{Bias}$  (see Fig. 7.8) is removed and  $V_B$  is directly connected to an external reference voltage<sup>1</sup>. Contrary to the OSC<sub>NP</sub>

<sup>1</sup>Since  $V_B$  biasing does not consume any DC current, the current consumption of its internal biasing circuit is extremely low ( $< 20\ \mu\text{A}$ ); therefore, realizing an on-chip  $V_B$  voltage reference with a good PSRR would be quite straightforward.

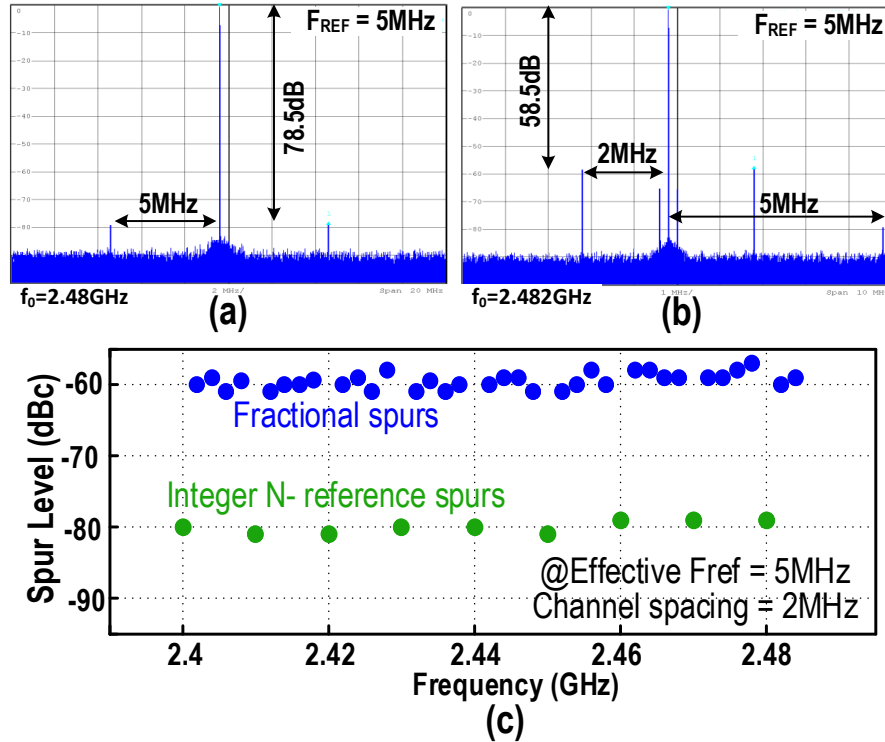


Figure 7.22: Measured ADPLL spectrum for (a) integer-N and (b) fractional-N channels; (c) ADPLL fractional, reference and open-loop spurs versus BLE channels.

structure,  $V_{DD}$  perturbations here cannot directly modulate  $V_{gs}$  and thus the oscillator's DC current and nonlinear  $C_{gs}$  of  $M_{1-4}$  devices. Consequently, the worst-case supply frequency pushing is very low,  $10\text{--}12 \text{ MHz/V}$  across TR, thus making the oscillator suitable for direct connection to solar cells and integration with a PA.

Figure 7.21 shows the phase noise plot of the proposed transmitter at different configurations for both integer-N and fractional-N BLE channels. When used as LO at *undivided*  $40 \text{ MHz}$   $F_{REF}$ , the ADPLL consumes  $1.4 \text{ mW}$  with integrated PN of  $0.87^\circ$  (yellow line in Fig. 7.21). It exhibits in-band PN of  $-101 \text{ dBc/Hz}$ , which corresponds to an average time resolution of  $\sim 12 \text{ ps}$  for TDC. Thanks to the low wander of the DCO, digital power consumption of the rest of ADPLL can be saved by scaling the rate of sampling clock to  $5 \text{ MHz}$ . However, the in-band PN increases by  $10\log_{10}(40/5) = 9 \text{ dB}$  to  $-92 \text{ dBc/Hz}$  with integrated PN of  $\sim 1.08^\circ$  (blue line in Fig. 7.21).

Figure 7.22 shows a representative spectrum of the ADPLL at integer-N and fractional-N channels and summarizes the worst case spur for each BLE channel. The reference spur is  $\sim -80 \text{ dBc}$  and the worst-case fractional spur is  $\sim -60 \text{ dBc}$ . The open-loop spurs are lower than  $-90 \text{ dBc}$  and well below the noise floor of our measurement equipment.

Figure 7.23 shows the spectrum of the transmitter for  $1 \text{ Mb/s}$  GFSK modulation at different modulation indexes and its burst modulation quality. The transmitter fulfills all spectrum mask requirements, while its FSK error is  $2.6\%$ .

To achieve simultaneous fast locking and power savings, the loop bandwidth is dynamically controlled via a gearshift technique [82]. During frequency acquisition, the loop operates in

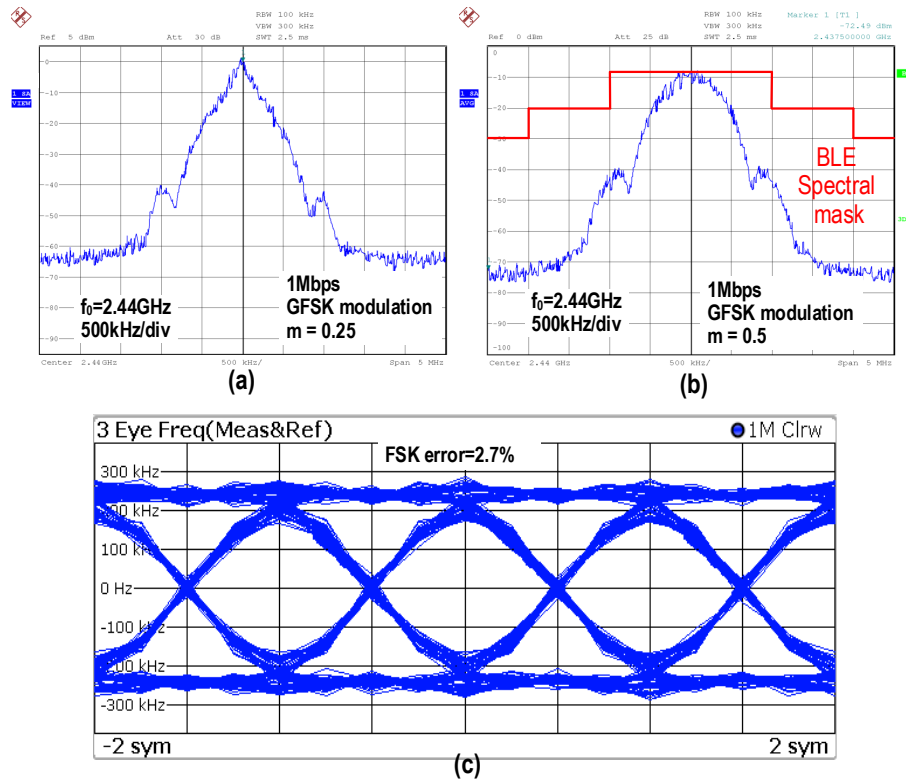


Figure 7.23: Bluetooth GFSK modulation spectrum for modulation index of (a)  $m=0.25$ , (b)  $m=0.5$ , and (c) burst-mode modulation accuracy.

type-I, with a wide bandwidth of 2 MHz. It is then switched to type-II, 4th-order IIR filter with the 500 kHz bandwidth when it enters tracking mode. Finally, the loop bandwidth is reduced to 200 kHz to optimize ADPLL integrated jitter. The measured lock-in time is less than  $15\ \mu\text{s}$  for  $F_{\text{REF}}$  of 40 MHz as shown in Fig. 7.24 (a). Thanks to the low flicker noise, frequency pushing and pulling of the DCO, its frequency drift is extremely small, as demonstrated Fig. 7.24 (b). Consequently, the rest of ADPLL can be shut-down during the modulation to improve the power efficiency of the BLE transmitter. The maximum difference between 0/1 frequency at the start of a BLE packet and 0/1 frequencies within the packet payload should be less than  $\pm 50\ \text{kHz}$ . This specification is properly satisfied with over an order-of-magnitude margin even while in the open loop operation, as shown in Fig. 7.24 (b) and (c).

The PA output level is adjustable between  $-5$  to  $+3\ \text{dBm}$  and reaches peak PAE of 41%, which includes the power consumption of two stages of PA drivers (see Fig. 7.25 (a)). The measured TX harmonic emissions are shown in Fig. 7.25 (b). Due to the differential operation, proper second-harmonic termination and trading negligible efficiency loss for higher loaded Q-factor of PA's matching network, second and third harmonics remain well below the  $-41\ \text{dBm}$  regulatory limit. The proposed TX consumes 3.6/5.5 mW during the open-loop 1 Mb/s GFSK BLE modulation at 0/3 dBm output, resulting in  $\eta_{\text{TX}}=28/36\%$  total TX efficiency. The power consumption would increase by 0.8 mW with TDC, variable counter and digital circuitry turned on when the ADPLL is clocked at 40 MHz  $F_{\text{REF}}$ . Thus, even in the closed loop, with  $\eta_{\text{TX}}=23/32\%$  at 0/3 dBm, it is still 1.5x more power efficient than the prior record. The TX power breakdown is also illustrated in Fig. 7.25 (c).



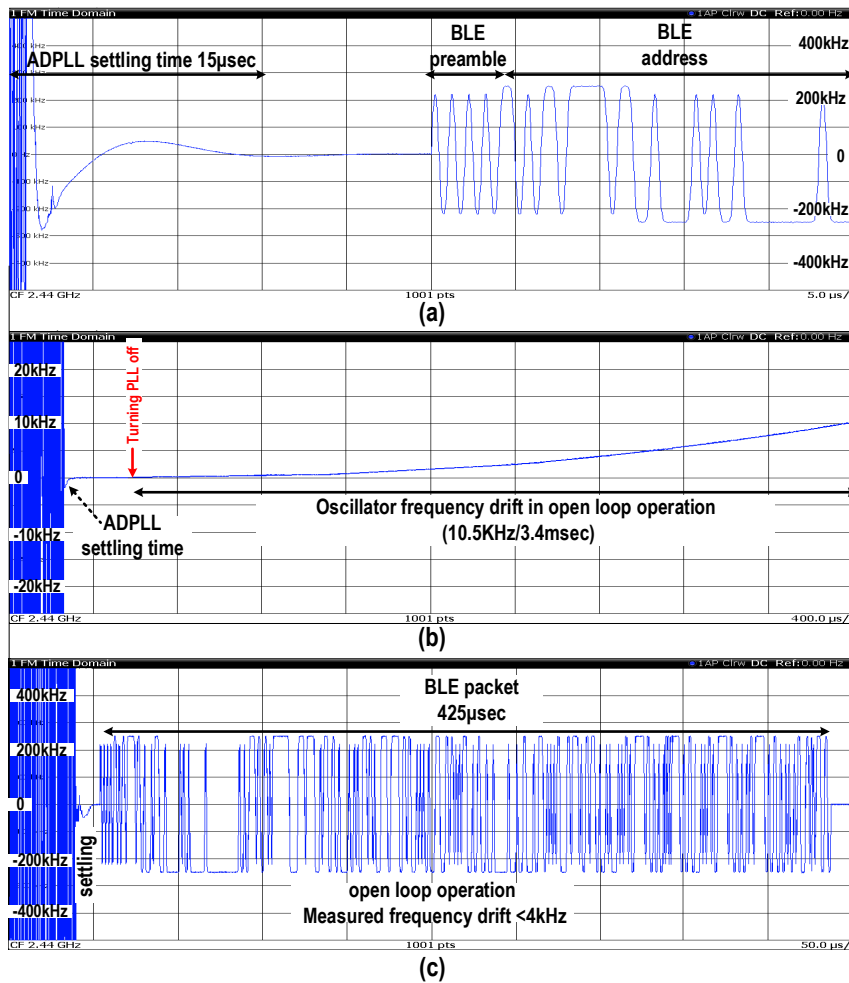


Figure 7.24: (a) ADPLL settling; (b) oscillator frequency drift and (c) demodulated TX frequency for 425  $\mu$ sec BLE packet in the open-loop operation.

Table 7.4 summarizes the performance and compares it with leading ULP transmitters [8–10, 146–149]. The proposed ULP TX achieves the lowest power consumption and phase noise.

## 7.6 Conclusion

We have proposed an ultra-low power (ULP) Bluetooth Low Energy (BLE) transmitter that demonstrates the best ever reported system efficiency and phase purity, while abiding by the strict 28 nm CMOS technology manufacturing rules. A new switching current source oscillator combines advantages of low supply voltage of the conventional NMOS cross-coupled oscillator with high current efficiency of the complementary push-pull oscillator to reduce the oscillator supply voltage and dissipated power further than practically possible in the traditional oscillators. Due to the low wander of DCO, digital power consumption of ADPLL can be significantly saved by scaling down the rate of sampling clock after settling or even shutting it off entirely during direct DCO data modulation. A fully integrated differential class-E/ $F_2$  switching PA is utilized to improve system efficiency at low output power of 0–3 dBm while fulfilling all in-band and out of band emission masks. Its required matching network was realized by exploiting different behaviors of a 2:1 step-down transformer in differential and common-mode excitations.

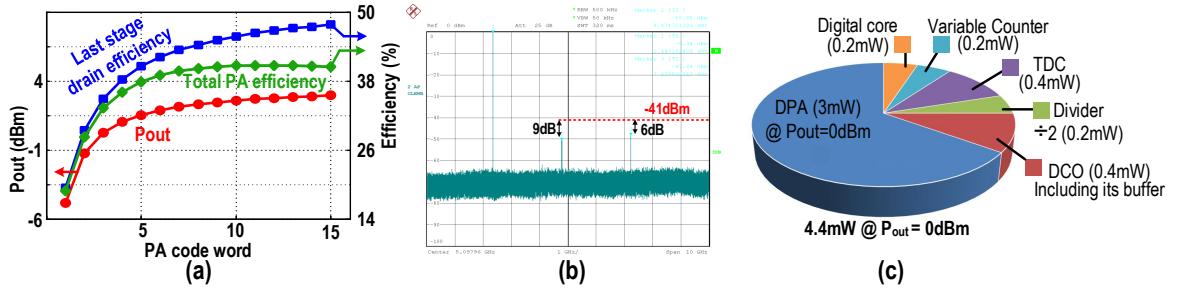


Figure 7.25: (a) PA characteristics; (b) TX harmonic emissions; and (c) TX power breakdown at  $P_{out}=0$  dBm.

Table 7.4: Performance summary and comparison with state-of-the-art.

	This work	ISSCC'15 IMEC	JSSC'15 Dialog	ISSCC'15 Renesas	ISSCC'12 Toumaz	ESSCIRC'14 Frontier	TMTT2013 J. Masuch	CC2640 TI			
<b>CMOS technology</b>	28nm	40nm	55nm	40nm	130nm	65nm	130nm	N/A			
<b>OSC PN @1MHz (dBc/Hz)</b>	-116 to -117	-110	-111.5	N/A	-107	-108.2	-110	-109			
<b>OSC FoM (dB)</b>	188-189	183	179	N/A	N/A	N/A	185	N/A			
<b>OSC tuning range</b>	2.05-2.55GHz (22%)	25%	20%	N/A	N/A	N/A	N/A	N/A			
<b>PLL in-band PN (dBc/Hz)</b>	-92 @ FREF=5MHz -101 @ FREF=40MHz	-90	N/A	N/A	-87	-87.5	-100	N/A			
<b>Integrated PN (degree)</b>	1.08 @ FREF=5MHz 0.87 @ FREF=40MHz	1.5	N/A	N/A	N/A	N/A	N/A	N/A			
<b>PLL FoM* (dB)</b>	-238.65	-236	N/A	N/A	N/A	N/A	N/A	N/A			
<b>PLL settling time(μs)</b>	15	15	15	N/A	N/A	N/A	N/A	N/A			
<b>Reference/Fractional spurs (dBc)</b>	-80 / -60	-70 / -38	N/A	N/A	N/A	N/A	-75/-37	N/A			
<b>TX Modulation error</b>	2.70%	5%	N/A	N/A	7.30%	7%	N/A	N/A			
<b>Output power (dBm)</b>	-5 to +3	-2/1	-20 to 0	0	-30 to +5	-10 to -3	1.6	-21 to +5			
<b>Total PA efficiency</b>	41%	25%	30%	<30%	N/A	<25%	26.80%	N/A			
<b>On-chip matching network</b>	Yes	No	Yes	Yes	No	No	Yes	No			
<b>Strongest harmonic emission</b>	HD3/-47dBc	HD2/-49dBc	HD2/-50dBc	HD3/-48dBc	N/A	N/A	HD3/-34dBc	46dBc			
<b>Supply voltage (V)</b>	0.5 / 1	1	0.9-3.3	1.1	1	1.1	1	1.8-3.8			
<b>TX power consumption (mW)</b>	@P <sub>OUT</sub>	0dBm	3dBm	-2dBm	0dBm	0dBm	0dBm	-3dBm	1.6dBm	0dBm	5dBm
	open-loop	3.6	5.5	4.2	10.1†	7.7†	8.9†	5.1†	5.9	18.3	27.3
	close-loop	4.4	6.3								
<b>TX efficiency (P<sub>OUT</sub>/P<sub>DC</sub>)</b>	open-loop	28%	36%	15%	10%	13%	12%	10%	25%	5.5%	11.5%
	close-loop	23%	32%								
<b>TX active area (mm<sup>2</sup>)</b>	0.65	0.6†	0.6‡	0.6‡	1‡	0.6‡	0.6‡	N/A			

\* FoM=10log<sub>10</sub>[σ<sub>jit</sub><sup>2</sup>/(P<sub>DC,PLL</sub>/1mW)] †including DC-DC converters, ‡graphically estimated

Furthermore, for both proposed oscillator and power amplifier, accurate key analytical equations are derived to provide useful design insights.

## 7.7 Appendix A

Consider the switching current-source oscillator of Fig. 7.8. Since  $M_{3-4}$  transistors work only in weak inversion and saturation during their on-state, short-channel modulation effects should be considered in the  $G_{DS4EF}$  calculation in (7.10). It is well known that  $g_{ds4}(\phi) = \lambda \cdot I_{M4}(\phi)$ , where,  $I_{M4}$  and  $\lambda$  are, respectively, the drain current and channel-length modulation coefficient of  $M_4$ . As a result,  $G_{DS4EF}$  is estimated as

$$G_{DS4EF} = G_{DS4}[0] - G_{DS4}[2] = \frac{1}{2\pi} \int_0^{2\pi} g_{ds4}(\phi) \cdot (1 - \cos 2\phi) d\phi = \frac{\lambda \cdot I_{DC}}{2} \cdot \left(1 - \frac{I_{M4,H2}}{I_{DC}}\right) \quad (7.29)$$

where,  $I_{M4,H2}$  is the 2nd harmonic of  $I_{M4}$ . By considering  $\lambda = 4.8 \text{ V}^{-1}$ ,  $I_{M4,H2}/I_{DC} = 0.33$ , and,  $I_{DC} = 750 \mu\text{A}$ , the calculated  $G_{DS4EF}$  becomes 1.2 mS, which agrees fairly well with the simulation results in Fig. 7.12 (a).



On the other hand, since  $M_1$  works in saturation only for a short part of the oscillation cycle and its channel conductance,  $g_{ds1}$ , is much larger in the triode region, a square-law behavior in the  $G_{DS1EF}$  calculation in (7.10) seems a good assumption. As a result,  $g_{ds1}$  may be estimated by

$$g_{ds1}(\phi) = \begin{cases} K_1 [(V_B - V_t - V_0) + 0.5V_{osc}(1 + A_0) \cos \phi] & -\theta_0 \leq \phi \leq \theta_0 \\ 0 & -\pi \leq \phi \leq -\theta_0, \text{ and, } \theta_0 \leq \phi \leq \pi \end{cases} \quad (7.30)$$

where,  $K_1 = \mu_n C_{ox} W_1 / L_1$ , and,  $V_0$  is the DC voltage at DA and DB.  $\theta_0$  is the triode angle calculated as

$$\theta_0 = \cos^{-1} \left( \frac{V_0 + V_t - V_B}{0.5V_{osc}(1 + A_0)} \right) \quad (7.31)$$

By exploiting the  $G_{DS1EF}$  definition and carrying out a lengthy algebra, we obtain

$$G_{DS1EF} = \frac{K_1}{2\pi} \left[ 2(V_B - V_0 - V_t) \cdot (\theta_0 - \sin(\theta_0) \cos(\theta_0)) + \frac{2}{3} V_{osc}(1 + A_0) \sin^3(\theta_0) \right] \quad (7.32)$$

By replacing the oscillator's circuit parameters ( $V_B = 0.45 \text{ V}$ ,  $V_t = 0.485 \text{ V}$ ,  $V_0 = 0.15 \text{ V}$ ,  $V_{osc} = 0.3 \text{ V}$ ,  $A_0 = 2.15$ , and,  $K_1 = 0.125 \text{ A/V}$ ) in (7.31) and (7.32), the calculated  $G_{DS1EF}$  is equal to  $3.81 \text{ mS}$ , which is in good agreement with the simulations (see Fig. 7.12 (a)).

## 7.8 Appendix B

Consider the transformer-based matching network shown in Fig. 7.15 (b). The current through the secondary and primary windings of the ideal transformer can be respectively calculated by

$$I_{sEF} = pI_s = I_L(1 + jR_L C_L \omega_0), \quad \text{and} \quad I_1 = \frac{mn}{k_m} I_{sEF} = I_L \frac{mn}{k_m} (1 + jR_L C_L \omega_0). \quad (7.33)$$

Furthermore, the voltage across the magnetizing inductance,  $L_p k_m^2 / (mp)$ , is given by

$$\begin{aligned} V_p &= I_L \frac{k_m}{mn} \left( R_L + \frac{mr_s}{p} (1 + jR_L C_L \omega_0) \right) \xrightarrow{r_s = L_s \omega_0 / Q_s} \\ V_p &= I_L \frac{k_m L_s \omega_0}{np} \left( \frac{pR_L}{mL_s \omega_0} + \frac{1}{Q_s} + j \frac{R_L C_L \omega_0}{Q_s} \right). \end{aligned} \quad (7.34)$$

Consequently, the current through the leakage inductance,  $L_p(1 - k_m^2) / (mp)$ , is calculated by

$$I_{pEF} = I_1 + \frac{mpV_p}{jk_m^2 L_p \omega_0} = I_L \frac{mn}{jk_m} \left( \left( \frac{pR_L}{mL_s \omega_0} + \frac{1}{Q_s} - R_L C_L \omega_0 \right) + j \left( 1 + \frac{R_L C_L \omega_0}{Q_s} \right) \right). \quad (7.35)$$

As a result, the total power dissipated in the transformers' secondary and primary is respectively estimated:

$$P_{rs} = \frac{mr_s}{p} |I_{sEF}|^2 \xrightarrow{r_s = L_s \omega_0 / Q_s \text{ and } (7.33)} P_{rs} = I_L^2 \frac{m}{p} \frac{L_s \omega_0}{Q_s} |1 + jR_L C_L \omega_0|^2, \quad (7.36)$$

and,

$$P_{rp} = \frac{r_p}{mp} |I_{pEF}|^2 \xrightarrow{r_p=L_p\omega_0/Q_p \text{ and (7.35)}} I_L^2 \frac{m}{p} \frac{L_s\omega_0}{k_m^2 Q_p} \left| \left( \frac{1}{Q_s} + \frac{pR_L}{mL_s\omega_0} - R_L C_L \omega_0 \right) + j \left( 1 + \frac{R_L C_L \omega_0}{Q_s} \right) \right|^2. \quad (7.37)$$

The matching network efficiency,  $\eta_p$ , is the ratio of power delivered to the load,  $P_L$ , over total power:  $\eta_p = P_L / (P_L + P_{rp} + P_{rs})$ . By exploiting (7.36) and (7.37), (7.20) is obtained.

On the other hand, the load  $Z_L$  seen from the input ports of the matching network (see Fig. 7.15) can be calculated by

$$Z_L = j(1-k_m^2)L_p\omega_0 + \frac{mpV_p}{I_{pEF}} \rightarrow Z_L = jL_p\omega_0 \left[ (1-k_m^2) + k_m^2 \frac{(1 + \xi Q_L Q_s) + jQ_L}{(1 + Q_L Q_s (\xi - 1)) + j(Q_L + Q_s)} \right]. \quad (7.38)$$

As a result, the equivalent series inductance and load resistance seen from the transformer's primary can be respectively estimated by

$$L_{ser} = \frac{Im\{Z_L\}}{\omega_0} = L_p \left[ (1-k_m^2) + k_m^2 \frac{1 + 2\xi Q_L Q_s + Q_L^2 + Q_L^2 Q_s^2 \xi (\xi - 1)}{1 + 2\xi Q_L Q_s + Q_L^2 + Q_s^2 + Q_L^2 Q_s^2 (\xi - 1)^2} \right], \quad (7.39)$$

and,

$$r_L = Re\{Z_L\} = k_m^2 L_p \omega_0 Q_L \cdot \frac{\frac{Q_s}{Q_L} (1 + Q_L^2 + \xi Q_L Q_s)}{1 + 2\xi Q_L Q_s + Q_L^2 + Q_s^2 + Q_L^2 Q_s^2 (\xi - 1)^2}. \quad (7.40)$$

By exploiting  $Q_L$  and  $\xi$  definitions, we have

$$r_L = R_L \cdot \frac{p}{m} \left( \frac{k_m}{n} \right)^2 \cdot \frac{\frac{Q_s}{\xi Q_L} (1 + Q_L^2 + \xi Q_L Q_s)}{1 + 2\xi Q_L Q_s + Q_L^2 + Q_s^2 + Q_L^2 Q_s^2 (\xi - 1)^2}. \quad (7.41)$$

By considering  $Q_s \gg 1$  and  $Q_s^2 \gg Q_L^2$ , (7.41) and (7.39) are immediately simplified to (7.25) and (7.26).



## CHAPTER



---

---

# Conclusion

---

---

This dissertation focuses on the analysis, design, and implementation of RF/mm-wave oscillators and power amplifiers as the most power-hungry blocks of any wireless transceiver. Furthermore, a 4G all-digital phase locked loop and a Bluetooth Low Energy transmitter are also implemented by exploiting the proposed oscillators and power amplifiers topologies. As a result, both systems demonstrate higher power efficiency over prior records. In this aspect, the final chapter of this work is presented. Section 8.1 summarizes the thesis, and it also repeats the accomplishments achieved throughout this thesis. Finally, Section 8.2 provides some suggestions and recommendations for future improvements of this research work.

## 8.1 The Thesis Outcome

While wireless industry enjoys the largest production volume ever of any consumer electronics product, the demands they place on RF/mm-wave transceivers are particularly tough, especially on integration with digital processors, low area, and low power consumption while being robust against process-voltage-temperature variations. Since wireless terminals usually operate on batteries, RF/mm-wave oscillators and power amplifiers as the most power hungry blocks of any transceiver should be very power efficient. On the other hand, the vision for wireless communication systems keeps moving towards more mature integration strategy. This trend dictates RF and digital circuits implemented together in the advanced technology nodes. However, as described in Chapter 2, the performance of RF/mm-wave oscillators and power amplifiers slightly degrades with scaling. This has motivated an intensive research leading to introduced new oscillator and power amplifier topologies.

In Chapter 2, a new structure for LC-tank oscillators is presented. It introduces an impedance peak around the third harmonic of the oscillating waveform such that the third harmonic of

the active device current converts into voltage and, together with the fundamental component, creates a pseudo-square oscillation voltage. As a result, the oscillator circuit-to-phase noise conversion is reduced. The major mechanisms arise when the active gm-devices periodically enter the triode region during which the LC-tank is heavily loaded while its equivalent quality factor is significantly reduced. A class-F oscillator was prototyped in 65-nm CMOS technology. The measurement results prove that the proposed oscillator can achieve a state-of-the-art phase noise performance with the highest power efficiency at low voltage power supply without die area penalty or voltage swing constraint. In Chapter 3, the proposed class-F oscillator is exploited in a 28nm all-digital PLL for 4G mobile phones. Thanks to the power efficiency of the digitally controlled oscillator, ADPLL demonstrates a 72% power reduction over prior records.

In Chapter 4, another flavor of a class-F oscillator is introduced. The main idea is to enforce a clipped voltage waveform around the LC tank by increasing the second-harmonic of fundamental oscillation voltage through an additional impedance peak thus giving rise to a class-F<sub>2</sub> operation. It also offers enough headroom for the low noise operation of the tail current transistor without compromising the oscillator current and voltage efficiencies. Furthermore, the special ISF of the soft clipping waveform significantly reduces the circuit-to-phase noise conversion. Consequently, the proposed structure is able to push the phase noise much lower than practically possible with the traditional LC oscillators while satisfying long-term reliability requirements.

The precise analytical voltage-current waveforms, zero-voltage, and zero-slope switching criteria and waveform dependent parameters of any flavor of a switched-mode PA are quantified in Chapter 5. Furthermore, closed-form equations are derived for the optimum size of the switch and different PA's characteristics such as maximum achievable power added efficiency, output power and maximum operating frequency. Based on this analysis, a 40 nm 60 GHz Class-E/F<sub>2</sub> power amplifier is implemented in Chapter 6. This PA utilizes a proper second-harmonic termination in the last stage and low/moderate magnetic coupling factor transformers in the intermediate stages to reach the best product of power added efficiency and bandwidth. The PA is also stabilized against the combination of differential and common oscillation modes.

Finally, an ultra-low power Bluetooth Low Energy (BLE) transmitter is introduced in Chapter 7. An all-digital PLL employs a digitally controlled oscillator with switching current sources to reduce supply voltage and power without sacrificing its phase noise and startup margins. It also reduces 1/f noise allowing the ADPLL, after settling, to reduce its sampling rate or shut it off entirely during direct DCO data modulation. The switching power amplifier integrates its matching network while operating in class-E/F<sub>2</sub> to maximally enhance its efficiency. The transmitter is realized in 28-nm CMOS and satisfies all metal density and other manufacturing rules. It consumes 3.6 mW/5.5 mW while delivering 0 dBm/3 dBm RF power in Bluetooth Low Energy.

## 8.2 Some Suggestions for Future Developments

The presented research introduced different oscillator and power amplifier topologies showing high power efficiency and also verified their effectiveness in real systems within commercial settings. The results open new opportunities for further research and developments.

- To improve the phase noise and FoM of a class-F<sub>3</sub> oscillator, the magnitude ratio of the third-to-first harmonic components of the drain oscillation voltage should be close to

1/3. It can be done by reducing coupling factor of the transformer to 0.6 and adjusting  $L_s C_2 / L_p C_1$  of 5 (please, refer to Chapter 2.).

- The flicker noise upconversion of RF oscillators significantly reduces by adding an auxiliary resonance at the second harmonic of the fundamental frequency (class-F<sub>2</sub> operation). This phenomenon can lead us to achieve yet more insights into flicker noise upconversion mechanisms and to find new methods to further improve  $1/f^3$  phase noise corner of RF oscillators.
- The derivation in Section 2.3 offers a good insight but still more works to be done to reach a complete portrait of circuit-to-phase noise conversion of the transformer-based oscillators.
- The required passive voltage gain of all proposed oscillators is realized with step-up transformers. However, the quality factor of transformer's windings degrades dramatically with increasing its turns ratio and thus its voltage gain. It leads to a significant penalty on the oscillator phase noise and power efficiency. A higher passive voltage gain and tank's quality factor may be achieved by employing either capacitive voltage dividers or autotransformers. (please, refer to Chapter 7.)
- As explained in Chapter 5, vital parameters of a switched-mode PA, such as  $F_C$ ,  $F_V$ ,  $K_C$ , and  $K_L$  improve by operating in the domain of non-zero voltage, but zero derivative voltage, switching. These improvements easily compensate the side effect of additional charge loss on the maximum achievable power added efficiency (PAE) of the switched-mode amplifier. Consequently, non-zero voltage switching power amplifiers offer better linearity, higher maximum operating frequency, and output power at the same level of PAE as with the zero-voltage switching amplifiers. More work should be done to further investigate and implement it.
- The antenna must be shared between the transmitter and the receiver in a Bluetooth Low Energy system. Hence, PA and LNA matching networks have to be revised to alleviate harmful interactions. I recommend using PA's matching network to improve the receiver's blocker resilience and employing LNA's matching network to reduce harmonic emissions of the PA in the TX mode.



---

---

## Bibliography

---

---

- [1] S. Kosonocky, “Indicators - Historic trends in technical themes digital systems,” in *IEEE International Solid-State Circuits Conference (ISSCC) Trends*, 2015, pp. 1–46.
- [2] G. Yeap, “Smart mobile SoCs driving the semiconductor industry: Technology trend, challenges and opportunities,” in *IEEE International Electron Devices Meeting (IEDM)*, 1.3.1–1.3.8, pp. 541–544.
- [3] J. Bradley, J. Barbier, and D. Handler, “Embracing the internet of everything to capture your share of \$14.4 trillion,” in *Cisco Systems Inc.*, 2013, pp. 1–18. [Online]. Available: [http://www.cisco.com/web/about/ac79/docs/innov/IoE\\_Economy.pdf](http://www.cisco.com/web/about/ac79/docs/innov/IoE_Economy.pdf)
- [4] R. B. Staszewski, J. L. Wallberg, S. Rezeq, C.-M. Hung, O. E. Eliezer, S. K. Vemulapalli, C. Fernando, K. Maggio, R. Staszewski, N. Barton, M.-C. Lee, P. Cruise, M. Entezari, K. Muhammad, and D. Leipold, “All-digital PLL and transmitter for mobile phones,” *IEEE Journal of Solid-State Circuits*, vol. 40, no. 12, pp. 2469–2482, Dec. 2005.
- [5] L. Vercesi, L. Fanori, F. D. Bernardinis, A. Liscidini, and R. Castello, “A dither-less all digital PLL for cellular transmitters,” *IEEE Journal of Solid-State Circuits*, vol. 47, no. 8, pp. 1908–1920, Aug. 2012.
- [6] J. Borremans *et al.*, “A 40nm CMOS 0.4-6 GHz receiver resilient to out-of-band blockers,” *IEEE Journal of Solid-State Circuits*, vol. 46, no. 7, pp. 1659–1671, Jul. 2011.
- [7] H. Darabi *et al.*, “A quad-band GSM/GPRS/EDGE SoC in 65 nm CMOS,” *IEEE Journal of Solid-State Circuits*, vol. 46, no. 4, pp. 870–882, Apr. 2011.
- [8] Y.-H. L. *et al.*, “A 3.7mW-RX 4.4mW-TX fully integrated Bluetooth Low-Energy/IEEE802.15.4/proprietary SoC with an ADPLL-based fast frequency offset compensation in 40nm CMOS,” in *IEEE International Solid-State Circuits Conference Digest of Technical Papers (ISSCC)*, 2015, pp. 236–237.
- [9] J. Prummel *et al.*, “A 10 mW Bluetooth Low-Energy transceiver with on-chip matching,” *IEEE Journal of Solid-State Circuits*, vol. 50, no. 12, pp. 3077–3088, Dec. 2015.
- [10] T. Sano *et al.*, “A 6.3 mW BLE transceiver embedded RX image-rejection filter and TX harmonic-suppression filter reusing on-chip matching network,” in *IEEE International Solid-State Circuits Conference Digest of Technical Papers (ISSCC)*, 2015, pp. 240–241.



- [11] A. Parssinen, "Indicators - Historic trends in technical themes analog systems," in *IEEE International Solid-State Circuits Conference (ISSCC) Trends*, 2015, pp. 1–46.
- [12] A. Thomsen, "Indicators - Historic trends in technical themes communication systems," in *IEEE International Solid-State Circuits Conference (ISSCC) Trends*, 2015, pp. 1–46.
- [13] J. Moreira *et al.*, "A single-chip HSPA transceiver with fully integrated 3G CMOS power amplifiers," in *IEEE International Solid-State Circuits Conference Digest of Technical Papers (ISSCC)*, 2015, pp. 162–163.
- [14] E. Wu, E. Nowak, W. Vayshenker, A. and Lai, and D. Harmon, "CMOS scaling beyond the 100-nm node with silicon-dioxide-based gate dielectrics," *IBM Journal of Research and Development*, vol. 46, no. 2/3, pp. 287–297, Mar/May 2002.
- [15] B. Razavi, *RF Microelectronics*. Prentice Hall PTR, 2011. [Online]. Available: [http://books.google.nl/books?id=\\_\\_TccKQEACAAJ&hl](http://books.google.nl/books?id=__TccKQEACAAJ&hl)
- [16] E. Mammei, E. Monaco, A. Mazzanti, and F. Svelto, "A 33.6-to-46.2GHz 32nm CMOS VCO with 177.5dBc/Hz minimum noise FOM using inductor splitting for tuning extension," in *IEEE International Solid-State Circuits Conference Digest of Technical Papers (ISSCC)*, 2013, pp. 350–351.
- [17] R. F. Yanda, M. Heynes, and A. K. Miller, *Demystifying Chipmaking*. Elsevier, 2005. [Online]. Available: <http://store.elsevier.com/Demystifying-Chipmaking/Richard-Yanda/isbn-9780080477091/>
- [18] A. Tsuchiya and H. Onodera, "Patterned floating dummy fill for on-chip spiral inductor considering the effect of dummy fill," *IEEE Transactions on Microwave Theory and Techniques*, vol. 56, no. 12, pp. 3217–3222, Dec. 2008.
- [19] F.-W. Kuo, R. Chen, K. Yen, H.-Y. Liao, C.-P. Jou, F.-L. Hsueh, M. Babaie, and R. B. Staszewski, "A 12mW all-digital PLL based on class-F DCO for 4G phones in 28nm CMOS," in *Proceedings of IEEE VLSI Circuits Symposium*, 2014, pp. 1–2.
- [20] G. Smit, A. Scholten, R. Pijper, L. Tiemeijer, R. van der Toorn, and D. Klaassen, "RF-Noise modeling in advanced CMOS technologies," *IEEE Transactions on Electron Devices*, vol. 61, no. 2, pp. 245–254, Feb. 2014.
- [21] M. Babaie and R. B. Staszewski, "A class-F CMOS oscillator," *IEEE Journal of Solid-State Circuits*, vol. 48, no. 12, pp. 3120–3133, Dec. 2013.
- [22] E. Hegazi and A. A. Abidi, "A 17-mW transmitter and frequency synthesizer for 900-MHz GSM fully integrated in 0.35- $\mu$ m CMOS," *IEEE Journal of Solid-State Circuits*, vol. 38, no. 5, pp. 782–792, May 2003.
- [23] J. Borremans, G. Mandal, V. Giannini, B. Debaillie, M. Ingels, T. Sano, B. Verbruggen, and J. Craninckx, "A 40nm CMOS 0.4-6 GHz receiver resilient to out-of-band blockers," *IEEE Journal of Solid-State Circuits*, vol. 46, no. 7, pp. 1659–1671, Jul. 2011.
- [24] J. Rael and A. Abidi, "Physical processes of phase noise in differential LC oscillators," in *Proceedings of IEEE Custom Integrated Circuits Conference (CICC)*, 2000, pp. 569–572.

- [25] P. Andreani, X. Wang, L. Vandi, and A. Fard, "A study of phase noise in Colpitts and LC-tank CMOS oscillators," *IEEE Journal of Solid-State Circuits*, vol. 40, no. 5, pp. 1107–1118, May 2005.
- [26] E. Hegazi, H. Sjoland, and A. A. Abidi, "A filtering technique to lower LC oscillator phase noise," *IEEE Journal of Solid-State Circuits*, vol. 36, no. 12, pp. 1921–1930, Dec. 2001.
- [27] A. Mazzanti and P. Andreani, "Class-C harmonic CMOS VCOs, with a general result on phase noise," *IEEE Journal of Solid-State Circuits*, vol. 43, no. 12, pp. 2716–2729, Dec. 2008.
- [28] L. Fanori, A. Liscidini, and P. Andreani, "A 6.7-to-9.2GHz 55nm CMOS hybrid class-B/class-C cellular TX VCO," in *IEEE International Solid-State Circuits Conference Digest of Technical Papers (ISSCC)*, 2012, pp. 354–355.
- [29] H. Kim, S. Ryu, Y. Chung, J. Choi, and B. Kim, "A low phase-noise CMOS VCO with harmonic tuned LC tank," *IEEE Transactions on Microwave Theory and Techniques*, vol. 54, no. 7, pp. 2917–2923, Jul. 2006.
- [30] M. Babaie and R. B. Staszewski, "Third-harmonic injection technique applied to a 5.87-to7.56GHz 65nm class-F oscillator with 192dBc/Hz FoM," in *IEEE International Solid-State Circuits Conference Digest of Technical Papers (ISSCC)*, 2013, pp. 348–349.
- [31] A. Hajimiri and T. H. Lee, "A general theory of phase noise in electrical oscillators," *IEEE Journal of Solid-State Circuits*, vol. 33, no. 2, pp. 179–194, Feb. 1998.
- [32] B. Razavi, "A millimeter-wave circuit technique," *IEEE Journal of Solid-State Circuits*, vol. 43, no. 9, pp. 2090–2098, Sept. 2008.
- [33] J. R. Long, "Monolithic transformers for silicon RF IC design," *IEEE Journal of Solid-State Circuits*, vol. 35, no. 9, pp. 1368–1382, Sept. 2000.
- [34] A. Bevilacqua, F. P. Pavan, C. Sandner, A. Gerosa, and A. Neviani, "Transformer-based dual-mode voltage-controlled oscillators," *IEEE Transactions on Circuits and Systems II, Exp. Briefs*, vol. 54, no. 4, pp. 293–297, Apr. 2007.
- [35] A. Geol and H. Hashemi, "Frequency switching in dual-resonance oscillators," *IEEE Journal of Solid-State Circuits*, vol. 42, no. 3, pp. 571–582, Mar. 2007.
- [36] B. Razavi, "Cognitive radio design challenges and techniques," *IEEE Journal of Solid-State Circuits*, vol. 45, no. 8, pp. 1542–1553, Aug. 2010.
- [37] G. Li, L. Liu, Y. Tang, and E. Afshari, "A low-phase-noise wide-tuning-range oscillator based on resonant mode switching," *IEEE Journal of Solid-State Circuits*, vol. 47, no. 6, pp. 1295–1308, Jun. 2012.
- [38] R. Degraeve, J. Ogier, R. Bellens, P. Roussel, G. Groeseneken, and H. Maes, "A new model for the field dependence of intrinsic and extrinsic time-dependent dielectric breakdown," *IEEE Transactions on Electron Devices*, vol. 45, no. 2, pp. 472–481, Feb. 2007.

- [39] M. Babaie and R. Staszewski, "A Study of RF Oscillator Reliability in Nanoscale CMOS," in *European Conference on Circuit Theory and Design (ECCTD)*, Sept. 2013, pp. 1–4.
- [40] B. Razavi, "A study of phase noise in CMOS oscillators," *IEEE Journal of Solid-State Circuits*, vol. 31, no. 3, pp. 331–343, Mar. 1996.
- [41] H. Krishnaswamy and H. Hashemi, "Inductor and transformer-based integrated RF oscillators: A comparative study," in *Proceedings of IEEE Custom Integrated Circuits Conference (CICC)*, 2006, pp. 381–384.
- [42] P. Andreani and J. R. Long, "Misconception regarding of transformer resonators in monolithic oscillator," *Electronic Letter*, vol. 42, no. 7, pp. 387–388, Mar. 2006.
- [43] D. Murphy, J. J. Rael, and A. A. Abidi, "Phase noise in LC oscillators: A phasor-based analysis of a general result and of loaded Q," *IEEE Transactions on Circuits and Systems I, Reg. Papers*, vol. 57, no. 6, pp. 1187–1203, Jun. 2010.
- [44] L. Fanori and P. Andreani, "Low-phase-noise 3.4–4.5 GHz dynamic bias class-C CMOS VCOs with a FoM of 191 dBc/Hz," in *Proceedings of European Solid-state Circuits Conference (ESSCIRC)*, 2012, pp. 406–409.
- [45] P. Andreani and A. Fard, "More on the phase noise performance of CMOS differential-pair LC-tank oscillators," *IEEE Journal of Solid-State Circuits*, vol. 41, no. 12, pp. 2703–2712, Dec. 2006.
- [46] J. Groszkowski, "The impedance of frequency variation and harmonic content, and the problem of constant-frequency oscillator," *Proc. IRE*, vol. 21, pp. 958–981, 1933.
- [47] A. Bevilacqua and P. Andreani, "An analysis of 1/f noise to phase noise conversion in CMOS harmonic oscillators," *IEEE Transactions on Circuits and Systems I, Reg. Papers*, vol. 59, no. 5, pp. 938–945, May 2012.
- [48] A. Visweswaran, R. B. Staszewski, and J. R. Long, "A clip-and-restore technique for phase desensitization in a 1.2V 65nm CMOS oscillator for cellular mobile and base station," in *IEEE International Solid-State Circuits Conference Digest of Technical Papers (ISSCC)*, 2012, pp. 350–351.
- [49] J. Steinkamp, F. Henkel, P. Waldow, O. Pettersson, C. Hedenas, and B. Medin, "A Colpitts oscillator design for a GSM base station synthesizer," in *Proceedings of IEEE Radio Frequency Integrated Circuits (RFIC) Symposium*, 2004, pp. 405–408.
- [50] Z. Zong, M. Babaie, and R. B. Staszewski, "A 60 GHz frequency generator based on a 20GHz oscillator and an implicit multiplier," *IEEE Journal of Solid-State Circuits*, vol. 51, no. 5, pp. 1261–1273, May 2016.
- [51] "Wireless LAN medium access control (MAC) and physical layer (PHY) specifications amendment 3: Enhancements for very high throughput in the 60 GHz band," 2012. [Online]. Available: [http://ieeexplore.ieee.org/xpl/articleDetails.jsp?arnumber=6392842&filter=AND\(p\\_Publication\\_Number:6392840\)](http://ieeexplore.ieee.org/xpl/articleDetails.jsp?arnumber=6392842&filter=AND(p_Publication_Number:6392840))

- [52] S. Emami, R. F. Wiser, E. Ali, M. G. Forbes, M. Q. Gordon, X. Guan, S. Lo, P. T. McElwee, J. Parker, J. R. Tani, J. M. Gilbert, and C. H. Doan, "A 60GHz CMOS phased-array transceiver pair for multi-Gb/s wireless communications," in *IEEE International Solid-State Circuits Conference Digest of Technical Papers (ISSCC)*, 2011, pp. 164–165.
- [53] M. Khanzadi *et al.*, "Calculation of the performance of communication systems from measured oscillator phase noise," *IEEE Transactions on Circuits and Systems I, Reg. Papers*, vol. 61, no. 5, pp. 1553–1565, May 2014.
- [54] V. Szortyka, Q. Shi, K. Raczkowski, B. Parvais, M. Kuijk, and P. Wambacq, "A 42mW 230fs-jitter sub-sampling 60GHz PLL in 40nm CMOS," in *IEEE International Solid-State Circuits Conference Digest of Technical Papers (ISSCC)*, 2014, pp. 366–367.
- [55] W. Wu, R. B. Staszewski, and J. R. Long, "A 56.4-to-63.4 GHz multi-rate all-digital fractional-N PLL for FMCW radar applications in 65 nm CMOS," *IEEE Journal of Solid-State Circuits*, vol. 49, no. 5, pp. 1081–1096, May 2014.
- [56] X. Yi *et al.*, "A 57.9-to-68.3 GHz 24.6 mW frequency synthesizer with in-Phase injection-coupled QVCO in 65 nm CMOS technology," *IEEE Journal of Solid-State Circuits*, vol. 49, no. 2, pp. 347–359, May 2014.
- [57] A. Musa *et al.*, "A low phase noise quadrature injection locked frequency synthesizer for mm-Wave applications," *IEEE Journal of Solid-State Circuits*, vol. 46, no. 11, pp. 2635–2649, Nov. 2011.
- [58] W. Deng *et al.*, "A sub-harmonic injection-locked quadrature frequency synthesizer with frequency calibration scheme for millimeter-wave TDD transceivers," *IEEE Journal of Solid-State Circuits*, vol. 48, no. 7, pp. 1710–1720, Jul. 2013.
- [59] S. Kang, J.-C. Chien, and A. M. Niknejad, "A W-Band low-noise PLL with a fundamental VCO in SiGe for millimeter-wave applications," *IEEE Transactions on Microwave Theory and Techniques*, vol. 62, no. 10, pp. 2390–2404, Oct. 2014.
- [60] Y.-H. Wong, W.-H. Lin, J.-H. Tsai, and T.-W. Huang, "A 50-to-62 GHz wide-locking-range CMOS injection-locked frequency divider with transformer feedback," in *Proceedings of IEEE Radio Frequency Integrated Circuits (RFIC) Symposium*, 2008, pp. 435–438.
- [61] Q. Gu *et al.*, "A low power-band CMOS frequency divider with wide locking range and accurate quadrature output phases," *IEEE Journal of Solid-State Circuits*, vol. 43, no. 4, pp. 991–998, Apr. 2008.
- [62] S. Rong, A. W. L. Ng, and H. C. Luong, "0.9 mW 7 GHz and 1.6 mW 60 GHz frequency dividers with locking-range enhancement in 0.13  $\mu\text{m}$  CMOS," in *IEEE International Solid-State Circuits Conference Digest of Technical Papers (ISSCC)*, 2009, pp. 96–97.
- [63] A. Li *et al.*, "A 21–48 GHz sub-harmonic injection-locked fractional-N frequency synthesizer for multi-band point-to-point backhaul communications," *IEEE Journal of Solid-State Circuits*, vol. 49, no. 8, pp. 1785–1799, Aug. 2014.

- [64] Z. Huang, H. C. Luong, B. Chi, Z. Wang, and H. Jia, "A 70.5-to-85.5 GHz 65 nm phase-locked loop with passive scaling of loop filter," in *IEEE International Solid-State Circuits Conference Digest of Technical Papers (ISSCC)*, 2015, pp. 448–449.
- [65] G. Mangraviti *et al.*, "A 52–66 GHz subharmonically injection-locked quadrature oscillator with 10 GHz locking range in 40 nm LP CMOS," in *Proceedings of IEEE Radio Frequency Integrated Circuits (RFIC) Symposium*, 2012, pp. 309–312.
- [66] W. L. Chan and J. R. Long, "A 56–65 GHz injection-locked frequency tripler with quadrature outputs in 90-nm CMOS," *IEEE Journal of Solid-State Circuits*, vol. 43, no. 12, pp. 2739–2746, Dec. 2008.
- [67] B. Sadhu, M. Ferriss, and A. Valdes-Garcia, "A 46.4–58.1 GHz frequency synthesizer featuring a 2nd harmonic extraction technique that preserve VCO performance," in *Proceedings of IEEE Radio Frequency Integrated Circuits (RFIC) Symposium*, 2014, pp. 173–176.
- [68] B. Catli and M. M. Hella, "Triple-push operation for combined oscillation/division functionality in millimeter-wave frequency synthesizers," *IEEE Journal of Solid-State Circuits*, vol. 45, no. 8, pp. 1575–1589, Aug. 2010.
- [69] Y. Chao, H. C. Luong, and Z. Liang, "Analysis and design of a 14.1-mW 50/100-GHz transformer-based PLL with embedded phase shifter in 65-nm CMOS," *IEEE Transactions on Microwave Theory and Techniques*, vol. 63, no. 4, pp. 1193–1201, Apr. 2015.
- [70] Z. Zong, M. Babaie, and R. B. Staszewski, "A 60 GHz 25% tuning range frequency generator with implicit divider based on third harmonic extraction with 182 dBc/Hz FoM," in *Proceedings of IEEE Radio Frequency Integrated Circuits (RFIC) Symposium*, 2015, pp. 279–282.
- [71] W. Wu, J. R. Long, and R. B. Staszewski, "High-resolution millimeter-wave digitally controlled oscillators with reconfigurable passive resonators," *IEEE Journal of Solid-State Circuits*, vol. 48, no. 11, pp. 2758–2794, Nov. 2013.
- [72] J. Borremans *et al.*, "VCO design for 60 GHz using differential shielded inductors in 0.13  $\mu\text{m}$  CMOS," in *Proceedings of IEEE Radio Frequency Integrated Circuits (RFIC) Symposium*, 2008, pp. 135–138.
- [73] L. Li, P. Reynaert, and M. S. J. Steyaert, "Design and analysis of a 90 nm mm-wave oscillator using inductive-division LC tank," *IEEE Journal of Solid-State Circuits*, vol. 44, no. 7, pp. 1950–1958, Jul. 2009.
- [74] J. Yin and H. C. Luong, "A 57.5–90.1-GHz magnetically tuned multimode CMOS VCO," *IEEE Journal of Solid-State Circuits*, vol. 48, no. 8, pp. 1851–1861, Aug. 2013.
- [75] T. Siriburanon *et al.*, "A 60-GHz sub-sampling frequency synthesizer using sub-harmonic injection-locked quadrature oscillators," in *Proceedings of IEEE Radio Frequency Integrated Circuits (RFIC) Symposium*, 2014, pp. 105–108.

- [76] R. B. Staszewski, K. Waheed, F. Dulger, , and O. E. Eliezer, "Spur-free multirate all-digital PLL for mobile phones in 65 nm CMOS," *IEEE Journal of Solid-State Circuits*, vol. 46, no. 12, pp. 2904–2919, Dec. 2011.
- [77] J.-W. Lai *et al.*, "A 0.27mm<sup>2</sup> 13.5dBm 2.4GHz all-digital polar transmitter using 34%-efficiency class-D DPA in 40nm CMOS," in *IEEE International Solid-State Circuits Conference Digest of Technical Papers (ISSCC)*, 2013, pp. 342–343.
- [78] R. B. Staszewski, D. Leipold, C.-M. Hung, and P. T. Balsara, "TDC-based frequency synthesizer for wireless applications," in *Proceedings of IEEE Radio Frequency Integrated Circuits (RFIC) Symposium*, 2004, pp. 215–218.
- [79] S. D. Vamvakos, R. B. Staszewski, M. Sheba, and K. Waheed, "Noise analysis of time-to-digital converter in all-digital PLLs," in *in Proc. 5th IEEE Dallas Circuits Syst. Workshop: Design, Application, Integr. Software (DCAS-06)*, Oct. 2006, pp. 87–90.
- [80] J. Tangudu, S. Gunturi, S. Jalan, J. Janardhanan, R. Ganesan, D. Sahu, K. Waheed, J. Wallberg, , and R. B. Staszewski, "Quantization noise improvement of time to digital converter (TDC) for ADPLL," in *in Proc. IEEE ISCAS*, May 2009, pp. 1020–1023.
- [81] R. B. Staszewski, S. Vemulapalli, P. Vallur, J. Wallberg, and P. T. Balsara, "1.3 V 20 ps time-to-digital converter for frequency synthesis in 90-nm CMOS," *IEEE Transactions on Circuits and Systems II: Expr. Briefs*, vol. 53, no. 3, pp. 220–224, Mar. 2006.
- [82] R. B. Staszewski and P. T. Balsara, *All-Digital Frequency Synthesizer in Deep-Submicron CMOS*. Wiley, 2006. [Online]. Available: <http://books.google.nl/books?id=2VHFD-7LgAwC>
- [83] C. Weltin-Wu, G. Zhao, and I. Galton, "A 3.5 GHz digital fractional-N PLL frequency synthesizer based on ring oscillator frequency-to-digital conversion," *IEEE Journal of Solid-State Circuits*, vol. 50, no. 12, pp. 2988–3002, Dec. 2015.
- [84] L. Vercesi, L. Fanori, F. D. Bernardinis, A. Liscidini, and R. Castello, "A dither-less all digital PLL for cellular transmitters," *IEEE Journal of Solid-State Circuits*, vol. 47, no. 8, pp. 1908–1920, Aug. 2012.
- [85] K. Takinami, R. Strandberg, P. C. P. Liang, G. L. G. de Mercey, T. Wong, and M. Hassibi, "A rotary-traveling-wave-oscillator-based all-digital PLL with a 32-phase embedded phase-to-digital converter in 65 nm CMOS," in *IEEE International Solid-State Circuits Conference Digest of Technical Papers (ISSCC)*, 2011, pp. 100–101.
- [86] C. Hsu, M. Z. Straayer, and M. H. Perrott, "A low-noise wide-BW 3.6 GHz digital  $\Delta\Sigma$  fractional-N frequency synthesizer with a noise-shaping time-to-digital converter and quantization noise cancellation," *IEEE Journal of Solid-State Circuits*, vol. 43, no. 12, pp. 2776–2786, Dec. 2008.
- [87] H. H. Chang, P.-Y. Wang, J.-H. Zhan, and H. Bing-Yu, "A fractional spur-free ADPLL with loop-gain calibration and phase-noise cancellation for GSM/GPRS/EDGE," in *IEEE International Solid-State Circuits Conference Digest of Technical Papers (ISSCC)*, 2008, pp. 200–201.

- [88] M. Babaie and R. B. Staszewski, "An ultra-low phase noise class-F<sub>2</sub> CMOS oscillator with 191 dBc/Hz FoM and long-term reliability," *IEEE Journal of Solid-State Circuits*, vol. 50, no. 3, pp. 679–692, Mar. 2015.
- [89] M. Babaie, A. Visweswaran, Z. He, and R. B. Staszewski, "Ultra-low phase noise 7.2–8.7 GHz clip-and-restore oscillator with 191 dBc/Hz FoM," in *Proceedings of IEEE Radio Frequency Integrated Circuits (RFIC) Symposium*, 2013, pp. 43–46.
- [90] L. Roman, A. Bonfanti, S. Levantino, C. Samori, and A. L. Lacaita, "5-GHz oscillator array with reduced flicker up-conversion in 0.13- $\mu$ m CMOS," *IEEE Journal of Solid-State Circuits*, vol. 41, no. 11, pp. 2457–2467, Nov. 2006.
- [91] M. Tohidian, S. Mehr, and R. B. Staszewski, "Dual-core high-swing class-C oscillator with ultra-low phase noise," in *Proceedings of IEEE Radio Frequency Integrated Circuits (RFIC) Symposium*, 2013, pp. 243–246.
- [92] L. Fanori and P. Andreani, "Highly efficient class-C CMOS VCOs, including a comparison with class-B VCOs," *IEEE Journal of Solid-State Circuits*, vol. 48, no. 7, pp. 1730–1740, Jul. 2013.
- [93] J. Chen, L. Ye, D. Titz, F. Ganesello, R. Pilard, A. Cathelin, F. Ferrero, C. Luxey, and A. Niknejad, "A digitally modulated mm-Wave cartesian beamforming transmitter with quadrature spatial combining," in *IEEE International Solid-State Circuits Conference Digest of Technical Papers (ISSCC)*, 2013, pp. 232–233.
- [94] A. M. Niknejad and R. G. Meyer, "Analysis, design, and optimization of spiral inductors and transformers for Si RF ICs," *IEEE Journal of Solid-State Circuits*, vol. 33, no. 10, pp. 1470–1481, Oct. 1998.
- [95] C.-H. Jan *et al.*, "RF CMOS technology scaling in high-k/metal gate era for RF SoC (system-on-chip) applications," in *IEEE International Electron Devices Meeting (IEDM)*, 2010, pp. 604–607.
- [96] A. Visweswaran, R. B. Staszewski, and J. R. Long, "A low phase noise oscillator principled on transformer-coupled hard limiting," *IEEE Journal of Solid-State Circuits*, vol. 49, no. 2, pp. 300–311, Feb. 2014.
- [97] C.-M. Hung, R. B. Staszewski, N. Barton, M.-C. Lee, and D. Leipold, "A digitally controlled oscillator system for SAW-less transmitters in cellular handsets," *IEEE Journal of Solid-State Circuits*, vol. 41, no. 5, pp. 1160–1170, May 2006.
- [98] E. Wu, J. Aitken, E. Nowak, A. Vayshenker, P. Varekamp, G. Hueckel, J. McKenna, D. Harmon, L.-K. Han, C. Montrose, and R. Dufresne, "Voltage-dependent voltage-acceleration of oxide breakdown for ultra-thin oxides," in *IEEE International Electron Devices Meeting (IEDM)*, 2000, pp. 541–544.
- [99] E. Wu, J. McKenna, W. Lai, E. Nowak, and A. Vayshenker, "The effect of change of voltage acceleration on temperature activation of oxide breakdown for ultrathin oxides," *IEEE Electron Device Letters*, vol. 22, no. 12, pp. 603–605, Dec. 2001.

- [100] M. Shahmohammadi, M. Babaie, and R. B. Staszewski, "A 1/f noise upconversion reduction technique applied to class-D and class-F oscillators," in *IEEE International Solid-State Circuits Conference Digest of Technical Papers (ISSCC)*, 2015, pp. 444–445.
- [101] A. Ismail and A. A. Abidi, "CMOS differential LC oscillator with suppressed up-converted flicker noise," in *IEEE International Solid-State Circuits Conference Digest of Technical Papers (ISSCC)*, 2003, pp. 98–99.
- [102] S. Levantino, M. Zanuso, C. Samori, and A. Lacaíta, "Suppression of flicker noise up-conversion in a 65nm CMOS VCO in the 3.0-to-3.6 GHz band," in *IEEE International Solid-State Circuits Conference Digest of Technical Papers (ISSCC)*, 2010, pp. 50–51.
- [103] L. Fanori and P. Andreani, "Class-D CMOS oscillators," *IEEE Journal of Solid-State Circuits*, vol. 48, no. 12, pp. 3105–3119, Dec. 2013.
- [104] N. O. Sokal and A. D. Sokal, "Class E-A new class of high-efficiency tuned single-ended switching power amplifiers," *IEEE Journal of Solid-State Circuits*, vol. 10, no. 3, pp. 168–176, Mar. 1975.
- [105] F. H. Raab, "Idealized operation of the class E tuned power amplifier," *IEEE Transactions on Circuits and Systems I, Regular Papers*, vol. CAS-24, no. 12, pp. 725–735, Dec. 1977.
- [106] S. Kee, "The class-E/F family of harmonic-tuned switching power amplifiers," Ph.D. dissertation, Dept. Elect. Eng., California Institute of Technology, Dec 2002. [Online]. Available: [http://thesis.library.caltech.edu/1512/1/Kee\\_s\\_2002.pdf](http://thesis.library.caltech.edu/1512/1/Kee_s_2002.pdf)
- [107] M. Acar, A. j. Annema, and B. Nauta, "Generalized analytical design equations for variable slope class-E power amplifiers," in *13th IEEE International Conference on Electronics, Circuits and Systems (ICECS)*, 2006, pp. 431–434.
- [108] M. Acar, A. Annema, and B. Nauta, "Analytical design equations for class-E power amplifiers," *IEEE Transactions on Circuits and Systems I, Reg. Papers*, vol. 54, no. 12, pp. 2706–2717, Dec. 2007.
- [109] S. D. Kee, I. Aoki, A. Hajimiri, and D. Rutledge, "The Class-E/F family of ZVS switching amplifiers," *IEEE Transactions on Microwave Theory and Techniques*, vol. 51, no. 6, pp. 1677–1690, Jun. 2003.
- [110] E. Wu, J. Sune, and R. Vollertsen, "Comprehensive physics-based breakdown model for reliability assessment of oxides with thickness ranging from 1 nm up to 12 nm," in *Proceedings of the 47th Annual International Reliability Physics Symposium (IRPS)*, 2009, pp. 708–717.
- [111] A. Berman, "Time-zero dielectric reliability test by a ramp method," in *IEEE Proc. International Reliability Physics Symposium*, 1981, pp. 204–209.
- [112] "Wireless LAN at 60 GHz - IEEE 802.11ad explained," in *Agilent Technologies*, 2013, pp. 1–28. [Online]. Available: <http://cp.literature.agilent.com/litweb/pdf/5990-9697EN.pdf>
- [113] A. A. Abidi, "RF CMOS comes of age," *IEEE Journal of Solid-State Circuits*, vol. 39, no. 4, pp. 549–561, Apr. 2004.



- 
- [114] V. Vidojkovic *et al.*, “A low-power 57-to-66GHz transceiver in 40nm LP CMOS with -17dB EVM at 7Gb/s,” in *IEEE International Solid-State Circuits Conference Digest of Technical Papers (ISSCC)*, 2012, pp. 268–269.
- [115] N. Saito *et al.*, “A fully integrated 60-GHz CMOS transceiver chipset based on WiGig/IEEE 802.11ad with built-in self calibration for mobile usage,” *IEEE Journal of Solid-State Circuits*, vol. 48, no. 12, pp. 3146–3159, Dec. 2013.
- [116] A. M. Niknejad, D. Chowdhury, and J. Chen, “Design of CMOS power amplifiers,” *IEEE Transactions on Microwave Theory and Techniques*, vol. 60, no. 6, pp. 1784–1796, Jun. 2012.
- [117] W. Sander, S. Schell, and B. Sander, “Polar modulator for multi-mode cell phones,” in *Proceedings of IEEE Custom Integrated Circuits Conference (CICC)*, 2003, pp. 439–445.
- [118] L. R. Kahn, “Single-sideband transmission by envelope elimination and restoration,” *Proc. IRE*, vol. 40, no. 7, pp. 803–806, 1952.
- [119] D. K. Su and W. J. McFarland, “An IC for linearizing RF power amplifiers using envelope elimination and restoration,” *IEEE Journal of Solid-State Circuits*, vol. 33, no. 12, pp. 2252–2258, Dec. 1998.
- [120] P. Reynaert and M. S. J. Steyaert, “A 1.75-GHz polar modulated CMOS RF power amplifier for GSM-EDGE,” *IEEE Journal of Solid-State Circuits*, vol. 40, no. 12, pp. 2598–2608, Dec. 2005.
- [121] F. Wang, A. Yang, D. Kimball, L. Larson, and P. Asbeck, “Design of wide-bandwidth envelope-tracking power amplifiers for OFDM application,” *IEEE Transactions on Microwave Theory and Techniques*, vol. 53, no. 4, pp. 1244–1255, Apr. 2005.
- [122] H. Chireix, “High power outphasing modulation,” *Proc. IRE*, vol. 23, no. 11, pp. 1370–1392, Nov. 1935.
- [123] D. Cox, “Linear amplification with nonlinear components,” *IEEE Transactions on Communications*, vol. 22, no. 12, pp. 1942–1945, Dec. 1974.
- [124] D. Zhao, S. Kulkarni, and P. Reynaert, “A 60-GHz outphasing transmitter in 40-nm CMOS,” *IEEE Journal of Solid-State Circuits*, vol. 47, no. 12, pp. 3172–3183, Dec. 2012.
- [125] C. Liang and B. Razavi, “Transmitter linearization by beamforming,” *IEEE Journal of Solid-State Circuits*, vol. 46, no. 9, pp. 1956–1969, Sept. 2011.
- [126] P. Eloranta and P. Seppinen, “Direct-digital RF modulator IC in 0.13  $\mu\text{m}$  CMOS for wide-band multi-radio applications,” in *IEEE International Solid-State Circuits Conference Digest of Technical Papers (ISSCC)*, 2005, pp. 532–533.
- [127] M. S. Alavi, R. B. Staszewski, L. C. N. de Vreede, and J. R. Long, “A wideband  $2 \times 13$ -bit all-digital I/Q RF-DAC,” *IEEE Transactions on Microwave Theory and Techniques*, vol. 62, no. 4, pp. 732–752, Apr. 2014.

- [128] C. Lu, H. Wang, C. Peng, A. Goel, S. Son, P. Liang, A. Niknejad, H. Hwang, and G. Chien, "A 24.7dBm all-digital RF transmitter for multimode broadband applications in 40nm CMOS," in *IEEE International Solid-State Circuits Conference Digest of Technical Papers (ISSCC)*, 2013, pp. 332–333.
- [129] A. M. Niknejad and H. Hashemi, *mm-Wave Silicon Technology, 60 GHz and Beyond*. Springer, 2008. [Online]. Available: <http://www.springer.com/us/book/9780387765587>
- [130] B. Razavi, R.-H. Yan, and K. F. Lee, "Impact of distributed gate resistance on the performance of MOS devices," *IEEE Transactions on Circuits and Systems II: Expr. Briefs*, vol. 41, no. 11, pp. 750–754, Nov. 1994.
- [131] C. Enz, "An MOS transistor model for RF IC design valid in all regions of operation," *IEEE Transactions on Microwave Theory and Techniques*, vol. 50, no. 1, pp. 342–359, Jan. 2002.
- [132] D. Zhao and P. Reynaert, "A 60-GHz dual-mode class-AB power amplifier in 40-nm CMOS," *IEEE Journal of Solid-State Circuits*, vol. 48, no. 10, pp. 2323–2337, Oct. 2013.
- [133] B. Razavi, *Design of Analog CMOS Integrated Circuits*. McGraw-Hill Education, 2000. [Online]. Available: [http://books.google.nl/books?id=X\\_rAQgAACAAJ](http://books.google.nl/books?id=X_rAQgAACAAJ)
- [134] D. Zhao and P. Reynaert, "A 40-nm CMOS E-band 4-way power amplifier with neutralized bootstrapped cascode amplifier and optimum passive circuits," *IEEE Transactions on Microwave Theory and Techniques*, vol. 63, no. 2, pp. 683–690, Feb. 2015.
- [135] C. Liang and B. Razavi, "A layout technique for millimeter-wave PA transistors," in *Proceedings of IEEE Radio Frequency Integrated Circuits (RFIC) Symposium*, 2011, pp. 1–4.
- [136] M. Babaie, R. B. Staszewski, L. Galatro, and M. Spirit, "A wideband 60 GHz class-E/F<sub>2</sub> power amplifier in 40nm CMOS," in *Proceedings of IEEE Radio Frequency Integrated Circuits (RFIC) Symposium*, 2015, pp. 215–218.
- [137] D. Zhao and P. Reynaert, "A 0.9V 20.9dBm 22.3%-PAE E-band power amplifier with broadband parallel-series power combiner in 40nm CMOS," in *IEEE International Solid-State Circuits Conference Digest of Technical Papers (ISSCC)*, 2014, pp. 248–249.
- [138] W. L. Chan and J. R. Long, "A 58–65 GHz neutralized CMOS power amplifier with PAE above 10% at 1-V supply," *IEEE Journal of Solid-State Circuits*, vol. 45, no. 3, pp. 554–564, Mar. 2010.
- [139] J. Chen and A. M. Niknejad, "A compact 1V 18.6dBm 60GHz power amplifier in 65nm CMOS," in *IEEE International Solid-State Circuits Conference Digest of Technical Papers (ISSCC)*, 2011, pp. 423–433.
- [140] J. Chen, "Advanced Architectures for Efficient mm-Wave CMOS Wireless Transmitters," Ph.D. dissertation, Dept. Elect. Eng. and Comp. Sci, University of California at Berkeley, May 2014. [Online]. Available: <http://www.eecs.berkeley.edu/Pubs/TechRpts/2014/EECS-2014-42.html>

- [141] S. V. Thyagarajan, A. M. Niknejad, and C. D. Christopher, "A 60GHz drain-source neutralized wideband linear power amplifier in 28nm CMOS," *IEEE Transactions on Circuits and Systems I, Reg. Papers*, vol. 61, no. 8, pp. 2253–2262, Aug. 2014.
- [142] D. Chowdhury, P. Reynaert, and A. M. Niknejad, "A 60GHz 1V +12.3dBm transformer-coupled wideband PA in 90nm CMOS," in *IEEE International Solid-State Circuits Conference Digest of Technical Papers (ISSCC)*, 2008, pp. 560–561.
- [143] D. M. Pozar, *Microwave Engineering*. Wiley, 2005.
- [144] L. Galatro, M. Marchetti, and M. Spirito, "60GHz mixed signal active load pull for millimeter wave devices characterization," in *in Proc. IEEE ARFTG*, Nov. 2012, pp. 1–6.
- [145] M. Babaie, F.-W. Kuo, R. Chen, L.-C. Cho, C.-P. Jou, F.-L. Hsueh, M. Shahmohammadi, and R. B. Staszewski, "A fully integrated Bluetooth Low-Energy transmitter in 28-nm CMOS with 36% system efficiency at 3 dBm," *IEEE Journal of Solid-State Circuits*, vol. 51, no. 7, pp. xxx–xxx, Jul. 2016.
- [146] A. Wong, M. Dawkins, G. Devita, N. Kasparidis, A. Katsiamis, O. King, F. Lauria, J. Schiff, and A. Burdett, "A 1V 5mA multimode IEEE 802.15.6/Bluetooth Low-Energy WBAN transceiver for biotelemetry applications," in *IEEE International Solid-State Circuits Conference Digest of Technical Papers (ISSCC)*, 2012, pp. 300–301.
- [147] G. Devita, A. Wong, M. Dawkins, K. Glaros, U. Kiani, F. Lauria, V. Madaka, O. Omeni, J. Schiff, A. Vasudevan, L. Whitaker, S. Yu, and A. Burdett, "A 5mW multi-standard Bluetooth LE/IEEE 802.15.6 SoC for WBAN applications," in *Proceedings of European Solid-state Circuits Conference (ESSCIRC)*, 2014, pp. 283–286.
- [148] J. Masuch and M. Delgado-Restituto, "A 1.1-mW-RX 81.4 dBm sensitivity CMOS transceiver for Bluetooth Low Energy," *IEEE Transactions on Microwave Theory and Techniques*, vol. 61, no. 4, pp. 1660–1673, Apr. 2013.
- [149] "CC2640 SimpleLink<sup>TM</sup> Bluetooth smart wireless MCU," in *Texas Instruments*, 2015, pp. 1–57. [Online]. Available: <http://www.ti.com/lit/ds/symlink/cc2640.pdf>
- [150] F.-W. Kuo, M. Babaie, R. Chen, K. Yen, J.-Y. Chien, L. Cho, F. Kuo, C.-P. Jou, F.-L. Hsueh, and R. Staszewski, "A fully integrated 28nm Bluetooth Low-Energy transmitter with 36% system efficiency at 3dBm," in *Proceedings of European Solid-state Circuits Conference (ESSCIRC)*, 2015, pp. 356–359.
- [151] A. Selvakumar, M. Zargham, and A. Liscidini, "Sub-mW current re-use receiver front-end for wireless sensor network applications," *IEEE Journal of Solid-State Circuits*, vol. 50, no. 12, pp. 2965–2974, Dec. 2015.
- [152] F. Zhang, Y. Miyahara, and B. P. Otis, "Design of a 300-mV 2.4-GHz receiver using transformer-coupled techniques," *IEEE Journal of Solid-State Circuits*, vol. 48, no. 12, pp. 3190–3205, Dec. 2013.

- [153] C. Bachmann *et al.*, “A 3.5mW 315/400MHz IEEE802.15.6 /proprietary mode digitally-tunable radio SoC with integrated digital baseband and MAC processor in 40nm CMOS,” in *Proceedings of IEEE VLSI Circuits Symposium*, 2015, pp. 94–95.
- [154] P. Whatmough, G. Smart, S. Das, Y. Andreopoulos, and D. Bull, “A 0.6V all-digital body-coupled wakeup transceiver for IoT applications,” in *Proceedings of IEEE VLSI Circuits Symposium*, 2015, pp. 98–99.
- [155] S. Bandyopadhyay and A. P. Chandrakasan, “Platform architecture for solar, thermal, and vibration energy combining with MPPT and single inductor,” *IEEE Journal of Solid-State Circuits*, vol. 47, no. 9, pp. 2199–2215, Sept. 2012.
- [156] K. Kadirvel, Y. Ramadass, U. Lyles, J. Carpenter, V. Ivanov, V. McNeil, A. Chandrakasan, and B. Lum-Shue-Chan, “A 330nA energy harvesting charger with battery management for solar and thermoelectric energy harvesting,” in *IEEE International Solid-State Circuits Conference Digest of Technical Papers (ISSCC)*, 2012, pp. 106–108.
- [157] J. Kim, P. K. T. Mok, , and C. Kim, “A 0.15V-input energy-harvesting charge pump with switching body biasing and adaptive dead-time for efficiency improvement,” in *IEEE International Solid-State Circuits Conference Digest of Technical Papers (ISSCC)*, 2014, pp. 394–395.
- [158] X. Liu and E. Sanchez-Sinencio, “A 0.45-to-3V reconfigurable charge-pump energy harvester with two-dimensional MPPT for Internet of Things,” in *IEEE International Solid-State Circuits Conference Digest of Technical Papers (ISSCC)*, 2015, pp. 370–371.
- [159] “Measuring Bluetooth Low Energy power consumption,” in *Texas Instruments*, 2012, pp. 1–24. [Online]. Available: <http://www.ti.com/lit/an/swra347a/swra347a.pdf>
- [160] M. Babaie, M. Shahmohammadi, and R. B. Staszewski, “A 0.5 V 0.5 mW switching current source oscillator,” in *Proceedings of IEEE Radio Frequency Integrated Circuits (RFIC) Symposium*, 2015, pp. 356–359.
- [161] “Bluetooth Specification Version 4.2,” in *Bluetooth*, 2014. [Online]. Available: <http://www.bluetooth.com>
- [162] A. A. Abidi, “Phase noise and jitter in CMOS ring oscillators,” *IEEE Journal of Solid-State Circuits*, vol. 41, no. 8, pp. 1803–1816, Aug. 2006.
- [163] M. Garampazzi, S. Dal Toso, A. Liscidini, D. Manstretta, P. Mendez, L. Romano, and R. Castello, “An intuitive analysis of phase noise fundamental limits suitable for benchmarking LC oscillators,” *IEEE Journal of Solid-State Circuits*, vol. 49, no. 3, pp. 635–645, Mar. 2014.
- [164] V. Chillara, Y.-H. Liu, B. Wang, A. Ba, M. Vidojkovic, K. Philips, H. de Groot, and R. Staszewski, “An 860 $\mu$ W 2.1-to-2.7GHz all-digital PLL-based frequency modulator with a DTC-assisted snapshot TDC for WPAN (Bluetooth Smart and Zigbee) applications,” in *IEEE International Solid-State Circuits Conference Digest of Technical Papers (ISSCC)*, 2014, pp. 172–173.

- [165] J. Bank, "A harmonic-oscillator design methodology based on describing functions," Ph.D. dissertation, Ph.D. dissertation, Chalmers Univ. Technology, GÅteborg, Sweden, 2006.
- [166] A. Liscidini, L. Fanori, P. Andreani, and R. Castello, "A 36mW/9mW power-scalable DCO in 55nm CMOS for GSM/WCDMA frequency synthesizers," in *IEEE International Solid-State Circuits Conference Digest of Technical Papers (ISSCC)*, 2012, pp. 348–349.
- [167] M. Garampazzi, P. M. Mendes, N. Codega, D. Manstretta, and R. Castello, "Analysis and design of a 195.6 dBc/Hz peak FoM P-N class-B oscillator with transformer-based tail filtering," *IEEE Journal of Solid-State Circuits*, vol. 50, no. 7, pp. 1657–1668, Jul. 2015.
- [168] A. Mazzanti and P. Andreani, "A push-pull class-C CMOS VCO," *IEEE Journal of Solid-State Circuits*, vol. 48, no. 3, pp. 724–732, Mar. 2013.
- [169] L. Fanori and P. Andreani, "A high-swing complementary class-C VCO," in *Proceedings of European Solid-state Circuits Conference (ESSCIRC)*, 2013, pp. 407–410.
- [170] A. Mazzanti and A. Bevilacqua, "On the phase noise performance of transformer-based CMOS differential-pair harmonic oscillators," *IEEE Transactions on Circuits and Systems I, Reg. Papers*, vol. 62, no. 9, pp. 2334–2341, Sept. 2015.
- [171] E. Klumperink, S. Gierkink, A. van der Wel, and B. Nauta, "Reducing MOSFET 1/f noise and power consumption by switched biasing," *IEEE Journal of Solid-State Circuits*, vol. 35, no. 7, pp. 994–1001, Jul. 2000.
- [172] D. Murphy, H. Darabi, and H. Wu, "A VCO with implicit common-mode resonance," in *IEEE International Solid-State Circuits Conference Digest of Technical Papers (ISSCC)*, 2015, pp. 442–443.
- [173] M. Danesh and J. R. Long, "Differentially driven symmetric microstrip inductors," *IEEE Transactions on Microwave Theory and Techniques*, vol. 50, no. 1, pp. 332–341, Jan. 2002.
- [174] I. Aoki, S. D. Kee, D. B. Rutledge, and A. Hajimiri, "Distributed active transformer-A new power-combining and impedance-transformation technique," *IEEE Transactions on Microwave Theory and Techniques*, vol. 50, no. 1, pp. 316–331, Jan. 2002.
- [175] J. Kim, W. Kim, H. Jeon, Y.-Y. Huang, Y. Yoon, H. Kim, C.-H. Lee, and K. Kornegay, "A fully-integrated high-power linear CMOS power amplifier with a parallel-series combining transformer," *IEEE Journal of Solid-State Circuits*, vol. 47, no. 3, pp. 599–614, Mar. 2000.

---

---

# List of Publications

---

---

## Journal Papers

- **M. Babaie** and R. B. Staszewski, “A class-F CMOS Oscillator,” *IEEE J. Solid-State Circuits*, vol. 48, no. 12, pp. 3120–3133, Dec 2013. (Special ISSCC issue invitation)
- **M. Babaie** and R. B. Staszewski, “An ultra-low phase noise class-F<sub>2</sub> CMOS oscillator with 191 dBc/Hz FoM and long-term reliability,” *IEEE J. Solid-State Circuits*, vol. 50, no. 3, pp. 679–692, Mar. 2015.
- **M. Babaie**, F.-W. Kuo, R. Chen, L-C. Cho, C-P. Jou, F-L. Hsueh, M. Shahmohammadi, and R. B. Staszewski, “A fully integrated Bluetooth Low-Energy transmitter in 28-nm CMOS with 36% system efficiency at 3 dBm,” *IEEE J. Solid-State Circuits*, vol. 51, no. 7, pp. xxx–xxx, Jul. 2016. (Special ESSCIRC issue invitation)
- Z. Zong, **M. Babaie** and R. B. Staszewski, “A 60 GHz frequency generator based on a 20 GHz oscillator and an implicit multiplier,” *IEEE J. Solid-State Circuits*, vol. 51, no. 5, pp. 1261–1273, May. 2016.
- M. Shahmohammadi, **M. Babaie** and R. B. Staszewski, “A 1/f noise up-conversion reduction technique for RF CMOS oscillators,” under review with one Major Revision for publication in *IEEE J. Solid-State Circuits*.

## Conference Papers

- **M. Babaie** and R. B. Staszewski, “Third-harmonic injection technique applied to a 5.87-to-7.56GHz 65nm class-F oscillator with 192dBc/Hz FoM,” in *IEEE Int. Solid-State Circuits Conf. Dig Tech. Papers (ISSCC)*, Feb. 2013. pp. 348–349.
- **M. Babaie**, M. Shahmohammadi, and R. B. Staszewski, “A 0.5 V 0.5 mW switching current source oscillator,” *IEEE RFIC Symp.*, May 2015, pp. 356–359.
- **M. Babaie**, R. B. Staszewski, L. Galatro, and M. Spirito, “A wideband 60 GHz class-E/F<sub>2</sub> power amplifier in 40nm CMOS,” *IEEE RFIC Symp.*, May 2015, pp. 215–218.
- **M. Babaie**, A. Visweswaran, Z. He, and R. B. Staszewski, “Ultra-low phase noise 7.2–8.7 GHz clip-and-restore oscillator with 191 dBc/Hz FoM,” *IEEE Radio Frequency Integrated Circuits Symp.*, June 2013, pp. 43–46.

- **M. Babaie** and R. B. Staszewski, “A study of RF oscillator reliability in nanoscale CMOS,” *Proc. of IEEE 21<sup>st</sup> European Conference on Circuit Theory and Design (ECCTD)*, Sept. 2013, pp. 243–246.
- M. Shahmohammadi, **M. Babaie**, and R. B. Staszewski, “A 1/f noise upconversion reduction technique applied to class-D and class-F oscillators,” in *IEEE Int. Solid-State Circuits Conf. Dig Tech. Papers (ISSCC)*, Feb. 2015, pp. 444–445.
- Z. Zong, **M. Babaie** and R. B. Staszewski, “A 60 GHz 25% tuning range frequency generator with implicit divider based on third harmonic extraction with 182 dBc/Hz FoM,” *IEEE RFIC Symp.*, May 2015, pp. 279–282.
- F.-W. Kuo, **M. Babaie**, R. Chen, K. Yen, J.-Y. Chien, L. Cho, F. Kuo, C.-P. Jou, F.-L. Hsueh, and R. B. Staszewski, “A fully integrated 28nm Bluetooth Low-Energy transmitter with 36% system efficiency at 3dBm,” *ESSCIRC*, Sept. 2015, pp. 356–359.
- F.-W. Kuo, S. B. Ferreira, **M. Babaie**, R. Chen, L.-C. Cho, C.-P. Jou, F.-L. Hsueh, G. Huang, I. Madadi, M. Tohidian, and R. B. Staszewski, “A Bluetooth low-energy (BLE) transceiver with T/R switchable on-Chip matching network, 2.7mW high-IF discrete-time receiver, and 3.6mW all-digital transmitter,” *IEEE VLSI Circ. Symp.*, June 2016.
- F.-W. Kuo, R. Chen, K. Yen, H.-Y. Liao, C.-P. Jou, F.-L. Hsueh, **M. Babaie**, and R. B. Staszewski, “A 12mW all-digital PLL based on class-F DCO for 4G phones in 28nm CMOS,” *IEEE VLSI Circ. Symp.*, June 2014, pp. 1–2.

### Seminars

- **M. Babaie**, “High performance RF oscillators,” Seminar (1-hr) presented at Berkeley wireless research center, Berkeley, CA, USA, 31 Oct. 2014.  
(<https://bwrc.eecs.berkeley.edu/events/2014/10/20/16848/high-performance-rf-oscillators>)
- **M. Babaie**, “Class-F CMOS Oscillators,” Seminar (1-hr) presented at Qualcomm Inc, San Diego, CA, USA, 17 Feb. 2015.
- **M. Babaie**, “A 1/f noise upconversion reduction technique applied to class-D and class-F oscillators,” Seminar (1-hr) presented at Marvell Technology Group Ltd, Santa Clara, CA, USA, 20 Feb. 2015.

### Patents and Patent Applications

- **M. Babaie** and R. B. Staszewski, “Switching current source radio frequency oscillator,” Pub. No. US 2016/0099679 A1, Published Apr. 2016.
- **M. Babaie**, and R. B. Staszewski, “Transformer based impedance matching network and related power amplifier, ADPLL and transformer based thereon,” Pub. No. US 2016/0099691 A1, Published Apr. 2016.
- **M. Babaie**, and R. B. Staszewski, “60 GHz wideband class E/F<sub>2</sub> power amplifier,” Pub. No. US 2016/0099685 A1, Published Apr. 2016.

- 
- **M. Babaie** and R. B. Staszewski, “Class-F CMOS oscillator incorporating differential passive network,” Patent No. US 9197221 B2, Issued Nov. 2015.
  - R. B. Staszewski, **M. Babaie**, and Z. He, “Oscillator,” Patent No. US 9337847 B2, Issued May 2016.
  - Z. Zong, **M. Babaie**, and R. B. Staszewski, “60 GHz frequency generator incorporating third harmonic boost and extraction,” Pub. No. US 2016/0099681 A1, Published Apr. 2016.
  - M. Shahmohammadi, **M. Babaie**, R. B. Staszewski, “Flicker noise up-conversion reduction technique applied to a class-F oscillator,” International Application No. PCT/EP 2015/051573, Filed Jan. 2015.
  - M. Shahmohammadi, **M. Babaie**, R. B. Staszewski, “A single tank dual mode oscillator,” International Application No. PCT/EP2015/051574, Filed Jan. 2015.





---

# Summary

---

<sup>1</sup> In the next few years, Fifth Generation (5G) cellular systems and the wireless Internet-of-Things (IoT) are expected to see significant deployment to realize more integration between the physical and digital worlds, promising high data rate communications and enabling more objects to be remotely sensed and controlled. Since mobile terminals inherently operate on batteries, an ever-decreasing power per bit is required to improve the system battery lifetime. Similarly, the power consumption of RF/mm-wave building blocks should be reduced to satisfy the lifetime demands of cellular and IoT systems.

On the other hand, in a system-on-chip (SoC), the choice of technology node is often driven by the performance and cost of digital circuits, which occupy most of the area. An RF/analog designer may play a small role in driving this decision. Therefore, it is not rare to find the worst lineup of process options available to an RF/analog designer. The size, cost, and power consumption of digital circuits are reduced by technology scaling. However, the design of analog/RF circuits faces many difficulties using more advanced CMOS technologies. For example, the supply voltage is reduced while RF and analog circuits must maintain their dynamic range, noise performance, and output power. Consequently, new analog/RF techniques are required to achieve a fully integrated power/area efficient transceivers in low-voltage deep nanoscale CMOS technology.

RF/mm-wave oscillators and power amplifiers are recognized as the most power-hungry blocks of any wireless transceiver. Consequently, any power reduction in them will greatly benefit the overall power efficiency of the radio. Furthermore, they have not significantly benefited from technology scaling. Hence, the main focus of this dissertation is to innovate the RF/mm-wave oscillator and power amplifier structures that demonstrate better performance, lower cost, and higher power efficiency than traditional architectures.

This thesis is composed of three parts. The main focus of the first part (Chapter 2–4) is on the design and implementation of innovative RF/mm-wave oscillators for wireless applications.

---

<sup>1</sup>Mr. Malotaux has translated the summary as well as proposition of this dissertation into Dutch. Then, Prof. de Vreede has revised the summary.

A new class of operation for RF oscillators is introduced to fill the performance/power gap in the ultra-high figure of merit and ultra-low phase noise oscillator space currently not satisfied by state-of-the-art structures. The main idea is to enforce a clipped voltage waveform around the LC tank by increasing the harmonic components of the oscillation voltage through additional impedance peaks, thus giving rise to a class-F operation. As a result, the circuit-to-phase noise conversion decreases in class-F oscillators such that a significant improvement in the oscillator's phase noise and power efficiency are achieved. The auxiliary impedance peaks are realized by exploiting the different behavior of a step-up transformer in common-mode and differential-mode excitations or employing a transformer's leakage inductance. The proposed oscillator is also implemented as the heart of an all-digital phase-locked loop to demonstrate its effectiveness on improving the power efficiency of a Fourth Generation (4G) frequency synthesizer.

The objective of the second part of this dissertation (Chapter 5–6) is about analysis and design of RF/mm-wave switched-mode power amplifiers. Different characteristics of switched-mode PAs are investigated and quantified in Chapter 5. This allows designers to better understand how to choose the best topology among different flavors of switched-mode PAs suited to meet their various specifications. Different trade-offs between the power gain, output power, drain efficiency, maximum operating frequency, and power added efficiency are comprehensively studied for various kinds of switched-mode PAs. These insights lead to the design and implementation of a fully integrated 60 GHz power amplifier in Chapter 6. This PA reaches the highest reported product of power-added efficiency and bandwidth. It is achieved through low/moderate coupling-factor transformers in preliminary stages and a proper second-harmonic termination of the output stage such that it can operate as a class-E/ $F_2$  switched-mode PA at the saturation point.

Finally, a new transmitter architecture for ultra-low power radios is introduced in the third part of this dissertation (Chapter 7). A novel digitally controlled oscillator with switching current sources is introduced to reduce supply voltage and power without sacrificing its phase noise and startup margins. Due to the low wander of DCO, digital power consumption of ADPLL can be significantly saved by scaling down the rate of sampling clock after settling or even shutting it off entirely during direct DCO data modulation. A fully integrated differential class-E/ $F_2$  switching PA is designed to improve system efficiency at low output power of 0–3 dBm while fulfilling all in-band and out-of-band emission masks. Based on those innovations, an ultra-low power Bluetooth Low Energy transmitter is proposed that demonstrates the best ever reported system efficiency and phase purity. Furthermore, for both proposed oscillator and power amplifier, accurate key analytical equations are derived to provide useful design insights.

---

## Samenvatting

---

<sup>1</sup> Het is de verwachting dat in de komende paar jaar, Vijfde Generatie (5G) mobiele netwerken en het internet-der-dingen (IoT) op grote schaal worden toegepast om verregaande integratie tussen de fysieke en digitale wereld te realiseren, dit met de belofte van snellere datacommunicatie en ondersteuning van meer objecten die op afstand kunnen worden uitgelezen en gecontroleerd. Omdat mobiele apparaten afhankelijk zijn van batterijen is een steeds verdere afname van de energie-per-bit noodzakelijk om de batterijlevensduur te verlengen. Evenzo is het dus wenselijk om het vermogensverbruik van de RF/mm-golf schakelingen in mobiele en IoT systemen te reduceren om aan de batterijlevensduureisen van deze systemen te voldoen.

In een “systeem-op-chip” (SoC) wordt de keuze van de technologiegeneratie vaak bepaald door de prestatie en kostprijs van de digitale schakelingen die vaak het grootste deel van het IC oppervlakte innemen. De analoge/RF ontwerper heeft bij deze technologiekeuze maar een beperkte rol. Het is daarom ook niet ongevoerd dat de gekozen technologie verre van ideaal is voor het ontwerp van hoogfrequente- en analoge schakelingen. De benodigde oppervlakte, kosten en energieverbruik van digitale schakelingen worden sterk verminderd door technologische schaling. Deze schaling brengt echter voor het ontwerp van de analoge- en hoogfrequente schakelingen veel complicaties met zich mee. Zo wordt de voedingsspanning verminderd, terwijl het dynamisch bereik, ruisprestaties en uitgangsvermogen van deze RF- en analoge schakelingen moeten worden behouden. Hierdoor is er behoefte aan nieuwe analoge/RF ontwerpstechnieken die volledig geïntegreerde en energie/oppervlak efficiënte zend-ontvangst schakelingen mogelijk maken en goed functioneren bij de lagere voedingsspanningen van geavanceerde CMOS technologieën.

RF/mm-wave oscillatoren en eindversterkers worden in het algemeen gezien als de meest energieverslindende functies in elke zend-ontvangstschakeling. Vandaar dat een efficiëntieverbetering in een van deze bouwblokken sterk bijdraagt in het energieverbruik van de gehele radio. Bovendien ondervinden deze schakelingen nauwelijks enig voordeel van technologische schaling. Deze scriptie stelt zich dan ook als doel om innovaties in de oscillator en vermogensversterker te

---

<sup>1</sup>Mijn hartelijke dank gaat uit naar de heer Satoshi Malotiaux van de Technische Universiteit Delft. De heer Malotiaux heeft zowel de samenvatting als het stellingen van dit proefschrift vertaald in het Nederlands. Prof. de Vreede heeft de Nederlandse versie van de samenvatting bijgewerkt.

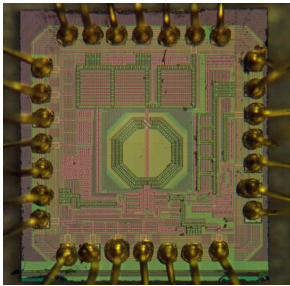
bewerkstelligen die leiden tot betere prestaties, lagere kosten en een hogere efficiëntie dan die van traditionele radioarchitecturen.

Dit proefschrift bestaat uit drie delen. Het eerste deel (hoofdstuk 2–4) richt zich op het ontwerpen en implementeren van innovatieve RF/mm-wave oscillatoren voor draadloze toepassingen. Een nieuwe werkconditie voor RF oscillatoren wordt geïntroduceerd om de tekortkomingen van de huidige “state-of-the-art” ultra-lage faseruis oscillatoren, in termen van hun prestatie parameters, te overwinnen. Het belangrijkste idee hierbij is om een afgetopte spanningsgolfvorm over de LC tank af te dwingen door het verhogen van de harmonische componenten, m.b.v. extra hoge impedanties voor deze frequenties wat leidt tot “klasse-F” operatie. Dit leidt tot een lagere circuit-faseruis omzetting waardoor deze “klasse-F” oscillatoren een significante verbetering in hun faseruis gedrag en efficiëntie laten zien. De extra impedantie pieken worden gerealiseerd door het optimaal benutten van de verschillen in het common-mode en differentiaal-mode gedrag van een spanning-verhogende transformator of door slim gebruik te maken van de “lek-inductantie”. De geïntroduceerde oscillator is ook geïmplementeerd als het hart van een volledig gedigitaliseerde fase-gesynchroniseerde frequentiegenerator (phase-locked loop) om de efficiencyverbetering bij 4G applicaties aan te tonen.

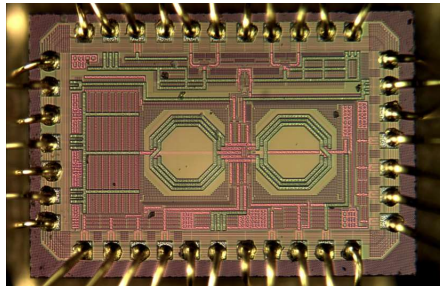
Het tweede deel van dit proefschrift (hoofdstuk 5–6) gaat over de analyse en het ontwerp van RF/mm-golf geschakelde vermogensversterkers. In hoofdstuk 5 worden de verschillende eigenschappen van deze architecturen onderzocht en gekwantificeerd. Dit geeft een ontwerper het benodigde inzicht om, vanuit de verschillende geschakelde vermogensversterkers configuraties, de juiste topologie keuze te maken voor het behalen van de gewenste specificaties. Verschillende ontwerpafwegingen tussen vermogensversterking, zendvermogen, maximaal haalbare werkfrequentie, drain- en toegevoegd-vermogen efficiency zijn grondig bestudeerd voor een aantal type geschakelde vermogensversterkers. Deze inzichten hebben geleid tot het ontwerp en de implementatie van de, in hoofdstuk 6 beschreven, volledige geïntegreerde 60 GHz vermogensversterker. Deze versterker behaalde het tot nu toe hoogst gerapporteerde product tussen toegevoegd-vermogen, efficiency en bandbreedte. Dit wordt bereikt door gebruik te maken van lage/matige-koppeling transformatoren in de aanstuurtrappen en een goede tweede harmonische afsluiting van de versterker eindtrap, zodanig dat deze opereert als een klasse-E/ $F_2$  geschakelde vermogens versterker in het verzadigingspunt.

zonder in te boeten aan faseruis en opstartmarge. Door de lage drift van de DCO kan het stroomverbruik van ADPLL aanzienlijk worden gereduceerd d.m.v. het verlagen van de bemonsteringsklok, of deze zelfs geheel te stoppen gedurende directe DCO datamodulatie. Een volledig geïntegreerde differentieel klasse-E/ $F_2$  geschakelde PA is ontworpen om de systeem-efficiëntie te verbeteren bij lage uitgangsvermogens van 0–3 dBm, terwijl aan alle in-band en out-of-band emissiemaskers wordt voldaan. Op basis van deze innovaties is een ultra-low-power Bluetooth Low Energy-zender gepresenteerd die het beste ooit vermelde systeemrendement en fasezuiverheid behaald. Verder zijn voor zowel de geïntroduceerde oscillator als eindversterker, nauwkeurige analytische vergelijkingen gegeven om nuttige ontwerpinzichten te verschaffen

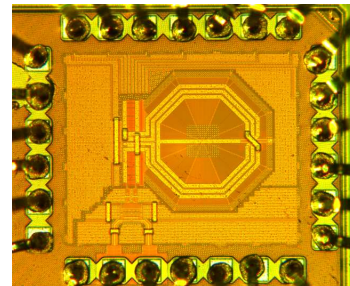
# Chip Micrograph Gallery



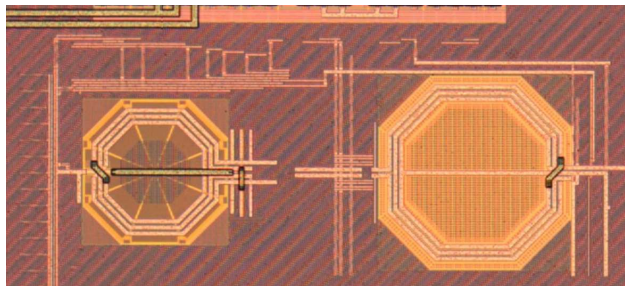
A Class-F CMOS Oscillator in 65nm  
[ISSCC2013, JSSC2013]



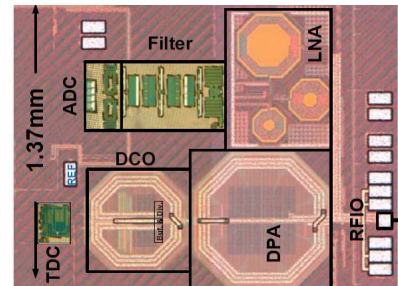
An ultra-low phase noise class-F<sub>2</sub> oscillator in 65nm  
[RFIC2013, JSSC2015]



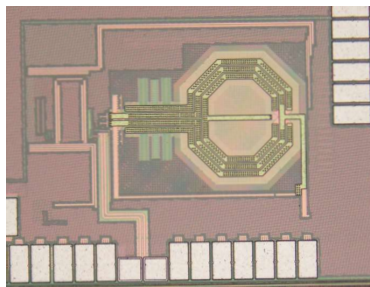
A 0.5mW Switching Current Source  
Oscillator in 40nm [RFIC2015]



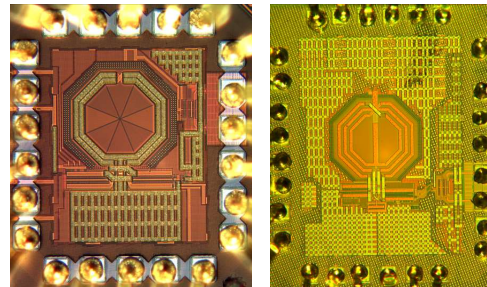
A Bluetooth Low-Energy Transmitter with 36% System Efficiency in 28nm  
[ESSCIRC2015, JSSC2016] (with TSMC RF group)



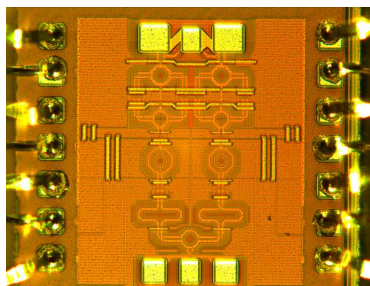
A Bluetooth Low-Energy Transceiver in 28nm  
[VLSI2016] (with S. Binsfeld and TSMC RF group)



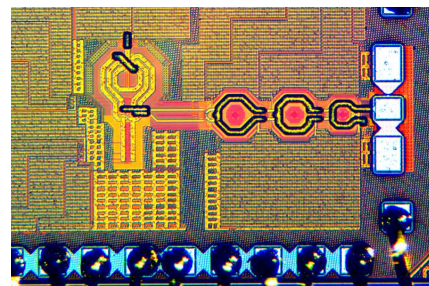
An All-Digital PLL for 4G Phones in 28nm  
[VLSI2014] (with TSMC RF group)



A 1/f Noise Upconversion Reduction Technique for RF Oscillators in 40nm  
[ISSCC2015] (with M. Shahmohammadi)



A wideband 60GHz class-E/F<sub>2</sub> PA in 40nm  
[RFIC2015]



A 60GHz Frequency Generator with implicit multiplier in 40nm  
[RFIC2015, JSSC2016] (with Z. Zong)



---



---

## List of Figures

---



---

1.1	(a) evolution of data rates for wireless LAN, cellular, and wireline short links over time [1]; (b) power usage in a smartphone [2]. . . . .	2
1.2	Contribution of RF oscillator to the power consumption of cellular frequency synthesizers and receivers. . . . .	2
1.3	Nominal supply voltage versus CMOS technology node for (a) thin-oxide and (b) thick-oxide device. . . . .	3
1.4	(a) Back-end-of-line (BEOL) metallization; quality factor of (b) a 250 fF capacitor, and (c) a 100 pH inductor in 65 nm and 32 nm CMOS technologies [16]. . . . .	4
1.5	Damascene process steps [17]. . . . .	4
1.6	(a) Thickness variation by erosion in the CMP stage; (b) electromagnetic coupling between the wire and dummy fills; (c) inductor/transformer with lots of dummy metal fills. . . . .	5
1.7	(a) Flicker noise scaling trend; (b) measured excess noise ( $\gamma$ ) factor versus drain-source voltage at 10 GHz and $V_{gs} = 1.0$ V for different gate lengths of NMOS transistors in 40 nm LP technology [20]. . . . .	6
2.1	Oscillator schematic: (a) traditional class-B; (b) class-C. . . . .	10
2.2	Oscillator: (a) noise sources; (b) targeted oscillation voltage (top) and its expected ISF (bottom). . . . .	11
2.3	Traditional oscillator waveforms in time and frequency domains. . . . .	12
2.4	Proposed oscillator waveforms in time and frequency domains. . . . .	13
2.5	The effect of adding 3 <sup>rd</sup> harmonic in the oscillation waveform (top) and its expected ISF (bottom). . . . .	14
2.6	Transformer-based resonator (a); and its equivalent circuit (b). . . . .	14
2.7	Ratio of the tank resonant frequencies versus $X$ -factor for different $k_m$ . . . . .	15
2.8	The transformer-based tank characteristics: (a) the input impedance, $Z_{in}$ magnitude; (b) the trans-impedance, $Z_{21}$ magnitude; (C) transformer's secondary to primary voltage gain; (d) the phase of $Z_{in}$ and $Z_{21}$ (Momentum simulation). . . .	17
2.9	Typical secondary-to-primary winding voltage gain of the transformer-based resonator versus frequency. . . . .	18



2.10	Two options of the transformer-based class-F oscillator: (a) transformer-coupled; and (b) cross-coupled. The first option was chosen as more advantageous in this work. . . . .	20
2.11	Root-locus plot of the transformer-based class-F oscillator: (a) transformer-coupled structure of Fig. 2.10(a); and (b) cross-coupled structure of Fig. 2.10(b).	21
2.12	(a) Oscillation voltage waveforms and (b) transient response of the class-F oscillator.	21
2.13	Open-loop circuit for unloaded Q-factor calculation (a); its equivalent circuit (b).	22
2.14	RF CMOS oscillator noise sources. . . . .	24
2.15	Mechanisms of circuit noise to phase noise conversion in different classes of RF CMOS oscillator. . . . .	27
2.16	Sensitivity of class-F oscillator to the position of the second resonant frequency: tank's input impedance magnitude and phase (top), oscillation waveform (bottom).	28
2.17	Die photograph of class-F oscillator. . . . .	29
2.18	Measured phase noise at 3.7 GHz and power dissipation of 15 mW. Specifications (MS: mobile station, BTS: basestation) are normalized to the carrier frequency. .	31
2.19	(a) Phase noise and figure-of-merit (FoM) at 3 MHz offset versus carrier frequency and (b) frequency pushing due to supply voltage variation. . . . .	31
2.20	Measured phase noise at 3.5 GHz and simulated oscillation waveforms: (a) optimum case; (b) exaggerated non-optimum case. . . . .	32
2.21	Evolution of the mm-wave PLL architecture (a): PLL with fundamental oscillator; (b): PLL with frequency multiplier; (c): PLL with push-push oscillator; (d): proposed PLL with harmonic boosting and extraction. . . . .	34
2.22	Dependency of (a) X-factor; (b) tank's first and second resonant frequencies; (c) $R_{p1}$ and $R_{p3}$ ; (d) tank's equivalent Q-factor on $k_m$ (while $\omega_2/\omega_1 = 3$ ). . . . .	35
2.23	(a) Chip micrograph; (b) Measured phase noise at 57.8 GHz. . . . .	36
3.1	TDC within ADPLL and within adaptation loop to make its step size, $\Delta_{TDC}$ , PVT-free. . . . .	38
3.2	Schematic of the parallel TDC with stabilized inverter delay. . . . .	39
3.3	Captured real-time internal signals during TDC calibration: phase error ( $\phi_E$ ), TDC tuning word (TTW) and TDC calibration enable. . . . .	40
3.4	Block diagram of the proposed ADPLL with 1/8-length TDC and 2-point frequency modulation (top) and Variable phase calculation circuit (bottom). . . . .	41
3.5	Effects of dummy metal fills on the 28 nm CMOS class-F transformer. . . . .	42
3.6	Schematic of the class-F DCO. . . . .	43
3.7	The input interface of the proposed DCO. . . . .	44
3.8	Chip micrograph of the ADPLL and the zoomed-in transformer revealing lots of dummy metal fills. . . . .	45
3.9	Measured ADPLL (a) phase noise and (b) spectrum (a); with 40 MHz FREF. The spectrum, taken with wide loop bandwidth of 1.5 MHz, is virtually spur-free. . .	45
3.10	(a) Measured largest fractional spurs for fractional frequencies away from 2040 MHz integer-N channel and (b) measured in-band phase noise and reference spurs over 1.5–2.1 GHz in 100 MHz steps. . . . .	45

3.11	(a) Measured demodulated signal during FSK modulation and (b) Measured lock-in time for a frequency step of 35 MHz. . . . .	46
4.1	Phase noise reduction techniques without sacrificing tank's Q-factor: (a) coupled oscillators, (b) connecting two step-up transformers back-to-back, and (c) its equivalent circuit model. . . . .	51
4.2	Preliminary oscillator schematic and its simulated voltage and estimated current waveforms at $f_0=8$ GHz, $V_{DD}=1.2$ V, $I_{DC}=33$ mA, $L_{eq}=80$ pH and $C_{eq}=4.95$ pF. . . . .	52
4.3	Simulated phase noise performance of the preliminary oscillator of Fig. 4.2 versus gate differential oscillation voltage for the ideal and real current sources. . . . .	52
4.4	Drain current of $M_{1,2}$ devices of Fig. 4.2 in time and frequency domains. . . . .	53
4.5	Proposed oscillator waveforms in time and frequency domains. . . . .	54
4.6	Effect of adding 2 <sup>nd</sup> harmonic in the oscillation voltage waveform (top), and its expected ISF based on Eq. (38) in [31] (bottom). . . . .	55
4.7	Transformer behavior in (a) differential-mode, and (b) common-mode excitations. . . . .	56
4.8	Proposed transformer-based resonator: (a) schematic, (b) its simplified equivalent differential-mode circuit ( $k_{m(DM)} \approx 1$ ), (c) simplified tank schematic for common-mode input signals ( $k_{m(CM)} \approx 0$ ). . . . .	56
4.9	Simulated characteristics of the transformer-based tank of Fig. 4.8: (top) magnitude of input impedance $Z_{in}$ ; (bottom) tank voltage gain between gate and drain of core devices. . . . .	57
4.10	Proposed transformer-based class- $F_2$ oscillator schematic. . . . .	58
4.11	Simulated oscillation waveforms of the class- $F_2$ oscillator at $V_{DD}=1.2$ V and $I_{DC}=29$ mA: (top) oscillation voltage of different circuit nodes, (bottom) core transistors drain current. . . . .	59
4.12	Root-locus plot of the class- $F_2$ oscillator. . . . .	59
4.13	Mechanisms of circuit-to-phase noise conversion across the oscillation period in the class- $F_2$ oscillator: (a) simulated ISF of different tank nodes, (b) equivalent ISF in the simplified oscillator schematic of Fig. 4.14, (c) simulated effective power spectral density of the oscillator's noise sources normalized to $KT/R_{in}$ , (d) oscillation waveforms and operation region of $M_{1,2}$ , (e) transconductance and channel conductance of $M_1$ , (f) loaded Q-factor and effective parallel input resistance of the tank, (g) power spectral density of $M_1$ noise sources normalized to $4KT/R_{in}$ , (h) simulated ISF function of $M_1$ channel noise, (i) simulated effective power spectral density of different noise sources of $M_1$ normalized to $KT/R_{in}$ . . . . .	60
4.14	Simplified noise source model of the class- $F_2$ oscillator. . . . .	61
4.15	Die photograph of the class- $F_2$ oscillator. . . . .	65
4.16	Measured (blue) and simulated (red) phase noise plots at 4.35 GHz, $V_{DD}=1.3$ V and $P_{DC}=41$ mW. Specifications (MS: mobile station, BTS: basestation) are normalized to the carrier frequency. . . . .	66
4.17	Measured phase noise and figure-of-merit (FoM) at 3 MHz offset versus carrier frequency. . . . .	67
4.18	Measured phase noise at 3 MHz offset frequency from 4.3 GHz carrier versus the oscillator current consumption. . . . .	67

4.19	(a) Measured cumulative failure rate $F$ versus breakdown time $T_{BD}$ for 14 samples of a thick-oxide transistor ( $176\mu\text{m}/0.28\mu\text{m}$ ) at room temperature, (b) the projected $\eta$ value versus different gate-oxide stress voltage based on the measured $\eta_{ref}$ , (c) Weibull slope versus gate oxide thickness extracted from measurement results in [14], (d) voltage acceleration versus gate oxide thickness extracted from measurement results in [98]. . . . .	69
4.20	Estimated time-to-breakdown (based on the measured parameters of Fig. 4.19(a)) of thick-oxide transistors in 65 nm CMOS versus maximum gate-oxide stress voltage for different (a) cumulative failure rates, (b) temperatures, (c) gate-oxide areas. . . . .	70
4.21	Current harmonic paths and frequency drift for a tank without (top) and with (bottom) resistive traps at higher harmonics. . . . .	72
4.22	Proposed $F_2$ inductor in DM and CM excitation (top), $F_2$ tank and its input impedance (bottom). . . . .	73
4.23	(a) Schematic of the proposed class-D/ $F_2$ oscillator; oscillation waveforms of (b) the class-D and (c) class-D/ $F_2$ . . . . .	73
4.24	(a) Die micrograph of class-D/ $F_2$ oscillator; (b) its measured phase noise. . . . .	74
5.1	Generalized schematic of class-E/F power amplifier including NMOS device circuit model as a switch. . . . .	79
5.2	ZVS and ZdVS circles for different flavors of class-E/F PA in the normalized impedance plane. The black points show the optimal ZVS/ZdVS tuning. . . . .	83
5.3	Technology dependent parameters in 40 nm CMOS technology, (a) $\overline{C_{in}}$ and (b) $\overline{C_{out}}$ versus $V_{gs}$ for different $V_{ds}$ , (c) $\overline{I_{out}}$ and $\overline{R_{on}}$ versus $V_{ds}$ for different $V_{gs}$ . . . . .	85
5.4	Drain, gain and power added efficiency for different flavors of class-E/F PA versus X-factor for technology parameters of $\overline{R_{on}} = 850\Omega\mu\text{m}$ . . . . .	89
5.5	$X_{opt}$ , $X_{min}$ , $X_{max}$ and $X_0$ of class-E and class-E/ $F_2$ PA over frequency. ( $\overline{R_{on}} = 850\Omega\mu\text{m}$ , $\overline{C_{in}} = 1\text{fF}/\mu\text{m}$ , $\overline{C_{out}} = 0.65\text{fF}/\mu\text{m}$ , $\overline{I_{out}} = 0.6\text{mA}/\mu\text{m}$ ) . . . . .	90
5.6	Characteristics of different flavors of class-E/F PA versus frequency at the maximum achievable PAE. (40 nm TSMC LP technology: $\overline{R_{on}} = 850\Omega\mu\text{m}$ , $\overline{C_{in}} = 1\text{fF}/\mu\text{m}$ , $\overline{C_{out}} = 0.65\text{fF}/\mu\text{m}$ , $\overline{I_{out}} = 0.6\text{mA}/\mu\text{m}$ ) . . . . .	92
5.7	Maximum operating frequency of different flavors of class-E/ $F_2$ PA. ( $\overline{R_{on}} = 850\Omega\mu\text{m}$ , $\overline{C_{in}} = 1\text{fF}/\mu\text{m}$ , $\overline{C_{out}} = 0.65\text{fF}/\mu\text{m}$ , $\overline{I_{out}} = 0.6\text{mA}/\mu\text{m}$ ) . . . . .	93
5.8	(a) Weibull slope versus gate oxide thickness extracted from [14], (b) voltage acceleration versus gate oxide thickness extracted from measurement results in [98], (c) $\eta_B$ versus gate-oxide voltage. The data points (solid circles) are extracted from literature [110]. . . . .	95
5.9	Characteristics of different flavors of class-E/F PA versus frequency at the maximum achievable PAE when taken $V_{BK}$ into consideration. ( $\overline{R_{on}} = 850\Omega\mu\text{m}$ , $\overline{C_{in}} = 1\text{fF}/\mu\text{m}$ , $\overline{C_{out}} = 0.65\text{fF}/\mu\text{m}$ , $\overline{I_{out}} = 0.6\text{mA}/\mu\text{m}$ , $V_{BK} = 2\text{V}$ ) . . . . .	96
5.10	Characteristics of single-dviced and cascode class-E/ $F_2$ PA versus frequency at the maximum achievable PAE. ( $\overline{R_{on}} = 850\Omega\mu\text{m}$ , $\overline{C_{in}} = 1\text{fF}/\mu\text{m}$ , $\overline{C_{out}} = 0.65\text{fF}/\mu\text{m}$ , $\overline{I_{out}} = 0.6\text{mA}/\mu\text{m}$ , $V_{BK} = 2\text{V}$ ) . . . . .	98

5.11	The characteristics of non-zero voltage switching PA with class-E type matching network. (a) NZVS and ZdVS circles, (b) PA's design sets versus $V_0$ , (c) Normalized drain voltage and (d) current waveforms, (e) Maximum supply's voltage and (f) shape of drain voltage by considering $V_{BK}=2\text{ V}$ , (g) Waveform FoM parameters, (h) Maximum operating frequency and (i) $X_{min}$ , $X_{max}$ and $X_{opt}$ versus $V_0$ . ( $\overline{R_{on}} = 850\ \Omega\mu\text{m}$ , $\overline{C_{in}} = 1\ \text{fF}/\mu\text{m}$ , $\overline{C_{out}} = 0.65\ \text{fF}/\mu\text{m}$ , $\overline{I_{out}} = 0.6\ \text{mA}/\mu\text{m}$ , $V_{BK} = 2\ \text{V}$ ) . . . . .	99
5.12	Different characteristics of non-zero voltage switching PA with class-E type matching network. (a), (b) The drain and gain efficiencies versus X-factor, (c), (d) the normalized power breakdown of PA versus $V_0$ , (e) and (f) maximum achievable product of drain and gain efficiencies versus $V_0$ . Note that the $V_{DD}$ is constant over $V_0$ in the left-side figures. However, the maximum drain voltage is kept fixed at $V_{BK}$ for the right-side figures. . . . .	101
5.13	(a) The shunt capacitance discharge time constant $\tau_{cs}$ and (b) its discharge time $\Delta t$ versus frequency for different $V_0$ . . . . .	102
6.1	60 GHz band channel plan and frequency allocations by region [112]. . . . .	106
6.2	Different transmitter architectures: (a) traditional analog-intensive $I/Q$ ; (b) Envelope tracking; (c) analog-intensive polar; (d) digitally-intensive polar; (e) outphasing; (f) digitally intensive $I/Q$ structure with on-chip and (g) spatial combining. . . . .	107
6.3	Structure and circuit model of a MOSFET with its parasitic elements [129]. . . . .	109
6.4	Optimal layout of $32\cdot 1\mu\text{m}/40\text{nm}$ transistor. . . . .	110
6.5	Normalized parasitic capacitances of an NMOS transistor excluding (left) and including (right) extrinsic interconnect parasitics. . . . .	111
6.6	(a) Schematic and (b, c) layout of the neutralized differential amplifier; (d) the overall transconductance of the large device versus the number of unit transistors. . . . .	113
6.7	Simulated (a) $f_t$ and (b) $f_{max}$ of a $96\cdot 1\mu\text{m}/40\text{nm}$ with extrinsic interconnect parasitics versus $V_{ds}$ for different $V_{gs}$ . . . . .	114
6.8	Schematic and layout of the proposed 60 GHz PA. . . . .	115
6.9	(a) Simulated maximum available gain for different amplifier structures; (b) Edwards-Sinsky stability factor for differential amplifier with various $C_n$ ; (c) neutralized differential amplifier with its parasitic capacitances; Equivalent model for parasitic capacitances of a neutralized transistor in (d) DM and (e) CM excitation. . . . .	116
6.10	Transformer-based matching network with m-way voltage and p-way current summation. . . . .	117
6.11	Schematic and layout of the last stage of PA. . . . .	118
6.12	Different characteristics of the transformer used in the output matching network. . . . .	119
6.13	Equivalent half-circuit model of output matching network for differential excitation. . . . .	119
6.14	Transformer behavior in differential-mode (a) and common-mode (b) excitations. . . . .	120
6.15	(a) Simplified layout and (b) equivalent circuit model of the effective CM inductance seen by PA transistors; (c, d) effective impedance of the bypass network. . . . .	121
6.16	Different characteristics of extended class-E/ $F_2$ PA versus $\omega_{cm}$ . . . . .	123

6.17	Different characteristics of class-E/ $F_2$ PA versus the quality factor of common-mode resonant frequency. . . . .	125
6.18	(a) Load stability circle and constant power gain circles for 3-32-(1 $\mu$ m/40nm) transistor; (b) constant PAE and $P_{sat}$ circles for the last stage with an ideal series-parallel combiner. . . . .	126
6.19	(a) Real and (b) imaginary parts of the impedance seen at the different input ports of the output matching network; (c) CM input impedance; (d) passive efficiency of the output matching network. . . . .	126
6.20	Different waveforms of output transistors at 58 GHz. . . . .	127
6.21	(a) Transformer for inter-stage matching; poles and zeros of (b) $ Z_{in} $ , (c) $X_{in}$ and (d) $r_{in}$ ; (e) $X_{in}$ and (f) transformer power transfer efficiency versus frequency for different $k_m$ . . . . .	129
6.22	(a) Layout of the driver matching network; (b) simplified schematic of the driver amplifier; (c) constant $G_p$ and PAE contours for 4-32-(1 $\mu$ m/40nm) device; (d) insertion loss of the driver matching network. . . . .	130
6.23	(a) simplified schematic of the driver amplifier; (b) real and (c) imaginary parts of the impedance seen at the input ports of the pre-driver matching network; constant $G_p$ contours for 2-32-(1 $\mu$ m/40nm) device at (d) 60 GHz, (e) 55 GHz and (f) 65 GHz. . . . .	131
6.24	(a) Schematic and (b) insertion loss of the input matching network. . . . .	132
6.25	Different characteristics of the pre-driver matching network with and without dummy metals. . . . .	133
6.26	Common-source amplifier with its parasitic capacitances and matching networks. . . . .	134
6.27	(a) Damping the undesired CM oscillation; (b) a combination of CM and DM oscillation. . . . .	135
6.28	(a) Damping the undesired combination of CM and DM oscillation; (b) layout of the proposed transformer-based splitter. . . . .	135
6.29	Chip micrograph. . . . .	136
6.30	(a-d) S-parameter measurement results; measured (e) $\mu_{source}$ and $\mu_{load}$ stability factors. . . . .	137
6.31	Mixed-signal active load-pull setup for large-signal measurements [144]. . . . .	138
6.32	(a) Measured gain, output power and power added efficiency versus input power; (b) Measured $P_{sat}$ , $P_{1dB}$ and PAE across frequency. . . . .	139
6.33	Measured two-tone intermodulation for the PA with tone frequency spacing of (a) 1 MHz and (b) 5 MHz. . . . .	139
6.34	Measured (a) $S_{22}$ , (b) constant gain, (c) constant $P_{sat}$ , and (d) constant PAE contours at 60 GHz. . . . .	140
7.1	BLE system lifetime versus radio current consumption for various battery types. . . . .	144
7.2	Delivered voltage and power density for various harvester types. . . . .	144
7.3	Power consumption breakdown of a Texas Instruments CC2541 BLE device during a single connection event. . . . .	145

7.4	Dependency of various inductor parameters in 28 nm LP CMOS across inductance value: (a) inductor and tank Q-factor; (b) equivalent differential input resistance of the tank; and (c) required tank capacitance at 4.8 GHz resonance. Note that at this point the inductors are without dummy metal fills. . . . .	147
7.5	$V_{DD,min}$ , $\alpha_I$ and $\alpha_V$ parameters for: (a) cross-coupled NMOS; and (b) complementary push-pull oscillators. . . . .	148
7.6	Evolution towards the switching current-source oscillator. . . . .	149
7.7	Various options of a tank providing voltage gain. . . . .	150
7.8	Schematic of the proposed switching current-source oscillator. . . . .	151
7.9	Waveforms and various operational regions of $M_{1-4}$ transistors across the oscillation period. . . . .	152
7.10	$f_{max}$ of low- $V_t$ 28 nm transistor versus $V_{DS}$ for different $V_{GS}$ . . . . .	152
7.11	Generic noise circuit model of the proposed oscillator. . . . .	153
7.12	Circuit-to-phase noise conversion across the oscillation period in the switching current-source oscillator. Simulated (a) Channel conductance of $M_{1-4}$ ; (b) Conductance due to resistive losses; (c) Noise factor due to losses; (d) Transconductance of $M_{1-4}$ ; (e) Effective noise factor due to transconductance gain; (f) Effective noise factors due to different oscillator's components. . . . .	155
7.13	Transformer-based tank: (a) schematic; (b) input parallel resistance; (c) voltage gain; and (d) $R_{21}$ versus $\zeta$ -factor. . . . .	156
7.14	(a) Schematic of the proposed class-E/ $F_2$ PA. Equivalent circuit PA's matching network for (b) differential, and (c) common-mode excitations. . . . .	158
7.15	(a) Transformer-based matching network with $m$ -way voltage and $p$ -way current summation; and (b) its equivalent circuit model. . . . .	159
7.16	(a) Maximum possible efficiency, $\eta_{p,(opt)}$ , and estimated effective Q-factor, $Q_{MN}$ ; and (b) real and imaginary parts of the equivalent impedance, $Z_L$ , seen at the transformer's primary winding versus $C_L$ . Conditions: $Q_p=11$ , $Q_s=17$ , $k_m=0.8$ , $n=0.5$ and $f_0=2.45$ GHz. . . . .	160
7.17	Behavior of a 2:1 step-down transformer in: (a) differential-mode, and (b) common-mode excitations. . . . .	162
7.18	Block diagram of the 2.4 GHz ULP Bluetooth Low-Energy transmitter. . . . .	163
7.19	Die micrograph of the proposed ULP transmitter. . . . .	164
7.20	Measured phase noise of the proposed oscillator at (a) lowest and (b) highest frequency. . . . .	165
7.21	Measured transmitter phase noise in open-loop and different close-loop configurations for (a) integer-N and (b) fractional-N channels. . . . .	165
7.22	Measured ADPLL spectrum for (a) integer-N and (b) fractional-N channels; (c) ADPLL fractional, reference and open-loop spurs versus BLE channels. . . . .	166
7.23	Bluetooth GFSK modulation spectrum for modulation index of (a) $m=0.25$ , (b) $m=0.5$ , and (c) burst-mode modulation accuracy. . . . .	167
7.24	(a) ADPLL settling; (b) oscillator frequency drift and (c) demodulated TX frequency for 425 $\mu$ sec BLE packet in the open-loop operation. . . . .	168
7.25	(a) PA characteristics; (b) TX harmonic emissions; and (c) TX power breakdown at $P_{out}=0$ dBm. . . . .	169



---



---

# List of Tables

---



---

2.1	Normalized zero-crossing slope of the proposed oscillator. . . . .	19
2.2	Comparison of different oscillator's classes for the same $V_{DD}$ (1.2 V), tank Q-factor (15), $R_P$ (i.e. 220 $\Omega$ ), and carrier frequency (7 GHz) at 3 MHz offset frequency. . . . .	26
2.3	Comparison of state-of-the-art oscillators. . . . .	33
2.4	Performance Comparison with State-of-the-Art 60 GHz Output Oscillator Systems. . . . .	36
3.1	Performance summary and comparison with published ADPLLs for cellular phones. . . . .	47
4.1	Comparison between the results of SpectreRF PSS, Pnoise simulation and theoretical equations at 8 GHz carrier for $V_{DD}=1.2$ V, $R_{in}=60$ $\Omega$ , $L_{eq}=80$ pH, $\gamma_{MT}=1.3$ and $\gamma_{M1,2}=1$ . . . . .	64
4.2	Comparison between two flavors of class-F oscillator for the same carrier frequency=8 GHz, $V_{DD}=1.2$ V, tank Q-factor=14, $\Delta f=10$ MHz and $R_P=240$ $\Omega$ . . . . .	64
4.3	Comparison of state-of-the-art in ultra-low-phase noise oscillators. . . . .	68
4.4	Performance summary and comparison with relevant state-of-the-art oscillators. . . . .	74
5.1	Waveform FoMs for different flavors of class-E/F PA at ZVS/ZdVS tuning. . . . .	84
5.2	Technology dependent parameters for 40 nm CMOS technology. . . . .	84
6.1	WiGig data rates and modulation schemes for single-carrier and OFDM configurations. . . . .	106
6.2	Comparison table of 60 GHz CMOS power amplifiers. . . . .	141
7.1	Performance summary of state-of-the-art boost converters. . . . .	145
7.2	Minimum $P_{DC}$ for different RF oscillator topologies. . . . .	148
7.3	Design sets for different flavors of class-E/F PA. . . . .	162
7.4	Performance summary and comparison with state-of-the-art. . . . .	169





---

## Acknowledgments

---

After laboring for approximately four and half years, it is my pleasure to express my gratitude to everyone who has facilitated this course of my life.

First and foremost, I would like to express my deepest gratitude to my advisor and promoter, Professor Robert Bogdan Staszewski. It is my great and true honor to be your Ph.D. student. I remember when I first met you for an interview. I expected to be confronted with many difficult questions, however, we only had a friendly chat. That night, I told my wife, “Bogdan is really a nice guy with kind eyes; I like him”. Unfortunately, at that time, you did not have enough funding to hire me as a full-time Ph.D. student. However, we were able to convince a local company to support my research for one year. You cannot imagine my delight when I got my work-place at TU Delft on the 1st Dec 2011. We had a short talk on that day when you said to me, “Masoud, we have a tape-out in the middle of December. Please, put something.” Suddenly, I fell to the earth from the heaven. Are you serious!?! This is how our endless tape-out stories began. I have learned many things from you in science/engineering and life as well as the academic path in general. I really appreciate you showing me the scope of high-quality research and publications from the very beginning. I have been given freedom to pursue different paths in my research, and I thank you for trusting me. Your ability at improving the readability of technical papers is amazing. There is no need to comment on your brilliance as a researcher; this is already well-known. Unfortunately, we have had different opinions and perspectives about a number of non-technical issues. However, we had a very open and honest relationship, and you were very patient when listening to my non-technical complaints. Finally, I believe your technical momentum is unstoppable, and I will be always proud of being part of your successful group at TUDelft.

Thanks to Bogdan, I also had an opportunity to be a visiting scholar researcher with Berkeley Wireless Research Center (BWRC) within the group of Prof. A. M. Niknejad. His pleasant personality always made me feel very comfortable at BWRC. I really enjoyed participating in his group’s weekly meetings. Throughout my four months at Berkeley, Ali provided sound advice that helped me develop both professionally and personally. Thank you so much for your kindness and support. I hope our paths cross again.

During the last year of my Ph.D. studies, I collaborated with Prof. de Vreede and Prof.

Serdijn in teaching several undergraduate and graduate courses. Thank you for giving me this opportunity to demonstrate and improve my teaching abilities. I would like to specifically acknowledge Prof. de Vreede for supporting me in my smooth finish of the final steps of my Ph.D. I also began working with Prof. Charbon and Prof. Sebastiano on cryogenic circuits for quantum computation project several months ago. I enjoy working with you “cool” guys and, hopefully, we can have a huge impact on the scientific world. Thank you, Edoardo, for involving me in this interesting project.

My appreciation is also extended to my Ph.D. committee members, Prof. Charbon, Prof. Nauta, Prof. Reynaert, Prof. Heinen, Prof. Wambacq, Dr. Caninckx, and Prof. Serdijn. Thank you for reviewing my Ph.D. dissertation and providing insightful comments. My special gratitude also goes to the other professors of the Microelectronic Department including Prof. Long, Prof. Makinwa, Dr. Spirito, Dr. Verhoeven, Dr. McCune, Dr. Giagka and, Prof. Lotfi.

Now that I am so close to finishing my Ph.D. study, I cannot resist thinking about my M.Sc. advisor Prof. Mehrdad Sharif-Bakhtiar who started me on this path. I had never before felt the joy that I did in his lectures for the course of Analog CMOS Integrated Circuits. I would also like to give special thanks to my undergraduate teachers at Amirkabir University of Technology, Prof. Merdad Abedi, Prof. Ali Talebi, Prof. Rouzbeh Moini and, Prof. Amir Kashi, who taught me the basics of electronic and communication systems.

I want to convey my deepest gratitude to my former boss and my great friend, Prof. Ali Fotowat Ahmady. I have been working for his company, Kavoshcom R&D Group, for five years. I began working there as an RF/analog designer, however, Ali promoted me to the CTO of the company two and a half years later. Thanks, Ali, for trusting young/inexperienced Masoud and giving him an opportunity to extend the diversity of his knowledge.

My Ph.D. would not have been completed without the help and support of certain experts. First, I am grateful to Atef Akhnoukh who patiently deals with tired Ph.D. students during tape-out and measurement phases; second, the great Wil Straver who intelligently and efficiently helped me to measure my chips; third, Ali Kaichouhi, who precisely wire bonded my first chip; and fourth, Antoon Frehe, whose amazing support with hardware and software smoothed the tape-out procedures for me. Thank you all. I also need to acknowledge our beloved group secretary, Marion de Vlieger. She was always helping me in administrative issues with a smile on her kind face.

I remember the day I joined Bogdan’s group. After five years of working on discrete RF systems in Kavoshcom, I had even forgotten how to write “virtuoso”. Two senior Ph.D. students (Morteza Alavi and Wanghua Wu) significantly helped me to adapt to a new design environment. With their support, I was able to have a successful tape-out in a short period of six months. Thank you for your moral and technical support during those days.

During my Ph.D. studies, I learned extensively from technical discussions with my dear friends, Massoud Tohidian, Iman Madadi, and Amir Reza Ahmadi Mehr. Thank you very much. I wish success for your startup company. Your extremely robust friendship dramatically enhances the chances of success for Qualinx.

My appreciation is also forwarded to Morteza Alavi, Milad Mehrpoo, Mohsen Hashemi,

and Saleh Heidary for very nice professional, political, and personal discussions. Thanks for understanding my sense of humor. I should also thank their spouses Haleh, Bahar, Negin, and Samira for hearing our endless stories about usual suspects.

During my Ph.D. studies, I was very fortunate to coordinate with my great colleagues on a number of projects. Akhay Visweswaran, I am grateful to you for showing me various design aspects of RF oscillators. Luca Galatro, thank you for all of the kindness and support during the measurement of my mm-wave power amplifier. Zhirui Zong, you are a perfect officemate and a genius, a hard-working person with great grittiness. Sandro Binsfeld, you are a true gentleman. I have really enjoyed working with you. Feng-Wei Kuo, I have not yet met you, however, we successfully taped out three chips together. Thank you and good luck with your Ph.D.

I must send my gratitude to my friends and colleagues on the 18th floor. You are my kind friends along with Augusto Ximenes, Gerasimos Vlachogiannakis, Satoshi Malotaux, Iman Bashir, Armin Tavakol, Mahdi Salehpour, Yue Chen, Ying Wu, Yi Zhao, Leonardo Vera Villarroel, Mina Danesh, Coby Huang, Senad Hiseni, Duan Zhao, Mark Stoopman, Marijn van Dongen, Cees-Jeroen Bes, Yongjia Li, Yao Liu, Andre Luis Mansano, Marco Pelk, Yiyu Shen, Jordi van der Meulen, Zhebin Hu, Rui Hou, Harshitha Thippur Shivamurthy, Hao Gao, Gustavo Martins da Ponte, Mohammad-javad Dezyani, Yasser Rezaeiyan, Milad Zamani, Alessandro Urso, Farnaz Nassiri-Nia, Samprajani Rout, Ide Swager, and many others I may have forgotten. I would also like to acknowledge my friends on the other floors of EWI including Harald Homulle, Jeroen van Dijk, Bishnu Patra, Rosario Incandela, Bahador Valizadeh-Pasha, Sepideh Babaei, Seyran Khademi, Bahman Yousefzadeh, Kamran and Kianush Souri. My appreciation is also forwarded to my friends at BWRC: Jun-Chau Chien, Steven Callendar, Mirjana Videnovic-Misic, Pramod Murali, Andrew Townley, Kosta Trotskovsky, Nima Baniyasi, Ali Moin, Sajjad Moazeni, Nandish Mehta and Nai-Chung Kuo.

My greatest thanks and gratitude go to my parents Mahmoud and Shahin and also my brothers Saeed and Kasra. I would not be graduating today if it were not for the love of my mother. I am also indebted to my father for emphasizing the value of education and work ethic throughout my life. He is never satisfied with my 99% exam score and is always questioning (half-jokingly) why I am not achieving 100%. This work is the result of your constant support.

Last, but not least, I would like to express my deepest gratitude to my beloved wife, my best colleague, and friend, Mina, for her support, encouragement, patience, and true love. For the past decade that we have been married, Mina stood by me in the ups and downs and never doubted my abilities. We have grown up together and endured the toughest transitions and periods side by side. I would also like to thank her respected family for their support and kindness.

Masoud Babaie  
April 28, 2016  
Delft, The Netherlands



---

## About the Author

---



Masoud Babaie received his B.Sc. degree (with highest honors) in both Communication Systems and Electronics Engineering from Amirkabir University of Technology (Tehran Polytechnic), Tehran, Iran, in 2004, and the M.Sc. degree from Sharif University of Technology, Tehran, Iran, in 2006, in Microelectronics. Since November 2011, he has been pursuing his Ph.D. degree in Electrical Engineering at Delft University of Technology, Delft, The Netherlands.

He joined Kavoshcom R&D Group, Tehran, Iran, in 2006, where he was involved in designing tactical communication systems. He was appointed a CTO of the company between 2009 and 2011. He was consulting for RF group of TSMC, Hsinchu, Taiwan, during 2013-2015, designing 28-nm All-Digital PLL and Bluetooth Low Energy transceiver chips. During 2014-2015, Mr. Babaie was a visiting scholar researcher with Berkeley Wireless Research Center (BWRC) within the group of Prof. A. M. Niknejad. His research interest includes analog and RF/mm-wave integrated circuits and systems for wireless communications.

Mr. Babaie serves as a Reviewer for the IEEE JOURNAL OF SOLID-STATE CIRCUITS. He was a recipient of 2015-2016 IEEE Solid-State Circuits Society (SSCS) Predoctoral Achievement Award.