

UNITED STATES
DEPARTMENT OF THE INTERIOR
GEOLOGICAL SURVEY
Office of Earthquake Studies

CATALOG OF EARTHQUAKES ALONG
THE SAN ANDREAS FAULT SYSTEM IN CENTRAL CALIFORNIA
FOR THE YEAR 1975

OPEN-FILE REPORT 79-1138

The report is preliminary and has not been edited or reviewed for conformity with Geological Survey standards and nomenclature.

Any use of trade names and trademarks in this publication is for descriptive purposes only and does not constitute endorsement by the U.S. Geological Survey.

Menlo Park, California

1979

CATALOG OF EARTHQUAKES ALONG THE SAN ANDREAS FAULT
SYSTEM IN CENTRAL CALIFORNIA, FOR THE YEAR 1975

by C. A. McHugh and F. W. Lester

CONTENTS

	Page
Introduction.....	2
Instrumentation.....	2
Data Processing and Analysis.....	3
Discussion of Catalog.....	16
Acknowledgments.....	19
References.....	20

ILLUSTRATIONS

Figure 1 Block diagram of the OES telemetered seismograph system.....	4
2 System response of a typical OES telemetered seismograph station with Model 6202 VCO.....	5
3 System response of an OES telemetered seismograph station with Model J302 VCO.....	6
4 Map showing principal seismograph stations used in locating earthquakes.....	14
5 Map showing earthquake epicenters reported in the Appendix.....	18

TABLES

Table 1 Station data.....	7
---------------------------	---

APPENDIX

Central California Earthquakes, 1975.....	25
---	----

INTRODUCTION

Numerous small earthquakes occur each day in the Coast Ranges of central California. The detailed study of these earthquakes provides a tool for gaining insight into the tectonic and physical processes responsible for the generation of damaging earthquakes. This catalog contains the fundamental parameters for earthquakes located within and adjacent to the seismograph network operated by the Office of Earthquake Studies (OES), U.S. Geological Survey, for the year 1975.

The motivation for these detailed studies has been described by Pakiser and others (1969) and by Eaton and others (1970). Similar catalogs of earthquakes for the years 1969 through 1974, and 1976 have been prepared by Lee and others (1972b, c and d), Wesson and others (1972a, b, 1973b, and 1974a and b), by Bufe and others (1975), Lester and others (1976a, b and 1978) and McHugh and others (1978). The basic data contained in these catalogs provide a foundation for further studies.

This catalog contains data on 2858 earthquakes in central California. Arrival times at 230 seismograph stations were used to locate the earthquakes listed in this catalog. Of these 201 were telemetered stations operated by OES. Readings from the remaining 29 stations were obtained through the courtesy of the Seismographic Stations, California Institute of Technology, Pasadena, University of California, Berkeley (UCB), and the California Department of Water Resources, Sacramento.

The Seismographic Station of the University of California, Berkeley, has for many years published a bulletin that both describes earthquakes in northern California and the surrounding area and lists readings at UCB stations from more distant events. The purpose of the present catalog is not to replace the UCB Bulletin, but rather to supplement it, by describing the seismicity of a portion of central California in much greater detail.

INSTRUMENTATION

The telemetered seismograph system used is illustrated by the block diagram in Figure 1. The equipment at each station includes a vertical component, 1 Hz seismometer (usually Mark Products, Model L-4C), a package containing a preamplifier and voltage-controlled oscillator (usually Develco, Model 6202 or USGS, Model J302)), and batteries. The frequency-modulated tone produced at each station is carried by wire (occasionally by radio) to a terminal where it is combined with tones from up to 7 other stations. The resulting multiplexed signal is then transmitted by voice-grade telephone circuits or radio to the OES office in Menlo Park, California. The eight channels of data on each line are separated and demodulated by discriminators (usually Develco, Model 6203), and recorded on 16 mm film using a Develocorder (Teledyne, Geotech, Model FR-400). Each Develocorder records seismic signals from up to 17 stations. In

addition, 2 timing signals (WWVB on one trace, and a chronometer on the other two) are recorded simultaneously with the seismic signals.

Figures 2 and 3 illustrate the overall response of the seismic systems for typical stations. Magnification for individual stations is adjusted according to the background noise level in steps of 6 decibels. As a result, the response for an individual station may differ from that of the typical station by a factor of 2, 4, 8, or 16. Precise calibrations indicate that most stations are operated at magnifications of 25,000 to 100,000 at 1 Hz.

All stations used in the present study are listed in Table 1. Station locations are plotted on Figure 4, except for 25 stations which are located outside the map boundaries.

DATA PROCESSING AND ANALYSIS

The telemetered seismic data recorded on 16 mm film were processed manually to yield information on first P-arrivals, directions of first motions, maximum amplitudes, and signal durations. These data were then processed by computer, using the HYPO71 computer program (Lee and Lahr, 1972), to give origin time, hypocenter location, magnitude, and pattern of first motions of the earthquakes. Each roll of film contains about 24 hours recording time and was processed in the following steps: (1) scanning, (2) timing, using a digitizer which prepares punched cards, (3) batch processing by computer program HYPO71, (4) correcting errors, (5) adding data from other sources, (6) rerunning HYPO71, (7) analyzing poor solutions, and (8) eliminating explosions.

In March of 1973 an automatic real-time earthquake detection system was introduced (Stewart, 1977). During the period reported here, this new system was only experimental and was not used to replace the technique of manually scanning films to detect earthquakes.

In the routine data processing, local events with signal duration of 10 seconds or more were always timed (see p. 15 for an explanation of signal duration). This corresponds to a cutoff at about magnitude 1 for events within the OES network. Some smaller events for which 6 clear first arrivals could be obtained were also timed. The magnitude cutoff for events outside, but near the OES network, is somewhat larger than 1. The catalog of earthquakes reported here contains all hypocenter solutions obtained. Because the station coverage is not uniform and because some events outside the network are reported, the cutoff for small magnitudes is not uniform over the entire area reported.

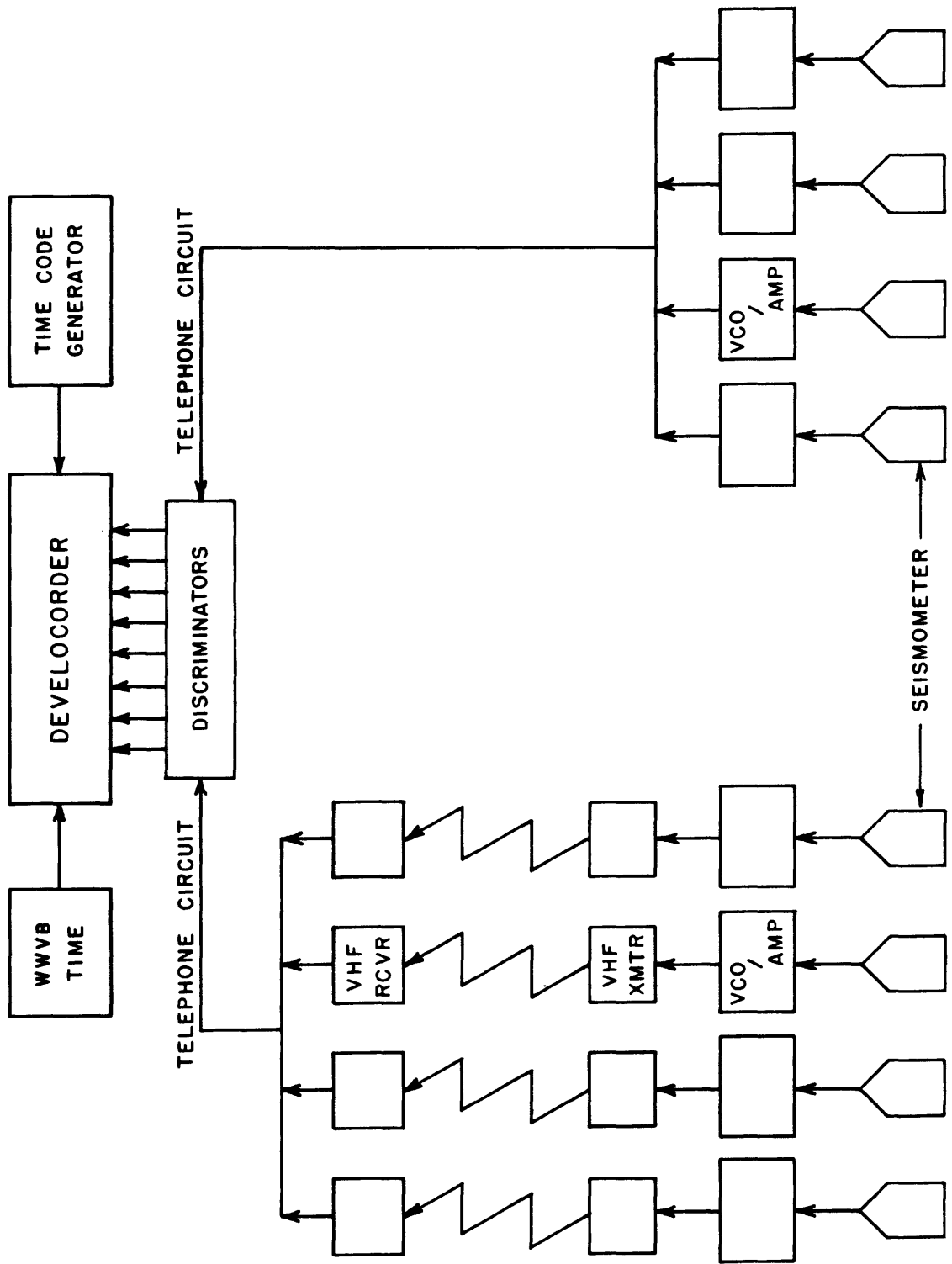


Figure 1. Block diagram of the OES telemetered seismograph system.

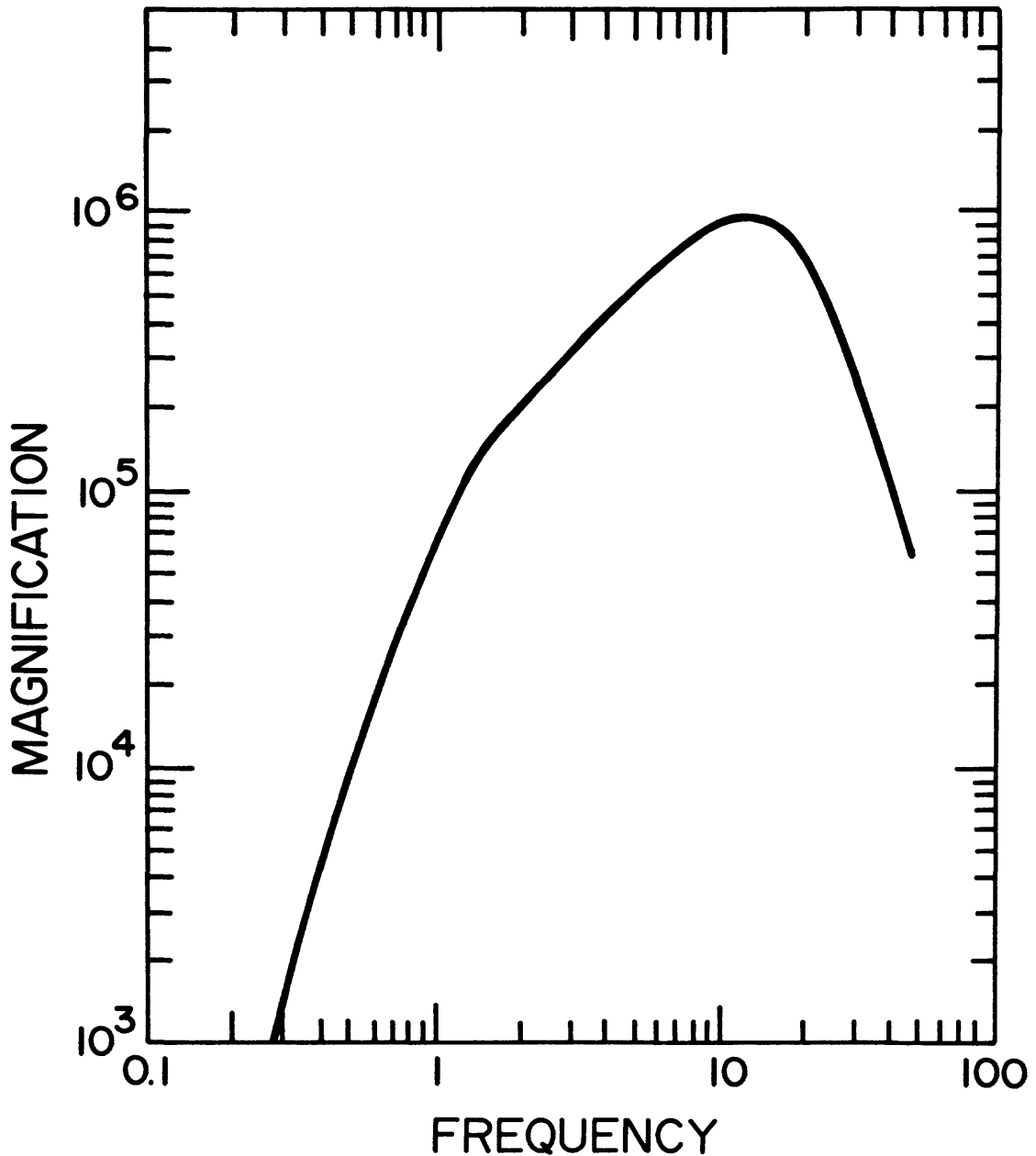


Figure 2 System response of an OES telemetered seismograph station. This magnification curve is obtained for a system (L-4C seismometer, Develco 6202 VCO/Amplifier, Develco Discriminator, and Geotech Develocorder) with electronic gains adjusted to produce a 10 mm peak-to-peak record amplitude when a 10 v rms 5 Hz calibration signal is introduced in place of the seismometer (attenuation set at 42 db).

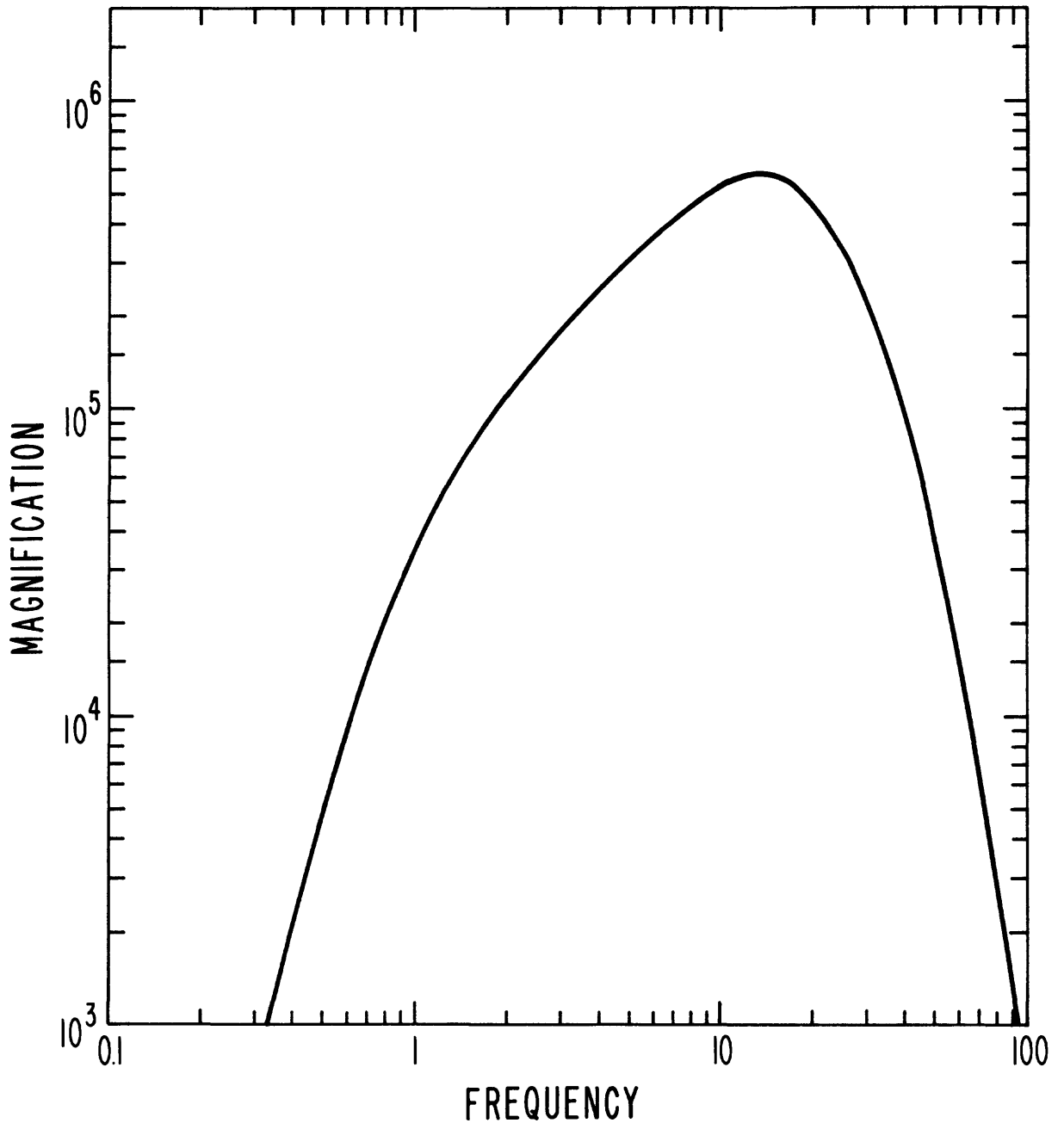


Figure 3. System response of an OES telemetered seismograph station. This magnification curve is obtained for a system (L-4C seismometer, USGS J302 VCO/Amplifier, Develco discriminator, and Geotech develocorder) with gains similar to those of the Develco 6202 VCO/Amplifier (attenuation set at 12 db).

TABLE 1. STATION DATA *

OES TELEMETERED STATIONS

CODE	LAT N	LONG W	ELV	K	D(E)	D(W)	NOTE **
AAF	38-53.59	123-32.28	710	1	5.1	(3.5)	01/22 TO 12/31
ACH	37-58.57	121-45.62	74	1	7.0	6.2	
ALM	37-9.50	121-50.82	244	1	1.6	1.8	
ALX	38-42.65	122-45.30	379	1	0.8	0.8	
AND	37-9.77	121-37.45	244	1	3.0	3.2	
ANG	37-51.68	122-25.77	223	1	2.2	2.2	
ANV	37-38.75	121-01.79	604	1	2.0	2.4	07/02 TO 12/31
ANZ	36-53.08	121-35.45	122	2	4.4	1.4	
ARN	37-20.96	121-31.96	628	1	3.9	4.2	
ATR	36-14.95	120-20.52	485	1	6.7	5.2	09/05 TO 12/31
BAM	37-19.09	122-09.16	820	1	3.6	3.3	02/24 TO 12/31
BBR	38-15.65	122-32.99	137	1	2.8	2.2	
BCR	37-9.62	122-1.57	660	2	3.7	4.7	
BEN	36-30.60	121-4.53	448	2	3.4	3.0	
BGG	38-48.84	122-40.76	1125	1	3.0	(3.5)	06/26 TO 12/31
BGH	37-20.52	122-20.34	158	2	3.8	3.8	
BGM	36-35.48	121-1.52	1216	1	3.0	(3.5)	
BKO	38-49.46	122-50.57	879	1	3.1	(3.5)	06/20 TO 12/31
BOL	37-48.97	122-3.72	610	1	4.6	5.0	
BRO	38-00.48	120-24.92	387	1	(3.5)	(3.5)	
BRP	38-40.07	122-11.60	867	1	3.9	(3.5)	
BTT	36-51.01	121-33.04	98	2	4.5	2.3	06/05 TO 12/31
BTW	36-18.90	120-55.75	381	2	2.1	2.1	
BUZ	37-01.07	121-49.15	213	2	4.9	5.2	10/07 TO 12/31
BVL	36-34.51	121-11.34	510	2	3.1	0.6	
BWR	37-55.45	122-6.40	221	1	5.1	5.1	
CAL	37-27.07	121-47.95	265	1	4.4	4.3	
CAN	37-1.52	121-29.02	332	1	3.6	5.0	
CAR	38-19.28	122-47.73	98	1	2.2	2.2	
CAS	35-55.90	120-20.22	1189	1	5.2	5.2	
CBC	36-55.88	121-39.63	219	2	4.4	3.2	
CBO	37-6.71	121-41.33	192	1	2.2	2.7	
CCC	36-53.31	121-42.34	129	2	4.0	3.7	11/19 TO 12/31
CCR	37-47.30	121-57.00	185	1	7.4	7.1	
CDR	38-22.19	122-27.70	620	1	2.2	2.2	
CHR	36-57.46	121-35.01	241	1	2.1	3.6	
CMT	38-48.35	122-45.31	1286	1	3.8	(3.5)	04/23 TO 12/31
CNR	36-42.55	121-20.60	305	2	4.8	0.7	
CNS	37-56.33	120-31.76	373	1	(3.5)	(3.5)	
COE	37-15.46	121-40.35	366	1	5.9	6.8	
COP	37-58.36	120-37.02	336	1	(3.5)	(3.5)	
CRH	38-1.12	120-30.57	475	1	(3.5)	(3.5)	

TABLE 1. STATION DATA (CONTINUED)

OES TELEMETRED STATIONS

CODE	LAT N	LONG W	ELV	K	D(E)	D(W)	NOTE **
CRK	37-14.50	122-07.82	607	2	4.0	4.4	
CRY	36-05.65	120-26.08	296	1	(3.5)	(3.5)	09/04 TO 12/31
CSH	37-38.88	122-02.57	170	1	(3.5)	4.0	
CVD	38-46.14	123-00.89	150	1	3.7	(3.5)	05/07 TO 12/31
CYH	37-33.54	122-05.62	38	1	2.5	3.2	01/01 TO 04/29
CYO	37-33.70	122-05.45	67	1	2.5	3.2	05/01 TO 12/31
CZD	36-54.54	121-48.02	30	2	4.0	3.6	11/13 TO 12/31
DIL	36-50.12	121-38.64	204	2	3.2	2.2	
DIR	36-20.18	122-22.58	496	1	5.1	4.6	01/01 TO 06/16
DOO	37-43.80	121-50.12	198	1	6.8	6.8	
DRY	38-46.03	123-14.31	772	1	4.3	(3.5)	05/07 TO 12/31
DSR	37-57.98	122-15.17	109	1	(3.5)	(3.5)	
DUR	38- 1.78	122- 0.05	168	1	8.0	5.4	
ECF	34-27.48	119-05.44	1000	2	(3.5)	(3.5)	
EGR	37-02.11	122-06.25	442	2	1.7	1.7	
EKH	36-39.88	121-10.45	342	1	1.6	4.0	
ELG	37-30.84	120-27.74	202	2	2.5	2.7	02/10 TO 12/31
EMM	36-39.68	121- 5.76	488	1	0.8	2.2	
EUC	37- 3.04	121-48.56	438	2	3.0	3.8	
FAR	37-41.90	123- 0.00	107	2	1.3	1.3	
FEL	36-59.00	121-24.09	323	1	3.2	4.3	
FRP	36-45.22	121-29.43	705	2	2.2	0.8	
FTH	36-53.29	121-28.13	101	1	(3.5)	(3.5)	12/10 TO 12/31
FTR	38-31.36	123-09.66	528	1	3.9	(3.5)	01/22 TO 12/31
FWL	38- 1.17	120-35.00	880	1	(3.5)	(3.5)	
GDH	35-49.86	120-21.17	433	1	3.3	3.4	
GHS	37- 5.75	121-26.83	778	1	2.3	4.4	
GLV	38-53.80	122-46.58	893	1	2.8	(3.5)	04/18 TO 12/31
GRW	37-01.02	121-39.20	133	1	2.1	2.5	10/02 TO 12/31
GVR	38-16.84	122-12.89	257	1	4.4	5.2	
GYP	38-45.88	122-50.65	1054	1	3.4	(3.5)	04/18 TO 12/31
HCC	36-58.88	121-43.35	159	2	4.0	4.2	01/01 TO 10/12
HEC	35-40.93	121-09.15	514	2	4.3	4.3	
HER	36-22.38	120-49.13	750	1	4.0	1.0	
HLB	38-35.36	122-54.54	165	1	3.8	(3.5)	02/21 TO 12/31
HLM	37-06.56	121-49.95	908	2	2.8	3.1	10/02 TO 12/31
HLS	39-02.43	123-01.12	956	1	2.8	(3.5)	07/01 TO 12/31
HMR	38- 9.28	121-48.02	65	1	6.3	6.3	
HOC	38-36.36	123-11.81	518	1	3.6	(3.5)	05/07 TO 12/31
HOG	39-07.70	122-49.47	903	1	2.8	(3.5)	04/18 TO 12/31
HST	36-21.35	121-32.41	646	2	1.8	2.2	09/04 TO 12/31
IND	35-54.39	120-40.94	497	2	4.2	3.4	09/24 TO 12/31

TABLE 1. STATION DATA (CONTINUED)

OES TELEMETERED STATIONS

CODE	LAT N	LONG W	ELV	K	D(E)	D(W)	NOTE **
JHC	36-32.82	121-23.53	207	2	0.9	0.9	
JOL	36-5.02	121-10.15	336	2	1.7	2.2	
JON	36-36.65	121-18.81	1052	2	1.5	0.7	
JSR	36-48.99	121-17.92	215	1	2.6	3.9	06/17 TO 12/31
KNR	36-54.10	121-25.56	66	1	4.0	5.6	07/03 TO 12/31
LCH	37-44.28	122-3.83	312	1	4.3	4.6	
LNS	38-9.15	122-42.75	120	1	1.9	1.9	
LOR	36-14.79	121-2.55	308	2	0.1	0.1	
LRV	36-25.46	121-1.08	555	2	5.5	2.1	
LTR	36-53.07	121-18.49	183	1	3.0	4.5	
LTW	37-21.22	122-12.25	270	2	3.8	3.4	
LWR	36-39.96	121-16.36	232	2	5.1	2.4	
LXR	37-12.11	121-59.17	244	1	2.9	(3.5)	02/04 TO 12/31
MCL	38-47.56	123-07.80	426	1	3.7	(3.5)	05/07 TO 12/31
MCM	37-53.17	120-30.40	1173	1	(3.5)	(3.5)	
MDT	38-48.34	122-26.76	422	1	3.4	(3.5)	06/26 TO 12/31
MGA	37-38.22	122-28.43	201	2	2.4	2.4	
MHR	37-21.57	121-45.38	518	1	5.3	6.2	
MIL	37-46.88	122-10.55	90	1	3.1	(3.5)	
MIX	38-24.68	122-3.44	177	1	5.7	5.7	
MKI	38-58.17	122-47.22	906	1	3.9	(3.5)	04/18 TO 12/31
MNR	37-35.68	121-38.22	500	1	4.6	4.6	
MOB	37-27.01	122-11.00	21	1	3.8	2.6	
MOF	38-42.61	123-08.59	802	1	3.0	(3.5)	05/07 TO 12/31
MON	36-36.03	121-55.06	192	2	1.1	1.1	
MOP	36-12.91	120-47.69	784	2	1.8	1.9	
MOR	37-48.68	121-48.15	792	1	6.6	6.6	
MRS	36-39.48	120-47.62	769	1	3.9	3.8	
MSJ	37-31.25	121-52.23	498	1	4.3	4.3	
MTB	37-17.44	122-05.43	347	1	4.0	0.0	02/07 TO 12/31
MWS	38-33.03	122-43.37	134	1	3.3	3.3	
NUT	36-49.46	121-27.44	128	1	(3.5)	(3.5)	12/10 TO 12/31
OBF	37-54.00	120-34.04	176	1	(3.5)	(3.5)	
OBID	39-29.29	121-27.14	305	1	(3.5)	(3.5)	08/06 TO 12/31
OBLO	39-39.10	121-27.70	916	1	(3.5)	(3.5)	08/06 TO 12/31
OCAM	39-31.43	121-37.40	98	1	(3.5)	(3.5)	08/06 TO 12/31
OCOX	39-22.80	121-32.61	37	1	(3.5)	(3.5)	11/03 TO 12/31
OCR	36-55.03	121-30.46	98	1	3.0	4.4	
ODAM	39-31.86	121-28.65	293	1	(3.5)	(3.5)	08/06 TO 12/31
OFIG	39-24.70	121-28.57	152	1	(3.5)	(3.5)	08/06 TO 12/31
OFOR	39-35.55	121-26.95	384	1	(3.5)	(3.5)	08/06 TO 12/31
OHON	39-20.18	121-29.05	76	1	(3.5)	(3.5)	08/06 TO 12/31

TABLE 1. STATION DATA (CONTINUED)

OES TELEMETERED STATIONS

CODE	LAT N	LONG W	ELV	K	D(E)	D(W)	NOTE **
OKAT	39-24.08	121-25.26	250	1	(3.5)	(3.5)	08/06 TO 12/31
OLC	38-2.38	122-47.55	30	2	2.6	2.6	
OLIV	39-30.45	121-30.55	166	1	(3.5)	(3.5)	08/06 TO 10/22
OLON	39-26.67	121-34.27	54	1	(3.5)	(3.5)	08/06 TO 12/31
OLUV	39-30.71	121-30.71	168	1	(3.5)	(3.5)	10/22 TO 12/31
ORAT	39-28.13	121-24.80	585	1	(3.5)	(3.5)	08/06 TO 12/31
OSHP	39-33.38	121-43.04	40	1	(3.5)	(3.5)	09/06 TO 10/22
OSTI	39-22.12	121-35.80	29	1	(3.5)	(3.5)	08/06 TO 12/31
OTAB	39-32.75	121-33.65	223	1	(3.5)	(3.5)	08/06 TO 12/31
OWYN	39-27.19	121-29.20	177	1	(3.5)	(3.5)	08/06 TO 12/31
PAL	37-37.88	121-57.37	463	1	4.3	4.1	
PCL	37-3.13	121-17.40	152	1	2.2	3.6	
PES	37-11.94	122-20.90	84	2	3.2	2.5	
PFP	36-13.82	121-46.32	349	1	2.2	2.4	
PIN	36-29.40	121-10.11	329	2	1.2	0.3	07/03 TO 12/31
PKF	35-52.91	120-24.81	469	1	4.3	5.3	
PKH	36-51.38	121-24.37	122	1	4.6	6.6	
PLV	36-58.62	121-49.93	158	2	4.9	4.0	
PMR	36-57.19	121-41.70	94	2	3.7	(3.5)	
PNC	36-33.73	121-38.18	305	2	1.8	1.6	
PNM	38-50.85	122-56.78	783	1	1.7	1.6	
PNP	36-10.12	121-22.68	1591	2	2.1	1.3	
POR	37-15.87	122-12.78	186	2	4.0	3.7	07/23 TO 12/31
PTV	36-6.50	120-43.27	506	2	1.7	1.9	
QRY	37-19.50	122-06.28	453	1	4.3	3.1	02/07 TO 12/31
QSR	36-50.02	121-12.76	536	1	3.1	4.0	
RBM	36-50.70	120-49.40	372	1	5.7	5.4	
RDM	39-01.23	122-35.06	469	1	3.2	(3.5)	06/26 TO 12/31
RTM	38-56.32	122-40.18	619	1	1.9	(3.5)	06/26 TO 12/31
RUS	37-54.75	121-54.33	331	1	4.8	4.8	
SAC	37-34.95	122-25.03	207	2	2.2	2.2	
SAW	37-12.74	122-10.06	262	2	4.6	4.0	
SBAI	34-00.80	119-26.23	113	2	(3.5)	(3.5)	
SBCC	34-56.48	120-10.32	610	2	(3.5)	(3.5)	
SBCD	34-22.12	119-20.63	213	2	(3.5)	(3.5)	
SBLC	34-29.79	119-42.81	1190	2	(3.5)	(3.5)	
SBLG	34-06.57	119-03.85	415	2	(3.5)	(3.5)	
SBLP	34-33.62	120-24.03	134	2	(3.5)	(3.5)	
SBSC	33-59.68	119-37.99	457	2	(3.5)	(3.5)	
SBSM	34-02.25	120-20.99	172	2	(3.5)	(3.5)	
SBSN	33-14.70	119-30.40	259	2	(3.5)	(3.5)	
SCR	38-46.15	122-46.87	1017	1	3.0	(3.5)	07/18 TO 12/31

TABLE 1. STATION DATA (CONTINUED)

OES TELEMETERED STATIONS

CODE	LAT N	LONG W	ELV	K	D(E)	D(W)	NOTE **
SFR	37-47.28	122-23.37	8	1	1.9	1.9	
SFT	37-24.31	122-10.55	143	1	4.0	4.0	
SGC	37-16.96	122-03.00	198	1	5.5	4.0	01/22 TO 12/31
SGM	38-52.03	122-42.58	1080	1	4.1	4.0	
SHC	38-40.22	122-38.03	1200	1	1.3	1.6	
SHG	36-24.83	121-15.22	192	2	0.4	0.1	
SHR	38-31.20	122-36.43	328	1	2.0	2.0	
SIP	34-12.24	118-47.94	700	2	(3.5)	(3.5)	
SJG	36-47.88	121-34.43	171	2	3.0	1.5	
SKG	38-42.12	123-00.81	282	1	3.0	(3.5)	01/22 TO 12/31
SLV	36-46.53	121-20.96	155	1	(3.5)	(3.5)	07/16 TO 12/31
SL8	37-04.81	121-05.65	122	1	(3.5)	(3.5)	
SMM	36-04.18	120-35.68	988	1	(3.5)	(3.5)	09/24 TO 12/31
SNO	38-56.43	123-11.50	870	1	4.0	(3.5)	06/20 TO 12/31
SNT	37-12.41	121-47.84	149	1	3.2	3.8	10/02 TO 12/31
SOS	37-10.17	121-55.84	946	1	2.8	3.4	01/22 TO 12/31
SPT	38-10.96	122-27.20	88	1	3.2	2.2	
SRS	36-40.11	121-31.13	399	2	1.4	0.5	
STC	36-38.10	121-14.38	259	2	5.5	1.9	
STF	36-48.72	121-29.97	340	2	4.5	3.4	11/13 TO 12/31
STJ	37-20.03	122-5.48	122	1	5.7	4.1	
STN	37-54.27	120-24.29	366	1	(3.5)	(3.5)	
STV	37-17.07	122-7.42	357	2	3.0	3.0	
SVC	37-17.11	121-46.35	128	1	5.4	4.8	
SWB	36-44.27	121-17.21	398	1	3.8	4.9	06/25 TO 12/31
TAY	35-56.73	120-28.45	552	1	4.3	5.6	
TGR	37-01.71	121-52.58	253	2	4.7	4.1	10/02 TO 12/31
TMN	38-23.15	122-40.83	105	1	2.7	2.7	
TWN	36-03.16	121-30.45	1476	2	2.4	0.8	01/01 TO 09/04
VYD	36-44.96	121-24.80	585	2	4.4	(3.5)	12/11 TO 12/31
WDS	37-25.08	122-16.33	280	2	3.3	2.5	
WHW	38-27.42	122-53.26	50	1	1.6	1.6	
WKR	35-48.87	120-30.67	503	2	4.2	4.4	

** THIS COLUMN INDICATES THE OPERATION PERIOD. IF IT IS BLANK THEN THIS STATION HAS BEEN OPERATED CONTINUOUSLY DURING 1975.

TABLE 1. STATION DATA (CONTINUED)

CAL TECH STATIONS

CODE	LAT N	LONG W	ELV	K	D(E)	D(W)
CLC	35-49.00	117-35.80	766	1	(3.5)	(3.5)
CWC	36-26.35	118-04.68	1620	1	(3.5)	(3.5)
ISA	35-39.80	118-28.40	835	2	(3.5)	(3.5)
SBB	34-41.30	117-49.50	85	1	(3.5)	(3.5)
SCY	34-06.37	118-27.25	287	2	(3.5)	(3.5)
SYP	34-31.63	119-58.67	1305	2	(3.5)	(3.5)
TIN	37-03.30	118-13.70	1195	1	(3.5)	(3.5)
TWL	34-16.70	118-35.67	381	2	(3.5)	(3.5)

UNIVERSITY OF CALIFORNIA STATIONS

CODE	LAT N	LONG W	ELV	K	D(E)	D(W)
ARC	40-52.60	124-4.50	59	1	(3.5)	(3.5)
BKS	37-52.60	122-14.10	276	1	2.4	2.4
BRK	37-52.40	122-15.60	81	1	2.4	2.4
FHC	40-48.10	123-59.10	610	1	(3.5)	(3.5)
FRI	36-59.50	119-42.50	119	1	(3.5)	(3.5)
GCC	37-1.80	121-59.80	122	2	1.7	1.7
JAS	37-56.80	120-26.30	457	1	(3.5)	(3.5)
LLA	36-37.00	120-56.60	475	1	1.5	2.1
MHC	37-20.50	121-38.50	1282	1	4.5	5.0
MIN	40-20.70	121-36.30	1495	1	(3.5)	(3.5)
PCC	37-30.00	122-22.90	91	2	3.7	3.7
PRI	36-8.50	120-39.90	1187	1	4.0	4.0
PRS	36-19.90	121-22.20	363	2	1.1	1.1
SAO	36-45.90	121-26.70	350	2	2.7	1.0
WDC	40-34.80	122-32.40	300	1	(3.5)	(3.5)

TABLE 1. STATION DATA (CONTINUED)

CALIFORNIA DEPARTMENT OF WATER RESOURCES STATIONS

CODE	LAT N	LONG W	ELV	K	D(E)	D(W)
KPK	39-35.01	121-18.32	897	1	(3.5)	(3.5)
MGL	39-48.71	121-33.42	1010	1	(3.5)	(3.5)
ORV	39-33.33	121-30.00	362	1	(3.5)	(3.5)
PAM	39-26.94	121-31.19	131	1	(3.5)	(3.5)
PYR	34-34.08	118-44.50	1247	2	(3.5)	(3.5)
SLD	37-04.48	121-13.33	443	1	2.3	5.2

* LAT AND LONG ARE LATITUDE AND LONGITUDE IN DEGREES AND MINUTES. ELV IS ELEVATION IN METERS. D(E) AND D(W) ARE GIVEN IN KILOMETERS. SEE TEXT (P. 15) FOR EXPLANATION OF K, D(E), AND D(W).

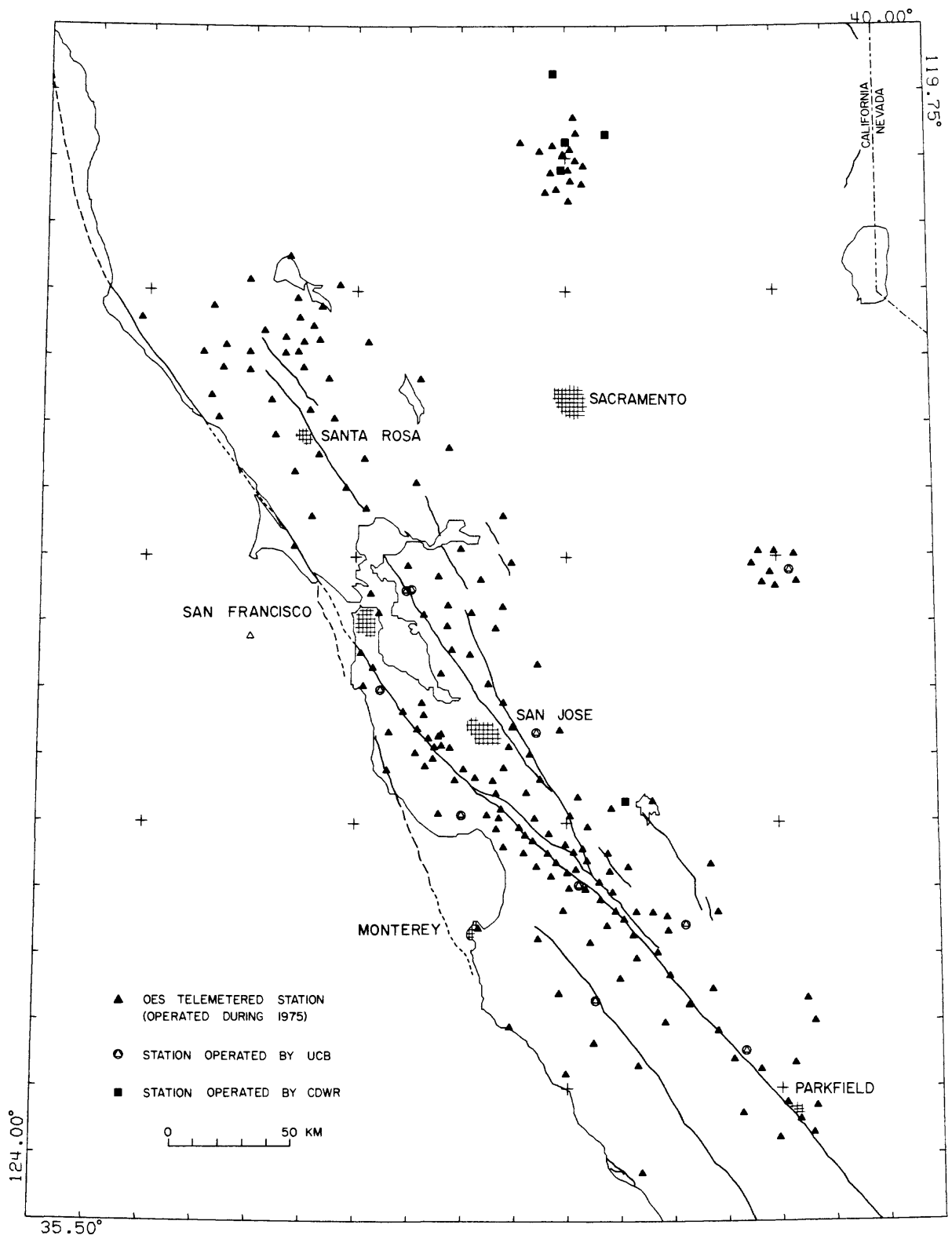


Figure 4. Map showing principal seismograph stations used in locating earthquakes.

Location of earthquakes was based mainly on first P-arrivals. When an adequate location could not be obtained using P-arrivals alone, S-arrivals were used to supplement the P-arrivals whenever possible. The HYPO71 computer program uses Geiger's method (Geiger, 1912) to determine hypocenters by minimizing the residuals between observed and calculated arrivals in a least-squares sense. Traveltimes from a trial hypocenter to the stations and their partial derivatives are computed on the assumptions of a horizontal multilayer velocity model by a technique introduced by Eaton (1969).

The crustal velocity model used was derived mostly from analysis of explosion data by Wesson and others (1973a). It is:

<u>Layer</u>	<u>Depth (km)</u>	<u>P-velocity (km/sec)</u>	<u>S-velocity (km/sec)</u>
1	0 to D	4.0	2.2
2	D to 15	5.9	3.3
3	15 to 25	6.8	3.8
4	below 25	8.05	4.5

The variable boundary between the first and second layer (depth D) is determined for each station from time-term analysis of explosion data. The variable first layer in the crustal model is an approximation of the sedimentary layer above the Pg refractor. To allow for sharp changes in sediment thickness across the San Andreas fault, two D values for each station were determined: one for sources east of the fault, and the other for sources west of the fault. The set of D values to be used in the program is determined by the location, relative to the fault, of the station with the earliest P-arrival time. For example, if the earliest P-arrival occurs at a station west of the fault, then the set of D values appropriate to the sources on the west side, D(W), of the fault is selected. Table 1 shows values of D, in kilometers, at each station for sources east (D(E)) and west (D(W)) of the San Andreas fault, as well as the location of the stations relative to the fault (K = 1 for east, and K = 2 for west). An assumed value for D of 3.5 km (about the median of the calculated values) is given in parentheses if a value could not be determined from the explosion data.

The method used for estimating the Richter magnitude of the earthquakes has been described by Lee and others (1972a). In brief, the magnitude of an earthquake is based on the average of magnitudes estimated at various stations. Station magnitude (M) is derived from its recorded signal duration (τ) according to:

$$(1) \quad M = -0.87 + 2.00 \log (\tau) + 0.0035\Delta$$

where Δ is the epicentral distance in kilometers. The signal duration is defined as the duration time in seconds from the onset of the first P-arrival to the point where the trace amplitude (peak-to-peak) falls below 1 cm as it appears on the Geotech film viewer.

For earthquakes with Richter magnitudes of 3.50 and below, equation (1) gives a good estimate of the magnitude (Lee et al., 1972a). Richter magnitudes have been calculated (Richter, 1942) for earthquakes with signal duration magnitudes of 3.50 or greater using records obtained from the UCB Wood-Anderson seismographs at Berkeley and Mount Hamilton, and the Stanford-USGS Wood-Anderson at Palo Alto. The earthquakes for which the Richter magnitude has been determined from Wood-Anderson records are indicated in the Appendix by an R next to the magnitude.

A substantial effort has been made to identify man-made explosions so as to eliminate them from the catalog. Explosions can be identified on the basis of one or more of the following criteria: location of a known quarry or blasting site, shallow focal depth, time of day, focal mechanism and/or through correspondence with quarry operators. During 1975, 156 blasts were identified and eliminated from the catalog.

DISCUSSION OF CATALOG

The parameters for the earthquakes listed in the Appendix include the origin time, location of hypocenter (epicenter and focal depth), and magnitude. In addition, six other parameters are listed so that an evaluation of the quality of the hypocenter solution may be made. These parameters are (1) the largest azimuthal separation between stations (GAP), (2) epicentral distance to the nearest station (DMIN), (3) root-mean-square error of the time residuals (RMS), (4) standard error of the epicenter (ERH), (5) standard error of the focal depth (ERZ), and (6) number of P- and S-arrivals used in locating the event (NO). Based on these parameters, the general reliability of each earthquake solution is graded as either excellent (A), good (B), fair (C), or poor (D). Exact rules of quality classification are given in the Appendix.

A brief discussion on the accuracy of hypocenter determinations has been given by Lee and others (1971). To obtain a reliable epicenter, GAP should be less than 180° ; to obtain a reliable focal depth, DMIN should be less than the focal depth. In addition, systematic errors arise from uncertainties in the crustal velocity model. These errors cannot be determined except through controlled experiments, e.g., known explosions in the focal region. Because we present all hypocenter solutions of earthquakes in the region we studied, their quality varies. Although standard errors of epicenter and focal depth (ERH and ERZ) are given, they must be interpreted with caution, especially for quality C and D solutions. Hypocenter solutions for known blasts distributed throughout the San Francisco Bay region indicate that the true positions are often within the standard error limits of the solutions, provided that the conditions $GAP < 180$ and DMIN is within a few kilometers are met. For example, comparison of locations determined for well-recorded quarry blasts (solution quality A) with the known coordinates indicate a typical

error of about 1 km. Based on comparisons between calculated and true quarry blast locations, a general statement on the accuracy of our hypocenter solutions is as follows:

Solution Quality	Approximate accuracy in	
	Epicenter	Focal Depth
A (excellent)	1 km	2 km
B (good)	2.5 km	5 km
C (fair)	5 km	> 5 km
D (poor)	> 5 km	> 5 km

Epicenters listed in the Appendix are plotted according to magnitude in Figure 5.

The dashed lines in Figure 5 indicate the boundaries of the OES seismograph network as it existed during 1975. We feel that the hypocenters listed in the the Appendix represent a nearly complete set of earthquakes above magnitude 1 within these boundaries and that these earthquakes are generally well located. Earthquakes outside the dashed boundaries in Figure 5 tend to have less reliable locations, depending on their distance from the network and their relationship to its geometry. Further, the minimum magnitude event that we can detect and locate increases with increasing distance from the network. For earthquakes outside the network, which yielded unsatisfactory locations on the basis of first P-arrivals alone, S-arrivals were included whenever possible.

We believe that the precision of the earthquake locations (or the relative locations) is better than the absolute accuracy of the earthquake locations. Despite our attempts to model the laterally inhomogeneous nature of the velocity structure within the earth's crust using a variable surface layer, we suspect that the locations within certain parts of the area included in the boundaries of the network may be systematically biased by as much as 2-3 km (Mayer-Rosa, 1973).

Some of the earthquakes listed in this catalog represent multiple events, that is, earthquakes from a given source region which occur in such rapid succession that the seismographs are still recording arrivals from one earthquake when the first arrivals from a following earthquake begin to appear. Depending on the size of the individual events and their separation in time, it may be possible to accurately time and locate the later event(s). Sometimes, however, this is not possible, and only the location of the first event in the sequence is listed in the Appendix.

The contents of the Appendix, along with similar location information for central California earthquakes since 1969, may be obtained (at modest cost) in forms amenable to computer input (magnetic tape) by contacting:

National Geophysical Data Center
 Environmental Data Service
 NOAA

Boulder, CO 80302

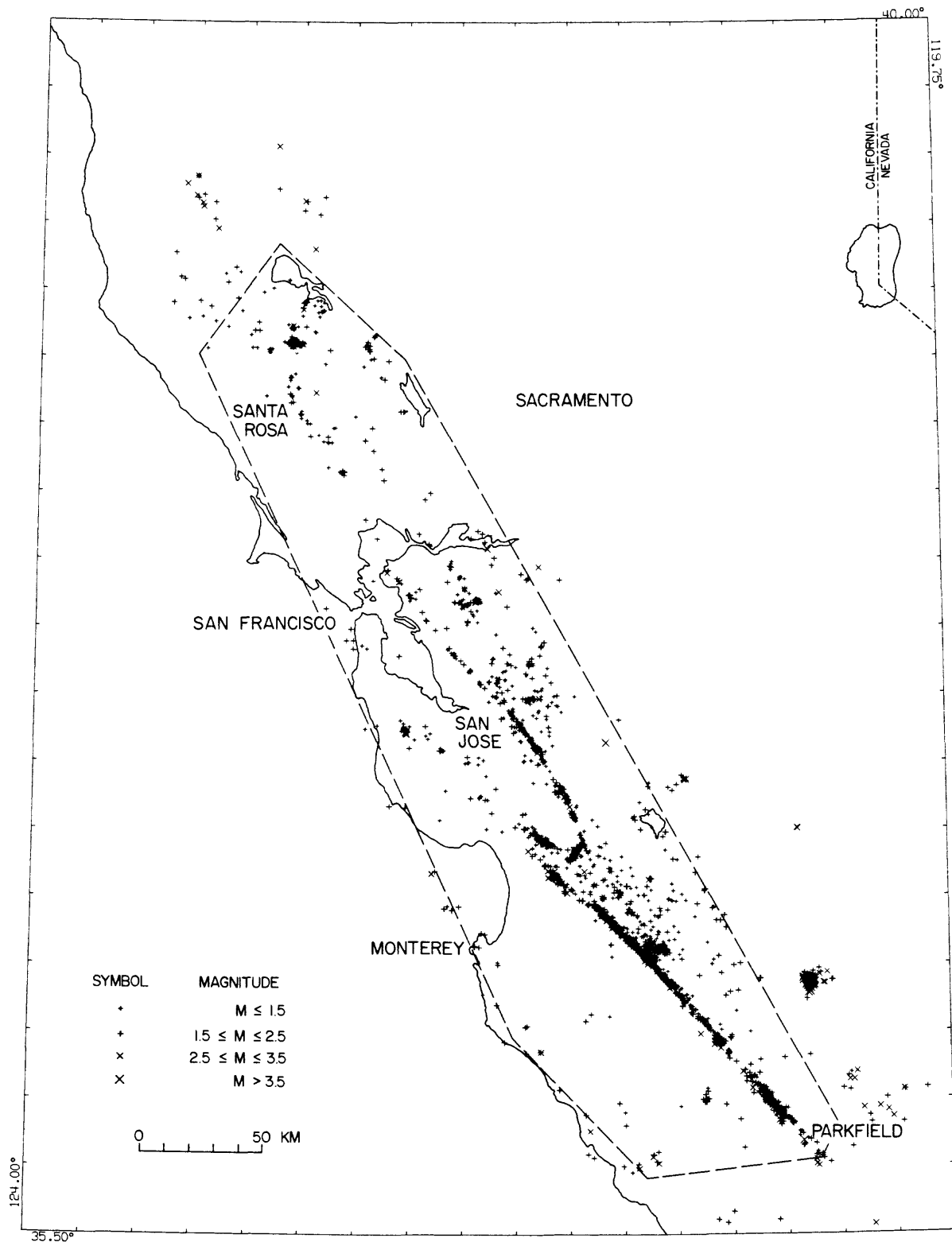


Figure 5. Map showing earthquake epicenters reported in the Appendix. Earthquakes in the region enclosed by the dashed line are generally well recorded and located.

ACKNOWLEDGEMENTS

Some of the arrival times used in this study were obtained through the courtesy of the Seismographic Station, University of California, Berkeley, and the California Department of Water Resources, Sacramento. We thank Dr. B. A. Bolt, Director of the first institution, and Mr. Paul Morrison of the last institution, for their cooperation. Roy Miller of UCB and his staff offered generous help with their data and records. We are indebted to many quarry operators for helping us to eliminate blasts from the earthquake catalog.

We are grateful to Wayne Jackson, John Van Schaack, Ron Kadarabek, Wes Hall and their associates for operating the OES seismograph stations and telemetry network. We thank Shirley Marks, Evelyn Matamoros, Sharon Kirkman, and Sue Conens for their help in various phases of data processing and Rob Cockerham for comments on the manuscript.

We are most deeply indebted to J. P. Eaton, W. H. K. Lee, J. C. Lahr, J. H. Pfluke, and S. T. Houck of OES for their development of the techniques and computer programs which have made the preparation of this catalog a routine production.

REFERENCES

- Bufe, C. G., F. W. Lester, K. L. Meagher, and R. L. Wesson, 1975, Catalog of earthquakes along the San Andreas fault system in central California, April-June, 1973: U.S. Geological Survey Open-File Report 75-125, 44 p.
- Eaton, J. P., 1969, HYPOLAYR - A computer program for determining hypocenters of local earthquakes in an earth consisting of uniform flat layers over a half space: U.S. Geological Survey Open-File Report, 155 p.
- Eaton, J. P., W. H. K. Lee, and L. C. Pakiser, 1970, Use of microearthquakes in the study of the mechanics of earthquake generation along the San Andreas fault in central California: Tectonophysics, v. 9, p. 259-282.
- Geiger, L., 1912, Probability method for the determination of earthquake epicenters from the arrival time only (translated from Geiger's 1910 German article): Bulletin of St. Louis University, v. 8, p. 56-71.
- Lee, W. H. K., and J. C. Lahr, 1972, HYPO71: A computer program for determining hypocenter, magnitude, and first motion pattern of local earthquakes: U.S. Geological Survey Open-File Report, 100 p.
- Lee, W. H., K., J. P. Eaton, and E. E. Brabb, 1971, The earthquake sequence near Danville, California, 1970: Bulletin Seismological Society of America, v. 61, p. 1771-1794.
- Lee, W. H. K., R. E. Bennett, and K. L. Meagher, 1972a, A method of estimating magnitude of local earthquakes from signal duration: U.S. Geological Survey Open-File Report, 18 p.
- Lee, W. H. K., J. C. Roller, P. G. Bauer, and J. D. Johnson, 1972b, Catalog of earthquakes along the San Andreas fault system in central California for the year 1969: U.S. Geological Survey Open-File Report, 49 p.
- Lee, W. H. K., J. C. Roller, K. L. Meagher, and R. E. Bennett, 1972c, Catalog of earthquakes along the San Andreas fault system in central California for the year 1970: U.S. Geological Survey Open-File Report, 73 p.
- Lee, W. H. K., K. L. Meagher, R. E. Bennett, and E. E. Matamoros, 1972d, Catalog of earthquakes along the San Andreas fault system in central California for the year 1971: U.S. Geological Survey Open-File Report, 62 p.

- Lester, F. W., S. L. Kirkman, and K. L. Meagher, 1976b, Catalog of earthquakes along the San Andreas fault system in central California, October - December 1973: U.S. Geological Survey Open-File Report 76-732, 37 p.
- Lester, F. W., and K. L. Meagher, 1978, Catalog of earthquakes along the San Andreas fault system in central California, for the year 1974: U.S. Geological Survey Open-File Report 78-1010, 89 p.
- Lester, F. W., K. L. Meagher, and R. L. Wesson, 1976a, Catalog of earthquakes along the San Andreas fault system in central California, July-September, 1973: U.S. Geological Survey Open-File Report 76-169, 38 p.
- Mayer-Rosa, Dieter, 1973, Traveltime anomalies and distribution of earthquakes along the Calaveras fault zone, California: Bulletin Seismological Society of America, v. 63, p. 713-729.
- McHugh, C. A., and F. W. Lester, 1978, Catalog of earthquakes along the San Andreas fault system in central California, for the year 1976: U.S. Geological Survey Open-File Report 78-1051, 91 p.
- Pakiser, L. C., J. P. Eaton, J. H. Healy, and C. B. Raleigh, 1969, Earthquake prediction and control: Science, v. 166, p. 1467-1474.
- Richter, C. F., 1942, An instrumental earthquake magnitude scale: Bulletin Seismological Society of America, v. 25, p. 1-32.
- Stewart, S. W., 1977. Real-time detection and location of seismic events in Central California: Bulletin of the Seismological Society of America, v. 67, p. 433-452.
- Wesson, R. L., R. E. Bennett, and K. L. Meagher, 1972a, Catalog of earthquakes along the San Andreas fault system in central California, January-March, 1972: U.S. Geological Survey Open-File Report, 60 p.
- Wesson, R. L., R. E. Bennett, and F. W. Lester, 1972b, Catalog of earthquakes along the San Andreas fault system in central California, April-June, 1972: U.S. Geological Survey Open-File Report, 42 p.
- Wesson, R. L., J. C. Roller, and W. H. K. Lee, 1973a, Time-term analysis and geologic interpretation of seismic traveltime data from the Coast Ranges of central California: Bulletin Seismological Society of America, v. 63, p. 1447-1471.
- Wesson, R. L., K. L. Meagher, and F. W. Lester, 1973b, Catalog of earthquakes along the San Andreas fault system in central California, July-September, 1972: U.S. Geological Survey Open-File Report, 49 p.

Wesson, R. L., F. W. Lester, and K. L. Meagher, 1974a, Catalog of earthquakes along the San Andreas fault system in central California, October-December, 1972: U.S. Geological Survey Open-File Report, 46 p.

Wesson, R. L., F. W. Lester, and K. L. Meagher, 1974b, Catalog of earthquakes along the San Andreas fault system in central California, January-March, 1973: U.S. Geological Survey Open-File Report, 46 p.

APPENDIX: CATALOG OF EARTHQUAKES FOR THE YEAR 1975

Earthquakes along the San Andreas fault system in central California for 1975, are listed chronologically in this Appendix.

The following data are given for each event:

1. Origin time in Coordinated Universal Time (UTC): date, hour (HR), minute (MN), and second (SEC). To convert to Pacific Standard Time (PST), subtract eight hours, to Pacific Daylight Time (PDT), subtract seven hours.

2. Epicenter in degrees and minutes of north latitude (LAT N) and west longitude (LONG W).

3. DEPTH, depth of focus in kilometers. If "*" follows the DEPTH, it means that the focal depth is constrained by the location program.

4. MAG, local magnitude of the earthquake. If "R" follows the magnitude, it indicates the Richter magnitude calculated from Wood-Anderson seismograph records.

5. NO, number of P- and S-arrivals used in locating earthquake.

6. GAP, largest azimuthal separation in degrees between stations.

7. DMIN, epicentral distance in kilometers to the nearest station.

8. RMS, root-mean-square error of the time residuals:

$$RMS = \sqrt{\sum_i R_i^2 / NO}$$

where R_i is the observed seismic-wave arrival time minus the computed time at the i th station.

9. ERH, standard error of the epicenter in kilometers:

$$ERH = \sqrt{SDX^2 + SDY^2}$$

where SDX and SDY are the standard errors in latitude and longitude, respectively, of the epicenter.

10. ERZ, standard error of the depth in kilometers.

11. Q, solution quality of the hypocenter. This measure is intended to indicate the general reliability of each solution.

<u>Q</u>	<u>Epicenter</u>	<u>Focal Depth</u>
A	excellent	good
B	good	fair
C	fair	poor
D	poor	poor

Q is based on both the nature of the station distribution with respect to the earthquake and the statistical measure of the solution. These two factors are each rated independently according to the following schemes.

Station Distribution

	<u>NO</u>	<u>GAP</u>	<u>DMIN</u>
A	> 6	≤ 90	≤ DEPTH or 5 km
B	> 6	≤ 135	≤ 2 x DEPTH or 10 km
C	> 6	≤ 180	≤ 50 km
D	Others		

Statistical Measures

	<u>RMS (sec)</u>	<u>ERH (km)</u>	<u>ERZ (km)</u>
A	< 0.15	≤ 1.0	≤ 2.0
B	< 0.30	≤ 2.5	≤ 5.0
C	< 0.50	≤ 5.0	
D	Others		

Q is taken as the average of the ratings from the two schemes, i.e., an A and a C yield a B, and two B's yield a B. When the two ratings are only one level apart the lower one is used, i.e., an A and a B yield a B.

12. QUADRANGLE, for earthquakes between 35° 00.0' and 40° 00.0' N latitude and 119° 45.0' and 123° 45.0' W. longitude, QUADRANGLE indicates the name of the U.S. Geological Survey 7.5 quadrangle (or quadrant of 15' quadrangle), on which the epicenter is located. For earthquakes offshore or outside the designated area, the entry is starred and indicates the general geographic area in which the epicenter is located, for example, "***MONTEREY BAY***".

CENTRAL CALIFORNIA EARTHQUAKES--1975

1975	HR	MM	SEC	LAT	N	LONG	W	DEPTH	MAG	NO	GAP	DMIN	RMS	ERH	FRZ	3	QUADRANGLE
JAN	1	0	21	36-29.0		121-6.1		5.8	2.0	24	61	3.7	0.12	0.4	1.0	A	TOPO VALLEY
	1	3	19	36-56.5		121-26.0		4.7	1.4	23	74	5.4	0.10	0.3	0.8	B	SAN FELIPE
	1	3	34	36-55.6		121-28.1		7.1	1.3	23	60	3.7	0.09	0.3	0.7	A	SAN FELIPE
	1	6	52	36-55.7		121-28.0		5.3	1.8	33	56	3.0	0.10	0.2	0.6	A	SAN FELIPE
	1	8	28	36-53.6		121-24.4		7.9	1.3	24	65	4.0	0.10	0.3	0.9	A	SAN FELIPE
	1	8	41	36-54.9		121-28.9		6.2	1.3	22	53	4.9	0.06	0.2	1.2	H	SAN FELIPE
	1	10	13	36-55.5		120-32.6		9.0	1.7	7	175	6.6	0.02	0.4	0.4	9	STOCKDALE MTN.
	1	10	31	36-55.9		121-28.0		4.7	1.5	23	61	4.1	0.08	0.2	0.6	A	SAN FELIPE
	1	12	29	36-44.3		121-23.5		6.1	1.5	14	62	5.3	0.11	0.5	0.8	A	MT HARLAN
	1	14	8	36-55.8		121-27.8		4.8	2.0	33	56	4.1	0.10	0.2	0.4	A	SAN FELIPE
	1	19	37	36-55.6		121-28.0		5.4	1.9	31	60	3.8	0.09	0.2	0.4	A	SAN FELIPE
	1	21	38	36-31.2		121-7.4		9.8	1.2	11	135	4.3	0.09	0.6	1.1	B	SAN RENITO
	1	23	17	36-54.4		121-28.9		4.9	1.2	26	52	2.6	0.08	0.2	0.4	A	SAN FELIPE
	2	7	32	36-42.5		121-20.6		1.7	1.8	22	61	0.1	0.19	0.7	0.5	B	PAICINES
	2	7	42	36-42.3		121-21.0		2.8	1.5	14	72	0.8	0.14	0.7	0.5	A	PAICINES
	2	22	17	36-9.2		120-46.3		6.2	1.7	13	77	6.7	0.14	0.8	1.7	B	MONARCH PEAK
	2	23	17	37-2.1		122-8.3		1.7	1.4	10	225	3.0	0.16	1.6	1.6	D	DAVENPORT
	2	23	22	36-55.9		121-28.0		5.3	1.9	32	56	8.2	0.11	0.3	0.9	B	SAN FELIPE
	2	23	38	36-18.5		120-54.8		6.6	2.1	19	85	1.6	0.19	0.7	1.3	B	LONOAK
	3	6	38	36-55.3		121-28.4		5.4	1.8	38	53	3.1	0.10	0.2	0.4	A	SAN FELIPE
	3	14	17	36-29.1		121-6.0		5.4	1.5	17	78	3.6	0.10	0.4	1.0	A	TOPO VALLEY
	3	14	42	36-34.0		121-11.1		3.4	1.5	16	68	1.1	0.07	0.3	0.3	A	HICKMORE CANYON
	3	15	48	36-55.1		121-28.2		7.9	1.8	33	54	3.9	0.10	0.2	0.6	A	SAN FELIPE
	3	23	51	36-45.2		121-16.0		8.2	1.9	35	71	8.5	0.13	0.3	1.1	B	TRES PINOS
	4	0	15	37-17.6		121-37.8		4.8	1.7	20	70	5.5	0.10	0.4	0.4	B	LICK OBSERVATORY
	4	20	6	37-15.5		121-36.9		5.3	1.3	15	93	5.2	0.10	0.4	0.4	B	ISARFL VALLEY
	4	22	28	36-33.8		121-11.2		3.9	1.4	14	65	1.4	0.04	0.2	0.2	A	HICKMORE CANYON
	5	2	20	36-47.3		121-31.2		6.5	2.0	32	80	4.6	0.15	0.4	0.6	A	SAN JUAN RAUTISTA
	5	7	2	36-15.7		120-52.1		5.6	1.6	9	114	6.8	0.09	0.6	1.9	B	HFPSEDAM PEAK
	5	7	14	36-54.9		121-28.6		5.4	1.5	27	51	2.8	0.08	0.2	0.6	A	SAN FELIPE
	5	9	58	38-48.3		122-45.7		0.0	1.0	6	110	8.2	0.09	0.8	0.7	B	THE GEYSERS
	5	11	53	36-38.1		121-14.3		8.0	1.4	15	54	0.1	0.09	0.4	0.6	A	CHERRY PEAK
	5	16	48	37-23.8		122-16.5		10.8	1.0	9	141	2.4	0.07	0.8	0.5	B	WOODSIDE
	5	16	48	37-18.4		121-39.2		6.3	1.3	12	70	6.3	0.15	0.7	3.7	B	LICK OBSERVATORY
	5	16	54	38-25.2		122-37.1		7.6	1.2	10	110	7.9	0.18	1.0	2.9	B	KENWOOD
	5	18	22	40.3		122-17.0		10.5	1.1	9	131	5.6	0.11	1.0	1.0	B	LA HONDA
	6	1	21	33.3		121-40.5		9.9	2.4	55	115	3.1	0.18	0.4	0.4	B	WATSONVILLE EAST
	6	7	16	45.5		120-32.1		9.5	2.6	16	133	6.2	0.14	0.8	0.9	B	STOCKDALE MTN
	6	8	7	14.4		120-32.1		6.6	1.7	8	186	7.1	0.05	0.6	1.1	C	STOCKDALE MTN
	6	11	17	12.3		120-32.5		8.9	4.6R	36	81	6.4	0.24	0.9	0.7	B	STOCKDALE MTN
	6	11	48	29.0		122-45.2		2.0	2.1	11	116	8.0	0.10	0.6	0.5	B	THE GEYSERS
	6	15	11	40.6		121-8.6		12.6	1.4	14	120	4.3	0.07	0.4	0.8	B	HICKMORE CANYON
	6	19	7	45.1		120-31.6		9.4	1.7	11	170	5.8	0.09	1.0	1.0	B	STOCKDALE MTN
	6	19	12	43.7		122-5.3		5.6	1.0	15	83	3.4	0.09	0.4	0.5	A	CUPERTINO
	7	14	47	47.4		121-2.7		5.5	1.3	19	145	10.4	0.10	0.5	1.4	B	PANOCHÉ PASS

CENTRAL CALIFORNIA EARTHQUAKES--1975 (CONTINUED)

1975	HR	MIN	SEC	LAT	N	LONG	W	DEPTH	MAG	NO	GAP	DMIN	RMS	EPH	EPZ	Q	QUADRICLE
JAN	8	1	37	54.2	37-30.4	121-48.3	0.1	1.3	21	69	5.9	0.23	0.7	0.7	B	LA COSTA VALLEY	
	8	4	12	42.1	36-54.2	121-29.4	4.2	1.7	31	46	7.1	0.12	0.3	0.3	A	SAN FELIPE	
	8	19	3	31.7	37-33.7	121-48.0	4.6	1.7	16	103	7.7	0.16	0.7	0.7	3	LA COSTA VALLEY	
	9	13	19	6.1	36-54.4	121-28.9	6.7	1.8	32	43	7.7	0.11	0.3	0.7	A	SAN FELIPE	
	9	19	14	26.9	36-45.3	121-16.5	7.8	1.6	27	89	8.8	0.11	0.3	1.3	B	TPFS PINOS	
	10	10	42	46.6	36-15.5	121-42.0	10.6	2.0	22	187	30.1	0.11	0.7	0.5	C	VENTANA CONFS	
	10	11	6	13.6	36-15.3	121-42.4	11.5	1.9	20	189	30.2	0.06	0.4	0.3	C	VENTANA CONFS	
	10	15	4	36.2	36-45.1	121-20.7	10.5	2.0	23	49	4.7	0.14	0.4	1.0	A	TRES PINOS	
	11	0	8	4.6	36-54.6	121-37.3	1.7	1.9	22	74	6.0	0.21	0.5	0.5	B	CHITTENDEN	
	11	1	13	7.6	37-30.3	121-48.4	2.3	1.9	14	59	5.9	0.14	0.6	0.4	B	LA COSTA VALLEY	
	11	12	34	21.1	35-55.6	120-31.9	11.5	1.9	15	70	5.2	0.19	1.2	1.2	B	STOCKDALE MTN	
	11	15	53	13.6	36-54.6	121-28.8	6.6	2.2	51	49	2.6	0.12	0.2	0.6	A	SAN FELIPE	
	11	18	58	29.6	36-41.6	121-21.3	4.1	1.7	18	67	2.1	0.14	0.5	0.6	A	PAICINES	
	11	20	47	4.1	36-48.4	121-32.2	6.3	1.1	17	55	3.5	0.13	0.6	0.7	A	SAN JUAN BAUTISTA	
	12	1	36	44.0	36-17.0	120-53.1	0.6	1.2	7	102	5.2	0.16	1.2	1.5	B	LONOAK	
	12	4	20	10.4	36-54.3	121-29.0	6.5	1.4	27	47	2.5	0.08	0.2	0.6	A	SAN FELIPE	
	12	4	39	46.7	36-35.7	121-13.2	2.8	1.7	19	62	3.5	0.09	0.3	0.3	A	RICKMORE CANYON	
	12	9	13	21.6	36-54.5	121-29.0	4.6	1.8	34	48	2.4	0.11	0.2	0.3	A	SAN FELIPE	
	13	0	29	59.4	36-33.6	121-4.5	7.1	1.5	13	89	5.5	0.11	0.6	1.1	A	SAN RENITO	
	13	17	30	30.1	38-48.8	122-47.6	7.0	1.0	6	124	9.4	0.05	0.5	2.2	B	THE GEYSERS	
	13	21	24	1.1	36-40.6	120-49.4	1.2	1.9	15	179	3.1	0.14	1.5	1.6	C	MERCY HOT SPRINGS	
	14	9	16	6.2	37-15.1	121-58.5	7.2	1.3	13	84	11.1	0.10	0.6	2.8	R	SAN JOSE WEST	
	14	11	14	51.0	37-57.8	121-57.8	5.3	1.5	14	90	6.3	0.20	0.8	0.7	B	DIARIO	
	14	16	22	15.4	36-54.3	121-28.8	5.6	1.2	20	48	2.8	0.09	0.3	0.8	A	SAN FELIPE	
	14	17	2	35.3	36-31.0	121-18.3	4.9	2.0	20	54	5.7	0.14	0.5	0.7	B	RICKMORE CANYON	
	15	7	49	16.5	36-28.8	121-5.7	5.4	2.1	26	62	3.8	0.12	0.4	0.5	A	TOPO VALLEY	
	16	1	55	14.3	36-43.0	121-23.2	3.9	1.8	20	64	3.9	0.18	0.8	0.7	B	MT HARLAN	
	16	6	22	9.8	36-30.1	120-35.3	4.3	1.3	11	147	12.0	0.13	1.1	1.1	C	SMITH MTN	
	16	6	51	53.3	36-54.4	121-28.7	5.4	1.3	25	53	2.8	0.06	0.2	0.5	A	SAN FELIPE	
	16	6	52	13.3	36-54.4	121-28.8	5.5	1.3	26	53	2.8	0.07	0.2	0.5	A	SAN FELIPE	
	16	11	20	2.5	35-59.8	120-35.8	4.2	1.2	10	143	12.5	0.15	7.9	13.1	D	STOCKDALE MTN	
	16	14	5	40.5	36-29.0	121-5.8	5.0	1.5	16	72	3.6	0.13	0.5	1.3	A	TOPO VALLEY	
	16	17	30	30.0	37-38.3	122-1.8	2.1	1.3	15	49	1.5	0.16	0.6	0.4	B	HAYWARD	
	16	20	51	50.4	37-18.8	121-39.7	5.1	1.3	20	66	6.2	0.10	0.3	0.3	B	LICK ORSERVATORY	
	17	0	45	48.7	36-54.4	121-28.9	5.2	1.2	22	52	2.6	0.08	0.2	0.6	A	SAN FELIPE	
	17	1	17	46.5	36-12.6	120-49.8	7.3	1.9	20	76	3.2	0.18	0.8	1.3	B	MONARCH PEAK	
	17	5	51	18.1	36-54.8	121-29.0	4.1	1.3	17	72	2.2	0.08	0.3	0.4	A	SAN FELIPE	
	17	9	23	30.8	38-48.4	122-47.8	4.6	2.0	13	119	10.1	0.17	0.9	1.8	C	THE GEYSERS	
	17	9	49	35.6	37-3.8	121-51.8	10.4	1.8	27	76	5.1	0.09	0.3	0.6	A	LOMA PRIETA	
	17	12	14	0.4	36-55.3	121-28.5	5.8	1.6	24	57	2.9	0.07	0.2	0.9	A	SAN FELIPE	
	17	19	34	39.1	37-37.0	121-59.6	5.7	1.6	21	43	3.7	0.15	0.5	0.5	R	MILFS	
	17	23	36	8.4	36-54.6	121-37.3	1.4	1.8	23	74	4.0	0.19	0.5	0.4	B	CHITTENDEN	
	18	7	25	5.3	36-54.6	121-27.0	5.0	1.7	31	45	2.3	0.09	0.3	0.4	A	SAN FELIPE	
	18	13	1	43.8	36-55.6	121-28.2	6.6	1.8	35	43	3.6	0.12	0.2	0.8	A	SAN FELIPE	
	18	14	24	35.4	35-46.1	120-18.7	3.3	1.7	7	293	8.0	0.05	2.2	0.3	C	CHOLAMF VALLEY	

CENTRAL CALIFORNIA EARTHQUAKES--1975 (CONTINUED)

1975	HR	MIN	SEC	LAT	N	LONG	W	DEPTH	MAG	NO	CAP	DMIN	RMS	FRH	ER7	Q	QUADRANGLE
JAN	18	17	3	35-45.8		120-20.5		9.7	2.1	7	282	5.7	0.07	2.1	1.0	C	CHOLAME VALLEY
	18	22	10	36-40.4		121-19.6		4.0	1.8	21	43	4.3	0.11	0.4	0.4	A	PAICINES
	18	22	13	36-54.0		121-29.6		5.6	2.2	40	44	2.3	0.10	0.2	0.4	A	SAN FELIPE
	19	2	23	37-39.3		122-2.6		2.8	1.3	16	71	0.9	0.17	0.6	0.4	B	HAYWARD
	19	2	48	35-59.6		120-52.7		11.2	1.9	18	95	19.0	0.14	0.6	1.8	B	HAMES VALLEY
	19	4	39	36-53.7		121-29.2		4.8	1.5	25	44	3.0	0.09	0.3	0.3	A	SAN FELIPE
	19	8	39	36-54.4		121-28.7		6.3	1.4	25	48	2.9	0.09	0.3	0.7	A	SAN FELIPE
	19	20	55	36-45.0		121-20.8		11.2	1.3	14	69	4.5	0.11	0.5	1.1	A	PAICINES
	19	23	34	36-54.4		121-28.6		6.0	1.2	22	49	2.9	0.08	0.3	0.7	A	SAN FELIPE
	20	1	4	37-23.2		121-43.8		4.4	2.5	54	83	3.7	0.15	0.3	0.2	A	MT DAY
	20	1	24	37-23.2		121-43.4		5.2	1.6	23	95	4.1	0.11	0.3	0.3	A	MT DAY
	20	7	10	36-32.8		121-7.8		10.3	1.5	12	87	6.1	0.04	0.4	0.8	A	BICKMORE CANYON
	20	7	49	36-20.9		120-59.0		9.5	2.0	19	108	9.0	0.14	0.7	1.2	B	LYOAK
	20	10	29	36-34.3		121-4.0		13.1	1.4	15	98	4.2	0.10	0.5	0.5	B	SAN PENITO
	20	12	36	37-6.8		121-30.6		7.8	1.7	31	100	6.0	0.12	0.3	0.9	B	GILROY
	20	18	14	37-6.6		121-30.7		6.7	1.4	27	99	5.9	0.13	0.4	1.2	B	GILROY
	20	20	32	36-23.1		120-59.1		0.4	2.9	20	66	5.3	0.12	0.4	0.6	B	ROCK SPRING PEAK
	20	23	17	37-2.6		122-8.4		0.1	1.4	14	186	3.2	0.11	0.8	0.7	C	DAVENPORT
	21	4	4	37-5.6		121-30.6		7.2	1.3	28	100	5.9	0.11	0.3	1.0	B	GILROY
	21	7	49	36-7.1		120-35.7		2.9	1.6	10	146	12.5	0.13	1.1	0.9	C	SMITH MTN
	21	11	44	36-54.3		121-29.2		4.6	1.4	24	51	2.3	0.08	0.2	0.3	A	SAN FELIPE
	21	23	25	37-17.7		122-5.5		5.2	1.2	16	82	3.0	0.07	0.3	0.4	A	CUPERTINO
	22	0	44	37-31.0		121-48.6		5.5	1.9	26	67	5.3	0.21	0.7	0.7	B	LA COSTA VALLEY
	22	10	2	37-25.9		121-46.2		5.9	1.8	29	80	3.4	0.13	0.4	0.6	A	CALAVERAS RESERVOIR
	22	11	7	36-55.6		121-28.0		6.1	1.8	13	78	3.8	0.05	0.3	0.5	A	SAN FELIPE
	22	16	58	37-4.6		121-9.1		3.6	1.7	22	134	5.1	0.20	0.8	0.6	B	PACHICO PASS
	22	19	53	36-59.0		121-41.0		4.4	1.2	10	77	3.4	0.21	1.6	1.7	B	WATSONVILLE EAST
	23	0	53	36-25.7		121-2.5		3.4	1.3	10	85	2.1	0.11	0.7	0.6	A	TOPO VALLEY
	23	2	5	36-34.7		121-4.4		12.0	2.1	32	63	4.6	0.12	0.3	0.4	A	SAN PENITO
	23	2	11	36-55.4		121-28.0		5.0	1.0	19	54	3.7	0.10	0.3	1.0	A	SAN FELIPE
	23	4	13	37-17.8		122-5.9		5.7	1.3	14	53	4.1	0.07	0.3	0.4	A	CUPERTINO
	23	5	47	35-55.9		120-30.3		12.6	1.3	10	105	3.2	0.13	1.0	0.9	B	STOCKDALE MTN
	23	18	16	36-54.5		121-29.0		9.1	3.0	62	38	2.3	0.15	0.3	0.4	B	SAN FELIPE
	23	19	9	36-54.8		121-28.6		5.9	1.2	21	55	2.8	0.09	0.3	0.7	A	SAN FELIPE
	23	20	30	35-47.6		121-7.2		10.9	1.8	15	116	12.7	0.11	0.6	0.8	B	RRYSON
	23	21	2	36-54.2		121-29.3		4.4	1.6	25	46	2.3	0.10	0.3	0.3	A	SAN FELIPE
	23	22	24	36-53.9		121-29.5		6.2	2.3	43	35	2.5	0.11	0.2	0.5	A	SAN FELIPE
	23	23	15	37-2.7		122-8.2		0.2	2.0	17	203	3.1	0.11	0.8	0.7	C	DAVENPORT
	23	23	50	36-54.3		121-29.1		4.8	1.3	17	87	2.5	0.11	0.4	0.7	A	SAN FELIPE
	24	0	0	35-57.8		120-2.6		10.3	2.9	19	228	26.8	0.16	2.0	1.1	C	KETTLEMAN PLAIN
	24	4	46	36-25.8		121-3.1		9.0	1.9	25	67	4.0	0.10	0.3	0.6	A	TOPO VALLEY
	24	6	36	37-33.7		121-49.7		6.7	1.5	17	80	5.9	0.15	0.7	0.9	B	LA COSTA VALLEY
	24	6	43	36-24.6		121-0.9		3.3	1.4	8	83	1.6	0.06	0.4	0.3	A	TOPO VALLEY
	24	11	1	36-33.3		121-10.9		4.5	1.6	18	65	2.3	0.08	0.3	0.6	A	BICKMORE CANYON
	24	17	49	36-47.9		121-22.7		3.7	2.0	35	59	6.9	0.14	0.3	0.2	B	HOLLISTER

CENTRAL CALIFORNIA EARTHQUAKES--1975 (CONTINUED)

1975	HR	MIN	SEC	LAT N	LONG W	DEPTH	MAG	NO GAP	DPIN	RMS	FPH	FPZ D	QUADRANGLE
JAN	24	17	52	36-42.8	121-21.9	2.4	1.8	19	56	1.9	0.14	0.6	PAICINES
	24	20	20	36-54.3	121-28.7	6.4	1.5	31	45	5.0	0.10	0.2	SAN FELIPE
	25	0	44	35-55.4	120-32.0	12.1	2.3	18	74	5.8	0.22	1.2	STOCKDALE MTN
	25	5	16	36-27.0	121-3.4	0.6	1.3	11	102	4.4	0.08	0.4	TOPO VALLEY
	25	9	31.1	36-38.0	121-11.2	0.6	2.2	33	58	3.6	0.12	0.3	CHEPPY PEAK
	26	2	44	36-54.6	121-23.8	5.8	1.6	41	39	2.6	0.12	0.3	SAN FELIPE
	26	7	35	36-43.7	121-13.4	4.8	1.0	12	118	8.1	0.12	0.6	CHERRY PEAK
	26	13	38	36-31.7	121-9.0	3.7	1.3	8	109	6.2	0.06	0.4	HICKMORE CANYON
	26	27	4	36-55.7	121-28.1	4.8	1.1	18	51	3.7	0.11	0.4	SAN FELIPE
	27	3	38	36-17.5	120-53.0	5.8	1.4	10	105	4.0	0.10	0.7	LONOAK
	27	6	3	36-55.8	121-28.0	4.5	0.9	12	118	3.9	0.06	0.3	SAN FELIPE
	27	8	0	36-50.6	120-55.2	5.4	2.0	23	201	25.5	0.14	1.2	ORTIGALITA PEAK
	27	9	28	36-57.3	121-37.0	7.2	2.4	57	34	3.0	0.13	0.2	CHITTENDEN
	27	9	47	36-57.3	121-36.9	7.1	2.7	57	34	2.9	0.13	0.3	CHITTENDEN
	28	4	37	36-28.6	121-6.3	5.2	1.5	14	78	4.6	0.12	0.6	TOPO VALLEY
	28	9	45	36-55.7	121-27.8	4.8	0.9	20	105	4.2	0.06	0.2	SAN FELIPE
	28	9	54	36-55.7	121-27.9	4.5	0.8	13	66	4.0	0.07	0.3	SAN FELIPE
	28	14	8	36-23.4	120-57.8	10.5	1.3	8	94	6.2	0.11	0.9	ROCK SPRING PEAK
	28	14	51	36-55.8	121-27.9	4.6	1.0	14	66	4.1	0.06	0.3	SAN FELIPE
	28	20	52	36-57.9	121-38.6	4.8	1.6	29	43	4.0	0.09	0.2	WATSONVILLE EAST
	28	22	58	37-30.3	121-48.2	0.8	2.0	19	70	6.0	0.19	0.6	LA COSTA VALLEY
	28	23	55	36-54.4	121-37.6	2.0	1.7	18	120	4.0	0.17	0.5	WATSONVILLE EAST
	29	3	15	36-54.4	121-28.7	6.5	1.3	26	48	2.8	0.08	0.2	SAN FELIPE
	29	7	6	36-54.8	121-39.6	0.6	1.2	18	81	5.4	0.08	0.3	WATSONVILLE EAST
	29	12	24	36-54.8	121-28.7	4.4	1.5	27	60	2.6	0.09	0.2	SAN FELIPE
	29	13	43	36-54.1	121-29.1	5.5	1.5	29	46	2.6	0.10	0.3	SAN FELIPE
	29	17	59	36-51.0	121-34.6	4.1	3.2	55	39	4.1	0.23	0.5	SAN JUAN BAUTISTA
	29	19	49	36-54.4	121-28.7	5.9	1.2	23	92	2.9	0.09	0.3	SAN FELIPE
	29	19	50	37-36.1	121-36.2	7.4	1.3	9	204	3.0	0.10	1.1	CEDAR MTR
	29	19	51	36-54.4	121-28.7	5.4	0.9	19	92	2.8	0.08	0.3	SAN FELIPE
	30	0	33	36-55.6	121-27.3	3.5	1.2	17	60	4.7	0.20	0.7	SAN FELIPE
	30	8	7	35-58.5	120-4.9	11.8	3.5	26	220	23.5	0.21	2.0	KETTLEMAN PLAIN
	30	8	46	36-2.8	120-40.0	5.4	2.8	26	76	8.4	0.22	0.8	SLACK CANYON
	30	13	33	36-54.0	121-29.7	4.8	1.3	21	58	2.3	0.10	0.3	SAN FELIPE
	30	17	6	38-48.3	122-48.0	4.6	1.6	9	119	10.4	0.10	0.6	THE GEYSERS
	30	17	46	36-54.4	121-29.1	4.3	1.0	16	97	2.3	0.10	0.4	SAN FELIPE
	30	18	2	36-30.8	121-18.5	3.6	1.1	13	59	3.3	0.08	0.3	PAICINES
	30	20	5	37-21.6	122-8.9	4.6	1.2	12	59	5.0	0.13	0.6	MINDENGO HILL
	30	20	55	36-33.0	121-3.7	11.8	1.2	14	102	4.7	0.12	0.6	SAN BENITO
	31	1	54	36-27.5	121-3.8	3.4	1.2	11	101	5.5	0.09	0.5	TOPO VALLEY
	31	3	20	36-25.8	121-1.7	2.9	1.2	10	100	1.2	0.08	0.5	TOPO VALLEY
	31	8	52	37-28.4	121-49.4	1.7	0.9	7	53	3.3	0.17	1.5	CALAVERAS RESERVOIR
	31	13	58	36-34.5	121-13.0	6.0	2.2	33	51	2.5	0.12	0.3	HICKMORE CANYON
FEB	1	7	35	35-58.3	120-9.3	11.0	2.9	21	212	16.0	0.22	3.0	GARZA PEAK
	1	13	19	36-41.9	121-19.8	18.6	1.3	2	90	1.8	0.10	0.9	PAICINES

CENTRAL CALIFORNIA EARTHQUAKES--1975 (CONTINUED)

1975	HR	MM	SEC	LAT N	LONG W	DEPTH	MAG	NO CAP	DMIN	RMS	ERH	EP7	QUADRANGLE
FER	2	6	56	38-27.8	122-38.1	1.5	1.4	8	75	0.02	0.1	0.2	COTATI
	2	14	43	36-26.0	121-1.6	5.2	1.5	13	11.9	0.11	0.5	0.5	TOPO VALLEY
	3	7	13	37-56.1	121-59.5	7.5	1.0	10	9.2	0.10	0.8	2.0	CLAYTON
	3	10	20	36-54.2	121-23.9	6.1	1.3	26	5.8	0.07	0.2	0.5	SAN FELIPE
	3	17	52	36-27.4	121-3.8	4.3	1.7	16	5.5	0.11	0.4	1.4	TOPO VALLEY
	3	18	50	36-35.1	121-13.2	4.3	1.8	20	6.6	0.13	0.4	1.0	PICKMORE CANYON
	4	0	2	36-27.9	121-4.7	4.9	2.2	26	6.4	0.13	0.4	0.7	TOPO VALLEY
	4	4	37	36-54.3	121-28.9	6.8	1.5	29	5.9	0.07	0.2	0.5	SAN FELIPE
	4	6	41	36-2.2	121-33.1	6.7	2.3	25	19.5	0.13	1.0	0.9	LOPEZ POINT
	4	8	51	36-58.7	121-4.2	5.4	1.7	17	13.5	0.20	1.3	1.1	LOS FANOS VALLEY
	4	17	24	38-48.5	122-47.7	1.0	1.3	8	12.0	0.12	0.7	0.8	THE GEYSERS
	4	23	59	36-59.6	121-39.8	10.0	1.8	25	4.9	0.14	0.5	0.8	WATSONVILLE EAST
	5	2	31	36-34.8	121-12.6	3.9	1.3	10	8.8	0.12	0.7	0.6	PICKMORE CANYON
	5	3	9	36-33.8	121-8.4	12.0	2.3	28	5.3	0.13	0.4	0.4	PICKMORE CANYON
	5	8	19	36-46.7	121-17.0	6.7	1.6	19	5.6	0.06	0.2	0.7	TRES PINOS
	5	17	21	36-55.9	121-28.0	2.6	1.2	17	6.5	0.09	0.3	0.2	SAN FELIPE
	5	19	56	36-34.0	121-8.0	10.2	1.7	19	6.1	0.10	0.4	0.6	PICKMORE CANYON
	5	23	24	36-29.9	121-7.0	4.0	1.6	16	6.6	0.14	0.6	0.6	TOPO VALLEY
	5	23	37	36-27.3	121-4.2	6.5	2.1	24	6.5	0.14	0.4	1.1	TOPO VALLEY
	6	0	37	37-30.7	121-48.9	3.7	1.8	15	6.6	0.16	0.7	0.7	LA COSTA VALLEY
	6	6	18	36-23.9	121-1.0	7.3	1.0	12	8.7	0.10	0.5	1.0	TOPO VALLEY
	6	6	43	37-23.6	121-44.0	6.7	2.0	44	8.4	0.12	0.3	0.8	MT DAY
	6	8	10	36-41.3	121-20.3	3.3	1.7	14	9.3	0.10	0.5	0.4	PAICINES
	6	23	0	36-54.0	121-29.2	7.0	2.4	56	3.6	0.12	0.2	0.5	SAN FELIPE
	6	23	21	36-54.0	121-37.7	0.1	1.5	15	12.4	0.17	0.5	0.5	WATSONVILLE EAST
	6	23	24	38-2	121-36.1	6.0	2.7	61	5.5	0.17	0.3	0.4	SAN JUAN BAUTISTA
	6	23	37	36-28.5	121-5.5	5.7	1.2	15	8.7	0.10	0.4	1.0	TOPO VALLEY
	7	0	35	36-54.4	121-28.9	6.1	1.4	25	5.3	0.06	0.2	0.5	SAN FELIPE
	7	4	42	36-54.3	121-29.3	8.5	3.1	66	3.5	0.17	0.3	0.5	SAN FELIPE
	7	4	43	36-54.5	121-29.0	6.1	1.4	15	5.9	0.06	0.3	0.6	SAN FELIPE
	7	5	58	38-49.0	122-47.6	4.0	1.1	7	12.8	0.05	0.7	0.9	THE GEYSERS
	7	8	43	36-54.2	121-28.9	5.8	1.2	24	4.7	0.08	0.2	0.6	SAN FELIPE
	7	9	29	35-59.1	120-34.7	2.6	1.7	10	14.6	0.11	0.9	0.5	STOCKDALE MTN
	7	11	33	36-37.1	121-15.9	8.7	1.2	14	5.8	0.06	0.3	0.4	MT JOHNSON
	7	13	9	36-55.4	121-28.1	5.0	1.3	26	5.4	0.07	0.2	0.6	SAN FELIPE
	7	16	33	36-25.6	121-3.6	7.0	1.9	20	6.5	0.09	0.3	1.0	TOPO VALLEY
	7	19	27	36-12.9	120-47.2	11.4	1.6	8	13.6	0.08	1.1	2.0	MONARCH PEAK
	7	20	31	36-57.7	121-38.0	4.3	1.7	22	6.0	0.10	0.3	0.3	WATSONVILLE EAST
	7	23	41	37-30.2	121-48.2	1.6	1.5	11	9.7	0.19	1.0	0.8	LA COSTA VALLEY
	8	0	36	35-24.9	120-33.7	5.5	1.6	6	32.7	0.17	3.8	5	SANTA MARGARITA
	8	4	2	36-35.6	121-8.2	10.6	2.0	28	4.0	0.14	0.4	0.5	PICKMORE CANYON
	8	7	21	36-41.0	121-21.6	8.2	1.7	15	6.8	0.13	0.5	1.1	PAICINES
	8	9	1	38-46.6	122-26.6	14.6	1.3	8	18.6	0.08	1.1	0.6	JERICHO VALLEY
	8	16	40	37-9.8	121-32.5	7.2	1.2	18	10.7	0.13	0.5	1.6	MT SIZER
	9	14	56	36-22.6	121-57.1	5.2	1.3	8	7.1	0.13	0.9	2.7	ROCK SPRING PEAK

CENTRAL CALIFORNIA EARTHQUAKES--1975 (CONTINUED)

1975	HR	MIN	SEC	LAT	N	LONG	W	DEPTH	MAG	NO	GAP	DMIN	RMS	ERH	EPZ	Q	QUADRANGLE
FEB	10	9	40	11.1	36-54.7	121-29.1	5.7	2.2	30	45	2.1	0.11	0.3	0.5	A	SAN FELIPE	
	10	10	53	27.9	36-55.5	121-27.8	4.0	1.0	14	56	4.1	0.08	0.3	0.4	A	SAN FELIPE	
	10	15	33	53.9	36-54.2	121-29.0	6.4	1.0	22	51	2.7	0.06	0.2	0.5	A	SAN FELIPE	
	10	16	10	17.1	38-15.2	122-9.1	4.7	1.8	17	25	6.3	0.14	1.4	1.7	B	MT GEORGE	
	10	22	0	29.6	38-46.8	122-26.4	9.4	1.8	12	147	20.7	0.17	1.3	1.7	C	JERICHO VALLEY	
	10	22	14	10.8	38-48.7	122-27.0	13.8	1.6	9	200	22.4	0.13	1.5	1.1	C	JERICHO VALLEY	
	11	10	23	38.1	36-29.4	121-6.4	1.5	1.2	11	97	3.6	0.17	0.9	0.9	B	TOPO VALLEY	
	11	10	52	51.4	35-59.2	120-35.2	2.7	2.1	14	121	11.2	0.18	1.1	0.7	C	STOCKDOLF MTN	
	11	17	6	45.8	36-32.3	121-9.8	4.8	2.1	21	63	4.6	0.08	0.2	0.4	A	RICKMORE CANYON	
	12	0	44	50.9	36-44.3	121-1.8	5.1	1.4	15	114	10.4	0.09	0.4	0.4	B	PANOCHÉ PASS	
	12	10	54	19.1	38-20.0	122-34.1	7.3	1.8	10	76	8.3	0.13	0.7	2.1	B	GLEN FULFEN	
	12	11	57	56.6	37-29.8	121-28.6	6.4	1.3	8	249	17.1	0.28	6.1	20.0	D	MT HOAPDAMAN	
	12	12	3	16.5	35-56.3	120-1.3	16.7	3.4R	9	284	28.5	0.13	4.9	3.1	D	KETTLEMAN PLAIN	
	12	17	8	15.6	36-55.5	121-28.2	4.6	1.1	17	59	3.5	0.08	0.3	0.9	A	SAN FELIPE	
	12	19	38	41.3	35-57.2	120-32.3	3.1	1.3	4	145	5.8	0.06	0.8	0.5	B	STOCKDOLF MTN	
	12	20	41	50.4	36.5	120-41.7	7.4	1.8	14	118	3.5	0.16	0.9	1.2	B	SLACK CANYON	
	12	21	36	50.5	36-34.4	121-12.1	5.3	1.2	10	73	1.1	0.05	0.3	0.5	A	RICKMORE CANYON	
	12	23	55	4.0	36-27.5	121-4.4	9.3	1.1	11	112	5.8	0.13	0.8	1.5	B	TOPO VALLEY	
	13	1	6	55.2	37-25.7	121-38.5	5.9	1.2	9	136	13.9	0.09	0.6	4.3	C	MT DAY	
	13	5	13	8.5	36-46.1	121-16.4	6.4	1.4	25	41	9.1	0.08	0.2	0.9	B	TRES PINOS	
	13	12	35	41.5	36-33.8	121-6.4	13.0	1.3	16	61	6.5	0.12	0.5	0.9	A	SAN PENITO	
	13	14	5	18.0	36-40.1	121-19.2	1.8	1.2	12	112	4.2	0.06	0.3	0.2	B	PAICINES	
	13	15	26	11.5	36-33.1	121-11.0	6.6	2.1	26	43	2.7	0.08	0.2	0.5	A	RICKMORE CANYON	
	13	16	57	41.5	38-48.0	122-47.2	1.6	1.9	13	120	9.2	0.18	0.9	0.8	B	THE GEYSERS	
	13	18	18	13.7	36-54.7	121-28.6	5.3	1.1	19	51	2.8	0.06	0.2	0.5	A	SAN FELIPE	
	13	19	4	17.1	36-53.9	121-29.3	4.3	1.4	21	49	2.7	0.07	0.2	0.2	A	SAN FELIPE	
	13	19	19	7.7	36-54.6	121-28.6	5.0	1.6	24	49	2.8	0.09	0.2	0.7	A	SAN FELIPE	
	14	4	2	37.6	36-23.7	121-0.6	5.6	1.4	16	65	3.3	0.09	0.3	0.7	A	TOPO VALLEY	
	14	8	5	30.5	35-54.8	120-7.3	14.3	2.0	7	273	19.6	0.09	3.8	0.9	D	KETTLEMAN PLAIN	
	14	8	28	30.3	38-18.0	122-22.3	4.8	1.3	17	52	10.9	0.17	0.7	0.9	C	NAPA	
	14	9	56	3.9	36-33.3	121-10.6	3.2	1.2	8	93	2.4	0.03	0.2	0.1	B	RICKMORE CANYON	
	14	15	58	53.9	37-27.7	121-33.3	5.9	1.3	11	197	12.6	0.23	1.8	2.6	C	EYLAR MTN	
	14	17	42	12.1	35-43.7	121-13.1	20.0	1.4	8	213	7.9	0.10	1.9	1.8	C	SAN SIMEON	
	14	19	29	51.2	36-30.4	121-7.2	2.2	1.1	9	94	3.9	0.11	0.6	0.4	B	SAN PENITO	
	15	1	50	36.2	36-33.3	121-3.8	11.2	2.2	30	43	5.1	0.16	0.5	0.6	B	SAN PENITO	
	15	16	2	54.4	36-40.7	121-34.4	6.1	2.9	57	46	3.4	0.19	0.4	0.5	B	SAN JUAN RAUITISTA	
	15	16	23	33.5	37-33.4	121-50.2	9.4	1.2	9	47	5.0	0.07	0.5	0.9	A	LA COSTA VALLEY	
	15	17	29	54.3	38-49.5	122-47.9	0.9	1.7	9	121	10.1	0.22	1.4	1.5	C	THE GEYSERS	
	16	0	55	17.6	36-31.1	121-8.1	4.8	1.2	13	58	5.5	0.12	0.5	1.0	B	RICKMORE CANYON	
	16	6	24	21.1	36-30.1	121-7.2	5.8	1.8	21	48	4.1	0.11	0.3	1.0	A	SAN PENITO	
	16	9	9	56.8	36-54.4	121-28.9	6.5	1.5	29	43	2.6	0.08	0.2	0.5	A	SAN FELIPE	
	16	13	23	14.6	37-18.4	121-38.5	6.7	1.2	12	68	6.0	0.10	0.5	2.3	B	LICK OBSERVATORY	
	16	14	51	31.0	36-29.3	121-5.9	3.0	1.2	12	97	3.2	0.14	0.7	0.8	B	TOPO VALLEY	
	16	16	44	48.5	36-36.8	121-15.3	5.6	1.4	15	50	2.7	0.08	0.3	0.5	A	MT JOHNSON	
	16	21	49	54.8	36-58.9	121-37.8	8.4	1.3	19	68	6.2	0.12	0.4	1.1	A	WATSONVILLE EAST	

CENTRAL CALIFORNIA EARTHQUAKES--1975 (CONTINUED)

1975	HR	MM	SEC	LAT N	LONG W	DEPTH	MAG	M0	CAP	DMIN	RMS	EPH	FRZ	QUAD/PANGLE
17	17	1	6	49.1	36-52.1	121-34.1	3.4	1.1	1.1	72	2.7	0.15	0.9	0.7 A
17	17	12	41.0	37-31.2	121-39.7	5.3	1.2	1.0	134	8.6	0.12	0.7	0.7 B	
17	4	28	57.9	38-27.6	122-43.2	0.5	1.8	13	85	9.0	0.13	0.6	0.5 B	
17	4	44	56.9	36-37.8	121-7.7	13.9	1.0	13	86	4.5	0.10	0.8	0.3 A	
17	4	57	48.9	37-54.1	121-59.4	6.6	2.9	53	40	7.6	0.14	0.3	0.4 A	
17	5	36	40.8	37-45.9	122-10.3	4.0	1.7	37	48	0.3	0.13	0.3	0.2 A	
17	9	58	9.3	36-31.9	121- 0.4	8.6	1.8	20	51	5.6	0.08	0.3	0.7 A	
17	11	33	10.3	36-29.8	121- 6.9	3.5	1.5	15	50	3.9	0.10	0.4	0.4 A	
17	18	43	49.5	36-54.1	121-20.2	5.6	1.8	26	45	2.5	0.11	0.3	0.8 A	
17	20	26	47.0	36-29.9	121- 7.0	5.1	1.4	14	65	4.0	0.12	0.5	0.5 A	
18	0	33	7.2	36-29.3	121- 6.7	1.9	1.3	12	78	4.0	0.12	0.6	0.4 A	
18	1	5	0.8	36-53.1	121-30.6	2.4	1.4	14	63	3.6	0.13	0.5	0.4 A	
18	3	18	11.3	36-29.8	121- 6.8	4.7	1.3	14	67	3.8	0.13	0.6	0.6 A	
18	11	37	32.1	36- 0.9	120-37.2	5.9	1.8	10	122	13.8	0.18	1.5	5.6 C	
18	21	2	10.2	37-55.1	121-57.0	0.2	1.3	15	74	3.9	0.19	0.6	0.5 B	
18	21	28	55.2	37-19.1	122- 6.3	1.4	1.7	22	50	0.7	0.16	0.4	0.3 B	
18	23	16	6.4	37- 1.2	122- 8.5	4.5	1.1	12	234	3.7	0.13	2.1	0.7 C	
19	0	36	0.8	37-30.2	121-48.3	1.2	1.3	15	69	5.9	0.07	0.8	0.7 B	
19	1	18	10.0	36-55.1	121-28.3	6.6	1.6	28	67	3.2	0.07	0.2	0.5 A	
19	2	1	20.9	36-43.7	121-24.9	6.2	2.4	39	53	4.9	0.18	0.4	0.7 B	
19	4	36	42.1	36-42.4	121- 3.0	6.6	1.7	23	82	6.5	0.16	0.5	1.4 B	
19	5	27	29.5	37-29.7	121-50.4	6.1	1.1	14	62	3.9	0.13	0.5	0.7 A	
19	5	54	49.4	36-54.0	121-28.9	6.1	0.9	14	91	3.0	0.06	0.3	0.6 B	
19	13	39	57.7	36-54.1	121-28.9	6.4	1.1	17	74	2.9	0.07	0.3	0.5 A	
19	16	39	48.8	37- 1.6	121-44.2	12.2	1.2	23	67	5.1	0.12	0.5	0.8 A	
19	20	18	47.2	36-25.5	121- 0.9	3.5	2.0	19	71	0.3	0.20	0.7	0.9 B	
20	3	58	10.6	37-20.0	121-20.0	4.9	3.5R	69	90	17.8	0.16	0.5	0.3 C	
20	5	15	2.9	36-34.9	121-13.5	6.5	2.6	51	44	3.3	0.15	0.3	0.4 A	
20	6	33	49.8	36-44.3	120-58.0	5.4	1.4	16	109	14.4	0.22	1.0	1.0 C	
20	7	0	27.4	38-26.3	122-38.2	10.0	1.1	9	101	7.1	0.06	0.4	0.9 B	
20	7	29	49.8	37-33.4	121-48.0	4.3	1.0	12	83	7.4	0.19	1.0	1.0 B	
20	12	22	25.9	36-26.6	120-17.5	0.0	2.2	13	231	14.0	0.17	2.2	1.1 C	
20	14	6	5.9	36-53.9	121-29.0	6.0	1.1	20	51	3.0	0.06	0.2	0.5 A	
20	21	0	36.1	37-56.2	121-55.0	5.2	1.5	14	72	2.9	0.40	1.8	1.4 B	
21	14	28	13.3	36-50.7	121-24.4	8.9	1.6	34	39	1.3	0.12	0.3	0.7 A	
21	18	20	2.5	36-37.3	121-12.8	9.5	1.2	12	56	2.8	0.10	0.5	0.9 A	
21	21	50	43.3	36-55.6	121-28.2	5.8	1.1	22	55	3.6	0.07	0.2	0.6 A	
21	23	9	21.6	36-54.8	121-28.5	6.3	1.1	17	51	3.0	0.06	0.2	0.5 A	
21	23	51	36.7	36-54.5	121-37.4	1.4	2.0	19	90	3.9	0.21	0.6	0.5 B	
22	3	28	9.9	36-30.4	121- 7.2	3.4	1.1	9	95	4.0	0.12	0.8	0.7 B	
22	4	15	44.3	36-55.3	121-28.3	6.3	1.2	23	54	3.3	0.09	0.3	0.7 A	
22	6	18	27.0	36-44.3	121- 1.8	5.4	1.4	19	114	10.4	0.12	0.5	0.4 B	
22	11	3	54.5	36-31.8	121- 6.0	7.5	0.9	7	91	3.2	0.06	0.6	1.1 B	
22	13	55	45.7	37-35.6	121-47.8	4.0	1.1	10	102	10.3	0.15	0.8	1.6 C	
22	14	59	2.4	36-13.6	120-48.6	11.9	1.2	6	151	15.3	0.10	1.6	5.0 C	

CENTRAL CALIFORNIA EARTHQUAKES--1975 (CONTINUED)

1975	HR	MN	SFC	LAT N	LONG W	DEPTH	MAC	NO GAP	DMIN	RMS	GRH	FRZ	QUAD	ANGLE	
FEB	22	15	15	24.9	36-54.4	121-28.8	5.7	1.0	17	53	2.8	0.05	0.2	0.5 A	SAN FELIPE
	22	21	50	17.3	36-54.5	121-29.0	4.2	1.0	17	53	2.4	0.05	0.2	0.4 A	SAN FELIPE
	22	23	14	28.8	36-58.3	121-36.7	1.4	1.9	14	66	6.3	0.08	0.3	0.2 B	CHITTENDEN
	23	1	30	10.3	37-28.6	121-42.2	4.6	1.2	11	102	9.0	0.30	1.6	1.6 P	MT DAY
	23	7	42	9.7	36-54.2	121-28.9	4.6	1.3	16	55	8.6	0.09	0.3	3.5 B	SAN FELIPE
	23	8	11	49.1	36-54.7	121-27.9	8.5	1.1	11	35	11.6	0.07	0.4	1.7 B	SAN FELIPE
	23	15	3	45.3	36-23.7	121-0.2	7.1	1.2	9	24	3.5	0.07	0.5	0.7 B	TOPO VALLEY
	23	17	24	16.8	36-33.6	121-11.3	5.0	3.3	4.7	66	1.7	0.16	0.4	0.4 B	RICKMORE CANYON
	24	6	50	18.2	36-51.2	121-34.8	4.1	1.5	21	66	3.6	0.18	0.6	0.6 B	SAN JUAN RAUTISTA
	24	15	6	32.4	36-55.3	121-28.2	4.8	1.1	22	53	3.4	0.07	0.2	0.6 A	SAN FELIPE
	24	16	2	15.8	36-57.3	121-26.6	6.4	2.1	35	75	4.8	0.11	0.3	0.8 A	SAN FELIPE
	24	18	55	37.4	37-30.2	121-48.3	1.2	1.7	14	70	5.8	0.16	0.6	0.6 B	LA COSTA VALLEY
	24	19	33	25.2	36-42.5	121-21.6	1.9	1.5	15	80	1.4	0.20	0.9	0.7 R	PAICINES
	24	22	17	49.4	36-34.5	121-12.9	6.3	1.9	24	68	2.3	0.08	0.2	0.5 A	RICKMORE CANYON
	25	4	53	49.2	37-22.8	121-43.2	2.4	1.2	16	94	3.9	0.11	0.5	0.3 A	MT DAY
	25	5	30	18.9	37-40.3	122-4.2	7.4	1.2	15	98	7.4	0.11	0.4	0.6 B	HAYWARD
	25	13	21	55.1	36-12.8	120-49.2	5.4	1.7	11	103	2.3	0.16	1.0	1.8 B	MONARCH PEAK
	25	14	16	18.7	36-43.6	121-14.4	8.0	1.4	16	63	7.3	0.09	0.3	1.0 A	CHERRY PEAK
	25	22	48	3.7	36-33.4	121-10.6	3.7	1.4	8	84	2.4	0.04	0.4	0.2 A	BICKMORE CANYON
	26	0	57	4.6	36-34.9	121-6.9	11.4	1.9	11	71	6.6	0.08	0.5	0.8 A	SAN PENITO
	26	3	18	48.2	37-32.0	121-49.6	8.5	1.2	12	75	4.2	0.17	0.8	1.5 B	LA COSTA VALLEY
	26	14	2	45.3	36-31.7	121-8.7	3.4	2.0	25	57	6.5	0.13	0.4	0.4 B	RICKMORE CANYON
	26	18	21	49.4	37-2.3	122-6.3	0.9	1.4	16	134	0.5	0.24	1.8	1.0 B	FFLTON
	26	19	50	33.6	37-30.2	121-48.2	1.5	1.7	12	97	5.8	0.14	0.6	0.5 B	LA COSTA VALLEY
	26	21	34	4.1	38-20.0	122-35.6	10.9	1.0	7	110	8.0	0.04	0.5	1.1 B	GLEN ELLEN
	26	22	23	26.0	35-59.5	120-53.0	10.2	2.2	27	95	19.6	0.16	0.6	0.7 B	HAMES VALLEY
	26	23	3	31.0	37-55.5	122-25.2	4.8	1.3	15	126	7.1	0.09	0.4	0.7 B	SAN QUENTIN
	27	4	44	46.5	38-19.4	122-34.1	3.7	1.3	10	86	7.2	0.07	0.3	0.5 B	GLEN ELLEN
	27	11	19	3.1	35-59.3	120-35.0	3.7	2.3	14	132	10.9	0.16	1.1	1.0 C	STOCKDOLF MTN
	27	18	23	20.8	36-16.8	120-53.1	0.3	1.4	10	102	5.5	0.16	0.8	1.1 B	LONOAK
	27	18	55	3.5	36-54.3	121-28.9	3.7	1.0	16	52	2.7	0.13	0.5	0.5 A	SAN FELIPE
	27	22	22	54.9	36-11.0	121-38.2	8.9	3.3	41	151	13.2	0.18	0.7	0.5 C	PARTINGTON RIDGE
	28	0	1	15.2	36-20.8	120-56.5	3.2	1.1	10	66	3.7	0.11	0.7	0.8 A	LONOAK
	28	1	2	57.8	37-20.2	122-13.3	9.3	0.9	14	60	6.4	0.07	0.3	0.7 A	MINDEGO HILL
	28	2	11	33.9	38-47.2	122-26.6	9.3	1.7	15	190	20.9	0.21	1.4	1.7 C	JFRICHO VALLEY
	28	2	50	24.1	36-0.5	120-36.5	4.3	1.5	11	145	14.0	0.13	1.4	0.9 C	SMITH MTN
	28	6	33	2.7	36-10.7	121-38.4	12.1	1.7	12	154	13.2	0.08	0.6	0.5 R	PARTINGTON RIDGE
	28	9	36	56.6	36-54.8	121-28.6	6.6	1.9	22	50	2.7	0.08	0.3	0.6 A	SAN FELIPE
	28	14	16	12.9	36-55.4	121-28.4	4.7	1.9	31	54	3.2	0.11	0.3	0.3 A	SAN FELIPE
	28	15	56	12.6	36-57.4	121-37.4	7.8	2.6	66	48	3.5	0.16	0.3	0.5 B	CHITTENDEN
	28	16	25	16.0	35-51.2	120-24.8	3.4	1.6	6	129	3.1	0.08	0.7	0.5 B	CHOLAME HILLS
	28	18	33	4.6	37-33.1	121-55.3	4.4	1.9	15	84	5.7	0.15	0.7	0.6 B	NILFS
	28	21	18	12.8	36-10.1	120-46.7	5.2	1.8	14	141	5.4	0.20	1.0	0.9 C	MONARCH PEAK
	28	23	50	16.5	37-30.0	121-48.3	2.0	1.5	9	96	5.5	0.11	0.7	0.5 B	LA COSTA VALLEY
MAR	1	2	12	10.5	37-46.7	122-10.1	3.1	1.6	31	52	0.8	0.13	0.3	0.2 A	OAKLAND EAST

CENTRAL CALIFORNIA EARTHQUAKES--1975 (CONTINUED)

1975	HR	MIN	SEC	LAT N	LONG W	DEPTH	MAG	MO	CAP	DMTN	RMS	EPH	FRZ	Q	QUADPANCLF
MAR	1	6	7	50.5	36-35.5	121-8.8	3.9	1.3	12	54	5.2	0.11	0.4	0.4	RICKMORE CANYON
	1	8	25	32.3	37-24.9	121-46.1	2.6	1.4	19	70	4.9	0.13	0.4	0.3	CALAVERAS RESERVOIR
	1	11	42	25.9	38-48.5	122-45.7	4.5	2.0	16	100	8.0	0.18	0.8	1.9	THE GEYSERS
	1	13	38	2.3	36-31.8	121-9.6	8.1	1.3	14	62	5.6	0.06	0.3	0.7	RICKMORE CANYON
	1	13	52	29.2	38-48.9	122-48.2	4.8	1.5	11	129	10.0	0.09	0.5	2.2	THE GEYSERS
	1	15	0	5.9	36-48.9	121-32.9	6.2	1.4	14	59	3.0	0.11	0.6	0.3	SAN JUAN RAUTISTA
	1	18	59	0.2	37-5.2	121-30.6	5.9	0.9	20	101	8.9	0.12	0.4	1.2	GILROY
	1	22	6	8.7	36-7.4	120-37.1	3.6	1.5	11	143	14.6	0.12	1.3	1.3	SMITH MTN
	1	23	18	58.4	36-56.8	121-35.2	4.7	1.3	20	54	6.9	0.07	0.2	0.5	CHITTENDEN
	1	23	55	40.3	37-5.7	121-30.5	8.1	1.5	22	104	9.9	0.13	0.4	1.4	GILROY
	2	0	15	21.8	37-7.0	121-30.9	9.2	3.2	62	100	10.6	0.15	0.3	0.5	GILROY
	2	0	49	24.3	37-5.7	121-30.7	7.2	1.4	31	99	9.8	0.14	0.4	1.4	GILROY
	2	5	13	9.5	36-34.2	121-12.0	5.4	1.2	15	66	1.1	0.10	0.4	0.7	RICKMORE CANYON
	2	5	32	19.8	37-5.6	121-30.5	7.1	1.1	24	100	9.6	0.14	0.5	1.6	GILROY
	2	6	46	52.5	37-25.0	121-44.8	3.4	1.4	15	85	6.0	0.16	0.6	0.4	MT DAY
	2	7	20	58.9	37-5.4	121-30.6	7.6	1.2	20	99	9.3	0.13	0.4	1.5	GILROY
	2	14	28	7.2	37-21.1	121-35.6	6.6	1.5	15	101	5.4	0.15	0.7	2.1	ISABEL VALLEY
	2	15	39	25.8	36-54.7	121-29.1	4.2	0.5	11	81	2.1	0.07	0.4	0.4	SAN FELIPE
	2	19	5	46.2	37-5.7	121-30.8	7.2	1.6	38	99	9.9	0.14	0.3	1.4	GILROY
	2	19	45	55.6	36-1.4	120-39.7	2.2	1.8	10	157	10.9	0.21	3.9	5.6	SLACK CANYON
	2	21	18	38.3	37-5.7	121-30.8	7.0	1.5	31	99	10.0	0.16	0.4	1.8	GILROY
	2	21	52	17.4	36-55.7	121-28.0	4.6	1.4	25	57	3.9	0.12	0.3	0.4	SAN FELIPE
	2	21	59	19.5	36-55.7	121-28.1	4.3	0.9	14	60	3.7	0.08	0.3	0.3	SAN FELIPE
	2	23	19	34.1	37-22.0	121-37.8	3.9	1.2	13	104	3.0	0.22	1.2	0.9	LICK OBSERVATORY
	3	1	37	6.9	36-42.2	121-21.7	3.3	1.4	16	73	1.7	0.16	0.7	0.6	PAICINES
	3	4	44	45.2	36-39.7	121-10.8	6.8	0.9	10	78	0.6	0.08	0.6	0.7	CHERRY PEAK
	3	4	47	49.7	38-49.1	122-47.2	2.9	1.2	7	128	8.6	0.04	0.3	0.3	THE GEYSERS
	3	4	48	2.1	38-49.3	122-47.4	2.8	1.3	6	132	8.7	0.08	0.8	1.1	THE GEYSERS
	3	5	1	17.4	37-7.0	121-30.8	7.8	1.8	41	100	10.5	0.14	0.4	1.0	GILROY
	3	11	34	55.8	36-56.0	121-28.3	7.8	4.3	61	176	3.8	0.21	0.4	0.6	SAN FELIPE
	3	11	38	19.5	36-56.0	121-28.0	5.2	1.5	28	118	4.0	0.10	0.3	0.4	SAN FELIPE
	3	11	47	50.8	36-55.9	121-27.7	4.2	0.9	13	140	4.4	0.06	0.3	0.2	SAN FELIPE
	3	16	31	39.0	36-55.7	121-28.1	4.5	1.5	26	56	3.7	0.13	0.3	0.4	SAN FELIPE
	3	16	32	43.6	36-55.6	121-28.0	4.6	1.2	24	56	3.6	0.13	0.4	0.5	SAN FELIPE
	3	16	54	2.9	36-55.8	121-28.2	6.9	1.1	18	59	3.6	0.07	0.3	0.7	SAN FELIPE
	3	20	34	13.9	37-7.2	121-57.7	14.2	1.7	36	57	6.2	0.14	0.4	0.3	LAUREL
	3	20	42	44.6	36-55.0	121-28.4	5.1	1.3	20	55	3.5	0.13	0.4	1.2	SAN FELIPE
	3	21	58	2.3	38-47.7	122-27.8	12.1	1.5	13	190	20.3	0.14	1.2	1.0	JERICO VALLEY
	3	22	25	9.4	36-54.2	121-29.3	5.6	1.8	34	37	2.3	0.10	0.2	0.5	SAN FELIPE
	4	7	2	16.6	36-32.7	121-10.0	8.2	1.4	15	63	4.0	0.05	0.2	0.4	RICKMORE CANYON
	4	9	9	47.2	36-55.8	121-28.8	6.6	1.8	30	64	2.9	0.14	0.3	0.5	SAN FELIPE
	4	11	39	31.4	36-57.9	121-26.4	5.8	1.2	22	68	7.8	0.13	0.4	1.9	SAN FELIPE
	4	13	27	58.7	36-55.6	121-28.2	4.5	0.9	18	54	3.5	0.08	0.3	0.9	SAN FELIPE
	4	14	56	1.5	36-55.7	121-28.8	4.2	1.4	22	44	2.8	0.11	0.3	0.4	SAN FELIPE
	5	0	55	18.9	36-18.4	120-54.3	6.5	1.6	14	90	2.4	0.13	0.6	1.0	LONOK

CENTRAL CALIFORNIA EARTHQUAKES--1975 (CONTINUED)

1975	HR	MIN	SEC	LAT N	LONG W	DEPTH	MAG	NO GAP	DMIN	RMS	FRH	FPZ 0	QUADRANT
MAR	5	6	22.9	36-34.6	121-12.5	5.6	1.0	9	99	0.03	0.2	0.7	RICKMORE CANYON
	5	11	32.9	36-34.4	121-12.2	6.4	1.7	14	74	0.05	0.2	0.4	RICKMORE CANYON
	5	11	38	36-41.0	121-11.5	8.4	1.0	4	12	0.05	0.5	0.9	CHEPPY PFAK
	5	15	19	36-55.5	121-28.6	3.9	1.1	13	43	0.13	0.5	0.5	SAN FELIPE
	5	17	5	36-55.0	121-28.0	2.6	1.4	22	50	0.12	0.3	0.3	SAN FELIPE
	5	17	43	37-29.5	121-45.6	5.3	1.4	23	44	0.10	0.3	0.3	CALAVERAS RESERVOIR
	5	22	8	36-32.8	121-10.6	7.3	2.0	26	65	0.07	0.2	0.5	RICKMORE CANYON
	5	23	54	36-54.6	121-37.4	1.4	1.8	21	88	0.20	0.5	0.5	CHITTENDEN
	6	4	54	36-1.5	120-36.5	5.5	1.4	8	152	0.08	1.1	3.1	SMITH MTN
	6	6	14	36-48.1	121-30.8	4.3	1.0	17	43	0.12	0.4	0.5	SAN JUAN BAUTISTA
	6	8	51	26.0	121-28.7	3.7	1.1	24	52	0.12	0.3	0.4	SAN FELIPE
	6	10	56	36-55.7	121-12.8	2.0	1.0	12	62	0.06	0.3	0.3	RICKMORE CANYON
	6	11	51	37-28.0	121-43.5	5.7	1.2	19	88	0.10	0.4	0.7	MT DAY
	6	12	52	36-54.2	121-29.0	5.7	1.0	22	47	0.07	0.2	0.5	SAN FELIPE
	6	17	8	24.2	121-13.6	9.3	2.5	45	44	0.14	0.3	0.5	RICKMORE CANYON
	6	17	18	30.3	121-29.0	4.9	1.5	29	48	0.10	0.3	0.4	SAN FELIPE
	6	22	43	36-34.4	121-11.7	3.1	2.9	46	37	0.15	0.4	0.3	RICKMORE CANYON
	6	23	21	27.8	121-28.5	5.4	2.3	57	42	0.15	0.3	0.3	SAN FELIPE
	7	0	29	36-53.4	121-18.9	4.7	1.3	23	75	0.12	0.4	0.5	THREE SISTERS
	7	8	37	55.4	121-5.1	8.7	2.1	20	63	0.10	0.4	0.6	TOPO VALLEY
	7	10	11	50.7	121-29.1	6.3	1.8	29	45	0.08	0.2	0.6	SAN FELIPE
	7	10	36	17.9	121-29.0	5.9	1.0	18	52	0.07	0.3	0.6	SAN FELIPE
	7	13	17	49.1	121-28.2	4.6	1.2	18	59	0.12	0.4	0.5	SAN FELIPE
	7	19	21	35.0	121-30.5	7.3	1.3	20	128	0.13	0.5	1.2	MT SIZER
	7	19	36	9.3	121-28.9	6.1	0.9	12	84	0.06	0.3	0.7	SAN FELIPE
	7	21	23	54.2	121-29.0	4.6	0.8	16	62	0.08	0.3	0.4	SAN FELIPE
	8	3	33	1.6	121-13.0	6.0	1.0	8	131	0.04	0.4	1.2	CHEPPY PEA
	8	3	57	8.2	120-58.6	6.6	1.1	3	78	0.08	0.6	1.5	LONOAK
	8	3	33	56.6	122-44.6	2.7	2.3	16	152	0.10	0.6	0.3	WHISPERING PINES
	8	10	20	51.7	120-35.8	5.9	1.3	9	140	0.09	0.9	4.5	STOCKDOLF MTN
	8	15	43	36.1	121-12.9	5.8	1.7	24	64	0.10	0.3	0.9	CHERRY PEAK
	8	23	38	12.3	120-34.9	6.1	1.5	9	141	0.07	0.7	3.1	STOCKDOLF MTN
	8	23	40	12.4	120-35.0	5.1	1.6	9	139	0.08	1.1	0.8	STOCKDOLF MTN
	9	1	56	9.9	121-12.2	4.9	0.9	13	74	0.07	0.3	0.6	RICKMORE CANYON
	9	2	25	39.4	121-57.8	7.3	1.3	27	53	0.12	0.3	0.5	WILES
	9	7	11	57.7	121-39.2	5.0	1.1	15	51	0.11	0.5	1.7	WATSONVILLE EAST
	9	12	51	35.7	121-2.0	10.6	1.9	24	70	0.09	0.3	0.4	TOPO VALLEY
	9	13	31	13.6	122-59.9	5.2	1.1	6	207	0.06	1.6	0.6	ASTI
	9	16	44	29.1	120-59.0	7.5	0.9	8	98	0.11	0.8	1.8	LONOAK
	9	18	48	6.1	120-32.5	1.6	1.5	8	143	0.10	0.9	0.9	STOCKDOLF MTN
	9	19	5	34.2	121-28.8	4.6	1.2	19	48	0.10	0.4	0.5	SAN FELIPE
	9	22	1	27.2	121-28.9	4.5	1.3	26	43	0.09	0.3	0.3	SAN FELIPE
	9	22	35	44.8	121-28.1	4.4	1.5	27	45	0.11	0.3	0.5	SAN FELIPE
	9	23	11	3.6	121-3.0	5.4	1.0	12	96	0.05	0.3	0.5	TOPO VALLEY
	10	2	48	7.5	121-29.7	4.7	1.0	16	56	0.09	0.4	0.7	SAN FELIPE

CENTRAL CALIFORNIA EARTHQUAKES--1975 (CONTINUED)

1975	HR	MN	SEC	LAT	N	LONG	W	DEPTH	MAG	NO	GAP	DMIN	RMS	ERH	EPZ	D	QUADRANGLE
MAR	10	5	11	39.2	36-35.5	121-26	9.2	1.3	16	71	1.7	0.10	0.4	0.7	A	SAN PENTITO	
	10	11	13	34.9	36-54.5	121-29.0	4.6	0.8	14	52	2.4	0.09	0.3	0.4	A	SAN FELIPE	
	10	12	13	58.2	36-58.1	121-34.4	5.2	1.3	19	48	4.5	0.05	0.2	0.5	A	WATSONVILLE EAST	
	10	22	53	47.9	36-54.1	121-29.2	5.3	1.0	19	45	2.5	0.08	0.3	0.7	A	SAN FELIPE	
	10	23	35	41.1	37-21.1	122-10.1	7.5	1.3	22	45	3.1	0.15	0.5	0.4	A	MINDEGO HILL	
	11	0	46	40.4	36-50.6	121-34.4	5.5	0.9	15	79	4.8	0.10	0.5	0.0	A	SAN JUAN BAUTISTA	
	11	2	15	17.1	36-45.3	121-21.2	9.4	1.6	21	59	5.2	0.16	0.5	1.3	B	TPES PINOS	
	11	3	48	23.5	38-47.2	122-26.9	13.4	1.3	9	189	20.7	0.05	0.6	0.4	C	JERICO VALLEY	
	11	5	52	22.7	36-32.3	121-10.0	7.8	1.8	22	64	4.5	0.08	0.3	0.6	A	BICKMORE CANYON	
	11	12	12	4.0	36-55.3	121-28.7	3.0	1.1	18	52	2.7	0.15	0.5	0.4	B	SAN FELIPE	
	11	13	4	42.5	37-14.7	121-55.6	10.6	1.0	20	48	7.1	0.06	0.2	0.6	A	LOS GATOS	
	11	13	7	9.0	36-56.8	121-35.4	2.1	1.8	28	57	1.4	0.12	0.3	0.2	A	CHITTENDEN	
	11	14	22	39.0	36-38.3	120-46.9	6.8	2.3	37	142	3.0	0.18	0.6	1.0	C	MERCY HOT SPRINGS	
	11	16	32	44.0	36-55.6	121-28.3	4.4	1.4	26	54	3.4	0.10	0.3	0.4	A	SAN FELIPE	
	11	19	1	56.2	37-37.2	121-40.5	9.3	1.5	23	159	4.4	0.10	0.5	0.8	B	MENDENHALL SPRINGS	
	11	23	29	41.5	35-57.3	120-34.3	1.1	2.0	12	127	8.8	0.16	0.9	0.9	B	STOCKDALE MTN	
	12	7	34	0.4	36-55.6	121-28.5	4.3	1.0	21	54	3.1	0.10	0.3	0.3	A	SAN FELIPE	
	12	12	29	23.5	36-15.9	120-51.6	4.3	1.0	7	118	8.1	0.14	1.2	5.5	C	HEPSFORD PEAK	
	12	12	29	52.9	36-41.6	121-14.1	10.5	1.8	27	58	4.5	0.07	0.2	0.4	A	CHEPPY PEAK	
	12	13	2	55.9	36-55.0	121-28.4	6.7	2.0	37	41	3.1	0.09	0.2	0.6	A	SAN FELIPE	
	12	14	41	37.1	36-32.7	121-10.7	7.7	1.7	22	44	3.4	0.06	0.2	0.4	A	BICKMORE CANYON	
	12	15	17	29.8	36-32.7	121-10.7	7.7	1.8	25	43	3.5	0.07	0.2	0.5	A	BICKMORE CANYON	
	12	17	12	7.6	38-40.1	122-49.0	4.4	0.7	8	75	7.2	0.07	0.6	1.3	B	JIMTOWN	
	12	18	8	48.1	37-11.4	121-34.7	4.1	1.8	38	93	5.1	0.13	0.3	0.3	B	MT SIZER	
	12	22	0	34.1	37-30.3	121-48.2	1.0	1.7	22	70	6.0	0.16	0.5	0.4	B	LA COSTA VALLEY	
	12	22	44	41.7	35-57.0	120-33.0	11.1	2.0	16	75	6.9	0.18	1.0	1.2	B	STOCKDALE MTN	
	12	23	46	31.4	35-33.2	120-32.9	7.7	1.9	9	255	29.2	0.15	3.2	4.1	D	CRESTON	
	13	0	4	12.8	36-48.7	121-32.2	4.9	2.6	59	39	3.7	0.17	0.3	0.4	B	SAN JUAN BAUTISTA	
	13	4	10	11.1	37-19.5	121-40.3	5.0	2.4	60	48	3.3	0.16	0.3	0.3	B	LICK OBSERVATORY	
	13	14	10	1.2	37-17.5	121-38.1	5.8	1.2	18	77	5.0	0.18	0.6	1.0	B	LICK OBSERVATORY	
	13	16	29	44.6	36-32.1	121-9.4	9.0	1.0	11	79	5.4	0.05	0.3	0.7	A	BICKMORE CANYON	
	13	16	57	43.6	37-43.1	122-21.9	4.7	1.8	30	27	8.0	0.20	0.6	0.7	B	HUNTERS POINT	
	13	21	10	31.2	36-54.7	121-28.6	4.8	0.9	19	55	2.8	0.08	0.3	0.4	A	SAN FELIPE	
	13	22	24	59.6	37-30.4	121-48.2	4.5	1.8	19	69	6.1	0.31	1.2	1.1	C	LA COSTA VALLEY	
	14	0	12	56.1	38-38.6	122-49.6	5.5	0.6	6	152	9.3	0.06	0.6	1.7	B	JIMTOWN	
	14	2	52	22.6	36-13.4	120-48.9	5.8	0.9	8	118	2.1	0.10	0.9	1.4	B	MONARCH PEAK	
	14	2	53	9.4	35-58.5	120-59.7	11.1	1.2	13	208	19.8	0.09	1.0	0.7	C	HAMES VALLEY	
	14	3	2	16.5	36-24.8	121-1.2	3.1	1.3	6	97	1.2	0.02	0.3	0.3	B	TOPO VALLEY	
	14	13	7	11.5	36-10.3	120-46.7	0.6	1.8	12	134	5.0	0.17	0.7	0.7	B	MONARCH PEAK	
	14	14	37	55.8	37-26.3	121-32.3	8.7	1.2	8	204	9.9	0.12	1.6	2.4	C	EYLAR MTN	
	14	19	10	0.2	38-48.4	122-47.3	4.0	1.1	7	117	9.6	0.05	0.5	0.6	B	THE GFYSERS	
	14	21	15	51.2	38-9.3	122-27.4	7.5	1.8	19	65	3.1	0.10	0.4	0.4	A	SFARS POINT	
	15	10	35	57.7	36-55.6	121-28.0	4.6	1.2	22	53	3.7	0.10	0.3	0.9	A	SAN FELIPE	
	15	11	20	12.4	37-18.0	121-39.7	3.8	1.7	45	50	4.8	0.08	0.2	0.1	A	LICK OBSERVATORY	
	15	11	56	23.2	38-48.8	122-47.8	4.2	1.2	8	126	9.7	0.12	0.8	3.5	B	THE GFYSERS	

CENTRAL CALIFORNIA EARTHQUAKES--1975 (CONTINUED)

1975	HR	MM	SEC	LAT N	LONG W	DEPTH	MAG	NO GAP	DMIN	PMS	FRH	FR7 D	QUADRANGLE
MAR	15	13	37	1.7	36-29.1	4.3	1.3	8	106	3.3	0.05	0.4	0.7 B
	15	13	39	24.3	38-19.1	4.4	1.3	18	66	6.5	0.14	0.5	2.5 B
	15	16	45	17.9	37-8.5	2.0	1.1	17	102	7.5	0.11	0.4	0.5 B
	15	19	11	19.8	36-26.1	0.2	1.5	9	120	2.3	0.07	0.4	0.3 B
	15	20	59	43.0	36-56.0	6.8	3.6	66	45	3.1	0.19	0.3	0.6 B
	16	7	8	26.1	37-37.3	7.4	1.3	13	153	5.7	1.12	0.7	0.2 B
	16	8	50	14.3	37-7.4	4.4	1.4	36	90	7.3	0.15	0.4	0.4 B
	16	9	23	15.8	37-37.7	7.4	1.6	26	156	5.9	0.13	0.5	0.6 B
	16	10	7	33.3	37-37.8	5.8	1.6	32	37	4.6	0.13	0.4	0.5 A
	16	10	45	11.8	36-56.0	3.5	1.0	18	54	3.5	0.08	0.3	0.3 A
	16	12	48	44.3	36-49.2	5.9	1.0	12	75	3.5	0.08	0.5	0.7 A
	16	14	2	24.2	36-55.4	2.2	1.1	22	56	4.4	0.10	0.3	0.3 A
	16	17	35	55.8	36-0.0	7.9	1.7	17	169	19.6	0.17	1.0	1.7 C
	16	19	11	47.5	36-54.3	6.8	1.2	16	53	2.9	0.06	0.2	0.5 A
	16	19	33	35.7	36-54.2	5.8	2.2	35	46	2.6	0.11	0.3	0.8 A
	17	5	35	29.5	36-45.7	5.3	1.3	12	187	15.0	0.09	0.6	0.6 C
	17	13	6	29.4	36-35.4	2.5	1.8	22	63	2.8	0.09	0.3	0.3 A
	18	3	7	28.5	36-30.0	4.6	1.7	16	131	15.5	0.20	1.1	1.3 C
	18	4	37	37.6	38-48.8	4.0	1.1	6	123	9.2	0.14	2.2	2.6 B
	18	5	48	17.2	36-28.5	4.4	0.9	11	104	4.1	0.11	0.6	1.5 B
	18	7	49	25.6	36-41.7	9.9	1.8	29	88	4.7	0.09	0.3	0.4 A
	18	10	31	19.4	35-54.8	10.1	1.7	6	318	35.4	0.29	4.9	15.6 D
	18	13	39	21.7	36-55.6	5.0	1.8	36	45	3.7	0.12	0.3	0.5 A
	18	19	0	20.9	36-27.7	3.7	1.4	15	78	5.4	0.13	0.5	0.8 A
	19	0	41	32.4	38-38.3	4.6	1.1	8	90	8.2	0.05	0.4	1.3 B
	19	5	17	1.5	38-38.4	5.0	1.1	9	61	8.1	0.06	0.4	1.3 B
	19	5	22	56.8	38-38.3	5.0	1.1	7	118	8.2	0.06	0.5	1.6 B
	19	18	7	15.0	36-47.6	8.0	1.6	24	82	7.1	0.10	0.3	0.9 A
	19	20	59	39.3	39-9.7	11.8	3.4	24	154	32.7	0.24	3.5	1.2 C
	19	23	46	13.5	37-30.5	4.9	1.0	24	79	6.2	0.29	0.9	0.9 B
	20	1	58	25.8	36-55.8	4.8	1.5	29	56	4.7	0.09	0.2	0.4 A
	20	3	2	50.9	38-48.4	4.0	1.2	8	118	9.8	0.10	1.0	1.2 B
	20	3	20	2.0	36-39.6	10.3	1.1	14	54	3.3	0.08	0.4	0.6 A
	20	4	18	32.3	38-38.4	5.0	1.0	7	90	8.2	0.05	0.4	1.3 B
	20	6	21	32.2	36-23.4	3.1	1.3	11	102	10.4	0.11	0.7	0.7 B
	20	6	25	15.1	38-44.8	10.8	1.3	13	173	19.2	0.10	0.7	1.2 B
	20	11	50	16.7	36-33.2	4.6	2.0	26	65	2.5	0.10	0.3	0.6 A
	20	12	5	13.0	37-15.9	7.3	1.9	48	79	4.2	0.11	0.2	0.6 A
	20	16	59	52.2	36-34.9	1.0	1.6	18	52	2.8	0.11	0.4	0.4 A
	21	6	25	8.3	38-41.5	3.5	1.4	13	58	3.0	0.16	0.7	0.7 B
	21	8	35	72.8	36-31.8	9.5	1.5	17	67	4.6	0.09	0.4	0.7 A
	21	10	6	55.2	36-54.4	7.1	2.0	65	34	2.1	0.18	0.3	0.6 B
	21	10	8	31.0	36-54.4	4.4	0.9	17	53	3.6	0.09	0.3	0.5 A
	21	10	10	43.1	36-54.5	121-29.1	1.9	35	48	2.2	0.11	0.2	0.3 A
	21	11	11	42.3	36-54.6	121-29.0	1.0	19	53	2.3	0.09	0.3	0.3 A

CENTRAL CALIFORNIA EARTHQUAKES--1975 (CONTINUED)

1975	HR	MIN	SEC	LAT	N	LONG	W	DEPTH	MAG	NO	GAP	DMIN	RMS	ERH	FR7	3	QUAD	ANGLE
MAR	21	11	19	36-54.5		121-29.2		5.8	2.6	52	38	2.2	0.14	0.3	0.5	A	SAN FELIPE	
	21	21	18	36-41.0		121-11.5		11.1	1.6	16	100	2.7	0.10	0.4	0.7	B	CHEPPY PFAK	
	21	21	58	37-1.9		122-8.5		4.3	1.4	17	158	3.3	0.21	1.4	0.8	C	DAVFAPOFT	
	21	21	59	36-24.4		120-43.6		12.1	2.1	21	115	9.0	0.19	0.8	0.8	R	INDRIA	
	21	23	42	38-48.5		122-47.5		4.6	1.2	7	119	9.7	0.07	0.5	2.3	B	THE GEYSERS	
	22	4	6	36-56.1		121-28.2		4.5	1.2	13	60	3.9	0.07	0.2	0.3	A	SAN FELIPE	
	22	4	17	35-57.6		120-32.8		11.4	1.7	8	130	6.8	0.13	1.5	1.8	C	STOCKDALE MTN	
	22	8	11	36-19.0		120-56.2		11.6	1.6	12	99	12.3	0.14	0.8	1.6	R	LONOAK	
	22	16	15	36-55.3		121-28.9		4.2	1.6	28	51	2.4	0.14	0.4	0.4	A	SAN FELIPE	
	22	21	11	36-23.7		121-0.7		9.6	1.4	11	86	14.1	0.09	0.5	1.9	B	TOPO VALLEY	
	22	21	48	37-19.7		121-40.9		4.1	1.3	19	58	3.9	0.14	0.4	0.3	A	LICK OBSERVATORY	
	23	8	20	36-58.1		121-26.6		2.3	1.3	15	70	7.3	0.15	0.5	0.5	B	SAN FELIPE	
	23	9	58	36-23.5		121-54.3		9.0	1.5	13	249	23.2	0.08	0.8	0.9	C	SOREPANES POINT	
	23	15	4	36-1.4		120-38.0		8.6	2.3	21	77	12.3	0.20	0.9	1.5	B	SLACK CANYON	
	23	23	21	38-48.1		122-45.6		4.2	1.3	7	112	8.6	0.12	0.9	3.9	B	THE GEYSERS	
	24	0	19	36-55.6		121-27.9		4.7	1.6	31	56	3.9	0.11	0.3	0.3	A	SAN FELIPE	
	24	10	18	36-43.8		121-22.1		2.4	1.2	14	88	2.3	0.12	0.6	0.5	A	PAICINES	
	24	10	23	36-21.9		120-57.8		6.4	1.0	7	93	6.4	0.05	0.5	1.5	R	LONOAK	
	24	13	31	36-48.0		121-1.7		5.2	1.5	19	155	16.6	0.14	0.7	0.7	B	RUBY CANYON	
	24	23	33	36-29.2		121-5.9		3.5	1.9	24	62	3.4	0.12	0.4	0.4	A	TOPO VALLEY	
	24	23	53	37-30.3		121-48.0		1.1	1.6	18	71	5.9	0.15	0.5	0.4	B	LA COSTA VALLEY	
	25	0	14	36-29.3		121-5.8		3.2	2.2	22	63	3.1	0.12	0.4	0.4	A	TOPO VALLEY	
	25	5	4	36-55.6		121-28.2		4.4	1.2	21	55	3.6	0.10	0.3	0.3	A	SAN FELIPE	
	25	6	21	36-33.6		121-11.0		3.5	1.5	18	64	1.8	0.08	0.3	0.3	A	HICKMORE CANYON	
	25	18	25	37-3.5		121-8.2		3.5	1.3	13	138	4.4	0.10	0.6	0.4	B	PACHFCO PASS	
	25	19	46	36-15.9		120-51.6		2.3	1.3	8	117	8.0	0.11	0.8	0.9	R	HEPSFAM PEAK	
	26	3	1	36-44.2		121-13.3		11.9	1.7	21	98	9.0	0.14	0.5	0.9	B	CHEPPY PFAK	
	26	6	0	36-26.4		121-3.5		8.2	1.6	13	65	8.0	0.10	0.5	1.7	A	TOPO VALLEY	
	26	13	49	35-47.8		121-25.2		4.8	2.3	14	209	27.4	0.13	1.2	0.9	C	VILLA CREEK	
	26	18	58	35-58.5		120-34.6		2.5	1.7	9	139	9.8	0.11	0.9	0.6	B	STOCKDALE MTN	
	26	20	13	36-38.2		121-16.9		3.9	3.2	41	57	3.7	0.20	0.5	0.4	B	PAICINES	
	27	2	7	36-38.5		121-16.6		1.9	1.8	20	60	2.7	0.11	0.3	0.3	A	PAICINES	
	27	9	11	36-47.6		121-18.3		5.1	1.7	20	69	3.1	0.10	0.3	0.6	A	PAICINES	
	27	13	13	36-32.6		121-7.8		6.7	1.3	13	91	6.1	0.06	0.3	0.7	R	HICKMORE CANYON	
	27	13	34	36-55.3		121-28.6		4.8	1.5	28	52	2.8	0.12	0.3	0.4	A	SAN FELIPE	
	27	22	15	37-14.4		121-58.6		5.5	1.8	25	61	6.6	0.07	0.2	0.3	R	SAN JOSE WEST	
	27	23	0	36-45.9		121-35.9		5.4	2.2	44	75	5.8	0.18	0.4	0.5	R	NATIVIDAD	
	28	0	17	37-30.3		121-48.3		1.1	1.5	13	70	6.1	0.16	0.6	0.5	B	LA COSTA VALLEY	
	28	5	38	35-59.7		120-52.6		10.6	2.0	22	94	25.4	0.12	0.7	0.8	C	HAMES VALLEY	
	28	12	53	36-32.9		121-3.7		11.0	1.2	14	70	4.4	0.12	0.7	1.2	A	SAN RENITO	
	28	15	10	36-32.1		121-9.7		4.1	2.1	25	62	5.1	0.14	0.4	1.0	B	HICKMORE CANYON	
	28	17	56	36-27.0		120-55.5		7.1	1.5	12	73	2.1	0.14	0.7	1.3	A	LONOAK	
	28	18	19	36-54.5		121-28.8		6.0	0.9	17	33	2.6	0.06	0.2	0.5	A	SAN FELIPE	
	28	17	56	36-7.3		120-35.8		3.6	1.6	10	146	12.8	0.12	0.5	0.4	D	SMITH MTN	
	28	21	33	36-49.8		121-33.3		5.1	1.6	26	44	3.4	0.19	0.5	1.2	B	SAN JUAN BAUTISTA	

CENTRAL CALIFORNIA EARTHQUAKES--1975 (CONTINUED)

1975	HR	MIN	SEC	LAT N	LONG W	DEPTH	MAG	MO	GAP	DMIN	RMS	ERH	FRZ	Q	QUADRANGLE
MAR	29	2	14	41.3	120-35.4	3.6	1.6	11	121	11.8	0.12	0.2	3.6	C	STOCKDOLF MTN
	29	5	28	36-45.4	121-24.3	10.1	1.0	22	52	7.4	0.13	0.4	1.0	A	HOLLISTER
	29	6	25	36-58.5	121-41.6	11.3	1.2	20	49	2.5	0.08	0.4	0.7	A	WATSONVILLE FAST
	29	13	38	36-54.1	121-24.0	6.3	1.4	21	56	2.8	0.07	0.2	0.6	A	SAN FELIPE
	29	15	43	36-21.5	120-58.6	7.5	2.1	23	67	6.4	0.18	0.6	1.5	B	LONGAK
	29	17	58	36-49.5	121-27.1	11.1	1.1	25	42	4.9	0.18	0.6	1.2	B	HOLLISTER
	29	18	0	36-50.3	121-28.1	10.4	2.1	34	31	5.8	0.14	0.3	0.6	A	HOLLISTER
	29	18	3	36-50.2	121-27.6	10.4	1.4	26	34	5.3	0.14	0.4	0.9	A	HOLLISTER
	29	19	56	37- 8.6	121-34.2	4.5	1.5	33	96	5.3	0.11	0.3	0.3	B	MT SIZER
	29	23	42	38-48.0	122-47.2	4.5	1.1	6	111	10.0	0.09	0.8	3.1	B	THE GEYSERS
	30	3	57	36-14.0	120-49.8	4.3	1.9	15	93	3.8	0.17	0.7	0.8	B	MONARCH PEAK
	30	3	57	36-13.8	120-49.8	8.5	3.4	34	114	3.6	0.24	0.7	0.9	B	MONARCH PEAK
	30	4	9	36-59.2	121-39.3	5.0	1.3	20	52	5.2	0.09	0.3	0.4	B	WATSONVILLE FAST
	30	4	27	36-14.0	120-48.9	6.4	1.7	12	137	2.6	0.17	1.1	1.7	C	MONARCH PEAK
	30	6	42	36-14.2	120-50.3	1.4	1.6	14	115	4.7	0.20	0.9	0.7	B	MONARCH PEAK
	30	7	15	36-58.4	121-27.0	4.6	1.4	32	59	6.6	0.16	0.4	0.5	B	SAN FELIPE
	30	7	39	36-39.2	121-17.9	1.8	1.3	11	55	2.7	0.08	0.4	0.3	A	PAICINES
	30	9	36	36-54.6	121-24.1	4.4	1.0	21	52	2.3	0.09	0.3	0.3	A	SAN FELIPE
	30	16	25	36-35.3	121-14.9	5.9	2.3	37	35	3.5	0.13	0.3	0.5	A	RICKMORE CANYON
	30	17	44	36-54.4	121-22.2	6.9	1.8	36	78	6.1	0.11	0.3	0.8	A	THREE SISTERS
	30	20	25	36-47.4	121-17.7	8.7	1.8	29	51	8.9	0.15	0.4	1.2	B	TRES PINOS
	31	2	27	36-33.3	121-10.8	4.2	1.3	12	68	2.5	0.06	0.4	0.5	A	RICKMORE CANYON
	31	4	36	38-30.3	122-43.3	6.5	1.0	9	102	5.0	0.12	0.9	1.9	B	MARK WEST SPRINGS
	31	5	1	36-29.7	121- 6.8	3.3	1.6	20	54	3.7	0.11	0.4	0.4	A	TOPO VALLEY
	31	9	52	36-57.5	121-37.2	2.2	1.4	18	46	3.2	0.16	0.5	0.5	B	CHITTENDEN
	31	12	13	36-56.9	121-35.1	5.3	1.7	40	39	1.0	0.10	0.2	0.3	A	CHITTENDEN
	31	21	22	36-54.1	121-29.7	5.3	1.2	23	49	2.1	0.08	0.2	0.5	A	SAN FELIPE
APR	1	2	17	36-55.1	121-28.4	5.7	1.0	21	52	3.0	0.07	0.2	0.6	A	SAN FELIPE
	1	11	43	36-31.5	121- 9.3	8.7	1.2	13	84	6.4	0.08	0.4	0.9	A	RICKMORE CANYON
	1	15	22	37-32.6	121-54.8	5.0	1.5	24	58	4.5	0.15	0.4	0.4	B	NILES
	1	22	13	37- 2.7	122- 8.4	4.7	1.5	19	103	3.4	0.21	1.4	0.9	C	DAVENPORT
	1	22	49	36-55.4	121-28.8	4.6	2.0	39	52	2.6	0.15	0.3	0.3	A	SAN FELIPE
	1	23	5	36-54.1	121-37.9	0.1	1.4	15	98	4.0	0.19	0.6	0.6	B	WATSONVILLE FAST
	1	23	38	37-37.5	121-48.2	0.7	1.6	13	91	6.1	0.22	0.8	0.8	B	LA COSTA VALLEY
	2	2	7	38-48.4	122-47.5	3.9	1.0	7	119	9.8	0.12	1.9	2.2	B	THE GEYSERS
	2	2	53	38-29.5	122-25.6	5.9	2.2	26	78	13.8	0.16	0.6	0.8	C	RUTHERFORD
	2	7	4	36-35.2	121- 9.2	9.8	1.8	20	59	3.4	0.12	0.4	0.8	A	RICKMORE CANYON
	2	8	19	38-37.0	122-49.1	4.1	1.9	18	51	8.5	0.20	0.7	1.1	B	HEALDSBURG
	2	19	45	37-59.4	121-46.7	7.5	1.7	24	126	9.5	0.14	0.5	2.7	B	LIVERMORE
	2	21	4	36-58.4	121-26.8	3.6	1.5	22	66	6.6	0.14	0.4	0.5	B	SAN FELIPE
	3	4	47	36-44.3	121- 8.4	6.8	1.2	18	137	8.7	0.08	0.3	0.8	B	CHEPPY PEAK
	3	6	13	36-32.7	121- 6.5	13.2	1.9	23	61	4.0	0.10	0.4	0.4	A	SAN FENITO
	3	9	24	36-57.0	121-35.5	5.7	1.5	12	44	1.1	0.12	0.4	0.4	A	CHITTENDEN
	3	9	30	36-56.2	121-35.5	3.6	1.3	15	29	1.4	0.13	0.5	0.6	A	CHITTENDEN
	3	9	39	36-56.8	121-35.5	3.7	1.3	13	41	1.5	0.12	0.5	0.5	A	CHITTENDEN

CENTRAL CALIFORNIA EARTHQUAKES--1975 (CONTINUED)

1975	HR	MIN	SEC	LAT N	LONG W	DEPTH	MAG	NO GAP	DMIN	KMS	EPH	EPZ	QUADRANGLE
APR	3	14	44	36-13.9	120-45.9	8.2	2.0	14	29	3.3	0.16	0.9	MONARCH PEAK
	3	14	44	36-44.0	121-2.8	5.2	1.2	12	167	10.1	0.12	1.1	PAJOCHUE PASS
	3	17	1	36-33.1	121-10.5	3.5	1.5	15	64	3.0	0.08	0.3	HICKMORE CANYON
	4	0	56	36-31.0	121-8.4	4.2	1.9	8	99	5.8	0.08	0.7	HICKMORE CANYON
	4	3	12	36-31.5	121-8.8	5.6	2.2	22	58	6.6	0.11	0.3	HICKMORE CANYON
	4	3	15	36-31.6	121-8.6	3.5	1.5	16	57	5.7	0.09	0.4	HICKMORE CANYON
	4	16	22	37-43.4	122-22.1	5.4	1.8	19	103	13.3	0.21	0.8	HUNTERS POINT
	4	18	52	37-22.1	121-42.7	5.4	1.8	39	83	4.0	0.14	0.3	LICK OBSERVATORY
	4	21	34	37-30.3	121-48.3	1.5	1.6	9	100	6.0	0.14	0.8	LA COSTA VALLEY
	4	23	48	36-54.1	121-29.4	5.4	1.5	25	45	2.4	0.07	0.2	SAN FELIPE
	5	4	21	37-32.5	121-55.0	5.4	1.6	28	58	4.7	0.14	0.4	TALLES
	5	4	47	36-55.6	121-28.2	4.8	0.7	14	59	3.6	0.07	0.3	SAN FELIPE
	5	8	18	36-25.4	121-2.3	0.2	1.4	9	123	2.5	0.10	0.6	TOPO VALLEY
	5	16	3	36-15.1	120-40.3	13.0	1.3	13	102	11.7	0.11	1.3	SAN FEMITO MOUNTAIN
	5	16	5	36-17.7	120-53.6	2.2	1.4	8	98	3.9	0.11	0.7	LONOK
	5	18	21	36-13.6	120-45.8	7.9	1.5	10	106	3.2	0.15	1.2	MONARCH PEAK
	5	22	56	37-23.6	121-43.3	4.9	0.9	14	88	4.9	0.15	0.6	MT DRY
	6	5	57	36-27.1	121-4.3	6.8	1.6	23	64	5.7	0.09	0.3	TOPO VALLEY
	6	9	40	37-7.1	121-30.9	8.3	2.1	53	104	6.5	0.14	0.3	GILROY
	6	16	44	36-34.9	120-52.0	6.3	1.3	12	133	7.9	0.20	1.1	PANOCHÉ
	6	22	27	36-29.0	121-5.6	3.1	1.9	20	63	3.4	0.12	0.4	TOPO VALLEY
	6	23	1	36-57.0	121-36.1	3.6	1.1	20	45	1.8	0.12	0.4	CHITTENDEN
	7	5	42	36-36.5	121-14.8	5.4	1.3	15	61	3.0	0.07	0.3	RICKMORE CANYON
	7	9	43	36-21.1	120-56.9	5.5	1.1	7	112	4.5	0.10	0.8	LONOK
	7	11	39	36-54.3	121-29.3	4.8	2.0	36	47	2.2	0.09	0.2	SAN FELIPE
	7	17	0	38-31.0	122-44.2	3.8	1.0	10	104	3.9	0.14	0.7	MARK WEST SPRINGS
	7	18	5	36-46.3	121-16.5	4.8	1.9	37	70	8.4	0.11	0.3	TRFS PINOS
	8	0	44	37-31.2	121-37.9	4.6	1.1	10	159	8.3	0.13	0.8	MENDENHALL SPRINGS
	8	0	56	37-31.7	121-37.6	5.1	1.4	15	164	7.5	0.25	1.2	MENDENHALL SPRINGS
	8	5	25	37-17.7	122-6.1	6.8	1.0	17	48	1.1	0.11	0.5	CUPERINO
	8	12	17	36-44.8	121-20.7	10.6	1.3	15	78	4.2	0.09	0.4	PAICINES
	8	15	28	36-46.3	121-16.5	4.8	1.0	13	99	8.7	0.08	0.4	TRES PINOS
	9	5	0	36-39.7	121-19.0	4.0	1.9	39	57	3.9	0.12	0.3	PAICINES
	9	7	3	36-32.0	121-8.9	5.4	2.2	31	58	5.9	0.13	0.3	RICKMORE CANYON
	9	7	54	36-31.6	121-8.3	5.7	1.1	9	112	5.9	0.09	0.6	RICKMORE CANYON
	9	10	46	36-28.6	121-5.7	5.6	1.3	12	104	4.2	0.11	0.6	TOPO VALLEY
	9	11	2	36-31.9	121-8.6	4.4	1.4	14	81	4.2	0.10	0.4	HICKMORE CANYON
	9	15	32	36-30.9	121-8.0	11.1	2.2	26	59	5.2	0.11	0.4	HICKMORE CANYON
	9	15	47	36-31.0	121-8.2	11.1	2.0	21	59	5.6	0.08	0.3	RICKMORE CANYON
	9	17	15	36-30.9	121-8.2	11.1	1.7	17	57	8.2	0.08	0.3	RICKMORE CANYON
	9	18	26	36-30.2	120-50.8	12.4	1.5	9	155	14.5	0.15	1.2	PANOCHÉ
	9	23	37	37-30.3	121-48.1	0.7	1.6	16	92	5.9	0.17	0.5	LA COSTA VALLEY
	10	5	48	37-8.3	121-33.8	4.8	1.0	16	105	6.0	0.06	0.3	MT SIZER
	10	12	24	37-7.5	121-31.6	6.2	2.8	76	62	8.0	0.19	0.3	MT SIZER
	10	13	0	36-41.0	120-47.3	5.3	1.6	18	243	2.4	0.23	2.6	MERCY HOT SPRINGS

CENTRAL CALIFORNIA EARTHQUAKES--1975 (CONTINUED)

1975	HR	MIN	SEC	LAT	N	LONG	W	DEPTH	MAG	NO	GAP	DMIN	PMS	FPH	FPZ	Q	QUADRANGLE
APR	10	22	53	37-	7.6	121-	31.2	7.3	1.5	33	105	7.3	0.15	0.4	1.0	3	MT SIZEP
	11	1	51	36-	54.1	121-	15.7	5.1	1.2	20	88	4.6	0.11	0.4	0.8	A	THREIF SISTEPS
	11	4	35	36-	37.7	121-	15.6	1.5	1.0	11	99	1.9	0.08	0.4	0.3	P	PATICHIES
	11	7	13	36-	15.5	120-	51.3	0.3	1.5	10	116	7.2	0.16	1.7	3.2	R	HEPSEDDAM PEAK
	11	12	6	36-	34.0	121-	6.4	11.8	1.3	15	60	6.9	0.11	0.5	0.8	A	SAN PENITO
	11	14	2	36-	30.6	121-	3.0	11.3	0.9	10	147	5.2	0.07	0.5	1.0	B	HICKMORE CANYON
	11	21	59	37-	55.3	121-	56.6	0.2	1.3	16	90	3.4	0.11	0.6	0.6	3	CLAYTON
	12	10	17	36-	47.6	121-	8.7	5.5	1.5	25	103	7.5	0.11	0.4	0.6	R	QUIEN SARE VALLFY
	12	11	53	35-	53.3	121-	24.7	10.2	2.8	22	196	30.8	0.12	0.7	0.5	C	CAPE SAN MARTIN
	12	12	0	36-	13.9	120-	45.6	6.7	1.6	8	153	5.7	0.10	1.0	1.3	C	MONARCH PEAK
	12	13	23	36-	25.4	121-	1.6	4.3	2.1	21	42	0.8	0.15	0.5	0.9	A	TOPO VALLEY
	12	17	42	36-	58.0	121-	37.1	6.1	3.1	62	37	5.4	0.17	0.3	0.4	B	CHITTENDFN
	12	18	35	36-	54.3	121-	28.8	6.0	0.9	17	52	2.8	0.04	0.2	0.4	A	SAN FELIPE
	12	19	17	36-	58.3	121-	36.3	0.7	1.0	13	65	6.6	0.07	0.3	0.3	B	CHITTENDFN
	12	20	20	36-	58.1	121-	37.1	6.1	3.2	68	37	5.5	0.18	0.3	0.4	B	CHITTENDFN
	12	20	41	36-	58.2	121-	36.9	5.3	1.7	32	37	5.8	0.16	0.4	0.7	B	CHITTENDFN
	12	22	44	41.1	36-33.4	121-10.8		3.7	1.6	12	84	2.2	0.05	0.3	0.2	A	RICKMORE CANYON
	13	4	40	0.9	36-41.3	121-12.5		8.4	1.3	10	77	3.9	0.08	0.5	0.9	A	CHERRY PEAK
	13	6	33	51.5	36-54.3	121-29.1		5.2	1.5	29	47	2.4	0.10	0.2	0.6	A	SAN FELIPE
	13	6	37	49.8	37-17.7	121-38.8		4.4	1.2	17	71	4.7	0.16	0.6	0.4	B	LICK OBSERVATORY
	13	10	26	22.1	36-32.2	121-9.8		8.9	1.2	11	77	4.9	0.07	0.4	0.9	A	RICKMORE CANYON
	13	13	6	15.9	36-46.3	121-30.9		9.0	2.8	42	57	3.0	0.18	0.3	0.5	B	SAN JUAN RAUTISTA
	13	17	54	36.7	36-35.2	121-14.1		8.3	1.1	14	68	4.3	0.05	0.2	0.4	A	RICKMORE CANYON
	13	19	30	23.9	36-31.9	121-9.0		5.2	2.1	21	91	6.0	0.12	0.4	1.2	B	RICKMORE CANYON
	13	19	58	20.2	37-22.4	121-44.0		4.3	1.1	12	91	2.5	0.23	1.4	0.9	B	LICK OBSERVATORY
	13	21	27	27.5	36-30.9	121-7.4		4.1	1.9	17	84	4.4	0.16	0.6	1.2	B	SAN PENITO
	13	23	1	48.2	36-32.6	121-10.8		7.4	1.7	18	82	3.6	0.07	0.3	0.6	A	RICKMORE CANYON
	13	23	3	40.5	36-58.0	121-36.6		5.1	1.3	17	49	6.1	0.16	0.6	1.3	B	CHITTENDFN
	14	0	28	41.8	37-22.9	121-42.8		1.3	1.1	11	87	4.6	0.13	0.6	0.5	A	MT DAY
	14	2	4	47.8	36-55.5	121-28.1		3.6	1.0	14	59	11.3	0.05	0.2	0.2	B	SAN FELIPE
	14	6	38	19.7	36-35.3	121-10.3		9.0	1.1	11	93	3.7	0.18	1.0	1.9	B	RICKMORE CANYON
	14	9	5	0.9	36-32.8	121-10.7		7.8	1.0	12	83	3.4	0.05	0.3	0.5	A	RICKMORE CANYON
	14	10	18	22.0	36-31.0	121-7.6		3.2	1.5	13	89	4.6	0.14	0.7	0.8	A	RICKMORE CANYON
	14	10	35	42.2	36-31.9	121-8.8		4.8	1.2	11	94	6.1	0.11	0.6	1.7	B	RICKMORE CANYON
	14	17	38	0.4	36-54.4	121-28.7		7.5	1.2	20	48	2.8	0.07	0.2	0.5	A	SAN FELIPE
	14	20	29	11.9	37-8.6	121-33.7		4.7	0.9	11	106	5.9	0.07	0.4	0.4	R	MT SIZEP
	14	21	15	54.7	36-32.3	121-10.4		8.6	2.1	26	65	4.2	0.08	0.2	0.5	A	RICKMORE CANYON
	15	3	42	57.2	36-57.0	121-27.0		4.9	1.3	26	64	6.2	0.11	0.3	1.5	B	SAN FELIPE
	15	7	48	31.2	36-25.6	121-1.1		2.9	2.0	20	71	0.2	0.17	0.6	0.6	R	TOPO VALLEY
	15	16	7	52.6	37-29.2	121-40.9		5.3	1.1	12	121	11.1	0.10	0.5	0.5	B	MT DAY
	15	16	50	29.7	37-7.9	121-31.5		8.3	2.4	66	100	8.0	0.15	0.3	0.6	B	MT SIZEP
	15	19	56	2.1	36-35.3	121-14.3		8.8	1.3	13	67	4.6	0.05	0.2	0.4	A	RICKMORE CANYON
	15	22	28	45.4	36-54.6	121-37.3		1.8	1.8	18	87	3.8	0.22	0.6	0.6	B	CHITTENDFN
	15	23	48	19.7	36-54.3	121-29.0		4.5	1.2	23	52	2.5	0.08	0.2	0.3	A	SAN FELIPE
	16	4	10	3.9	36-35.3	121-14.2		9.1	2.1	30	56	4.5	0.10	0.3	0.5	A	RICKMORE CANYON

CENTRAL CALIFORNIA EARTHQUAKES--1975 (CONTINUED)

1975	HR	MIN	SEC	LAT	N	LONG	W	DEPTH	MAG	NO	CAP	0.1	RMS	FRH	FRZ	3	QUAD	N/C/LF
APR	16	4	28	37-23.3		122-23.8		7.4	1.2	15	149	7.3	0.14	0.2	1.6	3		HALF MOON RAY
	16	4	51	36-45.2		121-16.3		8.0	1.8	36	41	8.2	0.09	0.2	0.8	8		TPES PINOS
	16	8	3	36-33.4		121-10.8		3.5	1.3	14	47	2.2	0.06	0.3	0.2	3	A	RICKMORE CANYON
	16	14	56	37-10.2		121-37.9		5.6	1.2	15	110	5.3	0.11	0.4	1.1	1	P	MT SIZER
	16	23	24	36-35.4		121-14.2		8.0	1.7	13	67	4.5	0.04	0.2	0.4	3	A	RICKMORE CANYON
	17	4	45	36-35.2		121-14.0		8.1	1.2	12	77	4.2	0.04	0.2	0.4	4	A	RICKMORE CANYON
	17	9	34	37-10.0		121-34.2		4.9	1.4	22	115	4.9	0.11	0.4	1.1	2		MT SIZER
	17	9	34	37-5.1		121-30.5		7.8	0.9	10	154	5.5	0.02	0.2	0.3	8	A	GILROY
	17	11	19	36-33.2		121-5.8		11.6	2.2	21	63	5.1	0.12	0.4	0.8	A	SAN PENITO	
	17	12	4	36-33.0		121-5.7		11.5	1.3	11	89	4.8	0.10	0.6	1.3	A	SAN PENITO	
	17	18	58	36-12.9		121-48.2		8.9	1.9	17	242	38.6	0.11	1.1	1.0	C	PFEIFFER POINT	
	17	20	34	36-36.0		121-13.6		2.4	2.1	21	61	4.0	0.12	0.4	0.4	A	RICKMORE CANYON	
	17	22	7	36-13.5		120-50.3		7.3	2.1	17	115	4.0	0.23	1.2	1.8	R	MONARCH PFAK	
	17	22	37	37-30.3		121-48.2		0.9	1.4	14	98	6.0	0.19	0.7	0.6	R	LA COSTA VALLEY	
	18	1	41	37-55.7		122-17.8		9.2	3.3	55	48	5.8	0.12	0.2	0.3	A	RICHMOND	
	18	1	56	38-29.5		122-36.1		4.4	1.4	15	133	3.2	0.09	0.4	0.8	R	KENWOOD	
	18	3	24	36-58.0		121-26.7		6.7	1.4	31	62	4.3	0.14	0.4	1.0	A	SAN FELIPE	
	18	9	26	36-54.0		121-29.2		5.9	1.2	20	50	2.7	0.07	0.2	0.6	A	SAN FELIPE	
	18	10	1	36-31.5		121-9.0		6.8	1.1	10	83	6.5	0.07	0.4	1.0	A	RICKMORE CANYON	
	18	13	0	36-39.9		120-48.4		4.2	1.8	23	112	1.3	0.27	1.1	0.7	B	MERCY HOT SPRINGS	
	18	16	14	36-55.3		121-28.4		4.0	1.2	17	64	3.1	0.07	0.3	0.3	A	SAN FELIPE	
	18	16	53	36-54.9		121-28.6		2.8	1.3	11	128	2.7	0.05	0.3	0.2	R	SAN FELIPE	
	18	19	23	36-27.8		121-5.2		7.9	1.9	21	84	5.3	0.11	0.4	0.8	A	TOPO VALLEY	
	18	22	14	37-2.8		122-8.0		2.1	1.6	21	195	2.9	0.25	1.4	0.9	C	DAVENPORT	
	18	23	1	36-56.1		121-28.2		5.6	1.0	20	60	3.9	0.05	0.2	0.5	A	SAN FELIPE	
	19	0	48	38-48.7		122-48.1		2.7	0.9	8	85	6.4	0.05	0.4	0.5	R	THE GEYSERS	
	19	11	13	37-17.8		121-39.1		5.2	2.1	52	67	4.6	0.12	0.3	0.2	A	LICK OBSERVATORY	
	19	11	42	36-27.2		121-4.4		9.2	2.4	29	64	5.9	0.15	0.4	0.7	A	TOPO VALLEY	
	19	12	15	38-48.0		122-46.0		1.3	1.2	9	107	7.7	0.11	0.6	0.5	R	THE GEYSERS	
	19	12	15	38-48.5		122-45.5		4.6	2.8	20	134	8.9	0.16	0.6	1.2	B	THE GEYSERS	
	19	12	44	36-56.9		121-34.9		4.7	1.4	24	45	1.1	0.07	0.2	0.4	A	CHITTENDEN	
	20	0	23	36-35.6		121-8.5		9.5	1.3	12	59	4.6	0.09	0.5	1.0	A	RICKMORE CANYON	
	20	1	11	37-26.5		121-46.0		2.6	1.2	17	82	9.3	0.15	0.5	0.4	B	CALAVERAS RESERVOIR	
	20	1	43	37-10.5		121-8.1		2.4	1.5	11	204	11.2	0.07	0.6	0.3	C	CREVISON PEAK	
	20	6	56	36-54.9		121-29.2		3.9	1.1	17	53	1.9	0.09	0.3	0.3	A	SAN FELIPE	
	20	8	17	36-25.9		120-37.4		11.8	2.2	21	141	19.4	0.19	0.8	1.0	C	CIFRVO MTN	
	20	10	59	38-48.1		122-48.5		1.6	0.6	8	101	5.2	0.08	0.5	0.4	R	THE GEYSERS	
	20	12	28	36-23.2		120-47.0		8.4	1.9	19	100	3.5	0.17	0.9	1.3	B	HERNANDEZ RESERVOIR	
	20	13	13	36-27.0		120-37.6		10.8	1.9	17	141	19.2	0.20	0.9	2.0	C	IDRIA	
	20	13	32	36-55.5		121-29.0		3.6	0.8	15	55	2.4	0.10	0.4	0.3	A	SAN FELIPE	
	20	16	26	36-55.3		121-28.8		3.8	0.6	12	78	2.5	0.09	0.4	0.5	A	SAN FELIPE	
	20	16	37	36-29.4		121-5.7		3.0	0.6	7	102	2.8	0.14	1.1	1.3	B	TOPO VALLEY	
	21	2	16	36-45.9		120-52.7		6.1	1.5	13	116	8.6	0.19	0.9	0.5	C	CORTICALITA PEAK	
	21	2	40	37-50.6		122-1.1		6.6	1.1	14	93	4.9	0.10	0.4	0.4	R	LAS TRAMPAS RIDGE	
	21	6	2	37-7.7		121-31.2		8.0	1.3	33	105	7.4	0.15	0.4	1.1	B	MT SIZER	

CENTRAL CALIFORNIA EARTHQUAKE S--1975 (CONTINUED)

1975	HR	MIN	SFC	LAT	N	LONG	W	DEPTH	MAG	NO	CAP	DMIN	MMS	EPH	FRZ	Q	QUADRANCLF
APR	21	0	19	30.8	37-56.3	122-0.8	5.2	1.2	18	69	8.4	0.20	0.8	0.8	0	0	WALNUT CREEK
	21	10	58	14.4	38-48.7	122-48.6	2.4	0.9	10	41	5.0	0.05	0.2	0.2	0	0	THE GEYSERS
	22	2	51	13.7	36-45.5	120-52.7	5.4	1.5	13	116	9.2	0.20	1.0	1.0	0	0	ORTICALITA PEAK
	22	3	13	36.8	36-50.6	121-24.4	6.1	1.3	32	31	1.4	0.15	0.3	0.3	0	0	HOLLISTER
	22	4	16	44.7	37-28.7	121-48.2	5.3	2.2	48	72	7.6	0.13	0.3	0.3	0	0	CALAVERAS RESERVOIR
	22	5	28	15.3	36-18.0	120-52.1	7.7	1.0	7	115	5.8	0.14	1.3	0.5	0	0	HEPSEDAK PEAK
	22	18	12	3.9	36-33.4	121-11.0	4.1	0.5	11	71	2.1	0.06	0.3	0.3	0	0	BICKMORE CANYON
	22	19	40	13.4	37-32.6	122-4.0	0.1	1.2	8	77	2.0	0.05	0.3	0.3	0	0	NEWARK
	23	11	1	46.4	36-11.0	120-36.2	8.6	2.2	10	119	14.0	0.08	0.5	1.3	0	0	SMITH MTN
	23	12	46	24.8	36-0.6	120-36.3	9.3	2.9	18	117	13.0	0.15	0.7	1.3	0	0	SMITH MTN
	23	13	5	19.4	35-59.2	120-36.6	2.0	1.5	12	128	13.2	0.11	0.7	0.4	0	0	STOCKDALL MTN
	23	13	6	29.9	36-0.4	120-36.8	8.4	1.9	13	123	14.4	0.18	1.1	3.2	0	0	SMITH MTN
	23	13	20	57.6	36-1.1	120-35.7	7.3	1.5	10	152	13.6	0.10	1.1	3.0	0	0	SMITH MTN
	23	13	47	33.1	36-0.8	120-36.2	6.4	1.9	13	119	13.8	0.10	0.6	2.0	0	0	SMITH MTN
	23	17	7	45.1	36-25.3	121-2.5	6.5	1.7	17	70	2.1	0.11	0.4	0.9	0	0	TOPO VALLEY
	23	18	10	14.6	36-57.1	121-35.4	1.8	1.1	16	57	0.9	0.11	0.4	0.3	0	0	CHITTENDEN
	23	20	11	3.2	36-0.7	120-36.0	7.4	2.4	10	124	13.6	0.14	0.7	1.4	0	0	SMITH MTN
	23	20	34	35.8	36-0.6	120-36.5	6.9	2.1	14	135	14.1	0.18	1.3	4.5	0	0	SMITH MTN
	24	5	23	37.6	36-30.1	121-7.2	4.9	2.6	37	67	4.0	0.12	0.3	0.4	0	0	SAN PENITO
	24	12	37	1.7	37-0.8	121-7.3	1.6	1.3	18	152	7.9	0.17	0.7	1.3	0	0	SAN LUIS DAM
	24	16	50	7.7	37-16.8	121-42.6	6.8	1.4	11	96	4.1	0.09	0.4	1.0	0	0	LICK OBSERVATORY
	24	22	59	10.4	38-48.1	122-48.6	1.4	2.5	20	69	4.8	0.15	0.4	0.4	0	0	THE GEYSERS
	24	23	19	47.4	36-54.2	121-36.7	2.3	1.3	11	105	2.9	0.28	1.1	1.1	0	0	CHITTENDEN
	25	5	20	23.1	36-4.0	120-41.6	7.7	2.1	14	131	5.2	0.18	1.2	1.6	0	0	SLACK CANYON
	25	5	25	19.1	36-5.0	120-40.4	6.8	1.5	12	116	5.1	0.17	1.2	1.8	0	0	SLACK CANYON
	25	12	22	35.8	36-30.0	121-7.3	4.4	1.2	12	65	4.3	0.10	0.5	1.5	0	0	TOPO VALLEY
	25	16	53	30.1	36-33.4	121-7.2	10.0	1.0	11	88	6.5	0.13	0.7	1.5	0	0	SAN PENITO
	25	21	8	54.4	36-13.2	120-49.1	4.8	1.8	12	105	2.2	0.17	1.0	1.2	0	0	MONARCH PEAK
	25	22	30	5.2	37-1.3	122-8.2	4.4	1.3	15	159	3.3	0.19	1.5	1.0	0	0	DAVENPORT
	26	9	6	57.7	37-5.8	121-53.7	10.4	1.6	41	85	6.5	0.14	0.4	0.6	0	0	LAUREL
	26	12	14	31.7	36-25.6	121-1.8	0.6	1.9	10	84	1.1	0.09	0.6	0.6	0	0	TOPO VALLEY
	26	12	19	17.2	37-20.7	121-40.4	3.0	1.1	9	83	2.9	0.08	0.5	0.3	0	0	LICK OBSERVATORY
	26	16	32	4.1	36-32.0	121-9.9	5.8	1.0	8	90	5.0	0.06	0.4	1.1	0	0	BICKMORE CANYON
	26	20	5	49.8	36-24.9	121-0.9	1.3	1.3	9	92	1.0	0.09	0.5	0.3	0	0	TOPO VALLEY
	27	3	40	51.7	37-17.1	121-37.6	5.1	1.9	47	74	5.1	0.12	0.3	0.2	0	0	LICK OBSERVATORY
	27	4	32	17.1	38-53.7	123-18.0	10.2	1.5	12	283	31.2	0.18	4.3	2.7	0	0	NE 1/4 OPRAHN VALLEY
	27	8	26	4.2	37-37.0	121-40.9	5.8	1.4	9	169	4.6	0.16	1.4	1.3	0	0	MENDEHALL SPRINGS
	27	10	16	57.9	36-0.8	120-36.2	7.5	1.6	9	148	13.9	0.09	1.3	3.3	0	0	SMITH MTN
	27	14	20	27.4	36-45.8	121-24.5	5.1	2.0	30	46	7.5	0.14	0.3	0.5	0	0	HOLLISTER
	27	16	11	18.3	36-54.2	121-28.8	6.3	0.9	17	53	2.9	0.08	0.3	0.7	0	0	SAN FLEIPE
	27	17	34	42.4	36-57.8	121-37.3	1.0	1.8	25	47	3.4	0.12	0.3	0.3	0	0	CHITTENDEN
	27	20	39	49.5	36-27.9	121-3.8	2.5	1.5	13	76	5.2	0.10	0.8	0.8	0	0	TOPO VALLEY
	27	22	23	43.1	36-57.8	121-37.2	1.0	1.6	20	47	3.3	0.12	0.3	0.3	0	0	CHITTENDEN
	27	22	36	49.7	36-57.7	121-37.2	1.1	1.5	20	47	3.3	0.12	0.3	0.3	0	0	CHITTENDEN
	28	3	21	0.2	36-35.1	121-7.0	10.5	1.2	12	91	6.6	0.11	0.6	1.1	0	0	SAN PENITO

CENTRAL CALIFORNIA EARTHQUAKES--1975 (CONTINUED)

1975	HR	MIN	SEC	LAT	N	LONG	W	DEPTH	MAG	NO	CAP	MIN	PMS	EPH	ERZ	Q	QUADRANGLE
APR	28	10	21	38-47.6		122-48.2		1.4	1.1	14	28	4.4	0.37	1.6	1.4	R	THE GEYSERS
	28	11	37	36-32.2		121-38.6		4.9	2.0	20	52	6.0	0.10	0.3	0.5	B	PICKMORE CANYON
	28	18	0	36-2.9		120-36.9		12.1	2.4	17	114	11.3	0.16	1.0	0.8	R	SMITH MTN
	28	20	41	36-27.8		121-4.4		1.5	2.2	24	65	5.3	0.11	0.3	0.3	B	ICCO VALLEY
	29	4	12	36-27.5		121-3.7		0.8	1.4	10	92	5.5	0.10	0.6	0.5	R	TOPO VALLEY
	29	7	49	37-29.1		121-48.4		5.1	1.3	32	71	3.8	0.12	0.3	0.3	A	CALAVERAS RESERVOIR
	29	12	59	36-0.7		120-36.7		12.0	2.3	13	79	14.4	0.16	1.0	1.1	R	SMITH MTN
	29	18	3	38-29.5		122-36.6		3.9	1.5	15	97	3.2	0.10	0.4	0.4	R	KENWOOD
	29	22	52	36-33.5		121-10.7		2.9	2.0	18	63	2.1	0.08	0.4	0.3	A	PICKMORE CANYON
	30	13	0	36-39.9		120-49.5		1.2	1.8	17	139	3.0	0.13	1.2	1.4	C	MERCY HOT SPRINGS
	30	13	23	36-55.5		121-28.4		3.5	1.3	15	78	3.2	0.09	0.4	0.4	A	SAN FELIPE
	30	14	5	36-53.8		121-28.9		7.7	1.3	24	45	3.2	0.12	0.4	0.0	A	SAN FELIPE
	30	19	55	36-13.0		120-49.2		5.2	1.2	9	101	2.2	0.10	0.8	1.4	R	MONARCH PEAK
	30	21	7	36-55.4		121-28.2		4.9	1.1	19	59	3.4	0.06	0.2	0.6	A	SAN FELIPE
MAY	1	1	0	37-15.6		121-54.2		1.8	1.1	14	88	9.9	0.09	0.4	0.3	R	SAN JOSE WEST
	1	2	22	36-42.3		121-21.5		3.1	1.4	13	74	1.4	0.09	0.5	0.3	A	PAICINES
	1	7	18	36-53.8		121-28.9		8.0	1.0	21	50	3.2	0.10	0.3	0.7	A	SAN FELIPE
	1	12	3	35-56.9		120-33.0		11.1	3.3	21	75	6.8	0.18	0.8	0.9	R	STOCKDALL MTN
	1	12	26	37-23.7		121-44.1		6.2	1.2	18	85	4.4	0.10	0.4	0.9	A	MT DAY
	1	19	25	38-48.7		122-48.7		2.4	1.3	12	78	4.9	0.06	0.2	0.2	A	THE GEYSERS
	1	22	23	37-10.6		121-40.2		8.8	1.0	15	79	4.4	0.10	0.4	0.7	A	MORGAN HILL
	1	22	55	36-53.9		121-37.5		0.1	1.6	18	72	3.5	0.21	0.6	0.6	R	WATSONVILLE EAST
	2	3	17	35-57.5		120-32.6		9.6	1.1	6	146	6.4	0.04	0.5	1.0	R	STOCKDALL MTN
	2	5	57	35-59.8		120-52.8		11.2	1.6	16	98	19.0	0.12	0.7	0.9	R	HAMES VALLEY
	2	6	7	36-32.1		121-8.5		5.8	0.9	9	79	6.2	0.07	0.4	1.2	R	PICKMORE CANYON
	2	8	16	36-25.3		121-2.2		7.2	1.3	15	86	1.7	0.08	0.4	0.6	A	TOPO VALLEY
	2	10	51	36-15.6		120-48.3		1.2	1.5	9	145	5.0	0.05	0.5	0.4	B	HEPSEDA PEAK
	2	11	57	35-59.7		120-36.0		1.7	1.7	10	147	12.5	0.17	1.9	1.3	C	STOCKDALL MTN
	2	19	19	35-57.6		120-31.7		12.8	2.3	14	117	5.2	0.10	0.8	0.5	R	STOCKDALE MTN
	2	20	26	36-55.5		121-25.5		6.8	1.8	35	66	7.4	0.13	0.3	1.0	B	SAN FELIPE
	2	21	27	37-0.3		121-42.8		10.5	1.8	45	56	2.8	0.17	0.4	0.5	B	MT MADONNA
	2	23	15	36-34.9		121-13.5		6.6	1.3	14	62	3.3	0.04	0.2	0.4	A	RICKMORE CANYON
	3	2	19	35-59.7		120-36.6		5.6	2.3	20	144	13.4	0.20	1.1	1.4	C	STOCKDALE MTN
	3	2	48	35-59.8		120-36.0		2.1	1.3	13	146	12.7	0.10	0.7	0.3	R	STOCKDALL MTN
	3	5	45	37-18.4		121-40.2		4.1	1.7	31	54	4.6	0.09	0.2	0.1	A	LICK OBSERVATORY
	3	6	54	35-57.6		120-32.3		12.4	1.4	10	139	6.1	0.10	0.9	1.0	R	STOCKDALL MTN
	3	9	0	36-14.1		120-49.6		2.4	1.3	8	128	3.6	0.12	1.0	1.6	R	MONARCH PEAK
	3	11	37	37-0.3		121-42.6		10.5	1.7	38	56	2.8	0.15	0.4	0.5	A	MT MADONNA
	3	11	38	37-0.3		121-42.6		10.9	1.5	29	59	2.8	0.13	0.4	0.5	A	MT MADONNA
	3	12	52	36-53.4		121-0.2		5.4	1.3	13	151	16.8	0.17	1.2	1.4	C	LOS RANOS VALLEY
	3	15	10	36-55.4		121-28.2		4.8	1.0	19	59	3.5	0.06	0.2	0.5	A	SAN FELIPE
	3	19	36	36-0.6		120-36.9		7.0	2.0	15	148	14.5	0.19	1.5	1.9	C	SMITH MTN
	3	21	29	38-47.4		122-48.3		2.9	0.6	5	74	4.5	0.04	0.3	0.2	A	THE GEYSERS
	3	22	5	37-48.8		121-57.7		11.6	1.8	37	55	2.7	0.15	0.4	0.3	R	DIABLO
	4	6	21	36-39.9		121-23.1		9.8	1.2	20	60	6.1	0.11	0.4	0.8	A	MT HARLAN

CENTRAL CALIFORNIA EARTHQUAKES--1975 (CONTINUED)

1975	HR	MIN	SEC	LAT	N	LONG	W	DEPTH	MAG	NO	GAP	Δ	MIN	RMS	EPH	EP7	Q	QUADRANGLE
MAY	4	6	53	36-17.7		121-25.8		3.8	2.0	23	148	6.8	0.11	0.11	0.7	0.4	H	SYCAMORE FLAT
	4	7	1	38-46.2		122-47.4		2.1	1.0	11	93	4.8	0.09	0.4	0.3	B		THE GEYSERS
	4	15	8	37-51.8		122-14.5		3.7	1.6	26	48	1.6	0.12	0.4	0.7	A		OAKLAND EAST
	4	15	10	37-51.7		122-14.6		8.8	1.8	26	48	1.8	0.14	0.4	0.7	A		OAKLAND EAST
	4	19	43	37-0.4		121-42.8		1.9	1.6	31	56	2.9	0.12	0.4	0.7	A		MT MADONNA
	4	21	20	36-21.7		120-52.3		8.1	1.9	12	76	6.4	0.09	0.5	1.0	A		LONOAK
	4	21	27	36-32.2		121-8.4		3.5	1.0	10	78	6.1	0.08	0.4	0.5	B		BICKMORE CANYON
	4	22	29	35-57.9		120-30.3		13.3	1.7	11	160	3.6	0.06	0.7	0.4	B		STOCKDALE MTN
	4	22	40	37-22.6		121-43.5		2.5	1.4	16	82	3.4	0.10	0.4	0.3	A		MT DAY
	5	1	54	36-1.4		120-34.8		5.3	1.7	9	174	12.8	0.09	1.6	0.7	C		SMITH MTJ
	5	2	26	36-41.6		121-21.8		4.4	1.5	17	71	2.5	0.12	0.5	0.6	A		PAICINES
	5	10	8	36-51.7		121-30.9		5.4	1.2	20	44	6.2	0.08	0.3	1.0	B		SAN JUAN BAUTISTA
	5	16	52	38-47.9		122-26.5		11.1	1.6	14	210	22.0	0.13	2.1	2.5	C		JERICHO VALLEY
	5	18	51	35-49.6		120-26.0		0.5	2.3	18	169	6.3	0.11	0.4	0.3	B		CHOLAME HILLS
	5	22	51	38-48.8		122-48.0		2.5	1.1	9	77	4.0	0.06	0.3	0.2	A		THE GEYSERS
	6	1	7	35-58.1		120-30.9		12.9	1.6	10	167	4.5	0.05	0.6	0.4	B		STOCKDALE MTN
	6	4	38	36-29.8		121-6.8		4.8	1.6	20	52	3.7	0.11	0.3	0.5	A		TOPO VALLEY
	6	5	8	36-31.8		121-7.7		4.6	1.3	13	53	5.2	0.16	0.6	2.1	B		BICKMORE CANYON
	6	13	3	36-50.2		121-33.7		4.0	1.5	24	39	4.4	0.18	0.5	0.5	B		SAN JUAN BAUTISTA
	6	13	3	36-50.3		121-33.3		2.5	1.4	18	57	4.7	0.11	0.4	0.4	A		SAN JUAN BAUTISTA
	6	14	28	36-54.3		121-29.0		5.6	1.1	19	52	2.5	0.07	0.3	0.6	A		SAN FELIPE
	6	14	56	37-4.3		121-29.6		4.7	0.9	12	103	5.3	0.10	0.5	0.7	B		GILROY HOT SPRINGS
	6	18	33	36-56.9		121-37.8		3.0	1.0	11	56	3.3	0.10	0.4	0.3	A		WATSONVILLE EAST
	6	18	44	37-19.6		121-40.2		4.1	1.1	11	59	3.0	0.12	0.7	0.6	A		LICK OBSERVATORY
	6	23	4	36-12.7		120-48.1		3.5	1.7	11	99	0.7	0.09	0.6	0.6	B		MONARCH PEAK
	6	23	24	37-18.5		121-40.3		4.4	1.2	15	60	4.5	0.16	0.5	0.3	B		LICK OBSERVATORY
	6	23	42	36-29.6		121-6.6		3.5	0.9	11	74	3.6	0.10	0.5	0.5	A		TOPO VALLEY
	6	23	58	36-29.0		121-5.7		1.8	1.1	12	80	3.5	0.12	0.5	0.4	A		TOPO VALLEY
	7	2	24	36-32.5		121-9.7		3.2	2.2	25	62	4.5	0.12	0.4	0.4	A		BICKMORE CANYON
	7	2	25	36-32.5		121-9.6		3.4	1.0	9	75	4.6	0.09	0.6	0.5	A		BICKMORE CANYON
	7	4	56	36-32.4		121-8.8		10.0	1.3	15	77	5.5	0.08	0.4	0.7	A		BICKMORE CANYON
	7	5	42	36-33.5		121-9.2		11.0	1.5	17	64	11.5	0.13	0.5	0.9	B		BICKMORE CANYON
	7	7	11	37-55.8		121-42.0		6.8	1.6	17	191	16.0	0.23	1.4	1.1	C		BRENTWOOD
	7	7	57	36-33.3		121-9.0		9.8	1.5	17	57	4.1	0.08	0.3	0.7	A		BICKMORE CANYON
	7	10	0	36-33.4		121-8.9		10.5	1.5	18	67	4.2	0.08	0.3	0.5	A		BICKMORE CANYON
	7	11	34	36-34.1		121-3.7		13.6	0.9	12	100	4.1	0.07	0.4	0.5	B		SAN RENITO
	7	12	15	37-5.0		122-16.0		11.4	2.3	45	180	14.7	0.14	0.6	0.4	C		ANO NUEVO
	7	16	33	36-54.4		121-29.3		3.7	1.9	16	82	2.1	0.10	0.4	0.4	A		SAN FELIPE
	7	18	44	37-1.5		122-8.5		4.7	1.5	17	201	3.5	0.22	1.9	1.1	C		DAVENPORT
	7	20	18	38-35.0		122-46.8		5.6	2.3	28	52	8.4	0.20	0.5	1.1	B		HEALDSBURG
	7	22	9	37-32.5		122-4.3		0.1	1.6	16	64	2.8	0.12	0.4	0.5	A		NEWARK
	8	0	5	36-57.8		121-26.3		3.6	0.9	20	83	2.0	0.10	0.3	0.4	B		SAN FELIPE
	8	1	22	36-27.5		121-5.1		7.0	1.0	16	63	5.8	0.11	0.5	1.1	A		TOPO VALLEY
	8	5	39	36-57.5		121-36.6		6.6	1.2	16	60	2.4	0.05	0.2	0.4	A		CHITTENDEN
	8	7	18	36-29.7		121-6.9		4.9	1.4	16	68	4.0	0.12	0.5	0.8	A		TOPO VALLEY

CENTRAL CALIFORNIA EARTHQUAKES--1975 (CONTINUED)

1975	HR	MIN	SEC	LAT	N	LONG	W	DEPTH	MAG	NO	CAP	DMIN	RMS	FRH	EPZ	QUADRANGLE
MAY	8	20	43	36-59.1		121-39.2		5.6	1.5	29	59	5.1	0.11	0.3	0.5	A WATSONVILLE FAST
	8	21	4	39-25.7		123-16.1		9.4	2.7	16	267	50.8	0.15	4.8	1.7	D HF 1/4 WILLITS
	8	22	27	36-54.4		121-37.5		1.5	1.7	14	117	3.9	0.19	0.7	0.6	R WATSONVILLE FAST
	9	10	34	36-28.0		121-5.1		4.9	1.1	15	78	5.0	0.09	0.4	1.2	A TOPO VALLEY
	9	14	0	36-40.0		120-49.9		0.7	2.0	21	31	3.6	0.16	0.8	1.2	R MERCY HOT SPRINGS
	9	17	55	36-54.2		121-29.4		5.2	1.4	22	46	2.3	0.08	0.2	0.6	A SAN FELIPE
	9	18	3	36-56.2		121-13.5		1.0	1.2	12	61	3.7	0.05	0.2	0.2	A RICKMORE CANYON
	9	18	48	36-49.7		121-33.7		5.7	2.0	28	44	3.6	0.16	0.5	0.7	R SAN JUAN RAUITSTA
	9	19	49	35-59.8		120-35.5		1.8	1.5	11	133	12.0	0.08	0.7	0.5	R STOCKDALE MTN
	9	20	47	36-34.2		121-9.0		10.1	1.4	15	74	3.5	0.08	0.4	0.6	A RICKMORE CANYON
	9	22	24	36-54.2		121-37.7		2.5	1.4	11	125	3.9	0.24	1.1	0.8	R WATSONVILLE FAST
	9	22	47	36-28.1		121-5.4		5.3	2.0	22	77	4.4	0.10	0.4	0.7	A TOPO VALLEY
	10	0	54	37-23.2		122-14.8		9.3	0.9	15	86	4.2	0.10	0.5	0.7	A PALO ALTO
	10	5	26	37-27.7		121-36.1		6.9	1.3	21	77	13.9	0.15	0.6	1.1	R EYLAP MTN
	10	8	0	38-2		121-35.9		6.8	1.5	23	77	14.0	0.15	0.6	1.2	C EYLAP MTN
	10	11	48	36-19.8		120-44.2		6.5	1.4	10	184	8.8	0.15	1.7	3.0	C SAN RENITO MOUNTAIN
	10	16	48	38-48.5		122-47.6		3.7	2.0	19	68	3.4	0.15	0.5	0.4	B THE GEYSERS
	10	16	49	38-48.8		122-47.8		2.4	0.8	8	25	3.8	0.08	0.5	0.4	A THE GEYSERS
	10	18	29	38-48.5		122-47.6		3.6	0.9	9	74	3.4	0.09	0.5	0.4	A THE GEYSERS
	11	0	21	36-46.5		121-26.3		6.6	1.5	22	57	5.2	0.13	0.4	1.2	A HOLLISTEP
	11	0	49	36-54.3		121-28.9		6.0	0.9	20	52	2.7	0.05	0.2	0.4	A SAN FELIPE
	11	4	54	36-56.9		121-35.4		5.8	2.7	67	36	1.1	0.14	0.2	0.6	A CHITTENDEN
	11	11	14	36-27.7		121-3.8		3.2	1.3	12	67	5.5	0.14	0.8	0.8	R TOPO VALLEY
	11	16	9	36-42.0		121-21.4		3.8	1.6	15	80	1.6	0.11	0.5	0.6	A PAICINES
	11	17	16	36-38.4		121-17.2		4.4	1.4	19	44	3.1	0.10	0.3	0.5	A PAICINES
	11	17	17	36-38.2		121-17.3		4.0	0.8	10	54	3.5	0.11	0.6	0.9	A PAICINES
	11	21	0	37-29.6		121-40.2		8.1	0.9	9	78	11.6	0.07	0.4	0.9	R MT DAY
	11	21	6	36-33.0		121-9.0		10.4	2.3	29	53	4.4	0.11	0.3	0.4	A RICKMORE CANYON
	11	23	0	36-0.1		120-52.2		11.3	1.7	14	189	17.9	0.09	0.5	0.6	C PANCHO PICO VALLEY
	12	0	21	37-25.5		121-46.0		5.6	1.6	24	81	4.1	0.12	0.4	0.5	A CALAVERAS RESERVOIR
	12	2	4	36-29.2		121-6.1		2.0	1.2	9	107	3.5	0.10	0.6	0.6	R TOPO VALLEY
	12	3	15	36-0.2		120-52.6		13.5	1.0	8	166	18.3	0.05	0.5	0.5	B SAN ARDO
	12	5	51	36-35.6		121-12.2		7.0	1.4	15	60	2.6	0.09	0.4	0.7	A RICKMORE CANYON
	12	9	1	36-41.7		121-12.9		10.5	1.7	22	64	4.9	0.09	0.3	0.5	A CHERRY PFAK
	12	16	48	37-23.2		121-46.2		3.7	2.2	38	74	7.6	0.17	0.4	0.3	R CALAVERAS RESERVOIR
	12	22	34	36-54.3		121-37.3		2.1	1.2	8	114	3.6	0.22	1.3	0.9	B CHITTENDEN
	13	5	12	36-1.5		120-37.0		2.1	2.1	12	149	13.3	0.15	1.5	0.8	C SMITH MTN
	13	6	22	37-31.8		121-53.8		5.9	1.8	36	59	2.5	0.12	0.3	0.4	A NILFS
	13	7	13	36-2.2		120-37.3		7.2	1.5	10	152	12.0	0.11	1.1	2.5	C SMITH MTN
	13	7	15	36-29.5		121-6.6		2.3	1.2	12	76	3.8	0.08	0.3	0.3	A TOPO VALLEY
	13	10	33	37-29.9		121-40.2		6.0	1.5	23	72	11.1	0.17	0.6	0.8	R MT DAY
	13	15	6	36-29.8		121-6.5		3.1	1.3	12	53	3.3	0.12	0.6	0.6	A TOPO VALLEY
	13	18	58	37-3.0		122-7.7		8.8	1.6	9	259	15.3	0.13	3.6	7.1	D DAVEPORT
	14	3	34	36-32.9		121-3.9		10.4	1.6	13	77	4.5	0.11	0.6	1.0	A SAN RENITO
	14	4	5	36-32.8		121-3.8		10.4	1.2	12	60	4.3	0.09	0.5	0.9	A SAN RENITO

CENTRAL CALIFORNIA EARTHQUAKES--1975 (CONTINUED)

1975	HR	MIN	SFC	LAT	N	LONG	W	DEPTH	MAG	MO	CAP	DMIN	RMS	FBH	FB7	0	QUAD	NAME
MAY	14	4	59	36-1.7		120-38.2		5.7	1.6	7	135	11.6	0.16	1.7	4.8	0	SLACK CANYON	
	14	7	45	37-9.0		121-1.5		7.0	1.5	11	127	9.8	0.07	0.8	1.0	0	HOWARD PANCH	
	14	11	49	36-31.9		121-2.3		4.8	1.1	9	91	6.1	0.08	0.5	1.4	0	WICKMORE CANYON	
	14	21	54	35-55.7		121-29.9		4.3	1.5	9	111	7.9	0.12	0.8	0.5	0	PARKFIELD	
	14	21	42	36-31.8		121-9.4		6.0	1.9	9	91	5.9	0.06	0.4	1.0	0	WICKMORE CANYON	
	14	21	52	36-55.8		121-41.7		12.3	2.9	53	95	2.6	0.19	0.4	0.3	0	WATSONVILLE EAST	
	15	0	36	36-36.7		121-9.5		9.4	1.1	14	57	4.9	0.14	0.6	1.1	0	WICKMORE CANYON	
	15	1	29	36-54.3		121-29.4		4.6	1.9	17	55	2.2	0.10	0.4	0.7	0	SAN FELIPE	
	15	1	35	36-56.3		121-29.0		4.6	1.2	21	54	2.5	0.07	0.2	0.3	0	SAN FELIPE	
	15	4	5	36-33.7		121-10.8		3.2	1.4	9	66	1.8	0.08	0.5	0.4	0	WICKMORE CANYON	
	15	6	18	36-57.8		121-35.5		7.2	2.1	59	49	4.2	0.15	0.4	0.7	0	SAN JUAN BAUTISTA	
	16	6	5	36-34.6		121-7.1		13.2	2.4	41	49	6.3	0.16	0.4	0.3	0	SAN DENITO	
	16	6	17	36-34.6		121-7.2		12.5	1.6	25	50	6.2	0.09	0.3	0.4	0	SAN DENITO	
	16	9	38	36-35.0		121-14.0		9.8	2.5	37	49	4.1	0.14	0.3	0.5	0	WICKMORE CANYON	
	16	13	32	37-55.6		122-18.0		7.6	2.1	54	49	6.0	0.14	0.3	0.4	0	RICHMOND	
	16	15	6	37-51.1		122-14.9		11.6	1.3	25	54	2.6	0.14	0.5	0.5	0	OAKLAND EAST	
	16	19	43	38-40.5		122-49.0		5.8	1.3	16	71	6.6	0.15	0.6	1.9	0	JIMTOWN	
	16	21	19	37-21.7		121-42.1		9.2	1.8	43	83	4.9	0.12	0.3	0.7	0	LICK OBSERVATORY	
	16	22	32	37-21.6		121-42.2		5.3	2.3	59	42	4.7	0.15	0.3	0.4	0	LICK OBSERVATORY	
	17	0	2	36-35.0		121-7.1		14.1	1.1	10	69	6.4	0.07	0.5	0.9	0	SAN DENITO	
	17	5	37	37-10.0		121-32.8		5.9	1.7	49	100	6.9	0.15	0.3	1.0	0	MT SIZER	
	17	10	31	37-19.1		121-40.4		5.1	1.4	25	57	3.8	0.10	0.3	0.3	0	LICK OBSERVATORY	
	17	12	3	38-47.1		123-12.7		2.1	1.1	6	203	3.1	0.02	0.3	0.1	0	SW 1/4 HOPLAND	
	17	14	23	36-35.1		121-13.9		8.2	1.1	14	67	4.0	0.05	0.2	0.4	0	WICKMORE CANYON	
	17	17	8	37-33.0		121-35.2		6.5	1.6	17	107	6.7	0.21	1.3	0.9	0	CEDAR MTN	
	17	13	30	36-29.7		121-6.5		8.5	1.0	11	73	3.4	0.11	0.6	1.3	0	TOPO VALLEY	
	17	20	57	36-34.1		121-7.2		13.0	2.2	55	56	6.2	0.14	0.4	0.3	0	SAN DENITO	
	17	22	50	36-12.8		120-48.3		2.7	1.7	10	99	0.9	0.12	0.7	0.6	0	MONARCH PEAK	
	18	1	16	36-32.9		121-5.7		12.8	1.2	12	76	4.6	0.12	0.8	1.6	0	SAN DENITO	
	18	3	40	36-28.9		121-5.9		5.2	2.5	33	62	3.7	0.16	0.4	0.7	0	TOPO VALLEY	
	18	10	24	36-40.7		121-5.7		6.8	1.2	13	94	1.8	0.12	0.6	0.8	0	PANOCH PASS	
	18	11	25	36-34.1		121-6.7		12.8	1.0	12	79	7.0	0.08	0.5	0.8	0	SAN DENITO	
	18	14	10	37-14.7		121-39.0		6.5	1.5	20	82	2.5	0.11	0.4	0.8	0	MORGAN HILL	
	18	21	55	37-28.2		121-41.0		2.0	1.0	7	119	10.5	0.13	0.8	0.7	0	MT DAY	
	19	2	39	35-47.6		121-7.4		8.0	2.6	21	244	32.6	0.15	1.8	1.2	0	BRYSON	
	19	2	43	35-47.7		121-7.3		7.7	2.4	21	234	32.4	0.16	1.7	1.1	0	BRYSON	
	19	4	40	37-29.4		121-43.1		5.4	1.5	29	68	8.4	0.15	0.4	0.4	0	MT DAY	
	19	5	20	37-11.8		120-57.6		4.0	2.6	62	119	17.6	0.22	0.5	0.3	0	INGOMAR	
	19	6	46	37-18.3		121-38.4		4.7	1.3	20	69	4.1	0.11	0.4	0.4	0	LICK OBSERVATORY	
	19	17	26	36-38.5		121-15.2		8.7	1.1	15	60	1.4	0.10	0.5	0.8	0	PAICINES	
	19	23	11	36-38.5		121-17.6		4.0	1.5	21	38	3.2	0.09	0.2	0.5	0	PAICINES	
	20	10	42	36-32.8		121-5.3		9.8	1.1	14	83	4.2	0.13	0.6	1.2	0	SAN DENITO	
	20	15	11	36-34.7		121-9.2		11.9	1.9	9	65	3.2	0.10	0.8	1.9	0	WICKMORE CANYON	
	20	15	35	35-45.2		121-15.5		5.2	2.0	17	108	12.3	0.12	0.9	0.6	0	ELMPC MTN	
	20	15	57	38-49.0		122-48.1		2.7	0.9	8	129	4.1	0.06	0.4	0.3	0	THE GEYSERS	

CENTRAL CALIFORNIA EARTHQUAKES--1975 (CONTINUED)

1975	HR	MIN	SEC	LAT	N	LONG	W	DEPTH	MAG	NO	GAP	D	MIN	PMS	ERH	ER7	0	QUADRANGLE
MAY	20	17	41	37-	7.3	121-42.7	10.9	2.0	47	56	2.3	0.16	0.3	0.16	0.3	0.4	B	MT MADONNA
	20	18	26	36-53.8		121-20.5	2.9	1.4	19	85	3.2	0.12	0.4	0.12	0.4	0.3	A	THREE SISTERS
	20	18	49	37- 1.4		122- 8.3	4.7	1.6	17	150	3.7	0.23	1.6	0.23	1.6	1.0	C	DAVENPORT
	20	23	53	36-59.9		121-26.1	4.1	1.0	14	71	3.4	0.15	0.6	0.15	0.6	1.0	B	SAN FELIPE
	21	0	1	37-49.8		122-11.5	5.3	1.5	15	54	3.7	0.09	0.4	0.09	0.4	0.5	A	OAKLAND EAST
	21	5	16	36-56.8		121-34.7	5.7	1.1	23	45	1.3	0.05	0.1	0.05	0.1	0.3	A	CHITTENDEN
	21	21	43	36-54.2		121-29.1	4.9	2.0	32	37	2.5	0.10	0.2	0.10	0.2	0.4	A	SAN FELIPE
	21	23	0	36-45.3		121-35.7	3.3	2.4	58	65	5.1	0.14	0.3	0.14	0.3	0.2	B	SAN JUAN BAUTISTA
	22	2	11	36-13.1		120-48.9	3.3	1.4	7	102	1.8	0.16	1.5	0.16	1.5	2.1	B	MONARCH PEAK
	22	2	42	36-13.1		120-49.7	1.1	1.4	9	97	3.1	0.11	0.7	0.11	0.7	0.5	B	MONARCH PEAK
	22	6	18	38-25.1		122-38.1	9.6	1.5	22	78	6.7	0.10	0.4	0.10	0.4	0.7	A	SANTA ROSA
	22	9	39	35-57.1		120-33.4	11.1	2.9	20	120	7.5	0.19	0.9	0.19	0.9	1.1	B	STOCKDALE MTN
	22	13	0	36-11.8		120-48.7	9.4	3.2	32	111	2.6	0.22	0.7	0.22	0.7	0.8	B	MONARCH PEAK
	22	13	37	36-54.3		121-29.1	4.4	0.8	17	70	2.5	0.08	0.3	0.08	0.3	0.3	A	SAN FELIPE
	22	14	42	36-34.7		121-13.5	8.1	2.4	34	69	3.2	0.12	0.3	0.12	0.3	0.6	A	RICKMORE CANYON
	22	14	44	36-12.2		120-48.6	6.2	1.4	13	100	1.9	0.15	0.8	0.15	0.8	1.2	B	MONARCH PEAK
	22	16	10	37-42.9		122-22.2	5.8	1.8	19	102	12.6	0.23	0.9	0.23	0.9	2.1	C	HUNTERS POINT
	22	18	4	38-47.5		122-48.4	2.7	0.9	11	74	4.4	0.06	0.3	0.06	0.3	0.2	A	THE GEYSERS
	23	2	36	36-59.1		121-27.3	4.0	1.0	15	65	5.2	0.16	0.6	0.16	0.6	1.2	B	SAN FELIPE
	23	5	16	36-39.2		121-18.4	5.2	2.9	51	41	3.4	0.18	0.4	0.18	0.4	0.4	B	PAICINES
	23	5	55	37- 0.9		121-40.5	9.4	1.1	27	51	5.6	0.13	0.5	0.13	0.5	1.2	A	MT MADONNA
	23	7	9	35-57.4		120-32.7	10.8	1.3	10	137	6.5	0.11	0.9	0.11	0.9	1.7	B	STOCKDALE MTN
	23	9	17	35-57.7		120-32.6	11.9	2.1	15	128	6.5	0.15	1.0	0.15	1.0	0.8	B	STOCKDALE MTN
	23	11	31	38-27.5		122-38.2	10.8	1.7	24	76	7.3	0.13	0.4	0.13	0.4	0.8	A	SANTA ROSA
	23	11	52	37-33.0		121-52.7	6.5	1.3	28	66	3.3	0.15	0.4	0.15	0.4	0.7	B	NILES
	23	11	56	35-57.7		120-32.7	10.6	1.5	12	139	6.6	0.14	1.1	0.14	1.1	1.8	C	STOCKDALE MTN
	23	12	33	37-33.2		121-52.5	12.8	1.5	32	68	3.6	0.12	0.4	0.12	0.4	0.4	A	LA COSTA VALLEY
	23	16	45	37-42.9		122-21.9	6.1	1.5	15	86	12.9	0.16	0.9	0.16	0.9	4.6	C	HUNTERS POINT
	23	19	18	36-41.7		121-12.9	15.1	1.3	17	64	5.0	0.10	0.5	0.10	0.5	0.6	A	CHERRY PEAK
	23	23	4	37-59.2		122-27.6	4.6	1.4	19	106	14.1	0.11	0.4	0.11	0.4	0.5	B	SAN QUENTIN
	24	0	38	36-10.3		120-46.3	6.5	2.2	20	105	5.2	0.17	0.7	0.17	0.7	1.2	B	MONARCH PEAK
	24	0	47	35-47.3		120-20.8	6.1	1.7	6	278	4.8	0.05	2.0	0.05	2.0	1.3	C	CHOLAME VALLEY
	24	4	31	36-32.4		121-10.4	9.1	0.8	19	75	4.2	0.04	0.2	0.04	0.2	0.5	A	RICKMORE CANYON
	24	6	20	36-32.0		121- 9.7	6.1	1.8	21	63	5.3	0.08	0.2	0.08	0.2	0.6	A	RICKMORE CANYON
	24	7	23	35-57.9		120-32.2	11.9	1.6	10	142	6.1	0.12	1.1	0.12	1.1	1.5	C	STOCKDALE MTN
	24	12	7	36-27.0		121- 4.1	6.4	1.9	23	65	5.3	0.10	0.3	0.10	0.3	0.8	A	TOPO VALLEY
	24	21	52	36-30.8		121- 7.9	11.0	1.0	10	84	5.0	0.07	0.4	0.07	0.4	1.1	A	RICKMORE CANYON
	25	3	16	36-55.4		121-28.4	4.6	1.0	18	58	3.2	0.08	0.3	0.08	0.3	0.8	A	SAN FELIPE
	25	4	4	35-57.5		120-33.4	3.1	1.8	11	126	7.5	0.16	1.1	0.16	1.1	0.7	R	STOCKDALE MTN
	25	6	15	37-11.6		120-58.3	3.8	3.0	48	129	16.7	0.20	0.6	0.20	0.6	0.4	C	INGOMAR
	25	12	44	35-57.5		120-32.7	11.4	2.7	17	79	6.6	0.15	0.8	0.15	0.8	0.7	B	STOCKDALE MTN
	25	13	34	37-36.8		121-46.4	7.0	2.1	35	73	12.2	0.13	0.4	0.13	0.4	0.6	B	LA COSTA VALLEY
	25	16	34	39-21.5		123-16.4	9.1	3.2	26	235	46.4	0.14	2.5	0.14	2.5	0.8	D	SF 1/4 WILLITS
	25	20	39	43.4		121-10.8	3.5	2.7	42	64	2.5	0.13	0.3	0.13	0.3	0.3	A	RICKMORE CANYON
	25	21	24	36-54.1		120-54.5	6.9	1.6	15	115	9.9	0.16	0.8	0.16	0.8	2.6	B	OPTICALITA PEAK NW

CENTRAL CALIFORNIA EARTHQUAKE S--1975 (CONTINUED)

1975	HR	MIN	SEC	LAT	N	LONG	W	DEPTH	MAG	NO	CAP	DMIN	RMS	FRH	FRZ	Q	QUADRANT
MAY	26	0	17	41.4	38-49.8	122-25.3	9.6	1.7	16	192	25.4	0.14	1.1	1.5	C	JERICHO VALLEY	
	26	0	29	18.9	38-50.2	122-25.0	4.1	1.3	20	194	25.6	0.21	1.4	0.8	C	JERICHO VALLEY	
	26	4	32	16.7	38-47.8	122-48.6	1.7	1.2	13	70	4.6	0.09	0.4	0.3	A	THE GEYSERS	
	26	14	21	35.5	36-54.4	121-29.4	6.9	2.7	65	75	2.0	0.16	0.3	0.6	B	SAN FELIPE	
	26	15	21	28.6	36-54.4	121-29.0	4.6	1.6	27	48	2.5	0.09	0.2	0.3	A	SAN FELIPE	
	26	16	55	18.6	36-42.8	121-22.1	2.6	2.1	30	48	2.7	0.15	0.4	0.4	A	PAICINES	
	26	19	50	50.7	38-7.8	121-51.1	13.1	2.1	47	112	12.1	0.16	0.6	0.4	R	ANTILOC NORTH	
	26	20	0	47.9	36-54.4	121-29.0	4.5	1.0	15	59	2.4	0.09	0.4	0.5	A	SAN FELIPE	
	27	5	12	5.7	36-36.2	121-9.9	9.0	1.4	19	54	3.8	0.11	0.4	0.7	A	RICKMORE CANYON	
	27	6	35	23.0	35-59.3	120-35.5	1.5	1.6	9	142	11.6	0.09	0.8	0.7	B	STOCKDOLF MTN	
	27	8	16	43.1	37-40.6	122-3.7	4.0	2.1	53	39	3.6	0.15	0.3	0.3	B	HAYWARD	
	27	12	35	36.3	36-57.4	121-36.7	7.4	2.5	66	74	2.6	0.13	0.2	0.4	A	CHITTENDEN	
	27	17	11	23.2	38-47.9	122-48.1	2.2	1.9	22	64	4.1	0.12	0.3	0.3	A	THE GEYSERS	
	27	20	46	14.7	36-35.9	121-7.6	11.9	1.0	13	58	6.1	0.10	0.6	1.1	A	HICKMOPE CANYON	
	27	21	11	53.1	36-12.4	120-49.0	5.7	1.4	9	105	2.2	0.08	0.7	1.1	B	MONARCH PEAK	
	28	4	2	4.7	36-12.9	120-49.0	5.7	1.4	9	102	2.0	0.06	0.5	0.7	B	MONARCH PEAK	
	28	3	17	29.3	36-57.3	121-36.1	6.2	1.1	19	46	1.6	0.04	0.1	0.3	A	CHITTENDEN	
	28	13	11	4.6	37-58.9	122-3.6	10.5	2.4	48	73	7.4	0.17	0.4	0.4	R	WALNUT CREEK	
	28	17	47	31.1	36-59.8	121-39.7	2.2	1.0	11	76	5.7	0.11	0.5	0.4	B	WATSONVILLE EAST	
	28	17	55	56.6	36-54.5	121-37.5	1.4	1.4	15	117	4.0	0.19	0.7	0.6	R	WATSONVILLE EAST	
	28	19	18	7.1	36-24.0	120-45.8	8.0	1.6	13	178	5.8	0.14	1.1	1.2	C	HERMANDEF7 RESERVOIR	
	28	22	58	3.7	36-38.8	121-16.7	4.9	1.5	16	62	2.2	0.09	0.3	0.6	A	PAICINES	
	29	4	0	41.1	36-27.8	121-5.1	7.0	2.2	28	63	5.3	0.10	0.3	0.7	A	TOPO VALLEY	
	29	4	24	3.0	36-33.2	121-10.6	3.4	1.5	15	69	2.6	0.06	0.3	0.2	A	RICKMORE CANYON	
	29	4	41	40.7	36-54.3	121-29.5	4.5	1.1	21	50	2.0	0.07	0.2	0.3	A	SAN FELIPE	
	29	7	58	2.7	36-55.7	121-28.2	5.4	0.9	16	59	3.6	0.08	0.3	0.7	A	SAN FELIPE	
	29	8	12	30.5	36-36.5	121-14.8	4.3	1.0	9	61	3.0	0.05	0.3	0.6	A	RICKMORE CANYON	
	29	9	55	39.4	37-53.4	121-49.9	6.8	2.5	68	62	7.0	0.17	0.4	0.4	B	ANTILOC SOUTH	
	29	14	1	41.2	39-19.8	123-14.6	8.1	3.2	25	204	42.6	0.15	1.9	0.7	C	REDWOOD VALLEY	
	29	14	11	35.9	38-47.8	122-48.2	3.3	1.0	9	72	4.2	0.10	0.6	0.4	A	THE GEYSERS	
	29	17	39	20.3	36-52.1	121-35.4	5.0	1.0	20	67	1.8	0.15	0.6	0.6	B	SAN JUAN BAUTISTA	
	29	19	3	39.3	37-55.2	121-57.0	0.1	1.6	20	75	4.0	0.18	0.5	0.5	B	CLAYTON	
	30	0	56	51.3	38-47.7	122-46.2	1.9	1.0	10	90	1.8	0.05	0.3	0.2	A	THE GEYSERS	
	30	15	59	2.4	36-32.1	121-9.2	9.2	1.1	13	78	5.5	0.06	0.3	0.7	A	RICKMORE CANYON	
	31	1	45	49.6	37-58.7	122-3.3	8.6	1.5	31	70	7.4	0.18	0.5	0.8	B	WALNUT CREEK	
	31	6	17	11.5	36-33.8	121-11.6	5.7	2.3	31	58	1.3	0.11	0.3	0.5	A	RICKMORE CANYON	
	31	7	48	35.3	36-54.4	121-29.1	4.9	1.4	25	47	2.3	0.07	0.2	0.5	A	SAN FELIPE	
	31	15	41	18.9	38-48.5	122-48.2	3.1	0.9	10	75	4.2	0.07	0.4	0.3	A	THE GEYSERS	
	31	19	23	5.7	37-28.4	121-49.4	5.3	2.4	61	67	3.2	0.16	0.3	0.3	B	CALAVERAS RESERVOIR	
	31	21	54	2.7	37-55.8	122-24.6	4.4	1.3	15	120	7.9	0.13	0.6	0.7	B	SAN GUFNTIN	
	31	22	30	1.5	37-56.1	121-41.6	9.5	1.7	14	104	16.8	0.25	1.8	3.1	C	PRENTWOOD	
JUN	1	3	24	30.0	38-48.7	122-48.7	2.0	1.0	11	70	5.0	0.07	0.3	0.2	A	THE GEYSERS	
	1	4	37	16.2	37-22.6	122-27.1	6.8	0.9	11	201	10.7	0.07	0.6	1.7	C	HALF MOON RAY	
	1	4	46	3.0	37-18.5	121-40.1	4.8	1.8	44	54	4.4	0.13	0.3	0.2	A	LICK OBSERVATORY	
	1	8	15	16.3	38-47.5	122-48.3	2.8	1.2	14	69	4.6	0.08	0.3	1.2	A	THE GEYSERS	

CENTRAL CALIFORNIA EARTHQUAKES--1975 (CONTINUED)

1975	HR	FN	SEC	LAT	N	LONG	W	DEPTH	MAG	NO	CAP	DMIN	RMS	FRH	FR7	Q	QUADRANGLE
JUN	1	12	54	36-56.2	38-48.4	122-47.0	1.8	1.0	9	71	2.4	0.07	0.4	0.3	A	THE GEYSERS	
	1	14	53	38-48.4	38-48.4	122-47.3	0.9	0.8	8	73	2.8	0.10	0.5	0.5	A	THE GEYSERS	
	1	15	2	38-48.4	38-48.4	122-47.3	0.9	0.8	5	72	2.8	0.08	0.4	0.4	A	THE GEYSERS	
	1	15	11	35-57.2	35-57.2	120-22.5	3.7	2.4	11	129	2.1	0.15	1.3	0.5	B	CHOLAME VALLEY	
	1	16	40	36-47.0	36-47.0	121-19.1	4.3	1.5	13	113	4.1	0.13	0.6	0.7	B	PAICINES	
	2	2	4	36-55.9	36-55.5	121-24.5	4.6	1.0	16	71	6.4	0.10	0.4	0.9	B	SAN FELIPE	
	2	4	6	36-40.7	36-40.7	121-5.5	5.5	1.0	9	95	2.0	0.07	0.6	0.4	A	PANOCH PASS	
	2	5	31	37-24.5	37-24.5	122-17.3	5.8	1.9	14	96	1.8	0.13	0.6	0.9	B	WOODSIDE	
	2	8	10	37-29.1	37-29.1	121-48.3	6.0	1.3	24	72	3.8	0.16	0.5	0.6	B	CALAVERAS RESERVOIR	
	2	12	43	36-33.3	36-33.3	121-5.7	10.3	1.6	15	109	5.3	0.13	0.6	1.0	B	SAN VENITO	
	2	12	50	36-4.8	36-4.8	120-40.1	2.2	1.9	14	116	5.7	0.23	2.3	3.0	B	SLACK CANYON	
	2	13	34	36-37.8	36-37.8	121-16.3	4.1	1.0	11	128	3.5	0.08	0.5	0.8	B	PAICINES	
	2	14	15	37-54.9	37-54.9	122-17.2	5.1	1.5	29	59	5.3	0.17	0.5	0.5	B	RICHMOND	
	2	15	24	36-3.1	36-3.1	120-38.7	2.0	1.4	9	151	9.4	0.26	3.0	1.5	C	SLACK CANYON	
	2	19	1	38-49.3	38-49.3	122-48.8	1.6	1.3	14	84	5.4	0.12	0.4	0.4	B	THE GEYSERS	
	2	21	1	36-58.3	36-58.3	121-37.8	7.0	1.0	9	66	4.4	0.04	0.3	0.6	A	WATSONVILLE EAST	
	2	21	8	36-58.3	36-58.3	121-38.0	7.0	1.2	18	64	4.7	0.05	0.2	0.5	A	WATSONVILLE EAST	
	2	22	18	37-2.0	37-2.0	122-8.3	5.2	1.9	29	157	3.1	0.14	0.6	0.8	B	DAVENPORT	
	2	22	59	36-54.4	36-54.4	121-29.0	5.4	1.1	20	69	2.4	0.06	0.2	0.5	A	SAN FELIPE	
	3	3	42	37-18.9	37-18.9	121-30.6	3.0	1.1	10	83	6.4	0.12	0.5	0.4	B	LICK OBSERVATORY	
	3	3	44	36-12.4	36-12.4	120-47.8	5.4	1.9	20	125	0.9	0.22	1.0	0.8	B	MONARCH PEAK	
	3	11	39	36-57.8	36-57.8	121-26.4	5.4	1.0	21	69	4.1	0.11	0.3	1.1	A	SAN FELIPE	
	3	14	18	36-53.9	36-53.9	121-29.5	5.0	1.1	21	49	2.5	0.10	0.3	0.9	A	SAN FELIPE	
	3	14	47	38-37.6	38-37.6	122-41.7	7.3	2.5	32	65	7.2	0.15	0.4	0.8	A	MOUNT ST HELENA	
	3	17	54	36-33.9	36-33.9	121-11.2	3.2	2.6	33	64	1.1	0.12	0.4	0.3	A	RICKMOPE CANYON	
	4	0	59	36-27.6	36-27.6	120-56.8	5.8	1.2	8	67	3.6	0.12	0.9	1.7	A	LONOAK	
	4	3	6	37-18.3	37-18.3	122-6.2	4.9	1.0	17	39	2.0	0.17	0.6	0.7	B	CUPERTINO	
	4	3	27	36-25.7	36-25.7	121-2.3	5.0	1.4	13	85	1.9	0.06	0.3	0.5	A	TOPP VALLEY	
	4	7	10	36-38.5	36-38.5	121-17.5	4.0	1.4	15	50	3.2	0.09	0.4	0.4	A	PAICINES	
	4	8	27	36-55.0	36-55.0	121-33.4	4.7	1.0	15	63	4.3	0.07	0.3	0.7	A	CHITTENDEN	
	4	9	46	38-47.7	38-47.7	122-48.7	2.8	1.2	12	97	4.3	0.10	0.5	0.4	B	THE GEYSERS	
	4	18	52	37-2.5	37-2.5	122-8.3	0.2	1.9	20	155	3.1	0.13	0.7	0.8	B	DAVENPORT	
	5	0	13	37-0.7	37-0.7	120-26.8	3.2	2.5	32	173	4.9	0.18	0.9	0.4	C	BLISS RANCH	
	5	2	28	36-54.6	36-54.6	121-28.8	6.3	2.9	19	51	2.6	0.07	0.2	0.6	A	SAN FELIPE	
	5	6	16	36-33.4	36-33.4	120-58.9	10.0	1.4	17	89	5.4	0.15	0.6	1.3	A	LLANADA	
	5	6	22	37-10.7	37-10.7	121-33.8	6.1	1.8	55	57	5.7	0.15	0.3	0.9	B	MT SIZER	
	5	6	34	36-37.3	36-37.3	121-16.7	7.2	1.1	13	56	4.3	0.05	0.3	0.5	A	MT JOHNSON	
	5	7	32	35-47.5	35-47.5	120-22.5	2.4	1.3	8	57	4.8	0.03	0.5	0.2	C	CHOLAME HILLS	
	5	9	57	36-30.6	36-30.6	121-8.5	8.6	1.2	11	85	5.9	0.09	0.6	1.1	A	RICKMOPE CANYON	
	5	15	55	37-50.6	37-50.6	122-2.2	5.9	0.9	12	91	3.8	0.08	0.4	0.3	B	LAS TRAMPAS RIDGE	
	5	17	36	36-57.1	36-57.1	121-20.1	4.0	1.8	33	52	7.9	0.20	0.5	0.7	B	THREE SISTERS	
	5	17	37	36-48.3	36-48.3	121-32.5	7.2	2.1	34	50	2.9	0.15	0.4	0.8	A	SAN JUAN RAUTISTA	
	5	21	23	38-48.8	38-48.8	122-48.6	2.2	1.0	7	112	4.8	0.08	0.7	0.6	B	THE GEYSERS	
	6	3	1	35-57.8	35-57.8	120-32.8	9.9	2.2	16	116	6.8	0.15	1.1	0.8	B	STOCKDALE MTN	
	6	4	7	36-2.7	36-2.7	120-36.4	7.1	1.7	13	143	12.0	0.08	0.7	1.4	B	SMITH MTN	

CENTRAL CALIFORNIA EARTHQUAKES--1975 (CONTINUED)

1975	HR	MIN	SEC	LAT	N	LONG	W	DEPTH	MAG	NO	GAP	DMIN	RMS	EPH	FPZ	Q	QUADRANGLE
JUN	6	4	8	36-33.9	121-12.2	6.9	1.5	14	77	1.6	0.04	0.2	0.3	A	0.3	A	PICKMOPF CANYON
	6	7	3	36-55.5	121-28.2	4.9	1.4	26	54	3.5	0.11	0.3	0.9	A	0.9	A	SAN FELIPE
	6	15	46	37-45.1	122-4.5	11.3	1.5	18	55	1.7	0.07	0.3	0.4	A	0.4	A	LAS TRAMPAS RIDGE
	6	18	1	37-30.4	122-24.2	4.4	1.7	26	107	5.3	0.20	0.8	0.9	B	0.9	B	MONTARA MTN
	6	19	53	36-34.3	121-12.6	6.1	2.1	20	63	1.9	0.11	0.3	0.6	A	0.6	A	PICKMOPF CANYON
	7	5	53	36-55.6	121-3.5	6.3	1.4	19	91	17.2	0.16	0.6	2.5	C	2.5	C	LOS PANOS VALLEY
	7	6	38	38-5.7	121-55.7	19.2	2.1	30	85	11.1	0.20	0.8	0.8	R	0.8	R	HONKER RAY
	7	7	38	36-53.4	121-30.0	3.4	0.9	17	46	3.1	0.10	0.3	0.3	A	0.3	A	SAN FELIPE
	7	9	9	36-25.7	121-2.2	4.7	1.6	13	94	1.6	0.07	0.3	0.6	A	0.6	A	TOPO VALLEY
	7	9	55	36-34.4	121-4.1	12.8	1.6	20	67	4.3	0.11	0.4	0.6	A	0.6	A	SAN PENITO
	7	10	30	36-32.4	121-3.7	9.9	1.1	12	70	6.5	0.14	0.7	1.7	A	1.7	A	SAN PENITO
	7	15	7	38-5.0	122-24.1	11.9	1.7	13	85	11.9	0.06	0.3	0.7	B	0.7	B	POTALUMA POINT
	7	19	47	37-12.3	120-58.9	3.5	1.9	28	131	17.0	0.24	1.0	0.6	C	0.6	C	INGOMAR
	7	19	52	38-48.1	122-46.2	4.0	1.5	14	97	1.3	0.12	0.5	0.5	A	0.5	A	THE GEYSERS
	8	6	3	36-55.6	121-28.3	4.9	1.5	32	45	3.4	0.11	0.3	0.6	A	0.6	A	SAN FELIPE
	8	10	15	35-45.8	120-22.5	5.2	3.4	24	106	6.0	0.17	1.1	0.5	B	0.5	B	CHOLAME VALLEY
	8	10	21	35-48.2	120-22.2	4.9	1.2	7	249	3.4	0.01	0.2	0.1	C	0.1	C	CHOLAME VALLEY
	8	11	32	35-47.7	120-22.1	4.9	2.4	13	151	4.2	0.13	1.9	0.9	C	0.9	C	CHOLAME VALLEY
	8	14	13	37-0.6	121-41.8	11.6	1.0	14	69	3.9	0.12	0.8	1.8	A	1.8	A	MT MADONNA
	8	14	26	36-0.1	120-52.1	13.7	1.5	12	166	17.7	0.09	0.6	0.5	B	0.5	B	PANCHO RICO VALLEY
	9	0	48	38-48.6	122-48.0	2.5	1.2	12	76	3.9	0.08	0.3	0.2	A	0.2	A	THE GEYSERS
	9	4	6	36-25.2	121-1.3	3.1	1.5	12	83	0.6	0.12	0.6	0.5	A	0.5	A	TOPO VALLEY
	9	5	18	36-34.4	121-12.2	3.7	1.3	14	66	1.3	0.05	0.2	0.2	A	0.2	A	RICKMORE CANYON
	9	10	17	36-56.9	121-34.8	5.6	1.5	29	45	1.0	0.08	0.2	0.3	A	0.3	A	CHITTENDEN
	9	10	43	36-30.7	121-7.1	0.4	1.4	12	86	3.9	0.10	0.5	0.7	A	0.7	A	SAN PENITO
	9	10	47	38-49.0	122-48.1	2.2	1.2	12	79	4.2	0.08	0.3	0.3	A	0.3	A	THE GEYSERS
	9	11	41	35-59.4	120-35.4	4.2	1.3	11	142	11.5	0.13	1.3	1.3	C	1.3	C	STOCKDALE MTN
	9	12	7	37-59.1	121-38.6	9.9	2.9	45	144	10.4	0.15	0.8	0.5	B	0.5	B	BRENTWOOD
	9	12	48	37-58.2	122-3.4	13.5	1.4	18	30	6.6	0.10	0.4	0.3	A	0.3	A	WALNUT CREEK
	9	16	33	36-38.6	121-17.2	3.7	1.7	19	52	2.7	0.09	0.3	0.3	A	0.3	A	PAICINES
	9	18	59	36-27.4	121-4.0	0.3	1.2	10	82	5.6	0.08	0.5	0.5	B	0.5	B	TOPO VALLEY
	9	19	2	36-56.5	121-34.3	5.5	2.3	52	43	2.1	0.13	0.2	0.4	A	0.4	A	CHITTENDEN
	9	19	13	37-55.2	121-57.0	0.0	1.5	18	76	4.0	0.17	0.5	0.5	B	0.5	B	CLAYTON
	9	19	41	36-45.8	121-16.0	4.3	1.4	16	74	9.1	0.11	0.4	0.5	R	0.5	R	TRES PINOS
	9	21	9	36-30.8	121-7.8	0.4	1.3	12	84	4.9	0.11	0.4	0.6	A	0.6	A	RICKMORE CANYON
	10	0	8	37-15.1	121-37.9	5.9	1.5	27	81	3.9	0.11	0.3	0.5	A	0.5	A	LICK OBSERVATORY
	10	0	17	36-34.3	121-12.0	3.9	0.8	11	65	0.9	0.06	0.3	0.3	A	0.3	A	RICKMORE CANYON
	10	10	57	36-31.3	121-7.2	0.2	0.9	7	89	4.2	0.09	0.5	0.6	A	0.6	A	SAN PENITO
	10	13	52	36-30.5	120-43.0	9.5	2.3	23	112	17.5	0.20	0.9	1.3	B	1.3	B	TUMEY HILLS
	10	15	51	38-55.6	122-39.8	6.3	1.8	15	196	7.7	0.21	1.7	3.5	C	3.5	C	CLEARLAKE HIGHLANDS
	10	16	38	38-43.2	122-28.1	8.7	1.2	11	231	15.4	0.06	1.0	1.6	C	1.6	C	AFTNA SPRINGS
	10	17	49	35-49.9	120-25.8	1.5	2.3	11	165	5.7	0.12	0.6	0.4	R	0.4	R	CHOLAME HILLS
	10	19	31	36-54.6	121-29.3	4.1	1.0	14	81	1.9	0.08	0.3	0.4	A	0.4	A	SAN FELIPE
	10	18	40	37.2	120-24.1	3.7	1.9	6	133	3.7	0.07	0.7	0.5	B	0.5	B	CHOLAME HILLS
	10	19	24	36-31.2	121-6.5	0.1	1.2	7	133	3.1	0.03	0.4	0.4	B	0.4	B	SAN PENITO

CENTRAL CALIFORNIA EARTHQUAKES--1975 (CONTINUED)

1975	HR	MIN	SEC	LAT N	LONG W	DEPTH	MAG	NO	GAP	DMIN	PMS	FRII	ERZ	Q	QUADRANGLE
JUN	10	21	42	10.0	36-30.9	121-6.9	0.0	1.4	9	89	3.6	0.08	0.4	0.6	A SAN RENITO
	10	23	9	55.1	36-54.4	121-36.9	1.5	1.6	15	85	3.2	0.23	0.8	0.6	B CHITTENDEH
	11	5	3	34.2	36-32.1	121-8.8	3.6	1.5	16	74	5.8	0.11	0.4	0.5	R HICKMORE CANYON
	11	5	50	36.5	38-55.7	122-39.5	6.0	1.4	10	135	8.1	0.11	0.0	3.5	C CLIFLAKE HIGHLANDS
	11	5	53	44.2	36-56.9	121-34.8	5.7	0.0	13	68	1.2	0.04	0.2	0.3	A CHITTENDEN
	11	6	25	7.3	37-21.3	121-41.6	6.7	1.3	21	82	5.5	0.14	0.5	1.6	A LICK OBSERVATORY
	11	7	36	56.6	36-31.5	121-8.5	5.1	1.1	9	84	6.1	0.10	0.6	1.6	B RICKMORE CANYON
	11	9	32	53.8	36-31.0	121-6.7	0.5	1.4	11	88	3.3	0.09	0.5	0.6	A SAN RENITO
	11	10	24	1.3	36-54.7	121-29.3	4.8	1.7	34	48	1.9	0.10	0.2	0.3	A SAN FELIPE
	11	10	47	19.3	38-47.6	122-48.6	2.7	0.8	8	79	4.4	0.06	0.4	0.3	A THE GEYSERS
	11	10	50	58.1	37-25.5	121-36.5	6.0	1.6	26	80	9.8	0.21	0.7	1.5	B EYLAR MTN
	11	11	38	18.5	37-11.8	120-58.3	4.6	2.8	54	77	16.9	0.20	0.5	0.4	C INGOMAR
	11	12	21	0.6	36-30.9	121-6.9	0.1	1.4	9	88	3.6	0.05	0.3	0.4	A SAN RENITO
	11	12	23	36.6	36-35.2	121-14.0	1.1	0.8	10	61	3.5	0.11	0.5	0.5	A RICKMORE CANYON
	11	16	35	31.6	36-28.2	120-48.2	4.5	1.7	16	167	10.8	0.28	1.4	1.3	C HERNANDEZ RESERVOIR
	11	17	7	29.8	37-17.8	122-6.3	5.6	2.1	44	40	1.5	0.12	0.3	0.3	A CUPERTINO
	11	18	41	42.8	36-37.7	120-39.1	6.8	3.3	23	124	8.1	0.26	1.3	1.1	B SLACK CANYON
	11	19	22	11.9	36-53.8	121-29.1	8.3	1.1	20	50	3.1	0.08	0.3	0.6	A SAN FELIPE
	12	1	57	34.0	36-54.4	121-29.2	4.5	1.0	15	58	2.2	0.09	0.4	0.5	A SAN FELIPE
	12	6	53	46.3	36-28.9	121-5.9	5.1	2.1	22	62	3.8	0.14	0.5	0.8	A TOPO VALLEY
	12	9	39	11.3	37-56.5	122-1.0	12.6	1.1	20	39	8.1	0.08	0.3	0.3	A WALNUT CREEK
	12	11	41	47.6	36-34.3	121-12.0	4.8	0.8	9	82	1.1	0.02	0.1	0.1	A BICKMORF CANYON
	12	14	40	24.8	36-54.3	121-29.4	4.6	1.3	21	46	2.1	0.07	0.2	0.3	A SAN FELIPE
	12	20	27	3.4	37-40.4	122-30.7	6.4	2.1	40	162	5.2	0.17	0.6	0.5	C ***GULF OF THE FARALLONES***
	12	21	4	48.6	37-17.7	121-39.4	4.3	1.1	13	78	4.4	0.15	0.7	0.4	B LICK OBSERVATORY
	12	21	41	47.9	36-54.6	121-37.3	1.5	1.6	21	74	4.0	0.20	0.5	0.5	B CHITTENDEN
	12	23	0	56.1	36-30.2	121-7.1	0.2	1.9	17	47	3.8	0.12	0.4	0.6	A SAN RENITO
	12	23	26	39.3	38-49.3	122-48.7	1.6	1.1	13	75	5.3	0.10	0.4	0.3	B THE GEYSERS
	13	4	25	34.3	36-54.3	121-29.3	7.2	2.2	46	35	2.2	0.15	0.3	0.7	A SAN FELIPE
	13	4	30	41.4	36-37.7	121-17.3	7.8	1.3	19	53	4.4	0.10	0.4	0.8	A PAICINES
	13	8	11	26.4	37-9.7	121-32.0	8.1	0.9	15	109	8.0	0.09	0.4	1.0	B MT SIZER
	13	9	18	37.5	36-30.8	121-6.9	0.4	1.3	11	85	3.5	0.11	0.4	0.5	A SAN RENITO
	13	9	21	10.3	36-31.0	121-7.1	0.1	1.6	14	84	4.0	0.11	0.4	0.5	A SAN RENITO
	13	9	31	45.2	36-30.3	121-6.8	0.2	1.3	9	57	3.4	0.07	0.5	0.8	A SAN RENITO
	13	9	49	12.7	36-7.9	120-40.5	5.5	1.8	14	100	1.4	0.10	0.6	0.6	B PPIEST VALLY
	13	13	12	20.1	36-30.8	121-6.9	0.0	1.5	12	90	3.6	0.11	0.5	0.7	A SAN RENITO
	13	13	58	29.8	36-51.9	121-33.7	4.5	1.7	18	63	3.4	0.15	0.5	0.7	A SAN JUAN RAUTISTA
	13	16	44	32.2	36-55.6	121-28.1	5.7	1.0	18	55	3.7	0.07	0.2	0.7	A SAN FELIPE
	13	19	36	31.1	36-54.6	121-29.4	5.2	2.2	42	44	1.8	0.14	0.3	0.4	A SAN FELIPE
	13	22	14	44.4	37-1.7	122-8.8	6.0	1.9	29	160	3.8	0.13	0.6	0.5	B DAVENPORT
	13	22	37	41.6	36-30.5	121-6.9	0.0	1.5	14	38	3.6	0.10	0.4	0.6	A SAN RENITO
	14	1	28	17.4	38-32.5	122-46.2	2.8	1.4	20	72	4.2	0.15	0.6	0.5	A HFALDSPURG
	14	1	51	57.7	36-54.8	121-35.9	3.6	0.7	13	79	1.9	0.10	0.4	0.4	A CHITTENDEN
	14	2	28	2.6	36-54.6	121-29.0	4.8	1.7	23	48	2.3	0.09	0.3	0.4	A SAN FELIPE
	14	2	33	56.9	36-30.3	121-7.1	0.3	1.5	14	51	3.9	0.11	0.4	0.6	A SAN RENITO

CENTRAL CALIFORNIA EARTHQUAKES--1975 (CONTINUED)

1975	HR	MN	SEC	LAT N	LONG W	DEPTH	MAG	NO GAP	DMIN	RMS	ERH	EPZ 0	QUADRANGLE
JUN	18	10	38	40.1	122-56.0	12.6	1.1	15	88	0.14	0.7	0.7	A
	18	11	38	54.5	121-50	14.9	1.0	6	175	0.04	0.9	1.6	B
	18	15	56	45.4	121-21	0.2	2.2	17	87	0.2	0.5	0.6	A
	18	17	50	19.8	120-57.8	4.8	3.8R	52	69	0.21	0.6	0.4	C
	18	18	45	29.4	121-7.1	0.1	1.7	13	89	0.15	0.6	1.0	A
	18	19	15	17.1	121-56.3	4.0	1.5	15	110	0.28	1.3	1.0	C
	18	20	0	54.6	122-48.3	3.3	2.2	25	63	0.16	0.4	0.3	B
	18	22	0	42.0	121-21	0.1	2.0	18	68	0.13	0.4	0.5	A
	18	22	9	42.4	121-14.6	8.0	1.6	16	67	0.05	0.2	0.5	A
	18	23	0	45.6	121-36.4	5.0	2.0	38	82	0.17	0.5	0.5	A
	18	23	6	46.8	122-27.7	4.9	1.6	12	100	0.12	0.6	0.9	B
	19	0	12	2.9	121-18.8	2.4	1.6	13	93	0.16	0.9	1.0	B
	19	1	27	27.2	121-6.8	0.2	1.5	10	54	0.06	0.3	0.5	A
	19	4	50	22.0	121-7.0	0.0	1.3	10	90	0.07	0.4	0.7	B
	19	9	36	31.1	122-15.8	0.5	1.4	19	97	0.11	0.5	0.7	A
	19	9	40	11.2	122-15.7	9.8	1.8	30	83	0.13	0.4	0.6	A
	19	10	44	39.9	122-15.7	9.1	1.7	24	87	0.11	0.4	0.6	A
	19	11	26	35.1	121-38.3	7.4	2.0	26	89	0.26	1.0	1.7	B
	19	14	52	33.8	122-15.6	8.9	1.1	17	92	0.13	0.6	0.9	A
	19	14	52	43.7	122-16.4	8.2	1.5	13	94	0.11	0.5	1.0	B
	19	16	17	53.7	122-16.1	9.7	3.1	59	68	0.18	0.4	0.4	B
	19	19	0	49.2	122-16.2	9.3	2.0	32	89	0.12	0.4	0.6	A
	19	19	46	1.4	122-15.6	9.8	1.6	21	67	0.14	0.6	0.9	A
	19	21	58	0.7	122-15.8	9.2	1.8	27	88	0.11	0.4	0.6	A
	19	22	6	38.8	122-16.2	0.0	1.2	15	75	0.14	0.7	1.1	A
	20	0	2	17.3	122-16.0	7.6	1.0	15	68	0.13	0.6	1.2	A
	20	0	5	10.1	122-16.3	9.4	1.6	25	75	0.11	0.4	0.6	A
	20	1	8	20.7	122-16.1	9.6	1.2	13	118	0.14	0.9	1.3	B
	20	2	15	14.5	122-15.8	9.1	1.5	25	71	0.15	0.5	0.8	A
	20	3	45	25.3	122-16.0	9.5	1.6	21	71	0.10	0.5	0.7	A
	20	4	1	38.7	122-16.1	9.8	1.5	25	69	0.14	0.6	0.6	A
	20	4	40	25.0	122-15.9	9.0	1.8	31	71	0.10	0.3	0.4	A
	20	5	6	14.4	122-15.8	9.0	2.3	49	69	0.17	0.4	0.6	B
	20	5	9	46.1	122-15.6	8.4	1.0	13	102	0.12	0.7	1.2	B
	20	5	34	0.7	122-15.9	9.7	2.9	58	65	0.16	0.4	0.4	B
	20	5	35	36.4	122-15.7	9.5	1.3	20	67	0.14	0.7	1.0	A
	20	5	45	50.1	122-15.8	9.3	1.5	22	67	0.14	0.6	0.8	A
	20	5	53	50.6	122-16.7	10.1	1.2	13	135	0.14	1.0	1.0	B
	20	7	17	56.0	121-4.3	9.0	2.2	28	79	0.14	0.4	0.7	A
	20	8	6	0.1	122-15.9	10.0	1.6	28	69	0.13	0.4	0.6	A
	20	8	16	18.0	122-15.7	10.0	3.0	61	62	0.18	0.4	0.4	B
	20	9	41	33.3	122-16.3	9.4	1.6	27	76	0.12	0.4	0.7	A
	20	10	22	2.7	122-16.1	8.2	0.9	12	116	0.11	0.4	1.2	B
	20	14	22	36.2	122-16.1	10.4	1.5	24	71	0.11	0.4	0.5	A
	20	15	9	17.3	121-16.2	8.7	1.9	44	92	0.14	0.3	0.6	B

CENTRAL CALIFORNIA EARTHQUAKES---1975 (CONTINUED)

1975	HR	MIN	SEC	LAT N	LONG W	DEPTH	MAG	NO GAP	DMIN	RMS	FRH	EPZ Q	QUADRANGLE
JUN 20	17	7	59.9	37-22.1	122-15.8	10.0	2.1	30	66	5.5	0.15	0.6 A	LA HONDA
20	18	33	35.0	36-36.8	121-53.7	2.8	1.7	19	106	2.5	0.12	0.5 B	MONTFREY
20	20	26	14.8	37-27.6	122-16.3	9.2	1.3	12	75	4.7	0.14	1.3 A	WOODSIDE
20	20	33	34.6	36-45.0	121-16.3	4.6	0.9	12	92	3.6	0.11	0.6 B	TRES PINOS
20	22	46	58.8	36-54.5	121-37.6	2.3	1.3	16	92	4.0	0.20	0.7 B	WATSONVILLE EAST
21	0	53	31.4	37-22.6	122-16.1	8.2	1.0	10	116	4.6	0.12	1.0 B	WOODSIDE
21	3	25	12.2	37-9.7	121-2.7	5.2	1.9	22	226	10.0	0.17	1.1 C	HOWARD RANCH
21	6	50	12.5	36-3.6	120-39.2	3.2	2.0	13	140	8.1	0.17	4.1 C	SLACK CANYON
21	14	39	4.8	36-36.5	121-14.8	4.5	1.4	13	80	3.2	0.04	0.2 A	RICKMORE CANYON
21	16	47	3.7	36-57.5	121-37.3	3.6	1.7	18	65	3.4	0.14	0.5 A	CHITTENDEN
21	16	52	20.4	37-22.6	122-15.9	9.8	1.2	15	90	4.6	0.13	0.7 B	WOODSIDE
21	18	19	28.8	37-22.3	122-16.0	9.3	1.2	10	111	5.1	0.12	1.0 B	LA HONDA
21	18	39	43.4	37-22.8	122-15.7	8.9	0.9	10	108	4.4	0.09	0.7 B	WOODSIDE
21	19	5	55.8	38-48.0	122-48.3	1.6	1.6	15	64	4.3	0.08	0.2 A	THE GEYSERS
22	0	12	35.4	37-21.8	122-15.5	9.4	3.1	57	76	4.9	0.18	0.4 B	LA HONDA
22	0	14	23.6	37-22.2	122-16.4	10.9	1.1	13	91	5.2	0.13	0.8 B	LA HONDA
22	0	34	6.6	37-21.9	122-15.5	8.7	2.0	51	77	4.9	0.19	0.5 B	LA HONDA
22	4	26	19.5	36-57.1	121-36.2	1.7	1.5	17	57	1.9	0.10	0.3 A	CHITTENDEN
22	6	37	36.2	36-15.2	120-50.7	8.0	1.3	9	170	6.2	1.3	2.3 C	HEPSEDAM PEAK
22	11	12	35.8	37-20.4	122-9.6	4.6	1.1	20	44	2.5	0.10	0.3 A	MINDEGAM HILL
22	13	56	57.8	36-58.3	121-39.2	4.5	1.7	45	39	4.2	0.12	0.3 A	WATSONVILLE EAST
22	14	3	27.2	36-29.1	121-4.3	5.8	1.1	9	151	2.8	0.04	0.3 B	TOPO VALLEY
22	17	23	40.8	36-31.5	121-9.0	0.6	2.1	18	86	6.6	0.12	0.4 B	RICKMORE CANYON
22	19	41	58.5	36-54.6	121-28.8	4.6	1.3	24	49	2.6	0.13	0.4 B	SAN FELIPE
23	0	13	49.2	37-57.2	121-43.6	0.6	2.0	15	109	4.0	0.11	0.6 B	BRENTWOOD
23	4	45	40.2	36-37.7	121-16.4	0.6	1.4	11	82	3.7	0.03	0.1 A	PAICINES
23	10	50	7.0	36-33.5	121-2.7	8.8	1.1	6	192	5.9	0.11	1.8 C	SAN PENITO
23	16	18	58.2	36-54.3	121-21.8	6.9	1.0	20	81	5.4	0.12	0.4 A	THREE SISTERS
23	18	23	18.3	37-30.8	121-50.3	6.7	1.3	16	62	3.0	0.15	0.7 B	LA COSTA VALLEY
23	20	57	5.3	38-48.6	122-48.2	1.5	1.3	11	78	3.9	0.08	0.3 A	THE GEYSERS
23	22	50	30.9	38-51.9	123-6.9	0.1	1.2	14	97	8.2	0.15	0.7 B	CLOVERDALE
24	0	51	21.2	38-46.3	122-55.2	1.7	1.1	15	67	6.6	0.13	0.5 B	ASTI
24	1	4	3.5	38-48.5	122-49.7	1.6	0.8	8	59	2.2	0.05	0.2 A	THE GEYSERS
24	1	4	24.6	38-48.6	122-49.6	1.5	1.3	14	66	2.1	0.05	0.2 A	THE GEYSERS
24	7	7	6.5	37-15.9	121-37.8	5.9	1.6	39	78	3.8	0.13	0.3 A	LICK OBSERVATORY
24	8	54	38.0	37-22.2	122-15.7	9.9	2.7	55	83	5.3	0.13	0.3 A	LA HONDA
24	11	52	21.0	38-49.1	122-48.4	1.6	1.3	13	92	3.2	0.06	0.2 B	THE GEYSERS
24	16	59	49.1	36-57.4	121-37.1	4.4	1.5	23	50	3.0	0.15	0.4 B	CHITTENDEN
24	22	23	36.5	37-5.2	121-31.3	7.3	0.9	13	99	6.6	0.04	0.2 B	GILROY
25	6	37	11.0	36-34.7	121-12.7	5.9	1.3	19	67	2.1	0.06	0.2 A	BICKMORE CANYON
25	8	26	14.3	38-48.5	122-48.2	2.3	1.3	16	66	3.9	0.11	0.3 A	THE GEYSERS
25	8	57	17.2	38-51.1	122-59.3	3.7	1.9	16	84	3.6	0.15	0.6 B	ASTI
25	11	59	52.5	37-10.0	121-32.9	5.7	2.0	56	54	6.8	0.15	0.3 B	MT SIZER
25	14	53	45.4	37-5.3	121-30.3	7.7	1.1	20	102	5.3	0.14	0.5 B	GILROY
25	18	26	22.0	36-31.8	121-7.8	5.1	2.6	34	54	5.4	0.13	0.3 B	BICKMORE CANYON

CENTRAL CALIFORNIA EARTHQUAKES--1975 (CONTINUED)

1975	HR	MIN	SEC	LAT N	LONG W	DEPTH	MAG	NO GAP	DMIN	RMS	ERH	FRZ	Q	QUADRANGLE
JUN	25	18	46	36-35.6	121-12.9	2.3	1.5	18	3.1	0.10	0.3	0.3	A	RICKMORE CANYON
	25	21	27	36-55.6	121-28.3	3.5	1.0	14	3.3	0.11	0.4	0.5	A	SAN FELIPE
	25	22	15	37- 1.9	122- 8.3	5.6	1.5	16	17.5	0.12	0.8	0.6	C	DAVENPORT
	25	22	31	36-54.5	121-37.2	1.5	1.2	13	8.8	0.20	0.8	0.7	A	CHITTENDEN
	25	23	57	38-48.4	122-47.3	1.8	0.7	7	8.4	0.08	0.5	0.3	A	THE GEYSERS
	26	0	34	38-48.6	122-48.6	1.7	0.9	10	7.8	0.06	0.3	0.2	A	THE GEYSERS
	26	7	28	36-30.9	121- 7.0	0.1	1.3	13	5.4	0.10	0.5	0.7	A	SAN RENITO
	26	12	18	38-36.5	122-55.7	6.1	1.2	14	101	0.14	0.6	3.9	C	GUERNEVILLE
	26	17	14	36-59.5	121-27.1	5.4	1.2	15	63	0.11	0.5	1.1	A	SAN FELIPE
	26	17	33	35-57.9	120-32.9	11.3	1.2	10	14.0	0.09	0.8	1.4	B	STOCKDALE MTN
	26	22	50	38-54.3	122-40.8	2.0	1.4	11	35	0.18	1.1	0.7	B	CLEARLAKF HIGHLANDS
	26	23	15	36-54.6	121-29.1	4.1	1.2	15	68	0.07	0.3	0.3	A	SAN FELIPE
	27	5	6	36-35.5	121-13.4	0.3	1.6	15	64	0.06	0.2	0.3	A	RICKMORE CANYON
	27	8	14	38-48.4	122-47.8	2.9	1.1	13	66	0.11	0.4	0.3	A	THE GEYSERS
	27	10	16	36-30.5	121- 6.9	0.2	1.4	9	8.8	0.11	0.5	0.7	A	SAN RENITO
	27	10	17	36-30.5	121- 7.1	0.2	1.7	13	4.9	0.09	0.4	0.6	A	SAN RENITO
	27	10	21	37- 7.6	120-26.7	4.2	2.6	22	9.8	0.13	0.8	0.5	B	BLISS RANCH
	27	10	42	36-30.5	121- 7.1	0.2	1.5	10	8.7	0.11	0.5	0.7	A	SAN RENITO
	27	11	58	38-48.1	122-48.3	2.5	1.3	12	6.8	0.10	0.4	0.2	A	THE GEYSERS
	27	12	0	37- 2.3	121-28.4	5.7	1.1	15	65	0.11	0.5	0.9	A	GILROY HOT SPRINGS
	27	13	36	36-15.1	120-54.0	9.9	2.6	20	14.9	0.17	1.1	0.7	C	LONOAK
	27	14	18	36-54.4	121-28.9	4.3	1.4	19	52	0.09	0.3	0.3	A	SAN FELIPE
	27	17	15	37-42.7	122-21.6	4.8	1.7	13	83	0.11	0.5	1.1	B	HUNTERS POINT
	27	19	33	36-20.7	120-56.2	2.2	1.4	9	65	0.14	0.9	1.0	A	LONOAK
	27	22	28	36-54.0	121-37.6	0.0	1.5	15	9.6	0.21	0.7	0.7	B	WATSONVILLE EAST
	28	4	7	36-31.5	121- 6.6	11.9	1.7	17	8.9	0.09	0.4	0.7	A	SAN RENITO
	28	5	55	36-42.2	122- 2.9	7.4	2.0	34	200	0.16	0.8	1.1	C	**OFFSHORE - MONTEREY BAY***
	28	6	0	36-43.0	122- 1.0	5.9	1.6	15	18.6	0.12	1.0	2.4	C	**OFFSHORE - MONTEREY BAY***
	28	9	26	36-54.6	121-29.2	4.7	1.3	20	7.7	0.08	0.2	0.6	A	SAN FELIPE
	28	9	59	36-54.6	121-29.3	5.2	2.0	44	5.2	0.12	0.2	0.3	A	SAN FELIPE
	28	10	4	35-51.2	120-26.0	6.9	3.6	26	7.2	0.19	0.8	0.5	B	CHOLAME HILLS
	28	13	6	38-44.6	122-21.2	6.5	1.6	19	10.6	0.11	0.6	1.3	B	WALTERS SPRINGS
	28	13	52	36-49.9	121-33.7	5.2	1.9	33	7.3	0.17	0.4	0.8	B	SAN JUAN BAUTISTA
	28	14	6	36-26.8	121- 4.2	5.8	1.9	18	9.0	0.10	0.4	1.0	B	TOPO VALLEY
	28	17	25	37-16.6	121-37.8	8.9	1.3	28	7.4	0.10	0.4	0.7	A	LICK OBSERVATORY
	28	20	3	37-32.2	122- 4.2	0.1	1.4	13	6.7	0.08	0.3	0.4	A	NEWARK
	28	20	9	36-26.9	121- 4.1	6.4	2.0	17	9.0	0.10	0.4	1.0	A	TOPO VALLEY
	28	20	24	36-26.0	121- 2.1	3.1	1.3	9	9.8	0.05	0.4	0.3	A	TOPO VALLEY
	28	21	13	36-33.1	121- 6.5	10.6	1.3	14	11.9	0.10	0.5	0.9	B	SAN RENITO
	28	23	23	38-54.4	122-45.7	4.3	1.1	11	9.5	0.11	0.7	1.0	B	KELSEYVILLE
	29	8	12	35-55.6	120-43.4	15.0	1.6	8	17.0	0.02	0.3	0.1	B	VALLETON
	29	15	59	38-33.1	122-45.7	5.5	1.5	23	4.9	0.15	0.5	1.2	B	HEALDSBURG
	29	16	22	36-37.4	121-16.2	5.2	2.0	20	6.1	0.10	0.3	0.7	A	MT JOHNSON
	29	18	17	36-56.2	121-21.3	3.6	1.1	21	7.7	0.11	0.4	0.7	B	THREIF SISTERS
	29	23	16	38-27.8	122-40.8	7.9	1.3	15	7.3	0.09	0.4	1.0	B	SANTA ROSA

CENTRAL CALIFORNIA EARTHQUAKES--1975 (CONTINUED)

1975	HR	MIN	SEC	LAT	N	LONG	W	DEPTH	MAG	NO	GAP	DMIN	PMS	ERR	EPZ	Q	QUADRANGLE
JUN	30	0	23	29.8	36-34.7	121-7.9	8.3	1.6	15	78	5.1	0.09	0.4	0.7	A	BICKMORE CANYON	
	30	3	36	9.5	36-34.8	121-8.9	10.8	1.2	10	115	3.7	0.12	0.8	1.6	B	BICKMORE CANYON	
	30	5	20	42.1	36-58.2	121-39.1	4.7	1.6	32	38	4.3	0.11	0.3	0.3	A	WATSONVILLE EAST	
	30	7	48	9.9	37-5.3	121-10.7	4.0	1.3	17	159	5.1	0.17	1.0	0.9	C	PACHECO PASS	
30	8	38	38.1	37-5.4	121-30.6	7.6	0.9	16	102	5.7	0.08	0.3	0.7	B	GILROY		
JUL	30	10	55	32.9	36-36.1	121-13.9	4.0	1.3	12	72	3.7	0.05	0.3	0.2	A	RICKMORE CANYON	
	30	13	18	49.2	36-34.0	121-12.6	7.4	1.8	20	95	2.1	0.08	0.3	0.6	A	RICKMORE CANYON	
	1	0	45	29.2	38-50.2	123-0.4	5.0	1.3	18	80	5.4	0.18	0.7	2.0	B	CLOVERDALE	
	1	2	40	52.1	38-48.8	122-48.2	2.4	1.7	22	64	3.7	0.11	0.3	0.2	A	THE GEYSERS	
	1	3	59	48.6	37-44.8	122-31.4	6.4	1.7	24	164	12.7	0.18	0.9	0.6	C	***GULF OF THE FARALLONES***	
	1	4	15	27.5	36-34.4	121-12.7	5.9	1.8	23	61	2.0	0.07	0.2	0.3	A	BICKMORE CANYON	
	1	5	15	1.7	36-19.2	121-24.3	4.1	2.0	24	132	3.4	0.14	0.6	1.2	B	SYCAMORE FLAT	
	1	9	30	26.6	38-40.7	122-48.8	5.6	1.8	26	41	6.2	0.19	0.5	1.9	B	JIMTOWN	
	1	14	44	53.4	38-41.0	122-48.8	6.8	1.1	14	67	5.9	0.09	0.4	1.1	A	JIMTOWN	
	1	15	44	14.7	36-26.8	121-3.9	6.4	2.0	23	65	4.9	0.12	0.4	1.2	A	TOPO VALLEY	
	1	22	14	24.7	37-2.6	122-8.0	0.1	1.7	12	204	2.8	0.09	1.4	1.7	C	DAVENPORT	
	2	11	48	0.1	36-40.0	121-7.8	6.7	1.8	18	76	3.0	0.09	0.3	0.6	A	BICKMORE CANYON	
2	13	48	35.5	36-36.9	121-16.0	4.4	1.1	15	59	3.7	0.09	0.3	1.0	A	CHERRY PEAK		
3	14	44	24.6	37-53.6	121-59.7	3.8	1.3	14	120	10.4	0.19	0.9	0.7	C	MT JOHNSON		
3	21	25	13.5	37-37.2	121-51.8	5.1	1.6	26	87	8.3	0.14	0.4	0.6	R	CLAYTON		
4	0	33	18.9	37-3.6	121-43.2	4.9	2.2	63	44	6.5	0.13	0.2	0.3	B	LA COSTA VALLEY		
4	5	31	10.8	38-48.9	122-48.0	2.6	1.9	24	51	3.9	0.14	0.4	0.3	A	MT MADONNA		
4	10	3	30.3	36-53.9	121-30.8	5.0	1.2	26	34	2.2	0.08	0.2	0.6	A	THE GEYSERS		
4	11	47	47.2	36-27.0	121-3.9	5.9	1.2	16	65	4.9	0.12	0.5	1.2	A	CHITTENDEN		
4	19	32	4.0	36-33.6	121-4.0	11.2	2.9	46	68	5.1	0.17	0.4	0.5	B	TOPO VALLEY		
4	19	59	35.3	36-49.3	121-8.0	5.3	2.0	38	56	7.2	0.10	0.3	0.3	B	SAN PENITO		
4	20	54	49.9	36-33.5	121-3.7	10.2	1.7	23	69	4.9	0.19	0.7	1.2	B	QUIN SARE VALLEY		
5	3	29	51.5	38-48.7	122-48.8	1.4	1.1	14	70	2.9	0.11	0.3	0.3	A	SAN PENITO		
5	9	28	48.4	38-48.3	122-49.5	1.4	1.0	15	50	2.6	0.19	0.6	0.5	B	THE GEYSERS		
5	11	59	54.8	37-35.5	121-57.9	5.8	2.2	50	53	4.4	0.14	0.3	0.3	A	THE GEYSERS		
5	12	34	36.9	36-33.5	121-3.8	10.2	2.2	37	69	5.0	0.18	0.5	0.9	B	NILES		
5	23	45	49.3	37-50.8	122-1.0	4.3	1.8	41	44	5.3	0.15	0.4	0.3	B	SAN PENITO		
5	23	46	2.5	35-56.6	121-25.8	7.6	2.2	25	190	25.4	0.13	1.0	0.7	C	LAS TRAMPAS RIDGE		
6	1	14	8.6	37-51.1	122-0.4	6.3	1.5	30	76	6.3	0.19	0.6	0.6	B	CAPE SAN MARTIN		
6	2	40	8.8	37-50.7	122-1.1	3.9	1.1	13	97	5.1	0.18	0.9	0.5	B	LAS TRAMPAS RIDGE		
6	13	0	55.8	36-15.2	120-52.1	0.7	1.5	11	111	7.4	0.16	0.8	1.0	R	HEPSEDAK PEAK		
6	13	43	40.6	36-28.6	121-5.6	3.9	1.4	17	63	7.4	0.23	0.9	1.1	B	TOPO VALLEY		
6	14	38	34.2	37-24.6	121-16.3	8.8	1.7	26	100	24.1	0.21	1.1	2.0	C	COPPER MTN		
6	20	6	41.2	36-15.4	120-51.9	2.2	2.1	18	115	7.4	0.19	0.8	0.8	B	HEPSIDAM PEAK		
6	23	8	5.4	38-48.4	122-47.5	1.7	1.2	16	67	3.2	0.10	0.3	0.2	A	THE GEYSERS		
7	0	40	31.2	37-32.7	121-55.3	3.8	1.3	16	57	5.3	0.11	0.4	0.3	B	NILES		
7	1	0	2.8	38-46.8	122-54.9	2.7	1.6	19	53	6.4	0.17	0.6	0.5	B	ASTI		
7	8	44	11.1	36-55.2	121-28.2	7.0	1.2	25	55	3.4	0.10	0.3	0.7	A	SAN FELIPE		
7	15	10	41.1	36-32.9	121-3.0	9.6	1.0	10	72	5.2	0.12	0.7	1.6	A	SAN PENITO		

CENTRAL CALIFORNIA EARTHQUAKES--1975 (CONTINUED)

1975	HR	MIN	SEC	LAT	N	LONG	W	DEPTH	MAG	NO	CAP	DMIN	RMS	FPH	EP7	Q	QUADRANGLE
JUL	8	1	36	11.5	37-24.7	121-45.1	3.2	1.1	16	93	6.7	0.14	0.5	0.4	0.4	A	MT RAY
	8	1	52	51.5	38-49.3	122-48.1	1.3	1.1	13	41	3.6	0.11	0.4	0.3	0.3	A	THE GEYSERS
	8	11	20	5.8	35-57.4	120-32.3	12.8	2.1	13	127	6.0	0.13	1.1	0.9	0.9	P	STOCKDALL MTN
	8	11	21	13.4	35-57.1	120-31.7	13.2	1.7	13	125	4.9	0.21	1.7	1.3	0.3	B	STOCKDALL MTN
	8	11	57	10.1	38-48.7	122-48.3	2.4	1.1	13	72	3.6	0.15	0.5	0.4	0.4	A	THE GEYSERS
	8	22	59	19.3	36-54.0	121-37.7	0.1	1.7	17	92	3.7	0.21	0.5	0.5	0.5	B	WATSONVILLE FAST
	9	1	35	57.4	37-5.6	121-30.6	7.9	1.5	37	193	5.2	0.14	0.4	0.8	0.8	B	GILROY
	9	4	48	8.5	37-24.9	121-49.1	1.4	2.2	37	67	4.4	0.20	0.5	0.5	0.5	B	CALAVERAS RESERVOIR
	9	7	51	7.0	37-18.3	121-39.7	5.5	1.2	18	63	4.4	0.12	0.5	0.4	0.4	A	LICK OBSERVATORY
	9	9	7	59.0	36-30.7	121-7.4	5.6	1.2	15	59	5.1	0.15	0.6	1.5	1.5	A	SAN VENITO
	9	10	3	37.0	36-23.3	120-57.9	9.7	1.3	9	72	6.3	0.11	0.7	1.5	1.5	A	ROCK SPRING PEAK
	9	10	8	2.7	37-25.1	121-48.4	2.3	1.1	13	70	3.6	0.22	0.8	0.6	0.6	B	CALAVERAS RESERVOIR
	9	12	44	17.3	37-8.9	121-33.1	6.7	1.5	39	96	6.6	0.11	0.3	0.9	0.9	R	MT SIZER
	9	15	35	40.5	38-48.3	122-46.4	2.5	1.8	23	57	1.6	0.12	0.3	0.2	0.2	A	THE GEYSERS
	10	0	19	33.4	36-58.2	121-38.1	8.4	1.5	33	39	4.8	0.10	0.3	0.3	0.3	A	WATSONVILLE FAST
	10	3	5	22.0	38-48.3	122-47.4	0.9	1.7	15	63	5.1	0.12	0.4	0.4	0.4	B	THE GEYSERS
	10	4	4	38.6	36-53.1	121-30.0	3.9	1.0	20	34	3.7	0.09	0.3	0.5	0.5	A	CHITTENDEN
	10	14	5	39.1	36-1.8	120-52.3	11.9	1.8	17	156	16.0	0.12	0.6	0.7	0.7	B	PANCHO RICO VALLEY
	10	15	9	5.6	36-35.1	121-11.8	7.4	1.4	15	52	3.0	0.14	0.6	1.0	1.0	A	RICKMOFF CANYON
	10	20	11	35.6	37-18.3	121-39.8	4.4	1.5	22	63	4.5	0.21	0.7	0.7	0.7	B	LICK OBSERVATORY
	10	21	8	49.4	38-48.6	122-48.6	1.5	1.3	7	78	3.3	0.08	0.4	0.4	0.4	A	THE GEYSERS
	11	17	45	14.8	37-43.0	122-22.3	1.7	1.8	20	89	8.0	0.22	0.7	0.7	0.7	C	HUNTERS POINT
	12	8	40	42.2	38-48.3	122-47.7	2.8	1.2	17	47	3.5	0.10	0.3	0.2	0.2	A	THE GEYSERS
	12	8	46	44.3	36-40.1	121-19.5	3.8	1.5	24	43	4.7	0.13	0.4	0.4	0.4	A	PAICINES
	12	15	27	59.5	36-55.6	121-28.0	7.0	1.2	24	55	3.8	0.08	0.2	0.5	0.5	A	SAN FELIPE
	12	16	47	51.5	36-37.8	121-16.6	4.5	1.2	19	45	3.9	0.09	0.3	0.4	0.4	A	PAICINES
	12	18	12	31.3	36-55.7	121-28.1	5.6	1.0	20	55	3.7	0.09	0.3	0.5	0.5	A	SAN FELIPE
	13	3	25	18.3	38-58.3	123-4.2	2.2	2.0	21	139	8.8	0.18	0.7	1.9	1.9	C	HOPLAND
	13	8	12	33.6	36-34.6	121-12.3	3.9	1.1	10	65	1.4	0.03	0.2	0.2	0.2	A	BICKMORE CANYON
	13	12	5	25.4	36-30.0	121-6.9	5.6	1.3	10	92	5.4	0.17	1.0	2.2	2.2	B	TOPO VALLEY
	13	12	8	4.2	36-50.8	121-19.0	4.9	1.2	31	53	3.7	0.12	0.3	0.4	0.4	A	TRES PINOS
	13	12	11	8.4	36-55.7	121-28.3	6.0	1.3	32	45	3.5	0.10	0.2	0.6	0.6	A	SAN FELIPE
	13	13	22	43.6	38-3.9	121-54.0	5.5	1.5	19	61	13.2	0.22	1.0	1.1	1.1	C	HONKER RAY
	13	13	41	29.1	37-14.9	121-59.2	7.2	1.3	28	52	5.2	0.11	0.3	0.8	0.8	A	LOS GATOS
	13	13	53	4.9	36-1.0	120-35.5	2.8	1.7	13	139	13.1	0.13	1.0	0.6	0.6	C	SMITH MTN
	13	16	38	44.7	35-32.3	120-6.8	3.4	3.0	23	167	39.1	0.16	1.5	0.5	0.5	C	PACKWOOD CREEK
	13	21	0	59.1	36-57.0	121-37.2	6.7	1.2	19	50	3.3	0.06	0.2	0.4	0.4	A	CHITTENDEN
	13	21	15	16.6	36-34.2	121-12.0	5.2	2.0	25	62	1.1	0.13	0.4	0.5	0.5	A	BICKMORE CANYON
	14	3	23	30.8	37-28.7	121-34.9	0.1	1.2	9	184	13.7	0.19	1.1	0.9	0.9	C	EYLAH MTN
	14	11	40	53.1	36-15.7	120-48.8	6.0	1.3	8	154	7.2	0.05	0.4	1.1	1.1	B	HEPSEHAM PEAK
	14	15	34	34.0	36-36.6	121-15.0	6.9	1.1	16	61	3.2	0.09	0.3	0.7	0.7	A	BICKMORE CANYON
	14	15	47	7.1	36-37.1	121-16.6	9.6	1.7	23	45	4.3	0.11	0.3	0.7	0.7	A	MT JOHNSON
	14	18	35	5.0	36-23.8	121-0.6	7.4	1.3	15	73	7.3	0.14	0.6	1.3	1.3	A	TOPO VALLEY
	15	5	53	53.8	38-26.4	122-39.5	8.3	1.3	15	88	6.3	0.09	0.4	0.8	0.8	A	SANTA ROSA
	15	13	25	3.9	36-13.2	120-48.7	1.9	1.5	9	114	1.6	0.14	0.9	0.9	0.9	B	MONARCH PEAK

CENTRAL CALIFORNIA EARTHQUAKES--1975 (CONTINUED)

1975	HR	MIN	SEC	LAT	N	LONG	W	DEPTH	MAG	NO	GAP	DMIN	RMS	FRH	FPZ	QUADRANGLE	
JUL	15	14	4	35-59.9		120-52.8		11.2	2.1	19	24	19.9	0.15	0.7	1.0	R	HAMES VALLEY
	15	19	37	36-13.8		120-49.1		4.4	1.7	15	125	2.6	0.18	0.8	1.1	R	MONARCH PEAK
	15	20	19	37-32.5		122-4.0		4.2	1.9	27	45	2.4	0.13	0.4	0.4	A	NEVADAK
	15	22	20.5	36-33.2		121-9.3		9.4	1.5	23	58	3.9	0.15	0.5	1.0	B	WICKMORF CANYON
	15	23	1	37-18.3		121-39.7		5.6	1.5	23	64	4.4	0.19	0.6	0.9	B	LICK OBSERVATORY
	15	23	3	36-20.3		120-56.4		5.4	1.7	16	66	2.7	0.17	0.7	1.4	B	LONOKAK
	15	23	15	36-54.3		121-37.3		1.5	1.7	27	75	3.6	0.27	0.7	0.6	R	CHITTENDEN
	16	3	53	36-32.2		121-7.4		4.9	1.2	10	78	6.9	0.21	1.4	1.6	B	SAN PENITO
	16	2	2	38-48.5		122-49.1		1.5	1.0	10	60	2.7	0.07	0.3	0.2	A	THE GEYSERS
	16	2	18	37-35.3		121-48.7		6.4	1.4	19	86	9.1	0.16	0.6	0.8	B	LA COSTA VALLEY
	16	16	35	36-44.4		121-27.6		6.2	1.5	31	53	3.0	0.20	0.5	1.2	B	MT HARLAN
	16	18	12	36-54.1		121-36.8		3.2	1.0	8	107	2.7	0.21	1.5	1.1	B	CHITTENDEN
	16	21	23	36-26.8		121-3.3		0.1	2.1	22	67	4.1	0.16	0.4	1.0	B	TOPO VALLEY
	16	21	35	36-54.7		121-28.6		8.1	2.7	67	46	2.8	0.14	0.2	0.4	A	SAN FELIPE
	16	22	49	36-10.4		121-42.4		10.0	1.7	14	237	29.5	0.09	1.2	0.7	C	PARTINGTON RIDGE
	16	23	12	36-26.8		121-3.0		0.1	1.8	14	68	3.7	0.16	0.6	1.0	B	TOPO VALLEY
	17	0	16	37-21.9		121-42.7		2.7	2.0	42	92	4.0	0.14	0.3	0.3	A	LICK OBSERVATORY
	17	7	59	36-54.6		121-29.1		5.0	0.8	20	52	2.1	0.08	0.3	0.6	A	SAN FELIPE
	17	11	6	36-45.9		121-28.6		4.9	1.3	25	43	2.8	0.17	0.5	0.7	B	HOLLISTER
	17	12	42	36-22.6		120-58.9		3.4	1.5	13	79	6.3	0.15	0.8	0.7	B	ROCK SPRING PEAK
	17	17	2	38-47.9		122-48.5		2.3	2.0	28	45	4.1	0.16	0.4	0.3	B	THE GEYSERS
	17	23	30	37-47.7		122-48.6		2.7	1.0	15	53	4.4	0.09	0.3	0.2	A	THE GEYSERS
	18	8	22	37-20.2		121-40.3		4.4	1.1	13	77	7.9	0.14	0.7	0.5	B	LICK OBSERVATORY
	18	8	22	37-19.9		121-40.8		8.9	1.5	30	74	7.4	0.12	0.4	0.9	A	LICK OBSERVATORY
	18	13	43	36-2.3		119-58.1		4.3	2.7	16	283	35.3	0.20	3.7	0.7	D	KITTLEMAN CITY
	18	19	12	37-55.6		121-55.8		3.5	1.3	9	155	2.7	0.22	1.3	0.7	C	CLAYTON
	18	21	40	36-35.3		121-13.2		3.6	2.3	35	56	3.2	0.15	0.4	0.4	A	RICKMORE CANYON
	18	22	35	38-48.3		122-48.6		1.2	1.1	12	60	3.6	0.11	0.4	0.3	A	THE GEYSERS
	18	23	0	36-44.9		121-36.0		4.6	2.3	47	81	6.1	0.22	0.5	0.6	B	NATIVIDAD
	19	1	49	39-20.6		123-15.9		3.4	2.1	18	304	39.7	0.26	3.7	1.0	D	SE 1/4 WILLITS
	19	4	59	36-1.9		119-58.0		2.6	2.4	14	284	35.2	0.23	3.9	3.3	D	KITTLEMAN CITY
	19	5	5	35-56.3		120-7.7		14.6	2.3	10	222	18.9	0.06	1.0	0.3	C	GARZA PEAK
	19	5	36	36-0.3		120-2.9		4.4	2.3	10	272	27.3	0.20	4.0	1.2	D	LA CIMA
	19	6	19	36-10.0		120-24.0		12.4	2.1	14	226	23.0	0.09	1.2	0.7	C	ALCALDE HILLS
	19	7	20	36-55.2		121-28.3		7.5	1.4	30	53	3.3	0.09	0.2	0.6	A	SAN FELIPE
	19	10	50	35-58.4		120-34.2		2.5	1.8	10	139	9.1	0.10	0.7	0.5	B	STOCKDALE MTN
	19	14	18	36-31.1		121-5.3		8.7	1.1	12	99	8.3	0.12	0.6	1.6	A	SAN PENITO
	19	17	49	36-34.7		121-7.1		8.5	1.8	33	50	6.3	0.18	0.5	0.9	B	SAN PENITO
	20	0	0	36-58.2		121-38.4		5.1	1.7	31	53	4.7	0.13	0.3	0.6	A	WATSONVILLE EAST
	20	3	39	36-8		121-57.8		6.1	1.1	15	63	4.2	0.09	0.4	0.4	A	NILFS
	20	4	10	35-45.0		121-11.2		10.0	2.6	22	167	8.1	0.13	0.7	0.5	B	BURNETT PEAK
	20	5	8	39-14.2		123-10.0		10.3	2.9	34	193	25.2	0.19	2.0	0.7	C	UKIAH
	20	18	30	37-51.8		122-14.7		5.3	2.2	52	52	1.6	0.15	0.3	0.3	A	OAKLAND EAST
	20	19	10	36-54.4		121-29.2		6.1	1.4	26	44	2.3	0.11	0.3	0.7	A	SAN FELIPE
	20	19	16	38-48.6		122-47.8		2.7	1.0	13	70	3.5	0.07	0.3	0.2	A	THE GEYSERS

CENTRAL CALIFORNIA EARTHQUAKES--1975 (CONTINUED)

1975	HR	MN	SEC	LAT N	LONG W	DEPTH	MAG	NO	GAP	DMIN	PMS	EPH	FRZ	Q	QUADRANGLE		
JUL	26	4	41.9	36-49.8	121-12.7	7.1	1.3	24	113	0.3	0.10	0.4	0.6	B	QUIEN SAPF VALLEY		
	26	4	23	11.1	38-48.5	122-48.1	1.1	1.7	16	42	0.09	0.3	0.3	A	THE GEYSERS		
	26	6	50	55.1	38-13.8	122-10.6	8.6	1.7	20	77	0.18	0.6	1.1	B	CORDELLIA		
	26	11	8	47.4	36- 8.9	120-37.8	7.8	2.0	16	147	3.3	0.21	1.2	1.5	C	PRIEST VALLEY	
	26	11	14	35.8	36-32.3	120-59.8	0.0	1.3	12	36	6.3	0.18	0.9	2.6	D	LLANADA	
	26	12	11	48.3	39-20.9	122-39.4	3.4	1.0	15	208	28.4	0.14	6.3	0.6	D	FOUTS SPRINGS	
	26	13	21	8.2	35-57.2	120-32.1	12.8	2.4	16	114	5.5	0.17	1.2	0.8	B	STOCKDALE MTN	
	27	1	24	14.2	36-33.1	121- 4.4	7.6	1.2	15	67	6.1	0.13	0.5	1.2	A	SAN PENITO	
	27	3	36	22.8	37-53.9	121-59.4	5.1	2.3	42	47	7.6	0.21	0.5	0.5	B	CLAYTON	
	27	13	5	41.7	36-36.4	121-13.7	2.4	1.1	13	60	3.1	0.11	0.5	0.4	A	RICKMORE CANYON	
	27	14	49	28.2	35-52.8	120-27.0	9.7	1.5	6	99	3.3	0.12	1.5	2.8	R	PARRYFIELD	
	27	21	8	54.6	36-37.1	121-16.5	10.2	2.2	34	45	3.4	0.16	0.4	0.7	B	MT JOHNSON	
	27	23	6	24.9	39-21.3	123-14.2	2.5	2.2	17	303	39.7	0.19	2.7	1.6	D	REDWOOD VALLEY	
	28	3	24	26.6	35-49.3	120-42.3	11.3	1.8	11	210	17.5	0.11	1.3	1.3	C	SAN MIGUEL	
	28	3	27	1.3	36-35.2	121-16.3	9.7	0.0	12	65	3.9	0.14	0.7	1.4	A	MT JOHNSON	
	28	7	45	5.3	36-44.2	121- 0.7	5.3	1.3	15	65	10.1	0.20	0.9	0.7	R	PANOCHE PASS	
	28	7	48	21.4	36-57.0	121-26.4	4.5	2.2	54	45	5.0	0.18	0.3	0.3	R	SAN FELIPE	
	28	12	51	58.5	35-33.3	120-49.6	8.1	2.3	12	185	40.5	0.14	3.6	2.0	D	YORK MTN	
	28	19	25	44.6	37-55.2	121-57.0	0.1	1.7	17	59	3.9	0.17	0.5	0.5	B	CLAYTON	
	28	21	45	24.7	36-22.2	120-59.2	9.1	1.1	11	82	6.7	0.14	0.8	1.8	A	LONDAK	
	29	0	3	10.8	38-48.3	122-49.1	1.0	1.3	15	43	3.1	0.10	0.3	0.3	A	THE GEYSERS	
	29	2	0	3.0	36-49.1	121-20.4	6.3	1.9	38	44	3.7	0.14	0.3	0.8	A	TRES PINOS	
	29	13	27	2.3	37- 0.6	121-42.4	11.3	1.3	13	48	3.4	0.15	1.0	2.1	B	MT MADONNA	
	29	22	37	15.7	36-54.4	121-38.1	2.6	1.1	11	128	3.5	0.24	1.1	0.9	B	WATSONVILLE EAST	
	30	4	15	53.3	36-47.8	121-31.7	6.5	2.4	43	38	4.0	0.18	0.4	0.6	B	SAN JUAN RAUITISTA	
	30	12	13	8.1	35-59.4	120-52.6	11.0	2.1	23	171	19.2	0.15	0.7	0.7	C	HAMES VALLEY	
	30	18	13	27.9	38-49.0	122-47.7	2.6	1.0	11	86	3.6	0.08	0.4	0.2	A	THE GEYSERS	
	30	23	11	25.0	36-42.1	121-21.8	2.9	1.6	24	62	2.0	0.17	0.5	0.4	B	PAICINES	
	31	0	50	43.9	36-34.6	121-12.2	3.9	1.2	14	66	1.4	0.07	0.3	0.3	A	BICKMORE CANYON	
	31	9	5	8.3	38-48.1	122-49.5	1.6	1.1	15	64	3.0	0.10	0.3	0.2	A	THE GEYSERS	
	31	10	5	7.3	38-53.0	122-58.2	4.2	1.8	23	58	4.4	0.17	0.5	1.8	B	HIGHLAND SPRINGS	
	31	13	37	18.8	37- 3.0	121-29.3	5.6	1.6	32	48	2.7	0.17	0.4	0.7	B	GILROY HOT SPRINGS	
	31	21	14	59.8	35-57.2	120-32.1	12.5	2.3	15	126	5.5	0.14	1.1	0.7	B	STOCKDALF MTN	
	31	22	34	25.4	36-54.4	121-37.3	1.5	1.8	13	115	3.7	0.22	0.8	0.8	B	CHITTENDFN	
AUG	1	4	1	37.7	37-22.0	121-35.5	5.9	1.3	14	119	5.6	0.20	1.2	3.9	B	ISABEL VALLEY	
	1	12	23	19.5	36-49.5	121-35.2	5.1	2.1	40	52	3.2	0.26	0.6	1.3	B	SAN JUAN RAUITISTA	
	2	2	42	38.8	37-52.8	121-58.2	5.6	1.3	14	96	6.8	0.25	1.1	1.0	B	CLAYTON	
	2	16	49	1.9	37- 0.4	121-39.8	2.3	1.0	11	71	6.0	0.12	0.6	0.6	B	MT MADONNA	
	2	23	54	25.3	36-54.2	121-29.1	6.2	1.2	26	51	2.5	0.11	0.3	0.7	A	SAN FELIPE	
	2	23	56	4.6	36-26.0	120-22.7	6.9	3.2	32	117	40.0	0.24	1.1	1.3	C	LILLIS RANCH	
	3	3	30	34.1	36-25.2	120-24.1	12.4	3.2	33	116	37.7	0.25	1.3	1.0	C	LILLIS RANCH	
	3	4	30	41.8	36-25.8	120-23.1	11.6	3.4	39	120	39.4	0.24	1.3	0.9	C	LILLIS RANCH	
	3	5	57	17.9	36-25.1	120-24.0	12.2	3	OR	36	116	37.6	0.25	1.1	0.9	C	LILLIS RANCH
	3	6	4	48.8	36-25.6	120-24.4	12.2	3.8	OR	44	116	37.4	0.26	1.1	0.9	C	LILLIS RANCH
	3	6	7	34.3	36-25.6	120-25.0	13.5	2.5	33	115	36.6	0.24	1.2	1.1	C	LILLIS RANCH	

CENTRAL CALIFORNIA EARTHQUAKES--1975 (CONTINUED)

1975	HR	MIN	SEC	LAT	N	LONG	U	DEPTH	MAG	NO	GAP	DMIN	RMS	FRH	FPZ	Q	QUADRANGLE
AUG	3	6	8	31.0	36-28.2	120-20.8		3.9	2.4	23	135	43.6	0.27	1.0	0.5	C	TRES PICOS FARMS
	3	6	11	8.9	36-25.6	120-24.2		5.4	2.7	39	117	38.0	0.27	1.2	1.3	C	LILLIS RANCH
	3	6	35	16.9	36-25.1	120-23.4		6.7	4.9	48	116	38.8	0.26	1.0	0.9	C	LILLIS RANCH
	3	6	43	56.6	36-27.2	120-23.1		5.6	2.5	33	73	30.9	0.30	1.3	1.1	C	LILLIS RANCH
	3	6	47	32.5	36-27.3	120-24.5		8.2	3.0	45	70	37.9	0.29	1.1	1.1	C	LILLIS RANCH
	3	6	48	45.7	36-27.5	120-24.5		6.9	5.1	55	174	38.0	0.26	1.1	1.3	C	LILLIS RANCH
	3	6	49	31.6	36-25.2	120-22.4		8.1	2.8	39	73	40.3	0.25	1.1	0.9	C	TRES PICOS FARMS
	3	7	11	36.5	36-26.1	120-24.3		5.5	2.9	41	116	37.7	0.23	1.0	1.0	C	LILLIS RANCH
	3	7	27	13.3	36-26.5	120-23.1		8.8	3.2	42	72	39.6	0.26	1.0	0.9	C	LILLIS RANCH
	3	7	40	58.8	36-27.7	120-22.9		5.5	2.6	29	118	40.3	0.24	1.5	1.6	C	LILLIS RANCH
	3	7	59	41.1	36-26.3	120-23.6		5.6	2.8	38	117	38.9	0.24	1.1	1.1	C	LILLIS RANCH
	3	8	38	0.9	36-24.3	120-23.6		12.1	3.6	51	116	38.3	0.27	1.0	0.9	C	LILLIS RANCH
	3	9	0	30.9	36-24.1	120-24.1		12.7	3.5	46	115	37.5	0.27	1.1	0.9	C	LILLIS RANCH
	3	9	57	5.6	36-26.5	120-22.9		7.4	3.4	47	117	39.9	0.27	1.1	0.9	C	LILLIS RANCH
	3	10	14	2.6	36-25.5	120-25.0		12.2	3.0	41	115	36.5	0.23	1.0	0.9	C	LILLIS RANCH
	3	12	0	25.1	36-39.4	121-19.0		5.0	1.6	26	49	4.1	0.15	0.4	0.7	A	PAICINES
	3	12	3	45.4	36-39.4	121-18.4		4.5	1.5	14	62	3.3	0.11	0.5	1.2	A	PAICINES
	3	12	47	7.5	36-26.3	120-20.0		8.8	2.7	26	138	44.1	0.22	0.9	1.0	C	TRES PICOS FARMS
	3	13	46	7.2	36-26.2	120-23.0		6.5	2.5	33	117	39.6	0.27	1.3	1.8	C	LILLIS RANCH
	3	13	46	58.4	36-25.7	120-24.4		7.7	3.0	42	116	37.4	0.25	1.0	0.9	C	LILLIS RANCH
	3	14	1	49.2	36-26.0	120-23.3		6.3	2.8	39	117	39.1	0.25	1.1	1.4	C	LILLIS RANCH
	3	16	0	19.5	36-25.9	120-24.9		5.8	2.6	37	116	37.2	0.26	1.0	1.2	C	LILLIS RANCH
	3	16	55	24.3	36-25.2	120-19.6		11.1	2.7	29	139	44.6	0.23	1.0	1.0	C	TRES PICOS FARMS
	3	16	58	36.0	36-26.0	120-24.7		8.8	3.2	47	116	37.0	0.26	0.9	0.8	C	LILLIS RANCH
	3	22	39	57.7	36-27.3	120-23.4		6.1	1.8	21	179	39.4	0.26	1.9	2.4	C	LILLIS RANCH
	4	1	44	12.0	36-33.1	121-3.5		12.5	1.1	16	70	5.0	0.09	0.4	0.7	A	SAN PENITO
	4	1	45	6.4	36-25.1	121-2.1		6.4	1.0	10	86	1.6	0.03	0.2	0.3	A	TOPO VALLEY
	4	1	48	5.1	36-25.3	121-2.4		6.3	2.0	20	41	1.9	0.11	0.4	0.8	A	TOPO VALLEY
	4	1	49	14.5	37-6.9	121-30.5		5.7	1.2	25	112	5.8	0.13	0.4	1.4	R	GILROY
	4	3	9	17.7	36-47.9	121-23.3		7.0	1.4	40	39	4.3	0.19	0.4	1.2	B	HOLLISTER
	4	3	20	26.7	36-15.1	120-51.9		4.1	1.1	9	114	7.8	0.12	0.8	3.5	R	HEPSEDAM PEAK
	4	7	14	48.4	36-24.7	120-23.7		8.7	3.3	52	116	38.2	0.26	0.9	0.7	C	LILLIS RANCH
	4	7	30	19.8	36-26.9	120-22.0		6.1	2.4	24	118	41.4	0.23	1.5	1.9	C	TRES PICOS FARMS
	4	8	2	47.1	36-29.2	120-21.3		3.5	2.0	18	133	43.4	0.23	1.7	0.8	C	TRES PICOS FARMS
	4	9	21	18.5	36-26.5	120-17.8		6.4	1.9	16	143	47.5	0.16	1.1	0.9	C	TRES PICOS FARMS
	4	9	33	9.6	36-32.0	120-48.9		3.7	1.9	15	139	14.5	0.24	1.0	0.7	C	PANACHE
	4	11	24	49.9	35-49.7	120-12.5		16.7	2.5	9	222	13.1	0.22	8.9	4.0	D	TENT HILLS
	4	12	21	18.9	36-28.4	120-22.9		10.5	2.2	20	130	40.7	0.17	1.7	1.4	C	LILLIS RANCH
	4	14	35	19.5	36-52.0	121-23.7		7.0	1.3	28	79	4.8	0.07	0.2	0.6	A	HOLLISTER
	4	17	5	43.6	36-36.2	121-14.5		4.5	2.2	35	51	3.6	0.16	0.4	0.5	B	RICKMORE CANYON
	4	20	1	40.0	36-48.0	121-23.4		7.7	1.6	29	39	4.5	0.10	0.3	0.7	A	HOLLISTER
	5	6	10	2.3	36-25.5	120-22.1		5.4	2.7	42	117	40.7	0.26	1.1	0.9	C	TRES PICOS FARMS
	5	9	44	9.4	36-27.0	120-23.0		5.4	2.9	42	113	39.9	0.29	1.2	1.1	C	LILLIS RANCH
	5	21	19	33.3	36-54.4	121-28.7		6.3	1.4	29	51	3.8	0.09	0.2	0.6	A	SAN FELIPE
	5	22	37	22.9	36-54.4	121-37.7		2.4	1.6	13	121	4.0	0.23	0.9	0.7	B	WATSONVILLE EAST

CENTRAL CALIFORNIA EARTHQUAKES--1975 (CONTINUED)

1975	HR	MIN	SEC	LAT	N	LONG	W	DEPTH	MAG	NO	CAP	D	MIN	R	S	EPH	ERZ	QUADRANGLE	
AUG	5	23	11	36-33.3		121-6.8		13.0	1.7	22	61		6.0	0.13		0.5	0.8	A	SAN GENITO
	6	0	37	36-35.5		121-13.6		6.1	1.8	11	68		3.9	0.09		0.5	0.9	A	PICKMORE CANYON
	6	1	2	37-32.3		122-4.7		0.7	1.5	14	67		1.0	0.15		0.5	0.7	A	NEWARK
	6	5	47	36-44.8		121-21.1		11.1	1.5	23	71		3.2	0.17		0.6	1.1	B	PAICINES
	6	10	22	36-23.7		120-59.9		3.2	2.0	25	67		3.7	0.14		0.6	0.5	B	ROCK SPRING PEAK
	6	12	31	36-54.0		121-29.0		6.6	1.4	34	51		2.9	0.10		0.2	0.7	A	SAN FELIPE
	6	12	45	37-22.3		121-42.7		2.5	1.1	10	109		7.0	0.15		0.7	0.5	B	LICK OBSERVATORY
	6	14	19	36-31.1		120-50.4		10.1	1.2	9	159		16.3	0.20		1.5	9.1	C	PANOCHF
	6	15	15	36-38.7		121-17.2		1.4	1.1	13	63		2.7	0.07		0.3	0.3	A	PAICINES
	6	16	55	37-3.8		121-28.8		4.1	1.3	24	48		4.1	0.15		0.4	0.5	B	GILROY HOT SPRINGS
	6	22	23	37-4.2		121-29.5		5.0	2.5	70	60		4.9	0.19		0.3	0.4	B	GILROY HOT SPRINGS
	6	22	46	37-3.6		121-29.0		3.3	1.1	15	86		3.8	0.09		0.3	0.3	A	GILROY HOT SPRINGS
	7	1	17	36-28.1		120-21.0		4.8	2.6	36	120		43.2	0.25		1.4	0.8	C	TRES PICOS FARMS
	7	2	16	37-3.3		121-28.8		3.7	1.0	12	81		3.4	0.07		0.3	0.7	A	GILROY HOT SPRINGS
	7	4	52	36-37.1		121-54.7		8.5	1.6	20	146		2.0	0.16		0.9	0.8	C	MONTEREY
	7	8	33	36-31.2		121-7.9		1.1	1.1	12	87		5.1	0.13		0.6	0.6	B	PICKMORE CANYON
	7	13	27	36-3.8		120-40.1		3.3	2.1	15	138		6.9	0.20		2.1	3.0	C	SLACK CANYON
	7	13	51	37-5.8		121-53.0		9.8	1.4	28	83		6.0	0.11		0.3	0.6	A	LAIRFL
	7	16	40	38-43.2		122-47.7		3.0	1.2	12	66		3.5	0.08		0.3	0.2	A	THE GEYSERS
	7	17	36	38-47.6		122-48.3		2.4	1.6	19	73		4.5	0.12		0.4	0.3	A	THE GEYSERS
	7	21	42	36-25.7		120-22.5		6.4	3.0	45	117		40.2	0.21		0.9	0.8	C	LILLIS RANCH
	7	21	46	36-25.5		120-22.8		9.2	3.4	50	117		39.7	0.24		0.9	0.7	C	LILLIS RANCH
	8	6	28	36-26.0		120-22.7		7.2	3.2	54	117		40.7	0.23		0.9	0.7	C	LILLIS RANCH
	8	10	22	37-38.9		122-17.9		8.6	1.5	31	92		12.8	0.13		0.4	0.9	C	HUNTERS POINT
	8	10	46	39-19.7		123-10.9		0.4	2.2	19	299		34.9	0.22		5.6	5.0	D	REDWOOD VALLEY
	8	17	27	34.1		122-25.3		1.8	1.6	21	134		6.5	0.14		0.6	0.6	B	JERICHO VALLEY
	8	20	50	37-24.4		121-44.5		3.5	1.4	8	85		7.1	0.11		0.7	0.5	C	MT DAY
	8	22	23	36-27.6		120-22.4		6.1	3.2	46	118		41.1	0.28		1.2	1.1	C	TRES PICOS FARMS
	9	0	59	36-55.6		121-28.1		5.2	1.3	33	59		3.7	0.10		0.2	0.7	A	SAN FELIPE
	9	1	18	36-55.5		121-28.0		4.7	1.7	36	55		3.7	0.12		0.3	0.4	A	SAN FELIPE
	9	7	0	38-49.0		122-47.9		1.3	1.1	13	67		3.9	0.10		0.3	0.3	A	THE GEYSERS
	9	7	52	36-40.4		121-19.3		2.6	1.8	27	42		4.4	0.15		0.4	0.4	B	PAICINES
	9	7	34	36-37.5		121-16.7		6.2	1.9	33	45		3.5	0.16		0.4	0.8	B	PAICINES
	9	10	47	38-48.8		122-48.1		1.6	1.0	17	75		3.8	0.09		0.4	0.3	A	THE GEYSERS
	9	12	37	38-47.7		122-48.1		2.2	1.0	10	73		4.9	0.06		0.3	0.3	A	THE GEYSERS
	9	12	40	36-54.3		121-27.1		8.5	1.1	29	59		2.3	0.09		0.2	0.5	A	SAN FELIPE
	9	18	18	37-24.7		121-47.1		5.7	1.3	20	77		1.5	0.11		0.4	0.5	A	CALAVEPAS RESERVOIR
	10	11	31	38-56.6		122-40.5		3.5	1.3	13	95		0.6	0.13		0.6	0.3	A	CLAPLAKE HIGHLANDS
	10	17	16	36-54.5		121-29.1		9.3	2.7	65	33		2.4	0.16		0.3	0.4	B	SAN FELIPE
	10	22	8	36-32.8		121-10.8		7.4	1.1	15	64		3.3	0.05		0.2	0.4	A	PICKMORE CANYON
	10	22	10	36-42.5		121-13.7		8.6	1.3	20	57		6.2	0.07		0.3	0.6	A	CHEFRY PEAK
	10	22	49	36-31.7		121-6.1		12.3	1.1	15	40		3.2	0.09		0.5	0.9	A	SAN GENITO
	10	23	58	36-47.1		121-13.2		5.2	1.0	19	72		5.5	0.13		0.4	0.6	B	OUTEN SARF VALLEY
	11	5	38	36-2.2		120-13.0		3.7	2.0	9	213		15.6	0.10		1.7	0.8	C	AVENAL

CENTRAL CALIFORNIA EARTHQUAKES--1975 (CONTINUED)

1975	HR	MIN	SEC	LAT	N	LONG	W	DEPTH	MAG	NO	GAP	DMIN	PMS	EPH	EPZ	Q	QUADRANGLE
AUG	11	11	3	31.0	36-33.1	121-6.2	10.9	2.7	47	62	8.1	0.20	0.4	0.6	3		SAN RENITO
	11	23	14	4.7	37-24.3	121-44.8	4.1	2.0	46	84	6.8	0.16	0.4	0.3	3		MT DAY
	12	6	6	7.8	36-22.2	120-57.6	0.5	1.6	12	70	6.6	0.11	0.5	0.5	3		LONOK
	12	6	38	42.6	38-47.8	122-46.3	3.8	1.4	19	60	1.8	0.09	0.3	0.3	3	A	THE GEYSERS
	12	7	19	0.7	38-47.8	122-46.6	3.8	1.1	14	69	2.1	0.10	0.4	0.4	3	A	THE GEYSERS
	12	7	19	59.2	38-47.9	122-46.0	4.2	1.6	19	52	1.3	0.14	0.5	1.0	3	A	THE GEYSERS
	12	8	42	0.5	37-7.2	121-55.2	11.2	1.3	31	86	5.6	0.16	0.5	0.6	3	B	LAUREL
	12	12	37	40.6	36-11.8	120-48.5	0.6	1.4	10	110	2.3	0.16	1.1	1.3	3	B	MONARCH PEAK
	12	14	31	52.8	35-47.7	120-20.9	4.6	1.7	9	274	4.0	0.04	0.9	0.2	3	C	CHOLAME VALLEY
	12	21	59	53.4	36-57.8	121-38.3	4.5	2.6	68	46	4.0	0.15	0.3	0.2	3	B	WATSONVILLE EAST
	13	6	57	25.5	37-15.2	121-58.2	8.0	1.0	15	95	5.8	0.08	0.4	0.9	3	A	SAN JOSE WEST
	13	8	32	28.6	37-39.0	122-2.5	6.1	2.3	61	36	0.2	0.16	0.3	0.4	3	B	HAYWARD
	13	8	46	40.9	38-48.8	122-47.7	2.0	0.8	9	76	3.6	0.10	0.4	0.3	3	A	THE GEYSERS
	13	9	4	31.9	36-0.3	120-36.2	2.4	2.5	19	122	15.7	0.22	1.4	1.5	3	C	SMITH MTN
	13	9	10	11.0	36-0.9	120-36.1	2.4	1.9	13	137	15.0	0.14	5.6	9.6	3	D	SMITH MTN
	13	10	36	23.2	37-39.5	122-2.3	4.4	1.2	17	79	1.2	0.14	0.5	0.4	3	A	HAYWARD
	13	17	7	52.9	36-54.3	121-27.0	9.2	1.4	34	51	2.2	0.14	0.4	0.8	3	A	SAN FELIPE
	13	17	22	8.4	36-35.7	121-13.6	4.3	1.3	18	64	4.0	0.08	0.3	0.7	3	A	RICKMORE CANYON
	13	21	59	23.8	36-54.4	121-28.6	7.5	0.8	22	52	3.0	0.10	0.3	0.7	3	A	SAN FELIPE
	13	22	15	35.7	37-2.5	122-4.4	0.5	1.6	20	155	3.3	0.12	0.8	0.7	3	B	DAVENPORT
	14	4	56	30.9	38-57.6	122-44.6	1.7	1.7	15	84	3.9	0.13	0.5	0.3	3	A	CLEARLAKE HIGHLANDS
	14	7	13	32.5	38-57.9	122-44.6	1.7	1.0	11	97	3.9	0.15	0.6	0.4	3	A	CLEARLAKE HIGHLANDS
	14	16	28	10.2	36-55.3	121-28.2	6.1	1.1	21	53	3.4	0.08	0.3	0.7	3	A	SAN FELIPE
	14	17	7	25.8	36-33.3	121-3.6	10.9	1.4	17	69	5.1	0.13	0.6	1.0	3	A	SAN RENITO
	14	18	55	53.8	38-58.0	122-44.5	1.7	0.9	10	88	3.9	0.15	0.7	0.5	3	A	CLEARLAKE HIGHLANDS
	14	19	9	30.3	37-38.1	121-51.5	4.3	2.0	29	89	8.6	0.11	0.3	0.2	3	B	LIVERMORE
	14	22	2	55.5	36-54.0	121-36.1	2.3	1.4	9	95	1.9	0.18	1.1	0.7	3	B	CHITTENDEN
	14	23	37	59.4	37-26.3	121-38.7	5.7	1.0	7	133	13.2	0.10	0.8	1.1	3	B	MT DAY
	15	7	6	50.0	36-33.5	121-9.5	10.7	1.2	15	59	3.3	0.11	0.5	1.2	3	A	RICKMOPF CANYON
	15	8	22	23.0	37-18.0	121-39.8	4.4	1.3	17	88	4.7	0.13	0.4	0.3	3	A	LICK OBSERVATORY
	15	8	24	59.8	36-37.9	121-16.8	0.8	2.0	27	52	3.8	0.13	0.3	0.3	3	A	PAICINES
	15	8	56	34.7	36-33.1	121-8.5	11.1	2.3	32	56	4.9	0.15	0.4	0.6	3	A	RICKMORE CANYON
	15	12	21	5.7	38-24.5	122-25.3	5.3	1.7	22	92	5.5	0.13	0.5	0.7	3	B	RUTHERFORD
	15	19	27	50.2	37-55.0	121-57.0	0.4	1.8	23	46	3.9	0.18	0.4	0.4	3	B	CLAYTON
	15	22	10	20.4	36-54.1	121-37.1	3.2	1.5	14	113	3.2	0.27	1.1	0.7	3	B	CHITTENDEN
	15	22	27	52.3	36-26.9	120-25.5	9.9	4.5	37	125	36.2	0.29	1.1	1.0	3	C	LILLIS RANCH
	15	22	40	23.2	36-49.6	121-35.3	6.2	2.3	39	51	3.5	0.27	0.6	1.3	3	B	SAN JUAN BAUTISTA
	16	1	38	32.2	38-59.6	122-56.8	3.4	1.5	18	85	8.1	0.19	0.7	0.6	3	B	HIGHLAND SPRINGS
	16	7	58	51.8	36-32.9	121-4.5	9.8	1.6	21	67	6.5	0.16	0.5	1.1	3	B	SAN RENITO
	16	12	18	39.1	36-23.1	120-56.3	3.6	1.4	8	74	7.8	0.06	0.4	0.4	3	B	ROCK SPRING PEAK
	16	17	30	15.0	36-56.9	121-35.7	3.6	1.6	16	59	1.4	0.08	0.3	0.3	3	A	CHITTENDEN
	16	20	25	22.6	35-57.7	121-32.6	11.9	1.9	12	129	6.5	0.15	1.2	1.2	3	B	STOCKDALL MTN
	16	23	33	35.2	37-52.7	122-1.5	5.9	1.3	14	87	7.6	0.15	0.6	0.6	3	B	WALNUT CREEK
	17	3	41	34.1	36-31.8	121-6.4	9.7	1.1	11	84	7.5	0.14	0.9	2.2	3	B	SAN RENITO
	17	4	12	16.8	36-31.7	121-7.2	7.5	0.8	10	91	6.5	0.19	1.3	3.3	3	B	SAN RENITO

CENTRAL CALIFORNIA EARTHQUAKES--1975 (CONTINUED)

1975	HR	MIN	SEC	LAT N	LONG W	DEPTH	MAG	NO GAP	DMIN	RMS	EPH	ER7	Q	QUADRANGLE
AUG	17	4	38	36-34.0	121-11.8	5.4	1.0	13	65	1.2	0.05	0.2	0.4	A HICKMORE CANYON
	17	6	19	36-54.6	121-28.8	6.0	1.5	22	49	2.5	0.09	0.3	0.7	A SAN FELIPE
	17	7	49	37-19.3	121-40.3	9.5	1.3	19	77	7.1	0.10	0.4	0.8	A LICK OBSERVATORY
	17	7	51	38-49.6	122-48.2	2.6	1.0	9	73	3.8	0.09	0.4	0.3	A THE GEYSERS
	17	8	16	39-8.5	123-21.9	9.4	1.6	10	243	27.0	0.15	1.3	8.5	D NE 1/4 POONVILLF
	17	8	52	36-26.5	120-23.2	7.3	2.9	35	117	39.4	0.29	1.3	1.3	C LILLIS RANCH
	17	13	17	36-34.9	121-12.3	4.4	1.1	15	64	1.6	0.14	0.5	1.0	A HICKMORE CANYON
	17	15	21	38-52.0	122-46.9	5.3	1.3	13	52	3.4	0.13	0.6	1.6	A THE GEYSERS
	17	18	53	36-49.4	121-34.6	5.1	1.6	35	51	2.9	0.23	0.6	1.3	R SAN JUAN RAUTISTA
	17	22	56	37-53.4	121-59.3	6.6	1.1	14	69	7.7	0.19	0.9	0.7	B CLAYTON
	18	1	43	37-38.4	121-51.4	4.6	1.3	17	91	8.9	0.13	0.5	0.5	R LIVFPMORE
	18	3	43	38-51.1	122-57.9	4.5	1.7	23	51	1.8	0.16	0.5	1.2	R ASTI
	18	4	31	36-31.3	120-59.1	8.0	2.0	24	91	8.4	0.19	0.6	1.6	B LLANADA
	18	8	35	36-27.9	120-24.7	6.3	2.8	53	117	37.9	0.26	1.2	1.7	C LILLIS RANCH
	18	8	57	35-58.8	120-35.1	4.3	2.3	15	129	10.7	0.19	1.4	1.0	C STOCKDALF MTN
	18	13	56	38-47.8	122-48.3	3.0	1.3	14	68	4.4	0.09	0.3	0.2	A THE GEYSERS
	18	20	16	38-48.4	122-49.1	1.0	0.9	8	107	2.3	0.12	0.6	0.7	R THE GEYSERS
	19	5	11	36-5.4	120-39.4	1.4	1.5	12	141	5.8	0.10	0.6	0.5	B SLACK CANYON
	19	6	52	36-26.1	121-2.0	0.0	2.1	19	69	1.7	0.10	0.3	0.4	A TOPO VALLEY
	19	7	44	37-29.8	121-50.8	5.0	1.4	25	61	3.3	0.13	0.4	0.4	A CALAVEPOS RESERVOIR
	20	2	29	36-30.4	121-7.0	0.3	2.0	23	35	3.7	0.13	0.3	0.4	A SAN RENITO
	20	10	16	36-41.1	121-5.1	6.7	1.6	25	88	2.9	0.15	0.5	1.0	A PANOCHE PASS
	20	10	20	36-32.4	121-9.6	3.4	2.2	27	61	4.6	0.13	0.4	0.4	A HICKMORE CANYON
	20	12	38	36-37.3	121-0.1	5.4	1.1	13	75	3.8	0.15	0.8	0.5	A SAN RENITO
	20	16	18	36-21.2	121-50.4	2.6	1.7	18	229	28.3	0.10	0.8	0.6	C BIG SUP
	20	17	59	36-44.7	121-20.7	11.3	1.6	21	63	3.4	0.07	0.3	0.5	A PAICINFS
	20	22	9	37-32.3	122-4.2	4.9	1.6	31	54	2.4	0.15	0.4	0.7	B NEWARK
	20	22	46	36-53.7	121-37.4	0.1	1.2	13	120	3.1	0.20	0.5	0.6	B CHITTENDEN
	20	23	0	36-45.7	121-35.4	1.6	2.4	49	79	4.3	0.15	0.3	0.3	A SAN JUAN RAUTISTA
	21	0	34	36-33.9	121-12.4	8.1	1.3	20	69	2.0	0.13	0.5	0.9	A HICKMORE CANYON
	21	2	6	35-59.3	121-16.7	10.6	1.6	14	258	14.4	0.10	1.5	0.6	C ALDFFR PEAK
	21	2	36	36-32.3	121-9.7	3.5	1.4	14	62	4.7	0.04	0.2	0.2	A HICKMORE CANYON
	21	7	23	36-49.8	121-17.0	7.0	1.0	25	98	2.1	0.09	0.3	0.6	A TRES PINOS
	21	11	0	36-31.0	121-8.5	5.9	2.5	33	54	4.1	0.28	0.7	1.7	B HICKMORE CANYON
	21	14	19	36-26.6	120-22.4	12.3	2.7	26	132	40.7	0.18	1.2	0.8	C TRES PICOS FARMS
	21	18	23	38-48.5	122-48.3	3.1	1.0	12	76	3.7	0.04	0.2	0.1	A THE GEYSERS
	21	19	57	38-47.8	122-48.3	1.5	1.0	12	71	4.5	0.09	0.3	1.3	A THE GEYSERS
	22	1	20	36-42.3	121-7.8	5.9	1.2	15	85	5.6	0.11	0.6	1.0	A CHERPY PEAK
	22	5	13	36-32.6	121-9.6	3.5	1.7	18	61	4.4	0.11	0.4	0.4	A HICKMORE CANYON
	22	7	43	37-55.2	122-18.5	4.6	1.5	14	53	5.9	0.10	0.4	0.5	B RICHMOND
	22	10	26	36-55.2	121-28.3	4.7	1.2	29	69	3.2	0.10	0.3	0.4	A SAN FELIPE
	22	11	17	38-51.9	122-48.6	1.6	1.0	12	56	4.6	0.11	0.4	0.3	A THE GEYSERS
	22	12	11	36-53.1	121-29.9	4.7	1.0	55	52	3.6	0.09	0.2	0.3	A SAN FELIPE
	22	19	1	36-32.8	121-10.4	6.0	1.5	15	64	3.5	0.13	0.5	1.0	A HICKMORE CANYON
	22	19	8	37-30.2	121-33.5	5.9	1.0	27	106	12.3	0.16	0.7	0.5	C CEDAR MTN

CENTRAL CALIFORNIA EARTHQUAKES--1975 (CONTINUED)

1975	HR	MIN	SEC	LAT	N	LONG	W	DEPTH	MAG	NO	GAP	DMIN	RMS	FRH	ERZ	Q	QUADRANGLE
AUG	22	19	13	48.7	36-5.2	120-39.6	9.1	1.9	12	145	6.1	0.14	1.1	1.3	C		SLACK CANYON
	22	22	13	5.6	38-57.7	123-14.9	2.3	1.7	15	245	5.5	0.20	2.5	1.2	C		NW 1/4 HOPLAND
	22	22	17	59.7	37-3.2	122-8.3	0.2	1.6	17	187	3.6	0.14	1.0	1.1	C		DAVENPORT
	22	22	27	14.4	36-54.0	121-36.9	1.4	1.1	12	112	2.7	0.31	1.3	1.3	C		CHITTENDEN
	22	22	46	31.5	36-54.3	121-37.3	2.9	1.3	9	114	3.6	0.20	1.1	0.9	R		CHITTENDEN
	22	23	41	13.4	38-47.4	122-48.4	2.5	1.4	18	45	4.4	0.12	0.4	0.3	A		THE GEYSERS
	23	0	9	39.4	36-21.0	120-56.9	2.2	1.5	10	61	4.2	0.09	0.5	0.6	A		LONOK
	23	7	27	21.4	36-56.9	121-39.5	10.7	1.0	19	68	1.9	0.06	0.3	0.5	A		WATSONVILLE EAST
	23	9	7	14.5	36-55.5	121-28.2	7.3	1.8	47	49	3.4	0.12	0.2	0.6	A		SAN FELIPE
	24	0	20	9.4	36-34.3	121-5.6	9.4	1.2	14	87	6.5	0.13	0.6	1.4	A		SAN RENITO
	24	1	29	14.4	36-31.9	121-10.0	0.0	1.4	11	82	4.6	0.17	0.7	0.9	B		RICKMORE CANYON
	24	5	4	29.0	36-31.6	121-8.5	5.4	1.2	11	80	4.9	0.16	0.9	1.1	R		RICKMORE CANYON
	24	5	25	40.3	38-48.0	122-48.1	1.4	1.4	20	57	4.1	0.08	0.2	0.2	A		THE GEYSERS
	24	11	35	24.4	35-48.4	121-5.9	13.6	2.3	11	128	14.6	0.06	0.5	0.4	B		BRYSON
	24	13	32	57.6	37-2.5	121-28.5	3.4	1.0	8	131	2.0	0.08	0.6	0.6	R		GILROY HOT SPRINGS
	24	14	24	27.9	38-49.0	122-47.9	1.6	2.0	26	37	3.9	0.14	0.3	0.3	A		THE GEYSERS
	24	16	14	51.0	37-27.2	121-45.9	4.2	1.2	9	84	3.1	0.12	0.8	0.5	A		CALAVERAS RESERVOIR
	24	16	52	55.1	36-35.8	121-8.0	9.4	1.3	19	58	5.4	0.16	0.6	1.3	B		RICKMORE CANYON
	24	18	23	15.1	35-59.8	120-35.9	3.6	2.1	15	132	12.5	0.15	1.2	1.4	C		STOCKDALE MTN
	24	18	41	17.8	35-59.7	120-35.3	10.4	2.6	20	75	11.7	0.19	1.0	0.9	R		STOCKDALE MTN
	24	18	42	15.1	35-59.2	120-35.8	3.5	2.3	17	130	11.9	0.17	1.1	1.0	C		STOCKDALE MTN
	24	23	46	49.3	36-10.7	120-46.3	7.4	2.0	17	127	4.7	0.16	0.8	1.1	B		MONARCH PEAK
	25	2	7	37.7	37-25.7	121-40.2	2.8	1.4	19	61	9.9	0.16	0.6	0.4	B		MT DAY
	25	5	23	6.9	38-48.2	122-47.8	1.9	1.0	9	75	3.6	0.09	0.4	0.3	A		THE GEYSERS
	25	10	38	42.7	36-31.2	121-9.5	9.3	1.5	21	60	3.6	0.21	0.7	1.4	B		RICKMORE CANYON
	25	12	48	8.5	36-58.1	121-38.3	5.5	1.2	22	62	4.6	0.05	0.2	0.4	A		WATSONVILLE EAST
	25	13	9	34.3	36-30.0	121-6.6	3.3	1.5	18	48	3.3	0.16	0.6	0.6	R		TOPO VALLEY
	25	13	11	50.2	36-30.0	121-6.6	3.5	1.7	21	48	3.3	0.13	0.5	0.4	A		TOPO VALLEY
	25	21	52	41.4	37-38.3	121-40.6	9.5	2.2	46	77	6.0	0.17	0.5	0.6	B		ALTAMONT
	26	0	17	6.3	36-57.6	121-36.7	3.7	2.2	40	48	2.5	0.19	0.4	0.4	B		CHITTENDEN
	26	1	6	31.3	38-45.8	122-37.7	5.3	1.7	20	82	5.8	0.21	0.7	2.6	B		WHISPERING PINES
	26	3	15	8.0	36-39.2	121-18.8	4.4	2.1	34	40	3.9	0.16	0.4	0.5	B		PAICINES
	26	4	53	5.0	36-33.4	121-8.8	11.6	1.2	15	59	4.3	0.11	0.5	1.0	A		RICKMORE CANYON
	26	5	46	0.0	36-55.2	121-35.1	3.6	1.0	14	72	3.9	0.07	0.3	0.2	A		CHITTENDEN
	26	15	17	36.9	36-21.9	120-58.5	9.8	2.1	22	60	6.9	0.20	0.7	1.4	B		LONOK
	26	19	16	46.5	37-0.8	121-45.2	11.2	2.2	52	47	4.5	0.17	0.4	0.4	R		LOMA PRIFTA
	26	21	58	57.4	36-11.0	120-46.5	5.9	1.5	9	125	4.0	0.13	1.0	1.8	B		MONARCH PEAK
	26	23	22	35.6	36-30.5	121-7.7	9.7	2.2	28	44	4.5	0.22	0.6	1.1	R		RICKMORE CANYON
	27	3	18	22.7	37-29.2	121-41.5	5.7	1.3	11	116	10.3	0.14	0.7	0.9	R		MT DAY
	27	8	37	35.3	38-19.8	122-33.5	9.0	1.5	18	53	7.7	0.12	0.5	0.8	A		GLEN ELLFN
	27	9	53	42.7	36-37.9	121-16.9	4.5	2.6	50	41	3.7	0.18	0.4	0.5	R		PAICINES
	27	12	35	29.5	36-40.8	121-18.4	4.6	2.3	36	41	3.4	0.12	0.3	0.4	A		PAICINES
	27	13	58	15.4	36-33.0	121-3.8	8.5	1.8	24	69	4.6	0.17	0.5	1.0	R		SAN RENITO
	27	15	16	46.5	38-49.0	122-48.5	1.2	1.0	14	49	3.1	0.11	0.3	0.3	A		THE GEYSERS
	27	15	16	53.4	38-48.8	122-48.2	1.2	1.0	10	83	3.7	0.22	0.8	0.9	R		THE GEYSERS

CENTRAL CALIFORNIA EARTHQUAKES--1975 (CONTINUED)

1975	HR	MIN	SEC	LAT	N	LONG	W	DEPTH	MAG	NO	GAP	D	MIN	RMS	EPH	EP7	Q	QUADRANGLE
AUG	27	21	22	37-9.8	121-32.8	8.3	1.5	25	99	6.8	0.11	0.3	0.9	B	0.9	B	MT SIZER	
	28	1	29	36-33.3	121-6.1	11.6	1.0	13	96	5.4	0.14	0.8	1.8	A	0.8	A	SAN PENITO	
	28	3	37	37-40.8	121-38.0	9.2	1.9	34	37	9.6	0.20	0.7	0.9	R	0.7	R	ALTAMONT	
	28	4	33	37-23.4	121-41.0	6.7	1.6	53	77	3.7	0.13	0.3	0.9	A	0.3	A	LICK OBSERVATORY	
	28	6	10	37-41.1	121-37.8	9.9	1.6	14	97	10.1	0.19	1.0	1.2	R	1.0	R	ALTAMONT	
	28	8	19	37-28.8	121-41.4	3.4	1.0	9	116	10.2	0.07	0.4	0.4	R	0.4	R	MT DAY	
	28	9	0	37-41.9	121-37.1	9.4	1.9	29	91	11.6	0.19	0.7	0.9	R	0.7	R	MIDWAY	
	28	9	20	38-52.6	122-48.3	4.1	2.9	34	42	3.4	0.18	0.4	0.7	B	0.4	B	KELSFYVILLE	
	28	9	26	38-51.6	122-48.4	2.8	1.1	14	54	4.8	0.16	0.6	0.4	R	0.4	R	THE GEYSERS	
	28	9	29	38-51.9	122-48.4	1.9	1.5	19	40	4.4	0.16	0.5	0.4	R	0.4	R	THE GEYSERS	
	28	9	33	38-51.8	122-48.8	0.2	1.3	17	46	4.9	0.16	0.5	0.6	R	0.5	R	THE GEYSERS	
	28	9	43	38-51.3	122-48.2	2.8	1.0	11	54	4.9	0.11	0.4	0.3	A	0.4	A	THE GEYSERS	
	28	10	21	38-51.8	122-48.4	2.0	1.2	12	55	4.5	0.10	0.4	0.3	A	0.3	A	THE GEYSERS	
	28	13	31	38-51.7	122-48.6	0.0	1.1	12	55	4.9	0.17	0.7	0.9	R	0.7	R	THE GEYSERS	
	28	15	6	36-54.6	121-29.0	6.4	1.3	20	58	5.3	0.08	0.2	0.8	A	0.2	A	SAN FELIPE	
	28	20	34	36-54.4	121-26.7	9.5	1.3	30	51	1.8	0.13	0.3	0.7	A	0.3	A	SAN FELIPE	
	28	22	19	36-34.8	121-11.6	2.0	1.4	14	52	0.6	0.14	0.6	0.5	A	0.6	A	RICKMORE CANYON	
	28	22	33	39-16.0	123-11.0	3.9	2.5	24	259	28.8	0.22	4.0	2.2	D	4.0	D	REDWOOD VALLEY	
	29	0	45	38-48.4	122-47.7	1.6	1.4	15	68	3.5	0.09	0.3	0.2	A	0.3	A	THE GEYSERS	
	29	1	54	36-35.1	121-8.3	10.6	1.0	10	60	4.6	0.08	0.6	1.5	A	0.6	A	RICKMORE CANYON	
	29	3	46	36-15.9	120-51.6	4.3	1.9	23	111	8.0	0.19	0.7	1.1	B	0.7	B	HEPSFAM PEAK	
	29	5	4	37-24.8	121-36.4	6.1	1.4	14	145	8.6	0.16	0.9	3.8	C	0.9	C	EYLAR MTN	
	29	5	31	37-29.0	121-41.2	5.8	1.7	29	70	10.6	0.13	0.4	0.4	R	0.4	R	MT DAY	
	29	6	34	37-2.9	121-29.0	7.9	1.8	42	90	2.6	0.14	0.3	0.7	B	0.3	B	GILROY HOT SPRINGS	
	29	7	20	38-51.7	122-48.7	0.4	1.2	13	56	4.9	0.17	0.6	0.6	B	0.6	B	THE GEYSERS	
	29	7	52	36-27.3	120-25.6	10.7	3.8	66	116	36.3	0.23	0.8	0.7	C	0.8	C	LILLIS RANCH	
	29	7	57	36-27.8	120-24.3	6.0	2.5	28	117	38.4	0.25	1.5	2.0	C	1.5	C	LILLIS RANCH	
	29	8	30	36-28.0	120-25.3	5.4	3.5	50	175	37.1	0.33	1.1	1.0	C	1.1	C	LILLIS RANCH	
	29	9	0	38-51.6	122-48.5	0.8	1.4	14	51	4.9	0.13	0.5	0.4	A	0.5	A	THE GEYSERS	
	29	12	23	38-51.9	122-48.3	1.8	1.6	19	40	4.4	0.16	0.5	0.4	R	0.5	R	THE GEYSERS	
	29	13	12	37-29.8	121-50.3	5.6	1.0	14	94	3.9	0.14	0.6	0.7	B	0.6	B	CALAVERAS RESERVOIR	
	29	13	57	36-32.3	121-3.2	8.9	1.1	13	96	3.8	0.15	0.9	1.5	B	0.9	B	SAN PENITO	
	29	18	56	37-55.2	121-56.7	0.1	1.5	14	66	3.5	0.17	0.5	0.6	R	0.5	R	CLAYTON	
	29	19	7	36-37.2	121-14.3	10.0	1.3	18	56	1.6	0.13	0.5	0.9	A	0.5	A	RICKMORE CANYON	
	30	5	47	38-51.7	122-49.1	2.4	1.1	12	57	4.6	0.11	0.5	0.3	A	0.5	A	THE GEYSERS	
	30	5	48	36-27.4	120-25.6	7.6	3.4	39	116	36.3	0.30	1.2	1.3	C	1.2	C	LILLIS RANCH	
	30	6	9	36-54.6	121-29.0	4.9	1.0	14	77	2.3	0.08	0.3	0.7	A	0.3	A	SAN FELIPE	
	30	7	30	36-54.5	121-29.2	5.4	1.1	19	50	2.2	0.09	0.3	0.6	A	0.3	A	SAN FELIPE	
	30	20	30	36-12.8	120-48.3	6.4	2.4	23	78	1.0	0.24	0.9	1.4	B	0.9	B	MONARCH PEAK	
	30	20	54	37-15.7	121-40.9	4.9	1.2	12	67	0.9	0.10	0.5	0.3	A	0.5	A	LICK OBSERVATORY	
	30	23	14	37-22.5	121-42.7	8.2	1.3	19	35	4.3	0.12	0.4	1.0	A	0.4	A	MT DAY	
	31	0	58	36-37.8	121-16.5	3.0	2.0	26	46	3.7	0.14	0.4	0.4	A	0.4	A	PAICINES	
	31	1	35	38-51.4	122-48.3	2.9	1.3	14	53	5.0	0.12	0.4	0.3	A	0.4	A	THE GEYSERS	
	31	4	28	36-35.9	121-9.3	7.4	1.3	15	53	5.4	0.12	0.6	1.3	A	0.6	A	RICKMORE CANYON	
	31	5	52	36-31.3	121-9.4	6.3	3.0	52	60	3.8	0.29	0.6	1.3	B	0.6	B	RICKMORE CANYON	

CENTRAL CALIFORNIA EARTHQUAKES--1975 (CONTINUED)

1975	HR	MIN	SEC	LAT	N	LONG	W	DEPTH	MAG	NO	GAP	DMIN	RMS	FRH	ERZ	Q	QUADRANGLE
AUG	31	10	39	33.8	36-54.1	121-29.1	5.4	1.2	25	44	2.6	0.10	0.3	0.7	A		SAN FELIPE
	31	17	1	5.1	36-30.0	121-7.1	2.2	1.3	12	65	4.0	0.10	0.4	0.4	A		SAN FENITO
	31	19	49	32.4	37-2.9	121-28.3	3.9	1.2	15	93	2.7	0.12	0.5	0.6	B		GILROY HOT SPRINGS
	31	21	8	27.2	36-19.4	120-56.6	6.9	1.5	11	114	1.6	0.11	0.6	1.0	B		LONOK
	31	22	27	43.4	36-35.1	121-14.3	5.2	1.0	12	63	3.8	0.09	0.5	1.0	A		RICKMORE CANYON
SEP	1	7	14	41.7	37-28.6	121-52.6	2.8	1.1	13	55	4.9	0.14	0.6	0.4	A		MILPITAS
	1	8	53	32.2	36-34.8	121-13.1	7.6	1.2	14	67	2.7	0.13	0.6	1.1	A		RICKMORE CANYON
	1	11	21	4.7	36-54.4	121-29.0	5.7	1.1	16	64	2.5	0.07	0.3	0.5	A		SAN FELIPE
	1	16	22	43.0	36-31.7	121-9.2	6.4	1.3	16	60	4.7	0.17	0.6	1.5	B		RICKMORF CANYON
	1	19	5	56.0	37-15.6	121-40.8	5.3	0.8	9	79	0.6	0.07	0.4	0.2	A		LICK OBSERVATORY
	1	22	26	17.5	37-23.7	121-44.2	5.9	2.4	54	84	4.3	0.12	0.3	0.4	A		MT DAY
	1	23	43	51.6	37-29.3	121-41.6	5.9	2.3	59	72	10.3	0.19	0.4	0.5	B		MT DAY
	2	5	50	40.1	36-38.4	121-17.5	4.1	2.3	31	39	3.3	0.18	0.5	0.6	B		PAICINES
	2	7	1	16.6	36-31.7	121-9.5	6.5	2.2	28	61	4.5	0.26	0.7	1.6	B		RICKMORE CANYON
	2	12	35	42.9	36-54.6	121-29.2	4.6	1.2	22	67	2.0	0.11	0.3	0.8	A		SAN FELIPE
	2	19	59	34.7	36-13.5	120-48.3	5.9	1.0	7	142	1.3	0.08	0.8	1.1	3		MONARCH PEAK
	2	22	18	47.8	37-1.7	122-8.4	4.3	1.5	19	158	3.3	0.14	0.8	0.4	B		DAVENPORT
	3	2	18	53.7	38-48.4	122-48.1	1.4	0.9	11	66	4.0	0.06	0.2	0.2	A		THE GEYSERS
	3	6	40	25.6	36-35.1	121-13.6	2.4	1.6	24	61	3.8	0.13	0.4	0.3	A		RICKMORF CANYON
	3	19	15	26.6	38-48.4	122-49.2	1.8	1.0	9	87	2.9	0.06	0.3	0.2	A		THE GEYSERS
	3	19	29	51.9	35-58.7	120-35.3	1.4	1.8	9	138	10.9	0.12	1.1	0.9	C		STOCKDALE MTN
	3	22	15	33.6	37-0.0	121-40.0	2.9	1.1	13	83	5.4	0.11	0.5	0.4	R		MT MADONNA
	4	1	27	22.7	38-48.5	122-48.7	0.9	1.5	21	42	3.2	0.12	0.3	0.3	A		THE GEYSERS
	4	5	33	18.0	38-48.5	122-48.0	3.5	1.1	12	76	3.9	0.06	0.2	0.2	A		THE GEYSERS
	4	9	42	20.2	36-54.3	121-29.0	6.0	1.0	22	64	2.6	0.08	0.3	0.6	A		SAN FELIPE
	4	10	4	43.9	37-45.4	121-58.5	5.4	1.7	22	38	2.8	0.14	0.4	0.3	A		DIARLO
	4	10	11	51.0	36-56.0	121-40.4	6.3	1.4	24	113	1.2	0.14	0.5	0.7	B		WATSONVILLE EAST
	4	11	4	49.2	36-33.9	121-8.3	9.1	1.4	24	53	4.7	0.15	0.5	1.0	A		RICKMORE CANYON
	4	12	16	40.7	36-33.8	121-8.3	9.7	2.3	32	54	4.7	0.15	0.4	0.8	B		RICKMORE CANYON
	4	12	18	49.2	37-45.6	121-58.6	6.5	1.6	16	58	2.6	0.11	0.4	0.3	A		DIARLO
	4	12	19	29.0	37-35.3	121-57.7	4.9	0.9	18	53	4.7	0.13	0.5	0.5	A		NILES
	4	13	27	43.5	36-34.0	121-8.4	9.0	1.5	22	54	4.5	0.13	0.4	0.9	A		BICKMORE CANYON
	4	16	12	7.4	36-42.6	120-50.7	9.7	1.5	19	131	7.0	0.19	0.9	1.5	B		MERCY HOT SPRINGS
	4	16	45	45.7	36-35.8	121-15.5	5.7	1.7	24	46	3.3	0.14	0.4	0.8	A		MT JOHNSON
	4	19	32	57.7	36-33.4	121-8.2	10.2	1.6	24	56	12.1	0.20	0.6	1.8	B		BICKMORE CANYON
	4	23	1	35.9	38-48.8	122-47.8	2.5	1.5	17	52	3.7	0.10	0.3	0.2	A		THE GEYSERS
	5	2	47	22.1	38-48.5	122-49.3	1.0	1.8	24	40	2.5	0.13	0.3	0.3	A		THE GEYSERS
	5	4	1	48.7	36-56.6	121-25.9	2.8	1.5	29	68	4.7	0.15	0.3	0.3	A		SAN FELIPE
	5	6	34	7.9	38-48.6	122-48.8	1.6	1.1	11	65	3.1	0.07	0.3	0.2	A		THE GEYSERS
	5	8	14	32.7	38-48.3	122-49.3	1.5	1.0	13	52	2.8	0.09	0.3	0.2	A		THE GEYSERS
	5	11	39	56.0	36-38.0	121-16.8	1.0	1.3	16	60	3.7	0.13	0.4	0.4	A		PAICINES
	5	12	57	28.5	36-57.3	121-37.4	5.2	1.6	26	48	3.6	0.08	0.2	0.3	A		CHITTENDFN
	5	13	22	40.2	36-57.2	121-37.4	4.5	1.5	25	47	3.6	0.07	0.2	0.2	A		CHITTENDFN
	5	21	0	54.1	37-34.0	121-40.4	5.9	2.0	34	84	4.6	0.21	0.7	0.6	B		MENDENHALL SPRINGS
	6	3	1	35.9	36-35.9	121-13.5	3.8	1.2	13	62	4.1	0.14	0.6	0.8	A		BICKMORE CANYON

CENTRAL CALIFORNIA EARTHQUAKES--1975 (CONTINUED)

1975	HR	MIN	SEC	LAT	N	LONG	W	DEPTH	MAG	NO	GAP	DMIN	RMS	EPH	FRZ	Q	QUADRANGLE
SEP	6	4	55	36-33.7	121-8.4	9.4	2.1	27	6.2	4.4	0.13	0.4	0.7	A	HICKMORE CANYON		
	6	4	56	36-34.2	121-8.4	9.9	1.3	15	6.2	4.5	0.13	0.6	1.2	A	HICKMORE CANYON		
	6	5	17	36-33.9	121-8.4	10.2	2.9	51	5.4	4.5	0.18	0.4	0.5	B	HICKMORE CANYON		
	6	5	40	36-34.1	121-8.3	9.6	1.4	22	6.3	4.6	0.13	0.5	0.8	A	HICKMORE CANYON		
	6	6	11	36-34.1	121-8.4	9.0	1.2	17	6.3	4.5	0.16	0.6	1.5	B	HICKMORE CANYON		
	6	6	55	36-57.1	121-37.4	4.4	1.0	9	7.7	3.6	0.04	0.3	0.5	A	CHITTENDEN		
	6	6	50	37-8.1	121-33.1	4.7	1.0	15	9.9	7.1	0.07	0.3	0.4	B	MT SIZER		
	6	9	17	36-57.2	121-37.3	4.7	1.1	12	5.8	3.4	0.05	0.2	0.4	A	CHITTENDEN		
	6	9	47	36-38.7	121-1.3	2.4	1.0	12	11.3	0.7	0.07	0.3	0.2	B	PANOCHF PASS		
	6	9	54	37-51.1	121-56.1	1.8	2.1	37	6.3	7.2	0.12	0.3	0.2	B	DIARLO		
	6	10	4	36-33.8	121-8.2	8.8	1.8	27	5.4	4.8	0.15	0.4	1.0	A	RICKMORE CANYON		
	6	10	8	36-41.5	121-21.6	4.6	2.3	39	5.0	2.5	0.18	0.4	0.6	B	PAICINES		
	6	10	17	37-51.2	121-56.1	2.0	1.7	23	6.4	7.0	0.16	0.4	0.3	B	DIARLO		
	6	10	23	37-51.2	121-56.1	2.2	1.6	16	6.3	7.2	0.15	0.4	0.4	B	DIARLO		
	6	10	29	37-51.2	121-56.2	2.3	1.6	18	8.9	7.1	0.16	0.5	0.4	B	DIARLO		
	6	13	50	36-43.6	121-23.0	4.8	2.1	30	4.9	4.1	0.16	0.4	1.2	B	MT HARLAN		
	6	15	53	36-57.2	121-37.3	4.9	1.5	17	5.8	3.4	0.06	0.2	0.4	A	CHITTENDEN		
	6	16	3	36-50.0	121-25.9	7.7	1.2	20	5.0	3.4	0.08	0.3	0.9	A	HOLLISTER		
	6	16	12	37-51.2	121-56.1	2.5	1.9	23	6.4	7.1	0.14	0.4	0.3	B	DIARLO		
	6	17	34	37-51.6	121-55.6	4.1	1.2	11	9.8	6.2	0.11	0.5	0.3	B	DIARLO		
	6	19	14	37-51.7	121-56.4	3.2	1.0	8	9.2	6.5	0.18	0.9	0.8	B	DIARLO		
	6	19	38	36-27.5	121-4.4	6.3	1.6	21	6.5	5.8	0.11	0.4	1.0	A	TOPO VALLEY		
	6	19	45	38-48.4	122-47.6	3.7	2.1	28	3.8	3.4	0.17	0.4	0.6	B	THE GEYSERS		
	6	19	56	37-51.4	121-56.0	2.2	2.5	52	3.7	6.7	0.17	0.3	0.3	B	DIARLO		
	6	19	57	37-51.2	121-56.0	2.5	1.9	16	6.4	7.0	0.13	0.4	0.3	B	DIARLO		
	7	3	53	35-45.8	120-22.4	5.1	3.0	33	10.6	7.6	0.21	1.3	0.6	B	CHOLAME VALLEY		
	7	5	34	37-51.3	121-56.0	2.0	1.8	20	6.4	6.9	0.17	0.5	0.4	B	DIARLO		
	7	6	56	37-51.5	121-56.2	2.7	1.9	16	6.4	6.5	0.14	0.5	0.3	B	DIARLO		
	7	9	21	37-51.1	121-55.8	2.3	1.9	20	6.5	7.1	0.15	0.4	0.3	B	DIARLO		
	7	12	30	38-48.5	122-47.7	1.4	1.3	12	6.9	3.4	0.08	0.2	0.3	A	THE GEYSERS		
	7	12	39	36-28.6	120-19.1	4.0	2.5	26	13.8	25.3	0.22	1.1	0.5	C	TRES PICOS FARMS		
	7	13	57	36-54.4	121-29.3	4.8	1.8	33	4.4	2.1	0.09	0.2	0.3	A	SAN FELIPE		
	7	15	14	36-13.2	120-49.5	5.1	1.5	12	13.2	2.7	0.17	1.0	1.8	B	MONARCH PEAK		
	7	15	46	37-51.3	121-56.3	3.0	1.1	8	8.8	7.0	0.12	0.6	0.8	B	DIARLO		
	7	21	0	36-37.8	121-16.8	5.0	2.3	32	4.5	3.7	0.13	0.3	0.4	A	PAICINES		
	7	23	17	37-51.3	121-56.1	2.0	1.4	15	6.4	6.9	0.20	0.6	0.5	B	DIARLO		
	7	23	59	36-33.9	121-8.4	8.7	1.7	25	5.4	4.5	0.17	0.5	1.0	B	RICKMORE CANYON		
	8	0	20	36-34.0	121-8.4	9.3	2.3	33	5.3	4.5	0.15	0.4	0.8	B	RICKMORE CANYON		
	8	0	34	36-33.8	121-8.4	9.1	1.8	23	5.4	4.5	0.15	0.5	0.9	A	RICKMORE CANYON		
	8	6	27	36-34.2	121-8.3	10.3	1.2	15	6.9	4.6	0.16	0.7	1.5	B	RICKMORE CANYON		
	8	7	40	36-4.8	120-40.6	5.0	2.0	14	11.7	5.2	0.18	1.0	0.9	B	SLACK CANYON		
	8	10	46	36-34.0	121-8.4	9.7	1.4	19	6.3	4.5	0.14	0.5	0.9	A	RICKMORE CANYON		
	8	23	46	36-53.9	121-37.1	1.4	1.7	18	11.4	2.9	0.21	0.6	0.5	B	CHITTENDEN		
	9	1	19	37-17.7	121-36.8	4.9	1.3	20	8.3	5.7	0.12	0.4	0.3	B	ISAHFL VALLY		
	9	3	57	37-19.6	121-40.7	5.3	1.5	27	5.7	3.6	0.14	0.4	0.5	A	LICK ORSERVATORY		

CENTRAL CALIFORNIA EARTHQUAKES--1975 (CONTINUED)

1975	HR	MM	SEC	LAT	N	LONG	W	DEPTH	MAG	NO	CAP	DMIN	RMS	FRH	EPZ	Q	QUADRANGLE
SEP	9	6	25	29.7	36-45.9	121-29.7	4.4	1.9	37	42	4.8	0.17	0.4	0.4	0.5	R	HOLLISTER
	9	8	20	40.4	36-34.5	121-12.1	3.6	2.0	27	65	1.2	0.13	0.4	0.4	0.4	A	RICKMORE CANYON
	9	9	37	51.8	37-51.5	121-55.3	4.5	1.3	10	104	6.2	0.12	0.6	0.6	0.4	B	DIABLO
	9	11	40	52.6	36-29.3	121-5.9	3.4	1.5	19	62	3.1	0.13	0.5	0.5	0.5	A	TOPO VALLEY
	9	12	36	9.2	36-0.3	120-35.6	2.6	1.8	15	119	12.6	0.13	0.9	0.9	0.8	R	SMITH MTN
	9	16	48	29.1	36-43.6	121-23.1	5.3	1.7	23	53	4.2	0.13	0.4	1.0	0.4	A	MT HARLAN
	9	19	18	42.9	38-47.9	122-48.1	1.0	1.2	17	67	3.7	0.11	0.3	0.3	0.3	A	THE GEYSERS
	9	19	46	26.1	37-21.0	121-41.3	8.7	1.2	20	80	6.1	0.11	0.4	1.0	0.4	A	LICK OBSERVATORY
	9	23	27	32.4	37-51.1	121-56.1	1.9	2.4	44	63	7.2	0.17	0.3	0.3	0.3	B	DIABLO
	10	0	51	35.3	37-22.6	121-43.2	3.5	1.3	13	84	3.8	0.12	0.5	0.3	0.3	A	MT DAY
	10	2	20	23.1	37-51.3	121-55.9	2.0	1.6	18	65	6.7	0.15	0.4	0.4	0.4	B	DIABLO
	10	9	57	53.1	38-48.1	122-47.5	1.6	1.0	12	67	3.2	0.07	0.2	0.2	0.2	A	THE GEYSERS
	10	10	41	10.9	36-29.0	121-6.2	1.2	1.2	12	90	3.8	0.09	0.5	0.5	0.5	A	TOPO VALLEY
	10	11	18	32.4	37-5.4	122-20.4	7.1	1.7	14	211	12.0	0.08	1.0	1.0	1.5	C	ANO NUFVO
	10	11	52	21.4	36-46.6	121-29.3	4.5	1.8	32	44	4.1	0.20	0.5	0.5	0.8	B	HOLLISTER
	10	13	22	43.4	35-45.5	120-21.8	5.5	2.9	18	94	8.1	0.15	1.0	1.0	0.8	B	CHOLAME VALLEY
	10	18	39	29.0	36-22.7	120-59.5	8.4	1.2	9	82	5.7	0.12	0.7	0.7	1.6	A	ROCK SPRING PEAK
	10	21	5	49.4	36-23.0	120-58.8	1.3	1.3	14	71	5.7	0.14	0.7	0.7	0.6	B	ROCK SPRING PEAK
	10	21	12	14.8	36-32.1	121-6.8	8.2	1.4	19	64	4.4	0.11	0.4	0.4	0.8	A	SAN RENITO
	10	21	32	44.9	36-43.4	121-23.2	5.9	2.2	40	50	4.2	0.15	0.3	0.3	0.8	B	MT HARLAN
	10	21	33	48.8	36-14.7	120-50.3	5.3	1.1	18	123	5.1	0.06	0.7	2.0	0.9		MONARCH PEAK
	10	22	11	51.3	36-43.5	121-23.0	5.6	1.1	18	54	3.9	0.09	0.3	0.3	0.5	A	MT HARLAN
	10	22	15	34.4	37-3.0	122-8.3	8.7	1.5	22	153	3.5	0.13	0.7	1.2	0.2	R	DAVENPORT
	10	23	59	33.5	38-49.0	122-48.2	1.5	1.1	12	90	3.5	0.07	0.2	0.2	0.2	A	THE GEYSERS
	11	0	46	7.8	36-59.2	121-39.8	10.6	1.1	16	65	4.7	0.10	0.4	0.4	0.8	A	WATSONVILLE EAST
	11	4	15	25.5	35-52.3	120-26.1	7.6	1.5	6	106	2.3	0.15	1.7	3.0	0.9		CHOLAME HILLS
	11	8	4	40.3	36-33.8	121-7.9	11.0	1.1	17	67	5.2	0.12	0.6	1.2	0.2	A	RICKMORE CANYON
	11	16	22	37.3	37-29.0	121-41.4	5.7	1.4	15	116	10.3	0.18	0.8	1.1	0.9		MT DAY
	11	16	56	31.8	36-45.7	121-7.5	3.9	1.2	17	100	10.0	0.14	0.7	0.8	0.8	B	RUBY CANYON
	11	19	40	45.4	37-19.9	121-43.5	4.5	1.2	13	68	4.1	0.11	0.5	0.5	0.3	A	LICK OBSERVATORY
	11	21	12	16.3	37-23.8	121-44.3	6.2	2.1	48	84	4.4	0.13	0.3	1.0	0.4	A	MT DAY
	11	21	39	7.3	38-48.5	122-48.2	2.6	1.2	13	76	3.9	0.08	0.3	0.2	0.2	A	THE GEYSERS
	11	22	40	31.6	36-54.1	121-37.2	3.2	1.3	13	114	3.2	0.21	0.9	0.9	0.6	B	CHITTENDEN
	11	23	0	33.1	36-45.0	121-36.1	4.7	2.4	46	81	5.9	0.18	0.5	0.5	0.5	B	NATIVIDAD
	12	1	39	27.9	38-48.2	122-49.6	1.9	1.0	12	51	2.8	0.06	0.2	0.2	0.2	A	THE GEYSERS
	12	3	53	52.3	36-36.7	121-15.5	6.4	1.2	18	60	3.4	0.16	0.6	1.1	0.3	B	MT JOHNSON
	12	6	45	53.3	36-23.7	121-0.9	5.6	2.2	31	64	3.3	0.18	0.5	1.2	0.2	B	TOPO VALLEY
	12	13	3	45.5	36-27.2	121-4.0	5.9	1.2	12	65	5.3	0.12	0.6	1.2	0.2	A	TOPO VALLEY
	12	13	43	10.9	36-32.9	121-8.7	12.7	1.2	15	58	4.9	0.13	0.6	1.2	0.2	A	BICKMORE CANYON
	12	15	1	48.8	36-33.9	121-8.4	9.6	1.1	13	63	4.6	0.07	0.4	0.4	0.8	A	RICKMORE CANYON
	12	16	14	19.0	36-34.3	121-8.2	9.6	1.4	10	64	4.7	0.08	0.5	1.0	0.4	A	RICKMORE CANYON
	12	16	14	53.5	36-34.1	121-9.5	9.0	1.0	14	62	4.4	0.11	0.5	1.3	0.4	A	RICKMORE CANYON
	12	18	33	52.3	38-43.8	122-39.0	5.0	1.1	14	86	6.7	0.15	0.7	2.2	0.2	B	MOUNT ST HELENA
	12	19	14	26.5	36-35.2	121-13.4	6.9	1.8	25	57	5.5	0.10	0.3	0.7	0.4	A	RICKMORE CANYON
	12	23	10	3.8	37-5.2	121-28.3	4.7	1.3	16	102	6.8	0.07	0.3	0.4	0.4	B	GILROY HOT SPRINGS

CENTRAL CALIFORNIA EARTHQUAKES--1975 (CONTINUED)

1975	HR	MIN	SEC	LAT N	LONG W	DEPTH	MAG	NO	GAP	DMIN	RMS	FRH	FRZ	Q	QUADRANGLE	
SEP	13	1	40	30.2	122-47.3	2.3	1.2	14	71	3.4	0.09	0.3	0.2	A	THE GEYSERS	
	13	1	43	49.5	121-16.6	4.9	1.4	33	68	1.7	0.10	0.3	0.3	A	TRES PINOS	
	13	2	52	5.2	36-36.7	4.8	1.3	17	68	5.6	0.10	0.4	1.0	B	PICKMORF CANYON	
	13	13	13	8.0	38-48.8	122-48.1	2.5	1.5	20	41	3.8	0.10	0.3	0.2	A	THE GEYSERS
	13	15	10	23.7	36-34.1	121- 8.5	10.3	1.3	17	65	4.4	0.10	0.4	0.8	A	BICKMORE CANYON
	13	15	14	52.9	37- 0.3	121-53.3	9.9	0.9	9	157	5.8	0.08	1.4	B	LAUREL	
	13	17	12	25.3	36-29.2	121- 5.9	4.2	1.6	19	62	3.3	0.14	0.7	A	TOPO VALLEY	
	13	21	20	59.1	35-58.7	120-34.1	11.4	4.9	26	74	9.2	0.16	0.6	B	STOCKDALE MTN	
	13	21	31	2.4	35-56.5	120-31.5	12.9	2.5	13	68	4.7	0.18	1.2	B	STOCKDALE MTN	
	13	21	32	7.6	35-56.8	120-32.3	11.9	1.9	11	71	5.7	0.16	1.1	B	STOCKDALE MTN	
	13	21	34	57.7	35-56.9	120-32.7	12.9	1.7	8	117	6.5	0.17	1.8	B	STOCKDALE MTN	
	13	21	46	4.5	35-56.5	120-31.8	12.6	2.8	15	70	5.0	0.17	1.0	B	STOCKDALE MTN	
	13	21	59	14.9	35-57.1	120-32.5	11.1	1.8	9	115	6.1	0.12	0.9	B	STOCKDALE MTN	
	13	22	57	46.6	35-57.1	120-32.6	11.9	2.3	15	72	6.3	0.11	0.7	B	STOCKDALE MTN	
	13	23	56	1.8	35-58.8	120-33.3	13.7	2.8	15	71	8.3	0.10	0.6	A	STOCKDALE MTN	
	14	0	56	12.5	35-57.3	120-32.7	12.6	2.2	10	115	6.5	0.11	0.8	B	STOCKDALE MTN	
	14	2	54	50.0	35-58.0	120-33.0	13.4	1.8	10	115	7.2	0.13	1.0	R	STOCKDALE MTN	
	14	3	49	44.1	35-57.1	120-32.4	11.9	1.2	10	114	6.0	0.09	0.6	B	STOCKDALE MTN	
	14	4	7	50.2	36-33.6	121- 6.5	12.1	1.1	13	84	6.3	0.12	0.7	A	SAN RENITO	
	14	5	40	49.1	38-49.0	122-48.3	1.2	1.2	16	47	3.5	0.08	0.2	A	THE GEYSERS	
	14	7	21	47.3	36-54.2	121-29.2	6.8	1.2	24	44	2.5	0.10	0.3	A	SAN FELIPE	
	14	8	43	39.6	39- 3.0	123-20.5	8.9	1.6	8	273	17.8	0.07	3.4	D	SE 1/4 ROONVILLE	
	14	9	4	51.4	39- 2.5	123-19.4	10.0	1.5	7	283	16.1	0.04	2.0	C	SE 1/4 ROONVILLE	
	14	11	29	49.4	38-48.8	122-48.0	2.7	1.0	12	83	3.9	0.07	0.3	A	THE GEYSERS	
	14	12	36	8.6	38-49.0	122-47.5	3.7	2.4	32	40	3.5	0.14	0.3	A	THE GEYSERS	
	14	12	53	15.7	36-49.9	121-34.7	6.6	1.0	25	53	3.2	0.18	0.6	B	SAN JUAN BAUTISTA	
	14	16	3	23.9	36-50.1	121-33.9	1.8	1.5	20	39	2.1	0.22	0.7	B	SAN JUAN BAUTISTA	
	14	19	32	54.3	35-56.6	120-31.6	2.6	1.3	9	111	4.7	0.05	0.4	B	STOCKDALE MTN	
	14	19	39	19.3	35-54.9	120-28.8	3.5	1.2	6	176	3.4	0.05	0.5	R	PARKFIELD	
	14	22	39	39.9	38-46.3	122-54.8	4.6	1.2	16	63	6.0	0.15	0.6	B	ASTI	
	15	6	52	10.9	35-59.3	120-33.7	12.8	1.5	9	114	9.2	0.07	0.6	B	STOCKDALE MTN	
	15	9	20	24.2	36-18.6	121-19.2	8.1	1.4	20	86	5.1	0.13	0.5	A	PARAISO SPRINGS	
	15	10	18	19.1	36-54.6	121-29.4	3.2	1.2	20	51	1.7	0.12	0.3	A	SAN FELIPE	
	15	12	31	15.3	37-51.2	121-56.3	1.9	2.9	36	62	7.2	0.16	0.3	B	DIABLO	
	15	13	38	29.8	36-32.7	121-11.1	8.4	1.2	13	68	3.3	0.06	0.3	A	BICKMORE CANYON	
	15	14	26	3.1	37- 2.1	121-28.5	5.9	1.1	26	87	1.3	0.13	0.4	A	GILROY HOT SPRINGS	
	15	17	41	25.8	37-51.0	121-55.3	4.2	1.7	12	67	7.0	0.20	0.9	R	DIABLO	
	15	22	11	50.0	36-30.1	121- 7.6	5.1	1.3	11	98	4.5	0.24	1.4	B	BICKMORF CANYON	
	15	22	32	37.3	36-30.3	121- 8.1	5.2	1.1	10	96	3.8	0.20	1.2	R	BICKMORF CANYON	
	15	23	1	33.8	36-54.0	121-35.8	1.9	1.1	13	90	1.8	0.21	0.8	B	CHITTENDEN	
	15	23	4	54.1	38-35.2	122-48.2	0.2	1.7	19	66	8.0	0.13	0.5	R	HEALDSBURG	
	16	3	37	14.5	38-48.0	122-48.3	1.2	1.3	16	55	3.9	0.08	0.2	A	THE GEYSERS	
	16	3	54	33.8	37-29.0	121-40.0	5.2	1.4	11	129	12.2	0.07	0.5	B	MT DAY	
	16	3	58	5.4	37-29.0	121-40.2	5.2	0.8	6	128	12.0	0.04	0.4	B	MT DAY	
	16	7	3	6.1	39- 0.6	122-54.1	5.6	1.4	16	98	10.7	0.21	0.9	B	LAKEPORT	

CENTRAL CALIFORNIA EARTHQUAKES--1975 (CONTINUED)

1975	HR	MIN	SEC	LAT	N	LONG	W	DEPTH	MAG	N	O	GAP	D	MIN	RMS	FRH	ERZ	Q	QUADRANGLE
SEP	16	9	24	31.5	38-48.0	122-48.5	2.5	1.9	24	46	4.1	0.13	0.3	0.7	A	THE GEYSERS			
	16	11	29	26.3	37-59.4	122-3.3	12.7	1.1	16	71	6.4	0.14	0.8	0.6	A	WALNUT CREEK			
	16	17	55	6.8	36-41.9	121-21.4	2.8	1.6	22	48	1.7	0.10	0.3	0.7	A	PAICINES			
	16	18	32	33.7	37-32.6	122-4.1	0.1	1.0	11	99	2.3	0.12	0.5	0.6	B	NEWARK			
	16	20	8	40.5	38-19.8	122-34.9	3.8	1.1	8	73	8.2	0.05	0.3	0.7	B	GLEN ELLFN			
	16	20	47	58.5	35-59.5	120-35.4	4.3	1.5	11	121	11.6	0.12	0.8	0.8	B	STOCKDOLF MTN			
	16	20	50	48.9	35-59.2	120-34.0	8.7	1.5	10	116	9.5	0.07	0.6	1.6	B	STOCKDALE MTN			
	16	21	24	34.7	35-59.0	120-34.2	12.2	2.4	16	73	9.7	0.12	0.8	0.7	A	STOCKDOLF MTN			
	16	22	26	52.4	37-13.3	121-35.6	4.4	1.3	17	96	7.1	0.10	0.4	0.4	B	MT SIZER			
	16	23	33	24.5	38-48.2	122-45.8	2.2	2.4	32	36	0.7	0.16	0.3	0.3	B	THE GEYSERS			
	17	0	50	8.7	36-34.2	121-8.1	8.8	0.8	12	64	4.8	0.13	0.7	1.7	A	BICKMORE CANYON			
	17	0	51	39.8	36-34.1	121-8.4	9.0	1.6	20	53	4.5	0.13	0.5	1.0	A	BICKMORE CANYON			
	17	7	29	45.4	35-57.9	120-32.8	1.1	1.8	11	114	15.1	0.15	0.9	1.0	B	STOCKDOLF MTN			
	17	8	29	43.6	37-3.7	121-42.4	6.3	1.3	16	65	5.8	0.07	0.3	1.0	A	MT MADONNA			
	17	9	28	24.1	36-42.2	121-21.8	2.8	1.2	12	77	1.9	0.06	0.3	0.2	A	PAICINES			
	17	10	18	35.2	36-33.8	121-7.7	12.9	0.7	10	70	5.6	0.11	0.9	2.3	B	BICKMORE CANYON			
	17	10	55	50.0	36-33.1	121-5.6	9.9	1.9	32	63	4.8	0.16	0.4	0.8	B	SAN RENITO			
	17	11	20	14.4	36-0.0	120-35.5	3.4	1.9	12	119	12.2	0.14	0.9	0.9	B	SMITH MTN			
	17	14	1	14.1	36-54.1	121-29.0	5.8	1.1	23	44	2.7	0.08	0.2	0.6	A	SAN FELIPE			
	17	14	1	43.8	36-52.2	121-27.3	8.4	1.3	25	47	4.5	0.10	0.3	0.8	A	HOLLISTER			
	17	16	24	37.5	36-25.2	121-2.5	7.7	2.5	32	52	2.1	0.15	0.4	0.7	B	TOPO VALLEY			
	17	20	7	2.6	37-3.8	121-30.1	7.1	1.1	8	76	4.6	0.04	0.3	0.6	A	GILROY			
	17	20	41	37.6	35-57.4	120-32.4	10.5	1.4	8	113	6.1	0.04	0.3	0.7	B	STOCKDALE MTN			
	17	23	32	26.4	36-30.9	121-8.1	5.2	1.6	15	50	4.4	0.24	1.0	1.2	B	BICKMORE CANYON			
	18	1	2	3.3	36-58.5	121-38.6	5.8	1.5	30	55	5.1	0.14	0.4	0.6	A	WATSONVILLE EAST			
	18	6	12	25.7	38-47.5	122-48.5	2.7	1.5	19	49	3.5	0.12	0.3	0.2	A	THE GEYSERS			
	18	6	22	44.2	36-58.9	121-39.5	5.5	1.2	11	87	5.6	0.06	0.3	0.9	B	WATSONVILLE EAST			
	18	7	2	41.7	36-25.3	121-2.2	6.6	1.6	16	70	1.6	0.12	0.5	1.0	A	TOPO VALLEY			
	18	9	53	11.7	37-2.7	121-12.7	4.5	1.2	14	83	3.4	0.17	0.9	1.6	B	PACHFCO PASS			
	18	11	10	46.0	37-3.1	121-12.2	4.7	1.9	38	58	3.0	0.22	0.6	0.5	B	PACHFCO PASS			
	18	11	23	13.9	35-59.1	120-34.8	1.9	1.4	10	120	10.4	0.11	0.8	0.8	B	STOCKDALE MTN			
	18	14	12	20.9	35-59.0	120-34.7	2.6	1.9	11	120	10.3	0.12	0.8	0.7	B	STOCKDALE MTN			
	18	18	53	39.5	36-51.6	121-19.2	8.6	1.5	27	85	3.0	0.08	0.3	0.5	A	TRES PINOS			
	18	19	56	21.4	36-35.9	121-13.8	3.9	1.5	20	62	4.5	0.10	0.4	0.5	A	BICKMORE CANYON			
	18	21	5	32.3	36-5.9	120-40.8	0.1	2.3	14	114	3.8	0.22	0.9	1.0	B	SLACK CANYON			
	19	4	17	48.2	35-56.4	120-31.7	13.4	2.1	13	70	5.0	0.15	1.0	0.9	B	STOCKDALE MTN			
	19	5	23	38.2	38-48.3	122-47.7	0.4	1.3	17	47	3.5	0.08	0.2	0.7	A	THE GEYSERS			
	19	7	37	0.0	35-51.9	120-27.0	9.5	1.3	7	112	3.9	0.07	0.7	0.9	B	CHOLAME HILLS			
	19	8	42	59.0	36-34.4	121-18.8	4.8	1.3	21	84	4.1	0.13	0.5	1.1	A	MT JOHNSON			
	19	8	45	44.9	36-52.2	121-37.1	5.8	2.0	53	71	3.0	0.21	0.5	0.5	B	SAN JUAN BAUTISTA			
	19	10	0	2.5	36-52.4	121-36.9	5.1	1.6	36	79	2.5	0.24	0.6	0.8	B	SAN JUAN BAUTISTA			
	19	12	53	56.4	36-31.0	121-6.7	8.6	1.8	25	84	3.3	0.24	0.8	1.5	B	SAN RENITO			
	19	12	58	21.7	36-52.3	121-36.1	4.9	1.5	27	76	1.7	0.20	0.6	0.6	B	SAN JUAN BAUTISTA			
	19	15	10	1.1	36-52.3	121-36.9	5.1	2.1	38	79	2.6	0.22	0.5	0.7	B	SAN JUAN BAUTISTA			
	19	16	32	27.8	36-54.2	121-29.2	6.9	2.1	40	41	2.4	0.12	0.3	0.5	A	SAN FELIPE			

CENTRAL CALIFORNIA EARTHQUAKES--1975 (CONTINUED)

1975	HR	MIN	SEC	LAT	N	LONG	W	DEPTH	MAG	NO	CAR	DWIN	RMS	FRH	FR7	Q	QUADRANGLE
SEP	19	19	36	35-57.0		120-32.2		11.1	1.4	8	113	5.6	0.14	1.1	2.4	B	STOCKDALE MTN
	20	1	51	36-31.5		121-6.9		9.7	2.6	52	54	3.0	0.15	0.4	0.7	A	SAN PENTITO
	20	0	56	38-47.7		122-48.4		2.9	1.1	14	69	3.7	0.07	0.2	0.2	A	THE GEYSERS
	20	0	56	36-29.7		121-6.0		3.3	1.3	13	95	2.9	0.14	0.7	0.6	P	TOPO VALLEY
	20	2	20	36-54.5		121-29.0		5.2	1.0	19	51	2.4	0.07	0.2	0.6	A	SAN FELIPE
	20	17	22	36-26.3		121-1.7		9.5	1.7	12	71	1.2	0.09	0.4	1.2	A	TOPO VALLEY
	21	4	44	36-18.0		122-54.1		2.7	1.8	19	72	3.0	0.17	0.7	0.7	B	LONGAK
	21	4	54	38-56.7		122-42.3		2.7	0.9	6	78	3.2	0.10	0.7	0.5	A	CLEARLAKE HIGHLANDS
	21	5	56	36-33.7		121-8.6		9.0	1.2	15	63	4.3	0.19	0.9	1.0	B	RICKMORE CANYON
	21	10	30	36-49.4		121-25.7		7.6	1.3	20	42	4.1	0.11	0.3	C	HOLLISTER	
	21	10	40	35-57.1		120-32.3		11.1	2.0	14	71	5.9	0.18	0.9	1.3	B	STOCKDALE MTN
	21	11	34	37-32.3		121-46.1		3.1	1.3	15	77	9.3	0.14	0.6	0.5	B	LA COSTA VALLEY
	21	15	27	37-56.6		122-0.5		7.2	1.0	13	78	8.8	0.16	1.0	3.5	B	WALNUT CREEK
	21	16	14	35-56.8		120-32.1		11.9	2.1	14	70	5.5	0.15	0.9	1.0	B	STOCKDALE MTN
	21	22	54	35-56.4		120-31.8		13.6	2.2	16	70	5.0	0.15	0.9	0.8	B	STOCKDALE MTN
	22	0	2	36-40.8		121-20.0		3.0	1.6	23	69	3.4	0.13	0.5	0.4	A	PAICINES
	22	4	55	35-56.4		120-31.8		13.4	2.2	16	70	5.2	0.16	1.0	0.8	B	STOCKDALE MTN
	22	7	46	36-34.3		121-12.3		6.9	1.3	20	61	1.5	0.11	0.4	0.8	A	RICKMORE CANYON
	22	12	28	38-48.2		122-47.5		1.5	1.1	15	63	3.2	0.12	0.4	0.3	A	THE GEYSERS
	22	13	25	35-56.3		120-31.6		13.4	1.7	13	62	4.7	0.18	1.1	1.1	B	STOCKDALE MTN
	22	15	57	37-28.8		121-28.7		5.8	1.7	35	90	2.4	0.16	0.4	1.1	B	GILROY HOT SPRINGS
	22	17	0	35-57.3		120-32.3		10.5	1.5	10	113	5.0	0.11	0.7	1.6	R	STOCKDALE MTN
	22	21	23	36-29.7		121-6.1		3.6	1.3	13	81	2.9	0.11	0.4	0.8	A	TOPO VALLEY
	22	23	4	37-29.0		121-41.8		5.9	2.3	72	63	9.8	0.19	0.4	0.4	B	MT DAY
	23	0	12	36-55.7		121-30.7		4.3	2.0	38	44	1.4	0.13	0.3	0.3	A	CHITTENDEN
	23	2	2	36-0.4		120-36.1		2.6	1.5	9	121	13.4	0.15	1.0	0.7	R	SMITH MTN
	23	6	15	36-0.0		120-36.2		2.7	1.7	12	122	13.2	0.08	0.5	0.5	B	SMITH MTN
	23	8	13	36-0.8		120-36.4		11.0	1.8	13	120	14.1	0.15	0.8	1.4	B	SMITH MTN
	23	8	14	35-57.3		120-31.6		17.8	1.8	11	109	4.0	0.18	1.6	2.4	B	STOCKDALE MTN
	23	9	36	36-26.7		121-2.1		8.2	1.3	14	78	2.7	0.12	0.6	1.1	A	TOPO VALLEY
	23	12	51	36-38.9		121-18.0		4.4	1.3	19	48	3.1	0.10	0.4	0.6	A	PAICINES
	23	20	0	36-32.0		121-9.7		7.3	1.9	26	62	4.9	0.25	0.7	1.5	B	RICKMORE CANYON
	23	23	29	36-53.8		121-37.4		0.2	1.8	12	100	3.2	0.19	0.7	0.7	B	CHITTENDEN
	24	0	19	36-45.7		121-9.7		6.9	1.7	26	99	9.3	0.08	0.3	0.0	B	QUIEN SABA VALLEY
	24	4	1	36-34.6		121-13.0		7.9	1.3	19	68	2.5	0.08	0.3	0.6	A	RICKMORE CANYON
	24	5	23	36-54.2		121-29.3		5.5	1.6	35	46	2.4	0.10	0.2	0.7	A	SAN FELIPE
	24	6	47	37-50.7		121-54.0		4.8	1.0	9	104	6.9	0.22	1.7	1.4	B	DIARLO
	24	8	2	36-0.0		120-36.0		11.5	2.7	24	75	16.2	0.16	0.6	0.6	B	SMITH MTN
	24	8	3	36-1.5		120-35.4		10.4	2.4	22	99	13.7	0.25	1.0	1.0	B	SMITH MTN
	24	11	21	36-57.4		121-36.9		4.2	1.3	19	59	2.8	0.13	0.4	0.5	A	CHITTENDEN
	24	17	54	36-0.6		120-36.4		7.2	1.7	13	121	16.0	0.13	0.7	3.6	R	SMITH MTN
	24	17	59	36-0.4		120-36.4		9.6	2.1	22	76	13.7	0.17	0.7	0.9	R	SMITH MTN
	24	18	49	36-41.1		121-19.9		13.5	1.2	15	85	2.9	0.08	0.4	1.0	A	PAICINES
	24	22	27	37-29.2		121-37.9		1.0	1.3	11	153	11.9	0.10	0.5	0.4	R	MT DAY
	25	2	14	36-27.7		121-4.8		6.3	2.0	27	64	5.4	0.13	0.4	0.9	A	TOPO VALLEY

CENTRAL CALIFORNIA EARTHQUAKES--1975 (CONTINUED)

1975	HR	MIN	SEC	LAT	N	LONG	W	DEPTH	MAG	NO	CAP	DMIN	RMS	FRH	FRZ	Q	QUADRANGLE
SEP	25	2	36	35-59.3		120-33.8		13.5	2.0	19	63	0.7	0.14	0.6	0.6	A	STOCKDALE MTN
	25	4	12	38-48.7		122-48.0		2.4	0.9	12	81	3.9	0.09	0.3	0.2	A	THE GEYSERS
	25	6	58	36-35.2		121-4.3		12.9	1.0	14	93	4.1	0.10	0.6	1.0	A	SAN FERRITO
	25	8	0	36-45.0		121-18.3		3.4	1.5	17	77	2.0	0.10	0.4	0.3	A	PAICINES
	25	9	45	38-55.5		123-2.9		4.9	1.1	13	94	12.4	0.15	0.6	3.5	C	HOPLAND
	25	13	41	35-59.1		120-33.1		10.2	1.9	13	66	10.2	0.17	0.8	1.7	B	STOCKDALE MTN
	25	13	43	36-42.9		120-50.3		6.7	1.3	11	212	7.1	0.19	2.1	4.9	C	MERCY HOT SPRINGS
	25	16	9	36-37.7		121-16.7		4.5	2.2	34	54	3.8	0.17	0.4	0.5	B	PAICINES
	25	19	48	36-23.3		121-0.2		6.1	1.2	16	74	4.3	0.16	0.7	1.6	B	TOPO VALLEY
	25	20	22	38-47.6		122-48.1		3.1	0.9	12	74	3.1	0.12	0.5	0.4	A	THE GEYSERS
	25	22	48	36-53.9		121-37.3		0.2	1.4	13	118	3.2	0.23	0.7	0.7	B	CHITTENDEN
	26	1	32	38-48.3		122-48.4		1.4	0.9	11	63	3.9	0.08	0.3	0.3	A	THE GEYSERS
	26	5	25	37-5.6		121-28.1		5.2	0.9	20	104	7.6	0.10	0.4	0.9	B	GILROY HOT SPRINGS
	26	12	14	36-49.5		121-34.0		6.2	2.7	45	43	7.0	0.21	0.5	0.8	B	SAN JUAN BAUTISTA
	26	13	15	36-49.3		121-33.1		4.5	2.2	41	47	3.3	0.23	0.5	0.6	B	SAN JUAN BAUTISTA
	26	15	18	37-15.3		121-55.5		12.1	1.0	18	75	9.4	0.08	0.4	1.2	A	SAN JOSE WFST
	26	17	49	36-25.0		121-3.2		6.3	1.1	14	112	3.3	0.13	0.7	1.3	B	TOPO VALLEY
	26	22	15	37-2.0		122-8.4		4.4	1.7	23	138	3.1	0.18	1.0	0.7	C	DAVENPORT
	27	3	2	36-42.4		121-13.6		7.8	1.6	20	62	6.1	0.12	0.4	1.1	A	CHERRY PFAK
	27	4	35	35-57.6		120-31.9		4.4	1.8	14	73	13.4	0.17	0.8	1.1	C	STOCKDALE MTN
	27	4	35	35-57.6		120-32.4		3.1	1.3	10	75	6.2	0.14	0.7	0.7	B	STOCKDALE MTN
	27	6	18	36-33.3		121-9.2		8.8	1.6	16	58	3.9	0.16	0.7	1.3	B	RICKMORE CANYON
	27	10	16	36-34.3		121-3.7		12.3	1.1	16	90	3.9	0.12	0.6	1.0	B	SAN FERRITO
	28	2	16	36-38.3		121-18.3		6.8	1.3	19	62	3.2	0.13	0.5	1.1	A	PAICINES
	28	3	53	35-57.5		120-31.8		12.9	1.7	13	74	5.2	0.12	0.6	0.8	A	STOCKDALE MTN
	28	4	39	38-48.8		122-48.1		2.5	1.5	19	77	3.7	0.09	0.3	0.2	A	THE GEYSERS
	28	6	20	35-57.8		120-32.1		11.4	1.4	11	72	5.9	0.10	0.6	1.2	A	STOCKDALE MTN
	28	9	44	38-48.3		122-49.7		1.4	1.6	22	41	2.5	0.12	0.3	0.2	A	THE GEYSERS
	28	11	13	36-13.7		120-49.6		3.4	1.5	11	199	3.2	0.15	0.8	0.9	R	MONARCH PFAK
	28	11	33	36-51.7		121-18.8		4.9	1.4	35	54	2.6	0.13	0.3	0.4	A	TRES PINOS
	28	21	47	36-34.2		121-11.9		5.7	1.3	17	66	1.1	0.07	0.3	0.6	A	RICKMORE CANYON
	28	23	11	36-42.4		121-13.7		8.7	1.4	19	61	6.0	0.09	0.4	0.8	A	CHERRY PFAK
	29	3	26	36-42.8		121-23.1		3.6	2.1	32	52	3.8	0.15	0.4	0.4	A	MT HARLAN
	29	4	0	36-1.9		120-36.1		3.7	1.6	12	69	4.2	0.16	0.9	1.1	B	SMITH MTN
	29	4	5	36-42.6		121-22.9		4.3	1.3	15	82	3.5	0.12	0.5	0.6	A	MT HARLAN
	29	5	21	37-29.0		121-41.3		4.7	1.4	18	72	10.3	0.16	0.6	0.5	C	MT DAY
	29	7	22	38-57.3		122-45.0		3.8	1.1	12	83	3.6	0.15	0.7	0.8	B	KELSEYVILLE
	29	8	47	36-48.7		121-32.6		5.7	1.8	36	45	3.1	0.20	0.6	0.8	B	SAN JUAN BAUTISTA
	29	8	49	36-48.8		121-33.3		6.6	2.7	44	53	2.5	0.21	0.5	1.1	B	SAN JUAN BAUTISTA
	29	9	53	38-57.4		122-45.2		4.1	1.2	13	82	3.3	0.15	0.7	0.9	B	KELSEYVILLE
	29	10	20	36-57.5		121-36.2		1.5	1.1	17	52	1.7	0.06	0.2	0.1	A	CHITTENDEN
	29	16	5	38-48.4		122-48.5		3.6	1.4	19	43	3.6	0.13	0.4	0.5	A	THE GEYSERS
	29	17	8	38-57.4		122-44.7		3.8	2.0	22	33	7.9	0.19	0.6	0.7	B	CLEARLAKE HIGHLANDS
	29	17	14	38-57.4		122-45.2		4.2	1.3	13	82	3.2	0.15	0.7	1.7	A	KELSEYVILLE
	29	19	43	38-57.5		122-44.8		4.1	2.3	24	83	3.7	0.15	0.5	1.6	B	CLEARLAKE HIGHLANDS

CENTRAL CALIFORNIA EARTHQUAKES--1975 (CONTINUED)

1975	HR	MIN	SEC	LAT	N	LONG	W	DEPTH	MAG	NO	CAP	DMIN	RMS	EPH	EKG	Q	QUADRANGLE
SEP	29	20	5	40.8	38-57.3	122-45.3	5.1	1.0	12	25	3.2	0.12	0.6	1.2	A	KELSFYVILLE	
	29	20	6	39.8	36-45.6	121-49.5	5.4	1.2	21	103	9.5	0.13	0.5	0.5	A	QUIFEN SARF VALLEY	
	29	21	9	1.2	38-57.3	122-45.2	5.4	1.2	12	84	3.4	0.12	0.6	1.2	A	KELSFYVILLE	
	29	21	54	22.0	38-57.3	122-44.9	4.4	1.4	14	32	3.7	0.14	0.6	1.7	A	CLEARLAKE HIGHLANDS	
	29	22	43	46.6	36-30.0	121-6.9	4.2	1.5	16	92	3.7	0.13	0.5	0.9	B	SAN RENITO	
	29	22	49	43.7	37-29.4	121-42.3	5.2	1.3	11	102	9.4	0.08	0.4	0.5	B	MT DAY	
	29	23	0	53.3	38-49.8	122-42.0	2.6	2.1	27	37	3.9	0.13	0.3	0.2	A	THE GEYSERS	
	30	1	30	10.7	35-58.8	120-33.7	2.5	1.1	9	81	9.7	0.10	0.7	0.5	B	STOCKDALE MTN	
	30	3	5	54.4	36-44.4	121-26.6	4.9	2.3	47	53	4.5	0.18	0.4	0.5	B	MT HARLAN	
	30	3	48	36.2	36-44.3	121-26.7	4.8	2.0	42	71	4.3	0.18	0.4	0.5	B	MT HARLAN	
	30	9	53	58.3	36-32.9	121-11.3	7.1	1.0	13	68	3.0	0.06	0.3	0.6	A	RICKMORE CANYON	
	30	12	27	23.6	37-26.2	121-46.8	4.9	1.1	14	78	2.3	0.14	0.5	0.4	A	CALAVERAS RESERVOIR	
	30	12	34	23.2	38-57.5	122-44.8	4.1	1.9	19	83	3.7	0.16	0.6	0.8	B	CLEARLAKE HIGHLANDS	
	30	12	40	25.8	38-57.4	122-44.6	3.8	2.2	21	83	4.0	0.17	0.6	0.6	B	CLEARLAKE HIGHLANDS	
	30	12	41	16.5	38-57.5	122-45.4	4.2	1.8	16	93	3.5	0.13	0.5	1.4	A	CLEARLAKE HIGHLANDS	
	30	12	41	43.8	38-57.5	122-44.6	1.9	1.2	11	84	4.0	0.11	0.4	0.3	A	CLEARLAKE HIGHLANDS	
	30	12	48	46.1	38-57.4	122-44.9	4.1	1.5	14	82	3.6	0.12	0.5	1.5	A	CLEARLAKE HIGHLANDS	
	30	12	51	40.6	35-57.3	120-31.4	12.0	1.5	9	73	12.9	0.12	0.8	1.6	B	STOCKDALE MTN	
	30	13	50	11.5	38-57.4	122-45.1	4.5	1.5	14	82	3.4	0.11	0.5	1.1	A	KELSFYVILLE	
	30	13	55	18.8	38-57.3	122-45.4	5.2	1.5	14	81	3.1	0.12	0.5	1.1	A	KELSFYVILLE	
	30	14	5	24.9	38-57.3	122-45.1	4.2	1.6	16	81	3.4	0.14	0.6	1.5	A	KELSFYVILLE	
	30	14	41	6.6	38-57.5	122-45.2	4.0	1.3	14	83	3.2	0.12	0.5	0.6	A	KELSFYVILLE	
	30	15	26	17.1	38-48.1	122-46.4	3.8	1.4	18	63	1.7	0.10	0.3	0.4	A	THE GEYSERS	
	30	17	50	7.1	38-57.4	122-44.9	3.8	1.8	16	83	3.6	0.16	0.7	0.7	B	CLEARLAKE HIGHLANDS	
	30	22	11	1.3	37-40.5	122-25.2	4.2	1.6	23	94	6.4	0.17	0.6	0.5	B	SAN FRANCISCO SOUTH	
OCT	1	3	8	57.3	38-57.6	122-45.1	3.9	1.1	13	84	3.3	0.13	0.6	0.7	A	KELSFYVILLE	
	1	5	59	29.8	36-55.8	121-32.6	4.8	0.9	23	50	3.5	0.09	0.3	0.7	A	CHITTENDEN	
	1	7	3	44.7	36-42.3	121-22.8	4.3	1.3	23	68	3.3	0.14	0.4	0.5	A	MT HARLAN	
	1	9	0	33.8	36-31.7	121-8.6	8.9	1.1	12	77	5.0	0.16	0.8	1.7	B	RICKMORE CANYON	
	1	14	48	31.0	38-46.9	122-55.2	4.5	1.2	18	61	6.9	0.20	0.7	3.4	B	ASTI	
	1	20	32	2.9	37-55.1	121-56.9	0.1	1.7	22	47	3.2	0.19	0.5	0.5	B	CLAYTON	
	1	23	2	37.0	37-32.4	122-4.4	0.2	1.4	19	53	2.0	0.12	0.4	0.5	A	NEWARK	
	2	9	0	25.0	36-35.7	121-3.6	11.5	1.0	14	69	4.5	0.13	0.7	1.3	A	SAN RENITO	
	2	9	46	15.1	36-29.7	121-7.0	6.0	1.1	14	66	4.0	0.21	0.9	1.8	B	TOPO VALLEY	
	2	14	52	2.3	38-50.7	122-41.9	4.4	1.5	15	75	2.6	0.15	0.6	1.4	A	WHISPERING PINES	
	2	15	44	9.5	38-51.0	122-42.1	4.6	1.3	13	86	2.1	0.13	0.6	1.1	A	WHISPERING PINES	
	2	19	6	40.0	36-17.1	120-53.2	0.9	1.3	8	102	5.1	0.15	1.0	1.2	B	LONOK	
	2	22	44	37.7	36-54.6	121-37.4	1.5	1.2	13	112	4.1	0.20	0.7	0.7	B	CHITTENDEN	
	3	1	33	53.2	36-0.1	120-52.7	12.2	1.5	17	167	18.5	0.14	0.8	0.7	B	SAN ARDO	
	3	7	1	15.0	36-2.4	120-37.7	1.5	1.6	11	80	4.6	0.12	0.6	0.7	A	SLACK CANYON	
	3	7	20	38.4	37-51.3	121-56.2	0.7	1.3	14	86	6.2	0.12	0.4	0.4	B	DIARLO	
	3	9	44	44.4	37-51.1	121-56.4	0.7	2.2	45	41	2.1	0.13	0.2	0.2	B	DIARLO	
	3	10	58	15.8	36-25.4	121-3.6	7.0	1.3	18	47	6.1	0.13	0.6	1.1	A	TOPO VALLEY	
	3	13	12	44.7	36-34.5	121-12.8	6.4	2.0	27	68	2.2	0.14	0.4	0.9	A	RICKMORE CANYON	
	3	15	27	13.8	36-26.2	121-2.0	0.2	1.7	13	69	1.9	0.11	0.5	0.5	A	TOPO VALLEY	

CENTRAL CALIFORNIA EARTHQUAKE 5--1975 (CONTINUED)

1975	HR	MIN	SEC	LAT	N	LONG	W	DEPTH	MAG	NO	GAP	D	MIN	RMS	EPH	FRZ	Q	QUADRANGLE
OCT	3	15	30	33.3	37-51.5	121-50.5	2.2	1.5	8	22	6.6	0.05	0.2	0.3	0			DIABLO
	3	15	33	32.1	36-24.2	121-2.5	0.2	2.0	16	42	2.2	0.13	0.5	0.5	0			TOPO VALLEY
	3	16	5	48.5	36-54.6	121-20.5	4.5	1.4	20	48	2.0	0.11	0.3	0.4	0			SAN FELIPE
	3	21	45	9.0	38-56.1	122-45.4	1.0	2.9	25	73	4.6	0.15	0.4	0.4	0			KELSFYVILLE
	3	22	10	18.9	38-56.2	122-45.5	3.9	2.3	25	73	4.5	0.20	0.6	0.7	0			KELSFYVILLE
	3	23	19	19.0	37-34.5	121-36.7	5.0	1.7	18	76	3.1	0.19	0.7	0.5	0			CFDAP MTN
	4	1	23	48.2	37-52.3	122-14.9	9.4	2.5	50	43	1.0	0.16	0.3	0.4	0			OAKLAND EAST
	4	1	24	17.4	37-52.4	122-15.3	9.5	1.6	16	52	10.3	0.12	0.6	1.6	0			OAKLAND WEST
	4	1	32	44.4	37-52.5	122-15.0	10.6	1.3	22	63	10.1	0.14	0.5	0.8	0			BRIONES VALLEY
	4	2	4	43.1	37-34.0	121-50.4	7.9	1.2	14	79	5.7	0.13	0.6	1.3	0			LA COSTA VALLEY
	4	2	27	35.0	36-25.8	121-3.2	3.8	1.4	14	69	3.2	0.11	0.5	1.3	0			TOPO VALLEY
	4	3	27	59.7	35-57.8	120-32.5	7.0	1.9	14	73	5.4	0.16	0.7	2.1	0			STOCKDALE MTN
	4	3	57	55.4	36-59.2	121-39.7	5.9	2.1	33	65	4.7	0.20	0.6	0.9	0			WATSONVILLE EAST
	4	4	25	33.6	36-33.8	121-11.8	5.6	2.3	36	67	1.5	0.21	0.4	0.7	0			HICKMOPF CANYON
	4	5	10	25.1	36-59.1	121-39.3	5.6	1.2	16	65	4.9	0.13	0.6	1.7	0			WATSONVILLE EAST
	4	5	15	1.6	36-34.0	121-11.6	5.3	1.5	23	65	0.9	0.10	0.3	0.7	0			HICKMORE CANYON
	4	7	33	14.8	38-48.0	122-47.7	1.0	1.0	12	67	3.6	0.07	0.2	0.2	0			THE GEYSERS
	4	7	38	17.3	38-48.1	122-47.8	1.7	1.0	10	70	3.6	0.08	0.3	0.3	0			THE GEYSERS
	4	8	6	28.8	37-52.3	122-14.9	8.6	2.4	59	47	1.1	0.16	0.3	0.4	0			OAKLAND EAST
	4	8	34	33.5	36-33.8	121-11.8	5.1	2.3	35	67	1.6	0.19	0.5	0.6	0			BICKMOPF CANYON
	4	9	5	4.7	37-20.2	121-41.5	4.4	1.0	13	72	4.5	0.11	0.4	0.3	0			LICK OPSEVATORY
	4	9	7	23.8	36-34.1	121-11.6	5.2	1.5	22	65	0.9	0.11	0.3	0.7	0			BICKMORE CANYON
	4	9	16	14.7	38-48.0	122-48.3	1.3	1.0	13	65	4.2	0.07	0.3	0.2	0			THE GEYSERS
	4	9	31	54.8	37-3.2	121-29.2	7.8	1.0	15	190	3.2	0.08	0.5	0.8	0			GILROY HOT SPRINGS
	4	10	25	11.8	36-54.6	121-29.2	4.8	1.1	22	56	2.0	0.08	0.2	0.5	0			SAN FELIPE
	4	11	24	58.7	37-22.2	121-42.6	2.6	1.1	12	84	4.3	0.12	0.6	0.4	0			LICK OPSEVATORY
	4	12	41	58.7	36-33.9	121-11.9	5.3	2.3	40	67	1.4	0.20	0.5	0.7	0			BICKMOPF CANYON
	4	16	2	39.1	38-48.1	122-48.0	0.1	1.9	19	46	3.9	0.16	0.4	0.4	0			THE GEYSERS
	4	19	3	24.1	38-47.9	122-48.3	2.7	2.8	26	45	3.9	0.13	0.3	0.2	0			THE GEYSERS
	4	19	3	41.8	38-48.1	122-48.4	3.6	2.6	23	60	4.1	0.14	0.4	0.3	0			THE GEYSERS
	4	19	7	38.2	38-47.8	122-48.5	3.1	1.5	21	47	3.9	0.15	0.4	0.7	0			THE GEYSERS
	4	21	2	4.0	37-55.9	121-32.8	11.3	1.8	25	110	19.5	0.15	0.6	0.8	0			WOODWARD ISLAND
	4	21	20	35.1	36-54.3	121-29.2	4.0	1.3	22	57	2.3	0.09	0.3	0.3	0			SAN FELIPE
	5	2	12	0.3	38-48.4	122-48.7	1.3	1.4	21	44	3.4	0.14	0.4	0.3	0			THE GEYSERS
	5	2	18	14.8	36-33.8	121-11.6	5.1	2.1	27	66	1.3	0.13	0.4	0.5	0			BICKMORE CANYON
	5	2	45	21.3	36-55.4	121-28.3	4.3	1.0	16	64	3.4	0.07	0.3	0.3	0			SAN FELIPE
	5	3	27	44.1	36-32.7	121-2.5	12.1	1.8	23	74	4.9	0.15	0.5	1.0	0			SAN FENITO
	5	4	52	32.0	36-43.4	121-25.1	6.7	2.0	32	63	5.2	0.18	0.5	0.7	0			MT HARLAN
	5	5	12	8.6	36-43.4	121-25.4	6.3	1.4	25	64	5.0	0.16	0.5	1.2	0			MT HARLAN
	5	10	58	26.4	37-9.4	121-50.7	5.4	1.7	29	63	0.2	0.08	0.2	0.3	0			SANTA TERESA HILLS
	5	11	41	5.1	38-48.2	122-47.6	1.9	1.1	9	77	3.7	0.08	0.3	0.3	0			THE GEYSERS
	5	11	49	37.8	36-54.8	121-28.7	6.6	1.0	21	61	2.7	0.09	0.3	0.6	0			SAN FELIPE
	5	20	7	32.3	35-54.8	120-28.2	4.4	1.4	12	71	7.7	0.17	0.8	1.0	0			PARKFIELD
	5	22	58	14.9	37-51.1	121-56.3	0.8	2.0	22	62	7.0	0.14	0.3	0.3	0			DIABLO
	5	23	1	57.3	37-51.3	121-56.5	0.6	1.5	16	35	7.2	0.18	0.5	0.6	0			DIABLO

CENTRAL CALIFORNIA EARTHQUAKES--1975 (CONTINUED)

1975	HR	MIN	SEC	LAT N	LONG W	DEPTH	MAG	NO	GAP	DMIN	PMS	FRH	EPZ	Q	QUADRANGLE
OCT	6	0	18	37-51.5	121-56.5	0.0	1.2	13	85	6.7	0.14	0.4	0.6	B	DIABLO
	6	2	45	38-49.1	122-47.7	2.5	1.6	23	41	3.7	0.12	0.3	0.2	A	THE GEYSERS
	6	5	28	37-0.9	121-22.3	2.0	1.1	21	84	4.3	0.15	0.5	0.5	A	PACHECO PEAK
	6	5	1	36-33.1	121-10.2	3.4	1.7	20	62	3.1	0.10	0.4	0.4	A	PICKMOPE CANYON
	6	12	49	36-34.6	121-18.8	5.3	2.7	40	79	3.9	0.19	0.5	0.6	B	MT JOHNSON
	6	13	36	36-12.6	120-50.3	8.7	2.9	34	76	3.9	0.22	0.7	0.9	B	MONARCH PEAK
	6	19	40	37-43.0	122-21.5	4.7	1.7	38	84	8.4	0.21	0.5	0.6	A	HUNTERS POINT
	6	23	9	36-0.8	120-35.3	4.1	1.7	15	63	6.2	0.13	0.7	0.7	A	SMITH MTN
	7	17	36	36-3.2	120-37.9	4.4	1.9	15	87	3.9	0.12	0.5	0.5	A	SLACK CANYON
	7	19	36	36-13.2	120-50.2	8.2	2.3	38	81	13.4	0.23	0.7	1.2	B	MONARCH PEAK
	7	22	31	36-54.3	121-37.4	2.0	1.4	11	1.6	3.7	0.25	1.1	0.8	B	CHITTENDEN
	8	7	39	36-36.0	121-12.0	6.4	1.3	17	58	2.9	0.15	0.6	1.3	A	RICKMORE CANYON
	8	15	40	38-48.3	122-48.7	1.3	1.1	14	58	3.5	0.13	0.4	0.4	A	THE GEYSERS
	8	18	9	37-42.9	122-21.9	4.6	2.0	27	36	8.3	0.19	0.5	0.7	B	HUNTERS POINT
	8	18	24	35-23.2	120-40.9	5.4	2.3	13	276	49.9	0.16	3.2	0.9	D	ATASCADERO
	8	13	53	38-48.2	122-47.7	2.2	1.2	12	71	3.5	0.06	0.2	0.1	A	THE GEYSERS
	8	22	0	36-45.0	121-36.3	4.8	2.2	42	134	6.1	0.21	0.7	0.6	B	NATIVIDAD
	8	22	59	37-55.1	121-56.7	0.1	1.6	14	90	3.6	0.19	0.6	0.6	B	CLAYTON
	9	8	14	35-59.3	120-33.0	13.8	1.8	12	66	9.0	0.12	0.7	0.7	A	STOCKDOLF MTP
	9	18	50	37-2.0	122-8.5	4.2	1.6	20	212	3.4	0.19	1.3	0.8	C	DAVENPORT
	9	22	58	37-32.6	122-4.2	0.1	1.4	15	46	2.0	0.12	0.4	0.6	A	NEWARK
	10	0	36	37-20.1	121-41.1	8.0	1.0	7	89	6.8	0.07	0.6	1.8	A	LICK OBSERVATORY
	10	2	15	38-48.2	122-48.1	1.3	1.1	11	71	4.0	0.23	0.9	0.8	B	THE GEYSERS
	10	9	45	36-14.8	120-50.2	0.0	1.4	3	126	5.1	0.12	2.2	4.2	9	MONARCH PEAK
	10	17	34	36-58.0	121-38.6	4.4	1.8	41	59	4.9	0.12	0.3	0.3	A	WATSONVILLE EAST
	10	20	18	38-48.4	122-47.9	1.3	1.5	19	44	3.7	0.09	0.3	0.2	A	THE GEYSERS
	10	20	19	38-48.4	122-47.9	1.5	1.4	20	44	3.7	0.09	0.3	0.2	A	THE GEYSERS
	10	20	20	38-48.5	122-47.8	1.7	1.1	10	68	3.6	0.09	0.4	0.3	A	THE GEYSERS
	10	20	22	38-48.6	122-47.8	1.1	1.0	12	70	3.7	0.11	0.4	0.4	A	THE GEYSERS
	10	23	20	36-53.9	121-37.6	1.2	1.3	10	123	3.6	0.22	1.3	1.4	B	WATSONVILLE EAST
	11	0	31	36-45.1	121-16.5	8.5	1.6	21	86	7.1	0.17	0.6	1.8	B	TRES PINOS
	11	0	49	37-49.5	122-38.3	13.6	1.7	19	181	18.9	0.14	0.8	0.5	C	SW 1/4 MT TAMALPAIS
	11	6	7	36-53.6	121-30.5	3.2	1.0	18	54	2.6	0.08	0.3	0.3	A	CHITTENDEN
	11	6	24	36-54.8	121-28.9	4.5	1.0	20	67	2.4	0.10	0.3	0.4	A	SAN FELIPE
	11	7	5	38-32.0	122-30.3	6.6	1.5	25	77	9.0	0.16	0.6	2.0	B	CALISTOGA
	11	10	34	38-48.3	122-47.8	1.6	1.0	12	64	3.6	0.11	0.4	0.3	A	THE GEYSERS
	11	11	16	36-35.3	121-15.0	6.3	1.9	35	50	3.6	0.14	0.3	0.6	A	MT JOHNSON
	11	15	20	36-41.3	121-13.1	1.7	1.3	10	81	4.8	0.06	0.4	0.5	A	CHERRY PEAK
	11	19	10	37-18.5	122-14.9	5.1	1.7	27	78	5.9	0.11	0.4	1.2	B	MINDIGO HILL
	11	22	15	38-53.2	123-10.5	0.1	0.9	11	143	6.2	0.16	1.0	0.8	C	NW 1/4 HOPLAND
	11	23	5	36-39.8	121-19.6	4.2	1.8	25	59	4.8	0.17	0.5	0.7	B	PAICINES
	12	7	15	36-54.8	121-29.0	4.2	1.0	24	63	2.2	0.10	0.3	0.4	A	SAN FELIPE
	12	12	26	36-56.9	121-35.1	4.8	1.2	18	59	1.0	0.03	0.1	0.2	A	CHITTENDEN
	12	15	25	39-32.4	122-52.9	1.3	2.7	19	252	46.1	0.39	5.0	11.8	D	HULL MTN
	12	20	52	36-27.9	121-4.2	3.6	2.7	37	62	5.1	0.18	0.5	0.5	A	TOPO VALLEY

CENTRAL CALIFORNIA EARTHQUAKES--1975 (CONTINUED)

1975	HR	MIN	SFC	LAT	N	LONG	W	DEPTH	MAG	NO	CAP	DMIN	PMS	FRH	FRZ	Q	QUADRANGLE
OCT	12	21	11	37-0	37-55.4	122-4.2	9.0	1.9	38	45	3.2	0.20	0.5	0.8	0	WALNUT CREEK	
	12	21	51	59.0	37-19.9	121-34.9	8.6	1.2	14	90	5.7	0.15	0.7	1.7	1	A ISABEL VALLEY	
	12	23	36	31.8	36-35.3	121-8.3	8.7	1.8	27	56	5.1	0.16	0.5	1.0	0	B BICKMORE CANYON	
	13	7	17	23.4	36-42.0	121-5.0	4.8	1.5	21	72	4.5	0.14	0.5	0.4	0	A PANOCHE PASS	
	13	7	47	23.7	36-14.4	120-49.7	2.0	1.3	10	111	4.1	0.14	0.8	0.8	0	B MONARCH PEAK	
	13	9	29	47.4	36-57.9	121-38.2	4.7	1.2	15	71	4.4	0.07	0.3	0.4	0	A WATSONVILLE EAST	
	13	9	34	51.6	37-51.5	121-56.2	2.3	1.3	13	64	6.6	0.15	0.5	0.4	0	B DIAPILO	
	13	11	41	58.1	36-45.0	121-16.7	7.9	1.9	34	43	1.6	0.09	0.2	0.5	0	A TRES PINOS	
	13	13	11	57.3	36-30.6	121-50.2	7.7	1.3	34	205	18.8	0.11	0.2	0.9	0	C SEASIDE	
	13	21	11	49.3	38-19.2	122-33.6	5.2	1.5	19	53	9.7	0.12	0.4	0.8	0	B GLEN ELLEN	
	13	21	44	35.6	36-39.3	121-18.7	3.6	1.3	16	64	3.7	0.16	0.6	0.7	0	B PAICINES	
	14	0	27	14.3	36-53.5	121-30.3	2.6	1.2	19	46	2.9	0.11	0.3	0.2	0	A CHITTENDEN	
	14	11	16	31.2	36-27.1	121-4.1	6.7	2.2	30	65	5.4	0.15	0.4	1.0	0	A TOPO VALLEY	
	14	14	1	49.4	36-39.5	121-18.8	3.9	1.5	19	64	3.8	0.14	0.5	0.5	0	A PAICINES	
	14	16	44	7.2	37-42.7	122-21.5	5.4	1.8	33	83	13.1	0.21	0.5	1.1	0	C HUNTERS POINT	
	14	17	17	50.2	35-59.6	120-34.4	1.4	1.6	11	94	8.7	0.10	0.5	0.4	0	B STOCKDALE MTN	
	14	21	29	47.7	36-33.8	121-5.1	12.4	1.0	13	64	5.9	0.15	0.9	2.0	0	R SAN PENITO	
	14	22	5	51.7	35-57.5	120-31.4	7.5	1.2	7	40	4.6	0.09	0.7	1.7	0	A STOCKDALF MTN	
	15	2	15	33.6	38-37.4	122-44.0	1.5	1.3	12	87	5.0	0.12	0.6	0.6	0	A MARK WEST SPRINGS	
	15	3	43	43.1	36-30.7	121-7.9	5.3	1.2	13	85	4.5	0.23	1.0	1.1	0	B BICKMORE CANYON	
	15	12	9	58.2	36-14.7	120-49.5	3.1	1.2	9	140	4.3	0.14	1.1	4.1	0	C MONARCH PEAK	
	15	15	0	56.2	36-1.8	120-36.1	3.6	1.8	14	69	4.4	0.15	0.7	0.8	0	A SMITH MTN	
	15	15	5	13.6	37-5.0	121-30.5	5.1	1.5	33	61	11.5	0.18	0.5	0.7	0	C GILROY	
	15	18	22	10.2	37-25.0	121-45.7	5.0	1.9	37	81	5.1	0.14	0.4	0.6	0	R CALAVERAS RESERVOIR	
	15	22	51	0.9	36-54.0	121-37.3	1.4	1.8	16	117	3.2	0.18	0.6	0.5	0	B CHITTENDEN	
	16	0	35	27.3	36-39.1	121-18.3	1.2	1.3	14	62	3.3	0.15	0.7	0.8	0	A PAICINES	
	16	7	54	30.5	36-32.1	121-8.5	6.5	1.2	15	72	5.8	0.18	0.7	1.7	0	B BICKMORE CANYON	
	16	8	48	14.6	36-31.1	121-9.0	6.6	2.1	34	57	3.9	0.20	0.7	1.6	0	B BICKMORE CANYON	
	16	11	20	46.6	36-33.9	121-8.3	9.6	1.0	17	55	4.7	0.15	0.6	1.3	0	A HICKMORE CANYON	
	16	15	22	56.7	36-33.5	121-8.3	9.9	2.4	34	56	4.9	0.17	0.4	0.8	0	B BICKMORE CANYON	
	16	15	24	2.6	36-33.9	121-8.3	7.6	1.7	21	55	4.8	0.16	0.5	1.2	0	B BICKMORE CANYON	
	16	17	2	24.4	37-42.8	122-21.7	4.6	1.9	20	74	8.6	0.15	0.5	0.7	0	B HUNTERS POINT	
	16	17	46	44.2	36-17.3	120-52.6	3.0	1.5	10	109	5.6	0.09	0.5	0.7	0	B LONOAK	
	16	18	48	7.3	36-33.7	121-8.2	8.0	1.8	23	54	4.9	0.18	0.6	1.3	0	B BICKMORE CANYON	
	16	20	20	0.4	36-25.3	121-0.1	11.2	1.5	15	109	11.9	0.15	0.8	2.1	0	B TOPO VALLEY	
	16	23	6	2.2	37-38.9	122-2.1	5.2	2.1	53	37	9.7	0.16	0.3	0.3	0	B HAYWARD	
	16	23	30	41.0	36-24.5	120-59.7	9.4	1.2	15	78	2.8	0.16	0.9	1.6	0	B ROCK SPRING PEAK	
	17	4	7	23.4	37-51.2	121-55.9	2.4	1.2	11	64	6.9	0.15	0.6	0.5	0	B DIARLO	
	17	6	3	36.1	36-31.2	121-8.5	5.6	1.9	21	55	4.3	0.25	0.8	1.1	0	B RICKPOFF CANYON	
	17	17	53	54.0	36-2.3	120-37.2	9.0	2.2	17	75	4.2	0.17	0.7	1.1	0	B SMITH MTN	
	17	18	27	52.7	38-48.7	121-67.8	2.7	1.0	10	82	3.7	0.10	0.4	0.3	0	A THE CRYSTALS	
	17	19	24	32.0	37-55.0	121-57.1	0.2	1.5	15	68	4.1	0.15	0.4	0.5	0	B CLAYTON	
	17	19	43	52.7	36-2.4	121-37.3	10.3	1.3	12	75	4.0	0.10	0.6	1.3	0	A SMITH MTN	
	18	5	27	56.4	37-25.1	121-45.5	6.1	1.2	21	82	5.2	0.12	0.4	1.3	0	A CALAVERAS RESERVOIR	
	18	8	29	41.4	36-56.9	121-35.2	5.4	1.5	28	52	1.0	0.08	0.2	0.5	0	A CHITTENDEN	

CENTRAL CALIFORNIA EARTHQUAKES--1975 (CONTINUED)

1975	HR	MIN	SFC	LAT	N	LONG	W	DEPTH	MAG	NO	CAP	DMIN	RMS	FRH	EP7	Q	QUADRANGLE
OCT	18	9	8	12.4	36-37.5	121-	5.6	7.8	1.2	15	56	4.1	0.14	0.6	1.1	A	SAN RENITO
	18	9	27	3.9	37-19.9	121-43.8		5.9	1.1	14	63	3.9	0.10	0.4	0.5	A	LICK OBSERVATORY
	18	10	10	52.4	36-37.3	121-	5.5	8.1	1.2	17	50	4.4	0.14	0.5	0.9	A	SAN RENITO
	18	11	20	26.2	36-9.3	120-31.0		5.6	1.7	20	47	10.1	0.19	0.6	3.2	B	SHERMAN PEAK
	18	14	24	12.6	36-54.2	121-29.3		5.8	1.3	25	46	2.4	0.07	0.2	0.5	A	SAN FELIPE
	18	14	55	46.0	38-49.0	122-48.2		1.2	1.3	16	42	3.5	0.09	0.2	0.2	A	THE GEYSERS
	18	22	7	25.8	37-51.5	121-56.1		0.9	1.2	9	91	6.5	0.09	0.3	0.5	B	DIARLO
	19	4	26	23.8	37-39.3	122-	2.3	4.5	1.2	16	52	7.8	0.15	0.5	0.5	B	HAYWARD
	19	5	48	24.8	36-25.7	121-	2.2	3.7	1.8	18	68	1.7	0.11	0.4	0.4	A	TOPO VALLEY
	19	11	50	27.9	36-59.0	121-27.2		4.7	1.8	36	69	4.7	0.16	0.4	0.5	A	SAN FELIPE
	19	14	23	58.7	38-49.0	122-48.7		0.8	1.0	13	49	2.8	0.11	0.4	0.4	A	THE GEYSERS
	19	16	49	53.1	36-55.7	121-27.9		2.7	1.0	19	56	4.0	0.10	0.3	0.2	A	SAN FELIPE
	19	17	30	25.0	36-27.4	121-	3.8	3.4	1.3	15	79	5.4	0.12	0.6	0.6	B	TOPO VALLEY
	19	22	28	46.4	36-38.9	121-10.4		17.8	1.5	25	56	1.7	0.13	0.5	0.8	A	CHEERY PEAK
	20	3	8	59.7	36-55.6	121-28.2		4.4	1.1	28	54	3.5	0.14	0.3	0.5	A	SAN FELIPE
	20	7	34	58.2	37-47.8	121-56.9		7.1	1.4	17	67	1.0	0.12	0.5	0.9	A	DIARLO
	20	7	50	22.1	37-48.2	121-57.1		7.0	1.2	16	64	1.6	0.14	0.5	0.6	A	DIARLO
	20	12	25	26.2	36-54.0	121-29.5		4.6	1.1	27	41	2.4	0.10	0.3	0.6	A	SAN FELIPE
	20	13	9	56.0	36-32.5	121-	9.9	7.9	1.2	11	74	4.3	0.09	0.6	1.1	A	BICKMORE CANYON
	20	14	40	1.3	36-47.7	121-19.6		4.9	1.4	24	55	2.9	0.08	0.2	0.5	A	TRES PINOS
	20	16	21	47.4	36-56.2	121-36.5		6.4	1.2	21	67	3.2	0.07	0.3	0.5	A	CHITTENDEN
	20	16	49	53.0	37-29.6	121-45.6		5.7	1.4	17	89	5.8	0.08	0.3	0.4	B	CALAVERAS RESERVOIR
	20	20	59	44.2	38-55.2	122-41.2		2.9	1.4	11	87	2.6	0.09	0.4	0.3	A	CLEARLAKE HIGHLANDS
	20	22	15	0.6	37-2.1	122-	8.3	0.6	1.7	14	188	3.0	0.12	1.0	0.7	C	DAVENPORT
	20	23	26	26.8	36-54.3	121-37.2		1.4	1.7	20	114	3.5	0.21	0.6	0.5	B	CHITTENDEN
	21	0	27	14.0	36-32.7	121-10.4		5.7	1.7	27	64	3.6	0.15	0.4	1.0	A	PICKMORE CANYON
	21	2	27	33.0	38-48.3	122-47.7		1.9	1.2	14	63	3.5	0.09	0.3	0.2	A	THE GEYSERS
	21	2	34	8.3	36-54.4	121-29.2		4.3	1.0	23	50	2.2	0.11	0.3	0.4	A	SAN FELIPE
	21	11	31	23.3	35-58.8	120-33.7		2.5	1.3	11	67	8.8	0.13	0.7	0.5	B	STOCKDALE MTN
	21	13	42	30.0	36-54.3	121-29.4		3.8	1.1	22	50	2.1	0.13	0.4	0.5	A	SAN FELIPE
	21	13	52	21.6	35-35.2	120-45.4		8.5	2.3	16	143	33.7	0.18	1.7	1.7	C	YORK MTN
	21	14	0	17.2	37-2.8	121-29.0		7.9	1.6	46	52	2.3	0.16	0.4	0.7	R	GILROY HOT SPRINGS
	21	16	58	13.7	36-30.1	121-50.2		8.1	1.8	23	198	13.1	0.11	0.9	0.9	C	SEASIDE
	22	3	10	34.6	36-34.5	121-	4.0	11.5	1.6	22	67	4.1	0.12	0.4	0.8	A	SAN RENITO
	22	3	28	18.5	36-54.8	121-29.1		4.1	1.2	23	49	2.0	0.12	0.3	0.4	A	SAN FELIPE
	22	12	35	19.2	38-33.2	122-16.8		13.1	1.7	15	99	14.8	0.15	0.7	1.2	B	CHILES VALLEY
	22	13	7	44.3	38-33.2	122-17.6		8.3	2.1	24	93	15.4	0.21	0.7	1.9	B	CHILES VALLEY
	22	13	29	22.6	38-33.3	122-15.9		19.8	1.2	7	195	14.1	0.06	0.8	2.1	B	CHILES VALLEY
	22	13	29	22.7	38-33.2	122-16.4		18.1	1.2	8	101	14.5	0.10	0.9	2.7	B	CHILES VALLEY
	22	14	16	44.7	36-26.0	121-	1.7	3.1	2.3	24	70	1.4	0.15	0.6	0.5	A	TOPO VALLEY
	22	22	21	9.8	36-49.1	121-36.4		4.9	1.9	33	95	2.3	0.24	0.7	1.5	R	SAN JUAN BAUTISTA
	22	22	27	5.4	35-59.5	120-34.7		1.1	1.3	9	62	4.7	0.15	0.9	0.8	R	STOCKDALE MTN
	22	23	44	40.5	36-1.0	120-55.7		2.4	1.7	11	65	5.9	0.17	1.0	0.9	B	SMITH MTN
	23	7	53	37.1	37-23.3	122-10.4		5.2	2.5	61	40	1.9	0.13	0.3	0.2	A	PALO ALTO
	23	8	49	44.8	36-39.3	121-18.5		3.6	1.3	14	63	3.5	0.13	0.5	0.6	A	PAICINES

CENTRAL CALIFORNIA EARTHQUAKES--1975 (CONTINUED)

1975	JR	MIN	SFC	LAT N	LONG W	DEPTH	MAG	NO	GAP	DMIN	PMS	EPH	ERZ	QUADRANT
OCT	23	14	27	37-54.5	121-51.9	5.4	1.5	19	75	5.7	0.16	0.6	1.0	LA COSTA VALLEY
	23	17	30	36-27.6	121-44.2	3.7	2.1	23	65	5.4	0.10	0.4	0.4	TOPO VALLEY
	23	22	7	37-32.3	122-4.1	0.0	1.4	15	72	2.4	0.09	0.3	1.5	NEBARK
	24	0	52	38-48.5	122-48.4	2.5	1.2	15	57	3.0	0.12	0.4	0.3	THE GEYSERS
	24	1	31.2	38-48.6	122-50.8	2.9	1.1	14	64	1.4	0.09	0.3	0.2	THE GEYSERS
	24	1	39	36-0.7	120-35.1	4.2	1.4	13	71	6.5	0.12	0.7	0.3	SMITH MTH
	24	10	6	37-14.8	121-39.6	6.3	1.1	15	84	2.7	0.12	0.5	1.0	MORGAN HILL
	24	10	46	36-31.4	121-6.5	7.9	1.3	16	73	3.3	0.11	0.5	0.0	SAN PENITO
	24	12	59	36-29.1	121-5.9	4.1	2.0	30	60	3.4	0.16	0.4	0.7	TOPO VALLEY
	24	17	27	36-59.7	121-3.3	7.3	2.3	59	99	10.1	0.19	0.5	0.7	LOS PAMOS VALLEY
	24	17	31	36-3.4	120-38.5	1.4	1.8	16	95	4.4	0.11	0.5	0.6	SLACK CANYON
	24	22	22	37-23.0	121-44.8	3.2	1.1	2	110	2.9	0.13	0.8	0.4	MT DAY
	24	22	37	36-53.9	121-37.3	0.1	1.9	18	118	3.2	0.22	0.5	0.5	CHITTENDEN
	25	1	58	38-49.3	122-48.6	1.4	1.6	22	46	2.0	0.14	0.4	0.3	THE GEYSERS
	25	2	37	36-54.2	121-29.3	8.1	2.4	27	31	2.3	0.18	0.3	0.6	SAN FELIPE
	25	2	40	38-48.8	122-48.1	1.7	1.3	18	41	3.8	0.16	0.4	0.3	THE GEYSERS
	25	3	24	37-2.4	121-23.9	5.1	1.2	22	95	6.2	0.11	0.4	1.2	GILROY HOT SPRINGS
	25	11	6	36-47.7	121-19.7	4.8	1.1	16	83	2.9	0.09	0.3	0.4	TRES PINOS
	25	13	11	38-48.3	122-47.8	1.9	1.7	16	65	3.6	0.09	0.3	0.2	THE GEYSERS
	25	17	24	36-58.3	121-37.9	7.2	1.3	17	48	4.6	0.07	0.3	0.6	WATSONVILLE EAST
	25	23	6	37-35.8	121-40.1	6.8	1.1	9	155	3.5	0.10	1.1	1.5	MENDEHALL SPRINGS
	26	4	39	36-54.2	121-29.1	6.2	1.2	25	46	2.5	0.09	0.2	0.6	SAN FELIPE
	26	4	49	36-52.5	121-23.3	7.4	1.2	25	47	2.6	0.09	0.3	0.7	HOLLISTER
	26	7	24	36-48.9	121-20.9	5.8	2.1	45	43	4.4	0.12	0.2	0.7	TRES PINOS
	26	8	38	36-27.8	121-4.5	2.4	1.5	16	65	5.2	0.11	0.5	0.4	TOPO VALLEY
	26	9	5	36-34.3	121-5.5	11.8	1.3	20	62	6.3	0.13	0.5	0.9	SAN RENITO
	26	9	56	36-34.3	121-5.5	11.8	1.1	20	61	6.3	0.16	0.6	1.2	SAN RENITO
	26	10	56	36-47.9	121-16.0	6.0	1.3	33	55	3.5	0.12	0.3	0.7	TRES PINOS
	26	11	46	36-37.3	121-16.0	7.4	1.4	17	56	3.3	0.11	0.4	0.8	MT JOHNSON
	26	12	7	37-29.7	121-50.5	5.5	1.8	14	62	3.9	0.10	0.4	0.6	CALAVERAS RESERVOIR
	26	12	42	36-54.3	121-29.4	4.6	1.1	25	46	2.1	0.10	0.3	0.5	SAN FELIPE
	26	14	29	36-38.3	121-16.8	2.9	1.1	12	75	3.2	0.12	0.5	0.6	PAICINES
	26	15	16	36-39.1	121-9.8	5.6	0.9	12	93	1.7	0.16	0.8	1.3	CHERRY PFAK
	26	15	33	36-40.1	121-19.3	3.2	1.2	18	65	4.3	0.08	0.3	0.3	PAICINES
	26	21	22	36-10.9	120-46.8	4.1	1.4	10	117	3.9	0.14	0.9	2.0	MONARCH PFAK
	26	21	46	36-37.0	121-15.9	5.8	1.3	21	59	3.6	0.15	0.5	1.0	MT JOHNSON
	27	1	19	36-25.9	121-2.2	3.4	1.3	15	63	1.8	0.13	0.6	0.5	TOPO VALLEY
	27	2	30	36-35.2	121-14.7	4.5	1.6	29	50	3.6	0.14	0.4	0.5	BUCKMORE CANYON
	27	4	31	37-14.5	121-36.7	4.1	1.4	18	88	5.7	0.12	0.4	0.3	MT SIZER
	27	6	11	36-27.6	120-54.3	15.2	1.9	36	110	10.0	0.21	0.7	1.3	ROCK SPRING PEAK
	27	9	17	38-3.4	122-9.0	5.3	1.4	18	83	13.4	0.24	1.2	1.4	GENICIA
	27	9	31	38-3.8	122-9.4	5.2	2.1	27	84	14.2	0.13	0.5	0.5	GENICIA
	27	15	50	36-47.5	121-11.6	9.6	1.4	50	93	5.3	0.08	0.2	0.6	QUEEN SARE VALLEY
	27	20	41	35-54.7	120-28.8	3.2	1.4	3	74	3.9	0.11	0.7	0.5	PARKFIELD
	27	23	43	38-5.0	121-57.7	6.0	1.7	24	74	16.2	0.32	1.3	1.4	HONKER PAV

CENTRAL CALIFORNIA EARTHQUAKES--1975 (CONTINUED)

1975	HR	MIN	SEC	LAT	N	LONG	W	DEPTH	MAG	NO	CAP	DMIN	RMS	EPH	EPZ	Q	QUADRANGLE	
OCT	28	3	59	36-32.3		121-39		9.3	1.1	14	69	3.3	0.14	0.6	1.3	A	SAN BENITO	
	28	5	19	35-45.1		121-6.7		12.7	1.7	9	145	10.5	0.05	0.8	0.7	B	PPYSON	
	28	9	6	36-30.5		121-7.8		5.1	1.8	19	44	4.4	0.26	0.9	1.0	B	HICKMORE CANYON	
	28	21	31	37-29.0		121-41.2		2.7	1.3	10	118	10.5	0.12	0.5	0.6	B	MT DAY	
	28	23	4	35-59.0		120-33.6		2.5	2.0	14	56	8.8	0.14	0.6	0.5	B	STOCKDALL MTN	
	29	0	8	37-32.3		122-4.0		0.2	1.2	19	57	2.6	0.12	0.3	0.4	A	NEWARK	
	29	0	39	36-33.6		121-10.7		3.6	0.3	16	63	1.9	0.11	0.4	0.4	A	HICKMORE CANYON	
	29	1	49	36-44.8		121-21.1		8.9	0.3	10	91	3.2	0.07	0.4	0.9	A	PAICINES	
	29	2	0	36-35.6		121-1.1		7.8	1.2	13	96	0.6	0.09	0.4	0.6	B	SAN BENITO	
	29	6	4	36-56.8		121-27.3		5.3	1.8	43	47	5.6	0.14	0.3	0.5	P	SAN FELIPE	
	29	10	34	36-22.8		120-59.4		6.0	1.5	21	63	5.7	0.15	0.5	1.5	B	ROCK SPRING PEAK	
	29	11	26	36-27.7		121-4.1		0.6	1.7	21	66	5.5	0.13	0.4	0.5	B	TOPO VALLEY	
	29	12	42	36-56.8		121-27.2		5.4	1.6	31	62	5.5	0.12	0.3	1.0	B	SAN FELIPE	
	29	15	23	39-3.8		123-7.7		0.0	1.4	10	232	9.8	0.14	2.1	1.3	C	ELLEDGE PEAK	
	29	15	38	37-51.2		121-56.1		2.1	2.2	32	64	7.0	0.13	0.3	0.2	B	DIABLO	
	29	15	39	37-51.2		121-56.2		1.0	1.7	27	63	7.1	0.18	0.4	0.4	B	DIABLO	
	29	17	48	38-50.2		123-0.3		2.4	1.0	9	111	7.5	0.13	0.7	0.9	B	CLOVERDALE	
	29	20	6	37-55.1		121-57.0		0.2	1.5	16	88	4.0	0.15	0.5	0.5	B	CLAYTON	
	29	23	18	37-1.6		122-8.7		4.4	1.8	19	226	3.7	0.18	1.5	0.8	C	DAVENPORT	
	30	4	20	36-19.1		120-54.7		2.6	1.5	14	83	1.6	0.11	0.5	0.5	A	LONOAK	
	30	5	28	36-59.1		121-40.3		8.5	1.4	27	57	4.1	0.14	0.4	0.9	A	WATSONVILLE FAST	
	30	7	40	37-29.9		121-34.4		5.8	1.3	10	196	12.2	0.18	1.6	1.1	C	EYLAR MTN	
	30	15	34	36-38.4		121-17.5		6.8	1.2	14	58	3.4	0.08	0.4	0.8	A	PAICINES	
	30	18	21	37-51.5		122-13.2		2.7	1.4	17	63	2.4	0.12	0.4	0.4	A	OAKLAND FAST	
	30	19	1	37-51.1		121-55.6		3.8	1.3	11	66	7.1	0.19	1.0	0.7	B	DIABLO	
	30	19	13	38-47.8		122-46.2		1.6	1.3	15	59	1.7	0.11	0.4	0.3	A	THE GEYSERS	
	30	19	19	38-31.5		122-45.8		2.1	1.5	14	80	4.5	0.13	0.6	0.5	A	HEALDSBURG	
	30	23	0	36-23.3		120-59.7		1.1	1.3	7	133	4.5	0.07	0.7	0.7	B	ROCK SPRING PEAK	
	31	1	15	37-26.6		121-46.2		9.3	1.4	31	81	2.7	0.14	0.4	0.7	A	CALAVERAS RESERVOIR	
	31	1	33	36-59.5		121-39.9		9.2	1.1	12	68	5.0	0.11	0.8	1.8	A	WATSONVILLE EAST	
	31	1	56	37-22.0		121-45.1		7.9	0.8	8	112	0.9	0.05	0.4	0.5	B	SAN JOSE EAST	
	31	5	52	36-38.4		121-18.7		6.8	2.0	35	31	3.3	0.16	0.4	0.9	B	PAICINES	
	31	8	6	36-38.5		121-18.3		6.6	1.6	27	37	3.5	0.15	0.4	0.9	A	PAICINES	
	31	12	58	35-55.4		120-29.7		12.5	2.2	16	59	3.1	0.15	0.8	0.7	B	PARKFIELD	
	31	14	21	36-45.6		121-16.1		5.8	1.5	15	46	3.0	0.09	0.4	0.9	A	TRES PINOS	
	NOV	31	19	12	35-56.1		120-30.0		8.4	1.3	4	75	2.6	0.11	0.8	1.6	A	PARKFIELD
		1	3	0	36-55.3		121-28.3		4.2	1.0	19	58	3.3	0.09	0.3	0.4	A	SAN FELIPE
		1	6	13	36-59.6		121-3.5		8.0	2.1	47	102	10.1	0.19	0.5	0.9	B	LOS PANOS VALLEY
		1	14	32	36-58.0		121-39.4		5.1	1.3	19	62	3.7	0.06	0.2	0.4	A	WATSONVILLE EAST
		1	17	13	36-0.3		120-35.3		1.4	1.6	13	42	7.3	0.15	0.7	0.7	B	SMITH MTN
1		21	39	36-30.1		121-7.4		5.4	1.4	15	59	4.7	0.24	1.0	1.2	B	SAN BENITO	
2		1	4	38-48.4		122-48.5		1.4	0.9	10	66	3.7	0.09	0.4	0.3	A	THE GEYSERS	
2		2	24	36-54.3		121-28.9		5.6	1.1	22	52	2.6	0.08	0.3	0.7	A	SAN FELIPE	
2		4	11	37-29.5		121-41.2		5.2	1.1	9	114	10.0	0.05	0.3	0.5	B	MT DAY	
2		5	44	35-57.7		120-32.0		13.8	1.9	14	73	5.6	0.12	0.7	0.6	A	STOCKDALL MTN	

CENTRAL CALIFORNIA EARTHQUAKES--1975 (CONTINUED)

1975	HR	MIN	SEC	LAT N	LONG W	DEPTH	MAG	NO GAP	DMIN	RMS	ERH	EP7 0	QUADPANGLE
NOV	2	8	34	36-37.6	121-16.3	4.5	1.9	13	72	3.6	0.10	0.4	PAICINES
	2	9	16	36-1.9	123-7.0	0.1	1.5	19	215	8.6	0.16	1.4	OURDYS GARDENS
	2	14	5	36-3.6	119-43.5	5.2	2.0	7	732	57.0	0.04	5.9	EL PICO RANCH
	2	14	25	36-59.2	121-39.5	5.1	1.4	70	45	4.0	0.5	0.5	WATSONVILLE EAST
	2	15	5	36-2.4	119-51.8	6.9	1.8	8	726	44.3	0.05	17.0	STRATFORD SF
	2	16	58	36-55.3	121-28.1	4.7	1.0	20	59	3.5	0.10	0.3	SAN FELIPE
	2	17	3	36-28.2	121-5.1	7.7	1.7	23	63	4.5	0.12	0.4	TOPO VALLEY
	2	18	7	36-31.8	121-18.5	12.2	1.5	28	61	7.7	0.14	0.4	MT JOHNSON
	2	20	29	36-40.6	121-20.6	6.6	1.9	36	35	6.4	0.15	0.3	PAICINES
	3	1	52	37-42.4	122-32.6	6.1	1.8	31	166	9.8	0.16	0.6	***GULF OF THE FAPALLONES***
	3	2	14	36-50.1	121-33.8	4.0	3.0	71	40	4.2	0.24	0.4	SAN JUAN GAUTISTA
	3	3	55	36-47.5	121-20.5	4.4	1.8	27	53	6.3	0.14	0.4	PAICINES
	3	4	44	37-43.7	121-50.6	11.6	1.3	14	58	0.8	0.09	0.5	LIVERMORE
	3	5	18	36-34.0	121-5.3	11.9	2.1	36	64	6.3	0.21	0.5	SAN RENITO
	3	5	32	36-33.8	121-5.1	12.1	1.5	22	64	6.0	0.14	0.5	SAN RENITO
	3	7	11	36-33.2	121-11.0	7.6	1.1	11	66	2.6	0.07	0.4	HICKMORE CANYON
	3	15	15	38-48.3	122-47.7	1.5	1.4	16	49	3.5	0.09	0.3	THE GEYSERS
	3	17	49	37-51.4	121-56.2	2.8	1.2	8	76	6.7	0.11	0.6	DIABLO
	4	6	5	36-47.6	121-14.4	6.4	1.7	33	52	5.1	0.12	0.3	QUIEN SARE VALLEY
	4	6	26	37-7.7	121-31.3	9.2	1.1	19	105	7.6	0.10	0.4	MT SIZER
	4	7	58	36-2.5	120-52.3	14.1	1.2	12	149	15.5	0.08	0.5	PANCHO RICO VALLEY
	4	10	8	37-30.9	121-38.9	1.5	1.3	12	145	8.8	0.11	0.5	MENDENHALL SPRINGS
	4	10	24	36-59.4	121-41.0	4.4	1.4	22	69	4.1	0.16	0.5	WATSONVILLE EAST
	4	14	33	36-56.8	121-27.5	8.0	2.6	68	47	5.5	0.19	0.3	SAN FELIPE
	4	14	34	36-56.9	121-27.1	5.5	2.2	55	48	5.7	0.15	0.3	SAN FELIPE
	4	14	35	36-56.7	121-27.1	4.1	1.1	22	67	5.9	0.12	0.4	SAN FELIPE
	4	15	51	36-44.5	121-21.2	11.1	1.0	9	89	3.8	0.05	0.4	PAICINES
	4	17	12	36-1.1	120-52.9	11.6	1.8	24	88	17.5	0.19	0.8	SAN ARDO
	4	21	48	36-56.8	121-27.1	4.4	1.4	27	63	5.4	0.16	0.4	SAN FELIPE
	4	23	54	36-54.1	121-37.3	1.5	1.6	17	117	3.4	0.21	0.7	CHITTENDEN
	5	3	28	36-38.6	121-18.5	8.3	2.8	51	31	3.6	0.17	0.3	PAICINES
	5	4	19	36-38.0	121-17.8	6.6	1.2	11	86	2.9	0.14	1.0	PAICINES
	5	4	55	36-56.8	121-27.4	5.5	1.8	35	52	5.6	0.17	0.4	SAN FELIPE
	5	7	0	36-56.7	121-27.2	4.6	1.1	15	67	5.3	0.09	0.3	SAN FELIPE
	5	8	24	37-29.9	121-37.9	5.2	1.4	12	88	10.8	0.21	1.2	MT MAY
	5	9	13	37-8.5	121-32.5	4.3	1.0	13	112	7.7	0.09	0.4	MT SIZER
	5	10	0	36-46.0	121-15.7	9.0	1.2	14	75	3.0	0.03	0.4	TRES PINOS
	5	13	21	36-38.3	121-15.2	8.9	1.3	15	53	1.8	0.10	0.5	PAICINES
	5	18	4	36-54.4	121-29.2	5.2	1.4	37	69	2.2	0.14	0.3	SAN FELIPE
	5	22	31	36-33.3	121-10.7	3.5	1.3	13	64	2.5	0.06	0.3	BICKMORE CANYON
	5	23	15	37-2.3	122-8.5	0.1	1.6	18	183	7.4	0.14	1.0	DAVENPORT
	6	4	50	37-52.5	122-15.0	9.9	1.6	25	63	1.3	0.13	0.4	BRIONES VALLEY
	6	5	49	36-35.6	121-15.9	0.4	1.0	13	64	4.0	0.11	0.7	MT JOHNSON
	6	8	7	37-40.8	121-48.6	13.2	1.8	44	63	13.9	0.14	0.4	LIVERMORE
	6	11	36	36-54.6	121-29.0	5.2	1.1	27	53	2.3	0.09	0.2	SAN FELIPE

CENTRAL CALIFORNIA EARTHQUAKES--1975 (CONTINUED)

1975	HR	MN	SEC	LAT N	LONG W	DEPTH	MAG	NO	CAP	DMIN	RWS	FRH	FFZ	Q	QUADRANGLE
NOV	6	12	35	36-54.5	121-26.2	7.2	2.2	59	75	2.1	0.16	0.3	0.7	0	SAN FELIPE
	6	18	55	36-47.5	121-14.3	6.4	1.5	30	55	5.2	0.10	0.3	0.7	A	QUIFA SAWF VALLEY
	6	20	29	36-38.4	121-18.0	6.8	1.2	14	60	3.5	0.13	0.5	1.0	A	PAICINES
	7	0	5	37-32.4	122-4.2	0.0	1.4	16	59	2.2	0.12	0.4	0.5	A	NEWARK
	7	1	7	37-44.7	122-7.7	3.7	2.0	27	47	5.7	0.19	0.4	0.4	B	SAN LEANDRO
	7	2	56	37-17.8	121-38.9	3.6	1.1	13	70	4.9	0.12	0.5	0.4	A	LICK OBSERVATORY
	7	13	24	36-24.0	121-0.8	5.1	1.3	19	66	2.7	0.15	0.6	1.0	B	TOPO VALLEY
	7	15	34	36-56.9	121-27.2	4.5	1.5	33	53	5.7	0.14	0.3	0.5	B	SAN FELIPE
	7	17	59	38-40.6	122-23.2	6.8	1.5	16	115	14.9	0.11	0.5	3.0	C	AETNA SPRINGS
	7	18	24	36-38.4	121-18.4	7.7	1.3	18	63	3.3	0.12	0.5	1.0	A	PAICINES
	7	20	59	40.0	36-38.8	6.5	2.0	37	38	3.8	0.17	0.4	0.4	B	PAICINES
	7	21	22	36-38.3	121-18.2	6.1	1.3	16	62	3.3	0.13	0.6	1.1	A	PAICINES
	7	21	55	36-33.7	121-4.4	9.3	1.4	17	67	5.4	0.13	0.5	1.0	A	SAN RENITO
	7	23	59	36-44.9	121-36.6	5.0	1.7	35	136	6.4	0.25	0.8	0.8	C	NATIVIDAD
	8	0	11	36-1.4	120-36.4	0.7	1.8	15	70	5.2	0.14	0.6	0.7	B	SMITH MTN
	8	1	57	38-25.7	122-27.7	10.0	1.6	24	94	8.3	0.11	0.4	1.0	B	RUTHERFORD
	8	9	57	38-48.3	122-47.7	2.0	1.5	20	47	3.5	0.10	0.3	0.2	A	THE GEYSERS
	8	18	41	36-27.9	121-4.1	3.5	2.0	23	66	5.1	0.12	0.4	0.4	B	TOPO VALLEY
	8	21	14	38-49.0	122-48.2	1.4	1.4	19	42	3.5	0.11	0.3	0.3	A	THE GEYSERS
	9	0	5	37-52.9	121-50.8	4.1	1.3	12	118	6.2	0.04	0.2	0.1	B	ANTIOCH SOUTH
	9	2	5	36-31.2	121-1.5	5.9	1.0	10	187	4.7	0.09	1.0	1.3	C	SAN RENITO
	9	3	26	37-18.8	121-39.0	7.4	0.9	15	67	6.4	0.15	0.6	2.3	B	LICK OBSERVATORY
	9	4	4	38-48.3	122-47.8	1.8	1.5	14	65	3.6	0.10	0.3	0.3	A	THE GEYSERS
	9	4	7	36-32.0	121-10.2	7.6	2.3	33	65	4.9	0.27	0.7	1.5	B	RICKMORE CANYON
	9	8	38	36-56.8	121-27.0	5.3	1.3	24	64	5.5	0.12	0.3	1.1	B	SAN FELIPE
	9	12	34	38-48.0	122-46.3	3.8	1.4	14	51	1.6	0.13	0.4	0.4	A	THE GEYSERS
	9	15	19	37-34.6	121-42.1	5.4	1.3	13	90	6.0	0.18	0.8	1.3	B	MENDENHALL SPRINGS
	9	15	56	37-29.7	121-38.5	1.4	2.5	39	66	11.1	0.23	0.6	1.2	C	MT DAY
	10	2	58	36-45.0	121-31.5	9.4	1.9	47	63	3.4	0.18	0.4	0.7	B	SAN JUAN BAUTISTA
	10	11	49	37-31.4	121-47.3	5.9	2.0	44	71	7.2	0.16	0.4	0.6	B	LA COSTA VALLEY
	10	11	57	37-18.7	121-39.2	9.0	1.4	23	74	6.3	0.11	0.4	1.1	A	LICK OBSERVATORY
	10	14	7	36-38.1	121-16.7	0.2	1.5	14	76	3.6	0.16	0.6	0.6	B	PAICINES
	10	18	17	36-48.3	121-33.4	5.1	2.1	44	53	1.7	0.26	0.6	0.7	B	SAN JUAN BAUTISTA
	10	21	21	36-54.5	121-29.4	4.7	1.2	21	51	1.8	0.11	0.3	0.9	A	SAN FELIPE
	10	21	44	36-34.4	121-12.5	5.2	1.5	21	67	1.8	0.16	0.5	0.9	B	RICKMORE CANYON
	11	0	52	36-53.7	121-37.6	0.2	1.7	21	103	3.4	0.29	0.7	0.6	B	WATSONVILLE EAST
	11	12	20	38-47.6	122-48.3	2.5	1.1	10	71	4.6	0.07	0.3	0.2	A	THE GEYSERS
	11	12	59	37-29.3	121-39.8	5.6	1.8	24	73	12.1	0.14	0.4	0.6	B	MT DAY
	11	14	45	37-12.1	121-53.4	10.0	1.4	17	59	5.0	0.12	0.5	0.9	A	LOS CATOS
	11	17	20	36-39.4	121-18.9	4.3	2.0	24	41	4.0	0.17	0.5	0.6	B	PAICINES
	11	17	53	37-29.4	121-39.9	5.8	2.3	45	72	11.9	0.16	0.4	0.4	C	MT DAY
	11	20	27	36-33.3	121-3.9	9.7	2.0	22	68	5.0	0.16	0.5	1.0	B	SAN RENITO
	11	20	32	35-59.3	120-34.2	1.1	1.4	9	84	9.3	0.11	0.7	0.6	B	STOCKDALE MTN
	11	21	21	38-47.8	122-48.6	1.8	1.2	15	42	4.3	0.13	0.4	0.3	A	THE GEYSERS
	11	23	5	36-35.4	121-2.7	8.5	1.2	17	74	1.7	0.14	0.7	1.2	B	SAN RENITO

CENTRAL CALIFORNIA EARTHQUAKES--1975 (CONTINUED)

1975	HR	MIN	SEC	LAT	N	LONG	W	DEPTH	MAG	NO	CAP	DMIN	RMS	FRH	EP7	Q	QUADRANGLE
NOV	12	8	49	27.4	36-54.5	121-29.0	7.1	1.2	27	51	2.4	0.10	0.3	0.5	A	SAN FELIPE	
	12	12	1	6.0	36-33.8	121-5.1	12.4	1.6	26	64	6.0	0.13	0.4	0.7	A	SAN PENITO	
	12	14	14	12.0	36-56.9	121-26.8	4.6	1.0	20	69	5.5	0.13	0.4	1.0	B	SAN FELIPE	
	12	14	15	31.0	38-48.3	122-47.8	1.4	1.3	19	47	3.6	0.10	0.3	0.2	A	THE GEYSERS	
	12	15	8	50.0	35-58.7	120-35.1	0.6	1.2	3	159	10.1	0.05	0.5	0.4	B	STOCKDALE MTN	
	12	17	52	15.3	36-5.0	120-34.0	3.8	1.6	15	76	4.8	0.15	0.7	0.6	A	SLACK CANYON	
	12	22	9	0.5	36-18.4	120-53.6	6.8	1.0	3	95	3.3	0.15	1.1	2.1	R	LONJAK	
	13	0	31	31.1	36-33.5	121-10.8	3.3	1.0	10	64	2.1	0.17	1.0	0.7	B	HICKMORE CANYON	
	13	2	36	30.2	35-45.1	121-5.8	11.3	3.0	R	123	10.8	0.15	0.7	0.5	B	RYSON	
	13	2	52	1.2	37-37.2	121-47.5	5.2	2.0	31	70	13.0	0.22	0.7	0.6	C	LA COSTA VALLEY	
	13	9	7	46.1	36-1.8	120-36.0	3.8	1.5	13	68	4.4	0.15	0.8	1.0	A	SMITH MTN	
	13	17	52	26.8	37-42.7	122-22.1	5.0	1.9	18	96	8.7	0.21	0.9	5.5	C	HUNTERS POINT	
	14	6	13	24.3	37-7.3	121-55.3	10.0	1.3	25	81	5.5	0.14	0.5	0.8	A	LAUREL	
	14	7	28	24.1	36-37.6	121-16.5	4.6	2.1	32	45	3.8	0.17	0.4	0.5	B	PAICINES	
	14	17	30	9.2	37-43.1	122-22.2	5.0	1.4	11	88	12.9	0.13	0.7	0.9	B	HUNTERS POINT	
	14	18	58	22.4	35-59.4	120-34.5	1.4	1.5	13	63	9.1	0.11	0.5	0.5	R	STOCKDALE MTN	
	14	20	19	26.6	36-55.8	121-28.2	6.2	1.2	25	55	3.4	0.09	0.3	0.7	A	SAN FELIPE	
	15	7	45	7.8	39-17.1	122-40.8	1.2	2.2	18	204	21.4	0.16	1.7	11.3	D	FOUTS SPRINGS	
	15	7	57	58.5	36-35.3	121-6.6	10.5	1.1	11	65	7.2	0.10	0.6	1.3	A	SAN PENITO	
	15	7	59	53.1	37-40.5	122-26.8	6.6	1.3	12	126	4.8	0.14	1.9	3.8	B	SAN FRANCISCO SOUTH	
	15	10	56	51.3	35-55.8	120-30.3	14.0	2.2	13	62	3.2	0.15	0.7	0.6	A	STOCKDALE MTN	
	15	23	33	55.7	37-7.6	121-54.9	9.0	1.4	27	52	5.0	0.12	0.4	0.6	A	LOS GATOS	
	15	23	56	30.8	36-53.7	121-38.3	5.0	2.5	67	92	4.4	0.24	0.5	0.5	B	WATSONVILLE EAST	
	16	4	20	7.4	38-52.2	122-48.5	1.6	1.4	23	41	4.0	0.17	0.5	0.4	B	THE GEYSERS	
	16	6	31	56.3	37-7.7	121-54.8	8.7	1.0	17	75	4.8	0.09	0.4	0.8	A	LOS GATOS	
	16	6	41	38.2	37-7.5	121-55.3	9.8	1.1	19	79	5.1	0.14	0.6	1.0	A	LAUREL	
	16	13	23	28.7	35-59.0	120-47.3	5.7	1.7	18	156	12.7	0.18	0.9	8.2	C	MUNPOST	
	16	15	51	28.1	37-18.6	121-39.2	8.6	2.2	59	56	3.7	0.15	0.3	0.7	B	LICK OBSERVATORY	
	16	15	52	8.3	37-18.6	121-39.1	8.2	1.3	22	75	6.1	0.14	0.5	1.5	A	LICK OBSERVATORY	
	16	22	37	44.7	36-51.1	121-15.8	5.2	1.2	16	83	4.9	0.14	0.6	0.9	A	TRES PINOS	
	17	2	8	33.4	36-47.5	121-14.3	7.4	2.0	43	55	5.2	0.14	0.3	0.7	A	QUIEN SARE VALLEY	
	17	7	41	25.1	36-32.8	121-10.5	6.0	1.6	23	64	3.5	0.11	0.3	0.7	A	BICKMORE CANYON	
	17	20	10	3.9	38-48.0	122-48.8	0.8	1.7	22	47	3.8	0.11	0.3	0.3	A	THE GEYSERS	
	17	21	9	39.1	36-55.7	121-28.4	7.1	1.7	39	39	3.3	0.16	0.3	0.9	B	SAN FELIPE	
	17	21	13	16.5	36-55.7	121-28.3	3.2	2.6	61	39	3.4	0.16	0.3	0.6	B	SAN FELIPE	
	17	23	45	35.9	36-54.0	121-38.1	0.6	1.8	23	131	4.1	0.26	0.7	0.7	B	WATSONVILLE EAST	
	18	2	42	38.6	36-51.7	121-13.2	0.3	1.4	22	68	3.3	0.18	0.6	0.6	B	QUIEN SARE VALLEY	
	18	6	3	5.9	37-23.1	121-45.4	3.8	1.4	17	77	2.8	0.18	0.7	0.4	B	CALAVERAS RESERVOIR	
	18	6	45	51.8	38-48.9	122-47.9	3.5	1.6	17	43	3.9	0.10	0.4	0.3	A	THE GEYSERS	
	18	8	39	41.9	36-27.6	121-4.5	5.5	1.7	20	65	5.5	0.13	0.4	1.2	B	TOPO VALLEY	
	18	11	50	37.4	36-55.7	121-26.3	5.6	3.1	63	40	4.9	0.17	0.3	0.5	B	SAN FELIPE	
	18	13	37	59.6	36-56.8	121-26.2	5.5	2.8	52	41	5.1	0.15	0.3	0.4	B	SAN FELIPE	
	18	14	30	25.1	36-36.8	121-7.6	7.4	1.7	22	51	5.6	0.18	0.6	1.3	B	HICKMORE CANYON	
	18	16	52	35.1	35-55.9	120-30.8	14.1	1.2	9	81	3.8	0.15	1.1	3.4	B	STOCKDALE MTN	
	18	23	38	5.3	36-56.6	121-25.7	3.3	1.2	20	71	4.7	0.13	0.4	0.3	A	SAN FELIPE	

CENTRAL CALIFORNIA EARTHQUAKES--1975 (CONTINUED)

1975	HR	MIN	SEC	LAT	N	LONG	W	DEPTH	MAG	NO	GAP	DMIN	RMS	FRH	EP7	Q	QUADRANGLE
NOV	18	23	39	3.7	36-56.1	121-25.7	3.7	1.2	12	72	3.9	0.12	0.5	0.7	A		SAN FELIPE
	19	4	5	40.2	36-33.8	121-11.1	3.5	1.3	14	64	1.6	0.07	0.3	0.3	A		RICKMORE CANYON
	19	5	50	5.8	35-54.9	120-28.4	3.5	1.2	7	127	3.4	0.10	0.8	0.4	B		PARKFIELD
	19	8	13	23.2	37-45.8	121-58.8	4.8	1.3	11	75	3.8	0.10	0.5	0.3	A		DIABLO
	19	11	7	12.7	35-56.2	120-30.9	13.7	1.7	15	79	3.7	0.13	0.7	0.6	A		STOCKDALE MTN
	19	11	32	12.8	38-55.4	122-39.9	2.7	1.3	12	92	1.8	0.14	0.7	0.3	B		CLAPLAKE HIGHLANDS
	19	11	50	23.4	36-36.8	121-15.0	3.0	1.1	10	59	2.4	0.06	0.3	0.4	A		RICKMORE CANYON
	19	12	2	20.4	35-52.9	120-26.6	10.0	1.5	9	95	2.6	0.12	1.0	1.8	B		PARKFIELD
	19	16	15	29.7	35-58.3	120-33.0	2.7	1.5	10	123	7.4	0.11	0.7	0.5	B		STOCKDALE MTN
	19	16	26	28.7	36-17.3	120-53.2	2.2	1.5	10	102	4.0	0.13	0.7	1.2	B		LONOK
	19	17	37	31.4	36-54.1	121-29.2	8.3	1.7	33	39	2.6	0.12	0.3	0.6	A		SAN FELIPE
	19	23	13	58.2	37-27.3	122-9.1	1.6	1.5	21	222	4.3	0.15	1.1		D		DAVENPORT
	19	23	55	14.2	36-33.2	121-5.7	10.0	1.6	22	63	5.1	0.15	0.5	1.0	R		SAN RENITO
	20	1	9	41.3	38-48.8	122-47.7	2.8	1.3	20	51	3.5	0.12	0.3	0.2	A		THE GEYSERS
	20	1	34	22.0	36-57.0	121-26.1	5.1	1.9	50	50	4.7	0.12	0.2	0.4	A		SAN FELIPE
	20	1	35	53.9	36-56.9	121-26.1	4.3	1.7	39	68	4.0	0.14	0.3	0.3	A		SAN FELIPE
	20	1	43	57.3	35-57.4	120-31.6	13.2	1.9	14	125	4.9	0.14	0.9	0.5	B		STOCKDALE MTN
	20	1	57	45.6	37-27.8	121-33.7	12.5	1.1	6	193	13.0	0.04	0.8	2.4	C		EYLAR MTN
	20	2	47	25.3	35-57.1	120-31.5	12.6	1.8	13	122	4.7	0.17	1.1	0.8	B		STOCKDALE MTN
	20	5	51	43.4	35-58.5	120-33.3	2.1	1.5	11	122	8.1	0.11	0.6	0.5	B		STOCKDALE MTN
	20	10	56	4.5	36-40.7	120-55.5	4.2	1.4	23	92	7.0	0.08	0.3	0.3	B		CERRO COLORADO
	20	13	46	17.9	36-48.1	121-18.3	8.1	1.4	28	63	1.7	0.09	0.3	0.5	A		TRES PINOS
	20	17	55	40.3	37-25.1	121-39.2	2.8	1.2	10	121	8.5	0.18	1.0	0.7	B		MT DAY
	21	2	43	51.4	38-20.5	122-22.9	8.5	1.8	27	81	7.6	0.13	0.4	0.8	A		SONOMA
	21	9	19	45.7	35-54.7	120-29.1	3.1	1.6	8	141	3.9	0.12	0.8	0.5	B		PARKFIELD
	21	23	26	8.7	36-54.3	121-37.3	1.4	1.6	13	112	3.5	0.27	0.8	0.7	B		CHITTENDEN
	22	8	33	56.8	39-24.0	123-19.1	9.3	3.1	33	166	47.6	0.19	2.5	1.0	C		NE 1/4 WILLITS
	22	8	54	58.4	39-25.4	123-16.0	3.7	2.1	19	309	47.6	0.26	3.1	2.9	D		NE 1/4 WILLITS
	22	8	58	48.0	36-45.1	121-17.8	3.9	1.7	35	41	3.6	0.17	0.4	0.6	B		TRES PINOS
	22	9	35	16.3	36-57.1	121-26.8	5.8	1.5	32	58	5.4	0.15	0.4	1.1	B		SAN FELIPE
	22	9	37	57.3	36-55.0	121-25.0	5.0	1.1	18	74	1.9	0.13	0.5	1.0	A		SAN FELIPE
	22	9	43	24.8	36-55.0	121-25.0	4.7	1.2	19	65	1.9	0.15	0.5	1.2	A		SAN FELIPE
	22	13	49	36.7	36-34.1	121-3.6	11.5	1.2	16	69	4.0	0.10	0.5	0.9	A		SAN RENITO
	22	14	26	23.9	36-35.8	121-12.6	8.4	1.7	22	38	3.0	0.17	0.5	1.0	B		RICKMORE CANYON
	22	16	8	5.9	37-8.8	122-4.7	11.6	1.3	28	93	4.8	0.11	0.4	0.5	B		CASTLE ROCK RIDGE
	22	19	19	24.0	37-32.8	121-50.4	5.3	1.5	30	73	4.0	0.18	0.5	0.5	B		LA COSTA VALLEY
	22	20	20	58.4	37-29.2	121-41.4	2.2	1.3	18	116	10.4	0.15	0.5	0.4	B		MT DAY
	23	4	37	29.9	36-27.7	121-4.1	3.7	1.8	18	66	5.4	0.15	0.6	0.7	B		TOPO VALLEY
	23	10	38	54.4	36-35.5	121-13.4	4.1	1.4	20	64	3.6	0.12	0.4	0.7	A		RICKMORE CANYON
	23	13	45	37.2	36-57.6	121-36.7	4.6	1.3	30	47	2.5	0.15	0.4	0.6	B		CHITTENDEN
	23	17	9	11.5	35-32.7	120-47.1	8.8	1.8	12	244	36.6	0.15	2.0	1.5	C		YORK MTN
	24	19	20	1.6	38-48.5	122-46.8	2.5	1.6	20	43	2.3	0.12	0.3	0.2	A		THE GEYSERS
	24	20	0	4.9	37-7.5	121-33.2	3.5	1.4	25	95	7.5	0.14	0.5	0.6	B		MT SIZER
	24	20	15	25.6	35-59.4	120-34.2	4.5	1.6	11	96	9.1	0.16	0.8	1.0	B		STOCKDALE MTN
	25	0	25	17.4	38-47.3	122-22.2	9.3	1.6	14	116	15.4	0.08	0.5	0.0	B		WALTERS SPRINGS

CENTRAL CALIFORNIA EARTHQUAKES--1975 (CONTINUED)

1975	HP	FN	SEC	LAT	N	LONG	W	DEPTH	MAG	NO	CAP	MMIN	PWS	FRH	EPZ	QUADRANGLE
NOV	25	6	39	36-37.6		121-17.2		3.4	1.9	24	44	2.9	0.12	0.4	0.7	A PAICINES
	25	11	59	37-39.5		122-3.2		2.0	1.3	21	49	1.5	0.16	0.5	0.3	F HAYWARD
	25	13	44	36-37.4		121-3.1		5.4	1.8	21	70	3.2	0.12	0.4	0.5	A SAN RENITO
	25	15	29	35-37.3		121-41.6		5.7	2.0	36	72	10.8	0.17	0.5	0.6	B MT DAY
	25	22	49	36-51.2		121-26.0		5.4	3.1	61	33	2.4	0.18	0.3	0.4	B HOLLISTER
	25	23	34	36-53.9		121-37.5		3.6	1.7	26	114	3.5	0.34	1.4	1.1	C WATSONVILLE EAST
	26	0	29	37-15.4		121-37.4		4.4	1.5	26	81	4.3	0.00	0.3	0.3	A ISABEL VALLEY
	26	0	34	36-34.3		121-12.0		3.6	1.5	20	40	1.0	0.11	0.4	0.4	A RICKMORE CANYON
	26	1	51	36-8.5		120-44.4		2.4	1.7	10	167	6.8	0.22	1.4	0.0	C PRIEST VALLEY
	26	3	9	36-56.1		121-40.5		9.2	1.4	34	80	1.3	0.14	0.4	0.9	A WATSONVILLE EAST
	26	3	29	36-31.5		121-9.8		9.4	1.9	30	37	4.1	0.23	0.6	1.3	B RICKMORE CANYON
	26	8	31	36-37.2		121-11.3		9.8	1.0	15	52	4.3	0.22	1.1	2.2	B RICKMORE CANYON
	26	9	11	36-15.6		120-51.9		3.3	1.5	16	106	8.0	0.17	0.7	0.7	B HEPSTOAM PEAK
	26	10	10	37-10.3		121-0.4		4.3	1.8	27	206	12.8	0.18	1.3	0.7	C HOWARD RAUCH
	26	11	26	35-57.2		121-15.0		11.7	1.3	11	275	16.2	0.10	3.3	0.6	D ALDER PEAK
	26	13	3	38-6.1		121-54.5		13.7	1.6	15	79	11.2	0.21	1.1	1.0	B HONKER PAY
	26	13	41	36-34.1		121-9.3		15.1	0.9	12	56	3.2	0.11	0.8	1.7	A RICKMORE CANYON
	26	15	37	35-59.6		120-34.4		1.4	1.6	9	149	10.4	0.10	0.8	0.6	B STOCKDALF MTN
	26	16	34	36-49.2		121-7.9		5.4	2.3	56	77	7.4	0.16	0.4	0.5	B QUIEN SARE VALLEY
	26	17	42	37-15.4		121-37.4		4.8	1.7	35	82	4.4	0.11	0.4	0.3	A ISABEL VALLEY
	26	18	0	36-53.6		121-1.4		3.0	1.5	22	148	18.1	0.14	0.5	0.4	B LOS RANOS VALLEY
	26	21	59	36-33.7		121-11.1		3.6	1.6	14	63	1.6	0.06	0.3	0.3	A RICKMORE CANYON
	27	0	1	36-44.7		121-36.1		5.1	2.2	48	21	6.4	0.22	0.5	0.6	B NATIVIDAD
	27	3	42	36-42.6		122-5.1		6.9	2.2	67	184	33.7	0.17	0.6	0.8	C **OFFSHORE - MONTEREY BAY***
	27	6	25	36-57.8		121-37.1		5.2	1.5	44	38	3.1	0.15	0.3	0.4	A CHITTENDEN
	27	7	37	38-47.3		122-58.6		3.2	1.4	19	58	3.9	0.17	0.5	0.4	B ASTI
	27	13	32	36-55.7		121-28.0		4.5	1.4	36	55	3.8	0.12	0.3	0.4	A SAN FELIPE
	27	15	13	37-44.3		121-39.4		3.3	1.1	11	189	15.2	0.17	1.1	0.5	C ALTAMONT
	27	20	21	36-33.2		121-3.7		9.5	1.3	16	69	5.0	0.12	0.5	1.0	A SAN RENITO
	28	1	36	37-50.1		121-58.5		5.3	1.2	13	64	5.6	0.21	0.9	0.8	B DIARLO
	28	1	37	36-2.2		120-37.3		1.0	1.4	10	75	4.4	0.07	0.4	0.5	A SMITH MTN
	28	1	41	36-54.3		121-29.3		6.2	1.1	26	45	2.3	0.13	0.4	0.9	A SAN FELIPE
	28	2	48	36-18.0		120-53.1		3.3	1.2	9	103	4.3	0.07	0.4	0.5	B LONDAK
	28	3	59	38-32.5		122-45.9		4.0	1.6	18	52	3.8	0.19	0.7	1.5	B HEALDSBURG
	28	5	41	36-38.2		121-16.1		2.6	1.1	13	75	3.2	0.28	1.1	1.4	B PAICINES
	28	7	34	38-48.5		122-48.4		2.7	1.0	8	75	3.7	0.06	0.4	0.3	A THE GEYSERS
	28	13	13	38-48.2		122-49.4		1.3	1.0	11	55	2.9	0.08	0.3	0.3	A THE GEYSERS
	28	16	30	38-48.5		122-47.8		1.7	1.2	11	76	3.6	0.08	0.3	0.2	A THE GEYSERS
	28	21	20	36-35.2		121-12.7		3.8	1.1	12	63	2.4	0.08	0.4	0.4	A RICKMORE CANYON
	29	1	3	36-0.4		120-34.9		3.0	1.8	15	71	7.1	0.10	0.6	0.6	B SMITH MTN
	29	2	38	36-41.3		121-21.4		5.1	3.0	65	47	2.7	0.19	0.3	0.4	B PAICINES
	29	7	6	36-13.7		120-48.7		6.4	1.1	6	134	2.1	0.04	0.5	0.7	B MONARCH PFAK
	29	7	54	36-40.5		121-20.5		4.5	2.0	31	36	3.9	0.14	0.3	0.5	A PAICINES
	29	8	6	36-40.5		121-20.5		4.5	2.0	30	38	3.9	0.15	0.4	0.5	B PAICINES
	29	9	48	36-13.6		120-49.0		5.7	1.3	10	114	2.3	0.07	0.4	0.7	B MONARCH PFAK

CENTRAL CALIFORNIA EARTHQUAKES--1975 (CONTINUED)

1975	HR	MN	SEC	LAT N	LONG W	DEPTH	MAG	NO GAP	DMIN	RMS	FRH	EP7 ?	QUADRANGLE
NOV	29	11	50	38-57.8	122-41.5	3.7	1.3	10	129	3.4	0.16	0.9	CLEAPLAKE HIGHLANDS
	29	21	43	37-45.4	121-55.8	5.8	1.3	12	69	2.5	0.17	0.8	DIARLO
	29	21	53	36-43.6	120-54.8	4.2	1.8	18	92	12.6	0.19	0.8	CERRO COLORADO
	29	23	31	37- 5.6	121-30.1	9.0	2.8	73	48	4.9	0.24	0.4	GILROY
	30	2	12	38- 4.2	121-53.7	19.2	1.6	27	90	10.3	0.24	1.1	HONKER PAV
	30	5	50	36-47.6	121-14.2	7.3	1.7	42	55	4.9	0.15	0.4	QUIEN SARE VALLY
	30	12	33	38-48.8	122-46.1	2.1	1.3	13	53	3.7	0.14	0.5	THE GEYSERS
	30	14	13	37-49.9	121-59.6	4.6	1.4	23	45	6.2	0.24	0.8	DIARLO
	30	15	9	36-34.4	121-12.6	6.9	2.6	25	37	1.8	0.13	0.4	BICKMORF CANYON
	30	20	13	36-59.8	121-48.9	17.2	1.1	12	89	2.4	0.08	0.9	WATSONVILLE WEST
	30	20	28	38-48.6	122-48.3	2.9	1.3	16	62	3.6	0.09	0.3	THE GEYSERS
	30	23	17	38-47.6	122-48.5	2.7	1.4	18	63	4.5	0.09	0.3	THE GEYSERS
DEC	1	0	44	36-34.4	121-12.7	6.0	2.3	44	35	2.1	0.17	0.4	BICKMORE CANYON
	1	6	53	37-49.8	121-59.6	4.6	2.1	27	45	6.0	0.20	0.6	DIARLO
	1	7	44	37-21.8	121-45.6	4.8	1.7	29	71	0.5	0.08	0.2	SAN JOSE EAST
	1	12	44	36-54.2	121-29.4	5.0	1.9	49	41	5.7	0.15	0.3	SAN FELIPE
	1	16	47	36-54.8	121-28.6	5.2	1.3	19	60	4.7	0.11	0.4	SAN FELIPE
	1	20	34	38- 5.0	122-12.2	5.1	1.6	10	83	15.5	0.14	1.5	RENICIA
	1	22	0	37-49.5	122- 0.3	3.3	1.4	14	76	5.2	0.14	0.6	LAS TRAMPAS RIDGE
	1	22	7	37-50.2	121-58.8	4.7	1.6	24	49	6.1	0.20	0.7	DIARLO
	1	22	8	37-50.3	121-59.3	2.2	1.2	22	48	6.5	0.18	0.5	DIARLO
	1	22	8	37-50.3	121-58.3	5.6	1.5	14	59	6.0	0.19	0.8	DIARLO
	1	22	37	37-53.1	122-13.2	5.9	1.3	12	84	1.6	0.06	0.3	BRIONES VALLEY
	2	15	53	36-40.1	121-20.2	4.9	2.0	32	39	4.5	0.12	0.3	PAICINES
	2	16	33	38-36.3	122-48.4	7.6	1.1	12	124	9.1	0.08	0.4	HEALDSBURG
	2	18	58	38-48.1	122-48.2	1.0	1.4	17	63	4.1	0.10	0.3	THE GEYSERS
	2	21	0	36-55.9	121-28.3	6.7	1.6	27	55	3.7	0.14	0.4	SAN FELIPE
	2	22	33	36-54.3	121-37.8	2.6	1.8	20	63	3.9	0.26	0.8	WATSONVILLE EAST
	3	0	19	36-40.1	121-20.3	5.7	2.1	36	35	4.5	0.13	0.3	PAICINES
	3	2	0	36-42.0	121-21.9	3.2	2.2	31	42	2.2	0.15	0.4	PAICINES
	3	4	8	36-57.8	121-37.8	4.6	1.5	27	61	4.2	0.10	0.3	WATSONVILLE EAST
	3	9	45	36-45.4	121-31.6	8.0	2.2	58	99	4.0	0.3	0.6	SAN JUAN BAUTISTA
	3	10	29	36-36.2	121-14.9	5.4	2.2	36	30	3.8	0.15	0.3	BICKMORE CANYON
	3	19	50	37- 2.1	122- 9.0	4.1	1.8	25	216	17.8	0.09	0.5	DAVENPORT
	3	22	12	35-54.4	120-28.8	3.2	1.9	13	104	4.3	0.14	0.6	PARKFIELD
	3	22	36	35-54.5	120-28.9	3.3	1.5	9	104	4.2	0.13	0.7	PARKFIELD
	4	9	11	36-28.1	121- 5.3	5.6	1.9	28	63	4.7	0.13	0.4	TOPO VALLEY
	4	19	51	37- 1.8	122- 8.6	4.9	1.9	29	204	3.5	0.15	0.9	DAVENPORT
	4	21	9	38-48.1	122-49.2	1.4	1.2	10	88	3.2	0.13	0.5	THE GEYSERS
	4	21	18	37-33.7	121-49.6	9.0	1.6	30	80	5.9	0.13	0.4	LA COSTA VALLEY
	4	22	25	36-46.5	121- 1.3	4.0	1.4	17	131	14.3	0.22	1.1	RUBY CANYON
	5	0	9	37-51.5	121-59.9	3.1	0.8	12	159	7.3	0.12	0.7	DIARLO
	5	0	9	37-50.0	121-59.6	3.8	1.6	13	63	6.4	0.14	0.7	DIARLO
	5	0	56	36-54.3	121-29.0	7.0	0.9	23	58	2.6	0.14	0.4	SAN FELIPE
	5	0	56	39-19.1	123-14.4	7.1	2.7	23	267	36.2	0.20	5.5	REDWOOD VALLEY

CENTRAL CALIFORNIA EARTHQUAKES--1975 (CONTINUED)

1975	HR	MN	SFC	LAT	N	LONG	W	DEPTH	MAG	NO	GAP	DMIN	RMS	FRH	ERZ	Q	QUADRANGLE
DEC	5	3	19	45.9	35-15.6	120-59.0	5.4	2.9	3	309	49.3	0.05	3.0	0.9	D		SW 1/4 CAYUCOS
	5	6	58	58.1	38-55.3	122-40.3	3.2	1.6	12	89	2.0	0.17	0.9	0.5	3		CLEARLAKE HIGHLANDS
	5	7	31	41.2	36-17.4	120-52.8	3.6	1.0	9	107	5.3	0.12	0.7	3.5	B		LONOK
	5	12	14	17.3	36-43.1	122-4.2	1.5	1.5	23	181	32.0	0.10	0.8	0.7	C		***OFFSHORE - MONTEREY BAY***
	5	13	14	21.5	35-18.4	120-57.7	4.3	2.1	17	281	45.0	0.21	4.4	0.8	D		SW 1/4 CAYUCOS
	5	14	5	57.9	37-50.3	122-0.2	4.6	1.3	24	53	5.8	0.22	0.7	0.6	B		LAS TRAMPAS RIDGE
	5	14	37	40.1	37-8.9	121-32.1	10.6	1.3	24	106	8.1	0.11	0.4	1.1	A		MT SIZER
	6	4	15	18.5	36-33.7	121-11.1	6.4	1.5	17	43	1.6	0.10	0.7	0.7	A		BICKMORE CANYON
	6	4	31	18.7	36-13.4	120-47.8	6.8	1.3	12	120	0.8	0.12	0.7	1.0	B		MONARCH PEAK
	6	13	36	43.7	36-57.4	121-35.9	5.5	1.7	55	46	1.4	0.15	0.3	0.5	B		CHITTENDEN
	7	1	6	13.0	36-34.9	121-11.7	1.8	1.7	17	62	0.9	0.13	0.5	0.4	A		BICKMORE CANYON
	7	2	9	21.7	36-45.6	121-11.1	5.9	1.1	16	90	8.6	0.12	0.5	1.5	3		QUIEN SARE VALLEY
	7	7	53	13.0	36-34.7	121-11.6	2.2	1.7	17	62	0.5	0.08	0.3	0.2	A		BICKMORE CANYON
	7	11	19	30.1	36-4.8	120-38.9	4.3	0.8	10	106	5.0	0.10	0.6	0.7	B		SLACK CANYON
	7	14	45	17.8	36-38.8	121-9.5	13.8	1.6	24	67	2.5	0.16	0.6	0.5	B		CHERRY PEAK
	7	15	16	34.7	37-21.4	121-42.4	2.9	1.8	28	30	4.4	0.15	0.4	0.3	A		LICK OBSERVATORY
	7	18	59	9.9	37-57.7	122-21.3	7.0	2.9	56	72	8.9	0.18	0.4	0.5	B		RICHMOND
	7	20	30	17.0	36-35.3	121-14.8	4.9	1.9	28	30	3.5	0.12	0.3	0.5	A		HICKMORE CANYON
	7	23	16	40.5	37-58.0	122-21.0	4.6	1.9	26	71	8.6	0.19	0.6	0.6	B		RICHMOND
	8	3	1	36.0	36-33.2	121-3.3	12.0	1.2	18	71	5.0	0.13	0.5	1.0	A		SAN PENITO
	8	5	41	16.9	38-48.6	122-48.4	2.5	1.1	17	57	3.5	0.15	0.5	0.3	B		THE GEYSERS
	8	5	49	23.5	36-36.1	121-14.6	4.8	1.6	24	42	3.8	0.16	0.5	0.6	B		BICKMORE CANYON
	8	6	0	48.6	36-35.9	121-14.4	4.6	1.6	24	42	4.2	0.16	0.5	0.6	B		BICKMORE CANYON
	8	8	37	55.9	36-12.4	120-47.6	7.6	1.2	11	118	1.0	0.11	0.7	1.0	B		MONARCH PEAK
	8	9	44	37.3	36-56.5	121-22.0	2.0	1.0	19	99	5.6	0.17	0.5	0.4	3		THREE SISTERS
	8	12	18	55.6	36-57.5	121-36.1	5.5	1.2	30	60	1.6	0.13	0.3	0.7	A		CHITTENDEN
	8	23	40	11.8	36-53.9	121-38.3	1.4	1.8	22	73	4.2	0.34	1.2	1.2	B		WATSONVILLE EAST
	9	0	56	27.5	38-57.2	123-22.5	2.4	1.6	16	274	16.0	0.16	2.5	2.4	D		NF 1/4 ORNBAUN VALLEY
	9	2	7	30.2	35-55.6	120-29.3	9.8	1.6	9	94	2.5	0.13	1.0	1.8	B		PARKFIELD
	9	8	35	32.0	36-30.5	121-8.6	7.0	3.2	51	33	3.3	0.31	0.6	1.4	3		BICKMORE CANYON
	9	10	4	13.4	37-34.9	121-42.3	5.5	1.7	14	84	6.1	0.14	0.6	0.5	B		MENDENHALL SPRINGS
	9	12	45	48.6	36-24.8	120-59.2	9.7	0.9	13	75	3.1	0.11	0.6	1.2	A		ROCK SPRING PEAK
	9	15	35	44.6	38-48.9	122-48.3	1.2	1.1	13	56	3.5	0.11	0.3	0.3	A		THE GEYSERS
	9	18	38	15.8	38-49.2	122-48.3	1.2	1.1	10	82	3.3	0.10	0.4	0.4	A		THE GEYSERS
	9	19	57	40.0	36-49.2	121-8.1	3.0	1.4	27	77	7.1	0.15	0.4	0.3	B		QUIEN SARE VALLEY
	9	20	0	11.8	36-49.1	121-7.8	1.6	1.6	31	78	7.6	0.15	0.4	0.7	B		QUIEN SARE VALLEY
	9	22	55	59.2	36-33.7	121-11.3	3.5	2.3	40	42	1.5	0.24	0.3	0.3	A		BICKMORE CANYON
	10	0	0	35.2	36-44.5	121-36.3	4.9	2.3	46	122	6.0	0.13	0.6	0.6	3		NATIVIDAD
	10	3	46	22.7	36-52.1	121-27.3	10.5	1.1	26	46	4.5	0.13	0.4	0.9	A		HOLLISTER
	10	18	19	15.7	36-13.0	120-49.3	6.3	1.6	16	94	2.4	0.22	1.0	1.8	3		MONARCH PEAK
	11	3	27	10.4	35-59.0	120-34.7	1.0	1.4	8	39	9.8	0.07	0.5	0.4	3		STOCKDALE MTN
	11	3	28	50.6	37-0.2	121-10.4	5.6	1.7	24	80	9.0	0.18	0.7	1.0	B		PACHECO PASS
	11	5	35	11.8	37-25.5	121-45.9	6.1	1.3	23	81	4.3	0.14	0.5	0.7	A		CALAVERAS RESERVOIR
	11	16	28	55.3	38-36.6	122-48.6	6.8	2.3	37	51	9.0	0.20	0.5	1.6	B		HEALDSBURG
	11	20	14	28.8	37-29.0	121-41.3	2.5	1.1	9	117	10.5	0.17	0.9	0.7	C		MT DAY

CENTRAL CALIFORNIA EARTHQUAKES--1975 (CONTINUED)

1975	HR	MM	SEC	LAT	N	LONG	W	DEPTH	MAG	NO	GAP	DMIN	RMS	ERH	FRZ	Q	QUADPANGLE
DEC	12	0	13	38-54.2		123-14.2		3.5	1.4	15	???	5.7	0.19	1.1	0.5	C	NW 1/4 HOPLAND
	12	0	44	38-32.3		122-45.8		3.3	1.4	24	44	3.8	0.14	0.5	0.3	A	HEALDSBURG
	12	1	5	36-35.8		121-6.1		12.1	1.5	20	63	6.9	0.08	0.3	0.5	A	SAN RENITO
	12	12	58	36-28.0		120-25.3		5.5	1.7	22	166	25.2	0.22	1.7	1.7	C	LILLIS RANCH
	12	14	45	36-49.2		121-7.8		5.3	1.8	37	78	7.5	0.17	0.5	0.5	B	QUIEN SAPE VALLEY
	12	15	18	36-39.6		121-19.2		4.3	1.6	25	39	4.3	0.14	0.4	0.6	A	PAICINES
	12	17	32	35-56.3		120-32.0		3.3	2.2	13	71	5.4	0.15	0.7	0.5	B	STOCKDALE MTN
	12	23	32	36-53.9		121-37.4		3.7	1.9	31	128	3.3	0.37	1.2	0.9	C	CHITTENDEN
	13	16	35	36-37.4		121-16.0		4.9	1.5	17	70	3.3	0.10	0.4	0.5	A	MT JOHNSON
	13	18	7	36-49.8		121-36.0		5.2	2.7	60	85	4.0	0.26	0.5	0.7	B	SAN JUAN RAUTISTA
	14	3	2	36-48.1		121-33.4		4.1	1.9	49	58	1.6	0.23	0.5	0.5	B	SAN JUAN RAUTISTA
	14	5	19	36-33.0		121-3.6		9.1	1.3	14	70	4.7	0.11	0.5	1.0	A	SAN RENITO
	14	7	45	36-31.2		121-9.4		7.8	1.8	27	42	3.7	0.24	0.6	1.4	B	RICKMORE CANYON
	14	9	22	39-2.3		122-49.4		7.7	1.2	10	185	8.2	0.16	1.2	2.9	C	LUCEPNE
	14	17	45	37-23.1		121-35.9		2.6	1.5	19	67	6.2	0.17	0.6	0.4	B	EYLAP MTN
	14	22	35	38-48.5		122-47.8		0.7	2.6	27	40	3.7	0.20	0.4	0.4	B	THE GEYSERS
	14	22	39	38-48.4		122-47.7		1.9	1.1	13	72	3.4	0.05	0.2	0.1	A	THE GEYSERS
	14	22	41	39-2.4		122-49.4		7.8	1.3	8	186	8.5	0.17	1.4	3.8	C	LUCEPNE
	14	23	51	38-48.5		122-48.1		2.8	1.5	17	68	4.0	0.13	0.4	0.3	A	THE GEYSERS
	14	23	54	37-9.8		121-8.3		6.9	1.9	34	103	10.0	0.18	0.7	1.2	B	CREVISON PEAK
	15	2	55	36-30.4		121-7.8		6.2	1.1	13	62	4.3	0.20	0.9	1.9	B	RICKMORE CANYON
	15	3	52	37-22.1		121-42.8		6.2	1.8	44	83	4.0	0.13	0.3	1.1	A	LICK OBSERVATORY
	15	4	54	35-57.6		120-32.1		4.5	1.2	9	74	5.7	0.10	0.6	0.9	B	STOCKDALE MTN
	15	5	43	36-34.8		121-13.2		6.9	1.2	14	67	2.9	0.06	0.3	0.5	A	RICKMORE CANYON
	15	12	19	38-47.6		122-46.4		3.8	1.2	7	95	2.1	0.10	0.8	0.7	B	THE GEYSERS
	15	14	29	36-1.8		120-36.0		4.0	2.0	13	93	4.4	0.12	0.7	0.7	B	SMITH MTN
	15	15	10	36-34.2		121-9.7		11.8	1.1	14	58	2.5	0.10	0.5	1.0	A	RICKMORE CANYON
	15	15	25	36-34.3		121-9.8		11.7	1.3	14	58	2.3	0.11	0.6	1.1	A	RICKMORE CANYON
	15	15	53	38-48.1		122-47.3		0.9	1.5	20	64	3.0	0.10	0.3	0.3	A	THE GEYSERS
	15	15	53	38-48.1		122-47.5		1.7	1.1	12	66	3.2	0.09	0.3	0.3	A	THE GEYSERS
	15	16	27	38-48.1		122-47.4		1.4	1.0	11	74	3.1	0.10	0.4	0.4	A	THE GEYSERS
	15	16	28	38-48.0		122-47.4		1.3	0.9	9	74	3.1	0.08	0.3	0.4	A	THE GEYSERS
	15	20	1	38-57.9		122-40.5		3.1	1.2	13	126	2.9	0.15	0.8	0.4	R	CLEARLAKE HIGHLANDS
	16	0	18	36-1.2		120-36.0		2.2	1.2	9	101	5.5	0.13	0.9	0.8	R	SMITH MTN
	16	10	37	36-28.2		121-5.0		5.7	1.2	16	76	4.5	0.12	0.5	1.2	A	TOPO VALLEY
	16	11	12	38-48.5		122-48.5		2.6	1.3	16	58	3.5	0.12	0.4	0.3	A	THE GEYSERS
	16	12	57	37.2		122-49.7		2.0	1.1	18	58	2.8	0.11	0.3	0.2	A	THE GEYSERS
	16	15	37	36-42.3		121-22.6		3.3	1.5	23	60	3.0	0.18	0.6	0.4	B	MT HARLAN
	16	16	26	36-57.3		121-35.8		6.3	1.1	21	59	1.2	0.07	0.2	0.5	A	CHITTENDEN
	16	21	22	36-2.8		120-37.7		1.9	1.3	11	89	4.0	0.14	0.7	0.6	A	SLACK CANYON
	17	1	33	36-40.4		121-20.5		4.4	1.6	27	39	3.9	0.13	0.3	0.4	A	PAICINES
	17	10	3	38-47.7		122-48.3		2.4	1.9	26	39	4.5	0.14	0.3	0.3	A	THE GEYSERS
	17	12	34	37-29.0		121-41.4		5.3	1.3	9	116	10.2	0.07	0.4	0.4	B	MT DAY
	17	20	12	37-55.0		121-56.8		0.2	1.3	13	58	3.7	0.08	0.2	0.3	A	CLAYTON
	18	0	14	39-5.2		123-4.8		3.7	2.3	20	219	7.4	0.17	1.4	0.8	C	PURDYS GARDENS

CENTRAL CALIFORNIA EARTHQUAKES--1975 (CONTINUED)

1975	HR	MIN	SEC	LAT N	LONG W	DEPTH	MAG	NO. CAP.	D MIN	RMS	FRH	ERZ	Q	QUADRANGLE
DEC 18	5	0	58.1	36-31.2	121-7.2	5.4	1.3	8	92	4.1	0.08	0.6	0.5	B SAN RENITO
18	9	45	26.3	37-15.4	121-37.1	6.7	1.3	15	92	4.9	0.10	0.4	1.3	B ISABEL VALLEY
18	13	21	34.1	36-33.1	121-8.7	11.6	1.5	20	59	4.7	0.19	0.7	1.3	A RICKMORE CANYON
18	19	17	47.3	38-48.8	122-47.9	2.4	0.9	9	84	3.8	0.08	0.4	0.3	A THE GEYSERS
18	23	16	1.8	37-1.7	122-8.9	0.1	1.4	15	227	4.0	0.12	1.6	0.9	C DAVENPORT
19	1	42	50.3	36-0.6	120-35.9	8.5	2.9	22	53	6.6	0.27	1.0	1.5	B SMITH MTN
19	2	42	41.5	36-0.8	120-35.0	2.8	2.7	14	85	6.3	0.13	0.6	0.5	B SMITH MTN
19	4	40	3.0	36-0.3	120-35.5	1.3	1.3	8	98	7.2	1.0	1.0	0.9	B SMITH MTN
19	6	14	59.2	36-49.2	121-7.8	5.3	1.7	29	78	7.5	0.16	0.5	0.5	B QUIEN SARE VALLEY
19	6	25	46.6	36-4.7	120-11.9	10.8	2.7	15	184	20.6	0.21	2.0	2.0	C AVENAL
19	12	2	17.7	36-54.5	121-29.0	6.5	1.3	24	52	2.4	0.12	0.4	0.9	A SAN FELIPE
19	16	42	42.9	37-9.3	121-31.7	8.7	1.5	34	109	8.5	0.19	0.6	1.6	B MT SIZER
19	18	37	16.1	36-38.5	121-7.1	8.3	1.1	12	63	3.0	0.13	0.8	1.3	A PANOCHE PASS
19	18	42	44.8	38-48.1	122-48.8	1.3	1.3	12	70	3.7	0.13	0.5	0.4	A THE GEYSERS
19	19	24	45.1	36-34.0	121-55.3	4.5	1.8	32	181	25.6	0.20	1.1	1.0	C MONTEREY
20	1	1	60.0	36-34.2	121-56.6	1.0	2.0	23	175	27.5	0.12	0.8	1.0	B MONTEREY
20	5	9	33.5	36-34.1	121-56.6	1.6	1.8	26	187	27.5	0.14	0.9	0.3	C MONTEREY
20	7	41	33.8	36-58.1	121-38.1	4.1	1.5	27	52	4.6	0.20	0.5	0.6	B WATSONVILLE EAST
20	8	48	8.5	38-56.5	123-11.8	4.3	1.7	22	224	0.5	0.16	1.1	1.2	C NW 1/4 HOPLAND
20	9	33	54.7	36-53.6	121-31.0	4.0	1.4	23	39	2.8	0.11	0.3	0.5	A CHITTENDEN
20	16	11	15.4	36-39.7	121-19.5	5.8	1.4	17	63	4.7	0.13	0.5	1.0	A PAICINES
20	23	28	30.7	37-9.4	121-32.4	6.6	1.2	18	106	7.4	0.10	0.4	1.3	B MT SIZER
21	3	21	32.3	38-47.9	122-48.3	1.4	1.3	17	62	4.3	0.08	0.2	0.2	A THE GEYSERS
21	3	24	51.5	36-34.3	121-5.2	0.3	2.6	45	63	5.8	0.19	0.4	0.8	B SAN RENITO
21	3	40	8.1	36-34.4	121-4.5	9.3	1.1	15	66	4.9	0.10	0.5	1.0	A SAN RENITO
21	5	16	15.6	38-48.4	122-47.9	0.8	1.3	16	61	3.8	0.09	0.3	0.3	A THE GEYSERS
21	9	55	58.1	36-29.9	121-7.1	6.0	1.6	20	66	4.1	0.14	0.5	1.0	A TOPO VALLEY
21	14	33	33.8	36-55.1	121-28.7	5.0	1.2	24	55	2.6	0.13	0.4	0.9	A SAN FELIPE
21	19	31	13.3	35-58.3	120-33.1	2.7	1.4	8	76	7.6	0.09	0.6	0.6	R STOCKDALE MTN
22	1	20	45.8	36-43.3	121-23.3	5.9	1.9	28	48	4.2	0.16	0.4	0.7	B MT HARLAN
22	2	29	36.7	36-27.7	120-24.0	7.9	2.6	39	167	24.1	0.22	0.9	0.8	C LILLIS RANCH
22	6	54	44.7	36-41.2	121-21.6	4.7	2.0	41	41	2.9	0.17	0.4	0.5	B PAICINES
22	10	35	22.7	37-15.3	121-37.8	9.7	1.4	31	84	4.0	0.10	0.3	0.6	A LICK OBSERVATORY
22	11	17	0.4	38-49.7	122-48.8	1.4	1.8	19	49	2.6	0.13	0.4	0.3	A THE GEYSERS
22	14	16	34.9	38-48.2	122-48.1	1.4	1.0	9	73	4.1	0.07	0.3	0.3	A THE GEYSERS
22	18	44	0.9	38-49.1	122-48.2	1.2	1.8	26	42	3.4	0.12	0.3	0.3	A THE GEYSERS
22	23	28	24.0	36-54.0	121-39.3	4.0	2.0	21	158	3.5	0.28	1.5	0.9	C WATSONVILLE EAST
23	3	24	43.8	36-28.2	121-5.0	5.4	1.4	14	76	4.5	0.10	0.5	1.1	A TOPO VALLEY
23	6	56	4.1	36-19.9	120-56.0	4.6	1.3	10	79	1.9	0.12	0.8	1.2	A LONOAK
23	10	10	36.1	36-25.0	121-1.2	3.5	1.3	12	83	0.9	0.10	0.5	0.5	A TOPO VALLEY
23	12	58	7.5	36-20.2	120-55.4	2.2	1.2	9	85	2.4	0.12	0.7	0.9	A LONOAK
23	16	0	11.3	36-2.5	120-14.9	2.4	1.7	7	282	14.7	0.04	1.6	0.6	C AVENAL
23	16	25	8.5	36-5.5	120-42.6	6.3	2.8	24	83	1.0	0.22	0.8	1.3	B SLACK CANYON
23	20	37	29.3	36-27.4	121-4.2	6.3	1.8	20	65	5.8	0.12	0.4	1.1	A TOPO VALLEY
24	2	35	57.6	36-5.5	120-11.1	3.4	2.5	10	248	22.5	0.12	3.6	0.9	D AVENAL

CENTRAL CALIFORNIA EARTHQUAKES--1975 (CONTINUED)

1975	HR	MIN	SEC	LAT	N	LONG	W	DEPTH	MAG	NO	GAP	DMIN	RMS	FRH	EPZ	Q	QUADRANGLE
DEC	24	2	39	57.5	36-5.2	120-13.4	3.5	1.7	10	241	19.0	0.17	2.6	1.0	D	A	AVENAL
	24	5	15	50.4	38-48.9	122-49.3	1.2	1.2	16	54	2.0	0.13	0.4	0.3	A	A	THE GEYSERS
	24	6	8	58.2	35-57.5	120-32.3	7.3	1.9	14	75	6.0	0.16	0.7	2.2	B	A	STOCKDALE MTN
	24	7	3	26.6	38-48.0	122-48.7	1.3	0.9	10	78	3.9	0.09	0.4	0.3	A	A	THE GEYSERS
	24	7	5	41.3	38-47.9	122-48.6	0.9	1.1	11	73	4.1	0.11	0.4	0.4	A	A	THE GEYSERS
	24	11	16	22.1	36-5.6	120-42.0	5.5	2.3	14	88	1.9	0.15	0.8	0.8	B	A	SLACK CANYON
	24	11	21	31.9	36-42.7	121-5.2	5.2	1.5	22	83	5.6	0.12	0.4	0.4	B	A	PANOCHE PASS
	24	13	15	46.4	37-42.3	122-30.7	5.4	2.3	24	161	8.2	0.16	0.7	2.1	C	A	***GULF OF THE FAPALLONES***
	25	0	23	36.3	36-5.1	120-12.7	3.4	1.3	7	206	20.2	0.13	4.2	1.3	D	A	AVENAL
	25	0	23	38.7	36-35.5	121-7.9	10.2	0.7	10	59	6.2	0.15	1.1	2.8	B	A	RICKMORF CANYON
	25	1	40	24.6	36-4.7	120-13.1	5.4	2.5	11	137	19.5	0.19	2.6	0.4	C	A	AVENAL
	25	4	45	6.5	37-17.7	121-39.1	5.0	3.2	61	73	4.6	0.17	0.4	0.3	B	A	LICK OBSERVATORY
	25	10	30	16.3	36-54.9	121-28.6	7.4	1.5	34	55	2.7	0.13	0.3	0.7	A	A	SAN FELIPE
	25	10	44	50.9	37-18.1	121-39.6	6.3	1.7	36	61	4.9	0.11	0.3	1.4	A	A	LICK OBSERVATORY
	25	10	53	45.6	39-22.7	122-52.7	3.4	1.9	14	298	28.1	0.19	2.4	0.6	C	A	LAKE PILLSBURY
	25	14	13	28.5	39-20.3	122-45.1	6.3	2.8	39	217	24.2	0.16	1.1	1.1	C	A	POTATO HILL
	25	14	22	27.4	39-17.9	122-45.2	4.2	1.8	13	200	19.9	0.18	2.3	11.6	D	A	POTATO HILL
	25	16	43	40.0	37-15.5	121-42.7	5.8	1.1	23	48	3.5	0.13	0.3	0.5	A	A	LICK OBSERVATORY
	25	19	38	31.9	38-48.8	122-47.8	2.0	1.2	16	53	3.7	0.10	0.3	0.2	A	A	THE GEYSERS
	25	20	9	36.3	37-37.1	121-47.2	6.7	1.2	13	105	13.1	0.12	0.6	0.8	B	A	LA COSTA VALLEY
	26	1	7	6.8	37-32.9	121-50.4	1.6	1.0	14	73	4.1	0.16	0.6	0.5	B	A	LA COSTA VALLEY
	26	2	46	16.8	37-32.8	121-50.3	5.5	1.5	32	73	4.1	0.15	0.4	0.5	A	A	LA COSTA VALLEY
	26	4	57	30.6	36-35.4	121-14.7	10.0	2.3	43	40	5.1	0.16	0.4	0.7	B	A	BICKMORE CANYON
	26	11	46	6.1	36-33.5	121-5.6	11.2	1.3	20	63	5.5	0.13	0.5	1.0	A	A	SAN PENITO
	26	12	13	25.8	36-28.8	121-5.8	6.1	2.3	31	62	3.8	0.16	0.4	1.0	B	A	TOPO VALLEY
	26	18	30	32.6	37-19.1	122-6.7	2.3	1.3	27	35	2.5	0.13	0.3	0.2	A	A	CUPERTINO
	27	0	28	11.5	37-28.9	121-41.2	2.5	1.0	10	118	10.5	0.18	0.8	0.7	C	A	MT DAY
	27	1	45	9.3	36-29.0	121-5.5	5.2	1.5	13	82	3.4	0.12	0.5	1.1	A	A	TOPO VALLEY
	27	4	18	16.4	36-54.0	121-28.5	9.9	2.2	50	38	1.3	0.18	0.4	0.6	B	A	SAN FELIPE
	27	7	17	6.1	36-29.2	121-5.5	5.0	1.0	11	93	3.0	0.10	0.5	1.1	B	A	TOPO VALLEY
	27	7	47	26.7	36-54.4	121-29.3	4.7	1.1	28	44	2.1	0.13	0.3	0.9	A	A	SAN FELIPE
	27	8	16	34.2	38-48.5	122-47.6	2.3	1.8	24	57	3.4	0.12	0.3	0.2	A	A	THE GEYSERS
	27	10	32	2.3	36-50.9	122-7.6	6.4	1.9	26	200	20.8	0.14	1.1	0.8	C	A	***OFFSHORE - MONTEREY BAY***
	27	18	54	51.3	37-15.4	121-43.0	5.8	1.4	20	75	3.9	0.15	0.5	0.9	A	A	LICK OBSERVATORY
	27	19	18	28.0	36-37.8	121-16.4	4.4	1.3	16	65	3.7	0.14	0.5	1.1	A	A	PAICINES
	27	19	51	30.7	39-19.9	122-44.6	3.6	2.1	23	271	23.6	0.18	1.5	1.0	C	A	FOUTS SPRINGS
	27	21	21	54.4	38-48.9	122-47.8	2.5	1.1	12	77	3.7	0.14	0.5	0.4	A	A	THE GEYSERS
	27	22	3	38.1	36-22.7	120-58.7	2.2	1.8	18	64	6.4	0.16	0.7	0.6	B	A	ROCK SPRING PEAK
	27	22	16	14.7	36-25.7	120-22.3	5.4	2.8	49	117	20.0	0.29	1.0	0.8	C	A	TRES PICOS FARMS
	27	23	0	43.7	37-26.5	121-45.7	7.7	1.1	11	84	3.4	0.11	0.7	1.2	A	A	CALAVERAS RESERVOIR
	28	0	19	12.2	37-19.5	121-40.4	8.7	2.0	54	51	3.3	0.14	0.3	0.7	A	A	LICK OBSERVATORY
	28	0	29	23.3	36-29.0	121-5.5	4.8	1.4	14	81	3.3	0.13	0.6	1.2	A	A	TOPO VALLEY
	28	1	21	36.6	35-59.7	120-34.2	4.1	1.1	11	77	8.6	0.10	0.7	0.8	B	A	STOCKDALE MTN
	28	1	52	38.8	37-37.0	121-41.5	6.1	2.1	34	90	5.4	0.19	0.7	0.7	B	A	MENDENHALL SPRINGS
	28	2	3	11.7	37-36.6	121-41.4	6.8	1.5	16	98	4.9	0.12	0.5	0.8	B	A	MENDENHALL SPRINGS

CENTRAL CALIFORNIA EARTHQUAKES--1975 (CONTINUED)

1975	HR	MIN	SEC	LAT	N	LONG	W	DEPTH	MAG	NO	CAP	DMIN	RMS	FRH	EP7	Q	QUADRANGLE
DEC	28	3	48	35-54.4		121-14.8		10.2	2.0	28	146	20.9	0.15	0.6	0.6	C	JOLON
	28	3	51	37-35.8		121-41.2		6.8	1.4	26	90	4.9	0.12	0.4	0.6	A	MENDENHALL SPRINGS
	28	4	59	37-45.1		121-40.3		4.7	1.4	25	90	13.3	0.18	0.8	0.5	C	HYRON HOT SPRINGS
	28	6	0	36-19.1		120-54.8		7.6	2.0	26	71	2.0	0.25	0.8	1.5	R	LONOK
	28	6	50	36-29.0		121- 5.5		4.1	1.2	11	108	3.3	0.11	0.6	1.4	B	TOPO VALLEY
	28	8	33	36-53.7		122- 8.5		8.9	2.8	71	181	21.4	0.14	0.6	0.4	C	***OFFSHORE - MONTFREY BAY***
	28	9	16	36-29.0		121- 5.6		4.9	2.2	51	63	3.3	0.13	0.3	0.5	A	TOPO VALLEY
	28	13	14	36-55.9		121-27.9		5.5	1.9	56	52	4.1	0.16	0.3	0.5	R	PAN FELIPE
	28	18	20	36-39.5		121-17.8		5.3	2.1	28	50	2.3	0.15	0.4	0.5	R	PAICINES
	29	1	29	37- 9.4		121-32.0		6.6	1.4	29	66	8.1	0.21	0.7	2.2	R	MT SIZER
	29	1	40	36-33.6		121-11.0		3.5	1.5	13	64	1.8	0.06	0.3	0.3	A	RICKMORE CANYON
	29	2	40	36-42.8		121-23.4		3.2	1.9	36	50	4.2	0.19	0.5	0.4	B	MT HARLAN
	29	3	7	38-47.9		122-46.2		1.8	1.2	17	67	1.5	0.09	0.3	0.2	A	THE GEYSERS
	29	3	17	36-27.3		121- 4.3		6.7	2.0	31	64	5.8	0.16	0.4	1.1	B	TOPO VALLEY
	29	7	22	37- 8.3		121-31.4		4.7	1.3	32	107	9.3	0.19	0.6	0.7	B	MT SIZER
	29	11	38	36-32.3		121-10.1		6.6	1.5	25	43	4.5	0.13	0.4	0.9	A	RICKMORE CANYON
	29	15	7	36-49.3		121- 8.2		7.1	3.4	66	77	6.9	0.20	0.4	0.9	B	QUIEN SARE VALLEY
	29	18	7	36-49.2		121- 7.9		2.5	1.5	28	78	7.4	0.13	0.4	0.3	B	QUIEN SARE VALLEY
	30	3	29	36- 0.0		120-34.9		1.4	1.7	15	60	7.8	0.12	0.5	0.4	B	SMITH MTN
	30	4	46	39- 4.2		123- 3.5		4.5	1.2	12	213	4.7	0.26	2.2	3-6	C	PURDYS GARDENS
	30	4	49	36-49.3		121- 8.0		5.5	1.5	30	78	7.2	0.14	0.5	0.8	B	QUIEN SARE VALLEY
	30	6	24	20.2		122-47.7		1.5	1.2	14	53	3.5	0.17	0.5	0.5	B	THE GEYSERS
	30	8	42	35-54.8		120-28.5		4.5	1.3	8	71	3.6	0.12	0.8	0.9	A	PARKFIELD
	30	13	16	36-49.1		121- 7.8		5.5	1.5	25	149	7.6	0.17	0.7	1.0	C	QUIEN SARE VALLEY
	30	13	40	36-22.4		120-24.6		11.7	2.0	26	203	15.0	0.20	1.3	0.8	C	JOAQUIN ROCKS
	30	14	1	36- 3.5		120-38.4		2.1	1.3	12	98	4.3	0.07	0.4	0.3	B	SLACK CANYON
	30	18	10	35-47.1		121-23.6		8.0	2.4	20	231	24.6	0.11	0.8	0.6	C	VILLA CREEK
	30	18	25	38-48.1		122-48.5		1.4	1.1	12	76	3.9	0.09	0.3	0.3	A	THE GEYSERS
	30	23	4	36-49.8		121-35.1		1.8	2.2	50	100	3.7	0.27	0.5	0.4	B	SAN JUAN RAUTISTA
	30	23	37	36-53.8		121-37.7		0.2	1.5	18	117	3.7	0.23	0.6	0.6	B	WATSONVILLE EAST
	31	0	36	36-35.6		121-12.9		2.5	1.6	18	55	3.1	0.09	0.3	0.3	A	BICKMORE CANYON
	31	1	36	36-41.0		121- 6.6		5.5	1.3	16	94	2.8	0.09	0.4	0.5	A	PANOCHÉ PASS
	31	7	6	37-32.8		121-50.4		5.5	2.1	35	67	4.0	0.17	0.5	0.6	R	LA COSTA VALLEY
	31	10	27	38-48.4		122-49.3		1.4	1.1	11	61	2.8	0.07	0.3	0.2	A	THE GEYSERS
	31	14	3	37-32.8		121-50.2		4.8	1.4	22	67	4.2	0.17	0.6	0.6	B	LA COSTA VALLEY
	31	14	7	37-32.8		121-50.6		4.3	1.0	8	120	3.7	0.23	1.7	0.9	B	LA COSTA VALLEY
	31	14	33	36-49.4		121- 7.7		5.4	1.9	49	60	7.6	0.15	0.4	0.4	B	QUIEN SARE VALLEY
	31	14	34	36-49.3		121- 7.4		5.4	2.3	54	79	8.1	0.17	0.4	0.5	R	RURY CANYON
	31	15	7	36- 2.0		120-36.4		3.8	1.6	17	71	4.3	0.16	0.7	0.9	B	SMITH MTN
	31	16	33	38-48.4		122-48.9		1.3	1.1	12	59	3.1	0.10	0.4	0.3	A	THE GEYSERS
	31	17	24	38-48.7		122-47.9		1.9	1.2	16	56	3.8	0.17	0.5	0.4	B	THE GEYSERS
	31	21	35	36-34.6		121-12.4		4.8	1.5	19	60	1.6	0.08	0.3	0.6	A	RICKMORE CANYON
	31	22	4	37- 3.0		122- 8.1		1.9	1.5	22	152	3.2	0.20	0.9	0.7	C	DAVENPORT
	31	23	44	38-47.0		122-54.3		1.1	1.2	22	46	5.7	0.19	0.5	0.4	B	ASTI