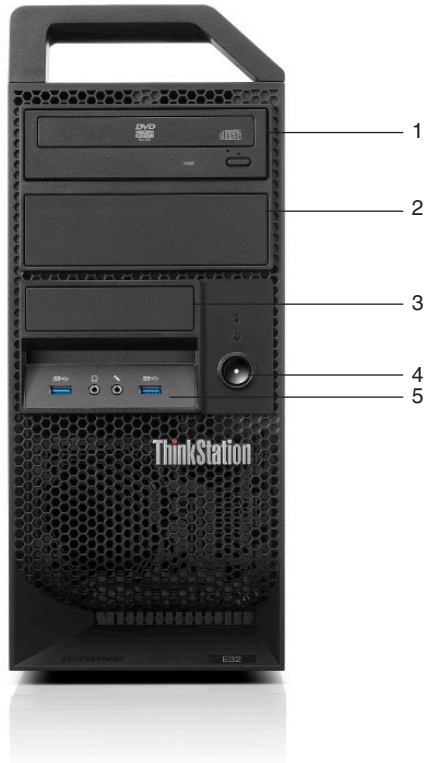
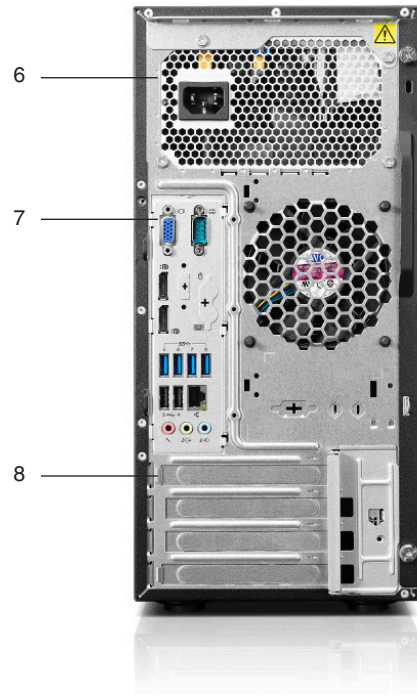


## ThinkStation E32 Tower - Overview



**Front view**

1. External 5.25" Bay for optical
2. External 5.25" Bay for optical or optional 3.5" hard drive bay
3. Media card reader (optional) or optional mSATA SSD drive
4. Power Button
5. Front I/O: 2 USB 3.0 (blue)  
1 Headphone  
1 Microphone



**Rear view**

6. 280 watts Power Supply, 80 PLUS Bronze
7. Rear I/O: 2 USB 2.0  
4 USB 3.0(blue)  
1 serial (9-pin)  
1 RJ-45 (GbE)  
1 line-in  
1 line-out  
1 microphone-in  
2 DisplayPort (for Intel HD Graphics)  
1 VGA (for Intel HD Graphics)
8. 1 PCIe 3.0 x16  
1 PCIe 2.0 x1  
1 PCIe 2.0 x16 (x4 elec)  
1 PCI

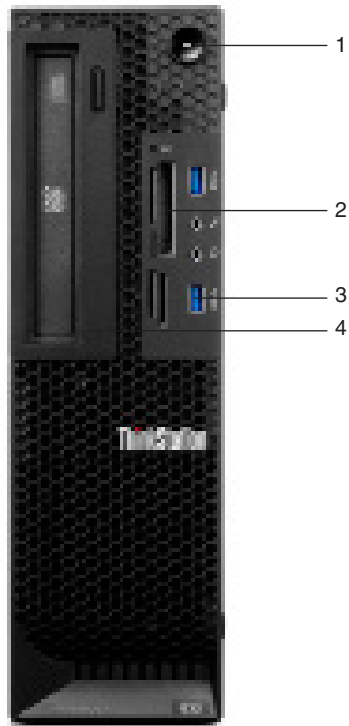
### Internal

- One LGA1150 socket, supports one processor from Intel Xeon E3-1200 v3, Core i7-4000, and Core-i5 4000 families
- 4 DIMM sockets, supports up to 32GB ECC or non-ECC UDIMM memory
- Up to three 3.5" hard drive bays, two 3.5" hard drive bays are standard

### Mechanical

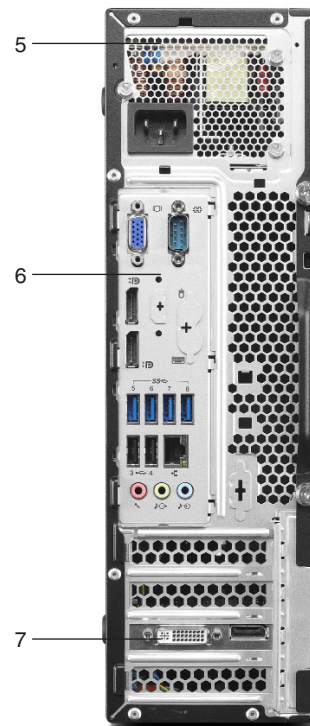
- Raven black color; metal case
- 6.9"W x 17.0"D x 16.7"H (with handle)
- 175mm W x 431mm D x 425mm H
- 27.56 lb (12.5kg) max configuration
- 25-liter

## ThinkStation E32 SFF - Overview



**Front view**

1. Power Button
2. Media card reader (optional)  
or optional mSATA SSD drive
3. Front I/O: 2 USB 3.0 (blue)  
1 Headphone  
1 Microphone
4. 1 External 5.25" Bay for optical  
or optional slim optical + 3.5" hard drive bay  
or optional standalone 3.5" hard drive bay



**Rear view**

5. 240 watts Power Supply, 80 PLUS Bronze
6. Rear I/O: 2 USB 2.0  
4 USB 3.0(blue)  
1 serial (9-pin)  
1 RJ-45 (GbE)  
1 line-in  
1 line-out  
1 microphone-in  
1 DisplayPort (for Intel HD Graphics)  
1 VGA (for Intel HD Graphics)
- 7.\* 1 PCIe 3.0 x16  
1 PCIe 2.0 x1  
1 PCIe 2.0 x16 (x4 elec)  
1 PCI

\* Discrete graphics adapter is optional

### Internal

- One LGA1150 socket, supports one processor from Intel Xeon E3-1200 v3, Core i7-4000, and Core-i5 4000 families
- 4 DIMM sockets, supports up to 32GB ECC or non-ECC UDIMM memory
- Up to two 3.5" hard drive bays and one 2.5" hard drive bay, one 3.5" hard drive bay is standard

### Mechanical

- Raven black color; metal case
- 13.35"W x 15.0"D x 3.93"H
- 338mm W x 375mm D x 102mm H
- 17.20 lb (7.8kg) max configuration
- 12.9-liter

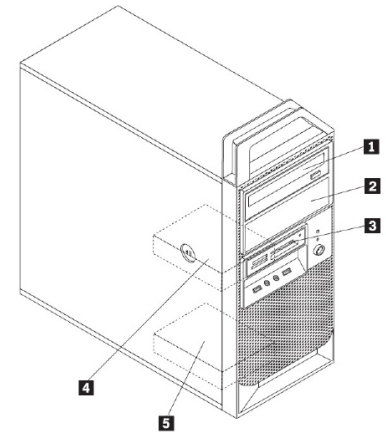
Type-model	Processor	Memory (MHz/type)	Memory DIMMs	Intel HD Graphics	Discrete graphics adapters**	Pre-conf RAID	Storage	Optical	29-in-1 Media reader	1394 adptr	Chassis intrusion switch	Preloaded OS
30A10007US	Core i5-4670 (4C/3.4GHz/6MB/1600MHz)	1600MHz Non-ECC	4GBx1	Intel HD 4600	1xQuadro 410 (512MB, 1xDVI-I DL, 1xDP, 37W)	No	1x500GB 3.5" SATA	DVD±RW	Media	No	Switch	Win7 Pro64 (Downgrade from Win8)
30A10008US	Xeon E3-1230 v3 (4C/3.3GHz/8MB/1600MHz)	1600MHz ECC	4GBx1		1xQuadro K600 (1GB, 1xDVI-I DL, 1xDP, 41W)	No	1x500GB 3.5" SATA	DVD±RW	Media	No	Switch	Win7 Pro64 (Downgrade from Win8)
30A10009US	Xeon E3-1245 v3 (4C/3.4GHz/8MB/1600MHz)	1600MHz ECC	4GBx2	Intel HD P4600	1xQuadro K2000 (2GB, 1xDVI-I DL, 2xDP, 51W)	No	1x1TB 3.5" SATA	DVD±RW	Media	No	Switch	Win7 Pro64 (Downgrade from Win8)
30A1002JUS	Core i5-4570 (4C/3.2GHz/6MB/1600MHz)	1600MHz Non-ECC	4GBx1	Intel HD 4600		No	1x500GB 3.5" SATA	DVD±RW	Media	No	Switch	Win7 Pro64 (Downgrade from Win8)
30A1002KUS	Core i5-4570 (4C/3.2GHz/6MB/1600MHz)	1600MHz Non-ECC	4GBx1	Intel HD 4600	1xQuadro K600 (1GB, 1xDVI-I DL, 1xDP, 41W)	No	1x500GB 3.5" SATA	DVD±RW	Media	No	Switch	Win7 Pro64 (Downgrade from Win8)
30A1002LUS	Core i5-4570 (4C/3.2GHz/6MB/1600MHz)	1600MHz Non-ECC	4GBx1	Intel HD 4600	1xQuadro 410 (512MB, 1xDVI-I DL, 1xDP, 37W)	No	1x500GB 3.5" SATA	DVD±RW	Media	No	Switch	Win7 Pro64 (Downgrade from Win8)
30A1002MUS	Core i5-4670 (4C/3.4GHz/6MB/1600MHz)	1600MHz Non-ECC	4GBx1	Intel HD 4600	1xQuadro K600 (1GB, 1xDVI-I DL, 1xDP, 41W)	No	1x500GB 3.5" SATA	DVD±RW	Media	No	Switch	Win7 Pro64 (Downgrade from Win8)

\* Model in italics shows that this is a Global Model \*\* DL = Dual Link, SL = Single Link

• For detailed ThinkStation E32 Tower platform specifications, please see [ThinkStation E32 Platform Specifications sheet](#)

Chipset	<b>Intel C226 Chipset</b>
Intel AMT	Intel Active Management Technology 9 supported on models with Intel Xeon processors
Processor	One <b>LGA1150</b> socket, integrated 2-channel DDR3 memory controller, optional integrated Intel HD Graphics on selected processors
Memory	1600MHz UDIMM, DDR3, ECC or non-ECC, 2-channel capable
Memory DIMM sockets	Four 240-pin DIMM sockets, up to 32GB ECC/non-ECC (8GBx4)
Additional memory disclaimers	<ul style="list-style-type: none"> <li>Actual memory operating speed depends on processor memory controller speed, installed memory speed, and quantity of memory DIMMs</li> <li>Mixing of ECC and non-ECC is not supported</li> <li>Intel Core i5/i7 processors support non-ECC memory only</li> </ul>
Intel HD Graphics in processor (optional)	Integrated Intel HD Graphics on selected processors, uses main memory, works along with discrete graphics to support multi-display, enables three display connectors (2 DisplayPort, 1 VGA) on rear ports (detailed information please see <b>Rear ports</b> section)
Discrete graphics adapters	Two PCI Express x16 slots for discrete graphics adapters: <ul style="list-style-type: none"> <li>One PCI Express 3.0 x16 slot (75W max, near CPU)</li> <li>One PCI Express 2.0 x16 slot (x4 electrical, 75W max)</li> </ul>
Onboard drive controllers	Four SATA connectors via onboard drive controller in chipset, SATA 6.0Gb/s, RAID 0, 1, 5 support, supports Intel Smart Response Technology
Storage	Up to three 3.5" SATA (SATA 6.0Gb/s, 7200rpm)/2.5" SATA (SATA 6.0Gb/s, 10000rpm)/SATA SSD (SATA 6.0Gb/s) drives; up to one mSATA SSD drive (SATA 6.0Gb/s)
Optical	Supports DVD-ROM, DVD±RW, or Blu-ray Burner, 1.6" high, SATA interface
Media reader (opt)	Optional 29-in-1 media card reader on selected models
Front ports	Two USB 3.0 (blue), microphone (3.5mm), headphone (3.5mm)
Rear ports	One VGA and two DisplayPort for models with Intel HD Graphics, two USB 2.0, four USB 3.0 (blue), one serial (9-pin), one ethernet (RJ-45), three analog audio ports (line-in, line-out, mic-in)
IEEE 1394 adptr (opt)	Optional FireWire PCIe adapter on selected models, 1394a-2000, 400Mbps, two 6-pin ports on rear
Audio	High Definition (HD) Audio, Realtek® ALC662 codec
Speaker	Internal speaker for business audio
Onboard Ethernet	One onboard gigabit ethernet, Intel I217LM
Security	<ul style="list-style-type: none"> <li>Security chip: STMicro ST33ZP24AR28PVSP, TCG 1.2-compliant</li> <li>Security slot (in rear for optional Kensington Microsaver cable; prohibits side cover removal)</li> <li>Power-on/Administrator password</li> <li>Boot sequence control</li> <li>Boot without keyboard, mouse</li> <li>Serial port I/O control</li> <li>USB port disablement (front or all/individual)</li> <li>Chassis intrusion switch available on selected models</li> </ul>
Keyboard/Mouse	104-key keyboard (USB)/Optical Wheel Mouse (USB)
Power supply	280 watts with variable speed fan, autosensing, 85% PSU, Climate Savers® Computing Bronze, 80 PLUS® Bronze qualified
Environmental certifications	GREENGUARD® certified/RoHS-compliant/EPEAT™ Gold rating/ENERGY STAR 5.2 qualified
ISV certifications	For the latest list of certifications, please visit <a href="http://www.lenovo.com/support/ISV">www.lenovo.com/support/ISV</a>
Limited warranty <sup>1</sup>	3-year parts and labor

**Drives Bays**



- Bay 1 Standard, 5.25", 1.6" high, external, for optical
- Bay 2 Standard, 5.25", 1.6" high, external, for optical or: optional, 3.5", 1" high, 3rd hard drive bay
- Bay 3 Optional, 3.5", 1" high, supports one of the following: (1) for optional media card reader, external (2) for optional mSATA drive, internal
- Bay 4 Standard, 3.5", 1" high, internal, primary hard drive bay
- Bay 5 Standard, 3.5", 1" high, internal, 2nd hard drive bay

**Notes:**

Standard optical and hard drive bays are included in models; optional hard drive bays are available on models with the corresponding hard drives only

**Expansion Slots**

- 1: half-length, full-height, PCIe 3.0 x16 (75w max, near CPU)
- 2: half-length, full-height, PCIe 2.0 x1
- 3: half-length, full-height, PCIe 2.0 x16 (x4 elec, 75W max)
- 4: half-length, full-height, PCI 2.3

**Mechanical**

- Raven black color; metal case
- 6.9"W x 17.0"D x 16.7"H (with handle)
- 175mm W x 431mm D x 425mm H
- 27.56 lb (12.5kg) max configuration
- 25-liter
- Removable handle on top front
- Toolless side cover removal
- Toolless disk and optical drive removal (standard bays)
- Toolless adapter retention
- Illuminated front icons
- Recessed power button

# ThinkStation E32 Tower (30A1) - TopSeller (August 2013) - II

Product Specifications Reference (PSREF)

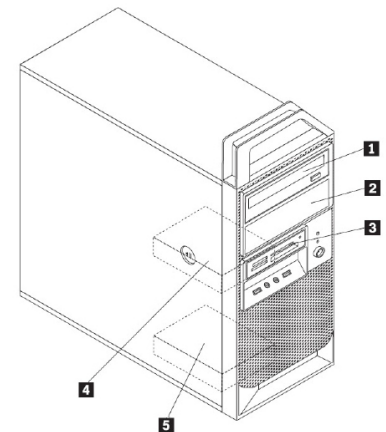
Type-model	Processor	Memory (MHz/type)	Memory DIMMs	Intel HD Graphics	Discrete graphics adapters**	Pre-conf RAID	Storage	Optical	29-in-1 Media reader	1394 adptr	Chassis intrusion switch	Preloaded OS
30A1002NUS	Core i5-4670 (4C/3.4GHz/6MB/1600MHz)	1600MHz Non-ECC	8GBx1	Intel HD 4600	1xQuadro K2000 (2GB, 1xDVI-I DL, 2xDP, 51W)	No	1x1TB 3.5" SATA	DVD±RW	Media	No	Switch	Win7 Pro64 (Downgrade from Win8)
30A1002PUS	Core i7-4770 (4C/3.4GHz/8MB/1600MHz)	1600MHz Non-ECC	4GBx1	Intel HD 4600		No	1x500GB 3.5" SATA	DVD±RW	Media	No	Switch	Win7 Pro64 (Downgrade from Win8)
30A1002QUS	Core i7-4770 (4C/3.4GHz/8MB/1600MHz)	1600MHz Non-ECC	4GBx1	Intel HD 4600	1xQuadro 410 (512MB, 1xDVI-I DL, 1xDP, 37W)	No	1x500GB 3.5" SATA	DVD±RW	Media	No	Switch	Win7 Pro64 (Downgrade from Win8)
30A1002RUS	Core i7-4770 (4C/3.4GHz/8MB/1600MHz)	1600MHz Non-ECC	8GBx1	Intel HD 4600	1xQuadro K600 (1GB, 1xDVI-I DL, 1xDP, 41W)	No	1x1TB 3.5" SATA	DVD±RW	Media	No	Switch	Win7 Pro64 (Downgrade from Win8)
30A1002SUS	Xeon E3-1225 v3 (4C/3.2GHz/8MB/1600MHz)	1600MHz Non-ECC	4GBx1	Intel HD P4600		No	1x500GB 3.5" SATA	DVD±RW	Media	No	Switch	Win7 Pro64 (Downgrade from Win8)
30A1002TUS	Xeon E3-1225 v3 (4C/3.2GHz/8MB/1600MHz)	1600MHz Non-ECC	4GBx1	Intel HD P4600	1xQuadro K600 (1GB, 1xDVI-I DL, 1xDP, 41W)	No	1x500GB 3.5" SATA	DVD±RW	Media	No	Switch	Win7 Pro64 (Downgrade from Win8)
30A1002UUS	Xeon E3-1240 v3 (4C/3.4GHz/8MB/1600MHz)	1600MHz Non-ECC	8GBx1		1xQuadro K600 (1GB, 1xDVI-I DL, 1xDP, 41W)	No	1x1TB 3.5" SATA	DVD±RW	Media	No	Switch	Win7 Pro64 (Downgrade from Win8)

\* Model in italics shows that this is a Global Model \*\* DL = Dual Link, SL = Single Link

• For detailed ThinkStation E32 Tower platform specifications, please see [ThinkStation E32 Platform Specifications sheet](#)

Chipset	<b>Intel C226 Chipset</b>
Intel AMT	Intel Active Management Technology 9 supported on models with Intel Xeon processors
Processor	One <b>LGA1150</b> socket, integrated 2-channel DDR3 memory controller, optional integrated Intel HD Graphics on selected processors
Memory	1600MHz UDIMM, DDR3, ECC or non-ECC, 2-channel capable
Memory DIMM sockets	Four 240-pin DIMM sockets, up to 32GB ECC/non-ECC (8GBx4)
Additional memory disclaimers	<ul style="list-style-type: none"> <li>Actual memory operating speed depends on processor memory controller speed, installed memory speed, and quantity of memory DIMMs</li> <li>Mixing of ECC and non-ECC is not supported</li> <li>Intel Core i5/i7 processors support non-ECC memory only</li> </ul>
Intel HD Graphics in processor (optional)	Integrated Intel HD Graphics on selected processors, uses main memory, works along with discrete graphics to support multi-display, enables three display connectors (2 DisplayPort, 1 VGA) on rear ports (detailed information please see <b>Rear ports</b> section)
Discrete graphics adapters	Two PCI Express x16 slots for discrete graphics adapters: <ul style="list-style-type: none"> <li>One PCI Express 3.0 x16 slot (75W max, near CPU)</li> <li>One PCI Express 2.0 x16 slot (x4 electrical, 75W max)</li> </ul>
Onboard drive controllers	Four SATA connectors via onboard drive controller in chipset, SATA 6.0Gb/s, RAID 0, 1, 5 support, supports Intel Smart Response Technology
Storage	Up to three 3.5" SATA (SATA 6.0Gb/s, 7200rpm)/2.5" SATA (SATA 6.0Gb/s, 10000rpm)/SATA SSD (SATA 6.0Gb/s) drives; up to one mSATA SSD drive (SATA 6.0Gb/s)
Optical	Supports DVD-ROM, DVD±RW, or Blu-ray Burner, 1.6" high, SATA interface
Media reader (opt)	Optional 29-in-1 media card reader on selected models
Front ports	Two USB 3.0 (blue), microphone (3.5mm), headphone (3.5mm)
Rear ports	One VGA and two DisplayPort for models with Intel HD Graphics, two USB 2.0, four USB 3.0 (blue), one serial (9-pin), one ethernet (RJ-45), three analog audio ports (line-in, line-out, mic-in)
IEEE 1394 adptr (opt)	Optional FireWire PCIe adapter on selected models, 1394a-2000, 400Mbps, two 6-pin ports on rear
Audio	High Definition (HD) Audio, Realtek® ALC662 codec
Speaker	Internal speaker for business audio
Onboard Ethernet	One onboard gigabit ethernet, Intel I217LM
Security	<ul style="list-style-type: none"> <li>Security chip: STMicro ST33ZP24AR28PVSP, TCG 1.2-compliant</li> <li>Security slot (in rear for optional Kensington Microsaver cable; prohibits side cover removal)</li> <li>Power-on/Administrator password</li> <li>Boot sequence control</li> <li>Boot without keyboard, mouse</li> <li>Serial port I/O control</li> <li>USB port disablement (front or all/individual)</li> <li>Chassis intrusion switch available on selected models</li> </ul>
Keyboard/Mouse	104-key keyboard (USB)/Optical Wheel Mouse (USB)
Power supply	280 watts with variable speed fan, autosensing, 85% PSU, Climate Savers® Computing Bronze, 80 PLUS® Bronze qualified
Environmental certifications	GREENGUARD® certified/RoHS-compliant/EPEAT™ Gold rating/ENERGY STAR 5.2 qualified
ISV certifications	For the latest list of certifications, please visit <a href="http://www.lenovo.com/support/ISV">www.lenovo.com/support/ISV</a>
Limited warranty <sup>1</sup>	3-year parts and labor

## Drives Bays



- Bay 1 Standard, 5.25", 1.6" high, external, for optical
- Bay 2 Standard, 5.25", 1.6" high, external, for optical or: optional, 3.5", 1" high, 3rd hard drive bay
- Bay 3 Optional, 3.5", 1" high, supports one of the following:  
 (1) for optional media card reader, external  
 (2) for optional mSATA drive, internal
- Bay 4 Standard, 3.5", 1" high, internal, primary hard drive bay
- Bay 5 Standard, 3.5", 1" high, internal, 2nd hard drive bay

### Notes:

Standard optical and hard drive bays are included in models; optional hard drive bays are available on models with the corresponding hard drives only

## Expansion Slots

- 1: half-length, full-height, PCIe 3.0 x16 (75w max, near CPU)
- 2: half-length, full-height, PCIe 2.0 x1
- 3: half-length, full-height, PCIe 2.0 x16 (x4 elec, 75W max)
- 4: half-length, full-height, PCI 2.3

## Mechanical

- Raven black color; metal case
- 6.9"W x 17.0"D x 16.7"H (with handle)
- 175mm W x 431mm D x 425mm H
- 27.56 lb (12.5kg) max configuration
- 25-liter
- Removable handle on top front
- Toolless side cover removal
- Toolless disk and optical drive removal (standard bays)
- Toolless adapter retention
- Illuminated front icons
- Recessed power button

See footnotes for important warranty information  
 Model(s) announced August 20, 2013

© Lenovo  
 (30A1-2) August 2013

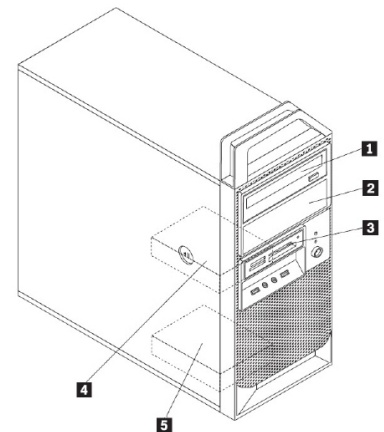
Type-model	Processor	Memory (MHz/type)	Memory DIMMs	Intel HD Graphics	Discrete graphics adapters**	Pre-conf RAID	Storage	Optical	29-in-1 Media reader	1394 adptr	Chassis intrusion switch	Preloaded OS
30A1002VUS	Xeon E3-1240 v3 (4C/3.4GHz/8MB/1600MHz)	1600MHz Non-ECC	8GBx1		1xQuadro K2000 (2GB, 1xDVI-I DL, 2xDP, 51W)	No	1x1TB 3.5" SATA	DVD±RW	Media	No	Switch	Win7 Pro64 (Downgrade from Win8)
30A1002XUS	Xeon E3-1245 v3 (4C/3.4GHz/8MB/1600MHz)	1600MHz Non-ECC	8GBx1	Intel HD P4600		No	1x180GB SATA SSD	DVD±RW	Media	No	Switch	Win7 Pro64 (Downgrade from Win8)
30A1002YUS	Xeon E3-1275 v3 (4C/3.5GHz/8MB/1600MHz)	1600MHz Non-ECC	8GBx1	Intel HD P4600	1xQuadro K600 (1GB, 1xDVI-I DL, 1xDP, 41W)	No	1x256GB SATA SSD	DVD±RW	Media	No	Switch	Win7 Pro64 (Downgrade from Win8)
30A10030US	Core i7-4770 (4C/3.4GHz/8MB/1600MHz)	1600MHz Non-ECC	8GBx1	Intel HD 4600	1xQuadro K2000 (2GB, 1xDVI-I DL, 2xDP, 51W)	No	1x1TB 3.5" SATA	DVD±RW	Media	No	Switch	Win7 Pro64 (Downgrade from Win8)
30A10031US	Xeon E3-1240 v3 (4C/3.4GHz/8MB/1600MHz)	1600MHz Non-ECC	8GBx1		1xQuadro K600 (1GB, 1xDVI-I DL, 1xDP, 41W)	No	1x128GB SATA SSD	DVD±RW	Media	No	Switch	Win7 Pro64 (Downgrade from Win8)
30A10032US	Core i7-4770 (4C/3.4GHz/8MB/1600MHz)	1600MHz Non-ECC	8GBx1	Intel HD 4600	1xQuadro K2000 (2GB, 1xDVI-I DL, 2xDP, 51W)	No	1x180GB SATA SSD	DVD±RW	Media	No	Switch	Win7 Pro64 (Downgrade from Win8)
30A10033US	Xeon E3-1280 v3 (4C/3.6GHz/8MB/1600MHz)	1600MHz Non-ECC	8GBx1		1xQuadro K2000 (2GB, 1xDVI-I DL, 2xDP, 51W)	No	1x1TB 3.5" SATA	DVD±RW	Media	No	Switch	Win7 Pro64 (Downgrade from Win8)

\* Model in italics shows that this is a Global Model \*\* DL = Dual Link, SL = Single Link

• For detailed ThinkStation E32 Tower platform specifications, please see [ThinkStation E32 Platform Specifications sheet](#)

Chipset	<b>Intel C226 Chipset</b>
Intel AMT	Intel Active Management Technology 9 supported on models with Intel Xeon processors
Processor	One <b>LGA1150</b> socket, integrated 2-channel DDR3 memory controller, optional integrated Intel HD Graphics on selected processors
Memory	1600MHz UDIMM, DDR3, ECC or non-ECC, 2-channel capable
Memory DIMM sockets	Four 240-pin DIMM sockets, up to 32GB ECC/non-ECC (8GBx4)
Additional memory disclaimers	<ul style="list-style-type: none"> <li>Actual memory operating speed depends on processor memory controller speed, installed memory speed, and quantity of memory DIMMs</li> <li>Mixing of ECC and non-ECC is not supported</li> <li>Intel Core i5/i7 processors support non-ECC memory only</li> </ul>
Intel HD Graphics in processor (optional)	Integrated Intel HD Graphics on selected processors, uses main memory, works along with discrete graphics to support multi-display, enables three display connectors (2 DisplayPort, 1 VGA) on rear ports (detailed information please see <b>Rear ports</b> section)
Discrete graphics adapters	Two PCI Express x16 slots for discrete graphics adapters: <ul style="list-style-type: none"> <li>One PCI Express 3.0 x16 slot (75W max, near CPU)</li> <li>One PCI Express 2.0 x16 slot (x4 electrical, 75W max)</li> </ul>
Onboard drive controllers	Four SATA connectors via onboard drive controller in chipset, SATA 6.0Gb/s, RAID 0, 1, 5 support, supports Intel Smart Response Technology
Storage	Up to three 3.5" SATA (SATA 6.0Gb/s, 7200rpm)/2.5" SATA (SATA 6.0Gb/s, 10000rpm)/SATA SSD (SATA 6.0Gb/s) drives; up to one mSATA SSD drive (SATA 6.0Gb/s)
Optical	Supports DVD-ROM, DVD±RW, or Blu-ray Burner, 1.6" high, SATA interface
Media reader (opt)	Optional 29-in-1 media card reader on selected models
Front ports	Two USB 3.0 (blue), microphone (3.5mm), headphone (3.5mm)
Rear ports	One VGA and two DisplayPort for models with Intel HD Graphics, two USB 2.0, four USB 3.0 (blue), one serial (9-pin), one ethernet (RJ-45), three analog audio ports (line-in, line-out, mic-in)
IEEE 1394 adptr (opt)	Optional FireWire PCIe adapter on selected models, 1394a-2000, 400Mbps, two 6-pin ports on rear
Audio	High Definition (HD) Audio, Realtek® ALC662 codec
Speaker	Internal speaker for business audio
Onboard Ethernet	One onboard gigabit ethernet, Intel I217LM
Security	<ul style="list-style-type: none"> <li>Security chip: STMicro ST33ZP24AR28PVSP, TCG 1.2-compliant</li> <li>Security slot (in rear for optional Kensington Microsaver cable; prohibits side cover removal)</li> <li>Power-on/Administrator password</li> <li>Boot sequence control</li> <li>Boot without keyboard, mouse</li> <li>Serial port I/O control</li> <li>USB port disablement (front or all/individual)</li> <li>Chassis intrusion switch available on selected models</li> </ul>
Keyboard/Mouse	104-key keyboard (USB)/Optical Wheel Mouse (USB)
Power supply	280 watts with variable speed fan, autosensing, 85% PSU, Climate Savers® Computing Bronze, 80 PLUS® Bronze qualified
Environmental certifications	GREENGUARD® certified/RoHS-compliant/EPEAT™ Gold rating/ENERGY STAR 5.2 qualified
ISV certifications	For the latest list of certifications, please visit <a href="http://www.lenovo.com/support/ISV">www.lenovo.com/support/ISV</a>
Limited warranty <sup>1</sup>	3-year parts and labor

**Drives Bays**



- Bay 1 Standard, 5.25", 1.6" high, external, for optical
- Bay 2 Standard, 5.25", 1.6" high, external, for optical or: optional, 3.5", 1" high, 3rd hard drive bay
- Bay 3 Optional, 3.5", 1" high, supports one of the following: (1) for optional media card reader, external (2) for optional mSATA drive, internal
- Bay 4 Standard, 3.5", 1" high, internal, primary hard drive bay
- Bay 5 Standard, 3.5", 1" high, internal, 2nd hard drive bay

**Notes:**

Standard optical and hard drive bays are included in models; optional hard drive bays are available on models with the corresponding hard drives only

**Expansion Slots**

- 1: half-length, full-height, PCIe 3.0 x16 (75w max, near CPU)
- 2: half-length, full-height, PCIe 2.0 x1
- 3: half-length, full-height, PCIe 2.0 x16 (x4 elec, 75W max)
- 4: half-length, full-height, PCI 2.3

**Mechanical**

- Raven black color; metal case
- 6.9"W x 17.0"D x 16.7"H (with handle)
- 175mm W x 431mm D x 425mm H
- 27.56 lb (12.5kg) max configuration
- 25-liter
- Removable handle on top front
- Toolless side cover removal
- Toolless disk and optical drive removal (standard bays)
- Toolless adapter retention
- Illuminated front icons
- Recessed power button

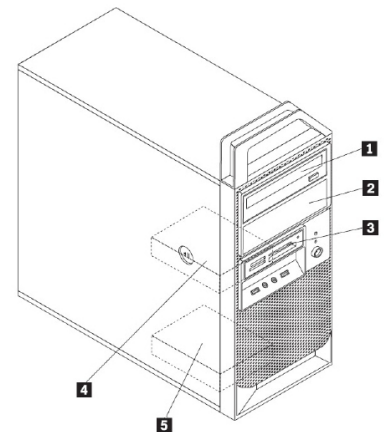
Type-model	Processor	Memory (MHz/type)	Memory DIMMs	Intel HD Graphics	Discrete graphics adapters**	Pre-conf RAID	Storage	Optical	29-in-1 Media reader	1394 adptr	Chassis intrusion switch	Preloaded OS
30A10034US	Xeon E3-1280 v3 (4C/3.6GHz/8MB/1600MHz)	1600MHz Non-ECC	8GBx1		1xQuadro K600 (1GB, 1xDVI-I DL, 1xDP, 41W)	No	1x1TB 3.5" SATA	DVD±RW	Media	No	Switch	Win7 Pro64 (Downgrade from Win8)
30A10035US	Xeon E3-1245 v3 (4C/3.4GHz/8MB/1600MHz)	1600MHz Non-ECC	8GBx1	Intel HD P4600		No	1x1TB 3.5" SATA	DVD±RW	Media	No	Switch	Win7 Pro64 (Downgrade from Win8)
30A10036US	Core i7-4770 (4C/3.4GHz/8MB/1600MHz)	1600MHz Non-ECC	8GBx1	Intel HD 4600	1xQuadro K600 (1GB, 1xDVI-I DL, 1xDP, 41W)	No	128GB SATA SSD+1TB 3.5" SATA	DVD±RW	Media	No	Switch	Win7 Pro64 (Downgrade from Win8)
30A1003BUS	Core i5-4570 (4C/3.2GHz/6MB/1600MHz)	1600MHz Non-ECC	4GBx1	Intel HD 4600		No	1x500GB 3.5" SATA	DVD±RW	Media	No	Switch	Win8 Pro64
30A1003CUS	Core i5-4570 (4C/3.2GHz/6MB/1600MHz)	1600MHz Non-ECC	4GBx1	Intel HD 4600	1xQuadro K600 (1GB, 1xDVI-I DL, 1xDP, 41W)	No	1x500GB 3.5" SATA	DVD±RW	Media	No	Switch	Win8 Pro64
30A1003DUS	Core i5-4570 (4C/3.2GHz/6MB/1600MHz)	1600MHz Non-ECC	4GBx1	Intel HD 4600	1xQuadro 410 (512MB, 1xDVI-I DL, 1xDP, 37W)	No	1x500GB 3.5" SATA	DVD±RW	Media	No	Switch	Win8 Pro64
30A1003EUS	Core i5-4670 (4C/3.4GHz/6MB/1600MHz)	1600MHz Non-ECC	4GBx1	Intel HD 4600	1xQuadro K600 (1GB, 1xDVI-I DL, 1xDP, 41W)	No	1x500GB 3.5" SATA	DVD±RW	Media	No	Switch	Win8 Pro64

\* Model in italics shows that this is a Global Model \*\* DL = Dual Link, SL = Single Link

• For detailed ThinkStation E32 Tower platform specifications, please see [ThinkStation E32 Platform Specifications sheet](#)

Chipset	<b>Intel C226 Chipset</b>
Intel AMT	Intel Active Management Technology 9 supported on models with Intel Xeon processors
Processor	One <b>LGA1150</b> socket, integrated 2-channel DDR3 memory controller, optional integrated Intel HD Graphics on selected processors
Memory	1600MHz UDIMM, DDR3, ECC or non-ECC, 2-channel capable
Memory DIMM sockets	Four 240-pin DIMM sockets, up to 32GB ECC/non-ECC (8GBx4)
Additional memory disclaimers	<ul style="list-style-type: none"> <li>Actual memory operating speed depends on processor memory controller speed, installed memory speed, and quantity of memory DIMMs</li> <li>Mixing of ECC and non-ECC is not supported</li> <li>Intel Core i5/i7 processors support non-ECC memory only</li> </ul>
Intel HD Graphics in processor (optional)	Integrated Intel HD Graphics on selected processors, uses main memory, works along with discrete graphics to support multi-display, enables three display connectors (2 DisplayPort, 1 VGA) on rear ports (detailed information please see <b>Rear ports</b> section)
Discrete graphics adapters	Two PCI Express x16 slots for discrete graphics adapters: <ul style="list-style-type: none"> <li>One PCI Express 3.0 x16 slot (75W max, near CPU)</li> <li>One PCI Express 2.0 x16 slot (x4 electrical, 75W max)</li> </ul>
Onboard drive controllers	Four SATA connectors via onboard drive controller in chipset, SATA 6.0Gb/s, RAID 0, 1, 5 support, supports Intel Smart Response Technology
Storage	Up to three 3.5" SATA (SATA 6.0Gb/s, 7200rpm)/2.5" SATA (SATA 6.0Gb/s, 10000rpm)/SATA SSD (SATA 6.0Gb/s) drives; up to one mSATA SSD drive (SATA 6.0Gb/s)
Optical	Supports DVD-ROM, DVD±RW, or Blu-ray Burner, 1.6" high, SATA interface
Media reader (opt)	Optional 29-in-1 media card reader on selected models
Front ports	Two USB 3.0 (blue), microphone (3.5mm), headphone (3.5mm)
Rear ports	One VGA and two DisplayPort for models with Intel HD Graphics, two USB 2.0, four USB 3.0 (blue), one serial (9-pin), one ethernet (RJ-45), three analog audio ports (line-in, line-out, mic-in)
IEEE 1394 adptr (opt)	Optional FireWire PCIe adapter on selected models, 1394a-2000, 400Mbps, two 6-pin ports on rear
Audio	High Definition (HD) Audio, Realtek® ALC662 codec
Speaker	Internal speaker for business audio
Onboard Ethernet	One onboard gigabit ethernet, Intel I217LM
Security	<ul style="list-style-type: none"> <li>Security chip: STMicro ST33ZP24AR28PVSP, TCG 1.2-compliant</li> <li>Security slot (in rear for optional Kensington Microsaver cable; prohibits side cover removal)</li> <li>Power-on/Administrator password</li> <li>Boot sequence control</li> <li>Boot without keyboard, mouse</li> <li>Serial port I/O control</li> <li>USB port disablement (front or all/individual)</li> <li>Chassis intrusion switch available on selected models</li> </ul>
Keyboard/Mouse	104-key keyboard (USB)/Optical Wheel Mouse (USB)
Power supply	280 watts with variable speed fan, autosensing, 85% PSU, Climate Savers® Computing Bronze, 80 PLUS® Bronze qualified
Environmental certifications	GREENGUARD® certified/RoHS-compliant/EPEAT™ Gold rating/ENERGY STAR 5.2 qualified
ISV certifications	For the latest list of certifications, please visit <a href="http://www.lenovo.com/support/ISV">www.lenovo.com/support/ISV</a>
Limited warranty <sup>1</sup>	3-year parts and labor

**Drives Bays**



- Bay 1 Standard, 5.25", 1.6" high, external, for optical
- Bay 2 Standard, 5.25", 1.6" high, external, for optical or: optional, 3.5", 1" high, 3rd hard drive bay
- Bay 3 Optional, 3.5", 1" high, supports one of the following: (1) for optional media card reader, external (2) for optional mSATA drive, internal
- Bay 4 Standard, 3.5", 1" high, internal, primary hard drive bay
- Bay 5 Standard, 3.5", 1" high, internal, 2nd hard drive bay

**Notes:**

Standard optical and hard drive bays are included in models; optional hard drive bays are available on models with the corresponding hard drives only

**Expansion Slots**

- 1: half-length, full-height, PCIe 3.0 x16 (75w max, near CPU)
- 2: half-length, full-height, PCIe 2.0 x1
- 3: half-length, full-height, PCIe 2.0 x16 (x4 elec, 75W max)
- 4: half-length, full-height, PCI 2.3

**Mechanical**

- Raven black color; metal case
- 6.9"W x 17.0"D x 16.7"H (with handle)
- 175mm W x 431mm D x 425mm H
- 27.56 lb (12.5kg) max configuration
- 25-liter
- Removable handle on top front
- Toolless side cover removal
- Toolless disk and optical drive removal (standard bays)
- Toolless adapter retention
- Illuminated front icons
- Recessed power button

# ThinkStation E32 Tower (30A1) - TopSeller (August 2013) - V

Product Specifications Reference (PSREF)

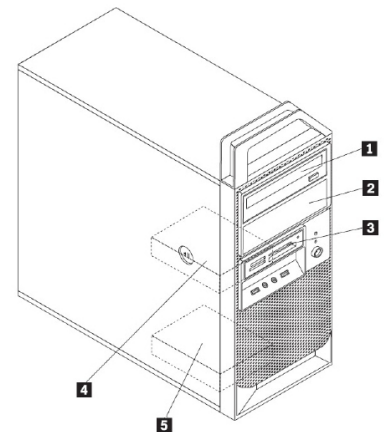
Type-model	Processor	Memory (MHz/type)	Memory DIMMs	Intel HD Graphics	Discrete graphics adapters**	Pre-conf RAID	Storage	Optical	29-in-1 Media reader	1394 adptr	Chassis intrusion switch	Preloaded OS
30A1003FUS	Core i5-4670 (4C/3.4GHz/8MB/1600MHz)	1600MHz Non-ECC	8GBx1	Intel HD 4600	1xQuadro K2000 (2GB, 1xDVI-I DL, 2xDP, 51W)	No	1x1TB 3.5 SATA	DVD±RW	Media	No	Switch	Win8 Pro64
30A1003GUS	Core i7-4770 (4C/3.4GHz/8MB/1600MHz)	1600MHz Non-ECC	4GBx1	Intel HD 4600		No	1x500GB 3.5 SATA	DVD±RW	Media	No	Switch	Win8 Pro64
30A1003HUS	Core i7-4770 (4C/3.4GHz/8MB/1600MHz)	1600MHz Non-ECC	4GBx1	Intel HD 4600	1xQuadro 410 (512MB, 1xDVI-I DL, 1xDP, 37W)	No	1x500GB 3.5 SATA	DVD±RW	Media	No	Switch	Win8 Pro64
30A1003JUS	Core i7-4770 (4C/3.4GHz/8MB/1600MHz)	1600MHz Non-ECC	8GBx1	Intel HD 4600	1xQuadro K600 (1GB, 1xDVI-I DL, 1xDP, 41W)	No	1x1TB 3.5 SATA	DVD±RW	Media	No	Switch	Win8 Pro64
30A1003KUS	Xeon E3-1225 v3 (4C/3.2GHz/8MB/1600MHz)	1600MHz Non-ECC	4GBx1	Intel HD P4600		No	1x500GB 3.5 SATA	DVD±RW	Media	No	Switch	Win8 Pro64
30A1003LUS	Xeon E3-1225 v3 (4C/3.2GHz/8MB/1600MHz)	1600MHz Non-ECC	4GBx1	Intel HD P4600	1xQuadro K600 (1GB, 1xDVI-I DL, 1xDP, 41W)	No	1x500GB 3.5 SATA	DVD±RW	Media	No	Switch	Win8 Pro64
30A1003MUS	Xeon E3-1240 v3 (4C/3.4GHz/8MB/1600MHz)	1600MHz Non-ECC	8GBx1		1xQuadro K600 (1GB, 1xDVI-I DL, 1xDP, 41W)	No	1x1TB 3.5 SATA	DVD±RW	Media	No	Switch	Win8 Pro64

\* Model in italics shows that this is a Global Model \*\* DL = Dual Link, SL = Single Link

• For detailed ThinkStation E32 Tower platform specifications, please see [ThinkStation E32 Platform Specifications sheet](#)

Chipset	<b>Intel C226 Chipset</b>
Intel AMT	Intel Active Management Technology 9 supported on models with Intel Xeon processors
Processor	One <b>LGA1150</b> socket, integrated 2-channel DDR3 memory controller, optional integrated Intel HD Graphics on selected processors
Memory	1600MHz UDIMM, DDR3, ECC or non-ECC, 2-channel capable
Memory DIMM sockets	Four 240-pin DIMM sockets, up to 32GB ECC/non-ECC (8GBx4)
Additional memory disclaimers	<ul style="list-style-type: none"> <li>Actual memory operating speed depends on processor memory controller speed, installed memory speed, and quantity of memory DIMMs</li> <li>Mixing of ECC and non-ECC is not supported</li> <li>Intel Core i5/i7 processors support non-ECC memory only</li> </ul>
Intel HD Graphics in processor (optional)	Integrated Intel HD Graphics on selected processors, uses main memory, works along with discrete graphics to support multi-display, enables three display connectors (2 DisplayPort, 1 VGA) on rear ports (detailed information please see <b>Rear ports</b> section)
Discrete graphics adapters	Two PCI Express x16 slots for discrete graphics adapters: <ul style="list-style-type: none"> <li>One PCI Express 3.0 x16 slot (75W max, near CPU)</li> <li>One PCI Express 2.0 x16 slot (x4 electrical, 75W max)</li> </ul>
Onboard drive controllers	Four SATA connectors via onboard drive controller in chipset, SATA 6.0Gb/s, RAID 0, 1, 5 support, supports Intel Smart Response Technology
Storage	Up to three 3.5" SATA (SATA 6.0Gb/s, 7200rpm)/2.5" SATA (SATA 6.0Gb/s, 10000rpm)/SATA SSD (SATA 6.0Gb/s) drives; up to one mSATA SSD drive (SATA 6.0Gb/s)
Optical	Supports DVD-ROM, DVD±RW, or Blu-ray Burner, 1.6" high, SATA interface
Media reader (opt)	Optional 29-in-1 media card reader on selected models
Front ports	Two USB 3.0 (blue), microphone (3.5mm), headphone (3.5mm)
Rear ports	One VGA and two DisplayPort for models with Intel HD Graphics, two USB 2.0, four USB 3.0 (blue), one serial (9-pin), one ethernet (RJ-45), three analog audio ports (line-in, line-out, mic-in)
IEEE 1394 adptr (opt)	Optional FireWire PCIe adapter on selected models, 1394a-2000, 400Mbps, two 6-pin ports on rear
Audio	High Definition (HD) Audio, Realtek® ALC662 codec
Speaker	Internal speaker for business audio
Onboard Ethernet	One onboard gigabit ethernet, Intel I217LM
Security	<ul style="list-style-type: none"> <li>Security chip: STMicro ST33ZP24AR28PVSP, TCG 1.2-compliant</li> <li>Security slot (in rear for optional Kensington Microsaver cable; prohibits side cover removal)</li> <li>Power-on/Administrator password</li> <li>Boot sequence control</li> <li>Boot without keyboard, mouse</li> <li>Serial port I/O control</li> <li>USB port disablement (front or all/individual)</li> <li>Chassis intrusion switch available on selected models</li> </ul>
Keyboard/Mouse	104-key keyboard (USB)/Optical Wheel Mouse (USB)
Power supply	280 watts with variable speed fan, autosensing, 85% PSU, Climate Savers® Computing Bronze, 80 PLUS® Bronze qualified
Environmental certifications	GREENGUARD® certified/RoHS-compliant/EPEAT™ Gold rating/ENERGY STAR 5.2 qualified
ISV certifications	For the latest list of certifications, please visit <a href="http://www.lenovo.com/support/ISV">www.lenovo.com/support/ISV</a>
Limited warranty <sup>1</sup>	3-year parts and labor

## Drives Bays



- Bay 1 Standard, 5.25", 1.6" high, external, for optical
- Bay 2 Standard, 5.25", 1.6" high, external, for optical or: optional, 3.5", 1" high, 3rd hard drive bay
- Bay 3 Optional, 3.5", 1" high, supports one of the following:  
 (1) for optional media card reader, external  
 (2) for optional mSATA drive, internal
- Bay 4 Standard, 3.5", 1" high, internal, primary hard drive bay
- Bay 5 Standard, 3.5", 1" high, internal, 2nd hard drive bay

### Notes:

Standard optical and hard drive bays are included in models; optional hard drive bays are available on models with the corresponding hard drives only

## Expansion Slots

- 1: half-length, full-height, PCIe 3.0 x16 (75w max, near CPU)
- 2: half-length, full-height, PCIe 2.0 x1
- 3: half-length, full-height, PCIe 2.0 x16 (x4 elec, 75W max)
- 4: half-length, full-height, PCI 2.3

## Mechanical

- Raven black color; metal case
- 6.9"W x 17.0"D x 16.7"H (with handle)
- 175mm W x 431mm D x 425mm H
- 27.56 lb (12.5kg) max configuration
- 25-liter
- Removable handle on top front
- Toolless side cover removal
- Toolless disk and optical drive removal (standard bays)
- Toolless adapter retention
- Illuminated front icons
- Recessed power button

See footnotes for important warranty information  
 Model(s) announced August 20, 2013

© Lenovo  
 (30A1-5) August 2013

# ThinkStation E32 Tower (30A1) - TopSeller (August 2013) - VI

Product Specifications Reference (PSREF)

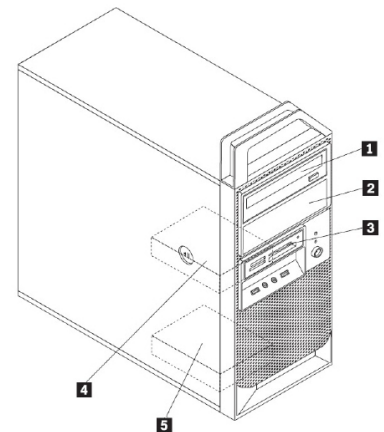
Type-model	Processor	Memory (MHz/type)	Memory DIMMs	Intel HD Graphics	Discrete graphics adapters**	Pre-conf RAID	Storage	Optical	29-in-1 Media reader	1394 adptr	Chassis intrusion switch	Preloaded OS
30A1003NUS	Xeon E3-1240 v3 (4C/3.4GHz/8MB/1600MHz)	1600MHz Non-ECC	8GBx1		1xQuadro K2000 (2GB, 1xDVI-I DL, 2xDP, 51W)	No	1x1TB 3.5 SATA	DVD±RW	Media	No	Switch	Win8 Pro64
30A1003QUS	Xeon E3-1245 v3 (4C/3.4GHz/8MB/1600MHz)	1600MHz Non-ECC	8GBx1	Intel HD P4600		No	1x180GB SATA SSD	DVD±RW	Media	No	Switch	Win8 Pro64
30A1003RUS	Xeon E3-1275 v3 (4C/3.5GHz/8MB/1600MHz)	1600MHz Non-ECC	8GBx1	Intel HD P4600	1xQuadro K600 (1GB, 1xDVI-I DL, 1xDP, 41W)	No	1x256GB SATA SSD	DVD±RW	Media	No	Switch	Win8 Pro64
30A1003SUS	Core i7-4770 (4C/3.4GHz/8MB/1600MHz)	1600MHz Non-ECC	8GBx1	Intel HD 4600	1xQuadro K2000 (2GB, 1xDVI-I DL, 2xDP, 51W)	No	1x1TB 3.5 SATA	DVD±RW	Media	No	Switch	Win8 Pro64
30A1003TUS	Xeon E3-1240 v3 (4C/3.4GHz/8MB/1600MHz)	1600MHz Non-ECC	8GBx1		1xQuadro K600 (1GB, 1xDVI-I DL, 1xDP, 41W)	No	1x128GB SATA SSD	DVD±RW	Media	No	Switch	Win8 Pro64
30A1003UUS	Core i7-4770 (4C/3.4GHz/8MB/1600MHz)	1600MHz Non-ECC	8GBx1	Intel HD 4600	1xQuadro K2000 (2GB, 1xDVI-I DL, 2xDP, 51W)	No	1x180GB SATA SSD	DVD±RW	Media	No	Switch	Win8 Pro64
30A1003VUS	Xeon E3-1280 v3 (4C/3.6GHz/8MB/1600MHz)	1600MHz Non-ECC	8GBx1		1xQuadro K2000 (2GB, 1xDVI-I DL, 2xDP, 51W)	No	1x1TB 3.5 SATA	DVD±RW	Media	No	Switch	Win8 Pro64

\* Model in italics shows that this is a Global Model \*\* DL = Dual Link, SL = Single Link

• For detailed ThinkStation E32 Tower platform specifications, please see [ThinkStation E32 Platform Specifications sheet](#)

Chipset	<b>Intel C226 Chipset</b>
Intel AMT	Intel Active Management Technology 9 supported on models with Intel Xeon processors
Processor	One <b>LGA1150</b> socket, integrated 2-channel DDR3 memory controller, optional integrated Intel HD Graphics on selected processors
Memory	1600MHz UDIMM, DDR3, ECC or non-ECC, 2-channel capable
Memory DIMM sockets	Four 240-pin DIMM sockets, up to 32GB ECC/non-ECC (8GBx4)
Additional memory disclaimers	<ul style="list-style-type: none"> <li>Actual memory operating speed depends on processor memory controller speed, installed memory speed, and quantity of memory DIMMs</li> <li>Mixing of ECC and non-ECC is not supported</li> <li>Intel Core i5/i7 processors support non-ECC memory only</li> </ul>
Intel HD Graphics in processor (optional)	Integrated Intel HD Graphics on selected processors, uses main memory, works along with discrete graphics to support multi-display, enables three display connectors (2 DisplayPort, 1 VGA) on rear ports (detailed information please see <b>Rear ports</b> section)
Discrete graphics adapters	Two PCI Express x16 slots for discrete graphics adapters: <ul style="list-style-type: none"> <li>One PCI Express 3.0 x16 slot (75W max, near CPU)</li> <li>One PCI Express 2.0 x16 slot (x4 electrical, 75W max)</li> </ul>
Onboard drive controllers	Four SATA connectors via onboard drive controller in chipset, SATA 6.0Gb/s, RAID 0, 1, 5 support, supports Intel Smart Response Technology
Storage	Up to three 3.5" SATA (SATA 6.0Gb/s, 7200rpm)/2.5" SATA (SATA 6.0Gb/s, 10000rpm)/SATA SSD (SATA 6.0Gb/s) drives; up to one mSATA SSD drive (SATA 6.0Gb/s)
Optical	Supports DVD-ROM, DVD±RW, or Blu-ray Burner, 1.6" high, SATA interface
Media reader (opt)	Optional 29-in-1 media card reader on selected models
Front ports	Two USB 3.0 (blue), microphone (3.5mm), headphone (3.5mm)
Rear ports	One VGA and two DisplayPort for models with Intel HD Graphics, two USB 2.0, four USB 3.0 (blue), one serial (9-pin), one ethernet (RJ-45), three analog audio ports (line-in, line-out, mic-in)
IEEE 1394 adptr (opt)	Optional FireWire PCIe adapter on selected models, 1394a-2000, 400Mbps, two 6-pin ports on rear
Audio	High Definition (HD) Audio, Realtek® ALC662 codec
Speaker	Internal speaker for business audio
Onboard Ethernet	One onboard gigabit ethernet, Intel I217LM
Security	<ul style="list-style-type: none"> <li>Security chip: STMicro ST33ZP24AR28PVSP, TCG 1.2-compliant</li> <li>Security slot (in rear for optional Kensington Microsaver cable; prohibits side cover removal)</li> <li>Power-on/Administrator password</li> <li>Boot sequence control</li> <li>Boot without keyboard, mouse</li> <li>Serial port I/O control</li> <li>USB port disablement (front or all/individual)</li> <li>Chassis intrusion switch available on selected models</li> </ul>
Keyboard/Mouse	104-key keyboard (USB)/Optical Wheel Mouse (USB)
Power supply	280 watts with variable speed fan, autosensing, 85% PSU, Climate Savers® Computing Bronze, 80 PLUS® Bronze qualified
Environmental certifications	GREENGUARD® certified/RoHS-compliant/EPEAT™ Gold rating/ENERGY STAR 5.2 qualified
ISV certifications	For the latest list of certifications, please visit <a href="http://www.lenovo.com/support/ISV">www.lenovo.com/support/ISV</a>
Limited warranty <sup>1</sup>	3-year parts and labor

### Drives Bays



- Bay 1 Standard, 5.25", 1.6" high, external, for optical
- Bay 2 Standard, 5.25", 1.6" high, external, for optical or: optional, 3.5", 1" high, 3rd hard drive bay
- Bay 3 Optional, 3.5", 1" high, supports one of the following: (1) for optional media card reader, external (2) for optional mSATA drive, internal
- Bay 4 Standard, 3.5", 1" high, internal, primary hard drive bay
- Bay 5 Standard, 3.5", 1" high, internal, 2nd hard drive bay

#### Notes:

Standard optical and hard drive bays are included in models; optional hard drive bays are available on models with the corresponding hard drives only

### Expansion Slots

- 1: half-length, full-height, PCIe 3.0 x16 (75w max, near CPU)
- 2: half-length, full-height, PCIe 2.0 x1
- 3: half-length, full-height, PCIe 2.0 x16 (x4 elec, 75W max)
- 4: half-length, full-height, PCI 2.3

### Mechanical

- Raven black color; metal case
- 6.9"W x 17.0"D x 16.7"H (with handle)
- 175mm W x 431mm D x 425mm H
- 27.56 lb (12.5kg) max configuration
- 25-liter
- Removable handle on top front
- Toolless side cover removal
- Toolless disk and optical drive removal (standard bays)
- Toolless adapter retention
- Illuminated front icons
- Recessed power button

See footnotes for important warranty information  
Model(s) announced August 20, 2013

© Lenovo  
(30A1-6) August 2013

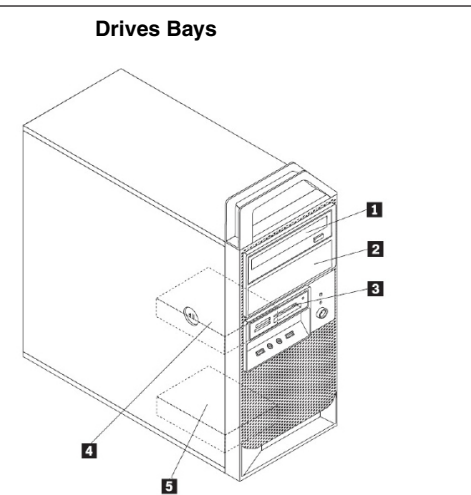


Type-model	Processor	Memory (MHz/type)	Memory DIMMs	Intel HD Graphics	Discrete graphics adapters**	Pre-conf RAID	Storage	Optical	29-in-1 Media reader	1394 adptr	Chassis intrusion switch	Preloaded OS
30A1003WUS	Xeon E3-1280 v3 (4C/3.6GHz/8MB/1600MHz)	1600MHz Non-ECC	8GBx1		1xQuadro K600 (1GB, 1xDVI-I DL, 1xDP, 41W)	No	1x1TB 3.5 SATA	DVD±RW	Media	No	Switch	Win8 Pro64
30A1003XUS	Xeon E3-1245 v3 (4C/3.4GHz/8MB/1600MHz)	1600MHz Non-ECC	8GBx1	Intel HD P4600		No	1x1TB 3.5 SATA	DVD±RW	Media	No	Switch	Win8 Pro64
30A1003YUS	Core i7-4770 (4C/3.4GHz/8MB/1600MHz)	1600MHz Non-ECC	8GBx1	Intel HD 4600	1xQuadro K600 (1GB, 1xDVI-I DL, 1xDP, 41W)	No	128GB SATA SSD+1TB 3.5 SATA	DVD±RW	Media	No	Switch	Win8 Pro64

\* Model in italics shows that this is a Global Model \*\* DL = Dual Link, SL = Single Link

• For detailed ThinkStation E32 Tower platform specifications, please see [ThinkStation E32 Platform Specifications sheet](#)

Chipset	<b>Intel C226 Chipset</b>
Intel AMT	Intel Active Management Technology 9 supported on models with Intel Xeon processors
Processor	One <b>LGA1150</b> socket, integrated 2-channel DDR3 memory controller, optional integrated Intel HD Graphics on selected processors
Memory	1600MHz UDIMM, DDR3, ECC or non-ECC, 2-channel capable
Memory DIMM sockets	Four 240-pin DIMM sockets, up to 32GB ECC/non-ECC (8GBx4)
Additional memory disclaimers	<ul style="list-style-type: none"> <li>Actual memory operating speed depends on processor memory controller speed, installed memory speed, and quantity of memory DIMMs</li> <li>Mixing of ECC and non-ECC is not supported</li> <li>Intel Core i5/i7 processors support non-ECC memory only</li> </ul>
Intel HD Graphics in processor (optional)	Integrated Intel HD Graphics on selected processors, uses main memory, works along with discrete graphics to support multi-display, enables three display connectors (2 DisplayPort, 1 VGA) on rear ports (detailed information please see <b>Rear ports</b> section)
Discrete graphics adapters	Two PCI Express x16 slots for discrete graphics adapters: <ul style="list-style-type: none"> <li>One PCI Express 3.0 x16 slot (75W max, near CPU)</li> <li>One PCI Express 2.0 x16 slot (x4 electrical, 75W max)</li> </ul>
Onboard drive controllers	Four SATA connectors via onboard drive controller in chipset, SATA 6.0Gb/s, RAID 0, 1, 5 support, supports Intel Smart Response Technology
Storage	Up to three 3.5" SATA (SATA 6.0Gb/s, 7200rpm)/2.5" SATA (SATA 6.0Gb/s, 10000rpm)/SATA SSD (SATA 6.0Gb/s) drives; up to one mSATA SSD drive (SATA 6.0Gb/s)
Optical	Supports DVD-ROM, DVD±RW, or Blu-ray Burner, 1.6" high, SATA interface
Media reader (opt)	Optional 29-in-1 media card reader on selected models
Front ports	Two USB 3.0 (blue), microphone (3.5mm), headphone (3.5mm)
Rear ports	One VGA and two DisplayPort for models with Intel HD Graphics, two USB 2.0, four USB 3.0 (blue), one serial (9-pin), one ethernet (RJ-45), three analog audio ports (line-in, line-out, mic-in)
IEEE 1394 adptr (opt)	Optional FireWire PCIe adapter on selected models, 1394a-2000, 400Mbps, two 6-pin ports on rear
Audio	High Definition (HD) Audio, Realtek® ALC662 codec
Speaker	Internal speaker for business audio
Onboard Ethernet	One onboard gigabit ethernet, Intel I217LM
Security	<ul style="list-style-type: none"> <li>Security chip: STMicro ST33ZP24AR28PVSP, TCG 1.2-compliant</li> <li>Security slot (in rear for optional Kensington Microsaver cable; prohibits side cover removal)</li> <li>Power-on/Administrator password</li> <li>Boot sequence control</li> <li>Boot without keyboard, mouse</li> <li>Serial port I/O control</li> <li>USB port disablement (front or all/individual)</li> <li>Chassis intrusion switch available on selected models</li> </ul>
Keyboard/Mouse	104-key keyboard (USB)/Optical Wheel Mouse (USB)
Power supply	280 watts with variable speed fan, autosensing, 85% PSU, Climate Savers® Computing Bronze, 80 PLUS® Bronze qualified
Environmental certifications	GREENGUARD® certified/RoHS-compliant/EPEAT™ Gold rating/ENERGY STAR 5.2 qualified
ISV certifications	For the latest list of certifications, please visit <a href="http://www.lenovo.com/support/ISV">www.lenovo.com/support/ISV</a>
Limited warranty <sup>1</sup>	3-year parts and labor



- Drives Bays**
- Bay 1 Standard, 5.25", 1.6" high, external, for optical
  - Bay 2 Standard, 5.25", 1.6" high, external, for optical or: optional, 3.5", 1" high, 3rd hard drive bay
  - Bay 3 Optional, 3.5", 1" high, supports one of the following: (1) for optional media card reader, external (2) for optional mSATA drive, internal
  - Bay 4 Standard, 3.5", 1" high, internal, primary hard drive bay
  - Bay 5 Standard, 3.5", 1" high, internal, 2nd hard drive bay

**Notes:**  
Standard optical and hard drive bays are included in models; optional hard drive bays are available on models with the corresponding hard drives only

- Expansion Slots**
- 1: half-length, full-height, PCIe 3.0 x16 (75w max, near CPU)
  - 2: half-length, full-height, PCIe 2.0 x1
  - 3: half-length, full-height, PCIe 2.0 x16 (x4 elec, 75W max)
  - 4: half-length, full-height, PCI 2.3

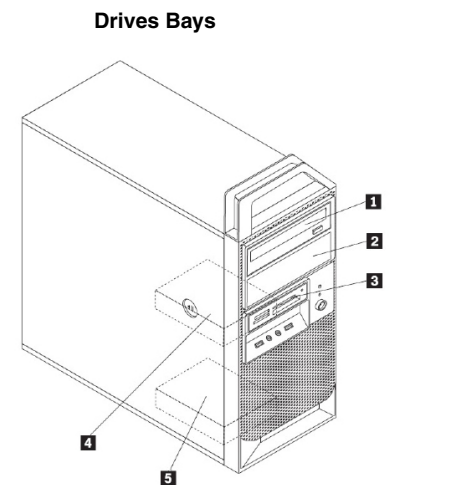
- Mechanical**
- Raven black color; metal case
  - 6.9"W x 17.0"D x 16.7"H (with handle)
  - 175mm W x 431mm D x 425mm H
  - 27.56 lb (12.5kg) max configuration
  - 25-liter
  - Removable handle on top front
  - Toolless side cover removal
  - Toolless disk and optical drive removal (standard bays)
  - Toolless adapter retention
  - Illuminated front icons
  - Recessed power button

Type-model <sup>1</sup>	Processor	Memory (MHz/type)	Memory DIMMs	Intel HD Graphics	Discrete graphics adapters <sup>**</sup>	Pre-conf RAID	Storage	Optical	29-in-1 Media reader	1394 adptr	Chassis intrusion switch	Preloaded OS
30A1000RUS	Core i3-4130 (2C/3.4GHz/3MB/1600MHz)	1600MHz Non-ECC	4GBx1	Intel HD 4400		No	1x500GB 3.5" SATA	DVD±RW	Media	No	Switch	Win7 Pro64
30A1000SUS	Core i3-4330 (2C/3.5GHz/4MB/1600MHz)	1600MHz Non-ECC	4GBx1	Intel HD 4600		No	1x500GB 3.5" SATA	DVD±RW	Media	No	No	Win7 Pro64 (Downgrade from Win8)
30A1002FUS	Core i3-4330 (2C/3.5GHz/4MB/1600MHz)	1600MHz Non-ECC	4GBx1	Intel HD 4600	1xQuadro 410 (512MB, 1xDVI-I DL, 1xDP, 37W)	No	1x500GB 3.5" SATA	DVD±RW	Media	No	Switch	Win7 Pro64 (Downgrade from Win8)
30A1002GUS	Core i3-4330 (2C/3.5GHz/4MB/1600MHz)	1600MHz Non-ECC	4GBx1	Intel HD 4600	1xQuadro K600 (1GB, 1xDVI-I DL, 1xDP, 41W)	No	1x500GB 3.5" SATA	DVD±RW	Media	No	Switch	Win7 Pro64 (Downgrade from Win8)
30A1002HUS	Core i3-4330 (2C/3.5GHz/4MB/1600MHz)	1600MHz Non-ECC	4GBx1	Intel HD 4600	1xQuadro K2000 (2GB, 1xDVI-I DL, 2xDP, 51W)	No	1x1TB 3.5" SATA	DVD±RW	Media	No	Switch	Win7 Pro64 (Downgrade from Win8)
30A1002WUS	Core i3-4330 (2C/3.5GHz/4MB/1600MHz)	1600MHz Non-ECC	4GBx1	Intel HD 4600		No	1x128GB SATA SSD	DVD±RW	Media	No	Switch	Win7 Pro64 (Downgrade from Win8)
30A10037US	Core i3-4330 (2C/3.5GHz/4MB/1600MHz)	1600MHz Non-ECC	4GBx1	Intel HD 4600		No	1x500GB 3.5" SATA	DVD±RW	Media	No	Switch	Win8 Pro64

<sup>1</sup> Model in italics shows that this is a Global Model      <sup>\*\*</sup> DL = Dual Link, SL = Single Link

• For detailed ThinkStation E32 Tower platform specifications, please see [ThinkStation E32 Platform Specifications sheet](#)

Chipset	<b>Intel C226 Chipset</b>
Intel AMT	Intel Active Management Technology 9 supported on models with Intel Xeon processors
Processor	One <b>LGA1150</b> socket, integrated 2-channel DDR3 memory controller, optional integrated Intel HD Graphics on selected processors
Memory	1600MHz UDIMM, DDR3, ECC or non-ECC, 2-channel capable
Memory DIMM sockets	Four 240-pin DIMM sockets, up to 32GB ECC/non-ECC (8GBx4)
Additional memory disclaimers	<ul style="list-style-type: none"> <li>Actual memory operating speed depends on processor memory controller speed, installed memory speed, and quantity of memory DIMMs</li> <li>Mixing of ECC and non-ECC is not supported</li> <li>Intel Core i5/i7 processors support non-ECC memory only</li> </ul>
Intel HD Graphics in processor (optional)	Integrated Intel HD Graphics on selected processors, uses main memory, works along with discrete graphics to support multi-display, enables three display connectors (2 DisplayPort, 1 VGA) on rear ports (detailed information please see <b>Rear ports</b> section)
Discrete graphics adapters	Two PCI Express x16 slots for discrete graphics adapters: <ul style="list-style-type: none"> <li>One PCI Express 3.0 x16 slot (75W max, near CPU)</li> <li>One PCI Express 2.0 x16 slot (x4 electrical, 75W max)</li> </ul>
Onboard drive controllers	Four SATA connectors via onboard drive controller in chipset, SATA 6.0Gb/s, RAID 0, 1, 5 support, supports Intel Smart Response Technology
Storage	Up to three 3.5" SATA (SATA 6.0Gb/s, 7200rpm)/2.5" SATA (SATA 6.0Gb/s, 10000rpm)/SATA SSD (SATA 6.0Gb/s) drives; up to one mSATA SSD drive (SATA 6.0Gb/s)
Optical	Supports DVD-ROM, DVD±RW, or Blu-ray Burner, 1.6" high, SATA interface
Media reader (opt)	Optional 29-in-1 media card reader on selected models
Front ports	Two USB 3.0 (blue), microphone (3.5mm), headphone (3.5mm)
Rear ports	One VGA and two DisplayPort for models with Intel HD Graphics, two USB 2.0, four USB 3.0 (blue), one serial (9-pin), one ethernet (RJ-45), three analog audio ports (line-in, line-out, mic-in)
IEEE 1394 adptr (opt)	Optional FireWire PCIe adapter on selected models, 1394a-2000, 400Mbps, two 6-pin ports on rear
Audio	High Definition (HD) Audio, Realtek® ALC662 codec
Speaker	Internal speaker for business audio
Onboard Ethernet	One onboard gigabit ethernet, Intel I217LM
Security	<ul style="list-style-type: none"> <li>Security chip: STMicro ST33ZP24AR28PVSP, TCG 1.2-compliant</li> <li>Security slot (in rear for optional Kensington Microsaver cable; prohibits side cover removal)</li> <li>Power-on/Administrator password</li> <li>Boot sequence control</li> <li>Boot without keyboard, mouse</li> <li>Serial port I/O control</li> <li>USB port disablement (front or all/individual)</li> <li>Chassis intrusion switch available on selected models</li> </ul>
Keyboard/Mouse	104-key keyboard (USB)/Optical Wheel Mouse (USB)
Power supply	280 watts with variable speed fan, autosensing, 85% PSU, Climate Savers® Computing Bronze, 80 PLUS® Bronze qualified
Environmental certifications	GREENGUARD® certified/RoHS-compliant/EPEAT™ Gold rating/ENERGY STAR 5.2 qualified
ISV certifications	For the latest list of certifications, please visit <a href="http://www.lenovo.com/support/ISV">www.lenovo.com/support/ISV</a>
Limited warranty <sup>1</sup>	3-year parts and labor



- Drives Bays**
- Bay 1 Standard, 5.25", 1.6" high, external, for optical
  - Bay 2 Standard, 5.25", 1.6" high, external, for optical or: optional, 3.5", 1" high, 3rd hard drive bay
  - Bay 3 Optional, 3.5", 1" high, supports one of the following: (1) for optional media card reader, external (2) for optional mSATA drive, internal
  - Bay 4 Standard, 3.5", 1" high, internal, primary hard drive bay
  - Bay 5 Standard, 3.5", 1" high, internal, 2nd hard drive bay

**Notes:**  
Standard optical and hard drive bays are included in models; optional hard drive bays are available on models with the corresponding hard drives only

- Expansion Slots**
- 1: half-length, full-height, PCIe 3.0 x16 (75w max, near CPU)
  - 2: half-length, full-height, PCIe 2.0 x1
  - 3: half-length, full-height, PCIe 2.0 x16 (x4 elec, 75W max)
  - 4: half-length, full-height, PCI 2.3

- Mechanical**
- Raven black color; metal case
  - 6.9"W x 17.0"D x 16.7"H (with handle)
  - 175mm W x 431mm D x 425mm H
  - 27.56 lb (12.5kg) max configuration • 25-liter
  - Removable handle on top front
  - Toolless side cover removal
  - Toolless disk and optical drive removal (standard bays)
  - Toolless adapter retention
  - Illuminated front icons
  - Recessed power button

Type-model <sup>1</sup>	Processor	Memory (MHz/type)	Memory DIMMs	Intel HD Graphics	Discrete graphics adapters <sup>**</sup>	Pre-conf RAID	Storage	Optical	29-in-1 Media reader	1394 adptr	Chassis intrusion switch	Preloaded OS
30A10038US	Core i3-4330 (2C/3.5GHz/4MB/1600MHz)	1600MHz Non-ECC	4GBx1	Intel HD 4600	1xQuadro 410 (512MB, 1xDVI-I DL, 1xDP, 37W)	No	1x500GB 3.5" SATA	DVD±RW	Media	No	Switch	Win8 Pro64
30A10039US	Core i3-4330 (2C/3.5GHz/4MB/1600MHz)	1600MHz Non-ECC	4GBx1	Intel HD 4600	1xQuadro K600 (1GB, 1xDVI-I DL, 1xDP, 41W)	No	1x500GB 3.5" SATA	DVD±RW	Media	No	Switch	Win8 Pro64
30A1003AUS	Core i3-4330 (2C/3.5GHz/4MB/1600MHz)	1600MHz Non-ECC	4GBx1	Intel HD 4600	1xQuadro K2000 (2GB, 1xDVI-I DL, 2xDP, 51W)	No	1x1TB 3.5" SATA	DVD±RW	Media	No	Switch	Win8 Pro64
30A1003PUS	Core i3-4330 (2C/3.5GHz/4MB/1600MHz)	1600MHz Non-ECC	4GBx1	Intel HD 4600		No	1x128GB SATA SSD	DVD±RW	Media	No	Switch	Win8 Pro64

<sup>1</sup> Model in italics shows that this is a Global Model      <sup>\*\*</sup> DL = Dual Link, SL = Single Link

• For detailed ThinkStation E32 Tower platform specifications, please see [ThinkStation E32 Platform Specifications sheet](#)

Chipset	<b>Intel C226 Chipset</b>
Intel AMT	Intel Active Management Technology 9 supported on models with Intel Xeon processors
Processor	One <b>LGA1150</b> socket, integrated 2-channel DDR3 memory controller, optional integrated Intel HD Graphics on selected processors
Memory	1600MHz UDIMM, DDR3, ECC or non-ECC, 2-channel capable
Memory DIMM sockets	Four 240-pin DIMM sockets, up to 32GB ECC/non-ECC (8GBx4)
Additional memory disclaimers	<ul style="list-style-type: none"> <li>Actual memory operating speed depends on processor memory controller speed, installed memory speed, and quantity of memory DIMMs</li> <li>Mixing of ECC and non-ECC is not supported</li> <li>Intel Core i5/i7 processors support non-ECC memory only</li> </ul>
Intel HD Graphics in processor (optional)	Integrated Intel HD Graphics on selected processors, uses main memory, works along with discrete graphics to support multi-display, enables three display connectors (2 DisplayPort, 1 VGA) on rear ports (detailed information please see <b>Rear ports</b> section)
Discrete graphics adapters	Two PCI Express x16 slots for discrete graphics adapters: <ul style="list-style-type: none"> <li>One PCI Express 3.0 x16 slot (75W max, near CPU)</li> <li>One PCI Express 2.0 x16 slot (x4 electrical, 75W max)</li> </ul>
Onboard drive controllers	Four SATA connectors via onboard drive controller in chipset, SATA 6.0Gb/s, RAID 0, 1, 5 support, supports Intel Smart Response Technology
Storage	Up to three 3.5" SATA (SATA 6.0Gb/s, 7200rpm)/2.5" SATA (SATA 6.0Gb/s, 10000rpm)/SATA SSD (SATA 6.0Gb/s) drives; up to one mSATA SSD drive (SATA 6.0Gb/s)
Optical	Supports DVD-ROM, DVD±RW, or Blu-ray Burner, 1.6" high, SATA interface
Media reader (opt)	Optional 29-in-1 media card reader on selected models
Front ports	Two USB 3.0 (blue), microphone (3.5mm), headphone (3.5mm)
Rear ports	One VGA and two DisplayPort for models with Intel HD Graphics, two USB 2.0, four USB 3.0 (blue), one serial (9-pin), one ethernet (RJ-45), three analog audio ports (line-in, line-out, mic-in)
IEEE 1394 adptr (opt)	Optional FireWire PCIe adapter on selected models, 1394a-2000, 400Mbps, two 6-pin ports on rear
Audio	High Definition (HD) Audio, Realtek® ALC662 codec
Speaker	Internal speaker for business audio
Onboard Ethernet	One onboard gigabit ethernet, Intel I217LM
Security	<ul style="list-style-type: none"> <li>Security chip: STMicro ST33ZP24AR28PVSP, TCG 1.2-compliant</li> <li>Security slot (in rear for optional Kensington Microsaver cable; prohibits side cover removal)</li> <li>Power-on/Administrator password</li> <li>Boot sequence control</li> <li>Boot without keyboard, mouse</li> <li>Serial port I/O control</li> <li>USB port disablement (front or all/individual)</li> <li>Chassis intrusion switch available on selected models</li> </ul>
Keyboard/Mouse	104-key keyboard (USB)/Optical Wheel Mouse (USB)
Power supply	280 watts with variable speed fan, autosensing, 85% PSU, Climate Savers® Computing Bronze, 80 PLUS® Bronze qualified
Environmental certifications	GREENGUARD® certified/RoHS-compliant/EPEAT™ Gold rating/ENERGY STAR 5.2 qualified
ISV certifications	For the latest list of certifications, please visit <a href="http://www.lenovo.com/support/ISV">www.lenovo.com/support/ISV</a>
Limited warranty <sup>1</sup>	3-year parts and labor

### Drives Bays

Bay 1 Standard, 5.25", 1.6" high, external, for optical

Bay 2 Standard, 5.25", 1.6" high, external, for optical or: optional, 3.5", 1" high, 3rd hard drive bay

Bay 3 Optional, 3.5", 1" high, supports one of the following:  
 (1) for optional media card reader, external  
 (2) for optional mSATA drive, internal

Bay 4 Standard, 3.5", 1" high, internal, primary hard drive bay

Bay 5 Standard, 3.5", 1" high, internal, 2nd hard drive bay

**Notes:**  
 Standard optical and hard drive bays are included in models; optional hard drive bays are available on models with the corresponding hard drives only

### Expansion Slots

1: half-length, full-height, PCIe 3.0 x16 (75w max, near CPU)  
 2: half-length, full-height, PCIe 2.0 x1  
 3: half-length, full-height, PCIe 2.0 x16 (x4 elec, 75W max)  
 4: half-length, full-height, PCI 2.3

### Mechanical

- Raven black color; metal case
- 6.9"W x 17.0"D x 16.7"H (with handle)
- 175mm W x 431mm D x 425mm H
- 27.56 lb (12.5kg) max configuration
- 25-liter
- Removable handle on top front
- Toolless side cover removal
- Toolless disk and optical drive removal (standard bays)
- Toolless adapter retention
- Illuminated front icons
- Recessed power button

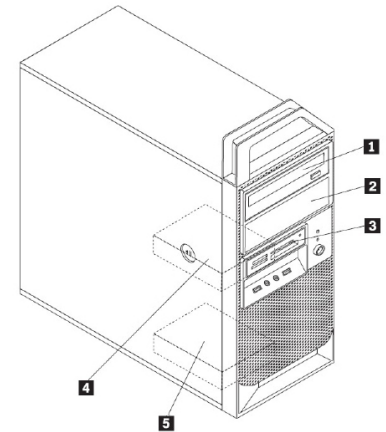
Type-model	Processor	Memory (MHz/type)	Memory DIMMs	Intel HD Graphics	Discrete graphics adapters**	Pre-conf RAID	Storage	Optical	29-in-1 Media reader	1394 adptr	Chassis intrusion switch	Preloaded OS
30A0002TUS	Core i5-4670 (4C/3.4GHz/6MB/1600MHz)	1600MHz Non-ECC	8GBx1	Intel HD 4600	1xQuadro K2000 (2GB, 1xDVI-I DL, 2xDP, 51W)	No	1x1TB 3.5" SATA	DVD±RW	Media	No	Switch	Win7 Pro64 (Downgrade from Win8)
30A0002UUS	Core i5-4570 (4C/3.2GHz/6MB/1600MHz)	1600MHz Non-ECC	8GBx1	Intel HD 4600	1xQuadro K600 (1GB, 1xDVI-I DL, 1xDP, 41W)	No	1x500GB 3.5" SATA	DVD±RW	Media	No	Switch	Win7 Pro64 (Downgrade from Win8)
30A0002VUS	Core i5-4570 (4C/3.2GHz/6MB/1600MHz)	1600MHz Non-ECC	4GBx1	Intel HD 4600	1xQuadro K600 (1GB, 1xDVI-I DL, 1xDP, 41W)	No	1x1TB 3.5" SATA	DVD±RW	Media	No	Switch	Win7 Pro64 (Downgrade from Win8)
30A0002WUS	Core i7-4770 (4C/3.4GHz/8MB/1600MHz)	1600MHz Non-ECC	8GBx1	Intel HD 4600	1xQuadro K2000 (2GB, 1xDVI-I DL, 2xDP, 51W)	No	1x1TB 3.5" SATA	DVD±RW	Media	No	Switch	Win7 Pro64 (Downgrade from Win8)
30A0002XUS	Xeon E3-1225 v3 (4C/3.2GHz/8MB/1600MHz)	1600MHz Non-ECC	4GBx1	Intel HD P4600	1xQuadro K2000 (2GB, 1xDVI-I DL, 2xDP, 51W)	No	1x1TB 3.5" SATA	DVD±RW	Media	No	Switch	Win7 Pro64 (Downgrade from Win8)
30A0002YUS	Xeon E3-1245 v3 (4C/3.4GHz/8MB/1600MHz)	1600MHz Non-ECC	8GBx1	Intel HD P4600	1xQuadro K600 (1GB, 1xDVI-I DL, 1xDP, 41W)	No	1x1TB 3.5" SATA	DVD±RW	Media	No	Switch	Win7 Pro64 (Downgrade from Win8)
30A0003OUS	Xeon E3-1245 v3 (4C/3.4GHz/8MB/1600MHz)	1600MHz Non-ECC	8GBx1	Intel HD P4600	1xQuadro K2000 (2GB, 1xDVI-I DL, 2xDP, 51W)	No	1x1TB 3.5" SATA	DVD±RW	Media	No	Switch	Win7 Pro64 (Downgrade from Win8)

\* Model in italics shows that this is a Global Model \*\* DL = Dual Link, SL = Single Link

• For detailed ThinkStation E32 Tower platform specifications, please see [ThinkStation E32 Platform Specifications sheet](#)

Chipset	<b>Intel C226 Chipset</b>
Intel AMT	Intel Active Management Technology 9 supported on models with Intel Xeon processors
Processor	One <b>LGA1150</b> socket, integrated 2-channel DDR3 memory controller, optional integrated Intel HD Graphics on selected processors
Memory	1600MHz UDIMM, DDR3, ECC or non-ECC, 2-channel capable
Memory DIMM sockets	Four 240-pin DIMM sockets, up to 32GB ECC/non-ECC (8GBx4)
Additional memory disclaimers	<ul style="list-style-type: none"> <li>Actual memory operating speed depends on processor memory controller speed, installed memory speed, and quantity of memory DIMMs</li> <li>Mixing of ECC and non-ECC is not supported</li> <li>Intel Core i5/i7 processors support non-ECC memory only</li> </ul>
Intel HD Graphics in processor (optional)	Integrated Intel HD Graphics on selected processors, uses main memory, works along with discrete graphics to support multi-display, enables three display connectors (2 DisplayPort, 1 VGA) on rear ports (detailed information please see <b>Rear ports</b> section)
Discrete graphics adapters	Two PCI Express x16 slots for discrete graphics adapters: <ul style="list-style-type: none"> <li>One PCI Express 3.0 x16 slot (75W max, near CPU)</li> <li>One PCI Express 2.0 x16 slot (x4 electrical, 75W max)</li> </ul>
Onboard drive controllers	Four SATA connectors via onboard drive controller in chipset, SATA 6.0Gb/s, RAID 0, 1, 5 support, supports Intel Smart Response Technology
Storage	Up to three 3.5" SATA (SATA 6.0Gb/s, 7200rpm)/2.5" SATA (SATA 6.0Gb/s, 10000rpm)/SATA SSD (SATA 6.0Gb/s) drives; up to one mSATA SSD drive (SATA 6.0Gb/s)
Optical	Supports DVD-ROM, DVD±RW, or Blu-ray Burner, 1.6" high, SATA interface
Media reader (opt)	Optional 29-in-1 media card reader on selected models
Front ports	Two USB 3.0 (blue), microphone (3.5mm), headphone (3.5mm)
Rear ports	One VGA and two DisplayPort for models with Intel HD Graphics, two USB 2.0, four USB 3.0 (blue), one serial (9-pin), one ethernet (RJ-45), three analog audio ports (line-in, line-out, mic-in)
IEEE 1394 adptr (opt)	Optional FireWire PCIe adapter on selected models, 1394a-2000, 400Mbps, two 6-pin ports on rear
Audio	High Definition (HD) Audio, Realtek® ALC662 codec
Speaker	Internal speaker for business audio
Onboard Ethernet	One onboard gigabit ethernet, Intel I217LM
Security	<ul style="list-style-type: none"> <li>Security chip: STMicro ST33ZP24AR28PVSP, TCG 1.2-compliant</li> <li>Security slot (in rear for optional Kensington Microsaver cable; prohibits side cover removal)</li> <li>Power-on/Administrator password</li> <li>Boot sequence control</li> <li>Boot without keyboard, mouse</li> <li>Serial port I/O control</li> <li>USB port disablement (front or all/individual)</li> <li>Chassis intrusion switch available on selected models</li> </ul>
Keyboard/Mouse	104-key keyboard (USB)/Optical Wheel Mouse (USB)
Power supply	280 watts with variable speed fan, autosensing, 85% PSU, Climate Savers® Computing Bronze, 80 PLUS® Bronze qualified
Environmental certifications	GREENGUARD® certified/RoHS-compliant/EPEAT™ Gold rating/ENERGY STAR 5.2 qualified
ISV certifications	For the latest list of certifications, please visit <a href="http://www.lenovo.com/support/ISV">www.lenovo.com/support/ISV</a>
Limited warranty <sup>1</sup>	3-year parts and labor

**Drives Bays**



- Bay 1 Standard, 5.25", 1.6" high, external, for optical
- Bay 2 Standard, 5.25", 1.6" high, external, for optical or: optional, 3.5", 1" high, 3rd hard drive bay
- Bay 3 Optional, 3.5", 1" high, supports one of the following: (1) for optional media card reader, external (2) for optional mSATA drive, internal
- Bay 4 Standard, 3.5", 1" high, internal, primary hard drive bay
- Bay 5 Standard, 3.5", 1" high, internal, 2nd hard drive bay

**Notes:**

Standard optical and hard drive bays are included in models; optional hard drive bays are available on models with the corresponding hard drives only

**Expansion Slots**

- 1: half-length, full-height, PCIe 3.0 x16 (75w max, near CPU)
- 2: half-length, full-height, PCIe 2.0 x1
- 3: half-length, full-height, PCIe 2.0 x16 (x4 elec, 75W max)
- 4: half-length, full-height, PCI 2.3

**Mechanical**

- Raven black color; metal case
- 6.9"W x 17.0"D x 16.7"H (with handle)
- 175mm W x 431mm D x 425mm H
- 27.56 lb (12.5kg) max configuration
- 25-liter
- Removable handle on top front
- Toolless side cover removal
- Toolless disk and optical drive removal (standard bays)
- Toolless adapter retention
- Illuminated front icons
- Recessed power button

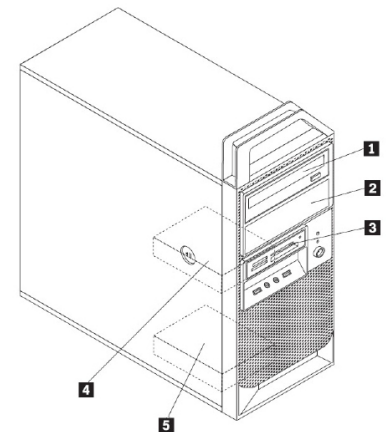
Type-model	Processor	Memory (MHz/type)	Memory DIMMs	Intel HD Graphics	Discrete graphics adapters**	Pre-conf RAID	Storage	Optical	29-in-1 Media reader	1394 adptr	Chassis intrusion switch	Preloaded OS
30A00031US	Xeon E3-1275 v3 (4C/3.5GHz/8MB/1600MHz)	1600MHz Non-ECC	8GBx1	Intel HD P4600	1xQuadro K2000 (2GB, 1xDVI-I DL, 2xDP, 51W)	No	1x1TB 3.5" SATA	DVD±RW	Media	No	Switch	Win7 Pro64 (Downgrade from Win8)
30A00032US	Core i5-4670 (4C/3.4GHz/6MB/1600MHz)	1600MHz Non-ECC	8GBx1	Intel HD 4600	1xQuadro K600 (1GB, 1xDVI-I DL, 1xDP, 41W)	No	1x180GB SATA SSD	DVD±RW	Media	No	Switch	Win7 Pro64 (Downgrade from Win8)
30A00033US	Core i7-4770 (4C/3.4GHz/8MB/1600MHz)	1600MHz Non-ECC	8GBx1	Intel HD 4600	1xQuadro K600 (1GB, 1xDVI-I DL, 1xDP, 41W)	No	1x180GB SATA SSD	DVD±RW	Media	No	Switch	Win7 Pro64 (Downgrade from Win8)
30A00034US	Xeon E3-1245 v3 (4C/3.4GHz/8MB/1600MHz)	1600MHz Non-ECC	8GBx1	Intel HD P4600	1xQuadro K600 (1GB, 1xDVI-I DL, 1xDP, 41W)	No	1x180GB SATA SSD	DVD±RW	Media	No	Switch	Win7 Pro64 (Downgrade from Win8)
30A00035US	Xeon E3-1280 v3 (4C/3.6GHz/8MB/1600MHz)	1600MHz Non-ECC	8GBx1	Intel HD P4600	1xQuadro K2000 (2GB, 1xDVI-I DL, 2xDP, 51W)	No	1x1TB 3.5" SATA	DVD±RW	Media	No	Switch	Win7 Pro64 (Downgrade from Win8)
30A00039US	Core i5-4670 (4C/3.4GHz/6MB/1600MHz)	1600MHz Non-ECC	8GBx1	Intel HD 4600	1xQuadro K2000 (2GB, 1xDVI-I DL, 2xDP, 51W)	No	1x1TB 3.5" SATA	DVD±RW	Media	No	Switch	Win8 Pro64
30A0003AUS	Core i5-4570 (4C/3.2GHz/6MB/1600MHz)	1600MHz Non-ECC	8GBx1	Intel HD 4600	1xQuadro K600 (1GB, 1xDVI-I DL, 1xDP, 41W)	No	1x500GB 3.5" SATA	DVD±RW	Media	No	Switch	Win8 Pro64

\* Model in italics shows that this is a Global Model \*\* DL = Dual Link, SL = Single Link

• For detailed ThinkStation E32 Tower platform specifications, please see [ThinkStation E32 Platform Specifications sheet](#)

Chipset	<b>Intel C226 Chipset</b>
Intel AMT	Intel Active Management Technology 9 supported on models with Intel Xeon processors
Processor	One <b>LGA1150</b> socket, integrated 2-channel DDR3 memory controller, optional integrated Intel HD Graphics on selected processors
Memory	1600MHz UDIMM, DDR3, ECC or non-ECC, 2-channel capable
Memory DIMM sockets	Four 240-pin DIMM sockets, up to 32GB ECC/non-ECC (8GBx4)
Additional memory disclaimers	<ul style="list-style-type: none"> <li>Actual memory operating speed depends on processor memory controller speed, installed memory speed, and quantity of memory DIMMs</li> <li>Mixing of ECC and non-ECC is not supported</li> <li>Intel Core i5/i7 processors support non-ECC memory only</li> </ul>
Intel HD Graphics in processor (optional)	Integrated Intel HD Graphics on selected processors, uses main memory, works along with discrete graphics to support multi-display, enables three display connectors (2 DisplayPort, 1 VGA) on rear ports (detailed information please see <b>Rear ports</b> section)
Discrete graphics adapters	Two PCI Express x16 slots for discrete graphics adapters: <ul style="list-style-type: none"> <li>One PCI Express 3.0 x16 slot (75W max, near CPU)</li> <li>One PCI Express 2.0 x16 slot (x4 electrical, 75W max)</li> </ul>
Onboard drive controllers	Four SATA connectors via onboard drive controller in chipset, SATA 6.0Gb/s, RAID 0, 1, 5 support, supports Intel Smart Response Technology
Storage	Up to three 3.5" SATA (SATA 6.0Gb/s, 7200rpm)/2.5" SATA (SATA 6.0Gb/s, 10000rpm)/SATA SSD (SATA 6.0Gb/s) drives; up to one mSATA SSD drive (SATA 6.0Gb/s)
Optical	Supports DVD-ROM, DVD±RW, or Blu-ray Burner, 1.6" high, SATA interface
Media reader (opt)	Optional 29-in-1 media card reader on selected models
Front ports	Two USB 3.0 (blue), microphone (3.5mm), headphone (3.5mm)
Rear ports	One VGA and two DisplayPort for models with Intel HD Graphics, two USB 2.0, four USB 3.0 (blue), one serial (9-pin), one ethernet (RJ-45), three analog audio ports (line-in, line-out, mic-in)
IEEE 1394 adptr (opt)	Optional FireWire PCIe adapter on selected models, 1394a-2000, 400Mbps, two 6-pin ports on rear
Audio	High Definition (HD) Audio, Realtek® ALC662 codec
Speaker	Internal speaker for business audio
Onboard Ethernet	One onboard gigabit ethernet, Intel I217LM
Security	<ul style="list-style-type: none"> <li>Security chip: STMicro ST33ZP24AR28PVSP, TCG 1.2-compliant</li> <li>Security slot (in rear for optional Kensington Microsaver cable; prohibits side cover removal)</li> <li>Power-on/Administrator password</li> <li>Boot sequence control</li> <li>Boot without keyboard, mouse</li> <li>Serial port I/O control</li> <li>USB port disablement (front or all/individual)</li> <li>Chassis intrusion switch available on selected models</li> </ul>
Keyboard/Mouse	104-key keyboard (USB)/Optical Wheel Mouse (USB)
Power supply	280 watts with variable speed fan, autosensing, 85% PSU, Climate Savers® Computing Bronze, 80 PLUS® Bronze qualified
Environmental certifications	GREENGUARD® certified/RoHS-compliant/EPEAT™ Gold rating/ENERGY STAR 5.2 qualified
ISV certifications	For the latest list of certifications, please visit <a href="http://www.lenovo.com/support/ISV">www.lenovo.com/support/ISV</a>
Limited warranty <sup>1</sup>	3-year parts and labor

**Drives Bays**



- Bay 1 Standard, 5.25", 1.6" high, external, for optical
- Bay 2 Standard, 5.25", 1.6" high, external, for optical or: optional, 3.5", 1" high, 3rd hard drive bay
- Bay 3 Optional, 3.5", 1" high, supports one of the following:
  - (1) for optional media card reader, external
  - (2) for optional mSATA drive, internal
- Bay 4 Standard, 3.5", 1" high, internal, primary hard drive bay
- Bay 5 Standard, 3.5", 1" high, internal, 2nd hard drive bay

**Notes:**

Standard optical and hard drive bays are included in models; optional hard drive bays are available on models with the corresponding hard drives only

**Expansion Slots**

- 1: half-length, full-height, PCIe 3.0 x16 (75w max, near CPU)
- 2: half-length, full-height, PCIe 2.0 x1
- 3: half-length, full-height, PCIe 2.0 x16 (x4 elec, 75W max)
- 4: half-length, full-height, PCI 2.3

**Mechanical**

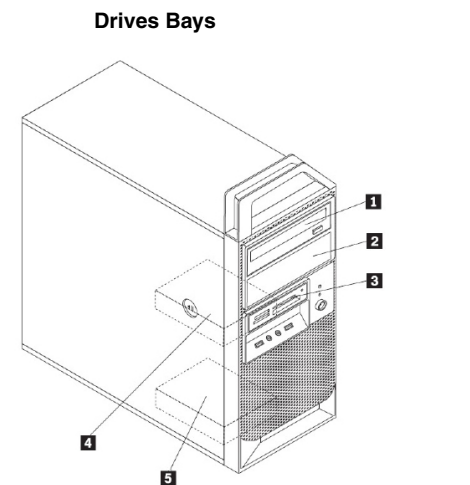
- Raven black color; metal case
- 6.9"W x 17.0"D x 16.7"H (with handle)
- 175mm W x 431mm D x 425mm H
- 27.56 lb (12.5kg) max configuration
- 25-liter
- Removable handle on top front
- Toolless side cover removal
- Toolless disk and optical drive removal (standard bays)
- Toolless adapter retention
- Illuminated front icons
- Recessed power button

Type-model	Processor	Memory (MHz/type)	Memory DIMMs	Intel HD Graphics	Discrete graphics adapters**	Pre-conf RAID	Storage	Optical	29-in-1 Media reader	1394 adptr	Chassis intrusion switch	Preloaded OS
30A0003BUS	Core i5-4570 (4C/3.2GHz/6MB/1600MHz)	1600MHz Non-ECC	4GBx1	Intel HD 4600	1xQuadro K600 (1GB, 1xDVI-I DL, 1xDP, 41W)	No	1x1TB 3.5" SATA	DVD±RW	Media	No	Switch	Win8 Pro64
30A0003CUS	Core i7-4770 (4C/3.4GHz/8MB/1600MHz)	1600MHz Non-ECC	8GBx1	Intel HD 4600	1xQuadro K2000 (2GB, 1xDVI-I DL, 2xDP, 51W)	No	1x1TB 3.5" SATA	DVD±RW	Media	No	Switch	Win8 Pro64
30A0003DUS	Xeon E3-1225 v3 (4C/3.2GHz/8MB/1600MHz)	1600MHz Non-ECC	4GBx1	Intel HD P4600	1xQuadro K2000 (2GB, 1xDVI-I DL, 2xDP, 51W)	No	1x1TB 3.5" SATA	DVD±RW	Media	No	Switch	Win8 Pro64
30A0003EUS	Xeon E3-1245 v3 (4C/3.4GHz/8MB/1600MHz)	1600MHz Non-ECC	8GBx1	Intel HD P4600	1xQuadro K600 (1GB, 1xDVI-I DL, 1xDP, 41W)	No	1x1TB 3.5" SATA	DVD±RW	Media	No	Switch	Win8 Pro64
30A0003FUS	Xeon E3-1245 v3 (4C/3.4GHz/8MB/1600MHz)	1600MHz Non-ECC	8GBx1	Intel HD P4600	1xQuadro K2000 (2GB, 1xDVI-I DL, 2xDP, 51W)	No	1x1TB 3.5" SATA	DVD±RW	Media	No	Switch	Win8 Pro64
30A0003GUS	Xeon E3-1275 v3 (4C/3.5GHz/8MB/1600MHz)	1600MHz Non-ECC	8GBx1	Intel HD P4600	1xQuadro K2000 (2GB, 1xDVI-I DL, 2xDP, 51W)	No	1x1TB 3.5" SATA	DVD±RW	Media	No	Switch	Win8 Pro64
30A0003HUS	Core i5-4670 (4C/3.4GHz/6MB/1600MHz)	1600MHz Non-ECC	8GBx1	Intel HD 4600	1xQuadro K600 (1GB, 1xDVI-I DL, 1xDP, 41W)	No	1x180GB SATA SSD	DVD±RW	Media	No	Switch	Win8 Pro64

\* Model in italics shows that this is a Global Model \*\* DL = Dual Link, SL = Single Link

• For detailed ThinkStation E32 Tower platform specifications, please see [ThinkStation E32 Platform Specifications sheet](#)

Chipset	<b>Intel C226 Chipset</b>
Intel AMT	Intel Active Management Technology 9 supported on models with Intel Xeon processors
Processor	One <b>LGA1150</b> socket, integrated 2-channel DDR3 memory controller, optional integrated Intel HD Graphics on selected processors
Memory	1600MHz UDIMM, DDR3, ECC or non-ECC, 2-channel capable
Memory DIMM sockets	Four 240-pin DIMM sockets, up to 32GB ECC/non-ECC (8GBx4)
Additional memory disclaimers	<ul style="list-style-type: none"> <li>Actual memory operating speed depends on processor memory controller speed, installed memory speed, and quantity of memory DIMMs</li> <li>Mixing of ECC and non-ECC is not supported</li> <li>Intel Core i5/i7 processors support non-ECC memory only</li> </ul>
Intel HD Graphics in processor (optional)	Integrated Intel HD Graphics on selected processors, uses main memory, works along with discrete graphics to support multi-display, enables three display connectors (2 DisplayPort, 1 VGA) on rear ports (detailed information please see <b>Rear ports</b> section)
Discrete graphics adapters	Two PCI Express x16 slots for discrete graphics adapters: <ul style="list-style-type: none"> <li>One PCI Express 3.0 x16 slot (75W max, near CPU)</li> <li>One PCI Express 2.0 x16 slot (x4 electrical, 75W max)</li> </ul>
Onboard drive controllers	Four SATA connectors via onboard drive controller in chipset, SATA 6.0Gb/s, RAID 0, 1, 5 support, supports Intel Smart Response Technology
Storage	Up to three 3.5" SATA (SATA 6.0Gb/s, 7200rpm)/2.5" SATA (SATA 6.0Gb/s, 10000rpm)/SATA SSD (SATA 6.0Gb/s) drives; up to one mSATA SSD drive (SATA 6.0Gb/s)
Optical	Supports DVD-ROM, DVD±RW, or Blu-ray Burner, 1.6" high, SATA interface
Media reader (opt)	Optional 29-in-1 media card reader on selected models
Front ports	Two USB 3.0 (blue), microphone (3.5mm), headphone (3.5mm)
Rear ports	One VGA and two DisplayPort for models with Intel HD Graphics, two USB 2.0, four USB 3.0 (blue), one serial (9-pin), one ethernet (RJ-45), three analog audio ports (line-in, line-out, mic-in)
IEEE 1394 adptr (opt)	Optional FireWire PCIe adapter on selected models, 1394a-2000, 400Mbps, two 6-pin ports on rear
Audio	High Definition (HD) Audio, Realtek® ALC662 codec
Speaker	Internal speaker for business audio
Onboard Ethernet	One onboard gigabit ethernet, Intel I217LM
Security	<ul style="list-style-type: none"> <li>Security chip: STMicro ST33ZP24AR28PVSP, TCG 1.2-compliant</li> <li>Security slot (in rear for optional Kensington Microsaver cable; prohibits side cover removal)</li> <li>Power-on/Administrator password</li> <li>Boot sequence control</li> <li>Boot without keyboard, mouse</li> <li>Serial port I/O control</li> <li>USB port disablement (front or all/individual)</li> <li>Chassis intrusion switch available on selected models</li> </ul>
Keyboard/Mouse	104-key keyboard (USB)/Optical Wheel Mouse (USB)
Power supply	280 watts with variable speed fan, autosensing, 85% PSU, Climate Savers® Computing Bronze, 80 PLUS® Bronze qualified
Environmental certifications	GREENGUARD® certified/RoHS-compliant/EPEAT™ Gold rating/ENERGY STAR 5.2 qualified
ISV certifications	For the latest list of certifications, please visit <a href="http://www.lenovo.com/support/ISV">www.lenovo.com/support/ISV</a>
Limited warranty <sup>1</sup>	3-year parts and labor



- Bay 1 Standard, 5.25", 1.6" high, external, for optical
- Bay 2 Standard, 5.25", 1.6" high, external, for optical or: optional, 3.5", 1" high, 3rd hard drive bay
- Bay 3 Optional, 3.5", 1" high, supports one of the following:  
 (1) for optional media card reader, external  
 (2) for optional mSATA drive, internal
- Bay 4 Standard, 3.5", 1" high, internal, primary hard drive bay
- Bay 5 Standard, 3.5", 1" high, internal, 2nd hard drive bay

Notes:  
 Standard optical and hard drive bays are included in models; optional hard drive bays are available on models with the corresponding hard drives only

**Expansion Slots**

- 1: half-length, full-height, PCIe 3.0 x16 (75w max, near CPU)
- 2: half-length, full-height, PCIe 2.0 x1
- 3: half-length, full-height, PCIe 2.0 x16 (x4 elec, 75W max)
- 4: half-length, full-height, PCI 2.3

**Mechanical**

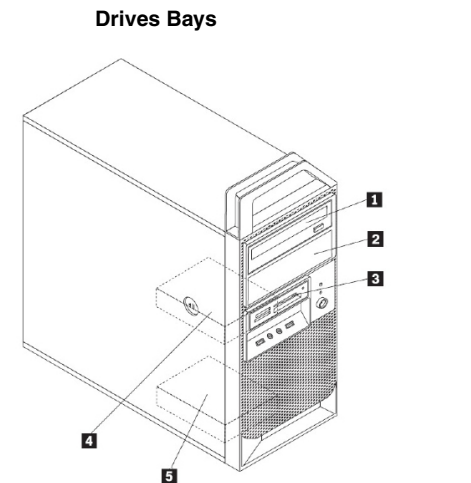
- Raven black color; metal case
- 6.9"W x 17.0"D x 16.7"H (with handle)
- 175mm W x 431mm D x 425mm H
- 27.56 lb (12.5kg) max configuration
- 25-liter
- Removable handle on top front
- Toolless side cover removal
- Toolless disk and optical drive removal (standard bays)
- Toolless adapter retention
- Illuminated front icons
- Recessed power button

Type-model	Processor	Memory (MHz/type)	Memory DIMMs	Intel HD Graphics	Discrete graphics adapters**	Pre-conf RAID	Storage	Optical	29-in-1 Media reader	1394 adptr	Chassis intrusion switch	Preloaded OS
30A0003JUS	Core i7-4770 (4C/3.4GHz/8MB/1600MHz)	1600MHz Non-ECC	8GBx1	Intel HD 4600	1xQuadro K600 (1GB, 1xDVI-I DL, 1xDP, 41W)	No	1x180GB SATA SSD	DVD±RW	Media	No	Switch	Win8 Pro64
30A0003KUS	Xeon E3-1245 v3 (4C/3.4GHz/8MB/1600MHz)	1600MHz Non-ECC	8GBx1	Intel HD P4600	1xQuadro K600 (1GB, 1xDVI-I DL, 1xDP, 41W)	No	1x180GB SATA SSD	DVD±RW	Media	No	Switch	Win8 Pro64
30A0003LUS	Xeon E3-1280 v3 (4C/3.6GHz/8MB/1600MHz)	1600MHz Non-ECC	8GBx1		1xQuadro K2000 (2GB, 1xDVI-I DL, 2xDP, 51W)	No	1x1TB 3.5" SATA	DVD±RW	Media	No	Switch	Win8 Pro64

\* Model in italics shows that this is a Global Model \*\* DL = Dual Link, SL = Single Link

• For detailed ThinkStation E32 Tower platform specifications, please see [ThinkStation E32 Platform Specifications sheet](#)

Chipset	<b>Intel C226 Chipset</b>
Intel AMT	Intel Active Management Technology 9 supported on models with Intel Xeon processors
Processor	One <b>LGA1150</b> socket, integrated 2-channel DDR3 memory controller, optional integrated Intel HD Graphics on selected processors
Memory	1600MHz UDIMM, DDR3, ECC or non-ECC, 2-channel capable
Memory DIMM sockets	Four 240-pin DIMM sockets, up to 32GB ECC/non-ECC (8GBx4)
Additional memory disclaimers	<ul style="list-style-type: none"> <li>Actual memory operating speed depends on processor memory controller speed, installed memory speed, and quantity of memory DIMMs</li> <li>Mixing of ECC and non-ECC is not supported</li> <li>Intel Core i5/i7 processors support non-ECC memory only</li> </ul>
Intel HD Graphics in processor (optional)	Integrated Intel HD Graphics on selected processors, uses main memory, works along with discrete graphics to support multi-display, enables three display connectors (2 DisplayPort, 1 VGA) on rear ports (detailed information please see <b>Rear ports</b> section)
Discrete graphics adapters	Two PCI Express x16 slots for discrete graphics adapters: <ul style="list-style-type: none"> <li>One PCI Express 3.0 x16 slot (75W max, near CPU)</li> <li>One PCI Express 2.0 x16 slot (x4 electrical, 75W max)</li> </ul>
Onboard drive controllers	Four SATA connectors via onboard drive controller in chipset, SATA 6.0Gb/s, RAID 0, 1, 5 support, supports Intel Smart Response Technology
Storage	Up to three 3.5" SATA (SATA 6.0Gb/s, 7200rpm)/2.5" SATA (SATA 6.0Gb/s, 10000rpm)/SATA SSD (SATA 6.0Gb/s) drives; up to one mSATA SSD drive (SATA 6.0Gb/s)
Optical	Supports DVD-ROM, DVD±RW, or Blu-ray Burner, 1.6" high, SATA interface
Media reader (opt)	Optional 29-in-1 media card reader on selected models
Front ports	Two USB 3.0 (blue), microphone (3.5mm), headphone (3.5mm)
Rear ports	One VGA and two DisplayPort for models with Intel HD Graphics, two USB 2.0, four USB 3.0 (blue), one serial (9-pin), one ethernet (RJ-45), three analog audio ports (line-in, line-out, mic-in)
IEEE 1394 adptr (opt)	Optional FireWire PCIe adapter on selected models, 1394a-2000, 400Mbps, two 6-pin ports on rear
Audio	High Definition (HD) Audio, Realtek® ALC662 codec
Speaker	Internal speaker for business audio
Onboard Ethernet	One onboard gigabit ethernet, Intel I217LM
Security	<ul style="list-style-type: none"> <li>Security chip: STMicro ST33ZP24AR28PVSP, TCG 1.2-compliant</li> <li>Security slot (in rear for optional Kensington Microsaver cable; prohibits side cover removal)</li> <li>Power-on/Administrator password</li> <li>Boot sequence control</li> <li>Boot without keyboard, mouse</li> <li>Serial port I/O control</li> <li>USB port disablement (front or all/individual)</li> <li>Chassis intrusion switch available on selected models</li> </ul>
Keyboard/Mouse	104-key keyboard (USB)/Optical Wheel Mouse (USB)
Power supply	280 watts with variable speed fan, autosensing, 85% PSU, Climate Savers® Computing Bronze, 80 PLUS® Bronze qualified
Environmental certifications	GREENGUARD® certified/RoHS-compliant/EPEAT™ Gold rating/ENERGY STAR 5.2 qualified
ISV certifications	For the latest list of certifications, please visit <a href="http://www.lenovo.com/support/ISV">www.lenovo.com/support/ISV</a>
Limited warranty <sup>1</sup>	3-year parts and labor



- Bay 1 Standard, 5.25", 1.6" high, external, for optical
- Bay 2 Standard, 5.25", 1.6" high, external, for optical or: optional, 3.5", 1" high, 3rd hard drive bay
- Bay 3 Optional, 3.5", 1" high, supports one of the following:  
 (1) for optional media card reader, external  
 (2) for optional mSATA drive, internal
- Bay 4 Standard, 3.5", 1" high, internal, primary hard drive bay
- Bay 5 Standard, 3.5", 1" high, internal, 2nd hard drive bay

Notes:  
 Standard optical and hard drive bays are included in models; optional hard drive bays are available on models with the corresponding hard drives only

**Expansion Slots**

- 1: half-length, full-height, PCIe 3.0 x16 (75w max, near CPU)
- 2: half-length, full-height, PCIe 2.0 x1
- 3: half-length, full-height, PCIe 2.0 x16 (x4 elec, 75W max)
- 4: half-length, full-height, PCI 2.3

**Mechanical**

- Raven black color; metal case
- 6.9"W x 17.0"D x 16.7"H (with handle)
- 175mm W x 431mm D x 425mm H
- 27.56 lb (12.5kg) max configuration
- 25-liter
- Removable handle on top front
- Toolless side cover removal
- Toolless disk and optical drive removal (standard bays)
- Toolless adapter retention
- Illuminated front icons
- Recessed power button

Type-model <sup>1</sup>	Processor	Memory (MHz/type)	Memory DIMMs	Intel HD Graphics	Discrete graphics adapters <sup>**</sup>	Pre-conf RAID	Storage	Optical	29-in-1 Media reader	1394 adptr	Chassis intrusion switch	Preloaded OS
30A0002QUS	Core i3-4330 (2C/3.5GHz/4MB/1600MHz)	1600MHz Non-ECC	4GBx1	Intel HD 4600	1xQuadro K600 (1GB, 1xDVI-I DL, 1xDP, 41W)	No	1x500GB 3.5" SATA	DVD±RW	Media	No	Switch	Win7 Pro64 (Downgrade from Win8)
30A0002RUS	Core i3-4330 (2C/3.5GHz/4MB/1600MHz)	1600MHz Non-ECC	4GBx1	Intel HD 4600		No	1x500GB 3.5" SATA	DVD±RW	Media	No	Switch	Win7 Pro64 (Downgrade from Win8)
30A0002SUS	Core i3-4330 (2C/3.5GHz/4MB/1600MHz)	1600MHz Non-ECC	4GBx1	Intel HD 4600	1xQuadro 410 (512MB, 1xDVI-I DL, 1xDP, 37W)	No	1x500GB 3.5" SATA	DVD±RW	Media	No	Switch	Win7 Pro64 (Downgrade from Win8)
30A00036US	Core i3-4330 (2C/3.5GHz/4MB/1600MHz)	1600MHz Non-ECC	4GBx1	Intel HD 4600	1xQuadro K600 (1GB, 1xDVI-I DL, 1xDP, 41W)	No	1x500GB 3.5" SATA	DVD±RW	Media	No	Switch	Win8 Pro64
30A00037US	Core i3-4330 (2C/3.5GHz/4MB/1600MHz)	1600MHz Non-ECC	4GBx1	Intel HD 4600		No	1x500GB 3.5" SATA	DVD±RW	Media	No	Switch	Win8 Pro64
30A00038US	Core i3-4330 (2C/3.5GHz/4MB/1600MHz)	1600MHz Non-ECC	4GBx1	Intel HD 4600	1xQuadro 410 (512MB, 1xDVI-I DL, 1xDP, 37W)	No	1x500GB 3.5" SATA	DVD±RW	Media	No	Switch	Win8 Pro64

<sup>1</sup> Model in italics shows that this is a Global Model      <sup>\*\*</sup> DL = Dual Link, SL = Single Link

• For detailed ThinkStation E32 Tower platform specifications, please see [ThinkStation E32 Platform Specifications sheet](#)

Chipset	<b>Intel C226 Chipset</b>
Intel AMT	Intel Active Management Technology 9 supported on models with Intel Xeon processors
Processor	One <b>LGA1150</b> socket, integrated 2-channel DDR3 memory controller, optional integrated Intel HD Graphics on selected processors
Memory	1600MHz UDIMM, DDR3, ECC or non-ECC, 2-channel capable
Memory DIMM sockets	Four 240-pin DIMM sockets, up to 32GB ECC/non-ECC (8GBx4)
Additional memory disclaimers	<ul style="list-style-type: none"> <li>Actual memory operating speed depends on processor memory controller speed, installed memory speed, and quantity of memory DIMMs</li> <li>Mixing of ECC and non-ECC is not supported</li> <li>Intel Core i5/i7 processors support non-ECC memory only</li> </ul>
Intel HD Graphics in processor (optional)	Integrated Intel HD Graphics on selected processors, uses main memory, works along with discrete graphics to support multi-display, enables three display connectors (2 DisplayPort, 1 VGA) on rear ports (detailed information please see <b>Rear ports</b> section)
Discrete graphics adapters	Two PCI Express x16 slots for discrete graphics adapters: <ul style="list-style-type: none"> <li>One PCI Express 3.0 x16 slot (75W max, near CPU)</li> <li>One PCI Express 2.0 x16 slot (x4 electrical, 75W max)</li> </ul>
Onboard drive controllers	Four SATA connectors via onboard drive controller in chipset, SATA 6.0Gb/s, RAID 0, 1, 5 support, supports Intel Smart Response Technology
Storage	Up to three 3.5" SATA (SATA 6.0Gb/s, 7200rpm)/2.5" SATA (SATA 6.0Gb/s, 10000rpm)/SATA SSD (SATA 6.0Gb/s) drives; up to one mSATA SSD drive (SATA 6.0Gb/s)
Optical	Supports DVD-ROM, DVD±RW, or Blu-ray Burner, 1.6" high, SATA interface
Media reader (opt)	Optional 29-in-1 media card reader on selected models
Front ports	Two USB 3.0 (blue), microphone (3.5mm), headphone (3.5mm)
Rear ports	One VGA and two DisplayPort for models with Intel HD Graphics, two USB 2.0, four USB 3.0 (blue), one serial (9-pin), one ethernet (RJ-45), three analog audio ports (line-in, line-out, mic-in)
IEEE 1394 adptr (opt)	Optional FireWire PCIe adapter on selected models, 1394a-2000, 400Mbps, two 6-pin ports on rear
Audio	High Definition (HD) Audio, Realtek® ALC662 codec
Speaker	Internal speaker for business audio
Onboard Ethernet	One onboard gigabit ethernet, Intel I217LM
Security	<ul style="list-style-type: none"> <li>Security chip: STMicro ST33ZP24AR28PVSP, TCG 1.2-compliant</li> <li>Security slot (in rear for optional Kensington Microsaver cable; prohibits side cover removal)</li> <li>Power-on/Administrator password</li> <li>Boot sequence control</li> <li>Boot without keyboard, mouse</li> <li>Serial port I/O control</li> <li>USB port disablement (front or all/individual)</li> <li>Chassis intrusion switch available on selected models</li> </ul>
Keyboard/Mouse	104-key keyboard (USB)/Optical Wheel Mouse (USB)
Power supply	280 watts with variable speed fan, autosensing, 85% PSU, Climate Savers® Computing Bronze, 80 PLUS® Bronze qualified
Environmental certifications	GREENGUARD® certified/RoHS-compliant/EPEAT™ Gold rating/ENERGY STAR 5.2 qualified
ISV certifications	For the latest list of certifications, please visit <a href="http://www.lenovo.com/support/ISV">www.lenovo.com/support/ISV</a>
Limited warranty <sup>1</sup>	3-year parts and labor

### Drives Bays

Bay 1 Standard, 5.25", 1.6" high, external, for optical

Bay 2 Standard, 5.25", 1.6" high, external, for optical or: optional, 3.5", 1" high, 3rd hard drive bay

Bay 3 Optional, 3.5", 1" high, supports one of the following: (1) for optional media card reader, external (2) for optional mSATA drive, internal

Bay 4 Standard, 3.5", 1" high, internal, primary hard drive bay

Bay 5 Standard, 3.5", 1" high, internal, 2nd hard drive bay

**Notes:**  
Standard optical and hard drive bays are included in models; optional hard drive bays are available on models with the corresponding hard drives only

### Expansion Slots

1: half-length, full-height, PCIe 3.0 x16 (75w max, near CPU)  
2: half-length, full-height, PCIe 2.0 x1  
3: half-length, full-height, PCIe 2.0 x16 (x4 elec, 75W max)  
4: half-length, full-height, PCI 2.3

### Mechanical

- Raven black color; metal case
- 6.9"W x 17.0"D x 16.7"H (with handle)
- 175mm W x 431mm D x 425mm H
- 27.56 lb (12.5kg) max configuration
- 25-liter
- Removable handle on top front
- Toolless side cover removal
- Toolless disk and optical drive removal (standard bays)
- Toolless adapter retention
- Illuminated front icons
- Recessed power button



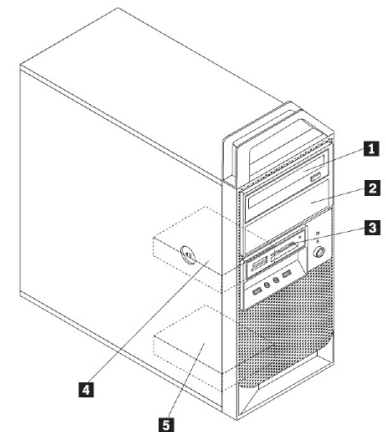
Type-model <sup>1</sup>	Processor	Memory (MHz/type)	Memory DIMMs	Intel HD Graphics	Discrete graphics adapters <sup>2</sup>	Pre-conf RAID	Storage	Optical	29-in-1 Media reader	Chassis intrusion switch	Preloaded OS	Base warranty (-year) <sup>3</sup>	Ann date (mm/dd/yy)
30A0005RSS	Core i5-4570 4C/3.2 GHz/6 MB/1600MHz	1600MHz Non-ECC	8GBx1	Intel HD 4600	1xQuadro K600 1GB, 1xDVI-I DL, 1xDP, 41W	No	1x500GB 3.5" SATA	DVD±RW	Media	Switch	Win7 Pro64 (Downgrade from Win8)	3(IWS)	10/15/13
30A0005QSS	Xeon E3-1245 v3 4C/3.4 GHz/8 MB/1600MHz	1600MHz ECC	4GBx1	Intel HD P4600	1xQuadro K600 1GB, 1xDVI-I DL, 1xDP, 41W	No	1x500GB 3.5" SATA	DVD±RW	Media	Switch	Win7 Pro64 (Downgrade from Win8)	3(IWS)	10/8/13
30A0005QUS	Xeon E3-1245 v3 4C/3.4 GHz/8 MB/1600MHz	1600MHz ECC	4GBx1	Intel HD P4600	1xQuadro K600 1GB, 1xDVI-I DL, 1xDP, 41W	No	1x500GB 3.5" SATA	DVD±RW	Media	Switch	Win7 Pro64 (Downgrade from Win8)	3(IWS)	10/8/13
30A0005SUS	Core i7-4770 4C/3.4 GHz/8 MB/1600MHz	1600MHz Non-ECC	4GBx1	Intel HD 4600	1xQuadro K600 1GB, 1xDVI-I DL, 1xDP, 41W	No	1x500GB 3.5" SATA	DVD±RW	Media	Switch	Win7 Pro64 (Downgrade from Win8)	3(IWS)	10/8/13
30A0005RUS	Core i5-4570 4C/3.2 GHz/6 MB/1600MHz	1600MHz Non-ECC	8GBx1	Intel HD 4600	1xQuadro K600 1GB, 1xDVI-I DL, 1xDP, 41W	No	1x500GB 3.5" SATA	DVD±RW	Media	Switch	Win7 Pro64 (Downgrade from Win8)	3(IWS)	10/15/13
30A0005SSS	Core i7-4770 4C/3.4 GHz/8 MB/1600MHz	1600MHz Non-ECC	4GBx1	Intel HD 4600	1xQuadro K600 1GB, 1xDVI-I DL, 1xDP, 41W	No	1x500GB 3.5" SATA	DVD±RW	Media	Switch	Win7 Pro64 (Downgrade from Win8)	3(IWS)	10/8/13

<sup>1</sup>Model in italics shows that this is a Global Model    <sup>2</sup>DL = Dual Link, SL = Single Link    <sup>3</sup>IWS= International Warranty Service<sup>®</sup>

• For detailed ThinkStation E32 Tower platform specifications, please see [ThinkStation E32 Platform Specifications sheet](#)

Chipset	<b>Intel C226 Chipset</b>
Intel AMT	Intel Active Management Technology 9 supported on models with Intel Xeon processors
Processor	One <b>LGA1150</b> socket, integrated 2-channel DDR3 memory controller, optional integrated Intel HD Graphics on selected processors
Memory	1600MHz UDIMM, DDR3, ECC or non-ECC, 2-channel capable
Memory DIMM sockets	Four 240-pin DIMM sockets, up to 32GB ECC/non-ECC (8GBx4)
Additional memory disclaimers	<ul style="list-style-type: none"> <li>Actual memory operating speed depends on processor memory controller speed, installed memory speed, and quantity of memory DIMMs</li> <li>Mixing of ECC and non-ECC is not supported</li> <li>Intel Core i5/i7 processors support non-ECC memory only</li> </ul>
Intel HD Graphics in processor (optional)	Integrated Intel HD Graphics on selected processors, uses main memory, works along with discrete graphics to support multi-display, enables three display connectors (2 DisplayPort, 1 VGA) on rear ports (detailed information please see <b>Rear ports</b> section)
Discrete graphics adapters	Two PCI Express x16 slots for discrete graphics adapters: <ul style="list-style-type: none"> <li>One PCI Express 3.0 x16 slot (75W max, near CPU)</li> <li>One PCI Express 2.0 x16 slot (x4 electrical, 75W max)</li> </ul>
Onboard drive controllers	Four SATA connectors via onboard drive controller in chipset, SATA 6.0Gb/s, RAID 0, 1, 5 support, supports Intel Smart Response Technology
Storage	Up to three 3.5" SATA (SATA 6.0Gb/s, 7200rpm)/2.5" SATA (SATA 6.0Gb/s, 10000rpm)/SATA SSD (SATA 6.0Gb/s) drives; up to one mSATA SSD drive (SATA 6.0Gb/s)
Optical	Supports DVD-ROM, DVD±RW, or Blu-ray Burner, 1.6" high, SATA interface
Media reader (opt)	Optional 29-in-1 media card reader on selected models
Front ports	Two USB 3.0 (blue), microphone (3.5mm), headphone (3.5mm)
Rear ports	One VGA and two DisplayPort for models with Intel HD Graphics, two USB 2.0, four USB 3.0 (blue), one serial (9-pin), one ethernet (RJ-45), three analog audio ports (line-in, line-out, mic-in)
IEEE 1394 adptr (opt)	Optional FireWire PCIe adapter on selected models, 1394a-2000, 400Mbps, two 6-pin ports on rear
Audio	High Definition (HD) Audio, Realtek® ALC662 codec
Speaker	Internal speaker for business audio
Onboard Ethernet	One onboard gigabit ethernet, Intel I217LM
Security	<ul style="list-style-type: none"> <li>Security chip: STMicro ST33ZP24AR28PVSP, TCG 1.2-compliant</li> <li>Security slot (in rear for optional Kensington Microsaver cable; prohibits side cover removal)</li> <li>Power-on/Administrator password</li> <li>Boot sequence control</li> <li>Boot without keyboard, mouse</li> <li>Serial port I/O control</li> <li>USB port disablement (front or all/individual)</li> <li>Chassis intrusion switch available on selected models</li> </ul>
Keyboard/Mouse	104-key keyboard (USB)/Optical Wheel Mouse (USB)
Power supply	280 watts with variable speed fan, autosensing, 85% PSU, Climate Savers® Computing Bronze, 80 PLUS® Bronze qualified
Environmental certifications	GREENGUARD® certified/RoHS-compliant/EPEAT™ Gold rating/ENERGY STAR 5.2 qualified
ISV certifications	For the latest list of certifications, please visit <a href="http://www.lenovo.com/support/ISV">www.lenovo.com/support/ISV</a>
Limited warranty <sup>1</sup>	3-year parts and labor

**Drives Bays**



- Bay 1 Standard, 5.25", 1.6" high, external, for optical
- Bay 2 Standard, 5.25", 1.6" high, external, for optical or: optional, 3.5", 1" high, 3rd hard drive bay
- Bay 3 Optional, 3.5", 1" high, supports one of the following: (1) for optional media card reader, external (2) for optional mSATA drive, internal
- Bay 4 Standard, 3.5", 1" high, internal, primary hard drive bay
- Bay 5 Standard, 3.5", 1" high, internal, 2nd hard drive bay

**Notes:**

Standard optical and hard drive bays are included in models; optional hard drive bays are available on models with the corresponding hard drives only

**Expansion Slots**

- 1: half-length, full-height, PCIe 3.0 x16 (75w max, near CPU)
- 2: half-length, full-height, PCIe 2.0 x1
- 3: half-length, full-height, PCIe 2.0 x16 (x4 elec, 75W max)
- 4: half-length, full-height, PCI 2.3

**Mechanical**

- Raven black color; metal case
- 6.9"W x 17.0"D x 16.7"H (with handle)
- 175mm W x 431mm D x 425mm H
- 27.56 lb (12.5kg) max configuration
- 25-liter
- Removable handle on top front
- Toolless side cover removal
- Toolless disk and optical drive removal (standard bays)
- Toolless adapter retention
- Illuminated front icons
- Recessed power button

See footnotes for important warranty information  
Model(s) announced October 8 or 15, 2013

# ThinkStation E32 SFF (30A3) - TopSeller (August 2013)

Product Specifications Reference (PSREF)

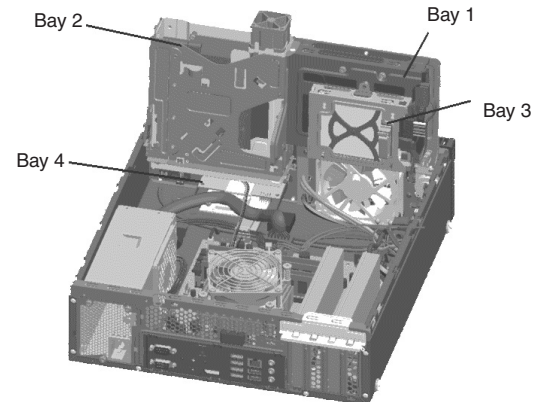
Type-model <sup>1</sup>	Processor	Memory (MHz/type)	Memory DIMMs	Intel HD Graphics	Discrete graphics adapters**	Pre-conf RAID	Storage	Optical	29-in-1 Media reader	1394 adptr	Chassis intrusion switch	Preloaded OS
30A30004US	Xeon E3-1230 v3 (4C/3.3GHz/8MB/1600MHz)	1600MHz ECC	4GBx1		1xQuadro 410 (512MB, 1xDVI-I DL, 1xDP, 37W)	No	1x500GB 3.5" SATA	DVD±RW	Media	No	Switch	Win7 Pro64 (Downgrade from Win8)
30A30005US	Xeon E3-1240 v3 (4C/3.4GHz/8MB/1600MHz)	1600MHz ECC	4GBx2		1xQuadro K600 (1GB, 1xDVI-I DL, 1xDP, 41W)	No	1x1TB 3.5" SATA	DVD±RW	Media	No	Switch	Win7 Pro64 (Downgrade from Win8)
30A30006US	Core i5-4570 (4C/3.2GHz/6MB/1600MHz)	1600MHz Non-ECC	4GBx1	Intel HD 4600		No	1x1TB 3.5" SATA	DVD±RW	Media	No	Switch	Win7 Pro64 (Downgrade from Win8)
30A3001FUS	Core i5-4570 (4C/3.2GHz/6MB/1600MHz)	1600MHz Non-ECC	4GBx1	Intel HD 4600		No	1x500GB 3.5" SATA	DVD±RW	Media	No	Switch	Win7 Pro64 (Downgrade from Win8)
30A3001LUS	Xeon E3-1225 v3 (4C/3.2GHz/8MB/1600MHz)	1600MHz Non-ECC	4GBx1	Intel HD P4600		No	1x500GB 3.5" SATA	DVD±RW	Media	No	Switch	Win7 Pro64 (Downgrade from Win8)
30A3001RUS	Core i5-4670 (4C/3.4GHz/6MB/1600MHz)	1600MHz Non-ECC	4GBx1	Intel HD 4600	1xQuadro K600 (1GB, 1xDVI-I DL, 1xDP, 41W)	No	1x1TB 3.5" SATA	DVD±RW	Media	No	Switch	Win7 Pro64 (Downgrade from Win8)
30A3001SUS	Core i5-4670 (4C/3.4GHz/6MB/1600MHz)	1600MHz Non-ECC	8GBx1	Intel HD 4600		No	1x1TB 3.5" SATA	DVD±RW	Media	No	Switch	Win7 Pro64 (Downgrade from Win8)

<sup>1</sup> Model in italics shows that this is a Global Model    \*\* DL = Dual Link, SL = Single Link

• For detailed ThinkStation E32 SFF platform specifications, please see [ThinkStation E32 Platform Specifications sheet](#)

Chipset	<b>Intel C226 Chipset</b>
Intel AMT	Intel Active Management Technology 9 supported on models with Intel Xeon processors
Processor	One <b>LGA1150</b> socket, integrated 2-channel DDR3 memory controller, optional integrated Intel HD Graphics on selected processors
Memory	1600MHz UDIMM, DDR3, ECC or non-ECC, 2-channel capable
Memory DIMM sockets	Four 240-pin DIMM sockets, up to 32GB ECC/non-ECC (8GBx4)
Additional memory disclaimers	<ul style="list-style-type: none"> <li>Actual memory operating speed depends on processor memory controller speed, installed memory speed, and quantity of memory DIMMs</li> <li>Mixing of ECC and non-ECC is not supported</li> <li>Intel Core i5/i7 processors support non-ECC memory only</li> </ul>
Intel HD Graphics in processor (optional)	Integrated Intel HD Graphics on selected processors, uses main memory, works along with discrete graphics to support multi-display, enables three display connectors (2 DisplayPort, 1 VGA) on rear ports (detailed information please see <b>Rear ports</b> section)
Discrete graphics adapters	Two PCI Express x16 slots for discrete graphics adapters: <ul style="list-style-type: none"> <li>One PCI Express 3.0 x16 slot (40W max, near CPU)</li> <li>One PCI Express 2.0 x16 slot (x4 electrical, 40W max)</li> </ul>
Onboard drive controllers	Four SATA connectors via onboard drive controller in chipset, SATA 6.0Gb/s, RAID 0, 1 support, supports Intel Smart Response Technology
Storage	Up to two 3.5" SATA (SATA 6.0Gb/s, 7200rpm) drives, or up to three 2.5" SATA (SATA 6.0Gb/s, 10000rpm)/SATA SSD (SATA 6.0Gb/s) drives; up to one mSATA SSD drive (SATA 6.0Gb/s)
Optical	Supports DVD-ROM, DVD±RW, or Blu-ray Burner, 1.6" high or slim, SATA interface
Media reader (opt)	Optional 29-in-1 media card reader on selected models
Front ports	Two USB 3.0 (blue), microphone (3.5mm), headphone (3.5mm)
Rear ports	One VGA and two DisplayPort for models with Intel HD Graphics, two USB 2.0, four USB 3.0 (blue), one serial (9-pin), one Ethernet (RJ-45), three analog audio ports (line-in, line-out, mic-in)
IEEE 1394 adptr (opt)	Optional Low Profile FireWire PCIe adapter on selected models, 1394a-2000, 400Mbps, two 6-pin ports on rear
Audio	High Definition (HD) Audio, Realtek® ALC662 codec
Speaker	Internal speaker for business audio
Onboard Ethernet	One onboard gigabit ethernet, Intel I217LM
Security	<ul style="list-style-type: none"> <li>Security chip: STMicro ST33ZP24AR28PVSP, TCG 1.2-compliant</li> <li>Security slot (in rear for optional Kensington Microsaver cable; prohibits side cover removal)</li> <li>Power-on/Administrator password</li> <li>Boot sequence control</li> <li>Boot without keyboard, mouse</li> <li>Serial port I/O control</li> <li>USB port disablement (front or all/individual)</li> <li>Chassis intrusion switch available on selected models</li> </ul>
Keyboard/Mouse	104-key keyboard (USB)/Optical Wheel Mouse (USB)
Power supply	240 watts with variable speed fan, autosensing, 85% PSU, Climate Savers Computing Bronze, 80 PLUS Bronze qualified
Environmental certifications	GREENGUARD® certified/RoHS-compliant/EPEAT™ Gold rating/ENERGY STAR 5.2 qualified
ISV certifications	For the latest list of certifications, please visit <a href="http://www.lenovo.com/support/ISV">www.lenovo.com/support/ISV</a>
Limited warranty <sup>1</sup>	3-year parts and labor

### Drives Bays\*



\* Image above is for reference only. Model in this image contains optional slim optical + 3.5" 2nd hard drive bay with supplemental fan (Bay 2) and optional 2.5" 3rd hard drive bay (Bay 3)

- Bay 1 Standard, 3.5", 1" high, internal, primary hard drive bay
- Bay 2 Standard, 5.25", 1.6" high, external, for optical, also supports one of the following:
  - (1) 5.25" slim optical (access) and 3.5" 2nd hard drive bay (internal), optional
  - (2) 3.5" 2nd hard drive bay (internal), optional
- Bay 3 Optional, 2.5", 0.6" high, internal, 3rd hard drive bay
- Bay 4 Optional, 3.5", 0.5" high, supports one of the following:
  - (1) for optional slim media card reader, external
  - (2) for optional mSATA drive, internal
(Bay 4 is not available on slim optical models)

#### Notes:

Standard optical and hard drive bays are included in models; optional optical and hard drive bays are available on models with the corresponding drives only

### Expansion Slots

- Low Profile, PCIe 3.0 x16 (40w max, near CPU)
- Low Profile, PCIe 2.0 x1
- Low Profile, PCIe 2.0 x16 (x4 elec, 40W max)
- Low Profile, PCI 2.3

### Mechanical

- Raven black color; metal case
- 13.35"W x 15.0"D x 3.93"H
- 338mm W x 375mm D x 102mm H
- 17.20 lb (7.8kg) max configuration
- 12.9-liter
- Toolless top cover removal
- Toolless disk and optical drive removal
- Toolless adapter retention
- Illuminated front icons
- Recessed power button

See footnotes for important warranty information  
Model(s) announced August 20, 2013

© Lenovo  
(30A3-1) August 2013

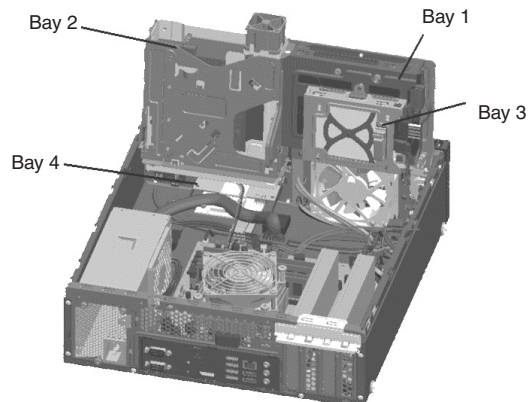
Type-model <sup>1</sup>	Processor	Memory (MHz/type)	Memory DIMMs	Intel HD Graphics	Discrete graphics adapters**	Pre-conf RAID	Storage	Optical	29-in-1 Media reader	1394 adptr	Chassis intrusion switch	Preloaded OS
30A3001TUS	Core i7-4770 (4C/3.4GHz/8MB/1600MHz)	1600MHz Non-ECC	8GBx1	Intel HD 4600		No	1x500GB 3.5" SATA	DVD±RW	Media	No	Switch	Win7 Pro64 (Downgrade from Win8)
30A3001UUS	Core i7-4770 (4C/3.4GHz/8MB/1600MHz)	1600MHz Non-ECC	8GBx1	Intel HD 4600	1xQuadro K600 (1GB, 1xDVI-I DL, 1xDP, 41W)	No	1x1TB 3.5" SATA	DVD±RW	Media	No	Switch	Win7 Pro64 (Downgrade from Win8)
30A3001VUS	Xeon E3-1225 v3 (4C/3.2GHz/8MB/1600MHz)	1600MHz Non-ECC	4GBx1	Intel HD P4600	1xNVS 310 (512MB, 2xDisplayPort, 19.5W)	No	1x500GB 3.5" SATA	DVD±RW	Media	No	Switch	Win7 Pro64 (Downgrade from Win8)
30A3001WUS	Xeon E3-1240 v3 (4C/3.4GHz/8MB/1600MHz)	1600MHz Non-ECC	8GBx1		1xQuadro K600 (1GB, 1xDVI-I DL, 1xDP, 41W)	No	1x1TB 3.5" SATA	DVD±RW	Media	No	Switch	Win7 Pro64 (Downgrade from Win8)
30A3001XUS	Core i7-4770 (4C/3.4GHz/8MB/1600MHz)	1600MHz Non-ECC	8GBx1	Intel HD 4600	1xQuadro K600 (1GB, 1xDVI-I DL, 1xDP, 41W)	No	1x180GB SATA SSD	DVD±RW	Media	No	Switch	Win7 Pro64 (Downgrade from Win8)
30A3001YUS	Xeon E3-1280 v3 (4C/3.6GHz/8MB/1600MHz)	1600MHz Non-ECC	8GBx1		1xQuadro K600 (1GB, 1xDVI-I DL, 1xDP, 41W)	No	1x1TB 3.5" SATA	DVD±RW	Media	No	Switch	Win7 Pro64 (Downgrade from Win8)
30A30020US	Xeon E3-1245 v3 (4C/3.4GHz/8MB/1600MHz)	1600MHz Non-ECC	8GBx1	Intel HD P4600	1xQuadro K600 (1GB, 1xDVI-I DL, 1xDP, 41W)	No	1x180GB SATA SSD	DVD±RW	Media	No	Switch	Win7 Pro64 (Downgrade from Win8)

<sup>1</sup> Model in italics shows that this is a Global Model    <sup>2</sup> DL = Dual Link, SL = Single Link

• For detailed ThinkStation E32 SFF platform specifications, please see [ThinkStation E32 Platform Specifications sheet](#)

Chipset	Intel C226 Chipset
Intel AMT	Intel Active Management Technology 9 supported on models with Intel Xeon processors
Processor	One LGA1150 socket, integrated 2-channel DDR3 memory controller, optional integrated Intel HD Graphics on selected processors
Memory	1600MHz UDIMM, DDR3, ECC or non-ECC, 2-channel capable
Memory DIMM sockets	Four 240-pin DIMM sockets, up to 32GB ECC/non-ECC (8GBx4)
Additional memory disclaimers	<ul style="list-style-type: none"> <li>Actual memory operating speed depends on processor memory controller speed, installed memory speed, and quantity of memory DIMMs</li> <li>Mixing of ECC and non-ECC is not supported</li> <li>Intel Core i5/i7 processors support non-ECC memory only</li> </ul>
Intel HD Graphics in processor (optional)	Integrated Intel HD Graphics on selected processors, uses main memory, works along with discrete graphics to support multi-display, enables three display connectors (2 DisplayPort, 1 VGA) on rear ports (detailed information please see <b>Rear ports</b> section)
Discrete graphics adapters	Two PCI Express x16 slots for discrete graphics adapters: <ul style="list-style-type: none"> <li>One PCI Express 3.0 x16 slot (40W max, near CPU)</li> <li>One PCI Express 2.0 x16 slot (x4 electrical, 40W max)</li> </ul>
Onboard drive controllers	Four SATA connectors via onboard drive controller in chipset, SATA 6.0Gb/s, RAID 0, 1 support, supports Intel Smart Response Technology
Storage	Up to two 3.5" SATA (SATA 6.0Gb/s, 7200rpm) drives, or up to three 2.5" SATA (SATA 6.0Gb/s, 10000rpm)/SATA SSD (SATA 6.0Gb/s) drives; up to one mSATA SSD drive (SATA 6.0Gb/s)
Optical	Supports DVD-ROM, DVD±RW, or Blu-ray Burner, 1.6" high or slim, SATA interface
Media reader (opt)	Optional 29-in-1 media card reader on selected models
Front ports	Two USB 3.0 (blue), microphone (3.5mm), headphone (3.5mm)
Rear ports	One VGA and two DisplayPort for models with Intel HD Graphics, two USB 2.0, four USB 3.0 (blue), one serial (9-pin), one ethernet (RJ-45), three analog audio ports (line-in, line-out, mic-in)
IEEE 1394 adptr (opt)	Optional Low Profile FireWire PCIe adapter on selected models, 1394a-2000, 400Mbps, two 6-pin ports on rear
Audio	High Definition (HD) Audio, Realtek® ALC662 codec
Speaker	Internal speaker for business audio
Onboard Ethernet	One onboard gigabit ethernet, Intel I217LM
Security	<ul style="list-style-type: none"> <li>Security chip: STMicro ST33ZP24AR28PVSP, TCG 1.2-compliant</li> <li>Security slot (in rear for optional Kensington Microsaver cable; prohibits side cover removal)</li> <li>Power-on/Administrator password</li> <li>Boot sequence control</li> <li>Boot without keyboard, mouse</li> <li>Serial port I/O control</li> <li>USB port disablement (front or all/individual)</li> <li>Chassis intrusion switch available on selected models</li> </ul>
Keyboard/Mouse	104-key keyboard (USB)/Optical Wheel Mouse (USB)
Power supply	240 watts with variable speed fan, autosensing, 85% PSU, Climate Savers Computing Bronze, 80 PLUS Bronze qualified
Environmental certifications	GREENGUARD® certified/RoHS-compliant/EPEAT™ Gold rating/ENERGY STAR 5.2 qualified
ISV certifications	For the latest list of certifications, please visit <a href="http://www.lenovo.com/support/ISV">www.lenovo.com/support/ISV</a>
Limited warranty <sup>1</sup>	3-year parts and labor

**Drives Bays\***



\* Image above is for reference only. Model in this image contains optional slim optical + 3.5" 2nd hard drive bay with supplemental fan (Bay 2) and optional 2.5" 3rd hard drive bay (Bay 3)

- Bay 1 Standard, 3.5", 1" high, internal, primary hard drive bay
- Bay 2 Standard, 5.25", 1.6" high, external, for optical, also supports one of the following:
  - (1) 5.25" slim optical (access) and 3.5" 2nd hard drive bay (internal), optional
  - (2) 3.5" 2nd hard drive bay (internal), optional
- Bay 3 Optional, 2.5", 0.6" high, internal, 3rd hard drive bay
- Bay 4 Optional, 3.5", 0.5" high, supports one of the following:
  - (1) for optional slim media card reader, external
  - (2) for optional mSATA drive, internal

Notes:  
Standard optical and hard drive bays are included in models; optional optical and hard drive bays are available on models with the corresponding drives only

**Expansion Slots**

- Low Profile, PCIe 3.0 x16 (40w max, near CPU)
- Low Profile, PCIe 2.0 x1
- Low Profile, PCIe 2.0 x16 (x4 elec, 40W max)
- Low Profile, PCI 2.3

**Mechanical**

- Raven black color; metal case
- 13.35"W x 15.0"D x 3.93"H
- 338mm W x 375mm D x 102mm H
- 17.20 lb (7.8kg) max configuration
- 12.9-liter
- Toolless top cover removal
- Toolless disk and optical drive removal
- Toolless adapter retention
- Illuminated front icons
- Recessed power button

Type-model <sup>1</sup>	Processor	Memory (MHz/type)	Memory DIMMs	Intel HD Graphics	Discrete graphics adapters <sup>2</sup>	Pre-conf RAID	Storage	Optical	29-in-1 Media reader	1394 adptr	Chassis intrusion switch	Preloaded OS
30A30025US	Core i5-4570 (4C/3.2GHz/6MB/1600MHz)	1600MHz Non-ECC	4GBx1	Intel HD 4600		No	1x500GB 3.5" SATA	DVD±RW	Media	No	Switch	Win8 Pro64
30A30026US	Core i5-4670 (4C/3.4GHz/6MB/1600MHz)	1600MHz Non-ECC	4GBx1	Intel HD 4600	1xQuadro K600 (1GB, 1xDVI-I DL, 1xDP, 41W)	No	1x1TB 3.5" SATA	DVD±RW	Media	No	Switch	Win8 Pro64
30A30027US	Core i5-4670 (4C/3.4GHz/6MB/1600MHz)	1600MHz Non-ECC	8GBx1	Intel HD 4600		No	1x1TB 3.5" SATA	DVD±RW	Media	No	Switch	Win8 Pro64
30A30028US	Core i7-4770 (4C/3.4GHz/8MB/1600MHz)	1600MHz Non-ECC	8GBx1	Intel HD 4600		No	1x500GB 3.5" SATA	DVD±RW	Media	No	Switch	Win8 Pro64
30A30029US	Core i7-4770 (4C/3.4GHz/8MB/1600MHz)	1600MHz Non-ECC	8GBx1	Intel HD 4600	1xQuadro K600 (1GB, 1xDVI-I DL, 1xDP, 41W)	No	1x1TB 3.5" SATA	DVD±RW	Media	No	Switch	Win8 Pro64
30A3002AUS	Xeon E3-1225 v3 (4C/3.2GHz/8MB/1600MHz)	1600MHz Non-ECC	4GBx1	Intel HD P4600		No	1x500GB 3.5" SATA	DVD±RW	Media	No	Switch	Win8 Pro64
30A3002BUS	Xeon E3-1225 v3 (4C/3.2GHz/8MB/1600MHz)	1600MHz Non-ECC	4GBx1	Intel HD P4600	1xNVS 310 (512MB, 2xDisplayPort,19.5W)	No	1x500GB 3.5" SATA	DVD±RW	Media	No	Switch	Win8 Pro64

<sup>1</sup> Model in italics shows that this is a Global Model    <sup>2</sup> DL = Dual Link, SL = Single Link

• For detailed ThinkStation E32 SFF platform specifications, please see [ThinkStation E32 Platform Specifications sheet](#)

Chipset	Intel C226 Chipset
Intel AMT	Intel Active Management Technology 9 supported on models with Intel Xeon processors
Processor	One LGA1150 socket, integrated 2-channel DDR3 memory controller, optional integrated Intel HD Graphics on selected processors
Memory	1600MHz UDIMM, DDR3, ECC or non-ECC, 2-channel capable
Memory DIMM sockets	Four 240-pin DIMM sockets, up to 32GB ECC/non-ECC (8GBx4)
Additional memory disclaimers	<ul style="list-style-type: none"> <li>Actual memory operating speed depends on processor memory controller speed, installed memory speed, and quantity of memory DIMMs</li> <li>Mixing of ECC and non-ECC is not supported</li> <li>Intel Core i5/i7 processors support non-ECC memory only</li> </ul>
Intel HD Graphics in processor (optional)	Integrated Intel HD Graphics on selected processors, uses main memory, works along with discrete graphics to support multi-display, enables three display connectors (2 DisplayPort, 1 VGA) on rear ports (detailed information please see <b>Rear ports</b> section)
Discrete graphics adapters	Two PCI Express x16 slots for discrete graphics adapters: <ul style="list-style-type: none"> <li>One PCI Express 3.0 x16 slot (40W max, near CPU)</li> <li>One PCI Express 2.0 x16 slot (x4 electrical, 40W max)</li> </ul>
Onboard drive controllers	Four SATA connectors via onboard drive controller in chipset, SATA 6.0Gb/s, RAID 0, 1 support, supports Intel Smart Response Technology
Storage	Up to two 3.5" SATA (SATA 6.0Gb/s, 7200rpm) drives, or up to three 2.5" SATA (SATA 6.0Gb/s, 10000rpm)/SATA SSD (SATA 6.0Gb/s) drives; up to one mSATA SSD drive (SATA 6.0Gb/s)
Optical	Supports DVD-ROM, DVD±RW, or Blu-ray Burner, 1.6" high or slim, SATA interface
Media reader (opt)	Optional 29-in-1 media card reader on selected models
Front ports	Two USB 3.0 (blue), microphone (3.5mm), headphone (3.5mm)
Rear ports	One VGA and two DisplayPort for models with Intel HD Graphics, two USB 2.0, four USB 3.0 (blue), one serial (9-pin), one ethernet (RJ-45), three analog audio ports (line-in, line-out, mic-in)
IEEE 1394 adptr (opt)	Optional Low Profile FireWire PCIe adapter on selected models, 1394a-2000, 400Mbps, two 6-pin ports on rear
Audio	High Definition (HD) Audio, Realtek® ALC662 codec
Speaker	Internal speaker for business audio
Onboard Ethernet	One onboard gigabit ethernet, Intel I217LM
Security	<ul style="list-style-type: none"> <li>Security chip: STMicro ST33ZP24AR28PVSP, TCG 1.2-compliant</li> <li>Security slot (in rear for optional Kensington Microsaver cable; prohibits side cover removal)</li> <li>Power-on/Administrator password</li> <li>Boot sequence control</li> <li>Boot without keyboard, mouse</li> <li>Serial port I/O control</li> <li>USB port disablement (front or all/individual)</li> <li>Chassis intrusion switch available on selected models</li> </ul>
Keyboard/Mouse	104-key keyboard (USB)/Optical Wheel Mouse (USB)
Power supply	240 watts with variable speed fan, autosensing, 85% PSU, Climate Savers Computing Bronze, 80 PLUS Bronze qualified
Environmental certifications	GREENGUARD® certified/RoHS-compliant/EPEAT™ Gold rating/ENERGY STAR 5.2 qualified
ISV certifications	For the latest list of certifications, please visit <a href="http://www.lenovo.com/support/ISV">www.lenovo.com/support/ISV</a>
Limited warranty <sup>1</sup>	3-year parts and labor

### Drives Bays\*

\* Image above is for reference only. Model in this image contains optional slim optical + 3.5" 2nd hard drive bay with supplemental fan (Bay 2) and optional 2.5" 3rd hard drive bay (Bay 3)

Bay 1 Standard, 3.5", 1" high, internal, primary hard drive bay  
 Bay 2 Standard, 5.25", 1.6" high, external, for optical, also supports one of the following:  
 (1) 5.25" slim optical (access) and 3.5" 2nd hard drive bay (internal), optional  
 (2) 3.5" 2nd hard drive bay (internal), optional  
 Bay 3 Optional, 2.5", 0.6" high, internal, 3rd hard drive bay  
 Bay 4 Optional, 3.5", 0.5" high, supports one of the following:  
 (1) for optional slim media card reader, external  
 (2) for optional mSATA drive, internal  
 (Bay 4 is not available on slim optical models)

**Notes:**  
 Standard optical and hard drive bays are included in models; optional optical and hard drive bays are available on models with the corresponding drives only

### Expansion Slots

- Low Profile, PCIe 3.0 x16 (40w max, near CPU)
- Low Profile, PCIe 2.0 x1
- Low Profile, PCIe 2.0 x16 (x4 elec, 40W max)
- Low Profile, PCI 2.3

### Mechanical

- Raven black color; metal case
- 13.35"W x 15.0"D x 3.93"H
- 338mm W x 375mm D x 102mm H
- 17.20 lb (7.8kg) max configuration
- 12.9-liter
- Toolless top cover removal
- Toolless disk and optical drive removal
- Toolless adapter retention
- Illuminated front icons
- Recessed power button

See footnotes for important warranty information  
 Model(s) announced August 20, 2013

# ThinkStation E32 SFF (30A3) - TopSeller (August 2013) - IV

Product Specifications Reference (PSREF)

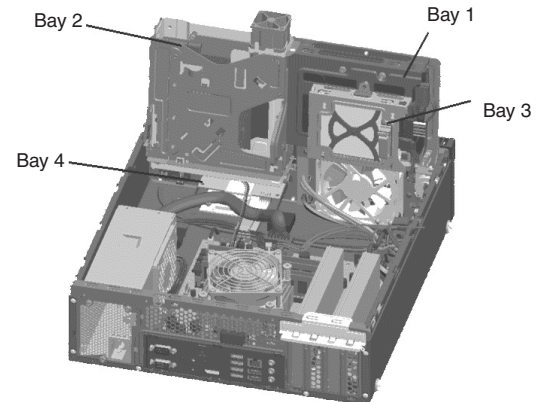
Type-model	Processor	Memory (MHz/type)	Memory DIMMs	Intel HD Graphics	Discrete graphics adapters**	Pre-conf RAID	Storage	Optical	29-in-1 Media reader	1394 adptr	Chassis intrusion switch	Preloaded OS
30A3002CUS	Xeon E3-1240 v3 (4C/3.4GHz/8MB/1600MHz)	1600MHz Non-ECC	8GBx1		1xQuadro K600 (1GB, 1xDVI-I DL, 1xDP, 41W)	No	1x1TB 3.5" SATA	DVD±RW	Media	No	Switch	Win8 Pro64
30A3002DUS	Core i7-4770 (4C/3.6GHz/8MB/1600MHz)	1600MHz Non-ECC	8GBx1	Intel HD 4600	1xQuadro K600 (1GB, 1xDVI-I DL, 1xDP, 41W)	No	1x180GB SATA SSD	DVD±RW	Media	No	Switch	Win8 Pro64
30A3002EUS	Xeon E3-1280 v3 (4C/3.6GHz/8MB/1600MHz)	1600MHz Non-ECC	8GBx1		1xQuadro K600 (1GB, 1xDVI-I DL, 1xDP, 41W)	No	1x1TB 3.5" SATA	DVD±RW	Media	No	Switch	Win8 Pro64
30A3002FUS	Xeon E3-1245 v3 (4C/3.4GHz/8MB/1600MHz)	1600MHz Non-ECC	8GBx1	Intel HD P4600	1xQuadro K600 (1GB, 1xDVI-I DL, 1xDP, 41W)	No	1x180GB SATA SSD	DVD±RW	Media	No	Switch	Win8 Pro64

\* Model in italics shows that this is a Global Model \*\* DL = Dual Link, SL = Single Link

• For detailed ThinkStation E32 SFF platform specifications, please see [ThinkStation E32 Platform Specifications sheet](#)

Chipset	<b>Intel C226 Chipset</b>
Intel AMT	Intel Active Management Technology 9 supported on models with Intel Xeon processors
Processor	One <b>LGA1150</b> socket, integrated 2-channel DDR3 memory controller, optional integrated Intel HD Graphics on selected processors
Memory	1600MHz UDIMM, DDR3, ECC or non-ECC, 2-channel capable
Memory DIMM sockets	Four 240-pin DIMM sockets, up to 32GB ECC/non-ECC (8GBx4)
Additional memory disclaimers	<ul style="list-style-type: none"> <li>Actual memory operating speed depends on processor memory controller speed, installed memory speed, and quantity of memory DIMMs</li> <li>Mixing of ECC and non-ECC is not supported</li> <li>Intel Core i5/i7 processors support non-ECC memory only</li> </ul>
Intel HD Graphics in processor (optional)	Integrated Intel HD Graphics on selected processors, uses main memory, works along with discrete graphics to support multi-display, enables three display connectors (2 DisplayPort, 1 VGA) on rear ports (detailed information please see <b>Rear ports</b> section)
Discrete graphics adapters	Two PCI Express x16 slots for discrete graphics adapters: <ul style="list-style-type: none"> <li>One PCI Express 3.0 x16 slot (40W max, near CPU)</li> <li>One PCI Express 2.0 x16 slot (x4 electrical, 40W max)</li> </ul>
Onboard drive controllers	Four SATA connectors via onboard drive controller in chipset, SATA 6.0Gb/s, RAID 0, 1 support, supports Intel Smart Response Technology
Storage	Up to two 3.5" SATA (SATA 6.0Gb/s, 7200rpm) drives, or up to three 2.5" SATA (SATA 6.0Gb/s, 10000rpm)/SATA SSD (SATA 6.0Gb/s) drives; up to one mSATA SSD drive (SATA 6.0Gb/s)
Optical	Supports DVD-ROM, DVD±RW, or Blu-ray Burner, 1.6" high or slim, SATA interface
Media reader (opt)	Optional 29-in-1 media card reader on selected models
Front ports	Two USB 3.0 (blue), microphone (3.5mm), headphone (3.5mm)
Rear ports	One VGA and two DisplayPort for models with Intel HD Graphics, two USB 2.0, four USB 3.0 (blue), one serial (9-pin), one ethernet (RJ-45), three analog audio ports (line-in, line-out, mic-in)
IEEE 1394 adptr (opt)	Optional Low Profile FireWire PCIe adapter on selected models, 1394a-2000, 400Mbps, two 6-pin ports on rear
Audio	High Definition (HD) Audio, Realtek® ALC662 codec
Speaker	Internal speaker for business audio
Onboard Ethernet	One onboard gigabit ethernet, Intel I217LM
Security	<ul style="list-style-type: none"> <li>Security chip: STMicro ST33ZP24AR28PVSP, TCG 1.2-compliant</li> <li>Security slot (in rear for optional Kensington Microsaver cable; prohibits side cover removal)</li> <li>Power-on/Administrator password</li> <li>Boot sequence control</li> <li>Boot without keyboard, mouse</li> <li>Serial port I/O control</li> <li>USB port disablement (front or all/individual)</li> <li>Chassis intrusion switch available on selected models</li> </ul>
Keyboard/Mouse	104-key keyboard (USB)/Optical Wheel Mouse (USB)
Power supply	240 watts with variable speed fan, autosensing, 85% PSU, Climate Savers Computing Bronze, 80 PLUS Bronze qualified
Environmental certifications	GREENGUARD® certified/RoHS-compliant/EPEAT™ Gold rating/ENERGY STAR 5.2 qualified
ISV certifications	For the latest list of certifications, please visit <a href="http://www.lenovo.com/support/ISV">www.lenovo.com/support/ISV</a>
Limited warranty <sup>1</sup>	3-year parts and labor

### Drives Bays\*



\* Image above is for reference only. Model in this image contains optional slim optical + 3.5" 2nd hard drive bay with supplemental fan (Bay 2) and optional 2.5" 3rd hard drive bay (Bay 3)

- Bay 1 Standard, 3.5", 1" high, internal, primary hard drive bay
- Bay 2 Standard, 5.25", 1.6" high, external, for optical, also supports one of the following:
  - (1) 5.25" slim optical (access) and 3.5" 2nd hard drive bay (internal), optional
  - (2) 3.5" 2nd hard drive bay (internal), optional
- Bay 3 Optional, 2.5", 0.6" high, internal, 3rd hard drive bay
- Bay 4 Optional, 3.5", 0.5" high, supports one of the following:
  - (1) for optional slim media card reader, external
  - (2) for optional mSATA drive, internal
(Bay 4 is not available on slim optical models)

#### Notes:

Standard optical and hard drive bays are included in models; optional optical and hard drive bays are available on models with the corresponding drives only

### Expansion Slots

- Low Profile, PCIe 3.0 x16 (40w max, near CPU)
- Low Profile, PCIe 2.0 x1
- Low Profile, PCIe 2.0 x16 (x4 elec, 40W max)
- Low Profile, PCI 2.3

### Mechanical

- Raven black color; metal case
- 13.35"W x 15.0"D x 3.93"H
- 338mm W x 375mm D x 102mm H
- 17.20 lb (7.8kg) max configuration
- 12.9-liter
- Toolless top cover removal
- Toolless disk and optical drive removal
- Toolless adapter retention
- Illuminated front icons
- Recessed power button

See footnotes for important warranty information  
Model(s) announced August 20, 2013

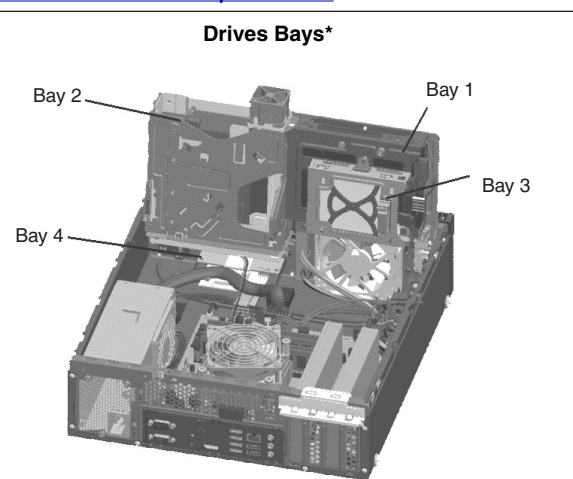
© Lenovo  
(30A3-4) August 2013

Type-model*	Processor	Memory (MHz/type)	Memory DIMMs	Intel HD Graphics	Discrete graphics adapters**	Pre-conf RAID	Storage	Optical	29-in-1 Media reader	1394 adptr	Chassis intrusion switch	Preloaded OS
30A3001MUS	Core i3-4330 (2C/3.5GHz/4MB/1600MHz)	1600MHz Non-ECC	4GBx1	Intel HD 4600		No	1x500GB 3.5" SATA	DVD±RW	Media	No	Switch	Win7 Pro64 (Downgrade from Win8)
30A3001NUS	Core i3-4330 (2C/3.5GHz/4MB/1600MHz)	1600MHz Non-ECC	4GBx1	Intel HD 4600	1xQuadro 410 (512MB, 1xDVI-I DL, 1xDP, 37W)	No	1x500GB 3.5" SATA	DVD±RW	Media	No	Switch	Win7 Pro64 (Downgrade from Win8)
30A3001PUS	Core i3-4330 (2C/3.5GHz/4MB/1600MHz)	1600MHz Non-ECC	4GBx1	Intel HD 4600	1xQuadro K600 (1GB, 1xDVI-I DL, 1xDP, 41W)	No	1x500GB 3.5" SATA	DVD±RW	Media	No	Switch	Win7 Pro64 (Downgrade from Win8)
30A3001QUS	Core i3-4330 (2C/3.5GHz/4MB/1600MHz)	1600MHz Non-ECC	8GBx1	Intel HD 4600	1xQuadro K600 (1GB, 1xDVI-I DL, 1xDP, 41W)	No	1x1TB 3.5" SATA	DVD±RW	Media	No	Switch	Win7 Pro64 (Downgrade from Win8)
30A30021US	Core i3-4330 (2C/3.5GHz/4MB/1600MHz)	1600MHz Non-ECC	4GBx1	Intel HD 4600		No	1x500GB 3.5" SATA	DVD±RW	Media	No	Switch	Win8 Pro64
30A30022US	Core i3-4330 (2C/3.5GHz/4MB/1600MHz)	1600MHz Non-ECC	4GBx1	Intel HD 4600	1xQuadro 410 (512MB, 1xDVI-I DL, 1xDP, 37W)	No	1x500GB 3.5" SATA	DVD±RW	Media	No	Switch	Win8 Pro64
30A30023US	Core i3-4330 (2C/3.5GHz/4MB/1600MHz)	1600MHz Non-ECC	4GBx1	Intel HD 4600	1xQuadro K600 (1GB, 1xDVI-I DL, 1xDP, 41W)	No	1x500GB 3.5" SATA	DVD±RW	Media	No	Switch	Win8 Pro64
30A30024US	Core i3-4330 (2C/3.5GHz/4MB/1600MHz)	1600MHz Non-ECC	8GBx1	Intel HD 4600	1xQuadro K600 (1GB, 1xDVI-I DL, 1xDP, 41W)	No	1x1TB 3.5" SATA	DVD±RW	Media	No	Switch	Win8 Pro64

\* Model in italics shows that this is a Global Model \*\* DL = Dual Link, SL = Single Link

• For detailed ThinkStation E32 SFF platform specifications, please see [ThinkStation E32 Platform Specifications sheet](#)

Chipset	Intel C226 Chipset
Intel AMT	Intel Active Management Technology 9 supported on models with Intel Xeon processors
Processor	One LGA1150 socket, integrated 2-channel DDR3 memory controller, optional integrated Intel HD Graphics on selected processors
Memory	1600MHz UDIMM, DDR3, ECC or non-ECC, 2-channel capable
Memory DIMM sockets	Four 240-pin DIMM sockets, up to 32GB ECC/non-ECC (8GBx4)
Additional memory disclaimers	<ul style="list-style-type: none"> <li>Actual memory operating speed depends on processor memory controller speed, installed memory speed, and quantity of memory DIMMs</li> <li>Mixing of ECC and non-ECC is not supported</li> <li>Intel Core i5/i7 processors support non-ECC memory only</li> </ul>
Intel HD Graphics in processor (optional)	Integrated Intel HD Graphics on selected processors, uses main memory, works along with discrete graphics to support multi-display, enables three display connectors (2 DisplayPort, 1 VGA) on rear ports (detailed information please see <b>Rear ports</b> section)
Discrete graphics adapters	Two PCI Express x16 slots for discrete graphics adapters: <ul style="list-style-type: none"> <li>One PCI Express 3.0 x16 slot (40W max, near CPU)</li> <li>One PCI Express 2.0 x16 slot (x4 electrical, 40W max)</li> </ul>
Onboard drive controllers	Four SATA connectors via onboard drive controller in chipset, SATA 6.0Gb/s, RAID 0, 1 support, supports Intel Smart Response Technology
Storage	Up to two 3.5" SATA (SATA 6.0Gb/s, 7200rpm) drives, or up to three 2.5" SATA (SATA 6.0Gb/s, 10000rpm)/SATA SSD (SATA 6.0Gb/s) drives; up to one mSATA SSD drive (SATA 6.0Gb/s)
Optical	Supports DVD-ROM, DVD±RW, or Blu-ray Burner, 1.6" high or slim, SATA interface
Media reader (opt)	Optional 29-in-1 media card reader on selected models
Front ports	Two USB 3.0 (blue), microphone (3.5mm), headphone (3.5mm)
Rear ports	One VGA and two DisplayPort for models with Intel HD Graphics, two USB 2.0, four USB 3.0 (blue), one serial (9-pin), one ethernet (RJ-45), three analog audio ports (line-in, line-out, mic-in)
IEEE 1394 adptr (opt)	Optional Low Profile FireWire PCIe adapter on selected models, 1394a-2000, 400Mbps, two 6-pin ports on rear
Audio	High Definition (HD) Audio, Realtek® ALC662 codec
Speaker	Internal speaker for business audio
Onboard Ethernet	One onboard gigabit ethernet, Intel I217LM
Security	<ul style="list-style-type: none"> <li>Security chip: STMicro ST33ZP24AR28PVSP, TCG 1.2-compliant</li> <li>Security slot (in rear for optional Kensington Microsaver cable; prohibits side cover removal)</li> <li>Power-on/Administrator password</li> <li>Boot sequence control</li> <li>Boot without keyboard, mouse</li> <li>Serial port I/O control</li> <li>USB port disablement (front or all/individual)</li> <li>Chassis intrusion switch available on selected models</li> </ul>
Keyboard/Mouse	104-key keyboard (USB)/Optical Wheel Mouse (USB)
Power supply	240 watts with variable speed fan, autosensing, 85% PSU, Climate Savers Computing Bronze, 80 PLUS Bronze qualified
Environmental certifications	GREENGUARD® certified/RoHS-compliant/EPEAT™ Gold rating/ENERGY STAR 5.2 qualified
ISV certifications	For the latest list of certifications, please visit <a href="http://www.lenovo.com/support/ISV">www.lenovo.com/support/ISV</a>
Limited warranty¹	3-year parts and labor



\* Image above is for reference only. Model in this image contains optional slim optical + 3.5" 2nd hard drive bay with supplemental fan (Bay 2) and optional 2.5" 3rd hard drive bay (Bay 3)

- Bay 1 Standard, 3.5", 1" high, internal, primary hard drive bay  
 Bay 2 Standard, 5.25", 1.6" high, external, for optical, also supports one of the following:  
 (1) 5.25" slim optical (access) and 3.5" 2nd hard drive bay (internal), optional  
 (2) 3.5" 2nd hard drive bay (internal), optional  
 Bay 3 Optional, 2.5", 0.6" high, internal, 3rd hard drive bay  
 Bay 4 Optional, 3.5", 0.5" high, supports one of the following:  
 (1) for optional slim media card reader, external  
 (2) for optional mSATA drive, internal  
 (Bay 4 is not available on slim optical models)

Notes:  
 Standard optical and hard drive bays are included in models;  
 optional optical and hard drive bays are available on models with the corresponding drives only

**Expansion Slots**

- Low Profile, PCIe 3.0 x16 (40w max, near CPU)
- Low Profile, PCIe 2.0 x1
- Low Profile, PCIe 2.0 x16 (x4 elec, 40W max)
- Low Profile, PCI 2.3

**Mechanical**

- Raven black color; metal case
- 13.35"W x 15.0"D x 3.93"H
- 338mm W x 375mm D x 102mm H
- 17.20 lb (7.8kg) max configuration
- 12.9-liter
- Toolless top cover removal
- Toolless disk and optical drive removal
- Toolless adapter retention
- Illuminated front icons
- Recessed power button

Type-model <sup>1</sup>	Processor	Memory (MHz/type)	Memory DIMMs	Intel HD Graphics	Discrete graphics adapters**	Pre-conf RAID	Storage	Optical	29-in-1 Media reader	1394 adptr	Chassis intrusion switch	Preloaded OS
30A2001WUS	Core i5-4570 (4C/3.2GHz/8MB/1600MHz)	1600MHz Non-ECC	4GBx1	Intel HD 4600	1xQuadro K600 (1GB, 1xDVI-I DL, 1xDP, 41W)	No	1x1TB 3.5" SATA	DVD±RW	No	No	Switch	Win7 Pro64 (Downgrade from Win8)
30A2001XUS	Xeon E3-1225 v3 (4C/3.2GHz/8MB/1600MHz)	1600MHz Non-ECC	4GBx1	Intel HD P4600	1xQuadro K600 (1GB, 1xDVI-I DL, 1xDP, 41W)	No	1x1TB 3.5" SATA	DVD±RW	No	No	Switch	Win7 Pro64 (Downgrade from Win8)
30A2001YUS	Xeon E3-1245 v3 (4C/3.4GHz/8MB/1600MHz)	1600MHz Non-ECC	8GBx1	Intel HD P4600	1xQuadro K600 (1GB, 1xDVI-I DL, 1xDP, 41W)	No	1x1TB 3.5" SATA	DVD±RW	No	No	Switch	Win7 Pro64 (Downgrade from Win8)
30A20020US	Xeon E3-1275 v3 (4C/3.5GHz/8MB/1600MHz)	1600MHz Non-ECC	8GBx1	Intel HD P4600	1xQuadro K600 (1GB, 1xDVI-I DL, 1xDP, 41W)	No	1x1TB 3.5" SATA	DVD±RW	No	No	Switch	Win7 Pro64 (Downgrade from Win8)
30A20021US	Core i5-4670 (4C/3.4GHz/8MB/1600MHz)	1600MHz Non-ECC	8GBx1	Intel HD 4600	1xQuadro K600 (1GB, 1xDVI-I DL, 1xDP, 41W)	No	1x1TB 3.5" SATA	DVD±RW	No	No	Switch	Win7 Pro64 (Downgrade from Win8)
30A20022US	Core i7-4770 (4C/3.4GHz/8MB/1600MHz)	1600MHz Non-ECC	8GBx1	Intel HD 4600	1xQuadro K600 (1GB, 1xDVI-I DL, 1xDP, 41W)	No	1x180GB SATA SSD	DVD±RW	No	No	Switch	Win7 Pro64 (Downgrade from Win8)
30A20023US	Xeon E3-1280 v3 (4C/3.6GHz/8MB/1600MHz)	1600MHz Non-ECC	8GBx1	Intel HD 4600	1xQuadro K600 (1GB, 1xDVI-I DL, 1xDP, 41W)	No	1x256GB SATA SSD	DVD±RW	No	No	Switch	Win7 Pro64 (Downgrade from Win8)

<sup>1</sup> Model in italics shows that this is a Global Model      \*\* DL = Dual Link, SL = Single Link

• For detailed ThinkStation E32 SFF platform specifications, please see [ThinkStation E32 Platform Specifications sheet](#)

Chipset	Intel C226 Chipset
Intel AMT	Intel Active Management Technology 9 supported on models with Intel Xeon processors
Processor	One LGA1150 socket, integrated 2-channel DDR3 memory controller, optional integrated Intel HD Graphics on selected processors
Memory	1600MHz UDIMM, DDR3, ECC or non-ECC, 2-channel capable
Memory DIMM sockets	Four 240-pin DIMM sockets, up to 32GB ECC/non-ECC (8GBx4)
Additional memory disclaimers	<ul style="list-style-type: none"> <li>Actual memory operating speed depends on processor memory controller speed, installed memory speed, and quantity of memory DIMMs</li> <li>Mixing of ECC and non-ECC is not supported</li> <li>Intel Core i5/i7 processors support non-ECC memory only</li> </ul>
Intel HD Graphics in processor (optional)	Integrated Intel HD Graphics on selected processors, uses main memory, works along with discrete graphics to support multi-display, enables three display connectors (2 DisplayPort, 1 VGA) on rear ports (detailed information please see <b>Rear ports</b> section)
Discrete graphics adapters	Two PCI Express x16 slots for discrete graphics adapters: <ul style="list-style-type: none"> <li>One PCI Express 3.0 x16 slot (40W max, near CPU)</li> <li>One PCI Express 2.0 x16 slot (x4 electrical, 40W max)</li> </ul>
Onboard drive controllers	Four SATA connectors via onboard drive controller in chipset, SATA 6.0Gb/s, RAID 0, 1 support, supports Intel Smart Response Technology
Storage	Up to two 3.5" SATA (SATA 6.0Gb/s, 7200rpm) drives, or up to three 2.5" SATA (SATA 6.0Gb/s, 10000rpm)/SATA SSD (SATA 6.0Gb/s) drives; up to one mSATA SSD drive (SATA 6.0Gb/s)
Optical	Supports DVD-ROM, DVD±RW, or Blu-ray Burner, 1.6" high or slim, SATA interface
Media reader (opt)	Optional 29-in-1 media card reader on selected models
Front ports	Two USB 3.0 (blue), microphone (3.5mm), headphone (3.5mm)
Rear ports	One VGA and two DisplayPort for models with Intel HD Graphics, two USB 2.0, four USB 3.0 (blue), one serial (9-pin), one ethernet (RJ-45), three analog audio ports (line-in, line-out, mic-in)
IEEE 1394 adptr (opt)	Optional Low Profile FireWire PCIe adapter on selected models, 1394a-2000, 400Mbps, two 6-pin ports on rear
Audio	High Definition (HD) Audio, Realtek® ALC662 codec
Speaker	Internal speaker for business audio
Onboard Ethernet	One onboard gigabit ethernet, Intel I217LM
Security	<ul style="list-style-type: none"> <li>Security chip: STMicro ST33ZP24AR28PVSP, TCG 1.2-compliant</li> <li>Security slot (in rear for optional Kensington Microsaver cable; prohibits side cover removal)</li> <li>Power-on/Administrator password</li> <li>Boot sequence control</li> <li>Boot without keyboard, mouse</li> <li>Serial port I/O control</li> <li>USB port disablement (front or all/individual)</li> <li>Chassis intrusion switch available on selected models</li> </ul>
Keyboard/Mouse	104-key keyboard (USB)/Optical Wheel Mouse (USB)
Power supply	240 watts with variable speed fan, autosensing, 85% PSU, Climate Savers Computing Bronze, 80 PLUS Bronze qualified
Environmental certifications	GREENGUARD® certified/RoHS-compliant/EPEAT™ Gold rating/ENERGY STAR 5.2 qualified
ISV certifications	For the latest list of certifications, please visit <a href="http://www.lenovo.com/support/ISV">www.lenovo.com/support/ISV</a>
Limited warranty <sup>1</sup>	3-year parts and labor

### Drives Bays\*

\* Image above is for reference only. Model in this image contains optional slim optical + 3.5" 2nd hard drive bay with supplemental fan (Bay 2) and optional 2.5" 3rd hard drive bay (Bay 3)

Bay 1 Standard, 3.5", 1" high, internal, primary hard drive bay  
 Bay 2 Standard, 5.25", 1.6" high, external, for optical, also supports one of the following:  
 (1) 5.25" slim optical (access) and 3.5" 2nd hard drive bay (internal), optional  
 (2) 3.5" 2nd hard drive bay (internal), optional  
 Bay 3 Optional, 2.5", 0.6" high, internal, 3rd hard drive bay  
 Bay 4 Optional, 3.5", 0.5" high, supports one of the following:  
 (1) for optional slim media card reader, external  
 (2) for optional mSATA drive, internal  
 (Bay 4 is not available on slim optical models)

**Notes:**  
 Standard optical and hard drive bays are included in models; optional optical and hard drive bays are available on models with the corresponding drives only

**Expansion Slots**

1: Low Profile, PCIe 3.0 x16 (40w max, near CPU)  
 2: Low Profile, PCIe 2.0 x1  
 3: Low Profile, PCIe 2.0 x16 (x4 elec, 40W max)  
 4: Low Profile, PCI 2.3

**Mechanical**

- Raven black color; metal case
- 13.35"W x 15.0"D x 3.93"H
- 338mm W x 375mm D x 102mm H
- 17.20 lb (7.8kg) max configuration
- 12.9-liter
- Toolless top cover removal
- Toolless disk and optical drive removal
- Toolless adapter retention
- Illuminated front icons
- Recessed power button

See footnotes for important warranty information  
 Model(s) announced August 20, 2013

Type-model <sup>1</sup>	Processor	Memory (MHz/type)	Memory DIMMs	Intel HD Graphics	Discrete graphics adapters**	Pre-conf RAID	Storage	Optical	29-in-1 Media reader	1394 adptr	Chassis intrusion switch	Preloaded OS
30A20024US	Xeon E3-1280 v3 (4C/3.6GHz/8MB/1600MHz)	1600MHz Non-ECC	8GBx1		1xQuadro K600 (1GB, 1xDVI-I DL, 1xDP, 41W)	No	1x1TB 3.5" SATA	DVD±RW	No	No	Switch	Win7 Pro64 (Downgrade from Win8)
30A20027US	Core i5-4570 (4C/3.2GHz/6MB/1600MHz)	1600MHz Non-ECC	4GBx1	Intel HD 4600	1xQuadro K600 (1GB, 1xDVI-I DL, 1xDP, 41W)	No	1x1TB 3.5" SATA	DVD±RW	No	No	Switch	Win8 Pro64
30A20028US	Xeon E3-1225 v3 (4C/3.2GHz/8MB/1600MHz)	1600MHz Non-ECC	4GBx1	Intel HD P4600	1xQuadro K600 (1GB, 1xDVI-I DL, 1xDP, 41W)	No	1x1TB 3.5" SATA	DVD±RW	No	No	Switch	Win8 Pro64
30A20029US	Xeon E3-1245 v3 (4C/3.4GHz/8MB/1600MHz)	1600MHz Non-ECC	8GBx1	Intel HD P4600	1xQuadro K600 (1GB, 1xDVI-I DL, 1xDP, 41W)	No	1x1TB 3.5" SATA	DVD±RW	No	No	Switch	Win8 Pro64
30A2002AUS	Xeon E3-1275 v3 (4C/3.5GHz/8MB/1600MHz)	1600MHz Non-ECC	8GBx1	Intel HD P4600	1xQuadro K600 (1GB, 1xDVI-I DL, 1xDP, 41W)	No	1x1TB 3.5" SATA	DVD±RW	No	No	Switch	Win8 Pro64
30A2002BUS	Core i5-4670 (4C/3.4GHz/6MB/1600MHz)	1600MHz Non-ECC	8GBx1	Intel HD 4600	1xQuadro K600 (1GB, 1xDVI-I DL, 1xDP, 41W)	No	1x1TB 3.5" SATA	DVD±RW	No	No	Switch	Win8 Pro64
30A2002CUS	Core i7-4770 (4C/3.4GHz/8MB/1600MHz)	1600MHz Non-ECC	8GBx1	Intel HD 4600	1xQuadro K600 (1GB, 1xDVI-I DL, 1xDP, 41W)	No	1x180GB SATA SSD	DVD±RW	No	No	Switch	Win8 Pro64

<sup>1</sup> Model in italics shows that this is a Global Model      \*\* DL = Dual Link, SL = Single Link

• For detailed ThinkStation E32 SFF platform specifications, please see [ThinkStation E32 Platform Specifications sheet](#)

Chipset	Intel C226 Chipset
Intel AMT	Intel Active Management Technology 9 supported on models with Intel Xeon processors
Processor	One <b>LGA1150</b> socket, integrated 2-channel DDR3 memory controller, optional integrated Intel HD Graphics on selected processors
Memory	1600MHz UDIMM, DDR3, ECC or non-ECC, 2-channel capable
Memory DIMM sockets	Four 240-pin DIMM sockets, up to 32GB ECC/non-ECC (8GBx4)
Additional memory disclaimers	<ul style="list-style-type: none"> <li>Actual memory operating speed depends on processor memory controller speed, installed memory speed, and quantity of memory DIMMs</li> <li>Mixing of ECC and non-ECC is not supported</li> <li>Intel Core i5/i7 processors support non-ECC memory only</li> </ul>
Intel HD Graphics in processor (optional)	Integrated Intel HD Graphics on selected processors, uses main memory, works along with discrete graphics to support multi-display, enables three display connectors (2 DisplayPort, 1 VGA) on rear ports (detailed information please see <b>Rear ports</b> section)
Discrete graphics adapters	Two PCI Express x16 slots for discrete graphics adapters: <ul style="list-style-type: none"> <li>One PCI Express 3.0 x16 slot (40W max, near CPU)</li> <li>One PCI Express 2.0 x16 slot (x4 electrical, 40W max)</li> </ul>
Onboard drive controllers	Four SATA connectors via onboard drive controller in chipset, SATA 6.0Gb/s, RAID 0, 1 support, supports Intel Smart Response Technology
Storage	Up to two 3.5" SATA (SATA 6.0Gb/s, 7200rpm) drives, or up to three 2.5" SATA (SATA 6.0Gb/s, 10000rpm)/SATA SSD (SATA 6.0Gb/s) drives; up to one mSATA SSD drive (SATA 6.0Gb/s)
Optical	Supports DVD-ROM, DVD±RW, or Blu-ray Burner, 1.6" high or slim, SATA interface
Media reader (opt)	Optional 29-in-1 media card reader on selected models
Front ports	Two USB 3.0 (blue), microphone (3.5mm), headphone (3.5mm)
Rear ports	One VGA and two DisplayPort for models with Intel HD Graphics, two USB 2.0, four USB 3.0 (blue), one serial (9-pin), one ethernet (RJ-45), three analog audio ports (line-in, line-out, mic-in)
IEEE 1394 adptr (opt)	Optional Low Profile FireWire PCIe adapter on selected models, 1394a-2000, 400Mbps, two 6-pin ports on rear
Audio	High Definition (HD) Audio, Realtek® ALC662 codec
Speaker	Internal speaker for business audio
Onboard Ethernet	One onboard gigabit ethernet, Intel I217LM
Security	<ul style="list-style-type: none"> <li>Security chip: STMicro ST33ZP24AR28PVSP, TCG 1.2-compliant</li> <li>Security slot (in rear for optional Kensington Microsaver cable; prohibits side cover removal)</li> <li>Power-on/Administrator password</li> <li>Boot sequence control</li> <li>Boot without keyboard, mouse</li> <li>Serial port I/O control</li> <li>USB port disablement (front or all/individual)</li> <li>Chassis intrusion switch available on selected models</li> </ul>
Keyboard/Mouse	104-key keyboard (USB)/Optical Wheel Mouse (USB)
Power supply	240 watts with variable speed fan, autosensing, 85% PSU, Climate Savers Computing Bronze, 80 PLUS Bronze qualified
Environmental certifications	GREENGUARD® certified/RoHS-compliant/EPEAT™ Gold rating/ENERGY STAR 5.2 qualified
ISV certifications	For the latest list of certifications, please visit <a href="http://www.lenovo.com/support/ISV">www.lenovo.com/support/ISV</a>
Limited warranty <sup>1</sup>	3-year parts and labor

### Drives Bays\*

\* Image above is for reference only. Model in this image contains optional slim optical + 3.5" 2nd hard drive bay with supplemental fan (Bay 2) and optional 2.5" 3rd hard drive bay (Bay 3)

Bay 1 Standard, 3.5", 1" high, internal, primary hard drive bay  
 Bay 2 Standard, 5.25", 1.6" high, external, for optical, also supports one of the following:  
 (1) 5.25" slim optical (access) and 3.5" 2nd hard drive bay (internal), optional  
 (2) 3.5" 2nd hard drive bay (internal), optional  
 Bay 3 Optional, 2.5", 0.6" high, internal, 3rd hard drive bay  
 Bay 4 Optional, 3.5", 0.5" high, supports one of the following:  
 (1) for optional slim media card reader, external  
 (2) for optional mSATA drive, internal  
 (Bay 4 is not available on slim optical models)

**Notes:**  
 Standard optical and hard drive bays are included in models; optional optical and hard drive bays are available on models with the corresponding drives only

### Expansion Slots

- Low Profile, PCIe 3.0 x16 (40w max, near CPU)
- Low Profile, PCIe 2.0 x1
- Low Profile, PCIe 2.0 x16 (x4 elec, 40W max)
- Low Profile, PCI 2.3

### Mechanical

- Raven black color; metal case
- 13.35"W x 15.0"D x 3.93"H
- 338mm W x 375mm D x 102mm H
- 17.20 lb (7.8kg) max configuration
- 12.9-liter
- Toolless top cover removal
- Toolless disk and optical drive removal
- Toolless adapter retention
- Illuminated front icons
- Recessed power button

See footnotes for important warranty information  
 Model(s) announced August 20, 2013



Type-model <sup>1</sup>	Processor	Memory (MHz/type)	Memory DIMMs	Intel HD Graphics	Discrete graphics adapters**	Pre-conf RAID	Storage	Optical	29-in-1 Media reader	1394 adptr	Chassis intrusion switch	Preloaded OS
30A2002DUS	Xeon E3-1280 v3 (4C/3.6GHz/8MB/1600MHz)	1600MHz Non-ECC	8GBx1		1xQuadro K600 (1GB, 1xDVI-I DL, 1xDP, 41W)	No	1x256GB SATA SSD	DVD±RW	No	No	Switch	Win8 Pro64
30A2002EUS	Xeon E3-1280 v3 (4C/3.6GHz/8MB/1600MHz)	1600MHz Non-ECC	8GBx1		1xQuadro K600 (1GB, 1xDVI-I DL, 1xDP, 41W)	No	1x1TB 3.5" SATA	DVD±RW	No	No	Switch	Win8 Pro64

<sup>1</sup> Model in *italics* shows that this is a Global Model    \*\* DL = Dual Link, SL = Single Link

• For detailed ThinkStation E32 SFF platform specifications, please see [ThinkStation E32 Platform Specifications sheet](#)

Chipset	<b>Intel C226 Chipset</b>
Intel AMT	Intel Active Management Technology 9 supported on models with Intel Xeon processors
Processor	One <b>LGA1150</b> socket, integrated 2-channel DDR3 memory controller, optional integrated Intel HD Graphics on selected processors
Memory	1600MHz UDIMM, DDR3, ECC or non-ECC, 2-channel capable
Memory DIMM sockets	Four 240-pin DIMM sockets, up to 32GB ECC/non-ECC (8GBx4)
Additional memory disclaimers	<ul style="list-style-type: none"> <li>Actual memory operating speed depends on processor memory controller speed, installed memory speed, and quantity of memory DIMMs</li> <li>Mixing of ECC and non-ECC is not supported</li> <li>Intel Core i5/i7 processors support non-ECC memory only</li> </ul>
Intel HD Graphics in processor (optional)	Integrated Intel HD Graphics on selected processors, uses main memory, works along with discrete graphics to support multi-display, enables three display connectors (2 DisplayPort, 1 VGA) on rear ports (detailed information please see <b>Rear ports</b> section)
Discrete graphics adapters	Two PCI Express x16 slots for discrete graphics adapters: <ul style="list-style-type: none"> <li>One PCI Express 3.0 x16 slot (40W max, near CPU)</li> <li>One PCI Express 2.0 x16 slot (x4 electrical, 40W max)</li> </ul>
Onboard drive controllers	Four SATA connectors via onboard drive controller in chipset, SATA 6.0Gb/s, RAID 0, 1 support, supports Intel Smart Response Technology
Storage	Up to two 3.5" SATA (SATA 6.0Gb/s, 7200rpm) drives, or up to three 2.5" SATA (SATA 6.0Gb/s, 10000rpm)/SATA SSD (SATA 6.0Gb/s) drives; up to one mSATA SSD drive (SATA 6.0Gb/s)
Optical	Supports DVD-ROM, DVD±RW, or Blu-ray Burner, 1.6" high or slim, SATA interface
Media reader (opt)	Optional 29-in-1 media card reader on selected models
Front ports	Two USB 3.0 (blue), microphone (3.5mm), headphone (3.5mm)
Rear ports	One VGA and two DisplayPort for models with Intel HD Graphics, two USB 2.0, four USB 3.0 (blue), one serial (9-pin), one ethernet (RJ-45), three analog audio ports (line-in, line-out, mic-in)
IEEE 1394 adptr (opt)	Optional Low Profile FireWire PCIe adapter on selected models, 1394a-2000, 400Mbps, two 6-pin ports on rear
Audio	High Definition (HD) Audio, Realtek® ALC662 codec
Speaker	Internal speaker for business audio
Onboard Ethernet	One onboard gigabit ethernet, Intel I217LM
Security	<ul style="list-style-type: none"> <li>Security chip: STMicro ST33ZP24AR28PVSP, TCG 1.2-compliant</li> <li>Security slot (in rear for optional Kensington Microsaver cable; prohibits side cover removal)</li> <li>Power-on/Administrator password</li> <li>Boot sequence control</li> <li>Boot without keyboard, mouse</li> <li>Serial port I/O control</li> <li>USB port disablement (front or all/individual)</li> <li>Chassis intrusion switch available on selected models</li> </ul>
Keyboard/Mouse	104-key keyboard (USB)/Optical Wheel Mouse (USB)
Power supply	240 watts with variable speed fan, autosensing, 85% PSU, Climate Savers Computing Bronze, 80 PLUS Bronze qualified
Environmental certifications	GREENGUARD® certified/RoHS-compliant/EPEAT™ Gold rating/ENERGY STAR 5.2 qualified
ISV certifications	For the latest list of certifications, please visit <a href="http://www.lenovo.com/support/ISV">www.lenovo.com/support/ISV</a>
Limited warranty <sup>1</sup>	3-year parts and labor

### Drives Bays\*

*\* Image above is for reference only. Model in this image contains optional slim optical + 3.5" 2nd hard drive bay with supplemental fan (Bay 2) and optional 2.5" 3rd hard drive bay (Bay 3)*

**Bay 1** Standard, 3.5", 1" high, internal, primary hard drive bay  
**Bay 2** Standard, 5.25", 1.6" high, external, for optical, also supports one of the following:  
 (1) 5.25" slim optical (access) and 3.5" 2nd hard drive bay (internal), optional  
 (2) 3.5" 2nd hard drive bay (internal), optional  
**Bay 3** Optional, 2.5", 0.6" high, internal, 3rd hard drive bay  
**Bay 4** Optional, 3.5", 0.5" high, supports one of the following:  
 (1) for optional slim media card reader, external  
 (2) for optional mSATA drive, internal  
 (Bay 4 is not available on slim optical models)

**Notes:**  
 Standard optical and hard drive bays are included in models; optional optical and hard drive bays are available on models with the corresponding drives only

**Expansion Slots**

- Low Profile, PCIe 3.0 x16 (40w max, near CPU)
- Low Profile, PCIe 2.0 x1
- Low Profile, PCIe 2.0 x16 (x4 elec, 40W max)
- Low Profile, PCI 2.3

**Mechanical**

- Raven black color; metal case
- 13.35"W x 15.0"D x 3.93"H
- 338mm W x 375mm D x 102mm H
- 17.20 lb (7.8kg) max configuration
- 12.9-liter
- Toolless top cover removal
- Toolless disk and optical drive removal
- Toolless adapter retention
- Illuminated front icons
- Recessed power button

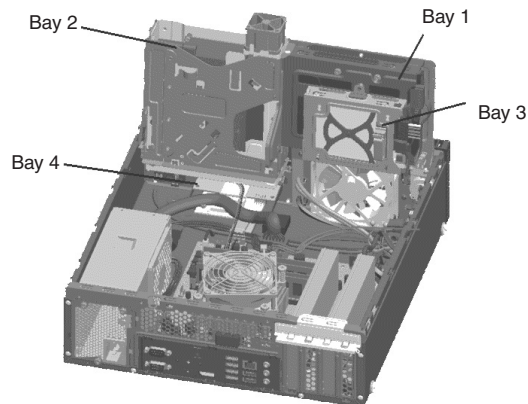
Type-model <sup>1</sup>	Processor	Memory (MHz/type)	Memory DIMMs	Intel HD Graphics	Discrete graphics adapters**	Pre-conf RAID	Storage	Optical	29-in-1 Media reader	1394 adptr	Chassis intrusion switch	Preloaded OS
30A2001UUS	Core i3-4330 (2C/3.5GHz/4MB/1600MHz)	1600MHz Non-ECC	4GBx1	Intel HD 4600		No	1x500GB 3.5" SATA	DVD±RW	No	No	Switch	Win7 Pro64 (Downgrade from Win8)
30A2001VUS	Core i3-4330 (2C/3.5GHz/4MB/1600MHz)	1600MHz Non-ECC	4GBx1	Intel HD 4600	1xQuadro 410 (512MB, 1xDVI-I DL, 1xDP, 37W)	No	1x500GB 3.5" SATA	DVD±RW	No	No	Switch	Win7 Pro64 (Downgrade from Win8)
30A20025US	Core i3-4330 (2C/3.5GHz/4MB/1600MHz)	1600MHz Non-ECC	4GBx1	Intel HD 4600		No	1x500GB 3.5" SATA	DVD±RW	No	No	Switch	Win8 Pro64
30A20026US	Core i3-4330 (2C/3.5GHz/4MB/1600MHz)	1600MHz Non-ECC	4GBx1	Intel HD 4600	1xQuadro 410 (512MB, 1xDVI-I DL, 1xDP, 37W)	No	1x500GB 3.5" SATA	DVD±RW	No	No	Switch	Win8 Pro64

\* Model in italics shows that this is a Global Model \*\* DL = Dual Link, SL = Single Link

• For detailed ThinkStation E32 SFF platform specifications, please see [ThinkStation E32 Platform Specifications sheet](#)

Chipset	<b>Intel C226 Chipset</b>
Intel AMT	Intel Active Management Technology 9 supported on models with Intel Xeon processors
Processor	One <b>LGA1150</b> socket, integrated 2-channel DDR3 memory controller, optional integrated Intel HD Graphics on selected processors
Memory	1600MHz UDIMM, DDR3, ECC or non-ECC, 2-channel capable
Memory DIMM sockets	Four 240-pin DIMM sockets, up to 32GB ECC/non-ECC (8GBx4)
Additional memory disclaimers	<ul style="list-style-type: none"> <li>Actual memory operating speed depends on processor memory controller speed, installed memory speed, and quantity of memory DIMMs</li> <li>Mixing of ECC and non-ECC is not supported</li> <li>Intel Core i5/i7 processors support non-ECC memory only</li> </ul>
Intel HD Graphics in processor (optional)	Integrated Intel HD Graphics on selected processors, uses main memory, works along with discrete graphics to support multi-display, enables three display connectors (2 DisplayPort, 1 VGA) on rear ports (detailed information please see <b>Rear ports</b> section)
Discrete graphics adapters	Two PCI Express x16 slots for discrete graphics adapters: <ul style="list-style-type: none"> <li>One PCI Express 3.0 x16 slot (40W max, near CPU)</li> <li>One PCI Express 2.0 x16 slot (x4 electrical, 40W max)</li> </ul>
Onboard drive controllers	Four SATA connectors via onboard drive controller in chipset, SATA 6.0Gb/s, RAID 0, 1 support, supports Intel Smart Response Technology
Storage	Up to two 3.5" SATA (SATA 6.0Gb/s, 7200rpm) drives, or up to three 2.5" SATA (SATA 6.0Gb/s, 10000rpm)/SATA SSD (SATA 6.0Gb/s) drives; up to one mSATA SSD drive (SATA 6.0Gb/s)
Optical	Supports DVD-ROM, DVD±RW, or Blu-ray Burner, 1.6" high or slim, SATA interface
Media reader (opt)	Optional 29-in-1 media card reader on selected models
Front ports	Two USB 3.0 (blue), microphone (3.5mm), headphone (3.5mm)
Rear ports	One VGA and two DisplayPort for models with Intel HD Graphics, two USB 2.0, four USB 3.0 (blue), one serial (9-pin), one ethernet (RJ-45), three analog audio ports (line-in, line-out, mic-in)
IEEE 1394 adptr (opt)	Optional Low Profile FireWire PCIe adapter on selected models, 1394a-2000, 400Mbps, two 6-pin ports on rear
Audio	High Definition (HD) Audio, Realtek® ALC662 codec
Speaker	Internal speaker for business audio
Onboard Ethernet	One onboard gigabit ethernet, Intel I217LM
Security	<ul style="list-style-type: none"> <li>Security chip: STMicro ST33ZP24AR28PVSP, TCG 1.2-compliant</li> <li>Security slot (in rear for optional Kensington Microsaver cable; prohibits side cover removal)</li> <li>Power-on/Administrator password</li> <li>Boot sequence control</li> <li>Boot without keyboard, mouse</li> <li>Serial port I/O control</li> <li>USB port disablement (front or all/individual)</li> <li>Chassis intrusion switch available on selected models</li> </ul>
Keyboard/Mouse	104-key keyboard (USB)/Optical Wheel Mouse (USB)
Power supply	240 watts with variable speed fan, autosensing, 85% PSU, Climate Savers Computing Bronze, 80 PLUS Bronze qualified
Environmental certifications	GREENGUARD® certified/RoHS-compliant/EPEAT™ Gold rating/ENERGY STAR 5.2 qualified
ISV certifications	For the latest list of certifications, please visit <a href="http://www.lenovo.com/support/ISV">www.lenovo.com/support/ISV</a>
Limited warranty <sup>1</sup>	3-year parts and labor

**Drives Bays\***



\* Image above is for reference only. Model in this image contains optional slim optical + 3.5" 2nd hard drive bay with supplemental fan (Bay 2) and optional 2.5" 3rd hard drive bay (Bay 3)

- Bay 1 Standard, 3.5", 1" high, internal, primary hard drive bay
- Bay 2 Standard, 5.25", 1.6" high, external, for optical, also supports one of the following:
  - (1) 5.25" slim optical (access) and 3.5" 2nd hard drive bay (internal), optional
  - (2) 3.5" 2nd hard drive bay (internal), optional
- Bay 3 Optional, 2.5", 0.6" high, internal, 3rd hard drive bay
- Bay 4 Optional, 3.5", 0.5" high, supports one of the following:
  - (1) for optional slim media card reader, external
  - (2) for optional mSATA drive, internal
(Bay 4 is not available on slim optical models)

Notes:  
Standard optical and hard drive bays are included in models; optional optical and hard drive bays are available on models with the corresponding drives only

**Expansion Slots**

- 1: Low Profile, PCIe 3.0 x16 (40w max, near CPU)
- 2: Low Profile, PCIe 2.0 x1
- 3: Low Profile, PCIe 2.0 x16 (x4 elec, 40W max)
- 4: Low Profile, PCI 2.3

**Mechanical**

- Raven black color; metal case
- 13.35"W x 15.0"D x 3.93"H
- 338mm W x 375mm D x 102mm H
- 17.20 lb (7.8kg) max configuration
- 12.9-liter
- Toolless top cover removal
- Toolless disk and optical drive removal
- Toolless adapter retention
- Illuminated front icons
- Recessed power button

Type-model <sup>1</sup>	Processor	Memory (MHz/type)	Memory DIMMs	Intel HD Graphics	Discrete graphics adapters <sup>2</sup>	Pre-conf RAID	Storage	Optical	29-in-1 Media reader	Chassis intrusion switch	Preloaded OS	Base warranty (-year) <sup>3</sup>	Ann date (mm/dd/yy)
30A2001TUS	Xeon E3-1230 v3 4C/3.3 GHz/8 MB/1600MHz	1600MHz ECC	4GBx1	No	1xQuadro K600 1GB, 1xDVI-I DL, 1xDP, 41W)	No	1x1TB 3.5" SATA	DVD±RW	Media	Switch	Win7 Pro64 (Downgrade from Win8)	3(IWS)	10/8/13
30A2002QUS	Core i5-4570 4C/3.2 GHz/6 MB/1600MHz	1600MHz Non-ECC	4GBx1	Intel HD 4600	1xQuadro K600 1GB, 1xDVI-I DL, 1xDP, 41W)	No	1x1TB 3.5" SATA	DVD±RW	No	Switch	Win7 Pro64 (Downgrade from Win8)	3(IWS)	10/8/13
30A2002PSS	Core i7-4770 4C/3.4 GHz/8 MB/1600MHz	1600MHz Non-ECC	8GBx1	Intel HD 4600	1xQuadro K600 1GB, 1xDVI-I DL, 1xDP, 41W)	No	1x180GB SATA SSD	DVD±RW	No	Switch	Win7 Pro64 (Downgrade from Win8)	3(IWS)	10/15/13
30A2002QSS	Core i5-4570 4C/3.2 GHz/6 MB/1600MHz	1600MHz Non-ECC	4GBx1	Intel HD 4600	1xQuadro K600 1GB, 1xDVI-I DL, 1xDP, 41W)	No	1x1TB 3.5" SATA	DVD±RW	No	Switch	Win7 Pro64 (Downgrade from Win8)	3(IWS)	10/8/13
30A2002PUS	Core i7-4770 4C/3.4 GHz/8 MB/1600MHz	1600MHz Non-ECC	8GBx1	Intel HD 4600	1xQuadro K600 1GB, 1xDVI-I DL, 1xDP, 41W)	No	1x180GB SATA SSD	DVD±RW	No	Switch	Win7 Pro64 (Downgrade from Win8)	3(IWS)	10/8/13

<sup>1</sup>Model in italics shows that this is a Global Model <sup>2</sup>DL = Dual Link, SL = Single Link <sup>3</sup>IWS= International Warranty Service<sup>9</sup>

• For detailed ThinkStation E32 SFF platform specifications, please see [ThinkStation E32 Platform Specifications sheet](#)

Chipset	Intel C226 Chipset
Intel AMT	Intel Active Management Technology 9 supported on models with Intel Xeon processors
Processor	One <b>LGA1150</b> socket, integrated 2-channel DDR3 memory controller, optional integrated Intel HD Graphics on selected processors
Memory	1600MHz UDIMM, DDR3, ECC or non-ECC, 2-channel capable
Memory DIMM sockets	Four 240-pin DIMM sockets, up to 32GB ECC/non-ECC (8GBx4)
Additional memory disclaimers	<ul style="list-style-type: none"> <li>Actual memory operating speed depends on processor memory controller speed, installed memory speed, and quantity of memory DIMMs</li> <li>Mixing of ECC and non-ECC is not supported</li> <li>Intel Core i5/i7 processors support non-ECC memory only</li> </ul>
Intel HD Graphics in processor (optional)	Integrated Intel HD Graphics on selected processors, uses main memory, works along with discrete graphics to support multi-display, enables three display connectors (2 DisplayPort, 1 VGA) on rear ports (detailed information please see <b>Rear ports</b> section)
Discrete graphics adapters	Two PCI Express x16 slots for discrete graphics adapters: <ul style="list-style-type: none"> <li>One PCI Express 3.0 x16 slot (40W max, near CPU)</li> <li>One PCI Express 2.0 x16 slot (x4 electrical, 40W max)</li> </ul>
Onboard drive controllers	Four SATA connectors via onboard drive controller in chipset, SATA 6.0Gb/s, RAID 0, 1 support, supports Intel Smart Response Technology
Storage	Up to two 3.5" SATA (SATA 6.0Gb/s, 7200rpm) drives, or up to three 2.5" SATA (SATA 6.0Gb/s, 10000rpm)/SATA SSD (SATA 6.0Gb/s) drives; up to one mSATA SSD drive (SATA 6.0Gb/s)
Optical	Supports DVD-ROM, DVD±RW, or Blu-ray Burner, 1.6" high or slim, SATA interface
Media reader (opt)	Optional 29-in-1 media card reader on selected models
Front ports	Two USB 3.0 (blue), microphone (3.5mm), headphone (3.5mm)
Rear ports	One VGA and two DisplayPort for models with Intel HD Graphics, two USB 2.0, four USB 3.0 (blue), one serial (9-pin), one ethernet (RJ-45), three analog audio ports (line-in, line-out, mic-in)
IEEE 1394 adptr (opt)	Optional Low Profile FireWire PCIe adapter on selected models, 1394a-2000, 400Mbps, two 6-pin ports on rear
Audio	High Definition (HD) Audio, Realtek® ALC662 codec
Speaker	Internal speaker for business audio
Onboard Ethernet	One onboard gigabit ethernet, Intel I217LM
Security	<ul style="list-style-type: none"> <li>Security chip: STMicro ST33ZP24AR28PVSP, TCG 1.2-compliant</li> <li>Security slot (in rear for optional Kensington Microsaver cable; prohibits side cover removal)</li> <li>Power-on/Administrator password</li> <li>Boot sequence control</li> <li>Boot without keyboard, mouse</li> <li>Serial port I/O control</li> <li>USB port disablement (front or all/individual)</li> <li>Chassis intrusion switch available on selected models</li> </ul>
Keyboard/Mouse	104-key keyboard (USB)/Optical Wheel Mouse (USB)
Power supply	240 watts with variable speed fan, autosensing, 85% PSU, Climate Savers Computing Bronze, 80 PLUS Bronze qualified
Environmental certifications	GREENGUARD® certified/RoHS-compliant/EPEAT™ Gold rating/ENERGY STAR 5.2 qualified
ISV certifications	For the latest list of certifications, please visit <a href="http://www.lenovo.com/support/ISV">www.lenovo.com/support/ISV</a>
Limited warranty <sup>1</sup>	3-year parts and labor

### Drives Bays\*

\* Image above is for reference only. Model in this image contains optional slim optical + 3.5" 2nd hard drive bay with supplemental fan (Bay 2) and optional 2.5" 3rd hard drive bay (Bay 3)

Bay 1 Standard, 3.5", 1" high, internal, primary hard drive bay  
 Bay 2 Standard, 5.25", 1.6" high, external, for optical, also supports one of the following:  
 (1) 5.25" slim optical (access) and 3.5" 2nd hard drive bay (internal), optional  
 (2) 3.5" 2nd hard drive bay (internal), optional  
 Bay 3 Optional, 2.5", 0.6" high, internal, 3rd hard drive bay  
 Bay 4 Optional, 3.5", 0.5" high, supports one of the following:  
 (1) for optional slim media card reader, external  
 (2) for optional mSATA drive, internal  
 (Bay 4 is not available on slim optical models)

**Notes:**  
 Standard optical and hard drive bays are included in models; optional optical and hard drive bays are available on models with the corresponding drives only

### Expansion Slots

- Low Profile, PCIe 3.0 x16 (40w max, near CPU)
- Low Profile, PCIe 2.0 x1
- Low Profile, PCIe 2.0 x16 (x4 elec, 40W max)
- Low Profile, PCI 2.3

### Mechanical

- Raven black color; metal case
- 13.35"W x 15.0"D x 3.93"H
- 338mm W x 375mm D x 102mm H
- 17.20 lb (7.8kg) max configuration
- 12.9-liter
- Toolless top cover removal
- Toolless disk and optical drive removal
- Toolless adapter retention
- Illuminated front icons
- Recessed power button

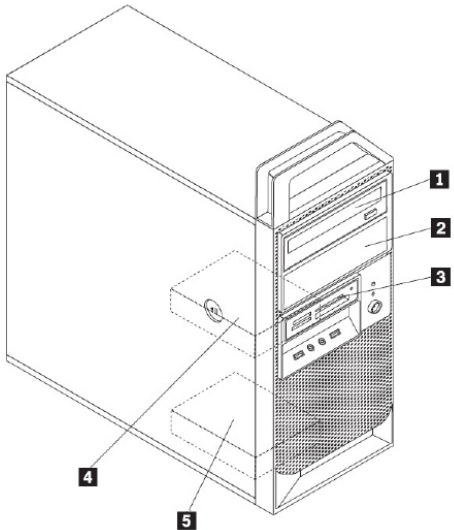
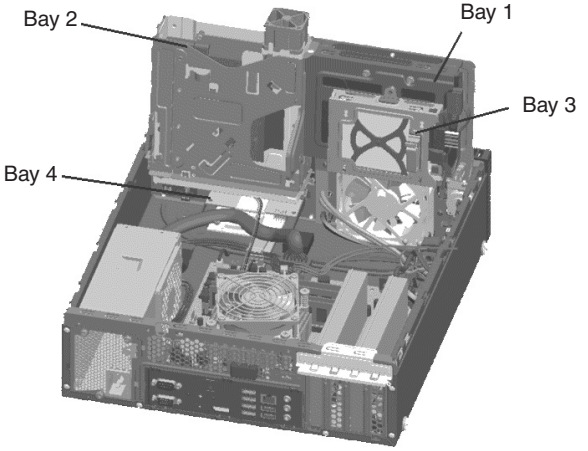
See footnotes for important warranty information  
 Model(s) announced October 8 or 15, 2013

# ThinkStation E32 Platform Specifications - I of III

From factor	ThinkStation E32 Tower	ThinkStation E32 SFF																																																																																																																																																																		
Chipset	<b>Intel C226 Chipset</b>																																																																																																																																																																			
Intel AMT	Intel Active Management Technology 9 supported on models with Intel Xeon processors																																																																																																																																																																			
Processor	<p>One LGA1150 socket, supports one processor from Intel Xeon E3-1200 v3, Core i7-4000, Core-i5 4000, Core-i3 4000, and Pentium G3000 families, integrated 2-channel DDR3 memory controller, optional integrated processor graphics on selected processors.</p> <p>The following processors are supported:</p> <table border="1"> <thead> <tr> <th>Processor Number</th> <th># of Cores</th> <th># of Threads</th> <th>Clock Speed</th> <th>Max Turbo Frequency</th> <th>Cache</th> <th>Memory speed</th> <th>ECC Memory Supported</th> <th>Processor Graphics</th> </tr> </thead> <tbody> <tr> <td>Xeon E3-1220 v3</td> <td>4</td> <td>4</td> <td>3.1 GHz</td> <td>3.5 GHz</td> <td>8 MB</td> <td>DDR3-1600</td> <td>Yes</td> <td></td> </tr> <tr> <td>Xeon E3-1225 v3</td> <td>4</td> <td>4</td> <td>3.2 GHz</td> <td>3.6 GHz</td> <td>8 MB</td> <td>DDR3-1600</td> <td>Yes</td> <td>Intel HD Graphics P4600</td> </tr> <tr> <td>Xeon E3-1230 v3</td> <td>4</td> <td>8</td> <td>3.3 GHz</td> <td>3.7 GHz</td> <td>8 MB</td> <td>DDR3-1600</td> <td>Yes</td> <td></td> </tr> <tr> <td>Xeon E3-1240 v3</td> <td>4</td> <td>8</td> <td>3.4 GHz</td> <td>3.8 GHz</td> <td>8 MB</td> <td>DDR3-1600</td> <td>Yes</td> <td></td> </tr> <tr> <td>Xeon E3-1245 v3</td> <td>4</td> <td>8</td> <td>3.4 GHz</td> <td>3.8 GHz</td> <td>8 MB</td> <td>DDR3-1600</td> <td>Yes</td> <td>Intel HD Graphics P4600</td> </tr> <tr> <td>Xeon E3-1270 v3</td> <td>4</td> <td>8</td> <td>3.5 GHz</td> <td>3.9 GHz</td> <td>8 MB</td> <td>DDR3-1600</td> <td>Yes</td> <td></td> </tr> <tr> <td>Xeon E3-1275 v3</td> <td>4</td> <td>8</td> <td>3.5 GHz</td> <td>3.9 GHz</td> <td>8 MB</td> <td>DDR3-1600</td> <td>Yes</td> <td>Intel HD Graphics P4600</td> </tr> <tr> <td>Xeon E3-1280 v3</td> <td>4</td> <td>8</td> <td>3.6 GHz</td> <td>4 GHz</td> <td>8 MB</td> <td>DDR3-1600</td> <td>Yes</td> <td></td> </tr> <tr> <td>Core i5-4670</td> <td>4</td> <td>4</td> <td>3.4 GHz</td> <td>3.8 GHz</td> <td>6 MB</td> <td>DDR3-1600</td> <td></td> <td>Intel HD Graphics 4600</td> </tr> <tr> <td>Core i5-4570</td> <td>4</td> <td>4</td> <td>3.2 GHz</td> <td>3.6 GHz</td> <td>6 MB</td> <td>DDR3-1600</td> <td></td> <td>Intel HD Graphics 4600</td> </tr> <tr> <td>Core i7-4770</td> <td>4</td> <td>8</td> <td>3.4 GHz</td> <td>3.9 GHz</td> <td>8 MB</td> <td>DDR3-1600</td> <td></td> <td>Intel HD Graphics 4600</td> </tr> <tr> <td>Core i3-4340</td> <td>2</td> <td>4</td> <td>3.6 GHz</td> <td></td> <td>4 MB</td> <td>DDR3-1600</td> <td>Yes</td> <td>Intel HD Graphics 4600</td> </tr> <tr> <td>Core i3-4330</td> <td>2</td> <td>4</td> <td>3.5 GHz</td> <td></td> <td>4 MB</td> <td>DDR3-1600</td> <td>Yes</td> <td>Intel HD Graphics 4600</td> </tr> <tr> <td>Core i3-4130</td> <td>2</td> <td>4</td> <td>3.4 GHz</td> <td></td> <td>3 MB</td> <td>DDR3-1600</td> <td>Yes</td> <td>Intel HD Graphics 4400</td> </tr> <tr> <td>Pentium G3430</td> <td>2</td> <td>2</td> <td>3.3 GHz</td> <td></td> <td>3 MB</td> <td>DDR3-1600</td> <td>Yes</td> <td>Intel HD Graphics</td> </tr> <tr> <td>Pentium G3420</td> <td>2</td> <td>2</td> <td>3.2 GHz</td> <td></td> <td>3 MB</td> <td>DDR3-1600</td> <td>Yes</td> <td>Intel HD Graphics</td> </tr> <tr> <td>Pentium G3220</td> <td>2</td> <td>2</td> <td>3 GHz</td> <td></td> <td>3 MB</td> <td>DDR3-1333</td> <td>Yes</td> <td>Intel HD Graphics</td> </tr> </tbody> </table> <p><i>Notes:</i>                      All processors information is provided by Intel and may be changed at any time without notice. The information herein is provided "as-is". Intel may update this information in non-scheduled. For latest information, please see <a href="http://ark.intel.com/">http://ark.intel.com/</a></p>		Processor Number	# of Cores	# of Threads	Clock Speed	Max Turbo Frequency	Cache	Memory speed	ECC Memory Supported	Processor Graphics	Xeon E3-1220 v3	4	4	3.1 GHz	3.5 GHz	8 MB	DDR3-1600	Yes		Xeon E3-1225 v3	4	4	3.2 GHz	3.6 GHz	8 MB	DDR3-1600	Yes	Intel HD Graphics P4600	Xeon E3-1230 v3	4	8	3.3 GHz	3.7 GHz	8 MB	DDR3-1600	Yes		Xeon E3-1240 v3	4	8	3.4 GHz	3.8 GHz	8 MB	DDR3-1600	Yes		Xeon E3-1245 v3	4	8	3.4 GHz	3.8 GHz	8 MB	DDR3-1600	Yes	Intel HD Graphics P4600	Xeon E3-1270 v3	4	8	3.5 GHz	3.9 GHz	8 MB	DDR3-1600	Yes		Xeon E3-1275 v3	4	8	3.5 GHz	3.9 GHz	8 MB	DDR3-1600	Yes	Intel HD Graphics P4600	Xeon E3-1280 v3	4	8	3.6 GHz	4 GHz	8 MB	DDR3-1600	Yes		Core i5-4670	4	4	3.4 GHz	3.8 GHz	6 MB	DDR3-1600		Intel HD Graphics 4600	Core i5-4570	4	4	3.2 GHz	3.6 GHz	6 MB	DDR3-1600		Intel HD Graphics 4600	Core i7-4770	4	8	3.4 GHz	3.9 GHz	8 MB	DDR3-1600		Intel HD Graphics 4600	Core i3-4340	2	4	3.6 GHz		4 MB	DDR3-1600	Yes	Intel HD Graphics 4600	Core i3-4330	2	4	3.5 GHz		4 MB	DDR3-1600	Yes	Intel HD Graphics 4600	Core i3-4130	2	4	3.4 GHz		3 MB	DDR3-1600	Yes	Intel HD Graphics 4400	Pentium G3430	2	2	3.3 GHz		3 MB	DDR3-1600	Yes	Intel HD Graphics	Pentium G3420	2	2	3.2 GHz		3 MB	DDR3-1600	Yes	Intel HD Graphics	Pentium G3220	2	2	3 GHz		3 MB	DDR3-1333	Yes	Intel HD Graphics
Processor Number	# of Cores	# of Threads	Clock Speed	Max Turbo Frequency	Cache	Memory speed	ECC Memory Supported	Processor Graphics																																																																																																																																																												
Xeon E3-1220 v3	4	4	3.1 GHz	3.5 GHz	8 MB	DDR3-1600	Yes																																																																																																																																																													
Xeon E3-1225 v3	4	4	3.2 GHz	3.6 GHz	8 MB	DDR3-1600	Yes	Intel HD Graphics P4600																																																																																																																																																												
Xeon E3-1230 v3	4	8	3.3 GHz	3.7 GHz	8 MB	DDR3-1600	Yes																																																																																																																																																													
Xeon E3-1240 v3	4	8	3.4 GHz	3.8 GHz	8 MB	DDR3-1600	Yes																																																																																																																																																													
Xeon E3-1245 v3	4	8	3.4 GHz	3.8 GHz	8 MB	DDR3-1600	Yes	Intel HD Graphics P4600																																																																																																																																																												
Xeon E3-1270 v3	4	8	3.5 GHz	3.9 GHz	8 MB	DDR3-1600	Yes																																																																																																																																																													
Xeon E3-1275 v3	4	8	3.5 GHz	3.9 GHz	8 MB	DDR3-1600	Yes	Intel HD Graphics P4600																																																																																																																																																												
Xeon E3-1280 v3	4	8	3.6 GHz	4 GHz	8 MB	DDR3-1600	Yes																																																																																																																																																													
Core i5-4670	4	4	3.4 GHz	3.8 GHz	6 MB	DDR3-1600		Intel HD Graphics 4600																																																																																																																																																												
Core i5-4570	4	4	3.2 GHz	3.6 GHz	6 MB	DDR3-1600		Intel HD Graphics 4600																																																																																																																																																												
Core i7-4770	4	8	3.4 GHz	3.9 GHz	8 MB	DDR3-1600		Intel HD Graphics 4600																																																																																																																																																												
Core i3-4340	2	4	3.6 GHz		4 MB	DDR3-1600	Yes	Intel HD Graphics 4600																																																																																																																																																												
Core i3-4330	2	4	3.5 GHz		4 MB	DDR3-1600	Yes	Intel HD Graphics 4600																																																																																																																																																												
Core i3-4130	2	4	3.4 GHz		3 MB	DDR3-1600	Yes	Intel HD Graphics 4400																																																																																																																																																												
Pentium G3430	2	2	3.3 GHz		3 MB	DDR3-1600	Yes	Intel HD Graphics																																																																																																																																																												
Pentium G3420	2	2	3.2 GHz		3 MB	DDR3-1600	Yes	Intel HD Graphics																																																																																																																																																												
Pentium G3220	2	2	3 GHz		3 MB	DDR3-1333	Yes	Intel HD Graphics																																																																																																																																																												
Memory type	1600MHz UDIMM, DDR3, ECC or non-ECC, 2-channel capable																																																																																																																																																																			
Memory DIMM sockets	Four 240-pin DIMM sockets																																																																																																																																																																			
Memory capacity	Up to 32GB ECC/non-ECC (8GBx4)																																																																																																																																																																			
Additional memory disclaimers	<ul style="list-style-type: none"> <li>Actual memory operating speed depends on processor memory controller speed, installed memory speed, and quantity of memory DIMMs</li> <li>Mixing of ECC and non-ECC is not supported</li> </ul>																																																																																																																																																																			
Intel HD Graphics in processor (optional)	Integrated Intel HD Graphics on Pentium, Core i3, i5, i7 and Xeon E3-12x5 v3 processors, uses main memory, works along with discrete graphics to support multi-display, enables three display connectors (2 DisplayPort, 1 VGA) on rear ports (detailed information please see <b>Rear ports</b> section)																																																																																																																																																																			
Discrete Graphics adapters	Two PCI Express x16 slots for discrete graphics adapters: <ul style="list-style-type: none"> <li>One PCI Express 3.0 x16 slot (75W max, near CPU)</li> <li>One PCI Express 2.0 x16 slot (x4 electrical, 75W max)</li> </ul>	Two PCI Express x16 slots for discrete graphics adapters: <ul style="list-style-type: none"> <li>One PCI Express 3.0 x16 slot (40W max, near CPU)</li> <li>One PCI Express 2.0 x16 slot (x4 electrical, 40W max)</li> </ul>																																																																																																																																																																		
	Supports the following NVIDIA Quadro, NVS graphics adapters:																																																																																																																																																																			
							Supported on ThinkStation																																																																																																																																																													
	Memory Size	CUDA Processor Cores	Display Connectors	Max. Displays	Power	E32 Tower	E32 SFF																																																																																																																																																													
Quadro K2000	2GB	384	1 dual-link DVI-I 2 DisplayPort	4*	51W	•																																																																																																																																																														
Quadro K2000D	2GB	384	1 dual-link DVI-I 1 dual-link DVI-D 1 mini DisplayPort	4*	51W	•																																																																																																																																																														
Quadro K600	1GB	192	1 dual-link DVI-I 1 DisplayPort	2	41W	•	•																																																																																																																																																													
Quadro 410	512MB	192	1 dual-link DVI-I 1 DisplayPort	2	37W	•	•																																																																																																																																																													
NVS 510	2GB	192	4 mini DisplayPort (with 4 mini DP to DP dongles)	4	35W	•	•																																																																																																																																																													
	* Quadro K2000 and Quadro K2000D are equipped with 3 onboard display connectors, 4 Displays require a supported DisplayPort 1.2 Multi-Stream capable hub or displays.																																																																																																																																																																			

# ThinkStation E32 Platform Specifications - II of III

Product Specifications Reference (PSREF)

From factor	ThinkStation E32 Tower	ThinkStation E32 SFF																										
Discrete Graphics adapters	<table border="1"> <thead> <tr> <th></th> <th>Memory Size</th> <th>CUDA Processor Cores</th> <th>Display Connectors</th> </tr> </thead> <tbody> <tr> <td>NVS 315</td> <td>1024MB</td> <td>48</td> <td>DMS59 to dual single-link DVI-I or dual DisplayPort</td> </tr> <tr> <td>NVS 310</td> <td>512 MB</td> <td>48</td> <td>2 DisplayPort</td> </tr> </tbody> </table>		Memory Size	CUDA Processor Cores	Display Connectors	NVS 315	1024MB	48	DMS59 to dual single-link DVI-I or dual DisplayPort	NVS 310	512 MB	48	2 DisplayPort	<table border="1"> <thead> <tr> <th rowspan="2">Max. Displays</th> <th rowspan="2">Power</th> <th colspan="2">Supported on ThinkStation</th> </tr> <tr> <th>E32 Tower</th> <th>E32 SFF</th> </tr> </thead> <tbody> <tr> <td>2</td> <td>19.5W</td> <td>•</td> <td>•</td> </tr> <tr> <td>2</td> <td>19.5W</td> <td>•</td> <td>•</td> </tr> </tbody> </table>	Max. Displays	Power	Supported on ThinkStation		E32 Tower	E32 SFF	2	19.5W	•	•	2	19.5W	•	•
		Memory Size	CUDA Processor Cores	Display Connectors																								
	NVS 315	1024MB	48	DMS59 to dual single-link DVI-I or dual DisplayPort																								
NVS 310	512 MB	48	2 DisplayPort																									
Max. Displays	Power	Supported on ThinkStation																										
		E32 Tower	E32 SFF																									
2	19.5W	•	•																									
2	19.5W	•	•																									
Onboard drive controllers	Four SATA connectors via onboard drive controller in chipset, SATA 6.0Gb/s, RAID 0, 1, 5 support, supports Intel Smart Response Technology	Four SATA connectors via onboard drive controller in chipset, SATA 6.0Gb/s, RAID 0, 1 support, supports Intel Smart Response Technology																										
Drive Bays	 <p>Bay 1 Standard, 5.25", 1.6" high, external, for optical            Bay 2 Standard, 5.25", 1.6" high, external, for optical or optional, 3.5", 1" high, 3rd hard drive bay            Bay 3 Optional, 3.5", 1" high, supports one of the following:            (1) for optional media card reader, external            (2) for optional mSATA drive, internal            Bay 4 Standard, 3.5", 1" high, internal, primary hard drive bay            Bay 5 Standard, 3.5", 1" high, internal, 2nd hard drive bay</p> <p><i>Notes:</i>            Standard optical and hard drive bays are included in models;            optional hard drive bays are available on models with the corresponding hard drives only</p>	 <p>Bay 1 Standard, 3.5", 1" high, internal, primary hard drive bay            Bay 2 Standard, 5.25", 1.6" high, external, for optical, also supports one of the following:            (1) 5.25" slim optical (access) and 3.5" 2nd hard drive bay (internal), optional            (2) 3.5" 2nd hard drive bay (internal), optional            Bay 3 Optional, 2.5", 0.6" high, internal, 3rd hard drive bay            Bay 4 Optional, 3.5", 0.5" high, supports one of the following:            (1) for optional slim media card reader, external            (2) for optional mSATA drive, internal            (Bay 4 is not available on slim optical models)</p> <p><i>Notes:</i>            Standard optical and hard drive bays are included in models;            optional optical and hard drive bays are available on models with the corresponding drives only</p> <p><i>Image above is for reference only. Model in this image contains optional slim optical + 3.5" 2nd hard drive bay with supplemental fan (Bay 2) and optional 2.5" 3rd hard drive bay (Bay 3)</i></p>																										
Hard drive(s)	<p>Supports the following:</p> <p>3.5" SATA: SATA 6.0Gb/s, 7200 rpm, up to 3TB (250GB/500GB/1TB/2TB/3TB)            2.5" SATA: SATA 6.0Gb/s, 10000 rpm, up to 1TB (250GB/500GB/1TB)            2.5" SSD: Solid State Drive (SSD), SATA 6.0Gb/s, OPAL-capable on selected models, up to 480GB (128GB/180GB/240GB/256GB/480GB)            mSATA: mSATA SSD, SATA 6.0Gb/s, 24GB or 128GB (24GB mSATA SSD is only for Intel Smart Response Technology enabled models)</p>	<p>Supports DVD-ROM, DVD±RW, or Blu-ray Burner, 1.6" high or slim, SATA interface</p>																										
Optical	Supports DVD-ROM, DVD±RW, or Blu-ray Burner, 1.6" high, SATA interface	Supports DVD-ROM, DVD±RW, or Blu-ray Burner, 1.6" high or slim, SATA interface																										
Media reader (opt)	Optional 29-in-1 media card reader on selected models	Optional 29-in-1 media card reader (slim) on selected models																										
Front ports	Two USB 3.0 (blue), microphone (3.5mm), headphone (3.5mm)																											
Rear ports	One VGA and two DisplayPort for models with Intel HD Graphics, two USB 2.0, four USB 3.0 (blue), one serial (9-pin), one ethernet (RJ-45), three analog audio ports (line-in, line-out, mic-in)																											
Expansion slots	Slot 1: half-length, full-height, PCIe 3.0 x16 (75w max, near CPU) Slot 2: half-length, full-height, PCIe 2.0 x1 Slot 3: half-length, full-height, PCIe 2.0 x16 (x4 elec, 75W max) Slot 4: half-length, full-height, PCI 2.3	Slot 1: Low Profile, PCIe 3.0 x16 (40w max, near CPU) Slot 2: Low Profile, PCIe 2.0 x1 Slot 3: Low Profile, PCIe 2.0 x16 (x4 elec, 40W max) Slot 4: Low Profile, PCI 2.3																										
IEEE 1394 adptr (optional)	Optional FireWire PCIe adapter on selected models, 1394a-2000, 400Mbps, two 6-pin ports on rear	Optional Low Profile FireWire PCIe adapter on selected models, 1394a-2000, 400Mbps, two 6-pin ports on rear																										
Audio	High Definition (HD) Audio, Realtek® ALC662 codec																											
Speaker	Internal speaker for business audio																											
Onboard Ethernet	One onboard gigabit ethernet, Intel I217LM																											
Keyboard	Preferred Pro USB Keyboard (USB connector)																											
Mouse	Optical Wheel Mouse, red wheel (USB connector)																											
Power supply	280 watts with variable speed fan, autosensing, 85% PSU, Climate Savers® Computing Bronze, 80 PLUS® Bronze qualified	240 watts with variable speed fan, autosensing, 85% PSU, Climate Savers Computing Bronze, 80 PLUS Bronze qualified																										

# ThinkStation E32 Platform Specifications - III of III

Product Specifications Reference (PSREF)

From factor	ThinkStation E32 Tower	ThinkStation E32 SFF		
Security	<ul style="list-style-type: none"> <li>• Security chip: STMicro ST33ZP24AR28PVSP, TCG 1.2-compliant</li> <li>• Security slot (in rear for optional Kensington® Microsaver® cable; prohibits side cover removal)</li> <li>• Power-on/Administrator password</li> <li>• Boot sequence control</li> <li>• Boot without keyboard, mouse</li> <li>• Serial port I/O control</li> <li>• USB port disablement (front or all/individual)</li> <li>• Chassis intrusion switch available on selected models</li> </ul>			
Mechanical	<ul style="list-style-type: none"> <li>• Raven black color; metal case</li> <li>• 6.9"W x 17.0"D x 16.7"H (with handle)</li> <li>• 175mm W x 431mm D x 425mm H</li> <li>• 27.56 lb (12.5kg) max configuration</li> <li>• 25-liter</li> </ul>	<ul style="list-style-type: none"> <li>• Raven black color; metal case</li> <li>• 13.35"W x 15.0"D x 3.93"H</li> <li>• 338mm W x 375mm D x 102mm H</li> <li>• 17.20 lb (7.8kg) max configuration</li> <li>• 12.9-liter</li> </ul>		
Serviceability	<ul style="list-style-type: none"> <li>• Removable handle on top front</li> <li>• Toolless side cover removal</li> <li>• Toolless disk and optical drive removal (standard bays)</li> <li>• Toolless adapter retention</li> <li>• Illuminated front icons</li> <li>• Recessed power button</li> </ul>	<ul style="list-style-type: none"> <li>• Toolless top cover removal</li> <li>• Toolless disk and optical drive removal</li> <li>• Toolless adapter retention</li> <li>• Illuminated front icons</li> <li>• Recessed power button</li> </ul>		
Environmental certifications	<ul style="list-style-type: none"> <li>• GREENGUARD® certified</li> <li>• RoHS-compliant</li> <li>• EPEAT™ Gold rating</li> <li>• ENERGY STAR 5.2-compliant</li> </ul>			
Warranty	1 or 3-year limited warranty, parts and labor			
ThinkVantage®	Supports ThinkVantage technologies			
Preloaded operating systems	<i>One the following, depending on model:</i> <ul style="list-style-type: none"> <li>• Windows 7 Professional 64</li> <li>• Windows 7 Professional 64 preinstalled through downgrade rights in Windows 8 Pro 64-bit</li> <li>• Windows 8 Pro 64-bit</li> </ul>			
Preloaded applications (only some listed)	Preloaded OS		Note	
		Windows 7		Windows 8
	Intel AppUp	•	•	
	PC Device Stage	•	•	
	Evernote		•	
	Lenovo Companion		•	
	Lenovo Solution Center	•	•	
	Lenovo Support		•	
	Norton Internet Security (30 days of virus definitions)	•	•	
	Norton Studio		•	
	Skype	•	•	
	Cyberlink PowerDVD	•	•	<i>On models with DVD ROM, DVD±RW and BluRay</i>
	Cyberlink PowerDVD Create	•	•	<i>On models with DVD±RW</i>
	Cyberlink Power2Go	•	•	<i>On models with DVD±RW</i>
	Cyberlink Power Producer	•	•	<i>On models with DVD±RW</i>
	Cyberlink PowerDVD Create	•	•	<i>On models with Blu-Ray</i>
Cyberlink Power2Go	•	•	<i>On models with Blu-Ray</i>	
Cyberlink Power Producer	•	•	<i>On models with Blu-Ray</i>	
Microsoft Office preloaded, purchase product key to activate	•	•		
AutoCAD LT	•	•	<i>Only on models with Xeon processor</i>	
ISV certifications	For the latest list of certifications, please visit <a href="http://www.lenovo.com/support/ISV">www.lenovo.com/support/ISV</a>			

## ThinkStation E32 Optional Configurations

Partial list of core options supported on ThinkStation E32 Tower and SFF

Memory		ThinkStation E32 Tower	ThinkStation E32 SFF
2GB DDR3 1600 (PC3 12800) UDIMM Memory	0A65728	Yes	Yes
4GB DDR3 1600 (PC3 12800) UDIMM Memory	0A65729	Yes	Yes
2GB DDR3 1333 (PC3 10600) ECC UDIMM Memory	43R2033	Yes	Yes
4GB DDR3 1333 (PC3 10600) ECC UDIMM Memory	57Y4138	Yes	Yes
8GB DDR3 1333 (PC3 10600) ECC UDIMM Memory	0A65718	Yes	Yes
2GB DDR3 1600 (PC3 12800) ECC UDIMM Workstation Memory	0B47376	Yes	Yes
4GB DDR3 1600 (PC3 12800) ECC UDIMM Workstation Memory	0B47377	Yes	Yes
8GB DDR3 1600 (PC3 12800) ECC UDIMM Workstation Memory	0B47378	Yes	Yes
Disk Drive			
Lenovo 250GB 7200 rpm Serial ATA Hard Drive	41N3015	Yes	Yes
Lenovo 500GB 7200 rpm Serial ATA Hard Drive	43R1990	Yes	Yes
Lenovo 1TB 7200 rpm Serial ATA Hard Drive	45J7918	Yes	Yes
ThinkStation 180GB Solid State Drive	0B47308	Yes	Yes
ThinkStation 128GB SATA 2.5" SSD	4XB0F18670	Yes	Yes
ThinkStation 256GB SATA 2.5" SSD	4XB0F18671	Yes	Yes
ThinkStation 256GB SATA 2.5" SSD - OPAL	4XB0F22432	Yes	Yes
Graphics			
NVIDIA NVS 310 512MB Dual DisplayPort Adapter (SFF, Tower)	0B47074	Yes	Yes
NVIDIA NVS 510 2GB Quad Mini-DisplayPort Graphics (SFF, Tower)	0B47077	Yes	Yes
NVIDIA Quadro 410 512MB Single DVI & Single DisplayPort (SFF, Tower)	0B47075	Yes	Yes
NVIDIA Quadro K600 1GB Single DVI & Single DisplayPort (Tower Only)	0B47394	Yes	
NVIDIA Quadro K2000 2GB Single DVI & Dual DisplayPort (Tower Only)	0B47392	Yes	

For more information on accessories:

[www.lenovo.com/accessories](http://www.lenovo.com/accessories)

Purchase Lenovo accessories

[www.lenovo.com/support/accessories](http://www.lenovo.com/support/accessories)

Product specifications on Lenovo Support

[www.lenovo.com/accessoriesguide](http://www.lenovo.com/accessoriesguide)

Option Compatibility Matrix (OCM) and accessory brochures

[www.lenovoquickpick.com](http://www.lenovoquickpick.com)

An Options Compatibility Configurator for Lenovo systems