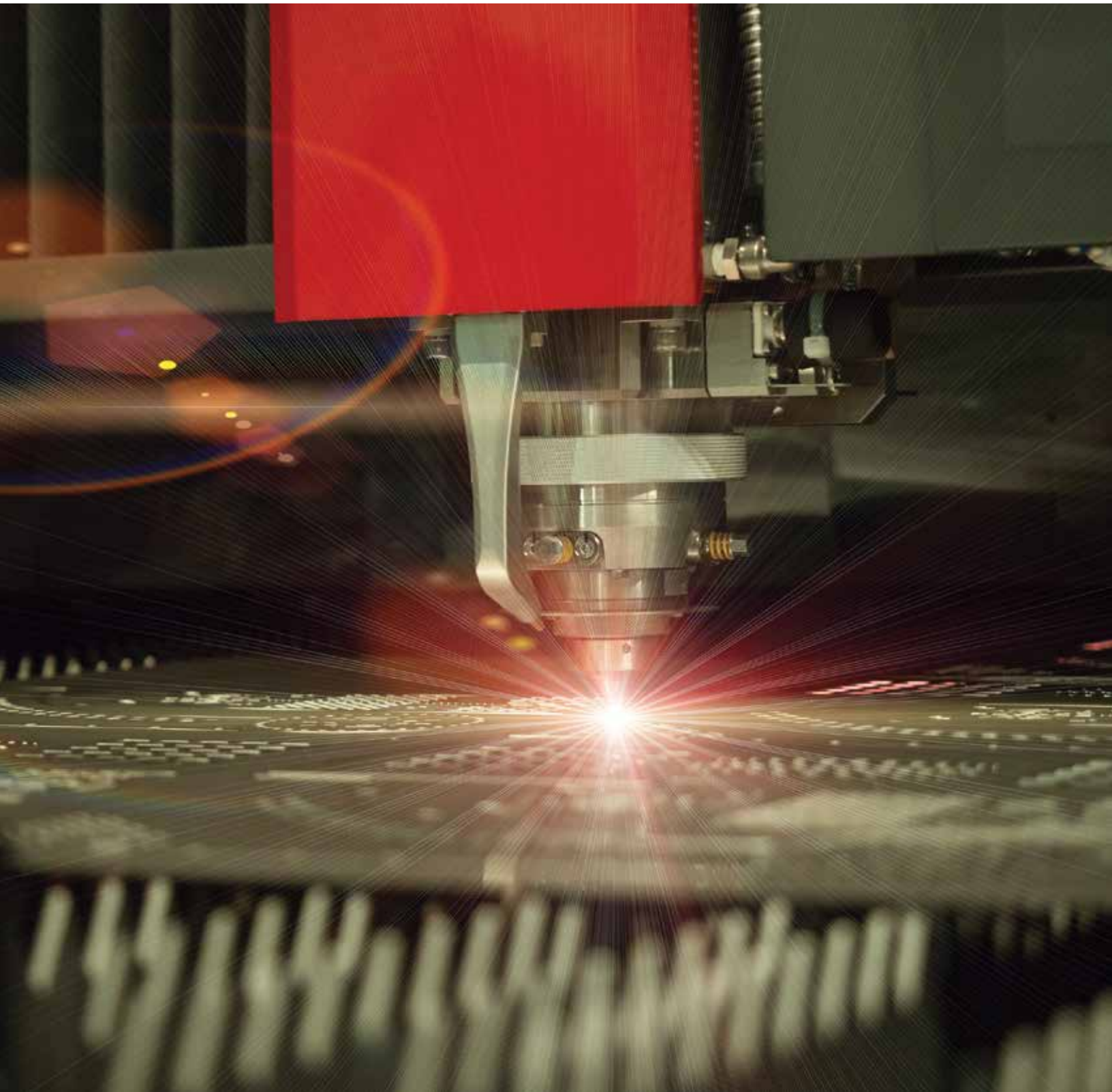




2019 catalog

For CO₂ and fiber laser consumables



Centricut delivers

- OEM quality nozzles, ceramics and optics
- Technical and application support from our OEM-trained technicians
- 100% satisfaction guarantee



Contents

Page	Replacement parts suitable for these product lines
4-7	Optics and Accessories
73-84, 88	Adige
8	Amada
22	Bystronic
32	Cincinnati
73-77, 80-81, 88	Durma
73-77, 80-81	Ermaksan
73-82, 84, 88	Finn Power
73-81 88	GHT
33	HK Laser & Systems
74-76, 80-81, 88	Hans
86	Koike
36	LVD
38-60, 74-76, 80-81, 83, 88	Mazak
61	Mitsubishi
71	NTC – Beyeler
73	Precitec
90	Prima Industrie
97 73-77, 80-82, 88,	Salvagnini
74-76, 80-81, 88	SHT
100	Tanaka
102	Trumpf
116-124	Resources

Centricut is not affiliated with the named manufacturers. Reference to machines, parts, descriptions, and model numbers are for convenience in verifying compatibility only. All parts are made by or for Centricut and are not made by the referenced manufacturers (unless expressly indicated). Centricut is a registered trademark of Hypertherm, Inc. All other trademarks are the properties of their respective owners.

CO₂ and fiber laser nozzles

Nozzle options

All Centricut nozzles are engineered and manufactured to the highest standards. Select the OEM quality nozzle best suited for your application needs

Copper

Most commonly used nozzle offering good durability and nozzle life. Primary nozzle type for fiber lasers.

Chrome plated

Shiny, mirror-like finish provides increased spatter resistance, improved durability and longer life than copper nozzles. Not recommended for use on fiber lasers.

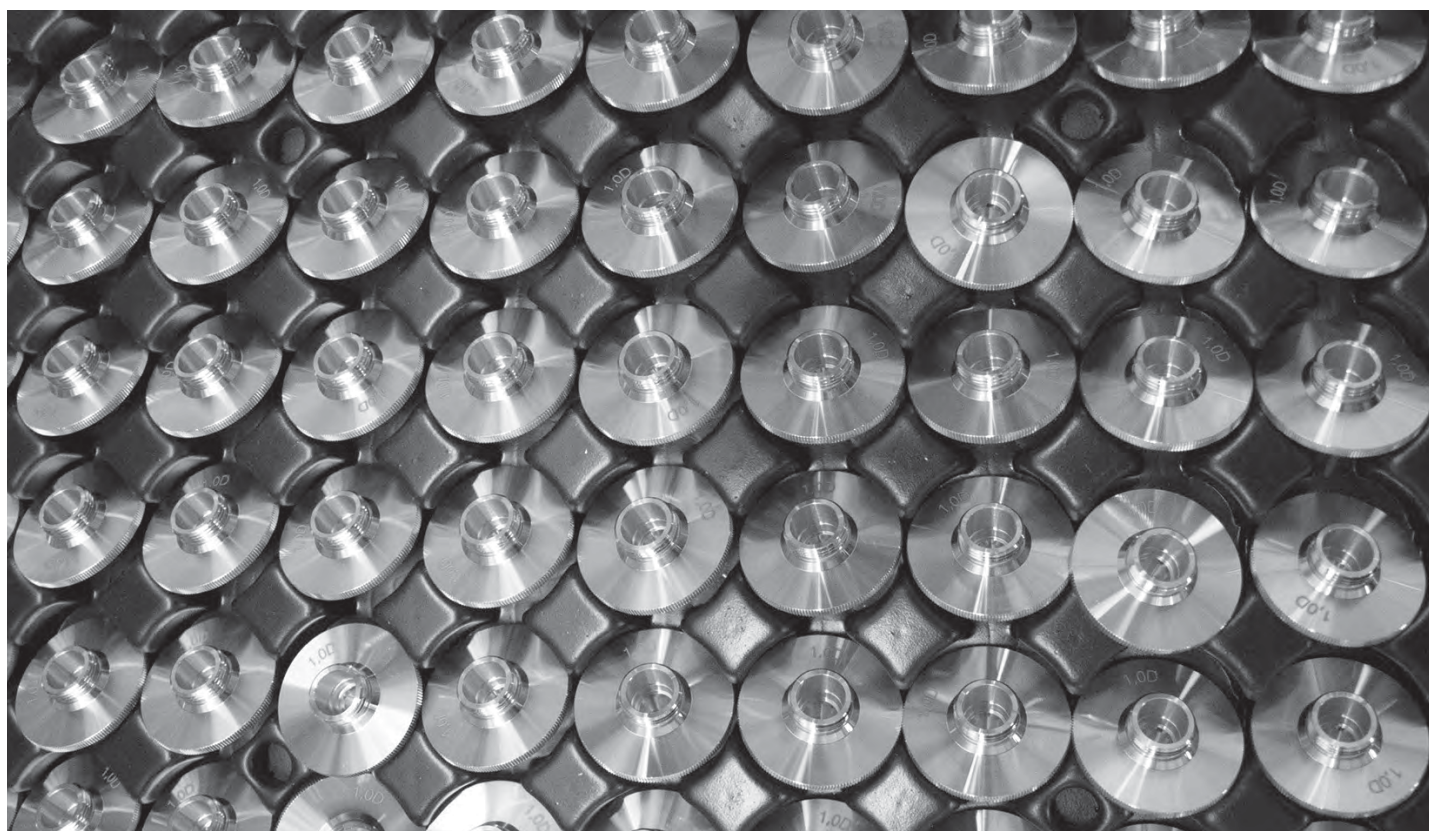
Look for CP in the part number to identify a chrome plated nozzle

Hard chrome plated

Premium nozzles offering the highest level of durability and longest nozzle life. These nozzles are not as shiny as chrome plated and have a dull appearance. Not recommended for use on fiber lasers.

Look for HCP in the part number to identify a hard chrome nozzle.

CP (chrome plated)	Nozzles plated with chrome for increased durability. These nozzles are easier to clean, resist damage due to 'tip-ups' and have better spatter resistance over non-plated nozzles. For use in all laser cutting applications.
Conical	Conical internal geometry for high pressure, non-ferrous cutting applications using nitrogen, air or argon.
Cylindrical	Cylindrical internal geometry for low pressure, mild steel cutting applications using oxygen.
Double	Insert pressed into a standard cylindrical nozzle for improved edge quality, laminar gas flow and spatter resistance. Primarily used in mild steel applications.
HCP (hard chrome plated)	Enhanced durability chrome plated nozzles. These nozzles are easier to clean, resist damage due to 'tip-ups' and have better spatter resistance over non-plated nozzles. For use in all laser cutting applications.
HP (high pressure) HD (high density)	Conical style nozzle for high pressure, non-ferrous cutting applications using nitrogen, air or argon.
Inner	Also referred to as a 'nozzle insert'. Works in conjunction with an outer nozzle to create a double nozzle. Primarily used in mild steel applications.
Low pressure	Cylindrical style nozzle for low pressure, mild steel cutting applications using oxygen.
Outer	Works in conjunction with an inner nozzle to create a double nozzle. Primarily used in mild steel applications.
Shower	Nozzles with a center orifice surrounded by smaller jets. The smaller jets focus the assist gas into the kerf, creating improved edge quality and the ability to cut thicker material. Primarily used in mild steel applications.



CO₂ and fiber laser optics

Optics key

Lens	
MEN	Meniscus
PLX	Plano-convex
MTD	Mounted
Not MTD	Not mounted
PO	Plano
MP5 or ULA	Ultra low absorption
AR	Anti-reflection
ZNSE	Sinc-selinide
FS	Fused silica
DIA	Diameter
FL	Focal length
ET	Edge thickness
WD	Working distance

How to handle optics

Follow these easy steps, when cleaning or changing your optic, to help maximize the life and performance of your lens

- Avoid touching coated surfaces of the lens and hold the optic by its sides
- Wear powder-free finger cots or latex gloves when handling
- Do not use any tools or sharp objects when handling the optic or when removing it from its packaging
- Ensure the work surface is clean and free of oils, grease and dirt
- Do not place the optic on hard surfaces as they scratch easily
- Once the optic has been unpacked, carefully place it on the lens tissue in which it was originally wrapped

Optics disposal

It is important to dispose of used laser optics at a licensed industrial waste facility which is in compliance with all local, state, and federal regulations. If you don't have access to a licensed industrial waste facility, and purchased your laser optics through Centricut, you may return them to Centricut for proper disposal. This service is only available to Centricut customers.

All optics returned to Centricut must:

- Include return authorization and invoice numbers
- Be sealed in a plastic bag to minimize any hazards
- Remove excess ZnSe powder prior to sealing

*Acceptance of goods will be refused if not packaged correctly or if the return authorization number isn't included



Centricut part number	Reference number	Type	Material	Diameter	Focal length	Edge thickness
Fiber laser lens						
NT375-7955		PLX	FS	30 mm	123 mm	3.82 mm
TR300-9799		PLX	FS	30 mm	146 mm	8.0 mm
TR300-3107		PLX	FS	40 mm	150 mm	8.0 mm
AM313-0238	7710238, 71565737	PLX	FS	50.8 mm	190 mm	11.4 mm
SA384-0022	316-301-0022, 970128	PLX	FS	25.4 mm	200 mm	6.35 mm
SA384-0026	316-301-0026, ESTFLO2119	PLX	FS	38.1 mm	210 mm	6.35 mm
PR361-8988NM	968988, 344631	PLX	FS	1.5"	5.0"	.280"
PR361-2284	968987, 470321	PLX	FS	1.5"	7.5"	0.28
MB312-8858		PLX	FS	2.0"	7.5"	.45"
PR361-0773	970773/M15-15-B X-SP-7MM	PLX MTD	FS	1.5"	5.0"	.275"
PR361-8988	LH968988PVL, 576.41.005	PLX MTD	FS	1.5"	5.0"	.280"

Centricut part number	Reference number	Material	Diameter	Edge thickness
Fiber laser windows				
PT317-1424	P0588-1022-00001	FS	21.5 mm	2.0 mm
PT317-0589	970397, 6930003260, P0589-360-00002, R26RT006410, R26ZZC90110	FS	22.35 mm	4.0 mm
PT317-9360	6930003260, P0589-360-00001	FS	22.35 mm	4.0 mm
MB312-2336		FS	25.4 mm	4.0 mm
PT317-0010	P0253-1034-00001	FS	30.0 mm	1.5 mm
TR300-6719	766719, P0795-1201-00002	FS	30.0 mm	5.0 mm
SA384-0007	316-304-0007, ESTFLO01407, 632755-117	FS	32.0 mm	6.35 mm
TR300-4767	1614767	FS	34.0 mm	4.9 mm
PR361-0089	1057.81000.089	FS	35.0 mm	1.5 mm
BY314-5746	968752, 10045746, 10-02-01-5511	QTZ	36.0 mm	5.0 mm
PR361-0474	970474	FS	37.0 mm	4.0 mm
PT317-1551	P0595-61551, P0595-58601-61551	FS	37.0 mm	7.0 mm
PT317-1425		FS	38.0 mm	5.2 mm
CN307-3987	913987, 71598028	FS	38.1 mm	1.6 mm
MZ315-5350	Z50SA015350, W495	FS	42.0 mm	9.0 mm
PT317-5919	77005919	FS	48.0 mm	7.0 mm
PT347-0000	OG Y D50 d2 HII	FS	50.0 mm	2.0 mm
PT317-1789	284.0402, 971789, 717062	FS	50.0 mm	3.18 mm
MB312-0137	633744-137	FS	50.0 mm	8.0 mm
AM313-0026	71570026	FS	OCTAGONAL	1.5 mm

Centricut is not affiliated with the named manufacturers. Reference to machines, parts, descriptions, and model numbers are for convenience in verifying compatibility only. All parts are made by or for Centricut and are not made by the referenced manufacturers (unless expressly indicated). Centricut is a registered trademark of Hypertherm, Inc. All other trademarks are the properties of their respective owners.

Centricut part number	Reference number	Type	Material	Diameter	Focal length	Edge thickness
CO ₂ lenses						
LL342-1819	166634, 61819	MEN	ZNSE	1.1"	5.0"	.236"
TR300-0163	350163, 861143, LMZ1.5-0.29-10.00-2048	MEN	ZNSE	1.5"	10.0"	.290"
TR300-6477	726477	MEN	ZNSE	1.5"	10.0"	.354"
BY314-0185	4-00185, 4-00372, 142375, 60603	MEN	ZNSE	1.5"	3.75"	.236"
TR300-6104	346104, 61962, 831393	MEN	ZNSE	1.5"	3.75"	.290"
BY314-0736	414323, 4-10736	MEN	ZNSE	1.5"	3.75"	.354"
BY314-0186	60260, 507790, 4-00186, 110111	MEN	ZNSE	1.5"	5.0"	.236"
TR300-8114	088114, 60696, 406294, 110109, 61014, 658108, 29100023, 6930001002	MEN	ZNSE	1.5"	5.0"	.290"
BY314-5094	767963, 60615, 4-05094, 110113, 358186, 62710	MEN	ZNSE	1.5"	5.0"	.354"
PR361-0004	62709, 621644, 120216	MEN	ZNSE	1.5"	5.0"	.354"
PT317-0001	61851, 312370	MEN	ZNSE	1.5"	7.5"	.125"
BY314-0187	784964, 60602, 4-00187, 110112	MEN	ZNSE	1.5"	7.5"	.236"
TR300-7517	097517, 60697, 702232, 110110, 61983	MEN	ZNSE	1.5"	7.5"	.290"
LL342-1171	61171	MEN	ZNSE	1.5"	7.5"	.310"
BY314-5095	60616, 4-05095, 570721, 110114, 361129	MEN	ZNSE	1.5"	7.5"	.354"
BY314-8637	698637	MEN	ZNSE	1.5"	7.5"	.354"
TR300-1972	61961, 141972, 977976	MEN	ZNSE	1.5"	8.85"	.290"
TR300-8123	518123	MEN	ZNSE	1.575"	6.102"	.295"
LV333-0176	480176, 29100115	MEN	ZNSE	1.75"	5.0"	.354"
LV333-1551	981551, LMZ2.0-0.380-10.0-2053, 29100061S	MEN	ZNSE	2.0"	10.0"	.380"
PT317-6326	206326	MEN	ZNSE	2.0"	5.0"	.378"
LV333-1004	458138, LMZ2.0-0.380-5.00-2051, PLLMZ0024, 29100154	MEN	ZNSE	2.0"	5.0"	.380"
CN307-2376	61405, 695399, 922376, 232771, 60698, 29100055	MEN	ZNSE	2.0"	7.5"	.380"
AM313-0305	61161, 81140305, LPCZ-1.10-0.16-5.0-1044, PLLPZ0132, 561067	PLX	ZNSE	1.1"	5.0"	.160"
AM313-6602	726602	PLX	ZNSE	1.1"	7.5"	.160"
AM313-0657	600657, 71502030, LPCZ-1.5-0.30-10.0-1128	PLX	ZNSE	1.5"	10.0"	.300"
TK374-2235	312235	PLX	ZNSE	1.5"	12.5"	.300"
PT317-8950	148950	PLX	ZNSE	1.5"	2.5"	.085"
MZ315-0130	60830, Z50MB000130, 962834, 766479	PLX	ZNSE	1.5"	5.0"	.118"
TR300-0002	61163, LMZ1.5-0.16-5.00-2043, 706491, 907557, PLCZ-1.5-0.16-5.0-1116	PLX	ZNSE	1.5"	5.0"	.160"
MZ315-0160	60770, 227092, Z50MB000130H, LPCZ-1.5-0.236-5.0-1122, 834-319-002	PLX	ZNSE	1.5"	5.0"	.236"
PR361-9011	834-319-011, 60905, 658108, ZC15500300, Z50MB000400, 578662, MLL00016	PLX	ZNSE	1.5"	5.0"	.300"
MB312-500	W500, 60905, 110144, LPCZ-1.5-0.30-5.0-1125, PLLPZ0132	PLX	ZNSE	1.5"	5.0"	.310"
CN307-8085	941031, 61001, 908085, ZC15513280, 110092, PLLPZ0033	PLX	ZNSE	1.5"	5.0"WD	.280"
PR361-0003	60784, LPCZ-1.5-0.236-7.5-1123	PLX	ZNSE	1.5"	7.5"	.236"
PR361-9012	834-319-012, 60906, 618938, 306068, 741363, 60882, 299133, 71501070NM, 62649	PLX	ZNSE	1.5"	7.5"	.300"
MB312-018	60906, W018, 383862, 60906LA, W018, 62649ULA, 383862, 62649LA	PLX	ZNSE	1.5"	7.5"	.310"
CN307-9484	909484, 61002, 464497, 100096, LPCZ-1.5-0.280-5.13-1007, PLLPZ0052	PLX	ZNSE	1.5"	7.5"WD	.280"
PT317-8275	628275, W502A, 630736-117	PLX	ZNSE	2.0"	10.0"	.310"
PT317-0537	960537	PLX	ZNSE	2.0"	10.0"	.380"
CN307-4498	154498, 926274	PLX	ZNSE	2.0"	10.0"WD	.380"
TK374-7338	197338	PLX	ZNSE	2.0"	11.25"	.310"
MZ315-5980	145980	PLX	ZNSE	2.0"	5.0"	.300"
MB312-505	W505, 110169, PLLPZ0162, 304725, 61003, Z50ZZ005160	PLX	ZNSE	2.0"	5.0"	.310"
MZ315-0516A	61019, Z50ZZ00516A, Z50ZZ013480, 81140307, 741363	PLX	ZNSE	2.0"	5.0"	.380"

Centricut is not affiliated with the named manufacturers. Reference to machines, parts, descriptions, and model numbers are for convenience in verifying compatibility only. All parts are made by or for Centricut and are not made by the referenced manufacturers (unless expressly indicated). Centricut is a registered trademark of Hypertherm, Inc. All other trademarks are the properties of their respective owners.

Centricut part number	Reference number	Type	Material	Diameter	Focal length	Edge thickness
CO ₂ lenses (continued)						
CN307-0676	870676, 61514, LPCZ-2.0-0.38-5.19-1141, PLLPZ0116	PLX	ZNSE	2.0"	5.0"WD	.380"
NT375-4494	634494, LPCZ-2.0-0.30-7.5-1133	PLX	ZNSE	2.0"	7.5"	.300"
MB312-510	W510, 61004, 892020, 110122, PLLPZ0138	PLX	ZNSE	2.0"	7.5"	.310"
MZ315-0520A	61405, 232771, Z50ZZ00520A, MLL00018, Z50ZZ005200, Z50ZZ013470, 81140186	PLX	ZNSE	2.0"	7.5"	.380"
CN307-1603	61515, 781603, LPCZ-2.0-0.38-7.67-1143, PLLPZ0115	PLX	ZNSE	2.0"	7.5" WD	.380"
TK374-3478	541344, 263478, Z50ZZ00530A, LPCZ-2.0-0.31-7.45-1137	PLX	ZNSE	2.0"	8.75"	.310"
TK374-6670	236670, 61690, Z50ZZ00550A	PLX	ZNSE	2.5"	10.0"	.390"
TK374-1592	178937	PLX	ZNSE	2.5"	11.25"	.310"
TK374-8593	828593	PLX	ZNSE	2.5"	12.5"	.390"
TK374-3827	243827, Z50ZZ00540A, LPCZ-2.5-0.31-8.75-1145	PLX	ZNSE	2.5"	8.75"	.310"
AM313-0221	81140221, 6067639	PLX MTD	ZNSE	1.5"	3.75"	.300"
AM313-0306	81140306, 65024, 578662/M16-15-1C-P5.0, PLLPZ0133, 6874793	PLX MTD	ZNSE	1.5"	5.0"	.300"
AM313-1216	578662/M20-15-1C-P5.0, 9001216A, 71501072, 7973109, 6360374	PLX MTD	ZNSE	1.5"	5.0"	.300"
AM313-8662	578662/M21-15-1C-P5.0, 6060415	PLX MTD	ZNSE	1.5"	5.0"	.300"
AM313-9830	65101, 578662, 6547252	PLX MTD	ZNSE	1.5"	5.0"	.300"
AM313-1215	9001215A, 306068/M21-15-1C-P7.5, 7973110, 71501070, 6395647	PLX MTD	ZNSE	1.5"	7.5"	.300"
AM313-9831	71369831, 65102, 6550214	PLX MTD	ZNSE	1.5"	7.5"	.300"
AM313-10F1	680154-001, 71710061, 6021844	PLX MTD	ZNSE	2.0"	10.0"	.380"
AM313-0307	65035, 81140307, 741363, 6068456	PLX MTD	ZNSE	2.0"	5.0"	.380"
AM313-50F1	71710059, 741363M30-20-1C-P5.0, 6296946	PLX MTD	ZNSE	2.0"	5.0"	.380"
AM313-0400	306068, 65025, 81140400, 6022704	PLX MTD	ZNSE	2.0"	7.5"	.300"
AM313-0186	65038, 81140186, PLLPZ0156, 6068413	PLX MTD	ZNSE	2.0"	7.5"	.380"
AM313-75F1	232771M31-20-1C-P7.5, 71710030, 6243925	PLX MTD	ZNSE	2.0"	7.5"	.380"
BY314-7014MP5	460386, 4-07014	MEN	ZNSE MP5	1.5"	10.0"	.354"
BY314-0186MP5	4-00186, 528717, 60260LA	MEN	ZNSE MP5	1.5"	5.0"	.236"
TR300-8114MP5	60696LA, 312503, 29100023, 88114, PLLPZ0125B	MEN	ZNSE MP5	1.5"	5.0"	.290"
BY314-5094MP5	123397, 4-07475, 60615LA, LMZ1.5-0.354-5.0-2008	MEN	ZNSE MP5	1.5"	5.0"	.354"
BY314-0187MP5	714512, 60602LA, 4-00187	MEN	ZNSE MP5	1.5"	7.5"	.236"
TR300-7517MP5	60697LA, 97517, 474644, PLLPZ0126B	MEN	ZNSE MP5	1.5"	7.5"	.290"
BY314-5095MP5	602033, 60616LA, 4-07476, LMZ1.5-0.354-7.5-2009, PLLPZ0130B, 62710	MEN	ZNSE MP5	1.5"	7.5"	.354"
BY314-8294MP5	996707, 10048294	MEN	ZNSE MP5	1.5"	9.0"	.354"
HW405-4913	114913	MEN	ZNSE MP5	2.0"	10.0"	.379"
HW405-5270	355270	MEN	ZNSE MP5	2.0"	5.0"	.378"
HW405-7143	527143, 467572, 60698LA, 291005-5, 308332, PLLM20025B	MEN	ZNSE MP5	2.0"	7.5"	.379"
MZ315-0160MP5	60770LA, 857048, Z50MB000160	PLX	ZNSE MP5	1.5"	5.0"	.236"
MZ315-0400MP5	106106, PLLPZ0132B, 60905LA, Z50MB000400, 62670ULA	PLX	ZNSE MP5	1.5"	5.0"	.300"
CN307-8085MP5	61001LA, 794914, 908085,	PLX	ZNSE MP5	1.5"	5.0"WD	.280"
MB312-018MP5	383862	PLX	ZNSE MP5	1.5"	7.5"	.300"
CN307-9484MP5	PLLPZ0052B	PLX	ZNSE MP5	1.5"	7.5"WD	.315"
MB312-505MP5	61003LA, 922203, W505	PLX	ZNSE MP5	2.0"	5.0"	.310"
AM313-0307NMP5	81140307, 61019LA, 753010	PLX	ZNSE MP5	2.0"	5.0"	.380"
CN307-0211MP5	540211, 61019LA, 922377	PLX	ZNSE MP5	2.0"	5.0"WD	.380"
MB312-510MP5	61004LA, 635061, W510,	PLX	ZNSE MP5	2.0"	7.5"	.310"
CN307-2376MP5	329011, 922376, 61515ULA,	PLX	ZNSE MP5	2.0"	7.5"	.380"
MZ315-0520AMP5	392125, 61405LA, Z50ZZ00520A, PLLPZ0135B, 81140186 61405ULA	PLX	ZNSE MP5	2.0"	7.5"	.380"

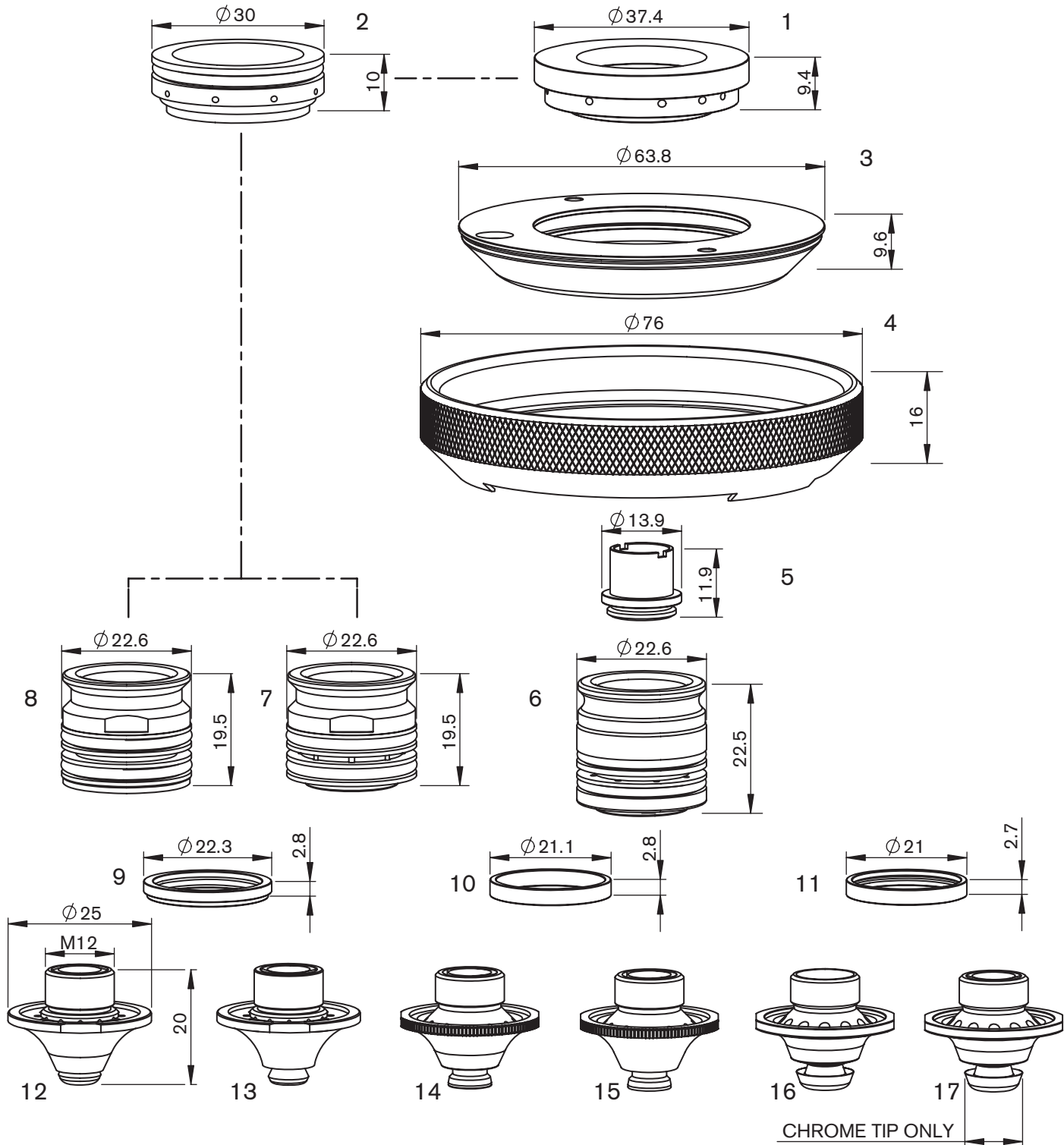
Centricut is not affiliated with the named manufacturers. Reference to machines, parts, descriptions, and model numbers are for convenience in verifying compatibility only. All parts are made by or for Centricut and are not made by the referenced manufacturers (unless expressly indicated). Centricut is a registered trademark of Hypertherm, Inc. All other trademarks are the properties of their respective owners.

Centricut part number	Reference number	Type	Material	Diameter	Focal length	Edge thickness
CO ₂ lenses (continued)						
AM313-0306MP5	65024LA, 81140306, 106106, M16-15-1C-P5.0, 6936448	PLX MTD	ZNSE MP5	1.5"	5.0"	.300"
AM313-1216MP5	106106, M20-15-1C-P5.0, 6071896	PLX MTD	ZNSE MP5	1.5"	5.0"	.300"
AM313-9830MP5	71369830, 106106, 65101LA, 106106/M16-15-1C-P5.0-A2-NI-1A	PLX MTD	ZNSE MP5	1.5"	5.0"	.300"
AM313-0400MP5	65025LA, 383862/M16-15-1C-P7.5-A2-NI-1A, 81140400, 383862	PLX MTD	ZNSE MP5	1.5"	7.5"	.300"
AM313-1215MP5	M21-15-1C-P7.5, 383862, 6071853	PLX MTD	ZNSE MP5	1.5"	7.5"	.300"
AM313-9831MP5	65102LA, 71369831, 383862	PLX MTD	ZNSE MP5	1.5"	7.5"	.300"
AM313-0307MP5	81140307, M16-20-1C-P5.0, 753010, 65035LA, 753010M16-20-1C-P5.0	PLX MTD	ZNSE MP5	2.0"	5.0"	.380"
AM313-0186MP5	392125, 65038LA, M16-20-1C-P7.5, 81140186, 6816292	PLX MTD	ZNSE MP5	2.0"	7.5"	.380"

Accessories

Centricut part number	Reference number	Description	Pkg qty
TR300-6452		Lens cleaning Tiffen paper (50 pcs)	1
TR300-1115		Lens cleaning pre-cut cotton (100 pcs)	1
TR300-1010		Dropper, lens cleaning fluid	1
TR300-1112		Optical cleaning fluid	1
TR300-0699	70675699 REVA	Lens cleaning swabs (25 pcs)	1
TR300-7991	27991	Polyester wipes 4" x 4" (100 pcs)	1
TR301-0282		Injector	1
TR300-LSA		Lens stress analyzer	1
TR300-255		Magnifying loop	1
TR300-271		Base, mirror maintenance	1
TR300-7388	787388	Mirror polish .1UM 250ML	1
MZ335-115	AL1115/M	MZ-Wire, Indium .8 mm x 125 mm 1.5" Lens	1
MZ335-120	AL1120/M	MZ-Wire, Indium .8 mm x 160 mm 2.0" Lens	1

Centricut is not affiliated with the named manufacturers. Reference to machines, parts, descriptions, and model numbers are for convenience in verifying compatibility only. All parts are made by or for Centricut and are not made by the referenced manufacturers (unless expressly indicated). Centricut is a registered trademark of Hypertherm, Inc. All other trademarks are the properties of their respective owners.


Consumables

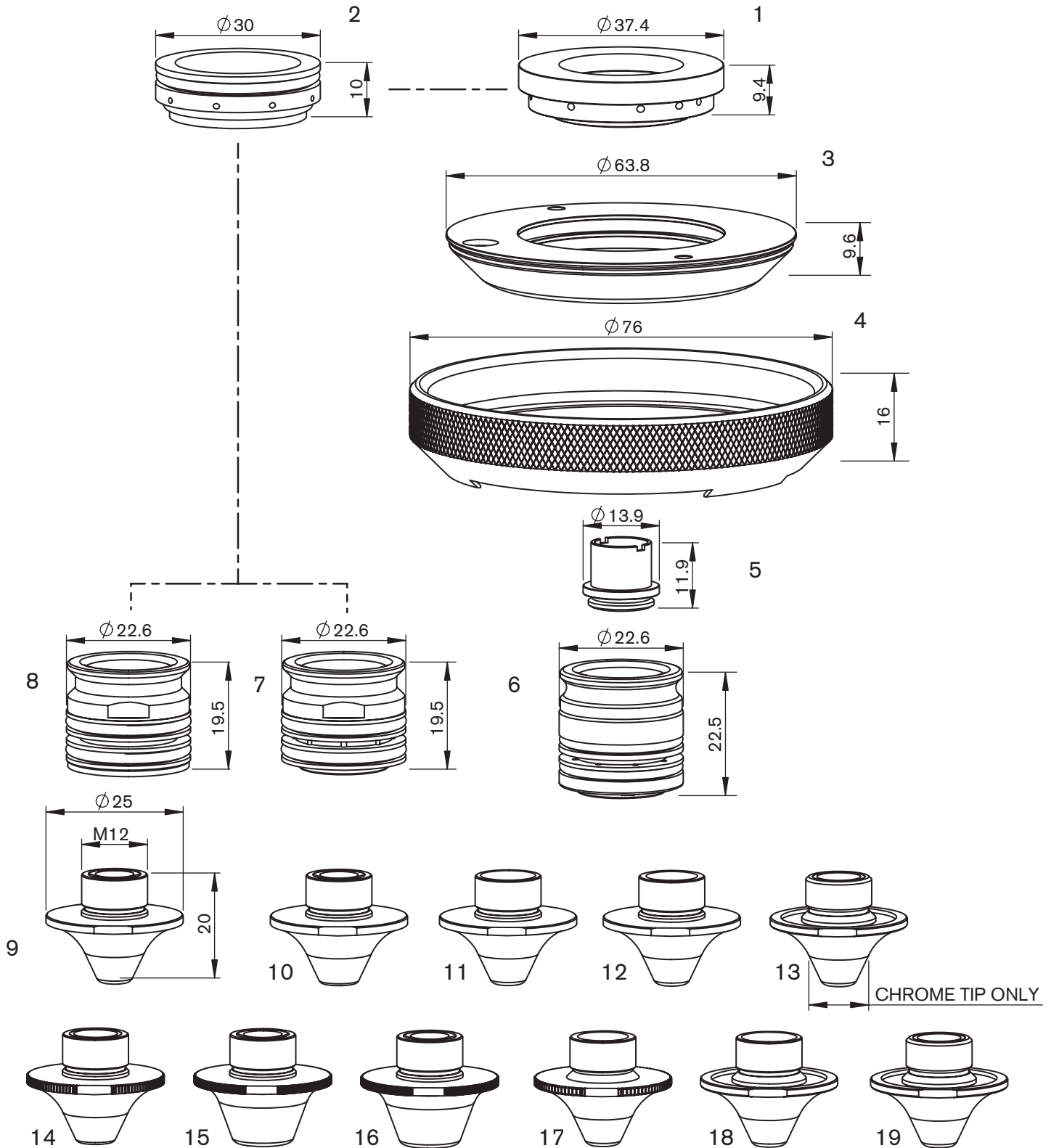
	Centricut part number	Esse A part number	Reference number	Description	Pkg qty
1	AM367-2349	AL372	7973497, 71712349	AM-Holder, PTFE**	1
2	AM367-2026	AL340	71502026	AM-Holder, PTFE**	1
3	AM367-2342	AL456XH	71712342	AM-Cover kit	1
4	AM367-2341	AL455XH	71712341	AM-Nut kit	1

Centricut is not affiliated with the named manufacturers. Reference to machines, parts, descriptions, and model numbers are for convenience in verifying compatibility only. All parts are made by or for Centricut and are not made by the referenced manufacturers (unless expressly indicated). Centricut is a registered trademark of Hypertherm, Inc. All other trademarks are the properties of their respective owners.

Consumables

	Centricut part number	Esse A part number	Reference number	Description	Pkg qty
5	AM367-6438	AL392	71716438, 71798350	AM-Inner for adapter	1
6	AM367-0360	AL360	71712350, 7973459	AM-Nozzle adapter w/holes	1
	AM367-0364	AL360/AM	71712350, 7973459	AM-Nozzle adapter w/holes and inner	1
	AM367-0397 (not shown)	AL397		AM-O-ring kit for adapter (AM367-0360/0364)	1
7	AM367-2036	AL248	71502036	AM-Nozzle adapter w/8 holes	1
8	AM367-3036	AL348	71502036	AM-Nozzle adapter w/12 holes	1
9	AM367-0853	AL233		AM-O-ring, PTFE*	1
10	AM367-5853	AL234	71515853	AM-Ring, PTFE*	1
11	AM367-2340	AL361	71712340	AM-Ring w/groove, PTFE*	1
12	AM386-2025CP	L1155X	71502039, 71461026	AM-Nozzle double WACS w/holes, 2.5 mm CP	1
	AM386-2041CP	L1159X	71502040	AM-Nozzle double WACS w/holes, 4.0 mm CP	1
13	AM367-1014CP	L1041X	71461026	AM-Nozzle double WACS w/holes, 1.4 mm CP	1
	AM367-1017CP	L1043X	71461026	AM-Nozzle double WACS w/holes, 1.7 mm CP	1
	AM367-1020CP	L1044X	71461026	AM-Nozzle double WACS w/holes, 2.0 mm CP	1
	AM367-2039	L1045X	71502039, 71515850	AM-Nozzle double WACS w/holes, 2.5 mm CP	1
	AM367-2039-T NEW	L1045X/T		AM-Nozzle double WACS w/holes, 2.5 mm CP (with o-ring)	1
	AM367-2040	L1049X	71502040	AM-Nozzle double WACS w/holes, 4.0 mm CP	1
14	AM367-2336	L1568X		AM-Nozzle WACS, S1.2 mm CP	1
15	AM367-1352CP	L1352X	1576260	AM-Nozzle double WACS, D1.4 mm CP	1
	AM367-1160CP	L1352X/TG		AM-Nozzle double WACS w/Collar, D1.4 mm CP	1
	AM367-1353CP NEW	L1353X		AM-Nozzle double WACS, D1.7 mm CP	1
	AM367-1162CP	L1353X/TG		AM-Nozzle double WACS w/Collar, D1.7 mm CP	1
	AM367-1354CP	L1354X		AM-Nozzle double WACS, D2.0 mm CP	1
	AM367-1164CP	L1354X/TG		AM-Nozzle double WACS w/Collar, D2.0 mm CP	1
	AM367-1355CP	L1355X	71502039, 1576400A, 71461026, 1576400D	AM-Nozzle double WACS, D2.5 mm CP	1
	AM367-1156CP	L1355X/TG	71712335	AM-Nozzle double WACS w/Collar, D2.5 mm CP	1
	AM367-1166CP NEW	L1356X		AM-Nozzle double WACS, D3.0 mm CP	1
	AM367-1167CP NEW	L1356X/TG		AM-Nozzle double WACS w/Collar, D3.0 mm CP	1
	AM367-1168CP NEW	L1357X		AM-Nozzle double WACS, D3.5 mm CP	1
	AM367-1169CP NEW	L1357X/TG		AM-Nozzle double WACS w/Collar, D3.5 mm CP	1
	AM367-1158CP NEW	L1359X	71712336, 71461158, 1576402D	AM-Nozzle double WACS, D4.0 mm CP	1
	AM367-1157CP	L1359X/TG		AM-Nozzle double WACS w/Collar, D4.0 mm CP	1
	AM367-1159CP NEW	L1360X		AM-Nozzle double WACS, D5.0 mm CP	1
AM367-1165CP	L1360X/TG		AM-Nozzle double WACS w/Collar, D5.0 mm CP	1	
16	AM367-0019	L1653XH		AM-Nozzle fiber WACS, S0.8 mm Fe HCP	1
	AM367-0019C	L1653XH/TG		AM-Nozzle w/collar fiber WACS, S0.8 mm Fe HCP	1
	AM367-0030	L1654XH	71570030	AM-Nozzle fiber WACS, S1.0 mm Fe HCP	1
	AM367-0030C	L1654XH/TG	71570030	AM-Nozzle w/collar fiber WACS, S1.0 mm Fe HCP	1
	AM367-0023	L1655XH	71570023	AM-Nozzle fiber WACS, S1.2 mm Fe HCP	1
	AM367-0023C	L1655XH/TG	71570023	AM-Nozzle w/collar fiber WACS, S1.2 mm Fe HCP	1
	AM367-0024	L1656XH		AM-Nozzle fiber WACS, S1.4 mm Fe HCP	1
	AM367-0024C	L1656XH/TG		AM-Nozzle w/collar fiber WACS, S1.4 mm Fe HCP	1
	AM367-0027	L1657XH		AM-Nozzle fiber WACS, S1.7 mm Fe HCP	1
	AM367-0027C NEW	L1657XH/TG		AM-Nozzle w/collar fiber WACS, S1.7 mm Fe HCP	1
	AM367-0026	L1658XH		AM-Nozzle fiber WACS, S2.0 mm Fe HCP	1
AM367-0026C	L1658XH/TG		AM-Nozzle w/collar fiber WACS, S2.0 mm Fe HCP	1	
17	AM367-1900CP	L1900XH	71568227	AM-Nozzle double fiber, D1.2 mm Fe HCP	1
	AM367-1900CP-C NEW	L1900XH/TG		AM-Nozzle double fiber w/collar, D1.2 mm Fe HCP	1
	AM367-1901CP	L1901XH		AM-Nozzle double fiber, D1.5 mm Fe HCP	1
	AM367-1901CP-C NEW	L1901XH/TG		AM-Nozzle double fiber w/collar, D1.5 mm Fe HCP	1

* PolyTetraFluoroEthylene is a fluorocarbon-based polymer and is commonly abbreviated PTFE. The Teflon® brand of PTFE is manufactured only by DuPont and is not sold by Hypertherm. Hypertherm purchases other brands of PTFE from various high quality manufacturers.



Centricut is not affiliated with the named manufacturers. Reference to machines, parts, descriptions, and model numbers are for convenience in verifying compatibility only. All parts are made by or for Centricut and are not made by the referenced manufacturers (unless expressly indicated). Centricut is a registered trademark of Hypertherm, Inc. All other trademarks are the properties of their respective owners.

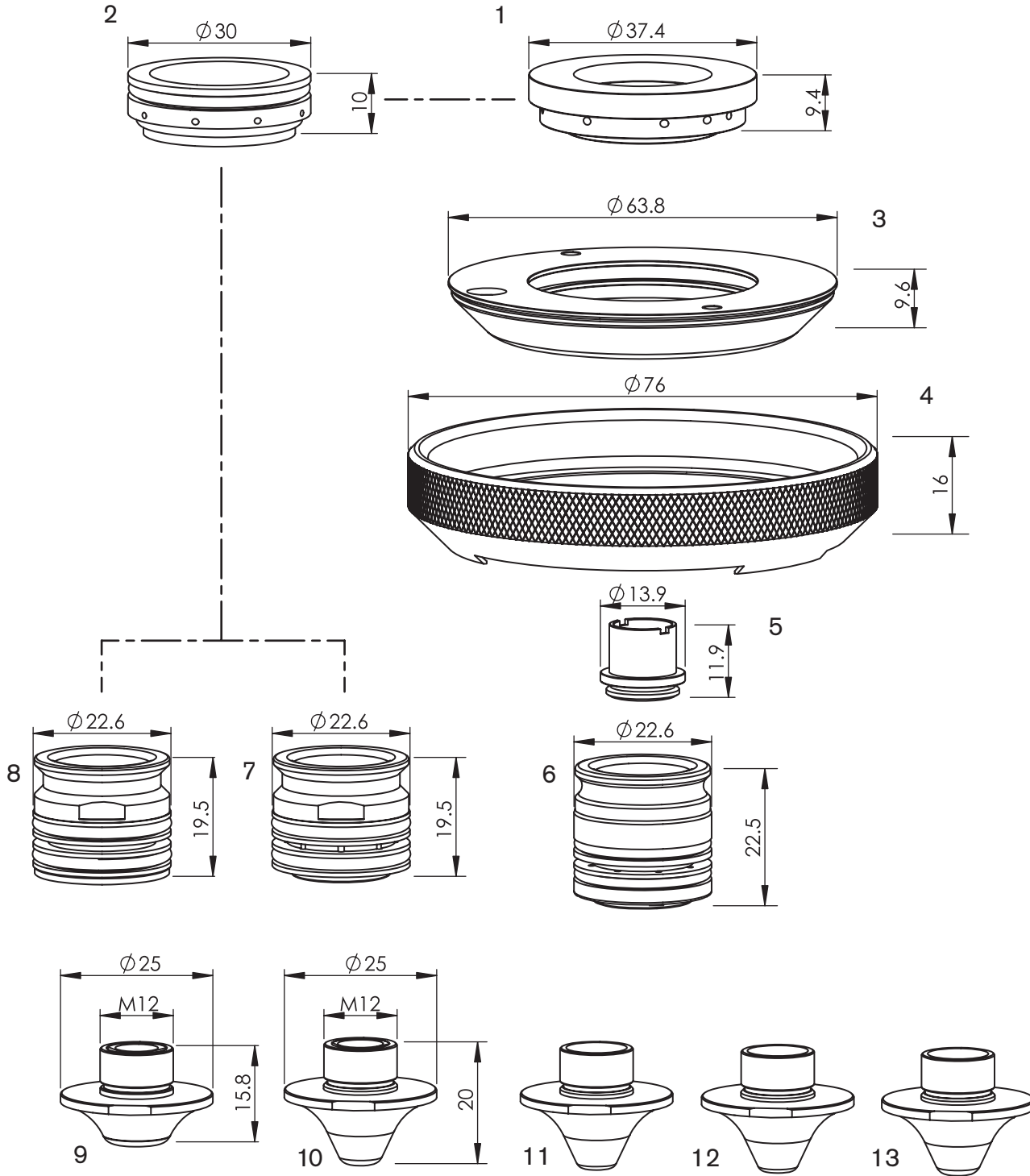
Consumables

	Centricut part number	Esse A part number	Reference number	Description	Pkg qty
1	AM367-2349	AL372	7973497, 71712349	AM-Holder, PTFE**	1
2	AM367-2026	AL340	71502026	AM-Holder, PTFE**	1
3	AM367-2342	AL456XH	71712342	AM-Cover kit	1
4	AM367-2341	AL455XH	71712341	AM-Nut kit	1
5	AM367-6438	AL392	71716438, 71798350	AM-Inner for adapter	1
6	AM367-0360	AL360	71712350, 7973459	AM-Nozzle adapter w/holes	1
	AM367-0364	AL360/AM	71712350 and 7973459	AM-Nozzle adapter w/holes and inner	1
	AM367-0397 (not shown)	AL397		AM-O-ring kit for adapter (AM367-0360/0364)	1
7	AM367-2036	AL248	71502036	AM-Nozzle adapter w/8 holes	1
8	AM367-3036	AL348	71502036	AM-Nozzle adapter w/12 holes	1
9	AM367-8550X NEW	L301401X		AM-Nozzle double eco cut, D1.4 mm CP (10 pk)*	10
	AM367-6789X NEW	L301403X	71516789, 71501059	AM-Nozzle double eco cut, D2.5 mm CP (10 pk)*	10
	AM367-6795X NEW	L301404X		AM-Nozzle double eco cut, D3.0 mm CP (10 pk)*	10
	AM367-6790X NEW	L301405X	71516790	AM-Nozzle double eco cut, D4.0 mm CP (10 pk)*	10
10	AM367-6791CP	L1406X	71501093	AM-Nozzle double, D4.0 mm AL CP	1
11	AM367-1407CPX	L301407X	71502037, 71566686	AM-Nozzle eco cut, S1.2 mm CP (10 pk)*	10
12	AM367-1410CPX NEW	L301410X		AM-Nozzle eco cut, S1.4 mm CP (10 pk)*	10
	AM367-1411CPX NEW	L301411X	71501056, 71712720	AM-Nozzle eco cut, S1.5 mm CP (10 pk)*	10
	AM367-1412CPX NEW	L301412X	71501057, 71555124	AM-Nozzle eco cut, S2.0 mm CP (10 pk)*	10
	AM367-1413CPX NEW	L301413X	71516788, 71501058	AM-Nozzle eco cut, S3.0 mm CP (10 pk)*	10
13	AM367-1161CP	L1644XH		AM-Nozzle double, D1.5 mm CP	1
	AM367-1163CP	L1645XH	71570022	AM-Nozzle double, D2.0 mm CP	1
14	AM367-1727CP	L1415XH		AM-Nozzle double clean cut, D2.5 mm HCP	1
	AM367-1728	L1416XH	71341728, 71555121	AM-Nozzle double clean cut, D4.0 mm HCP	1
15	AM367-1717CP	L1417XH		AM-Nozzle double clean cut, D5.0 mm HCP	1
	AM367-1718CP	L1418XH		AM-Nozzle double clean cut, D6.0 mm HCP	1
	AM367-1729CP	L1419XH	71341729, 71712721	AM-Nozzle double clean cut, D7.0 mm HCP	1
	AM367-1092CP	L1425X	71501092	AM-Nozzle double clean cut, D7.0 mm AL CP	1
16	AM367-1770CP	L1420X	71712692	AM-Nozzle double silky cut, D7.0 mm CP	1
17	AM367-1421CP	L1421XH		AM-Nozzle clean cut, S1.5 mm HCP	1
	AM367-1422CP	L1422XH	71502043	AM-Nozzle clean cut, S2.0 mm HCP	1
	AM367-1423CP	L1423XH	71502044	AM-Nozzle clean cut, S3.0 mm HCP	1
	AM367-1424CP	L1424XH		AM-Nozzle clean cut, S2.5 mm HCP	1
18	AM367-1561	L1561X	71570021, S1.0FE	AM-Nozzle, S1.0 mm Fe CP	1
	AM367-1562	L1562X	71570020, S1.2FE	AM-Nozzle FE, S1.2 mm Fe CP	1
	AM367-1563	L1563X	S1.4FE	AM-Nozzle, S1.4 mm Fe CP	1
19	AM367-0020	L1645X	71570022	AM-Nozzle double, D2.0 mm Fe CP	1
	AM367-0025	L1646X		AM-Nozzle double, D2.5 mm Fe CP	1
	AM367-0040	L1649X		AM-Nozzle double, D4.0 mm Fe CP	1

* Centricut parts available in single packs. To order single packs, remove the 'X' at the end of the part number (e.g. AM123-4567X would be AM123-4567).

For Esse A parts available in single packs. To order single packs, remove the '30' after the L in the part number (e.g. L301401X would be L401X).

** PolyTetraFluoroEthylene is a fluorocarbon-based polymer and is commonly abbreviated PTFE. The Teflon® brand of PTFE is manufactured only by DuPont and is not sold by Hypertherm. Hypertherm purchases other brands of PTFE from various high quality manufacturers.


Consumables

	Centricut part number	Esse A part number	Reference number	Description	Pkg qty
1	AM367-2349	AL372	7973497, 71712349	AM-Holder, PTFE**	1
2	AM367-2026	AL340	71502026	AM-Holder, PTFE**	1
3	AM367-2342	AL456XH	71712342	AM-Cover kit	1
4	AM367-2341	AL455XH	71712341	AM-Nut kit	1
5	AM367-6438	AL392	71716438, 71798350	AM-Inner for adapter	1

Centricut is not affiliated with the named manufacturers. Reference to machines, parts, descriptions, and model numbers are for convenience in verifying compatibility only. All parts are made by or for Centricut and are not made by the referenced manufacturers (unless expressly indicated). Centricut is a registered trademark of Hypertherm, Inc. All other trademarks are the properties of their respective owners.

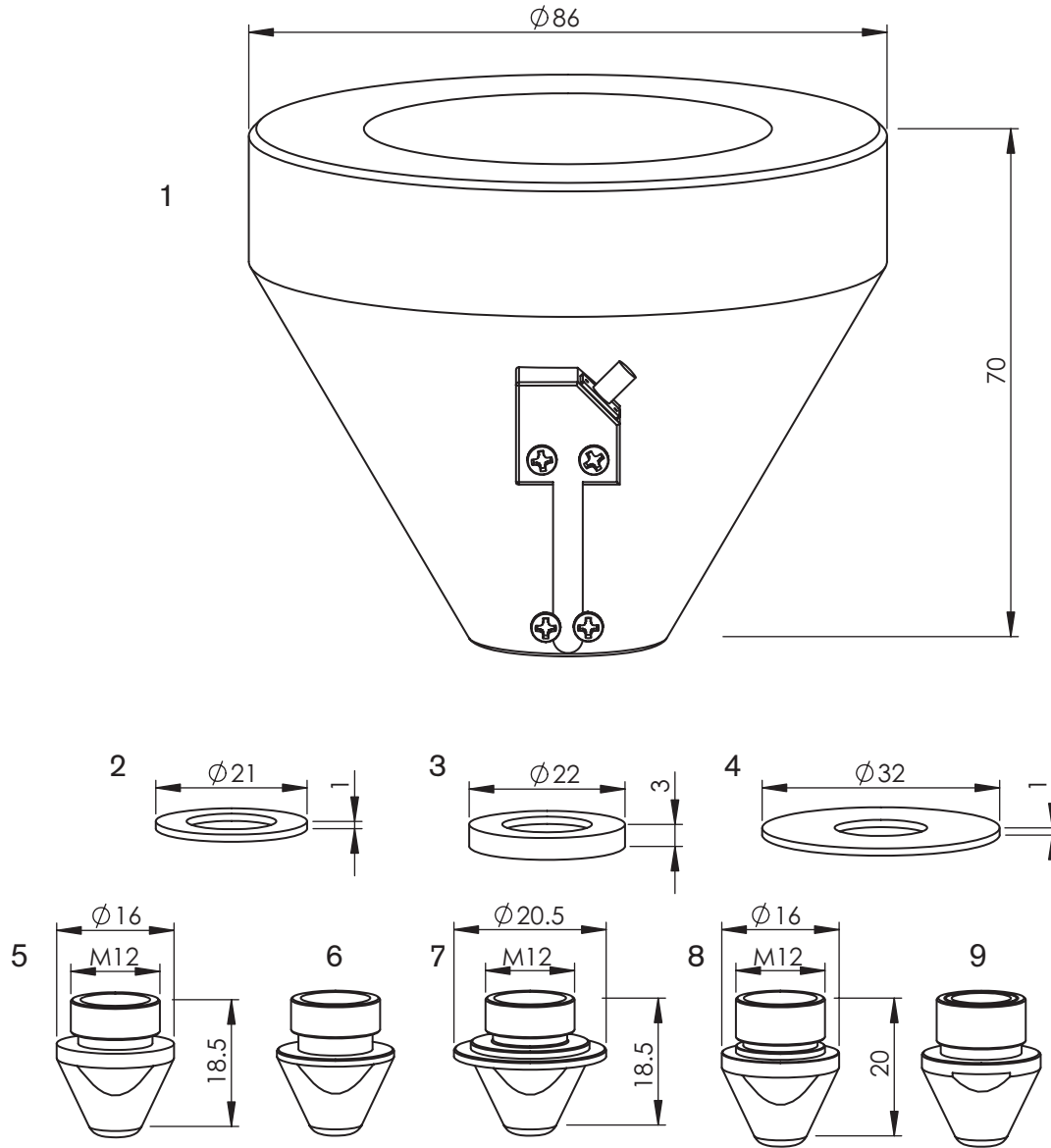
Consumables

	Centricut part number	Esse A part number	Reference number	Description	Pkg qty
6	AM367-0360	AL360	71712350, 7973459	AM-Nozzle adapter w/holes	1
	AM367-0364	AL360/AM	71712350, 7973459	AM-Nozzle adapter w/holes and inner	1
	AM367-0397 (not shown)	AL397		AM-O-ring kit for adapter (AM367-0360/0364)	1
7	AM367-2036	AL248	71502036	AM-Nozzle adapter w/8 holes	1
8	AM367-3036	AL348	71502036	AM-Nozzle adapter w/12 holes	1
9	AM343-2340CPS	L565X		AM-Nozzle double short, 4.0 mm CP	1
10	AM343-2361-1.2X NEW	L30585X	1572361	AM-Nozzle double, 1.2 mm CP (10 pk)*	10
	AM343-9813X NEW	L30586X	71369813, 71502038, 1576396C, 71341779, 71518550	AM-Nozzle double, 1.4 mm CP (10 pk)*	10
	AM343-2361-1.7X NEW	L30574X	1572361, 71518548, 1572380	AM-Nozzle double, 1.7 mm CP (10 pk)*	10
	AM343-2361-2.0X NEW	L30587X	1572361	AM-Nozzle double, 2.0 mm CP (10 pk)*	10
	AM343-2361-2.5X NEW	L30584X	71515394, 71516789, 1576398, 1576398B, 71501059	AM-Nozzle double, 2.5 mm CP (10 pk)*	10
	AM343-2361-3X NEW	L30588X	1572361, 71516788	AM-Nozzle double, 3.0 mm CP (10 pk)*	10
	AM343-9817X NEW	L30589X	71501060, 71515395, 71516790, 1576399B,	AM-Nozzle double, 4.0 mm CP (10 pk)*	10
	AM367-1037X NEW	L301037X		AM-Nozzle double, 4.0 mm /inner 2.0 mm CP (10 pk)*	10
	AM343-2350CPX NEW	L30583X	1572361	AM-Nozzle double, 5.0 mm CP (10 pk)*	10
	AM343-0569X NEW	L30569X		AM-Nozzle double, 6.0 mm CP (10 pk)*	10
11	AM367-1608HCP NEW		71341781, 71369822, 1572362, 71563584	AM-Nozzle, 0.8 mm Hard CP	1
	AM367-1610HCP NEW		1572367, 1572367A, 7156358	AM-Nozzle, 1.0 mm Hard CP	1
	AM367-1612HCP NEW		71369812, 71461028, 1576410C, 71341778	AM-Nozzle, 1.2 mm Hard CP	1
	AM343-9812CPX			AM-Nozzle, 1.2 mm CP (10 pk)	10
	AM367-1614HCP NEW		1572362	AM-Nozzle, 1.4 mm Hard CP	1
	AM367-1615HCP NEW		1572362, 1572368B	AM-Nozzle, 1.5 mm Hard CP	1
	AM367-1617HCP NEW		1572362	AM-Nozzle, 1.7 mm Hard CP	1
	AM367-1620HCP NEW		71515392, 71369815, 1576411B	AM-Nozzle, 2.0 mm Hard CP	1
	AM367-1625HCP NEW			AM-Nozzle, 2.5 mm Hard CP	1
	AM367-1630HCP NEW		71515393, 1576412B, 1576112	AM-Nozzle, 3.0 mm Hard CP	1
	AM367-1640HCP NEW		1572362	AM-Nozzle, 4.0 mm Hard CP	1
		L30590X NEW	71341781, 71369822, 1572362, 71563584	AM-Nozzle, 0.8 mm CP (10 pk)*	10
		L30591X NEW	1572367, 1572367A, 7156358	AM-Nozzle, 1.0 mm CP (10 pk)*	10
		L30592X NEW	71369812, 71461028, 1576410C, 71341778	AM-Nozzle, 1.2 mm CP (10 pk)*	10
		L30592X NEW		AM-Nozzle, 1.2 mm CP (10 pk)*	10
		L30593X NEW	1572362	AM-Nozzle, 1.4 mm CP (10 pk)*	10
		L30597X NEW	1572362, 1572368B	AM-Nozzle, 1.5 mm CP (10 pk)*	10
		L30575X NEW	1572362	AM-Nozzle, 1.7 mm CP (10 pk)*	10
		L30594X NEW	71515392, 71369815, 1576411B	AM-Nozzle, 2.0 mm CP (10 pk)*	10
		L30572X NEW		AM-Nozzle, 2.5 mm CP (10 pk)*	10
	L30595X NEW	71515393, 1576412B, 1576112	AM-Nozzle, 3.0 mm CP (10 pk)*	10	
	L30596X NEW	1572362	AM-Nozzle, 4.0 mm CP (10 pk)*	10	
12	AM343-0004CPX NEW	L301027X		AM-Nozzle straight taper, 0.8 mm CP (10 pk)*	10
	AM343-0005CPX NEW	L301028X		AM-Nozzle straight taper, 1.0 mm CP (10 pk)*	10
	AM343-0006CPX NEW	L301029X		AM-Nozzle straight taper, 1.2 mm CP (10 pk)*	10
	AM343-0007CPX NEW	L301030X		AM-Nozzle straight taper, 1.4 mm CP (10 pk)*	10
	AM343-0001CPX NEW	L30599X		AM-Nozzle straight taper, 1.5 mm CP (10 pk)*	10
	AM343-0002CPX NEW	L3030598X		AM-Nozzle straight taper, 2.0 mm CP (10 pk)*	10
	AM343-0009CPX NEW	L301033X		AM-Nozzle straight taper, 2.3 mm CP (10 pk)*	10
	AM343-0003CPX NEW	L30571X		AM-Nozzle straight taper, 3.0 mm CP (10 pk)*	10
	AM343-0003CP	L571X		AM-Nozzle straight taper, 3.0 mm CP	1
13	AM367-2037	L1026X	71502037	AM-Nozzle w/concave, 1.2 mm CP	1
	AM367-2038	L1031X	71502038	AM-Nozzle double w/concave, 1.4 mm CP	1

* Centricut parts available in single packs. To order single packs, remove the 'X' at the end of the part number (e.g. AM123-4567X would be AM123-4567).

For Esse A parts available in single packs. To order single packs, remove the '30' after the L in the part number (e.g. L301401X would be L401X).

** PolyTetraFluoroEthylene is a fluorocarbon-based polymer and is commonly abbreviated PTFE. The Teflon® brand of PTFE is manufactured only by DuPont and is not sold by Hypertherm. Hypertherm purchases other brands of PTFE from various high quality manufacturers.

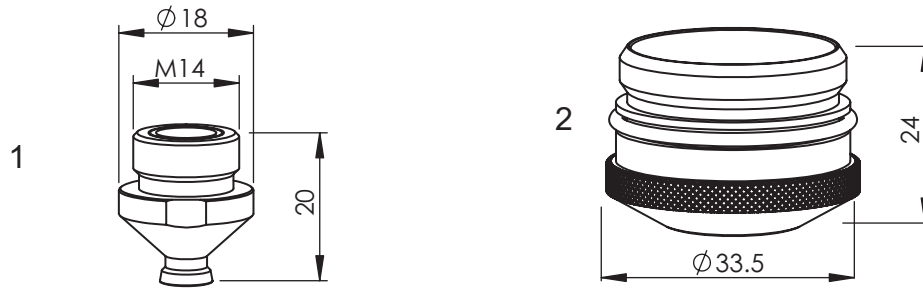

Consumables

	Centricut part number	Esse A part number	Reference number	Description	Pkg qty
1	AM343-1621		71360091	AM-Sensor cone, HS95	1
	AM343-0091 (not shown)		71341621	AM-Sensor cone, HS95 mini	1
2	AM325-325-1	AL1005	71341614	AM-Head protection disc, 21 mm plastic	1
	AM325-1614	AL122	71341614, 71369818	AM-Head protection disc, 21 mm Vespel	1
3	AM325-325-2	AL123	71341614	AM-Head protection disc, 22 mm ceramic	1
4	AM325-9819	AL42	71639819	AM-Head protection disc, 32 mm	1

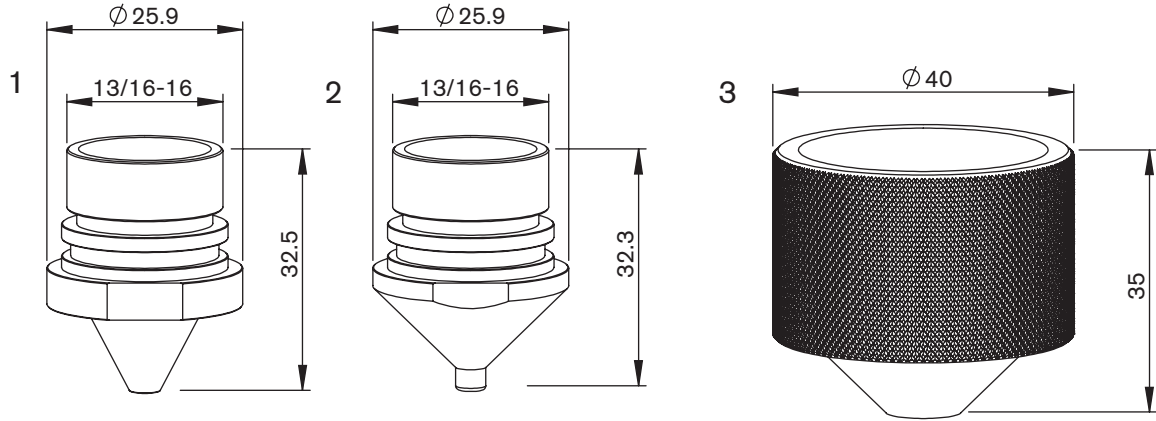
Consumables

	Centricut part number	Esse A part number	Reference number	Description	Pkg qty
5	AM325-545U-1.0	L134X	1664545U	AM-Nozzle, 1.0 mm CP	1
	AM325-0010CPX	L30134X	1664545U	AM-Nozzle, 1.0 mm CP (10 pk)	10
	AM325-545U-1.25	L135X	1664545U	AM-Nozzle, 1.25 mm CP	1
	AM325-0125CPX	L30135X	1664545U	AM-Nozzle, 1.25 mm CP (10 pk)	10
	AM325-545U-1.5	L86X	1664545U, 71341619, M90115	AM-Nozzle, 1.5 mm CP	1
	AM325-0015CPX	L3086X	1664545U	AM-Nozzle, 1.5 mm CP (10 pk)	10
	AM325-0175CPX	L30136X	1664545U	AM-Nozzle, 1.75 mm CP (10 pk)	10
	AM325-545U-2.0	L137X	1664545U, 71341610, M90114	AM-Nozzle, 2.0 mm CP	1
	AM325-0020CPX	L30137X	1664545U, 71341610	AM-Nozzle, 2.0 mm CP (10 pk)	10
	AM325-545U-2.5	L203X	1664545U	AM-Nozzle, 2.5 mm CP	1
	AM325-0025CPX	L30203X	1664545U	AM-Nozzle, 2.5 mm CP (10 pk)	10
	AM325-4544UX	L30138X	1664545U, 71360142	AM-Nozzle, 3.0 mm CP (10 pk)*	10
	AM325-0400CPX	L30339X		AM-Nozzle, 4.0 mm CP (10 pk)*	10
6	AM325-0002CPX	L30193X		AM-Nozzle, 1.25 mm CP (10 pk)	10
	AM325-0003CPX	L30194X		AM-Nozzle, 1.5 mm CP (10 pk)*	10
	AM325-0005CPX	L30196X		AM-Nozzle, 2.0 mm CP (10 pk)*	10
	AM325-0007CPX	L30198X		AM-Nozzle, 3.0 mm CP (10 pk)*	10
7	AM325-1500CP	L1067X		AM-Nozzle large flange, 1.5 mm CP	1
	AM325-2000CP	L1066X		AM-Nozzle large flange, 2.0 mm CP	1
	AM325-3000CP	L1068X		AM-Nozzle large flange, 3.0 mm CP	1
8	AM325-1770	L1285X	71341770, 1667110	AM-Nozzle, 2.0 mm CP	1
	AM325-1730	L1287X		AM-Nozzle, 3.0 mm CP	1
9	AM326-9864-1.0	L390X	1669864, 7134162	AM-Nozzle double, 1.0 mm CP	1
	AM326-9864-1.2	L392X	1669864, 7134162	AM-Nozzle double, 1.2 mm CP	1
	AM326-9864-1.4	L393X	1669864, 7134162	AM-Nozzle double, 1.4 mm CP	1
	AM326-9864-1.5	L391X	1669864, 7134162	AM-Nozzle double, 1.5 mm CP	1
	AM326-9864-2.0	L315X	1669864, 7134162	AM-Nozzle double, 2.0 mm CP	1
	AM326-9864-2.5	L316X	1669864, 7134162, 41341680, 71341772	AM-Nozzle double, 2.5 mm CP	1
	AM326-9864-3.0	L317X	1669864, 7134163	AM-Nozzle double, 3.0 mm CP	1
	AM326-9864-4.0	L318X	1669795, 71341681	AM-Nozzle double, 4.0 mm CP	1

* Centricut parts available in single packs. To order single packs, remove the 'X' at the end of the part number (e.g. AM123-4567X would be AM123-4567). For Esse A parts available in single packs. To order single packs, remove the '30' after the L in the part number (e.g. L301401X would be L401X).

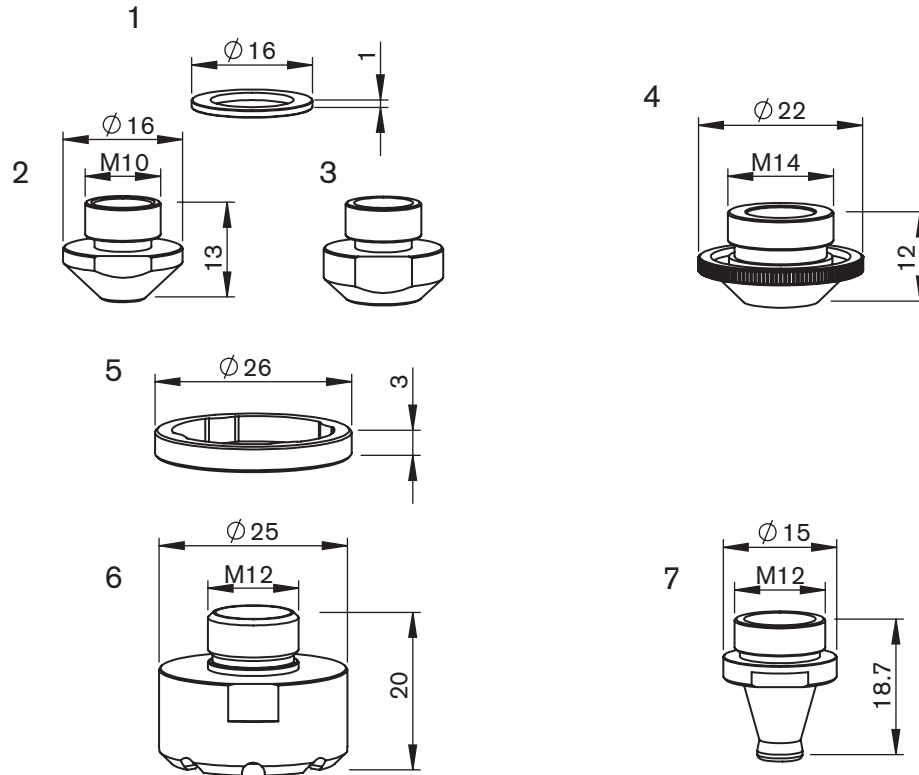

Consumables

	Centricut part number	Esse A part number	Reference number	Description	Pkg qty
1	AM326-1218-2.5	L321X	6551218, 71341682, 71341680	AM-Nozzle double, 2.5 mm CP	1
	AM326-1218-3.0	L322X	6551218, 71341682	AM-Nozzle double, 3.0 mm CP	1
	AM326-1218-3.8	L323X	6551218, 71341682	AM-Nozzle double, 3.8 mm CP	1
	AM326-4140CP	L330X	6551218, 71341682	AM-Nozzle double, 4.0 mm CP	1
2	AM326-6452	AL115X	71366452, 71341684, 6551148A	AM-Nozzle outer, CP	1
	AM326-S-14 (not shown)	AL93	S-14	AM-O-ring for nozzle (10 pcs)	10
	AM326-6453 (not shown)	AL94	71366453	AM-O-ring for outer nozzle (10 pcs)	10



Consumables

	Centricut part number	Esse A part number	Reference number	Description	Pkg qty
1	AM324-6892-2.0	L39X	74712001, 6506892	AM-Nozzle, 2.0 mm CP	1
2	AM308-1902	L91X	71101902	AM-Nozzle, 1.5 mm CP	1
	AM308-1901-2.0	L29X	71101901, 845735	AM-Nozzle, 2.0 mm CP	1
3	AM308-1905	L30X	71101905, 841143B	AM-Nozzle outer, CP	1
	AM308-S-20 (not shown)	AL90	S-20	AM-O-ring kit (10 pk)	10
	AM308-AS-34 (not shown)	AL96	1AS-34	AM-O-ring for outer nozzle	1

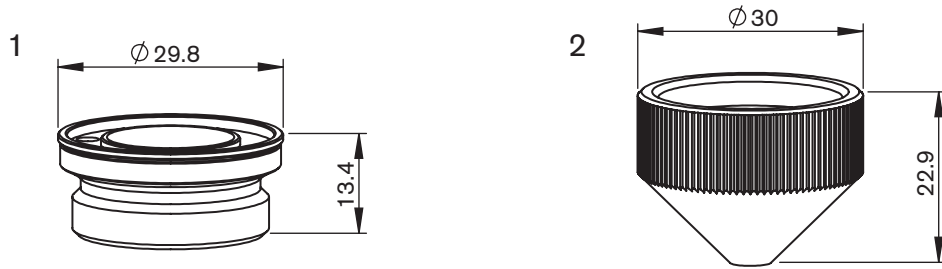

Consumables

	Centricut part number	Esse A part number	Reference number	Description	Pkg qty
1	AM325-4006-R	AL107	62094006-ring	AM-Head protection disc, 16 mm	1
2	AM325-4006-1.5	L173X	62094006, 1507610	AM-Nozzle, 1.5 mm CP	1
	AM325-4015CPX	L30173X	62094006, 1507610	AM-Nozzle, 1.5 mm CP (10 pk)	10
	AM325-4006-2.0	L27X	62094006, 1507611	AM-Nozzle, 2.0 mm CP	1
	AM325-4020CPX	L3027X	62094006, 1507611	AM-Nozzle, 2.0 mm CP (10 pk)	10
	AM325-4025CPX	L30175X	62094006	AM-Nozzle, 2.5 mm CP (10 pk)*	10
	AM325-4030CPX	L3028X	62094008, 71102007	AM-Nozzle, 3.0 mm CP (10 pk)	10
3	AM325-4005-1.5	L752X	62094005, 71341515	AM-Nozzle, 1.5 mm CP	1
	AM325-4005-2.0	L754X	62094005, 71102006	AM-Nozzle, 2.0 mm CP	1
	AM325-1520CPX	L30754X	62094005, 71102006	AM-Nozzle, 2.0 mm CP (10 pk)	10
	AM325-1530CP	L756X	62094005, 71341515-3.0	AM-Nozzle, 3.0 mm CP	1
4	AM308-8815CP	L95X		AM-Nozzle, 1.5 mm CP	1
	AM308-8820CP	L38X	74718816, 8249301	AM-Nozzle, 2.0 mm CP	1
5	AM367-3028	AL403		AM-Collar, PTFE**	1
6	AM367-1333	L1333		AM-Nozzle, 2.0 mm	1
	AM369-0002	L927X		AM-Nozzle HP-X, 1.0 mm CP	1
7	AM369-0005	L930X		AM-Nozzle HP-X, 2.0 mm CP	1
	AM369-0007	L932X	71362733	AM-Nozzle HP-X, 3.0 mm CP	1

* Centricut parts available in single packs. To order single packs, remove the 'X' at the end of the part number (e.g. AM123-4567X would be AM123-4567).

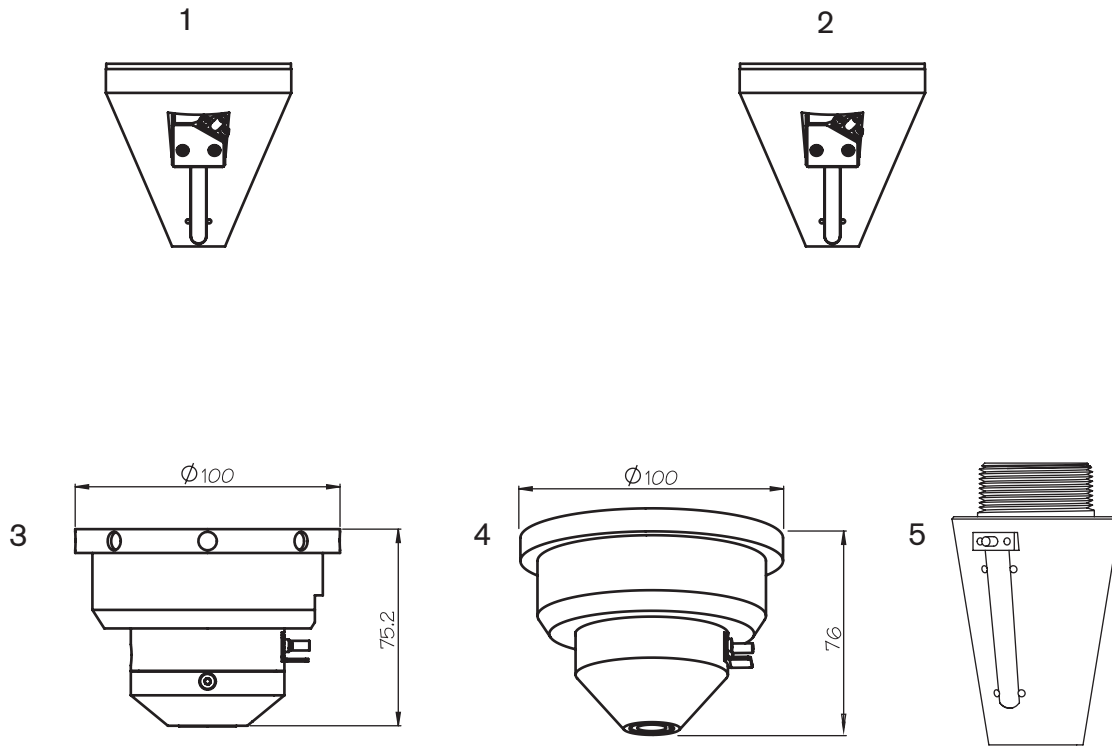
For Esse A parts available in single packs. To order single packs, remove the '30' after the L in the part number (e.g. L301401X would be L401X).

** PolyTetraFluoroEthylene is a fluorocarbon-based polymer and is commonly abbreviated PTFE. The Teflon® brand of PTFE is manufactured only by DuPont and is not sold by Hypertherm. Hypertherm purchases other brands of PTFE from various high quality manufacturers.



Consumables

	Centricut part number	Esse A part number	Reference number	Description	Pkg qty
1	MB334-0001	AL267	P0594-860-00001, PHX-INS	MB-Nozzle holder	1
2	MB316-269S	AL238	71800027, BQ933D221H04, P0593-860-00001	MB-Shield cap, short	1
	MB316-269SCP	AL238X		MB-Shield cap, short CP	1

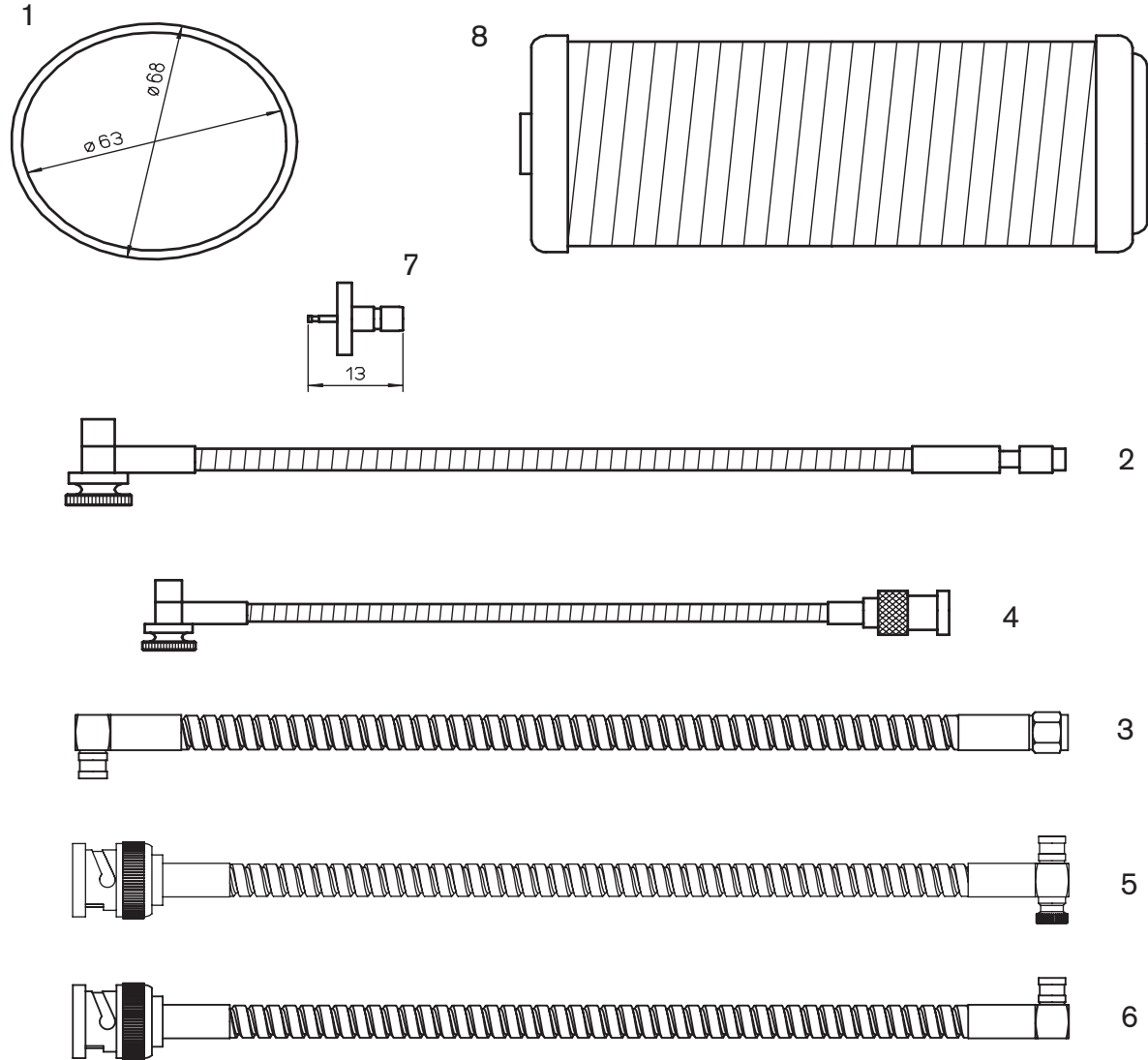


Consumables

	Centricut part number	Esse A part number	Reference number	Description	Pkg qty
New Sensor Cones					
1	AM343-0091		71360091	AM-Sensor cone, HS95 mini	1
2	AM343-1621		71341621	AM-Sensor cone, HS95	1
3	AM343-9107		71399107, 71341622	AM-Sensor cone, ECO	1
4	AM343-1690		71341690	AM-Sensor cone, HS98	1
5	AM343-L3015C		71374509	AM-Sensor cone, LC3015	1
	AM999-DUSTCAP NEW (not shown)			AM-Dust cap, HPX	1
	AM343-4233B NEW (not shown)		71564233	AM-Sensor cone, HPL Black	
	AM343-4233G NEW (not shown)		71564233	AM-Sensor cone, HPL Gold	

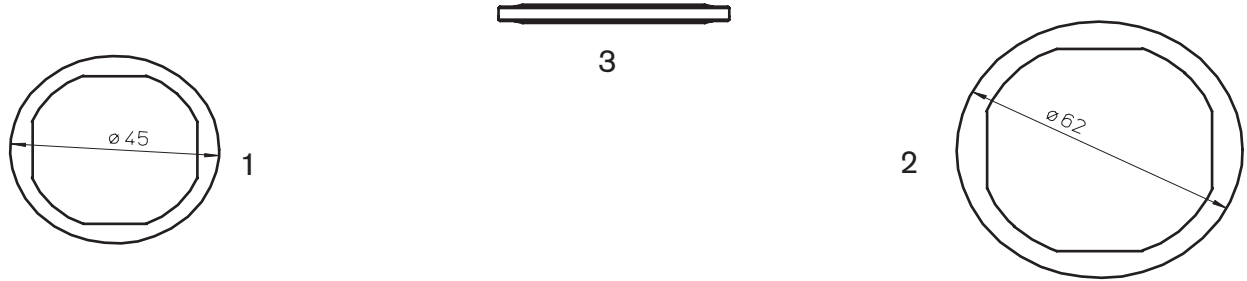
*Repair is available in N. America for many sensor cones

Centricut is not affiliated with the named manufacturers. Reference to machines, parts, descriptions, and model numbers are for convenience in verifying compatibility only. All parts are made by or for Centricut and are not made by the referenced manufacturers (unless expressly indicated). Centricut is a registered trademark of Hypertherm, Inc. All other trademarks are the properties of their respective owners.


Consumables

	Centricut part number	Esse A part number	Reference number	Description	Pkg qty
1	AM313-0004	AL56		AM-Gasket, sensor head, PTFE*	1
2	AM313-1901	AL200	71341901,71341630	AM-Sensor cable, 305 mm (12")	1
3	AM313-1901A		71398293, 71341901	AM-Sensor cable HS-5, 305 mm (12") premium, armored	1
4	AM308-8965	AL260	71516520, 71341901	AM-Sensor cable, 305 mm (12")	1
5	AM308-8965A		71516520, 71341901	AM-Sensor cable, 305 mm (12") premium, armored	1
6	AM313-9851A		71369851	AM-Sensor cable, 230 mm (8") premium	1
7	AM308-0001	AL263		AM-Sensor cable connector	1
8	AM313-2023		71232023, 712-32-023, Z50PMB00090	AM-Vacuum pump filter	1
	AM313-1526 (not shown)			AM-Sensor cable ZS6, 530 mm	1
	AM313-8292 (not shown)		71398292	AM-Sensor cable dual shield, 7 meters	1

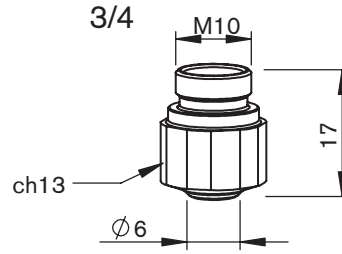
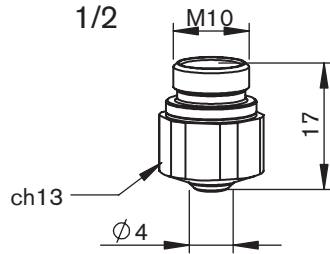
*PolyTetraFluoroEthylene is a fluorocarbon-based polymer and is commonly abbreviated PTFE. The Teflon® brand of PTFE is manufactured only by DuPont and is not sold by Hypertherm. Hypertherm purchases other brands of PTFE from various high quality manufacturers.



Consumables

	Centricut part number	Esse A part number	Reference number	Description	Pkg qty
Centricut lens housings and assemblies					
1	AM313-0005	AL52	71360261, 74721907	AM-Gasket, 1.5" lens housing, PTFE*	1
2	AM313-9513	AL149	71361393	AM-Gasket 2.0" lens housing, PTFE*	1
3	AM313-1071	AL249	71501071	AM-Gasket	1

*PolyTetraFluoroEthylene is a fluorocarbon-based polymer and is commonly abbreviated PTFE. The Teflon® brand of PTFE is manufactured only by DuPont and is not sold by Hypertherm. Hypertherm purchases other brands of PTFE from various high quality manufacturers.

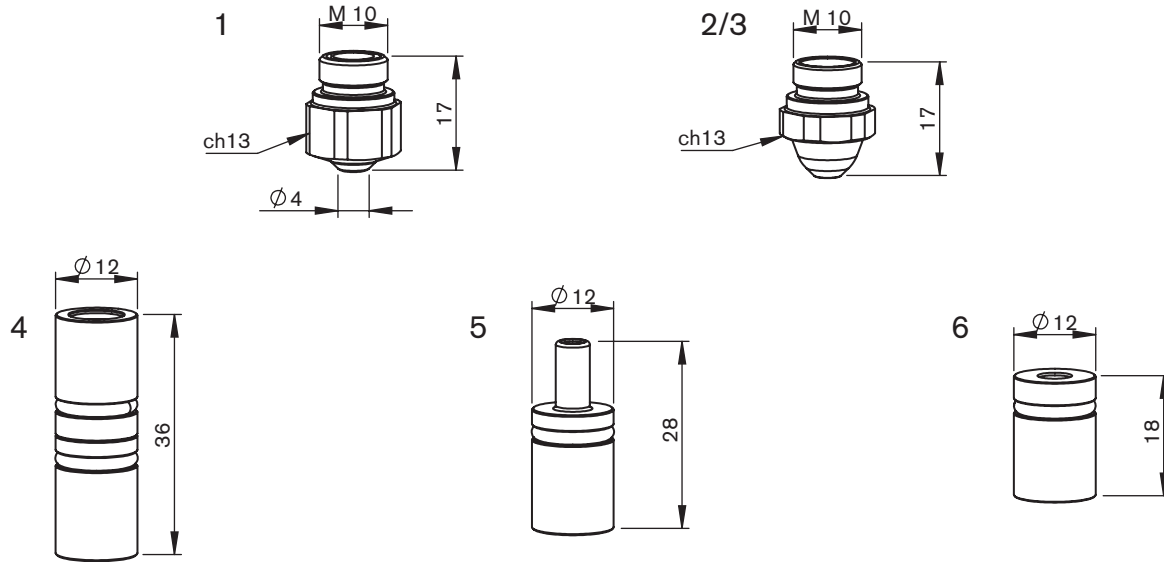

Consumables

	Centricut part number	Esse A part number	Reference number	Description	Pkg qty
1	BY310-4277X	L30674	3-04277, HK08	BY-Nozzle HD, 0.8 mm (10 pk)*	10
	BY310-1910X	L3072	3-01910, HK10	BY-Nozzle HD, 1.0 mm (10 pk)*	10
	BY310-1911X	L30121	3-01911, HK12	BY-Nozzle HD, 1.25 mm (10 pk)*	10
	BY310-1912X	L3073	3-01912, HK15	BY-Nozzle HD, 1.5 mm (10 pk)*	10
	BY310-1913X	L30122	3-01913, HK17	BY-Nozzle HD, 1.75 mm (10 pk)*	10
	BY310-1910CPX	L3072X	3-01910, HK10	BY-Nozzle HD, 1.0 mm CP (10 pk)*	10
	BY310-1911CPX	L30121X	3-01911, HK12	BY-Nozzle HD, 1.25 mm CP (10 pk)*	10
	BY310-1912CPX	L3073X	3-01912, HK15	BY-Nozzle HD, 1.5 mm CP (10 pk)*	10
	BY310-1913CPX	L30122X	3-01913, HK17	BY-Nozzle HD, 1.75 mm CP (10 pk)*	10
2	BY310-4273X	L3083	3-04273, K08	BY-Nozzle, 0.8 mm (10 pk)*	10
	BY310-1905X	L30116	3-01905, K10	BY-Nozzle, 1.0 mm (10 pk)*	10
	BY310-1906X	L30117	3-01906, K12	BY-Nozzle, 1.25 mm (10 pk)*	10
	BY310-1907X	L30118	3-01907, K15	BY-Nozzle, 1.5 mm (10 pk)*	10
	BY310-1908X	L30119	3-01908, K17	BY-Nozzle, 1.75 mm (10 pk)	10
	BY310-1909X	L30120	3-01909, K20	BY-Nozzle, 2.0 mm (10 pk)	10
	BY310-4274X	L30675	3-04274, K25	BY-Nozzle, 2.5 mm (10 pk)	10
	BY310-1905CPX	L30116X	3-01905, K10	BY-Nozzle, 1.0 mm CP (10 pk)	10
	BY310-1906CPX	L30117X	3-01906, K12	BY-Nozzle, 1.25 mm CP (10 pk)	10
	BY310-1907CPX	L30118X	3-01907, K15	BY-Nozzle, 1.5 mm CP (10 pk)	10
3	BY310-1914X	L30123	3-01914, HK20	BY-Nozzle HD, 2.0 mm (10 pk)*	10
	BY310-1915X	L30140	3-03854, HK25	BY-Nozzle HD, 2.5 mm (10 pk)*	10
	BY310-6112X	L30265	3-06112, HK30	BY-Nozzle HD, 3.0 mm (10 pk)*	10
	BY310-0035X	L30700	HK35, 10045748	BY-Nozzle HD, 3.5 mm (10 pk)	10
	BY310-0040X	L30701	HK40	BY-Nozzle HD, 4.0 mm (10 pk)	10
	BY310-1914CPX	L30123X	3-01914, HK20	BY-Nozzle HD, 2.0 mm CP (10 pk)*	10
	BY310-1915CPX	L30140X	3-03854, HK25	BY-Nozzle HD, 2.5 mm CP (10 pk)*	10
	BY310-6112CPX	L30265X	3-06112, HK30	BY-Nozzle HD, 3.0 mm CP (10 pk)*	10
BY310-0040CPX	L30701X	HK40	BY-Nozzle HD, 4.0 mm CP (10 pk)	10	

Consumables

	Centricut part number	Esse A part number	Reference number	Description	Pkg qty
	BY310-6058X	L301363	3-16058, NK10-15	BY-Nozzle double, 1.0 mm (10 pk)*	10
	BY310-6059X	L301364	3-16059, NK12-15	BY-Nozzle double, 1.25 mm (10 pk)*	10
	BY310-6060X	L301365	3-16060, NK15-15	BY-Nozzle double, 1.5 mm (10 pk)*	10
	BY310-4317X	L301366	3-14317, NK17-15	BY-Nozzle double, 1.75 mm (10 pk)*	10
	BY310-0005X	L30604	3-14318, NK20-15	BY-Nozzle double, 2.0 mm (10 pk)*	10
	BY310-0006X	L30605	3-14319, NK25-15	BY-Nozzle double, 2.5 mm (10 pk)*	10
	BY310-6256X	L30612	3-16256, NK25-20	BY-Nozzle double, 2.5 mm/Inner 2.0 mm (10 pk)*	10
	BY310-6061X	L30613	3-16061, NK30-17	BY-Nozzle double, 3.0 mm/Inner 1.75 mm (10 pk)*	10
	BY310-0007X	L30606	3-16257, NK30-20	BY-Nozzle double, 3.0 mm (10 pk)*	10
4	BY310-3530X	L30607	NK35-30	BY-Nozzle double, 3.5 mm/Inner 3.0 mm (10 pk)*	10
	BY310-6058CPX	L301363X	3-16058, NK10-15	BY-Nozzle double, 1.0 mm CP (10 pk)	10
	BY310-6059CPX	L301364X	3-16059, NK12-15	BY-Nozzle double, 1.25 mm CP (10 pk)*	10
	BY310-6060CPX	L301365X	3-16060, NK15-15	BY-Nozzle double, 1.5 mm CP (10 pk)	10
	BY310-4317CPX	L301366X	3-14317, NK17-15	BY-Nozzle double, 1.75 mm CP (10 pk)	10
	BY310-0005CPX	L30604X	3-14318, NK20-15	BY-Nozzle double, 2.0 mm CP (10 pk)	10
	BY310-0006CPX	L30605X	3-14319, NK25-15	BY-Nozzle double, 2.5 mm CP (10 pk)	10
	BY310-6256CPX	L30612X	3-16256, NK25-20	BY-Nozzle double, 2.5 mm/Inner 2.0 mm CP (10 pk)*	10
	BY310-6061CPX	L30613X	3-16061, NK30-17	BY-Nozzle double, 3.0 mm/Inner 1.75 mm CP (10 pk)	10
	BY310-0007CPX	L30606X	3-16257, NK30-20	BY-Nozzle double, 3.0 mm CP (10 pk)	10
	BY310-3530CPX	L30607X	NK35-30	BY-Nozzle double, 3.5 mm/Inner 3.0 mm CP (10 pk)	10

* Centricut parts available in single packs. To order single packs, remove the 'X' at the end of the part number (e.g. AM123-4567X would be AM123-4567).
For Esse A parts available in single packs. To order single packs, remove the '30' after the L in the part number (e.g. L301401X would be L401X).
For nozzle bodies and associated parts see pages 28–30.


Consumables

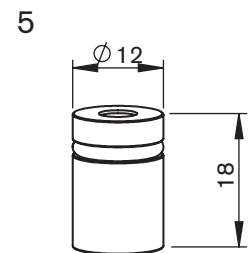
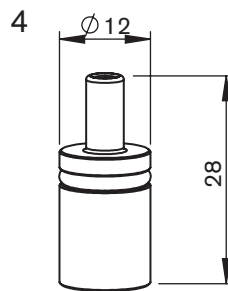
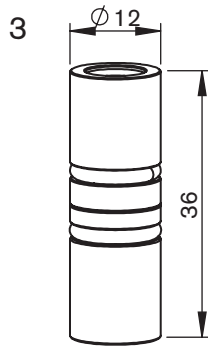
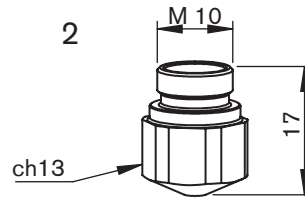
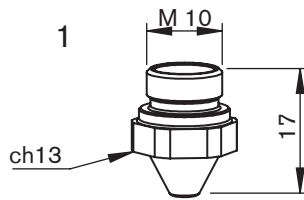
	Centricut part number	Esse A part number	Reference number	Description	Pkg qty
1	BY310-0001X	L30600	3-16058, NK10-15	BY-Nozzle double, 1.0 mm (10 pk)	10
	BY310-0002X	L30601	3-16059, NK12-15	BY-Nozzle double, 1.25 mm (10 pk)*	10
	BY310-0003X	L30602	3-16060, NK15-15	BY-Nozzle double, 1.5 mm (10 pk)*	10
	BY310-0004X	L30603	3-14317, NK17-15	BY-Nozzle double, 1.75 mm (10 pk)*	10
	BY310-0001CPX	L30600X	3-16058, NK10-15	BY-Nozzle double, 1.0 mm CP (10 pk)*	10
	BY310-0002CPX	L30601X	3-16059, NK12-15	BY-Nozzle double, 1.25 mm CP (10 pk)*	10
	BY310-0003CPX	L30602X	3-16060, NK15-15	BY-Nozzle double, 1.5 mm CP (10 pk)*	10
	BY310-0004CPX	L30603X	3-14317, NK17-15	BY-Nozzle double, 1.75 mm CP (10 pk)*	10
2	BY319-1894X	L3098	3-01894, 10	BY-Nozzle, 1.0 mm (10 pk)	10
	BY319-1895X	L3099	3-01895, 12	BY-Nozzle, 1.25 mm (10 pk)	10
	BY319-1897X	L30101	3-01897, 17	BY-Nozzle, 1.75 mm (10 pk)	10
	BY319-1898X	L30102	3-01898, 20	BY-Nozzle, 2.0 mm (10 pk)	10
	BY319-4272X	L30676	3-04272, 25	BY-Nozzle, 2.5 mm (10 pk)	10
	BY319-4275X	L30673	3-04275, H08	BY-Nozzle HD, 0.8 mm (10 pk)	10
	BY319-1899X	L3088	3-01899, H10	BY-Nozzle HD, 1.0 mm (10 pk)*	10
	BY319-1900X	L30103	3-01900, H12	BY-Nozzle HD, 1.25 mm (10 pk)	10
	BY319-1901X	L30104	3-01901, H15	BY-Nozzle HD, 1.5 mm (10 pk)*	10
	BY319-1902X	L30105	3-01902, H17	BY-Nozzle HD, 1.75 mm (10 pk)*	10
	BY319-1903X	L30106	3-01903, H20	BY-Nozzle HD, 2.0 mm (10 pk)*	10
	BY319-4276X	L30677	3-04276, H25	BY-Nozzle HD, 2.5 mm (10 pk)*	10
	BY319-0030X	L30679	H30	BY-Nozzle HD, 3.0 mm (10 pk)	10
	BY319-1899CPX	L3088X	3-01899, H10	BY-Nozzle HD, 1.0 mm CP (10 pk)	10
	BY319-0900CPX	L30103X	3-01900, H12	BY-Nozzle HD, 1.25 mm CP (10 pk)	10
	BY319-4276CPX	L30677X	3-04276, H25	BY-Nozzle HD, 2.5 mm CP (10 pk)	10
BY319-0030CPX	L30679X	H30	BY-Nozzle HD, 3.0 mm CP (10 pk)	10	
3	BY319-1215X	L301251	N12-15	BY-Nozzle double, 1.25 mm (10 pk)	10
	BY319-1515X	L301252	N15-15	BY-Nozzle double, 1.5 mm (10 pk)	10
	BY319-1715X	L301253	N17-15	BY-Nozzle double, 1.75 mm (10 pk)	10
	BY319-2015X	L301254	N20-15	BY-Nozzle double, 2.0 mm (10 pk)	10
	BY319-2515X	L301255	N25-15	BY-Nozzle double, 2.5 mm (10 pk)	10
	BY319-2520X	L301256	N25-20	BY-Nozzle double, 2.5 mm (10 pk)	10
	BY319-3020X	L301258	N30-20	BY-Nozzle double, 3.0 mm (10 pk)	10
4	BY327-3210	AL418	7023207, 7023208	BY-Water connector set	1
5	BY328-3207	AL416	7023207	BY-Water connector, male	1
6	BY328-3208	AL417	7023208	BY-Water connector, female	1

* Centricut parts available in single packs. To order single packs, remove the 'X' at the end of the part number (e.g. AM123-4567X would be AM123-4567).

For Esse A parts available in single packs. To order single packs, remove the '30' after the L in the part number (e.g. L301401X would be L401X).

For nozzle bodies and associated parts see pages 28-30.

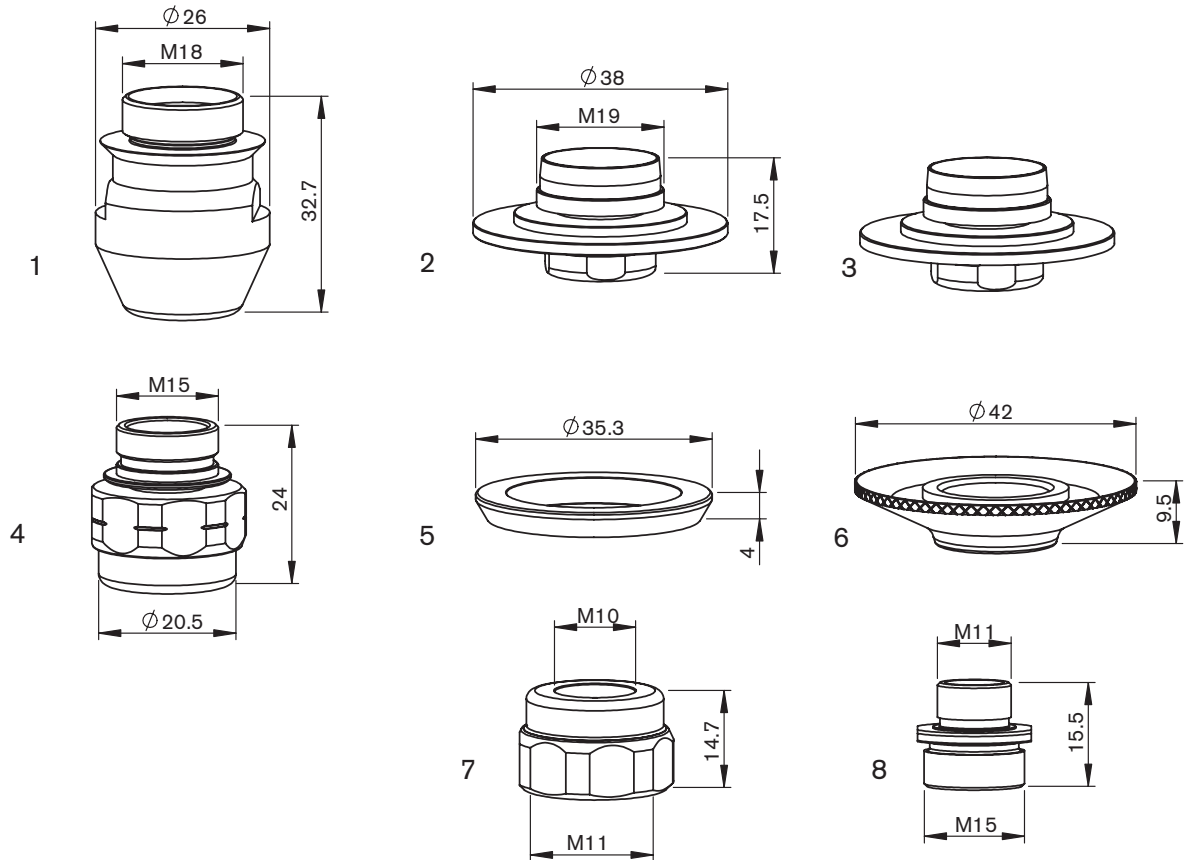
Centricut is not affiliated with the named manufacturers. Reference to machines, parts, descriptions, and model numbers are for convenience in verifying compatibility only. All parts are made by or for Centricut and are not made by the referenced manufacturers (unless expressly indicated). Centricut is a registered trademark of Hypertherm, Inc. All other trademarks are the properties of their respective owners.



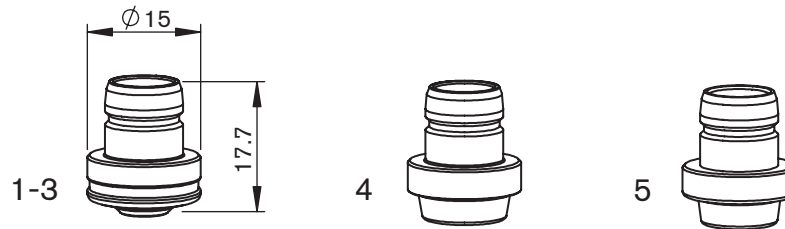
Consumables

	Centricut part number	Esse A part number	Reference number	Description	Pkg qty
1	BY318-1894X	L3014	3-01894, 10	BY-Nozzle, 1.0 mm (10 pk)	10
	BY318-1895X	L3041	3-01895, 12	BY-Nozzle, 1.25 mm (10 pk)	10
	BY318-1896X	L3017	3-01896, 15	BY-Nozzle, 1.5 mm (10 pk)	10
	BY318-1897X	L3042	3-01897, 17	BY-Nozzle, 1.75 mm (10 pk)	10
	BY318-1899X	L3043	3-01899, H10	BY-Nozzle HD, 1.0 mm (10 pk)	10
	BY318-1900X	L3016	3-01900, H12	BY-Nozzle HD, 1.25 mm (10 pk)	10
	BY318-1901X	L3044	3-01901, H15	BY-Nozzle HD, 1.5 mm (10 pk)*	10
	BY318-1902X	L3045	3-01902, H17	BY-Nozzle HD, 1.75 mm (10 pk)	10
	BY318-1903X	L3046	3-01903, H20	BY-Nozzle HD, 2.0 mm (10 pk)*	10
2	BY320-1905X	L30107	3-01905, K10	BY-Nozzle, 1.0 mm (10 pk)	10
	BY320-1906X	L30108	3-01906, K12	BY-Nozzle, 1.25 mm (10 pk)	10
	BY320-1907X	L30109	3-01907, K15	BY-Nozzle, 1.5 mm (10 pk)	10
	BY320-1910X	L3089	3-01910, HK10	BY-Nozzle HD, 1.0 mm (10 pk)*	10
	BY320-1911X	L30112	3-01911, HK12	BY-Nozzle HD, 1.25 mm (10 pk)*	10
	BY320-1912X	L30113	3-01912, HK15	BY-Nozzle HD, 1.5 mm (10 pk)*	10
	BY320-1913X	L30114	3-01913, HK17	BY-Nozzle HD, 1.75 mm (10 pk)*	10
	BY320-1914X	L30115	3-01914, HK20	BY-Nozzle HD, 2.0 mm (10 pk)*	10
3	BY327-3210	AL418	7023207, 7023208	BY-Water connector set	1
4	BY328-3207	AL416	7023207	BY-Water connector, male	1
5	BY328-3208	AL417	7023208	BY-Water connector, female	1

* Centricut parts available in single packs. To order single packs, remove the 'X' at the end of the part number (e.g. AM123-4567X would be AM123-4567).
For Esse A parts available in single packs. To order single packs, remove the '30' after the L in the part number (e.g. L301401X would be L401X).
For nozzle bodies and associated parts see pages 28-30.

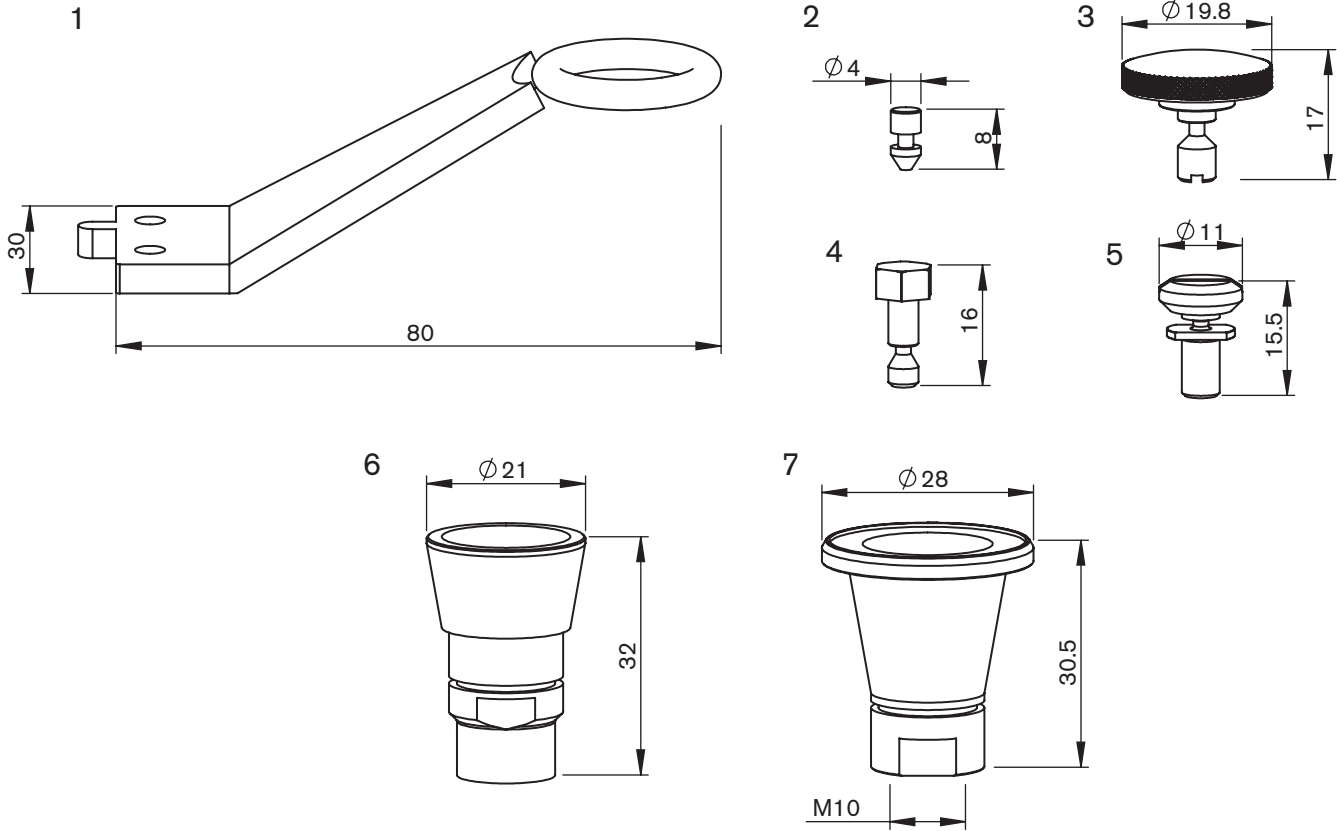

Consumables

	Centricut part number	Esse A part number	Reference number	Description	Pkg qty
1	BY328-4061	AL450	10034061	BY-Nozzle holder	1
2	BY328-6030	AL451	10046030	BY-Nozzle adapter	1
3	BY328-1133	AL452	10051133	BY-Nozzle adapter MSB	1
4	BY328-4099	AL449	10064099	BY-Nozzle body	1
5	BY328-9016	AL441	10046025	BY-Isolator ring, ceramic	1
6	BY310-0398	AL398		BY-CL nut	1
7	BY310-1494 NEW	AL454	10071494, 10083331	BY-Nozzle body threaded	1
8	BY310-5057 NEW	AL453	10075057	BY-Breakaway	1


Consumables

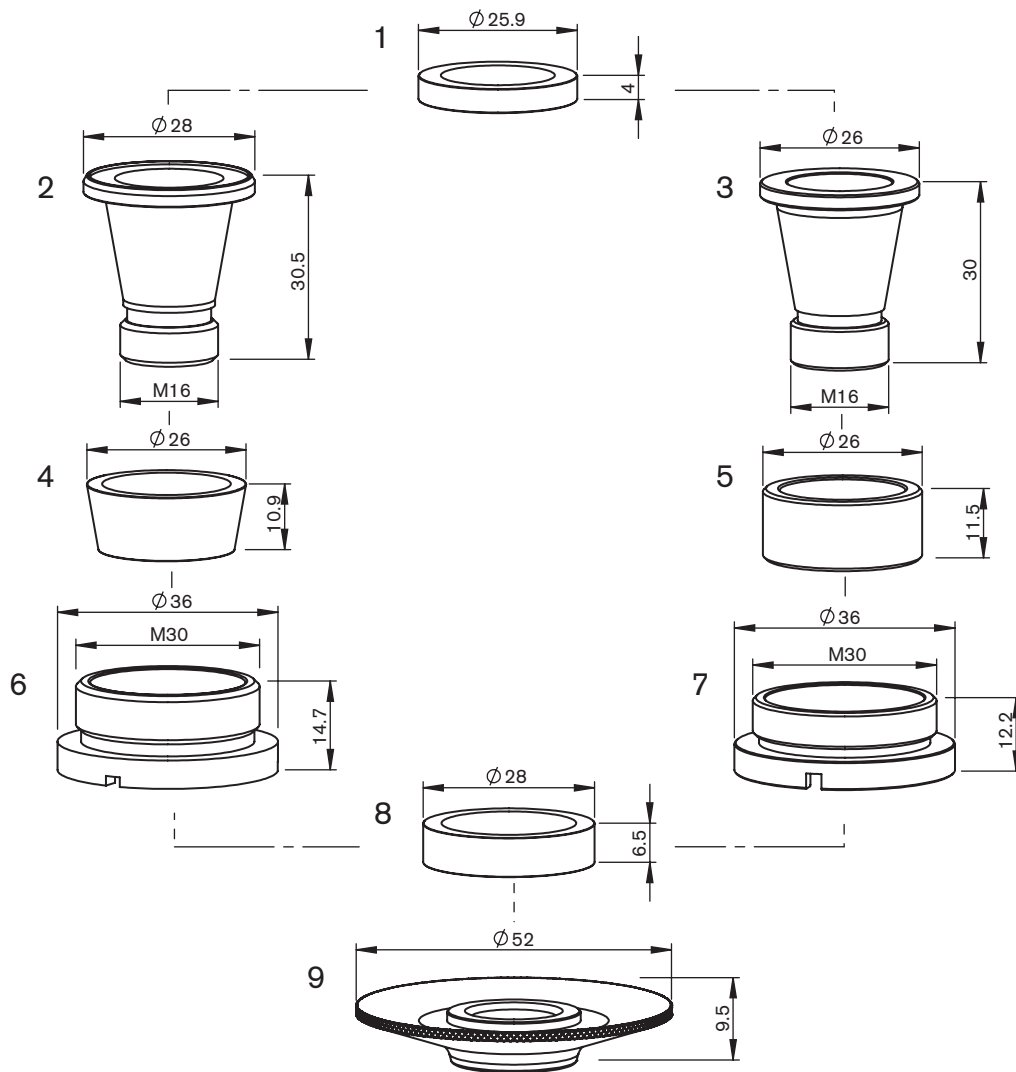
	Centricut part number	Esse A part number	Reference number	Description	Pkg qty
1	BY310-8529X	L301660	10048529, HK08	BY-Nozzle, Push Fit 0.8 mm (10 pk)	10
	BY310-5266X	L301661	10035266, HK10	BY-Nozzle, Push Fit 1.0 mm (10 pk)	10
	BY310-5267X	L301662	10035267, HK12	BY-Nozzle, Push Fit 1.2 mm (10 pk)	10
	BY310-5268X	L301663	10035268, HK15	BY-Nozzle, Push Fit 1.5 mm (10 pk)	10
	BY310-5269X	L301664	10035269, HK17	BY-Nozzle, Push Fit 1.7 mm (10 pk)	10
	BY310-5270X	L301665	10035270, HK20	BY-Nozzle, Push Fit 2.0 mm (10 pk)	10
	BY310-5271X	L301666	10035271, HK25	BY-Nozzle, Push Fit 2.5 mm (10 pk)	10
	BY310-5272X	L301667	10035272, HK30	BY-Nozzle, Push Fit 3.0 mm (10 pk)	10
	BY310-9744X	L301668	10049744, HK35	BY-Nozzle, Push Fit 3.5 mm (10 pk)	10
2	BY310-9747X	L301670	10049747, NK10-15	BY-Nozzle double, Push Fit 1.0 mm (10 pk)	10
	BY310-5275X	L301671	10035275, NK12-15	BY-Nozzle double, Push Fit 1.2 mm (10 pk)*	10
	BY310-5278X	L301672	10035278, NK15-15	BY-Nozzle double, Push Fit 1.5 mm (10 pk)*	10
	BY310-5290X	L301673	10035290, NK17-15	BY-Nozzle double, Push Fit 1.7 mm (10 pk)	10
	BY310-5292X	L301674	10035292, NK20-15	BY-Nozzle double, Push Fit 2.0 mm (10 pk)	10
	BY310-5294X	L301675	10035294, NK25-15	BY-Nozzle double, Push Fit 2.5 mm (10 pk)	10
	BY310-5296X	L301676	10035296, NK25-20	BY-Nozzle double, Push Fit 2.5 mm/Inner 2.0 mm (10 pk)	10
	BY310-5298X	L301677	10035298, NK30-17	BY-Nozzle double, Push Fit 3.0 mm/Inner 1.7 mm (10 pk)	10
	BY310-5301X	L301678	10035301, NK30-20	BY-Nozzle double, Push Fit 3.0 mm (10 pk)	10
	BY310-5302X	L301679	10035303, NK35-30	BY-Nozzle double, Push Fit 3.5 mm (10 pk)	10
	BY310-8946X	L301680	10068496, NK35-17	BY-Nozzle double, Push Fit 3.5 mm (10 pk)*	10
	BY310-8948X	L301681	10068496, NK40-17	BY-Nozzle double, Push Fit 4.0 mm (10 pk)*	10
3	BY310-1682	L1682	10039202	BY-Nozzle centering, 2.0 mm	1
4	BY310-6332CP	L1683XH	10066332,35H	BY-Nozzle, 3.5 mm CP	1
	BY310-8494CP	L1684XH	10068494,50H	BY-Nozzle, 5.0 mm CP	1
5	BY310-4700X	L302170	10084700	BY-Nozzle F20 DW, Push Fit 2.0 mm (10 pk)	10
	BY310-4701X	L302171	10084701	BY-Nozzle F25 DW, Push Fit 2.5 mm (10 pk)	10
	BY310-6333X	L302172	10066333	BY-Nozzle F30 DW, Push Fit 3.0 mm (10 pk)	10
	BY310-0091X	L302173	10090091	BY-Nozzle F35 DW, Push Fit 3.5 mm (10 pk)	10
	BY310-6331X	L302174	10066331	BY-Nozzle F40 DW, Push Fit 4.0 mm (10 pk)	10
	BY310-6330X	L302175	10066330	BY-Nozzle F45 DW, Push Fit 4.5 mm (10 pk)	10
	BY310-0092X	L302176	10060092	BY-Nozzle F50 DW, Push Fit 5.0 mm (10 pk)	10
	BY310-6053X	L302177	10066053	BY-Nozzle F55 DW, Push Fit 5.5 mm (10 pk)	10
	BY310-6069X	L302178	10066069	BY-Nozzle F60 DW, Push Fit 6.0 mm (10 pk)	10
	BY310-4700CPX	L302170X	10084700	BY-Nozzle F20 DW, Push Fit 2.0 mm CP (10 pk)	10
	BY310-4701CPX	L302171X	10084701	BY-Nozzle F25 DW, Push Fit 2.5 mm CP (10 pk)	10
	BY310-6333CPX	L302172X	10066333	BY-Nozzle F30 DW, Push Fit 3.0 mm CP (10 pk)	10
	BY310-0091CPX	L302173X	10090091	BY-Nozzle F35 DW, Push Fit 3.5 mm CP (10 pk)	10
	BY310-6331CPX	L302174X	10066331	BY-Nozzle F40 DW, Push Fit 4.0 mm CP (10 pk)	10
	BY310-6330CPX	L302175X	10066330	BY-Nozzle F45 DW, Push Fit 4.5 mm CP (10 pk)	10
	BY310-0092CPX	L302176X	10060092	BY-Nozzle F50 DW, Push Fit 5.0 mm CP (10 pk)	10
	BY310-6053CPX	L302177X	10066053	BY-Nozzle F55 DW, Push Fit 5.5 mm CP (10 pk)	10
	BY310-6069CPX	L302178X	10066069	BY-Nozzle F60 DW, Push Fit 6.0 mm CP (10 pk)	10

* Centricut parts available in single packs. To order single packs, remove the 'X' at the end of the part number (e.g. AM123-4567X would be AM123-4567).
 For Esse A parts available in single packs. To order single packs, remove the '30' after the L in the part number (e.g. L301401X would be L401X).


Consumables

	Centricut part number	Esse A part number	Reference number	Description	Pkg qty
1	BY328-2015	AL5	2-01262	BY-Scanner	1
2	BY328-3137	AL24	4-03137	BY-Pin (5 pcs)	5
3	BY328-3136	AL25	4-03136	BY-Knurled screw	1
4	BY328-0324	AL1	4-00324	BY-Knurled screw	1
5	BY328-9001	AL208	3-09001	BY-Cross jet screw	1
6	BY328-2291	AL188	3-02291	BY-Nozzle body	1
7	BY328-5497	AL102	3-05497	BY-Nozzle body, copper	1
	BY328-0236 (not shown)		3140236	BY-O-ring	1
	BY328-0820 (not shown)	AL99	3140820	BY-Lens o-ring	1
	BY328-0004 (not shown)	AL246		BY-Screw kit for BY328-3663-C (3 pcs)	3

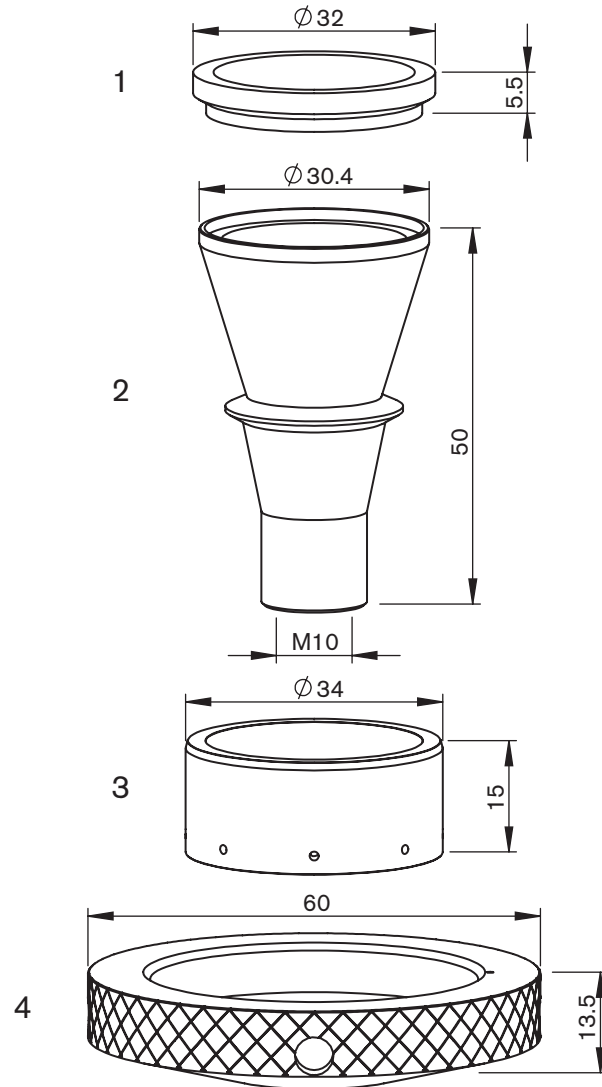
Nozzle bodies and associated parts on this page can be used with nozzles on pages 22-25.



Consumables

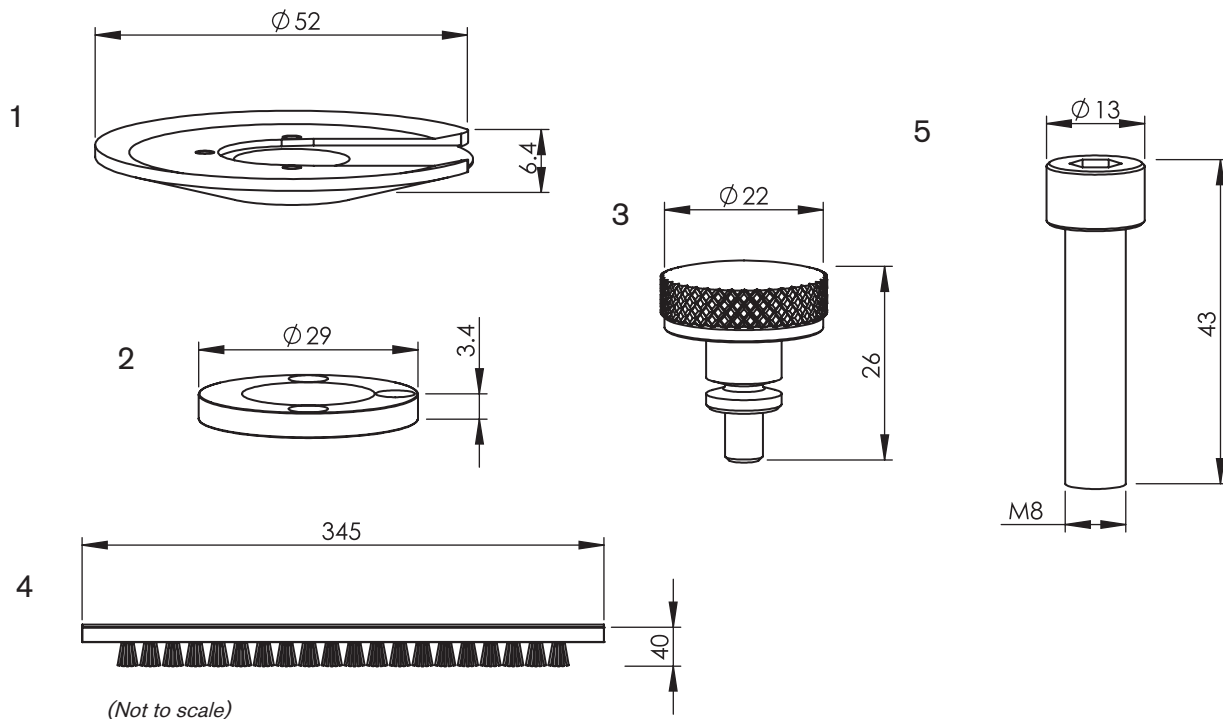
	Centricut part number	Esse A part number	Reference number	Description	Pkg qty
1	BY328-1642	AL231	4-01642, 4-00569	BY-Insulating disc ceramic	1
2	BY328-8701	AL172	2-08701	BY-Nozzle body	1
3	BY359-2930	AL423	10032930	BY-Nozzle body	1
4	BY328-1959	AL230	4-01959	BY-Cone ceramic	1
5	BY359-2838	AL425	10032838	BY-Insulating ring ceramic	1
6	BY328-1071	AL174	3-11071	BY-Fastening nut	1
7	BY359-2839	AL424	10032839	BY-Fastening nut	1
8	BY328-9010	AL126	4-09010	BY-Ring ceramic	1
9	BY328-8700	AL173	2-08700	BY-signboard	1
	BY328-0005	AL173X	2-08700	BY-signboard, chrome	1

Nozzle bodies and associated parts on this page can be used with nozzles on pages 22–25.


Consumables

	Centricut part number	Esse A part number	Reference number	Description	Pkg qty
1	BY359-3113	AL215	3-13113	BY-Insulating ring, small	1
2	BY359-0837	AL214	2-10837	BY-Nozzle body	1
3	BY359-3422	AL216	3-13422	BY-Insulating ring w/holes, large	1
4	BY359-3110	AL258	3-13110	BY-Shield, copper	1

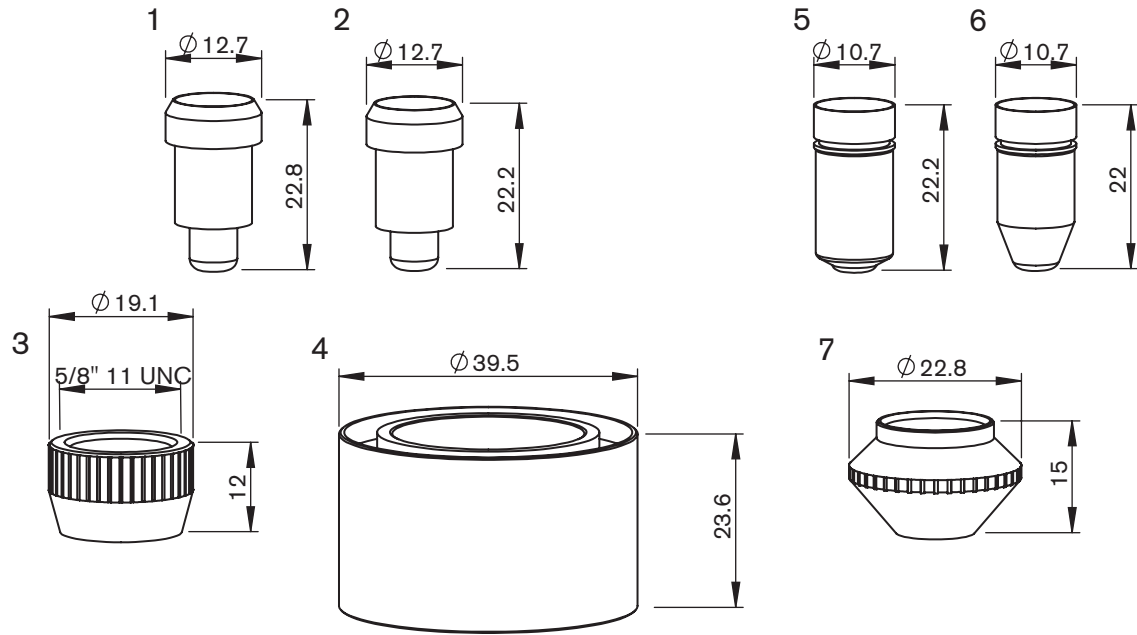
Nozzle bodies and associated parts on this page can be used with nozzles on pages 22-25.



Consumables

	Centricut part number	Esse A part number	Reference number	Description	Pkg qty
1	BY359-6035	AL222	3-06035	BY-Shield, copper only	1
2	BY328-328-1	AL120	3-06035-T	BY-Disc, PTFE*	1
3	BY328-4976	AL209	4-04976	BY-Knurled screw	1
4	BY328-6511	AL300	2-06511	BY-Brush w/screws	1
5	BY328-3884	333884	333884	BY-Screws, plastic (2 pcs)	2
Filters - not shown					
	BY328-0020	7004621	D020	BY-Air filter (Deltec)	1
	BY328-9412L	7509412 - LONG	7509412 - long	BY-Air filter (active coal) long, 190 mm	1

*PolyTetraFluoroEthylene is a fluorocarbon-based polymer and is commonly abbreviated PTFE. The Teflon® brand of PTFE is manufactured only by DuPont and is not sold by Hypertherm. Hypertherm purchases other brands of PTFE from various high quality manufacturers.


Consumables

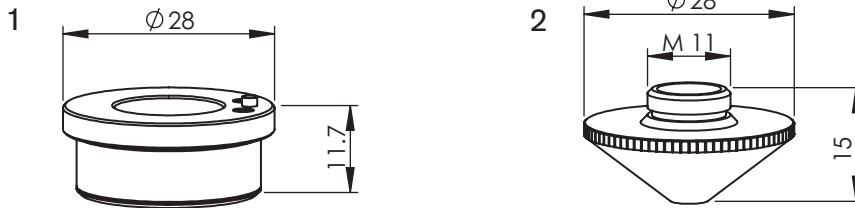
	Centricut part number	Esse A part number	Reference number	Description	Pkg qty
1	CN305-8090	L220	908090	CN-Nozzle elongated, 1.5 mm (0.060")	1
2	CN305-7470	L222	907470	CN-Nozzle, 1.5 mm	1
	CN305-0006	L223	920006	CN-Nozzle, 2.0 mm	1
3	CN306-9659	AL48	909659	CN-Tip lock nut, non contact	1
4	CN305-7472	AL71	907472	CN-Nozzle holder, contact w/gasket	1
5	CN306-4636	L869	924636, 913188	CN-Nozzle w/o-ring, 1.5 mm	1
	CN306-4637	L870	924637, 913190	CN-Nozzle w/o-ring, 2.0 mm	1
6	CN306-0011	L1528		CN-Nozzle w/o-ring, 0.8 mm	1
	CN306-9660-1X	L30712	924635	CN-Nozzle w/o-ring, 1.0 mm (10 pk)*	10
	CN306-0012X	L30961		CN-Nozzle w/o-ring, 1.2 mm (10 pk)*	10
	CN306-0013	L962		CN-Nozzle w/o-ring, 1.3 mm	1
	CN306-9660X	L30224	909660	CN-Nozzle w/o-ring, 1.5 mm (10 pk)*	10
	CN306-0315X	L30225	910315	CN-Nozzle w/o-ring, 2.0 mm (10 pk)*	10
	CN306-3789X	L30713	924638, 913191	CN-Nozzle w/o-ring, 2.5 mm (10 pk)*	10
	CN306-4634	L714	924634	CN-Nozzle w/o-ring, 3.0 mm	1
	CN306-4635	L1017	924635	CN-Nozzle w/o-ring, 3.15 mm	1
	CN306-3013X	L30433	923013	CN-Nozzle shower w/o-ring, 1.0 mm (10 pk)*	10
	CN306-3014X	L30434	923014	CN-Nozzle shower w/o-ring, 1.5 mm (10 pk)*	10
	CN306-0020	L435	910315-S	CN-Nozzle shower w/o-ring, 2.0 mm	1
7	CN306-3021	AL135	923021	CN-Tip retainer nut, tapered	1
	CN306-9664 (not shown)		909664, 56161	CN-O-ring	1

* Centricut parts available in single packs. To order single packs, remove the 'X' at the end of the part number (e.g. AM123-4567X would be AM123-4567).

For Esse A parts available in single packs. To order single packs, remove the '30' after the L in the part number (e.g. L301401X would be L401X).

Consumables

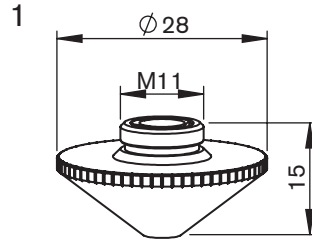
	Centricut part number	Esse A part number	Reference number	Description	Pkg qty
	CN306-9664		909664, 56161	CN-O-ring	1
	CN306-0654A		909654, 922686	CN-Sensor cable, 114 mm (4.5") armored	1
	CN306-0951A		842951	CN-Sensor cable, 140 mm (5.5") armored (brown)	1
	CN306-9654		909654, 922686	CN-Sensor cable, 114 mm (4.5") (white)	1
	CN306-2951		842951	CN-Sensor cable, 140 mm (5.5") (brown)	1



Consumables

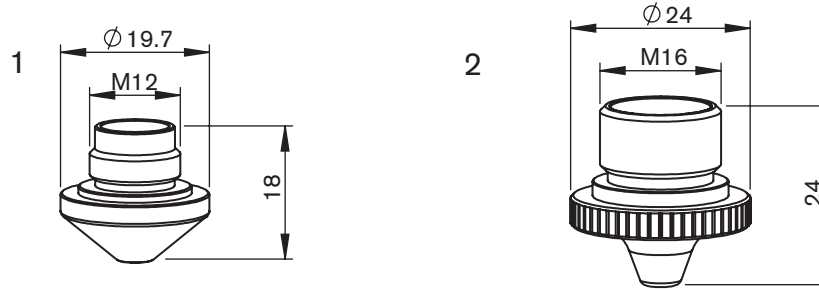
	Centricut part number	Esse A part number	Reference number	Description	Pkg qty
1	HW405-0811	AL408	MX-0875, HPH-S01007-7	HW-Nozzle holder, ceramic	1
2	PT345-0008	L935		PT-Nozzle HD, 0.8 mm	1
	PT345-1548	L234	281548, P0591-571-00010, MX-0860	PT-Nozzle HD, 1.0 mm	1
	PT345-1549	L235	281549, P0591-572-00012, MX-0861	PT-Nozzle HD, 1.2 mm	1
	PT345-1463	L236	281463, P0591-573-00015, MX-0862	PT-Nozzle HD, 1.5 mm	1
	PT345-0001	L237	P0591-574-00018, MX-0863	PT-Nozzle HD, 1.8 mm	1
	PT345-1550	L238	281550, P0591-575-00020, MX-0864	PT-Nozzle HD, 2.0 mm	1
	PT345-0003	L239	P0591-574-00023	PT-Nozzle HD, 2.3 mm	1
	PT345-1551	L240	281551, P0591-576-00025, MX-0865	PT-Nozzle HD, 2.5 mm	1
	PT345-1552	L936		PT-Nozzle HD, 2.75 mm	1
	PT345-0002	L241		PT-Nozzle HD, 3.0 mm	1
	PT345-0005	L826		PT-Nozzle HD, 3.2 mm	1
	PT345-0006	L827		PT-Nozzle HD, 3.5 mm	1
	PT345-0004	L828		PT-Nozzle HD, 4.0 mm	1
	PT345-0007	L829		PT-Nozzle HD, 4.5 mm	1
	PT345-1548CP	L234X	281548, P0591-571-00010	PT-Nozzle HD, 1.0 mm CP	1
	PT345-1549CP	L235X	281549, P0591-572-00012	PT-Nozzle HD, 1.2 mm CP	1
	PT345-1463CP	L236X	281463, P0591-573-00015	PT-Nozzle HD, 1.5 mm CP	1
	PT345-0001CP	L237X	P0591-574-00018	PT-Nozzle HD, 1.8 mm CP	1
	PT345-1550CP	L238X	281550, P0591-575-00020	PT-Nozzle HD, 2.0 mm CP	1
	PT345-1551CP	L240X	281551, P0591-576-00025	PT-Nozzle HD, 2.5 mm CP	1
	PT345-0002CP	L241X		PT-Nozzle HD, 3.0 mm CP	1
	PT345-0004CP	L828X		PT-Nozzle HD, 4.0 mm CP	1

Centricut is not affiliated with the named manufacturers. Reference to machines, parts, descriptions, and model numbers are for convenience in verifying compatibility only. All parts are made by or for Centricut and are not made by the referenced manufacturers (unless expressly indicated). Centricut is a registered trademark of Hypertherm, Inc. All other trademarks are the properties of their respective owners.



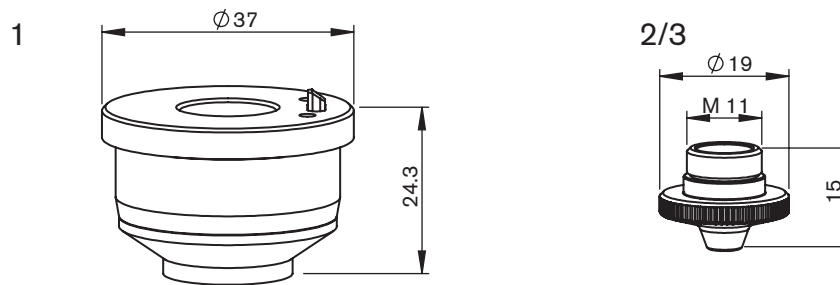
Consumables

	Centricut part number	Esse A part number	Reference number	Description	Pkg qty
	PT358-0669	L669		PT-Nozzle double, 0.8 mm/inner 1.5 mm	1
	PT358-0010	L660		PT-Nozzle double, 1.0 mm/inner 1.5 mm	1
	PT358-0125	L661	P0591-002-00012	PT-Nozzle double, 1.2 mm/inner 1.5 mm	1
	PT358-0015	L662	P0591-002-00015	PT-Nozzle double, 1.5 mm/inner 1.5 mm	1
	PT358-0018	L663	P0591-002-00018	PT-Nozzle double, 1.8 mm/inner 1.5 mm	1
	PT358-0020	L664	P0591-002-00020	PT-Nozzle double, 2.0 mm/inner 1.5 mm	1
	PT358-0023	L665	P0591-002-00023	PT-Nozzle double, 2.3 mm/inner 1.5 mm	1
	PT358-0007	L666		PT-Nozzle double, 2.5 mm/inner 1.5 mm	1
	PT358-0030	L667		PT-Nozzle double, 3.0 mm/inner 1.5 mm	1
1	PT358-0035	L668		PT-Nozzle double, 3.5 mm/inner 1.5 mm	1
	PT358-0008CP	L669X		PT-Nozzle double, 0.8 mm/inner 1.5 mm CP	1
	PT358-0010CP	L660X		PT-Nozzle double, 1.0 mm/inner 1.5 mm CP	1
	PT358-0125CP	L661X		PT-Nozzle double, 1.2 mm/inner 1.5 mm CP	1
	PT358-0015CP	L662X		PT-Nozzle double, 1.5 mm/inner 1.5 mm CP	1
	PT358-0018CP	L663X		PT-Nozzle double, 1.8 mm/inner 1.5 mm CP	1
	PT358-0020CP	L664X		PT-Nozzle double, 2.0 mm/inner 1.5 mm CP	1
	PT358-0025CP	L666X		PT-Nozzle double, 2.5 mm/inner 1.5 mm CP	1
	PT358-0030CP	L667X		PT-Nozzle double, 3.0 mm/inner 1.5 mm CP	1
	PT358-0035CP	L668X		PT-Nozzle double, 3.5 mm/inner 1.5 mm CP	1



Consumables

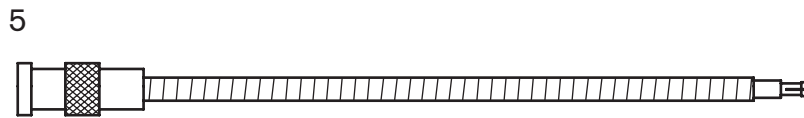
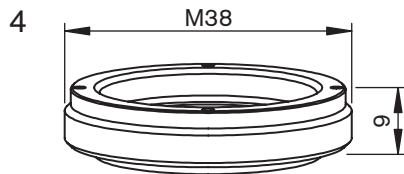
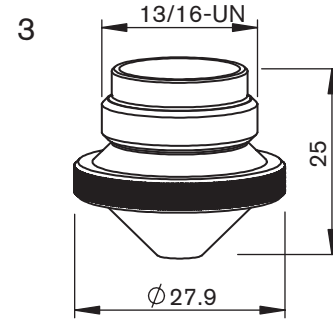
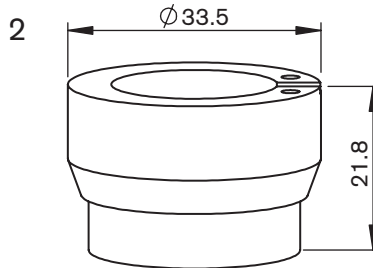
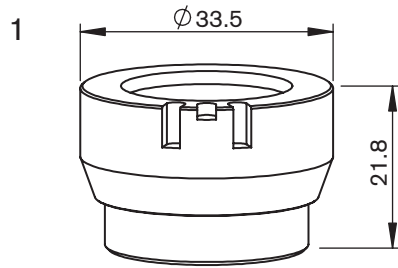
	Centricut part number	Esse A part number	Reference number	Description	Pkg qty
1	HW405-1010	L1070	NP10	HW-Nozzle, 1.0 mm	1
	HW405-1012	L1071	NP12	HW-Nozzle, 1.2 mm	1
2	HW405-3010	L1490	NP10	HW-Nozzle NP, 1.0 mm	1
	HW405-3012	L1491	NP12	HW-Nozzle NP, 1.2 mm	1
	HW405-3015	L1492	NP15	HW-Nozzle NP, 1.5 mm	1
	HW405-3020	L1493	NP20	HW-Nozzle NP, 2.0 mm	1



Consumables

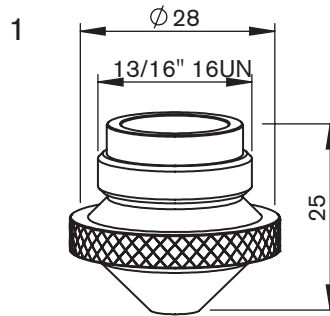
	Centricut part number	Esse A part number	Reference number	Description	Pkg qty
1	HW405-1201	AL420	HCH-S01201	HW-Nozzle holder, ceramic	1
2	HW405-2010	L1483	NP10, MX-0989	HW-Nozzle N, 1.0 mm	1
	HW405-2012	L1484	NP12, MX-0990	HW-Nozzle N, 1.2 mm	1
	HW405-2015	L1485	NP15, MX-0991	HW-Nozzle N, 1.5 mm	1
	HW405-2018	L1487	NP18, MX-0993	HW-Nozzle N, 1.8 mm	1
	HW405-2020	L1486	NP20, MX-0992	HW-Nozzle N, 2.0 mm	1
	HW405-2025	L1488	NP25, MX-0994	HW-Nozzle N, 2.5 mm	1
	HW405-2030	L1489	NP30, MX-0995	HW-Nozzle N, 3.0 mm	1
3	HW405-4015	L1522	TP15, HCH-TP1515	HW-Nozzle double N, 1.5 mm	1
	HW405-4020	L1523	TP20, HCH-TP1520	HW-Nozzle double N, 2.0 mm	1
	HW405-4025	L1524	TP25, HCH-TP1525	HW-Nozzle double N, 2.5 mm	1
	HW405-4030	L1526	TP30, HCH-TP2030	HW-Nozzle double N, 3.0 mm	1
	HW405-4040	L1525	TP40	HW-Nozzle double N, 4.0 mm	1

Centricut is not affiliated with the named manufacturers. Reference to machines, parts, descriptions, and model numbers are for convenience in verifying compatibility only. All parts are made by or for Centricut and are not made by the referenced manufacturers (unless expressly indicated). Centricut is a registered trademark of Hypertherm, Inc. All other trademarks are the properties of their respective owners.


Consumables

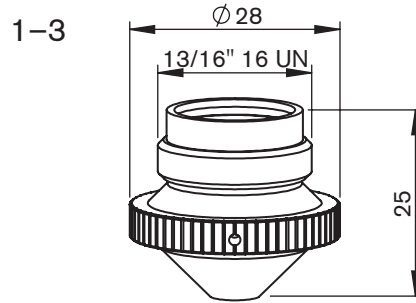
	Centricut part number	Esse A part number	Reference number	Description	Pkg qty
1	PT311-1146	AL130/S	281146, P0380-211-00001, 29100033	PT-Nozzle holder ITM 1.5" DZ	1
	PT311-1146OEM	AL130	281146, P0380-211-00001, 29100033	PT-Nozzle holder ITM 1.5" DZ OEM	1
2	PT311-0298	AL298	P0497-68871	PT-Nozzle holder KTM 1.5" DXN, Ceramic	1
3	LV332-1993V	L20757	D5241993	LV-Nozzle cylindrical, 0.8 mm (5 pk)*	5
	LV332-5470V	L20141	D7945470	LV-Nozzle cylindrical, 1.0 mm (5 pk)*	5
	LV332-0001V	L20758	D5241982	LV-Nozzle cylindrical, 1.2 mm (5 pk)*	5
	LV332-5434V	L20142	D7945434	LV-Nozzle cylindrical, 1.5 mm (5 pk)*	5
	LV332-5452V	L20143	D7945452	LV-Nozzle cylindrical, 2.0 mm (5 pk)*	5
	LV332-5517V	L20144	D7945517	LV-Nozzle cylindrical, 2.5 mm (5 pk)*	5
	LV332-5518V	L20145		LV-Nozzle cylindrical, 3.0 mm (5 pk)*	5
	LV332-1993CPV	L20757X	D5241993	LV-Nozzle cylindrical, 0.8 mm CP (5 pk)	5
	LV332-5470CPV	L20141X	D7945470	LV-Nozzle cylindrical, 1.0 mm CP (5 pk)*	5
	LV332-0001CPV	L20758X	D5241982	LV-Nozzle cylindrical, 1.2 mm CP (5 pk)*	5
	LV332-5434CPV	L20142X	D7945434	LV-Nozzle cylindrical, 1.5 mm CP (5 pk)*	5
	LV332-5452CPV	L20143X	D7945452	LV-Nozzle cylindrical, 2.0 mm CP (5 pk)*	5
	LV332-5517CPV	L20144X	D7945517	LV-Nozzle cylindrical, 2.5 mm CP (5 pk)	5
	LV332-5518CPV	L20145X		LV-Nozzle cylindrical, 3.0 mm CP (5 pk)*	5
4	PT347-4297	AL198	P0492-702-00001, 29100021	PT-Insulating ring outer body	1
	PT311-0001	AL201	P0492-702-00002	PT-Insulating ring	1
5	PT347-0101	AL204	P0360-100-00500, 46713300100	PT-Sensor head connecting cable OEM	1
	AM326-6453 (not shown)	AL94	71366453	AM-O-ring for outer nozzle	1

* Centricut parts available in single packs. To order single packs, remove the 'V' at the end of the part number (e.g. LV123-4567V would be LV123-4567). For Esse A parts available in single packs. To order single packs, remove the '20' after the L in the part number (e.g. L20757 would be L757).

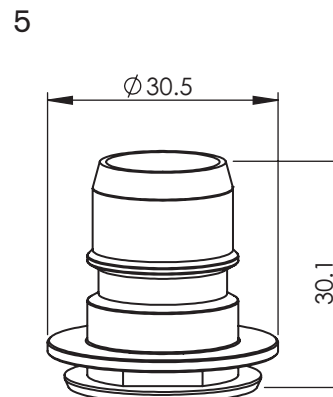
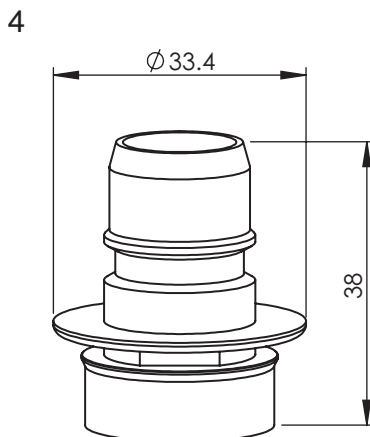
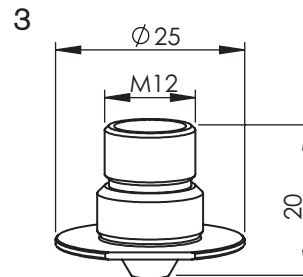
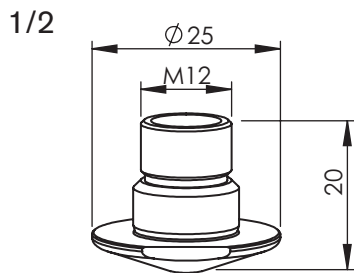

Consumables

	Centricut part number	Esse A part number	Reference number	Description	Pkg qty
	LV332-1863V	L20151	D5241863	LV-Nozzle conical HD, 1.0 mm (5 pk)*	5
	LV332-1982V	L20759		LV-Nozzle conical HD, 1.2 mm (5 pk)*	5
	LV332-1862V	L20152	D5241862	LV-Nozzle conical HD, 1.5 mm (5 pk)*	5
	LV332-2512V	L20748	D5242512	LV-Nozzle conical HD, 1.7 mm (5 pk)*	5
	LV332-1855V	L20146	D5241855	LV-Nozzle conical HD, 2.0 mm (5 pk)*	5
	LV332-2513V	L20749	D5242513, Z000000539D	LV-Nozzle conical HD, 2.3 mm (5 pk)*	5
	LV332-1856V	L20147	D5241856, Z000000563B	LV-Nozzle conical HD, 2.5 mm (5 pk)*	5
	LV332-1857V	L20148	D5241857, Z000000540B	LV-Nozzle conical HD, 3.0 mm (5 pk)*	5
	LV332-1877V	L20149	D5241877, Z000000564B	LV-Nozzle conical HD, 3.5 mm (5 pk)*	5
	LV332-1878V	L20283	D5241878, Z000000565B	LV-Nozzle conical HD, 4.0 mm (5 pk)*	5
	LV332-2531V	L201303	D5242531, Z000000566B	LV-Nozzle conical HD, 4.5 mm (5 pk)*	5
1	LV332-2535V	L201304	D5242535, Z000000567B	LV-Nozzle conical HD, 5.0 mm (5 pk)*	5
	LV332-2536V	L201305	D5242536, Z000000568B	LV-Nozzle conical HD, 6.0 mm (5 pk)*	5
	LV332-1863CPV	L20151X	D5241863	LV-Nozzle conical HD, 1.0 mm CP (5 pk)	5
	LV332-1982CPV	L20759X		LV-Nozzle conical HD, 1.2 mm CP (5 pk)	5
	LV332-1862CPV	L20152X	D5241862	LV-Nozzle conical HD, 1.5 mm CP (5 pk)*	5
	LV332-2512CPV	L20748X	D5242512	LV-Nozzle conical HD, 1.7 mm CP (5 pk)	5
	LV332-1855CPV	L20146X	D5241855	LV-Nozzle conical HD, 2.0 mm CP (5 pk)*	5
	LV332-2513CPV	L20749X	D5242513	LV-Nozzle conical HD, 2.3 mm CP (5 pk)*	5
	LV332-1856CPV	L20147X	D5241856	LV-Nozzle conical HD, 2.5 mm CP (5 pk)*	5
	LV332-1857CPV	L20148X	D5241857	LV-Nozzle conical HD, 3.0 mm CP (5 pk)*	5
	LV332-1877CPV	L20149X	D5241877	LV-Nozzle conical HD, 3.5 mm CP (5 pk)	5
	LV332-1878CPV	L20283X	D5241878	LV-Nozzle conical HD, 4.0 mm CP (5 pk)	5

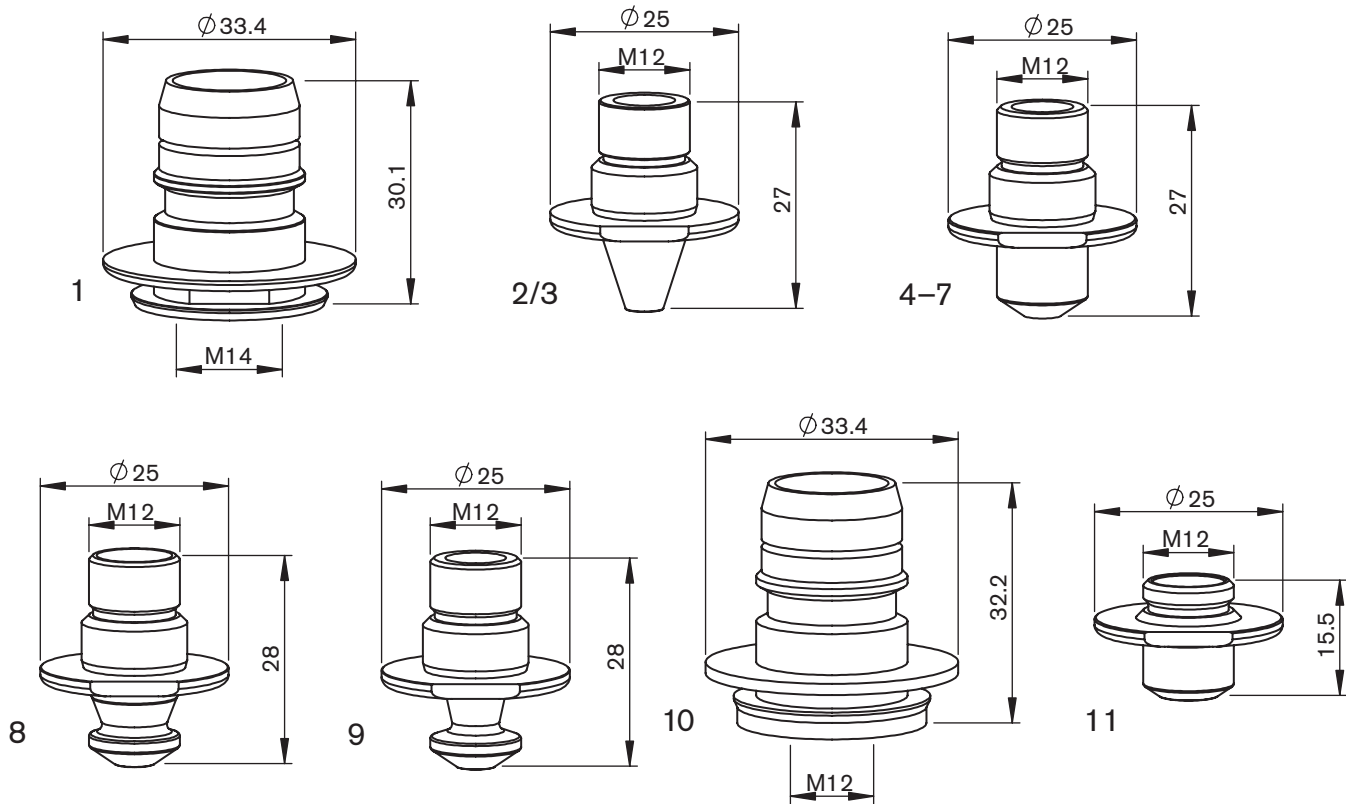
* Centricut parts available in single packs. To order single packs, remove the 'V' at the end of the part number (e.g. LV123-4567V would be LV123-4567).
 For Esse A parts available in single packs. To order single packs, remove the '20' after the L in the part number (e.g. L20757 would be L757).


Consumables

	Centricut part number	Esse A part number	Reference number	Description	Pkg qty
1	LV332-3013	L1293	G8040182	LV-Nozzle double w/spring, 3.0 mm/inner 1.3 mm	1
	LV332-3015	L1294		LV-Nozzle double w/spring, 3.0 mm/inner 1.5 mm	1
	LV332-0132	L1292	G8040132	LV-Nozzle double w/spring, 3.0 mm/inner 2.0 mm	1
	LV332-0013CP	L1290X	G8040180	LV-Nozzle double w/spring, 2.5 mm/inner 1.3 mm CP	1
	LV332-0180CP	L1291X	G8040135	LV-Nozzle double w/spring, 2.5 mm/inner 1.5 mm CP	1
2	LV417-0002	L782		LV-Nozzle double, 1.2 mm	1
	LV417-0003	L784	29100304	LV-Nozzle double, 1.5 mm	1
	LV417-0004	L785	29100307	LV-Nozzle double, 2.0 mm	1
	LV410-0180	L786	29100305	LV-Nozzle double, 2.5 mm	1
	LV417-0006	L787	29100306	LV-Nozzle double, 3.0 mm	1
	LV417-0008	L789		LV-Nozzle double, 4.0 mm	1
	LV417-0003CP	L784X		LV-Nozzle double, 1.5 mm CP	1
	LV417-0004CP	L785X		LV-Nozzle double, 2.0 mm CP	1
	LV417-0005CP	L786X		LV-Nozzle double, 2.5 mm CP	1
3	LV332-1297	L885	Z000001297	LV-Nozzle double, 4.0 mm/inner 2.0 mm	1
	LV332-1344	L886	Z000001344	LV-Nozzle double, 5.0 mm/inner 2.0 mm	1
	LV332-0131	L790	G8040131	LV-Nozzle double, 3.0 mm/inner 2.0 mm	1


Consumables

	Centricut part number	Esse A part number	Reference number	Description	Pkg qty
1	MZ368-4430CP	L941X		MZ-Nozzle, 1.0 mm CP	1
	MZ368-4470CP	L942X	46143304470	MZ-Nozzle, 1.2 mm CP	1
	MZ368-4450CP	L943X	46143304450	MZ-Nozzle, 1.5 mm CP	1
	MZ368-4460CP	L944X	46143304460	MZ-Nozzle, 2.0 mm CP	1
	MZ368-4480CP	L945X	46143304480	MZ-Nozzle, 2.5 mm CP	1
	MZ368-4490CP	L946X	46143304490	MZ-Nozzle, 3.0 mm CP	1
	MZ368-4500CP	L947X	46143304500	MZ-Nozzle, 3.5 mm CP	1
	MZ368-4510CP	L948X	46143304510	MZ-Nozzle, 4.0 mm CP	1
2	MZ373-0001	L952X		MZ-Nozzle double, 1.2 mm CP	1
	MZ368-0005CP	L953X	46143306450	MZ-Nozzle double, 1.5 mm CP	1
	MZ373-0003	L954X	46143306460	MZ-Nozzle double, 2.0 mm CP	1
	MZ373-0004	L955X	46143306480	MZ-Nozzle double, 2.5 mm CP	1
	MZ373-0005	L956X	46143306490	MZ-Nozzle double, 3.0 mm CP	1
	MZ373-0006	L957X	46143306500	MZ-Nozzle double, 3.5 mm CP	1
	MZ373-0007	L958X	46143306510	MZ-Nozzle double, 4.0 mm CP	1
3	MZ427-0002	L1265		MZ-Nozzle, 1.2 mm	1
4	MZ368-0740	AL363	36143310740	MZ-Nozzle holder	1
5	MZ368-0001	AL242	36143304420	MZ-Nozzle holder Hyper Gear	1


Consumables

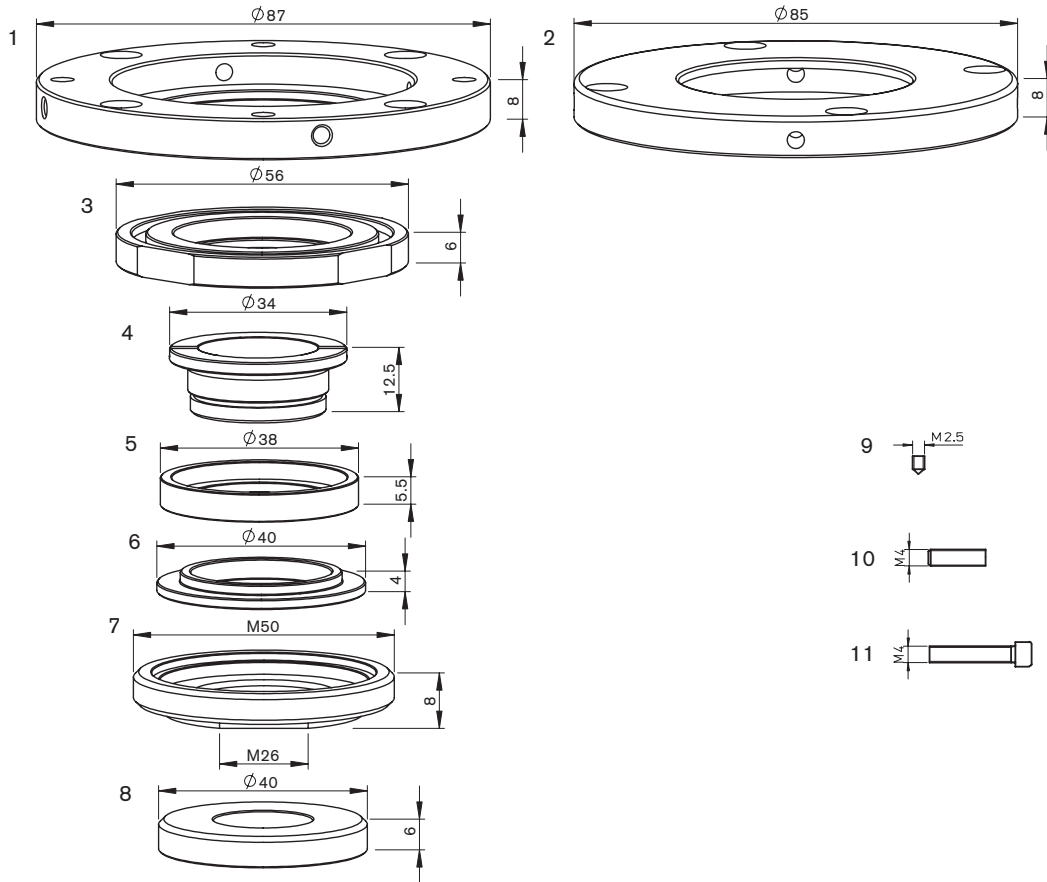
	Centricut part number	Esse A part number	Reference number	Description	Pkg qty
1	MZ368-0522	AL362	36143310522E, 36143310522, 36143310523	MZ-Nozzle holder	1
2	MZ373-0310CPX NEW	L301380X	46143310332	MZ-Nozzle slim, 1.0 mm CP (10 pk)*	10
	MZ373-0341CPX NEW	L301381X	46143310341, 46143310342, 46143310343	MZ-Nozzle slim, 1.2 mm CP (10 pk)*	10
	MZ373-0351CPX NEW	L301382X	46143310351, 46143310352, 46143310353	MZ-Nozzle slim, 1.5 mm CP (10 pk)*	10
	MZ373-0361CPX NEW	L301383X	46143310361, 46143310362, 46143310363	MZ-Nozzle slim, 2.0 mm CP (10 pk)*	10
	MZ373-0371CPX NEW	L301384X	46143310371, 46143310372, 46143310373	MZ-Nozzle slim, 2.5 mm CP (10 pk)*	10
	MZ373-0381CPX NEW	L301385X	46143310381, 46143310382, 46143310383	MZ-Nozzle slim, 3.0 mm CP (10 pk)*	10
	MZ373-0391CPX NEW	L301386X	46143310391, 46143310392, 46143310393	MZ-Nozzle slim, 3.5 mm CP (10 pk)*	10
	MZ373-0401CPX NEW	L301387X	46143310401, 46143310402, 46143310403	MZ-Nozzle slim, 4.0 mm CP (10 pk)*	10
3	MZ373-0311CPX NEW	L301391X		MZ-Nozzle double slim, 1.0 mm CP (10 pk)*	10
	MZ373-0312CPX NEW	L301399X		MZ-Nozzle double slim, 1.2 mm CP (10 pk)*	10
	MZ373-0315CPX NEW	L301392X	36143311500	MZ-Nozzle double slim, 1.5 mm CP (10 pk)*	10
	MZ373-0320CPX NEW	L301393X	36143311510, 36143311512	MZ-Nozzle double slim, 2.0 mm CP (10 pk)*	10
	MZ373-0325CPX NEW	L301394X	36143311520, 36143311522	MZ-Nozzle double slim, 2.5 mm CP (10 pk)*	10
	MZ373-0330CPX NEW	L301395X	36143311530, 36143311532	MZ-Nozzle double slim, 3.0 mm CP (10 pk)*	10
	MZ373-0335CPX NEW	L301396X	36143311535, 36143312380	MZ-Nozzle double slim, 3.5 mm CP (10 pk)*	10
	MZ373-0340CPX NEW	L301397X	36143312390	MZ-Nozzle double slim, 4.0 mm CP (10 pk)*	10
	MZ373-0350CPX NEW	L301512X		MZ-Nozzle double slim, 5.0 mm CP (10 pk)*	10

Consumables

	Centricut part number	Esse A part number	Reference number	Description	Pkg qty
4	MZ373-1581CPX NEW	L301581X	Q6143312210	MZ-Nozzle pencil, 1.0 mm CP (10 pk)*	10
	MZ373-1582CPX NEW	L301582X	36143312220	MZ-Nozzle pencil, 1.2 mm CP (10 pk)*	10
	MZ373-1583CPX NEW	L301583X	36143312230	MZ-Nozzle pencil, 1.5 mm CP (10 pk)*	10
	MZ373-1584CPX NEW	L301584X	Q6143300060	MZ-Nozzle pencil, 1.8 mm CP (10 pk)*	10
	MZ373-1585CP NEW	L301585X	36143312240	MZ-Nozzle pencil, 2.0 mm CP (10 pk)*	10
	MZ373-1587CPX NEW	L301587X	36143312250	MZ-Nozzle pencil, 2.5 mm CP (10 pk)*	10
	MZ373-1588CPX NEW	L301588X	36143312260	MZ-Nozzle pencil, 3.0 mm CP (10 pk)*	10
	MZ373-1589CPX NEW	L301589X	36143312270	MZ-Nozzle pencil, 3.5 mm CP (10 pk)*	10
	MZ373-1590CPX NEW	L301590X	36143312280	MZ-Nozzle pencil, 4.0 mm CP (10 pk)*	10
	MZ373-1591CPX NEW	L301591X	06143355590	MZ-Nozzle pencil, 4.5 mm CP (10 pk)*	10
	MZ373-1592CPX NEW	L301592X	06283301030	MZ-Nozzle pencil, 5.0 mm CP (10 pk)*	10
	MZ373-1593CPX NEW	L301593X	06283301830	MZ-Nozzle pencil, 5.5 mm CP (10 pk)*	10
5	MZ373-1601CPX NEW	L301601X		MZ-Nozzle double pencil, 1.0 mm CP (10 pk)*	10
	MZ373-1602CPX NEW	L301602X	Q6143300080	MZ-Nozzle double pencil, 1.2 mm CP (10 pk)*	10
	MZ373-1603CPX NEW	L301603X	36143312300	MZ-Nozzle double pencil, 1.5 mm CP (10 pk)*	10
	MZ373-1604CPX NEW	L301604X	36143312310	MZ-Nozzle double pencil, 1.8 mm CP (10 pk)*	10
	MZ373-1605CPX NEW	L301605X	36143312311	MZ-Nozzle double pencil, 2.0 mm CP (10 pk)*	10
	MZ373-1607CPX NEW	L301607X	36143312320	MZ-Nozzle double pencil, 2.5 mm CP (10 pk)*	10
	MZ373-1608CPX NEW	L301608X	36143312330	MZ-Nozzle double pencil, 3.0 mm CP (10 pk)*	10
	MZ373-1609CPX NEW	L301609X	36143312340	MZ-Nozzle double pencil, 3.5 mm CP (10 pk)*	10
	MZ373-1610CPX NEW	L301610X	36143312350	MZ-Nozzle double pencil, 4.0 mm CP (10 pk)*	10
	MZ373-1611CPX NEW	L301611X	6143312360	MZ-Nozzle double pencil, 4.5 mm CP (10 pk)*	10
MZ373-1612CPX NEW	L301612X	6143312370	MZ-Nozzle double pencil, 5.0 mm CP (10 pk)*	10	
6	MZ373-1614CPX NEW	L301614X	Q6260700010	MZ-Nozzle double pencil, 4.0 mm/inner 1.2 mm CP (10 pk)*	10
	MZ373-1615CPX NEW	L301615X	6143355360	MZ-Nozzle double pencil, 4.0 mm/inner 1.4 mm CP (10 pk)*	10
	MZ373-1616CPX NEW	L301616X	6143355370	MZ-Nozzle double pencil, 4.0 mm/inner 1.8 mm CP (10 pk)*	10
	MZ373-1617CPX NEW	L301617X	06283301050	MZ-Nozzle double pencil, 4.5 mm/inner 1.2 mm CP (10 pk)*	10
	MZ373-1618CPX NEW	L301618X	06283301200	MZ-Nozzle double pencil, 5.0 mm/inner 1.2 mm CP (10 pk)*	10
	MZ373-1619CPX NEW	L301619X	06283301210	MZ-Nozzle double pencil, 5.5 mm/inner 1.2 mm CP (10 pk)*	10
	MZ373-1686CPX NEW	L301686X	06283301840	MZ-Nozzle double pencil, 5.5 mm/inner 2.0 mm CP (10 pk)*	10
	MZ373-1688	L1688X		MZ-Nozzle double pencil, 7.0 mm/inner 1.8 mm CP	1
7	MZ373-1572	L1572X	Q6143300020	MZ-Nozzle double pencil SUS, 3.5 mm CP	1
	MZ373-1573	L1573X	Q6143300030	MZ-Nozzle double pencil SUS, 4.0 mm CP	1
	MZ373-1574	L1574X	Q6143300040	MZ-Nozzle double pencil SUS, 4.5 mm CP	1
8	MZ373-1820CPX NEW	L301829X	06283301820	MZ-Nozzle double pencil, 1.5 mm HP CP (10 pk)*	10
9	MZ373-1790CPX NEW	L301816X	06283301790	MZ-Nozzle pencil, 1.0 mm HP CP (10 pk)*	10
	MZ373-1800CPX NEW	L301817X	06283301800	MZ-Nozzle pencil, 1.2 mm HP CP (10 pk)*	10
	MZ373-1810CPX NEW	L301818X	06283301810	MZ-Nozzle pencil, 1.5 mm HP CP (10 pk)*	10
10	MZ373-0465	AL465	36143310523	MZ-Nozzle holder	1
11	MZ373-0030	L1890	Q6283300030	MZ-Nozzle double smooth, 6.0 mm	1
	MZ373-0020	L1891	Q6283300020	MZ-Nozzle double smooth, 7.5 mm	1
	MZ373-0010	L1892	Q6283300010	MZ-Nozzle double smooth, 9.5 mm	1

* Centricut parts available in single packs. To order single packs, remove the 'X' at the end of the part number (e.g. AM123-4567X would be AM123-4567).

For Esse A parts available in single packs. To order single packs, remove the '30' after the L in the part number (e.g. L301401X would be L401X).

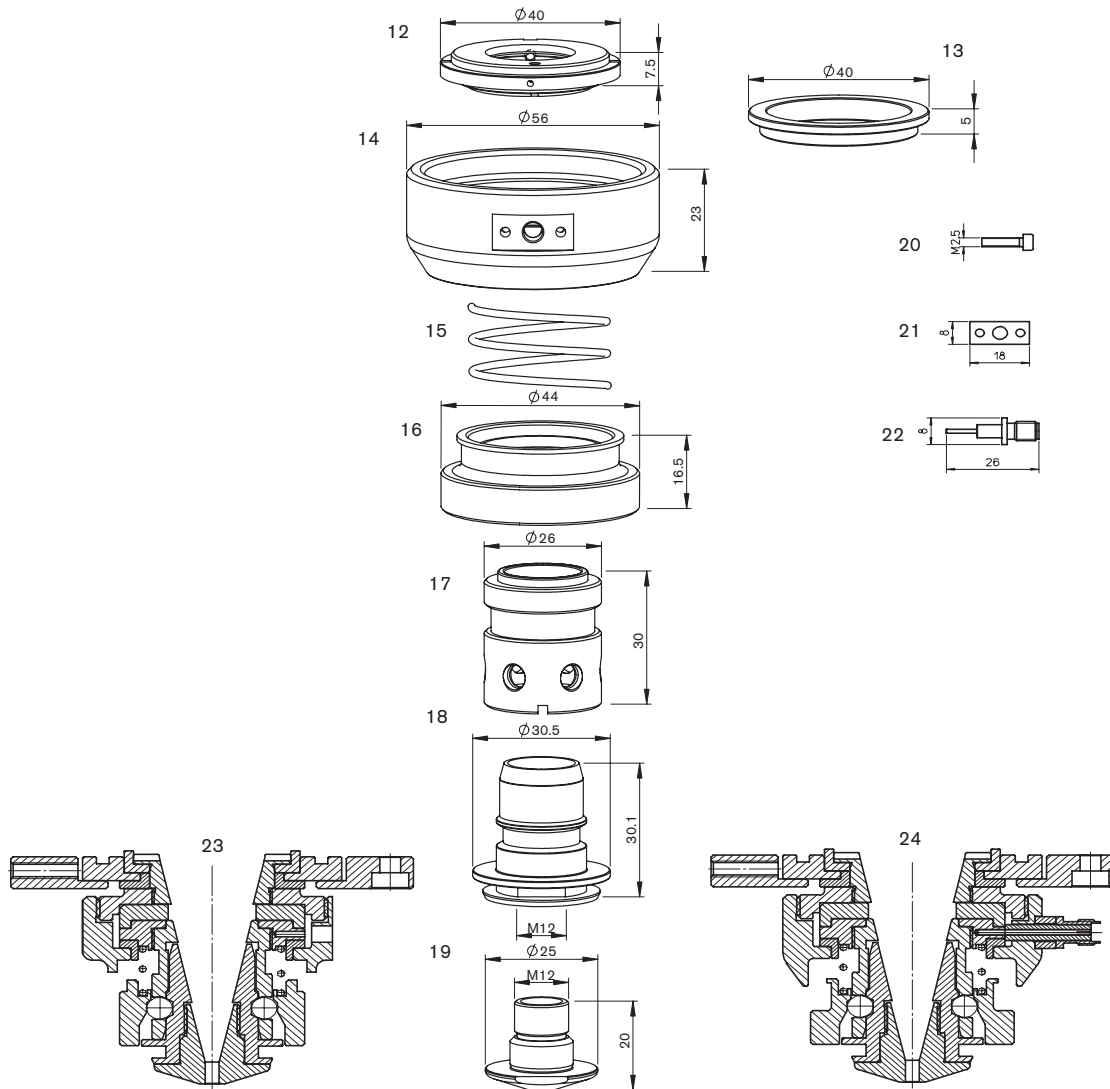


(Continued on next page)

Consumables

	Centricut part number	Esse A part number	Reference number	Description	Pkg qty
1	MZ413-0332	AL320	3614330332	MZ-Ring, aluminum	1
2	MZ413-0630	AL492	6283300630	MZ-Ring, aluminum	1
3	MZ413-0620	AL491	6283300620	MZ-Ring, brass	1
	MZ413-0320	AL316	46143300320	MZ-Ring, brass	1
4	MZ413-0280	AL288	46143300280	MZ-Retainer nut	1
5	MZ408-0270	AL286	46143300270	MZ-Ring, ceramic	1
	MZ413-0270	AL386	46143300270	MZ-Insulating, PTFE*	1
6	MZ408-0260	AL285	46143300260C	MZ-Ring, ceramic	1
	MZ413-0260	AL385	46143300260	MZ-Insulating, PTFE*	1
7	MZ413-0290	AL294	46143300290	MZ-Retainer nut	1
8	MZ408-4440	AL290	46143304440	MZ-Ring, ceramic	1
	MZ413-4440	AL390	46143304440	MZ-Insulating, PTFE*	1
9	MZ413-1180	AL322	46183301180	MZ-Screw	1
10	MZ413-0010	AL321		MZ-Screw (4 pcs)	4
11	MZ413-0200	AL319	A06CB040200, A06CB040160	MZ-Set screw (4 pcs)	4

Centricut is not affiliated with the named manufacturers. Reference to machines, parts, descriptions, and model numbers are for convenience in verifying compatibility only. All parts are made by or for Centricut and are not made by the referenced manufacturers (unless expressly indicated). Centricut is a registered trademark of Hypertherm, Inc. All other trademarks are the properties of their respective owners.

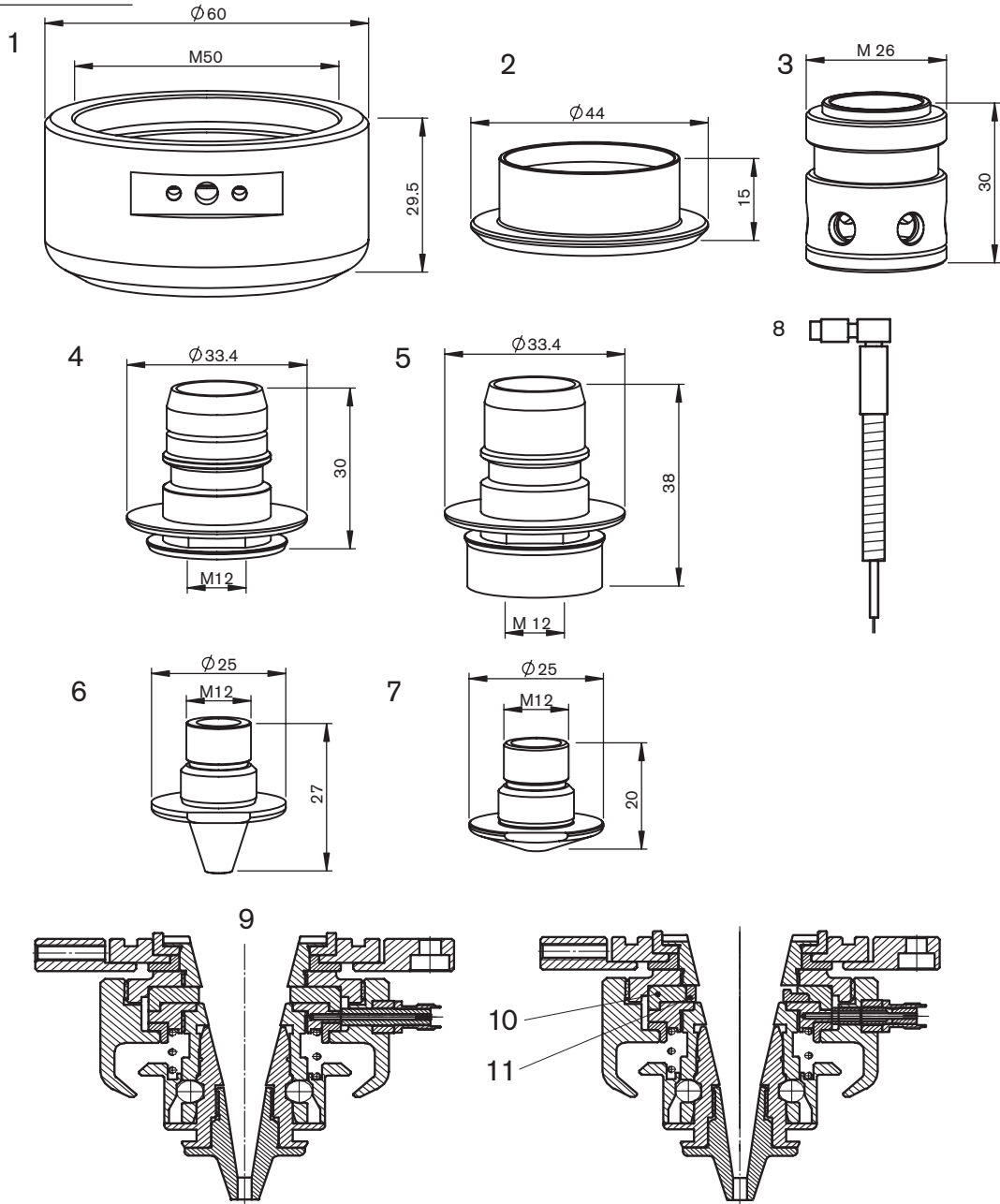


Consumables

	Centricut part number	Esse A part number	Reference number	Description	Pkg qty
12	MZ413-7420	AL295	46143307420, 46143307421	MZ-Retainer nut	1
13	MZ408-0240	AL284	46143300240	MZ-Ring, ceramic	1
	MZ413-0240	AL384	46143300240T	MZ-Insulating, PTFE*	1
14	MZ413-7980	AL313	36143307980	MZ-Body, aluminum	1
15	MZ413-0220	AL289	46143300220	MZ-Spring	1
16	MZ413-8000	AL314	46143308000	MZ-Spring retainer, steel	1
17	MZ413-4400	AL291	36143304400, 36143304401	MZ-Coupler	1
	MZ413-0230 (not shown)	AL311		MZ-Ball kit replacement (6 pcs)	1
18	MZ368-0001	AL242	36143304420	MZ-Nozzle holder Hyper Gear	1
19	Please refer to the Mazak® nozzle section				
20	MZ413-0030	AL317	46603300030, A05GS002560	MZ-Screw	1
21	MZ413-8170	AL318	46143308170	MZ-Spacer	1
22	MZ413-8190	AL315	46143308190	MZ-Connector	1
23	MZ413-0001	TMA50/C		MZ-Complete head (ceramic insulating)	1
24	MZ413-0002	TMA40/C		MZ-Complete head (ceramic insulating)	1

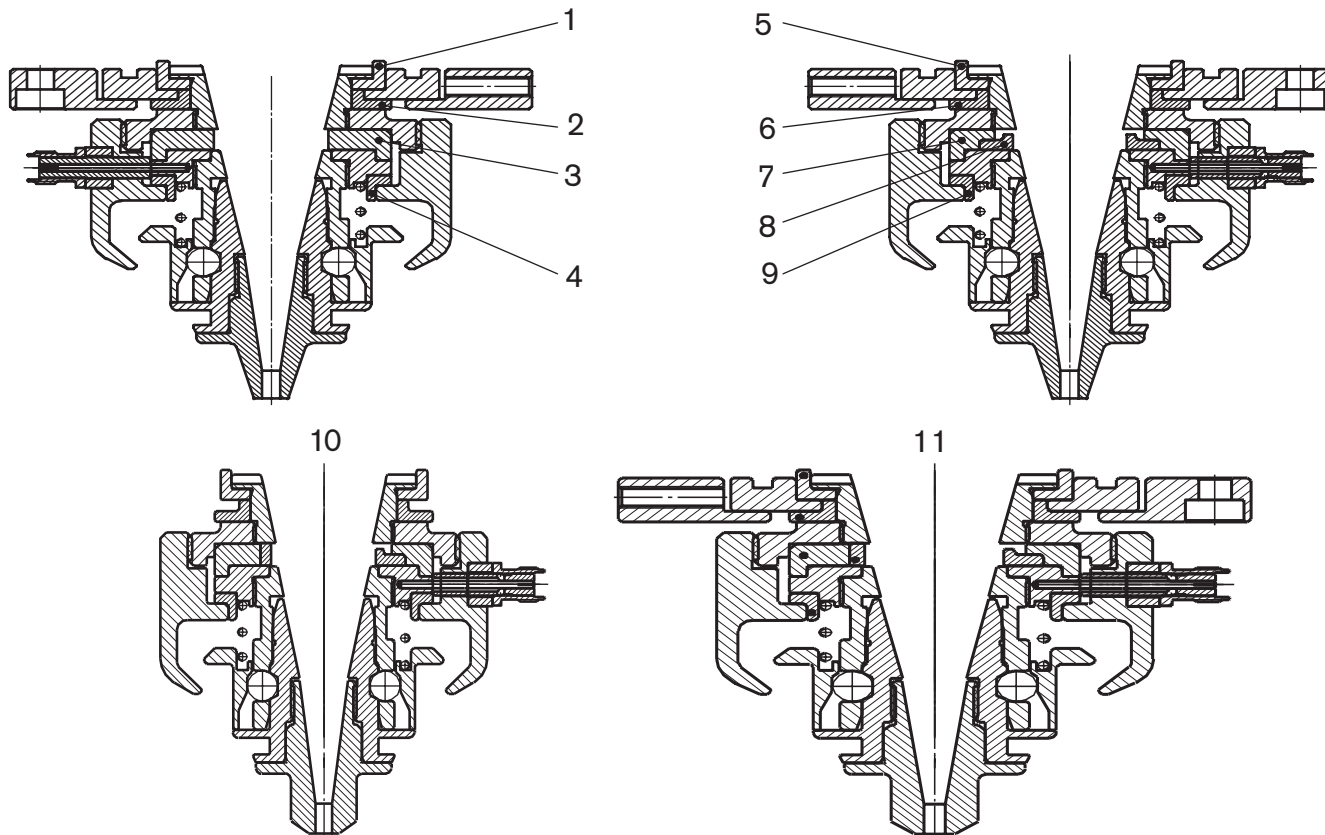
*PolyTetraFluoroEthylene is a fluorocarbon-based polymer and is commonly abbreviated PTFE. The Teflon® brand of PTFE is manufactured only by DuPont and is not sold by Hypertherm. Hypertherm purchases other brands of PTFE from various high quality manufacturers.

Centricut is not affiliated with the named manufacturers. Reference to machines, parts, descriptions, and model numbers are for convenience in verifying compatibility only. All parts are made by or for Centricut and are not made by the referenced manufacturers (unless expressly indicated). Centricut is a registered trademark of Hypertherm, Inc. All other trademarks are the properties of their respective owners.

HyperGear – PFP torch

Consumables

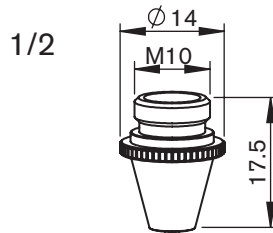
	Centricut part number	Esse A part number	Reference number	Description	Pkg qty
1	MZ368-0550	AL365	36143310550	MZ-Body, aluminum	1
2	MZ368-0541	AL366	36143310541, 36143310542	MZ-Retainer, steel	1
3	MZ368-0530	AL367	36143310530, 36143310531	MZ-Coupler	1
4	MZ368-0522	AL362	36143310522E, 36143310522, 36143310523	MZ-Nozzle holder	1
5	MZ368-0740	AL363	36143310740	MZ-Nozzle holder	1
6	Please refer to the Mazak® slim nozzle section				
7	Please refer to the Mazak® nozzle section				
8	MZ335-8290	AL368	46143308290	MZ-Sensor cable, 75 mm (3")	1
9	MZ368-0060	TMA60/C		MZ-Head w/ceramic spacer	1
10	MZ368-0070	TMA70/C		MZ-Head w/ceramic spacer	1
11	MZ368-2170	AL464	46143312170	MZ-Ring 40x6, PPS	1

Centricut is not affiliated with the named manufacturers. Reference to machines, parts, descriptions, and model numbers are for convenience in verifying compatibility only. All parts are made by or for Centricut and are not made by the referenced manufacturers (unless expressly indicated). Centricut is a registered trademark of Hypertherm, Inc. All other trademarks are the properties of their respective owners.


Consumables

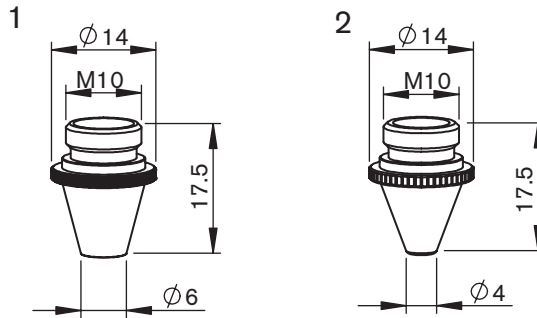
	Centricut part number	Esse A part number	Reference number	Description	Pkg qty
1	MZ408-0270	AL286	46143300270	MZ-Ring, ceramic	1
	MZ413-0270	AL386	46143300270	MZ-Insulating, PTFE*	1
2	MZ408-0260	AL285	46143300260C	MZ-Ring, ceramic	1
	MZ413-0260	AL385	46143300260	MZ-Insulating, PTFE*	1
3	MZ408-4440	AL290	46143304440	MZ-Ring, ceramic	1
	MZ413-4440	AL390	46143304440	MZ-Insulating, PTFE*	1
4	MZ408-0240	AL284	46143300240	MZ-Ring, ceramic	1
	MZ413-0240	AL384	46143300240T	MZ-Insulating, PTFE*	1
5	MZ368-2100	AL486	46143312100	MZ-Insulating ring, 38x5.5 PPS	1
6	MZ368-2130	AL485	46143312130	MZ-Insulating ring, 40x4 PPS	1
7	MZ368-2080	AL490	46143312080	MZ-Spacer 40x6, PPS	1
8	MZ368-2090	AL487	46143312090	MZ-Ring, 30x3 ceramic	1
9	MZ368-2120	AL484	46143312120	MZ-Insulating ring, 40x5 PPS	1
10	MZ368-0085	TMA85	TMA85	MZ-Head w/PPS spacer	1
11	MZ368-0080	TMA80	TMA80	MZ-Head w/PPS spacer	1

*PolyTetraFluoroEthylene is a fluorocarbon-based polymer and is commonly abbreviated PTFE. The Teflon® brand of PTFE is manufactured only by DuPont and is not sold by Hypertherm. Hypertherm purchases other brands of PTFE from various high quality manufacturers.


Consumables

	Centricut part number	Esse A part number	Reference number	Description	Pkg qty
1	MZ322-0008X	L3078	46603350508	MZ-Nozzle, 0.8 mm (10 pk)	10
	MZ322-0511-1.0	L69	46603350511	MZ-Nozzle, 1.0 mm	1
	MZ322-0511X	L3069	46603350511	MZ-Nozzle, 1.0 mm (10 pk)	10
	MZ322-0512-1.2	L77	46603350512	MZ-Nozzle, 1.2 mm	1
	MZ322-0512X	L3077	46603350512	MZ-Nozzle, 1.2 mm (10 pk)	10
	MZ322-0520-1.5	L127	4660335052B	MZ-Nozzle, 1.5 mm	1
	PT322-0520X	L30127	4660335052B	PT-Nozzle, 1.5 mm (10 pk)	10
	MZ322-1517X	L3079	46603350517	MZ-Nozzle, 1.7 mm (10 pk)	10
	MZ322-0517X	L30281X	46603350517-1,8	MZ-Nozzle, 1.8 mm (10 pk)*	10
	MZ322-0522-2.0	L80	4660335052C	MZ-Nozzle, 2.0 mm	1
	MZ322-0522X	L3080	4660335052C	MZ-Nozzle, 2.0 mm (10 pk)	10
	MZ322-0022X	L30282	46603350522-2,2	MZ-Nozzle, 2.2 mm (10 pk)*	10
	MZ322-0525-2.5	L124	46603350525	MZ-Nozzle, 2.5 mm	1
	MZ322-0025X	L30124	46603350525	MZ-Nozzle, 2.5 mm (10 pk)	10
	MZ322-0530-3.0	L150	46603350530	MZ-Nozzle, 3.0 mm	1
	MZ322-0030X	L30150	46603350530	MZ-Nozzle, 3.0 mm (10 pk)	10
	MZ322-0530-3.5	L708	46603350530-3,5	MZ-Nozzle, 3.5 mm	1
	MZ322-1035X	L30708	46603350530-3,5	MZ-Nozzle, 3.5 mm (10 pk)	10
	MZ322-0530-4.0	L709	46603350530-4,0	MZ-Nozzle, 4.0 mm	1
	MZ322-1040X	L30709	46603350530-4,0	MZ-Nozzle, 4.0 mm (10 pk)	10
2	MZ322-0512CPX	L3077X	46603350512	MZ-Nozzle, 1.2 mm CP (10 pk)*	10
	PT322-0520CPX	L30127X	4660335052B	PT-Nozzle, 1.5 mm CP (10 pk)*	10
	MZ322-0517CP	L281	46603350517-1,8	MZ-Nozzle, 1.8 mm CP	1
	MZ322-0522CPX	L30281	4660335052C	MZ-Nozzle, 1.8 mm CP (10 pk)*	10
	MZ322-0025CPX	L30124X	46603350525	MZ-Nozzle, 2.5 mm CP (10 pk)*	10
	MZ322-0030CPX	L30150X	46603350530	MZ-Nozzle, 3.0 mm CP (10 pk)*	10

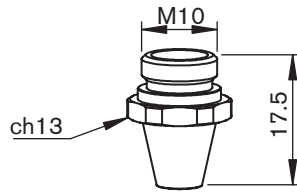
* Centricut parts available in single packs. To order single packs, remove the 'X' at the end of the part number (e.g. AM123-4567X would be AM123-4567).
 For Esse A parts available in single packs. To order single packs, remove the '30' after the L in the part number (e.g. L301401X would be L401X).


Consumables

	Centricut part number	Esse A part number	Reference number	Description	Pkg qty
1	MZ346-0002X	L30616		MZ-Nozzle double, 1.2 mm (10 pk)*	10
	MZ346-0003X	L30617	46683302400	MZ-Nozzle double, 1.5 mm (10 pk)*	10
	MZ346-0005X	L30619		MZ-Nozzle double, 1.8 mm (10 pk)	10
	MZ346-0006X	L30620	46683302390	MZ-Nozzle double, 2.0 mm (10 pk)*	10
	MZ346-0008X	L30622	46683302400	MZ-Nozzle double, 2.5 mm (10 pk)*	10
	MZ346-0009X	L30623	46683302410	MZ-Nozzle double, 3.0 mm (10 pk)*	10
	MZ346-0002CPX	L30616X		MZ-Nozzle double, 1.2 mm CP (10 pk)*	10
	MZ346-0003CPX	L30617X	46683302380	MZ-Nozzle double, 1.5 mm CP (10 pk)*	10
	MZ346-0004CPX	L30618X		MZ-Nozzle double, 1.7 mm CP (10 pk)	10
	MZ346-0006CPX	L30620X	46683302390	MZ-Nozzle double, 2.0 mm CP (10 pk)*	10
	MZ346-0007CPX	L30621X		MZ-Nozzle double, 2.2 mm CP (10 pk)	10
	MZ346-0008CPX	L30622X	46683302400	MZ-Nozzle double, 2.5 mm CP (10 pk)*	10
	MZ346-0009CPX	L30623X	46683302410	MZ-Nozzle double, 3.0 mm CP (10 pk)*	10
	2	MZ321-0521-1.0	L250	46603350521	MZ-Nozzle, 1.0 mm
MZ321-0010X		L30250	46603350521	MZ-Nozzle, 1.0 mm (10 pk)	10
MZ321-0521-1.2		L251	46603350521	MZ-Nozzle, 1.2 mm	1
MZ321-0012X		L30251	46603350521	MZ-Nozzle, 1.2 mm (10 pk)	10
MZ321-0520-1.5		L252	46603350520	MZ-Nozzle, 1.5 mm	1
MZ321-0520X		L30252	46603350520	MZ-Nozzle, 1.5 mm (10 pk)	10
M321-0521-1.7		L253	46603350521	MZ-Nozzle, 1.7 mm	1
MZ321-0017X		L30253	46603350521	MZ-Nozzle, 1.7 mm (10 pk)	10
MZ321-0522-2.0		L254	46603350522, 46683301721	MZ-Nozzle, 2.0 mm	1
MZ321-0054X		L30254	46603350522	MZ-Nozzle, 2.0 mm (10 pk)	10
MZ321-0522-2.5		L770	46603350522	MZ-Nozzle, 2.5 mm	1
MZ321-1025X		L30770	46603350522	MZ-Nozzle, 2.5 mm (10 pk)	10
MZ321-0522-3.0		L771	46683301281	MZ-Nozzle, 3.0 mm	1
MZ321-1030X		L30771	46683301281	MZ-Nozzle, 3.0 mm (10 pk)	10
MZ321-0010CPX		L30250X	46603350521	MZ-Nozzle, 1.0 mm CP (10 pk)	10
MZ321-0012CPX		L30251X	46603350521	MZ-Nozzle, 1.2 mm CP (10 pk)	10
MZ321-520-1.5CP		L252X	46603350520	MZ-Nozzle, 1.5 mm CP	1
MZ321-0520CPX		L30252X	46603350520	MZ-Nozzle, 1.5 mm CP (10 pk)	10
MZ321-522-2.0CP		L254X	46603350522	MZ-Nozzle, 2.0 mm CP	1
MZ321-0054CPX		L30254X	46603350522	MZ-Nozzle, 2.0 mm CP (10 pk)	10
MZ321-522-2.5CP		L770X	46603350522	MZ-Nozzle, 2.5 mm CP	1
MZ321-1025CPX		L30770X	46603350522	MZ-Nozzle, 2.5 mm CP (10 pk)	10
MZ321-1030CPX		L30771X	46683301281	MZ-Nozzle, 3.0 mm CP (10 pk)	10

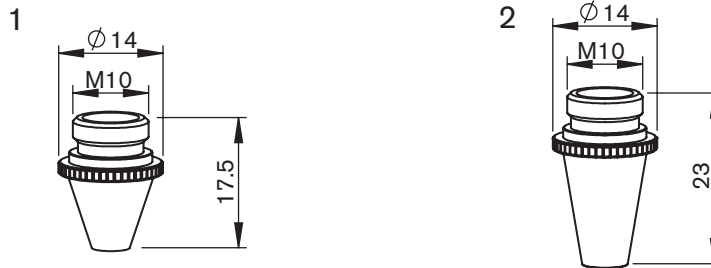
* Centricut parts available in single packs. To order single packs, remove the 'X' at the end of the part number (e.g. AM123-4567X would be AM123-4567).
For Esse A parts available in single packs. To order single packs, remove the '30' after the L in the part number (e.g. L301401X would be L401X).

1-3

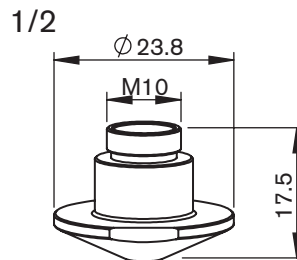

Consumables

	Centricut part number	Esse A part number	Reference number	Description	Pkg qty
1	MZ385-0511X	L30726	46603350511	MZ-Nozzle hexagonal, 1.0 mm (10 pk)*	10
	MZ385-5052X	L30727	4660335052A	MZ-Nozzle hexagonal, 1.2 mm (10 pk)*	10
	MZ385-5052BX	L30728	4660335052B	MZ-Nozzle hexagonal, 1.5 mm (10 pk)*	10
	MZ385-0517X	L30729	46603350517	MZ-Nozzle hexagonal, 1.7 mm (10 pk)*	10
	MZ385-517X	L30730	46603350517-1,8	MZ-Nozzle hexagonal, 1.8 mm (10 pk)	10
	MZ385-5052CX	L30731	4660335052C	MZ-Nozzle hexagonal, 2.0 mm (10 pk)*	10
	MZ385-0522X	L30732	46603350522-2,2	MZ-Nozzle hexagonal, 2.2 mm (10 pk)	10
	MZ385-0003X	L30733	4660335052D	MZ-Nozzle hexagonal, 2.5 mm (10 pk)*	10
	MZ385-1003X	L30734	46603350530	MZ-Nozzle hexagonal, 3.0 mm (10 pk)	10
	MZ385-0530X	L30736	46603350530-4,0	MZ-Nozzle hexagonal, 4.0 mm (10 pk)	10
2	MZ385-0511CPX	L30726X	46603350511	MZ-Nozzle hexagonal, 1.0 mm CP (10 pk)*	10
	MZ385-5052CPX	L30727X	4660335052A	MZ-Nozzle hexagonal, 1.2 mm CP (10 pk)	10
	MZ385-052CPX	L30728X	4660335052B	MZ-Nozzle hexagonal, 1.5 mm CP (10 pk)*	10
	MZ385-0052CPX	L30731X	4660335052C	MZ-Nozzle hexagonal, 2.0 mm CP (10 pk)*	10
	MZ385-0003CPX	L30733X	4660335052D	MZ-Nozzle hexagonal, 2.5 mm CP (10 pk)	10
	MZ385-1003CPX	L30734X	46603350530	MZ-Nozzle hexagonal, 3.0 mm CP (10 pk)	10
	MZ385-0530CPX	L30736X	46603350530-4,0	MZ-Nozzle hexagonal, 4.0 mm CP (10 pk)	10
3	MZ419-0001X	L301223		MZ-Nozzle double hexagonal, 1.2 mm (10 pk)	10
	MZ419-0002X	L301224		MZ-Nozzle double hexagonal, 1.5 mm (10 pk)*	10
	MZ419-0003X	L301225		MZ-Nozzle double hexagonal, 1.8 mm (10 pk)	10
	MZ419-0004X	L301226		MZ-Nozzle double hexagonal, 2.0 mm (10 pk)	10
	MZ419-0005X	L301227		MZ-Nozzle double hexagonal, 2.2 mm (10 pk)	10
	MZ419-0006X	L301228		MZ-Nozzle double hexagonal, 2.5 mm (10 pk)	10
	MZ419-0001CPX	L301223X		MZ-Nozzle double hexagonal, 1.2 mm CP (10 pk)	10
	MZ419-0002CPX	L301224X		MZ-Nozzle double hexagonal, 1.5 mm CP (10 pk)	10
	MZ419-0004CPX	L301226X		MZ-Nozzle double hexagonal, 2.0 mm CP (10 pk)	10
	MZ419-0006CPX	L301228X		MZ-Nozzle double hexagonal, 2.5 mm CP (10 pk)	10
	MZ419-0007CPX	L301229X		MZ-Nozzle double hexagonal, 3.0 mm CP (10 pk)	10

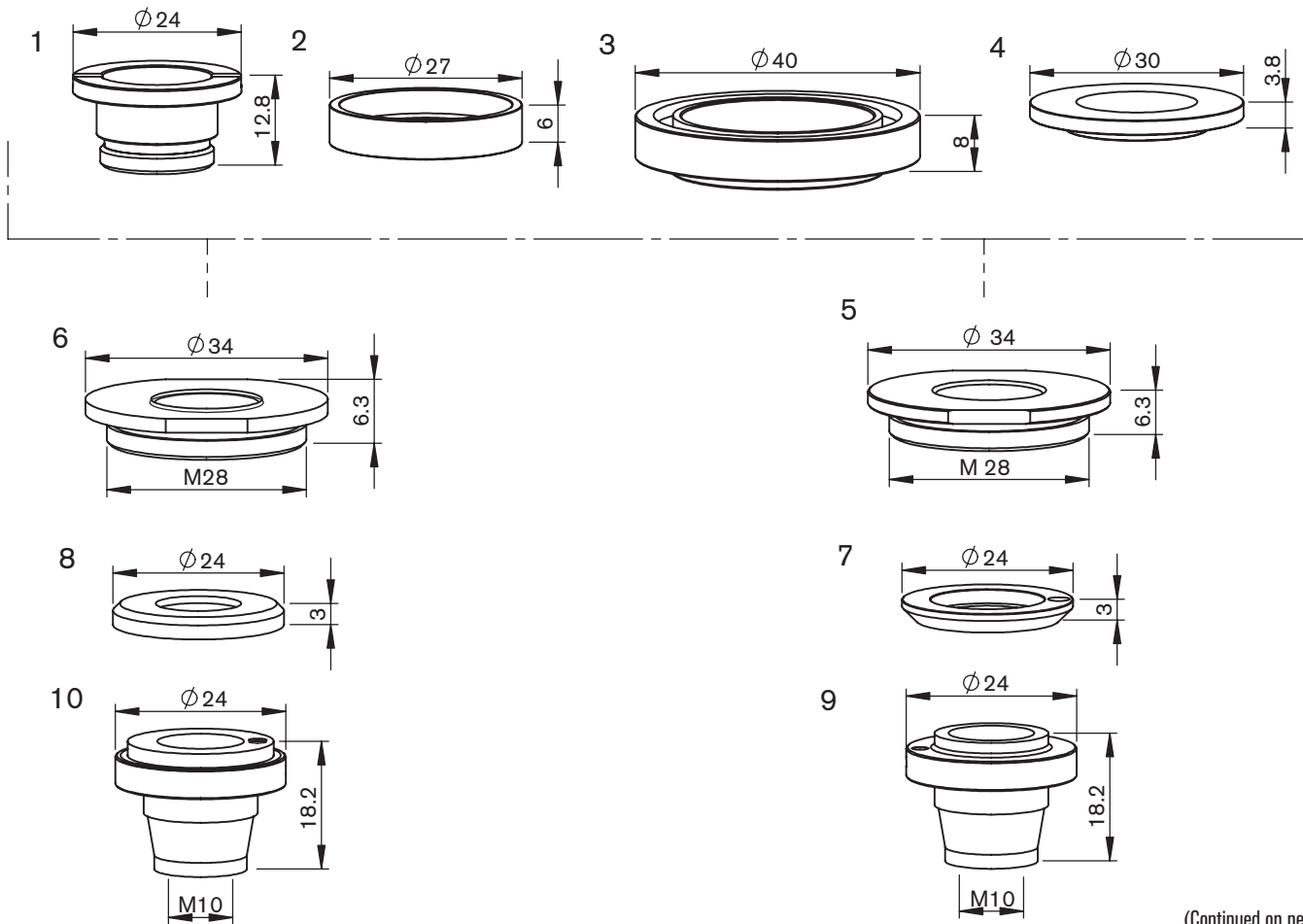
* Centricut parts available in single packs. To order single packs, remove the 'X' at the end of the part number (e.g. AM123-4567X would be AM123-4567).
 For Esse A parts available in single packs. To order single packs, remove the '30' after the L in the part number (e.g. L301401X would be L401X).


Consumables

	Centricut part number	Esse A part number	Reference number	Description	Pkg qty
1	MZ322-0523	L492	46603350523	MZ-Nozzle shower, 1.0 mm	1
	MZ322-0523-1.5	L493		MZ-Nozzle shower, 1.5 mm	1
	MZ322-0523-2.0	L497		MZ-Nozzle shower, 2.0 mm	1
2	MZ322-0001	L284		MZ-Nozzle long, 2.0 mm	1


Consumables

	Centricut part number	Esse A part number	Reference number	Description	Pkg qty
1	MZ335-0004	L428		MZ-Nozzle, 1.0 mm	1
	MZ335-0011	L423		MZ-Nozzle, 1.2 mm	1
	MZ335-1950	L429	46683301950	MZ-Nozzle, 1.5 mm	1
	MZ335-1821	L430	46683301821	MZ-Nozzle, 2.0 mm	1
	MZ335-1960	L431	46683301960	MZ-Nozzle, 2.5 mm	1
	MZ335-1970	L432	46683301970	MZ-Nozzle, 3.0 mm	1
	MZ335-0006	L472		MZ-Nozzle, 3.5 mm	1
	MZ335-0013	L473		MZ-Nozzle, 4.0 mm	1
	MZ335-1950CP	L429X	46683301950	MZ-Nozzle, 1.5 mm CP	1
	MZ335-1821CP	L430X	46683301821	MZ-Nozzle, 2.0 mm CP	1
	MZ335-1960CP	L431X	46683301960	MZ-Nozzle, 2.5 mm CP	1
	MZ335-1970CP	L432X	46683301970	MZ-Nozzle, 3.0 mm CP	1
	2	MZ360-0002	L851		MZ-Nozzle double, 1.2 mm
MZ360-0003		L852	46683302420	MZ-Nozzle double, 1.5 mm	1
MZ360-0005		L853	46683302430	MZ-Nozzle double, 2.0 mm	1
MZ360-0007		L854		MZ-Nozzle double, 2.5 mm	1
MZ360-0008		L855	46683302450	MZ-Nozzle double, 3.0 mm	1
MZ360-0003CP		L852X	46683302420	MZ-Nozzle double, 1.5 mm CP	1
MZ360-0005CP		L853X	46683302430	MZ-Nozzle double, 2.0 mm CP	1
MZ360-0008CP		L855X		MZ-Nozzle double, 3.0 mm CP	1

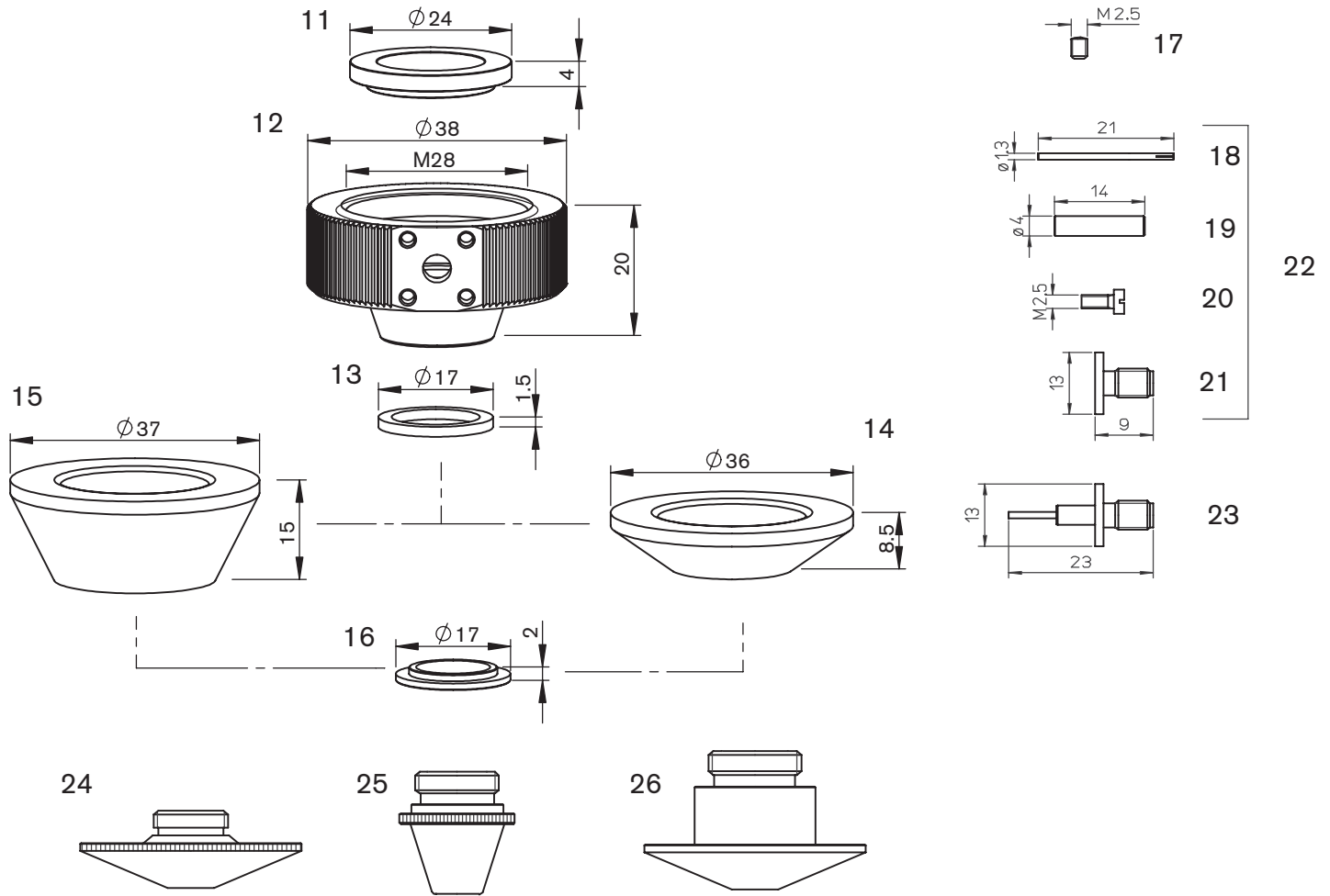


(Continued on next page)

Consumables

	Centricut part number	Esse A part number	Reference number	Description	Pkg qty
1	MZ335-1110	AL74	46683301110, 46773300500	MZ-Bracket, copper	1
2	MZ335-1080	AL80	46683301090, 46683302081	MZ-Spacer 27x5.5, PTFE*	1
	MZ335-1080P	AL80/P	46683301090, 46683302081	MZ-Ring, plastic	1
	MZ335-1080C	AL280	46683301090, 46683302081	MZ-Ring, ceramic	1
	MZ335-1080M	ALM280	46683301080, 46683302081	MZ-Spacer 27x5.5, ceramic	1
	MZ309-3200 (not shown)	AL97		MZ-O-ring external base	1
3	MZ335-1070	AL84	46683301070	MZ-Base, brass	1
4	MZ335-1090	AL79	46683301090, 46683302091	MZ-Spacer 30x4, PTFE*	1
	MZ335-0090C	AL79/P	46683301090, 46683302091	MZ-Spacer 30x4, special	1
	MZ335-1090C	AL279	46683301090, 46683302091	MZ-Ring, ceramic	1
	MZ335-1090M	ALM279	46683301090, 46683302091	MZ-Spacer 30x4, ceramic	1
	5	MZ335-1101	AL376	46773300510	MZ-Nut, copper
6	MZ335-1100	AL83	46683301100	MZ-Bracket, copper	1
	MZ335-1120	AL77	46683301120	MZ-Spacer 24x3, PTFE*	1
	7	MZ335-1120LL	AL77/P	46683301120	MZ-Ring long life
MZ335-1120C		AL277	46683301120	MZ-Ring, ceramic	1
8	MZ335-0710	AL377	46677330710	MZ-Ring, ceramic	1
	MZ335-0710M	ALM377	46773300710	MZ-Spacer 24x3, ceramic	1
9	MZ335-0850	AL75	46683300850	MZ-Nozzle body, copper	1
10	MZ335-0720	AL253	46773300720, 46773300721, 46683300720	MZ-Nozzle body, copper	1

Centricut is not affiliated with the named manufacturers. Reference to machines, parts, descriptions, and model numbers are for convenience in verifying compatibility only. All parts are made by or for Centricut and are not made by the referenced manufacturers (unless expressly indicated). Centricut is a registered trademark of Hypertherm, Inc. All other trademarks are the properties of their respective owners.

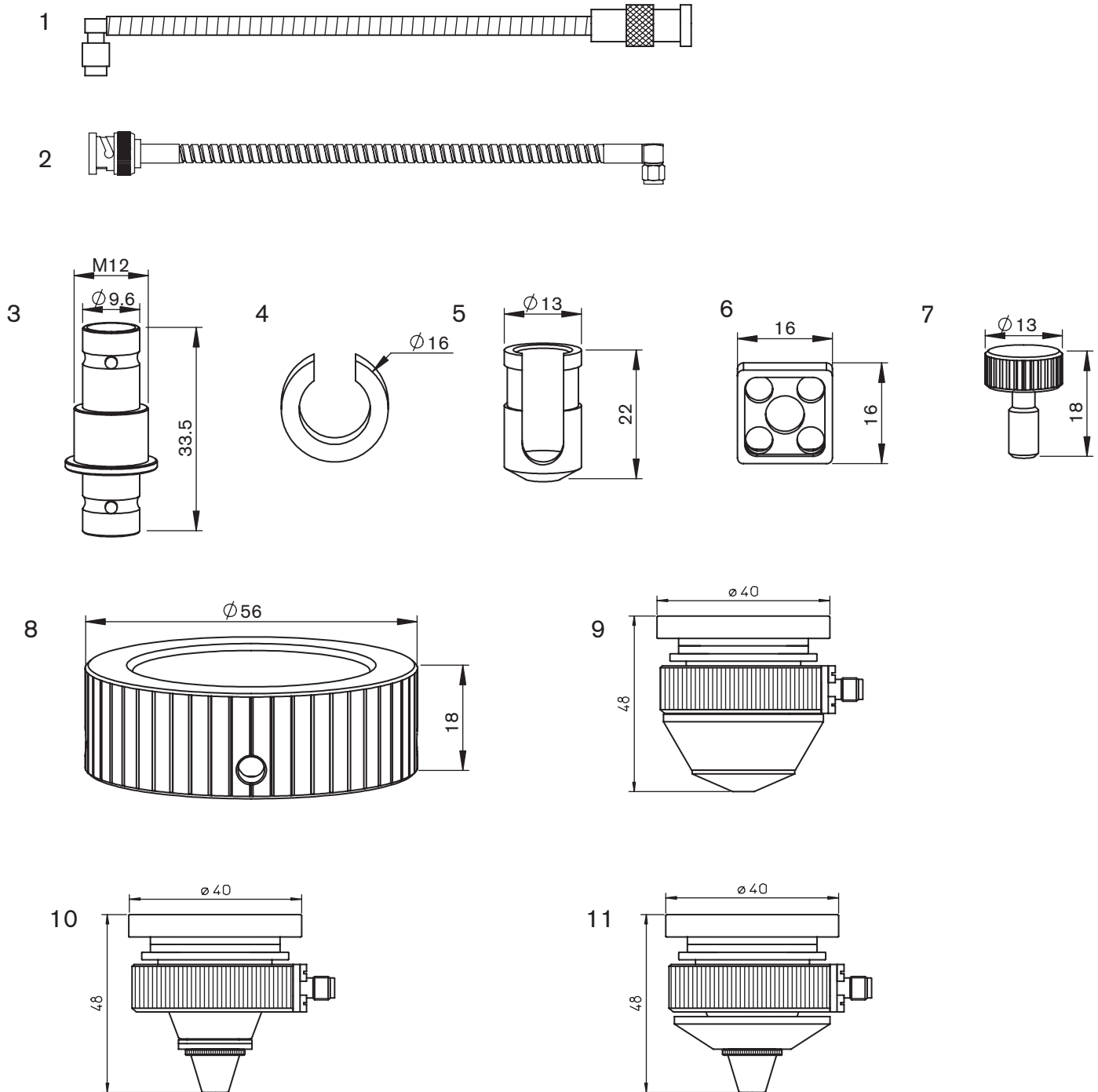


Consumables

	Centricut part number	Esse A part number	Reference number	Description	Pkg qty
11	MZ335-1130	AL78	46683301130, 46683302111	MZ-Spacer 24x4, PTFE*	1
	MZ335-1130LL	AL78/P	46683301130	MZ-Ring long life	1
	MZ335-1130C	AL278	46683301130	MZ-Spacer, ceramic	1
	MZ335-1130M	ALM278	46683301130	MZ-Spacer 24x4, ceramic	1
12	MZ335-1140	AL73	46683301140, 36773300530	MZ-Housing, aluminum	1
13	MZ335-1150	AL81	46683301150	MZ-Spacer 17x1.5, PTFE*	1
14	MZ335-1930	AL111	46683301930	MZ-Nozzle body cover	1
	MZ335-1930LL	AL111/P	46683301930P	MZ-Nozzle body cover, long life	1
	MZ335-0009	AL275	46683301930C	MZ-Protective cover, ceramic	1
15	MZ335-1841	AL118	46683301841	MZ-Nozzle cover	1
16	MZ335-1160	AL82	46683301160	MZ-Ring, 17x2, copper	1
17	MZ335-1180	AL119	46683301180	MZ-Bolt	1
18	MZ335-1170	AL76	46683301170	MZ-Contact	1
19	MZ335-0030	AL88	46683300030	MZ-Connecting pipe, PTFE *	1
20	MZ335-0000	AL127	46683300000	MZ-Screws for connector kit MZ335-0001 (4 pcs)	4
21	MZ335-1113	AL113	46683301170	MZ-Connector	1
22	MZ335-0001	AL154	46683301171, 46683301170, not assembled	MZ-Connector kit	1
23	MZ335-0001A	AL213	46683301171, 46683301170	MZ-Connector kit, assembled	1
24	Please refer to the Trumpf® nozzle section				
25	Please refer to the Mazak® nozzle section				
26	Please refer to the Mazak® nozzle section				

*PolyTetraFluoroEthylene is a fluorocarbon-based polymer and is commonly abbreviated PTFE. The Teflon® brand of PTFE is manufactured only by DuPont and is not sold by Hypertherm. Hypertherm purchases other brands of PTFE from various high quality manufacturers.

Centricut is not affiliated with the named manufacturers. Reference to machines, parts, descriptions, and model numbers are for convenience in verifying compatibility only. All parts are made by or for Centricut and are not made by the referenced manufacturers (unless expressly indicated). Centricut is a registered trademark of Hypertherm, Inc. All other trademarks are the properties of their respective owners.

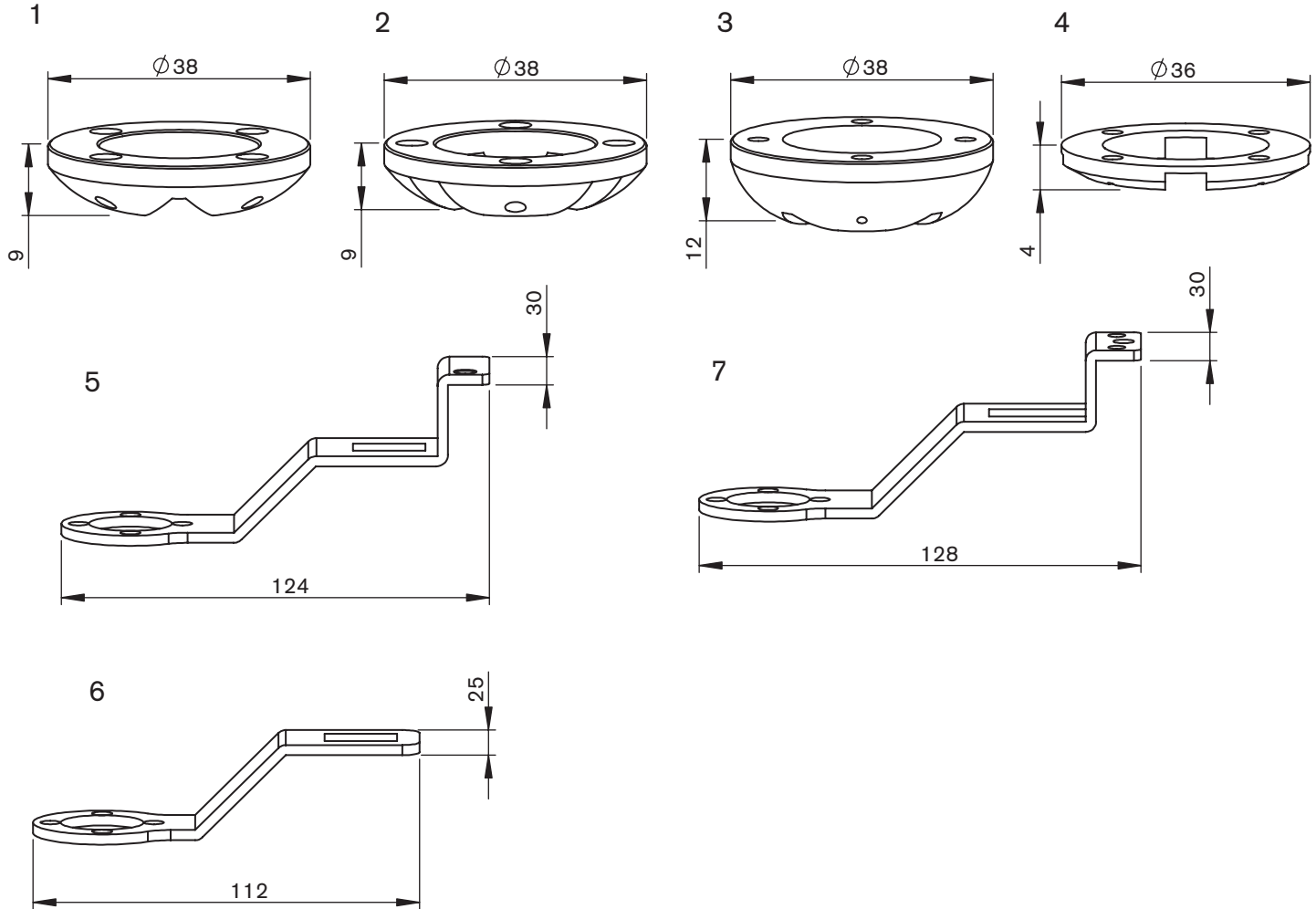

Consumables

	Centricut part number	Esse A part number	Reference number	Description	Pkg qty
1	MZ335-1980	AL103	46683301980, 46683301982	MZ-Sensor head connecting cable, short 280 mm (11")	1
	MZ335-1330	AL103/S	46683301330	MZ-Sensor head connecting cable, long 310 mm (12")	1
2	MZ335-1330A		46683301330	MZ-Sensor cable, 305 mm (12") armored	1
	MZ335-1980A		46683301980, 46683301982	MZ-Sensor cable, 280 mm (11") armored	1
3	MZ335-0005	AL104		MZ-Connecting cable adapter	1
4	MZ335-1870	AL155	46683301870, 46683301920	MZ-Cover clips	1

Consumables

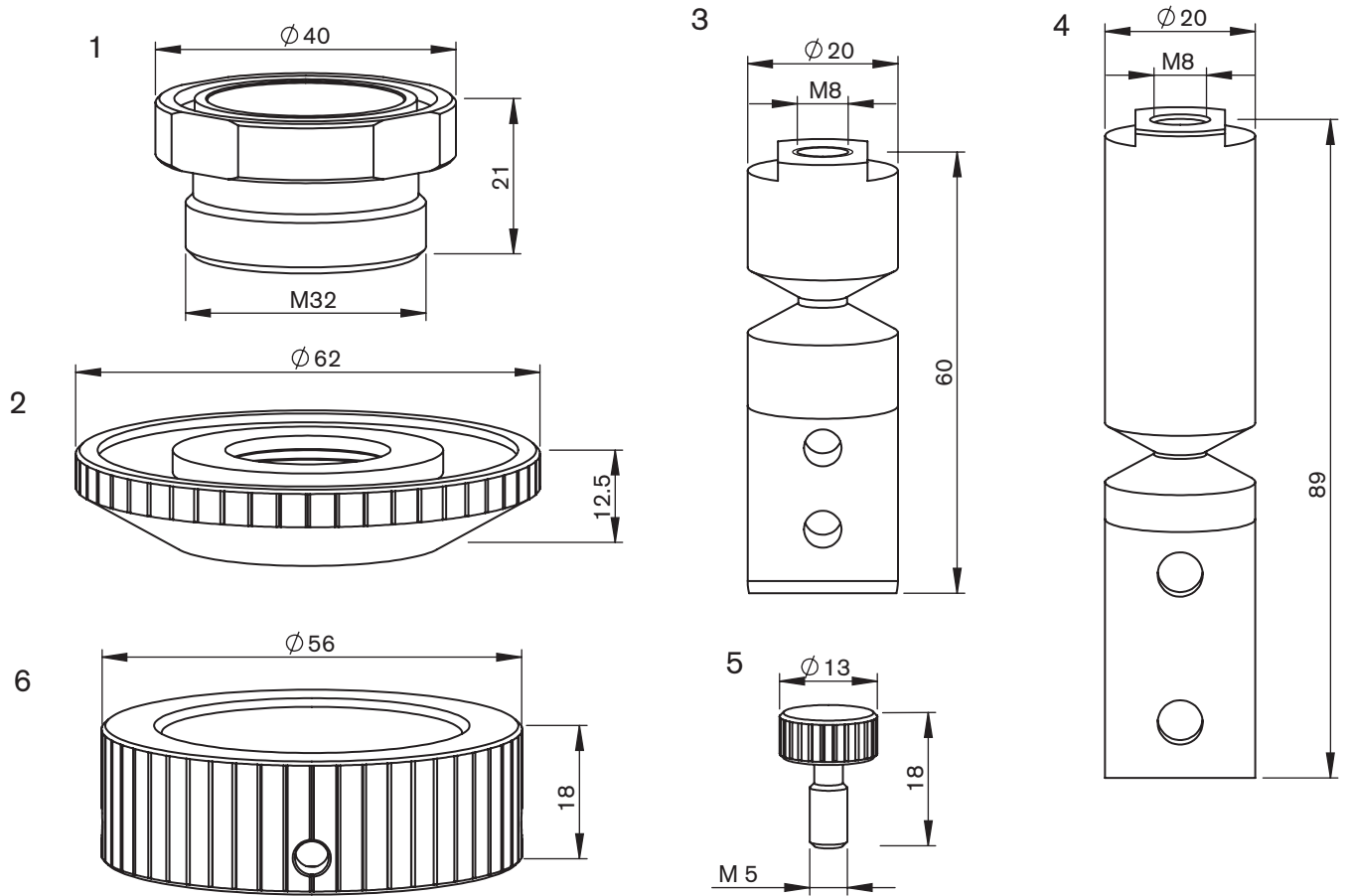
	Centricut part number	Esse A part number	Reference number	Description	Pkg qty
5	MZ335-1860	AL156	46683301860, 46683301910	MZ-Cable connector cover	1
	MZ335-1860LL	AL156/P	46683301860	MZ-Connector cover, long life	1
6	MZ335-1850	AL157	46683301851	MZ-Connector cover	1
	MZ335-1850P	AL157/P	46683301850, 46683301851	MZ-Cover, plastic	1
7	MZ335-0320	AL152	46683300032, 46603300032	MZ-Bolt M5 x 0.5	1
8	MZ335-0930	AL153	46683300930	MZ-Ring	1
9	MZ335-0002	TMA10		MZ-Head w/PTFE* spacer	1
	MZ335-1013	TMA10/C		MZ-Head w/ceramic spacer	1
	MZ335-0012	TMA10/P		MZ-Head w/long life spacer	1
10	MZ335-1014	TMA20		MZ-Head w/PTFE* spacer	1
	MZ335-0015	TMA20/P		MZ-Head w/long life spacer	1
	MZ335-0016	TMA20/C		MZ-Head w/ceramic spacer	1
11	MZ335-0017	TMA30		MZ-Head w/PTFE spacer	1
	MZ335-0018	TMA30/P		MZ-Head w/long life spacer	1
	MZ335-0019	TMA30/C		MZ-Head w/ceramic spacer	1

*PolyTetraFluoroEthylene is a fluorocarbon-based polymer and is commonly abbreviated PTFE. The Teflon® brand of PTFE is manufactured only by DuPont and is not sold by Hypertherm. Hypertherm purchases other brands of PTFE from various high quality manufacturers.


Consumables

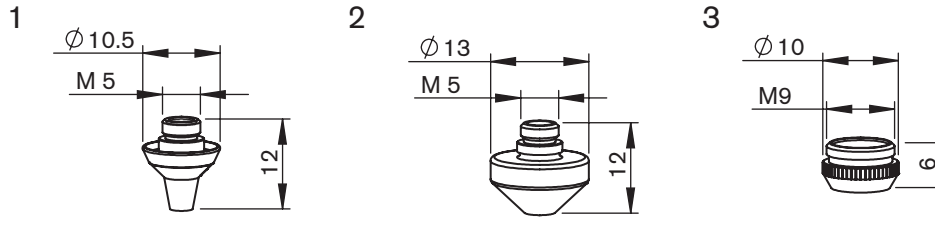
	Centricut part number	Esse A part number	Reference number	Description	Pkg qty
1	MZ309-5080	AL10	46602350080	MZ-Stylus foot H9, brass	1
	MZ309-1043	AL15	46572301043	MZ-Stylus foot H9, steel	1
	MZ309-1045	AL16	46572301045	MZ-Stylus foot H9, PTFE*	1
2	MZ309-0001	AL132		MZ-Stylus foot H9, brass	1
3	MZ309-1041	AL17	46572301041, 46602350070	MZ-Stylus foot H12, brass	1
	MZ309-1042	AL59	46572301042, 46572301041S	MZ-Stylus foot H12, steel	1
	MZ309-1041T	AL18	46572301041T	MZ-Stylus foot H12, PTFE*	1
4	MZ309-0520	AL117	46512300520	MZ-Stylus foot H4, brass	1
5	MZ309-0580	AL66	36602300580	MZ-Stylus arm w/screw M6	1
6	MZ309-0560	AL60	36602300560, 36682300050	MZ-Stylus arm	1
7	MZ309-0281	AL167	36682300281	MZ-Stylus arm w/screw M6 and M5	1
	MZ309-001 (not shown)		68057488	MZ-Screws for stylus feet (10 pcs)	10

*PolyTetraFluoroEthylene is a fluorocarbon-based polymer and is commonly abbreviated PTFE. The Teflon® brand of PTFE is manufactured only by DuPont and is not sold by Hypertherm. Hypertherm purchases other brands of PTFE from various high quality manufacturers.



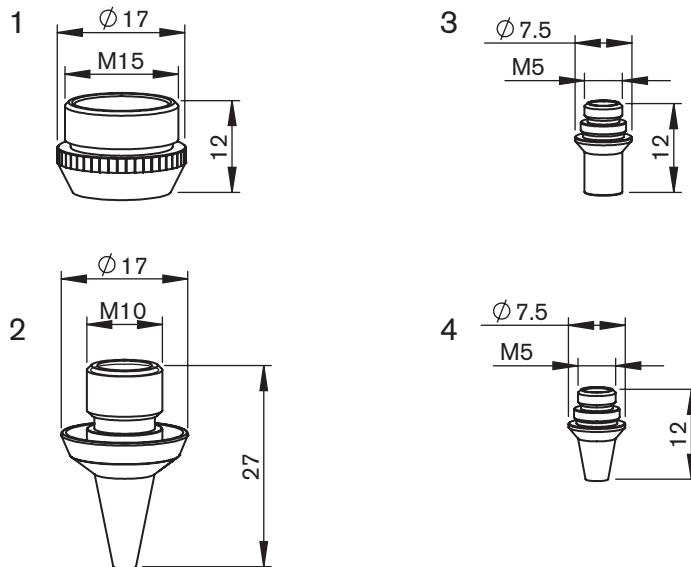
Consumables

	Centricut part number	Esse A part number	Reference number	Description	Pkg qty
1	MZ309-0080	AL63	46523300080	MZ-Base	1
	MZ309-3200 (not shown)	AL97		MZ-O-ring external base	1
	MZ309-2200 (not shown)	AL98		MZ-O-ring internal base	1
2	MZ309-0030	AL57	46683300030	MZ-Retainer	1
3	MZ309-0280	AL14	36682300280, 36673300280	MZ-Breakaway bar L60-M8	1
4	MZ309-0550	AL12	36602300230	MZ-Breakaway bar L89-M8	1
5	MZ335-0320	AL152	46683300032, 46603300032	MZ-Bolt M5 x 0.5	1
6	MZ335-0930	AL153	46683300930	MZ-Ring	1


Consumables

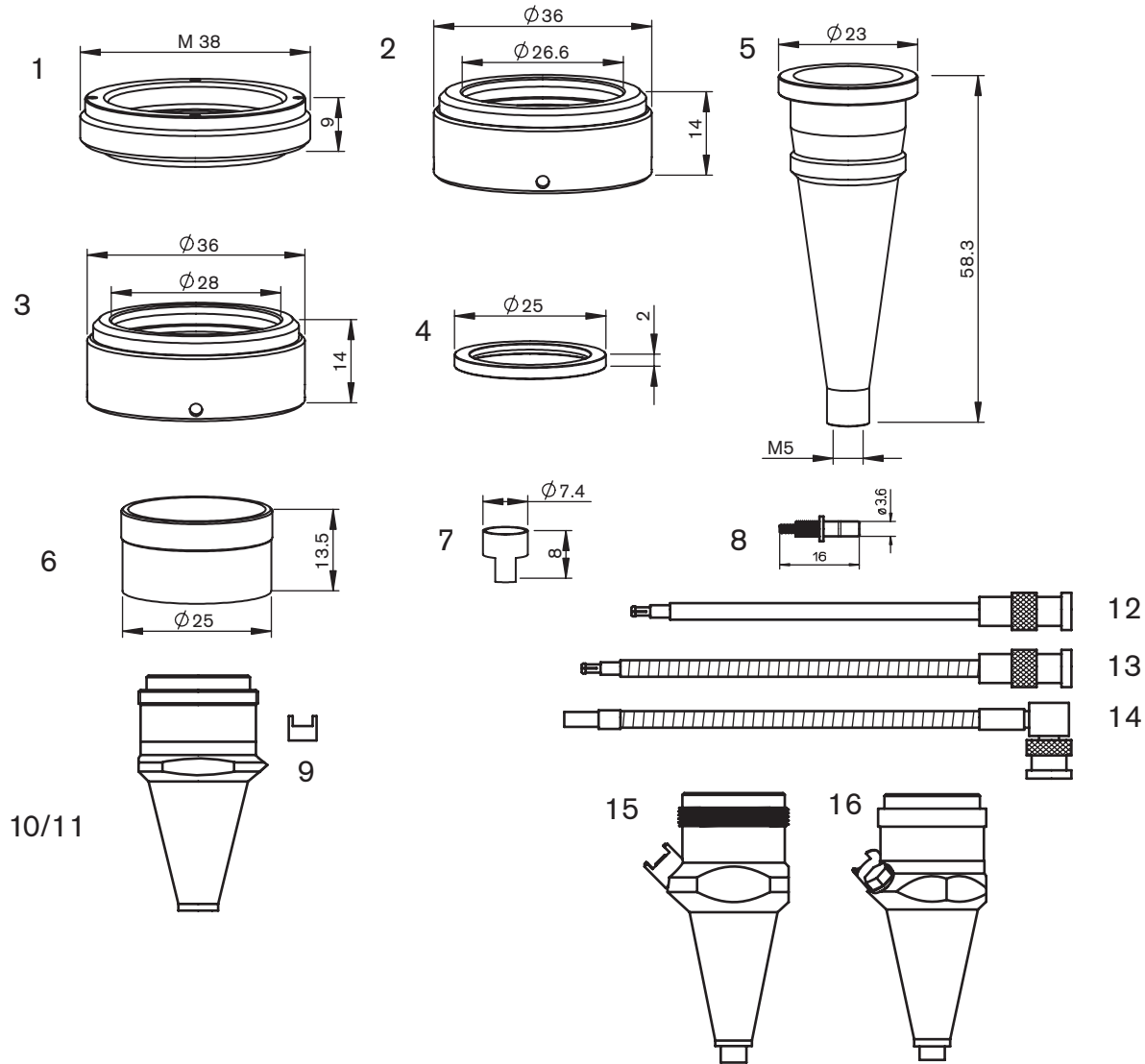
	Centricut part number	Esse A part number	Reference number	Description	Pkg qty
1	PT347-0005X	L30554	46713300290-10	PT-Nozzle 3D, 1.0 mm (10 pk)*	10
	PT347-0290-1.2	L555	46713300290-12	PT-Nozzle 3D, 1.2 mm	1
	PT347-0090X	L30555	46713300290-12	PT-Nozzle 3D, 1.2 mm (10 pk)	10
	PT347-0290X	L30556	46713300290-15, P0352-381-00015	PT-Nozzle 3D, 1.5 mm (10 pk)*	10
	PT347-0118X	L30557	P0352-377-00018	PT-Nozzle 3D, 1.8 mm (10 pk)	10
	PT347-0280X	L30558	46713300310, P0352-382-00020	PT-Nozzle 3D, 2.0 mm (10 pk)*	10
	PT347-0001X	L30560	46713300280-25	PT-Nozzle 3D, 2.5 mm (10 pk)*	10
	PT347-0002X	L30563	46713300280-30, 46713300430	PT-Nozzle 3D, 3.0 mm (10 pk)*	10
	PT347-0035X	L30564	46713300280-35	PT-Nozzle 3D, 3.5 mm (10 pk)*	10
2	PT347-0004X	L30576		PT-Nozzle 2D, 1.0 mm (10 pk)	10
	PT347-0012X	L30577	46713300310	PT-Nozzle 2D, 1.2 mm (10 pk)	10
	PT347-0310X	L30578	P0352-386-00015	PT-Nozzle 2D, 1.5 mm (10 pk)*	10
	PT347-0300X	L30580	46713300300, P0352-387-00020	PT-Nozzle 2D, 2.0 mm (10 pk)*	10
	PT347-0003X	L30581	46713300300-25	PT-Nozzle 2D, 2.5 mm (10 pk)*	10
	PT347-0006X	L30582	46713300300-30	PT-Nozzle 2D, 3.0 mm (10 pk)*	10
3	PT347-0320	AL160	46713300321, P0352-311-00001	PT-Union Nut, Vespel	1

* Centricut parts available in single packs. To order single packs, remove the 'X' at the end of the part number (e.g. AM123-4567X would be AM123-4567). For Esse A parts available in single packs. To order single packs, remove the '30' after the L in the part number (e.g. L301401X would be L401X).


Consumables

	Centricut part number	Esse A part number	Reference number	Description	Pkg qty
1	MZ332-1280	AL337	46713331280	MZ-Nut, Vespel	1
2	MZ332-1305X NEW	L301300		MZ-Nozzle 3D, 1.0 mm (10 pk)*	10
	MZ332-1320X NEW	L301295	46713331320	MZ-Nozzle 3D, 1.2 mm (10 pk)*	10
	MZ332-1310X NEW	L301296	46713331310	MZ-Nozzle 3D, 1.5 mm (10 pk)*	10
	MZ332-1301X NEW	L301301		MZ-Nozzle 3D, 1.8 mm (10 pk)*	10
	MZ332-1300X NEW	L301297	46713331300	MZ-Nozzle 3D, 2.0 mm (10 pk)*	10
	MZ332-1330X NEW	L301298	46713331330	MZ-Nozzle 3D, 2.5 mm (10 pk)*	10
	MZ332-1290X NEW	L301299	46713331290	MZ-Nozzle 3D, 3.0 mm (10 pk)*	10
3	PT347-1013X	L30482	281013, P0352-325-00015	PT-Nozzle ZK, 1.5 mm (10 pk)	10
	PT347-0899X	L30483	280899, P0352-326-00018	PT-Nozzle ZK, 1.8 mm (10 pk)	10
	PT347-0044X	L30484	350044.3, P0352-327-00020	PT-Nozzle ZK, 2.0 mm (10 pk)*	10
	PT347-1025X	L30485	350044.3, P0352-328-00025	PT-Nozzle ZK, 2.5 mm (10 pk)*	10
	4	PT347-1006X	L30486	281006, P0352-333-00010	PT-Nozzle KK, 1.0 mm (10 pk)
PT347-1031X		L30488	281031, P0352-335-00015	PT-Nozzle KK, 1.5 mm (10 pk)*	10
PT347-0898X		L30489	280898, P0352-336-00018	PT-Nozzle KK, 1.8 mm (10 pk)	10
PT347-1020X		L30490	P0352-336-00020	PT-Nozzle KK, 2.0 mm (10 pk)*	10

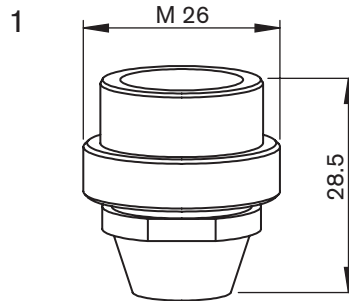
* Centricut parts available in single packs. To order single packs, remove the 'X' at the end of the part number (e.g. AM123-4567X would be AM123-4567).
 For Esse A parts available in single packs. To order single packs, remove the '30' after the L in the part number (e.g. L301401X would be L401X).



Consumables

	Centricut part number	Esse A part number	Reference number	Description	Pkg qty
1	PT347-4297	AL198	P0492-702-00001, 29100021	PT-Insulating ring outer body	1
	AM326-6453 (not shown)	AL94		AM-O-ring for outer nozzle	1
2	PT347-0008	AL218	46713330200	PT-Isolating ring outer body (Precitec)	1
3	PT347-0920	AL221	46713330920	PT-Isolating ring outer body (Mazak)	1
4	PT347-350	AL350	46713330960	PT-Isolating ring, inner cone	1
5	PT347-349	AL349	46713330930	PT-Sensor cone inner	1
6	PT347-0940	AL353	46713330940	PT-Retaining ring	1
7	PT347-0009	AL256		PT-Connector protector	1
8	PT347-1111	AL354	46713331111	PT- Connector w/spring	1
9	PT347-9006			PT-Connector cup, HNP	1
10	PT347-1240	AL351	46713331240	PT-Torch outer body	1
11	PT347-0369	AL369		Complete outer torch (PT347-1240/1111/0009)	1
12	PT347-0101	AL204	P0360-100-00500, 46713300100	PT-Sensor head connecting cable OEM	1
13	PT347-1386	AL257	281386, P0360-155-00500	PT-Electrode cable	1
14	PT347-0181	AL358	46743300181	PT-Sensor cable	1
15	PT347-3323		567123323A1	PT-Sensor cone HNP	1
16	PT347-0011		P0354-110-00002	PT-Sensor cone HNZ (Mitsubishi)	1

Centricut is not affiliated with the named manufacturers. Reference to machines, parts, descriptions, and model numbers are for convenience in verifying compatibility only. All parts are made by or for Centricut and are not made by the referenced manufacturers (unless expressly indicated). Centricut is a registered trademark of Hypertherm, Inc. All other trademarks are the properties of their respective owners.


Consumables

	Centricut part number	Esse A part number	Reference number	Description	Pkg qty
1	MZ321-0510	AL11	46603350510	MZ-Nozzle adapter body	1

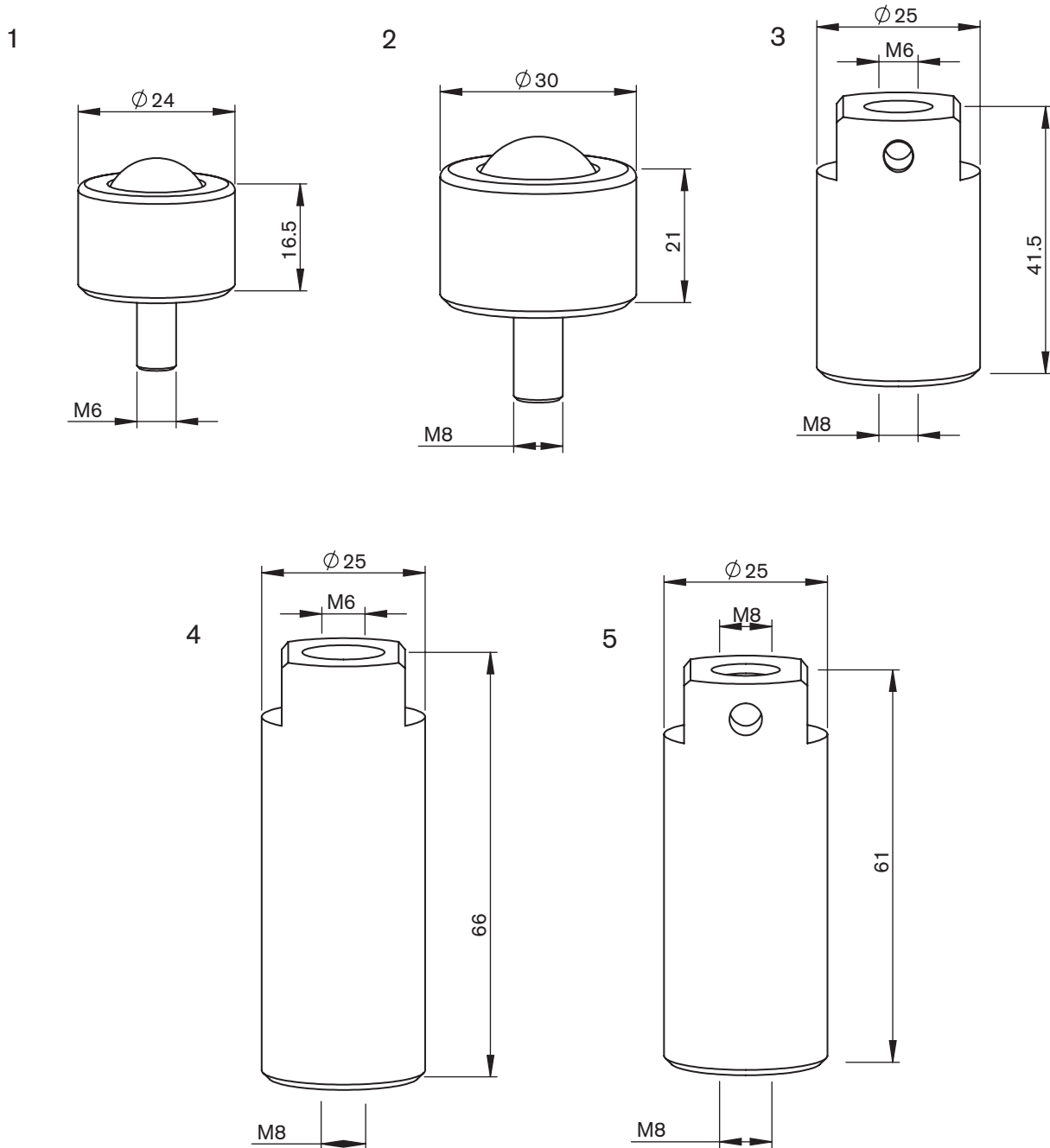
1


Consumables

	Centricut part number	Esse A part number	Reference number	Description	Pkg qty
1	MZ335-1330A		46683301330	MZ-Sensor cable, 305 mm (12") armored	1
	MZ335-1980A		46683301980, 46683301982	MZ-Sensor cable, 280 mm (11") armored	1
	MZ335-0111A (not shown)		46743300111	MZ-Sensor cable, 280 mm (11") armored	1
	MZ335-0181A (not shown)		46743300181	MZ-Sensor cable, 317.5 mm (12.5") armored	1
	MZ335-5320 (not shown)		6143355320	MZ-Sensor cable, 70 mm (2.8") armored	1
	MZ335-630A (not shown)			MZ-Sensor cable, 630 mm (25") armored	1
	MZ335-HNPS (not shown)		HNPS	MZ-Sensor cone, HNP short version	1

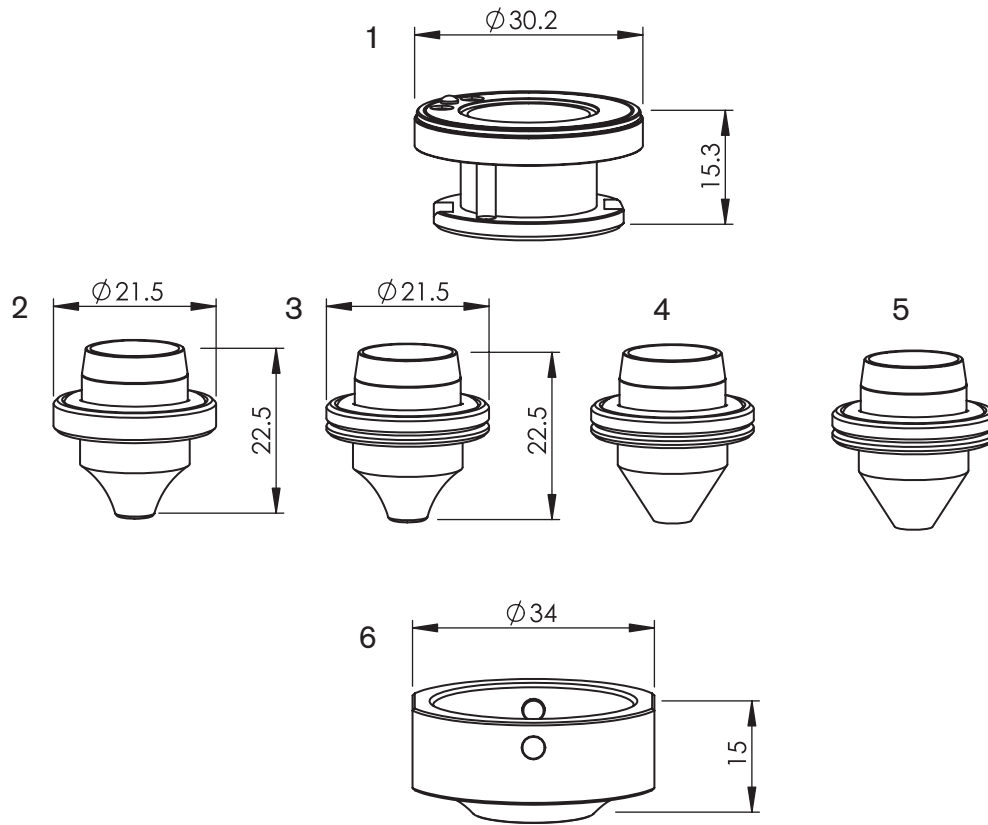
Consumables

	Centricut part number	Esse A part number	Reference number	Description	Pkg qty
	BY328-3884 (not shown)		333884	BY-Screws, plastic (2 pcs)	2
	AM313-2023 (not shown)		71232023	AM-Vacuum pump filter	1


Consumables

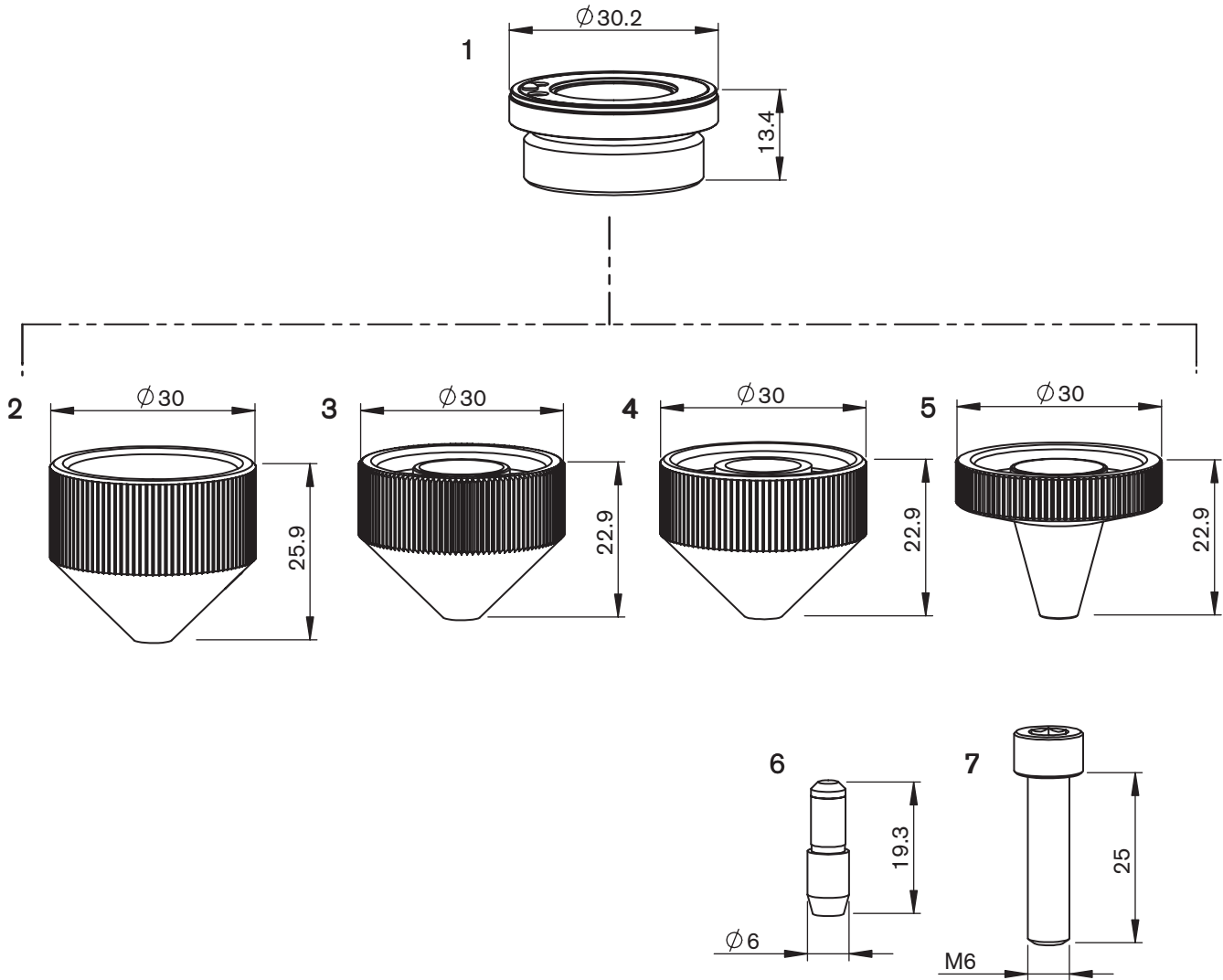
	Centricut part number	Esse A part number	Reference number	Description	Pkg qty
1	MZ309-Z580	AL61	Z21KV000580	MZ-Roller ball M6, 25 mm	1
	MZ309-Z580X	AL3061	Z21KV000580	MZ-Roller ball M6, 25 mm (10 pk)	10
	MZ309-Z580B	AL325	Z21KV000580	MZ-Roller ball M6, 25 mm	1
2	MZ309-1160	AL210	Z21ZZ001160	MZ-Roller ball M8, 30 mm	1
3	MZ309-0321	AL62	46575100321	MZ-Block, L41.5 stainless steel	1
4	MZ309-0050	AL134	46705100050	MZ-Block, L66 stainless steel	1
5	MZ309-0324	AL324		MZ-Block, stainless steel	1

Centricut is not affiliated with the named manufacturers. Reference to machines, parts, descriptions, and model numbers are for convenience in verifying compatibility only. All parts are made by or for Centricut and are not made by the referenced manufacturers (unless expressly indicated). Centricut is a registered trademark of Hypertherm, Inc. All other trademarks are the properties of their respective owners.



Consumables

	Centricut part number	Esse A part number	Reference number	Description	Pkg qty
1	MB327-0311	AL460	BQ980D311G02, LX54300, LCF9400	MB-Nozzle holder, EX insulation	1
2	MB327-1620	L1620	BQ983D150-H01, LX53100, LT09800	MB-Nozzle w/o-ring, 1.0 mm	1
	MB327-1633	L1633	BQ983D314-H01, LX69900, W1660-NC	MB-Nozzle w/o-ring, 1.4 mm	1
3	MB327-1621	L1621	BQ983D151-H01, LX53200, LT09900	MB-Nozzle w/o-ring, 1.2 mm	1
4	MB327-1622	L1622	BQ983D152-H01, LT10000	MB-Nozzle w/o-ring, 1.7 mm	1
5	MB327-1623	L1623	BQ983D153-H01, W1628-NC	MB-Nozzle w/o-ring, 1.5 mm	1
	MB327-1624	L1624	BQ983D153-H02, W1629-NC	MB-Nozzle w/o-ring, 2.0 mm	1
	MB327-1625	L1625	BQ983D314-H03, LX53500, BQ983D153-H03, LT10100	MB-Nozzle w/o-ring, 2.5 mm	1
	MB327-1626	L1626	BQ983D151-H04, BQ983D153-H04, LT10200	MB-Nozzle w/o-ring, 3.0 mm	1
	MB327-1627	L1627	BQ983D152-H05, BQ983D153-H05, LT10300	MB-Nozzle w/o-ring, 3.5 mm	1
6	MB327-0328	AL467	BQ980D328G01, LT10700	MB-Nozzle EX outer for single MB-nozzle	1

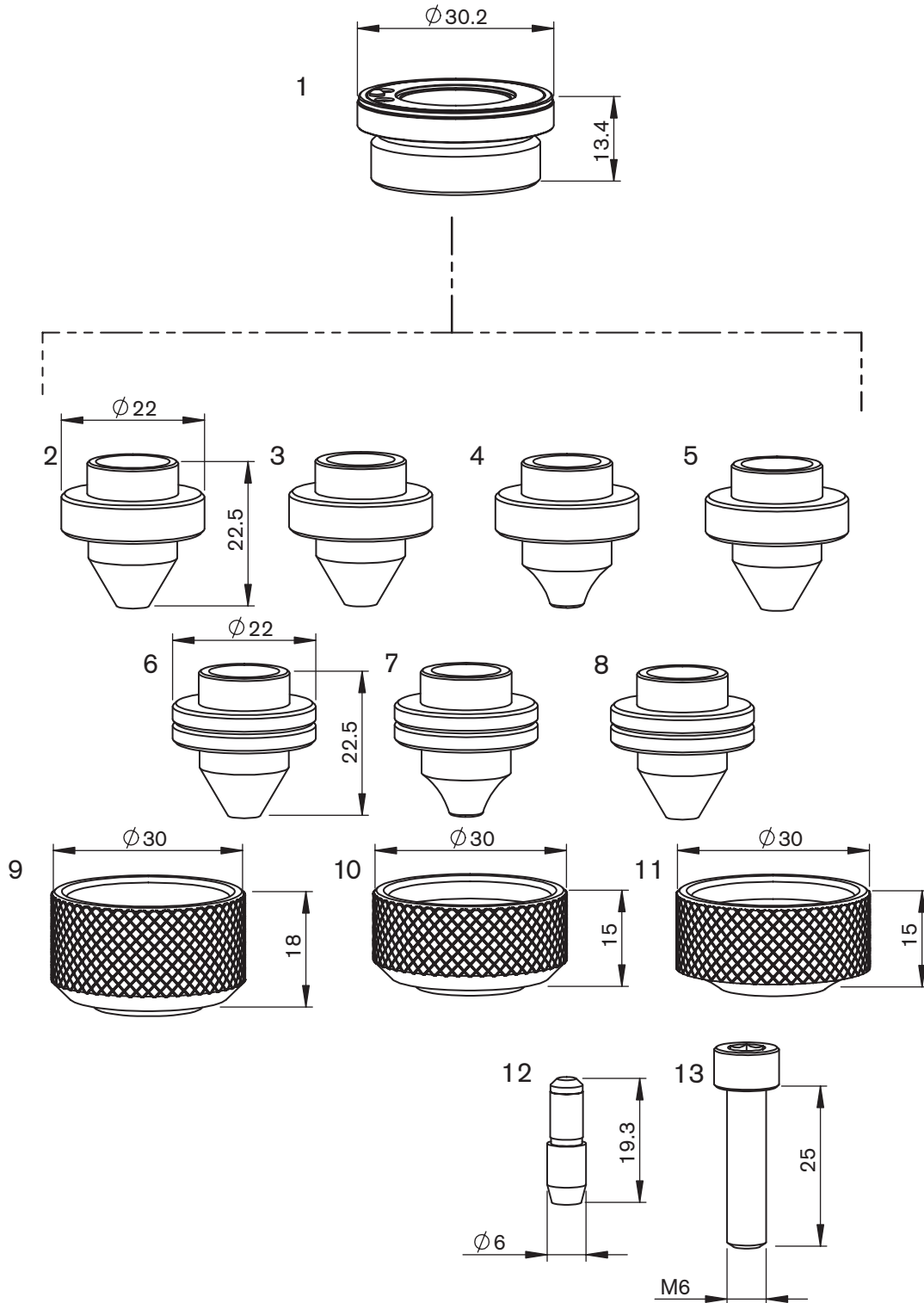


Consumables

	Centricut part number	Esse A part number	Reference number	Description	Pkg qty
1	MB334-0001	AL267	P0594-860-00001, PHX-INS	MB-Nozzle holder	1
	MB334-W290 (not shown)	AL388	W290, 71800107	MB-O-ring	1
2	MB334-1249	L398	W1249	MB-Nozzle, 1.0 mm	1
	MB334-1256	L397	W1256	MB-Nozzle, 1.2 mm	1
	MB334-1250	L399	W1250	MB-Nozzle, 1.5 mm	1
	MB334-1253	L704	W1253	MB-Nozzle, 3.0 mm	1

Consumables

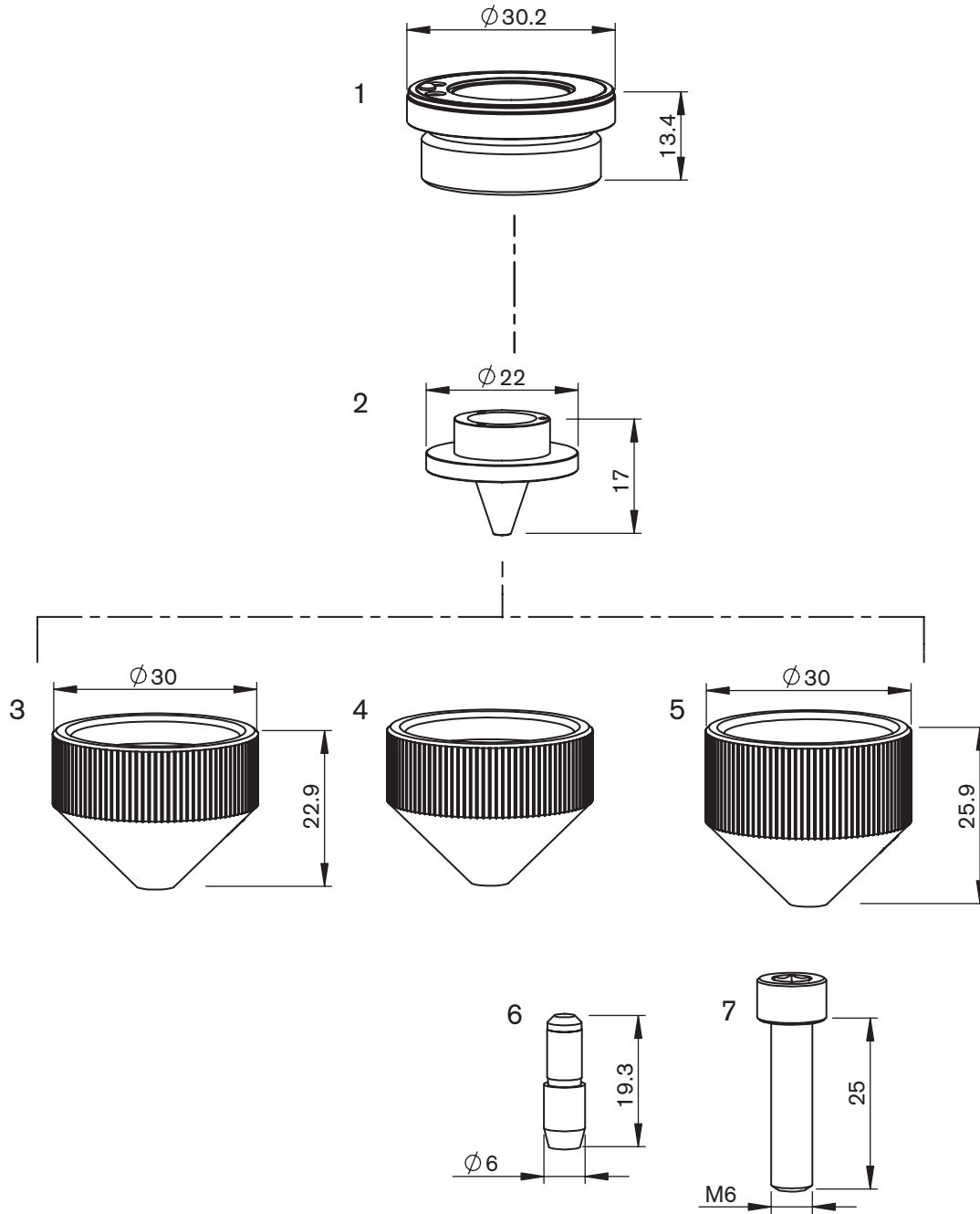
	Centricut part number	Esse A part number	Reference number	Description	Pkg qty
3	MB334-1626	L910	W1626, W1626C	MB-Nozzle, 1.0 mm	1
	MB334-1627	L911	W1627, W1627C	MB-Nozzle, 1.2 mm	1
	MB334-1625	L908	W1660	MB-Nozzle, 1.4 mm	1
	MB334-1628	L912	W1628	MB-Nozzle, 1.5 mm	1
	MB334-1661	L918	W1661	MB-Nozzle, 1.7 mm	1
	MB334-1629	L913	W1629	MB-Nozzle, 2.0 mm	1
	MB334-1630	L914	W1630	MB-Nozzle, 2.5 mm	1
	MB334-1664	L915	W1664	MB-Nozzle, 3.0 mm	1
	MB334-1665	L916	W1665	MB-Nozzle, 3.5 mm	1
	MB334-1666	L917	W1666	MB-Nozzle, 4.0 mm	1
	MB334-1663	L919	W1663	MB-Nozzle, 5.0 mm	1
	MB334-1626CP	L910X	W1626	MB-Nozzle, 1.0 mm CP	1
	MB334-1627CP	L911X	W1627	MB-Nozzle, 1.2 mm CP	1
	MB334-1628CP	L912X	W1628	MB-Nozzle, 1.5 mm CP	1
	MB334-1661CP	L918X		MB-Nozzle, 1.7 mm CP	1
	MB334-1629CP	L913X	W1629	MB-Nozzle, 2.0 mm CP	1
	MB334-1630CP	L914X	W1630	MB-Nozzle, 2.5 mm CP	1
	MB334-1664CP	L915X	W1664	MB-Nozzle, 3.0 mm CP	1
MB334-1663CP NEW	L919X		MB-Nozzle, 5.0 mm CP	1	
4	MB334-1626B	L1078	W1626B	MB-Nozzle low pressure, 1.0 mm	1
	MB334-1627B	L1079	W1627B	MB-Nozzle low pressure, 1.2 mm	1
	MB334-1628B	L1080	W1628B	MB-Nozzle low pressure, 1.5 mm	1
	MB334-1629B	L1081	W1629B	MB-Nozzle low pressure, 2.0 mm	1
	MB334-1665B	L1084	W1665B	MB-Nozzle low pressure, 3.5 mm	1
5	MB334-1632	L1716	NCW1627C	MB-Nozzle narrow cone, 1.2 mm	1
	MB334-1634	L1719		MB-Nozzle narrow cone, 2.5 mm	1
6	AM416-0009	AL345	71800009, P921K000P25, JPZA5-6, LC47400	AM-Safety pin	1
7	AM416-A005	AL346	71800008, L2490A005, LC50700, P903K001P72, LQ36200	AM-Safety screw	1



Centricut is not affiliated with the named manufacturers. Reference to machines, parts, descriptions, and model numbers are for convenience in verifying compatibility only. All parts are made by or for Centricut and are not made by the referenced manufacturers (unless expressly indicated). Centricut is a registered trademark of Hypertherm, Inc. All other trademarks are the properties of their respective owners.

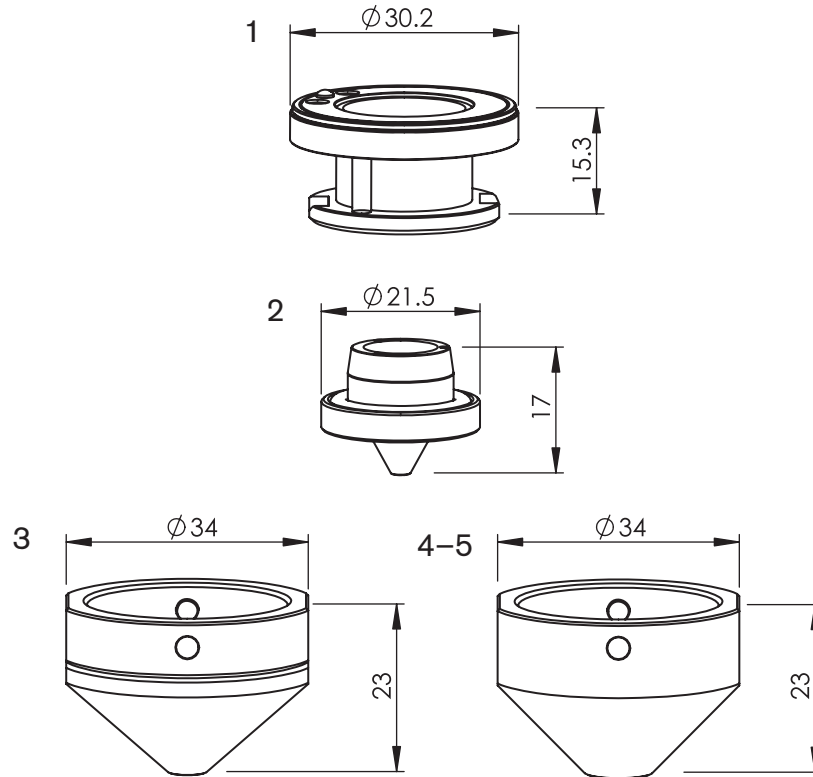
Consumables

	Centricut part number	Esse A part number	Reference number	Description	Pkg qty
1	MB334-0001	AL267	P0594-860-00001, PHX-INS	MB-Nozzle holder	1
	MB334-W290 (not shown)	AL388	W290, 71800107	MB-O-ring	1
	AM326-0017	L1131		AM-Nozzle, 1.7 mm	1
	AM326-0018	L1134	71800018, BQ943D157H01	AM-Nozzle, 1.5 mm	1
	AM326-0019	L1135	71800019, BQ943D157H02	AM-Nozzle, 2.0 mm	1
2	AM326-0020	L1136	71800020, BQ943D157H03	AM-Nozzle, 2.5 mm	1
	AM326-0021	L1137	71800021, BQ943D157H04	AM-Nozzle, 3.0 mm	1
	AM326-0022	L1138	71800022, BQ943D596H01	AM-Nozzle, 3.5 mm	1
	AM326-0023	L1139		AM-Nozzle, 4.0 mm	1
	AM387-0016	L1125	71800016, BQ943D897H01, W18Q94389701	AM-Nozzle HV, 1.0 mm	1
3	AM387-1901	L1128	W18Q93309101	AM-Nozzle HV, 2.5 mm	1
	AM387-1902	L1129	W18Q93309102	AM-Nozzle HV, 3.0 mm	1
4	AM387-0001	L1126	BQ933D283H01	AM-Nozzle w/radius no groove, 1.0 mm	1
	MB327-327-1	L354	W777	MB-Nozzle, 1.0 mm	1
	MB327-777	L363	W777	MB-Nozzle, 1.2 mm	1
	MB327-266	L355	W266	MB-Nozzle, 1.5 mm	1
5	MB327-267	L356	W267	MB-Nozzle, 2.0 mm	1
	MB327-776	L357	W776	MB-Nozzle, 2.5 mm	1
	MB327-268	L358	W268	MB-Nozzle, 3.0 mm	1
	MB327-268-3.5	L359	W268-3.5	MB-Nozzle, 3.5 mm	1
	MB327-0010	L965		MB-Nozzle, 1.0 mm	1
	MB327-0012	L966		MB-Nozzle, 1.2 mm	1
	MB327-0015	L967		MB-Nozzle, 1.5 mm	1
6	MB327-0017	L964		MB-Nozzle, 1.7 mm	1
	MB327-0020	L968		MB-Nozzle, 2.0 mm	1
	MB327-0025	L969		MB-Nozzle, 2.5 mm	1
7	AM387-0017	L1130	71800017, BQ943D269H01, W18Q93326901	AM-Nozzle HV w/radius, 1.2 mm	1
8	AM387-2701	L1132	W18Q93302701	AM-Nozzle HV, 1.7 mm	1
9	MB327-263	AL116	W263	MB-Nozzle nut	1
10	MB327-263S	AL240	P0593-865-00001	MB-Nozzle nut short	1
11	AM367-0269	AL269	71800026, BQ933D94H01	AM-Nozzle nut short	1
12	AM416-0009	AL345	71800009, P921K000P25, JPZA5-6, LC47400	AM-Safety pin	1
13	AM416-A005	AL346	71800008, L2490A005, LC50700, P903K001P72, LQ36200	AM-Safety screw	1

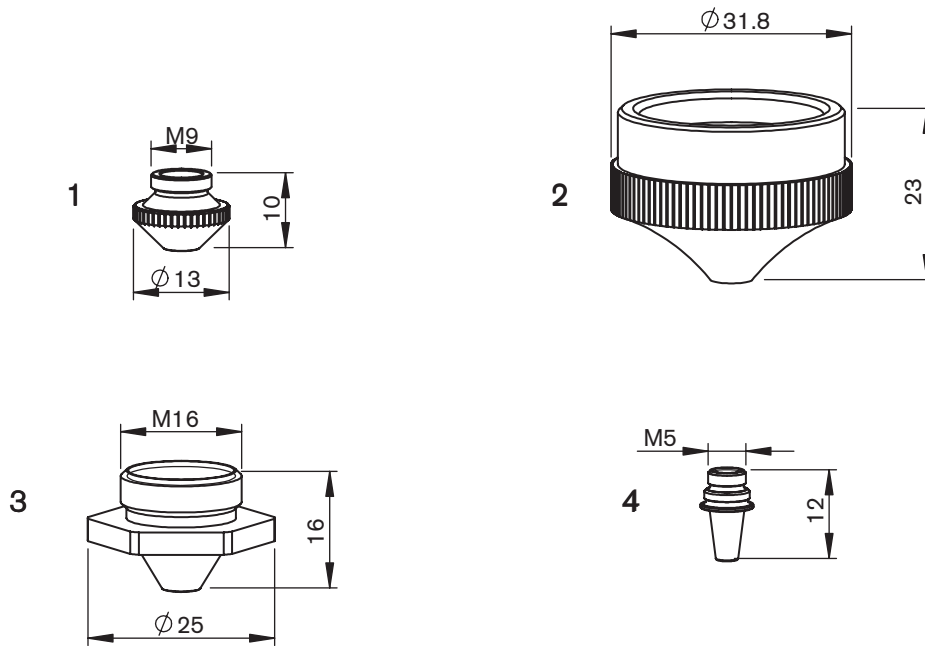


Consumables

	Centricut part number	Esse A part number	Reference number	Description	Pkg qty
1	MB334-0001	AL267	P0594-860-00001, PHX-INS	MB-Nozzle holder	1
	MB334-W290 (not shown)	AL388	W290, 71800107	MB-O-ring	1
	MB316-390	L288	W390	MB-Nozzle inner 4 holes, 1.3 mm	1
	MB316-270	L280	W270	MB-Nozzle inner 8 holes, 1.3 mm	1
	MB316-388	L290	W388	MB-Nozzle inner 16 holes, 1.3 mm	1
	MB316-515	L291	W515	MB-Nozzle inner 24 holes, 1.5 mm	1
	MB316-1121	L1121	L1121	MB-Nozzle inner 3 holes, 1.5 mm	1
	MB316-1127	L1127	L1127	MB-Nozzle inner 4 holes, 1.5 mm	1
2	MB316-1117	L1117	L1117	MB-Nozzle inner 5 holes, 1.5 mm	1
	AM387-0023	L1119	71800023, BQ943D156H01, W270-1.5	MB-Nozzle inner 8 holes, 1.5 mm	1
	AM387-0024	L1123	71800024, BQ943D156H01, BQ943D156H03	MB-Nozzle inner 24 holes, 1.5 mm	2
	MB316-1122	L1122	L1122	MB-Nozzle inner 3 holes, 2.0 mm	1
	MB316-1116	L1116	L1116	MB-Nozzle inner 4 holes, 2.0 mm	1
	MB316-1118	L1118	L1118	MB-Nozzle inner 6 holes, 2.0 mm	1
	AM387-0025	L1120	W270.2	MB-Nozzle inner 8 holes, 2.0 mm	1
	AM387-0026	L1124	W515.2	MB-Nozzle inner 24 holes, 2.0 mm	1
	MB316-0508	AL508		MB-Nozzle outer, 1.2 mm	1
	MB316-0510	AL510		MB-Nozzle outer, 1.5 mm	1
	MB316-0509	AL509		MB-Nozzle outer, 1.7 mm	1
3	MB316-0511	AL511		MB-Nozzle outer, 2.0 mm	1
	MB316-0515	AL515		MB-Nozzle outer, 2.3 mm	1
	MB316-0512	AL512		MB-Nozzle outer, 2.5 mm	1
	MB316-0513	AL513		MB-Nozzle outer, 3.0 mm	1
	MB316-0514	AL514		MB-Nozzle outer, 3.5 mm	1
4	MB316-268	AL239		MB-Shield cap, short w/o step	1
	MB316-268CP	AL239X		MB-Shield cap, short w/o step CP	1
5	MB316-269	AL65	W269	MB-Shield cap	1
6	AM416-0009	AL345	71800009, P921K000P25, JPZA5-6, LC47400	AM-Safety pin	1
7	AM416-A005	AL346	71800008, L2490A005, LC50700, P903K001P72, LQ36200	AM-Safety screw	1


Consumables

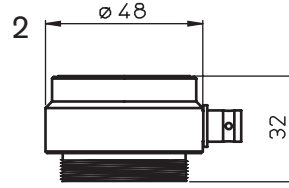
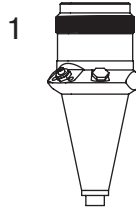
	Centricut part number	Esse A part number	Reference number	Description	Pkg qty
1	MB327-0311	AL460	BQ980D311G02, LX54300, LCF9400	MB-Nozzle holder, EX insulation	1
2	MB327-1749	L1749		MB-Nozzle EX inner 3 holes w/o-ring, 1.5 mm	1
	MB327-1751	L1751		MB-Nozzle EX inner 4 holes w/o-ring, 1.5 mm	1
	MB327-1753	L1753		MB-Nozzle EX inner 6 holes w/o-ring, 1.5 mm	1
	MB327-1755	L1755	BQ983D206H03	MB-Nozzle EX inner 8 holes w/o-ring, 1.5 mm	1
	MB327-1757	L1757	BQ983D206H04	MB-Nozzle EX inner 24 holes w/o-ring, 1.5 mm	1
	MB327-1750	L1750		MB-Nozzle EX inner 3 holes w/o-ring, 2.0 mm	1
	MB327-1752	L1752		MB-Nozzle EX inner 4 holes w/o-ring, 2.0 mm	1
	MB327-1754	L1754		MB-Nozzle EX inner 6 holes w/o-ring, 2.0 mm	1
	MB327-1758 NEW	L1758		MB-Nozzle EX inner 24 holes w/o-ring, 2.0 mm	1
3	MB327-0472	AL472		MB-Nozzle EX outer for material, 1.5 mm	1
	MB327-0473	AL473		MB-Nozzle EX outer for material, 2.0 mm	1
	MB327-0474	AL474		MB-Nozzle EX outer for material, 2.5 mm	1
	MB327-0475	AL475		MB-Nozzle EX outer for material, 3.0 mm	1
	MB327-0476	AL476		MB-Nozzle EX outer for material, 3.5 mm	1
		MB327-0434	AL468	BQ980D434G01	MB-Nozzle EX outer for thick material, 4.0 mm
4	MB327-4423	AL469	BQ980D442G03	MB-Nozzle EX outer, 4.0 mm	1
5	MB327-4421	AL470	BQ980D442G01	MB-Nozzle EX outer, 7.0 mm	1



Consumables

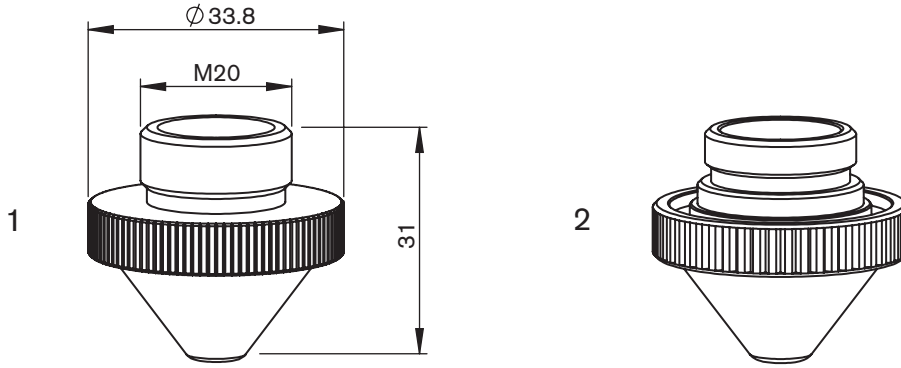
	Centricut part number	Esse A part number	Reference number	Description	Pkg qty
1	PT344-0013X	L30400	280013, P0492-441-00008, W222	PT-Nozzle FP, 0.8 mm (10 pk)	10
	PT344-0014	L401		PT-Nozzle FP, 1.0 mm	1
	MB336-223X	L30401	280014, P0492-442-00010, W223	MB-Nozzle FP, 1.0 mm (10 pk)	10
	PT344-0015X	L30402	280015, P0492-443-00012, W228	PT-Nozzle FP, 1.2 mm (10 pk)*	10
	PT344-0016	L403		PT-Nozzle FP, 1.5 mm	1
	MB336-224X	L30403	280016, P0492-444-00015, W224	MB-Nozzle FP, 1.5 mm (10 pk)	10
	PT344-0018X	L30543	P0492-447-00018	PT-Nozzle FP, 1.8 mm (10 pk)*	10
	PT344-0937	L544		PT-Nozzle FP, 2.0 mm	1
	MB336-225X	L30544	280937, P0492-445-00020, W225	MB-Nozzle FP, 2.0 mm (10 pk)	10
	PT344-1791	L545		PT-Nozzle FP, 2.5 mm	1
	MB336-226X	L30545	281791, P0492-446-00025, W226	MB-Nozzle FP, 2.5 mm (10 pk)	10
	MB336-0005	L547		PT-Nozzle FP, 3.0 mm	1
	MB336-0005X	L30547		PT-Nozzle FP, 3.0 mm (10 pk)	10
	PT344-0010CPX	L30401X	280014, P0492-442-00010, W223	PT-Nozzle FP, 1.0 mm CP (10 pk)	10
2	AM416-0003	AL303		AM-Nozzle outer, 2.0 mm	1
	AM416-0004	AL304		AM-Nozzle outer, 2.5 mm	1
	AM416-0005	AL305		AM-Nozzle outer, 3.0 mm	1
	AM416-0006	AL306		AM-Nozzle outer, 4.0 mm	1
3	MB330-001	L549	W001-A	MB-Nozzle, 1.5 mm	1
	MB330-002	L550	W002-A	MB-Nozzle, 2.0 mm	1
4	MB336-0018	L1710	BKO-NB8358H03, BQ949D117, P0352-377-00018	MB-Nozzle DE M1.5" 1.8H, 1.8 mm	1

* Centricut parts available in single packs. To order single packs, remove the 'X' at the end of the part number (e.g. AM123-4567X would be AM123-4567). For Esse A parts available in single packs. To order single packs, remove the '30' after the L in the part number (e.g. L301401X would be L401X).



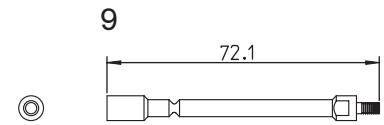
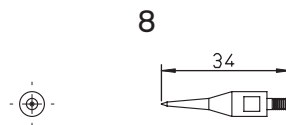
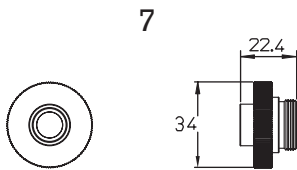
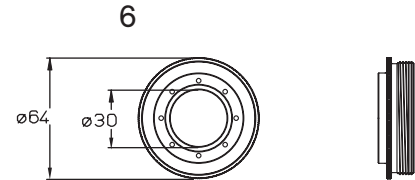
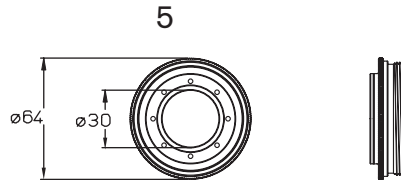
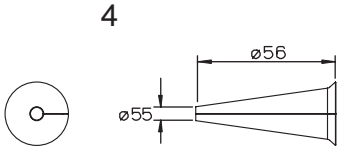
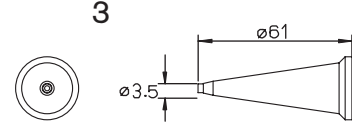
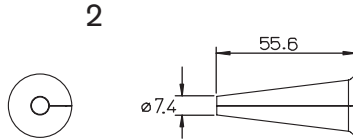
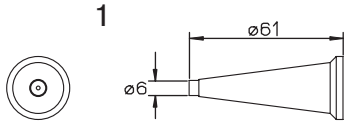
Consumables

	Centricut part number	Esse A part number	Reference number	Description	Pkg qty
	Sensor cones				
1	PT347-0011		P0354-110-00002	PT-Sensor cone HNZ (Mitsubishi)	1
2	MB334-W429A		W429A	MB-Sensor cone W429A	1



Consumables

	Centricut part number	Esse A part number	Reference number	Description	Pkg qty
1	NT401-0002	L455		NT-Nozzle, 1.2 mm	1
	NT401-0003	L456		NT-Nozzle, 1.5 mm	1
	NT401-0004	L457		NT-Nozzle, 2.0 mm	1
	NT401-0006	L459		NT-Nozzle, 3.0 mm	1
2	NT382-3737	L1091	4R023668	NT-Nozzle, 1.2 mm	1
	NT382-3904	L1092	4R020576	NT-Nozzle, 1.5 mm	1
	NT382-0040	L1095		NT-Nozzle, 4.0 mm	1

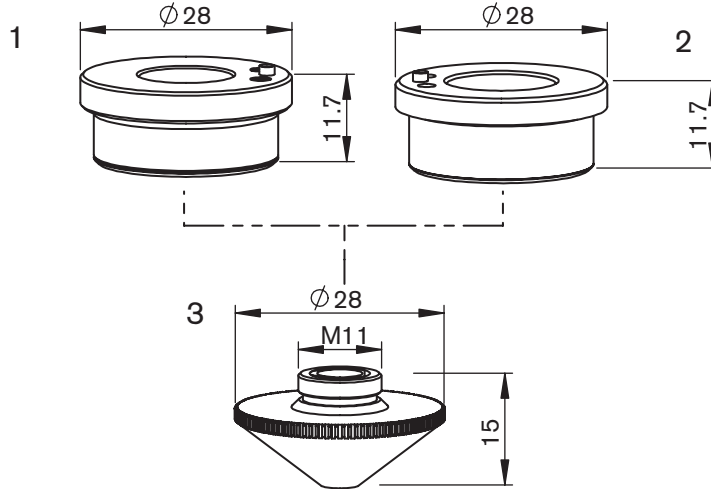


(Not to scale)

Consumables

	Centricut part number	Esse A part number	Reference number	Description	Pkg qty
1	NT426-0515		4R018705-001	NT-Nozzle, 1.5 mm (standard), ceramic	1
	NT426-0520		4R018705-002	NT-Nozzle, 2.0 mm (standard), ceramic	1
2	NT426-3962		4R003962-001	NT-Nozzle cap, standard	1
3	NT426-6515		4R008865-002	NT-Nozzle, 1.5 mm (small), ceramic	1
	NT426-6520		4R008865-001	NT-Nozzle, 2.0 mm (small), ceramic	1
4	NT426-8866		4R008866-001	NT- Nozzle cap, small	1
5	NT426-8415		4R018452-001	NT-Flange (new style) 0.15"	1
	NT426-8430		4R018452-002	NT-Flange (new style) 0.30"	1
	NT426-8450		4R032035-001	NT-Flange (new style) 0.50"	1
6	NT426-9711		4R019711-001	NT-Flange (old style) 0.10"	1
	NT426-4446		4R004446-001	NT-Flange (old style) 0.15"	1
	NT426-6511		4R006511-001	NT-Flange (old style) 0.30"	1
7	NT426-0487 (not shown)		4R010487-001	NT-Flange (2D) 0.50"	1
	NT426-2632 (not shown)		3R002632-G03	NT-Nozzle holder (old style), ceramic	1
	NT426-6928 (not shown)		3R016928-G01	NT-Nozzle holder (new style), ceramic	1
8	NT426-7758		4R037758-001	NT-Nozzle base	1
	NT426-0001 (not shown)		N-G O-RINGS	NT-O-Rings for nozzle holder	1
	NT426-3765 (not shown)		4R003765-001	NT-Nozzle nut	1
9	NT426-3540		4R003540-001	NT-Stylus	1
	NT426-2720		4R012720-001	NT-Stylus adapter	1
	NT426-1682 (not shown)		4R029911-001	NT-Sensor cable, 216 mm (8.5")	1
	NT426-8677 (not shown)		4R028677-001	NT-Sensor cable, 508 mm (20") armored	1
	NT426-4991 (not shown)		3-0104991	NT-Sensor cable, 0-0BNC/MCX, 482 mm (19")	1
	NT426-7492 (not shown)		3-0117492	NT-Sensor cable, 90BNC/90BNC, 482 mm (19")	1

Centricut is not affiliated with the named manufacturers. Reference to machines, parts, descriptions, and model numbers are for convenience in verifying compatibility only. All parts are made by or for Centricut and are not made by the referenced manufacturers (unless expressly indicated). Centricut is a registered trademark of Hypertherm, Inc. All other trademarks are the properties of their respective owners.

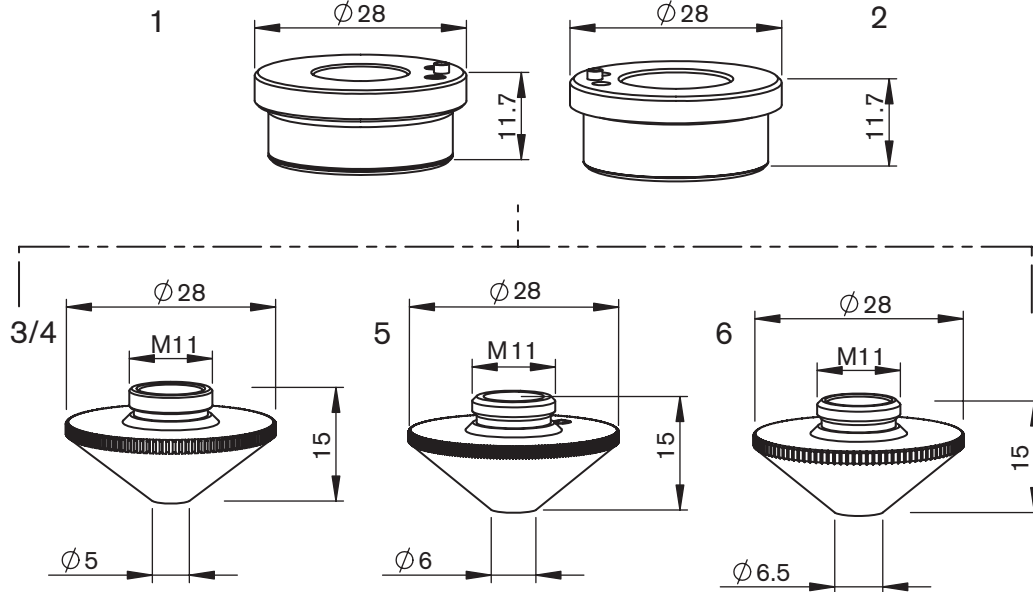

Consumables

	Centricut part number	Esse A part number	Reference number	Description	Pkg qty
1	PT348-1051	AL355	P0571-1051-00001, 6930281333, 055456	PT-Nozzle holder KT B2" Con	1
	PT348-1052 Recommended	AL495	P0571-1051-00001, 6930281333, 055456	PT-Nozzle holder KT B2" Con	1
	PT348-1053	AL380	P0571-1051-00001, 6930281333, 055456	PT-Nozzle holder KT B2 Con	1
2	PT348-1330 Recommended	AL131	281330, P0571-260-00001, 6930281330	PT-Nozzle holder KT B2	1
	PT348-0260	AL421	281330, P0571-260-00001, 6930281330	PT-Nozzle holder KT B2	1
	PT348-13300EM	AL23	281330, P0571-260-00001, 6930281330	PT-Nozzle holder KT B2	1
3	PT358-0010X	L30660		PT-Nozzle double, 1.0 mm/inner 1.5 mm (10 pk)*	10
	PT358-0112X	L30661-12		PT-Nozzle double, 1.2 mm/inner 1.2 mm (10 pk)*	10
	PT358-0125X	L30661	P0591-002-00012	PT-Nozzle double, 1.2 mm/inner 1.5 mm (10 pk)*	10
	PT358-0124X	L30672		PT-Nozzle double, 1.4 mm/inner 1.5 mm (10 pk)*	10
	PT358-0015X	L30662	P0591-002-00015	PT-Nozzle double, 1.5 mm/inner 1.5 mm (10 pk)*	10
	PT358-0018X	L30663	P0591-002-00018	PT-Nozzle double, 1.8 mm/inner 1.5 mm (10 pk)*	10
	PT358-0020X	L30664	P0591-002-00020	PT-Nozzle double, 2.0 mm/inner 1.5 mm (10 pk)*	10
	PT358-0418	L664-18		PT-Nozzle double, 2.0 mm/inner 1.8 mm	1
	PT358-0420X	L30664-20		PT-Nozzle double, 2.0 mm Inner 2.0 mm (10 pk)	10
	PT358-0620X	L30666-20		PT-Nozzle double, 2.5 mm/inner 2.0 mm (10 pk)*	10
	PT358-0720X	L30667-20		PT-Nozzle double, 3.0 mm/inner 2.0 mm (10 pk)*	10
	PT358-0023X	L30665	P0591-002-00023	PT-Nozzle double, 2.3 mm/inner 1.5 mm (10 pk)*	10
	PT358-0007X	L30666	P0591-002-00025	PT-Nozzle double, 2.5 mm/inner 1.5 mm (10 pk)*	10
	PT358-0030X	L30667	P0591-002-00030, 29100382	PT-Nozzle double, 3.0 mm/inner 1.5 mm (10 pk)*	10
	PT358-0035X	L30668	P0591-002-00035, 29100384	PT-Nozzle double, 3.5 mm/inner 1.5 mm (10 pk)*	10
	PT358-0008CP	L669X		PT-Nozzle double, 0.8 mm/inner 1.5 mm CP	1
	PT358-0010CPX	L30660X		PT-Nozzle double, 1.0 mm/inner 1.5 mm CP (10 pk)*	10
	PT358-0125CPX	L30661X		PT-Nozzle double, 1.2 mm/inner 1.5 mm CP (10 pk)*	10
	PT358-0124CPX	L30672X		PT-Nozzle double, 1.4 mm/inner 1.5 mm CP (10 pk)*	10
	PT358-0015CPX	L30662X		PT-Nozzle double, 1.5 mm/inner 1.5 mm CP (10 pk)*	10
	PT358-0018CPX	L30663X		PT-Nozzle double, 1.8 mm/inner 1.5 mm CP (10 pk)*	10
	PT358-0020CPX	L30664X		PT-Nozzle double, 2.0 mm/inner 1.5 mm	10
	PT358-0025CPX	L30666X		PT-Nozzle double, 2.5 mm/inner 1.5 mm CP (10 pk)*	10
	PT358-0030CPX	L30667X		PT-Nozzle double, 3.0 mm/inner 1.5 mm CP (10 pk)*	10
	PT358-0035CPX	L30668X		PT-Nozzle double, 3.5 mm/inner 1.5 mm CP (10 pk)*	10
	PT358-0040X	L30840	P40-008038-010	PT-Nozzle double, 4.0 mm/inner 1.5 mm (10 pk)*	10
	PT358-0040CP	L840X		PT-Nozzle double, 4.0 mm/inner 1.5 mm CP	10
	PT358-0045X	L30841	P40-008038-011	PT-Nozzle double, 4.5 mm/inner 1.5 mm (10 pk)*	10
	PT358-0045CPX	L30841X		PT-Nozzle double, 4.5 mm/inner 1.5 mm CP (10 pk)*	10
	PT358-0050X	L30861	P40-008038-012	PT-Nozzle double, 5.0 mm/inner 1.5 mm (10 pk)*	10
	PT358-0050CP	L862X		PT-Nozzle double, 5.0 mm/inner 1.5 mm	1
	PT358-1925	L1925		PT-Nozzle double Penta, 1.0 mm	1
	PT358-1926	L1926		PT-Nozzle double Penta, 1.2 mm	1
PT358-1927	L1927		PT-Nozzle double Penta, 1.5 mm	1	
PT358-1928	L1928		PT-Nozzle double Penta, 2.0 mm	1	
PT358-1929	L1929		PT-Nozzle double Penta, 2.5 mm	1	
PT358-1930	L1930		PT-Nozzle double Penta, 3.0 mm	1	
PT358-1931	L1931		PT-Nozzle double Penta, 3.5 mm	1	
PT358-1932	L1932		PT-Nozzle double Penta, 4.0 mm	1	
PT358-1933	L1933		PT-Nozzle double Penta, 4.5 mm	1	

* Centricut parts available in single packs. To order single packs, remove the 'X' at the end of the part number (e.g. AM123-4567X would be AM123-4567).

For Esse A parts available in single packs. To order single packs, remove the '30' after the L in the part number (e.g. L301401X would be L401X).

Centricut is not affiliated with the named manufacturers. Reference to machines, parts, descriptions, and model numbers are for convenience in verifying compatibility only. All parts are made by or for Centricut and are not made by the referenced manufacturers (unless expressly indicated). Centricut is a registered trademark of Hypertherm, Inc. All other trademarks are the properties of their respective owners.


Consumables

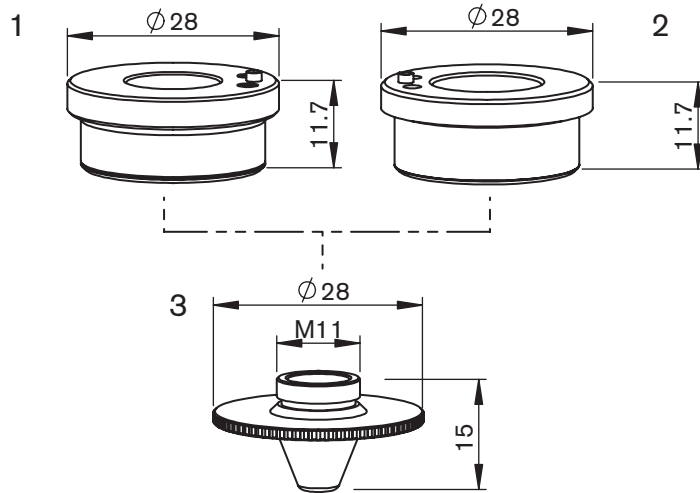
	Centricut part number	Esse A part number	Reference number	Description	Pkg qty
1	PT348-1051	AL355	P0571-1051-00001, 6930281333, 055456	PT-Nozzle holder KT B2" Con	1
	PT348-1052 Recommended	AL495	P0571-1051-00001, 6930281333, 055456	PT-Nozzle holder KT B2" Con	1
	PT348-1053	AL380	P0571-1051-00001, 6930281333, 055456	PT-Nozzle holder KT B2 Con	1
2	PT348-1330 Recommended	AL131	281330, P0571-260-00001, 6930281330	PT-Nozzle holder KT B2	1
	PT348-0260	AL421	281330, P0571-260-00001, 6930281330	PT-Nozzle holder KT B2	1
	PT348-13300EM	AL23	281330, P0571-260-00001, 6930281330	PT-Nozzle holder KT B2	1
3	PT345-0008X	L30935	P40-003805-001	PT-Nozzle HD, 0.8 mm (10 pk)*	10
	PT345-1548X	L30234	281548, P0591-571-00010	PT-Nozzle HD, 1.0 mm (10 pk)*	10
	PT345-1549X	L30235	281549, P0591-572-00012	PT-Nozzle HD, 1.2 mm (10 pk)*	10
	PT345-1555X	L30824		PT-Nozzle HD, 1.4 mm (10 pk)*	10
	PT345-1463X	L30236	281463, P0591-573-00015	PT-Nozzle HD, 1.5 mm (10 pk)*	10
	PT345-0001X	L30237		PT-Nozzle HD, 1.8 mm (10 pk)*	10
	PT345-1550X	L30238	281550, P0591-575-00020	PT-Nozzle HD, 2.0 mm (10 pk)*	10
	PT345-0003X	L30239	281591, P0591-574-00023	PT-Nozzle HD, 2.3 mm (10 pk)*	10
	PT345-1551X	L30240	281551, P0591-576-00025	PT-Nozzle HD, 2.5 mm (10 pk)*	10
	PT345-1552X	L30936		PT-Nozzle HD, 2.75 mm (10 pk)*	10
	PT345-0002X	L30241	P40-003805-009	PT-Nozzle HD, 3.0 mm (10 pk)*	10
	PT345-0005X	L30826	P40-003805-010	PT-Nozzle HD, 3.2 mm (10 pk)*	10
	PT345-0006X	L30827	P40-003805-011	PT-Nozzle HD, 3.5 mm (10 pk)*	10
	PT345-0004X	L30828	P40-003805-012	PT-Nozzle HD, 4.0 mm (10 pk)*	10
	PT345-0007X	L30829		PT-Nozzle HD, 4.5 mm (10 pk)*	10
	PT345-1548CPX	L30234X	281548, P0591-571-00010	PT-Nozzle HD, 1.0 mm CP (10 pk)*	10
	PT345-1549CPX	L30235X	281549, P0591-572-00012	PT-Nozzle HD, 1.2 mm CP (10 pk)*	10
	PT345-1555CPX	L30824X		PT-Nozzle HD, 1.4 mm CP (10 pk)*	10
	PT345-1463CPX	L30236X	281463, P0591-573-00015	PT-Nozzle HD, 1.5 mm CP (10 pk)*	10
	PT345-0001CPX	L30237X		PT-Nozzle HD, 1.8 mm CP (10 pk)*	10
	PT345-1550CPX	L30238X	281550, P0591-575-00020	PT-Nozzle HD, 2.0 mm CP (10 pk)*	10
	PT345-0003CPX	L30239X	281591, P0591-574-00023	PT-Nozzle HD, 2.3 mm CP (10 pk)*	10
	PT345-1551CPX	L30240X	281551, P0591-576-00025	PT-Nozzle HD, 2.5 mm CP (10 pk)*	10
	PT345-0002CPX	L30241X		PT-Nozzle HD, 3.0 mm CP (10 pk)*	10
	PT345-0004CP	L828X		PT-Nozzle HD, 4.0 mm CP	1

Centricut is not affiliated with the named manufacturers. Reference to machines, parts, descriptions, and model numbers are for convenience in verifying compatibility only. All parts are made by or for Centricut and are not made by the referenced manufacturers (unless expressly indicated). Centricut is a registered trademark of Hypertherm, Inc. All other trademarks are the properties of their respective owners.

Consumables

	Centricut part number	Esse A part number	Reference number	Description	Pkg qty
4	PT345-0050	L1701	6283300050	Nozzle - 1.5 mm double	1
	PT345-0060	L1702	6283300060	Nozzle - 2.0 mm double	1
	PT345-0070	L1703	6283300070	Nozzle - 2.5 mm double	1
	PT345-0080	L1704	6283300080	Nozzle - 3.0 mm double	1
	PT345-0090	L1705	6283300090	Nozzle - 3.5 mm double	1
	PT345-0100	L1706	6283300100	Nozzle - 4.0 mm double	1
	PT345-0110	L1707	6283300110	Nozzle - 4.5 mm double	1
5	PT345-0180	L1692	6283300180	Nozzle - 4.0 mm	1
6	PT345-1936X	L301936		PT-Nozzle large head HD, 4.0 mm (10 pk)*	10
	PT345-1937X	L301937		PT-Nozzle large head HD, 4.5 mm (10 pk)*	10
	PT345-0830X	L30830		PT-Nozzle large head HD, 5.0 mm (10 pk)*	10
	PT345-1936CPX	L301936X		PT-Nozzle large head HD, 4.0 mm CP (10 pk)*	10
	PT345-1937CPX	L301937X		PT-Nozzle large head HD, 4.5 mm CP (10 pk)*	10

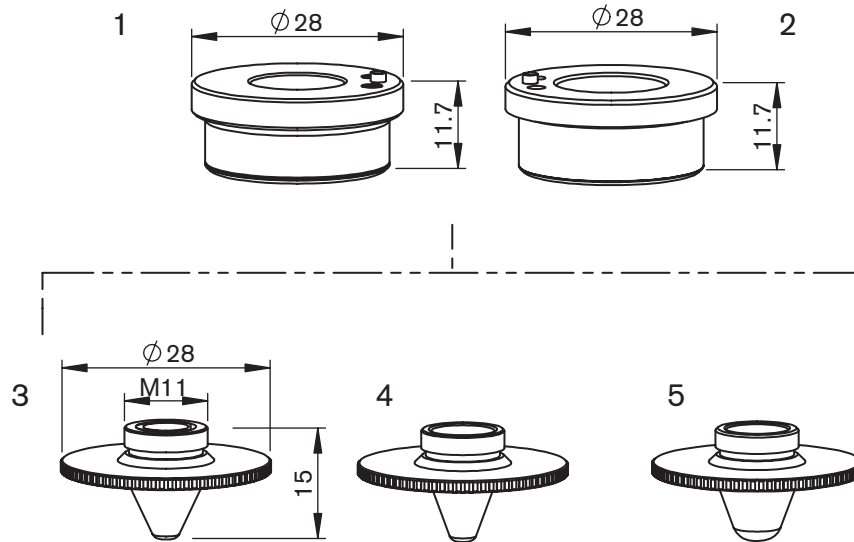
* Centricut parts available in single packs. To order single packs, remove the 'X' at the end of the part number (e.g. AM123-4567X would be AM123-4567).
 For Esse A parts available in single packs. To order single packs, remove the '30' after the L in the part number (e.g. L301401X would be L401X).


Consumables

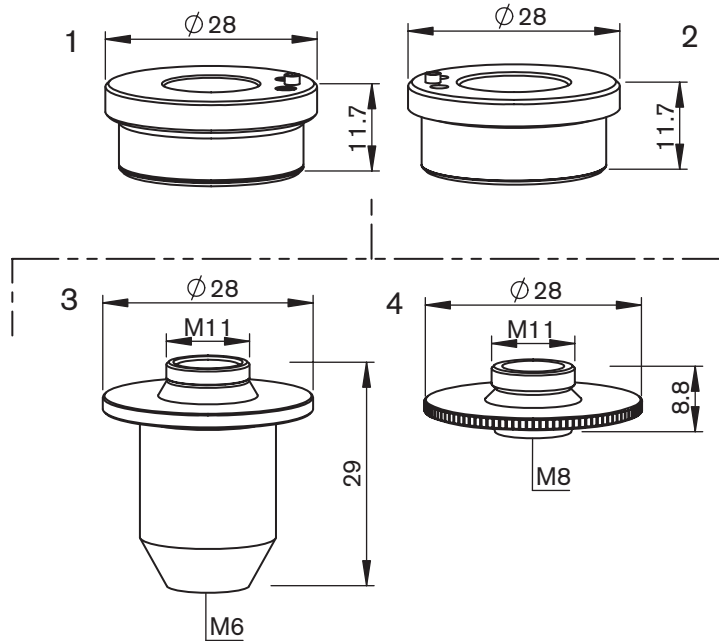
	Centricut part number	Esse A part number	Reference number	Description	Pkg qty
1	PT348-1051	AL355	P0571-1051-00001, 6930281333, 055456	PT-Nozzle holder KT B2" Con	1
	PT348-1052 Recommended	AL495	P0571-1051-00001, 6930281333, 055456	PT-Nozzle holder KT B2" Con	1
	PT348-1053	AL380	P0571-1051-00001, 6930281333, 055456	PT-Nozzle holder KT B2 Con	1
2	PT348-1330 Recommended	AL131	281330, P0571-260-00001, 6930281330	PT-Nozzle holder KT B2	1
	PT348-0260	AL421	281330, P0571-260-00001, 6930281330	PT-Nozzle holder KT B2	1
	PT348-13300EM	AL23	281330, P0571-260-00001, 6930281330	PT-Nozzle holder KT B2	1
3	PT350-1590X	L30247	281590, P0591-569-00008	PT-Nozzle, 0.8 mm (10 pk)*	10
	PT350-1331X	L30162	281331, P0591-561-00010, 6930281331	PT-Nozzle, 1.0 mm (10 pk)*	10
	PT350-1351X	L30130	281351, P0591-562-00012, 6930281351	PT-Nozzle, 1.2 mm (10 pk)*	10
	PT350-1352X	L30131	281352, P0591-563-00015, 6930281352	PT-Nozzle, 1.5 mm (10 pk)*	10
	PT350-1353X	L30153	281353, P0591-564-00018, 6930281353	PT-Nozzle, 1.8 mm (10 pk)*	10
	PT350-1354X	L30132	281354, P0591-565-00020, 6930281354	PT-Nozzle, 2.0 mm (10 pk)*	10
	PT350-0023X	L30154		PT-Nozzle, 2.3 mm (10 pk)*	10
	PT350-1591X	L30155	281591, P0591-566-00025	PT-Nozzle, 2.5 mm (10 pk)*	10
	PT350-0030X	L30156		PT-Nozzle, 3.0 mm (10 pk)*	10
	PT350-1331CPX	L30162X	281331, P0591-561-00010, 6930281331	PT-Nozzle, 1.0 mm CP (10 pk)*	10
	PT350-1351CPX	L30130X	281351, P0591-562-00012, 6930281351	PT-Nozzle, 1.2 mm CP (10 pk)*	10
	PT350-1352CPX	L30131X	281352, P0591-563-00015, 6930281352	PT-Nozzle, 1.5 mm CP (10 pk)*	10
	PT350-1353CPX	L30153X	281353, P0591-564-00018, 6930281353	PT-Nozzle, 1.8 mm CP (10 pk)*	10
	PT350-1354CPX	L30132X	281354, P0591-565-00020, 6930281354	PT-Nozzle, 2.0 mm CP (10 pk)*	10
	PT350-1591CPX	L30155X	281591, P0591-566-00025	PT-Nozzle, 2.5 mm CP (10 pk)	10
	PT350-0003CPX	L30156X		PT-Nozzle, 3.0 mm CP (10 pk)	10

* Centricut parts available in single packs. To order single packs, remove the 'X' at the end of the part number (e.g. AM123-4567X would be AM123-4567).

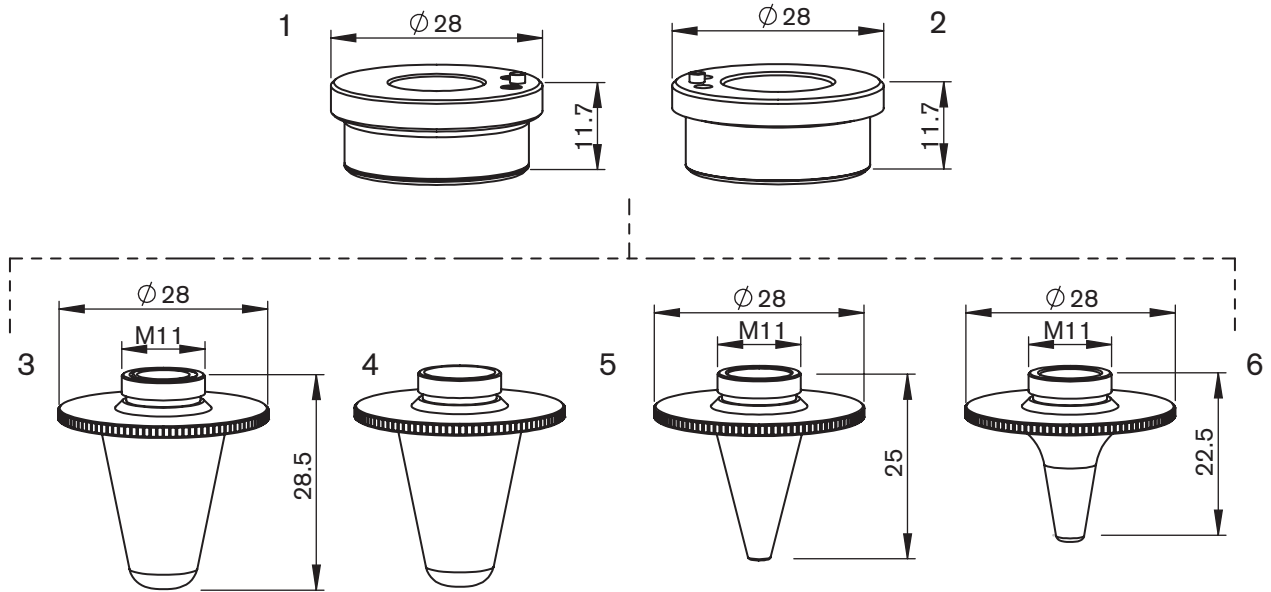
For Esse A parts available in single packs. To order single packs, remove the '30' after the L in the part number (e.g. L301401X would be L401X).


Consumables

	Centricut part number	Esse A part number	Reference number	Description	Pkg qty
1	PT348-1051	AL355	P0571-1051-00001, 6930281333, 055456	PT-Nozzle holder KT B2" Con	1
	PT348-1052 Recommended	AL495	P0571-1051-00001, 6930281333, 055456	PT-Nozzle holder KT B2" Con	1
	PT348-1053	AL380	P0571-1051-00001, 6930281333, 055456	PT-Nozzle holder KT B2 Con	1
2	PT348-1330 Recommended	AL131	281330, P0571-260-00001, 6930281330	PT-Nozzle holder KT B2	1
	PT348-0260	AL421	281330, P0571-260-00001, 6930281330	PT-Nozzle holder KT B2	1
	PT348-1330OEM	AL23	281330, P0571-260-00001, 6930281330	PT-Nozzle holder KT B2	1
3	PT358-0001	L1348	6930250001	PT-Nozzle double 3D, 0.8 mm/inner 1.5 mm	1
	PT358-0002	L1349	6930250002	PT-Nozzle double 3D, 1.0 mm/inner 1.5 mm	1
	PT358-0003	L1350	6930250003	PT-Nozzle double 3D, 1.2 mm/inner 1.5 mm	1
	PT358-0004	L1351	6930250004	PT-Nozzle double 3D, 1.5 mm/inner 1.5 mm	1
	PT358-0005	L1470		PT-Nozzle double 3D, 1.8 mm/inner 1.5 mm	1
	PT358-0002CP	L1349X		PT-Nozzle double 3D, 1.0 mm/inner 1.5 mm CP	1
	PT358-0003CP	L1350X		PT-Nozzle double 3D, 1.2 mm/inner 1.5 mm CP	1
	PT358-0004CP	L1351X		PT-Nozzle double 3D, 1.5 mm/inner 1.5 mm CP	1
4	PT406-0799	L799		PT-Nozzle HD, 0.8 mm	1
	PT406-0001	L738		PT-Nozzle HD, 1.0 mm	1
	PT406-0002	L739		PT-Nozzle HD, 1.2 mm	1
	PT406-0003	L740		PT-Nozzle HD, 1.5 mm	1
5	PT406-0008	L792		PT-Nozzle, 0.8 mm	1
	PT406-0010	L793		PT-Nozzle, 1.0 mm	1
	PT406-0125	L794		PT-Nozzle, 1.2 mm	1
	PT406-0015	L742	P0591-1049-00015	PT-Nozzle, 1.5 mm	1
	PT406-0018	L743	P0591-1050-00018	PT-Nozzle, 1.8 mm	1
PT406-0020	L744		PT-Nozzle, 2.0 mm	1	

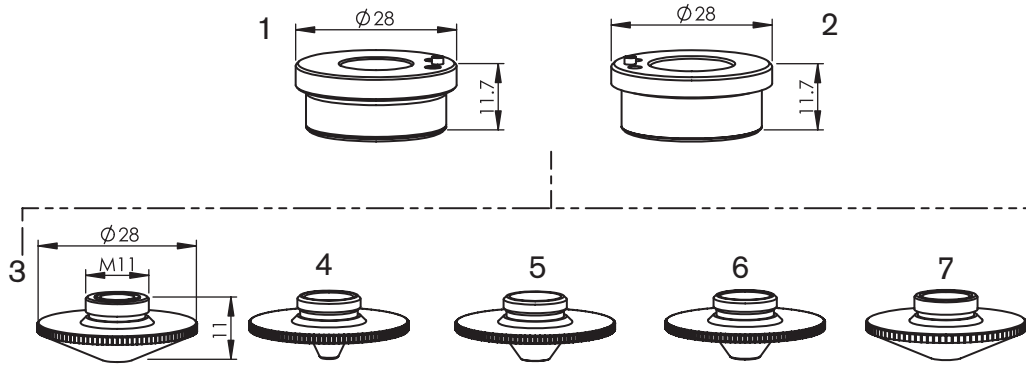

Consumables

	Centricut part number	Esse A part number	Reference number	Description	Pkg qty
1	PT348-1051	AL355	P0571-1051-00001, 6930281333, 055456	PT-Nozzle holder KT B2" Con	1
	PT348-1052 Recommended	AL495	P0571-1051-00001, 6930281333, 055456	PT-Nozzle holder KT B2" Con	1
	PT348-1053	AL380	P0571-1051-00001, 6930281333, 055456	PT-Nozzle holder KT B2 Con	1
2	PT348-1330 Recommended	AL131	281330, P0571-260-00001, 6930281330	PT-Nozzle holder KT B2	1
	PT348-0260	AL421	281330, P0571-260-00001, 6930281330	PT-Nozzle holder KT B2	1
	PT348-13300EM	AL23	281330, P0571-260-00001, 6930281330	PT-Nozzle holder KT B2	1
3	PT406-0334	AL334		PT-Nozzle adapter, L=30 M6	1
4	PT406-0043	AL43		PT-Nozzle adapter	1

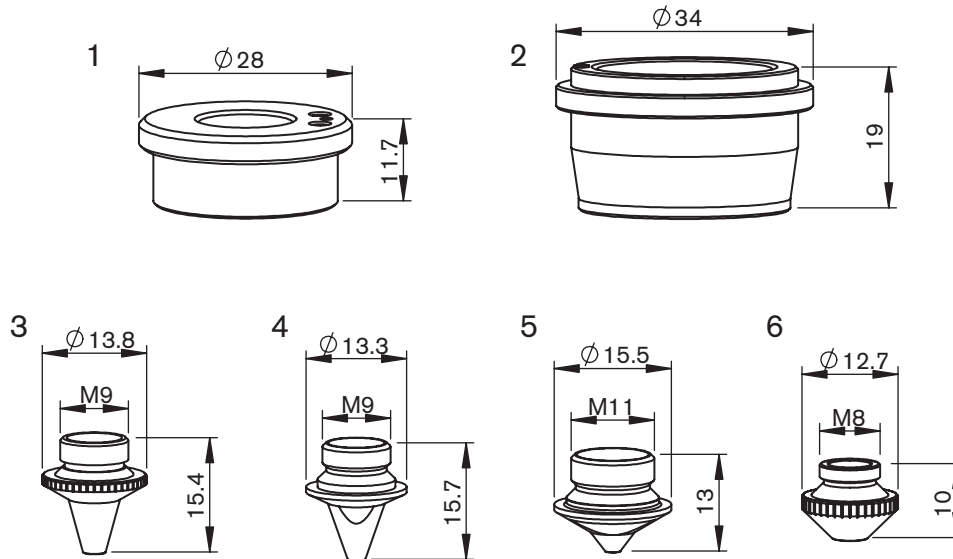

Consumables

	Centricut part number	Esse A part number	Reference number	Description	Pkg qty
1	PT348-1051	AL355	P0571-1051-00001, 6930281333, 055456	PT-Nozzle holder KT B2" Con	1
	PT348-1052 Recommended	AL495	P0571-1051-00001, 6930281333, 055456	PT-Nozzle holder KT B2" Con	1
	PT348-1053	AL380	P0571-1051-00001, 6930281333, 055456	PT-Nozzle holder KT B2 Con	1
2	PT348-1330 Recommended	AL131	281330, P0571-260-00001, 6930281330	PT-Nozzle holder KT B2	1
	PT348-0260	AL421	281330, P0571-260-00001, 6930281330	PT-Nozzle holder KT B2	1
	PT348-13300EM	AL23	281330, P0571-260-00001, 6930281330	PT-Nozzle holder KT B2	1
3	PT420-0010	L680		PT-Nozzle double long, 1.0 mm	1
	PT420-0125	L681		PT-Nozzle double long, 1.2 mm	1
	PT420-0015	L682		PT-Nozzle double long, 1.5 mm	1
	PT420-0018	L683		PT-Nozzle double long, 1.8 mm	1
	PT420-0020	L684		PT-Nozzle double long, 2.0 mm	1
	PT420-0023	L685		PT-Nozzle double long, 2.3 mm	1
	PT420-0025	L686		PT-Nozzle double long, 2.5 mm	1
	PT420-0030	L687		PT-Nozzle double long, 3.0 mm	1
	PT420-0035	L688		PT-Nozzle double long, 3.5 mm	1
4	PT390-0010	L308	P0573-563-00010	PT-Nozzle long, 1.0 mm	1
	PT390-0012	L307	P0573-563-00012	PT-Nozzle long, 1.2 mm	1
	PT390-0015	L382	P0573-563-00015	PT-Nozzle long, 1.5 mm	1
	PT390-0018	L383	P0573-563-00018	PT-Nozzle long, 1.8 mm	1
	PT390-0020	L437	P0573-564-00020	PT-Nozzle long, 2.0 mm	1
	PT390-0025	L439	P0573-566-00025	PT-Nozzle long, 2.5 mm	1
	PT390-0030	L440		PT-Nozzle long, 3.0 mm	1
5	PT390-0001	L1341		PT-Nozzle long, 1.0 mm	1
	PT390-0002	L1343		PT-Nozzle long, 1.5 mm	1
	PT390-0004	L1345		PT-Nozzle long, 2.0 mm	1
6	PT390-0040	L1374	P0578-0411-00010	PT-Nozzle radius long, 1.0 mm	1
	PT390-0005	L1375	P0578-0412-00012	PT-Nozzle radius long, 1.2 mm	1
	PT390-0006	L1376	P0578-0413-00015, 6930300039	PT-Nozzle radius long, 1.5 mm	1
	PT390-0009	L1373	P0578-0414-00018	PT-Nozzle radius long, 1.8 mm	1
	PT390-0007	L1377	P0578-0415-00020, 6930300040	PT-Nozzle radius long, 2.0 mm	1
	PT390-0008	L1378	P0578-0416-00025	PT-Nozzle radius long, 2.5 mm	1
	PT390-0006CP	L1376X		PT-Nozzle radius long, 1.5 mm CP	1
	PT390-0007CP	L1377X		PT-Nozzle radius long, 2.0 mm CP	1

Centricut is not affiliated with the named manufacturers. Reference to machines, parts, descriptions, and model numbers are for convenience in verifying compatibility only. All parts are made by or for Centricut and are not made by the referenced manufacturers (unless expressly indicated). Centricut is a registered trademark of Hypertherm, Inc. All other trademarks are the properties of their respective owners.

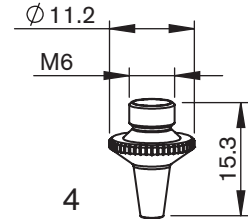
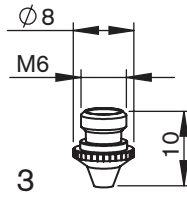
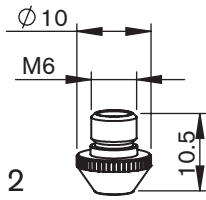
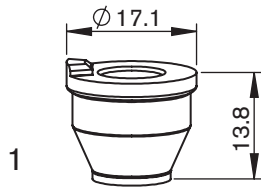

Consumables

	Centricut part number	Esse A part number	Reference number	Description	Pkg qty
1	PT348-1051	AL355	P0571-1051-00001, 6930281333, 055456	PT-Nozzle holder KT B2" Con	1
	PT348-1052 Recommended	AL495	P0571-1051-00001, 6930281333, 055456	PT-Nozzle holder KT B2" Con	1
	PT348-1053	AL380	P0571-1051-00001, 6930281333, 055456	PT-Nozzle holder KT B2 Con	1
2	PT348-1330 Recommended	AL131	281330, P0571-260-00001, 6930281330	PT-Nozzle holder KT B2	1
	PT348-0260	AL421	281330, P0571-260-00001, 6930281330	PT-Nozzle holder KT B2	1
	PT348-1330OEM	AL23	281330, P0571-260-00001, 6930281330	PT-Nozzle holder KT B2	1
3	PT377-0002	L1180		PT-Nozzle double, 1.5 mm/inner 1.5 mm	1
	PT377-0001CP	L1179X		PT-Nozzle double, 1.0 mm/inner 1.5 mm CP	1
	PT377-1160CP	L1160X		PT-Nozzle double, 1.2 mm/inner 1.5 mm CP	1
	PT377-1161CP	L1161X		PT-Nozzle double, 1.4 mm/inner 1.5 mm CP	1
	PT377-0002CP	L1180X		PT-Nozzle double, 1.5 mm/inner 1.5 mm CP	1
	PT377-1162CP	L1162X		PT-Nozzle double, 1.8 mm/inner 1.5 mm CP	1
	PT377-0003CP	L1181X		PT-Nozzle double, 2.0 mm/inner 1.5 mm	1
	PT377-0004CP	L1182X		PT-Nozzle double, 2.5 mm/inner 1.5 mm CP	1
	PT377-0005CP	L1183X		PT-Nozzle double, 3.0 mm/inner 1.5 mm CP	1
	PT377-1184CP	L1184X		PT-Nozzle double, 3.5 mm/inner 1.5 mm CP	1
4	PT348-0002	L1219		PT-Nozzle HD, 2.0 mm	1
	PT348-0003	L1220		PT-Nozzle HD, 2.5 mm	1
5	PT348-0010	L1060		PT-Nozzle HD, 1.0 mm	1
	PT348-0012	L1061		PT-Nozzle HD, 1.2 mm	1
	PT348-0015	L1062		PT-Nozzle HD, 1.5 mm	1
	PT348-0020	L1063		PT-Nozzle HD, 2.0 mm	1
	PT348-0025	L1064		PT-Nozzle HD, 2.5 mm	1
	PT348-0030	L1065		PT-Nozzle HD, 3.0 mm	1
	PT348-1086	L1086		PT-Nozzle HD, 3.5 mm	1
	PT348-1087	L1087		PT-Nozzle HD, 4.0 mm	1
	PT348-1088	L1088		PT-Nozzle HD, 4.5 mm	1
	PT348-1089	L1089		PT-Nozzle HD, 5.0 mm	1
6	PT348-1340	L410	281340, P0571-281-00010	PT-Nozzle, 1.0 mm	1
	PT348-1341	L411	281341, P0571-282-00012	PT-Nozzle, 1.2 mm	1
	PT348-1342	L412	281342, P0571-283-00015	PT-Nozzle, 1.5 mm	1
	PT348-1343	L414	281343, P0571-285-00020	PT-Nozzle, 2.0 mm	1
	PT348-1344	L415	281344, P0571-286-00025	PT-Nozzle, 2.5 mm	1
7	PT377-0010	L465	281599, P0571-291-00010	PT-Nozzle, 1.0 mm	1
	PT377-0012	L466	P0571-292-00012	PT-Nozzle, 1.2 mm	1
	PT377-0015	L467	281570, P0571-293-00015	PT-Nozzle, 1.5 mm	1
	PT377-0018	L468		PT-Nozzle, 1.8 mm	1
	PT377-0020	L469	281571, P0571-295-00020	PT-Nozzle, 2.0 mm	1
	PT377-0025	L470	281572, P0571-297-00025	PT-Nozzle, 2.5 mm	1
	PT377-0030	L463		PT-Nozzle, 3.0 mm	1


Consumables

	Centricut part number	Esse A part number	Reference number	Description	Pkg qty
1	PT348-1330C	AL331	281330, P0571-260-00001, 6930281330	PT-Nozzle holder, ceramic	1
2	PT348-1001	AL228		PT-Nozzle holder	1
3	PT344-1813X	L30405	281813, P0589-424-00008	PT-Nozzle, 0.8 mm (10 pk)*	10
	PT344-1789X	L30406	281789, P0589-426-00010	PT-Nozzle, 1.0 mm (10 pk)*	10
	PT344-1561X	L30404	281561, 778550	PT-Nozzle, 1.2 mm (10 pk)*	10
	PT344-1499X	L30407	281814, 149957	PT-Nozzle, 1.5 mm (10 pk)*	10
	PT344-0020X	L30408	P0589-428-00020	PT-Nozzle, 2.0 mm (10 pk)	10
YK52 Sensor system					
4	PT391-0010X	L30800	281498, P0587-722-00010	PT-Nozzle, 1.0 mm (10 pk)	10
	PT391-0012X	L30801	P0587-723-00012	PT-Nozzle, 1.2 mm (10 pk)	10
	PT391-0015X	L30802	281497, P0587-721-00015	PT-Nozzle, 1.5 mm (10 pk)*	10
	PT391-0020X	L30804	281567, P0587-771-00020	PT-Nozzle, 2.0 mm (10 pk)*	10
	PT391-0025X	L30805	P0587-772-00025	PT-Nozzle, 2.5 mm (10 pk)	10
5	PT401-0010	L1013	P0587-841-00010	PT-Nozzle, 1.0 mm	1
6	PT344-0013X	L30400	280013, P0492-441-00008, W222	PT-Nozzle FP, 0.8 mm (10 pk)	10
	PT344-0014X	L30401	280014, P0492-442-00010, W223	PT-Nozzle FP, 1.0 mm (10 pk)*	10
	PT344-0015X	L30402	280015, P0492-443-00012, W228	PT-Nozzle FP, 1.2 mm (10 pk)	10
	PT344-0016X	L30403		PT-Nozzle FP, 1.5 mm (10 pk)	10
	PT344-0018X	L30543	P0492-447-00018	PT-Nozzle FP, 1.8 mm (10 pk)	10
	PT344-0937X	L30544		PT-Nozzle FP, 3.0 mm (10 pk)*	10
	PT344-1791X	L30545		PT-Nozzle FP, 2.5 mm (10 pk)*	10
	PT344-0027	L547		PT-Nozzle FP, 3.0 mm	1
PT344-0010CPX	L30401X	280014, P0492-442-00010, W223	PT-Nozzle FP, 1.0 mm CP (10 pk)	10	

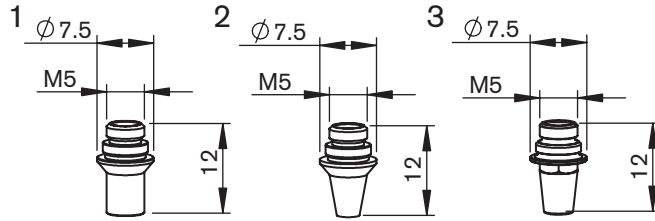
* Centricut parts available in single packs. To order single packs, remove the 'X' at the end of the part number (e.g. AM123-4567X would be AM123-4567).
 For Esse A parts available in single packs. To order single packs, remove the '30' after the L in the part number (e.g. L301401X would be L401X).


Consumables

	Centricut part number	Esse A part number	Reference number	Description	Pkg qty
1	TR302-2405	AL53	280408, 092405, P0494-752-00001	TR-Nozzle holder KT M1.5" KN OEM	1
2	PT344-0551X	L30292	280551, P0494-853-00010	PT-Nozzle, 1.0 mm (10 pk)	10
	PT344-0552X	L30293	280552, P0494-854-00012	PT-Nozzle, 1.2 mm (10 pk)*	10
	PT344-0553X	L30294	280553, P0494-855-00015	PT-Nozzle, 1.5 mm (10 pk)*	10
	PT344-0554X	L30295	280553, P0494-856-00017	PT-Nozzle, 1.7 mm (10 pk)*	10
	PT344-0555X	L30296	280555, P0494-855-00020	PT-Nozzle, 2.0 mm (10 pk)*	10
	PT344-9023X	L30372		PT-Nozzle, 2.3 mm (10 pk)	10
	PT344-9025X	L30371		PT-Nozzle, 2.5 mm (10 pk)	10
	PT344-0030X	L30304		PT-Nozzle, 3.0 mm (10 pk)	10
	PT344-0400X	L30303		PT-Nozzle, 4.0 mm (10 pk)	10
DE M 1.5"					
3	PT379-0010X	L301055	280943, P0494-787-00010	PT-Nozzle KN TAK, 1.0 mm (10 pk)	10
	PT379-0012X	L301056	280942, P0494-788-00012	PT-Nozzle KN TAK, 1.2 mm (10 pk)*	10
	PT379-0015X	L301057	280941, P0494-789-00015	PT-Nozzle KN TAK, 1.5 mm (10 pk)*	10
	PT379-0018X	L301058		PT-Nozzle KN TAK, 1.8 mm (10 pk)*	10
	PT379-0020X	L301059		PT-Nozzle KN TAK, 2.0 mm (10 pk)*	10
DE Y 30/22					
4	PT344-1980X	L301980	P0787-482-00012	PT-Nozzle DE Y30/22 F100, 1.2 mm (10 pk)*	10
	PT344-1981X	L301981	P0787-483-00015	PT-Nozzle DE Y30/22 F10, 1.5 mm (10 pk)*	10
	PT344-1983X	L301983	P0787-1001-00020	PT-Nozzle DE, 2.0 mm (10 pack)*	10
	PT344-1984X	L301984		PT-Nozzle DE, 2.5 mm (10 pack)*	10

* Centricut parts available in single packs. To order single packs, remove the 'X' at the end of the part number (e.g. AM123-4567X would be AM123-4567).
For Esse A parts available in single packs. To order single packs, remove the '30' after the L in the part number (e.g. L301401X would be L401X).

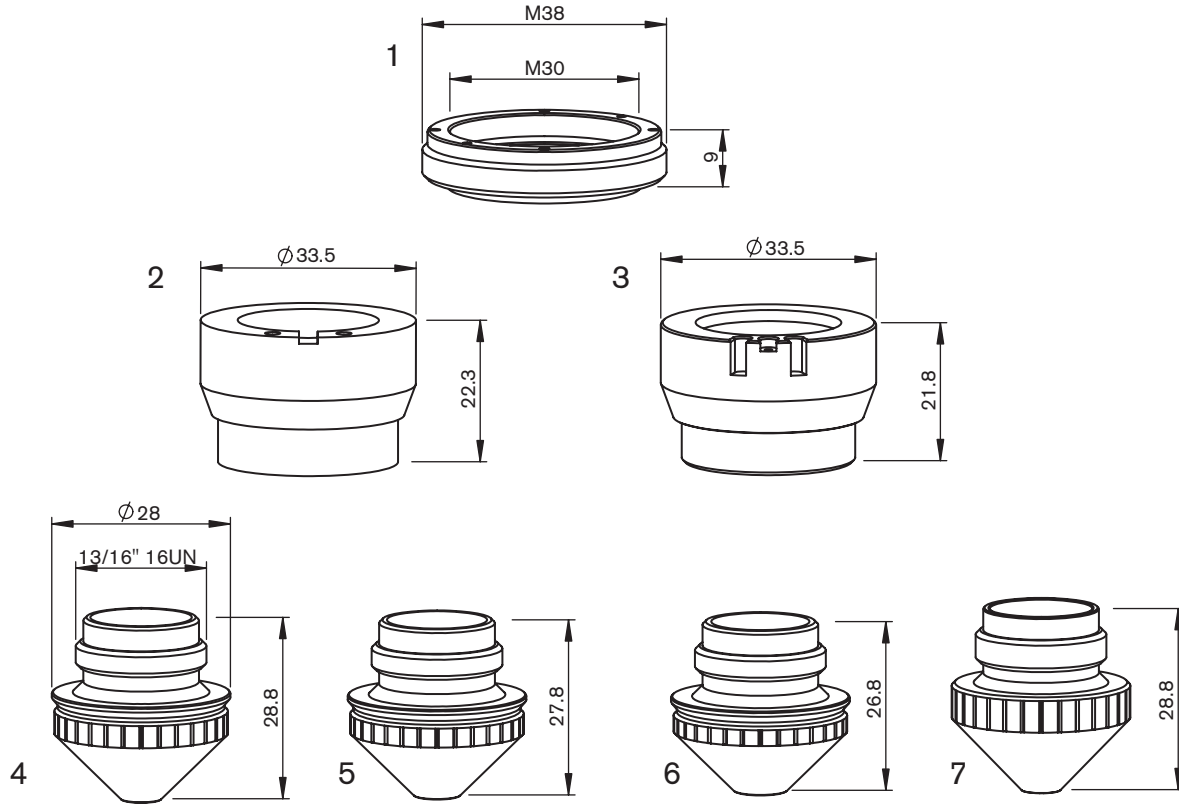
For Adige and Mazak systems



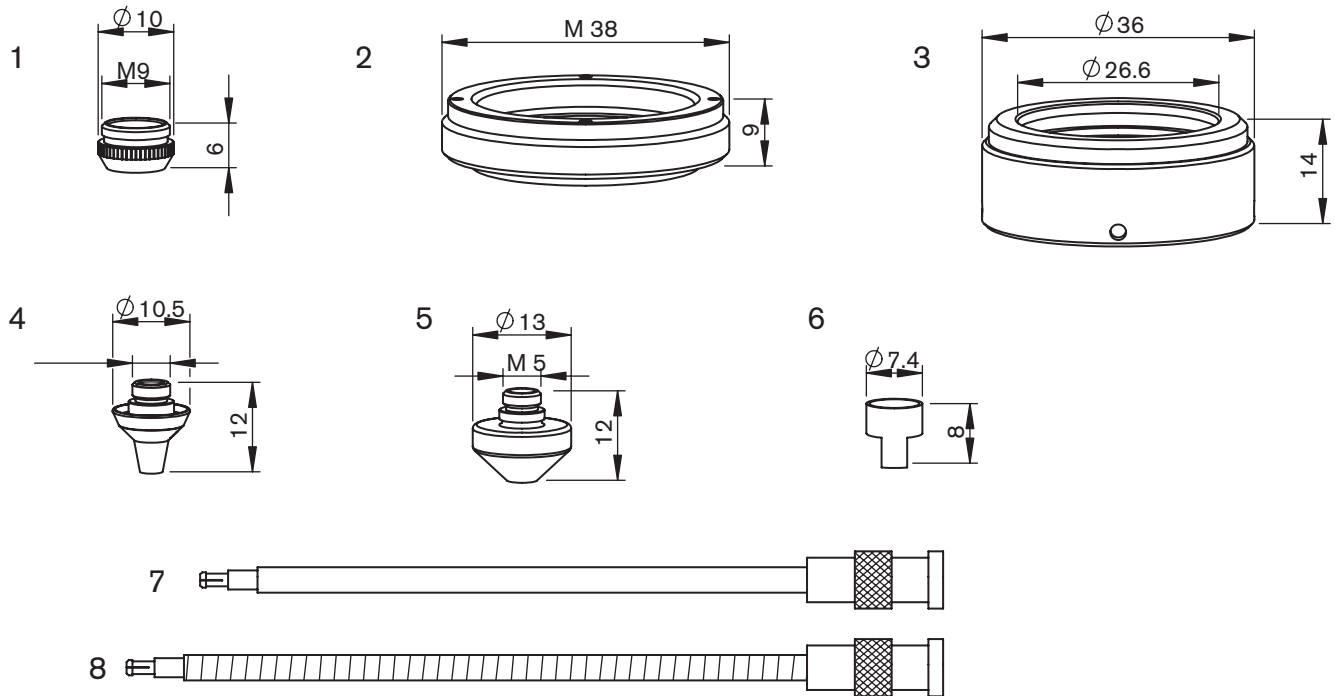
Consumables

	Centricut part number	Esse A part number	Reference number	Description	Pkg qty
1	PT347-1013X	L30482	281013, P0352-325-00015	PT-Nozzle ZK, 1.5 mm (10 pk)*	10
	PT347-0899X	L30483	280899, P0352-326-00018	PT-Nozzle ZK, 1.8 mm (10 pk)	10
	PT347-0044-3	L484	350044.3, P0352-327-00020	PT-Nozzle ZK, 2.0 mm	1
	PT347-0044X	L30484	350044.3, P0352-327-00020	PT-Nozzle ZK, 2.0 mm (10 pk)*	10
	PT347-1025X	L30485	350044.3, P0352-328-00025	PT-Nozzle ZK, 2.5 mm (10 pk)*	10
2	PT347-1006X	L30486	281006, P0352-333-00010	PT-Nozzle KK, 1.0 mm (10 pk)	10
	PT347-1031X	L30488	281031, P0352-335-00015	PT-Nozzle KK, 1.5 mm (10 pk)*	10
	PT347-0898X	L30489	280898, P0352-336-00018	PT-Nozzle KK, 1.8 mm (10 pk)	10
	PT347-1020X	L30490	P0352-336-00020	PT-Nozzle KK, 2.0 mm (10 pk)*	10
3	PT347-1760X	L301760	P0491-1001-00015	PT-Nozzle hexagonal DE M1.5 KS, 1.0 mm (10 pk)	10
	PT347-1761X	L301761	P0491-1002-00020	PT-Nozzle hexagonal DE M1.5 KS, 1.2 mm (10 pk)	10
	PT347-1762X	L301762		PT-Nozzle hexagonal DE M1.5 KS, 1.5 mm (10 pk)	10
	PT347-1764X	L301764		PT-Nozzle hexagonal DE M1.5 KS, 2.0 mm (10 pk)	10

* Centricut parts available in single packs. To order single packs, remove the 'X' at the end of the part number (e.g. AM123-4567X would be AM123-4567).
 For Esse A parts available in single packs. To order single packs, remove the '30' after the L in the part number (e.g. L301401X would be L401X).


Consumables

	Centricut part number	Esse A part number	Reference number	Description	Pkg qty
1	PT311-0001	AL201	P0492-702-00002	PT-Insulating ring	1
	PT347-4297	AL198	P0492-702-00001, 29100021	PT-Insulating ring outer body	1
	AM326-6453 (not shown)	AL94		AM-O-ring for outer nozzle	1
2	PT311-0298	AL298	P0497-68871, P0497-615-00001	PT-Nozzle holder KTM 1.5" DXN, ceramic	1
3	PT311-1146	AL130/S		PT-Nozzle holder ITM 1.5" DZ	1
	PT311-1146OEM	AL130	281146, P0380-211-00001, 29100033	PT-Nozzle holder ITM 1.5" DZ OEM	1
4	PT376-0010	L365	280029, P0492-628-00010	PT-Nozzle, 1.0 mm	1
	PT376-0012	L366	280030, P0492-629-00012	PT-Nozzle, 1.2 mm	1
5	PT376-0015	L367	280028, P0492-627-00015	PT-Nozzle, 1.5 mm	1
6	PT376-0017	L368	281384, P0492-630-00017	PT-Nozzle, 1.7 mm	1
	PT376-0020	L369	280027, P0492-626-00020	PT-Nozzle, 2.0 mm	1
7	PT311-0012	L164	281254, P0380-252-00012	PT-Nozzle, 1.2 mm	1
	PT311-0015	L165	281255, P0380-253-00015	PT-Nozzle, 1.5 mm	1
	PT311-0020	L166	281270, P0380-254-00020	PT-Nozzle, 2.0 mm	1
	PT311-0030	L201	281271-3.0	PT-Nozzle, 3.0 mm	1

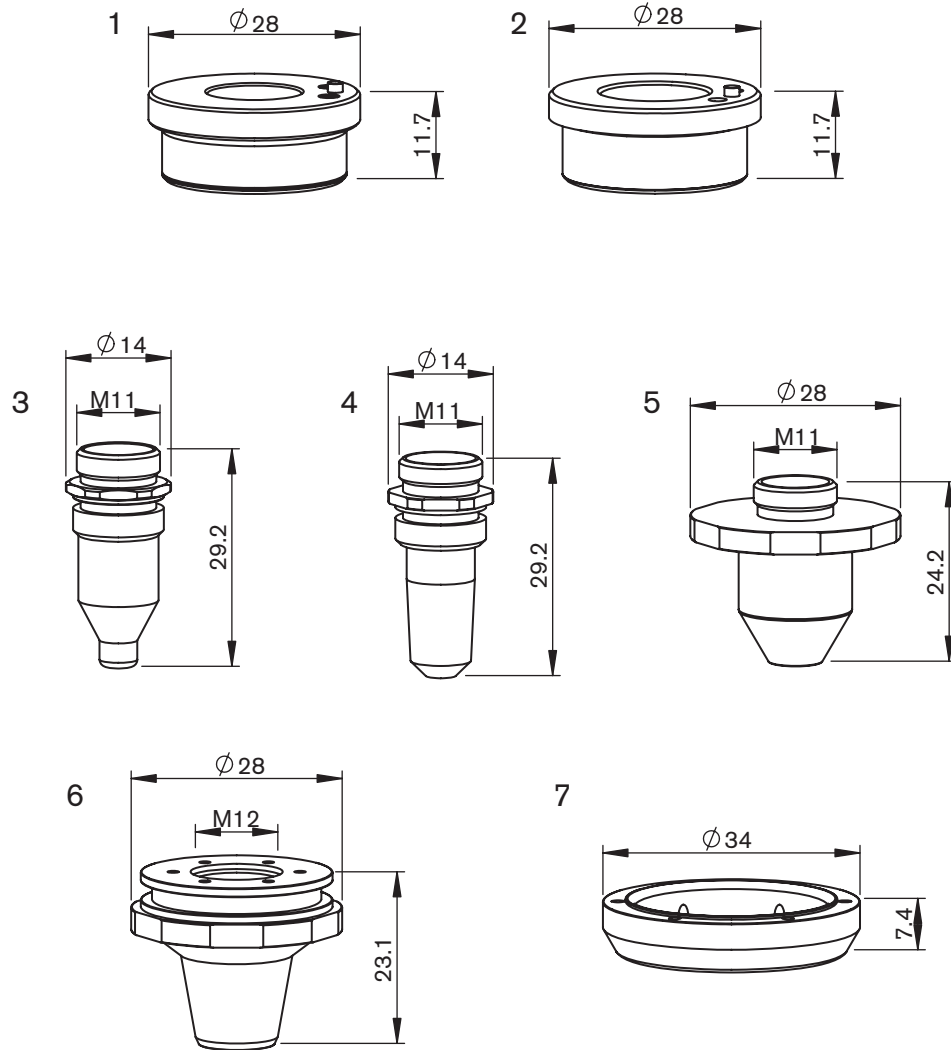


Consumables

	Centricut part number	Esse A part number	Reference number	Description	Pkg qty
1	PT347-0320	AL160	46713300321, P0352-311-00001	PT-Union nut, Vespel	1
2	PT347-4297	AL198	P0492-702-00001, 29100021	PT-Insulating ring outer body	1
3	PT347-0008	AL218	46713330200	PT-Isolating ring outer body (Precitec)	1
4	PT347-0005X	L30554	46713300290-10	PT-Nozzle 3D, 1.0 mm (10 pk)*	10
	PT347-0290-1.2	L555	46713300290-12	PT-Nozzle 3D, 1.2 mm	1
	PT347-0090X	L30555	46713300290-12	PT-Nozzle 3D, 1.2 mm (10 pk)*	10
	PT347-0290X	L30556	46713300290-15, P0352-381-00015	PT-Nozzle 3D, 1.5 mm (10 pk)*	10
	PT347-0118X	L30557	P0352-377-00018	PT-Nozzle 3D, 1.8 mm (10 pk)	10
	PT347-0280X	L30558	46713300310, P0352-382-00020	PT-Nozzle 3D, 2.0 mm (10 pk)*	10
	PT347-0001X	L30560	46713300280-25	PT-Nozzle 3D, 2.5 mm (10 pk)*	10
	PT347-0002X	L30563	46713300280-30, 46713300430	PT-Nozzle 3D, 3.0 mm (10 pk)*	10
	PT347-0035X	L30564	46713300280-35	PT-Nozzle 3D, 3.5 mm (10 pk)*	10
5	PT347-0004X	L30576	P0352-386-00010	PT-Nozzle 2D, 1.0 mm (10 pk)	10
	PT347-0012X	L30577	46713300310	PT-Nozzle 2D, 1.2 mm (10 pk)	10
	PT347-0310X	L30578	P0352-386-00015	PT-Nozzle 2D, 1.5 mm (10 pk)*	10
	PT347-0300X	L30580	46713300300, P0352-387-00020	PT-Nozzle 2D, 2.0 mm (10 pk)*	10
	PT347-0003X	L30581	46713300300-25	PT-Nozzle 2D, 2.5 mm (10 pk)*	10
	PT347-0006X	L30582	46713300300-30	PT-Nozzle 2D, 3.0 mm (10 pk)*	10
6	PT347-0009	AL256	46713300390	PT-Connector protector	1
	AM326-6453 (not shown)	AL94		AM-O-ring for outer nozzle	1
7	PT347-0101	AL204	P0360-100-00500, 46713300100	PT-Sensor head connecting cable OEM	1
8	PT347-1386	AL257	281386, P0360-155-00500	PT-Electrode cable	1

* Centricut parts available in single packs. To order single packs, remove the 'X' at the end of the part number (e.g. AM123-4567X would be AM123-4567). For Esse A parts available in single packs. To order single packs, remove the '30' after the L in the part number (e.g. L301401X would be L401X).

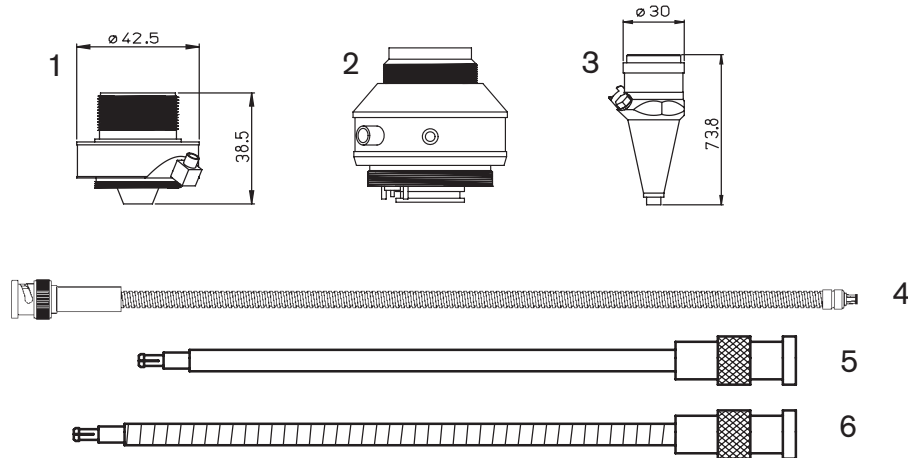
For Koike systems


Consumables

	Centricut part number	Esse A part number	Reference number	Description	Pkg qty
1	PT348-1051	AL355	P0571-1051-00001, 6930281333, 055456	PT-Nozzle holder KT B2" Con	1
	PT348-1052 Recommended	AL495	P0571-1051-00001, 6930281333, 055456	PT-Nozzle holder KT B2" Con	1
	PT348-1053	AL380	P0571-1051-00001, 6930281333, 055456	PT-Nozzle holder KT B2 Con	1
2	PT348-1330 Recommended	AL131	281330, P0571-260-00001, 6930281330	PT-Nozzle holder KT B2	1
	PT348-0260	AL421	281330, P0571-260-00001, 6930281330	PT-Nozzle holder KT B2	1
	PT348-13300EM	AL23	281330, P0571-260-00001, 6930281330	PT-Nozzle holder KT B2	1
3	PT348-5175	L1595		PT-Nozzle, 1.7 mm	1
4	PT348-1545	L1545	20083269	PT-Nozzle, 1.9 mm	1
	PT348-1594	L1594		PT-Nozzle, 1.2 mm	1
5	PT348-1598	L1598	20061558	PT-Nozzle, 3.0 mm	1
6	PT348-0414	AL414	20083268	PT-Nozzle outer, 7.0 mm	1
7	PT348-0413	AL413		PT-Spacer	1

Consumables

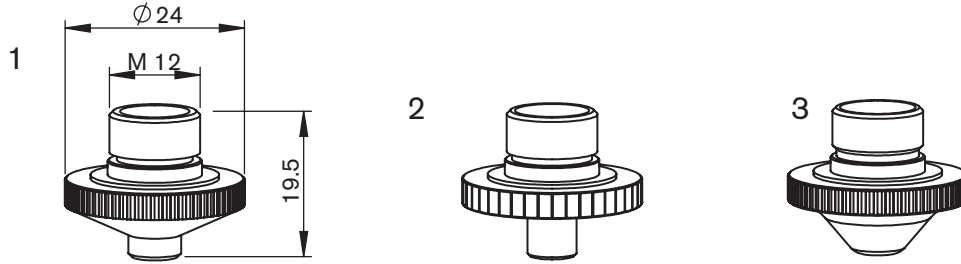
Centricut part number	Esse A part number	Reference number	Description	Pkg qty
PRECITEC® original spare parts (not shown)				
PT347-0007	AL211	P0354-110-00002/00001, P0354-130-00001	PT-Sensor cone HNZ (Mazak)	1
PT347-0010		P0591-105-00001	PT-Connector head OEM	1
PT347-0014	KE 300 gw Z mm	KE 300 gw Z MM, P0360-150-00300	PT-Sensor cable OEM	1
PT347-0016		P0591-770-00001	PT-Electrode tactile OEM	1
PT347-0017	ZM HP1.5" DR	ZM HP1.5" DR, P0591-329-00001	PT-Seal OEM, 1.5"	1
PT347-0018	ZM HP1.5" DF	ZM HP1.5" DF	PT-Seal OEM, 1.5"	1
PT347-0021		P0594-510-00001	PT-Sensor insert SE HP 2.0" OEM	1
PT347-0022	281617	281617, P0591-580-00001	PT-Socket ZM HP 1.5" IB OEM	1
PT347-0023	281395	281395, P0591-920-00001	PT- Seal set ZM HP1.5" DS OEM	1
PT347-0024		P0497-110-00001	PT-Sensor insert SE M1.5" DXN	1
PT347-1439			PT-Lens ring set OEM	1
PT347-1383	281395		PT-Nut tray HP OEM (4 pcs)	1
PT344-0001		P0788-580-00001	Lens mount - OL YR30 F100 w/lens	1
PT347-0130		P0492-001-00130	PT-Electrode cable OEM, KE 130 GW	1
PT347-0220		P0464-810-00220	PT-Electrode cable OEM, KE 220 GGMM	1
PT347-350	AL350	46713330960	PT-Isolating ring, inner cone	1
PT347-349	AL349	46713330930	PT-Sensor cone inner	1


Consumables

	Centricut part number	Esse A part number	Reference number	Description	Pkg qty
New sensor cones					
1	PT347-8001		280010	PT-Sensor cone 2.5Z/J	1
2	PT347-1145		P0380-140-0002, P0380-130-00001, 281145	PT-Sensor cone, DZ	1
3	PT347-0011		P0354-110-00001	PT-Sensor Cone HNZ (Mitsubishi)	1
	PT347-3323		HNP	PT-Sensor Cone HNP	1
	PT347-0522		P0599-520-00002	PT-Sensor Cone LRC	1
	PT347-0019			PT-Sensor Insert SE 1.5" DZ	1
	PT347-0238 (not shown)		P0361-203-00001	PT-Sensor cone, 2.5/J	1
Sensor cables					
4	PT347-0101A		P0360-100-00500	PT-Sensor cable, 500 mm (20") armored	1
	PT347-0250		P0492-001-00250	PT-Sensor cable, 250 mm (10") armored	1
5	PT347-0101	AL204	P0360-100-00500, 46713300100	PT-Sensor head connecting cable OEM	1
6	PT347-1386	AL257	281386, P0360-155-00500	PT-Sensor cable, armored	1
	PT347-1250 (not shown)		D5001-040-00250	PT-Sensor cable, 250 mm (10") armored	1
	PT347-KS13 (not shown)			PT-Sensor cable, 390 mm (15.5") armored	1
	PT347-06000EM (not shown)		P0360-210-00600	PT-Sensor cable, 600 ZWW OEM	1
	PT347-0015A (not shown)		00B-15	PT-Sensor cable, 380 mm (15")	1
	PT347-0181 (not shown)	AL358	46743300181	PT-Sensor cable, 305 mm (12") armored	1
	PT347-0500 (not shown)			PT-Sensor cable, 390 mm (15.4") armored	1
	PT347-0522 (not shown)			PT-Sensor cone, LRC	1
	PT347-0014 (not shown)		P36015000300	PT-Sensor cable, KE 300 gw Z MM OEM	1
	PT344-3051 (not shown)			PT-Electrode guard, long	1
	PT347-0040 (not shown)		00BB-A-17i,BEC004-000.4	PT-Sensor cable, 431 mm (17") armored	1
	PT347-0300A (not shown)		P0492-014-00300	PT-Sensor cable KE, 300 mm (12") armored	1

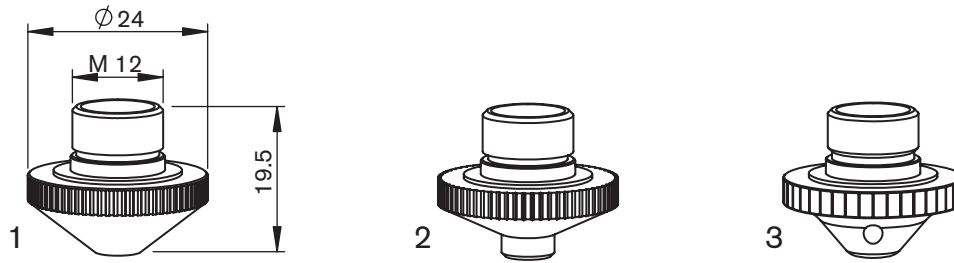
Consumables

Centricut part number	Esse A part number	Reference number	Description	Pkg qty
PT311-0787 (not shown)			PT-Insulating ring	1
PT347-0920 (not shown)	AL221	46713330920	PT-Isolating ring outer body (Mazak)	1
PT347-0520 (not shown)			PT-Insulating plate	1
PT347-0940 (not shown)	AL353	46713330940	PT-Retaining ring	1
PT347-1240 (not shown)	AL351	46713331240	PT-Torch outer body	1
PT347-0930 (not shown)			PT-Spatter protection plate	1
PT347-9006 (not shown)	AL356	HNP-006	PT-Connector cup, HNP	1



Consumables

	Centricut part number	Esse A part number	Reference number	Description	Pkg qty
1	PR351-1E110	L312		PR-Nozzle, 1.0 mm	1
	PR351-1E108	L362		PR-Nozzle, 1.2 mm	1
	PR351-1E111	L207	LW6.1E.111	PR-Nozzle, 1.5 mm	1
	PR351-1E112	L208	LW6.1E.112	PR-Nozzle, 2.0 mm	1
	PR351-1E113	L209	LW6.1E.113	PR-Nozzle, 2.5 mm	1
	PR351-1E114	L210	LW6.1E.114	PR-Nozzle, 3.0 mm	1
	PR351-1E111CP	L207X	LW6.1E.111	PR-Nozzle, 1.5 mm CP	1
	PR351-1E112CP	L208X	LW6.1E.112	PR-Nozzle, 2.0 mm CP	1
	PR351-1E113CP	L209X	LW6.1E.113	PR-Nozzle, 2.5 mm CP	1
	PR351-1E114CP	L210X	LW6.1E.114	PR-Nozzle, 3.0 mm CP	1
2	PR366-1G600	L608	LW6.1G.500, LW6.1G.600	PR-Nozzle, 1.5 mm	1
	PR366-1G601	L609	LW6.1G.501, LW6.1G.601	PR-Nozzle, 2.0 mm	1
	PR366-1G602	L610	LW6.1G.502, LW6.1G.602	PR-Nozzle, 2.5 mm	1
	PR366-1G603	L611	LW6.1G.503, LW6.1G.603	PR-Nozzle, 3.0 mm	1
	PR366-1G601CP	L609X	LW6.1G.501, LW6.1G.601	PR-Nozzle, 2.0 mm CP	1
	PR366-1G602CP	L610X	LW6.1G.502, LW6.1G.602	PR-Nozzle, 2.5 mm CP	1
3	PR362-0008CP	L905X		PR-Nozzle double, 0.8 mm CP	1
	PR362-0003CP	L900X	1059.70000.003	PR-Nozzle double, 1.0 mm CP	1
	PR362-0002CP	L907X	1059.70000.008	PR-Nozzle double, 1.25 mm CP	1
	PR362-0005CP	L901X	1059.70000.004	PR-Nozzle double, 1.5 mm CP	1
	PR362-0001CP	L906X	1059.70000.009	PR-Nozzle double, 1.75 mm CP	1
	PR362-0004CP	L902X	1059.70000.005	PR-Nozzle double, 2.0 mm CP	1
	PR362-0006CP	L903X	1059.70000.006	PR-Nozzle double, 2.5 mm CP	1
	PR362-0007CP	L904X	1059.70000.007	PR-Nozzle double, 3.0 mm CP	1

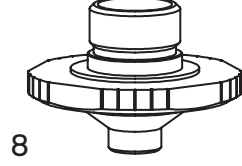
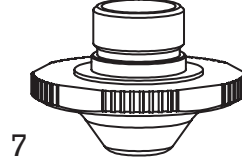
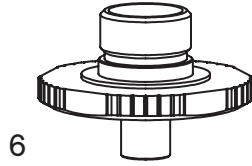
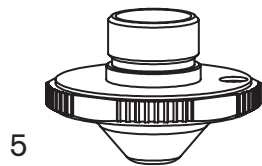
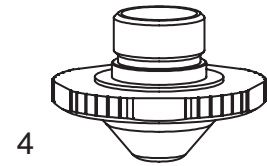
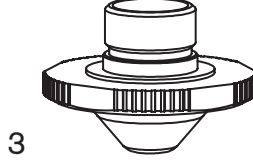
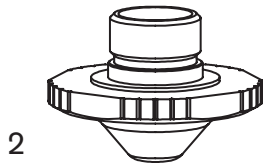
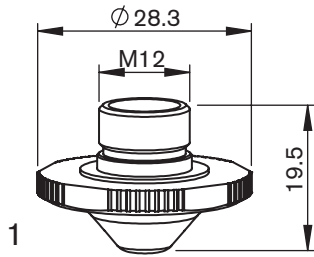


Consumables

	Centricut part number	Esse A part number	Reference number	Description	Pkg qty
1	PR422-0002	L863		PR-Nozzle, 1.5 mm	1
	PR422-0003	L864		PR-Nozzle, 2.0 mm	1
2	PR422-0650CP	L1165X	LW6.1G.650	PR-Nozzle, 3.0 CP	1
3	PR394-604	L1167X	LW6. 1G. 604	PR-Nozzle, 1.5 mm CP	1
	PR394-603	L1166X	LW6.1G.603	PR-Nozzle, 1.75 mm CP	1
	PR394-605	L1168X	LW6. 1G. 605	PR-Nozzle, 2.0 mm CP	1
	PR394-606	L1169X	LW6. 1G. 606	PR-Nozzle, 2.5 mm CP	1
	PR394-607	L1170X	LW6. 1G. 607	PR-Nozzle, 3.0 mm CP	1

Consumables

	Centricut part number	Esse A part number	Alternate reference	Description	Pkg qty
	PR361-3150 (not shown)		99MM-150MM	PR-Sensor cable, 150 mm (6")	1

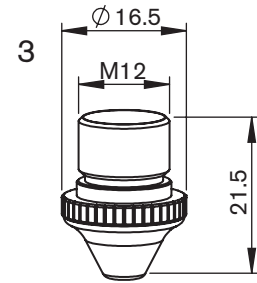
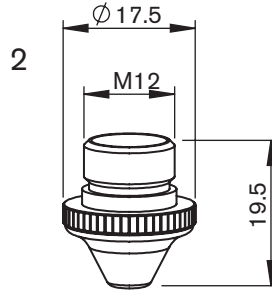
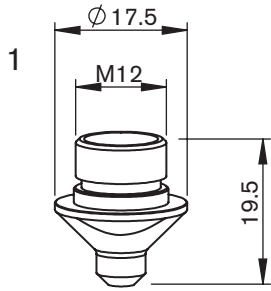

Consumables

	Centricut part number	Esse A part number	Reference number	Description	Pkg qty
1	PR422-0663	L1431X	LW6.1G.663	PR-Nozzle pentagonal, 1.5 mm CP	1
	PR422-0664	L1432X	LW6.1G.664	PR-Nozzle pentagonal, 1.75 mm CP	1
	PR422-0665	L1433X	LW6.1G.665	PR-Nozzle pentagonal, 2.0 mm CP	1
	PR422-0667	L1435X	LW6.1G.667	PR-Nozzle pentagonal, 2.5 mm CP	1
	PR422-0669	L1437X	LW6.1G.669	PR-Nozzle pentagonal, 3.0 mm CP	1
2	PR422-0103CP	L1807X	LW6.1G.103	PR-Nozzle pentagonal, 1.5 mm CP	1
	PR422-0105CP	L1808X	LW6.1G.105	PR-Nozzle pentagonal, 2.0 mm CP	1
	PR422-0107CP	L1809X	LW6.1G.107	PR-Nozzle pentagonal, 2.5 mm CP	1
	PR422-0109CP	L1810X	LW6.1G.109	PR-Nozzle pentagonal, 3.0 mm CP	1
3	PR422-1462	L1462	LW6.1G.200	PR-Nozzle double pentagonal, 3.0 mm	1
	PR422-1463	L1463	LW6.1G.201	PR-Nozzle double pentagonal, 3.5 mm	1
	PR422-1464	L1464	LW6.1G.202	PR-Nozzle double pentagonal, 4.0 mm	1
	PR422-1472	L1472	LW6.1G.203	PR-Nozzle double pentagonal, 5.0 mm	1
	PR422-1473	L1473	LW6.1G.204	PR-Nozzle double pentagonal, 7.0 mm	1
	PR422-1783CP	L1783X	LW6.1G.302	PR-Nozzle double pentagonal, 1.25 mm CP	1
	PR422-1784CP	L1784X	LW6.1G.303	PR-Nozzle double pentagonal, 1.5 mm CP	1
	PR422-1785CP	L1785X	LW6.1G.304	PR-Nozzle double pentagonal, 1.75 mm CP	1
	PR422-1786CP	L1786X	LW6.1G.305	PR-Nozzle double pentagonal, 2.0 mm CP	1
	PR422-1787CP	L1787X	LW6.1G.307	PR-Nozzle double pentagonal, 2.5 mm CP	1
	PR422-1788CP	L1788X	LW6.1E.204	PR-Nozzle double pentagonal, 2.5 mm/inner 2.0 mm CP	1
	PR422-1789CP	L1789X	LW6.1G.309	PR-Nozzle double pentagonal, 3.0 mm CP	1
	PR422-1790CP	L1790X	LW6.1E.206	PR-Nozzle double pentagonal, 3.0 mm/inner 2.0 mm CP	1
	PR422-1791CP	L1791X	LW6.1E.207	PR-Nozzle double pentagonal, 3.5 mm/inner 3.0 mm CP	1
	4	PR422-0682	L1442X	LW6.1G.682	PR-Nozzle double pentagonal, 1.25 mm CP
PR422-0683		L1443X	LW6.1G.683	PR-Nozzle double pentagonal, 1.5 mm CP	1
PR422-0684		L1444X	LW6.1G.684	PR-Nozzle double pentagonal, 1.75 mm CP	1
PR422-0685		L1445X	LW6.1G.685	PR-Nozzle double pentagonal, 2.0 mm CP	1
PR422-0687		L1447X	LW6.1G.687	PR-Nozzle double pentagonal, 2.5 mm CP	1
PR422-0689		L1449X	LW6.1G.689	PR-Nozzle double pentagonal, 3.0 mm CP	1
PR422-0801		L1466	LW6.1G.801	PR-Nozzle double brilliant, 3.5 mm	1
PR422-0803		L1468	LW6.1G.803	PR-Nozzle double brilliant, 5.0 mm	1

Centricut is not affiliated with the named manufacturers. Reference to machines, parts, descriptions, and model numbers are for convenience in verifying compatibility only. All parts are made by or for Centricut and are not made by the referenced manufacturers (unless expressly indicated). Centricut is a registered trademark of Hypertherm, Inc. All other trademarks are the properties of their respective owners.

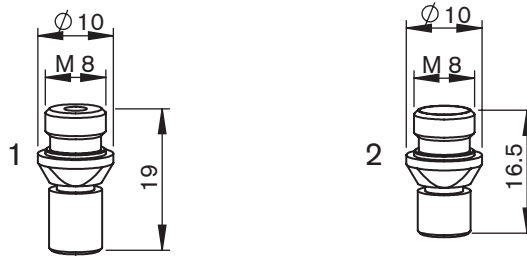
Consumables

	Centricut part number	Esse A part number	Reference number	Description	Pkg qty
5	PR422-0627	L1453X	LW6.1G.627	PR-Nozzle triple pentagonal, 1.25 mm CP	1
	PR422-0620	L1454X	LW6.1G.620	PR-Nozzle triple pentagonal, 1.5 mm CP	1
	PR422-0621	L1455X	LW6.1G.621	PR-Nozzle triple pentagonal, 1.75 mm CP	1
	PR422-0622	L1456X	LW6.1G.622	PR-Nozzle triple pentagonal, 2.0 mm CP	1
	PR422-0624	L1458X	LW6.1G.624	PR-Nozzle triple pentagonal, 2.5 mm CP	1
	PR422-0626	L1460X	LW6.1G.626	PR-Nozzle triple pentagonal, 3.0 mm CP	1
6	PR422-0700	L1478X	LW6.1G.700	PR-Nozzle pentagonal cyl, 2.0 mm CP	1
	PR422-0701	L1479X	LW6.1G.701	PR-Nozzle pentagonal cyl, 2.5 mm CP	1
	PR422-0702	L1480X	LW6.1G.702	PR-Nozzle pentagonal cyl, 3.0 mm CP	1
7	PR422-0522CP	L1837X	LW6.1G.522a	PR-Nozzle pentagonal DL, 3.0 mm inner/ 4.5 mm CP	1
8	PR422-0524CP	L1838X	LW6.1G.524	PR-Nozzle pentagonal, 3.0 mm DL CP	1



Consumables

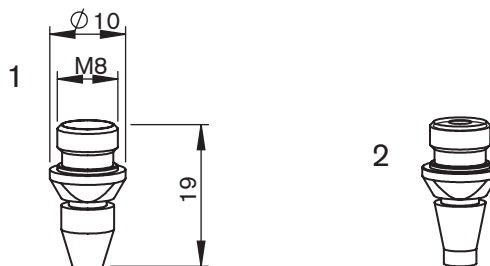
	Centricut part number	Esse A part number	Reference number	Description	Pkg qty
1	PR398-550	L892	750.42.550	PR-Nozzle, 1.5 mm	1
	PR398-551	L893	750.42.551	PR-Nozzle, 2.0 mm	1
	PR398-0002CP	L893X		PR-Nozzle, 2.0 mm CP	1
	PR398-552	L894	750.42.552	PR-Nozzle, 2.5 mm	1
	PR398-0004	L895	750.42.553	PR-Nozzle, 3.0 mm	1
2	PR421-111CP	L1239X	520.17.111	PR-Nozzle double, 1.5 mm CP	1
	PR421-114CP	L1240X	520.17.114	PR-Nozzle double, 2.0 mm CP	1
	PR421-560CP	L1241X	750.43.560	PR-Nozzle double, 2.5 mm CP	1
	PR421-561CP	L1242X	750.43.561	PR-Nozzle double, 3.0 mm CP	1
3	PR409-4513	L1213X	787.04.513	PR-Nozzle, 2.0 mm CP	1
	PR421-720 (not shown)	AL259	1058.36520.720	PR-Lens gasket	1



Consumables

	Centricut part number	Esse A part number	Reference number	Description	Pkg qty
1	PR331-4102X	L3070	490.76.102	PR-Nozzle cylindrical, 0.3 mm brass (10 pk)	10
	PR331-3321BX	L3054	485.73.321	PR-Nozzle cylindrical, 1.5 mm brass (10 pk)*	10
	PR331-3321CX	L30419		PR-Nozzle cylindrical, 1.5 mm copper (10 pk)	10
	PR331-3322BX	L3055	485.73.322	PR-Nozzle cylindrical, 2.0 mm brass (10 pk)	10
	PR331-322CX	L30420		PR-Nozzle cylindrical, 2.0 mm copper (10 pk)	10
	PR331-3323BX	L30204	485.73.323	PR-Nozzle cylindrical, 2.5 mm brass (10 pk)	10
	PR331-3323CX	L30421		PR-Nozzle cylindrical, 2.5 mm copper (10 pk)	10
	PR331-3324BX	L30205	485.73.324	PR-Nozzle cylindrical, 3.0 mm brass (10 pk)	10
	PR331-3324X	L30422		PR-Nozzle cylindrical, 3.0 mm copper (10 pk)	10
	PR331-0321CCPX	L30419X	485.73.421	PR-Nozzle, 1.5 mm CP (10 pk)*	10
	PR331-322CCPX	L30420X	485.73.422	PR-Nozzle, 2.0 mm CP (10 pk)*	10
	PR331-3323CCPX	L30421X	485.73.423	PR-Nozzle, 2.5 mm CP (10 pk)*	10
	PR331-3324CPX	L30422X	485.73.424	PR-Nozzle, 3.0 mm CP (10 pk)	10
	2	PR331-0302X	L301246	490.1N.302	PR-Nozzle short, 2.5 mm brass (10 pk)

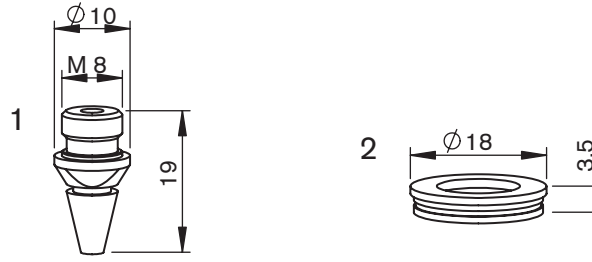
* Centricut parts available in single packs. To order single packs, remove the 'X' at the end of the part number (e.g. AM123-4567X would be AM123-4567).
 For Esse A parts available in single packs. To order single packs, remove the '30' after the L in the part number (e.g. L301401X would be L401X).



Consumables

	Centricut part number	Esse A part number	Reference number	Description	Pkg qty
1	PR393-0006X	L30634		PR-Nozzle, 2.0 mm (10 pk)	10
	PR393-0007X	L30635		PR-Nozzle, 2.5 mm (10 pk)*	10
2	PR393-3455CPX	L301231X	485.73.455	PR-Nozzle con-cyl, 0.3 mm CP (10 pk)	10
	PR393-3451CPX	L301235X	485.73.451	PR-Nozzle con-cyl, 1.5 mm CP (10 pk)*	10
	PR393-3452X	L301236	485.73.452	PR-Nozzle con-cyl, 2.0 mm (10 pk)*	10
	PR393-3452CPX	L301236X	485.73.452	PR-Nozzle con-cyl, 2.0 mm CP (10 pk)*	10
	PR393-3453CPX	L301237X	485.73.453	PR-Nozzle con-cyl, 2.5 mm CP (10 pk)*	10

* Centricut parts available in single packs. To order single packs, remove the 'X' at the end of the part number (e.g. AM123-4567X would be AM123-4567).
 For Esse A parts available in single packs. To order single packs, remove the '30' after the L in the part number (e.g. L301401X would be L401X).

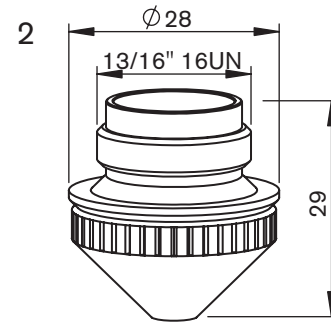
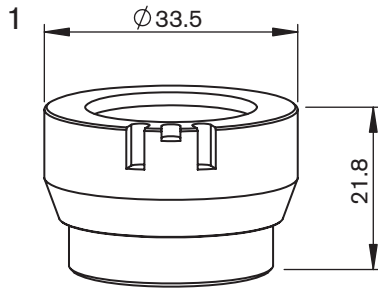

Consumables

	Centricut part number	Esse A part number	Reference number	Description	Pkg qty
1	PR357-0001X	L3062	490.76.103	PR-Nozzle conical, 0.3 mm brass (10 pk)	10
	PR357-331BX	L30206	485.73.331	PR-Nozzle conical, 1.5 mm brass (10 pk)	10
	PR357-331CX	L30424	485.73.331	PR-Nozzle conical, 1.5 mm copper (10 pk)	10
	PR357-0004X	L30426		PR-Nozzle conical, 1.7 mm copper (10 pk)	10
	PR357-333BX	L3057	485.73.333	PR-Nozzle conical, 2.0 mm brass (10 pk)	10
	PR357-333CX	L30425		PR-Nozzle conical, 2.0 mm copper (10 pk)*	10
	PR357-0005X	L30449	485.73.333	PR-Nozzle conical, 2.5 mm brass (10 pk)	10
	PR357-0006X	L30427		PR-Nozzle conical, 2.5 mm copper (10 pk)	10
	PR357-0007X	L30630	485.73.43	PR-Nozzle conical, 3.0 mm copper (10 pk)	10
	PR357-0002CPX	L30450X	485.73.114A	PR-Nozzle, 1.0 mm CP (10 pk)	10
	PR357-331CCPX	L30424X	485.73.431	PR-Nozzle, 1.5 mm CP (10 pk)*	10
	PR357-322CCPX	L30425X	485.73.433	PR-Nozzle, 2.0 mm CP (10 pk)	10
	PR357-0006CPX	L30427X		PR-Nozzle, 2.5 mm CP (10 pk)	10
	PR357-0007CPX	L30630X	485.73.43X	PR-Nozzle, 3.0 mm CP (10 pk)	10
	2	PR395-0002	AL163		PR-Insulating Ring 7.5" Plastic
	PR395-0001 (not shown)	AL136	480.73.107	PR-Insulating Ring 5" Plastic	1

* Centricut parts available in single packs. To order single packs, remove the 'X' at the end of the part number (e.g. AM123-4567X would be AM123-4567).
 For Esse A parts available in single packs. To order single packs, remove the '30' after the L in the part number (e.g. L301401X would be L401X).

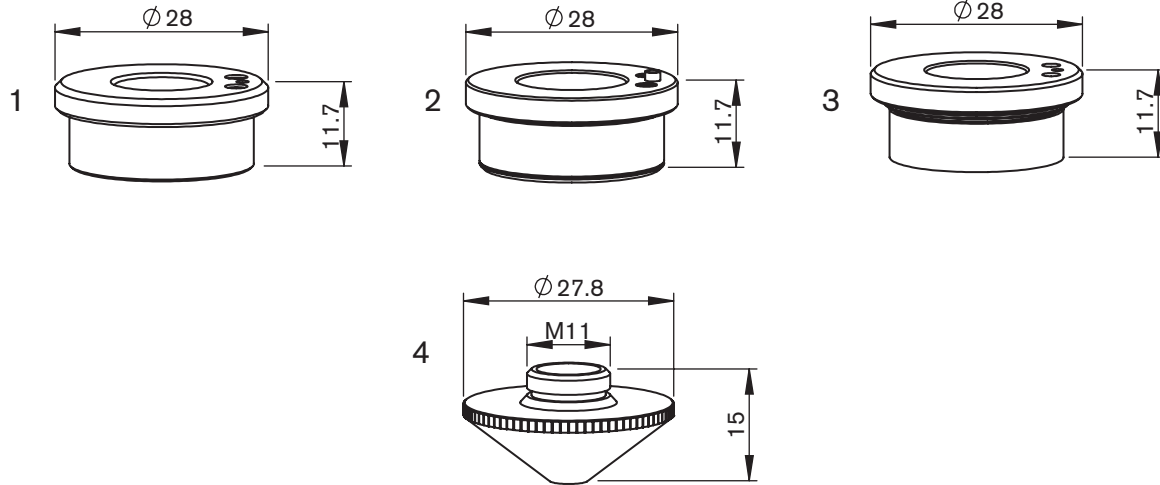
Consumables

	Centricut part number	Esse A part number	Reference number	Description	Pkg qty
	PR361-3151 (not shown)		820.63.150	PR-Sensor cable, 150 mm (6") high profile	1
	PR361-3160 (not shown)		555.63.150	PR-Sensor cable, 210 mm (8 17/64")	1

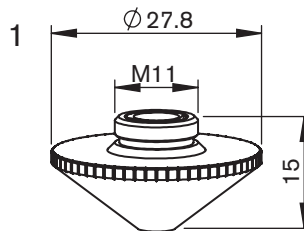


Consumables

	Centricut part number	Esse A part number	Reference number	Description	Pkg qty
1	PT311-1146 Recommended	AL130/S	281146, P0380-211-00001, 29100033	PT-Nozzle holder ITM 1.5" DZ	1
	PT311-1146OEM	AL130	281146, P0380-211-00001, 29100033	PT-Nozzle holder ITM 1.5" DZ OEM	1
2	SA365-01A4	L375	141301A4, 146331A4	SA-Nozzle, 1.0 mm	1
	SA365-30A4	L376	146330A4	SA-Nozzle, 1.25 mm	1
	SA365-97A4	L377	146329A4, 142321A4	SA-Nozzle, 1.5 mm	1
	SA365-98A4	L378	146328A4	SA-Nozzle, 1.75 mm	1
	SA365-99A4	L379	146327A4, 142322A4	SA-Nozzle, 2.0 mm	1
	SA365-25A4	L381	146326A4, 142323	SA-Nozzle, 2.25 mm	1
	SA365-26A4	L380	146325A4, 142324A4	SA-Nozzle, 2.5 mm	1
	SA365-24A4	L888	146324A4	SA-Nozzle, 2.75 mm	1
	SA365-23A4	L889	146323A4	SA-Nozzle, 3.0 mm	1
	SA365-30A4CP	L376X	146330A4	SA-Nozzle, 1.25 mm CP	1
	SA365-97A4CP	L377X	146329A4	SA-Nozzle, 1.5 mm CP	1
	SA365-98A4CP	L378X	146328A4	SA-Nozzle, 1.75 CP	1
	SA365-99A4CP	L379X	146327A4	SA-Nozzle, 2.0 mm CP	1

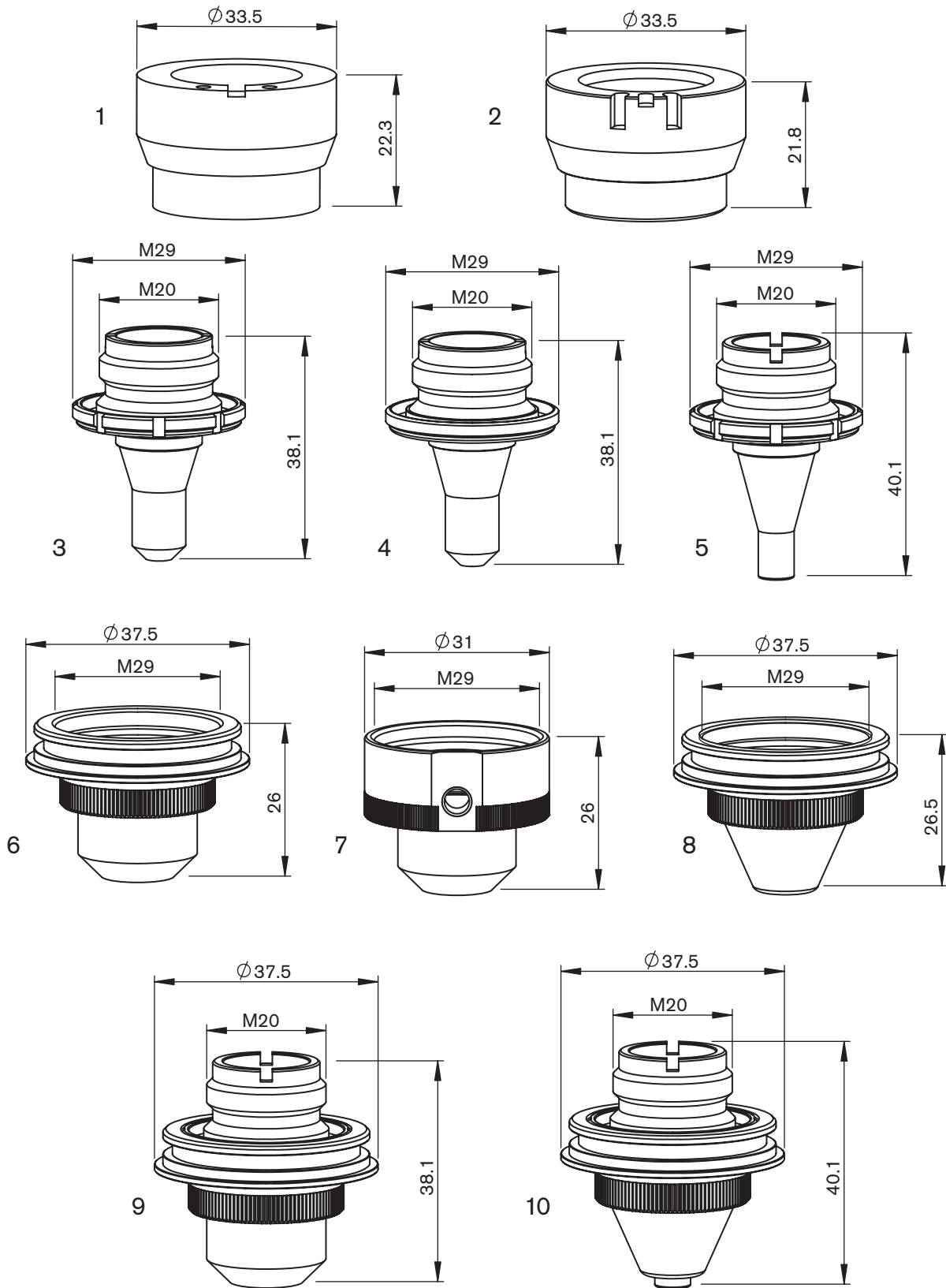

Consumables

	Centricut part number	Esse A part number	Reference number	Description	Pkg qty
1	PT348-1051	AL355	P0571-1051-00001, 6930281333	PT-Nozzle holder KT B2" Con	1
	PT348-1052 <i>Recommended</i>	AL495	P0571-1051-00001, 6930281333	PT-Nozzle holder KT B2" Con	1
	PT348-1053	AL380	P0571-1051-00001, 6930281333	PT-Nozzle holder KT B2 Con	1
2	PT348-1330 <i>Recommended</i>	AL131	281330, P0571-260-00001, 6930281330	PT-Nozzle holder KT B2	1
	PT348-0260	AL421	281330, P0571-260-00001, 6930281330	PT-Nozzle holder KT B2	1
	PT348-1330OEM	AL23	281330, P0571-260-00001, 6930281330	PT-Nozzle holder KT B2	1
3	PT348-1330C	AL331	281330, P0571-260-00001, 6930281330	PT-Nozzle holder, ceramic	1
4	PT345-0008	L935	P40-003805-001	PT-Nozzle HD, 0.8 mm	1
	PT345-1548	L234	281548, P0591-571-00010, MX-0860, R26RT006270	PT-Nozzle HD, 1.0 mm	1
	PT345-1549	L235	281549, P0591-572-00012, MX-0861, 6930281549, 29100234	PT-Nozzle HD, 1.2 mm	1
	PT345-1463	L236	281463, P0591-573-00015, MX-0862, 29100235	PT-Nozzle HD, 1.5 mm	1
	PT345-0001	L237	P0591-574-00018, MX-0863, Z50ZZ015410, 29100236	PT-Nozzle HD, 1.8 mm	1
	PT345-1550	L238	281550, P0591-575-00020, MX-0864, Z50ZZ015420, 055478, 29100237	PT-Nozzle HD, 2.0 mm	1
	PT345-0003	L239	P0591-574-00023, 29100238, P40-003805-006	PT-Nozzle HD, 2.3 mm	1
	PT345-1551	L240	281551, P0591-576-00025, MX-0865, 055479, 29100239, P40-003805-007	PT-Nozzle HD, 2.5 mm	1
	PT345-1552	L936	281552, P40-003805-008	PT-Nozzle HD, 2.75 mm	1
	PT345-0002	L241	MX-0866, Z50ZZ015440, 29100241, P40-003805-009	PT-Nozzle HD, 3.0 mm	1
	PT345-0005	L826	P40-003805-010	PT-Nozzle HD, 3.2 mm	1
	PT345-0006	L827	29100243, P40-003805-011	PT-Nozzle HD, 3.5 mm	1
	PT345-0004	L828	Z50ZZ015460, P40-003805-012	PT-Nozzle HD, 4.0 mm	1
	PT345-0007	L829		PT-Nozzle HD, 4.5 mm	1
	PT345-1548CP	L234X	281548, P0591-571-00010	PT-Nozzle HD, 1.0 mm CP	1
	PT345-1549CP	L235X	281549, P0591-572-00012	PT-Nozzle HD, 1.2 mm CP	1
	PT345-1463CP	L236X	281463, P0591-573-00015	PT-Nozzle HD, 1.5 mm CP	1
	PT345-0001CP	L237X	P0591-574-00018	PT-Nozzle HD, 1.8 mm CP	1
	PT345-1550CP	L238X	281550, P0591-575-00020	PT-Nozzle HD, 2.0 mm CP	1
	PT345-1551CP	L240X	281551, P0591-576-00025	PT-Nozzle HD, 2.5 mm CP	1
	PT345-0002CP	L241X		PT-Nozzle HD, 3.0 mm CP	1
	PT345-0004CP	L828X		PT-Nozzle HD, 4.0 mm CP	1



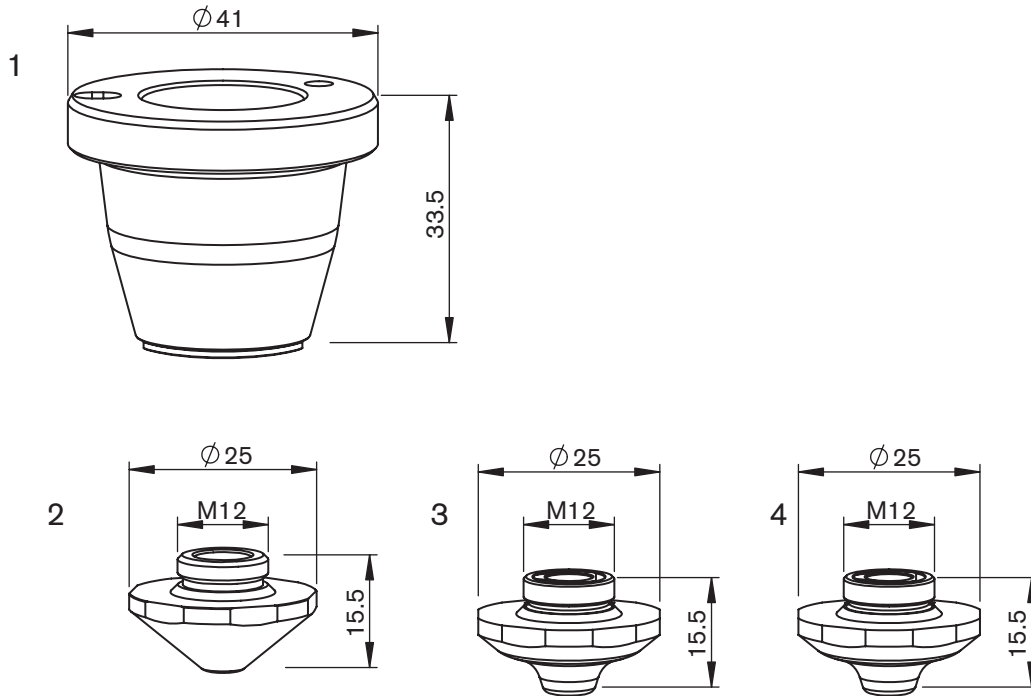
Consumables

	Centricut part number	Esse A part number	Reference number	Description	Pkg qty
1	PT358-0669	L669		PT-Nozzle double, 0.8 mm/inner 1.5 mm	1
	PT358-0010	L660		PT-Nozzle double, 1.0 mm/inner 1.5 mm	1
	PT358-0125	L661	P0591-002-00012	PT-Nozzle double, 1.2 mm/inner 1.5 mm	1
	PT358-0015	L662	P0591-002-00015	PT-Nozzle double, 1.5 mm/inner 1.5 mm	1
	PT358-0018	L663	P0591-002-00018	PT-Nozzle double, 1.8 mm/inner 1.5 mm	1
	PT358-0020	L664	P0591-002-00020	PT-Nozzle double, 2.0 mm/inner 1.5 mm	1
	PT358-0023	L665	P0591-002-00023	PT-Nozzle double, 2.3 mm/inner 1.5 mm	1
	PT358-0007	L666		PT-Nozzle double, 2.5 mm/inner 1.5 mm	1
	PT358-0030	L667		PT-Nozzle double, 3.0 mm/inner 1.5 mm	1
	PT358-0035	L668		PT-Nozzle double, 3.5 mm/inner 1.5 mm	1
	PT358-0010CP	L660X		PT-Nozzle double, 1.0 mm/inner 1.5 mm CP	1
	PT358-0125CP	L661X		PT-Nozzle double, 1.2 mm/inner 1.5 mm CP	1
	PT358-0015CP	L662X		PT-Nozzle double, 1.5 mm/inner 1.5 mm CP	1
	PT358-0018CP	L663X		PT-Nozzle double, 1.8 mm/inner 1.5 mm CP	1
	PT358-0020CP	L664X		PT-Nozzle double, 2.0 mm/inner 1.5 mm CP	1
	PT358-0025CP	L666X		PT-Nozzle double, 2.5 mm/inner 1.5 mm CP	1
	PT358-0030CP	L667X		PT-Nozzle double, 3.0 mm/inner 1.5 mm CP	1
	PT358-0035CP	L668X		PT-Nozzle double, 3.5 mm/inner 1.5 mm CP	1



Consumables

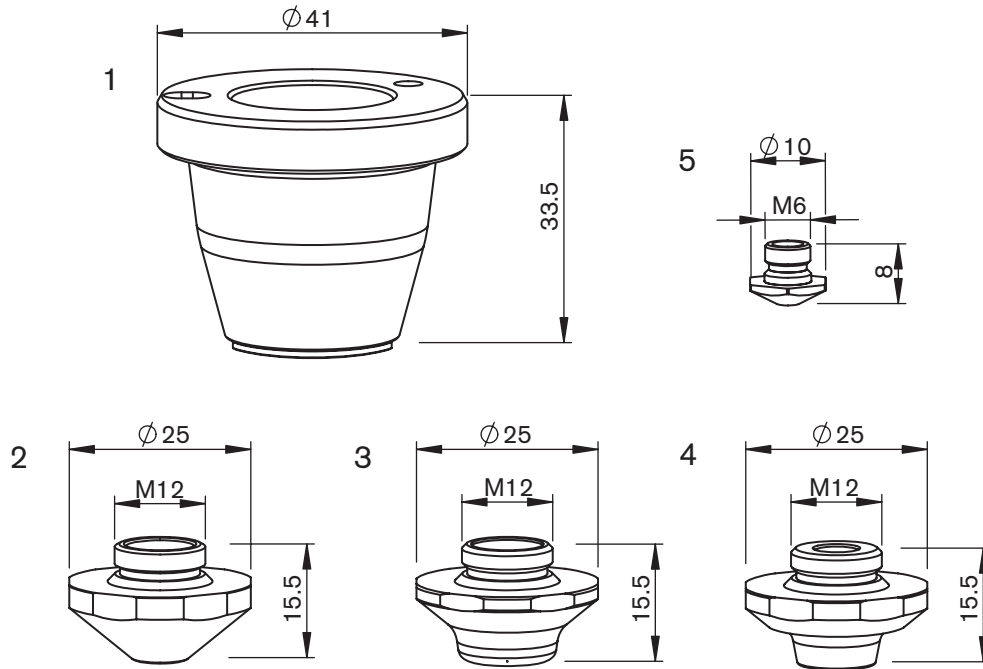
	Centricut part number	Esse A part number	Reference number	Description	Pkg qty
1	PT311-0298	AL298	P0497-68871, P0497-615-00001	PT-Nozzle holder KTM 1.5" DXN, ceramic	1
2	PT311-1146OEM	AL130	281146, P0380-211-00001, 29100033	PT-Nozzle holder ITM 1.5" DZ OEM	1
	PT311-1146	AL130/S	281146, P0380-211-00001, 29100033	PT-Nozzle holder ITM 1.5" DZ	1
3	TK381-C20E-1	L1200	C20E, A546359	TK-Nozzle inner, 2.0 mm	1
	TK381-C17E-1	L1201	C17E-1	TK-Nozzle inner, 1.7 mm	1
4	TK364-C22D-1	L1518	C22D-1	TK-Nozzle inner, 2.2 mm	1
5	TK381-CZ20B-1	L1195	A546363	TK-Nozzle bevel inner, 2.0 mm	1
6	TK381-C20E-0	AL283	C20E	TK-Nozzle outer	1
7	TK364-C22D-0	AL381	C22D-0	TK-Nozzle outer	1
8	TK381-CZ20B-0	AL382		TK-Nozzle bevel outer	1
9	TK381-C20E-2	L1205	C20E, A546563	TK-Nozzle assembly (TK381-C20E-0/AL283 and TK381-C20E-1/L1200)	1
10	TK381-CZ20B-2	L1207	CZ20B-2, A54566	TK-Nozzle assembly (TK381-CZ20B-0/AL382 and TK381-CZ20B-1/L1195)	1
	TK354-D40 (not shown)		58020240	TK-Nozzle, 4.0 mm	1
	TK354-D50 (not shown)		58020250	TK-Nozzle, 5.0 mm	1


Consumables

	Centricut part number	Esse A part number	Reference number	Description	Pkg qty
1	TR407-5673	AL410	1349171, 1755673	TR-Nozzle holder, ceramic	1
2	TR407-4858X	L501270	1324858	TR-Nozzle EAA, 0.8 mm (10 pk)*	10
	TR407-4860X	L501272	1324860	TR-Nozzle EAA, 1.0 mm (10 pk)*	10
	TR407-4861X	L501273	1324861	TR-Nozzle EAA, 1.2 mm (10 pk)*	10
	TR407-4863X	L501275	1324863	TR-Nozzle EAA, 1.4 mm (10 pk)*	10
	TR407-4864X	L501276	1324864	TR-Nozzle EAA, 1.7 mm (10 pk)*	10
	TR407-4858CPHX	L501270XH	1324858	TR-Nozzle EAA, 0.8 mm HCP (10 pk)*	10
	TR407-4860CPHX	L501272XH	1324860	TR-Nozzle EAA, 1.0 mm HCP (10 pk)*	10
	TR407-4861CPHX	L501273XH	1324861	TR-Nozzle EAA, 1.2 mm HCP (10 pk)*	10
	TR407-4863CPHX	L501275XH	1324863	TR-Nozzle EAA, 1.4 mm HCP (10 pk)*	10
	TR407-4864CPHX	L501276XH	1324864	TR-Nozzle EAA, 1.7 mm HCP (10 pk)*	10
	TR407-4865X	L501277	1324865	TR-Nozzle EAA, 2.0 mm (10 pk)*	10
	TR407-4866X	L501278	1324866	TR-Nozzle EAA, 2.3 mm (10 pk)*	10
	TR407-4867X	L501279	1324867	TR-Nozzle EAA, 2.7 mm (10 pk)*	10
	TR407-4865CPHX	L501277XH	1324865	TR-Nozzle EAA, 2.0 mm HCP (10 pk)*	10
	TR407-4866CPHX	L501278XH	1324866	TR-Nozzle EAA, 2.3 mm HCP (10 pk)	10
TR407-4867CPHX	L501279XH	1324867	TR-Nozzle EAA, 2.7 mm HCP (10 pk)	10	
3	TR407-9462 NEW	L2220	2059462	TR-Nozzle double EAU, 2.5 mm	1
	TR407-0001 NEW	L2221	2060001	TR-Nozzle double EAU, 3.0 mm	1
	TR407-0004 NEW	L2223	2060004	TR-Nozzle double EAU, 4.0 mm	1
	TR407-0025 NEW	L2227	2060025	TR-Nozzle double EAU, 6.0 mm	1
	TR407-3595 NEW	L2235	2253595	TR-Nozzle double EAU, 10.0 mm	1
4	TR407-9549 NEW	L2240	1579549	TR-Nozzle double EAK, 2.5 mm	1
	TR407-9556 NEW	L2241	1579556	TR-Nozzle double EAK, 3.0 mm	1
	TR407-5747 NEW	L2243	1835747	TR-Nozzle double EAK, 4.0 mm	1
5	TR407-9610	L1700	1589610	TR-Nozzle Blow off EBM, 2.0 mm	1

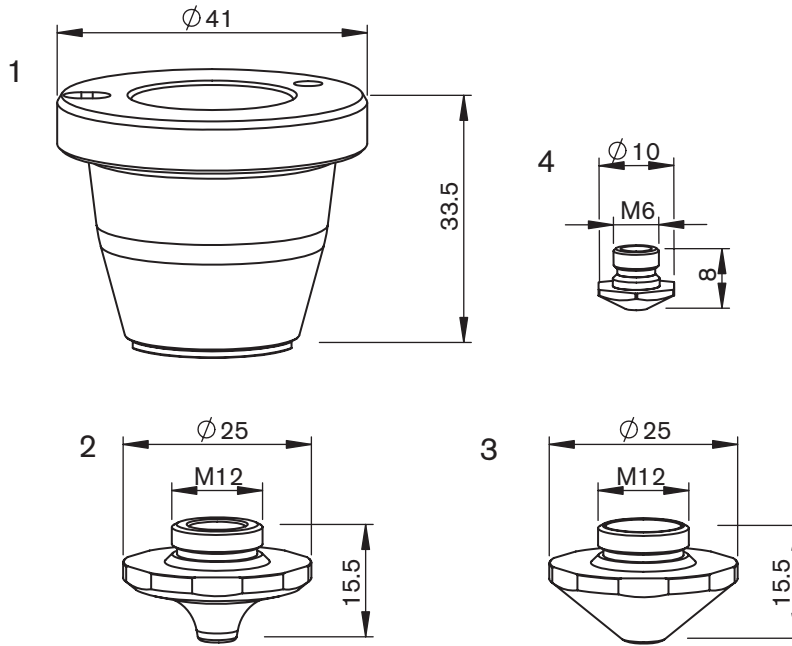
* Centricut parts available in single packs. To order single packs, remove the 'X' at the end of the part number (e.g. TR426-1308X would be TR426-1308). For Esse A parts available in single packs. To order single packs, remove the '50' after the L in the part number (e.g. L501308 would be L1308).

Centricut is not affiliated with the named manufacturers. Reference to machines, parts, descriptions, and model numbers are for convenience in verifying compatibility only. All parts are made by or for Centricut and are not made by the referenced manufacturers (unless expressly indicated). Centricut is a registered trademark of Hypertherm, Inc. All other trademarks are the properties of their respective owners.



Consumables

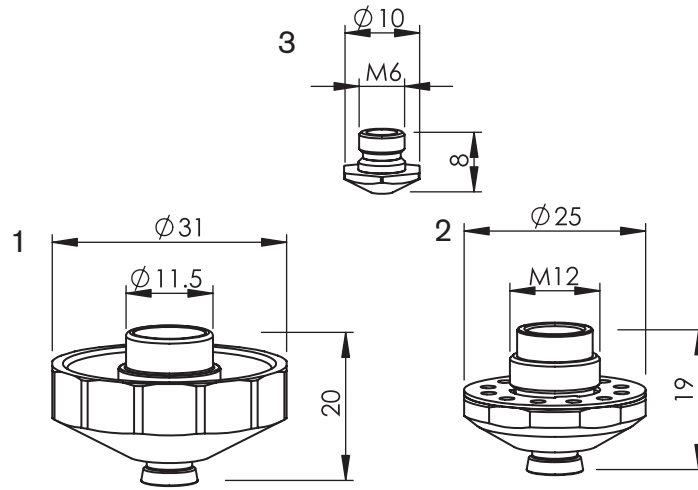
	Centricut part number	Esse A part number	Reference number	Description	Pkg qty
1	TR407-5673	AL410	1349171, 1755673	TR-Nozzle holder, ceramic	1
2	TR407-7264	L1260	1637264	TR-Nozzle focusing ZAA-01	1
3	TR407-9091	L1885	1809091	TR-Nozzle double EAQ, 6.0 mm	1
	TR407-9421	L1886	1809421	TR-Nozzle double EAQ, 7.5 mm	1
	TR407-6199	L1887	1886199	TR-Nozzle double EAQ, 9.5 mm	1
4	TR407-3046	L1986	1633046	TR-Nozzle EAC, 5.3 mm	1
5	TR407-9610	L1700	1589610	TR-Nozzle blow off EBM, 2.0 mm	1


Consumables

	Centricut part number	Esse A part number	Reference number	Description	Pkg qty
1	TR407-5673	AL410	1349171, 1755673	TR-Nozzle holder, ceramic	1
2	TR426-3324X	L501500	1373324	TR-Nozzle EAB, 0.8 mm (10 pk)	10
	TR426-3325X	L501501	1373325	TR-Nozzle EAB, 1.0 mm (10 pk)	10
	TR426-3326X	L501502	1373326	TR-Nozzle EAB, 1.2 mm (10 pk)	10
	TR426-3327X	L501503	1373327	TR-Nozzle EAB, 1.4 mm (10 pk)	10
	TR426-3328X	L501504	1373328	TR-Nozzle EAB, 1.7 mm (10 pk)	10
	TR426-3329X	L501505	1373329	TR-Nozzle EAB, 2.0 mm (10 pk)	10
	TR426-3330X	L501506	1373330	TR-Nozzle EAB, 2.3 mm (10 pk)	10
	TR426-3331X	L501507	1373331	TR-Nozzle EAB, 2.7 mm (10 pk)	10
3	TR426-1308X	L501308		TR-Nozzle double, 0.8 mm (10 pk)	10
	TR426-1309X	L501309		TR-Nozzle double, 1.0 mm (10 pk)	10
	TR426-1310X	L501310		TR-Nozzle double, 1.2 mm (10 pk)*	10
	TR426-1311X	L501311		TR-Nozzle double, 1.4 mm (10 pk)*	10
	TR426-1312X	L501312		TR-Nozzle double, 1.7 mm (10 pk)	10
	TR426-1313X	L501313		TR-Nozzle double, 2.0 mm (10 pk)*	10
	TR426-1314X	L501314		TR-Nozzle double, 2.3 mm (10 pk)	10
	TR426-1315X	L501315		TR-Nozzle double, 2.7 mm (10 pk)	10
	TR426-1308CPHX	L501308XH		TR-Nozzle double, 0.8 mm HCP (10 pk)	10
	TR426-1309CPHX	L501309XH		TR-Nozzle double, 1.0 mm HCP (10 pk)	10
	TR426-1310CPHX	L501310XH		TR-Nozzle double, 1.2 mm HCP (10 pk)	10
	TR426-1311CPHX	L501311XH		TR-Nozzle double, 1.4 mm HCP (10 pk)	10
	TR426-1312CPHX	L501312XH		TR-Nozzle double, 1.7 mm HCP (10 pk)	10
	TR426-1313CPHX	L501313XH		TR-Nozzle double, 2.0 mm HCP (10 pk)	10
	TR426-1314CPHX	L501314XH		TR-Nozzle double, 2.3 mm HCP (10 pk)	10
TR426-1315CPHX	L501315XH		TR-Nozzle double, 2.7 mm HCP (10 pk)	10	
4	TR407-9610	L1700	1589610	TR-Nozzle blow off EBM, 2.0 mm	1

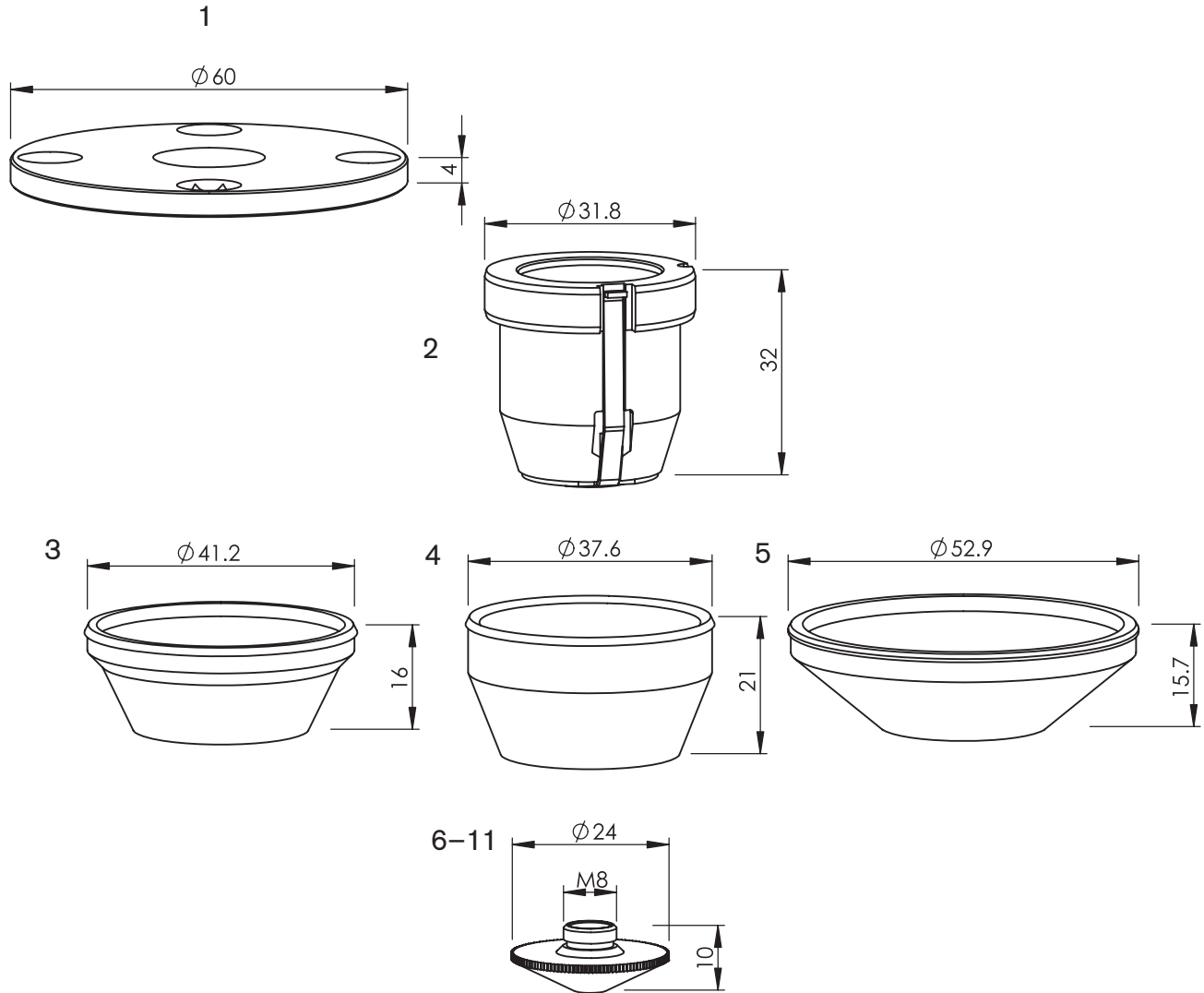
* Centricut parts available in single packs. To order single packs, remove the 'X' at the end of the part number (e.g. TR426-1308X would be TR426-1308).

For Esse A parts available in single packs. To order single packs, remove the '50' after the L in the part number (e.g. L501308 would be L1308).



Consumables

	Centricut part number	Esse A part number	Reference number	Description	Pkg qty
1	TR407-4018	L1800	1774018	TR-Nozzle EFL, 1.4 mm	1
	TR407-8745	L1801	1838745	TR-Nozzle EFL, 1.7 mm	1
	TR407-4020	L1802	1774020	TR-Nozzle EFL, 2.0 mm	1
	TR407-4092	L1803	1774092	TR-Nozzle EFL, 2.3 mm	1
2	TR407-9940	L1990	1879940	TR-Nozzle EGL, 1.4 mm	1
	TR407-9951	L1991	1879951	TR-Nozzle EGL, 1.7 mm	1
	TR407-9952	L1992	1879952	TR-Nozzle EGL, 2.0 mm	1
	TR407-9953	L1993	1879953	TR-Nozzle EGL, 2.3 mm	1
3	TR407-9610	L1700	1589610	TR-Nozzle blow off EBM, 2.0 mm	1


Consumables

	Centricut part number	Esse A part number	Reference number	Description	Pkg qty
1	TR301-4485	AL70	234485	TR-Breakaway plate	1
2	TR301-0432	AL108	254493, 260432	TR-Nozzle holder, ceramic	1
3	TR301-4496	AL36	254496	TR-Cover, PTFE**	1
4	TR301-6153	AL47	256153	TR-Cover, PTFE** (white)	1
	TR301-6153T	AL347	955826	TR-Cover, PTFE** (black)	1
5	TR301-5286	AL41	225286	TR-Cover, PTFE**	1

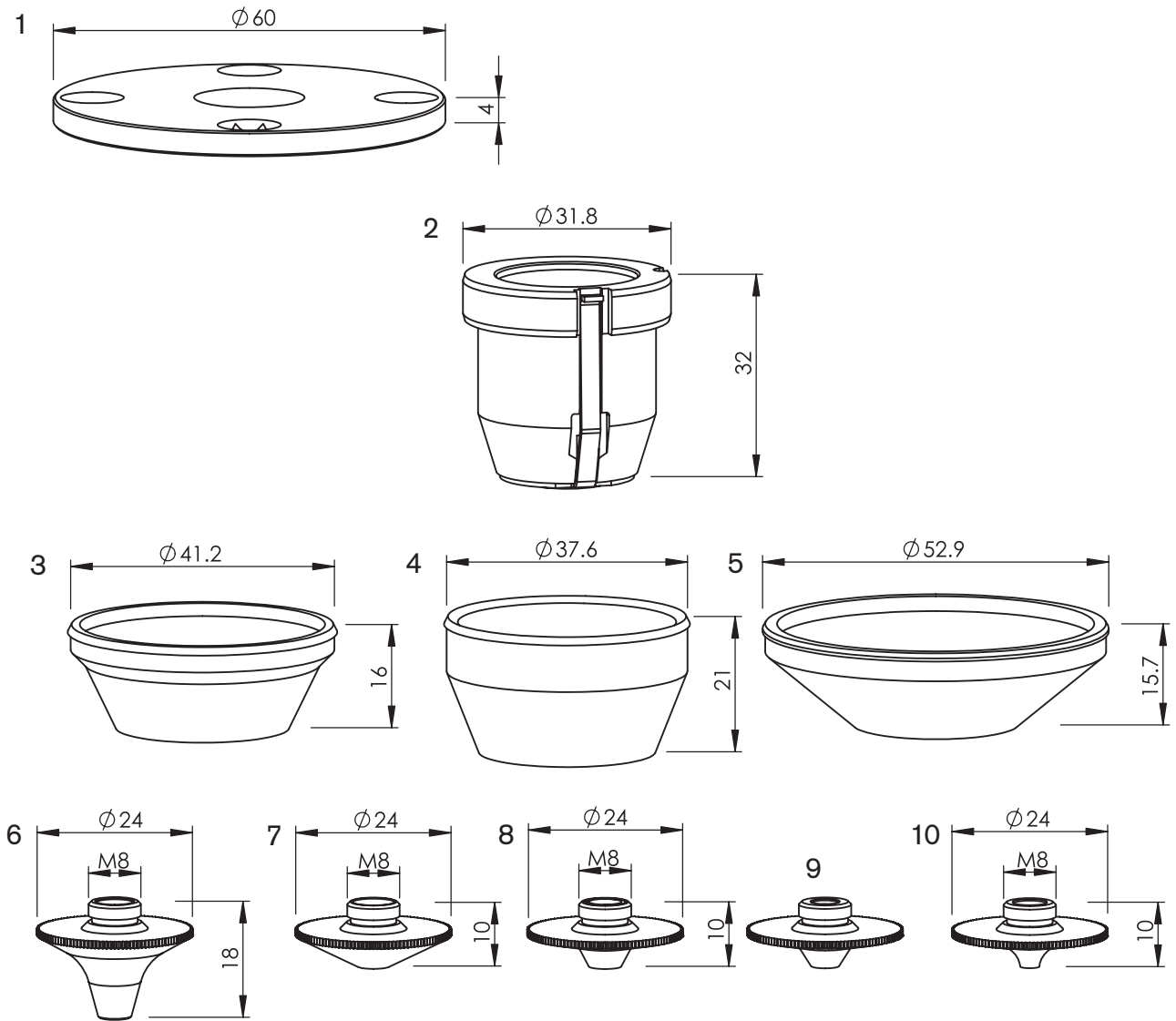
Consumables

	Centricut part number	Esse A part number	Reference number	Description	Pkg qty
6	TR301-4561X	L3018	124561, 237499	TR-Nozzle, 0.8 mm (10 pk)*	10
	TR301-4562X	L3019	124562, 237498	TR-Nozzle, 1.0 mm (10 pk)*	10
	TR301-6809X	L30361	966809	TR-Nozzle, 1.2 mm (10 pk)*	10
	TR301-0014X	L30795		TR-Nozzle, 1.4 mm (10 pk)*	10
	TR301-7500X	L3026	237500	TR-Nozzle, 1.5 mm (10 pk)*	10
	TR301-0017X	L30796		TR-Nozzle, 1.7 mm (10 pk)*	10
	TR301-7503X	L3024	237503, 1253211	TR-Nozzle, 2.0 mm (10 pk)*	10
	TR301-4564X	L30797	124564	TR-Nozzle, 2.3 mm (10 pk)*	10
	TR301-7504X	L3025	237504	TR-Nozzle, 3.0 mm (10 pk)	10
	TR301-0561CPX	L3018X	352280	TR-Nozzle, 0.8 mm CP (10 pk)*	10
	TR301-0562CPX	L3019X	352281	TR-Nozzle, 1.0 mm CP (10 pk)*	10
	TR301-0809CPX	L30361X	352282	TR-Nozzle, 1.2 mm CP (10 pk)*	10
	TR301-0014CPX	L30795X		TR-Nozzle, 1.4 mm CP (10 pk)*	10
	TR301-7500CPX	L3026X	352288	TR-Nozzle, 1.5 mm CP (10 pk)*	10
	TR301-0017CPX	L30796X		TR-Nozzle, 1.7 mm CP (10 pk)*	10
	TR301-7503CPX	L3024X		TR-Nozzle, 2.0 mm CP (10 pk)*	10
	TR301-4564CPX	L30797X	124564	TR-Nozzle, 2.3 mm CP (10 pk)*	10
TR301-7504CPX	L3025X	237504	TR-Nozzle, 3.0 mm CP (10 pk)	10	
7	TR301-7497X	L3020	237497	TR-Nozzle HD, 1.4 mm (10 pk)*	10
	TR301-1497CPX	L3020X	352283	TR-Nozzle HD, 1.4 mm CP (10 pk)*	10
8	TR301-7497-S	L258	237497/S	TR-Nozzle HD, 1.4 mm	1
	TR301-0497X	L30258	237497/S	TR-Nozzle HD, 1.4 mm (10 pk)*	10
	TR301-7501X	L3021	237501	TR-Nozzle HD, 1.7 mm (10 pk)*	10
	TR301-3211X	L30168	237502, 1253211	TR-Nozzle HD, 2.0 mm (10 pk)*	10
	TR301-6933X	L3076	126933	TR-Nozzle HD, 2.3 mm (10 pk)*	10
	TR301-0003X	L30185		TR-Nozzle HD, 2.5 mm (10 pk)	10
	TR301-2742X	L30360	942742	TR-Nozzle HD, 2.7 mm (10 pk)*	10
	TR301-0004X	L30396		TR-Nozzle HD, 3.0 mm (10 pk)	10
	TR301-0497CPX	L30258X		TR-Nozzle HD, 1.4 mm CP (10 pk)*	10
	TR301-0501CPX	L3021X	352284	TR-Nozzle HD, 1.7 mm CP (10 pk)*	10
	TR301-1002CPX	L30168X	237502, 352287	TR-Nozzle HD, 2.0 mm CP (10 pk)*	10
	TR301-0933CPX	L3076X	352285	TR-Nozzle HD, 2.3 mm CP (10 pk)*	10
	TR301-0003CPX	L30185X		TR-Nozzle HD, 2.5 mm CP (10 pk)	10
	TR301-0742CPX	L30360X	352286	TR-Nozzle HD, 2.7 mm CP (10 pk)*	10
TR301-1004CPX	L30396X		TR-Nozzle HD, 3.0 mm CP (10 pk)	10	
9	TR301-4561CPX	L3018XH	352280	TR-Nozzle, 0.8 mm HCP (10 pk)*	10
	TR301-4562CPX	L3019XH	352281	TR-Nozzle, 1.0 mm HCP (10 pk)*	10
	TR301-6809CPX	L30361XH	352282	TR-Nozzle, 1.2 mm HCP (10 pk)*	10
10	TR301-7497CPX	L3020XH	352283	TR-Nozzle HD, 1.4 mm HCP (10 pk)*	10
11	TR301-0014HCPX	L30258XH		TR-Nozzle HD, 1.4 mm HCP (10 pk)	10
	TR301-7501CPX	L3021XH	352284	TR-Nozzle HD, 1.7 mm HCP (10 pk)*	10
	TR301-0002CPX	L30168XH	237502, 1253212	TR-Nozzle HD, 2.0 mm HCP (10 pk)*	10
	TR301-6933CPX	L3076XH	352285	TR-Nozzle HD, 2.3 mm HCP (10 pk)*	10
	TR301-2742CPX	L30360XH	352286	TR-Nozzle HD, 2.7 mm HCP (10 pk)*	10

* Centricut parts available in single packs. To order single packs, remove the 'X' at the end of the part number (e.g. TR355-0005X would be TR355-0005).

For Esse A parts available in single packs. To order single packs, remove the '30' after the L in the part number (e.g. L30640 would be L640).

** PolyTetraFluoroEthylene is a fluorocarbon-based polymer and is commonly abbreviated PTFE. The Teflon® brand of PTFE is manufactured only by DuPont and is not sold by Hypertherm. Hypertherm purchases other brands of PTFE from various high quality manufacturers.



Consumables

	Centricut part number	Esse A part number	Reference number	Description	Pkg qty
1	TR301-4485	AL70	234485	TR-Breakaway plate	1
2	TR301-0432	AL108	254493, 260432	TR-Nozzle holder, ceramic	1
3	TR301-4496	AL36	254496	TR-Cover, PTFE**	1
4	TR301-6153	AL47	256153	TR-Cover, PTFE** (white)	1
	TR301-6153T	AL347	955826	TR-Cover, PTFE** (black)	1
5	TR301-5286	AL41	225286	TR-Cover, PTFE**	1
6	TR301-7773	L1550	1277773	TR-Nozzle, 0.8 mm	1
	TR301-7771	L1551	1277771	TR-Nozzle, 1.0 mm	1
	TR301-7774	L1552	1277774	TR-Nozzle, 1.2 mm	1
	TR301-7776	L1553	1277776	TR-Nozzle, 1.4 mm	1
	TR301-7779	L1554	1277779	TR-Nozzle, 1.7 mm	1
	TR301-7780	L1555	1277780	TR-Nozzle, 2.0 mm	1
	TR301-7781	L1556	1277781	TR-Nozzle, 2.3 mm	1
	TR301-7782	L1557	1277782	TR-Nozzle, 2.7 mm	1

Centricut is not affiliated with the named manufacturers. Reference to machines, parts, descriptions, and model numbers are for convenience in verifying compatibility only. All parts are made by or for Centricut and are not made by the referenced manufacturers (unless expressly indicated). Centricut is a registered trademark of Hypertherm, Inc. All other trademarks are the properties of their respective owners.

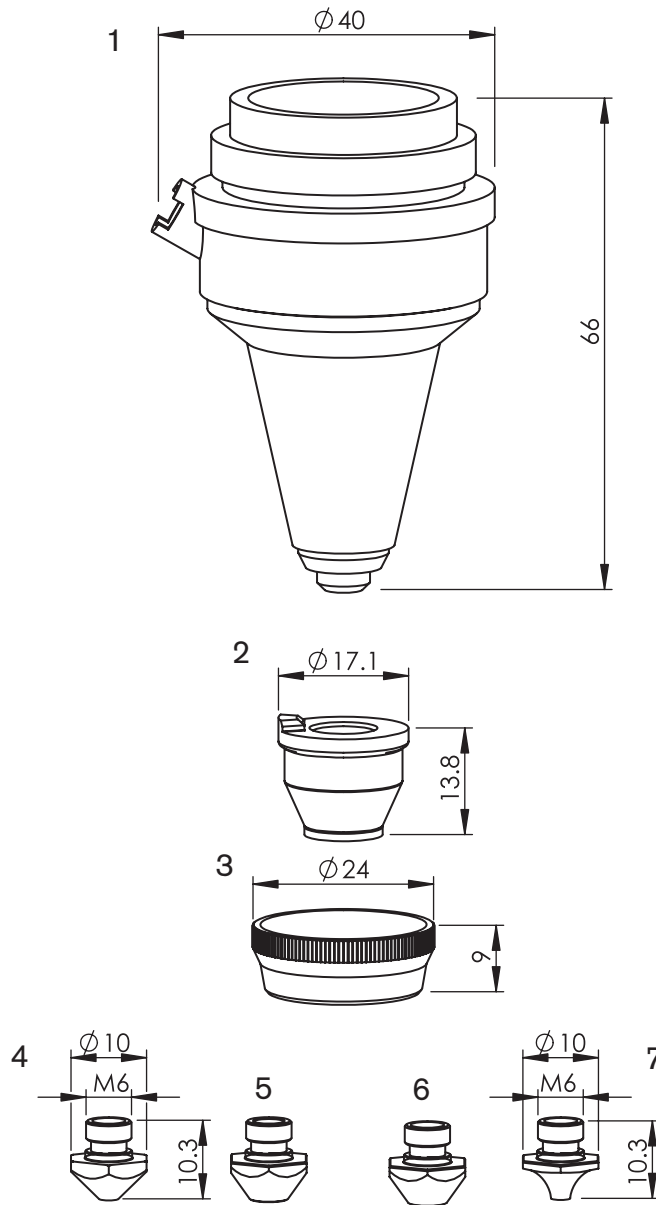
Consumables

	Centricut part number	Esse A part number	Reference number	Description	Pkg qty
7	TR301-7872X	L30495	237872	TR-Nozzle shower, 0.8 mm (10 pk)	10
8	TR355-0005X	L30640		TR-Nozzle double, 0.8 mm (10 pk)*	10
	TR355-0001X	L30641		TR-Nozzle double, 1.0 mm (10 pk)	10
	TR355-0006X	L30648		TR-Nozzle double, 1.2 mm (10 pk)*	10
	TR355-0002X	L30642		TR-Nozzle double, 1.4 mm (10 pk)*	10
	TR355-0003X	L30643		TR-Nozzle double, 1.7 mm (10 pk)*	10
	TR355-0007X	L30644		TR-Nozzle double, 2.0 mm (10 pk)*	10
	TR355-0004X	L30645		TR-Nozzle double, 2.3 mm (10 pk)*	10
	TR355-0008X	L30646		TR-Nozzle double, 2.7 mm (10 pk)	10
	TR355-0009X	L30647		TR-Nozzle double, 3.0 mm (10 pk)	10
	TR355-0007CPX	L30644X		TR-Nozzle double, 2.0 mm CP (10 pk)	10
9	TR412-0014X	L30182		TR-Nozzle HD, 1.4 mm (10 pk)	10
	TR412-0017	L227		TR-Nozzle HD, 1.7 mm	1
	TR301-0001X	L30313		TR-Nozzle HD, 2.3 mm (10 pk)*	10
10	TR412-1014CPX	L301034X		TR-Nozzle HD, 1.4 mm CP (10 pk)	10
	TR412-1023CP	L720X		TR-Nozzle HD, 2.3 mm CP	1

* Centricut parts available in single packs. To order single packs, remove the 'X' at the end of the part number (e.g. TR355-0005X would be TR355-0005).

For Esse A parts available in single packs. To order single packs, remove the '30' after the L in the part number (e.g. L30640 would be L640).

** PolyTetraFluoroEthylene is a fluorocarbon-based polymer and is commonly abbreviated PTFE. The Teflon® brand of PTFE is manufactured only by DuPont and is not sold by Hypertherm. Hypertherm purchases other brands of PTFE from various high quality manufacturers.



Consumables

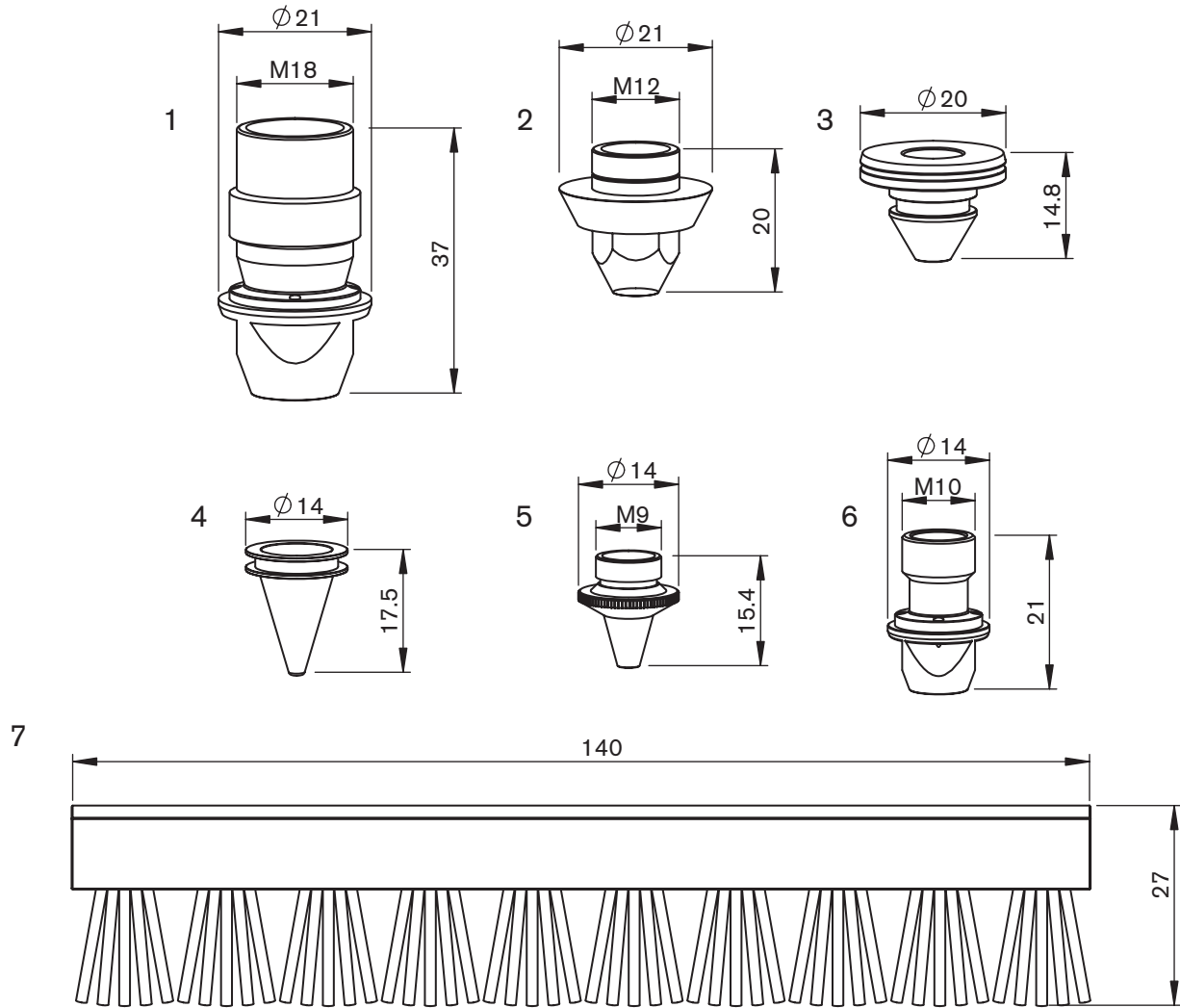
	Centricut part number	Esse A part number	Reference number	Description	Pkg qty
1	PT344-KN		280549	PT-Sensor cone, KN	1
2	TR302-2405	AL53	280408, 092405, P0494-752-00001	TR-Nozzle holder KT M1.5" KN OEM	1
3	TR302-6939X	L40211	226939	TR-Nozzle, 1.0 mm (10 pk)*	10
	TR302-6940X	L40215	226940	TR-Nozzle HD, 1.4 mm (10 pk)*	10
	TR302-7144X	L40216	227144	TR-Nozzle HD, 1.7 mm (10 pk)*	10
4	TR302-7364X	L40395	237364	TR-Nozzle shower, 1.0 mm (10 pk)*	10

Centricut is not affiliated with the named manufacturers. Reference to machines, parts, descriptions, and model numbers are for convenience in verifying compatibility only. All parts are made by or for Centricut and are not made by the referenced manufacturers (unless expressly indicated). Centricut is a registered trademark of Hypertherm, Inc. All other trademarks are the properties of their respective owners.

Consumables

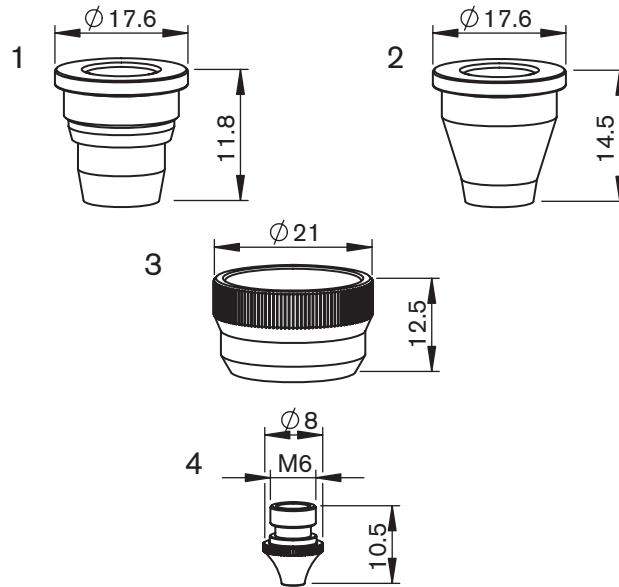
	Centricut part number	Esse A part number	Reference number	Description	Pkg qty
5	TR302-4230X	L401150	135420, 1354230	TR-Nozzle EBD, 0.8 mm (10 pk)*	10
	TR302-2334X	L40255	212334	TR-Nozzle EBD, 1.0 mm (10 pk)*	10
	TR302-0008CPX	L401150X	135420, 1354230	TR-Nozzle EBD, 0.8 mm CP (10 pk)	10
	TR302-2334CPX	L40255X	212334	TR-Nozzle EBD, 1.0 mm CP (10 pk)	10
	TR302-0009X	L401151		TR-Nozzle EBD HD, 0.8 mm (10 pk)	10
	TR302-0004X	L40270		TR-Nozzle EBD HD, 1.0 mm (10 pk)*	10
	TR302-6199X	L40256	216199	TR-Nozzle EBD HD, 1.4 mm (10 pk)*	10
	TR302-5213X	L40257	225213	TR-Nozzle EBD HD, 1.7 mm (10 pk)*	10
	TR302-7009X	L401147	1487009	TR-Nozzle EBD HD, 2.0 mm (10 pk)*	10
	TR302-6156X	L40277	126156	TR-Nozzle EBD HD, 2.3 mm (10 pk)*	10
	TR302-6125X	L401149		TR-Nozzle EBD HD, 2.5 mm (10 pk)	10
	TR302-0027X	L401152		TR-Nozzle EBD HD, 2.7 mm (10 pk)	10
	TR302-0009CPX	L401151X		TR-Nozzle EBD HD, 0.8 mm CP (10 pk)	10
	TR302-0004CPX	L40270X		TR-Nozzle EBD HD, 1.0 mm CP (10 pk)	10
	TR302-6198X	L401154	1479581	TR-Nozzle EBD HD, 1.2 mm (10 pk)*	10
	TR302-6199CPX	L40256X	216199	TR-Nozzle EBD HD, 1.4 mm CP (10 pk)	10
	TR302-5213CPX	L40257X	225213	TR-Nozzle EBD HD, 1.7 mm CP (10 pk)*	10
	TR302-6156CPX	L40277X	126156	TR-Nozzle EBD HD, 2.3 mm CP (10 pk)	10
6	TR302-5320X	L40625	135320	TR-Nozzle, 1.0 mm (10 pk)	10
	TR302-5318X	L40628	135318	TR-Nozzle HD, 1.4 mm (10 pk)*	10
	TR302-0017X	L40629		TR-Nozzle HD, 1.7 mm (10 pk)*	10
7	TR302-1409X	L402122	2241409	TR-Nozzle EBC, 2.0 mm (10 pk)	10
	TR302-5524X	L402123	2085524	TR-Nozzle EBC, 2.6 mm (10 pk)	10

* Centricut parts available in single packs. To order single packs, remove the 'X' at the end of the part number (e.g. TR302-4230X would be TR302-4230).
 For Esse A parts available in single packs. To order single packs, remove the '40' after the L in the part number (e.g. L401150 would be L1150).


Consumables

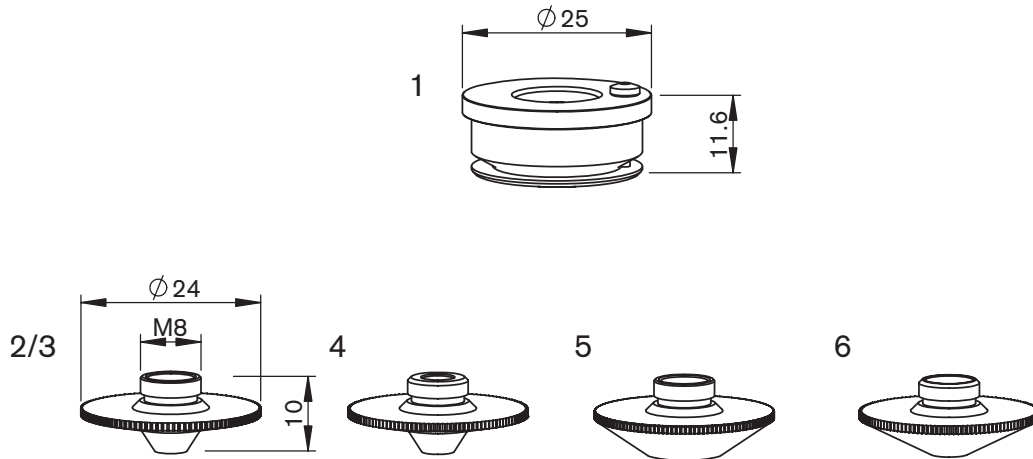
	Centricut part number	Esse A part number	Reference number	Description	Pkg qty
1	TR352-0783	L1186	220783	TR-Nozzle welding M18	1
2	TR352-2530CP	L1010X	932530	TR-Nozzle, 4.5 mm CP	1
3	TR303-2952	L5	202952	TR-Nozzle, 0.8 mm	1
	TR303-0969	L34	218969	TR-Nozzle, 1.0 mm	1
4	TR303-7953	L36	217953	TR-Nozzle HD, 1.7 mm	1
	TR414-0008	L507	12-11-16-00	TR-Nozzle YAG w/o-ring, 0.8 mm	1
	TR414-0012	L505	12-11-09-17/00	TR-Nozzle YAG w/o-ring, 1.2 mm	1
5	PT344-1813X	L30405	281813, P0589-424-00008	PT-Nozzle, 0.8 mm (10 pk)*	10
	PT344-1789X	L30406	281789, P0589-426-00010	PT-Nozzle, 1.0 mm (10 pk)*	10
	PT344-1561X	L30404	281561, 778550	PT-Nozzle, 1.2 mm (10 pk)*	10
	PT344-1499X	L30407	281814, 149957	PT-Nozzle, 1.5 mm (10 pk)*	10
	PT344-0020X	L30408	P0589-428-00020	PT-Nozzle, 2.0 mm (10 pk)	10
6	TR352-4947	L1185	924947	TR-Nozzle welding M10	1
7	TR301-3202	AL272	0353202, 900594	TR-Brush	1

* Centricut parts available in single packs. To order single packs, remove the 'X' at the end of the part number (e.g. TR355-0005X would be TR355-0005). For Esse A parts available in single packs. To order single packs, remove the '30' after the L in the part number (e.g. L30640 would be L640).


Consumables

	Centricut part number	Esse A part number	Reference number	Description	Pkg qty
1	TR302-6678C	AL412	936678, 913966/00-WO	TR-Nozzle holder 3D, ceramic	1
2	TR302-6678	AL212	936678, 913966/00-WO	TR-Nozzle holder, ceramic	1
	TR302-6678OEM		936678, 913966/00-WO	TR-Nozzle holder, ceramic OEM	1
3	TR352-3965	AL254	913965	TR-Retainer nut	1
4	TR302-8206X	L40745	958206	TR-Nozzle, 0.25 mm (10 pk)	10
	TR352-3799X	L40500	913799	TR-Nozzle EBG HD, 0.8 mm (10 pk)	10
	TR352-3800X	L40501	913800	TR-Nozzle EBG HD, 1.0 mm (10 pk)*	10
	TR352-7034X	L40498	1487034	TR-Nozzle EBG HD, 1.2 mm (10 pk)*	10
	TR352-3801X	L40502	913801	TR-Nozzle EBG HD, 1.4 mm (10 pk)*	10
	TR352-3800CPX	L40501X	913800	TR-Nozzle EBG HD, 1.0 mm CP (10 pk)	10
	TR352-7034CPX	L40498X	1487034	TR-Nozzle EBG HD, 1.2 mm CP (10 pk)*	10
	TR352-3801CPX	L40502X	913801	TR-Nozzle EBG HD, 1.4 mm CP (10 pk)*	10
	TR352-7988X	L40503	937988	TR-Nozzle HD, 1.7 mm (10 pk)*	10
	TR352-7988CPX	L40503X	937988	TR-Nozzle HD, 1.7 mm CP (10 pk)	10
	TR352-7991X	L40499		TR-Nozzle HD, 1.75 mm (10 pk)	10
	TR352-7990X	L40508	1487036	TR-Nozzle EBF HD, 2.0 mm (10 pk)*	10
	TR352-7989X	L40504	937989	TR-Nozzle EBF HD, 2.3 mm (10 pk)*	10
	TR352-7990CPX	L40508X		TR-Nozzle EBF HD, 2.0 mm CP (10 pk)	10
	TR352-7989CPX	L40504X	937989	TR-Nozzle EBF HD, 2.3 mm CP (10 pk)*	10

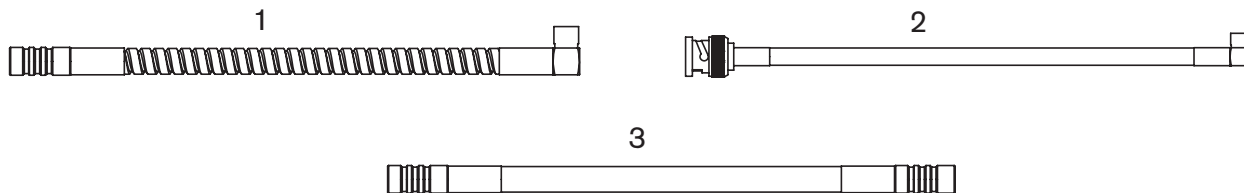
* Centricut parts available in single packs. To order single packs, remove the 'X' at the end of the part number (e.g. TR302-4230X would be TR302-4230).
 For Esse A parts available in single packs. To order single packs, remove the '40' after the L in the part number (e.g. L401150 would be L1150).



Consumables

	Centricut part number	Esse A part number	Reference number	Description	Pkg qty
1	TR301-8809	AL38	258809	TR-Nozzle holder, ceramic	1
	TR301-8809OEM	AL400	258809	TR-Nozzle holder, ceramic OEM	1
2	TR301-5780X	L3002	215780	TR-Nozzle, 0.8 mm (10 pack)	10
3	TR301-8894X	L3001	88894	TR-Nozzle HD, 1.4 mm (10 pk)*	10
	TR301-7867X	L3012	217867	TR-Nozzle HD, 1.7 mm (10 pk)*	10
4	TR412-0014X	L30182		TR-Nozzle HD, 1.4 mm (10 pk)	10
	TR412-0017	L227		TR-Nozzle HD, 1.7 mm	1
5	TR301-8893X	L3013	88893	TR-Nozzle, 1.5 mm (10 pk)	10
	TR301-1781X	L3068	221781	TR-Nozzle, 2.0 mm (10 pk)	10
6	TR301-7872X	L30495	237872	TR-Nozzle shower, 0.8 mm (10 pk)	10

* Centricut parts available in single packs. To order single packs, remove the 'X' at the end of the part number (e.g. TR355-0005X would be TR355-0005).
 For Esse A parts available in single packs. To order single packs, remove the '30' after the L in the part number (e.g. L30640 would be L640).



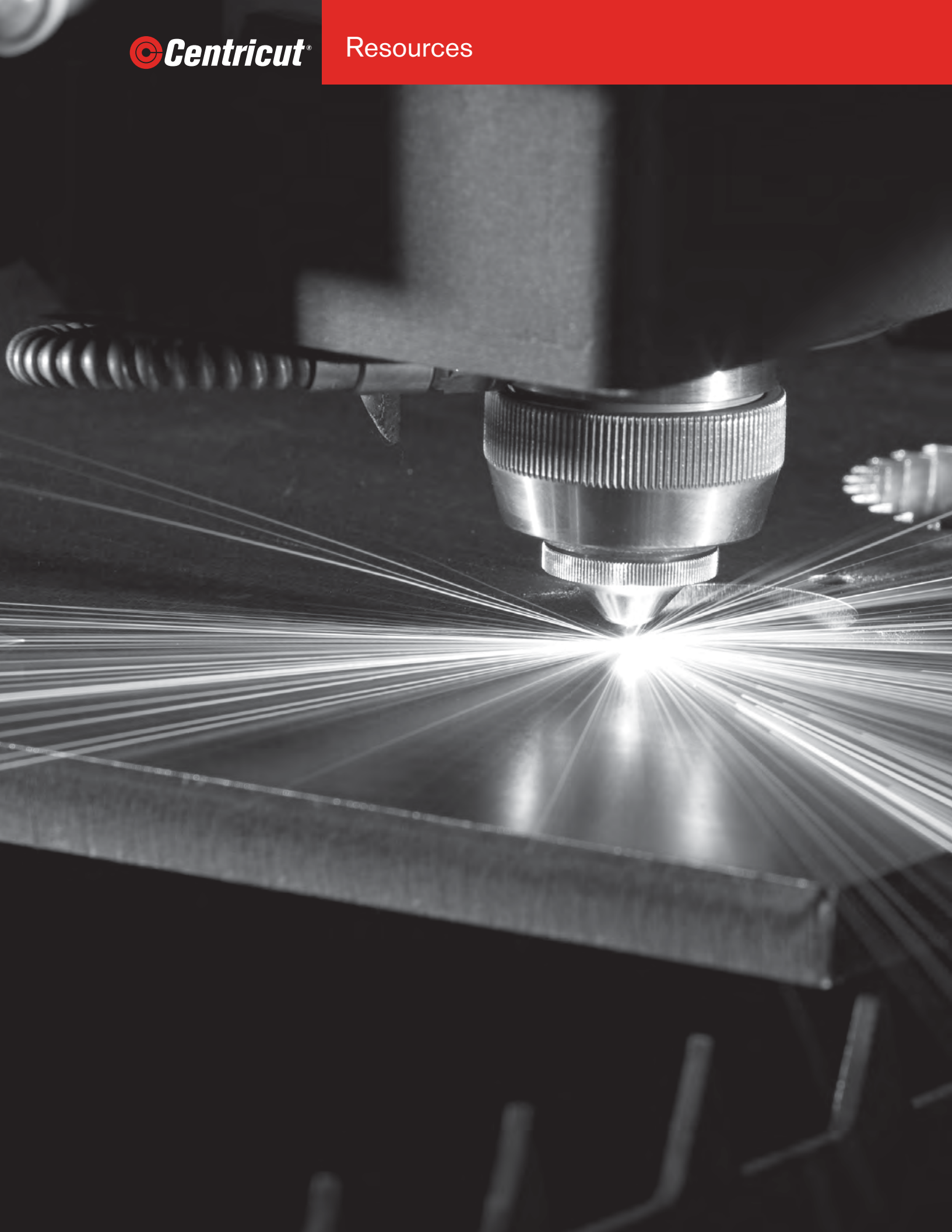
Consumables

	Centricut part number	Esse A part number	Reference number	Description	Pkg qty
1	TR301-9983		342474, 359983	TR-Sensor cable, 190 mm (7.5") armored	1
2	TR301-7833		227833	TR-Sensor cable, 432 mm (17")	1
3	TR301-0930		280930	TR-Sensor cable, 152 mm (6") armored	1

Consumables

	Centricut part number	Esse A part number	Reference number	Description	Pkg qty
Filters – not shown					
	TR301-6152	146152	CP10	TR-Water filter	1
	TR301-5942	115942		TR-Air filter	1

Centricut is not affiliated with the named manufacturers. Reference to machines, parts, descriptions, and model numbers are for convenience in verifying compatibility only. All parts are made by or for Centricut and are not made by the referenced manufacturers (unless expressly indicated). Centricut is a registered trademark of Hypertherm, Inc. All other trademarks are the properties of their respective owners.



Sensor cones



Centricut sensor cones provide substantial cost savings without sacrificing performance or quality

- Available for Amada, Mazak, Mitsubishi and Precitec
- Delivers the same OEM performance at a lower cost
- Unmatched performance and reliability
- Engineered and manufactured to Hypertherm's precise quality standards
- Backed by our one-year warranty and 100% satisfaction guarantee

Centricut part number	OEM	Reference number	Description
AM343-0091	Amada	71360091	AM-Sensor cone, HS95 mini
AM343-1621*	Amada	71341621	AM-Sensor cone, HS95
AM343-9107	Amada	ECO cone	AM-Sensor cone, ECO
AM343-1690	Amada	71341690	AM-Sensor cone, HS98
AM343-L3015C	Amada	71374509	PT-Sensor cone, LC3015
AM343-4233B*	Amada	71564233	AM-Sensor cone, HPL Black
AM343-4233G*	Amada	71564233	AM-Sensor cone, HPL Gold
PT347-3323	Mazak	HNP	PT-Sensor cone, HNP
MZ335-HNPS*	Mazak	HNPS	MZ-Sensor cone, HNP short version
PT347-0007	Mazak	56743300500	PT-Sensor cone, HNZ (Mazak)
PT347-0011*	Mitsubishi	P0354-110-00002	PT-Sensor cone, HNZ (Mitsubishi)
MB334-W429A	Mitsubishi	P0461-270-00001	MB-Sensor cone, W429A
PT347-0238*	Precitec	BQ930D238G01	PT-Sensor cone, HNZ SMA
PT347-8001	Precitec	P0361-203-00001	PT-Sensor cone, 2.5Z/J
PT347-0522*	Precitec	P0599-520-00002	PT-Sensor cone, LRC
PT347-1145	Precitec	P0380-140-0002, P0380-130-00001, 281145	PT-Sensor cone, DZ

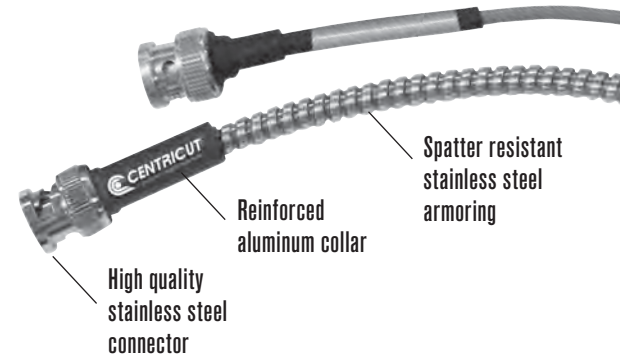
*Sensor cone repair service is available for most sensor cones in North America and select international regions. For more information contact Ctlaser@Hypertherm.com.

Centricut is not affiliated with the named manufacturers. Reference to machines, parts, descriptions, and model numbers are for convenience in verifying compatibility only. All parts are made by or for Centricut and are not made by the referenced manufacturers (unless expressly indicated). Centricut is a registered trademark of Hypertherm, Inc. All other trademarks are the properties of their respective owners.

Armored sensor cables

Centricut armored sensor cables outlast standard OEM cables

- Available for all major brands
- Robust design with extreme temperature rating (900–1200°)
- Longer life reduces downtime and production loss
- Spatter resistant stainless steel armoring
- Reinforced collars and high-quality connector



Armored sensor cables

Centricut part number	OEM	Reference number	Description
AM308-8965	Amada	71398965	AM-Sensor cable, 305 mm (12")
AM308-8965A	Amada	71398965	AM-Sensor cable, 305 mm (12") armored
AM313-1901	Amada	71341630	AM-Sensor cable HS-5, 305 mm (12")
AM313-1901A	Amada	71341630	AM-Sensor cable HS-5, 305 mm (12") armored
AM313-8292	Amada	71398292	AM-Sensor cable dual shield, 7 m (275.6")
AM313-9851A	Amada	71369851	AM-Sensor cable, 203 mm (8") armored
CN306-0654A	Cincinnati	909654, 922686	CN-Sensor cable, 114 mm (4.5") armored
CN306-0951A	Cincinnati	842951	CN-Sensor cable, 140 mm (5.5") armored
CN306-2951	Cincinnati	842951, PLTTW0015	CN-Sensor cable, 140 mm (5.5")
CN306-9654	Cincinnati	909654, 922686, PLTTW0002	CN-Sensor cable, 114 mm (4.5")
MZ335-0111A	Mazak	4674330111	MZ-Sensor cable, 280 mm (11") armored
MZ335-0181A	Mazak	46743300181	MZ-Sensor cable, 317.5 mm (12.5") armored
MZ335-1330A	Mazak	46683301330	MZ-Sensor cable, 305 mm (12") armored
MZ335-1980A	Mazak	46683301980	MZ-Sensor cable, 280 mm (11") armored
MZ335-5320	Mazak	6143355320	MZ-Sensor cable, 61.5 mm (2.4") armored
MZ335-630A	Mazak	00BSBA630MNC	MZ-Sensor cable, 630 mm (25") armored
MZ335-8290	Mazak	46143308290	MZ-Sensor cable, 75 mm (3")
NT426-1682	NTC	4R029911-001, J482D	NT-Sensor cable, 216 mm (8.5")
NT426-4991	NTC	3-0104991	NT-Sensor cable 0-0BNC/MCX, 482 mm (19")
NT426-7492	NTC	3-0117492	NT-Sensor cable 90BNC/90BNC, 482 mm (19")
NT426-8677	NTC	4R028677-001	NT-Sensor cable, 508 mm (20") armored
PR361-3150	Prima	820.63.150	PR-Sensor cable, 150 mm (5.9")
PR361-3151	Prima	820.63.150	PR-Sensor cable, 150 mm (6") high profile
PR361-3160	Prima	555.63.150	PR-Sensor cable, 210 mm (8 17/64")
PT347-0101A	Precitec	P0360-100-00500	PT-Sensor cable, 500 mm (20") armored
PT347-0181	Precitec	46743300181	PT-Sensor cable, 305 mm (12") armored
PT347-0250	Precitec	342475	PT-Sensor cable, 250 mm (9.8") armored
PT347-0300A	Precitec	P0492-014-00300	PT-Sensor cable KE, 300 mm (11.8") armored
PT347-0450	Precitec	P0497-002-00450	PT-Sensor cable, 450 mm (17.7")
PT347-KS13	Precitec/ Gunkyo	00BMTKA-A-HS500mm	PT-Sensor cable, 390 mm (15.5") armored
PT347-1250	Precitec	D5001-040-00250	PT-Sensor cable, 250 mm (9.8") armored
TR301-0930	Trumpf	280930	TR-Sensor cable, 152 mm (6") armored
TR301-7833	Trumpf	227833	TR-Sensor cable, 432 mm (17")
TR301-9983	Trumpf	359983, 342474	TR-Sensor cable, 190 mm (7.5") armored

Centricut is not affiliated with the named manufacturers. Reference to machines, parts, descriptions, and model numbers are for convenience in verifying compatibility only. All parts are made by or for Centricut and are not made by the referenced manufacturers (unless expressly indicated). Centricut is a registered trademark of Hypertherm, Inc. All other trademarks are the properties of their respective owners.

Lens cleaning tips



Centricut supplies suitable for all OEM CO₂ and fiber laser lenses

- Lens maintenance base is designed to secure a wide range of optics sizes for the cleaning process
- Centricut optical cleaning fluid is a safe, economical alternative to traditional high-purity and reagent-grade solvents
- Cleaning materials suited for all lens cleaning needs; lens paper, polyester swabs and polyester wipes

Lens paper

Recommended for the routine maintenance cleaning of flat lenses.

Polyester swabs

Recommended for cleaning curved lenses and where a more aggressive cleaning is required (interchangeable with polyester wipes).

Polyester wipes

Recommended for cleaning CO₂ and fiber lenses and windows (interchangeable with polyester swabs and lens paper).

Product description	Part number	Quantity per order
Optical cleaning fluid (3 oz.)	TR300-1112	1
Lens cleaning swab	TR300-0699	25
Lens cleaning paper, Tiffen	TR300-6452	50
Polyester wipes 4" x 4"	TR300-7991	100
Base, lens maintenance	TR300-271	1

Lens paper

Recommended for the routine maintenance cleaning of flat lenses.

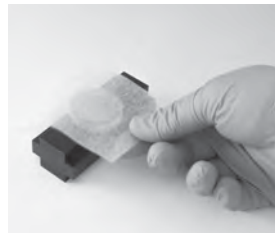
You will need:

- Lens maintenance base (lens holder)
- Optical cleaning fluid
- Air bulb
- Lint-free lens paper
- Latex or rubber gloves



To get started

Using rubber gloves, place the lens in the lens holder and remove all loose contaminants with an air bulb. When contaminants are no longer visible, begin the cleaning process.



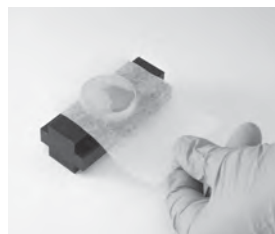
Step 1

Place lens paper over the optic, covering it completely.



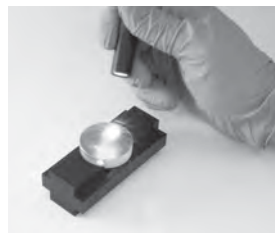
Step 2

Apply a couple drops of lens cleaning fluid to the lens paper (far side of the lens).



Step 3

Slowly pull the lens paper across the lens so the cleaning fluid comes in contact with the entire lens surface. Finish pulling the paper across so all of the fluid has dried from the lens.



Step 4

Inspect the surface of the lens for dust and cleaning residue using a flashlight. Examine the lens from different angles. Repeat the process on the other side of the lens.

Final step:

Place the cleaned lens in the machine quickly to avoid contamination from airborne particles. If spots, pits, or scratches are still noticeable, the lens may need to be replaced.

Centricut is not affiliated with the named manufacturers. Reference to machines, parts, descriptions, and model numbers are for convenience in verifying compatibility only. All parts are made by or for Centricut and are not made by the referenced manufacturers (unless expressly indicated). Centricut is a registered trademark of Hypertherm, Inc. All other trademarks are the properties of their respective owners.

Polyester swabs

Recommended for cleaning curved lenses and where more aggressive cleaning is required. Interchangeable with polyester wipes.

You will need:

- Lens maintenance base (lens holder)
- Optical cleaning fluid
- Air bulb
- Polyester swabs
- Latex or rubber gloves



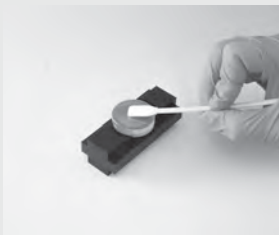
To get started

Using rubber gloves, place the lens in the lens holder and remove all loose contaminants with an air bulb. When contaminants are no longer visible, begin the cleaning process.



Step 1

Place a few drops of the optical cleaning fluid onto the swab.



Step 2

Move the larger dirt particles and then finer contaminants to the edge of the lens using the swab. Do not rest the swab on the lens or on the work table. Do not reuse swabs.



Step 3

Inspect the surface of the lens for dust and cleaning residue using a flashlight. Examine the lens from different angles. Repeat the process on the other side of the lens.

Final step:

Place the cleaned lens in the machine quickly to avoid contamination from airborne particles. If spots, pits, or scratches are still noticeable, the lens may need to be replaced.

Polyester wipes

Recommended for cleaning CO₂ and fiber lenses and windows. Interchangeable with polyester swabs and lens paper.

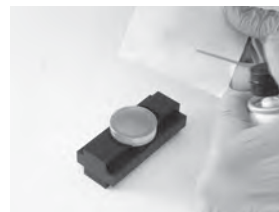
You will need:

- Lens maintenance base (lens holder)
- Optical cleaning fluid
- Air bulb
- Polyester wipes
- Latex or rubber gloves



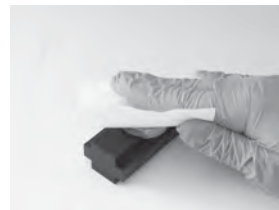
To get started

Using rubber gloves, place the lens in the lens holder and remove all loose contaminants with an air bulb. When contaminants are no longer visible, begin the cleaning process.



Step 1

Place a few drops of the optical cleaning fluid onto the polyester wipe.



Step 2

Place the wipe with the wet side down on the lens and slide it across the lens, applying light pressure to the top of the wipe. Avoid contamination to the wipe and do not reuse wipes.



Step 3

Inspect the surface of the lens for dust and cleaning residue using a flashlight. Examine the lens from different angles. Repeat the process on the other side of the lens.

Final step:

Place the cleaned lens in the machine quickly to avoid contamination from airborne particles. If spots, pits, or scratches are still noticeable, the lens may need to be replaced.

Steps to help optimize cut quality.

Striation marks, angularity and dross tell the story.

Optimizing CO₂ and fiber lasers to achieve maximum cut quality is a very important step in the overall cutting process. The critical points that produce good cuts are the width of the kerf (the material that is lost during the cut), oxidation and roughness of the cut surface, the geometry of the cut parts and the allowable tolerances. Some factors to be considered are the cut speed or 'feed rate', beam focus, gas pressure, standoff and nozzle size/type.

Factory cut chart settings

The following samples show 12 mm, 6 mm and 3.2 mm (1/2", 1/4" and 10 ga.) mild steel, cut with O₂ on a 2 kW fiber laser with one variable changed to show how cut quality is affected. The adjustments will be similar for all CO₂ and fiber laser, cutting mild steel with O₂.

Is the kerf too narrow?

When the kerf is too narrow the cut will have a very smooth edge on the top, a lack of oxidation on the bottom and/or heavy dross.

Probable causes:

- Focus is too low
- Feed rate is too fast
- Gas pressure is too low
- Nozzle size is too small
- Standoff is too low

Follow these steps to optimize cut quality:

1. Use the closest known settings for the material being cut.
2. Use a test part that has both interior and exterior features.
3. Verify that the lens and/or window is clean and in good condition.
4. Verify that the nozzle is centered properly and is in good condition.
5. Adjust the focus up and down until the cut quality starts to get bad and then set to the middle of that range.
6. Adjust the gas pressure up and down until the cut starts to get bad and then set to the middle of that range.
7. Adjust the federate up by 5% increments. When the cut starts to get bad, set the feed rate 10% slower.

Strike a balance between heat levels and gas flow

Cutting mild steel with a laser is a balance of how much material is heated by the laser beam and how much assist gas flows through the cut.

- Heating up too small of an area, or not having enough assist gas flow through the cut will result with the kerf (width of the cut) being too narrow.
- Heating up too large of an area or having too much assist gas flow through the cut will result in the kerf being too wide.

Is the kerf too wide?

When the kerf is too wide the cut will have a rougher edge, more self burning in the corners of the part, more angularity on the cut edge and occasionally, dross.

Probable causes:

- Focus is too high
- Feed rate is too slow
- Gas pressure is too high
- Nozzle size is too big
- Standoff is too high
- Incorrect nozzle type

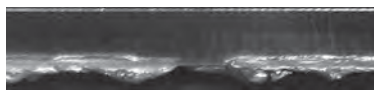
3.2 mm (10 ga.) mild steel cut resulting in too narrow kerf

Factory cut chart settings



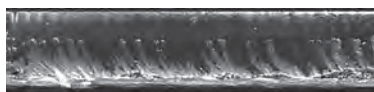
Focus is too low

The kerf is too narrow and doesn't allow enough O₂ into the cut to remove all the molten material.



Feed rate is too fast

The cut striations are trailing the direction of cutting and there is not enough time to remove all the molten material.



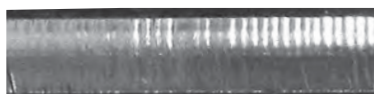
Gas pressure is too low

There is not enough O₂ to remove all the molten material.



Stand off is too low

The focus spot is in the wrong location, causing the rough edge.



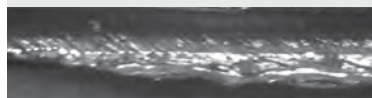
3.2 mm (10 ga.) mild steel cut resulting in too wide kerf

Factory cut chart settings



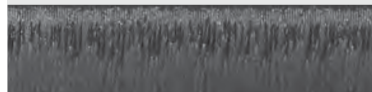
Focus is too high

The laser is melting more material than can be removed from the cut.



Feed rate is too slow

The cut surface is too rough and productivity is decreased.



Gas pressure is too high

Too much O₂ results in overheating of the cut and causes intermittent gouges.



Stand off is too high

The laser is melting more material than can be removed from the cut.



Nozzle size is too big

Too much O₂ results in overheating of the cut and causes intermittent gouges.



Cut direction

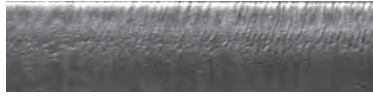
Cut direction

*Above samples have been cut with O₂ on 2 kW fiber laser. Results will be similar for CO₂ laser cutting mild steel with O₂.

Centricut is not affiliated with the named manufacturers. Reference to machines, parts, descriptions, and model numbers are for convenience in verifying compatibility only. All parts are made by or for Centricut and are not made by the referenced manufacturers (unless expressly indicated). Centricut is a registered trademark of Hypertherm, Inc. All other trademarks are the properties of their respective owners.

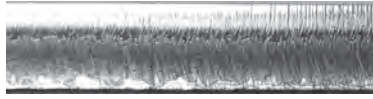
**6 mm (1/4") mild steel cut
resulting in too narrow kerf**

Factory cut chart settings



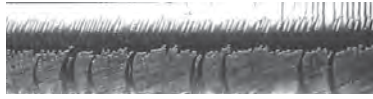
Focus is too low

The kerf is too narrow and doesn't allow enough O₂ into the cut to remove all the molten material.



Feed rate is too fast

The cut striations are trailing the direction of cutting and there is not enough time to remove all the molten material.



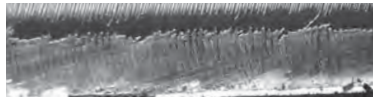
Gas pressure is too low

There is not enough O₂ to remove all the molten material.



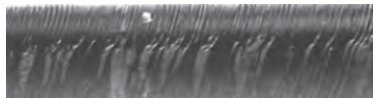
Stand off is too low

The focus spot is in the wrong location, causing the rough edge.



Nozzle size is too small

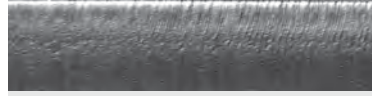
There is not enough O₂ to cut uniformly



Cut direction

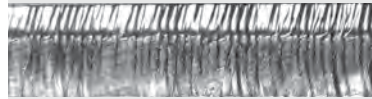
**6 mm (1/4") mild steel cut
resulting in too wide kerf**

Factory cut chart settings



Focus is too high

The wider focus spot is letting too much O₂ into the cut and burning the material.



Feed rate is too slow

The cut surface is too rough and productivity is decreased.



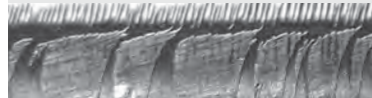
Gas pressure is too high

Too much O₂ is entering the cut, causing a rougher edge and inconsistent cutting.



Stand off is too high

Too much O₂ is entering the cut, causing a rougher edge and inconsistent cutting.



Nozzle size is too big

Too much O₂ results in overheating of the cut and causes intermittent gouges.



Nozzle type is incorrect

The shape of the gas flow is incorrect, causing a rougher edge.



Cut direction

*Above samples have been cut with O₂ on 2 kW fiber laser. Results will be similar for CO₂ laser cutting mild steel with O₂.

Centricut is not affiliated with the named manufacturers. Reference to machines, parts, descriptions, and model numbers are for convenience in verifying compatibility only. All parts are made by or for Centricut and are not made by the referenced manufacturers (unless expressly indicated). Centricut is a registered trademark of Hypertherm, Inc. All other trademarks are the properties of their respective owners.

12 mm (1/2") mild steel cut resulting in too narrow kerf

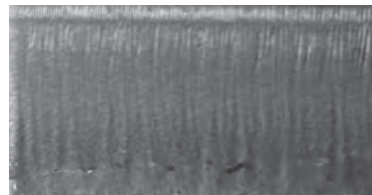
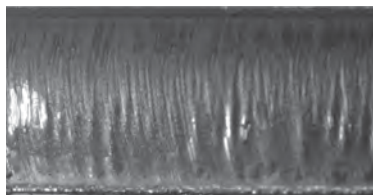
Factory cut chart settings



Factory cut chart settings

Focus is too low

The kerf is too narrow and doesn't allow enough O₂ into the cut to remove all the molten material.

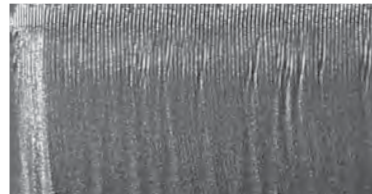


Stand off is too low

The kerf is too narrow to allow enough O₂ into the cut. The oxidation is not covering the entire surface and cutting will be inconsistent.

Feed rate is too fast

The machine is moving too fast to allow enough O₂ into the cut for consistent cutting.



Nozzle size is too small

There is not enough O₂ to cut uniformly

Gas pressure is too low

The pressure is too low to allow enough O₂ into the cut. The oxidation is not covering the entire surface and cutting will be inconsistent.



Cut direction

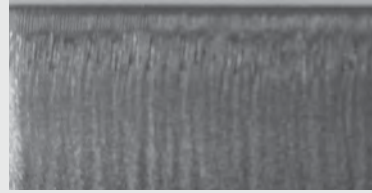
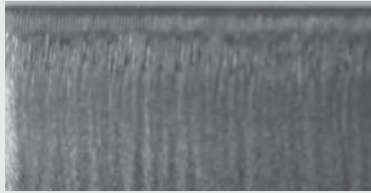
Cut direction

*Above samples have been cut with O₂ on 2 kW fiber laser. Results will be similar for CO₂ laser cutting mild steel with O₂.

Centricut is not affiliated with the named manufacturers. Reference to machines, parts, descriptions, and model numbers are for convenience in verifying compatibility only. All parts are made by or for Centricut and are not made by the referenced manufacturers (unless expressly indicated). Centricut is a registered trademark of Hypertherm, Inc. All other trademarks are the properties of their respective owners.

12 mm (1/2") mild steel cut resulting in too wide kerf

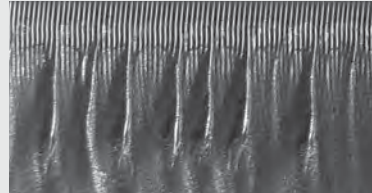
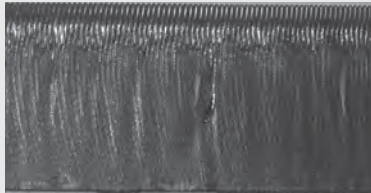
Factory cut chart settings



Factory cut chart settings

Focus is too high

Too much O₂ is entering the cut causing intermittent over burning.

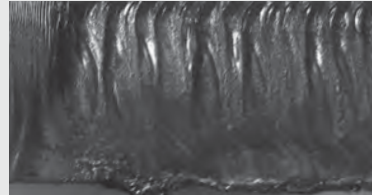
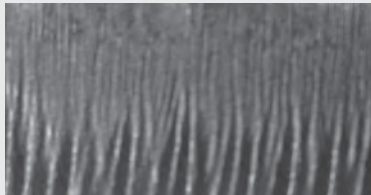


Stand off is too high

Too much O₂ is entering the cut resulting in intermittent over burning.

Feed rate is too slow

The machine is moving too slow resulting in the over burning of the bottom half of the cut. The slower feed rate also reduces productivity.

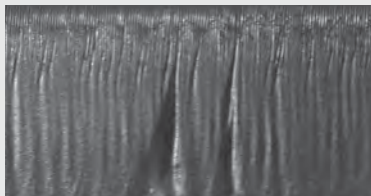


Incorrect nozzle type

The gas flow shape is not correct resulting in inconsistent cutting.

Gas pressure is too high

Too much O₂ is entering the cut resulting in intermittent over burning.



*Above samples have been cut with O₂ on 2 kW fiber laser. Results will be similar for CO₂ laser cutting mild steel with O₂.

Centricut is not affiliated with the named manufacturers. Reference to machines, parts, descriptions, and model numbers are for convenience in verifying compatibility only. All parts are made by or for Centricut and are not made by the referenced manufacturers (unless expressly indicated). Centricut is a registered trademark of Hypertherm, Inc. All other trademarks are the properties of their respective owners.

Technical support and customer service

Our technical service team can answer questions about any laser cutting system. Whether it's a question about a part, a system or for guidance on how to optimize laser cutting performance, our experts can help.

- OEM trained technicians with over 40 years experience
- Free application support for all laser OEMs
- We stand behind our products with industry-leading technical expertise

A photograph showing three men in a factory environment. They are gathered around a large industrial control panel for a laser cutting machine. The man on the left is wearing safety glasses and a light blue shirt, looking at the panel. The man in the middle is also wearing safety glasses and a light blue shirt, looking towards the right. The man on the right is wearing safety glasses and a dark shirt, looking at the panel. The control panel features a large touchscreen displaying a software interface with various buttons and graphs. Below the screen are several physical buttons and a keyboard. The background is slightly blurred, showing industrial equipment and a factory setting.

Contact a laser expert at ctlaser@hypertherm.com

**HELPING YOU
SHAPE THE WORLD.**



PLASMA | LASER | WATERJET | AUTOMATION | SOFTWARE | CONSUMABLES

For more information on Centricut laser products,
visit www.hypertherm.com/laserconsumables
or email ctlaser@hypertherm.com

Hypertherm, Centricut, SilverLine and CoolFlow are trademarks of Hypertherm, Inc., and may be registered in the United States and/or other countries. All other trademarks are the property of their respective owners.

Environmental stewardship is one of Hypertherm's core values, and it is critical to our success and our customers' success. We are striving to reduce the environmental impact of everything we do. For more information: www.hypertherm.com/environment.

© 1/2019 Hypertherm, Inc. Revision 8
880480



Hypertherm[®]
SHAPING POSSIBILITY[®]

