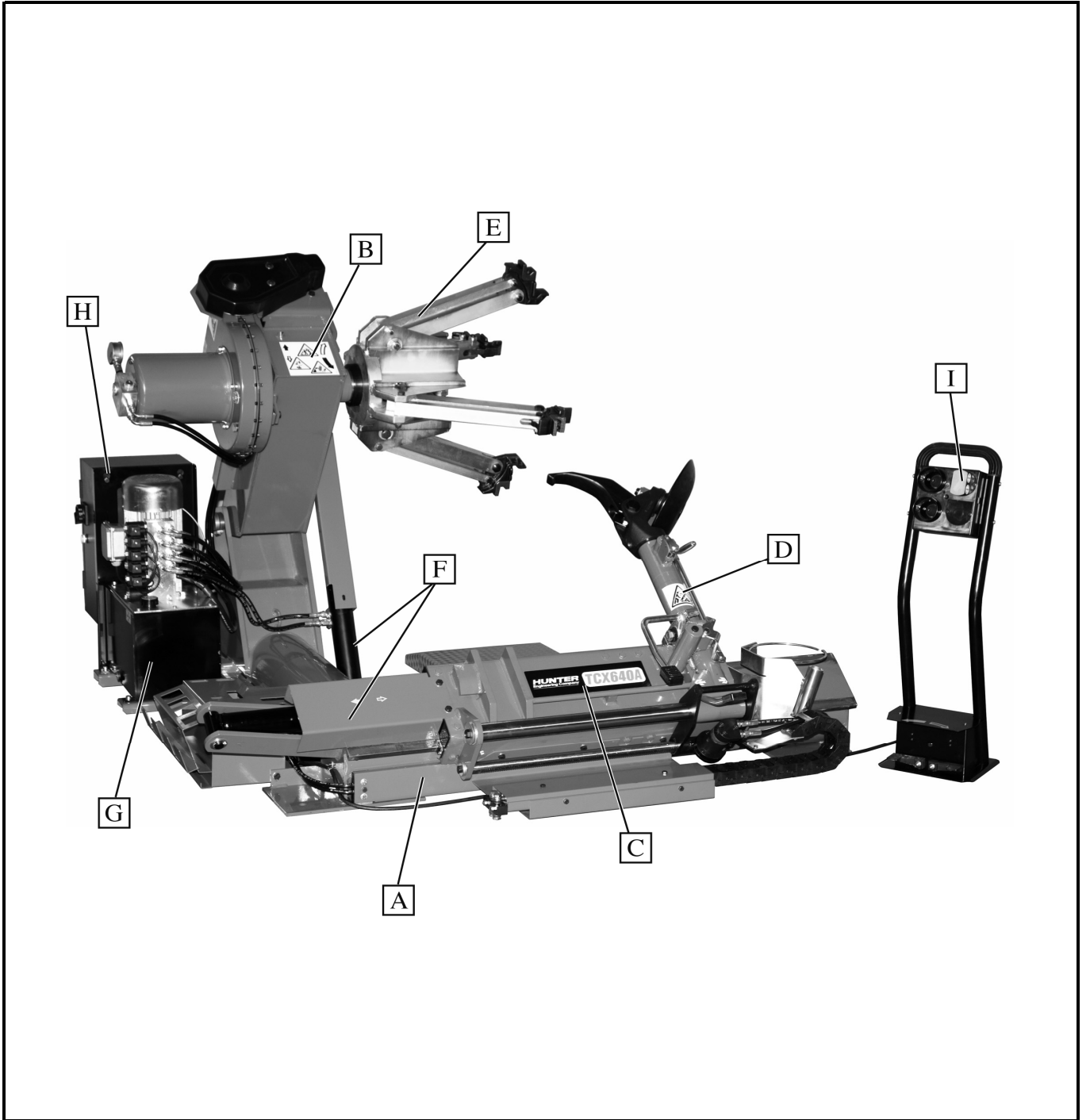


VERSION PRODUCED FROM S/N IFB000584



TCX640A Tire Changer
REFER TO NEXT SHEET FOR PARTS DESCRIPTION LISTING

PARTS DESCRIPTION LISTING

Form 11-24E, 05-12
Supersedes Form 11-24E, 11-10
Sheet 2 of 19

Index	No.	Description
A		Frame (sheet 3)
B		Self-centering chuck holding arm (sheet 4)
C		Carriage (sheet 5)
D		Complete tool arm (sheet 6)
E		Self-centering chuck (sheet 7, 8)
F		Cylinders (sheet 9)
G		Hydraulic system (sheet 10)
H		Electric box (sheet 11)
I		Complete controls device (sheet 12)
HD		Hydraulic Diagram (sheet 13)
WD		Wire Diagram (sheet 14, 15, 16, 17, 18, 19)

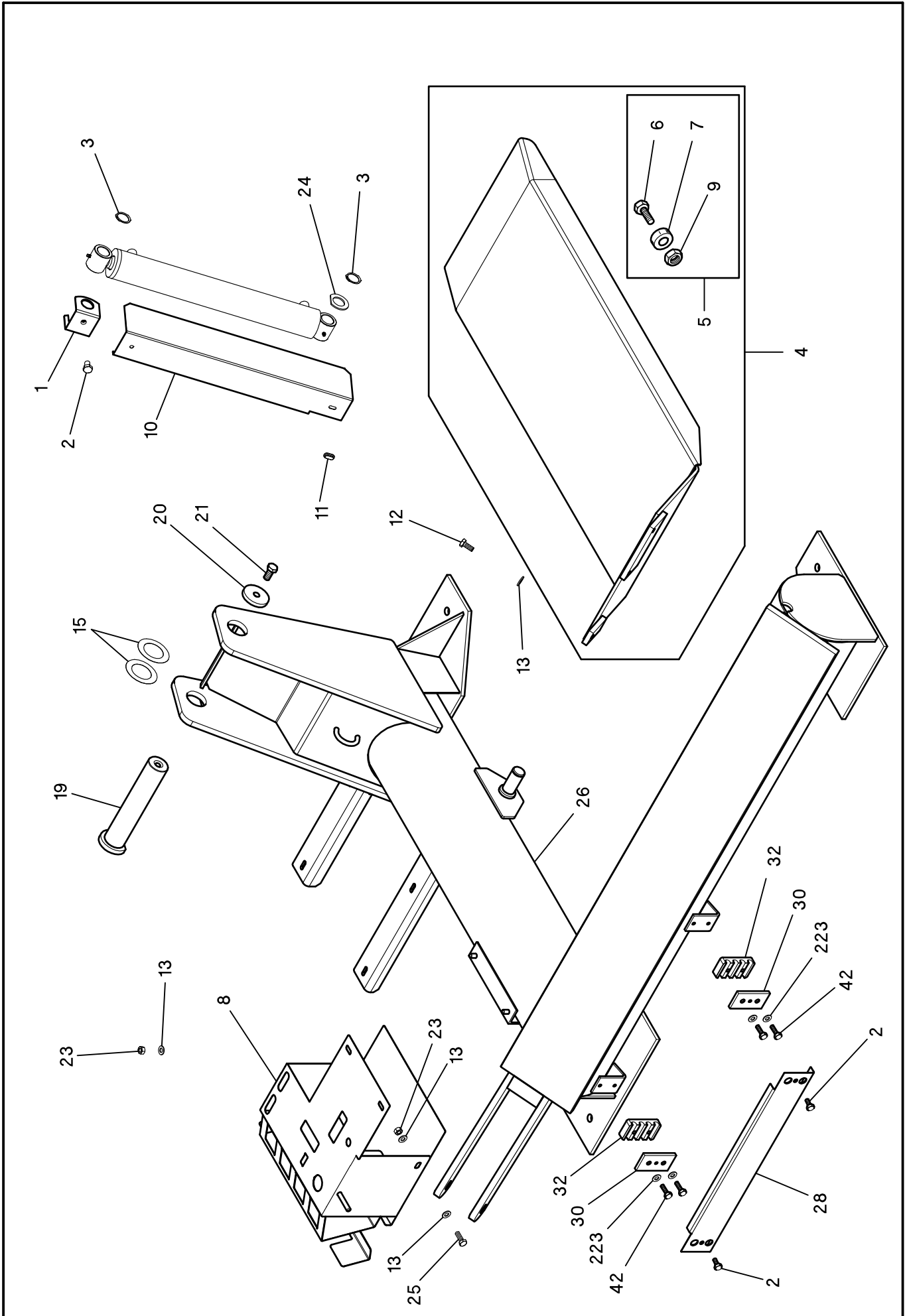
TCX640A ACCESSORIES (NOT SHOWN)

Part Number	Description
RP11-2005957	Rim pliers
RP11-2105943	Bead guide lever
RP11-2105954	Bead lifting lever
RP11-3006365	Split rim lever
RP11-4211479	Grease-gun
RP11-8-12100172	SPIG (8+8 plastic inserts for new clamps)



11250 HUNTER DRIVE BRIDGETON, MO 63044

PPP-Paint Code Required
A/R-As Required
REF-Reference



TCX640A Tire Changer

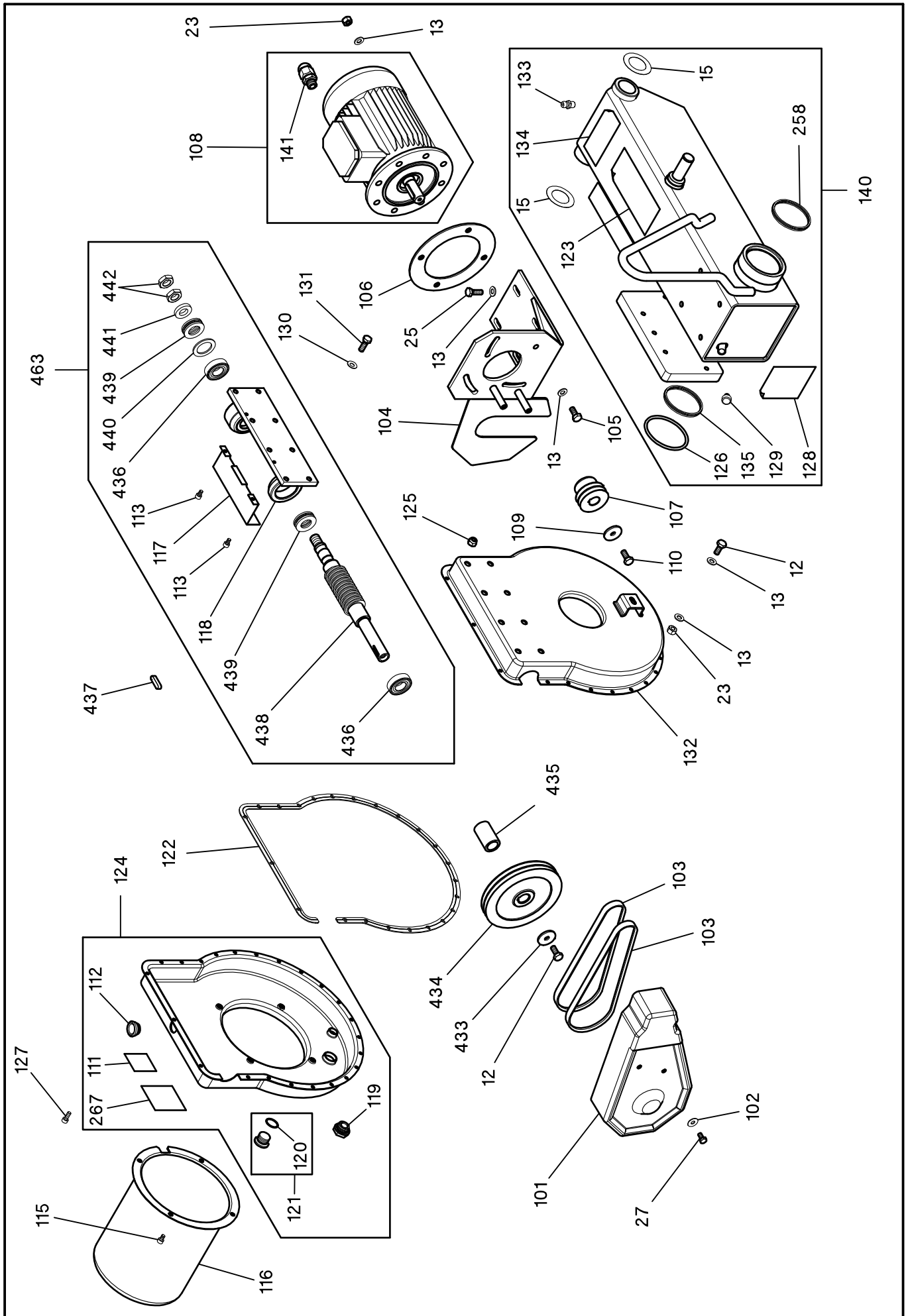
REFER TO NEXT SHEET FOR PARTS DESCRIPTION LISTING

PARTS DESCRIPTION LISTING

Form 11-24E, 05-12
Supersedes Form 11-24E, 11-10
Sheet 3 of 19

Index No.	Part Number	Description
1	RP11-3006743	SUPPORT FOR CYLINDER PROTECTION
2	RP11-2-01267	HEXAGON HEAD CAP SCREW M8X12
3	RP11-2-00034	RETAINING RING FOR SHAFT D.30
4	RP11-5-491228	SLIDING TABLE WITH ROLLER
5	RP11-2200417	ROLL WITH SCREW AND NUT
6	RP11-2-94074	HEXAGON HEAD CAP SCREW M16X100
7	RP11-3306484	BOARD ROLLER
8	RP11-4-404203	EQUIPMENT SUPPORT
9	RP11-2-94114	LOW NUT M16
10	RP11-4-402647	SHORT CYLINDER PROTECTION
11	RP11-3310221	SLIDE
12	RP11-2-00380	HEXAGON HEAD CAP SCREW M10X25
13	RP11-2-00213	WASHER FOR HEX CAP SCREW M10

Index No.	Part Number	Description
15	RP11-3094606	WASHER
19	RP11-3008650	BOLT FOR CHUCK ARM
20	RP11-3006349	WASHER D. 15X64X10
21	RP11-2-01032	HEXAGON HEAD CAP SCREW M14X30
23	RP11-2-00113	NUT M10
24	RP11-3006548	WASHER D.30X50X3
25	RP11-2-01037	HEXAGON HEAD CAP SCREW M10X30
26	RP11-4-404143	FRAME
28	RP11-4-402653	HOSES PROTECTION
30	RP11-3012534	SHORT FLAT CLAMP
32	RP11-3309284	PASSING HOSES
42	RP11-2-71388	HEXAGON HEAD CAP SCREW M8X35
223	RP11-2-00212	WASHER FOR HEX CAP SCREW M8



TCX640A Tire Changer

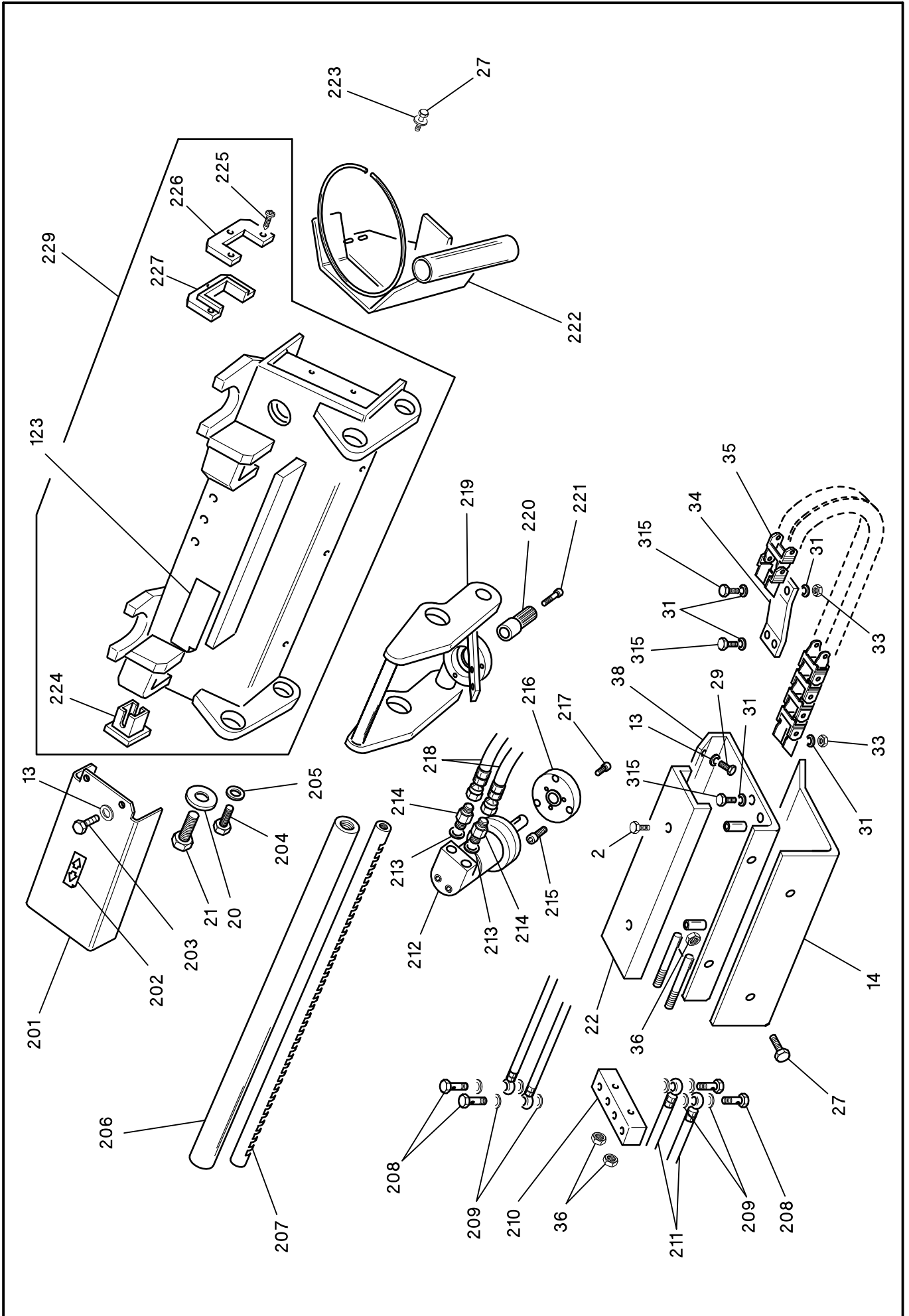
REFER TO NEXT SHEET FOR PARTS DESCRIPTION LISTING

PARTS DESCRIPTION LISTING

Form 11-24E, 05-12
Supersedes Form 11-24E, 11-10
Sheet 4 of 19

Index No.	Part Number	Description
12	RP11-2-00380	HEXAGON HEAD CAP SCREW M10X25
13	RP11-2-00213	WASHER FOR HEX CAP SCREW M10
15	RP11-3094606	WASHER
23	RP11-2-00113	NUT M10
25	RP11-2-01037	HEXAGON HEAD CAP SCREW M10X30
27	RP11-2-00372	HEXAGON HEAD CAP SCREW M8X16
101	RP11-3020241	BELT COVER
102	RP11-2-01299	WASHER D.9X24X2
103	RP11-3-02746	V-BELT XPZ 772
104	RP11-4-402599	MOTOR SUPPORT
105	RP11-2-71383	HEXAGON HEAD CAP SCREW M10X40
106	RP11-3006363	MOTOR CENTERING SPACER
107	RP11-3006364	DRIVING PULLEY (50HZ)
108A	RP11-3-01056	ELECTRIC MOTOR 230V 3PH 50HZ
108B	RP11-3-01057	ELECTRIC MOTOR 230V 3PH 60HZ
108C	RP11-3-01059	ELECTRIC MOTOR 400V 3PH 50HZ
108D	RP11-3-01058	ELECTRIC MOTOR 400V 3PH 60HZ
109	RP11-3006360	DRIVING PULLEY WASHER
110	RP11-2-00373	HEXAGON HEAD CAP SCREW M8X20
111	RP11-4-406159	GEARBOX LABEL
112	RP11-3306135	OIL CAP
113	RP11-2-01006	SOCKET HEAD CAP SCREW M6X8
115	RP11-2-00319	SOCKET HEAD CAP SCREW M8X16
116	RP11-4-404353	CHUCK CYLINDER COVER
117	RP11-3006425	OIL PROTECTION
118	RP11-2405992	WORM DRIVE SUPPORT
119	RP11-4216752	OIL FILLER WARNING LIGHT
120	RP11-4205265	O-RING 119 (2.62X15.08)
121	RP11-2200797	PLUG FOR GEARBOX COVER WITH OR

Index No.	Part Number	Description
122	RP11-3005973	GEARBOX GASKET
123	RP11-4-402595	LABEL HUNTER TCX640A
124	RP11-5-490804	GEARBOX COVER (RED)
125	RP11-2-01257	NUT WITH POLYAMIDE RING M6
126	RP11-4206386	O-RING
127	RP11-2-00309	SOCKET HEAD CAP SCREW M6X16
128	RP11-4-402635	DECAL, WARNING AND MOVEMENT
129	RP11-4206406	CAP D. 13
130	RP11-4220214	SPECIAL WASHER 10,2X22X1,25
131	RP11-2-01073	HEXAGON HEAD CAP SCREW M10X40
132	RP11-4-401937	GEARBOX REAR COVER (RED)
133	RP11-4211478	GREASER M6
134	RP11-4-402638	WARNING LABEL
135	RP11-4206405	GASKET FT
140	RP11-5-490802	COMPLETE CHUCK HOLDER ARM
141	RP11-3-90157	TIGHTNESS CABLE HOLDER M20X1.5
267	RP11-4-402636	WARNING LABEL
433	RP11-3006359	WASHER 10.5X40X5
434	RP11-3006017	DRIVEN PULLEY 50HZ
435	RP11-3006384	DRIVEN PULLEY SPACER
436	RP11-2-01034	BEARING 25/52/15
437	RP11-2-00716	PARALLEL KEY 8X7X30
438	RP11-2201161	WORM SCREW + NUTS AND WASHER
439	RP11-4100007	BEARING 25/47/15
440	RP11-3006379	BEARING SPACER
441	RP11-3015726	WASHER D.20,2X38X7
442	RP11-2-91794	LOW NUT M20X1,5
463	RP11-2306036	COMPLETE WORM SCREW WITH SUPPO



TCX640A Tire Changer

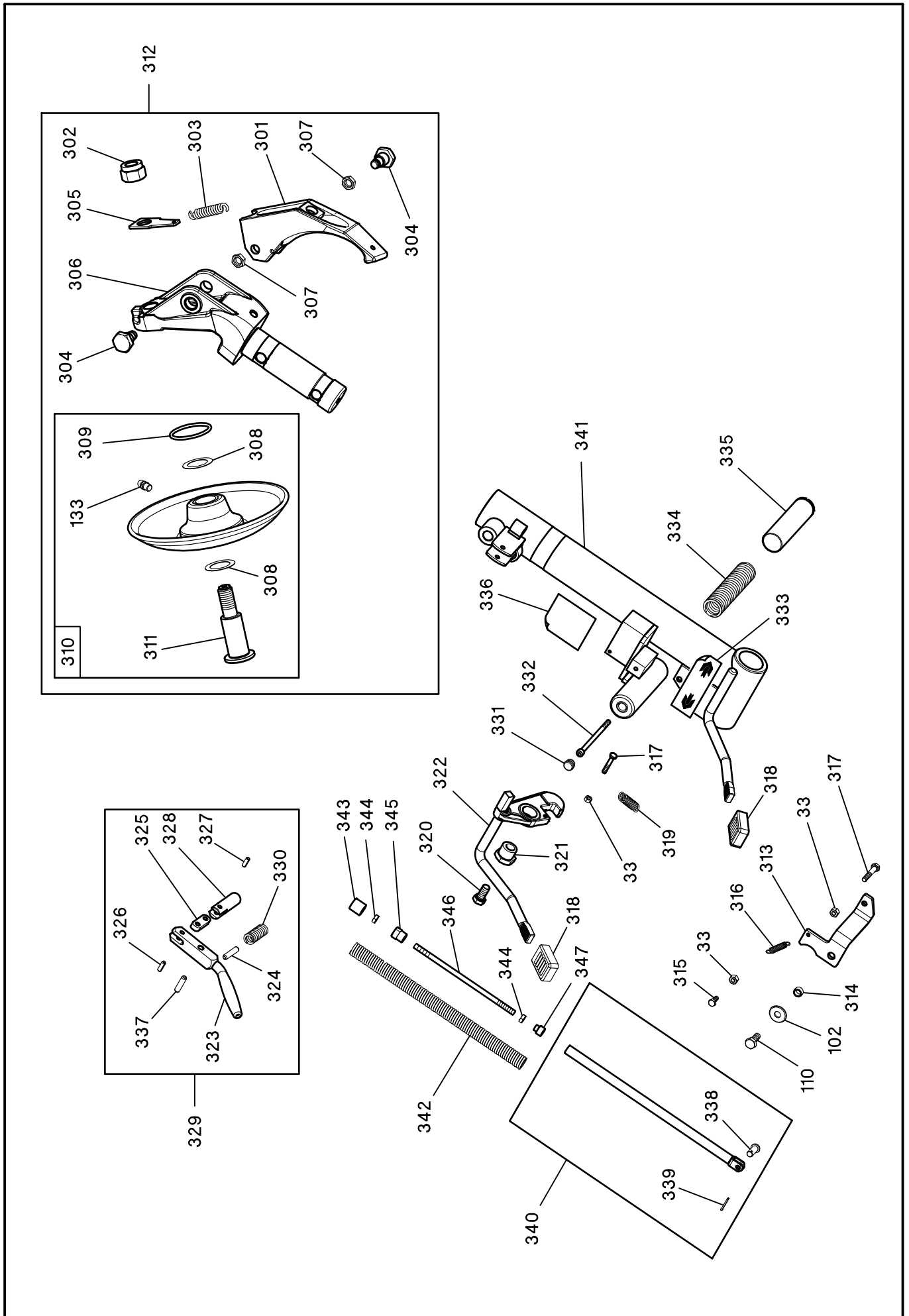
REFER TO NEXT SHEET FOR PARTS DESCRIPTION LISTING

PARTS DESCRIPTION LISTING

Form 11-24E, 05-12
Supersedes Form 11-24E, 11-10
Sheet 5 of 19

Index No.	Part Number	Description
2	RP11-2-01267	HEXAGON HEAD CAP SCREW M8X12
13	RP11-2-00213	WASHER FOR HEX CAP SCREW M10
14	RP11-4-402657	PLATE
20	RP11-3006349	WASHER D. 15X64X10
21	RP11-2-01032	HEXAGON HEAD CAP SCREW M14X30
22	RP11-4-402654	HOSES PROTECTION
27	RP11-2-00372	HEXAGON HEAD CAP SCREW M8X16
29	RP11-2-71426	HEXAGON HEAD CAP SCREW M10X16
31	RP11-2-00211	WASHER FOR HEX CAP SCREW M6
33	RP11-2-00111	HIGH NUT M6
34	RP11-3012641	CHAIN FIXING PLATE
35	RP11-4-402571	CHAIN
36	RP11-2-00112	NUT M8
38	RP11-4-402655	HOSES SUPPORT
123	RP11-4-402595	LABEL HUNTER TCX640A
201	RP11-5-491358	CYLINDER COVER WITH LABEL
202	RP11-3006653	CARRIAGE LABEL
203	RP11-2-00379	HEXAGON HEAD CAP SCREW M10X20
204	RP11-2-01225	SCREW M 12X25
205	RP11-3011673	WASHER 12.5X40X5
206	RP11-3008652	ARM BAR
207	RP11-3019870	RACK

Index No.	Part Number	Description
208	RP11-4206347	UNION 1/4" BOLT
209	RP11-4206391	COPPER WASHER 1/4"
210	RP11-3012571	DISTRIBUTOR BLOCK
211	RP11-4-404849	HYFRAULIC HOSE L=3700
212	RP11-4212832	HYDRAULIC MOTOR
213	RP11-4212834	WASHER 3/8"
214	RP11-4207603	NIPPLE 3/8"-1/4"
215	RP11-2-00320	SOCKET HEAD CAP SCREW M8X20
216	RP11-3012402	HYDRAULIC MOTOR FIXING FLANGE
217	RP11-2-00999	SOCKET HEAD CAP SCREW M6X18
218	RP11-3012663	TRANSLATION ARM MOTOR HOSE
219	RP11-2119880	ARM SLIDE
220	RP11-3012383	TOOL GEAR
221	RP11-2-01266	SOCKET HEAD CAP SCREW M6X35
222	RP11-4-404248	TIRE PASTE CONTAINER SUPPORT
223	RP11-2-00212	WASHER FOR HEX CAP SCREW M8
224	RP11-3306008	CARRIAGE TERMINAL
225	RP11-2-71480	SELF-TAPPING SCREW D.5.5X19
226	RP11-3005923	CARRIAGE PLATE
227	RP11-3305922	CARRIAGE SCRAPER
229	RP11-5-490821	COMPLETE CARRIAGE
315	RP11-2-00362	HEXAGON HEAD CAP SCREW M6X20



TCX640A Tire Changer

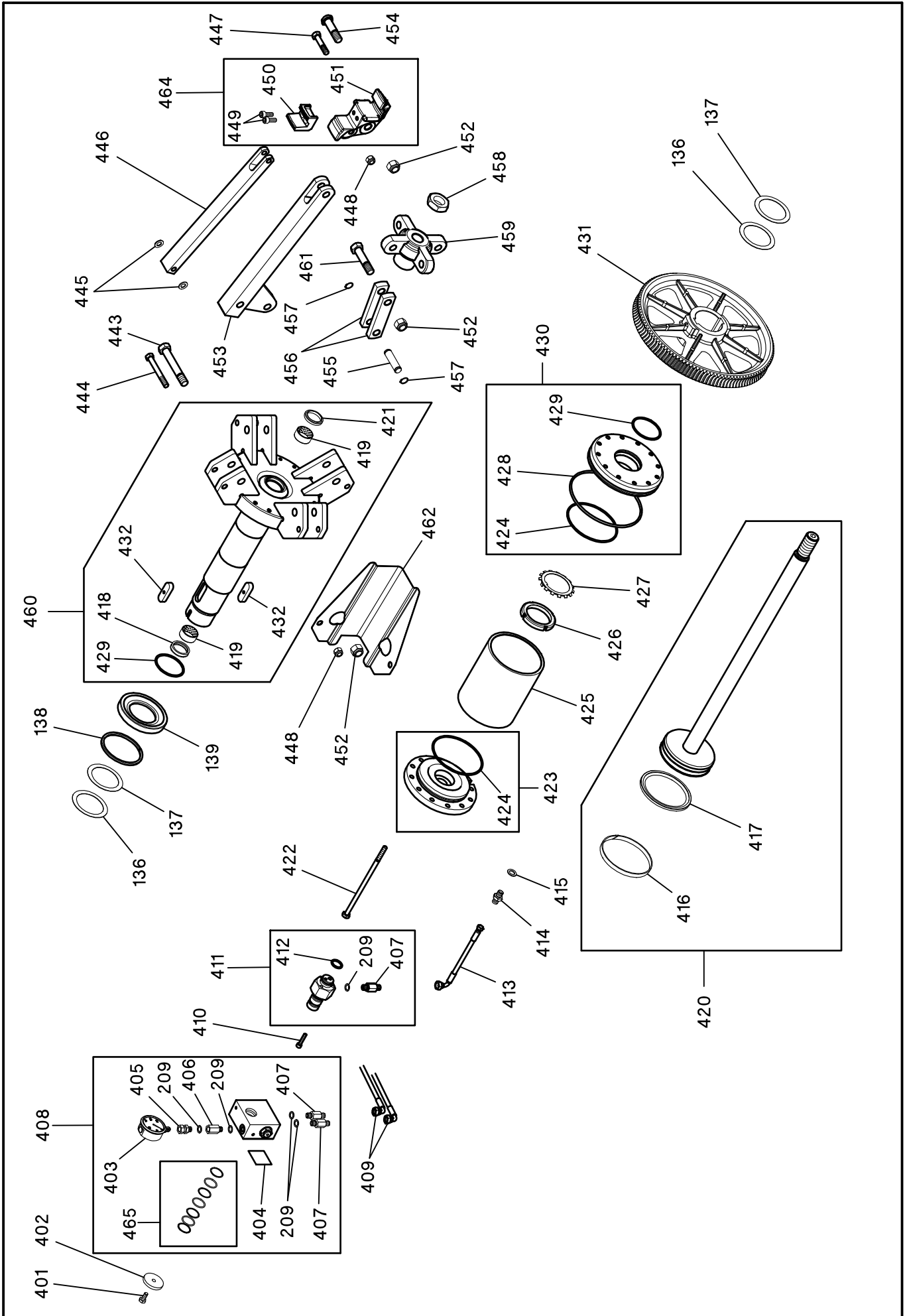
REFER TO NEXT SHEET FOR PARTS DESCRIPTION LISTING

PARTS DESCRIPTION LISTING

Form 11-24E, 05-12
Supersedes Form 11-24E, 11-10
Sheet 6 of 19

Index No.	Part Number	Description
33	RP11-2-00111	HIGH NUT M6
102	RP11-2-01299	WASHER D.9X24X2
110	RP11-2-00373	HEXAGON HEAD CAP SCREW M8X20
133	RP11-4211478	GREASER M6
301	RP11-2311723	HEAD TOOL
302	RP11-2-71528	NUT WITH POLYAMIDE RING M27X2
303	RP11-3005977	SPRING D.18 X 65 X 3,5
304	RP11-3009491	HEAD TOOL FULCRUM
305	RP11-3014287	SPRING HOOK
306	RP11-2314277	TOOL HOLDER
307	RP11-2-01194	LOW NUT M16X1,5
308	RP11-3012063	WASHER D. 40 X 59,5 X 0,8
309	RP11-4210271	O-RING 6250
310	RP11-2200667	COMPLETE BEAD BREAKER DISK
311	RP11-3014286	HEAD TOOL FULCRUM PIN
312	RP11-2011376	COMPLETE DOUBLE TOOL
313	RP11-3013892	FLASK
314	RP11-3013867	SPACER
315	RP11-2-00362	HEXAGON HEAD CAP SCREW M6X20
316	RP11-3013895	SPRING
317	RP11-2-00412	HEXAGON HEAD CAP SCREW M6X35
318	RP11-3314067	RUBBER PEDAL
319	RP11-3005159	BEAD BREAKER SPRING
320	RP11-2-02634	HEX. HEAD CAP SCREW M18X1,5X50
321	RP11-3006293	RATCHET CAM
322	RP11-2119874	RATCHET

Index No.	Part Number	Description
323	RP11-3006289	LATCH LEVER
324	RP11-2-71733	SPRING PIN D.10X20
325	RP11-3006285	LATCH CONNECTING ROD
326	RP11-2-00983	SPRING PIN D. 6X20
327	RP11-2-71734	SPRING PIN D.6X18
328	RP11-3006286	LATCH
329	RP11-2200433	COMPLETE LATCH
330	RP11-3006288	LATCH RETURNING SPRING
331	RP11-4214064	CAP D.20
332	RP11-2-01172	SOCKET HEAD CAP SCREW M8X130
333	RP11-3020901	LABEL
334	RP11-3005916	TOOL HOLDING ARM EJECTION SPRING
335	RP11-2406290	ARM EJECTOR
336	RP11-4-402637	WARNING LABEL
337	RP11-2-71928	SPRING PIN D.8X32
338	RP11-4214387	PIN
339	RP11-2-00043	SPLIT-PIN 2X15
340	RP11-5-490626	COMPLETE SPRING CASING
341	RP11-5-490825	TOOL HOLDING ARM WITH LABEL
342	RP11-3013896	SPRING D. 14 X 600
343	RP11-3013871	PAWL
344	RP11-2-00156	LOW NUT M8
345	RP11-3013891	RING NUT
346	RP11-3013884	SHAFT
347	RP11-3013886	PAWL



TCX640A Tire Changer

REFER TO NEXT SHEET FOR PARTS DESCRIPTION LISTING

PARTS DESCRIPTION LISTING

Form 11-24E, 05-12
Supersedes Form 11-24E, 11-10
Sheet 7 of 19

Index No.	Part Number	Description
136	RP11-3006525	WASHER D. 81 X 105 X 1
137	RP11-3006524	WASHER D. 81 X 105 X 0,5
138	RP11-3006387	RING FELT
139	RP11-3010062	SELF CENTERING FELT RING
209	RP11-4206391	COPPER WASHER 1/4"
401	RP11-2-02761	HEXAGON HEAD CAP SCREW M6X14
402	RP11-3016702	WASHER D. 6,25X35,5X5
403	RP11-4210251	MANOMETER
404	RP11-3008885	PRESSURE LABEL
405	RP11-4207139	EXTENSION 1/4"-1/4"
406	RP11-4221342	SPECIAL NIPLES 1/4" M/F
407	RP11-4219845	SPECIAL NIPPLE 1/4" - 1/4"
408	RP11-5-490595	REVOLVING UNION COMPLETE
409	RP11-4-404186	HYDRAULIC HOSE
410	RP11-2-00863	SOCKET HEAD CAP SCREW M6X30
411	RP11-5-401170	COMPLETE REVOLVING UNION PIN
412	RP11-4206390	O-RING 4093 (3,53X23,4)
413	RP11-3019739	CHUCK CYLINDER HOSE L=210MM
414	RP11-4219352	NIPPLE 1/8"
415	RP11-4219353	COPPER WASHER 1/8"
416	RP11-4219682	GUIDE FOR PISTON D.140
417	RP11-4219337	GASKET D.140
418	RP11-4219338	GASKET FOR SHAFT D.40
419	RP11-4219344	BUSH 40X44X20
420	RP11-2202294	CHUCK BAR WITH PISTON
421	RP11-4206404	GASKET PW 40/G
422	RP11-3019738	SPECIAL SCREW M 10X240
423	RP11-2201951	REAR FLANGE WITH GASKET
424	RP11-4206396	O-RING 4525 (3,53X132,9)
425	RP11-3019248	CASING D.140X188,5

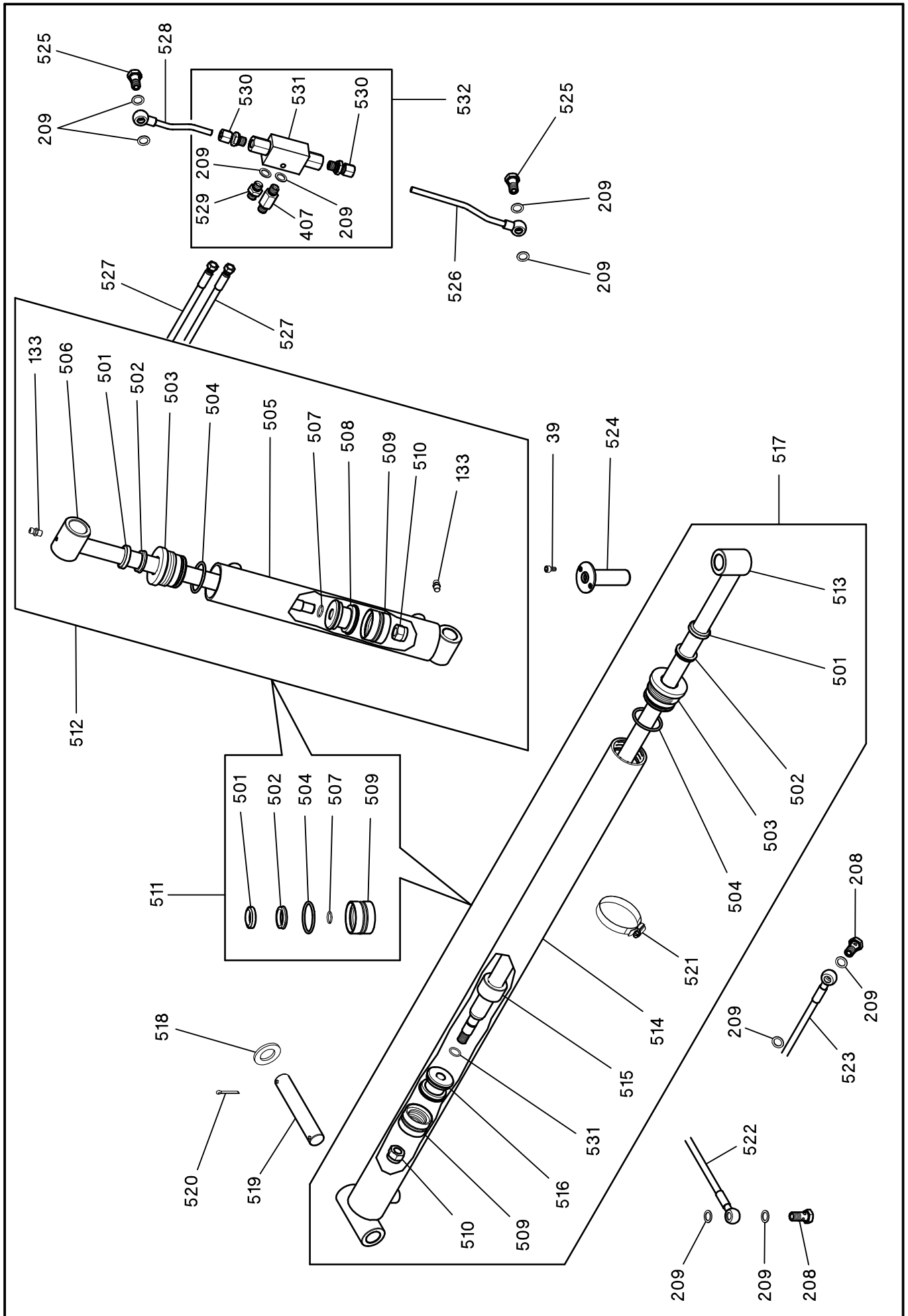
Index No.	Part Number	Description
426	RP11-4219340	LOCKING RING NUT M 70X2
427	RP11-4219341	SAFETY WASHER D.70
428	RP11-4206403	O-RING 6720 (5,34X183,51)
429	RP11-4219343	O-RING 3,53X72,82
430	RP11-2201950	FRONT FLANGE FOR CYLINDER D140
431	RP11-3015950	HELICOIDAL GEAR
432	RP11-3006372	PARALLEL KEY 20X12X60
443	RP11-3006378	LONG SPECIAL SCREW M 18 X 1,5
444	RP11-3006375	LONG SPECIAL SCREW M 12
445	RP11-2-00214	WASHER FOR HEX CAP SCREW M12
446	RP11-3006427	STABILIZATION BAR
447	RP11-3006374	SPECIAL SCREW M 12
448	RP11-2-01021	NUT WITH POLYAMIDE RING M12
449	RP11-2-01191	SOCKET HEAD CAP SCREW M10X25
450	RP11-3006012	CLAMP
451	RP11-3005941	CLAMP SUPPORT
452	RP11-2-01242	NUT WITH POLYAMID RING M18X1.5
453	RP11-2406418	SELF CENTERING ARM
454	RP11-3006373	SHORT SPECIAL SCREW M 18 X 1,5
455	RP11-3006376	SELF CENTERING CONNECTING ROD
456	RP11-3006383	SELF CENTERING CONNECTING ROD
457	RP11-2-00821	RETAINING RING FOR SHAFT D.18
458	RP11-2-02529	LOW NUT M 33X2
459	RP11-3005942	SELF CENTERING CROSS
460	RP11-2201949	COMPLETE CHUCK
461	RP11-3006377	AVERAGE SPECIAL SCREW M18X1,5
462	RP11-3013915	CHUCK COVER
464	RP11-2306567	CLAMP SUPPORT
465	RP11-5-490973	SET OF GASKETS FOR ROTAT.UNION

PARTS DESCRIPTION LISTING

Form 11-24E, 05-12
Supersedes Form 11-24E, 11-10
Sheet 8 of 19

Index No.	Part Number	Description
136	RP11-3006525	WASHER D. 81 X 105 X 1
137	RP11-3006524	WASHER D. 81 X 105 X 0,5
138	RP11-3006387	RING FELT
139	RP11-3010062	SELF CENTERING FELT RING
209	RP11-4206391	COPPER WASHER 1/4"
401	RP11-2-02761	HEXAGON HEAD CAP SCREW M6X14
402	RP11-3016702	WASHER D. 6,25X35,5X5
403	RP11-4210251	MANOMETER
404	RP11-3008885	PRESSURE LABEL
405	RP11-4207139	EXTENSION 1/4"-1/4"
406	RP11-4221342	SPECIAL NIPLES 1/4" M/F
407	RP11-4219845	SPECIAL NIPPLE 1/4" - 1/4"
408	RP11-5-490595	REVOLVING UNION COMPLETE
409	RP11-4-404186	HYDRAULIC HOSE
410	RP11-2-00863	SOCKET HEAD CAP SCREW M6X30
411	RP11-5-401170	COMPLETE REVOLVING UNION PIN
412	RP11-4206390	O-RING 4093 (3,53X23,4)
413	RP11-3019739	CHUCK CYLINDER HOSE L=210MM
414	RP11-4219352	NIPPLE 1/8"
415	RP11-4219353	COPPER WASHER 1/8"
416	RP11-4219682	GUIDE FOR PISTON D.140
417	RP11-4219337	GASKET D.140
418	RP11-4219338	GASKET FOR SHAFT D.40
419	RP11-4219344	BUSH 40X44X20
420	RP11-2202294	CHUCK BAR WITH PISTON
421	RP11-4206404	GASKET PW 40/G
422	RP11-3019738	SPECIAL SCREW M 10X240
423	RP11-2201951	REAR FLANGE WITH GASKET

Index No.	Part Number	Description
424	RP11-4206396	O-RING 4525 (3,53X132,9)
425	RP11-3019248	CASING D.140X188,5
426	RP11-4219340	LOCKING RING NUT M 70X2
427	RP11-4219341	SAFETY WASHER D.70
428	RP11-4206403	O-RING 6720 (5,34X183,51)
429	RP11-4219343	O-RING 3,53X72,82
430	RP11-2201950	FRONT FLANGE FOR CYLINDER D140
431	RP11-3015950	HELICOIDAL GEAR
432	RP11-3006372	PARALLEL KEY 20X12X60
443	RP11-3006378	LONG SPECIAL SCREW M 18 X 1,5
444	RP11-3006375	LONG SPECIAL SCREW M 12
445	RP11-2-00214	WASHER FOR HEX CAP SCREW M12
446	RP11-3006427	STABILIZATION BAR
447	RP11-3006374	SPECIAL SCREW M 12
448	RP11-2-01021	NUT WITH POLYAMIDE RING M12
452	RP11-2-01242	NUT WITH POLYAMID RING M18X1.5
453	RP11-2406418	SELF CENTERING ARM
454	RP11-3006373	SHORT SPECIAL SCREW M 18 X 1,5
455	RP11-3006376	SELF CENTERING CONNECTING ROD
456	RP11-3006383	SELF CENTERING CONNECTING ROD
457	RP11-2-00821	RETAINING RING FOR SHAFT D.18
458	RP11-2-02529	LOW NUT M 33X2
459	RP11-3005942	SELF CENTERING CROSS
460	RP11-2201949	COMPLETE CHUCK
461	RP11-3006377	AVERAGE SPECIAL SCREW M18X1,5
462	RP11-3013915	CHUCK COVER
465	RP11-5-490973	SET OF GASKETS FOR ROTAT.UNION
466	RP11-4-407264	CLAMP



TCX640A Tire Changer

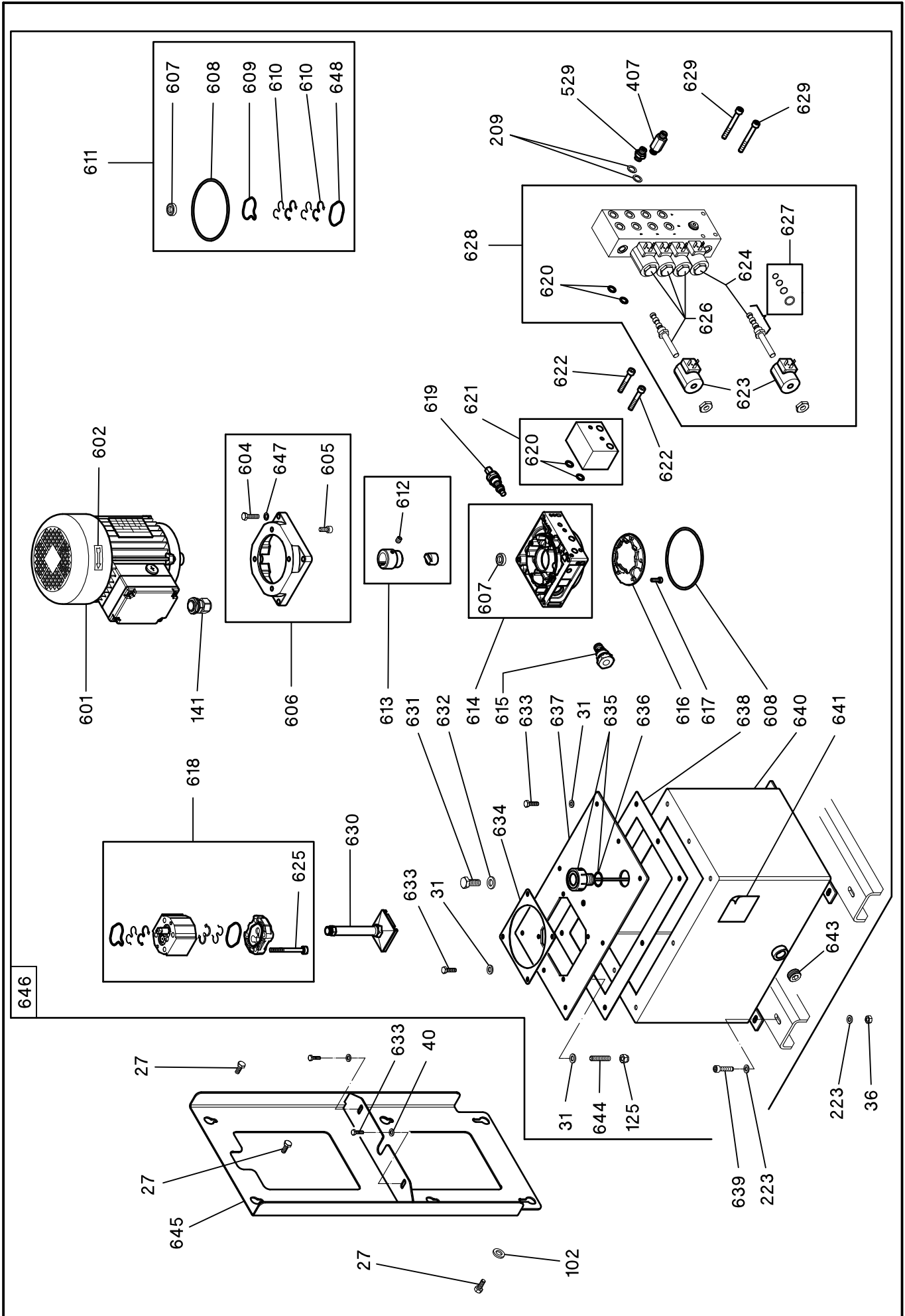
REFER TO NEXT SHEET FOR PARTS DESCRIPTION LISTING

PARTS DESCRIPTION LISTING

Form 11-24E, 05-12
Supersedes Form 11-24E, 11-10
Sheet 9 of 19

Index No.	Part Number	Description
39	RP11-2-00715	SOCKET HEAD CAP SCREW M6X12
133	RP11-4211478	GREASER M6
208	RP11-4206347	UNION 1/4" BOLT
209	RP11-4206391	COPPER WASHER 1/4"
407	RP11-4219845	SPECIAL NIPPLE 1/4" - 1/4"
501	RP11-4206932	DUST COVER PW 30
502	RP11-4206931	GASKET RS 3040
503	RP11-4-402397	FLANGE D.60
504	RP11-3-01680	O-RING 3,53X52,39
505	RP11-4-402387	CASING D.60X400
506	RP11-4-402395	SHAFT
507	RP11-4206928	O-RING OR2075(1,78X18,77)
508	RP11-4-402396	PISTON D. 60
509	RP11-4206933	GASKET DAS 6044
510	RP11-2-91674	NUT WITH POLYAM. RING M22X1.5
511	RP11-5-490812	SET OF GASKETS (CYLINDER D.60)
512	RP11-2202143	COMPLETE CYLINDER D. 60X400
513	RP11-4-402400	SHAFT
514	RP11-4-402399	CASING D.60X900

Index No.	Part Number	Description
515	RP11-4-402402	SPACER
516	RP11-4-402401	PISTON D. 60
517	RP11-2202144	COMPLETE CYLINDER D. 60X900
518	RP11-2-01248	WASHER FOR HEX CAP SCREW M24
519	RP11-3006348	LONG CYLINDER FIXING PIN
520	RP11-2-71883	SPLIT PIN 4X35
521	RP11-421129	HOSE CLAMP
522	RP11-4-404188	HYDRAULIC HOSE
523	RP11-4-404187	HYDRAULIC HOSE
524	RP11-2106343	CARRIAGE TOW PIN
525	RP11-4206030	UNION 1/4" BOLT (D.1)
526	RP11-2413967	LONG PIPE
527	RP11-4-404183	HYDRAULIC HOSE
528	RP11-4-404184	SHORT PIPE
529	RP11-4206385	NIPPLES 1/4"-1/4"
530	RP11-4210089	UNION 1/4"
531	RP11-3-02269	NON-RETURN VALVE
532	RP11-5-401125	COMPLETE NON-RETURN VALVE



646

TCX640A Tire Changer

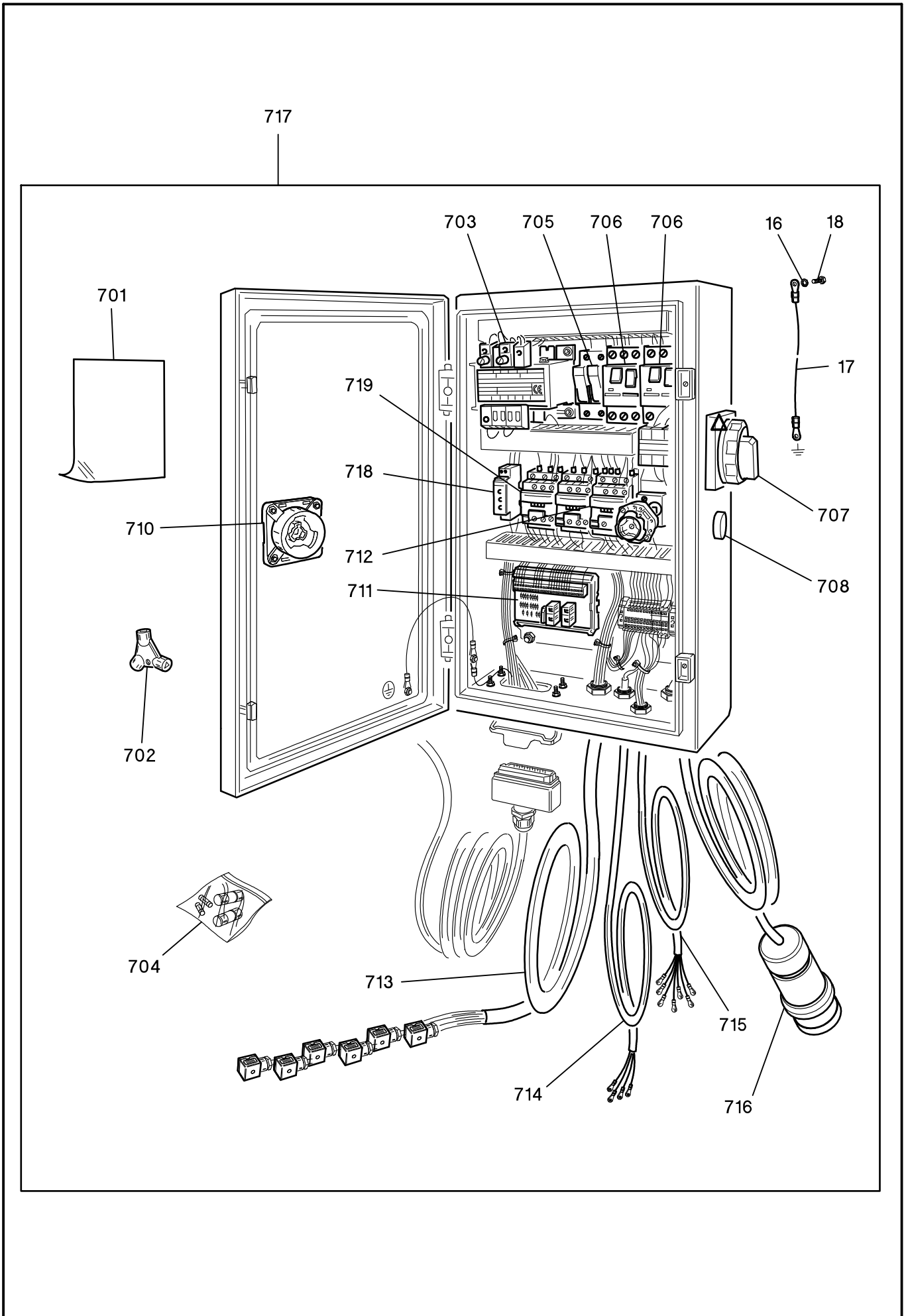
REFER TO NEXT SHEET FOR PARTS DESCRIPTION LISTING

PARTS DESCRIPTION LISTING

Form 11-24E, 05-12
Supersedes Form 11-24E, 11-10
Sheet 10 of 19

Index No.	Part Number	Description
27	RP11-2-00372	HEXAGON HEAD CAP SCREW M8X16
31	RP11-2-00211	WASHER FOR HEX CAP SCREW M6
36	RP11-2-00112	NUT M8
40	RP11-2-00679	WASHER D.6X18X1,5
102	RP11-2-01299	WASHER D.9X24X2
125	RP11-2-01257	NUT WITH POLYAMIDE RING M6
141	RP11-3-90157	TIGHTNESS CABLE HOLDER M20X1.5
209	RP11-4206391	COPPER WASHER 1/4"
223	RP11-2-00212	WASHER FOR HEX CAP SCREW M8
407	RP11-4219845	SPECIAL NIPPLE 1/4" - 1/4"
529	RP11-4206385	NIPPLES 1/4"-1/4"
601A	RP11-3-01049	3PH MOTOR 230/400V 60HZ
601B	RP11-3-01079	3PH MOTOR 230/400V 50HZ
602	RP11-4-401298	ROTATION MOTOR LABEL
604	RP11-2-00375	HEXAGON HEAD CAP SCREW M8X30
605	RP11-2-03529	SOCKET HEAD CAP SCREW M8X18
606	RP11-5-490580	MOTOR FLANGE WITH SCREWS
607	RP11-4-404440	GASKET D.12X22X7
608	RP11-3-02378	O-RING 6425 (107.2X5.34)
609	RP11-3-90194	UPPER PUMP GASKET
610	RP11-5-490603	COMPLETE PUMP GASKET
611	RP11-5-490587	SET OF PUMP GASKET
612	RP11-2-00531	SOCKET SET SCREW M6X8
613	RP11-5-490582	FLEXIBLE COUPLING 1.1KW
614	RP11-5-490623	PUMP FLANGE WITH GASKET
615	RP11-4-404291	CHECK VALVE
616	RP11-4-404438	OIL FILTER
617	RP11-2-00728	SOCKET HEAD CAP SCREW M6X14
618A	RP11-5-490622	PUMP 5 CC WITH GASKET (60HZ)
618B	RP11-5-490815	PUMP 6,5 CC WITH GASKETS (50HZ)
619	RP11-4-404499	PRESSURE LIMIT VALVE

Index No.	Part Number	Description
620	RP11-3-02414	O-RING 3037 (2,62X9,19)
621	RP11-5-401115	CONNECTING BLOCK WITH GASKETS
622	RP11-2-94032	SOCKET HEAD CAP SCREW M8X50
623	RP11-4-404541	SOLENOID
624	RP11-4-404539	CARTRIDGE VALVE
625A	RP11-2-00952	SOCKET HEAD CAP SCREW M 8X90 (50HZ)
625B	RP11-2-01968	SOCKET HEAD CAP SCREW M8X85 (60HZ)
626	RP11-4-404540	CARTRIDGE VALVE
627	RP11-5-490632	SET OF GASKETS
628	RP11-5-401676	ELECTRIC-VALVES WITH SUPPORT
629	RP11-2-94109	SOCKET HEAD CAP SCREW M8X60
630	RP11-4-404502	COMPLETE OIL FILTER
631	RP11-2-03523	HEX. HEAD CAP SCREW M12X1,5X16
632	RP11-2-03524	ALUMINIUM WASHER
633	RP11-2-00363	HEXAGON HEAD CAP SCREW M6X25
634	RP11-4-403825	PUMP GASKET
635	RP11-4-404468	OIL LEVEL SHAFT
636	RP11-4213236	O-RING D.31,42 T 2,62
637	RP11-4-403861	TANK COVER
638	RP11-4-403858	COVER GASKET
639	RP11-2-00321	SOCKET HEAD CAP SCREW M8X25
640	RP11-4-403943	OIL TANK
641	RP11-4-407269	LABEL FOR HYDRAULIC GEARBOX
643	RP11-3-02107	OIL PLUG G1/2
644	RP11-2-91766	SOCKET SET SCREW M6X35
645	RP11-4-403961	ELECTRIC UNIT SUPPORT
646A	RP11-5-490827	COMPLETE HYDRAULIC UNIT 50HZ
646B	RP11-5-490828	COMPLETE HYDRAULIC UNIT 60HZ
647	RP11-2-00018	SPRING WASHER D.8
648	RP11-3-90193	LOWER PUMP GASKET



TCX640A Tire Changer

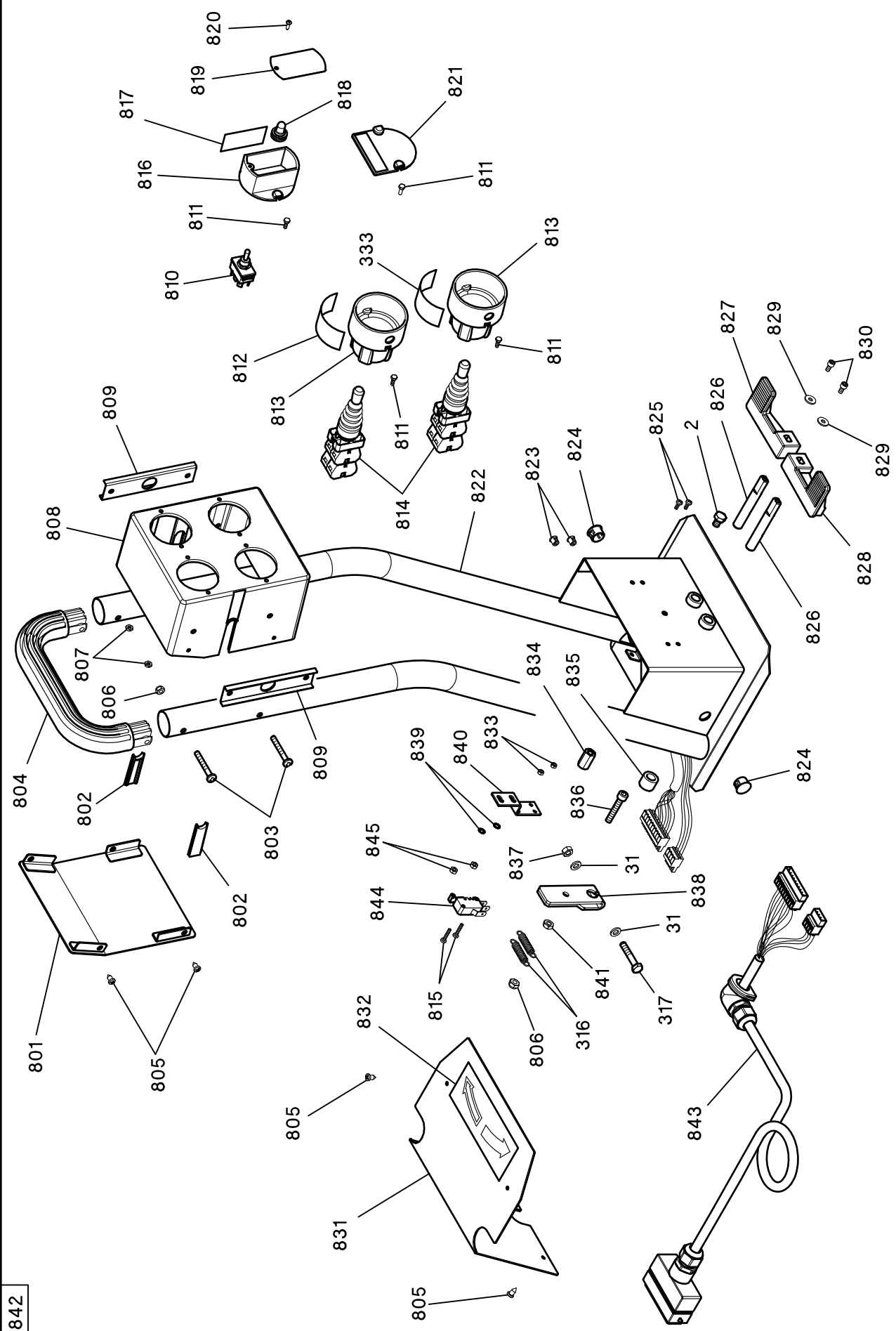
REFER TO NEXT SHEET FOR PARTS DESCRIPTION LISTING

PARTS DESCRIPTION LISTING

Form 11-24E, 05-12
Supersedes Form 11-24E, 11-10
Sheet 11 of 19

Index No.	Part Number	Description
16	RP11-2-71544	TOOTH WASHER D.6
17	RP11-2117861	GROUND CABLE
18	RP11-2-00359	HEXAGON HEAD CAP SCREW M6X10
701	RP11-4-402353	DECAL, WARNING TENSION
702	RP11-3-02424	BOX KEY
703	RP11-3-02418	TRANSFORMER
704	RP11-5-490639	FUSES BAG
705	RP11-3-02419	FUSE HOLDER 10X38
706A	RP11-5-490790	SAFETY SWITCH 4-6,3 A (400V)
706B	RP11-5-490791	SAFETY SWITCH 6-10 A (230V)
707A	RP11-3-02421	SWITCH CHANGING POLE (up to s/n IHF739999)
707B	RP11-3-02767	SWITCH CHANGING POLE (from s/n IHF730000)
708	RP11-3-90221	LED
710A	RP11-3-02196	MAIN SWITCH (up to s/n IHF739999)

Index No.	Part Number	Description
710B	RP11-3-02766	MAIN SWITCH (from s/n IHF730000)
711	RP11-4-404994	PRINTED CIRCUIT BOARD
712A	RP11-5-490643	COMPLETE CONTROL SWITCH 12A (230v)
712B	RP11-5-490793	COMPLETE CONTROL SWITCH 9A (400v)
713	RP11-4-405001	ELECTRIC-VALVE CABLE
714	RP11-4-404555	HYDRAULIC BOX MOTOR CABLE
715	RP11-4-404556	SELF-CENTERING MOTOR CABLE
716A	RP11-4-404992	FEEDING CABLE 230V 3PH 50/60HZ
716B	RP11-4-404993	FEEDING CABLE 400V 3PH 50/60HZ
717A	RP11-5-490829	COMPL.ELECTRIC UNIT 400-3-50/6
717B	RP11-5-490830	COMPL.ELECTRIC UNIT 230-3-50/6
718	RP11-3-01592	TIMER
719A	RP11-3-02422	REMOTE CONTROL SWITCH 12A (230V)
719B	RP11-3-90095	REMOTE CONTROL SWITCH 9A (400V)



TCX640A Tire Changer

REFER TO NEXT SHEET FOR PARTS DESCRIPTION LISTING

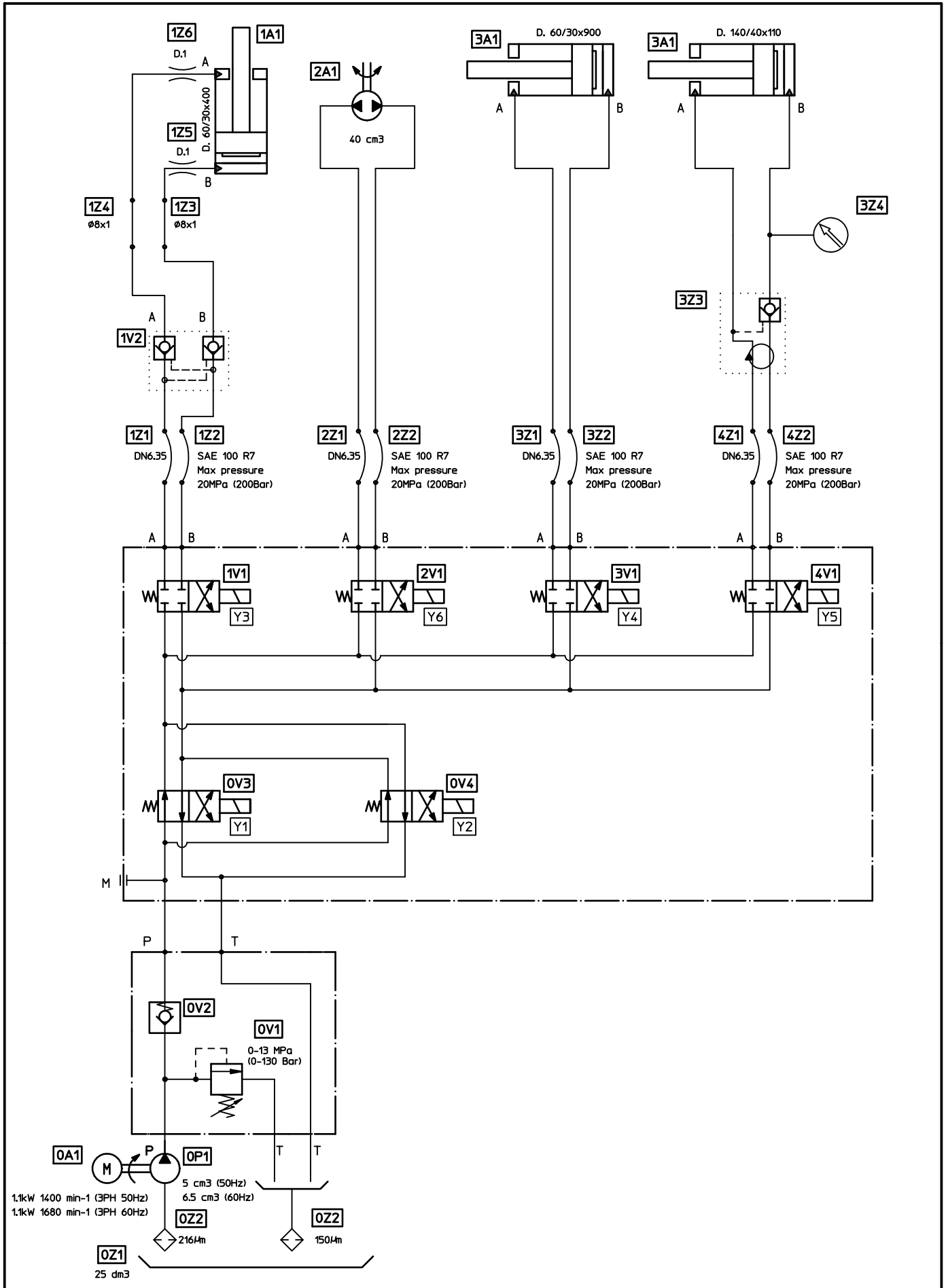
PARTS DESCRIPTION LISTING

Form 11-24E, 05-12
Supersedes Form 11-24E, 11-10
Sheet 12 of 19

Index No.	Part Number	Description
2	RP11-2-01267	HEXAGON HEAD CAP SCREW M8X12
31	RP11-2-00211	WASHER FOR HEX CAP SCREW M6
316	RP11-3013895	SPRING
317	RP11-2-00412	HEXAGON HEAD CAP SCREW M6X35
333	RP11-3020901	LABEL
801	RP11-4-403487	BOX REAR PANEL
802	RP11-4-404360	BOX SIDE LOCKING
803	RP11-2-00722	CROSS PAN HEAD SCREW M6X45
804	RP11-4-401548	HANDLE
805	RP11-2-02742	SELF-TAPPING SCREW D.3,9X9,5
806	RP11-2-01979	NUT WITH POLYAMIDE RING M6
807	RP11-2-71516	LOW NUT M4
808	RP11-4-404359	MOBILE CONTROL BOX
809	RP11-4-400946	SIDE FLASK
810	RP11-4214397	BIPOLEAR SWITCH CHANGING POLE
811	RP11-2-00349	HEXAGON HEAD CAP SCREW M4X12
812	RP11-4-403542	LABEL
813	RP11-4-401031	HANDLE COVER
814	RP11-3-03079B	CONTROL SWITCH LEVER
815	RP11-2-00575	CROSS PAN HEAD SCREW M3X16
816	RP11-4-403488	HANDLE COVER
817	RP11-4-403541	LABEL
818	RP11-3007607	PROTECTION FOR LEVER SWITCH
819	RP11-4-403489	CONTROL SWITCH COVER
820	RP11-2-71491	SELF-TAPPING SCREW D.3.5X12.7

Index No.	Part Number	Description
821	RP11-4-401030	SELECTOR HOLDER
822	RP11-4-403485	MOBILE CONTROL BODY
823	RP11-87290187	PLUG D. 4,8
824	RP11-3-02017	PLUG D.14,3
825	RP11-2-00790	CROSS PAN HEAD SCREW M4X10
826	RP11-4-400950	PEDAL ROTATION FRONT PIN
827	RP11-3308572	LEFT BALANCE PEDAL
828	RP11-3308571	RIGHT BALANCE PEDAL
829	RP11-2-00713	WASHER 5.5X15X1.6
830	RP11-2-00891	SOCKET HEAD CAP SCREW M5X10
831	RP11-4-400945	PEDAL COVER
832	RP11-3006652	LABEL
833	RP11-2-71505	NUT M3
834	RP11-4-400948	PEDAL ROTATION STOPPER
835	RP11-4-400949	PEDAL PIN SPACER
836	RP11-2-00909	SOCKET HEAD CAP SCREW M6X35
837	RP11-2-00150	NUT M6
838	RP11-317491	MICRO-SWITCH CONTROL LEVER
839	RP11-2-71541	TOOTH WASHER D.4
840	RP11-355786	MICRO-SWITCH HOLDER FLASK
841	RP11-2-00155	LOW NUT M6
842	RP11-5-490831	COMPLETE MOBILE CONTROL DEVICE
843	RP11-4-405391	CONTROL DEVICE EXTERNAL CABLE
844	RP11-3-01451	MICROSWITCH
845	RP11-2-00149	NUT M 4

HYDRAULIC DIAGRAM



TCX640A Tire Changer

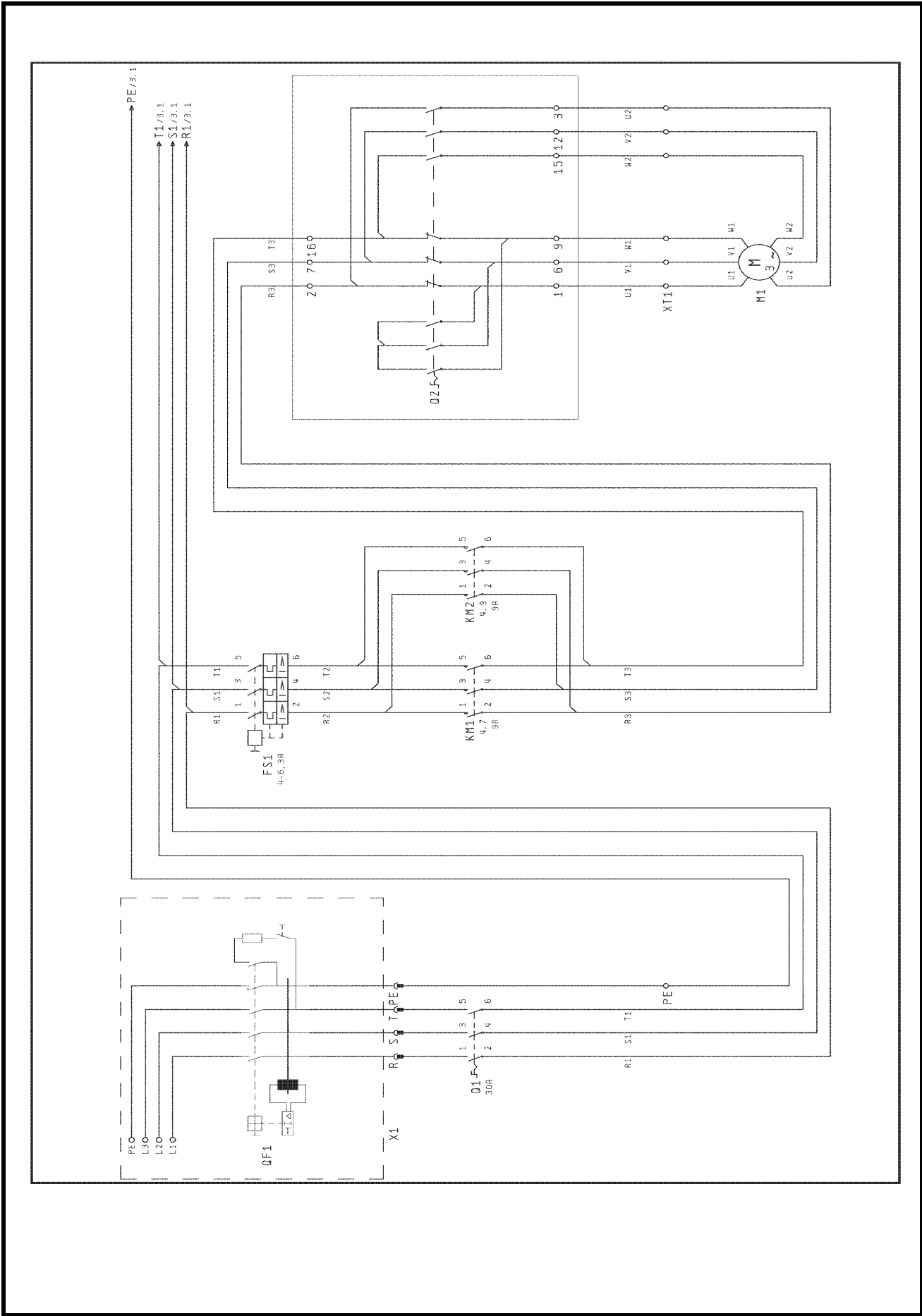
REFER TO NEXT SHEET FOR PARTS DESCRIPTION LISTING

PARTS DESCRIPTION LISTING

Form 11-24E, 05-12
Supersedes Form 11-24E, 11-10
Sheet 13 of 19

Index No.	Description
0A1	Hydraulic gearbox motor
0P1	Pump with gears
0V1	Pressure limit valve
0V2	Unidirectional valve
0V3	Circuit selection electric-valve
0V4	Circuit selection electric-valve
0Z1	Oil tank
0Z2	Suction filter
0Z3	Discharge filter
1A1	Self-centering arm cylinder
1V1	Cylinder control electric-valve
1V2	Non return valve
1Z1-1Z2	Hose
1Z3	Pipe
1Z4-1Z5	Fix choke
2A1	Hydraulic motor
2V1	Motor control electric-valve
2Z1-2Z2	Hose
3A1	Carriage cylinder
3V1	Cylinder control electric-valve
3Z1-3Z2	Hose
4A1	Self-centering chuck cylinder
4V1	Cylinder control electric-valve
4Z1-4Z2	Hose
4Z3	Rotating union assembly
4Z4	Pressure gauge

WIRE DIAGRAM



TCX640A Tire Changer

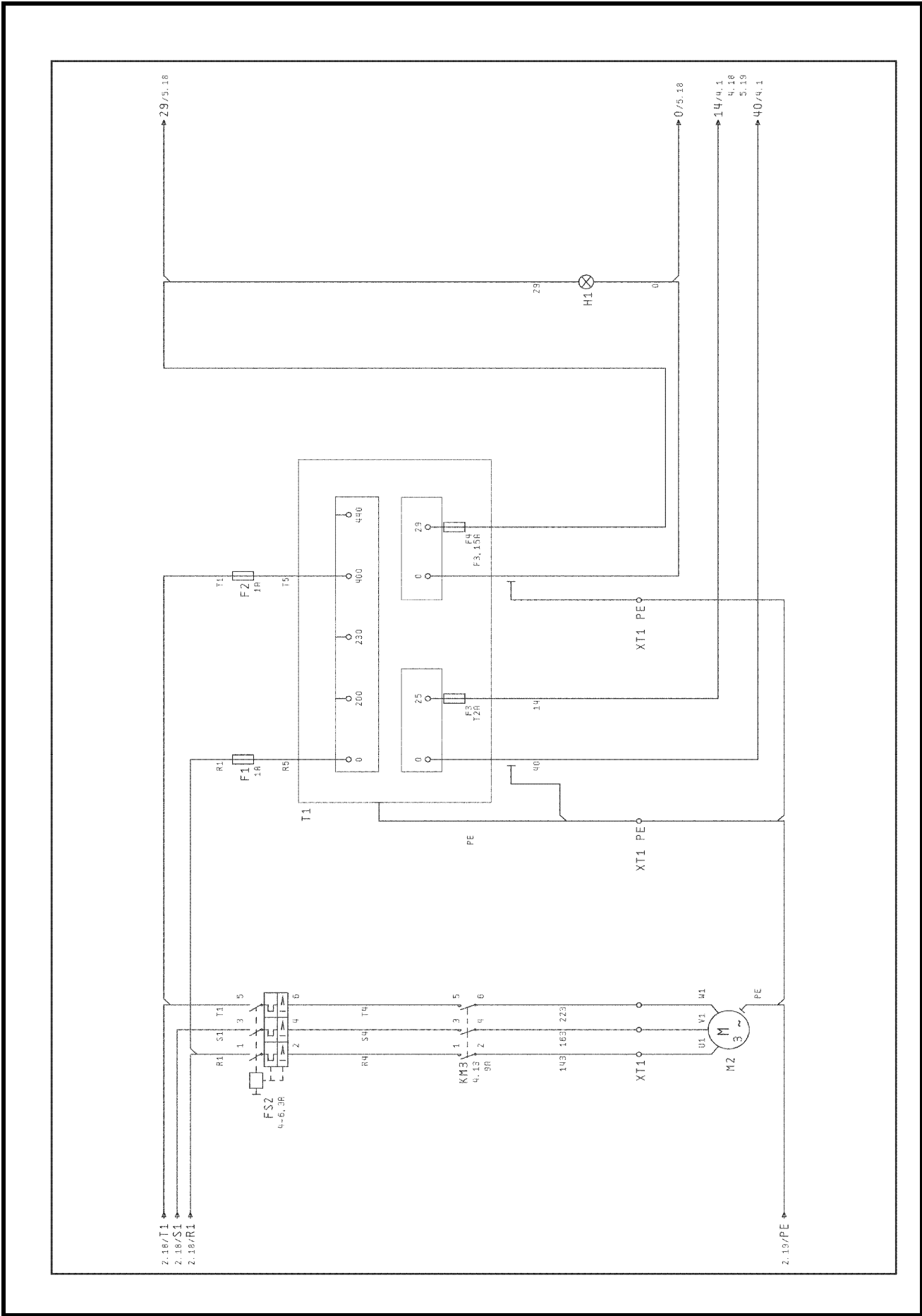
REFER TO NEXT SHEET FOR PARTS DESCRIPTION LISTING

PARTS DESCRIPTION LISTING

Form 11-24E, 05-12
Supersedes Form 11-24E, 11-10
Sheet 14 of 19

Index No.	Description
FS1	Self-centering motor protection
KM1	Clockwise rotation contactor
KM2	Anti-clockwise rotation contactor
M1	Self-centering chuck motor
Q1	Main switch
Q2	2-speed switch
QF1	Differential switch (user installation)
X1	Machine connecting socket

WIRE DIAGRAM



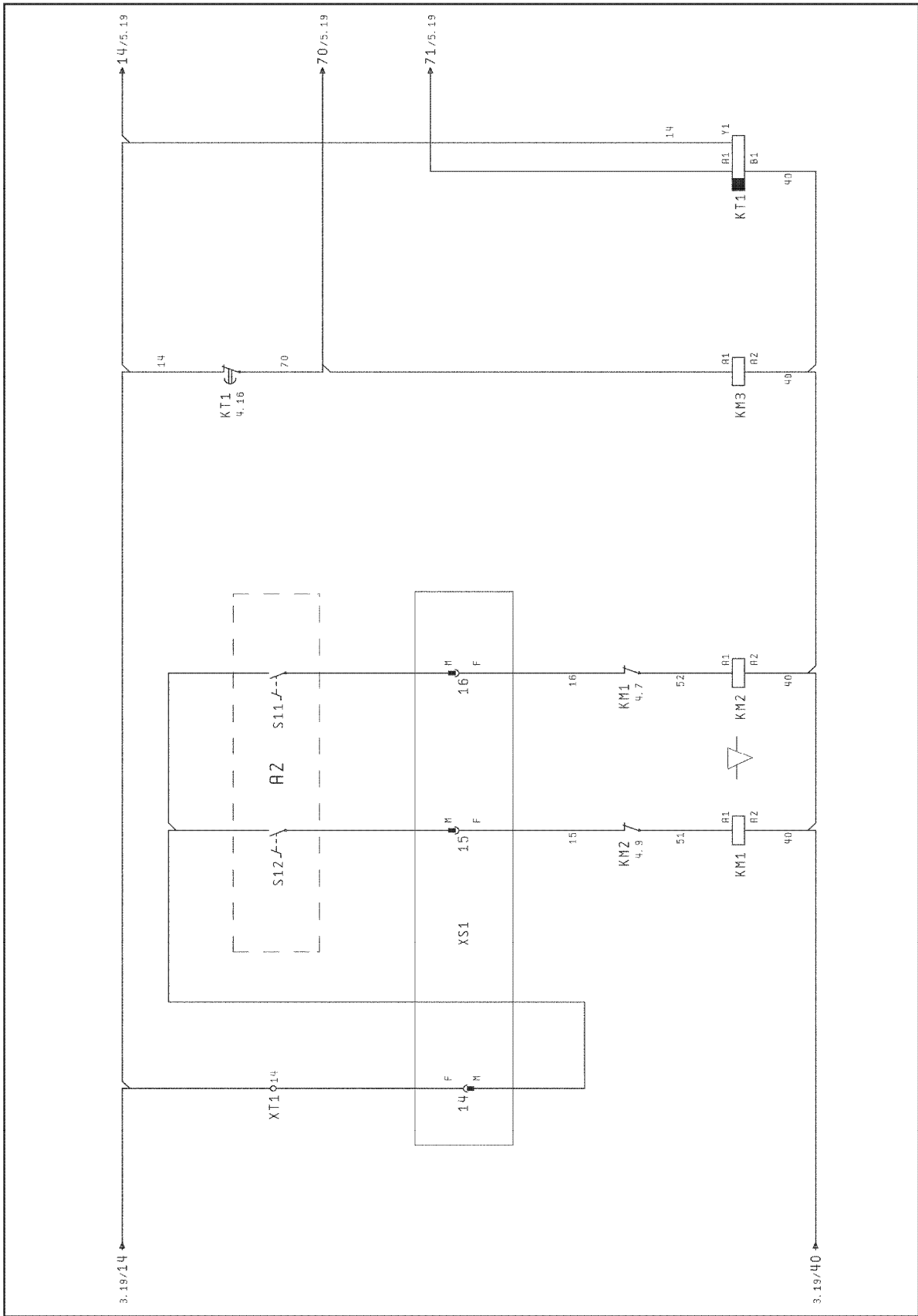
TCX640A Tire Changer
 REFER TO NEXT SHEET FOR PARTS DESCRIPTION LISTING

PARTS DESCRIPTION LISTING

Form 11-24E, 05-12
Supersedes Form 11-24E, 11-10
Sheet 15 of 19

Index No.	Description
F1-F2	Fuse 1A
F3	Fuse T 2A
F4	Fuse 3,15A
FS2	Hydraulic gearbox motor protection
H1	Feeding warning light
KM3	Hydraulic gearbox contactor
M2	Hydraulic gearbox motor
T1	Transformer

WIRE DIAGRAM



TCX640A Tire Changer

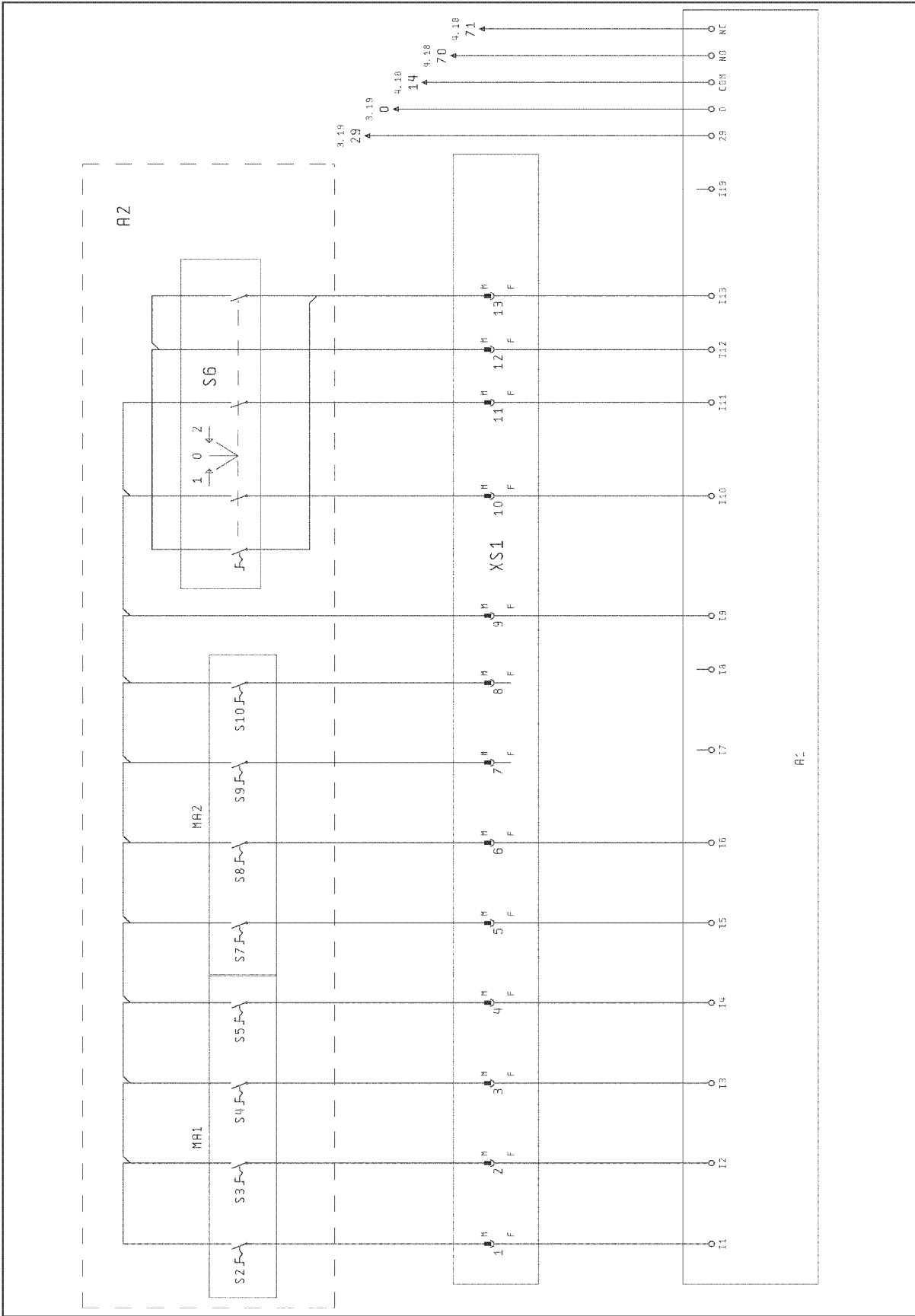
REFER TO NEXT SHEET FOR PARTS DESCRIPTION LISTING

PARTS DESCRIPTION LISTING

Form 11-24E, 05-12
Supersedes Form 11-24E, 11-10
Sheet 16 of 19

Index No.	Description
A2	Mobile control system
KM1	Clockwise chuck rotation contactor
KM2	Anti-clockwise chuck rotation contactor
KM3	Hydraulic gearbox contactor
S11-S12	Chuck rotation pedal
XS1	Connector
KT1	Timer

WIRE DIAGRAM



TCX640A Tire Changer

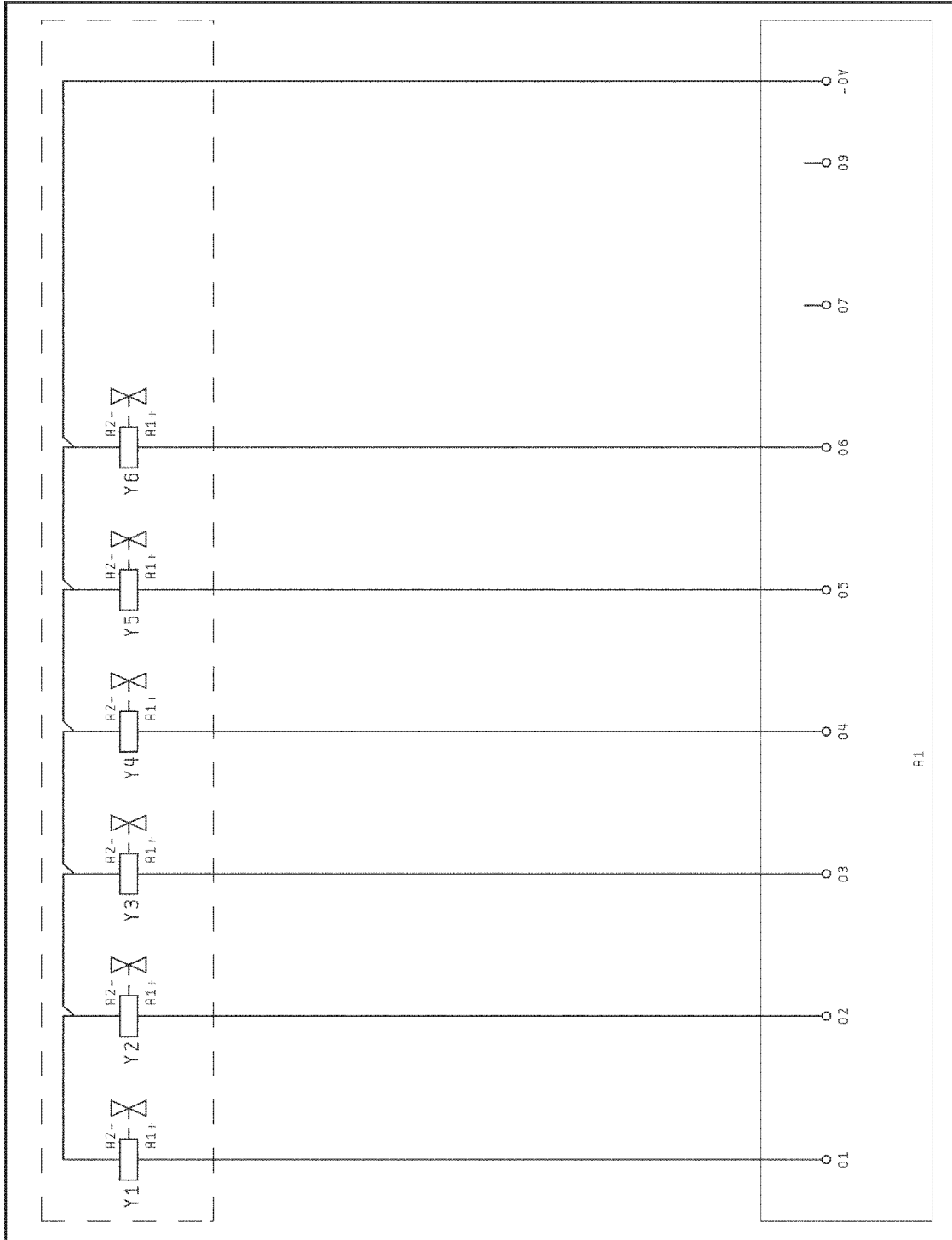
REFER TO NEXT SHEET FOR PARTS DESCRIPTION LISTING

PARTS DESCRIPTION LISTING

Form 11-24E, 05-12
Supersedes Form 11-24E, 11-10
Sheet 17 of 19

Index No.	Description
A1	Mobile control system PCB
A2	Mobile control system
S2	Arm lifting microswitch
S3	Arm lowering microswitch
S4	Carriage opening microswitch
S5	Carriage closing microswitch
S6	Chuck opening/closing microswitch
S7	Tool right microswitch
S8	Tool left microswitch
XS1	Connector

WIRE DIAGRAM



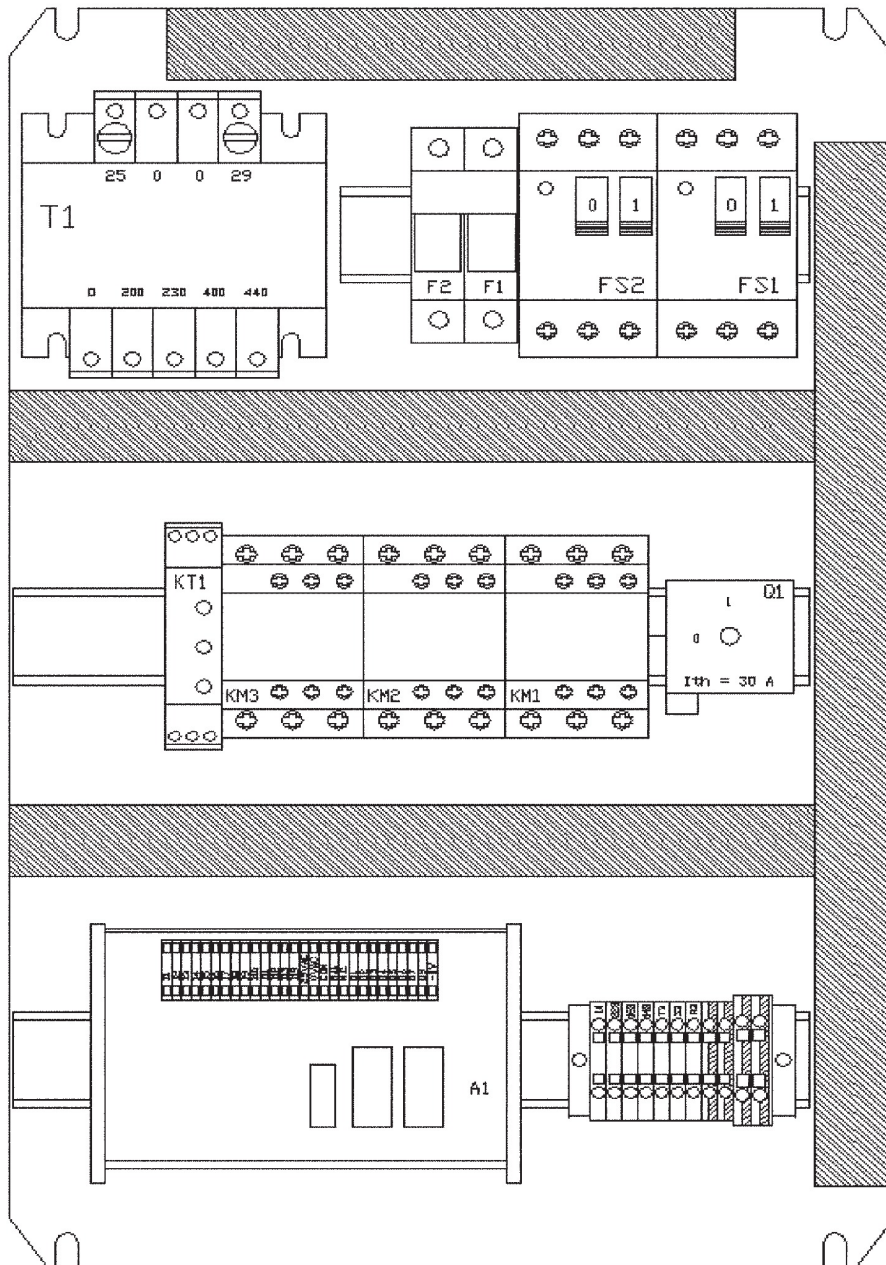
TCX640A Tire Changer

REFER TO NEXT SHEET FOR PARTS DESCRIPTION LISTING

PARTS DESCRIPTION LISTING

Form 11-24E, 05-12
Supersedes Form 11-24E, 11-10
Sheet 18 of 19

Index No.	Description
A1	Mobile control system PCB
Y1-Y2	Circuit selection electric-valve
Y3	Self-centering arm cylinder electric-valve
Y4	Tool translation electric-valve
Y4	Carriage cylinder electric-valve
Y5	Self-centering chuck cylinder electric-valve



SAFETY SWITCH CALIBRATION:

	FS-1	FS-1
Feeding	Range	Value
400V 3PH 50HZ	4-6,3A	6,3A
400V 3PH 60HZ	4-6,3A	6,3A
230V 3PH 50HZ	6,3-10A	10A
230V 3PH 60HZ	6,3-10A	10A

	FS-2	FS-2
Range	Value	
4-6,3A	4,7A	
4-6,3A	5,7A	
4-6,3A	7,4A	
4-6,3A	9,1A	

TCX640A Tire Changer