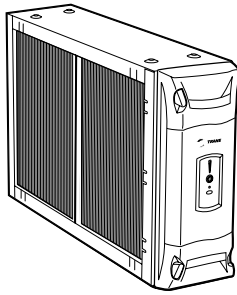




It's Hard To Stop A Trane.®

# Trane CleanEffects™ Whole House Air Cleaner



## Trane CleanEffects™ Whole House Air Cleaner:

- Trane CleanEffects™ removes up to 99.98% of allergens from the filtered air
- Removes particles down to .01 micron in size
- Outperforms HEPA, and up to 100 times more effective than a standard 1" filter
- Constructed of heavy 18 gage metal to protect the filter and internal electronics
- Power door provides easy access to internal components and features a filter status display as well as safety interlocks that automatically shut down the power when the door is opened for maintenance or cleaning
- Designed for flush fit on both sides and rear of equipment cabinet
- No transitions required on Trane CleanEffects™ applications
- Gaskets included with the air cleaner
- ComfortLink II™ communicating or 24 volt capability
- **Base Limited Warranty 5-years**
- **Registered Limited Warranty 10-years**

**Table IAQ-1-A – Air Handler – 24 Volt Trane CleanEffects™ Whole House Air Cleaner**

Model Number	Airflow Range	Trane CleanEffects™ Air Handler Width	Uncrated Dimensions(in.) H x W x D	Shipping Weight
TFD175CLAH000E	300-1200	17½ inch	7½ x 17½ x 21	37
TFD215CLAH000E	300-1200	21½ inch	7½ x 21½ x 21	42
TFD235CLAH000E	350-1600	23½ inch	7½ x 23½ x 21	44
TFD260CLAH000E	400-2000	26 inch	7½ x 26 x 21	46

**Table IAQ-1-B – Upflow / Side Return Furnace – 24 Volt Trane CleanEffects™ Whole House**

Model Number	Airflow Range	Trane CleanEffects™ Furnace Width	Uncrated Dimensions(in.) H x W x D	Shipping Weight
TFD145CLFR000E	300-1200	14½ inch <sup>①</sup>	7½ x 14½ x 27	39
TFD175CLFR000E	300-1600	17½ inch <sup>①</sup>	7½ x 17½ x 27	43
TFD210CLFR000E	300-2000	21 inch <sup>②</sup>	7½ x 21 x 27	47
TFD245CLFR000E	400-2000	24½ inch <sup>②</sup>	7½ x 24½ x 27	49

**Table IAQ-1-C – Downflow Furnace – 24 Volt Trane CleanEffects™ Whole House**

Model Number	Airflow Range	Trane CleanEffects™ Furnace Width	Uncrated Dimensions(in.) H x W x D	Shipping Weight
TFD14DCLFR000E	300-1200	14½ inch	7½ x 14½ x 21	33
TFD17DCLFR000E	300-1600	17½ inch	7½ x 17½ x 21	37
TFD21DCLFR000E	300-2000	21 inch	7½ x 21 x 21	41
TFD24DCLFR000E	400-2000	24½ inch	7½ x 24½ x 21	45

**Table IAQ-1-D — Accessories – Trane CleanEffects™ Whole House**

Model Number	Description	Used With	Shipping Weight
BAYTRANS12024	120 to 24 Volt Transformer	All TFD Air Cleaners	6

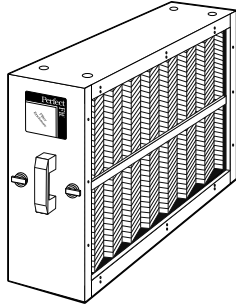
① Side return no transition required.  
 ② Side return transition required.

Indoor Air Quality



It's Hard To Stop A Trane.®

## Perfect Fit™ Media Filters



- Four sizes to flush fit bottom of Trane furnaces
- TFM175 (17½") bottom return model can be used for a **Perfect Fit™** side return on all furnace models
- Air Cleaners designed for flush fit on both sides and rear of equipment cabinet
- All service and access is from the front of the air cleaner
- **Air-Tite™** Door construction eliminates air leaks, improves air quality and keeps operating costs low
- Gaskets included with the air cleaner

**Table IAQ-2-A – Air Handler Perfect Fit™ High Efficiency Air Cleaner With Five (5) Inch Expandable Media Filter**

Model Number	Airflow Range	Perfect Fit™ Air Handler Width	Uncrated Dimensions(in.) H x W x D	Shipping Weight	Return Air Opening <sup>③</sup>
TFM215B0AH0	300-1400	21½ inch	7½ x 21½ x 21	22	18⅞ x 18⅞
TFM235B0AH0	300-1700	23½ inch	7½ x 23½ x 21	24	20⅞ x 18⅞
TFM260B0AH0	400-2100	26 inch	7½ x 26 x 21	25	23⅞ x 18⅞

**Table IAQ-2-B – Furnace Perfect Fit™ High Efficiency Air Cleaner With Five (5) Inch Expandable Media Filter**

Model Number	Airflow Range	Perfect Fit™ Furnace Width	Uncrated Dimensions(in.) H x W x D	Shipping Weight	Return Air Opening <sup>③</sup>
TFM145B0FR0	300-1200	14½ inch <sup>①</sup>	7½ x 14½ x 27	18	11⅞ x 24 <sup>13/16</sup>
TFM175B0FR0	300-1500	17½ inch <sup>①</sup>	7½ x 17½ x 27	21	14⅞ x 24 <sup>13/16</sup>
TFM210B0FR0	300-2000	21 inch <sup>②</sup>	7½ x 21 x 27	24	18⅜ x 24 <sup>13/16</sup>
TFM245B0FR0	400-2000	24½ inch <sup>②</sup>	7½ x 24½ x 27	27	21⅞ x 24 <sup>13/16</sup>

- ① Side return no transition required.
- ② Side return transition required.
- ③ Actual opening does not include flange.

Indoor Air Quality



*It's Hard To Stop A Trane.®*

## Perfect Fit™ Filter Accessories

**Table IAQ-3-A — Furnace Cartridge Media**

Model Number	Description	Qty	Enclosure Used with	Shipping Weight
BAYFTFREXM2	Expandable 5" Cartridge Media Filter	2 / Box	14 1/2 - 24 1/2 x 21	5

**Table IAQ-3-B — Air Handler Cartridge Media**

Model Number	Description	Qty	Enclosure Used with	Shipping Weight
BAYFTAHEXM2	Expandable 5" Cartridge Media Filter	2 / Box	21 1/2 - 26 x 27	5

**Table IAQ-3-C — Furnace Frames**

Model Number	Description	Qty	Enclosure Used with	Shipping Weight
BAYFRAME145①	Expandable Media Filter	1 / Box	14 1/2	5
BAYFRAME175①	Expandable Media Filter	1 / Box	17 1/2	5
BAYFRAME210①	Expandable Media Filter	1 / Box	21	5
BAYFRAME245①	Expandable Media Filter	1 / Box	24 1/2	5

**Table IAQ-3-D — Air Handler Frames**

Model Number	Description	Qty	Enclosure Used with	Shipping Weight
BAYFRAME215①	Expandable Media Frame	1 / Box	21	5
BAYFRAME235①	Expandable Media Frame	1 / Box	23 1/2	5
BAYFRAME260①	Expandable Media Frame	1 / Box	26	5

① Includes one filter.



*It's Hard To Stop A Trane.®*

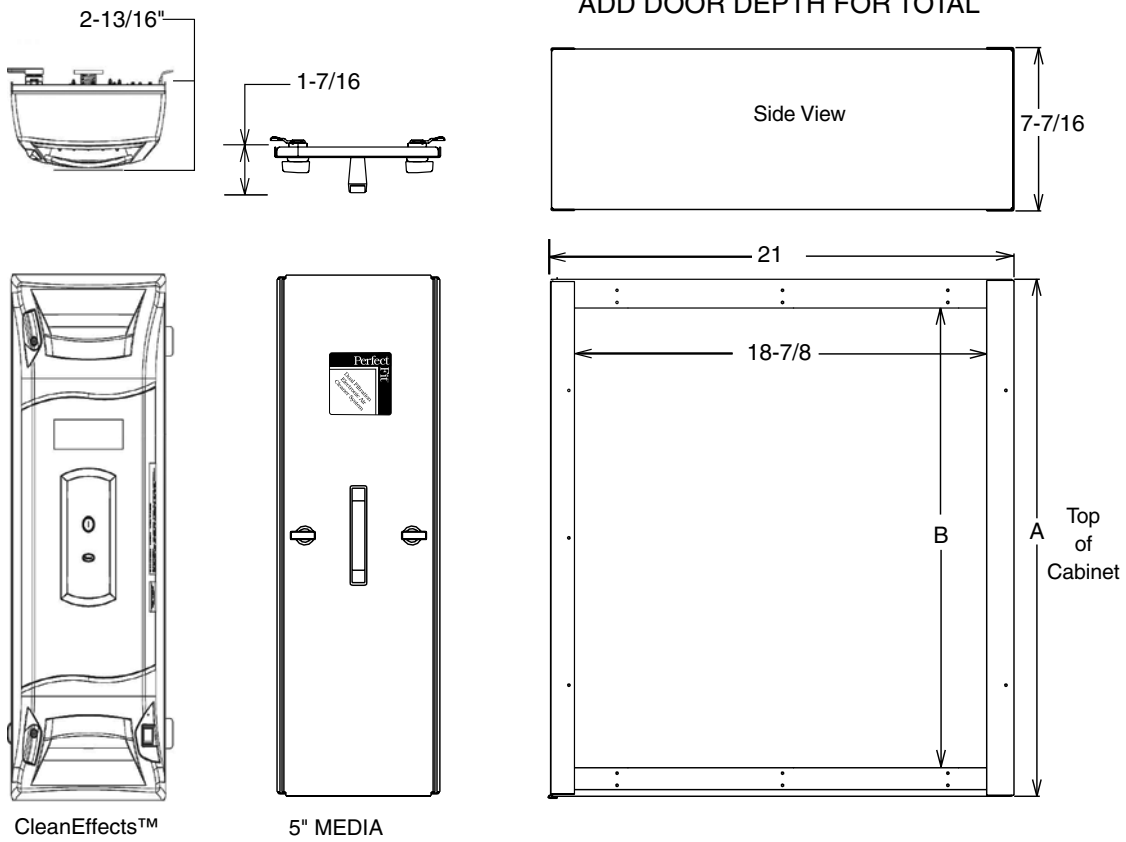
# CleanEffects™ Dimensions

**Table IAQ-4-A — Air Handler Filters**

AIR HANDLER MODEL NUMBER		
ifD Filter	A	B
TFD215	21-1/2	19
TFD235	23-1/2	21
TFD260	26	23-1/2

## OUTLINE DRAWING AIR HANDLER MODELS

21" CABINET DEPTH ONLY  
ADD DOOR DEPTH FOR TOTAL



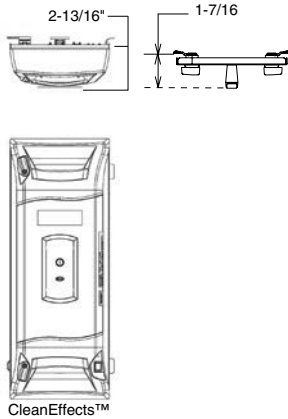
CleanEffects™

5" MEDIA

Indoor Air Quality

For complete equipment / combination selections, installation instructions and warranty information, please refer to Product Data/Ratings and/or Installers Guides and Limited Warranty Handbooks.

# CleanEffects™ Dimensions



**Table IAQ-5-A — Upflow Furnace Filters**

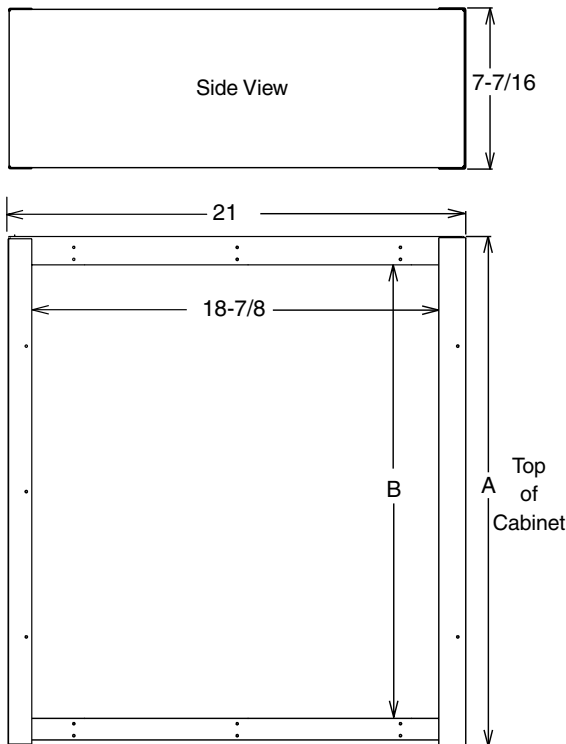
ifD Filter	FURNACE MODEL NUMBER	
	A	B
TFD145	14½	12
TFD175	17½	15
TFD210	21	18½
TFD245	24½	22

**Table IAQ-5-B — Downflow Furnace Filters**

ifD Filter	FURNACE MODEL NUMBER	
	A	B
TFD14D	14½	11⅞
TFD17D	17½	14⅞
TFD21D	21	18⅞
TFD24D	24½	21⅞

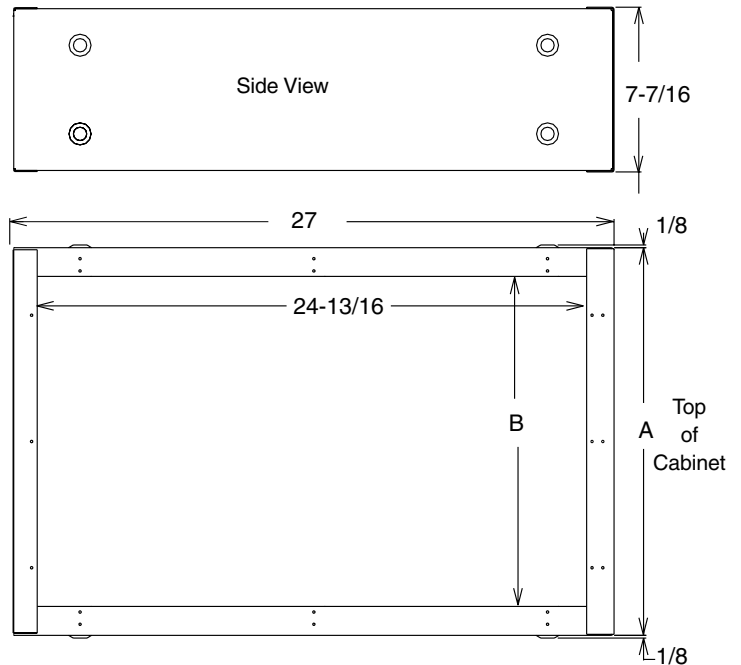
**OUTLINE DRAWING  
DOWNFLOW FURNACE MODELS**

21" CABINET DEPTH ONLY  
ADD DOOR DEPTH FOR TOTAL



**OUTLINE DRAWING UPFLOW FURNACE MODELS**

27" CABINET DEPTH ONLY  
ADD DOOR DEPTH FOR TOTAL

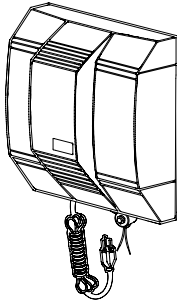


Indoor Air Quality

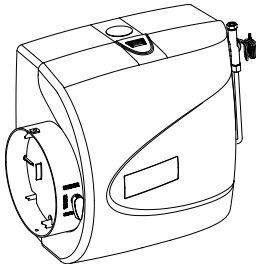


It's Hard To Stop A Trane.®

# Humidifiers Fan Powered and Bypass



**THUMD500A**



**THUMD200A, 300A**

## THUMD500A

- Flow Through Fan Powered Humidifier
- High Performance Humidifier Delivers up to 18 Gallons per Day
- Automatic Humidifier Control with O.D. Sensor for up to 50% more Humidity
- Front Cover Access for easy replacement of humidifier pad
- Aluminum Humidifier Pad Treated with Ceramic Coating for Enhanced Pad Performance
- Reliable Brass Solenoid Valve w/Stainless Steel Valve Seat
- UV Resistant Cabinet and Scale Control Insert
- Saddle Valve
- Polyslate Gray Housing matches Furnace Cabinet Color
- Decorative nameplate
- 120V Power Line Cord
- 110V Primary/24VA Transformer

## THUMD200,300A

- THUMD300A Bypass delivers up to 17 Gallons per day
- THUMD200A delivers up to 12 Gallons per day
- THUMD300A Automatic Humidifier Control and O.D. Sensor for up to 50% more Humidity
- THUMD200A Manual Humidifier Control
- UV Resistant Cabinet and Scale Control Insert
- Front Cover Access for easy replacement of humidifier pad
- Aluminum Humidifier Pad Treated with Ceramic Coating for Enhanced Pad Performance
- Reliable Brass Solenoid Valve w/Stainless Steel Valve Seat
- Field Convertible Duct Connection, Left or Right Side
- Built in Summer / Winter Damper
- Saddle Valve
- Polyslate Gray Housing matches Furnace Cabinet Color
- Decorative nameplate
- 110V Primary / 24V Secondary 10VA Transformer

**Table IAQ-6-A — Specifications: Humidifier with Humidistat**

Model Number	Description	Used With	Mfg. Plant	Shipping Weight
THUMD500APA00C <sup>①④</sup>	Fan Powered Humidifier	All Furnace Models	TY	20
THUMD300ABA00B <sup>②</sup>	Large Bypass Humidifier	All Furnace Models	TY	15
THUMD200ABM00B <sup>③</sup>	Small Bypass Humidifier	All Furnace Models	TY	14

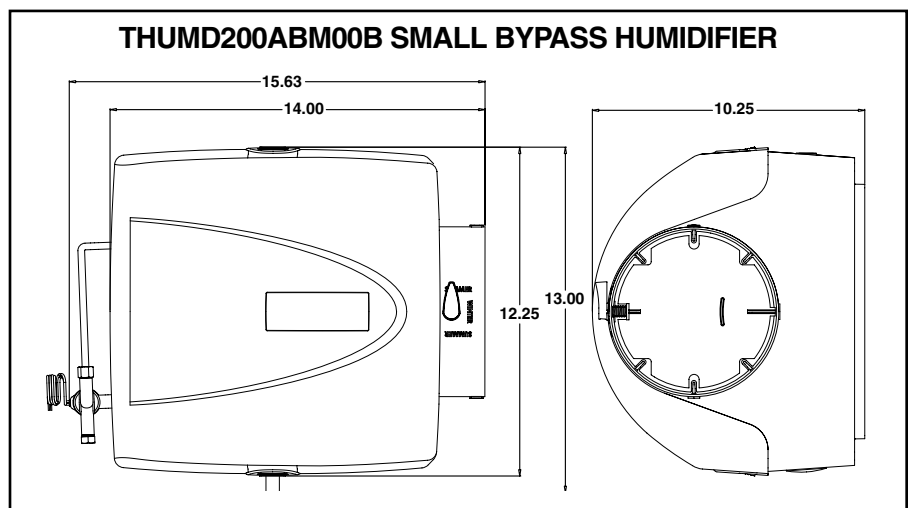
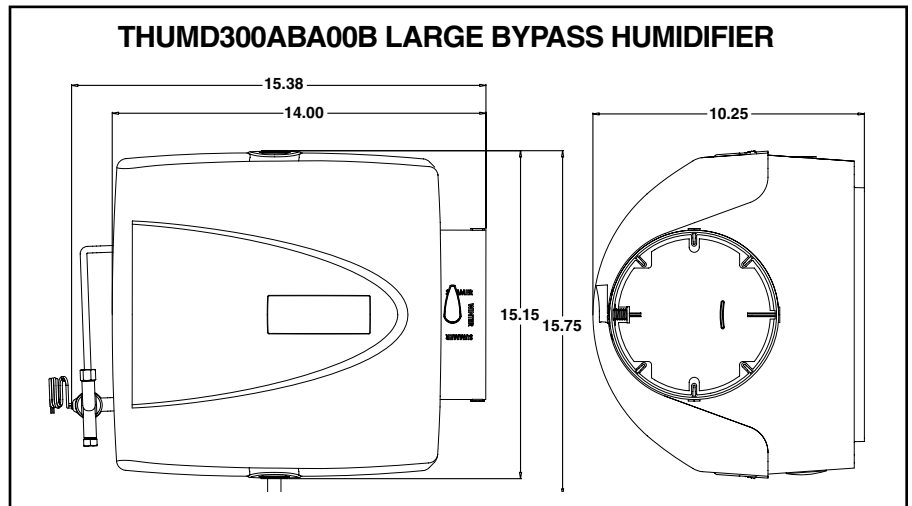
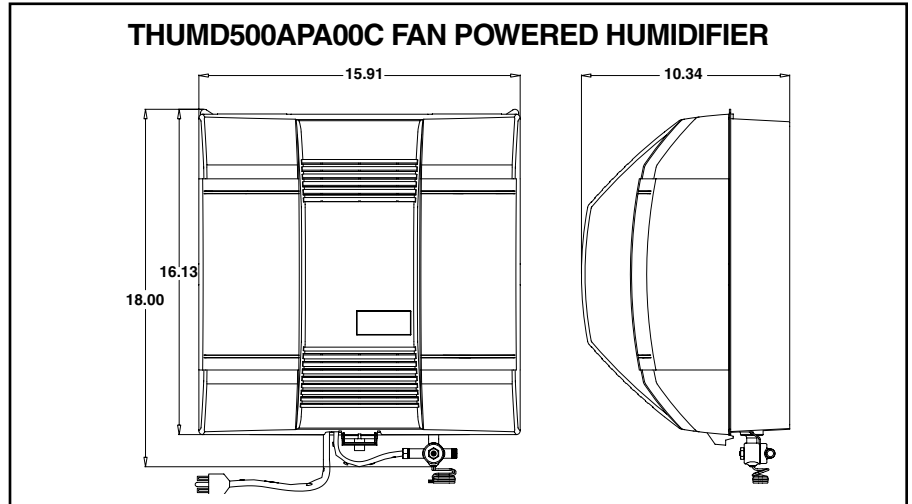
- ① Includes Automatic Humidifier Control (Duct Mount Only).
- ② Includes Automatic Humidifier Control (Duct Mount Only) and 120/24V transformer.
- ③ Includes Manual Humidifier Control and 120/24V transformer.
- ④ Not applicable for horizontal installations.

**Table IAQ-6-B — Accessories**

Model Number	Description	Used With	Mfg. Plant	Shipping Weight
BAYPAD02A1310A	Large Humidifier Pad 13"x10"	THUMD500,300A	TY	1
BAYPAD01A1010A	Small Humidifier Pad 9-7/8"x9-5/8"	THUMD200A	TY	1
TCONTH01AAUTOA	Automatic Humidifier Control	THUMD200A	TY	1
BAYRLY10ASENSA	Current Sensing Relay	All	TY	1
BAYPLT01AMHCOA	Adapter Plate (Duct Mount)	Manual Humidifier Control	TY	1

For complete equipment / combination selections, installation instructions and warranty information, please refer to Product Data/Ratings and/or Installers Guides and Limited Warranty Handbooks.

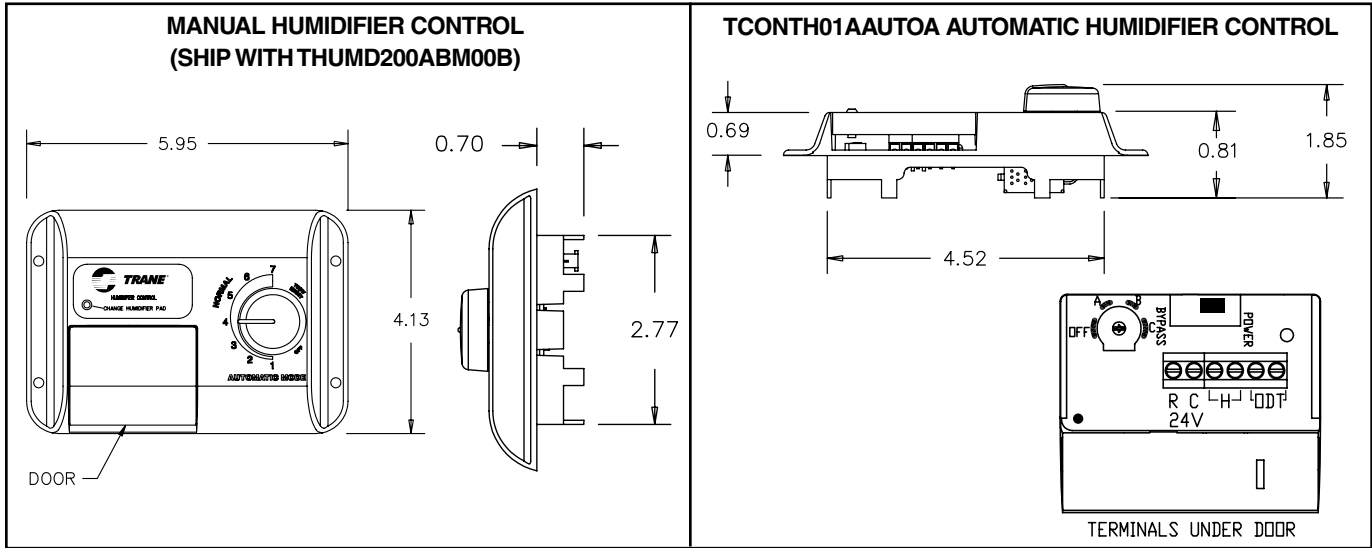
# Humidifiers Fan Powered and Bypass



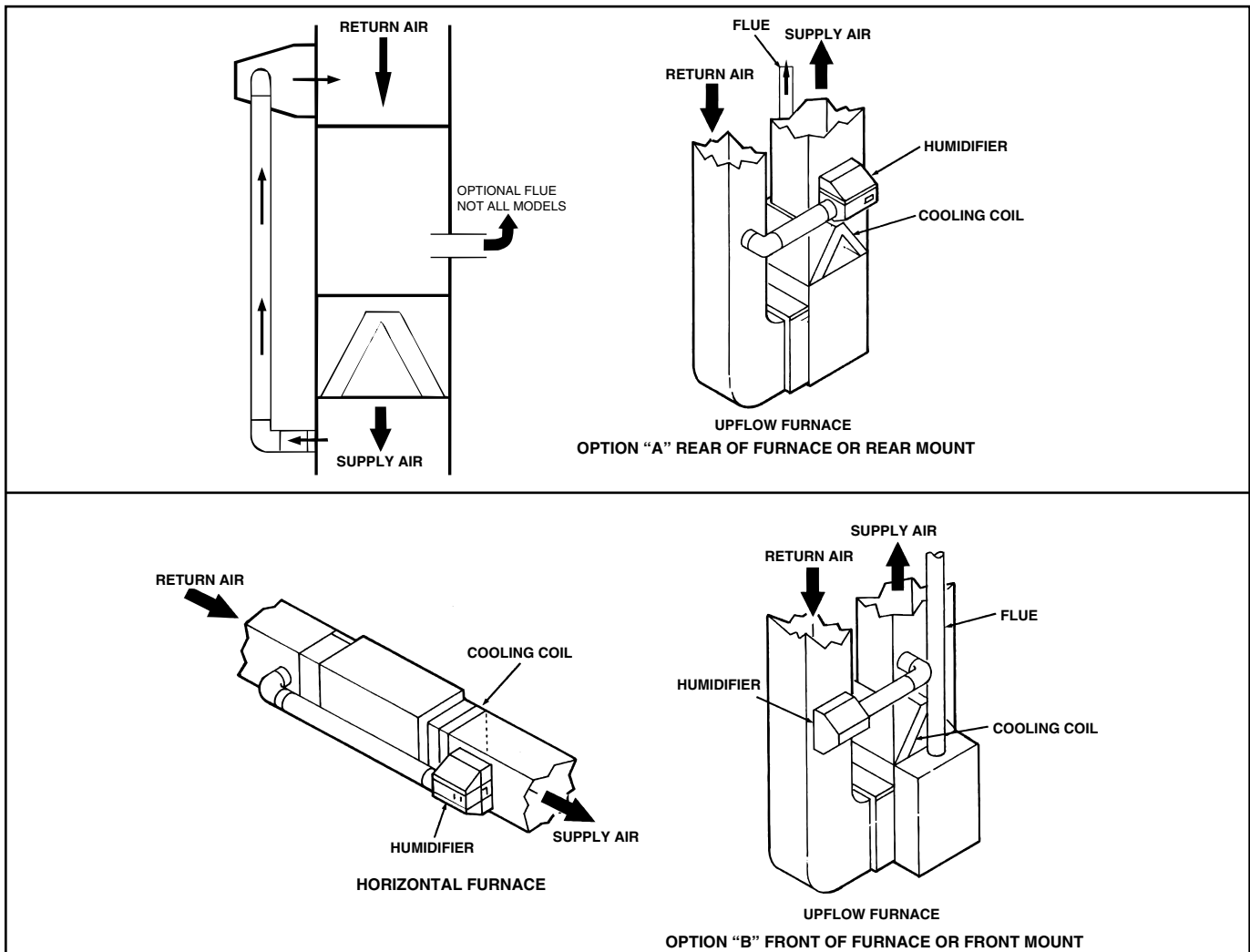


*It's Hard To Stop A Trane.*

# Humidifiers Fan Powered and Bypass



## SUGGESTED BYPASS HUMIDIFIER LOCATIONS



Indoor Air Quality

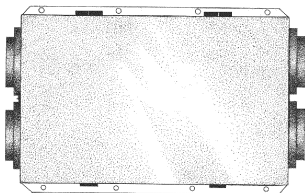
For complete equipment / combination selections, installation instructions and warranty information, please refer to Product Data/Ratings and/or Installers Guides and Limited Warranty Handbooks.





It's Hard To Stop A Trane.®

# FreshEffects™ Energy Recovery Ventilator (ERV)



- FreshEffects™ ERV technology for all seasons and climates
- Static plate energy transfer core for efficient transfer of heat and moisture
- Passive defrost - condensate drain not required
- Balancing dampers not required
- Multi position mounting
- Percent Timer (PT) control included with ERV for simple, automatic operation
- Optional Push Button (PB) control connects to PT control
- Cam action door latches for quick service access
- Heavy gauge, powder painted steel cabinet
- Permanently lubricated motor bearings (ball bearings)
- 6" and 8" double collar duct connections for TERVR100 and 200
- 8" round compatible duct connection for TERVR300
- Closed cell foam gasketing for insulation integrity
- 1" duct board insulation with cleanable foil face
- May be installed in conditioned and unconditioned spaces
- Cabinet / Door color: Trane Polyslate Gray / Tarpaulin Gray
- **Based Limited Warranty 5-years**
- **Registered Limited Warranty 10-years**
- **Optional extended warranty**

**Table IAQ-9-A — Specifications: ERV**

Model Number	Nominal Airflow (CFM)	Power Supply	Uncrated Dimensions (In.) H x W x D	Shipping Weight
TERVR100A9P00A①	130	120/1/60	20 <sup>1</sup> / <sub>8</sub> x 28 <sup>3</sup> / <sub>4</sub> x 13	65
TERVR200A9P00A①	200	120/1/60	20 <sup>1</sup> / <sub>8</sub> x 28 <sup>3</sup> / <sub>4</sub> x 23 <sup>7</sup> / <sub>8</sub>	85
TERVR300A9P00A①	300	120/1/60	20 <sup>1</sup> / <sub>8</sub> x 28 <sup>3</sup> / <sub>4</sub> x 23 <sup>7</sup> / <sub>8</sub>	95

① Percent Timer Control included with the ERV.

**Table IAQ-9-B — Specifications: ERV**

Model Number	Sensible Recovery Effectiveness(32°F)	Latent Recovery (32°F)	Total Recovery (95°F)
TERVR100A9P00A	72% @ 124 cfm	55% @ 124 cfm	46% @ 126 cfm
TERVR200A9P00A	78% @ 181 cfm	62% @ 181 cfm	52% @ 180 cfm
TERVR300A9P00A	70% @ 295 cfm	51% @ 295 cfm	43% @ 295 cfm

**Table IAQ-9-C — Optional Accessories**

Model Number	Description	Used With	Shipping Weight
TCONTV10APBC0A	Point of Use Push Button Control	ERV models 100, 200, 300	1
BAYFLT10A1010A	Filters - 2 per pack	ERV models 100	1
BAYFLT20A1020A	Filters - 2 per pack	ERV models 200, 300	1
BAYWHT10AVENTA②	6 inch White Vinyl Ventilation Hood	ERV models 100, 200	1
BAYBRN10AVENTA②	6 inch Brown Vinyl Ventilation Hood	ERV models 100, 200	1
BAYGLV10AVENTA②	8 inch Galvanized Ventilation Hood	ERV models 300	2

② Qty 1.

Indoor Air Quality