

500 Series

The MPL 500 series is a miniature sensor with set points available from 0.05 inH₂O to 20 PSI. Standard model features high and low ports, parallel to the body, which can be applied for pressure, vacuum or differential inputs. Standard forms are available with perpendicular ports or NPT fitting. Model 501 has a momentary contact action with low hysteresis, suitable for dry circuits of 10-20mA, suitable for signaling a controller or lighting an indicator.

Summary

Standard forms are available with perpendicular ports or NPT fitting. Model 501 has a momentary contact action with no hysteresis, suitable for dry circuits of 20mA, suitable for signaling a controller or lighting an indicator.

Applications

- Oxygen Concentrators
- Appliances
- Pneumatic Equipment
- Air Filters
- Exhaust Monitoring
- Automation
- Vehicle Controls

Features

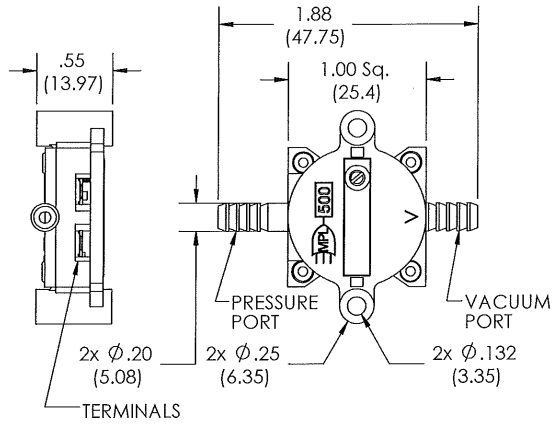
- Customer Engineered Solutions
- Fixed & Adjustable Set Points
- Variable Port Configuration
- Normally Open/Normally Closed
- Single Pole, Single Throw
- PC Mountable
- Historically Proven Reliability



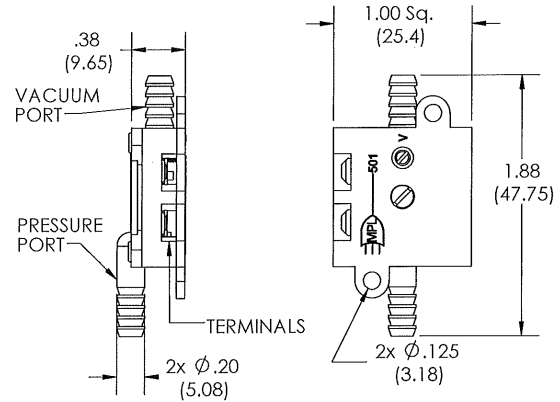
Standard specifications

Mechanical	
Body	Glass filled polyester
Diaphragm	Polyurethane
Terminals	Brass, gold plated NEMA
Contacts	Phosphor bronze with gold contact area
Contact form	SPST normally open
Life	1,000,000 cycles
Weight	10 grams
Functional	
Operating position	Diaphragm vertical
Operating temperature	-40°F to -140°F (-40°C to 60°C)
Electrical	
Initial resistance	<500 milliohms
UL/CSA ratings	3.15mA @ 125vac
Additional ratings	10-20mA @ 5-24VDC
Agency	
UL file #	E-70125
CSA File #	50215

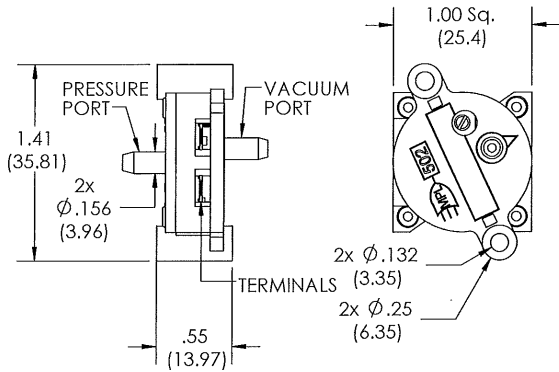
0500 Style
Differential



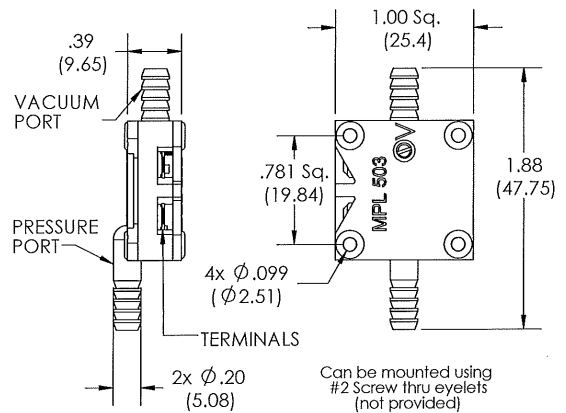
0501 Style
Differential



0502 Style
Differential

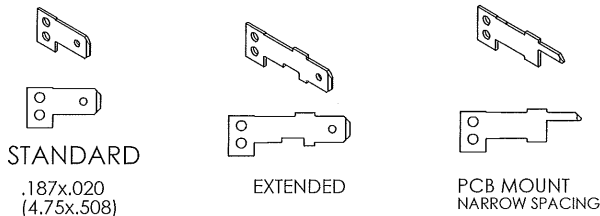


0503 Style
Differential

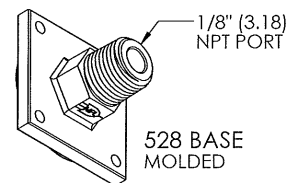


OPTIONAL

TERMINALS



OPTIONAL BASE
(pressure only)





500 Series

Ordering information

0502 PO - OB - 0002^{*}

Product Code (4 digits)
Identifies Product Family

P = Pressure
V = Vacuum
D = Differential
X = None

O = Normally Open
C = Normally Closed
D = Double Throw
X = None

O = O-ring
G = Gasket
B = Both o-ring & gasket
X = None

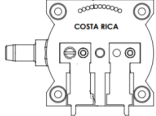
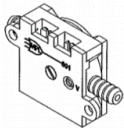
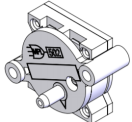
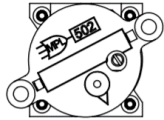
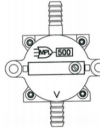
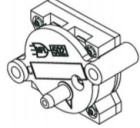
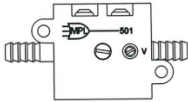
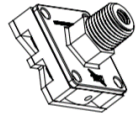
MPL Assigned Number
(4 digits)

Diaphragm Table

B = Buna
E = EPDM
F = Tuftane
K = Kapton
L = Lamcotec
O = Fluorosilicone
P = Polyurethane
S = Silicone
Z = Misc.

^{*} Call factory for MPL assigned number for pressure range and configuration.

Ordering configuration (Examples of the most popular models)

Part Number	Act	Deact	Proof	Type	Max Leak	Form factor
0501VO-GP-0003	0.25 ± 0.05 inH2O	-	10 PSI	Gage (vacuum)	3 SCCM @ proof	
0501DO-GP-0046	2.0 ± 0.4 inH2O	-	25 inH2O	Differential	-	
0502DO-BP-0003	0.48 ± 0.03 inH2O	-	10 inH2O	Differential	-	
0502PO-GP-0002	19.9 ± 2.0 PSI	-	22 PSI	Gage (+ve pressure)	1.3 SCCM @ proof	
0500DO-GP-0022	0.10 ± 0.02 inH2O	-	10 inH2O	Differential	-	
0502VO-BP-0065	1.82 ± 0.20 PSI (3.70 ± 0.20 inHg)	-	5 PSI (10 inHg)	Gage (vacuum)	-	
0501DO-XT-0003	0.50 ± 0.10 inH2O	< 0.20 inH2O	10 inH2O	Differential	-	
0528PO-OP-0002	0.45 ± 0.05 inH2O	-	5 inH2O	Gage (+ve pressure)	-	
0502VO-BP-0007	5.16 ± 0.25 PSI (10.5 ± 0.50 inHg)	-	10 PSI (20 inHg)	Gage (vacuum)	0.9 SCCM @ proof	