

PF7604



CABOTO MECHANICAL CONVECTION HUMIDITY OVEN 4 TRAYS 600X400 - GN 1/1

rev: PF7604_PI1



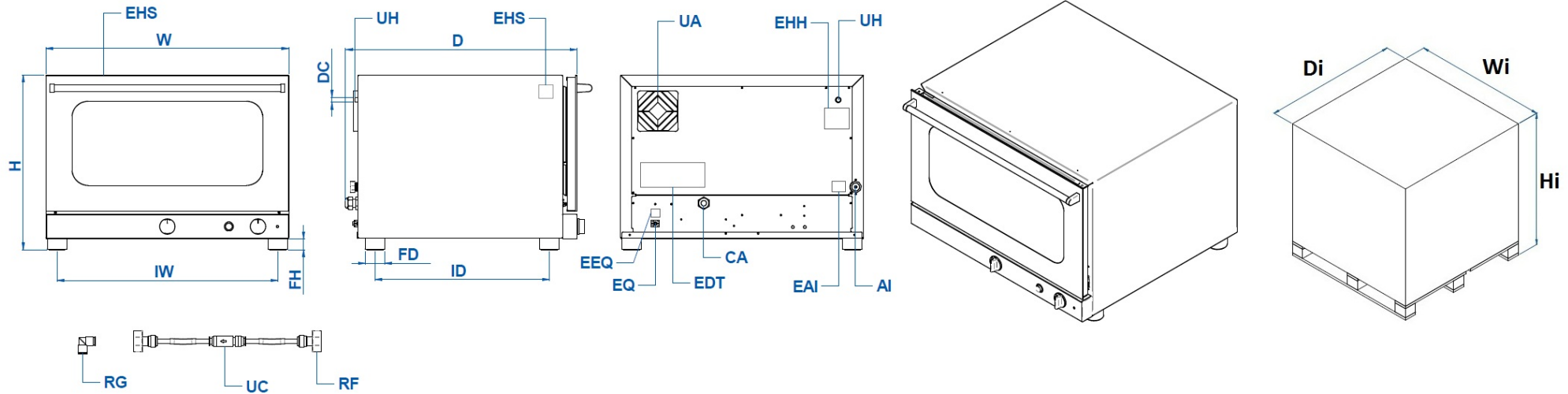
Load Capacity		n°4 - EN 600x400 - GN 1/1
Space between trays		75 mm
Cooking chamber dimensions - Gross volume		66x43x34 cm - 104 lit
WxDxH - Width x Depth x Height		75x72x54 cm
Nominal power	kW	6.3 kW
Heating power		2x3000W @230V
Motor power		2x80W @230V
N° motor speed phases		1
Reverse		Reverse Air Flow
Nominal voltage		400V 3N~
Nominal Current		13/13/1/12 A
Suggested cross section cable		5x1.5 mm ² H07RN-F
Frequency		50/60 Hz
Cooking chamber material	AISI	Inox AISI430
Timer		0 - 120'
Humidity/Steaming		•
Temperature		30 - 260 °C
Waterproof level		IPx4
Net weight		55 kg
WxDxHi - Width x Depth x Height - Package		90x90x74 cm



PF7604



CABOTO MECHANICAL CONVECTION HUMIDITY OVEN 4 TRAYS 600X400 - GN 1/1



UH - Exhaust hot fumes

UA - Cooling air exit

CA - Power Cord

EQ - Equipotential terminal

EHS - Hot surface label

EDT - Datasheet label

AI - Water in

AU - Water out

EAI - Water in label

UC - Non-return valve

RF - Junction Ø8 - 3/4

RG - Junction Ø8 - Ø8 90°

EEQ - Equipotential label

EHH - Exhaust hot fumes label

IW : 68 cm

ID : 54 cm

FD : Ø 6 cm

FH : 3,5 cm

DC : Ø 1,6 cm

HH :-

DS :-

Wheelbase feet - width

Wheelbase feet - deep

Ø feet

Feet height

Ø exhaust pipe

Hinge height

Ø water out pipe

PF7604



CABOTO MECHANICAL CONVECTION HUMIDITY OVEN 4 TRAYS 600X400 - GN 1/1

