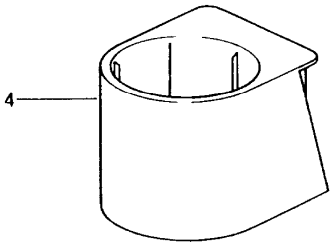
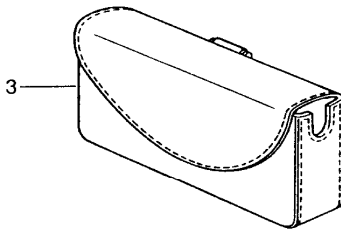
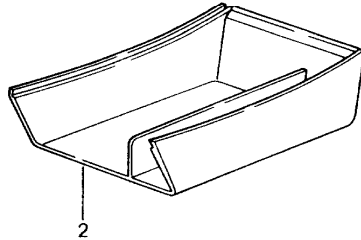
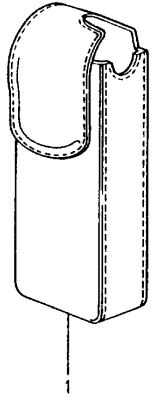
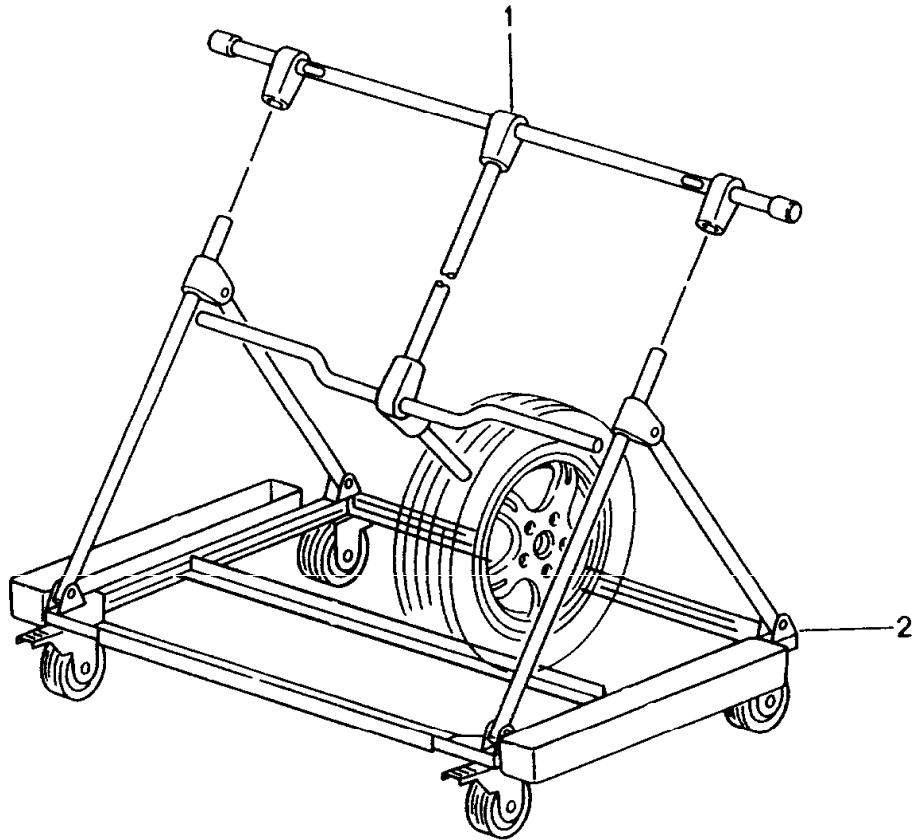


Model	Year	MG	SG	Illustration	Restrictions	UPD	18:07	06.02.2010	PORSCHE	PET	PORSCHE
TEQ	2010	0	01	001-00		248	USA / CANADA				

Pos	Part Number	Description	Remark	Qty	Model
			89-98		911 (964/993) Handy
1	000 044 000 06	storage box bag support  mobile phone leather box black  technical information 911 (964/993) group 6 6816 attention		1	
3	000 044 000 08	bag mobile phone leather black		1	
3	000 044 000 23	bag mobile phone leather natural colours		1	



Model	Year	MG	SG	Illustration	Restrictions	UPD	18:07	06.02.2010	PORSCHE	PET	PORSCHE
TEQ	2010	0	02	002-00		248	USA / CANADA				



Pos	Part Number	Description	Remark	Qty	Model
		transport cart support cover hardtop			911, BOXSTER 911, BOXSTER 911, BOXSTER 911, BOXSTER
1	000 044 000 21	support for hardtop		1	BOXSTER
2	000 044 000 22	transport cart for wheels		1	BOXSTER
-	000 044 000 24	support for roof transport system		1	BOXSTER
-	000 044 000 12	cover for hardtop		1	BOXSTER
(1)	000 044 000 39	support for hardtop	98-	1	911
(2)	000 044 000 38	transport cart for wheels	98-	1	911
-	000 044 000 40	support for roof transport system	98-	1	911
-	000 044 000 45	cover for hardtop	98-	1	911

PORSCHE

PET

PORSCHE

Model	Year	MG	SG	Illustration	Restrictions	UPD	18:07	06.02.2010
TEQ	2010	0	04	004-00		248	USA / CANADA	

Pos	Part Number	Description	Remark	Qty	Model
		cover	76-95 82-95 89-97		924/928 944/968/959 911(964/993)
(1)	000 043 202 00	cover	76-95	1	924,944,968
1	000 043 202 01	cover for cars without spoiler	90-94	1	911(964)
(1)	000 043 202 02	cover for cars with spoiler	90-94	1	911(964) C2/C4 Turbo
(1)	000 043 202 03	cover	86-95	1	928 / 928GTS
1	000 043 202 93	cover for cars without spoiler	94-98	1	911(993) C2S / C4S
(1)	000 043 303 12	cover	95-96	1	911(993) GT 2 RS Clubsport
-	000 043 303 14	cover	95-98	1	911(993) RS Basis
(1)	000 043 303 13	cover for cars with spoiler	95-98	1	911(993) C2/C4 & S Turbo
(1)	000 044 000 15	cover	87-88	1	959

PORSCHE

PET

PORSCHE

Model	Year	MG	SG	Illustration	Restrictions	UPD	18:08	06.02.2010
TEQ	2010	0	04	004-02		248	USA / CANADA	

Pos	Part Number	Description	Remark	Qty	Model
		cover	96-04 98-05 96-97		Boxster(986) 911(996) 911 GT1
(1)	000 044 000 13	cover for cars without aerokit		1	Boxster(986) alle
(1)	000 044 000 14	cover for cars with aerokit		1	Boxster(986) alle
(1)	000 044 000 77	cover for cars without aerokit		1	911(996) alle
(1)	000 044 000 34	cover for cars with aerokit Cup		1	911(996) alle
(1)	000 044 000 50	cover  911 carrera with aerokit carrera	01-05	1	Turbo  911(996)
(1)	000 044 000 57	cover  911 carrera with aerokit Cup2	01-05 03	1	GT2 GT3 911(996)
(1)	000 044 000 25	cover	96-97	1	911 GT1

PORSCHE

PET

PORSCHE

Model	Year	MG	SG	Illustration	Restrictions	UPD	18:08	06.02.2010
TEQ	2010	0	04	004-04		248	USA / CANADA	

Pos	Part Number	Description	Remark	Qty	Model
		cover	05- 06- 05-		Boxster(987) Cayman 911(997)
-	987 044 000 00	cover Indoor	05-08 05-08	1	Boxster Boxster S
-	987 044 000 14	cover Indoor	09- 09-	1	Boxster Boxster S
-	987 044 000 08	cover Indoor	07-08 06-08	1	Cayman Cayman S
-	987 044 000 12	cover Indoor	09- 09-	1	Cayman Cayman S
-	000 044 000 77	cover Indoor	05-08	1	911(997)
-	997 044 000 05	cover  Indoor	05-08	1	911(997) IXAA
-	997 044 000 10	cover Indoor	09-	1	911(997)
-	997 044 000 06	cover Indoor	07-	1	Turbo(997)
-	997 044 000 08	cover Indoor	08-	1	GT2(997)
-	997 044 000 09	cover Indoor	07-08	1	GT3 RS(997)
-	997 044 000 12	cover Indoor	09- 09-	1	GT3(997) 911(997) IXAA
-	987 044 000 02	cover outdoor	05-08 05-08	1	Boxster Boxster S
-	987 044 000 13	cover outdoor	09- 09-	1	Boxster Boxster S
-	987 044 000 04	cover outdoor	07-08 06-08	1	Cayman Cayman S
-	987 044 000 11	cover outdoor	09- 09-	1	Cayman Cayman S
-	997 044 000 03	cover outdoor	05-08	1	911(997)
-	997 044 000 11	cover outdoor	09-	1	911(997)
-	997 044 000 07	cover outdoor	07-	1	Turbo(997)

PORSCHE

# PET

PORSCHE

Model	Year	MG	SG	Illustration	Restrictions	UPD	18:08	06.02.2010
TEQ	2010	0	50	050-10		248	USA / CANADA	

Pos	Part Number	Description	Remark	Qty	Model
		roof transport system	-98		911
-	993 801 055 00	roof transport system	-98	1	COUPE
-	911 801 273 00	protection cap rain channel inner		4	COUPE
-	911 801 275 00	protection cap bracket outer		4	COUPE
-	993 801 055 01	roof transport system	-98 -94	1	CABRIO TARGA
-	993 801 055 02	roof transport system	95-98	1	TARGA
-	928 801 902 00	set of locks for 993.801.055.00 and 993.801.055.01		1	
-	000 044 000 11	set of locks for 993.801.055.02		1	
-	000 044 000 04	clamping bow for ski rack		2	
-	000 044 000 48	set - bike carrier bracket with support for bicycle		1	
-	000 044 000 49	set of locks for 000.044.000.48		1	
-	996 801 019 00	surfboard support		1	
-	996 801 091 00	ski rack		1	TARGA
-	000 044 000 32	snowboard holder		1	911

PORSCHE

PET

PORSCHE

Model	Year	MG	SG	Illustration	Restrictions	UPD	18:08	06.02.2010
TEQ	2010	0	50	050-15		248	USA / CANADA	

Pos	Part Number	Description	Remark	Qty	Model
-	986 801 055 01	roof transport system	97-		BOXSTER
-	986 801 055 01	roof transport system	98-	1	BOXSTER
		for vehicles up to model year `97 with hardtop order also:			
-	999 073 171 00	screw M 6 X 18 see technical information GR.6 NR. 5A/97		4	
-	999 073 173 00	lens-head screw M 6 X 16 for adapter a-pillar		4	
-	996 801 501 00	adapter a-pillar		2	
-	900 249 051 00	countersunk-head screw M 6 X 16 for adapter a-pillar		4	
-	986 801 503 00	adapter b-pillar		2	
-	996 801 507 00	cover disc b-pillar bracket		2	
-	900 249 047 00	countersunk-head screw M 6 X 35 for adapter b-pillar		4	
-	900 249 033 00	countersunk-head screw M 8 X 12 for roof transport system adapter a-pillar		2	
-	996 801 209 00	set of locks for engine lifting bracket		1	
-	000 044 000 31	set screw with key		1	

PORSCHE

PET

PORSCHE

Model	Year	MG	SG	Illustration	Restrictions	UPD	18:08	06.02.2010
TEQ	2010	0	50	050-15		248	USA / CANADA	

Pos	Part Number	Description	Remark	Qty	Model
-	000 044 000 48	set - bike carrier bracket with support for bicycle		1	
-	000 044 000 49	set of locks for 000.044.000.48		1	
-	996 801 019 00	surfboard support		1	
-	996 801 091 00	ski rack		1	
-	000 044 000 32	snowboard holder		1	
-	000 044 000 35	roof box		1	
-	000 044 000 42	set of locks for roof box		1	



Model	Year	MG	SG	Illustration	Restrictions	UPD	18:08	06.02.2010
TEQ	2010	0	50	050-16		248	USA / CANADA	

Pos	Part Number	Description	Remark	Qty	Model
		roof transport system see technical information	98-		911
-	996 801 105 00	roof transport system	98-	1	911
-	996 801 055 00	roof transport system	98-	1	911 CABRIO
-	996 801 065 00	roof transport system	02-	1	911 TARGA
-	996 801 509 00	bracket for roof transport system	98-	4	911 COUPE
-	996 801 503 00	bracket	/L	1	911 CABRIO
-	996 801 504 00	bracket b-pillar for roof transport system	/R	1	911 CABRIO
-	996 801 511 00	bolt b-pillar M 6 X 15		2	911 CABRIO
-	996 801 209 00	set of locks for engine lifting bracket		1	
-	000 044 000 58	set rubber base		1	COUPE
-	000 044 000 48	set - bike carrier with support for bicycle bracket		1	
-	000 044 000 49	set of locks for 000.044.000.48		1	
-	996 801 019 00	surfboard support		1	
-	996 801 091 00	ski rack		1	
-	000 044 000 32	snowboard holder		1	
-	000 044 000 35	roof box not for targa		1	
-	000 044 000 42	set of locks for roof box		1	

PORSCHE

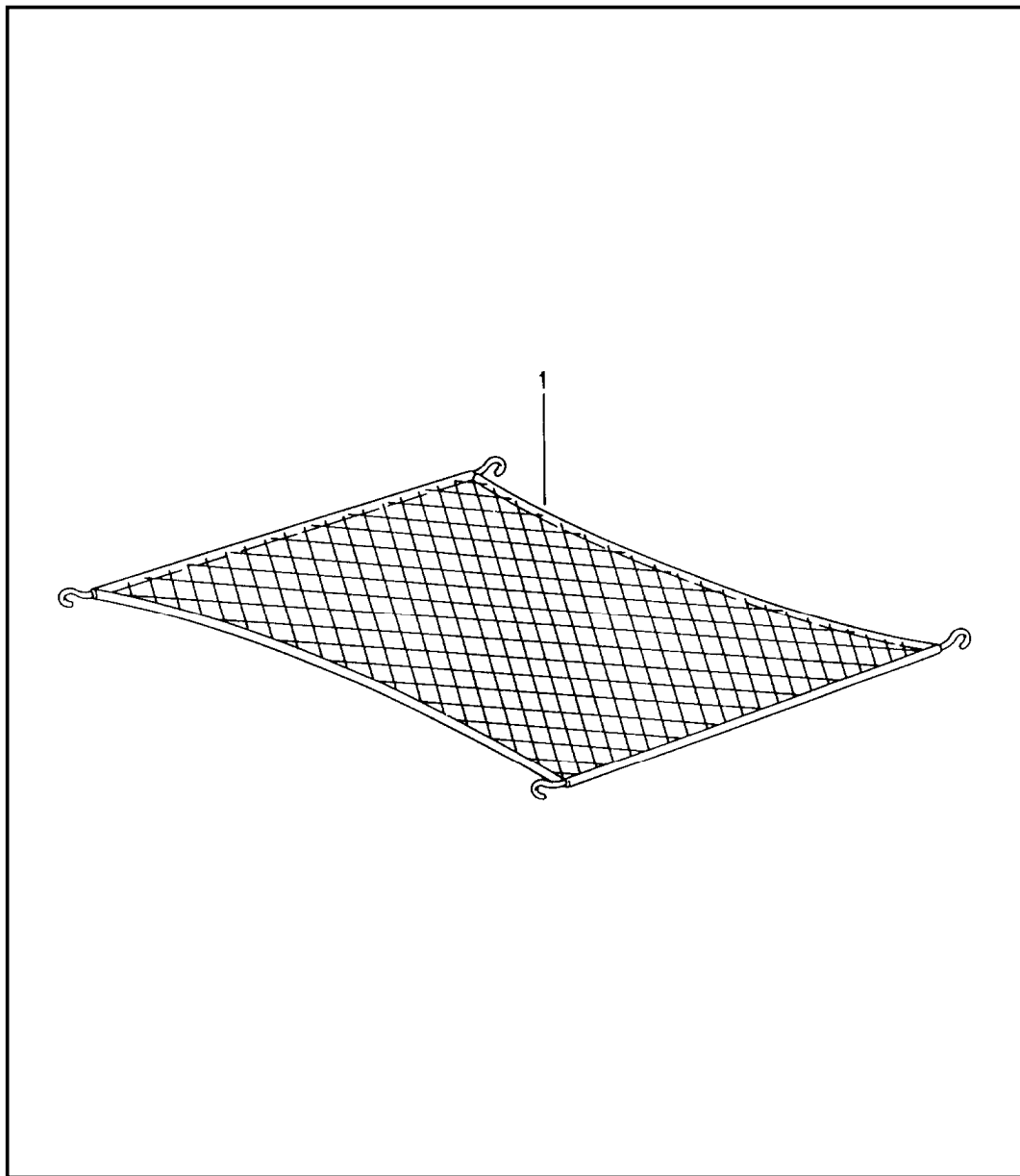
PET

PORSCHE

Model	Year	MG	SG	Illustration	Restrictions	UPD	18:09	06.02.2010
TEQ	2010	0	50	050-50		248	USA / CANADA	

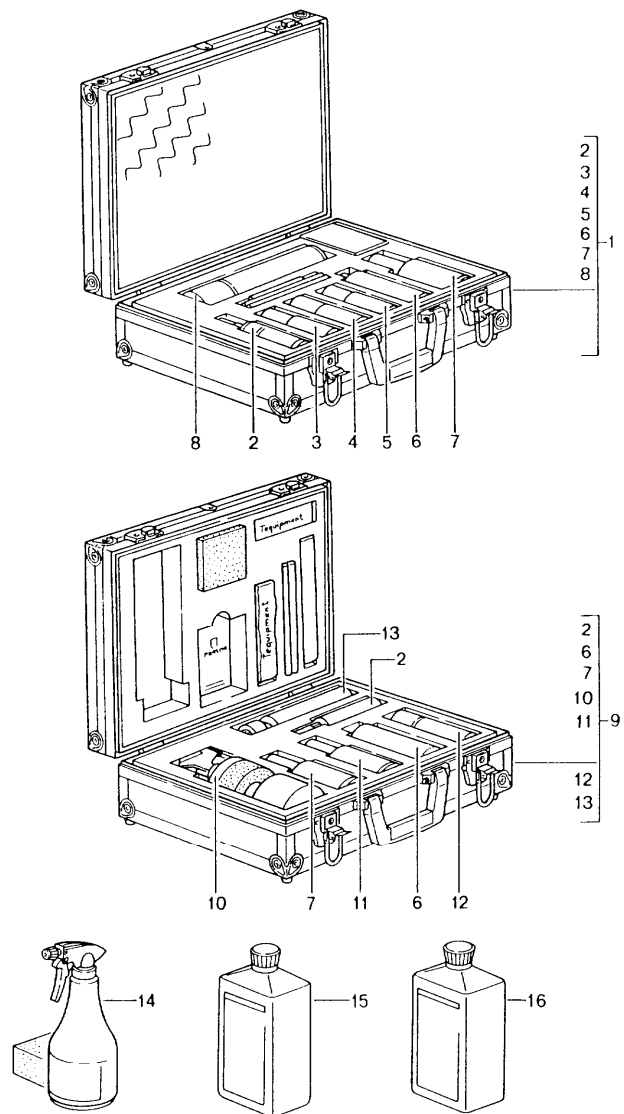
Pos	Part Number	Description	Remark	Qty	Model
		rear end suitcase see technical information GR.6 BOXSTER NR.8/99			BOXSTER
-	986 802 101 00	rear end suitcase complete		1	
-	986 802 201 00	suitcase		1	
-	986 802 511 00	gaskets 4-part for mounting rear lid		1	
-	986 612 981 12	wiring harness rear lid suitcase		1	
-	986 802 701 00	lock cylinder		1	
-	986 802 711 00	lock		1	
-	986 802 621 00	set of fastening parts  comprising:		1	
-	986 802 501 00	mounting	/L	1	
-	986 802 502 00	mounting	/R	1	
-	986 802 503 00	mounting		1	

Model	Year	MG	SG	Illustration	Restrictions	UPD	18:09	06.02.2010	PORSCHE	PET	PORSCHE
TEQ	2010	0	52	052-00		248	USA / CANADA				



Pos	Part Number	Description	Remark	Qty	Model
		luggage net			
(1)	477 863 539	luggage net		1	924,944,968
1	928 555 631 02	luggage net		1	928

Model	Year	MG	SG	Illustration	Restrictions	UPD	18:09	06.02.2010	PORSCHE	PET	PORSCHE
TEQ	2010	0	53	053-00		248	USA / CANADA				



Pos	Part Number	Description	Remark	Qty	Model
		preservative agent			
1	000 044 000 62	care kit suitcase cabriolet		1	Kofferfarbe "silber"
		comprising:			
2	999 901 016 41	window cleaner for washer inner		1	
3	000 044 000 02	leather care		1	
4	000 044 000 18	window cleaner for rear window		1 1	
5	A 000 044 000 01	leather care cleaning agent		1	
(5)	999 901 068 40	leather care cleaning agent		1	
6	999 901 013 41	paint polish		1	
7	999 901 014 41	car shampoo convertible top paint		1	
8	000 044 000 17	preservative agent convertible top		1	
9	000 044 000 26	care kit suitcase coupe		1	Kofferfarbe "schwarz"
		comprising:			
2	999 901 016 41	window cleaner for washer inner		1	
6	999 901 013 41	paint polish		1	
6	000 043 204 73	paint polish		1	
7	999 901 014 41	car shampoo convertible top paint		1	
10	999 901 019 41	insect remover		1	
11	999 901 018 41	paint polish		1	

Model	Year	MG	SG	Illustration	Restrictions	UPD	18:09	06.02.2010	PORSCHE	PET	PORSCHE
TEQ	2010	0	53	053-00		248	USA / CANADA				

Pos	Part Number	Description	Remark	Qty	Model	Pos	Part Number	Description	Remark	Qty	Model
12	999 901 021 41	cleaning agent plastic material		1							
13	999 901 017 41	window cleaner water reservoir		1							
(14)	000 043 202 24	care kit rim cleaner  comprising:		1							
-	000 043 202 33	brush set		1							
-	999 901 066 41	rim cleaner spray bottle 500 ml		1							
15	999 901 066 40	rim cleaner refilling bottle 1000 ml		1							
16	A 928 628 931 00	silicone remover		1							
(16)	000 044 000 93	silicone remover		1							
-	A 999 901 019 40	insect remover		1							
-	999 901 021 40	polishing cotton		1							
-	999 901 022 40	polishing cloth		1							
-	A 999 901 014 40	car shampoo		1							
-	000 044 000 55	care kit winter  comprising:		1							
		cleaning agent 500 ml		1							
		window cleaner winter 500 ml		2							
		window cleaner 500 ml		1							

Model	Year	MG	SG	Illustration	Restrictions	UPD	18:09	06.02.2010	PORSCHE	PET	PORSCHE
TEQ	2010	0	90	090-00		248	USA / CANADA				

Pos	Part Number	Description	Remark	Qty	Model
-	000 044 801 61	only for replacement lining airbag upper and lower rootwood light		1	
-	000 044 801 62	only for replacement lining airbag upper and lower rootwood dark		1	
	** X 40 **		94-97		
-	993 731 980 00	sun visor leather light passenger's side	/L	1	COUPE
-	993 731 981 06	sun visor leather light passenger's side	/R	1	COUPE
-	993 731 980 01	sun visor leather light passenger's side	/L	1	CABRIO/TARGA
-	993 731 981 07	sun visor leather light passenger's side	/R	1	CABRIO/TARGA

Bildtafel nicht vorhanden  
No illustration  
Fig. inexistente  
La figura non esiste  
Ilust. inexistente

Model	Year	MG	SG	Illustration	Restrictions	UPD	18:10	06.02.2010
TEQ	2010	0	90	090-50		248	USA / CANADA	

Pos	Part Number	Description	Remark	Qty	Model
-	993 424 981 05	** X 63 ** shift-lever knob 6-GANG manual transmission carbon leather	94-98	1	(USA/CDN) CARRERA CARRERA S
-	993 424 982 05	shift-lever knob 6-GANG manual transmission carbon leather		1	CARRERA 4 4S, TURBO
-	993 424 981 05	shift-lever knob 6-GANG manual transmission shift pattern chrome		1	CARRERA CARRERA S
-	993 424 982 05	shift-lever knob 6-GANG manual transmission shift pattern chrome		1	CARRERA 4 4S, TURBO
-	993 426 981 05	** X 65 ** tiptronic selector lever rootwood light triggering button aluminium	89-97	1	(USA/CDN)
-	993 426 981 06	** X 66 ** tiptronic selector lever rootwood dark triggering button aluminium	89-97	1	(USA/CDN)
		** X 71 **			

Model	Year	MG	SG	Illustration	Restrictions	UPD	18:11	06.02.2010	PORSCHE	PET	PORSCHE
TEQ	2010	0	93	093-00		248	USA / CANADA				

Pos	Part Number	Description	Remark	Qty	Model
		exclusive programme X 21 - X 98	97-		BOXSTER
		** X 46 **	97-		
-	996 426 981 00	tiptronic selector lever aluminium leather		1	
	8YR	black	97-		
	C50	graphite grey	97-		
	S30	savanna	97-		
	J30	nephrite green	97-		
	M30	boxster red	97-		
	G10	metropole blue	98-		
		** X 48 **	97-		
-	996 426 981 02	tiptronic selector lever carbon-aluminium look leather		1	
	8YR	black			
		** X 63 = X 47 **	97-		
-	986 424 981 02	gearshift knob 5-speed manual transmission carbon leather		1	
	8YR	black	97-		
	C50	graphite grey	97-		
	S30	savanna	97-		
	J30	nephrite green	97-		
	M30	boxster red	97-		
	G10	metropole blue	98-		
-	996 424 981 03	gearshift knob 6th gear manual transmission carbon leather		1	

Bildtafel nicht vorhanden  
No illustration  
Fig. inexistante  
La figura non esiste  
Ilust. inexistente



Model	Year	MG	SG	Illustration	Restrictions	UPD	18:11	06.02.2010	PORSCHE	PET	PORSCHE
TEQ	2010	0	93	093-00		248	USA / CANADA				

Pos	Part Number	Description	Remark	Qty	Model	Pos	Part Number	Description	Remark	Qty	Model
	8YR	black	97-				M30	boxster red	97-		
	C50	graphite grey	97-				G10	metropole blue	98-		
	S30	savanna	97-				** X 69 **		97-		
	J30	nephrite green	97-			-	986 551 981 00	entrance lining carbon logo " BOXSTER "		1	
	M30	boxster red	97-				** X 70 **		97-		
	G10	metropole blue	98-			-	986 551 981 01	entrance lining stainless steel logo " BOXSTER "		1	
-	996 424 980 02	parking-brake lever carbon leather	-98	1			** X 71 **		97-		
	8YR	black	97-				instruments dial lacquered aluminium look see illustrations 9 / 06 / 01				
	C50	graphite grey	97-				** X76 **				
	S30	savanna	97-				set sill cover see illustrations 8 / 50 / 05				
	J30	nephrite green	97-				* X 89 *				
	M30	boxster red	97-				not available				
	G10	metropole blue	98-				** X 97 **		97-		
-	996 424 980 16	parking-brake lever leather	/LL 99-	1		-	986 424 981 00	gearshift knob 5th gear manual transmission aluminium look leather		1	M481
	8YR	black	97-				8YR	black	97-		
	C50	graphite grey	97-				C50	graphite grey	97-		
	S30	savanna	97-				S30	savanna	97-		
	J30	nephrite green	97-				J30	nephrite green	97-		
	M30	boxster red	97-				M30	boxster red	97-		
	G10	metropole blue	98-				G10	metropole blue	98-		
-	996 424 980 17	parking-brake lever carbon-aluminium look leather	/RL 99-	1							
	8YR	black	97-								
	C50	graphite grey	97-								
	S30	savanna	97-								
	J30	nephrite green	97-								

Model	Year	MG	SG	Illustration	Restrictions	UPD	18:11	06.02.2010	PORSCHE	PET	PORSCHE
TEQ	2010	0	93	093-00		248	USA / CANADA				

Pos	Part Number	Description	Remark	Qty	Model	Pos	Part Number	Description	Remark	Qty	Model
-	996 424 981 00	gearshift knob 6th gear manual transmission aluminium look leather		1	BOXSTER S						
	8YR	black							97-		
	C50	graphite grey							97-		
	S30	savanna							97-		
	J30	nephrite green							97-		
	M30	boxster red							97-		
	G10	metropole blue							98-		
		** X 98 **							97-		
-	996 424 980 12	parking-brake lever aluminium look leather	/LL	1							
	8YR	black							97-		
	C50	graphite grey							97-		
	S30	savanna							97-		
	J30	nephrite green							97-		
	M30	boxster red							97-		
	G10	metropole blue							98-		
-	996 424 980 13	parking-brake lever aluminium look leather	/RL	1							
	8YR	black							97-		
	C50	graphite grey							97-		
	S30	savanna							97-		
	J30	nephrite green							97-		
	M30	boxster red							97-		
	G10	metropole blue							98-		

Model	Year	MG	SG	Illustration	Restrictions	UPD	18:11	06.02.2010	PORSCHE	PET	PORSCHE
TEQ	2010	0	94	094-00		248	USA / CANADA				

Pos	Part Number	Description	Remark	Qty	Model
		exclusive programme XC 8 - XY 5	97-		BOXSTER
		** XC 8 **	97-		
-	986 424 981 01	shift-lever knob mahogany shift pattern silver		1	
	8YR	black	97-		
	C50	graphite grey	97-		
	S30	savanna	97-		
	J30	nephrite green	97-		
	M30	boxster red	97-		
	G10	metropole blue	98-		

Bildtafel nicht vorhanden  
No illustration  
Fig. inexistante  
La figura non esiste  
Ilust. inexistente

Model	Year	MG	SG	Illustration	Restrictions	UPD	18:11	06.02.2010	PORSCHE	PET	PORSCHE
TEQ	2010	0	95	095-00		248	USA / CANADA				

Pos	Part Number	Description	Remark	Qty	Model
		exclusive programme XAA - XNZ	97-		BOXSTER
		** XAA **	97-		
		** XAB **	97-		
-	-----	speedster rear end exterior colour lacquered * XAB * lacquered not available see group 8 / 13 / 00		1	
-	A 996 552 977 02	** XJA ** cover shift gate carbon aluminium	/LL 97-98 99-	1	M249
-	996 552 977 12	cover shift gate carbon aluminium	/LL 97-98 99-	1	
-	A 996 552 977 03	cover shift gate carbon aluminium	/RL 97-98 99-	1	
-	996 552 977 13	cover shift gate carbon aluminium  * XJB * lacquered not available	/RL 97-98 99-	1	
-	A 996 552 977 08	** XJE ** cover shift gate dark maple rootwood aluminium	/LL	1	M249
-	996 552 977 18	cover shift gate dark maple rootwood aluminium	/LL	1	

Bildtafel nicht vorhanden  
No illustration  
Fig. inexistante  
La figura non esiste  
Ilust. inexistente

Model	Year	MG	SG	Illustration	Restrictions	UPD	18:11	06.02.2010	PORSCHE	PET	PORSCHE
TEQ	2010	0	95	095-00		248	USA / CANADA				

Pos	Part Number	Description	Remark	Qty	Model	Pos	Part Number	Description	Remark	Qty	Model
-	A 996 552 977 09	cover shift gate dark maple rootwood aluminium	/RL	1			S31	savanna	97-		
							J31	nephrite green	97-		
-	996 552 977 19	cover shift gate dark maple rootwood aluminium	/RL	1			M31	boxster red	97-		
		** XKS **	00-				G11	metropole blue	98-		
-	---	dark maple rootwood single parts see illustrations 8 / 09 / 06		1			---	** XMJ ** centre console rear carbon see group 8 / 09 / 20	97-	1	
		** XLA **	97-				---	** XMT **	97-		
-	986 111 980 00	tail pipe boxster		1	M009	-	986 424 981 01	shift-lever knob 5-speed manual transmission mahogany leather		1	
-	996 552 993 00	cover handbrake leather		1			8YR	black	97-		
	A11	black					C50	graphite grey	97-		
	M31	boxster red					S30	savanna	97-		
	S31	savanna					J30	nephrite green	97-		
-	996 552 977 00	shift gate tiptronic leather	/LL	1			M30	boxster red	97-		
	A11	black	97-				G10	metropole blue	98-		
	C51	graphite grey	97-				---	** XMU **	97-		
	S31	savanna	97-			-	986 424 981 03	shift-lever knob 5-speed manual transmission leather		1	
	J31	nephrite green	97-				8YR	black	97-		
	M31	boxster red	97-				C50	graphite grey	97-		
	G11	metropole blue	98-				S30	savanna	97-		
-	996 552 977 01	shift gate tiptronic leather	/RL	1			J30	nephrite green	97-		
	A11	black	97-				M30	boxster red	97-		
	C51	graphite grey	97-				G10	metropole blue	98-		

Model	Year	MG	SG	Illustration	Restrictions	UPD	18:11	06.02.2010	PORSCHE	PET	PORSCHE
TEQ	2010	0	95	095-00		248	USA / CANADA				

Pos	Part Number	Description	Remark	Qty	Model	Pos	Part Number	Description	Remark	Qty	Model
-	996 424 980 14	parking-brake lever mahogany aluminium leather	/LL	99-	1	-	996 426 981 03	tiptronic selector lever mahogany aluminium leather		1	
	8YR	black		97-			8YR	black			
	C50	graphite grey		97-							
	S30	savanna		97-		-	996 424 980 14	parking-brake lever mahogany aluminium leather	/LL	99-	1
	J30	nephrite green		97-			8YR	black		97-	
	M30	boxster red		97-			C50	graphite grey		97-	
	G10	metropole blue		98-			S30	savanna		97-	
-	A 996 424 980 04	parking-brake lever leather	/RL	97-	1		J30	nephrite green		97-	
	8YR	black		97-			M30	boxster red		97-	
	C50	graphite grey		97-			G10	metropole blue		98-	
	S30	savanna		97-		-	996 424 980 15	parking-brake lever mahogany aluminium leather	/RL	99-	1
	J30	nephrite green		97-			8YR	black		97-	
	M30	boxster red		97-			C50	graphite grey		97-	
	G10	metropole blue		98-			S30	savanna		97-	
-	996 424 980 15	parking-brake lever mahogany aluminium leather	/RL	97-	1		J30	nephrite green		97-	
	8YR	black		97-			M30	boxster red		97-	
	C50	graphite grey		97-			G10	metropole blue		98-	
	S30	savanna		97-							
	J30	nephrite green		97-							
	M30	boxster red		97-							
	G10	metropole blue		98-							
	** XMV **			97-							
-	996 426 981 01	tiptronic selector lever mahogany			1						
	** XMW **										

PORSCHE

PET

PORSCHE

Model	Year	MG	SG	Illustration	Restrictions	UPD	18:11	06.02.2010
TEQ	2010	0	95	095-10		248	USA / CANADA	

Pos	Part Number	Description	Remark	Qty	Model
-	986 563 005 01	** XPP ** see catalogue 911 CARRERA (996) picture board 9 / 11 / 05	98-		
		** XXA **	97-		
		hardtop lacquered		1	
	84A	guards red	97-		G1
	741	black	97-		A1
	12M	pastel yellow	97-		Q1
	3AU	glacier white	97-		Z1
	3AS	blue turquoise	97		J1
	3AZ	ocean blue metallic	97-		E1
	3AX	zenith blue metallic	97-		F1
	92U	arctic silver metallic	97-		X1
	744	black-metallic	97-		Z8
	84S	arena red metallic	97-		H8
	25K	ocean jade metallic	98-		J3

PORSCHE

PET

PORSCHE

Model	Year	MG	SG	Illustration	Restrictions	UPD	18:11	06.02.2010
TEQ	2010	0	96	096-00		248	USA / CANADA	

Pos	Part Number	Description	Remark	Qty	Model
		exclusive programme X 21 - X 98	98-		911 CARRERA
		** X 47 **	98-		
-	996 424 981 03	shift-lever knob	98-00	1	
	8YR	black	98-		
	B50	space grey	98-		
	C50	graphite grey	98-		
	G10	metropole blue	98-		
	S30	savanna	98-		
	J30	nephrite green	98-		
	M30	boxster red	98-		
-	996 424 981 07	shift-lever knob aluminium leather	01-	1	
	8YR	black	98-		
	B50	space grey	98-		
	C50	graphite grey	98-		
	G10	metropole blue	98-		
	S30	savanna	98-		
	J30	nephrite green	98-		
	M30	boxster red	98-		
		** X 48 **	98-		
-	A 996 426 981 02	tiptronic selector lever carbon-aluminium look leather		1	
	8YR	black			
-	996 426 981 09	tiptronic selector lever carbon-aluminium look		1	
		** X 54 **	98-		911 GT 3
-	996 111 981 00	tail pipe stainless steel	/L 98-	1	
-	996 111 982 00	tail pipe stainless steel	/R 98-	1	



Model	Year	MG	SG	Illustration	Restrictions	UPD	18:11	06.02.2010
TEQ	2010	0	96	096-00		248	USA / CANADA	

Pos	Part Number	Description	Remark	Qty	Model
-	A 996 424 980 16	** X 58 ** parking-brake lever carbon-aluminium look leather	/LL 98-	1	
	8YR	black	98-		
	B50	space grey	98-		
	C50	graphite grey	98-		
	G10	metropole blue	98-		
	S30	savanna	98-		
	J30	nephrite green	98-		
	M30	boxster red	98-		
-	996 424 980 24	** X 58 ** parking-brake lever carbon-aluminium look leather	/LL 98-	1	
	8YR	black	98-		
	B50	space grey	98-		
	C50	graphite grey	98-		
	G10	metropole blue	98-		
	S30	savanna	98-		
	J30	nephrite green	98-		
	M30	boxster red	98-		
-	A 996 426 981 04	** X 65 ** tiptronic selector lever light maple rootwood aluminium	98-	1	
-	996 426 981 07	tiptronic selector lever light maple rootwood aluminium		1	
-	A 996 426 981 05	** X 66 ** tiptronic selector lever dark maple rootwood aluminium	98-	1	

PORSCHE

PET

PORSCHE

Model	Year	MG	SG	Illustration	Restrictions	UPD	18:11	06.02.2010
TEQ	2010	0	96	096-00		248	USA / CANADA	

Pos	Part Number	Description	Remark	Qty	Model
-	996 426 981 08	tiptronic selector lever dark maple rootwood aluminium  ** X 69 **	98-	1	
-	996 551 984 00	entrance lining carbon logo " CARRERA "	98-	1	
		** X 70 **	98-		
-	996 551 984 01	entrance lining stainless steel logo " CARRERA "	98-	1	
		** X 71 ** instrument cluster dial aluminium see illustrations 9 / 06 / 02			
		** X 72 **	98-		
-	996 424 981 01	shift-lever knob light maple rootwood aluminium leather	98-	1	
	8YR	black	98-		
	B50	space grey	98-		
	C50	graphite grey	98-		
	G10	metropole blue	98-		
	S30	savanna	98-		
	J30	nephrite green	98-		
	M30	boxster red	98-		
-	996 424 981 16	shift-lever knob light maple rootwood aluminium leather		1	
	8YR	black	98-		
	B50	space grey	98-		
	C50	graphite grey	98-		
	G10	metropole blue	98-		

Model	Year	MG	SG	Illustration	Restrictions	UPD	18:11	06.02.2010
TEQ	2010	0	96	096-00		248	USA / CANADA	

Pos	Part Number	Description	Remark	Qty	Model
	S30	savanna	98-		
	J30	nephrite green	98-		
	M30	boxster red	98-		
-	A 996 424 980 18	parking-brake lever light maple rootwood aluminium leather	/LL	1	
	8YR	black	98-		
	B50	space grey	98-		
	C50	graphite grey	98-		
	G10	metropole blue	98-		
	S30	savanna	98-		
	J30	nephrite green	98-		
	M30	boxster red	98-		
-	996 424 980 26	parking-brake lever light maple rootwood aluminium leather	/LL	1	
	8YR	black	98-		
	B50	space grey	98-		
	C50	graphite grey	98-		
	G10	metropole blue	98-		
	S30	savanna	98-		
	J30	nephrite green	98-		
	M30	boxster red	98-		
		** X 97 **	98-		
-	996 424 981 00	shift-lever knob 6th gear manual transmission aluminium look leather	98-	1	
	8YR	black	98-		
	B50	space grey	98-		
	C50	graphite grey	98-		
	G10	metropole blue	98-		

PORSCHE

PET

PORSCHE

Model	Year	MG	SG	Illustration	Restrictions	UPD	18:11	06.02.2010
TEQ	2010	0	96	096-00		248	USA / CANADA	

Pos	Part Number	Description	Remark	Qty	Model
	S30	savanna	98-		
	J30	nephrite green	98-		
	M30	boxster red	98-		
-	996 424 981 15	shift-lever knob 6th gear manual transmission aluminium look leather	01-	1	
	8YR	black	98-		
	B50	space grey	98-		
	C50	graphite grey	98-		
	G10	metropole blue	98-		
	S30	savanna	98-		
	J30	nephrite green	98-		
	M30	boxster red	98-		
		** X 98 **	98-		
-	A 996 424 980 12	parking-brake lever aluminium look leather	/LL	1	
	8YR	black	98-		
	B50	space grey	98-		
	C50	graphite grey	98-		
	G10	metropole blue	98-		
	S30	savanna	98-		
	J30	nephrite green	98-		
	M30	boxster red	98-		
-	996 424 980 22	parking-brake lever aluminium look leather	/LL	1	
	8YR	black	98-		
	B50	space grey	98-		
	C50	graphite grey	98-		
	G10	metropole blue	98-		
	S30	savanna	98-		

PORSCHE

# PET

PORSCHE

Model	Year	MG	SG	Illustration	Restrictions	UPD	18:11	06.02.2010
TEQ	2010	0	96	096-00		248	USA / CANADA	

Pos	Part Number	Description	Remark	Qty	Model
	J30	nephrite green	98-		
	M30	boxster red	98-		

Model	Year	MG	SG	Illustration	Restrictions	UPD	18:11	06.02.2010
TEQ	2010	0	97	097-00		248	USA / CANADA	

Pos	Part Number	Description	Remark	Qty	Model
		exclusive programme XD 9 - XY 5	98-		911 CARRERA
		** XD 9 ** alloy wheel wheel cover lacquered not available			
		** XE 8 **	98-		
-	996 424 981 02	shift-lever knob 6th gear manual transmission dark maple rootwood aluminium leather	98-	1	
	8YR	black	98-		
	B50	space grey	98-		
	C50	graphite grey	98-		
	G10	metropole blue	98-		
	S30	savanna	98-		
	J30	nephrite green	98-		
	M30	boxster red	98-		
		** XE 9 **	98-		
-	996 424 980 20	parking-brake lever dark maple rootwood aluminium leather	/LL	1	
	8YR	black	98-		
	B50	space grey	98-		
	C50	graphite grey	98-		
	G10	metropole blue	98-		
	S30	savanna	98-		
	J30	nephrite green	98-		
	M30	boxster red	98-		
-	996 424 980 21	parking-brake lever dark maple rootwood aluminium leather	/RL	1	
	8YR	black	98-		

PORSCHE

PET

PORSCHE

Model	Year	MG	SG	Illustration	Restrictions	UPD	18:11	06.02.2010
TEQ	2010	0	97	097-00		248	USA / CANADA	

Pos	Part Number	Description	Remark	Qty	Model
	B50	space grey	98-		
	C50	graphite grey	98-		
	G10	metropole blue	98-		
	S30	savanna	98-		
	J30	nephrite green	98-		
	M30	boxster red	98-		
		** XX 2 ** footwell light	98-		
-	996 632 980 00	support	98-	2	
-	996 612 980 00	wiring harness footwell light	98-	1	
-	996 613 980 00	tip switch interior light	98-	1	
-	959 632 201 00	luggage compartment lamp	98-	2	
-	996 615 117 00	relay	98-	1	
-	141 951 253 B	relay	98-	1	
-	999 190 104 30	blind rivet	98-	4	

Model	Year	MG	SG	Illustration	Restrictions	UPD	18:12	06.02.2010
TEQ	2010	0	98	098-00R		248	USA / CANADA	

Pos	Part Number	Description	Remark	Qty	Model
		exclusive programme XAA - XNZ	98-		911 CARRERA
		** XJA **	98-		
-	996 552 977 02	cover carbon	/LL 98-	1	
-	996 552 977 12	shift gate tiptronic carbon	/LL 00-	1	
-	996 552 977 03	cover carbon	/RL 98-	1	
-	996 552 977 13	shift gate tiptronic carbon	/RL 00-	1	
		** XJD **	98-		M249
-	996 552 977 06	cover tiptronic light maple rootwood	/LL	1	
-	996 552 977 16	shift gate tiptronic light maple rootwood	/LL 00-	1	
-	996 552 977 07	cover tiptronic light maple rootwood	/RL	1	
-	996 552 977 17	shift gate tiptronic light maple rootwood	/RL 00-	1	
		** XJE **	98-		M249
-	996 552 977 08	cover tiptronic dark maple rootwood	/LL	1	
-	996 552 977 18	shift gate tiptronic dark maple rootwood	/LL 00-	1	
-	996 552 977 09	cover tiptronic dark maple rootwood	/RL	1	
-	996 552 977 19	shift gate tiptronic dark maple rootwood	/RL 00-	1	



Model	Year	MG	SG	Illustration	Restrictions	UPD	18:12	06.02.2010
TEQ	2010	0	98	098-00R		248	USA / CANADA	

Pos	Part Number	Description	Remark	Qty	Model
		** XME ** centre console rear lacquered * XME * lacquered not available  ** XNX **	98-		
-	996 552 995 14	dashboard trim leather moulding carbon please state the colour	/LL 98-	1	
-	996 552 995 15	dashboard trim leather moulding carbon please state the colour  single parts see illustrations 8 / 09 / 07	/RL 98-	1	

PORSCHE

# PET

PORSCHE

Model	Year	MG	SG	Illustration	Restrictions	UPD	18:13	06.02.2010
TEQ	2010	1	50	150-00		248	USA / CANADA	

Pos	Part Number	Description	Remark	Qty	Model
		retrofit kit engine	94-98		911 TURBO S
-	993 207 235 80	oil cooler		1	
-	993 207 425 80	support		1	
-	993 207 341 80	oil hose		1	
-	993 207 343 80	oil hose		1	
-	964 575 522 02	air duct		1	
-	999 511 162 02	pipe clamp		3	
-	999 591 839 40	plastic nut		3	
-	900 075 413 09	combination screw		4	
-	900 910 010 09	lock nut		4	
-	N 011 524 7	washer		4	
-	999 513 003 40	tie-wrap		2	
-	993 111 982 01	tail pipe		1	
-	993 111 981 01	tail pipe		1	

Model	Year	MG	SG	Illustration	Restrictions	UPD	18:13	06.02.2010
TEQ	2010	1	50	150-02		248	USA / CANADA	

Pos	Part Number	Description	Remark	Qty	Model
		retrofit kit engine drive power	02-04		911 CARRERA
-	000 044 100 15	retrofit kit M >> 68.30 0734 use also:		1	
-	996 107 147 59	vent line		1	
-	996 347 443 06	pressure line		1	
-	996 607 143 00	support		1	
-	996 607 019 02	wiring harness		1	
-	000 044 100 15	retrofit kit M 68.30 0735 >>		1	
-	000 044 100 13	gasket set		1	
-	000 044 100 14	radiator		1	

PORSCHE

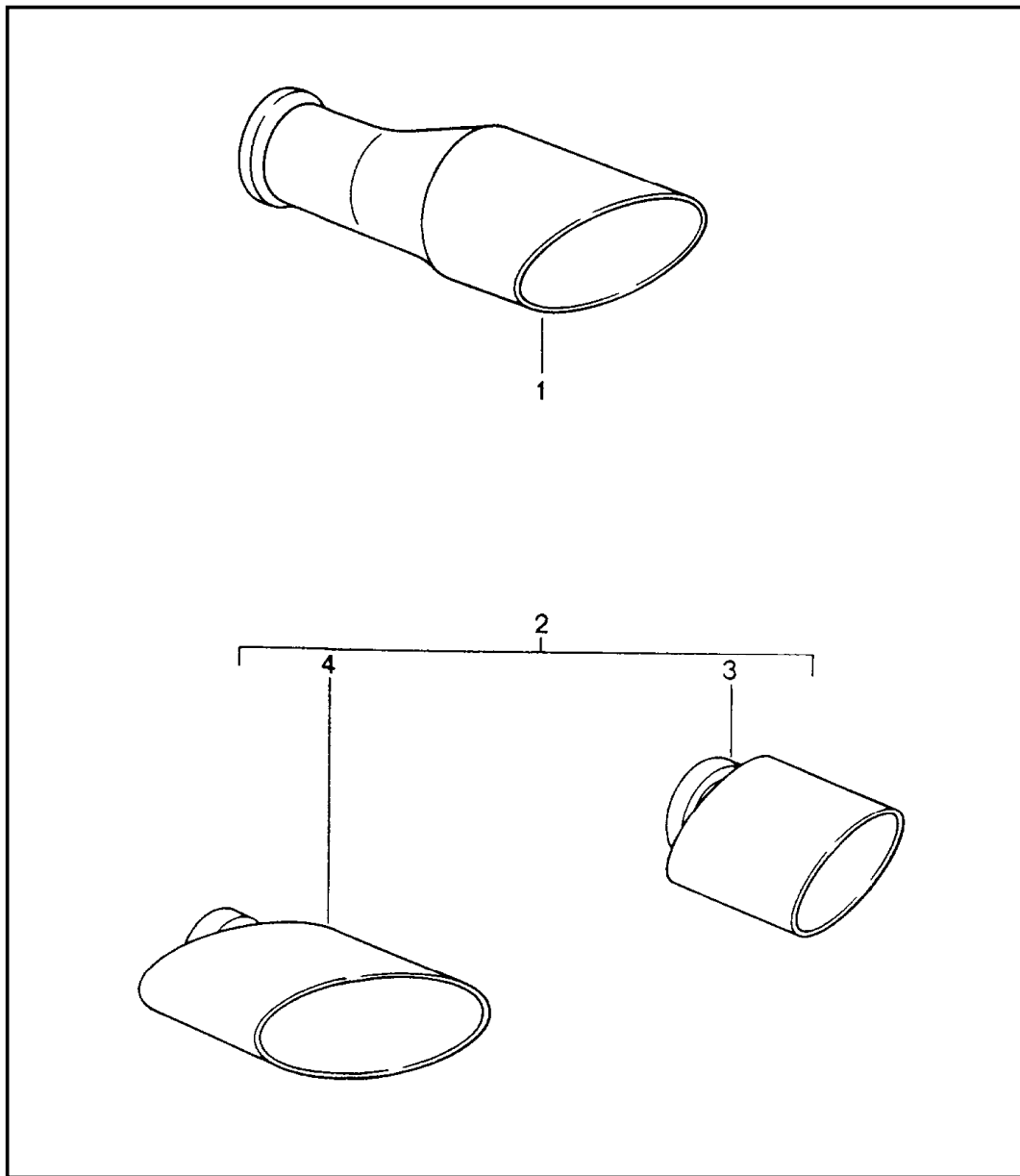
PET

PORSCHE

Model	Year	MG	SG	Illustration	Restrictions	UPD	18:13	06.02.2010
TEQ	2010	1	50	150-03		248	USA / CANADA	

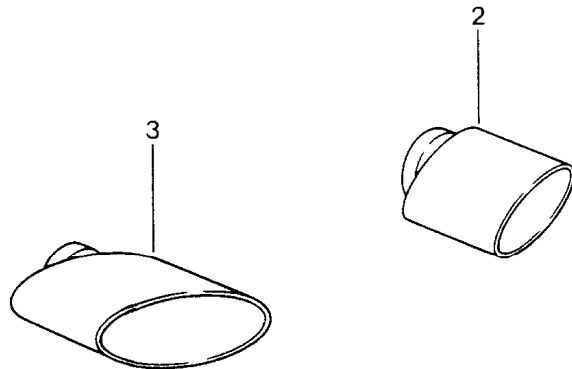
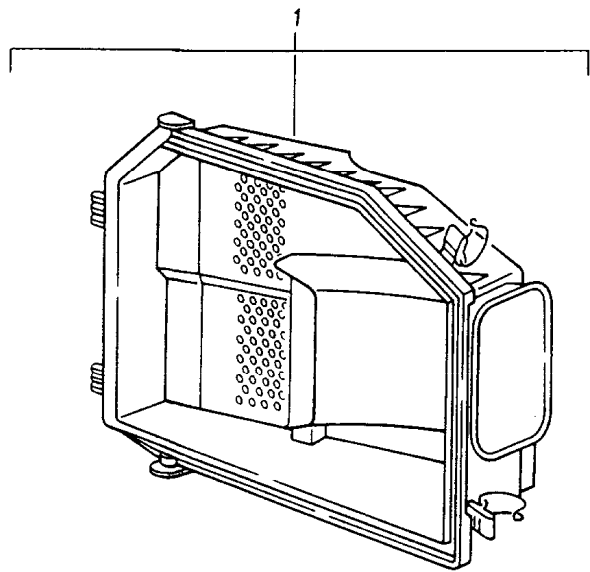
Pos	Part Number	Description	Remark	Qty	Model
		set drive power engine	06-08		911(997) Carrera S 4S / Targa S
		Instal. and mod. instruc. 911 Carrera (997) group 1 1001 attention			
-	997 044 100 00	set drive power including exhaust system		1	
-	997 044 100 02	set drive power without exhaust system		1	IXLF
-		order also:			
-	997 044 100 04	gasket set		1	
-	997 044 100 05	radiator set		1	I480

Model	Year	MG	SG	Illustration	Restrictions	UPD	18:13	06.02.2010	PORSCHE	PET	PORSCHE
TEQ	2010	2	02	202-00		248	USA / CANADA				



Pos	Part Number	Description	Remark	Qty	Model
		tail pipe	89-94		911 (964)
		sports tailpipe	94-98		911 (993)
1	000 043 301 10	tail pipe sports tailpipe turbo-look not for 911 turbo	89-94	1	964 C2 964 C4 964 Speedst 964 RS
2	000 044 200 01	tail pipe sports tailpipe set  set comprising:	94-98	1	993 C2 993 C4
3	993 111 981 00	tail pipe sports tailpipe	/L 94-98	1	993 C2 993 C4
4	993 111 982 00	tail pipe sports tailpipe	/R 94-98	1	993 C2 993 C4
(3)	993 111 981 02	tail pipe sports tailpipe	/L 94-98	1	993 S 993 4S
(4)	993 111 982 02	tail pipe sports tailpipe	/R 94-98	1	993 S 993 4S

Model	Year	MG	SG	Illustration	Restrictions	UPD	18:13	06.02.2010	PORSCHE	PET	PORSCHE
TEQ	2010	2	02	202-01		248	USA / CANADA				



Pos	Part Number	Description	Remark	Qty	Model
		exh.optic sound package	94-96		911 (993) C2/C4
1	000 044 200 00	exh.optic sound package	94-96	1	
		comprising:			
2	993 111 982 00	tail pipe	/R	1	
3	993 111 981 00	tail pipe	/L	1	
-	993 110 030 56	lid		1	

Model	Year	MG	SG	Illustration	Restrictions	UPD	18:14	06.02.2010
TEQ	2010	2	02	202-02		248	USA / CANADA	

Pos	Part Number	Description	Remark	Qty	Model
		exhaust system sport version	97-05		Boxster(986)
-	000 044 200 09	exhaust system sport version 2,5L comprising:	97-98	1	M 96/20
-	000 044 200 10	exhaust system		1	M 96/20/21
-	000 044 200 11	set of fastening parts		1	M 96/20
-	000 044 200 12	retrofit kit exhaust system 2,7L; 3,2L comprising:	-02	1	
-	996 111 987 00	main exhaust muffler	-02	1	
-	996 111 987 01	main exhaust muffler		1	
-	986 612 980 04	wiring harness set		1	
-	996 618 980 02	control unit		1	
-	996 605 123 01	change-over valve		1	
-	993 110 140 03	vacuum reservoir		1	
-	928 573 727 03	y-piece		2	
-	964 110 950 01	check valve		1	
-	996 110 685 01	rubber sleeve		1	M 96/ 21/22
-	996 110 685 52	rubber sleeve		1	M 96/ 20
-	928 574 717 03	protective tube		4	
-	000 044 200 14	protective tube 180 MM		2	
-	999 512 361 02	hose clamp		4	
-	900 918 048 40	pipe 3,3 M 4,0 X 1,0MM		1	
-	996 111 110 00	clamping sleeve		2	
-	996 111 243 00	retainer plate for		1	
-	996 111 242 01	additional support		1	
-	900 380 005 09	hexagon-head bolt M 8 X 25		2	

Model	Year	MG	SG	Illustration	Restrictions	UPD	18:14	06.02.2010
TEQ	2010	2	02	202-02		248	USA / CANADA	

Pos	Part Number	Description	Remark	Qty	Model
-	900 380 005 09	hexagon nut M 8		4	
-	900 143 149 07	screw B 4,8 X 16		1	
-	900 378 035 09	hexagon-head bolt M 6 X 16		1	
-	000 044 200 11	set of fastening parts comprising:		1	M 96/20
-	996 111 226 02	bracket		1	
-	900 378 108 09	hexagon-head bolt M 8 X 25		3	M249
-	900 378 212 09	hexagon-head bolt M 8 X 75		3	M481
-	996 111 241 00	bracket		1	
-	000 044 200 16	vacuum unit		1	
-	000 044 200 20	exhaust system sport version	03-05	1	



PORSCHE

PET

PORSCHE

Model	Year	MG	SG	Illustration	Restrictions	UPD	18:14	06.02.2010
TEQ	2010	2	02	202-03		248	USA / CANADA	

Pos	Part Number	Description	Remark	Qty	Model
		exhaust system sport version	07-		Boxster(987) Cayman(987)
		Instal. and mod. instruc. Boxster/Cayman group 2 2601 attention			
-	987 044 200 00	exhaust system sport version	07-08 07-08	1	
			(CN)		-I480
-	987 044 200 02	exhaust system sport version with tail pipe	09-	1	
-	987 044 200 03	exhaust system sport version without tail pipe	09-	1	
		order also:			
-	987 612 905 02	wiring harness	09- 09-	1	Boxster MA120 Cayman MA120C
-	987 612 905 25	wiring harness	09- 09-	1	Boxster S MA121 Cayman S MA121C
-	N	combined switch exhaust system sport version see illustrations 903-05	09-	1	

Model	Year	MG	SG	Illustration	Restrictions	UPD	18:14	06.02.2010
TEQ	2010	2	02	202-05		248	USA / CANADA	

Pos	Part Number	Description	Remark	Qty	Model
		exhaust system sport version	98-05		911 (996)
		technical information Carrera,alle main group 2 2601 attention			
-	000 044 200 19	retrofit kit exhaust system	98-05 99-05	1	C2 C4,C4S
-	996 612 980 03	wiring harness single parts order		1	
-	996 612 980 01	wiring harness		1	
-	996 618 980 03	control unit		1	
-	996 605 123 01	change-over valve		1	
-	993 110 140 03	vacuum reservoir		1	
-	964 110 950 01	check valve		1	
-	928 573 727 03	y-piece		2	
-	996 110 685 52	rubber sleeve		1	
-	928 574 717 03	protective tube		4	
-	999 512 361 02	hose clamp		4	
-	111 971 911 A	rubber sleeve		2	
-	917 355 021 00	hose 380 MM		2	
-	996 111 984 05	main exhaust muffler including spacer	02-	1	C4S /L
-	A 996 111 984 03	main exhaust muffler	02-04	1	/L
-	996 111 984 04	main exhaust muffler	02-04	1	/L
-	A 996 111 985 03	main exhaust muffler	02-04	1	/R
-	996 111 985 04	main exhaust muffler	02-04	1	/R
-	996 111 985 05	main exhaust muffler including spacer	02-	1	C4S /R
-	000 044 200 18	vacuum unit	00	1	
-	000 044 200 16	vacuum unit	01-	1	
		order at same time			

PORSCHE

# PET

PORSCHE

Model	Year	MG	SG	Illustration	Restrictions	UPD	18:14	06.02.2010
TEQ	2010	2	02	202-05		248	USA / CANADA	

Pos	Part Number	Description	Remark	Qty	Model
-	996 613 987 10	tip switch	/LL	1	COUPE/TARGA
	A05	black mat	/RL		CABRIO
-	996 613 988 10	tip switch	/RL	1	COUPE/TARGA
	A05	black mat	/LL		CABRIO
		for subsequent installat.			
-	996 612 978 00	wiring harness for tip switch		1	

PORSCHE

PET

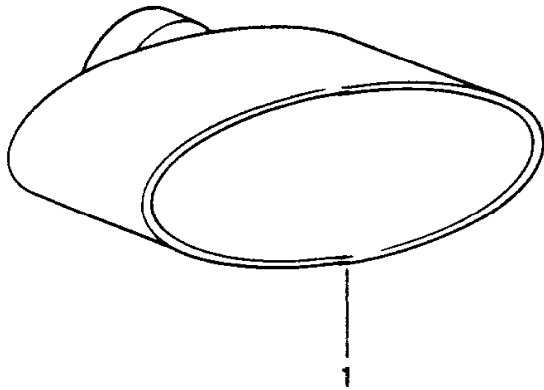
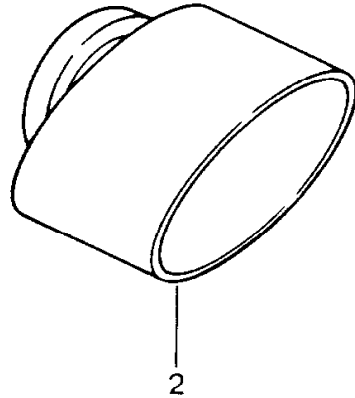
PORSCHE

Model	Year	MG	SG	Illustration	Restrictions	UPD	18:14	06.02.2010
TEQ	2010	2	02	202-06		248	USA / CANADA	

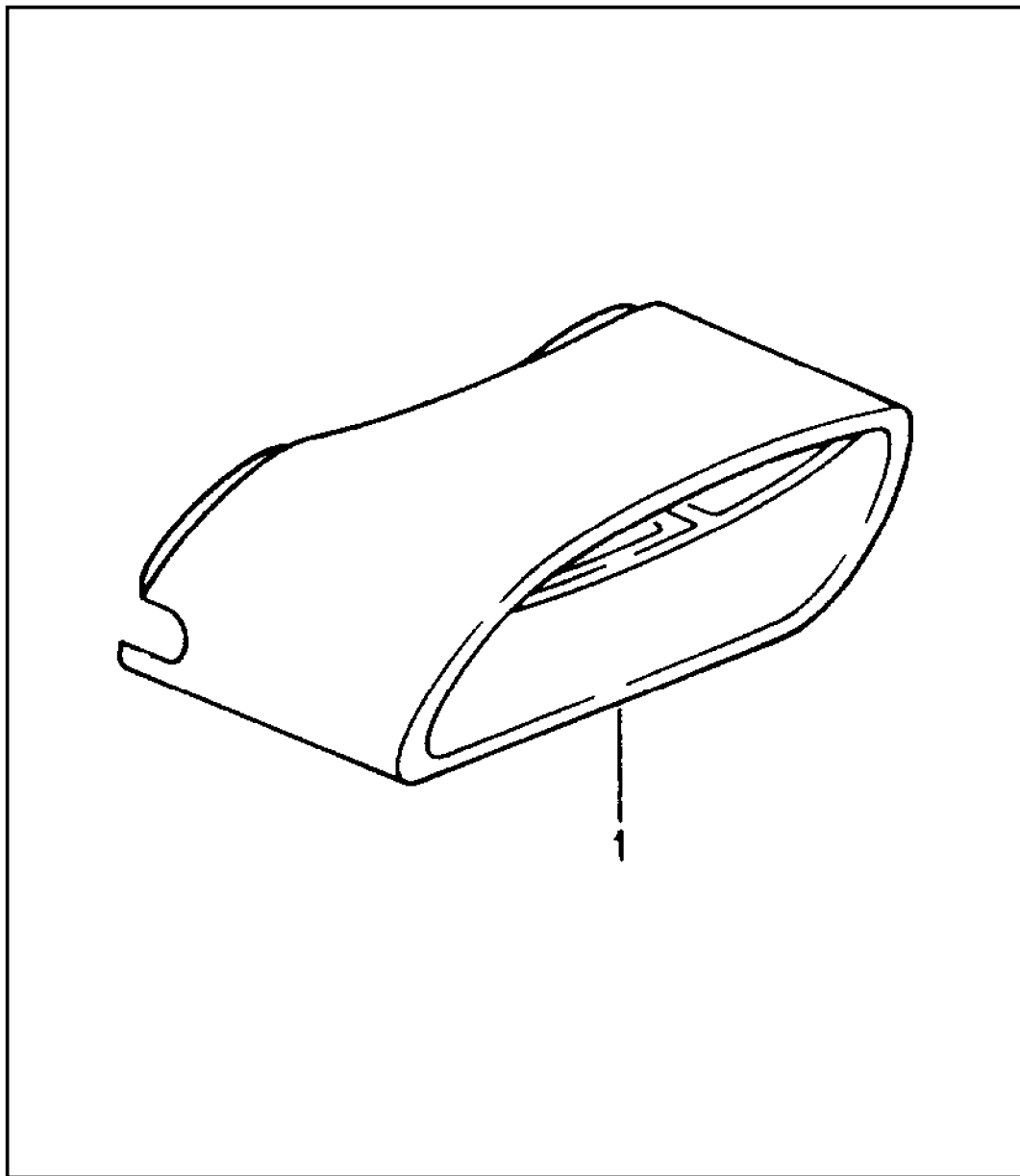
Pos	Part Number	Description	Remark	Qty	Model
-	997 044 200 01	exhaust system sport version  Instal. and mod. instruc. 911 carrera group 2 2601 attention  exhaust system sport version	05-08	1	911(997)

Model	Year	MG	SG	Illustration	Restrictions	UPD	18:14	06.02.2010	PORSCHE	PET	PORSCHE
TEQ	2010	2	02	202-15		248	USA / CANADA				

Pos	Part Number	Description	Remark	Qty	Model
		sports tailpipe	95-98		911(993)
		technical information			
		911(993) Turbo			
		group 2			
		2635			
		attention			
1	993 111 981 01	tail pipe	/L	1	
2	993 111 982 01	tail pipe	/R	1	
-	993 111 981 03	tail pipe	/L	1	
		twin-pipe system			
-	993 111 982 03	tail pipe	/R	1	
		twin-pipe system			
-	000 044 200 13	clip		2	

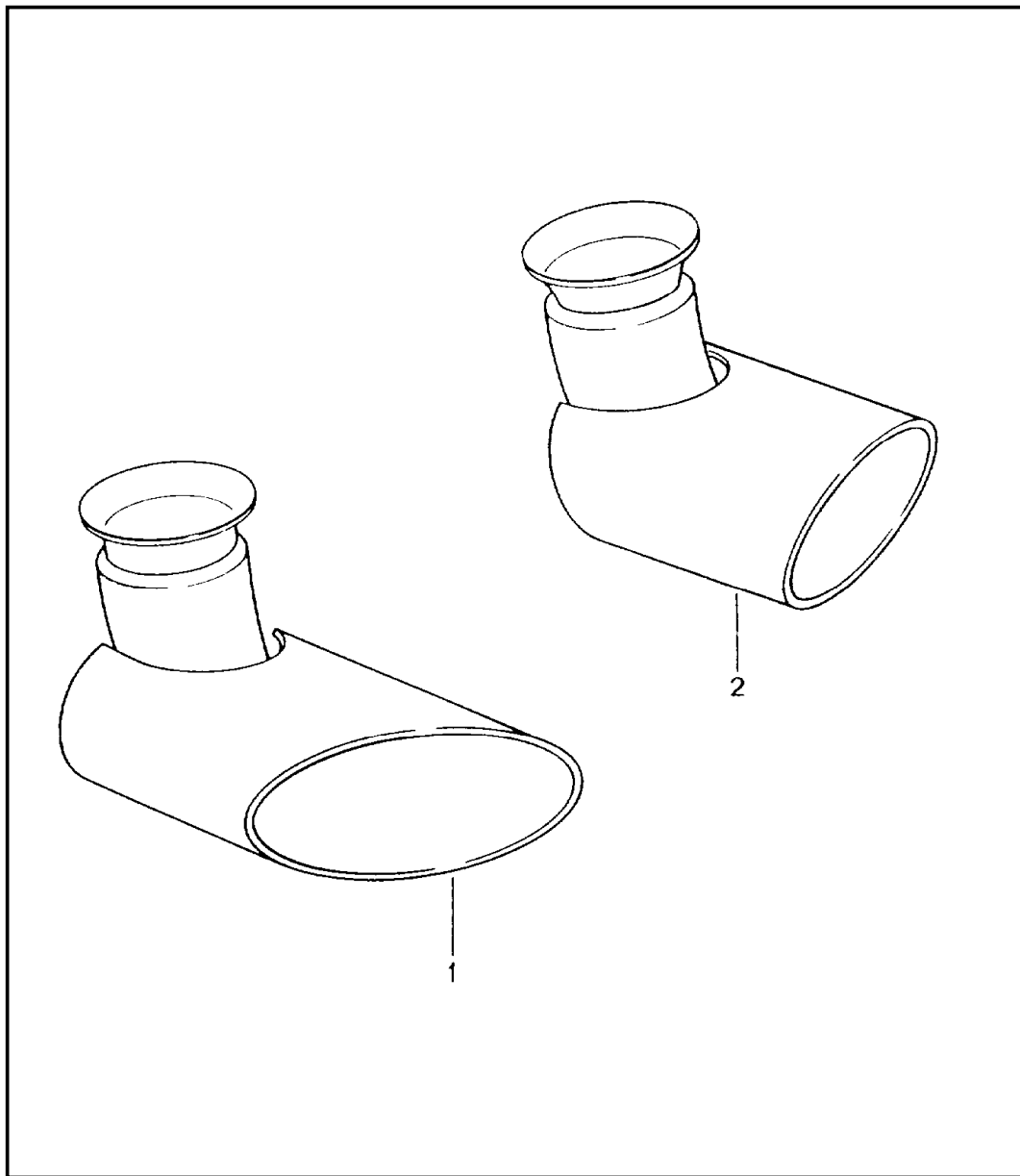


Model	Year	MG	SG	Illustration	Restrictions	UPD	18:14	06.02.2010	PORSCHE	PET	PORSCHE
TEQ	2010	2	02	202-20		248	USA / CANADA				



Pos	Part Number	Description	Remark	Qty	Model
		tail pipe cover	97-04		Boxster (986)
		technical information Boxster, alle group 2 2635 attention			
1	986 111 980 00	tail pipe	97-02	1	BOXSTER
-	986 111 980 01	tail pipe cover	03-04	1	BOXSTER, S

Model	Year	MG	SG	Illustration	Restrictions	UPD	18:15	06.02.2010	PORSCHE	PET	PORSCHE
TEQ	2010	2	02	202-25		248	USA / CANADA				



Pos	Part Number	Description	Remark	Qty	Model
		tail pipe	98-04		911(996) C2/C4/Turbo
		technical information 911(996), alle group 2 2634 attention			
1	996 111 981 00	tail pipe	/L 98-01	1	C2 / GT3
2	996 111 982 00	tail pipe	/R 98-01	1	C2 / GT3
-	996 111 981 01	tail pipe	/L	1	Turbo / GT2
-	996 111 982 01	tail pipe	/R	1	Turbo / GT2
-	996 111 981 02	tail pipe	/L 02-04	1	C2 / GT3
-	996 111 982 02	tail pipe	/R 02-04	1	C2 / GT3
-	996 111 981 03	tail pipe	/L 02-	1	C4S
-	996 111 982 03	tail pipe	/R 02-	1	C4S

PORSCHE

PET

PORSCHE

Model	Year	MG	SG	Illustration	Restrictions	UPD	18:15	06.02.2010
TEQ	2010	2	02	202-26		248	USA / CANADA	

Pos	Part Number	Description	Remark	Qty	Model
		sports tailpipe stainless steel	05- 05-		Boxster(987) 911(997)
-	A 997 111 981 20	tail pipe	/R 05-08	1	997S IXLF
-	A 997 111 982 20	tail pipe	/L 05-08	1	997S IXLF
-	997 111 981 21	tail pipe	/R 05-08	1	997S IXLF
-	997 111 982 21	tail pipe	/L 05-08	1	997S IXLF
-	997 111 981 10	sports tailpipe	/R	1	911
-	997 111 982 10	sports tailpipe	/L	1	911
-	A 997 111 981 02	exhaust pipe sport	/R 05-08	1	911(997) S -IXLF
-	A 997 111 982 02	exhaust pipe sport	/L 05-08	1	911(997) S -IXLF
-	997 111 981 03	exhaust pipe sport	/R 05-08	1	911(997) S -IXLF
-	997 111 982 03	exhaust pipe sport	/L 05-08	1	911(997) S -IXLF
-	987 111 254 01	sports tailpipe		1	BOXSTER



PORSCHE

# PET

PORSCHE

Model	Year	MG	SG	Illustration	Restrictions	UPD	18:15	06.02.2010
TEQ	2010	2	02	202-27		248	USA / CANADA	

Pos	Part Number	Description	Remark	Qty	Model
-	997 201 980 00	fuel tank cap aluminium look	98- 97- 03-		911 BOXSTER CAYENNE
-	997 201 980 00	fuel tank cap aluminium look	97- 98- 03-	1	BOXSTER 911 CAYENNE

PORSCHE

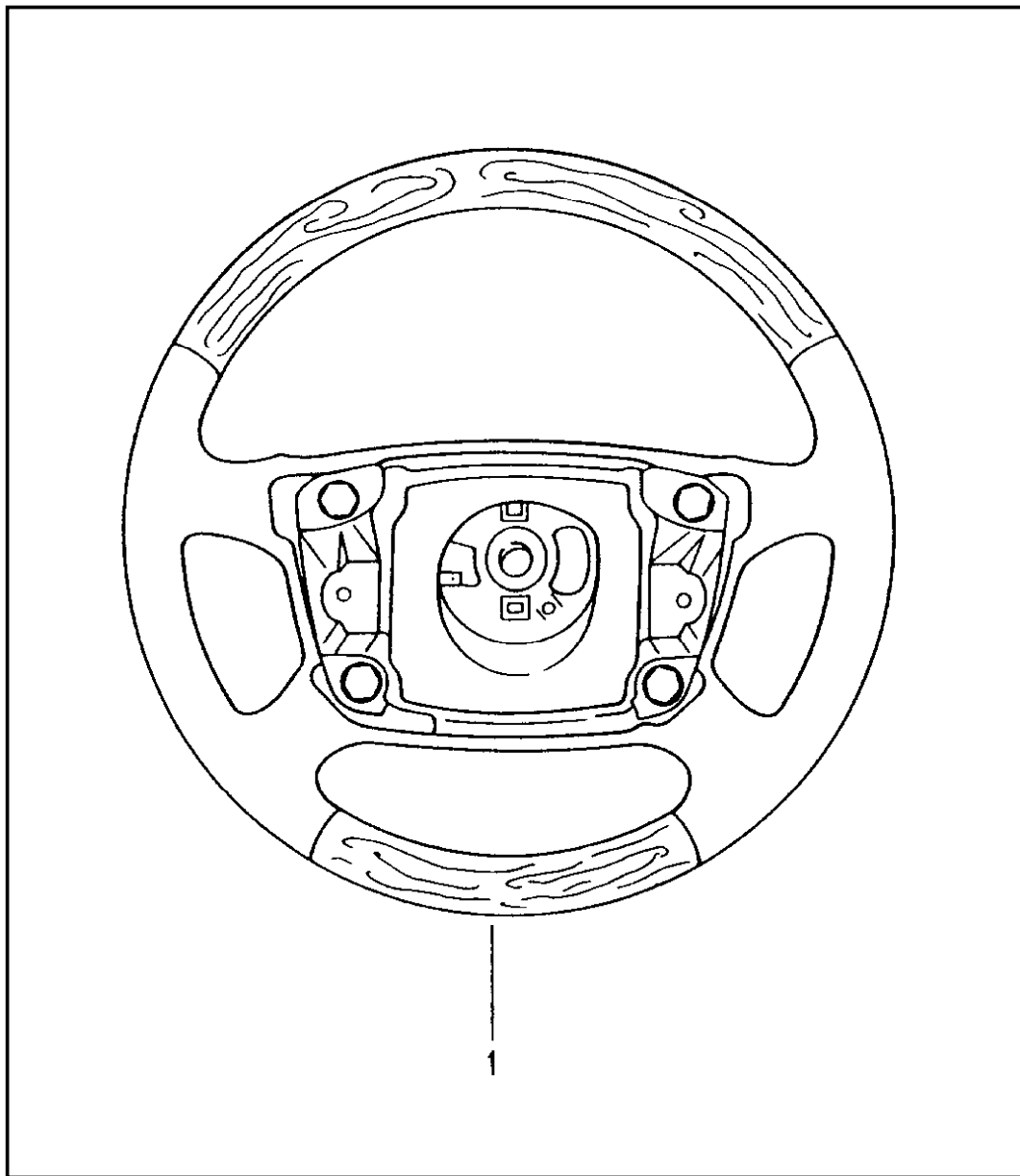
PET

PORSCHE

Model	Year	MG	SG	Illustration	Restrictions	UPD	18:15	06.02.2010
TEQ	2010	4	03	403-04		248	USA / CANADA	

Pos	Part Number	Description	Remark	Qty	Model
-	993 347 981 01	airbag steering wheel leather	96-04	1	911 BOXSTER
	M30	boxster red			
	J30	nephrite green			
	4YU	cashmere beige			
-	993 347 981 02	four-spoke steering wheel airbag steering wheel leather		1	TIPTRONIC
	M30	boxster red			
	J30	nephrite green			
	4YU	cashmere beige			
-	996 347 983 00	3-spoke steering wheel airbag steering wheel leather		1	
	6XL	classic grey	94-98		911
	8YR	black			
	M30	boxster red			
-	996 347 983 01	3-spoke steering wheel airbag steering wheel leather		1	TIPTRONIC
	6XL	classic grey	94-98		911
	8YR	black			
	M30	boxster red			

Model	Year	MG	SG	Illustration	Restrictions	UPD	18:15	06.02.2010	PORSCHE	PET	PORSCHE
TEQ	2010	4	03	403-05		248	USA / CANADA				



Pos	Part Number	Description	Remark	Qty	Model
		airbag steering wheel rootwood carbon	89-98 90-95		911, CARRERA 928
(1)	000 044 400 06	airbag steering wheel rootwood light	89-94	1	911
	9WW	cobalt blue			
	6XL	classic grey			
	4XW	magenta			
	3LZ	mahogany			
	2JZ	marine blue			
	E38	rubicon grey			
	8YR	black			
	7LD	burgundy			
(1)	000 044 400 07	airbag steering wheel rootwood dark	89-94	1	911
	9WW	cobalt blue			
	6XL	classic grey			
	4XW	magenta			
	3LZ	mahogany			
	2JZ	marine blue			
	E38	rubicon grey			
	8YR	black			
	7LD	burgundy			
1	993 347 980 04	airbag steering wheel with airbag unit rootwood light	94-98	1	CARRERA
	T15	chestnut brown			
	6XL	classic grey			
	H24	midnight blue			
	8YR	black			

Model	Year	MG	SG	Illustration	Restrictions	UPD	18:15	06.02.2010	PORSCHE	PET	PORSCHE
TEQ	2010	4	03	403-05		248	USA / CANADA				

Pos	Part Number	Description	Remark	Qty	Model	Pos	Part Number	Description	Remark	Qty	Model
1	993 347 981 03	airbag steering wheel rootwood light	96-98	1	CARRERA	(1) A	000 044 400 14	airbag steering wheel	96-98	1	CARRERA
	T15	chestnut brown					T15	chestnut brown			
	6XL	classic grey					6XL	classic grey			
	H24	midnight blue					H24	midnight blue			
	8YR	black					8YR	black			
(1)	000 044 400 01	airbag steering wheel rootwood dark	94-96	1	CARRERA	(1)	993 347 981 04	airbag steering wheel rootwood light	96-98	1	CARRERA M432
	T15	chestnut brown					T15	chestnut brown			
	6XL	classic grey					6XL	classic grey			
	H24	midnight blue					H24	midnight blue			
	8YR	black					8YR	black			
(1) A	000 044 400 13	airbag steering wheel	96-98	1	CARRERA	(1)	000 044 400 03	airbag steering wheel rootwood dark	94-96	1	CARRERA M432
	T15	chestnut brown					T15	chestnut brown			
	6XL	classic grey					6XL	classic grey			
	H24	midnight blue					H24	midnight blue			
	8YR	black					8YR	black			
(1)	993 347 981 05	airbag steering wheel rootwood dark	96-98	1	CARRERA	(1) A	000 044 400 15	airbag steering wheel	96-98	1	CARRERA
	T15	chestnut brown					T15	chestnut brown			
	6XL	classic grey					6XL	classic grey			
	H24	midnight blue					H24	midnight blue			
	8YR	black					8YR	black			
(1)	000 044 400 02	airbag steering wheel rootwood light	94-96	1	CARRERA M432	(1)	993 347 981 06	airbag steering wheel rootwood dark	96-98	1	CARRERA M432
	T15	chestnut brown					T15	chestnut brown			
	6XL	classic grey					6XL	classic grey			
	H24	midnight blue					H24	midnight blue			
	8YR	black					8YR	black			

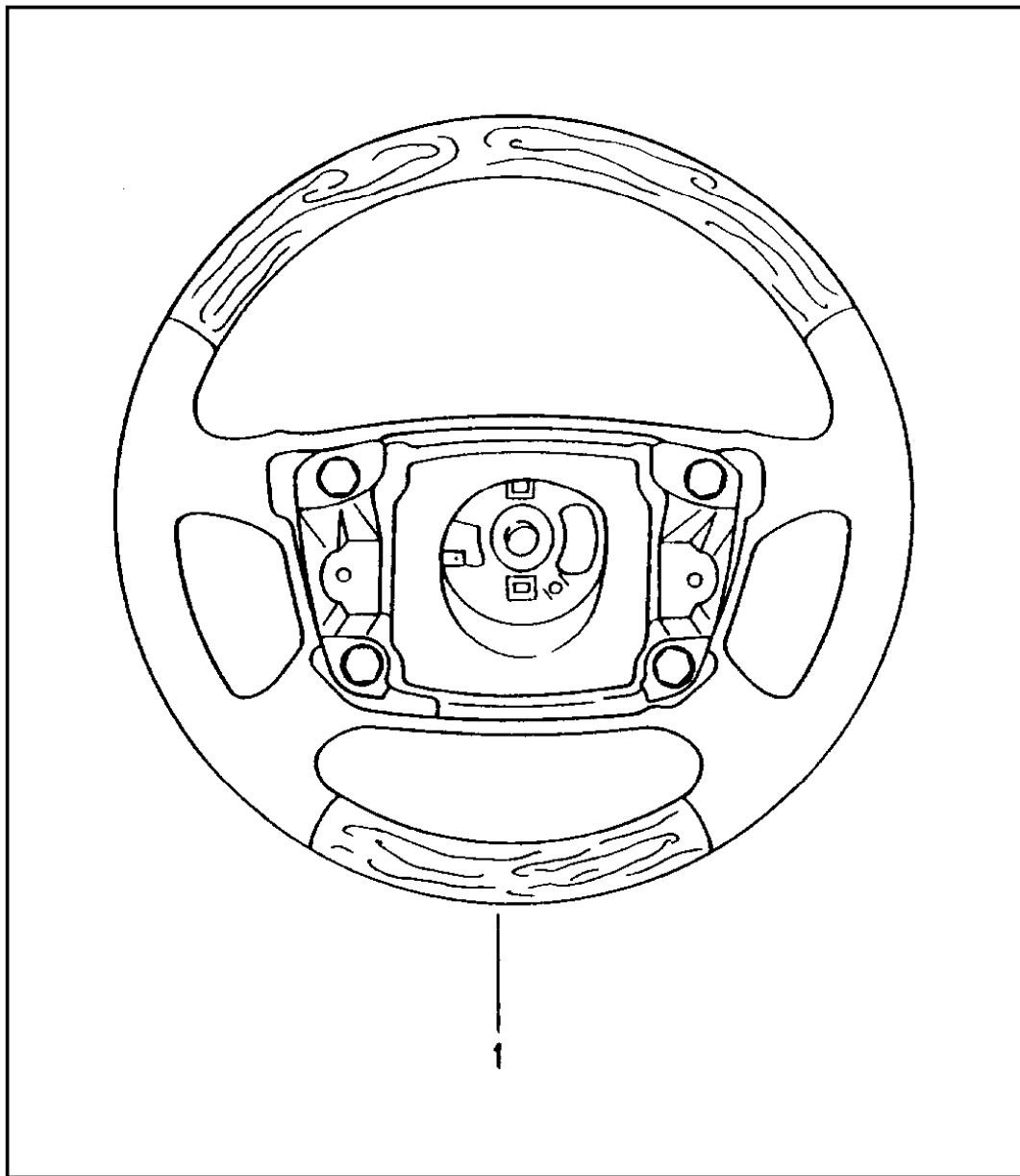
Model	Year	MG	SG	Illustration	Restrictions	UPD	18:15	06.02.2010	PORSCHE	PET	PORSCHE
TEQ	2010	4	03	403-05		248	USA / CANADA				

Pos	Part Number	Description	Remark	Qty	Model	Pos	Part Number	Description	Remark	Qty	Model
(1)	000 044 400 04	airbag steering wheel carbon	94-96	1	CARRERA		T15	chestnut brown			
		T15 chestnut brown					6XL	classic grey			
		6XL classic grey					H24	midnight blue			
		H24 midnight blue					8YR	black			
		8YR black				(1)	000 044 400 08	airbag steering wheel rootwood light	90-95	1	928
(1)	A 000 044 400 16	airbag steering wheel carbon	96-98	1	CARRERA		9WW	cobalt blue			
		T15 chestnut brown					T15	chestnut brown			
		6XL classic grey					6XL	classic grey			
		H24 midnight blue					4XW	magenta			
		8YR black					3LZ	mahogany			
(1)	993 347 981 07	airbag steering wheel carbon	96-98	1	CARRERA		2JZ	marine blue			
		T15 chestnut brown					H24	midnight blue			
		6XL classic grey					8YR	black			
		H24 midnight blue					7LD	burgundy			
		8YR black				(1)	000 044 400 09	airbag steering wheel rootwood dark	90-95	1	928
(1)	000 044 400 05	airbag steering wheel carbon	94-96	1	CARRERA M432		9WW	cobalt blue			
		T15 chestnut brown					T15	chestnut brown			
		6XL classic grey					6XL	classic grey			
		H24 midnight blue					4XW	magenta			
		8YR black					3LZ	mahogany			
(1)	A 000 044 400 17	airbag steering wheel carbon	96-98	1	CARRERA M432		2JZ	marine blue			
		T15 chestnut brown					H24	midnight blue			
		6XL classic grey					8YR	black			
		H24 midnight blue					7LD	burgundy			
		8YR black						when required order also:			
(1)	993 347 981 08	airbag steering wheel carbon	96-98	1	CARRERA M432						

Model	Year	MG	SG	Illustration	Restrictions	UPD	18:15	06.02.2010	PORSCHE	PET	PORSCHE
TEQ	2010	4	03	403-05		248	USA / CANADA				

Pos	Part Number	Description	Remark	Qty	Model	Pos	Part Number	Description	Remark	Qty	Model
-	996 803 980 02	airbag unit without logo leather	96-98	1	911						
	8YR	black									
	E38	rubicon grey other colours available									

Model	Year	MG	SG	Illustration	Restrictions	UPD	18:16	06.02.2010	PORSCHE	PET	PORSCHE
TEQ	2010	4	03	403-06		248	USA / CANADA				



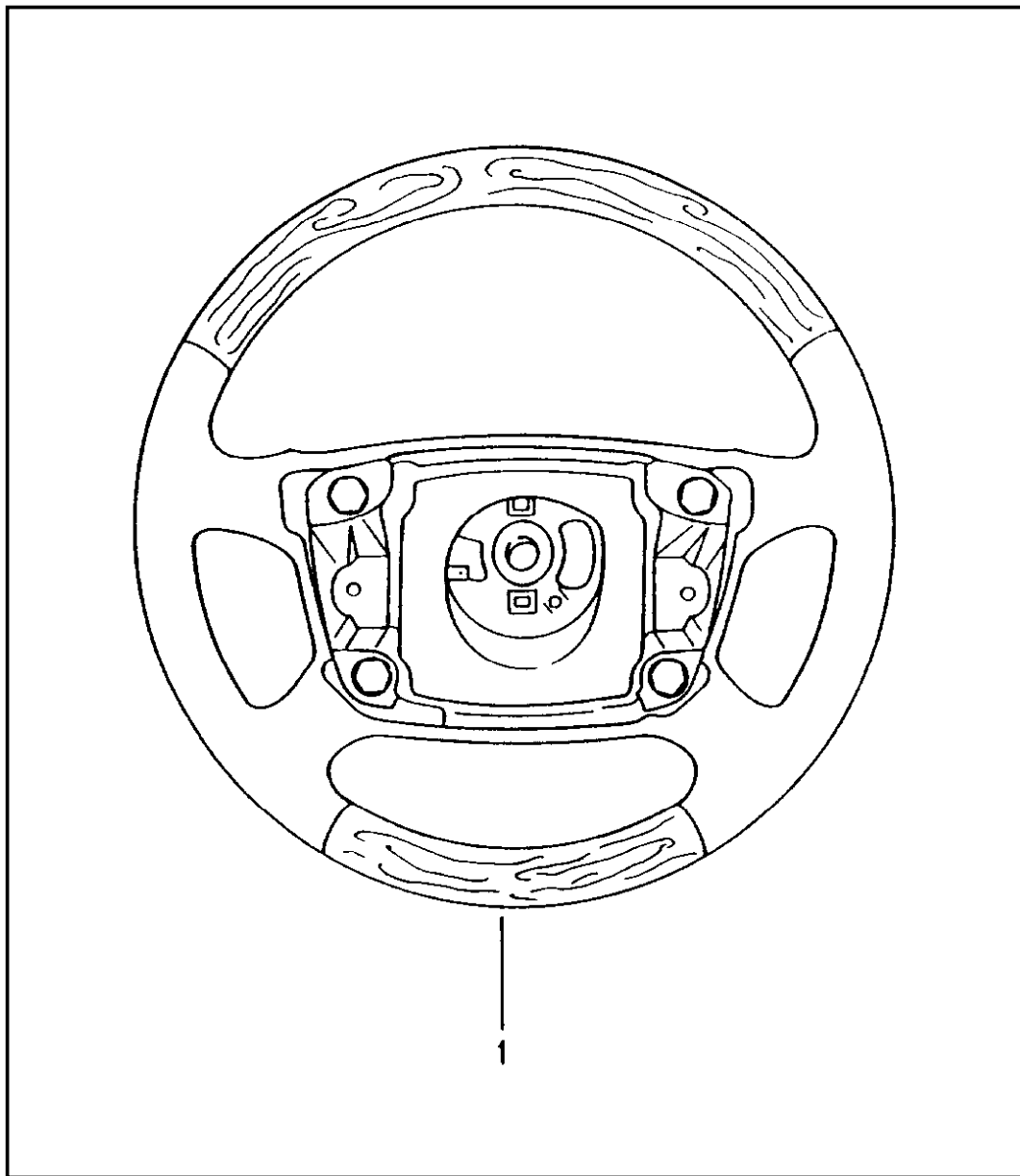
Pos	Part Number	Description	Remark	Qty	Model
-	993 347 981 07	airbag steering wheel carbon mahogany	97-04	1	BOXSTER
	8YR	black			
	M30	boxster red			
	S30	savanna			
	J30	nephrite green			
	C50	graphite grey			
	G10	metropole blue			
-	993 347 981 08	airbag steering wheel carbon leather	98-04	1	M432
	8YR	black			
	M30	boxster red			
	S30	savanna			
	J30	nephrite green			
	C50	graphite grey			
	G10	metropole blue			
-	986 347 981 00	airbag steering wheel mahogany leather	98-04	1	
	8YR	black			
	M30	boxster red			
	S30	savanna			
	J30	nephrite green			
	C50	graphite grey			
	G10	metropole blue			
-	986 347 981 01	airbag steering wheel mahogany leather		1	M432
	8YR	black			

Model	Year	MG	SG	Illustration	Restrictions	UPD	18:16	06.02.2010	PORSCHE	PET	PORSCHE
TEQ	2010	4	03	403-06		248	USA / CANADA				

Pos	Part Number	Description	Remark	Qty	Model	Pos	Part Number	Description	Remark	Qty	Model
	M30	boxster red									
	S30	savanna									
	J30	nephrite green									
	C50	graphite grey									
	G10	metropole blue									
-	986 347 981 02	airbag steering wheel mahogany aluminium rivet leather		1							
	8YR	black									
	M30	boxster red									
	S30	savanna									
	J30	nephrite green									
	C50	graphite grey									
	G10	metropole blue	98-04								
-	986 347 981 03	airbag steering wheel mahogany aluminium rivet leather		1	M432						
	8YR	black									
	M30	boxster red									
	S30	savanna									
	J30	nephrite green									
	C50	graphite grey									
	G10	metropole blue	98-04								
-	996 803 980 02	airbag unit without logo leather		1							
	8YR	black other colours available									



Model	Year	MG	SG	Illustration	Restrictions	UPD	18:16	06.02.2010	PORSCHE	PET	PORSCHE
TEQ	2010	4	03	403-07		248	USA / CANADA				



Pos	Part Number	Description	Remark	Qty	Model
-	993 347 981 07	airbag steering wheel carbon maple rootwood	98-04 98-05 98-05	1	911 C4, TARGA C4S, TURBO
	8YR	black			
	M30	boxster red			
	S30	savanna			
	J30	nephrite green			
	C50	graphite grey			
	G10	metropole blue			
	B50	space grey			
-	993 347 981 08	airbag steering wheel carbon leather		1	M432
	8YR	black			
	M30	boxster red			
	S30	savanna			
	J30	nephrite green			
	C50	graphite grey			
	G10	metropole blue			
	B50	space grey			
-	996 347 981 01	airbag steering wheel light maple rootwood leather		1	
	8YR	black			
	M30	boxster red			
	S30	savanna			
	J30	nephrite green			
	C50	graphite grey			
	G10	metropole blue			
	B50	space grey			

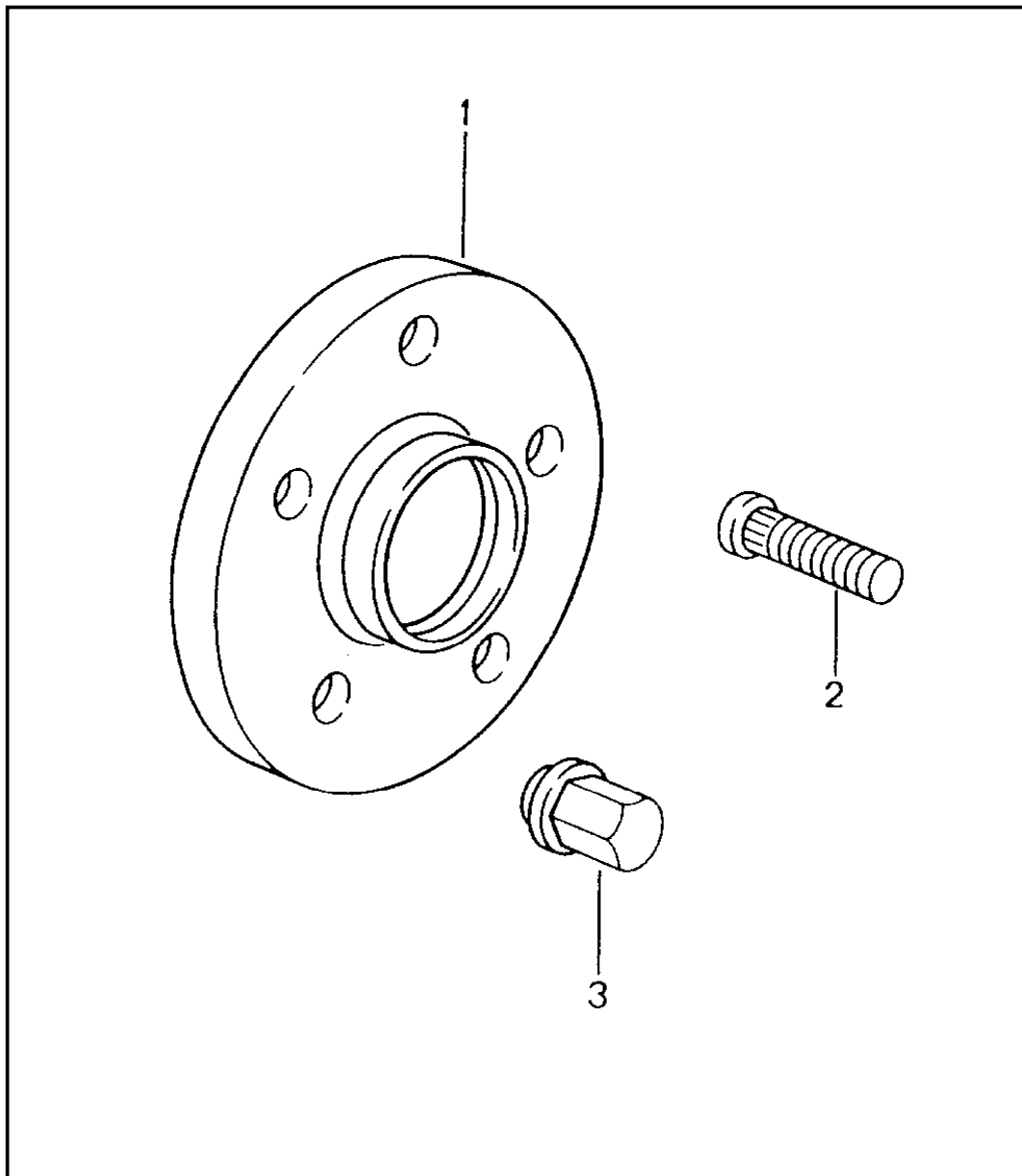
Model	Year	MG	SG	Illustration	Restrictions	UPD	18:16	06.02.2010	PORSCHE	PET	PORSCHE
TEQ	2010	4	03	403-07		248	USA / CANADA				

Pos	Part Number	Description	Remark	Qty	Model	Pos	Part Number	Description	Remark	Qty	Model
-	996 347 981 02	airbag steering wheel light maple rootwood leather		1	M432	-	996 803 980 02	airbag unit without logo leather		1	
	8YR	black					8YR	black other colours available			
	M30	boxster red									
	S30	savanna									
	J30	nephrite green									
	C50	graphite grey									
	G10	metropole blue									
	B50	space grey									
-	996 347 981 03	airbag steering wheel dark maple rootwood leather		1							
	8YR	black									
	M30	boxster red									
	S30	savanna									
	J30	nephrite green									
	C50	graphite grey									
	G10	metropole blue									
	B50	space grey									
-	996 347 981 04	airbag steering wheel dark maple rootwood leather		1	M432						
	8YR	black									
	M30	boxster red									
	S30	savanna									
	J30	nephrite green									
	C50	graphite grey									
	G10	metropole blue									
	B50	space grey									
		when required order also:									

Model	Year	MG	SG	Illustration	Restrictions	UPD	18:16	06.02.2010
TEQ	2010	4	04	404-00		248	USA / CANADA	

Pos	Part Number	Description	Remark	Qty	Model
-	997 347 994 00	airbag steering wheel alcantara	05-		997/987
-	997 347 994 01	steering wheel 3-spoke steering wheel alcantara black manual transmission	05-	1	997/987  I480/481
-	997 347 994 01	steering wheel 3-spoke steering wheel alcantara black tiptronic	05-	1	997/987  I249
-	997 347 995 00	steering wheel sports steering wheel alcantara black manual transmission	05-	1	997/987  I480/481
-	997 347 995 01	steering wheel sports steering wheel alcantara black tiptronic	05-	1	997/987  I249
-	997 347 996 00	steering wheel multi-function alcantara black manual transmission	05-	1	997/987  I431/480/481
-	997 347 996 01	steering wheel multi-function alcantara black tiptronic	05-	1	997/987  I249/431

Model	Year	MG	SG	Illustration	Restrictions	UPD	18:18	06.02.2010	PORSCHE	PET	PORSCHE
TEQ	2010	5	01	501-02		248	USA / CANADA				



Pos	Part Number	Description	Remark	Qty	Model
		widening of track			
(1)	996 361 617 00	spacer ring 17MM with wheel bolt	98- 98-	1	BOXSTER CARRERA
-	000 044 500 10	retrofit kit spacer ring 17MM		1	
		comprising:			
1	996 361 617 00	spacer ring 17MM		2	
-	999 182 003 36	wheel nut		10	

PORSCHE

PET

PORSCHE

Model	Year	MG	SG	Illustration	Restrictions	UPD	18:18	06.02.2010
TEQ	2010	5	50	550-18		248	USA / CANADA	

Pos	Part Number	Description	Remark	Qty	Model
		sports suspension retrofit kit lowering 10MM	02-05		911
-	000 044 500 27	sports suspension	02-04	1	COUPE M338 M480
-	000 044 500 33	sports suspension	02-04	1	COUPE M338 M249
-	000 044 500 28	sports suspension	02-04	1	COUPE M339 M480
-	000 044 500 34	sports suspension	02-04	1	COUPE M339 M249
-	000 044 500 29	sports suspension	02-05	1	CABRIO M338 M480
-	000 044 500 31	sports suspension	02-05	1	CABRIO M338 M249
-	000 044 500 30	sports suspension	02-04	1	CABRIO M339 M480
-	000 044 500 32	sports suspension	02-04	1	CABRIO M339 M249

PORSCHE

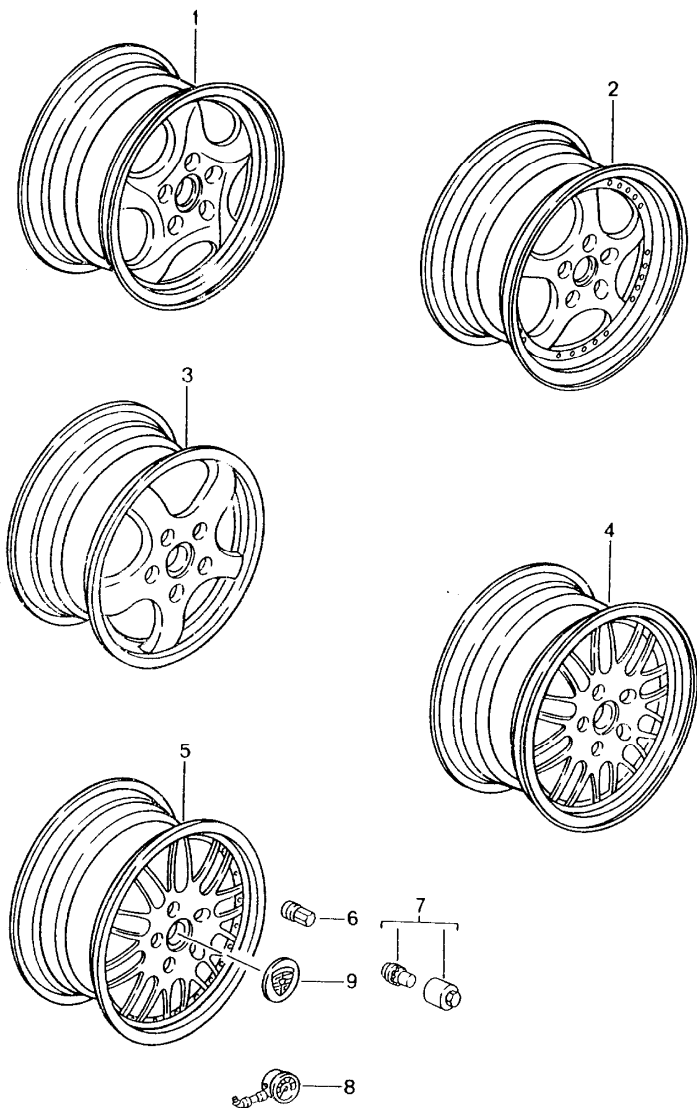
PET

PORSCHE

Model	Year	MG	SG	Illustration	Restrictions	UPD	18:18	06.02.2010
TEQ	2010	5	50	550-20		248	USA / CANADA	

Pos	Part Number	Description	Remark	Qty	Model
-	000 044 500 40	suspension 10 mm  Instal. and mod. instruc. carrera gt group 4 4495 attention  retrofit kit suspension 10 mm	04-06	1	Carreara GT

Model	Year	MG	SG	Illustration	Restrictions	UPD	18:18	06.02.2010	PORSCHE	PET	PORSCHE
TEQ	2010	6	01	601-00		248	USA / CANADA				



Pos	Part Number	Description	Remark	Qty	Model
		alloy wheels accessories see illustrations 996/601-00	94-98 95-98 97-04		CARRERA TURBO BOXSTER
1	993 362 134 05	alloy wheel TECHNOLOGIE DESIGN 7,5 J X 18, ET 50	/V /V	98-04	1 BOXSTER 911
1	993 362 136 00	alloy wheel TECHNOLOGIE DESIGN 8 J X 18, ET 52	/V	94-98	1 CARRERA CARRERA 4 TURBO
1	993 362 138 00	alloy wheel TECHNOLOGIE DESIGN 9 J X 18, ET 50	/H	98-04	1 BOXSTER
1	993 362 140 00	alloy wheel TECHNOLOGIE DESIGN 10 J X 18, ET 40	/H	94-98	1 TURBO
1	993 362 140 01	alloy wheel TECHNOLOGIE DESIGN 10 J X 18, ET 65	/H /H	94-98 98-04 98-04	1 CARRERA CARRERA 4 911
2	993 362 124 50	alloy wheel TARGA DESIGN 7 J X 17, ET 55	/V	94-98	1 CARRERA CARRERA 4
2	993 362 128 50	alloy wheel TARGA DESIGN 9 J X 17, ET 55	/H	94-98	1 CARRERA CARRERA 4
3	993 362 124 00	alloy wheel CUP DESIGN '94 7 J X 17, ET 55	/V	94-98	1 CARRERA CARRERA 4
3	993 362 128 00	alloy wheel CUP DESIGN '94 9 J X 17, ET 55	/H	94-98	1 CARRERA CARRERA 4
4	993 362 124 51	alloy wheel SPORTCLASSIC 7 J X 17, ET 55	/V	94-98	1 CARRERA, 4 TARGA BOXSTER
(4)	993 362 126 55	alloy wheel SPORTCLASSIC 8,5 X 17, ET 50	/H		1 BOXSTER
4	993 362 128 51	alloy wheel SPORTCLASSIC 9 J X 17, ET 55	/H	94-98	1 CARRERA CARRERA 4 TARGA
5	993 362 134 55	alloy wheel SPORTCLASSIC II 7,5 J X 18, ET 50	/V /V	98-01	1 911 BOXSTER

Model	Year	MG	SG	Illustration	Restrictions	UPD	18:18	06.02.2010	PORSCHE	PET	PORSCHE
TEQ	2010	6	01	601-00		248	USA / CANADA				

Pos	Part Number	Description	Remark	Qty	Model	Pos	Part Number	Description	Remark	Qty	Model
5	993 362 136 50	alloy wheel SPORTCLASSIC II 8 J X 18, ET 52	/V 94-98	1	CARRERA CARRERA 4	9	993 361 303 07	hub cap		4	
5	993 362 138 50	alloy wheel SPORTCLASSIC II 9 J X 18, ET 52	/H 98-04	1	BOXSTER		61M	silver porsche crest coloured			
5	993 362 140 50	alloy wheel SPORTCLASSIC II 10 J X 18, ET 65	/H 94-98 /H	1	CARRERA 911	9	993 361 303 07	hub cap		4	
-	996 362 134 55	alloy wheel SPORT-DESIGN 7,5 X 18, ET 50	/V 98-01 /V	1	911 BOXSTER	-	000 044 600 12	hub cap set		1	
-	996 362 136 50	alloy wheel SPORT-DESIGN 8 X 18, ET 52	/V 94-98	1	911			comprising:			
-	996 362 138 50	alloy wheel SPORT-DESIGN 9 X 18, ET52	/H 98-04	1	BOXSTER	(9)	993 361 303 10	hub cap		4	
-	996 362 140 50	alloy wheel SPORT-DESIGN 10 X 18, ET 65	/H 94-98 /H	1	911 911		9A1	porsche crest coloured concave			
6	999 182 003 36	wheel nut		16		-	000 044 600 00	cap valve cap with rubber valve		1	
-	000 044 500 14	anti-theft protection complete set		1	BOXSTER 911 GT3	-	993 362 980 04	alloy wheel	/V	2	TURBO S
		comprising:				-	993 362 980 05	alloy wheel lacquered	/H	2	TURBO S
7	993 361 057 00	set anti-theft protection	94-98	1	911						
(7)	996 361 057 01	set anti-theft protection		1	BOXSTER 911						
(7)	996 361 057 90	set anti-theft protection		1	911 GT3						
(-)	997 044 600 16	set anti-theft protection silver		1	17MM						
8	911 722 201 02	tyre pressure gauge		1							
9	928 361 032 11	hub cap		4							
	TPP	porsche crest coloured									



PORSCHE

PET

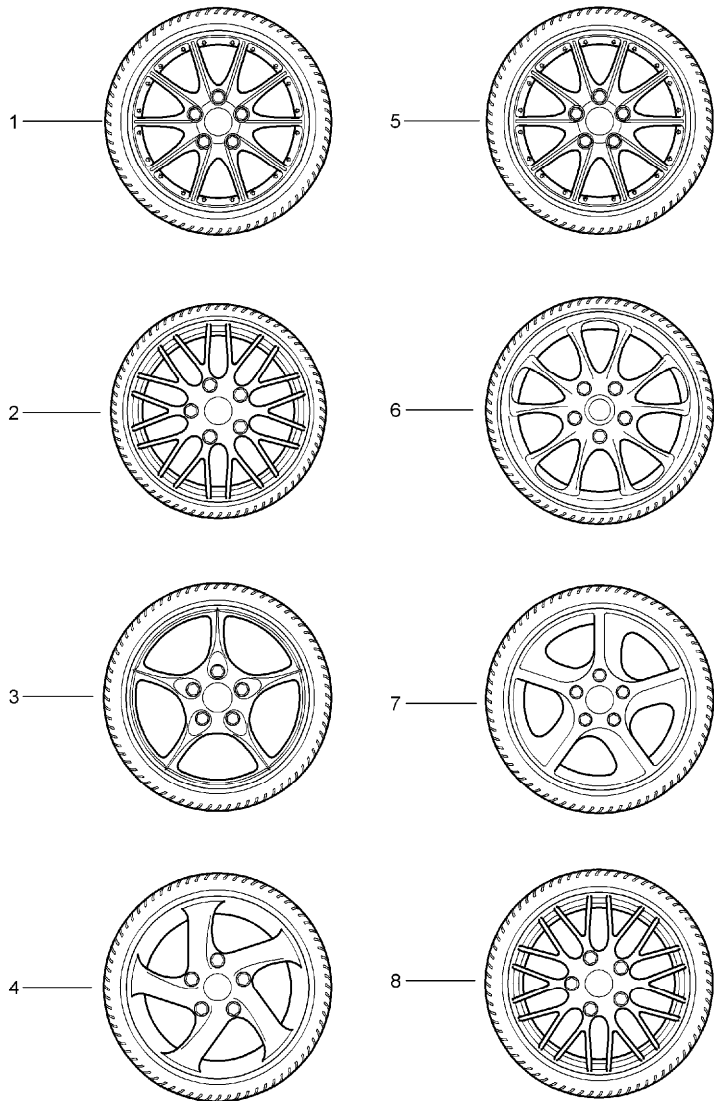
PORSCHE

Model	Year	MG	SG	Illustration	Restrictions	UPD	18:18	06.02.2010
TEQ	2010	6	01	601-01		248	USA / CANADA	

Pos	Part Number	Description	Remark	Qty	Model
		accessories wheels			
-	955 044 600 10	set hub cap	05- 05-	1	911 BOXSTER
-	000 044 600 00	set rubber valve		1	
-	993 361 073 00	valve steel for internal gear		4	
-	997 044 600 16	set anti-theft protection silver spacer		1	17MM
-	996 361 980 02	set anti-theft protection spacer		1	5MM
-	996 361 057 02	set anti-theft protection without spacer		1	

Model	Year	MG	SG	Illustration	Restrictions	UPD	18:19	06.02.2010	PORSCHE	PET	PORSCHE
TEQ	2010	6	02	602-00		248	USA / CANADA				

Pos	Part Number	Description	Remark	Qty	Model
1	000 044 600 01	gear wheel sets summer	98-04		911 (996)
		gear set SPORT-DESIGN	98-01	1	C2, C4
		comprising:			
-	996 362 134 55	wheel 7,5JX18 ET50		2	
-	996 362 140 50	wheel 10JX18 ET65		2	
		tyre 225/40 ZR18		2	
		tyre 265/35 ZR18		2	
2	000 044 600 38	gear set SPORT-CLASSIC 2	98-01	1	C2, C4
		comprising:			
-	993 362 134 55	wheel 7,5JX18 ET50		2	
-	993 362 140 50	wheel 10JX18 ET65		2	
		tyre 225/40 ZR18		2	
		tyre 265/35 ZR18		2	
3	000 044 600 34	gear set carrera	02-04	1	C2, C4
		comprising:			
-	996 362 136 03	wheel 8JX18 ET50		2	
-	996 362 140 03	wheel 10JX18 ET65		2	
		tyre 225/40 ZR18		2	
		tyre 285/30 ZR18		2	
4	000 044 600 56	gear set TURBO-LOOK 2	02-04	1	C2, C4
		comprising:			



Model	Year	MG	SG	Illustration	Restrictions	UPD	18:19	06.02.2010	PORSCHE	PET	PORSCHE
TEQ	2010	6	02	602-00		248	USA / CANADA				

Pos	Part Number	Description	Remark	Qty	Model	Pos	Part Number	Description	Remark	Qty	Model
-	996 362 136 01	wheel 8JX18 ET50		2		-	996 362 136 51	wheel 8JX18 ET50		2	
-	996 362 140 04	wheel 10JX18 ET65		2		-	996 362 142 52	wheel 11JX18 ET63		2	
		tyre 225/40 ZR18		2				tyre 225/40 ZR18		2	
		tyre 285/30 ZR18		2				tyre 295/30 ZR18		2	
5	000 044 600 10	gear set SPORTDESIGN	02-04	1	C2,C4			use also:			
		comprising:				-	000 044 500 10	widening of track		1	
-	996 362 136 50	wheel 8JX18 ET52		2		8	000 044 600 39	gear set SPORT-CLASSIC 2	02-04	1	C2,C4
		comprising:						comprising:			
-	996 362 140 50	wheel 10JX18 ET65		2		-	993 362 136 50	wheel 8JX18 ET52		2	
		tyre 225/40ZR18		2							
		tyre 285/30 ZR18		2		-	993 362 140 50	wheel 10JX18 ET65		2	
6	A 000 044 602 01	gear set gt3	02-04	1	C4S, TURBO			tyre 225/40 ZR18		2	
								tyre 285/30 ZR18		2	
6	000 044 602 06	gear set gt3	02-04	1							
		comprising:									
-	996 362 136 02	wheel 8JX18 ET50		2							
-	996 362 142 04	wheel 11JX18 ET63		2							
		tyre 225/40 ZR18		2							
		tyre 295/30 ZR18		2							
		use also:									
-	000 044 500 10	widening of track		1							
7	000 044 602 02	gear set SPORT-TECHNO	02-04	1	C4S, TURBO						
7	000 044 602 04	gear set SPORT-TECHNO		1	C4S, TURBO						
		comprising:									

Model	Year	MG	SG	Illustration	Restrictions	UPD	18:19	06.02.2010	PORSCHE	PET	PORSCHE
TEQ	2010	6	02	602-01		248	USA / CANADA				

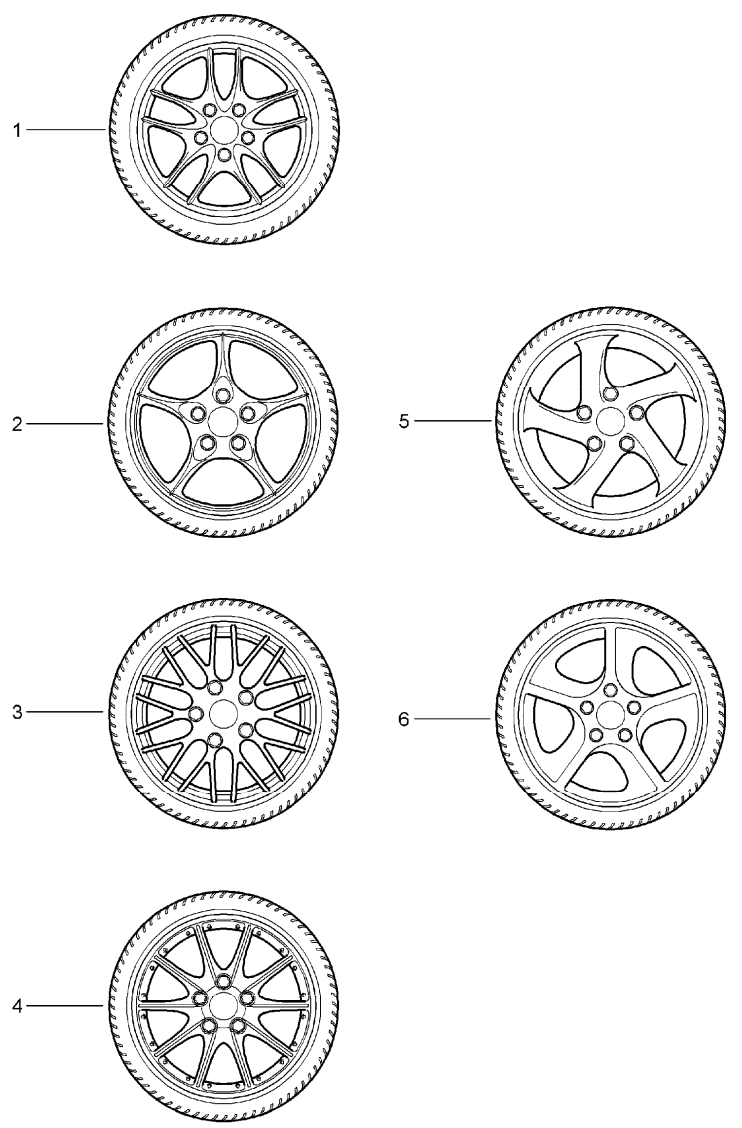
Pos	Part Number	Description	Remark	Qty	Model
1	000 044 600 86	gear wheel sets winter	02-04		911 (996)
		gear set	02-04	1	C2, C4
		comprising:			
-	996 362 124 02	alloy wheel wheel 7JX17 ET50		2	
-	996 362 128 02	alloy wheel wheel 9JX17 ET55		2	
		tyre 205/50 R17		2	
		tyre 255/40 R17		2	
2	000 044 600 87	gear set	02-04	1	C2, C4
		comprising:			
-	996 362 136 03	carrera wheel 8JX18 ET50		2	
-	996 362 140 03	carrera wheel 10JX18 ET65		2	
		tyre 225/40 VR18		2	
		tyre 265/35 VR18		2	
3	000 044 600 88	gear set	02-04	1	C4S, TURBO
		comprising:			
-	996 362 136 01	TURBO-LOOK 2 wheel 8JX18 ET50		2	
-	996 362 140 02	TURBO-LOOK 2 wheel 10JX18 ET47		2	
		tyre 225/40 VR18		2	
		tyre 265/35 VR18		2	
4	000 044 600 89	gear set	02-03	1	C4S, TURBO
		comprising:			

Model	Year	MG	SG	Illustration	Restrictions	UPD	18:19	06.02.2010	PORSCHE	PET	PORSCHE
TEQ	2010	6	02	602-01		248	USA / CANADA				

Pos	Part Number	Description	Remark	Qty	Model	Pos	Part Number	Description	Remark	Qty	Model
-	996 362 136 51	SPORT-TECHNO wheel 8JX18 ET50		2							
-	996 362 140 51	SPORT-TECHNO wheel  10JX18 ET47 tyre 225/40 VR18 tyre 265/35 VR18		2  2 2							

Model	Year	MG	SG	Illustration	Restrictions	UPD	18:19	06.02.2010	PORSCHE	PET	PORSCHE
TEQ	2010	6	02	602-02		248	USA / CANADA				

Pos	Part Number	Description	Remark	Qty	Model
1	000 044 600 54	gear wheel sets summer	97-04	1	BOXSTER/S (986)
-	986 362 124 02	gear set BOXSTER S 2	97-04	2	
-	986 362 126 07	comprising: wheel 7JX17 ET55		2	
-	986 362 126 07	wheel 8,5JX17 ET48		2	
-		tyre 205/50 ZR17		2	
-		tyre 255/40 ZR17		2	
2	000 044 600 55	gear set carrera	98-04	1	
-	996 362 134 05	comprising: wheel 7,5JX18 ET50		2	
-	996 362 138 00	wheel 9JX18 ET52		2	
-		tyre 225/40 ZR18		2	
-		tyre 265/35 ZR18		2	
3	000 043 204 15	gear set SPORT-CLASSIC 2	98-04	1	
-	993 362 134 55	comprising: wheel 7,5JX18 ET50		2	
-	993 362 138 50	wheel 9JX18 ET52		2	
-		tyre 225/40 ZR18		2	
-		tyre 265/35 ZR18		2	
4	000 044 600 07	gear set SPORT-DESIGN	98-04	1	
-	996 362 134 55	comprising: wheel 7,5JX18 ET50		2	

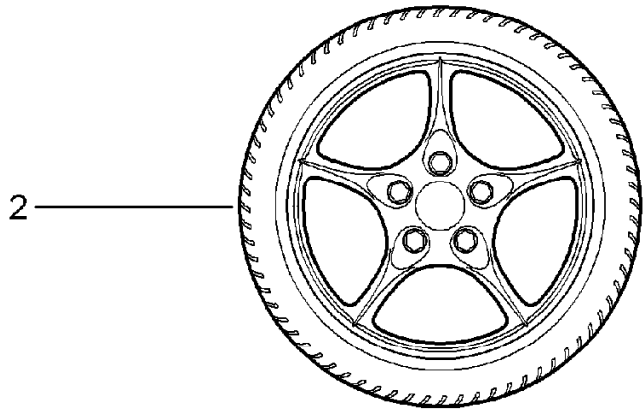
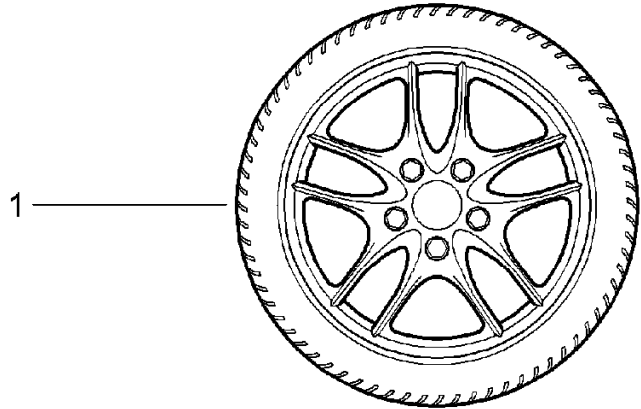


Model	Year	MG	SG	Illustration	Restrictions	UPD	18:19	06.02.2010	PORSCHE	PET	PORSCHE
TEQ	2010	6	02	602-02		248	USA / CANADA				

Pos	Part Number	Description	Remark	Qty	Model	Pos	Part Number	Description	Remark	Qty	Model
-	996 362 138 50	wheel 9JX18 ET52		2							
		tyre 225/40 ZR18		2							
		wheel 265/35 ZR18		2							
5	000 044 600 57	gear set TURBO-LOOK 2	98-04	1							
		comprising:									
-	996 362 136 01	wheel 8JX18 ET50		2							
-	996 362 140 02	wheel 10JX18 ET47		2							
		tyre 225/40 ZR18		2							
		tyre 265/35 ZR18		2							
6	000 044 600 31	gear set SPORT-TECHNO	98-04	1							
		comprising:									
-	996 362 136 51	wheel 8JX18 ET50		2							
-	996 362 140 51	wheel 10JX18 ET47		2							
		tyre 225/40 ZR18		2							
		tyre 265/35 ZR18		2							

Model	Year	MG	SG	Illustration	Restrictions	UPD	18:19	06.02.2010	PORSCHE	PET	PORSCHE
TEQ	2010	6	02	602-03		248	USA / CANADA				

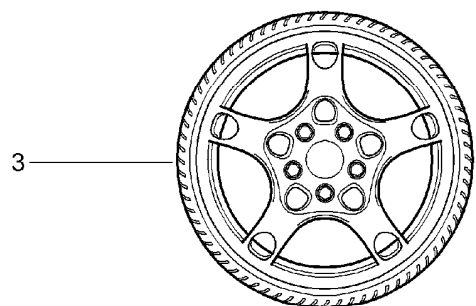
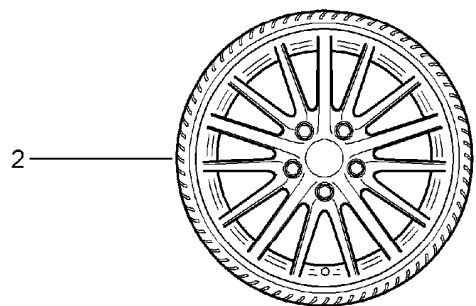
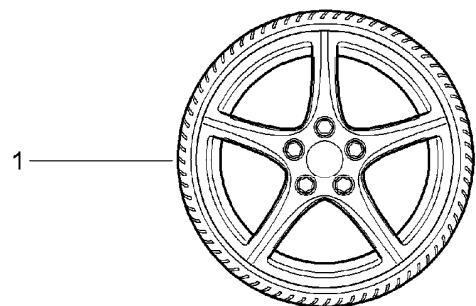
Pos	Part Number	Description	Remark	Qty	Model
1	000 044 600 84	gear wheel sets winter	97-04		BOXSTER/S (986)
		gear set BOXSTER S2	97-04	1	
		comprising:			
-	986 362 124 02	wheel 7JX17 ET55		2	
-	986 362 126 07	wheel 8,5JX17 ET48		2	
		tyre 205/50 VR17		2	
		tyre 225/45 VR17		2	
2	000 044 600 85	gear set carrera	98-04	1	
		comprising:			
-	996 362 134 05	wheel 7,5JX18 ET50		2	
-	996 362 138 00	wheel 9JX18 ET52		2	
		tyre 225/40 VR18		2	
		tyre 265/35 VR18			



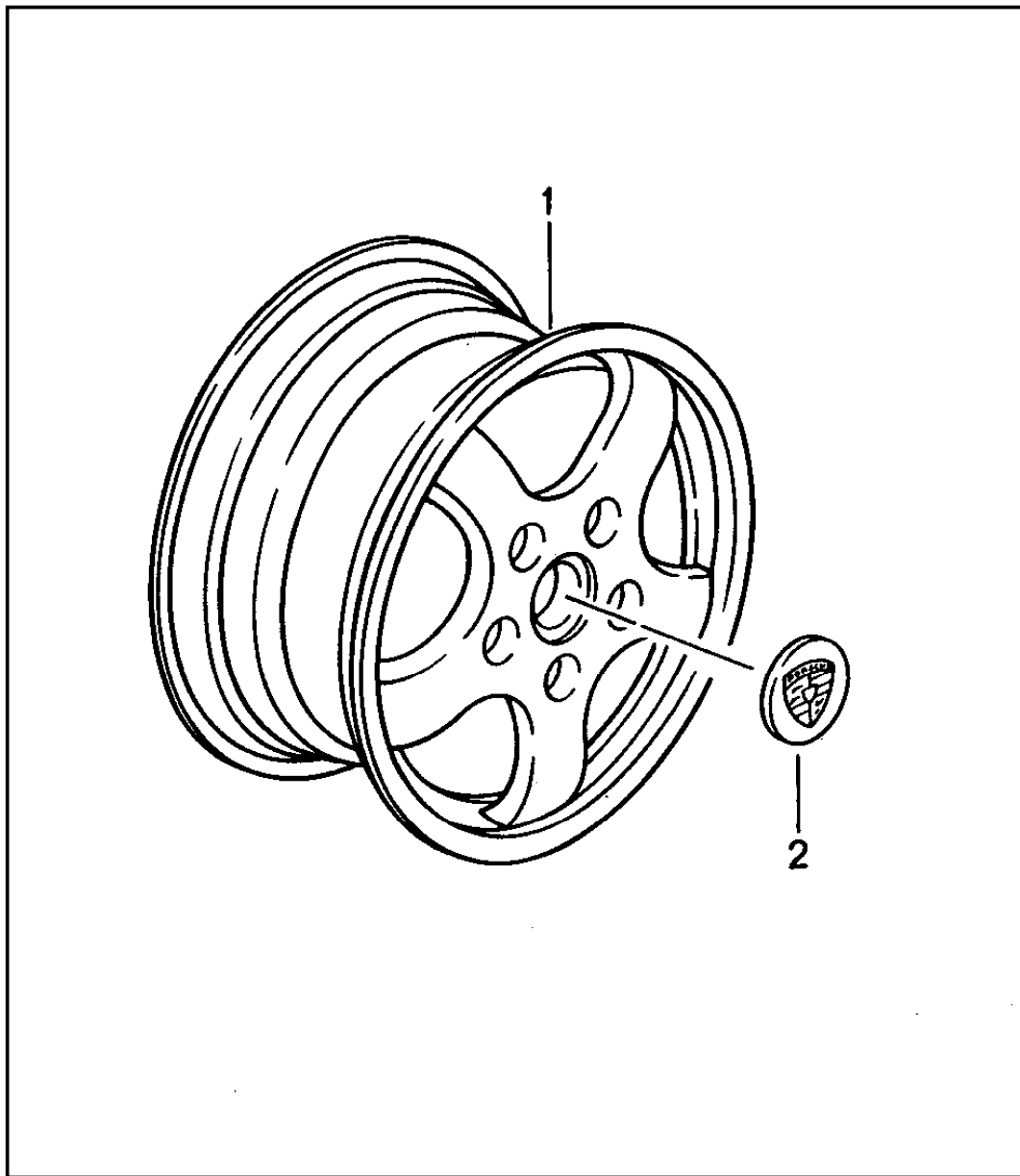


Model	Year	MG	SG	Illustration	Restrictions	UPD	18:19	06.02.2010	PORSCHE	PET	PORSCHE
TEQ	2010	6	02	602-04		248	USA / CANADA				

Pos	Part Number	Description	Remark	Qty	Model
		gear wheel sets summer	05-		911/S (997 I)
1	997 044 602 01	gear set CARRERA CLASSIC	05-	1	911/S I338
1	997 044 602 11	gear set CARRERA CLASSIC	06-	1	911/S I339
1	997 044 602 02	gear set CARRERA CLASSIC tyre pressure monitoring	05-08	1	911/S I338 I482
1	997 044 602 12	gear set CARRERA CLASSIC tyre pressure monitoring	06-08	1	911/S I339 I482
2	997 044 602 03	gear set SPORT-DESIGN	05-	1	911/S I338
2	997 044 602 13	gear set SPORT-DESIGN	06-	1	911/S I339
2	997 044 602 04	gear set SPORT-DESIGN tyre pressure monitoring	05-08	1	911/S I338 I482
2	997 044 602 14	gear set SPORT-DESIGN tyre pressure monitoring	06-08	1	911/S I339 I482
3	997 044 602 05	gear set CARRERA S	05-08	1	911/S I338
3	997 044 602 15	gear set Carrera S	06-08	1	911/S I339
3	997 044 602 06	gear set CARRERA S tyre pressure monitoring	05-08	1	911/S I338 I482
3	997 044 602 16	gear set CARRERA S tyre pressure monitoring	06-08	1	911/S I339 I482



Model	Year	MG	SG	Illustration	Restrictions	UPD	18:20	06.02.2010	PORSCHE	PET	PORSCHE
TEQ	2010	6	02	602-05		248	USA / CANADA				



Pos	Part Number	Description	Remark	Qty	Model
		gear wheel sets winter	05-07-		911/S TURBO (997 I)
-	997 044 600 01	set of wheels, compl. CARRERA S	05-08	1	911/S I338
-	997 044 600 02	gear set CARRERA S tyre pressure monitoring	05-08	1	911/S I338 I482
-	997 044 600 03	gear set CARRERA III	05-08	1	911/S I338
-	997 044 600 04	gear set CARRERA III with tyre pressure monitoring	05-08	1	911/S I338 I482
-	997 044 600 11	gear set CARRERA III	06-08	1	911/S I339
-	997 044 600 12	gear set CARRERA III tyre pressure monitoring	06-08	1	911/S I339 I482
-	997 044 600 13	gear set CARRERA S	06-08	1	911/S I339
-	997 044 600 14	gear set CARRERA S tyre pressure monitoring	06-08	1	911/S I339 I482
-	997 044 600 78	gear set Carrera IV 235/40 VR18 295/35 VR18	07-	1	TURBO
-	997 044 600 24	gear set turbo 235/35 VR19 295/30 VR19	07-	1	TURBO
-	997 044 600 24	gear set turbo 235/35 VR19 295/30 VR19	07-	1	TURBO I450

PORSCHE

PET

PORSCHE

Model	Year	MG	SG	Illustration	Restrictions	UPD	18:20	06.02.2010
TEQ	2010	6	02	602-06		248	USA / CANADA	

Pos	Part Number	Description	Remark	Qty	Model
		gear wheel sets summer	05-		BOXSTER/S CAYMAN/S (987)
-	987 044 602 01	gear set CARRERA CLASSIC comprising:	05-	1	
-	997 362 156 03	wheel 8JX19 ET57		2	
-	997 362 158 06	wheel 9,5JX19 ET46		2	
		tyre 235/35 ZR19		2	
		tyre 265/35 ZR19		2	
-	987 044 602 02	gear set CARRERA CLASSIC tyre pressure monitoring comprising:	06-	1	
-	997 362 156 03	wheel 8JX19 ET57		2	
-	997 362 156 06	wheel 9,5JX19 ET46		2	
		tyre 235/35 ZR19		2	
		tyre 265/35 ZR19		2	
-	987 044 602 03	gear set SPORT-DESIGN comprising:	05-	1	
-	997 362 156 04	wheel 8JX19 ET57		2	
-	997 362 158 07	wheel 9,5JX19 ET46		2	
		tyre 235/35 ZR19		2	
		tyre 265/35 ZR19		2	
-	987 044 602 04	gear set SPORT DESIGN tyre pressure monitoring comprising:	06-	1	
-	997 362 156 04	wheel 8JX19 ET57		2	

PORSCHE

PET

PORSCHE

Model	Year	MG	SG	Illustration	Restrictions	UPD	18:20	06.02.2010
TEQ	2010	6	02	602-06		248	USA / CANADA	

Pos	Part Number	Description	Remark	Qty	Model
-	997 362 158 07	wheel 9,5JX19 ET46		2	
		tyre 235/35 ZR19		2	
		tyre 265/35 ZR19		2	
-	987 044 602 05	gear set CARRERA S comprising:	05-	1	
-	997 362 156 01	wheel 8JX19 ET57		2	
-	997 362 158 05	wheel 9,5JX19 ET46		2	
		tyre 235/35 ZR19		2	
		tyre 265/35 ZR19		2	
-	987 044 602 06	gear set CARRERA S tyre pressure monitoring comprising:	06-	1	
-	997 362 156 01	wheel 8JX19 ET57		2	
-	997 362 158 05	wheel 9,5JX19 ET46		2	
		tyre 235/35 ZR19		2	
		tyre 265/35 ZR19		2	
-	987 044 602 07	gear set boxster s comprising:	05-	1	
-	987 362 136 00	wheel 8JX18 ET57		2	
-	987 362 138 00	wheel 9JX18 ET43		2	
		tyre 235/40 ZR18		2	
		tyre 265/40 ZR18		2	
-	987 044 602 08	gear set boxster s tyre pressure monitoring comprising:	06-	1	
-	987 362 136 00	wheel 8JX18 ET57		2	

PORSCHE

PET

PORSCHE

Model	Year	MG	SG	Illustration	Restrictions	UPD	18:20	06.02.2010
TEQ	2010	6	02	602-06		248	USA / CANADA	

Pos	Part Number	Description	Remark	Qty	Model
-	987 362 138 00	wheel 9JX18 ET43 tyre 235/40 ZR18 tyre 265/40 ZR18		2 2 2	
-	987 044 602 09	gear set CARRERA SPORT comprising:	05-	1	
-	997 362 156 55	wheel 8,5JX19 ET55		2	
-	997 362 160 50	wheel 10JX19 ET42 tyre 235/35 ZR19 tyre 265/35 ZR19		2 2	
-	987 044 602 10	gear set CARRERA SPORT tyre pressure monitoring comprising:	06-	1	
-	997 362 156 55	wheel 8,5JX19 ET55		2	
-	997 362 160 50	wheel 10JX19 ET42 tyre 235/35 ZR19 tyre 265/35 ZR19		2 2	
-	987 044 602 11	gear set Cayman S comprising:	05-	1	
-	987 362 136 01	wheel 8JX18 ET57		2	
-	987 362 138 01	wheel 9JX18 ET43 tyre 235/40 ZR18 tyre 265/40 ZR18		2 2 2	
-	987 044 602 12	gear set Cayman S tyre pressure monitoring comprising:	06-	1	
-	987 362 136 01	wheel 8JX18 ET57		2	

PORSCHE

# PET

PORSCHE

Model	Year	MG	SG	Illustration	Restrictions	UPD	18:20	06.02.2010
TEQ	2010	6	02	602-06		248	USA / CANADA	

Pos	Part Number	Description	Remark	Qty	Model
-	987 362 138 01	wheel 9JX18 ET43		2	
		tyre 235/40 ZR18		2	
		tyre 265/40 ZR18		2	

PORSCHE

PET

PORSCHE

Model	Year	MG	SG	Illustration	Restrictions	UPD	18:20	06.02.2010
TEQ	2010	6	02	602-07		248	USA / CANADA	

Pos	Part Number	Description	Remark	Qty	Model
		gear wheel sets winter	05-		BOXSTER/S CAYMAN/S (987)
-	987 044 600 05	gear set boxster s comprising:		1	
-	987 362 136 00	wheel 8JX18 ET57		2	
-	987 362 138 00	wheel 9JX18 ET43		2	
		tyre 235/40 VR18		2	
		tyre 255/40 VR18		2	
-	987 044 600 06	gear set boxster s tyre pressure monitoring comprising:	06-	1	
-	987 362 136 00	wheel 8JX18 ET57		2	
-	987 362 138 00	wheel 9JX18 ET43		2	
		tyre 235/40 VR18		2	
		tyre 255/40 VR18		2	
-	987 044 600 03	gear set BOXSTER 2 comprising:	05-	1	BOXSTER
-	987 362 122 05	wheel 6,5JX17 ET55		2	
-	987 362 126 00	wheel 8JX17 ET40		2	
		tyre 205/55 VR17		2	
		tyre 235/50 VR17		2	
-	987 044 600 04	gear set BOXSTER 2 tyre pressure monitoring comprising:	06-	1	BOXSTER
-	987 362 122 05	wheel 6,5X17 ET55		2	

PORSCHE

PET

PORSCHE

Model	Year	MG	SG	Illustration	Restrictions	UPD	18:20	06.02.2010
TEQ	2010	6	02	602-07		248	USA / CANADA	

Pos	Part Number	Description	Remark	Qty	Model
-	987 362 126 00	wheel 8JX17 ET40 tyre 205/55 VR17 tyre 235/50 VR17		2 2 2	
-	987 044 600 09	gear set Cayman S comprising:	06-	1	
-	987 362 136 01	wheel 8JX18 ET57		2	
-	987 362 138 01	wheel 9JX18 ET43 tyre 235/40 VR18 tyre 255/40 VR18		2 2 2	
-	987 044 600 10	gear set Cayman S tyre pressure monitoring	06-	1	
-	987 362 136 01	wheel 8JX18 ET57		2	
-	987 362 138 01	wheel 9JX18 ET43 tyre 235/40 VR18 tyre 255/40 VR18		2 2 2	



PORSCHE

PET

PORSCHE

Model	Year	MG	SG	Illustration	Restrictions	UPD	18:21	06.02.2010
TEQ	2010	6	02	602-08		248	USA / CANADA	

Pos	Part Number	Description	Remark	Qty	Model
-	997 044 602 17	gear wheel sets sport	05- 07-	1	911/S TURBO
-	997 044 602 18	gear set CARRERA SPORT Michelin Sport Cup	05-	1	911,911 S I338
-	997 044 602 18	gear set CARRERA SPORT tyre pressure monitoring Michelin Sport Cup	05-08	1	911,911 S I338 I482
-	997 044 602 80	gear set CARRERA SPORT tyre pressure monitoring Michelin Sport Cup	09-	1	911,911 S I338 I482
-	997 044 602 35	gear set CARRERA SPORT Michelin Sport Cup	05-	1	911,911 S I339
-	997 044 602 36	gear set CARRERA SPORT tyre pressure monitoring Michelin Sport Cup	05-08	1	911,911 S I339 I482
-	997 044 602 38	gear set CARRERA SPORT tyre pressure monitoring Michelin Sport Cup	09-	1	911,911 S I339 I482
-	997 044 602 36	gear set CARRERA SPORT Michelin Sport Cup	07-	1	TURBO

PORSCHE

PET

PORSCHE

Model	Year	MG	SG	Illustration	Restrictions	UPD	18:21	06.02.2010
TEQ	2010	6	02	602-09		248	USA / CANADA	

Pos	Part Number	Description	Remark	Qty	Model
-	997 044 602 33	gear wheel sets summer	09-		911/S (997 II)
-	997 044 602 72	gear set Sport Design 235/35 ZR19 295/30 ZR19	09-	1	911/S I338
-	997 044 602 31	gear set Carrera Classic 235/35 ZR19 295/30 ZR19	09-	1	911/S I338
-	997 044 602 76	gear set Carrera Classic tyre pressure monitoring 235/35 ZR19 295/30 ZR19	09-	1	911/S I338 I482
-	997 044 602 63	gear set Carrera SII 235/35 ZR19 295/30 ZR19	09-	1	911/S I338
-	997 044 602 66	gear set Carrera SII tyre pressure monitoring 235/35 ZR19 295/30 ZR19	09-	1	911/S I338 I482
-	997 044 602 28	gear set turbo 235/35 ZR19 295/30 ZR19	09-	1	911/S I338
-	997 044 602 37	gear set turbo tyre pressure monitoring 235/35 ZR19 295/30 ZR19	09-	1	911/S I338 I482
-	997 044 602 39	gear set Carrera Sport 235/35 ZR19 305/30 ZR19	09-	1	911/S I338
-	997 044 602 48	gear set Carrera Sport tyre pressure monitoring 235/35 ZR19 305/30 ZR19	09-	1	911/S I338 I482

PORSCHE

PET

PORSCHE

Model	Year	MG	SG	Illustration	Restrictions	UPD	18:21	06.02.2010
TEQ	2010	6	02	602-09		248	USA / CANADA	

Pos	Part Number	Description	Remark	Qty	Model
-	997 044 602 43	gear set Sport Design 235/35 ZR19 305/30 ZR19	09-	1	911/S I339
-	997 044 602 74	gear set Sport Design tyre pressure monitoring 235/35 ZR19 305/30 ZR19	09-	1	911/S I339 I482
-	997 044 602 41	gear set Carrera Classic 235/35 ZR19 305/30 ZR19	09-	1	911/S I339
-	997 044 602 78	gear set Carrera Classic tyre pressure monitoring 235/35 ZR19 305/30 ZR19	09-	1	911/S I339 I482
-	997 044 602 67	gear set Carrera SII 235/35 ZR19 305/30 ZR19	09-	1	911/S I339
-	997 044 602 70	gear set Carrera SII tyre pressure monitoring 235/35 ZR19 305/30 ZR19	09-	1	911/S I339 I482
-	997 044 602 26	gear set turbo 235/35 ZR19 305/30 ZR19	09-	1	911/S I339
-	997 044 602 47	gear set turbo tyre pressure monitoring 235/35 ZR19 305/30 ZR19	09-	1	911/S I339 I482
-	997 044 602 59	gear set Carrera Sport 235/35 ZR19 305/30 ZR19	09-	1	911/S I339
-	997 044 602 62	gear set Carrera Sport tyre pressure monitoring 235/35 ZR19 305/30 ZR19	09-	1	911/S I339 I482

PORSCHE

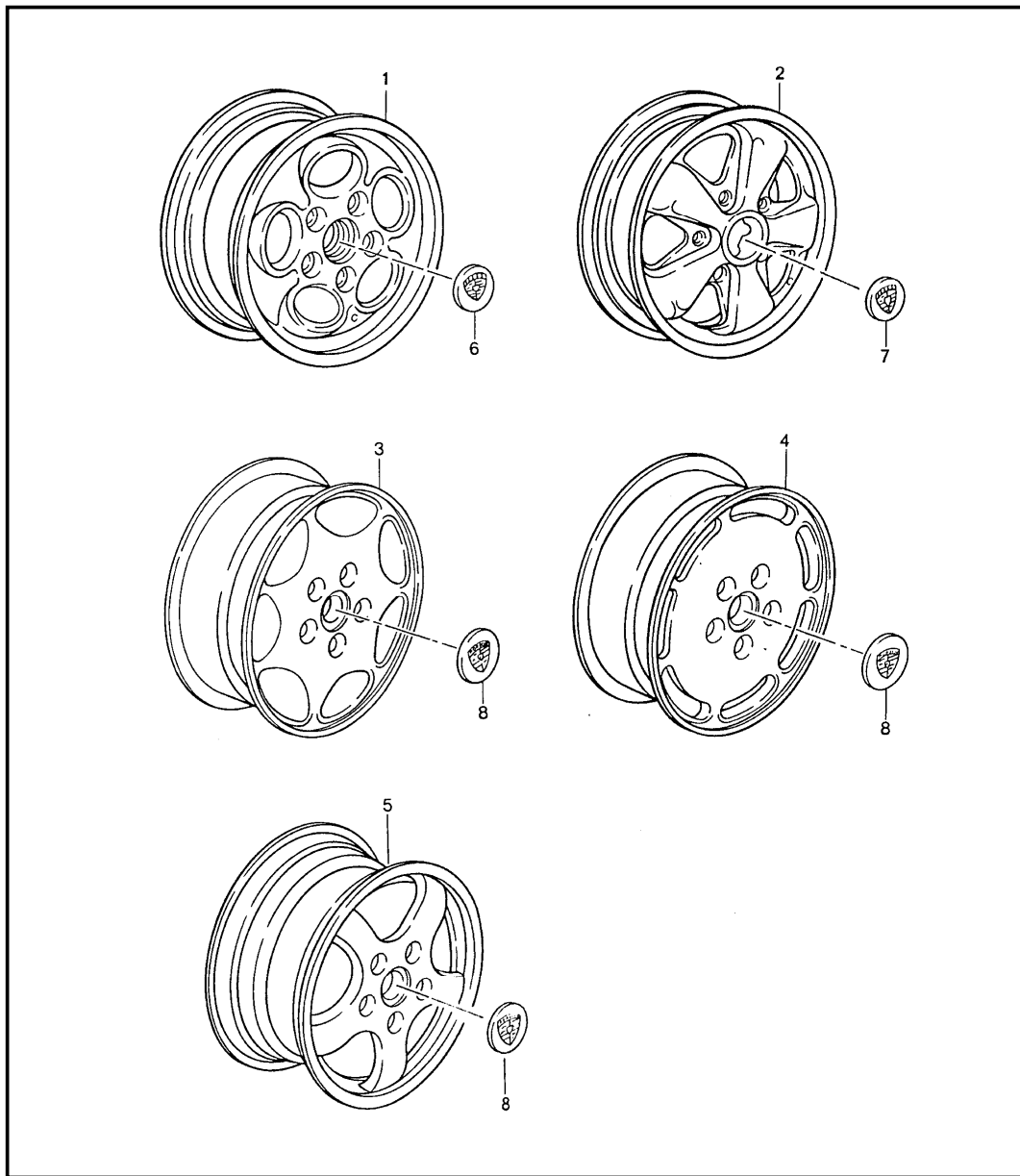
PET

PORSCHE

Model	Year	MG	SG	Illustration	Restrictions	UPD	18:22	06.02.2010
TEQ	2010	6	02	602-10		248	USA / CANADA	

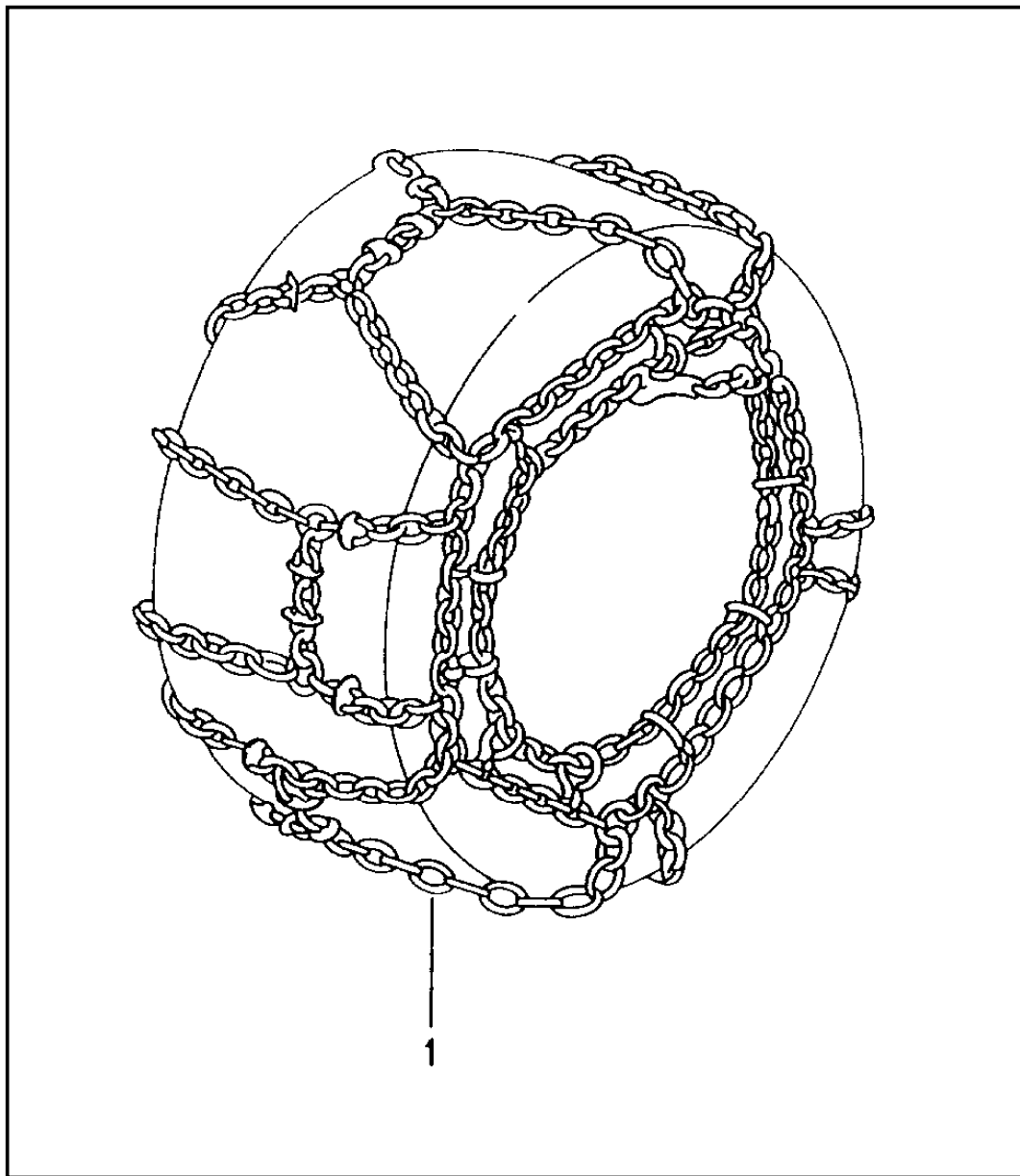
Pos	Part Number	Description	Remark	Qty	Model
-	997 044 600 53	gear wheel sets winter	09-		911/S (997 II)
-	997 044 600 56	gear set CARRERA IV 235/40 VR18 265/40 VR18	09-	1	911/S I338
-	997 044 600 73	gear set CARRERA IV 235/40 VR18 295/35 VR18	09-	1	911/S I338
-	997 044 600 76	gear set CARRERA IV tyre pressure monitoring 235/40 VR18 265/40 VR18	09-	1	911/S I338 I482
-	997 044 600 45	gear set CARRERA S II 235/35 VR19 295/30 VR19	09-	1	911/S I338
-	997 044 600 48	gear set CARRERA S II tyre pressure monitoring 235/35 VR19 295/30 VR19	09-	1	911/S I338 I482
-	997 044 600 77	gear set CARRERA IV 235/40 VR18 295/35 VR18	09-	1	911/S I339
-	997 044 600 72	gear set CARRERA IV tyre pressure monitoring 235/40 VR18 295/35 VR18	09-	1	911/S I339 I482
-	997 044 600 49	gear set CARRERA S II 235/35 VR19 295/30 VR19	09-	1	911/S I339
-	997 044 600 52	gear set CARRERA S II tyre pressure monitoring 235/35 VR19 295/30 VR19	09-	1	911/S I339 I482

Model	Year	MG	SG	Illustration	Restrictions	UPD	18:22	06.02.2010	PORSCHE	PET	PORSCHE
TEQ	2010	6	03	603-00		248	USA / CANADA				



Pos	Part Number	Description	Remark	Qty	Model
		retrofit kit brakes pccb			911
-	000 044 600 60	retrofit kit pccb	996 -05	1	TURBO, C4S
-	000 044 600 61	retrofit kit pccb	996 -05	1	GT2
-	000 044 600 62	retrofit kit pccb	996 -05	1	GT3
-	997 044 600 63	retrofit kit pccb	997 05-	1	911 S
-	997 044 600 60	retrofit kit pccb	997 07-	1	TURBO

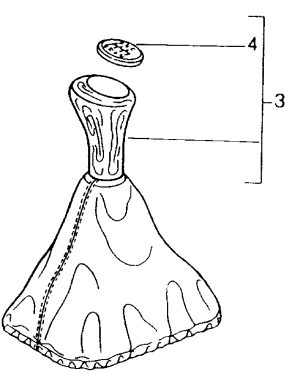
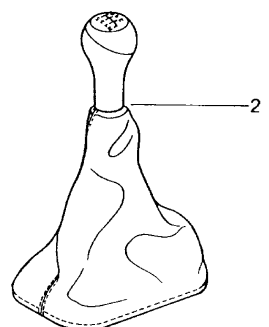
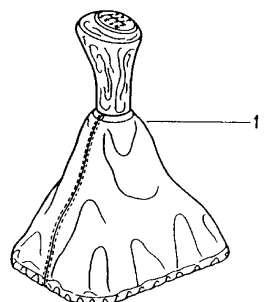
Model	Year	MG	SG	Illustration	Restrictions	UPD	18:22	06.02.2010	PORSCHE	PET	PORSCHE
TEQ	2010	6	50	650-00		248	USA / CANADA				



Pos	Part Number	Description	Remark	Qty	Model
(1)	911 361 920 00	snow chains set for 205/55 R 16		1	
(1)	993 361 931 00	snow chains set for 225/50 R 16 or 225/45 R 17		1	
(1)	996 361 920 00	snow chains set for 225/50 R 16 or 225/45 R 17		1	
(1)	996 361 921 00	snow chains set for 255/40 R 17 or 235/50 R 17		1	
(1)	996 361 922 00	snow chains set for 265/35 R 18 or 255/40 R 18		1	
(1)	997 044 600 07	snow chains set for 265/40 R18		1	
(1)	997 044 600 08	snow chains set for 295/35 R18		1	

Model	Year	MG	SG	Illustration	Restrictions	UPD	18:24	06.02.2010	PORSCHE	PET	PORSCHE
TEQ	2010	7	01	701-00		248	USA / CANADA				

Pos	Part Number	Description	Remark	Qty	Model
1	993 424 981 00	shift-lever knob multicoloured	89-98	1	911, CARRERA SPEEDSTER
		gearshift knob rootwood light	94-98		CARRERA TARGA
		4YU cashmere beige			
		T15 chestnut brown			
		6XL classic grey			
		3QN marble grey			
		H24 midnight blue			
		8YR black			
1	993 424 981 01	gearshift knob rootwood dark	94-98	1	CARRERA TARGA
		4YU cashmere beige			
		T15 chestnut brown			
		6XL classic grey			
		3QN marble grey			
		H24 midnight blue			
		8YR black			
		2	993 424 981 06		gearshift knob carbon-aluminium look
4YU cashmere beige					
T15 chestnut brown					
6XL classic grey					
3QN marble grey					
H24 midnight blue					
8YR black					
(2)	000 044 700 14			shift-lever knob	94-98
		4YU cashmere beige			
		T15 chestnut brown			



Model	Year	MG	SG	Illustration	Restrictions	UPD	18:24	06.02.2010	PORSCHE	PET	PORSCHE
TEQ	2010	7	01	701-00		248	USA / CANADA				

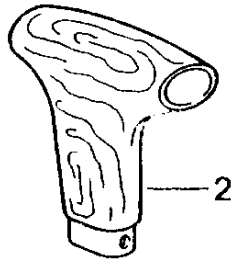
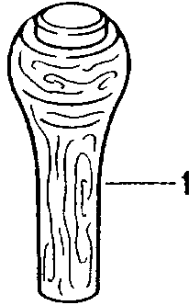
Pos	Part Number	Description	Remark	Qty	Model	Pos	Part Number	Description	Remark	Qty	Model				
3	6XL	classic grey	94-98	1	CARRERA TARGA	4	8YR	black	94-98	1	CARRERA CARRERA 4 4S, TARGA				
	3QN	marble grey					EXC 964 018 21	insert crest							
	H24	midnight blue					4YU	cashmere beige							
	8YR	black					T15	chestnut brown							
	993 424 981 02	gearshift knob leather					6XL	classic grey							
		shift pattern leather					3QN	marble grey							
	4YU	cashmere beige					H24	midnight blue							
	T15	chestnut brown					8YR	black							
	6XL	classic grey					EXC 964 018 14	insert crest gold-coloured							
	3QN	marble grey					EXC 964 018 11	insert crest silver							
4	000 044 700 05	insert shift pattern leather	94-98	1	CARRERA CARRERA 4 TURBO 4S, TARGA	3	993 424 075 30	shift-lever knob leather	94-98	1	CARRERA				
	4YU	cashmere beige					8YR	black							
	T15	chestnut brown					1	993 424 982 00				gearshift knob rootwood light	94-98	1	CARRERA 4 4S, TURBO
	6XL	classic grey					8YR	black							
	3QN	marble grey					H24	midnight blue							
	H24	midnight blue					6XL	classic grey							
	8YR	black					M30	boxster red				97-98			
	EXC 964 018 08	insert crest leather					J30	nephrite green				97-98			
	4YU	cashmere beige					3QN	marble grey							
	T15	chestnut brown					T15	chestnut brown							
4	6XL	classic grey	94-98	1	CARRERA 4 4S, TURBO	1	993 424 982 01	gearshift knob rootwood dark	94-98	1	CARRERA 4 4S, TURBO				
	3QN	marble grey					8YR	black							
	H24	midnight blue													



Model	Year	MG	SG	Illustration	Restrictions	UPD	18:24	06.02.2010	PORSCHE	PET	PORSCHE
TEQ	2010	7	01	701-00		248	USA / CANADA				

Pos	Part Number	Description	Remark	Qty	Model	Pos	Part Number	Description	Remark	Qty	Model
	H24	midnight blue					J30	nephrite green	97-98		
	6XL	classic grey					3QN	marble grey			
	M30	boxster red	97-98				T15	chestnut brown			
	J30	nephrite green	97-98								
	3QN	marble grey									
	T15	chestnut brown									
2	993 424 982 06	gearshift knob carbon-aluminium look	94-98	1	CARRERA 4 4S, TURBO						
	8YR	black									
	H24	midnight blue									
	6XL	classic grey									
	M30	boxster red	97-98								
	J30	nephrite green	97-98								
	3QN	marble grey									
	T15	chestnut brown									
(2)	000 044 700 21	shift-lever knob	94-98	1	CARRERA 4						
	8YR	black									
	H24	midnight blue									
	6XL	classic grey									
	M30	boxster red	97-98								
	J30	nephrite green	97-98								
	3QN	marble grey									
	T15	chestnut brown									
3	993 424 982 02	gearshift knob leather shift pattern leather	94-98	1	CARRARA 4 4S, TURBO						
	8YR	black									
	H24	midnight blue									
	6XL	classic grey									
	M30	boxster red	97-98								

Model	Year	MG	SG	Illustration	Restrictions	UPD	18:24	06.02.2010	PORSCHE	PET	PORSCHE
TEQ	2010	7	01	701-01		248	USA / CANADA				



Pos	Part Number	Description	Remark	Qty	Model
		selector lever TIPTRONIC/ automatic	89-98		968 911, CARRERA 928
1	993 426 981 02	selector lever tiptronic rootwood light	89-94 94-98	1	968 CARRERA 2 CARRERA
1	993 426 981 01	selector lever tiptronic rootwood dark	89-94 94-98	1	968 CARRERA 2 CARRERA
(1)	000 044 700 25	selector lever tiptronic carbon triggering button aluminium	89-94 94-98	1	968 CARRERA 2 CARRERA
(1)	993 426 981 04	selector lever tiptronic aluminium triggering button aluminium	89-94 94-98	1	968 CARRERA 2 CARREA
-	964 552 985 00	cover shift gate leather	/LL 89-98	1	911
	4YU	cashmere beige			
	8YR	black			
	H24	midnight blue			
2	EXC 928 031 00	selector lever rootwood light		1	928
	8YR	black			
2	EXC 928 031 01	selector lever rootwood dark		1	928
	8YR	black			

PORSCHE

PET

PORSCHE

Model	Year	MG	SG	Illustration	Restrictions	UPD	18:25	06.02.2010
TEQ	2010	7	01	701-02		248	USA / CANADA	

Pos	Part Number	Description	Remark	Qty	Model
-	000 044 700 26	shift-lever knob gearshift lever sport	97-04	1	BOXSTER
	M30	gearshift lever sport aluminium leather			
	J30	boxster red	97-		
	S30	nephrite green	97-		
	8YR	savanna	97-		
	C50	black	97-		
	G10	graphite grey	97-		
	VRJ	metropole blue	98-		
		black greyish green			
-	986 424 981 00	shift-lever knob aluminium leather	-00	1	M009
	M30	boxster red	97-		
	J30	nephrite green	97-		
	S30	savanna	97-		
	8YR	black	97-		
	C50	graphite grey	97-		
	G10	metropole blue	98-		
	VRJ	black greyish green			
-	986 424 981 05	shift-lever knob aluminium leather	-01	1	M009
	M30	boxster red	97-		
	J30	nephrite green	97-		
	S30	savanna	97-		
	8YR	black	97-		
	C50	graphite grey	97-		
	G10	metropole blue	98-		

Model	Year	MG	SG	Illustration	Restrictions	UPD	18:25	06.02.2010
TEQ	2010	7	01	701-02		248	USA / CANADA	

Pos	Part Number	Description	Remark	Qty	Model
-	VRJ A 996 424 981 00	black greyish green shift-lever knob aluminium leather		1	M008
	M30	boxster red			
	J30	nephrite green			
	S30	savanna			
	8YR	black			
	C50	graphite grey			
	G10	metropole blue			
-	996 424 981 15	shift-lever knob aluminium leather		1	M008
	M30	boxster red			
	J30	nephrite green			
	S30	savanna			
	8YR	black			
	C50	graphite grey			
	G10	metropole blue			
-	986 424 981 01	shift-lever knob mahogany leather		1	M009
	M30	boxster red	97-		
	J30	nephrite green	97-		
	S30	savanna	97-		
	8YR	black	97-		
	C50	graphite grey	97-		
	G10	metropole blue	98-		
-	986 424 981 04	shift-lever knob dark maple rootwood aluminium leather	-00	1	M009
	M30	boxster red			
	J30	nephrite green			

Model	Year	MG	SG	Illustration	Restrictions	UPD	18:25	06.02.2010
TEQ	2010	7	01	701-02		248	USA / CANADA	

Pos	Part Number	Description	Remark	Qty	Model
	S30	savanna			
	8YR	black			
	C50	graphite grey			
	G10	metropole blue			
-	986 424 981 06	shift-lever knob dark maple rootwood aluminium leather	01-	1	M009
	M30	boxster red			
	J30	nephrite green			
	S30	savanna			
	8YR	black			
	C50	graphite grey			
	G10	metropole blue			
-	986 424 981 03	shift-lever knob mahogany aluminium leather		1	M009
	8YR	black	97-		
	M30	boxster red	97-		
	J30	nephrite green	97-		
	S30	savanna	97-		
	C50	graphite grey	97-		
	G10	metropole blue	98-		
-	996 424 981 02	shift-lever knob dark maple rootwood aluminium leather	-00	1	M008
	8YR	black			
	M30	boxster red			
	J30	nephrite green			
	S30	savanna			
	C50	graphite grey			
	G10	metropole blue			

Model	Year	MG	SG	Illustration	Restrictions	UPD	18:25	06.02.2010
TEQ	2010	7	01	701-02		248	USA / CANADA	

Pos	Part Number	Description	Remark	Qty	Model
-	996 424 981 17	shift-lever knob dark maple rootwood aluminium leather	01-	1	M008
	8YR	black			
	M30	boxster red			
	J30	nephrite green			
	S30	savanna			
	C50	graphite grey			
	G10	metropole blue			
-	986 424 981 02	shift-lever knob carbon aluminium leather	-00	1	M009
	M30	boxster red	97-		
	J30	nephrite green	97-		
	S30	savanna	97-		
	8YR	black	97-		
	C50	graphite grey	97-		
	G10	metropole blue	98-		
-	986 424 981 07	shift-lever knob carbon aluminium leather	01-	1	M009
	M30	boxster red	97-		
	J30	nephrite green	97-		
	S30	savanna	97-		
	8YR	black	97-		
	C50	graphite grey	97-		
	G10	metropole blue	98-		
-	996 424 981 03	shift-lever knob carbon aluminium leather	-00	1	M008
	M30	boxster red			
	J30	nephrite green			

PORSCHE

PET

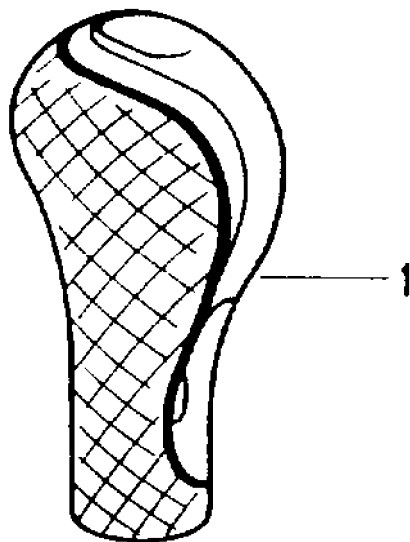
PORSCHE

Model	Year	MG	SG	Illustration	Restrictions	UPD	18:25	06.02.2010
TEQ	2010	7	01	701-02		248	USA / CANADA	

Pos	Part Number	Description	Remark	Qty	Model
	S30	savanna			
	8YR	black			
	C50	graphite grey			
	G10	metropole blue			
-	996 424 981 18	shift-lever knob carbon aluminium leather	01-	1	M008
	M30	boxster red			
	J30	nephrite green			
	S30	savanna			
	8YR	black			
	C50	graphite grey			
	G10	metropole blue			

Model	Year	MG	SG	Illustration	Restrictions	UPD	18:25	06.02.2010	PORSCHE	PET	PORSCHE
TEQ	2010	7	01	701-03		248	USA / CANADA				

Pos	Part Number	Description	Remark	Qty	Model
		selector lever tiptronic trim cover shift mechanism	97-04		BOXSTER
-	996 426 981 00	selector lever aluminium triggering button aluminium leather	-00	1	
	8YR	black	97-		
	VRJ	black			
	C50	graphite grey	97-		
	S30	savanna	97-		
	J30	nephrite green	97-		
	M30	boxster red	97-		
	G10	metropole blue	98-		
-	996 426 981 06	selector lever aluminium triggering button aluminium leather	01-	1	
	8YR	black	97-		
	VRJ	black			
	C50	graphite grey	97-		
	S30	savanna	97-		
	J30	nephrite green	97-		
	M30	boxster red	97-		
	G10	metropole blue	98-		
-	996 426 981 02	selector lever carbon triggering button aluminium leather	-00	1	
	8YR	black			
-	996 426 981 09	selector lever carbon triggering button aluminium	00-	1	





Model	Year	MG	SG	Illustration	Restrictions	UPD	18:25	06.02.2010	PORSCHE	PET	PORSCHE
TEQ	2010	7	01	701-03		248	USA / CANADA				

Pos	Part Number	Description	Remark	Qty	Model	Pos	Part Number	Description	Remark	Qty	Model
-	996 426 981 03	selector lever mahogany triggering button aluminium		1			G11	metropole blue	98-		
	8YR	black									
-	996 426 981 01	selector lever mahogany triggering button aluminium		1		-	996 552 977 12	trim cover shift mechanism tiptronic carbon insert aluminium	/LL	1	
-	996 426 981 05	selector lever dark maple rootwood triggering button aluminium	-00	1		-	996 552 977 14	trim cover shift mechanism tiptronic mahogany insert aluminium	/LL	1	
-	996 426 981 08	selector lever dark maple rootwood triggering button aluminium	01-	1							
-	A 996 552 977 10	trim cover shift mechanism tiptronic insert aluminium leather	/LL	1							
	M31	boxster red	97-								
	J31	nephrite green	97-								
	S31	savanna	97-								
	C51	graphite grey	97-								
	A11	black	97-								
	G11	metropole blue	98-								
-	996 552 977 20	trim cover shift mechanism tiptronic insert aluminium leather	/LL	1							
	M31	boxster red	97-								
	J31	nephrite green	97-								
	S31	savanna	97-								
	C51	graphite grey	97-								
	A11	black	97-								

PORSCHE

PET

PORSCHE

Model	Year	MG	SG	Illustration	Restrictions	UPD	18:25	06.02.2010
TEQ	2010	7	01	701-04		248	USA / CANADA	

Pos	Part Number	Description	Remark	Qty	Model
		shift-lever knob gearshift lever sport	98-04		911
-	000 044 700 26	gearshift lever sport		1	911
-	996 424 981 00	shift-lever knob aluminium leather	-00	1	
	8YR	black	98-		
	C50	graphite grey	98-		
	S30	savanna	98-		
	J30	nephrite green	98-		
	M30	boxster red	98-		
	G10	metropole blue	98-		
	B50	space grey	98-		
-	996 424 981 15	shift-lever knob aluminium leather	01-	1	
	8YR	black	98-		
	C50	graphite grey	98-		
	S30	savanna	98-		
	J30	nephrite green	98-		
	M30	boxster red	98-		
	G10	metropole blue	98-		
	B50	space grey	98-		
-	996 424 981 01	shift-lever knob light maple rootwood aluminium leather	-00	1	
	8YR	black	98-		
	C50	graphite grey	98-		
	S30	savanna	98-		
	J30	nephrite green	98-		
	M30	boxster red	98-		
	G10	metropole blue	98-		

Model	Year	MG	SG	Illustration	Restrictions	UPD	18:25	06.02.2010
TEQ	2010	7	01	701-04		248	USA / CANADA	

Pos	Part Number	Description	Remark	Qty	Model
-	996 424 981 16	B50 space grey shift-lever knob light maple rootwood aluminium leather 8YR black C50 graphite grey S30 savanna J30 nephrite green M30 boxster red G10 metropole blue	98- 01- 98- 98- 98- 98- 98- 98-	1	
-	996 424 981 02	B50 space grey shift-lever knob dark maple rootwood aluminium leather 8YR black C50 graphite grey S30 savanna J30 nephrite green M30 boxster red G10 metropole blue	98- -00 98- 98- 98- 98- 98- 98-	1	
-	996 424 981 17	B50 space grey shift-lever knob dark maple rootwood aluminium leather 8YR black C50 graphite grey S30 savanna J30 nephrite green M30 boxster red G10 metropole blue	98- 01- 98- 98- 98- 98- 98- 98-	1	

PORSCHE

PET

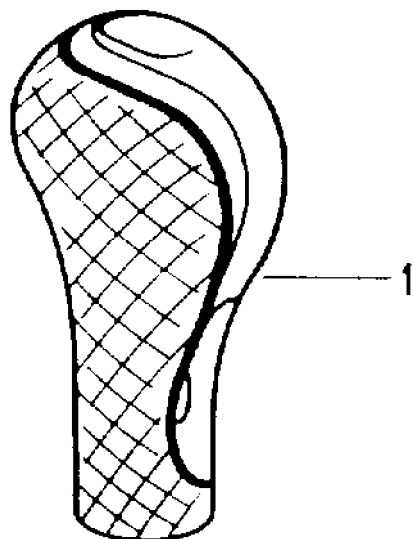
PORSCHE

Model	Year	MG	SG	Illustration	Restrictions	UPD	18:25	06.02.2010
TEQ	2010	7	01	701-04		248	USA / CANADA	

Pos	Part Number	Description	Remark	Qty	Model
-	996 424 981 03	shift-lever knob carbon aluminium leather	-00	1	
	8YR	black	98-		
	C50	graphite grey	98-		
	S30	savanna	98-		
	J30	nephrite green	98-		
	M30	boxster red	98-		
	G10	metropole blue	98-		
	B50	space grey	98-		
-	996 424 981 18	shift-lever knob carbon aluminium leather		1	
	8YR	black	98-		
	C50	graphite grey	98-		
	S30	savanna	98-		
	J30	nephrite green	98-		
	M30	boxster red	98-		
	G10	metropole blue	98-		
	B50	space grey	98-		

Model	Year	MG	SG	Illustration	Restrictions	UPD	18:25	06.02.2010	PORSCHE	PET	PORSCHE
TEQ	2010	7	01	701-05		248	USA / CANADA				

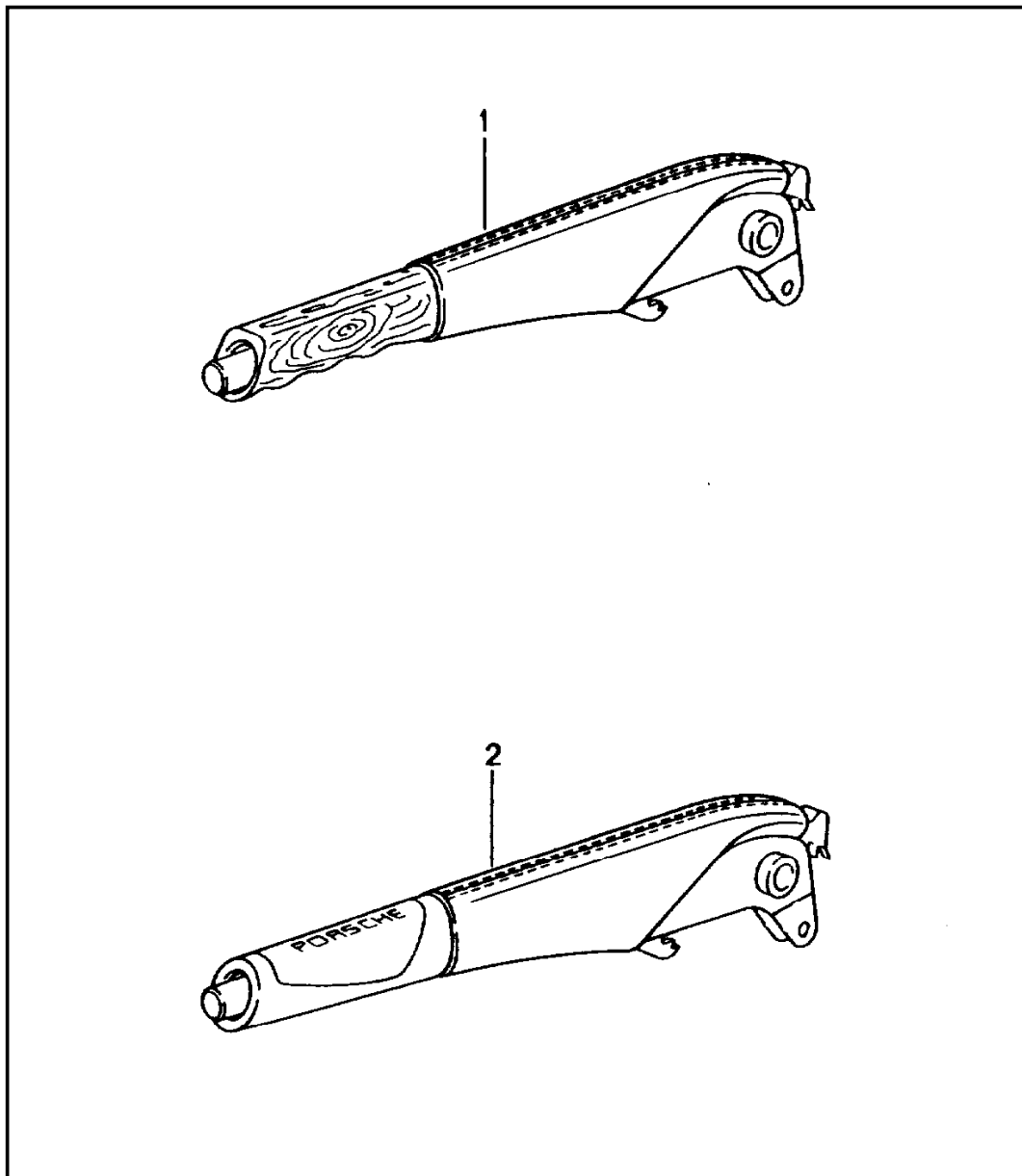
Pos	Part Number	Description	Remark	Qty	Model
		selector lever tiptronic trim cover shift mechanism	98-04		911
-	996 426 981 00	selector lever aluminium triggering button aluminium leather	-00	1	
	8YR	black	98-		
	VRJ	black			
	C50	graphite grey	98-		
	S30	savanna	98-		
	J30	nephrite green	98-		
	M30	boxster red	98-		
	G10	metropole blue	98-		
	B50	space grey	98-		
-	996 426 981 06	selector lever aluminium triggering button aluminium leather	01-	1	
	8YR	black	98-		
	VRJ	black			
	C50	graphite grey	98-		
	S30	savanna	98-		
	J30	nephrite green	98-		
	M30	boxster red	98-		
	G10	metropole blue	98-		
	B50	space grey	98-		
-	996 426 981 02	selector lever carbon triggering button aluminium leather	-00	1	
	8YR	black			



Model	Year	MG	SG	Illustration	Restrictions	UPD	18:25	06.02.2010	PORSCHE	PET	PORSCHE
TEQ	2010	7	01	701-05		248	USA / CANADA				

Pos	Part Number	Description	Remark	Qty	Model	Pos	Part Number	Description	Remark	Qty	Model
-	996 426 981 09	selector lever carbon triggering button aluminium	01-	1		-	996 552 977 12	trim cover shift mechanism tiptronic carbon insert aluminium	/LL	1	
-	996 426 981 04	selector lever maple rootwood light triggering button aluminium	-00	1		-	996 552 977 16	trim cover shift mechanism tiptronic light maple rootwood insert aluminium	/LL	1	
-	996 426 981 07	selector lever maple rootwood light triggering button aluminium	01-	1		-	996 552 977 18	trim cover shift mechanism tiptronic dark maple rootwood insert aluminium	/LL	1	
-	996 426 981 05	selector lever maple rootwood dark triggering button aluminium	-00	1							
-	996 426 981 08	selector lever maple rootwood dark triggering button aluminium	01-	1							
-	996 552 977 20	trim cover shift mechanism tiptronic insert aluminium leather	/LL	1							
	M31	boxster red	98-								
	J31	nephrite green	98-								
	S31	savanna	98-								
	C51	graphite grey	98-								
	A11	black	98-								
	G11	metropole blue	98-								
-	996 552 977 02	trim cover shift mechanism tiptronic carbon insert aluminium	/LL	1							

Model	Year	MG	SG	Illustration	Restrictions	UPD	18:25	06.02.2010	PORSCHE	PET	PORSCHE
TEQ	2010	7	01	701-06		248	USA / CANADA				



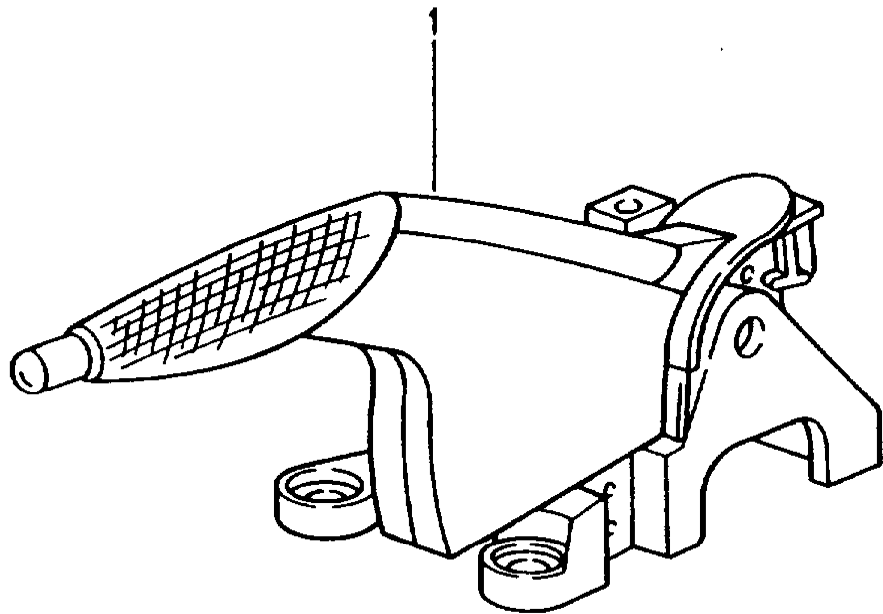
Pos	Part Number	Description	Remark	Qty	Model
1	993 424 980 02	parking-brake lever rootwood light	89-98	1	911 (993)
	4YU	cashmere beige			
	6XL	classic grey			
	H05	marine blue			
	8YR	black			
	K03	cedar green			
	8SE	flamenco red			
	T15	chestnut brown			
	3QN	marble grey			
	H24	midnight blue			
	E38	rubicon grey			
1	993 424 980 03	parking-brake lever rootwood dark		1	
	4YU	cashmere beige			
	6XL	classic grey			
	H05	marine blue			
	8YR	black			
	K03	cedar green			
	8SE	flamenco red			
	T15	chestnut brown			
	3QN	marble grey			
	H24	midnight blue			
	E38	rubicon grey			
2	993 424 980 04	parking-brake lever carbon-aluminium look		1	
	4YU	cashmere beige			
	6XL	classic grey			

Model	Year	MG	SG	Illustration	Restrictions	UPD	18:25	06.02.2010	PORSCHE	PET	PORSCHE
TEQ	2010	7	01	701-06		248	USA / CANADA				

Pos	Part Number	Description	Remark	Qty	Model	Pos	Part Number	Description	Remark	Qty	Model
		H05 marine blue									
		8YR black									
		K03 cedar green									
		8SE flamenco red									
		T15 chestnut brown									
		3QN marble grey									
		H24 midnight blue									
		E38 rubicon grey									
(2)	993 424 980 07	parking-brake lever aluminium look		1							
		4YU cashmere beige									
		6XL classic grey									
		H05 marine blue									
		8YR black									
		K03 cedar green									
		8SE flamenco red									
		T15 chestnut brown									
		3QN marble grey									
		H24 midnight blue									
		E38 rubicon grey									



Model	Year	MG	SG	Illustration	Restrictions	UPD	18:25	06.02.2010	PORSCHE	PET	PORSCHE
TEQ	2010	7	01	701-07		248	USA / CANADA				

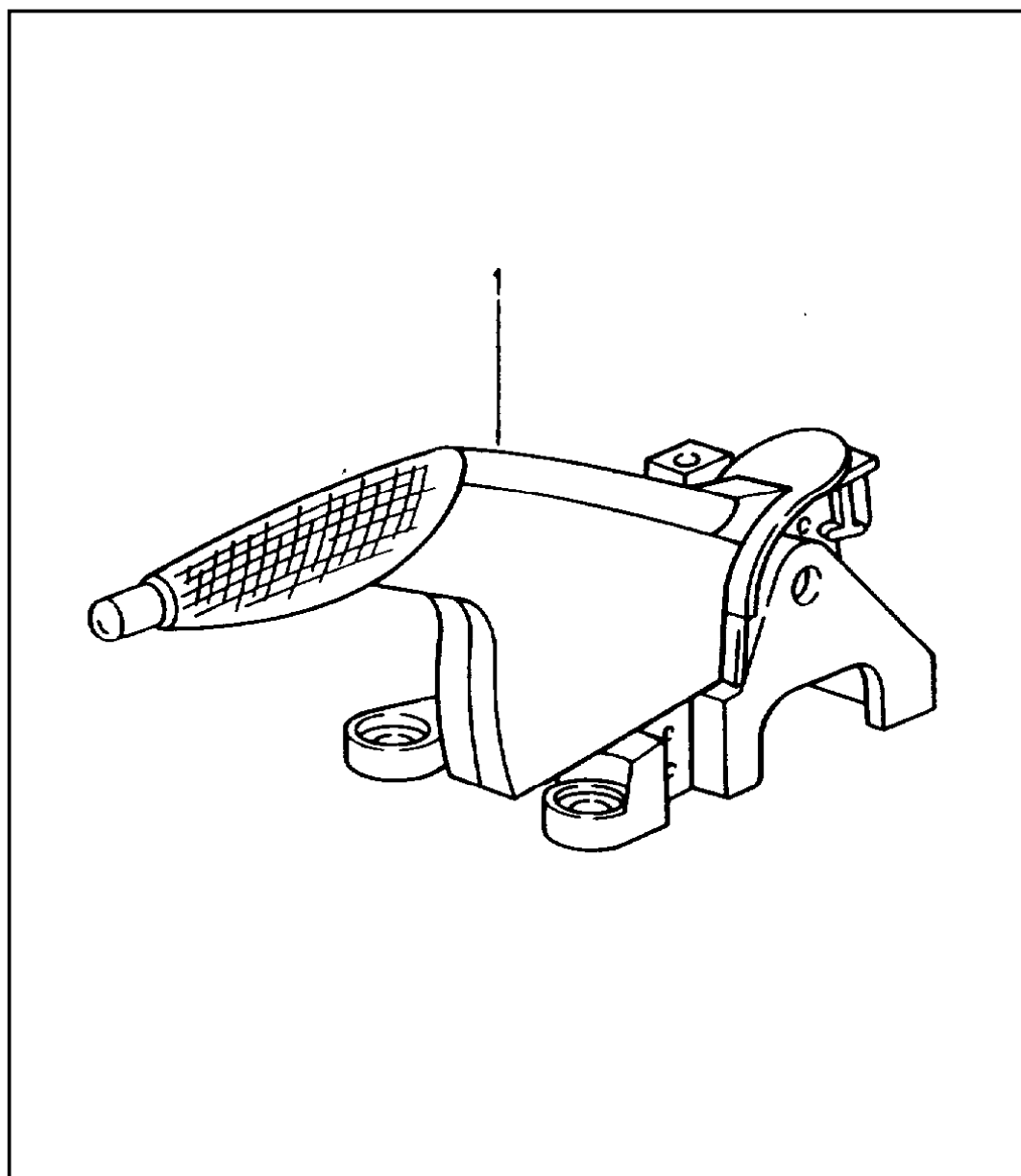


Pos	Part Number	Description	Remark	Qty	Model
		parking-brake lever	97-04		Boxster (986)
-	996 424 980 22	parking-brake lever aluminium leather	/LL 97-	1	
	M30	boxster red			
	J30	nephrite green			
	S30	savanna			
	8YR	black			
	C50	graphite grey			
	G10	metropole blue			
	P11	cinnamon brown			
- A	996 424 980 01	parking-brake lever mahogany leather	97-	1	
	M30	boxster red			
	J30	nephrite green			
	S30	savanna			
	8YR	black			
	C50	graphite grey			
	G10	metropole blue	98-		
-	996 424 980 02	parking-brake lever carbon leather	97-	1	
	M30	boxster red			
	J30	nephrite green			
	S30	savanna			
	8YR	black			
	C50	graphite grey			
	G10	metropole blue	98-		
(1) A	996 424 980 07	parking-brake lever carbon-aluminium look leather	/LL	1	
	M30	boxster red			

Model	Year	MG	SG	Illustration	Restrictions	UPD	18:25	06.02.2010	PORSCHE	PET	PORSCHE
TEQ	2010	7	01	701-07		248	USA / CANADA				

Pos	Part Number	Description	Remark	Qty	Model	Pos	Part Number	Description	Remark	Qty	Model
	J30	nephrite green				-	996 424 980 14	parking-brake lever	/LL 97-	1	
	S30	savanna					M30	boxster red			
	8YR	black					J30	nephrite green			
	C50	graphite grey					S30	savanna			
	G10	metropole blue					8YR	black			
(1)	A 996 424 980 16	parking-brake lever carbon-aluminium look leather	/LL	1			C50	graphite grey			
	M30	boxster red				(1)	996 424 980 28	parking-brake lever dark maple rootwood aluminium leather	/LL 98-	1	
	J30	nephrite green					M30	boxster red			
	S30	savanna									
	8YR	black									
	C50	graphite grey									
	G10	metropole blue									
(1)	996 424 980 24	parking-brake lever carbon-aluminium look leather	/LL	1							
	M30	boxster red									
	J30	nephrite green									
	S30	savanna									
	8YR	black									
	C50	graphite grey									
	G10	metropole blue									
(1)	996 424 980 25	parking-brake lever carbon-aluminium look leather	/RL	1							
	M30	boxster red									
	J30	nephrite green									
	S30	savanna									
	8YR	black									
	C50	graphite grey									
	G10	metropole blue									

Model	Year	MG	SG	Illustration	Restrictions	UPD	18:26	06.02.2010	PORSCHE	PET	PORSCHE
TEQ	2010	7	01	701-08		248	USA / CANADA				



Pos	Part Number	Description	Remark	Qty	Model
-	996 424 980 12	parking-brake lever aluminium leather M30 boxster red J30 nephrite green S30 savanna 8YR black C50 graphite grey G10 metropole blue B50 space grey	98-04 /LL 98-	1	911 (996)
-	996 424 980 22	parking-brake lever aluminium leather M30 boxster red J30 nephrite green S30 savanna 8YR black C50 graphite grey G10 metropole blue B50 space grey	/LL 98-	1	
- A	996 424 980 16	parking-brake lever carbon-aluminium look leather M30 boxster red J30 nephrite green S30 savanna 8YR black C50 graphite grey G10 metropole blue B50 space grey	/LL 98-	1	

Model	Year	MG	SG	Illustration	Restrictions	UPD	18:26	06.02.2010	PORSCHE	PET	PORSCHE
TEQ	2010	7	01	701-08		248	USA / CANADA				

Pos	Part Number	Description	Remark	Qty	Model	Pos	Part Number	Description	Remark	Qty	Model
-	996 424 980 24	parking-brake lever carbon-aluminium look leather	/LL 98-	1		-	996 424 980 28	parking-brake lever dark maple rootwood aluminium leather	/LL 98-	1	
	M30	boxster red					M30	boxster red			
	J30	nephrite green					J30	nephrite green			
	S30	savanna					S30	savanna			
	8YR	black					8YR	black			
	C50	graphite grey					C50	graphite grey			
	G10	metropole blue					G10	metropole blue			
	B50	space grey					B50	space grey			
(1)	996 424 980 02	parking-brake lever carbon leather		1		- A	996 424 980 18	parking-brake lever light maple rootwood aluminium leather	/LL 98-	1	
	M30	boxster red					M30	boxster red			
	J30	nephrite green					J30	nephrite green			
	S30	savanna					S30	savanna			
	8YR	black					8YR	black			
	C50	graphite grey					C50	graphite grey			
	G10	metropole blue					G10	metropole blue			
	B50	space grey					B50	space grey			
- A	996 424 980 20	parking-brake lever dark maple rootwood aluminium leather	/LL 98-	1		-	996 424 980 26	parking-brake lever light maple rootwood aluminium leather	/LL 98-	1	
	M30	boxster red					M30	boxster red			
	J30	nephrite green					J30	nephrite green			
	S30	savanna					S30	savanna			
	8YR	black					8YR	black			
	C50	graphite grey					C50	graphite grey			
	G10	metropole blue					G10	metropole blue			
	B50	space grey					B50	space grey			

Model	Year	MG	SG	Illustration	Restrictions	UPD	18:26	06.02.2010	PORSCHE	PET	PORSCHE
TEQ	2010	7	01	701-08		248	USA / CANADA				

Pos	Part Number	Description	Remark	Qty	Model	Pos	Part Number	Description	Remark	Qty	Model
(1)	996 424 980 30	parking-brake lever aluminium leather logo "PORSCHE"	/LL	1	TURBO		J30	nephrite green			
	M30	boxster red					S30	savanna			
	J30	nephrite green					VRJ	black			
	S30	savanna					C50	graphite grey			
	VRJ	black					G10	metropole blue			
	C50	graphite grey					P11	cinnamon brown			
	G10	metropole blue					D11	grey			
	P11	cinnamon brown					T11	brown/natural			
	D11	grey				(1)	996 424 980 32	parking-brake lever carbon-aluminium look leather logo "PORSCHE"	/LL	1	TURBO
	T11	brown/natural					M30	boxster red			
(1)	996 424 980 34	parking-brake lever light maple rootwood aluminium leather logo "PORSCHE"	/LL	1	TURBO		J30	nephrite green			
	M30	boxster red					S30	savanna			
	J30	nephrite green					VRJ	black			
	S30	savanna					C50	graphite grey			
	VRJ	black					G10	metropole blue			
	C50	graphite grey					P11	cinnamon brown			
	G10	metropole blue					D11	grey			
	P11	cinnamon brown					T11	brown/natural			
	D11	grey									
	T11	brown/natural									
(1)	996 424 980 36	parking-brake lever dark maple rootwood aluminium leather logo "PORSCHE"	/LL	1	TURBO TURBO						
	M30	boxster red									

PORSCHE

PET

PORSCHE

Model	Year	MG	SG	Illustration	Restrictions	UPD	18:26	06.02.2010
TEQ	2010	7	01	701-10		248	USA / CANADA	

Pos	Part Number	Description	Remark	Qty	Model
-	997 044 801 00	parking-brake lever gearshift lever selector lever alcantara package	05-	1	Boxster(987) Cayman 911(997) /LL I480
-	997 044 801 01	gearshift lever parking-brake lever package	05-	1	/RL I480
-	997 044 801 02	gearshift lever parking-brake lever package	05-08	1	/LL I249
-	997 044 801 03	selector lever parking-brake lever package	05-08	1	/RL I249
-	997 044 801 04	selector lever parking-brake lever package	09-	1	/LL I250
-	997 044 801 05	selector lever parking-brake lever package	09-	1	/RL I250

PORSCHE

PET

PORSCHE

Model	Year	MG	SG	Illustration	Restrictions	UPD	18:26	06.02.2010
TEQ	2010	7	01	701-11		248	USA / CANADA	

Pos	Part Number	Description	Remark	Qty	Model
		parking-brake lever selector lever aluminium	09-		Boxster(987) Cayman 911(997)
-	997 044 801 72	package	09-	1	/LL I250
	FOT	black selector lever parking-brake lever			
-	997 044 801 72	package	09-	1	/LL I250
	FOW	sea blue selector lever parking-brake lever			
-	997 044 801 72	package	09-	1	/LL I250
	FOU	stone grey selector lever parking-brake lever			
-	997 044 801 72	package	09-	1	/LL I250
	FOV	sand beige selector lever parking-brake lever			
-	997 044 801 73	package	09-	1	/RL I250
	FOT	black selector lever parking-brake lever			
-	997 044 801 73	package	09-	1	/RL I250
	FOW	sea blue selector lever parking-brake lever			
-	997 044 801 73	package	09-	1	/RL I250
	FOU	stone grey selector lever parking-brake lever			
-	997 044 801 73	package	09-	1	/RL I250
	FOV	sand beige selector lever parking-brake lever			

PORSCHE

PET

PORSCHE

Model	Year	MG	SG	Illustration	Restrictions	UPD	18:26	06.02.2010
TEQ	2010	7	01	701-12		248	USA / CANADA	

Pos	Part Number	Description	Remark	Qty	Model
		parking-brake lever selector lever macassar	09-		Boxster(987) Cayman 911(997)
-	997 044 801 39	package	09-	1	/LL I250
	A10	black selector lever parking-brake lever			
-	997 044 801 39	package	09-	1	/LL I250
	E10	sea blue selector lever parking-brake lever			
-	997 044 801 39	package	09-	1	/LL I250
	B10	stone grey selector lever parking-brake lever			
-	997 044 801 39	package	09-	1	/LL I250
	T10	sand beige selector lever parking-brake lever			



PORSCHE

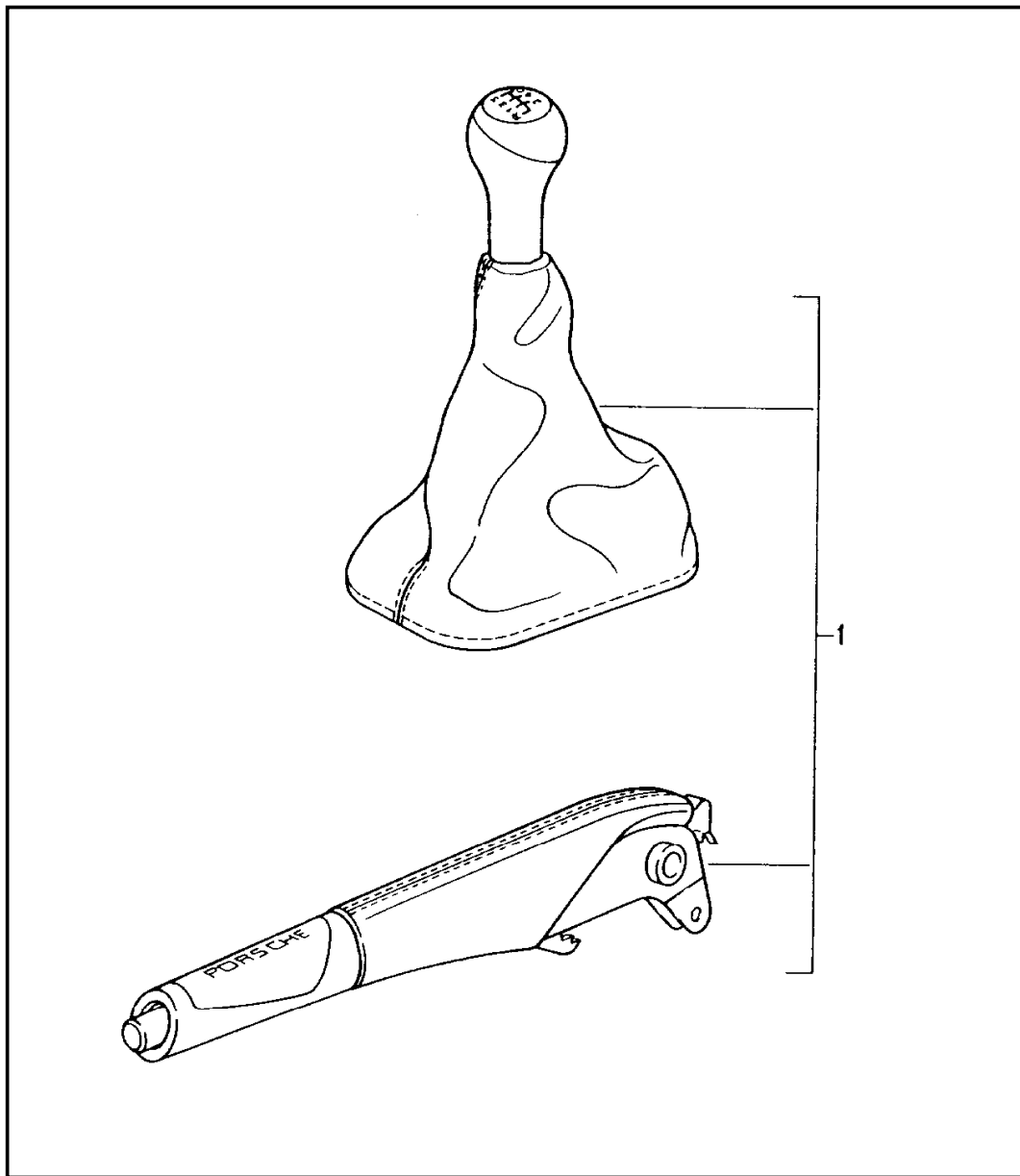
PET

PORSCHE

Model	Year	MG	SG	Illustration	Restrictions	UPD	18:26	06.02.2010
TEQ	2010	7	01	701-13		248	USA / CANADA	

Pos	Part Number	Description	Remark	Qty	Model
-	997 044 801 41	parking-brake lever selector lever carbon	09-		Boxster(987) Cayman 911(997)
-	997 044 801 41	package	09-	1	/LL I250
	A10	black selector lever parking-brake lever			
-	997 044 801 41	package	09-	1	/LL I250
	E10	sea blue selector lever parking-brake lever			
-	997 044 801 41	package	09-	1	/LL I250
	B10	stone grey selector lever parking-brake lever			
-	997 044 801 41	package	09-	1	/LL I250
	T10	sand beige selector lever parking-brake lever			

Model	Year	MG	SG	Illustration	Restrictions	UPD	18:27	06.02.2010	PORSCHE	PET	PORSCHE
TEQ	2010	7	50	750-00		248	USA / CANADA				



Pos	Part Number	Description	Remark	Qty	Model
		set parking-brake lever shift-lever knob	89-98		911, CARRERA
1	A 000 044 700 08	set carbon comprising: shift-lever knob parking-brake lever single parts see group 7/01/00 , 7/01/05	/LL 89-94	1	CARRERA 2/4 RS, TURBO SPEEDSTER
	4UC	caramel			
	2WH	cashmere beige			
	7VX	linen			
	2LX	mahogany			
	7JX	marine blue			
	4MT	velvet red			
	2WT	slate grey			
	1AJ	black			
	5VT	silk grey			
	7KC	venetian blue			
	7LD	burgundy			
	D35	carrara grey			
	9YL	cobalt blue			
	4YU	cashmere beige			
	6XL	classic grey			
	8ZL	light grey			
	6YL	magenta			
	H05	marine blue			
	M05	matador red			
	8YR	black			
	J25	sherwood green			
	F45	dark blue			

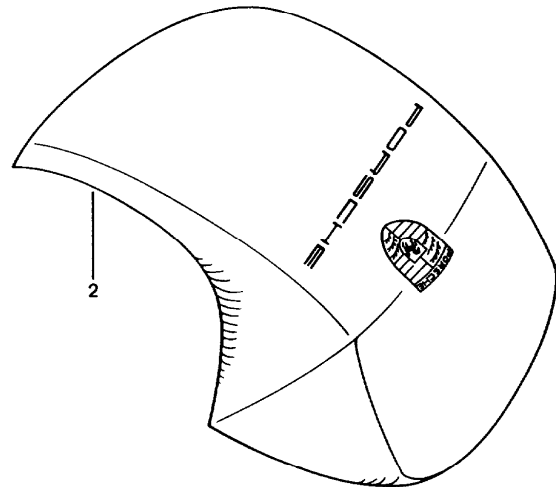
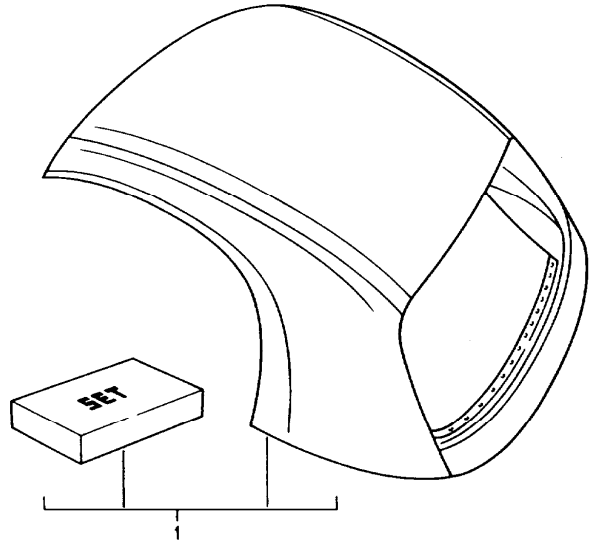
Model	Year	MG	SG	Illustration	Restrictions	UPD	18:27	06.02.2010	PORSCHE	PET	PORSCHE
TEQ	2010	7	50	750-00		248	USA / CANADA				

Pos	Part Number	Description	Remark	Qty	Model	Pos	Part Number	Description	Remark	Qty	Model
	C43	grey-violet					8ZL	light grey			
	D33	light grey					6YL	magenta			
	H35	light blue					H05	marine blue			
	G55	maritime blue					M05	matador red			
	2XR	pearl grey					8YR	black			
	C35	black mat					J25	sherwood green			
	N09	black-violet					F45	dark blue			
	M19	rubystone red					C43	grey-violet			
	E38	rubicon grey					D33	light grey			
(1)	A 000 044 700 06	set aluminium look comprising: shift-lever knob parking-brake lever single parts see group 7/01/00 , 7/01/05	/LL 89-94	1	CARRERA 2/4 RS, TURBO SPEEDSTER		H35	light blue			
	4UC	caramel					G55	maritime blue			
	2WH	cashmere beige					2XR	pearl grey			
	7VX	linen					C35	black mat			
	2LX	mahogany				1	N09	black-violet	/LL 94-98	1	CARRERA 2 TARGA
	7JX	marine blue					M19	rubystone red			
	4MT	velvet red					E38	rubicon grey			
	2WT	slate grey					000 044 700 09	set carbon comprising: shift-lever knob parking-brake lever single parts see group 7/01/00 , 7/01/06			
	1AJ	black					K03	cedar green			
	5VT	silk grey					8SE	flamenco red			
	7KC	venetian blue					4YU	cashmere beige			
	7LD	burgundy					T15	chestnut brown			
	D35	carrara grey					6XL	classic grey			
	9YL	cobalt blue					3QN	marble grey			
	4YU	cashmere beige					H24	midnight blue			
	6XL	classic grey					G43	provence blue			

Model	Year	MG	SG	Illustration	Restrictions	UPD	18:27	06.02.2010	PORSCHE	PET	PORSCHE
TEQ	2010	7	50	750-00		248	USA / CANADA				

Pos	Part Number	Description	Remark	Qty	Model	Pos	Part Number	Description	Remark	Qty	Model
	E38	rubicon grey									
	8YR	black									
(1)	000 044 700 07	set aluminium look comprising: shift-lever knob parking-brake lever single parts see group 7/01/00 , 7/01/06	/LL 94-98	1	CARRERA 2 TARGA						
	K03	cedar green									
	8SE	flamenco red									
	4YU	cashmere beige									
	T15	chestnut brown									
	6XL	classic grey									
	3QN	marble grey									
	H24	midnight blue									
	G43	provence blue									
	E38	rubicon grey									
	8YR	black									

Model	Year	MG	SG	Illustration	Restrictions	UPD	18:27	06.02.2010	PORSCHE	PET	PORSCHE
TEQ	2010	8	01	801-50		248	USA / CANADA				



Pos	Part Number	Description	Remark	Qty	Model
		hardtop insert cover	97-04		Boxster (986)
		workshop manual Boxster main group 6 610219 attention			
1	986 563 005 01	hardtop complete lacquered		1	
	92U	arctic silver metallic			X1
	3AZ	ocean blue metallic			E1
	84A	guards red			G1
	041	black			A1
	744	black-metallic			Z8
	12M	pastel yellow			Q1
	3AS	blue turquoise			J1
	3AU	glacier white			Z1
	3AX	zenith blue metallic			F1
	84S	arena red metallic			H8
	25K	ocean jade metallic	98-04		J3
	2B4	forest green metallic			53
	23F	slate grey metallic			
	M5W	lapis blue metallic	01-04		E3
	8A3	orient red metallic	01-04		L1
	1A8	zanzibar red	01-04		N1
	6A6	meridian metallic	01-04		X2
	6B4	seal grey metallic	01-04		Y1
	C9Z	basalt black metallic			Z4
		technical information Boxster main group 6 6117 attention			

Model	Year	MG	SG	Illustration	Restrictions	UPD	18:27	06.02.2010	PORSCHE	PET	PORSCHE
TEQ	2010	8	01	801-50		248	USA / CANADA				

Pos	Part Number	Description	Remark	Qty	Model	Pos	Part Number	Description	Remark	Qty	Model
		when required order also:									
-	986 563 713 02	insert	/L	1							
-	986 563 714 02	insert	/R	1							
-	999 219 041 00	fit bolt mounting hardtop		2							
		tech. information memo boxster main group 6 6492 attention									
		for cars without M273 / M550 subsequent installation rear window heatable order also:									
-	986 613 134 00	tip switch	/LL	1							
	A02	gloss black									
-	996 615 117 00	relay		1							
		when required order also:									
-	986 612 083 00	wiring harness		1							
2	000 044 000 12	cover for hardtop		1							

PORSCHE

PET

PORSCHE

Model	Year	MG	SG	Illustration	Restrictions	UPD	18:27	06.02.2010
TEQ	2010	8	01	801-51		248	USA / CANADA	

Pos	Part Number	Description	Remark	Qty	Model
(1)	987 563 005 00	hardtop Instal. and mod. instruc. boxster group 6 6117 attention	05-	1	Boxster(987)
	B9A	carrara white			B4
	C9Z	basalt black metallic			Z4
	M2Z	Nordic Gold Metallic			8W
	M3W	carmon red metallic			E4
	M3X	ruby red metallic			A6
	M5R	Aqua Blue Metallic			D2
	M5W	lapis blue metallic			J2
	M5X	Dark Blue Metallic			N4
	M6W	lagoon green metallic			G4
	M6X	dark olive-metallic			7G
	M7W	Meteor Grey Metallic			9Q
	M7X	atlas grey metallic			E7
	M7Z	gt silver metallic			U2
	M8W	Macadamia Metallic			9S
	041	black			A1
	12H	speed yellow			X4
	2B4	forest green metallic			53
	2B5	Malachite Green Metallic			H1
	22G	Racing Green Metallic			J1
	23F	slate grey metallic			59
	3C8	cobalt blue metallic			56
	39C	midnight blue metallic			E9
	51A	creamy white			T2
	6B4	seal grey metallic			Y1

PORSCHE

# PET

PORSCHE

Model	Year	MG	SG	Illustration	Restrictions	UPD	18:27	06.02.2010
TEQ	2010	8	01	801-51		248	USA / CANADA	

Pos	Part Number	Description	Remark	Qty	Model
	84A	guards red			G1
	92U	arctic silver metallic			X1



PORSCHE

PET

PORSCHE

Model	Year	MG	SG	Illustration	Restrictions	UPD	18:27	06.02.2010
TEQ	2010	8	01	801-52		248	USA / CANADA	

Pos	Part Number	Description	Remark	Qty	Model
-	997 044 000 00	hardtop Instal. and mod. instruc. 911 cabriolet group 6 6117 attention	06-	1	911(997) Cabriolet
	B9A	carrara white			B4
	C9Z	basalt black metallic			Z4
	M2Z	Nordic Gold Metallic			8W
	M3W	carmon red metallic			E4
	M3X	ruby red metallic			L2
	M5R	Aqua Blue Metallic			D2
	M5W	lapis blue metallic			J2
	M5X	Dark Blue Metallic			N4
	M6W	lagoon green metallic			G4
	M6X	dark olive-metallic			7G
	M7W	Meteor Grey Metallic			9Q
	M7X	atlas grey metallic			E7
	M7Z	gt silver metallic			U2
	M8W	Macadamia Metallic			9S
	041	black			A1
	1C1	fayence yellow			-
	12H	speed yellow			X4
	2B4	forest green metallic			53
	2B5	Malachite Green Metallic			H1
	22G	Racing Green Metallic			J1
	23F	slate grey metallic			59
	3C8	cobalt blue metallic			56
	39C	midnight blue metallic			E9
	51A	creamy white			T2

PORSCHE

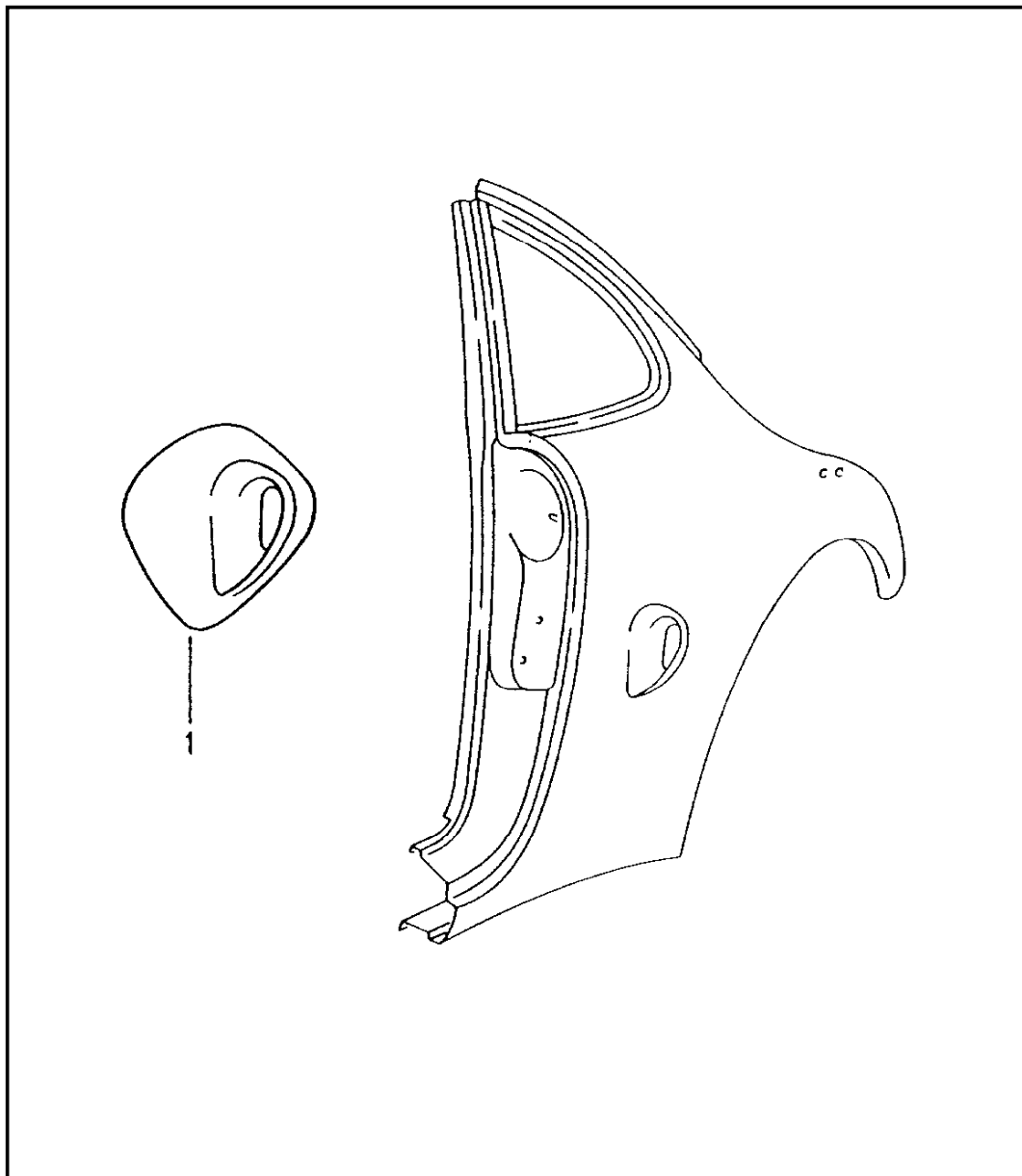
# PET

PORSCHE

Model	Year	MG	SG	Illustration	Restrictions	UPD	18:27	06.02.2010
TEQ	2010	8	01	801-52		248	USA / CANADA	

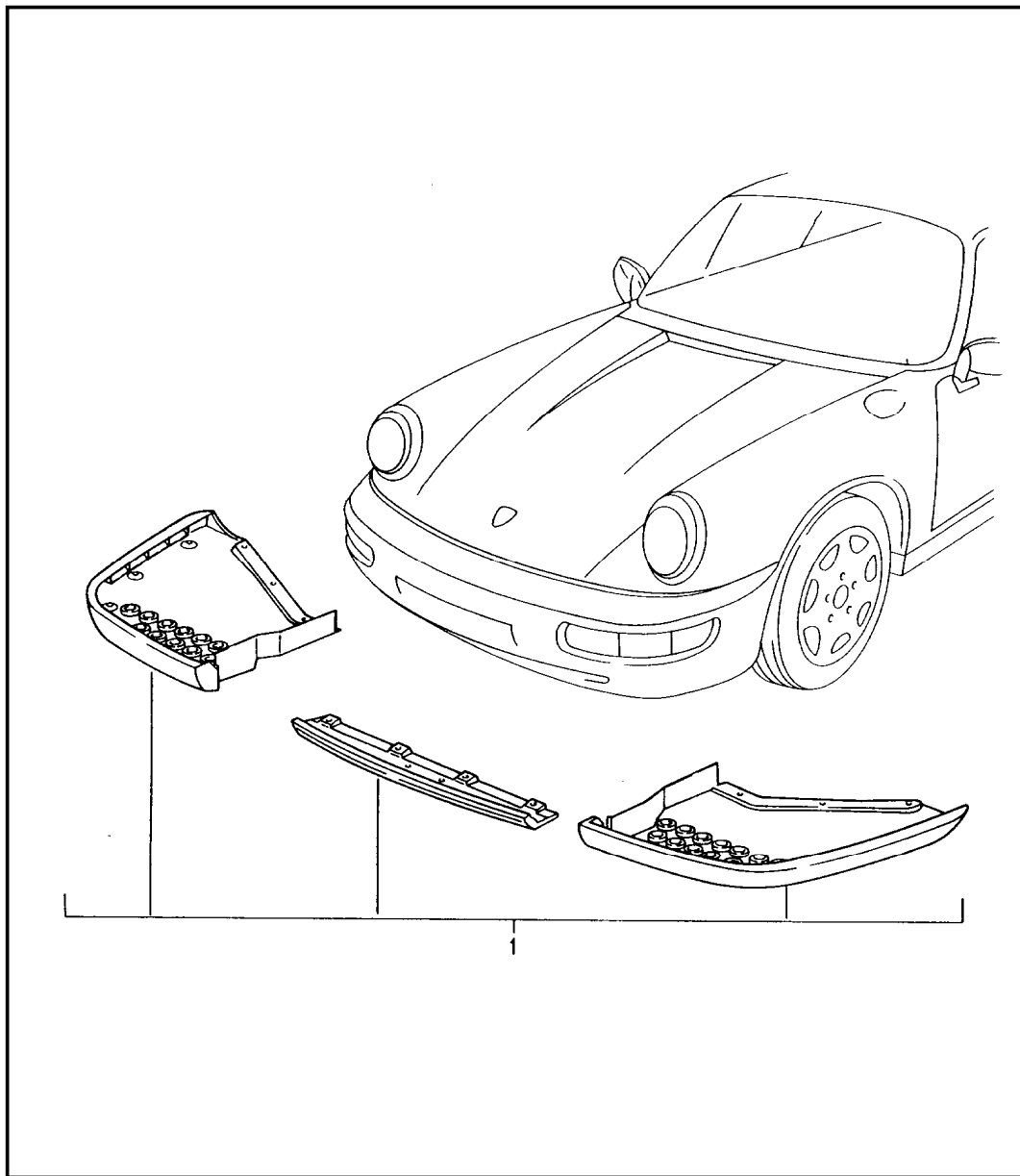
Pos	Part Number	Description	Remark	Qty	Model
	6B4	seal grey metallic			Y1
	8A7	ruby red metallic			L2
	84A	guards red			G1
	92U	arctic silver metallic			X1

Model	Year	MG	SG	Illustration	Restrictions	UPD	18:27	06.02.2010	PORSCHE	PET	PORSCHE
TEQ	2010	8	01	801-55		248	USA / CANADA				



Pos	Part Number	Description	Remark	Qty	Model
		air duct	94-98		911 (993) Carrera S/4S Turbo/Turb S
(1)	993 503 980 01	air inlet order also:	/L	1	Turbo Carrera S/4S
-	993 559 983 00	stone guard film clear	/L	1	Turbo/Turb S Carrera S/4S
-	993 559 983 01	stone guard film glacier white	/L	1	Turbo/Turb S Carrera S/4S
-	993 559 983 02	stone guard film arctic silver metallic	/L	1	Turbo/Turb S Carrera S/4S
(1)	993 503 981 01	air inlet order also:	/R	1	Turbo Carrera S/4S
-	993 559 984 00	stone guard film clear	/R	1	Turbo/Turb S Carrera S/4S
-	993 559 984 01	stone guard film glacier white	/R	1	Turbo/Turb S Carrera S/4S
-	993 559 984 02	stone guard film arctic silver metallic	/R	1	Turbo/Turb S Carrera S/4S

Model	Year	MG	SG	Illustration	Restrictions	UPD	18:28	06.02.2010	PORSCHE	PET	PORSCHE
TEQ	2010	8	02	802-02		248	USA / CANADA				



Pos	Part Number	Description	Remark	Qty	Model
			89-94		911 (964)

PORSCHE

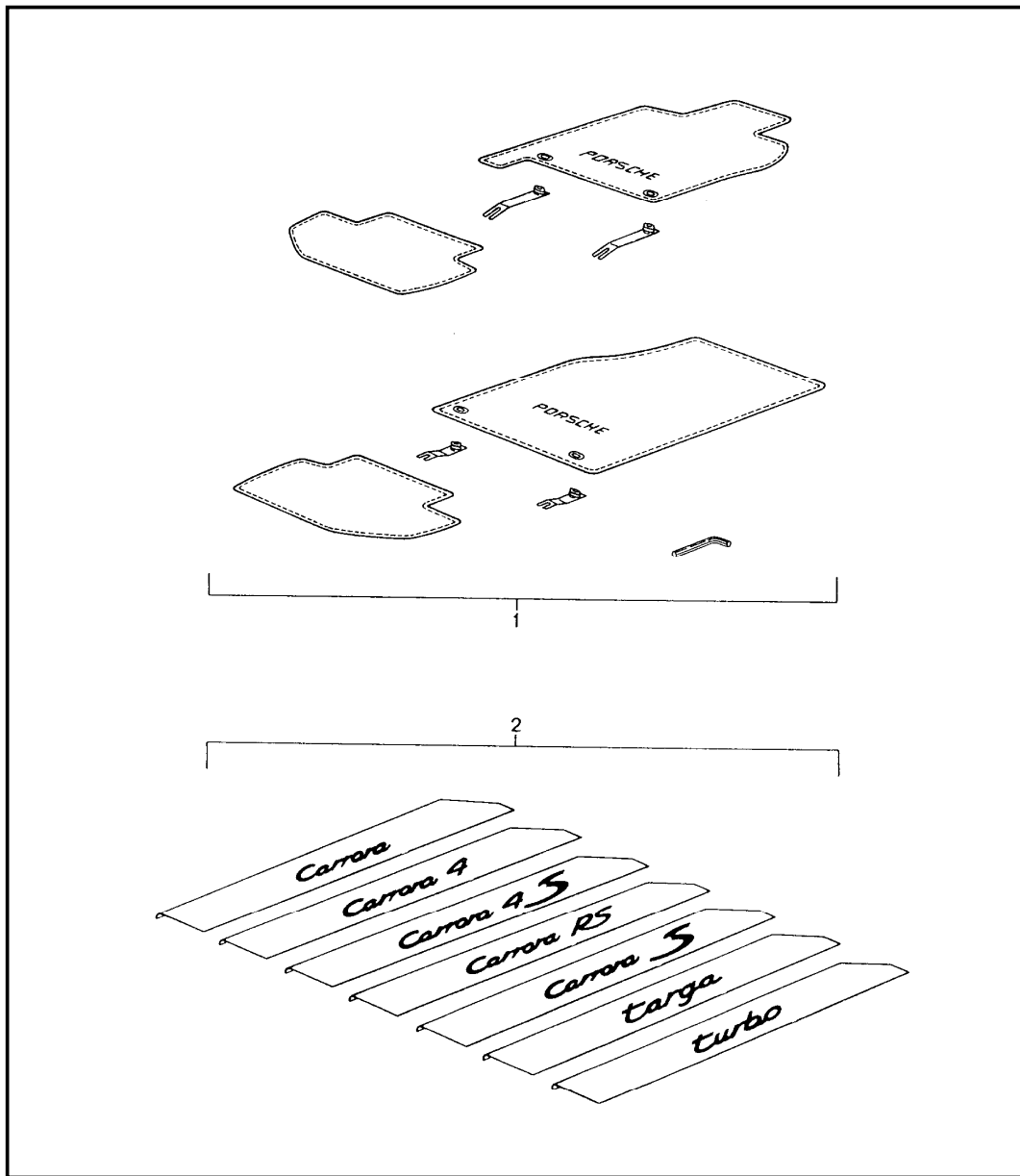
PET

PORSCHE

Model	Year	MG	SG	Illustration	Restrictions	UPD	18:28	06.02.2010
TEQ	2010	8	02	802-03		248	USA / CANADA	

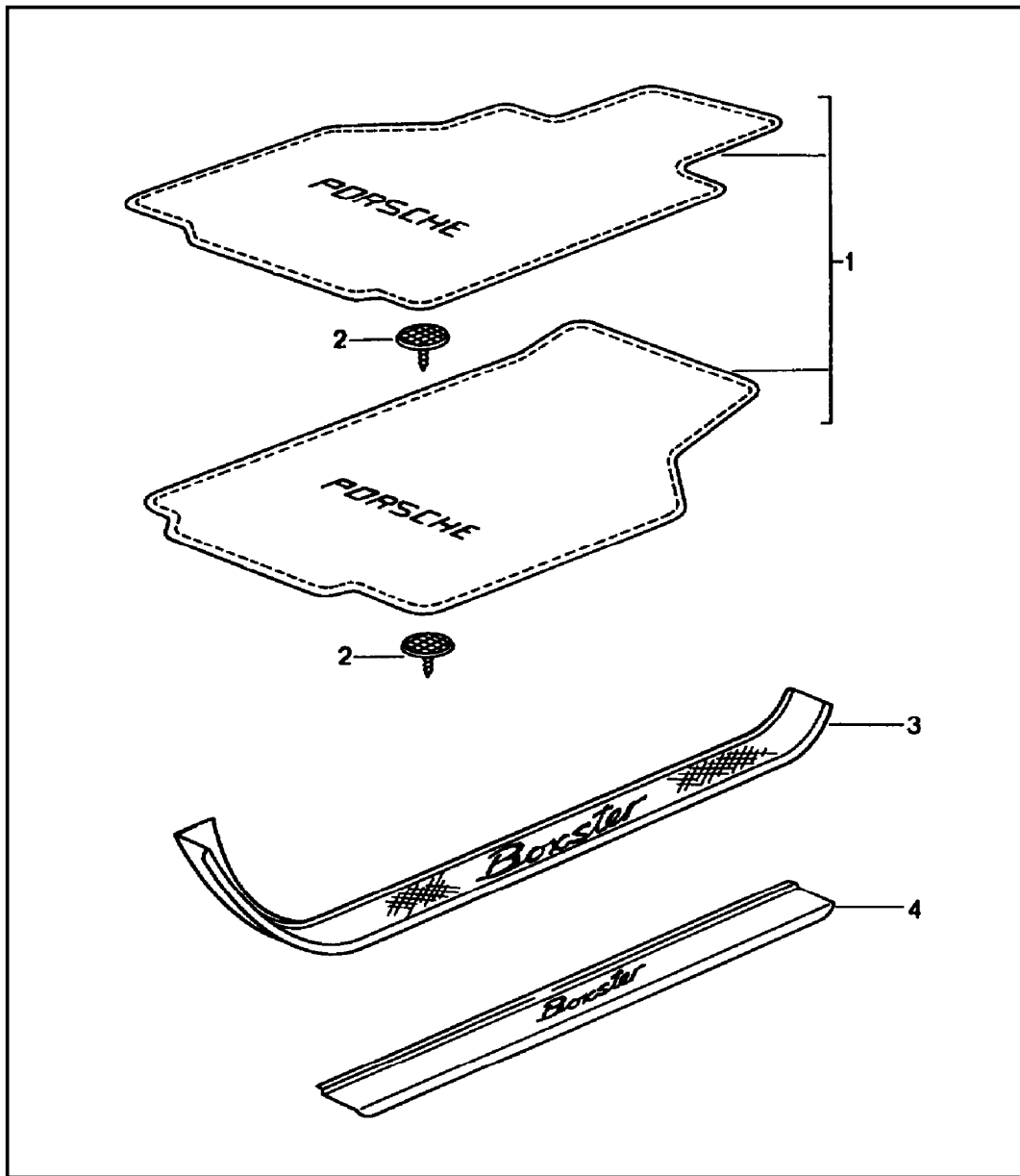
Pos	Part Number	Description	Remark	Qty	Model
-	997 044 802 05	ventilation grille aluminium coloured matte set	07-	1	911(997) Turbo
-	997 044 802 08	ventilation grille aluminium coloured matte set	08-	1	GT2
-	997 044 802 10	ventilation grille aluminium coloured matte set	09-	1	Carrera

Model	Year	MG	SG	Illustration	Restrictions	UPD	18:28	06.02.2010	PORSCHE	PET	PORSCHE
TEQ	2010	8	07	807-01		248	USA / CANADA				



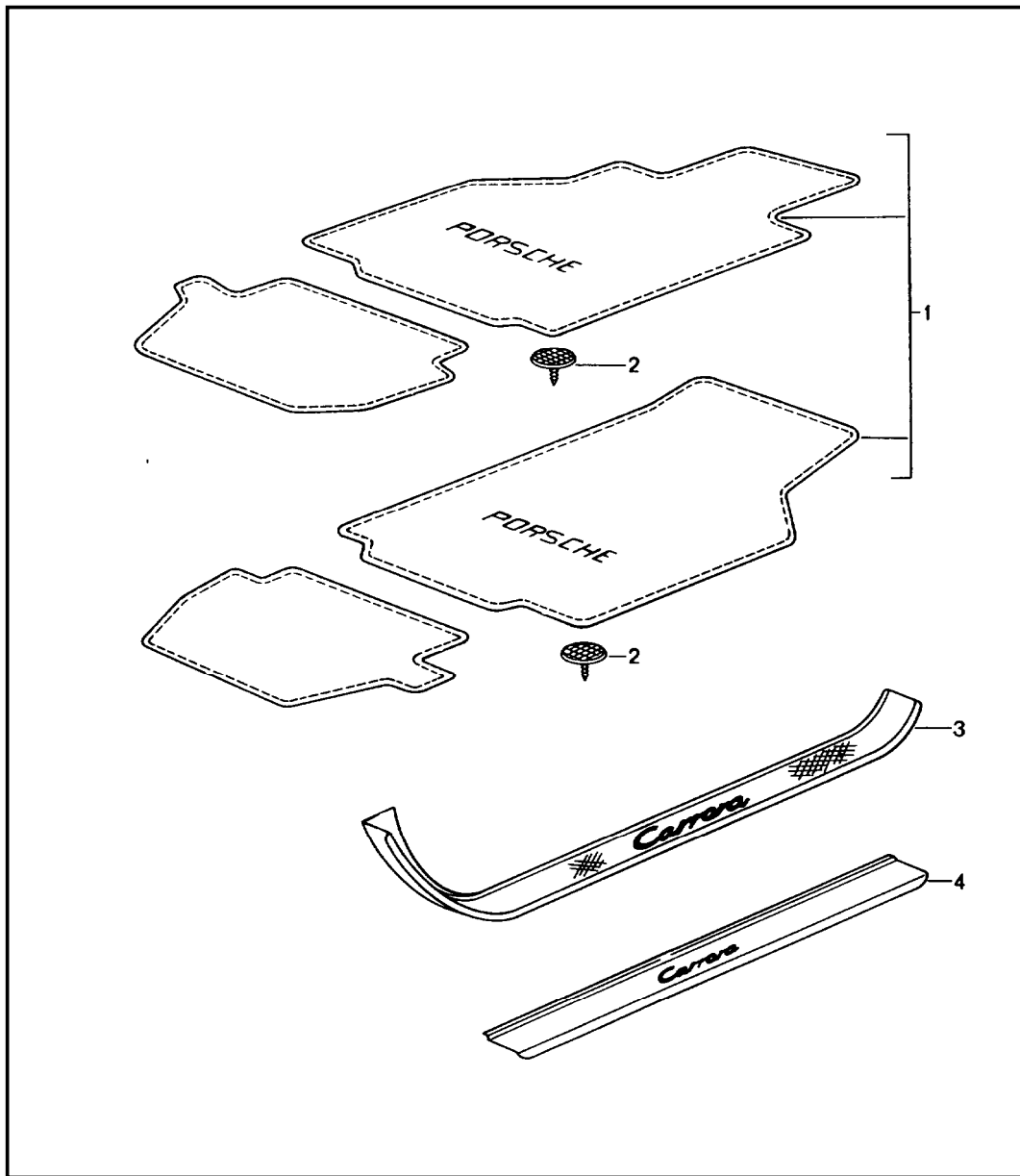
Pos	Part Number	Description	Remark	Qty	Model
2	993 551 980 01	scuff plate set scuff plate logo - CARRERA -		1	911

Model	Year	MG	SG	Illustration	Restrictions	UPD	18:28	06.02.2010	PORSCHE	PET	PORSCHE
TEQ	2010	8	07	807-02		248	USA / CANADA				



Pos	Part Number	Description	Remark	Qty	Model
3	986 551 981 00	set scuff plate carbon logo - BOXSTER -		1	BOXSTER
4	986 551 981 01	set scuff plate stainless steel logo - BOXSTER -		1	
-	000 044 801 97	set scuff plate stainless steel logo - BOXSTER S -		1	
-	000 044 801 98	set scuff plate carbon logo - BOXSTER -		1	

Model	Year	MG	SG	Illustration	Restrictions	UPD	18:28	06.02.2010	PORSCHE	PET	PORSCHE
TEQ	2010	8	07	807-05		248	USA / CANADA				



Pos	Part Number	Description	Remark	Qty	Model
		scuff plate	98-05 01-05		GT 3 TURBO, C4S
3	996 551 984 06	set scuff plate carbon logo - CARRERA -		1	C2, C4
4	996 551 984 01	set scuff plate stainless steel logo - CARRERA -		1	C2, C4
(3)	996 551 984 02	set scuff plate carbon logo - TURBO -		1	TURBO, C4S
(4)	996 551 984 03	set scuff plate stainless steel logo - TURBO -		1	TURBO, C4S
(3)	996 551 984 04	set scuff plate carbon logo - TARGA -		1	TARGA, C2, C4
(5)	996 551 984 05	set scuff plate stainless steel logo - TARGA -		1	TARGA, C2, C4
(3)	996 551 984 92	set scuff plate carbon logo - GT2 -		1	GT2 TURBO, C4S
(5)	996 551 984 93	set scuff plate stainless steel logo - GT2 -		1	GT2 TURBO, C4S
(3)	000 044 802 23	set scuff plate carbon logo - C4S -		1	C4S



Model	Year	MG	SG	Illustration	Restrictions	UPD	18:28	06.02.2010	PORSCHE	PET	PORSCHE
TEQ	2010	8	07	807-05		248	USA / CANADA				

Pos	Part Number	Description	Remark	Qty	Model	Pos	Part Number	Description	Remark	Qty	Model
(4)	000 044 802 20	set scuff plate stainless steel logo - C4S -		1	C4S						

PORSCHE

PET

PORSCHE

Model	Year	MG	SG	Illustration	Restrictions	UPD	18:28	06.02.2010
TEQ	2010	8	07	807-06		248	USA / CANADA	

Pos	Part Number	Description	Remark	Qty	Model
-	997 044 800 01	floor mats scuff plate	05-		911(997)
	A10	black			
	B10	stone grey			
	E10	sea blue			
	J10	palmgreen			
	M10	terracotta			
	R10	cocoa			
	T10	sand beige			
	T11	natural brown			
	N21	carrera red			
-	997 044 800 02	floor mat set	/LL 05-	1	I098/810
	A10	black			
	B10	stone grey			
	E10	sea blue			
	J10	palmgreen			
	M10	terracotta			
	R10	cocoa			
	T10	sand beige			
	T11	natural brown			
	N21	carrera red			
-	997 044 800 61	floor mat	/LL 05-	1	Cabrio
		bose	/LL 07-		I098/680/810
		set			Targa
					I098/680/810
	A10	black			
	B10	stone grey			
	E10	sea blue			
	J10	palmgreen			
	M10	terracotta			

Model	Year	MG	SG	Illustration	Restrictions	UPD	18:28	06.02.2010
TEQ	2010	8	07	807-06		248	USA / CANADA	

Pos	Part Number	Description	Remark	Qty	Model
-	997 044 800 62	R10 cocoa T10 sand beige T11 natural brown N21 carrera red floor mat bose set A10 black B10 stone grey E10 sea blue J10 palmgreen M10 terracotta R10 cocoa T10 sand beige T11 natural brown N21 carrera red	/RL 05- /RL 07-	1	Cabrio I099/680/810 Targa I099/680/810
-	997 551 984 00	floor mat pearl velour set A41 black B21 stone grey T41 sand beige E21 sea blue J41 palmgreen M21 terracotta R41 cocoa T21 brown/natural	/LL 05-	1	IXX1/098
-	997 551 984 01	floor mat pearl velour set A41 black B21 stone grey	/RL 05-	1	IXX1/099

PORSCHE

PET

PORSCHE

Model	Year	MG	SG	Illustration	Restrictions	UPD	18:28	06.02.2010
TEQ	2010	8	07	807-06		248	USA / CANADA	

Pos	Part Number	Description	Remark	Qty	Model
-	997 551 984 02	T41 sand beige E21 sea blue J41 palmgreen M21 terracotta R41 cocoa T21 brown/natural floor mat pearl velour bose set A41 black B21 stone grey T41 sand beige E21 sea blue J41 palmgreen M21 terracotta R41 cocoa T21 brown/natural	/LL 05- /LL 07-	1	Cabrio IXX1/098/680 Targa IXX1/098/680
-	997 551 984 03	floor mat pearl velour bose set A41 black B21 stone grey T41 sand beige E21 sea blue J41 palmgreen M21 terracotta R41 cocoa T21 brown/natural	/RL 05- /RL 07-	1	Cabrio IXX1/099/680 Targa IXX1/099/680

PORSCHE

PET

PORSCHE

Model	Year	MG	SG	Illustration	Restrictions	UPD	18:28	06.02.2010
TEQ	2010	8	07	807-06		248	USA / CANADA	

Pos	Part Number	Description	Remark	Qty	Model
-	987 044 800 93	floor mat rubber set two-piece	/LL 05-	1	I098
-	987 044 800 94	floor mat  rubber  bose set two-piece	/LL 05-  /LL 07-	1	Cabrio I098/680 Targa I098/680
-	997 044 800 41	scuff plate  carbon		1	Carrera I338
-	997 044 800 64	scuff plate  carbon		1	Carrera 4 I339
-	997 044 800 42	scuff plate  carbon		1	Carrera S I338
-	997 044 800 66	scuff plate  carbon		1	Carrera 4S I339
-	997 551 980 04	scuff plate carbon		1	Turbo
-	997 551 980 05	scuff plate carbon		1	Targa 4
-	997 551 980 06	scuff plate carbon		1	Targa 4S
-	997 551 980 07	scuff plate carbon		1	GT3
-	997 551 980 18	scuff plate carbon		1	GT3 RS
-	997 551 980 19	scuff plate carbon  technical information 911,alle group 6 6807 attention		1	GT2
-	997 044 800 55	scuff plate  carbon illumination		1	Carrera I338

PORSCHE

PET

PORSCHE

Model	Year	MG	SG	Illustration	Restrictions	UPD	18:28	06.02.2010
TEQ	2010	8	07	807-06		248	USA / CANADA	

Pos	Part Number	Description	Remark	Qty	Model
-	997 044 800 67	scuff plate carbon illumination		1	Carrera 4 I339
-	997 044 800 56	scuff plate carbon illumination		1	Carrera S I338
-	997 044 800 69	scuff plate carbon illumination		1	Carrera 4S I339
-	997 044 800 58	scuff plate carbon illumination		1	Turbo
-	997 044 800 57	scuff plate carbon illumination		1	Targa 4
-	997 044 800 76	scuff plate carbon illumination		1	Targa 4S
-	997 044 800 91	scuff plate carbon illumination		1	GT3
-	997 044 800 93	scuff plate carbon illumination		1	GT3 RS
-	997 551 991 06	scuff plate carbon illumination		1	GT2
-	997 044 800 43	scuff plate stainless steel		1	Carrera I338
-	997 044 800 63	scuff plate stainless steel		1	Carrera 4 I339
-	997 044 800 44	scuff plate stainless steel		1	Carrera S I338
-	997 044 800 65	scuff plate stainless steel		1	Carrera 4S I339
-	997 551 981 04	scuff plate stainless steel		1	Turbo
-	997 551 981 05	scuff plate stainless steel		1	Targa 4

PORSCHE

PET

PORSCHE

Model	Year	MG	SG	Illustration	Restrictions	UPD	18:28	06.02.2010
TEQ	2010	8	07	807-06		248	USA / CANADA	

Pos	Part Number	Description	Remark	Qty	Model
-	997 551 981 06	scuff plate stainless steel  technical information 911,alle group 6 6807 attention		1	Targa 4S
-	997 044 800 51	scuff plate  stainless steel illumination		1	Carrera I338
-	997 044 800 59	scuff plate  stainless steel illumination		1	Carrera 4 I339
-	997 044 800 54	scuff plate  stainless steel illumination		1	Carrera S I338
-	997 044 800 68	scuff plate  stainless steel illumination		1	Carrera 4S I339
-	997 044 800 77	scuff plate stainless steel illumination		1	Turbo
-	997 044 800 52	scuff plate stainless steel illumination		1	Targa 4
-	997 044 800 75	scuff plate stainless steel illumination		1	Targa 4S
-	997 044 800 90	scuff plate stainless steel illumination		1	GT3
-	997 044 800 92	scuff plate stainless steel illumination		1	GT3 RS
-	997 551 990 06	scuff plate stainless steel illumination		1	GT2
-	997 551 992 00	wiring harness scuff plate illumination only for replacement		1	

PORSCHE

PET

PORSCHE

Model	Year	MG	SG	Illustration	Restrictions	UPD	18:29	06.02.2010
TEQ	2010	8	07	807-07		248	USA / CANADA	

Pos	Part Number	Description	Remark	Qty	Model
-	987 044 800 01	floor mats scuff plate set floor mats	/LL 05- 06- 05-	1	BOXSTER(987) CAYMAN I098/810
	A10	black			
	B10	stone grey			
	E10	sea blue			
	J10	palmgreen			
	M10	terracotta			
	R10	cocoa			
	T10	sand beige			
	T11	natural brown			
	N21	carrera red			
-	987 044 800 02	set floor mats	/RL 05-	1	I099/810
	A10	black			
	B10	stone grey			
	E10	sea blue			
	J10	palmgreen			
	M10	terracotta			
	R10	cocoa			
	T10	sand beige			
	T11	natural brown			
	N21	carrera red			
-	987 044 800 91	set floor mats bose	/LL 07- /LL	1	CAYMAN CAYMAN S I098/680/810
	A10	black			
	B10	stone grey			
	E10	sea blue			
	J10	palmgreen			
	M10	terracotta			
	R10	cocoa			



PORSCHE

PET

PORSCHE

Model	Year	MG	SG	Illustration	Restrictions	UPD	18:29	06.02.2010
TEQ	2010	8	07	807-07		248	USA / CANADA	

Pos	Part Number	Description	Remark	Qty	Model
-	987 044 800 92	T10 sand beige T11 natural brown N21 carrera red set floor mats bose A10 black B10 stone grey E10 sea blue J10 palmgreen M10 terracotta R10 cocoa T10 sand beige T11 natural brown N21 carrera red	/RL 07- /RL	1	CAYMAN CAYMAN S I099/680/810
-	987 551 984 00	set floor mats perlon velour A41 black B21 stone grey T41 sand beige E21 sea blue J41 palmgreen M21 terracotta R41 cocoa T21 brown/natural	/LL 05-	1	IXX1/098
-	987 551 984 01	set floor mats perlon velour A41 black B21 stone grey T41 sand beige E21 sea blue	/RL 05-	1	IXX1/099

PORSCHE

PET

PORSCHE

Model	Year	MG	SG	Illustration	Restrictions	UPD	18:29	06.02.2010
TEQ	2010	8	07	807-07		248	USA / CANADA	

Pos	Part Number	Description	Remark	Qty	Model
-	987 551 984 02	J41 palmgreen M21 terracotta R41 cocoa T21 brown/natural set bosc floor mats perlon velour	/LL 06-	1	CAYMAN/S IXX1/098/680
-	987 551 984 03	A41 black B21 stone grey T41 sand beige E21 sea blue J41 palmgreen M21 terracotta R41 cocoa T21 brown/natural set bosc floor mats perlon velour	/RL 06-	1	CAYMAN/S IXX1/099/680
-	987 044 800 93	floor mat rubber set two-piece	05-	1	BOXSTER I098 CAYMAN__ I098

Model	Year	MG	SG	Illustration	Restrictions	UPD	18:29	06.02.2010
TEQ	2010	8	07	807-07		248	USA / CANADA	

Pos	Part Number	Description	Remark	Qty	Model
-	987 044 800 94	floor mat rubber  set with bose two-piece	06-	1	CAYMAN_ I098  I680
-	987 044 800 04	scuff plate carbon		1	BOXSTER
-	987 044 800 05	scuff plate carbon		1	BOXSTER S
-	987 044 800 06	scuff plate stainless steel		1	BOXSTER
-	987 044 800 07	scuff plate stainless steel		1	BOXSTER S
-	987 044 800 35	scuff plate carbon illumination		1	BOXSTER
-	987 044 800 36	scuff plate carbon illumination		1	BOXSTER S
-	987 044 800 27	scuff plate stainless steel illumination		1	BOXSTER
-	987 044 800 33	scuff plate stainless steel illumination		1	BOXSTER S
-	987 044 800 40	scuff plate carbon	06-	1	CAYMAN S
-	987 044 800 39	scuff plate carbon		1	CAYMAN
-	987 044 800 42	scuff plate stainless steel	06-	1	CAYMAN S
-	987 044 800 41	scuff plate stainless steel		1	CAYMAN
-	987 044 800 38	scuff plate carbon illumination	06-	1	CAYMAN S
-	987 044 800 37	scuff plate carbon illumination		1	CAYMAN
-	987 044 800 34	scuff plate stainless steel illumination	06-	1	Cayman S

PORSCHE

# PET

PORSCHE

Model	Year	MG	SG	Illustration	Restrictions	UPD	18:29	06.02.2010
TEQ	2010	8	07	807-07		248	USA / CANADA	

Pos	Part Number	Description	Remark	Qty	Model
-	A 987 044 800 28	scuff plate stainless steel illumination		1	Cayman
-	987 551 990 02	scuff plate stainless steel illumination		1	Cayman

Model	Year	MG	SG	Illustration	Restrictions	UPD	18:29	06.02.2010	PORSCHE	PET	PORSCHE
TEQ	2010	8	07	807-20		248	USA / CANADA				



1



2

Pos	Part Number	Description	Remark	Qty	Model
		decorative film logo	05-06-		Boxster (987) Cayman
		Instal. and mod. instruc. Boxster/Cayman, alle main group 6 6646 attention			
(1)	987 044 802 50	decorative film logo set	05-	1	Boxster
	041	black			
	84A	guards red			
	V04	silver			
	12H	speed yellow			
1	987 044 802 51	decorative film logo set	05-	1	Boxster S
	041	black			
	84A	guards red			
	V04	silver			
	12H	speed yellow			
(2)	987 044 802 52	decorative film logo set	07-	1	Cayman
	041	black			
	84A	guards red			
	V04	silver			
	12H	speed yellow			
2	987 044 802 53	decorative film logo set	06-	1	Cayman S
	041	black			
	84A	guards red			
	V04	silver			
	12H	speed yellow			

Model	Year	MG	SG	Illustration	Restrictions	UPD	18:29	06.02.2010	PORSCHE	PET	PORSCHE
TEQ	2010	8	07	807-21		248	USA / CANADA				



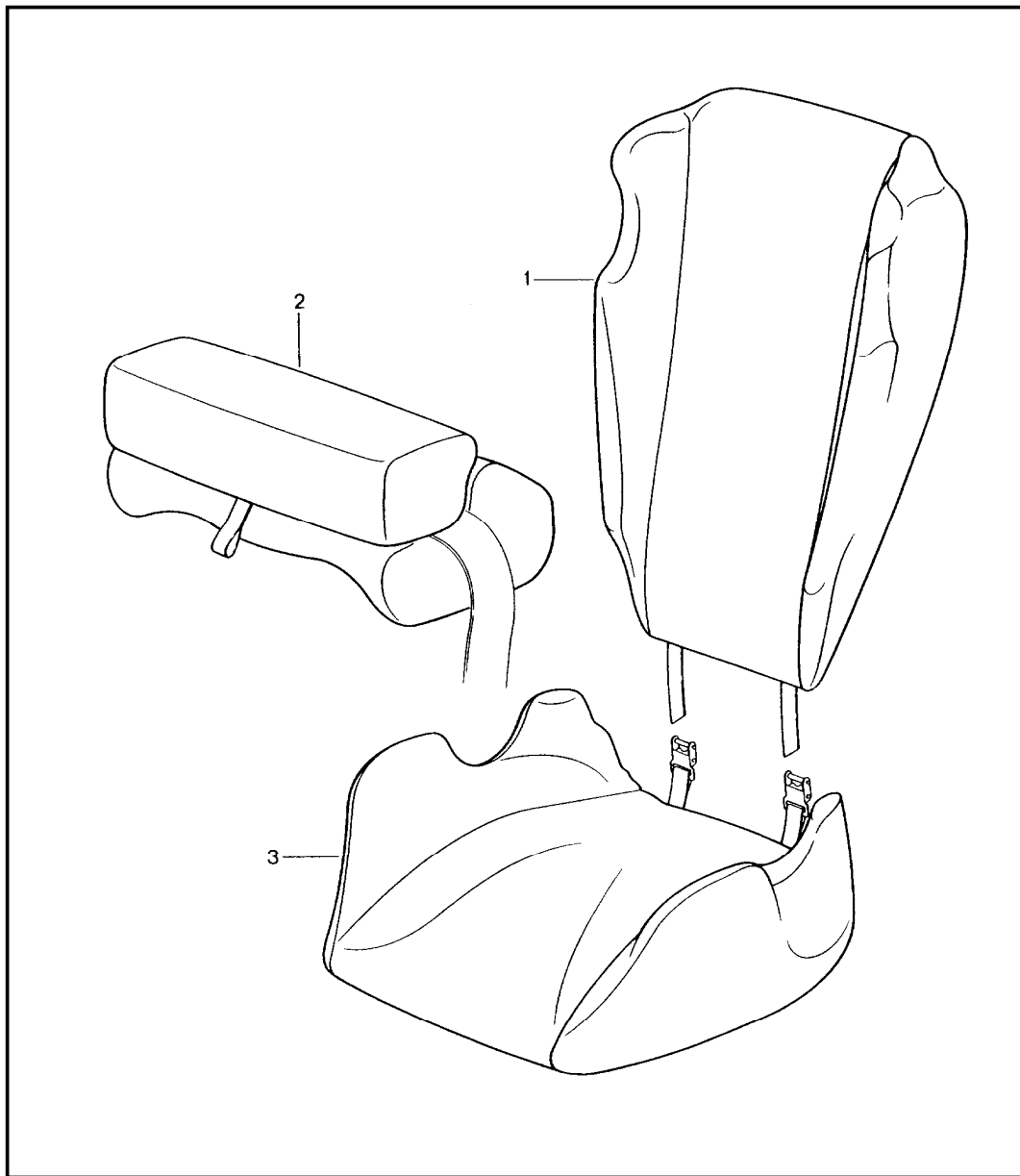
1

Pos	Part Number	Description	Remark	Qty	Model
		decorative film logo	05-		911(997)
		Instal. and mod. instruc. 911,alle main group 6 6646 attention			
(1)	997 044 802 50	decorative film logo set	05-	1	Carrera
	041	black			
	84A	guards red			
	V04	silver			
	12H	speed yellow			
(1)	997 044 802 51	decorative film logo set	05-	1	Carrera S
	041	black			
	84A	guards red			
	V04	silver			
	12H	speed yellow			
(1)	997 044 802 52	decorative film logo set	06-	1	Carrera 4
	041	black			
	84A	guards red			
	V04	silver			
	12H	speed yellow			
1	997 044 802 53	decorative film logo set	06-	1	Carrera 4S
	041	black			
	84A	guards red			
	V04	silver			
	12H	speed yellow			

Model	Year	MG	SG	Illustration	Restrictions	UPD	18:29	06.02.2010	PORSCHE	PET	PORSCHE
TEQ	2010	8	07	807-21		248	USA / CANADA				

Pos	Part Number	Description	Remark	Qty	Model	Pos	Part Number	Description	Remark	Qty	Model
(1)	997 044 802 54	decorative film logo set	07-	1	Targa 4		12H	speed yellow			
	041	black				(1)	997 044 802 59	decorative film logo set	07-	1	GT3 RS
	84A	guards red					041	black			
	V04	silver					84A	guards red			
	12H	speed yellow					V04	silver			
(1)	997 044 802 55	decorative film logo set	07-	1	Targa 4S		12H	speed yellow			
	041	black									
	84A	guards red									
	V04	silver									
	12H	speed yellow									
(1)	997 044 802 56	decorative film logo set	07-	1	Turbo						
	041	black									
	84A	guards red									
	V04	silver									
	12H	speed yellow									
(1)	997 044 802 57	decorative film logo set	07-	1	GT3						
	041	black									
	84A	guards red									
	V04	silver									
	12H	speed yellow									
(1)	997 044 802 58	decorative film logo set	08-	1	GT2						
	041	black									
	84A	guards red									
	V04	silver									

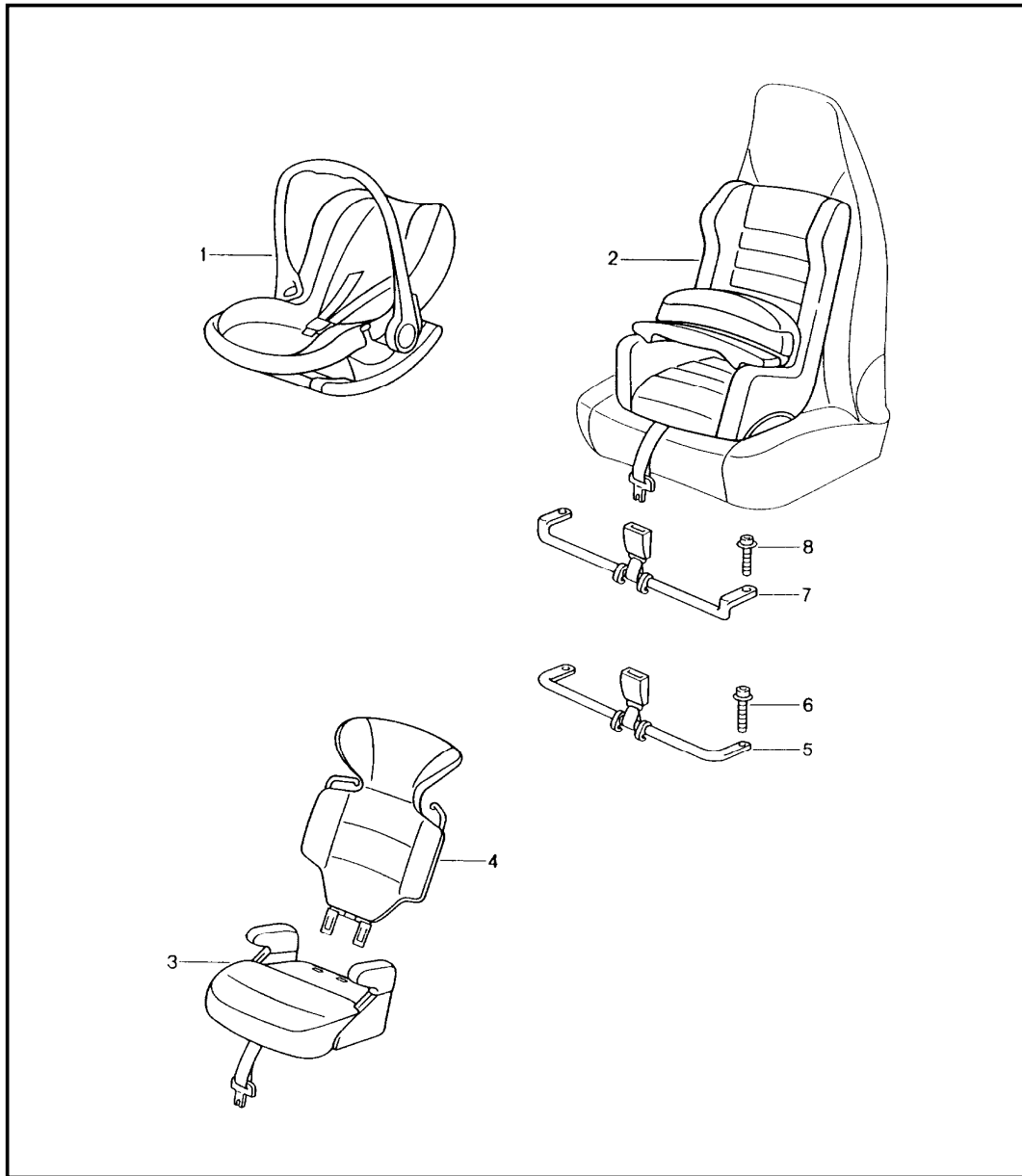
Model	Year	MG	SG	Illustration	Restrictions	UPD	18:29	06.02.2010	PORSCHE	PET	PORSCHE
TEQ	2010	8	08	808-00		248	USA / CANADA				



Pos	Part Number	Description	Remark	Qty	Model
		"Carli"			



Model	Year	MG	SG	Illustration	Restrictions	UPD	18:29	06.02.2010	PORSCHE	PET	PORSCHE
TEQ	2010	8	08	808-01		248	USA / CANADA				



Pos	Part Number	Description	Remark	Qty	Model
		child car seat	94-98 97-04 98-05		911(993) Boxster(986) 911(996)
		operating instructions attention  /F = Front = Vorn /R = Rear = Hinten use  tech. information memo boxster group 7 7223 attention			
(6)	999 073 023 01	torx screw M10 x 35		2	

PORSCHE

# PET

PORSCHE

Model	Year	MG	SG	Illustration	Restrictions	UPD	18:30	06.02.2010
TEQ	2010	8	08	808-02		248	USA / CANADA	

Pos	Part Number	Description	Remark	Qty	Model
		child car seat  operating instructions attention  /F = Front = Vorn /R = Rear = Hinten use	05- 06- 05-		Boxster(987) Cayman(987) 911(997)

PORSCHE

PET

PORSCHE

Model	Year	MG	SG	Illustration	Restrictions	UPD	18:30	06.02.2010
TEQ	2010	8	08	808-11		248	USA / CANADA	

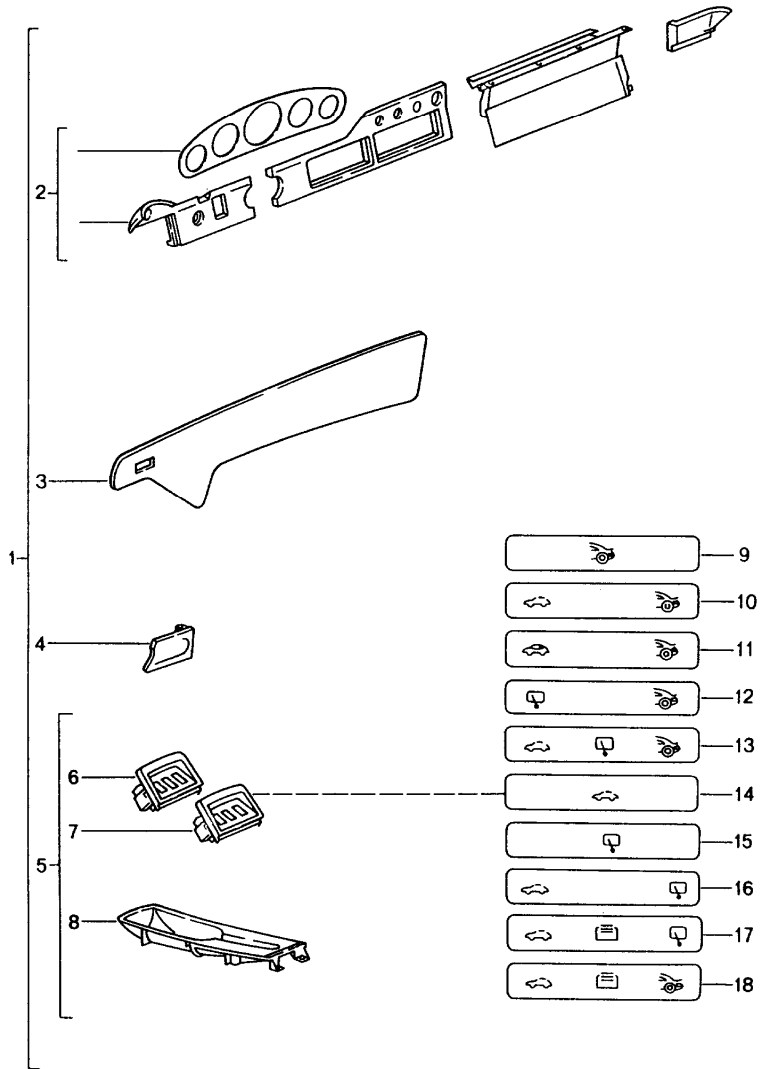
Pos	Part Number	Description	Remark	Qty	Model
		child car seat preparation	05- 06- 05-		Boxster(987) Cayman 911(997)
		Instal. and mod. instruc. Boxster/911/Cayman main group 6 6929 attention			
-	997 044 800 13	child car seat preparation		1	/LL
-	997 044 800 15	child car seat preparation		1	/LL
		when required order also:			
-	997 552 901 00	cover airbag switch-off		1	/RL
	5V7	stone grey			
	5Y2	palmgreen			
	5Z1	sand beige			
	8P9	cocoa			
	8W7	sea blue			
	8XX	terracotta			
	T13	brown/natural			
	N23	carrera red			
-	997 552 902 00	cover airbag switch-off		1	/LL
	5V7	stone grey			
	5Y2	palmgreen			
	5Z1	sand beige			
	8P9	cocoa			
	8W7	sea blue			
	8XX	terracotta			
	T13	brown/natural			
	N23	carrera red			

Model	Year	MG	SG	Illustration	Restrictions	UPD	18:30	06.02.2010	PORSCHE	PET	PORSCHE
TEQ	2010	8	08	808-22		248	USA / CANADA				

		Pos	Part Number	Description	Remark	Qty	Model	
				bucket seat collapsible	05- 06- 05-		Boxster (987) Cayman 911 (997)	
				Instal. and mod. instruc. 911/Boxster/Cayman group 7 7201 attention				
		1	997 044 805 05	bucket seat collapsible leather	/L	1		
			FLC	black				
		(1)	997 044 805 06	bucket seat collapsible leather	/R	1		
			FLC	black				
		(1)	997 044 805 11	bucket seat collapsible cloth black	/L	1	USA	
		(1)	997 044 805 12	bucket seat collapsible cloth black	/R	1	USA	
				Je Sitz order also:				
			999 141 047 01	torx screw			4	
	811 857 845	cap			1			
	01C	satin black						
	997 521 359 01	rail			1	I369/375		
	01C	satin black						
	997 521 360 01	rail			1	I369/375		
	01C	satin black						
	997 803 334 00	clamping piece		05-08	1			
	01C	satin black						

Model	Year	MG	SG	Illustration	Restrictions	UPD	18:31	06.02.2010	PORSCHE	PET	PORSCHE
TEQ	2010	8	09	809-00		248	USA / CANADA				

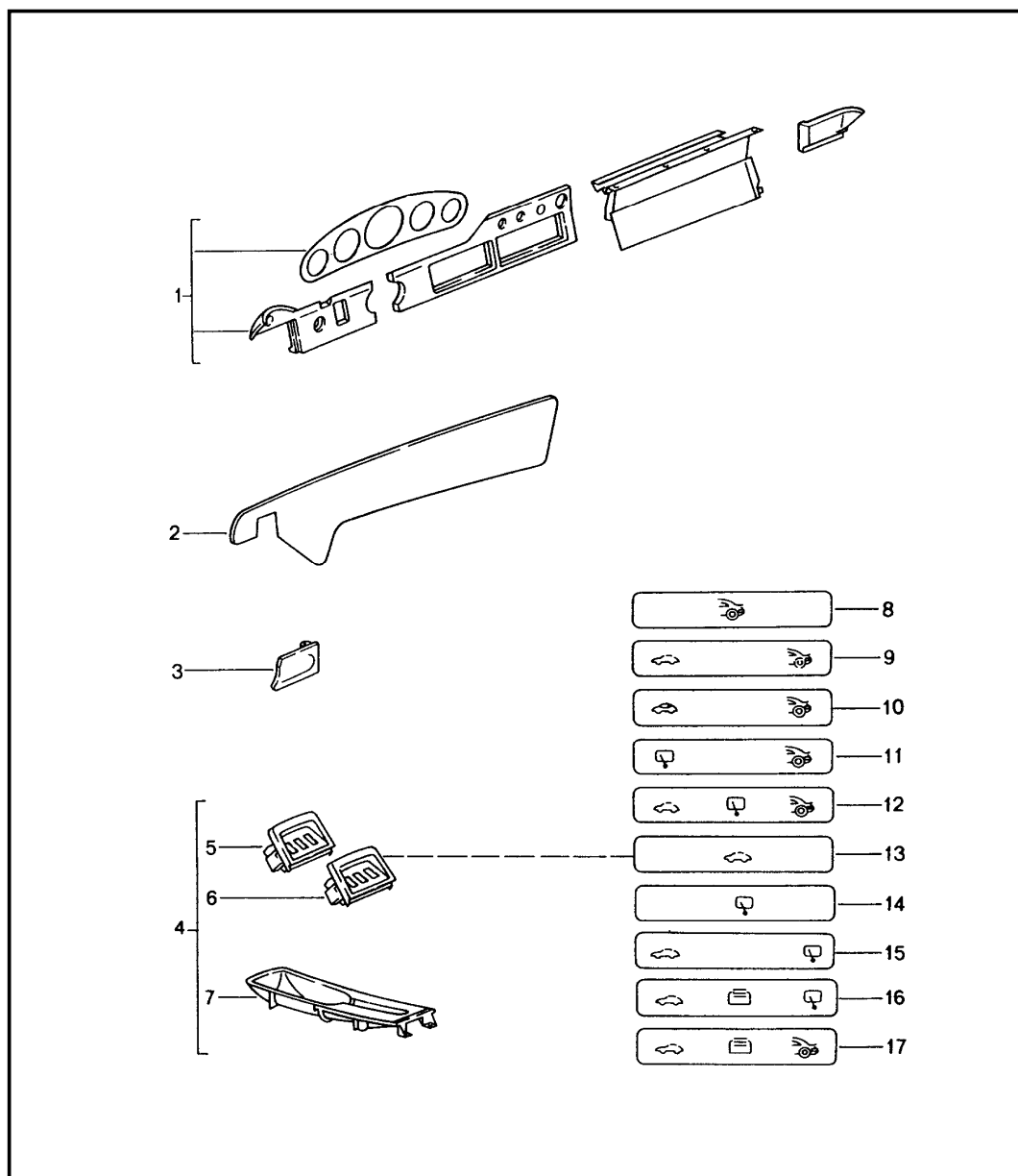
Pos	Part Number	Description	Remark	Qty	Model
		instrument carrier	89-98		911
		dashboard trim	89-98		911
		centre console	94-98		911
		door	94-96		911
		carbon			
1	000 044 800 23	set instrument carrier dashboard trim centre console door carbon	/LL 94-96	1	911
2	993 552 985 04	comprising: set instrument carrier dashboard trim carbon it is necessary to rework for 911 CARRERA 89-94 with M 425	/LL 89-98	1	911
-	000 044 800 79	set airbag cover passenger's side upper part/lower part carbon		1	
-	000 044 800 67	set airbag cover passenger's side upper part/lower part carbon logo TURBO S		1	TURBO S M092
-	000 044 801 88	cover radio air-conditioning switch heating regulator carbon		1	
-	000 044 801 94	cover ignition starter lock headlight levelling system carbon		1	
3	000 044 800 32	trim cover	/L 94-96	1	
(3)	000 044 800 33	trim cover	/R 94-96	1	
4	993 555 980 01	door opener	/L 94-98	1	



Model	Year	MG	SG	Illustration	Restrictions	UPD	18:31	06.02.2010	PORSCHE	PET	PORSCHE
TEQ	2010	8	09	809-00		248	USA / CANADA				

Pos	Part Number	Description	Remark	Qty	Model	Pos	Part Number	Description	Remark	Qty	Model
(4)	993 555 981 01	door opener	/R 94-98	1		18	993 632 171 20	light-diffusing lens rear spoiler glass roof shade		1	TARGA
5	000 044 800 60	set centre console  comprising:	94-98	1							
6	000 044 800 82	trim for switch centre console upper	94-98	1							
7	000 044 800 83	trim for switch centre console centre	94-98	1							
8	000 044 800 36	handle liner for parking-brake lever  order also:	94-98	1							
9	993 632 171 00	light-diffusing lens rear spoiler		1							
10	993 632 171 11	light-diffusing lens rear spoiler sunroof		1	M650						
11	993 632 171 12	light-diffusing lens rear spoiler convertible top		1	M439						
12	993 632 171 13	light-diffusing lens rear spoiler rear window wiper		1	M425						
13	993 632 171 14	light-diffusing lens rear spoiler rear window wiper sunroof		1	M425 M650						
14	993 632 171 15	light-diffusing lens sunroof		1	TURBO M650						
15	993 632 171 17	light-diffusing lens rear window wiper		1	TURBO M425						
16	993 632 171 18	light-diffusing lens rear window wiper sunroof		1	TURBO M425 M650						
17	993 632 171 19	light-diffusing lens glass roof shade rear window wiper		1	TARGA M425						

Model	Year	MG	SG	Illustration	Restrictions	UPD	18:31	06.02.2010	PORSCHE	PET	PORSCHE
TEQ	2010	8	09	809-01		248	USA / CANADA				



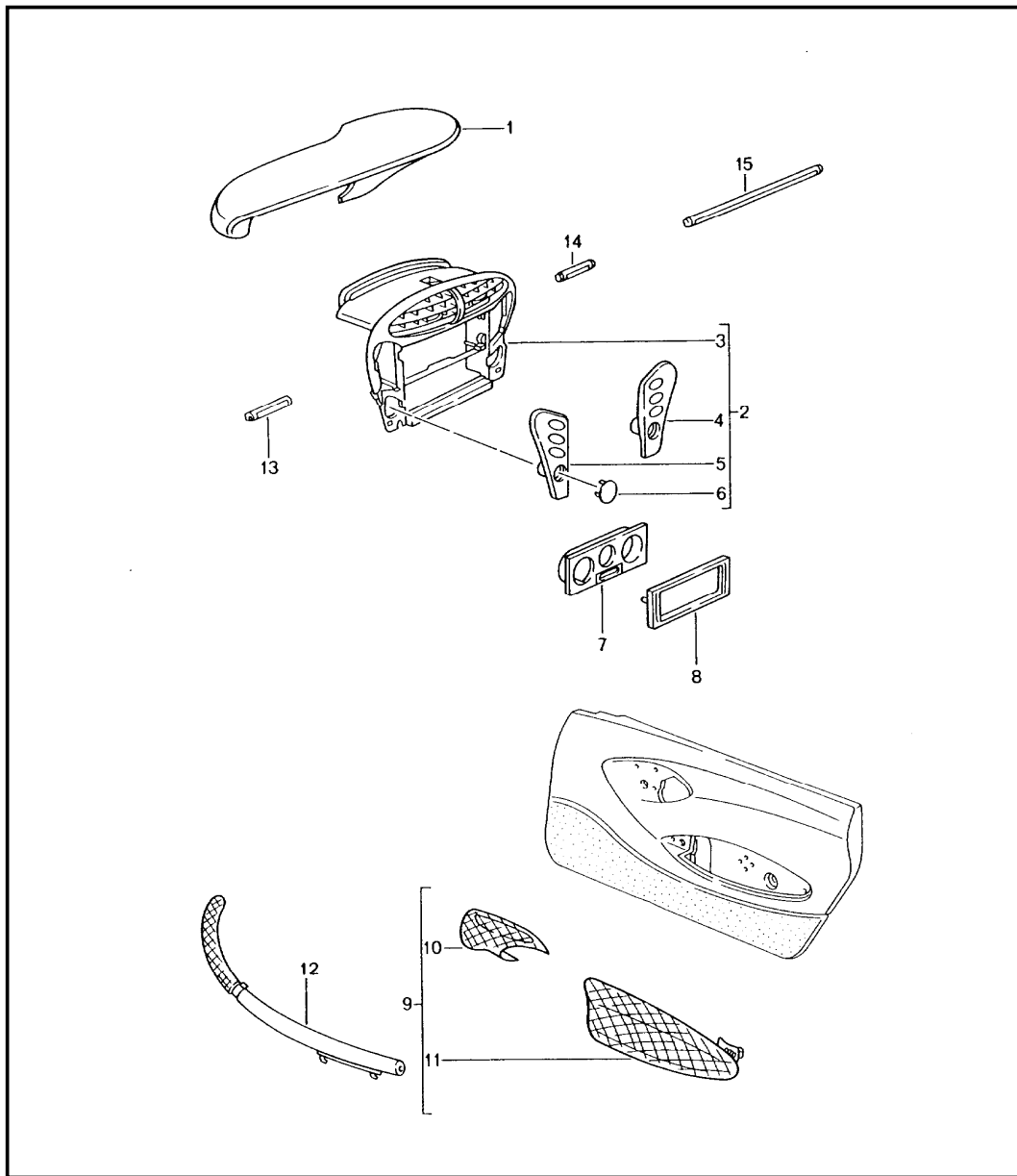
Pos	Part Number	Description	Remark	Qty	Model
		instrument carrier dashboard trim centre console door carbon	89-98 89-98 89-98 97-98		911 911 911 911
1	993 552 985 04	set instrument carrier dashboard trim carbon	/LL 89-98	1	911
(1)	993 552 985 05	set instrument carrier dashboard trim carbon	/RL 89-98	1	911
-	000 044 800 79	set airbag cover passenger's side upper part/lower part carbon		1	
-	000 044 800 67	set airbag cover passenger's side upper part/lower part carbon logo TURBO S		1	TURBO S M092
-	000 044 801 88	cover radio air-conditioning switch heating regulator carbon		1	
-	000 044 801 94	cover ignition starter lock headlight levelling system carbon		1	
2	000 044 800 63	set trim cover	97-98	1	
3	993 555 980 01	door opener	/L 94-98	1	
(3)	993 555 981 01	door opener	/R 94-98	1	
4	000 044 800 60	set centre console  comprising:	94-98	1	

Model	Year	MG	SG	Illustration	Restrictions	UPD	18:31	06.02.2010	PORSCHE	PET	PORSCHE
TEQ	2010	8	09	809-01		248	USA / CANADA				

Pos	Part Number	Description	Remark	Qty	Model	Pos	Part Number	Description	Remark	Qty	Model
5	000 044 800 82	trim for switch centre console upper	94-98	1							
6	000 044 800 83	trim for switch centre console centre	94-98	1							
7	000 044 800 36	finger plate for parking-brake lever	94-98	1							
8	993 632 171 00	light-diffusing lens rear spoiler		1							
9	993 632 171 11	light-diffusing lens rear spoiler sunroof		1	M650						
10	993 632 171 12	light-diffusing lens rear spoiler convertible top		1	M439						
11	993 632 171 13	light-diffusing lens rear spoiler rear window wiper		1	M425						
12	993 632 171 14	light-diffusing lens rear spoiler rear window wiper sunroof		1	M425 M650						
13	993 632 171 15	light-diffusing lens sunroof		1	TURBO M650						
14	993 632 171 17	light-diffusing lens rear window wiper		1	TURBO M425						
15	993 632 171 18	light-diffusing lens rear window wiper sunroof		1	TURBO M425 M650						
16	993 632 171 19	light-diffusing lens glass roof shade rear window wiper		1	TARGA  M425						
17	993 632 171 20	light-diffusing lens rear spoiler glass roof shade		1	TARGA						



Model	Year	MG	SG	Illustration	Restrictions	UPD	18:31	06.02.2010	PORSCHE	PET	PORSCHE
TEQ	2010	8	09	809-04		248	USA / CANADA				

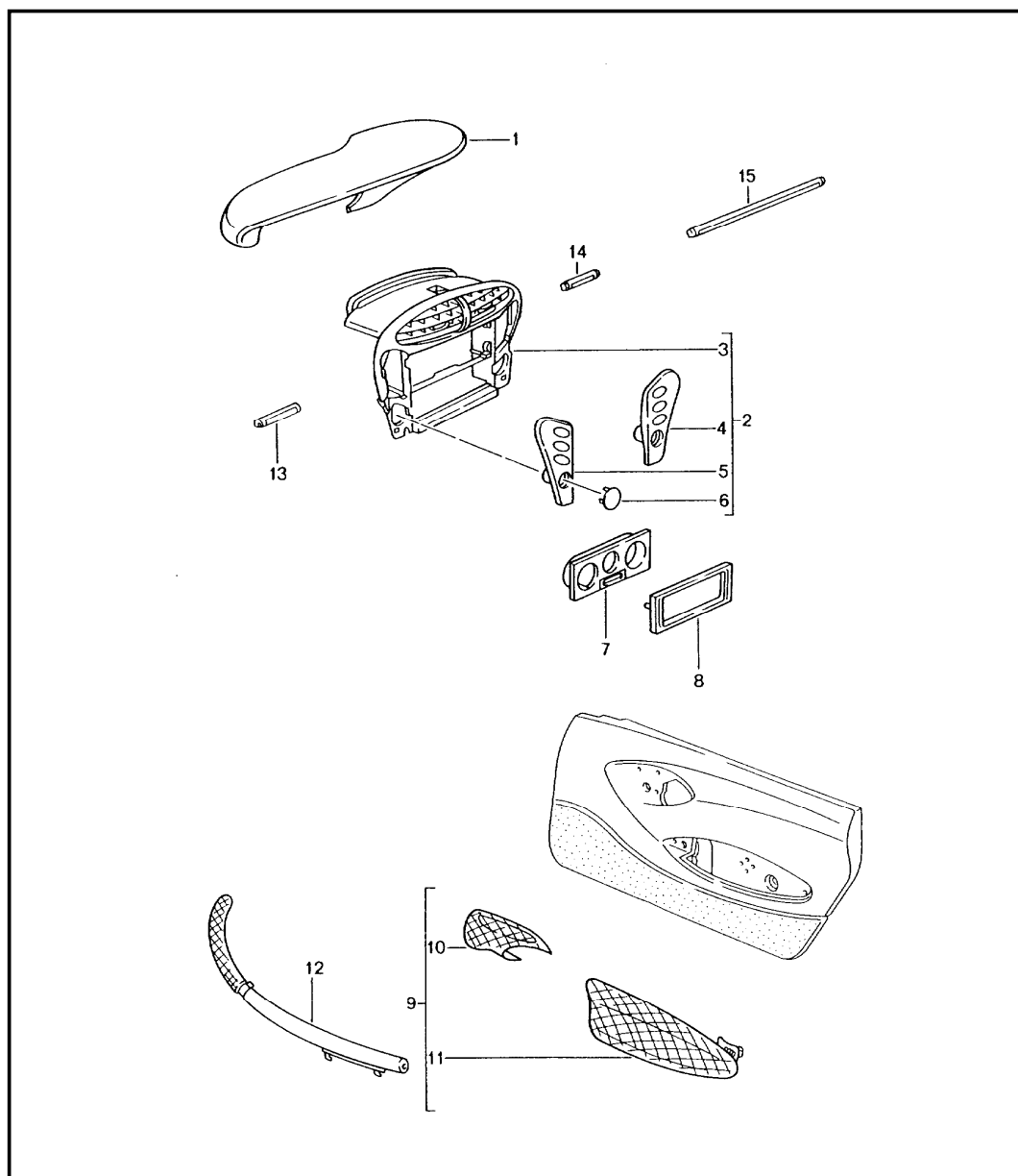


Pos	Part Number	Description	Remark	Qty	Model
		instrument box centre console door carbon	97-04		BOXSTER
1	986 552 984 04	instrument box carbon leather	/LL	1	
	M31	boxster red	97-		
	J31	nephrite green	97-		
	S31	savanna	97-		
	C51	graphite grey	97-		
	A11	black	97-		
	G11	metropole blue	98-		
2	000 044 800 87	retrofit kit centre console carbon without navigation system	97-	1	
(2)	000 044 801 48	retrofit kit centre console carbon with navigation system	98-	1	M662
		comprising:			
3	A 986 552 980 17	support frame		1	
3	986 552 980 20	support frame	97-	1	
	01C	black	97-		
	M30	boxster red	97-		
	J30	nephrite green	97-		
	S30	savanna	97-		
	C50	graphite grey	97-		
	G10	metropole blue	98-		
		or			
(3)	A 986 552 980 27	support frame		1	M662
(3)	986 552 980 24	support frame	97-	1	

Model	Year	MG	SG	Illustration	Restrictions	UPD	18:31	06.02.2010	PORSCHE	PET	PORSCHE
TEQ	2010	8	09	809-04		248	USA / CANADA				

Pos	Part Number	Description	Remark	Qty	Model	Pos	Part Number	Description	Remark	Qty	Model
	01C	black	97-			(11)	986 555 991 01	lid	/R	1	
	M30	boxster red	97-					when required order also:			
	J30	nephrite green	97-			12	986 555 987 03	inner door release handle carbon	/L	1	
	S30	savanna	97-				M31	boxster red	97-		
	C50	graphite grey	97-				J31	nephrite green	97-		
	G10	metropole blue	98-				S31	savanna	97-		
4	986 552 982 01	trim for switch	/R	1			C51	graphite grey	97-		
5	986 552 981 01	trim for switch	/L	1			A11	black	97-		
6	986 552 983 01	cover		1			G11	metropole blue	98-		
		order also:									
7	996 552 991 01	frame heating carbon or		1		(12)	986 555 988 03	inner door release handle carbon	/R	1	
8	996 552 992 01	frame air-conditioning switch carbon		1			M31	boxster red	97-		
(8)	996 552 992 00	support frame heating frame air-conditioning switch leather		1			J31	nephrite green	97-		
	A11	black					S31	savanna	97-		
	S31	savanna					C51	graphite grey	97-		
	G11	metropole blue					A11	black	97-		
							G11	metropole blue	98-		
								when required order also:			
-	996 552 963 04	trim for switch air conditioner carbon		1	M662	-	986 555 985 01	covering	/L	1	
						-	986 555 986 01	covering clip handle aluminium coloured	/R	1	
9	000 044 800 88	retrofit kit doors carbon		1				when required order also:			
		comprising:				13	996 552 996 01	trim cover	/LL/L	1	
10	986 555 982 02	trim cover	/R	1		14	996 552 998 02	trim cover	/LL	1	
(10)	986 555 981 02	trim cover	/L	1		15	986 552 987 04	moulding	/LL/R	1	
11	986 555 990 01	lid	/L	1							

Model	Year	MG	SG	Illustration	Restrictions	UPD	18:31	06.02.2010	PORSCHE	PET	PORSCHE
TEQ	2010	8	09	809-05		248	USA / CANADA				

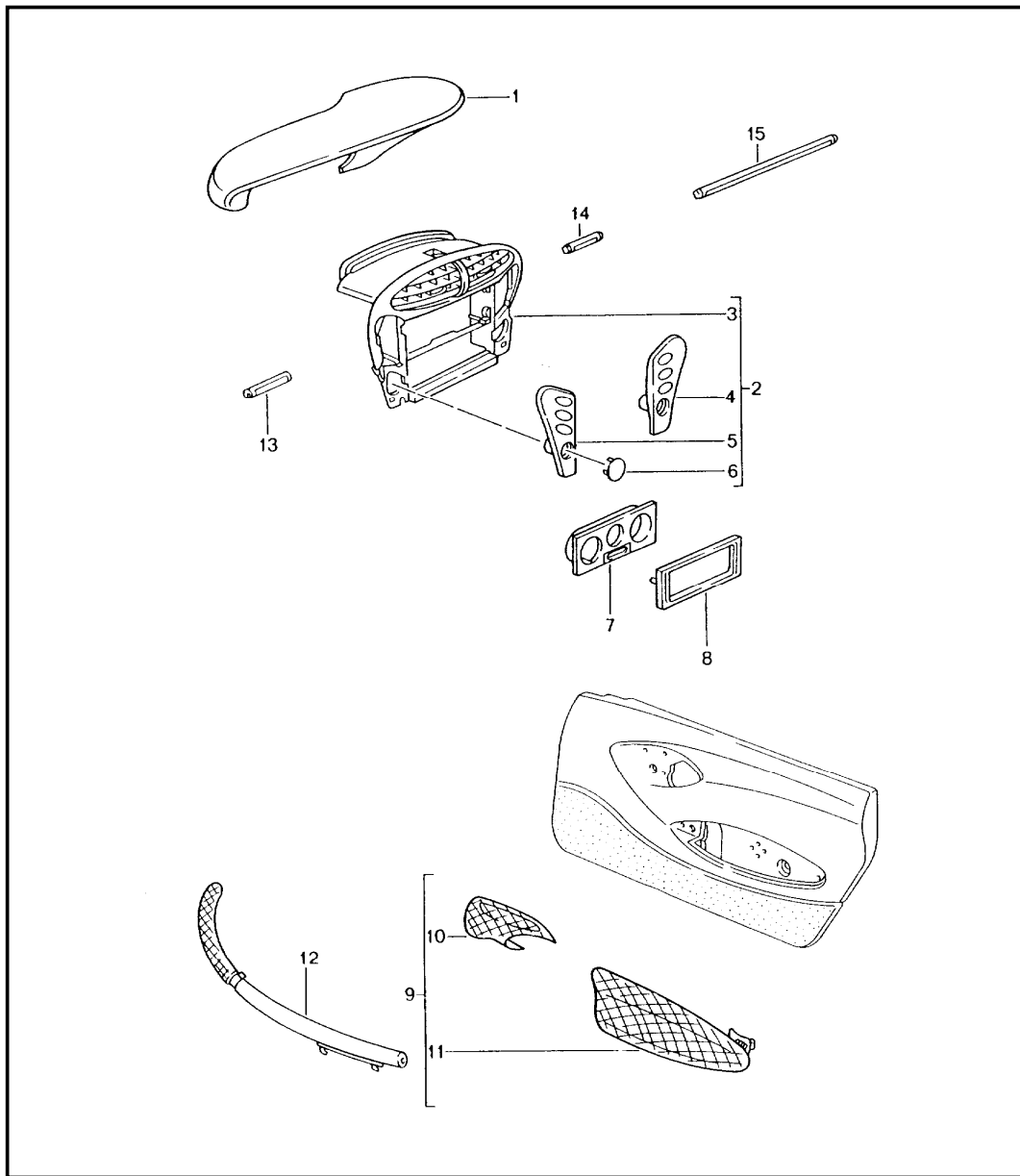


Pos	Part Number	Description	Remark	Qty	Model
		instrument box centre console door mahogany	-98		BOXSTER
1	986 552 984 02	instrument box mahogany leather	/LL	1	
	M31	boxster red	97-		
	J31	nephrite green	97-		
	S31	savanna	97-		
	C51	graphite grey	97-		
	A11	black	97-		
	G11	metropole blue	98-		
3	986 552 980 16	support frame or		1	
(3)	986 552 980 26	support frame		1	M662
4	986 552 982 00	trim for switch	/R	1	
5	986 552 981 00	trim for switch	/L	1	
6	986 552 983 00	cover		1	
7	A 000 044 800 97	spacer		1	
7	996 552 991 02	support frame heating mahogany		1	
8	A 000 044 800 96	cover		1	
8	996 552 992 02	frame air-conditioning switch mahogany		1	
(8)	996 552 991 00	support frame heating leather		1	
	A11	black other colours available			
(8)	996 552 992 00	frame air-conditioning switch leather		1	
	A11	black			

Model	Year	MG	SG	Illustration	Restrictions	UPD	18:31	06.02.2010	PORSCHE	PET	PORSCHE
TEQ	2010	8	09	809-05		248	USA / CANADA				

Pos	Part Number	Description	Remark	Qty	Model	Pos	Part Number	Description	Remark	Qty	Model
	S31	savanna						when required order also:			
	G11	metropole blue				13	996 552 996 02	trim cover mahogany	/LL/L	1	
-	996 552 963 03	cover air-conditioning switch or digital sound processing		1	M662	(13)	996 552 997 02	trim cover mahogany	/RL/R	1	
10	986 555 982 00	trim cover	/R	1		14	996 552 998 04	trim cover mahogany	/LL	1	
(10)	986 555 981 00	trim cover	/L	1		(14)	996 552 998 05	trim cover mahogany	/RL	1	
11	000 044 800 90	lid	/R	1		15	986 552 987 02	trim cover mahogany	/LL/R	1	
(11)	000 044 800 91	lid	/L	1		(15)	986 552 987 03	trim cover mahogany	/RL/L	1	
12	986 555 987 00	inner door release handle mahogany	/L	1							
	M31	boxster red									
	J31	nephrite green									
	S31	savanna									
	C51	graphite grey									
	A11	black									
	G11	metropole blue									
(12)	986 555 988 00	inner door release handle mahogany	/R	1							
	M31	boxster red									
	J31	nephrite green									
	S31	savanna									
	C51	graphite grey									
	A11	black									
	G11	metropole blue									
		when required order also:									
-	986 555 985 01	covering silver	/L	1							
-	986 555 986 01	covering silver	/R	1							

Model	Year	MG	SG	Illustration	Restrictions	UPD	18:31	06.02.2010	PORSCHE	PET	PORSCHE
TEQ	2010	8	09	809-06		248	USA / CANADA				



Pos	Part Number	Description	Remark	Qty	Model
		instrument box centre console door dark maple rootwood	99-04		BOXSTER
1	986 552 984 12	instrument box dark maple rootwood leather	/LL	1	
	M31	boxster red	97-		
	J31	nephrite green	97-		
	S31	savanna	97-		
	C51	graphite grey	97-		
	A11	black	97-		
	G11	metropole blue	98-		
2	000 044 801 67	retrofit kit centre console dark maple rootwood without navigation system leather		1	
	A10	black			
	M30	boxster red			
	J30	nephrite green			
	S30	savanna			
	C50	graphite grey			
	G10	metropole blue			
(2)	000 044 801 68	retrofit kit centre console dark maple rootwood with navigation system leather		1	M662
	A10	black			
	M30	boxster red			
	J30	nephrite green			
	S30	savanna			
	C50	graphite grey			

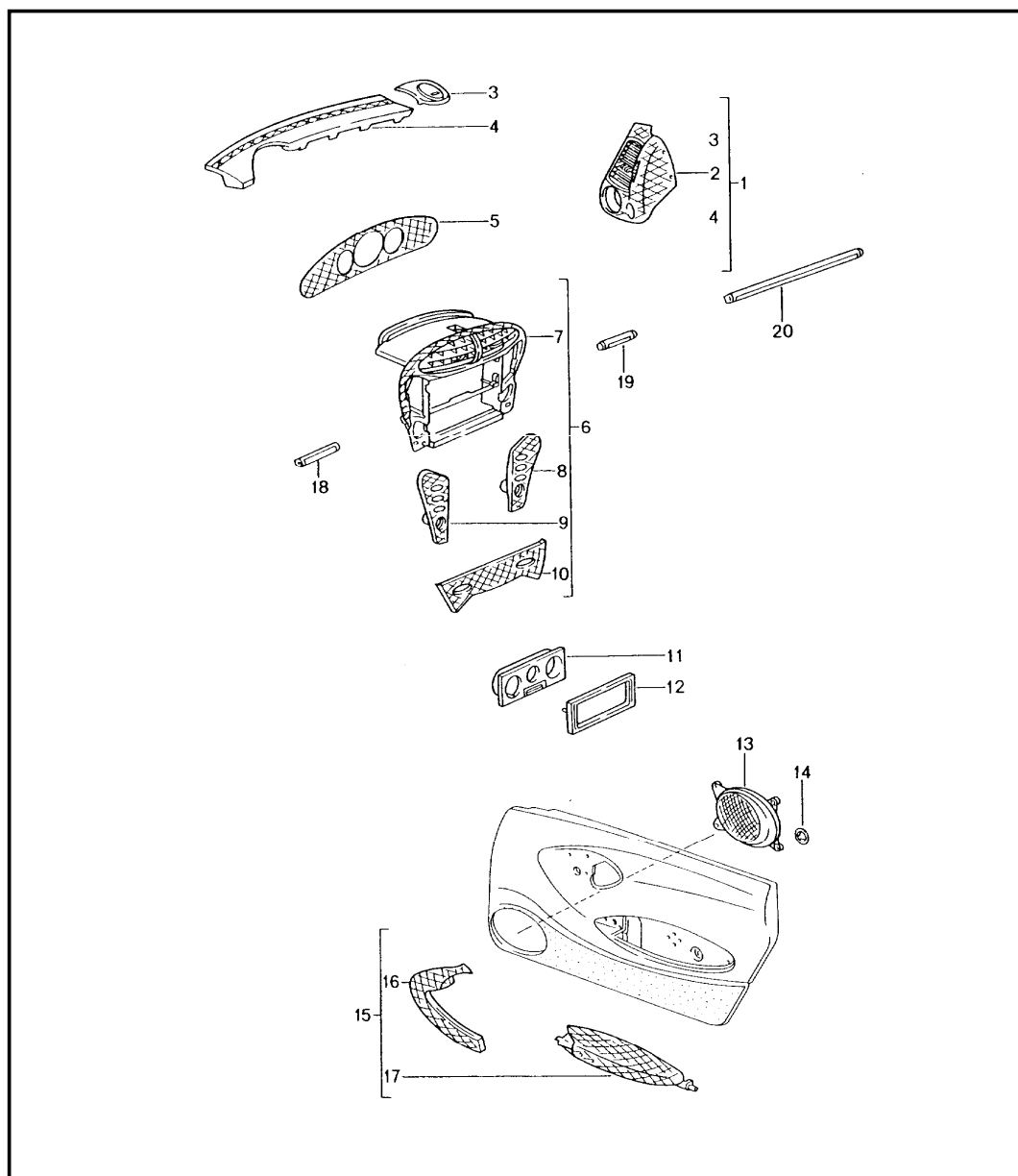
Model	Year	MG	SG	Illustration	Restrictions	UPD	18:31	06.02.2010	PORSCHE	PET	PORSCHE
TEQ	2010	8	09	809-06		248	USA / CANADA				

Pos	Part Number	Description	Remark	Qty	Model	Pos	Part Number	Description	Remark	Qty	Model
	G10	metropole blue					A11	black			
		comprising:					M31	boxster red			
3	986 552 980 30	support frame dark maple rootwood leather		1				other colours available			
	A10	black				(8)	996 552 992 00	frame air-conditioning switch leather		1	
	M30	boxster red					A11	black			
	J30	nephrite green					S31	savanna			
	S30	savanna					G11	metropole blue			
	C50	graphite grey						order also:			
	G10	metropole blue				-	996 552 963 02	cover air-conditioning switch or digital sound processing dark maple rootwood		1	M662
(3)	986 552 980 31	support frame dark maple rootwood leather		1	M662						
	A10	black				9	000 044 801 69	retrofit kit doors dark maple rootwood		1	
	M30	boxster red						comprising:			
	J30	nephrite green				10	986 555 982 03	trim cover	/R	1	
	S30	savanna				(10)	986 555 981 03	trim cover	/L	1	
	C50	graphite grey				11	000 044 801 70	lid	/R	1	
	G10	interior monitoring				(11)	000 044 801 71	lid	/L	1	
4	986 552 982 03	trim for switch	/R	1		12	986 555 987 04	inner door release handle dark maple rootwood	/L	1	
5	986 552 981 03	trim for switch	/L	1			M31	boxster red		97-	
6	986 552 983 03	cover		1			J31	nephrite green		97-	
7	996 552 991 04	support frame heating dark maple rootwood		1			S31	savanna		97-	
8	996 552 992 04	frame air-conditioning switch dark maple rootwood		1			C51	graphite grey		97-	
		when required order also:					A11	black		97-	
(8)	996 552 991 00	support frame heating leather		1			G11	metropole blue		98-	

Model	Year	MG	SG	Illustration	Restrictions	UPD	18:31	06.02.2010	PORSCHE	PET	PORSCHE
TEQ	2010	8	09	809-06		248	USA / CANADA				

Pos	Part Number	Description	Remark	Qty	Model	Pos	Part Number	Description	Remark	Qty	Model
(12)	986 555 988 04	inner door release handle dark maple rootwood	/R	1							
	M31	boxster red		97-							
	J31	nephrite green		97-							
	S31	savanna		97-							
	C51	graphite grey		97-							
	A11	black		97-							
	G11	metropole blue		98-							
		when required order also:									
-	986 555 985 01	covering silver	/L	1							
-	986 555 986 01	covering silver	/R	1							
		when required order also:									
13	996 552 996 05	trim cover dark maple rootwood	/LL/L	1							
14	996 552 998 10	trim cover dark maple rootwood	/LL	1							
15	986 552 987 10	moulding dark maple rootwood	/LL/R	1							

Model	Year	MG	SG	Illustration	Restrictions	UPD	18:31	06.02.2010	PORSCHE	PET	PORSCHE
TEQ	2010	8	09	809-07		248	USA / CANADA				



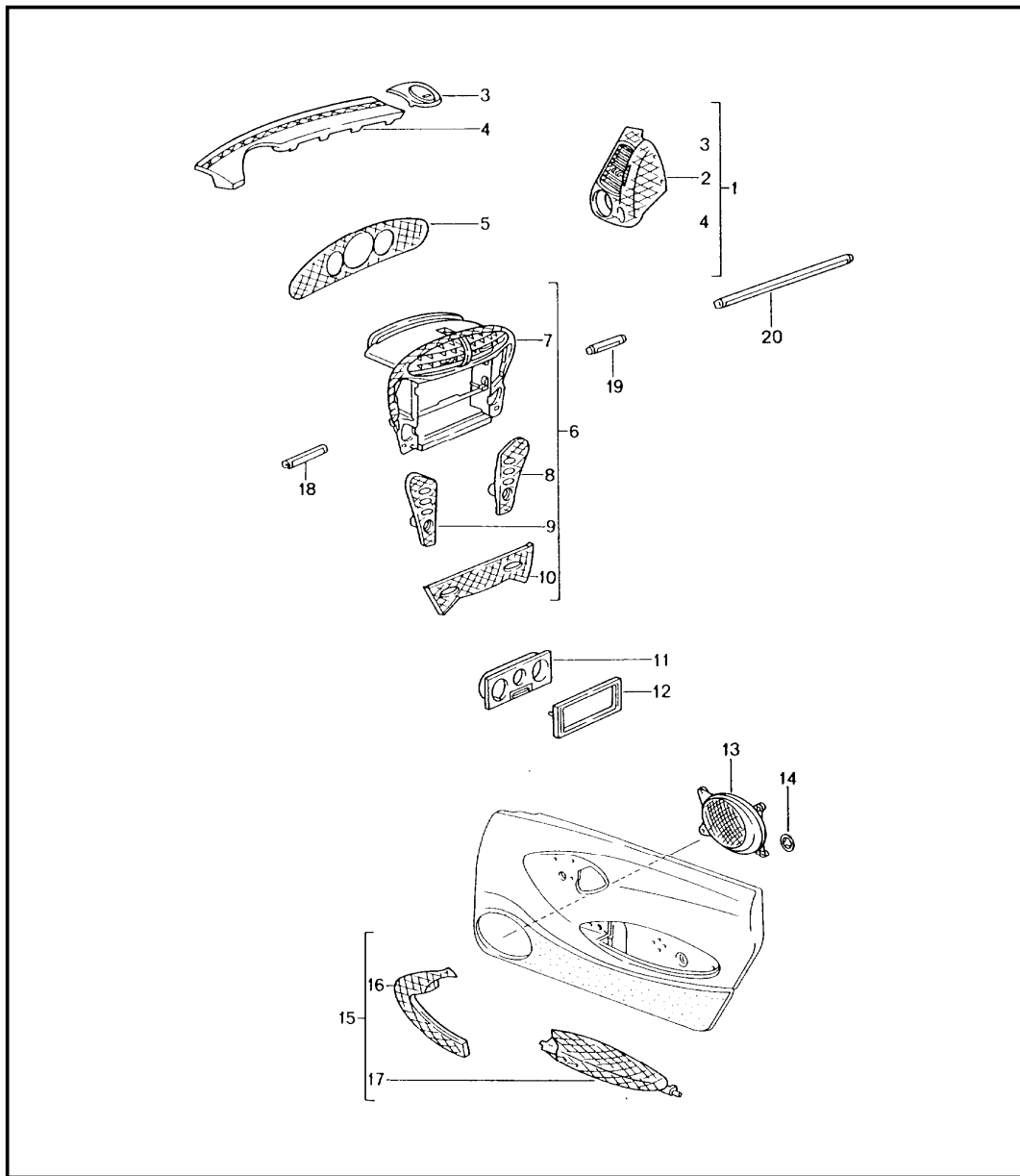
Pos	Part Number	Description	Remark	Qty	Model
		dashboard trim	98-04		911
		dashboard trim	98-04		911
		centre console	98-01		911
		door	98-04		911
		tunnel	98-04		911
		carbon			
1	000 044 801 36	retrofit kit dashboard trim carbon leather		1	
	A11	black			
	M31	boxster red			
	C51	graphite grey			
	S31	savanna			
	G11	metropole blue other colours available			
		comprising:			
2	000 044 801 12	jet carrier carbon	/R	1	
(2)	000 044 801 13	jet carrier carbon	/L	1	
-	996 552 986 03	trim cover headlight levelling system carbon		1	
3	996 552 990 02	rosette light alarm system leather		1	
	A11	black			
	M31	boxster red			
	C51	graphite grey			
	S31	savanna other colours available			
4	996 552 989 04	defroster trim carbon leather	/R	1	
	A11	black			
	M31	boxster red			



Model	Year	MG	SG	Illustration	Restrictions	UPD	18:31	06.02.2010	PORSCHE	PET	PORSCHE
TEQ	2010	8	09	809-07		248	USA / CANADA				

Pos	Part Number	Description	Remark	Qty	Model	Pos	Part Number	Description	Remark	Qty	Model
	C51	graphite grey						order also:			
	S31	savanna other colours available				11	996 552 991 01	frame heating carbon		1	
(4)	996 552 988 04	defroster trim carbon leather	/L	1				or			
	A11	black				12	996 552 992 01	frame air-conditioning switch carbon		1	
	M31	boxster red				-	996 552 963 04	trim for switch air conditioner carbon		1	M662
	C51	graphite grey									
	S31	savanna other colours available				13	000 044 801 14	subsequent installation trim cover door speaker carbon		1	
5	A 000 044 801 07	dashboard trim carbon	/LL	1							
5	996 552 971 06	dashboard trim carbon	/LL	1		14	999 591 946 02	clamping washer		8	
6	000 044 801 30	retrofit kit centre console carbon without navigation system	-01	1		15	000 044 801 04	retrofit kit door carbon		1	
(6)	000 044 801 31	retrofit kit centre console carbon with navigation system	-01	1	M662	16	996 555 989 02	trim cover handle carbon	/R	1	
		comprising:				(16)	996 555 988 02	trim cover handle carbon	/L	1	
7	996 552 969 90	bracket centre nozzle carbon		1		17	996 555 987 02	lid shelf carbon	/R	1	
(7)	000 044 801 10	bracket centre nozzle carbon		1	M662	(17)	996 555 986 02	lid shelf carbon	/L	1	
		when required order also:									
8	996 552 968 07	trim for switch carbon	/R	1		18	996 552 996 01	trim cover	/LL/L	1	
9	996 552 967 07	trim for switch carbon	/L	1		19	996 552 998 02	trim cover	/LL	1	
10	996 552 972 05	trim for switch lower carbon		1		20	986 552 987 04	moulding	/LL/R	1	

Model	Year	MG	SG	Illustration	Restrictions	UPD	18:32	06.02.2010	PORSCHE	PET	PORSCHE
TEQ	2010	8	09	809-08		248	USA / CANADA				



Pos	Part Number	Description	Remark	Qty	Model
		passenger compartment light maple rootwood	98-04		911 (996)
1	000 044 801 37	retrofit kit dashboard trim light maple rootwood leather		1	
	A11	black			
	M31	boxster red			
	C51	graphite grey			
	S31	savanna other colours available			
		comprising:			
2	000 044 801 24	jet carrier light maple rootwood	/R	1	
(2)	000 044 801 25	jet carrier light maple rootwood	/L	1	
2	996 552 986 01	trim cover headlight levelling system light maple rootwood		1	
3	996 552 990 02	rosette light alarm system leather		1	
	A11	black			
	M31	boxster red			
	C51	graphite grey			
	S31	savanna other colours available			
4	996 552 989 02	defroster trim light maple rootwood leather	/R	1	
	A11	black			
	M31	boxster red			
	C51	graphite grey			
	S31	savanna other colours available			

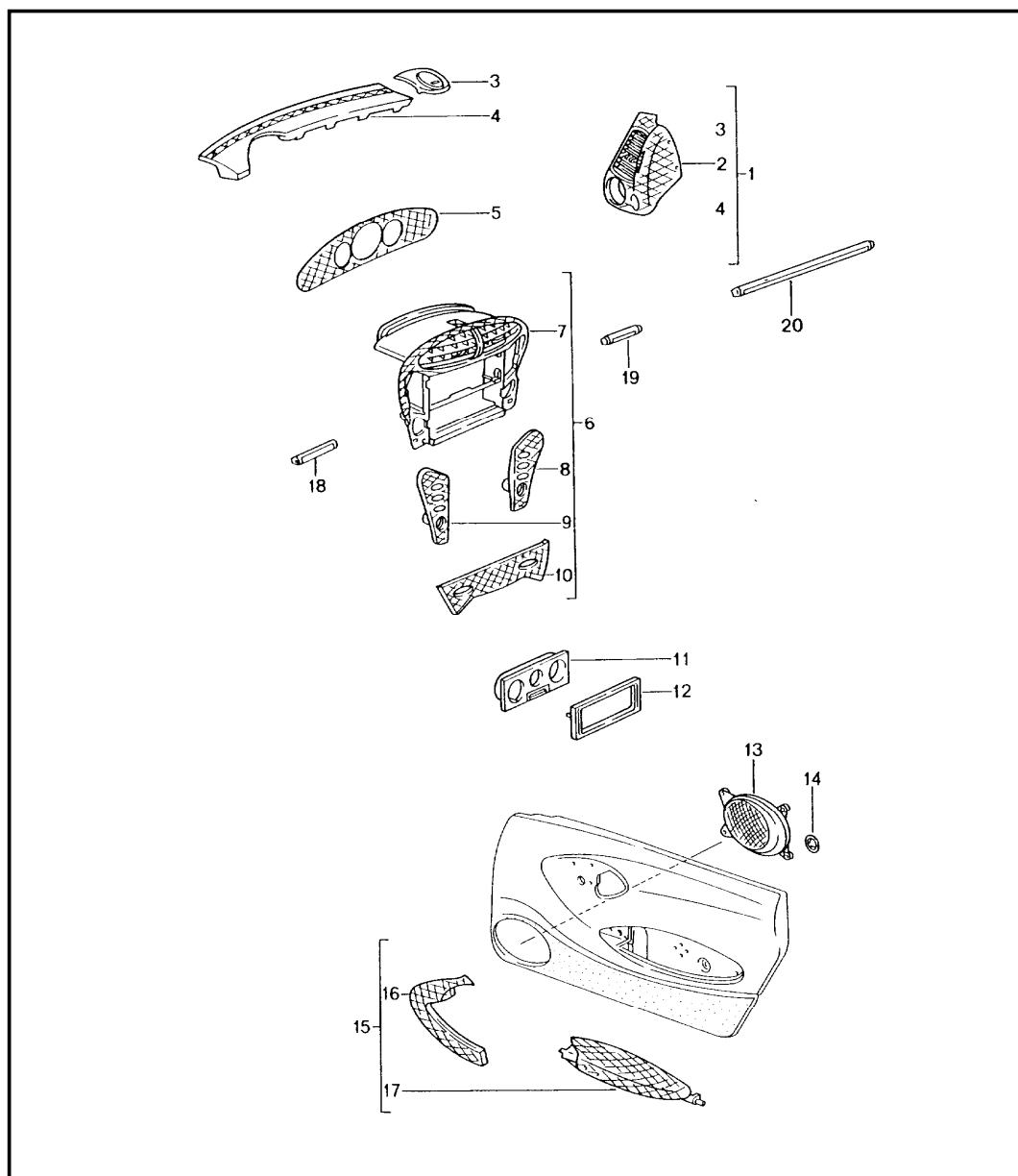
Model	Year	MG	SG	Illustration	Restrictions	UPD	18:32	06.02.2010	PORSCHE	PET	PORSCHE
TEQ	2010	8	09	809-08		248	USA / CANADA				

Pos	Part Number	Description	Remark	Qty	Model	Pos	Part Number	Description	Remark	Qty	Model
(4)	996 552 988 02	defroster trim light maple rootwood leather	/L	1		11	996 552 991 03	frame heating light maple rootwood		1	
	A11	black						or			
	M31	boxster red				12	996 552 992 03	frame air-conditioning switch light maple rootwood		1	
	C51	graphite grey				-	996 552 963 01	trim for switch air conditioner light maple rootwood		1	M662
	S31	savanna other colours available									
5	A 000 044 801 17	dashboard trim light maple rootwood	/LL	1		13	000 044 801 28	subsequent installation trim cover door speaker light maple rootwood		1	
5	996 552 971 02	dashboard trim light maple rootwood	/LL	1							
6	000 044 801 32	retrofit kit centre console light maple rootwood without navigation system		1		14	999 591 946 02	clamping washer		8	
						15	000 044 801 05	retrofit kit door light maple rootwood		1	
(6)	000 044 801 33	retrofit kit centre console light maple rootwood with navigation system		1	M662			comprising:			
		comprising:				16	996 555 989 00	trim cover handle light maple rootwood	/R	1	
7	000 044 801 20	bracket centre nozzle light maple rootwood		1		(16)	996 555 988 00	trim cover handle light maple rootwood	/L	1	
		or				17	996 555 987 00	lid shelf light maple rootwood	/R	1	
(7)	000 044 801 21	bracket centre nozzle light maple rootwood		1	M662	(17)	996 555 986 00	lid shelf light maple rootwood	/L	1	
8	996 552 968 05	trim for switch light maple rootwood	/R	1				when required order also:			
9	996 552 967 05	trim for switch light maple rootwood	/L	1		18	996 552 996 04	trim cover light maple rootwood	/LL/L	1	
10	996 552 972 01	trim for switch lower light maple rootwood		1		(18)	996 552 997 04	trim cover light maple rootwood	/RL/R	1	
		order also:				19	996 552 998 08	trim cover light maple rootwood	/LL	1	
						(19)	996 552 998 09	trim cover light maple rootwood	/RL	1	

Model	Year	MG	SG	Illustration	Restrictions	UPD	18:32	06.02.2010	PORSCHE	PET	PORSCHE
TEQ	2010	8	09	809-08		248	USA / CANADA				

Pos	Part Number	Description	Remark	Qty	Model	Pos	Part Number	Description	Remark	Qty	Model
20	986 552 987 08	moulding light maple rootwood	/LL/R	1							
(20)	996 552 959 03	trim cover light maple rootwood	/RL/L	1							

Model	Year	MG	SG	Illustration	Restrictions	UPD	18:32	06.02.2010	PORSCHE	PET	PORSCHE
TEQ	2010	8	09	809-09		248	USA / CANADA				



Pos	Part Number	Description	Remark	Qty	Model
1	000 044 801 38	passenger compartment dark maple rootwood dashboard trim dark maple rootwood leather  A11 black M31 boxster red C51 graphite grey S31 savanna G11 metropole blue J31 nephrite green B51 space grey other colours available set comprising:	98-04	1	911 (996)
2	000 044 801 26	side vent dark maple rootwood	/R	1	
(2)	000 044 801 27	side vent dark maple rootwood	/L	1	
-	996 552 986 02	cover headlight levelling system dark maple rootwood		1	
3	996 552 990 02	cover light alarm system leather  A11 black M31 boxster red C51 graphite grey S31 savanna other colours available		1	
4	996 552 989 03	defroster trim dark maple rootwood leather  A11 black M31 boxster red	/R	1	

Model	Year	MG	SG	Illustration	Restrictions	UPD	18:32	06.02.2010	PORSCHE	PET	PORSCHE
TEQ	2010	8	09	809-09		248	USA / CANADA				

Pos	Part Number	Description	Remark	Qty	Model	Pos	Part Number	Description	Remark	Qty	Model
	C51	graphite grey						order also:			
	S31	savanna other colours available				11	996 552 991 04	frame heating dark maple rootwood		1	
(4)	996 552 988 03	defroster trim dark maple rootwood leather	/L	1				or			
	A11	black				12	996 552 992 04	frame air-conditioning switch dark maple rootwood		1	M573
	M31	boxster red				-	996 552 963 02	cover air conditioner dark maple rootwood		1	M662
	C51	graphite grey									
	S31	savanna other colours available				13	000 044 801 29	subsequent installation trim cover door speaker dark maple rootwood		1	
5	A 000 044 801 19	instrument box dark maple rootwood	/LL	1							
5	996 552 971 04	dashboard trim dark maple rootwood	/LL	1		14	999 591 946 02	clamping washer		8	
6	000 044 801 34	retrofit kit centre console dark maple rootwood without navigation system		1		15	000 044 801 06	retrofit kit door dark maple rootwood		1	
(6)	000 044 801 35	retrofit kit centre console dark maple rootwood with navigation system		1	M662	16	996 555 989 01	trim cover handle dark maple rootwood	/R	1	
		comprising:				(16)	996 555 988 01	trim cover handle dark maple rootwood	/L	1	
7	000 044 801 22	bracket centre nozzle dark maple rootwood		1		17	996 555 987 01	lid shelf dark maple rootwood	/R	1	
		or				(17)	996 555 986 01	lid shelf dark maple rootwood	/L	1	
(7)	000 044 801 23	bracket centre nozzle dark maple rootwood		1	M662			when required order also:			
8	996 552 968 06	trim for switch dark maple rootwood	/R	1		18	996 552 996 05	trim cover dark maple rootwood	/LL/L	1	
9	996 552 967 06	trim for switch dark maple rootwood	/L	1		(18)	996 552 997 05	trim cover dark maple rootwood	/RL/R	1	
10	996 552 972 03	trim for switch lower dark maple rootwood		1		19	996 552 998 10	trim cover dark maple rootwood	/LL	1	

Model	Year	MG	SG	Illustration	Restrictions	UPD	18:32	06.02.2010	PORSCHE	PET	PORSCHE
TEQ	2010	8	09	809-09		248	USA / CANADA				

Pos	Part Number	Description	Remark	Qty	Model	Pos	Part Number	Description	Remark	Qty	Model
(19)	996 552 998 11	trim cover dark maple rootwood	/RL	1							
20	986 552 987 10	moulding dark maple rootwood	/LL/R	1							
(20)	986 552 987 11	moulding dark maple rootwood	/RL/L	1							

PORSCHE

PET

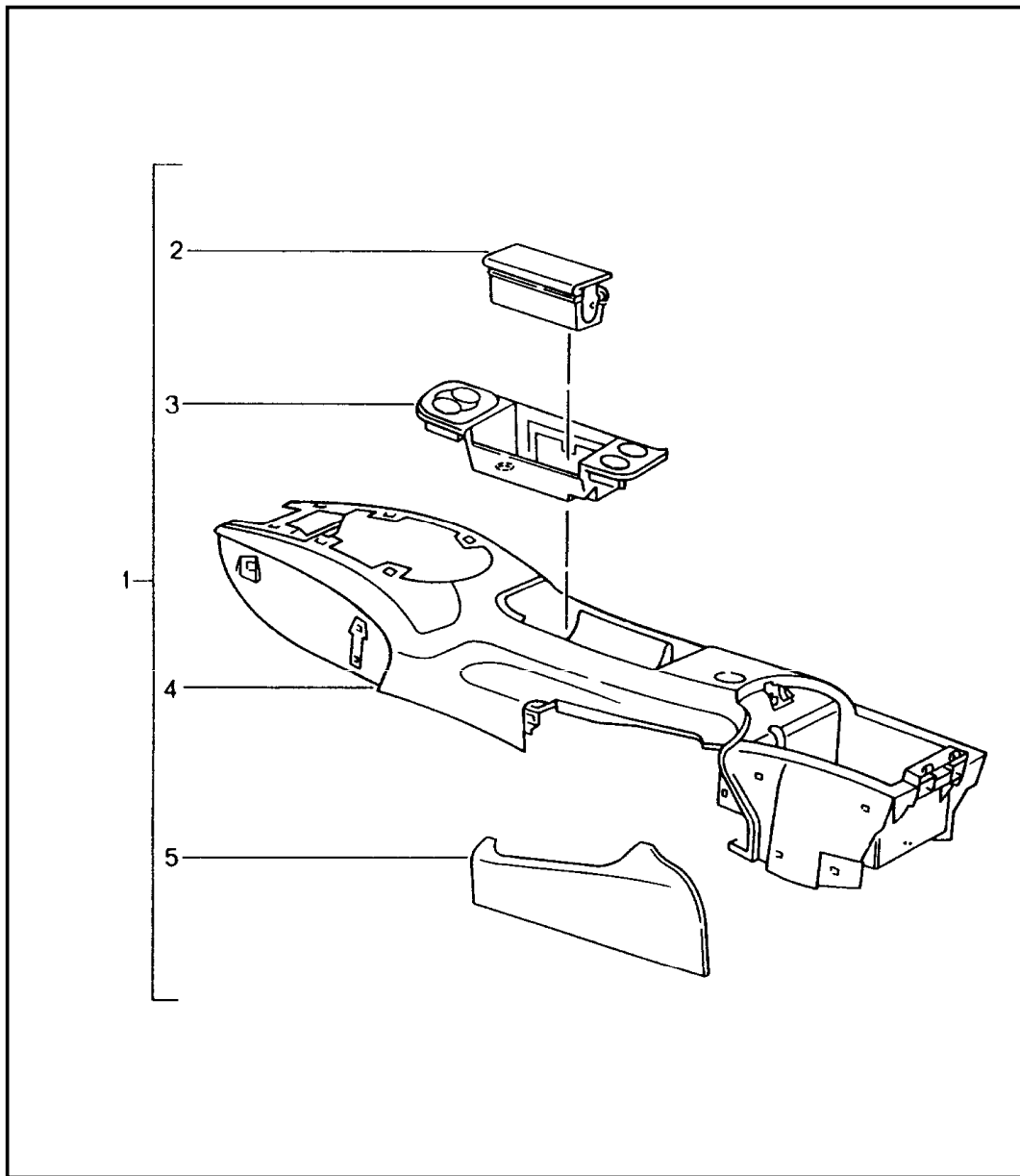
PORSCHE

Model	Year	MG	SG	Illustration	Restrictions	UPD	18:32	06.02.2010
TEQ	2010	8	09	809-13		248	USA / CANADA	

Pos	Part Number	Description	Remark	Qty	Model
-	987 044 802 04	mirror housing cover aluminium look	05-	1	911(997) Boxster(987) Cayman
-	987 044 802 04	mirror housing cover lower aluminium look matte set	05-08	1	
-	997 044 802 09	mirror housing cover lower aluminium look matte set	09-	1	

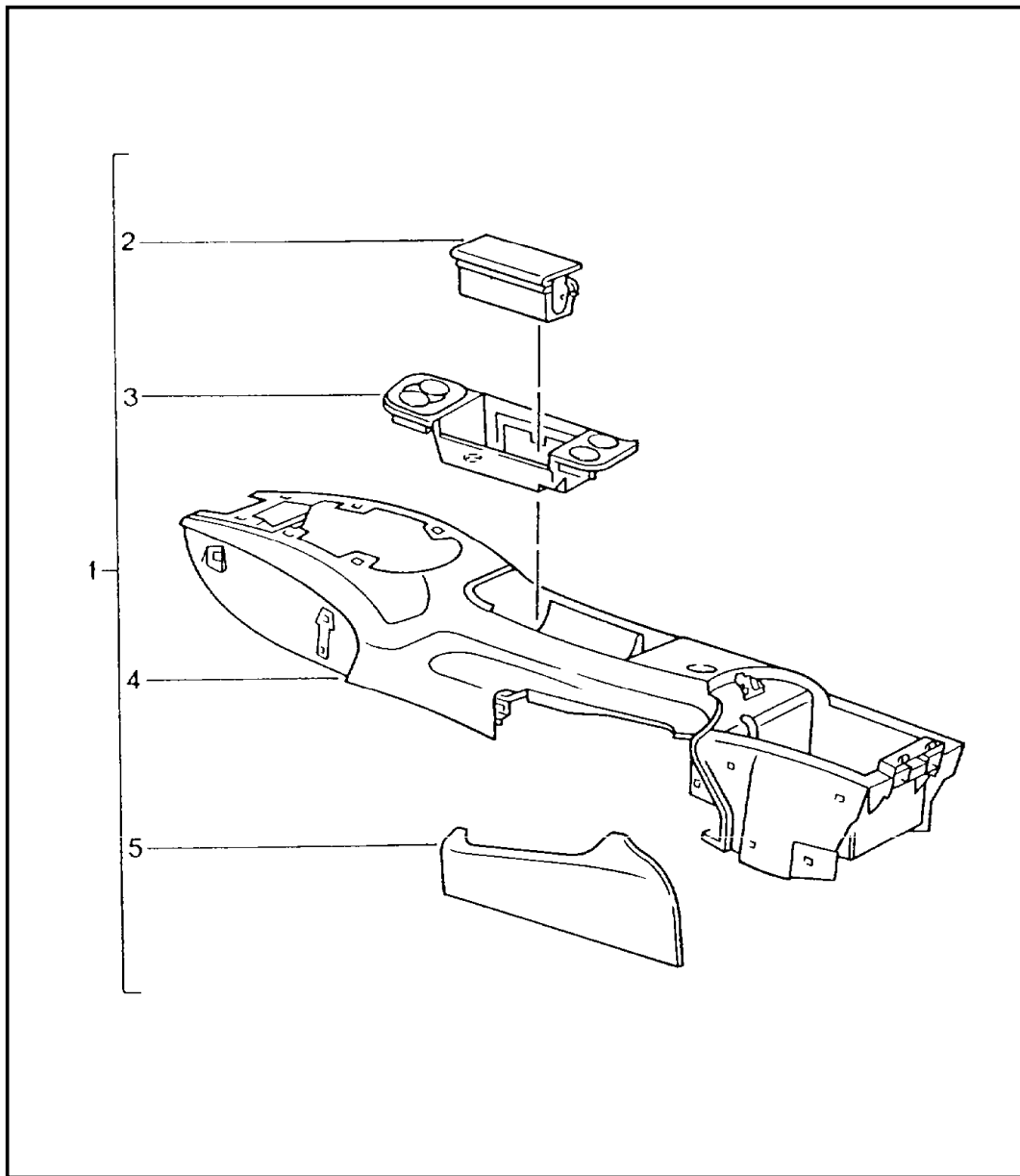


Model	Year	MG	SG	Illustration	Restrictions	UPD	18:32	06.02.2010	PORSCHE	PET	PORSCHE
TEQ	2010	8	09	809-20		248	USA / CANADA				



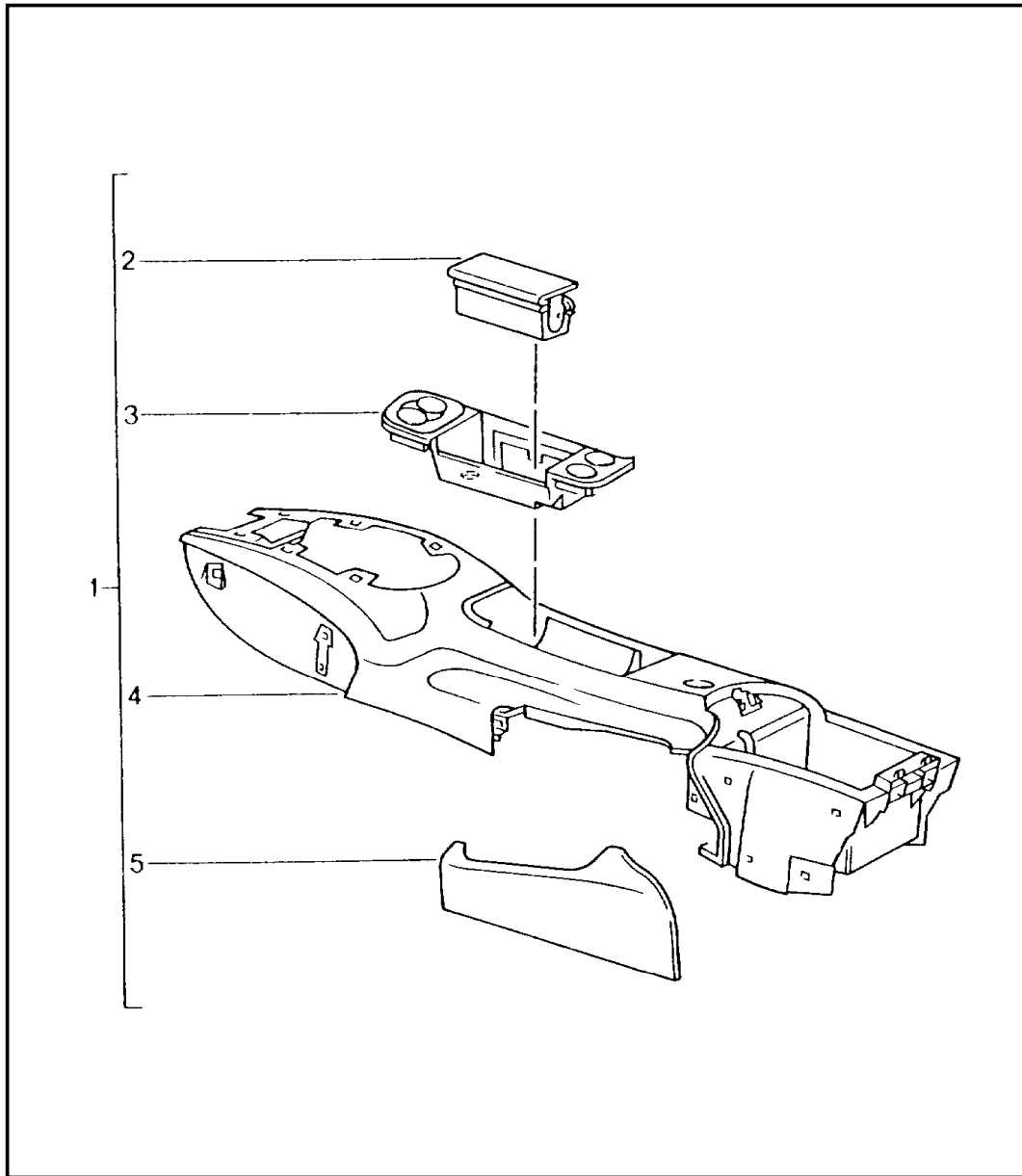
Pos	Part Number	Description	Remark	Qty	Model
		retrofit kit tunnel carbon	97-04 98-04		BOXSTER 911
1	000 044 800 99	retrofit kit tunnel carbon		1	
		comprising:			
2	986 552 997 02	insert ashtray carbon		1	
3	986 552 996 02	ashtray carbon		1	
4	986 552 995 02	centre console carbon		1	
5	996 552 993 02	cover handbrake carbon		1	

Model	Year	MG	SG	Illustration	Restrictions	UPD	18:32	06.02.2010	PORSCHE	PET	PORSCHE
TEQ	2010	8	09	809-21		248	USA / CANADA				



Pos	Part Number	Description	Remark	Qty	Model
		retrofit kit tunnel light maple rootwood	98-04		911
1	000 044 801 78	retrofit kit tunnel light maple rootwood		1	
		comprising:			
2	986 552 997 03	insert ashtray light maple rootwood		1	
3	986 552 996 03	ashtray light maple rootwood		1	
4	986 552 995 03	centre console light maple rootwood		1	
5	996 552 993 03	cover handbrake light maple rootwood		1	

Model	Year	MG	SG	Illustration	Restrictions	UPD	18:33	06.02.2010	PORSCHE	PET	PORSCHE
TEQ	2010	8	09	809-22		248	USA / CANADA				



Pos	Part Number	Description	Remark	Qty	Model
		retrofit kit tunnel dark maple rootwood	97-04 98-04		BOXSTER 911
1	000 044 801 77	retrofit kit tunnel dark maple rootwood		1	
		comprising:			
2	986 552 997 04	insert ashtray dark maple rootwood		1	
3	986 552 996 04	ashtray dark maple rootwood		1	
4	986 552 995 04	centre console dark maple rootwood		1	
5	996 552 993 04	cover handbrake dark maple rootwood		1	

PORSCHE

PET

PORSCHE

Model	Year	MG	SG	Illustration	Restrictions	UPD	18:33	06.02.2010
TEQ	2010	8	09	809-40		248	USA / CANADA	

Pos	Part Number	Description	Remark	Qty	Model
		dashboard trim door panel centre console carbon	05- 05- 06-		911 BOXSTER CAYMAN
-	997 044 800 25	dashboard trim carbon	/LL 05-	1	911,911 S
-	997 044 800 26	dashboard trim carbon	/RL 05-	1	911,911 S
-	987 044 800 25	dashboard trim carbon	/LL 05- /LL 06-	1	BOXSTER BOXSTER S CAYMAN S
-	987 044 800 26	dashboard trim carbon	/RL 05- /RL 06-	1	BOXSTER BOXSTER S CAYMAN S
-	997 044 800 29	door panel carbon	05-	1	911,911 S
-	987 044 800 15	door panel carbon	05- 06-	1	BOXSTER BOXSTER S CAYMAN S
-	997 044 800 82	centre console carbon	05-08	1	911 COUPE
-	997 044 803 82	centre console carbon	09-	1	911 COUPE
-	997 044 800 86	centre console carbon	05-08	1	911 CABRIO
-	997 044 803 86	centre console carbon	09-	1	911 CABRIO
-	997 044 800 96	centre console carbon	05-08	1	911 TARGA
-	997 044 803 96	centre console carbon	09-	1	911 TARGA
-	987 044 800 86	centre console carbon	05-08	1	BOXSTER
-	997 044 803 86	centre console carbon	09-	1	BOXSTER
-	987 044 800 82	centre console carbon	05-08	1	CAYMAN
-	987 044 803 82	centre console carbon	09-	1	CAYMAN

PORSCHE

PET

PORSCHE

Model	Year	MG	SG	Illustration	Restrictions	UPD	18:33	06.02.2010
TEQ	2010	8	09	809-41		248	USA / CANADA	

Pos	Part Number	Description	Remark	Qty	Model
		dashboard trim door panel centre console wood macassar	05- 05- 06-		911 BOXSTER CAYMAN
-	997 044 800 21	dashboard trim wood macassar	/LL 05-	1	911,911 S
-	997 044 800 22	dashboard trim wood macassar	/RL 05-	1	911,911 S
-	987 044 800 21	dashboard trim wood macassar	/LL 05- /LL 06-	1	BOXSTER BOXSTER S CAYMAN S
-	987 044 800 22	dashboard trim wood macassar	/RL 05- /RL 06-	1	BOXSTER BOXSTER S CAYMAN S
-	997 044 800 27	door panel wood macassar	05-	1	911,911 S
-	987 044 800 13	door panel wood door panel	05- 06-	1	BOXSTER BOXSTER S CAYMAN S
-	997 044 800 80	centre console wood macassar	05-08	1	911 COUPE
-	997 044 803 80	centre console wood macassar	09-	1	911 COUPE
-	997 044 800 84	centre console wood macassar	05-08	1	911 CABRIO
-	997 044 803 84	centre console wood macassar	09-	1	911 CABRIO
-	997 044 800 94	centre console wood macassar	05-08	1	911 TARGA
-	997 044 803 94	centre console wood macassar	09-	1	911 TARGA
-	987 044 800 84	centre console wood macassar	05-08	1	BOXSTER

PORSCHE

PET

PORSCHE

Model	Year	MG	SG	Illustration	Restrictions	UPD	18:33	06.02.2010
TEQ	2010	8	09	809-41		248	USA / CANADA	

Pos	Part Number	Description	Remark	Qty	Model
-	997 044 803 84	centre console wood macassar	09-	1	BOXSTER
-	987 044 800 80	centre console wood macassar	05-08	1	CAYMAN
-	987 044 803 80	centre console wood macassar	09-	1	CAYMAN

PORSCHE

PET

PORSCHE

Model	Year	MG	SG	Illustration	Restrictions	UPD	18:33	06.02.2010
TEQ	2010	8	09	809-42		248	USA / CANADA	

Pos	Part Number	Description	Remark	Qty	Model
		dashboard trim	05-08		911
		door panel	05-08		BOXSTER
		centre console	05-08		CAYMAN
		wood			
		sycamore wood			
-	997 044 800 23	dashboard trim	/LL 05-08	1	911,911 S
		wood			
		sycamore wood			
-	997 044 800 24	dashboard trim	/RL 05-08	1	911,911 S
		wood			
		sycamore wood			
-	987 044 800 23	dashboard trim	/LL 05-08	1	BOXSTER
		wood			BOXSTER S
		sycamore wood	/LL 06-08		CAYMAN S
-	987 044 800 24	dashboard trim	/RL 05-08	1	BOXSTER
		wood			BOXSTER S
		sycamore wood	06-08		CAYMAN S
-	997 044 800 28	door panel	05-08	1	911,911 S
		wood			
		sycamore wood			
-	987 044 800 14	door panel	05-08	1	BOXSTER
		wood			BOXSTER S
		sycamore wood	06-08		CAYMAN S
-	997 044 800 31	centre console	05-08	1	911,911 S
		wood			
		sycamore wood			
-	987 044 800 17	centre console	05-08	1	BOXSTER
		wood			BOXSTER S
		sycamore wood	06-08		CAYMAN S

PORSCHE

PET

PORSCHE

Model	Year	MG	SG	Illustration	Restrictions	UPD	18:33	06.02.2010
TEQ	2010	8	09	809-43		248	USA / CANADA	

Pos	Part Number	Description	Remark	Qty	Model
		door panel	05-		911
		centre console	05-		BOXSTER
		aluminium look	06-		CAYMAN
-	997 044 800 39	door panel	05-	1	911,911 S
		aluminium look			
-	987 044 800 20	door panel	05-	1	BOXSTER
		aluminium look	06-		BOXSTER S
					CAYMAN S
-	997 044 800 83	centre console	05-08	1	911 COUPE
		aluminium look			
-	997 044 803 83	centre console	09-	1	911 COUPE
		aluminium look			
-	997 044 800 87	centre console	05-08	1	911 CABRIO
		aluminium look			
-	997 044 803 87	centre console	09-	1	911 CABRIO
		aluminium look			
-	997 044 800 97	centre console	05-08	1	911 TARGA
		aluminium look			
-	997 044 803 97	centre console	09-	1	911 TARGA
		aluminium look			
-	987 044 800 87	centre console	05-08	1	BOXSTER
		aluminium look			
-	997 044 803 87	centre console	09-	1	BOXSTER
		aluminium look			
-	987 044 800 83	centre console	06-08	1	CAYMAN
		aluminium look			
-	987 044 803 83	centre console	09-	1	CAYMAN
		aluminium look			



PORSCHE

PET

PORSCHE

Model	Year	MG	SG	Illustration	Restrictions	UPD	18:33	06.02.2010
TEQ	2010	8	09	809-44		248	USA / CANADA	

Pos	Part Number	Description	Remark	Qty	Model
-	997 044 800 38	package parking-brake lever Tiptronic/PDK steering wheel	05-		Boxster(987) Cayman 911(997)
		package	/LL 05-08	1	Boxster(987) I249
		carbon	/LL 06-08		Cayman I249
	A10	black	/LL 05-		911(997) I249
	B10	stone grey			
	E10	sea blue			
	J10	palmgreen			
	T10	sand beige			
-	997 044 800 34	package	/LL 05-08	1	Boxster(987) I249
		wood	/LL 06-08		Cayman I249
		macassar	/LL 05-		911(997) I249
	A10	black			
	B10	stone grey			
	E10	sea blue			
	J10	palmgreen			
	T10	sand beige			
-	997 044 800 36	package	/LL 05-08	1	Boxster(987) I249
		wood	/LL 06-08		Cayman I249
		sycamore wood	/LL 05-		911(997) I249
	A10	black			
	B10	stone grey			
	E10	sea blue			
	J10	palmgreen			
	T10	sand beige			

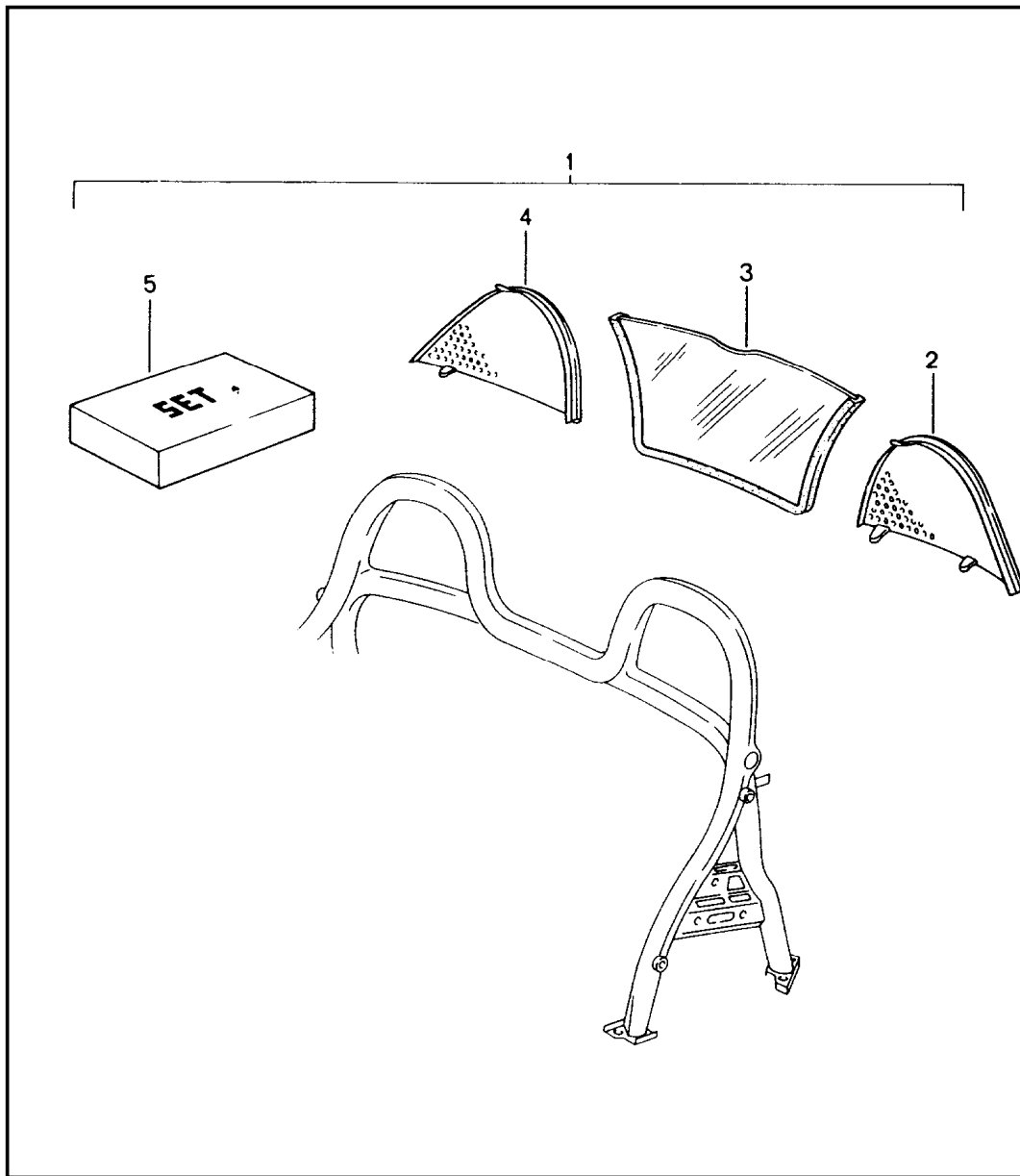
Model	Year	MG	SG	Illustration	Restrictions	UPD	18:34	06.02.2010
TEQ	2010	8	09	809-45		248	USA / CANADA	

Pos	Part Number	Description	Remark	Qty	Model
-	997 044 800 37	passenger compartment package comprising: parking-brake lever gearshift lever steering wheel	05-		911,911 S BOXSTER BOXSTER S CAYMAN S
-	997 044 800 37	passenger compartment package carbon	05- 06-	1	911,911 S BOXSTER S CAYMAN S
	A10	black			
	B10	stone grey			
	E10	sea blue			
	J10	palmgreen			
	T10	sand beige			
-	997 044 800 33	passenger compartment package wood macassar	05- 06-	1	911,911 S BOXSTER S CAYMAN S
	A10	black			
	B10	stone grey			
	E10	sea blue			
	J10	palmgreen			
	T10	sand beige			
-	997 044 800 35	passenger compartment package wood sycamore wood	05- 06-	1	911,911 S BOXSTER S CAYMAN S
	A10	black			
	B10	stone grey			
	E10	sea blue			
	J10	palmgreen			
	T10	sand beige			
-	987 044 800 12	passenger compartment package carbon	05-	1	BOXSTER
	A10	black			
	B10	stone grey			
	E10	sea blue			

Model	Year	MG	SG	Illustration	Restrictions	UPD	18:34	06.02.2010
TEQ	2010	8	09	809-45		248	USA / CANADA	

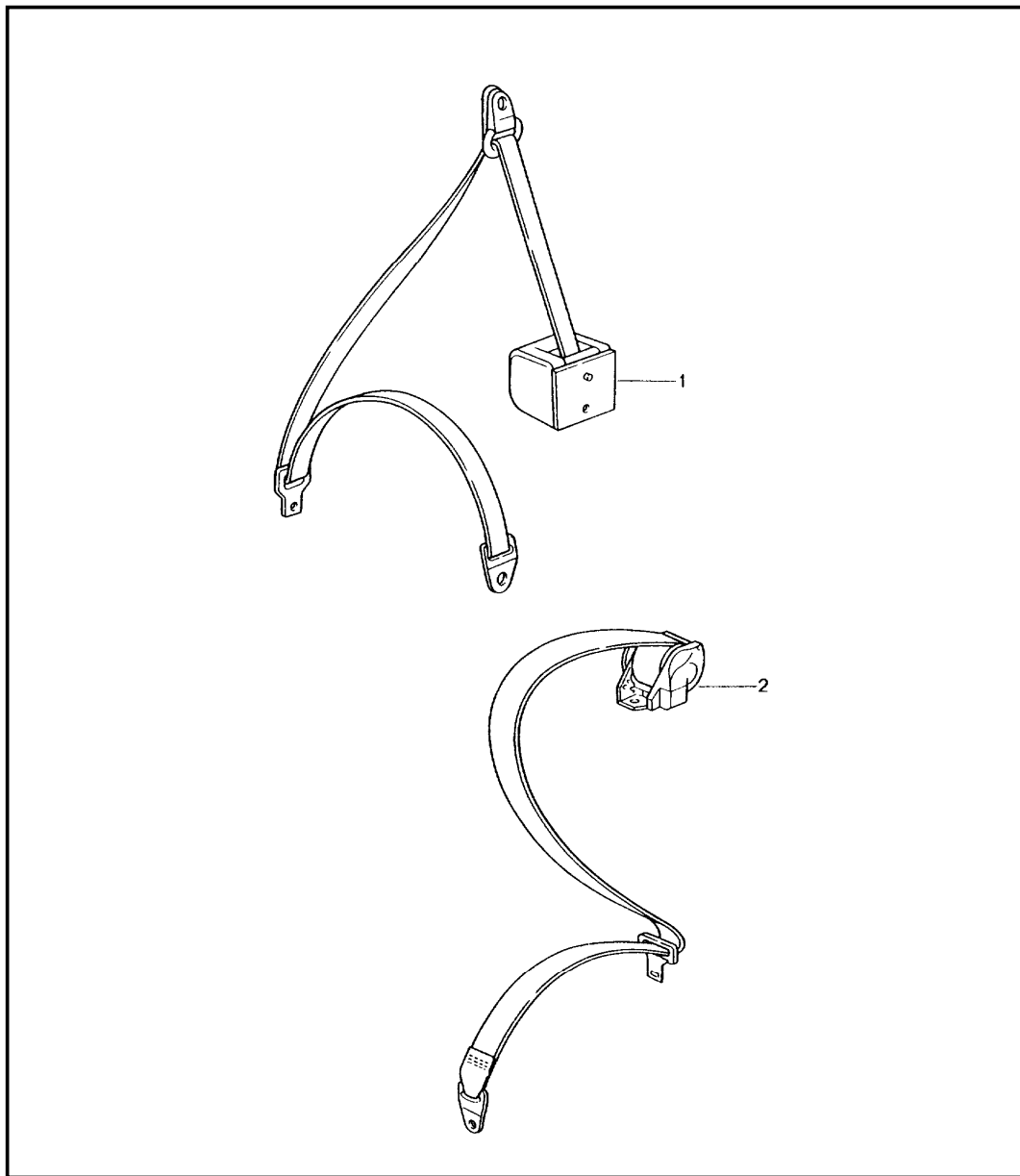
Pos	Part Number	Description	Remark	Qty	Model
	J10	palmgreen			
	T10	sand beige			
-	987 044 800 10	passenger compartment package wood macassar	05-	1	BOXSTER
	A10	black			
	B10	stone grey			
	E10	sea blue			
	J10	palmgreen			
	T10	sand beige			
-	987 044 800 11	passenger compartment package wood sycamore wood	05-	1	BOXSTER
	A10	black			
	B10	stone grey			
	E10	sea blue			
	J10	palmgreen			
	T10	sand beige			

Model	Year	MG	SG	Illustration	Restrictions	UPD	18:34	06.02.2010	PORSCHE	PET	PORSCHE
TEQ	2010	8	12	812-01		248	USA / CANADA				



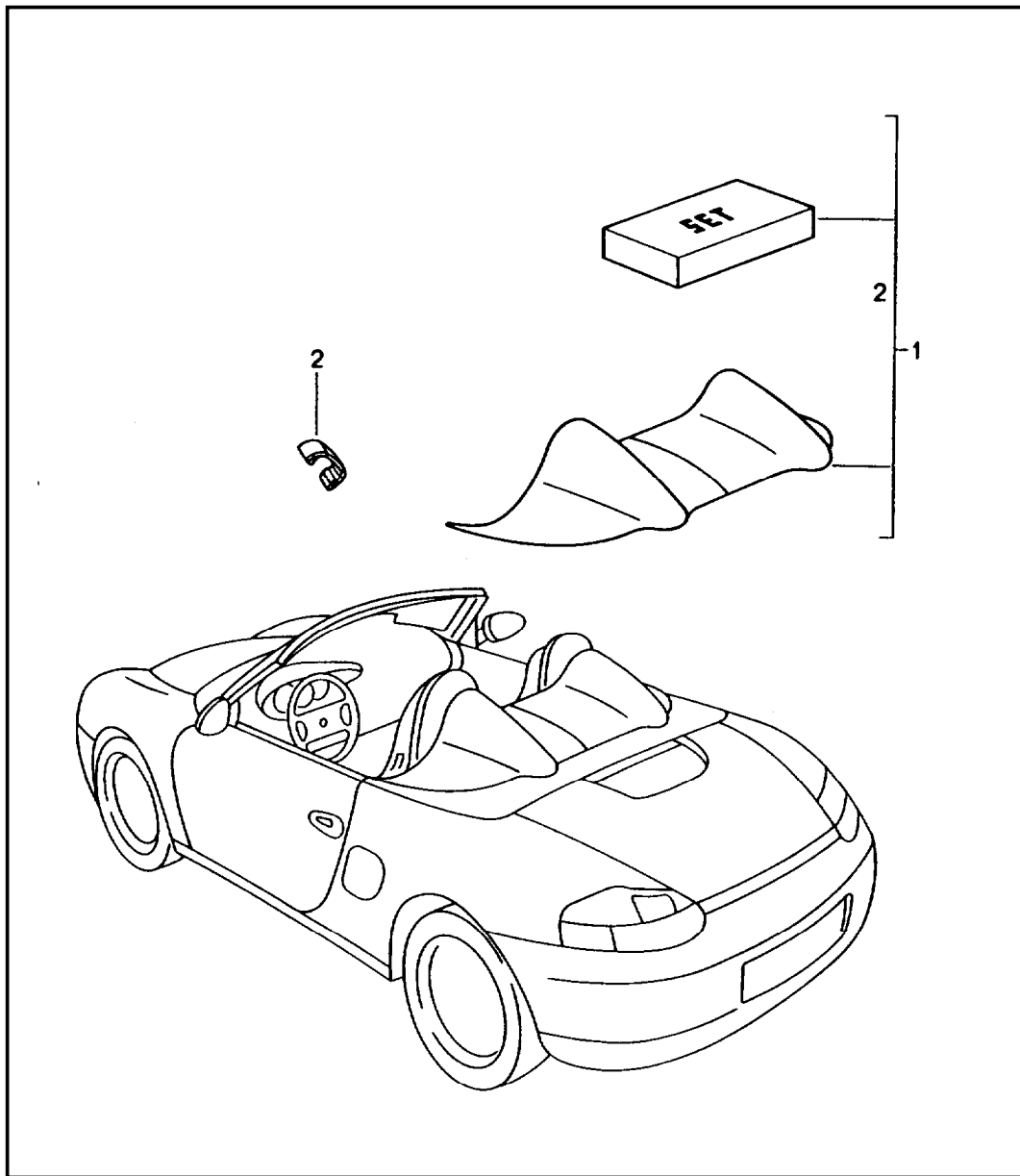
Pos	Part Number	Description	Remark	Qty	Model
					BOXSTER S

Model	Year	MG	SG	Illustration	Restrictions	UPD	18:34	06.02.2010	PORSCHE	PET	PORSCHE
TEQ	2010	8	12	812-05		248	USA / CANADA				



Pos	Part Number	Description	Remark	Qty	Model
		seat belt	97-98		911 TURBO S
1	964 803 033 04	seat belt front	/L	X	RDW USA
	V02	speed yellow			
	N13	guards red			
	H04	riviera blue			
1	993 803 034 01	seat belt child car seat front	/R	1	USA
	70B	black			
	V02	speed yellow			
	N13	guards red			
	H04	riviera blue			
2	993 803 021 00	seat belt rear		1	
	70B	black			
	V02	speed yellow			
	N13	guards red			
	H04	riviera blue			

Model	Year	MG	SG	Illustration	Restrictions	UPD	18:34	06.02.2010	PORSCHE	PET	PORSCHE
TEQ	2010	8	13	813-00		248	USA / CANADA				



Pos	Part Number	Description	Remark	Qty	Model
		cover behind roll-over bar SPEEDSTER LOOK	97-04		BOXSTER
1	986 504 994 01	retrofit kit cover	97-	1	
	G2X	prime coated			
1	986 504 994 01	retrofit kit behind roll-over bar SPEEDSTER LOOK	97-	1	
2	986 504 986 00	clip		1	
		SPEEDSTER LOOK			
-	986 504 981 01	cover	/L	97-	1
	G2X	prime coated SPEEDSTER LOOK			
-	986 504 982 01	cover	/R	97-	1
	G2X	prime coated SPEEDSTER LOOK			
-	986 721 980 00	bag for cover		2	
-	986 551 725 00	velcro strip		2	
-	986 504 983 00	base for roll-over bar		1	
-	944 503 255 00	spacer sleeve 6,1 X 1,0		2	
-	986 563 713 02	insert	/L	1	
-	986 563 714 02	insert	/R	1	
-	999 219 041 00	fit bolt M8 X 36		2	
-	986 504 987 01	catch lever	/L	1	
-	986 504 988 01	catch lever	/R	1	

PORSCHE

PET

PORSCHE

Model	Year	MG	SG	Illustration	Restrictions	UPD	18:34	06.02.2010
TEQ	2010	8	13	813-02		248	USA / CANADA	

Pos	Part Number	Description	Remark	Qty	Model
-	000 044 802 32	grille frame rear apron  technical manual boxster 550 spyder group 6 6355 attention  grille frame rear apron lower aluminium look set	02-04	1	Boxster(986)

PORSCHE

# PET

PORSCHE

Model	Year	MG	SG	Illustration	Restrictions	UPD	18:35	06.02.2010
TEQ	2010	8	50	850-04		248	USA / CANADA	

Pos	Part Number	Description	Remark	Qty	Model
		aerokit	96-98		CARRERA S/4S
		aerokit			TURBO S
		TURBO II	95-98		TURBO
-	000 044 800 16	aerokit		1	CARRERA S/4S
-	000 044 800 16	aerokit		1	TURBO S
		TURBO II			TURBO
		comprising:			
-	993 512 980 02	rear spoiler		1	
-	993 799 512 02	installation set		1	
-	993 512 521 00	stop	/L	1	
-	993 512 522 00	stop	/R	1	
-	993 512 469 00	desk pad		7	
-	993 211 270 40	gasket		1	
-	N 020 904 4	tie-wrap		1	
-	999 513 003 40	tie-wrap		1	
-	993 512 875 00	protective strip		2	
	01C	satin black			
-	999 703 345 40	cap		2	
	01C	satin black			
-	999 703 146 40	lid		2	
-	993 504 513 00	gasket		1	
-	900 067 207 02	hexagon-head bolt		4	
-	999 075 039 02	combination screw		2	
-	900 075 057 02	hexagon-head bolt		2	
-	N 015 392 2	washer		4	
-	900 151 027 02	washer		4	
-	993 613 523 00	trim for switch		1	
	01C	satin black			
-	993 505 982 00	front spoiler		1	
-	900 910 009 02	lock nut		2	
-	944 503 255 00	spacer		2	



PORSCHE

# PET



PORSCHE

Model	Year	MG	SG	Illustration	Restrictions	UPD	18:35	06.02.2010
TEQ	2010	8	50	850-04		248	USA / CANADA	

Pos	Part Number	Description	Remark	Qty	Model
-	999 591 699 02	speed nut ST 4,8		4	
-	900 187 141 09	combination screw		12	
-	993 631 141 01	breather adapter		2	
-	993 505 982 00	front spoiler TURBO II		1	CARRERA S/4S
-	993 505 982 00	front spoiler TURBO II		1	TURBO /S
-	993 512 980 02	rear spoiler TURBO II		1	CARRERA S/4S TURBO
-	993 512 980 02	rear spoiler TURBO II		1	TURBO S TURBO

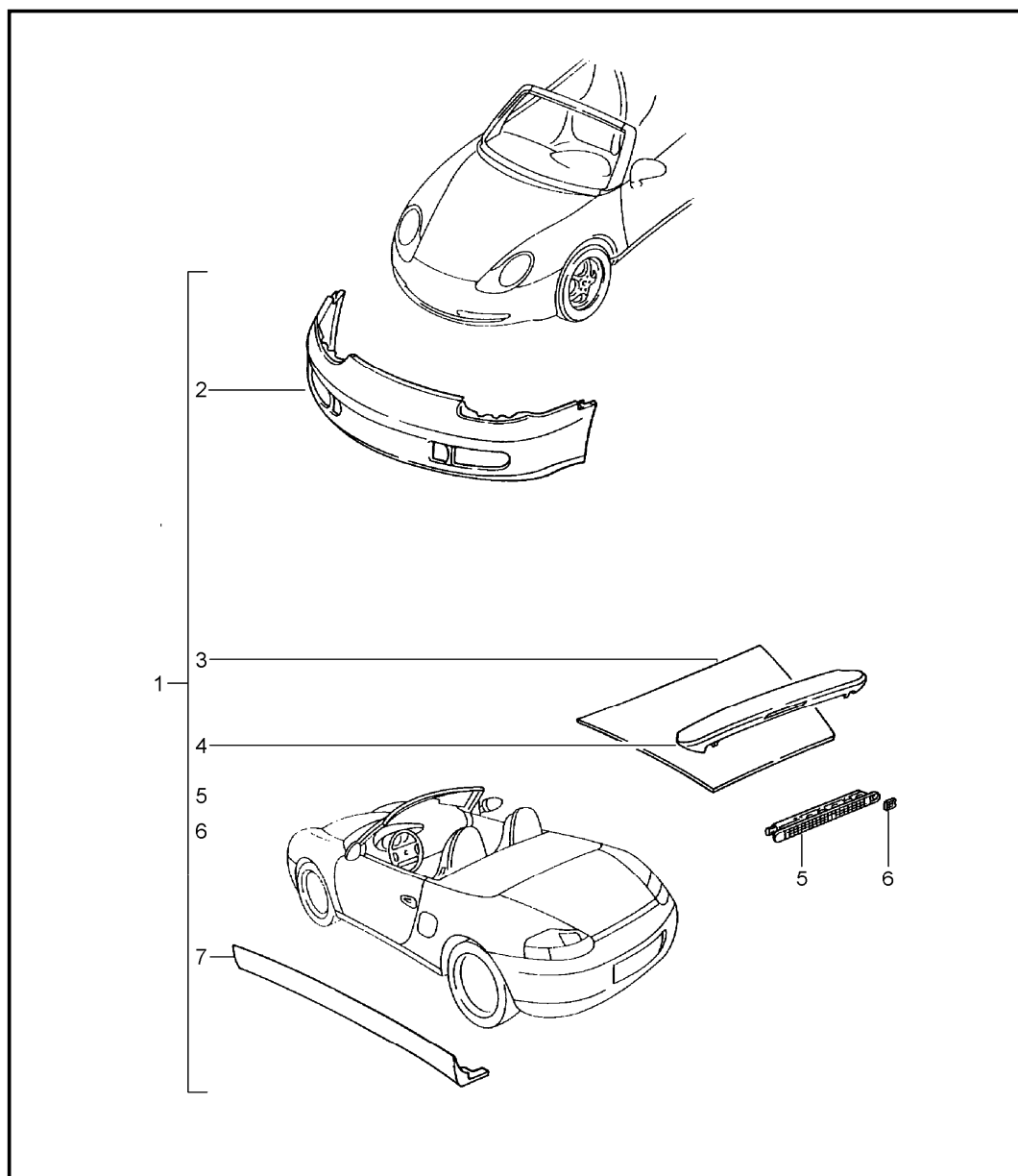
Model	Year	MG	SG	Illustration	Restrictions	UPD	18:35	06.02.2010	PORSCHE	PET	PORSCHE
TEQ	2010	8	50	850-10		248	USA / CANADA				

Pos	Part Number	Description	Remark	Qty	Model
		technical information 911(993),alle group 6 6603 attention			

1

Model	Year	MG	SG	Illustration	Restrictions	UPD	18:35	06.02.2010	PORSCHE	PET	PORSCHE
TEQ	2010	8	50	850-20		248	USA / CANADA				

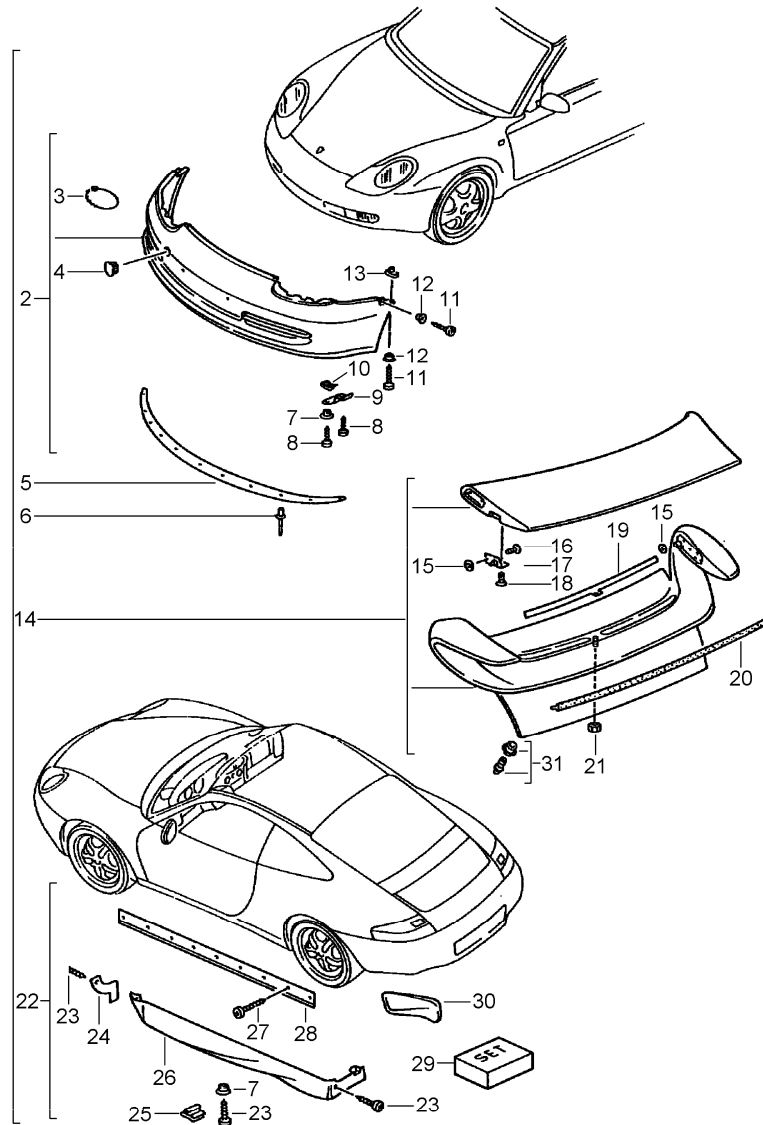


Pos	Part Number	Description	Remark	Qty	Model
		aerokit AERO KIT II	97-02 02-04		Boxster (986) Boxster (986)
		technical information Boxster, alle group 6 6315 attention			
1	000 044 800 80	aerokit	97-02	1	Boxster
(1)	000 044 801 66	aerokit	97-02	1	Boxster S
		comprising:			
2	986 505 980 00	lining		1	Boxster
		G2X prime coated with spoiler			
(2)	986 505 980 01	lining		1	Boxster S
		G2X prime coated with spoiler			
-	986 505 981 00	retaining frame	/L	1	
-	986 505 982 00	retaining frame	/R	1	
-	000 044 801 57	parts kit		1	
3	986 512 991 00	rear lid		1	
		G2X prime coated			
-	996 512 987 00	adjusting screw		2	
4	986 512 992 00	rear spoiler		1	
5	996 631 050 00	additional brake light		1	
6	996 631 165 00	cap for mount brake light		1	
-	986 612 983 00	wiring harness rear spoiler		1	
-	986 559 991 00	cover rear spoiler XAA installed		1	
7	986 559 983 00	sill cover	/L	97-02	1
		G2X prime coated			

Model	Year	MG	SG	Illustration	Restrictions	UPD	18:35	06.02.2010	PORSCHE	PET	PORSCHE
TEQ	2010	8	50	850-20		248	USA / CANADA				

Pos	Part Number	Description	Remark	Qty	Model	Pos	Part Number	Description	Remark	Qty	Model
(7)	986 559 984 00	sill cover	/R 97-02	1							
	G2X	prime coated									
-	986 559 982 00	retaining strip		2							
-	000 044 801 58	parts kit		1							
		order also:									
-	000 044 000 37	adhesive set		1							
		technical information									
		Boxster, alle									
		group 6									
		6658									
		attention									
-	000 044 802 00	aerokit II	02-04	1	Boxster						
-	000 044 802 01	aerokit II	02-04	1	Boxster S						
		comprising:									
-	986 612 981 22	wiring harness		1							
-	986 512 993 01	rubber seal		2							

Model	Year	MG	SG	Illustration	Restrictions	UPD	18:35	06.02.2010	PORSCHE	PET	PORSCHE
TEQ	2010	8	50	850-21		248	USA / CANADA				



Pos	Part Number	Description	Remark	Qty	Model
		aerokit "Cup "	98-01		911 (996) Coupe
		technical information 911 Coupe, alle group 6 6315 attention			
1	000 044 801 02	aerokit " CUP "		1	
		comprising:			
2	996 505 980 02	front apron		1	
		G2X prime coated			
		for tiptronic it is necessary to rework			
		content			
3	999 651 225 40	lock		1	
4	964 505 103 00	cap		1	
		G2X prime coated			
7	944 503 255 00	spacer		4	
8	999 073 062 02	tapping screw ST 4,8 X 19		4	
9	996 505 989 00	retaining bracket		2	
10	999 591 699 02	speed nut ST 4,8		4	
11	900 144 101 02	tapping screw B 4,8 X 19		X	
12	999 209 045 09	spacer		X	
13	999 507 072 02	speed nut B 4,8		X	
-	000 044 801 59	parts kit		1	
		when required order also:			
5	996 505 986 00	spoiler		1	
6	999 507 427 40	expander nut		11	

Model	Year	MG	SG	Illustration	Restrictions	UPD	18:35	06.02.2010	PORSCHE	PET	PORSCHE
TEQ	2010	8	50	850-21		248	USA / CANADA				

Pos	Part Number	Description	Remark	Qty	Model	Pos	Part Number	Description	Remark	Qty	Model
14	996 512 901 00	rear lid with rear spoiler content		1		27	900 145 041 07	tapping screw 3,5 X 16		30	
-	996 512 992 00	spoiler		1		28	996 559 982 00	retaining strip		2	
15	996 512 902 00	washer		4		-	000 044 801 60	parts kit		1	
16	996 512 993 00	bracket M 5 X 12		4				order also:			
17	996 512 993 00	bracket		1		29	000 044 000 37	adhesive set		1	
(17)	996 512 994 00	bracket		1		30	996 505 977 00	cover rear	/L	1	
18	900 249 041 01	countersunk-head screw M 6 X 16		4		(30)	996 505 978 00	cover rear	/R	1	
19	996 512 985 00	strip		1							
20	996 512 988 00	spoiler		1							
21	900 360 001 02	hexagon nut M 4		1							
31	996 512 987 00	adjusting screw		1							
-	996 612 070 51	wiring harness brake light		1							
22	996 559 983 01	sill cover G2X prime coated	/L	1							
(22)	996 559 984 01	sill cover G2X prime coated	/R	1							
23	999 073 060 02	tapping screw ST 4,8 X 13		16							
-	944 503 255 00	spacer		16							
24	996 559 985 00	adhesive film		1							
(24)	996 559 986 00	adhesive film		1							
25	999 507 640 09	u-clamp		16							
26	996 559 981 01	sill cover G2X prime coated	/L	1							
(26)	996 559 980 01	sill cover G2X prime coated	/R	1							

PORSCHE

PET

PORSCHE

Model	Year	MG	SG	Illustration	Restrictions	UPD	18:35	06.02.2010
TEQ	2010	8	50	850-22		248	USA / CANADA	

Pos	Part Number	Description	Remark	Qty	Model
		aerokit "Carrera"	98-01		911(996)
-	000 044 801 89	aerokit "Carrera" complete		1	
		comprising:			
-	996 505 980 02	front apron		1	
	G2X	prime coated			
-	996 559 983 01	sill cover	/L	1	
	G2X	prime coated			
-	996 559 984 01	sill cover	/R	1	
	G2X	prime coated			
		technical information 911 carrera group 6 6658 attention			
-	996 512 903 00	rear spoiler		1	
	G2X	prime coated			
-	996 631 980 00	brake light		1	
-	900 631 135 90	bulb 12 V; 2,3 W		7	
-	996 612 070 04	wiring harness rear spoiler		1	
-	996 512 907 00	flange		2	
-	996 504 981 00	cover		1	
	G2X	prime coated additional brake light			
-	996 512 915 00	trim cover rear lid lower		1	
-	996 512 913 00	support	/L	1	
-	996 512 914 00	support spoiler rear lid		1	

PORSCHE

PET

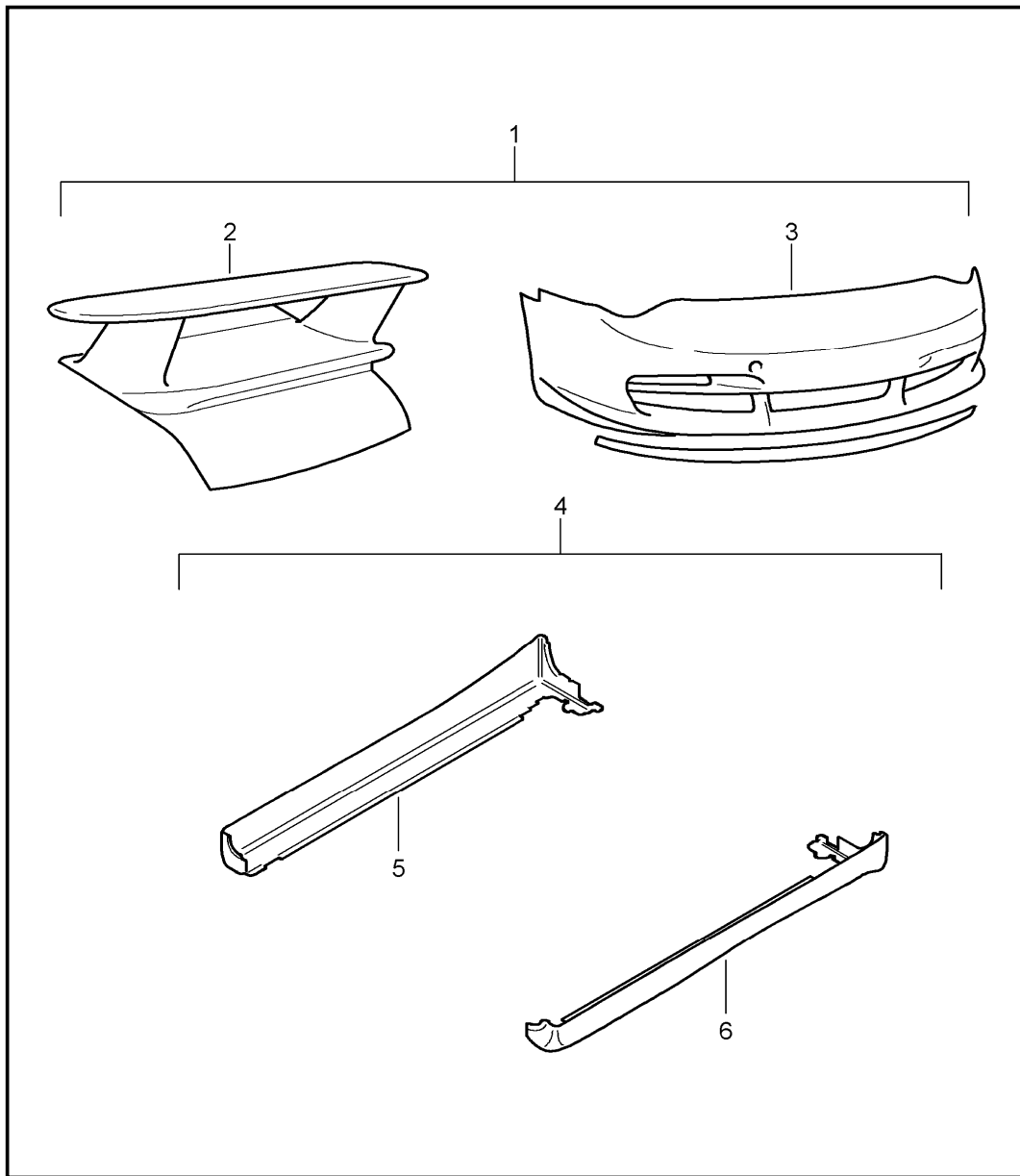
PORSCHE

Model	Year	MG	SG	Illustration	Restrictions	UPD	18:35	06.02.2010
TEQ	2010	8	50	850-22		248	USA / CANADA	

Pos	Part Number	Description	Remark	Qty	Model
		technical information 911 carrera group 6 6624 attention			
-	996 505 977 00	cover gt rear	/L	1	
-	996 505 978 00	cover gt rear	/R	1	
-	000 044 801 90	aerokit carrera small		1	
		comprising:			
-	996 505 980 02	front apron G2X prime coated		1	
-	996 512 903 00	rear spoiler G2X prime coated		1	
-	996 631 980 00	brake light		1	
-	996 504 981 00	cover G2X prime coated additional brake light		1	
-	996 612 070 04	wiring harness rear spoiler		1	
-	996 512 907 00	flange		2	
-	999 507 761 01	cable clamp		3	



Model	Year	MG	SG	Illustration	Restrictions	UPD	18:36	06.02.2010	PORSCHE	PET	PORSCHE
TEQ	2010	8	50	850-23		248	USA / CANADA				



Pos	Part Number	Description	Remark	Qty	Model
		aerokit "Cup II"	02-04		911(996) Coupe 2
		technical information 911 Coupe 2 group 6 6658 attention			
1	000 044 802 02	aerokit set		1	
		comprising:			
2	996 512 901 02	lid with rear spoiler		1	
	G2X	prime coated set			
4	000 044 802 15	sill cover set		1	
3	000 044 802 28	front spoiler set		1	
4	000 044 802 15	sill cover set		1	
		comprising:			
6	996 559 983 04	sill cover left		1	
5	996 559 984 04	sill cover right		1	
3	000 044 802 28	front spoiler prime coated set		1	
		comprising:			
-	964 505 103 00	cap		1	
	G2X	prime coated			
-	999 651 225 40	lock		1	
-	996 505 980 06	front apron		1	
	G2X	prime coated			
-	996 505 986 02	spoiler		1	
	G2X	prime coated			

Model	Year	MG	SG	Illustration	Restrictions	UPD	18:36	06.02.2010	PORSCHE <b>PET</b> PORSCHE		
TEQ	2010	8	50	850-23		248	USA / CANADA				

Pos	Part Number	Description	Remark	Qty	Model	Pos	Part Number	Description	Remark	Qty	Model
-	999 507 497 40	expansion rivet		21							

PORSCHE

PET

PORSCHE

Model	Year	MG	SG	Illustration	Restrictions	UPD	18:36	06.02.2010
TEQ	2010	8	50	850-24		248	USA / CANADA	

Pos	Part Number	Description	Remark	Qty	Model
		rear spoiler "Carrera"	01-04		911(996)
		technical information 911(996),alle group 6 6658 attention			
-	000 044 802 04	rear spoiler "Carrera"		1	
		comprising:			
-	996 505 555 01	spoiler		1	
-	996 512 903 00	rear spoiler		1	
		G2X prime coated			
-	996 512 907 00	flange		2	
-	996 631 980 00	brake light		1	

Model	Year	MG	SG	Illustration	Restrictions	UPD	18:36	06.02.2010
TEQ	2010	8	50	850-25		248	USA / CANADA	

Pos	Part Number	Description	Remark	Qty	Model
		aerokit "Turbo" "C4S"	01-05 02-05		911(996) Turbo C4S
		technical information 911 Turbo (996) group 6 6658 attention			
-	000 044 801 99	aerokit "Turbo"	01-05	1	
		set comprising:			
-	996 505 986 01	spoiler front		1	
	G2X	prime coated			
-	996 512 923 00	rear lid with spoiler		1	
	G2X	prime coated  installed			
-	996 612 070 30	wiring harness for brake light		1	
		technical information 911 C4S (996) group 6 6658 attention			
-	000 044 802 29	aerokit "C4S"	02-05	1	
		set comprising:			
-	996 512 901 04	combined rear spoiler lid		1	
	G2X	prime coated  comprising:			
-	996 612 070 55	wiring harness		1	
-	999 651 269 40	cable holder wiring harness		3	
-	996 512 988 01	spoiler for rear spoiler		1	

PORSCHE

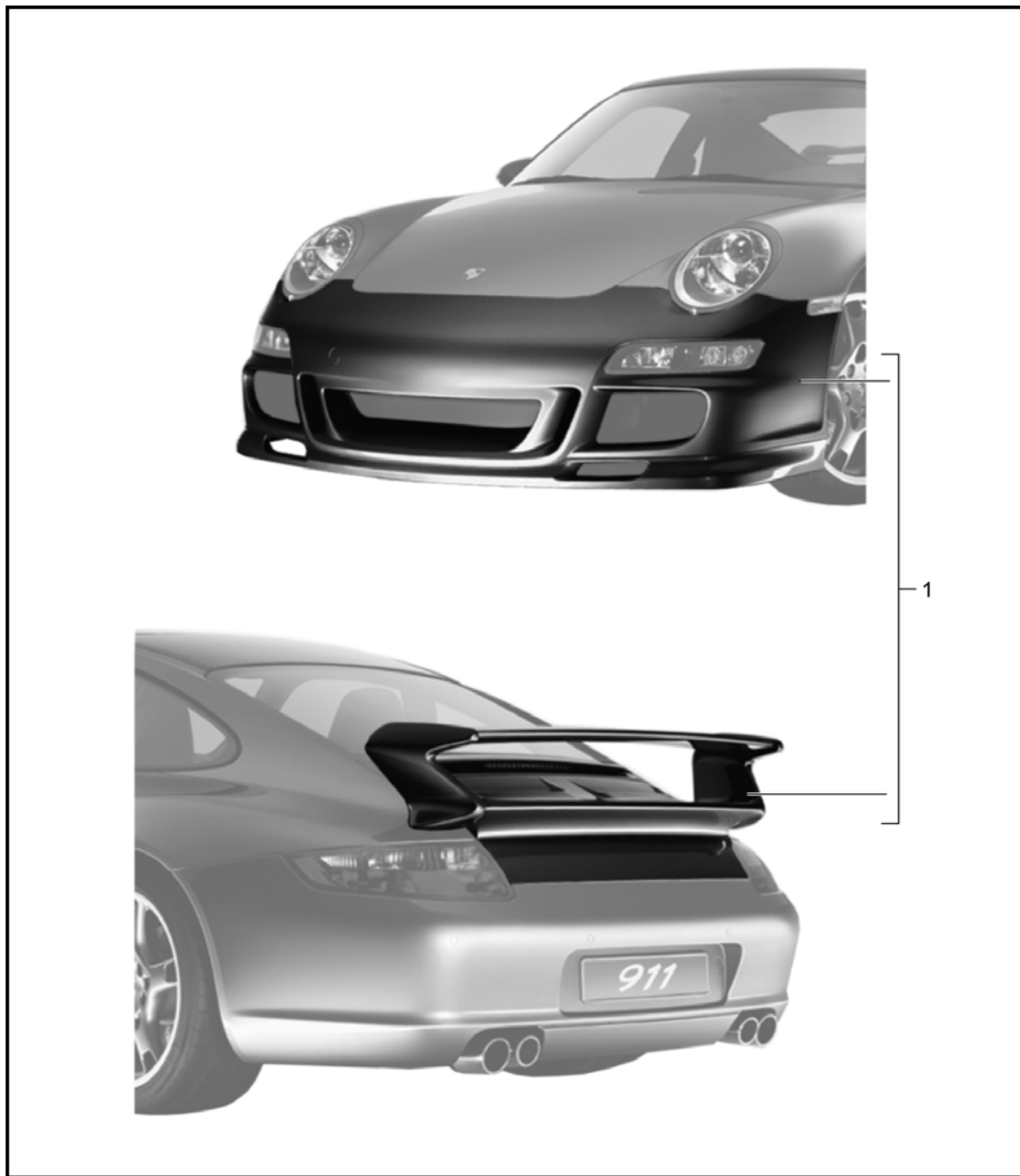
# PET

PORSCHE

Model	Year	MG	SG	Illustration	Restrictions	UPD	18:36	06.02.2010
TEQ	2010	8	50	850-25		248	USA / CANADA	

Pos	Part Number	Description	Remark	Qty	Model
	G2X	prime coated			
-	996 512 611 01	rubber seal additional brake light		1	
-	996 631 050 01	additional brake light		1	
-	996 631 165 00	cap additional brake light prime coated		1	
-	996 504 981 01	trim cover additional brake light		1	
	G2X	prime coated			
-	900 119 126 02	pan-head screw M6 x 16		4	
-	996 512 987 00	adjusting screw		2	
-	996 505 986 01	spoiler front		1	
	G2X	prime coated			

Model	Year	MG	SG	Illustration	Restrictions	UPD	18:36	06.02.2010	PORSCHE	PET	PORSCHE
TEQ	2010	8	50	850-30		248	USA / CANADA				



Pos	Part Number	Description	Remark	Qty	Model
		aerokit "Cup"	05-08		911 (997) Coupe, alle
		Instal. and mod. instruc. 911 Coupe, alle main group 6 6658 attention			
-	997 044 802 00	aerokit		1	I288
-	997 044 802 01	aerokit		1	
-	997 044 802 04	aerokit		1	IX51
		set comprising:			
-	997 044 802 02	front apron		1	I288
-	997 044 802 03	front apron		1	
-	997 505 991 00	cover towing lug		1	
-	997 505 983 00	front spoiler		1	
		G2X prime coated			
-	997 701 981 00	retaining frame number plate		1	I211
-	997 701 981 01	retaining frame number plate		1	I218
-	997 505 989 00	cover left		1	
-	997 505 990 00	cover right		1	
-	997 505 987 00	retaining frame left		1	
-	997 505 988 00	retaining frame right		1	
-	997 505 993 00	mounting		1	
-	997 505 317 00	retainer plate		2	
-	999 190 104 30	blind rivet		2	
-	997 505 301 00	corner panel left		1	

Model	Year	MG	SG	Illustration	Restrictions	UPD	18:36	06.02.2010	PORSCHE	PET	PORSCHE
TEQ	2010	8	50	850-30		248	USA / CANADA				

Pos	Part Number	Description	Remark	Qty	Model	Pos	Part Number	Description	Remark	Qty	Model
-	997 505 302 00	corner panel right		1							
-	999 190 481 30	blind rivet nut		2							
-	999 591 709 40	cable holder headlight washer system		4							
-	999 507 840 40	cable holder front apron		2							
-	997 505 561 00	retainer plate left		1							
-	997 505 562 00	retainer plate right		1							
-	997 512 025 00	rear spoiler		1							
	G2X	complete									
-	997 512 025 03	rear spoiler complete		1	IX51						
-	997 512 611 01	gasket		1							
-	997 512 626 90	grille right		1							
-	997 512 625 90	grille left		1							
-	997 512 633 01	fastening angle front		2							
-	997 512 635 01	fastening angle rear		2							
-	997 612 670 71	wiring harness		1							
-	997 632 201 00	luggage compartment lamp		1							
-	996 512 987 00	adjusting screw		2							
-	997 624 056 01	blower		1							
-	900 385 016 09	screw		4							

PORSCHE

PET

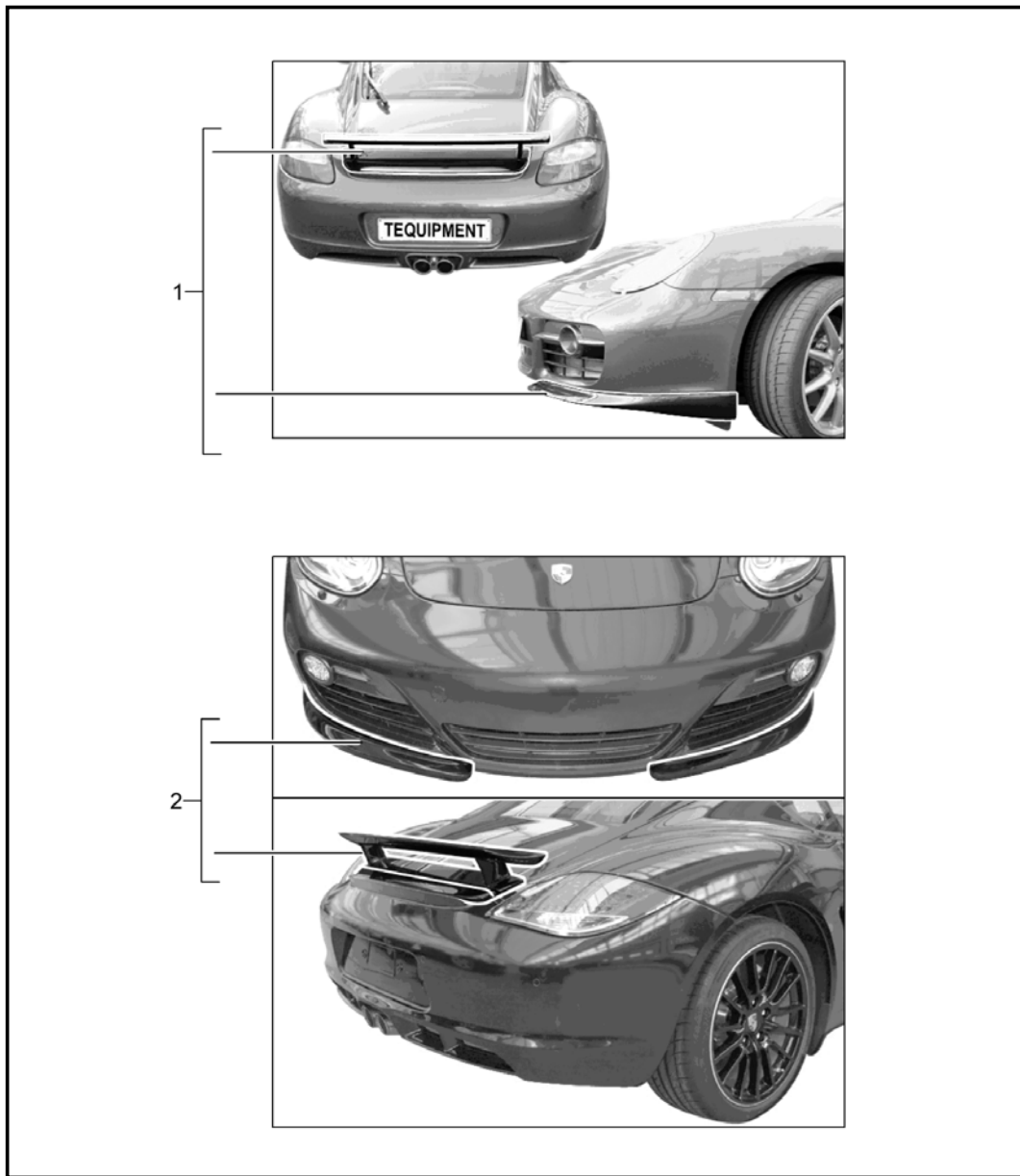
PORSCHE

Model	Year	MG	SG	Illustration	Restrictions	UPD	18:36	06.02.2010
TEQ	2010	8	50	850-31		248	USA / CANADA	

Pos	Part Number	Description	Remark	Qty	Model
		aerokit	05-08		Boxster(987)
		Instal. and mod. instruc. Boxster,alle main group 6 6658 attention			
1	987 044 802 05	aerokit		1	-I635
1	987 044 802 07	aerokit		1	I635

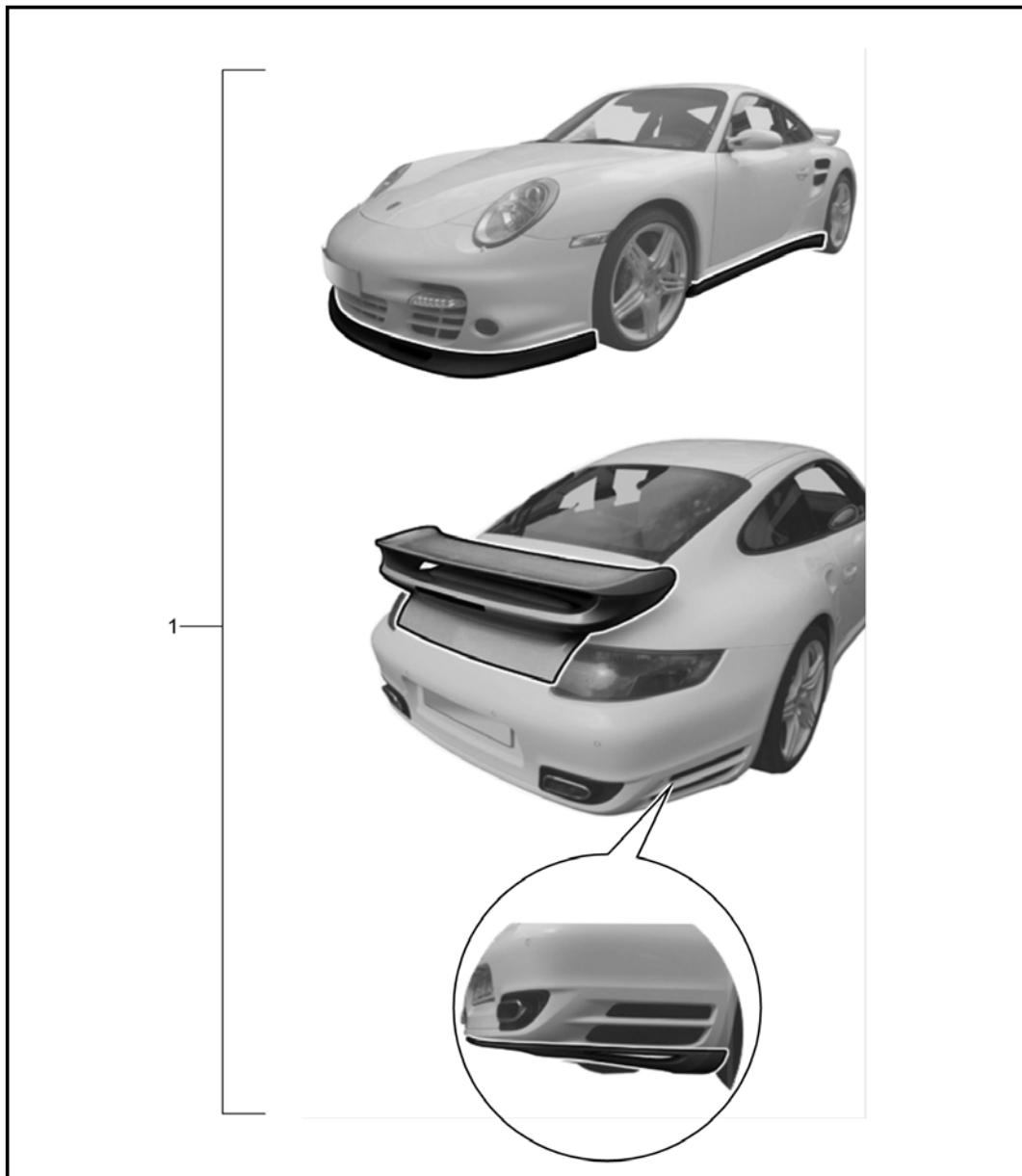


Model	Year	MG	SG	Illustration	Restrictions	UPD	18:36	06.02.2010	PORSCHE	PET	PORSCHE
TEQ	2010	8	50	850-32		248	USA / CANADA				



Pos	Part Number	Description	Remark	Qty	Model
		aerokit Instal. and mod. instruc. Cayman, alle main group 6 6658 attention	06-		Cayman (987)
1	987 044 802 08	aerokit set	06-08	1	
2	987 044 802 09	aerokit set	09-	1	

Model	Year	MG	SG	Illustration	Restrictions	UPD	18:37	06.02.2010	PORSCHE	PET	PORSCHE
TEQ	2010	8	50	850-33		248	USA / CANADA				



Pos	Part Number	Description	Remark	Qty	Model
		aerokit	07-		911(997) Turbo Coupe
1	997 044 802 06	Instal. and mod. instruc. 911 turbo main group 6 6658 attention aerokit set	07-09	1	

PORSCHE

PET

PORSCHE

Model	Year	MG	SG	Illustration	Restrictions	UPD	18:37	06.02.2010
TEQ	2010	9	01	901-10		248	USA / CANADA	

Pos	Part Number	Description	Remark	Qty	Model
-	000 044 900 31	alarm system remote control interior monitoring set comprising:	97	1	M535 315 MHZ
-	996 618 260 01	control unit		1	
-	900 075 459 09	combination screw for		1	
-	996 637 117 00	horn		1	
-	996 618 210 02	sensor interior monitoring		1	
-	996 637 211 00	support for		1	
-	996 613 205 00	microswitch		1	
-	986 612 987 00	wiring harness		1	
-	996 653 251 00	sensor with light		1	
-	986 637 243 01	Handheld transmitter		2	
-	996 624 117 00	actuator for rear lid release		1	
-	986 504 719 00	pull rod for rear lid release		1	
-	999 919 121 09	oval-head screw for rear lid release		2	
-	999 650 102 40	cap		1	
		order also:			
-	986 612 988 00	wiring harness	/LL	1	
-	986 612 989 00	wiring harness	/RL	1	
-	996 552 181 02	cover F >>98VS6 04498		1	
	B12	black-grey light alarm system			
-	996 552 181 03	cover F >>98VS6 04498		1	M573

Model	Year	MG	SG	Illustration	Restrictions	UPD	18:37	06.02.2010
TEQ	2010	9	01	901-10		248	USA / CANADA	

Pos	Part Number	Description	Remark	Qty	Model
	B12	black-grey light alarm system			
-	986 552 181 00	cover F 98VS6 04499>>		1	
	B12	black-grey light alarm system			
-	000 044 900 32	alarm system remote control interior monitoring set comprising:	98-00	1	M535 315 MHZ
-	996 618 260 07	control unit		1	
-	900 075 459 09	combination screw for		1	
-	996 637 117 00	horn		1	
-	996 618 210 02	sensor interior monitoring		1	
-	996 637 211 00	support for		1	
-	996 613 205 00	microswitch		1	
-	986 612 987 00	wiring harness		1	
-	996 653 251 00	sensor with light		1	
-	986 637 243 04	Handheld transmitter		2	
-	996 624 117 00	actuator for rear lid release		1	
-	986 504 719 00	pull rod for rear lid release		1	
-	999 919 121 09	oval-head screw for rear lid release		2	
-	999 650 102 40	cap order also:		1	
-	986 612 988 00	wiring harness	/LL	1	
-	986 612 989 00	wiring harness	/RL	1	

PORSCHE

PET

PORSCHE

Model	Year	MG	SG	Illustration	Restrictions	UPD	18:37	06.02.2010
TEQ	2010	9	01	901-15		248	USA / CANADA	

Pos	Part Number	Description	Remark	Qty	Model
		porsche Vehicle Tracking Systeme	06- 06- 06-		Boxster(987) Cayman(987) 911(997)
		Instal. and mod. instruc. Boxster/Cayman/911 group 9 9063 attention			
-	997 044 900 89	retrofit kit	06-	1	C2 I674
		porsche Vehicle Tracking System	06- 06-		Boxster I674 Cayman I674
-	997 044 902 11	retrofit kit	06-	1	C2 I674
		porsche Vehicle Tracking System Autonome / Integrated	07- 07-		Boxster I674 Cayman I674
-	A 997 044 900 90	retrofit kit	06-	1	C2 I674
		porsche Vehicle Tracking System Standard / Advanced	06- 06-		Boxster I674 Cayman I674
-	997 044 902 01	retrofit kit	06-	1	C2 I674
		porsche Vehicle Tracking System Standard / Advanced	06- 06-		Boxster I674 Cayman I674
-	997 044 902 89	retrofit kit	08-	1	C2 I674
		porsche Vehicle Tracking System Comfort / Advanced	08- 08-		Boxster I674 Cayman I674
-	997 044 900 94	retrofit kit	06-	1	C4/Turbo I674
		porsche Vehicle Tracking System	07- 08-		GT3 I674 GT2 I674

PORSCHE

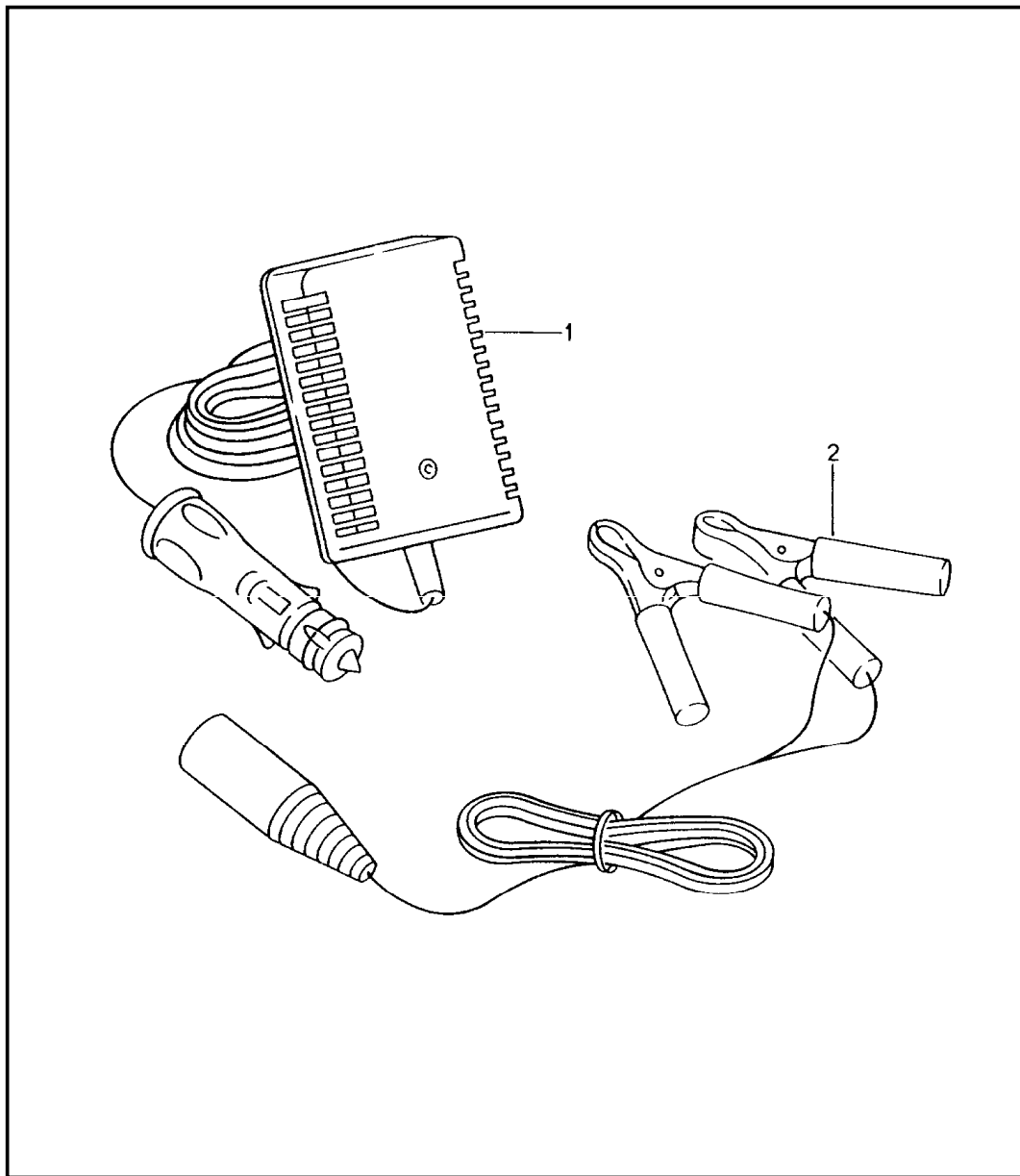
PET

PORSCHE

Model	Year	MG	SG	Illustration	Restrictions	UPD	18:37	06.02.2010
TEQ	2010	9	01	901-15		248	USA / CANADA	

Pos	Part Number	Description	Remark	Qty	Model
-	997 044 902 12	retrofit kit porsche Vehicle Tracking System Autonome / Integrated	06- 07- 08-	1	C4/Turbo I674 GT3 I674 GT2 I674
-	997 044 900 91	retrofit kit porsche Vehicle Tracking System Standard / Advanced	06- 07- 08-	1	C4/Turbo I674 GT3 I674 GT2 I674
-	997 044 902 94	retrofit kit porsche Vehicle Tracking System Comfort / Advanced for GT2/GT3 order also:	08- 08- 08-	1	C4/Turbo I674 GT3 I674 GT2 I674
-	997 044 901 20	pipe		1	GT2/GT3
-	997 044 901 21	fixing clip		3	GT2/GT3
-	997 044 901 22	fixing clip		1	GT3

Model	Year	MG	SG	Illustration	Restrictions	UPD	18:37	06.02.2010	PORSCHE	PET	PORSCHE
TEQ	2010	9	02	902-05		248	USA / CANADA				



Pos	Part Number	Description	Remark	Qty	Model
		reading light			
1	000 043 202 56	charger 12V	(USA)	1	/110V
(1)	955 044 900 17	charger 12V		1	
(1)	955 044 900 16	charger 12V	(GB)	1	
2	000 043 202 55	adapter for charger		1	928 911 GT3 911 GT2
- A	000 044 900 20	reading light		1	
-	000 044 900 79	reading light		1	

PORSCHE

PET

PORSCHE

Model	Year	MG	SG	Illustration	Restrictions	UPD	18:37	06.02.2010
TEQ	2010	9	04	904-20		248	USA / CANADA	

Pos	Part Number	Description	Remark	Qty	Model
		headlight washer system	97-04 98-04		Boxster(986) 911(996),GT3
		technical information Boxster/911 group 9 9272 attention			
-	000 044 900 64	headlight washer system set comprising:		1	
-	996 624 502 00	pump		1	
-	993 628 213 00	spacer		1	
-	999 181 807 40	hose 8 X 3		*	
-	-	1020 MM		1	
-	-	170 MM		1	
-	-	930 MM		1	
-	999 512 568 02	clamp		4	
-	996 628 673 00	line		1	
-	996 628 675 00	clutch		3	
-	996 628 333 00	nozzle		1	
-	996 628 334 00	nozzle		1	
-	996 628 335 00	threaded bolt		2	
-	999 076 064 02	hexagon nut M 6-S		4	
-	996 528 701 00	water reservoir		1	
-	996 528 611 02	support		1	
-	900 378 030 09	hexagon-head bolt M 6 X 20		2	
-	999 591 882 02	speed nut M 6		1	
-	900 378 154 09	hexagon-head bolt AM 8 X 35 SB		1	
-	999 181 347 40	breather pipe		1	
-	996 613 507 00	cap with symbol		1	
	A01	gloss black			



PORSCHE

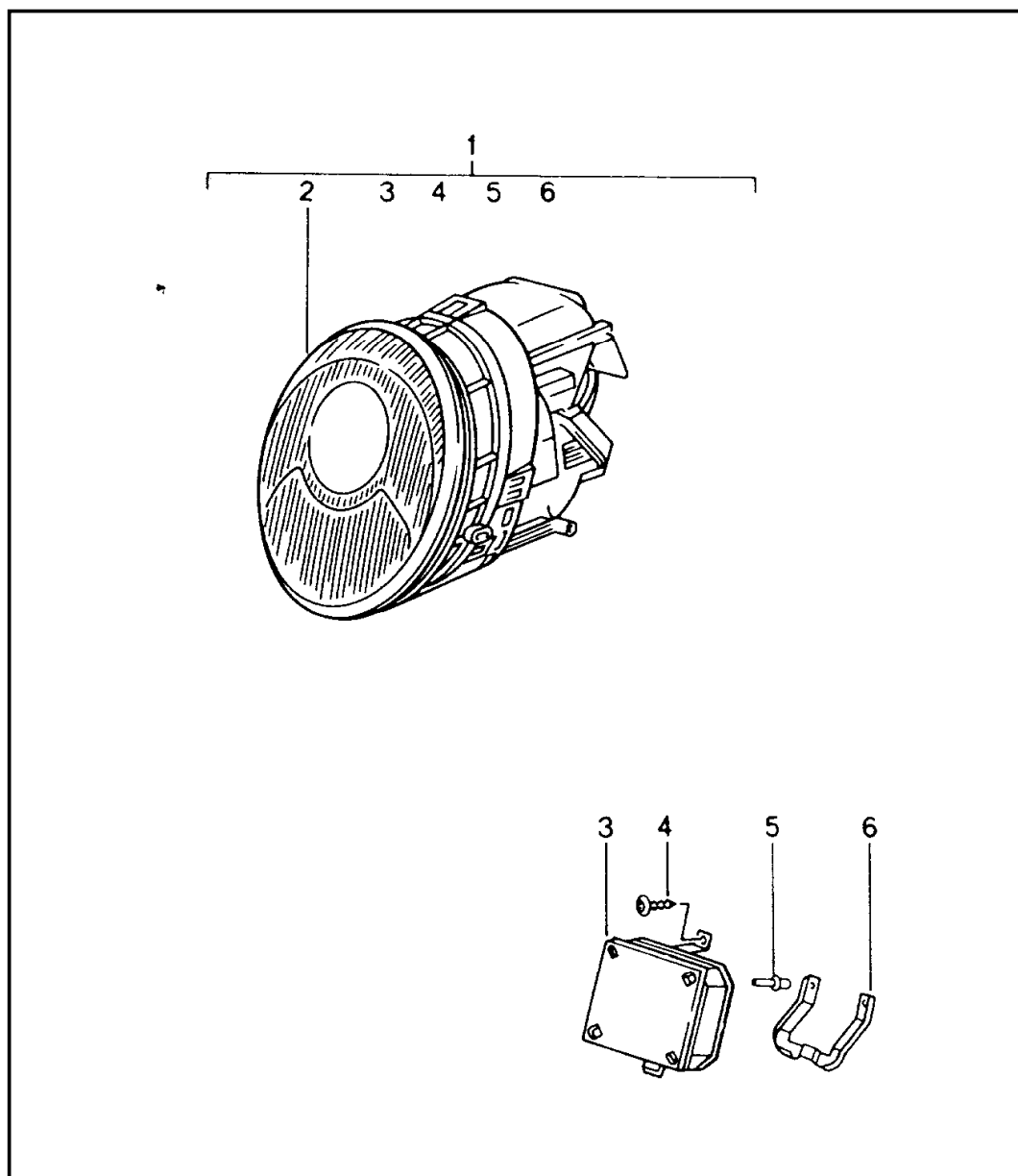
# PET

PORSCHE

Model	Year	MG	SG	Illustration	Restrictions	UPD	18:37	06.02.2010
TEQ	2010	9	04	904-20		248	USA / CANADA	

Pos	Part Number	Description	Remark	Qty	Model
-	996 631 045 01	trim cover		1	
-	996 631 046 01	trim cover		1	
-	996 612 228 10	wiring harness		1	
-	996 618 113 00	relay		1	
-	928 628 193 00	gasket		1	

Model	Year	MG	SG	Illustration	Restrictions	UPD	18:38	06.02.2010	PORSCHE	PET	PORSCHE
TEQ	2010	9	05	905-05		248	USA / CANADA				



Pos	Part Number	Description	Remark	Qty	Model
		headlamp Litronic	94-98		911(993)
		technical information 911(993) main group 9 9415 attention			
1	000 044 900 15	headlamp LITRONIC	(USA) 94-98	1	
		set comprising:			
3	993 631 051 02	headlamp left	(USA)	1	/L
3	993 631 052 02	headlamp right	(USA)	1	/R
3	993 631 193 02	control unit		2	
4	900 075 355 02	combination screw M 6 X 16		2	
5	999 190 119 30	blind rivet A 4,0 X 6,8		4	
6	993 631 196 00	support		2	
-	993 701 631 01	sticker		2	
-	993 631 195 00	support		2	
-	999 500 042 02	blind rivet nut M 6/0,5 - 3		2	
-	999 919 088 02	torx screw		6	
-	000 044 900 13	wiring harnesses		2	

Model	Year	MG	SG	Illustration	Restrictions	UPD	18:38	06.02.2010
TEQ	2010	9	05	905-06		248	USA / CANADA	

Pos	Part Number	Description	Remark	Qty	Model
		headlamp Litronic	97-01 98-01		Boxster(986) 911(996)
		technical information Boxster/911 group 9 9415 beachten			
		when required order also:			
-	000 044 900 64	headlight washer system see illustrations 9 / 04 /20		1	
-	000 044 900 41	headlamp  LITRONIC  set	(CDN) (USA) 98-01	1	
-	996 631 157 07	headlamp	/L (CDN) (USA)	1	
-	996 631 158 07	headlamp	/R (CDN) (USA)	1	
-	000 044 900 38	control unit		1	
-	996 612 988 00	wiring harness		1	
-	999 652 568 22	cylindrical socket		2	
-	996 552 621 01	cover		1	
	D05	granite grey for headlight levelling system			
		when required order also:			
-	996 631 045 00	trim cover	/L	1	
-	996 631 046 00	trim cover	/R	1	
-	996 631 045 01	trim cover	/L	1	M288
-	996 631 046 01	trim cover grey	/R	1	M288

PORSCHE

# PET

PORSCHE

Model	Year	MG	SG	Illustration	Restrictions	UPD	18:38	06.02.2010
TEQ	2010	9	05	905-07		248	USA / CANADA	

Pos	Part Number	Description	Remark	Qty	Model
-	000 044 900 68	rear light direction indicator light  rear light set  single parts see illustrations 9 / 05 / 00 9 / 05 / 05 catalogue boxster	97-04	1	Boxster(986) 911(996) Boxster(986)

PORSCHE

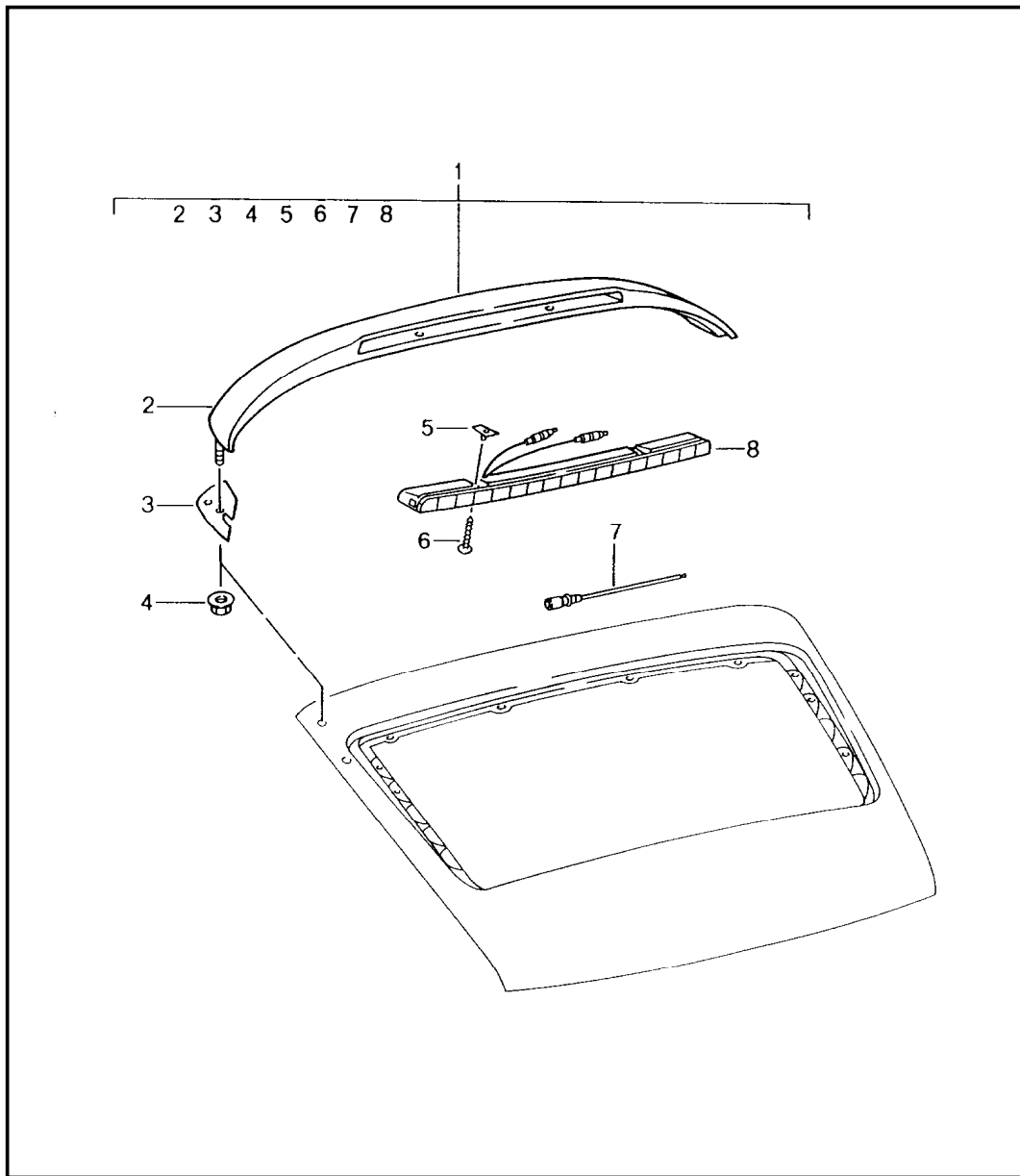
PET

PORSCHE

Model	Year	MG	SG	Illustration	Restrictions	UPD	18:38	06.02.2010
TEQ	2010	9	05	905-08		248	USA / CANADA	

Pos	Part Number	Description	Remark	Qty	Model
-	987 044 900 00	rear light red	05-08 06-08	1	Boxster(987) 911(997)
-	987 044 900 01	rear light left	05-08	1	Boxster(987)
-	987 044 900 02	rear light right		1	
-	997 044 900 00	rear light red	06-08	1	911(997)
-	997 044 900 01	rear light left		1	
-	997 044 900 02	rear light right		1	

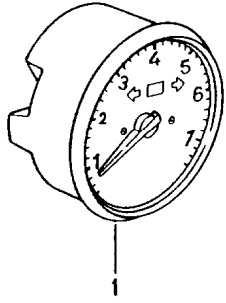
Model	Year	MG	SG	Illustration	Restrictions	UPD	18:38	06.02.2010	PORSCHE	PET	PORSCHE
TEQ	2010	9	05	905-10		248	USA / CANADA				



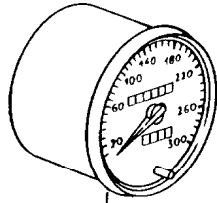
Pos	Part Number	Description	Remark	Qty	Model
		technical information 911(993),alle group 6 6640 attention			

Model	Year	MG	SG	Illustration	Restrictions	UPD	18:38	06.02.2010	PORSCHE	PET	PORSCHE
TEQ	2010	9	06	906-00		248	USA / CANADA				

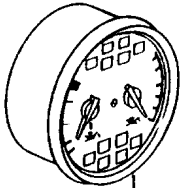
Pos	Part Number	Description	Remark	Qty	Model
		instruments dial aluminium	94-98		911 (993)
		dial aluminium inner ring chrome	RDW		
		dial aluminium inner ring chrome matte	(USA)		
1	993 641 981 61	tachometer	(USA)	1	M544/659
1	993 641 981 65	tachometer	(USA)	1	Turbo M544/659
2	993 641 984 62	speedometer	(USA)	1	
2	993 641 984 66	speedometer	(USA)	1	
2	993 641 984 70	speedometer	(USA)	1	M480
2	993 641 984 74	speedometer	(USA)	1	Turbo M480/484/659
3	993 641 980 62	instrument cluster	(USA)	1	
4	964 641 980 64	instrument cluster	(USA)	1	
5	993 641 983 61	clock	(USA)	1	



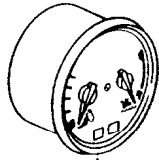
1



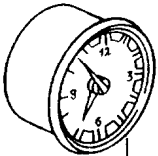
2



3



4



5

Model	Year	MG	SG	Illustration	Restrictions	UPD	18:39	06.02.2010
TEQ	2010	9	06	906-01		248	USA / CANADA	

Pos	Part Number	Description	Remark	Qty	Model
		instrument cluster dial aluminium	97-04		Boxster(986)
		dial aluminium outer ring rally black			
-	986 641 980 18	instrument cluster	-99	1	M481/484
	70C	rally black	(USA)		
-	986 641 980 19	instrument cluster	(USA) -99	1	M249/484
	70C	rally black			
-	986 641 980 48	instrument cluster	(USA) 00	1	M481/484
	70C	rally black			
-	986 641 980 49	instrument cluster	00	1	M249/484
	70C	rally black			
-	986 641 980 68	instrument cluster	01-04	1	M481/484
	70C	rally black			
-	986 641 980 69	instrument cluster	01-04	1	M249/484
	70C	rally black			
-	986 641 980 20	instrument cluster	-99	1	M481
	70C	rally black			
-	986 641 980 21	instrument cluster	-99	1	M249
	70C	rally black			
-	986 641 980 50	instrument cluster	00	1	M481
	70C	rally black			
-	986 641 980 51	instrument cluster	00	1	M249
	70C	rally black			
-	986 641 980 70	instrument cluster	01-04	1	M481
	70C	rally black			
-	986 641 980 71	instrument cluster	01-04	1	M249
	70C	rally black			



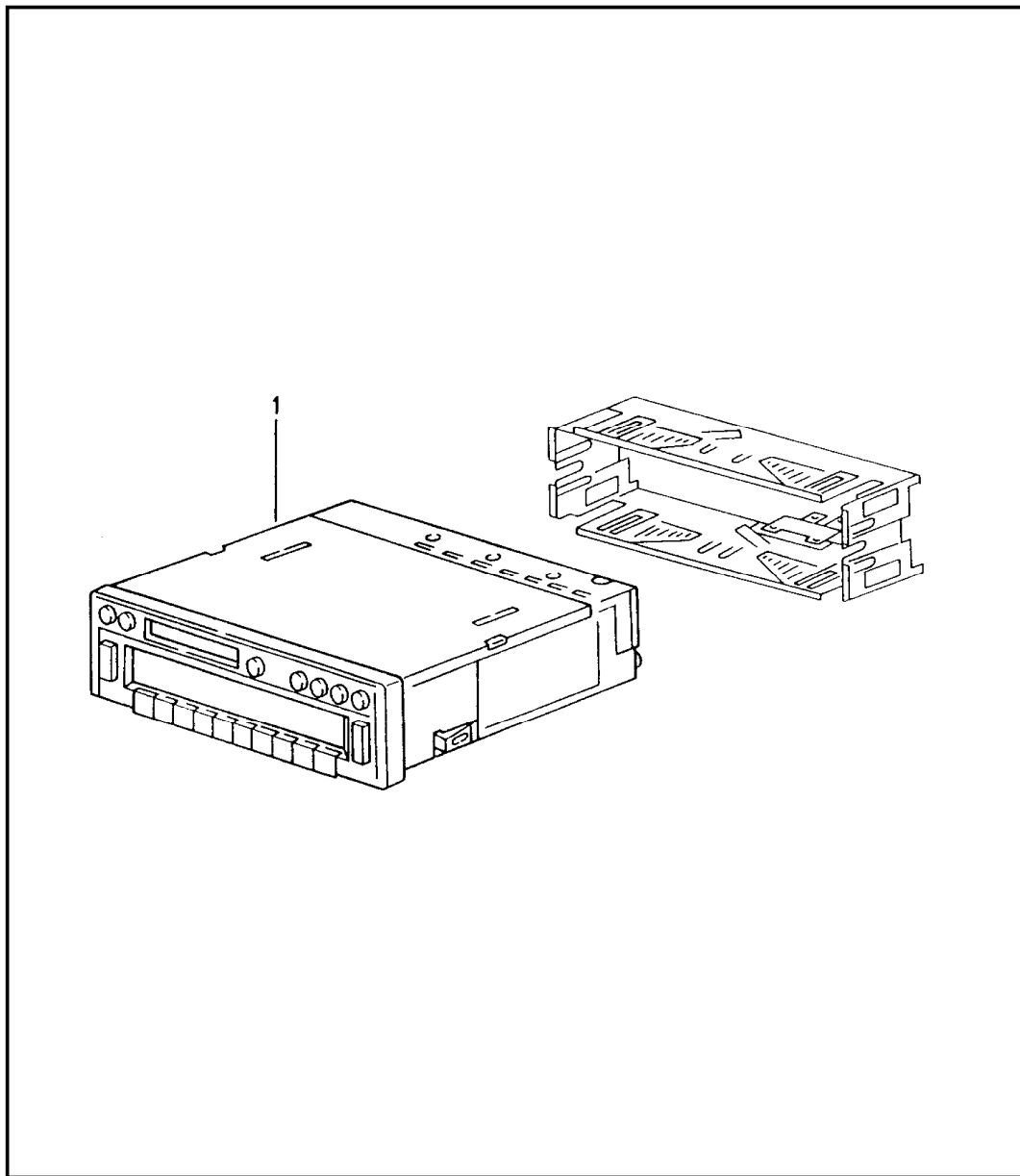
Model	Year	MG	SG	Illustration	Restrictions	UPD	18:39	06.02.2010
TEQ	2010	9	06	906-02		248	USA / CANADA	

Pos	Part Number	Description	Remark	Qty	Model
		instrument cluster dial aluminium	98-05 00-05 01-05		911(996) GT3(996) Turbo(996)
-	996 641 980 06 70C	instrument cluster rally black	(USA) 98-99	1	M480/484
-	996 641 980 07 70C	instrument cluster rally black	(USA) 98-99	1	M249/484
-	996 641 980 26 70C	instrument cluster rally black	(USA) 00-04	1	M480/484
-	996 641 980 27 70C	instrument cluster rally black	(USA) 00-04	1	M249/484
-	996 641 982 46 70C	instrument cluster rally black	(USA) 99-	1	C4 M480/484
-	996 641 982 47 70C	instrument cluster rally black	(USA) 99-	1	C4 M249/484
-	996 641 980 08 70C	instrument cluster rally black	(CDN) RDW 98-99	1	M113/480
-	996 641 980 09 70C	instrument cluster rally black	(CDN) RDW 98-99	1	M113/249
-	996 641 980 28 70C	instrument cluster rally black	(CDN) RDW 00-	1	M113/480
-	996 641 980 29 70C	instrument cluster rally black	(CDN) RDW 00-	1	M113/249
-	996 641 982 48 70C	instrument cluster rally black	(CDN) RDW 99-	1	C4 M113/480

Model	Year	MG	SG	Illustration	Restrictions	UPD	18:39	06.02.2010
TEQ	2010	9	06	906-02		248	USA / CANADA	

Pos	Part Number	Description	Remark	Qty	Model
-	996 641 982 49	instrument cluster	(CDN) RDW 99-	1	C4 M113/249
	70C	rally black			
-	996 641 980 60	instrument cluster	(USA) 01-05	1	Turbo M480/484
	70C	rally black			
-	996 641 980 61	instrument cluster	(USA) 01-05	1	Turbo M249/484
	70C	rally black			
-	996 641 980 62	instrument cluster	(CDN) RDW 01-05	1	Turbo M113/480
	70C	rally black			
-	996 641 980 63	instrument cluster	(CDN) RDW 01-05	1	Turbo M113/249
	70C	rally black			

Model	Year	MG	SG	Illustration	Restrictions	UPD	18:39	06.02.2010	PORSCHE	PET	PORSCHE
TEQ	2010	9	11	911-01		248	USA / CANADA				



Pos	Part Number	Description	Remark	Qty	Model
		radio CR22/CDR22/CDR32/MDR32 CR2200/CR220/CDR220	99-02 99-02		Boxster (986) 911 (996)
(1)	000 044 901 04	radio CR - 220	99-02	1	M322
(1)	000 044 901 14	radio CR - 220	99-02	1	M322
(1)	000 044 901 05	radio CDR - 220	99-02	1	M696
(1)	000 044 901 15	radio CDR - 220	99-02	1	M696
-	996 645 190 00	case for control part radio	99-02	1	
-	996 645 106 00	contact plate alarm contact for radio	99-02	1	
-	996 645 901 00	rotary knob for radio	-01	X	

PORSCHE

PET

PORSCHE

Model	Year	MG	SG	Illustration	Restrictions	UPD	18:39	06.02.2010
TEQ	2010	9	11	911-02		248	USA / CANADA	

Pos	Part Number	Description	Remark	Qty	Model
-	> 996 645 128 05	radio CDR23	03-04 03-04	1	Boxster(986) 911(996)
-	> 996 645 129 07	radio CDR-23 with driver		1	M680
		radio CDR-23 without driver			
		cd changer see illustrations 950-03			

PORSCHE

# PET

PORSCHE

Model	Year	MG	SG	Illustration	Restrictions	UPD	18:39	06.02.2010
TEQ	2010	9	11	911-03		248	USA / CANADA	

Pos	Part Number	Description	Remark	Qty	Model
-	997 645 128 03 FMH	radio CDR24  radio CDR-24 with driver  cd changer see illustrations 950-03	05- 06-	1	Boxster(987) Cayman(987)

Model	Year	MG	SG	Illustration	Restrictions	UPD	18:40	06.02.2010
TEQ	2010	9	12	912-00		248	USA / CANADA	

Pos	Part Number	Description	Remark	Qty	Model
		navigation system "TRAFFIC STAR" "TRAFFIC PRO"	97-04 94-98 98-04		Boxster(986) 911(993) 911(996)
		technical information Boxster/993/996 group 9 9112 attention			
-	000 044 900 78	retrofit kit navigation system traffic pro	(USA) 97-02 (USA) (USA) 98-02	1	Boxster(986) 911(993) 911(996)
-	996 647 107 01	antenna for traffic pro	97-02 98-02	1	Boxster(986) 911(996)
-	996 612 970 01	extension cable ca. 120 mm for antenna traffic pro	97-02 98-02	1	Boxster(986) 911(996)

PORSCHE

# PET

PORSCHE

Model	Year	MG	SG	Illustration	Restrictions	UPD	18:40	06.02.2010
TEQ	2010	9	12	912-05		248	USA / CANADA	

Pos	Part Number	Description	Remark	Qty	Model
-	955 044 900 29	logbook PCM2.1 und PCM3.0  Instal. and mod. instruc. Sportwagen, alle group 9 9110 beachten	05- 06- 05-		Boxster(987) Cayman(987) 911(997)
-	955 044 900 29	logbook  for vehicle model year 05 order also: usa 997.044.901.51	06-           05	1	I641

PORSCHE

PET

PORSCHE

Model	Year	MG	SG	Illustration	Restrictions	UPD	18:40	06.02.2010
TEQ	2010	9	12	912-10		248	USA / CANADA	

Pos	Part Number	Description	Remark	Qty	Model
-	A 000 044 900 82	navigation system PCM1.0 update	98-02		Boxster(986) 911(996)
-	000 044 900 82	software update pcm Westeuropa Stand 2003/2004	-02	1	
-	000 044 900 96	software update pcm Westeuropa Stand 2008/2009	-02	1	
-	000 044 900 83	computer update high gloss included cd-rom 8-fold	-02	1	
-	000 044 900 84	computer update matte included cd-rom 8-fold	-02	1	



PORSCHE

# PET

PORSCHE

Model	Year	MG	SG	Illustration	Restrictions	UPD	18:40	06.02.2010
TEQ	2010	9	12	912-20		248	USA / CANADA	

Pos	Part Number	Description	Remark	Qty	Model
-	000 044 900 70	navigation system PCM2.0  technical information Boxster/911(996) group 9 9110 attention  control part navigation system PCM2.0	03-04 03-04           (USA) (USA)	1	Boxster(986) 911(996)           Boxster(986) 911(996)

PORSCHE

PET

PORSCHE

Model	Year	MG	SG	Illustration	Restrictions	UPD	18:40	06.02.2010
TEQ	2010	9	12	912-21		248	USA / CANADA	

Pos	Part Number	Description	Remark	Qty	Model
-	000 044 901 21	navigation system PCM2.0-UPDATE  Instal. and mod. instruc. Boxster/911 main group 9 9110 beachten  software PCM2.0-update america	03-04	1	Boxster(986) 911(996)

Model	Year	MG	SG	Illustration	Restrictions	UPD	18:40	06.02.2010
TEQ	2010	9	12	912-25		248	USA / CANADA	

Pos	Part Number	Description	Remark	Qty	Model
-		navigation system PCM2.1	05-08 06-08 05-08		Boxster(987) Cayman(987) 911(997)
-		technical information Boxster,Cayman,911 group 9 9110 attention			
-		order also: optical waveguide see illustrations Katalog 987/997 902-50			
-	997 044 900 70	retrofit kit PCM2.1	(USA) 05-06	1	911(997) I098/338
-	997 044 901 34	module PCM2.1	(USA) 07-08	1	911(997) I098/338
-	997 044 901 05	retrofit kit PCM2.1	(USA) 05-06	1	911(997) I098/339
-	997 044 901 35	module PCM2.1	(USA) 07-08	1	911(997) I098/339
-	A 987 044 900 72	retrofit kit PCM2.1	(USA) 05-06	1	Boxster(987) Cayman I098
-	987 044 900 62	retrofit kit PCM2.1	(USA) 07-08	1	Boxster(987) Cayman I098

PORSCHE

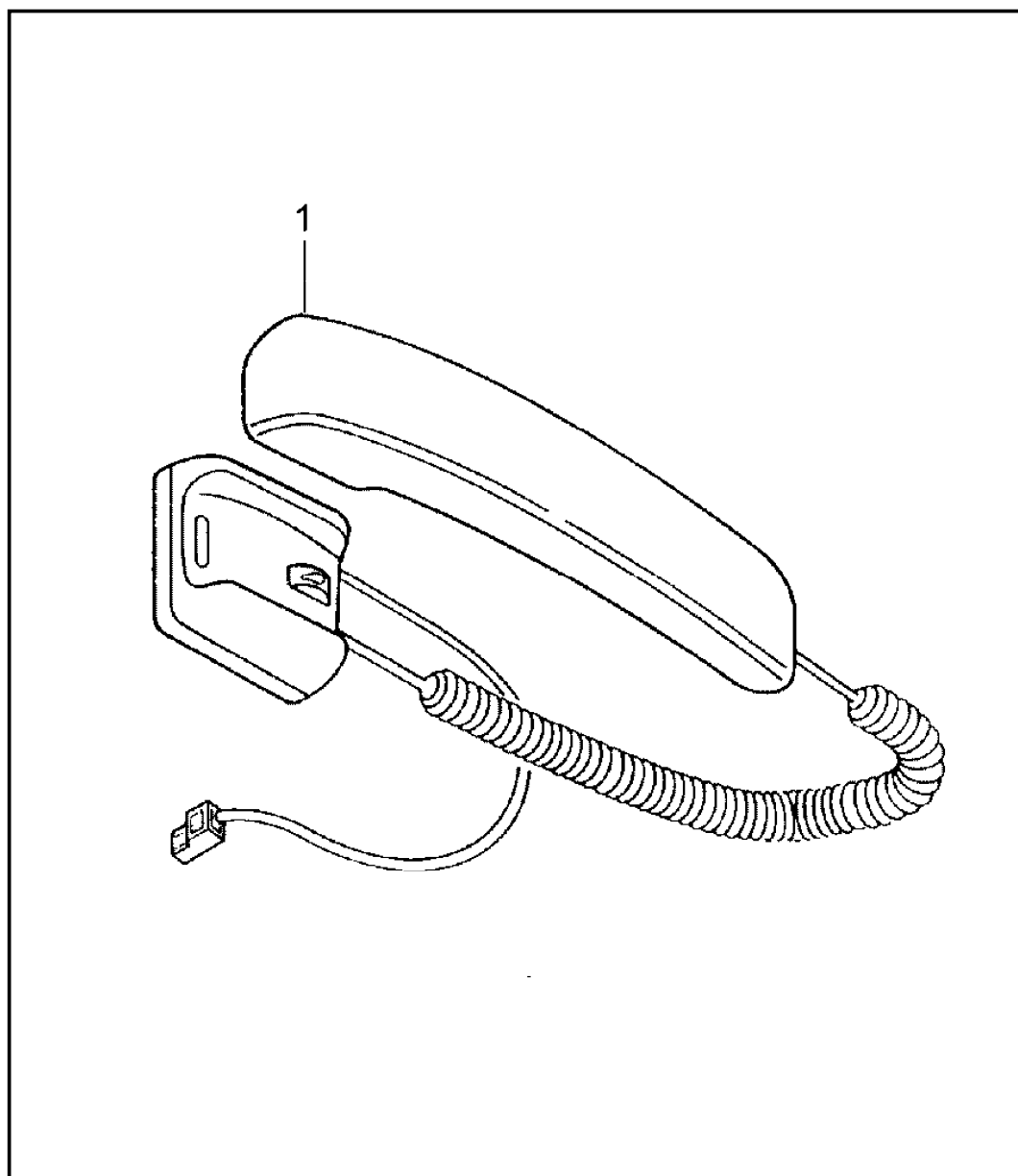
PET

PORSCHE

Model	Year	MG	SG	Illustration	Restrictions	UPD	18:41	06.02.2010
TEQ	2010	9	12	912-26		248	USA / CANADA	

Pos	Part Number	Description	Remark	Qty	Model
		navigation system PCM2.1-UPDATE	05-07 06-07 05-07		Boxster(987) Cayman(987) 911(997)
-	A 997 044 901 51	Instal. and mod. instruc. Boxster/911/Cayman main group 9 9110 attention		1	
		software PCM2.1-UPDATE america 08/2007			
-	997 044 902 51	software PCM2.1-UPDATE america 08/2009		1	

Model	Year	MG	SG	Illustration	Restrictions	UPD	18:41	06.02.2010	PORSCHE	PET	PORSCHE
TEQ	2010	9	14	914-02		248	USA / CANADA				



Pos	Part Number	Description	Remark	Qty	Model
		Telefonmodul receiver	03-04 03-04		Boxster (986) 911 (996)
		technical information Boxster/911 group 9 9155 attention			
-	A 000 044 900 71	module telephone for pcm2 order also: optical waveguide see illustrations Katalog 986/996 902-50	/LL	1	
-	A 000 044 900 74	module telephone for pcm2 order also: optical waveguide see illustrations Katalog 986/996 902-50	/RL	1	
		technical information Boxster/911 group 9 9191 attention			
1	000 044 900 73	receiver only together with pcm2 and telephone module	/LL	1	
1	000 044 900 75	receiver only together with pcm2 and telephone module	/RL	1	

PORSCHE

PET

PORSCHE

Model	Year	MG	SG	Illustration	Restrictions	UPD	18:41	06.02.2010
TEQ	2010	9	14	914-05		248	USA / CANADA	

Pos	Part Number	Description	Remark	Qty	Model
		telephone module receiver	05-08 06-08 05-08	1	Boxster(987) Cayman(987) 911(997)
		technical information Boxster/Cayman/911 group 9 9155 attention			
-	A 997 044 900 71	module telephone for pcm2 order also: optical waveguide see illustrations Katalog 987/997 902-50	/LL 05-06	1	
-	A 997 044 900 74	module telephone for pcm2 order also: optical waveguide see illustrations Katalog 987/997 902-50	/RL 05-06	1	
-	997 044 900 73	receiver	/LL	1	
-	997 044 900 75	receiver	/RL	1	

Model	Year	MG	SG	Illustration	Restrictions	UPD	18:41	06.02.2010
TEQ	2010	9	14	914-10		248	USA / CANADA	

Pos	Part Number	Description	Remark	Qty	Model
		telephone module receiver  Instal. and mod. instruc. Boxster/Cayman/911 group 9 9155 attention	09-		Boxster(987) Cayman(987) 911(997)
-	997 044 902 31	module telephone only together with pcm 3	/LL	1	I665
-	997 044 902 41	module telephone only together with pcm 3  Instal. and mod. instruc. Boxster/Cayman/911 group 9 9191 attention	/RL	1	I665
-	997 044 902 32	receiver only together with telephone module pcm 3  order also:	/LL	1	I666
		cover centre console 997.553.118.07.FFF see illustrations 997-2 / 911-10	/LL	1	
-	997 044 902 42	receiver only together with telephone module pcm 3  order also:	/RL	1	I666
		cover centre console 997.553.117.07.FFF see illustrations 997-2 / 911-10	/RL	1	

PORSCHE

PET

PORSCHE

Model	Year	MG	SG	Illustration	Restrictions	UPD	18:41	06.02.2010
TEQ	2010	9	14	914-12		248	USA / CANADA	

Pos	Part Number	Description	Remark	Qty	Model
-	997 044 902 33	mobile phone Hands-free equipment  Instal. and mod. instruc. Boxster/Cayman/911 group 9 9187 attention  mobile phone Hands-free equipment only together with pcm 3	09-	1	Boxster(987) Cayman(987) 911(997)  I665



PORSCHE

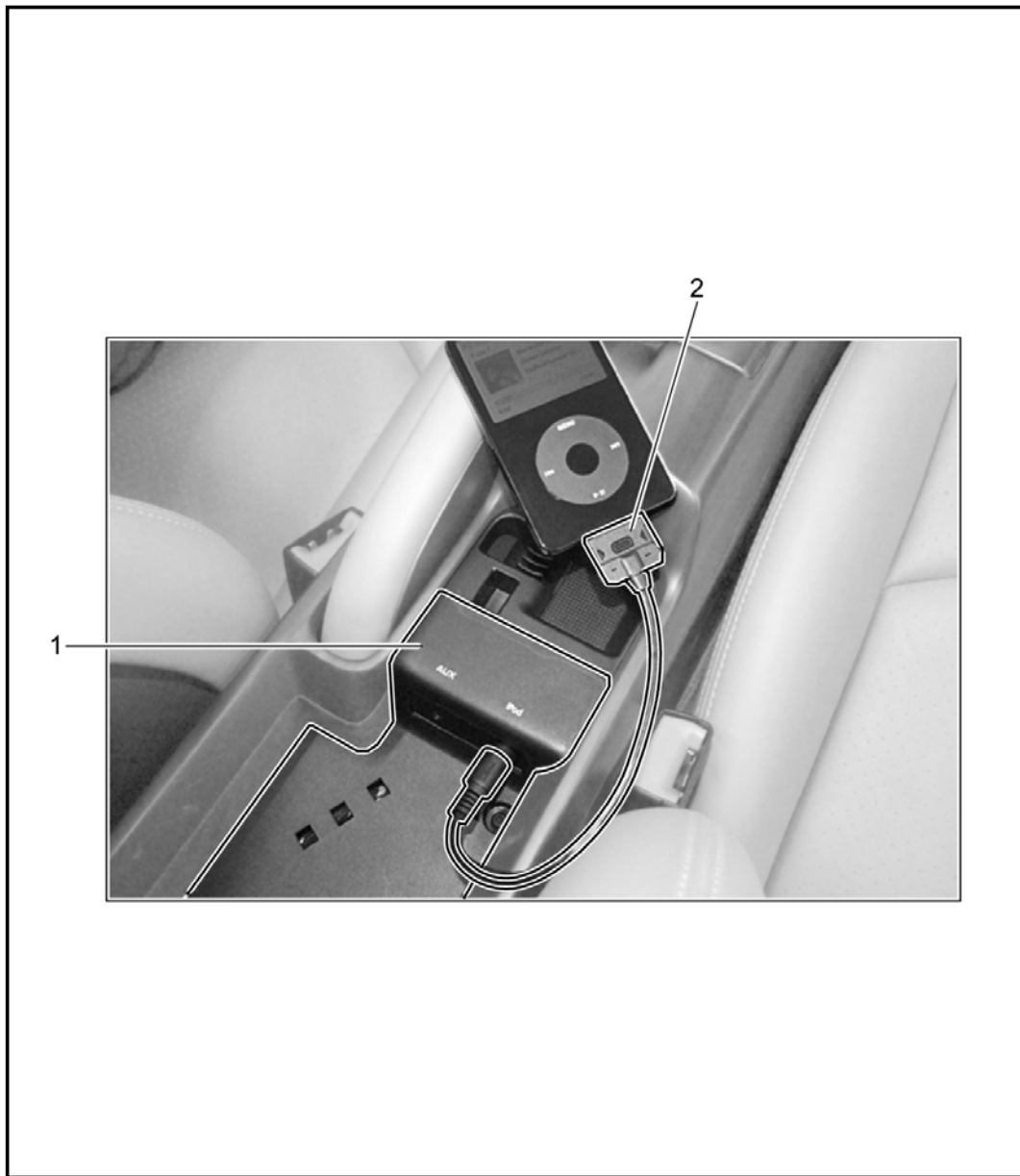
PET

PORSCHE

Model	Year	MG	SG	Illustration	Restrictions	UPD	18:42	06.02.2010
TEQ	2010	9	30	930-02		248	USA / CANADA	

Pos	Part Number	Description	Remark	Qty	Model
		Multimedia interface bracket	84-04		924,928,944 959,964,968 911(993/996) Boxster(986)
		Instal. and mod. instruc. alle group 9 9122 attention			
-	000 044 901 70	Multimedia interface		1	
-	000 044 901 84	adapter plug		1	/DIN
-	000 044 901 85	adapter plug		1	/ISO

Model	Year	MG	SG	Illustration	Restrictions	UPD	18:42	06.02.2010	PORSCHE	PET	PORSCHE
TEQ	2010	9	30	930-04		248	USA / CANADA				



Pos	Part Number	Description	Remark	Qty	Model
		Multimedia interface bracket	05-06-05-		Boxster (987) Cayman (987) 911 (997)
		Instal. and mod. instruc. Boxster/Cayman/911 group 9 9122 attention	05-08		
(1)	997 044 901 77	Multimedia interface	05-08	1	
-	997 044 901 74	operating instructions Multimedia interface	05-08	1	
(2)	000 044 901 78	connecting cable Multimedia interface	05-	1	
		Instal. and mod. instruc. Boxster/Cayman/911 group 9 9122 attention	09-		
(1)	997 044 902 34	Multimedia interface universal set only together with pcm 3	09-	1	
(1)	987 044 902 35	Multimedia interface universal set only together with CDR30	09-	1	Boxster (987) Cayman (987)

PORSCHE

# PET

PORSCHE

Model	Year	MG	SG	Illustration	Restrictions	UPD	18:42	06.02.2010
TEQ	2010	9	50	950-04		248	USA / CANADA	

Pos	Part Number	Description	Remark	Qty	Model
		digital sound processing SOUNDSYSTEM	97-02 98-02		Boxster(986) 911(996)
		technical information Boxster/911 group 9 9144 attention			
-	000 044 900 42	retrofit kit digital sound processing complete		1	
		set comprising:			
-	000 044 900 45	loudspeaker front	/L	1	
-	000 044 900 46	loudspeaker front	/R	1	
-	000 044 900 49	bracket door speaker	/L	1	
-	000 044 900 48	bracket door speaker	/R	1	
-	000 044 900 53	grille door	/L	1	
-	000 044 900 52	grille door	/R	1	
-	000 044 900 51	woofer door		4	
-	000 044 900 58	diplexer door	/R	1	
-	000 044 900 61	diplexer door	/L	1	
-	000 044 900 60	sound absorber door		1	
-	000 044 900 50	booster		1	
-	000 044 900 59	fuse		1	
-	000 044 900 57	parts kit		1	
		when required order also:			
-	000 044 900 47	loudspeaker rear	98-02	1	911(996)
		comprising:		1	

PORSCHE

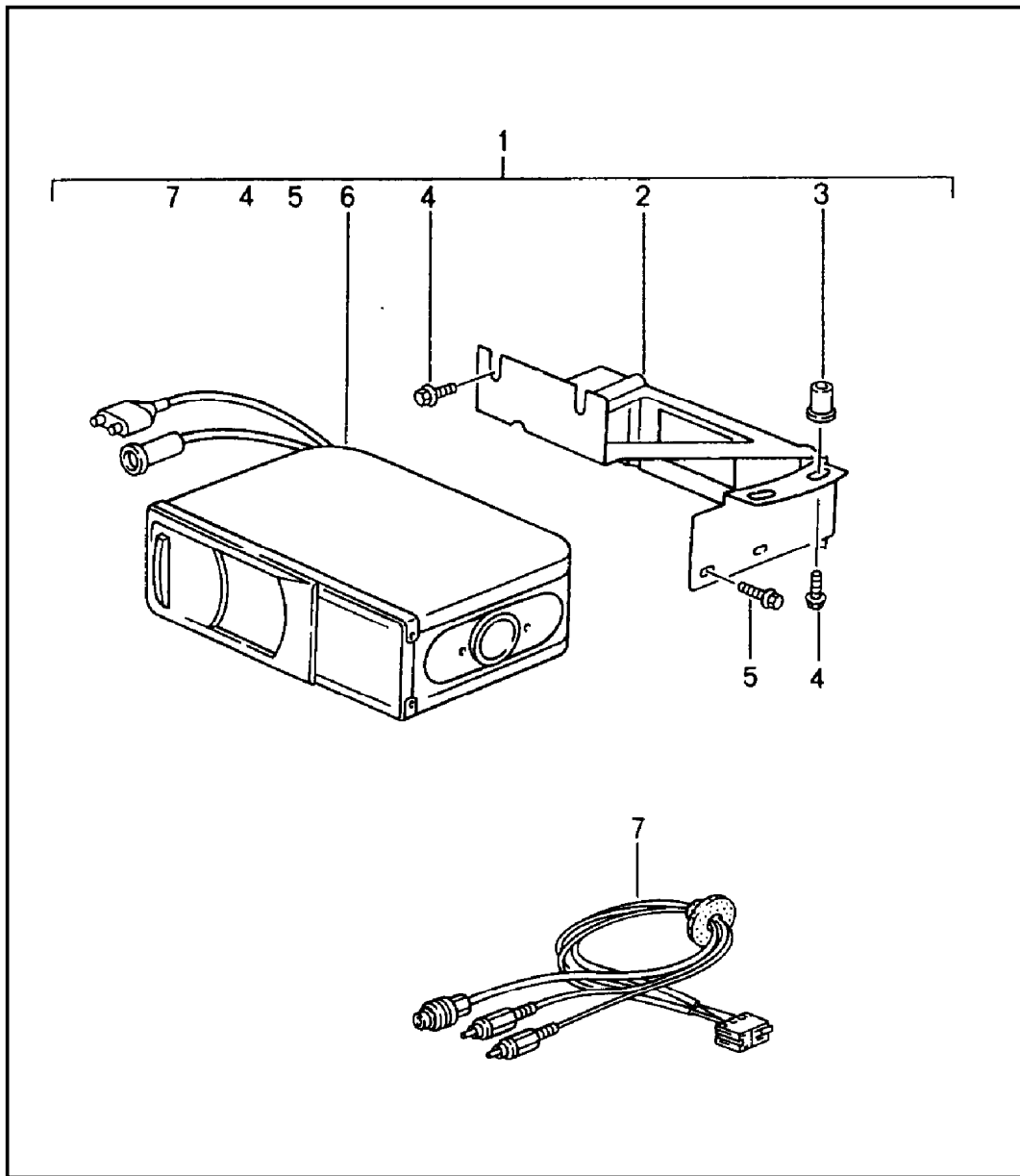
# PET

PORSCHE

Model	Year	MG	SG	Illustration	Restrictions	UPD	18:42	06.02.2010
TEQ	2010	9	50	950-04		248	USA / CANADA	

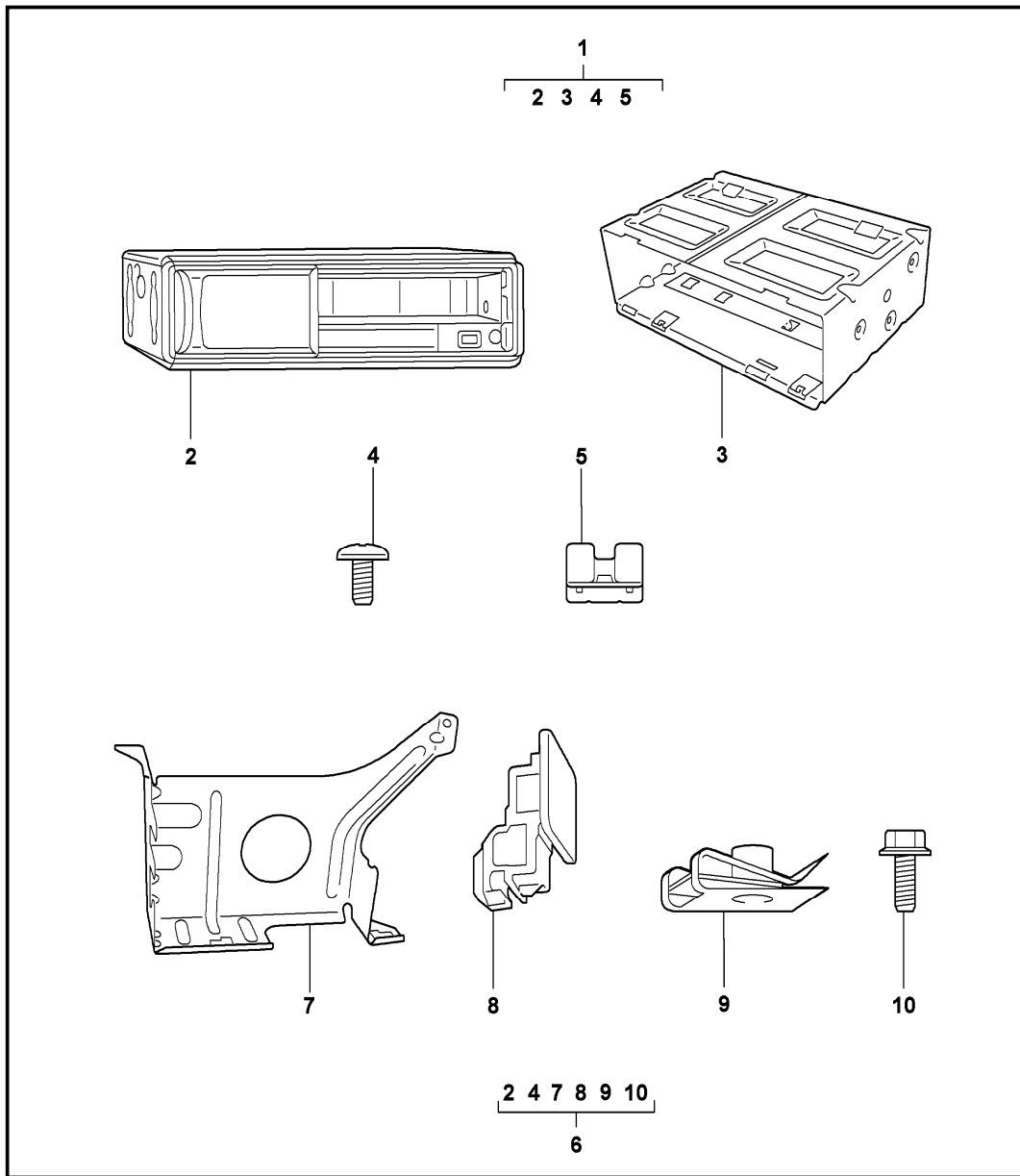
Pos	Part Number	Description	Remark	Qty	Model
-	000 044 900 43	loudspeaker rear	/L	1	
-	000 044 900 44	loudspeaker rear	/R	1	
		order also: for cars without sound system M 490			
-	000 044 900 56	wiring harness booster		1	
		order also: for cars from model year 01		1	
-	996 555 831 02	seal	/L	1	
-	996 555 832 02	seal	/R	1	

Model	Year	MG	SG	Illustration	Restrictions	UPD	18:43	06.02.2010	PORSCHE	PET	PORSCHE
TEQ	2010	9	50	950-10		248	USA / CANADA				



Pos	Part Number	Description	Remark	Qty	Model
		cd changer CDC3	94-98		911(993)
1	000 044 900 10	cd changer CDC3 for cars with radio BECKER CR-11/-21/-31		1	/LL
2	993 645 221 00	support		1	
(3)	999 500 044 02	rivet		4	
4	900 075 440 07	combination screw		4	
5	999 075 067 09	combination screw		6	
6	> 993 645 130 00	cd changer		1	
7	993 645 453 00	connecting cable		1	/LL
-	993 645 113 00	magazine		1	
-	993 555 675 02	order also: lining		1	
		5FV black			
		A16 anthracite			
-	993 551 067 08	when required order also: front-compartment carpet	96-98	1	
		5FV black			
7	993 645 453 00	connecting cable		1	
-	000 044 900 28	support for cd changer spare-wheel well		1	

Model	Year	MG	SG	Illustration	Restrictions	UPD	18:44	06.02.2010	PORSCHE	PET	PORSCHE
TEQ	2010	9	50	950-13		248	USA / CANADA				

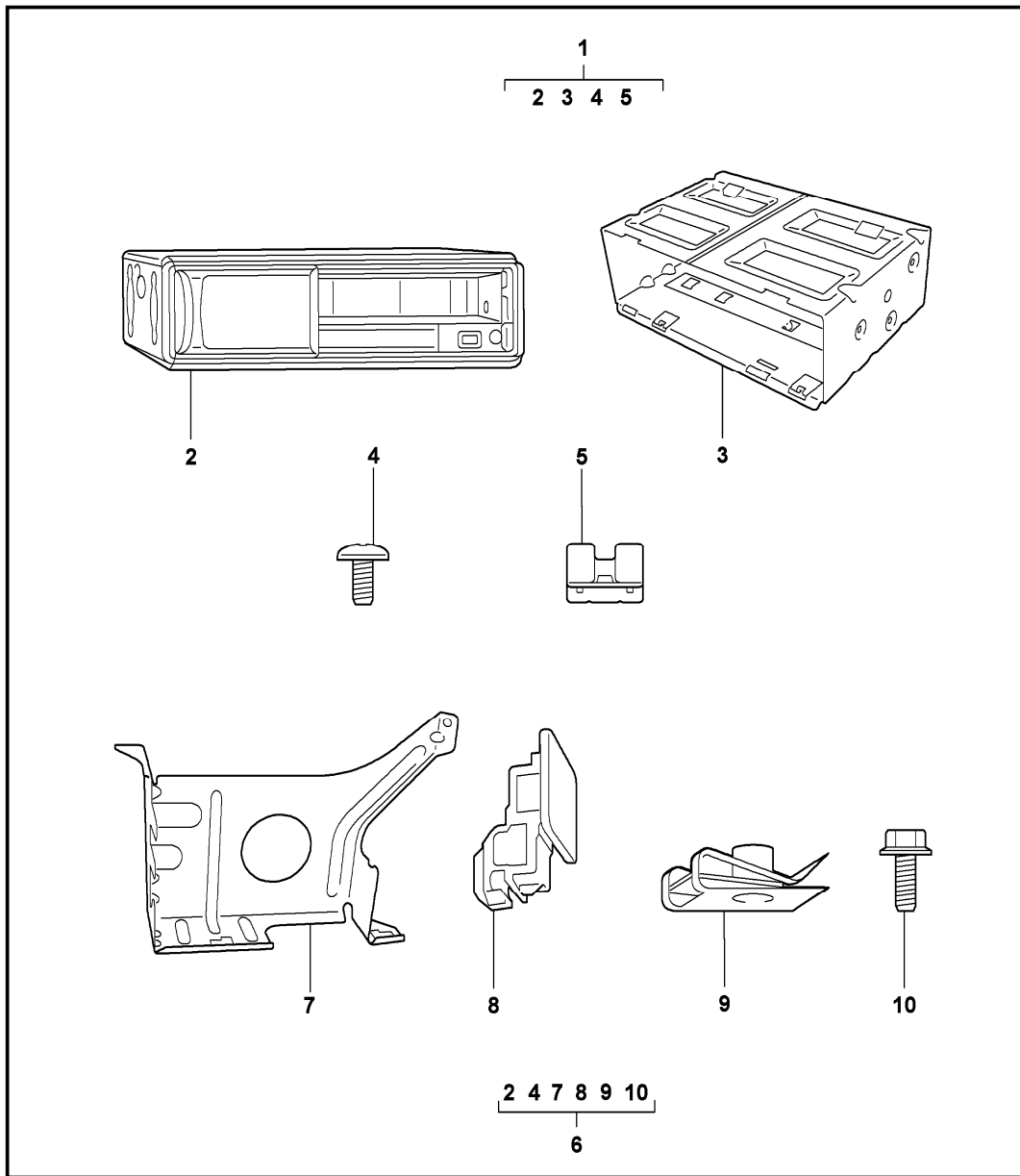


Pos	Part Number	Description	Remark	Qty	Model
		cd changer CDC3, CDC4	97-04 98-04		Boxster (986) 911 (996)
-	000 044 900 35	cd changer CDC3 for cars with radio CR-220, CDR-220	97-02 98-02	1	Boxster (986) 911 (996)
		set comprising:			
-	993 645 113 00	magazine	97-02	1	
- >	993 645 130 00	cd changer	97-02	1	
-	999 507 532 02	u-clamp		4	
-	996 645 221 00	support	/LL 97-02	1	9X6
-	996 645 231 00	support	/LL 98-02	1	C4
-	996 610 207 00	cable cover	/LL 98-02	1	C4
-	900 075 440 07	combination screw		6	
-	999 500 078 00	speed nut		4	
-	900 378 179 09	hexagon-head bolt		4	
-	993 645 453 00	connecting cable	97-02	1	
		technical information Boxster/911/911 Turbo group 9 9160 attention			
-	000 044 900 72	cd changer CDC4 for cars with optical waveguide technology	03-04 03-04	1	Boxster (986) 911 (996)
		set comprising:			
- >	996 645 140 02	cd changer		1	
-	000 044 900 81	cable		1	
-	996 645 225 00	support large		1	C2/Boxster
-	996 645 227 00	support small		1	C2/Boxster

Model	Year	MG	SG	Illustration	Restrictions	UPD	18:44	06.02.2010	PORSCHE	PET	PORSCHE
TEQ	2010	9	50	950-13		248	USA / CANADA				

Pos	Part Number	Description	Remark	Qty	Model	Pos	Part Number	Description	Remark	Qty	Model
-	996 645 229 00	support	/LL	1	C4/Turbo						
-	996 645 230 00	support	/RL	1	C4/Turbo						
-	999 650 138 22	pin		1							
-	N 103 357 01	pin		1							
-	N 903 352 04	pin		1							
-	900 378 188 09	hexagon-head bolt		4							
-	900 378 179 09	hexagon-head bolt		5							
-	N 014 128 13	oval-head screw		6							
-	999 500 078 00	speed nut		2							
-	999 507 532 02	u-clamp		2							
		order also: optical waveguide catalogue see illustrations 996 / 902-50									

Model	Year	MG	SG	Illustration	Restrictions	UPD	18:44	06.02.2010	PORSCHE	PET	PORSCHE
TEQ	2010	9	50	950-15		248	USA / CANADA				



Pos	Part Number	Description	Remark	Qty	Model
		cd changer CDC4	05- 06- 05-08		Boxster (987) Cayman (987) 911 (997)
		Instal. and mod. instruc. Boxster/Cayman/911 group 9 9160 attention			
6	997 044 900 78	cd changer CDC4	/LL (USA) 05-08 /LL (USA) 05-	1	911 (C2) 987/Cayman
2	> 997 645 140 02	set comprising: cd changer		1	
7	997 645 221 00	support		1	
8	999 703 501 40	fastening part		2	
9	999 507 766 02	speed nut		2	
10	900 378 179 09	hexagon-head bolt		2	
4	N 014 128 13	oval-head screw		6	
-	997 610 122 00	connection point optical waveguide		1	
-	997 044 901 09	cd changer CDC4	/LL 06-08 /LL	1	911 (C4) Turbo



## MXI KAT91

KAT.	M-X-I -NR	BENENNUNG-Deutsch DESCRIPTION-English
91	M000	+-----+ ! M-Nummern-Uebersicht ! +-----+  +-----+ ! Summary of optional extras "M"! +-----+
91	M008	986 S 3,2 Liter Hubraum 986 S 3,2 litres displacement
91	M009	986 2,5 Liter Hubraum -> Mj 1999 986 2,7 Liter Hubraum Mj 2000 -> 986 2,5 litres displacement -> mj 1999 986 2,7 litres displacement mj 2000 ->
91	M020	Geschwindigkeitssmesser mit Doppel skala MPH-KM/h Speedometer with two scales mph-km/h
91	M030	Sportfahrwerk Sport-type running gear
91	M033	Fahrzeug tiefergelegt Lowered vehicle
91	M058	Pralldämpfer vorn und hinten Impact absorbers front and rear
91	M061	Grossbritannien-Ausführung Version for Great Britain
91	M092	Sondermodell Turbo S Special model Turbo S
91	M113	Kanada - Ausführung Version for Canada
91	M139	Sitzheizung, linker Sitz Seat heating system, left seat
91	M150	Betrieb mit verbleitem Kraftstoff Operates with leaded gas
91	M185	2-Punkt-Gurte hinten mit Aufrollautomatik Safety belts 2-point, rear automatic
91	M186	2-Punkt-Gurte hinten, manuell Safety belts 2-point, rear manual
91	M215	Saudi-Arabien - Ausführung Version for Saudi Arabia
91	M249	Tiptronic-Getriebe Tiptronic transmission
91	M272	Aussenspiegel, manuell verstellbar Outside mirror, manually adjustable
91	M273	Aussenspiegel, elektrisch verstell- und beheizbar Outside mirror, electrically adjustable and heatable
91	M288	Scheinwerfer-Reinigungsanlage Headlamp washer
91	M320	Radio "Porsche CR-11", RDW
91	M321	Radio "Porsche CR-11", RDW Radio "Porsche CR 22", RDW
91	M322	Radio "Porsche CR 22", RDW Radio "Porsche CR 220", USA Radio "Porsche CR 220", USA
91	M324	Radio "Porsche CR-10" Radio "Porsche CR-10"
91	M326	Radio "Porsche CR-21", RDW Radio "Porsche CR-21", RDW
91	M327	Radio "Porsche CR 2200", Japan Radio "Porsche CR 2200", Japan
91	M330	Radio "Porsche CR-31", RDW Radio "Porsche CR-31", RDW
91	M334	Cassetten-Radio Bremen RCM 42 Radio/cassette player Bremen RCM 42

MXI KAT91

91	M335	3-Punkt-Automatik-Gurte, hinten Automatical safety belt, 3-point, rear
91	M336	Radio "Düsseldorf RCR 84" Radio "Düsseldorf RCR 84"
91	M338	Heck-Antrieb Rear-wheel drive
91	M339	Allrad-Antrieb 4-wheel drive
91	M340	Sitzheizung, rechter Sitz Seat heating system, right seat
91	M369	Basissitz links Series seat, left
91	M370	Basissitz rechts Series seat, right
91	M373	Sportsitz links, elektrisch Höhenverstellung Sports seat, left, electrically height adjustable
91	M374	Sportsitz rechts, elektrisch höhenverstellbar Sports seat, right, electrically height adjustable
91	M375	Sportsitz, Lehnenschale, links Sportseat, backrest shell, left
91	M376	Sportsitz, Lehnenschale, rechts Sportseat, backrest shell, right
91	M379	Basissitz links, elektrisch höhenverstellbar Series seat, left, electrical vertical adjustment
91	M380	Basissitz rechts, elektrisch höhenverstellbar Series seat, right, electrical vertical adjustment
91	M393	Targa-Rad 17" 17" targa wheel
91	M395	Gussrad, 16" (AL) Cast wheel, 16 inches
91	M396	Gussrad, 17" (AL) Cast wheel, 17 inches
91	M397	Cup-Rad, 16 Zoll Cup wheel, 16 inches
91	M398	Cup-Rad, 17 Zoll Cup wheel, 17 inches
91	M400	Boxster-S-Rad 17" Boxster-s-wheel 17"
91	M408	Techno-Rad 18" 18" techno wheel
91	M410	Turbo 2-Rad 18" 18" turbo 2 wheel
91	M413	Turbo-Look-Rad 18" 18" turbo-look-wheel
91	M419	Fondgepäckauflage Rear luggage dump
91	M421	Kassettenablage vorn Front cassette compartment
91	M423	Kassetten und Münzbehälter Box for cassettes and coins
91	M424	CD-Ablage CD compartment
91	M425	Heckscheibenwischer Rear window wiper
91	M426	Ohne Heckwischer Without rear window wiper
91	M432	Lenkrad mit Tiptronic-Bediengung Steering wheel with tiptronic control
91	M436	3-Speichen-Airbaglenkrad 3-spoke airbag steering wheel
91	M437	Komfortsitz links, elektrisch verstellbar Comfort seat left, electrically adjustable
91	M438	Komfortsitz rechts, elektrisch verstellbar Comfort seat right, electrically adjustable
91	M439	Elektrische Verdeckbetätigung Electrical roof catch
91	M441	Radiovorbereitung Prepared for radio
91	M454	Automatische Geschwindigkeitsregulierung Automatic speed control

MXI KAT91

91	M480	6-Gang Schal tgetri ebe 6-speed manual transmi ssi on
91	M481	5-Gang Schal tgetri ebe 5th-speed manuel l transmi ssi on
91	M484	USA - Ausführung Version for USA
91	M490	Klangpaket Sound system
91	M491	Turbo-Look Turbo-look
91	M493	Schmale-Karosseri e Narrow bodywork
91	M495	Carrera S Carrera S
91	M513	Lordosenstütze rechter Si tz Back-support (lordose) right seat
91	M530	Wegfahrssi cherung Anti-drive-off feature
91	M531	Wegfahrssi cherung, Zentral verri egel ung Anti-drive-off feature, central locki ng system
91	M534	Diebstahl si cherungsanl age Theft securi ty system
91	M535	Diebstahl si cherung 315 MHz Anti-theft lock 315 mhz
91	M536	Al armsi rene und Nei gungsgeber Alarm siren and tilt sensor
91	M537	Sitzposi tions-Steuerung für Komfortsi tz, links Seating posi tion control for confort seat, left
91	M538	Sitzposi tions-Steuerung für Komfortsi tz, rechts Seating posi tion control for confort seat, right
91	M539	Mechanische Si tzhöhenverstell ung links Mechanical seat-hei ght adjust ment left
91	M540	Mechanische Si tzhöhenverstell ung rechts Mechanical seat-hei ght adjust ment right
91	M544	75 Liter Tank Tank of 75 litres
91	M545	92 Liter Tank Tank of 92 litres
91	M549	Dachtransportsystem Roof rack system
91	M550	Hardtop Hardtop
91	M551	Windstop Wind deflector
91	M553	USA-Canada-Ausführung Version for USA, Canada
91	M562	Airbag Fahrer- und Bei fahrerseite Airbagdriver' s side and front passenger' s side
91	M573	Klima-Anl age Air condi tioner
91	M580	Nichtraucherpaket Non-smoker' s package
91	M581	Mittel konsol e vorn Center console front
91	M586	Lordosenstütze linker Si tz, Back-support (lordose) left seat
91	M601	Li troni c-Schei nwerfer Headlamp li troni c
91	M605	Leuchtwei tenregul ierung Headlight verti cal aim control
91	M614	Telefonvorberei tung Motorola D-Netz Preparati on of telepho ne i nstall ati on Motorola (D-network)
91	M618	Telefonvorberei tung Preparati on of telepho ne i nstall ati on
91	M620	E-Gas E-accel erator
91	M631	Kindersi tzerkennung Chi ld' s seat detecti on

MXI KAT91

91	M650	Elektrisches Schiebedach Electrical sliding roof
91	M659	Bordcomputer Computer
91	M662	Info- / Navigationssystem Info/navigation system
91	M680	-Mj 01 digitales Soundpaket Mj 02- Soundpaket Bose analog -Mj 01 digital sound package Mj 02- sound system Bose analog
91	M686	Radio "Porsche CDR-21", RDW Radio "Porsche CDR-21", RDW
91	M692	CD-Wechsler "Porsche " CD-changer "Porsche "
91	M695	CD-Radio "Porsche CDR 22", RDW CD-Radio "Porsche CDR 22", RDW
91	M696	CD-Radio "Porsche CDR 220", USA CD-Radio "Porsche CDR 220", USA
91	M698	CD-Radio "Porsche CDR 32", RDW CD-Radio "Porsche CDR 32", RDW
91	M699	MD-Radio "Porsche MDR32", RDW MD-Radio "Porsche MDR32", RDW
91	M981	Leder-Ausstattung ohne Sitzbezüge Leather equipment without seat covers
91	IXCZ	Schalwegverkürzung Switch travel shortening
91	I 211	Kennzeichenhalter Ausführung 3 Licence plate holder version 3
91	I 218	Kennzeichenhalter Ausführung 4 Licence plate holder version 4
91	I 288	Scheinwerfer-Reinigungsanlage Headlamp washer
91	I 338	Heck-Antrieb Rear-wheel drive
91	I 339	Allrad-Antrieb 4-wheel drive
91	I 480	6-Gang Schaltgetriebe 6-speed manual transmission
91	I 680	Soundpaket BOSE BOSE sound package

Model	Year	MG	SG	Illustration	VIN No.	Update		
TEQ	10					249	12:37	23.02.2010

## EQUIPMENT BY COUNTRY REGULATIONS

=====

- (A) AUSTRIA
- (AG) ARABIAN GULF STATES
- (AUS) AUSTRALIA
- (B) BELGIUM
- (CDN) CANADA
- (CH) SWITZERLAND
- (D) FEDERAL REPUBLIC OF GERMANY
- (DK) DENMARK
- (E) SPAIN
- (F) FRANCE
- (GB) GREAT BRITAIN
- (GR) GREECE
- (HK) HONGKONG
- (I) ITALY
- (J) JAPAN

Model	Year	MG	SG	Illustration	VIN No.	Update	12:37	23.02.2010
TEQ	10					249		

(L) LUXEMBURG

(N) NORWAY

(NL) NETHERLANDS

(NZ) NEW ZEALAND

(P) PORTUGAL

(RC) TAIWAN

(S) SWEDEN

(SA) SAUDI ARABIA

(SF) FINLAND

(USA) UNITED STATES OF AMERICA

(ZA) SOUTH AFRICA

Model TEQ	Year 10	MG	SG	Illustration	VIN No.	Update 249	12:37	23.02.2010
--------------	------------	----	----	--------------	---------	---------------	-------	------------

IN COLUMN - A -

-----

IDENTIFICATION LETTER FOR PERIOD OF INSTALLATION  
THAT IS REPEATED SEVERAL TIMES IN THE CATALOG GROUP.

EXPLANATION PLEASE FIND IN TEXT COLUMN OF THE CATALOG GROUP

IN COLUMN - QU - = NO. OF PIECES

-----

1 NUMBER PER APPLICATION

X NUMBER AS NEEDED

\* AVAILABLE ONLY IN RUNNING LENGTHS 1 = 1 METRE

IN COLUMN - MODEL/SYMBOL -

-----

M650 OPTIONAL EQUIPMENT - SEE M-NO. LIST

-96 LIMITATION OF MODEL YEAR FOR INSTANCE: VALID UP TO  
END OF MODEL YEAR 1996

/LL LHD

/RL RHD

-----+

/V FRONT I

Model TEQ	Year 10	MG	SG	Illustration	VIN No.	Update 249	12:37	23.02.2010
--------------	------------	----	----	--------------	---------	---------------	-------	------------

```

I
/H      REAR      I
          I----> APPLIES TO
/L      LEFT      I      DIRECTION OF TRAVEL
          I
/R      RIGHT     I
          -----+

WW      THE PART CAN BE USED INSTEAD OF THE
          PRECEDING ONE.
    
```



Model TEQ	Year 10	MG	SG	Illustration	VIN No.	Update 249	12:37	23.02.2010
--------------	------------	----	----	--------------	---------	---------------	-------	------------

LEGENDS AND NOTICES

=====

IN COLUMN -S- STATUS

-----

- N NEW ADDITION
  
- P PART ALREADY IN PROGRAMME, BUT NEW  
AT THIS APPLICATION
  
- W DELETED AT THIS APPLICATION, BUT CONTINUED  
TO BE CARRIED
  
- A STOCK TO BE USED UP
  
- U DELETED WITHOUT REPLACEMENT
  
- \* PART ALSO OR ONLY AVAILABLE  
IN REPAIR KIT
  
- > ALSO AVAILABLE IN EXCHANGE

IN COLUMN - ILL. -

-----

- 1 IDENTIFICATION NO. IN ILLUSTRATION
  
- (1) PART ONLY SIMILAR AS ILLUSTRATED
  
- PART IS NOT ILLUSTRATED

Model	Year	MG	SG	Illustration	VIN No.	Update	12:37	23.02.2010
TEQ	10					249		

FIG.-NUMBERS FOR WHICH THERE IS SHOWN NO TEXT ARE  
NOT VALID FOR THIS EDITION OF CATALOGUE

IN COLUMN -PART NUMBER/CODE-

-----

000 000 000 00 PART NUMBER EQUALS ORDERING NO., IF A CODE IS  
SHOWN, IT WILL HAVE TO BE PART OF ORDERING  
NUMBER

01C COLOUR CODE

IN COLUMN -TEXT

-----

INSTALLATION WITH ENGINE OR CHASSIS  
NUMBER-RANGE

EXAMPLE:

M 63V 00389>> FROM ENGINE NO.

F >>99VS3 00889 UP TO CHASSIS NO.

Model TEQ	Year 10	MG	SG	Illustration	VIN No.	Update 249	12:37	23.02.2010
--------------	------------	----	----	--------------	---------	---------------	-------	------------

VEHICLE TYPE		ENGINE				TECHNICAL DATA	
		TYPE	MY	ENGINE NO.			
911 CARRERA		M64.05	94 R 63R	00501>20000	6ZYL/3,6L /200 KW		
911 CARRERA	(USA) (CDN)	M64.07	94 R 64R	00501>20000	6ZYL/3,6L /200 KW		
911 CARRERA	TIPTRONIC	M64.06	94 R 63R	50501>60000	6ZYL/3,6L /200 KW		
911 CARRERA	TIPTRONIC (USA) (CDN)	M64.08	94 R 64R	50501>60000	6ZYL/3,3L /200 KW		
911 CARRERA		M64.05	95 S 63S	00501>20000	6ZYL/3,6L /200 KW		
911 CARRERA	(USA) (CDN)	M64.07	95 S 64S	00501>20000	6ZYL/3,6L /200 KW		
911 CARRERA	RS	M64.20	95 S 63S	85501>90000	6ZYL/3,75L/220 KW		
911 CARRERA	TIPTRONIC	M64.06	95 S 63S	50501>60000	6ZYL/3,6L /200 KW		
911 CARRERA	TIPTRONIC (USA) (CDN)	M64.08	95 S 64S	50501>60000	6ZYL/3,6L /200 KW		
911 CARRERA 4		M64.05	95 S 63S	00501>20000	6ZYL/3,6L /200 KW		
911 CARRERA 4	(USA) (CDN)	M64.07	95 S 64S	00501>20000	6ZYL/3,6L /200 KW		
911 TURBO		M64.60	95 S 61T	00501>20000	6ZYL/3,6L /300 KW		
911 CARRERA		M64.21	96 T 63T	00501>20000	6ZYL/3,6L /210 KW		
911 CARRERA	(USA) (CDN)	M64.23	96 T 64T	00501>20000	6ZYL/3,6L /210 KW		
911 CARRERA	RS	M64.20	96 T 63T	85501>90000	6ZYL/3,75L/220 KW		
911 CARRERA	TIPTRONIC	M64.22	96 T 63T	50501>60000	6ZYL/3,6L /210 KW		
911 CARRERA	TIPTRONIC	M64.24	96 T 64T	50501>60000	6ZYL/3,6L /210 KW		
911 CARRERA 4		M64.21	96 T 63T	00501>20000	6ZYL/3,6L /210 KW		

Model	Year	MG	SG	Illustration	VIN No.	Update		
TEQ	10					249	12:37	23.02.2010

911 CARRERA 4 (USA) (CDN)				M64.23	96 T 64T	00501>20000	6ZYL/3,6L	/210 KW
911 TURBO				M64.60	96 T 61T	00501>20000	6ZYL/3,6L	/300 KW
911 CARRERA				M64.21	97 V 63V	00501>20000	6ZYL/3,6L	/210 KW
911 CARRERA (USA) (CDN)				M64.23	97 V 64V	00501>20000	6ZYL/3,6L	/210 KW
911 CARRERA TIPTRONIC				M64.22	97 V 63V	50501>60000	6ZYL/3,6L	/210 KW
911 CARRERA TIPTRONIC (USA) (CDN)				M64.24	97 V 64V	50501>60000	6ZYL/3,6L	/210 KW
911 CARRERA 4				M64.21	97 V 63V	00501>20000	6ZYL/3,6L	/210 KW
911 CARRERA 4 (USA) (CDN)				M64.23	97 V 64V	00501>20000	6ZYL/3,6L	/210 KW
911 TURBO				M64.60	97 V 61V	00501>20000	6ZYL/3,6L	/300 KW

Model	Year	MG	SG	Illustration	VIN No.	Update	12:36	23.02.2010
TEQ	10					249		

EXPLANATION OF THE MOTOR-NUMBERS USED IN THE CATALOGUE

=====

DIGIT: 1 2 3 4 5 6 7 8

EXAMPLE: 6 3 R 0 0 1 3 6

= = = =====

! ! ! !

ENGINE TYPE (6 = 6-CYL.-ENGINE) -----+ ! ! !

! ! !

ENGINE VERSION-----+ ! !

! !

MODEL YEAR-----+ !

!

SERIAL NUMBER-----+ !

Model	Year	MG	SG	Illustration	VIN No.	Update		
TEQ	10					249	12:36	23.02.2010

THIS CATALOGUE CONTAINS ALL ORDER INFORMATION OF THE ACTUALLY AVAILABLE PARTS OF THE TEQUIPMENT - PROGRAM.

IT IS AVAILABLE IN TWO EDITIONS IN THE FOLLOWING LANGUAGES :

EDITION

USA, CANADA - \*

EDITION

ALL OTHER COUNTRIES

- GERMAN
- \* - ENGLISH
- FRECH
- ITALIAN
- SPANISH

ZPDATING IS BEING PERFORMED BY CHANGING OF UPDATE.

THE EDITION CAN BE RECOGNIZED BY THE CURRENT NO. AND CALENDAR YEAR IN THE BOTTOM LINE OF SUBJECT UPDATE.

ALL ILLUSTRATIONS ARE SUBJECT TO CHANGE WITHOUT OBLIGATION.

IF PARTS OF THE VEHICLE REQUIRING DESIGN APPROVAL (E.G. WHEELS, SPACER WASHERS AND SPOILERS ETC.) ARE ALTERED OR ADDITIONALLY FITTED, THE VEHICLE'S TYPE APPROVAL BECOMES NULL AND VOID.  
YOUR PORSCHE DEALER OR THE FACTORY'S TECHNICAL DEPARTMENT WILL

Model	Year	MG	SG	Illustration	VIN No.	Update		
TEQ	10					249	12:36	23.02.2010

BE PLEASED TO ASSIST YOU IN HAVING YOUR PORSCHE RE-REGISTERED.

IT IS THE SOLE RESPONSIBILITY OF THE SELLING PORSCHE DEALER TO  
DECIDE TO WHAT EXTENT THE ACCESSORIES OFFERED COMPLY WITH THE  
REGISTRATION REGULATIONS OF HIS COUNTRY OR REGION.

DR.ING.H.C.F.PORSCHÉ AG ASSUMES NO LIABILITY FOR THE PERMISSI-  
BILITY ACCORDING TO THE RESPECTIVE AND VALID REGISTRATION  
REGULATIONS OF THE INDIVIDUAL COUNTRIES CONCERNED.