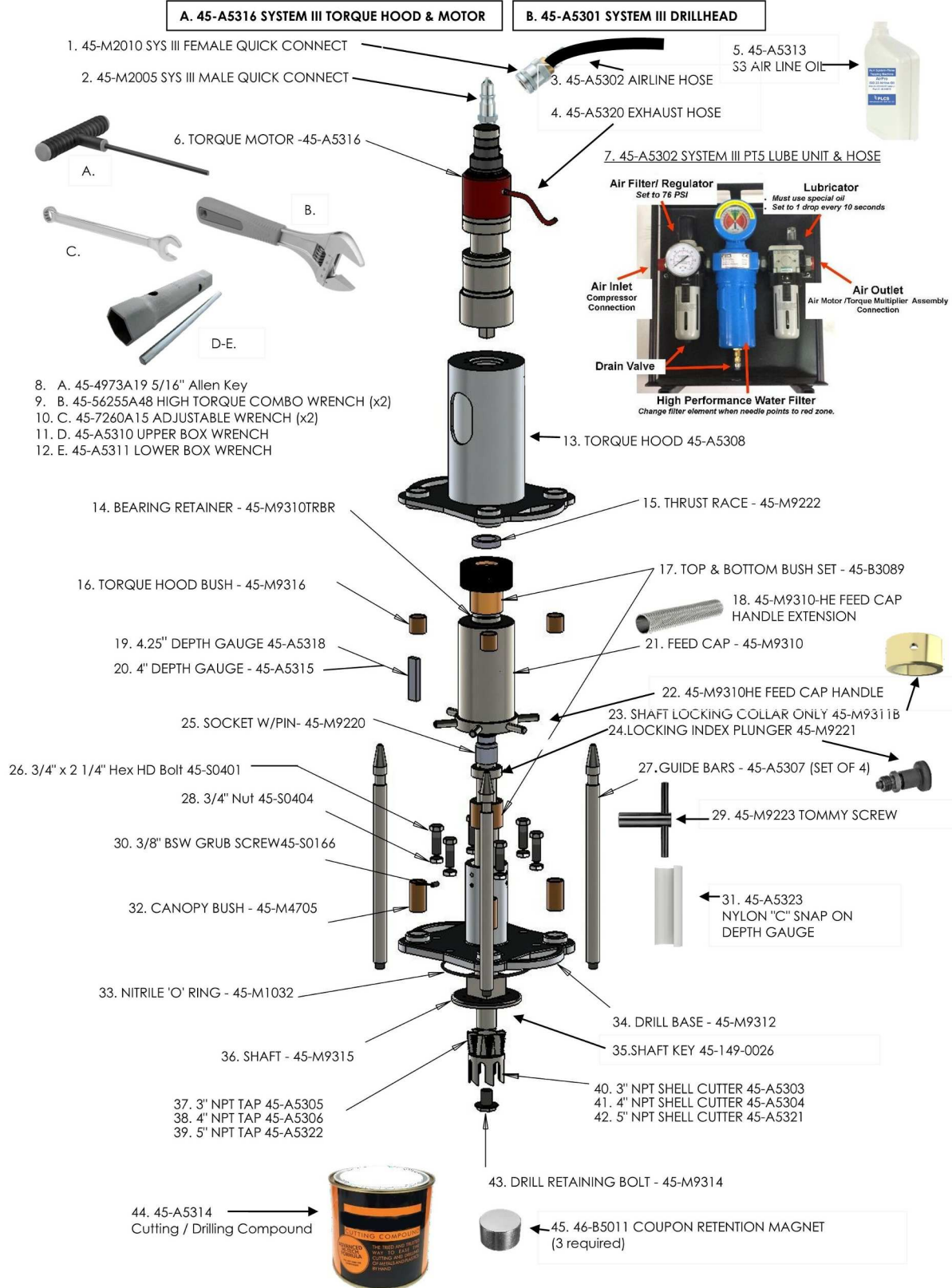


Hot Tapping - 3"-5" ALH System-Three Parts



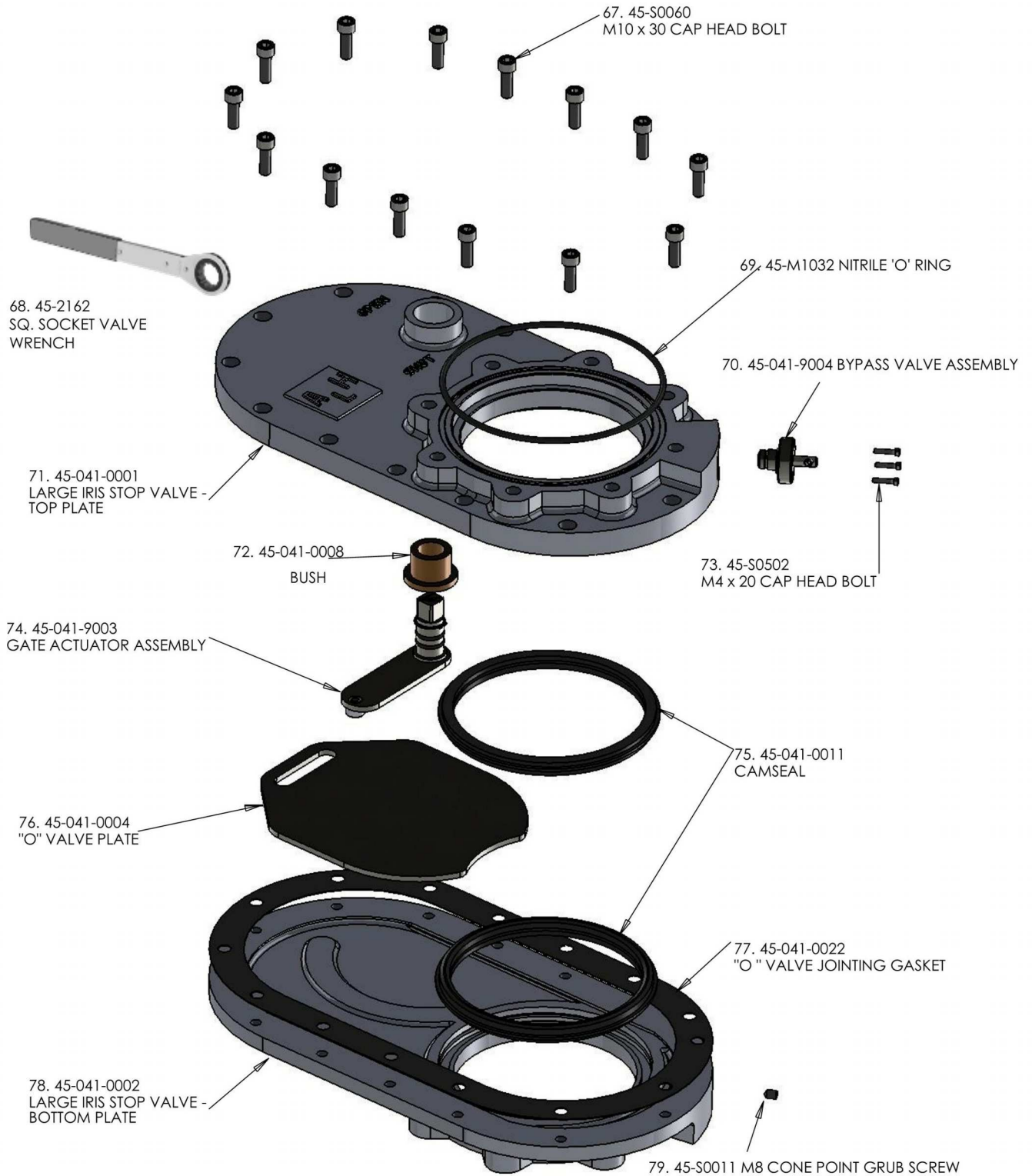
PLCS, LLC

102 Gaither Drive Unit 1
Mount Laurel, NJ 08054

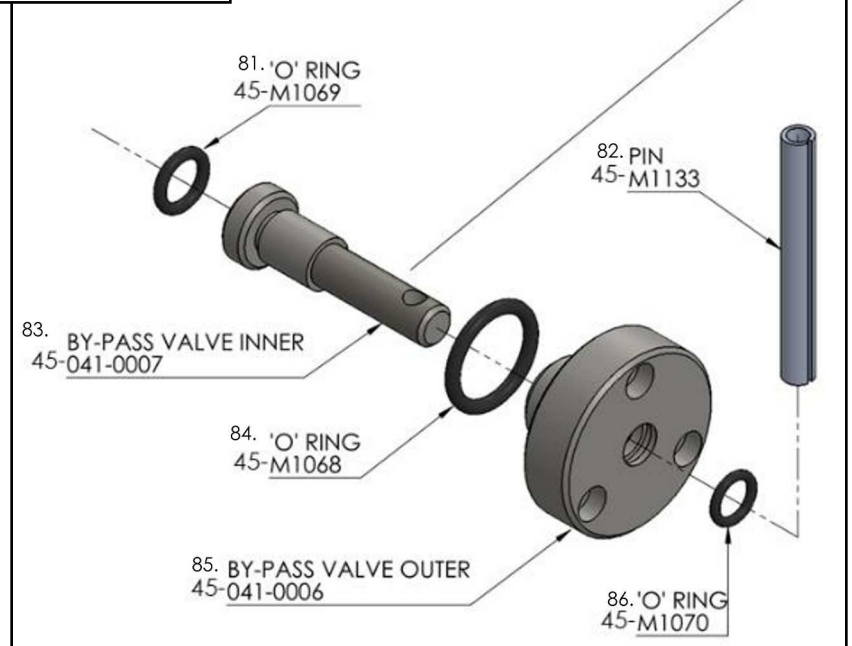
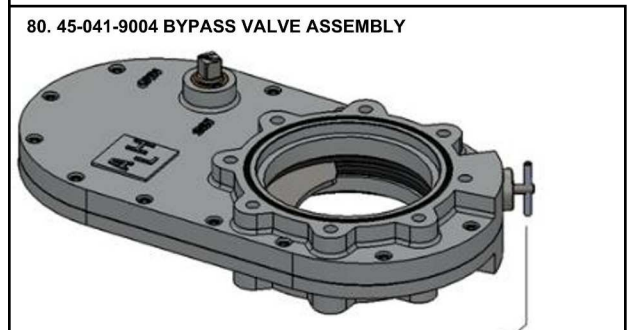
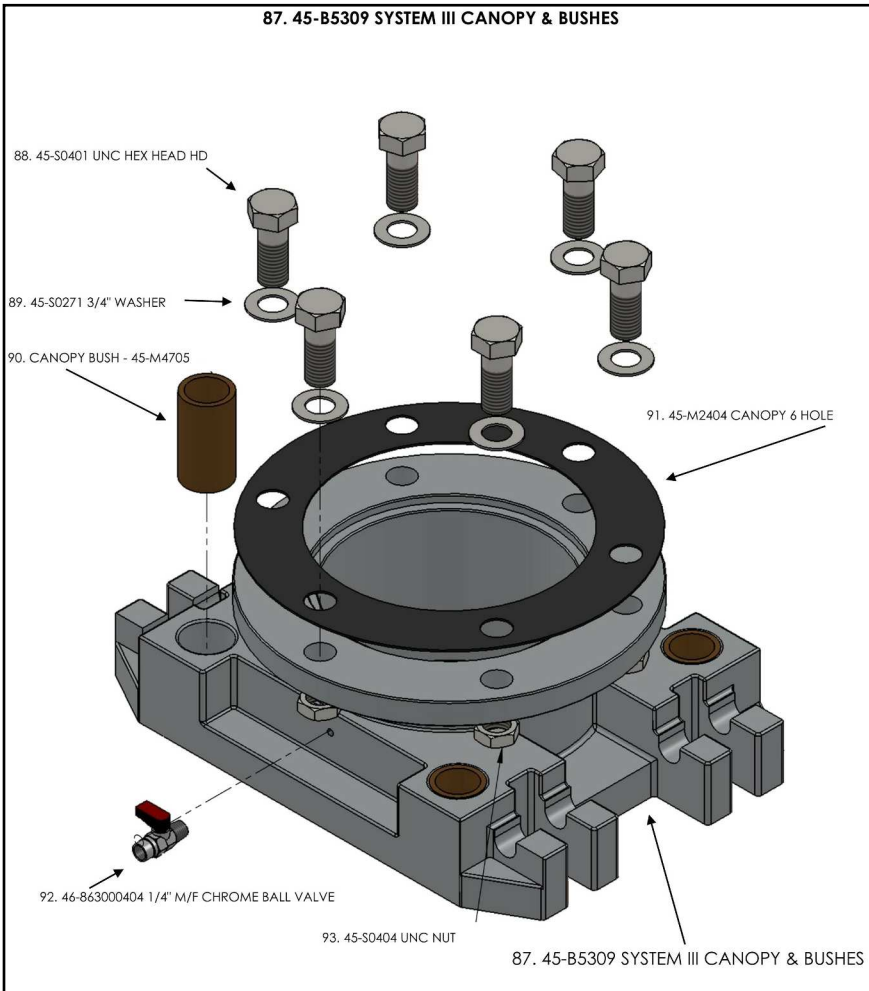
(856) 722-1333 www.plcsusa.com info@plcsusa.com

Hot Tapping - 3"-5" ALH System-Three Parts

66. 45-041-9001 SYSTEM III 'O' VALVE



Hot Tapping - 3"-5" ALH System-Three Parts



PLCS, LLC

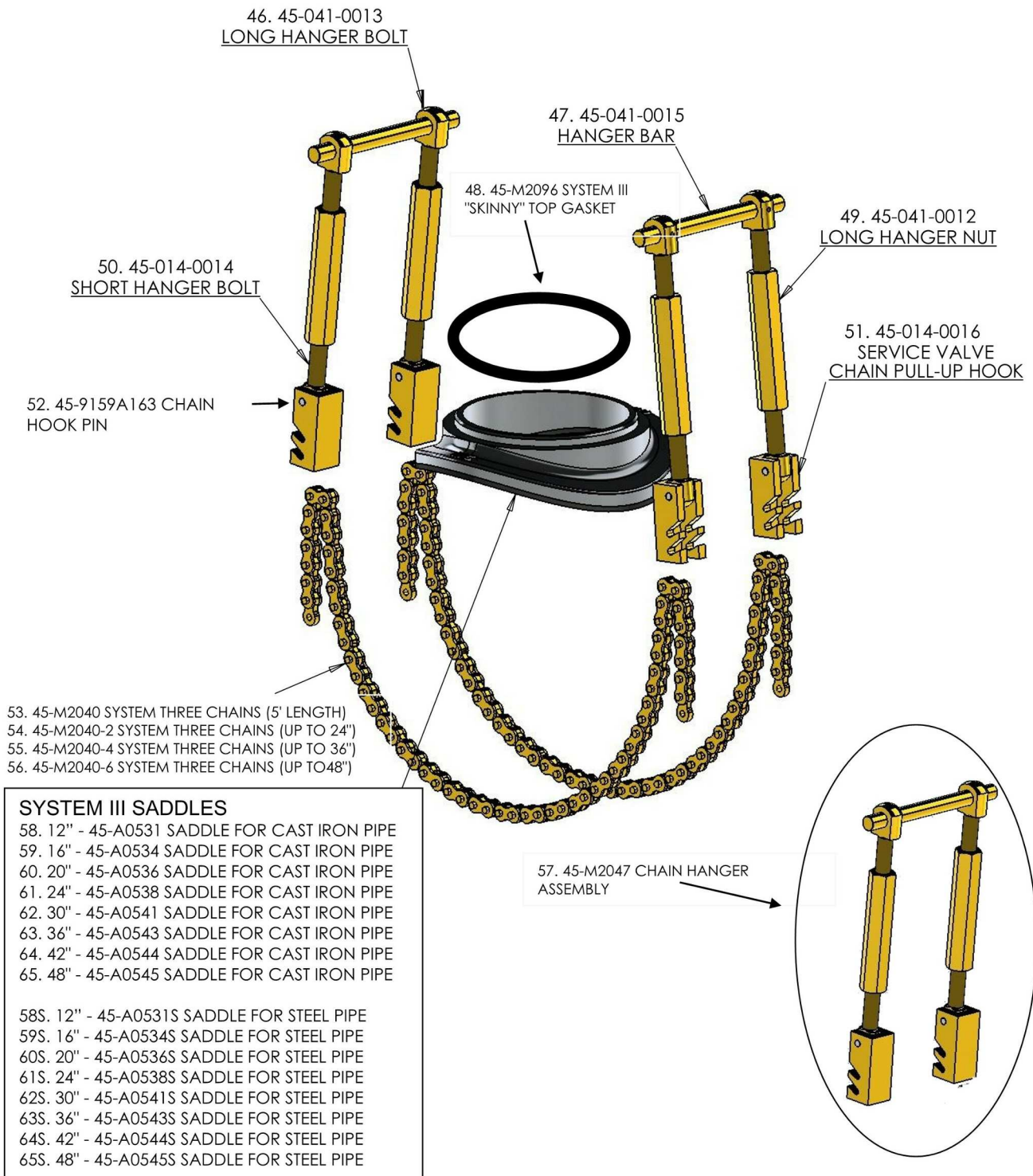
102 Gaither Drive Unit 1

Mount Laurel, NJ 08054

(856) 722-1333 www.plcsusa.com info@plcsusa.com

Hot Tapping - 3"-5" ALH System-Three Parts

SYSTEM III SADDLES AND CHAINS



Hot Tapping - 3"-5" ALH System-Three Parts

SYSTEM III PLUG INSERTION TOOLS

94. 45-A0153 PLUG INSERTION TOOL (A,B,C,D)

- 95. A. 45-A0153-B3201 SYSTEM III FITTING SPINDLE
- 96. B. 45-1359001 CARRIER FLANGE
- 97. C. 45-A0153-B3202 SYSTEM III RETAINING SPINDLE
- 98. D. 45-A0153-B3203 LOW PROFILE PLUG ADAPTER
- 99. E. 45-A0162 LOW PROFILE PLUG TORQUE & REMOVAL WRENCH
- 100. F. 45-1359002 PLUG CARRIER SHAFT (STD. MALLE)
- 101. G. 45-1359003 3" MAGNETIC PLUG CARRIER
- 102. H. 45-1359004 4" MAGNETIC PLUG CARRIER
- 103. I. 45-1359005 5" MAGNETIC PLUG CARRIER



ALH System-Three RFQ - Submit Completed Form at the Bottom.

Quantity

#A. 45-A5316 SYSTEM III TORQUE HOOD & MOTOR

#B. 45-A5301 SYSTEM III DRILLHEAD

#1. 45-M2010 SYS III FEMALE QUICK CONNECT

#2. 45-M2005 SYS III MALE QUICK CONNECT

#3. 45-A5302 AIRLINE HOSE

#4. 45-A5320 EXHAUST HOSE

#5. 45-A5313 S3 AIR LINE OIL

#6. 45-A5321 TORQUE MOTOR

#7. 45-A5302 SYSTEM III PT5 LUBE UNIT & HOSE

#8. 45-973A19 5/16" Allen Key

#9. 45-6255A48 HIGH TORQUE COMBO WRENCH (x2)

#10. 45-7260A15 ADJUSTABLE WRENCH (x2)

#11. 45-A5310 UPPER BOX WRENCH

#12. 45-A5311 LOWER BOX WRENCH

#13. 45-A5308 TORQUE HOOD

#14. 45-M9310TRBR BEARING RETAINER

#15. 45-M9214 THRUST RACE

#16. 45-M9303 TORQUE HOOD BUSH

#17. 45-B3075 TOP & BOTTOM BUSH SET

#18. 45-M9310-HE FEED CAP HANDLE EXTENSION

#19. 45-A5318 4.25' DEPTH GAUGE

#20. 45-A5315 4' DEPTH GAUGE

#21. 45-M9310 FEED CAP

#22. 45-M9310HE FEED CAP HANDLE

- #23. 45-M9311B SHAFT LOCKING COLLAR ONLY
- #24. 45-M9221 LOCKING INDEX PLUNGER
- #25. 45-M9220 SOCKET W/PIN
- #26. 45-S0401 3/4" x 2 1/4" Hex HD Bolt
- #27. 45-A5307 GUIDE BARS (SET OF 4)
- #28. 45-S0404 3/4" Nut
- #29. 45-M9223 TOMMY SCREW
- #30. 45-S0166 3/8" BSW GRUB SCREW
- #31. 45-A5323 NYLON "C" SNAP ON DEPTH GAUGE
- #32. 45-M4705 CANOPY BUSH
- #33. 45-M1032 NITRILE 'O' RING
- #34. 45-M9312 DRILL BASE
- #35. 45-149-0026 SHAFT KEY
- #36. 45-M9315 SHAFT
- #37. 45-A5305 3" NPT TAP
- #38. 45-A5306 4" NPT TAP
- #39. 45-A5322 5" NPT TAP
- #40. 45-A5303 3" NPT SHELL CUTTER
- #41. 45-A5304 4" NPT SHELL CUTTER
- #42. 45-A5321 5" NPT SHELL CUTTER
- #43. 45-M9314 DRILL RETAINING BOLT
- #44. 45-A5314 CUTTING/ Drilling Compound
- #45. 46-B5011 COUPON RETENTION MAGNET
- #46. 45-041-013 LONG HANGER BOLT
- #47. 45-041-015 HANGER BAR
- #48. 45-M2096 SYSTEM III "SKINNY" TOP GASKET

- #49. 45-041-012 LONG HANGER NUT
- #50. 45-014-014 SHORT HANGER BOLT
- #51. 45-014-016 SERVICE VALVE CHAIN PULL-UP HOOK
- #52. 45-9159A163 CHAIN HOOK PIN
- #53. 45-M2040 SYSTEM THREE CHAINS (5' LENGTH)
- #54. 45-M2040-2 SYSTEM THREE CHAINS (UP TO 24")
- #55. 45-M2040-4 SYSTEM THREE CHAINS (UP TO 36")
- #56. 45-M2040-6 SYSTEM THREE CHAINS (UP TO 48")
- #57. 45-M2047 CHAIN HANGER ASSEMBLY
- #58. 45-A0531 12" SADDLE FOR CAST IRON PIPE
- #59. 45-A0534 16" SADDLE FOR CAST IRON PIPE
- #60. 45-A0536 20" SADDLE FOR CAST IRON PIPE
- #61. 45-A0538 24" SADDLE FOR CAST IRON PIPE
- #62. 45-A0541 30" SADDLE FOR CAST IRON PIPE
- #63. 45-A0543 36" SADDLE FOR CAST IRON PIPE
- #64. 45-A0544 42" SADDLE FOR CAST IRON PIPE
- #65. 45-A0545 48" SADDLE FOR CAST IRON PIPE
- #58S. 45-A0531S 12" SADDLE FOR STEEL PIPE
- #59S. 45-A0534S 16" SADDLE FOR STEEL PIPE
- #60S. 45-A0536S 20" SADDLE FOR STEEL PIPE
- #61S. 45-A0538S 24" SADDLE FOR STEEL PIPE
- #62S. 45-A0541S 30" SADDLE FOR STEEL PIPE
- #63S. 45-A0543S 36" SADDLE FOR STEEL PIPE
- #64S. 45-A0544S 42" SADDLE FOR STEEL PIPE
- #65S. 45-A0545S 48" SADDLE FOR STEEL PIPE
- #66. 45-041-9001 SYSTEM III 'O' VALVE

- #67. 45-S0060 M10 x 30 CAP HEAD BOLT
- #68. 45-2162 SQ. SOCKET VALVE WRENCH
- #69. 45-M1032 NITRILE 'O' RING
- #70. 45-041-9004 BYPASS VALVE ASSEMBLY
- #71. 45-041-0001 LARGE IRIS STOP VALVE - TOP PLATE
- #72. 45-041-0008 BUSH
- #73. 45-S0502 M4 x 20 CAP HEAD BOLT
- #74. 45-041-9003 GATE ACTUATOR ASSEMBLY
- #75. 45-041-0011 CAM SEAL
- #76. 45-041-0004 "O" VALVE PLATE
- #77. 45-041-0022 "O " VALVE JOINTING GASKET
- #78. 45-041-0002 LARGE IRIS STOP VALVE - BOTTOM PLATE
- #79. 45-S0011 M8 CONE POINT GRUB SCREW
- #80. 45-041-9004 BYPASS VALVE ASSEMBLY
- #81. 45-041-1069 O RING
- #82. 45-M1133 PIN
- #83. 45-041-0007 BY PASS VALVE INNER SPINDLE
- #84. 45-M1068 O RING
- #85. 45-041-0006 BY PASS VALVE OUTER PLATE
- #86. 45-M1070 O RING
- #87. 45-B5309 SYSTEM III CANOPY & BUSHES
- #88. 45-S0401 UNC HEX HEAD HD
- #89. 45-S0271 3/4" WASHER
- #90. 45-M4705 CANOPY BUSH
- #91. 45-M2404 CANOPY 6 HOLE
- #92. 46-863000404 1/4" M/F CHROME BALL VALVE

- #93. 45-S0404 UNC NUT
- #94. 45-A0153 PLUG INSERTION TOOL (A,B,C,D) ASSEMBLY
- #95. A. 45-A0153-B3201 SYSTEM III FITTING SPINDLE
- #96. B. 45-1359001 CARRIER FLANGE
- #97. C. 45-A0153-B3202 SYSTEM III RETAINING SPINDLE
- #98. D. 45-A0153-B3203 LOW PROFILE PLUG ADAPTER
- #99. E. 45-A0162 LOW PROFILE PLUG TORQUE & REMOVAL WRENCH
- #100. F. 45-1359002 PLUG CARRIER SHAFT (STD. MALLEABLE)
- #101. G. 45-1359003 3" MAGNETIC PLUG CARRIER
- #102. H. 45-1359004 4" MAGNETIC PLUG CARRIER
- #103. I. 45-1359005 5" MAGNETIC PLUG CARRIER
- #104. 46-S0278 3",4" LOW PROFILE BOLT
- #105. 46-S0279 5" LOW PROFILE BOLT
- #106. 46-A0111 3" CAP ONLY 16"-24" PIPE
- #107. 46-M8022 4" CAP ONLY 20"-24" PIPE
- #108. 46-M8023 4" CAP ONLY 30"-42" PIPE
- #109. 46-M8027 5" CAP ONLY 20" - 24" PIPE
- #110. 46-M8028 5" CAP ONLY 30"-48" PIPE
- #111. 46-M8024 3" Low Profile Plug Body
- #112. 46-M8025 4" Low Profile Plug Body
- #113. 46-M8026 5" Low Profile Plug Body
- #114. 46-M1068RM 3" LOW PROFILE O-RING
- #115. 46-M1069RM 4" LOW PROFILE O-RING
- #116. 46-M1070RM 5" LOW PROFILE O-RING
- #117. 46-A0113 3" Plug/Cap to fit 16"-20" Cast Pipe Profile
- #118. 46-A0116 4" Plug/Cap to fit 20"-24" Cast Pipe Profile

#119. 46-A0120 4" Plug/Cap to fit 30"-42" Cast Pipe Profile

#120. 46-A0122 5" Plug/Cap to fit 20"-24" Cast Pipe Profile

#121. 46-A0124 5" Plug/Cap to fit 30"-48" Cast Pipe Profile

Name

First Name

Last Name

Email

example@example.com

Phone Number

Address

Company

Street Address Line 2

City

State / Province

Postal / Zip Code

Email to: info@plcsusa.com