



**Manufacturing and Supply of Professional  
Broadcast Equipment**

**ASSEMBLIES**



percon



For more than 40 years PERCON has been devoted to the design, manufacturing and marketing of professional cabling solutions for the Broadcast and multimedia fields.

Our team is composed of over 40 technical, sales and logistics specialists that guarantee the best customer service and technical support and offer an impressive range of top-quality products to meet any project's needs.

In accordance to our customer-oriented strategy that has led us to constantly increase our products portfolio, PERCON's renowned European audio, video, control, fiber and all type of multicore cables and assemblies are now accompanied by multiple related articles such as cable testers, connectors, tools, reels, etc.

This catalogue encompasses all the items that make PERCON a one-stop shop for the broadcast and system integrations people. We thank you for the trust you have placed on us and that has situated PERCON as a key supplier in the international broadcast industry.

German Permanyer

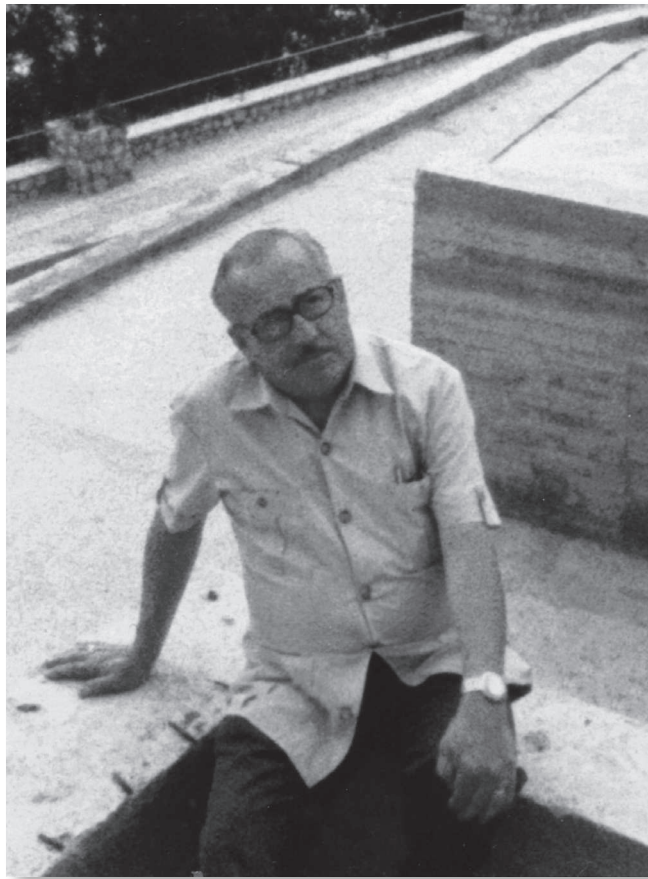
A handwritten signature in black ink, consisting of several loops and a long, sweeping horizontal stroke extending to the right.

Domènec Permanyer

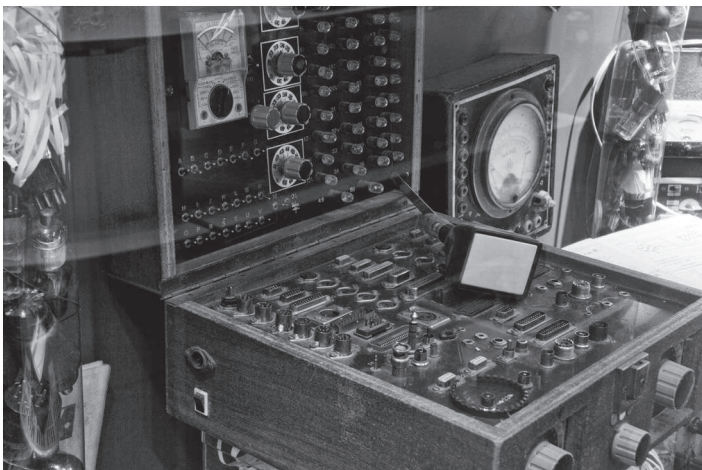
A handwritten signature in black ink, featuring a large, oval-shaped loop with a horizontal line through it.



*Permanyer Brothers. Old haberdashery, 1969.*



Quirze Permanyer





## The beginning

PERCON's origins date back to Mr Quirze Permanyer, whose enterprising spirit and ambition led him to start repairing radios and record players in the 1940s.

Radios at the time were complicated and knowing how to repair them demanded being up to date with the "new technologies", something that is still essential nowadays in PERCON's policy.

Over time, besides repairs, customers started ordering some customised cables for those devices and he realised that the cables were generating even more interest than the repairs themselves, so he started to focus his attention in supplying tailored assemblies.

A small haberdashery on Diputació Street in Barcelona became the workshop in which the whole Permanyer Griñó family worked together. Quirze's sons, Domenec and German, bought the cables and the connectors and offered the customers made-to-measure solutions, while his wife, Isabel, packaged and labeled the orders with the reference of the product and the customer's name.

Ever since, PERCON has focused in the specialized production of cables for the broadcast and multimedia field (Audio, Video y Control).

With more than 40 years of experience in the industry, PERCON has gradually increased its range of products, that now amount to around 2000 references (including audio, video, data, control, fiber optic, connectors, accessories...), constantly aiming to meet the customers' needs.

Today, PERCON is a company in constant expansion, thanks to a team of specialists with high technical and commercial knowledge and expertise that are able to offer the best technological, commercial, marketing and logistic solutions, always under the management of the Permanyer brothers, who keep up the entrepreneurial and family spirit that started one day with Quirze Permanyer.





## OUR VALUES

**“Always innovating and looking for new products and solutions”**

PERCON's main goal is to offer the best service to our customers. For this reason, our philosophy is simple: constantly search for new products and solutions to meet the ever-changing needs of a constantly evolving industry.

**“We offer technical assistance from the start to the end of a project”**

Our Engineering Department offers both a presale service providing advice in the project design and after-sales assistance helping the installation technicians in charge of implementing the project.

**“Maximum quality of our products  
(ISO9001:2015 certified)”**

PERCON products comply with the quality requirements established by ISO9001:2015.

**“We are a global supplier”**

Our range of products includes a wide variety of professional top-quality cables, connectors, assemblies, tools and accessories to cover the installation needs of any multimedia and broadcast project.

We also distribute selected products of highly regarded International brands.



## BRANDS

“Our Distribution business includes some of the best international brands”

Our partners have trusted and keep trusting us to distribute their products through our sales network.

PERCON distributes the following brands (among others):





## MARKET SOLUTIONS

Our Engineering Department can assist you with the design of your projects and recommend the products that best suit your needs. We offer a wide range of products to meet the needs of the broadcast, telecom, multimedia and installation industries.



Our products are present in major installations and projects worldwide.

TV STATIONS – RADIO STATIONS – FOOTBALL STADIUMS – MULTIPURPOSE PAVILLIONS- CITY HALLS – PUBLIC ORGANISATIONS – AUDITORIUMS – FILM PRODUCERS – THEATRES



**ASSEMBLIES**

## **Fiber Optic 12**

Fiber Optic LC - LC .....	12
Fiber Optic IP - LC / IP - LC .....	13
Fiber Optic LC - SC .....	14
Fiber Optic SC - SC .....	14
Fiber Optic MTP/APC - SC/APC .....	15
Fiber Optic HMA-FC .....	15
Fiber Optic pigtailed .....	15
DVI with F.O .....	16
HDMI Fiber optic with external power .....	17
SDI with fiber .....	17
Display-port with fiber .....	17
SMPTE / HDTV Cable camera .....	18
opticalCON Power - split cables .....	21
opticalCON Duo .....	21
opticalCON Duo SMPTE .....	22
opticalCON MTP® Cable .....	22
opticalCON Quad .....	23
opticalCON Quad x-treme .....	23
opticalCON Quad x-treme .....	23

## **Broadcast 25**

Triax Fischer-Lemo .....	25
Triax Fischer .....	25
Triax Lemo .....	25
CCU Cables 26 – 26 P .....	26

## **Remote Cables 27**

## **VGA Assemblies 27**

VGA .....	27
Adapter VGA installation cable .....	28
VGA Cables - 5 BNC Breakout cable .....	28

## **DVI Cables 29**

DVI .....	29
Mini DVI cables .....	29
DVI adapter cable .....	29

## **HDMI Cables 30**

## **HDMI - DVI Cables 30**

## **1394 Firewire Cables 31**

## **USB 3.0 31**

## **S-Video Cables 32**

S-Video Cables .....	32
Breakout S-Video cable .....	32

## **Video Cables 32**

## **Video Cables patchcords 34**

Musa - Musa Serie .....	34
Standar Size Serie .....	34
Midsize Serie .....	34
Micro Size Serie .....	35

## **Analogue audio cable 35**

XLR - XLR .....	35
XLR - Jack 6.35 mm .....	35
XLR - RCA .....	36
Jack 6.3 mm - Jack 6.35 mm .....	36

## **Digital audio cable 36**

XLR - XLR .....	36
XLR - Jack 6.35 mm .....	37
XLR - Jack 6.35 ST .....	37
XLR - RCA .....	37
Jack 6.35 mm - Jack 6.35 mm .....	37
Jack 6.35 mm - RCA .....	38

## **Patchcords audio 38**

Bantam .....	38
Longframe .....	38
RJ45 - RJ45 .....	39

# Fiber Optic

## LC - LC



### • Militar Basic:

#### APPLICATION

Military tactical tight fiber optic cable, based on Cable de Fiber óptica ajustada tipo táctico militar, based on specification MIL-C-85045 reinforced with aramide yarn and 5.60mm polyurethan overall jacket. Available in single mode and multimode versions. Perfect for mobile applications.

#### **percon** Multimode

### CFO- M-3/x-xxx/LC-LC

Fiber	Lenght in meters	
1	0,20 : 0,20m	20 : 20m
2	1 : 1m	25 : 25m
4	3 : 30m	50 : 50m
16	5 : 50m	60 : 60m
	10 : 10m	100 : 100m

\* Fiber: OM3  
Type: MM  
Polish: PC  
Color: ●

#### **percon** Monomode

### CFO- S-1/x-xxx/LC-LC

Fiber	Lenght in meters	
2	0,20 : 0,20m	001 : 1m
4		002 : 2m
6		003 : 3m
8		005 : 5m
12		006 : 6m
		010 : 10m
		040 : 40m

\* Fiber: OS1  
Type: SM  
Polish: UPC  
Color: ●

Other options available, consult.

### • Militar Premium:

#### APPLICATION

Military tactical tight core-locked fiber optic cable, certified by Neutrik for its OpticalCON fiber assemblies, reinforced with aramide yarn and pression extruded polyurethan 5.80mm overall jacket. Available in multimode OM3 and single mode G.657A1 versions, both bend-insensitive. Perfect for mobile applications that require high fidelity and minimal losses.

#### **percon** Multimode

### CFO-MP-3/x-xxx/LC-LC

Fiber	Lenght in meters	
1	0,20 : 0,20m	20 : 20m
2	1 : 1m	25 : 25m
4	3 : 30m	50 : 50m
16	5 : 50m	60 : 60m
	10 : 10m	100 : 100m

\* Fiber: OM3  
Type: MM  
Polish: PC  
Color: ●

#### **percon** Monomode

### CFO-SP-1/x-0xx/LC-LC

Fiber	Lenght in meters	
2	0,20 : 0,20m	001 : 1m
4		002 : 2m
6		003 : 3m
8		005 : 5m
12		006 : 6m
		010 : 10m
		040 : 40m

\* Fiber: OS1  
Type: SM  
Polish: UPC  
Color: ●

Other options available, consult.

## Fiber Optic

### IP - LC / IP - LC

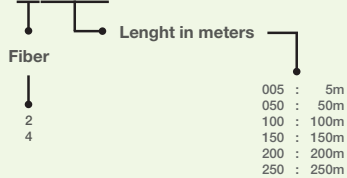
#### APPLICATION

Tactical military fiber optic cable with MIL-C-85045, light, robust and terminated with IP-LC connectors with IP 68 protection. Suitable for mobile applications. Available with 2 and 4 fibres, multi-mode OM3 and single-mode G.652D.



#### **percon** Multimode

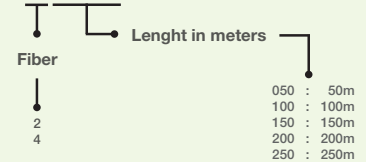
### CFO-MMxxxx



\* Fiber: OM3  
Type: MM  
Polish: UPC  
Color: ●

#### **percon** Monomode

### CFO-SMxxxx



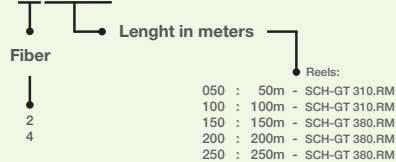
\* Fiber: G.652D  
Type: SM  
Polish: UPC  
Color: ●

Other options available, consult.

#### • Option with Schill reel

#### **percon** Multimode

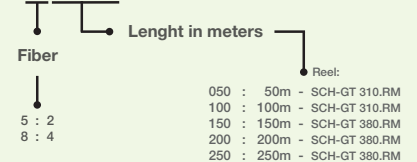
### CFO-MMxxxx/C



\* Fiber: OM3  
Type: MM  
Polish: UPC  
Color: ●

#### **percon** Monomode

### CFO-SMxxxx/C



\* Fiber: G.652D  
Type: SM  
Polish: UPC  
Color: ●

Other options available, consult.

## Fiber Optic

### Extension IP - LC / IP - LC



Mod.	Connector	Type
CFO-4350/MM	IP-LC/IP-LC Duplex	MM
CFO-4350/SM	IP-LC/IP-LC Duplex	SM

### Pigtail IP - LC / IP - LC Duplex



Mod.	Connector	Type
CFO-4300/MM	IP-LC/IP-LC Duplex 1mt Cable included	MM
CFO-4300/SM	IP-LC/IP-LC Duplex 1mt Cable included	SM

### LC - SC

#### APPLICATION

Professional single mode and multimode fiber optic assemblies and patchcords made with breakout cables as well as with military tactical distribution cables with polyurethane jacket, perfect for mobile applications. Bend-insensitive single mode G.657 fiber and multimode. Multimode assemblies are supplied with singlebodied LC and SC connectors optimized for OM3. Supplied with or without reel. Available with UPC and APC polishing for single mode assemblies.



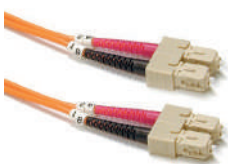
Mod.	Nº Fiber	Lenght (mts)	Fiber	Type	Polish
CFO-M-3/1-001/LC-SC	1	1	OM3	MM	PC
CFO-M-3/2-001/LC-SC	2	1	OM3	MM	PC
CFO-S-1/1-0,20/LC-SC	2	0,2	OS1	SM	UPC
CFO-S-1/2-002/LC-SC	2	2	OS1	SM	UPC

Other options available, consult.

### SC - SC

#### APPLICATION

Professional single mode and multimode fiber optic assemblies and patchcords made with breakout cables as well as with military tactical distribution cables with polyurethane jacket, perfect for mobile applications. Bend-insensitive single mode G.657 fiber and multimode. Multimode assemblies are supplied with SC connectors optimized for OM3. Supplied with or without reel. Available with UPC and APC polish for single mode assemblies.



Mod.	Nº Fiber	Lenght (mts)	Fiber	Type	Polish
CFO-M-2/2-2/SC-SC	2	2	OM2	MM	PC
CFO-M-2/2-15/SC-SC	2	15	OM2	MM	PC
CFO-M-2/2-030/SC-SC	2	30	OM2	MM	PC
CFO-S-1/2-001/SC-SC	2	1	OS1	SM	UPC
CFO-M-2/2-3/SC-SC	2	3	OM2	MM	PC
CFO-S-1/4-100/SC-SC	4	100	OS1	SM	UPC

Other options available, consult.

## Fiber Optic

### MTP/APC - SC/APC

#### APPLICATION

Breakout single mode fiber optic patchcord with connectors MTP/APC 12 fibres to SC/APC (other polishing, fiber types, lengths and connectors available upon demand).



Mod.	Nº Fiber	Lenght (mts)	Fiber	Type	Polish
CFO-S-1/2/MTP/A-SC/A	12	2	OS1	SM	APC

### HMA - FC

#### APPLICATION

Breakout single mode fiber optic patchcord with HMA 4 lenses 1310 nm connectors to 4 x FC/UCP (other polishing, fiber types, lengths and connectors available upon demand).



Mod.	Nº Fiber	Lenght (mts)	Fiber	Type	Polish
CFO-S-1/4-001-HMA-FC	4	1	OS1	SM	UPC

### Pigtails

#### APPLICATION

One metre long single mode and multimode 900 micron fiber optic pigtails, certified and ready to be installed using fusion splicing.

### Multimode OM3



Mod.	Nº Fiber	Lenght (mts)	Fiber	Type	Polish
CFO-M-3/1-001/LC-NUL	1	1	OM3	MM	UPC
CFO-M-3/1-001/SC-NUL	1	1	OM3	MM	UPC
CFO-M-3/1-001/ST-NUL	1	1	OM3	MM	UPC
CFO-M-3/1-001/FC-NUL	1	1	OM3	MM	UPC

Other options available, consult.

### Monomode G652C&D UPC



Mod.	Nº Fiber	Lenght (mts)	Fiber	Type	Polish
CFO-S-1/1-001/LC/UPC-NUL	1	1	G652C	SM	UPC
CFO-S-1/1-001/SC/UPC-NUL	1	1	G652C	SM	UPC
CFO-S-1/1-001/ST/UPC-NUL	1	1	G652C	SM	UPC
CFO-S-1/1-001/FC/UPC-NUL	1	1	G652C	SM	UPC

Other options available, consult.

## Fiber Optic

### Monomode G652C&D APC



Mod.	Nº Fiber	Lenght (mts)	Fiber	Type	Polish
CFO-S-1/1-001/LC/APC-NULL	1	1	G652C	SM	APC
CFO- S-1/1-001/SC/APC-NULL	1	1	G652C	SM	APC
CFO- S-1/1-001/ST/APC-NULL	1	1	G652C	SM	APC
CFO- S-1/1-001/FC/APC-NULL	1	1	G652C	SM	APC

Other options available, consult.

### DVI con F.O.

#### APPLICATION

Hybrid cables with 4 fibers for TMDS transmission and copper wires for the DDC2B/HDCP. Extends up to 100 mts (326 feet), VESA (1600x1200) and HDTV, 1080p (1920x1080): Uses the CP host +5V source from the video sources. Compact end connector design easily allows direct connection to the host video card and display peripherals. Meets the requirement of FCC and CE standards for EMI d/RFI emissions and material ratings.



Mod.	Connector	Lenght (mts)
OPTICIS-M1-P0E-010	DVI + Power	10
OPTICIS-M1-P0E-020	DVI + Power	20
OPTICIS-M1-P0E-030	DVI + Power	30
OPTICIS-M1-P0E-040	DVI + Power	40
OPTICIS-M1-P0E-050	DVI + Power	50
OPTICIS-M1-P0E-070	DVI + Power	70
OPTICIS-M1-P0E-100	DVI + Power	100

All-optical DVI cable, M1-1000 has four (4) fibers for TMDS transmission and three (3) fibers for DDC/HDC and transmits uncompressed WUXGA (1920x1200) 60Hz, 1080p signal up to 500m (1640feet). It also provides perfect electrical galvanic isolation with all-optical cabling



Mod.	Connector	Lenght (mts)
OPTICIS-M1-1000-010	DVI + Power	10
OPTICIS-M1-1000-020	DVI + Power	20
OPTICIS-M1-1000-030	DVI + Power	30
OPTICIS-M1-1000-050	DVI + Power	50

All-optical DVI cable, M1-100A has four (4) fibers for TMDS transmission and transmits uncompressed WUXGA (1920x1200) 60Hz, 1080p signal up to 500m (1640feet). It enables to restore EDID of display in an EEPROM of transmitter and also provides perfect electrical galvanic isolation with all-optical cabling.



Mod.	Connector	Lenght (mts)
OPTICIS-M1-100A-010	DVI + Power	10
OPTICIS-M1-100A-020	DVI + Power	20
OPTICIS-M1-100A-030	DVI + Power	30
OPTICIS-M1-100A-050	DVI + Power	50
OPTICIS-M1-100A-100	DVI + Power	100



## Fiber Optic

### HDMI Fiber optic with external power

#### APPLICATION

Just plug and play: directly replaces copper cables without any change in installation. Supports all VESA resolutions up to WUXGA (1920 x 1200) and full HDTV up to the maximum resolution 1080p. Hybrid cable and copper wires for DDC/HDCP. Extends up to 100 meter ( 326 feet). Uses HDMI 5V source or external DC + 5V adapter. Compact design of end connectors allows direct connection to HDTV source and TV set. Certifies FCC and CE standards for EMI/RFI emissions



Mod.	Connector	Lenght (mts)
OPTICIS-M1-2000-10	Point to point	10
OPTICIS-M1-2000-20	Point to point	20
OPTICIS-M1-2000-30	Point to point	30
OPTICIS-M1-2000-50	Point to point	50
OPTICIS-M1-2000-70	Point to point	70
OPTICIS-M1-2000-100	Point to point	100

### SDI with F.O.

#### APPLICATION

The OPTICIS 3G-SDI extender is a miniature fiber-optic 3G-SDI digital video transmission system, supporting up to 1080p, 3G-SDI format. Is designed to transmit one (1) channel of multi-rate SDI including SMPTE-424M (3G-SDI), SMPTE-292M (HD-SDI) or SMPTE-259M serial digital video signal up to 30Km through either single mode or multimode fiber with the same model.



Mod.	Description
OPTICIS-SDIX-100-TR	Miniature fiber optic 3G-SDI Module
OPTICIS-SDISE-100-TR	Miniature fiber optic 3G-SDI Module for HDCCTV

### Displayport with F.O.

#### APPLICATION

Optical DisplayPort extender, DPFX-100-TR is designed compact enough to be fitted into various installation environments with two (2) LC fibers connection. The transmitter and receiver set, DPFX-100-TR enables to transmit WQXGA (2560x1600) at 60Hz signal up to 200m (656 feet), avoiding any tricks like scaling or data compression to reduce the burden of data transmission. It provides total data throughput 10.8Gbps (2.7Gbps per lane). The pure fiber connection by two (2) LC fibers connector between transmitter and receiver, gives clean, secure and easy installation with perfect electrical isolation, but without electrical hazard and interference.



Mod.	Description
OPTICIS-DPFX-200D	DisplayPort 1.2 Detachable active optical cable

## Fiber Optic

### SMPTE / HDTV for camera assemblies

#### APPLICATION

Cable for HDTV cameras. Assembled with 3 K.93C (SMPTE 304 o 4 M) Lemo, connectors. Composed of 2 contacts for F.O, 2 for signal and 2 input. Distance up to 2,5 km.

#### • FUW - PUW



### HDTV-xxx/FUW-PUW/P FCFA-FCMA/P

Lenght in meters

001,5	: 1,5m	060	: 60m
002	: 2m	090	: 90m
007	: 7m	100	: 100m
009	: 9m	120	: 120m
010	: 10m	130	: 130m
012	: 12m	150	: 150m
015	: 15m	175	: 175m
020	: 20m	200	: 200m
025	: 25m	250	: 250m
030	: 30m	300	: 300m
035	: 35m	500	: 500m
050	: 50m		

\* Description: CABLE HDTV CAMERA  
SMPTE 311M  
Color: ●



### HDTV-xxx/FUW-PUW/F

Lenght in meters

001,5	: 1,5m	090	: 90m
010	: 10m	100	: 100m
012	: 12m	130	: 130m
015	: 25m	150	: 150m
020	: 40m	175	: 175m
025	: 25m	200	: 200m
030	: 30m	250	: 250m
035	: 35m	300	: 300m
050	: 50m	500	: 500m
060	: 60m		

\* Description: CABLE HDTV CAMERA  
SMPTE 311M  
Color: ●

#### • FMW - PUW



### HDTV-xxx/FMW-PUW/P FCFRCA-PUW/P

Lenght in meters

001,5	: 1,5m
007	: 7m
010	: 10m
050	: 50m
100	: 100m
200	: 200m
250	: 250m
300	: 300m

\* Description: CABLE HDTV CAMERA  
SMPTE 311M  
Color: ●



### HDTV-xxx/FMW-PUW/F

Lenght in meters

001,5	: 1,5m
010	: 12m
050	: 50m
100	: 100m
200	: 200m
250	: 250m
300	: 300m

\* Description: CABLE HDTV CÁMARA  
SMPTE 311M  
Color: ●

## Fiber Optic

- FMW - PBW



**HDTV-xxx/FMW-PBW/P**  
**FCFRCA-PBW/P**

Lenght in meters

- 090 : 90m
- 100 : 100m
- 120 : 120m
- 130 : 130m
- 140 : 140m

\* Description: CABLE HDTV CAMERA  
 SMPTE 311M  
 Color: ●



**HDTV-xxx/FMW-PBW/F**

Lenght in meters

- 090 : 90m
- 100 : 100m
- 130 : 130m
- 140 : 140m

\* Description: CABLE HDTV CAMERA  
 SMPTE 311M  
 Color: ●

- F.O. Cleaner SMPTE 304M and MIL / COTS

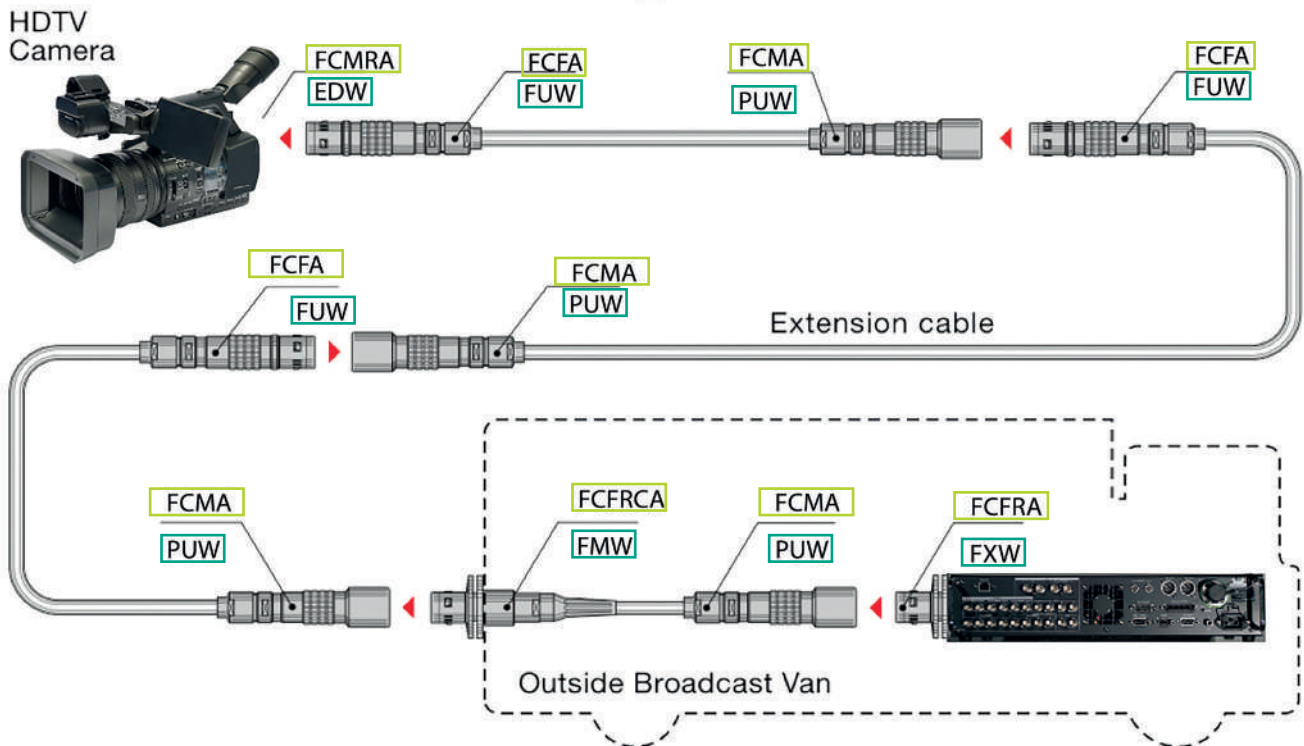


Ref. FO-CLEANER-12926

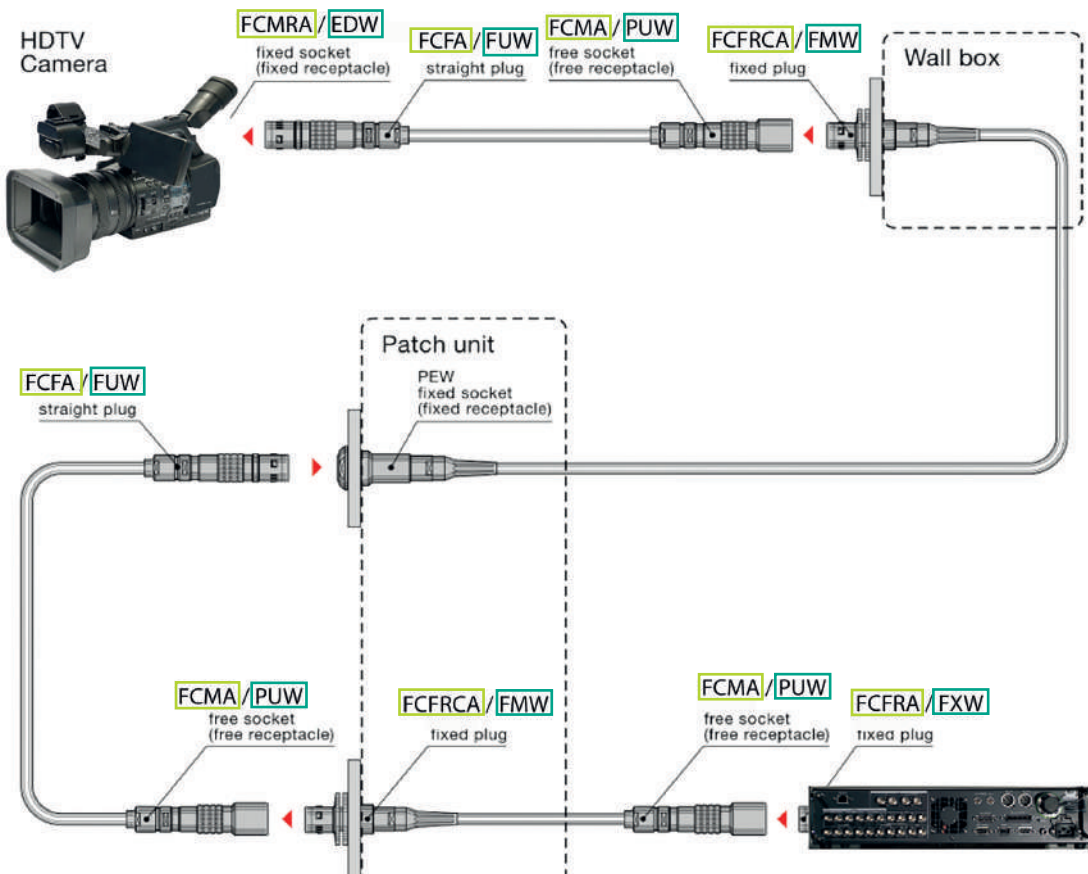
Mod.	Description
FO-CLEANER-12926	Limpiador F.O SMPTE 304M y MIL/COTS

# Fiber Optic

## Outside Broadcast Van Configuration



## Studio Configuration



## Fiber Optic

### opticalCON Power - Split cables

#### APPLICATION

Extra rugged hybrid cable with 8 single mode channels and 3 x 1.5 mm cooper conductors, 1.5 mm shield, 2 optical CON QUAD cable connectors and 1 powerCON cable connector. The opticalCON QUAD cable connector accommodates four PC/APC optical channels based on conventional and proven LC connectivity protected by a ruggedized and durable all-metal housing. It features a spring loaded push-pull locking mechanism and an excellent cable retention utilizing aramid yarn. The optical connection is exceptionally well protected against dirt and dust by an automatically operated sealing cover. The cable connector comes pre-assembled and is not available as a single component. The cable is available in different lengths and is packed either in a case, on drum or airspool



**NEUTRIK** Multimode

**NEUTRIK** Monomode

#### NK-NKOYPM-21-A-xxx

Lenght in meters

000-60 : 0.6m	225 : 225m
025 : 25m	250 : 250m
050 : 50m	275 : 275m
075 : 75m	300 : 300m
100 : 100m	325 : 325m
125 : 125m	350 : 350m
150 : 150m	375 : 375m
175 : 175m	400 : 400m
200 : 200m	

\* Fiber: 8  
Type: MM  
Polish: PC  
Color: ●

#### NK-NKOYPx-21-A-xxx

Lenght in meters

Type Polish  
S UPC  
SA APC

000-60 : 0.6m	225 : 225m
025 : 25m	250 : 250m
050 : 50m	275 : 275m
075 : 75m	300 : 300m
100 : 100m	325 : 325m
125 : 125m	350 : 350m
150 : 150m	375 : 375m
175 : 175m	400 : 400m
200 : 200m	

\* Fiber: 8  
Type: SM  
Color: ●

### opticalCON DUO

#### APPLICATION

Assembled 2 fibers rugged and lightweight mobile field cable, excellent cable retention due to aramid yarn, black PUR outer jacket, available in multi- and single mode (PC or APC), military approved. Ideal for audio and broadcast networks. The opticalCON DUO cable connector accommodates a standard optical LC-Duplex connector in a ruggedized and durable all-metal housing. It features a spring loaded push-pull locking mechanism and an excellent cable retention utilizing aramid yarn. The optical connection is exceptional well protected against dirt and dust by an automatically operated sealing cover. The cable connector comes pre-assembled and is not available as a single component. The cable is available in different lengths and is packed either in a case, on drum or airspool.



**NEUTRIK** Multimode

**NEUTRIK** Monomode

#### NK-NKO2M-xxx

Lenght in meters

000-60 : 0,6m	225 : 225m
025 : 25m	250 : 250m
050 : 50m	275 : 275m
075 : 75m	300 : 300m
100 : 100m	325 : 325m
125 : 125m	350 : 350m
150 : 150m	375 : 375m
175 : 175m	400 : 400m
200 : 200m	

\* Fiber: 2  
Type: MM  
Polish: PC  
Color: ●

#### NK-NKO2x-xxx

Lenght in meters

Type Polish  
S UPC  
SA APC

000-60 : 0.6m	225 : 225m
025 : 25m	250 : 250m
050 : 50m	275 : 275m
075 : 75m	300 : 300m
100 : 100m	325 : 325m
125 : 125m	350 : 350m
150 : 150m	375 : 375m
175 : 175m	400 : 400m
200 : 200m	

\* Fiber: 2  
Type: SM  
Color: ●

## Fiber Optic

### opticalCON DUO SMPTE

#### APPLICATION

Pre-assembled SMPTE cable with 2 single-mode fibers (PC or APC), 4 copper pins, overall copperbraided shield and stainless steel strength member, strong black PUR outer jacket for abrasion resistance. Suitable chassis connector NO2-4FD-1(-A) offers a ground contact. Not compatible to SMPTE 304M standard. Suitable for indoor (studio) camera links considering specific conditions acc. to IEC 60664-1 like pollution degree 1, overvoltage category 1 and rated voltage. For detailed information ask for the White Paper "opticalCON @ SMPTE Indoor Applications". The opticalCON DUO SMPTE cable is suitable for outdoor applications up to 50Vac (ELV). The opticalCON DUO cable connector accommodates a standard optical LC-Duplex connector in a ruggedized and durable all-metal housing. It features a spring loaded push-pull locking mechanism and an excellent cable retention utilizing aramid yarn. The optical connection is exceptional well protected against dirt and dust by an automatically operated sealing cover. The cable connector comes pre-assembled and is not available as a single component. The cable is available in different lengths and is packed either in a case, on drum or airspool.



**UHD 4K8K**  
SMPTE standard ST2091 pending



#### Monomode

### NK-NKO2x-S1-xxx

Type	Polish	Lenght in meters	
S	UPC	000-60 : 0,6m	225 : 225m
SA	APC	025 : 25m	250 : 250m
		050 : 50m	275 : 275m
		075 : 75m	300 : 300m
		100 : 100m	325 : 325m
		125 : 125m	350 : 350m
		150 : 150m	375 : 375m
		175 : 175m	400 : 400m
		200 : 200m	

\* Fiber: 2  
Type: SM  
Color: ●

### opticalCON MTP® Cable

#### APPLICATION

The opticalCON MTP® cable connector is characterized by the robust all-metal housing and the heavy-duty strain relief. The innovative spherical dust shutter protects the fiber from contamination and minimizes maintenance. The color-coded cable connector is pre-assembled and available in a variety of mobile field cables.



**UHD 4K8K**  
SMPTE standard ST2091 pending



**NEUTRIK**

#### Multimode

### NK-NKOxxM-xxx

Fiber	Lenght in meters	
12	000-60 : 0,6m	225 : 225m
24	025 : 25m	250 : 250m
	050 : 50m	275 : 275m
	075 : 75m	300 : 300m
	100 : 100m	325 : 325m
	125 : 125m	350 : 350m
	150 : 150m	375 : 375m
	175 : 175m	400 : 400m
	200 : 200m	

\* Type: MM  
Polish: PC  
Color: ●



**NEUTRIK**

#### Monomode

### NK-NKOxxxx-xxx

Fiber	Type	Polish	Lenght in meters	
12	S	UPC	000-60 : 0,6m	225 : 225m
24	SA	APC	025 : 25m	250 : 250m
			050 : 50m	275 : 275m
			075 : 75m	300 : 300m
			100 : 100m	325 : 325m
			125 : 125m	350 : 350m
			150 : 150m	375 : 375m
			175 : 175m	400 : 400m
			200 : 200m	

\* Type: SM  
Polish: PC  
Color: ●

## Fiber Optic

### opticalCON QUAD

#### APPLICATION

Assembled, rugged and lightweight 4-channel mobile field cable, excellent cable retention due to aramid yarn, black PUR outer jacket, available in single and multi mode (PC or APC). The opticalCON QUAD cable connector accommodates four PC optical channels based on conventional and proven LC connectivity protected by a ruggedized and durable all-metal housing. It features a spring loaded push-pull locking mechanism and an excellent cable retention utilizing aramid yarn. The optical connection is exceptionally well protected against dirt and dust by an automatically operated sealing cover. The cable connector comes pre-assembled and is not available as a single component. The cable is available in different lengths and is packed either in a case, on drum or airspool.



**NEUTRIK**

**Multimode**

#### NK-NKO4M-xxx

Lenght in meters

000-60 : 0,6m	200 : 200m
008 : 8m	225 : 225m
025 : 25m	250 : 250m
050 : 50m	275 : 275m
075 : 75m	300 : 300m
100 : 100m	325 : 325m
125 : 125m	350 : 350m
150 : 150m	375 : 375m
175 : 175m	400 : 400m

\* Fiber: 4  
Type: MM  
Polish: PC  
Color: ●



**NEUTRIK**

**Monomode**

#### NK-NKO4x-xxx

Lenght in meters

Type	Polish	Lenght in meters	
S SA	UPC APC	000-60 : 0,6m	225 : 225m
		025 : 25m	250 : 250m
		050 : 50m	275 : 275m
		075 : 75m	300 : 300m
		100 : 100m	325 : 325m
		125 : 125m	350 : 350m
		150 : 150m	375 : 375m
		175 : 175m	400 : 400m
		200 : 200m	

\* Fiber: 4  
Type: SM  
Color: ●

### opticalCON QUAD X-TREME

#### APPLICATION

Assembled, 4-channel X-TREME cable offering a cut-proof and rodent resistant double jacket glass yarn armored cable construction. Excellent cable retention due to aramid yarn, black PUR outer jacket. The opticalCON QUAD cable connector accommodates four PC optical channels based on conventional and proven LC connectivity protected by a ruggedized and durable all-metal housing. It features a spring loaded push-pull locking mechanism and an excellent cable retention with aramid yarn. The optical connection is exceptionally well protected against dirt and dust by an automatically operated sealing cover. The cable connector comes pre-assembled and is not available as a single component. The cable is available in different lengths and is packed either in a case, on drum or airspool.



**NEUTRIK**

**Multimode**

#### NK-NKOX4M-xxx

Lenght in meters

000-60 : 0,6m	225 : 225m
025 : 25m	250 : 250m
050 : 50m	275 : 275m
075 : 75m	300 : 300m
100 : 100m	325 : 325m
125 : 125m	350 : 350m
150 : 150m	375 : 375m
175 : 175m	400 : 400m
200 : 200m	

\* Fiber: 4  
Type: MM  
Polish: PC  
Color: ●



**NEUTRIK**

**Monomode**

#### NK-NKOX4x-xxx

Lenght in meters

Type	Polish	Lenght in meters	
S SA	UPC APC	000-60 : 0,6m	225 : 225m
		005 : 5m	250 : 250m
		025 : 25m	275 : 275m
		050 : 50m	300 : 300m
		075 : 75m	325 : 325m
		100 : 100m	350 : 350m
		125 : 125m	375 : 375m
		150 : 150m	400 : 400m
		175 : 175m	
		200 : 200m	

\* Fiber: 4  
Type: SM  
Color: ●

# Fiber Optic

## opticalCON DUO X-TREME

### APPLICATION

Assembled, 2 channel X-TREME cable offering a cut-proof and rodent resistant double jacket glass yarn armored cable construction. Excellent cable retention due to aramid yarn, black PUR outer jacket. The opticalCON DUO cable connector accommodates a standard optical LC-Duplex connector in a ruggedized and durable all-metal housing. It features a spring loaded push-pull locking mechanism and an excellent cable retention utilizing aramid yarn. The optical connection is exceptionally well protected against dirt and dust by an automatically operated sealing cover. The cable connector comes pre-assembled and is not available as a single component. The cable is available in different lengths and is packed either in a case, on drum or airspool.



**NEUTRIK**

**Multimode**

### NK-NKOX2M-xxx

Lenght in meters

000-60	: 0,6m	225	: 225m
025	: 25m	250	: 250m
050	: 50m	275	: 275m
075	: 75m	300	: 300m
100	: 100m	325	: 325m
125	: 125m	350	: 350m
150	: 150m	375	: 375m
175	: 175m	400	: 400m
200	: 200m		

\* Fiber: 2  
Type: MM  
Polish: PC  
Color: ●



**NEUTRIK**

**Monomode**

### NK-NKOX2x-xxx

Lenght in meters

Type	Polish	Lenght in meters	
S	UPC	000-60	: 0,6m
		025	: 25m
SA	APC	050	: 50m
		075	: 75m
		100	: 100m
		125	: 125m
		150	: 150m
		175	: 175m
		200	: 200m
		225	: 225m
		250	: 250m
		275	: 275m
		300	: 300m
		325	: 325m
		350	: 350m
		375	: 375m
		400	: 400m

\* Fiber: 2  
Type: SM  
Color: ●



# Broadcast Cables

## Triax Fischer-Lemo

### APPLICATION

One metre long assemblies made with Triax 8 and 11, used to adapt Lemo 3T and 4E Triax connectors with Fischer 1051.



Mod.	Connector	Gender	Cable	Mts
PT-0001	FISCHER 1051/LEMO 3T	Male-Male	TRIAX 8 FLEX	1
PT-0101	FISCHER 1051/LEMO 3T	Female-Male	TRIAX 8 FLEX	1
PT-0201	FISCHER 1051/LEMO 3T	Male-Female	TRIAX 11 FLEX	1
PT-0301	FISCHER 1051/LEMO 3T	Female-Female	TRIAX 11 FLEX	1
PT-0401	FISCHER 1051/LEMO 4E	Male-Male	TRIAX 8 FLEX	1
PT-0501	FISCHER 1051/LEMO 4E	Female-Male	TRIAX 8 FLEX	1
PT-0601	FISCHER 1051/LEMO 4E	Male-Female	TRIAX 11 FLEX	1
PT-0701	FISCHER 1051/LEMO 4E	Female-Female	TRIAX 11 FLEX	1

## Triax Fischer

### APPLICATION

SE-KE assemblies made with Triax 8.50 and 11 mm (14 mm on demand) and Fischer connectors of the 1051 series to connect professional broadcast cameras with the CCU.



**PT-xxxx**

Length in meters

1 : TRIAX 8 FLEX  
2 : TRIAX 11 FLEX

020	: 20m	150	: 150m
025	: 25m	175	: 175m
040	: 40m	200	: 200m
050	: 50m	300	: 300m
075	: 75m	400	: 400m
100	: 100m	500	: 500m
125	: 125m		

\* Gender: Male-Female  
Color: ●

## Triax Lemo

### APPLICATION

FFA-FFA assemblies made with Triax 8.50 and 11 mm (14 mm on demand) and Lemo connectors of the 4E and 3T series to connect professional broadcast cameras with the CCU.

#### • Serie 4E



**PT-xxxx**

Length in meters

3 : TRIAX 8 FLEX  
4 : TRIAX 11 FLEX

025	: 25m	175	: 175m
050	: 50m	200	: 200m
075	: 75m	300	: 300m
100	: 100m	400	: 400m
125	: 125m	500	: 500m
150	: 150m		

\* Gender: Male-Female  
Color: ●

## Broadcast Cables

### • Serie 3T



**PT-xxxx**

Lenght in meters

5 : TRIAX 8 FLEX  
6 : TRIAX 11 FLEX

010	: 10m	150	: 150m
025	: 25m	200	: 200m
050	: 50m	300	: 300m
075	: 75m	400	: 400m
100	: 100m	500	: 500m

\* Gender: Male-Female  
Color: ●

### CCU Cables 26 – 26 P.

#### APPLICATION

Multipin assemblies made with multicore cable to connect cameras with the CCU.

### • Serie SV Sony



**SV-5xxx**

Lenght in meters

5 - CCZ-A2 - CCZ-A80  
6 - CCZ-A100 - CCZ-A175  
7 - CCZ-A200  
8 - CCZ-A300

02	: 2m	70	: 70m
05	: 5m	80	: 80m
10	: 10m	100	: 100m
15	: 15m	125	: 125m
20	: 20m	150	: 150m
30	: 30m	175	: 175m
40	: 40m	200	: 200m
50	: 50m	300	: 300m
60	: 60m		

\* Cable: VK 7124  
Equiv: Meters  
Gender: Male-Female  
Color: ●

## Remote Cables

### CCU Cables

- Serie SB (RCP-ROP) Sony - Panasonic



**SB-1xxx**

Equivalent

- 1 (CCA-5-2 - CCA-5-80)
- 2 (CCA-5-100 - CCA-5-175)
- 3 (CCA-5-200)

Lenght in meters

02 : 2m - CCA-5-2	60 : 60m - CCA-5-60
03 : 3m - CCA-5-3	80 : 80m - CCA-5-80
05 : 5m - CCA-5-5	100 : 100m - CCA-5-100
10 : 10m - CCA-5-10	125 : 125m - CCA-5-125
20 : 20m - CCA-5-20	150 : 150m - CCA-5-150
30 : 30m - CCA-5-30	175 : 175m - CCA-5-175
50 : 50m - CCA-5-50	300 : 200m - CCA-5-200

\* Cable: RK 232  
Gender: Male-Female  
Color: ●

- Serie PH Panasonic



**PH-0xxx**

Lenght in meters

007 : 7,5m
010 : 10m
025 : 25m
050 : 50m
075 : 75m
100 : 100m

\* Cable: TVL 1300 / RK 1321  
Equiv: ROP  
Gender: Male-Female  
Color: ●

## VGA Assemblies

### VGA

#### APPLICATION

Percon's VGA cable is perfect for any computer monitor installations. Composed by 5 coaxials and 6 control cables, pre-terminated with HD 15 connectors and thumbscrews for easy connection.



**PC-5xxx**

Lenght in meters

02 : 2m
03 : 3m
05 : 5m
10 : 10m
15 : 15m
20 : 20m
25 : 25m
30 : 30m
40 : 40m

2 : Male-Male  
3 : Male-Female  
5 : Female-Female

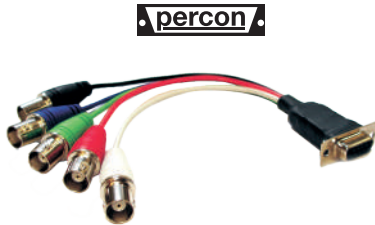
\* Desc: VGA 15 - VGA 15  
Color: ●

## VGA Assemblies

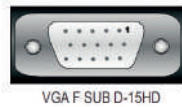
### Adapter VGA cable

#### APPLICATION

Cable adapter with a 15 p HD connector in one end and 5 BNC female connectors in the other end to extend the signal using coaxial cables.



Mod.	Description	Mts
PC-7200	VGA 15 HD Female – 5 BNCS Female	0.2
UCP-SUB	VGA Cover Plate	-



### VGA Cables - 5 BNC Breakout cable

#### APPLICATION

Percon VGA to 5 BNCs cable is perfect for any application in which two devices with different formats, such as one PC with one projector or plasma monitor, must be connected.



**PC-7xxx**

└─ Lenght in meters

- 000 : 0,2m
- 001 : 0,5m
- 003 : 3m
- 005 : 5m
- 010 : 10m

\* Desc: VGA 15 - 5 BNC  
 Gender: Male-Male  
 Color: ●

## DSP – Displayport



#### APPLICATION

Digital cable to link devices with input/output port DisplayPort, fully compatible with “DP 1.1a or DP1.2 or DP1.3” and DP++



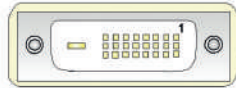
Mod.	Description	Gender	Mts
PC-8840-2	DISPLAYPORT 20P – DISPLAYPORT 20P	Male-Male	2

## DVI Cables

### DVI

#### APPLICATION

Percon DVI-D cables carry digital – only DVI-D signal. It is perfect for digital connectios, suchs as videocards with plasma monitors, projector, etc.



DVI-D M 24+1

**PC-87xx/xx**

Lenght in meters      Resolution      Type

01	: 1m	- 1920x1200	DL: Dual link SL: Single Link
02	: 2m	- 1920x1200	
03	: 3m	- 1920x1200	
05	: 5m	- 1920x1200	
10	: 10m	- 1920x1200	
15	: 15m	- 1920x1200	
20	: 20m	- 1024x768	
25	: 25m	- 1280x1024	
30	: 30m	- 1024x768	

\* Gender: Male-Male  
Color: ●

### Mini DVI cables

#### APPLICATION

The mini dvi connection is notably used in Apple's G4 Mac PowerBook.



Mod.	Description	Mts
PC-8604	Mini DVI 32P - DVI adapter apple white	○ 0.2
PC-8605	Mini DVI 32P - HDMI adapter apple white	○ 0.2
PC-8606	Mini DVI 32P - VGA (HD15 Female / Female) adapter apple white	○ 0.2

### DVI adapter cables



Mod.	Gender	Mts
PC-8500	Male-Female	-
PC-8501	Male-Female	1.5

## DVI Cables

### Adapters DVI cables



Mod.	Gender	Mts
PC-8502	Female-Female	0.1
PC-8502/D	Female-Female	0.1
PC-8602	Male-Male	3
PC-8603	Male-Male	3

## HDMI Cables

### APPLICATION

HDMI enables digital audio and video transmission without compression through a single cable. It is used to send high definition signals.



**PC-8675-x-2.0**

Lenght in meters

1	: 1m	15	: 15m
2	: 2m	20	: 20m
3	: 3m	25	: 25m
5	: 5m	30	: 30m
7	: 7m	40	: 40m
12	: 12m	50	: 50m

\* Desc: HDMI-HDMI 19 Pins 2.0 Premium with HEAC 4K/UHD-1  
Gender: Male-Male  
Color: ●



\* **IMPORTANT:** Please pay attention to the cable polarity.

## HDMI - DVI Cables

### APPLICATION

Percon HDMI-DVI adapter cables are designed to connect digital devices that don't have any of these connectors.



DVI-D M 24+1

**PC-8650-x**

Lenght in meters

Resolution		
1,5	: 1,5m	- 1080p HDMI 1.3
10	: 10m	- 1080p HDMI 1.3
15	: 15m	- 1080p HDMI 1.3
20	: 20m	- 1600x1200
25	: 25m	- 1280x1024

\* Desc: HDMI-DVI  
Gender: Male-Male  
Color: ●

## Cables Fire Wire 1394

### APPLICATION

Percon Fire Wire Cable is designed to carry digital data in multimedia devices such as scanners, editing systems, hard disks, recorders, graphic cards...etc.



**LTM-DVx/x-x**

Pins

- 4/4
- 6/4
- 6/6

Lenght in meters

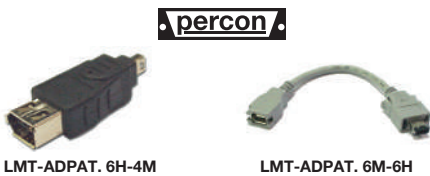
- 6 : 1,8m
- 3 : 3m
- 15 : 5m
- 30 : 9m
- 50 : 15m
- 70 : 21m
- 75 : 20m
- 75 : 23m
- 125 : 38m
- 164 : 50m

\* Desc: FIRE WIRE  
Color: ●

## Adapters Fire Wire

### APPLICATION

Percon adapter cables are designed to convert the 6 pin connectors to 4 pin connectors for the mentioned Fire Wire cables.



Mod.	Description	Gender
LTM-ADAPT 6M-6H	6 - 6 Pins	Male-Female
LTM-ADAPT 6H-4M	6 - 4 Pins	Female-Male

## USB 3.0



### APPLICATION

Universal series Bus cable, compatible with USB 3.0, with lengths of 1 to 3 metres and available with USB A – USB B connectors as well as USB A – micro USB B.



**/LA-6xx**

Lenght in meters

- 08 : 1m
- 81 : 2m
- 82 : 3m

\* Desc: Cable USB 3.0 A - USB B  
Gender: Male-Male  
Color: ●



**/LA-68x-MICRO**

Lenght in meters

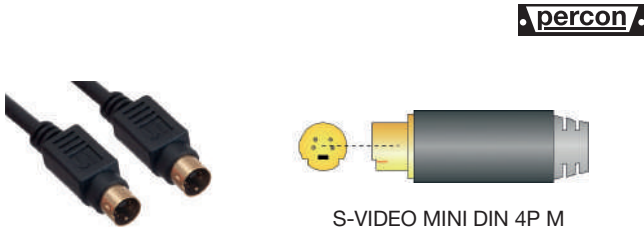
- 0 : 1m
- 1 : 2m
- 2 : 3m

\* Desc: Cable USB 3.0 A - MICRO USB B  
Gender: Male-Male  
Color: ●

## Cables S-Video

### APPLICATION

Percon cable transmits Chrominance ( C ) and Luminance ( L ) signals over a coaxial 28 AWG. 4 mini DIN connectors.



**PS-00xx**

Longitud en metros

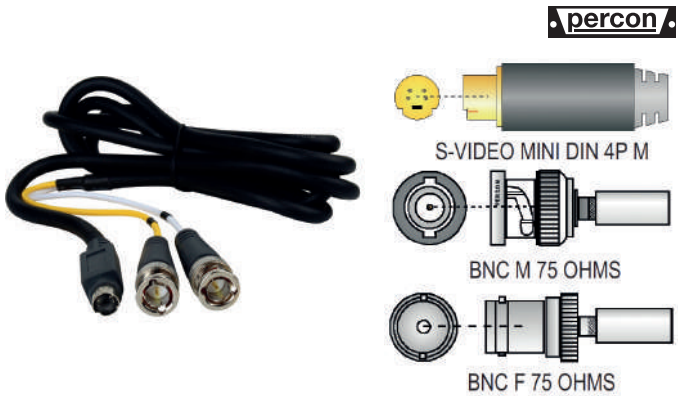
02	: 1,5m
03	: 3m
05	: 5m
10	: 10m
15	: 15m
20	: 20m
25	: 25m
30	: 30m

\* Desc: MINI-DIN 4 PIN S-VIDEO  
Gender: Male-Male  
Color: ●

## Adaptador S-Video cables

### APPLICATION

Cable adapter used to convert a 4 mini DIN connector to 2 BNC (male or female) connectors.



**PS-0xxx**

Mini Din 4P - 2 BNC

Lenght in meters

00	: 0,3m
02	: 1,8m

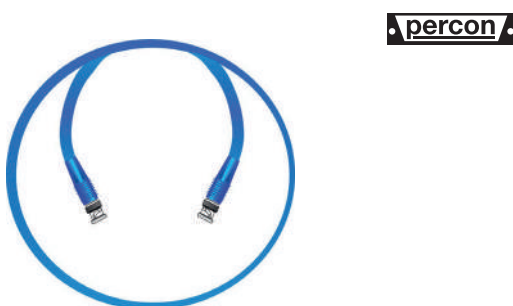
1: Male-Male  
2: Male-Female

\* Color: ●

## Video Cables

### APPLICATION

Professional video assemblies made with BNC connectors and digital coaxial cable for HD-SDI, 3G-SDI, analogue signals and digital AES-BCN audio.



**PV-5xxx**

Lenght in meters

01	: 1m	-	VK 66/AVK770
02	: 2m	-	VK 66/AVK770
03	: 3m	-	VK 66/AVK770
04	: 4m	-	VK 66/AVK770
05	: 5m	-	VK 66/AVK770
10	: 10m	-	VK 66/AVK770
15	: 15m	-	VK 66/AVK770
20	: 20m	-	VK 66/AVK770
25	: 25m	-	VK 66/AVK770
30	: 30m	-	VK 6/0,8
40	: 40m	-	VK 6/0,8
75	: 75m	-	VK 6/0,8
200	: 100m	-	VK 6/0,8

\* Color: ●



## Customizable video connections

### APPLICATION

Ultra-HD coaxial video assemblies designed to transmit digital signals. Supports serial data (SDI) transmission and HDTV formats according to SMPTE 259M (270Mbps), ITU-R BT.601 (Composite PAL 177Mbps), SMPTE 292M (1,5Gbps) and SMPTE 424M (Prog. Scan. HDTV/3G-SDI) and UHD-1/ UHD-2. Designed for mobile applications thanks to its high flexibility. Very low dielectric losses and high velocity of propagation thanks to its low dielectric constant.



Model	Quantity	Cable	Schill reel	BNC type	Video signal
PERCON-VK66/50/C	50 MTS	VK 66 ENH+	SCH-GT 235 RM	5182-UHD/8K	3G-SDI (2K)
PERCON-VK680/50/C	50 MTS	VK 680 SILVER+	SCH-GT 235 RM	5182-UHD/8K	3G-SDI (2K) + 12G-SDI 4K*
PERCON-VK680/100/C/TROLLEY	100 MTS	VK 680 SILVER+	SCH-GT 310 RM	5031-UHD/8K	3G-SDI (2K) + 12G-SDI 4K*
PERCON-VK770/50/C/TROLLEY	50 MTS	VK 770 ENH+	SCH-GT 310 RM	5183-UHD/8K	3G-SDI (2K)
PERCON-VK770/100/C/TROLLEY	100 MTS	VK 770 ENH+	SCH-GT 380 RM	5183-UHD/8K	3G-SDI (2K)
PERCON-VK780/50/C/TROLLEY	50 MTS	VK 780 SILVER+	SCH-GT 310 RM	5183-UHD/8K	3G-SDI (2K) + 12G-SDI 4K*
PERCON-VK780/100/C/TROLLEY	100 MTS	VK 780 SILVER+	SCH-GT 380 RM	5183-UHD/8K	3G-SDI (2K) + 12G-SDI 4K*
PERCON-VK780/150/C	150 MTS	VK 780 SILVER+	SCH-GT 380 RM	5183-UHD/8K	3G-SDI (2K) + 12G-SDI 4K*
PERCON-VK880/50/C	50 MTS	VK 880 SILVER+	SCH-GT 310 RM	5117-UHD/8K	3G-SDI (2K) + 12G-SDI 4K*
PERCON-VK880/100/C	100 MTS	VK 880 SILVER+	SCH-GT 380 RM	5117-UHD/8K	3G-SDI (2K) + 12G-SDI 4K*
PERCON-VK880/150/C	150 MTS	VK 880 SILVER+	SCH-GT 380 RM	5117-UHD/8K	3G-SDI (2K) + 12G-SDI 4K*
PERCON-VK880/200/C	200 MTS	VK 880 SILVER+	SCH-HT 485 RM	5117-UHD/8K	3G-SDI (2K) + 12G-SDI 4K*

## Customizable NEO-CAT connections

### APPLICATION

Cat 5e and Cat 6 professional network cable assemblies compatible with different communications standards such as AES 67, DANTE, AES 50, MADI, GigaACE, ethercon, HDBase-T, 10MBase-T and 1GBase-T.

Cat 5e and Cat 6 patchcord assemblies of different sizes, lengths, colors and shielding.



Model	Quantity (mts)	Cable	Reel	Connector	Protocol
PERCON-NEOCAT-5011/50/C	50	NEO-CAT 5011 PUR HS/FCA	GT 310 RM	4045-I	AES 67, DANTE, AES 50, MADI, GigaACE, Ethersound, HDBASET
PERCON-NEOCAT-5011/75/C	75	NEO-CAT 5011 PUR HS/FCA	GT 310 RM	4045-I	AES 67, DANTE, AES 50, MADI, GigaACE, Ethersound, HDBASET
PERCON-NEOCAT-5011/100/C	100	NEO-CAT 5011 PUR HS/FCA	GT 310 RM	4045-I	AES 67, DANTE, AES 50, MADI, GigaACE, Ethersound, HDBASET
PERCON-NEOCAT-5011/150/C	150	NEO-CAT 5011 PUR HS/FCA	GT 310 RM	4045-I	AES 67, DANTE, AES 50, MADI, GigaACE, Ethersound, HDBASET
PERCON-NEOCAT-6008/50/C	50	NEO-CAT 6008 SUPERFLEX	GT 310 RM	4045-I	HDBASET, AES 50, MADI, ROCKETNET, GigaACE
PERCON-NEOCAT-6008/75/C	75	NEO-CAT 6008 SUPERFLEX	GT 380 RM	4045-I	AES 50, MADI, HDBASET
PERCON-NEOCAT-6008/100/C	100	NEO-CAT 6008 SUPERFLEX	GT 380 RM	4045-I	ROCKNET, AES 3
PERCON-SMART-6011/50/C	50	NEO-CAT SMART 6011	GT 310 RM	4045-I	AES 67, AES 65, 10 BASET, Ethersound, GigaACE, MADI, AVB
PERCON-SMART-6011/75/C	75	NEO-CAT SMART 6012	GT 380 RM	4045-I	AES 67, AES 65, 10 BASET, Ethersound, GigaACE, MADI, AVB
PERCON-SMART-6011/100/C	100	NEO-CAT SMART 6013	GT 380 RM	4045-I	AES 67, DANTE, HDBASET, AVB, GigaACE, AVB, AES 50
PERCON-SMART-6011/120/C	120	NEO-CAT SMART 6014	GT 380 RM	4045-I	AES 67, DANTE, MADI, Ethersound, HDBASET
PERCON-SMART-6011/150/C	150	NEO-CAT SMART 6015	GT 380 RM	4045-I	ROCKNET, AES 3

## Video cables patchcords

### Serie Musa-Musa

#### APPLICATION

Professional video assemblies made with Musa-HD and digital coaxial cable optimized for HD-SDI, 3G-SDI applications, analogue signals as well as digital AES-BNC audio. Fully compatible connectors with the analogue Musa version.



### PV-580x-xx

Lenght in meters		Color	
3	: 0,3m	R:	Red
6	: 0,6m	G:	Green
9	: 0,9m	B:	Blue
		W:	Black
		OR:	Orange
		GR:	Grey
		Y:	Yellow

### Serie Standar Size

#### APPLICATION

Professional video assemblies made with Standard Size (WECO) and digital coaxial cable optimized for HD-SDI, 3G-SDI applications, analogue signals, as well as AES-BCN digital audio.



### VPC-x-xx

Lenght in meters		Color	
1	: 0,3m	R:	Red
1,5	: 0,45m	G:	Green
2	: 0,6m	B:	Blue
3	: 0,9m	W:	Black
4	: 1,2m	OR:	Orange
6	: 1,8m	GR:	Grey
10	: 3m	Y:	Yellow

### Serie Midsize

#### APPLICATION

Professional video assemblies made with Midsize (mini WECO) connectors and digital coaxial cables, optimized for HD-SGI, 3G-SDI applications, analogue signals, as well as digital audio AES-BNC.



### MPC-x-xx

Lenght in meters		Color	
1	: 0,3m	R:	Red
1,5	: 0,45m	G:	Green
2	: 0,6m	B:	Blue
3	: 0,9m	W:	Black
4	: 1,2m	OR:	Orange
6	: 1,8m	GR:	Grey
10	: 3m	Y:	Yellow

## Video cables patchcords

### Serie Microsize

#### APPLICATION

Professional video assemblies made with Microsize connectors (micro WECO) and digital coaxial cable optimized for HD-SGI, 3G-SDI applications, analogue signals and digital AES/BNC audio.



**KPC-x-xx**

Lenght in meters

1	:	0,3m	R:	Red	<span style="color:red">●</span>
1,5	:	0,45m	G:	Green	<span style="color:green">●</span>
2	:	0,6m	B:	Blue	<span style="color:blue">●</span>
3	:	0,9m	W:	Black	<span style="color:black">●</span>
4	:	1,2m	OR:	Orange	<span style="color:orange">●</span>
6	:	1,8m	GR:	Grey	<span style="color:grey">●</span>
			Y:	Yellow	<span style="color:yellow">●</span>

## Analogue audio cable

#### APPLICATION

Balanced and unbalanced , mono and stereo audio assemblies, made with AK2H cable with double spiral shield (100%) to offer better shielding in balanced connections and AK 1 for unbalanced connections. Available with different audio connectors (Jack, XLR3, RCA...).



### XLR - XLR



**PA-50xx**

Lenght in meters

01	:	1m	20	:	20m
03	:	3m	25	:	25m
05	:	5m	30	:	30m
06	:	6m	40	:	40m
10	:	10m	50	:	50m
15	:	15m	75	:	75m
16	:	16m			

\* Cable: AK 219  
Connectors: XLR - XLR  
Gender: Male-Female  
Color: ●



### XLR - Jack 6.35 mm



**PA-5xxx**

Gender:

2	Male-Male	001	:	1m	025	:	25m
3		003	:	3m	030	:	30m
4	Female-Male	005	:	5m	040	:	40m
5		010	:	10m	050	:	50m
		015	:	15m	075	:	75m
		020	:	20m	100	:	100m

\* Cable: AK 3  
Connectors: XLR - JACK 6.35  
Color: ●

## Analogue audio cable

### XLR - RCA



### PA-5xxx

Gender:		Lenght in meters	
6	Male-Male	001 : 1m	025 : 25m
7		003 : 3m	030 : 30m
8	Female-Male	005 : 5m	040 : 40m
9		010 : 10m	050 : 50m
		015 : 15m	075 : 75m
		020 : 20m	100 : 100m

\* Cable: AK 2H  
Connectors: XLR - RCA  
Color: ●

### Jack 6.3 mm - Jack 6.35 mm



### PA-60xx

Lenght in meters	
01 : 1m	25 : 25m
03 : 3m	30 : 30m
05 : 5m	40 : 40m
10 : 10m	50 : 50m
15 : 15m	75 : 75m
20 : 20m	100 : 100m

\* Cable: AK 2H  
Gender: Male-Male  
Connectors: JACK 6.3 - JACK 6.35  
Color: ●

## Digital audio cable

### APPLICATION

Balanced and unbalanced professional audio assemblies for digital AES/EBU and SPDIF applications assembled with AK 2034 digital cable with 0.34mm<sup>2</sup> cable, low capacitance and 110 ohm nominal impedance. Available with different audio connectors (Jack, XLR3 y RCA).

### XLR - XLR



### PA-12xx

Lenght in meters	
03 : 3m	25 : 25m
05 : 5m	30 : 30m
10 : 10m	40 : 40m
15 : 15m	50 : 50m
20 : 20m	75 : 75m

\* Cable: AK 2034  
Gender: Male-Female  
Connectors: XLR-XLR  
Color: ●

## Digital audio cable

### XLR - Jack 6.35 mm



**PA-1xxx**

Gender:		Lenght in meters	
5	: (3 - 75m) - Male-Male	03	: 3m
6	: (100m) - Male-Male	05	: 5m
8	: (3 - 10m) - Male-Male	10	: 10m
8-9	: (20 - 100m) - Female-Male	15	: 15m
		20	: 20m
		25	: 25m
		30	: 30m
		40	: 40m
		50	: 50m
		75	: 75m
		100	: 100m

\* Cable: AK 2034  
Connectors: XLR-JACK 6.35  
Color: ●

### XLR - Jack 6.35 ST



**PA-2xxx**

Gender:		Lenght in meters	
0		03	: 3m
1	Male-Male	05	: 5m
2		10	: 10m
3	Female-Male	20	: 20m
		30	: 30m
		50	: 50m
		75	: 75m
		100	: 100m

\* Cable: AK 2034  
Connectors: XLR-JACK 6.35 ST  
Color: ●

### XLR - RCA



**PA-2xxx**

Gender:		Lenght in meters	
5	Male-Male	03	: 3m
6	Female-Male	05	: 5m
		10	: 10m
		20	: 20m
		25	: 25m
		50	: 50m

\* Cable: AK 2034  
Connectors: XLR-RCA  
Color: ●

### Jack 6.35 mm - Jack 6.35 mm



**PA-2xxx**

Connectors:		Lenght in meters	
7	JACK 6.35-JACK 6.35	03	: 3m
8	JACK 6.35 ST-JACK 6.35 ST	05	: 5m
		10	: 10m
		20	: 20m
		25	: 25m
		50	: 50m

\* Cable: AK 2034  
Gender: Macho-Macho  
Color: ●

## Digital audio cable

### Jack 6.35 mm - RCA



**PA-29xx**

Lenght in meters

03	: 3m	20	: 20m
05	: 5m	25	: 25m
10	: 10m	50	: 50m

\* Cable: AK 2034  
Connectors: JACK 6.35-RCA  
Gender: Macho-Macho  
Color: ●

## Patchcords audio

### Bantam

#### APPLICATION

Professional balanced audio assemblies for digital AES/EBU, SPDIF and analogue applications; made with digital AK 2111 PATCH with 0.14mm<sup>2</sup> section, low capacitance and 110 ohm nominal impedance. Available with 4.40mm Bantam audio 4.40mm connectors connectors.



**BPC-x-xx**

Lenght in meters

1	: 0,3m	R:	Red
1,5	: 0,45m	G:	Green
2	: 0,6m	B:	Blue
3	: 0,9m	W:	Black
4	: 1,2m	OR:	Orange
6	: 1,8m	GR:	Grey
10	: 3,05m	Y:	Yellow

Color

### Longframe

#### APPLICATION

Professional balanced audio assemblies made with AK 2H Cable. Available with audio Longframe 1/4" B-Gauge connectors.



**LPC-x-xx**

Lenght in meters

1	: 0,3m	R:	Red
1,5	: 0,45m	G:	Green
2	: 0,6m	B:	Blue
3	: 0,9m	W:	Black
4	: 1,2m	OR:	Orange
6	: 1,8m	GR:	Grey
		Y:	Yellow

Color

## Customizable RJ 45- RJ 45 connections

### APLICACIÓN

Category 5e and 6 patchcord connections in different sizes, lengths, colors and type of shielding.



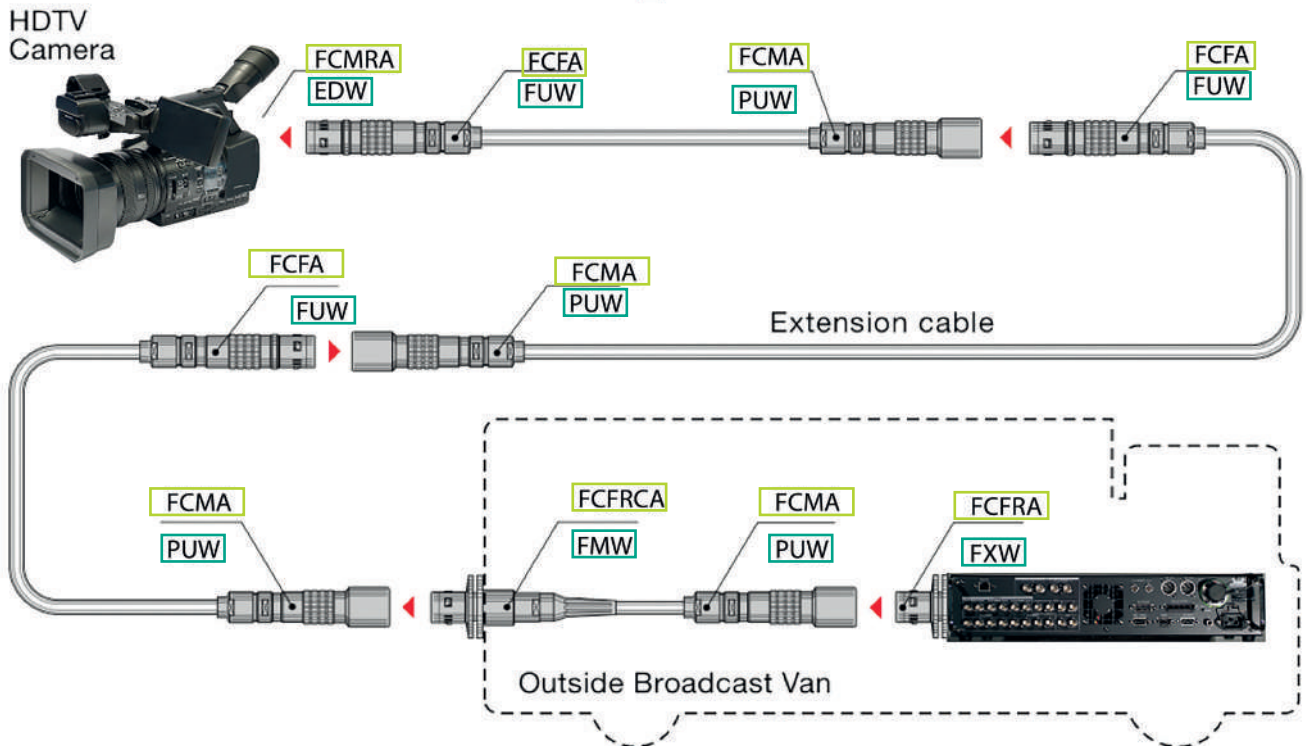
Ref	Description	Color	MTS
4600HF-GREY/FTP/0,25	PATCHORD CAT. 5e LSOH FTP	●	0,25
4600HF-GREY/UTP/0,25	PATCHORD CAT. 5e LSOH UTP	●	0,25
4600HF-GREY/FTP/0,5	PATCHORD CAT. 5e LSOH FTP	●	0,5
4601HF-GREY/FTP	PATCHORD CAT. 5e LSOH FTP	●	0,5
4601HF-GREY/UTP	PATCHORD CAT. 5e LSOH UTP	●	1
4602-GREY/UTP	PATCHORD CAT. 5e LSOH UTP	●	1
4602HF-GREY/FTP	PATCHORD CAT. 5e LSOH FTP	●	2
4602HF-GREY/UTP	PATCHORD CAT. 5e LSOH UTP	●	2
4603HF-BLUE/UTP	PATCHORD CAT. 5e LSOH UTP	●	3
4603HF-GREY/FTP	PATCHORD CAT. 5e LSOH FTP	●	3
4603HF-GREY/UTP	PATCHORD CAT. 5e LSOH UTP	●	3
4603-GREY/UTP	PATCHORD CAT. 5e LSOH UTP	●	5
4605HF-GREY/FTP	PATCHORD CAT. 5e LSOH FTP	●	5
4605HF-GREY/UTP	PATCHORD CAT. 5e LSOH UTP	●	5
4615HF-GREY/FTP	PATCHORD CAT. 5e LSOH FTP	●	15
4700-GREY/FTP/0,25	PATCHORD CAT. 6 PVC FTP	●	0,25
4700-GREY/UTP/0,25	PATCHORD CAT. 6 PVC UTP	●	0,25
4700-GREY/FTP/0,50	PATCHORD CAT. 6 PVC FTP	●	0,5
4700-GREY/UTP/0,50	PATCHORD CAT. 6 PVC UTP	●	0,5
4702-GREY/FTP	PATCHORD CAT. 6 PVC FTP	●	2
4702-GREY/UTP	PATCHORD CAT. 6 PVC UTP	●	2
4703-BLUE/UTP	PATCHORD CAT. 6 PVC UTP	●	3
4703-GREEN/UTP	PATCHORD CAT. 6 PVC UTP	●	3
4703-GREY/FTP	PATCHORD CAT. 6 PVC FTP	●	3
4703-GREY/UTP	PATCHORD CAT. 6 PVC UTP	●	3
4703-RED/UTP	PATCHORD CAT. 6 PVC UTP	●	3
4703-YELLOW/UTP	PATCHORD CAT. 6 PVC UTP	●	3
4705-RED/UTP	PATCHORD CAT. 6 PVC UTP	●	5
4710-WHITE/UTP	PATCHORD CAT. 6 PVC UTP	○	10
4710-YELLOW/UTP	PATCHORD CAT. 6 PVC UTP	●	10
4715-YELLOW/UTP	PATCHORD CAT. 6 PVC UTP	●	15
4720-GREY/UTP	PATCHORD CAT. 6 PVC UTP	●	20
4800HF-BLUE/S-FTP/0,5	PATCHORD CAT. 6 LSZH S-FTP	●	0,5
4801HF-BLUE/S-FTP/1,5	PATCHORD CAT. 6 LSZH S-FTP	●	1,5
4802HF-BLUE/S-FTP	PATCHORD CAT. 6 LSZH S-FTP	●	2
4803HF-GREY/S-FTP	PATCHORD CAT. 6 LSZH S-FTP	●	3
4804HF-BLUE/S-FTP	PATCHORD CAT. 6 LSZH S-FTP	●	4
4805HF-BLUE/S-FTP	PATCHORD CAT. 6 LSZH S-FTP	●	4
4807HF-GREY/S-FTP	PATCHORD CAT. 6 LSZH S-FTP	●	7
4808HF-BLUE/S-FTP	PATCHORD CAT. 6 LSZH S-FTP	●	10
4810HF-BLUE/S-FTP	PATCHORD CAT. 6 LSZH S-FTP	●	7

# TECHNICAL INFORMATION

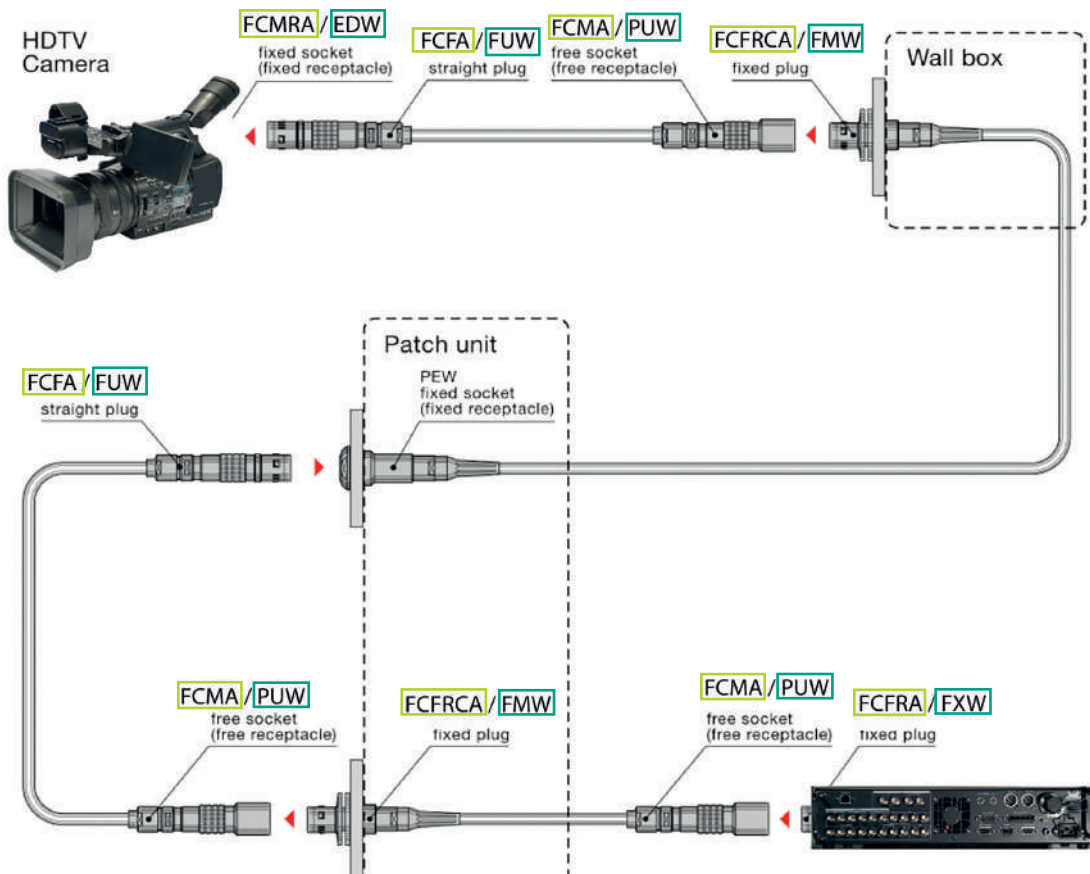


# Fiber Optic

## Outside Broadcast Van Configuration



## Studio Configuration



### Offices

C/ Diputación 203  
08011 · Barcelona  
España  
Tel. +34 93.451.78.30  
Fax. +34 93.323.75.88

### Warehouse

C/ Treball, 37  
Polígono Industrial Almeda  
08940 · Cornellà de Llobregat  
Barcelona · España



[www.percon.es](http://www.percon.es)

