



BATHROOM FAUCET WITH WATERFLOW-ACTIVATED LED LIGHT

MODELS

- 21-B42-WYBNHW-Z – Brushed nickel finish
- 21-B42-WYMBHW-Z – Matte black finish
- 21-B42WYHW-Z – Chrome finish

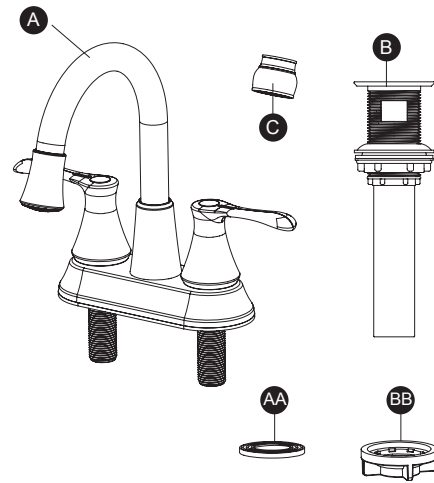


PACKAGE AND HARDWARE CONTENTS



PART	DESCRIPTION	QUANTITY
A	Faucet Body with LED Aerator	1
B	Pop-up Drain Assembly	1
C	Non-lighted Aerator	1
AA	Rubber Washer	2
BB	Mounting Nut	2

Due to constant design and quality improvements, the product may look slightly different from the picture.



SAFETY INFORMATION

Please read and understand this entire manual before attempting to assemble, operate or install the product.

CAUTION

- If you solder the joints during installation of the faucet, the seats, cartridges, and washers must be removed before using a flame or the warranty will be voided on these parts.
- Cover the sink drain to avoid losing parts.

WARNING

- Protect your eyes with safety glasses when cutting or soldering water supply lines.
- When making water line connections, **HAND TIGHTEN. DO NOT OVERTIGHTEN.** Do not use PTFE pipe tape, plumber's putty, pipe dope or any other type of sealing compound on water inlet or threads. Additional compound is unnecessary. A watertight seal between the thread inlet and supply tube is achieved by compression.

PREPARATION

Before beginning assembly of product, make sure all parts are present. Compare parts with package and hardware contents list. If any part is missing or damaged, do not attempt to assemble the product. Contact customer service for replacement parts.

Estimated Assembly Time: 30 minutes

Tools Required for Assembly (not included): Adjustable Wrench, Slip Joint Pliers, Pipe Wrench, Phillips Screwdriver, Silicone and Supply Lines.

Installation may vary depending on how the previous faucet was installed. Supplies necessary for the installation of the faucet are not all included; however, they are available wherever plumbing supplies are sold.

Prior to beginning installation, turn off the hot and cold water lines, then turn on the old faucet to release built-up pressure. When installing the new faucet, hand tighten the connector nuts. **DO NOT OVERTIGHTEN.** Connections that are too tight will reduce the integrity of the system.

PRODUCT SPECIFICATIONS

Maximum flow rate: 1.2 GPM (4.54 LPM) at 60 PSI

ASME A112.18.1/CSA B125

NSF/ANSI/CAN 61

Chrome, brushed nickel or matte black finish

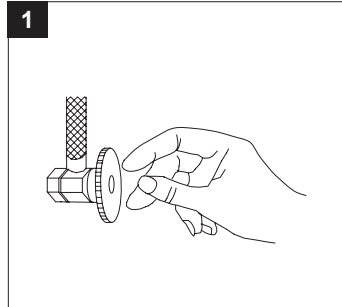
Washerless cartridges

Manufactured to include no more than 0.25% weighted average lead content on wetted surfaces

INSTALLATION INSTRUCTIONS

1. Shut off the water at the supply valves under the sink or at the main water supply. Disconnect the supply lines. Remove the existing faucet from the sink.

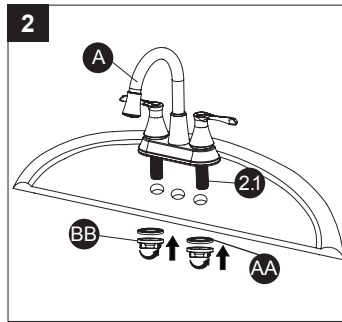
Clean and dry the surface area where new faucet will be mounted.



2. Ensure the gasket (2.1) is in place on the bottom of the faucet body (A). Apply a thin bead of silicone sealant to the underside of the gasket (2.1).

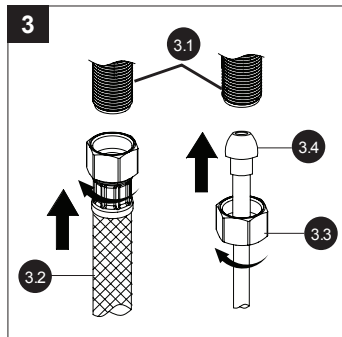
Insert the shanks (2.2) on the faucet body (A) through the holes in the sink. From underneath the sink, thread the rubber washers (AA) and mounting nuts (BB) onto the shanks (2.2) on the faucet body (A). Check the position of the faucet and hand tighten until the faucet is securely mounted.

NOTE: It is helpful to have a second person hold the faucet in place while tightening the mounting nuts (BB).

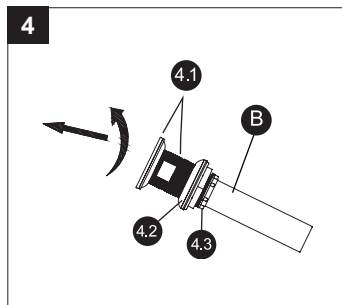


3. Attach one end of each of the water supply lines onto the shanks (3.1) on the faucet body (A), with hot water on the left and cold water on the right. Use 1/2 in. IPS faucet connections (3.2) or supply line coupling nuts (3.3) with 3/8 in. OD ball-nose risers (3.4). NOTE: Do not reuse existing supply lines. When installing new water supply lines, please refer to the supply line manufacturer's installation instructions. Tighten the supply line connections using an adjustable or basin wrench. Do not overtighten.

Attach each of the remaining ends of the water supply lines to the hot and cold shut-off valves and tighten with a wrench. Do not overtighten.

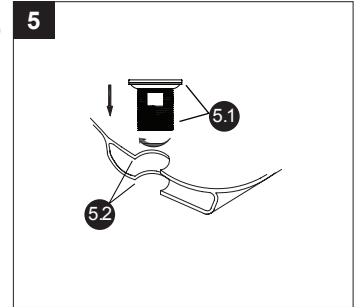


4. Remove the old pop-up drain assembly. Clean all sink surfaces to remove old putty and dirt before installing the new drain assembly. Remove the flange and upper threaded portion (4.1) of the pop-up drain assembly from the bottom gasket (4.2), mounting nut (4.3) and the lower portion of the pop-up drain assembly (B).

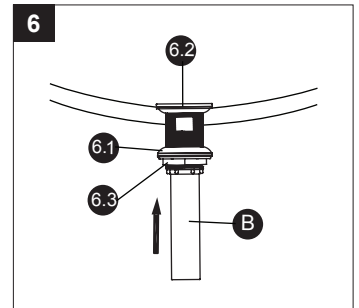


5. Insert the flange and upper portion of the pop-up drain assembly (5.1) into the sink hole (5.2).

NOTE: No sealants required. Please only use the rubber gasket under the drain flange.



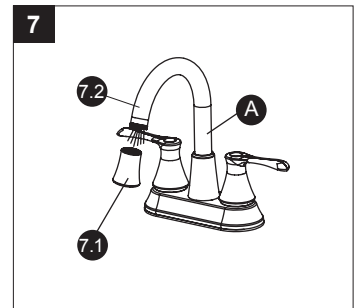
6. From underneath the sink, attach the rubber gasket (6.1) and mounting nut (6.2) onto the upper portion of the pop-up drain assembly (6.3). Then twist the bottom of the pop-up drain assembly (B) onto the upper portion of the pop-up drain assembly (6.3) and hand tighten. Do not overtighten.



7. After installation is complete, remove the aerator (7.1) from the spout (7.2) on the faucet body (A). Turn on the water supply.

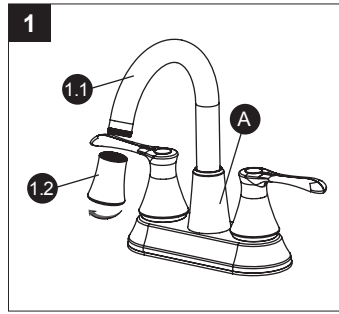
Check for leaks at all waterway connections. If a leak occurs, gently tighten the nut on the water connection that is leaking. Fill the sink with water to check the drain for leaks. If water is leaking from the drain, tighten the mounting nut on the pop-up drain assembly (B).

After the pop-up drain has been checked for leaks, empty the sink. Run hot and cold water uninterrupted for at least one minute to flush away any debris that could cause damage to the internal parts. Turn off the water and reattach the aerator (7.1) onto the spout (7.2) of the faucet body (A).

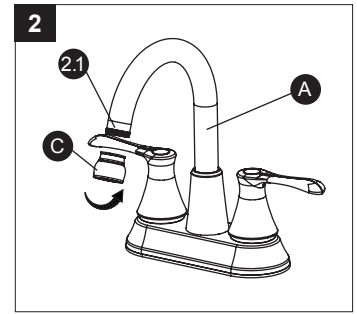


REPLACING LED AERATOR WITH NON-LIGHTED AERATOR

1. Hold the end of the faucet spout (1.1) and turn the LED aerator (1.2) clockwise to remove it from the faucet body (A).



2. Thread the non-lighted aerator (C) onto the end of the spout (2.1) on the faucet body (A). Hand tighten, but do not overtighten.



OPERATING INSTRUCTIONS

The lever handles control the flow of hot and cold water to the faucet. Moving the handle forward opens the cartridge and causes water to flow from the spout. Rotate the handle on the right side of the faucet forward for hot water. Rotate the handle on the left side of the faucet forward for hot water. The degree of handle opening determines the volume of water flow. Returning the handle to the original position away from the spout on the faucet body stops the flow of water.

CARE AND CLEANING

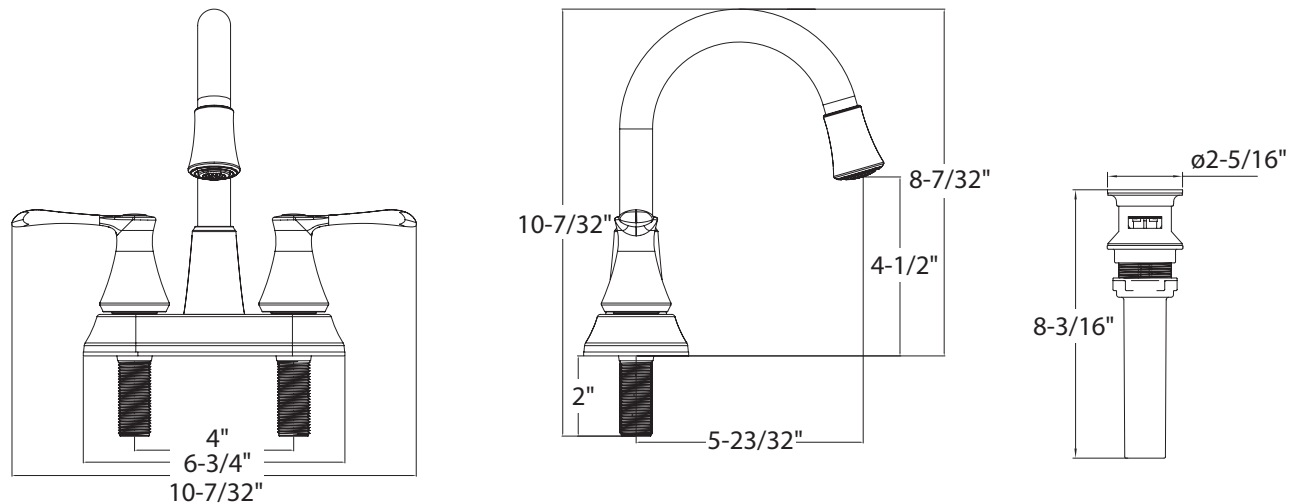
Clean periodically with a soft cloth. Avoid abrasive cleaners, steel wool, and harsh chemicals as these will dull the finish and void your warranty.

TROUBLESHOOTING

If a faucet installation doesn't deliver water properly or leaks, finding the cause and fixing it can be easy.

PROBLEM	POSSIBLE CAUSE	SOLUTION
Faucet leaks underneath handle.	Bonnet has come loose or o-ring on cartridge is dirty or twisted.	<ol style="list-style-type: none"> 1. Move the handle to the OFF position. Unscrew the handle screw and remove the handle. 2. Tighten the bonnet by turning it clockwise. Move the cartridge stem to the ON position. The leak should stop draining out from around the cartridge stem. 3. If the leak does not stop, shut off the water supply. Remove the bonnet by turning it counterclockwise. Lift out the cartridge valve. Inspect the larger o-ring on the cartridge bonnet and the smaller o-ring on the cartridge stem. Remove any debris from the o-rings. If either o-ring is twisted, straighten it. If either o-ring is damaged, replace the cartridge by calling customer service. 4. Position the cartridge back into the faucet body. Make sure the ridges on the two sides of the cartridge bonnet fit into the grooves on the two sides of the faucet body. Tightly screw the bonnet onto the faucet body. 5. Reinstall the handle.
Water does not completely shut off.	Rubber valve seat is dirty, stuck, or broken.	<ol style="list-style-type: none"> 1. Shut off the water supply. 2. Remove the handle from the faucet body. Loosen the bonnet by turning it counterclockwise. Lift out the cartridge assembly. 3. Inspect the rubber valve seat in the faucet body. If there is debris or brass scrap on the surface of the seat, remove it. If the rubber seat is stuck tightly in the water inlet hole, push it gently with a fingertip so it moves up and down smoothly. The spring (smaller end up) must be placed back underneath the valve seat. If the rubber valve seat is worn out or broken, replace the cartridge by calling customer service. 4. Position the cartridge back into the faucet body. Make sure the ridges on the two sides of the cartridge bonnet fit into the grooves on the two sides of the faucet body. Tightly screw the bonnet onto the faucet body. 5. Reinstall the handle.
Faucet leaks around aerator.	The aerator is incorrectly fitted, dirty, or small parts inside the aerator are improperly installed.	<ol style="list-style-type: none"> 1. Remove the aerator cover from the spout by turning it clockwise and remove the aerator and gasket. Inspect the black rubber gasket inside the aerator. The rubber gasket should be flat. 2. Reinstall the gasket and aerator, then replace and tighten the aerator cover on the spout.
Faucet has an improper water pattern.	The aerator is dirty or small parts inside the aerator are improperly installed.	<ol style="list-style-type: none"> 1. Remove the aerator cover from the spout by turning it clockwise and remove the aerator and gasket. 2. Gently flush the small parts inside the aerator to clear away any debris. 3. Reinstall the gasket and aerator, then replace and tighten the aerator cover on the spout. Ensure all parts are straight and flat.

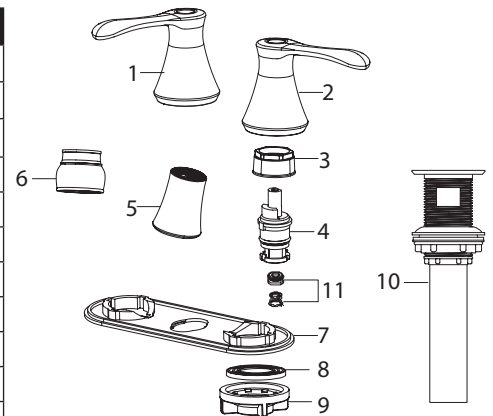
ROUGH-IN



REPLACEMENT PARTS

For replacement parts, call our customer service department at 1-877-319-3757, 7:30 a.m. - 4:30 p.m., CST, Monday - Friday.

PART	DESCRIPTION	PART #	PART #	PART #
		21-B42-WYBNHW-Z	21-B42-WYMBHW-Z	21-B42-WYHW-Z
1	Handle - hot	RP00617BN	RP00617MB	RP00617CH
2	Handle - cold	RP00618BN	RP00618MB	RP00618CH
3	Bonnet	RP00585	RP00585	RP00585
4	Cartridge	RP01523	RP01523	RP01523
5	LED aerator	RP00619BN	RP00619MB	RP00619CH
6	Non-lighted aerator	RP00621BN	RP00621MB	RP00621CH
7	Base plate	RP00620	RP00620	RP00620
8	Rubber washer	RP00616	RP00616	RP00616
9	Mounting nut	RP01525	RP01525	RP01525
10	Pop-up drain assembly	RP00622BN	RP00622MB	RP00622CH
11	Seats & springs	RP01667	RP01667	RP01667



LIMITED LIFETIME WARRANTY

The distributor warrants to the original purchaser of this product to be free from defects in material and workmanship under normal use in residential applications. At its option, the Company will provide repair parts or replace defective product when the product is used in accordance with the manufacturer's specifications.

The distributor provides a limited 5-year warranty on the finish of this product to the original purchaser. At its option, the distributor will provide repair parts or replace defective product when the product is used in accordance with the manufacturer's specifications. Use of mild abrasive, abrasive or chemical cleaners may damage the finish of the product. We recommend cleaning your faucet with a soft cloth, moistened with water. Damage resulting from the use of abrasive or chemical cleaners SHALL VOID THIS WARRANTY.

This warranty is not applicable to any products or parts of products where damage is caused by use of non-genuine parts; is due to installation error, product misuse, negligence or faulty maintenance; or where the product is not installed according to local building codes.

This warranty excludes labor charges or damage incurred during installation, repair or replacement, and any indirect, incidental or consequential damages, losses, injury or costs of any nature. This warranty is in lieu of and excludes all other warranties, conditions and guarantees, whether expressed or implied, including without restriction those of merchantability or fitness of use.

Liability under this warranty will not exceed the purchase price for the product claimed to be defective by the original consumer purchaser. Some states or provinces do not allow the exclusion or limitation of consequential damages so the above limitations or exclusions may not apply. This warranty gives you specific legal rights and you may also have other rights which vary from state to state, or province to province.

Inquiries regarding warranty claims can be directed to 1-877-319-3757, 7:30 a.m. - 4:30 p.m., CST, Monday - Friday.



GRIFO DE BAÑO CON LUZ LED ACTIVADA POR EL FLUJO DE AGUA

MODELOS

21-B42-WYBNHW-Z – Acabado de níquel cepillado

21-B42-WYMBHW-A – Acabado negro mate

21-B42-WYHW-Z – Acabado cromado

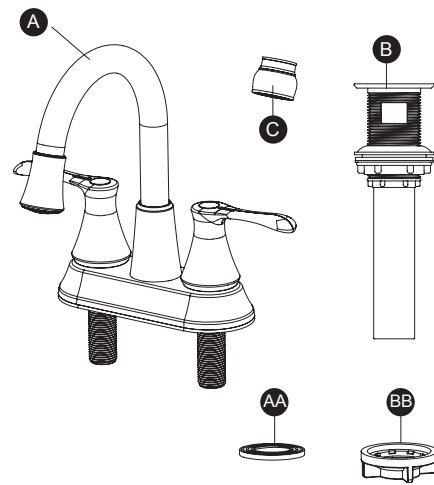


CONTENIDO DEL PAQUETE Y HARDWARE



PIEZA	DESCRIPCIÓN	CANTIDAD
A	Cuerpo del grifo con aireador LED	1
B	Conjunto de drenaje emergente	1
C	Aireador sin iluminación	1
AA	Arandela de goma	2
BB	Tuerca de montaje	2

Debido a las constantes mejoras de diseño y calidad, es posible que el producto se vea ligeramente diferente de la imagen.



! INFORMACIÓN SOBRE LA SEGURIDAD

Lea y comprenda completamente este manual antes de intentar ensamblar, usar o instalar el producto

PRECAUCIÓN

- Si suelda las juntas durante la instalación del grifo, se deben retirar los asientos, los cartuchos y las arandelas antes de usar la llama. De lo contrario, se anulará la garantía de dichas piezas.
- Cubra el desagüe para evitar que se pierdan piezas.

PREPARACIÓN

Antes de comenzar a ensamblar el producto, asegúrese de tener todas las piezas. Compare las piezas con la lista del contenido del paquete y la lista de aditamentos. No intente ensamblar el producto si falta alguna pieza o si estas están dañadas. Póngase en contacto con el servicio al cliente para obtener piezas de repuesto.

Tiempo estimado de ensamblaje: 30 minutos

Herramientas necesarias para el ensamblaje (no se incluyen): llave inglesa ajustable, pinzas para juntas deslizantes, llave para tubos, destornillador Phillips, silicona y líneas de entrada.

ADVERTENCIA

- Proteja los ojos con gafas de seguridad al cortar o soldar las líneas de entrada de agua.
- Al realizar la conexión de la línea de agua, APRIETE A MANO. NO APRIETE DEMASIADO. No use cinta para tubería de PTFE, masilla de plomero, aditivos para tubos ni ningún otro compuesto sellador en entradas de agua o roscas. No necesita compuestos adicionales. Se logra un sellado hermético entre la entrada roscada y la tubería de suministro mediante compresión.

La instalación puede variar según cómo se instaló el grifo anterior. No se incluyen todos los materiales necesarios para la instalación del grifo; no obstante, estos están disponibles en cualquier lugar donde se vendan artículos de plomería.

Antes de comenzar la instalación, cierre las líneas de entrada de agua fría y caliente, y luego abra el grifo viejo para liberar la presión acumulada. Al instalar el nuevo grifo, primero apriete a mano las tuercas del conector. NO APRIETE DEMASIADO. Las conexiones que estén muy apretadas reducirán la integridad del sistema.

ESPECIFICACIONES DEL PRODUCTO

Caudal de flujo máximo: 4,54 LPM (1,2 GPM) a 60 PSI

Cumple con la norma ASME A112.18.1/CSA B125

NSF/ANSI/CAN 61

Acabado cromado, níquel cepillado o negro mate

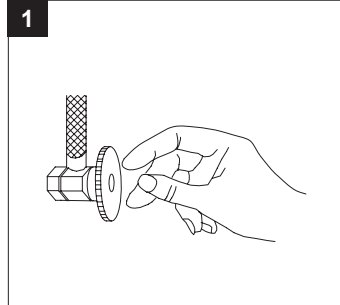
Cartuchos sin arandela

Fabricado para incluir no más de 0.25 % de contenido de plomo promedio ponderado en superficies mojadas.

INSTRUCCIONES DE INSTALACIÓN

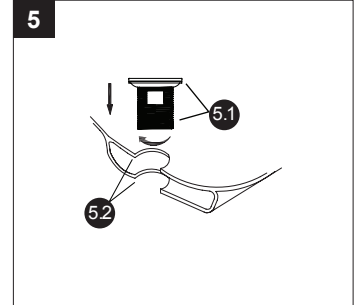
1. Cierre las válvulas de entrada de agua debajo del lavamanos o el suministro de agua principal. Desconecte las líneas de entrada. Retire el grifo existente del lavamanos.

Limpie y seque la superficie donde se colocará el nuevo grifo.



5. Inserte la brida y la parte superior del ensamblaje de drenaje emergente (5.1) en el orificio del lavabo (5.2).

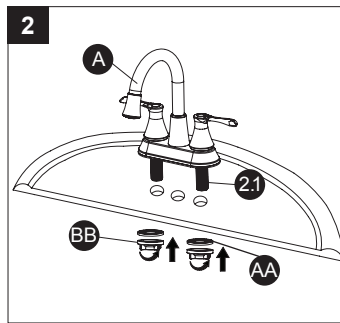
NOTA: No se requieren selladores. Utilice solamente la junta de goma debajo de la brida de drenaje.



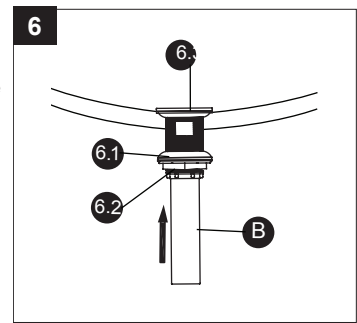
2. Asegúrese de que el empaque (2.1) esté en su lugar en la parte inferior del cuerpo del grifo (A). Aplique un cordón delgado de sellador de silicona en la parte inferior del empaque (2.1).

Inserte los vástagos (2.2) del cuerpo del grifo (A) en los orificios del lavamanos. Desde debajo del lavamanos, enrosque las arandelas de goma (AA) y las tuercas de montaje (BB) en los vástagos (2.2) del cuerpo del grifo (A). Verifique la posición del grifo y apriete a mano hasta que el grifo esté instalado de forma segura.

NOTA: es útil que una segunda persona sostenga el grifo en su lugar mientras aprieta las tuercas de montaje (BB).

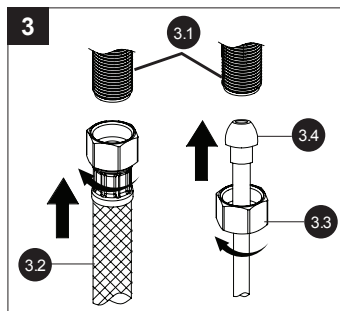


6. Desde debajo del lavabo, fije la junta de goma (6.1) y la tuerca de montaje (6.2) en la parte superior del ensamblaje de desagüe emergente (6.3). Luego gire la parte inferior del conjunto de drenaje emergente (B) en la parte superior del ensamblaje de desagüe emergente (6.3) y apriete a mano. No apriete demasiado.



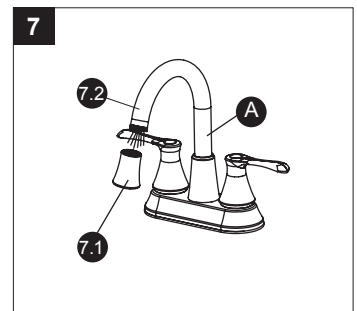
3. Conecte un extremo de cada una de las líneas de entrada de agua en los vástagos (3.1) del cuerpo del grifo (A), con el agua caliente a la izquierda y el agua fría a la derecha. Use conexiones de grifo IPS de 1/2 pulg. (3.2) o tuercas de acoplamiento para la línea de entrada (3.3) con elevadores de punta esférica de 3/8 pulg. de diámetro externo (3.4). **NOTA:** no reutilice las líneas de entrada existentes. Al instalar nuevas líneas de entrada de agua, consulte las instrucciones de instalación del fabricante de la línea de entrada. Apriete las conexiones de la línea de entrada con una llave ajustable o llave para lavamanos. No apriete demasiado.

Conecte cada uno de los extremos restantes de las líneas de entrada de agua a las válvulas de cierre de agua fría y caliente, y apriete con una llave inglesa. No apriete demasiado.

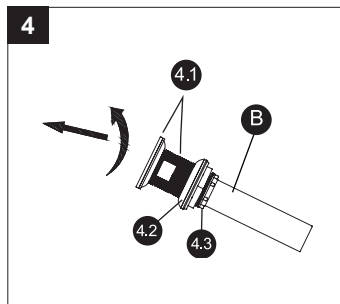


7. Una vez completada la instalación, retire el aireador (7.1) del caño (7.2) en el cuerpo del grifo (A). Abra el suministro de agua. Verifique si hay fugas en todas las conexiones de los conductos. Si se produce una fuga, apriete suavemente la tuerca en la conexión que esté goteando. Llene el lavamanos con agua para verificar que el desagüe no tenga fugas. Si sale agua del desagüe, apriete la tuerca de montaje del conjunto de drenaje emergente (B).

Después de que se haya revisado el desagüe emergente en busca de fugas, vacíe el lavamanos. Deje correr el agua fría y caliente sin interrupción durante al menos un minuto para eliminar cualquier residuo que pueda dañar las piezas internas. Cierre la llave del agua y vuelva a colocar el aireador (7.1) en el caño (7.2) del cuerpo del grifo (A).

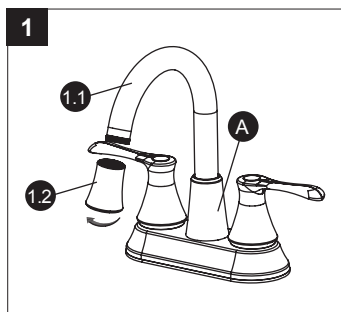


4. Retire el viejo conjunto de drenaje emergente. Limpie todas las superficies del lavabo para eliminar la masilla y la suciedad viejas antes de instalar el nuevo conjunto de desagüe. Retire la brida y la parte superior roscada (4.1) del ensamblaje de desagüe emergente de la junta inferior (4.2), la tuerca de montaje (4.3) y la parte inferior del conjunto de drenaje emergente (B).

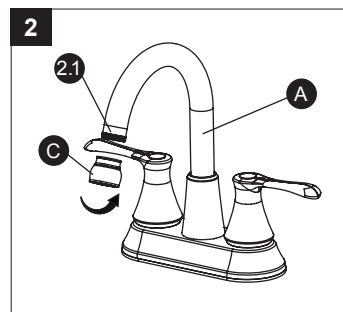


REEMPLAZO DEL AIREADOR LED CON AIREADOR SIN ILUMINACIÓN

1. Sujete el extremo del caño (1.1) y gire el aireador LED (1.2) en dirección de las manecillas del reloj para extraerlo del cuerpo del grifo (A).



2. Enrosque el aireador sin iluminación (C) en el extremo del caño (2.1) del cuerpo del grifo (A). Apriete a mano, pero no demasiado.



INSTRUCCIONES DE FUNCIONAMIENTO

Las manijas de palanca controlan el flujo de agua caliente y fría del grifo. Mover la manija hacia delante abre el cartucho y hace que el agua fluya desde la boquilla. Gire la manija en el lado derecho del grifo hacia delante para obtener agua fría. Gire la manija en el lado izquierdo del grifo hacia delante para obtener agua caliente. El grado en que abra la manija determina el volumen del flujo de agua. Al volver la manija a la posición original, lejos del caño del cuerpo del grifo, se detiene el flujo de agua.

CUIDADO Y LIMPIEZA

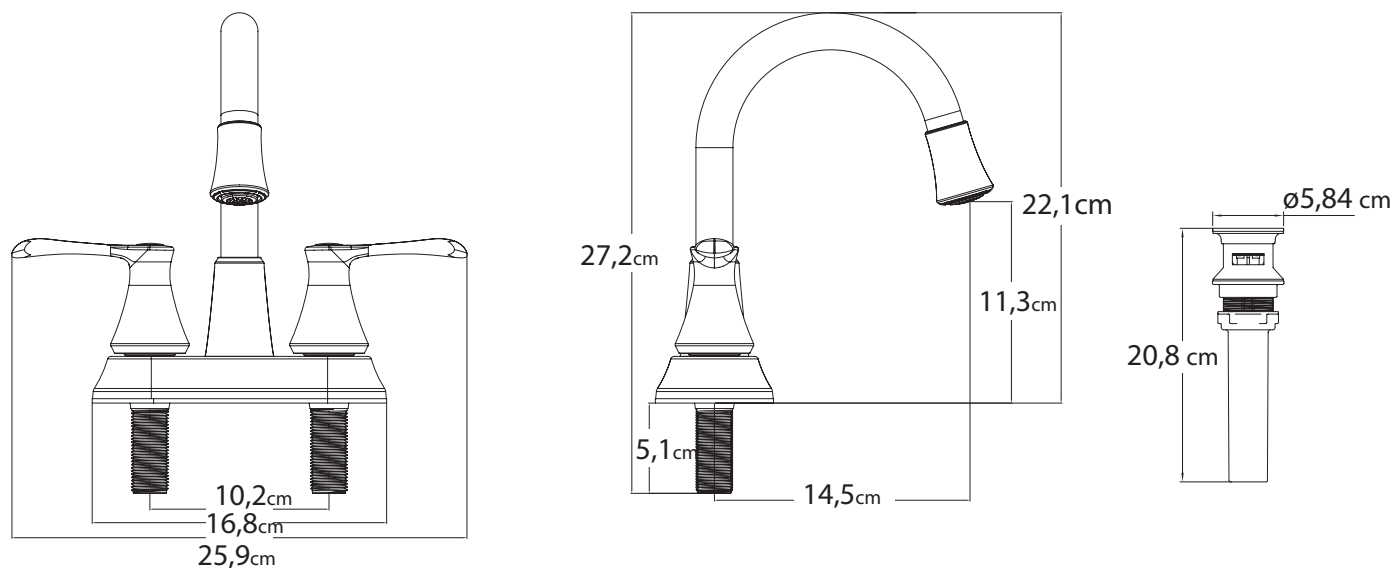
Limpie periódicamente con un paño suave. Evite utilizar limpiadores abrasivos, lana de acero y químicos agresivos, ya que pueden dañar el acabado y anular la garantía.

SOLUCION DE PROBLEMAS

Si una instalación del grifo no entregar el agua adecuadamente o fugas, la búsqueda de la causa y de fijación que puede ser fácil.

PROBLEMA	CAUSA POSIBLE	SOLUCIÓN
El grifo tiene una fuga debajo de la manija.	El bonete está flojo o la junta tórica del cartucho está sucia o torcida.	<ol style="list-style-type: none"> 1. Mueva la manija a la posición de apagado. Desatornille el tornillo de la manija y retire la manija. 2. Apriete el bonete girándolo en dirección de las manecillas del reloj. Coloque el vástago del cartucho en la posición de encendido. La fuga debería dejar de drenar alrededor del vástago del cartucho. 3. Si la fuga no se detiene, cierre el suministro de agua. Retire el bonete girándolo en dirección contraria a las manecillas del reloj. Levante la válvula del cartucho. Inspeccione la junta tórica más grande del bonete del cartucho y la junta tórica más pequeña del vástago del cartucho. Elimine todos los desechos de las juntas tóricas. Si una de las juntas tóricas está torcida, estírela. Si una de las juntas tóricas está dañada, llame al Departamento de Servicio al Cliente para reemplazar el cartucho. 4. Vuelva a colocar el cartucho en el cuerpo del grifo. Asegúrese de que los bordes de ambos lados del bonete del cartucho encajen en las ranuras de ambos lados del cuerpo del grifo. Enrosque con firmeza el bonete en el cuerpo del grifo. 5. Vuelva a instalar la manija.
El paso de agua no se cierra completamente.	El alojamiento de la válvula de goma está sucio, atascado o roto.	<ol style="list-style-type: none"> 1. Cierre el suministro de agua. 2. Retire la manija del cuerpo del grifo. Afloje el bonete girándolo en dirección contraria a las manecillas del reloj. Levante el ensamblaje del cartucho. 3. Inspeccione el alojamiento de la válvula de goma del cuerpo del grifo. Si hay desechos o restos de latón en la superficie del alojamiento, retírelos. Si el alojamiento de goma está muy atascado en el orificio de entrada de agua, empújelo cuidadosamente con el dedo para que se mueva hacia arriba y hacia abajo con suavidad. El resorte (extremo más pequeño) se debe volver a colocar debajo del alojamiento de la válvula. Si el alojamiento de la válvula de goma está desgastado o roto, llame al Departamento de Servicio al Cliente para reemplazar el cartucho. 4. Vuelva a colocar el cartucho en el cuerpo del grifo. Asegúrese de que los bordes de ambos lados del bonete del cartucho encajen en las ranuras de ambos lados del cuerpo del grifo. Enrosque con firmeza el bonete en el cuerpo del grifo. 5. Vuelva a instalar la manija.
El grifo tiene fugas alrededor del aireador.	El aireador está mal instalado, sucio o las piezas pequeñas dentro del aireador están instaladas incorrectamente.	<ol style="list-style-type: none"> 1. Retire el aireador del caño en el cuerpo del grifo. Inspeccione el empaque de goma negro en el interior del aireador. El empaque de goma debe ser plano. 2. Vuelva a instalar el aireador en el caño.
El grifo tiene un patrón de agua incorrecto.	El aireador está sucio o se instalaron piezas pequeñas de manera incorrecta dentro del aireador.	<ol style="list-style-type: none"> 1. Retire el aireador del caño en el cuerpo del grifo. 2. Limpie cuidadosamente las piezas pequeñas dentro del aireador para retirar cualquier desecho. 3. Vuelva a instalar el aireador en el caño.

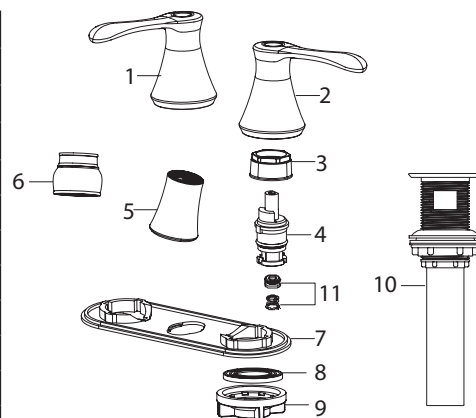
DIBUJO DE INSTALACIÓN



PIEZAS DE REPUESTO

Para obtener piezas de repuesto, llame a nuestro departamento de servicio al cliente al 1-877-319-3757, 7:30 a.m.- 4:30 p.m. CST, Lunes - Viernes.

PIEZA	DESCRIPCIÓN	PIEZA #	PIEZA #	PIEZA #
		21-B42-WYBNHW-Z	21-B42-WYMBHW-Z	21-B42-WYHW-Z
1	Manija - caliente	RP00617BN	RP00617MB	RP00617CH
2	Manija - frío	RP00618BN	RP00618MB	RP00618CH
3	Bonete	RP00585	RP00585	RP00585
4	Cartucho	RP01523	RP01523	RP01523
5	Aireador LED	RP00619BN	RP00619MB	RP00619CH
6	Aireador sin iluminación	RP00621BN	RP00621MB	RP00621CH
7	Placa	RP00620	RP00620	RP00620
8	Arandela de goma	RP00616	RP00616	RP00616
9	Tuerca de montaje	RP01525	RP01525	RP01525
10	Conjunto de drenaje emergente	RP00622BN	RP00622MB	RP00622CH
11	Asientos y resortes	RP01667	RP01667	RP01667



GARANTÍA LIMITADA DE POR VIDA

El distribuidor garantiza al comprador original que este producto está libre de defectos en cuanto a los materiales y la mano de obra en condiciones de uso normal en aplicaciones residenciales. A su elección, la Compañía proporcionará piezas de repuesto o reemplazará un producto defectuoso si el producto se utilizó de acuerdo con las especificaciones del fabricante.

El distribuidor le brinda al comprador original una garantía limitada de 5 años para el acabado de este producto. A su elección, el distribuidor proporcionará piezas de repuesto o reemplazará un producto defectuoso si el producto se utilizó de acuerdo con las especificaciones del fabricante. El uso de limpiadores abrasivos suaves, abrasivos o químicos puede dañar el acabado del producto. Le recomendamos que limpie el grifo con un paño suave y humedecido con agua. El daño ocasionado por el uso de limpiadores abrasivos o químicos ANULARÁ ESTA GARANTÍA.

Esta garantía no se aplica a productos o piezas de productos si el daño fue ocasionado por el uso de piezas no originales; o se deba a un error de instalación, al mal uso del producto, a negligencia o al mantenimiento inadecuado; o en caso de que el producto no se haya instalado de acuerdo con los códigos de construcción locales.

Esta garantía no incluye los cargos por mano de obra o los daños ocasionados durante la instalación, la reparación o el reemplazo, ni las lesiones, las pérdidas o los daños indirectos, accidentales o resultantes, ni los costos de ninguna naturaleza. Esta garantía reemplaza y excluye todas las demás garantías y condiciones, expresas o implícitas, incluidas sin restricción aquellas de comerciabilidad o uso adecuado.

La responsabilidad bajo esta garantía no superará el precio de compra del producto que se reclama como defectuoso pagado por el cliente o comprador original. Algunos estados o provincias no permiten la exclusión o limitación de los daños accidentales o resultantes, de modo que es posible que no se apliquen las exclusiones o limitaciones mencionadas anteriormente. Esta garantía le otorga derechos legales específicos y es posible que también tenga otros derechos que varían según el estado o la provincia.

Las preguntas sobre las reclamaciones de garantía se pueden dirigir al 1-877-319-3757, 7:30 a.m.- 4:30 p.m. CST, Lunes - Viernes.