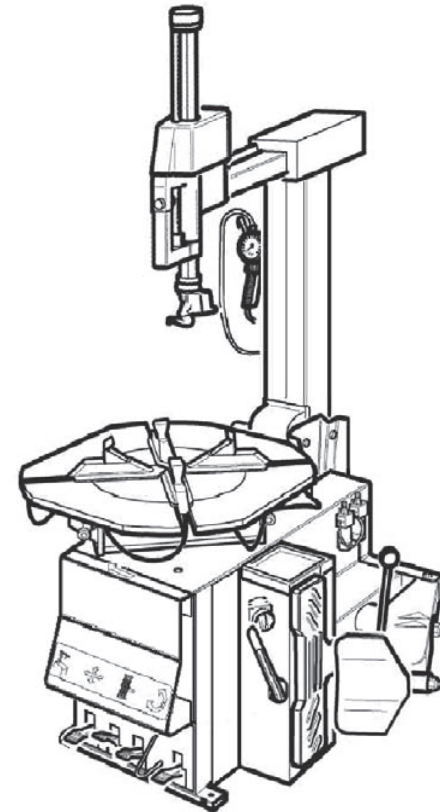




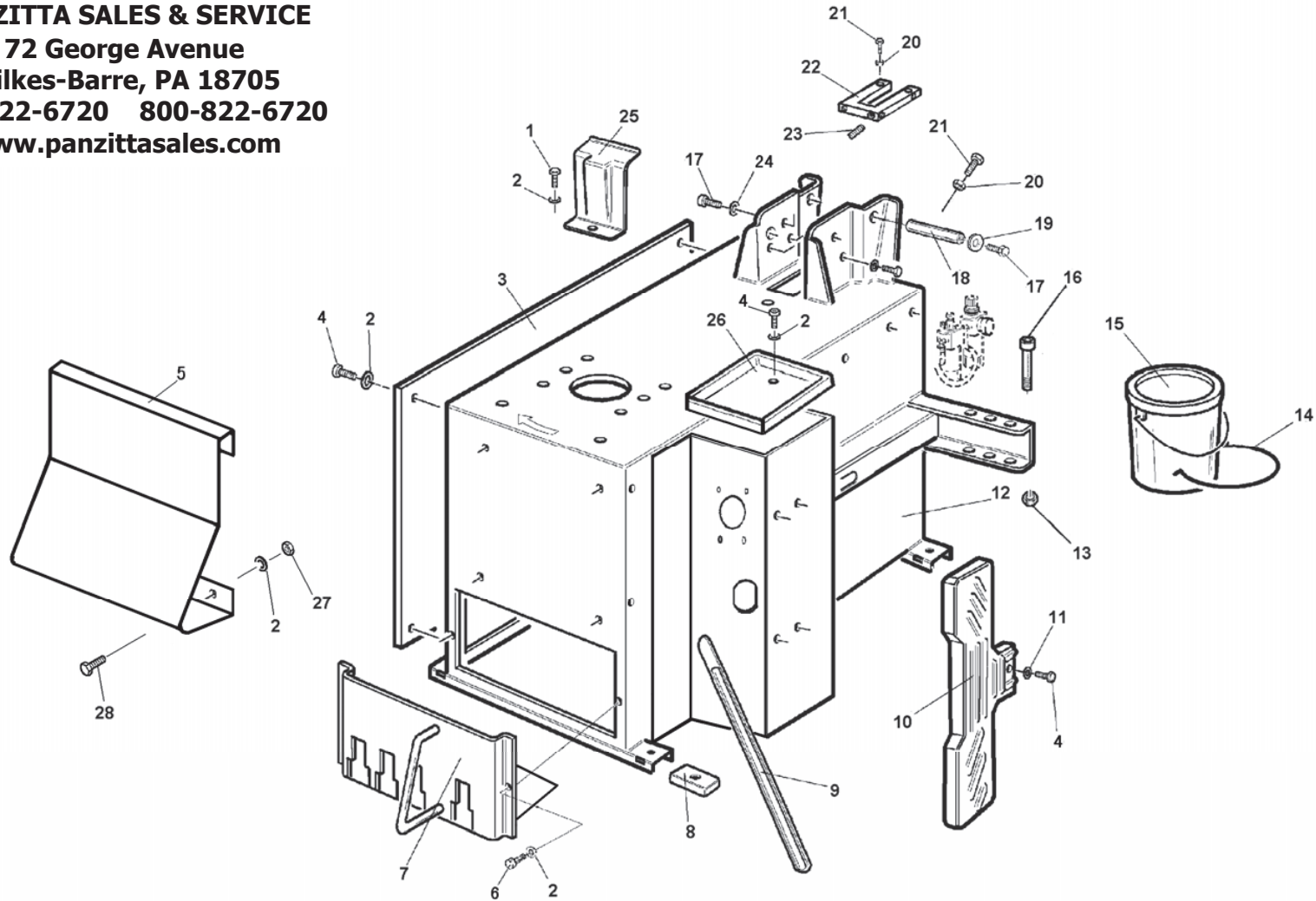
ED. 07/2008

**PART CATALOGUE**  
**TC-733**  
**FULL-AUTOMATIC TIRE CHANGER**

**PANZITTA SALES & SERVICE**  
**72 George Avenue**  
**Wilkes-Barre, PA 18705**  
**570-822-6720 800-822-6720**  
**[www.panzittasales.com](http://www.panzittasales.com)**



**PANZITTA SALES & SERVICE**  
72 George Avenue  
Wilkes-Barre, PA 18705  
570-822-6720 800-822-6720  
www.panzittasales.com



TAV.1-6	BODY			ED. 07/08
---------	------	--	--	-----------

ITEM	CODE	REF. NO	DESCRIPTION	QTY	REMARK
1		GB/T70.1	Screw M6X10	1	
2	4398848	GB/T97.1	Washer 6	11	
3	3012269	YC2-3012269	Side cover	1	
4	4398708	GB/T70.1	Screw M6X16	9	
5		203B-006	Pedal cover	1	
6	4398723	GB/T70.1	Screw M6X12	2	
7	2412453	YC2-2412453	Pedal support	1	
8	3002099	YC1-3002099	Plastic foot	4	
9	3006970	YC1-3006970	Bead lifting lever	1	
10	3002102	YC1-3002102	Wheel support	1	
11		GB/T96	Washer 6	4	
12	2415583	YC2-2415583	Shell	1	
13	4399971	GB/T6182	Self-locking nut M10	1	
14	3000069	YC1-3000069	Spring	1	
15	4299984	YC1-4299984	Grease cup	1	
16	4398925	GB/T70.1	Screw M10X85	1	
17	4399966	GB/T5783	Screw M10X25	6	
18	3000206	YC2-3000206	Pivot	1	
19	3000495	YC2-3000495	Washer 10X36X5	2	
20	4399967	GB/T6170	Nut M10	4	
21	4399228	GB/T5783	Screw M10X30	4	
22	3012312	YC2-3012312	Spacer	1	
23	4399957	GB/T78	Screw M6X8	2	
24	4399378	GB/T97.1	Washer 10	4	
25	3012450	YC2-3012450	Protection	1	
26	301831	203B-3018314	Cover	1	
27		GB/T6170	Nut M6	4	

**PANZITTA SALES & SERVICE**  
**72 George Avenue**  
**Wilkes-Barre, PA 18705**  
**570-822-6720 800-822-6720**  
**www.panzittasales.com**

TAV.1-6	BODY	ED. 07/08
---------	------	-----------

28

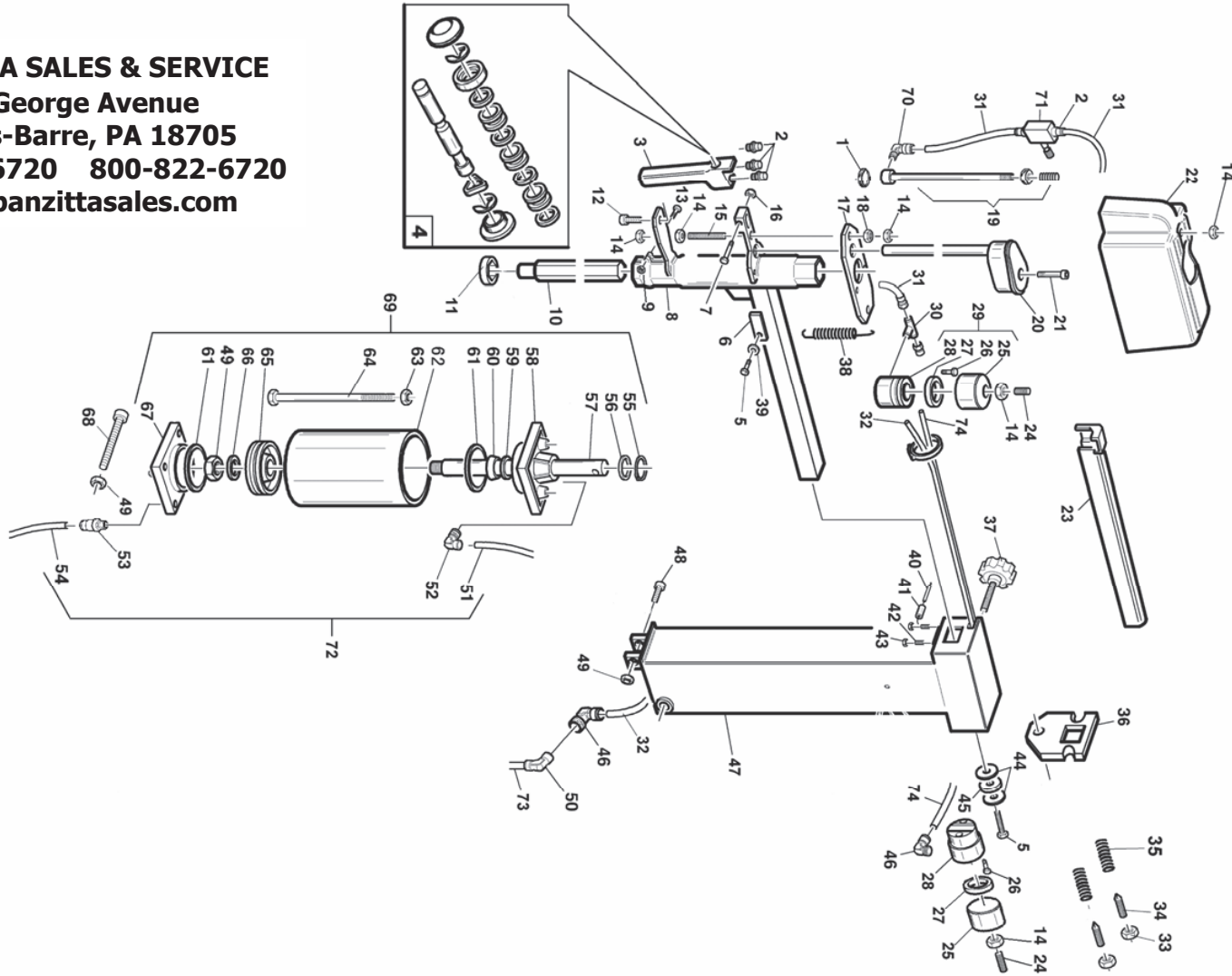
GB/T5783

Screw M6X16

4

**PANZITTA SALES & SERVICE**  
**72 George Avenue**  
**Wilkes-Barre, PA 18705**  
**570-822-6720 800-822-6720**  
**[www.panzittasales.com](http://www.panzittasales.com)**

**PANZITTA SALES & SERVICE**  
 72 George Avenue  
 Wilkes-Barre, PA 18705  
 570-822-6720 800-822-6720  
 www.panzittasales.com



TAV.2.9	HORIZ. AND VERT. ARMS			ED. 07/08
---------	-----------------------	--	--	-----------

ITEM	CODE	REF. NO	DESCRIPTION	QTY	REMARK
1		YC2-003	Rubber absorber	1	
2	4197743		Quick union M4 D.4	5	
3	2008335	YC2-2008335	Robot control	1	<b>PANZITTA SALES &amp; SERVICE</b> <b>72 George Avenue</b> <b>Wilkes-Barre, PA 18705</b> <b>570-822-6720 800-822-6720</b> <b>www.panzittasales.com</b>
4			Arm control spares	1	
5	4399827	GB/T5783	Screw M8X20	2	
6	3007935	YC2-3007935	Shock absorber	1	
7	4399896	GB/T70.1	Screw M4X35	1	
8	2415593	YC2-2415593	Horizontal arm	1	
9	4399900	GB/T6182	Self-locking nut M8	1	
10	3011391	YC2-3011391	Hexagonal arm	1	
11	3002601	YC1-3012601	Mounting tool shock absorber	1	
12	4399892	GB/T5783	Screw M6X20	1	
13		GB/T70.1	Screw M8X35	1	
14	4399967	GB/T6172	Nut M10	6	
15	3012459	YC2-3012459	Thread bar M10X120	1	
16	4399895	GB/T6182	Self-locking nut M4	1	
17	3006106	YC2-3006106	Arm locking plate	1	
18	4399971	GB/T6182	Self-locking nut M10	1	
19	2008063	YC2-2008063	Inner pipe unit	1	
20	2008064	YC2-2008064	Outer pipe unit	1	
21	4399133	GB/T70.1	Screw M8X40	1	
22	3015860	YC2-3015860	Arm frame	1	
23	3002602	YC2-3002602	Guide	1	
24	4398284	GB/T77	Screw M10X30	2	
25	4299524	YC2-4299524	Cylinder liner	2	
26	4399135	GB/T70.1	Screw M6X35	4	
27	4299522	YC2-4299522	Sealing ring	2	

TAV.2.9	HORIZ. AND VERT. ARMS	ED. 07/08
---------	-----------------------	-----------

28	4299523	YC2-4299523	Piston	2
29	2099665	YC2-2099665	Locking cylinder	2
30	4197740		Quick union 1/8" 4	1
31	3007990		Rilsan hose 4X2 L=300	3
32	3007988		Rilsan hose 4X2 L=2100	1
33	4399865	GB/T6170	Nut M12	2
34	3015677	YC2-3015677	Adjustable screw	2
35	3015597	YC2-3015597	Spring	2
36	2115676	YC2-3015676	Arm locking plate	1
37	3013281	YC2-3013281	Handel wheel	1
38	3002273	YC2-3002273	Spring	2
39	4399829	GB/T96	Washer 8	1
40	4398763	YC2-001	Parallel pin	1
41	3002474	YC2-3002474	Roller	1
42	4398734	GB/T77	Screw M8X20	2
43	4399976	GB/T6170	Nut M8	2
44	4399947	YC2-4399947	Washer 8X32X4	2
45	3000181	YC2-2415598	Washer 9X30X5	1
46	4197741	YC2-3000599	Quick union 1/8" 4	2
47	2115598	YC2-2415598	Vertical arm	1
48	3000599	YC2-3000599	Pin M12X55	1
49	4399865	GB/T6182	Self-locking nut M12	3
50	4199098		Quick union 1/8" 8	1
51	3000218		Rilsan hose 6X4 L=1200	1
52	4199098		Quick union 1/8" 6	1
53	4198993		Quick union 1/8" 6	1
54	3000217		Rilsan hose 6X4 L=1100	1

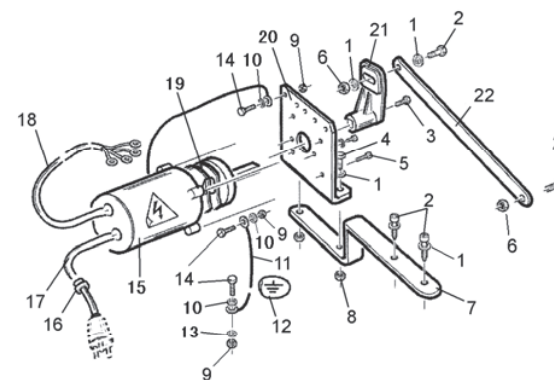
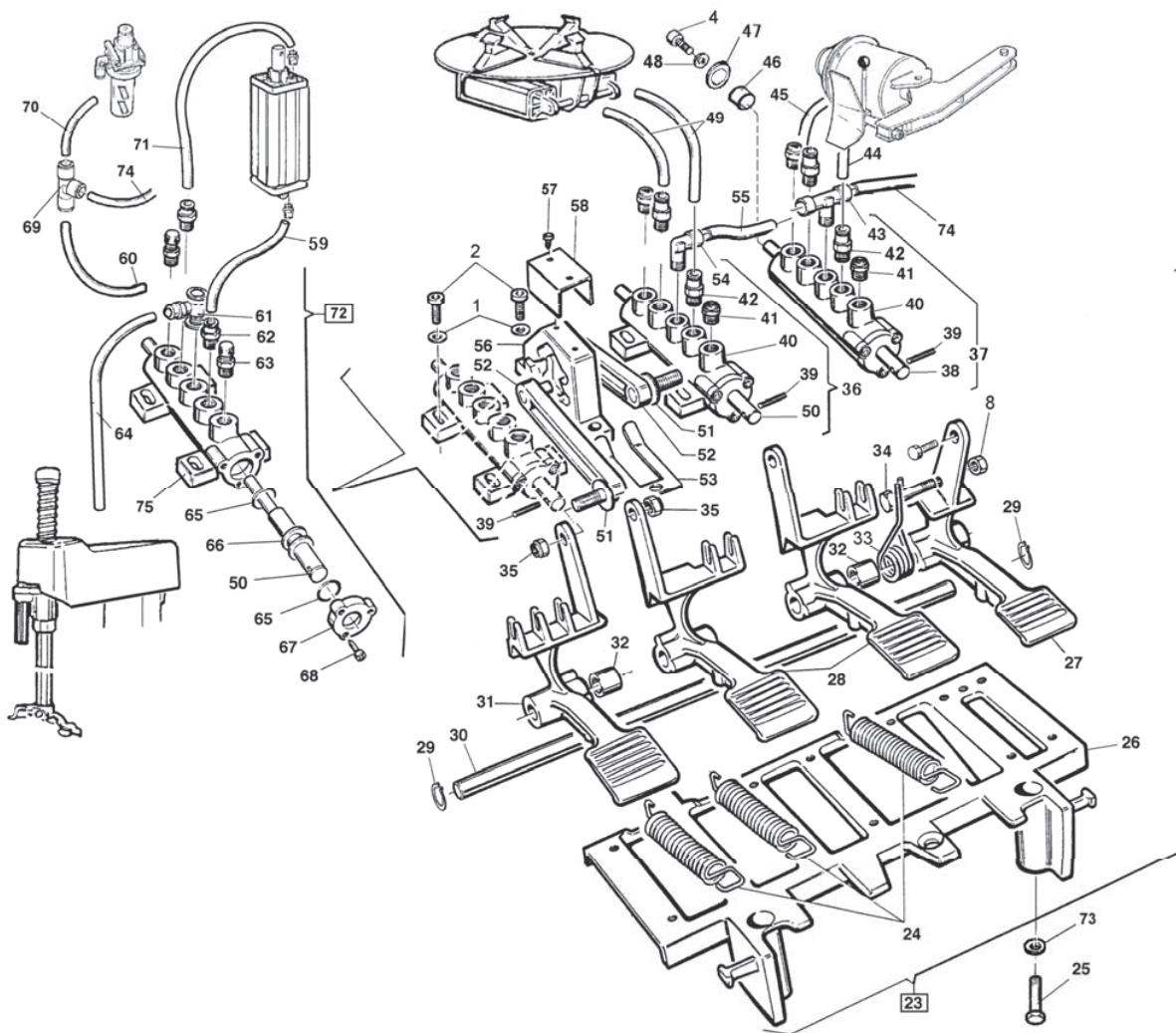
**PANZITTA SALES & SERVICE**  
**72 George Avenue**  
**Wilkes-Barre, PA 18705**  
**570-822-6720 800-822-6720**  
**www.panzittasales.com**

TAV.2.9	HORIZ. AND VERT. ARMS			ED. 07/08
---------	-----------------------	--	--	-----------

55	3199599	GB/T893.1	Seeger 30	1
56	4398146	YC1-4398146	Washer 24X30X0.5	1
57	3002624	YC2-3002624	Piston rod	1
58	3015024	YC1-3015024	Flange	1
59	4299168	GB/T3452.1	O-ring 20X2.75	1
60	3199601		Scraper 20X30X7	1
61	4298822	GB/T3452.1	O-ring 75X3.55	2
62	3008084	YC2-3008084	Cylinder liner	1
63	4397678	GB/T6177	Flange nut M8	4
64	3008085	YC2-3008085	Special screw	4
65	4198856	YC1-4198856	Piston	1
66	4398637	GB/T97.1	Washer 12	2
67	3015032	YC1-3015032	Flange	1
68	4399539	GB/T70.1	Screw M12X120	1
69	2002831	YC2-2002831	Tilting cylinder	1
70	4197718		Union M4 D.4	1
71	4197703		Flow regulator	1
72	2008082	YC2-2008082	Cylinder unit	1
73	4198993		Rilsan hose 8X5 L=1000	1
74	3007988		Rilsan hose 4X2 L=1000	1

**PANZITTA SALES & SERVICE**  
**72 George Avenue**  
**Wilkes-Barre, PA 18705**  
**570-822-6720 800-822-6720**  
**www.panzittasales.com**





**PANZITTA SALES & SERVICE**  
**72 George Avenue**  
**Wilkes-Barre, PA 18705**  
**570-822-6720 800-822-6720**  
**www.panzittasales.com**

TAV.3.3	PEDAL BOX	ED. 07/08
---------	-----------	-----------

ITEM	CODE	REF. NO	DESCRIPTION	QTY	REMARK
1	4399998	GB/T97.1	Toothed washer 6	1	<b>PANZITTA SALES &amp; SERVICE</b> <b>72 George Avenue</b> <b>Wilkes-Barre, PA 18705</b> <b>570-822-6720 800-822-6720</b> <b>www.panzittasales.com</b>
2	4399890	GB/T70.1	Screw M6X20	6	
3	4399905	GB/T70.1	Screw M4X12	2	
4	4398848	GB/T5783	Screw M6X12	12	
5	4399044	GB/T70.1	Screw M5X20	1	
6	4399893	GB/T6182	Self-locking nut M6	10	
7	3015342	YC1-3015342	Support	2	
8	4399889	GB/T6170	Nut M6	4	
9	4399996	GB/T6170	Nut M4	4	
10		GB/T862.2	Toothed locking washer 4	1	
11	2006040		Grounding cable	1	
12	3005604		Grounding sticker	2	
13	4399703	GB/T97.1	Washer 4	1	
14	4399905	GB/T5783	Screw M4X12	1	
15	3015345		Reverser cover	2	
16	4599986		Cable holder	1	
17			Power connection cable	1	
18	2001171	YC1-2001171	Motor connection cable	1	
19	4595380		Reverser 40A	1	
20	2115340	YC1-2115340	Support	1	
21	3000175	YC1-3000175	Reverser lever	1	
22	3015341	YC1-3015341	Connection rod	3	
23	2006514	YC2-2006514	Pedal control unit	1	
24	3013333	YC1-3013333	Pedal return spring	3	
25		GB/T5783	Screw M8X16	3	
26	3002161	YC1-3002161	Pedal box base	1	
27	3002157	YC1-3002157	Reverser control pedal A	1	

TAV.3.3	PEDAL BOX			ED. 07/08
---------	-----------	--	--	-----------

28	3002159	YC1-3002159	Pedal B	2
29	4399864	GB/T894.1	Seeger 12	2
30	3003095	YC2-3003095	Pedal alignment pin	1
31	3002160	YC2-3002160	Tilting control pedal C	1
32	3007953	YC1-3007953	Bush	2
33	3000142	YC1-3000142	Pedal control spring	1
34	4397649	GB/T5782	Screw M6X50	1
35	4399900	GB/T6182	Self-locking nut M8	2
36	2002529	YC1-2002529	Turntable valve	1
37	2006297	YC1-2006297	Bead breaking valve unit	1
38	3007598	YC1-3007598	Valve shaft	1
39	4398783	GB/T879.2	Spring pin 4X25	3
40	2002444	YC1-2002444	Valve unit	3
41	4199610		Silencer 1/8"	4
42	4198954		Quick union 1/8" - 8	4
43	4198778		Quick union 1/8" - 8	1
44			Rilsan hose 8X5 L750	1
45	3000144		Rilsan hose 8X5 L700	2
46	4197629	YC1-4197629	Nylon washer	1
47	4398633	GB/T97.1	Washer 10	1
48	4398848	GB/T96	Washer 6	1
49	3099335		Rilsan hose 8X5 L=850	2
50	3002442	YC1-3002442	Valve pin	2
51	4399894	GB/T860	Washer 8	2
52	4299912	YC1-4299912	Connection rod	2
53	4299911	YC1-4299911	Forked leaf spring	1
54	4198990		Quick union 1/8"8	1

**PANZITTA SALES & SERVICE**  
**72 George Avenue**  
**Wilkes-Barre, PA 18705**  
**570-822-6720 800-822-6720**  
**www.panzittasales.com**

TAV.3.3	PEDAL BOX	ED. 07/08
---------	-----------	-----------

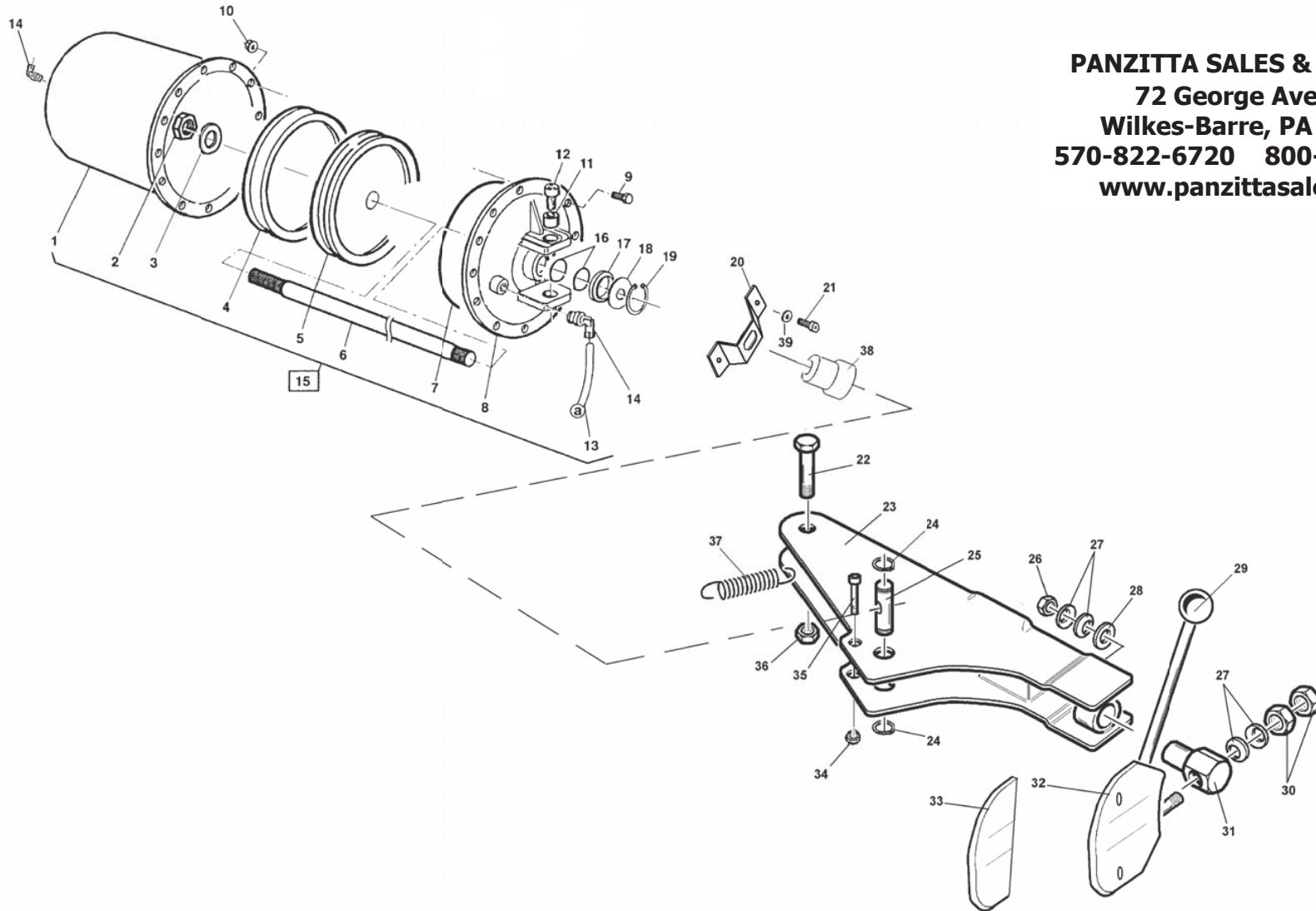
55	3002446		Rilsan hose 8X5 L=80	1
56	4299913	YC1-4299913	Cam	1
57	4399891	GB/T845	Self-tapping screw ST3X6	2
58	4299910	YC1-3099910	Connection rod guide	1
59	3000217		Rilsan hose 6X4 L=1100	1
60	3002446		Rilsan hose 8X5 L=250	1
61	4199842		Quick union 1/8"- 8	1
62	4198993		Quick union 1/8"- 6	2
63	4199843		Silencer outlet adjuster G1/8"	2
64	3000218		Rilsan hose 8X5 L=1000	1
65	4299000	YC1-4299000	O-ring 17X4	18
66	3001584	YC1-3001584	Spacer for valve 3001583	15
67	3001585	YC1-3001585	Flange for valve 3001583	3
68	4398999	GB/T845	Self-tapping screw ST3.5X13	9
69	4198594		Quick union D8	1
70	3001342		Rilsan hose 8X5 L=1100	1
71	3000218		Rilsan hose 6X4 L=1200	1
72	2002531	YC2-2002531	Tilting control valve unit	1
73		GB/T97.1	Washer 8	3
74	3000145		Rilsan hose 8X5L=250	1
75	3001583	YC1-3001583	Distribution valve	3

**PANZITTA SALES & SERVICE**  
**72 George Avenue**  
**Wilkes-Barre, PA 18705**  
**570-822-6720 800-822-6720**  
**www.panzittasales.com**

TAV.4.2

BEAD BREAKER

ED. 07/08



**PANZITTA SALES & SERVICE**  
72 George Avenue  
Wilkes-Barre, PA 18705  
570-822-6720 800-822-6720  
[www.panzittasales.com](http://www.panzittasales.com)

TAV.4.2	BEAD BREAKER			ED. 07/08
---------	--------------	--	--	-----------

ITEM	CODE	REF. NO	DESCRIPTION	QTY	REMARK
1	3005053	YC1-3005053	Cylinder liner	1	
2	4394969	GB/T6171	Nut M18X1.5	1	
3	4398289	GB/T97.1	Washer 18	1	
4	4195069	YC1-4195069	Seal	1	
5	3016806	YC1-3016806	Cylinder piston	1	
6	3007852	YC1-3007852	Piston rod	1	
7	4198145	GB/T3452.1	O-ring 195X5.1	1	
8	2115571	YC1-2415571	Cylinder flange	1	
9	4399892	GB/T5783	Screw M6X16	12	
10	4398007	GB/T6177	Flange nut M6	12	
11	3015573	YC1-3015573	Bush	2	
12	4399943	GB/T70.1	Screw M12X35	2	
13	3000889		Rilsan hose 8x5 L=700	1	
14	4198578		Rotation union 1/4" - 8	2	
15	2015850	YC1-2015850	Bead breaker cylinder	1	
16	4298168	GB/T3452.1	O-ring 20X2.75	2	
17	3199601		Scraper 20X30X7	1	
18	4398146	YC1-4398146	Shim 24X30X0.5	1	
19	3199599	GB/T893.1	Seeger 30	1	
20	2415581	YC2-2415581-A	Support	1	
21		GB/T70.1	Screw M6X16	2	
22	4399945	GB/T5782	Screw M16X90	1	
23	2415581	YC1-2415581	Bead breaker arm	1	
24	4398178	GB/T894.1	Seeger 40	2	
25	3008990	YC1-3008990	Pivot pin	1	
26	4399949	GB/6182	Self-locking nut M14	1	
27	4398899	GB/T955	Elastic washer 14	4	

**PANZITTA SALES & SERVICE**  
**72 George Avenue**  
**Wilkes-Barre, PA 18705**  
**570-822-6720 800-822-6720**  
**www.panzittasales.com**

TAV.4.2	BEAD BREAKER			ED. 07/08
---------	--------------	--	--	-----------

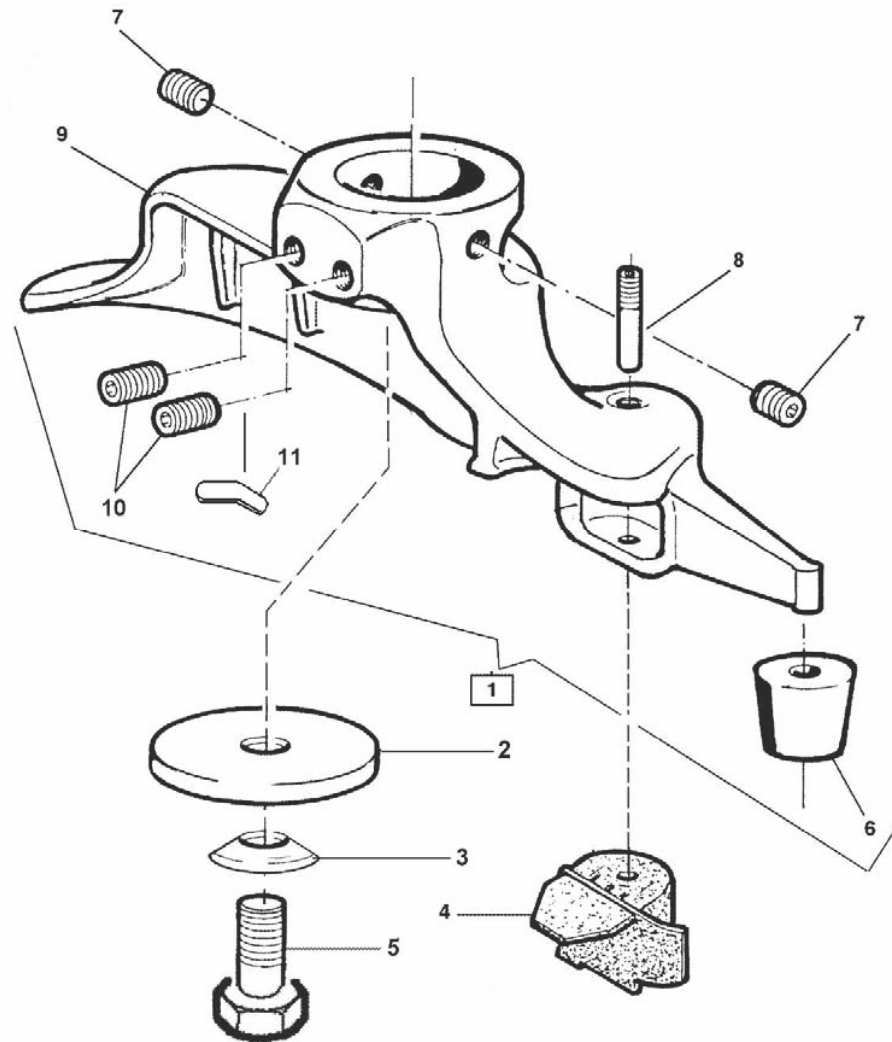
28	4398751	GB/T96	Washer 14	2
29	4299952	YC1-4299952	Knob	1
30	4396941	GB/T6172	Nut M14	2
31	3010293	YC2-3010293	Pivot	1
32	2412271	YC1-2412271	Bead breaker plate	1
33	3013240	YC2-3013240	Protective cover	1
34	4399971	GB/T6182	Self-locking nut M10	1
35	4397145	GB/T70.1	Screw M10X70	1
36	4399963	GB/T6182	Self-locking nut M16	1
37	3000114	YC1-3000114	Arm spring	1
38		YC1-002	Rubber limit	1
39	4399998	GB/T97.1	Washer 6	2

**PANZITTA SALES & SERVICE**  
**72 George Avenue**  
**Wilkes-Barre, PA 18705**  
**570-822-6720 800-822-6720**  
**[www.panzittasales.com](http://www.panzittasales.com)**

TAV.5.1

MOUNTING TOOL

ED. 07/08



**PANZITTA SALES & SERVICE**  
**72 George Avenue**  
**Wilkes-Barre, PA 18705**  
**570-822-6720 800-822-6720**  
**[www.panzittasales.com](http://www.panzittasales.com)**



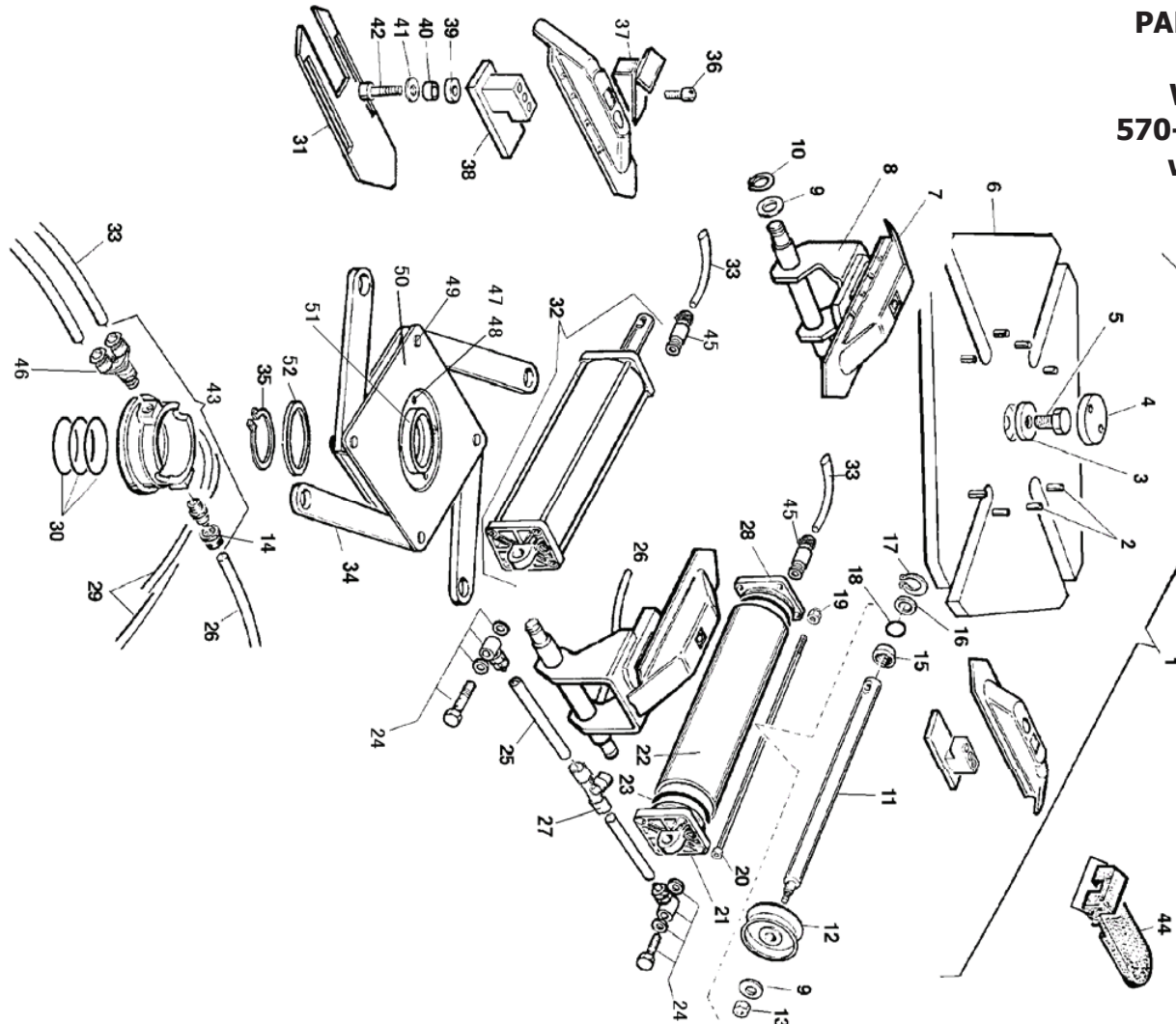
TAV.5.1	MOUNTING TOOL	ED. 07/08
---------	---------------	-----------

ITEM	CODE	REF. NO	DESCRIPTION	QTY	REMARK
1	2002215	YC1-2002215	Mounting tool unit	1	<b>PANZITTA SALES &amp; SERVICE</b> <b>72 George Avenue</b> <b>Wilkes-Barre, PA 18705</b> <b>570-822-6720 800-822-6720</b> <b>www.panzittasales.com</b>
2	4395804	YC1-4395804	Washer 14.2X35X5	1	
3	4395805	YC1-4395805	Washer 10.2X21X4	1	
4	3006689	YC1-3006689	Plastic insert	1	
5	4399953	GB/T5783	Bolt M10X16	1	
6	3000215	YC1-3000215	Peak roll	1	
7	5395530	GB/T80	Screw M12X12	2	
8	3009018	YC1-3009018	Special pin D.5 M6	1	
9	3002214	YC1-2002214	Mounting tool	1	
10	4395805	GB/T77	Screw M12X16	2	
11	3013650	YC1-3013650	Tool protection	1	

TAV.6-5

SELF-CENTERING TURNTABLE

ED. 07/08



**PANZITTA SALES & SERVICE**  
72 George Avenue  
Wilkes-Barre, PA 18705  
570-822-6720 800-822-6720  
[www.panzittasales.com](http://www.panzittasales.com)

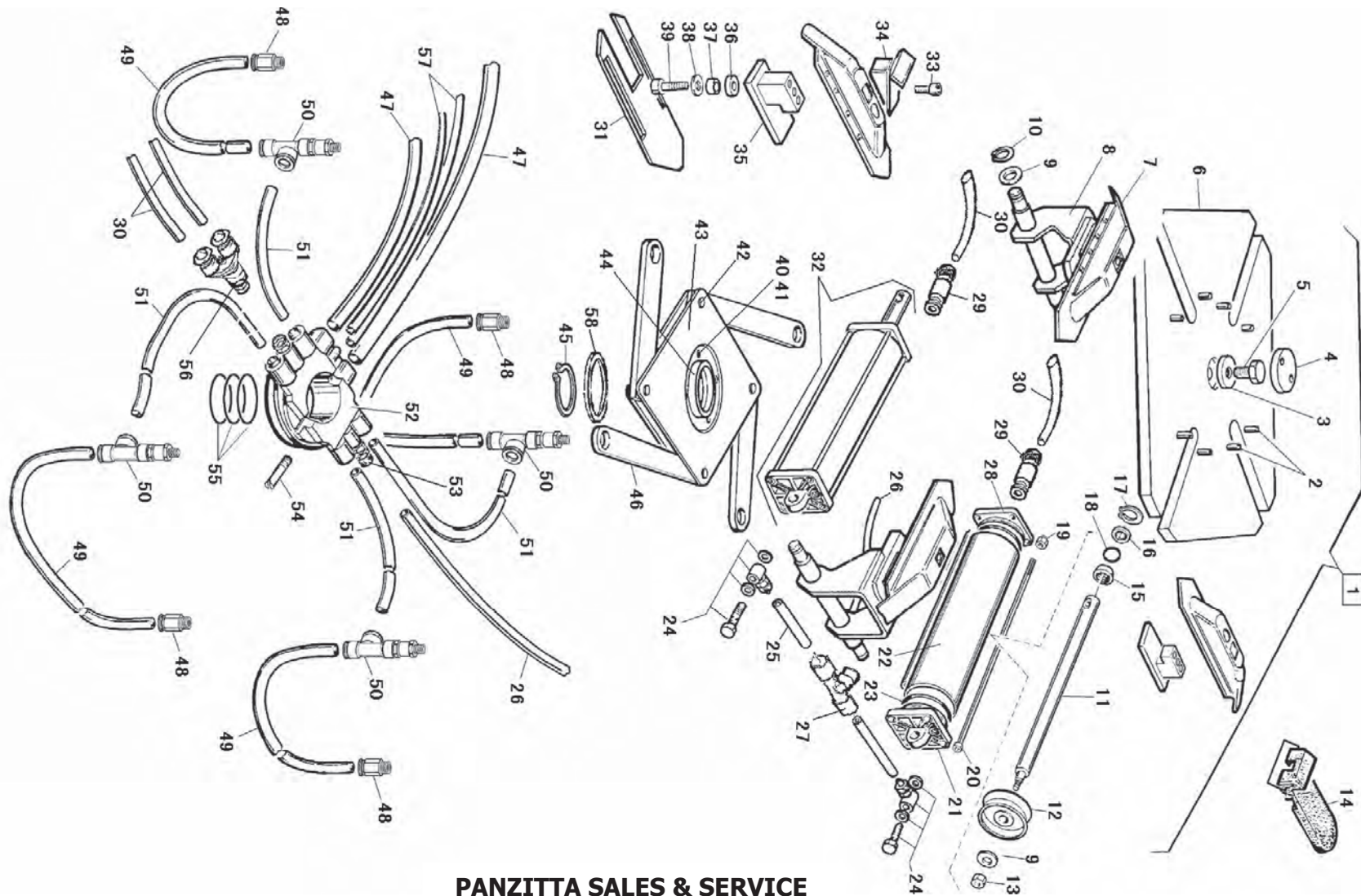
TAV.6-5	SELF-CENTERING TURNTABLE	ED. 07/08
---------	--------------------------	-----------

ITEM	CODE	REF. NO	DESCRIPTION	QTY	REMARK
1	2015845	YC1-2015845	Turntable system	1	<b>PANZITTA SALES &amp; SERVICE</b> <b>72 George Avenue</b> <b>Wilkes-Barre, PA 18705</b> <b>570-822-6720 800-822-6720</b> <b>www.panzittasales.com</b>
2	3015187	YC1-3015187	Guide pin	8	
3	3009778	YC1-3009778	Washer 16.3X47X13	1	
4	3000062	YC1-3000062	Turntable cap	1	
5	4399926	GB/T5783	Screw M16X1.5X40	1	
6	2112865	YC1-2112865	Turntable	1	
7	3006255	YC1-3006255	Slide	4	
8	2115756	YC1-2415756	Slide guide	2	
9	4398637	GB/T97.1	Washer 12	8	
10	4399864	GB/T894.1	Seeger 12	4	
11	3002901	YC1-3002901	Cylinder shaft	2	
12	4198856	YC1-4198856	Piston	2	
13	4399865	GB/T6182	Self-locking nut M12	2	
14			Rotation union 1/8" - 8	1	
15	3199601		Scraper 20X30X7	2	
16	4398146	YC1-4398146	Washer 24X30X0.5	2	
17	3199599	GB/T893.1	Seeger 30	2	
18	4299168	GB/T3452.1	O-ring 20X2.75	2	
19	4397678	GB/T6177	Flange nut M8	8	
20	3007941	YC1-3007941	Special screw	8	
21	3015023	YC1-3015023	Back flange	2	
22	3008042	YC1-3008042	Cylinder liner	2	
23	4298822	GB/T3452.1	O-ring 75X3.55	4	
24	4198898		Union 1/8" - 8	2	
25			Rilsan hose 8X5 L=70	2	
26	3002225		Rilsan spiral hose 8X5 L320	1	
27			T union D.8	1	

TAV.6-5	SELF-CENTERING TURNTABLE	ED. 07/08
---------	--------------------------	-----------

28	3015024	YC1-3015024	Front flange	2
29	3002225		Rilsan hose 8X5 L=850	2
30	3199589	GB/T3452.1	O-ring 60X2.65	3
31	3015169	YC1-3015169	Turntable plate	4
32	2008060	YC1-2008060	Turntable cylinder unit	2
33	3099335		Rilsan hose 8X5 L=270	2
34	3006870	YC1-3006870	Connection plate	8
35	4399932	GB/T894.1	Seeger 65	1
36	4398037	GB/T70.1	Screw M10X1.25X25	4
37	3002297	YC1-3002297	Oversize clamp	4
38	2115755	YC1-3015755	Slide guide	2
39	3006879	YC1-3006879	Turntable spacer	4
40	3006880	YC1-3006880	Connection rod spacer	4
41	4398637	GB/T97.1	Washer 12	4
42	4398838	GB/T70.1	Screw M12X1.25X45	4
43	4298955	YC1-4298955	Rotation union	1
44	2006393	YC1-2006393	Clamp cover	4
45	4198954		Quick union 1/8" - 8	2
46			Quick T union 1/8" - 8	1
47		GB/T5783	Screw M6X12	4
48	4399889	GB/T6170	Nut M6	4
49	3006878	YC1-3006878	Connection pin	4
50	3006869	YC1-3006869	Turntable flange	2
51	3007420	YC1-3007420	Bush	1
52	3006869	YC1-3006869-A	Turntable spacer	1

**PANZITTA SALES & SERVICE**  
**72 George Avenue**  
**Wilkes-Barre, PA 18705**  
**570-822-6720 800-822-6720**  
**www.panzittasales.com**



**PANZITTA SALES & SERVICE**  
 72 George Avenue  
 Wilkes-Barre, PA 18705  
 570-822-6720 800-822-6720  
[www.panzittasales.com](http://www.panzittasales.com)

TAV.6-6	SELF-CENTERING TURNTABLE GT	ED. 07/08
---------	-----------------------------	-----------

ITEM	CODE	REF. NO	DESCRIPTION	QTY	REMARK
1	2015856	YC2-2015856	GT turntable	1	<b>PANZITTA SALES &amp; SERVICE</b> <b>72 George Avenue</b> <b>Wilkes-Barre, PA 18705</b> <b>570-822-6720 800-822-6720</b> <b>www.panzittasales.com</b>
2	3015187	YC1-3015187	Guide pin 12	8	
3	3009778	YC1-3009778	Washer 16.3X47X13	1	
4	3000062	YC1-3000062	Turntable cap	1	
5	4399926	GB/T5783	Screw M16X1.5X40	1	
6	2107384	YC2-2107384	Turntable	1	
7	2107387	YC2-2407387	GT slide	4	
8	2115756	YC1-2415756	Slide guide	2	
9	4398637	GB/T97.1	Washer 12	8	
10	4399864	GB/T894.1	Seeger 12	4	
11	3002901	YC1-3002901	Piston rod	2	
12	4198856	YC1-4198856	Piston	2	
13	4399865	GB/T6182	Self-locking nutM12	2	
14	2006393	YC1-2006393	Clamp cover	4	
15	3199601		Oil scraper 20X30X7	2	
16	4398146	YC1-4398146	Shim 24X30X0.5	2	
17	4198035	GB/T893.1	Seeger 30	2	
18	4299168	GB/T3452.1	O-ring 20X2.75	2	
19	4397678	GB/T6177	Flange nut	8	
20	3007941	YC1-3007941	Special screw	8	
21	3015023	YC1-3015023	Back flange	2	
22	3008042	YC1-3008042	Cylinder liner	2	
23	4298822	GB/T3452.1	O-ring 75X3.55	4	
24	4198898		90° union 1/8" - 8	2	
25			Rilsan hose 8X5 L=70	2	
26			Rilsan spiral hose 8X5	1	
27			T union D.8	1	

TAV.6-6	SELF-CENTERING TURNTABLE GT	ED. 07/08
---------	-----------------------------	-----------

28	3015024	YC1-3015024	Front flange	2
29	4198954		Quick union 1/8" - 8	2
30			Rilsan hose 8X5 L=270	2
31	3015169	YC1-3015169	Turntable plate	4
32	2008060	YC1-2008060	Turntable cylinder	2
33	4398037	GB/T70.1	Screw M10X1.25X25	4
34	2002297	YC1-3002297	Oversize clamp	4
35	2115755	YC1-3015755	Slide guide	2
36	3006879	YC1-3006879	Turntable spacer	4
37	3006880	YC1-3006880	Connection rod spacer	4
38	4398637	GB/T97.1	Washer 12	4
39	4398838	GB/T70.1	Screw M12X1.25X45	4
40		GB/T5783	Screw M6X12	4
41	4399889	GB/T6170	Nut M6	4
42	3006878	YC1-3006878	Pin	4
43	3006869	YC1-3006869	Turntable flange	2
44	3007420	YC1-3007420	bush	1
45	4399932	GB/T894.1	Seeger 65	1
46	3006870	YC1-3006870	Connection plate	8
47	3002109		Rilsan hose 14X11 L=700	2
48	4198035		Quick union 1/4" 10	4
49	3006478		Rilsan hose 10X6.5 L=400	4
50	4197207		T union 1/8" 10	4
51	3006477		Rilsan hose 10X6.5 L=300	4
52	4298992	YC2-4298992	Rotation union	1
53			Union 1/8" 8	1
54	3001996	GB/T77	Screw M6X25	2

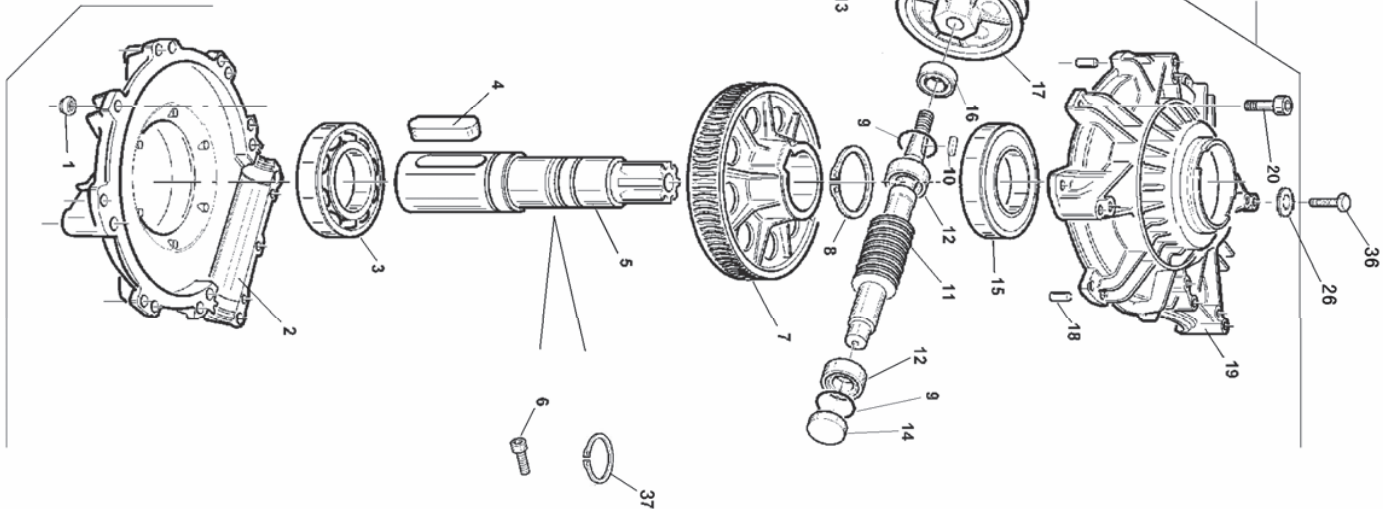
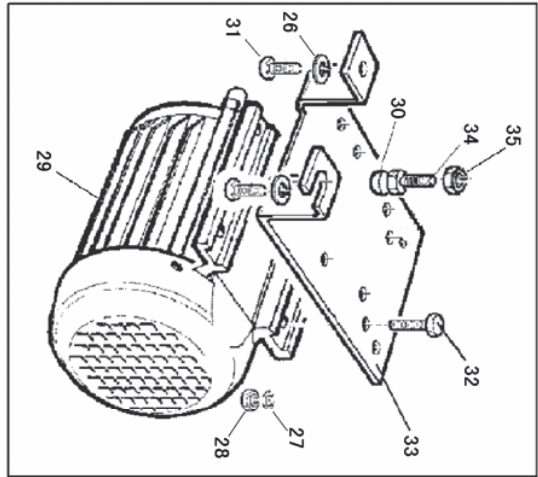
**PANZITTA SALES & SERVICE**  
**72 George Avenue**  
**Wilkes-Barre, PA 18705**  
**570-822-6720 800-822-6720**  
**www.panzittasales.com**

TAV.6-6	SELF-CENTERING TURNTABLE GT			ED. 07/08
---------	-----------------------------	--	--	-----------

55	4298802	GB/T3452.1	O-ring60X2.65	3
56			T union 1/8" - 8	1
57	3099335		Rilsan hose 8X5 L=850	2
58	3006869	YC1-3006869-A	Flange spacer	1

**PANZITTA SALES & SERVICE**  
**72 George Avenue**  
**Wilkes-Barre, PA 18705**  
**570-822-6720 800-822-6720**  
**www.panzittasales.com**





**PANZITTA SALES & SERVICE**  
**72 George Avenue**  
**Wilkes-Barre, PA 18705**  
**570-822-6720 800-822-6720**  
**[www.panzittasales.com](http://www.panzittasales.com)**

TAV.7-1	MOTOR – REDUCTION GEAR GROUP	ED. 07/08
---------	------------------------------	-----------

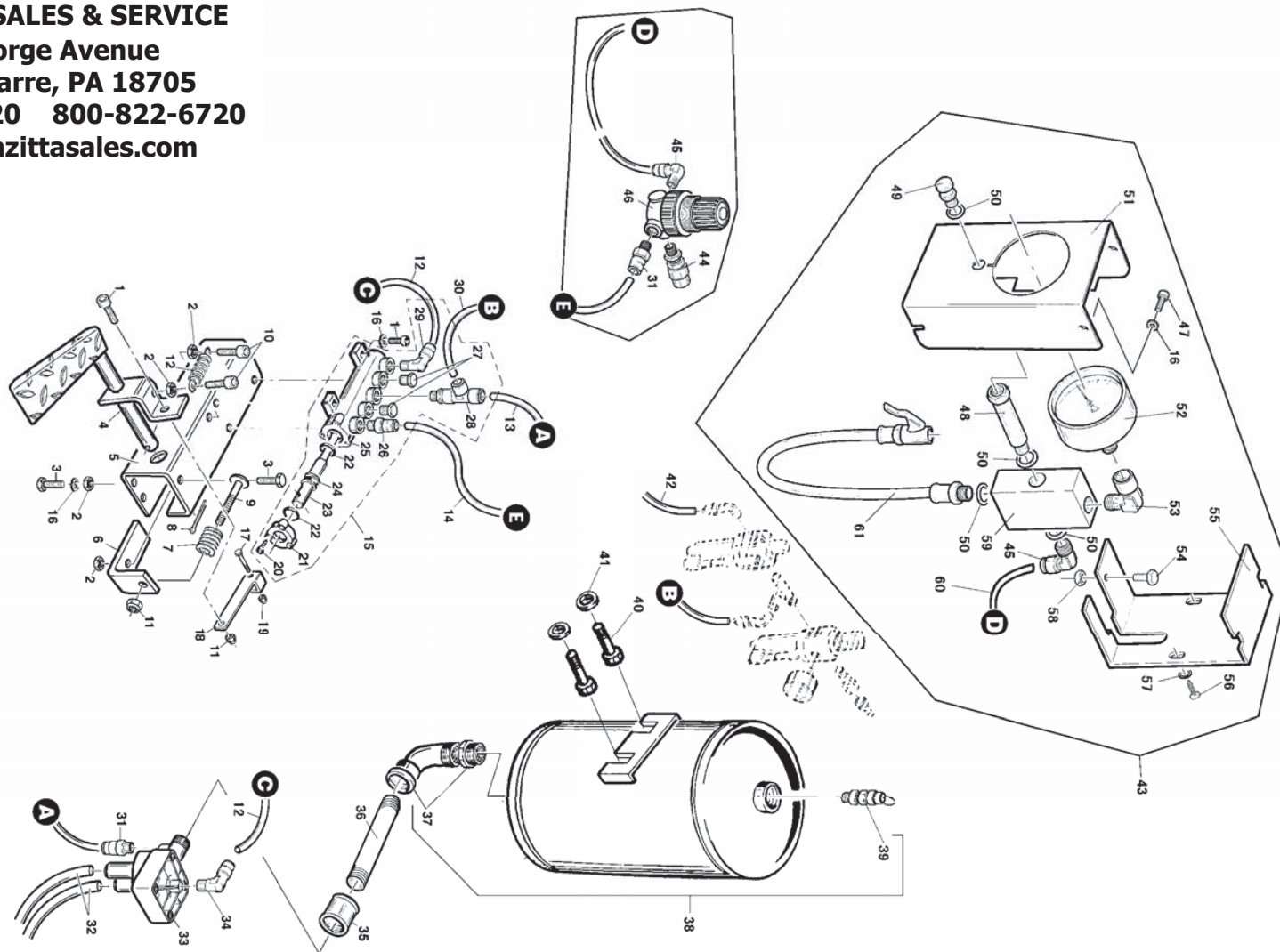
ITEM	CODE	REF. NO	DESCRIPTION	QTY	REMARK
1	4399900	GB/T6182	Self-locking nut M8	10	
2	3010873	YC1-3010873	Bottom part of reduction gear box	1	
3	4296910	GB/T276	Bearing 6212	1	<b>PANZITTA SALES &amp; SERVICE</b> <b>72 George Avenue</b> <b>Wilkes-Barre, PA 18705</b> <b>570-822-6720 800-822-6720</b> <b>www.panzittasales.com</b>
4	4396948	GB/T1096	Tab 16X10X70	1	
5	3010885	YC1-3010885	Helical gear stud	1	
6	4399664	GB/T70.1	Screw M6X10	2	
7	3010884	YC1-3010884	Helical gear	1	
8	4396946	GB/T894.1	Seeger 60	1	
9	4296943	GB/T3452.1	O-ring 34.5X3.55	2	
10	4396947	GB/T1096	Tab 6X6X18	1	
11	3010883	YC1-3010883	Worm	1	
12	4296944	GB/T297	Bearing 30204	2	
13	2100166	YC1-3000166	Motor pulley	1	
14	3010886	YC1-3010886	Sealing cap	1	
15	4296945	GB/T279	Bearing 6212 2RS	1	
16	4296942	YC1-4296942	O-ring 20X35X10	1	
17	3199596	YC1-3199596	Gear box pulley	1	
18	4396940	GB/T119.1	Pin 8X20	2	
19	3010872	YC1-3010872	Upper part of reduction gear box	1	
20	4399134	GB/T70.1	Screw M8X30	10	
21	2011967	YC1-2011967	Reduction gear unit	1	
22	4299923	GB/T11544-1997	Belt V A580	1	
23	4396941	GB/T6172	Nut M14	1	
24	4398807	GB/T97.1	Washer 14	1	
25	4399922	GB/T79	Screw M8X14	1	
26	4398633	GB/T97.1	Washer 10	8	
27	4399829	GB/T97.1	Washer 8	4	

TAV.7-1	MOTOR – REDUCTION GEAR GROUP	ED. 07/08
---------	------------------------------	-----------

28	4399976	GB/T6170	Nut M8	4
29			Motor	1
30	3000164	YC1-3000164	Belt-stretcher shoe	1
31	4399966	GB/T5783	Screw M10X20	2
32	4399935	GB/T5783	Screw M8X25	4
33	3000149	YC1-3000149	Motor support	1
34	4399880	GB/T5783	Screw M10X35	1
35	4399969	GB/T6170	Nut M10	1
36	4399933	GB/T5782	Screw M10X50	6
37	4396700	GB/T894.1	Seeger 50	1

**PANZITTA SALES & SERVICE**  
**72 George Avenue**  
**Wilkes-Barre, PA 18705**  
**570-822-6720 800-822-6720**  
**[www.panzittasales.com](http://www.panzittasales.com)**

**PANZITTA SALES & SERVICE**  
72 George Avenue  
Wilkes-Barre, PA 18705  
570-822-6720 800-822-6720  
www.panzittasales.com



TAV.8-1	GT INFLATING DEVICE	ED. 07/08
---------	---------------------	-----------

ITEM	CODE	REF. NO	DESCRIPTION	QTY	REMARK
1	4399890	GB/T70.1	Screw M6X20	5	<b>PANZITTA SALES &amp; SERVICE</b> <b>72 George Avenue</b> <b>Wilkes-Barre, PA 18705</b> <b>570-822-6720 800-822-6720</b> <b>www.panzittasales.com</b>
2	4399889	GB/T6170	Nut M6	6	
3	4399892	GB/T5783	Screw M6X20	4	
4	2110288	YC2-2410288	GT pedal	1	
5	3010287	YC2-3010287	Valve unit support	1	
6	3008005	YC2-3008005	Limit stop screw support	1	
7	4298942	YC2-4298942	Spring	1	
8	4399100	GB/T91	Split pin 3.2X30	1	
9	4398890	YC2-4398890	Spring bolt	1	
10	4399999	GB/T70.1	Screw M6X25	2	
11	4399893	GB/T6182	Self-locking nut M6	2	
12	3002110		Rilsan hose 6X4 L=500	1	
13	3010798		Rilsan hose 8X5 L=400	1	
14			Rilsan hose 8X5 L=500	1	
15	2009718	YC2-2009718	Valve unit	1	
16	4399998	GB/T97.1	Washer 6	9	
17	4399897	GB/T5782	Screw M4X25	1	
18	3001853	YC2-3001853	Valve connection lever	1	
19	4399895	GB/T6182	Self-locking nut M4	1	
20	4398999	GB/T845	Self-tapping screw ST3.5X13	3	
21	3001585	YC1-3001585	Flange for valve 3001585	1	
22	4299000	YC1-4299000	O-ring 17X4	6	
23	3001849	YC2-3001849	GT pneumatic valve shaft	1	
24	3001584	YC1-3001584	Spacer for valve 3001583	5	
25	3001583	YC1-3001583	Distribution valve	1	
26	4198954		Quick union 1/8" - 8	1	
27	4199161		Plug 1/8" - 8	2	

TAV.8-1	GT INFLATING DEVICE		ED. 07/08
---------	---------------------	--	-----------

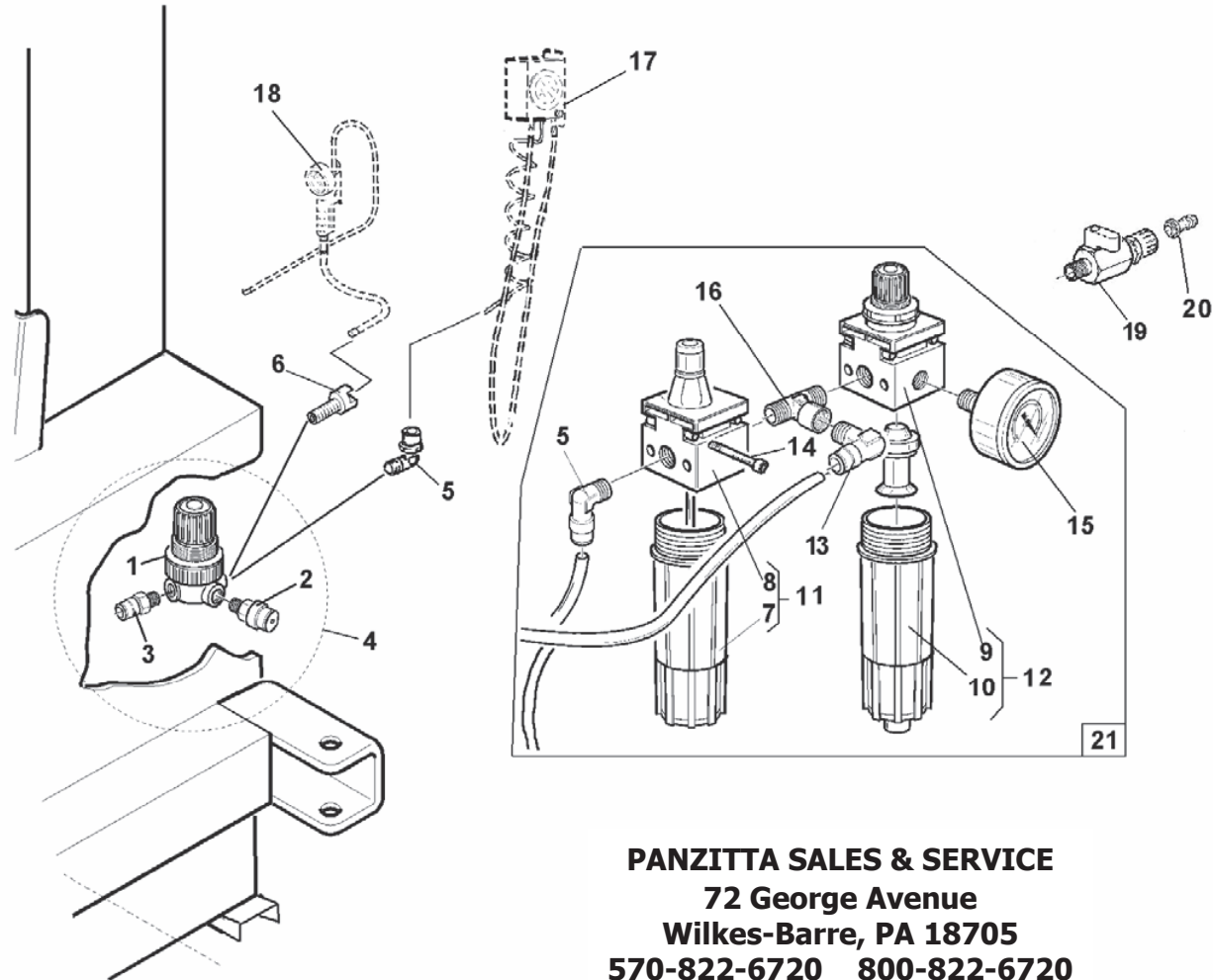
28	4199888		T union 1/8" - 8	1
29	4199098		Quick union 1/8" - 6	1
30	3001382		Rilsan hose 8X5 L=1000	1
31	4198884		Quick union 1/4" - 8	2
32	3002109		Rilsan hose 14X11 L=700	2
33	4198531	YC2-4198531	Pneumatic valve 1"	1
34			90° quick union 1/4" - 6	1
35	4198642		Sleeve collar F 1"	1
36	3005041	YC2-3005041	Pipe 1"	1
37	3005041		Union 1"	1
38	2012485	YC2-2012485	Air tank	1
39	4198703		Safety valve 1/4" 10bar	1
40	4398723	GB/T5783	Screw M6X12	2
41	4398848	GB/T96	Washer 6	2
42	3000144		Rilsan hose 8X5 L=1100	1
43	2014217	YC2-2014217	GT pneumatic control unit	1
44	4198435		Safety valve 1/8" 4bar	1
45	4198578		90° union 1/4" - 8	2
46	4198173		Regulator 1/4" 3.5bar	1
47	4399964	GB/T70.1	Screw M6X10	2
48	3015111	YC2-3015111/1	Connection stud	1
49	4299354	YC2-4299354	Relief pushbutton	1
50	4399256	YC2-4399256	Washer T3 13X19X1.5	4
51	3015108	YC2-3015108	GT front plate	1
52	4299069		Pressure gauge D.80 10bar/140ps 1/4"	1
53	4198908		Union 1/4"	1
54	4399946	GB/T5783	Screw M8X30	1

**PANZITTA SALES & SERVICE**  
**72 George Avenue**  
**Wilkes-Barre, PA 18705**  
**570-822-6720 800-822-6720**  
**www.panzittasales.com**

TAV.8-1	GT INFLATING DEVICE		ED. 07/08
---------	---------------------	--	-----------

55	3015109	YC2-3015109	GT back plate	1
56	4398945	GB/T70.1	Self-tapping screw M4X8	2
57	4399903	GB/T97.1	Washer 4	2
58	4399976	GB/T6170	Nut M4	1
59	3015111	YC2-3015111	Gauge support	1
60			Rilsan hose 8X5 L=800	1
61	2008872		GT control unit hose 1/4" L=1500	1

**PANZITTA SALES & SERVICE**  
**72 George Avenue**  
**Wilkes-Barre, PA 18705**  
**570-822-6720 800-822-6720**  
**[www.panzittasales.com](http://www.panzittasales.com)**



**PANZITTA SALES & SERVICE**  
72 George Avenue  
Wilkes-Barre, PA 18705  
570-822-6720 800-822-6720  
[www.panzittasales.com](http://www.panzittasales.com)



TAV.9-1	AIR LUBRICATION GROUP	ED. 07/08
---------	-----------------------	-----------

ITEM	CODE	REF. NO	DESCRIPTION	QTY	REMARK
1	4198173		Regulator 1/4" 3.5bar	1	
2	4198435		Safety valve 1/8" 4bar	1	
3	4198884		Quick union 1/4" - 8	1	
4	2010781	YC2-2010781	Pressure regulator unit	1	
5	4198578		90° quick union 1/4" - 8	3	
6	4199797	YC2-4199797	Screw 1/4"	1	
7	4196316		Lubricator cup	1	
8	4196315		Lubricator	1	
9	4196313		Filter body	1	
10	4196314		Filter cup	1	
11	4196481		Lubricator 1/4"	1	
12	4196480		Filter regulator 1/4"	1	
13	4198883		Quick union 1/4" - 8	1	
14	4396593	GB/T70.1	Screw M4X40	2	
15	4298308		Pressure gauge D.40 0-16bar 1/8"	1	
16	4198818		Union 1/4"	1	
17	2014217	YC2-2014217	GT pressure gauge	1	
18	9298243		Inflating gauge	1	
19	4198143		Valve 1/4"	1	
20	4199987		Union 1/4"	1	
21	2012307	YC2-2012307	Lubricator/filter regulator	1	

**PANZITTA SALES & SERVICE**  
**72 George Avenue**  
**Wilkes-Barre, PA 18705**  
**570-822-6720 800-822-6720**  
**www.panzittasales.com**