



**Description:**

VSP series square body fuses are designed for semiconductor protection. It can provide protection for semiconductor, rectifier, AC/DC drive and UPS, etc. VICFUSE fuses have been engineered to provide state-of-the-art protection for SCRS, diodes, thyristors, GTOS and IGBT devices. They have die-cut elements embedded in solidified sand which helps control arcing characteristics for low  $I^2t$  and high in interrupting rating. All contact surfaces are silver and silver paltes and all hardware is non-magnetic

**Features:**

- . Designed according to IEC60269, DIN43620 GB13539
- . Complying with CE and RoHS
- . UL/CUL certified (File No. E356490)
- . Multiple mounting configurations

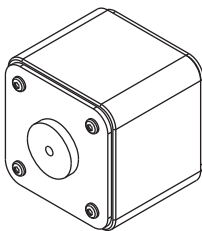
- Terminal FS (Flush End)
- Terminal D11 (DIN 43653)
- Terminal FB (French Style)
- Terminal AB (US Style)
- Terminal BB (Buss-bar Style)
- Terminal D08 (DIN 43620)
- . Operating class: aR or gG

**Ratings:**

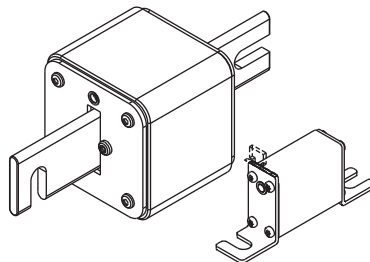
Voltage Rating: 690V-1250V  
Current Rating: 10A-7500A  
Interrupt Rating: 100kA-200kA

● **Terminal type:**

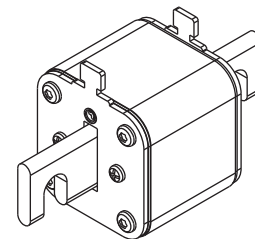
Terminal type code	Terminal type
FS	Terminal FS
D11	Terminal D11
FB	Terminal FB
AB	Terminal AB
BB	Terminal BB
D08	Terminal D08



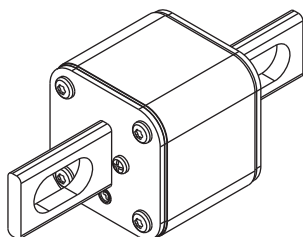
Terminal FS



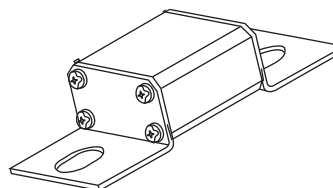
Terminal D11(L or LL)



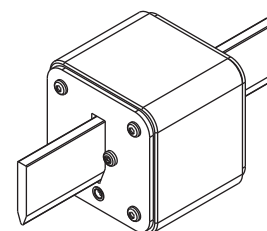
Terminal FB



Terminal AB (L or LL)



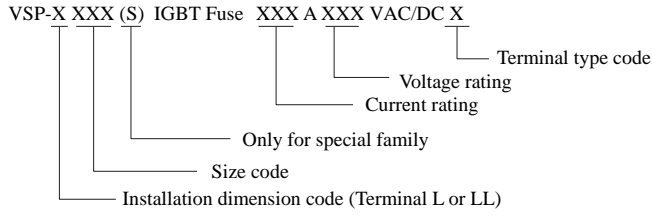
Terminal BB



Terminal D08

● **Electrical Specifications:**

Ordering Information:

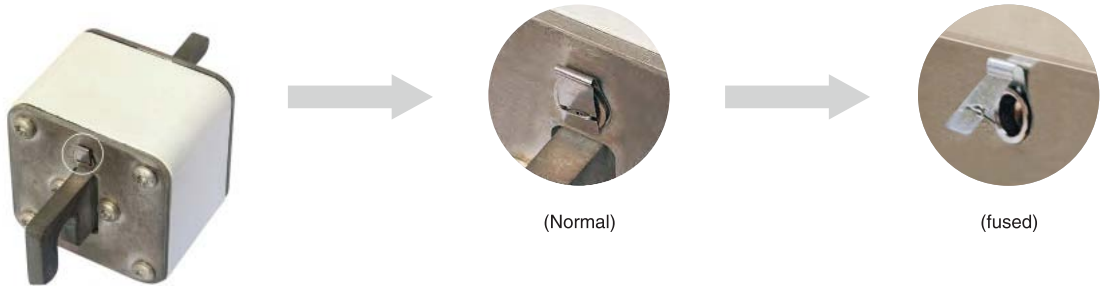


Size code	Maximum cross section size of body
000	21×36 □
00	30×47 □
0	30×65 □
A	45×45 □
B	53×53 □
C	61×61 □
D	68×68 □
E	76×76 □
F	78×78 □
G	85×85 □
H	105×105 □
I	118×118 □

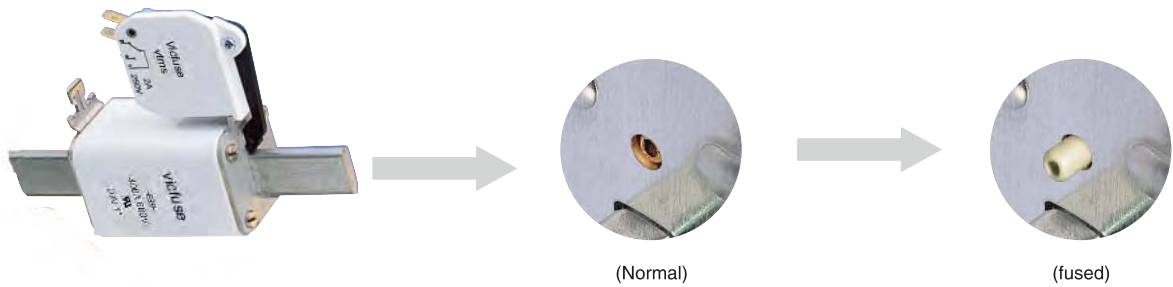
**Notes:**

For size code, size B is defaulted  
 While terminal type is optional, the terminal type code should be indicated immediately behind the voltage rating, and the D11 type is default;  
 Indicator is optional and followed by a indicator code while indicator is necessary, such as V for visual Indicator (default), T for type T indicator, K for type K indicator.  
 Eg. VSP-000 IGBT Fuse 200A800VDC BB

**V-Visual Indicator**

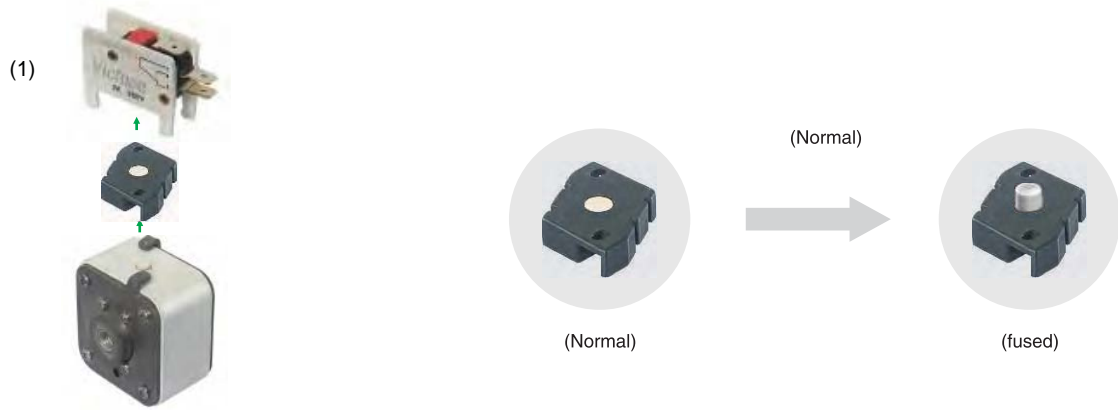


**Type T indicator**



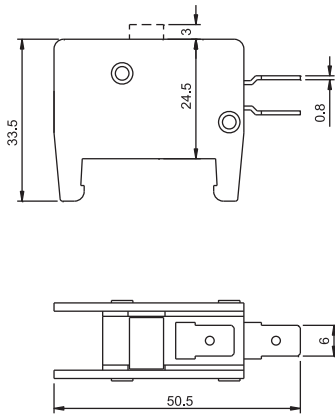
● **Electrical Specifications:**

**Type K indicator**



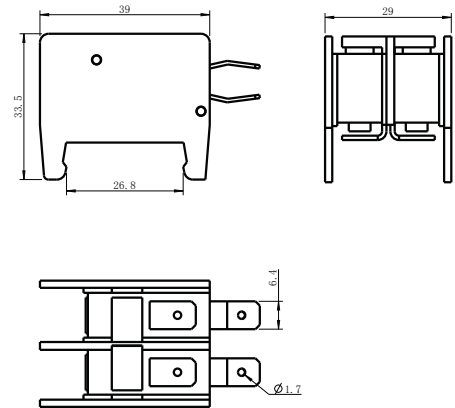
● **Mechanical Dimensions:**

(Micro Switch VMS-S)



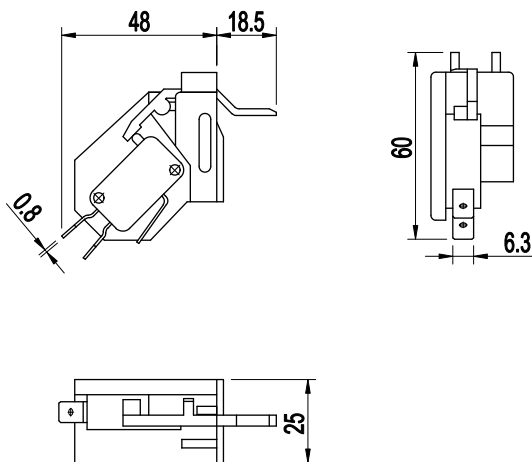
(Single)

(Micro Switch VMS-D)



(Double)

(Micro Switch VTMS)



RoHS



**Ratings:**

Voltage Rating: 690V (IEC) AC  
 700V (UL) AC  
 800V DC

Operating class:aR

Current Rating: 25A-630A

Interrupt Rating: 50kA@690VAC  
 10kA@800VDC

**Mechanical Dimensions:**

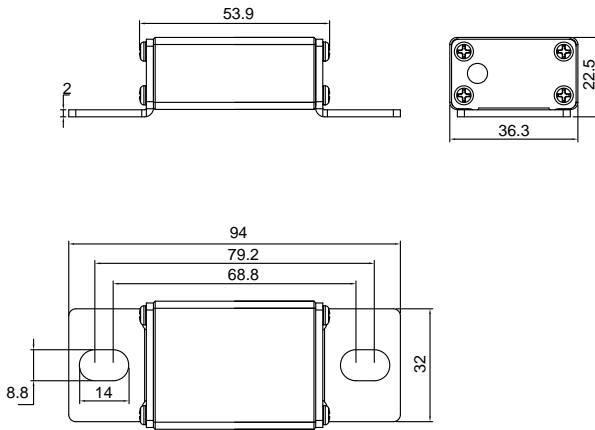


Fig.1

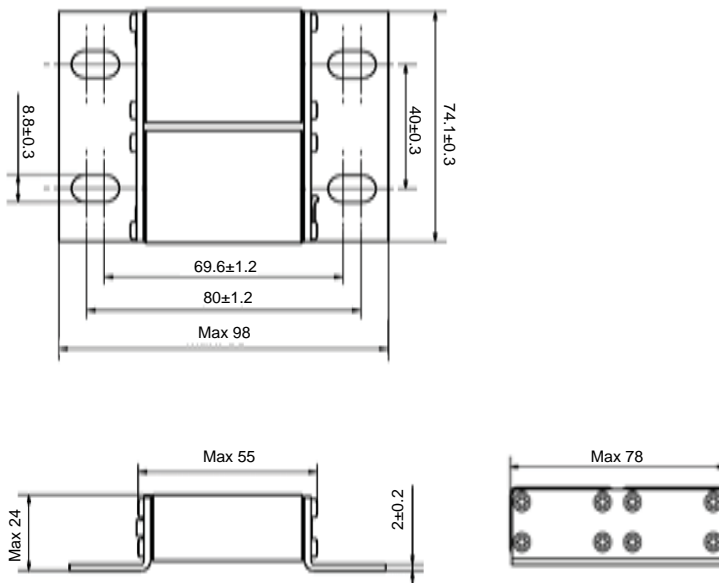
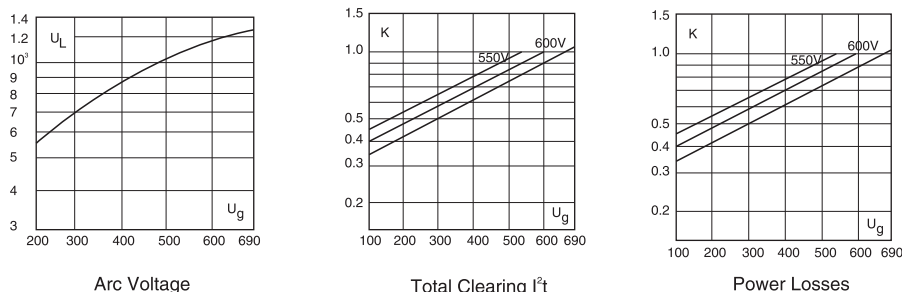


Fig.2

### ● Electrical Characteristics:



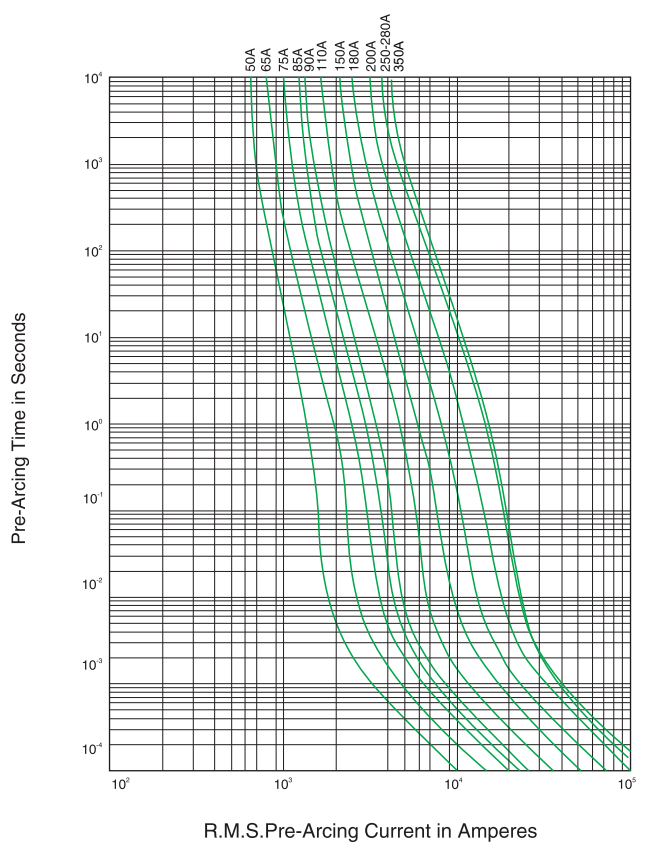
### ● Electrical Specifications:

Catalog Numbers	Ref.Fig.	Current Rating(A)	Pre-arc I <sup>2</sup> t(A <sup>2</sup> S)	Clearing I <sup>2</sup> t (A <sup>2</sup> S,660V)	Power Loss (W)	Voltage Rating	Interrupt Rating	Note
VSP-000 IGBT Fuse	1	25	26	136	12	690VAC 800VDC	50kA@690VAC 10kA@800VDC	
		32	46	245	14			
		40	76	400	15			
		50	140	700	16			
		63	265	1400	17			
		80	470	2400	21			
		100	800	4100	26			
		125	1350	6950	27			
		160	2600	14000	35			
		200	4350	23000	41			
		250	7500	38000	49			
		315	13000	66000	61			
350	17500	89000	65					
2xVSP-000 IGBT Fuse	2	100	365	1800	32	690VAC 800VDC	50kA@690VAC 10kA@800VDC	
		125	650	3500	44			
		160	1330	7800	49			
		200	2520	12700	51			
		250	5020	26700	59			
		315	9240	45900	68			
		350	11800	62300	79			
		400	18100	93100	82			
		450	27900	148000	88			
		500	37000	181000	92			
		550	47800	243000	98			
		630	68000	349000	110			
							50kA@690VAC 10kA@800VDC(1ms)	

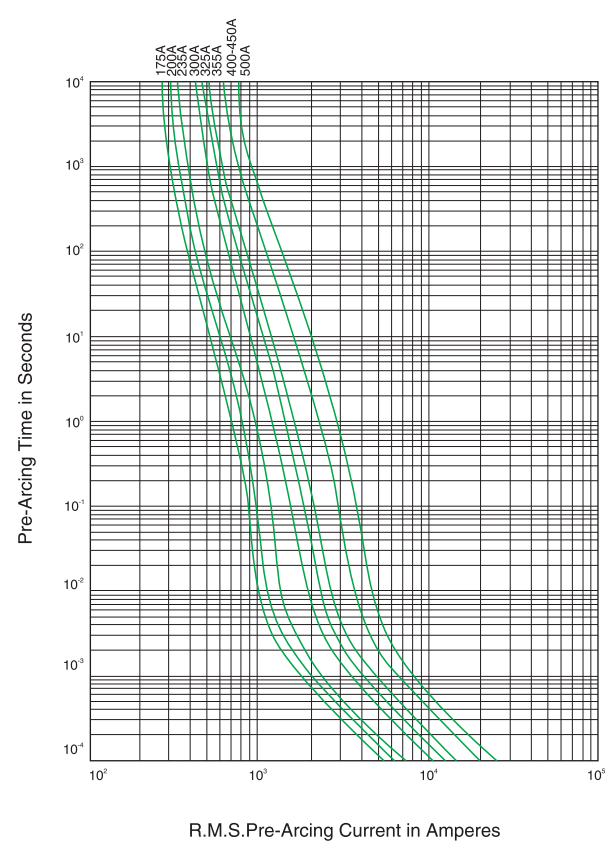
● **Size VSP-000 BB**

● **Size 2×VSP-000 BB**

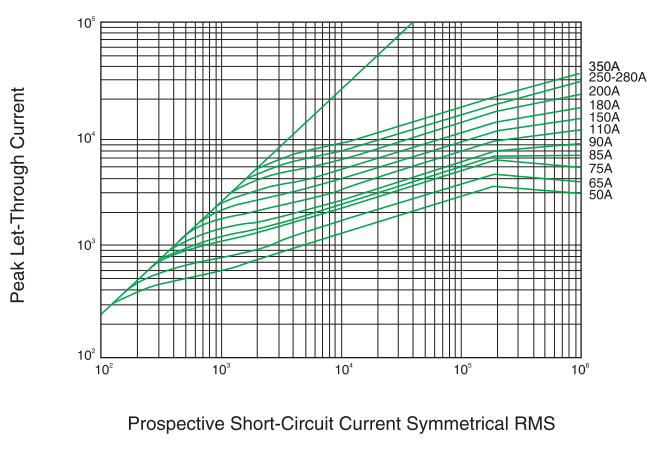
Time-Current Curve



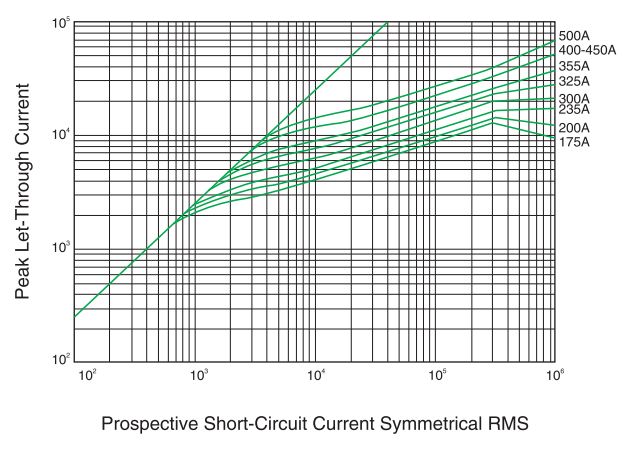
Time-Current Curve



Peak Let-Through Curve



Peak Let-Through Curve



Semiconductor Protection Fuses