

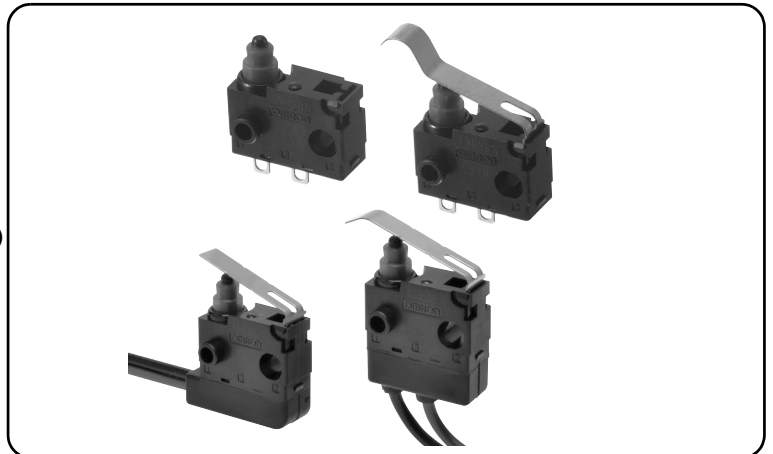
D2QW

Sealed Subminiature Basic Switch

Sealed long stroke slide-contact switch for reliable ON/OFF action even in severe environmental conditions.

- Extra-long stroke even without levers. (OT: 2.7 mm)
- Clip contacts with highly reliable slide contact mechanism.
- High temperature resistance up to 85°C and drip-proof structure for wide range of applications environmental resistance required. (Conforms to IP67, except for terminal section.)
- Models available with highly reliable gold-plated contacts.

RoHS Compliant



D
2
Q
W

Model Number Legend

D2QW-□□□□□-□-□

1. Cover
C: M3-screw Mounting

2. Ratings
0: Gold-plated contacts
5 VDC 1 mA~30 VDC 0.1 A
1: Silver-plated contacts
5 VDC 1 mA~30 VDC 0.1 A

3. Actuator
0: Pin plunger
6: Leaf lever
7: Simulated roller leaf lever
8: Bent leaf lever





4. Contact form
2: SPST-NC
3: SPST-NO

5. Terminals
D : PCB terminals
H : Solder terminals
M : Molded lead wires downwards
ML : Molded lead wires on left-side
MR : Molded lead wires on right-side

6. Special Specification

7. Special Industry Specification

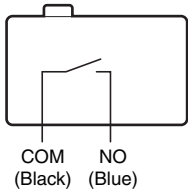
List of Models

Actuator	Terminals	Contact Contact form	Gold plated	Silver plated	
			Model		
Pin plunger 	PCB	SPST-NO	D2QW-C003D	D2QW-C103D	
		SPST-NC	D2QW-C002D	D2QW-C102D	
	Solder	SPST-NO	D2QW-C003H	D2QW-C103H	
		SPST-NC	D2QW-C002H	D2QW-C102H	
	Molded lead wires downwards	SPST-NO	D2QW-C003M	D2QW-C103M	
		SPST-NC	D2QW-C002M	D2QW-C102M	
	Molded lead wires on left-side	SPST-NO	D2QW-C003ML	D2QW-C103ML	
		SPST-NC	D2QW-C002ML	D2QW-C102ML	
	Molded lead wires on right-side	SPST-NO	D2QW-C003MR	D2QW-C103MR	
		SPST-NC	D2QW-C002MR	D2QW-C102MR	
	Simulated Roller Lever 	PCB	SPST-NO	D2QW-C073D	D2QW-C173D
			SPST-NC	D2QW-C072D	D2QW-C172D
Solder		SPST-NO	D2QW-C073H	D2QW-C173H	
		SPST-NC	D2QW-C072H	D2QW-C172H	
Molded lead wires downwards		SPST-NO	D2QW-C073M	D2QW-C173M	
		SPST-NC	D2QW-C072M	D2QW-C172M	
Molded lead wires on left-side		SPST-NO	D2QW-C073ML	D2QW-C173ML	
		SPST-NC	D2QW-C072ML	D2QW-C172ML	
Molded lead wires on right-side		SPST-NO	D2QW-C073MR	D2QW-C173MR	
		SPST-NC	D2QW-C072MR	D2QW-C172MR	
Leaf lever 		PCB	SPST-NO	D2QW-C063D	D2QW-C163D
			SPST-NC	D2QW-C062D	D2QW-C162D
	Solder	SPST-NO	D2QW-C063H	D2QW-C163H	
		SPST-NC	D2QW-C062H	D2QW-C162H	
	Molded lead wires downwards	SPST-NO	D2QW-C063M	D2QW-C163M	
		SPST-NC	D2QW-C062M	D2QW-C162M	
	Molded lead wires on left-side	SPST-NO	D2QW-C063ML	D2QW-C163ML	
		SPST-NC	D2QW-C062ML	D2QW-C162ML	
	Molded lead wires on right-side	SPST-NO	D2QW-C063MR	D2QW-C163MR	
		SPST-NC	D2QW-C062MR	D2QW-C162MR	
	Bent leaf lever 	PCB	SPST-NO	D2QW-C083D	D2QW-C183D
			SPST-NC	D2QW-C082D	D2QW-C182D
Solder		SPST-NO	D2QW-C083H	D2QW-C183H	
		SPST-NC	D2QW-C082H	D2QW-C182H	
Molded lead wires downwards		SPST-NO	D2QW-C083M	D2QW-C183M	
		SPST-NC	D2QW-C082M	D2QW-C182M	
Molded lead wires on left-side		SPST-NO	D2QW-C083ML	D2QW-C183ML	
		SPST-NC	D2QW-C082ML	D2QW-C182ML	
Molded lead wires on right-side		SPST-NO	D2QW-C083MR	D2QW-C183MR	
		SPST-NC	D2QW-C082MR	D2QW-C182MR	

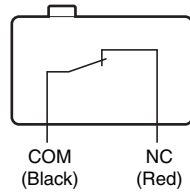
D
2
Q
W

Contact form

●SPST-NO



●SPST-NC



Contact Specifications

Model		C0 series	C1 series
Contact	Specification	Slide	
	Material	Gold plated	Silver plated
Minimum applicable load (see note)		5 VDC 1mA	

Ratings

Rated voltage	Resistive load
30 VDC 14 VDC	0.1A 10mA

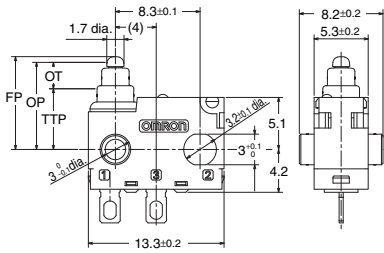
Note. The above rating values apply under the following test conditions.

- (1) Ambient temperature: 20±2°C
- (2) Ambient humidity: 65±5%
- (3) Operating frequency: 20 operations/min

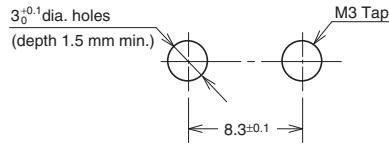
Characteristics

Permissible operating speed	SPST-NO: 1 mm to 500 mm/s SPST-NC: 30 mm to 500 mm/s	
Permissible operating frequency	120 operations/min	
Insulation resistance	100 MΩ min. (at 500 VDC with insulation tester)	
Contact resistance (initial value)	Terminal models	100 mΩ max.
	Molded lead wire models	150 mΩ max.
Dielectric strength	Between terminals of the same polarity	600 VAC 50/60 Hz 1min
	Between current-carrying metal parts and ground	1,500 VAC 50/60 Hz 1min
	Between terminals and non-current-carrying metal parts	1,500 VAC 50/60 Hz 1min
Vibration resistance	Malfunction	10 to 55 Hz, 1.5 mm double amplitude
Shock resistance	Durability	1,000 m/s ² {approx. 100G} max.
	Malfunction	300 m/s ² {approx. 30G} max.
Durability	Mechanical	500,000 operations min. (30 operations/min)
	Electrical	30 VDC 0.1 A 200,000 operations min. 14 VDC 10 mA 500,000 operations min. (20 operations/min)
Degree of protection	IEC IP67 (excluding the terminals)	
Degree of protection against electric shock	Class I	
Proof tracking index (PTI)	175	
Ambient operating temperature	-40°C to +85°C (at ambient humidity of 60% max.) (with no icing or condensation)	
Ambient operating humidity	95% max. (for +5°C to +35°C)	
Weight	Approx. 0.7 g (for pin plunger models)	

Mounting Structure and Reference Positions for Operating Characteristics (Units: mm)



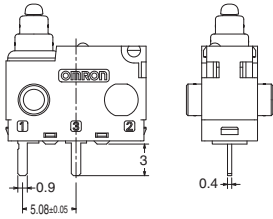
Mounting Hole Dimensions (Reference)



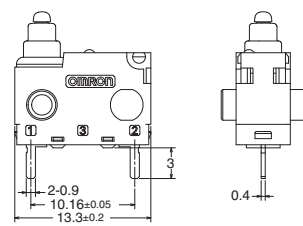
D
2
Q
W

Terminals/Appearances (Units: mm)

●PCB terminals SPST-NO

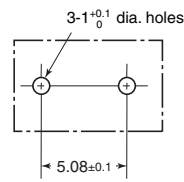


SPST-NC

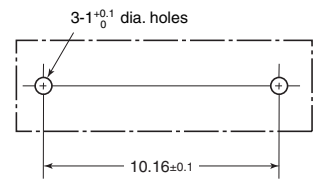


<PCB Mounting Dimensions (Reference)>

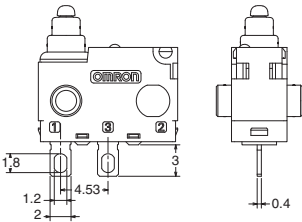
SPST-NO



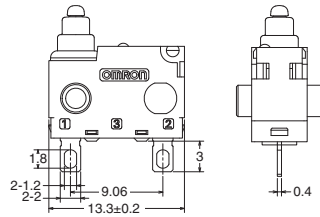
SPST-NC



●Solder terminals SPST-NO

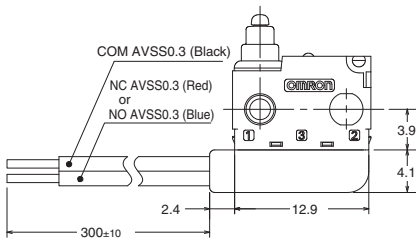


SPST-NC

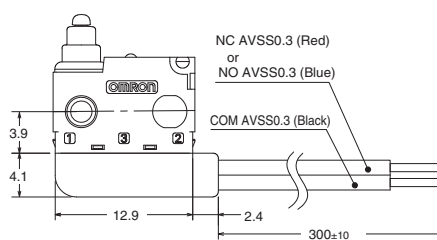


●Molded lead wires

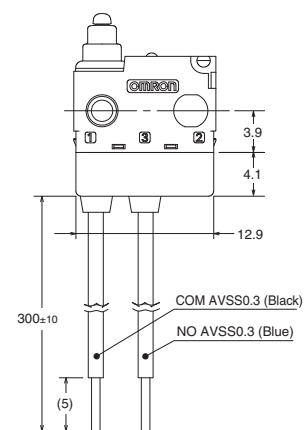
Molded lead wires on left-side



Molded lead wires on right-side



Molded lead wires downwards



Dimensions (Unit: mm) / Operating Characteristics

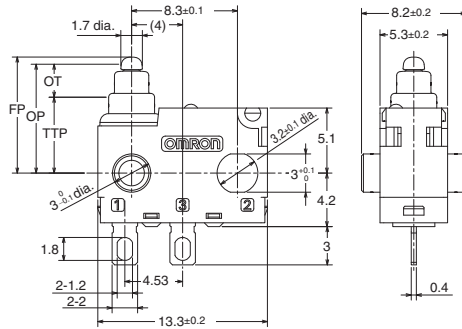
The illustrations and drawings are for solder terminals models.

Refer to "Terminals/Apearances" of the previous page for details on models with Straight PCB terminals.

When ordering, replace □ with the code for the terminal that you need.

● Pin plunger

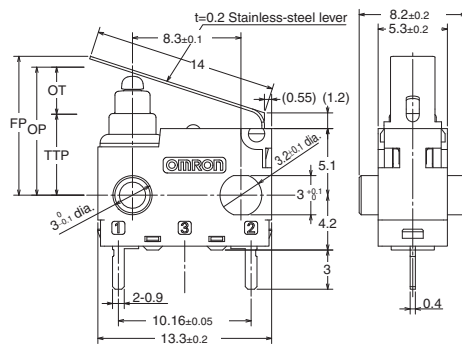
D2QW-C□02□
D2QW-C□03□



Operating characteristics	Model	D2QW-C□02□	D2QW-C□03□
Operating Force	OF Max.	1.5 N {153 gf}	1.5 N {153 gf}
Overtravel	OT	(2.9) mm	(2.7) mm
Free Position	FP Max.	9.2 mm	9.2 mm
Operating Position	OP	8.7±0.3 mm	8.4±0.3 mm
Total Travel Position	TTP	5.9 mm	5.9 mm

● Leaf lever

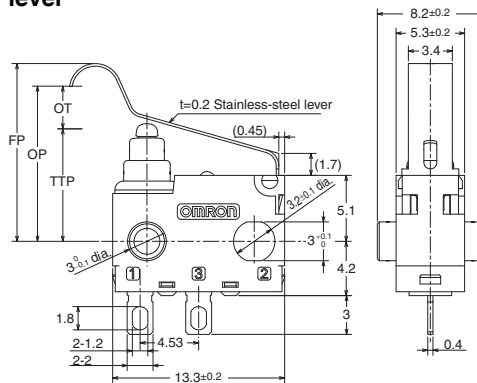
D2QW-C□62□
D2QW-C□63□



Operating characteristics	Model	D2QW-C□62□	D2QW-C□63□
Operating Force	OF Max.	1.7 N {173 gf}	1.7 N {173 gf}
Overtravel	OT	(3.7) mm	(3.2) mm
Free Position	FP Max.	11.5 mm	11.5 mm
Operating Position	OP	9.8±0.5 mm	9.3±0.5 mm
Total Travel Position	TTP	6.2 mm	6.2 mm

● Simulated roller leaf lever

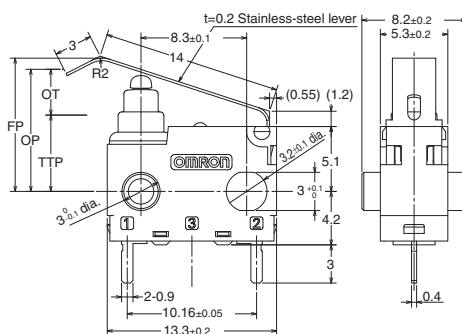
D2QW-C□72□
D2QW-C□73□



Operating characteristics	Model	D2QW-C□72□	D2QW-C□73□
Operating Force	OF Max.	1.5 N {153 gf}	1.5 N {153 gf}
Overtravel	OT	(3.9) mm	(3.5) mm
Free Position	FP Max.	14.4 mm	14.4 mm
Operating Position	OP	12.5±0.5 mm	12.0±0.5 mm
Total Travel Position	TTP	8.7 mm	8.7 mm

● Bent leaf lever

D2QW-C□82□
D2QW-C□83□



Operating characteristics	Model	D2QW-C□82□	D2QW-C□83□
Operating Force	OF Max.	1.7 N {173 gf}	1.7 N {173 gf}
Overtravel	OT	(3.7) mm	(3.2) mm
Free Position	FP Max.	11.3 mm	11.3 mm
Operating Position	OP	9.6±0.5 mm	9.1±0.5 mm
Total Travel Position	TTP	6.0 mm	6.0 mm

Precautions

★Please refer to "Basic Switches Common Switches" for correct use.

Cautions

●Degree of Protection

- Do not use this product underwater.
Although molded lead wire models satisfy the test conditions for the standard given below, this test is to check the ingress of water into the switch enclosure after submerging the Switch in water for a given time. Satisfying this test condition does not mean that the Switch can be used underwater.
- JIS (Japanese Industrial Standards)
C0920 (Waterproof test of the electrical machinery/appliance and wiring materials)
Degree of protection: 7, Model: Waterproof
- IEC (International Electrotechnical Commission)
Publication 529 (Degrees of Protection Provided by Enclosures)
Degree of protection: IP67
- Do not operate the Switch when it is exposed to water spray, or when water drops adhere to the Switch surface, or during sudden temperature changes, otherwise water may intrude into the interior of the Switch due to a suction effect.
- Prevent the Switch from coming into contact with oil and chemicals. Otherwise, damage to or deterioration of Switch materials may result.
- Do not use the Switch in areas where it is exposed to silicon adhesives, oil, or grease. Otherwise faulty contact may result due to the generation of silicon oxide.

●Soldering

- When soldering the lead wire to the terminal, first insert the lead wire conductor through the terminal hole and then conduct soldering. Complete soldering within 3 seconds using a soldering iron with a capacity of 50 W max and a tip temperature of 300°C max. Also, do not apply external force to the Switch for 1 minute after soldering.
Improper soldering involving an excessively high temperature or excessive soldering time may deteriorate the characteristics of the Switch.
When performing automatic soldering, solder at 260 °C max and complete soldering with 5 seconds. Pay careful attention so that flux or solder liquid does not flow over the edge of the PCB panel.

●Side-actuated (Cam/Dog) Operation

- When using a cam or dog to operate the Switch, factors such as the operating speed, operating frequency, push-button indentation, and material and shape of the cam or dog will affect the durability of the Switch. Confirm performance specifications under actual operation conditions before using the Switch in applications.

Correct Use

●Mounting

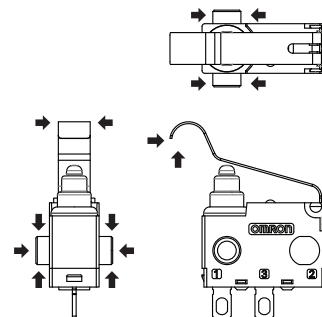
- Turn OFF the power supply before mounting or removing the Switch, wiring, or performing maintenance or inspection. Failure to do so may result in electric shock or burning.
- When mounting with screw, use M3 mounting screw with plane washers or spring washers to securely mount the Switch. Tighten the screws to a torque of 0.27 to 0.29 N·m {28 to 30 gf}. Exceeding the specified torque may result in deterioration of the sealing or damage.
- Secure the posts by thermal caulking or by pressing into an attached device. When pressed into an attached device, provide guides on the opposite ends of the posts to ensure that they do not fall out or rattle.

●Operating Body

- Use an operating body with low frictional resistance and of a shape that will not interfere with the sealing rubber, otherwise the plunger may be damaged or the sealing may deteriorate.

●Handling

- Do not handle the Switch in a way that may cause damage to the sealing rubber.
- When handling the Switch, ensure that pressure is not applied to the posts in the directions shown in the following diagram. Also, ensure that uneven pressure or pressure in a direction other than the operating direction is not applied to the Actuator as shown in the following diagram. Otherwise, the post, Actuator, or Switch may be damaged, or the durability may be reduced.



●Using Micro Loads

- Even when using micro load models within the operating range, if inrush/surge current occurs, it may increase the contact wear and so decrease durability. Therefore, insert a contact protection circuit where necessary.

Please check each region's Terms & Conditions by region website.

OMRON Corporation

Electronic and Mechanical Components Company

Regional Contact

Americas
<https://www.components.omron.com/>
Asia-Pacific
<https://ecb.omron.com.sg/>
Korea
<https://www.omron-ecb.co.kr/>

Europe
<http://components.omron.eu/>
China
<https://www.ecb.omron.com.cn/>
Japan
<https://www.omron.co.jp/ecb/>