



Lenovo B300 FC SAN Switch Product Guide

The Lenovo B300 FC SAN Switch (Machine Type 3873) provides small to medium-sized enterprises with Storage Area Network (SAN) connectivity that simplifies their IT management infrastructures, improves system performance, maximizes the value of virtual server deployments, and reduces overall storage costs.

The Lenovo B300 is a 1U rack-mount 8 Gb Fibre Channel switch with up to 24 ports (8 ports licensed by default; the remaining ports can be licensed in 8-port increments) that support 2/4/8 Gbps speeds. The switch offers a rich set of standard features with the options to expand its capabilities as needed.

The Lenovo B300 features the EZSwitch Setup wizard and can be configured in Access Gateway Mode to simplify deployment. The switch provides full non-blocking performance with Ports On Demand scalability to support SAN expansion and enable long-term investment protection.

The following figure shows the Lenovo B300.



Figure 1. Lenovo B300

Did you know?

The Lenovo B300 leverages storage connectivity technologies from Brocade, the market share leader in Fibre Channel networking that is deployed in 90% of the Fortune 1000 data centers.

The Lenovo B300 offers dual functionality as either a full-fabric SAN switch or as an N_Port ID Virtualization (NPIV)-enabled Access Gateway that simplifies server connectivity in heterogeneous enterprise fabrics.

With flexible feature expansion capabilities — such as Ports-on-Demand scalability from 8 to 16 or 24 ports (in 8-port increments) — the Lenovo B300 enables organizations to start small and grow their storage networks in a non-disruptive manner.

With Lenovo FC SAN Switch offerings, Lenovo can be your trusted partner that offers "one stop shop" and single point of contact for delivery of leading edge technologies and innovations from Lenovo and other leading IT vendors. These offerings can satisfy the wide range of your end-to-end IT infrastructure needs, including handheld devices, notebooks, personal computers, servers, storage, networking, services, management software, and financing.

Key features

The Lenovo B300 FC SAN switch offers the following features and benefits:

- Provides an affordable, flexible foundation for entry-level SANs, and an edge switch for core-to-edge SAN environments.
- Delivers up to 24 ports of 8 Gbit/sec performance in an energy-efficient, optimized 1U form factor to support the most demanding server and virtual server deployments.
- Consumes less than 2.5 watts of power per port for exceptional power and cooling efficiency.
- Simplifies configuration and management with easy-to-use EZSwitch Setup.
- Enables “pay-as-you-grow” scalability from single-switch fabric to full-fabric enterprise capabilities with Ports On Demand scalability from 8 to 16 or 24 ports in 8-port increments.
- Optimizes fabric behavior and ensures sufficient bandwidth for mission-critical applications with advanced traffic management capabilities and adaptive networking.
- Offers dual functionality as either a full-fabric SAN switch or as an NPIV-enabled Access Gateway (requires 24 ports be licensed) that enhances fabric scalability and simplifies management.
- Protects existing device investments with auto-sensing 2, 4, and 8 Gbit/sec capabilities and native operation with Brocade and Brocade M-Series fabrics.
- Runs Fabric OS, which delivers distributed intelligence throughout the network and enables a wide range of value-added features.
- Supplies a rich set of standard features at no extra cost, including fabric services, advanced zoning, adaptive networking, single-switch fabric, access gateway operations, and diagnostic tools.
- Expands fabric capabilities with optional licensed functions, including multi-switch full fabric, trunking, advanced monitoring and alerting, and long-distance fabrics.
- Helps achieve higher availability with redundant cooling and non-disruptive firmware upgrades.
- Accelerates troubleshooting with built-in advanced diagnostics tools.

Components and connectors

The following figure shows the port side of the Lenovo B300.

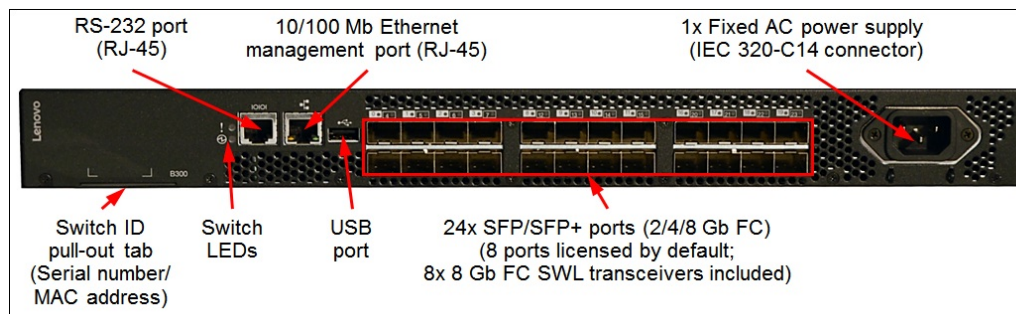


Figure 2. Lenovo B300 port-side view

The following figure shows the non-port side of the Lenovo B300.

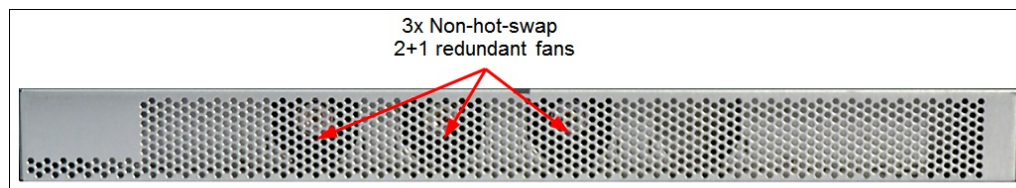


Figure 3. Lenovo B300 non-port-side view

System specifications

The following table lists the Lenovo B300 system specifications.

Table 1. System specifications

Attribute	Specification
Form factor	Standalone or 1U rack mount
Ports	Up to 24 SFP/SFP+ ports. 8 ports licensed by default; up to two optional 8-port license packs. 8x 8 Gb FC SWL SFP+ transceivers included with the switch.
Media types	8 Gb FC SFP+ transceivers: short-wave (SW), long-wave (LW), extended long-wave (ELW).
Port speeds	2/4/8 Gbps auto-sensing, full-duplex (8 Gb FC SFP+ transceivers)
FC port types	Full Fabric mode: FL_Port, F_Port, M_Port (Mirror Port), E_Port (requires a license). Access Gateway mode: F_Port and NPIV-enabled N_Port.
Data traffic types	Unicast (Class 2 and Class 3), multicast (Class 3 only), broadcast (Class 3 only).
Classes of service	Class 2, Class 3, Class F (inter-switch frames).
Standard features	Single-switch FC fabric (Model HC4), Full Fabric multi-switch FC fabric with E_Port upgrade included (Model HC7), Access Gateway (requires 24 ports be licensed), Advanced Zoning, Adaptive Networking, Advanced Diagnostic Tools.
Optional features	Full Fabric multi-switch fabric (E_Port upgrade for Model HC4), ISL Trunking, Fabric Vision, Extended Fabric.
Scalability	<ul style="list-style-type: none"> • Maximum number of switches in the fabric: 239 • Maximum frame size: 2,112-byte payload • Maximum number of frame buffers per switch: 700 • Maximum number of ports per ISL trunk: 8 (Requires an optional license)
Performance	Non-blocking architecture with wire-speed forwarding of traffic: <ul style="list-style-type: none"> • 2.125 Gbit/sec line speed, full duplex • 4.25 Gbit/sec line speed, full duplex • 8.5 Gbit/sec line speed, full duplex • Up to 192 Gbps aggregated throughput • Up to 0.7 microseconds local switching latency
Cooling	Three 2+1 redundant non-hot-swap fans. Non-port to port side airflow.
Power supply	One fixed 75 W AC (100 - 240 V) power supply (IEC 320-C14 connector).
Hot-swap parts	SFP/SFP+ transceivers.
Management ports	One 10/100 Mb Ethernet port (UTP, RJ-45); one RS-232 port (RJ-45); one USB port (for additional firmware/log/configuration files storage).
Management interfaces	EZSwitch Setup; Web-based GUI (Web Tools); CLI; SMI-S; SNMP. Optional Brocade Network Advisor.
Security features	Secure Socket Layer (SSL); Secure Shell (SSH); Secure Copy (SCP); Secure FTP (SFTP); user level security, Role-based Access Control (RBAC); LDAP, RADIUS, and TACACS+ authentication; access control lists (ACLs); IP security (IPsec)
Hardware warranty	One-year customer-replaceable unit, parts-only warranty with 9x5 next business day parts delivered.
Service and support	Optional service upgrades are available through Lenovo Services: 9x5 next business day onsite response, 24x7 2-hour or 4-hour onsite response, 24x7 6-hour or 24-hour committed service repair, up to 5 years of warranty coverage, 1-year or 2-year post-warranty extensions, and Basic Hardware Installation Services.
Firmware entitlement	One-year (Model HC7) or three-year (Model HC4) firmware entitlement and support license is included. Optional one- and two-year firmware support extension licenses are available from Lenovo for Model HC4. Firmware entitlement extension licenses for Model HC7 are included in the warranty service upgrades for Model HC7.

Attribute	Specification
Dimensions	Height: 43 mm (1.7 in.); width: 429 mm (16.9 in.); depth: 307 mm (12.1 in.)
Weight	4.2 kg (9.3 lb) without SFPs.

Models

The following table lists the Lenovo B300 models.

Table 2. Lenovo B300 models

Description	Part number	MTM*	Feature code
Lenovo B300, 8 ports activated, 8x 8Gb SWL SFPs, 1 PS, Rail Kit, 3Yr FW	3873AR3	3873-HC4	ATSM
Lenovo B300, E_Port license, 8 ports activated, 8x 8Gb SWL SFPs, 1 PS, Rail Kit, 1 Yr FW	3873AR6	3873-HC7	B2V0

* MTM = Machine Type-Model.

The Lenovo B300 part numbers include the following items:

- One FC SAN Switch:
 - Model HC4:
 - 8 ports activated, 8x 8 Gb FC SWL SFPs included, 3-year firmware entitlement
 - Model HC7:
 - E_Port license, 8 ports activated, 8x 8 Gb FC SWL SFPs included, 1-year firmware entitlement
- Serial cable (DB-9/RJ-45 to RJ-45)
- Rubber feet for setting up the switch as a standalone unit
- Fixed rack mount kit
- EZSwitch Setup CD
- Lenovo B300 Quick Start Guide
- Access Gateway Quick Start Guide
- Documentation CD
- Warranty information

Note: The switch comes standard without a power cord; it must be purchased together with the switch (see "Power supplies and cables" for details).

The Lenovo B300 comes standard with 8 licensed ports and 8x 8 Gb FC SWL SFP+ transceivers. The remaining unlicensed ports can be activated in 8-port increments by purchasing and installing the Ports on Demand (POD) bundles that include licenses for eight ports and eight 8 Gb FC SWL SFP+ transceivers. By default, ports 0 through 7 are enabled on the Lenovo B300. To enable ports 8 through 15, install a POD license key. To enable ports 16 through 23, install another POD license.

The following table lists additional POD bundles for the Lenovo B300.

Table 3. POD bundle options

Description	Part number	Feature code	Max qty supported
Lenovo B300 8-port license w/ 8x 8G SWL SFP+	00WF814	ATSS	2

If needed, the Lenovo B300 can be mounted in a rack cabinet by using the optional slide rack mount kit that is listed in the following table.

Table 4. Rack-mount options

Description	Part number	Feature code	Max qty supported
Lenovo B300 Slide Rack Mount Kit	00MY794	ASKK	1

Transceivers and cables

The Lenovo B300 comes with 8x 8 Gb FC SWL SFP+ transceivers, and the optional 8-port POD bundle comes with 8x 8 Gb FC SWL SFP+ transceivers. Additional SWL, LWL, and EWL SFP+ transceivers can be ordered for the switch, if needed. The following table lists the supported SFP+ options and optical cables.

Table 5. Supported SFP+ transceivers and optical cables

Description	Part number	Feature code	Max qty supported
8 Gb FC SFP+ transceivers			
Brocade 8Gb SW SFP+ Optical Transceiver	88Y6416	A2B9	24
Brocade 8Gb 10km LW SFP+ Transceiver	00MY764	ASK0	24
Brocade 8Gb 25km ELW SFP+ Transceiver	00MY766	ASK1	24*
OM3 optical cables for 8 Gb and 16 Gb FC SW SFP+ transceivers			
Lenovo 0.5m LC-LC OM3 MMF Cable	00MN498	ASR5	24
Lenovo 1m LC-LC OM3 MMF Cable	00MN502	ASR6	24
Lenovo 3m LC-LC OM3 MMF Cable	00MN505	ASR7	24
Lenovo 5m LC-LC OM3 MMF Cable	00MN508	ASR8	24
Lenovo 10m LC-LC OM3 MMF Cable	00MN511	ASR9	24
Lenovo 15m LC-LC OM3 MMF Cable	00MN514	ASRA	24
Lenovo 25m LC-LC OM3 MMF Cable	00MN517	ASRB	24
Lenovo 30m LC-LC OM3 MMF Cable	00MN520	ASRC	24
OM4 optical cables for 8 Gb and 16 Gb FC SW SFP+ transceivers			
Lenovo 0.5m LC-LC OM4 MMF Cable	4Z57A10845	B2P9	24
Lenovo 1m LC-LC OM4 MMF Cable	4Z57A10846	B2PA	24
Lenovo 3m LC-LC OM4 MMF Cable	4Z57A10847	B2PB	24
Lenovo 5m LC-LC OM4 MMF Cable	4Z57A10848	B2PC	24

Description	Part number	Feature code	Max qty supported
Lenovo 10m LC-LC OM4 MMF Cable	4Z57A10849	B2PD	24
Lenovo 15m LC-LC OM4 MMF Cable	4Z57A10850	B2PE	24
Lenovo 25m LC-LC OM4 MMF Cable	4Z57A10851	B2PF	24
Lenovo 30m LC-LC OM4 MMF Cable	4Z57A10852	B2PG	24

* When using ELW SFP+ transceivers over distances over 10 km, the Extended Fabric feature is required on a SAN switch to drive the maximum bandwidth over the extended links (see Table 7 for ordering information).

The following table lists the cabling requirements for the switch.

Table 6. Lenovo B300 cabling requirements

Transceiver	Cable	Connector
8 Gb Fibre Channel		
8 Gb FC SW SFP+ Module	Up to 30 m with fiber optic cables supplied by Lenovo (see Table 2); 850 nm OM3 multimode fiber (up to 150 m at 8 Gbps; up to 380 m at 4 Gbps; up to 500 m at 2 Gbps)	LC
8 Gb FC LW SFP+ Module	1310 nm single-mode fiber cable (9 μ) up to 10 km	LC
8 Gb FC ELW SFP+ Module	1310 nm single-mode fiber cable (9 μ) up to 25 km	LC
Management ports		
10/100 Mb Ethernet management port	UTP Category 5, 5E, and 6 up to 100 meters	RJ-45
RS-232 management port	DB-9/RJ-45-to-RJ-45 console cable (comes with the switch)	RJ-45

Firmware

The Lenovo B300 comes standard with the following features:

- Advanced Fabric Services
 - Single-switch fabric (standalone): Enables high performance 8 Gbps switching.
 - Advanced Zoning (default zoning, port/WWN zoning, broadcast zoning)
 - Dynamic fabric provisioning (DFP): Fabric-assigned port World Wide Names (FA-PWWNs).
 - Dynamic path selection (DPS): Distributes input traffic across multiple paths proportionally to the bandwidth of each path.
 - Dynamic load sharing (DLS): Distributes traffic across multiple equivalent paths between switches.
 - Fabric Shortest Path First (FSPF)
 - Buffer-to-Buffer (BB) credit flow control
 - Enhanced BB credit loss recovery
 - Fabric Device Management Interface (FDMI)
 - Frame order delivery
 - Frame redirection
 - FC login services
 - Registered State Change Notification (RSCN)
 - Reliable Commit Service (RCS)
 - Simple Name Server (SNS)
 - Fibre Channel Authentication Protocol (FCAP) switch authentication
 - Management Server (MS): Assists in the auto-discovery of switch-based fabrics.

- Adaptive Networking
 - Bottleneck detection: Identifies devices attached to the fabric that are slowing down traffic.
 - Ingress rate limiting: Restricts the speed of traffic from a particular device to the switch port.
 - Traffic isolation zoning (TIZ): Creates a dedicated path for traffic flowing from a specific set of source ports (F_Ports).
 - Quality of Service (QoS): SID/DID traffic prioritization
- Virtualization
 - N_Port ID virtualization (NPIV): Enables a single FC port to appear as multiple, distinct ports with separate port identification within the fabric.
 - Access Gateway (requires all 24 ports be licensed): Leverages NPIV to connect to any fabric without adding switch domains to reduce management complexity.
- Management
 - IPv4 and IPv6 addressing
 - Firmware upload and download
 - Hot code load and activation
 - Network Time Protocol (NTP) v3
 - EZ Switch Setup Wizard
 - Command line interface (CLI)
 - Web Tools
 - Brocade Network Advisor (purchased separately)
 - SNMPv1, SNMPv3, and MIBs
 - SMI-S compliant
 - Syslog
- Security
 - Local switch user accounts
 - LDAP, RADIUS, TACACS+ user authentication
 - Role-based access control (RBAC)
 - Administrative Domains: Partition the fabric into logical groups and allocate administration of these groups to different user accounts
 - IP Security (IPsec)
 - IP filtering with access control lists (ACLs)
 - HTTPS
 - Secure Copy (SCP)
 - Secure RPC
 - Secure FTP (SFTP)
 - Secure Shell (SSH) v2
 - Secure Sockets Layer (SSL)
 - Federal Information Processing Standards (FIPS) 140-2 L2-compliant
- Advanced Diagnostic Tools
 - Power-on self-test (POST)
 - MAPS basic monitoring: Monitors system resources and overall switch health status.
 - Event logging
 - Environmental monitoring
 - FCping
 - Pathinfo (FC traceroute)
 - Non-disruptive daemon restart
 - Port mirroring
 - Port fencing: Disables a port if specified error conditions are met.
 - RAS trace logging

The following optional licensed features are available for the Lenovo B300:

- Full Fabric E_Port: Enables connectivity to multi-switch fabrics.
Note: Full Fabric E_Port license comes standard with the Lenovo B300 Model HC7.
- ISL Trunking: Allows frame-based consolidation of up to 8 inter-switch links (ISLs) into fault-tolerant and load-balanced trunks with bandwidth of up to 64 Gbps.
- Fabric Vision
 - Monitoring and Alerting Policy Suite (MAPS): Provides a policy-based, fabric-wide threshold monitoring and alerting tool.
 - Flow Vision: Allows to identify, monitor, and analyze specific application flows.
- Extended Fabric: Extends Fibre Channel SANs beyond 10 km distance limitations for replication and backup at full bandwidth.

The following table lists ordering information for the optional licensed features for the Lenovo B300 (one license per switch).

Table 7. Optional features

Description	Part number	Feature code
Electronic authorization licenses		
Lenovo B300 S/W, Full Fabric (EPORT Upgrade) (for Model HC4 only)	7S0C0005WW	B3E5
Lenovo B300/6505 S/W, ISL Trunking	7S0C0001WW	B3E1
Lenovo B300/6505 S/W, Fabric Vision	7S0C0002WW	B3E2
Lenovo B300/6505 S/W, Extended Fabric	7S0C0003WW	B3E3
Lenovo B300/6505 S/W, Enterprise Bundle (TRK, FV, EF)*	7S0C0004WW	B3E4

* Enterprise Bundle includes ISL Trunking, Fabric Vision, and Extended Fabric licenses.

Firmware entitlement is included with the Lenovo B300 and provides 3-year (Model HC4) or 1-year (Model HC7) firmware support. The options to extend the entitlement up to 7 years in 1-year or 2-year increments are available for Model HC4. The firmware entitlement is included in the warranty service upgrades for Model HC7.

The firmware entitlement and support extension options for Model HC4 are listed in the following table.

Table 8. Entitlement and support extension options for Model HC4

Description	Part number	Feature code
Lenovo B300 FC SAN FW Renewal, 1-Year	00YH944	ATW5
Lenovo B300 FC SAN FW Renewal, 2-Year	00YH945	ATW6

Management software

Lenovo offers optional Brocade Network Advisor, a fabric management application, to efficiently manage the network operations lifecycle, including monitoring, diagnostics, change management, and troubleshooting.

Lenovo offers the following Network Advisor editions:

- Network Advisor Professional Plus: A SAN management application designed for mid-sized SANs for managing up to 36 physical or virtual fabrics and up to 2,560 switch ports.
- Network Advisor Enterprise: A SAN management application designed for enterprise-class SANs for managing up to 100 physical or virtual fabrics and up to 15,000 switch ports.

Brocade Network Advisor supports the wide variety of Brocade SAN offerings, including Lenovo B300, B6505, B6510, DB610S, DB620S, DB400D, DB800D, FC5022, and more. For a complete list of supported products and edition features, refer to the Brocade Network Advisor Installation and Migration Guide:

<http://www.brocade.com/en/support/document-library/dl-segment-products-os-detail-page.bna.product.html>

The following table lists ordering information for the optional Brocade Network Advisor management application.

Table 9. Brocade Network Advisor licenses

Description	Part number	Feature code
Electronic authorization licenses		
Brocade Network Advisor Professional Plus License	7S0C000MWW	B3EM
Brocade Network Advisor SAN Enterprise License	7S0C000LWW	B3EL
Brocade Network Advisor SAN Upgrade Professional Plus to Enterprise License	7S0C000NWW	B3EN

The Brocade Network Advisor licenses include 1-year software support entitlement. The options to extend entitlement for additional years of software support in 1-year increments are listed in the following table.

Table 10. Software support extension options for Brocade Network Advisor

Description	Part number	Feature code
Brocade Network Advisor Professional Plus License Support Extension, 1-Year	7S0C000UWW	S0FC
Brocade Network Advisor SAN Enterprise License Support Extension, 1-Year	7S0C000TWW	S0FB
Brocade Network Advisor SAN Upgrade Professional Plus to Enterprise License Support Extension, 1-Year	7S0C000VWW	S0FD

Fibre Channel standards

The Lenovo B300 supports the following standards:

- FC-AL-2 INCITS 332: 1999
- FC-BB-2 INCITS 372: 2003
- FC-BB-3 INCITS 414: 2006
- FC-DA INCITS TR-36: 2004
- FC-FLA INCITS TR-20: 1998
- FC-FS INCITS 373: 2003
- FC-FS-2 ANSI/INCITS 424:2006
- FC-GS-4 ANSI INCITS 387: 2004
- FC-GS-5 ANSI INCITS 427:2007
- FC-IFR INCITS 1745-D, revision 1.03 (under development)
- FC-LS INCITS 433: 2007
- FC-MI-2 ANSI/INCITS TR-39-2005
- FCP-2 INCITS 350: 2003 (replaces FCP ANSI X3.269: 1996)
- FC-PI INCITS 352: 2002
- FC-PI-2 INCITS 404: 2005
- FC-PI-4 INCITS 1647-D, revision 7.1 (under development)
- FC-PLDA INCIT S TR-19: 1998
- FC-SB-3 INCITS 374: 2003 (replaces FC-SB ANSI X3.271: 1996; FC-SB-2 INCITS 374: 2001)
- FC-SP INCITS 426-2007
- FC-SP-2 INCITS 496-2012
- FC-SW-3 INCITS 384: 2004
- FC-SW-4 INCITS 418:2006
- FC-TAPE INCITS TR-24: 1999
- FC-VI INCITS 357: 2002
- MIB-FA INCITS TR-32: 2003
- RFC 2625 IP and ARP Over FC
- RFC 2837 Fabric Element MIB
- SNIA Storage Management Initiative Specification (SMI-S) Version 1.03 ISO standard IS24775-2006. Replaces (ANSI INCITS 388: 2004)
- SNIA Storage Management Initiative Specification (SMI-S) Version 1.1
- SNIA Storage Management Initiative Specification (SMI-S) Version 1.2

Power supplies and cables

The Lenovo B300 has one fixed 75 W AC power supply with an IEC 320-C14 connector. The switch comes standard without a power cord; one rack power cable or country-specific line cord must be ordered together with the switch (see the following table).

Table 11. Part numbers and feature codes for ordering power cords

Description	Part number	Feature code
Rack power cables		
1.5m, 10A/100-250V, C13 to IEC 320-C14 Rack Power Cable	39Y7937	6201
1.8m, 10A/100-250V, 2xC13PM to IEC 320-C14 Rack Power Cable	None*	6568
2.8m, 10A/100-250V, C13 to IEC 320-C14 Rack Power Cable	None*	6311
2.8m, 10A/100-250V, C13 to IEC 320-C20 Rack Power Cable	39Y7938	6204
4.3m, 10A/100-250V, C13 to IEC 320-C14 Rack Power Cable	39Y7932	6263
Country-specific line cords		
10A/125V C13 to NEMA 5-15P 4.3m line cord	39Y7931	6207
10A/250V C13 to NEMA 6-15P 2.8m line cord	46M2592	A1RF
Argentina 10A/250V C13 to IRAM 2073 2.8m line cord	39Y7930	6222
Australia/NZ 10A/250V C13 to AS/NZ 3112 2.8m line cord	39Y7924	6211
Brazil 10A/125V C13 to NBR 6147 2.8m line cord	39Y7929	6223
China 10A/250V C13 to GB 2099.1 2.8m line cord	39Y7928	6210
Denmark 10A/250V C13 to DK2-5a 2.8m line cord	39Y7918	6213
European 10A/230V C13 to CEE7-VII 2.8m line cord	39Y7917	6212
India 10A/250V C13 to IS 6538 2.8m line cord	39Y7927	6269
Israel 10A/250V C13 to SI 32 2.8m line cord	39Y7920	6218
Italy 10A/250V C13 to CEI 23-16 2.8m line cord	39Y7921	6217
Japan 12A/125V C13 to JIS C-8303 2.8m line cord	46M2593	A1RE
Korea 12A/250V C13 to KETI 2.8m line cord	39Y7925	6219
South Africa 10A/250V C13 to SABS 164 2.8m line cord	39Y7922	6214
Switzerland 10A/250V C13 to SEV 1011-S24507 2.8m line cord	39Y7919	6216
Taiwan 10A/250V C13 to CNS 10917-3 2.8m line cord	00CG265	A53E
Taiwan 15A/125V C13 to CNS 10917-3 2.8m line cord	00CG267	A53F
United Kingdom 10A/250V C13 to BS 1363/A 2.8m line cord	39Y7923	6215

* Available for factory-built custom configurations and solutions only.

Physical specifications

The Lenovo B300 has the following dimensions and weight (approximate):

- Height: 43 mm (1.7 in.)
- Width: 429 mm (16.9 in.)
- Depth: 307 mm (12.1 in.)
- Weight (without SFPs): 4.2 kg (9.3 lb)

Operating environment

The Lenovo B300 is supported in the following environment:

- Air temperature:
 - Operating: 0°C to +40°C (32°F to 104°F)
 - Non-operating: -25°C to +70°C (-13°F to 158°F)
- Maximum altitude:
 - Operating: 3,000 m (9,842 ft)
 - Non-operating: 12,000 m (39,370 ft)
- Humidity:
 - Operating: 10% to 85% at 40°C (104°F), with maximum gradient of 10% per hour
 - Non-operating: 10% to 90% at 70°C (158°F)
- Electrical power:
 - Voltage range: 100 V AC - 240 V AC (nominal)
 - Frequency: 50 Hz - 60 Hz (nominal)
 - Power consumption:
 - Nominal: 48 watts
 - Maximum (with 24 ports at 8 Gbps): 57 watts
- Heat dissipation: 195 BTU per hour
- Acoustical noise emission: 46.7 dB

Warranty

The Lenovo B300's hardware has a one-year Customer Replaceable Unit (CRU) parts-only warranty with 9x5/next business day (NBD) terms.

Some countries might have different warranty terms and conditions than the standard warranty. This is due to local business practices or laws in the specific country. Local service teams can assist in explaining country-specific terms when needed. Examples of country-specific warranty terms are second or longer business day parts delivery or parts-only base warranty.

If warranty terms and conditions include onsite labor for repair or replacement of parts, Lenovo will dispatch a service technician to the customer site to perform the replacement. Onsite labor under base warranty is limited to labor for replacement of parts that have been determined to be field-replaceable units (FRUs). Parts that are determined to be customer-replaceable units (CRUs) do not include onsite labor under base warranty.

If warranty terms include parts-only base warranty, Lenovo is responsible for delivering only replacement parts that are under base warranty (including FRUs) that will be sent to a requested location for self-service. Parts-only service does not include a service technician being dispatched onsite. Parts must be changed at customer's own cost and labor and defective parts must be returned following the instructions supplied with the spares parts.

Also available are Lenovo Services warranty maintenance upgrades and post-warranty maintenance agreements, with a well-defined scope of services, including service hours, response time, term of service, and service agreement terms and conditions.

Lenovo warranty service upgrade offerings are country-specific. Not all warranty service upgrades are available in every country. For information about Lenovo warranty service upgrade offerings that are available in your country or area, refer to the following resources:

- Service part numbers in Lenovo Data Center Solution Configurator (DCSC):
<http://dcsc.lenovo.com/#/services>
- Lenovo Services Availability Locator
<https://lenovolocator.com/>

In general, the following Lenovo warranty service upgrades are available:

- Warranty and maintenance service upgrades:
 - 1, 3, or 5 years of warranty service coverage
 - 1-year or 2-year post-warranty extensions
 - Foundation Service: 9x5 service coverage with next business day onsite response
 - Essential Service: 24x7 service coverage with 4-hour onsite response or 24-hour committed repair (available only in select countries)
 - Advanced Service: 24x7 service coverage with 2-hour onsite response or 6-hour committed repair (available only in select countries)
- Basic Hardware Installation Services
Lenovo experts can seamlessly manage the physical installation of your server, storage, or networking hardware. Working at a time convenient for you (business hours or off shift), the technician will unpack and inspect the systems on your site, install options, mount in a rack cabinet, connect to power and network, check and update firmware to the latest levels, verify operation, and dispose of the packaging, allowing your team to focus on other priorities.

For service definitions, country-specific details, and service limitations, please refer to the following documents:

- Lenovo Statement of Limited Warranty for Data Center Group (DCG) Servers and System Storage
<http://pcsupport.lenovo.com/us/en/solutions/ht503310>
- Lenovo Data Center Services Agreement
<http://support.lenovo.com/us/en/solutions/ht116628>

Regulatory compliance

The Lenovo B300 conforms to the following regulations:

- Electromagnetic compatibility
 - FCC Part 15, Subpart B (Class A)
 - EN 55022 (Class A)
 - EN 55024
 - ICES-003 (Class A)
 - VCCI (Class A)
 - KN22 and KN24
 - GB 9254-2008
 - CNS 13438
 - CISPR22
- Safety
 - UL/CSA 60950-1
 - EN 60950-1
 - IEC 60950-1
 - GB 4943.1-2011
 - CNS 14336-1:99
 - EU RoHS

Fibre Channel SAN switches

The following table lists the FC SAN switches that are currently offered by Lenovo that can be used with the Lenovo B300 in FC SAN solutions.

Note: Information provided in this section is for ordering reference purposes only. End-to-end storage configuration support *must* be verified through the interoperability matrix for a particular storage system that can be found on the Lenovo Data Center Support web site:

<http://datacentersupport.lenovo.com>

Table 12. FC SAN switches

Description	Part number
Rack-mount switches - 16 Gb FC	
Lenovo ThinkSystem DB610S, 8 ports licensed, 8x 16Gb SWL SFPs, 1 PS, Rail Kit, 1Yr FW	6559F2A
Lenovo ThinkSystem DB610S, ENT Bundle, 24 ports licensed, 24x 16Gb SWL SFPs, 1 PS, Rail Kit, 1Yr FW	6559F1A
Lenovo ThinkSystem DB610S, ENT Bundle, 24 ports licensed, 24x 16Gb SWL SFPs, 1 PS, Rail Kit, 3Yr FW	6559D1Y
Lenovo B6505, 12 ports licensed, 12x 16Gb SWL SFPs, 1 PS, Rail Kit, 1Yr FW	3873ER1
Lenovo B6510, 24 ports licensed, 24x 16Gb SWL SFPs, 2 PS, Rail Kit, 1Yr FW	3873IR1
Lenovo B6510, 24 ports licensed, 24x 16Gb SWL SFPs, 2 PS, Rail Kit, 3Yr FW	3873BR3
Rack-mount switches - 32 Gb FC	
Lenovo ThinkSystem DB610S, 8 ports licensed, No SFPs, 1 PS, Rail Kit, 1Yr FW	6559F3A
Lenovo ThinkSystem DB610S, 8 ports licensed, No SFPs, 1 PS, Rail Kit, 3Yr FW	6559D3Y
Lenovo ThinkSystem DB620S, 24 ports licensed, No SFPs, 2 PS, Rail Kit, 1Yr FW	6415G3A
Lenovo ThinkSystem DB620S, 24 ports licensed, 24x 32Gb SWL SFPs, 2 PS, Rail Kit, 1Yr FW	6415H11
Lenovo ThinkSystem DB620S, 24 ports licensed, 24x 32Gb SWL SFPs, 2 PS, Rail Kit, 3Yr FW	6415G11
Lenovo ThinkSystem DB620S, ENT Bundle, 48 ports licensed, 48x 32Gb SWL SFPs, 2 PS, Rail Kit, 1Yr FW	6415H2A
Rack-mount directors - 32 Gb FC	
Lenovo ThinkSystem DB400D 32Gb FC Director, ENT. Feature set, 4 Blade slots, 8U, 1Yr FW	6684D2A
Lenovo ThinkSystem DB400D 32Gb FC Director, ENT. Feature set, 4 Blade slots, 8U, 3Yr FW	6684B2A
Lenovo ThinkSystem DB800D 32Gb FC Director, ENT. Feature set, 8 Blade slots, 14U, 1Yr FW	6682D1A
Embedded FC SAN modules for Flex System - 16 Gb FC	
Lenovo Flex System FC5022 16Gb SAN Scalable Switch	88Y6374
Lenovo Flex System FC5022 24-port 16Gb SAN Scalable Switch (includes two 16 Gb SFPs)	00Y3324
Lenovo Flex System FC5022 24-port 16Gb ESB SAN Scalable Switch	90Y9356

For more information, see the list of Product Guides in the following categories:

- Rack-mount SAN switches
<http://lenovopress.com/storage/switches/rack>
- Embedded SAN switches
<http://lenovopress.com/storage/switches/embedded>

External storage systems

The following table lists the external storage systems that are currently offered by Lenovo that can be used in Lenovo FC SAN storage solutions.

Note: Information provided in this section is for ordering reference purposes only. End-to-end storage configuration support *must* be verified through the interoperability matrix for a particular storage system that can be found on the Lenovo Data Center Support web site:

<http://datacentersupport.lenovo.com>

Table 13. External storage systems: DE Series

Description	Part number	
	Worldwide	Japan
Lenovo ThinkSystem DE Series Storage		
Lenovo ThinkSystem DE2000H FC Hybrid Flash Array LFF	7Y70A002WW	7Y701002JP
Lenovo ThinkSystem DE2000H FC Hybrid Flash Array SFF	7Y71A001WW	7Y711004JP
Lenovo ThinkSystem DE4000H FC Hybrid Flash Array 4U60	7Y77A001WW	7Y771001JP
Lenovo ThinkSystem DE4000H FC Hybrid Flash Array LFF	7Y74A001WW	7Y74A001JP
Lenovo ThinkSystem DE4000H FC Hybrid Flash Array SFF	7Y75A002WW	7Y75A002JP
Lenovo ThinkSystem DE4000F FC All Flash Array SFF	7Y76A001WW	7Y76A001JP
Lenovo ThinkSystem DE6000H FC Hybrid Flash Array 4U60	7Y80A001WW	7Y801001JP
Lenovo ThinkSystem DE6000H FC Hybrid Flash Array SFF	7Y78A001WW	7Y781001JP
Lenovo ThinkSystem DE6000F FC All Flash Array SFF	7Y79A001WW	7Y79A001JP

Table 14. External storage systems: DM Series

Description	Part number
Lenovo ThinkSystem DM Series Storage	
Lenovo ThinkSystem DM3000H Hybrid Storage Array (2U12 LFF, CTO only)	7Y42CTO1WW
Lenovo ThinkSystem DM3000H 48TB (12x 4TB HDDs) (Universal SFP+)	7Y420001EA*
Lenovo ThinkSystem DM5000H Hybrid Storage Array (2U24 SFF, CTO only)	7Y57CTO1WW
Lenovo ThinkSystem DM5000H 11.5TB (12x 960GB SSDs) (Universal SFP+)	7Y570001EA*
Lenovo ThinkSystem DM5000H 29TB (24x 1.2TB 10K HDDs) (Universal SFP+)	7Y570003EA*
Lenovo ThinkSystem DM5000F Flash Storage Array (2U24 SFF, CTO only)	7Y41CTO1WW
Lenovo ThinkSystem DM7000H Hybrid Storage Array (3U, CTO only)	7Y56CTO1WW
Lenovo ThinkSystem DM7000F Flash Storage Array (3U, CTO only)	7Y40CTO1WW

* Available only in EMEA.

Table 15. External storage systems: DS Series

Description	Part number		
	Worldwide	Japan	PRC
Lenovo ThinkSystem DS Series Storage			
Lenovo ThinkSystem DS2200 LFF FC/iSCSI Dual Controller Unit	4599A31	4599A3J	4599A3C
Lenovo ThinkSystem DS2200 SFF FC/iSCSI Dual Controller Unit	4599A11	4599A1J	4599A1C
Lenovo ThinkSystem DS4200 LFF FC/iSCSI Dual Controller Unit	4617A31	4617A3J	4617A3C
Lenovo ThinkSystem DS4200 SFF FC/iSCSI Dual Controller Unit	4617A11	4617A1J	4617A1C
Lenovo ThinkSystem DS6200 SFF FC/iSCSI Dual Controller Unit	4619A11	4619A1J	4619A1C

Description	Part number		
	Worldwide	Japan	PRC
DS6200F 12x 400GB 10DWD SSDs, 1x 8Gb FC SFP, 512 Snapshots, Replication	4619A1F	4619J1F	4619C1F
DS6200F 12x 800GB 3DWD SSDs, 1x 8Gb FC SFP, 512 Snapshots, Replication	4619A2F	4619J2F	4619C2F
DS6200F 12x 1.6TB 3DWD SSDs, 1x 8Gb FC SFP, 512 Snapshots, Replication	4619A3F	4619J3F	4619C3F
DS6200F 12x 3.84TB 1DWD SSDs, 1x 8Gb FC SFP, 512 Snapshots, Replication	4619A4F	4619J4F	4619C4F

Table 16. External storage systems: V Series and Storwize for Lenovo

Description	Part number
Lenovo Storage V Series	
Lenovo Storage V3700 V2 LFF Control Enclosure	6535C1D
Lenovo Storage V3700 V2 SFF Control Enclosure	6535C2D
Lenovo Storage V3700 V2 XP LFF Control Enclosure	6535C3D
Lenovo Storage V3700 V2 XP SFF Control Enclosure	6535C4D
Lenovo Storage V5030 LFF Control Enclosure 3Yr S&S	6536C12
Lenovo Storage V5030 LFF Control Enclosure 5Yr S&S	6536C32
Lenovo Storage V5030 SFF Control Enclosure 3Yr S&S	6536C22
Lenovo Storage V5030 SFF Control Enclosure 5Yr S&S	6536C42
Lenovo Storage V5030F SFF Control Enclosure 3Yr S&S	6536B1F
Lenovo Storage V5030F SFF Control Enclosure 5Yr S&S	6536B2F
Lenovo Storage V7000 SFF Control Enclosure 3Yr S&S PRC	6538R11^
Lenovo Storage V7000 SFF Control Enclosure 5Yr S&S PRC	6538R21^
Lenovo Storage V7000F SFF Control Enclosure 3Yr S&S PRC	6538R1G^
Lenovo Storage V7000F SFF Control Enclosure 5Yr S&S PRC	6538R2G^
IBM Storwize for Lenovo	
IBM Storwize V7000 SFF Control Enclosure, 3YR SWMA	6195C32†
IBM Storwize V7000 SFF Control Enclosure, 3YR SWMA, LA	6195C3L‡
IBM Storwize V7000 SFF Control Enclosure, 5YR SWMA	6195C52†
IBM Storwize V7000 SFF Control Enclosure, 5YR SWMA, LA	6195C5L‡

^ Available only in PRC.

† Available worldwide except Latin America.

‡ Available only in Latin America.

For more information, see the list of Product Guides in the following categories:

- Lenovo DE Series, DM Series, DS Series, and V Series storage:
<http://lenovopress.com/storage/san/lenovo#rt=product-guide>
- IBM Storwize for Lenovo storage:
<http://lenovopress.com/storage/san/ibm#rt=product-guide>

External backup units

The following table lists the external backup options that are offered by Lenovo that can be used in Lenovo FC SAN solutions.

Note: Information provided in this section is for ordering reference purposes only. End-to-end LTO Ultrium configuration support for a particular tape backup unit *must* be verified through the System Storage Interoperation Center (SSIC):

<http://www.ibm.com/systems/support/storage/ssic>

Table 17. External backup options

Description	Part number
External tape backup libraries	
IBM TS4300 3U Tape Library-Base Unit	6741A1F
Fibre Channel backup drives for TS4300 Tape Library	
LTO 6 FH Fibre Channel Drive	01KP935
LTO 6 HH Fibre Channel Drive	01KP933
LTO 7 FH Fibre Channel Drive	01KP938
LTO 7 HH Fibre Channel Drive	01KP936
LTO 8 FH Fibre Channel Drive	01KP954
LTO 8 HH Fibre Channel Drive	01KP952

For more information, see the list of Product Guides in the Backup units category:

<https://lenovopress.com/servers/options/backup#rt=product-guide>

Rack cabinets

The following table lists the rack cabinets that are offered by Lenovo that can be used in Lenovo FC SAN solutions.

Table 18. Rack cabinets

Description	Part number
25U S2 Standard Rack (1000 mm deep; 2 sidewall compartments)	93072RX
25U Static S2 Standard Rack (1000 mm deep; 2 sidewall compartments)	93072PX
42U S2 Standard Rack (1000 mm deep; 6 sidewall compartments)	93074RX
42U 1100mm Enterprise V2 Dynamic Rack (6 sidewall compartments)	93634PX
42U 1100mm Enterprise V2 Dynamic Expansion Rack (6 sidewall compartments)	93634EX
42U 1200mm Deep Dynamic Rack (6 sidewall compartments)	93604PX
42U 1200mm Deep Static Rack (6 sidewall compartments)	93614PX
42U Enterprise Rack (1105 mm deep; 4 sidewall compartments)	93084PX
42U Enterprise Expansion Rack (1105 mm deep; 4 sidewall compartments)	93084EX

For more information, see the list of Product Guides in the Rack cabinets category:

<http://lenovopress.com/servers/options/racks>

Power distribution units

The following table lists the power distribution units (PDUs) that are offered by Lenovo that can be used in Lenovo FC SAN solutions.

Table 19. Power distribution units

Description	Part number
0U Basic PDUs	
0U 36 C13/6 C19 24A/200-240V 1 Phase PDU with NEMA L6-30P line cord	00YJ776
0U 36 C13/6 C19 32A/200-240V 1 Phase PDU with IEC60309 332P6 line cord	00YJ777
0U 21 C13/12 C19 32A/200-240V/346-415V 3 Phase PDU with IEC60309 532P6 line cord	00YJ778
0U 21 C13/12 C19 48A/200-240V 3 Phase PDU with IEC60309 460P9 line cord	00YJ779
Switched and Monitored PDUs	
0U 20 C13/4 C19 Switched and Monitored 24A/200-240V/1Ph PDU w/ NEMA L6-30P line cord	00YJ781
0U 20 C13/4 C19 Switched and Monitored 32A/200-240V/1Ph PDU w/ IEC60309 332P6 line cord	00YJ780
0U 18 C13/6 C19 Switched / Monitored 32A/200-240V/346-415V/3Ph PDU w/ IEC60309 532P6 cord	00YJ782
0U 12 C13/12 C19 Switched and Monitored 48A/200-240V/3Ph PDU w/ IEC60309 460P9 line cord	00YJ783
1U 9 C19/3 C13 Switched and Monitored DPI PDU (without line cord)	46M4002
1U 9 C19/3 C13 Switched and Monitored 60A 3Ph PDU with IEC 309 3P+Gnd cord	46M4003
1U 12 C13 Switched and Monitored DPI PDU (without line cord)	46M4004
1U 12 C13 Switched and Monitored 60A 3 Phase PDU with IEC 309 3P+Gnd line cord	46M4005
Ultra Density Enterprise PDUs (9x IEC 320 C13 + 3x IEC 320 C19 outlets)	
Ultra Density Enterprise C19/C13 PDU Module (without line cord)	71762NX
Ultra Density Enterprise C19/C13 PDU 60A/208V/3ph with IEC 309 3P+Gnd line cord	71763NU
C13 Enterprise PDUs (12x IEC 320 C13 outlets)	
DPI C13 Enterprise PDU+ (without line cord)	39M2816
DPI Single Phase C13 Enterprise PDU (without line cord)	39Y8941
C19 Enterprise PDUs (6x IEC 320 C19 outlets)	
DPI Single Phase C19 Enterprise PDU (without line cord)	39Y8948
DPI 60A 3 Phase C19 Enterprise PDU with IEC 309 3P+G (208 V) fixed line cord	39Y8923
Front-end PDUs (3x IEC 320 C19 outlets)	
DPI 30amp/125V Front-end PDU with NEMA L5-30P line cord	39Y8938
DPI 30amp/250V Front-end PDU with NEMA L6-30P line cord	39Y8939
DPI 32amp/250V Front-end PDU with IEC 309 2P+Gnd line cord	39Y8934
DPI 60amp/250V Front-end PDU with IEC 309 2P+Gnd line cord	39Y8940
DPI 63amp/250V Front-end PDU with IEC 309 2P+Gnd line cord	39Y8935
Universal PDUs (7x IEC 320 C13 outlets)	
DPI Universal 7 C13 PDU (with 2 m IEC 320-C19 to C20 rack power cord)	00YE443
NEMA PDUs (6x NEMA 5-15R outlets)	
DPI 100-127V PDU with fixed NEMA L5-15P line cord	39Y8905
Line cords for PDUs that ship without a line cord	
DPI 30a Line Cord (NEMA L6-30P)	40K9614
DPI 32a Line Cord (IEC 309 P+N+G)	40K9612
DPI 32a Line Cord (IEC 309 3P+N+G)	40K9611

Description	Part number
DPI 60a Cord (IEC 309 2P+G)	40K9615
DPI 63a Cord (IEC 309 P+N+G)	40K9613
DPI Australian/NZ 3112 Line Cord (32A)	40K9617
DPI Korean 8305 Line Cord (30A)	40K9618

For more information, see the list of Product Guides in the Power Distribution Units category:
<http://lenovopress.com/servers/options/pdu>

Uninterruptible power supply units

The following table lists the uninterruptible power supply (UPS) units that are offered by Lenovo that can be used in Lenovo FC SAN solutions.

Table 20. Uninterruptible power supply units

Description	Part number
Worldwide models	
RT1.5kVA 2U Rack or Tower UPS (100-125VAC) (8x NEMA5-15R 12A outlets)	55941AX
RT1.5kVA 2U Rack or Tower UPS (200-240VAC) (8x IEC 320 C13 10A outlets)	55941KX
RT2.2kVA 2U Rack or Tower UPS (100-125VAC) (8x NEMA 5-20R 16A outlets)	55942AX
RT2.2kVA 2U Rack or Tower UPS (200-240VAC) (8x IEC 320 C13 10A, 1x IEC 320 C19 16A outlets)	55942KX
RT3kVA 2U Rack or Tower UPS (100-125VAC) (6x NEMA5-20R 16A, 1x NEMA L5-30R 24A outlets)	55943AX
RT3kVA 2U Rack or Tower UPS (200-240VAC) (8x IEC 320 C13 10A, 1x IEC 320 C19 16A outlets)	55943KX
RT5kVA 3U Rack or Tower UPS (200-240VAC) (8x IEC 320 C13 10A, 2x IEC 320 C19 16A outlets)	55945KX
RT6kVA 3U Rack or Tower UPS (200-240VAC) (8x IEC 320 C13 10A, 2x IEC 320 C19 16A outlets)	55946KX
RT8kVA 6U Rack or Tower UPS (200-240VAC) (4x IEC 320-C19 16A outlets)	55948KX
RT11kVA 6U Rack or Tower UPS (200-240VAC) (4x IEC 320-C19 16A outlets)	55949KX
RT8kVA 6U 3:1 Phase Rack or Tower UPS (380-415VAC) (4x IEC 320-C19 16A outlets)	55948PX
RT11kVA 6U 3:1 Phase Rack or Tower UPS (380-415VAC) (4x IEC 320-C19 16A outlets)	55949PX
ASEAN, HTK, INDIA, and PRC models	
ThinkSystem RT3kVA 2U Standard UPS (200-230VAC) (2x C13 10A, 2x GB 10A, 1x C19 16A outlets)	55943KT
ThinkSystem RT3kVA 2U Long Backup UPS (200-230VAC) (2x C13 10A, 2x GB 10A, 1x C19 16A outlets)	55943LT
ThinkSystem RT6kVA 5U UPS (200-230VAC) (2x C13 10A outlets, 1x Terminal Block output)	55946KT
ThinkSystem RT10kVA 5U UPS (200-230VAC) (2x C13 10A outlets, 1x Terminal Block output)	5594XKT

For more information, see the list of Product Guides in the Uninterruptible Power Supply Units category:
<http://lenovopress.com/servers/options/ups#rt=product-guide>

Lenovo Financial Services

Lenovo Financial Services reinforces Lenovo's commitment to deliver pioneering products and services that are recognized for their quality, excellence, and trustworthiness. Lenovo Financial Services offers financing solutions and services that complement your technology solution anywhere in the world.

We are dedicated to delivering a positive finance experience for customers like you who want to maximize your purchase power by obtaining the technology you need today, protect against technology obsolescence, and preserve your capital for other uses.

We work with businesses, non-profit organizations, governments and educational institutions to finance their entire technology solution. We focus on making it easy to do business with us. Our highly experienced team of finance professionals operates in a work culture that emphasizes the importance of providing outstanding customer service. Our systems, processes and flexible policies support our goal of providing customers with a positive experience.

We finance your entire solution. Unlike others, we allow you to bundle everything you need from hardware and software to service contracts, installation costs, training fees, and sales tax. If you decide weeks or months later to add to your solution, we can consolidate everything into a single invoice.

Our Premier Client services provide large accounts with special handling services to ensure these complex transactions are serviced properly. As a premier client, you have a dedicated finance specialist who manages your account through its life, from first invoice through asset return or purchase. This specialist develops an in-depth understanding of your invoice and payment requirements. For you, this dedication provides a high-quality, easy, and positive financing experience.

For your region specific offers please ask your Lenovo sales representative or your technology provider about the use of Lenovo Financial Services. For more information, see the following Lenovo website:
<http://www.lenovofs.com>

Related publications and links

For more information, see the following resources:

- Lenovo B300 FC SAN Switch product page
<https://www3.lenovo.com/us/en/data-center/storage/storage-area-network/fibre-channel-switches/Lenovo-B300-Fibre-Channel-Switch/p/77X2SHSSH02>
- For more information, see the Lenovo B300 FC SAN Switch product publications, available from the Lenovo support website (<http://support.lenovo.com>) or Brocade 300 Resource Library:
<http://www.brocade.com/en/products-services/storage-networking/fibre-channel/300-switch.html>
 - *Hardware Installation Guide*
 - *Access Gateway Administrator's Guide*
 - *EZSwitchSetup Administrator's Guide*
 - *Fabric OS Administrator's Guide*
 - *Flow Vision Administrator's Guide*
 - *Monitoring and Alerting Policy Suite Administrator's Guide*
 - *Web Tools Administrator's Guide*
 - *Fabric OS Troubleshooting and Diagnostics Guide*
 - *Fabric OS Command Reference*
 - *Fabric OS Message Reference*
 - *Fabric OS MIB Reference*
- How to download firmware for Lenovo B Series FC SAN switches:
<http://go.brocade.com/x0L0000S2lg0GwG00ZAGBB4>

Related product families

Product families related to this document are the following:

- [Rack SAN Switches](#)

Notices

Lenovo may not offer the products, services, or features discussed in this document in all countries. Consult your local Lenovo representative for information on the products and services currently available in your area. Any reference to a Lenovo product, program, or service is not intended to state or imply that only that Lenovo product, program, or service may be used. Any functionally equivalent product, program, or service that does not infringe any Lenovo intellectual property right may be used instead. However, it is the user's responsibility to evaluate and verify the operation of any other product, program, or service. Lenovo may have patents or pending patent applications covering subject matter described in this document. The furnishing of this document does not give you any license to these patents. You can send license inquiries, in writing, to:

Lenovo (United States), Inc.
1009 Think Place - Building One
Morrisville, NC 27560
U.S.A.

Attention: Lenovo Director of Licensing

LENOVO PROVIDES THIS PUBLICATION "AS IS" WITHOUT WARRANTY OF ANY KIND, EITHER EXPRESS OR IMPLIED, INCLUDING, BUT NOT LIMITED TO, THE IMPLIED WARRANTIES OF NON-INFRINGEMENT, MERCHANTABILITY OR FITNESS FOR A PARTICULAR PURPOSE. Some jurisdictions do not allow disclaimer of express or implied warranties in certain transactions, therefore, this statement may not apply to you.

This information could include technical inaccuracies or typographical errors. Changes are periodically made to the information herein; these changes will be incorporated in new editions of the publication. Lenovo may make improvements and/or changes in the product(s) and/or the program(s) described in this publication at any time without notice.

The products described in this document are not intended for use in implantation or other life support applications where malfunction may result in injury or death to persons. The information contained in this document does not affect or change Lenovo product specifications or warranties. Nothing in this document shall operate as an express or implied license or indemnity under the intellectual property rights of Lenovo or third parties. All information contained in this document was obtained in specific environments and is presented as an illustration. The result obtained in other operating environments may vary. Lenovo may use or distribute any of the information you supply in any way it believes appropriate without incurring any obligation to you.

Any references in this publication to non-Lenovo Web sites are provided for convenience only and do not in any manner serve as an endorsement of those Web sites. The materials at those Web sites are not part of the materials for this Lenovo product, and use of those Web sites is at your own risk. Any performance data contained herein was determined in a controlled environment. Therefore, the result obtained in other operating environments may vary significantly. Some measurements may have been made on development-level systems and there is no guarantee that these measurements will be the same on generally available systems. Furthermore, some measurements may have been estimated through extrapolation. Actual results may vary. Users of this document should verify the applicable data for their specific environment.

© Copyright Lenovo 2019. All rights reserved.

This document, LP0080, was created or updated on December 11, 2018.

Send us your comments in one of the following ways:

- Use the online Contact us review form found at:
<http://lenovopress.com/LP0080>
- Send your comments in an e-mail to:
comments@lenovopress.com

This document is available online at <http://lenovopress.com/LP0080>.

Trademarks

Lenovo and the Lenovo logo are trademarks or registered trademarks of Lenovo in the United States, other countries, or both. A current list of Lenovo trademarks is available on the Web at <https://www.lenovo.com/us/en/legal/copytrade/>.

The following terms are trademarks of Lenovo in the United States, other countries, or both:

Flex System

Lenovo Services

Lenovo®

ThinkSystem

Other company, product, or service names may be trademarks or service marks of others.