

### Overview

### HP EliteOne 1000 G1 All-in-One Business PC



#### HP EliteOne 1000 G1 AiO Front

- |                        |                                    |
|------------------------|------------------------------------|
| 1. Webcam (optional)   | 4. Collaboration keys              |
| 2. Speakers (optional) | 5. On-screen display (OSD) buttons |
| 3. Volume slider       | 6. Power button                    |

### Overview



#### HP EliteOne 1000 G1 AiO Collaboration Keys

1. Volume slider
2. Speaker mute button
3. Hang up button
4. Webcam mute button
5. Microphone mute button
6. Call button
7. Power button

### Features



#### HP EliteOne 1000 G1 AiO Rear

- |                         |                                       |
|-------------------------|---------------------------------------|
| 1. Security lock slot   | 5. DisplayPort™ 1.2 out               |
| 2. RJ-45 (network) jack | 6. HDMI in connector                  |
| 3. Power connector      | 7. USB 3.1 Gen 1 ports                |
| 4. DisplayPort™ 1.2 in  | 8. USB 3.1 Gen 1 ports (wake capable) |

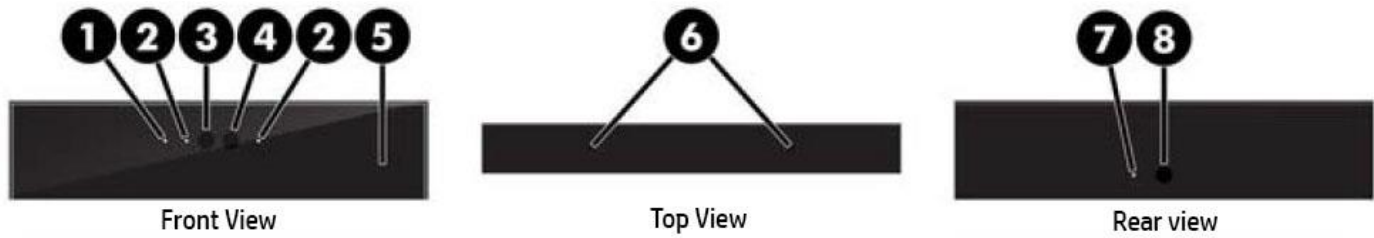
### Features



#### HP EliteOne 1000 G1 AiO Side

1. USB 3.1 Gen 1 Type-A (charging) port
2. USB 3.1 Type-C Gen 1 port
3. Universal Audio Jack with CTIA headset support
4. Fingerprint sensor (optional)

### Features



#### HP EliteOne 1000 G1 AiO and HP EliteOne 1000 Display Infrared (IR) and Dual-facing Full High Definition (FHD) webcam (optional)

- |                                      |                                 |
|--------------------------------------|---------------------------------|
| 1. Webcam light                      | 5. Rear webcam adjustment wheel |
| 2. IR light                          | 6. Digital microphones          |
| 3. Full High Definition (FHD) webcam | 7. Webcam light                 |
| 4. IR webcam                         | 8. FHD webcam                   |



#### HP EliteOne 1000 G1 AiO and HP EliteOne 1000 Display Full High Definition (FHD) webcam (optional)

- |                 |                        |
|-----------------|------------------------|
| 1. Webcam light | 3. Digital microphones |
| 2. FHD webcam   |                        |

### Features

#### HP EliteOne 1000 Displays

##### Additional optional displays include

HP EliteOne 1000 23.8-in FHD Display

HP EliteOne 1000 23.8-in FHD Touch Display

HP EliteOne 1000 27-in 4K UHD Display

HP EliteOne 1000 34-in WQHD Curved Display

\* Separately purchased, interchangeable displays in sizes 23.8" (60.45 cm), 27" (68.58 cm) and 34" (86.36 cm) diagonal are planned to be available after launch in November 2017.

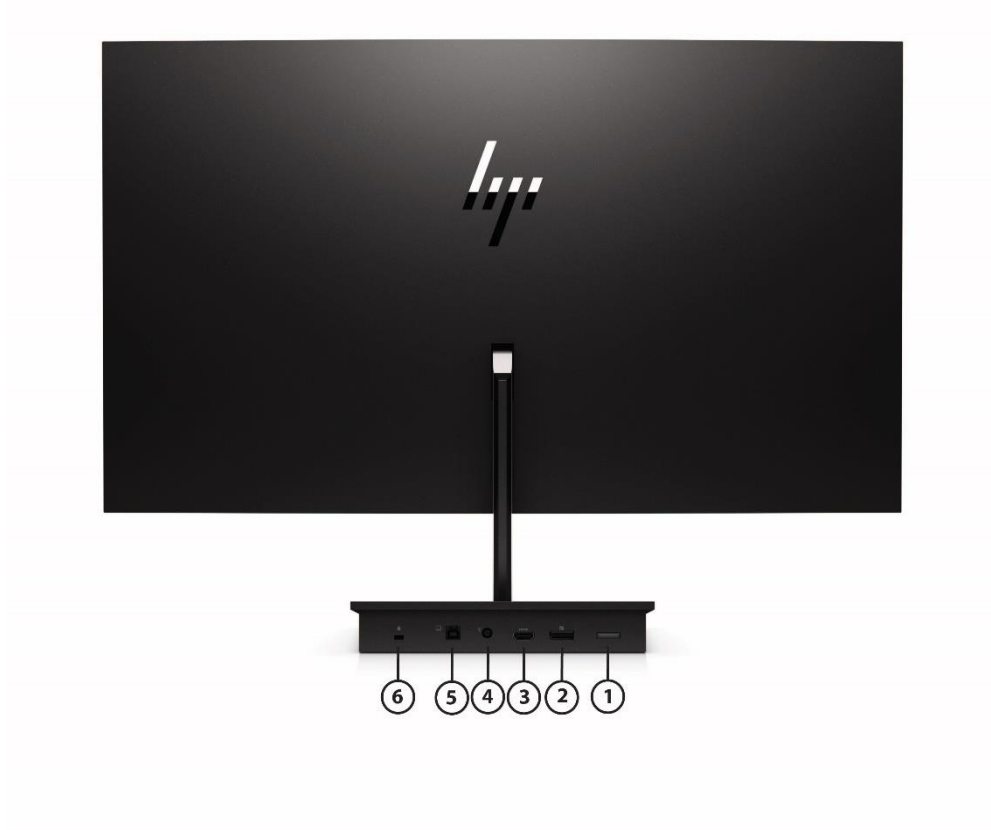


**HP EliteOne 1000 Display  
Front**

1. Webcam (optional)

2. On-screen display (OSD) buttons

### Features



#### HP EliteOne 1000 Display Rear

- |                        |   |
|------------------------|---|
| 1. Power button        | 4. Power connector                          |
| 2. DisplayPort™ 1.2 in | 5. USB Type-B out (webcam, mics, and touch) |
| 3. HDMI in connector   | 6. Security lock slot                       |

### Features



**HP EliteOne 1000 Display  
Side**



## Features

### At a Glance

- New All-in-One form factor with interchangeable and upgradeable display options<sup>1</sup>
  - New commercial ID with 23.8" FHD Touch and Non-touch, 27" 4K UHD, and 34" WQHD Curved<sup>2</sup> display options
  - Ability to redeploy displays or purchase additional displays<sup>1</sup> with a matching standalone display base
  - Tool-less accessibility to easily reach upgradeable components or swap displays<sup>1</sup>
  - Creates a rich video conferencing solution with immersive video and audio engagement, capacitive touch collaboration keys, and a built-in pop-up privacy camera
  - Integrated collaboration keys keep conferencing controls (call answer, microphone mute, webcam disable, call hang up, and volume controls) within reach
  - Intel® Q270 chipset supporting Intel® 7th generation Core™ processors and Intel® 6th generation Core™ processors, featuring integrated Intel® HD Graphics and Intel® vPro™ Technology (available with Core i5 and Core i7 processors)
  - 65W processor support
  - Support for Windows 10 with Intel® 7th Generation processors
  - Support for Windows 10 to Windows 7 Downgrade with Intel® 6th Generation processors
  - Intel® HD graphics
  - Intel® Ethernet Connection I219LM GbE LOM integrated network connection
  - DDR4 Synchronous Dynamic Random Access Memory (SDRAM)
  - Support for up to 2 additional monitors via DisplayPort™ 1.2 (1) or HDMI connector (1)
  - HP Sure Start Gen3<sup>3</sup>
  - HP Manageability Integration Kit<sup>4</sup>
  - HP PhoneWise<sup>6</sup>; A phone integration solution that allows you to route phone calls and answer texts on your
  - ENERGY STAR® certified. EPEAT® Gold registered where applicable/supported. Registration may vary by country. See <http://www.epeat.net> for registration status by country. Search keyword generator on HP's 3rd party option store for solar generator accessories at <http://www.hp.com/go/options>
  - CCC Certified
  - TCO Edge for AiO
  - PC chassis and all internal components and modules are manufactured with low halogen content<sup>5</sup>
  - Arsenic-free
  - Protected by HP Services, including limited warranties up to 3-3-3 (terms and conditions vary by country; certain restrictions and exclusions apply); Care Packs available with up to 5 years ext Business Day Onsite Hardware Support
1. Separately purchased, interchangeable displays in sizes 23.8" (60.45 cm), 27" (68.58 cm) and 34" (86.36 cm) diagonal are planned to be available after launch in November.
  2. 34" display not available at launch. Planned availability November 2017.
  3. HP Sure Start G3 requires Intel® 7th generation processors
  4. HP Management Integration Kit for Microsoft System Center Configuration Manager: HP Management Integration Kit can be downloaded from <http://www8.hp.com/us/en/ads/clientmanagement/overview.html>
  5. External power supplies, power cords, cables and peripherals are not low halogen. Service parts obtained after purchase may not be low halogen.

### Features

6. HP PhoneWise only available on HP EliteBook 1040, EliteBook x360 1020 and HP EliteOne 1000 AiO platforms. For HP PhoneWise system requirements see: <http://www.hp.com/go/HPPhoneWise>. HP PhoneWise not compatible with HP WorkWise at launch.

**NOTE:** See important legal disclosures for all listed specs in their respective features sections.

---

## Features

### PRODUCT NAMES

#### HP EliteOne 1000 G1 All-in-One Business PC

- HP EliteOne 1000 G1 23.8-in All-in-One Business PC
  - HP EliteOne 1000 G1 23.8-in Touch All-in-One Business PC
  - HP EliteOne 1000 G1 27-in 4K UHD All-in-One Business PC
  - HP EliteOne 1000 G1 34-in Curved All-in-One Business PC\*
- 

### OPERATING SYSTEMS

#### Preinstalled

Microsoft Windows® 10 Professional (64 bit)<sup>1</sup>  
Microsoft Windows® 10 Professional (64 bit) (National Academic License)<sup>1</sup>  
Microsoft Windows® 10 Home (64 bit)  
Microsoft Windows® 10 Home Single Language (64 bit)  
Microsoft Windows® 10 Professional (64 bit) downgrade to Windows® 7 (32 bit)  
Microsoft Windows® 10 Professional (64 bit) downgrade to Windows® 7 (64 bit)  
FreeDOS 2.0  
NeoKylin Linux® 64<sup>2</sup>

#### Web-supported only

Microsoft Windows® 10 Enterprise (64 bit)  
Microsoft Windows® 7 Enterprise (64 bit)

1. Not all features are available in all editions or versions of Windows. Systems may require upgraded and/or separately purchased hardware, drivers, software or BIOS update to take full advantage of Windows functionality. Windows 10 is automatically updated, which is always enabled. ISP fees may apply and additional requirements may apply over time for updates. See <http://www.windows.com/>.
  2. This system is preinstalled with Windows 7 Pro software and also comes with a license and media for Windows 10 Pro software. You may only use one version of the Windows software at a time. Switching between versions will require you to uninstall one version and install the other version. You must back up all data (files, photos, etc.) before uninstalling and installing operating systems to avoid loss of your data.
-

---

## Features

### PROCESSORS

Intel® Core™ i7-7700 with Intel® HD Graphics 630 (3.6 GHz, up to 4.2 GHz with Intel® Turbo Boost, 8 MB cache, 4 cores)  
Intel® Core™ i5-7500 with Intel® HD Graphics 630 (3.4 GHz, up to 3.8 GHz with Intel® Turbo Boost, 6 MB cache, 4 cores)  
Intel® Core™ i5-7600 with Intel® HD Graphics 630 (3.5 GHz, up to 4.1 GHz with Intel® Turbo Boost, 6 MB cache, 4 cores)  
Intel® Core™ i3-7100 with Intel® HD Graphics 630 (3.9 GHz, 3 MB cache, 2 cores)  
Intel® Core™ i3-7300 with Intel® HD Graphics 630 (4 GHz, 4 MB cache, 2 cores)  
Intel® Core™ i3-7320 with Intel® HD Graphics 630 (4.1 GHz, 4 MB cache, 2 cores)  
Intel® Pentium® G4560 with Intel® HD Graphics 610 (3.5 GHz, 3 MB cache, 2 cores)  
Intel® Pentium® G4600 with Intel® HD Graphics 630 (3.6 GHz, 3 MB cache, 2 cores)  
Intel® Pentium® G4620 with Intel® HD Graphics 630 (3.7 GHz, 3 MB cache, 2 cores)  
Intel® Celeron™ G3930 with Intel® HD Graphics 610 (2.9 GHz, 2 MB cache, 2 cores)  
Intel® Celeron™ G3950 with Intel® HD Graphics 610 (3.0 GHz, 2 MB cache, 2 cores)  
Intel® Core™ i7-6700 with Intel® HD Graphics 530 (3.4 GHz, up to 4 GHz with Intel® Turbo Boost, 8 MB cache, 4 cores)  
Intel® Core™ i5-6500 with Intel® HD Graphics 530 (3.2 GHz, up to 3.6 GHz with Intel® Turbo Boost, 6 MB cache, 4 cores)  
Intel® Core™ i5-6600 with Intel® HD Graphics 530 (3.3 GHz, up to 3.9 GHz with Intel® Turbo Boost, 6 MB cache, 4 cores)  
Intel® Core™ i3-6100 with Intel® HD Graphics 530 (3.7 GHz, 3 MB cache, 2 cores)  
Intel® Pentium® G4440 with Intel® HD Graphics 510 (3.3 GHz, 3 MB cache, 2 cores)  
Intel® Celeron™ G3900 with Intel® HD Graphics 510 (2.8 GHz, 2 MB cache, 2 cores)

#### Processors Family

Intel® 7th Generation Core™ Processors

Intel® 6th Generation Core™ Processors

**NOTE:** Your product does not support Windows 8 or Windows 7, In accordance with Microsoft's support policy, HP does not support the Windows® 8 or Windows 7 operating system on products configured with Intel® and AMD 7th generation and forward processors or provide any Windows® 8 or Windows 7 drivers on <http://www.support.hp.com>

**NOTE:** Multi-Core is designed to improve performance of certain software products. Not all customers or software applications will necessarily benefit from use of this technology. 64-bit computing system required. Performance and clock frequency will vary depending on application workload and your hardware and software configurations. Intel®'s numbering is not a measurement of higher performance.

---

### CHIPSET

Intel® Q270

---

---

## Features

### GRAPHICS

#### Integrated

Intel® HD graphics<sup>1,2</sup>

Intel® HD Graphics 530 (integrated on 6th gen Core i7/i5/i3 processors)

Intel® HD Graphics 510 (integrated on 6th gen Pentium G4400 and Celeron G3900)

Intel® HD Graphics 630 (integrated on 7th gen Core i7/i5/i3 processors and Pentium G4620, 4600)

Intel® HD Graphics 610 (integrated on Pentium® G4560, Celeron® G3950, G3930)

1. HD content required to view HD images.
2. Integrated Intel Wi-Di software is available on select models only and requires separately purchased projector, tv or computer monitor with an integrated or external Wi-Di receiver. External Wi-Di receivers connect to the projector, tv or computer monitor via a standard VGA, HDMI cable, also sold separately

---

### DISPLAYS

#### HP EliteOne 1000 23.8-in FHD Display<sup>1</sup>

23.8" diagonal IPS widescreen WLED backlit anti-glare LCD (1920 x 1080)<sup>2</sup>

Non-Touch

Tilt: 5 degrees forward and 25 degrees back

Height Adjustment: 40mm

#### HP EliteOne 1000 23.8-in FHD Touch Display<sup>1</sup>

23.8" diagonal IPS widescreen WLED backlit anti-glare LCD (1920 x 1080)<sup>2</sup>

Touch; Projected capacitive in-cell touch supports up to 10 touch-points

Tilt: 5 degrees forward and 25 degrees back

Height Adjustment: 40mm

#### HP EliteOne 1000 27-in 4K UHD Display<sup>1</sup>

27" diagonal IPS widescreen WLED backlit anti-glare 4K UHD LCD (3840 x 2160)<sup>2</sup>

Non-Touch

Tilt: 5 degrees forward and 25 degrees back

#### HP EliteOne 1000 34-in WQHD Curved Display<sup>1</sup>

34" diagonal IPS widescreen WLED backlit anti-glare WQHD LCD (3440 x 1440)<sup>2</sup>

Non-Touch Tilt: 0 degrees forward and 20 degrees back

1. HD and 4K content required to view HD and 4K images.
2. Resolutions are dependent upon monitor capability, and resolution and color depth settings.

**NOTE:** Display options are configured at purchase with the HP EliteOne 1000 G1 AiOs.

**NOTE:** Separately purchased, interchangeable displays in sizes 23.8" (60.45 cm), 27" (68.58 cm) and 34" (86.36 cm) diagonal are planned to be available after launch in November 2017.

### Features

#### STORAGE AND DRIVES<sup>1</sup>

##### **2.5 inch 7.2k RPM Hard Disk Drives**

500GB SATA

1TB SATA

##### **2.5 inch Solid State Hybrid Drives (SSHD)**

500GB 5400RPM 2.5in 8GB Hybrid

1TB 5400RPM 2.5in 8GB Hybrid

2TB 5400RPM 2.5in 8GB Hybrid

##### **2.5 inch 5.4k RPM Hard Disk Drives**

2TB SATA

##### **2.5 inch Self-encrypting Drives (SED HDD)**

500GB 7200RPM 2.5in SED OPAL 2

500GB 5400RPM 2.5in Federal Information Processing Standard (FIPS) SED

##### **2.5 SATA SSD Drives**

128GB SATA TLC SSD

256GB SATA TLC SSD

512GB SATA TLC SSD

##### **2.5 inch Self-encrypting Drives (SED SSD)**

256GB TLC SED SSD OPAL 2 Drive

512GB TLC SED SSD OPAL 2 Drive

256GB TLC SED SSD 2.5in Federal Information Processing Standard (FIPS) SED

512GB TLC SED SSD 2.5in Federal Information Processing Standard (FIPS) SED

##### **PCIe NVMe SSD Drives**

256GB PCIe NVMe TLC SSD

512GB PCIe NVMe TLC SSD

1TB PCIe NVMe TLC SSD

256GB PCIe NVMe SSD

512GB PCIe NVMe SSD

1. For storage drives, GB = 1 billion bytes. TB = 1 trillion bytes. Actual formatted capacity is less. Up to 30 GB (for Windows 10) is reserved for system recovery software.
-

---

## Features

### MEMORY<sup>1</sup>

**Maximum**

32GB (16GB/slot)

**Memory Slots**

2 SODIMM

DDR4-2400 (Transfer rates up to 2400 MT/s)

Double channel support

Customer accessible/upgradeable

**Configurations**

4 GB (4096 MB x 1)

Intel® Optane Memory 16GB SSD (cache)

1. Intel® Optane™ for HP desktops and notebooks is sold separately and requires a 7th Gen Intel® Core™ processor, bios version with Intel® Optane™ supported, Windows 10, version 1703, an Intel® 200 series chipset, M.2 type 2280-S1-B-M connector on a PCH Remapped PCIe Controller and Lanes in a x2 or x4 configuration with B-M keys that meet NVMe Spec 1.1 and Intel® Rapid Storage Technology (Intel® RST) 15.5 driver

---

### NETWORKING/COMMUNICATIONS

**Wireless LAN<sup>1,2,3</sup>**

Intel® 8265 802.11AC 2x2 Wi-Fi +Bluetooth® M.2 Combo Card vPro™ (802.11AC Wave 2 supported)

Intel® 8265 802.11AC 2x2 Wi-Fi +Bluetooth® M.2 Combo Card non-vPro™ (802.11AC Wave 2 supported)

Intel® 7265 802.11AC 2x2 Wi-Fi +Bluetooth® M.2 Combo Card non-vPro™

Realtek RTL8822BE ac 2x2 Wi-Fi +Bluetooth® M.2 Combo Card

**Ethernet (RJ-45) Integrated**

Intel® I219LM Gigabit Network Connection LOM (standard)

1. Wireless LAN is optional and must be bought at purchase
2. Wireless access point and Internet service required and not included. Availability of public wireless access points limited.
3. The specifications for the 802.11ac WLAN are draft specifications and are not final. If the final specifications differ from the draft specifications, it may affect the ability of the notebook to communicate with other 802.11ac WLAN devices.

---

### AUDIO/MULTIMEDIA

**Audio**

Integrated Conexant CX5001 codec - up to 24-bit PCM

High performance integrated stereo speakers (2W)

Headset side port (3.5mm)

Headphone rear port (3.5mm)

Multi-streaming capable<sup>1</sup>

1. The side headset connector supports CTIA style headsets and is re-taskable as a Line-in, Microphone-in or Headphone-out port. Rear audio input ports are re-taskable as a Line-in or Microphone-in port. External speakers must be powered externally. Multi-streaming can be enabled in the audio control panel to allow independent audio streams to be sent to/from the front and rear jacks or internal speakers. This allows for different audio applications to use separate audio ports on the system. For example, the front jacks could be used with a headset for a communications application while the rear jacks are being used with external speakers and a multimedia application.

### Features

<b>High Definition Audio</b>	Integrated Conexant CX5001 Universal Audio Jack with CTIA headset support (re-taskable for headphone/line out/microphone in/line in) Uses OS soft wavetable Two speakers 44.1kHz/48kHz/96kHz/192kHz 44.1kHz/48kHz/96kHz	
<b>Webcams &amp; Mic</b>	<b>Pop-up Webcam</b>	2MP FHD webcam, Up to 30 frames/sec, discrete dual array microphone (Fixed 2MP FHD 1080p)(maximum resolution of 1920 x1080)
	<b>IR and Dual-facing Pop-up Web Camera</b>	2MP FHD webcam with IR camera front-facing and 2nd rear-facing 2MP webcam, Up to 30 frames/sec, discrete dual array microphone (Dual Camera 480P IR+1080P RGB Fixed/2MP FHD 1080P Fixed) Supporting Windows10 Hello
<b>Collaboration Keys</b>	Integrated, capacitive touch collaboration keys functions include: Call answer Microphone mute Webcam mute Hang up Speaker mute, and volume slider	

---



### Features

#### KEYBOARDS/POINTING DEVICES/BUTTONS & FUNCTION KEYS

##### Keyboard and Mouse Combos

- HP Premium Wireless Keyboard and Mouse
- HP Premium USB Wired Keyboard and Mouse
- HP USB Keyboard and Mouse Healthcare Edition
- HP Wireless Business Slim Keyboard and Mouse

##### Keyboards

- HP Premium USB Wired Keyboard
- HP USB Business Slim Keyboard
- HP USB Business Slim Grey Keyboard
- HP USB Business Slim CCID SmartCard Keyboard
- HP USB Business Slim Antimicrobial Keyboard (China Only)
- HP USB Wired Keyboard
- HP Wired Keyboard EPEAT®

##### Mice

- HP USB 1000dpi Laser Mouse
- HP Grey V2 Mouse
- HP USB Mouse
- HP USB Antimicrobial Mouse<sup>1</sup>
- HP USB Hardened Mouse
- HP USB PS/2 Wired Washable Mouse

##### Other

- HP Mouse Pad

##### Adapters and Cables

- DisplayPort™ 1.2 Cable
- DisplayPort™ 1.2 to DVI-D Adapter
- DisplayPort™ 1.2 to HDMI 4K Adapter
- DisplayPort™ 1.2 to VGA Adapter
- HP DVI Cable
- HP Type-C to Type-A Hub
- HP USB to Serial Port Adapter
- HP USB-C to USB 3.0 Adapter

##### Headsets

- HP Business Headset v2
- HP UC Bluetooth® Headset

1. [China Only](#)

### Technical Specifications

#### SOFTWARE AND SECURITY

##### HP BIOS

HP BIOSphere Gen3<sup>1</sup>

HP Sure Start Gen3<sup>1</sup>

HP BIOS Protection (BIOS Update via Network, Master Boot Record Security, Pre-Boot Security, Secure Erase, Hybrid Boot, Measured Boot, Secure Boot, Absolute Persistence Module, Pre-boot Authentication)

##### Software

HP Native Miracast Support<sup>2</sup>

HP LAN-Wireless Protection

HP SureConnect

HP Velocity

HP ePrint + JetAdvantage<sup>3</sup>

HP Hotkey Support - CMIT

HP Recovery Manager

HP Jumpstart

HP Support Assistant<sup>4</sup>

HP Noise Cancellation Software

HP PhoneWise

Buy Office

Bing Search

Intel Unite

##### Manageability Features

HP Driver Packs

HP System Software Manager

HP BIOS Config Utility (BCU)

HP Client Catalog

HP Management Integration Kit for Microsoft System Center Configuration Manager<sup>5</sup>

LANDESK Management<sup>6</sup>

##### Client Security Software

HP Client Security Suite Gen 3 [HP Security Manager (HP Credential Manager, HP Password Manager, HP Spare Key), HP Power On Authentication, HP Device Access Manager]<sup>7</sup>

Trusted Platform Module TPM 2.0 Embedded Security Chip (SLB9670 -Common Criteria EAL4 + Certified)

SATA 0,1 port disablement (viaBIOS)

DriveLock

Serial or USB enable/disable (viaBIOS)

Power-on password (viaBIOS)

Setup password (viaBIOS)

Support for chassis padlocks and cable lock devices

Integrated hood sensor

Microsoft Defender<sup>8</sup>

HP Fingerprint Reader

---

### Technical Specifications

1. HP BIOSphere Gen3: Requires Intel® 7th generation processors
2. Miracast is a wireless technology your PC can use to project your screen to TVs, projectors, and streaming media players that also support Miracast. You can use Miracast to share what you're doing on your PC and present a slide show. For more information: <http://windows.microsoft.com/en-us/windows-8/project-wireless-screen-miracast>
3. Requires an Internet connection to HP web-enabled printer and HP ePrint account registration (for a list of eligible printers, supported documents and image types and other HP ePrint details, see [www.hp.com/go/eprintcenter](http://www.hp.com/go/eprintcenter)). Print times and connection speeds may vary
4. Requires Windows and Internet Access
5. HP Management Integration Kit for Microsoft System Center Configuration Manager: HP Management Integration Kit can be downloaded from <http://www8.hp.com/us/en/ads/clientmanagement/overview.html>
6. Subscription required
7. Requires Windows and Intel® 7th generation processors
8. Opt in and internet connection required for updates.

---

### POWER

#### Power Supply

#### External

External 180W

#### Power Cord

Power cord length: 6.0 ft. (1.83 m)

---

### Technical Specifications

#### WEIGHTS & DIMENSIONS

##### Weight

##### 23.8 Non Touch Product Weight (Unboxed)

**Without Arm**  
4.17 kg, 10.3 lb

**Without Base**  
5.19 kg, 11.3 lb

**Whole system with Base**  
8.21 kg, 18.1 lb

##### 23.8 Touch Product Weight (Unboxed)

**Without Arm**  
4.17 kg, 10.3 lb

**Without Base**  
5.26 kg, 11.6 lb

**Whole system with Base**  
8.28 kg, 18.25 lb

##### 23.8 Shipping Weight (Boxed)

**System with package weight**  
12.42 kg , 27.38 lb

##### 23.8 Shipping Weight (Pallet)

**Total Weight including pallet**  
247 kg, 544.54 lb

##### Dimension

##### 23.8 System Dimensions ( including Touch, Non Touch )

**Without Base**  
21.2 x 1.3 x 12.8 in (539.5 x 33 x 324.9 mm)

**Base only**  
15.7 x 7.5 x 1.5 in (400 x 190 x 37 mm)

**With Base**  
21.2 x 7.5 x 16.5 in (539.5 x 190 x 419.2 mm)

##### 23.8 Shipping Dimensions (Boxed)

**Package**  
25.87 x 9.76 x 20.9 in (657 x 248 x 531 mm)

##### 23.8 Shipping Dimensions (Pallet)

**Shipping pallet size**  
45.39 x 35.63 x 68.03 in (1153 x 905 x 1728 mm)

##### 23.8 Pallet Quantity (including Touch, Non-Touch)

18 units per pallet

##### Weight

##### 27 Product Weight (Unboxed)

**Without Arm**  
6.75 kg, 14.9 lb

**Without Base**

### Technical Specifications

	7.25 kg, 16.0 lb
	<b>Whole system with Base</b> 10.2 kg, 22.5 lb
<b>27 Shipping Weight (Boxed)</b>	<b>System with package weight</b> 14.62 kg, 32.23 lb (maximum config.)
<b>27 Shipping Weight (Pallet)</b>	<b>Total Weight including pallet</b> 243 kg, 535.72 lb
<b>Dimension</b>	
<b>27 System Dimensions</b>	<b>Without Base</b> 24.15 x 1.19 x 14.44 in (613.3 x 30.5 x 366.7 mm)
	<b>Base only</b> 15.7 x 7.5 x 1.5 in (400 x 190 x 37 mm)
	<b>With Base</b> 24.15 x 7.5 x 18 in (613.3 x 190 x 457.3 mm)
<b>27 Shipping Dimensions (Boxed)</b>	<b>Package</b> 29.71 x 9.57 x 22.52 in (741 x 243 x 572 mm)
<b>27 Shipping Dimensions (Pallet)</b>	<b>Shipping pallet size</b> 43.39 x 38.74 x 62.87 in (1102 x 984 x 1851 mm)
<b>27 Pallet Quantity</b>	15 units per pallet
<b>Weight</b>	
<b>34 Product Weight (Unboxed)</b>	<b>Without Arm</b> 6.8 kg, 15.0 lb
	<b>Without Base</b> 7.28 kg, 16 lb
	<b>Whole system with Base</b> 10.3 kg, 22.8 lb
<b>34 Shipping Weight (Boxed)</b>	<b>System with package weight</b> 17.32 kg, 38.14 lb
<b>34 Shipping Weight (Pallet)</b>	<b>Total Weight including pallet</b> 228 kg, 502.65 lb
<b>Dimension</b>	
<b>34 system Dimensions</b>	<b>Without Base</b> 32.1 x 2.9 x 14.44 in (815.8 x 73.8 x 366.7 mm)

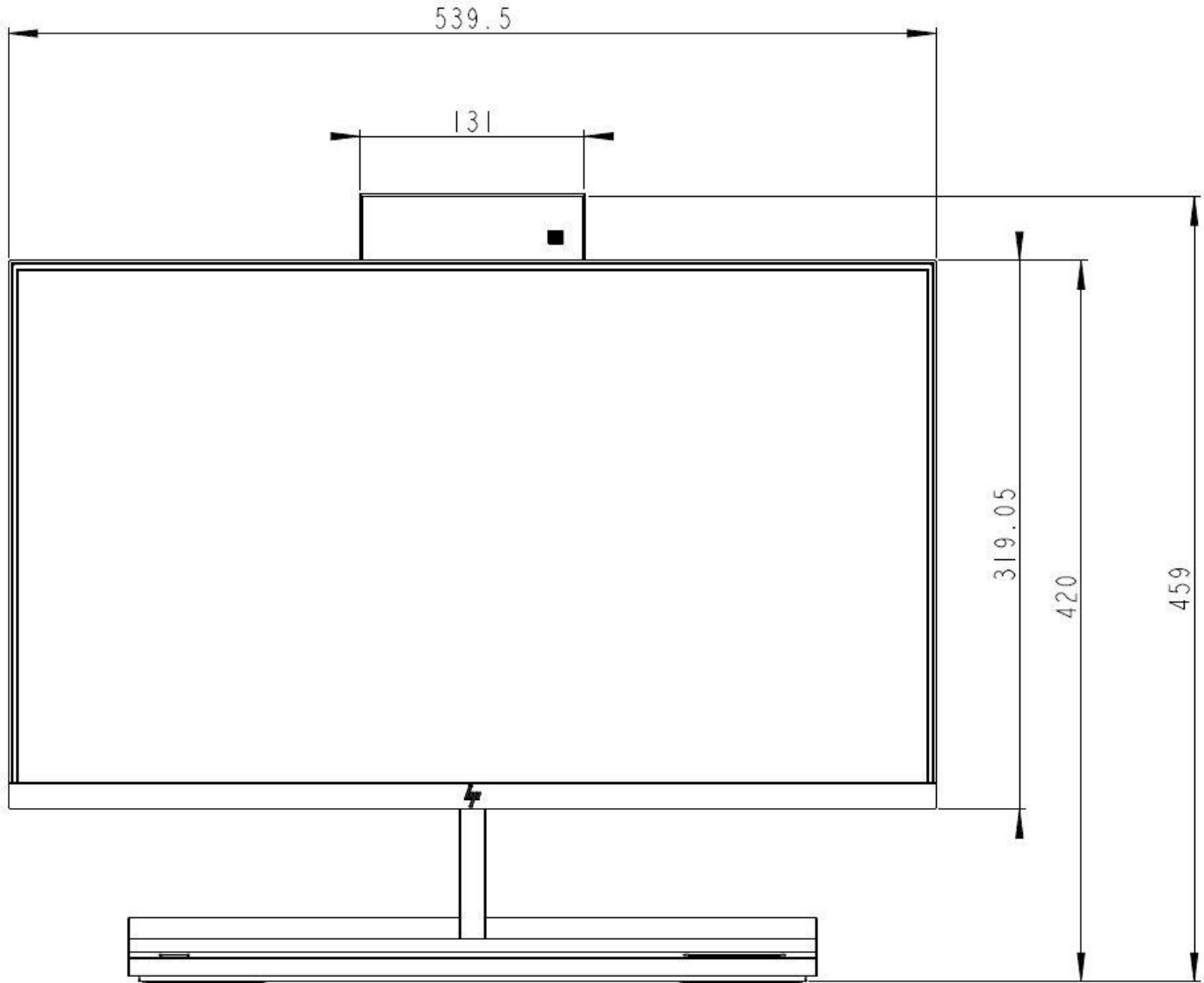
### Technical Specifications

	<b>Base only</b> 15.7 x 7.5 x 1.5 in (400 x 190 x 37 mm)
	<b>With Base</b> 32.1 x 7.5 x 18 in (815.8 x 190 x 457.3 mm)
<b>34 Shipping Dimensions (Boxed)</b>	<b>Package</b> 38.78 x 11.5 x 23.94 in (985 x 292 x 608 mm)
<b>34 Shipping Dimensions (Pallet)</b>	<b>Shipping pallet size</b> 45.98 x 38.74 x 77.13 in (1168 x 984 x 1959 mm)
<b>34 Pallet Quantity</b>	12 units per pallet

---

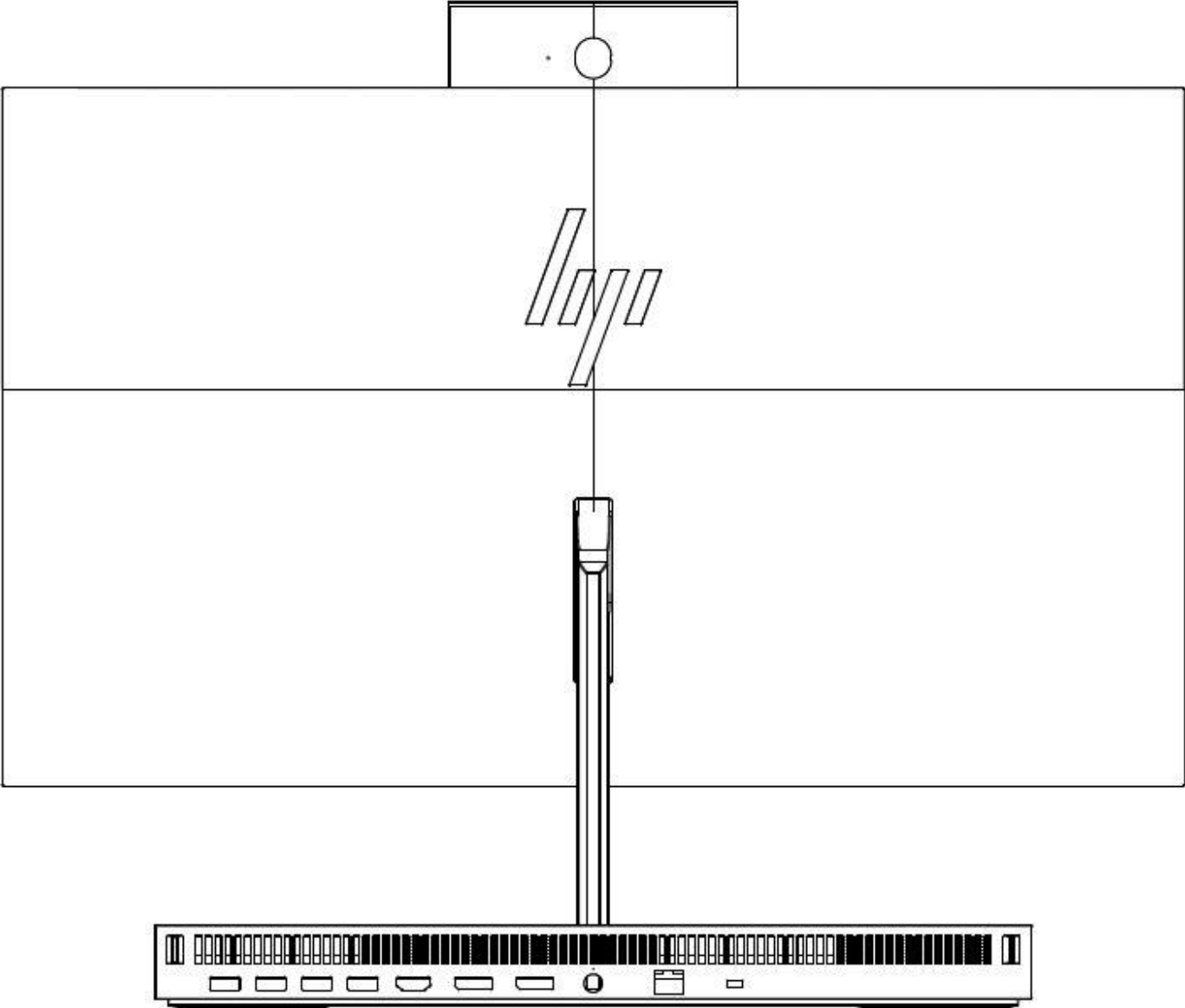
### Technical Specifications

#### HP EliteOne 1000 G1 23.8-in AiO (Touch and NonTouch) Dimensions Front



## Technical Specifications

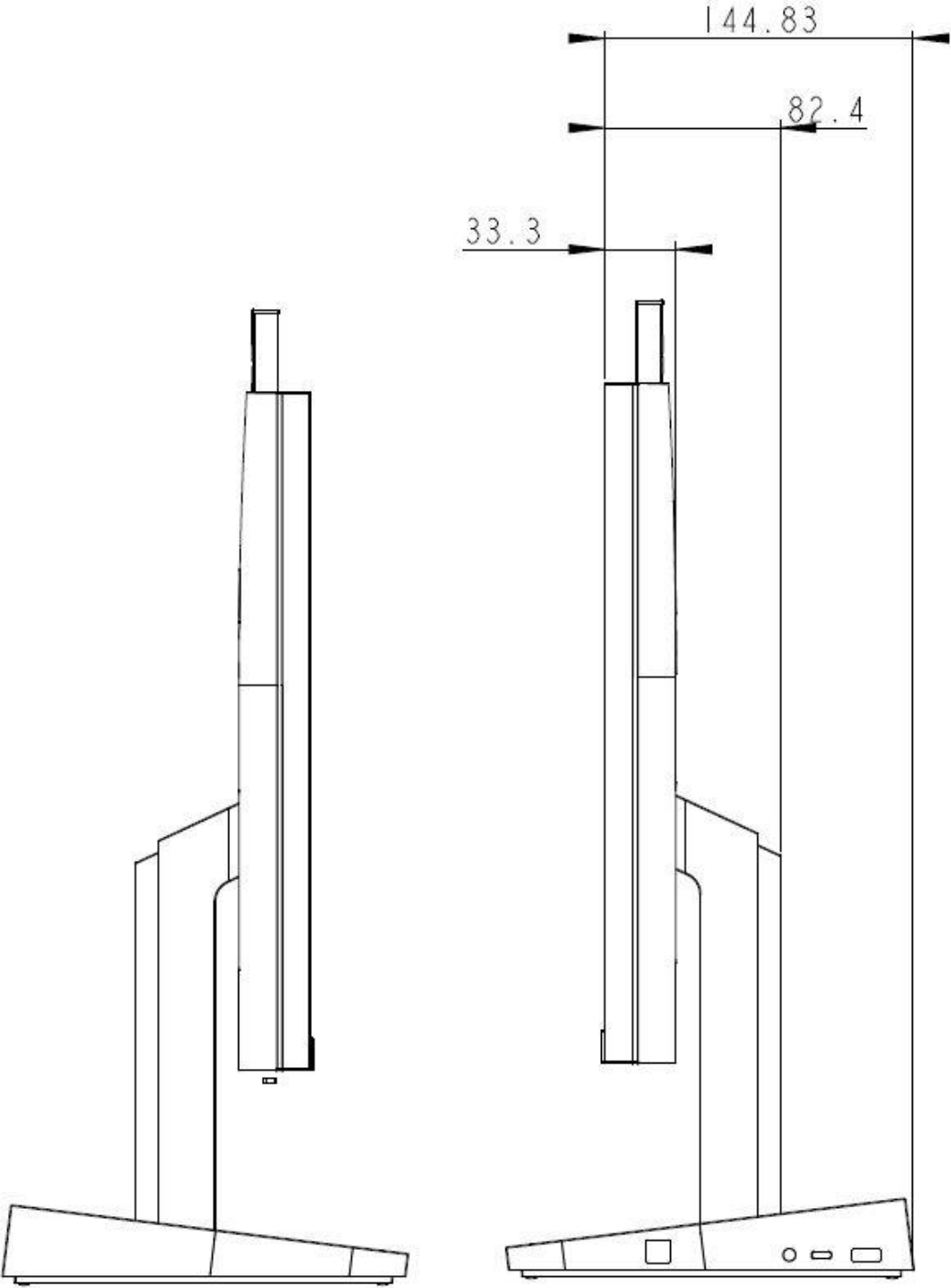
### HP EliteOne 1000 G1 23.8-in AiO (Touch and NonTouch) Dimensions Rear





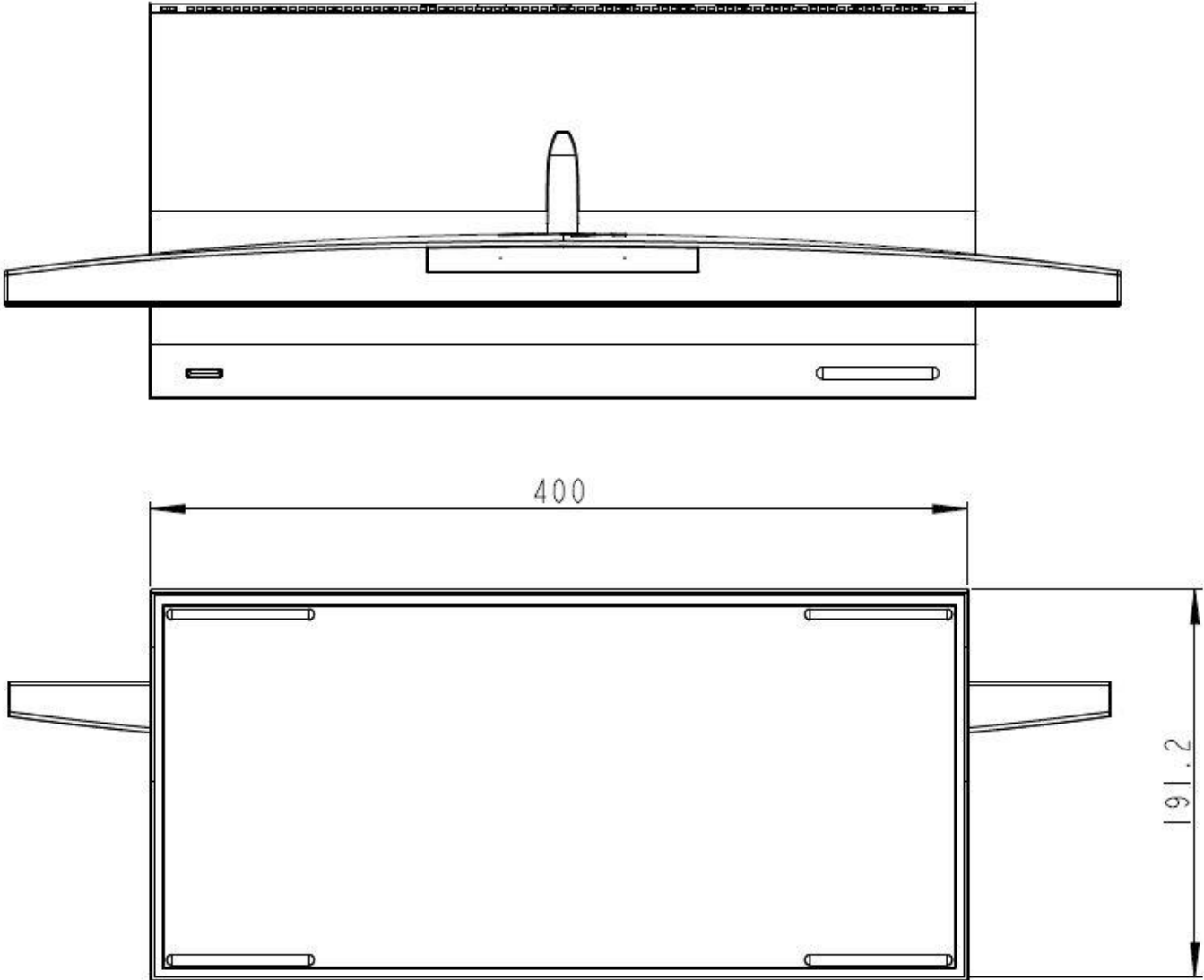
## Technical Specifications

### HP EliteOne 1000 G1 23.8-in AiO (Touch and NonTouch) Dimensions Side



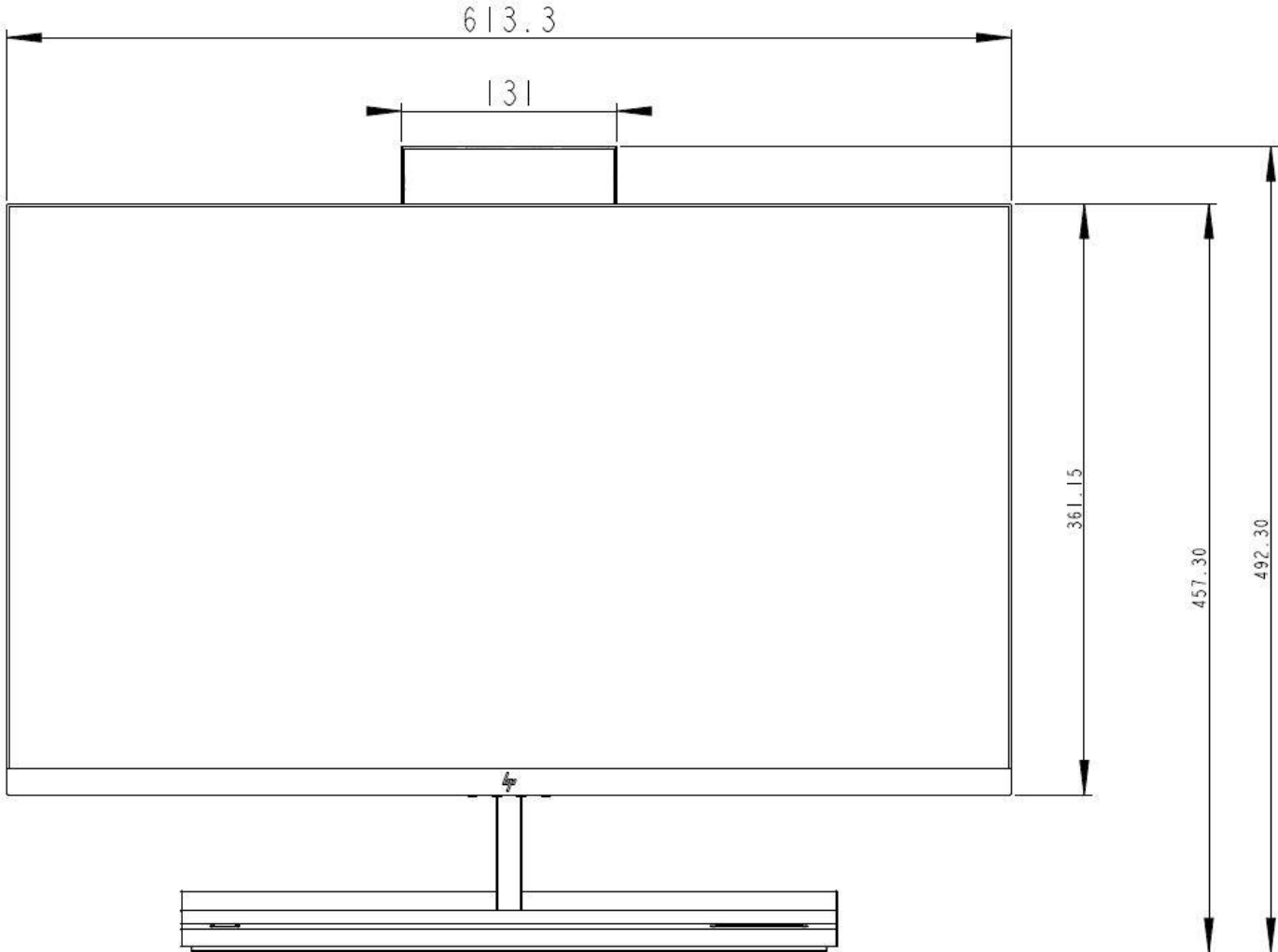
## Technical Specifications

### HP EliteOne 1000 G1 23.8-in AiO (Touch and NonTouch) Dimensions Top & Bottom



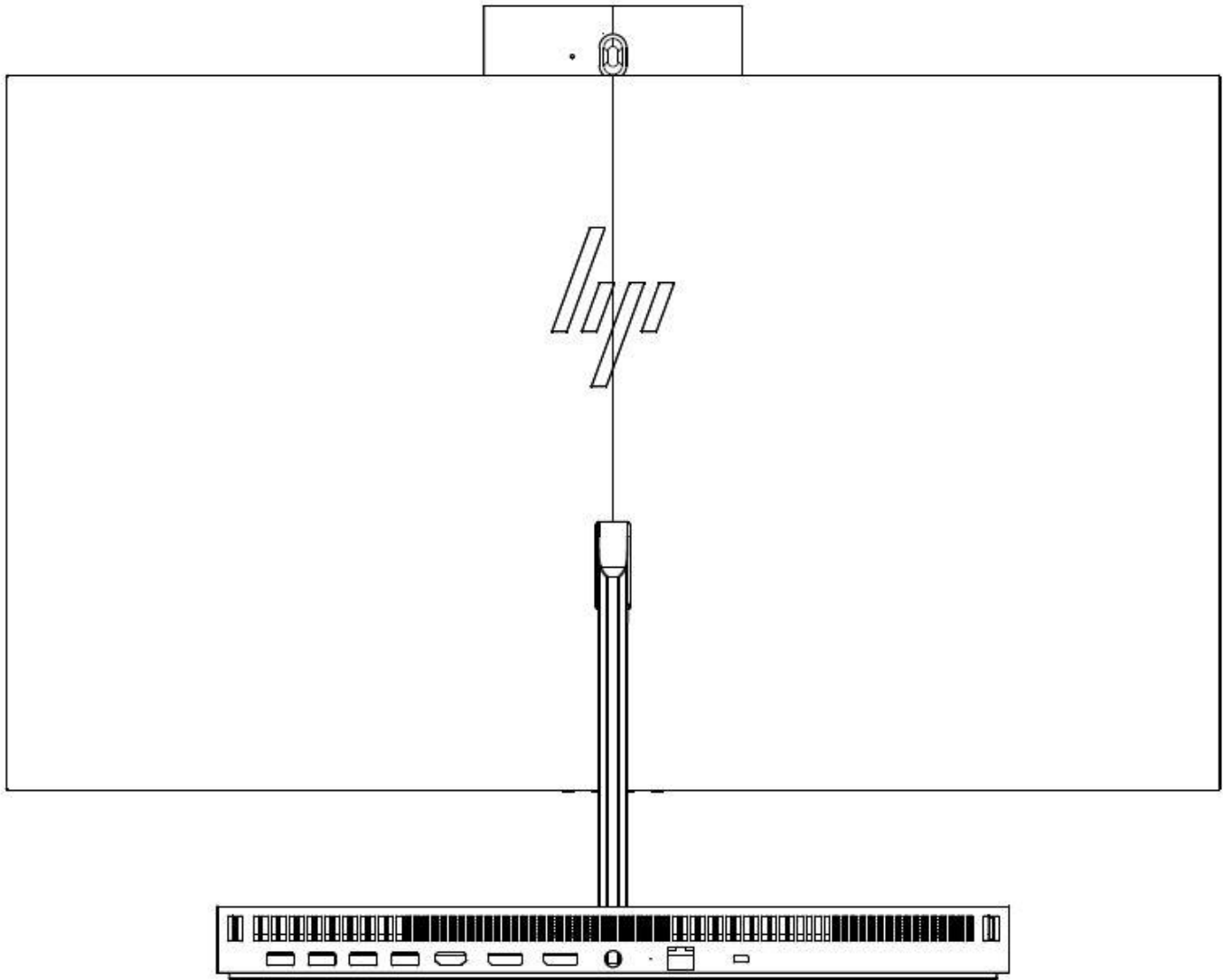
## Technical Specifications

### HP EliteOne 1000 G1 27-in 4K UHD AiO Dimensions Front



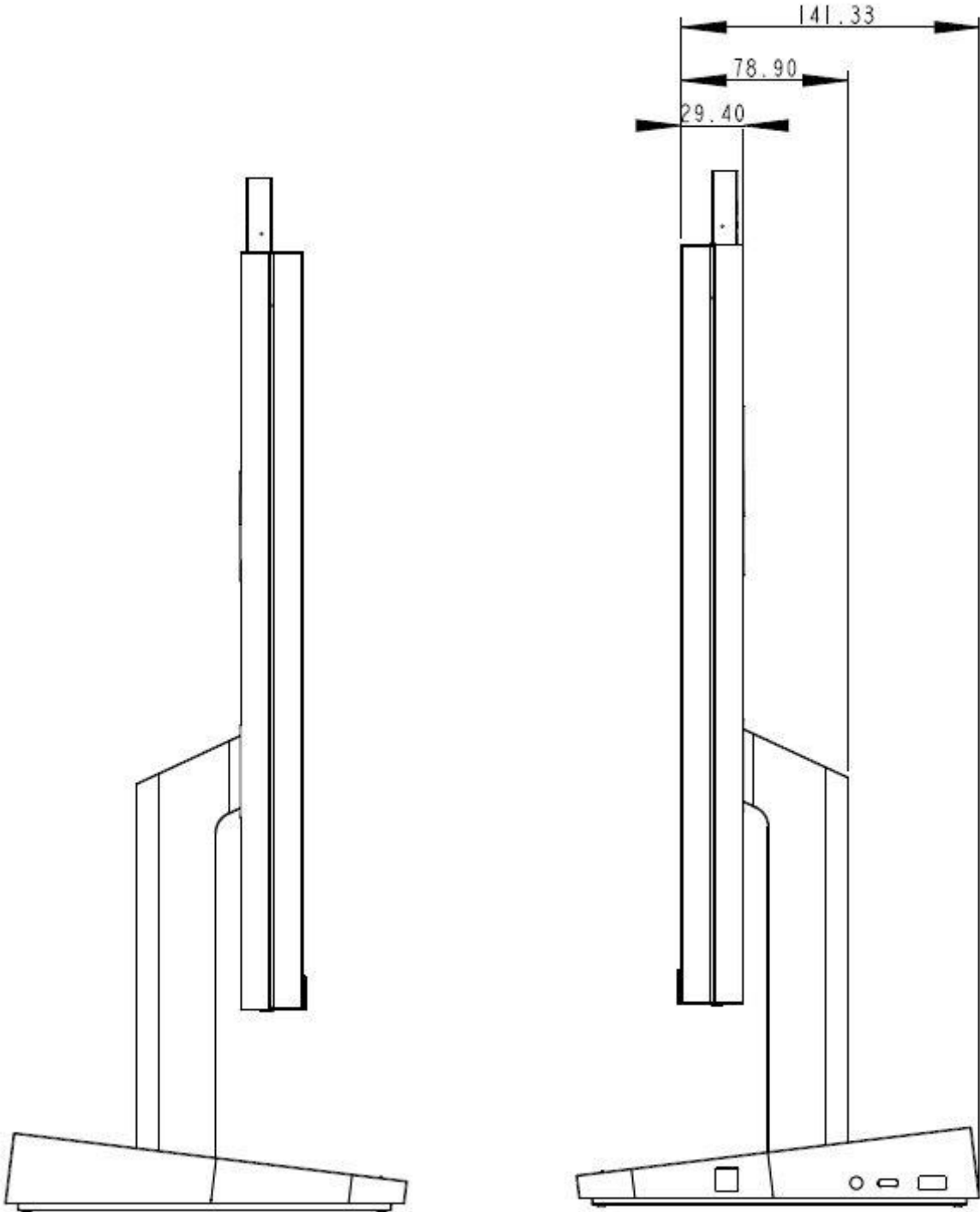
### Technical Specifications

#### HP EliteOne 1000 G1 27-in 4K UHD AiO Dimensions Rear



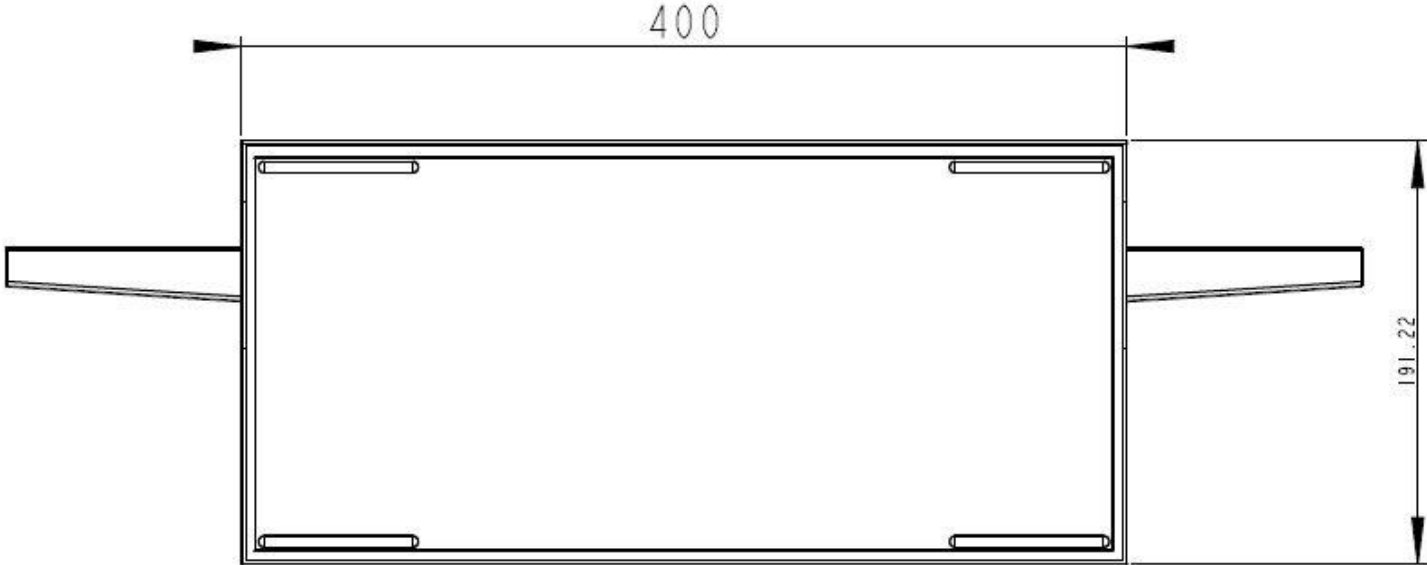
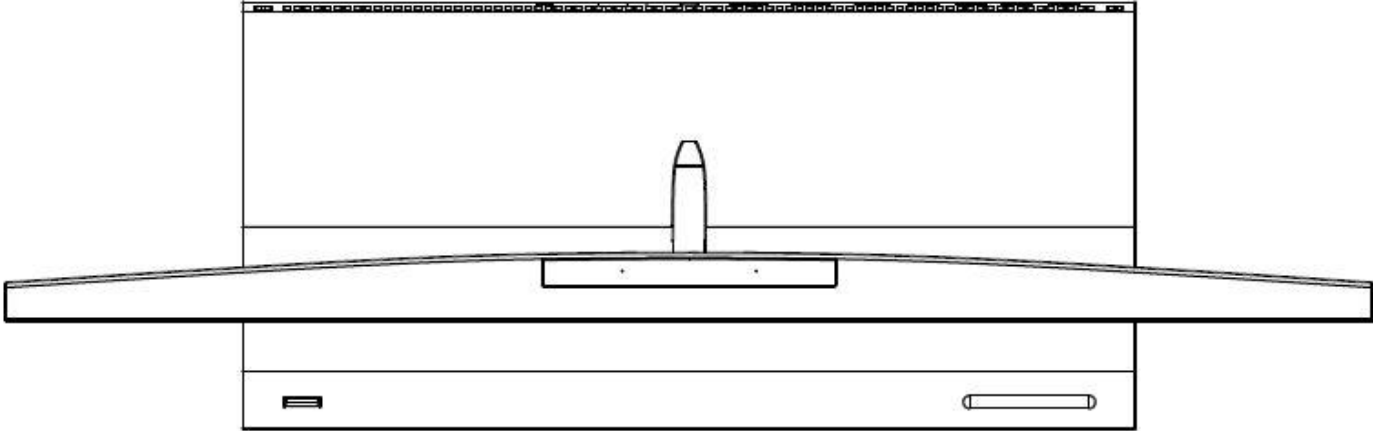
## Technical Specifications

### HP EliteOne 1000 G1 27-in 4K UHD AiO Dimensions Side



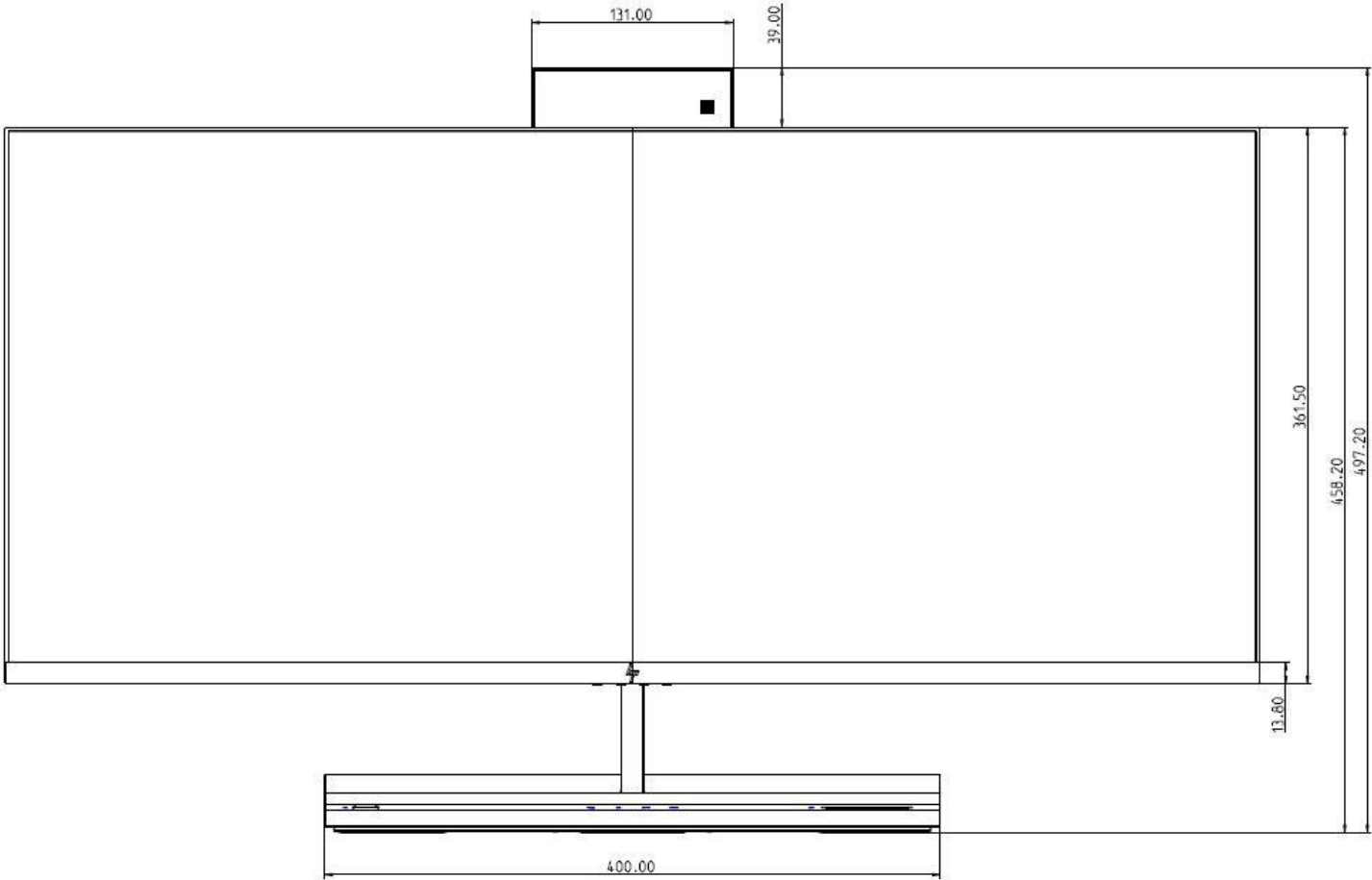
## Technical Specifications

### HP EliteOne 1000 G1 27-in 4K UHD AiO Dimensions Top & Bottom



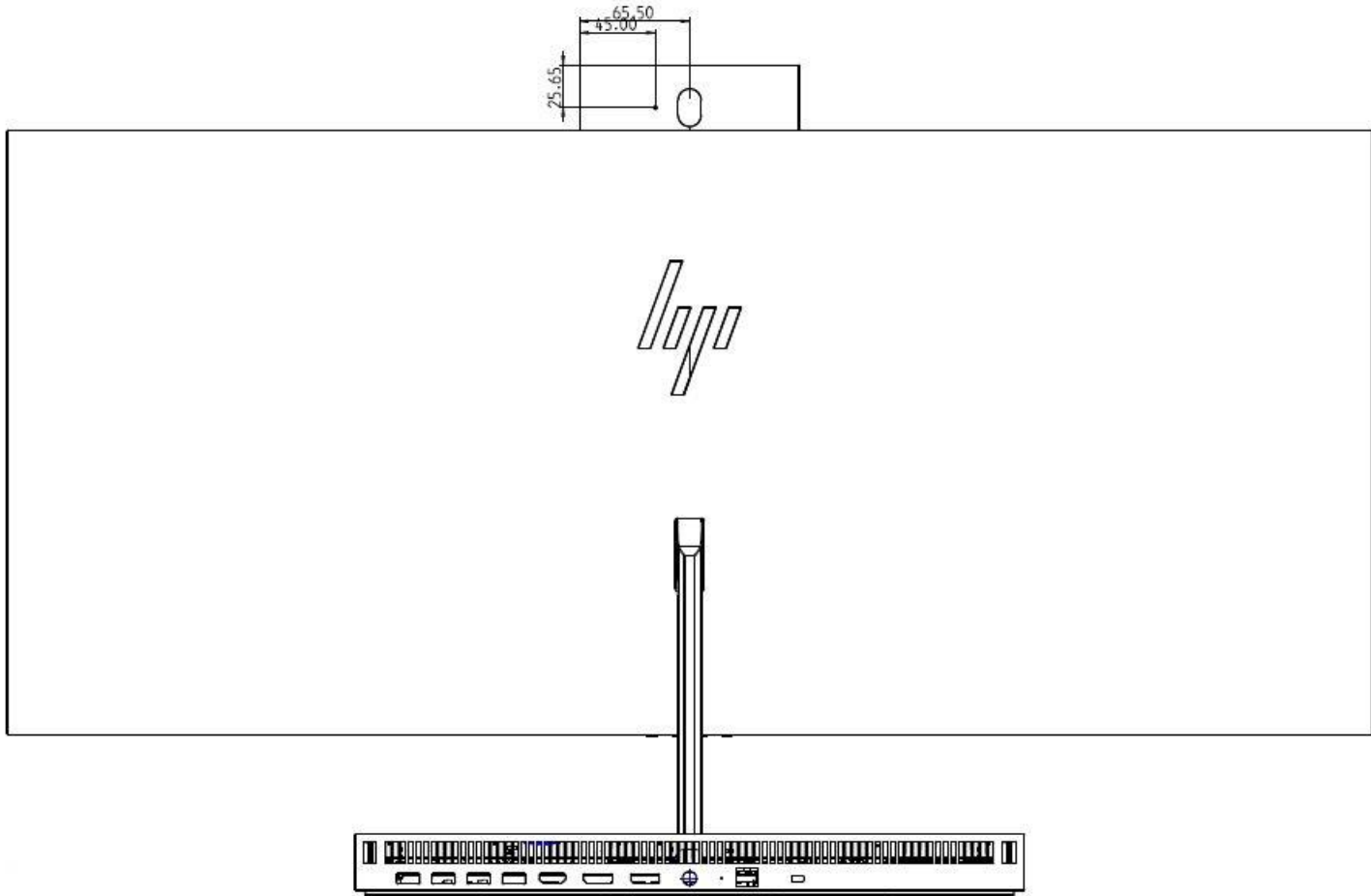
## Technical Specifications

### HP EliteOne 1000 G1 34-in Curved AiO Dimensions Front



## Technical Specifications

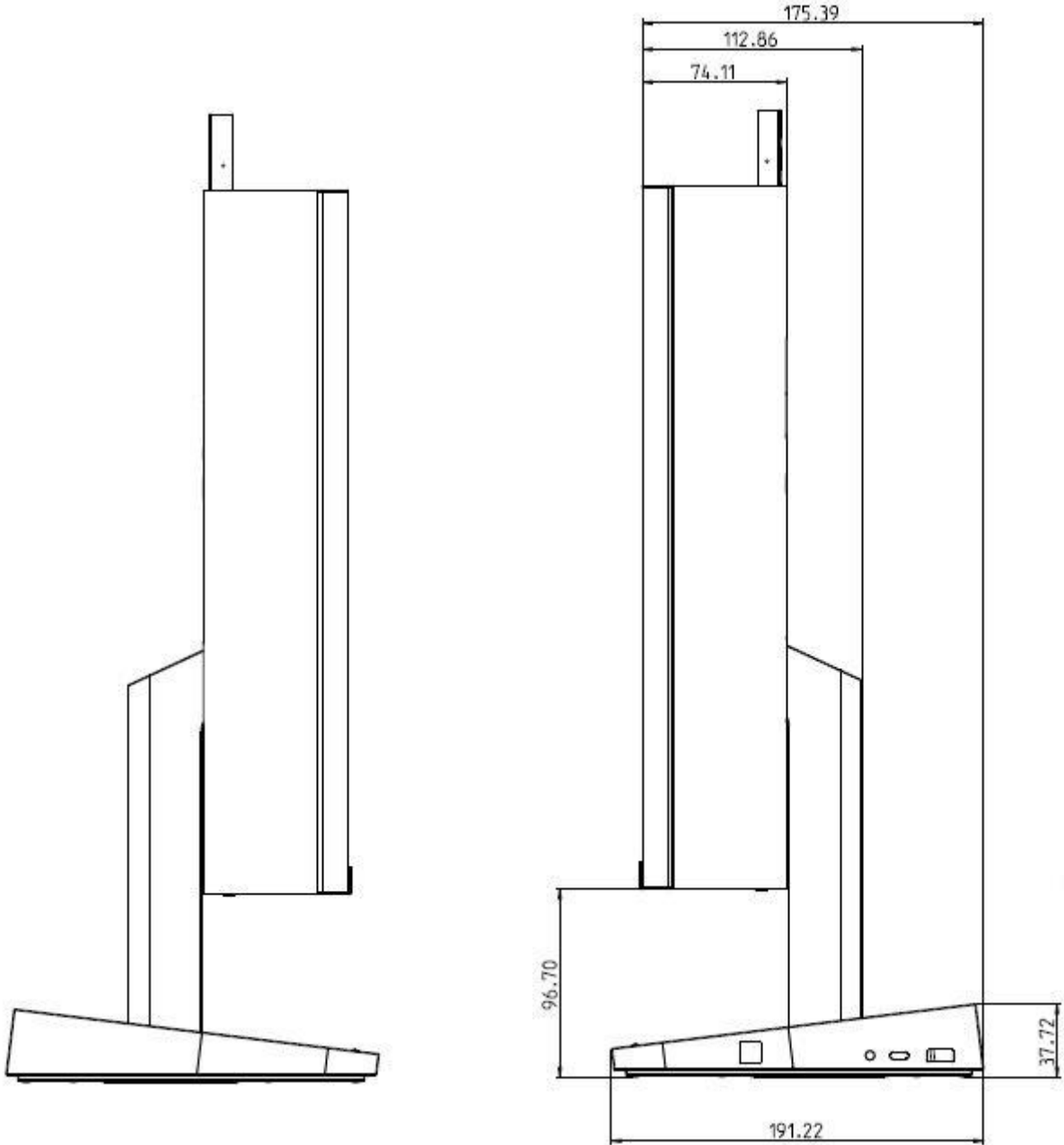
### HP EliteOne 1000 G1 34-in Curved AiO Dimensions Rear





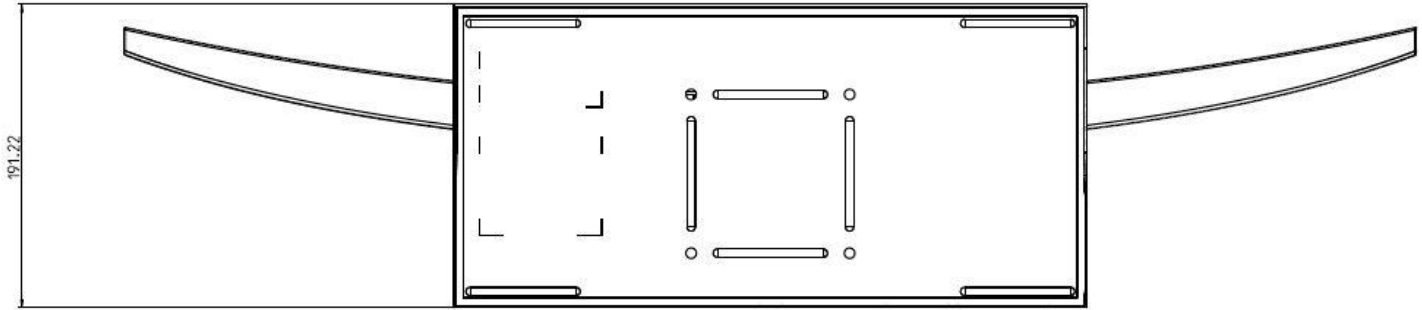
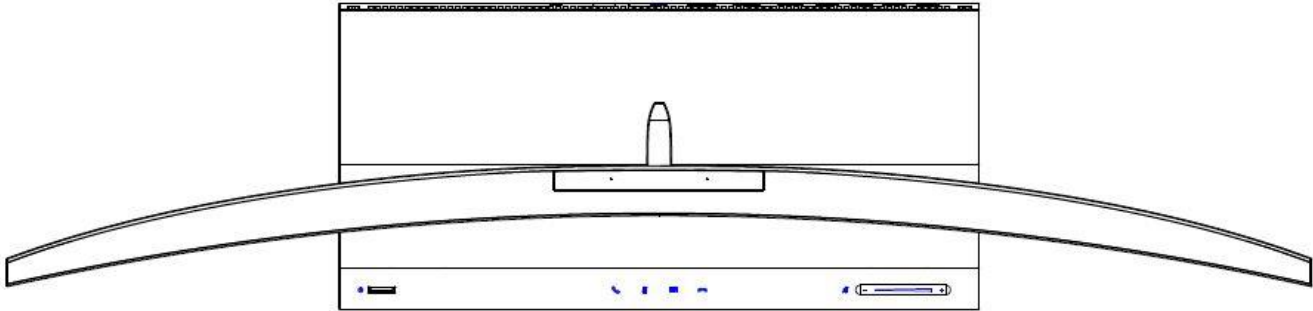
### Technical Specifications

#### HP EliteOne 1000 G1 34-in Curved AiO Dimensions Side



## Technical Specifications

### HP EliteOne 1000 G1 34-in Curved AiO Dimensions Top & Bottom



### Technical Specifications

#### ENVIRONMENTAL & INDUSTRY

##### HP EliteOne 1000 G1 23.8-in Touch All-in-One Business PC

**Eco-Label Certifications & declarations** This product has received or is in the process of being certified to the following approvals and may be labeled with one or more of these marks:

- IT ECO declaration
- US ENERGY STAR®
- EPEAT® : Gold registered in the United States. See <http://www.epeat.net> for registration status in your country. Search keyword *generator* on HP's 3rd party option store for solar energy accessory at <http://www.hp.com/go/options>.
- TCO Certified Edge

**System Configuration** The configuration used for the Energy Consumption and Declared Noise Emissions data for the All-in-One PC model is based on a typically configured PC featuring a hard disk drive, a high efficiency power supply, and a Microsoft Windows® operating system.

##### Energy Consumption (in accordance with US ENERGY STAR® test method)

	115VAC, 60Hz	230VAC, 50Hz	100VAC, 50Hz
Normal Operation (Short idle)	21.38 W	21.68 W	21.15 W
Normal Operation (Long idle)	8.53 W	8.78 W	8.80 W
Sleep	4.35 W	4.30 W	4.39 W
Off	0.82 W	0.87 W	0.82 W

Note: Energy efficiency data listed is for an ENERGY STAR® compliant product if offered within the model family. HP computers marked with the ENERGY STAR® Logo are compliant with the applicable U.S. Environmental Protection Agency (EPA) ENERGY STAR® specifications for computers. If a model family does not offer ENERGY STAR® compliant configurations, then energy efficiency data listed is for a typically configured PC featuring a hard disk drive, a high efficiency power supply, and a Microsoft Windows® operating system.

Heat Dissipation*	115VAC, 60Hz	230VAC, 50Hz	100VAC, 50Hz
Normal Operation (Short idle)	73 BTU/hr	74 BTU/hr	72 BTU/hr
Normal Operation (Long idle)	29 BTU/hr	30 BTU/hr	30 BTU/hr
Sleep	15 BTU/hr	15 BTU/hr	15 BTU/hr
Off	3 BTU/hr	3 BTU/hr	3 BTU/hr

\*NOTE: Heat dissipation is calculated based on the measured watts, assuming the service level is attained for one hour.

##### Declared Noise Emissions (in accordance with ISO 7779 and ISO 9296)

	Sound Power (L <sub>WAd</sub> , bels)	Sound Pressure (L <sub>pAm</sub> , decibels)
Typically Configured – Idle	2.9	15
Fixed Disk – Random writes	2.9	14

**Longevity and Upgrading** This product can be upgraded, possibly extending its useful life by several years. Upgradeable features and/or components contained in the product may include:

- 6 USB ports
- 2 memory slots
- 1 Mini PCIe half-length slot

### Technical Specifications

- 1 MXM 3.0 Type A - 35W slot
- 1 mSATA slot
- 1 2.5" internal bay supporting up to Two 2.5" hard drives (HDD/SSD/SED/SSHD)
- 1 5.25" external supporting optical drive

Spare parts are available throughout the warranty period and or for up to "5" years after the end of production.

#### Batteries

This battery(s) in this product comply with EU Directive 2006/66/EC

Batteries used in the product do not contain:  
 Mercury greater the 1ppm by weight  
 Cadmium greater than 20ppm by weight

Battery size: CR2032 (coin cell)  
 Battery type: Lithium

#### Additional Information

- This product is in compliance with the Restrictions of Hazardous Substances (RoHS) directive - 2011/65/EC.
- This HP product is designed to comply with the Waste Electrical and Electronic Equipment (WEEE) Directive – 2002/96/EC.
- This product is in compliance with California Proposition 65 (State of California; Safe Drinking Water and Toxic Enforcement Act of 1986).
- This product is in compliance with the IEEE 1680 (EPEAT) standard at the Gold level, see <http://www.epeat.net>
- Plastics parts weighing over 25 grams used in the product are marked per ISO11469 and ISO1043.
- This product contains 38.3% post-consumer recycled plastic (by wt.)
- This product is 95.8% recycle-able when properly disposed of at end of life.

#### Packaging Materials

<b>External:</b>	PAPER/Corrugated	1415 g
<b>Internal:</b>	PLASTIC/EPS (Expanded Polyethylene)	647 g
	PLASTIC/Polyethylene low density	60 g

The plastic packaging material contains at least 100% recycled content.

The corrugated paper packaging materials contains at least 80% recycled content.

#### Material Usage

This product does not contain any of the following substances in excess of regulatory limits (refer to the HP General Specification for the Environment at

<http://www.hp.com/hpinfo/globalcitizenship/environment/pdf/gse.pdf>):

- Asbestos
- Certain Azo Colorants
- Certain Brominated Flame Retardants – may not be used as flame retardants in plastics
- Cadmium
- Chlorinated Hydrocarbons
- Chlorinated Paraffins
- Formaldehyde
- Halogenated Diphenyl Methanes
- Lead carbonates and sulfates
- Lead and Lead compounds
- Mercuric Oxide Batteries
- Nickel – finishes must not be used on the external surface designed to be frequently handled or carried by the user.
- Ozone Depleting Substances
- Polybrominated Biphenyls (PBBs)

### Technical Specifications

- Polybrominated Biphenyl Ethers (PBBEs)
- Polybrominated Biphenyl Oxides (PBBOs)
- Polychlorinated Biphenyl (PCB)
- Polychlorinated Terphenyls (PCT)
- Polyvinyl Chloride (PVC) – except for wires and cables, and certain retail packaging has been voluntarily removed from most applications.
- Radioactive Substances
- Tributyl Tin (TBT), Triphenyl Tin (TPT), Tributyl Tin Oxide (TBTO)

#### Packaging Usage

HP follows these guidelines to decrease the environmental impact of product packaging:

- Eliminate the use of heavy metals such as lead, chromium, mercury and cadmium in packaging materials.
- Eliminate the use of ozone-depleting substances (ODS) in packaging materials.
- Design packaging materials for ease of disassembly.
- Maximize the use of post-consumer recycled content materials in packaging materials.
- Use readily recyclable packaging materials such as paper and corrugated materials.
- Reduce size and weight of packages to improve transportation fuel efficiency.
- Plastic packaging materials are marked according to ISO 11469 and DIN 6120 standards.

#### End-of-life Management and Recycling

Hewlett-Packard offers end-of-life HP product return and recycling programs in many geographic areas. To recycle your product, please go to: <http://www.hp.com/go/reuse-recycle> or contact your nearest HP sales office. Products returned to HP will be recycled, recovered or disposed of in a responsible manner.

The EU WEEE directive (2002/95/EC) requires manufacturers to provide treatment information for each product type for use by treatment facilities. This information (product disassembly instructions) is posted on the Hewlett Packard web site at: <http://www.hp.com/go/recyclers>. These instructions may be used by recyclers and other WEEE treatment facilities as well as HP OEM customers who integrate and re-sell HP equipment.

#### HP, Inc. Corporate Environmental Information

For more information about HP's commitment to the environment:

Global Citizenship Report

<http://www.hp.com/hpinfo/globalcitizenship/gcreport/index.html>

Eco-label certifications

<http://www8.hp.com/us/en/hp-information/environment/ecolabels.html>

ISO 14001 certificates:

<http://h20195.www2.hp.com/V2/GetDocument.aspx?docname=c04755842>

and

<http://www.hp.com/hpinfo/globalcitizenship/environment/pdf/cert.pdf>

### Technical Specifications

#### HP EliteOne 1000 G1 23.8-in All-in-One Business PC

##### Eco-Label Certifications & declarations

This product has received or is in the process of being certified to the following approvals and may be labeled with one or more of these marks:

- IT ECO declaration
- US ENERGY STAR®
- EPEAT® : Gold registered in the United States. See <http://www.epeat.net> for registration status in your country. Search keyword *generator* on HP's 3rd party option store for solar energy accessory at <http://www.hp.com/go/options>.
- TCO Certified Edge

##### System Configuration

The configuration used for the Energy Consumption and Declared Noise Emissions data for the All-in-One PC model is based on a typically configured PC featuring a hard disk drive, a high efficiency power supply, and a Microsoft Windows® operating system.

##### Energy Consumption (in accordance with US ENERGY STAR® test method)

	115VAC, 60Hz	230VAC, 50Hz	100VAC, 50Hz
Normal Operation (Short idle)	21.38 W	21.68 W	21.15 W
Normal Operation (Long idle)	8.53 W	8.78 W	8.80 W
Sleep	4.35 W	4.30 W	4.39 W
Off	0.82 W	0.87 W	0.82 W

Note: Energy efficiency data listed is for an ENERGY STAR® compliant product if offered within the model family. HP computers marked with the ENERGY STAR® Logo are compliant with the applicable U.S. Environmental Protection Agency (EPA) ENERGY STAR® specifications for computers. If a model family does not offer ENERGY STAR® compliant configurations, then energy efficiency data listed is for a typically configured PC featuring a hard disk drive, a high efficiency power supply, and a Microsoft Windows® operating system.

##### Heat Dissipation\*

	115VAC, 60Hz	230VAC, 50Hz	100VAC, 50Hz
Normal Operation (Short idle)	73 BTU/hr	74 BTU/hr	72 BTU/hr
Normal Operation (Long idle)	29 BTU/hr	30 BTU/hr	30 BTU/hr
Sleep	15 BTU/hr	15 BTU/hr	15 BTU/hr
Off	3 BTU/hr	3 BTU/hr	3 BTU/hr

\*NOTE: Heat dissipation is calculated based on the measured watts, assuming the service level is attained for one hour.

##### Declared Noise Emissions

(in accordance with ISO 7779 and ISO 9296)

	Sound Power (L <sub>WAd</sub> , bels)	Sound Pressure (L <sub>pAm</sub> , decibels)
Typically Configured – Idle	2.9	15
Fixed Disk – Random writes	2.9	14

##### Longevity and Upgrading

This product can be upgraded, possibly extending its useful life by several years. Upgradeable features and/or components contained in the product may include:

- 6 USB ports
- 2 memory slots
- 1 Mini PCIe half-length slot
- 1 MXM 3.0 Type A - 35W slot
- 1 mSATA slot

### Technical Specifications

- 1 2.5" internal bay supporting up to Two 2.5" hard drives (HDD/SSD/SED/SSHD)
- 1 5.25" external supporting optical drive

Spare parts are available throughout the warranty period and or for up to "5" years after the end of production.

#### Batteries

This battery(s) in this product comply with EU Directive 2006/66/EC

Batteries used in the product do not contain:  
Mercury greater the 1ppm by weight  
Cadmium greater than 20ppm by weight

Battery size: CR2032 (coin cell)  
Battery type: Lithium

#### Additional Information

- This product is in compliance with the Restrictions of Hazardous Substances (RoHS) directive - 2011/65/EC.
- This HP product is designed to comply with the Waste Electrical and Electronic Equipment (WEEE) Directive – 2002/96/EC.
- This product is in compliance with California Proposition 65 (State of California; Safe Drinking Water and Toxic Enforcement Act of 1986).
- This product is in compliance with the IEEE 1680 (EPEAT) standard at the Gold level, see <http://www.epeat.net>
- Plastics parts weighing over 25 grams used in the product are marked per ISO11469 and ISO1043.
- This product contains 38.3% post-consumer recycled plastic (by wt.)
- This product is 95.8% recycle-able when properly disposed of at end of life.

#### Packaging Materials

<b>External:</b>	PAPER/Corrugated	1415 g
<b>Internal:</b>	PLASTIC/EPS (Expanded Polyethylene)	647 g
	PLASTIC/Polyethylene low density	60 g

The plastic packaging material contains at least 100% recycled content.

The corrugated paper packaging materials contains at least 80% recycled content.

#### Material Usage

This product does not contain any of the following substances in excess of regulatory limits (refer to the HP General Specification for the Environment at <http://www.hp.com/hpinfo/globalcitizenship/environment/pdf/gse.pdf>):

- Asbestos
- Certain Azo Colorants
- Certain Brominated Flame Retardants – may not be used as flame retardants in plastics
- Cadmium
- Chlorinated Hydrocarbons
- Chlorinated Paraffins
- Formaldehyde
- Halogenated Diphenyl Methanes
- Lead carbonates and sulfates
- Lead and Lead compounds
- Mercuric Oxide Batteries
- Nickel – finishes must not be used on the external surface designed to be frequently handled or carried by the user.
- Ozone Depleting Substances
- Polybrominated Biphenyls (PBBs)
- Polybrominated Biphenyl Ethers (PBBEs)
- Polybrominated Biphenyl Oxides (PBBOs)

### Technical Specifications

- Polychlorinated Biphenyl (PCB)
- Polychlorinated Terphenyls (PCT)
- Polyvinyl Chloride (PVC) – except for wires and cables, and certain retail packaging has been voluntarily removed from most applications.
- Radioactive Substances
- Tributyl Tin (TBT), Triphenyl Tin (TPT), Tributyl Tin Oxide (TBT0)

#### Packaging Usage

HP follows these guidelines to decrease the environmental impact of product packaging:

- Eliminate the use of heavy metals such as lead, chromium, mercury and cadmium in packaging materials.
- Eliminate the use of ozone-depleting substances (ODS) in packaging materials.
- Design packaging materials for ease of disassembly.
- Maximize the use of post-consumer recycled content materials in packaging materials.
- Use readily recyclable packaging materials such as paper and corrugated materials.
- Reduce size and weight of packages to improve transportation fuel efficiency.
- Plastic packaging materials are marked according to ISO 11469 and DIN 6120 standards.

#### End-of-life Management and Recycling

Hewlett-Packard offers end-of-life HP product return and recycling programs in many geographic areas. To recycle your product, please go to: <http://www.hp.com/go/reuse-recycle> or contact your nearest HP sales office. Products returned to HP will be recycled, recovered or disposed of in a responsible manner.

The EU WEEE directive (2002/95/EC) requires manufacturers to provide treatment information for each product type for use by treatment facilities. This information (product disassembly instructions) is posted on the Hewlett Packard web site at: <http://www.hp.com/go/recyclers>. These instructions may be used by recyclers and other WEEE treatment facilities as well as HP OEM customers who integrate and re-sell HP equipment.

#### HP, Inc. Corporate Environmental Information

For more information about HP's commitment to the environment:

Global Citizenship Report

<http://www.hp.com/hpinfo/globalcitizenship/gcreport/index.html>

Eco-label certifications

<http://www8.hp.com/us/en/hp-information/environment/ecolabels.html>

ISO 14001 certificates:

<http://h20195.www2.hp.com/V2/GetDocument.aspx?docname=c04755842>

and

<http://www.hp.com/hpinfo/globalcitizenship/environment/pdf/cert.pdf>



### Technical Specifications

#### HP EliteOne 1000 G1 27-in 4K UHD All-in-One Business PC

##### Eco-Label Certifications & declarations

This product has received or is in the process of being certified to the following approvals and may be labeled with one or more of these marks:

- IT ECO declaration
- US ENERGY STAR®
- EPEAT® : Gold registered in the United States. See <http://www.epeat.net> for registration status in your country. Search keyword *generator* on HP's 3rd party option store for solar energy accessory at <http://www.hp.com/go/options>.
- TCO Certified Edge

##### System Configuration

The configuration used for the Energy Consumption and Declared Noise Emissions data for the All-in-One PC model is based on a typically configured PC featuring a hard disk drive, a high efficiency power supply, and a Microsoft Windows® operating system.

##### Energy Consumption (in accordance with US ENERGY STAR® test method)

	115VAC, 60Hz	230VAC, 50Hz	100VAC, 50Hz
Normal Operation (Short idle)	34.04 W	34.24 W	33.94 W
Normal Operation (Long idle)	5.58 W	5.74 W	5.70 W
Sleep	1.34 W	1.38 W	1.35 W
Off	0.82 W	0.85 W	0.81 W

Note: Energy efficiency data listed is for an ENERGY STAR® compliant product if offered within the model family. HP computers marked with the ENERGY STAR® Logo are compliant with the applicable U.S. Environmental Protection Agency (EPA) ENERGY STAR® specifications for computers. If a model family does not offer ENERGY STAR® compliant configurations, then energy efficiency data listed is for a typically configured PC featuring a hard disk drive, a high efficiency power supply, and a Microsoft Windows® operating system.

##### Heat Dissipation\*

	115VAC, 60Hz	230VAC, 50Hz	100VAC, 50Hz
Normal Operation (Short idle)	116 BTU/hr	117 BTU/hr	116 BTU/hr
Normal Operation (Long idle)	19 BTU/hr	20 BTU/hr	19 BTU/hr
Sleep	5 BTU/hr	5 BTU/hr	5 BTU/hr
Off	3 BTU/hr	3 BTU/hr	3 BTU/hr

\*NOTE: Heat dissipation is calculated based on the measured watts, assuming the service level is attained for one hour.

##### Declared Noise Emissions

##### (in accordance with ISO 7779 and ISO 9296)

##### Typically Configured – Idle

##### Fixed Disk – Random writes

Sound Power (L<sub>WAd</sub>, bels)

2.9

2.9

Sound Pressure (L<sub>pAm</sub>, decibels)

14

15

##### Longevity and Upgrading

This product can be upgraded, possibly extending its useful life by several years. Upgradeable features and/or components contained in the product may include:

- 6 USB ports
- 2 memory slots
- 1 Mini PCIe half-length slot
- 1 MXM 3.0 Type A - 35W slot
- 1 mSATA slot

### Technical Specifications

- 1 2.5" internal bay supporting up to Two 2.5" hard drives (HDD/SSD/SED/SSHD)
- 1 5.25" external supporting optical drive

Spare parts are available throughout the warranty period and or for up to "5" years after the end of production.

#### Batteries

This battery(s) in this product comply with EU Directive 2006/66/EC

Batteries used in the product do not contain:  
 Mercury greater the 1ppm by weight  
 Cadmium greater than 20ppm by weight

Battery size: CR2032 (coin cell)  
 Battery type: Lithium

#### Additional Information

- This product is in compliance with the Restrictions of Hazardous Substances (RoHS) directive - 2011/65/EC.
- This HP product is designed to comply with the Waste Electrical and Electronic Equipment (WEEE) Directive – 2002/96/EC.
- This product is in compliance with California Proposition 65 (State of California; Safe Drinking Water and Toxic Enforcement Act of 1986).
- This product is in compliance with the IEEE 1680 (EPEAT) standard at the Gold level, see <http://www.epeat.net>
- Plastics parts weighing over 25 grams used in the product are marked per ISO11469 and ISO1043.
- This product contains 36.1% post-consumer recycled plastic (by wt.)
- This product is 96.3% recycle-able when properly disposed of at end of life.

#### Packaging Materials

<b>External:</b>	PAPER/Corrugated	2072 g
<b>Internal:</b>	PLASTIC/EPS (Expanded Polyethylene)	756 g
	PLASTIC/Polyethylene low density	70 g

The plastic packaging material contains at least 100% recycled content.

The corrugated paper packaging materials contains at least 80% recycled content.

#### Material Usage

This product does not contain any of the following substances in excess of regulatory limits (refer to the HP General Specification for the Environment at <http://www.hp.com/hpinfo/globalcitizenship/environment/pdf/gse.pdf>):

- Asbestos
- Certain Azo Colorants
- Certain Brominated Flame Retardants – may not be used as flame retardants in plastics
- Cadmium
- Chlorinated Hydrocarbons
- Chlorinated Paraffins
- Formaldehyde
- Halogenated Diphenyl Methanes
- Lead carbonates and sulfates
- Lead and Lead compounds
- Mercuric Oxide Batteries
- Nickel – finishes must not be used on the external surface designed to be frequently handled or carried by the user.
- Ozone Depleting Substances
- Polybrominated Biphenyls (PBBs)
- Polybrominated Biphenyl Ethers (PBBEs)
- Polybrominated Biphenyl Oxides (PBBOs)

### Technical Specifications

- Polychlorinated Biphenyl (PCB)
- Polychlorinated Terphenyls (PCT)
- Polyvinyl Chloride (PVC) – except for wires and cables, and certain retail packaging has been voluntarily removed from most applications.
- Radioactive Substances
- Tributyl Tin (TBT), Triphenyl Tin (TPT), Tributyl Tin Oxide (TBTO)

#### Packaging Usage

HP follows these guidelines to decrease the environmental impact of product packaging:

- Eliminate the use of heavy metals such as lead, chromium, mercury and cadmium in packaging materials.
- Eliminate the use of ozone-depleting substances (ODS) in packaging materials.
- Design packaging materials for ease of disassembly.
- Maximize the use of post-consumer recycled content materials in packaging materials.
- Use readily recyclable packaging materials such as paper and corrugated materials.
- Reduce size and weight of packages to improve transportation fuel efficiency.
- Plastic packaging materials are marked according to ISO 11469 and DIN 6120 standards.

#### End-of-life Management and Recycling

Hewlett-Packard offers end-of-life HP product return and recycling programs in many geographic areas. To recycle your product, please go to: <http://www.hp.com/go/reuse-recycle> or contact your nearest HP sales office. Products returned to HP will be recycled, recovered or disposed of in a responsible manner.

The EU WEEE directive (2002/95/EC) requires manufacturers to provide treatment information for each product type for use by treatment facilities. This information (product disassembly instructions) is posted on the Hewlett Packard web site at: <http://www.hp.com/go/recyclers>. These instructions may be used by recyclers and other WEEE treatment facilities as well as HP OEM customers who integrate and re-sell HP equipment.

#### HP, Inc. Corporate Environmental Information

For more information about HP's commitment to the environment:

Global Citizenship Report

<http://www.hp.com/hpinfo/globalcitizenship/gcreport/index.html>

Eco-label certifications

<http://www8.hp.com/us/en/hp-information/environment/ecolabels.html>

ISO 14001 certificates:

<http://h20195.www2.hp.com/V2/GetDocument.aspx?docname=c04755842>

and

<http://www.hp.com/hpinfo/globalcitizenship/environment/pdf/cert.pdf>

### Technical Specifications

#### PORTS/SLOTS

##### Rear I/O Ports

Type A USB 3.1 Gen1 (Keyboard wake capable)  
 Type A USB 3.1 Gen1  
 DisplayPort™ 1.2 (out)  
 DisplayPort™ 1.2 (in)  
 HDMI 2.0a (out)  
 RJ45 network interface

##### Side I/O Ports

Type C USB 3.1 Gen1 (15W)  
 Type A USB 3.1 Gen1 (fast charging port)  
 Headset side port (3.5mm)

##### Expansion Slots

M.2 2230 for WLAN  
 M.2 2280 for NVMe SSD storage

##### Bays

2.5" HDD

#### CERTIFICATION AND COMPLIANCE

ENERGY STAR® certified  
 EPEAT® Gold<sup>1</sup>

1. EPEAT® registered where applicable. EPEAT registration varies by country. See <http://www.epeat.net> for registration status by country.

#### DISPLAYS

**23.8" diagonal IPS  
 widescreen WLED Touch  
 backlit anti-glare LCD  
 (1920 x 1080)**

Type	IPS WLED Backlit LCD
Active area (mm)	527.04 x 296.46
Native Resolution (HxV)	1920 x 1080
Aspect ratio	16:09
Pixel pitch (HxV)(mm)	0.2745 x 0.2745
Contrast ratio (typical)	1000:01:00
Brightness (typical)	250 nits <sup>1</sup>
Viewing angle (typical) (HxV)	178° x 178°
Backlight lamp life (to half brightness)	30,000 hours minimum
Color support	Over 16 million colors
Color gamut (typical)	NTSC 72%
Anti-glare	Yes
Default color temperature	Warm (6500K)

### Technical Specifications

**23.8" diagonal IPS  
widescreen WLED Non-  
touch backlit anti-glare  
LCD (1920 x 1080)**

Type	IPS WLED Backlit LCD Non-touch Display
Active area (mm)	527.04 x 296.46
Native Resolution (HxV)	1920 x 1080
Aspect ratio	16:09
Pixel pitch (HxV)(mm)	0.2745 x 0.2745
Contrast ratio (typical)	1000:01:00
Brightness (typical)	250 nits <sup>1</sup>
Viewing angle (typical) (HxV)	178° x 178°
Backlight lamp life (to half brightness)	30,000 hours minimum
Color support	Over 16 million colors
Color gamut (typical)	NTSC 72%
Anti-glare	Yes
Default color temperature	Warm (6500K)

**27" diagonal IPS  
widescreen WLED backlit  
anti-glare 4K UHD LCD  
(3840 x 2160)**

Type	IPS WLED Backlit LCD
Active area (mm)	596.74 x 335.66
Native Resolution (HxV)	3840 x 2160
Aspect ratio	16:09
Pixel pitch (HxV)(mm)	0.1554 x 0.1554
Contrast ratio (typical)	1000:01:00
Brightness (typical)	350 nits <sup>1</sup>
Viewing angle (typical) (HxV)	178° x 178°
Backlight lamp life (to half brightness)	30,000 hours minimum
Color support	Over 1 billion colors
Color gamut (typical)	sRGB 99%
Anti-glare	Yes
Default color temperature	Warm (6500K)

**34" diagonal IPS  
widescreen WLED backlit  
anti-glare WQHD LCD (3440  
x 1440)**

Type	IPS WLED Backlit LCD
Active area (mm)	799.80 x 334.8
Native Resolution (HxV)	3440 x 1440
Aspect ratio	21:09
Pixel pitch (HxV)(mm)	0.2325 x 0.2325
Contrast ratio (typical)	1000:01:00
Brightness (typical)	300 nits <sup>1</sup>
Viewing angle (typical) (HxV)	178° x 178°
Backlight lamp life (to half brightness)	30,000 hours minimum
Color support	Over 1 billion colors

### Technical Specifications

Color gamut (typical)	sRGB 99%
Anti-glare	Yes
Default color temperature	Warm (6500K)

1. All performance specifications represent the typical specifications provided by HP's component manufacturers; actual performance may vary either higher or lower.

---

### Technical Specifications

#### STORAGE AND DRIVES

<b>500 GB 7200 RPM SATA Hard Drive</b>	Capacity	500GB
	Rotational Speed	7,200 RPM
	Interface	SATA 6 Gb/s
	Buffer Size	16 MB
	Logical Blocks	976,773,168
	Seek Time	12 ms (Average)
	Height	0.267 in/6.8 mm (nominal)
	Width	2.75 in/70 mm (nominal)
	Operating Temperature	41° to 131° F (5° to 55° C)

**NOTE:** For hard drives and solid state drives, GB = 1 billion bytes. TB = 1 trillion bytes. Actual formatted capacity is less. Up to 36 GB (for Windows 10) of system disk is reserved for the system recovery software.

<b>1 TB 7200 RPM SATA Hard Drive</b>	Capacity	1TB
	Rotational Speed	7,200 RPM
	Interface	SATA 6 Gb/s
	Buffer Size	32 MB
	Logical Blocks	1,953,525,168
	Seek Time	12 ms (Average)
	Height	0.374 in/9.5 mm (nominal)
	Width	2.75 in/70 mm (nominal)
	Operating Temperature	41° to 131° F (5° to 55° C)

**NOTE:** For hard drives and solid state drives, GB = 1 billion bytes. TB = 1 trillion bytes. Actual formatted capacity is less. Up to 36 GB (for Windows 10) of system disk is reserved for the system recovery software.

<b>500 GB 5400 RPM Solid State Hybrid Drive</b>	Capacity	500GB
	Rotational Speed	5,400 RPM
	Drive Type	Solid State Hybrid Drive (SSHD) technology with NAND Flash
	Interface	SATA 6 Gb/s
	Buffer Size	64 MB
	NAND Flash	8GB
	Seek Time	12 ms (Average)
	Height	0.267 in/6.8 mm (nominal)
	Width	2.75 in/70 mm (nominal)
Operating Temperature	41° to 131° F (5° to 55° C)	

**NOTE:** For hard drives and solid state drives, GB = 1 billion bytes. TB = 1 trillion bytes. Actual formatted capacity is less. Up to 36 GB (for Windows 10) of system disk is reserved for the system recovery software.

<b>1 TB 5400 RPM Solid State Hybrid Drive</b>	Capacity	1TB
	Rotational Speed	5,400 RPM
	Drive Type	Solid State Hybrid Drive (SSHD) technology with NAND Flash
	Interface	SATA 6 Gb/s
	Buffer Size	64 MB
	NAND Flash	8GB

### Technical Specifications

Seek Time	12 ms (Average)
Height	0.374 in/9.5 mm (nominal)
Width	2.75 in/70 mm (nominal)
Operating Temperature	41° to 131° F (5° to 55° C)

**NOTE:** For hard drives and solid state drives, GB = 1 billion bytes. TB = 1 trillion bytes. Actual formatted capacity is less. Up to 36 GB (for Windows 10) of system disk is reserved for the system recovery software.

<b>2 TB 5400 RPM Solid State Hybrid Drive</b>	Capacity	2TB
	Rotational Speed	5,400 RPM
	Drive Type	Solid State Hybrid Drive (SSHD) technology with NAND Flash
	Interface	SATA 6 Gb/s
	Buffer Size	128 MB
	NAND Flash	8GB
	Seek Time	12 ms (Average)
	Height	0.374 in/9.5 mm (nominal)
	Width	2.75 in/70 mm (nominal)
Operating Temperature	41° to 131° F (5° to 55° C)	

**NOTE:** For hard drives and solid state drives, GB = 1 billion bytes. TB = 1 trillion bytes. Actual formatted capacity is less. Up to 36 GB (for Windows 10) of system disk is reserved for the system recovery software.

<b>2 TB 5400 RPM SATA Hard Drive</b>	Capacity	2TB
	Rotational Speed	5,400 RPM
	Interface	SATA 6 Gb/s
	Buffer Size	128MB
	Logical Blocks	3,907,050,336
	Seek Time	12 ms (Average)
	Height	0.374 in/9.5 mm (nominal)
	Width	2.75 in/70 mm (nominal)
	Operating Temperature	41° to 131° F (5° to 55° C)

**NOTE:** For hard drives and solid state drives, GB = 1 billion bytes. TB = 1 trillion bytes. Actual formatted capacity is less. Up to 36 GB (for Windows 10) of system disk is reserved for the system recovery software.

<b>500 GB SED Solid State Drive</b>	Capacity	500GB
	Architecture	Self-Encrypting (SED) Solid State Drive with SATA interface
	Interface	SATA 6 Gb/s
	Buffer Size	16 MB
	Logical Blocks	976,773,168
	Seek Time	12 ms (Average)
	Height	0.267 in/6.8 mm (nominal)
	Width	2.75 in/70 mm (nominal)
	Operating Temperature	41° to 131° F (5° to 55° C)

**NOTE:** For hard drives and solid state drives, GB = 1 billion bytes. TB = 1 trillion bytes. Actual formatted capacity is less. Up to 36 GB (for Windows 10) of system disk is reserved for the system recovery software.

Drive Weight	Up to 50g (0.11lb)
--------------	--------------------



### Technical Specifications

<b>128 GB SATA TLC Solid State Drive</b>	Capacity	128GB
	Height	7mm (0.276in)
	Width	70mm (2.756 in)
	Interface	SATA 3.0 (6Gb/s)
	Performance	
	Maximum Sequential Read	Up to 530MB/s
	Maximum Sequential Write	Up to 450MB/s
	Logical Blocks	250,069,680
	Operating Temperature	0° to 70°C (32° to 158°F) [ambient temp]
	Features	DIPM; TRIM;

**NOTE:** For hard drives and solid state drives, GB = 1 billion bytes. TB = 1 trillion bytes. Actual formatted capacity is less. Up to 36 GB (for Windows 10) of system disk is reserved for the system recovery software.

<b>256 GB SATA TLC Solid State Drive</b>	Drive Weight	Up to 50g (0.11lb)
	Capacity	256GB
	Height	7mm (0.276in)
	Width	70mm (2.756 in)
	Interface	SATA 3.0 (6Gb/s)
	Performance	
	Maximum Sequential Read	Up to 540MB/s
	Maximum Sequential Write	Up to 500MB/s
	Logical Blocks	500,118,192
	Operating Temperature	0° to 70°C (32° to 158°F) [ambient temp]
Features	DIPM; TRIM;	

**NOTE:** For hard drives and solid state drives, GB = 1 billion bytes. TB = 1 trillion bytes. Actual formatted capacity is less. Up to 36 GB (for Windows 10) of system disk is reserved for the system recovery software.

### Technical Specifications

<b>512 GB SATA TLC Solid State Drive</b>	Drive Weight	Up to 50g (0.11lb)
	Capacity	512GB
	Height	7mm (0.276in)
	Width	70mm (2.756 in)
	Interface	SATA 3.0 (6Gb/s)
	Performance	
	Maximum Sequential Read	Up to 540MB/s
	Maximum Sequential Write	Up to 500MB/s
	Logical Blocks	1,000,215,216
	Operating Temperature	0° to 70°C (32° to 158°F) [ambient temp]
	Features	DIPM; TRIM;

**NOTE:** For hard drives and solid state drives, GB = 1 billion bytes. TB = 1 trillion bytes. Actual formatted capacity is less. Up to 36 GB (for Windows 10) of system disk is reserved for the system recovery software.

<b>256 GB SATA TLC SED OPAL2 Solid State Drive</b>	Drive Weight	Up to 50g (0.11lb)
	Capacity	256GB
	Height	7mm (0.276in)
	Width	70mm (2.756 in)
	Interface	SATA 3.0 (6Gb/s)
	Performance	
	Maximum Sequential Read	Up to 540MB/s
	Maximum Sequential Write	Up to 500MB/s
	Logical Blocks	500,118,192
	Operating Temperature	0° to 70°C (32° to 158°F) [ambient temp]
	Features	DIPM; TRIM; Self Encrypting Drive with OPAL2.0

**NOTE:** For hard drives and solid state drives, GB = 1 billion bytes. TB = 1 trillion bytes. Actual formatted capacity is less. Up to 36 GB (for Windows 10) of system disk is reserved for the system recovery software.

<b>512 GB SATA TLC SED OPAL2 Solid State Drive</b>	Drive Weight	Up to 50g (0.11lb)
	Capacity	512GB
	Height	7mm (0.276in)
	Width	70mm (2.756 in)
	Interface	SATA 3.0 (6Gb/s)
	Performance	
	Maximum Sequential Read	Up to 540MB/s
	Maximum Sequential Write	Up to 500MB/s
	Logical Blocks	1,000,215,216
	Operating Temperature	0° to 70°C (32° to 158°F) [ambient temp]
	Features	DIPM; TRIM; Self Encrypting Drive with OPAL2.0

**NOTE:** For hard drives and solid state drives, GB = 1 billion bytes. TB = 1 trillion bytes. Actual formatted capacity is less. Up to 36 GB (for Windows 10) of system disk is reserved for the system recovery software.

### Technical Specifications

<b>256 GB SATA TLC FIPS 140-2 SED Solid State Drive</b>	Drive Weight	Up to 50g (0.11lb)
	Capacity	256GB
	Height	7mm (0.276in)
	Width	70mm (2.756 in)
	Interface	SATA 3.0 (6Gb/s)
	Performance	
	Maximum Sequential Read	Up to 540MB/s
	Maximum Sequential Write	Up to 500MB/s
	Logical Blocks	500,118,192
	Operating Temperature	0° to 70°C (32° to 158°F) [ambient temp]
	Features	DIPM; TRIM; FIPS 140-2

**NOTE:** For hard drives and solid state drives, GB = 1 billion bytes. TB = 1 trillion bytes. Actual formatted capacity is less. Up to 36 GB (for Windows 10) of system disk is reserved for the system recovery software.

<b>512GB 2.5" SATA-3 TLC FIPS 140-2 SED Solid State Drive</b>	Drive Weight	Up to 50g (0.11lb)
	Capacity	512GB
	Height	7mm (0.276in)
	Width	70mm (2.756 in)
	Length	80mm (3.15in)
	Interface	SATA 3.0 (6Gb/s)
	Performance	
	Maximum Sequential Read	Up to 540MB/s
	Maximum Sequential Write	Up to 500MB/s
	Logical Blocks	1,000,215,216
	Operating Temperature	0° to 70°C (32° to 158°F) [ambient temp]
Features	DIPM; TRIM; FIPS 140-2	

**NOTE:** For hard drives and solid state drives, GB = 1 billion bytes. TB = 1 trillion bytes. Actual formatted capacity is less. Up to 36 GB (for Windows 10) of system disk is reserved for the system recovery software.

<b>256GB M.2 PCIE NVME Solid State Drive</b>	Drive Weight	Up to 10g (0.022lb)
	Capacity	256GB
	Height	2.38mm (0.093in)
	Width	22mm (0.87in)
	Length	80mm (3.15in)
	Interface	PCIE Gen3
	Performance	
	Maximum Sequential Read	Up to 1600MB/s
	Maximum Sequential Write	Up to 550MB/s
	Logical Blocks	500,118,192
	Operating Temperature	0° to 70°C (32° to 158°F) [ambient temp]
Features	APST; ASPM L1.2; NVME spec 1.2	

**NOTE:** For hard drives and solid state drives, GB = 1 billion bytes. TB = 1 trillion bytes. Actual formatted capacity is less. Up to 36 GB (for Windows 10) of system disk is reserved for the system recovery software.

### Technical Specifications

<b>512GB M.2 PCIe NVMe Solid State Drive</b>	Drive Weight	Up to 10g (0.022lb)
	Capacity	512GB
	Height	2.38mm (0.093in)
	Width	22mm (0.87in)
	Length	80mm (3.15in)
	Interface	PCIe Gen3
	Performance	
	Maximum Sequential Read	Up to 1800MB/s
	Maximum Sequential Write	Up to 550MB/s
	Logical Blocks	1,000,215,216
	Operating Temperature	0° to 70°C (32° to 158°F) [ambient temp]
	Features	APST; ASPM L1.2; NVME spec 1.2

**NOTE:** For hard drives and solid state drives, GB = 1 billion bytes. TB = 1 trillion bytes. Actual formatted capacity is less. Up to 36 GB (for Windows 10) of system disk is reserved for the system recovery software.

<b>256GB M.2 PCIe NVMe TLC Solid State Drive</b>	Drive Weight	Up to 10g (0.022lb)
	Capacity	256GB
	Height	2.38mm (0.093in)
	Width	22mm (0.87in)
	Length	80mm (3.15in)
	Interface	PCIe Gen3 x 4
	Performance	
	Maximum Sequential Read	Up to 2700MB/s
	Maximum Sequential Write	Up to 1100MB/s
	Logical Blocks	500,118,192
	Operating Temperature	0° to 70°C (32° to 158°F) [ambient temp]
	Features	APST; ASPM L1.2; NVME spec 1.2

**NOTE:** For hard drives and solid state drives, GB = 1 billion bytes. TB = 1 trillion bytes. Actual formatted capacity is less. Up to 36 GB (for Windows 10) of system disk is reserved for the system recovery software.

<b>512GB M.2 PCIe NVMe TLC Solid State Drive</b>	Drive Weight	Up to 10g (0.022lb)
	Capacity	512GB
	Height	2.38mm (0.093in)
	Width	22mm (0.87in)
	Length	80mm (3.15in)
	Interface	PCIe Gen3 x 4
	Performance	
	Maximum Sequential Read	Up to 2700MB/s
	Maximum Sequential Write	Up to 1400MB/s
	Logical Blocks	1,000,215,216
	Operating Temperature	0° to 70°C (32° to 158°F) [ambient temp]
	Features	APST; ASPM L1.2; NVME spec 1.2

**NOTE:** For hard drives and solid state drives, GB = 1 billion bytes. TB = 1 trillion bytes. Actual formatted capacity is less. Up to 36 GB (for Windows 10) of system disk is reserved for the system recovery software.

### Technical Specifications

#### 1TB M.2 PCIe NVMe TLC Solid State Drive

Drive Weight	Up to 10g (0.022lb)
Capacity	1TB
Height	2.38mm (0.093in)
Width	22mm (0.87in)
Length	80mm (3.15in)
Interface	PCIe Gen3 x 4
Performance	
Maximum Sequential Read	Up to 2700MB/s
Maximum Sequential Write	Up to 1500MB/s
Logical Blocks	2,000,409,264
Operating Temperature	0° to 70°C (32° to 158°F) [ambient temp]
Features	APST; ASPM L1.2; NVME spec 1.2

**NOTE:** 1MB = 1,000,000 Bytes, 1GB = 1,000,000,000 Bytes

### Technical Specifications

#### GRAPHICS

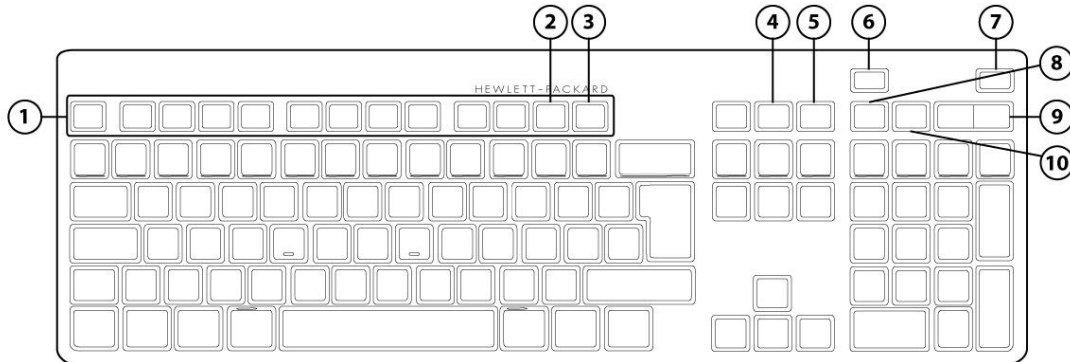
<b>Intel® HD Graphics (integrated)</b>	<b>VGA Controller</b>	Integrated
	<b>DisplayPort™ 1.2</b>	Multimode capable; supports HDCP, DisplayPort™ 1.2 Audio (2 streams), HBR2 link rates and Multi-Stream Technology for a maximum of 3 displays (including the integrated panel and all attached displays)
	<b>HDMI</b>	Supports HDMI 2.0a features Supports HDCP 2.2 Supports BT2020 and HDR playback (7th Gen processors only)
	<b>Memory</b>	Allocated at system startup and configurable using F10 setup with values of 128MB, 256MB, 512MB and 1024MB. Additional memory that is not in use by the host will be dynamically allocated and will vary depending on the total installed system memory.
	<b>Maximum Color Depth</b>	32 bits/pixel, 8-bits per color component
	<b>Graphics/Video API Support</b>	6th Generation Intel® Core™ Processors With Intel® Graphics 580, 550, 540 With Intel® HD Graphics 530, 520, 515 7th Generation Intel® Core™ Processors With Intel® HD Graphics 620, 615 DirectX 12, OpenGL 4.4, OpenCL 2.0, Intel® Quick Sync Video 7th Generation Intel® Core™ Processors With Intel® HD Graphics 505, 500 DirectX 12, OpenGL 4.4, OpenCL 2.0, Intel® Quick Sync Video
	<b>Subtitle</b>	Video Inputs
	<b>Key Features</b>	1 Standard size DP input connector Monitor function is available whenever power is connected to the system, and the On Screen Display is configured to use the port Supports HDCP. DisplayPort™ 1.2 audio is not supported.
	<b>34" UHD Supported Resolutions and Refresh Rates. Other resolutions may also work.</b>	640x480 60 Hz 640x480 67Hz 640x480 72Hz 640x480 75Hz 720x400 70Hz 800x600 60Hz 800x600 75Hz 1024x768 60Hz 1024x768 75Hz 1280x960 60Hz 1280x720 60Hz 1280x1024 60Hz 1280x1024 75Hz 1440x900 60Hz 1440x900 75Hz 1680x1050 60Hz 1920x1080 60Hz 3440x1440 60Hz (Native Resolution) 3440x1440 30Hz
	<b>27" UHD Supported Resolutions. Other resolutions may also work.</b>	640x480 60Hz 640x480 67Hz 640x480 72Hz 640x480 75Hz 720x400 70Hz

### Technical Specifications

	800x600 56Hz
	800x600 60Hz
	800x600 72Hz
	800x600 75Hz
	832x624 75Hz
	1024x768 60Hz
	1024x768 70Hz
	1024x768 75Hz
	1280x720 60Hz
	1280x960 60Hz
	1280x1024 60Hz
	1280x1024 75Hz
	1440x900 60Hz
	1680x1050 60Hz
	1920x1080 60Hz
	3840x2160 60Hz (Native Resolution)
	3840x2160 30Hz
<b>23.8 FHD Supported Resolutions and Refresh Rates. Other resolutions may also work.</b>	640x480 60Hz
	720x400 70Hz
	800x600 60Hz
	1024x768 60Hz
	1280x720 60Hz
	1280x800 60Hz
	1280x1024 60Hz
	1440x900 60Hz
	1600x900 60Hz
	1680x1050 60Hz
	1920x1080 60Hz (Native Resolution)

### Technical Specifications

### INPUT/OUTPUT DEVICES



#### HP Conferencing Keyboard

- |   |                       |
|---|-----------------------|
| 1. Function Keys  | 6. End/Decline a Call |
| 2. F11 Lync or Skype for Business Contact list <sup>1</sup> | 7. Answer a Call      |
| 3. F12 Lync or Skype for Business Calendar <sup>2</sup>     | 8. Microphone Mute    |
| 4. Share Screen   | 9. Volume Up/Down     |
| 5. Stop Webcam  | 10. Audio Mute        |
1. [Microsoft Lync 2013, or Skype for Business, or Microsoft Outlook 2013 Contact list](#)  
2. [Microsoft Lync 2013, or Skype for Business, or Microsoft Outlook 2013 Calendar](#)



### Technical Specifications

#### HP USB Premium Keyboard

	Keys	104, 105 layout (depending upon country)
<b>Physical Characteristics</b>	Dimensions (L x W x H)	17.04 x 5.55 x 0.52 in (433 x 141 x 13.2 mm)
	Weight	1.54 lb (698g)
	Operating voltage	5 VDC, +/-5%
	Power consumption	35mA (All LED on)
	System interface	USB Type A plug connector
	ESD	Contact Discharge: 8 KV Air Discharge: 15 KV
	EMI - RFI	Conforms to FCC rules for a Class B computing device
<b>Electrical</b>	Microsoft® PC 99 - 2001	Functionally compliant
	Switch actuation	60±10g nominal peak force with tactile feedback
	Switch life	10 million keystrokes (Life tester)
	Switch type	Contamination-resistant switch membrane
	Key-leveling mechanisms	For all double-wide and greater-length keys
	Cable length	6 ft (1.8 m)
	Microsoft PC 99 - 2001	Mechanically compliant
	Acoustics	43-dBA maximum sound pressure level
	Operating temperature	50° to 122° F (10° to 50° C)
	Non-operating temperature	4° to 149° F (-20° to 65° C)
<b>Environmental</b>	Operating humidity	10% to 95% (non-condensing at ambient)
	Non-operating humidity	0% to 95% (non-condensing at ambient)
	Operating shock	40 g, six surfaces
	Non-operating shock	80 g, six surfaces
	Operating vibration	2-g peak acceleration
	Non-operating vibration	4-g peak acceleration
	Drop (out of box)	26 in (66 cm) on carpet, six-drop sequence
	Drop (in box)	42 in (107 cm) on concrete, 16-drop sequence
	Approvals	UL, FCC, CE Mark, TUV GS, VCCI, BSMI, C-Tick, KC
	Ergonomic compliance	TUVGS
Kit contents	Keyboard, QSP	
Warranty Card	Product Notice	

#### Skylab USB Wired Keyboard

	Keys	104, 105, 106, 107, 109 layout (depending upon country)
<b>Physical Characteristics</b>	Dimensions (L x W x H)	171.97 x 68.35 x 8.27 in (436.8± 1.5 x 137.6± 1.0 x 21.0± 1.0 cm)
	Weight	1.32 lb (0.6± 0.08 kg)

### Technical Specifications

<b>Electrical</b>	Operating voltage	4.4-5.25VDC
	Power consumption	50-mA maximum (with 5 VDC power supplied and three LEDs ON)
	System interface	USB
	ESD	Contact Discharge: 2, 4,6,8KV Air Discharge: 2, 4, 8,10,12.5KV
	EMI - RFI	Conforms to FCC rules for a Class B computing device
<b>Mechanical</b>	Keycaps	Low-profile design
	Switch actuation	60±10g nominal peak force with tactile feedback
	Switch life	10 million keystrokes (Life tester)
	Switch type	Contamination-resistant switch membrane
	Key-leveling mechanisms	For all double-wide and greater-length keys
	Cable length	6 ft (1.8 m)
	Acoustics	43-dBA maximum sound pressure level
<b>Environmental</b>	Operating temperature	50° to 122° F (10° to 50° C)
	Non-operating temperature	Minus 30 degress to 60 degress Celsius
	Operating humidity	10% to 90% (non-condensing at ambient)
	Non-operating humidity	20% to 80% (non-condensing at ambient)
	Operating shock	40 g, six surfaces
	Non-operating shock	80 g, six surfaces
	Operating vibration	2-g peak acceleration
	Non-operating vibration	4-g peak acceleration
	Drop (out of box)	26 in (66 cm) on carpet, six-drop sequence
	Drop (in box)	30 in (76.2 cm) on concrete, 16-drop sequence
	Approvals	UL, FCC, CE Mark, TUV GS, VCCI, BSMI, C-Tick, KC
Ergonomic compliance	ANSI HFS 100, ISO 9241-4, and TUVGS	
Kit contents	Keyboard, Installation Guide, Warranty card, Safety and Comfort Guide	

#### HP PS/2 Mouse

##### Dimensions (H x L x W)

4.21 x 2.64 x 1.52 in (107 x 67 x 38.7 mmm)

##### Weight

0.19lb (90g)

Operating temperature 50° to 122°F (10° to 50° C)

Non-operating temperature -22° to 140°F (-30° to 60° C)

##### Environmental

Operating humidity 10% to 90%  
(non condensing at ambient)

Non-operating humidity 20% to 80%  
(non condensing at ambient)

### Technical Specifications

<b>Electrical</b>	Operating shock	50 g, 6 surfaces
	Non-operating shock	80 g, 6 surfaces
	Operating vibration	2 g peak acceleration
	Non-operating vibration	4 g peak acceleration
	Operating voltage	5 VDC ± 10%
	Power consumption	100mA
	Connector	USB 2.0
	Type	3D mouse (3 keys and wheel)
	Resolution	800, 1200, 1600 DPI
	Sensor	Pixart PAN3606DL
<b>Mechanical</b>	Tracking speed	30 inch/sec (max)
	Tracking acceleration	8G(max), 1G=9.8m/s <sup>2</sup>
	Cable length	6 ft (1.8 m)
	Color	Jack Black
	Regulatory Approvals	UL, FCC, CE Mark, TUV GS, VCCI, BSMI, C-Tick, KC

#### HP USB Mouse

<b>Dimensions</b> (H x L x W)	2.5 x 4.5 x 1.5 in (63.5 x 114.3 x 38.1 mm)
<b>Weight</b>	0.19lb (90g)
<b>Color</b>	Black
<b>Connector</b>	USB
<b>Resolution</b>	799 DPI sensitivity
<b>Buttons</b>	Two primary buttons and clickable scroll wheel

### NETWORKING/COMMUNICATIONS

<b>Intel® I219LM Gigabit Network Connection LOM (standard)</b>	<b>Connector</b>	RJ-45
	<b>System Interface</b>	PCIe + SMBus
	<b>Controller</b>	Intel® I219LM Gigabit Ethernet Controller
	<b>Data rates supported</b>	Supports operation at 10/100/1000 Mb/s data rates
	<b>IEEE Compliance</b>	<ul style="list-style-type: none"> <li>IEEE 802.3 Ethernet interface for 1000BASE-T, 100BASETX, and 10BASET applications (802.3ab, 802.3u, and 802.3i, respectively)</li> <li>EEE 802.3az support [Low Power Idle (LPI) mode]</li> <li>IEEE 802.3u auto-negotiation conformance</li> </ul>
	<b>Performance</b>	<ul style="list-style-type: none"> <li>Jumbo Frames (up to 9 kB)</li> <li>802.1Q &amp; 802.1p</li> <li>Receive Side Scaling (RSS)</li> <li>Two Queues (Tx &amp; Rx)</li> </ul>

### Technical Specifications

<b>Power</b>	<ul style="list-style-type: none"><li>• Ultra Low Power at cable disconnect (&lt;1 mW) enables platform support for connected standby</li><li>• Reduced power consumption during normal operation and power down modes</li><li>• Integrated Intel® Auto Connect Battery Saver (ACBS)</li><li>• Single-pin LAN Disable for easier BIOS implementation</li><li>• Fully integrated Switching Voltage Regulator (iSVR)</li><li>• Low Power Link-Up (LPLU)</li></ul>
<b>MAC/PHY Interconnect</b>	<ul style="list-style-type: none"><li>• PCIe-based interface for active state operation (S0 state)</li><li>• SMBus-based interface for host and management traffic (Sx low power state)</li></ul>
<b>Management Interface</b>	MDC/MDIO management interface
<b>Security &amp; Manageability</b>	Intel® vPro™ support with appropriate Intel® chipset components

### Technical Specifications

#### WLAN

<p><b>Intel® 7265 802.11a/b/g/n/ac (2x2) Wi-Fi and Bluetooth® 4.2 Combo<sup>1</sup></b></p>	<p><b>Wireless LAN Standards</b></p>	<p>IEEE 802.11a IEEE 802.11b IEEE 802.11g IEEE 802.11n IEEE 802.11ac</p>
	<p><b>Interoperability Frequency Band</b></p>	<p>802.11b/g/n</p> <ul style="list-style-type: none"> <li>• 2.402 – 2.482 GHz</li> </ul> <p>802.11a/n</p> <ul style="list-style-type: none"> <li>• 4.9 – 4.95 GHz (Japan)</li> <li>• 5.15 – 5.25 GHz</li> <li>• 5.25 – 5.35 GHz</li> <li>• 5.47 – 5.725 GHz</li> <li>• 5.825 – 5.850 GHz</li> </ul>
	<p><b>Data Rates</b></p>	<ul style="list-style-type: none"> <li>• 802.11b: 1, 2, 5.5, 11 Mbps</li> <li>• 802.11g: 6, 9, 12, 18, 24, 36, 48, 54 Mbps</li> <li>• 802.11a: 6, 9, 12, 18, 24, 36, 48, 54 Mbps</li> <li>• 802.11n: MCS 0 ~ MCS 15, (20MHz, and 40MHz)</li> <li>• 802.11ac : MCS0 ~ MCS9, (1SS and 2SS) (20MHz, 40MHz, and 80MHz)</li> </ul>
	<p><b>Modulation</b></p>	<p>Direct Sequence Spread Spectrum BPSK, QPSK, CCK, 16-QAM, 64-QAM, 256-QAM</p>
	<p><b>Security<sup>1</sup></b></p>	<ul style="list-style-type: none"> <li>• IEEE and Wi-Fi compliant 64 / 128 bit WEP encryption for a/b/g mode only</li> <li>• AES-CCMP: 128 bit in hardware</li> <li>• 802.1x authentication</li> <li>• WPA, WPA2: 802.1x. WPA-PSK, WPA2-PSK, TKIP, and AES.</li> <li>• WPA2 certification</li> <li>• IEEE 802.11i</li> <li>• Cisco Certified Extensions, all versions through CCX4 and CCX Lite</li> <li>• WAPI</li> </ul>
	<p><b>Network Architecture Models</b></p>	<p>Ad-hoc (Peer to Peer) Infrastructure (Access Point Required)</p>
	<p><b>Roaming</b></p>	<p>IEEE 802.11 compliant roaming between access points</p>
	<p><b>Output Power<sup>2</sup></b></p>	<ul style="list-style-type: none"> <li>• 802.11b : +14dBm minimum</li> <li>• 802.11g : +12dBm minimum</li> <li>• 802.11a : +12dBm minimum</li> <li>• 802.11n HT20(2.4GHz) : +12dBm minimum</li> <li>• 802.11n HT40(2.4GHz) : +12dBm minimum</li> <li>• 802.11n HT20(5GHz) : +10dBm minimum</li> <li>• 802.11n HT40(5GHz) : +10dBm minimum</li> <li>• 802.11ac VHT80M(5GHz) : +10dBm minimum</li> </ul>
	<p><b>Power Consumption</b></p>	<p>Transmit: 2.0 W (max) Receive: 1.6 W (max) Idle mode (PSP): 180 mW (WLAN Associated) Idle mode: 50 mW (WLAN unassociated)</p>

### Technical Specifications

	Connect Standby: 10 mW (WLAN+BT) Radio disabled: 8 mW
<b>Power Management</b>	ACPI and PCI Express compliant power management 802.11 compliant power saving mode
<b>Receiver Sensitivity<sup>3</sup></b>	802.11b, 1Mbps : -93.5dBm maximum 802.11b, 11Mbps : -84dBm maximum 802.11a/g, 6Mbps : -86dBm maximum 802.11a/g, 54Mbps : -72dBm maximum 802.11n, MCS07 : -67dBm maximum 802.11n, MCS15 : -64dBm maximum 802.11ac, MCS0 : -84dBm maximum 802.11ac, MCS9 : -59dBm maximum
<b>Antenna type</b>	High efficiency antenna with spatial diversity, mounted in the display enclosure Two embedded dual band 2.4/5 GHz antennas are provided to the card to support WLAN MIMO communications and Bluetooth communications
<b>Form Factor</b>	PCI-Express M.2 MiniCard
<b>Dimensions</b>	Type 2230 : 2.3 x 22.0 x 30.0 mm
<b>Weight</b>	Type 2230 : 2.8g
<b>Operating Voltage</b>	3.3v +/- 9%
<b>Temperature</b>	Operating 14° to 158° F (-10° to 70° C) Non-operating -40° to 176° F (-40° to 80° C)
<b>Humidity</b>	Operating 10% to 90% (non-condensing) Non-operating 5% to 95% (non-condensing)
<b>Altitude</b>	Operating 0 to 10,000 ft (3,048 m) Non-operating 0 to 50,000 ft (15,240 m)
<b>LED Activity</b>	LED Amber – Radio OFF; LED White – Radio ON
	<ol style="list-style-type: none"> <li>1. <a href="#">Check latest software/driver release for updates on supported security features.</a></li> <li>2. <a href="#">Maximum output power may vary by country according to local regulations.</a></li> <li>3. <a href="#">Receiver sensitivity is measured at a packet error rate of 8% for 802.11b (CKK modulation) and a packet error rate of 10% for 802.11a/g (OFDM modulation).</a></li> </ol>
<b>HP Integrated Module with Bluetooth 4.0/4.1/4.2 Wireless Technology</b>	
<b>Bluetooth Specification</b>	4.0/4.1/4.2 Compliant
<b>Frequency Band</b>	2402 to 2480 MHz
<b>Number of Available Channels</b>	Legacy : 0~79 (1 MHz/CH) BLE : 0~39 (2 MHz/CH)
<b>Data Rates and Throughput</b>	Legacy : 3 Mbps data rate; throughput up to 2.17 Mbps BLE : 1 Mbps data rate; throughput up to 0.2 Mbps Legacy : Synchronous Connection Oriented links up to 3, 64 kbps, voice channels  Legacy : Asynchronous Connection Less links 2178.1 kbps/177.1 kbps asymmetric (3-DH5) or 864 kbps symmetric (3-EV5)
<b>Transmit Power</b>	The Bluetooth component shall operate as a Class II Bluetooth device with a maximum transmit power of + 4 dBm for BR and EDR.
<b>Power Consumption</b>	Peak (Tx) 330 mW Peak (Rx) 230 mW Selective Suspend 17 mW

### Technical Specifications

<b>Electrical Interface</b>	USB 2.0 compliant
<b>Bluetooth Software Supported Link Topology</b>	Microsoft Windows Bluetooth Software
<b>Power Management Certifications</b>	Microsoft Windows ACPI, and USB Bus Support FCC (47 CFR) Part 15C, Section 15.247 & 15.249
<b>Power Management Certifications</b>	ETS 300 328, ETS 300 826
<b>Certifications</b>	Low Voltage Directive IEC950
<b>Bluetooth Profiles Supported</b>	UL, CSA, and CE Mark BT4.1-ESR 5/6/7 Compliance LE Link Layer Ping LE Dual Mode LE Link Layer LE Low Duty Cycle Directed Advertising LE L2CAP Connection Oriented Channels Train Nudging & Interlaced Scan BT4.2 ESR08 Compliance LE Secure Connection- Basic/Full LE Privacy 1.2 –Link Layer Privacy LE Privacy 1.2 –Extended Scanner Filter Policies LE Data Packet Length Extension FAX Profile (FAX) Basic Imaging Profile (BIP)2 Headset Profile (HSP) Hands Free Profile (HFP) Advanced Audio Distribution Profile (A2DP)

<b>Intel® 8265 802.11a/b/g/n/ac (2x2) Wi-Fi and Bluetooth® 4.2 Combo<sup>1</sup></b>	<b>Wireless LAN Standards</b>	IEEE 802.11a IEEE 802.11b IEEE 802.11g IEEE 802.11n IEEE 802.11ac
	<b>Interoperability Frequency Band</b>	802.11b/g/n <ul style="list-style-type: none"> <li>• 2.402 – 2.482 GHz</li> </ul> 802.11a/n <ul style="list-style-type: none"> <li>• 4.9 – 4.95 GHz (Japan)</li> <li>• 5.15 – 5.25 GHz</li> <li>• 5.25 – 5.35 GHz</li> <li>• 5.47 – 5.725 GHz</li> <li>• 5.825 – 5.850 GHz</li> </ul>
	<b>Data Rates</b>	<ul style="list-style-type: none"> <li>• 802.11b: 1, 2, 5.5, 11 Mbps</li> <li>• 802.11g: 6, 9, 12, 18, 24, 36, 48, 54 Mbps</li> <li>• 802.11a: 6, 9, 12, 18, 24, 36, 48, 54 Mbps</li> <li>• 802.11n: MCS 0 ~ MCS 15, (20MHz, and 40MHz)</li> <li>• 802.11ac : MCS0 ~ MCS7, (1SS) (20MHz, 40MHz, and 80MHz)</li> </ul>
	<b>Modulation</b>	Direct Sequence Spread Spectrum

### Technical Specifications

	BPSK, QPSK, CCK, 16-QAM, 64-QAM, 256-QAM
<b>Security<sup>3</sup></b>	<ul style="list-style-type: none"> <li>• IEEE and Wi-Fi compliant 64 / 128 bit WEP encryption for a/b/g mode only</li> <li>• AES-CCMP: 128 bit in hardware</li> <li>• 802.1x authentication</li> <li>• WPA, WPA2: 802.1x. WPA-PSK, WPA2-PSK, TKIP, and AES.</li> <li>• WPA2 certification</li> <li>• IEEE 802.11i</li> <li>• Cisco Certified Extensions, all versions through CCX4 and CCX Lite</li> <li>• WAPI</li> </ul>
<b>Network Architecture Models</b>	Ad-hoc (Peer to Peer) Infrastructure (Access Point Required)
<b>Roaming</b>	IEEE 802.11 compliant roaming between access points
<b>Output Power<sup>2</sup></b>	<ul style="list-style-type: none"> <li>• 802.11b : +14dBm minimum</li> <li>• 802.11g : +12dBm minimum</li> <li>• 802.11a : +12dBm minimum</li> <li>• 802.11n HT20(2.4GHz) : +12dBm minimum</li> <li>• 802.11n HT40(2.4GHz) : +12dBm minimum</li> <li>• 802.11n HT20(5GHz) : +10dBm minimum</li> <li>• 802.11n HT40(5GHz) : +10dBm minimum</li> <li>• 802.11ac VHT80(5GHz) : +10dBm minimum</li> </ul>
<b>Power Consumption</b>	Transmit: 2.0 W (max) Receive: 1.6 W (max) Idle mode (PSP): 180 mW (WLAN Associated) Idle mode: 50 mW (WLAN unassociated) Connect Standby: 10 mW (WLAN+BT) Radio disabled: 8 mW
<b>Power Management</b>	ACPI and PCI Express compliant power management 802.11 compliant power saving mode
<b>Receiver Sensitivity<sup>3</sup></b>	802.11b, 1Mbps : -93.5dBm maximum 802.11b, 11Mbps : -84dBm maximum 802.11a/g, 6Mbps : -86dBm maximum 802.11a/g, 54Mbps : -72dBm maximum 802.11n, MCS07 : -67dBm maximum 802.11n, MCS15 : -64dBm maximum 802.11ac, MCS0 : -84dBm maximum 802.11ac, MCS9 : -59dBm maximum
<b>Antenna type</b>	High efficiency antenna with spatial diversity, mounted in the display enclosure Two embedded dual band 2.4/5 GHz antennas are provided to the card to support WLAN MIMO communications and Bluetooth communications
<b>Form Factor</b>	PCI-Express M.2 MiniCard
<b>Dimensions</b>	Type 2230 : 2.3 x 22.0 x 30.0 mm
<b>Weight</b>	Type 2230 : 2.8g
<b>Operating Voltage</b>	3.3v +/- 9%
<b>Temperature</b>	Operating 14° to 158° F (-10° to 70° C) Non-operating -40° to 176° F (-40° to 80° C)



### Technical Specifications

<b>Humidity</b>	Operating	10% to 90% (non-condensing)
	Non-operating	5% to 95% (non-condensing)
<b>Altitude</b>	Operating	0 to 10,000 ft (3,048 m)
	Non-operating	0 to 50,000 ft (15,240 m)
<b>LED Activity</b>	LED Amber – Radio OFF; LED White – Radio ON	
	<ol style="list-style-type: none"> <li>1. Check latest software/driver release for updates on supported security features.</li> <li>2. Maximum output power may vary by country according to local regulations.</li> <li>3. Receiver sensitivity is measured at a packet error rate of 8% for 802.11b (CKK modulation) and a packet error rate of 10% for 802.11a/g (OFDM modulation).</li> </ol>	

#### HP Integrated Module with Bluetooth 4.0/4.1/4.2 Wireless Technology

<b>Bluetooth Specification</b>	4.0/4.1/4.2 Compliant
<b>Frequency Band</b>	2402 to 2480 MHz
<b>Number of Available Channels</b>	Legacy : 0~79 (1 MHz/CH) BLE : 0~39 (2 MHz/CH)
<b>Data Rates and Throughput</b>	Legacy : 3 Mbps data rate; throughput up to 2.17 Mbps BLE : 1 Mbps data rate; throughput up to 0.2 Mbps Legacy : Synchronous Connection Oriented links up to 3, 64 kbps, voice channels Legacy : Asynchronous Connection Less links 2178.1 kbps/177.1 kbps asymmetric (3-DH5) or 864 kbps symmetric (3-EV5)
<b>Transmit Power</b>	The Bluetooth component shall operate as a Class II Bluetooth device with a maximum transmit power of + 4 dBm for BR and EDR.
<b>Power Consumption</b>	Peak (Tx) 330 mW Peak (Rx) 230 mW Selective Suspend 17 mW
<b>Electrical Interface</b>	USB 2.0 compliant
<b>Bluetooth Software Supported</b>	Microsoft Windows Bluetooth Software
<b>Link Topology</b>	
<b>Power Management</b>	Microsoft Windows ACPI, and USB Bus Support
<b>Certifications</b>	FCC (47 CFR) Part 15C, Section 15.247 & 15.249
<b>Power Management</b>	ETS 300 328, ETS 300 826
<b>Certifications</b>	Low Voltage Directive IEC950
<b>Bluetooth Profiles Supported</b>	UL, CSA, and CE Mark BT4.1-ESR 5/6/7 Compliance LE Link Layer Ping LE Dual Mode LE Link Layer LE Low Duty Cycle Directed Advertising LE L2CAP Connection Oriented Channels Train Nudging & Interlaced Scan BT4.2 ESR08 Compliance LE Secure Connection- Basic/Full LE Privacy 1.2 –Link Layer Privacy

### Technical Specifications

LE Privacy 1.2 –Extended Scanner Filter Policies  
 LE Data Packet Length Extension  
 FAX Profile (FAX)  
 Basic Imaging Profile (BIP)2  
 Headset Profile (HSP)  
 Hands Free Profile (HFP)  
 Advanced Audio Distribution Profile (A2DP)

## POWER

### 180W active PFC

<b>Operating Voltage Range</b>	87/90/87% efficient at 20/50/100% load (115V) 88/91/88% efficient at 20/50/100% load (230V)
<b>Rated Voltage Range</b>	90 – 264 VAC
<b>Rated Line Frequency</b>	50/60 HZ
<b>Operating Line Frequency</b>	47 – 63 Hz
<b>Rated Input Current</b>	180W : 2.5A
<b>Rated Input Current with Energy Efficient* Power Supply</b>	180W : 2.5A
<b>DC Output</b>	+12.1V
<b>Current Leakage (NFPA 99: 2102)</b>	N/A
<b>Current Leakage (NFPA 99: 2102)</b>	Less than 500 microamps of leakage current at 120 Vac with the ground wire disconnected, as required for Non-patient Electrical Appliances and Equipment used in a patient care facility or that contact patients in normal use. Per section 10.3.5.1. Less than 100 microamps of leakage current at 120 Vac with the ground wire intact with normal polarity, as required for Non-patient Electrical Appliances and Equipment used in a patient care facility or that contact patients in normal use. Per section 10.3.5.1.
<b>Power Supply Fan</b>	N/A
<b>Power cord length</b>	6.0 ft. (1.83 m)

### Technical Specifications

#### COMPATIBILITY

Type	Description	Part Number
<b>HP EliteOne 1000 Accessories</b>	HP EliteOne 1000 IR Camera with Rear Webcam	ZHW55AA
	HP EliteOne 1000 23.8in FHD Display*	ZSC22AA
	HP EliteOne 1000 23.8in FHD Touch Display*	ZSC23AA
	HP EliteOne 1000 27in 4K UHD Display*	ZSC24AA
	HP EliteOne 1000 34in WQHD Curved Display*	ZSC25AA
<b>Graphics Solutions</b>	HP UHD USB Graphics Adapter	N2U81AA
	HP DisplayPort™ 1.2 Cable Kit	VN567AA
	HP DisplayPort™ 1.2 To DVI-D Adapter	FH973AA
	HP DisplayPort™ 1.2 To VGA Adapter	AS615AA
	HP DisplayPort™ 1.2 To HDMI 4k Adapter	K2K92AA
	HP DisplayPort™ To HDMI True 4k Adapter	ZJA63AA
	HP DVI to DVI Cable	DC198A
<b>System Memory</b>	HP 4GB DDR4-2400 SODIMM	Z9H55AA
	HP 8GB DDR4-2400 SODIMM	Z9H56AA
	HP 16GB DDR4-2400 SODIMM	Z9H53AA
<b>Data Storage Drives</b>	HP 256GB SATA TLC Solid State Drive	P1N68AA
	HP 500GB SATA 6G 2.5 (8GB Cache) SSHD Drive	E1C62AA
	HP 512GB Turbo Drive G2 TLC M.2 SSD Drive	X8U75AA
	HP 256GB Turbo Drive Gen2 M.2 SSD Drive	1CA51AA
	Intel® Optane Memory 16GB (cache)	1WV97AA
<b>I/O Devices</b>	HP USB to Serial Adapter	J7B60AA
	HP Type-C to USB3 Adapter	N2Z63AA
<b>Security</b>	HP Keyed Cable Lock 10mm Kit	T1A62AA
<b>Multimedia Devices</b>	HP Business Headset v2	T4E61AA
	HP UC Wireless Duo Headset	W3K09AA
<b>Input Devices</b>	HP USB Business Slim Keyboard	N3R87AA
	HP Wireless Business Slim Keyboard and Mouse**	QY449AA
	HP USB Keyboard and Mouse Healthcare Edition	1VD81AA
	HP USB Business Slim Grey Keyboard (EMEA only)	Z9H49AA
	HP USB Business Slim Smartcard CCID Keyboard	Z9H48AA
	HP USB PS/2 Washable Keyboard and Mouse Kit**	BU207AA
	HP USB Grey V2 Mouse (EMEA only)	Z9H74AA
	HP USB Antimicrobial Slim Keyboard and Mouse	Z9H50AA
	HP USB Hardened Mouse	P1N77AA
HP USB Mouse	QY777AA	
	HP USB 1000dpi Laser Mouse	QY778AA

\*Separately purchased, interchangeable displays in sizes 23.8" (60.45 cm), 27" (68.58 cm) and 34" (86.36 cm) diagonal are planned to be available after launch in November

### Technical Specifications

#### Summary of Changes

Date of change:	Version History:	Description of change:
	From V1 to V2	
October 3, 2017	From V2 to V3	Displays specs updated
October 5, 2017	From V3 to V4	DisplayPort™ updated to DisplayPort™ 1.2

Copyright © 2017 HP Development Company, L.P. The only warranties for HP products are set forth in the express limited warranty statements accompanying such products. Nothing herein should be construed as constituting an additional warranty. HP shall not be liable for technical or editorial errors or omissions contained herein.

Bluetooth is a trademark of its proprietor and used by HP Inc. under license. Intel®, Core, Celeron and Intel® vPro are trademarks of Intel® Corporation or its subsidiaries in the U.S. and/or other countries. USB Type-C™ and USB-C™ are trademarks of USB Implementers Forum. ENERGY STAR is a registered trademark of the U.S. Environmental Protection Agency. All other trademarks are the property of their respective owners.