

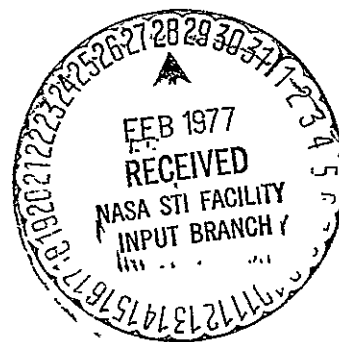


NATIONAL AERONAUTICS AND SPACE ADMINISTRATION

(NASA-CR-151038) RESULTS OF INVESTIGATIONS CONDUCTED IN THE LaRC 8-FOOT TRANSONIC PRESSURE TUNNEL USING THE 0.010-SCALE 72-OTS MODEL OF THE SPACE SHUTTLE INTEGRATED VEHICLE (IA93), VOLUME 2 (Chrysler Corp.)	N77-17130 HC A99 MF A01 Unclas G3/16 14981
--	--

SPACE SHUTTLE

AEROTHERMODYNAMIC DATA REPORT



JOHNSON SPACE CENTER

HOUSTON, TEXAS

DATA MANAGEMENT services



December 1976

DMS-DR-2326
NASA CR-151,038

VOLUME 2 OF 2

RESULTS OF INVESTIGATIONS CONDUCTED IN THE
LaRC 8-FOOT TRANSONIC PRESSURE TUNNEL
USING THE 0.010-SCALE 72-OTS MODEL OF THE
SPACE SHUTTLE INTEGRATED VEHICLE (IA93)

by

M. E. Nichols
Shuttle Aerosciences
Rockwell International Space Division

Prepared under NASA Contract Number NAS9-13247

by

Data Management Services
Chrysler Corporation Space Division
New Orleans, La. 70189

for

Engineering Analysis Division
Johnson Space Center
National Aeronautics and Space Administration
Houston, Texas

WIND TUNNEL TEST SPECIFICS:

Test Number: LARC 8 TPT-749
NASA Series Number: IA93
Model Number: 72-OTS
Test Dates: May 10 through May 14, 1976
Occupancy Hours: 80

FACILITY COORDINATOR:

B. Spencer, Jr.
Mail Stop 365
Langley Research Center
Langley Station
Hampton, Virginia 23665

Phone: (804) 827-3911

PROJECT ENGINEERS:

M. E. Nichols
P. J. Hawthorne
Mail Code AD38
Rockwell International
Space Division
12214 Lakewood Blvd.
Downey, CA 90241

D. C. Freeman
Mail Stop 411
Langley Research Center
Langley Station
Hampton, Virginia 23665

Phone: (804) 827-3911

Phone: (213) 922-2665

AERODYNAMIC ANALYSTS:


J. T. Hamilton
P. K. Miller
Mail Code ACO7
Rockwell International
Space Division
12214 Lakewood Blvd.
Downey, CA 90241


Phone: (213) 922-4955

DATA MANAGEMENT SERVICES:

Prepared by: Liaison-- J. W. Ball, D. A. Sarver
Operations-- R. H. Lindahl

Reviewed by: D. E. Poucher

Approved: 
J. L. Glynn, Manager
Data Operations

Concurrence: 
N. D. Kemp, Manager
Data Management Services

Chrysler Corporation Space Division assumes no responsibility for the data presented other than display characteristics.

RESULTS OF INVESTIGATIONS CONDUCTED IN THE
LaRC 8-FOOT TRANSONIC PRESSURE TUNNEL
USING THE 0.010-SCALE 72-OTS MODEL OF THE
SPACE SHUTTLE INTEGRATED VEHICLE (IA93)

by

M. E. Nichols
Shuttle Aerosciences
Rockwell International Space Division

ABSTRACT

This report documents the test procedures, history, and data from Wind Tunnel Test IA93, conducted in the NASA Langley Research Center's 8-foot Transonic Pressure Tunnel, May 10 through May 14, 1976.

Test IA93 was an aero-loads investigation on the updated configuration-5 space shuttle launch vehicle at Mach numbers from 0.600 to 1.205. Six-component vehicle forces and moments, base and sting-cavity pressures, elevon hinge moments, wing-root bending and torsion moments, and normal shear force data were obtained. Full simulation of updated vehicle protuberances and attach hardware was employed.

This test was one of a series of three (3) programs run consecutively: IA94A (UPWT leg #1), IA94B (UPWT leg #2), and IA93 (8' TPT).

Various elevon deflection angles were tested with two different forward orbiter-to-external-tank attach-strut configurations. The entire model 72-OTS was supported by means of a balance mounted in the orbiter through its base and suspended from a sting.

ABSTRACT (Concluded)

This report consists of 2 volumes:

Volume 1--plotted coefficient data;

Volume 2--tabulated data.

The tabulated IA93 data comprises:

- (a) Raw wind tunnel data (RJJOXX, SJJOXX, TJJOXX data sets),
- (b) Interpolated Mach, alpha, and beta data (FJJOXX, IJJOXX, MJJOXX data sets, corrected for base cavity and base pressure effects),
- (c) Data from item (b) elevon interpolated (MJJAXX, MJJBXX data sets).

The plotted coefficient data presented in this report represents the elevon interpolated data (item (c)).

TABLE OF CONTENTS

	Page
ABSTRACT	iii
INDEX OF MODEL FIGURES	2
INDEX OF DATA FIGURES	3
NOMENCLATURE	4
REMARKS	11
CONFIGURATIONS INVESTIGATED	12
INSTRUMENTATION	16
TEST FACILITY DESCRIPTION	17
DATA REDUCTION	18
TABLES	
I. TEST CONDITIONS	24
II. DATA SET/RUN NUMBER COLLATION SUMMARY	25
III. MODEL DIMENSIONAL DATA	30
FIGURES	
MODEL	59
DATA - VOLUME 1	67
APPENDIX	
TABULATED SOURCE DATA - VOLUME 2	67

INDEX OF MODEL FIGURES

Figures	Title	Page
1.	Axis systems.	
	a. General	59
	b. Control Surfaces	60
2.	Model sketches.	
	a. Updated Vehicle-5 Launch Configuration	61
	b. Orbiter	62
	c. External Tank	63
	d. Solid Rocket Booster	64
	e. Base Pressure Tap Locations	65
3.	Model installation photograph.	66

INDEX OF DATA FIGURES

FIGURE NUMBER	TITLE	CONDITIONS VARYING	PLOTTED COEFFICIENTS SCHEDULE	PAGES
4	LONGITUDINAL AERODYNAMIC CHARACTERISTICS	MACH, BETA, ELV-LI, ELV-LO, ELV-RI, ELV-RO	A	1-216
5	LATERAL-DIRECTIONAL AERODYNAMIC CHARACTERISTICS	↓	B	217-324
6	ORBITER WING SHEAR, BENDING, AND TORSION COEFFICIENTS	↓	C	325-432
7	LEFT ELEVON SEGMENT DEFLECTIONS CORRECTED FOR APPLIED LOAD	↓	D	433-504

SCHEDULE OF COEFFICIENTS PLOTTED:

- 1 3
- A) C_{N_F} , C_{A_F} , C_{m_F} , $C_{A_{E0}}$, $C_{A_{E_S}}$, $C_{A_{E_T}}$ VERSUS α
 - B) C_Y , C_n (BODY), C_l (BODY) VERSUS α
 - C) C_{N_W} , C_{E_W} , C_{T_W} VERSUS α
 - D) $C_{H_{E_I}}$, $C_{H_{E_O}}$ VERSUS α

NOMENCLATURE

<u>Plot Symbol</u>	<u>Mnemonic</u>	<u>Definition</u>
A		Total vehicle axial-force, lbs.
A _{BF}	ABF	Body flap planform area, ft ²
A _{B0}	ABO	Orbiter base area, ft ²
A _{BS}	ABS	SRB base area, ft ²
A _{BT}	ABT	ET base area, ft ²
A _{C0}	ACO	Orbiter sting-cavity area, ft ²
A _U		Uncorrected total vehicle axial-force, lbs.
BM _W		Bending moment at Y _{WRC} , in-lb.
BM _{W1}		Bending moment at inboard wing-root bending gauge, in-lb.
BM _{W2}		Bending moment at outboard wing-root bending gauge, in-lb.
b _W		Wing reference span, in.
C _A	CA	Total vehicle axial-force coefficient
C _{A_B}	CAB	Total vehicle base axial-force coefficient
C _{A_{B0}}	CABO	Orbiter base axial-force coefficient
C _{A_{BS}}	CABS	Solid rocket booster base axial-force coefficient
C _{A_{BT}}	CABT	External tank base axial-force coefficient
C _{LU}	CLU	Uncorrected total vehicle lift coefficient

NOMENCLATURE (Continued)

<u>Plot Symbol</u>	<u>Mnemonic</u>	<u>Definition</u>
C_{A_F}	CAF	Total vehicle forebody axial-force coefficient
C_{D_U}	CDU	Uncorrected total vehicle drag coefficient
C_{A_U}	CAU	Uncorrected total vehicle axial-force coefficient
C_{B_W}	CBW	Wing-root bending-moment coefficient
$C_{H_{E_I}}$	CHEI	Inboard elevon hinge-moment coefficient
$C_{H_{E_O}}$	CHEO	Outboard elevon hinge-moment coefficient
$C_{H_{E_T}}$	CHET	Total elevon hinge-moment coefficient
C_m	CLM	Total vehicle pitching-moment coefficient
C_{m_B}	CLMB	Total vehicle base pitching-moment coefficient
$C_{m_{B_O}}$	CLMBO	Orbiter base pitching-moment coefficient
$C_{m_{B_F}}$	CLMBF	Orbiter body flap upper surface pitching-moment coefficient
C_{m_F}	CLMF	Total vehicle forebody pitching-moment coefficient
C_{m_U}	CLMU	Uncorrected total vehicle pitching-moment coefficient
$C_{n(BODY)}$	CYN	Total vehicle yawing-moment coefficient, body axis
C_N	CN	Total vehicle normal-force coefficient
C_{N_B}	CNB	Total vehicle base normal-force coefficient
$C_{N_{B_O}}$	CNBO	Orbiter base normal-force coefficient

NOMENCLATURE (Continued)

<u>Plot Symbol</u>	<u>Mnemonic</u>	<u>Definition</u>
$C_{N_{BF}}$	CNBF	Orbiter body flap upper surface normal-force coefficient
C_{N_F}	CNF	Total vehicle forebody normal-force coefficient
C_{N_U}	CNU	Uncorrected total vehicle normal-force coefficient
C_{N_W}	CNW	Normal-force coefficient for wing panel
$C_{P_{Bi}}$	CPBi	Base pressure coefficient at Station i (i = 1 to 8)
L/D_U	L/DU	Uncorrected total vehicle lift to drag ratio
$C_{P_{BF}}$	CPBF	Body flap surface-pressure coefficient
$C_{P_{B0}}$	CPBO	Orbiter base-pressure coefficient
l_{BF}	LBF	Longitudinal body flap transfer distance, in.
$C_{P_{BS}}$	CPBS	SRB base-pressure coefficient
$C_{P_{BT}}$	CPBT	ET base-pressure coefficient
$A_{B_{OMS}}$	ABOMS	OMS pod base area, ft ²
$C_{P_{Cj}}$	CPCj	Sting-cavity pressure coefficient at Station j
$C_{P_{C0}}$	CPCO	Orbiter sting-cavity pressure coefficient
C_{T_W}	CTW	Wing-root torsion-moment coefficient
C_Y	CY	Total vehicle side-force coefficient
$C_2(\text{BODY})$	CBL	Total vehicle rolling-moment coefficient, body axis

NOMENCLATURE (Continued)

<u>Plot Symbol</u>	<u>Mnemonic</u>	<u>Definition</u>
\bar{c}_W	LREF	Mean wing reference chord, in.
\bar{c}_E	CE	Mean elevon reference chord, in.
D_1		Lateral distance from electrical center of inboard wing-root flexion gauge to wing-root flexion reference buttplane, Y_{WRC} , in.
D_2		Lateral distance from electrical center of outboard wing-root flexion gauge to wing-root flexion reference buttplane, Y_{WRC} , in.
ET		External tank
G_3		Longitudinal distance from electrical center of wing-root torsion gauge to wing-root torsion reference station, X_{WRC} , in.
h_{BZ}	HBZ	Vertical transfer distance from orbiter base area centroid to MRP, in.
HM_{EI}	HMEI	Inboard elevon hinge moment, in-lb.
HM_{EO}	HMEO	Outboard elevon hinge moment, in-lb.
i_b	IB	Orbiter base average inclination angle, deg.
i_m		Incidence angle of orbiter fuselage reference plane with respect to the ET fuselage reference plane; varies with attach structure AT ₁₃₀ , deg.
l		Total vehicle rolling-moment, in-lb.
l_B	BREF	Body reference length, in.
l_{BX}	LBX	Longitudinal transfer distance from orbiter base area centroid to MRP, in.
m		Total vehicle pitching-moment, in-lb.
m_U		Uncorrected total vehicle pitching-moment, in-lb.
M	MACH	Tunnel freestream Mach number

NOMENCLATURE (Continued)

<u>Plot Symbol</u>	<u>Mnemonic</u>	<u>Definition</u>
n		Total vehicle yawing-moment, in-lb.
N		Total vehicle normal-force, lb.
N _U		Uncorrected total vehicle normal-force, lb.
N _W		Normal force on wing panel, lb.
P _{B_i}		Base pressure, psia.
P _{C_j}		Sting-cavity pressure, psia.
P _T	PT	Tunnel freestream total pressure, psia.
P _∞	P	Tunnel freestream static pressure, psia.
q	Q(PSF)	Tunnel freestream dynamic pressure, psfa.
Re/ft	RN/L	Tunnel freestream unit Reynolds number, per foot
S _E	SE	Elevon reference area, ft ²
S _W	SREF	Wing reference area, ft ²
SRB	SRB	Solid rocket booster
TM _W		Torsion moment at X _{WRC} , in-lb.
TM _{W3}		Torsion moment at wing-root torsion gauge, in-lb.
T _T	TT	Tunnel freestream total temperature, °R
T _∞	T	Tunnel freestream static temperature, °R
X _{BRC}		Balance moment reference center station, in.
X _{MRC}	XMRP	Vehicle reference center station, in.
X _O	XO	Orbiter longitudinal station, in.
X _S	XS	SRB longitudinal station, in.

NOMENCLATURE (Continued)

<u>Plot Symbol</u>	<u>Mnemonic</u>	<u>Definition</u>
X _T	XT	ET longitudinal station, in.
X _{WRC}		Wing-root torsion reference station, in.
Y		Total vehicle side-force, lb.
Y _{BRC}		Balance moment reference center buttoplane, in.
Y _{MRC}	YMRP	Vehicle moment reference center buttoplane, in.
Y _O	YO	Orbiter lateral coordinate, in.
Y _S	YS	SRB lateral coordinate, in.
Y _T	YT	ET lateral coordinate, in.
Y _{WRC}		Wing-root bending reference buttoplane, in.
Z _{BRC}		Balance moment reference center waterplane, in.
Z _{MRC}	ZMRP	Vehicle moment reference center waterplane, in.
Z _O	ZO	Orbiter vertical coordinate, in.
Z _S	ZS	SRB vertical coordinate, in.
Z _T	ZT	ET vertical coordinate, in.
α	ALPHA	Model angle-of-attack, deg.
α_U		Uncorrected model angle-of-attack, deg.
β	BETA	Model angle-of-sideslip, deg.
β_U		Uncorrected model angle-of-sideslip, deg.
δ_{BF}	BDFLAP	Body flap setting, deg.
$\delta_{E_{IL}}$	ELV-LI	Left-hand inboard elevon setting, deg.
$\delta_{E_{ILU}}$	ELVIC	Unloaded left-hand inboard elevon setting, deg.

NOMENCLATURE (Concluded)

<u>Plot</u> <u>Symbol</u>	<u>Mnemonic</u>	<u>Definition</u>
δ_{EI_R}	ELV-RI	Right-hand inboard elevon setting, deg.
$\delta_{EI_{RU}}$		Unloaded right-hand inboard elevon setting, deg.
δ_{EO_L}	ELV-LO	Left-hand outboard elevon setting, deg.
$\delta_{EO_{LU}}$	ELVOC	Unloaded left-hand outboard elevon setting, deg.
δ_{EO_R}	ELV-RO	Right-hand outboard elevon setting, deg.
$\delta_{EO_{RU}}$		Unloaded right-hand outboard elevon setting, deg.
δ_R	RUDDER	Rudder setting, deg.
δ_{SB}	SPDBRK	Speedbrake setting, deg.

SUBSCRIPTS

B	base
BF	body flap
C	cavity
E	elevon
F	forebody
I	inboard
L	left
O	Orbiter, outboard
R	right
S, s	SRB
SB	speedbrake
T	external tank, total
U	uncorrected
W	wing
∞	static

REMARKS

This test program (also tests IA94A and IA94B) proceeded without difficulty, and practically all data were acceptable for analysis and presentation.

Again, as in the UPWT tests (IA94A and B), all main-balance force and moment data were excellent, along with base and sting-cavity pressure coefficients. Elevon hinge moments were obtained without problem, also. Wing-root bending-moments, torsional-moments, and normal-shear forces were corrected for thermal-drift effects following the test and additional calibrations.

Most notable in this transonic testing, however, were the effects of shock-reflection patterns on elevon hinge-moment data. Data recorded for Mach numbers between 0.96 and 1.15 have been carefully edited by Langley Research Center test engineering personnel to eliminate questionable data in this Mach-regime. Further investigations on all transonic integrated-vehicle data from previous tests, e.g., IA135-A, B, C at ARC 11' UPWT, have been carried out to determine sting effects on such data as a result of this test's output.

CONFIGURATIONS INVESTIGATED

The 72-OTS model used in this test was a 0.010-scale replica of the updated vehicle-5 launch configuration of the space shuttle without main propulsion system nozzle simulation. The configuration-140C wing was employed in place of the standard -140A/B wing for instrumentation purposes. Figure 2a shows the launch vehicle configuration. Figure 2b shows the orbiter configuration.

Full protuberance simulation on the external oxygen/hydrogen tank and the two solid rocket boosters was included, based primarily upon the B revision of Interface Control Document 2-00001. Figures 2c and 2d show the ET and SRB configurations.

The forward orbiter/external tank attach-hardware was designated AT130. AT130 was a close simulation of the actual vehicle-5 fixtures.

Elevons were the only control surfaces deflected during the test. Rudder, speedbrake, and body flap were maintained at 0° settings. Control surface deflection sign convention is defined in Figure 1b.

The entire vehicle was suspended from a balance/sting assembly fitted into the orbiter fuselage through its base region, at all test conditions and configurations.

The model was tested with and without base pressure instrumentation manifolds and tubing installed. Figure 2e shows the base pressure tap locations.

The 140A/B orbiter model is designated as "O" in Table II and in

CONFIGURATIONS INVESTIGATED (Continued)

the data. It was constructed with the following components:

<u>Component</u>	<u>Description</u>
O	140A/B/C orbiter
B ₂₆	Orbiter fuselage
C ₉	Canopy
E ₅₂	Elevons
F ₁₀	Body flap
M ₁₆	OMS pods
N ₈₉	OMS nozzles
R ₅	Rudder
V ₈	Vertical tail
W ₁₂₇	Wing

The modified vehicle-5 external tank model, designated as "T", was comprised of the following components:

<u>Component</u>	<u>Description</u>
AT ₂₈	Attach structure
AT ₃₀	Attach structure
AT ₃₁	Attach structure
AT ₁₃₁	Attach structure
FL ₁₀	LH ₂ feedline
FL ₁₁	LO ₂ feedline
FR ₁₀	Fairing
PT ₂₃	LO ₂ recirculation line

CONFIGURATIONS INVESTIGATED (Continued)

<u>Component</u>	<u>Description</u>
PT25	Aft electrical line
PT26	LO ₂ pressure line
PT29	Forward electrical conduit
PT33	LH ₂ pressure line
PT39	ET nose probe
T35	Modified Vehicle-5 external tank fuselage

The modified vehicle-5 solid rocket booster model, designated "S", consisted of the following components:

<u>Component</u>	<u>Description</u>
FR ₁₄	ET nose cable fairing
FR ₁₅	ET nose fairing for PT ₃₉
FR ₁₆	LO ₂ feedline (FL ₁₁) fairing
FR ₁₇	LO ₂ antigeyser-line (PT ₂₃) fairing
FR ₁₈	Aft electrical-conduit (PT ₂₅) fairing
FR ₁₉	LH ₂ pressure-line (PT ₃₃) fairing
N ₁₀₆	SRB nozzles
PS ₂₀	Electrical tunnel
PS ₂₃	Forward separation motors
PS ₂₆	Aft attach ring, SRB
PS ₂₇	SRM nozzle actuator struts
PS ₂₈	Aft separation motor fairing
PS ₂₉	Tiedown struts

CONFIGURATIONS INVESTIGATED (Concluded)

<u>Component</u>	<u>Description</u>
PS ₃₀	APV exhaust outlets
PS ₃₁	Command antennae
PS ₃₂	Data capsule and camera
PS ₃₃	3 intermediate structural rings
PS ₃₄	Aft cable housing
PS ₃₅	Aft structural ring
PS ₃₆	Aft separation motors
S ₂₄	Modified vehicle-5 solid rocket booster fuselage

Also tested was:

AT₁₃₀ Forward O/T attach structure.

Detailed model dimensional data are given in Table III. Figure 2 presents sketches of the model. Figure 3 presents a photograph of the model.

INSTRUMENTATION

The 72-OTS model employed during this test program was outfitted for measurement of left-hand inboard and outboard elevon hinge moments, right-hand wing-root bending and torsion moments and shear force, total-vehicle six-component forces and moments, and base and sting-cavity pressures.

Standard strain-gauge beam instrumentation was used for the elevon and wing-panel data. The LRC #840 1.435-inch balance, installed in the orbiter, was employed for total-vehicle forces and moments. Separate differential pressure transducers were used to measure the eight (8) base and sting-cavity pressures, distributed on the Orbiter, External Tank, and left-hand Solid Rocket Booster.

Figure 2e shows the base pressure tap locations.

TEST FACILITY DESCRIPTION

NASA/Langley Research Center 8-Foot Transonic Pressure Tunnel is an air-medium facility capable of attaining continuously variable Mach numbers from 0.20 to 1.30. It is a single-return, closed-circuit tunnel having controlled stagnation temperature, total pressure and dew-point temperature. The test section is 7.1 feet square. Reynolds numbers are variable from 0.30×10^6 /foot to 7.00×10^6 /foot, depending on Mach number and tunnel total-pressure limitations. Models are supported in the test section by a sting-sector system, but wall-mounting is possible. Schlieren photography is available for flow and shock-wave studies.

DATA REDUCTION

Model force and pressure data were reduced to coefficient form in both the body axis and stability-axis systems. Standard NASA/LaRC wind tunnel methods were used as required to maintain compatibility with the Chrysler Corporation/DATAMAN format. A final data-tape was submitted to DATAMAN after test completion.

Body-axis data were corrected for base, cavity, and surface-pressure effects, as follows:

$$1) \quad C_{AF} = C_{AU} - C_{ABO} - C_{ABT} - 2C_{ABS}$$

where

$$C_{ABO} = -C_{P_{BO}} \left(\frac{A_{BO}}{S_W} \right) - C_{P_{CO}} \left(\frac{A_{CO}}{S_W} \right)$$

$$C_{ABT} = -C_{P_{BT}} \left(\frac{A_{BT}}{S_W} \right)$$

$$C_{ABS} = -C_{P_{BS}} \left(\frac{A_{BS}}{S_W} \right)$$

$$2) \quad C_{NF} = C_N - C_{N_{BO}} - C_{N_{BF}}$$

where

$$C_{P_{B2}} = C_{P_{BF}}$$

$$C_{N_{BF}} = -C_{P_{B2}} \left(\frac{A_{BF}}{S_W} \right)$$

$$C_{N_{BO}} = -C_{P_{BO}} \left(\frac{A_{BO} - A_{BOMS}}{S_W} \right) \tan i_B - C_{P_{CO}} \left(\frac{A_{CO}}{S_W} \right) \tan i_B$$

$$3) \quad C_{mF} = C_m + C_{m_{BO}} + C_{m_{BF}}$$

where

$$C_{m_{BO}} = C_{N_{BO}} \left(\frac{l_{BX}}{l_B} \right) - C_{ABO} \left(\frac{h_{BZ}}{l_B} \right)$$

$$C_{m_{BF}} = C_{N_{BF}} \left(\frac{l_{BF}}{l_B} \right)$$

DATA REDUCTION (Continued)

Inboard and outboard elevon panel hinge-moment coefficients were computed as follows:

$$C_{HEI} = \frac{HM_{EI}}{qS_E c_E}$$

$$C_{HEO} = \frac{HM_{EO}}{qS_E c_E}$$

Right-wing exposed-panel bending and torsional moments, bending and torsional moment coefficients, and normal force were computed as follows:

$$N_W = \frac{(BM_{W1} - BM_{W2})}{(D1 - D2)}$$

$$TM_W = TM_{W3} + N_W G_3$$

$$BM_W = \frac{BM_{W1} + BM_{W2} - N_W (D1 + D2)}{2}$$

$$C_{N_W} = \frac{N_W}{qS_W}$$

$$C_{B_W} = \frac{BM_W}{qS_W b_W}$$

$$C_{T_W} = \frac{TM_W}{qS_W c_W}$$

Left-hand inboard and outboard elevon deflection angles were corrected for elevon-deflection-due-to-load as follows:

$$\delta_{E_{IL}} = \delta_{E_{ILU}} + HM_{EI} \left(\delta_{E_{IL}} / HM_{EI} \right)$$

$$\delta_{E_{OL}} = \delta_{E_{OLU}} + HM_{EO} \left(\delta_{E_{OL}} / HM_{EO} \right)$$

DATA REDUCTION (Continued)

where:

$$\left(\delta_{E_{I_L}} / HM_{E_I} \right) = \text{deg/in-lb calibration of the inboard elevon hinge-moment beam}$$

$$\left(\delta_{E_{O_L}} / HM_{E_O} \right) = \text{deg/in-lb calibration of the outboard elevon hinge-moment beam}$$

Elevon deflection angles, measured with no hinge-moment acting on them, differed from nominal values as follows:

NOMINAL δ_E , deg.	ACTUAL MEASURED δ_E , DEG.			
	LEFT OUTBOARD SURFACE	LEFT INBOARD SURFACE	RIGHT INBOARD SURFACE	RIGHT OUTBOARD SURFACE
-10	-9.537	--	--	-9.604
-5	-4.720	--	--	-4.027
0	0.000	0.000	0.000	0.000
2	3.647	--	--	1.982
4	5.039	--	--	3.969
8	--	7.665	7.385	--
9	10.436	--	--	9.905
10	--	10.203	9.110	--
12	--	12.081	10.999	--
14	15.778	--	--	14.467

Positions in the above array where values are not given represent deflection angles not used in this test.

DATA REDUCTION (Continued)

The following reference dimensions and constants were used for data reduction (lengths are given in inches, areas in square feet, and angles in degrees):

<u>Symbol</u>	<u>Model Scale</u>	<u>Full Scale</u>
A_{BF}	0.0143	142.60
A_{B0}	0.0270	269.70
A_{BOMS}	0.0123	122.60
A_{BS}	0.0236	236.46
A_{BT}	0.0605	604.80
A_{C0}	0.0167	167.00
b_w	9.367	936.680
\bar{c}_E	0.907	90.700
\bar{c}_W	4.748	474.800
D_1	- .3272	--
D_2	- .8185	--
G_3	+1.1700	--
h_{Bz}	3.365	336.500
i_B	14.750	14.750
i_{MAT130}	.133	.133
l_B	12.903	1290.300
l_{BF}	13.297	1329.70
l_{BX}	12.630	1263.00
S_E	0.0210	210.00

DATA REDUCTION (Continued)

<u>Symbol</u>	<u>Model Scale</u>	<u>Full Scale</u>
S_W	0.2690	2690.00
X_{BRC}	18.177	1817.700
X_{MRC}	9.760	976.000
X_{WRC}	20.480	2048.000
Y_{BRC}	0.000	0.000
Y_{MRC}	0.000	0.000
Y_{WRC}	1.050	105.000
Z_{BRC}	7.265	726.500
Z_{MRC}	4.000	400.000
$(\delta_{E_{IL}}/HME_I)$	0.47513°/in-lb(+HM)	--
	0.20625°/in-lb(-HM)	--
$(\delta_{E_{OL}}/HME_O)$	0.36667°/in-lb(+HM)	--
	0.18333°/in-lb(-HM)	--

The wind tunnel coefficient data presented in this report have been corrected for base cavity and base pressure effects. These data have also been interpolated versus Mach number, angle-of-attack, and angle-of-side-slip. Data sets 1 and 60 could not be interpolated versus these variables and therefore these interpolated data sets are not presented in this report.

The following coefficients were requested for additional interpolation versus elevon deflection angles (ELV-LI, ELV-LO), to the nominal values (see Table II):

DATA REDUCTION (Concluded)

<u>INPUT</u> <u>DATA SETS</u>	<u>COEFFICIENTS</u>								
FJJOXX	CNW	CBW	CTW						
IJJOXX	CABO	CABT	CABS	CAF	CNF	CLMF			
MJJOXX	CYN	CBL	CY	CHEI	CHEO	<u>ELV-LI</u>	<u>ELV-LO</u>		

These coefficients data were combined to form the following data sets:

<u>OUTPUT</u> <u>DATA SETS</u>	<u>COEFFICIENTS</u>									
MJJAXX	CNW	CBW	CTW	CYN	CBL	CY	CHEI	ELV-LI	CHEO	ELV-LO
MJJBXX	CAF	CNF	CLMF	CABO	CABT	CABS	CHEI	ELV-LI	CHEO	ELV-LO

Data sets 63-71 and data at Mach 0.6 could not be elevon interpolated due to limited data. Also, due to data limitations, data sets 12-16 (Mach numbers 1.15 and 1.205), could not be elevon interpolated.

TABLE I.

TEST : IA93	DATE : 6/7/76		
TEST CONDITIONS			
MACH NUMBER	REYNOLDS NUMBER (per unit length)	DYNAMIC PRESSURE (pounds/sq. inch)	STAGNATION TEMPERATURE (degrees Fahrenheit)
0.600	$3.16 \times 10^6 / FT$	2.90	120
↓	4.48	4.12	↓
0.900	3.97	4.03	↓
0.960	4.04	5.24	↓
0.975	2.04	2.66	↓
↓	4.09	5.32	↓
↓	4.81	6.28	↓
0.980	4.11	5.34	↓
0.990	4.13	5.39	↓
1.050	4.19	5.65	↓
1.120	4.23	5.89	↓
1.150	4.26	5.98	↓
1.205	4.31	6.12	↓
BALANCE UTILIZED: <u>LRC #840</u>			
	CAPACITY:	ACCURACY	COEFFICIENT TOLERANCE:
NF	<u>800 lb</u>	_____	_____
SF	<u>250 lb</u>	_____	_____
AF	<u>125 lb</u>	_____	_____
PM	<u>1600 in-lb</u>	_____	_____
RM	<u>500 in-lb</u>	_____	_____
YM	<u>500 in-lb</u>	_____	_____
COMMENTS.			

TABLE II.

TEST: ZA93 (LARC 8' TPT 749)		DATA SET/RUN NUMBER COLLATION SUMMARY										DATE: 9/30/76					
DATA SET IDENTIFIER	CONFIGURATION	SCHD.		PARAMETERS/VALUES				NO. OF RUNS	MACH NUMBERS (OR ALTERNATE INDEPENDENT VARIABLE)								
		α	β	$\delta_{E I}$	$\delta_{E \phi}$												
R T JJ001	$\phi TS + AT130$	A	0	10	9			1	1								
02			-6					5	4	11	16	27	30				
03			-4					5	3	10	15	26	29				
04			0					5	2	7	12	23	28				
05			4					5	5	8	13	24	31				
06			6		Y			5	6	9	14	25	32				
07			-6		4			5	55	35	40	50	45				
08			-4					5	54	34	39	49	44				
09			0					5	53	33	38	48	43				
10			4					5	56	36	41	51	46				
11			6		Y			5	57	37	42	52	47				
12			-6		14			5	80	75	65	76	60				
13			-4					5	79	74	64	69	59				
14			0					5	78	73	63	68	58				
15			4					5	81	76	66	71	61				
Y 16	Y	Y	6	Y	Y			5	82	77	67	72	62				
CPB1, CPB2, CPB3, CPB4,5, CPB6, CPB7, CPB8, CPC ϕ , CAU, BETA, MACH, ALPHA, 10																	
CYN, CBL, CY, CLMU, CHEI, CHE ϕ , Q(PSE), BETA, CNU, MACH, ALPHA, 9																	
RN/L, L/DU, BETA, CLU, CDU, CNW, CBW, CTW, MACH, ALPHA, 8																	
TYPE OF DATA		A) $\alpha = -8^\circ, -6^\circ, -4^\circ, -2^\circ, 0^\circ, 2^\circ, 4^\circ$															
α OR β		COEFFICIENT SCHEDULES															
SCHEDULES		IDVAR (1) IDVAR (2) NDV															

25

TEST RUN NUMBERS

TABLE II. (Continued)

TEST: IA93(LARC 8' +PT 749)		DATA SET/RUN NUMBER COLLATION SUMMARY						DATE: 9/30/76					
DATA SET IDENTIFIER	CONFIGURATION	SCHD.		PARAMETERS/VALUES		NO. OF RUNS	MACH NUMBERS (OR ALTERNATE INDEPENDENT VARIABLE)						
		α	β	SEI	SE ϕ		0.6	0.9	0.975	1.15	1.205		
(3) JJ017	<u>OTS+AT130</u>	A	-6	10	-5	2				90	85		
18			-4			2				89	84		
19			0			2				88	83		
20			4			2				91	86		
21			6	Y		2				92	87		
22			-6	12		2				100	95		
23			-4			2				99	94		
24			0			2				98	93		
25			4			2				101	96		
26			6		Y	2				102	97		
27			-6		4	4	120	115	110	105			
28			-4			4	119	114	109	104			
29			0			4	118	113	108	103			
30			4			4	121	116	111	106			
Y 31	Y	Y	6	Y	Y	4	122	117	112	107			

TEST RUN NUMBERS

26

TYPE OF DATA
 α OR β
 SCHEDULES

COEFFICIENT SCHEDULES

IDVAR (1) IDVAR (2) NDV

TABLE II. (Continued)

TEST: IA93(LARC 8' TPT 749)		DATA SET/RUN NUMBER COLLATION SUMMARY						DATE: 9/30/76					
DATA SET IDENTIFIER	CONFIGURATION	SCHD.		PARAMETERS/VALUES		NO. OF RUNS	MACH NUMBERS (OR ALTERNATE INDEPENDENT VARIABLE)						
		α	β	δ_{EI}	δ_{EE}		0.6	0.9	0.975	1.15	1.205		
33	QTS + AT130	A	-6	12	9	5	145	140	135	130	125		
34			-4			5	144	139	134	129	124		
35			0			5	143	138	133	128	123		
36			4			5	146	141	136	131	126		
37			6		Y	5	147	142	137	132	127		
38			-6		14	2		155	150				
39			-4			2		154	149				
40			0			2		153	148				
41			4			2		156	151				
42			6		Y	2		157	152				
43			-6		8	2		165	160				
44			-4			2		164	159				
45			0			2		163	158				
46	Y	Y	4			2		166	161				
			Y	6	Y	Y		167	162				

TEST RUN NUMBERS

27

TYPE OF DATA α OR β SCHEDULES _____ COEFFICIENT SCHEDULES _____ IDVAR (1) IDVAR (2) NDV _____

TABLE II. (Continued)

TEST JA93(LARC 8' TPB 749)		DATA SET/RUN NUMBER COLLATION SUMMARY						DATE: 9/30/76						
DATA SET IDENTIFIER	CONFIGURATION	SCHD.		PARAMETERS/VALUES		NO. OF RUNS	MACH NUMBERS (OR ALTERNATE INDEPENDENT VARIABLE)							
		α	β	δEI	δEq		0.6	0.9	0.975	1.15	1.205			
(R) JJ047	QTS + AT130	A	-6	8	4	4		185	180	175	170			
48			-4			4		184	179	174	169			
49			0			4		183	178	173	168			
50			4			4		186	181	176	171			
51			6		Y	4		187	182	177	172			
52			-6		-5	2				195	190			
53			-4			2				194	189			
54			0			2				193	188			
55			4			2				196	191			
56			6		Y	2				197	192			
57			-6		9	5	217	200	212	206	222			
58			-4			5	216	199	211	205	221			
59			0			5	215	198	210	204	220			
60			0			2		201		207				
61			4			5	218	202	213	208	223			
Y 62	Y	Y	6	Y	Y	5	219	203	214	209	224			

28

TEST RUN NUMBERS

TYPE OF DATA
 α OR β
 SCHEDULES

COEFFICIENT SCHEDULES

IDVAR (1) IDVAR (2) NDV

TABLE II. (Concluded)

TEST : IA93(LARC 8' TPT 749)			DATA SET/RUN NUMBER COLLATION SUMMARY						DATE : 9/30/76								
DATA SET IDENTIFIER	CONFIGURATION	SCHED.		PARAMETERS/VALUES				NO. OF RUNS	MACH NUMBERS (OR ALTERNATE INDEPENDENT VARIABLE)								
		α	β	$\delta \epsilon_1$	$\delta \epsilon_2$				0.6	0.9	0.975	1.15	1.205				
63	$\phi TS + AT130 + TS1$	A	-6	10	9			3			249	247	245				
64	\downarrow		0					3			248	246	244				
65	$\phi TS + AT130 + TS1 - TUBES$		-6					3			255	253	251				
66	\downarrow		0					3			254	252	250				
67	$\phi TS + AT130 + TS2$		-6					1			241						
68			0					1			240						
69			6					1			229						
70			-6					1			243						
71	\downarrow	Y	0	Y	Y			1			242						

TEST RUN NUMBERS

29

TYPE OF DATA COEFFICIENT SCHEDULES IDVAR (1) IDVAR (2) NDV
 α OR β _____
 SCHEDULES _____

TABLE III. MODEL DIMENSIONAL DATA

MODEL COMPONENT: ATTACH STRUCTURE - AT₂₈

GENERAL DESCRIPTION: Rear orbiter to ET attach structure (left-hand and right-hand) (two members)

MODEL SCALE: 0.010

DRAWING NUMBER: VL78-000063, VL78-000062B

DIMENSIONS: in.		<u>FULL SCALE</u>	<u>MODEL SCALE</u>
Member #1	X _O	1317.00	13.170
	Y _O	- 96.50 (LH)	- 0.965
		96.50 (RH)	0.965
	Z _O	267.50	2.675
	X _T	2058.0	20.580
	Y _T	- 96.50 (LH)	- 0.965
		96.50 (RH)	0.965
	Z _T	515.50	5.155
Member #2	X _O	1317.0	13.170
	Y _O	- 96.50 (LH)	- 0.965
		96.50 (RH)	0.965
	Z _O	267.50	2.675
	X _T	1872.0	18.720
	Y _T	- 125.68 (LH)	- 1.257
		125.68 (RH)	1.257
	Z _T	504.5	5.045
Diameter, In.	#1	11.5	0.115
	#2	15.5	0.155

ORIGINAL PAGE IS
OF POOR QUALITY

TABLE III. MODEL DIMENSIONAL DATA (Continued)

MODEL COMPONENT: ATTACH STRUCTURE - AT₃₀

GENERAL DESCRIPTION: Forward SRB to ET attach structure (left-hand and right-hand)

MODEL SCALE: 0.010

DRAWING NUMBER: VL78-000066, Martin-Marietta 82600204300, VC78-000002

DIMENSIONS:		<u>FULL SCALE</u>	<u>MODEL SCALE</u>
Attach point, in.	X _T	985.675	9.856
	Y _T	- 172.50 (LH) + 172.50 (RH)	- 1.725 + 1.725
	Z _T	00	0.0
	X _S	442.675	4.427
	Y _S	80.0	0.800
	Z _S	0.0	0.0
	X _O	244.675	2.447
	Y _O	- 184.5 + 184.5	- 1.845 + 1.845
	Z _O	0.0	0.0

TABLE III. MODEL DIMENSIONAL DATA (Continued)

MODEL COMPONENT: ATTACH STRUCTURE - AT₃₁

GENERAL DESCRIPTION: Rear ET to SRB attach structure (LH and RH), 3 members

MODEL SCALE: 0.010

DRAWING NUMBER: VL78-000063, VL78-000062B, VL78-000066, VC78-000002

DIMENSIONS: in.		<u>FULL SCALE</u>	<u>MODEL SCALE</u>
Member #1	X _T	2058.00	20.580
	Y _T	- 171.50 (LH)	- 1.715
		171.50 (RH)	1.715
	Z _T	457.00	4.570
	X _S	1511.0	15.110
	Y _S	53.24	0.532
	Z _S	57.0	0.570
Member #2	X _T	2058.0	20.580
	X _T	- 163.85	- 1.639
	Z _T	449.81	4.498
	X _S	1511.0	15.110
	Y _S	76.56	0.766
	Z _S	15.73	0.157
Member #3	X _T	2058.00	20.580
	X _T	- 161.72	- 1.617
	Z _T	343.0	3.430
	X _S	1511.0	15.110
	Y _S	53.24	0.532
	Z _S	- 57.00	- 0.570

ORIGINAL PAGE IS
OF POOR QUALITY

TABLE III. MODEL DIMENSIONAL DATA (Continued)

MODEL COMPONENT: ATTACH STRUCTURE - AT₁₃₀

GENERAL DESCRIPTION: Forward orbiter/ET attach structure (2 members structure).

MODEL SCALE: 0.010

DRAWING NUMBER: SS-A01692

DIMENSIONS:		<u>FULL SCALE</u>	<u>MODEL SCALE</u>
Orbiter attach point:	X _O	388.9	3.889
	Y _O	0 (LH)	0
		0 (RH)	0
	Z _O	283.8	2.838
	X _T	1129.9	11.299
	Y _T	0 (LH)	0
	0 (RH)	0	
	Z _T	620.3	6.203
Tank attach point:	X _T	388.9	3.889
	Y _T	42.75 (LH)	.4275
		42.75 (RH)	.4275
	Z _T	227.5	2.275
	X _O	1129.9	11.299
	Y _O	42.75 (LH)	.4275
	42.75 (RH)	.4275	
	Z _O	564.0	5.640

TABLE III. MODEL DIMENSIONAL DATA (Continued)

<u>Component</u>	<u>Definition</u>	
AT ₁₃₁	Rear Orbiter/External Tank attach structure per ICD-2-00001, Rev. B, model dwg. SS-A01668-3. This attach structure is a connecting link between R. H. AT ₂₈ and External Tank.	
	Located at:	
	<u>Model Scale-In.</u>	<u>Full Scale-In.</u>
	$X_T = 20.580$	$X_T = 2058.00$

TABLE III. MODEL DIMENSIONAL DATA (Continued)

MODEL COMPONENT: BODY - B₂₆

GENERAL DESCRIPTION: Configuration 140A/B orbiter fuselage

NOTE: B₂₆ is identical to B₂₄ except underside of fuselage has been refaired to accept W₁₁₆.

MODEL SCALE: 0.010 MODEL DRAWING: SS-A00147, Release 12

DRAWING NUMBER: VL70-000143B, -000200, -000205, -006089, -000145
VL70-000140A, -000140B

DIMENSIONS:	<u>FULL SCALE</u>	<u>MODEL SCALE</u>
Length (OML: Fwd Sta. X ₀ = 235), In.	1293.3	12.933
Length (IML: Fwd Sta. X ₀ = 238), In.	1290.3	12.903
Max Width (@ X ₀ = 1528.3), In.	264.0	2.640
Max Depth (@ X ₀ = 1464), In.	250.0	2.500
Fineness Ratio	0.264	0.264
Area - Ft ²		
Max. Cross-Sectional	340.88	0.034

TABLE III. MODEL DIMENSIONAL DATA (Continued)

MODEL COMPONENT: CANOPY - C₉

GENERAL DESCRIPTION: Configuration 3A. Canopy used with fuselage B₂₆.

MODEL SCALE: 0.0100 MODEL DRAWING: SS-A00147, Release 12

DRAWING NUMBER: VL70-000143A

DIMENSIONS:	<u>FULL SCALE</u>	<u>MODEL SCALE</u>
Length ($X_0 = 434.643$ to 578), In.	143.357	1.434
Max Width (@ $X_0 = 513.127$), In.	152.412	1.524
Max Depth (@ $X_0 = 485.0$), In.	25.000	0.250

TABLE III. MODEL DIMENSIONAL DATA (Continued)

MODEL COMPONENT: ELEVON, E52

GENERAL DESCRIPTION: Elevon for Configuration 140C Hingeline at $X_0 = 1387$. elevon split line $X_c = 312.5$, 6.0" gaps. beveled edges, and centerbodies.

MODEL SCALE: 0.010

DRAWING NUMBER: VL70-000140C, -006089, -006092, SS-40137

DIMENSIONS: (Data for one side)	<u>FULL SCALE</u>	<u>MODEL SCALE</u>
Area - Ft ²	210.0	0.0210
Span (equivalent) - In.	349.2	3.492
Inb'd equivalent chord - In.	118.0	1.180
Outb'd equivalent chord - In.	55.19	0.552
Ratio movable surface chord/ total surface chord		
At inb'd equiv. chord	0.2096	0.2096
At outb'd equiv. chord	0.4004	0.4004
Sweep Back Angles, degrees		
Leading Edge	0.0	0.0
Trailing Edge	-10.056	-10.056
Hingeline	0.00	0.00
Area Moment (Normal to hinge line)-ft ³	1587.25	.001587
Mean Aerodynamic Chord, In.	90.7	0.907
Hingeline dihedral (origin at $Z_0 = 261.3509$), deg.	5.228986	5.228986

TABLE III. MODEL DIMENSIONAL DATA (Continued)

MODEL COMPONENT: BODY FLAP - F₁₀

GENERAL DESCRIPTION: Configuration 140C body flap. Hingeline located at $X_0 = 1532$, $Z_0 = 287$.

MODEL SCALE: 0.010

DRAWING NUMBER: VL70-000140C, VL70-355114

DIMENSIONS:	<u>FULL SCALE</u>	<u>MODEL SCALE</u>
Length ($X_0 = 1525.5 - X_0 = 1613$), In.	87.50	0.875
Max Width (@ L.E., $X_0 = 1525.5$), In.	256.00	2.560
Max Depth ($X_0 = 1532$), In.	19.798	0.198
Fineness Ratio		
Area - Ft ²		
Max. Cross-Sectional (@ H.L.)	35.196	0.0035
Planform	135.00	0.014
Wetted		
Base ($X_0 = 1613$), In. ²	4.89	0.0005

ORIGINAL PAGE IS
OF POOR QUALITY

TABLE III. MODEL DIMENSIONAL DATA (Continued)

MODEL COMPONENT: FEEDLINE - FL₁₀

GENERAL DESCRIPTION: LH₂ feedline on upper left-hand side of T₃₅.

MODEL SCALE: 0.010

DRAWING NUMBER: VL78-000063, VL78-000062B

DIMENSIONS: in.		<u>FULL SCALE</u>	<u>MODEL SCALE</u>
Leading edge at:	X _T	2071.5	20.715
	Y _T	- 70.0	- 0.700
	Z _T	573.934	5.739
Tailing edge at:	X _T	2081.8	20.818
	Y _T	- 70.0	- 0.700
	Z _T	584.059	5.841
Line diameter (17.0 I.D.)		18.160	0.182

TABLE III. MODEL DIMENSIONAL DATA (Continued)

MODEL COMPONENT: FEEDLINE - FL₁₁

GENERAL DESCRIPTION: LO₂ feedline on upper right-hand side of T₃₅.

MODEL SCALE: 0.010

DRAWING NUMBER: VL78-000063, VL78-000062B

DIMENSIONS: in.		<u>FULL SCALE</u>	<u>MODEL SCALE</u>
Leading edge at:	X _T	1000.667	10.007
	Y _T	70.00	0.700
	Z _T	564.340	5.643
Trailing edge at:	X _T	2071.5	20.715
	Y _T	70.00	0.700
	Z _T	573.934	5.739
Line diameter (17.0 I.D.)		18.16	0.182

Centerline of line located radially at $\phi = 203^{\circ}4'$.

TABLE III. MODEL DIMENSIONAL DATA (Continued)

MODEL COMPONENT: FAIRING -FR₁₀

GENERAL DESCRIPTION: Umbilical door fairing between aft ET/orbiter
attach structure.

MODEL SCALE: 0.010

DRAWING NUMBER: VL78-000063, VL78-000062B, Martin-Marietta 82600207000

DIMENSIONS:		<u>FULL SCALE</u>	<u>MODEL SCALE</u>
Leading edge at	X _T	2052.0	20.520
Length, In.	.	193.0	1.930
Width, In.		15.00	0.150

TABLE III. MODEL DIMENSIONAL DATA (Continued)

<u>Component</u>	<u>Definition</u>	
FR ₁₄	External Tank nose cable fairing per model dwg. SS-A01668-5 located at:	
	<u>Model Scale</u>	<u>Full Scale</u>
	$X_{\eta} = 3.490 \rightarrow 3.710, \text{In.}$	$X_{\eta} = 349.00 \rightarrow 371.00, \text{In.}$
	$\phi = 31^{\circ}31'$	$\phi = 31^{\circ}31'$
FR ₁₅	External Tank nose probe fairing per model dwg. SS-A01668-5 located at:	
	<u>Model Scale</u>	<u>Full Scale</u>
	$X_{\eta} = 3.413 \rightarrow 3.710, \text{In.}$	$X_{\eta} = 341.30 \rightarrow 371.00, \text{In.}$
FR ₁₆	External Tank LO ₂ feedline (F ₁₁) fairing per model dwg. SS-A01668-3 located at:	
	<u>Model Scale</u>	<u>Full Scale</u>
	$X_{\eta} = 9.820 \rightarrow 10.420, \text{In.}$	$X_{\eta} = 982.00 \rightarrow 1042.00, \text{In.}$

TABLE III. MODEL DIMENSIONAL DATA (Continued)

<u>Component</u>	<u>Definition</u>						
FR ₁₇	External Tank LO ₂ antigevser line (PT ₂₃) fairing per model dwg. SS-A01668-3. Located at:						
	<table border="1"> <thead> <tr> <th><u>Model Scale</u></th> <th><u>Full Scale</u></th> </tr> </thead> <tbody> <tr> <td>X_T = 9.860→10.460, In.</td> <td>X_T = 986.00→1046.00, In.</td> </tr> <tr> <td>φ = 33°45'</td> <td>φ = 33°45'</td> </tr> </tbody> </table>	<u>Model Scale</u>	<u>Full Scale</u>	X _T = 9.860→10.460, In.	X _T = 986.00→1046.00, In.	φ = 33°45'	φ = 33°45'
<u>Model Scale</u>	<u>Full Scale</u>						
X _T = 9.860→10.460, In.	X _T = 986.00→1046.00, In.						
φ = 33°45'	φ = 33°45'						
FR ₁₈	External Tank aft electrical conduit (PT ₂₅) fairing per model dwg. SS-A01668-3. Located at:						
	<table border="1"> <thead> <tr> <th><u>Model Scale</u></th> <th><u>Full Scale</u></th> </tr> </thead> <tbody> <tr> <td>X_T = 10.670→10.820, In.</td> <td>X_T = 1067.00→1082.00, In.</td> </tr> <tr> <td>φ = 37°30'</td> <td>φ = 37°30'</td> </tr> </tbody> </table>	<u>Model Scale</u>	<u>Full Scale</u>	X _T = 10.670→10.820, In.	X _T = 1067.00→1082.00, In.	φ = 37°30'	φ = 37°30'
<u>Model Scale</u>	<u>Full Scale</u>						
X _T = 10.670→10.820, In.	X _T = 1067.00→1082.00, In.						
φ = 37°30'	φ = 37°30'						
FR ₁₉	External Tank LH ₂ pressure line (PT ₃₃) fairing per model dwg. SS-A01668-9. Located at:						
	<table border="1"> <thead> <tr> <th><u>Model Scale</u></th> <th><u>Full Scale</u></th> </tr> </thead> <tbody> <tr> <td>X_T = 10.600→11.269, In.</td> <td>X_T = 1060.00→1126.90, In.</td> </tr> <tr> <td>φ = 30°0'</td> <td>φ = 30°0'</td> </tr> </tbody> </table>	<u>Model Scale</u>	<u>Full Scale</u>	X _T = 10.600→11.269, In.	X _T = 1060.00→1126.90, In.	φ = 30°0'	φ = 30°0'
<u>Model Scale</u>	<u>Full Scale</u>						
X _T = 10.600→11.269, In.	X _T = 1060.00→1126.90, In.						
φ = 30°0'	φ = 30°0'						

ORIGINAL PAGE IS
OF POOR QUALITY

TABLE III. MODEL DIMENSIONAL DATA(Continued)

MODEL COMPONENT: OMS POD - M₁₆

GENERAL DESCRIPTION: Configuration 140C orbiter OMS pod - short pod.

MODEL SCALE: 0.010

DRAWING NUMBER: VL70-008401, VL70-008410

DIMENSIONS:	<u>FULL SCALE</u>	<u>MODEL SCALE</u>
Length (OMS Fwd Sta. X ₀ = 1310.5), In.	258.50	2.585
Max Width (@ X ₀ = 1511), In.	136.8	1.368
Max Depth (@ X ₀ = 1511), In.	74.70	0.747
Fineness Ratio	2.484	2.484
Area - Ft ²		
Max. Cross-Sectional	58.864	0.0059

TABLE III. MODEL DIMENSIONAL DATA (Continued)

<u>Component</u>	<u>Definition</u>								
N ₈₉	Orbiter OMS nozzles located on OMS pods M ₁₆ per model dwg. SS-A01317-2.								
N ₁₀₆	Solid Rocket Booster nozzle located on SRB S ₂₄ per model dwg. SS-A01667-8. Located at: <table border="0" style="width: 100%;"> <thead> <tr> <th style="text-align: left;"><u>Model Scale</u></th> <th style="text-align: left;"><u>Full Scale</u></th> </tr> </thead> <tbody> <tr> <td>X_s = 18.371→19.306, In.</td> <td>X_s = 1837.10→1930.60, In.</td> </tr> <tr> <td>Dia. = 1.479, In.</td> <td>Dia. = 147.85, In.</td> </tr> </tbody> </table>	<u>Model Scale</u>	<u>Full Scale</u>	X _s = 18.371→19.306, In.	X _s = 1837.10→1930.60, In.	Dia. = 1.479, In.	Dia. = 147.85, In.		
<u>Model Scale</u>	<u>Full Scale</u>								
X _s = 18.371→19.306, In.	X _s = 1837.10→1930.60, In.								
Dia. = 1.479, In.	Dia. = 147.85, In.								
PS ₂₀	Solid Rocket Booster electrical conduit per model dwg. SS-A01667-12. Located at: <table border="0" style="width: 100%;"> <thead> <tr> <th style="text-align: left;"><u>Model Scale</u></th> <th style="text-align: left;"><u>Full Scale</u></th> </tr> </thead> <tbody> <tr> <td>X_s = 4.424→18.577, In.</td> <td>X_s = 442.40→1857.70, In.</td> </tr> <tr> <td>ϕ = 90° LH</td> <td>ϕ = 90° RH</td> </tr> <tr> <td>180° LH</td> <td>180° LH</td> </tr> </tbody> </table>	<u>Model Scale</u>	<u>Full Scale</u>	X _s = 4.424→18.577, In.	X _s = 442.40→1857.70, In.	ϕ = 90° LH	ϕ = 90° RH	180° LH	180° LH
<u>Model Scale</u>	<u>Full Scale</u>								
X _s = 4.424→18.577, In.	X _s = 442.40→1857.70, In.								
ϕ = 90° LH	ϕ = 90° RH								
180° LH	180° LH								
PS ₂₃	Solid Rocket Booster forward separation motors per model dwg. SS-A01667-42. <table border="0" style="width: 100%;"> <thead> <tr> <th style="text-align: left;"><u>Model Scale</u></th> <th style="text-align: left;"><u>Full Scale</u></th> </tr> </thead> <tbody> <tr> <td>X_s = 2.854 and 2.973, In.</td> <td>X_s = 285.40 and 297.30, In.</td> </tr> <tr> <td>ϕ = 20°RH</td> <td>ϕ = 20°RH</td> </tr> <tr> <td>340°LH</td> <td>340°LH</td> </tr> </tbody> </table>	<u>Model Scale</u>	<u>Full Scale</u>	X _s = 2.854 and 2.973, In.	X _s = 285.40 and 297.30, In.	ϕ = 20°RH	ϕ = 20°RH	340°LH	340°LH
<u>Model Scale</u>	<u>Full Scale</u>								
X _s = 2.854 and 2.973, In.	X _s = 285.40 and 297.30, In.								
ϕ = 20°RH	ϕ = 20°RH								
340°LH	340°LH								

TABLE III. MODEL DIMENSIONAL DATA (Continued)

MODEL COMPONENT : SRB Protuberance - PS₂₇

GENERAL DESCRIPTION : SRM nozzle actuator struts (2)

MODEL SCALE: 0.010

DRAWING NUMBER . ICD-2-00001, Rev. B; SS-A01667, Rev. C

DIMENSIONS : inches	FULL SCALE	MODEL SCALE
Length	<u>21.25</u>	<u>0.213</u>
Width	<u>3.0</u>	<u>0.030</u>
Height/Depth	<u>4.890</u>	<u>0.049</u>
L. E. Location	<u>1839.137</u>	<u>18.391</u>
T. E. Location	<u>1860.387</u>	<u>18.604</u>
ϕ , Degrees	<u>45</u> <u>135</u>	<u>45</u> <u>135</u>

TABLE III. MODEL DIMENSIONAL DATA (Continued)

<u>Component</u>	<u>Definition</u>						
PS ₂₆	Solid Rocket Booster aft attach ring per model dwg. SS-A01667-4 located at: <table border="0"> <tr> <td><u>Model Scale</u></td> <td><u>Full Scale</u></td> </tr> <tr> <td>X_s = 15.110, In.</td> <td>X_s = 1511.00, In.</td> </tr> </table>	<u>Model Scale</u>	<u>Full Scale</u>	X _s = 15.110, In.	X _s = 1511.00, In.		
<u>Model Scale</u>	<u>Full Scale</u>						
X _s = 15.110, In.	X _s = 1511.00, In.						
PS ₂₈	Solid Rocket Booster separation rocket motor fairings per model dwg. SS-A01667-38. Located on SRB skirt aft of rear structural ring at $\phi = 0 \rightarrow 36^\circ$ RH $324^\circ \rightarrow 360^\circ$ LH .						
PS ₂₉	Solid Rocket Booster tiedown struts located on SRB skirt per model dwg. SS-A01667-30, located at: <table border="0"> <tr> <td><u>Model Scale</u></td> <td><u>Full Scale</u></td> </tr> <tr> <td>X_s = 18.603 \rightarrow 19.306, In.</td> <td>X_s = 1860.30 \rightarrow 1930.60, In.</td> </tr> <tr> <td>$\phi = 30^\circ, 150^\circ, 210^\circ, 330^\circ$</td> <td>$\phi = 30^\circ, 150^\circ, 210^\circ, 330^\circ$</td> </tr> </table>	<u>Model Scale</u>	<u>Full Scale</u>	X _s = 18.603 \rightarrow 19.306, In.	X _s = 1860.30 \rightarrow 1930.60, In.	$\phi = 30^\circ, 150^\circ, 210^\circ, 330^\circ$	$\phi = 30^\circ, 150^\circ, 210^\circ, 330^\circ$
<u>Model Scale</u>	<u>Full Scale</u>						
X _s = 18.603 \rightarrow 19.306, In.	X _s = 1860.30 \rightarrow 1930.60, In.						
$\phi = 30^\circ, 150^\circ, 210^\circ, 330^\circ$	$\phi = 30^\circ, 150^\circ, 210^\circ, 330^\circ$						
PS ₃₀	Solid Rocket Booster auxiliary power unit exhaust outlets per model dwg. SS-A01667-36, located at: <table border="0"> <tr> <td><u>Model Scale</u></td> <td><u>Full Scale</u></td> </tr> <tr> <td>X_s = 19.306, In.</td> <td>X_s = 1930.60, In.</td> </tr> <tr> <td>$\phi = 30^\circ 30'$ RH $= 329^\circ 30'$ LH</td> <td>$\phi = 30^\circ 30'$ RH $= 329^\circ 30'$ LH</td> </tr> </table>	<u>Model Scale</u>	<u>Full Scale</u>	X _s = 19.306, In.	X _s = 1930.60, In.	$\phi = 30^\circ 30'$ RH $= 329^\circ 30'$ LH	$\phi = 30^\circ 30'$ RH $= 329^\circ 30'$ LH
<u>Model Scale</u>	<u>Full Scale</u>						
X _s = 19.306, In.	X _s = 1930.60, In.						
$\phi = 30^\circ 30'$ RH $= 329^\circ 30'$ LH	$\phi = 30^\circ 30'$ RH $= 329^\circ 30'$ LH						

TABLE III. MODEL DIMENSIONAL DATA (Continued)

<u>Component</u>	<u>Definition</u>								
PS ₃₁	<p>Solid Rocket Booster command antenna per model dwg. SS-A01667-28, located at:</p> <table border="0" style="width: 100%;"> <thead> <tr> <th style="text-align: left;"><u>Model Scale</u></th> <th style="text-align: left;"><u>Full Scale</u></th> </tr> </thead> <tbody> <tr> <td>$X_s = 4.026 \rightarrow 4.526, \text{ In.}$</td> <td>$X_s = 402.60 \rightarrow 452.60, \text{ In.}$</td> </tr> <tr> <td>$\phi = 0^\circ \text{ \& \ } 180^\circ$</td> <td>$\phi = 0^\circ \text{ \& \ } 180^\circ$</td> </tr> </tbody> </table>	<u>Model Scale</u>	<u>Full Scale</u>	$X_s = 4.026 \rightarrow 4.526, \text{ In.}$	$X_s = 402.60 \rightarrow 452.60, \text{ In.}$	$\phi = 0^\circ \text{ \& \ } 180^\circ$	$\phi = 0^\circ \text{ \& \ } 180^\circ$		
<u>Model Scale</u>	<u>Full Scale</u>								
$X_s = 4.026 \rightarrow 4.526, \text{ In.}$	$X_s = 402.60 \rightarrow 452.60, \text{ In.}$								
$\phi = 0^\circ \text{ \& \ } 180^\circ$	$\phi = 0^\circ \text{ \& \ } 180^\circ$								
PS ₃₂	<p>Solid Rocket Booster data capsule and camera per model dwg. SS-A01667-26, located at:</p> <table border="0" style="width: 100%;"> <thead> <tr> <th style="text-align: left;"><u>Model Scale</u></th> <th style="text-align: left;"><u>Full Scale</u></th> </tr> </thead> <tbody> <tr> <td>$X_s = 4.017 \rightarrow 4.402, \text{ In.}$</td> <td>$X_s = 401.70 \rightarrow 440.20, \text{ In.}$</td> </tr> <tr> <td>$\phi = 90^\circ \text{ RH}$</td> <td>$\phi = 90^\circ \text{ RH}$</td> </tr> <tr> <td>$= 270^\circ \text{ LH}$</td> <td>$= 270^\circ \text{ LH}$</td> </tr> </tbody> </table>	<u>Model Scale</u>	<u>Full Scale</u>	$X_s = 4.017 \rightarrow 4.402, \text{ In.}$	$X_s = 401.70 \rightarrow 440.20, \text{ In.}$	$\phi = 90^\circ \text{ RH}$	$\phi = 90^\circ \text{ RH}$	$= 270^\circ \text{ LH}$	$= 270^\circ \text{ LH}$
<u>Model Scale</u>	<u>Full Scale</u>								
$X_s = 4.017 \rightarrow 4.402, \text{ In.}$	$X_s = 401.70 \rightarrow 440.20, \text{ In.}$								
$\phi = 90^\circ \text{ RH}$	$\phi = 90^\circ \text{ RH}$								
$= 270^\circ \text{ LH}$	$= 270^\circ \text{ LH}$								
PS ₃₃	<p>Solid Rocket Booster 3 intermediate structural rings per model dwg. SS-A01667-8, located at:</p> <table border="0" style="width: 100%;"> <thead> <tr> <th style="text-align: left;"><u>Model Scale</u></th> <th style="text-align: left;"><u>Full Scale</u></th> </tr> </thead> <tbody> <tr> <td>$X_s = 16.559, \text{ In.}$</td> <td>$X_s = 1655.90, \text{ In.}$</td> </tr> <tr> <td>$= 17.319$</td> <td>$= 1731.90$</td> </tr> <tr> <td>$= 17.760$</td> <td>$= 1776.00$</td> </tr> </tbody> </table>	<u>Model Scale</u>	<u>Full Scale</u>	$X_s = 16.559, \text{ In.}$	$X_s = 1655.90, \text{ In.}$	$= 17.319$	$= 1731.90$	$= 17.760$	$= 1776.00$
<u>Model Scale</u>	<u>Full Scale</u>								
$X_s = 16.559, \text{ In.}$	$X_s = 1655.90, \text{ In.}$								
$= 17.319$	$= 1731.90$								
$= 17.760$	$= 1776.00$								

TABLE III. MODEL DIMENSIONAL DATA (Continued)

<u>Component</u>	<u>Definition</u>								
PS ₃₄	<p>Solid Rocket Booster aft cable housing per model dwg. SS-A01667-12, located at:</p> <table border="1"> <thead> <tr> <th><u>Model Scale</u></th> <th><u>Full Scale</u></th> </tr> </thead> <tbody> <tr> <td>$X_g = 4.726 \rightarrow 18.554, \text{In.}$</td> <td>$X_g = 472.60 \rightarrow 1855.40, \text{In.}$</td> </tr> <tr> <td>$\phi = 90^\circ \text{ RH}$</td> <td>$\phi = 90^\circ \text{ RH}$</td> </tr> <tr> <td>$= 180^\circ \text{ LH}$</td> <td>$= 180^\circ \text{ LH}$</td> </tr> </tbody> </table>	<u>Model Scale</u>	<u>Full Scale</u>	$X_g = 4.726 \rightarrow 18.554, \text{In.}$	$X_g = 472.60 \rightarrow 1855.40, \text{In.}$	$\phi = 90^\circ \text{ RH}$	$\phi = 90^\circ \text{ RH}$	$= 180^\circ \text{ LH}$	$= 180^\circ \text{ LH}$
<u>Model Scale</u>	<u>Full Scale</u>								
$X_g = 4.726 \rightarrow 18.554, \text{In.}$	$X_g = 472.60 \rightarrow 1855.40, \text{In.}$								
$\phi = 90^\circ \text{ RH}$	$\phi = 90^\circ \text{ RH}$								
$= 180^\circ \text{ LH}$	$= 180^\circ \text{ LH}$								
PS ₃₅	<p>Solid Rocket Booster aft structural ring per model dwg. SS-A01667-8, located at:</p> <table border="1"> <thead> <tr> <th><u>Model Scale</u></th> <th><u>Full Scale</u></th> </tr> </thead> <tbody> <tr> <td>$X_g = 18.371, \text{In.}$</td> <td>$X_g = 1837.10, \text{In.}$</td> </tr> </tbody> </table>	<u>Model Scale</u>	<u>Full Scale</u>	$X_g = 18.371, \text{In.}$	$X_g = 1837.10, \text{In.}$				
<u>Model Scale</u>	<u>Full Scale</u>								
$X_g = 18.371, \text{In.}$	$X_g = 1837.10, \text{In.}$								
PS ₃₆	<p>Solid Rocket Booster aft separation motors located on aft SRB skirts per model dwg. SS-A01667-38. Located aft of SRB rear structural ring at $\phi = 0 \rightarrow 36^\circ \text{ RH}$ $= 324^\circ \rightarrow 360^\circ \text{ LH}.$</p>								

TABLE III. MODEL DIMENSIONAL DATA (Continued)

MODEL COMPONENT: LO₂ RECIRCULATION LINE - PT₂₃

GENERAL DESCRIPTION: LO₂ recirculation line on right-hand upper side of T₃₅.

MODEL SCALE: 0.010

DRAWING NUMBER: VL78-000063, VL78-000062B, Martin-Marietta 82600207000

DIMENSIONS: in.		<u>FULL SCALE</u>	<u>MODEL SCALE</u>
Leading edge at:	X _T	1040.667	10.407
	Y _T	94.169	0.942
	Z _T	540.934	5.409
Trailing edge at:	X _T	2062.920	20.629
	Y _T	70.0	0.700
	Z _T	573.934	5.739
Line diameter, In.		4.0	0.040

Centerline of line located radially at $\phi = 213^{\circ}45'$.

TABLE III. MODEL DIMENSIONAL DATA (Continued)

MODEL COMPONENT: ELECTRICAL LINE - PT₂₅
 GENERAL DESCRIPTION: Right-hand aft electrical conduit line on T₃₅ with
 LH₂ pressure sensor line and LO₂ vent valve actuator line.
 MODEL SCALE: 0.010
 DRAWING NUMBER: VL78-000063, VL78-000062B, Martin-Marietta 82600207000

DIMENSIONS: in.		<u>FULL SCALE</u>	<u>MODEL SCALE</u>
Leading edge at:	X _T	1084.333	10.843
	Y _T	99.591	0.996
	Z _T	539.620	5.396
Trailing edge at:	X _T	2058.00	20.580
	Y _T	99.591	0.996
	Z _T	539.620	5.396
Line diameter		2.0 x 6.0	0.02x0.06

Centerline of line located radially at $\phi = 215.5^\circ$.

TABLE III. MODEL DIMENSIONAL DATA (Continued)

MODEL COMPONENT: LO₂ PRESSURE LINE - PT₂₆

GENERAL DESCRIPTION: LO₂ pressure line on the T₃₅

MODEL SCALE: 0.010

DRAWING NUMBER VL78-000063, VL78-000062B, Martin-Marietta 82600207000

DIMENSIONS: in.		<u>FULL SCALE</u>	<u>MODEL SCALE</u>
Leading edge at:	X _T	360.733	3.607
	Y _T	15.145	.1515
	Z _T	407.718	4.077
Trailing edge at:	X _T	2083.5	20.835
	Y _T	63.25	0.633
	Z _T	609.0	6.090
Line diameter		2.0	0.020

Centerline of line located radially at $\phi = 207^\circ$.

TABLE III. MODEL DIMENSIONAL DATA (Continued)

<u>Component</u>	<u>Definition</u>						
PT ₂₉	External Tank fwd. electrical conduit per model dwg. SS-A01667-6. Located at:						
	<table border="0"> <thead> <tr> <th><u>Model Scale</u></th> <th><u>Full Scale</u></th> </tr> </thead> <tbody> <tr> <td>X_T = 3.607 → 8.600, In.</td> <td>X_T = 360.73 → 860.00, In.</td> </tr> <tr> <td>ϕ = Adjacent to PT₂₆</td> <td>ϕ = Adjacent to PT₂₆</td> </tr> </tbody> </table>	<u>Model Scale</u>	<u>Full Scale</u>	X _T = 3.607 → 8.600, In.	X _T = 360.73 → 860.00, In.	ϕ = Adjacent to PT ₂₆	ϕ = Adjacent to PT ₂₆
<u>Model Scale</u>	<u>Full Scale</u>						
X _T = 3.607 → 8.600, In.	X _T = 360.73 → 860.00, In.						
ϕ = Adjacent to PT ₂₆	ϕ = Adjacent to PT ₂₆						
PT ₃₃	External Tank LH ₂ pressure line per model dwg. SS-A01668-9. Located at:						
	<table border="0"> <thead> <tr> <th><u>Model Scale</u></th> <th><u>Full Scale</u></th> </tr> </thead> <tbody> <tr> <td>X_T = 10.600 → 20.580, In.</td> <td>X_T = 1060.00 → 2058.00, In.</td> </tr> <tr> <td>ϕ = 330°0'</td> <td>ϕ = 330°0'</td> </tr> </tbody> </table>	<u>Model Scale</u>	<u>Full Scale</u>	X _T = 10.600 → 20.580, In.	X _T = 1060.00 → 2058.00, In.	ϕ = 330°0'	ϕ = 330°0'
<u>Model Scale</u>	<u>Full Scale</u>						
X _T = 10.600 → 20.580, In.	X _T = 1060.00 → 2058.00, In.						
ϕ = 330°0'	ϕ = 330°0'						
PT ₃₉	External Tank nose probe per model dwg. SS-A01668-5. Located at:						
	<table border="0"> <thead> <tr> <th><u>Model Scale</u></th> <th><u>Full Scale</u></th> </tr> </thead> <tbody> <tr> <td>X_T = 3.225 → 3.413, In.</td> <td>X_T = 322.5 → 341.3, In.</td> </tr> <tr> <td>Max. Dia. = .069 in.</td> <td>Max. Dia. = 6.90 in.</td> </tr> </tbody> </table>	<u>Model Scale</u>	<u>Full Scale</u>	X _T = 3.225 → 3.413, In.	X _T = 322.5 → 341.3, In.	Max. Dia. = .069 in.	Max. Dia. = 6.90 in.
<u>Model Scale</u>	<u>Full Scale</u>						
X _T = 3.225 → 3.413, In.	X _T = 322.5 → 341.3, In.						
Max. Dia. = .069 in.	Max. Dia. = 6.90 in.						

TABLE III. MODEL DIMENSIONAL DATA (Continued)

MODEL COMPONENT: RUDDER - R₅

GENERAL DESCRIPTION: Configuration 140C orbiter rudder (identical to configuration 140A/B rudder)

MODEL SCALE: 0.010

DRAWING NUMBER: VL70-000146B, VL70-000095

DIMENSIONS:	<u>FULL SCALE</u>	<u>MODEL SCALE</u>
Area - Ft ²	100.15	0.010
Span (equivalent), In.	201.0	2.010
Inb'd equivalent chord, In.	91.585	0.916
Outb'd equivalent chord, In.	50.833	0.508
Ratio movable surface chord/total surface chord		
At inb'd equiv. chord	0.400	0.400
At outb'd equiv. chord	0.400	0.400
Sweep Back Angles, degrees		
Trailing edge	26.25	26.25
Hingeline	34.83	34.83
Area Moment (Product of Area and \bar{c}) Ft ³	610.92	0.0006
Mean Aerodynamic Chord, In.	73.2	0.732

ORIGINAL PAGE IS
OF POOR QUALITY

TABLE III. MODEL DIMENSIONAL DATA (Continued)

MODEL COMPONENT: BOOSTER SOLID ROCKET MOTOR- S₂₄

GENERAL DESCRIPTION: Booster Solid Rocket - Modified Vehicle-5, per ICD-2-00001, Rev. B

DRAWING NUMBER: SS-A01690, SS-A01667

SCALE: 0.010

DIMENSIONS:	<u>FULL SCALE</u>	<u>MODEL SCALE</u>
Length (Includes Nozzle) - in.	1789.6	17.896
Max. Width (Tank Dia.) - in.	150.0	1.500
Max. Depth (aft Shroud) - in.	208.0	2.08
Fineness Ratio	11.931	11.931
Area - Ft ²		
Max. Cross-Sectional	236.0	.02360
Planform		
Wetted		
Base		
WP of BSRM Centerline (Z _T) - in.	400.00	4.000
FS of BSRM Nose (X _T) - in.	200.00	2.000

TABLE III. MODEL DIMENSIONAL DATA (Continued)

MODEL COMPONENT: EXTERNAL TANK T₃₅

GENERAL DESCRIPTION: Spike nose configuration, updated Vehicle-5
(Dimensions are to tank structural OML, TPS included.).

MODEL SCALE: 0.010

DRAWING NUMBER: VC78-000002A, ICD-2-00001, Rev. B, VC72-000002E

DIMENSIONS:	<u>FULL SCALE</u>	<u>MODEL SCALE</u>
Length, In.	1852.500	18.525
Max Width, In.	336.000	3.360
Max Depth, In.	336.000	3.360
Fineness Ratio	5.513	5.513
Area - Ft ²		
Max. Cross-Sectional	615.752	.06158
Planform	--	--
Wetted	--	--
Base	604.806	.06048

TABLE III. MODEL DIMENSIONAL DATA (Continued)

MODEL COMPONENT: VERTICAL - V₈

GENERAL DESCRIPTION: Configuration 140A/B orbiter vertical tail

MODEL SCALE: 0.010 MODEL DRAWING: SS-A00148, Release 6

DRAWING NUMBER: VL70-000146A

DIMENSIONS:	<u>FULL SCALE</u>	<u>MODEL SCALE</u>
TOTAL DATA		
Area (Theo) - Ft ²		
Planform	413.253	0.041
Span (Theo) - In.	315.720	3.157
Aspect Ratio	1.675	1.675
Rate of Taper	0.507	0.507
Taper Ratio	0.404	0.404
Sweep-Back Angles, Degrees		
Leading Edge	45.00	45.00
Trailing Edge	26.2	26.2
0.25 Element Line	41.130	41.130
Chords:		
Root (Theo) WP	268.500	2.685
Tip (Theo) WP	108.470	1.085
MAC	199.808	1.998
Fus. Sta. of .25 MAC	1463.50	14.635
W.P. of .25 MAC	635.522	6.355
B.L. of .25 MAC	0.0	0.0
Airfoil Section		
Leading Wedge Angle - Deg.	10.0	10.0
Trailing Wedge Angle - Deg.	14.920	14.920
Leading Edge Radius	2.00	0.020
Void Area	13.17	0.001
Blanketed Area	0.0	0.0

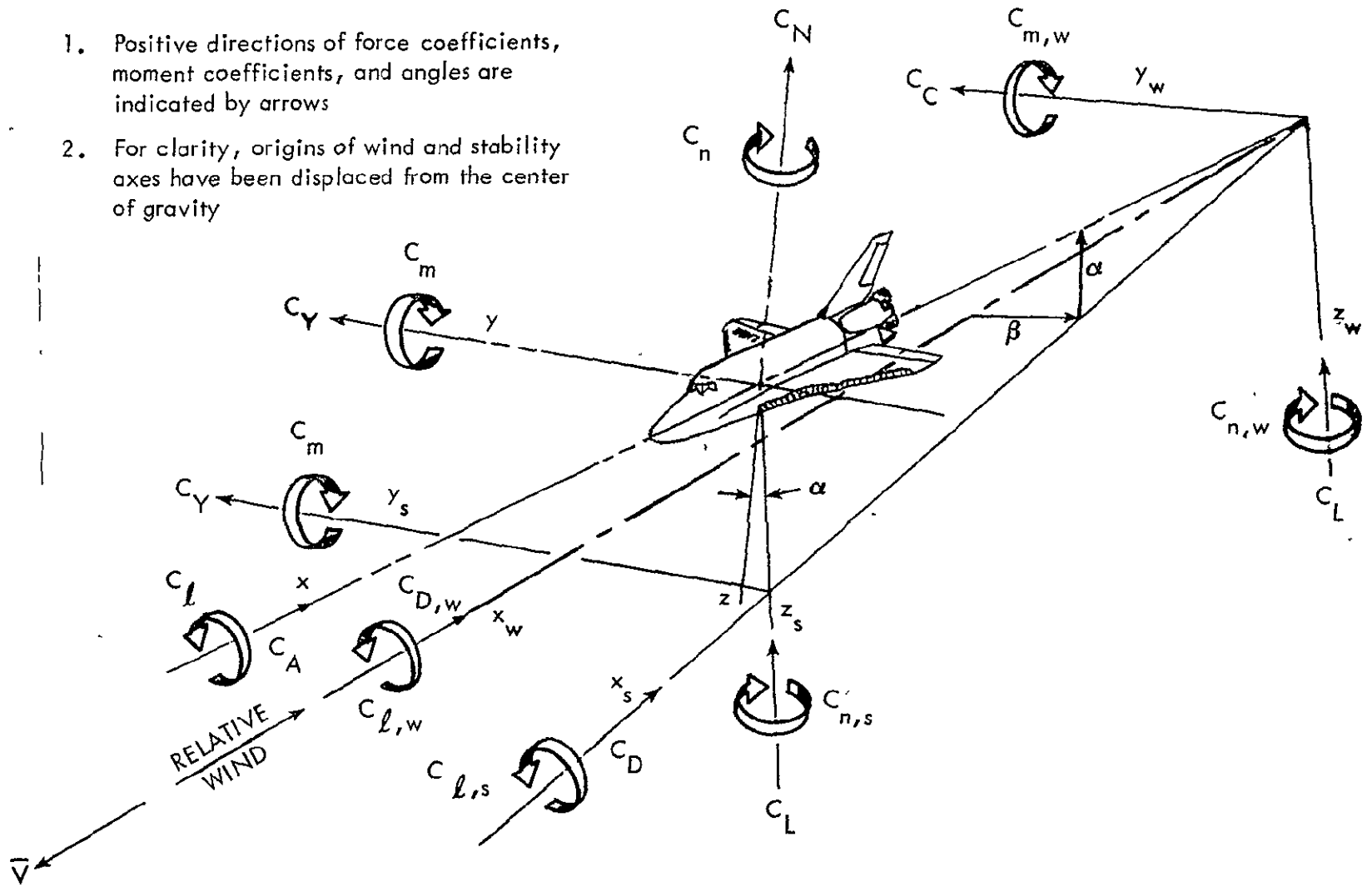
TABLE III. MODEL DIMENSIONAL DATA (Concluded)

MODEL COMPONENT: WING-W127			
GENERAL DESCRIPTION: Configuration 140C, orbiter wing, MCR 200-R4, similar to 140A/B wing W116 but with refinements: improved wing-boot-midbody fairing ($X_0 = 940$ to $X_0 = 1040$); elevon split line relocated from $Y_0 = 281$ to $Y_0 = 312.5$. MODEL SCALE: 0.010 DWG. NO: VL70-000140C, -000200B			
DIMENSIONS:		<u>FULL SCALE</u>	<u>MODEL SCALE</u>
<u>TOTAL DATA</u>			
Area (Theo.) Ft ²			
Planform		2690.00	0.2690
Span (Theo) In.		936.68	9.3668
Aspect Ratio		2.265	2.265
Rate of Taper		1.177	1.177
Taper Ratio		0.200	0.200
Dihedral Angle, degrees		3.500	3.500
Incidence Angle, degrees		0.500	0.500
Aerodynamic Twist, degrees		3.000	3.000
Sweep Back Angles, degrees			
Leading Edge		45.000	45.000
Trailing Edge		- 10.056	- 10.056
0.25 Element Line		35.209	35.209
Chords:			
Root (Theo) B.P.O.O.		689.24	6.892
Tip (Theo) B.P.		137.85	1.379
MAC		474.81	4.748
Fus. Sta. of .25 MAC		1136.83	11.368
W.P. of .25 MAC		290.58	2.906
B.L. of .25 MAC		182.13	1.821
<u>EXPOSED DATA</u>			
Area (Theo) Ft ²		1751.50	0.1752
Span (Theo) In. BP108		720.68	7.207
Aspect Ratio		2.059	2.059
Taper Ratio		0.245	0.245
Chords			
Root BP108		562.09	5.621
Tip 1.00 b/2		137.85	1.379
MAC		392.83	3.928
Fus. Sta. of .25 MAC		1185.98	11.860
W.P. of .25 MAC		294.30	2.943
B.L. of .25 MAC		251.77	2.518
Airfoil Section (Rockwell Mod NASA)XXXX-64			
Root b/2		0.113	0.113
Tip b/2		0.12	0.12
Data for (1) of (2) Sides			
Leading Edge Cuff			
Planform Area Ft ²		113.18	0.01132
Leading Edge Intersects Fus M.L. @ Sta		500.00	5.000
Leading Edge Intersects Wing @ Sta		1024.00	10.240

ORIGINAL PAGE IS
OF POOR QUALITY

Notes:

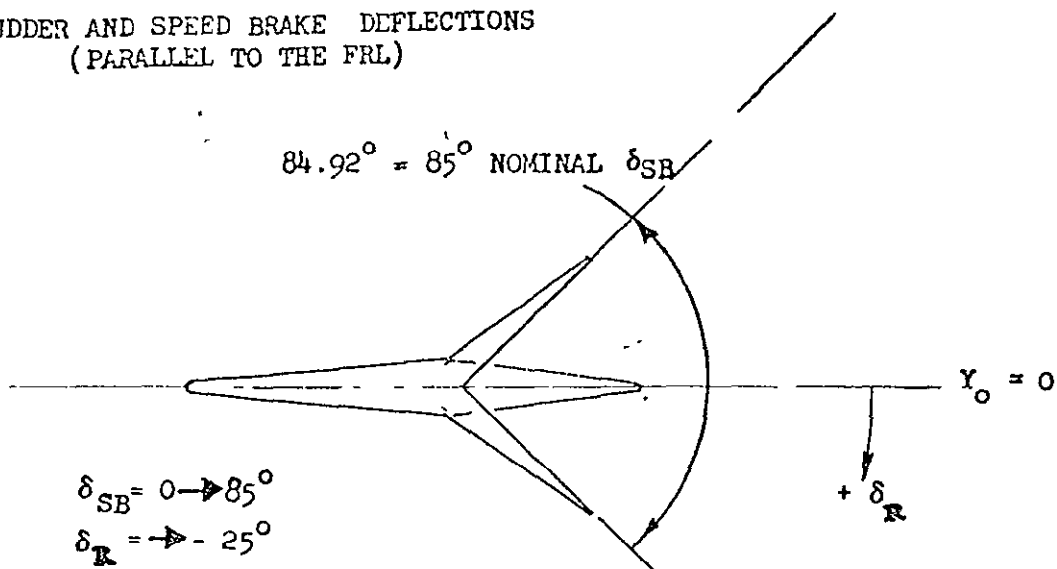
1. Positive directions of force coefficients, moment coefficients, and angles are indicated by arrows
2. For clarity, origins of wind and stability axes have been displaced from the center of gravity



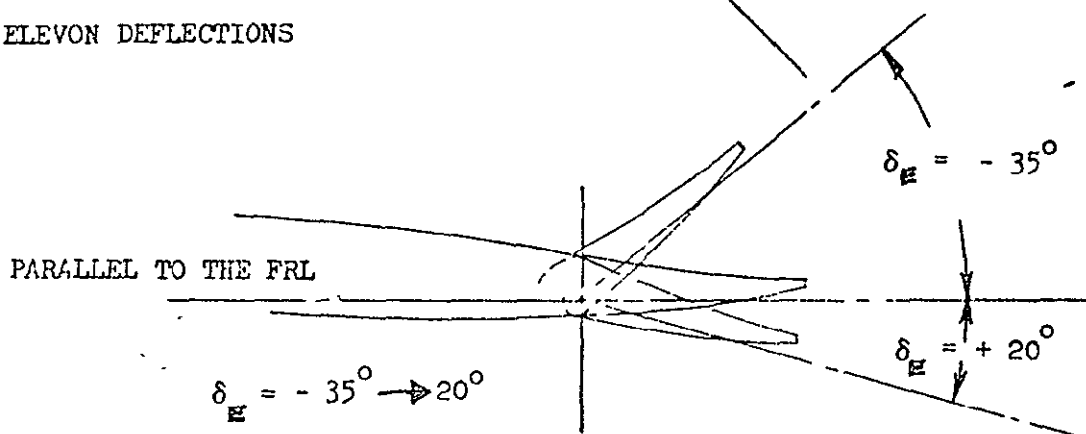
59

a. General
Figure 1. Axis Systems

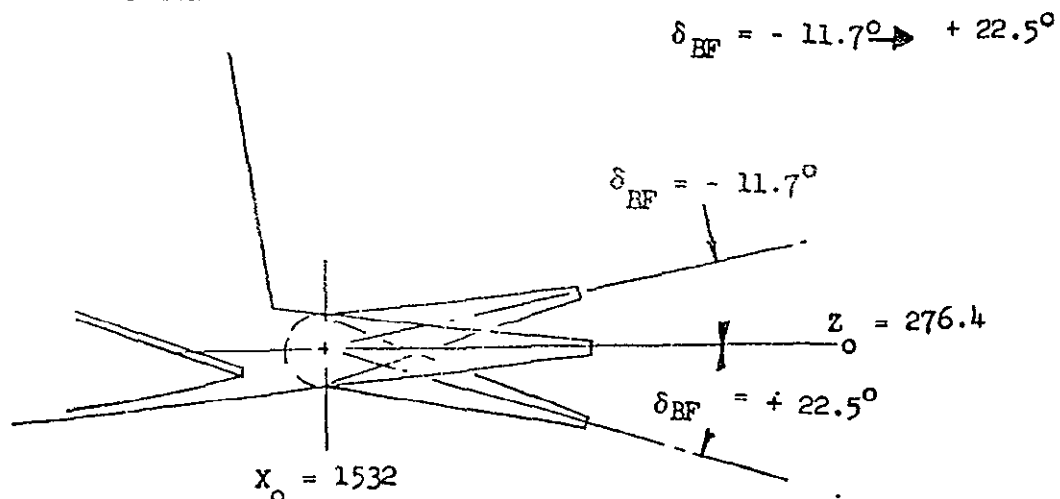
RUDDER AND SPEED BRAKE DEFLECTIONS
(PARALLEL TO THE FRL)



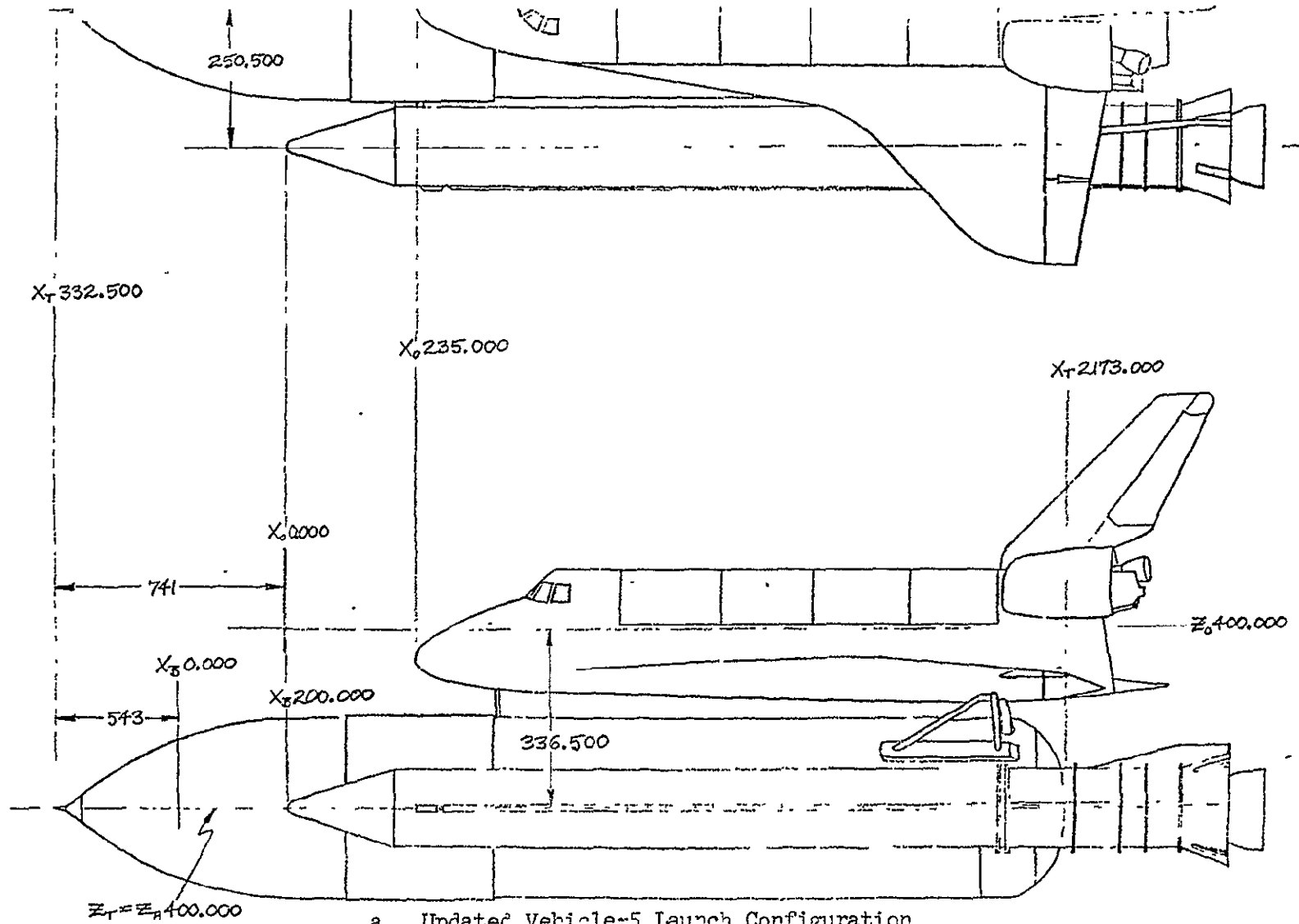
ELEVON DEFLECTIONS



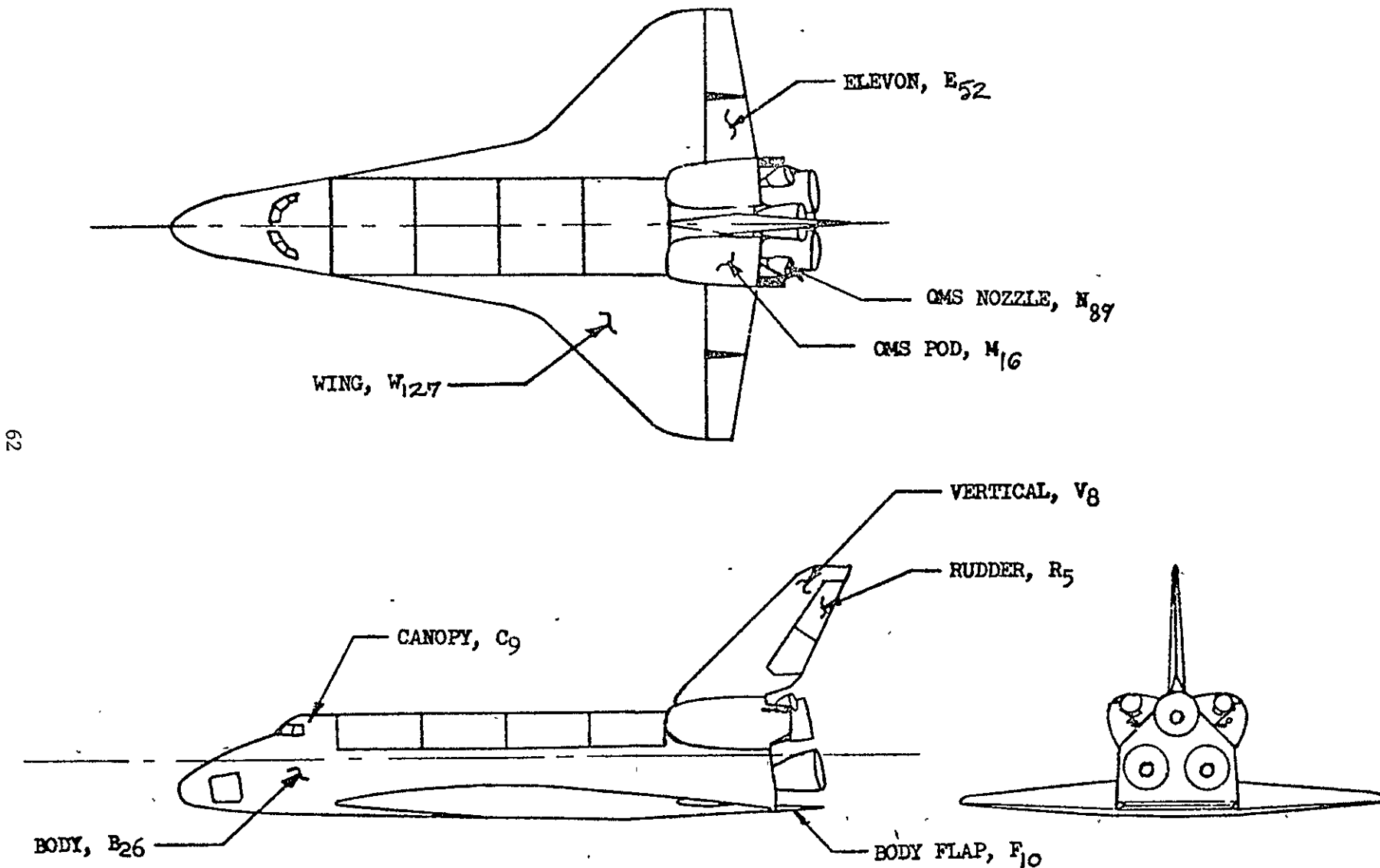
BODY FLAP DEFLECTIONS



b. Control Surfaces
Figure 1. Continued.

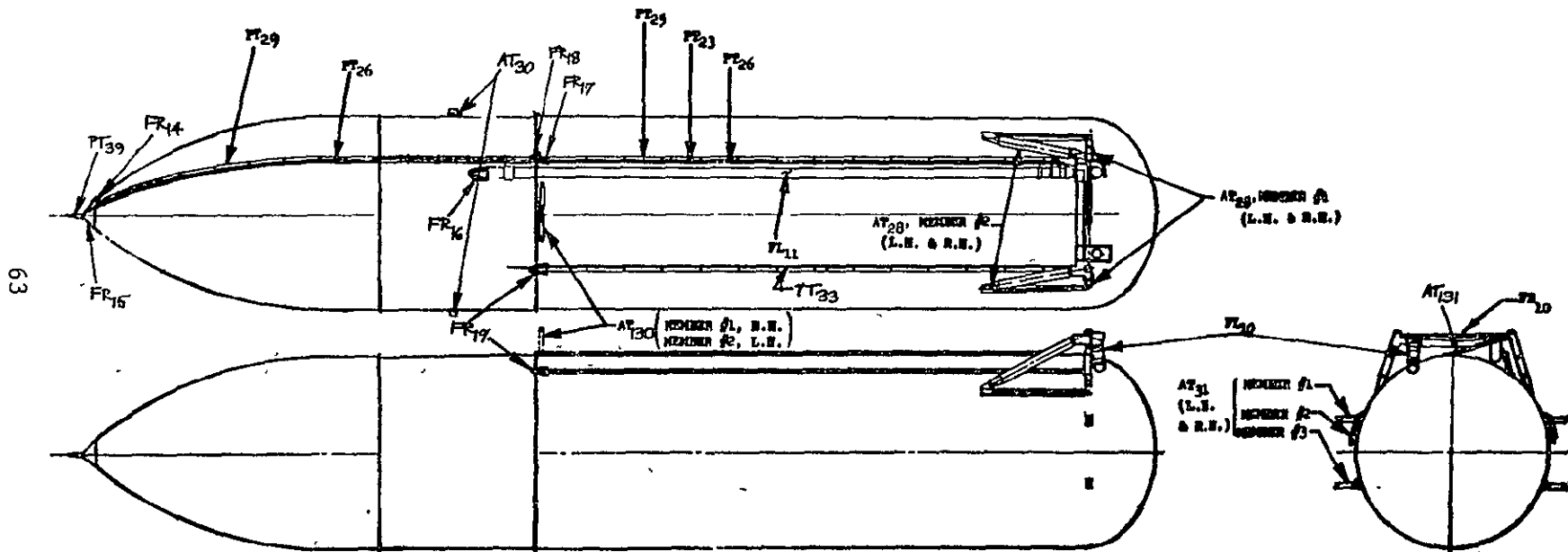


a. Updated Vehicle-5 Launch Configuration
 Figure 2. Model sketches.

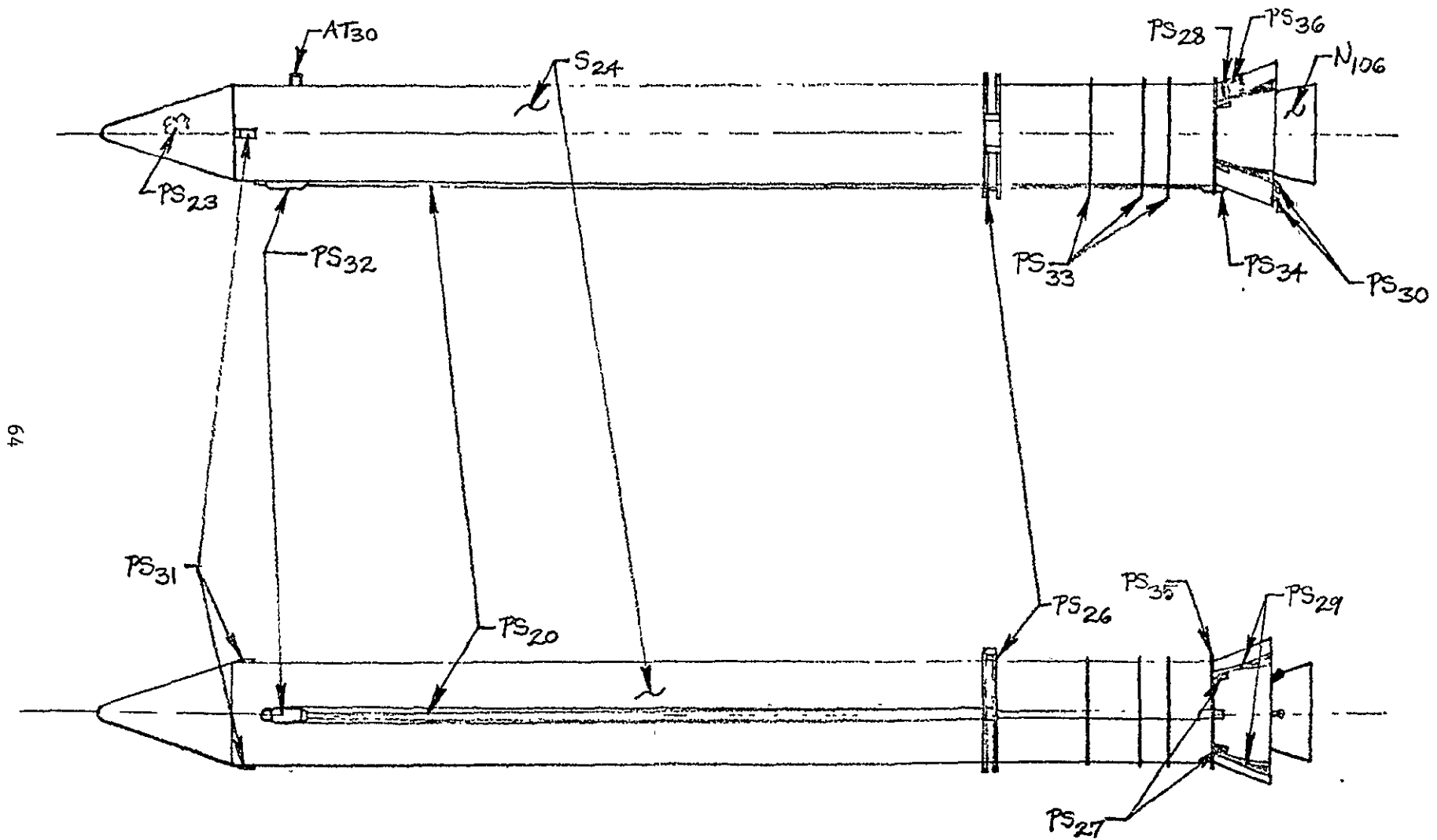


b. Orbiter
Figure 2. Continued.

ORIGINAL PAGE IS
OF POOR QUALITY



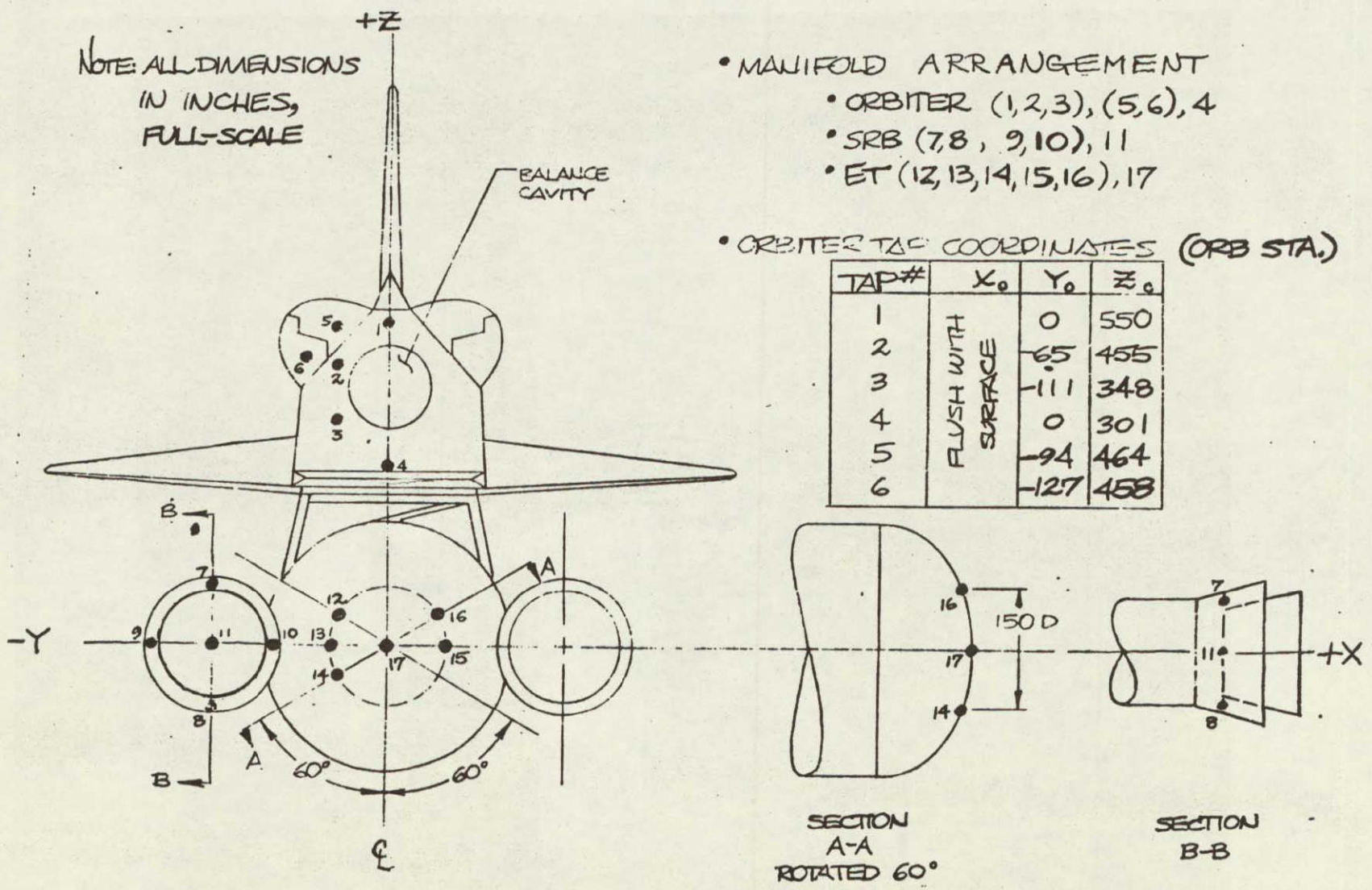
c. External Tank
Figure 2. Continued.



d. Solid Rocket Booster
Figure 2. Continued.

ORIGINAL PAGE IS
OF POOR QUALITY

NOTE: ALL DIMENSIONS
IN INCHES,
FULL-SCALE



- MANIFOLD ARRANGEMENT
 - ORBITER (1,2,3), (5,6), 4
 - SRB (7,8, 9,10), 11
 - ET (12,13,14,15,16), 17
- ORBITER TAP COORDINATES (ORB STA.)

e. Base Pressure Tap Locations
Figure 2. Concluded.

ORIGINAL PAGE IS
OF POOR QUALITY

66

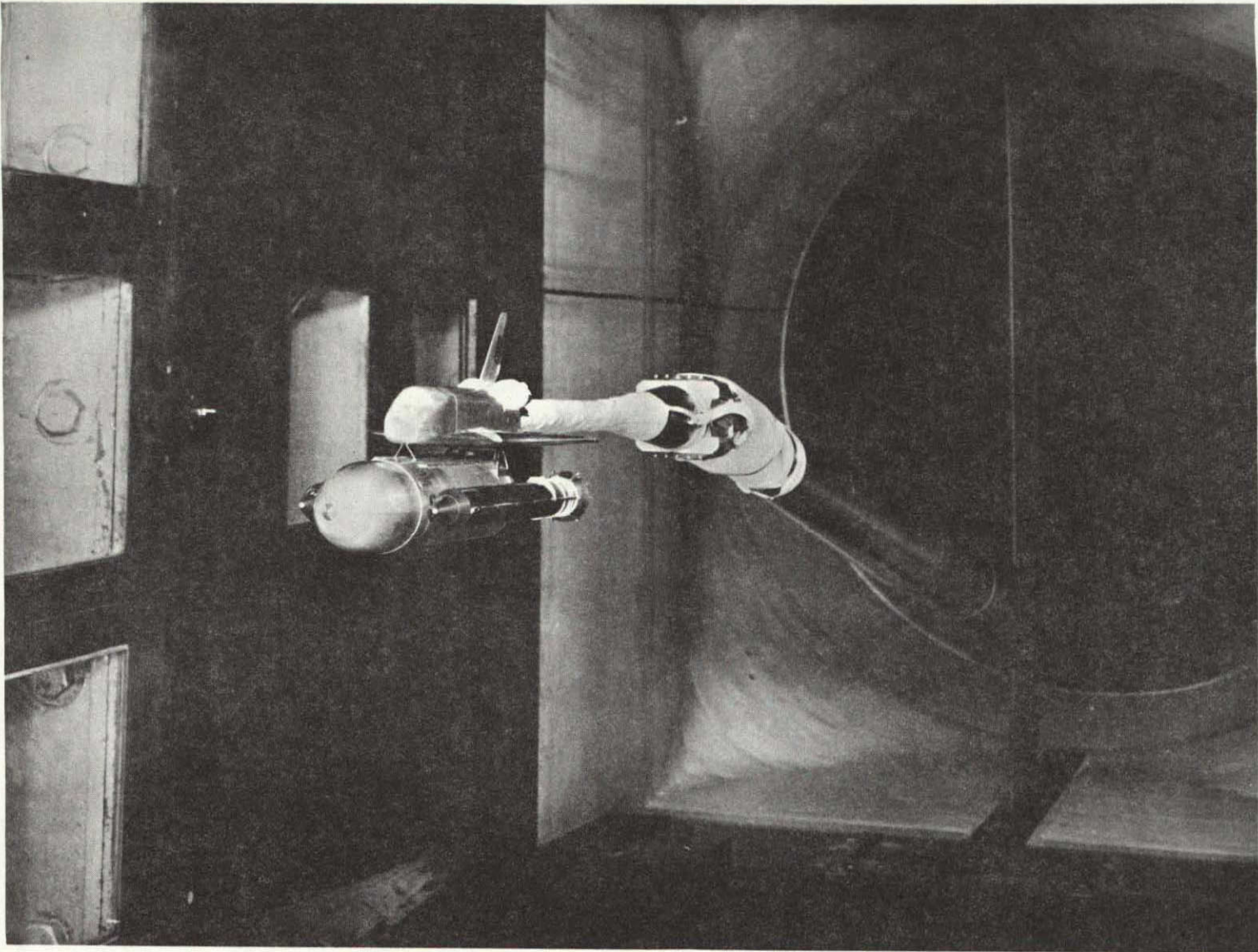


Figure 3. Model installation photograph.

DATE 29 OCT 76

TABULATED SOURCE DATA - 1A93.

PAGE 1

LARC 8FT TPT 749 (1A93) OTSAT130

(RJ001) (24 JUN 76)

REFERENCE DATA

PARAMETRIC DATA

SREF = 2690.0000 SQ.FT. XMRP = 976.0000 IN. XT
 LREF = 1290.3000 INCHES YMRP = .0000 IN. YT
 BREF = 1290.3000 INCHES ZMRP = 400.0000 IN. ZT
 SCALE = .0100

BETA = .000 ELV-L1 = 10.000
 ELV-LO = 9.000 ELV-R1 = 10.000
 ELV-RO = 9.000

RUN NO. 1/ 0 RN/L = 4.48 GRADIENT INTERVAL = -5.00/ 5.00

MACH	ALPHA	CPB1	CPB2	CPB3	CPB4,5	CPB6	CPB7	CPB8	CPC0	CAU	BETA
.599	-8.689	-24645	-.23851	-.26423	-41504	-34140	-.37452	-.37180	-.23563	.29079	-.03232
.599	-6.523	-.24242	-.23585	-.25698	-.38967	-.32616	-.35587	-.35330	-.23337	.28944	-.02844
.599	-4.386	-.23928	-.23459	-.25266	-.37331	-.31926	-.34013	-.33930	-.22968	.28832	-.02451
.599	-2.250	-.23305	-.23011	-.24536	-.36270	-.30990	-.32577	-.32763	-.22548	.28693	-.00931
.599	-.095	-.22706	-.22602	-.23564	-.35609	-.30529	-.31726	-.31926	-.22111	.28317	-.00376
.599	2.034	-.21831	-.22092	-.22745	-.35448	-.30449	-.30611	-.30568	-.21640	.27609	-.00713
.600	4.198	-.20434	-.21126	-.22235	-.35533	-.30207	-.29362	-.29280	-.20877	.26643	-.01252
	GRADIENT	.00395	.00260	.00366	.00206	.00185	.00525	.00536	.00237	-.00255	.00122

LARC 8FT TPT 749 (1A93) OTSAT130

(RJ002) (24 JUN 76)

REFERENCE DATA

PARAMETRIC DATA

SREF = 2690.0000 SQ FT. XMRP = 976.0000 IN. XT
 LREF = 1290.3000 INCHES YMRP = .0000 IN. YT
 BREF = 1290.3000 INCHES ZMRP = 400.0000 IN. ZT
 SCALE = 0100

BETA = -6.000 ELV-L1 = 10.000
 ELV-LO = 9.000 ELV-R1 = 10.000
 ELV-RO = 9.000

RUN NO. 4/ 0 RN/L = 3.16 GRADIENT INTERVAL = -5.00/ 5.00

MACH	ALPHA	CPB1	CPB2	CPB3	CPB4,5	CPB6	CPB7	CPB8	CPC0	CAJ	BETA
.598	-8.545	-.25586	-.24558	-.27831	-.44048	-.41721	-.39891	-.39012	-.24065	.29119	-6.32910
.599	-6.408	-.25174	-.24092	-.27034	-.42752	-.40394	-.37655	-.37254	-.23695	.29279	-6.36194
.599	-4.305	-.24877	-.24014	-.26472	-.42184	-.39050	-.35797	-.35871	-.23457	.29146	-6.37863
.599	-2.192	-.24315	-.23709	-.25591	-.41502	-.37887	-.33922	-.34301	-.22873	.28940	-6.38399
.599	-.054	-.23680	-.23305	-.24787	-.40695	-.36929	-.32755	-.33190	-.22469	.28571	-6.38429
.599	2.036	-.23094	-.22853	-.24089	-.39752	-.35701	-.32267	-.32607	-.21845	.27968	-6.38033
.599	4.168	-.22713	-.22321	-.23804	-.38802	-.34922	-.31600	-.31922	-.21502	.27042	-6.38299
	GRADIENT	.00262	.00203	.00323	.00402	.00493	.00475	.00453	.00233	-.00245	-.00024

ORIGINAL PAGE IS OF POOR QUALITY

PRECEDING PAGE BLANK NOT FILMED

LARC 8FT TPT 749 (1A93) OTSAT130

(RJ002) (24 JUN 76)

REFERENCE DATA

SREF = 2690.0000 SQ.FT. XMRP = 976.0000 IN. XT
 LREF = 1290.3000 INCHES YMRP = .0000 IN. YT
 BREF = 1290.3000 INCHES ZMRP = 400.0000 IN. ZT
 SCALE = .0100

PARAMETRIC DATA

BETA = -6.000 ELV-L1 = 10.000
 ELV-LO = 9.000 ELV-R1 = 10.000
 ELV-RO = 9.000

RUN NO 11/ 0 RN/L = 3 97 GRADIENT INTERVAL = -5.00/ 5 00

MACH	ALPHA	CPB1	CPB2	CPB3	CPB4,5	CPB6	CPB7	CPB8	CPCO	CAU	BETA
.899	-9.015	- 32023	- .30821	- .32571	- .44021	- .43750	- .42066	- .40855	- .30122	.36171	6.51832
.899	-6 714	- 31480	- .30133	- 31695	- .42838	- .42601	- .40075	- .38987	- .29366	.35914	-6.55943
.899	-4 575	- 31000	- 28671	- 30837	- .43339	- .41260	- .39012	- .39311	- .28115	.35561	-6.56484
.900	-2.377	- .30841	- 27586	- .30154	- .43354	- .40125	- .38000	- .38098	- .27410	.35316	-6 56514
.899	-.186	- 30247	- 27339	- .29450	- .43526	- .40006	- .36503	- 36255	- .27028	.34913	-6 55945
.899	2 059	- .30406	- .26689	- .29574	- .44669	- .40563	- 35379	- .34638	- .26825	.34335	-6.54399
.900	4.306	- 30343	- 25671	- 29903	- .43486	- 39489	- .34748	- .34176	- .26645	.33869	-6.53968
	GRADIENT	00079	00311	00110	-.00072	.00140	.00502	.00618	00159	-.00197	.00322

RUN NO. 16/ 0 RN/L = 4 07 GRADIENT INTERVAL = -5.00/ 5 00

MACH	ALPHA	CPB1	CPB2	CPB3	CPB4,5	CPB6	CPB7	CPB8	CPCO	CAU	BETA
975	-9.233	- .37230	- 37829	- .37808	- .52861	- 51641	- .47765	- 47762	- 36765	.43985	-6.58705
.976	-6.943	- .35733	- 36490	- 36077	- .54208	- .51924	- .45557	- 44488	- .35332	.43893	-6.60849
976	-4.684	- .34411	- 34249	- .34697	- .54056	- 50749	- .44060	- .43395	- 33411	.43288	-6.61849
.975	-2.444	- 33449	- 33042	- .33594	- .52856	- 48649	- .42928	- 42252	- .32295	.42873	-6.61079
975	-.205	- .33084	- 32356	- .33157	- .53070	- .48284	- .42220	- 41773	- 31847	.42714	-6.59754
.975	2.029	- 32906	- .32116	- .33145	- 53201	- .48537	- .41477	- .40449	- .31710	.42301	-6.58108
.975	4 275	- 33530	- .32698	- .33592	- .54678	- .49039	- .41533	- .40432	- .32127	.41968	-6.57042
	GRADIENT	.00103	.00180	.00119	-.00071	00158	.00290	.00345	00141	-.00143	.00562

RUN NO 27/ 0 RN/L = 4.23 GRADIENT INTERVAL = -5.00/ 5 00

MACH	ALPHA	CPB1	CPB2	CPB3	CPB4,5	CPB6	CPB7	CPB8	CPCO	CAU	BETA
1.149	-7.118	- 35300	- .34278	- .39234	- .55629	- .51256	- .41997	- .42703	- .33665	.49957	-6.65426
1.149	-4.803	- .34723	- .33841	- 38365	- .54712	- .50468	- .40868	- 40912	- .33329	.49761	-6 66103
1.150	-2.522	- .34361	- .33452	- .36982	- .53399	- .48623	- .40008	- 40457	- .32977	.49711	-6 66026
1.149	-.225	- 33536	- 32794	- 35434	- .52779	- .47541	- 38690	- 39507	- .32299	.49379	-6.64463
1.149	2.025	- .32828	- .32539	- 34452	- .51417	- .46705	- .37411	- .37989	- .31795	.48905	-6.64187
	GRADIENT	00286	.00200	.00583	.00461	.00543	.00513	.00426	.00232	-.00127	.00321

LARC 8FT TPT 749 (1A93) OTSAT130

(RJ002) (24 JUN 76)

REFERENCE DATA

SREF = 2690.0000 SQ.FT. XMRP = 976.0000 IN. XT
 LREF = 1290.3000 INCHES YMRP = .0000 IN. YT
 BREF = 1290.3000 INCHES ZMRP = 400.0000 IN. ZT
 SCALE = .0100

PARAMETRIC DATA

BETA = -6.000 ELV-LI = 10.000
 ELV-LO = 9.000 ELV-RI = 10.000
 ELV-RO = 9.000

RUN NO. 30/ 0 RN/L = 4.22 GRADIENT INTERVAL = -5.00/ 5.00

MACH	ALPHA	CPB1	CPB2	CPB3	CPB4,5	CPB6	CPB7	CPB8	CPCO	CAU	BETA
1.205	-9.542	-.36082	-.34932	-.39578	-.55780	-.50676	-.42398	-.43363	-.34235	.51459	-6.65151
1.205	-7.166	-.35103	-.33981	-.38943	-.54818	-.49257	-.41221	-.42123	-.33284	.51173	-6.65944
1.205	-4.833	-.34555	-.33506	-.38479	-.53764	-.48462	-.39820	-.40137	-.32980	.50999	-6.66734
1.205	-2.524	-.34028	-.33071	-.37467	-.52881	-.47070	-.38662	-.39096	-.32544	.50922	-6.66330
1.205	-.240	-.33162	-.32396	-.35876	-.52422	-.46287	-.37267	-.38079	-.31806	.50695	-6.65667
1.205	2.032	-.32659	-.32281	-.35195	-.51464	-.45628	-.36125	-.36776	-.31573	.50309	-6.64637
1.205	4.304	-.32436	-.32256	-.35080	-.49971	-.44215	-.34859	-.34869	-.31504	.49364	-6.64136
	GRADIENT	.00246	.00144	.00398	.00394	.00435	.00563	.00563	.00172	-.00170	.00302

LARC 8FT TPT 749 (1A93) OTSAT130

(RJ003) (24 JUN 76)

REFERENCE DATA

SREF = 2690.0000 SQ.FT. XMRP = 976.0000 IN. XT
 LREF = 1290.3000 INCHES YMRP = .0000 IN. YT
 BREF = 1290.3000 INCHES ZMRP = 400.0000 IN. ZT
 SCALE = .0100

PARAMETRIC DATA

BETA = -4.000 ELV-LI = 10.000
 ELV-LO = 9.000 ELV-RI = 10.000
 ELV-RO = 9.000

RUN NO. 3/ 0 RN/L = 3.16 GRADIENT INTERVAL = -5.00/ 5.00

MACH	ALPHA	CPB1	CPB2	CPB3	CPB4,5	CPB6	CPB7	CPB8	CPCO	CAU	BETA
.599	-8.500	-.25391	-.24593	-.27518	-.42549	-.39790	-.38607	-.37787	-.23872	.29435	-4.24598
.599	-6.391	-.24859	-.24328	-.26514	-.40967	-.38226	-.36488	-.36086	-.23454	.29413	-4.26440
.599	-4.283	-.24358	-.24057	-.25748	-.40464	-.37230	-.34786	-.34746	-.23087	.29370	-4.27565
.599	-2.162	-.23561	-.23148	-.25486	-.40116	-.36465	-.33261	-.33583	-.22711	.29231	-4.27784
.599	-.077	-.23046	-.22824	-.24516	-.39470	-.35668	-.32348	-.32613	-.22331	.28812	-4.28149
.599	2.029	-.22194	-.22164	-.23494	-.38400	-.34316	-.31568	-.31813	-.21670	.28026	-4.28188
.599	4.138	-.21622	-.21669	-.22659	-.37615	-.33376	-.30681	-.31078	-.20813	.27101	-4.27648
	GRADIENT	.00325	.00274	.00369	.00352	.00469	.00471	.00433	.00266	-.00273	-.00027

LARC 8FT TPT /49 (1A93) OTSAT130

(RJ003) (24 JUN 76)

REFERENCE DATA

SREF = 2690.0000 SQ.FT. XMRP = 976 0000 IN. XT
 LREF = 1290.3000 INCHES YMRP = 0000 IN. YT
 BREF = 1290 3000 INCHES ZMRP = 400 0000 IN. ZT
 SCALE = .0100

PARAMETRIC DATA

BETA = -4.000 ELV-L1 = 10.000
 ELV-LQ = 9.000 ELV-R1 = 10.000
 ELV-RO = 9.000

RUN NO. 10/ 0 RN/L = 3.97 GRADIENT INTERVAL = -5.00/ 5.00

MACH	ALPHA	CPB1	CPB2	CPB3	CPB4.5	CPB6	CPB7	CPB8	CPCO	CAU	BETA
.900	-8.989	- 31033	-.29990	-.31551	-.42212	-.41619	-.42370	-.42031	-.29257	.36319	-4.37029
.900	-6.786	-.30634	-.29191	-.30684	-.41260	-.40233	-.40177	-.40330	-.28368	.35911	-4.38110
.899	-4.539	-.30511	-.28015	-.30204	-.41120	-.39108	-.38972	-.39048	-.27369	.35377	-4.36537
.899	-2.273	-.30101	-.27739	-.29740	-.40650	-.37877	-.36373	-.36214	-.27182	.34896	-4.38684
.899	-.144	-.29522	-.27362	-.29062	-.41551	-.38117	-.34979	-.34462	-.26745	.34359	-4.37765
.900	2.146	-.29591	-.26819	-.28762	-.42769	-.38903	-.34013	-.33004	-.26384	.33874	-4.37060
.899	4.252	-.29096	-.25664	-.28425	-.41776	-.37742	-.33721	-.33026	-.25486	.33488	-4.36508
	GRADIENT	00151	00255	.00206	-.00157	.00077	00586	.00695	00207	-.00218	00258

RUN NO 15/ 0 RN/L = 4.08 GRADIENT INTERVAL = -5.00/ 5.00

MACH	ALPHA	CPB1	CPB2	CPB3	CPB4.5	CPB6	CPB7	CPB8	CPCO	CAU	BETA
.975	-9.195	- 35817	-.36864	-.36337	-.51167	-.50259	-.47594	-.48430	-.35685	.44299	-4.44138
.976	-6.911	-.33886	-.35495	-.34391	-.52210	-.50041	-.44499	-.44631	-.34233	.43820	-4.45135
.975	-4.664	-.32174	-.33996	-.32882	-.51151	-.48432	-.42935	-.43005	-.32762	.43296	-4.45264
.975	-2.429	-.31398	-.32507	-.31953	-.50606	-.46761	-.42207	-.41976	-.31490	.42814	-4.44714
.975	-.207	-.31329	-.31630	-.31511	-.51578	-.46893	-.41198	-.40450	-.30789	.42411	-4.43688
.975	2.040	-.31251	-.31895	-.31775	-.52003	-.47255	-.40657	-.39453	-.31011	.41923	-4.43007
.975	4.262	-.31208	-.31904	-.32126	-.53599	-.48115	-.40502	-.39090	-.30948	.41741	-4.42548
	GRADIENT	00093	.00215	.00076	-.00282	.00006	.00287	.00464	00184	-.00179	.00320

RUN NO. 26/ 0 RN/L = 4.17 GRADIENT INTERVAL = -5.00/ 5.00

MACH	ALPHA	CPB1	CPB2	CPB3	CPB4.5	CPB6	CPB7	CPB8	CPCO	CAU	BETA
1.149	-7.114	-.34839	-.33744	-.37423	-.54188	-.50054	-.41197	-.42024	-.32836	.49873	-4.45272
1.149	-4.784	-.34169	-.33149	-.36203	-.53493	-.49322	-.39727	-.40240	-.32517	.49551	-4.45301
1.149	-2.503	-.33670	-.32762	-.35071	-.52121	-.47519	-.38852	-.39319	-.32360	.49411	-4.44740
1.149	-.238	-.32575	-.32011	-.33768	-.51870	-.47094	-.37849	-.38095	-.31506	.49064	-4.43910
1.149	2.030	-.31437	-.31455	-.32588	-.50952	-.46359	-.36797	-.36730	-.30674	.48443	-4.43458
	GRADIENT	.00409	.00257	.00535	.00347	.00409	00431	.00518	00281	-.00162	.00284

LARC 8FT TPT 749 (1A93) OTSAT130

(RJ003) (24 JUN 76)

REFERENCE DATA

PARAMETRIC DATA

SREF = 2690.0000 SQ.FT. XMRP = 976.0000 IN. XT
 LREF = 1290.3000 INCHES YMRP = .0000 IN. YT
 BREF = 1290.3000 INCHES ZMRP = 400.0000 IN. ZT
 SCALE = .0100

BETA = -4.000 ELV-LI = 10.000
 ELV-LO = 9.000 ELV-RI = 10.000
 ELV-RO = 9.000

RUN NO. 29/ 0 RN/L = 4.22 GRADIENT INTERVAL = -5.00/ 5.00

MACH	ALPHA	CPB1	CPB2	CPB3	CPB4,5	CPB6	CPB7	CPB8	CPCO	CAU	BETA
1.205	-9.473	-.35216	-.34093	-.38194	-.55742	- 50960	-.41184	-.41780	-.32973	.51583	-4.43404
1.205	-7.114	-.34478	-.33277	- 37609	-.53454	- 48398	-.40200	- 40895	-.32462	.51125	-4.44578
1.205	-4.797	-.33943	-.32626	- 36881	-.51926	-.47011	-.38634	- 39177	-.32270	.50779	-4.45019
1.205	-2.488	-.33280	-.32235	- 35833	-.51071	- 45753	-.37395	- 37748	-.31860	.50685	-4.43839
1.205	- 235	-.32428	-.31682	-.34470	-.51202	-.45554	-.36443	- 36689	- 31209	.50369	-4.42812
1.205	2 026	-.31372	- 31212	-.33085	-.50414	-.44935	-.35326	- 35230	- 30549	.49884	-4.42409
1.205	4 297	-.30982	- 31049	- 32867	-.49008	-.43495	-.34082	- 33482	- 30224	.49052	-4.41721
	GRADIENT	00345	.00184	.00475	.00286	.00346	.00492	.00613	.00238	-.00187	.00354

LARC 8FT TPT 749 (1A93) OTSAT130

(RJ004) (30 JUN 76)

REFERENCE DATA

PARAMETRIC DATA

SREF = 2690.0000 SQ FT. XMRP = 976.0000 IN. XT
 LREF = 1290.3000 INCHES YMRP = .0000 IN. YT
 BREF = 1290.3000 INCHES ZMRP = 400.0000 IN. ZT
 SCALE = .0100

BETA = .000 ELV-LI = 10.000
 ELV-LO = 9.000 ELV-RI = 10.000
 ELV-RO = 9.000

RUN NO. 0/ 0 RN/L = 3.16 GRADIENT INTERVAL = -5.00/ 5.00

MACH	ALPHA	CPB1	CPB2	CPB3	CPB4,5	CPB6	CPB7	CPB8	CPCO	CAU	BETA
.600	-8 465	-.24587	-.23773	-.26334	-.41284	-.33901	-.36891	-.36718	-.23585	.29170	-.02708
.599	-6 364	-.24243	-.23600	- 25729	-.38848	-.32534	-.35186	-.35050	-.23297	.29039	- 02286
.599	-4.260	-.23860	-.23370	- 25136	-.37017	-.31702	-.33531	-.33586	-.22896	.28871	- 01839
.599	-2.164	-.23242	-.22981	- 24331	-.36094	-.31267	-.32241	-.32524	-.22431	.28666	- 00720
.600	- 076	-.22636	-.22454	- 23384	-.35310	-.30399	-.31484	-.31785	-.21999	.28323	- 00407
.599	2.023	-.21703	-.21940	- 22569	-.35045	-.30298	-.30414	-.30488	-.21503	.27539	- 00207
.599	4.126	-.20334	-.21070	- 22118	-.35272	-.30139	-.29171	-.29131	-.20841	.26688	- 00682
	GRADIENT	.00410	00269	00372	.00216	.00195	.00503	.00522	.00240	-.00262	.00135

LARC BFT TPT 749 (IA93) OTSAT130

(RJ004) (30 JUN 76)

REFERENCE DATA

SREF = 2690.0000 SQ.FT. XMRP = 976.0000 IN. XT
 LREF = 1290.3000 INCHES YMRP = .0000 IN. YT
 BREF = 1290.3000 INCHES ZMRP = 400.0000 IN. ZT
 SCALE = .0100

PARAMETRIC DATA

BETA = .000 ELV-LI = 10.000
 ELV-LO = 9.000 ELV-RI = 10.000
 ELV-RO = 9.000

RUN NO. 0/ 0 RN/L = 3.97 GRADIENT INTERVAL = -5.00/ 5.00

MACH	ALPHA	CPB1	CPB2	CPB3	CPB4,5	CPB6	CPB7	CPB8	CPCO	CAU	BETA
.899	-8.945	-.29112	-.28329	-.30500	-.39668	-.36064	-.42615	-.41828	-.27682	.35783	-.02337
.900	-6.743	-.29080	-.27840	-.30754	-.37518	-.33601	-.40210	-.39749	-.27239	.35030	-.01851
.900	-4.529	-.28936	-.28020	-.30142	-.35018	-.32318	-.37730	-.37984	-.27330	.34206	-.01573
.900	-2.338	-.29167	-.28049	-.30595	-.34099	-.31891	-.34551	-.34001	-.27504	.33681	-.00309
.899	-.151	-.28552	-.27167	-.29748	-.34941	-.32362	-.33380	-.32293	-.26554	.33319	.00718
.900	2.071	-.28255	-.26884	-.29406	-.36210	-.33288	-.32205	-.30393	-.26349	.33071	.01383
.900	4.244	-.27429	-.26394	-.28550	-.37043	-.33405	-.32065	-.31012	-.25826	.32677	.01805
	GRADIENT	00179	.00201	00199	-.00281	-.00163	.00623	.00800	.00190	-.00167	.00385

RUN NO. 0/ 0 RN/L = 4.07 GRADIENT INTERVAL = -5.00/ 5.00-

MACH	ALPHA	CPB1	CPB2	CPB3	CPB4,5	CPB6	CPB7	CPB8	CPCO	CAU	BETA
.975	-9.168	-.32987	-.34541	-.34747	-.50474	-.47002	-.46600	-.46142	-.33564	.43911	-.03126
.976	-6.890	-.31614	-.33497	-.33222	-.48942	-.45337	-.44416	-.44134	-.32534	.43369	-.02572
.976	-4.641	-.30872	-.33388	-.32431	-.47289	-.43397	-.42514	-.42346	-.32093	.42707	-.02189
.976	-2.419	-.30489	-.34715	-.32701	-.45333	-.41357	-.41031	-.41080	-.32613	.42167	-.00674
.975	-.207	-.30491	-.34957	-.32848	-.44793	-.40825	-.39907	-.39894	-.33061	.41745	.00684
.975	2.007	-.30967	-.35278	-.33386	-.45984	-.41012	-.39410	-.39263	-.33672	.41314	.00968
.975	4.228	-.31150	-.35005	-.33662	-.47435	-.42129	-.38382	-.37737	-.33533	.40798	.00763
	GRADIENT	-.00047	-.00171	-.00142	-.00043	.00130	.00446	.00498	-.00178	-.00211	.00340

RUN NO. 0/ 0 RN/L = 4.18 GRADIENT INTERVAL = -5.00/ 5.00

MACH	ALPHA	CPB1	CPB2	CPB3	CPB4,5	CPB6	CPB7	CPB8	CPCO	CAU	BETA
1.150	-7.054	-.34659	-.34805	-.35146	-.51959	-.47818	-.41384	-.41086	-.33274	.49545	-.03451
1.149	-4.759	-.33888	-.34029	-.34516	-.50774	-.46393	-.39834	-.39416	-.32835	.49126	-.02759
1.149	-2.484	-.32834	-.33457	-.33980	-.49594	-.44625	-.38468	-.38042	-.32336	.48988	-.01395
1.149	-.237	-.31290	-.33664	-.33167	-.48645	-.43108	-.36796	-.35688	-.31826	.48619	-.00391
1.149	2.010	-.30193	-.32837	-.32037	-.48516	-.43016	-.35608	-.34105	-.30869	.47848	-.00470
	GRADIENT	.00560	.00149	00366	.00343	00517	00636	.00811	.00284	-.00186	.00349

LARC 8FT TPT 749 (1A93) OTSAT130

(RJJ004) (30 JUN 76)

REFERENCE DATA

SREF = 2690.0000 SQ.FT XMRP = 976.0000 IN. XT
 LREF = 1290.3000 INCHES YMRP = .0000 IN. YT
 BREF = 1290.3000 INCHES ZMRP = 400 0000 IN. ZT
 SCALE = .0100

PARAMETRIC DATA

BETA = .000 ELV-LI = 10.000
 ELV-LO = 9.000 ELV-RI = 10.000
 ELV-RO = 9.000

RUN NO. 0/ 0 RN/L = 4.22 GRADIENT INTERVAL = -5.00/ 5.00

MACH	ALPHA	CPB1	CPB2	CPB3	CPB4.5	CPB6	CPB7	CPB8	CPCO	CAU	BETA
1.205	-9.396	-.35329	-.34216	-.36094	-.51490	-.47387	-.41042	- .40818	-.32925	.51050	-.01524
1.205	-7.077	-.33999	-.33492	-.34732	-.49539	-.45330	-.39730	- 39570	-.32326	.50585	-.01413
1.206	-4.756	-.33350	-.33079	-.34238	-.48798	-.44232	-.38362	- .38103	-.31985	.50277	-.00501
1.206	-2.461	-.32597	-.32543	-.33641	-.47742	-.42580	- 36659	- .36283	-.31557	.50059	.00683
1.205	- .230	-.31518	- 32150	-.33185	- 46879	- 41457	- .35571	- .34592	-.31083	.49777	.02006
1.205	2.024	-.30273	- 31907	-.32205	-.46966	- 41131	- 34147	- .32602	-.30380	.49109	.01936
1.205	4.272	-.29459	- 31302	-.31097	-.46821	- 40932	-.32624	- .31250	-.29667	.48254	.01916
	GRADIENT	.00448	.00186	.00342	.00210	00357	00621	00771	.00258	-.00222	00270

LARC 8FT TPT 749 (1A93) OTSAT130

(RJJ005) (24 JUN 76)

REFERENCE DATA

SREF = 2690.0000 SQ.FT. XMRP = 976.0000 IN. XT
 LREF = 1290.3000 INCHES YMRP = .0000 IN. YT
 BREF = 1290.3000 INCHES ZMRP = 400.0000 IN. ZT
 SCALE = .0100

PARAMETRIC DATA

BETA = 4.000 ELV-LI = 10.000
 ELV-LO = 9.000 ELV-RI = 10.000
 ELV-RO = 9.000

RUN NO. 5/ 0 RN/L = 3.16 GRADIENT INTERVAL = -5.00/ 5.00

MACH	ALPHA	CPB1	CPB2	CPB3	CPB4.5	CPB6	CPB7	CPB8	CPCO	CAU	BETA
.599	-8.491	-.24942	-.24164	-.26538	-.38104	-.29120	-.37013	- .36174	-.23082	.29135	4.18950
.599	-6.379	-.24351	-.23803	-.25883	-.36204	-.27962	- 35301	- .34672	- 22473	.29153	4.21050
.598	-4.290	- 23877	-.23474	-.24871	-.34228	-.26963	-.33722	- .33510	-.22169	.29036	4.22699
.598	-2.181	-.23615	-.23220	-.24229	-.32789	- 26474	-.32357	- .32355	- 21868	.28789	4.24023
.599	- .077	-.23128	-.22849	- 23439	-.31881	- 25645	-.31582	- 31618	-.21630	.28475	4.24736
.599	2.029	- 22422	- 22506	- 22640	-.32101	-.25623	- 30966	- 30603	- 21364	.27714	4.24553
.599	4.132	-.20755	- 21793	-.21605	-.32677	-.26600	-.29755	- 29525	-.20728	.26962	4.23661
	GRADIENT	.00353	.00191	.00386	.00180	.00075	.00443	00462	.00161	-.00248	.00117

LARC 8FT TPT /49 (IA93) OTSAT130

(RJ005) (24 JUN 76)

REFERENCE DATA

SREF = 2690 0000 SQ.FT. XMRP = 976.0000 IN. XT
 LREF = 1290.3000 INCHES YMRP = .0000 IN. YT
 BREF = 1290 3000 INCHES ZMRP = 400.0000 IN. ZT
 SCALE = .0100

PARAMETRIC DATA

BETA = 4.000 ELV-LI = 10.000
 ELV-LO = 9.000 ELV-RI = 10.000
 ELV-RO = 9.000

RUN NO. 8/ 0 RN/L = 3.97 GRADIENT INTERVAL = -5.00/ 5.00

MACH	ALPHA	CPB1	CPB2	CPB3	CPB4,5	CPB6	CPB7	CPB8	CPCO	CAU	BETA
.900	-8.993	-.31117	-.28475	-.33255	-.38380	-.31735	-.41666	-.41082	-.27561	.36006	4.29420
.900	-6.785	-.30626	-.28020	-.31972	-.37117	-.31346	-.39551	-.39157	-.27329	.35442	4.32445
.900	-4.515	-.28870	-.27016	-.30165	-.35064	-.30288	-.38033	-.38009	-.26179	.35014	4.33690
.901	-2.357	-.29319	-.27355	-.30154	-.34322	-.30065	-.35556	-.35130	-.26754	.34648	4.35666
.900	-.191	-.28862	-.26517	-.29699	-.33424	-.29074	-.34479	-.33762	-.25960	.34213	4.36283
.899	2.058	-.28586	-.25869	-.29436	-.33736	-.28776	-.33170	-.31142	-.25389	.33479	4.36101
.900	4.229	-.28032	-.25834	-.28727	-.34774	-.29452	-.33036	-.31983	-.25422	.33317	4.34847
	GRADIENT	00110	.00176	00164	00052	.00135	.00565	.00732	.00132	-.00208	.00124

RUN NO 13/ 0 RN/L = 4.08 GRADIENT INTERVAL = -5.00/ 5.00

MACH	ALPHA	CPB1	CPB2	CPB3	CPB4,5	CPB6	CPB7	CPB8	CPCO	CAU	BETA
.975	-9.194	-.36094	-.35401	-.36706	-.46124	-.41702	-.45923	-.45236	-.34459	.43952	4.34619
.976	-6.921	-.33878	-.34183	-.35045	-.45150	-.41061	-.43478	-.43165	-.33169	.43493	4.37409
.975	-4.657	-.31760	-.33147	-.33855	-.43427	-.39203	-.41618	-.41170	-.32037	.42907	4.38961
.975	-2.421	-.30239	-.32292	-.32752	-.41702	-.37034	-.40669	-.40677	-.31109	.42424	4.40296
.975	-.206	-.29701	-.32263	-.32361	-.40690	-.35505	-.40526	-.40358	-.31090	.42203	4.41341
.975	2.013	-.29735	-.32255	-.32125	-.41290	-.36023	-.39376	-.37851	-.31114	.41526	4.40923
.975	4.252	-.29668	-.32086	-.31967	-.43352	-.38423	-.38911	-.36577	-.31017	.41063	4.39216
	GRADIENT	.00211	.00097	00198	.00025	.00115	.00301	.00540	.00092	-.00206	.00051

RUN NO. 24/ 0 RN/L = 4.17 GRADIENT INTERVAL = -5.00/ 5.00

MACH	ALPHA	CPB1	CPB2	CPB3	CPB4,5	CPB6	CPB7	CPB8	CPCO	CAU	BETA
1.149	-7.096	-.36913	-.36440	-.36860	-.47421	-.43447	-.41361	-.40649	-.35294	.50049	4.39050
1.149	-4.786	-.35851	-.35638	-.35930	-.46185	-.42001	-.39775	-.39027	-.34234	.49581	4.41042
1.149	-2.493	-.34655	-.34693	-.34793	-.44486	-.39668	-.38240	-.37704	-.33297	.49141	4.42809
1.149	-.243	-.33803	-.34074	-.34063	-.42984	-.37651	-.37280	-.36476	-.32613	.48717	4.43315
1.149	2.018	-.32302	-.32907	-.33201	-.42977	-.37975	-.36011	-.34775	-.31362	.47929	4.43485
	GRADIENT	.00507	.00389	.00394	.00491	.00623	.00541	.00617	.00410	-.00237	.00346

DATE 29 OCT 76

TABULATED SOURCE DATA - 1A93.

PAGE 9

LARC BFT TPT 749 (1A93) OTSAT130

(RJJ005) (24 JUN 76)

REFERENCE DATA

SREF = 2690.0000 SQ.FT. XMRP = 976.0000 IN. XT
 LREF = 1290.3000 INCHES YMRP = .0000 IN. YT
 BREF = 1290.3000 INCHES ZMRP = 400.0000 IN. ZT
 SCALE = .0100

PARAMETRIC DATA

BETA = 4.000 ELV-LI = 10.000
 ELV-LO = 9.000 ELV-RI = 10.000
 ELV-RO = 9.000

RUN NO. 31/ 0 RN/L = 4.22 GRADIENT INTERVAL = -5.00/ 5.00

MACH	ALPHA	CPB1	CPB2	CPB3	CPB4.5	CPB6	CPB7	CPB8	CPCO	CAU	BETA
1.205	-9.485	-.37530	- 36385	-.37515	-.47272	-.42785	-.41187	-.40423	-.35285	.51459	4.38876
1.205	-7.119	- 37003	- 35958	-.37169	-.46413	-.42205	-.40354	-.39582	-.34911	.51150	4.40968
1.205	-4.803	-.35722	-.35085	-.35929	-.44823	-.40516	-.38662	-.37737	-.33749	.50636	4.42885
1.205	-2.509	-.34352	- 34132	-.34571	-.43120	-.38015	-.36923	-.36134	-.32714	.50203	4.44371
1.205	-.235	-.33246	- 33407	- 33659	- 41542	-.35870	-.36027	- 35139	-.31881	.49756	4.45322
1.205	2.022	-.32245	-.32579	-.32733	- 41505	-.35834	-.34650	-.33482	-.30971	.49067	4.45467
1.205	4.280	-.31029	-.31617	- 31655	- 42790	-.37605	-.33380	-.32168	-.30180	.48270	4.44486
	GRADIENT	.00506	.00374	.00458	00251	.00354	00566	.00608	.00391	-.00258	.00190

LARC BFT TPT 749 (1A93) OTSAT130

(RJJ006) (24 JUN 76)

REFERENCE DATA

SREF = 2690.0000 SQ.FT. XMRP = 976.0000 IN. XT
 LREF = 1290.3000 INCHES YMRP = .0000 IN. YT
 BREF = 1290.3000 INCHES ZMRP = 400.0000 IN. ZT
 SCALE = .0100

PARAMETRIC DATA

BETA = 6.000 ELV-LI = 10.000
 ELV-LO = 9.000 ELV-RI = 10.000
 ELV-RO = 9.000

RUN NO. 6/ 0 RN/L = 3.16 GRADIENT INTERVAL = -5.00/ 5.00

MACH	ALPHA	CPB1	CPB2	CPB3	CPB4.5	CPB6	CPB7	CPB8	CPCO	CAU	BETA
.599	-8.530	-.25249	- 24527	- 26807	- 34219	-.27035	-.37462	-.36813	-.23749	.29031	6.29740
.599	-6.422	-.25009	-.24517	- 26226	- 32988	-.26245	-.35906	-.35352	- 23301	.29036	6.33191
.599	-4.297	-.24481	- 24103	- 25357	- 31778	-.25813	-.34163	- 33989	-.22716	.28992	6.35996
.599	-2.196	-.24238	-.23880	- 24964	-.31119	-.25058	-.32990	- 32893	-.22416	.28722	6.37748
.599	-.080	-.23800	-.23595	-.24470	-.30549	-.24165	-.32190	- 31827	-.22302	.28294	6.38778
.599	2.048	-.22975	-.23134	-.23647	-.31093	-.24920	-.31632	- 31249	-.21955	.27620	6.38336
.599	4.157	-.22098	-.22696	-.22925	- 32082	-.25813	-.30681	-.30317	-.21536	.26639	6.36954
	GRADIENT	.00285	.00168	.00292	-.00028	.00006	.00393	.00425	.00133	-.00275	.00118

LARC 8FT TPT 749 (IA93) OTSAT130

(RJ006) (24 JUN 76)

REFERENCE DATA

SREF = 2690.0000 SQ.FT. XMRP = 976.0000 IN. XT
 LREF = 1290.3000 INCHES YMRP = .0000 IN. YT
 BREF = 1290.3000 INCHES ZMRP = 400.0000 IN. ZT
 SCALE = .0100

PARAMETRIC DATA

BETA = 6.000 ELV-LI = 10.000
 ELV-LO = 9.000 ELV-RI = 10.000
 ELV-RO = 9.000

		RUN NO.	9/ 0	RN/L =	3.97	GRADIENT INTERVAL = -5.00/ 5.00					
MACH	ALPHA	CPB1	CPB2	CPB3	CPB4,5	CPB6	CPB7	CPB8	CPCO	CAU	BETA
.900	-9.055	-.31585	-.30116	-.33408	-.34911	-.28819	-.42385	-.41421	-.29283	.36031	6.42430
.900	-6.800	-.30599	-.29255	-.32236	-.33795	-.28773	-.40421	-.40508	-.28488	.35539	6.46274
.899	-4.569	-.29401	-.28015	-.30885	-.32690	-.28550	-.39035	-.39726	-.27190	.35224	6.48821
.899	-2.408	-.29624	-.28092	-.30840	-.32231	-.28147	-.37683	-.37838	-.27244	.34882	6.50933
.899	-.161	-.29471	-.27390	-.30509	-.31722	-.27155	-.35889	-.35171	-.26732	.34444	6.51772
.899	2.072	-.29461	-.26832	-.30410	-.32697	-.27760	-.34671	-.33225	-.26409	.33981	6.51265
900	4.265	-.28636	-.26104	-.29607	-.33551	-.27978	-.34137	-.33241	-.25703	.33544	6.49526
	GRADIENT	.00076	.00230	.00135	-.00099	.00069	.00578	.00794	.00172	-.00192	.00078

		RUN NO	14/ 0	RN/L =	4.08	GRADIENT INTERVAL = -5.00/ 5.00					
MACH	ALPHA	CPB1	CPB2	CPB3	CPB4,5	CPB6	CPB7	CPB8	CPCO	CAU	BETA
.975	-9.243	-.38312	-.38607	-.38338	-.41339	-.35689	-.46604	-.45576	-.37243	.43884	6.49070
.976	-6.962	-.36196	-.36817	-.36724	-.40602	-.35670	-.44310	-.43510	-.35753	.43542	6.51860
.975	-4.688	-.33382	-.35386	-.34985	-.39857	-.35233	-.42396	-.41875	-.34248	.43082	6.54079
.975	-2.427	-.32010	-.34473	-.33897	-.39017	-.34186	-.41544	-.41262	-.33355	.42565	6.55396
.975	-.200	-.30743	-.33449	-.32677	-.38751	-.33214	-.41010	-.40800	-.32412	.42203	6.56283
.975	2.015	-.30472	-.32948	-.32415	-.39717	-.34193	-.40225	-.38866	-.31942	.41625	6.55743
.975	4.276	-.30659	-.32692	-.32645	-.41257	-.35946	-.39622	-.37506	-.31799	.41039	6.53649
	GRADIENT	.00312	.00309	.00275	-.00156	-.00064	.00307	.00498	.00282	-.00225	-.00023

		RUN NO.	25/ 0	RN/L =	4.17	GRADIENT INTERVAL = -5.00/ 5.00					
MACH	ALPHA	CPB1	CPB2	CPB3	CPB4,5	CPB6	CPB7	CPB8	CPCO	CAU	BETA
1.149	-7.138	-.38374	-.38739	-.38123	-.42921	-.38895	-.42229	-.41388	-.37113	.50033	6.56422
1.149	-4.813	-.37365	-.37590	-.37172	-.42457	-.38174	-.40466	-.39625	-.36252	.49709	6.58794
1.149	-2.528	-.35805	-.36181	-.35774	-.41776	-.37162	-.39361	-.38492	-.34768	.49209	6.60450
1.149	-.248	-.34538	-.35102	-.34603	-.40762	-.34906	-.38354	-.37615	-.33660	.48613	6.61810
1.149	2.029	-.33367	-.34053	-.33527	-.41850	-.36857	-.36891	-.35875	-.32499	.47967	6.62008
	GRADIENT	.00582	.00513	.00531	.00124	.00272	.00514	.00532	.00542	-.00255	.00483

DATE 29 OCT 76

TABULATED SOURCE DATA - 1A93.

PAGE 11

LARC 8FT TPT 749 (1A93) OTSAT130

(RJ006) (24 JUN 76)

REFERENCE DATA

SREF = 2690.0000 SQ.FT. XMRP = 976 0000 IN. XT
 LREF = 1290.3000 INCHES YMRP = .0000 IN. YT
 BREF = 1290 3000 INCHES ZMRP = 400.0000 IN. ZT
 SCALE = .0100

PARAMETRIC DATA

BETA = 6.000 ELV-LI = 10.000
 ELV-LO = 9.000 ELV-R1 = 10.000
 ELV-RO = 9.000

RUN NO. 32/ 0 RN/L = 4.22 GRADIENT INTERVAL = -5.00/ 5.00

MACH	ALPHA	CPB1	CPB2	CPB3	CPB4,5	CPB6	CPB7	CPB8	CPCO	CAU	BETA
1.205	-9.534	- 38509	-.37749	-.38427	-.44278	-.39254	-.42765	-.41750	-.37028	.51415	6.58547
1.206	-7.166	- 38003	-.37370	-.37995	-.43054	-.38193	-.41225	-.40309	-.36342	.51070	6.60846
1.206	-4.829	- 37085	-.36652	- 37062	-.41879	-.36936	- 38914	-.38142	- 35345	.50593	6.63516
1.205	-2.542	- 35478	-.35373	-.35622	- 40828	- 35388	- 37752	- 36926	- 33955	.50138	6.65014
1.205	-.247	-.34193	- 34478	-.34594	-.39698	-.33261	-.37019	-.36147	-.32952	.49688	6.65719
1.205	2.033	-.32973	-.33593	- 33341	- 40394	-.34716	-.35628	-.34542	- 32077	.49105	6.65995
1.205	4.297	-.32176	-.32717	-.32169	-.41274	-.35963	-.34355	-.32863	-.31316	.48153	6.64226
	GRADIENT	.00540	.00423	.00529	.00073	.00116	.00492	.00567	.00435	-.00259	.00106

LARC 8FT TPT 749 (1A93) OTSAT130

(RJ007) (24 JUN 76)

REFERENCE DATA

SREF = 2690.0000 SQ.FT. XMRP = 976.0000 IN. XT
 LREF = 1290.3000 INCHES YMRP = .0000 IN. YT
 BREF = 1290 3000 INCHES ZMRP = 400.0000 IN. ZT
 SCALE = .0100

PARAMETRIC DATA

BETA = -6.000 ELV-LI = 10.000
 ELV-LO = 4.000 ELV-R1 = 10.000
 ELV-RO = 4.000

RUN NO. 55/ 0 RN/L = 3.17 GRADIENT INTERVAL = -5.00/ 5.00

MACH	ALPHA	CPB1	CPB2	CPB3	CPB4,5	CPB6	CPB7	CPB8	CPCO	CAU	BETA
.600	-8.556	- 25751	-.24483	-.28388	-.44198	-.41517	- 40151	-.39244	-.24221	.29288	-6.32292
.600	-6.435	- 25419	- 24192	-.27733	-.42958	-.40224	-.38079	-.37571	- 23853	.29299	-6.35334
.599	-4.320	-.25206	-.24034	-.27051	-.42362	-.38788	-.36218	-.36051	-.23675	.29167	-6.36990
.599	-2.209	-.24538	-.23728	-.26174	-.41644	-.37636	- 34249	-.34557	-.23085	.29119	-6.37367
.600	-.081	-.23847	-.23325	-.25296	-.40952	-.36774	- 33045	-.33467	-.22510	.28670	-6.37426
.599	2.021	-.23368	-.23035	-.24647	-.40084	-.35715	-.32628	- 33013	-.21916	.28057	-6.36937
.600	4.136	-.22991	-.22489	-.24309	- 39471	-.35200	-.31962	-.32308	-.21636	.27180	-6.35872
	GRADIENT	.00265	.00179	.00332	.00347	.00430	.00479	.00427	.00248	-.00238	.00126

LARC 8FT TPT 749 (1A93) OTSAT130

(RJJ007) (24 JUN 76)

REFERENCE DATA

SREF = 2690.0000 SQ FT. XMRP = 976.0000 IN. XT
 LREF = 1290.3000 INCHES YMRP = .0000 IN. YT
 BREF = 1290.3000 INCHES ZMRP = 400 0000 IN. ZT
 SCALE = .0100

PARAMETRIC DATA

BETA = -6.000 ELV-L1 = 10.000
 ELV-LO = 4.000 ELV-R1 = 10.000
 ELV-RO = 4 000

RUN NO. 35/ 0 RN/L = 3.97 GRADIENT INTERVAL = -5.00/ 5.00

MACH	ALPHA	CPB1	CPB2	CPB3	CPB4,5	CPB6	CPB7	CPB8	CPCO	CAU	BETA
.899	-9 060	-.32437	-.31117	-.33313	-.44083	-.43454	-.42096	-.41170	-.30507	.36187	-6.51595
.899	-6.831	-.31807	-.30432	-.32327	-.42850	-.42334	-.40347	-.39432	-.29666	.36006	-6.55357
.899	-4 606	-.31192	-.29169	-.31278	-.43517	-.41323	-.39131	-.39404	-.28468	.35639	-6.56007
.899	-2 385	-.30913	-.28063	-.30496	-.43386	-.39908	-.38063	-.38212	-.27698	.35449	-6.56597
.900	-182	-.30234	-.27744	-.29775	-.43399	-.39464	-.36309	-.36021	-.27300	.35021	-6.55663
.900	2 021	-.30519	-.26710	-.30048	-.44240	-.39702	-.35620	-.34996	-.26858	.34542	-6.54562
.899	4 254	-.30248	-.25823	-.30426	-.43515	-.39087	-.35137	-.34603	-.26687	.33899	-6.53608
	GRADIENT	00103	.00364	.00097	-.00038	00212	00471	.00579	.00199	-.00198	00309

RUN NO 40/ 0 RN/L = 4.08 GRADIENT INTERVAL = -5.00/ 5.00

MACH	ALPHA	CPB1	CPB2	CPB3	CPB4,5	CPB6	CPB7	CPB8	CPCO	CAU	BETA
.974	-9 237	-.37339	-.37946	-.38097	-.52996	-.51289	-.47994	-.48517	-.36882	.43957	-6.58892
.975	-6.960	-.35821	-.36783	-.36314	-.53832	-.51349	-.45507	-.444931	-.35573	.43771	-6.61271
.975	-4.711	-.34569	-.34571	-.34901	-.53657	-.50087	-.44002	-.43540	-.33607	.43256	-6.62058
.975	-2.459	-.33778	-.33367	-.33915	-.52552	-.48033	-.42987	-.42648	-.32579	.42846	-6.62269
.975	-.230	-.33538	-.32631	-.33510	-.52802	-.47572	-.42257	-.42043	-.32071	.42772	-6.61233
.975	2.006	-.33385	-.32633	-.33492	-.53133	-.47973	-.41818	-.40899	-.32145	.42500	-6.60390
.975	4 259	-.33904	-.33037	-.33937	-.54750	-.48634	-.41937	-.40769	-.32436	.42050	-6.59473
	GRADIENT	00077	00170	.00105	-.00124	.00132	.00236	.00325	.00124	-.00123	00315

RUN NO. 50/ 0 RN/L = 4 21 GRADIENT INTERVAL = -5.00/ 5.00

MACH	ALPHA	CPB1	CPB2	CPB3	CPB4,5	CPB6	CPB7	CPB8	CPCO	CAU	BETA
1.149	-7.143	-.35524	-.34334	-.39557	-.55726	-.50833	-.42198	-.42930	-.33749	.50115	-6.63935
1 149	-4.831	-.34926	-.33940	-.39016	-.54989	-.50319	-.41250	-.41456	-.33447	.49842	-6.64241
1 148	-2.530	-.34402	-.33407	-.37344	-.53592	-.48275	-.40176	-.40631	-.33005	.49748	-6.63938
1.149	-.263	-.33798	-.32924	-.36105	-.53100	-.47234	-.39146	-.39979	-.32513	.49505	-6.62643
1.149	2.012	-.33081	-.32651	-.34940	-.51843	-.46419	-.37905	-.38554	-.32028	.49069	-6.62084
	GRADIENT	.00269	.00191	00591	.00436	00559	.00485	.00410	.00208	-.00112	.00340

LARC BFT TPT /49 (1A93) OTSAT130

(RJJ007) (24 JUN 76)

REFERENCE DATA

SREF = 2690.0000 SQ.FT. XMRP = 976.0000 IN. XT
 LREF = 1290.3000 INCHES YMRP = .0000 IN. YT
 BREF = 1290.3000 INCHES ZMRP = 400.0000 IN. ZT
 SCALE = .0100

PARAMETRIC DATA

BETA = -6.000 ELV-LI = 10.000
 ELV-LO = 4.000 ELV-RI = 10.000
 ELV-RO = 4.000

RUN NO 45/ 0 RN/L = 4.22 GRADIENT INTERVAL = -5.00/ 5.00

MACH	ALPHA	CPB1	CPB2	CPB3	CPB4,5	CPB6	CPB7	CPB8	CPC0	CAU	BETA
1.205	-9.553	-.35985	-.34722	-.39580	-.55130	-.50054	-.42232	-.43181	-.34161	.51121	-6.66691
1.205	-7.185	-.35157	-.33976	-.39168	-.54477	-.48934	-.41379	-.42310	-.33279	.50829	-6.67448
1.205	-4.853	-.34554	-.33465	-.38666	-.53443	-.48098	-.39858	-.40240	-.32983	.50637	-6.68746
1.205	-2.542	-.34050	-.33052	-.37615	-.52698	-.46724	-.38761	-.39277	-.32596	.50572	-6.67815
1.205	-.264	-.33256	-.32430	-.36068	-.52255	-.45904	-.37427	-.38349	-.31902	.50331	-6.66809
1.205	2.009	-.32799	-.32379	-.35325	-.51273	-.45380	-.36296	-.36975	-.31680	.49954	-6.66328
1.205	4.282	-.32600	-.32423	-.35270	-.49826	-.44035	-.34953	-.35154	-.31671	.49050	-6.65809
	GRADIENT	00226	.00121	.00398	00379	00415	.00538	00546	.00155	-.00166	.00323

LARC BFT TPT 749 (1A93) OTSAT130

(RJJ008) (24 JUN 76)

REFERENCE DATA

SREF = 2690.0000 SQ.FT. XMRP = 976.0000 IN. XT
 LREF = 1290.3000 INCHES YMRP = .0000 IN. YT
 BREF = 1290.3000 INCHES ZMRP = 400.0000 IN. ZT
 SCALE = .0100

PARAMETRIC DATA

BETA = -4.000 ELV-LI = 10.000
 ELV-LO = 4.000 ELV-RI = 10.000
 ELV-RO = 4.000

RUN NO. 54/ 0 RN/L = 3.17 GRADIENT INTERVAL = -5.00/ 5.00

MACH	ALPHA	CPB1	CPB2	CPB3	CPB4,5	CPB6	CPB7	CPB8	CPC0	CAU	BETA
.599	-8.515	-.25533	-.24493	-.27983	-.42469	-.39238	-.38761	-.37910	-.24003	.29376	-4.20840
.600	-6.406	-.25199	-.24350	-.27155	-.41123	-.38027	-.36940	-.36507	-.23612	.29447	-4.22959
.600	-4.303	-.24612	-.24154	-.26133	-.40509	-.36827	-.35132	-.35022	-.23123	.29387	-4.24515
.600	-2.198	-.24000	-.23875	-.25315	-.40211	-.36110	-.33387	-.33619	-.22700	.29251	-4.25512
.600	-.095	-.23258	-.22831	-.24841	-.39680	-.35560	-.32608	-.32954	-.22529	.28870	-4.25486
.599	2.012	-.22625	-.22522	-.23831	-.38679	-.34083	-.31887	-.32233	-.21592	.28061	-4.25166
.599	4.121	-.21811	-.21805	-.23038	-.38104	-.33568	-.31183	-.31548	-.20894	.27186	-4.24736
	GRADIENT	00331	00288	.00364	.00301	00406	.00446	.00396	00264	-.00266	-.00005

LARC 8FT TPT 749 (1A93) OTSAT130

(RJ008) (24 JUN 76)

REFERENCE DATA

SREF = 2690.0000 SQ FT. XMRP = 976.0000 IN. XT
 LREF = 1290.3000 INCHES YMRP = .0000 IN. YT
 BREF = 1290.3000 INCHES ZMRP = 400 0000 IN. ZT
 SCALE = .0100

PARAMETRIC DATA

BETA = -4.000 ELV-LI = 10.000
 ELV-LO = 4.000 ELV-RI = 10.000
 ELV-RO = 4.000

RUN NO. 34/ 0 RN/L = 3.97 GRADIENT INTERVAL = -5.00/ 5.00

MACH	ALPHA	CPB1	CPB2	CPB3	CPB4,5	CPB6	CPB7	CPB8	CPCO	CAU	BETA
.899	-9.015	-.31362	- 30134	- 32320	-.41814	-.41131	-.42378	-.42147	- 29467	.36320	-4.33574
.899	-6.798	-.30970	-.29439	- 31426	- 31426	-.39998	-.40314	-.40486	-.28615	.35906	-4.35161
.899	-4.574	-.30706	- 29325	-.30771	-.41177	-.39005	- 39085	- 39234	-.27656	.35492	-4.35814
.899	-2.393	-.30249	- 27756	-.30147	- 40676	-.37610	-.36746	- 36592	-.27233	.34981	-4.35940
.899	- 175	- 29529	- 26761	- 29206	-.41578	-.37610	- 35102	- 34523	-.26349	.34464	-4.35597
.899	2 023	-.29323	- 25593	- 28811	-.42282	-.37731	-.34439	- 33603	-.25583	.33783	-4.34990
.899	4 226	-.29093	-.25207	- 28849	-.41680	- 37052	- 33961	-.33315	- 25230	.33478	-4 34332
	GRADIENT	.00189	.00382	00235	-.00119	.00172	00570	00673	00295	-.00237	00178

RUN NO 39/ 0 RN/L = 4 07 GRADIENT INTERVAL = -5 00/ 5.00

MACH	ALPHA	CPB1	CPB2	CPB3	CPB4,5	CPB6	CPB7	CPB8	CPCO	CAU	BETA
.974	-9.197	- 35936	-.36868	- 36647	- 50943	-.49703	- 47723	-.48920	- .35803	.44283	-4 37950
.976	-6.934	- 34257	- 35760	-.34899	- 51756	-.49371	-.45044	-.45596	- .34498	.43916	-4.39390
.975	-4.672	- 32577	- 34457	-.33449	- 50981	-.48056	-.43155	- 43490	- .33131	.43351	-4.39682
.975	-2.446	- 31710	- 32909	- 32268	- 50089	-.46035	-.42370	-.42509	- .31789	.42793	-4.38607
.975	- .212	- 31774	- 31947	-.31876	-.51131	-.46050	-.41296	-.40771	- .31054	.42455	-4.37137
.975	1.997	- 31741	- 32546	- 32309	-.51591	-.46356	-.40712	-.39761	- .31602	.42041	-4.36652
.974	4 238	- 31826	- 32289	- 32549	-.53060	-.47221	- 40592	- 39289	- .31324	.41736	-4.35984
	GRADIENT	00066	00211	.00070	-.00254	00061	.00305	.00501	.00171	-.00179	00420

RUN NO. 49/ 0 RN/L = 4.21 GRADIENT INTERVAL = -5.00/ 5.00

MACH	ALPHA	CPB1	CPB2	CPB3	CPB4,5	CPB6	CPB7	CPB8	CPCO	CAU	BETA
1.149	-7.104	-.34804	- 33551	-.37468	- 54021	- 49397	-.40935	-.41759	- 32809	.49967	-4 42889
1.149	-4.795	-.34364	- 33203	- 36708	- 53620	- 48929	-.40093	-.40622	- 32599	.49649	-4.42960
1.149	-2.501	-.33770	- 32768	- 35434	-.52257	- 47099	-.39101	- .39603	- .32439	.49502	-4.42628
1.149	- .250	-.32880	-.32175	-.34427	-.51998	- 46508	- .38315	- .38568	- .31726	.49162	-4.41150
1.149	2.002	- 31726	-.31622	-.33056	-.51165	-.45953	- .37190	- 37174	- .30952	.48607	-4 41185
	GRADIENT	.00389	00236	.00528	00337	00421	.00419	.00502	.00249	-.00153	.00300

LARC 8FT TPT 749 (1A93) OTSAT130

(RJJ008) (24 JUN 76)

REFERENCE DATA

SREF = 2690 0000 SQ.FT XMRP = 976.0000 IN. XT
 LREF = 1290.3000 INCHES YMRP = .0000 IN. YT
 BREF = 1290.3000 INCHES ZMRP = 400.0000 IN. ZT
 SCALE = 0100

PARAMETRIC DATA

BETA = -4.000 ELV-LI = 10.000
 ELV-LO = 4.000 ELV-RI = 10.000
 ELV-RO = 4.000

RUN NO. 44/ 0 RN/L = 4 22 GRADIENT INTERVAL = -5.00/ 5.00

MACH	ALPHA	CPB1	CPB2	CPB3	CPB4,5	CPB6	CPB7	CPB8	CPCO	CAU	BETA
1.205	-9.494	-.35117	-.33873	-.38140	-.55177	-.50442	-.41115	-.41695	-.32851	.51201	-4.42811
1.205	-7.135	-.34444	-.33139	-.37658	-.52983	-.47990	-.40154	-.40941	-.32378	.50720	-4.43720
1.205	-4.816	-.33911	-.32571	-.36901	-.51460	-.46512	-.38576	-.39174	-.32224	.50366	-4.44123
1.205	-2.522	-.33304	-.32181	-.35891	-.50729	-.45314	-.37538	-.37938	-.31869	.50246	-4.43039
1.205	-.244	-.32632	-.31789	-.34862	-.50933	-.45077	-.36850	-.37087	-.31360	.49964	-4.41979
1.205	2.003	-.31515	-.31331	-.33262	-.50261	-.44675	-.35689	-.35665	-.30649	.49500	-4.41777
1.205	4.263	-.31109	-.31188	-.33029	-.48902	-.43325	-.34474	-.33954	-.30362	.48728	-4.41234
	GRADIENT	00326	.00159	00457	00246	00309	.00443	.00560	.00218	-.00177	.00311

LARC 8FT TPT 749 (1A93) OTSAT130

(RJJ009) (24 JUN 76)

REFERENCE DATA

SREF = 2690.0000 SQ.FT. XMRP = 976.0000 IN. XT
 LREF = 1290.3000 INCHES YMRP = .0000 IN. YT
 BREF = 1290.3000 INCHES ZMRP = 400.0000 IN. ZT
 SCALE = .0100

PARAMETRIC DATA

BETA = 0.000 ELV-LI = 10.000
 ELV-LO = 4.000 ELV-RI = 10.000
 ELV-RO = 4.000

RUN NO. 53/ 0 RN/L = 3 17 GRADIENT INTERVAL = -5.00/ 5.00

MACH	ALPHA	CPB1	CPB2	CPB3	CPB4,5	CPB6	CPB7	CPB8	CPCO	CAU	BETA
.598	-8.496	-.24979	-.23955	-.26871	-.41182	-.33300	-.37454	-.37229	-.23824	.28924	.00403
.600	-6.384	-.24517	-.23651	-.25982	-.38840	-.31992	-.35702	-.35440	-.23521	.28894	.00469
.600	-4.283	-.24102	-.23436	-.25454	-.36920	-.31139	-.34124	-.33995	-.23108	.28889	.01273
.599	-2.190	-.23597	-.23169	-.24782	-.36297	-.30900	-.32865	-.33097	-.22658	.28669	.01702
.600	-.090	-.22906	-.22613	-.23787	-.35527	-.30103	-.32044	-.32313	-.22140	.28340	.02068
.599	2.008	-.21930	-.22000	-.22702	-.35255	-.30166	-.30778	-.30858	-.21525	.27640	.02354
.600	4.108	-.20423	-.21120	-.22237	-.35503	-.30109	-.29602	-.29548	-.20780	.26667	.01647
	GRADIENT	.00430	.00279	.00406	.00185	.00133	.00531	.00531	.00276	-.00242	.00067

ORIGINAL PAGE IS
OF POOR QUALITY

LARC 8FT TPT 749 (1A93) OTSAT130

(RJ009) (24 JUN 76)

REFERENCE DATA

SREF = 2690.0000 SQ.FT. XMRP = 976 0000 IN. XT
 LREF = 1290.3000 INCHES YMRP = .0000 IN. YT
 BREF = 1290.3000 INCHES ZMRP = 400.0000 IN. ZT
 SCALE = .0100

PARAMETRIC DATA

BETA = 000 ELV-LI = 10.000
 ELV-LO = 4.000 ELV-RI = 10.000
 ELV-RO = 4.000

RUN NO. 33/ 0 RN/L = 3.97 GRADIENT INTERVAL = -5.00/ 5 00

MACH	ALPHA	CPB1	CPB2	CPB3	CPB4.5	CPB6	CPB7	CPB8	CPCD	CAU	BETA
900	-8 960	- 29958	- .28801	- .31690	- .39008	- .35723	- .42724	- .42101	- 28178	.35674	- 03323
900	-6.759	- .29723	- .28152	- 31825	- .37734	- 33623	- .40386	- .39987	- 27608	.34893	- .02265
899	-4.551	- .29406	- 28081	- 30861	- .35274	- 32269	- .37937	- 38075	- .27412	.34184	- .01970
899	-2 349	- 29582	- .28200	- 31148	- .33974	- .31607	- .34688	- 33963	- .27589	.33636	- .01299
.899	- .179	- 29009	- 27350	- .30231	- .35001	- 32243	- .33499	- .32069	- .26770	.33269	- .00158
.898	2.001	- 28581	- .27055	- 29816	- .36260	- 32994	- .32460	- .30288	- 26441	.32829	.00684
.900	4 217	- .27643	- .26747	- .28857	- .37192	- .33226	- .32379	- 31185	- .26157	.32697	.00350
	GRADIENT	.00207	00174	00244	- 00280	- .00151	00609	.00797	.00172	- .00173	.00302

RUN NO 38/ 0 RN/L = 4 07 GRADIENT INTERVAL = -5 00/ 5.00

MACH	ALPHA	CPB1	CPB2	CPB3	CPB4.5	CPB6	CPB7	CPB8	CPCD	CAU	BETA
.975	-9.164	- .33430	- 34696	- 35150	- .50174	- .46288	- .46719	- .46329	- .33796	.43853	- .02549
.976	-6 907	- .32391	- .33855	- .33824	- .48893	- .44754	- .44664	- .44399	- .32986	.43427	- .01483
975	-4.659	- .31789	- 33877	- 33204	- .46869	- .42634	- 42469	- .42493	- 32790	.42646	- .00653
.976	-2 428	- .31322	- .34941	- .33306	- .44688	- .40509	- .41065	- .41224	- .33172	.42216	.00545
975	- 221	- .31385	- .35420	- .33639	- .44015	- .39936	- .40264	- 40371	- .33619	.41794	.01189
.974	1.998	- .31696	- 35435	- 34025	- .45349	- .40114	- .39623	- .39658	- .33995	.41219	.01945
.974	4.208	- .31995	- .35133	- 34251	- .47169	- .41385	- .38646	- .38234	- .33931	.40838	.01068
	GRADIENT	- .00035	- 00136	- 00127	- 00056	.00131	00410	.00455	- .00140	- .00208	.00219

RUN NO. 48/ 0 RN/L = 4.21 GRADIENT INTERVAL = -5 00/ 5.00

MACH	ALPHA	CPB1	CPB2	CPB3	CPB4.5	CPB6	CPB7	CPB8	CPCD	CAU	BETA
1.149	-7 071	- .34592	- 34500	- 35185	- 51534	- 46764	- .40963	- .40680	- .33289	.49570	- .02794
1.149	-4 774	- 34025	- .34082	- .34840	- .50831	- .45951	- 40101	- .39690	- .32897	.49141	- .01978
1.149	-2 494	- 33050	- 33514	- .34237	- .49702	- .44178	- 38676	- .38255	- .32430	.48996	- .01113
1.149	- .253	- 31753	- .33695	- .33764	- .48672	- .42595	- .37393	- .36391	- .32141	.48616	.00295
1.148	2.015	- .30470	- .32977	- .32586	- 48571	- .42466	- .36001	- .34510	- .31182	.47891	.00056
	GRADIENT	.00529	.00139	00320	00345	00532	.00601	.00770	.00240	- .00183	.00332

DATE 29 OCT 76

TABULATED SOURCE DATA - 1A93.

PAGE 17

LARC 8FT TPT 749 (1A93) OTSAT130

(RJ009) (24 JUN 76)

REFERENCE DATA

PARAMETRIC DATA

SREF = 2690.0000 SQ.FT. XMRP = 976.0000 IN. XT
 LREF = 1290.3000 INCHES YMRP = .0000 IN. YT
 BREF = 1290.3000 INCHES ZMRP = 400.0000 IN. ZT
 SCALE = .0100

BETA = .000 ELV-LI = 10.000
 ELV-LO = 4.000 ELV-RI = 10.000
 ELV-RO = 4.000

RUN NO. 43/ 0 RN/L = 4.22 GRADIENT INTERVAL = -5.00/ 5.00

MACH	ALPHA	CPB1	CPB2	CPB3	CPB4,5	CPB6	CPB7	CPB8	CPCO	CAU	BETA
1.205	-9.422	-.35294	-.34041	-.36194	-.51187	-.47013	-.41048	-.40836	-.32839	.50719	-.03348
1.205	-7.096	-.34140	-.33475	-.34927	-.49452	-.45116	-.39905	-.39774	-.32344	.50183	-.03184
1.206	-4.781	-.33361	-.33030	-.34257	-.48467	-.43790	-.38478	-.38220	-.31989	.49869	-.02526
1.205	-2.494	-.32634	-.32566	-.33695	-.47448	-.42159	-.36862	-.36505	-.31588	.49644	-.01264
1.205	-.242	-.31572	-.32190	-.33249	-.46537	-.40935	-.35818	-.34894	-.31140	.49328	.00039
1.205	2.005	-.30398	-.31927	-.32472	-.46661	-.40763	-.34556	-.33100	-.30498	.48698	-.00081
1.205	4.246	-.29508	-.31328	-.31325	-.46600	-.40684	-.33046	-.31680	-.29781	.47893	-.00411
	GRADIENT	.00441	.00179	.00314	00201	00338	.00584	00731	.00244	-.00217	.00241

LARC 8FT TPT 749 (1A93) OTSAT130

(RJ010) (24 JUN 76)

REFERENCE DATA

PARAMETRIC DATA

SREF = 2690.0000 SQ.FT. XMRP = 976.0000 IN. XT
 LREF = 1290.3000 INCHES YMRP = .0000 IN. YT
 BREF = 1290.3000 INCHES ZMRP = 400.0000 IN. ZT
 SCALE = .0100

BETA = 4.000 ELV-LI = 10.000
 ELV-LO = 4.000 ELV-RI = 10.000
 ELV-RO = 4.000

RUN NO. 56/ 0 RN/L = 3.17 GRADIENT INTERVAL = -5.00/ 5.00

MACH	ALPHA	CPB1	CPB2	CPB3	CPB4,5	CPB6	CPB7	CPB8	CPCO	CAU	BETA
.600	-8.511	-.25278	-.24259	-.26930	-.38005	-.28560	-.37411	-.36485	-.23351	.29280	4.21766
.600	-6.409	-.24756	-.23965	-.26144	-.36312	-.27795	-.35774	-.35151	-.22866	.29232	4.24025
.600	-4.306	-.24184	-.23517	-.25364	-.34519	-.26767	-.34112	-.33831	-.22334	.29190	4.25949
.600	-2.203	-.23865	-.23210	-.24573	-.32952	-.26393	-.32562	-.32528	-.21921	.28963	4.27405
.600	-.099	-.23429	-.22888	-.23968	-.32220	-.25714	-.32019	-.31966	-.21693	.28603	4.28150
.599	2.010	-.22663	-.22408	-.22977	-.32297	-.25293	-.31316	-.30902	-.21231	.27933	4.28237
.600	4.125	-.21261	-.21939	-.22166	-.33227	-.26712	-.30353	-.30110	-.20897	.27091	4.26896
	GRADIENT	00335	00191	.00379	00153	.00057	.00416	.00430	.00169	-.00248	.00129

LARC 8FT TPT /49 (1A93) OTSAT130

(RJJD10) (24 JUN 76)

REFERENCE DATA

SREF = 2690.0000 SQ.FT. XMRP = 976.0000 IN. XT
 LREF = 1290.3000 INCHES YMRP = .0000 IN. YT
 BREF = 1290.3000 INCHES ZMRP = 400.0000 IN. ZT
 SCALE = .0100

PARAMETRIC DATA

BETA = 4.000 ELV-LI = 10.000
 ELV-LO = 4.000 ELV-RI = 10.000
 ELV-RO = 4.000

RUN NO. 36/ 0 RN/L = 3.97 GRADIENT INTERVAL = -5.00/ 5.00

MACH	ALPHA	CPB1	CPB2	CPB3	CPB4,5	CPB6	CPB7	CPB8	CPCO	CAU	BETA
.900	-9.013	-.31520	-.28536	-.34085	-.38230	-.31426	-.41700	-.41110	-.27756	.36023	4.31589
.899	-6.783	- 31032	-.28526	-.32595	-.36923	-.30950	-.39802	-.39368	-.27892	.35488	4.34832
.899	-4 562	-.29817	- 27753	- 31327	-.35337	- 30243	- 38493	-.38328	-.26894	.35001	4.35876
.899	-2.375	-.30160	-.27813	- 31076	-.34417	- 29879	-.35927	-.35415	-.27212	.34577	4.37895
.899	-.180	-.29658	-.27123	- 30531	-.33658	- 29088	- 34864	- 33848	-.26521	.34145	4.38887
.899	2.010	-.29070	-.26302	-.29744	- 33754	- 28637	-.33448	-.31481	-.25912	.33632	4.38645
.899	4.232	- 28560	-.26240	-.29314	-.35095	-.29314	-.33502	-.32273	-.25793	.33426	4.37863
	GRADIENT	.00164	.00206	00244	00052	.00141	.00567	.00729	00159	- 00186	00214

RUN NO 41/ 0 RN/L = 4 08 GRADIENT INTERVAL = -5.00/ 5 00

MACH	ALPHA	CPB1	CPB2	CPB3	CPB4,5	CPB6	CPB7	CPB8	CPCO	CAU	BETA
.975	-9.216	- 36146	-.35377	-.37228	- 46012	- 40996	-.46209	-.45591	- 34528	.43905	4.33639
.975	-6.939	- 34071	- 34094	-.35387	- 44973	-.40302	-.43667	-.43453	-.33162	.43424	4.36237
.975	-4.677	-.32280	- 33146	-.34377	- 43372	-.38702	-.41899	-.41519	-.32140	.42829	4.37643
.975	-2.452	- 30870	- 32298	-.33230	-.41905	-.36821	-.40907	-.40983	- 31240	.42394	4.38998
.974	-.228	- 30185	- 32165	-.32777	-.40700	-.35117	-.40810	-.40720	-.31085	.42144	4.39563
.975	1.990	-.30111	-.32121	-.32453	-.41107	-.35258	-.39548	-.39308	-.31093	.41535	4.39590
.974	4 224	-.30262	-.32252	- 32574	- 42842	-.37142	-.39229	-.37168	-.31234	.41002	4 38299
	GRADIENT	.00216	.00088	00197	00083	.00210	.00301	.00511	.00088	-.00203	.00085

RUN NO. 51/ 0 RN/L = 4.21 GRADIENT INTERVAL = -5.00/ 5.00

MACH	ALPHA	CPB1	CPB2	CPB3	CPB4,5	CPB6	CPB7	CPB8	CPCO	CAU	BETA
1.149	-7.109	- 36999	- 36277	-.37189	- 47582	-.43118	- 41578	- 40881	-.35222	.50091	4.37167
1.149	-4.796	-.36085	-.35668	- 36370	- 46470	-.41793	-.40132	-.39333	-.34290	.49671	4.39408
1.149	-2.522	- 34902	-.34727	-.35283	-.44902	-.39601	- 38646	- 38032	-.33322	.49223	4.40878
1.149	-.244	-.34053	-.34119	- 34501	-.43336	- 37446	-.37632	-.36815	- 32695	.48798	4.42245
1.149	1.999	-.32526	-.32927	- 33632	-.43166	-.37544	- 36347	-.35077	-.31437	.48061	4.41793
	GRADIENT	.00508	00390	.00397	00507	.00658	00546	.00617	.00405	-.00232	.00377

DATE 29 OCT 76

TABULATED SOURCE DATA - 1A93.

PAGE 19

LARC 8FT TPT 749 (1A93) OTSAT130

(RJ010) (24 JUN 76)

REFERENCE DATA

SREF = 2690.0000 SQ.FT. XMRP = 976 0000 IN. XT
 LREF = 1290.3000 INCHES YMRP = .0000 IN. YT
 BREF = 1290.3000 INCHES ZMRP = 400.0000 IN. ZT
 SCALE = .0100

PARAMETRIC DATA

BETA = 4.000 ELV-LI = 10.000
 ELV-LO = 4.000 ELV-RI = 10.000
 ELV-RO = 4.000

RUN NO 46/ 0 RN/L = 4.22 GRADIENT INTERVAL = -5.00/ 5.00

MACH	ALPHA	CPB1	CPB2	CPB3	CPB4,5	CPB6	CPB7	CPB8	CPCO	CAU	BETA
1.205	-9.491	-.37501	-.36190	-.37486	- 47205	-.42503	-.41315	-.40499	-.35134	.51074	4.37414
1.205	-7.140	-.35855	-.35779	- 37085	- 46128	- 41805	-.40309	-.39520	-.34768	.50735	4.39499
1.205	-4 820	-.35664	-.34915	-.35906	-.44571	-.40203	-.38751	-.37818	-.33633	.50246	4.41305
1.205	-2.515	-.34574	-.34178	-.34856	-.43199	-.39066	-.37375	-.36523	-.32796	.49835	4.42700
1.205	- 255	-.33251	- 33290	-.33689	-.41401	-.35524	- 36216	- 35328	-.31907	.49423	4.43793
1.205	1.989	-.32435	- 32619	-.32921	-.41336	-.35448	- 35023	- 33919	-.31055	.48732	4.44109
1.205	4.270	-.31091	-.31729	-.31941	- 42669	-.37257	-.33763	-.32577	-.30299	.47946	4.42825
	GRADIENT	00498	00350	.00435	00250	.00376	.00544	.00577	.00371	-.00251	.00196

LARC 8FT TPT 749 (1A93) OTSAT130

(RJ011) (24 JUN 76)

REFERENCE DATA

SREF = 2690.0000 SQ FT XMRP = 976.0000 IN. XT
 LREF = 1290.3000 INCHES YMRP = .0000 IN. YT
 BREF = 1290.3000 INCHES ZMRP = 400.0000 IN. ZT
 SCALE = .0100

PARAMETRIC DATA

BETA = 6.000 ELV-LI = 10.000
 ELV-LO = 4.000 ELV-RI = 10.000
 ELV-RO = 4.000

RUN NO. 57/ 0 RN/L = 3.16 GRADIENT INTERVAL = -5.00/ 5.00

MACH	ALPHA	CPB1	CPB2	CPB3	CPB4,5	CPB6	CPB7	CPB8	CPCO	CAU	BETA
.600	-8.561	-.25634	- 24614	-.27360	-.34526	-.27152	-.37802	-.37104	- 24143	.29199	6.29387
.600	-6 437	-.25254	-.24500	-.26659	-.33122	-.26204	-.36150	-.35680	-.23498	.29112	6.33093
.600	-4 314	-.24742	- 24138	-.25922	- 32049	- 25808	-.34470	-.34208	-.22814	.29078	6.37074
.600	-2 214	-.24436	- 23912	-.25502	- 31491	-.25199	-.33378	-.33211	-.22453	.28889	6.39519
.600	- 098	- 23914	- 23391	-.24735	-.30783	-.24167	-.32461	- 32180	- 22120	.28496	6.40437
.600	2 030	-.23276	- 23115	-.24043	- 31491	-.24934	-.31954	-.31484	-.21978	.27846	6.40083
.599	4 133	- 22287	-.22565	-.23248	- 32398	-.25716	-.31019	- 30699	-.21502	.26912	6.38825
	GRADIENT	.00287	00192	00322	- 00033	.00021	.00394	00414	00147	-.00254	.00192

LARC 8FT TPT 749 (1A93) OTSAT130

(RJJ011) (24 JUN 76)

REFERENCE DATA

SREF = 2690.0000 SQ.FT. XMRP = 976.0000 IN. XT
 LREF = 1290.3000 INCHES YMRP = .0000 IN. YT
 BREF = 1290.3000 INCHES ZMRP = 400.0000 IN. ZT
 SCALE = .0100

PARAMETRIC DATA

BETA = 6.000 ELV-LI = 10.000
 ELV-LO = 4.000 ELV-RI = 10.000
 ELV-RO = 4.000

RUN NO. 37/ 0 RN/L = 3.97 GRADIENT INTERVAL = -5.00/ 5.00

MACH	ALPHA	CPB1	CPB2	CPB3	CPB4,5	CPB6	CPB7	CPB8	CPCO	CAU	BETA
.899	-9.059	-32042	-30028	-34319	-35076	-28802	-42783	-.41644	-29170	.35931	6.46081
.899	-6.826	-.31032	-.29278	-.32929	-.33932	-.28781	-.40736	-.40684	-.28521	.35549	6.49924
.899	-4.591	-29980	-.28082	-31680	-.32828	-.28503	-.39298	-.39839	-.27223	.35247	6.52228
.899	-2.404	-.29923	-.27902	-.31142	-.32357	-.28100	-.37774	-.37833	-.27121	.34903	6.54134
.900	-212	-29555	-27246	-.30629	-31742	-.26964	-.36078	-.35253	-.27121	.34562	6.55258
.900	2.022	-29698	-26909	-.30638	-.32924	-.27845	-.35146	-.33796	-.26486	.34166	6.54501
.899	4.243	-.29208	-.26393	-30161	-.34028	-.28046	-.34853	-33848	-.25936	.33637	6.52889
	GRADIENT	.00080	.00198	.00160	-.00135	.00052	00521	00724	.00145	-.00179	.00075

RUN NO. 42/ 0 RN/L = 4.08 GRADIENT INTERVAL = -5.00/ 5.00

MACH	ALPHA	CPB1	CPB2	CPB3	CPB4,5	CPB6	CPB7	CPB8	CPCO	CAU	BETA
.974	-9.234	-.38044	-.38194	-.38355	-.41133	-34957	-46617	-.45625	-.36870	.43661	6.51634
.975	-6.980	-.36309	-.36772	-.37007	-.40597	-.35114	-.44549	-.43817	-35646	.43472	6.54830
.975	-4.720	-33754	-.35322	-.35413	-39824	-.34719	-.42649	-.42197	-.34245	.42967	6.57390
.875	-2.473	-.32278	-.34451	-.34274	-39039	-.33746	-.41771	-.41525	-33415	.42490	6.58504
.974	-227	-30813	-.33322	-.32825	-.38721	-.32763	-.41236	-41084	-32315	.42198	6.59045
.974	1.995	-.30588	-32805	-.32506	-.39569	-.33510	-.40362	-.39193	-31892	.41656	6.58699
.974	4.246	-.31313	-.32980	-.33187	-.41089	-.35165	-39965	-.38123	-.32077	.41056	6.56988
	GRADIENT	00293	00283	00278	-.00136	-.00029	00303	00468	.00262	-.00208	-.00027

RUN NO. 52/ 0 RN/L = 4.21 GRADIENT INTERVAL = -5.00/ 5.00

MACH	ALPHA	CPB1	CPB2	CPB3	CPB4,5	CPB6	CPB7	CPB8	CPCO	CAU	BETA
1.149	-7.156	-38329	-.38155	-38165	-.43106	-.38588	-.42178	-.41370	-37076	.50096	6.57481
1.149	-4.845	-.37457	-.37553	-37434	-.42696	-.37885	-.40699	-.39854	-.36214	.49838	6.60383
1.149	-2.551	-.25980	-36190	-36090	-.42118	-.37011	-39621	-38730	-34794	.49351	6.61982
1.149	-266	-34724	-.35121	-.34922	-.41114	-.34820	-.38708	-.37928	-.33706	.48785	6.62963
1.148	2.001	-33438	-34059	-33851	-.42090	-.36457	-.37296	-36257	-.32578	.48157	6.62836
	GRADIENT	.00583	.00506	.00522	.00124	.00284	00487	.00508	00526	-.00246	.00366

LARC 8FT TPT 749 (1A93) OTSAT130

(RJJ011) (24 JUN 76)

REFERENCE DATA

PARAMETRIC DATA

SREF = 2690.0000 SQ.FT. XMRP = 976.0000 IN. XT
 LREF = 1290.3000 INCHES YMRP = .0000 IN. YT
 BREF = 1290.3000 INCHES ZMRP = 400.0000 IN. ZT
 SCALE = .0100

BETA = 6.000 ELV-LI = 10.000
 ELV-LO = 4.000 ELV-RI = 10.000
 ELV-RO = 4.000

RUN NO. 47/ 0 RN/L = 4 22 GRADIENT INTERVAL = -5.00/ 5.00

MACH	ALPHA	CPB1	CPB2	CPB3	CPB4.5	CPB6	CPB7	CPB8	CPCO	CAU	BETA
1.205	-9 552	-.38184	-.37411	-.38077	-.43919	-.38949	-.42384	-.41460	-.36825	.50995	6.55864
1.205	-7.185	-.37903	-.37203	-.37941	-.42919	-.38093	-.41311	-.40377	-.36265	.50665	6.58113
1.205	-4 857	-.37096	-.36514	-.37073	-.41972	-.36857	-.39082	-.38302	-.35288	.50210	6.60480
1.205	-2 566	-.35518	-.35218	-.35616	-.40955	-.35454	-.37867	-.37095	-.33873	.49791	6.62453
1.205	- 270	-.34084	-.34247	-.34430	-.39587	-.33045	-.37075	-.36250	-.32820	.49322	6.63295
1.205	2 003	-.33033	-.33531	-.33409	-.40320	-.34380	-.35944	-.34939	-.32067	.48789	6.63266
1.205	4 275	-.32220	-.32701	-.32283	-.41298	-.35799	-.34627	-.33235	-.31345	.47877	6.61933
	GRADIENT	.00536	.00408	.00516	.00074	.00141	.00474	.00538	.00425	-.00248	.00163

LARC 8FT TPT 749 (1A93) OTSAT130

(RJJ012) (24 JUN 76)

REFERENCE DATA

PARAMETRIC DATA

SREF = 2690.0000 SQ.FT. XMRP = 976.0000 IN. XT
 LREF = 1290.3000 INCHES YMRP = .0000 IN. YT
 BREF = 1290.3000 INCHES ZMRP = 400.0000 IN. ZT
 SCALE = .0100

BETA = -6.000 ELV-LI = 10.000
 ELV-LO = 14.000 ELV-RI = 10.000
 ELV-RO = 14.000

RUN NO 80/ 0 RN/L = 3.16 GRADIENT INTERVAL = -5.00/ 5.00

MACH	ALPHA	CPB1	CPB2	CPB3	CPB4.5	CPB6	CPB7	CPB8	CPCO	CAU	BETA
.599	-8 515	-.25883	-.24649	-.28292	-.44136	-.42058	-.39523	-.38623	-.24306	.29629	-6.31860
.599	-6.414	-.25701	-.24487	-.27767	-.43034	-.40843	-.37661	-.37238	-.24087	.29752	-6.34656
.599	-2.189	-.24978	-.24033	-.26436	-.41738	-.38185	-.34034	-.34315	-.23386	.29514	-6.37050
.598	- .073	-.24241	-.23580	-.25536	-.40866	-.36941	-.32699	-.33133	-.22836	.29075	-6.36909
.599	2 046	-.23782	-.23161	-.24887	-.39995	-.35826	-.32329	-.32668	-.22359	.28543	-6.36479
.598	4 162	-.23367	-.22480	-.24437	-.38703	-.34797	-.31505	-.31787	-.22039	.27599	-6.35255
	GRADIENT	.00250	.00240	.00314	.00471	.00533	.00376	.00380	.00213	-.00296	.00275

RUN NO 75/ 0 RN/L = 3.97 GRADIENT INTERVAL = -5.00/ 5.00

MACH	ALPHA	CPB1	CPB2	CPB3	CPB4.5	CPB6	CPB7	CPB8	CPCO	CAU	BETA
.900	-9 044	-.31746	-.30391	-.32392	-.45042	-.44704	-.42359	-.41278	-.29778	.36943	-6.51371
.900	-6 806	-.31101	-.29312	-.31615	-.44122	-.43695	-.40744	-.39686	-.28787	.36669	-6.55220
.900	-4 589	-.29909	-.27531	-.30449	-.44502	-.42422	-.39471	-.40013	-.27273	.36318	-6.55929
.900	-2 380	-.29586	-.26761	-.29871	-.44242	-.41223	-.39538	-.38643	-.26748	.36025	-6.56083
899	- 158	-.29237	-.26299	-.29277	-.44262	-.40705	-.38696	-.36466	-.26297	.35625	-6.55342
899	2 067	-.29369	-.25657	-.29218	-.45080	-.41018	-.35575	-.34884	-.26192	.35013	-6.53977
900	4.293	-.29382	-.25327	-.29410	-.43645	-.39455	-.34843	-.34055	-.26197	.34430	-6.53411
	GRADIENT	.00057	.00248	.00123	.00039	.00276	.00550	.00707	.00122	-.00216	.00322

ORIGINAL PAGE IS
OF POOR QUALITY

LARC 8FT TPT 749 (IA93) OTSAT130

(RJ012) (24 JUN 76)

REFERENCE DATA

SREF = 2690.0000 SQ.FT. XMRP = 976.0000 IN. XT
 LREF = 1290.3000 INCHES YMRP = .0000 IN. YT
 BREF = 1290.3000 INCHES ZMRP = 400.0000 IN. ZT
 SCALE = 0100

PARAMETRIC DATA

BETA = -6.000 ELV-LI = 10.000
 ELV-LO = 14.000 ELV-RI = 10.000
 ELV-RO = 14.000

RUN NO. 65/ 0 RN/L = 4.08 GRADIENT INTERVAL = -5.00/ 5.00											
MACH	ALPHA	CPB1	CPB2	CPB3	CPB4,5	CPB6	CPB7	CPB8	CPCO	CAU	BETA
.975	-9.245	- 37705	- 38338	- 38142	- 53588	- 51882	- 47788	- 47387	- 37229	.44941	-6.59309
.976	-6.953	- 35888	- 36917	- 36279	- 54780	- 52176	- 45572	- 44333	- 35673	.44721	-6.61475
.975	-4.689	- 34225	- 34607	- 34663	- 54629	- 51011	- 43905	- 43401	- 33629	.44124	-6.61931
.975	-2.451	- 33217	- 34384	- 33596	- 53713	- 49236	- 42747	- 42274	- 32509	.43785	-6.61313
.975	-.189	- 32581	- 32541	- 32910	- 53598	- 48738	- 41978	- 41733	- 31800	.43459	-6.59514
.975	2.038	- 32497	- 32365	- 32930	- 53679	- 49067	- 41355	- 40500	- 31738	.43198	-6.59189
.975	4.293	- 32787	- 32862	- 33137	- 55172	- 49366	- 41246	- 40183	- 32058	.42874	-6.57832
	GRADIENT	00160	.00201	.00166	- 00047	00154	.00299	00366	00171	-.00137	00460

RUN NO 70/ 0 RN/L = 4.21 GRADIENT INTERVAL = -5.00/ 5.00											
MACH	ALPHA	CPB1	CPB2	CPB3	CPB4,5	CPB6	CPB7	CPB8	CPCO	CAU	BETA
1.149	-7.126	- 35732	- 34547	- 39752	- 56309	- 51742	- 41911	- 42576	- 34004	.50780	-6.66085
1.149	-4.810	- 35159	- 34160	- 39089	- 55435	- 51034	- 40842	- 40928	- 33700	.50519	-6.66821
1.149	-2.503	- 34676	- 33687	- 37715	- 54138	- 49260	- 39944	- 40232	- 33236	.50478	-6.66239
1.149	-.239	- 33907	- 33022	- 35966	- 53378	- 48159	- 38506	- 39246	- 32569	.50145	-6.65395
1.149	2.036	- 33299	- 32856	- 35092	- 52131	- 47116	- 37382	- 37937	- 32137	.49636	-6.64770
	GRADIENT	00278	00201	.00603	.00468	00564	.00518	.00437	.00235	-.00131	.00307

RUN NO. 60/ 0 RN/L = 4.22 GRADIENT INTERVAL = -5.00/ 5.00											
MACH	ALPHA	CPB1	CPB2	CPB3	CPB4,5	CPB6	CPB7	CPB8	CPCO	CAU	BETA
1.199	-9.537	- 36283	- 35021	- 39857	- 55605	- 50890	- 42316	- 43292	- 34445	.51801	-6.67605
1.200	-7.171	- 35411	- 34179	- 39400	- 55078	- 49742	- 41118	- 42039	- 33575	.51496	-6.68300
1.200	-4.833	- 34964	- 33950	- 39154	- 53935	- 48968	- 39780	- 40044	- 33354	.51321	-6.68687
1.199	-2.526	- 34463	- 33376	- 38052	- 53233	- 47670	- 38631	- 39067	- 32943	.51242	-6.68244
1.200	-.243	- 33533	- 32630	- 36402	- 52810	- 46983	- 37150	- 37928	- 32097	.50998	-6.67142
1.200	2.034	- 33013	- 32507	- 35595	- 51674	- 46071	- 35945	- 36517	- 31830	.50562	-6.66797
1.200	4.300	- 32773	- 32529	- 35394	- 50234	- 44504	- 34472	- 34665	- 31744	.49596	-6.65857
	GRADIENT	00256	.00154	.00437	00392	.00461	.00583	00583	00190	-.00181	.00311

LARC 8FT TPT 749 (1A93) OTSAT130

(RJJO13) (24 JUN 76)

REFERENCE DATA

SREF = 2690.0000 SQ.FT. XMRP = 976 0000 IN. XT
 LREF = 1290.3000 INCHES YMRP = .0000 IN. YT
 BREF = 1290 3000 INCHES ZMRP = 400.0000 IN ZT
 SCALE = .0100

PARAMETRIC DATA

BETA = -4.000 ELV-LI = 10.000
 ELV-LO = 14.000 ELV-RI = 10.000
 ELV-RO = 14.000

RUN NO. 79/ 0 RN/L = 3.16 GRADIENT INTERVAL = -5.00/ 5.00

MACH	ALPHA	CPB1	CPB2	CPB3	CPB4,5	CPB6	CPB7	CPB8	CPCO	CAU	BETA
.599	-8.497	-.25785	-.24819	-.28079	-.42674	-.40257	-.38387	-.37546	-.24153	.29943	-4.23764
.599	-6.375	-.25467	-.24710	-.27287	-.41314	-.38859	-.36550	-.36013	-.23891	.29944	-4.26228
.599	-4.269	-.24817	-.24460	-.26338	-.40670	-.37603	-.34603	-.34579	-.23164	.29839	-4.27343
.599	-2.168	-.24297	-.24151	-.25514	-.40319	-.36682	-.33034	-.33163	-.22835	.29717	-4.28067
.599	-0.060	-.23643	-.23498	-.24881	-.39397	-.35534	-.32075	-.32242	-.22468	.29239	-4.28474
.598	2.035	-.22866	-.22723	-.23975	-.38314	-.33991	-.31384	-.31666	-.21691	.28485	-4.28220
.599	4.154	-.22179	-.22018	-.23213	-.37730	-.33449	-.30672	-.31011	-.21025	.27696	-4.28555
	GRADIENT	.00319	.00300	.00370	.00375	.00522	.00452	.00410	.00258	-.00262	-.00122

RUN NO. 74/ 0 RN/L = 3.97 GRADIENT INTERVAL = -5.00/ 5.00

MACH	ALPHA	CPB1	CPB2	CPB3	CPB4,5	CPB6	CPB7	CPB8	CPCO	CAU	BETA
.900	-9.002	-.30705	-.28906	-.31410	-.43250	-.42377	-.42568	-.42517	-.28414	.37077	-4.35853
.900	-6.775	-.30149	-.28037	-.30498	-.42457	-.41059	-.40744	-.40961	-.27455	.36547	-4.37470
.899	-4.559	-.29425	-.27000	-.29755	-.42283	-.40269	-.39550	-.39745	-.26629	.36136	-4.38399
.900	-2.357	-.29494	-.26477	-.29388	-.41896	-.39034	-.37061	-.36932	-.26151	.35697	-4.38420
.899	-.154	-.29385	-.26053	-.29156	-.42436	-.38822	-.35413	-.34837	-.25648	.35034	-4.37645
.899	2.056	-.29232	-.25253	-.28691	-.43159	-.39234	-.34417	-.33517	-.25441	.34527	-4.36782
.900	4.281	-.28734	-.25017	-.28150	-.42246	-.38102	-.33803	-.33027	-.25182	.34080	-4.36595
	GRADIENT	.00075	.00235	.00177	-.00054	.00187	.00640	.00762	.00163	-.00239	.00237

RUN NO. 64/ 0 RN/L = 4.08 GRADIENT INTERVAL = -5.00/ 5.00

MACH	ALPHA	CPB1	CPB2	CPB3	CPB4,5	CPB6	CPB7	CPB8	CPCO	CAU	BETA
.975	-9.189	-.36086	-.37313	-.36590	-.52080	-.50592	-.47697	-.48694	-.36078	.45244	-4.39478
.975	-6.911	-.33950	-.35915	-.34605	-.52726	-.50123	-.44901	-.45132	-.34463	.44722	-4.40576
.975	-4.672	-.31892	-.34338	-.32947	-.51887	-.48765	-.42916	-.43034	-.32957	.44142	-4.40526
.975	-2.425	-.30705	-.32627	-.31816	-.51283	-.47086	-.41991	-.41871	-.31440	.43619	-4.40016
.975	-.184	-.30290	-.31736	-.31186	-.52111	-.47303	-.41018	-.40431	-.30622	.43237	-4.39011
.975	2.042	-.30163	-.31909	-.31544	-.52756	-.48021	-.40391	-.39215	-.30815	.42844	-4.38041
.975	4.267	-.30216	-.32077	-.31826	-.54174	-.48567	-.40210	-.38816	-.30931	.42655	-4.37302
	GRADIENT	.00175	.00235	.00113	-.00270	-.00024	.00314	.00497	.00210	-.00168	.00317

LARC 8FT TPT /49 (1A93) OTSAT130

(RJJ013) (24 JUN 76)

REFERENCE DATA

SREF = 2690.0000 SQ.FT. XMRP = 976.0000 IN. XT
 LREF = 1290.3000 INCHES YMRP = .0000 IN. YT
 BREF = 1290.3000 INCHES ZMRP = 400.0000 IN. ZT
 SCALE = .0100

PARAMETRIC DATA

BETA = -4.000 ELV-LI = 10.000
 ELV-LO = 14.000 ELV-RI = 10.000
 ELV-RO = 14.000

RUN NO. 69/ 0 RN/L = 4.21 GRADIENT INTERVAL = -5.00/ 5.00

MACH	ALPHA	CPB1	CPB2	CPB3	CPB4,5	CPB6	CPB7	CPB8	CPCO	CAU	BETA
1.149	-7.088	-.35190	-.33878	-.37979	-.54763	-.50446	-.40918	-.41685	-.33086	.50774	-4.43587
1.149	-4.777	-.34578	-.33396	-.36782	-.54270	-.49832	-.39711	-.40220	-.32806	.50429	-4.43792
1.149	-2.482	-.33969	-.32944	-.35475	-.52868	-.48081	-.38705	-.39150	-.32593	.50230	-4.42875
1.149	-.242	-.33031	-.32313	-.34384	-.52669	-.47791	-.37834	-.38021	-.31851	.49849	-4.42163
1.149	2.024	-.31884	-.31795	-.33158	-.51661	-.46904	-.36716	-.36627	-.31028	.49257	-4.41848
	GRADIENT	.00398	.00240	.00528	.00355	.00401	.00435	.00526	.00268	-.00172	.00289

RUN NO. 59/ 0 RN/L = 4.22 GRADIENT INTERVAL = -5.00/ 5.00

MACH	ALPHA	CPB1	CPB2	CPB3	CPB4,5	CPB6	CPB7	CPB8	CPCO	CAU	BETA
1.199	-9.478	-.35544	-.34266	-.38461	-.55485	-.50887	-.41053	-.41722	-.33274	.51889	-4.44957
1.200	-7.114	-.34932	-.33530	-.38094	-.53390	-.48543	-.40125	-.41028	-.32863	.51455	-4.45888
1.200	-4.798	-.34329	-.32901	-.37350	-.52230	-.47462	-.38533	-.39122	-.32576	.51118	-4.45580
1.200	-2.502	-.33739	-.32547	-.36321	-.51458	-.46376	-.37474	-.37838	-.32230	.51025	-4.44869
1.199	-.229	-.32748	-.31927	-.34801	-.51722	-.46414	-.36386	-.36560	-.31511	.50665	-4.43513
1.200	2.023	-.31498	-.31347	-.33132	-.50521	-.45277	-.35102	-.34979	-.30677	.50127	-4.43507
1.199	4.285	-.31234	-.31282	-.33130	-.49223	-.43799	-.33946	-.33354	-.30396	.49269	-4.42860
	GRADIENT	.00372	.00196	.00513	.00306	.00371	.00509	.00634	.00261	-.00202	.00300

LARC 8FT TPT 749 (1A93) OTSAT130

(RJJ014) (24 JUN 76)

REFERENCE DATA

SREF = 2690.0000 SQ.FT. XMRP = 976.0000 IN. XT
 LREF = 1290.3000 INCHES YMRP = .0000 IN. YT
 BREF = 1290.3000 INCHES ZMRP = 400 0000 IN. ZT
 SCALE = .0100

PARAMETRIC DATA

BETA = 000 ELV-LI = 10.000
 ELV-LO = 14.000 ELV-RI = 10.000
 ELV-RO = 14.000

RUN NO. 78/ 0 RN/L = 3.17 GRADIENT INTERVAL = -5.00/ 5.00

MACH	ALPHA	CPB1	CPB2	CPB3	CPB4,5	CPB6	CPB7	CPB8	CPCO	CAU	BETA
.599	-8 472	- 25289	-.23979	-.26979	-.41613	-.34723	-.36977	-.35705	-.23864	.29553	-.02036
.598	-6 364	- 24838	-.23795	-.26226	-.39218	-.33293	-.35356	-.35123	-.23718	.29404	-.01836
.598	-4 265	- 24394	-.23504	-.25536	-.37286	-.32182	-.33786	-.33629	-.23255	.29283	-.01681
.598	-2.182	- 23780	-.23176	-.24830	-.36348	-.31505	-.32480	-.32667	-.22698	.29125	-.00922
.598	-.072	- 23085	-.22770	-.23851	-.35537	-.30799	-.31599	-.31767	-.22235	.28785	-.00598
.599	2.031	- 22165	-.22137	-.22723	-.35177	-.30595	-.30348	-.30383	-.21640	.28076	-.00338
.599	4.131	- 20641	-.21282	-.22305	-.35110	-.30114	-.29143	-.29045	-.20918	.27171	-.00554
	GRADIENT	.00434	.00261	.00408	.00263	.00240	.00544	.00545	.00273	-.00251	.00135

RUN NO. 73/ 0 RN/L = 3 97 GRADIENT INTERVAL = -5 00/ 5 00

MACH	ALPHA	CPB1	CPB2	CPB3	CPB4,5	CPB6	CPB7	CPB8	CPCO	CAU	BETA
.899	-8.952	- 29079	- 28837	-.30136	-.40799	-.37782	-.42878	- 42111	-.28121	.36653	-.05611
.900	-6.752	- 29060	- 28326	-.30284	-.39369	-.35348	- 40440	-.39997	-.27610	.35809	-.04552
.899	-4.544	- 28886	-.29208	-.29778	-.36658	-.33551	- 37874	-.37935	-.27334	.34962	-.04452
.900	-2.343	- 28972	-.28194	-.29996	-.35390	-.32724	- 34724	-.34025	-.27512	.34474	-.03733
.900	-.141	- 28638	-.27447	-.29506	-.36253	-.33049	-.33451	-.32149	-.26708	.34202	-.02693
.900	2 056	- 28392	- 27179	-.29172	-.37553	-.33968	-.32491	- 30383	-.26316	.33824	-.01852
.900	4 267	- 27597	- 26632	-.28479	-.38116	-.34064	-.32086	-.30840	-.25759	.33449	-.02055
	GRADIENT	.00143	.00189	.00155	-.00231	-.00103	.00627	.00810	.00197	-.00167	.00303

RUN NO. 63/ 0 RN/L = 4.08 GRADIENT INTERVAL = -5.00/ 5.00

MACH	ALPHA	CPB1	CPB2	CPB3	CPB4,5	CPB6	CPB7	CPB8	CPCO	CAU	BETA
.975	-9.162	- 32946	- 34750	-.34888	-.50779	- 47150	-.46748	- 46305	- 33627	.44775	-.04149
.975	-6.892	- 31831	- 33998	-.33518	-.49362	-.45477	-.44647	-.44339	- 32875	.44184	-.03763
.975	-4.632	- 30915	- 33040	-.32677	-.47759	-.43542	-.42388	-.42299	- 32354	.43368	-.02935
.975	-2.411	- 30110	-.34620	-.32567	-.46278	-.41960	-.40763	-.40778	- 32462	.42888	-.00934
.975	-.189	- 30046	-.34681	-.32648	-.46039	-.41639	-.39623	-.39575	-.32699	.42555	-.00787
.975	2.004	- 30392	-.34944	-.33004	-.47028	-.41757	-.39099	-.38783	-.33251	.42090	-.00151
.975	4.239	- 30387	-.34607	-.33205	-.47736	-.42724	-.38182	- 37079	-.33070	.41591	-.00253
	GRADIENT	.00035	-.00084	-.00067	-.00032	.00083	.00455	.00561	-.00100	-.00196	.00277

C.2

LARC 8FT TPT 749 (1A93) OTSAT130

(RJ0014) (24 JUN 76)

REFERENCE DATA

SREF = 2690.0000 SQ.FT. XMRP = 976 0000 IN. XT
 LREF = 1290.3000 INCHES YMRP = .0000 IN. YT
 BREF = 1290.3000 INCHES ZMRP = 400.0000 IN. ZT
 SCALE = .0100

PARAMETRIC DATA

BETA = .000 ELV-L1 = 10.000
 ELV-LO = 14.000 ELV-R1 = 10.000
 ELV-RO = 14.000

RUN NO. 68/ 0 RN/L = 4.21 GRADIENT INTERVAL = -5.00/ 5.00

MACH	ALPHA	CPB1	CPB2	CPB3	CPB4,5	CPB6	CPB7	CPB8	CPCO	CAU	BETA
1.149	-7.052	-34963	-34811	-35490	-52485	-48279	-41161	-40851	-33467	.50384	-.02983
1.149	-4.732	-34159	-34203	-34910	-51630	-47121	-39678	-39211	-33014	.49975	-.02344
1.149	-2.464	-32957	-33639	-34420	-50386	-45381	-38285	-37818	-32440	.49823	-.01073
1.149	-.233	-31294	-33525	-33433	-49415	-43871	-36585	-35346	-31849	.49433	.00174
1.149	2.013	-30186	-32743	-32219	-49232	-43583	-35251	-33671	-30963	.48705	.00750
	GRADIENT	.00604	.00200	.00403	00364	00540	.00667	00850	.00300	-.00187	.00469

RUN NO 58/ 0 RN/L = 4.21 GRADIENT INTERVAL = -5.00/ 5.00

MACH	ALPHA	CPB1	CPB2	CPB3	CPB4,5	CPB6	CPB7	CPB8	CPCO	CAU	BETA
1.199	-9.408	-35558	-34379	-36441	-51835	-47868	-41095	-40854	-33090	.51381	-.02663
1.200	-7.082	-34426	-33845	-35177	-49971	-46033	-39819	-39650	-32654	.50915	-.02792
1.200	-4.772	-33632	-33404	-34484	-49018	-44612	-38035	-37785	-32349	.50675	-.02108
1.200	-2.473	-32961	-33015	-34131	-48205	-43305	-36870	-36404	-31941	.50420	-.00772
1.199	-.236	-31807	-32521	-33593	-47456	-42304	-35680	-34719	-31374	.50141	.00665
1.200	2.017	-30269	-31949	-32374	-47272	-41656	-33926	-32362	-30515	.49434	.00949
1.199	4.265	-29555	-31401	-31430	-47191	-41452	-32703	-31255	-29820	.48522	.00029
	GRADIENT	00480	.00225	.00348	.00203	.00353	.00603	.00758	.00287	-.00234	.00266

LARC 8FT TPT 749 (1A93) OTSAT130

(RJJD15) (24 JUN 76)

REFERENCE DATA

SREF = 2690.0000 SQ.FT. XMRP = 976.0000 IN. XT
 LREF = 1290.3000 INCHES YMRP = .0000 IN. YT
 BREF = 1290.3000 INCHES ZMRP = 400.0000 IN. ZT
 SCALE = .0100

PARAMETRIC DATA

BETA = 4.000 ELV-L1 = 10.000
 ELV-LO = 14.000 ELV-R1 = 10.000
 ELV-RO = 14.000

RUN NO 81/ 0 RN/L = 3.16 GRADIENT INTERVAL = -5.00/ 5.00

MACH	ALPHA	CPB1	CPB2	CPB3	CPB4.5	CPB6	CPB7	CPB8	CPCO	CAU	BETA
.599	-8 498	-.25668	-.24435	-.27146	-.38326	-.29201	-.37174	-.36142	-.23521	.29696	4.17773
.599	-6 389	-.24990	-.24044	-.26261	-.36372	-.28144	-.35332	-.34643	-.22807	.29698	4.20193
.599	-4 293	-.24462	-.23764	-.25544	-.34573	-.27162	-.33893	-.33547	-.22412	.29747	4.22091
.599	-2 183	-.24020	-.23341	-.24705	-.32825	-.26552	-.32182	-.32045	-.21931	.29379	4.23309
.599	- 074	-.23581	-.22961	-.24059	-.31950	-.25867	-.31497	-.31322	-.21607	.28975	4.24038
.599	2 032	-.22885	-.22608	-.23288	-.32146	-.25933	-.30970	-.30452	-.21331	.28419	4.24147
.598	4 153	-.21366	-.22008	-.22081	-.32747	-.26806	-.29700	-.29334	-.20823	.27417	4.22746
	GRADIENT	.00347	.00201	.00395	.00205	.00063	.00455	.00475	.00179	-.00266	.00102

RUN NO 76/ 0 RN/L = 3.97 GRADIENT INTERVAL = -5.00/ 5.00

MACH	ALPHA	CPB1	CPB2	CPB3	CPB4.5	CPB6	CPB7	CPB8	CPCO	CAU	BETA
.899	-9 001	-.30827	-.28601	-.33219	-.39155	-.32261	-.41915	-.41338	-.27729	.36842	4.27346
.900	-6 770	-.29840	-.28054	-.31452	-.37628	-.31556	-.39882	-.39384	-.27294	.36310	4.30214
.900	-4 555	-.28652	-.27238	-.30000	-.35985	-.30740	-.38405	-.38321	-.26219	.35846	4.31488
.900	-2 366	-.28936	-.27141	-.29871	-.34920	-.30176	-.36088	-.35624	-.26357	.35398	4.33798
.900	- 161	-.28878	-.26646	-.29679	-.33969	-.29157	-.34633	-.33677	-.25928	.35014	4.34509
.900	2 058	-.28577	-.25900	-.29345	-.33979	-.28823	-.33289	-.31339	-.25227	.34398	4.33956
.899	4 286	-.28167	-.25924	-.28959	-.35252	-.29934	-.33175	-.31894	-.25262	.34013	4.33080
	GRADIENT	.00060	.00175	.00118	.00108	.00134	.00599	.00775	.00138	-.00211	.00150

RUN NO. 66/ 0 RN/L = 4.08 GRADIENT INTERVAL = -5.00/ 5.00

MACH	ALPHA	CPB1	CPB2	CPB3	CPB4.5	CPB6	CPB7	CPB8	CPCO	CAU	BETA
.975	-9 199	-.36173	-.35650	-.37627	-.46804	-.42354	-.46240	-.45684	-.34695	.44923	4.30851
.976	-6 919	-.33610	-.34190	-.35859	-.45814	-.41591	-.43903	-.43710	-.33109	.44409	4.33171
.975	-4 665	-.31068	-.33061	-.34111	-.44057	-.39637	-.41803	-.41496	-.31844	.43726	4.34595
.975	-2 434	-.29773	-.32348	-.32893	-.42292	-.37489	-.40843	-.40837	-.31006	.43210	4.35861
.975	- 199	-.29176	-.32208	-.32360	-.41125	-.35724	-.40442	-.40114	-.30918	.42982	4.36562
.975	2 025	-.29242	-.32141	-.32199	-.41815	-.36692	-.39506	-.37957	-.30943	.42311	4.36586
.975	4 279	-.29490	-.32284	-.32446	-.43852	-.39163	-.38997	-.36682	-.31108	.41961	4.35235
	GRADIENT	.00165	.00079	.00180	.00039	.00077	.00311	.00560	.00069	-.00198	.00089

ORIGINAL PAGE IS
OF POOR QUALITY

LARC 8FT TPT /49 (1A93) OTSAT130

(RJJ015) (24 JUN 76)

REFERENCE DATA

SREF = 2690.0000 SQ.FT. XMRP = 976.0000 IN. XT
 LREF = 1290.3000 INCHES YMRP = .0000 IN. YT
 BREF = 1290.3000 INCHES ZMRP = 400.0000 IN. ZT
 SCALE = .0100

PARAMETRIC DATA

BETA = 4.000 ELV-LI = 10.000
 ELV-LO = 14.000 ELV-RI = 10.000
 ELV-RO = 14.000

RUN NO. 71/ 0 RN/L = 4.21 GRADIENT INTERVAL = -5.00/ 5.00

MACH	ALPHA	CPB1	CPB2	CPB3	CPB4,5	CPB6	CPB7	CPB8	CPCO	CAU	BETA
1.149	-7.096	-.37042	-.36388	-.37241	-.48146	-.43914	-.41340	-.40697	-.35239	.50872	4.37460
1.149	-4.783	-.36076	-.35701	-.36352	-.47036	-.42621	-.39768	-.39016	-.34293	.50390	4.39517
1.149	-2.489	-.34935	-.34774	-.35223	-.45332	-.40340	-.38222	-.37627	-.33273	.49920	4.40331
1.149	-.226	-.34160	-.34112	-.34562	-.43654	-.38320	-.37202	-.36422	-.32600	.49498	4.41319
1.149	2.034	-.32222	-.32767	-.33890	-.43625	-.38383	-.35774	-.34441	-.31209	.48693	4.41814
	GRADIENT	.00543	.00417	.00354	.00525	.00649	.00573	.00657	.00437	-.00243	.00347

RUN NO 61/ 0 RN/L = 4.22 GRADIENT INTERVAL = -5.00/ 5.00

MACH	ALPHA	CPB1	CPB2	CPB3	CPB4,5	CPB6	CPB7	CPB8	CPCO	CAU	BETA
1.200	-9.470	-.37720	-.36365	-.37721	-.48157	-.43725	-.41286	-.40585	-.35257	.51835	4.36945
1.200	-7.119	-.37037	-.35782	-.37166	-.47052	-.42818	-.40090	-.39461	-.34666	.51466	4.38955
1.200	-4.803	-.35898	-.35142	-.36095	-.45698	-.41340	-.38646	-.37882	-.33764	.50988	4.41411
1.200	-2.505	-.34652	-.34332	-.34925	-.43998	-.39036	-.37132	-.36350	-.32871	.50562	4.42192
1.199	-.275	-.33500	-.33534	-.33930	-.42166	-.36745	-.36064	-.35265	-.32000	.50153	4.43331
1.199	2.029	-.32641	-.32515	-.33110	-.41919	-.36401	-.34493	-.33424	-.30945	.49422	4.43821
1.199	4.275	-.31224	-.31723	-.32327	-.43083	-.38122	-.33484	-.32234	-.30196	.48541	4.42797
	GRADIENT	.00501	.00381	.00412	.00322	.00400	.00571	.00627	.00399	-.00266	.00194

LARC 9FT TPT 749 (1A93) OTSAT130

(RJJ016) (24 JUN 76)

REFERENCE DATA

PARAMETRIC DATA

SREF = 2690.0000 SQ.FT XMRP = 976.0000 IN. XT
 LREF = 1290.3000 INCHES YMRP = .0000 IN. YT
 BREF = 1290.3000 INCHES ZMRP = 400.0000 IN. ZT
 SCALE = .0100

BETA = 6.000 ELV-LI = 10.000
 ELV-LO = 14.000 ELV-RI = 10.000
 ELV-RO = 14.000

RUN NO 82/ 0 RN/L = 3.16 GRADIENT INTERVAL = -5.00/ 5.00

MACH	ALPHA	CPB1	CPB2	CPB3	CPB4.5	CPB6	CPB7	CPB8	CPCO	CAU	BETA
.599	-8 537	-.25949	- 24641	-.27442	-.34675	-.27122	-.37454	- 36728	-.24241	.29671	6.27137
.599	-6 404	-.25540	-.24727	-.26922	-.33170	-.26185	-.35930	- 35261	-.23453	.29571	6.30318
.599	-4 309	-.25298	-.24731	- 26625	- 32312	- 26210	-.34638	- 34253	-.23073	.29519	6.33110
.599	-2 196	- 24505	-.23978	- 25569	-.31157	- 25153	-.33006	- 32698	-.22493	.29380	6.34857
.599	- 0 77	-.24108	-.23773	- 25192	-.30606	- 24340	-.32244	- 31840	-.22307	.28871	6.35750
.599	2 039	-.23166	- 23137	-.24140	- 30986	-.24960	-.31351	- 30814	-.21859	.28329	6.35125
.599	4 160	-.22403	-.22832	-.23436	-.32109	-.25892	-.30342	- 30110	-.21516	.27341	6.34014
	GRADIENT	00337	00219	00369	.00027	.00039	00484	00480	.00177	-.00255	00098

RUN NO. 77/ 0 RN/L = 3 97 GRADIENT INTERVAL = -5.00/ 5.00

MACH	ALPHA	CPB1	CPB2	CPB3	CPB4.5	CPB6	CPB7	CPB8	CPCO	CAU	BETA
.899	-9.045	-.31762	- 30116	- 33973	-.35639	-.28948	-.42873	- 41815	-.29211	.36671	6.42444
.899	-6.809	-.30404	- 29130	-.32228	-.34497	-.28890	-.40599	- 40604	-.28303	.36279	6.46370
.899	-4.587	-.29194	- 29148	-.30856	-.33437	-.28680	-.39237	- 39779	-.27096	.35929	6.48608
.900	-2 382	-.29270	-.28066	-.30618	-.32662	-.28051	-.37755	- 37805	-.27148	.35697	6.50855
.900	- 1 170	-.29285	- 27501	-.30363	- 32060	- 27072	-.35914	- 35187	-.26762	.35321	6.51893
.900	2 061	-.29332	- 26808	-.30231	-.32912	- 27654	-.34805	- 33435	- 26169	.34820	6.51028
.900	4 285	- 28915	-.26393	-.29916	-.34048	- 28322	-.34308	- 33263	-.25833	.34252	6.49855
	GRADIENT	00022	.00215	.00102	-.00067	00050	00577	.00784	00158	-.00191	.00119

RUN NO. 67/ 0 RN/L = 4.08 GRADIENT INTERVAL = -5.00/ 5.00

MACH	ALPHA	CPB1	CPB2	CPB3	CPB4.5	CPB6	CPB7	CPB8	CPCO	CAU	BETA
.975	-9.252	-.38771	-.38912	-.38822	- 42076	- 36076	- 47006	- 46015	-.37361	.44774	6.48439
.975	-6 949	- 36366	- 36970	-.37282	-.40978	-.35653	-.44693	- 43869	-.35715	.44434	6.51686
.975	-4 694	-.32896	-.35433	-.35251	-.40218	-.35358	-.42734	- 42199	-.34084	.43885	6.53263
.975	-2 450	-.31254	-.34417	-.33842	-.39473	-.34322	-.41844	- 41423	-.33159	.43339	6.55074
.975	- 1 193	-.29954	-.33378	-.32505	-.39417	-.33480	-.41052	- 40683	-.32244	.43010	6.55684
.975	2.046	-.29800	-.32862	-.32310	-.40124	-.34527	- 40176	- 38689	-.31759	.42442	6.54963
.975	4.275	- 30234	-.32943	-.32753	-.41891	-.36552	-.39666	- 37620	-.31830	.42006	6.53070
	GRADIENT	.00302	.00291	00291	-.00178	-.00115	.00348	00530	.00264	-.00207	-.00022

ORIGINAL PAGE IS
OF POOR QUALITY

LARC 8FT TPT 749 (1A93) OTSAT130

(RJ016) (24 JUN 76)

REFERENCE DATA

SREF = 2690.0000 SQ.FT. XMRP = 976.0000 IN. XT
 LREF = 1290.3000 INCHES YMRP = .0000 IN. YT
 BREF = 1290.3000 INCHES ZMRP = 400.0000 IN. ZT
 SCALE = .0100

PARAMETRIC DATA

BETA * 6.000 ELV-LI = 10.000
 ELV-LO * 14.000 ELV-RI = 10.000
 ELV-RO * 14.000

RUN NO. 72/ 0 RN/L = 4.21 GRADIENT INTERVAL = -5.00/ 5.00

MACH	ALPHA	CPB1	CPB2	CPB3	CPB4.5	CPB6	CPB7	CPB8	CPCO	CAU	BETA
1.149	-7.135	-.38650	-.38444	-.38467	-.43582	-.39179	-.42254	-.41400	-.37177	.50814	6.58732
1.149	-4.812	-.37644	-.37625	-.37446	-.43012	-.38471	-.40255	-.39438	-.36264	.50506	6.61929
1.149	-2.515	-.36162	-.36257	-.36116	-.42196	-.37371	-.39218	-.38355	-.34793	.49974	6.63737
1.149	-.230	-.34916	-.35115	-.34957	-.41267	-.35126	-.38140	-.37388	-.33660	.49418	6.64804
1.149	2.036	-.33397	-.33792	-.33728	-.42386	-.37255	-.36477	-.35366	-.32382	.48706	6.64541
	GRADIENT	00613	.00554	.00539	.00124	00259	.00543	.00577	.00560	-.00261	.00391

RUN NO. 62/ 0 RN/L = 4.22 GRADIENT INTERVAL = -5.00/ 5.00

MACH	ALPHA	CPB1	CPB2	CPB3	CPB4.5	CPB6	CPB7	CPB8	CPCO	CAU	BETA
1.200	-9.538	-.38949	-.38168	-.38892	-.44922	-.39825	-.43135	-.42100	-.37252	.51752	6.55886
1.200	-7.167	-.38372	-.37665	-.38318	-.43653	-.38826	-.41297	-.40442	-.36559	.51401	6.58389
1.200	-4.835	-.37300	-.36658	-.37086	-.42393	-.37622	-.38738	-.38010	-.35389	.50927	6.60477
1.200	-2.539	-.35859	-.35500	-.35822	-.41427	-.36250	-.37761	-.37015	-.34094	.50473	6.62227
1.199	-.238	-.34400	-.34477	-.34592	-.40261	-.33920	-.36773	-.36009	-.33006	.49981	6.63233
1.200	2.015	-.33323	-.33528	-.33464	-.40901	-.35494	-.35362	-.34301	-.32040	.49399	6.63318
1.200	4.295	-.32368	-.32603	-.32351	-.41817	-.36723	-.34022	-.32430	-.31285	.48401	6.61400
	GRADIENT	.00544	00442	.00518	00074	.00113	00518	00608	.00450	-.00268	.00130

LARC 8FT TPT 749 (1A93) OTSAT130

(RJ017) (24 JUN 76)

REFERENCE DATA

SREF = 2690.0000 SQ FT XMRP = 976.0000 IN. XT
 LREF = 1290.3000 INCHES YMRP = .0000 IN. YT
 BREF = 1290.3000 INCHES ZMRP = 400.0000 IN. ZT
 SCALE = .0100

PARAMETRIC DATA

BETA = -6.000 ELV-LI = 10.000
 ELV-LO = -5.000 ELV-RI = 10.000
 ELV-RO = -5.000

RUN NO. 90/ 0 RN/L = 4.21 GRADIENT INTERVAL = -5.00/ 5.00

MACH	ALPHA	CPB1	CPB2	CPB3	CPB4.5	CPB6	CPB7	CPB8	CPCO	CAU	BETA
1.149	-7.178	-.35357	-.33994	-.38960	-.54845	-.49779	-.41764	-.42563	-.33382	.50052	-6.65909
1.150	-4.855	-.34877	-.33653	-.38785	-.54459	-.49411	-.41027	-.41374	-.33095	.49772	-6.66521
1.149	-2.556	-.34450	-.33282	-.37623	-.53212	-.47595	-.40259	-.40800	-.32844	.49665	-6.66214
1.150	-.282	-.33745	-.32690	-.35964	-.52503	-.46150	-.39059	-.40024	-.32288	.49446	-6.65153
1.149	1.988	-.33211	-.32580	-.34907	-.51297	-.45690	-.37990	-.38550	-.31984	.49052	-6.64317
	GRADIENT	.00250	.00167	.00583	.00447	00553	.00452	.00405	.00171	-.00104	00336

LARC 8FT TPT 749 (1A93) OTSAT130

(RJ017) (24 JUN 76)

REFERENCE DATA

PARAMETRIC DATA

SREF = 2690.0000 SQ.FT. XMRP = 976.0000 IN. XT
 LREF = 1290.3000 INCHES YMRP = .0000 IN. YT
 BREF = 1290.3000 INCHES ZMRP = 400.0000 IN. ZT
 SCALE = .0100

BETA = -6.000 ELV-LI = 10.000
 ELV-LO = -5.000 ELV-RI = 10.000
 ELV-RO = -5.000

RUN NO. 85/ 0 RN/L = 4.22 GRADIENT INTERVAL = -5.00/ 5.00

MACH	ALPHA	CPB1	CPB2	CPB3	CPB4.5	CPB6	CPB7	CPB8	CPCO	CAU	BETA
1.200	-9.583	-.36003	-.34594	-.39852	-.54219	-.49230	-.42401	-.43328	-.33950	.50999	-6.65417
1.200	-7.205	-.35106	-.33699	-.39171	-.53754	-.48076	-.41213	-.42167	-.33046	.50709	-6.66404
1.200	-4.874	-.34611	-.33303	-.38804	-.52798	-.47289	-.39783	-.40222	-.32803	.50503	-6.67276
1.200	-2.554	-.34143	-.32918	-.37626	-.52121	-.45876	-.38801	-.39448	-.32526	.50396	-6.66688
1.200	-.289	-.33473	-.32413	-.36265	-.51839	-.45100	-.37681	-.38707	-.31947	.50210	-6.65849
1.200	1.985	-.32997	-.32379	-.35403	-.51040	-.44940	-.36728	-.37528	-.31724	.49871	-6.64995
1.199	4.253	-.32735	-.32415	-.35242	-.49732	-.43820	-.35467	-.35572	-.31715	.48967	-6.63773
	GRADIENT	00215	.00102	.00410	.00316	00346	.00470	.00483	.00131	-.00158	.00381

LARC 8FT TPT 749 (1A93) OTSAT130

(RJ018) (24 JUN 76)

REFERENCE DATA

PARAMETRIC DATA

SREF = 2690.0000 SQ.FT. XMRP = 976.0000 IN. XT
 LREF = 1290.3000 INCHES YMRP = .0000 IN. YT
 BREF = 1290.3000 INCHES ZMRP = 400.0000 IN. ZT
 SCALE = 0100

BETA = -4.000 ELV-LI = 10.000
 ELV-LO = -5.000 ELV-RI = 10.000
 ELV-RO = -5.000

RUN NO. 89/ 0 RN/L = 4.21 GRADIENT INTERVAL = -5.00/ 5.00

MACH	ALPHA	CPB1	CPB2	CPB3	CPB4.5	CPB6	CPB7	CPB8	CPCO	CAU	BETA
1.149	-7.132	-.34746	-.33375	-.37587	-.53390	-.48720	-.41006	-.41833	-.32540	.49884	-4.42750
1.149	-4.822	-.34278	-.32953	-.36504	-.52806	-.47786	-.39858	-.40427	-.32340	.49581	-4.43449
1.149	-2.538	-.33832	-.32635	-.35453	-.51581	-.46056	-.39238	-.39734	-.32300	.49432	-4.44491
1.149	-.264	-.32992	-.32095	-.34459	-.51356	-.45455	-.38445	-.38720	-.31628	.49076	-4.41747
1.149	1.980	-.31946	-.31677	-.33040	-.50555	-.45122	-.37300	-.37335	-.30952	.48503	-4.41005
	GRADIENT	00345	.00194	00502	00308	00379	.00373	00453	.00213	-.00158	.00356

RUN NO. 84/ 0 RN/L = 4.22 GRADIENT INTERVAL = -5.00/ 5.00

MACH	ALPHA	CPB1	CPB2	CPB3	CPB4.5	CPB6	CPB7	CPB8	CPCO	CAU	BETA
1.200	-9.512	-.35220	-.33722	-.38223	-.54568	-.49761	-.41113	-.41805	-.32816	.51092	-4.45240
1.201	-7.158	-.34452	-.32875	-.37619	-.52039	-.47082	-.40019	-.40909	-.32176	.50554	-4.45929
1.200	-4.837	-.33985	-.32391	-.36874	-.50898	-.45735	-.38624	-.39235	-.32025	.50238	-4.46049
1.200	-2.542	-.33400	-.32114	-.35841	-.50187	-.44422	-.37761	-.38155	-.31802	.50098	-4.44996
1.200	-.274	-.32707	-.31747	-.34701	-.50428	-.44190	-.36982	-.37260	-.31317	.49790	-4.44061
1.199	1.987	-.31703	-.31385	-.33295	-.49697	-.43973	-.36016	-.36032	-.30711	.49320	-4.43544
1.199	4.247	-.31255	-.31244	-.33010	-.48549	-.42870	-.34811	-.34376	-.30389	.48611	-4.42879
	GRADIENT	00315	00133	.00453	.00228	.00272	.00413	.00522	.00192	-.00178	.00343

LARC 8FT TPT 749 (1A93) OTSAT130

(RJJ019) (24 JUN 76)

REFERENCE DATA

SREF = 2690.0000 SQ FT. XMRP = 976.0000 IN. XT
 LREF = 1290.3000 INCHES YMRP = 0000 IN. YT
 BREF = 1290.3000 INCHES ZMRP = 400.0000 IN. ZT
 SCALE = .0100

PARAMETRIC DATA

BETA = .000 ELV-LI = 10.000
 ELV-LO = -5.000 ELV-RI = 10.000
 ELV-RO = -5.000

RUN NO. 88/ 0 RN/L = 4.21 GRADIENT INTERVAL = -5.00/ 5.00

MACH	ALPHA	CPB1	CPB2	CPB3	CPB4,5	CPB6	CPB7	CPB8	CPC0	CAU	BETA
1.150	-7.097	-.34985	-.34598	-.35608	-.51237	- 46108	-.41347	-.41059	-.33249	.49439	-.03041
1.149	-4.789	-.34044	-.33862	-.34781	-.49856	- 44627	-.39698	- 39346	-.32705	.49017	-.02409
1.149	-2.513	-.33370	-.33586	-.34192	- 48862	- 42935	-.38611	- 38231	-.32402	.48847	-.01278
1.149	-.277	-.31968	-.33725	-.33816	-.47705	- 41189	-.37285	-.36353	-.32291	.48520	-.00091
1.149	1.890	-.30833	-.33098	-.32951	- 47843	- 41437	-.36180	- 34842	-.31462	.47856	.00066
	GRADIENT	00495	.00096	.00263	00324	.00510	00533	.00691	.00172	-.00170	.00388

RUN NO. 83/ 0 RN/L = 4.22 GRADIENT INTERVAL = -5.00/ 5.00

MACH	ALPHA	CPB1	CPB2	CPB3	CPB4,5	CPB6	CPB7	CPB8	CPC0	CAU	BETA
1.201	-9.450	-.35445	-.34056	-.36295	- 50634	- 46317	- 41092	- 40882	-.32780	50513	- 04038
1.201	-7.107	-.34304	-.33449	-.35131	- 48862	- 44197	- 39934	- 39805	-.32273	.49990	-.03747
1.201	-4.803	-.33412	-.32919	-.34331	-.47548	- 42470	-.38249	-.38049	- 31895	.49606	-.03347
1.201	-2.521	-.32713	-.32528	-.33680	-.46703	- 41003	-.36904	-.36551	-.31467	.49431	-.02003
1.201	-.270	-.31768	-.32468	-.33242	- 45617	- 39674	-.36033	- 35138	-.31335	.49136	- 01213
1.200	1.980	-.30566	-.32189	-.32639	- 45916	- 39747	- 34861	- 33453	- 30731	.48558	-.00574
1.199	4.237	-.29657	-.31606	-.31633	-.46325	- 40228	-.33566	- 32220	- 30021	.47766	-.01101
	GRADIENT	00428	00131	00285	.00143	.00255	.00505	00653	.00199	-.00202	00262

LARC 8FT TPT 749 (1A93) OTSAT130

(RJJ020) (24 JUN 76)

REFERENCE DATA

SREF = 2690.0000 SQ.FT. XMRP = 976.0000 IN. XT
 LREF = 1290.3000 INCHES YMRP = 0000 IN. YT
 BREF = 1290.3000 INCHES ZMRP = 400 0000 IN. ZT
 SCALE = 0100

PARAMETRIC DATA

BETA = 4.000 ELV-LI = 10.000
 ELV-LO = -5.000 ELV-RI = 10.000
 ELV-RO = -5.000

RUN NO. 91/ 0 RN/L = 4.21 GRADIENT INTERVAL = -5.00/ 5.00

MACH	ALPHA	CPB1	CPB2	CPB3	CPB4,5	CPB6	CPB7	CPB8	CPC0	CAU	BETA
1.150	-7.140	-.36888	-.35945	-.37165	-.47139	-.42310	-.41412	-.40774	-.34846	.49982	4.37069
1.150	-4.833	-.36166	-.35390	-.36418	-.46064	-.41095	-.40048	-.39299	-.34004	.49555	4.38977
1.149	-2.545	-.35265	-.34657	-.35576	-.44880	- 39379	-.38845	-.38244	-.33142	.49174	4.40142
1.150	-.270	-.34179	-.33997	-.34676	-.43184	-.37053	-.37786	- 37112	-.32501	.48786	4.41106
1.149	1.974	-.32817	-.32951	-.33971	-.42842	-.36782	-.36483	- 35375	-.31397	.48026	4.41202
	GRADIENT	.00490	.00351	.00363	.00501	.00673	.00518	.00568	.00373	-.00219	.00337

LARC 8FT TPT 749 (1A93) OTSAT130

(RJ020) (24 JUN 76)

REFERENCE DATA

SREF = 2690.0000 SQ.FT. XMRP = 976.0000 IN. XT
 LREF = 1290.3000 INCHES YMRP = .0000 IN. YT
 BREF = 1290.3000 INCHES ZMRP = 400.0000 IN. ZT
 SCALE = .0100 .

PARAMETRIC DATA

BETA = 4.000 ELV-LI = 10.000
 ELV-LO = -5.000 ELV-RI = 10.000
 ELV-RO = -5.000

RUN NO. 86/ 0 RN/L = 4.22 GRADIENT INTERVAL = -5.00/ 5.00

MACH	ALPHA	CPB1	CPB2	CPB3	CPB4.5	CPB6	CPB7	CPB8	CPCO	CAU	BETA
1.200	-9.518	-.37434	-.35896	-.37504	-.47277	-.42117	-.41536	-.40723	-.34821	.50926	4.36101
1.201	-7.152	-.36641	-.35257	-.36857	-.45929	-.41210	-.40015	-.39399	-.34217	.50516	4.38286
1.201	-4.842	-.35676	-.34700	-.35859	-.44317	-.39617	-.38717	-.37850	-.33398	.50075	4.40103
1.201	-2.552	-.34641	-.34028	-.34854	-.43030	-.37667	-.37404	-.36636	-.32590	.49734	4.41677
1.200	-.279	-.33474	-.33332	-.33917	-.41545	-.35353	-.36448	-.35724	-.31831	.49332	4.42159
1.200	1.978	-.32565	-.32578	-.33064	-.41321	-.35085	-.35178	-.34230	-.30995	.48635	4.42528
1.199	4.236	-.31055	-.31811	-.32180	-.42802	-.36931	-.34123	-.33012	-.30307	.47919	4.41450
	GRADIENT	00499	00319	.00403	.00210	00352	.00503	00532	.00343	-.00238	00157

LARC 8FT TPT 749 (1A93) OTSAT130

(RJ021) (24 JUN 76)

REFERENCE DATA

SREF = 2690.0000 SQ.FT. XMRP = 976.0000 IN. XT
 LREF = 1290.3000 INCHES YMRP = .0000 IN. YT
 BREF = 1290.3000 INCHES ZMRP = 400.0000 IN. ZT
 SCALE = .0100

PARAMETRIC DATA

BETA = 6.000 ELV-LI = 10.000
 ELV-LO = -5.000 ELV-RI = 10.000
 ELV-RO = -5.000

RUN NO. 92/ 0 RN/L = 4.21 GRADIENT INTERVAL = -5.00/ 5.00

MACH	ALPHA	CPB1	CPB2	CPB3	CPB4.5	CPB6	CPB7	CPB8	CPCO	CAU	BETA
1.149	-7.195	-.38243	-.37803	-.37964	-.42934	-.38244	-.41789	-.41078	-.36788	.50010	6.57252
1.150	-4.855	-.37532	-.37240	-.37255	-.42593	-.37655	-.40462	-.39714	-.35894	.49712	6.59786
1.149	-2.570	-.36219	-.35921	-.36121	-.42148	-.37008	-.39547	-.38817	-.34537	.49304	6.61320
1.149	-.287	-.34983	-.34910	-.35055	-.41111	-.34793	-.38730	-.38055	-.33524	.48784	6.62668
1.149	1.985	-.33266	-.33721	-.33702	-.42155	-.36199	-.37096	-.36164	-.32316	.48170	6.62400
	GRADIENT	.00615	.00507	00514	00103	00289	00479	00500	00515	-.00226	00403

RUN NO. 87/ 0 RN/L = 4.22 GRADIENT INTERVAL = -5.00/ 5.00

MACH	ALPHA	CPB1	CPB2	CPB3	CPB4.5	CPB6	CPB7	CPB8	CPCO	CAU	BETA
1.200	-9.579	-.38350	-.37467	-.38219	-.44048	-.39105	-.42560	-.41656	-.36763	.50911	6.55405
1.200	-7.210	-.37954	-.37090	-.37887	-.42958	-.38126	-.41054	-.40223	-.36125	.50497	6.58317
1.200	-4.879	-.37124	-.36163	-.36844	-.41968	-.36776	-.38883	-.38222	-.34998	.50093	6.60678
1.200	-2.565	-.35601	-.34887	-.35407	-.40998	-.35483	-.37885	-.37216	-.33640	.49699	6.61726
1.200	-.280	-.34275	-.34113	-.34391	-.39813	-.33216	-.37175	-.36488	-.32748	.49256	6.62995
1.200	1.993	-.33295	-.33451	-.33459	-.40708	-.34562	-.35998	-.35139	-.31967	.48759	6.63191
1.199	4.269	-.32181	-.32610	-.32249	-.41808	-.36118	-.34724	-.33369	-.31323	.47843	6.61057
	GRADIENT	.00534	.00374	.00487	.00027	.00099	.00446	00515	.00395	-.00238	.00098

ORIGINAL PAGE IS
OF POOR QUALITY

LARC 8FT TPT 749 (IA93) OTSAT130

(RJ022) (24 JUN 76)

REFERENCE DATA

SREF = 2690.0000 SQ FT. XMRP = 976.0000 IN. XT
 LREF = 1290 3000 INCHES YMRP = .0000 IN. YT
 BREF = 1290 3000 INCHES ZMRP = 400.0000 IN. ZT
 SCALE = .0100

PARAMETRIC DATA

BETA = -6.000 ELV-LI = 12.000
 ELV-LO = -5.000 ELV-RI = 12.000
 ELV-RO = -5.000

RUN NO. 100/ 0 RN/L = 4.21 GRADIENT INTERVAL = -5.00/ 5.00

MACH	ALPHA	CPB1	CPB2	CPB3	CPB4,5	CPB6	CPB7	CPB8	CPCO	CAU	BETA
1.149	-7.169	-35554	-34025	-39110	-55099	-50031	-41740	-42449	-33804	.50226	-6.65507
1.150	-4 839	-34926	-33509	-38862	-54685	-49700	-40846	-41114	-33343	.49905	-6.66192
1.149	-2 538	-34595	-33206	-37704	-53266	-47713	-40119	-40580	-33104	.49804	-6.66328
1.149	-277	-33903	-32616	-36178	-52657	-46256	-39025	-39892	-32523	.49567	-6.65480
1.150	1 996	-33186	-32371	-34983	-51312	-45671	-37799	-38298	-32075	.49174	-6.64820
	GRADIENT	.00260	.00176	.00578	.00471	.00595	.00449	.00401	.00193	-.00107	.00218

RUN NO. 95/ 0 RN/L = 4.22 GRADIENT INTERVAL = -5.00/ 5.00

MACH	ALPHA	CPB1	CPB2	CPB3	CPB4,5	CPB6	CPB7	CPB8	CPCO	CAU	BETA
1.205	-9 583	-36025	-34421	-39650	-54122	-48946	-41716	-42634	-34269	.51242	-6.67655
1.205	-7 206	-35200	-33705	-39160	-53909	-48204	-41009	-41945	-33327	.50938	-6.69139
1.205	-4 873	-34679	-33275	-38769	-53147	-47538	-39556	-39971	-33022	.50703	-6.69544
1.205	-2 549	-34242	-32865	-37846	-52220	-46038	-38586	-39128	-32694	.50586	-6.69071
1.205	-.269	-33556	-32299	-36371	-51806	-45086	-37389	-38318	-32054	.50345	-6.67781
1.205	2.007	-32992	-32195	-35602	-50870	-44772	-36321	-36935	-31842	.50044	-6.67884
1.205	4.269	-32770	-32234	-35569	-49508	-43644	-35073	-35175	-31801	.49133	-6.66535
	GRADIENT	.00222	.00121	.00379	.00378	.00397	.00492	.00516	.00144	-.00161	.00315

LARC 8FT TPT 749 (IA93) OTSAT130

(RJ023) (24 JUN 76)

REFERENCE DATA

SREF = 2690.0000 SQ.FT XMRP = 976 0000 IN. XT
 LREF = 1290 3000 INCHES YMRP = 0000 IN. YT
 BREF = 1290 3000 INCHES ZMRP = 400.0000 IN. ZT
 SCALE = .0100

PARAMETRIC DATA

BETA = -4.000 ELV-LI = 12.000
 ELV-LO = -5.000 ELV-RI = 12.000
 ELV-RO = -5.000

RUN NO. 99/ 0 RN/L = 4.21 GRADIENT INTERVAL = -5.00/ 5.00

MACH	ALPHA	CPB1	CPB2	CPB3	CPB4,5	CPB6	CPB7	CPB8	CPCO	CAU	BETA
1.150	-7.125	-35003	-33356	-38091	-53769	-49054	-41123	-41878	-32858	.50094	-4.44377
1.150	-4.809	-34410	-32800	-36856	-53143	-48161	-39859	-40348	-32560	.49780	-4.43970
1.150	-2.530	-33909	-32503	-35676	-51878	-46502	-39064	-39526	-32465	.49599	-4.42644
1.149	-.259	-33135	-31997	-34629	-51452	-45514	-38311	-38552	-31903	.49223	-4.42137
1.149	2.002	-32086	-31576	-33335	-50757	-45279	-37301	-37248	-31178	.48650	-4.41842
	GRADIENT	.00341	.00184	.00511	.00334	.00425	.00371	.00452	.00207	-.00166	.00304

LARC 8FT TPT 749 (IA93) OTSAT130

(RJ023) (24 JUN 76)

REFERENCE DATA

PARAMETRIC DATA

SREF = 2690.0000 SQ.FT. XMRP = 976.0000 IN. XT
 LREF = 1290.3000 INCHES YMRP = 0000 IN. YT
 BREF = 1290.3000 INCHES ZMRP = 400 0000 IN. ZT
 SCALE = .0100

BETA = -4.000 ELV-LI = 12.000
 ELV-LO = -5.000 ELV-RI = 12.000
 ELV-RO = -5.000

RUN NO. 94/ 0 RN/L = 4.22 GRADIENT INTERVAL = -5.00/ 5.00

MACH	ALPHA	CPB1	CPB2	CPB3	CPB4.5	CPB6	CPB7	CPB8	CPCO	CAU	BETA
1.205	-9.505	-.35327	-.33525	-.38524	-.54838	-.50082	-.41031	-.41626	-.33048	.51381	-4.44848
1.205	-7.145	-.34520	-.32694	-.37762	-.51967	-.46975	-.39627	-.40492	-.32388	.50862	-4.45215
1.205	-4.829	-.34095	-.32296	-.37270	-.51210	-.46006	-.38460	-.39065	-.32259	.50469	-4.45640
1.205	-2.537	-.33481	-.31945	-.36134	-.50351	-.44666	-.37430	-.37783	-.31926	.50342	-4.44373
1.205	-.269	-.32779	-.31569	-.34994	-.50425	-.44120	-.36685	-.36921	-.31468	.49983	-4.43540
1.205	2.013	-.31763	-.31229	-.33479	-.49815	-.43994	-.35690	-.35639	-.30858	.49504	-4.42947
1.205	4.264	-.31305	-.31042	-.33192	-.48475	-.42802	-.34501	-.33965	-.30554	.48786	-4.42645
	GRADIENT	.00321	.00142	.00476	.00264	.00311	.00425	.00543	.00197	-.00185	.00326

LARC 8FT TPT 749 (IA93) OTSAT130

(RJ024) (24 JUN 76)

REFERENCE DATA

PARAMETRIC DATA

SREF = 2690.0000 SQ.FT. XMRP = 976 0000 IN XT
 LREF = 1290.3000 INCHES YMRP = 0000 IN. YT
 BREF = 1290.3000 INCHES ZMRP = 400.0000 IN. ZT
 SCALE = .0100

BETA = .000 ELV-LI = 12.000
 ELV-LO = -5.000 ELV-RI = 12.000
 ELV-RO = -5.000

RUN NO. 98/ 0 RN/L = 4.21 GRADIENT INTERVAL = -5.00/ 5.00

MACH	ALPHA	CPB1	CPB2	CPB3	CPB4.5	CPB6	CPB7	CPB8	CPCO	CAU	BETA
1.150	-7.086	-.34921	-.34378	-.35673	-.51220	-.46204	-.40985	-.40737	-.33411	.49686	-.03947
1.149	-4.791	-.34352	-.33875	-.35198	-.50335	-.45144	-.39949	-.39564	-.33027	.49264	-.03407
1.149	-2.508	-.33384	-.33350	-.34463	-.49108	-.43229	-.38530	-.38117	-.32613	.49063	-.01549
1.149	-.272	-.32070	-.33541	-.34101	-.48008	-.41603	-.37295	-.36395	-.32425	.48678	-.00880
1.149	1.986	-.30785	-.32930	-.33031	-.47873	-.41570	-.35918	-.34549	-.31556	.47972	-.00406
	GRADIENT	.00532	.00117	.00304	.00375	.00547	.00591	.00743	.00204	-.00189	.00429

RUN NO. 93/ 0 RN/L = 4.22 GRADIENT INTERVAL = -5.00/ 5.00

MACH	ALPHA	CPB1	CPB2	CPB3	CPB4.5	CPB6	CPB7	CPB8	CPCO	CAU	BETA
1.205	-9.429	-.35377	-.33963	-.36362	-.50659	-.46430	-.40889	-.40710	-.32928	.50791	-.03673
1.205	-7.098	-.34212	-.33259	-.35172	-.48871	-.44240	-.39561	-.39491	-.32431	.50261	-.03508
1.205	-4.783	-.33528	-.32775	-.34563	-.47879	-.42933	-.38206	-.37983	-.32090	.49888	-.02476
1.206	-2.517	-.32905	-.32413	-.33977	-.47030	-.41439	-.36755	-.36352	-.31719	.49672	-.01988
1.206	-.253	-.31786	-.32206	-.33491	-.45804	-.39874	-.35619	-.34651	-.31395	.49297	-.00498
1.205	1.986	-.30621	-.31890	-.32790	-.45937	-.39832	-.34459	-.32996	-.30799	.48672	-.00569
1.205	4.235	-.29637	-.31347	-.31708	-.46283	-.40209	-.33042	-.31607	-.30112	.47942	-.00755
	GRADIENT	.00447	.00150	.00306	.00190	.00313	.00560	.00715	.00216	-.00217	.00216

LARC 8FT TPT 749 (1A93) OTSAT130

(RJ025) (24 JUN 76)

REFERENCE DATA

SREF = 2690.0000 SQ.FT. XMRP = 976.0000 IN. XT
 LREF = 1290.3000 INCHES YMRP = .0000 IN. YT
 BREF = 1290.3000 INCHES ZMRP = 400.0000 IN. ZT
 SCALE = .0100

PARAMETRIC DATA

BETA = 4.000 ELV-L1 = 12.000
 ELV-LO = -5.000 ELV-R1 = 12.000
 ELV-RO = -5.000

RUN NO. 101/ 0 RN/L = 4.21 GRADIENT INTERVAL = -5.00/ 5.00

MACH	ALPHA	CPB1	CPB2	CPB3	CPB4.5	CPB6	CPB7	CPB8	CPCO	CAU	BETA
1.150	-7.122	-.37098	-.35897	-.37338	-.47386	-.42841	-.41318	-.40656	-.35078	.50168	4.39355
1.150	-4.831	-.36181	-.35276	-.36451	-.46186	-.41513	-.39785	-.39013	-.34153	.49755	4.41515
1.149	-2.540	-.35093	-.34384	-.35450	-.44891	-.39547	-.38469	-.37845	-.33205	.49356	4.42835
1.149	-.259	-.34140	-.33764	-.34638	-.43333	-.37172	-.37574	-.36839	-.32557	.48901	4.43645
1.149	1.979	-.32916	-.32847	-.34070	-.42764	-.36650	-.36360	-.35166	-.31556	.48176	4.43861
	GRADIENT	.00473	.00348	.00350	.00521	.00748	.00492	.00552	.00372	-.00228	.00346

RUN NO. 96/ 0 RN/L = 4.22 GRADIENT INTERVAL = -5.00/ 5.00

MACH	ALPHA	CPB1	CPB2	CPB3	CPB4.5	CPB6	CPB7	CPB8	CPCO	CAU	BETA
1.205	-9.511	-.37134	-.35526	-.37088	-.46534	-.41866	-.40592	-.39918	-.34834	.51178	4.37650
1.205	-7.149	-.36679	-.35217	-.36967	-.45925	-.41546	-.40038	-.39310	-.34417	.50773	4.39674
1.206	-4.838	-.35609	-.34446	-.35891	-.44272	-.39904	-.38474	-.37585	-.33447	.50277	4.41536
1.205	-2.546	-.34662	-.33906	-.34966	-.43079	-.37919	-.37224	-.36344	-.32762	.49920	4.42818
1.205	-.268	-.33398	-.33104	-.33895	-.41430	-.35374	-.36115	-.35281	-.31879	.49485	4.43849
1.205	1.999	-.32521	-.32300	-.32975	-.41031	-.34760	-.34735	-.33739	-.31048	.48787	4.44490
1.205	4.255	-.31203	-.31597	-.32255	-.42336	-.36476	-.33753	-.32587	-.30452	.48031	4.43514
	GRADIENT	.00482	.00321	.00408	.00261	.00442	.00525	.00554	.00339	-.00247	.00248

LARC 8FT TPT 749 (1A93) OTSAT130

(RJ026) (24 JUN 76)

REFERENCE DATA

SREF = 2690.0000 SQ.FT. XMRP = 976.0000 IN. XT
 LREF = 1290.3000 INCHES YMRP = .0000 IN. YT
 BREF = 1290.3000 INCHES ZMRP = 400.0000 IN. ZT
 SCALE = .0100

PARAMETRIC DATA

BETA = 6.000 ELV-L1 = 12.000
 ELV-LO = -5.000 ELV-R1 = 12.000
 ELV-RO = -5.000

RUN NO. 102/ 0 RN/L = 4.21 GRADIENT INTERVAL = -5.00/ 5.00

MACH	ALPHA	CPB1	CPB2	CPB3	CPB4.5	CPB6	CPB7	CPB8	CPCO	CAU	BETA
1.149	-7.174	-.38527	-.37774	-.38312	-.43273	-.38721	-.41926	-.41106	-.36947	.50153	6.55882
1.150	-4.847	-.37678	-.37056	-.37410	-.42948	-.38040	-.40340	-.39522	-.36045	.49891	6.59944
1.149	-2.551	-.36207	-.35643	-.36082	-.42431	-.37264	-.39306	-.38515	-.34594	.49449	6.61509
1.149	-.276	-.34973	-.34734	-.35036	-.41336	-.35031	-.38533	-.37808	-.33620	.48943	6.62670
1.149	1.996	-.33319	-.33525	-.33755	-.42118	-.36160	-.37012	-.36020	-.32437	.48293	6.62471
	GRADIENT	.00628	.00504	.00527	.00157	.00346	.00472	.00492	.00517	-.00232	.00384

LARC 8FT TPT 749 (1A93) OTSAT130

(RJJ026) (24 JUN 76)

REFERENCE DATA

SREF = 2690.0000 SQ.FT. XMRP = 976.0000 IN. XT
 LREF = 1290.3000 INCHES YMRP = .0000 IN. YT
 BREF = 1290.3000 INCHES ZMRP = 400.0000 IN. ZT
 SCALE = .0100

PARAMETRIC DATA

BETA = 6.000 ELV-LI = 12.000
 ELV-LO = -5.000 ELV-RI = 12.000
 ELV-RO = -5.000

RUN NO. 97/ 0 RN/L = 4.22 GRADIENT INTERVAL = -5.00/ 5.00

MACH	ALPHA	CPB1	CPB2	CPB3	CPB4.5	CPB6	CPB7	CPB8	CPCO	CAU	BETA
1.205	-9.560	-.38324	-.37048	-.38103	-.43902	-.38979	-.42012	-.41175	-.36772	.51102	6.57273
1.205	-7.190	-.38029	-.36761	-.37935	-.42921	-.38164	-.40901	-.40020	-.36124	.50665	6.59913
1.205	-4.879	-.37097	-.35913	-.36872	-.41837	-.36759	-.38548	-.37856	-.34996	.50267	6.62731
1.205	-2.560	-.35818	-.34915	-.35714	-.41059	-.35673	-.37749	-.37004	-.33826	.49877	6.64051
1.205	-.286	-.34270	-.33875	-.34431	-.39708	-.33223	-.36850	-.36106	-.32750	.49400	6.64999
1.205	1.998	-.33198	-.33156	-.33390	-.40314	-.34069	-.35718	-.34784	-.31976	.48873	6.64934
1.205	4.274	-.32271	-.32438	-.32313	-.41212	-.35454	-.34611	-.33283	-.31375	.47966	6.63611
	GRADIENT	.00537	.00381	.00500	.00088	.00185	.00433	.00497	.00398	-.00245	.00116

LARC 8FT TPT 749 (1A93) OTSAT130

(RJJ027) (24 JUN 76)

REFERENCE DATA

SREF = 2690.0000 SQ FT. XMRP = 976.0000 IN XT
 LREF = 1290 3000 INCHES YMRP = 0000 IN. YT
 BREF = 1290 3000 INCHES ZMRP = 400 0000 IN ZT
 SCALE = 0100

PARAMETRIC DATA

BETA = -6.000 ELV-LI = 12.000
 ELV-LO = 4.000 ELV-RI = 12.000
 ELV-RO = 4 000

RUN NO. 120/ 0 RN/L = 3.97 GRADIENT INTERVAL = -5.00/ 5.00

MACH	ALPHA	CPB1	CPB2	CPB3	CPB4.5	CPB6	CPB7	CPB8	CPCO	CAU	BETA
.900	-9.055	-.32005	-.30063	-.32895	-.44691	-.43851	-.42328	-.41436	-.29645	.36355	-6.54177
.899	-6.826	-.31378	-.29322	-.32103	-.43740	-.42967	-.41005	-.40067	-.29805	.36103	-6.58029
.900	-4.596	-.30208	-.27922	-.30757	-.44076	-.41753	-.39712	-.39939	-.27461	.35756	-6.59297
.899	-2.387	-.29621	-.26976	-.29882	-.43874	-.40352	-.38587	-.38758	-.26861	.35385	-6.59290
.900	-.175	-.29172	-.26653	-.29144	-.43722	-.39632	-.36793	-.36517	-.26437	.35072	-6.59347
.899	2.024	-.29326	-.25855	-.29499	-.44350	-.39767	-.35875	-.35140	-.26287	.34544	-6.55177
.900	4.254	-.29376	-.25361	-.29861	-.43290	-.38768	-.35069	-.34435	-.26173	.33989	-6.54272
	GRADIENT	00089	.00282	.00098	.00050	.00297	.00543	00661	.00142	-.00198	.00640

ORIGINAL PAGE IS OF POOR QUALITY

LARC BFT TPT 749 (1A93) OTSAT130

(RJ027) (24 JUN 76)

REFERENCE DATA

SREF = 2690.0000 SQ.FT. XMRP = 976.0000 IN. XT
 LREF = 1290.3000 INCHES YMRP = .0000 IN. YT
 BREF = 1290.3000 INCHES ZMRP = 400.0000 IN. ZT
 SCALE = .0100

PARAMETRIC DATA

BETA = -6.000 ELV-LI = 12.000
 ELV-LO = 4.000 ELV-RI = 12.000
 ELV-RO = 4.000

RUN NO. 115/ 0 RN/L = 4.08 GRADIENT INTERVAL = -5.00/ 5.00

MACH	ALPHA	CPB1	CPB2	CPB3	CPB4.5	CPB6	CPB7	CPB8	CPCO	CAU	BETA
.974	-9.250	-.37199	-.37865	-.37803	-.53045	-.51044	-.47612	-.48010	-.35864	.44178	-6.61850
.975	-6.969	-.35625	-.36844	-.36089	-.53873	-.51294	-.45471	-.45050	-.35512	.44017	-6.64072
.975	-4.698	-.34004	-.35010	-.34474	-.53819	-.50162	-.43744	-.43249	-.33779	.43490	-6.64754
.975	-2.459	-.33298	-.33787	-.33593	-.52827	-.48188	-.42910	-.42540	-.32701	.43108	-6.65194
.975	-.207	-.32975	-.32853	-.33013	-.53122	-.47711	-.42125	-.41880	-.32006	.42986	-6.63700
.975	2.020	-.32679	-.33024	-.33059	-.53245	-.48029	-.41811	-.40767	-.32166	.42735	-6.63145
.975	4.253	-.33432	-.33341	-.33645	-.54886	-.48686	-.41868	-.40618	-.32494	.42426	-6.59960
	GRADIENT	.00079	.00183	.00098	-.00114	.00139	.00217	.00314	.00139	-.00112	.00520

RUN NO. 110/ 0 RN/L = 4.21 GRADIENT INTERVAL = -5.00/ 5.00

MACH	ALPHA	CPB1	CPB2	CPB3	CPB4.5	CPB6	CPB7	CPB8	CPCO	CAU	BETA
1.149	-7.146	-.35792	-.34690	-.39932	-.56115	-.51165	-.42075	-.42769	-.34069	.50391	-6.68142
1.150	-4.827	-.35139	-.34223	-.39204	-.55172	-.50456	-.40902	-.41053	-.33658	.50120	-6.69714
1.149	-2.532	-.34632	-.33726	-.37680	-.53672	-.48376	-.39966	-.40429	-.33234	.50029	-6.69290
1.149	-.254	-.33854	-.33688	-.36096	-.53132	-.47172	-.38740	-.39609	-.32531	.49748	-6.68460
1.149	2.015	-.33291	-.32886	-.35213	-.51894	-.46425	-.37725	-.38336	-.32209	.49318	-6.68028
	GRADIENT	.00277	.00204	.00595	.00455	.00583	.00472	.00393	.00221	-.00118	.00258

RUN NO. 105/ 0 RN/L = 4.22 GRADIENT INTERVAL = -5.00/ 5.00

MACH	ALPHA	CPB1	CPB2	CPB3	CPB4.5	CPB6	CPB7	CPB8	CPCO	CAU	BETA
1.205	-9.569	-.36389	-.35202	-.40045	-.55328	-.50167	-.42086	-.43106	-.34578	.51415	-6.67711
1.205	-7.192	-.35445	-.34305	-.39438	-.54598	-.48996	-.41145	-.42085	-.33582	.51112	-6.68535
1.205	-4.858	-.34790	-.33750	-.38936	-.53639	-.48247	-.39552	-.39879	-.33171	.50876	-6.69577
1.205	-2.553	-.34335	-.33360	-.37897	-.52705	-.46758	-.38476	-.38992	-.32825	.50816	-6.69186
1.205	-.260	-.33620	-.32782	-.36494	-.52421	-.46023	-.37287	-.38190	-.32147	.50595	-6.67873
1.205	2.003	-.32983	-.32578	-.35734	-.51432	-.45446	-.36103	-.36781	-.31889	.50236	-6.67471
1.205	4.286	-.32742	-.32571	-.35548	-.49913	-.44090	-.34826	-.35027	-.31775	.49274	-6.66618
	GRADIENT	.00238	.00138	.00392	.00382	.00422	.00518	.00521	.00163	-.00165	.00334

LARC 8FT TPT 749 (1A93) OTSAT130

(RJ028) (24 JUN 76)

REFERENCE DATA

SREF = 2590.0000 SQ.FT. XMRP = 976.0000 IN. XT
 LREF = 1290.3000 INCHES YMRP = .0000 IN. YT
 BREF = 1290.3000 INCHES ZMRP = 400.0000 IN. ZT
 SCALE = .0100

PARAMETRIC DATA

BETA = -4.000 ELV-LI = 12.000
 ELV-LO = 4.000 ELV-RI = 12.000
 ELV-RO = 4.000

RUN NO. 119/ 0 RN/L = 3.97 GRADIENT INTERVAL = -5.00/ 5.00

MACH	ALPHA	CPB1	CPB2	CPB3	CPB4,5	CPB6	CPB7	CPB8	CPCO	CAU	BETA
.900	-9.022	-.31230	- 29074	-.32212	-.42693	-.41698	-.42788	-.42557	-.28625	.36460	-4.37618
.899	-6.790	-.30480	- 28114	- 31097	-.42057	-.40582	-.40944	- 41026	-.27585	.36075	-4.39587
900	-4.581	-.29596	- 26987	- 30047	-.41573	- 39317	-.39453	- 39680	- 26692	.35638	-4.39788
.899	-2.382	-.29490	-.26542	-.29584	-.41188	-.38036	-.37297	- 37087	-.26281	.35065	-4.39570
.899	- 179	- 29127	-.26182	-.28966	-.41855	-.37853	-.35423	- 34676	- 25786	.34515	-4.39572
.899	2.032	-.28851	- 25290	-.28623	-.42532	-.38014	- 34487	- 33527	- 25363	.33821	-4.38601
.900	4.245	-.28721	-.25154	-.28550	-.41903	-.37225	-.34071	- 33324	-.25138	.33537	-4.38266
	GRADIENT	.00108	00223	.00179	- 00091	.00191	.00615	.00737	.00182	-.00247	00182

RUN NO. 114/ 0 RN/L = 4.07 GRADIENT INTERVAL = -5.00/ 5.00

MACH	ALPHA	CPB1	CPB2	CPB3	CPB4,5	CPB6	CPB7	CPB8	CPCO	CAU	BETA
.974	-9.194	-.35826	-.36891	- 36404	-.51149	-.49688	-.47624	-.48769	- 35764	.44538	-4.42138
.975	-6.929	- 34058	- 35674	- 34620	-.51895	- 49400	-.44881	-.45361	- 34351	.44109	-4.43748
.975	-4.682	-.32155	- 34439	- 32972	-.51219	-.48176	-.42971	-.43327	-.33042	.43592	-4.43854
.975	-2.434	-.31078	-.33188	-.31991	- 50409	- 46123	-.42293	-.42535	-.31853	.43110	-4.42420
.975	- 220	-.30813	-.32230	-.31386	-.51406	-.46240	-.41239	-.40620	-.31040	.42760	-4.41510
.975	1.999	-.30821	-.32931	-.31921	-.51679	-.46359	- 40602	-.39662	- 31607	.42378	-4.40720
.974	4.236	-.30784	-.32742	-.32259	-.52949	-.47136	-.40565	-.39116	- 31416	.41976	-4.39591
	GRADIENT	.00135	.00164	00067	- 00212	.00083	.00292	.00507	.00157	-.00178	00459

RUN NO. 109/ 0 RN/L = 4.21 GRADIENT INTERVAL = -5.00/ 5.00

MACH	ALPHA	CPB1	CPB2	CPB3	CPB4,5	CPB6	CPB7	CPB8	CPCO	CAU	BETA
1.149	-7.104	-.35281	- 33978	- 38282	- 54389	-.49726	- 41039	- 41835	-.33210	.50319	-4.47615
1.149	-4.793	- 34598	- 33425	- 36920	-.53708	-.48981	-.39768	-.40269	-.32804	.49933	-4.48881
1.149	-2.511	-.33962	- 33030	-.35670	-.52336	-.47141	-.38902	-.39384	- 32620	.49790	-4.47750
1.149	- 247	-.33119	-.32456	-.34591	-.52145	-.46563	- 38154	-.38379	- 31926	.49390	-4.47033
1.150	1.997	-.31853	-.31874	-.33162	-.51138	-.45957	-.36904	-.36833	- 31142	.48888	-4.44323
	GRADIENT	.00401	.00231	.00546	.00349	.00427	.00413	.00500	00251	-.00156	00635

LARC 8FT TPT 749 (IA93) OTSAT130

(RJ028) (24 JUN 76)

REFERENCE DATA

SREF = 2690.0000 SQ.FT. XMRP = 976.0000 IN. XT
 LREF = 1290.3000 INCHES YMRP = .0000 IN. YT
 BREF = 1290.3000 INCHES ZMRP = 400.0000 IN. ZT
 SCALE = .0100

PARAMETRIC DATA

BETA = -4.000 ELV-LI = 12.000
 ELV-LO = 4.000 ELV-RI = 12.000
 ELV-RO = 4.000

RUN NO. 104/ 0 RN/L = 4.22 GRADIENT INTERVAL = -5.00/ 5.00

MACH	ALPHA	CPB1	CPB2	CPB3	CPB4.5	CPB6	CPB7	CPB8	CPCO	CAU	BETA
1.205	-9.491	-.35426	-.34025	-.38320	-.54385	-.49675	-.40386	-.41118	-.33310	.51540	-4.47665
1.205	-7.130	-.34853	-.33444	-.38146	-.52981	-.47974	-.39950	-.40709	-.32729	.51033	-4.48296
1.205	-4.811	-.34286	-.32906	-.37507	-.51698	-.46685	-.38428	-.39034	-.32452	.50665	-4.47144
1.205	-2.515	-.33587	-.32523	-.36219	-.50839	-.45320	-.37291	-.37672	-.32114	.50538	-4.47335
1.205	-.256	-.32832	-.32058	-.34998	-.51016	-.45157	-.36500	-.36773	-.31531	.50189	-4.46161
1.205	2.012	-.31692	-.31551	-.33403	-.50302	-.44723	-.35398	-.35329	-.30888	.49742	-4.45853
1.205	4.264	-.31358	-.31470	-.33295	-.48917	-.43261	-.34298	-.33779	-.30556	.48954	-4.45248
	GRADIENT	.00342	00170	00496	.00269	.00328	.00448	.00567	00221	-.00186	.00232

LARC 8FT TPT 749 (IA93) OTSAT130

(RJ029) (24 JUN 76)

REFERENCE DATA

SREF = 2690.0000 SQ.FT. XMRP = 976.0000 IN. XT
 LREF = 1290.3000 INCHES YMRP = .0000 IN. YT
 BREF = 1290.3000 INCHES ZMRP = 400.0000 IN. ZT
 SCALE = .0100

PARAMETRIC DATA

BETA = .000 ELV-LI = 12.000
 ELV-LO = 4.000 ELV-RI = 12.000
 ELV-RO = 4.000

RUN NO. 118/ 0 RN/L = 3.97 GRADIENT INTERVAL = -5.00/ 5.00

MACH	ALPHA	CPB1	CPB2	CPB3	CPB4.5	CPB6	CPB7	CPB8	CPCO	CAU	BETA
.899	-8.974	-.30014	-.28968	-.31560	-.39551	-.36154	-.42812	-.42099	-.28282	.35905	-.02473
.900	-6.747	-.29780	-.28411	-.31604	-.38323	-.33926	-.40350	-.40040	-.27816	.35098	-.01624
.900	-4.554	-.29350	-.28238	-.30550	-.36016	-.32694	-.38053	-.38212	-.27521	.34404	-.01842
.900	-2.374	-.29298	-.28020	-.30588	-.34660	-.31884	-.34784	-.33992	-.27390	.33839	-.00781
.899	-.167	-.28858	-.27266	-.29950	-.35682	-.32467	-.33656	-.32270	-.26580	.33325	.00539
.899	2.013	-.28460	-.26948	-.29564	-.36881	-.33219	-.32618	-.30449	-.26284	.32976	.00934
.899	4.220	-.27702	-.26818	-.28775	-.37808	-.33461	-.32670	-.31362	-.26042	.32740	.01230
	GRADIENT	.00189	00177	.00209	-.00265	-.00131	.00589	.00786	.00185	-.00191	.00358

LARC BFT TPT /49 (IA93) OTSAT130

(RJ029) (24 JUN 76)

REFERENCE DATA

PARAMETRIC DATA

SREF = 2690.0000 SQ.FT. XMRP = 976.0000 IN. XT
 LREF = 1290.3000 INCHES YMRP = .0000 IN. YT
 BREF = 1290.3000 INCHES ZMRP = 400.0000 IN. ZT
 SCALE = .0100

BETA = .000 ELV-LI = 12.000
 ELV-LO = 4.000 ELV-RI = 12.000
 ELV-RO = 4.000

RUN NO. 113/ 0 RN/L = 4.08 GRADIENT INTERVAL = -5.00/ 5.00

MACH	ALPHA	CPB1	CPB2	CPB3	CPB4.5	CPB6	CPB7	CPB8	CPCO	CAU	BETA
.975	-9.161	-33251	-34683	-.35048	-50264	-.46331	-.46763	-.46320	-.33712	.44138	-.03780
.975	-6.902	-32278	-33898	-.33736	-.48896	-.44748	-.44741	-.44465	-.32958	.43660	-.04140
.975	-4.648	-31604	-33868	-.33012	-47086	-.42732	-42432	-.42477	-.32627	.42876	-.03392
.975	-2.433	-.30850	-34827	-.33049	-.45315	-.40846	-41072	-.41231	-.32871	.42353	-.01984
.975	-.224	-.30872	-.35088	-.33227	-.44913	-.40403	-40162	-40248	-.33204	.41962	-.01419
.974	1.979	-.31210	-35283	-.33710	-.46007	-.40426	-33561	-39513	-.33698	.41499	-.01296
.974	4.212	-31424	-34937	-.33861	-.47164	-.41520	-38779	-38149	-.33549	.40981	-.01772
	GRADIENT	-00000	-00117	-.00107	-.00039	.00128	.00398	.00469	-.00121	-.00210	.00177

RUN NO. 108/ 0 RN/L = 4.21 GRADIENT INTERVAL = -5.00/ 5.00

MACH	ALPHA	CPB1	CPB2	CPB3	CPB4.5	CPB6	CPB7	CPB8	CPCO	CAU	BETA
1.151	-7.080	-.34952	-34873	-35707	-.51839	-.47177	-.40976	-.40749	-.33528	.49964	-.06107
1.150	-4.776	-.34340	-34337	-.35208	-.50980	-.46093	-39746	-.39334	-.33146	.49512	-.05304
1.149	-2.505	-33213	-.33802	-.34703	-49807	-44255	-38405	-37984	-.32684	.49341	-.03695
1.149	-.252	-31702	-.33849	-.33913	-.48726	-.42619	-36910	-.35817	-.32234	.48922	-.02865
1.149	2.005	-.30572	-.33174	-32834	-.48707	-42632	-.35721	-34241	-31364	.48215	-.02306
	GRADIENT	.00567	.00152	.00350	.00350	.00532	.00601	.00772	.00256	-.00191	.00435

RUN NO. 103/ 0 RN/L = 4.22 GRADIENT INTERVAL = -5.00/ 5.00

MACH	ALPHA	CPB1	CPB2	CPB3	CPB4.5	CPB6	CPB7	CPB8	CPCO	CAU	BETA
1.205	-9.425	-.35421	-.34473	-36374	-.50973	-.46768	-.40553	-40475	-33170	.50985	-.04507
1.205	-7.077	-34459	-.33897	-35415	-49569	-.45268	-.39763	-.39667	-.32634	.50478	-.04658
1.205	-4.779	-33769	-.33339	-.34736	-.48592	-.43968	-.38326	-38068	-.32332	.50160	-.03709
1.206	-2.496	-32944	-32845	-34076	-.47536	-.42256	-.36567	-36173	-.31859	.49922	-.02413
1.205	-.253	-31779	-32519	-33580	-.46570	-40977	-.35529	-31506	-31399	.49567	-.01325
1.205	1.992	-.30486	-32247	-.32732	-.46688	-40806	-.34141	-32613	-.30747	.48962	-.01055
1.204	4.248	-.29542	-.31601	-.31511	-.46659	-40724	-32630	-.31210	-.29994	.48155	-.01453
	GRADIENT	.00484	.00185	.00346	.00209	.00352	.00613	.00766	.00257	-.00220	.00261

LARC BFT TPT /49 (IA93) OTSAT130

(RJ030) (24 JUN 76)

REFERENCE DATA

SREF = 2690.0000 SQ.FT. XMRP = 976.0000 IN. XT
 LREF = 1290.3000 INCHES YMRP = .0000 IN. YT
 BREF = 1290.3000 INCHES ZMRP = 400.0000 IN. ZT
 SCALE = .0100

PARAMETRIC DATA

BETA = 4.000 ELV-LI = 12.000
 ELV-LO = 4.000 ELV-RI = 12.000
 ELV-RO = 4.000

RUN NO. 121/ 0 RN/L = 3.97 GRADIENT INTERVAL = -5.00/ 5.00

MACH	ALPHA	CPB1	CPB2	CPB3	CPB4.5	CPB6	CPB7	CPB8	CPCO	CAU	BETA
.900	-9.024	-.31540	-.28523	-.34353	-.38384	-.31684	-.41955	-.41119	-.27771	.36160	4.27133
.899	-6.792	-.30519	-.28185	-.32332	-.36967	-.31035	-.40037	-.39458	-.27399	.35624	4.30881
.899	-4.567	-.29226	-.27164	-.30797	-.35297	-.30260	-.38432	-.38300	-.26131	.35136	4.32204
.899	-2.377	-.29523	-.27002	-.30612	-.34484	-.29908	-.36186	-.35629	-.26148	.34700	4.34058
.900	-.188	-.29256	-.26514	-.30155	-.33622	-.28972	-.34874	-.33826	-.25783	.34332	4.35077
900	2.008	-.28853	-.25909	-.29664	-.33925	-.28659	-.33669	-.31613	-.25256	.33724	4.34728
899	4.219	-.28360	-.25886	-.29196	-.34991	-.29196	-.33649	-.32275	-.25222	.33566	4.33937
	GRADIENT	00110	00166	00189	.00057	.00153	.00550	.00731	.00123	-.00187	00188

RUN NO 116/ 0 RN/L = 4.08 GRADIENT INTERVAL = -5.00/ 5.00

MACH	ALPHA	CPB1	CPB2	CPB3	CPB4.5	CPB6	CPB7	CPB8	CPCO	CAU	BETA
.975	-9.201	-.36036	-.35472	-.37462	-.46040	-.41189	-.46071	-.45556	-.34460	.44260	4.32372
.976	-8.930	-.34132	-.34246	-.35892	-.45294	-.40751	-.43864	-.43692	-.33203	.43862	4.34735
975	-4.660	-.31991	-.33062	-.34638	-.43639	-.39074	-.41835	-.41558	-.31904	.43231	4.36005
975	-2.426	-.30631	-.32347	-.33468	-.42210	-.37212	-.41058	-.41123	-.31095	.42716	4.37763
975	-.217	-.30131	-.32304	-.33012	-.41029	-.35318	-.40932	-.40800	-.31125	.42541	4.38675
.975	2.009	-.30021	-.32154	-.32645	-.41326	-.35510	-.39655	-.38197	-.31016	.41764	4.38296
.975	4.249	-.30282	-.32393	-.32863	-.43069	-.37540	-.39326	-.37111	-.31213	.41337	4.37060
	GRADIENT	.00181	00069	.00196	.00091	.00214	.00289	.00531	.00066	-.00213	00119

RUN NO. 111/ 0 RN/L = 4.21 GRADIENT INTERVAL = -5.00/ 5.00

MACH	ALPHA	CPB1	CPB2	CPB3	CPB4.5	CPB6	CPB7	CPB8	CPCO	CAU	BETA
1.149	-7.111	-.37115	-.36442	-.37377	-.47839	-.43504	-.41229	-.40625	-.35224	.50408	4.34943
1.150	-4.807	-.36190	-.35905	-.36539	-.46802	-.42304	-.39937	-.39157	-.34302	.49984	4.37168
1.149	-2.528	-.35121	-.34978	-.35546	-.45323	-.40126	-.38529	-.37896	-.33372	.49504	4.38375
1.149	-.238	-.34131	-.34183	-.34614	-.43442	-.37539	-.37411	-.36641	-.32614	.49101	4.39485
1.149	2.005	-.32498	-.33043	-.34008	-.43158	-.37393	-.36077	-.34818	-.31445	.48340	4.39229
	GRADIENT	.00531	.00399	00375	.00564	.00763	.00559	.00628	.00410	-.00235	.00322

DATE 29 OCT 76

TABULATED SOURCE DATA - 1A93.

PAGE 43

LARC 8FT TPT 749 (1A93) OTSAT130

(RJJ030) (24 JUN 76)

REFERENCE DATA

SREF = 2690.0000 SQ.FT. XMRP = 976 0000 IN. XT
 LREF = 1290.3000 INCHES YMRP = 0000 IN. YT
 BREF = 1290.3000 INCHES ZMRP = 400.0000 IN. ZT
 SCALE = .0100

PARAMETRIC DATA

BETA = 4.000 ELV-L1 = 12.000
 ELV-LO = 4.000 ELV-R1 = 12.000
 ELV-RO = 4.000

RUN NO. 106/ 0 RN/L = 4.22 GRADIENT INTERVAL = -5.00/ 5.00

MACH	ALPHA	CPB1	CPB2	CPB3	CPB4.5	CPB6	CPB7	CPB8	CPCO	CAU	BETA
1.205	-9.489	-.37412	-.36176	-.37378	-.47082	-.42629	-.40721	-.40039	-.35094	.51379	4.35292
1.205	-7.125	-.36867	-.35795	-.37177	-.46455	-.42237	-.40068	-.39378	-.34587	.50992	4.37322
1.205	-4.823	-.35708	-.35017	-.36004	-.44894	-.40633	-.38569	-.37681	-.33637	.50525	4.39020
1.205	-2.525	-.34603	-.34337	-.34920	-.43316	-.38237	-.37070	-.36217	-.32822	.50131	4.40658
1.205	-.263	-.33411	-.33509	-.33912	-.41544	-.35747	-.35962	-.35145	-.31920	.49696	4.41281
1.205	2.026	-.32892	-.32818	-.33177	-.41293	-.35335	-.34785	-.33761	-.31130	.49001	4.41752
1.205	4.265	-.31192	-.31826	-.32195	-.42504	-.35995	-.33458	-.32290	-.30344	.48205	4.40921
	GRADIENT	.00481	.00348	.00412	.00300	.00449	.00550	.00582	.00364	-.00254	.00216

LARC 8FT TPT 749 (1A93) OTSAT130

(RJJ031) (24 JUN 76)

REFERENCE DATA

SREF = 2690.0000 SQ.FT. XMRP = 976 0000 IN. XT
 LREF = 1290.3000 INCHES YMRP = 0000 IN. YT
 BREF = 1290.3000 INCHES ZMRP = 400.0000 IN. ZT
 SCALE = 0100

PARAMETRIC DATA

BETA = 6.000 ELV-L1 = 12.000
 ELV-LO = 4.000 ELV-R1 = 12.000
 ELV-RO = 4.000

RUN NO. 122/ 0 RN/L = 3.97 GRADIENT INTERVAL = -5.00/ 5.00

MACH	ALPHA	CPB1	CPB2	CPB3	CPB4.5	CPB6	CPB7	CPB8	CPCO	CAU	BETA
.900	-9.065	-.32160	-.29723	-.34389	-.35032	-.28828	-.42661	-.41668	-.28938	.36129	6.41394
.900	-6.827	-.30972	-.29109	-.32725	-.33969	-.28740	-.40633	-.40524	-.28268	.35766	6.45376
.900	-4.611	-.29899	-.28134	-.31500	-.33024	-.28629	-.39279	-.39741	-.27038	.35422	6.47657
.899	-2.401	-.30007	-.28021	-.31206	-.32506	-.28166	-.37855	-.37959	-.27067	.35092	6.49697
.899	-.196	-.29839	-.27405	-.30850	-.32028	-.27126	-.36070	-.35255	-.26629	.34671	6.51074
.900	2.019	-.29618	-.26753	-.30605	-.32820	-.27625	-.34921	-.33370	-.26179	.34269	6.50010
.899	4.240	-.29291	-.26502	-.30269	-.34163	-.28056	-.34936	-.33741	-.25815	.33813	6.48861
	GRADIENT	.00073	.00202	.00138	-.00117	.00076	.00525	.00750	.00151	-.00183	.00123

LARC 8FT TPT 749 (1A93) OTSAT130

(RJ031) (24 JUN 76)

REFERENCE DATA

SREF = 2690.0000 SQ.FT. XMRP = 976.0000 IN. XT
 LREF = 1290.3000 INCHES YMRP = .0000 IN. YT
 BREF = 1290.3000 INCHES ZMRP = 400.0000 IN. ZT
 SCALE = .0100

PARAMETRIC DATA

BETA = 6.000 ELV-LI = 12.000
 ELV-LO = 4.000 ELV-RI = 12.000
 ELV-RO = 4.000

RUN NO. 117/ 0 RN/L = 4.08 GRADIENT INTERVAL = -5.00/ 5.00

MACH	ALPHA	CPB1	CPB2	CPB3	CPB4,5	CPB6	CPB7	CPB8	CPCO	CAU	BETA
975	-9.259	- 38496	- 38392	- 38588	-.41478	-.35008	-.46678	-.45686	-.37030	.44116	6.48989
.976	-6.961	-.38409	- 36744	-.37076	-.41059	- 35412	-.44461	-.43812	-.35589	.43867	6.52252
.975	-4.702	-.33350	-.35298	- 35331	-.40203	-.35041	-.42705	-.42263	-.34110	.43359	6.54354
975	-2.459	- 31731	-.34335	-.34100	-.39314	-.33873	- 41950	- 41643	-.33168	.42868	6.55989
.975	.217	- 30264	-.33308	-.32712	-.39034	-.32950	-.41443	-.41218	- 32170	.42439	6.56267
.975	2.014	-.30176	-.32888	-.32509	-.39917	-.33813	-.40461	-.39086	-.31854	.41976	6.55889
975	4.250	- 30936	-.33181	-.33123	-.41568	-.35606	- 40186	-.38179	-.32085	.41375	6.53894
	GRADIENT	.00285	.00254	.00269	- .00149	-.00048	.00292	.00479	.00240	-.00217	- .00045

RUN NO 112/ 0 RN/L = 4.21 GRADIENT INTERVAL = -5.00/ 5.00

MACH	ALPHA	CPB1	CPB2	CPB3	CPB4,5	CPB6	CPB7	CPB8	CPCO	CAU	BETA
1.149	-7.154	- 38604	-.38241	- 38338	- 43451	-.38899	-.41767	-.40987	-.37135	.50390	6.55265
1.149	-4.846	- 37822	- 37690	-.37604	-.43103	-.38266	-.40387	-.39570	-.36252	.50112	6.58285
1.149	-2.544	- 36210	-.36221	-.36181	- 42343	-.37175	-.39276	-.38404	- 34745	.49626	6.60156
1.149	-.261	- 35014	-.35240	- 35091	-.41361	- 34999	-.38433	-.37680	-.33708	.49093	6.61327
1.149	2.007	-.33313	-.33930	- 33726	- 42150	-.36431	-.36854	- 35779	-.32480	.48426	6.60880
	GRADIENT	.00645	.00537	.00557	.00169	.00337	.00501	.00529	.00541	-.00245	.00393

RUN NO. 107/ 0 RN/L = 4.22 GRADIENT INTERVAL = -5.00/ 5.00

MACH	ALPHA	CPB1	CPB2	CPB3	CPB4,5	CPB6	CPB7	CPB8	CPCO	CAU	BETA
1.205	-9.551	- 38630	- 37689	-.38404	-.44086	- 39015	-.41964	-.41166	-.37040	.51314	6.54217
1.205	-7.169	-.38259	- 37391	-.38223	-.43096	- 38196	-.40955	-.40102	-.36363	.50914	6.56870
1.205	-4.842	-.37276	-.36433	-.37118	-.41997	-.37010	-.38623	-.37905	-.35221	.50478	6.59254
1.205	-2.561	-.35553	-.35142	- 35499	- 40882	-.35274	-.37434	-.36680	-.33842	.50071	6.60892
1.205	.252	-.34301	- 34343	- 34557	-.39705	- 33055	-.36688	- 35971	-.32836	.49589	6.62030
1.205	1.994	- 33261	-.33584	-.33493	- 40367	- 34329	-.35533	- 34608	-.32023	.49054	6.61748
1.205	4.269	- 32221	-.32663	-.32195	-.41363	- 35845	-.34179	-.32750	-.31290	.48105	6.60397
	GRADIENT	.00545	.00404	.00520	.00079	.00145	.00474	.00543	.00425	-.00253	.00139

LARC 8FT TPT 749 (1A93) OTSAT130

(RJ032) (24 JUN 76)

REFERENCE DATA

SREF = 2690.0000 SQ.FT. XMRP = 976.0000 IN. XT
 LREF = 1290.3000 INCHES YMRP = .0000 IN. YT
 BREF = 1290.3000 INCHES ZMRP = 400.0000 IN. ZT
 SCALE = .0100

PARAMETRIC DATA

BETA = -6.000 ELV-LI = 12.000
 ELV-LO = 9.000 ELV-RI = 12.000
 ELV-RO = 9.000

RUN NO. 145/ 0 RN/L = 3.16 GRADIENT INTERVAL = -5.00/ 5.00

MACH	ALPHA	CPB1	CPB2	CPB3	CPB4,5	CPB6	CPB7	CPB8	CPCO	CAU	BETA
.598	-8.531	-26064	-24691	-28755	-44387	-41684	-39509	-38627	-24523	.29710	-6.34433
.598	-6.428	-25911	-24499	-28245	-43250	-40411	-37506	-37157	-24350	.29668	-6.37869
.599	-4.310	-25634	-24207	-27486	-42518	-38853	-35441	-35531	-24115	.29716	-6.39833
.598	-2.183	-25084	-23883	-26658	-41735	-37507	-33701	-34059	-23638	.29463	-6.40441
.598	-.080	-24558	-23606	-26018	-40994	-36672	-32619	-33130	-23323	.29047	-6.40738
.598	2.046	-24061	-23187	-25276	-40156	-35434	-32181	-32596	-22751	.28431	-6.40103
.598	4.137	-23617	-22515	-24873	-38999	-34542	-31495	-31777	-22536	.27524	-6.39872
	GRADIENT	00239	.00193	.00313	.00408	.00506	.00446	.00425	.00192	-.00256	.00012

RUN NO 140/ 0 RN/L = 3 97 GRADIENT INTERVAL = -5.00/ 5.00

MACH	ALPHA	CPB1	CPB2	CPB3	CPB4,5	CPB6	CPB7	CPB8	CPCO	CAU	BETA
.900	-9.066	-31761	-30637	-32591	-44998	-44275	-42568	-41534	-30006	.36762	-6.52728
.899	-6.811	-31174	-29626	-31795	-44018	-43238	-40767	-39943	-29026	.36423	-6.55992
900	-4.601	-30154	-28140	-30700	-44349	-42029	-39581	-39966	-27641	.36051	-6.56675
900	-2.387	-29544	-26928	-29779	-43988	-40518	-38381	-38520	-26852	.35700	-6.56856
900	-.180	-29000	-26608	-29003	-43685	-39956	-36722	-36481	-26409	.35314	-6.56370
.900	2.049	-29145	-25781	-29248	-44934	-40469	-35636	-34825	-26263	.34741	-6.54664
.900	4.253	-29300	-25365	-29625	-43579	-39160	-35019	-34308	-26183	.34247	-6.54336
	GRADIENT	00095	00302	.00121	.00027	.00261	.00536	.00678	00158	-.00206	00310

RUN NO. 135/ 0 RN/L = 4.08 GRADIENT INTERVAL = -5.00/ 5.00

MACH	ALPHA	CPB1	CPB2	CPB3	CPB4,5	CPB6	CPB7	CPB8	CPCO	CAU	BETA
.975	-9.263	-37461	-38215	-38172	-53518	-51663	-47827	-47664	-37150	.44621	-6.63803
.976	-6.979	-35739	-37022	-36176	-54425	-51796	-45479	-44519	-35731	.44417	-6.66386
.976	-4.702	-34047	-34900	-34542	-54425	-50700	-43832	-43390	-33782	.43877	-6.67121
.975	-2.449	-33090	-33563	-33507	-53335	-48686	-42762	-42361	-32589	.43423	-6.66146
.975	-.213	-32669	-32645	-32900	-53420	-48150	-41998	-41765	-31909	.43235	-6.64665
.975	2.012	-32368	-32645	-32931	-53451	-48347	-41563	-40561	-31888	.42876	-6.64164
.975	4.257	-32923	-32993	-33350	-54994	-48935	-41488	-40330	-32235	.42626	-6.62966
	GRADIENT	.00133	00212	00132	-.00056	00173	.00263	00354	.00170	-.00136	.00460

ORIGINAL PAGE IS
OF POOR QUALITY

LARC BFT TPT 749 (1A93) OTSAT130

(RJ032) (24 JUN 76)

REFERENCE DATA

SREF = 2690.0000 SQ.FT. XMRP = 976.0000 IN. XT
 LREF = 1290.3000 INCHES YMRP = .0000 IN. YT
 BREF = 1290.3000 INCHES ZMRP = 400.0000 IN. ZT
 SCALE = .0100

PARAMETRIC DATA

BETA = -6.000 ELV-LI = 12.000
 ELV-LO = 9.000 ELV-RI = 12.000
 ELV-RO = 9.000

RUN NO. 130/ 0 RN/L = 4.21 GRADIENT INTERVAL = -5.00/ 5.00

MACH	ALPHA	CPB1	CPB2	CPB3	CPB4.5	CPB6	CPB7	CPB8	CPCO	CAU	BETA
1.149	-7.160	- 35865	- .34851	- .39888	- .56312	- .51440	- .41989	- .42709	- .34230	.50648	-6.67974
1.150	-4.833	- .35163	- .34373	- .39243	- .55376	- .50754	- .40928	- .41004	- .33789	.50407	-6.68386
1.150	-2.523	- .34742	- .33896	- .37775	- .53838	- .48627	- .39937	- .40316	- .33403	.50303	-6.67887
1.149	-.246	- .33955	- .33231	- .36219	- .53193	- .47467	- .38636	- .39385	- .32691	.49980	-6.67092
1.150	2.034	- .33370	- .33016	- .35322	- .52000	- .46674	- .37543	- .38126	- .32310	.49520	-6.66660
	GRADIENT	.00272	.00207	.00582	.00471	.00586	.00501	.00418	.00225	-.00130	.00261

RUN NO. 125/ 0 RN/L = 4.22 GRADIENT INTERVAL = -5.00/ 5.00

MACH	ALPHA	CPB1	CPB2	CPB3	CPB4.5	CPB6	CPB7	CPB8	CPCO	CAU	BETA
1.205	-9.553	- .36520	- .35355	- .40249	- .55903	- .50765	- .42321	- .43348	- .34686	.51637	-6.67024
1.205	-7.192	- .35528	- .34392	- .39467	- .54915	- .49255	- .41034	- .41945	- .33714	.51358	-6.67509
1.205	-4.860	- .34962	- .33927	- .39057	- .53888	- .48632	- .39580	- .39807	- .33373	.51137	-6.68414
1.205	-2.542	- .34418	- .33492	- .39038	- .52895	- .47136	- .38451	- .38877	- .32956	.51041	-6.67400
1.205	-.258	- .33588	- .32781	- .36402	- .52480	- .46263	- .37064	- .37967	- .32190	.50787	-6.66199
1.205	2.012	- .32977	- .32612	- .35749	- .51470	- .45612	- .35888	- .36530	- .31922	.50430	-6.65884
1.205	4.274	- .32712	- .32554	- .35574	- .49954	- .44178	- .34543	- .34780	- .31756	.49468	-6.65274
	GRADIENT	.00260	.00159	.00406	.00407	.00457	.00554	.00543	.00187	-.00173	.00342

LARC 8FT TPT /49 (1A93) OTSAT130

(RJ033) (24 JUN 76)

REFERENCE DATA

SREF = 2690.0000 SQ.FT. XMRP = 976.0000 IN. XT
 LREF = 1290.3000 INCHES YMRP = .0000 IN. YT
 BREF = 1290.3000 INCHES ZMRP = 400.0000 IN. ZT
 SCALE = .0100

PARAMETRIC DATA

BETA = -4.000 ELV-L1 = 12.000
 ELV-LO = 9.000 ELV-R1 = 12.000
 ELV-RO = 9.000

RUN NO. 144/ 0 RN/L = 3.15 GRADIENT INTERVAL = -5.00/ 5.00

MACH	ALPHA	CPB1	CPB2	CPB3	CPB4.5	CPB6	CPB7	CPB8	CPCO	CAU	BETA
.598	-8.512	-.25988	-.24899	-.28512	-.42773	-.39573	-.38307	-.37481	-.24426	.29854	-4.21410
.598	-6.391	-.25649	-.24658	-.27657	-.41482	-.38324	-.36373	-.36005	-.24090	.29872	-4.23688
.598	-4.298	-.25035	-.24426	-.26704	-.40632	-.36939	-.34488	-.34445	-.23476	.29788	-4.24346
.599	-2.152	-.24488	-.24281	-.25947	-.40391	-.36113	-.32960	-.33107	-.23007	.29633	-4.24930
.598	-.080	-.23898	-.23673	-.25189	-.39415	-.35077	-.31843	-.32163	-.22588	.29210	-4.24715
.598	2.034	-.23240	-.22921	-.24440	-.38511	-.33653	-.31368	-.31688	-.22063	.28456	-4.24248
.598	4.133	-.22427	-.22110	-.23592	-.37993	-.33114	-.30675	-.31014	-.21423	.27629	-4.23872
GRADIENT		.00307	.00284	.00367	.00340	.00480	.00438	.00394	.00240	-.00261	.00077

RUN NO. 139/ 0 RN/L = 3.97 GRADIENT INTERVAL = -5.00/ 5.00

MACH	ALPHA	CPB1	CPB2	CPB3	CPB4.5	CPB6	CPB7	CPB8	CPCO	CAU	BETA
.900	-9.009	-.30756	-.29657	-.31691	-.42886	-.41996	-.42567	-.42403	-.29002	.36888	-4.39680
.900	-6.779	-.30173	-.28461	-.30652	-.42226	-.40756	-.40632	-.40804	-.27760	.36423	-4.41475
.900	-4.573	-.29483	-.27136	-.29852	-.41926	-.39630	-.39359	-.39587	-.26803	.35890	-4.42290
.900	-2.373	-.29355	-.26639	-.29378	-.41550	-.38384	-.37105	-.36987	-.26340	.35414	-4.43098
.899	-.171	-.29143	-.26313	-.28955	-.42192	-.38240	-.35448	-.34793	-.25867	.34774	-4.42617
.900	2.037	-.28839	-.25217	-.28496	-.42801	-.38436	-.34359	-.33381	-.25398	.34180	-4.42302
.900	4.253	-.28541	-.25022	-.28199	-.42058	-.37507	-.33856	-.33046	-.25101	.33911	-4.41940
GRADIENT		.00109	.00256	.00190	-.00069	.00190	.00623	.00756	.00197	-.00235	.00068

RUN NO. 134/ 0 RN/L = 4.08 GRADIENT INTERVAL = -5.00/ 5.00

MACH	ALPHA	CPB1	CPB2	CPB3	CPB4.5	CPB6	CPB7	CPB8	CPCO	CAU	BETA
.975	-9.188	-.35881	-.37155	-.36474	-.51724	-.50253	-.47596	-.48562	-.35956	.44945	-4.41788
.975	-6.919	-.33886	-.35774	-.34485	-.52468	-.49881	-.44709	-.45043	-.34399	.44439	-4.42781
.975	-4.678	-.31853	-.34513	-.32852	-.51676	-.48540	-.42899	-.43099	-.33063	.43906	-4.42854
.975	-2.435	-.30712	-.33044	-.31839	-.50951	-.46624	-.42055	-.42058	-.31675	.43419	-4.42113
.975	-.202	-.30399	-.31975	-.31123	-.51766	-.46624	-.40929	-.40290	-.30854	.43024	-4.40562
.975	2.015	-.30402	-.32455	-.31623	-.52219	-.46993	-.40500	-.39281	-.31231	.42573	-4.40097
.975	4.261	-.30219	-.32221	-.31804	-.53825	-.47914	-.40372	-.38874	-.31049	.42336	-4.39166
GRADIENT		.00160	.00232	.00104	-.00249	.00040	.00296	.00503	.00200	-.00179	.00421

LARC 8FT TPT 749 (1A93) OTSAT130

(RJ033) (24 JUN 76)

REFERENCE DATA

SREF = 2690.0000 SQ.FT. XMRP = 976.0000 IN. XT
 LREF = 1290.3000 INCHES YMRP = .0000 IN. YT
 BREF = 1290.3000 INCHES ZMRP = 400.0000 IN. ZT
 SCALE = .0100

PARAMETRIC DATA

BETA = -4.000 ELV-L1 = 12.000
 ELV-LO = 9.000 ELV-R1 = 12.000
 ELV-RO = 9.000

RUN NO. 129/ 0 RN/L = 4.21 GRADIENT INTERVAL = -5.00/ 5.00

MACH	ALPHA	CPB1	CPB2	CPB3	CPB4,5	CPB6	CPB7	CPB8	CPCO	CAU	BETA
1.150	-7.115	-.35403	-.34169	-.38387	-.54648	-.50008	-.40963	-.41812	-.33419	.50599	-4.45291
1.150	-4.793	-.34704	-.33582	-.36956	-.53936	-.49296	-.39613	-.40122	-.32960	.50273	-4.45821
1.150	-2.489	-.34019	-.33175	-.35666	-.52481	-.47382	-.38690	-.39181	-.32765	.50069	-4.45140
1.150	-.249	-.33140	-.32546	-.34541	-.52308	-.47035	-.37848	-.38080	-.32043	.49675	-4.44233
1.149	2.015	-.31928	-.31991	-.33325	-.51403	-.46349	-.36733	-.36634	-.31247	.49123	-4.43416
	GRADIENT	.00406	.00238	.00530	.00343	.00406	.00418	.00510	.00258	-.00169	.00358

RUN NO. 124/ 0 RN/L = 4.22 GRADIENT INTERVAL = -5.00/ 5.00

MACH	ALPHA	CPB1	CPB2	CPB3	CPB4,5	CPB6	CPB7	CPB8	CPCO	CAU	BETA
1.205	-9.492	-.35766	-.34459	-.38895	-.55582	-.50885	-.41020	-.41678	-.33573	.51777	-4.44346
1.205	-7.134	-.35037	-.33678	-.38341	-.53386	-.48373	-.40032	-.40790	-.32980	.51297	-4.44610
1.205	-4.779	-.34359	-.33011	-.37593	-.51846	-.46942	-.38258	-.38845	-.32637	.50935	-4.43860
1.205	-2.528	-.33604	-.32572	-.36329	-.50961	-.45625	-.37630	-.37453	-.32197	.50829	-4.44471
1.205	-.261	-.32847	-.32104	-.35062	-.51168	-.45535	-.36316	-.36544	-.31648	.50470	-4.43244
1.205	2.034	-.31825	-.31669	-.33639	-.50561	-.45046	-.35332	-.35263	-.31015	.49970	-4.42705
1.205	4.293	-.31365	-.31472	-.33333	-.49131	-.43554	-.34126	-.33526	-.30574	.49138	-4.42398
	GRADIENT	.00342	.00175	.00494	.00257	.00324	.00441	.00565	.00234	-.00196	.00207

LARC 8FT TPT /49 (1A93) OTSAT130

(RJ034) (24 JUN 76)

REFERENCE DATA

SREF = 2690.0000 SQ.FT. XMRP = 976.0000 IN. XT
 LREF = 1290.3000 INCHES YMRP = .0000 IN. YT
 BREF = 1290.3000 INCHES ZMRP = 400.0000 IN. ZT
 SCALE = .0100

PARAMETRIC DATA

BETA = .000 ELV-LI = 12.000
 ELV-LO = 9.000 ELV-RI = 12.000
 ELV-RO = 9.000

RUN NO. 143/ 0 RN/L = 3.14 GRADIENT INTERVAL = -5.00/ 5.00

MACH	ALPHA	CPB1	CPB2	CPB3	CPB4,5	CPB6	CPB7	CPB8	CPCO	CAU	BETA
.599	-8.468	-.25214	-.23846	-.27163	-.41625	-.33705	-.36773	-.36425	-.23868	.29595	-.03554
.599	-6.372	-.24931	-.23771	-.26520	-.39396	-.32554	-.35395	-.35104	-.23717	.29369	-.03326
.599	-4.282	-.24262	-.23333	-.25644	-.37178	-.31255	-.33482	-.33439	-.23221	.29223	-.03078
.599	-2.176	-.23763	-.23120	-.25016	-.36433	-.30996	-.32388	-.32593	-.22855	.29065	-.02423
.599	-.080	-.23133	-.22701	-.24046	-.35614	-.30140	-.31588	-.31831	-.22379	.28715	-.01857
.598	2.040	-.22384	-.22277	-.23130	-.35440	-.30159	-.30560	-.30632	-.21896	.27963	-.01822
.597	4.110	-.20789	-.21354	-.22477	-.35538	-.29853	-.29298	-.29161	-.21068	.27023	-.01913
	GRADIENT	00396	00228	00391	.00204	00173	.00485	.00501	00251	-.00262	.00140

RUN NO. 138/ 0 RN/L = 3.97 GRADIENT INTERVAL = -5.00/ 5.00

MACH	ALPHA	CPB1	CPB2	CPB3	CPB4,5	CPB6	CPB7	CPB8	CPCO	CAU	BETA
.900	-8.989	-.29479	-.28952	-.30642	-.40335	-.36797	-.42812	-.42077	-.28263	.36424	-.02517
.900	-6.747	-.29386	-.28379	-.30862	-.38989	-.34402	-.40278	-.39913	-.27678	.35473	-.02043
.901	-4.554	-.28928	-.28091	-.29912	-.36185	-.32710	-.37726	-.37876	-.27334	.34775	-.01723
.900	-2.378	-.29058	-.28052	-.30346	-.35051	-.32209	-.34646	-.33936	-.27451	.34113	-.00979
.900	-.156	-.28625	-.27297	-.29678	-.35830	-.32522	-.33493	-.32146	-.26674	.33818	.00303
.900	2.014	-.28326	-.27031	-.29359	-.37069	-.33299	-.32572	-.30598	-.26362	.33440	.00481
.900	4.235	-.27559	-.26803	-.28572	-.37924	-.33539	-.32466	-.31264	-.26055	.33180	.00430
	GRADIENT	00158	.00164	00167	-.00250	-.00125	.00573	.00753	.00166	-.00176	.00262

RUN NO. 133/ 0 RN/L = 4.08 GRADIENT INTERVAL = -5.00/ 5.00

MACH	ALPHA	CPB1	CPB2	CPB3	CPB4,5	CPB6	CPB7	CPB8	CPCO	CAU	BETA
.975	-9.163	-.33005	-.34771	-.34981	-.50933	-.47075	-.46756	-.46292	-.33654	.44553	-.04749
.975	-6.907	-.31939	-.33936	-.33527	-.49319	-.45285	-.44673	-.44354	-.32879	.43974	-.04241
.975	-4.625	-.31031	-.33757	-.32706	-.47503	-.43188	-.42313	-.42264	-.32389	.43116	-.03695
.975	-2.428	-.30231	-.34647	-.32737	-.45867	-.41376	-.40914	-.41000	-.32585	.42634	-.02075
.975	-.216	-.30286	-.34896	-.32966	-.45552	-.40939	-.39876	-.39869	-.32929	.42298	-.01191
.975	1.991	-.30689	-.35163	-.33399	-.46615	-.41092	-.39314	-.39162	-.33466	.41897	-.01171
.975	4.222	-.30786	-.34786	-.33610	-.47685	-.42220	-.38463	-.37575	-.33304	.41284	-.01748
	GRADIENT	.00001	-.00116	-.00112	-.00051	.00100	.00420	.00507	-.00123	-.00199	.00216

ORIGINAL PAGE IS
OF POOR QUALITY

LARC 8FT TPT /49 (1A93) OTSAT130

(RJJ034) (24 JUN 76)

REFERENCE DATA

SREF = 2690.0000 SQ.FT. XMRP = 976.0000 IN. XT
 LREF = 1290.3000 INCHES YMRP = .0000 IN. YT
 BREF = 1290.3000 INCHES ZMRP = 400.0000 IN. ZT
 SCALE = .0100

PARAMETRIC DATA

BETA = .000 ELV-L1 = 12.000
 ELV-LO = 9.000 ELV-R1 = 12.000
 ELV-RO = 9.000

RUN NO. 128/ 0 RN/L = 4.21 GRADIENT INTERVAL = -5.00/ 5.00

MACH	ALPHA	CPB1	CPB2	CPB3	CPB4,5	CPB6	CPB7	CPB8	CPCO	CAU	BETA
1.150	-7.075	-.35178	-.35132	-.35847	-.52164	-.47617	-.41053	-.40760	-.33811	.50230	-.04190
1.149	-4.764	-.34428	-.34476	-.35302	-.51229	-.46441	-.39671	-.39203	-.33311	.49798	-.03839
1.150	-2.495	-.33149	-.33862	-.34808	-.49984	-.44610	-.38199	-.37732	-.32771	.49644	-.02773
1.149	-.251	-.31741	-.33875	-.34012	-.49126	-.43264	-.36868	-.35784	-.32276	.49223	-.01930
1.150	1.993	-.30419	-.33053	-.32703	-.48944	-.43047	-.35427	-.33939	-.31306	.48535	-.01647
	GRADIENT	.00597	.00189	.00381	.00343	.00512	.00625	.00788	.00289	-.00187	.00330

RUN NO. 123/ 0 RN/L = 4.22 GRADIENT INTERVAL = -5.00/ 5.00

MACH	ALPHA	CPB1	CPB2	CPB3	CPB4,5	CPB6	CPB7	CPB8	CPCO	CAU	BETA
1.205	-9.413	-.35661	-.34713	-.36671	-.51402	-.47306	-.40862	-.40738	-.33422	.51253	-.03522
1.205	-7.076	-.34414	-.33928	-.35383	-.49498	-.45324	-.39545	-.39493	-.32772	.50760	-.03400
1.206	-4.760	-.33788	-.33458	-.34778	-.48783	-.44268	-.38083	-.37861	-.32472	.50487	-.03037
1.206	-2.490	-.33007	-.32966	-.34251	-.47801	-.42647	-.36476	-.36046	-.32015	.50216	-.01669
1.205	-.203	-.31804	-.32539	-.33717	-.46848	-.41432	-.35348	-.34298	-.31399	.49916	-.00365
1.205	1.992	-.30576	-.32223	-.32916	-.46925	-.41214	-.34113	-.32640	-.30786	.49235	-.00098
1.205	4.242	-.29698	-.31759	-.31823	-.46911	-.41077	-.32685	-.31168	-.30160	.48395	-.00687
	GRADIENT	.00472	.00184	.00322	.00206	.00348	.00585	.00747	.00260	-.00229	.00280

LARC 8FT TPT /49 (1A93) OTSAT130

(RJJ035) (24 JUN 76)

REFERENCE DATA

PARAMETRIC DATA

SREF = 2690.0000 SQ.FT. XMRP = 976.0000 IN. XT
 LREF = 1290.3000 INCHES YMRP = .0000 IN. YT
 BREF = 1290.3000 INCHES ZMRP = -400.0000 IN. ZT
 SCALE = .0100

BETA = 4.000 ELV-LI = 12.000
 ELV-LO = 9.000 ELV-RI = 12.000
 ELV-RO = 9.000

RUN NO. 146/ 0 RN/L = 3.16 GRADIENT INTERVAL = -5.00/ 5.00

MACH	ALPHA	CPB1	CPB2	CPB3	CPB4,5	CPB6	CPB7	CPB8	CPCO	CAU	BETA
.598	-8.520	-.25881	-.24374	-.27452	-.38582	-.28984	-.36975	-.35978	-.23996	.29672	4.18241
.598	-6.395	-.25207	-.24159	-.26704	-.36707	-.27988	-.35347	-.34598	-.23228	.29729	4.20630
.598	-4.288	-.24591	-.23868	-.25823	-.34756	-.26992	-.33642	-.33390	-.22631	.29554	4.22323
.598	-2.199	-.24165	-.23387	-.25037	-.33111	-.26244	-.32072	-.32010	-.22035	.29428	4.23703
.598	-.083	-.23717	-.23149	-.24438	-.32229	-.25493	-.31513	-.31299	-.21777	.29005	4.24273
.598	2.011	-.22996	-.22658	-.23548	-.32331	-.25403	-.30890	-.30390	-.21401	.28320	4.24200
.598	4.122	-.21619	-.22200	-.22501	-.33217	-.26587	-.29847	-.29519	-.21075	.27376	4.23119
	GRADIENT	.00338	.00193	.00387	.00183	.00078	.00417	.00445	.00178	-.00269	.00099

RUN NO. 141/ 0 RN/L = 3.97 GRADIENT INTERVAL = -5.00/ 5.00

MACH	ALPHA	CPB1	CPB2	CPB3	CPB4,5	CPB6	CPB7	CPB8	CPCO	CAU	BETA
.900	-9.004	-.31207	-.28787	-.33861	-.38825	-.31914	-.41982	-.41404	-.27885	.36580	4.28196
.900	-6.781	-.30159	-.28222	-.32011	-.37253	-.31215	-.40094	-.39584	-.27443	.36032	4.31496
.900	-4.588	-.28909	-.27278	-.30420	-.35662	-.30440	-.38491	-.38440	-.26251	.35533	4.32832
.900	-2.381	-.29121	-.27064	-.30296	-.34665	-.29969	-.36151	-.35619	-.26249	.35072	4.34853
.900	-.185	-.28981	-.26455	-.30000	-.33743	-.28914	-.34735	-.33734	-.25708	.34670	4.35286
.900	2.030	-.28652	-.25747	-.29593	-.33871	-.28618	-.33387	-.31291	-.25144	.34077	4.35173
.900	4.234	-.27978	-.25745	-.28911	-.35031	-.29242	-.33329	-.32005	-.25154	.33881	4.34505
	GRADIENT	.00106	.00199	.00169	.00093	.00170	.00593	.00780	.00150	-.00195	.00166

RUN NO. 136/ 0 RN/L = 4.08 GRADIENT INTERVAL = -5.00/ 5.00

MACH	ALPHA	CPB1	CPB2	CPB3	CPB4,5	CPB6	CPB7	CPB8	CPCO	CAU	BETA
.975	-9.192	-.36199	-.35701	-.37794	-.46453	-.41839	-.46226	-.45659	-.34698	.44660	4.31712
.975	-6.925	-.33522	-.34026	-.35923	-.45379	-.40993	-.43701	-.43558	-.32958	.44080	4.33732
.975	-4.686	-.31568	-.33172	-.34697	-.43938	-.39493	-.41918	-.41828	-.32001	.43572	4.35515
.975	-2.437	-.29988	-.32290	-.33124	-.42203	-.37281	-.40884	-.41012	-.31035	.42997	4.36375
.975	-.218	-.29443	-.32203	-.32582	-.40929	-.35333	-.40565	-.40410	-.30958	.42726	4.37651
.975	2.019	-.29538	-.32081	-.32377	-.41345	-.35780	-.39549	-.37894	-.30949	.41946	4.37088
.975	4.243	-.29847	-.32295	-.32694	-.43430	-.38207	-.39108	-.36739	-.31185	.41653	4.36211
	GRADIENT	.00175	.00088	.00213	.00084	.00183	.00312	.00596	.00077	-.00219	.00094

LARC 8FT TPT 749 (IA93) OTSAT130

(RJ035) (24 JUN 76)

REFERENCE DATA

SREF = 2690.0000 SQ.FT. XMRP = 976.0000 IN. XT
 LREF = 1290.3000 INCHES YMRP = .0000 IN. YT
 BREF = 1290.3000 INCHES ZMRP = 400.0000 IN. ZT
 SCALE = .0100

PARAMETRIC DATA

BETA = 4.000 ELV-LI = 12.000
 ELV-LO = 9.000 ELV-RI = 12.000
 ELV-RO = 9.000

RUN NO. 131/ 0 RN/L = 4.21 GRADIENT INTERVAL = -5.00/ 5.00

MACH	ALPHA	CPB1	CPB2	CPB3	CPB4,5	CPB6	CPB7	CPB8	CPCO	CAU	BETA
1.150	-7.110	-.37168	- 36500	-.37406	-.48020	- 43806	-.41123	-.40527	-.35328	.50710	4.33833
1.150	-4.783	-.36063	-.35729	-.36415	-.46925	-.42436	-.39596	-.38862	-.34253	50236	4.35772
1.150	-2.515	-.34982	-.34899	-.35375	- 45227	-.40038	-.38215	-.37600	-.33394	49757	4.37104
1.149	-.222	-.34161	- 34191	-.34631	- 43451	-.37767	-.37165	-.36376	-.32667	.49364	4.38198
1.149	1.998	- 32525	- 33019	-.34122	- 43302	- 37691	-.35855	-.34559	- 31456	48609	4.38308
	GRADIENT	00505	.00390	.00337	00560	00731	.00542	.00624	00403	- 00233	.00385

-RUN NO. 126/ 0 RN/L = 4.22 GRADIENT INTERVAL = -5.00/ 5.00

MACH	ALPHA	CPB1	CPB2	CPB3	CPB4,5	CPB6	CPB7	CPB8	CPCO	CAU	BETA
1.205	-9.495	-.37681	-.36441	-.37758	- 47634	- 43297	-.41106	-.40343	- 35331	.51659	4.33102
1.205	-7.145	- 37103	- 35981	- 37398	- 46768	- 42666	- 40168	-.39495	-.34845	.51256	4.34778
1.205	-4.820	-.35869	-.35156	- 36195	- 45211	- 41012	- 38585	-.37723	- 33748	50784	4.36519
1.205	-2.540	- 34609	-.34348	- 35011	-.43524	- 38552	-.36976	-.36142	-.32895	.50407	4.38093
1.205	-.250	-.33436	-.33520	- 33959	- 41619	- 35937	- 35833	- 34972	-.31939	49916	4.39104
1.205	2.012	-.32718	-.32722	- 33172	-.41506	-.35734	-.34405	-.33382	-.31105	49202	4.39275
1.205	4.262	-.31268	-.31843	- 32347	-.42733	-.37409	-.33300	-.32106	- 30396	.48387	4.38400
	GRADIENT	.00488	.00363	.00420	.00308	.00443	.00579	.00616	.00374	-.00264	.00218

LARC 8FT TPT 749 (1A93) OTSAT130

(RJ0036) (24 JUN 76)

REFERENCE DATA

SREF = 2690.0000 SQ.FT. XMRP = 976 0000 IN. XT
 LREF = 1290.3000 INCHES YMRP = 0000 IN. YT
 BREF = 1290.3000 INCHES ZMRP = 400.0000 IN. ZT
 SCALE = 0100

PARAMETRIC DATA

BETA = 6.000 ELV-LI = 12.000
 ELV-LO = 9.000 ELV-RI = 12.000
 ELV-RO = 9 000

RUN NO. 147/ 0 RN/L = 3 16 GRADIENT INTERVAL = -5.00/ 5 00

MACH	ALPHA	CPB1	CPB2	CPB3	CPB4.5	CPB6	CPB7	CPB8	CPCO	CAU	BETA
.598	-8 531	- 26233	- 24764	- 27917	- 34966	- 27277	- 37360	- 36707	- 24634	29630	6.25000
.598	-6 418	- 25586	- 24632	- 27121	- 33260	- 26023	- 35483	- 35001	- 23643	29656	6 28591
.598	-4 324	- 25115	- 24449	- 26535	- 32304	- 25838	- 34048	- 33700	- 22965	29602	6.31255
.599	-2 184	- 24755	- 24052	- 25985	- 31580	- 25061	- 32883	- 32631	- 22550	29291	6.33083
.598	- 094	- 24137	- 23549	- 25333	- 30724	- 23950	- 31933	- 31642	- 22254	28899	6 33606
.598	2 031	- 23415	- 23249	- 24556	- 31295	- 24639	- 31417	- 30898	- 22088	28250	6.33621
.598	4 157	- 22399	- 22768	- 23619	- 32172	- 25417	- 30388	- 30002	- 21549	27275	6 32105
	GRADIENT	00320	00197	.00343	.00026	00059	.00415	00431	.00156	-.00269	00106

RUN NO 142/ 0 RN/L = 3 97 GRADIENT INTERVAL = -5 00/ 5.00

MACH	ALPHA	CPB1	CPB2	CPB3	CPB4.5	CPB6	CPB7	CPB8	CPCO	CAU	BETA
.900	-9 053	- 31792	- 29920	- 34007	- 35080	- 28600	- 42447	- 41478	- 29142	36594	6.41925
.900	-6 829	- 30704	- 29202	- 32555	- 34266	- 28809	- 40708	- 40712	- 28389	36080	6.45694
.900	-4 589	- 29500	- 28225	- 31221	- 33255	- 28649	- 39337	- 39834	- 27143	35698	6.48210
.900	-2 399	- 29437	- 27961	- 30868	- 32577	- 27983	- 37628	- 37622	- 27036	35428	6.50469
.900	- 196	- 29510	- 27453	- 30695	- 32068	- 27051	- 35966	- 35178	- 26718	35016	6 51169
.900	2 044	- 29487	- 26749	- 30537	- 32803	- 27520	- 34744	- 33084	- 26181	34559	6 50747
.900	4 281	- 28876	- 26328	- 30052	- 34062	- 27949	- 34562	- 33360	- 25738	34051	6 49425
	GRADIENT	.00054	00226	00120	- 00084	00083	.00560	.00787	.00165	-.00188	00120

RUN NO 137/ 0 RN/L = 4.08 GRADIENT INTERVAL = -5.00/ 5.00

MACH	ALPHA	CPB1	CPB2	CPB3	CPB4.5	CPB6	CPB7	CPB8	CPCO	CAU	BETA
.975	-9 259	- 38789	- 38679	- 38803	- 41884	- 35532	- 46752	- 45790	- 37316	44534	6.46556
.975	-6 953	- 36302	- 36809	- 37224	- 41048	- 35547	- 44515	- 43803	- 35661	44161	6.49841
.976	-4 691	- 32828	- 35215	- 35208	- 40321	- 35310	- 42604	- 42182	- 34005	43653	6.52140
.975	-2 457	- 31261	- 34212	- 33865	- 39517	- 34225	- 41780	- 41441	- 33073	43112	6.53734
.975	- 214	- 29943	- 33249	- 32593	- 39197	- 33150	- 41180	- 40904	- 32151	42716	6.53983
.975	2 014	- 29903	- 32849	- 32410	- 38858	- 33899	- 40288	- 38768	- 31853	42123	6 54002
.975	4 252	- 30393	- 32985	- 32835	- 41460	- 35731	- 39902	- 37875	- 31927	41624	6 51746
	GRADIENT	00279	.00260	.00277	- 00117	-.00623	00308	00505	.00240	- 00226	- 00023

ORIGINAL PAGE IS
OF POOR QUALITY

LARC 8FT TPT 749 (1A93) OTSAT130

(RJJ036) (24 JUN 76)

REFERENCE DATA

SREF = 2690.0000 SQ.FT. XMRP = 976.0000 IN. XT
 LREF = 1290.3000 INCHES YMRP = .0000 IN. YT
 BREF = 1290.3000 INCHES ZMRP = 400.0000 IN. ZT
 SCALE = .0100

PARAMETRIC DATA

BETA = 6.000 ELV-LI = 12.000
 ELV-LO = 9.000 ELV-RI = 12.000
 ELV-RO = 9.000

RUN NO 132/ 0 RN/L = 4.21 GRADIENT INTERVAL = -5.00/ 5.00

MACH	ALPHA	CPB1	CPB2	CPB3	CPB4.5	CPB6	CPB7	CPB8	CPCO	CAU	BETA
1.149	-7.161	-.38781	-.38450	-.38582	-.43514	-.38997	-.41887	-.41070	-.37298	.50665	6.56024
1.150	-4.842	-.37929	-.37794	-.37761	-.43132	-.38424	-.40410	-.39556	-.36384	.50347	6.58595
1.150	-2.546	-.36233	-.36239	-.36199	-.42305	-.37220	-.39113	-.38268	-.34828	.49865	6.60345
1.149	-.252	-.35022	-.35206	-.35075	-.41246	-.34864	-.38135	-.37383	-.33766	.49280	6.61467
1.149	2.017	-.33527	-.34028	-.33935	-.42157	-.36583	-.36717	-.35596	-.32586	.48617	6.61102
	GRADIENT	00630	00539	00551	00175	.00345	00527	.00558	00545	-.00252	.00378

RUN NO. 127/ 0 RN/L = 4.22 GRADIENT INTERVAL = -5.00/ 5.00

MACH	ALPHA	CPB1	CPB2	CPB3	CPB4.5	CPB6	CPB7	CPB8	CPCO	CAU	BETA
1.205	-9.546	-.39049	-.38111	-.38978	-.44421	-.39365	-.42661	-.41708	-.37345	.51552	6.60514
1.205	-7.182	-.38427	-.37572	-.38376	-.43070	-.38188	-.40716	-.39899	-.36554	.51175	6.62999
1.205	-4.856	-.37374	-.36612	-.37183	-.41968	-.37022	-.38477	-.37786	-.35376	.50725	6.65570
1.205	-2.544	-.35658	-.35296	-.35608	-.40831	-.35248	-.37421	-.36659	-.33960	.50262	6.67308
1.205	-.267	-.34390	-.34453	-.34640	-.39692	-.33085	-.36596	-.35870	-.32973	.49780	6.68327
1.205	2.004	-.33449	-.33758	-.33694	-.40375	-.34458	-.35504	-.34553	-.32231	.49208	6.68423
1.205	4.278	-.32285	-.32722	-.32273	-.41300	-.35932	-.34018	-.32491	-.31330	.48252	6.66698
	GRADIENT	.00543	00409	00514	.00079	.00131	.00475	.00556	.00431	-.00263	.00151

LARC 8FT TPT /49 (1A93) OTSAT130

(RJJ037) (24 JUN 76)

REFERENCE DATA

SREF = 2690.0000 SQ.FT. XMRP = 976.0000 IN. XT
 LREF = 1290 3000 INCHES YMRP = .0000 IN. YT
 BREF = 1290 3000 INCHES ZMRP = 400.0000 IN. ZT
 SCALE = .0100

PARAMETRIC DATA

BETA = -6.000 ELV-LI = 12.000
 ELV-LO = 14.000 ELV-RI = 12.000
 ELV-RO = 14.000

RUN NO. 155/ 0 RN/L = 3.97 GRADIENT INTERVAL = -5.00/ 5.00

MACH	ALPHA	CPB1	CPB2	CPB3	CPB4,5	CPB6	CPB7	CPB8	CPCO	CAU	BETA
.900	-9.049	-.31459	- 30760	-.32177	- 45675	-.45079	-.42455	- 41587	-.29916	.37227	-6.52104
900	-6.777	-.30841	-.29865	- 31359	-.44823	- 44184	- 40990	- 40090	-.29021	36977	-6.55436
900	-4.586	-.29935	- 28190	-.30355	-.44958	- 42879	-.39650	-.39867	-.27557	.36607	-6.56502
.899	-2.384	- 29514	-.27008	-.29880	-.44788	- 41534	-.38624	-.38707	-.26799	36224	-6.56536
.900	- 156	- 29157	-.26665	- 29312	- 44645	- 40868	-.36976	-.36735	-.26411	.35879	-6.55698
.900	2.063	-.29107	- 25854	-.29228	- 45279	- 40987	- 35618	-.34875	-.26203	.35255	-6.54084
.900	4.283	-.29031	- 25377	-.29164	-.44025	- 39367	- 34836	-.34082	- 25949	34699	-6.53932
	GRADIENT	00100	.00306	00137	00062	00341	.00570	00694	00172	- 00216	.00342

RUN NO. 150/ 0 RN/L = 4.08 GRADIENT INTERVAL = -5.00/ 5.00

MACH	ALPHA	CPB1	CPB2	CPB3	CPB4,5	CPB6	CPB7	CPB8	CPCO	CAU	BETA
.976	-9.225	- 37779	- 38695	- 38509	- 54284	- 52218	-.47912	-.47553	- 37458	45366	-6.60829
.976	-6.945	-.35741	- 37106	-.36250	- 55028	-.52146	-.45410	-.44286	- 35754	.45061	-6.62837
976	-4.661	-.33938	-.34874	-.34618	- 55099	-.51203	-.43760	-.43277	- 33778	44473	-6.63823
975	-2.433	- 32699	-.33399	-.33444	- 54027	- 49244	- 42511	-.42060	- 32468	44068	-6.63403
.975	- 181	- 32221	-.32654	-.32927	- 54005	-.48827	- 41822	- 41546	-.31846	.43819	-6.60901
.975	2.043	- 31832	- 32473	-.32819	-.53738	-.48881	-.41163	- 40245	-.31726	43504	-6.60063
.975	4.294	- 32349	- 32978	-.33117	-.55163	- 49251	- 41109	- 39985	-.32201	43208	-6.59030
	GRADIENT	00181	00211	00162	00007	00190	00297	00375	00174	- 00138	.00578

LARC 8FT TPT /49 (1A93) OTSAT130

(RJ038) (24 JUN 76)

REFERENCE DATA

SREF = 2690.0000 SQ.FT. XMRP = 976.0000 IN XT
 LREF = 1290.3000 INCHES YMRP = .0000 IN. YT
 BREF = 1290.3000 INCHES ZMRP = 400.0000 IN. ZT
 SCALE = 0100

PARAMETRIC DATA

BETA = -4.000 ELV-LI = 12.000
 ELV-LO = 14.000 ELV-RI = 12.000
 ELV-RO = 14.000

RUN NO. 154/ 0 RN/L = 3.97 GRADIENT INTERVAL = -5.00/ 5.00

MACH	ALPHA	CPB1	CPB2	CPB3	CPB4.5	CPB6	CPB7	CPB8	CPCO	CAU	BETA
.900	-8.986	-30206	-.29656	-.31015	-.43650	-.42732	-.42544	-.42436	-.28800	.37457	-4.36341
.900	-6.769	-29826	-.28663	-.30191	-.43149	-.41641	-.40903	-.41053	-.27784	.37022	-4.38725
.900	-4.547	-.29248	-.27326	-.29447	-.42753	-.40564	-.39522	-.39751	-.26703	.36503	-4.38894
.900	-2.359	-.29235	-.26642	-.29278	-.42409	-.39426	-.37667	-.37472	-.26186	.36005	-4.38798
.899	-1.128	-.29179	-.26348	-.28976	-.42659	-.38846	-.35607	-.34975	-.25746	.35374	-4.38063
.900	2.063	-.29089	-.25489	-.28831	-.43341	-.39218	-.34561	-.33662	-.25536	.34734	-4.37054
.900	4.273	-.28448	-.25198	-.28069	-.42550	-.38161	-.33673	-.32796	-.25066	.34369	-4.36965
	GRADIENT	.00079	.00245	.00145	-.00024	.00227	.00671	00803	.00178	-.00251	00254

RUN NO. 149/ 0 RN/L = 4.08 GRADIENT INTERVAL = -5.00/ 5.00

MACH	ALPHA	CPB1	CPB2	CPB3	CPB4.5	CPB6	CPB7	CPB8	CPCO	CAU	BETA
.975	-9.184	-35966	-.37477	-.36630	-.52536	-.50719	-.47619	-.48419	-.36176	.45562	-4.42512
.976	-6.895	-33825	-.35990	-.34567	-.53332	-.50317	-.44655	-.44875	-.34503	.45127	-4.43603
.976	-4.650	-31642	-.34485	-.32939	-.52659	-.49128	-.42748	-.42783	-.32986	.44505	-4.43699
.975	-2.418	-30324	-.32882	-.31863	-.51806	-.47343	-.41808	-.41657	-.31442	.43919	-4.42448
.975	-.186	-.29852	-.31852	-.31134	-.52537	-.47443	-.40779	-.40131	-.30640	.43608	-4.41579
.975	2.046	-.29738	-.32111	-.31506	-.52738	-.47850	-.40305	-.39057	-.30868	.43193	-4.40932
.975	4.294	-.29651	-.32179	-.31739	-.54031	-.48306	-.40091	-.38554	-.30915	.43024	-4.40290
	GRADIENT	00204	.00241	00123	-.00165	.00051	00305	00495	.00211	-.00165	.00373

LARC 8FT TPT 749 (1A93) OTSAT130

(RJJ039) (24 JUN 76)

REFERENCE DATA

SREF = 2690.0000 SQ.FT XMRP = 976.0000 IN. XT
 LREF = 1290.3000 INCHES YMRP = .0000 IN. YT
 BREF = 1290.3000 INCHES ZMRP = 400.0000 IN. ZT
 SCALE = .0100

PARAMETRIC DATA

BETA = .000 ELV-LI = 12.000
 ELV-LO = 14.000 ELV-RI = 12.000
 ELV-RO = 14.000

RUN NO. 153/ 0 RN/L = 3.98 GRADIENT INTERVAL = -5.00/ 5.00

MACH	ALPHA	CPB1	CPB2	CPB3	CPB4,5	CPB6	CPB7	CPB8	CPCO	CAU	BETA
.900	-8.970	- 28933	- 28900	- 30016	- 41231	- 37991	- 42806	- 42050	- 28189	.37053	-.04580
.900	-6.748	- 28757	- 28255	- 29929	- 39964	- 35633	- 40241	- 39798	- 27555	.36202	-.03743
.900	-4.530	- 28692	- 28245	- 29462	- 37155	- 33650	- 37709	- 37781	- 27366	.35431	-.03793
.899	-2.350	- 28674	- 28127	- 29737	- 36005	- 32822	- 34611	- 33766	- 27448	.34792	-.03039
.900	-.145	- 28433	- 27473	- 29293	- 36770	- 33077	- 33288	- 31953	- 26717	.34501	-.02007
.900	2.059	- 28128	- 27224	- 29034	- 37846	- 33949	- 32506	- 30421	- 26411	.34122	-.02014
.900	4.269	- 27472	- 26884	- 28392	- 38415	- 34062	- 32241	- 30984	- 25981	.33777	-.01883
	GRADIENT	.00136	.00165	00129	- 00199	- 00089	.00592	00769	.00173	-.00181	.00220

RUN NO 148/ 0 RN/L = 4.08 GRADIENT INTERVAL = -5.00/ 5.00

MACH	ALPHA	CPB1	CPB2	CPB3	CPB4,5	CPB6	CPB7	CPB8	CPCO	CAU	BETA
.975	-9.145	- 32667	- 34879	- 34902	- 51088	- 47338	- 46604	- 46121	- 33534	.45103	-.03633
.976	-6.874	- 31449	- 33910	- 33356	- 49571	- 45586	- 44437	- 44089	- 32700	.44517	-.03542
.976	-4.634	- 30458	- 33811	- 32575	- 48366	- 43897	- 42228	- 42056	- 32135	.43793	-.02350
.975	-2.406	- 29455	- 34538	- 32454	- 46959	- 42220	- 40590	- 40500	- 32148	.43285	- 01195
.975	- 189	- 29546	- 34681	- 32648	- 46676	- 41907	- 39593	- 39349	- 32550	.42905	- 00359
.975	2.045	- 29895	- 34937	- 33027	- 47278	- 41866	- 38992	- 38458	- 33116	.42502	00157
.975	4.258	- 29970	- 34679	- 33277	- 47564	- 42556	- 38132	- 36854	- 32952	.41992	- 00007
	GRADIENT	00024	- 00096	-.00089	.00058	.00137	00440	.00560	-.00117	-.00197	.00272

LARC 8FT TPT /49 (1A93) OTSAT130

(RJJ040) (24 JUN 76)

REFERENCE DATA

PARAMETRIC DATA

SREF = 2690.0000 SQ.FT. XMRP = 976.0000 IN. XT
 LREF = 1290.3000 INCHES YMRP = .0000 IN. YT
 BREF = 1290.3000 INCHES ZMRP = 400.0000 IN. ZT
 SCALE = .0100

BETA = 4.000 ELV-L1 = 12.000
 ELV-LO = 14.000 ELV-R1 = 12.000
 ELV-RO = 14.000

RUN NO. 156/ 0 RN/L = 3.97 GRADIENT INTERVAL = -5.00/ 5.00

MACH	ALPHA	CPB1	CPB2	CPB3	CPB4.5	CPB6	CPB7	CPB8	CPCO	CAU	BETA
.900	-9.006	-.30622	-.28719	-.32982	-.39524	-.32413	-.41925	-.41404	-.27840	.37224	4.25715
.899	-6.770	-.29775	-.28185	-.31447	-.38148	-.31815	-.40145	-.39636	-.27339	.36570	4.28465
.900	-4.559	-.28446	-.27352	-.29865	-.36474	-.30948	-.38525	-.38396	-.26270	.36176	4.30339
.900	-2.366	-.28623	-.27150	-.29673	-.35140	-.30075	-.36195	-.35709	-.26303	.35714	4.31852
.899	-.144	-.28693	-.26703	-.29676	-.34256	-.29241	-.34785	-.33806	-.25866	.35216	4.32720
.899	2.056	-.28564	-.26116	-.29514	-.34070	-.28721	-.33614	-.31640	-.25357	.34598	4.32730
.899	4.291	-.27905	-.25974	-.28857	-.35323	-.29729	-.33123	-.31799	-.25215	.34328	4.31584
	GRADIENT	00052	00171	.00098	00152	00171	.00605	.00780	.00138	-.00217	00152

RUN NO. 151/ 0 RN/L = 4.08 GRADIENT INTERVAL = -5.00/ 5.00

MACH	ALPHA	CPB1	CPB2	CPB3	CPB4.5	CPB6	CPB7	CPB8	CPCO	CAU	BETA
.975	-9.192	-.36017	-.35717	-.37818	-.46737	-.42399	-.45986	-.45471	-.34642	.45252	4.28955
.976	-6.914	-.33359	-.34295	-.36240	-.46139	-.41858	-.43807	-.43675	-.33096	.44777	4.31106
.976	-4.664	-.30985	-.33301	-.34472	-.44392	-.40008	-.41758	-.41637	-.31987	.44122	4.32777
.975	-2.399	-.29531	-.32514	-.32973	-.42557	-.37562	-.40696	-.40741	-.31085	.43537	4.34149
.975	-.196	-.28908	-.32399	-.32559	-.41336	-.35691	-.40302	-.39830	-.31022	.43314	4.34671
.976	2.040	-.29038	-.32425	-.32491	-.41958	-.36717	-.39373	-.37484	-.31058	.42640	4.34470
.975	4.276	-.29317	-.32559	-.32801	-.43799	-.38990	-.38928	-.36481	-.31223	.42367	4.33280
	GRADIENT	00172	00071	.00172	00080	.00129	00313	.00608	.00070	-.00198	.00060

LARC 8FT TPT 749 (IA93) OTSAT130

(RJ041) (24 JUN 76)

REFERENCE DATA

PARAMETRIC DATA

SREF = 2690.0000 SQ.FT. XMRP = 976.0000 IN. XT
 LREF = 1290.3000 INCHES YMRP = 0000 IN. YT
 BREF = 1290.3000 INCHES ZMRP = 400.0000 IN. ZT
 SCALE = .0100

BETA = 6.000 ELV-LI = 12.000
 ELV-LO = 14.000 ELV-RI = 12.000
 ELV-RO = 14.000

RUN NO. 157/ 0 RN/L = 3.97 GRADIENT INTERVAL = -5.00/ 5.00

MACH	ALPHA	CPB1	CPB2	CPB3	CPB4,5	CPB6	CPB7	CPB8	CPCO	CAU	BETA
.900	-9.048	-.31505	-.30180	- 33763	-.35793	-.28760	-.42608	-.41528	-.29336	.37139	6.38964
.900	-6.808	-.30292	- 29272	- 32240	-.34805	- 28813	-.40655	-.40581	- 28417	.36618	6.42879
.900	-4.601	-.28993	-.28345	-.30779	- 33746	-.28657	-.39295	-.39792	-.27242	.36301	6.45372
.900	-2.393	-.28762	-.28025	-.30303	-.32935	- 28002	-.38015	-.38087	-.27000	.35933	6.47538
.900	-.160	-.28737	-.27396	-.30088	-.32317	-.27073	-.35998	- 35199	-.26527	.35523	6.47684
.900	2.054	-.29111	-.26808	- 30204	- 32869	-.27367	-.34728	- 33079	-.26139	.35036	6.47498
.900	4.285	-.28685	-.26439	-.29959	-.34088	-.28116	- 34337	- 33169	-.25771	.34550	6.46274
	GRADIENT	.00012	.00226	00078	-.00028	00077	.00594	.00821	.00171	-.00198	.00079

RUN NO. 152/ 0 RN/L = 4.08 GRADIENT INTERVAL = -5.00/ 5.00

MACH	ALPHA	CPB1	CPB2	CPB3	CPB4,5	CPB6	CPB7	CPB8	CPCO	CAU	BETA
.976	-9.229	-.39088	- 39132	-.39141	- 42358	-.36145	-.46850	- 45798	-.37709	.45206	6.46510
.976	-6.954	-.36082	-.37001	-.37395	- 41415	- 35949	- 44540	-.43767	- 35784	.44763	6.49626
.976	-4.655	-.32492	-.35436	-.35304	- 40628	-.35614	- 42583	- 42059	-.34062	.44198	6.51501
.975	-2.440	-.30940	-.34417	- 33975	-.39909	- 34492	-.41709	-.41247	-.33144	.43641	6.52870
.975	-.196	-.29645	-.33424	- 32694	-.39620	- 33480	-.40996	-.40555	-.32234	.43283	6.53488
.975	2.030	- 29468	-.33022	-.32447	- 40202	-.34422	-.40212	-.38519	-.31831	.42751	6.53127
.976	4.281	- 30032	-.33169	-.32956	-.42133	-.36685	- 39734	- 37597	-.32041	.42370	6.51349
	GRADIENT	.00286	00265	.00278	-.00148	-.00093	00322	.00522	.00239	-.00203	-.00003

ORIGINAL PAGE IS
OF POOR QUALITY

LARC 8FT TPT 749 (1A93) OTSAT130

(RJJ042) (24 JUN 76)

REFERENCE DATA

PARAMETRIC DATA

SREF = 2690.0000 SQ.FT. XMRP = 976.0000 IN. XT
 LREF = 1290.3000 INCHES YMRP = .0000 IN. YT
 BREF = 1290.3000 INCHES ZMRP = 400.0000 IN. ZT
 SCALE = .0100

BETA = -6.000 ELV-LI = 8.000
 ELV-LO = 14.000 ELV-RI = 8.000
 ELV-RO = 14.000

RUN NO. 165/ 0 RN/L = 3.97 GRADIENT INTERVAL = -5.00/ 5.00

MACH	ALPHA	CPB1	CPB2	CPB3	CPB4.5	CPB6	CPB7	CPB8	CPCO	CAU	BETA
.900	-9.027	-.32143	-.30816	-.33086	-.44685	-.44313	-.42235	-.41305	-.30215	.36826	-6.51178
.900	-6.801	-.31614	-.29986	-.32413	-.43775	-.43393	-.40776	-.39724	-.29362	.36565	-6.54337
.899	-4.581	-.30406	-.27951	-.31177	-.44265	-.42182	-.39604	-.40052	-.27615	.36216	-6.54964
.899	-2.372	-.29856	-.26935	-.30426	-.44136	-.41005	-.38574	-.38675	-.26991	.36014	-6.55385
.900	-.150	-.29219	-.26359	-.29467	-.44156	-.40570	-.36677	-.36499	-.26425	.35665	-6.54885
.900	2.074	-.29378	-.25699	-.29536	-.44931	-.40906	-.35600	-.34930	-.26358	.35094	-6.54034
.900	4.296	-.29598	-.25405	-.29923	-.43550	-.39392	-.34789	-.34108	-.26410	.34469	-6.53208
	GRADIENT	.00094	.00285	00153	00029	.00256	00568	.00704	.00137	-.00199	00219

RUN NO. 160/ 0 RN/L = 4.08 GRADIENT INTERVAL = -5.00/ 5.00

MACH	ALPHA	CPB1	CPB2	CPB3	CPB4.5	CPB6	CPB7	CPB8	CPCO	CAU	BETA
.975	-9.237	-.37655	-.37983	-.38091	-.53613	-.51852	-.47553	-.47498	-.36977	.44812	-6.59080
.976	-6.951	-.36022	-.36901	-.36441	-.54540	-.52006	-.48580	-.44553	-.35689	.44729	-6.61435
.976	-4.679	-.34586	-.34899	-.34927	-.54664	-.50972	-.44004	-.43443	-.33861	.44181	-6.62184
.975	-2.437	-.33637	-.33653	-.33867	-.53628	-.49096	-.42939	-.42460	-.32727	.43769	-6.61152
.975	-.198	-.33143	-.32726	-.33199	-.53611	-.48668	-.42048	-.41797	-.32017	.43539	-6.60127
.975	2.046	-.32926	-.32530	-.33055	-.53664	-.48926	-.41432	-.40550	-.31862	.43115	-6.58590
.975	4.275	-.33486	-.33026	-.33541	-.55103	-.49370	-.41431	-.40332	-.32296	.42824	-6.57551
	GRADIENT	00130	.00218	00160	-.00041	.00151	.00297	00363	.00179	-.00150	00528

LARC BFT TPT 749 (1A93) OTSAT130

(RJ043) (24 JUN 76)

REFERENCE DATA

SREF = 2690.0000 SQ.FT. XMRP = 976 0000 IN. XT
 LREF = 1290.3000 INCHES YMRP = 0000 IN. YT
 BREF = 1290.3000 INCHES ZMRP = 400.0000 IN. ZT
 SCALE = .0100

PARAMETRIC DATA

BETA = -4.000 ELV-L1 = 8.000
 ELV-LO = 14.000 ELV-R1 = 8.000
 ELV-RO = 14.000

RUN NO. 164/ 0 RN/L = 3.97 GRADIENT INTERVAL = -5.00/ 5.00

MACH	ALPHA	CPB1	CPB2	CPB3	CPB4,5	CPB6	CPB7	CPB8	CPCO	CAU	BETA
.900	-8.973	-.31011	-.29755	-.32069	-.42679	-.42086	-.42567	-.42331	-.29152	.36938	-4.35820
900	-6.768	-.30559	-.28689	-.31260	-.41980	-.40673	-.40614	-.40815	-.28029	.36515	-4.37604
900	-4.556	-.29887	-.27268	-.30635	-.41951	-.39806	-.39511	-.39701	-.27055	.36143	-4.38300
.900	-2.357	-.29753	-.26599	-.30155	-.41657	-.38731	-.37360	-.37181	-.26486	.35681	-4.38423
.899	-.141	-.29432	-.26110	-.29545	-.42350	-.38662	-.35443	-.34862	-.25907	.35143	-4.37736
899	2.073	-.29472	-.25287	-.29283	-.43120	-.39184	-.34488	-.33538	-.25767	.34550	-4.36587
900	4.270	-.28935	-.25034	-.28692	-.42294	-.38138	-.33768	-.32953	-.25468	.34161	-4.36131
	GRADIENT	.00099	.00262	.00215	-.00099	.00130	.00650	.00776	.00176	-.00231	.00280

RUN NO. 159/ 0 RN/L = 4.08 GRADIENT INTERVAL = -5.00/ 5.00

MACH	ALPHA	CPB1	CPB2	CPB3	CPB4,5	CPB6	CPB7	CPB8	CPCO	CAU	BETA
.975	-9.193	-.36332	-.37087	-.36895	-.51988	-.50529	-.47783	-.48856	-.36040	.45215	-4.40592
.976	-6.910	-.34327	-.35779	-.34803	-.52745	-.50108	-.44980	-.45329	-.34576	.44795	-4.41664
976	-4.643	-.32390	-.34560	-.33285	-.52042	-.48899	-.43252	-.43364	-.33201	.44209	-4.41625
.975	-2.417	-.31150	-.33065	-.32173	-.51183	-.47068	-.42255	-.42212	-.31787	.43684	-4.40999
975	-.173	-.30838	-.31999	-.31408	-.52105	-.47245	-.41064	-.40452	-.30958	.43303	-4.40071
.975	2.048	-.30941	-.32402	-.31800	-.52517	-.47678	-.40597	-.39530	-.31268	.42868	-4.39110
.975	4.264	-.31201	-.32299	-.32297	-.53889	-.48302	-.40237	-.38879	-.31237	.42642	-4.38157
	GRADIENT	.00116	.00233	.00106	-.00226	.00026	.00345	.00523	.00200	-.00177	.00396

LARC 8FT TPT /49 (1A93) OTSAT130

(RJJ044) (24 JUN 76)

REFERENCE DATA

PARAMETRIC DATA

SREF = 2690.0000 SQ.FT. XMRP = 976.0000 IN. XT
 LREF = 1290.3000 INCHES YMRP = .0000 IN. YT
 BREF = 1290.3000 INCHES ZMRP = 400.0000 IN. ZT
 SCALE = .0100

BETA = .000 ELV-LI = 8.000
 ELV-LO = 14.000 ELV-RI = 8.000
 ELV-RO = 14.000

RUN NO. 163/ 0 RN/L = 3.97 GRADIENT INTERVAL = -5.00/ 5.00

MACH	ALPHA	CPB1	CPB2	CPB3	CPB4,5	CPB6	CPB7	CPB8	CPCO	CAU	BETA
.899	-8.980	-.29704	-.28987	-.31202	-.40061	-.37033	-.42779	-.42017	-.28339	.36503	-.02781
.900	-6.738	-.29464	-.28335	-.31152	-.38807	-.34655	-.40201	-.39754	-.27687	.35739	-.02137
.900	-4.529	-.29276	-.28169	-.30417	-.35973	-.32950	-.37545	-.37691	-.27464	.34897	-.01723
.900	-2.337	-.29267	-.28015	-.30653	-.34877	-.32258	-.34457	-.33586	-.27523	.34413	-.01262
.899	-.136	-.29017	-.27260	-.30093	-.35943	-.32862	-.33339	-.31852	-.26644	.34043	-.00048
.900	2.047	-.28645	-.27014	-.29677	-.37147	-.33742	-.32329	-.30238	-.26364	.33825	-.00101
.899	4.247	-.27925	-.26731	-.29072	-.38337	-.34302	-.32206	-.31032	-.25968	.33339	-.00369
	GRADIENT	.00152	00177	00167	-.00319	-.00191	.00584	00760	00189	-.00169	.00176

RUN NO. 158/ 0 RN/L = 4.08 GRADIENT INTERVAL = -5.00/ 5.00

MACH	ALPHA	CPB1	CPB2	CPB3	CPB4,5	CPB6	CPB7	CPB8	CPCO	CAU	BETA
.976	-9.135	-.33727	-.34983	-.35455	-.50767	-.47077	-.47049	-.46632	-.34070	.44887	-.04383
.975	-6.880	-.32352	-.33923	-.33713	-.49123	-.45175	-.44595	-.44334	-.33112	.44304	-.03869
.975	-4.623	-.31500	-.33830	-.32999	-.47638	-.43442	-.42340	-.42286	-.32645	.43512	-.03029
.975	-2.397	-.30642	-.34618	-.32908	-.46105	-.41807	-.40766	-.40806	-.32699	.43050	-.01746
.975	-.202	-.30806	-.34908	-.33083	-.45551	-.41407	-.39908	-.39897	-.33133	.42610	-.00981
.975	2.025	-.31152	-.34939	-.33447	-.46856	-.41660	-.39169	-.39013	-.33549	.42167	-.00700
.975	4.243	-.31050	-.34343	-.33326	-.48276	-.42724	-.38202	-.37342	-.33138	.41543	-.01291
	GRADIENT	.00018	-.00061	-.00054	-.00092	00071	.00446	.00527	-.00083	-.00218	.00204

LARC 8FT TPT /49 (1A93) OTSAT130

(RJJO45) (24 JUN 76)

REFERENCE DATA

SREF = 2690.0000 SQ.FT. XMRP = 976.0000 IN. XT
 LREF = 1290.3000 INCHES YMRP = .0000 IN. YT
 BREF = 1290.3000 INCHES ZMRP = 400.0000 IN. ZT
 SCALE = .0100

PARAMETRIC DATA

BETA = 4.000 ELV-LI = 8.000
 ELV-LO = 14.000 ELV-RI = 8.000
 ELV-RO = 14.000

RUN NO. 166/ 0 RN/L = 3.97 GRADIENT INTERVAL = -5.00/ 5.00

MACH	ALPHA	CPB1	CPB2	CPB3	CPB4,5	CPB6	CPB7	CPB8	CPCO	CAU	BETA
.900	-8 998	- 31456	- 28744	-.34021	- 39133	- 31995	-.41928	-.41289	-.28006	.36771	4.27563
.900	-6 763	-.30444	-.28283	- 32297	- 37675	- 31411	-.40066	- 39428	-.27533	.36195	4.30761
.900	-4 554	-.29139	-.27283	- 30772	-.36026	- 30646	- 38392	- 38213	- 26265	.35752	4.31689
.899	-2 367	-.29629	- 27379	- 30837	- 34975	- 30140	-.36010	- 35541	- 26539	.35313	4.33866
.899	- .157	-.29283	-.26642	- 30402	-.34115	- 29214	-.34679	-.33662	- 25857	.34929	4.34136
.899	2 039	-.28939	- 25986	- 30015	- 34266	-.29062	- 33318	-.31237	- 25324	.34351	4.34043
.900	4 258	-.28406	- 25982	- 29415	-.35628	- 30104	-.33295	-.32000	-.25365	.34165	4.33194
	GRADIENT	.00098	00181	.00161	.00068	.00098	.00585	00759	.00137	-.00188	00144

RUN NO. 161/ 0 RN/L = 4 08 GRADIENT INTERVAL = -5.00/ 5.00

MACH	ALPHA	CPB1	CPB2	CPB3	CPB4,5	CPB6	CPB7	CPB8	CPCO	CAU	BETA
.975	-9.180	- 36258	- 35626	- 37555	-.46943	-.42078	-.46286	-.45714	- 34723	.44860	4.30706
.976	-6 918	-.34156	-.34336	- 36049	-.45766	- 41182	-.44094	-.43916	- 33308	.44339	4.33059
.976	-4 662	-.32103	- 33354	- 34902	- 44101	- 39414	- 42179	-.42042	- 32221	.43791	4.34611
.976	-2 420	-.30499	-.32394	- 33437	-.42324	-.37277	-.41032	-.41103	-.31137	.43245	4.35694
.975	- .199	-.29597	- 32179	-.32560	-.41245	-.35731	-.40624	-.40375	- 30972	.43014	4.36505
.975	2.025	-.29678	-.32103	- 32360	-.42048	-.36720	-.39502	- 37834	-.30959	.42247	4.36152
.975	4 261	-.29898	-.32179	- 32612	-.44082	-.39206	-.38968	-.36658	-.31107	.41934	4.35060
	GRADIENT	.00235	.00119	00254	00014	.00044	.00357	.00630	00108	-.00211	.00061

LARC BFT TPT 749 (1A93) OTSAT130

(RJ046) (24 JUN 76)

REFERENCE DATA

PARAMETRIC DATA

SREF = 2690.0000 SQ.FT. XMRP = 976.0000 IN. XT
 LREF = 1290.3000 INCHES YMRP = .0000 IN. YT
 BREF = 1290.3000 INCHES ZMRP = 400.0000 IN. ZT
 SCALE = .0100

BETA = 6.000 ELV-LI = 8.000
 ELV-LO = 14.000 ELV-R1 = 8.000
 ELV-RO = 14.000

RUN NO. 167/ 0 RN/L = 3.97 GRADIENT INTERVAL = -5.00/ 5.00

MACH	ALPHA	CPB1	CPB2	CPB3	CPB4.5	CPB6	CPB7	CPB8	CPCO	CAU	BETA
.900	-9.039	- 32053	- 30068	- 34157	- 35499	- 29005	- 42439	- 41443	- 29387	36731	6.41387
.899	-6.806	- 31073	- 29401	- 32813	- 34547	- 28997	- 40552	- 40540	- 28664	.36267	6.45330
.900	-4.587	- 29933	- 20443	- 31620	- 33543	- 28823	- 39322	- 39803	- 27347	.35938	6.47810
.900	-2.369	- 29809	- 28131	- 31216	- 32780	- 28108	- 37815	- 37872	- 27170	.35703	6.49908
.900	- 145	- 29508	- 27327	- 30760	- 32056	- 27014	- 35940	- 35091	- 26543	.35351	6.50956
.900	2.057	- 29741	- 26910	- 30859	- 33061	- 27715	- 34787	- 33155	- 26328	.34809	6.49869
.900	4.286	- 29147	- 26408	- 30322	- 34379	- 28453	- 34506	- 33367	- 25826	.34389	6.48606
	GRADIENT	00074	.00239	00133	- .00088	00051	00571	.00793	.00175	- .00180	00070

RUN NO 162/ 0 RN/L = 4 08 GRADIENT INTERVAL = -5.00/ 5.00

MACH	ALPHA	CPB1	CPB2	CPB3	CPB4.5	CPB6	CPB7	CPB8	CPCO	CAU	BETA
.975	-9.236	- 38574	- 38454	- 38727	- 41920	- 36127	- 46810	- 45823	- 37108	44652	6.47917
.976	-6.950	- 36729	- 36986	- 37394	- 40966	- 35747	- 44692	- 43893	- 35846	.44389	6.51075
.976	-4.694	- 33827	- 35642	- 35742	- 40246	- 35282	- 43031	- 42512	- 34387	.43879	6.53244
.976	-2.448	- 31823	- 34522	- 34167	- 39457	- 34287	- 41941	- 41567	- 33328	43401	6.54747
.975	- .202	- 30349	- 33487	- 32854	- 39301	- 33408	- 41309	- 40956	- 32282	42941	6.55111
.975	2.031	- 30080	- 32887	- 32451	- 40203	- 34494	- 40245	- 38753	- 31847	42436	6.54696
.975	4.277	- 30686	- 33017	- 32952	- 42001	- 36506	- 39827	- 37900	- 31977	.41984	6.52550
	GRADIENT	.00358	.00307	00325	- 00190	- 00118	00361	.00537	.00281	- 00212	- .00064

LARC 8FT TPT /49 (1A93) OTSAT130

(RJ047) (24 JUN 76)

REFERENCE DATA

SREF = 2690.0000 SQ.FT. XMRP = 976 0000 IN. XT
 LREF = 1290.3000 INCHES YMRP = .0000 IN. YT
 BREF = 1290.3000 INCHES ZMRP = 400 0000 IN. ZT
 SCALE = .0100

PARAMETRIC DATA

BETA = -6.000 ELV-L1 = 8.000
 ELV-LO = 4.000 ELV-R1 = 8.000
 ELV-RO = 4.000

RUN NO. 185/ 0 RN/L = 3.98 GRADIENT INTERVAL = -5.00/ 5.00

MACH	ALPHA	CPB1	CPB2	CPB3	CPB4,5	CPB6	CPB7	CPB8	CPC0	CAU	BETA
.900	-9 051	- 32568	- 30517	- 33720	- 43635	- 43321	- 42273	- 41512	- 30095	.36029	-6.51665
.900	-6.830	- 31928	- 29955	- 32792	- 42623	- 42354	- 40700	- 39917	- 29342	.35840	-6.55128
.900	-4 587	- 30831	- 28459	- 31486	- 43066	- 41112	- 39457	- 39758	- 27890	.35542	-6.56467
.900	-2 389	- 30405	- 27521	- 30738	- 43166	- 40040	- 38618	- 38796	- 27375	.35280	-6.57275
.901	- 180	- 29853	- 26961	- 29998	- 43408	- 39649	- 36966	- 36754	- 26905	.34892	-6.57164
.900	2 022	- 29864	- 26054	- 30098	- 43574	- 39422	- 35987	- 35429	- 26690	.34375	-6.56487
.901	4.256	- 29854	- 25646	- 30445	- 42885	- 38826	- 35135	- 34533	- 26661	.33806	-6.55934
	GRADIENT	.00113	.00321	.00123	.00002	.00235	.00510	.00625	.00142	-.00198	.00084

RUN NO. 180/ 0 RN/L = 4.09 GRADIENT INTERVAL = -5.00/ 5.00

MACH	ALPHA	CPB1	CPB2	CPB3	CPB4,5	CPB6	CPB7	CPB8	CPC0	CAU	BETA
.975	-9 260	- 37703	- 37844	- 38304	- 52620	- 51253	- 47936	- 48347	- 36818	.43821	-6.58817
.976	-6.969	- 36057	- 36709	- 36373	- 53552	- 51307	- 45373	- 44976	- 35516	.43627	-6.61199
.975	-4 708	- 35005	- 35142	- 35179	- 53575	- 50274	- 44025	- 43588	- 34020	.43278	-6.62412
.975	-2.442	- 34231	- 34008	- 34160	- 52543	- 48382	- 43096	- 42803	- 32948	.42914	-6.61799
.974	- 202	- 33670	- 33053	- 33361	- 52469	- 47489	- 42287	- 42088	- 32188	.42614	-6.59812
.975	2.013	- 33727	- 33277	- 33481	- 52622	- 47771	- 41818	- 40987	- 32403	.42403	-6.58582
.975	4 252	- 34716	- 33705	- 34343	- 53942	- 48274	- 42108	- 40988	- 32904	.42125	-6.58111
	GRADIENT	.00049	.00162	.00106	-.00031	.00207	.00229	.00314	.00125	-.00126	.00528

RUN NO. 175/ 0 RN/L = 4.21 GRADIENT INTERVAL = -5.00/ 5.00

MACH	ALPHA	CPB1	CPB2	CPB3	CPB4,5	CPB6	CPB7	CPB8	CPC0	CAU	BETA
1.150	-7.152	- 35217	- 33815	- 38978	- 55435	- 50573	- 42039	- 42771	- 33137	.49986	-6.66518
1.150	-4 819	- 34773	- 33494	- 38600	- 54838	- 50132	- 41274	- 41528	- 32905	.49746	-6.67019
1.150	-2 534	- 34306	- 32964	- 37114	- 53527	- 48206	- 40320	- 40814	- 32660	.49717	-6.66554
1.150	-.254	- 33572	- 32453	- 35628	- 52805	- 47000	- 39106	- 40033	- 32121	.49411	-6.65204
1.150	2.011	- 33200	- 32422	- 34881	- 51834	- 46422	- 38175	- 38872	- 31850	.49048	-6.64730
	GRADIENT	.00240	.00164	.00555	.00428	.00542	.00462	.00384	.00163	-.00105	.00361

ORIGINAL PAGE IS
OF POOR QUALITY

LARC 8FT TPT 749 (1A93) OTSAT130

(RJJ047) (24 JUN 76)

REFERENCE DATA

PARAMETRIC DATA

SREF = 2690.0000 SQ.FT. XMRP = 976.0000 IN. XT
 LREF = 1290.3000 INCHES YMRP = .0000 IN. YT
 BREF = 1290.3000 INCHES ZMRP = 400.0000 IN. ZT
 SCALE = .0100

BETA = -6.000 ELV-LI = 8.000
 ELV-LO = 4.000 ELV-RI = 8.000
 ELV-RO = 4.000

RUN NO. 170/ 0 RN/L = 4.22 GRADIENT INTERVAL = -5.00/ 5.00

MACH	ALPHA	CPB1	CPB2	CPB3	CPB4,5	CPB6	CPB7	CPB8	CPCO	CAU	BETA
1.205	-9.557	-.35697	-.34229	-.39551	-.55278	-.50202	-.42400	-.43350	-.33339	.50953	-6.65974
1.205	-7.177	-.34735	-.33313	-.38816	-.54275	-.48768	-.41332	-.42282	-.32513	.50635	-6.66348
1.205	-4.829	-.34153	-.32778	-.38327	-.53264	-.47874	-.39978	-.40415	-.32274	.50491	-6.67922
1.205	-2.530	-.33702	-.32400	-.37355	-.52496	-.46595	-.38950	-.39469	-.31986	.50417	-6.66928
1.205	-.259	-.33034	-.31824	-.35952	-.52027	-.45705	-.37698	-.38604	-.31490	.50228	-6.65782
1.205	2.014	-.32683	-.31869	-.35109	-.51179	-.45287	-.36593	-.37275	-.31319	.49897	-6.64671
1.205	4.289	-.32607	-.32063	-.34988	-.49905	-.44113	-.35338	-.35525	-.31397	.48984	-6.63830
	GRADIENT	.00180	.00086	.00392	.00353	.00388	.00511	.00526	00106	-.00155	.00458

LARC 8FT TPT 749 (1A93) OTSAT130

(RJJ048) (24 JUN 76)

REFERENCE DATA

PARAMETRIC DATA

SREF = 2690.0000 SQ.FT. XMRP = 976.0000 IN. XT
 LREF = 1290.3000 INCHES YMRP = .0000 IN. YT
 BREF = 1290.3000 INCHES ZMRP = 400.0000 IN. ZT
 SCALE = .0100

BETA = -4.000 ELV-LI = 8.000
 ELV-LO = 4.000 ELV-RI = 8.000
 ELV-RO = 4.000

RUN NO. 184/ 0 RN/L = 3.97 GRADIENT INTERVAL = -5.00/ 5.00

MACH	ALPHA	CPB1	CPB2	CPB3	CPB4,5	CPB6	CPB7	CPB8	CPCO	CAU	BETA
.900	-9.011	-.31633	-.29528	-.33000	-.41431	-.40940	-.42939	-.42769	-.29004	.36113	-4.34179
.900	-6.772	-.31020	-.28838	-.31920	-.40987	-.39939	-.40740	-.40896	-.28135	.35775	-4.36410
.900	-4.558	-.30494	-.27614	-.31105	-.40738	-.38775	-.39318	-.39552	-.27164	.35391	-4.36634
.900	-2.377	-.30142	-.26847	-.30531	-.40397	-.37520	-.37346	-.37189	-.26668	.34931	-4.37039
.901	-.178	-.29692	-.26130	-.29792	-.41185	-.37439	-.35421	-.34774	-.26029	.34350	-4.35943
.901	2.015	-.29542	-.25222	-.29620	-.41692	-.37477	-.34790	-.33909	-.25768	.33804	-4.35680
.900	4.235	-.29188	-.25180	-.29335	-.41458	-.37130	-.34138	-.33357	-.25446	.33325	-4.35122
	GRADIENT	.00146	.00298	.00202	-.00124	.00151	.00587	.00712	.00197	-.00239	.00200

LARC 8FT TPT 749 (IA93) OTSAT130

(RJ048) (24 JUN 76)

REFERENCE DATA

SREF = 2690.0000 SQ.FT XMRP = 976 0000 IN. XT
 LREF = 1290.3000 INCHES YMRP = 0000 IN. YT
 BREF = 1290.3000 INCHES ZMRP = 400.0000 IN. ZT
 SCALE = .0100

PARAMETRIC DATA

BETA = -4.000 ELV-LI = 8.000
 ELV-LO = 4.000 ELV-RI = 8.000
 ELV-RO = 4.000

RUN NO. 179/ 0 RN/L = 4.08 GRADIENT INTERVAL = -5.00/ 5.00

MACH	ALPHA	CPB1	CPB2	CPB3	CPB4.5	CPB6	CPB7	CPB8	CPC0	CAU	BETA
.975	-9.209	-.36520	-.36881	-.37073	-.50671	-.49740	-.48058	-.49422	-.35844	.44172	-4.38505
.976	-6.939	-.34648	-.35603	-.34906	-.51443	-.49231	-.44826	-.45496	-.34410	.43736	-4.39573
.975	-4.673	-.33120	-.34596	-.33528	-.50707	-.48112	-.43353	-.43796	-.33278	.43289	-4.39783
.975	-2.439	-.31883	-.33455	-.32480	-.50007	-.46109	-.42557	-.42875	-.32146	.42836	-4.38839
.975	-.220	-.31711	-.32477	-.31885	-.50747	-.46031	-.41536	-.41088	-.31332	.42454	-4.37541
.975	2.012	-.31985	-.33133	-.32386	-.51392	-.46459	-.40784	-.40005	-.31948	.42025	-4.36521
.975	4.256	-.32280	-.33055	-.32835	-.52347	-.46945	-.40605	-.39308	-.31880	.41720	-4.35817
	GRADIENT	.00071	.00152	.00065	-.00209	.00089	.00326	.00531	.00134	-.00177	.00459

RUN NO. 174/ 0 RN/L = 4.21 GRADIENT INTERVAL = -5.00/ 5.00

MACH	ALPHA	CPB1	CPB2	CPB3	CPB4.5	CPB6	CPB7	CPB8	CPC0	CAU	BETA
1.150	-7.103	-.34874	-.33476	-.37340	-.53886	-.49329	-.41125	-.41987	-.32446	.49824	-4.44824
1.150	-4.810	-.34272	-.32922	-.36189	-.53205	-.48556	-.39991	-.40586	-.32231	.49536	-4.45428
1.150	-2.514	-.33765	-.32507	-.35187	-.52055	-.46847	-.39245	-.39831	-.32194	.49436	-4.43759
1.150	-.234	-.32997	-.32008	-.34366	-.51901	-.46462	-.38655	-.38984	-.31537	.49086	-4.43119
1.150	2.016	-.31946	-.31575	-.33005	-.51144	-.45908	-.37503	-.37537	-.30782	.48613	-4.43298
	GRADIENT	.00340	.00199	.00456	.00279	.00366	.00354	.00439	.00220	-.00137	.00310

RUN NO. 169/ 0 RN/L = 4.22 GRADIENT INTERVAL = -5.00/ 5.00

MACH	ALPHA	CPB1	CPB2	CPB3	CPB4.5	CPB6	CPB7	CPB8	CPC0	CAU	BETA
1.205	-9.488	-.35022	-.33411	-.37962	-.54500	-.49900	-.40809	-.41553	-.32331	.51028	-4.43213
1.205	-7.128	-.34143	-.32588	-.37202	-.52328	-.47360	-.39823	-.40756	-.31823	.50526	-4.44522
1.205	-4.784	-.33640	-.32035	-.36494	-.51330	-.46373	-.38673	-.39399	-.31663	.50194	-4.44015
1.205	-2.517	-.33024	-.31571	-.35385	-.50512	-.45100	-.37661	-.38117	-.31301	.50125	-4.43461
1.205	-.253	-.32296	-.31177	-.34310	-.50713	-.44875	-.36927	-.37204	-.30771	.49833	-4.41904
1.205	2.012	-.31412	-.30960	-.32897	-.50052	-.44458	-.35872	-.35879	-.30239	.49419	-4.41760
1.204	4.268	-.31043	-.30925	-.32656	-.48827	-.43250	-.34758	-.34315	-.30041	.48674	-4.41387
	GRADIENT	.00301	.00122	.00449	.00246	.00304	.00425	.00548	.00190	-.00165	.00307

LARC 8FT TPT 749 (1A93) OTSAT130

(RJJO49) (24 JUN 76)

REFERENCE DATA

PARAMETRIC DATA

SREF = 2690.0000 SQ.FT. XMRP = 976.0000 IN. XT
 LREF = 1290.3000 INCHES YMRP = .0000 IN. YT
 BREF = 1290.3000 INCHES ZMRP = 400.0000 IN. ZT
 SCALE = .0100

BETA = .000 ELV-LI = 8.000
 ELV-LO = 4.000 ELV-RI = 8.000
 ELV-RO = 4.000

RUN NO. 183/ 0 RN/L = 3.97 GRADIENT INTERVAL = -5.00/ 5.00

MACH	ALPHA	CPB1	CPB2	CPB3	CPB4.5	CPB6	CPB7	CPB8	CPCO	CAU	BETA
.900	-8.972	-.30704	-.29103	-.32620	-.38203	-.35495	-.42904	-.42232	-.28557	.35484	-.01346
.900	-6.745	-.30287	-.28341	-.32539	-.36983	-.33282	-.40330	-.39905	-.27884	.34781	-.00091
.900	-4.547	-.29956	-.28213	-.31495	-.34564	-.32027	-.37887	-.38144	-.27722	.34059	.00119
.900	-2.367	-.29786	-.27986	-.31505	-.33594	-.31558	-.34827	-.33845	-.27472	.33479	.00628
.900	-.163	-.29257	-.26910	-.30553	-.34595	-.32134	-.33649	-.31974	-.26452	.33133	.01860
.900	2.013	-.28833	-.26655	-.30076	-.35661	-.32864	-.32659	-.30458	-.26117	.32678	.02216
.900	4.213	-.27839	-.26580	-.29106	-.36600	-.33244	-.32615	-.31365	-.25998	.32535	.02225
	GRADIENT	.00237	.00210	.00284	-.00280	-.00171	.00580	.00773	.00219	-.00176	.00265

RUN NO. 178/ 0 RN/L = 4.08 GRADIENT INTERVAL = -5.00/ 5.00

MACH	ALPHA	CPB1	CPB2	CPB3	CPB4.5	CPB6	CPB7	CPB8	CPCO	CAU	BETA
.975	-9.168	-.34252	-.34877	-.35473	-.49573	-.45841	-.47033	-.46656	-.34035	.43830	-.03204
.976	-6.910	-.33346	-.34200	-.34321	-.48545	-.44599	-.45116	-.44833	-.33317	.43349	-.02551
.975	-4.638	-.32507	-.33996	-.33475	-.46552	-.42522	-.42818	-.42867	-.32977	.42540	-.01288
.975	-2.410	-.31847	-.34703	-.33386	-.44545	-.40538	-.41286	-.41502	-.33157	.42084	.00373
.975	-.224	-.31750	-.35093	-.33569	-.43821	-.39968	-.40333	-.40507	-.33516	.41700	.01487
.975	2.008	-.32258	-.35321	-.34096	-.45125	-.40123	-.39586	-.39781	-.34044	.41266	.01348
.975	4.211	-.32531	-.34827	-.34182	-.47072	-.41532	-.38666	-.38427	-.33798	.40823	.00617
	GRADIENT	-.00021	-.00103	-.00096	-.00073	.00108	.00452	.00479	-.00114	-.00192	.00216

RUN NO. 173/ 0 RN/L = 4.21 GRADIENT INTERVAL = -5.00/ 5.00

MACH	ALPHA	CPB1	CPB2	CPB3	CPB4.5	CPB6	CPB7	CPB8	CPCO	CAU	BETA
1.150	-7.067	-.34902	-.34311	-.35355	-.51655	-.46860	-.41265	-.40958	-.33090	.49388	-.04378
1.150	-4.774	-.34057	-.33783	-.34632	-.50601	-.45705	-.40072	-.39645	-.32578	.48988	-.03862
1.150	-2.494	-.33209	-.33259	-.33851	-.49650	-.44287	-.38965	-.38549	-.32035	.48864	-.02806
1.150	-.253	-.31768	-.33173	-.33342	-.48729	-.42650	-.37831	-.37000	-.31802	.48569	-.01821
1.150	1.994	-.30418	-.32508	-.32356	-.48452	-.42234	-.36217	-.34871	-.30915	.47847	-.01658
	GRADIENT	.00548	.00174	.00325	.00327	.00535	.00563	.00704	.00232	-.00165	.00337

DATE 29 OCT 76

TABULATED SOURCE DATA - IA93.

PAGE 69

LARC 8FT TPT /49 (IA93) OTSAT130

(RJJ049) (24 JUN 76)

REFERENCE DATA

PARAMETRIC DATA

SREF = 2690.0000 SQ.FT. XMRP = 976.0000 IN. XT
 LREF = 1290.3000 INCHES YMRP = .0000 IN. YT
 BREF = 1290.3000 INCHES ZMRP = 400.0000 IN. ZT
 SCALE = .0100

BETA = .000 ELV-LI = 8.000
 ELV-LO = 4.000 ELV-RI = 8.000
 ELV-RO = 4.000

RUN NO. 168/ 0 RN/L = 4.22 GRADIENT INTERVAL = -5.00/ 5.00

MACH	ALPHA	CPB1	CPB2	CPB3	CPB4,5	CPB6	CPB7	CPB8	CPCO	CAU	BETA
1.205	-9.424	-.35501	-.33655	-.36336	-.50843	-.46649	-.40856	-.40582	-.32548	.50399	-.02902
1.205	-7.086	-.34078	-.33018	-.34729	-.49046	-.44629	-.39651	-.39450	-.31920	.49919	-.02941
1.205	-4.779	-.33231	-.32604	-.33948	-.48107	-.43339	-.38267	-.38013	-.31542	.49605	-.01925
1.205	-2.498	-.32447	-.32217	-.33292	-.47243	-.41846	-.36935	-.36545	-.31046	.49436	-.00370
1.205	-.246	-.31441	-.31889	-.32675	-.46397	-.40661	-.35965	-.35126	-.30709	.49145	.00674
1.205	2.006	-.30228	-.31541	-.32031	-.46451	-.40366	-.34735	-.33338	-.30191	.48519	.00762
1.205	4.240	-.29219	-.30850	-.30900	-.46410	-.40476	-.33116	-.31855	-.29472	.47777	.00573
	GRADIENT	.00454	.00186	.00326	.00186	.00320	.00555	.00689	.00222	-.00203	.00272

LARC 8FT TPT /49 (IA93) OTSAT130

(RJJ050) (24 JUN 76)

REFERENCE DATA

PARAMETRIC DATA

SREF = 2690.0000 SQ.FT. XMRP = 976.0000 IN. XT
 LREF = 1290.3000 INCHES YMRP = .0000 IN. YT
 BREF = 1290.3000 INCHES ZMRP = 400.0000 IN. ZT
 SCALE = .0100

BETA = 4.000 ELV-LI = 8.000
 ELV-LO = 4.000 ELV-RI = 8.000
 ELV-RO = 4.000

RUN NO. 186/ 0 RN/L = 3.97 GRADIENT INTERVAL = -5.00/ 5.00

MACH	ALPHA	CPB1	CPB2	CPB3	CPB4,5	CPB6	CPB7	CPB8	CPCO	CAU	BETA
.900	-9.011	-.32045	-.28633	-.34917	-.37956	-.31466	-.41897	-.41058	-.28019	.35939	4.28417
.900	-6.775	-.31174	-.28409	-.33359	-.36656	-.30910	-.40331	-.39558	-.27650	.35444	4.31439
.900	-4.586	-.29897	-.27704	-.31726	-.34718	-.29993	-.38523	-.38310	-.26310	.34976	4.32728
.900	-2.382	-.30103	-.27951	-.31531	-.34223	-.29954	-.36609	-.36006	-.26100	.34472	4.34663
.900	-.185	-.29628	-.26410	-.30845	-.33413	-.29123	-.35083	-.33977	-.25515	.34047	4.35556
.900	2.034	-.28973	-.25689	-.30102	-.33596	-.28771	-.33812	-.31657	-.24883	.33444	4.35144
.900	4.225	-.28671	-.25747	-.29678	-.34912	-.29418	-.33777	-.32326	-.24986	.33282	4.34054
	GRADIENT	.00163	.00203	.00251	.00011	.00106	.00558	.00741	.00175	-.00200	.00142

LARC 8FT TPT 749 (1A93) OTSAT130

(RJJ050) (24 JUN 76)

REFERENCE DATA

PARAMETRIC DATA

SREF = 2690.0000 SQ.FT. XMRP = 976.0000 IN. XT
 LREF = 1290.3000 INCHES YMRP = 0000 IN YT
 BREF = 1290.3000 INCHES ZMRP = 400.0000 IN. ZT
 SCALE = .0100

BETA = 4.000 ELV-LI = 8.000
 ELV-LO = 4.000 ELV-RI = 8.000
 ELV-RO = 4.000

RUN NO. 181/ 0 RN/L = 4.08 GRADIENT INTERVAL = -5.00/ 5.00

MACH	ALPHA	CPB1	CPB2	CPB3	CPB4,5	CPB6	CPB7	CPB8	CPCO	CAU	BETA
.975	-9.205	-.36416	-.35338	-.37331	-.45795	-.40834	-.46329	-.45766	-.34434	.43782	4.31833
.976	-6.951	-.34444	-.34127	-.35696	-.44713	-.40210	-.44003	-.43886	-.33202	.43313	4.33592
.975	-4.682	-.32836	-.33174	-.34671	-.43048	-.38515	-.42098	-.42065	-.32113	.42792	4.35003
.975	-2.437	-.31494	-.32208	-.33499	-.41605	-.36659	-.41192	-.41366	-.31095	.42288	4.36572
.975	-.222	-.30805	-.32039	-.33082	-.40580	-.35240	-.40964	-.40900	-.30914	.42176	4.36967
.975	2.007	-.30928	-.32068	-.32905	-.41270	-.35528	-.39687	-.38277	-.30924	.41448	4.37001
.975	4.233	-.31373	-.32284	-.33400	-.43175	-.37679	-.39293	-.37168	-.31161	.41058	4.35858
	GRADIENT	00157	00086	.00141	00004	00126	.00319	.00578	.00093	-.00193	.00096

RUN NO. 176/ 0 RN/L = 4.21 GRADIENT INTERVAL = -5.00/ 5.00

MACH	ALPHA	CPB1	CPB2	CPB3	CPB4,5	CPB6	CPB7	CPB8	CPCO	CAU	BETA
1.150	-7.115	-.36642	-.35580	-.36795	-.47290	-.42352	-.41215	-.40650	-.34579	.49971	4.36271
1.150	-4.804	-.35873	-.35006	-.36047	-.45931	-.40904	-.39931	-.39210	-.33691	.49588	4.38584
1.150	-2.529	-.34966	-.34414	-.35254	-.44697	-.39155	-.38879	-.38269	-.32933	.49169	4.39626
1.150	-.251	-.34027	-.33808	-.34473	-.43340	-.37429	-.37951	-.37304	-.32298	.48747	4.40921
1.150	2.002	-.32717	-.32778	-.33728	-.43125	-.37520	-.36652	-.35554	-.31194	.48009	4.40833
	GRADIENT	.00458	00321	00341	00431	.00524	00474	.00526	.00358	-.00227	.00355

RUN NO. 171/ 0 RN/L = 4.21 GRADIENT INTERVAL = -5.00/ 5.00

MACH	ALPHA	CPB1	CPB2	CPB3	CPB4,5	CPB6	CPB7	CPB8	CPCO	CAU	BETA
1.205	-9.486	-.37399	-.35567	-.37572	-.46959	-.41997	-.41400	-.40496	-.34561	.50887	4.35584
1.205	-7.129	-.36558	-.34944	-.36833	-.45671	-.41060	-.40083	-.39342	-.33973	.50517	4.37448
1.205	-4.816	-.35511	-.34719	-.35789	-.44268	-.39622	-.38894	-.37974	-.33108	.50090	4.39389
1.205	-2.528	-.34354	-.33671	-.34608	-.42860	-.37569	-.37513	-.36638	-.32277	.49706	4.40884
1.205	-.231	-.33293	-.32999	-.33659	-.41451	-.35685	-.36571	-.35777	-.31506	.49305	4.41843
1.205	2.004	-.32186	-.32128	-.32654	-.41219	-.35426	-.35106	-.34150	-.30571	.48641	4.42084
1.205	4.261	-.30800	-.31348	-.31793	-.42726	-.37335	-.33921	-.32830	-.29916	.47909	4.41127
	GRADIENT	.00511	00332	00438	.00209	.00298	00544	.00563	.00357	-.00239	.00207

DATE 29 OCT 76

TABULATED SOURCE DATA - 1A93.

PAGE 71

LARC 8FT TPT 749 (1A93) OTSAT130

(RJ051) (24 JUN 76)

REFERENCE DATA

SREF = 2690.0000 SQ.FT XMRP = 976.0000 IN. XT
 LREF = 1290.3000 INCHES YMRP = 0000 IN. YT
 BREF = 1290.3000 INCHES ZMRP = 400.0000 IN. ZT
 SCALE = .0100

PARAMETRIC DATA

BETA = 6.000 ELV-LI = 8.000
 ELV-LO = 4.000 ELV-RI = 8.000
 ELV-RO = 4.000

RUN NO. 187/ 0 RN/L = 3.97 GRADIENT INTERVAL = -5.00/ 5 00

MACH	ALPHA	CPB1	CPB2	CPB3	CPB4.5	CPB6	CPB7	CPB8	CPCO	CAU	BETA
.900	-9 027	-.32652	-.29639	-.34920	-.34743	-.29001	-.42797	-.41835	-.29082	.35844	6.42960
.900	-6 829	-.31661	-.29141	-.33430	-.33733	-.28950	-.40737	-.40545	-.28416	.35535	6.46894
.900	-4.603	-.30719	-.28304	-.32412	-.32714	-.28783	-.39465	-.39822	-.27143	.35223	6.49873
.900	-2.397	-.30530	-.27935	-.31766	-.32190	-.28326	-.38117	-.38162	-.26863	.34889	6.52791
.900	-.188	-.30077	-.27370	-.31315	-.31773	-.27370	-.36483	-.35578	-.26453	.34432	6.53122
.900	2 026	-.29938	-.26833	-.31108	-.32681	-.27871	-.35209	-.33579	-.26185	.34042	6.53644
.899	4 235	-.29653	-.26478	-.30725	-.33999	-.28254	-.35200	-.33971	-.25739	.33567	6.52096
	GRADIENT	.00123	.00215	.00182	-.00139	.00068	.00518	.00737	.00158	-.00188	.00240

RUN NO. 182/ 0 RN/L = 4 08 GRADIENT INTERVAL = -5 00/ 5 00

MACH	ALPHA	CPB1	CPB2	CPB3	CPB4.5	CPB6	CPB7	CPB8	CPCO	CAU	BETA
.975	-9 273	-.38342	-.38057	-.38485	-.40789	-.35264	-.46789	-.45894	-.36731	.43589	6.51066
976	-6.968	-.36864	-.36820	-.37260	-.40142	-.35115	-.44783	-.44024	-.35670	.43375	6.55017
975	-4.715	-.34548	-.35441	-.35778	-.39425	-.34678	-.42864	-.42489	-.34331	.42923	6.57051
.975	-2 466	-.32741	-.34415	-.34484	-.38690	-.33684	-.42015	-.41754	-.33314	.42481	6.58922
.975	- 223	-.31289	-.33514	-.33139	-.38534	-.32877	-.41589	-.41442	-.32319	.42218	6.59960
975	2 002	-.30913	-.32974	-.32651	-.39443	-.33526	-.40665	-.39452	-.31913	.41687	6.59472
975	4 250	-.31983	-.33245	-.33470	-.41288	-.35524	-.40264	-.38408	-.32226	.41199	6.57482
	GRADIENT	.00311	.00260	.00288	-.00200	-.00068	.00292	.00467	.00251	-.00189	.00063

RUN NO. 177/ 0 RN/L = 4.21 GRADIENT INTERVAL = -5.00/ 5 00

MACH	ALPHA	CPB1	CPB2	CPB3	CPB4.5	CPB6	CPB7	CPB8	CPCO	CAU	BETA
1.150	-7 141	-.38310	-.37952	-.38145	-.43049	-.38444	-.42348	-.41534	-.36750	.50025	6.55994
1.150	-4.832	-.37523	-.37204	-.37287	-.42510	-.37660	-.40962	-.40102	-.35836	.49743	6.59113
1.150	-2 546	-.36006	-.35746	-.35940	-.41936	-.36791	-.39770	-.38966	-.34404	.49290	6.60683
1.150	- 264	-.34810	-.34709	-.34877	-.40963	-.34661	-.38833	-.38140	-.33339	.48757	6.61789
1.150	2 006	-.33283	-.33636	-.33722	-.42060	-.36465	-.37381	-.36404	-.32219	.48138	6.61642
	GRADIENT	.00610	.00515	.00516	.00102	.00251	.00512	.00523	.00523	-.00235	.00382

LARC 8FT TPT 749 (IA93) OTSAT130

(RJJ051) (24 JUN 76)

REFERENCE DATA

SREF = 2690.0000 SQ.FT. XMRP = 976.0000 IN. XT
 LREF = 1290.3000 INCHES YMRP = .0000 IN. YT
 BREF = 1290.3000 INCHES ZMRP = 400.0000 IN. ZT
 SCALE = .0100

PARAMETRIC DATA

BETA = 6.000 ELV-LI = 8.000
 ELV-LO = 4.000 ELV-RI = 8.000
 ELV-RO = 4.000

RUN NO. 172/ 0 RN/L = 4 22 GRADIENT INTERVAL = -5.00/ 5 00

MACH	ALPHA	CPB1	CPB2	CPB3	CPB4,5	CPB6	CPB7	CPB8	CPCO	CAU	BETA
1.204	-9.551	-.38436	-.37536	-.38489	-.43975	-.38943	-.42858	-.41919	-.36775	.50903	6.54309
1.205	-7.167	-.37814	-.36880	-.37825	-.42555	-.37712	-.41023	-.40228	-.35965	.50532	6.57090
1.205	-4.853	-.36995	-.36008	-.36837	-.41656	-.36563	-.39170	-.38420	-.34859	.50088	6.59597
1.205	-2.557	-.35336	-.34569	-.35183	-.40550	-.35035	-.37918	-.37232	-.33410	.49658	6.60188
1.205	-.255	-.33929	-.33723	-.34068	-.39416	-.32743	-.37107	-.36403	-.32428	.49238	6.61938
1.204	1.993	-.33017	-.33120	-.33168	-.40314	-.34458	-.36008	-.35133	-.31689	.48750	6.61946
1.204	4.280	-.31993	-.32269	-.32057	-.41442	-.35935	-.34670	-.33364	-.30954	.47818	6.60659
	GRADIENT	.00540	00391	00507	00030	.00082	.00478	00535	00418	-.00239	00171

LARC 8FT TPT 749 (IA93) OTSAT130

(RJJ052) (24 JUN 76)

REFERENCE DATA

SREF = 2690.0000 SQ.FT. XMRP = 976.0000 IN. XT
 LREF = 1290.3000 INCHES YMRP = .0000 IN. YT
 BREF = 1290.3000 INCHES ZMRP = 400.0000 IN. ZT
 SCALE = .0100

PARAMETRIC DATA

BETA = -6.000 ELV-LI = 8.000
 ELV-LO = -5.000 ELV-RI = 8.000
 ELV-RO = -5.000

RUN NO. 195/ 0 RN/L = 4.21 GRADIENT INTERVAL = -5 00/ 5.00

MACH	ALPHA	CPB1	CPB2	CPB3	CPB4,5	CPB6	CPB7	CPB8	CPCO	CAU	BETA
1.150	-7.201	-.36043	-.35115	-.39439	-.54610	-.49727	-.42009	-.42360	-.34076	.49826	-6.66167
1.150	-4.856	-.34905	-.33529	-.38231	-.54017	-.49079	-.41222	-.41509	-.32839	.49565	-6.66818
1.150	-2.541	-.34570	-.33177	-.36941	-.52826	-.47218	-.40427	-.40935	-.32809	.49486	-6.67028
1.150	-.287	-.33899	-.32683	-.35528	-.52186	-.46036	-.39270	-.40184	-.32333	.49280	-6.66099
1.150	2.001	-.33534	-.32778	-.34741	-.51132	-.45636	-.38297	-.38806	-.32032	.48911	-6.65029
	GRADIENT	00209	00120	00521	.00407	.00505	.00435	.00388	.00127	-.00095	00275

RUN NO. 190/ 0 RN/L = 4.22 GRADIENT INTERVAL = -5.00/ 5.00

MACH	ALPHA	CPB1	CPB2	CPB3	CPB4,5	CPB6	CPB7	CPB8	CPCO	CAU	BETA
1.205	-9.591	-.36566	-.35405	-.40414	-.53997	-.49151	-.42523	-.42759	-.34327	.50786	-6.67902
1.205	-7.199	-.35520	-.34479	-.39003	-.53290	-.47661	-.40985	-.41599	-.33192	.50513	-6.68339
1.205	-4.866	-.34295	-.32852	-.38097	-.52409	-.46844	-.39978	-.40394	-.32303	.50315	-6.68292
1.205	-2.554	-.33926	-.32501	-.37072	-.51779	-.45523	-.38997	-.39548	-.32267	.50240	-6.68557
1.205	-.277	-.33318	-.32039	-.35738	-.51342	-.44781	-.37741	-.38599	-.31768	.49992	-6.67781
1.205	1.976	-.32988	-.32249	-.35005	-.50348	-.44462	-.36710	-.37198	-.31493	.49710	-6.67022
1.205	4.263	-.32978	-.32464	-.35211	-.49405	-.43545	-.35512	-.35415	-.31771	.48893	-6.66314
	GRADIENT	.00157	.00045	.00344	.00326	.00336	00492	.00540	.00081	-.00148	.00329

LARC 8FT TPT 749 (1A93) OTSAT130

(RJJ053) (24 JUN 76)

REFERENCE DATA

PARAMETRIC DATA

SREF = 2690.0000 SQ.FT. XMRP = 976.0000 IN. XT
 LREF = 1290.3000 INCHES YMRP = .0000 IN. YT
 BREF = 1290.3000 INCHES ZMRP = 400.0000 IN. ZT
 SCALE = .0100

BETA = -4.000 ELV-LI = 8.000
 ELV-LO = -5.000 ELV-RI = 8.000
 ELV-RO = -5.000

RUN NO. 194/ 0 RN/L = 4.21 GRADIENT INTERVAL = -5.00/ 5.00

MACH	ALPHA	CPB1	CPB2	CPB3	CPB4.5	CPB6	CPB7	CPB8	CPCO	CAU	BETA
1.150	-7.111	- 35108	- 34091	-.38277	-.52389	-.48169	-.40771	-.41012	-.33134	.49587	-3.78919
1.150	-4.828	- 34219	- 33701	-.37070	-.51680	-.47147	-.39563	-.39721	-.32937	.49286	-3.79348
1.150	-2.532	-.33936	-.33134	-.34958	-.50751	-.45485	-.39454	-.39641	-.32443	.49201	-3.78104
1.150	-.279	-.33152	-.32416	-.33929	-.50745	-.45239	-.38719	-.38878	-.31734	.48886	-3.77065
1.150	1.992	-.31815	-.32057	-.32403	-.49951	-.44565	-.37290	-.37090	-.31034	.48305	-3.76851
	GRADIENT	.00352	.00249	00662	.00229	00352	.00332	.00361	.00282	-.00143	.00376

RUN NO. 189/ 0 RN/L = 4.21 GRADIENT INTERVAL = -5.00/ 5.00

MACH	ALPHA	CPB1	CPB2	CPB3	CPB4.5	CPB6	CPB7	CPB8	CPCO	CAU	BETA
1.204	-9.507	-.35462	- 33592	-.38622	-.54864	-.50015	-.41252	-.41839	-.32359	50875	-4.45638
1.205	-7.150	-.34420	- 32743	-.37323	-.51958	-.47068	-.40139	-.40834	-.31824	50297	-4.46402
1.205	-4.829	-.33714	-.31967	-.36313	-.50533	-.45446	-.38488	-.39157	-.31768	49986	-4.46772
1.205	-2.536	-.33066	-.31518	-.35236	-.50050	-.44172	-.37725	-.38150	-.31346	.49873	-4.45563
1.205	-.266	-.32441	-.31209	-.34298	-.50181	-.44079	-.37082	-.37355	-.30901	49603	-4.44836
1.205	1.985	-.31605	-.31122	-.32917	-.49394	-.43705	-.36086	-.36089	-.30391	.49180	-4.44371
1.204	4.246	-.31201	-.31070	-.32694	-.48210	-.42557	-.34855	-.34372	-.30195	.48499	-4.43579
	GRADIENT	.00286	00097	.00422	.00234	.00276	.00393	.00513	00181	-.00162	.00334

LARC 8FT TPT 749 (1A93) OTSAT130

(RJJ054) (24 JUN 76)

REFERENCE DATA

PARAMETRIC DATA

SREF = 2690 0000 SQ.FT. XMRP = 976 0000 IN. XT
 LREF = 1290 3000 INCHES YMRP = 0000 IN. YT
 BREF = 1290 3000 INCHES ZMRP = 400 0000 IN. ZT
 SCALE = 0100

BETA = .000 ELV-LI = 8 000
 ELV-LO = -5 000 ELV-RI = 8 000
 ELV-RO = -5 000

RUN NO. 193/ 0 RN/L = 4.21 GRADIENT INTERVAL = -5.00/ 5.00

MACH	ALPHA	CPB1	CPB2	CPB3	CPB4.5	CPB6	CPB7	CPB8	CPCO	CAU	BETA
1.150	-7.083	-.35050	-.34318	-.35857	-.50704	-.45437	-.41073	-.40707	-.33260	.49011	-.03443
1.150	-4.795	-.34278	-.33815	-.35023	-.49485	-.44365	-.39852	-.39467	-.32775	.48671	-.02997
1.150	-2.511	-.33306	-.33260	-.34027	-.48514	-.42670	-.38688	-.38276	-.32192	.48549	-.01553
1.150	-.272	-.31846	-.32898	-.33243	-.47667	-.41243	-.37663	-.36865	-.31875	.48224	-.00463
1.150	1.982	-.30579	-.32131	-.32348	-.47773	-.41368	-.36454	-.35259	-.30998	.47573	-.00216
	GRADIENT	.00556	.00240	00390	.00265	.00462	.00497	.00622	.00250	-.00160	.00417

ORIGINAL PAGE IS
OF POOR QUALITY

LARC 8FT TPT 749 (1A93) OTSAT130

(RJJ054) (24 JUN 76)

REFERENCE DATA

PARAMETRIC DATA

SREF = 2690.0000 SQ.FT. XMRP = 976.0000 IN XT
 LREF = 1290.3000 INCHES YMRP = .0000 IN. YT
 BREF = 1290.3000 INCHES ZMRP = 400.0000 IN. ZT
 SCALE = .0100

BETA = 000 ELV-LI = 8.000
 ELV-LO = -5.000 ELV-RI = 8.000
 ELV-RO = -5.000

RUN NO. 188/ 0 RN/L = 4.22 GRADIENT INTERVAL = -5.00/ 5.00

MACH	ALPHA	CPB1	CPB2	CPB3	CPB4.5	CPB6	CPB7	CPB8	CPCO	CAU	BETA
1.205	-9.447	-.35696	-.33593	-.36580	-.50337	-.45968	-.40972	-.40632	-.32530	.50241	-.02435
1.205	-7.115	-.34237	-.32884	-.34874	-.48499	-.43710	-.39640	-.39453	-.31830	.49701	-.02640
1.205	-4.805	-.33264	-.32435	-.33950	-.47295	-.42220	-.38210	-.37978	-.31390	.49320	-.01582
1.205	-2.534	-.32442	-.32083	-.33265	-.46581	-.40878	-.36911	-.36554	-.30930	.49138	-.00328
1.205	-.260	-.31490	-.32069	-.32613	-.45488	-.39372	-.35898	-.34929	-.30925	.48900	.00703
1.205	1.987	-.30169	-.31435	-.32061	-.45919	-.39550	-.34887	-.33530	-.30327	.48286	.00768
1.205	4.224	-.29274	-.30903	-.31160	-.46235	-.40035	-.33553	-.32277	-.29757	.47592	.00787
	GRADIENT	.00454	.00164	.00300	.00124	.00253	.00502	.00639	.00171	-.00191	.00259

LARC 8FT TPT 749 (1A93) OTSAT130

(RJJ055) (24 JUN 76)

REFERENCE DATA

PARAMETRIC DATA

SREF = 2690.0000 SQ.FT. XMRP = 976.0000 IN XT
 LREF = 1290.3000 INCHES YMRP = .0000 IN. YT
 BREF = 1290.3000 INCHES ZMRP = 400.0000 IN. ZT
 SCALE = .0100

BETA = 4 000 ELV-LI = 8.000
 ELV-LO = -5.000 ELV-RI = 8.000
 ELV-RQ = -5.000

RUN NO. 196/ 0 RN/L = 4.21 GRADIENT INTERVAL = -5.00/ 5.00

MACH	ALPHA	CPB1	CPB2	CPB3	CPB4.5	CPB6	CPB7	CPB8	CPCO	CAU	BETA
1.150	-7.124	-.36768	-.35130	-.36861	-.46921	-.41944	-.41773	-.40956	-.34239	.49663	4.35178
1.150	-4.831	-.36113	-.34680	-.36209	-.45737	-.40686	-.40559	-.39631	-.33456	.49267	4.37060
1.150	-2.536	-.35130	-.34056	-.35210	-.44214	-.38630	-.39126	-.38374	-.32723	.48916	4.38324
1.150	-.269	-.33933	-.33517	-.34266	-.42790	-.36573	-.38143	-.37391	-.32072	.48578	4.39129
1.150	1.988	-.32593	-.32474	-.33555	-.42880	-.37021	-.36953	-.35989	-.30982	.47806	4.39036
	GRADIENT	.00517	.00315	.00392	.00440	.00575	.00519	.00524	.00355	-.00208	.00297

RUN NO. 191/ 0 RN/L = 4.22 GRADIENT INTERVAL = -5.00/ 5.00

MACH	ALPHA	CPB1	CPB2	CPB3	CPB4.5	CPB6	CPB7	CPB8	CPCO	CAU	BETA
1.205	-9.504	-.37493	-.35161	-.37536	-.46728	-.41617	-.41622	-.40543	-.34271	.50670	4.35458
1.205	-7.162	-.36721	-.34363	-.36865	-.45372	-.40685	-.40346	-.39412	-.33482	.50226	4.37810
1.205	-4.842	-.35443	-.33691	-.35573	-.43675	-.39052	-.39007	-.37965	-.32558	.49805	4.39371
1.205	-2.540	-.34326	-.33198	-.34361	-.42380	-.37066	-.37703	-.36742	-.31875	.49499	4.40463
1.205	-.267	-.33120	-.32651	-.33366	-.40961	-.34876	-.36768	-.35817	-.31229	.49084	4.41740
1.205	1.978	-.32105	-.32053	-.32588	-.40903	-.34817	-.35549	-.34616	-.30486	.48401	4.41913
1.205	4.237	-.30940	-.31395	-.31985	-.42477	-.36704	-.34441	-.33373	-.29917	.47739	4.40629
	GRADIENT	.00495	.00253	.00395	.00172	.00308	.00498	.00499	.00294	-.00230	.00176

LARC 8FT TPT 749 (IA93) OTSAT130

(RJJ056) (24 JUN 76)

REFERENCE DATA

SREF = 2690.0000 SQ.FT. XMRP = 976.0000 IN. XT
 LREF = 1290.3000 INCHES YMRP = .0000 IN. YT
 BREF = 1290.3000 INCHES ZMRP = 400.0000 IN. ZT
 SCALE = .0100

PARAMETRIC DATA

BETA = 6.000 ELV-LI = 8.000
 ELV-LO = -5.000 ELV-RI = 8.000
 ELV-RO = -5.000

RUN NO. 197/ 0 RN/L = 4.21 GRADIENT INTERVAL = -5 00/ 5 00

MACH	ALPHA	CPB1	CPB2	CPB3	CPB4,5	CPB6	CPB7	CPB8	CPCO	CAU	BETA
1.150	-7.170	-.38001	-.37005	-.37603	-.42781	-.38136	-.42554	-.41662	-.35921	.49628	6.55582
1.150	-4.871	-.37085	-.36210	-.36662	-.42264	-.37417	-.41106	-.40086	-.35080	.49425	6.58477
1.150	-2.557	-.35834	-.35248	-.35618	-.41743	-.36703	-.40097	-.39215	-.34070	.49093	6.59698
1.150	-.278	-.34705	-.34508	-.34732	-.40764	-.34475	-.39117	-.38327	-.33238	.48572	6.60762
1.150	1.992	-.33512	-.33704	-.33818	-.42048	-.36282	-.37566	-.36722	-.32388	.48011	6.60617
	GRADIENT	.00518	.00361	00412	00072	00247	.00507	00480	00390	-.00208	.00328

RUN NO. 192/ 0 RN/L = 4.21 GRADIENT INTERVAL = -5 00/ 5 00

MACH	ALPHA	CPB1	CPB2	CPB3	CPB4,5	CPB6	CPB7	CPB8	CPCO	CAU	BETA
1.205	-9.573	-.38255	-.37064	-.38025	-.43699	-.38610	-.42660	-.41842	-.36185	.50634	6.54865
1.206	-7.210	-.37739	-.36260	-.37304	-.42411	-.37520	-.41217	-.40427	-.35264	.50207	6.57514
1.205	-4.871	-.36760	-.35194	-.36266	-.41418	-.36311	-.39413	-.38533	-.34287	.49827	6.60015
1.205	-2.578	-.35357	-.34298	-.35029	-.40397	-.34976	-.38229	-.37484	-.33246	.49494	6.61649
1.205	-.306	-.33978	-.33589	-.33979	-.39220	-.32631	-.37383	-.36612	-.32383	.49036	6.62615
1.205	1.981	-.33109	-.33117	-.33193	-.40359	-.34353	-.36245	-.35474	-.31739	.48559	6.62682
1.205	4.255	-.32151	-.32476	-.32130	-.41374	-.35745	-.35001	-.33815	-.31161	.47729	6.61131
	GRADIENT	.00503	.00290	.00443	00006	00077	.00474	.00502	.00340	-.00225	00143

LARC 8FT TPT /49 (1A93) OTSAT130

(RJ057) (24 JUN 76)

REFERENCE DATA

PARAMETRIC DATA

SREF = 2690.0000 SQ.FT. XMRP = 976.0000 IN. XT
 LREF = 1290.3000 INCHES YMRP = .0000 IN. YT
 BREF = 1290.3000 INCHES ZMRP = 400.0000 IN. ZT
 SCALE = 0100

BETA = -6.000 ELV-LI = 8.000
 ELV-LO = 9.000 ELV-RI = 8.000
 ELV-RO = 9.000

RUN NO. 217/ 0 RN/L = 3.24 GRADIENT INTERVAL = -5.00/ 5.00

MACH	ALPHA	CPB1	CPB2	CPB3	CPB4,5	CPB6	CPB7	CPB8	CPCO	CAU	BETA
.599	-8.551	-.26140	-.25128	-.28768	-.44101	-.42135	-.39919	-.38164	-.24768	.29543	-6.31592
.599	-6.419	-.25884	-.24720	-.28248	-.42732	-.40652	-.37785	-.36715	-.24645	.29654	-6.34702
.599	-4.308	-.25495	-.24333	-.27611	-.42099	-.39263	-.35789	-.35404	-.24505	.29640	-6.36815
.600	-2.195	-.24819	-.23715	-.26936	-.41740	-.38147	-.34311	-.34534	-.23906	.29441	-6.37119
.599	-.098	-.23817	-.23057	-.25942	-.41152	-.37230	-.33215	-.33648	-.23057	.29014	-6.37146
.599	2.014	-.23355	-.22710	-.25195	-.40307	-.36215	-.32751	-.33146	-.22766	.28456	-6.36619
.599	4.152	-.22973	-.22348	-.24720	-.39262	-.35455	-.31876	-.32119	-.22538	.27440	-6.35554
	GRADIENT	.00308	.00235	.00356	.00337	.00452	.00444	.00377	.00240	-.00255	.00143

RUN NO. 200/ 0 RN/L = 3.97 GRADIENT INTERVAL = -5.00/ 5.00

MACH	ALPHA	CPB1	CPB2	CPB3	CPB4,5	CPB6	CPB7	CPB8	CPCO	CAU	BETA
.900	-9.045	-.32394	-.30516	-.33657	-.44196	-.43663	-.42324	-.41299	-.30071	.36419	-6.52743
.900	-6.818	-.31601	-.29490	-.32644	-.43083	-.42528	-.40639	-.39648	-.29134	.36197	-6.56284
.900	-4.595	-.30434	-.27868	-.31335	-.43723	-.41494	-.39592	-.39943	-.27690	.35859	-6.57703
.899	-2.380	-.29844	-.26864	-.30491	-.43750	-.40357	-.38654	-.38759	-.27087	.35498	-6.57663
.900	-.169	-.29358	-.26560	-.29683	-.43817	-.39935	-.36867	-.36581	-.26693	.35209	-6.57157
.900	2.044	-.29651	-.25836	-.29997	-.44473	-.40156	-.35703	-.34993	-.26640	.34677	-6.56431
.900	4.261	-.29924	-.25604	-.30616	-.43446	-.39273	-.35151	-.34497	-.26732	.34146	-6.56185
	GRADIENT	.00055	.00251	.00087	-.00008	.00210	.00535	.00662	.00107	-.00192	.00193

RUN NO. 212/ 0 RN/L = 4.08 GRADIENT INTERVAL = -5.00/ 5.00

MACH	ALPHA	CPB1	CPB2	CPB3	CPB4,5	CPB6	CPB7	CPB8	CPCO	CAU	BETA
.975	-9.274	-.36948	-.36930	-.37920	-.52882	-.51459	-.48701	-.49791	-.36100	.44301	-6.57889
.975	-6.970	-.35298	-.35730	-.36027	-.53425	-.51465	-.45965	-.46154	-.34785	.44034	-6.60387
.975	-4.705	-.33838	-.34771	-.34417	-.53364	-.50400	-.44025	-.43604	-.33887	.43595	-6.61151
.975	-2.433	-.32529	-.34034	-.33453	-.52483	-.48474	-.43040	-.42856	-.33067	.43274	-6.60346
.975	-.205	-.31969	-.33445	-.32875	-.52545	-.47709	-.42387	-.42038	-.32373	.43080	-6.58942
.975	2.026	-.32304	-.33468	-.32940	-.52461	-.47738	-.41492	-.40552	-.32459	.42633	-6.58508
.975	4.245	-.32862	-.33559	-.33289	-.53678	-.48103	-.41720	-.39847	-.32601	.42213	-6.56732
	GRADIENT	.00098	.00134	.00124	-.00026	.00239	.00276	.00439	.00143	-.00152	.00477

LARC 8FT TPT /49 (1A93) OTSAT130

(RJ057) (24 JUN 76)

REFERENCE DATA

PARAMETRIC DATA

SREF = 2690.0000 SQ FT. XMRP = 976.0000 IN. XT
 LREF = 1290 3000 INCHES YMRP = .0000 IN YT
 BREF = 1290.3000 INCHES ZMRP = 400.0000 IN. ZT
 SCALE = 0100

BETA = -6.000 ELV-LI = 8.000
 ELV-LO = 9.000 ELV-RI = 8.000
 ELV-RO = 9 000

RUN NO. 206/ 0 RN/L = 4.19 GRADIENT INTERVAL = -5.00/ 5.00

MACH	ALPHA	CPB1	CPB2	CPB3	CPB4,5	CPB6	CPB7	CPB8	CPCO	CAU	BETA
1.150	-7.135	- .35965	- .34836	- .39332	- .55801	- .50883	- .41928	- .42556	- .33991	.50372	-6.65368
1.150	-4.831	- .35101	- .33836	- .38638	- .55084	- .50330	- .41215	- .41328	- .33340	.50097	-6.65029
1.150	-2.531	- .34715	- .33423	- .37002	- .53814	- .48473	- .40285	- .40637	- .33138	.50015	-6.65427
1 150	- .247	- .33921	- .32834	- .35577	- .53093	- .47331	- .38922	- .39688	- .32530	.49767	-6.64497
1 150	.2 012	- .33461	- .32843	- .34860	- .51934	- .46632	- .37827	- .38298	- .32162	.49390	-6.63882
	GRADIENT	.00250	.00157	00560	.00446	.00537	.00505	.00440	00182	-.00104	.00323

RUN NO. 222/ 0 RN/L = 4 22 GRADIENT INTERVAL = -5.00/ 5 00

MACH	ALPHA	CPB1	CPB2	CPB3	CPB4,5	CPB6	CPB7	CPB8	CPCO	CAU	BETA
1.205	-9.544	- .37344	- .36397	- .41054	- .55647	- .50583	- .42202	- .42582	- .35509	.51355	-6.65865
1.205	-7.170	- .36077	- .35106	- .39540	- .54905	- .49366	- .41387	- .42091	- .33776	.51022	-6.67090
1 205	-4.827	- .34744	- .33417	- .38453	- .53751	- .48447	- .40253	- .40498	- .32823	.50823	-6.67502
1.205	-2 533	- .34319	- .33038	- .37436	- .53091	- .47258	- .39235	- .39561	- .32642	.50808	-6.67154
1 205	-.249	- .33576	- .32467	- .36022	- .52670	- .46503	- .37882	- .38523	- .32080	.50583	-6.66148
1.205	.2 014	- .33274	- .32607	- .35290	- .51616	- .45836	- .36609	- .37062	- .31914	.50203	-6.65508
1.205	4.293	- .33113	- .32699	- .35327	- .50255	- .44360	- .35286	- .35280	- .31924	.49291	-6.64848
	GRADIENT	.00189	.00082	00369	00371	00421	.00551	.00568	00111	-.00161	00305

ORIGINAL PAGE IS
OF POOR QUALITY

LARC 8FT TPT 749 (IA93) OTSAT130

(RJJ058) (24 JUN 76)

REFERENCE DATA

SREF = 2690.0000 SQ.FT. XMRP = 976.0000 IN. XT
 LREF = 1290.3000 INCHES YMRP = .0000 IN. YT
 BREF = 1290.3000 INCHES ZMRP = 400 0000 IN. ZT
 SCALE = .0100

PARAMETRIC DATA

BETA = -4.000 ELV-L1 = 8.000
 ELV-LO = 9.000 ELV-R1 = 8.000
 FLV-RO = 9 000

RUN NO. 216/ 0 RN/L = 3.21 GRADIENT INTERVAL = -5.00/ 5.00

MACH	ALPHA	CPB1	CPB2	CPB3	CPB4.5	CPB6	CPB7	CPB8	CPCO	CAU	BETA
.599	-8.504	-.25909	-.24571	-.28390	-.42441	-.39978	-.38725	-.37405	-.24496	.29823	-4.22420
.599	-6.391	-.25513	-.24214	-.27635	-.41079	-.38502	-.36846	-.36231	-.24234	.29832	-4.24468
.598	-4.287	-.24986	-.23840	-.26845	-.40569	-.37323	-.35225	-.35182	-.23954	.29756	-4.25768
.599	-2.186	-.24245	-.23294	-.25931	-.40432	-.36569	-.33752	-.34090	-.23465	.29620	-4.26618
.599	-.102	-.23511	-.22771	-.25028	-.39637	-.35585	-.32616	-.32973	-.22752	.29230	-4.26751
.599	2.025	-.22811	-.22320	-.24159	-.38733	-.34434	-.32072	-.32371	-.22224	.28466	-4.26625
.599	4.137	-.21787	-.21811	-.23101	-.37980	-.33815	-.31051	-.31370	-.21525	.27568	-4.25873
	GRADIENT	.00372	.00239	00440	00327	.00435	.00476	00444	00290	-.00263	-.00010

RUN NO. 199/ J RN/L = 3.97 GRADIENT INTERVAL = -5.00/ 5.00

MACH	ALPHA	CPB1	CPB2	CPB3	CPB4.5	CPB6	CPB7	CPB8	CPCO	CAU	BETA
.900	-9.003	-.31343	-.29378	-.32722	-.42065	-.41198	-.42640	-.42342	-.28921	.36513	-4.36321
.900	-6.774	-.30830	-.28363	-.31887	-.41476	-.40096	-.40831	-.40947	-.27827	.36103	-4.38412
.900	-4.567	-.30086	-.27128	-.31045	-.41228	-.39010	-.39620	-.39793	-.27094	.35648	-4.38412
.900	-2.365	-.29831	-.26550	-.30299	-.40982	-.37916	-.37339	-.37143	-.26527	.35190	-4.39056
.899	-.162	-.29483	-.26090	-.29685	-.41701	-.37863	-.35428	-.34728	-.26011	.34703	-4.38660
.900	2.032	-.29425	-.25216	-.29448	-.42614	-.38329	-.34519	-.33607	-.25886	.34071	-4.37943
.900	4.242	-.29034	-.24931	-.29036	-.41729	-.37360	-.33921	-.33123	-.25455	.33801	-4.38043
	GRADIENT	.00114	.00260	00221	-.00120	.00131	.00646	.00767	00178	-.00219	00084

RUN NO. 211/ 0 RN/L = 4.10 GRADIENT INTERVAL = -5.00/ 5.00

MACH	ALPHA	CPB1	CPB2	CPB3	CPB4.5	CPB6	CPB7	CPB8	CPCO	CAU	BETA
.975	-9.207	-.35603	-.35714	-.36445	-.51036	-.49997	-.48356	-.49167	-.34944	.44574	-4.39223
.976	-6.906	-.34029	-.34475	-.34638	-.51855	-.49689	-.45438	-.45575	-.33632	.44133	-4.40681
.975	-4.862	-.32629	-.33430	-.33046	-.51157	-.48494	-.43349	-.43279	-.32638	.43580	-4.40525
.975	-2.430	-.31384	-.32975	-.32116	-.50466	-.46634	-.42273	-.42473	-.31862	.43129	-4.39968
.975	-.208	-.30701	-.32439	-.31383	-.51165	-.46545	-.41344	-.41171	-.31242	.42876	-4.38065
.975	2.014	-.30841	-.32620	-.31575	-.51456	-.46630	-.40549	-.39651	-.31507	.42262	-4.37892
.975	4.237	-.30642	-.32650	-.32029	-.51830	-.46724	-.40051	-.38397	-.31557	.41932	-4.37260
	GRADIENT	00203	.00086	.00116	-.00105	.00159	.00374	.00566	00113	-.00187	00387

DATE 29 OCT 76

TABULATED SOURCE DATA - 1A93.

PAGE 79

LARC 8FT TPT /49 (1A93) OTSAT130

(RJJ058) (24 JUN 76)

REFERENCE DATA

SREF = 2690.0000 SQ.FT. XMRP = 976.0000 IN. XT
 LREF = 1290.3000 INCHES YMRP = .0000 IN. YT
 BREF = 1290.3000 INCHES ZMRP = 400.0000 IN. ZT
 SCALE = .0100

PARAMETRIC DATA

BETA = -4.000 ELV-LI = 8.000
 ELV-LO = 9.000 ELV-RI = 8.000
 ELV-RO = 9.000

RUN NO. 205/ 0 RN/L = 4.19 GRADIENT INTERVAL = -5.00/ 5.00

MACH	ALPHA	CPB1	CPB2	CPB3	CPB4,5	CPB6	CPB7	CPB8	CPC0	CAU	BETA
1.150	-7.091	- .35369	-.34766	-.39134	-.53971	-.49438	-.40506	- 40812	-.34003	50264	-4.43639
1.150	-4.784	- .34739	-.33999	- 36907	-.53608	- 48929	-.39831	- 40238	-.33107	.49980	-4.44596
1.150	-2.511	- .34213	-.33254	-.35197	- 52421	- 47210	-.39113	- 39640	- 32738	.49854	-4.43371
1.150	- .243	- .33285	-.32447	- 34254	- 52297	- 47003	- 38315	- 38566	-.31931	.49507	-4.42208
1.150	2.015	-.32040	-.32052	- 32912	-.51414	- 46194	-.37146	- 36983	-.31149	.49015	-4.41824
	GRADIENT	.00398	.00293	00570	.00296	00371	.00391	.00478	.00295	-.00143	.00418

RUN NO 221/ 0 RN/L = 4.22 GRADIENT INTERVAL = -5.00/ 5.00

MACH	ALPHA	CPB1	CPB2	CPB3	CPB4,5	CPB6	CPB7	CPB8	CPC0	CAU	BETA
1.205	-9.475	-.36391	-.35051	-.39403	-.55740	-.50919	-.41170	- 41523	- 33891	.51439	-4.44238
1.205	-7.134	-.35797	-.34890	- 39890	-.53598	- 48653	-.40027	-.40164	-.33992	.50998	-4.45375
1.205	-4.791	-.34586	-.33736	-.37963	- 51865	- 46923	-.38511	-.38774	-.33017	.50612	-4.45626
1.205	-2.511	-.33798	-.32617	- 35668	-.51298	-.45923	-.37878	-.38321	-.32157	.50552	-4.44439
1.205	- .242	-.32900	-.31919	-.34485	-.51414	-.45780	-.37142	- 37298	- 31459	.50244	-4.43748
1.205	2.021	-.31949	-.31780	- 33106	- 50720	-.45158	-.35897	-.35755	-.30870	.49794	-4.43110
1.205	4.279	- .31438	-.31585	- 32983	- 49168	- 43553	- 34694	- 34013	-.30567	.48965	-4.43128
	GRADIENT	.00359	00227	.00563	00263	00331	00424	00533	.00273	-.00179	.00279

LARC 8FT TPT 749 (1A93) OTSAT130

(RJ059) (24 JUN 75)

REFERENCE DATA

PARAMETRIC DATA

SREF = 2690.0000 SQ.FT. XMRP = 976.0000 IN. XT
 LREF = 1290.3000 INCHES YMRP = .0000 IN. YT
 BREF = 1290.3000 INCHES ZMRP = 400.0000 IN. ZT
 SCALE = .0100

BETA = .000 ELV-L1 = 8.000
 ELV-LO = 9.000 ELV-R1 = 8.000
 ELV-RO = 9.000

RUN NO. 215/ 0 RN/L = 3.16 GRADIENT INTERVAL = -5.00/ 5.00

MACH	ALPHA	CPB1	CPB2	CPB3	CPB4,5	CPB6	CPB7	CPB8	CPCO	CAU	BETA
.599	-8.479	-.25519	-.24032	-.27448	-.41313	-.33760	-.37523	-.37004	-.24146	.29406	-.01511
.599	-6.391	-.25034	-.23852	-.26604	-.39142	-.32671	-.35901	-.35477	-.23890	.29263	-.01314
.599	-4.281	-.24481	-.23547	-.25787	-.37278	-.31721	-.34207	-.34011	-.23585	.29083	-.00787
.599	-2.176	-.23856	-.23228	-.25070	-.36429	-.31252	-.33071	-.33276	-.22981	.28993	-.00072
.599	-.088	-.23198	-.22762	-.24091	-.35645	-.30447	-.32246	-.32509	-.22514	.28639	-.00428
.599	2.013	-.22105	-.22148	-.22888	-.35428	-.30460	-.30887	-.30883	-.21804	.27914	.00056
.598	4.112	-.20587	-.21377	-.22479	-.35633	-.30377	-.29737	-.29676	-.20975	.26980	-.00069
	GRADIENT	.00455	.00258	.00419	.00205	.00166	.00530	.00527	.00305	-.00252	.00075

RUN NO. 198/ 0 RN/L = 3.97 GRADIENT INTERVAL = -5.00/ 5.00

MACH	ALPHA	CPB1	CPB2	CPB3	CPB4,5	CPB6	CPB7	CPB8	CPCO	CAU	BETA
.900	-8.988	-.30167	-.28988	-.31930	-.39272	-.36097	-.42742	-.41974	-.28407	.36075	-.02415
.900	-6.763	-.29978	-.28431	-.32097	-.37938	-.33917	-.40644	-.40112	-.27906	.35251	-.02428
.900	-4.541	-.29718	-.28181	-.31281	-.35438	-.32455	-.38054	-.38092	-.27679	.34425	-.02415
.901	-2.384	-.29711	-.28142	-.31406	-.33895	-.31541	-.34686	-.33932	-.27707	.33894	-.01609
.900	-.172	-.29308	-.27337	-.30671	-.35140	-.32336	-.33572	-.32192	-.26879	.33568	-.00463
.900	2.024	-.28773	-.26883	-.30059	-.36365	-.33128	-.32387	-.30292	-.26402	.33260	-.00526
.900	4.242	-.27877	-.26669	-.29145	-.37400	-.33545	-.32334	-.31166	-.26098	.32974	-.00237
	GRADIENT	.00211	.00195	.00256	-.00292	-.00172	.00624	.00794	.00203	-.00161	.00247

RUN NO. 210/ 0 RN/L = 4.08 GRADIENT INTERVAL = -5.00/ 5.00

MACH	ALPHA	CPB1	CPB2	CPB3	CPB4,5	CPB6	CPB7	CPB8	CPCO	CAU	BETA
.975	-9.164	-.34103	-.35471	-.35530	-.49476	-.45923	-.46805	-.46611	-.34453	.44246	-.03822
.975	-6.876	-.33134	-.34659	-.34315	-.48499	-.44556	-.44804	-.44630	-.33682	.43755	-.02879
.975	-4.632	-.32215	-.34178	-.33400	-.46656	-.42589	-.42408	-.42484	-.33148	.42955	-.02289
.975	-2.415	-.31145	-.34695	-.33130	-.44917	-.40799	-.41050	-.41178	-.32971	.42401	-.00801
.975	-.201	-.31171	-.34919	-.33301	-.44419	-.40372	-.40063	-.40139	-.33288	.42036	.00286
.975	2.007	-.31632	-.34922	-.33698	-.45683	-.40540	-.39402	-.39374	-.33664	.41539	.00499
.975	4.226	-.31993	-.34568	-.33862	-.47391	-.41739	-.38447	-.38036	-.33601	.41013	-.00408
	GRADIENT	-.00002	-.00045	-.00067	-.00101	.00089	.00432	.00483	-.00072	-.00214	.00229

LARC 8FT TPT 749 (IA93) OTSAT130

(RJ059) (24 JUN 76)

REFERENCE DATA

PARAMETRIC DATA

SREF = 2690.0000 SQ.FT. XMRP = 976.0000 IN. XT
 LREF = 1290.3000 INCHES YMRP = .0000 IN. YT
 BREF = 1290.3000 INCHES ZMRP = 400.0000 IN. ZT
 SCALE = .0100

BETA = .000 ELV-LI = 8.000
 ELV-LO = 9.000 ELV-RI = 8.000
 ELV-RO = 9.000

RUN NO. 204/ 0 RN/L = 4.21 GRADIENT INTERVAL = -5.00/ 5.00

MACH	ALPHA	CPB1	CPB2	CPB3	CPB4,5	CPB6	CPB7	CPB8	CPCO	CAU	BETA
1.150	-7.060	-.35086	-.34529	-.35791	-.52191	-.47347	-.41265	-.40898	-.33480	.49823	-.02806
1.150	-4.763	-.34207	-.34002	-.34943	-.50899	-.45927	-.39751	-.39358	-.32990	.49410	-.02992
1.150	-2.487	-.32907	-.33376	-.34024	-.49819	-.44271	-.38461	-.38013	-.32327	.49290	-.01978
1.150	-.246	-.31195	-.32681	-.32979	-.49069	-.42979	-.37222	-.36231	-.31594	.48953	-.00383
1.150	1.991	-.30097	-.31972	-.32078	-.48944	-.42797	-.35971	-.34621	-.30719	.48226	-.00013
	GRADIENT	.00624	.00301	.00428	.00294	.00475	.00559	.00711	00335	-.00173	.00468

RUN NO 220/ 0 RN/L = 4.22 GRADIENT INTERVAL = -5.00/ 5.00

MACH	ALPHA	CPB1	CPB2	CPB3	CPB4,5	CPB6	CPB7	CPB8	CPCO	CAU	BETA
1.205	-9.414	-.35906	-.34297	-.36924	-.51289	-.47055	-.40928	-.40678	-.33343	.50836	-.03990
1.205	-7.055	-.34836	-.33734	-.35489	-.49843	-.45485	-.40031	-.39835	-.32717	.50337	-.03328
1.205	-4.784	-.33791	-.33212	-.34375	-.48726	-.44019	-.38419	-.38206	-.32168	.50044	-.02654
1.205	-2.510	-.32821	-.32695	-.33562	-.47892	-.42530	-.36992	-.36625	-.31633	.49832	-.01406
1.205	-.237	-.31467	-.32208	-.32887	-.47152	-.41441	-.35937	-.34896	-.31182	.49600	-.00356
1.205	2.006	-.30067	-.31378	-.32022	-.47300	-.41200	-.34803	-.33392	-.30297	.48878	.00026
1.205	4.263	-.29229	-.30812	-.30962	-.47055	-.41028	-.33200	-.31907	-.29622	.48041	-.00411
	GRADIENT	.00525	00270	.00370	.00174	.00324	.00558	.00700	.00284	-.00219	.00262

LARC 8FT TPT 749 (IA93) OTSAT130

(RJ060) (24 JUN 76)

REFERENCE DATA

PARAMETRIC DATA

SREF = 2690.0000 SQ.FT. XMRP = 976.0000 IN. XT
 LREF = 1290.3000 INCHES YMRP = .0000 IN. YT
 BREF = 1290.3000 INCHES ZMRP = 400.0000 IN. ZT
 SCALE = .0100

BETA = .000 ELV-LI = 8.000
 ELV-LO = 9.000 ELV-RI = 8.000
 ELV-RO = 9.000

RUN NO. 201/ 0 RN/L = 3.97 GRADIENT INTERVAL = -5.00/ 5.00

MACH	ALPHA	CPB1	CPB2	CPB3	CPB4,5	CPB6	CPB7	CPB8	CPCO	CAU	BETA
.900	-.167	-.29275	-.27371	-.30638	-.34916	-.32314	-.33505	-.32192	-.26946	.33525	-.00107
	GRADIENT	.00000	.00000	.00000	.00000	.00000	.00000	.00000	00000	.00000	.00000

RUN NO. 207/ 0 RN/L = 4.18 GRADIENT INTERVAL = -5.00/ 5.00

MACH	ALPHA	CPB1	CPB2	CPB3	CPB4,5	CPB6	CPB7	CPB8	CPCO	CAU	BETA
1.150	-.241	-.31206	-.32720	-.33000	-.49132	-.43021	-.37180	-.36170	-.31642	.48906	-.01151
	GRADIENT	.00000	.00000	.00000	.00000	.00000	.00000	.00000	.00000	.00000	.00000

ORIGINAL PAGE IS
OF POOR QUALITY

LARC 8FT TPT 749 (IA93) OTSAT130

(RJ 061) (24 JUN 76)

REFERENCE DATA

PARAMETRIC DATA

SREF = 2690.0000 SQ.FT. XMRP = 976 0000 IN XT
 LREF = 1290 3000 INCHES YMRP = 0000 IN. YT
 BREF = 1290.3000 INCHES ZMRP = 400 0000 IN. ZT
 SCALE = .0100

BETA = 4.000 ELV-LI = 8.000
 ELV-LO = 9.000 ELV-RI = 8.000
 ELV-RO = 9.000

RUN NO. 218/ 0 RN/L = 3.20 GRADIENT INTERVAL = -5.00/ 5.00

MACH	ALPHA	CPB1	CPB2	CPB3	CPB4,5	CPB6	CPB7	CPB8	CPCO	CAU	BETA
.599	-8 511	-.25955	- 24297	- 27387	-.38220	-.28719	-.37740	-.36726	-.24240	.29556	4.18495
.600	-6 409	-.25294	-.24057	- 26613	-.36521	-.27924	-.36097	-.35389	-.23697	.29567	4.20813
.599	-4.296	- 24575	-.23660	-.25708	-.34681	- 26983	-.34406	-.34116	-.22899	.29443	4.22817
.599	-2.202	- 24111	-.23483	-.25036	-.33125	-.26556	- 32964	-.32959	-.22286	.29249	4.24256
.599	-.101	-.23469	-.22457	-.24170	-.32285	- 25919	- 32161	- 32100	- 21796	.28857	4.24954
.600	2.024	-.22673	- 22562	- 23260	-.32412	-.25724	-.31530	-.31203	-.21385	.28134	4.24873
.600	4.141	-.21352	- 22003	- 22266	-.33336	-.26986	- 30423	-.30191	- 20882	.27164	4.23848
	GRADIENT	00374	.00201	.00411	.00161	00039	00445	00455	.00234	-.00269	.00126

RUN NO 202/ 0 RN/L = 3.97 GRADIENT INTERVAL = -5.00/ 5.00

MACH	ALPHA	CPB1	CPB2	CPB3	CPB4,5	CPB6	CPB7	CPB8	CPCO	CAU	BETA
.901	-9.013	-.31756	-.28631	- 34593	- 38446	-.31527	- 41743	- 41089	-.27972	.36399	4.27669
.899	-6.799	-.30963	-.28393	-.33037	- 36997	- 30982	- 39941	-.39386	-.27688	.35800	4.30607
.900	-4.559	-.29625	-.27306	-.31456	-.35121	- 30028	- 38295	- 38222	- 26311	.35299	4.31957
.900	-2.367	-.29988	-.27209	-.31428	- 34457	-.29854	- 35988	-.35400	-.26347	.34788	4.33566
.900	- 172	-.29647	- 26514	-.30931	- 33689	- 29045	- 34748	- 33703	-.25842	.34484	4.34866
.900	2.049	- 28978	- 25623	-.30208	-.33793	-.28635	-.33342	- 31202	- 25006	.33872	4.34409
.900	4.246	- 28510	- 25783	-.29630	-.35246	- 29520	-.33400	- 31975	-.25167	.33731	4.33278
	GRADIENT	.00147	00210	00221	.00019	00101	.00564	.00758	.00185	- 00184	.00158

RUN NO. 213/ 0 RN/L = 4.08 GRADIENT INTERVAL = -5.00/ 5.00

MACH	ALPHA	CPB1	CPB2	CPB3	CPB4,5	CPB6	CPB7	CPB8	CPCO	CAU	BETA
.975	-9.220	- 36368	- 35515	- 37529	- 46398	-.41493	-.46690	-.46132	- 34661	.44282	4.31217
.975	-6.923	-.33994	-.34098	-.36041	- 45023	-.40367	-.44484	-.44217	-.33172	.43758	4.33498
.975	-4.684	- 31886	-.33103	- 34788	- 43146	- 38441	-.42532	-.42515	-.32062	.43268	4.34951
.975	-2 445	- 30710	-.32334	-.33514	-.41665	-.36598	-.41600	-.41738	-.31220	.42705	4.36568
.975	- 219	- 30039	- 31954	-.32814	-.40611	- 35121	-.41115	- 40880	- 30871	.42492	4.37200
.975	2 011	- 29969	-.32155	-.32610	-.41175	- 35498	-.39803	-.38481	-.31051	.41830	4.36868
.975	4 239	- 30178	-.32208	-.32519	-.43106	-.37756	- 39485	-.37136	-.31177	.41460	4.35559
	GRADIENT	.00186	00088	.00244	.00026	.00111	.00356	.00628	00087	-.00201	.00068

LARC 8FT TPT 749 (1A93) OTSAT130

(RJ061) (24 JUN 76)

REFERENCE DATA

PARAMETRIC DATA

SREF = 2690.0000 SQ.FT. XMRP = 976.0000 IN. XT
 LREF = 1290.3000 INCHES YMRP = 0000 IN. YT
 BREF = 1290.3000 INCHES ZMRP = 400.0000 IN. ZT
 SCALE = .0100

BETA = 4.000 ELV-LI = 8.000
 ELV-LO = 9.000 ELV-RI = 8.000
 ELV-RO = 9.000

RUN NO. 208/ 0 RN/L = 4.17 GRADIENT INTERVAL = -5.00/ 5.00

MACH	ALPHA	CPB1	CPB2	CPB3	CPB4,5	CPB6	CPB7	CPB8	CPCO	CAU	BETA
1.150	-7.105	-.36886	-.35843	-.37097	-.47784	-.42999	-.41716	-.40945	-.34725	.50294	4.36274
1.150	-4.801	-.35989	-.35035	-.36231	-.46584	-.41644	-.40387	-.39460	-.33757	.49883	4.38150
1.150	-2.504	-.34904	-.34284	-.35142	-.44843	-.39370	-.38864	-.38121	-.32913	.49522	4.39484
1.150	-.240	-.33798	-.33631	-.34324	-.43445	-.37606	-.37870	-.37053	-.32195	.49114	4.40813
1.150	2.006	-.32369	-.32399	-.33699	-.43491	-.38093	-.36544	-.35480	-.30907	.48338	4.40272
	GRADIENT	.00523	.00377	.00371	.00472	.00549	.00552	.00573	.00408	-.00222	.00340

RUN NO. 223/ 0 RN/L = 4.22 GRADIENT INTERVAL = -5.00/ 5.00

MACH	ALPHA	CPB1	CPB2	CPB3	CPB4,5	CPB6	CPB7	CPB8	CPCO	CAU	BETA
1.205	-9.475	-.37879	-.35806	-.37839	-.47535	-.42828	-.41619	-.40712	-.34917	.51225	4.35414
1.205	-7.124	-.37309	-.35282	-.37486	-.46811	-.42250	-.40896	-.40007	-.34294	.50843	4.37548
1.205	-4.821	-.35880	-.34433	-.35990	-.45090	-.40538	-.39352	-.38356	-.33201	.50401	4.39474
1.205	-2.506	-.34565	-.33796	-.34707	-.43555	-.38374	-.37987	-.37017	-.32383	.50063	4.40681
1.205	-.245	-.33220	-.33039	-.33537	-.41708	-.35964	-.36706	-.35791	-.31545	.49648	4.41476
1.205	2.016	-.32334	-.32209	-.32726	-.41834	-.36250	-.35283	-.34323	-.30678	.48947	4.41955
1.205	4.274	-.31025	-.31461	-.32032	-.43244	-.38109	-.34138	-.33025	-.29965	.48184	4.40932
	GRADIENT	.00526	.00332	.00436	.00239	.00309	.00578	.00588	.00360	-.00244	.00185

LARC 8FT TPT 749 (1A93) OTSAT130

(RJ062) (24 JUN 76)

REFERENCE DATA

PARAMETRIC DATA

SREF = 2690.0000 SQ.FT. XMRP = 976.0000 IN. XT
 LREF = 1290.3000 INCHES YMRP = .0000 IN. YT
 BREF = 1290.3000 INCHES ZMRP = 400.0000 IN. ZT
 SCALE = .0100

BETA = 6.000 ELV-LI = 8.000
 ELV-LO = 9.000 ELV-RI = 8.000
 ELV-RO = 9.000

RUN NO 219/ 0 RN/L = 3.17 GRADIENT INTERVAL = -5.00/ 5.00

MACH	ALPHA	CPB1	CPB2	CPB3	CPB4.5	CPB6	CPB7	CPB8	CPCO	CAU	BETA
.600	-8.546	-.26192	-.24687	-.27810	-.34848	-.27224	-.38277	-.37626	-.24631	.29358	6.2820
.599	-6.428	-.25561	-.24342	-.26936	-.33332	-.26141	-.36363	-.35826	-.24039	.29366	6.31300
.599	-4.337	-.24834	-.24148	-.26232	-.32290	-.25835	-.34789	-.34499	-.23028	.29338	6.33967
.599	-2.203	-.24243	-.23843	-.25508	-.31523	-.25055	-.33544	-.33426	-.22533	.29120	6.35836
.599	-.087	-.23797	-.23664	-.25103	-.31030	-.24308	-.32921	-.32631	-.22257	.28772	6.36610
.600	2.049	-.22839	-.22974	-.24089	-.31427	-.24944	-.31948	-.31583	-.21797	.28201	6.36368
.598	4.153	-.22253	-.22734	-.23626	-.32556	-.26121	-.31249	-.30997	-.21551	.27202	6.34823
	GRADIENT	.00309	.00174	.00312	-.00020	-.00021	00409	.00417	.00174	-.00244	.00106

RUN NO 203/ 0 RN/L = 3.97 GRADIENT INTERVAL = -5.00/ 5.00

MACH	ALPHA	CPB1	CPB2	CPB3	CPB4.5	CPB6	CPB7	CPB8	CPCO	CAU	BETA
.900	-9.057	-.32387	-.30006	-.34677	-.35138	-.29007	-.42617	-.41614	-.29404	.36320	6.42931
.900	-6.806	-.31521	-.29420	-.33380	-.34074	-.28913	-.40684	-.40576	-.28683	.35850	6.46745
.900	-4.596	-.30414	-.28362	-.32176	-.33014	-.28771	-.39286	-.39704	-.27244	.35550	6.49241
.900	-2.391	-.30349	-.28006	-.31743	-.32402	-.28069	-.37711	-.37727	-.27067	.35227	6.51034
.900	-.176	-.30096	-.27374	-.31368	-.31927	-.27147	-.36029	-.35184	-.26601	.34822	6.52057
.900	2.038	-.29912	-.26766	-.31150	-.32848	-.27735	-.34778	-.33118	-.26218	.34405	6.51603
.900	4.253	-.29461	-.26373	-.30690	-.34029	-.28056	-.34664	-.33417	-.25723	.33993	6.50486
	GRADIENT	00106	.00236	00161	-.00112	.00080	00550	00776	.00176	-.00178	00138

RUN NO. 214/ 0 RN/L = 4.08 GRADIENT INTERVAL = -5.00/ 5.00

MACH	ALPHA	CPB1	CPB2	CPB3	CPB4.5	CPB6	CPB7	CPB8	CPCO	CAU	BETA
.975	-9.259	-.38441	-.38151	-.38559	-.41102	-.35435	-.47068	-.46211	-.36948	.44067	6.49006
.975	-6.974	-.36728	-.36690	-.37079	-.40314	-.35218	-.44972	-.44136	-.35736	.43769	6.52177
.975	-4.699	-.34141	-.35239	-.35402	-.39640	-.34886	-.43241	-.42633	-.34169	.43332	6.54298
.975	-2.465	-.32344	-.34327	-.34170	-.38987	-.33881	-.42297	-.41854	-.33235	.42857	6.55887
.975	-.227	-.30811	-.33398	-.32839	-.38836	-.32984	-.41597	-.41258	-.32285	.42485	6.56414
.975	1.995	-.30808	-.33043	-.32742	-.39847	-.33902	-.40557	-.39099	-.32044	.41925	6.56095
.975	4.263	-.31555	-.33198	-.33384	-.41587	-.35857	-.40122	-.38208	-.32230	.41489	6.54015
	GRADIENT	.00299	.00239	00244	-.00213	-.00088	.00356	.00518	.00226	-.00206	-.00017

DATE 29 OCT 76

TABULATED SOURCE DATA - 1A93.

PAGE 85

LARC BFT TPT /49 (1A93) OTSAT130

(RJJ062) (24 JUN 76)

REFERENCE DATA

PARAMETRIC DATA

SREF = 2690.0000 SQ.FT. XMRP = 976.0000 IN. XT
 LREF = 1290.3000 INCHES YMRP = .0000 IN. YT
 BREF = 1290.3000 INCHES ZMRP = 400.0000 IN. ZT
 SCALE = .0100

BETA = 6.000 ELV-L1 * 8.000
 ELV-LO = 9.000 ELV-R1 * 8.000
 ELV-RO = 9.000

RUN NO. 209/ 0 RN/L = 4.17 GRADIENT INTERVAL = -5.00/ 5.00

MACH	ALPHA	CPB1	CPB2	CPB3	CPB4,5	CPB6	CPB7	CPB8	CPC0	CAU	BETA
1.150	-7.166	-.38136	-.37351	-.37857	-.43209	- 38455	-.42504	-.41585	-.36296	.50258	6.56355
1.150	-4.838	-.37287	-.36697	-.37028	-.42747	- 37874	-.41204	-.40111	-.35521	.49994	6.59188
1.150	-2.543	-.35914	-.35705	-.35899	-.42071	- 36902	-.39964	-.39009	-.34445	.49592	6.61125
1.150	-.258	-.34844	-.34785	-.34953	-.41151	- 34760	-.38896	-.38098	-.33478	.49076	6.61789
1.150	2.020	-.33356	-.33723	-.33828	-.42297	- 36844	-.37263	-.36281	-.32352	.48416	6.61908
	GRADIENT	.00563	.00431	.00461	.00100	00229	.00564	.00542	00458	-.00230	.00386

RUN NO. 224/ 0 RN/L = 4.21 GRADIENT INTERVAL = -5.00/ 5.00

MACH	ALPHA	CPB1	CPB2	CPB3	CPB4,5	CPB6	CPB7	CPB8	CPC0	CAU	BETA
1.205	-9.532	-.38789	-.37631	-.38467	-.44422	- 39186	-.42645	-.41899	-.36798	.51208	6.55335
1.205	-7.180	-.38300	-.37027	-.37971	-.43448	- 38430	-.41733	-.40889	-.35905	.50798	6.57959
1.205	-4.842	-.37336	-.36012	-.36929	-.42262	- 37254	-.39943	-.39009	-.34925	.50400	6.60178
1.205	-2.544	-.36147	-.35239	-.35906	-.41381	- 36122	-.38782	-.37902	-.33989	.49981	6.61781
1.205	-.251	-.34325	-.34114	-.34387	-.39951	- 33425	-.37477	-.36669	-.32765	.49538	6.62889
1.204	2.016	-.33438	-.33499	-.33511	-.40786	- 35112	-.36376	-.35442	-.32032	.49031	6.63048
1.204	4.281	-.32423	-.32622	-.32384	-.41725	- 36447	-.34840	-.33520	-.31271	.48092	6.61571
	GRADIENT	.00550	00374	.00504	00074	00116	.00553	00589	.00406	-.00244	.00179

LARC BFT TPT 749 (IA93) OTSAT130+TS1

(RJJ063) (24 JUN 76)

REFERENCE DATA

PARAMETRIC DATA

SREF = 2690.0000 SQ.FT. XMRP = 976.0000 IN. XT
 LREF = 1290.3000 INCHES YMRP = .0000 IN. YT
 BREF = 1290.3000 INCHES ZMRP = 400.0000 IN. ZT
 SCALE = .0100

BETA = -6.000 ELV-LI = 10.000
 ELV-LO = 9.000 ELV-RI = 10.000
 ELV-RO = 9.000

RUN NO. 249/ 0 RN/L = 4.09 GRADIENT INTERVAL = -5.00/ 5.00

MACH	ALPHA	CPB1	CPB2	CPB3	CPB4.5	CPB6	CPB7	CPB8	CPCO	CAU	BETA
.975	-9.237	-.37008	-.37341	-.38009	-.53488	-.51945	-.48889	-.49839	-.36455	.44408	-6.60291
.976	-6.958	-.35447	-.36083	-.36173	-.53999	-.51939	-.46141	-.46067	-.35124	.44127	-6.62895
.976	-4.692	-.33942	-.35006	-.34466	-.53618	-.50659	-.44102	-.43624	-.34108	.43645	-6.63576
.975	-2.434	-.32602	-.34219	-.33411	-.52692	-.48645	-.43033	-.42927	-.33206	.43221	-6.63063
.975	-.203	-.31864	-.33493	-.32809	-.52838	-.47965	-.42447	-.42093	-.32469	.43076	-6.61623
.975	2.037	-.32146	-.33556	-.32976	-.52741	-.47932	-.41545	-.40580	-.32595	.42698	-6.60204
.975	4.259	-.32420	-.33788	-.33436	-.54161	-.48420	-.41963	-.40035	-.32931	.42437	-6.59485
	GRADIENT	.00157	.00139	.00112	-.00050	.00233	.00258	.00426	.00133	-.00131	.00493

RUN NO. 247/ 0 RN/L = 4.21 GRADIENT INTERVAL = -5.00/ 5.00

MACH	ALPHA	CPB1	CPB2	CPB3	CPB4.5	CPB6	CPB7	CPB8	CPCO	CAU	BETA
1.150	-7.111	-.36311	-.36558	-.38993	-.56304	-.51393	-.42121	-.42809	-.34736	.50449	-6.69276
1.150	-4.819	-.35416	-.34490	-.39119	-.55494	-.50805	-.41319	-.41520	-.33869	.50158	-6.69756
1.150	-2.518	-.35050	-.34079	-.37742	-.54169	-.48912	-.40373	-.40776	-.33633	.50102	-6.69721
1.150	-.231	-.34193	-.33324	-.36198	-.53428	-.47719	-.38993	-.39792	-.32906	.49825	-6.68379
1.150	2.034	-.33643	-.33226	-.35327	-.52255	-.46964	-.37853	-.38321	-.32624	.49369	-6.67386
	GRADIENT	.00270	.00199	.00566	.00458	.00557	.00515	.00463	.00195	-.00116	.00370

RUN NO. 245/ 0 RN/L = 4.21 GRADIENT INTERVAL = -5.00/ 5.00

MACH	ALPHA	CPB1	CPB2	CPB3	CPB4.5	CPB6	CPB7	CPB8	CPCO	CAU	BETA
1.205	-9.532	-.37439	-.36968	-.41827	-.55462	-.50416	-.41822	-.42153	-.36075	.51370	-6.68959
1.205	-7.174	-.36164	-.35544	-.40186	-.54707	-.49159	-.41025	-.41654	-.34344	.51110	-6.70090
1.205	-4.839	-.35005	-.33909	-.38941	-.53796	-.48491	-.39932	-.40227	-.33312	.50863	-6.70995
1.205	-2.523	-.34554	-.33469	-.37934	-.53024	-.47216	-.38915	-.39282	-.32970	.50823	-6.69892
1.205	-.238	-.33711	-.32798	-.36499	-.52612	-.46490	-.37550	-.38268	-.32254	.50600	-6.68223
1.205	2.036	-.33226	-.32801	-.35693	-.51601	-.45775	-.36247	-.36695	-.32121	.50183	-6.68147
1.205	4.303	-.32925	-.32653	-.35545	-.50191	-.44386	-.34874	-.34827	-.31919	.49268	-6.67277
	GRADIENT	.00240	.00139	.00396	.00378	.00423	.00560	.00586	.00159	-.00167	.00402

DATE 29 OCT 76

TABULATED SOURCE DATA - IA93.

PAGE 87

LARC 8FT TPT 749 (IA93) OTSAT130+TS1

(RJJ064) (24 JUN 76)

REFERENCE DATA

SREF = 2690.0000 SQ.FT. XMRP = 976 0000 IN. XT
 LREF = 1290.3000 INCHES YMPD = 0000 IN. YT
 BREF = 1290.3000 INCHES ZMRP = 400 0000 IN. ZT
 SCALE = .0100

PARAMETRIC DATA

BETA = .000 ELV-LI = 10.000
 ELV-LO = 9.000 ELV-RI = 10.000
 ELV-RO = 9.000

RUN NO. 248/ 0 RN/L = 4.08 GRADIENT INTERVAL = -5.00/ 5.00

MACH	ALPHA	CPB1	CPB2	CPB3	CPB4,5	CPB6	CPB7	CPB8	CPCO	CAU	BETA
.975	-9.148	-.33736	-.35640	-.35389	-.50380	-.46667	-.46825	-.46595	-.34307	.44237	-.06926
.976	-6.891	-.32673	-.34703	-.34101	-.49152	-.45205	-.44635	-.44478	-.33567	.43695	-.06523
.975	-4.636	-.31664	-.34161	-.33105	-.47268	-.43167	-.42377	-.42364	-.32911	.42921	-.05679
.975	-2.394	-.30970	-.34899	-.33190	-.45568	-.41456	-.41212	-.41303	-.32996	.42394	-.04409
.975	-.199	-.30914	-.35009	-.33269	-.45149	-.40956	-.40171	-.40159	-.33282	.42018	-.03405
.975	2.018	-.31327	-.35112	-.33692	-.46624	-.41248	-.39562	-.39456	-.33695	.41537	-.03095
.975	4.223	-.31557	-.34710	-.33735	-.47933	-.42265	-.38705	-.37946	-.33563	.41011	-.03314
	GRADIENT	-.00006	-.00059	-.00080	-.00107	.00091	.00406	.00483	-.00090	-.00211	.00273

RUN NO 246/ 0 RN/L = 4.21 GRADIENT INTERVAL = -5.00/ 5.00

MACH	ALPHA	CPB1	CPB2	CPB3	CPB4,5	CPB6	CPB7	CPB8	CPCO	CAU	BETA
1.150	-7.052	-.35407	-.35143	-.36295	-.52435	-.47621	-.41336	-.40920	-.34100	.49901	-.04436
1.150	-4.753	-.34659	-.34591	-.35586	-.51254	-.46350	-.39899	-.39455	-.33612	.49545	-.03323
1.150	-2.478	-.33357	-.33990	-.34877	-.50244	-.44733	-.38590	-.38091	-.33001	.49376	-.02168
1.150	-.232	-.31677	-.33373	-.33653	-.49380	-.43400	-.37365	-.36415	-.32171	.49012	-.01188
1.150	2.018	-.30357	-.32561	-.32492	-.49157	-.43107	-.35952	-.34570	-.31102	.48244	-.01230
	GRADIENT	00647	00297	00466	.00317	.00491	00579	00724	.00370	-.00189	.00322

RUN NO. 244/ 0 RN/L = 4.22 GRADIENT INTERVAL = -5.00/ 5.00

MACH	ALPHA	CPB1	CPB2	CPB3	CPB4,5	CPB6	CPB7	CPB8	CPCO	CAU	BETA
1.205	-9.407	-.35724	-.34700	-.36761	-.51214	-.46983	-.40846	-.40529	-.33617	.50903	-.02856
1.205	-7.075	-.34764	-.34165	-.35534	-.49669	-.45305	-.39707	-.39507	-.33090	.50481	-.02831
1.206	-4.751	-.33987	-.33722	-.34796	-.48704	-.44023	-.38168	-.37896	-.32673	.50183	-.02073
1.206	-2.493	-.33079	-.33104	-.34125	-.47800	-.42418	-.36577	-.36170	-.32181	.49973	-.00841
1.205	-.239	-.31851	-.32582	-.33522	-.47078	-.41473	-.35721	-.34756	-.31578	.49651	.00204
1.205	2.016	-.30296	-.31787	-.32494	-.47125	-.41221	-.34548	-.33123	-.30593	.48912	.00690
1.205	4.283	-.29355	-.31198	-.31384	-.47026	-.41053	-.32886	-.31525	-.29978	.48035	-.00002
	GRADIENT	.00534	00282	.00375	.00178	.00316	.00558	.00699	.00318	-.00237	.00251

LARC 8FT TPT 749 (1A93) OTSAT130+TS1-BASE TUBES

(RJ065) (24 JUN 76)

REFERENCE DATA

SREF = 2690.0000 SQ.FT. XMRP = 976.0000 IN. XT
 LREF = 1290.3000 INCHES YMRP = .0000 IN. YT
 BREF = 1290.3000 INCHES ZMRP = 400.0000 IN. ZT
 SCALE = .0100

PARAMETRIC DATA

BETA = -6.000 ELV-LI = 10.000
 ELV-LO = 9.000 ELV-RI = 10.000
 ELV-RO = 9.000

RUN NO. 255/ 0 RN/L = 4.08 GRADIENT INTERVAL = -5.00/ 5.00

MACH	ALPHA	CPB1	CPB2	CPB3	CPB4,5	CPB6	CPB7	CPB8	CPCO	CAU	BETA
.975	-9.257	.00000	.00000	.00000	.00000	.00000	.00000	.00000	.00000	.44359	-6.62526
.976	-6.957	.00000	.00000	.00000	.00000	.00000	.00000	.00000	.00000	.44157	-6.64464
.976	-4.698	.00000	.00000	.00000	.00000	.00000	.00000	.00000	.00000	.43724	-6.65639
.975	-2.446	.00000	.00000	.00000	.00000	.00000	.00000	.00000	.00000	.43315	-6.64748
.975	-.218	.00000	.00000	.00000	.00000	.00000	.00000	.00000	.00000	.43142	-6.63318
.975	2.017	.00000	.00000	.00000	.00000	.00000	.00000	.00000	.00000	.42789	-6.62272
.975	4.248	.00000	.00000	.00000	.00000	.00000	.00000	.00000	.00000	.42318	-6.61308
	GRADIENT	.00000	.00000	.00000	.00000	.00000	.00000	.00000	.00000	-.00149	.00498

RUN NO. 253/ 0 RN/L = 4.20 GRADIENT INTERVAL = -5.00/ 5.00

MACH	ALPHA	CPB1	CPB2	CPB3	CPB4,5	CPB6	CPB7	CPB8	CPCO	CAU	BETA
1.149	-7.133	.00000	.00000	.00000	.00000	.00000	.00000	.00000	.00000	.50486	-6.69856
1.149	-4.837	.00000	.00000	.00000	.00000	.00000	.00000	.00000	.00000	.50199	-6.70858
1.149	-2.532	.00000	.00000	.00000	.00000	.00000	.00000	.00000	.00000	.50122	-6.70768
1.149	-.244	.00000	.00000	.00000	.00000	.00000	.00000	.00000	.00000	.49806	-6.69249
1.149	2.022	.00000	.00000	.00000	.00000	.00000	.00000	.00000	.00000	.49387	-6.68333
	GRADIENT	.00000	.00000	.00000	.00000	.00000	.00000	.00000	.00000	-.00120	.00397

RUN NO. 251/ 0 RN/L = 4.21 GRADIENT INTERVAL = -5.00/ 5.00

MACH	ALPHA	CPB1	CPB2	CPB3	CPB4,5	CPB6	CPB7	CPB8	CPCO	CAU	BETA
1.205	-9.559	.00000	.00000	.00000	.00000	.00000	.00000	.00000	.00000	.51465	-6.70205
1.205	-7.181	.00000	.00000	.00000	.00000	.00000	.00000	.00000	.00000	.51170	-6.70756
1.205	-4.849	.00000	.00000	.00000	.00000	.00000	.00000	.00000	.00000	.50950	-6.71329
1.205	-2.536	.00000	.00000	.00000	.00000	.00000	.00000	.00000	.00000	.50870	-6.70450
1.205	-.259	.00000	.00000	.00000	.00000	.00000	.00000	.00000	.00000	.50633	-6.69027
1.205	2.015	.00000	.00000	.00000	.00000	.00000	.00000	.00000	.00000	.50298	-6.68345
1.205	4.306	.00000	.00000	.00000	.00000	.00000	.00000	.00000	.00000	.49314	-6.67166
	GRADIENT	.00000	.00000	.00000	.00000	.00000	.00000	.00000	.00000	-.00168	.00456

LARC 8FT TPT 749 (1A93) OTSAT130+TS1-BASE TUBES

(RJJ066) (24 JUN 76)

REFERENCE DATA

PARAMETRIC DATA

SREF = 2690.0000 SQ.FT. XMRP = 976.0000 IN. XT
 LREF = 1290.3000 INCHES YMRP = .0000 IN. YT
 BREF = 1290.3000 INCHES ZMRP = 400.0000 IN. ZT
 SCALE = .0100

BETA = .000 ELV-L1 = 10.000
 ELV-LO = 9 000 ELV-R1 = 10.000
 ELV-RO = 9 000

RUN NO. 254/ 0 RN/L = 4.08 GRADIENT INTERVAL = -5.00/ 5 00

MACH	ALPHA	CPB1	CPB2	CPB3	CPB4,5	CPB6	CPB7	CPB8	CPCO	CAU	BETA
.974	-9.180	.00000	.00000	.00000	.00000	.00000	.00000	.00000	.00000	44249	-.06473
.975	-6.901	.00000	.00000	.00000	.00000	.00000	.00000	.00000	.00000	43694	-.06089
.975	-4.641	.00000	.00000	.00000	.00000	.00000	.00000	.00000	.00000	42883	-.05055
.975	-2.442	.00000	.00000	.00000	.00000	.00000	.00000	.00000	.00000	42340	-.03260
.975	- 218	.00000	.00000	.00000	.00000	.00000	.00000	.00000	.00000	42001	-.02716
.975	2.009	.00000	.00000	.00000	.00000	.00000	.00000	.00000	.00000	41513	-.02745
.975	4 216	.00000	.00000	.00000	.00000	.00000	.00000	.00000	.00000	41029	-.02860
	GRADIENT	.00000	.00000	.00000	.00000	.00000	.00000	.00000	.00000	- 00205	.00221

RUN NO 252/ 0 RN/L = 4 21 GRADIENT INTERVAL = -5 00/ 5.00

MACH	ALPHA	CPB1	CPB2	CPB3	CPB4,5	CPB6	CPB7	CPB8	CPCO	CAU	BETA
1.149	-7.059	.00000	.00000	.00000	.00000	.00000	.00000	.00000	.00000	49991	-.05142
1.149	-4 787	.00000	.00000	.00000	.00000	.00000	.00000	.00000	.00000	49596	-.04201
1.149	-2.495	.00000	.00000	.00000	.00000	.00000	.00000	.00000	.00000	49449	-.03074
1.149	-.251	.00000	.00000	.00000	.00000	.00000	.00000	.00000	.00000	49057	-.01968
1.149	2 010	.00000	.00000	.00000	.00000	.00000	.00000	.00000	.00000	48330	-.01495
	GRADIENT	.00000	.00000	.00000	.00000	.00000	.00000	.00000	.00000	- 00185	.00408

RUN NO. 250/ 0 RN/L = 4.22 GRADIENT INTERVAL = -5.00/ 5 00

MACH	ALPHA	CPB1	CPB2	CPB3	CPB4,5	CPB6	CPB7	CPB8	CPCO	CAU	BETA
1.205	-9 429	.00000	.00000	.00000	.00000	.00000	.00000	.00000	.00000	51005	-.03711
1.205	-7.092	.00000	.00000	.00000	.00000	.00000	.00000	.00000	.00000	50519	-.03292
1.205	-4.783	.00000	.00000	.00000	.00000	.00000	.00000	.00000	.00000	50251	-.02484
1.205	-2.502	.00000	.00000	.00000	.00000	.00000	.00000	.00000	.00000	50023	-.01231
1.205	- 247	.00000	.00000	.00000	.00000	.00000	.00000	.00000	.00000	49738	-.00388
1.205	1.997	.00000	.00000	.00000	.00000	.00000	.00000	.00000	.00000	49090	.00140
1.205	4.271	.00000	.00000	.00000	.00000	.00000	.00000	.00000	.00000	48266	-.00012
	GRADIENT	.00000	.00000	.00000	.00000	.00000	.00000	.00000	.00000	- 00217	.00279

LARC 8FT TPT 749 (1A93) OTSAT130+TS2

(RJ067) (24 JUN 76)

REFERENCE DATA

SREF = 2690.0000 SQ.FT. XMRP = 976.0000 IN. XT
 LREF = 1290.3000 INCHES YMRP = .0000 IN. YT
 BREF = 1290.3000 INCHES ZMRP = 400.0000 IN. ZT
 SCALE = .0100

PARAMETRIC DATA

BETA = -6.000 ELV-LI = 10.000
 ELV-LO = 9.000 ELV-RI = 10.000
 ELV-RO = 9.000

RUN NO. 241/ 0 RN/L = 4.81 GRADIENT INTERVAL = -5.00/ 5.00

MACH	ALPHA	CPB1	CPB2	CPB3	CPB4.5	CPB6	CPB7	CPB8	CPCO	CAU	BETA
.975	-9.495	-.37246	-.37516	-.38209	-.53693	-.52084	-.49327	-.50325	-.36620	.44480	-6.68574
.975	-7.128	-.35456	-.36037	-.35994	-.53911	-.51819	-.46047	-.45923	-.35157	.44044	-6.70699
.975	-4.832	-.34083	-.35140	-.34572	-.53733	-.50739	-.44275	-.43747	-.34260	.43738	-6.70794
.975	-2.534	-.32772	-.34369	-.33555	-.52858	-.48697	-.43165	-.43183	-.33364	.43322	-6.70189
.975	-.224	-.32010	-.33634	-.32961	-.52959	-.47957	-.42532	-.42365	-.32593	.43163	-6.68095
.975	2.026	-.32202	-.33685	-.33179	-.52801	-.47887	-.41644	-.40819	-.32715	.42802	-6.66988
.975	4.321	-.32683	-.33753	-.33580	-.54341	-.48608	-.41882	-.40125	-.32906	.42324	-6.65900
	GRADIENT	.00148	.00152	00104	-.00050	.00222	00276	00420	.00147	-.00146	.00568

LARC 8FT TPT 749 (1A93) OTSAT130+TS2

(RJ068) (24 JUN 76)

REFERENCE DATA

SREF = 2690.0000 SQ.FT. XMRP = 976.0000 IN. XT
 LREF = 1290.3000 INCHES YMRP = .0000 IN. YT
 BREF = 1290.3000 INCHES ZMRP = 400.0000 IN. ZT
 SCALE = .0100

PARAMETRIC DATA

BETA = .000 ELV-LI = 10.000
 ELV-LO = 9.000 ELV-RI = 10.000
 ELV-RO = -9.000

RUN NO. 240/ 0 RN/L = 4.81 GRADIENT INTERVAL = -5.00/ 5.00

MACH	ALPHA	CPB1	CPB2	CPB3	CPB4.5	CPB6	CPB7	CPB8	CPCO	CAU	BETA
.975	-9.384	-.33899	-.35720	-.35503	-.50577	-.46954	-.47210	-.46927	-.34419	.44376	-.07573
.976	-7.072	-.32685	-.34772	-.34073	-.49338	-.45339	-.44943	-.44722	-.33593	.43805	-.06937
.975	-4.786	-.31790	-.34236	-.33225	-.47493	-.43292	-.42559	-.42629	-.33007	.43013	-.05783
.975	-2.509	-.30878	-.34858	-.33053	-.45606	-.41396	-.41247	-.41379	-.32931	.42463	-.03748
.975	-.240	-.30852	-.35098	-.33230	-.45271	-.40883	-.40294	-.40348	-.33275	.42098	-.03078
.975	2.009	-.31309	-.35191	-.33763	-.46738	-.41281	-.39779	-.39710	-.33783	.41682	-.02992
.975	4.279	-.31569	-.34809	-.33890	-.48179	-.42364	-.38816	-.38194	-.33674	.41216	-.03212
	GRADIENT	00001	-.00063	-.00090	-.00110	00087	00395	.00465	-.00096	-.00193	.00261

LARC 8FT TPT 749 (1A93) OTSAT130+TS2

(RJJ069) (24 JUN 76)

REFERENCE DATA

SREF = 2690.0000 SQ.FT. XMRP = 976.0000 IN. XT
 LREF = 1290.3000 INCHES YMRP = .0000 IN. YT
 BREF = 1290.3000 INCHES ZMRP = 400 0000 IN. ZT
 SCALE = .0100

PARAMETRIC DATA

BETA = 6.000 ELV-LI = 10.000
 ELV-LO = 9.000 ELV-RI = 10.000
 ELV-RO = 9.000

RUN NO. 229/ 0 RN/L = 4.08 GRADIENT INTERVAL = -5.00/ 5.00

MACH	ALPHA	CPB1	CPB2	CPB3	CPB4.5	CPB6	CPB7	CPB8	CPCO	CAU	BETA
.976	-9.254	-.39073	-.38863	-.39049	-.42060	-.36006	-.47435	-.46526	-.37601	.44482	6.49587
.976	-6.967	-.36881	-.36934	-.37277	-.40950	-.35660	-.45114	-.44289	-.35930	.44027	6.53140
.976	-4.694	-.33870	-.35492	-.35537	-.40336	-.35440	-.43474	-.42856	-.34363	.43601	6.56288
.976	-2.456	-.31999	-.34587	-.34189	-.39671	-.34402	-.42426	-.42036	-.33437	.43106	6.58237
.975	-.213	-.30604	-.33599	-.32912	-.39315	-.33312	-.41706	-.41378	-.32479	.42549	6.59269
.975	2.004	-.30568	-.33263	-.32845	-.40139	-.34186	-.40823	-.39449	-.32173	.42135	6.59376
.975	4.253	-.31160	-.33479	-.33310	-.41864	-.36056	-.40477	-.38658	-.32401	.41702	6.57877
	GRADIENT	.00307	.00239	.00259	-.00158	-.00045	.00340	.00491	.00232	-.00213	.00193

LARC 8FT TPT 749 (1A93) OTSAT130+TS2

(RJJ070) (24 JUN 76)

REFERENCE DATA

SREF = 2690.0000 SQ FT. XMRP = 976.0000 IN. XT
 LREF = 1290.3000 INCHES YMRP = .0000 IN. YT
 BREF = 1290.3000 INCHES ZMRP = 400 0000 IN. ZT
 SCALE = .0100

PARAMETRIC DATA

BETA = -6.000 ELV-LI = 10.000
 ELV-LO = 9.000 ELV-RI = 10.000
 ELV-RO = 9.000

RUN NO. 243/ 0 RN/L = 2.04 GRADIENT INTERVAL = -5.00/ 5.00

MACH	ALPHA	CPB1	CPB2	CPB3	CPB4.5	CPB6	CPB7	CPB8	CPCO	CAU	BETA
.974	-8.595	-.36390	-.37283	-.38458	-.51836	-.50771	-.47746	-.48598	-.36552	.44585	-6.36084
.974	-6.459	-.35113	-.36258	-.36937	-.52430	-.50888	-.45975	-.45957	-.35360	.44282	-6.38542
.975	-4.310	-.33744	-.35036	-.35032	-.52976	-.50380	-.43811	-.43380	-.34220	.43855	-6.39845
.975	-2.199	-.32447	-.34115	-.33864	-.52313	-.48515	-.42666	-.42110	-.33174	.43244	-6.39974
.974	-.093	-.31673	-.33281	-.33030	-.52451	-.48033	-.41892	-.41171	-.32339	.42917	-6.39672
.974	2.021	-.31561	-.33003	-.32586	-.52210	-.47875	-.41176	-.39896	-.32185	.42530	-6.39206
.974	4.149	-.31737	-.33262	-.32742	-.53121	-.48038	-.41253	-.39247	-.32444	.42112	-6.38071
	GRADIENT	.00232	.00220	.00277	-.00009	.00252	.00312	.00496	.00215	-.00199	.00204

LARC 8FT TPT 749 (IA93) OTSAT130+152

(RJJ071) (24 JUN 76)

REFERENCE DATA

SREF = 2690.0000 SQ.FT. XMRP = 976.0000 IN. XT
 LREF = 1290.3000 INCHES YMRP = .0000 IN. YT
 BREF = 1290.3000 INCHES ZMRP = 400.0000 IN. ZT
 SCALE = .0100

PARAMETRIC DATA

BETA = .000 ELV-LI = 10.000
 ELV-LO = 9.000 ELV-RI = 10.000
 ELV-RO = 9.000

RUN NO. 242/ 0 RN/L = 2.04 GRADIENT INTERVAL = -5.00/ 5.00

MACH	ALPHA	CPB1	CPB2	CPB3	CPB4,5	CPB6	CPB7	CPB8	CPCO	CAU	BETA
.974	-8.541	-.33289	-.35475	-.35575	-.49458	-.45514	-.45486	-.45220	-.34347	.44082	-.02644
.975	-6.409	-.32254	-.34668	-.34623	-.48306	-.44304	-.44316	-.43947	-.33396	.43634	-.02650
.975	-4.298	-.31276	-.34169	-.33607	-.46892	-.42892	-.42529	-.42057	-.32627	.42898	-.02236
.975	-2.191	-.30488	-.34500	-.33172	-.45629	-.41278	-.40912	-.40730	-.32523	.42388	-.01547
.974	-.096	-.30496	-.34802	-.33161	-.44839	-.40590	-.40035	-.39771	-.32885	.41875	-.01021
.974	2.016	-.30822	-.34505	-.33238	-.45784	-.40830	-.39032	-.38540	-.32921	.41296	-.00892
.974	4.108	-.30940	-.34023	-.33191	-.46887	-.41763	-.38056	-.37004	-.32749	.40823	-.01285
	GRADIENT	.00016	.00014	.00036	-.00007	.00129	.00515	.00585	-.00031	-.00249	.00122

LARC 8FT TPT 749 (IA93) OTSAT130

(SJJ001) (24 JUN 76)

REFERENCE DATA

SREF = 2690.0000 SQ.FT. XMRP = 976.0000 IN. XT
 LREF = 1290.3000 INCHES YMRP = .0000 IN. YT
 BREF = 1290.3000 INCHES ZMRP = 400.0000 IN. ZT
 SCALE = .0100

PARAMETRIC DATA

BETA = .000 ELV-LI = 10.000
 ELV-LO = 9.000 ELV-RI = 10.000
 ELV-RO = 9.000

RUN NO. 1/ 0 RN/L = 4.48 GRADIENT INTERVAL = -5.00/ 5.00

MACH	ALPHA	CYN	CBL	CY	CLMU	CHE1	CHEO	Q(PSF)	BETA	CNU
.599	-8.689	-.00578	.00151	.02059	.13671	.01003	-.00123	591.17629	-.03232	-.45687
.599	-6.523	-.00141	.00037	.01327	.08533	.00830	-.00251	591.75786	-.02844	-.32550
.599	-4.386	.00090	-.00051	.00840	.03845	.00689	-.00323	590.91724	-.02451	-.20359
.599	-2.250	.00293	-.00097	.00150	-.00257	.00517	-.00525	591.33595	-.00931	-.09259
.599	-.095	.00240	-.00096	-.00058	-.04559	.00415	-.00753	591.16326	-.00376	.02539
.599	2.034	-.00019	-.00040	.00361	-.09147	.00365	-.01111	591.17467	-.00713	.14101
.600	4.198	-.00034	-.00071	.00328	-.14105	.00303	-.01578	592.17317	-.01252	.26764
	GRADIENT	-.00026	.00001	-.00038	-.02088	-.00043	-.00144	.10969	.00122	.05482

LARC 8FT TPT 749 (1A93) OTSAT130

(SJJ002) (24 JUN 76)

REFERENCE DATA

SREF = 2690 0000 SQ.FT. XMRP = 976.0000 IN. XT
 LREF = 1290.3000 INCHES YMRP = .0000 IN. YT
 BREF = 1290.3000 INCHES ZMRP = 400.0000 IN. ZT
 SCALE = .0100

PARAMETRIC DATA

BETA = -6.000 ELV-L1 = 10.000
 ELV-LO = 9.000 ELV-R1 = 10.000
 ELV-RO = 9.000

RUN NO 4/ 0 RN/L = 3.16 GRADIENT INTERVAL = -5.00/ 5.00

MACH	ALPHA	CYN	CBL	CY	CLMU	CHE1	CHEO	Q(PSF)	BETA	CNU
.598	-8.545	-.10508	03110	.25205	.12269	.01681	-.00046	416.97840	-6.32910	-.44351
.599	-6.408	-.10243	03239	.24928	.07091	01533	-.00182	418.07506	-6.36194	-.31594
.599	-4.305	-.09774	.03313	.24187	.02896	.01418	-.00337	418.23305	-6.37863	-.20072
.599	-2.192	-.09676	.03453	.23663	-.01447	.01291	-.00587	417.48524	-6.38399	-.08467
.599	-.054	-.09937	.03651	.23462	-.05821	.01148	-.00872	417.56998	-6.38429	.03524
.599	2.036	-.10046	03848	.23316	-.10151	.01062	-.01158	417.48687	-6.38033	.14811
.599	4.168	-.10222	04226	.24044	-.15216	.00990	-.01657	417.48849	-6.38299	.27636
	GRADIENT	-.00060	00105	-.00030	-.02122	-.00051	-.00152	-.07023	-.00024	.05606

RUN NO 11/ 0 RN/L = 3.97 GRADIENT INTERVAL = -5.00/ 5.00

MACH	ALPHA	CYN	CBL	CY	CLMU	CHE1	CHEO	Q(PSF)	BETA	CNU
.899	-9.015	-.12319	03215	.29416	.15613	.02074	-.00415	710.44913	-6.51832	-.53142
.899	-6.714	-.11879	03388	.29039	.09647	.02354	00365	710.05573	-6.55943	-.37537
.899	-4.575	-.11309	.03550	.27656	.04750	.02446	00199	710.26155	-6.56484	-.24304
.900	-2.377	-.10944	03689	.26727	-.00947	.02513	.00150	710.56809	-6.56514	-.10476
.899	-.186	-.10814	03936	.26091	-.06523	.02556	-.00307	710.31194	-6.55945	.03310
.899	2.059	-.10615	04189	.25592	-.12353	.02380	-.01284	709.73991	-6.54399	.17496
.900	4.306	-.10850	04454	.26232	-.17103	.01374	-.03204	710.97509	-6.53968	.31453
	GRADIENT	00056	00104	-.00179	-.02482	-.00103	-.00372	02730	.00322	06284

RUN NO. 16/ 0 RN/L = 4.07 GRADIENT INTERVAL = -5.00/ 5.00

MACH	ALPHA	CYN	CBL	CY	CLMU	CHE1	CHEO	Q(PSF)	BETA	CNU
.975	-9.233	-.14203	.03776	.33129	.19099	.00961	-.00811	766.85124	-6.58705	-.60120
.976	-6.943	-.12658	.03908	.31105	.12024	.01592	-.00625	767.54847	-6.60849	-.42193
.976	-4.684	-.11523	.03932	.29304	.06689	.03231	-.00279	767.60844	-6.61849	-.27137
.975	-2.444	-.10446	.04008	.27332	.01256	.03061	-.00234	767.33083	-6.61079	-.12398
.975	-.205	-.10163	.04106	.26206	-.04527	.01804	-.00550	767.36078	-6.59754	.02162
.975	2.029	-.09843	04212	.25707	-.10072	.00375	-.01494	767.05443	-6.58108	.16262
.975	4.275	-.09660	.04463	.25743	-.15867	-.00999	-.03810	766.86916	-6.57042	.31100
	GRADIENT	00193	00057	-.00391	-.02521	-.00498	-.00372	-.07838	.00562	06482

ORIGINAL PAGE IS
OF POOR QUALITY.

LARC 8FT TPT /49 (1A93) OTSAF130

(SJJ002) (24 JUN 76)

REFERENCE DATA

PARAMETRIC DATA

SREF = 2690.0000 SQ FT. XMRP = 976 0000 IN. XT
 LREF = 1290.3000 INCHES YMRP = .0000 IN. YT
 BREF = 1290.3000 INCHES ZMRP = 400.0000 IN. ZT
 SCALE = .0100

BETA = -6.000 ELV-LI = 10.000
 ELV-LO = 9.000 ELV-RI = 10.000
 ELV-RO = 9.000

RUN NO. 27/ 0 RN/L = 4.23 GRADIENT INTERVAL = -5.00/ 5.00

MACH	ALPHA	CYN	CBL	CY	CLMU	CHEI	CHEO	Q(PSF)	BETA	CNU
1.149	-7 118	-.12492	.04216	30874	.13897	04403	-.00686	862 62866	-6.65426	-.44921
1.149	-4 803	-.11447	04412	29135	.07204	.03834	- 01851	862 68350	-6.66103	-.27773
1 150	-2 522	-.10962	.04675	27983	01783	.03312	-.03109	862 88116	-6.66026	-.12492
1.149	-.225	-.10984	.04692	.27165	-.04003	02473	-.03941	862.41361	-6.64463	.02420
1.149	2 025	-.11124	.04783	27337	-.09653	.01528	- 04749	862 51095	-6.64187	.16939
	GRADIENT	.00042	00050	- 00273	- 02474	-.00340	- 00418	-.04337	00321	.06543

RUN NO 30/ 0 RN/L = 4.22 GRADIENT INTERVAL = -5.00/ 5.00

MACH	ALPHA	CYN	CBL	CY	CLMU	CHEI	CHEO	Q(PSF)	BETA	CNU
1.205	-9 542	-.14238	.04042	33765	.23409	.04855	- 00690	882 62361	-6.65151	-.66985
1.205	-7 166	-.12801	.04333	31190	14329	.04209	-.01488	882 72083	-6.65944	-.45903
1.205	-4 833	- 11723	04518	29511	07453	03612	- 02667	882 52238	-6 66734	-.28185
1.205	-2 524	-.11215	04682	28298	.01674	.03116	-.03823	882.77910	-6.66330	- 12200
1.205	- 240	-.11395	04713	27888	-.03961	.02505	-.04595	882.82005	-6 65667	02681
1.205	2.032	-.11503	04795	.27713	-.09133	.01650	-.05346	882 67122	-6 64637	.16670
1.205	4.304	-.11155	04959	.27799	-.14527	.00679	-.06009	882.78118	-6 64136	.30744
	GRADIENT	.00037	.00044	-.00176	-.02399	-.00321	-.00360	.01803	.00302	.06428

LARC 8FT TPT 749 (IA93) OTSAT130

(SJJ003) (24 JUN 76)

REFERENCE DATA

SREF = 2690.0000 SQ.FT. XMRP = 976.0000 IN. XT
 LREF = 1290.3000 INCHES YMRP = .0000 IN. YT
 BREF = 1290.3000 INCHES ZMRP = 400 0000 IN. ZT
 SCALE = .0100

PARAMETRIC DATA

BETA = -4.000 ELV-LI = 10.000
 ELV-LO = 9.000 ELV-RI = 10.000
 ELV-RO = 9.000

MACH		ALPHA	CYN	CBL	CY	CLMU	CHEI	CHEO	Q(PSF)	BETA	CNU
RUN NO.		3/ 0	RN/L = 3.16		GRADIENT INTERVAL = -5.00/ 5.00						
.599	-8.500	-.07428	.02097	.17630	.12180	.01535	-.00064	417 65308	-4.24598	-.43653	
.599	-6.391	-.07169	.02174	.17334	.07356	.01407	-.00174	417.31739	-4.26440	-.31333	
.599	-4.283	-.06754	.02173	.16696	.03077	.01249	-.00311	417 40213	-4.27565	-.19602	
.599	-2.162	-.06476	.02206	.15829	-.01020	.01047	-.00513	417 65633	-4.27784	-.08521	
.599	-.077	-.06533	.02335	.15516	-.05172	.00947	-.00780	417.65633	-4.28149	.02891	
.599	2 029	-.06772	.02527	.15718	-.09785	.00860	-.01120	417 90563	-4.28189	.14569	
.599	4 138	-.06647	.02707	.15777	-.14516	.00760	-.01555	417 57160	-4.27648	.26623	
.599	GRADIENT	-.00004	.00066	-.00093	-.02090	-.00055	-.00147	.02798	-.00027	.05493	

MACH		ALPHA	CYN	CBL	CY	CLMU	CHEI	CHEO	Q(PSF)	BETA	CNU
RUN NO.		10/ 0	RN/L = 3.97		GRADIENT INTERVAL = -5.00/ 5.00						
.900	-8.999	-.08719	.02008	.20640	.16843	.01669	-.00653	710 79679	-4.37029	-.53802	
.900	-6.786	-.07995	.02105	.19456	.11060	.01971	.00456	711.23101	-4.38110	-.38846	
.899	-4.539	-.07642	.02275	.18711	.05414	.02042	.00311	710 17474	-4.38537	-.24366	
.899	-2.273	-.07318	.02395	.18017	-.00811	.02060	.00054	709 79036	-4.38684	-.09940	
.899	-.144	-.07094	.02534	.17279	-.06322	.02043	-.00172	709 68945	-4.37765	.03148	
.900	2 146	-.06817	.02681	.16931	-.12923	.02024	-.01348	710 46304	-4.37060	.18644	
.899	4 252	-.06907	.02777	.17175	-.17288	.01223	-.02823	710 24334	-4.36508	.31129	
.899	GRADIENT	.00090	.00059	-.00190	-.02616	-.00075	-.00348	.03711	.00258	.06341	

MACH		ALPHA	CYN	CBL	CY	CLMU	CHEI	CHEO	Q(PSF)	BETA	CNU
RUN NO.		15/ 0	RN/L = 4.08		GRADIENT INTERVAL = -5.00/ 5.00						
.975	-9.195	-.09961	.02570	.23211	.19934	.00820	-.00892	767 06797	-4.44138	-.60002	
.976	-6.911	-.08603	.02608	.21348	.12772	.01335	-.00715	767.56347	-4.45135	-.41999	
.975	-4.664	-.07620	.02545	.19602	.07463	.02500	-.00515	766 87061	-4.45264	-.27191	
.975	-2.429	-.06924	.02614	.18233	.02240	.02483	-.00510	767.25459	-4.44714	-.12906	
.975	-.207	-.06940	.02712	.17634	-.03605	.01437	-.00575	767.00812	-4.43688	.01285	
.975	2 040	-.06702	.02692	.17252	-.09445	.00133	-.01168	766 77797	-4.43007	.15626	
.975	4 262	-.06272	.02766	.16996	-.15331	-.01233	-.03097	766.66886	-4.42548	.30354	
.975	GRADIENT	.00131	.00023	-.00277	-.02566	-.00440	-.00261	-.03943	.00320	.06434	

LARC BFT TPT 749 (1A93) OTSAT130

(SJJ003) (24 JUN 76)

REFERENCE DATA

SREF = 2690.0000 SQ.FT. XMRP = 976.0000 IN. XT
 LREF = 1290 3000 INCHES YMRP = .0000 IN. YT
 BREF = 1290 3000 INCHES ZMRP = 400.0000 IN. ZT
 SCALE = .0100

PARAMETRIC DATA

BETA = -4.000 ELV-LI = 10.000
 ELV-LO = 9.000 ELV-RI = 10.000
 ELV-RO = 9.000

RUN NO. 26/ 0 RN/L = 4.17 GRADIENT INTERVAL = -5.00/ 5.00

MACH	ALPHA	C/N	CBL	CY	CLMU	CHEI	CHEO	Q(PSF)	BETA	CNU
1.149	-7.114	-.08190	02673	.20713	.14942	.04182	- 00378	862.47332	-4.45272	-.45429
1.149	-4.784	-.07479	.02860	.19449	.08130	.03529	- .01150	862.45288	-4.45301	-.28049
1.149	-2.503	-.07264	.03058	.18569	.02314	.03043	- .02352	862.41526	-4.44740	-.12573
1.149	-.238	-.07682	03092	.18293	- 03560	.02347	- .03418	862.70553	-4.43810	-.02287
1.149	2.030	-.07766	03127	.18261	- 09192	01500	- .04218	862.45288	-4.43458	-.16591
	GRADIENT	-.00056	00037	-.00169	- 02547	- 00299	- .00452	.01278	.00284	06552

RUN NO. 29/ 0 RN/L = 4.22 GRADIENT INTERVAL = -5.00/ 5.00

MACH	ALPHA	CYN	CBL	CY	CLMU	CHEI	CHEO	Q(PSF)	BETA	CNU
1.205	-9.473	- 09087	02569	.22242	23361	.04690	- 00323	882.28301	-4.43404	-.65647
1.205	-7.114	-.08426	02881	.21047	14947	.04032	- .00964	882.87831	-4.44578	-.45394
1.205	-4.797	-.07664	.02959	.19804	08093	.03423	- .02039	882.28301	-4.45019	-.28034
1.205	-2.488	-.07329	.03030	.18669	01916	.03035	- .03134	882.50294	-4.43839	-.11796
1.205	-.235	-.07741	03078	.18446	-.03584	.02498	- 04018	882.89984	-4.42812	-.02482
1.205	2.026	-.07971	03188	.18640	- .08899	.01752	- 04888	882.69065	-4.42409	-.16484
1.205	4.297	-.07588	.03270	.18407	- .14359	.00659	- 05612	882.70339	-4.41721	-.30556
	GRADIENT	-.00021	00034	-.00125	- .02455	- .00300	- .00392	.04539	.00354	.06408

LARC 8FT TPT 749 (1A93) OTSAT130

(SJJ004) (30 JUN 76)

REFERENCE DATA

SREF = 2690.0000 SQ FT. XMRP = 976.0000 IN. XT
 LREF = 1290.3000 INCHES YMRP = 0000 IN. YT
 BREF = 1290.3000 INCHES ZMRP = 400.0000 IN. ZT
 SCALE = .0100

PARAMETRIC DATA

BETA = .000 ELV-LI = 10 000
 ELV-LO = 9.000 ELV-RI = 10.000
 ELV-RO = 9.000

RUN NO. 0/ 0 RN/L = 3.16 GRADIENT INTERVAL = -5 00/ 5.00

MACH	ALPHA	C/N	CBL	CY	CLMU	CHEI	CHEO	Q(PSF)	BETA	CNU
.600	-8 465	- .00490	.00131	.01952	.13142	.01031	-.00064	418.31449	-.02708	-.44224
.599	-6 364	-.00215	.00055	.01447	.08199	.00876	-.00201	417.40051	-.02286	-.31290
.599	-4 260	.00084	-.00041	.00900	.03895	.00788	-.00283	418 06854	-.01839	-.20164
.599	-2 164	.00106	-.00045	.00563	-.00320	.00588	-.00457	417 57160	-.00720	-.08950
.600	-.076	.00271	-.00099	.00003	-.04485	.00487	-.00686	418.49532	-.00407	.02297
.599	2.023	.00210	-.00123	-.00103	-.09100	.00444	-.01019	417 82253	-.00207	.13952
.599	4 126	-.00011	-.00072	.00390	-.14027	.00359	-.01491	417 40700	-.00682	.26146
	GRADIENT	-.00004	-.00007	-.00080	-.02129	-.00048	-.00142	-.05129	.00135	.05512

RUN NO 0/ 0 RN/L = 3 97 GRADIENT INTERVAL = -5 00/ 5.00

MACH	ALPHA	CYN	CBL	CY	CLMU	CHEI	CHEO	Q(PSF)	BETA	CNU
.899	-8 945	- .00641	.00109	.02112	.18184	.00431	-.01242	708.73357	-.02337	-.54685
.900	-6.743	- .00294	.00034	.01470	.12313	.00641	-.00145	710 64140	-.01851	-.39837
.900	-4.529	-.00011	-.00031	.01088	.06228	.00590	.00247	710 60020	-.01573	-.24839
.900	-2.338	.00174	-.00063	.00524	.00221	.00177	-.00145	710.43091	-.00309	-.11494
.899	-.151	.00290	-.00122	.00037	-.06056	.00236	-.00502	710 12434	.00718	.02854
.900	2 071	.00291	-.00112	-.00083	-.12957	.00219	-.01368	711.11220	.01383	.17984
.900	4 244	.00277	-.00150	-.00076	-.17606	.00371	-.02322	710.75559	.01805	.31419
	GRADIENT	.00032	-.00013	-.00134	-.02772	-.00018	-.00290	.04545	.00385	.06468

RUN NO. 0/ 0 RN/L = 4.07 GRADIENT INTERVAL = -5.00/ 5.00

MACH	ALPHA	CYN	CBL	CY	CLMU	CHEI	CHEO	Q(PSF)	BETA	CNU
.975	-9.168	-.00475	.00110	.02061	.21237	-.00109	-.00907	767.19333	-.03126	-.60629
.976	-6.890	-.00093	.00046	.01564	.14467	-.00351	-.00936	767.53221	-.02572	-.43374
.976	-4 641	.00300	-.00064	.00956	.08653	-.00070	-.00796	767 63842	-.02188	-.27750
.976	-2 419	.00645	-.00141	.00038	.03290	.00593	-.00721	767 20966	-.00674	-.13657
.975	-.207	.00598	-.00188	-.00331	-.02367	.00164	-.00912	766.85421	.00684	.00172
.975	2.007	.00417	-.00179	-.00250	-.08060	-.00757	-.01168	766 77650	.00968	.14179
.975	4 228	.00151	-.00108	.00118	-.14165	-.02037	-.02043	766 49931	.00763	.28781
	GRADIENT	-.00024	-.00006	-.00089	-.02571	-.00238	-.00133	-.12229	.00340	.06357

LARC 8FT TPT 749 (1A93) OTSAT130

(SJJ004) (30 JUN 76)

REFERENCE DATA

SREF = 2690.0000 SQ.FT. XMRP = 976.0000 IN. XT
 LREF = 1290.3000 INCHES YMRP = .0000 IN. YT
 BREF = 1290.3000 INC-ES ZMRP = 400.0000 IN. ZT
 SCALE = .0100

PARAMETRIC DATA

BETA = .000 ELV-L1 = 10.000
 ELV-LO = 9.000 ELV-R1 = 10.000
 ELV-RO = 9.000

RUN NO. 0/ 0 RN/L = 4.18 GRADIENT INTERVAL = -5.00/ 5.00

MACH	ALPHA	C/N	CBL	CY	CLMU	CHE1	CHE0	Q(PSF)	BETA	CNU
1.150	-7.054	-.00205	.00108	.01602	.16487	.03784	-.00891	862.78542	-.03451	-.46879
1.149	-4.759	.00181	-.00012	.00909	.09737	.03105	-.00405	862.41686	-.02759	-.28933
1.149	-2.484	.00351	-.00083	.00269	.03193	.02668	-.00856	862.41361	-.01395	-.12859
1.149	-.237	.00222	-.00133	-.00045	-.02846	.02389	-.02038	862.76358	-.00391	.01662
1.149	2.010	-.00104	-.00070	.00313	-.08327	.01604	-.03167	862.83888	-.00470	.15672
	GRADIENT	-.00043	-.00010	-.00093	-.02671	-.00212	-.00420	07160	.00349	.06577

RUN NO 0/ 0 RN/L = 4.22 GRADIENT INTERVAL = -5.00/ 5.00

MACH	ALPHA	C/N	CBL	CY	CLMU	CHE1	CHE0	Q(PSF)	BETA	CNU
1.205	-9.396	-.00141	.00131	.01564	.23965	.04487	-.00772	882.75302	-.01524	-.65036
1.205	-7.077	.00111	.00126	.01217	.16358	.03862	-.00454	882.93204	-.01413	-.45939
1.206	-4.756	.00352	.00052	.00736	.09155	.03244	-.00916	883.14571	-.00501	-.28210
1.206	-2.461	.00522	-.00029	.00178	.02601	.02831	-.01637	882.56774	.00683	-.12037
1.205	-.230	.00477	-.00066	-.00281	-.03044	.02580	-.02741	882.71872	.02006	.02154
1.205	2.024	.00088	-.00013	.00126	-.08024	.02057	-.03792	882.85889	.01936	.15441
1.205	4.272	-.00040	-.00006	.00323	-.13293	.01195	-.04625	882.83080	.01916	.29489
	GRADIENT	-.00054	-.00004	-.00039	-.02464	-.00216	-.00425	-.01526	.00270	.06339

LARC BFT TPT /49 (1A93) OTSAT130

(SJJ005) (24 JUN 76)

REFERENCE DATA

SREF = 2690.0000 SQ.FT. XMRP = 976.0000 IN. XT
 LREF = 1290.3000 INCHES YMRP = .0000 IN. YT
 BREF = 1290.3000 INCHES ZMRP = 400.0000 IN. ZT
 SCALE = .0100

PARAMETRIC DATA

BETA = 4.000 ELV-L1 = 10.000'
 ELV-LO = 9.000 ELV-R1 = 10.000'
 ELV-RO = 9.000

RUN NO. 5/ 0 RN/L = 3.16 GRADIENT INTERVAL = -5.00/ 5.00

MACH	ALPHA	CYN	CBL	CY	CLMU	CHE1	CHEO	Q(PSF)	BETA	CNU
.599	-8 491	.06235	- 01585	-.13172	.12628	.00617	-.00201	417 82253	4.18950	-.44175
.599	-6.379	.06224	- 01792	-.13232	.07748	.00387	-.00319	417 82416	4.21050	-.31588
.598	-4.290	.06349	-.02009	-.13611	.03629	.00230	-.00366	417.15276	4.22699	-.20680
.598	-2.181	.06604	-.02253	-.14194	-.01005	.00201	-.00476	417 06478	4.24023	-.08587
.598	-.077	.06771	- 02454	-.14744	-.05317	.00201	-.00670	417.24075	4.24736	.02855
.599	2 029	.06740	- 02606	-.14694	-.09995	.00115	-.01001	417.56510	4.24553	.14682
.599	4 132	.06358	- 02659	-.14143	-.14459	.00029	-.01416	417.74431	4.23661	.26040
	GRADIENT	.00007	- 00079	-.00074	-.02145	-.00023	-.00125	.07995	.00117	.05543

RUN NO. 8/ 0 RN/L = 3.97 GRADIENT INTERVAL = -5.00/ 5.00

MACH	ALPHA	CYN	CBL	CY	CLMU	CHE1	CHEO	Q(PSF)	BETA	CNU
.900	-8 993	.07277	- 01643	-.15530	.17164	-.00867	-.01331	710.40357	4.29420	-.54387
.900	-6.785	.07126	- 01916	-.15692	.11340	-.00758	-.00621	710.61844	4.32445	-.39133
.900	-4.515	.06935	-.02197	-.15364	.05484	-.00758	-.00393	710.56809	4.33690	-.24309
.901	-2 357	.06995	- 02430	-.15920	-.00325	-.00892	-.00436	711.35895	4.35666	-.10982
.900	- 191	.06953	- 02610	-.16059	-.06260	-.00985	-.00680	710 76472	4.36283	.02704
.899	2 058	.06830	- 02722	-.15911	-.12827	- 01087	- 01083	709.83580	4.36101	.17534
.900	4 229	.06797	- 02805	-.15849	-.17969	- 01044	- 01715	710 79679	4.34847	.31463
	GRADIENT	-.00020	- 00069	-.00044	- 02713	-.00035	-.00150	-.04932	.00124	.06395

RUN NO 13/ 0 RN/L = 4 08 GRADIENT INTERVAL = -5.00/ 5.00

MACH	ALPHA	CYN	CBL	CY	CLMU	CHE1	CHEO	Q(PSF)	BETA	CNU
.975	-9 194	.08233	-.02027	-.17686	.20027	-.01326	-.00982	767 09789	4.34619	-.60162
.976	-6 921	.07986	-.02279	-.17393	.13223	- 01762	- 01032	767 45597	4.37409	-.42900
.975	-4 657	.07742	- 02516	-.17009	.07410	- 01966	- 00982	766 94826	4.38961	-.27354
.975	-2 421	.07644	-.02771	-.17042	.02024	-.02012	-.01022	767.05443	4.40296	-.12919
.975	- 206	.07688	- 02965	-.17366	-.03606	-.01654	-.01213	766 99316	4.41341	.01251
.975	2 013	.07131	- 02898	-.16807	-.09205	-.01926	- 01815	767 25321	4.40923	.15054
.975	4 252	.06211	-.02814	-.15757	-.15587	- 02450	- 02765	766 83779	4.39216	.30407
	GRADIENT	-.00161	-.00032	.00123	-.02572	-.00040	- 00196	- 00104	.00051	.06449

LARC 8FT TPT 749 (IA93) OTSAT130

(SJJ005) (24 JUN 76)

REFERENCE DATA

SREF = 2690.0000 SQ.FT. XMRP = 976 0000 IN. XT
 LREF = 1290 3000 INCHES YMRP = .0000 IN. YT
 BREF = 1290.3000 INCHES ZMRP = 400.0000 IN. ZT
 SCALE = .0100

PARAMETRIC DATA

BETA = 4.000 ELV-LI = 10.000
 ELV-LO = 9.000 ELV-RI = 10.000
 ELV-RO = 9 000

RUN NO. 24/ 0 RN/L = 4.17 GRADIENT INTERVAL = -5.00/ 5 00

MACH	ALPHA	CYN	CBL	CY	CLMU	CHE1	CHE0	Q(PSF)	BETA	CNU
1.149	-7 096	.07546	-.02211	-.16766	.15669	.02543	-.00909	862.37501	4.39050	-.46080
1.149	-4.786	.07543	-.02652	-.16820	.08519	.02077	-.00695	862.56901	4.41042	-.28445
1.149	-2 493	.07651	-.03008	-.17087	.02235	.01660	-.00230	862.51095	4.42809	-.12556
1.149	-.243	.07764	-.03156	-.17462	-.03381	.00959	-.00726	862.43241	4.43315	.01889
1.149	2 018	.07652	-.03168	-.17332	-.09238	.00264	-.01869	862.52975	4.43485	.16484
	GRADIENT	.00019	-.00075	-.00084	-.02599	-.00271	-.00177	-.00869	.00346	.06586

RUN NO. 31/ 0 RN/L = 4.22 GRADIENT INTERVAL = -5.00/ 5 00

MACH	ALPHA	CYN	CBL	CY	CLMU	CHE1	CHE0	Q(PSF)	BETA	CNU
1.205	-9.485	.08010	-.019 3	-.17577	.23638	.03490	-.00602	882 62161	4 38876	-.65948
1.205	-7.119	.08004	-.02325	-.17440	.15687	.03083	-.00794	882 61952	4 40968	-.46163
1.205	-4.803	.07903	-.02654	-.17338	.08543	.02655	-.00402	882 40167	4.42885	-.28604
1 205	-2.509	.07906	-.02922	-.17393	.02203	.02315	-.00463	882 70139	4.44371	-.12519
1 205	-.235	.08038	-.03096	-.17788	-.03354	.01840	-.01327	882.57199	4 45322	.02208
1 205	2.022	.08031	-.03158	-.17861	-.08705	.01147	-.02510	882.61289	4 45467	16019
1 205	4.280	.07624	-.03189	-.17454	-.14205	.00428	-.03526	882.83080	4.44486	30001
	GRADIENT	-.00019	-.00058	-.00031	-.02485	-.00248	-.00365	.03394	.00190	06422

LARC 8FT TPT 749 (1A93) OTSAT130

(SJJ006) (24 JUN 76)

REFERENCE DATA

SREF = 2690.0000 SQ.FT. XMRP = 976.0000 IN. XT
 LREF = 1290.3000 INCHES YMRP = .0000 IN. YT
 BREF = 1290.3000 INCHES ZMRP = 400.0000 IN. ZT
 SCALE = .0100

PARAMETRIC DATA

BETA = 6.000 ELV-L1 = 10.000
 ELV-LO = 9.000 ELV-RI = 10.000
 ELV-RO = 9.000

RUN NO. 6/ 0 RN/L = 3.16 GRADIENT INTERVAL = -5.00/ 5.00

MACH	ALPHA	CYN	CBL	CY	CLMU	CHE1	CHEO	Q(PSF)	BETA	CNU
.599	-8.530	.09315	-.02502	-.20285	.12753	.00445	-.00247	417.48524	6.29740	-.45116
.599	-6.422	.09364	-.02777	-.20501	.07677	.00301	-.00347	417.65146	6.33191	-.32419
.599	-4.297	.09473	-.03062	-.20928	.03256	.00158	-.00384	417.56998	6.35996	-.20583
.599	-2.196	.09756	-.03379	-.21611	-.01267	.00100	-.00494	417.48849	6.37748	-.08975
.599	-.080	.10149	-.03661	-.22244	-.05818	.00029	-.00551	417.48849	6.39778	.03003
.599	2.048	.10153	-.03903	-.22296	-.10616	-.00100	-.01001	417.57160	6.38336	.15273
.599	4.157	.09868	-.04134	-.21868	-.15569	-.00143	-.01417	417.56510	6.36954	.27733
	GRADIENT	.00056	-.00126	-.00121	-.02222	-.00038	-.00122	00349	00118	.05715

RUN NO. 9/ 0 RN/L = 3.97 GRADIENT INTERVAL = -5.00/ 5.00

MACH	ALPHA	CYN	CBL	CY	CLMU	CHE1	CHEO	Q(PSF)	BETA	CNU
.900	-9.055	.11001	-.02747	-.24043	.16874	-.01195	-.01450	710.71910	6.42430	-.54657
.900	-6.800	.10857	-.03017	-.24083	.11205	-.00909	-.00724	710.46304	6.46274	-.39567
.899	-4.569	.10722	-.03360	-.23992	.05652	-.01002	-.00562	710.44913	6.48821	-.25253
.899	-2.408	.10771	-.03667	-.24336	.00053	-.01078	-.00556	710.20691	6.50933	-.11880
.899	-.161	.10685	-.03937	-.24395	-.06368	-.01264	-.00768	709.84079	6.51772	.02847
.899	2.072	.10355	-.04178	-.24064	-.12504	-.01315	-.01121	709.80854	6.51265	.17183
.900	4.265	.10357	-.04255	-.23906	-.17517	-.01211	-.01503	711.37725	6.49526	.31178
	GRADIENT	-.00052	-.00104	.00020	-.02659	-.00030	-.00111	.06568	.00078	.06408

RUN NO 14/ 0 RN/L = 4.08 GRADIENT INTERVAL = -5.00/ 5.00

MACH	ALPHA	CYN	CBL	CY	CLMU	CHE1	CHEO	Q(PSF)	BETA	CNU
.975	-9.243	.12868	-.03265	-.27789	.19776	-.01724	-.01082	767.02309	6.49070	-.60697
.976	-6.962	.12231	-.03514	-.26881	.12945	-.02323	-.01172	767.59345	6.51860	-.43413
.975	-4.688	.11650	-.03819	-.26203	.07069	-.02550	-.01178	767.19333	6.54079	-.27726
.975	-2.427	.11146	-.04126	-.25595	.01462	-.02355	-.01142	767.17698	6.55396	-.12812
.975	-.200	.10899	-.04297	-.25518	-.04390	-.01896	-.01389	766.80933	6.56283	.01693
.975	2.015	.10060	-.04278	-.24663	-.09853	-.01871	-.02086	767.25321	6.55743	.15345
.975	4.276	.09380	-.04394	-.23778	-.15907	-.02107	-.02706	766.65391	6.53649	.30585
	GRADIENT	-.00251	-.00058	.00259	-.02560	.00061	-.00179	-.04495	-.00023	.06472

ORIGINAL PAGE IS
OF POOR QUALITY

LARC 8FT TPT 749 (1A93) OTSAT130

(SJJ006) (24 JUN 76)

REFERENCE DATA

SREF = 2690.0000 SQ FT XMRP = 976.0000 IN. XT
 LREF = 1290.3000 INCHES YMRP = 0000 IN. YT
 BREF = 1290.3000 INCHES ZMRP = 400.0000 IN. ZT
 SCALE = .0100

PARAMETRIC DATA

BETA = 6.000 ELV-L1 = 10.000
 ELV-LO = 9.000 ELV-RI = 10.000
 ELV-RO = 9.000

RUN NO. 25/ 0 RN/L = 4.17 GRADIENT INTERVAL = -5.00/ 5.00

MACH	ALPHA	CYN	CBL	CY	CLMU	CHEI	CHEO	Q(PSF)	BETA	CNU
1.149	-7 138	.11582	-.03515	-.26048	15027	.02209	-.00918	862.52975	6.56422	-.46231
1.149	-4 813	.11242	-.04006	-.25833	08159	.01736	-.00820	862.53138	6.458794	-.28947
1.149	-2.528	.10892	-.04421	-.25518	02152	.01347	-.00346	862.55020	6.60450	-.13132
1.149	- 248	.10986	-.04628	-.25764	-.03847	.00674	-.00467	862.47168	6.61810	.02043
1.149	2 029	.10805	-.04690	-.25800	-.09847	-.00132	-.01356	862.33504	6.62008	.16679
	GRADIENT	-.00053	-.00099	-.00006	-.02632	-.00275	-.00076	-.02926	.00483	.06667

RUN NO. 32/ 0 RN/L = 4.22 GRADIENT INTERVAL = -5.00/ 5.00

MACH	ALPHA	CYN	CBL	CY	CLMU	CHEI	CHEO	Q(PSF)	BETA	CNU
1.205	-9.534	.12815	-.03196	-.28223	23805	.03075	-.00576	882.96020	6.58547	-.67006
1.206	-7 166	.12088	-.03662	-.27026	.15425	.02776	-.00868	882.88693	6.60846	-.46782
1.206	-4 829	.11816	-.04126	-.26735	.08274	.02315	-.00541	882.69714	6.63516	-.29113
1.205	-2.542	.11499	-.04409	-.26431	.02399	.01787	-.00148	882.19248	6.65014	-.13627
1.205	- .247	.11513	-.04609	-.26542	-.03661	.01216	-.00786	882.35408	6.65719	.01962
1.205	2.033	.11432	-.04725	-.26641	-.09284	.00550	-.01841	882.86097	6.65995	.16221
1.205	4.297	.10978	-.04807	-.26121	-.14845	.00027	-.02959	882.63234	6.64226	.30473
	GRADIENT	-.00076	-.00074	.00045	-.02537	-.00255	-.00286	.02359	00106	.06529

LARC 8FT TPT 749 (1A93) OTSAT130

(SJJ007) (24 JUN 76)

REFERENCE DATA

SREF = 2690.0000 SQ.FT. XMRP = 976.0000 IN. XT
 LREF = 1290.3000 INCHES YMRP = .0000 IN YT
 BREF = 1290.3000 INCHES ZMRP = 400.0000 IN ZT
 SCALE = .0100

PARAMETRIC DATA

BETA = -6.000 ELV-LI = 10.000
 ELV-LO = 4.000 ELV-RI = 10.000
 ELV-RO = 4.000

RUN NO. 55/ 0 RN/L = 3.17 GRADIENT INTERVAL = -5.00/ 5.00										
MACH	ALPHA	CYN	CBL	CY	CLMU	CHEI	CHEO	Q(PSF)	BETA	CNU
.600	-8.556	-.10712	.03196	.25364	.14642	.01906	.00911	418.32102	-6.32292	-.47679
.600	-6.435	-.10342	.03312	.25007	.09604	.01732	.00792	418.73958	-6.35334	-.34860
.599	-4.320	-.09883	.03393	.24122	.05234	.01606	.00693	417.90074	-6.36990	-.23055
.599	-2.209	-.09779	.03506	.23671	.00989	.01490	.00555	418.24122	-6.37367	-.11664
.600	-.081	-.10157	.03771	.23592	-.03390	.01361	.00328	418.31939	-6.37426	.00319
.599	2.021	-.10205	.03963	.23566	-.07724	.01290	.00100	418.07017	-6.36937	.11815
.600	4.136	-.10180	.04234	.23686	-.12331	.01218	-.00230	418.32102	-6.35872	.23627
	GRADIENT	-.00048	.00101	-.00046	-.02074	-.00046	-.00109	.03170	.00126	.05527
RUN NO 35/ 0 RN/L = 3.97 GRADIENT INTERVAL = -5.00/ 5.00										
MACH	ALPHA	CYN	CBL	CY	CLMU	CHEI	CHEO	Q(PSF)	BETA	CNU
.899	-9.060	-.12590	.03338	.29609	.17452	.02677	.00639	709.80440	-6.51595	-.55788
.899	-6.831	-.12217	.03502	.29346	.11352	.02888	.01225	709.84079	-6.55357	-.40108
.899	-4.606	-.11501	.03603	.27742	.06352	.02931	.01279	709.53904	-6.56007	-.26546
.899	-2.385	-.11346	.03800	.27243	.00693	.02845	.01358	710.03753	-6.56597	-.12575
.900	-.182	-.11082	.03986	.26307	-.04681	.02962	.01267	710.18869	-6.55663	.01191
.900	2.021	-.10913	.04185	.26020	-.09596	.02852	.00123	710.32587	-6.54562	.14122
.899	4.254	-.11176	.04523	.26507	-.14414	.02068	-.01454	710.12010	-6.53608	.27897
	GRADIENT	.00049	.00101	-.00167	-.02342	-.00078	-.00303	.06550	.00309	.06128
RUN NO 40/ 0 RN/L = 4.08 GRADIENT INTERVAL = -5.00/ 5.00										
MACH	ALPHA	CYN	CBL	CY	CLMU	CHEI	CHEO	Q(PSF)	BETA	CNU
.974	-9.237	-.14291	.03869	.33134	.20828	.01134	.01850	766.46692	-6.58892	-.62089
.975	-6.960	-.12803	.03996	.31186	.13850	.01516	.02053	766.96323	-6.61271	-.44408
.975	-4.711	-.11758	.04068	.29423	.08457	.03096	.02228	766.67035	-6.62058	-.29283
.975	-2.459	-.10680	.04151	.27713	.03052	.03617	.02301	767.29669	-6.62269	-.14465
.975	-.230	-.10493	.04297	.26562	-.02550	.02717	.01674	767.58670	-6.61233	-.00444
.975	2.006	-.10209	.04433	.26170	-.08089	.01625	.00760	767.28173	-6.60390	.13778
.975	4.259	-.09997	.04612	.26073	-.13473	.00813	-.00658	766.83629	-6.59473	.28162
	GRADIENT	.00178	.00061	-.00368	-.02455	-.00293	-.00326	.01412	.00315	.06388

LARC 8FT TPT 749 (1A93) OTSAT130

(SJJ007) (24 JUN 76)

REFERENCE DATA

SREF = 2690.0000 SQ.FT. XMRP = 976 0000 IN. XT
 LREF = 1290.3000 INCHES YMRP = .0000 IN. YT
 BREF = 1290.3000 INCHES ZMRP = 400.0000 IN. ZT
 SCALE = .0100

PARAMETRIC DATA

BETA = -6.000 ELV-LI = 10.000
 ELV-LO = 4.000 ELV-RI = 10.000
 ELV-RO = 4.000

RUN NO. 50/ 0 RN/L = 4.21 GRADIENT INTERVAL = -5.00/ 5.00

MACH	ALPHA	CYN	CBL	CY	CLMU	CHEI	CHEO	Q(PSF)	BETA	CNU
1.149	-7 143	-.12600	.04312	.30943	.15340	.04831	.01729	862.14539	-6.63935	-.486632
1.149	-4 831	-.11502	.04506	.29090	.08716	.04366	.00548	862.26152	-6.64241	-.29618
1.148	-2 530	-.10862	.04726	.27681	.03117	.03867	-.00778	861.81399	-6.63938	-.13826
1.149	-.263	-.11100	.04853	.27418	-.02558	.03031	-.01872	862.18300	-6.62643	.00633
1.149	2 012	-.11287	.04938	.27441	-.08330	.02065	-.02797	862.14372	-6.62094	.15448
	GRADIENT	.00018	.00062	-.00229	-.02492	-.00339	-.00488	.00048	.00340	.06565

RUN NO 45/ 0 RN/L = 4.22 GRADIENT INTERVAL = -5.00/ 5.00

MACH	ALPHA	CYN	CBL	CY	CLMU	CHEI	CHEO	Q(PSF)	BETA	CNU
1.205	-9 553	-.14348	.04094	.33921	.24453	.05242	.01671	882.73157	-6.66691	-.68266
1.205	-7.185	-.12913	.04430	.31338	.15316	.04658	.00635	882.59143	-6.67448	-.47083
1.205	-4 853	-.11902	.04678	.29899	.08438	.04033	-.00650	882.66047	-6.68746	-.29361
1.205	-2 542	-.11269	.04806	.28533	.02786	.03497	-.01781	882.61086	-6.67815	-.13419
1.205	-.264	-.11538	.04856	.28030	-.02820	.02865	-.02750	882.66047	-6.66809	.01204
1.205	2 009	-.11642	.04922	.27939	-.08108	.02051	-.03541	882.45332	-6.66328	.15339
1.205	4 282	-.11356	.05079	.28028	-.13517	.00923	-.04251	882.77044	-6.65809	.29463
	GRADIENT	.00032	.00040	-.00190	-.02402	-.00336	-.00393	.00270	.00323	.06416

LARC BFT TPT 749 (IA93) OTSAT130

(SJJ008) (24 JUN 76)

REFERENCE DATA

SREF = 2690.0000 SQ.FT. XMRP = 976.0000 IN. XT
 LREF = 1290.3000 INCHES YMRP = .0000 IN. YT
 BREF = 1290.3000 INCHES ZMRP = 400.0000 IN. ZT
 SCALE * .0100

PARAMETRIC DATA

BETA = -4.000 ELV-LI = 10.000
 ELV-LO = 4.000 ELV-RI = 10.000
 ELV-RO = 4.000

RUN NO. 54/ 0 RN/L = 3.17 GRADIENT INTERVAL = -5.00/ 5.00

MACH	ALPHA	CYN	CBL	CY	CLMU	CHEI	CHEO	Q(PSF)	BETA	CNU
.599	-8.515	- 07574	02195	.17655	.14532	.01749	.00875	418 14998	-4.20840	-.46692
.600	-6.406	- 07130	02217	.17086	.09733	.01576	.00793	418 31775	-4.22959	-.34339
.600	-4.303	- 06893	02270	.16625	.05598	.01461	.00710	418 57184	-4.24515	-.23077
.600	-2.198	- 06611	02310	.15816	.01324	.01332	.00602	418.32102	-4.25512	-.11589
.600	- 095	- 06656	02429	.15505	-.02597	.01146	.00447	418.31775	-4.25486	-.00523
.599	2.012	- 07107	.02668	.15942	-.07132	.01133	.00164	418 07180	-4.25166	.11164
.599	4.121	- 06734	02802	.15766	-.11687	.01032	-.00166	418 32429	-4.24736	.23086
	GRADIENT	-.00008	00068	- 00076	- 02043	- 00050	-.00104	-.03533	-.00005	.05465

RUN NO 34/ 0 RN/L = 3.97 GRADIENT INTERVAL = -5.00/ 5.00

MACH	ALPHA	CYN	CBL	CY	CLMU	CHEI	CHEO	Q(PSF)	BETA	CNU
.899	-9.015	-.08874	02102	.20552	.18430	.02500	.00403	709.76308	-4.33574	-.55866
.899	-6.798	-.08221	02200	.19587	.12484	.02687	.01242	709 23223	-4.35161	-.40630
.899	-4.574	- 07710	02309	.18603	.06937	.02695	.01354	709 36950	-4.35814	-.26263
.899	-2.393	- 07491	02436	.18046	.01242	.02687	.01408	709 30995	-4.35940	-.12937
.899	- 175	- 07418	02657	.17631	- 04504	.02701	.01310	710 16564	-4.35597	.01240
.899	2.023	- 07173	.02764	.17162	-.09999	.02769	.00736	709 97380	-4.34990	.14724
.899	4.226	- 07204	02883	.17402	-.14607	.01933	-.01035	710.13832	-4.34332	.27888
	GRADIENT	.00060	00067	- 00149	-.02476	-.00066	- 00248	10009	.00178	06176

RUN NO 39/ 0 RN/L = 4.07 GRADIENT INTERVAL = -5.00/ 5.00

MACH	ALPHA	CYN	CBL	CY	CLMU	CHEI	CHEO	Q(PSF)	BETA	CNU
.974	-9.197	- 09695	02571	.22533	.21740	.01134	.01830	766.51330	-4.37950	-.62003
.976	-6.934	- 08517	02658	.21031	.14817	.01194	.02001	767 78959	-4.39390	-.44574
.975	-4.672	- 07688	02671	.19670	.09268	.02328	.02166	767 34442	-4.39682	-.29353
.975	-2.446	- 06938	.02697	.18092	.04151	.02892	.02233	766 71520	-4.38607	-.15128
.975	- 212	- 06990	.02796	.17376	-.01743	.02361	.01985	766 52979	-4.37137	-.00791
.975	1.997	- 06797	.02818	.17106	-.07345	.01188	.01114	766.71520	-4.36652	.13066
.974	4.238	- 06367	02858	.16797	- 13059	-.00274	- 00111	766 48342	-4.35984	.27569
	GRADIENT	.00125	00022	-.00302	- 02522	-.00261	- 00255	- 07740	.00420	06380

LARG 8FT TPT 749 (1A93) OTSAT130

(SJJ008) (24 JUN 76)

REFERENCE DATA

PARAMETRIC DATA

SREF = 2690.0000 SQ.FT. XMRP = 976.0000 IN. XT
 LREF = 1290.3000 INCHES YMRP = 0000 IN. YT
 BREF = 1290.3000 INCHES ZMRP = 400.0000 IN. ZT
 SCALE = .0100

BETA = -4.000 ELV-LI = 10.000
 ELV-LO = 4.000 ELV-RI = 10.000
 ELV-RO = 4.000

RUN NO. 49/ 0 RN/L = 4.21 GRADIENT INTERVAL = -5.00/ 5.00

MACH	ALPHA	CYN	CBL	CY	CLMU	CHEI	CHEO	Q(PSF)	BETA	CNU
1.149	-7.104	-.08312	02770	20672	.16341	.04477	.02286	862.22059	-4.42889	-.46890
1.149	-4.795	-.07440	02922	.19219	.09573	.03930	.01394	861.75766	-4.42960	-.29617
1.149	-2.501	-.07199	03117	18319	.03717	03546	00137	862.00878	-4.42628	-.13952
1.149	-250	-.07699	03189	18189	-.02166	.02879	-.01100	861.91140	-4.41150	.00743
1.149	2.002	-.07870	03258	18334	-.07747	.01988	-.02150	862.08565	-4.41185	.14822
	GRADIENT	-.00079	.00048	-.00123	-.02555	-.00287	-.00524	03924	.00300	.06538

RUN NO 44/ 0 RN/L = 4.22 GRADIENT INTERVAL = -5.00/ 5.00

MACH	ALPHA	CYN	CBL	CY	CLMU	CHEI	CHEO	Q(PSF)	BETA	CNU
1.205	-9.494	-.09171	02625	22271	.24399	04924	.02177	882.49420	-4.42811	-.66907
1.205	-7.135	-.08399	02922	20924	16063	04360	.01335	882.59143	-4.43720	-.46778
1.205	-4.816	-.07673	03040	.19725	.09150	03789	.00212	882.69065	-4.44123	-.29224
1.205	-2.522	-.07324	03116	.18580	03102	03422	-.00960	882.63028	-4.43039	-.13316
1.205	-244	-.07816	03178	.18456	-.02550	.02879	-.02017	882.54182	-4.41979	.01273
1.205	2.003	-.08042	03270	.18679	-.07827	02153	-.03012	882.48349	-4.41777	.15107
1.205	4.263	-.07707	03356	.18537	-.13272	.01114	-.03763	882.52437	-4.41234	.29121
	GRADIENT	-.00035	00035	-.00101	-.02459	-.00292	-.00441	-.02116	.00311	.06398

LARC 8FT TPT 749 (1A93) OTSAT130

(SJJ009) (24 JUN 76)

REFERENCE DATA

SREF = 2690.0000 SQ.FT. XMRP = 976.0000 IN. XT
 LREF = 1290.3000 INCHES YMRP = .0000 IN. YT
 BREF = 1290.3000 INCHES ZMRP = 400.0000 IN. ZT
 SCALE = .0100

PARAMETRIC DATA

BETA = .000 ELV-LI = 10.000
 ELV-LO = 4.000 ELV-RI = 10.000
 ELV-RO = 4.000

RUN NO. 53/ 0 RN/L = 3.17 GRADIENT INTERVAL = -5.00/ 5.00

MACH	ALPHA	CYN	CBL	CY	CLMU	CHEI	CHEO	Q(PSF)	BETA	CNU
.598	-8.496	-.00396	.00171	.01594	.15285	.01210	.00889	416.05079	.00403	-.46983
.600	-6.384	-.00242	.00150	.01398	.10419	.01074	.00756	418.56693	.00469	-.34537
.600	-4.283	.00112	.00018	.00693	.06065	.00959	.00692	418.81771	.01273	-.22864
.599	-2.190	.00128	.00000	.00424	.01965	.00789	.00639	417.73455	.01702	-.12046
.600	-.090	.00128	-.00002	.00051	-.02231	.00716	.00519	418.49696	.02068	-.00561
.599	2.008	.00149	-.00034	-.00114	-.06618	.00703	.00328	417.91051	.02354	.10882
.600	4.108	-.00102	.00027	.00338	-.11237	.00629	.00036	419.41204	.01647	.22538
	GRADIENT	-.00019	-.00001	-.00059	-.02059	-.00036	-.00077	.06514	.00067	.05421

RUN NO 33/ 0 RN/L = 3.97 GRADIENT INTERVAL = -5.00/ 5.00

MACH	ALPHA	CYN	CBL	CY	CLMU	CHEI	CHEO	Q(PSF)	BETA	CNU
.900	-8.960	-.00960	.00244	.02470	.19724	.01367	-.00022	710.34410	-.03323	-.56505
.900	-6.759	-.00523	.00135	.01626	.13515	.01527	.00880	710.33498	-.02265	-.41066
.899	-4.551	-.00167	.00048	.01170	.07591	.01435	.01386	709.88211	-.01970	-.26475
.899	-2.349	-.00030	.00021	.00782	.01675	.01275	.01504	709.69446	-.01299	-.13184
.899	-.179	.00074	-.00023	.00251	-.04028	.01418	.01498	709.97802	-.00158	.00431
.898	2.001	.00161	-.00003	-.00124	-.10078	.01538	.01167	709.19082	.00684	.14301
.900	4.217	.00110	.00033	.00077	-.14866	.01612	.00081	710.22082	.00350	.28038
	GRADIENT	.00034	-.00002	-.00141	-.02589	.00028	-.00135	.00819	.00302	.06237

RUN NO. 38/ 0 RN/L = 4.07 GRADIENT INTERVAL = -5.00/ 5.00

MACH	ALPHA	CYN	CBL	CY	CLMU	CHEI	CHEO	Q(PSF)	BETA	CNU
.975	-9.164	-.00652	.00211	.02187	.22919	.00125	.01848	767.40285	-.02549	-.62628
.976	-6.907	-.00305	.00157	.01722	.16190	-.00156	.01901	768.23458	-.01483	-.45406
.975	-4.659	.00146	.00046	.00917	.10451	-.00218	.02136	767.54180	-.00653	-.29919
.976	-2.428	.00503	-.00033	.00037	.05113	.00726	.02318	768.00199	.00545	-.15874
.975	-.221	.00451	-.00072	-.00241	-.00202	.00695	.02186	767.49549	.01189	-.02535
.974	1.998	.00359	-.00107	-.00354	-.06145	.00211	.01816	766.34587	.01945	.11845
.974	4.208	-.00029	.00022	.00278	-.12206	-.00765	.00746	766.40718	.01068	.26374
	GRADIENT	-.00022	-.00006	-.00075	-.02553	-.00072	-.00148	-.17703	.00219	.06331

ORIGINAL PAGE IS OF POOR QUALITY

LARC 8FT TPT 749 (1A93) OTSAT130

(SJJ009) (24 JUN 76)

REFERENCE DATA

SREF = 2690.0000 SQ.FT. XMRP = 976 0000 IN. XT
 LREF = 1290.3000 INCHES YMRP = .0000 IN. YT
 BREF = 1290.3000 INCHES ZMRP = 400.0000 IN. ZT
 SCALE = .0100

PARAMETRIC DATA

BETA = .000 ELV-LI = 10.000
 ELV-LO = 4.000 ELV-RI = 10.000
 ELV-RO = 4.000

RUN NO. 48/ 0 RN/L = 4.21 GRADIENT INTERVAL = -5.00/ 5.00

MACH	ALPHA	C/N	CBL	CY	CLMU	CHEI	CHEO	Q(PSF)	BETA	CNU
1.149	-7.071	-.00224	00162	.01483	.18059	.04046	.01751	862.22059	-.02794	-.47798
1.149	-4.774	.00063	00085	.00910	.11180	03427	.02463	862.18464	-.01978	-.30610
1.149	-2.494	.00188	00036	00463	.04584	.03017	.01924	862.18300	-.01113	-.14315
1.149	-.253	.00110	- 00037	- 00012	- 01370	.02795	.00579	861.89261	.00296	-.00111
1.148	2.015	-.00194	.00026	00349	-.06957	.02121	- 00894	861.94895	00056	.14074
	GRADIENT	-.00038	-.00011	- 00095	-.02670	-.00183	-.00505	-.04404	.00332	.06558

RUN NO. 43/ 0 RN/L = 4.22 GRADIENT INTERVAL = -5.00/ 5.00

MACH	ALPHA	C/N	CBL	CY	CLMU	CHEI	CHEO	Q(PSF)	BETA	CNU
1.205	-9.422	-.00284	.00237	.01725	.24927	.04706	.01763	882 52437	-.03348	-.66056
1.205	-7.096	-.00107	.00232	.01499	.17434	.04116	.02082	882 47934	-.03184	-.47184
1.206	-4.781	.00199	00149	00975	10380	.03572	.01607	882 51815	-.02526	-.2128
1.205	-2.494	.00454	00043	00233	.03858	.03220	.00778	882 33915	-.01264	-.13568
1.205	-.242	.00373	-.00002	-.00149	-.01881	.03008	-.00480	882.63028	.00039	.00716
1.205	2.005	.00014	.00052	.00213	-.07037	.02472	-.01746	882 60217	-.00081	.14270
1.205	4.246	-.00194	00093	.00560	-.12157	.01623	-.02771	882 70339	-.00411	.27941
	GRADIENT	-.00054	-.00005	-.00038	-.02482	-.00206	-.00500	.02803	.00241	.06358

LARC 8FT TPT /49 (1A93) OTSAT130

(SJJ010) (24 JUN 76)

REFERENCE DATA

SREF = 2690.0000 SQ.FT. XMRP = 976.0000 IN. XT
 LREF = 1290.3000 INCHES YMRP = .0000 IN. YT
 BREF = 1290.3000 INCHES ZMRP = 400.0000 IN. ZT
 SCALE = .0100

PARAMETRIC DATA

BETA = 4.000 ELV-LI = 10.000
 ELV-LO = 4.000 ELV-RI = 10.000
 ELV-RO = 4.000

RUN NO. 56/ 0 RN/L = 3.17 GRADIENT INTERVAL = -5.00/ 5.00

MACH	ALPHA	CYN	CBL	CY	CLMU	CHEI	CHEO	Q(PSF)	BETA	CNU
.600	-8.511	.06298	-.01475	-.13359	.15051	.00759	.00710	418.57348	4.21766	-.47514
.600	-6.409	.06287	-.01692	-.13459	.10289	.00530	.00611	418.40082	4.24025	-.35061
.600	-4.306	.06464	-.01943	-.13898	.05872	.00372	.00574	418.74286	4.25949	-.23569
.600	-2.203	.06615	-.02152	-.14322	.01568	.00372	.00610	418.65817	4.27405	-.12192
.600	-.099	.06804	-.02373	-.14921	-.02623	.00415	.00556	418.32102	4.28150	-.00894
.599	2.010	.06947	-.02593	-.15246	-.07146	.00330	.00383	418.07180	4.28237	.10958
.600	4.125	.06505	-.02651	-.14605	-.11655	.00229	.00091	418.99034	4.26896	.22489
	GRADIENT	.00020	-.00088	-.00111	-.02077	-.00016	-.00057	-.00422	.00129	.05469

RUN NO. 36/ 0 RN/L = 3.97 GRADIENT INTERVAL = -5.00/ 5.00

MACH	ALPHA	CYN	CBL	CY	CLMU	CHEI	CHEO	Q(PSF)	BETA	CNU
.900	-9.013	.07108	-.01511	-.15504	.18784	-.00160	-.00721	710.25728	4.31589	-.56590
.899	-6.783	.07123	-.01862	-.15912	.12506	-.00008	.00129	709.36950	4.34832	-.40480
.899	-4.562	.06859	-.02127	-.15377	.07040	.00084	.01053	709.95982	4.35876	-.26328
.899	-2.375	.06850	-.02341	-.15850	.01379	-.00059	.01365	709.55722	4.37895	-.13192
.899	-.180	.06847	-.02520	-.16086	-.04130	-.00084	.01429	709.75399	4.38887	.00180
.899	2.010	.06670	-.02558	-.15844	-.10007	-.00118	.01289	709.85481	4.38645	.14060
.899	4.232	.06941	-.02708	-.16203	-.14901	-.00152	.00554	709.42905	4.37863	.27832
	GRADIENT	-.00001	-.00063	-.00075	-.02515	-.00024	-.00049	-.03483	.00214	.06170

RUN NO. 41/ 0 RN/L = 4.08 GRADIENT INTERVAL = -5.00/ 5.00

MACH	ALPHA	CYN	CBL	CY	CLMU	CHEI	CHEO	Q(PSF)	BETA	CNU
.975	-9.216	.08137	-.01879	-.17591	.21943	-.01171	.01611	766.65391	4.33639	-.62622
.975	-6.939	.07792	-.02122	-.17215	.15053	-.01444	.01516	767.02309	4.36237	-.45163
.975	-4.677	.07602	-.02386	-.16942	.09278	-.01553	.01705	767.05156	4.37643	-.29706
.975	-2.452	.07480	-.02619	-.16966	.03863	-.01491	.01859	766.91254	4.38998	-.15274
.974	-.228	.07373	-.02794	-.16906	-.01492	-.00976	.01806	766.48342	4.39563	-.01347
.975	1.990	.06937	-.02805	-.16551	-.07257	-.00929	.01387	766.88113	4.39590	.12565
.974	4.224	.06140	-.02707	-.15698	-.13193	-.01226	.00746	766.26804	4.38299	.27310
	GRADIENT	-.00156	-.00037	.00131	-.02520	.00055	-.00107	-.07191	.00085	.06378

LARC 8FT TPT 749 (1A93) OTSAT130

(SJJ010) (24 JUN 76)

REFERENCE DATA

SREF = 2690.0000 SQ.FT. XMRP = 976.0000 IN. XT
 LREF = 1290.3000 INCHES YMRP = .0000 IN. YT
 BREF = 1290.3000 INCHES ZMRP = 400.0000 IN. ZT
 SCALE = .0100

PARAMETRIC DATA

BETA = 4.000 ELV-L1 = 10.000
 ELV-LO = 4.000 ELV-R1 = 10.000
 ELV-RO = 4.000

RUN NO. 51/ 0 RN/L = 4.21 GRADIENT INTERVAL = -5.00/ 5.00

MACH	ALPHA	C/N	CBL	CY	CLMU	CHE1	CHE0	Q(PSF)	BETA	CNU
1.149	-7.109	.07395	- 02071	-.16586	.17092	.02677	.01743	862.04806	4.37167	-.47665
1.149	-4.796	.07406	-.02531	-.16714	.10143	.02309	.02079	861.87383	4.39408	-.30465
1.149	-2.522	.07500	- 02908	-.16894	.03866	.01940	.02698	862.04806	4.40878	-.14567
1.149	-.244	.07687	-.03104	-.17423	-.02049	.01251	.02163	862.06685	4.42245	.00423
1.149	1.999	.07561	-.03089	-.17199	-.07797	.00619	.00840	862.08733	4.41793	.14638
	GRADIENT	.00029	-.00083	-.00088	-.02636	-.00254	-.00187	.02912	.00377	.06632

RUN NO 46/ 0 RN/L = 4.22 GRADIENT INTERVAL = -5.00/ 5.00

MACH	ALPHA	CYN	CBL	CY	CLMU	CHE1	CHE0	Q(PSF)	BETA	CNU
1.205	-9.491	.07956	- 01845	-.17517	.24624	.03504	.01875	882.68196	4.37414	-.66993
1.205	-7.140	.07893	- 02236	-.17257	.16689	.03157	.01676	882.77910	4.39499	-.47439
1.205	-4.820	.07826	- 02610	-.17177	.09557	.02838	.02233	882.78773	4.41305	-.29720
1.205	-2.515	.07807	- 02888	-.17262	.03222	.02540	.02277	882.51164	4.42700	-.13597
1.205	-.255	.07998	-.03071	-.17761	-.02321	.02098	.01240	882.57199	4.43793	.00969
1.205	1.989	.08079	-.03156	-.17974	-.07661	.01542	-.00061	882.43397	4.44109	.14681
1.205	4.270	.07621	-.03166	-.17449	-.13266	.00849	-.01393	882.37514	4.42825	.28829
	GRADIENT	-.00006	- 00061	- 00055	-.02492	-.00219	-.00422	-.03986	.00196	.06409

LARC 8FT TPT 749 (1A93) OTSAT130

(SJJ011) (24 JUN 76)

REFERENCE DATA

SREF = 2690.0000 SQ.FT. XMRP = 976.0000 IN. XT
 LREF = 1290.3000 INCHES YMRP = .0000 IN. YT
 BREF = 1290 3000 INCHES ZMRP = 400.0000 IN. ZT
 SCALE = .0100

PARAMETRIC DATA

BETA = 6.000 ELV-LI = 10.000
 ELV-LO = 4.000 ELV-RI = 10.000
 ELV-RO = 4.000

RUN NO. 57/ 0 RN/L = 3.16 GRADIENT INTERVAL = -5.00/ 5.00

MACH	ALPHA	C/N	CBL	CY	CLMU	CHEI	CHEO	Q(PSF)	BETA	CNU
.600	-8.561	.09107	- 02327	- 20028	.15329	.00515	.00647	418.65817	6.29387	-.48641
.600	-6.437	.09368	-.02662	-.20534	.10174	.00458	.00583	418.65980	6.33093	-.35516
.600	-4.314	.09557	-.02977	- 21068	.05598	.00301	.00547	418.32102	6.37074	-.23628
.600	-2.214	.09778	- 03261	-.21735	.01309	.00215	.00565	418.65817	6.39519	-.12343
.600	-.098	.10152	- 03561	-.22343	-.03199	.00158	.00547	418.49042	6.40437	-.00402
.600	2.030	.10226	- 03808	-.22519	-.07819	.00086	.00364	418.65817	6.40083	.11755
.599	4.133	.09861	- 04016	-.21969	-.12288	.00086	.00082	417.98871	6.38825	.23336
	GRADIENT	.00050	- 00124	-.00122	-.02124	- 00026	-.00054	-.03144	.00192	.05584

RUN NO 37/ 0 RN/L = 3.97 GRADIENT INTERVAL = -5.00/ 5.00

MACH	ALPHA	CYN	CBL	CY	CLMU	CHEI	CHEO	Q(PSF)	BETA	CNU
.899	-9.059	.11016	- 02663	-.24246	.18240	-.00540	-.00760	709.35134	6.46081	-.56428
.899	-6.826	.10917	- 02960	-.24314	.12526	-.00219	.00140	709.88211	6.49924	- 41343
.899	-4.591	.10875	- 03362	- 24424	.07254	-.00287	.00983	709.56631	6.52228	- 27545
.899	-2.404	.10723	- 03600	-.24379	.01810	-.00371	.01225	709.58448	6.54134	-.13997
.900	-.212	.10699	- 03856	-.24555	-.03798	- 00455	.01342	710.33498	6.55258	-.00530
.900	2.022	.10368	-.04038	-.24143	-.09640	-.00489	.01213	710.39445	6.54501	.13636
.899	4.243	.10442	- 04170	-.24164	-.14528	- 00422	.00682	709.51585	6.52889	.27406
	GRADIENT	-.00055	- 00093	.00034	-.02490	-.00018	-.00028	.03172	.00075	06225

RUN NO. 42/ 0 RN/L = 4.08 GRADIENT INTERVAL = -5.00/ 5.00

MACH	ALPHA	CYN	CBL	CY	CLMU	CHEI	CHEO	Q(PSF)	BETA	CNU
.974	-9.234	.12697	- 03142	- 27634	.21509	- 01609	.01612	766.14378	6.51634	-.62576
.975	-6.980	.12098	- 03373	- 26845	.14818	-.02028	.01500	767.42066	6.54830	-.45645
.975	-4.720	.11656	- 03715	- 26352	.08897	-.02139	.01557	766.65240	6.57390	- 30097
.975	-2.473	.11094	- 03997	-.25648	.03494	-.01804	.01617	766.37730	6.58504	-.15537
.974	-.227	.10799	- 04226	-.25369	-.02524	- 01196	.01528	765.96305	6.59045	-.00491
.974	1.995	.10056	- 04243	- 24724	-.07931	-.00953	.01179	766.46692	6.58699	13001
.974	4.246	.09399	-.04332	- 23909	-.13645	-.00914	.00756	766.52823	6.56988	27973
	GRADIENT	-.00249	-.00066	.00259	-.02523	.00147	- 00091	- 00719	-.00027	06459

LARC 8FT TPT 749 (1A93) OTSAT130

(SJJ011) (24 JUN 76)

REFERENCE DATA

SREF = 2690.0000 SQ.FT. XMRP = 976 0000 IN. XT
 LREF = 1290.3000 INCHES YMRP = .0000 IN. YT
 BREF = 1290.3000 INCHES ZMRP = 400 0000 IN. ZT
 SCALE = .0100

PARAMETRIC DATA

BETA = 6.000 ELV-L1 = 10.000
 ELV-LO = 4.000 ELV-R1 = 10.000
 ELV-RO = 4.000

RUN NO. 52/ 0 RN/L = 4.21 GRADIENT INTERVAL = -5 00/ 5.00

MACH	ALPHA	CYN	CBL	CY	CLMU	CHE1	CHEO	Q(PSF)	BETA	CNU
1.149	-7.156	.11588	-.03426	-.26144	.16586	.02336	.01747	862.10443	6.57481	-.48139
1.149	-4.845	.11182	-.03925	-.25837	.09783	.01947	.01937	862.08733	6.60383	-.31020
1.149	-2.551	.10876	-.04360	-.25573	.03753	.01585	.02446	861.93191	6.61982	-.15259
1.149	-.266	.10922	-.04584	-.25703	-.02334	.00960	.02565	861.96948	6.62963	.00190
1.148	2.001	.10767	-.04636	-.25675	-.08348	.00181	.01535	861.69779	6.62836	.14834
	GRADIENT	-.00053	-.00103	.00016	-.02650	-.00259	-.00047	-.04952	.00366	.06704

RUN NO. 47/ 0 RN/L = 4.22 GRADIENT INTERVAL = -5 00/ 5.00

MACH	ALPHA	CYN	CBL	CY	CLMU	CHE1	CHEO	Q(PSF)	BETA	CNU
1.205	-9.552	.12630	-.03059	-.27948	.24942	.03171	.01939	882.66251	6.55864	-.68285
1.205	-7.185	.11991	-.03569	-.26849	.16397	.02831	.01620	882.72083	6.58113	-.47972
1.205	-4.857	.11666	-.04045	-.26401	.09258	.02492	.02030	882.59143	6.60480	-.30255
1.205	-2.566	.11452	-.04409	-.26276	.03291	.02017	.02562	882.59143	6.62453	-.14502
1.205	-.270	.11403	-.04558	-.26305	-.02565	.01501	.01901	882.58272	6.63295	.00552
1.205	2.003	.11399	-.04672	-.26478	-.08297	.00862	.00691	882.54382	6.63266	.15036
1.205	4.275	.10981	-.04776	-.26105	-.13741	.00407	-.00624	882.69268	6.61933	.29136
	GRADIENT	-.00062	-.00076	.00017	-.02522	-.00233	-.00314	.00676	.00163	.06496

LARC 8FT TPT 749 (1A93) OTSAT130

(SJJ012) (24 JUN 76)

REFERENCE DATA

SREF = 2690.0000 SQ FT XMRP = 976 0000 IN. XT
 LREF = 1290.3000 INCHES YMRP = .0000 IN. YT
 BREF = 1290.3000 INCHES ZMRP = 400 0000 IN. ZT
 SCALE = .0100

PARAMETRIC DATA

BETA = -6.000 ELV-L1 = 10.000
 ELV-LO = 14.000 ELV-R1 = 10.000
 ELV-RO = 14.000

RUN NO. 80/ 0 RN/L = 3.16 GRADIENT INTERVAL = -5.00/ 5.00

MACH	ALPHA	CYN	CBL	CY	CLMU	CHE1	CHEO	Q(PSF)	BETA	CNU
.599	-8.515	-.10472	.03211	.24974	.11292	.01149	-.01382	417.39888	-6.31660	-.43472
.599	-6.414	-.10177	.03348	.24691	.06180	.01005	-.01594	417.56673	-6.34656	-.30540
.599	-2.189	-.09562	.03543	.23326	-.02507	.00717	-.02264	418.14672	-6.37050	-.07265
.598	-.073	-.10015	.03818	.23458	-.06986	.00590	-.02623	416.60728	-6.36909	.04595
.599	2.046	-.10235	.04101	.23617	-.11920	.00460	-.03156	417.14304	-6.36479	.17105
.598	4.162	-.10104	.04348	.23549	-.16720	.00302	-.03788	416.72252	-6.35255	.29217
	GRADIENT	-.00087	.00127	.00039	-.02247	-.00065	-.00241	-.18591	.00275	.05760

LARC 8FT TPT 749 (IA93) OTSAT130

(SJJD12) (24 JUN 76)

REFERENCE DATA

SREF = 2690 0000 SQ.FT. XMRP = 976.0000 IN. XT
 LREF = 1290 3000 INCHES YMRP = .0000 IN. YT
 BREF = 1290.3000 INCHES ZMRP = 400.0000 IN. ZT
 SCALE = .0100

PARAMETRIC DATA

BETA = -6.000 ELV-LI = 10.000
 ELV-LO = 14.000 ELV-RI = 10.000
 ELV-RO = 14.000

RUN NO. 75/ 0 RN/L = 3.97 GRADIENT INTERVAL = -5.00/ 5.00

MACH	ALPHA	CYN	CBL	CY	CLMU	CHEI	CHEO	Q(PSF)	BETA	CNU
.900	-9 044	-.12278	.03270	.29260	15300	.01106	- 02276	710.38534	-6 51371	-.53204
.900	-6 806	-.12044	.03555	.29066	09246	.01342	-.02136	710.25728	-6.55220	- 37644
900	-4 589	-.11493	.03709	.27918	.04073	.01384	- 02612	710.62314	-6.55929	-.23841
900	-2 380	-.11080	.03862	.26917	- 01694	.01418	-.02851	710.30764	-6.56083	-.09951
899	- 158	-.10781	.04093	.26009	-.07901	.01182	-.03125	709.79530	-6.55342	.04896
899	2 067	-.10438	.04338	.25268	-.13935	.01174	-.03815	709.59856	-6 53977	.19216
.900	4.293	-.10711	.04591	.25881	-.18815	.00743	-.05080	710 37622	-6.53411	.33184
	GRADIENT	.00099	00101	-.00258	- 02612	-.00069	- 00266	-.05405	.00322	06448

RUN NO 65/ 0 RN/L = 4 08 GRADIENT INTERVAL = -5 00/ 5.00

MACH	ALPHA	CYN	CBL	CY	CLMU	CHEI	CHEO	Q(PSF)	BETA	CNU
.975	-9 245	-.14303	.03910	.33103	.18510	.00946	-.03690	767.14127	-6 59309	-.59542
.976	-6.953	-.12820	.04048	.31186	11382	.01452	-.03506	767.81955	-6.61475	-.41565
.975	-4.689	-.11670	.04070	.29271	05776	.01976	-.03050	767.51187	-6.61931	-.26097
.975	-2.451	-.10583	.04164	.27447	00338	.00750	- 03287	767 25181	-6.61313	-.11431
.975	- 189	-.10289	.04261	.26195	- 05779	-.01139	-.03689	767 17266	-6.59514	.03496
.975	2 038	-.10081	.04452	.26002	- 11612	- 02730	-.05487	767 21900	-6.59189	.17994
.975	4 293	-.09785	.04693	.25779	-.17487	-.03020	-.07213	766 77346	-6.57832	.32854
	GRADIENT	00190	00068	- 00375	-.02604	-.00600	- 00469	-.06726	00460	.06562

RUN NO. 70/ 0 RN/L = 4.21 GRADIENT INTERVAL = -5.00/ 5 00

MACH	ALPHA	CYN	CBL	CY	CLMU	CHEI	CHEO	Q(PSF)	BETA	CNU
1.149	-7.126	-.12645	.04337	.30892	.13070	.03746	- 03509	862.56901	-6.66085	-.44070
1.149	-4.810	-.11531	.04509	.29114	.06430	.03169	-.04630	862.55020	-6.66821	- 26913
1.149	-2.503	-.10949	.04732	.27874	00940	.02599	- 05705	862 78241	-6.66239	-.11351
1.149	-.239	-.11167	.04833	.27504	-.04896	.01717	-.06484	862 51095	-6.65395	.03483
1.149	2.036	-.11281	.04909	.27478	- 10568	.00785	-.07143	862.70395	-6.64770	.18187
	GRADIENT	.00024	00057	- 00232	-.02492	-.00352	-.00365	00843	.00307	.06584

LARC 8FT TPT 749 (1A93) OTSAT130

(SJJ012) (24 JUN 76)

REFERENCE DATA

SREF = 2690.0000 SQ.FT. XMRP = 976.0000 IN. XT
 LREF = 1290.3000 INCHES YMRP = .0000 IN. YT
 BREF = 1290.3000 INCHES ZMRP = 400.0000 IN. ZT
 SCALE = .0100

PARAMETRIC DATA

BETA = -6.000 ELV-LI = 10.000
 ELV-LO = 14.000 ELV-RI = 10.000
 ELV-RO = 14.000

RUN NO. 60/ 0 RN/L = 4.22 GRADIENT INTERVAL = -5.00/ 5.00

MACH	ALPHA	CYN	CBL	CY	CLMU	CHEI	CHEO	Q(PSF)	BETA	CNU
1.199	-9.537	-.14508	.04183	.34187	.22348	.04398	-.03350	880.63068	-6.67605	-.65652
1.200	-7.171	-.12924	.04415	.31318	.13279	.03749	-.03999	881.09646	-6.68300	-.44550
1.200	-4.833	-.11872	.04624	.29698	.06494	.03219	-.05155	880.82905	-6.68687	-.27070
1.199	-2.526	-.11230	.04729	.28320	.00759	.02784	-.06211	880.57265	-6.68244	-.11169
1.200	-.243	-.11399	.04762	.27834	-.04846	.02149	-.07079	881.44330	-6.67142	.03644
1.200	2.034	-.11609	.04906	.27891	-.10233	.01143	-.07806	881.24171	-6.66797	.18023
1.200	4.300	-.11220	.05026	.27784	-.15591	-.00387	-.08312	880.93929	-6.65857	.31869
	GRADIENT	.00041	.00043	-.00187	-.02417	-.00388	-.00347	.03906	.00311	.06444

LARC 8FT TPT 749 (1A93) OTSAT130

(SJJ013) (24 JUN 76)

REFERENCE DATA

SREF = 2690.0000 SQ.FT. XMRP = 976.0000 IN. XT
 LREF = 1290.3000 INCHES YMRP = .0000 IN. YT
 BREF = 1290.3000 INCHES ZMRP = 400.0000 IN. ZT
 SCALE = .0100

PARAMETRIC DATA

BETA = -4.000 ELV-LI = 10.000
 ELV-LO = 14.000 ELV-RI = 10.000
 ELV-RO = 14.000

RUN NO. 79/ 0 RN/L = 3.16 GRADIENT INTERVAL = -5.00/ 5.00

MACH	ALPHA	CYN	CBL	CY	CLMU	CHEI	CHEO	Q(PSF)	BETA	CNU
.599	-8.497	-.07557	.02224	.17643	.11101	.01033	-.01400	417.73455	-4.23764	-.42481
.599	-6.375	-.07089	.02246	.17156	.06137	.00876	-.01603	417.64658	-4.26228	-.29808
.599	-4.269	-.06803	.02299	.16565	.01900	.00747	-.01882	417.05667	-4.27343	-.18326
.599	-2.168	-.06603	.02396	.15932	-.02284	.00604	-.02223	417.14304	-4.28067	-.07132
.599	-.060	-.06797	.02584	.15770	-.06673	.00445	-.02620	417.22129	-4.28474	.04626
.598	2.035	-.06939	.02708	.15669	-.11196	.00273	-.03048	416.80728	-4.28220	.16250
.599	4.154	-.06760	.02914	.15876	-.16039	.00158	-.03747	417.14466	-4.28555	.28378
	GRADIENT	-.00012	.00073	-.00078	-.02128	-.00072	-.00216	-.00753	-.00122	.05549

LARC 8FT TPT 749 (1A93) OTSAT130

(SJJ013) (24 JUN 76)

REFERENCE DATA

SREF = 2690.0000 SQ.FT. XMRP = 976.0000 IN. XT
 LREF = 1290.3000 INCHES YMRP = .0000 IN. YT
 BREF = 1290.3000 INCHES ZMRP = 400.0000 IN. ZT
 SCALE = .0100

PARAMETRIC DATA

BETA = -4.000 ELV-LI = 10.000
 ELV-LO = 14.000 ELV-RI = 10.000
 ELV-RO = 14.000

RUN NO. 74/ 0 RN/L = 3.97 GRADIENT INTERVAL = -5.00/ 5.00

MACH	ALPHA	C/N	CBL	CY	CLMU	CHEI	CHEO	Q(PSF)	BETA	CNU
.900	-9.002	-.08769	02037	20379	.16367	.00548	-.02541	710.62314	-4.35853	-.53471
.900	-6.775	-.08197	02268	19539	.10300	.00743	-.02266	710.25728	-4.37470	-.36158
.899	-4.559	-.07725	02389	.18734	.04581	.00718	-.02729	709.59856	-4.38399	-.23596
.900	-2.357	-.07483	.02527	18046	-.01573	.00743	-.03080	710.10188	-4.38420	-.09410
.899	-.154	-.07185	02705	17209	-.07634	.00566	-.03322	709.47951	-4.37645	.04748
.899	2.056	-.06786	02829	16577	-.14279	.00464	-.03906	709.92341	-4.36782	.19683
.900	4.281	-.06978	.02992	17231	-.19222	.00329	-.04813	710.60498	-4.36595	.33604
	GRADIENT	.00099	00068	-.00202	-.02730	-.00048	-.00226	08317	.00237	06495

RUN NO. 64/ 0 RN/L = 4.08 GRADIENT INTERVAL = -5.00/ 5.00

MACH	ALPHA	CYN	CBL	CY	CLMU	CHEI	CHEO	Q(PSF)	BETA	CNU
.975	-9.189	-.09861	02632	.22687	.19157	.00813	-.03856	766.95888	-4.39478	-.59002
.975	-6.911	-.08512	.02682	20887	.12170	.01273	-.03672	767.69568	-4.40576	-.41410
.975	-4.672	-.07603	02646	.19315	.06581	.01383	-.03479	767.14421	-4.40526	-.26253
.975	-2.425	-.06994	.02742	18094	.01222	.00477	-.03489	767.14275	-4.40016	-.11803
.975	-.184	-.07073	02853	17557	-.04938	-.01420	-.03820	767.14275	-4.39011	.02993
.975	2.042	-.06861	02874	17068	-.11028	-.03283	-.05180	767.26533	-4.38041	.17568
.975	4.267	-.06411	02980	16759	-.17127	-.03799	-.06824	766.98726	-4.37302	.32540
	GRADIENT	.00113	00036	-.00275	-.02670	-.00632	-.00375	-.00854	.00377	06577

RUN NO. 69/ 0 RN/L = 4.21 GRADIENT INTERVAL = -5.00/ 5.00

MACH	ALPHA	CYN	CBL	CY	CLMU	CHEI	CHEO	Q(PSF)	BETA	CNU
1.149	-7.088	-.08223	02773	.20473	.14155	.03648	-.03446	862.68513	-4.43587	-.44429
1.149	-4.777	-.07626	02988	.19432	.07311	.02933	-.04175	862.41361	-4.43792	-.27014
1.149	-2.482	-.07260	03107	18319	.01432	.02398	-.05189	862.53138	-4.42975	-.11310
1.149	-.242	-.07698	.03146	.18113	-.04347	.01612	-.06042	862.52975	-4.42163	.03275
1.149	2.024	-.07900	03240	.18272	-.09996	.00695	-.06805	862.62543	-4.41848	.17514
	GRADIENT	-.00055	00035	-.00163	-.02548	-.00331	-.00386	.02803	.00289	.06544

LARC 8FT TPT 749 (1A93) OTSAT130

(SJJ013) (24 JUN 76)

REFERENCE DATA

PARAMETRIC DATA

SREF = 2690.0000 SQ.FT. XMRP = 976.0000 IN. XT
 LREF = 1290.3000 INCHES YMRP = .0000 IN. YT
 BREF = 1290.3000 INCHES ZMRP = 400.0000 IN. ZT
 SCALE = .0100

BETA = -4.000 ELV-LI = 10.000
 ELV-LO = 14.000 ELV-RI = 10.000
 ELV-RO = 14.000

RUN NO. 59/ 0 RN/L = 4.22 GRADIENT INTERVAL = -5.00/ 5.00

MACH	ALPHA	CYN	CBL	CY	CLMU	CHE1	CHE0	Q(PSF)	BETA	CNU
1.199	-9.478	-.09310	.02717	.22511	.22219	.04260	-.03274	880 89653	-4.44957	-.64206
1.200	-7.114	-.08522	.02953	.21109	.14020	.03565	-.03715	881.23401	-4.45888	-.44304
1.200	-4.798	-.07750	.03035	.19763	.07126	.03015	-.04692	880 82312	-4.45580	-.26901
1.200	-2.502	-.07361	.03092	.18680	.00990	.02620	-.05705	880.98969	-4.44869	-.10812
1.199	-.229	-.07803	.03139	.18399	-.04701	.02130	-.06545	880.97598	-4.43513	.03983
1.200	2.023	-.07976	.03234	.18497	-.09852	.01307	-.07280	880.90257	-4.43507	.17538
1.199	4.285	-.07682	.03366	.18514	-.15312	.00020	-.07928	880 86138	-4.42860	.31636
	GRADIENT	-.00021	.00035	-.00119	-.02456	-.00322	-.00355	-.00040	.00300	.06410

LARC 8FT TPT 749 (1A93) OTSAT130

(SJJ014) (24 JUN 76)

REFERENCE DATA

PARAMETRIC DATA

SREF = 2690.0000 SQ.FT. XMRP = 976.0000 IN. XT
 LREF = 1290.3000 INCHES YMRP = .0000 IN. YT
 BREF = 1290.3000 INCHES ZMRP = 400.0000 IN. ZT
 SCALE = .0100

BETA = .000 ELV-LI = 10.000
 ELV-LO = 14.000 ELV-RI = 10.000
 ELV-RO = 14.000

RUN NO. 78/ 0 RN/L = 3.17 GRADIENT INTERVAL = -5.00/ 5.00

MACH	ALPHA	CYN	CBL	CY	CLMU	CHE1	CHE0	Q(PSF)	BETA	CNU
599	-8.472	-.00460	.00200	.01717	.12064	.00575	-.01438	417.13817	-.02036	-.43176
598	-6.364	-.00188	.00124	.01311	.07245	.00403	-.01569	416 71443	-.01836	-.30513
598	-4.265	.00154	.00015	.00632	.02695	.00302	-.01791	416 79918	-.01681	-.18823
598	-2.182	.00240	.00013	.00196	-.01457	.00086	-.02127	416 21068	-.00922	-.07913
.598	-.072	.00183	.00042	-.00014	-.05878	-.00043	-.02538	416.97355	-.00598	.03810
.599	2.031	.00101	.00032	.00015	-.10699	-.00101	-.03025	417.39726	-.00338	.15901
.599	4.131	-.00105	.00094	.00370	-.15509	-.00201	-.03557	417 73618	-.00554	.27734
	GRADIENT	-.00031	.00008	-.00033	-.02173	-.00057	-.00211	14589	.00135	.05567

LARC 8FT TPT 749 (1A93) OTSAT130

(SJJ014) (24 JUN 76)

REFERENCE DATA

PARAMETRIC DATA

SREF = 2690.0000 SQ.FT. XMRP = 976.0000 IN. XT
 LREF = 1290.3000 INCHES YMRP = .0000 IN. YT
 BREF = 1290.3000 INCHES ZMRP = 400.0000 IN. ZT
 SCALE = .0100

BETA = .000 ELV-LI = 10.000
 ELV-LO = 14.000 ELV-RI = 10.000
 ELV-RO = 14.000

RUN NO. 73/ 0 RN/L = 3.97 GRADIENT INTERVAL = -5.00/ 5.00

MACH	ALPHA	CYN	CBL	CY	CLMU	CHEI	CHEO	Q(PSF)	BETA	CNU
.899	-8.952	-.00803	.00216	.02207	.17459	-.00758	-.03188	710.11099	-.05611	-.53724
.900	-6.752	-.00408	.00160	.01393	.11447	-.00741	-.02906	710.29852	-.04552	-.38995
.899	-4.544	-.00021	.00105	.00901	.05003	-.00920	-.03116	709.32408	-.04452	-.23565
.900	-2.343	.00065	.00132	.00482	-.01190	-.01314	-.03517	710.52719	-.03733	-.10057
.900	-.141	.00117	.00082	.00190	-.07658	-.01339	-.03957	710.48600	-.02693	.04735
.900	2.056	.00229	.00068	-.00302	-.14488	-.01491	-.04365	710.19346	-.01852	.19520
.900	4.267	.00155	.00094	-.00042	-.19679	-.01162	-.04719	710.75114	-.02055	.33754
	GRADIENT	.00023	-.00004	-.00121	-.02845	-.00030	-.00184	.11448	.00303	.06549

RUN NO 63/ 0 RN/L = 4.08 GRADIENT INTERVAL = -5.00/ 5.00

MACH	ALPHA	CYN	CBL	CY	CLMU	CHEI	CHEO	Q(PSF)	BETA	CNU
.975	-9.162	-.00618	.00226	.02098	.20426	-.00297	-.04062	767.01867	-.04149	-.59610
.975	-6.892	-.00284	.00182	.01670	.13486	-.00187	-.04086	767.20691	-.03763	-.42118
.975	-4.632	.00135	.00076	.00935	.07576	.00055	-.04112	767.03512	-.02935	-.26422
.975	-2.411	.00467	.00010	-.00006	.02118	-.00632	-.04111	767.31165	-.00934	-.12313
.975	-.189	.00237	.00007	.00088	-.03581	-.01981	-.04151	767.24890	-.00787	.01607
.975	2.004	.00130	.00018	-.00049	-.09376	-.03705	-.04684	767.12632	-.00151	.15616
.975	4.239	-.00103	.00133	.00246	-.15911	-.05381	-.06240	767.18610	-.00253	.30739
	GRADIENT	-.00037	.00006	-.00064	-.02639	-.00629	-.00218	.00531	.00277	.06420

RUN NO. 68/ 0 RN/L = 4.21 GRADIENT INTERVAL = -5.00/ 5.00

MACH	ALPHA	CYN	CBL	CY	CLMU	CHEI	CHEO	Q(PSF)	BETA	CNU
1.149	-7.052	-.00278	.00211	.01524	.15888	.03301	-.04027	862.64588	-.02983	-.45229
1.149	-4.732	.00010	.00130	.01018	.08889	.02676	-.03804	862.58943	-.02344	-.27847
1.149	-2.464	.00141	.00075	.00489	.02218	.02189	-.04309	862.51095	-.01073	-.11565
1.149	-.233	-.00077	.00047	.00279	-.03620	.01806	-.05190	863.09146	.00174	.02579
1.149	2.013	-.00218	.00039	.00261	-.09083	.01001	-.05952	862.58782	.00750	.16556
	GRADIENT	-.00040	-.00013	-.00111	-.02660	-.00241	-.00326	.02553	.00469	.06560

LARC 8FT TPT 749 (1A93) OTSAT130

(SJJ014) (24 JUN 76)

REFERENCE DATA

SREF = 2690.0000 SQ.FT. XMRP = 976.0000 IN. XT
 LREF = 1290.3000 INCHES YMRP = .0000 IN. YT
 BREF = 1290.3000 INCHES ZMRP = 400.0000 IN. ZT
 SCALE = .0100

PARAMETRIC DATA

BETA = .000 ELV-L1 = 10.000
 ELV-LO = 14.000 ELV-R1 = 10.000
 ELV-RO = 14.000

RUN NO. 58/ 0 RN/L = 4.21 GRADIENT INTERVAL = -5.00/ 5.00

MACH	ALPHA	C/N	CBL	CY	CLMU	CHE1	CHE0	Q(PSF)	BETA	CNU
1.199	-9.408	-.00246	.00247	.01588	.22949	.04207	-.03822	880.71627	-.02663	-.63614
1.200	-7.082	-.00081	.00254	.01407	.15369	.03566	-.03554	880.98969	-.02792	-.44642
1.200	-4.772	.00136	.00202	.00952	.08325	.02926	-.03965	880.92392	-.02108	-.27427
1.200	-2.473	.00386	.00085	.00225	.01730	.02484	-.04661	880.90257	-.00772	-.11035
1.199	-.236	.00296	.00050	-.00161	-.03868	.02211	-.05556	881.09208	.00665	.02957
1.200	2.017	-.00011	.00075	.00080	-.09122	.01625	-.06470	881.62354	.00949	.16853
1.199	4.265	-.00244	.00116	.00555	-.14114	.00715	-.07102	880.71012	.00029	.30306
	GRADIENT	-.00051	-.00008	-.00042	-.02470	-.00234	-.00358	.01304	.00266	.06354

LARC 8FT TPT 749 (1A93) OTSAT130

(SJJ015) (24 JUN 76)

REFERENCE DATA

SREF = 2690.0000 SQ FT. XMRP = 976.0000 IN. XT
 LREF = 1290.3000 INCHES YMRP = .0000 IN. YT
 BREF = 1290.3000 INCHES ZMRP = 400.0000 IN. ZT
 SCALE = .0100

PARAMETRIC DATA

BETA = 4.000 ELV-L1 = 10.000
 ELV-LO = 14.000 ELV-R1 = 10.000
 ELV-RO = 14.000

RUN NO. 81/ 0 RN/L = 3.16 GRADIENT INTERVAL = -5.00/ 5.00

MACH	ALPHA	C/N	CBL	CY	CLMU	CHE1	CHE0	Q(PSF)	BETA	CNU
599	-8.498	.06234	-.01492	-.13222	.11580	.00144	-.01520	417.48037	4.17773	-.43053
599	-6.389	.06399	-.01757	-.13531	.06822	-.00057	-.01713	417.65146	4.20193	-.30775
599	-4.293	.06417	-.01921	-.13837	.02810	-.00244	-.01843	417.56510	4.22091	-.20168
599	-2.183	.06642	-.02153	-.14394	-.02089	-.00273	-.02093	417.31415	4.23309	-.07762
599	-.074	.06777	-.02355	-.14850	-.06636	-.00301	-.02518	417.31577	4.24038	.04234
599	2.032	.06805	-.02497	-.15006	-.11217	-.00387	-.03024	417.48199	4.24147	.15977
598	4.153	.06332	-.02568	-.14326	-.16171	-.00517	-.03493	416.63776	4.22746	.28410
	GRADIENT	-.00000	-.00078	-.00075	-.02231	-.00031	-.00200	-.08000	.00102	.05728

LARC 8FT TPT 749 (1A93) OTSAT130

(SJJ015) (24 JUN 76)

REFERENCE DATA

SREF = 2690.0000 SQ.FT. XMRP = 976.0000 IN. XT
 LREF = 1290.3000 INCHES YMRP = .0000 IN. YT
 BREF = 1290.3000 INCHES ZMRP = 400.0000 IN. ZT
 SCALE = .0100

PARAMETRIC DATA

BETA = 4.000 ELV-L1 = 10.000
 ELV-LO = 14.000 ELV-R1 = 10.000
 ELV-RO = 14.000

RUN NO. 76/ 0 RN/L = 3.97 GRADIENT INTERVAL = -5.00/ 5.00

MACH	ALPHA	CYN	CBL	CY	CLMU	CHE1	CHE0	Q(PSF)	BETA	CNU
.899	-9.001	.07087	-.01452	-.15403	.16594	-.01837	-.03291	710.12921	4.27346	-.53721
.900	-6.770	.07018	-.01723	-.15650	.10482	-.01768	-.03186	710.67345	4.30214	-.38125
.900	-4.555	.06894	-.01981	-.15317	.04806	-.01827	-.03348	710.69171	4.31488	-.24105
.900	-2.366	.06982	-.02242	-.16017	-.01378	-.01938	-.03556	710.30764	4.33798	-.10068
.900	-.161	.06920	-.02444	-.16127	-.07780	-.01947	-.04013	710.09276	4.34509	-.04474
.900	2.058	.06518	-.02486	-.15636	-.14344	-.02097	-.04373	710.60488	4.33956	.19337
.899	4.286	.06566	-.02614	-.15761	-.19792	-.02057	-.04665	709.93252	4.33080	.33794
	GRADIENT	-.00051	-.00068	-.00023	-.02812	-.00028	-.00156	-.05520	.00150	.06569

RUN NO. 66/ 0 RN/L = 4.08 GRADIENT INTERVAL = -5.00/ 5.00

MACH	ALPHA	CYN	CBL	CY	CLMU	CHE1	CHE0	Q(PSF)	BETA	CNU
.975	-9.199	.08165	-.01890	-.17666	.19547	-.01987	-.04138	767.72421	4.30851	-.59809
.976	-6.919	.07870	-.02129	-.17318	.12540	-.02666	-.04165	767.46833	4.33171	-.42165
.975	-4.665	.07576	-.02343	-.16842	.06633	-.03119	-.04010	767.23541	4.34595	-.26552
.975	-2.434	.07472	-.02553	-.16846	.01168	-.03518	-.04227	767.12780	4.35861	-.12533
.975	-.199	.07337	-.02705	-.16905	-.04788	-.03603	-.04839	767.28028	4.36562	.02641
.975	2.025	.06843	-.02650	-.16554	-.10763	-.04079	-.06100	767.09642	4.36586	.16931
.975	4.279	.05992	-.02583	-.15582	-.17277	-.04524	-.07084	767.11137	4.35235	.32182
	GRADIENT	-.00170	-.00026	.00126	-.02674	-.00151	-.00359	-.01250	.00089	.06563

RUN NO. 71/ 0 RN/L = 4.21 GRADIENT INTERVAL = -5.00/ 5.00

MACH	ALPHA	CYN	CBL	CY	CLMU	CHE1	CHE0	Q(PSF)	BETA	CNU
1.149	-7.096	.07483	-.02082	-.16807	.14973	.02238	-.04036	862.55020	4.37460	-.45368
1.149	-4.783	.07386	-.02482	-.16729	.07796	.01758	-.03992	862.52975	4.39517	-.27626
1.149	-2.489	.07414	-.02805	-.16833	.01512	.01334	-.03776	862.82006	4.40331	-.11731
1.149	-.226	.07526	-.02958	-.17200	-.04262	.00647	-.04283	862.31625	4.41319	.02978
1.149	2.034	.07512	-.03017	-.17323	-.10147	-.00132	-.05037	862.47168	4.41814	.17524
	GRADIENT	.00022	-.00077	-.00095	-.02624	-.00280	-.00160	-.02972	.00347	.06611

ORIGINAL PAGE IS
OF POOR QUALITY

LARC 8FT TPT 749 (1A93) OTSAT130

(SJJ015) (24 JUN 76)

REFERENCE DATA

SREF = 2690.0000 SQ.FT. XMRP = 976.0000 IN. XT
 LREF = 1290.3000 INCHES YMRP = .0000 IN. YT
 BREF = 1290.3000 INCHES ZMRP = 400.0000 IN. ZT
 SCALE = .0100

PARAMETRIC DATA

BETA = 4.000 ELV-LI = 10.000
 ELV-LO = 14.000 ELV-RI = 10.000
 ELV-RO = 14.000

RUN NO. 61/ 0 RN/L = 4.22 GRADIENT INTERVAL = -5.00/ 5.00

MACH	ALPHA	CYN	CBL	CY	CLMU	CHEI	CHEO	Q(PSF)	BETA	CNU
1.200	-9.470	.07827	-.01826	-.17431	.22649	.03131	-.03589	880.85984	4.36945	-.64691
1.200	-7.119	.07810	-.02196	-.17265	.14664	.02790	-.03869	880.90257	4.38955	-.45032
1.200	-4.803	.07810	-.02553	-.17338	.07645	.02334	-.03650	881.02472	4.41411	-.27517
1.200	-2.505	.07635	-.02753	-.17132	.01144	.01967	-.03839	880.85217	4.42192	-.11158
1.199	-.275	.07784	-.02953	-.17577	-.04229	.01484	-.04491	880.68724	4.43331	.02888
1.199	2.029	.07870	-.03061	-.17859	-.09759	.00762	-.05368	881.01264	4.43821	.17160
1.199	4.275	.07436	-.03107	-.17412	-.15246	.00014	-.06073	880.94694	4.42797	.31066
	GRADIENT	-.00023	-.00062	-.00039	-.02498	-.00258	-.00281	.00028	.00194	.06412

LARC 8FT TPT 749 (1A93) OTSAT130

(SJJ016) (24 JUN 76)

REFERENCE DATA

SREF = 2690.0000 SQ FT. XMRP = 976.0000 IN. XT
 LREF = 1290.3000 INCHES YMRP = .0000 IN. YT
 BREF = 1290.3000 INCHES ZMRP = 400.0000 IN. ZT
 SCALE = .0100

PARAMETRIC DATA

BETA = 6.000 ELV-LI = 10.000
 ELV-LO = 14.000 ELV-RI = 10.000
 ELV-RO = 14.000

RUN NO. 82/ 0 RN/L = 3.16 GRADIENT INTERVAL = -5.00/ 5.00

MACH	ALPHA	CYN	CBL	CY	CLMU	CHEI	CHEO	Q(PSF)	BETA	CNU
.599	-8.537	.09186	-.02376	-.20202	.11670	-.00100	-.01592	418.15651	6.27137	-.43894
.599	-6.404	.09365	-.02683	-.20556	.06490	-.00201	-.01786	417.97893	6.30318	-.30774
.599	-4.309	.09537	-.02962	-.21079	.02470	-.00330	-.01862	417.31577	6.33110	-.20097
.599	-2.196	.09787	-.03275	-.21718	-.02210	-.00445	-.02092	417.48524	6.34857	-.08145
.599	.077	.10116	-.03546	-.22344	-.07026	-.00487	-.02469	417.72642	6.35750	.04277
.599	2.039	.10079	-.03758	-.22229	-.11682	-.00631	-.02980	417.23103	6.35125	.16337
.599	4.160	.09868	-.03998	-.21998	-.16777	-.00746	-.03423	417.22616	6.34014	.29044
	GRADIENT	.00045	-.00121	-.00111	-.02265	-.00048	-.00189	-.02048	.00098	.05798

LARC 8FT TPT 749 (1A93) OTSAT130

(SJJ016) (24 JUN 76)

REFERENCE DATA

SREF = 2690.0000 SQ.FT. XMRP = 976.0000 IN. XT
 LREF = 1290 3000 INCHES YMRP = .0000 IN. YT
 BREF = 1290.3000 INCHES ZMRP = 400.0000 IN. ZT
 SCALE = .0100

PARAMETRIC DATA

BETA = 6.000 ELV-LI = 10.000
 ELV-LO = 14.000 ELV-RI = 10.000
 ELV-RO = 14.000

RUN NO. 77/ 0 RN/L = 3.97 GRADIENT INTERVAL = -5.00/ 5.00

MACH	ALPHA	CYN	CBL	CY	CLMU	CHE1	CHEO	Q(PSF)	BETA	CNU
.899	-9.045	.10882	- .02544	-.24048	.16209	-.02183	-.03417	710.01022	6.42444	-.54088
.899	-6.809	.10823	- .02831	-.24210	.10436	-.01896	-.03194	710.05150	6.46370	-.38835
.899	-4.587	.10571	-.03146	-.23872	.04711	-.01980	-.03335	710.00112	6.48608	-.24337
.900	-2.382	.10666	-.03473	-.24300	-.01135	-.01930	-.03487	710.08365	6.50855	-.10564
.900	-.170	.10650	- .03788	-.24502	-.07582	-.02029	-.03886	710.54545	6.51893	.04017
.900	2.061	.10030	- .03979	-.23805	-.13936	-.02098	-.04202	710.22993	6.51028	.18862
.900	4.285	.10141	- .04159	-.23944	-.19290	-.02063	-.04536	710.56370	6.49855	.33143
	GRADIENT	-.00065	- .00114	.00016	-.02740	- .00015	- .00141	05724	.00119	06508

RUN NO 67/ 0 RN/L = 4.08 GRADIENT INTERVAL = -5.00/ 5.00

MACH	ALPHA	CYN	CBL	CY	CLMU	CHE1	CHEO	Q(PSF)	BETA	CNU
.975	-9.252	.12786	- .03126	-.27754	.19408	-.02363	- .04391	767.35797	6.48439	-.60673
.976	-6.949	.12177	- .03377	-.27015	.12253	-.03257	-.04494	767.77328	6.51686	-.42589
.975	-4.694	.11504	-.03633	-.26029	.06155	-.03711	- .04250	767.52684	6.53263	-.26580
.975	-2.450	.11124	- .03978	-.25752	.00590	-.03907	- .04387	767.23541	6.55074	-.12137
.975	-.193	.10677	- .04081	-.25365	-.05597	-.03813	-.05365	767.35797	6.55684	.03091
.975	2.046	.09792	-.04064	-.24498	-.11632	-.03767	- .06100	767.17266	6.54963	.17770
.975	4.276	.09059	-.04158	-.23545	-.17456	-.04032	-.06797	767.23395	6.53070	.32362
	GRADIENT	- .00277	- .00051	.00277	-.02650	-.00022	-.00303	-.02891	-.00022	.06596

RUN NO 72/ 0 RN/L = 4.21 GRADIENT INTERVAL = -5.00/ 5.00

MACH	ALPHA	CYN	CBL	CY	CLMU	CHE1	CHEO	Q(PSF)	BETA	CNU
1.149	-7.135	.11623	-.03404	-.26340	.14312	.01932	- .04076	862.70395	6.58732	-.45387
1.149	-4.812	.11189	- .03874	-.25922	.07498	.01452	- .04098	862.66631	6.61929	-.28224
1.149	-2.515	.10837	- .04301	-.25659	.01400	.01056	- .03808	862.64588	6.63737	-.12303
1.149	-.230	.10856	-.04491	-.25845	-.04706	.00396	- .04063	862.64588	6.64804	.03147
1.149	2.036	.10630	-.04533	-.25708	-.10749	-.00507	- .04761	862.41361	6.64541	.17769
	GRADIENT	-.00073	-.00095	.00020	-.02665	- .00286	- .00098	-.03314	.00391	.06721

LARC 8FT TPT 749 (1A93) OTSAT130

(SJJ016) (24 JUN 76)

REFERENCE DATA

PARAMETRIC DATA

SREF = 2690.0000 SQ.FT. XMRP = 976.0000 IN. XT
 LREF = 1290.3000 INCHES YMRP = .0000 IN. YT
 BREF = 1290.3000 INCHES ZMRP = 400.0000 IN. ZT
 SCALE = .0100

BETA = 6.000 ELV-LI = 10.000
 ELV-LO = 14.000 ELV-RI = 10.000
 ELV-RO = 14.000

RUN NO. 62/ 0 RN/L = 4.22 GRADIENT INTERVAL = -5.00/ 5.00

MACH	ALPHA	C/N	CBL	CY	CLMU	CHEI	CHEO	Q(PSF)	BETA	CNU
1.200	-9.538	.12632	-.03065	-.28042	.22744	.02797	-.03646	880.84448	6.55886	-.65673
1.200	-7.167	.11911	-.03524	-.26889	.14428	.02491	-.03935	880.86583	6.58389	-.45718
1.200	-4.835	.11530	-.03959	-.26439	.07258	.02035	-.03773	880.95889	6.60477	-.27836
1.200	-2.539	.11242	-.04257	-.26173	.01245	.01511	-.03533	880.67192	6.62227	-.12225
1.199	-.238	.11244	-.04466	-.26396	-.04749	.00974	-.04107	880.43024	6.63233	.03188
1.200	2.015	.11203	-.04601	-.26526	-.10504	.00258	-.04920	881.36553	6.63318	.17674
1.200	4.295	.10726	-.04691	-.25931	-.15924	-.00326	-.05527	881.01106	6.61400	.31689
	GRADIENT	-.00072	-.00079	00029	-.02547	-.00262	-.00220	03468	.00130	06529

LARC 8FT TPT 749 (1A93) OTSAT130

(SJJ017) (24 JUN 76)

REFERENCE DATA

PARAMETRIC DATA

SREF = 2690.0000 SQ.FT. XMRP = 976.0000 IN. XT
 LREF = 1290.3000 INCHES YMRP = .0000 IN. YT
 BREF = 1290.3000 INCHES ZMRP = 400.0000 IN. ZT
 SCALE = .0100

BETA = -6.000 ELV-LI = 10.000
 ELV-LO = -5.000 ELV-RI = 10.000
 ELV-RO = -5.000

RUN NO. 90/ 0 RN/L = 4.21 GRADIENT INTERVAL = -5.00/ 5.00

MACH	ALPHA	CYN	CBL	CY	CLMU	CHEI	CHEO	Q(PSF)	BETA	CNU
1.149	-7.178	-.12577	.04273	.31035	.17935	.05710	.07187	862.90001	-6.65909	-.49930
1.150	-4.855	-.11457	.04535	.29192	.11146	.05176	.05362	862.84344	-6.66521	-.32420
1.149	-2.556	-.10862	.04792	.27924	.05347	.04536	.03629	862.95804	-6.66214	-.16546
1.150	-.282	-.11047	.04925	.27469	-.00425	.03668	.02144	862.80428	-6.65153	-.01753
1.149	1.998	-.11254	.05019	.27519	-.06183	.02647	.00866	862.84198	-6.64317	.12876
	GRADIENT	00019	.00070	-.00240	-.02533	-.00371	-.00657	-.00689	.00336	.06608

RUN NO. 85/ 0 RN/L = 4.22 GRADIENT INTERVAL = -5.00/ 5.00

MACH	ALPHA	CYN	CBL	CY	CLMU	CHEI	CHEO	Q(PSF)	BETA	CNU
1.200	-9.583	-.14266	.04041	.33869	.26928	.05857	.07436	881.19131	-6.65417	-.71031
1.200	-7.205	-.12825	.04427	.31304	.17632	.05153	.05732	881.70887	-6.66404	-.49659
1.200	-4.874	-.11710	.04651	.29580	.10769	.04386	.04059	881.39880	-6.67276	-.31981
1.200	-2.554	-.11031	.04793	.28176	.04894	.03876	.02726	881.54220	-6.66688	-.15913
1.200	-.289	-.11334	.04879	.27763	-.00678	.03196	.01514	881.62354	-6.65849	-.01436
1.200	1.985	-.11530	.04932	.27720	-.06032	.02318	.00402	881.62524	-6.64995	.12807
1.199	4.253	-.11167	.05048	.27601	-.11716	.00973	-.00572	881.19291	-6.63773	.27393
	GRADIENT	.00026	.00041	-.00194	-.02447	-.00368	-.00508	-.01429	.00381	.06470

C
1
3

DATE 29 OCT 76

TABULATED SOURCE DATA - 1A93.

PAGE 123

LARC 8FT TPT 749 (1A93) OTSAT130

(SJJ018) (24 JUN 76)

REFERENCE DATA

PARAMETRIC DATA

SREF = 2690.0000 SQ.FT. XMRP = 976.0000 IN. XT
 LREF = 1290.3000 INCHES YMRP = .0000 IN. YT
 BREF = 1290.3000 INCHES ZMRP = 400 0000 IN. ZT
 SCALE = .0100

BETA = -4.000 ELV-LI = 10.000
 ELV-LO = -5.000 ELV-RI = 10.000
 ELV-RO = -5.000

RUN NO 89/ 0 RN/L = 4.21 GRADIENT INTERVAL = -5.00/ 5.00

MACH	ALPHA	CYN	CBL	CY	CLMU	CHE1	CHEO	Q(PSF)	BETA	CNU
1.149	-7.132	-.08101	.02677	.20354	.18997	.05238	.07851	862.80279	-4.42750	-.49990
1.149	-4.822	-.07465	.02949	.19344	.12051	.04725	.06561	862.68822	-4.43449	-.32518
1.149	-2.538	-.07026	.03102	.18111	.06198	.04211	.04895	862.57215	-4.42491	-.16914
1.149	-.264	-.07658	.03243	.18173	.00101	.03495	.03200	862.80279	-4.41747	-.01909
1.149	1.980	-.07753	.03274	.18151	-.05622	.02599	.01676	862.68670	-4.41005	.12317
	GRADIENT	-.00066	.00049	-.00155	-.02607	-.00313	-.00721	.01000	.00356	.06593

RUN NO 84/ 0 RN/L = 4.22 GRADIENT INTERVAL = -5.00/ 5.00

MACH	ALPHA	CYN	CBL	CY	CLMU	CHE1	CHEO	Q(PSF)	BETA	CNU
1.200	-9.512	-.09171	.02599	.22369	.26809	.05434	.07919	881.40653	-4.45240	-.69537
1.201	-7.158	-.08391	.02929	.20998	.18525	.04841	.06714	881.68556	-4.45929	-.49573
1.200	-4.837	-.07618	.03073	.19723	.11438	.04229	.05083	881.67204	-4.46049	-.31846
1.200	-2.542	-.07220	.03146	.18580	.05291	.03780	.03673	881.70887	-4.44996	-.15761
1.200	-.274	-.07751	.03230	.18462	-.00506	.03225	.02359	881.09050	-4.44061	-.01112
1.199	1.987	-.07876	.03241	.18359	-.05996	.02545	.01056	881.03403	-4.43544	.13061
1.199	4.247	-.07662	.03370	.18513	-.11545	.01436	-.00148	880.94972	-4.42879	.27184
	GRADIENT	-.00033	.00030	-.00117	-.02523	-.00300	-.00576	-.09338	.00343	.06472

LARC 8FT TPT 749 (1A93) OTSAT130

(SJJ019) (24 JUN 76)

REFERENCE DATA

PARAMETRIC DATA

SREF = 2690.0000 SQ FT XMRP = 976 0000 IN. XT
 LREF = 1290.3000 INCHES YMRP = .0000 IN. YT
 BREF = 1290.3000 INCHES ZMRP = 400 0000 IN. ZT
 SCALE = 0100

BETA = .000 ELV-LI = 10.000
 ELV-LO = -5.000 ELV-RI = 10.000
 ELV-RO = -5.000

RUN NO 88/ 0 RN/L = 4.21 GRADIENT INTERVAL = -5.00/ 5.00

MACH	ALPHA	CYN	CBL	CY	CLMU	CHE1	CHEO	Q(PSF)	BETA	CNU
1.150	-7.097	-.00291	.00150	.01558	.20541	.04377	.07555	862.70853	-.03041	-.50704
1.149	-4.789	-.00023	.00075	.01033	.13718	.03849	.07988	862.74625	-.02409	-.33519
1.149	-2.513	.00209	.00000	.00349	.06979	.03522	.07192	862.76510	-.01278	-.17297
1.149	-.277	.00133	-.00071	-.00042	.00824	.03294	.05575	862.62866	-.00091	-.02738
1.149	1.890	-.00169	.00001	.00283	-.04679	.02634	.03767	862.62866	.00066	.10930
	GRADIENT	-.00022	-.00013	-.00120	-.02755	-.00173	-.00640	-.02196	.00388	.06643

LARC 8FT TPT 749 (IA93) OTSAT130

(SJJD19) (24 JUN 76)

REFERENCE DATA

PARAMETRIC DATA

SREF = 2690.0000 SQ.FT. XMRP = 976.0000 IN. XT
 LREF = 1290.3000 INCHES YMRP = 0000 IN. YT
 BREF = 1290.3000 INCHES ZMRP = 400.0000 IN. ZT
 SCALE = .0100

BETA = .000 ELV-L1 = 10.000
 ELV-LO = -5.000 ELV-R1 = 10.000
 ELV-RO = -5.000

RUN NO. 83/ 0 RN/L = 4.22 GRADIENT INTERVAL = -5.00/ 5.00

MACH	ALPHA	CYN	CBL	CY	CLMU	CHE1	CHEO	Q(PSF)	BETA	CNU
1.201	-9.450	-.00238	.00177	.01638	.27474	.05038	.07631	881.68556	-.04038	-.68803
1.201	-7.107	-.00012	.00171	.01319	.19900	.04466	.07690	881.87141	-.03747	-.49958
1.201	-4.803	.00220	.00099	.00917	.12501	.03895	.07131	881.92731	-.03347	-.31964
1.201	-2.521	.00509	-.00016	.00113	.05943	.03556	.05940	881.57482	-.02003	-.15868
1.201	-.270	.00299	-.00009	.00038	.00044	.03298	.04400	881.52665	-.01213	-.01495
1.200	1.980	.00071	.00007	.00076	-.05303	.02782	.02821	881.38520	-.00574	.12351
1.199	4.237	-.00151	.00057	.00472	-.10640	.02040	.01259	881.35179	-.01101	.26465
	GRADIENT	-.00052	-.00003	-.00041	-.02548	-.00199	-.00658	-.05943	.00262	.06425

LARC 8FT TPT 749 (IA93) OTSAT130

(SJJD20) (24 JUN 76)

REFERENCE DATA

PARAMETRIC DATA

SREF = 2690.0000 SQ FT XMRP = 976.0000 IN XT
 LREF = 1290.3000 INCHES YMRP = 0000 IN YT
 BREF = 1290.3000 INCHES ZMRP = 400.0000 IN ZT
 SCALE = .0100

BETA = 4.000 ELV-L1 = 10.000
 ELV-LO = -5.000 ELV-R1 = 10.000
 ELV-RO = -5.000

RUN NO. 91/ 0 RN/L = 4.21 GRADIENT INTERVAL = -5.00/ 5.00

MACH	ALPHA	CYN	CBL	CY	CLMU	CHE1	CHEO	Q(PSF)	BETA	CNU
1.150	-7.140	.07355	-.02089	-.16632	.19756	.02986	.07605	863.05523	4.37069	-.50908
1.150	-4.833	.07303	-.02563	-.16736	.12680	.02585	.07777	862.68967	4.38977	-.33470
1.149	-2.545	.07325	-.02949	-.16809	.06193	.02300	.08187	862.72591	4.40142	-.17230
1.150	-.270	.07525	-.03182	-.17226	.00330	.01792	.07640	863.19013	4.41106	-.02382
1.149	1.974	.07534	-.03195	-.17295	-.05538	.01160	.05915	862.76510	4.41202	.11936
	GRADIENT	.00039	-.00094	-.00092	-.02667	-.00211	-.00269	.03066	.00337	.06657

RUN NO. 86/ 0 RN/L = 4.22 GRADIENT INTERVAL = -5.00/ 5.00

MACH	ALPHA	CYN	CBL	CY	CLMU	CHE1	CHEO	Q(PSF)	BETA	CNU
1.200	-9.518	.07887	-.01835	-.17525	.27222	.03753	.07614	881.67204	4.36101	-.70130
1.201	-7.152	.07842	-.02284	-.17317	.19109	.03414	.07296	881.39682	4.38286	-.50212
1.201	-4.842	.07774	-.02686	-.17281	.11846	.03026	.07688	881.54013	4.40103	-.32368
1.201	-2.552	.07755	-.02979	-.17389	.05494	.02746	.07669	881.73594	4.41677	-.16388
1.200	-.279	.07826	-.03141	-.17553	-.00157	.02346	.06573	881.42012	4.42159	-.01623
1.200	1.978	.07978	-.03215	-.17882	-.05695	.01761	.04794	881.55949	4.42528	.12369
1.199	4.236	.07568	-.03203	-.17474	-.11439	.01095	.03034	881.19291	4.41450	.26535
	GRADIENT	-.00008	-.00056	-.00039	-.02546	-.00214	-.00537	-.03832	.00157	.06461

LARC BFT TPT 749 (1A93) OTSAT130

(SJJ021) (24 JUN 76)

REFERENCE DATA

SREF = 2690.0000 SQ FT. XMRP = 976.0000 IN. XT
 LREF = 1290.3000 INCHES YMRP = .0000 IN. YT
 BREF = 1290.3000 INCHES ZMRP = 400.0000 IN. ZT
 SCALE = .0100

PARAMETRIC DATA

BETA = 6.000 ELV-L1 = 10.000
 ELV-LO = -5.000 ELV-R1 = 10.000
 ELV-RO = -5.000

RUN NO. 92/ 0 RN/L = 4.21 GRADIENT INTERVAL = -5.00/ 5 00

MACH	ALPHA	C/N	CBL	CY	CLMU	CHE1	CHEO	Q(PSF)	BETA	CNU
1.149	-7.195	.11601	-.03458	-.26295	.19199	.02661	.07590	862.76510	6.57252	-.51232
1.150	-4.855	.11134	-.03994	-.25895	.12127	.02182	.07653	862.70853	6.59786	-.33604
1.149	-2.570	.10729	-.04434	-.25434	.05973	.01910	.07970	862.84198	6.61320	-.17658
1.149	-.287	.10849	-.04706	-.25814	-.00093	.01355	.08141	862.53138	6.62668	-.02330
1.149	1.985	.10737	-.04794	-.25871	-.06418	.06674	.06903	863.03492	6.62400	.12760
	GRADIENT	-.00047	-.00117	-.00013	-.02706	-.00223	-.00091	.02925	.00403	.06772

RUN NO. 87/ 0 RN/L = 4.22 GRADIENT INTERVAL = -5.00/ 5 00

MACH	ALPHA	CYN	CBL	CY	CLMU	CHE1	CHEO	Q(PSF)	BETA	CNU
1.200	-9.579	.12580	-.03052	-.27987	.27509	.03387	.07612	881.39880	6.55405	-.71394
1.200	-7.210	.12032	-.03665	-.27093	.18741	.03052	.07206	881.75149	6.58317	-.50783
1.200	-4.879	.11573	-.04137	-.26479	.11465	.02679	.07463	881.61389	6.60678	-.32858
1.200	-2.565	.11271	-.04488	-.26152	.05405	.02210	.07873	881.67204	6.61726	-.16887
1.200	-.280	.11323	-.04699	-.26437	-.00492	.01734	.07413	881.34251	6.62995	-.01817
1.200	1.993	.11311	-.04797	-.26606	-.06293	.01122	.05893	881.48772	6.63191	.12734
1.199	4.269	.10861	-.04830	-.26027	-.12084	.00646	.03991	881.11489	6.61057	.27272
	GRADIENT	-.00061	-.00074	.00020	-.02573	-.00225	-.03390	-.05169	.00098	.06559

LARC BFT TPT 749 (1A93) OTSAT130

(SJJ022) (24 JUN 76)

REFERENCE DATA

SREF = 2690.0000 SQ FT. XMRP = 976.0000 IN. XT
 LREF = 1290.3000 INCHES YMRP = .0000 IN. YT
 BREF = 1290.3000 INCHES ZMRP = 400.0000 IN. ZT
 SCALE = .0100

PARAMETRIC DATA

BETA = -6.000 ELV-L1 = 12.000
 ELV-LO = -5.000 ELV-R1 = 12.000
 ELV-RO = -5.000

RUN NO. 100/ 0 RN/L = 4.21 GRADIENT INTERVAL = -5.00/ 5.00

MACH	ALPHA	CYN	CBL	CY	CLMU	CHE1	CHEO	Q(PSF)	BETA	CNU
1.149	-7.169	-.12496	.04277	.30873	.17374	.03168	.07171	862.94198	-6.65507	-.49134
1.150	-4.839	-.11421	.04530	.29058	.10472	.02724	.05347	862.80428	-6.66192	-.31644
1.149	-2.538	-.10789	.04796	.27811	.04755	.02300	.03658	862.89850	-6.66328	-.15761
1.149	-.277	-.11021	.04955	.27489	-.00891	.01606	.02214	862.55020	-6.65480	-.01184
1.150	1.996	-.11207	.05025	.27457	-.06713	.00813	.00852	863.15097	-6.64820	.13601
	GRADIENT	.00018	.00072	-.00226	-.02513	-.00282	-.00656	.03038	.00218	.06603

LARC 8FT TPT 749 (1A93) OTSAT130

(SJJ022) (24 JUN 76)

REFERENCE DATA

PARAMETRIC DATA

SREF = 2690.0000 SQ.FT. XMRP = 976.0000 IN. XT
 LREF = 1290.3000 INCHES YMRP = .0000 IN. YT
 BREF = 1290.3000 INCHES ZMRP = 400.0000 IN. ZT
 SCALE = .0100

BETA = -6.000 ELV-LI = 12.000
 ELV-LC = -5.000 ELV-RI = 12.000
 ELV-RO = -5.000

RUN NO. 95/ 0 RN/L = 4.22 GRADIENT INTERVAL = -5.00/ 5 00

MACH	ALPHA	C/N	CBL	CY	CLMU	CHE1	CHEO	Q(PSF)	BETA	CNU
1.205	-9.583	-.14297	04083	.33957	.26398	.03381	.07305	883.03999	-6.67655	-.70450
1.205	-7.206	-.12889	.04480	.31541	17157	.02804	.05574	883.08750	-6.69139	-.49222
1.205	-4.873	-.11746	04670	.29653	10188	.02269	.03909	882.63028	-6.69544	-.31457
1.205	-2.549	-.11036	.04819	.28301	04415	.01908	.02665	882.85023	-6.69071	-.15298
1.205	-.269	-.11321	.04879	.27782	01272	.01249	.01395	882.85023	-6.67781	-.00574
1.205	2.007	-.11576	.04974	.27919	-.06730	.00210	.00332	883.07885	-6.67884	13845
1.205	4.269	-.11253	.05076	.27784	-.12187	-.00929	-.00724	882.99906	-6.66535	27972
	GRADIENT	00020	.00042	-.00181	-.02447	-.00354	-.00508	04237	.00315	.06481

LARC 8FT TPT 749 (1A93) OTSAT130

(SJJ023) (24 JUN 76)

REFERENCE DATA

PARAMETRIC DATA

SREF = 2690.0000 SQ.FT. XMRP = 976.0000 IN. XT
 LREF = 1290.3000 INCHES YMRP = .0000 IN. YT
 BREF = 1290.3000 INCHES ZMRP = 400.0000 IN. ZT
 SCALE = .0100

BETA = -4.000 ELV-LI = 12.000
 ELV-LO = -5.000 ELV-RI = 12.000
 ELV-RO = -5.000

RUN NO 99/ 0 RN/L = 4.21 GRADIENT INTERVAL = -5.00/ 5.00

MACH	ALPHA	CYN	CBL	CY	CLMU	CHE1	CHEO	Q(PSF)	BETA	CNU
1.150	-7.125	-.08152	02731	20564	.18398	.02820	.07823	863.13211	-4.44377	-.49201
1.150	-4.809	-.07380	02953	.19323	.11625	.02424	.06525	862.99721	-4.43970	-.32053
1.150	-2.530	-.07087	.03159	.18235	.05483	.02042	.04797	863.09295	-4.42644	-.15971
1.149	-.259	-.07594	.03276	.18207	-.00359	.01487	.03199	862.80124	-4.42137	-.01343
1.149	2.002	-.07775	.03313	.18275	-.06266	.00730	01631	862.74319	-4.41842	.13311
	GRADIENT	-.00074	.00053	-.00140	-.02621	-.00248	-.00717	-.04639	.00304	06639

RUN NO 94/ 0 RN/L = 4.22 GRADIENT INTERVAL = -5.00/ 5.00

MACH	ALPHA	CYN	CBL	CY	CLMU	CHE1	CHEO	Q(PSF)	BETA	CNU
1.205	-9.505	-.09128	.02612	.22334	.26412	.03023	.07836	882.60217	-4.44848	-.69215
1.205	-7.145	-.08358	.02948	.20922	.17949	.02572	.06552	883.29879	-4.45215	-.48885
1.205	-4.829	-.07602	03098	.19718	.10774	.02092	.04865	882.43185	-4.45640	-.30955
1.205	-2.537	-.07182	03153	.18467	04682	.01758	.03536	883.09827	-4.44373	-.15035
1.205	-.269	-.07669	03215	.18343	-.01117	01310	.02280	883.03999	-4.43540	-.00362
1.205	2.013	-.07926	03269	.18491	-.06473	00523	.00920	882.65178	-4.42947	.13681
1.205	4.264	-.07656	03351	.18413	-.12066	-.00542	-.00222	883.17806	-4.42645	.27868
	GRADIENT	-.00037	.00027	-.00114	-.02500	-.00286	-.00563	.04602	.00326	.06438

LARC 8FT TPT /49 (1A93) OTSAT130

(SJJ024) (24 JUN 76)

REFERENCE DATA

SREF = 2690.0000 SQ.FT. XMRP = 976.0000 IN. XT
 LREF = 1290.3000 INCHES YMRP = .0000 IN. YT
 BREF = 1290.3000 INCHES ZMRP = 400.0000 IN. ZT
 SCALE = .0100

PARAMETRIC DATA

BETA = .000 ELV-LI = 12.000
 ELV-LO = -5.000 ELV-RI = 12.000
 ELV-RO = -5.000

RUN NO. 98/ 0 RN/L = 4.21 GRADIENT INTERVAL = -5.00/ 5.00

MACH	ALPHA	C/N	CBL	CY	CLMU	CHEI	CHEO	Q(PSF)	BETA	CNU
1.150	-7.086	-.00248	.00159	.01593	.20245	.02278	.07513	863.15097	-.03947	-.50381
1.149	-4.791	.00002	.00097	.01117	.13221	.01924	.07957	862.91886	-.03407	-.32785
1.149	-2.508	.00343	-.00030	.00216	.06638	.01695	.07160	863.13065	-.01549	-.16767
1.149	-.272	-.00006	-.00001	.00305	.00335	.01487	.05520	862.66631	-.00880	-.02135
1.149	1.986	-.00147	.00010	.00287	-.05285	.00959	.03703	862.89850	-.00406	.12045
	GRADIENT	-.00035	-.00010	-.00107	-.02740	-.00137	-.00638	-.02310	00429	06608

RUN NO 93/ 0 RN/L = 4.22 GRADIENT INTERVAL = -5.00/ 5.00

MACH	ALPHA	CYN	CBL	CY	CLMU	CHEI	CHEO	Q(PSF)	BETA	CNU
1.205	-9.429	-.00177	.00192	.01559	.26995	.02756	.07624	883.09505	-.03673	-.68244
1.205	-7.098	-.00093	.00215	.01452	.19230	.02341	.07635	883.40667	-.03508	-.48957
1.205	-4.783	.00314	.00083	.00699	.12090	.01948	.07015	883.12631	-.02476	-.31579
1.206	-2.517	.00401	.00046	.00357	.05402	.01683	.05715	883.27511	-.01988	-.15199
1.206	-.253	.00370	-.00017	-.00099	-.00528	.01486	.04212	883.37430	-.00498	-.00730
1.205	1.986	.00076	.00015	.00109	-.05786	.01046	.02647	882.88908	-.00569	.12980
1.205	4.235	-.00082	.00040	.00396	-.10944	.00394	.01264	883.54889	-.00755	.26617
	GRADIENT	-.00049	-.00005	-.00038	-.02541	-.00166	-.00646	.02040	00216	.06415

LARC 8FT TPT 749 (1A93) OTSAT130

(SJJ025) (24 JUN 76)

REFERENCE DATA

SREF = 2690.0000 SQ.FT. XMRP = 976.0000 IN. XT
 LREF = 1290.3000 INCHES YMRP = .0000 IN. YT
 BREF = 1290.3000 INCHES ZMRP = 400.0000 IN. ZT
 SCALE = .0100

PARAMETRIC DATA

BETA = 4.000 ELV-LI = 12.000
 ELV-LO = -5.000 ELV-RI = 12.000
 ELV-RO = -5.000

RUN NO. 101/ 0 RN/L = 4.21 GRADIENT INTERVAL = -5.00/ 5.00

MACH	ALPHA	CYN	CBL	CY	CLMU	CHEI	CHEO	Q(PSF)	BETA	CNU
1.150	-7.122	.07391	-.02103	-.16731	.19172	.01237	.07542	862.93918	4.39355	-.50074
1.150	-4.831	.07357	-.02573	-.16826	.12184	.00924	.07714	862.97834	4.41515	-.32954
1.149	-2.540	.07379	-.02974	-.16918	.05683	.00653	.08130	862.86082	4.42835	-.16613
1.149	-.259	.07553	-.03194	-.17289	-.00251	.00049	.07579	862.76358	4.43645	-.01488
1.149	1.979	.07618	-.03212	-.17418	-.06062	-.00576	.05947	862.87967	4.43861	.12548
	GRADIENT	.00042	-.00094	-.00095	-.02672	-.00225	-.00257	-.01745	.00346	.06678

LARC 8FT TPT 749 (IA93) OTSAT130

(SJJ025) (24 JUN 76)

REFERENCE DATA

SREF = 2690.0000 SQ.FT. XMRP = 976.0000 IN. XT
 LREF = 1290.3000 INCHES YMRP = .0000 IN. YT
 BREF = 1290.3000 INCHES ZMRP = 400.0000 IN. ZT
 SCALE = .0100

PARAMETRIC DATA

BETA = 4.000 ELV-LI = 12.000
 ELV-LO = -5.000 ELV-RI = 12.000
 ELV-RO = -5.000

RUN NO. 96/ 0 RN/L = 4.22 GRADIENT INTERVAL = -5.00/ 5.00

MACH	ALPHA	CYN	CBL	CY	CLMU	CHEI	CHEO	Q(PSF)	BETA	CNU
1.205	-9.511	.07970	-.01861	-.17610	.26706	.01902	.07576	882.66251	4.37650	-.69336
1.205	-7.149	.07912	-.02280	-.17362	.18634	.01650	.07263	882.91059	4.39674	-.49628
1.206	-4.838	.07788	-.02675	-.17252	.11363	.01365	.07634	883.01632	4.41536	-.31769
1.205	-2.546	.07684	-.02946	-.17220	.04970	.01128	.07542	882.62161	4.42818	-.15728
1.205	-.268	.07880	-.03148	-.17617	-.00759	.00754	.06418	882.76174	4.43849	-.00698
1.205	1.999	.08089	-.03240	-.18102	-.06317	.00163	.04634	882.87831	4.44490	.13277
1.205	4.255	.07687	-.03214	-.17624	-.11912	-.00441	.02889	882.75101	4.43514	.27261
	GRADIENT	.00009	-.00060	-.00072	-.02545	-.00201	-.00545	-.01211	.00248	.06470

LARC 8FT TPT 749 (IA93) OTSAT130

(SJJ026) (24 JUN 76)

REFERENCE DATA

SREF = 2690.0000 SQ FT XMRP = 976.0000 IN. XT
 LREF = 1290.3000 INCHES YMRP = .0000 IN. YT
 BREF = 1290.3000 INCHES ZMRP = 400.0000 IN. ZT
 SCALE = .0100

PARAMETRIC DATA

BETA = 6.000 ELV-LI = 12.000
 ELV-LO = -5.000 ELV-RI = 12.000
 ELV-RO = -5.000

RUN NO. 102/ 0 RN/L = 4.21 GRADIENT INTERVAL = -5.00/ 5.00

MACH	ALPHA	CYN	CBL	CY	CLMU	CHEI	CHEO	Q(PSF)	BETA	CNU
1.149	-7.174	.11545	-.03443	-.26141	.18570	.00973	.07526	862.72436	6.56882	-.50297
1.150	-4.847	.11111	-.03998	-.25856	.11522	.00583	.07589	863.09438	6.59944	-.32763
1.149	-2.551	.10726	-.04443	-.25472	.05435	.00334	.07914	862.76358	6.61509	-.16875
1.149	-.276	.10826	-.04706	-.25754	-.00495	-.00229	.08053	863.05377	6.62670	-.01939
1.149	1.996	.10732	-.04771	-.25752	-.06720	-.00943	.06845	862.76358	6.62471	.13054
	GRADIENT	-.00046	-.00113	.00001	-.02660	-.00225	-.00091	-.03084	.00384	.06683

RUN NO. 97/ 0 RN/L = 4.22 GRADIENT INTERVAL = -5.00/ 5.00

MACH	ALPHA	CYN	CBL	CY	CLMU	CHEI	CHEO	Q(PSF)	BETA	CNU
1.205	-9.560	.12654	-.03080	-.28064	.26973	.01683	-.07502	883.29879	6.57273	-.70467
1.205	-7.190	.12019	-.03659	-.27011	.18106	.01413	.07142	882.43185	6.59913	-.49827
1.205	-4.879	.11680	-.04145	-.26602	.11066	.01107	.07404	882.62161	6.62731	-.32480
1.205	-2.560	.11389	-.04504	-.26354	.04929	.00700	.07771	882.15753	6.64051	-.16263
1.205	-.286	.11410	-.04705	-.26508	-.00939	.00292	.07275	883.00981	6.64999	-.01263
1.205	1.998	.11348	-.04767	-.26507	-.06730	-.00353	.05693	882.60217	6.64934	.13263
1.205	4.274	.11040	-.04852	-.26308	-.12440	-.00827	.03843	883.02924	6.63611	.27728
	GRADIENT	-.00058	-.00073	.00019	-.02566	-.00215	-.00402	.05492	.00116	.06558

LARC 8FT TPT 749 (1A93) OTSAT130

(SJJ027) (24 JUN 76)

REFERENCE DATA

SREF = 2690.0000 SQ.FT. XMRP = 976 0000 IN. XT
 LREF = 1290.3000 INCHES YMRP = .0000 IN. YT
 BREF = 1290.3000 INCHES ZMRP = 400.0000 IN. ZT
 SCALE = .0100

PARAMETRIC DATA

BETA = -6.000 ELV-L1 = 12.000
 ELV-LO = 4.000 ELV-R1 = 12.000
 ELV-RO = 4.000

RUN NO. 120/ 0 RN/L = 3.97 GRADIENT INTERVAL = -5.00/ 5.00

MACH	ALPHA	CYN	CBL	CY	CLMU	CHE1	CHEO	Q(P5F)	BETA	CNU
.900	-9.055	-.12641	.03401	.29705	.17514	.01746	.00403	710.53162	-6.54177	-.55936
.899	-6.826	-.12196	.03541	.29335	.11519	.02077	.01043	710.00112	-6.58029	-.40422
.900	-4.596	-.11681	.03701	.28162	.06372	.02285	.01241	710.89739	-6.59297	-.26444
.899	-2.397	-.11256	.03825	.27080	.00774	.02287	.01306	710.19780	-6.59290	-.12747
.900	-.175	-.11175	.04083	.26519	-.04588	.02362	.01214	710.48127	-6.59347	-.00989
.899	2.024	-.10837	.04227	.25964	-.09884	.01814	-.00016	710.27550	-6.55177	.14448
.900	4.254	-.11048	.04563	.26360	-.14835	.00430	-.01665	710.96595	-6.54272	.28239
	GRADIENT	.00076	.00096	-.00213	-.02400	-.00189	-.00323	.00986	.00640	.06176

RUN NO. 115/ 0 RN/L = 4.08 GRADIENT INTERVAL = -5.00/ 5.00

MACH	ALPHA	CYN	CBL	CY	CLMU	CHE1	CHEO	Q(P5F)	BETA	CNU
.974	-9.250	-.14284	.03882	.33209	.20719	.02058	.01615	765.93159	-6.61850	-.62104
.975	-6.969	-.12790	.04013	.31211	.13706	.02721	.01932	766.71813	-6.64072	-.44196
.975	-4.698	-.11662	.04069	.29405	.08257	.03066	.02232	766.33399	-6.64754	-.28947
.975	-2.459	-.10587	.04147	.27538	.02886	.02416	.02286	766.65539	-6.65194	-.14301
.975	-.207	-.10393	.04314	.26399	-.03121	.01211	.01597	767.18909	-6.63700	-.00590
.975	2.020	-.10255	.04498	.26260	-.08470	-.00343	.00577	767.05156	-6.63145	.14249
.975	4.253	-.10029	.04662	.26092	-.13856	-.01466	-.01075	767.09642	-6.59960	.28679
	GRADIENT	.00161	.00069	-.00357	-.02484	-.00528	-.00372	.08593	.00520	.06425

RUN NO. 110/ 0 RN/L = 4.21 GRADIENT INTERVAL = -5.00/ 5.00

MACH	ALPHA	CYN	CBL	CY	CLMU	CHE1	CHEO	Q(P5F)	BETA	CNU
1.149	-7.146	-.12594	.04336	.31021	.15068	.02509	.01580	862.55178	-6.68142	-.46438
1.150	-4.827	-.11558	.04550	.29293	.08327	.02160	.00327	863.22786	-6.69714	-.29088
1.149	-2.532	-.10947	.04789	.27978	.02850	.01765	-.01041	862.84198	-6.69290	-.13644
1.149	-.254	-.11172	.04919	.27573	-.03000	.01063	-.02199	862.60826	-6.68460	.01370
1.149	2.015	-.11336	.05002	.27624	-.08680	.00320	-.03061	862.76358	-6.68028	.15893
	GRADIENT	.00020	.00065	-.00238	-.02494	-.00273	-.00497	-.07146	.00258	.06576

ORIGINAL PAGE IS
OF POOR QUALITY

LARC 8FT TPT 749 (1A93) OTSAT130

(SJJ027) (24 JUN 76)

REFERENCE DATA

SREF = 2690.0000 SQ.FT. XMRP = 976.0000 IN. XT
 LREF = 1290.3000 INCHES YMRP = .0000 IN. YT
 BREF = 1290.3000 INCHES ZMRP = 400.0000 IN. ZT
 SCALE = .0100

PARAMETRIC DATA

BETA = -6.000 ELV-LI = 12.000
 ELV-LO = 4.000 ELV-RI = 12.000
 ELV-RO = 4.000

RUN NO. 105/ 0 RN/L = 4.22 GRADIENT INTERVAL = -5.00/ 5.00

MACH	ALPHA	C/N	CBL	CY	CLMU	CHEI	CHEO	Q(PSF)	BETA	CNU
1.205	-9.569	- .14269	.04122	.33795	24140	.02784	.01496	882 73510	-6.67741	-.67804
1.205	-7.192	-.12863	.04451	.31293	.14918	.02384	.00407	882 50294	-6.68535	-.46589
1.205	-4.858	-.11841	.04672	.29699	.08116	.01874	-.00873	882.90850	-6.69577	-.28888
1.205	-2.553	-.11189	.04801	.28360	.02548	.01521	-.01960	883 03790	-6.69186	-.13220
1.205	-.260	-.11384	.04835	.27797	-.03115	.00923	-.02961	882 75101	-6.67873	.01616
1.205	2.003	- .11564	.04913	.27765	-.08444	.00163	-.03748	882 45332	-6.67471	.15800
1.205	4.286	- .11272	.05074	.27848	-.13805	-.00800	-.04460	882 51366	-6.66618	.29890
	GRADIENT	.00034	.00040	-.00188	-.02400	-.00293	-.00392	-.06010	.00334	.06417

LARC 8FT TPT 749 (1A93) OTSAT130

(SJJ028) (24 JUN 76)

REFERENCE DATA

SREF = 2690.0000 SQ.FT. XMRP = 976.0000 IN. XT
 LREF = 1290.3000 INCHES YMRP = .0000 IN. YT
 BREF = 1290.3000 INCHES ZMRP = 400.0000 IN. ZT
 SCALE = .0100

PARAMETRIC DATA

BETA = -4.000 ELV-LI = 12.000
 ELV-LO = 4.000 ELV-RI = 12.000
 ELV-RO = 4.000

RUN NO. 119/ 0 RN/L = 3.97 GRADIENT INTERVAL = -5.00/ 5.00

MACH	ALPHA	CYN	CBL	CY	CLMU	CHEI	CHEO	Q(PSF)	BETA	CNU
.900	-9.022	- .09029	.02160	.20833	18621	.01485	.00107	710.30764	-4.37618	-.56307
.899	-6.790	-.08443	.02277	.20131	.12506	.01848	.01080	710.27550	-4.39587	-.40608
.900	-4.581	-.07786	.02355	.18899	.07055	.01957	.01316	710.52250	-4.39788	-.26580
.899	-2.382	-.07336	.02410	.17786	.01303	.01934	.01409	709.84079	-4.39570	-.12909
.899	-.179	-.07421	.02696	.17733	-.04484	.01925	.01248	709 91850	-4.39572	.01033
.899	2.032	-.07083	.02801	.17109	-.10288	.01900	.00624	709 82260	-4.38601	.14909
.900	4.245	-.07227	.02869	.17498	-.15134	.00320	-.01296	710.81057	-4.38266	.28650
	GRADIENT	.00062	.00073	-.00158	-.02536	-.00150	-.00273	.02544	.00182	.06267

DATE 29 OCT 76

TABULATED SOURCE DATA - IA93.

PAGE 131

LARC 8FT TPT 749 (IA93) OTSAT130

(SJJ028) (24 JUN 76)

REFERENCE DATA

SREF = 2690.0000 SQ.FT. XMRP = 976.0000 IN. XT
 LREF = 1290.3000 INCHES YMRP = 0000 IN. YT
 BREF = 1290.3000 INCHES ZMRP = 400 0000 IN. ZT
 SCALE = .0100

PARAMETRIC DATA

BETA = -4.000 ELV-LI = 12.000
 ELV-LO = 4.000 ELV-RI = 12.000
 ELV-RO = 4.000

RUN NO. 114/ 0 RN/L = 4.07 GRADIENT INTERVAL = -5.00/ 5.00

MACH	ALPHA	CYN	CBL	CY	CLMU	CHEI	CHEO	Q(PSF)	BETA	CNU
.974	-9.194	-.09688	.02575	.22606	.21499	.01691	.01605	765.85370	-4.42138	-.61661
.975	-6.929	-.08524	.02672	.21187	.14495	.02298	.01867	766.74947	-4.43748	-.44121
.975	-4.682	-.07654	.02677	.19743	.09098	.02142	.02106	766.70172	-4.43854	-.29161
.975	-2.434	-.06907	.02710	.18042	.03874	.01674	.02162	766.50142	-4.42420	-.14788
.975	-.220	-.07011	.02848	.17609	-.01929	.00586	.01867	766.63896	-4.41510	-.00514
.975	1.999	-.06829	.02884	.17264	-.07678	-.00702	.00961	766.76154	-4.40720	.13462
.974	4.236	-.06381	.02928	.16839	-.13580	-.01906	-.00553	766.02437	-4.39591	.28366
	GRADIENT	.00118	.00030	-.00296	-.02555	-.00470	-.00293	-.04925	.00459	.06435

RUN NO 109/ 0 RN/L = 4.21 GRADIENT INTERVAL = -5.00/ 5.00

MACH	ALPHA	CYN	CBL	CY	CLMU	CHEI	CHEO	Q(PSF)	BETA	CNU
1.149	-7.104	-.08197	.02771	.20587	.16106	.02251	.02107	862.62866	-4.47615	-.46627
1.149	-4.793	-.07537	.03006	.19530	.09189	.01841	.01204	862.60983	-4.48881	-.29146
1.149	-2.511	-.07219	.03162	.18413	.03420	.01501	-.00120	862.64749	-4.47750	-.13650
1.149	-.247	-.07758	.03260	.18333	-.02474	.00897	-.01359	862.37601	-4.47033	.01157
1.150	1.997	-.07808	.03266	.18178	-.08125	.00125	-.02425	863.30474	-4.44323	.15381
	GRADIENT	-.00060	.00039	-.00183	-.02555	-.00254	-.00536	.07977	.00635	.06556

RUN NO 104/ 0 RN/L = 4.22 GRADIENT INTERVAL = -5.00/ 5.00

MACH	ALPHA	CYN	CBL	CY	CLMU	CHEI	CHEO	Q(PSF)	BETA	CNU
1.205	-9.491	-.09307	.02698	.22586	.24090	.02628	.01985	882.69268	-4.47665	-.66459
1.205	-7.130	-.08486	.02989	.21122	.15650	.02194	.01125	882.52238	-4.48296	-.46181
1.205	-4.811	-.07710	.03083	.19826	.08755	.01731	-.00057	882.85889	-4.47144	-.28667
1.205	-2.515	-.07390	.03177	.18800	.02688	.01447	-.01193	882.41241	-4.47335	-.12661
1.205	-.256	-.07865	.03225	.18574	-.03036	.00971	-.02297	882.65377	-4.46161	.01985
1.205	2.012	-.08080	.03308	.18749	-.08272	.00238	-.03254	882.64306	-4.45853	.15825
1.205	4.264	-.07789	.03407	.18659	-.13696	-.00617	-.04052	883.05072	-4.45248	.29881
	GRADIENT	-.00037	.00034	-.00105	-.02464	-.00260	-.00443	.02689	.00232	.06420

LARC 8^{TT} TPT /49 (IA93) OTSAT130

(SJJ029) (24 JUN 76)

REFERENCE DATA

SREF = 2690.0000 SQ.FT. XMRP = 976 0000 IN. XT
 LREF = 1290.3000 INCHES YMRP = .0000 IN. YT
 BREF = 1290.3000 INCHES ZMRP = 400 0000 IN. ZT
 SCALE = .0100

PARAMETRIC DATA

BETA = .000 ELV-LI = 12.000
 ELV-LO = 4.000 ELV-RI = 12.000
 ELV-RO = 4.000

RUN NO. 118/ 0 RN/L = 3.97 GRADIENT INTERVAL = -5.00/ 5.00

MACH	ALPHA	C/N	CBL	CY	CLMU	CHEI	CHEO	Q(PSF)	BETA	CNU
.899	-8 974	-.00891	.00256	.02297	.19859	.00481	-.00293	709.90941	-.02473	-.56789
.900	-6.747	-.00436	.00140	.01391	.13674	.00751	.00596	710.68702	-.01624	-.41502
.900	-4.554	-.00262	.00084	.01337	.07772	.00759	.01370	710.77853	-.01842	-.26712
.900	-2.374	.00108	.00006	.00513	.01801	.00464	.01559	710.40357	-.00781	-.13423
.899	- 167	.00260	-.00046	-.00191	-.04167	.00490	.01377	709.63493	.00539	.00655
.899	2.013	.00170	.00030	-.00104	-.10377	.00405	.00919	710.05150	.00934	.14660
.899	4 220	.00125	.00057	.00038	-.15126	.00253	-.00195	709.64899	.01230	.28386
	GRADIENT	.00038	-.00001	-.00147	-.02643	-.00049	-.00172	-.11911	.00358	.06304

RUN NO 113/ 0 RN/L = 4 08 GRADIENT INTERVAL = -5.00/ 5 00

MACH	ALPHA	CYN	CBL	CY	CLMU	CHEI	CHEO	Q(PSF)	BETA	CNU
.975	-9.161	-.00522	.00197	.01943	.22706	.00195	.01668	766.59109	-.03780	-.62339
.975	-6.902	-.00262	.00150	.01638	.15957	.00790	.01748	766.76301	-.04140	-.45018
.975	-4 648	.00192	.00034	.00905	.10367	.00907	.02047	766.67035	-.03392	-.29786
.975	-2.433	.00567	-.00044	-.00086	.04940	.00266	.02217	766.36236	-.01984	-.15541
.975	- 224	.00358	-.00029	-.00103	-.00603	-.00554	.02058	766.30106	-.01419	-.01886
.974	1 979	.00243	-.00057	-.00145	-.06325	-.01430	.01685	765.70285	-.01296	.12076
.974	4 212	-.00047	.00053	.00275	-.12631	-.02415	.00494	765.74761	-.01772	.26927
	GRADIENT	-.00036	.00001	-.00059	-.02587	-.00377	-.00165	-.11313	.00177	.06373

RUN NO. 108/ 0 RN/L = 4 21 GRADIENT INTERVAL = -5.00/ 5 00

MACH	ALPHA	CYN	CBL	CY	CLMU	CHEI	CHEO	Q(PSF)	BETA	CNU
1.151	-7 080	-.00354	.00227	.01727	.17770	.01991	-.01537	864.15829	-.06107	-.47353
1.150	-4 776	-.00045	.00147	.01175	.11011	.01486	.02295	863.21425	-.05304	-.30451
1.149	-2 505	.00197	.00051	.00496	.04376	.01161	.01771	862.41686	-.03695	-.14126
1.149	- 252	.00039	.00007	.00194	-.01603	.00979	.00301	863.18869	-.02865	.00179
1.149	2.005	-.00203	.00055	.00312	-.07162	.00354	-.01113	862.56901	-.02306	.14262
	GRADIENT	-.00028	-.00014	-.00128	-.02678	-.00158	-.00517	-.05166	.00435	.06570

DATE 29 OCT 76

TABULATED SOURCE DATA - IA93.

PAGE 133

LARC 8FT TPT 749 (IA93) OTSAT130

(SJJ029) (24 JUN 76)

REFERENCE DATA

SREF = 2690.0000 SQ FT. XMRP = 976.0000 IN. XT
 LREF = 1290.3000 INCHES YMRP = .0000 IN. YT
 BREF = 1290.3000 INCHES ZMRP = 400.0000 IN. ZT
 SCALE = .0100

PARAMETRIC DATA

BETA = .000 ELV-LI = 12.000
 ELV-LO = 4.000 ELV-RI = 12.000
 ELV-RO = 4.000

RUN NO. 103/ 0 RN/L = 4 22 GRADIENT INTERVAL = -5.00/ 5.00

MACH	ALPHA	CYN	CBL	CY	CLMU	CHEI	CHEO	Q(PSF)	BETA	CNU
1.205	-9 425	-.00260	00240	.01679	.24699	.02465	.01562	882 56328	-.04507	-.65592
1.205	-7 077	-.00085	00246	.01533	.17006	.02044	.01894	882 75101	-.04658	-.46460
1.205	-4 779	.00220	00151	.00898	.09863	.01643	.01418	882 79852	-.03709	- 28886
1.206	-2.496	00484	00027	.00173	.03415	.01385	.00618	882 79633	-.02413	- 12849
1 205	-.253	00297	.00039	00004	-.02354	01175	-.00698	882 89984	-.01325	.01481
1.205	1.992	00018	.00058	00149	-.07471	.00686	-.01952	882 61289	-.01055	14938
1 204	4.248	-.00113	00073	00376	-.12709	-.00088	-.02991	882.90248	-.01453	28870
	GRADIENT	- 00050	-.00006	- 00048	-.02486	-.00185	- 00505	.00110	00261	06358

LARC 8FT TPT 749 (IA93) OTSAT130

-(SJJ030) (24 JUN 76)

REFERENCE DATA

SREF = 2690.0000 SQ.FT. XMRP = 976 0000 IN XT
 LREF = 1290.3000 INCHES YMRP = 0000 IN. YT
 BREF = 1290.3000 INCHES ZMRP = 400.0000 IN. ZT
 SCALE = 0100

PARAMETRIC DATA

BETA = 4 000 ELV-LI = 12.000
 ELV-LO = 4.000 ELV-RI = 12.000
 ELV-RO = 4.000

RUN NO. 121/ 0 RN/L = 3 97 GRADIENT INTERVAL = -5.00/ 5 00

MACH	ALPHA	CYN	CBL	CY	CLMU	CHEI	CHEO	Q(PSF)	BETA	CNU
900	-9.024	.07007	-.01488	- 15313	.18932	-.00615	- 00673	710.39445	4 27133	-.56720
.899	-6.792	.06990	- 01805	- 15598	.12917	- 00506	00124	709.89121	4 30881	- 41184
.899	-4.567	.06941	- 02146	-.15491	.07275	- 00464	.01022	709.96892	4 32204	- 26719
.899	-2.377	.06808	- 02310	- 15724	.01532	- 00531	.01371	710 11524	4.34058	-.13379
.900	-.188	.06880	- 02530	-.16084	-.04136	-.00623	01494	710.60932	4 35077	.00307
.900	2.008	.06651	- 02544	-.15798	- 10140	-.00758	.01188	710 32587	4 34728	.14096
899	4.219	.06940	- 02664	-.16112	-.14961	-.00978	.00393	710 03753	4 33937	27795
	GRADIENT	-.00007	- 00058	-.00060	- 02557	- 00057	- 00066	.01571	.00188	.06217

LARC 8FT TPT 749 (1A93) OTSAT130

(SJJ030) (24 JUN 76)

REFERENCE DATA

SREF = 2690.0000 SQ.FT XMRP = 976 0000 IN. XT
 LREF = 1290.3000 INCHES YMRP = 0000 IN. YT
 BREF = 1290.3000 INCHES ZMRP = 400.0000 IN. ZT
 SCALE = .0100

PARAMETRIC DATA

BETA = 4.000 ELV-LI = 12.000
 ELV-LO = 4.000 ELV-RI = 12.000
 ELV-RO = 4.000

RUN NO. 116/ 0 RN/L = 4.08 GRADIENT INTERVAL = -5.00/ 5.00

MACH	ALPHA	C/N	CBL	CY	CLMU	CHEI	CHEO	Q(PSF)	BETA	CNU
975	-9 201	.08194	-.01890	-.17682	.21714	-.02014	.01410	766 52979	4.32372	-.62164
.976	-6 930	.07906	-.02136	-.17430	.14873	-.02011	.01373	767.72965	4.34735	-.44960
975	-4.660	.07508	-.02336	-.16743	.08983	-.02035	.01507	767 37575	4 36005	-.29046
975	-2 426	.07450	-.02599	-.16906	.03622	-.01949	.01597	767.34442	4.37753	-.14731
975	- 217	.07423	-.02804	-.17069	-.01741	-.01489	.01527	767 35939	4 38675	-.00997
.975	2 009	.06953	-.02804	-.16565	-.07637	-.01435	.01085	767.09789	4 38296	13278
.975	4.249	.06231	-.02742	-.15842	-.13621	-.01833	.00393	766.95888	4.37060	.27924
	GRADIENT	-.00137	-.00046	.00096	-.02538	.00041	-.00123	-.04857	.00119	.06379

RUN NO 111/ 0 RN/L = 4 21 GRADIENT INTERVAL = -5.00/ 5 00

MACH	ALPHA	CYN	CBL	CY	CLMU	CHEI	CHEO	Q(PSF)	BETA	CNU
1.149	-7.111	.07343	-.02043	-.16565	.16878	.00980	.01522	862.70553	4.34943	-.47498
1 150	-4.807	.07409	-.02534	-.16776	.09901	.00660	.01902	862.99721	4.37168	-.30241
1.149	-2.528	.07419	-.02878	-.16823	.03473	.00327	.02566	862.86082	4.38375	-.14044
1.149	- 238	.07588	-.03058	-.17235	-.02381	-.00409	.02017	862.93770	4.39485	.00992
1.149	2 005	.07573	-.03082	-.17268	-.08154	-.01068	.00584	862 80124	4 39229	.15204
	GRADIENT	.00029	-.00080	-.00083	-.02641	-.00260	-.00197	-.02244	.00322	.06661

RUN NO 106/ 0 RN/L = 4.22 GRADIENT INTERVAL = -5.00/ 5 00

MACH	ALPHA	CYN	CBL	CY	CLMU	CHEI	CHEO	Q(PSF)	BETA	CNU
1.205	-9.489	.08009	-.01838	-.17629	.24401	.01657	.01665	882.59344	4.35292	-.66703
1 205	-7.125	.07816	-.02226	-.17233	.16215	.01412	.01488	882 84153	4 37322	-.46447
1 205	-4.823	.07834	-.02603	-.17274	.09168	.01195	.02063	882 83947	4 39020	-.29102
1 205	-2 525	.07857	-.02897	-.17448	.02976	.00910	.02128	882.75968	4.40658	-.13346
1 205	- 263	.07999	-.03076	-.17730	-.02542	.00516	.01086	882.59143	4.41281	.01260
1 205	2 026	.08020	-.03115	-.17832	-.08094	-.00068	-.00301	882.70139	4.41752	15334
1 205	4 265	.07689	-.03163	-.17582	-.13600	-.00786	-.01633	882.77247	4.40921	29333
	GRADIENT	-.00005	-.00059	-.00044	-.02491	-.00217	-.00432	-.00851	.00216	.06405

LARC 8FT TPT /49 (1A93) OTSAT130

(SJJ031) (24 JUN 76)

REFERENCE DATA

SREF = 2690.0000 SQ.FT. XMRP = 976.0000 IN. XT
 LREF = 1290.3000 INCHES YMRP = .0000 IN. YT
 BREF = 1290.3000 INCHES ZMRP = 400.0000 IN. ZT
 SCALE = 0100

PARAMETRIC DATA

BETA = 6.000 ELV-L1 = 12.000
 ELV-LO = 4.000 ELV-R1 = 12.000
 ELV-RO = 4.000

RUN NO. 122/ 0 RN/L = 3.97 GRADIENT INTERVAL = -5.00/ 5.00

MACH	ALPHA	CYN	CBL	CY	CLMU	CHE1	CHEO	Q(PSF)	BETA	CNU
.900	-9.065	.10848	-0.2619	-.23924	.18440	-.00800	-.00678	710.57283	6.41394	-.56818
.900	-6.827	.10866	-0.2944	-.24269	.12656	-.00791	.00188	710.82884	6.45376	-.41419
.900	-4.611	.10681	-0.3307	-.24023	.07317	-.00876	.01070	710.23905	6.47657	-.27539
.899	-2.401	.10658	-0.3585	-.24250	.01713	-0.0944	.01237	710.07882	6.49697	-.13737
.899	-.196	.10795	-0.3897	-.24716	-.04032	-0.1105	.01291	709.52494	6.51074	-.00074
.900	2.019	.10249	-0.4004	-.23943	-.10056	-.01195	.01123	710.79679	6.50010	.14326
.899	4.240	.10522	-0.4175	-.24302	-.14679	-.01155	.00602	710.03753	6.48861	.27435
	GRADIENT	-0.0033	-0.0097	-.00011	-.02521	-.00037	-0.00048	0.1426	.00123	.06239

RUN NO 117/ 0 RN/L = 4.08 GRADIENT INTERVAL = -5.00/ 5.00

MACH	ALPHA	CYN	CBL	CY	CLMU	CHE1	CHEO	Q(PSF)	BETA	CNU
.975	-9.259	.12728	-0.3115	-.27705	.21398	-0.2684	.01459	766.77346	6.48989	-.62616
.976	-6.961	.12056	-0.3368	-.26865	.14410	-.02666	.01323	767.59216	6.52252	-.44868
.975	-4.702	.11424	-0.3639	-.26002	.08589	-.02472	.01363	767.37575	6.54354	-.29426
.975	-2.459	.11078	-0.3993	-.25809	.03273	-0.2098	.01363	767.25181	6.55989	-.15096
.975	-.217	.10695	-0.4179	-.25295	-.02649	-0.1514	.01239	766.96036	6.56267	-.00316
.975	2.014	.10003	-0.4240	-.24689	-.08315	-0.1373	.00851	767.19053	6.55889	.13762
.975	4.250	.09305	-0.4313	-.23813	-0.13994	-0.1451	.00423	766.99027	6.53894	.28473
	GRADIENT	-0.0237	-0.0071	0.0246	-0.2536	0.0124	-.00107	-.03722	-.00045	.06465

RUN NO 112/ 0 RN/L = 4.21 GRADIENT INTERVAL = -5.00/ 5.00

MACH	ALPHA	CYN	CBL	CY	CLMU	CHE1	CHEO	Q(PSF)	BETA	CNU
1.149	-7.154	.11521	-0.3399	-.26038	.16252	.00757	.01536	862.66631	6.55265	-.47714
1.149	-4.846	.11189	-0.3914	-.25887	.09476	.00403	.01735	862.70706	6.58285	-.30761
1.149	-2.544	.10897	-0.4380	-.25698	.03318	.00056	.02306	862.68670	6.60156	-.14566
1.149	-.261	.10942	-0.4595	-.25864	-.02714	-0.0576	.02403	862.68513	6.61327	.00769
1.149	2.007	.10820	-0.4651	-.25854	-.08729	-0.1352	.01359	862.76200	6.60880	.15452
	GRADIENT	-.00047	-0.0106	-.00003	-.02655	-.00258	-.00045	.00711	0.0393	.06741

ORIGINAL PAGE IS OF POOR QUALITY

LARC 8FT TPT 749 (1A93) OTSAT130

(SJJ031) (24 JUN 76)

REFERENCE DATA

SREF = 2690.0000 SQ.FT. XMRP = 976 0000 IN. XT
 LREF = 1290.3000 INCHES YMRP = 0000 IN. YT
 BREF = 1290.3000 INCHES ZMRP = 400 0000 IN. ZT
 SCALE = .0100

PARAMETRIC DATA

BETA = 6.000 ELV-L1 = 12.000
 ELV-LO = 4.000 ELV-R1 = 12.000
 ELV-RO = 4.000

RUN NO 107/ 0 RN/L = 4.22 GRADIENT INTERVAL = -5.00/ 5.00

MACH	ALPHA	CYN	CBL	CY	CLMU	CHEI	CHEO	Q(PSF)	BETA	CNU
1.205	-9.551	.12670	- 03064	- 28044	.24688	.01426	.01765	882 65558	6.54217	-.67999
1.205	-7.169	.12049	- 03603	- 26999	.15986	.01209	.01415	882 49654	6.56870	-.47375
1.205	-4.842	.11723	- .04072	- .26553	.08901	.00917	.01855	882 76174	6.59254	-.29746
1.205	-2.561	.11448	- .04400	- .26297	.02957	.00462	.02418	882.59344	6.60892	-.13996
1.205	- .252	.11447	- .04576	- .26478	-.02936	-.00054	01743	882.66251	6.62030	.01232
1.205	1.994	.11400	- .04669	- 26478	-.08498	-.00664	00536	882.69268	6.61748	.15276
1.205	4.269	.11002	- .04767	- .26154	-.14107	-.01112	- 00882	882.72285	6.60397	.29644
	GRADIENT	-.00065	- 00073	00027	-.02523	-.00228	-.00323	00092	00139	.06500

LARC 8FT TPT 749 (1A93) OTSAT130

(SJJ032) (24 JUN 76)

REFERENCE DATA

SREF = 2690.0000 SQ.FT. XMRP = 976.0000 IN. XT
 LREF = 1290.3000 INCHES YMRP = 0000 IN. YT
 BREF = 1290.3000 INCHES ZMRP = 400 0000 IN. ZT
 SCALE = .0100

PARAMETRIC DATA

BETA = -6.000 ELV-L1 = 12.000
 ELV-LO = 9.000 ELV-R1 = 12.000
 ELV-RO = 9.000

RUN NO. 145/ 0 RN/L = 3.16 GRADIENT INTERVAL = -5.00/ 5.00

MACH	ALPHA	CYN	CBL	CY	CLMU	CHEI	CHEO	Q(PSF)	BETA	CNU
.598	-8.531	-.10574	03157	.25253	12440	.00374	.00046	417.06153	-6.34433	- 44823
.598	-6.428	- 10189	03279	24926	07110	.00216	- 00110	416 47145	-6.37869	-.31603
.598	-4.310	- 09811	03356	.24269	.03048	.00086	- 00276	417 81276	-6.39833	-.20450
.598	-2.183	-.09707	03487	.23642	-.01410	-.00072	- 00489	416 55622	-6.40441	-.08483
.598	-.090	-.09962	.03691	23399	- 05723	-.00158	- 00730	416 72413	-6.40738	.03075
.598	2.046	-.10044	03889	.23287	- 10231	-.00287	- 01025	416 72413	-6.40103	.14950
.598	4.137	- 10156	.04173	.23798	- 14848	-.00345	-.01350	416.46984	-6.39872	.26562
	GRADIENT	-.00049	.00096	-.00062	- 02112	-.00051	-.00127	- 11936	.00012	.05561

LARC 8FT TPT 749 (1A93) OTSAT130

(SJJ032) (24 JUN 76)

REFERENCE DATA

SREF = 2690.0000 SQ.FT. XMRP = 976.0000 IN. XT
 LREF = 1290.3000 INCHES YMRP = .0000 IN. YT
 BREF = 1290.3000 INCHES ZMRP = 400.0000 IN. ZT
 SCALE = .0100

PARAMETRIC DATA

BETA = -6.000 ELV-LI = 12.000
 ELV-LO = 9.000 ELV-RI = 12.000
 ELV-RO = 9.000

RUN NO. 140/ 0 RN/L = 3.97 GRADIENT INTERVAL = -5.00/ 5.00

MACH	ALPHA	C/N	CBL	CY	CLMU	CHEI	CHEO	Q(PSF)	BETA	CNU
.900	-9 066	-.12346	.03255	29519	.16392	.00969	-.00547	710.98422	-6.52728	-.54570
.899	-6 811	-.11926	.03430	.28985	.10330	.01283	.00268	710.04239	-6.55992	-.38785
.900	-4.601	-.11353	.03557	.27601	.05378	.01391	.00284	710.83797	-6.56675	-.25404
.900	-2.387	-.10953	.03728	.26713	-.00477	.01417	.00150	710.70084	-6.56856	-.11251
.900	-.180	-.10794	.03972	.26036	-.06311	.01425	-.00178	710.57283	-6.56370	.03059
.900	2.049	-.10431	.04168	.25353	-.12056	.01324	-.01165	710.58195	-6.54664	.16881
900	4 253	-.10742	.04460	.26058	-.16928	-.00236	-.03068	710.63227	-6.54336	.30797
	GRADIENT	.00079	00101	-.00200	-.02538	-.00151	-.00362	-.02394	.00310	.06346

RUN NO 135/ 0 RN/L = 4.08 GRADIENT INTERVAL = -5.00/ 5.00

MACH	ALPHA	CYN	CBL	CY	CLMU	CHEI	CHEO	Q(PSF)	BETA	CNU
.975	-9 263	-.14163	.03788	33077	.19347	.01524	-.00723	767.08147	-6.63903	-.60560
.976	-6.979	-.12673	.03926	31237	.12573	.02295	-.00486	767.69837	-6.66386	-.43187
.976	-4.702	-.11603	.03987	29490	.06963	.02553	-.00125	767.63578	-6.67121	-.27584
.975	-2.449	-.10465	.04042	27376	.01328	.01657	-.00085	766.93045	-6.66146	-.12607
.975	-.213	-.10247	.04179	.26369	-.04452	.00328	-.00406	767.00522	-6.64665	.01838
.975	2 012	-.09931	.04304	.25913	-.10024	-.01459	-.01401	767.00522	-6.64164	.15996
.975	4.257	-.09667	.04504	.25642	-.15789	-.02778	-.03873	766.82135	-6.62966	.30787
	GRADIENT	.00197	00058	-.00409	-.02541	-.00616	-.00394	-.06955	00460	.06495

RUN NO 130/ 0 RN/L = 4.21 GRADIENT INTERVAL = -5.00/ 5.00

MACH	ALPHA	CYN	CBL	CY	CLMU	CHEI	CHEO	Q(PSF)	BETA	CNU
1 149	-7.160	-.12552	.04272	.31028	.13951	.02188	-.00589	862.93770	-6.67974	-.45286
1 150	-4 833	-.11402	.04442	.29111	.07283	.01750	-.01767	863.28863	-6.68386	-.28057
1.150	-2 523	-.10863	.04693	.27786	.01678	.01320	-.03017	862.99721	-6.67887	-.12336
1 149	- 246	-.10929	.04736	.27213	-.04106	.00604	-.03915	862.93770	-6.67092	.02558
1 150	2.034	-.11096	.04824	.27302	-.09729	.00180	-.04688	863.46130	-6.68660	.17069
	GRADIENT	.00037	.00052	-.00263	-.02484	-.00237	-.00422	01983	.00261	.06559

LARC 8FT TPT 749 (IA93) OTSAT130

(SJJ032) (24 JUN 76)

REFERENCE DATA

PARAMETRIC DATA

SREF = 2690.0000 SQ.FT. XMRP = 975.0000 IN. XT
 LREF = 1290.3000 INCHES YMRP = .0000 IN. YT
 BREF = 1290.3000 INCHES ZMRP = 400.0000 IN. ZT
 SCALE = .0100

BETA = -6.000 ELV-L1 = 12.000
 ELV-LO = 9.000 ELV-R1 = 12.000
 ELV-RO = 9.000

RUN NO. 125/ 0 RN/L = 4.22 GRADIENT INTERVAL = -5.00/ 5.00

MACH	ALPHA	CYN	CBL	CY	CLMU	CHE1	CHEQ	Q(PSF)	BETA	CNU
1.205	-9.553	-.14269	.04073	.33891	.23093	.02538	-.00645	883.13921	-6.67024	-.66721
1.205	-7.192	-.12716	.04337	.31064	.13956	.02056	-.01409	883.09827	-6.67509	-.45427
1.205	-4.860	-.11667	.04532	.29449	.07125	.01602	-.02648	882.85889	-6.68414	-.27768
1.205	-2.542	-.11111	.04686	.28232	.01412	.01269	-.03700	882.88908	-6.67400	-.11898
1.205	-.258	-.11272	.04696	.27599	-.04179	.00767	-.04633	882.93869	-6.66199	.02949
1.205	2.012	-.11399	.04777	.27552	-.09361	-.00129	-.05341	882.74026	-6.65884	.16865
1.205	4.274	-.11072	.04935	.27573	-.14863	-.00922	-.05995	882.82005	-6.65274	.31042
	GRADIENT	00040	00039	-.00195	-.02399	-.00262	-.00365	-.00989	.00342	.06415

LARC 8FT TPT 749 (IA93) OTSAT130

(SJJ033) (24 JUN 76)

REFERENCE DATA

PARAMETRIC DATA

SREF = 2690.0000 SQ FT. XMRP = 975.0000 IN. XT
 LREF = 1290.3000 INCHES YMRP = .0000 IN. YT
 BREF = 1290.3000 INCHES ZMRP = 400.0000 IN. ZT
 SCALE = .0100

BETA = -4.000 ELV-L1 = 12.000
 ELV-LO = 9.000 ELV-R1 = 12.000
 ELV-RO = 9.000

RUN NO. 144/ 0 RN/L = 3.15 GRADIENT INTERVAL = -5.00/ 5.00

MACH	ALPHA	CYN	CBL	CY	CLMU	CHE1	CHEQ	Q(PSF)	BETA	CNU
.598	-8.512	-.07272	.02050	.17148	.12330	.00230	.00027	416.47307	-4.21410	-.43993
.598	-6.391	-.07050	.02152	.17050	.07266	.00072	-.00092	416.97840	-4.23688	-.31261
.598	-4.298	-.06561	.02116	.16160	.03207	-.00072	-.00230	416.72898	-4.24346	-.20079
.598	-2.152	-.06418	.02199	.15610	-.00989	-.00244	-.00452	417.22778	-4.24930	-.08521
.598	-.080	-.06633	.02394	.15563	-.05189	-.00359	-.00692	416.89527	-4.24715	.02660
.598	2.034	-.06751	.02495	.15435	-.09551	-.00446	-.00980	416.38668	-4.24248	.14073
.598	4.133	-.06603	.02676	.15592	-.14270	-.00546	-.01313	416.21713	-4.23872	.26149
	GRADIENT	-.00020	00067	-.00062	-.02067	-.00055	-.00128	-.08830	.00077	.05466

LARC 8FT TPT 749 (1A93) OTSAT130

(5JJ033) (24 JUN 76)

REFERENCE DATA

SREF = 2690.0000 SQ FT. XMRP = 976.0000 IN. XT
 LREF = 1290.3000 INCHES YMRP = .0000 IN. YT
 BREF = 1290.3000 INCHES ZMRP = 400.0000 IN. ZT
 SCALE = 0100

PARAMETRIC DATA

BETA = -4.000 ELV-LI = 12.000
 ELV-LO = 9.000 ELV-RI = 12.000
 ELV-RO = 9.000

RUN NO. 139/ 0 RN/L = 3.97 GRADIENT INTERVAL = -5.00/ 5.00

MACH	ALPHA	C/N	CBL	CY	CLMU	CHEI	CHEO	Q(PSF)	BETA	CNU
.900	-9.009	-.08758	02008	.20616	.17383	.00708	-.00775	710.64140	-4.39680	-.54615
.900	-6.779	-.08184	02152	.19790	.11319	.00961	.00359	710.65052	-4.41475	-.39100
.900	-4.573	-.07591	02239	.18614	.05935	.01003	.00381	710.81057	-4.42290	-.25281
.900	-2.373	-.07529	.02452	.18357	.00071	.00961	.00118	710.93854	-4.43098	-.11447
.899	-1.171	-.07179	02594	.17515	-.05963	.00827	-.00146	710.08793	-4.42617	.02615
.900	2.037	-.06871	.02723	.16979	-.12337	.00835	-.01073	710.38534	-4.42302	.17226
.900	4.253	-.07009	.02882	.17363	-.17298	-.00488	-.02817	710.85171	-4.41940	.31235
	GRADIENT	.00083	.00071	-.00176	-.02668	-.00141	-.00344	-.02123	.00068	.06423

RUN NO. 134/ 0 RN/L = 4.08 GRADIENT INTERVAL = -5.00/ 5.00

MACH	ALPHA	CYN	CBL	CY	CLMU	CHEI	CHEO	Q(PSF)	BETA	CNU
.975	-9.188	-.09637	02496	.22628	.20190	01219	-.00783	767.14275	-4.41788	-.60235
.975	-6.919	-.08335	.02550	.20873	.13200	.01898	-.00567	767.49828	-4.42781	-.42603
.975	-4.678	-.07489	.02540	.19488	.07558	.01625	-.00346	767.32805	-4.42854	-.27317
.975	-2.435	-.06694	.02567	.17870	.02500	.01031	-.00346	766.99173	-4.42113	-.13270
.975	-.202	-.06761	02662	.17213	-.03405	-.00250	-.00436	767.38932	-4.40562	.00988
.975	2.015	-.06607	02678	.16950	-.09368	-.01630	-.01009	767.22045	-4.40097	.15496
.975	4.261	-.06158	02746	.16607	-.15398	-.03199	-.03139	766.95888	-4.39166	.30470
	GRADIENT	.00123	00023	-.00299	-.02588	-.00551	-.00280	-.02286	.00421	.06464

RUN NO. 129/ 0 RN/L = 4.21 GRADIENT INTERVAL = -5.00/ 5.00

MACH	ALPHA	CYN	CBL	CY	CLMU	CHEI	CHEO	Q(PSF)	BETA	CNU
1.150	-7.115	-.08025	02672	.20344	.14999	02020	-.00214	863.26702	-4.45291	-.45334
1.150	-4.793	-.07404	.02886	.19238	.08072	.01514	-.01057	863.13351	-4.45821	-.27816
1.150	-2.489	-.07100	.03038	.18189	.02193	.01090	-.02249	863.07409	-4.45140	-.12179
1.150	-.249	-.07584	03113	.18104	-.03617	.00493	-.03342	863.26840	-4.44233	.02390
1.149	2.015	-.07707	.03162	.18086	-.09234	-.00250	-.04187	862.86082	-4.43416	.16575
	GRADIENT	-.00061	.00040	-.00157	-.02547	-.00260	-.00463	-.02753	.00358	.06519

LARC 8FT TPT 749 (1A93) OTSAT130

(SJJ033) (24 JUN 76)

REFERENCE DATA

SREF = 2690.0000 SQ.FT. XMRP = 976.0000 IN. XT
 LREF = 1290.3000 INCHES YMRP = .0000 IN. YT
 BREF = 1290.3000 INCHES ZMRP = 400.0000 IN. ZT
 SCALE = .0100

PARAMETRIC DATA

BETA = -4.000 ELV-LI = 12.000
 ELV-LO = 9.000 ELV-RI = 12.000
 ELV-RO = 9.000

RUN NO. 124/ 0 RN/L = 4.22 GRADIENT INTERVAL = -5.00/ 5.00

MACH	ALPHA	C/N	CBL	CY	CLMU	CHEI	CHEO	Q(PSF)	BETA	CNU
1.205	-9.492	- 09096	02610	.22275	.23057	.02450	-.00222	883.14995	-4.44346	-.65288
1.205	-7 134	- 08248	02841	.20656	.14706	.01935	-.00898	882.91927	-4.44610	-.45185
1.205	-4 779	- 07487	.02922	.19449	.07708	.01480	-.01989	882.97751	-4.43860	-.27377
1.205	-2.528	- 07203	.03012	.18429	.01655	.01147	-.03054	882.77910	-4.44471	-.11538
1.205	-.261	- .07645	03071	.18194	-.03974	00672	-.03957	882.82005	-4.43244	.02950
1.205	2.034	- .07820	03147	.18326	-.09299	-.00014	-.04830	882.85023	-4.42705	.17112
1.205	4 293	- .07538	03249	.18324	-.14732	- 00902	-.05637	882.89115	-4.42398	.31055
	GRADIENT	-.00032	00035	- 00103	- 02459	-.00261	- 00399	-.00443	.00207	.06408

LARC 8FT TPT 749 (1A93) OTSAT130

(SJJ034) (24 JUN 76)

REFERENCE DATA

SREF = 2690.0000 SQ.FT. XMRP = 976.0000 IN. XT
 LREF = 1290.3000 INCHES YMRP = .0000 IN. YT
 BREF = 1290.3000 INCHES ZMRP = 400.0000 IN. ZT
 SCALE = .0100

PARAMETRIC DATA

BETA = .000 ELV-LI = 12.000
 ELV-LO = 9.000 ELV-RI = 12.000
 ELV-RO = 9.000

RUN NO. 143/ 0 RN/L = 3.14 GRADIENT INTERVAL = -5.00/ 5.00

MACH	ALPHA	CYN	CBL	CY	CLMU	CHEI	CHEO	Q(PSF)	BETA	CNU
.599	-8.468	-.00369	.00120	.01624	.13239	-.00244	.00036	417.82579	- 03554	-.44506
.599	-6 372	-.00180	.00055	.01344	.08237	-.00444	-.00064	417.48524	-.03326	-.31890
.599	-4.282	.00074	-.00050	.00830	.03838	- 00501	-.00193	417.82579	-.03078	-.20199
.599	-2 176	.00190	-.00074	.00366	-.00232	-.00732	-.00378	417.23589	-.02423	-.09191
.599	- 080	.00262	- 00118	-.00068	-.04464	-.00818	-.00599	417.22778	-.01857	.02061
.598	2 040	00128	-.00113	.00024	-.09077	- 00820	-.00888	415.95957	-.01822	.13765
.597	4 110	00028	- 00098	.00188	-.13795	- 00907	- 01250	415.70681	-.01913	.25580
	GRADIENT	- 00007	- 00006	-.00078	-.02100	- 00043	-.00125	-.26272	.00140	.05453

LARC BFT TPT 749 (1A93) OTSAT130

(SJJ034) (24 JUN 76)

REFERENCE DATA

SREF = 2690.0000 SQ FT. XMRP = 976 0000 IN. XT
 LREF = 1290.3000 INCHES YMRP = .0000 IN. YT
 BREF = 1290.3000 INCHES ZMRP = 400.0000 IN. ZT
 SCALE = .0100

PARAMETRIC DATA

BETA = .000 ELV-LI = 12.000
 ELV-LO = 9.000 ELV-RI = 12.000
 ELV-RO = 9.000

RUN NO. 138/ 0 RN/L = 3.97 GRADIENT INTERVAL = -5.00/ 5.00

MACH	ALPHA	CYN	CBL	CY	CLMU	CHEI	CHEO	Q(PSF)	BETA	CNU
.900	-8.989	-.00574	.00117	.01990	.18689	-.00548	-.01399	710 10188	-.02517	-.55519
.900	-6.747	-.00183	00002	01222	.12614	-.00211	-.00260	710.17958	-.02043	-.40188
.901	-4.554	-.00025	-.00032	01024	.06547	-.00244	00230	711.25382	-.01723	-.25215
.900	-2.378	00225	-.00065	00406	.00648	-.00632	-.00065	710 23905	-.00979	-.12216
.900	- 156	.00421	-.00150	-.00271	-.05883	-.00816	-.00417	710 97509	00303	.02594
.900	2.014	.00347	-.00124	-.00241	-.12352	-.00868	-.01073	710.33498	.00481	.16760
.900	4.235	.00289	-.00117	-.00119	-.17277	-.00901	-.02109	710 45392	.00430	.30845
	GRADIENT	.00034	-.00010	-.00133	-.02760	-.00071	-.00259	-.06810	.00262	.06422

RUN NO 133/ 0 RN/L = 4 08 GRADIENT INTERVAL = -5 00/ 5.00

MACH	ALPHA	CYN	CBL	CY	CLMU	CHEI	CHEO	Q(PSF)	BETA	CNU
.975	-9.163	-.00477	00103	02057	.21409	.00101	-.00762	767.72699	-.04749	-.60806
.975	-6.907	-.00095	00031	01488	.14781	.00523	-.00748	767 37575	-.04241	-.43828
.975	-4.625	.00355	-.00087	00758	.08924	00477	-.00572	766.92898	-.03695	-.28074
.975	-2.428	00710	-.00155	-.00217	.03629	-.00343	-.00472	766.89759	-.02075	-.14264
.975	- 216	.00641	-.00193	-.00496	-.02100	-.01318	-.00642	767.28173	-.01191	-.00316
.975	1.991	00388	-.00173	-.00237	-.07930	-.02410	-.00863	767 34301	-.01171	.13904
.975	4.222	00115	-.00070	00166	-.14136	-.03551	-.01773	766 80640	-.01748	.28565
	GRADIENT	-.00036	00001	-.00054	-.02609	-.00458	-.00127	00892	00216	.06397

RUN NO 128/ 0 RN/L = 4.21 GRADIENT INTERVAL = -5.00/ 5.00

MACH	ALPHA	CYN	CBL	CY	CLMU	CHEI	CHEO	Q(PSF)	BETA	CNU
1.150	-7.075	-.00088	.00099	.01347	.16780	.01819	-.00741	863.11325	-.04190	-.46419
1.149	-4.764	.00222	-.00004	.00812	.09837	.01278	-.00183	862.82313	-.03839	-.29047
1.150	-2.495	.00324	-.00046	.00346	.03139	.00903	-.00665	863.13211	-.02773	-.12711
1.149	-.251	.00082	-.00057	.00234	-.02850	.00639	-.01906	862.91885	-.01930	.01633
1.150	1.993	-.00084	-.00044	.00214	-.08258	-.00021	-.03124	863.15097	-.01647	.15492
	GRADIENT	-.00049	-.00006	-.00085	-.02677	-.00185	-.00447	.03428	.00330	.06572

LARC 8FT TPT 749 (1A93) OTSAT130

(SJJ034) (24 JUN 76)

REFERENCE DATA

PARAMETRIC DATA

SREF = 2690.0000 SQ.FT. XMRP = 976.0000 IN. XT
 LREF = 1290.3000 INCHES YMRP = 0000 IN. YT
 BREF = 1290.3000 INCHES ZMRP = 400.0000 IN. ZT
 SCALE = .0100

BETA = .000 ELV-LI = 12.000
 ELV-LO = 9.000 ELV-RI = 12.000
 ELV-RO = 9.000

RUN NO. 123/ 0 RN/L = 4.22 GRADIENT INTERVAL = -5.00/ 5.00

MACH	ALPHA	C/N	CBL	CY	CLMU	CHEI	CHEO	Q(PSF)	BETA	CNU
1.205	-9.413	.00099	.00142	.01472	.23494	.02376	-.00685	882.82005	-.03522	-.64139
1.205	-7.076	.00109	.00142	.01233	.15841	.01897	-.00344	883.01848	-.03400	-.45055
1.206	-4.760	.00351	.00054	.00800	.08773	.01439	-.00846	883.09388	-.03037	-.27662
1.206	-2.490	.00621	-.00058	.00044	.02444	.01120	-.01540	882.84592	-.01669	-.11834
1.205	-.203	.00507	-.00078	-.00309	-.03414	.00876	-.02714	882.60874	-.00365	.02714
1.205	1.992	.00176	-.00043	-.00041	-.08495	.00380	-.03822	882.79852	-.00098	.16164
1.205	4.242	-.00053	.00027	.00384	-.13612	-.00373	-.04723	883.29879	-.00687	.29780
	GRADIENT	-.00055	-.00002	-.00041	-.02478	-.00194	-.00446	.01574	.00280	.06353

LARC 8FT TPT 749 (1A93) OTSAT130

(SJJ035) (24 JUN 76)

REFERENCE DATA

PARAMETRIC DATA

SREF = 2690.0000 SQ.FT. XMRP = 976.0000 IN. XT
 LREF = 1290.3000 INCHES YMRP = .0000 IN. YT
 BREF = 1290.3000 INCHES ZMRP = 400.0000 IN. ZT
 SCALE = .0100

BETA = 4.000 ELV-LI = 12.000
 ELV-LO = 9.000 ELV-RI = 12.000
 ELV-RO = 9.000

RUN NO. 146/ 0 RN/L = 3.16 GRADIENT INTERVAL = -5.00/ 5.00

MACH	ALPHA	CYN	CBL	CY	CLMU	CHEI	CHEO	Q(PSF)	BETA	CNU
.598	-8.520	.06423	-.01656	-.13472	.12905	-.00632	-.00082	416.63937	4.18241	-.45133
.598	-6.395	.06320	-.01843	-.13504	.07894	-.00933	-.00221	416.72413	4.20630	-.32154
.598	-4.288	.06419	-.02059	-.13790	.03547	-.01063	-.00258	416.80728	4.22323	-.20379
.598	-2.199	.06660	-.02287	-.14407	-.00769	-.01034	-.00332	416.89365	4.23703	-.09290
.598	-.093	.06967	-.02504	-.14966	-.05219	-.01034	-.00517	416.72252	4.24273	.02382
.598	2.011	.06997	-.02682	-.15061	-.09672	-.01063	-.00831	416.64099	4.24200	.13918
.598	4.122	.06470	-.02762	-.14493	-.14437	-.01136	-.01174	416.30030	4.23119	.26131
	GRADIENT	.00016	-.00086	-.00098	-.02134	-.00008	-.00111	-.06028	.00099	.05527

LARC 8FT TPT /49 (1A93) OTSAT130

(SJJ035) (24 JUN 76)

REFERENCE DATA

SREF = 2690.0000 SQ.FT. XMRP = 976.0000 IN. XT
 LREF = 1290.3000 INCHES YMRP = .0000 IN. YT
 BREF = 1290.3000 INCHES ZMRP = 400.0000 IN. ZT
 SCALE = 0100

PARAMETRIC DATA

BETA = 4.000 ELV-L1 = 12.000
 ELV-LO = 9.000 ELV-R1 = 12.000
 ELV-RO = 9.000

RUN NO. 141/ 0 RN/L = 3.97 GRADIENT INTERVAL = -5.00/ 5.00

MACH	ALPHA	CYN	CBL	CY	CLMU	CHE1	CHEO	Q(PSF)	BETA	CNU
.900	-9 004	.07291	-.01663	-.15598	.17728	-.01483	-.01209	710.32587	4.28196	-.55265
.900	-6.781	.07265	-.01968	-.15948	.11785	-.01247	-.00623	710.46304	4.31496	-.39668
.900	-4 588	.07134	-.02224	-.15740	.06335	-.01297	-.00341	710.31675	4.32832	-.25951
.900	-2 381	.07130	-.02457	-.16159	.00217	-.01500	-.00282	710.35321	4.34853	-.12047
.900	- 185	.07018	-.02647	-.16185	-.05969	-.01643	-.00536	710.48127	4.35286	-.02381
.900	2.030	.06712	-.02704	-.15793	-.12549	-.01844	-.00872	710.60020	4.35173	-.17035
.900	4.234	.07055	-.02813	-.16315	-.17401	-.01836	-.01523	710.64140	4.34505	-.30871
	GRADIENT	-.00025	-.00065	-.00036	-.02731	-.00064	-.00134	.04064	00166	06471

RUN NO 136/ 0 RN/L = 4 08 GRADIENT INTERVAL = -5.00/ 5 00

MACH	ALPHA	CYN	CBL	CY	CLMU	CHE1	CHEO	Q(PSF)	BETA	CNU
.975	-9 192	.08373	-.02023	-.17830	.20389	-.02138	-.00863	767.03660	4.31712	-.60673
.975	-6 925	.07933	-.02235	-.17270	13518	-.02349	-.00889	766.97532	4.33732	-.43247
.975	-4 686	.07770	-.02486	-.17056	.07830	-.02518	-.00858	767.58949	4.35515	-.27942
.975	-2.437	.07535	-.02685	-.16856	.02288	-.02574	-.00923	767.20549	4.36375	-.13286
.975	- 218	.07631	-.02919	-.17329	-.03158	-.02107	-.01110	766.92898	4.37651	-.00463
.975	2 019	.07041	-.02852	-.16592	-.09202	-.02247	-.01692	766.86769	4.37088	-.14975
.975	4.243	.06381	-.02851	-.15982	-.15458	-.02769	-.02530	767.11429	4.36211	-.30009
	GRADIENT	-.00147	-.00040	00108	-.02602	-.00008	-.00184	-.05779	.00094	.06461

RUN NO 131/ 0 RN/L = 4.21 GRADIENT INTERVAL = -5 00/ 5.00

MACH	ALPHA	CYN	CBL	CY	CLMU	CHE1	CHEO	Q(PSF)	BETA	CNU
1.150	-7 110	.07480	-.02166	-.16666	.15745	.00868	-.00749	863.19013	4.33833	-.46122
1.150	-4 783	.07452	-.02614	-.16640	.08652	.00465	-.00473	863.42352	4.35772	-.28670
1.150	-2 515	.07537	-.02960	-.16851	.02489	.00118	.00027	862.97834	4.37104	-.13126
1.149	-.222	.07730	-.03129	-.17362	-.03492	-.00673	-.00500	863.03492	4.38198	-.02132
1.149	1 998	.07712	-.03140	-.17411	-.09085	-.01352	-.01696	862.91886	4.38308	-.16081
	GRADIENT	.00043	-.00077	-.00125	-.02615	-.00276	-.00185	-.06441	00385	.06606

LARC 8FT TPT 749 (IA93) QTSAT130

(SJJ035) (24 JUN 76)

REFERENCE DATA

SREF = 2690.0000 SQ FT. XMRP = 976.0000 IN. XT
 LREF = 1290.3000 INCHES YMRP = .0000 IN. YT
 BREF = 1290.3000 INCHES ZMRP = 400.0000 IN. ZT
 SCALE = .0100

PARAMETRIC DATA

BETA = 4.000 ELV-L1 = 12.000
 ELV-LO = 9.000 ELV-R1 = 12.000
 ELV-RO = 9.000

RUN NO. 126/ 0 RN/L = 4.22 GRADIENT INTERVAL = -5.00/ 5.00

MACH	ALPHA	C/N	CBL	CY	CLMU	CHE1	CHE0	Q(PSF)	BETA	CNU
1.205	-9.495	.07947	- 01918	-.17498	23230	.01643	-.00580	882.69268	4.33102	-.65223
1.205	-7.145	.07954	- 02321	-.17309	.15372	.01371	- 00724	882.86966	4.34778	- 45760
1.205	-4.820	.07891	-.02656	-.17289	08323	.01038	-.00248	883.15651	4.36519	- 28285
1.205	-2.540	.07875	-.02927	-.17372	02029	.00713	-.00283	883.00771	4.38093	-.12383
1.205	-.250	.08006	- 03088	-.17671	- 03648	.00278	-.01187	882.78987	4.39104	.02657
1.205	2.012	.08035	- 03147	- 17823	- 08942	-.00407	- 02400	882.80062	4.39275	.16256
1.205	4.262	.07658	- 03184	-.17517	- 14523	-.01058	-.03561	882.64306	4.38400	30359
	GRADIENT	- 00013	- 00056	-.00040	- 02495	-.00234	-.00385	-.05435	.00218	.06424

LARC 8FT TPT 749 (IA93) QTSAT130

(SJJ036) (24 JUN 76)

REFERENCE DATA

SREF = 2690.0000 SQ.FT. XMRP = 976.0000 IN. XT
 LREF = 1290.3000 INCHES YMRP = 0000 IN. YT
 BREF = 1290.3000 INCHES ZMRP = 400.0000 IN. ZT
 SCALE = .0100

PARAMETRIC DATA

BETA = 6.000 ELV-L1 = 12.000
 ELV-LO = 9.000 ELV-R1 = 12.000
 ELV-RO = 9.000

RUN NO. 147/ 0 RN/L = 3.16 GRADIENT INTERVAL = -5.00/ 5.00

MACH	ALPHA	C/N	CBL	CY	CLMU	CHE1	CHE0	Q(PSF)	BETA	CNU
.598	-8.531	.09117	- 02468	-.19973	12885	-.00919	-.00156	416.80566	6.25000	- 45350
.598	-6.418	.09325	- 02795	-.20470	.07639	-.01020	- 00249	416.47307	6.28591	- 32084
.598	-4.324	.09581	-.03112	-.21095	.03538	-.01091	- 00304	416.97516	6.31255	- 21320
.598	-2.184	.09764	- 03413	-.21563	-.01237	-.01176	- 00359	417.22129	6.33083	-.08777
.598	-.094	.10088	- 03675	-.22165	-.05627	-.01163	-.00508	416.72413	6.33606	02645
.598	2.031	.10130	-.03916	-.22274	- 10309	-.01249	- 00840	416.97840	6.33621	14595
.598	4.157	.09935	- 04183	-.21986	-.15055	-.01307	- 01164	416.72575	6.32105	.26646
	GRADIENT	.00051	- 00125	-.00118	- 02184	- 00024	- 00104	- 03490	.00106	.05634

LARC 8FT TPT 749 (1A93) OTSAT130

(SJJ036) (24 JUN 76)

REFERENCE DATA

PARAMETRIC DATA

SREF = 2690.0000 SQ.FT. XMRP = 976.0000 IN. XT
 LREF = 1290.3000 INCHES YMRP = .0000 IN. YT
 BREF = 1290.3000 INCHES ZMRP = 400.0000 IN. ZT
 SCALE = .0100

BETA = 6.000 ELV-LI = 12.000
 ELV-LO = 9.000 ELV-RI = 12.000
 ELV-RO = 9.000

RUN NO. 142/ 0 RN/L = 3.97 GRADIENT INTERVAL = -5.00/ 5.00

MACH	ALPHA	C/N	CBL	CY	CLMU	CHEI	CHEO	Q(PSF)	BETA	CNU
.900	-9.053	.11130	-.02808	-.24277	.17236	-.01617	-.01208	710.77853	6.41925	-.55200
.900	-6.829	.10944	-.03040	-.24271	.11614	-.01491	-.00677	710.29852	6.45694	-.40245
.900	-4.589	.10665	-.03361	-.23930	.06118	-.01617	-.00455	710.39445	6.48210	-.25992
.900	-2.399	.10822	-.03712	-.24468	.00542	-.01693	-.00401	710.56370	6.50469	-.12671
.900	-1.196	.10678	-.03964	-.24355	-.05665	-.01886	-.00607	710.69171	6.51169	.01719
.900	2.044	.10341	-.04208	-.24093	-.12195	-.01995	-.00910	710.99795	6.50747	.16678
.900	4.281	.10506	-.04296	-.24231	-.16953	-.01920	-.01301	710.58195	6.49425	.30174
	GRADIENT	-.00036	-.00107	-.00010	-.02654	-.00041	-.00099	03634	.00120	.06387

RUN NO 137/ 0 RN/L = 4.08 GRADIENT INTERVAL = -5.00/ 5.00

MACH	ALPHA	CYN	CBL	CY	CLMU	CHEI	CHEO	Q(PSF)	BETA	CNU
.975	-9.259	.12787	-.03230	-.27593	.20072	-.02786	-.00944	766.89907	6.46556	-.61111
.975	-6.953	.12217	-.03500	-.26910	.13166	-.02988	-.01059	767.16060	6.49841	-.43570
.976	-4.691	.11563	-.03765	-.26056	.07207	-.02931	-.01078	767.77328	6.52140	-.27844
.975	-2.457	.11125	-.04099	-.25640	.01786	-.02628	-.01079	767.37436	6.53734	-.13360
.975	-1.214	.10756	-.04233	-.25214	-.04205	-.02075	-.01365	767.25037	6.53983	.01495
.975	2.014	.10119	-.04310	-.24888	-.09891	-.02014	-.01984	766.76005	6.54002	.15409
.975	4.252	.09442	-.04424	-.23861	-.15807	-.02270	-.02481	767.03512	6.51746	.30429
	GRADIENT	-.00235	-.00068	.00230	-.02581	.00087	-.00166	-.09350	-.00023	.06500

RUN NO. 132/ 0 RN/L = 4.21 GRADIENT INTERVAL = -5.00/ 5.00

MACH	ALPHA	CYN	CBL	CY	CLMU	CHEI	CHEO	Q(PSF)	BETA	CNU
1.149	-7.161	.11775	-.03529	-.26407	.15255	.00653	-.00754	862.91886	6.56024	-.46770
1.150	-4.842	.11331	-.04018	-.26013	.08330	.00208	-.00620	863.17263	6.58595	-.29271
1.150	-2.546	.10909	-.04423	-.25623	.02340	-.00159	-.00134	863.22927	6.60345	-.13463
1.149	-.252	.11037	-.04638	-.25887	-.03789	-.00839	-.00187	862.95804	6.61467	.01974
1.149	2.017	.10833	-.04663	-.25840	-.09853	-.01644	-.01093	862.95804	6.61102	.16707
	GRADIENT	-.00060	-.00094	.00011	-.02653	-.00273	-.00064	-.04002	.00378	.06706

ORIGINAL PAGE IS
OF POOR QUALITY.

DATE 29 OCT 76

TABULATED SOURCE DATA - 1A93.

PAGE 146

LARC 8FT TPT 749 (1A93) OTSAT130

(SJJ036) (24 JUN 76)

REFERENCE DATA

SREF = 2690.0000 SQ FT. XMRP = 976.0000 IN. XT
 LREF = 1290.3000 INCHES YMRP = .0000 IN. YT
 BREF = 1290.3000 INCHES ZMRP = 400.0000 IN. ZT
 SCALE = .0100

PARAMETRIC DATA

BETA = 6.000 ELV-L1 = 12.000
 ELV-LO = 9.000 ELV-R1 = 12.000
 ELV-RO = 9.000

RUN NO. 127/ 0 RN/L = 4.22 GRADIENT INTERVAL = -5.00/ 5.00

MACH	ALPHA	CYN	CBL	CY	CLMU	CHEI	CHEO	Q(PSF)	BETA	CNU
1.205	-9.546	.12886	-.03220	-.28355	.23440	.01426	-.00510	882.50489	6.60514	-.66420
1.205	-7.182	.12182	-.03697	-.27234	.14998	.01167	-.00763	883.00981	6.62999	-.46271
1.205	-4.856	.11886	-.04166	-.26886	.07987	.00781	-.00401	882.65178	6.65570	-.28765
1.205	-2.544	.11601	-.04475	-.26637	.01973	.00251	.00035	882.80062	6.67308	-.12953
1.205	-.267	.11618	-.04663	-.26754	-.03870	-.00264	-.00558	882.81136	6.68327	.02155
1.205	2.004	.11561	-.04782	-.26955	-.09557	-.00990	-.01667	882.57399	6.68483	16477
1.205	4.278	.11094	-.04840	-.26413	-.15036	-.01417	-.02863	882.62361	6.66698	.30684
	GRADIENT	-.00071	-.00073	.00028	-.02524	-.00247	-.00290	-.01233	.00151	.06501

LARC 8FT TPT 749 (1A93) OTSAT130

(SJJ037) (24 JUN 76)

REFERENCE DATA

SREF = 2690.0000 SQ.FT. XMRP = 976.0000 IN. XT
 LREF = 1290.3000 INCHES YMRP = .0000 IN. YT
 BREF = 1290.3000 INCHES ZMRP = 400.0000 IN. ZT
 SCALE = .0100

PARAMETRIC DATA

BETA = -6.000 ELV-L1 = 12.000
 ELV-LO = 14.000 ELV-R1 = 12.000
 ELV-RO = 14.000

RUN NO. 155/ 0 RN/L = 3.97 GRADIENT INTERVAL = -5.00/ 5.00

MACH	ALPHA	CYN	CBL	CY	CLMU	CHEI	CHEO	Q(PSF)	BETA	CNU
.900	-9.049	-.12310	.03346	.29404	.14942	-.00017	-.02614	710.18869	-6.52104	-.52635
.900	-6.777	-.11924	.03568	.28838	.08768	.00160	-.02509	710.75114	-6.55436	-.36760
.900	-4.586	-.11426	.03757	.27738	.03689	.00244	-.02889	710.73287	-6.56502	-.23310
.899	-2.384	-.10953	.03886	.26638	-.02068	.00245	-.03152	710.06972	-6.56636	-.09350
.900	-.156	-.10784	.04162	.26015	-.08216	.00202	-.03377	710.57283	-6.56698	.05272
.900	2.063	-.10341	.04374	.25185	-.14404	.00278	-.04066	710.43568	-6.54084	.19900
.900	4.283	-.10647	.04635	.25915	-.19103	-.00648	-.05149	710.65965	-6.53932	.33475
	GRADIENT	.00098	.00101	-.00231	-.02611	-.00079	-.00245	.01002	.00342	.06438

LARC 8FT TPT 749 (1A93) OTSAT130

(SJJ037) (24 JUN 76)

REFERENCE DATA

SREF = 2690.0000 SQ.FT. XMRP = 976 0000 IN. XT
 LREF = 1290 3000 INCHES YMRP = .0000 IN. YT
 BREF = 1290.3000 INCHES ZMRP = 400.0000 IN ZT
 SCALE = .0100

PARAMETRIC DATA

BETA = -6.000 ELV-LI = 12.000
 ELV-LO = 14.000 ELV-RI = 12.000
 ELV-RO = 14.000

RUN NO. 150/ 0 RN/L = 4.08 GRADIENT INTERVAL = -5.00/ 5.00

MACH	ALPHA	CYN	CBL	CY	CLMU	CHEI	CHEO	Q(PSF)	BETA	CNU
.976	-9.225	-.14315	.03959	.33252	.17942	.00328	-.03957	757 91209	-6.60829	-.58539
.976	-6 945	-.12723	.04062	.31056	.10822	.00273	-.03816	768 06457	-6.62837	-.40655
.976	-4 661	-.11752	.04164	.29567	.05276	.00187	-.03427	767 74332	-6.63823	-.25266
.975	-2 433	-.10655	.04258	.27640	-.00276	-.01263	-.03617	767.77192	-6.63403	-.10542
.975	- 181	-.10290	.04314	.26165	-.06338	-.03088	-.04231	767.45060	-6.60901	.04325
.975	2.043	-.10037	.04484	.25844	-.12175	-.04241	-.05866	767 55677	-6.60063	.18693
.975	4.294	-.09715	.04708	.25684	-.18135	-.04225	-.07412	767 67173	-6.59030	.33888
	GRADIENT	.00210	.00059	-.00427	-.02623	-.00527	-.00457	-.02497	.00578	.06591

LARC 8FT TPT 749 (1A93) OTSAT130

(SJJ038) (24 JUN 76)

REFERENCE DATA

SREF = 2690.0000 SQ FT XMRP = 976 0000 IN. XT
 LREF = 1290.3000 INCHES YMRP = .0000 IN. YT
 BREF = 1290 3000 INCHES ZMRP = 400 0000 IN ZT
 SCALE = .0100

PARAMETRIC DATA

BETA = -4.000 ELV-LI = 12.000
 ELV-LO = 14.000 ELV-RI = 12.000
 ELV-RO = 14.000

RUN NO. 154/ 0 RN/L = 3.97 GRADIENT INTERVAL = -5.00/ 5.00

MACH	ALPHA	CYN	CBL	CY	CLMU	CHEI	CHEO	Q(PSF)	BETA	CNU
.900	-8 986	-.08713	.02097	.20354	.16044	-.00539	-.02893	710 94768	-4.36341	-.52852
.900	-6 769	-.08254	.02312	.19974	.09836	-.00421	-.02698	710.91566	-4.38725	-.37395
.900	-4 547	-.07745	.02454	.18816	.04229	-.00412	-.03024	710 81970	-4.38894	-.23120
.900	-2 359	-.07441	.02566	.18034	-.01669	-.00488	-.03344	710.60020	-4.38798	-.09349
.899	- 128	-.07161	.02747	.17283	-.08044	-.00497	-.03587	709 77217	-4.38063	.05378
.900	2.063	-.06727	.02839	.16551	-.14436	-.00539	-.04137	710 32587	-4.37054	.19712
.900	4 273	-.06861	.03017	.17059	-.19667	-.01002	-.04959	710 65965	-4.36965	.34108
	GRADIENT	.00112	.00063	-.00226	-.02745	-.00056	-.00211	-.02710	.00254	.06505

LARC 8FT TPT 749 (1A93) OTSAT130

(SJJ038) (24 JUN 76)

REFERENCE DATA

SREF = 2690.0000 SQ.FT. XMRP = 976 0000 IN. XT
 LREF = 1290.3000 INCHES YMRP = 0000 IN. YT
 BREF = 1290.3000 INCHES ZMRP = 400 0000 IN. ZT
 SCALE = .0100

PARAMETRIC DATA

BETA = -4.000 ELV-LI = 12.000
 ELV-LO = 14.000 ELV-RI = 12.000
 ELV-RO = 14.000

RUN NO 149/ 0 RN/L = 4.08 GRADIENT INTERVAL = -5.00/ 5.00

MACH	ALPHA	CYN	CBL	CY	CLMU	CHEI	CHEO	Q(PSF)	BETA	CNU
.975	-9.184	-.09779	.02634	.22771	.18690	.00258	-.04140	767.50901	-4.42512	-.58330
.976	-6.895	-.08563	.02717	.21164	.11680	.00218	-.03971	768.17334	-4.43603	-.40642
.976	-4.650	-.07742	.02724	.19724	.05837	-.00405	-.03797	767.92708	-4.43699	-.25067
.975	-2.418	-.06889	.02736	.18018	.00774	-.01707	-.03828	767.69428	-4.42448	-.11090
.975	-.186	-.06990	.02870	.17517	-.05564	-.03570	-.04400	767.63441	-4.41579	.03929
.975	2.046	-.06834	.02903	.17177	-.11527	-.04857	-.05721	767.46414	-4.40932	.18186
.975	4.294	-.06401	.03002	.16839	-.17668	-.04989	-.06934	767.64797	-4.40252	.33321
	GRADIENT	.00122	.00032	-.00296	-.02654	-.00551	-.00365	.03523	.00373	.06534

LARC 8FT TPT 749 (1A93) OTSAT130

(SJJ039) (24 JUN 76)

REFERENCE DATA

SREF = 2690.0000 SQ.FT. XMRP = 976.0000 IN. XT
 LREF = 1290.3000 INCHES YMRP = .0000 IN. YT
 BREF = 1290.3000 INCHES ZMRP = 400 0000 IN. ZT
 SCALE = .0100

PARAMETRIC DATA

BETA = .000 ELV-LI = 12.000
 ELV-LO = 14.000 ELV-RI = 12.000
 ELV-RO = 14.000

RUN NO. 153/ 0 RN/L = 3.98 GRADIENT INTERVAL = -5.00/ 5.00

MACH	ALPHA	CYN	CBL	CY	CLMU	CHEI	CHEO	Q(PSF)	BETA	CNU
.900	-8.970	-.00763	.00225	.02168	.17618	-.01584	-.03470	710.29852	-.04580	-.54181
.900	-6.748	-.00372	.00167	.01416	.11279	-.01532	-.03170	710.76940	-.03743	-.38585
.900	-4.530	-.00186	.00173	.01221	.04715	-.01718	-.03405	710.45392	-.03793	-.23034
.899	-2.350	.00120	.00127	.00449	-.01323	-.02125	-.03739	709.76308	-.03039	-.09745
.900	-.145	.00264	.00054	-.00115	-.08040	-.02231	-.04189	710.76940	-.02007	.05385
.900	2.059	.00129	.00119	.00008	-.14686	-.02123	-.04582	710.26639	-.02014	.19884
.900	4.269	.00185	.00120	-.00101	-.19795	-.01945	-.04986	710.70084	-.01883	.34021
	GRADIENT	.00034	-.00005	-.00140	-.02835	-.00020	-.00182	.04546	.00220	.06532

DATE 29 OCT 76

TABULATED SOURCE DATA - 1A93.

PAGE 149

LARC 8FT TPT 749 (1A93) OTSAT130

(SJJ039) (24 JUN 76)

REFERENCE DATA

SREF = 2690.0000 SQ FT. XMRP = 976.0000 IN. XT
 LREF = 1290.3000 INCHES YMRP = .0000 IN. YT
 BREF = 1290.3000 INCHES ZMRP = 400.0000 IN. ZT
 SCALE = .0100

PARAMETRIC DATA

BETA = .000 ELV-LI = 12.000
 ELV-LO = 14.000 ELV-RI = 12.000
 ELV-RO = 14.000

RUN NO. 148/ 0 RN/L = 4.08 GRADIENT INTERVAL = -5.00/ 5 00

MACH	ALPHA	CYN	CBL	CY	CLMU	CHEI	CHEO	Q(PSF)	BETA	CNU
.975	-9 145	- .00594	.00226	.02119	.19925	-.00109	-.04151	767.45060	-.03633	-.58814
.976	-6 874	-.00302	.00189	.01723	.13021	-.00288	-.04193	768.00199	-.03542	-.41310
.976	-4 634	.00266	.00039	.00743	.07300	- .01153	-.04253	767.95705	-.02350	-.26180
.975	-2.406	.00412	.00040	.00155	.01725	- .02510	-.04245	767.63301	-.01195	-.11673
.975	-.189	.00259	.00014	.00016	-.04276	-.04123	-.04315	767.74059	-.00359	.02666
.975	2.045	.00129	.00018	-.00047	-.10067	-.05536	-.05215	767.44918	.00157	.16724
.975	4 258	-.00055	.00106	.00141	-.16562	-.06274	-.06582	767.75556	-.00007	.31707
	GRADIENT	-.00042	.00005	-.00063	-.02677	- .00597	-.00253	-.02645	.00272	.06484

LARC 8FT TPT 749 (1A93) OTSAT130

(SJJ040) (24 JUN 76)

REFERENCE DATA

SREF = 2690.0000 SQ.FT. XMRP = 976.0000 IN. XT
 LREF = 1290.3000 INCHES YMRP = .0000 IN. YT
 BREF = 1290.3000 INCHES ZMRP = 400 0000 IN ZT
 SCALE = .0100

PARAMETRIC DATA

BETA = 4.000 ELV-LI = 12.000
 ELV-LO = 14.000 ELV-RI = 12.000
 ELV-RO = 14.000

RUN NO. 156/ 0 RN/L = 3.97 GRADIENT INTERVAL = -5.00/ 5.00

MACH	ALPHA	CYN	CBL	CY	CLMU	CHEI	CHEO	Q(PSF)	BETA	CNU
.900	-9.006	.07223	-.01511	-.15519	.16627	-.02391	-.03507	710.64140	4.25715	-.53903
.899	-6.770	.06963	-.01714	-.15507	.10421	- .02325	- .03281	710.27550	4 28465	-.38031
.900	-4.559	.06993	-.02012	-.15594	.04564	- .02434	-.03508	710.44480	4 30339	-.23581
.900	-2.366	.06814	-.02184	-.15627	-.01509	- .02441	-.03739	710.76027	4.31852	-.09901
.899	- 144	.06834	-.02431	-.15941	-.08078	- .02436	- .04053	709.86391	4.32720	.05114
.899	2.056	.06585	-.02526	-.15805	-.14442	-.02613	-.04410	710.01022	4.32730	.19337
.899	4.291	.06610	- .02608	-.15772	-.19966	- .02645	-.04821	710.22513	4.31584	.34234
	GRADIENT	-.00045	- .00069	-.00024	-.02802	-.00027	- .00149	-.05377	.00152	.06549

ORIGINAL PAGE IS
OF POOR QUALITY

LARC 8FT TPT 749 (IA93) OTSAT130

(SJJ040) (24 JUN 76)

REFERENCE DATA

SREF = 2690.0000 SQ.FT. XMRP = 976.0000 IN. XT
 LREF = 1290.3000 INCHES YMRP = .0000 IN. YT
 BREF = 1290.3000 INCHES ZMRP = 400.0000 IN. ZT
 SCALE = .0100

PARAMETRIC DATA

BETA = 4.000 ELV-LI = 12.000
 ELV-LO = 14.000 ELV-RI = 12.000
 ELV-RO = 14.000

RUN NO. 151/ 0 RN/L = 4.08 GRADIENT INTERVAL = -5.00/ 5.00

MACH	ALPHA	CYN	CBL	CY	CLMU	CHEI	CHEO	Q(PSF)	BETA	CNU
.975	-9.192	.08118	-.01867	-.17555	.19166	-.02932	-.04408	767.24890	4.28955	-.59198
.976	-6.914	.07717	-.02091	-.16987	.12241	-.03466	-.04503	768.17334	4.31106	-.41614
.976	-4.664	.07583	-.02322	-.16806	.06312	-.03911	-.04508	768.11083	4.32777	-.26125
.975	-2.399	.07453	-.02553	-.16836	.00544	-.04365	-.04927	767.68070	4.34149	-.11050
.975	-.196	.07295	-.02686	-.16849	-.05151	-.04248	-.05539	767.64938	4.34671	-.03092
.976	2.040	.06732	-.02623	-.16291	-.11332	-.04411	-.06451	767.87947	4.34470	-.17641
.975	4.276	.06025	-.02627	-.15601	-.17664	-.04949	-.07274	767.80186	4.33280	-.32845
	GRADIENT	-.00172	-.00030	.00132	-.02681	-.00095	-.00316	-.01889	.00060	.06570

LARC 8FT TPT 749 (IA93) OTSAT130

(SJJ041) (24 JUN 76)

REFERENCE DATA

SREF = 2690.0000 SQ.FT. XMRP = 976.0000 IN. XT
 LREF = 1290.3000 INCHES YMRP = .0000 IN. YT
 BREF = 1290.3000 INCHES ZMRP = 400.0000 IN. ZT
 SCALE = .0100

PARAMETRIC DATA

BETA = 6.000 ELV-LI = 12.000
 ELV-LO = 14.000 ELV-RI = 12.000
 ELV-RO = 14.000

RUN NO. 157/ 0 RN/L = 3.97 GRADIENT INTERVAL = -5.00/ 5.00

MACH	ALPHA	CYN	CBL	CY	CLMU	CHEI	CHEO	Q(PSF)	BETA	CNU
.900	-9.048	.10864	-.02571	-.23898	.16204	-.02560	-.03687	710.42655	6.38964	-.54160
.900	-6.808	.10771	-.02835	-.24073	.10253	-.02450	-.03365	710.76027	6.42879	-.38564
.900	-4.601	.10632	-.03190	-.23973	.04595	-.02527	-.03540	710.47688	6.45372	-.24353
.900	-2.393	.10734	-.03524	-.24324	-.01264	-.02333	-.03644	710.37622	6.47538	-.10461
.900	-.160	.10388	-.03737	-.23873	-.07973	-.02443	-.03969	710.44480	6.47664	-.04822
.900	2.054	.10035	-.03983	-.23669	-.14387	-.02586	-.04300	710.34410	6.47498	-.19401
.900	4.285	.10088	-.04101	-.23742	-.19378	-.02561	-.04636	710.53498	6.46274	-.33268
	GRADIENT	-.00080	-.00103	.00050	-.02748	-.00014	-.00128	-.01420	.00079	.06531

DATE 29 OCT 76

TABULATED SOURCE DATA - IA93.

PAGE 151

LARC 8FT TPT 749 (IA93) OTSAT130

(SJJ041) (24 JUN 76)

REFERENCE DATA

SREF = 2690.0000 SQ FT. XMRP = 976.0000 IN. XT
 LREF = 1290.3000 INCHES YMRP = .0000 IN. YT
 BREF = 1290.3000 INCHES ZMRP = 400.0000 IN. ZT
 SCALE = .0100

PARAMETRIC DATA

BETA = 6.000 ELV-LI = 12.000
 ELV-LO = 14.000 ELV-RI = 12.000
 ELV-RO = 14.000

RUN NO. 152/ 0 RN/L = 4.08 GRADIENT INTERVAL = -5.00/ 5.00

MACH	ALPHA	CYN	CEL	CY	CLMU	CHEI	CHEO	Q(PSF)	BETA	CNU
.976	-9.229	.12753	-.03127	-.27633	.18816	-.03312	-.04671	767.77328	6.46510	-.59514
.976	-6.954	.12084	-.03360	-.26814	.11839	-.03841	-.04854	768.07955	6.49626	-.42005
.976	-4.655	.11415	-.03626	-.25899	.05723	-.04169	-.04785	767.84951	6.51501	-.25907
.975	-2.440	.10941	-.03918	-.25405	.00181	-.04318	-.05107	767.72699	6.52870	-.11305
.975	-.196	.10576	-.04067	-.25144	-.06030	-.03991	-.05950	767.68070	6.53488	.03778
.975	2.030	.09809	-.04076	-.24491	-.11857	-.03976	-.06359	767.46414	6.53127	.17711
.976	4.281	.09145	-.04226	-.23643	-.17906	-.04301	-.07007	767.92575	6.51349	.33017
	GRADIENT	-.00254	-.00061	.00243	-.02654	.00003	-.00255	-.00484	-.00003	.06574

LARC 8FT TPT 749 (IA93) OTSAT130

(SJJ042) (24 JUN 76)

REFERENCE DATA

SREF = 2690.0000 SQ.FT. XMRP = 976.0000 IN. XT
 LREF = 1290.3000 INCHES YMRP = .0000 IN. YT
 BREF = 1290.3000 INCHES ZMRP = 400.0000 IN. ZT
 SCALE = .0100

PARAMETRIC DATA

BETA = -6.000 ELV-LI = 8.000
 ELV-LO = 14.000 ELV-RI = 8.000
 ELV-RO = 14.000

RUN NO. 165/ 0 RN/L = 3.97 GRADIENT INTERVAL = -5.00/ 5.00

MACH	ALPHA	CYN	CEL	CY	CLMU	CHEI	CHEO	Q(PSF)	BETA	CNU
.900	-9.027	-.12463	.03307	.29506	.16003	.01907	-.01595	710.10188	-6.51178	-.53905
.900	-6.801	-.12040	.03522	.28924	.09960	.02042	-.01568	710.16135	-6.54337	-.38451
.899	-4.581	-.11483	.03680	.27607	.04654	.02197	-.02085	709.29179	-6.54964	-.24410
.899	-2.372	-.11148	.03869	.26931	-.01112	.02237	-.02365	710.11099	-6.55385	-.10497
.900	-.150	-.10936	.04134	.26184	-.07229	.01939	-.02617	710.87912	-6.54885	.04275
.900	2.074	-.10603	.04386	.25559	-.13354	.01882	-.03330	710.27116	-6.54034	.18626
.900	4.296	-.10875	.04621	.26259	-.18043	.01561	-.04626	710.57622	-6.53208	.32278
	GRADIENT	.00079	.00108	-.00189	-.02596	-.00073	-.00272	.10478	.00219	.06419

LARC 8FT TPT 749 (1A93) OTSAT130

(SJJ042) (24 JUN 76)

REFERENCE DATA

SREF = 2690.0000 SQ.FT. XMRP = 976.0000 IN. XT
 LREF = 1290.3000 INCHES YMRP = .0000 IN. YT
 BREF = 1290.3000 INCHES ZMRP = 400.0000 IN. ZT
 SCALE = .0100

PARAMETRIC DATA

BETA = -6.000 ELV-L1 = 8.000
 ELV-LO = 14.000 ELV-R1 = 8.000
 ELV-RO = 14.000

RUN NO 160/ 0 RN/L = 4.08 GRADIENT INTERVAL = -5.00/ 5.00

MACH	ALPHA	C/N	CBL	CY	CLMU	CHE1	CHEO	Q(PSF)	BETA	CNU
.975	-9.237	-.14455	.03969	.33296	.19076	.01875	-.03384	767.24890	-6.59080	-.60101
.976	-6.951	-.12963	.04101	.31408	.12095	.01365	-.03250	768.11210	-6.61435	-.42427
.976	-4.679	-.11782	.04149	.29457	.06519	.01022	-.02840	767.86583	-6.62184	-.27078
.975	-2.437	-.10654	.04203	.27334	.00996	.01250	-.03057	767.32945	-6.61152	-.12217
.975	-.198	-.10469	.04321	.26462	-.04877	.00523	-.03186	767.75694	-6.60127	.02444
.975	2.046	-.10115	.04415	.25895	-.10518	-.00655	-.04458	767.34301	-6.58590	.16591
.975	4.275	-.09727	.04626	.25576	-.16459	-.01349	-.06361	767.31165	-6.57551	.31737
	GRADIENT	.00208	.00052	-.00411	-.02567	-.00297	-.00377	-.04891	.00528	.06540

LARC 8FT TPT 749 (1A93) OTSAT130

(SJJ043) (24 JUN 76)

REFERENCE DATA

SREF = 2690.0000 SQ.FT. XMRP = 976.0000 IN. XT
 LREF = 1290.3000 INCHES YMRP = .0000 IN. YT
 BREF = 1290.3000 INCHES ZMRP = 400.0000 IN. ZT
 SCALE = .0100

PARAMETRIC DATA

BETA = -4.000 ELV-L1 = 8.000
 ELV-LO = 14.000 ELV-R1 = 8.000
 ELV-RO = 14.000

RUN NO. 164/ 0 RN/L = 3.97 GRADIENT INTERVAL = -5.00/ 5.00

MACH	ALPHA	CYN	CBL	CY	CLMU	CHE1	CHEO	Q(PSF)	BETA	CNU
.900	-8.973	-.08778	.02055	.20481	.16962	.01257	-.01817	710.35798	-4.35820	-.54040
.900	-6.768	-.08230	.02248	.19746	.10932	.01493	-.01616	710.45392	-4.37604	-.38786
.900	-4.556	-.07792	.02391	.18906	.05290	.01595	-.02197	710.17958	-4.38300	-.24475
.900	-2.357	-.07613	.02543	.18278	-.00748	.01755	-.02554	710.42655	-4.38423	-.10495
.899	-.141	-.07273	.02698	.17442	-.06884	.01595	-.02854	710.05150	-4.37736	.03839
.899	2.073	-.06864	.02832	.16726	-.13736	.01174	-.03370	709.89609	-4.36587	.19112
.900	4.270	-.06953	.02946	.17113	-.18475	.01316	-.04349	710.43568	-4.36131	.32516
	GRADIENT	.00110	.00063	-.00233	-.02741	-.00052	-.00232	-.00093	.00280	.06503

DATE 29 OCT 76

TABULATED SOURCE DATA - 1A93.

PAGE 153

LARC 8FT TPT 749 (1A93) QTSAT130

(SJJ043) (24 JUN 76)

REFERENCE DATA

PARAMETRIC DATA

SREF = 2690.0000 SQ.FT. XMRP = 976.0000 IN. XT
 LREF = 1290.3000 INCHES YMRP = .0000 IN. YT
 BREF = 1290.3000 INCHES ZMRP = 400.0000 IN. ZT
 SCALE = .0100

BETA = -4.000 ELV-LI = 8.000
 ELV-LO = 14.000 ELV-RI = 8.000
 ELV-RO = 14.000

RUN NO. 159/ 0 RN/L = 4.08 GRADIENT INTERVAL = -5.00/ 5.00

MACH	ALPHA	C/N	CBL	CY	CLMU	CHEI	CHEO	Q(PSF)	BETA	CNU
.975	-9.193	-.09847	.02617	.22777	.20124	.01796	-.03554	767.46414	-4.40592	-.60334
.976	-6.910	-.08571	-.02711	.21079	.12925	.00890	-.03392	767.66840	-4.41664	-.42356
.976	-4.643	-.07765	.02732	.19627	.07049	.00234	-.03246	767.75830	-4.41625	-.26627
.975	-2.417	-.07072	.02778	.18201	.01813	.00796	-.03298	767.54320	-4.40999	-.12298
.975	-1.173	-.07116	.02868	.17670	-.04043	.00469	-.03469	767.46556	-4.40071	.01944
.975	2.048	-.06894	.02845	.17222	-.09900	-.00920	-.04216	767.51187	-4.39110	.16074
.975	4.264	-.06388	.02935	.16769	-.15955	-.02083	-.05869	767.34157	-4.38157	.31048
	GRADIENT	.00132	.00021	-.00301	-.02591	-.00285	-.00276	-.03882	.00396	.06451

LARC 8FT TPT 749 (1A93) QTSAT130

(SJJ044) (24 JUN 76)

REFERENCE DATA

PARAMETRIC DATA

SREF = 2690.0000 SQ FT. XMRP = 976.0000 IN. XT
 LREF = 1290.3000 INCHES YMRP = .0000 IN. YT
 BREF = 1290.3000 INCHES ZMRP = 400.0000 IN. ZT
 SCALE = .0100

BETA = .000 ELV-LI = 8.000
 ELV-LO = 14.000 ELV-RI = 8.000
 ELV-RO = 14.000

RUN NO. 163/ 0 RN/L = 3.97 GRADIENT INTERVAL = -5.00/ 5.00

MACH	ALPHA	CYN	CBL	CY	CLMU	CHEI	CHEO	Q(PSF)	BETA	CNU
.899	-8.980	-.00701	.00210	.02034	.18516	-.00582	-.02642	709.98712	-.02781	-.55461
.900	-6.738	-.00322	.00161	.01340	.12175	-.00194	-.02266	710.63227	-.02137	-.39849
.900	-4.529	-.00075	.00133	.00973	.05627	-.00093	-.02582	710.30764	-.01723	-.24279
.900	-2.337	.00097	.00123	.00506	-.00491	-.00312	-.03020	710.53632	-.01262	-.10800
.899	-1.136	.00277	.00028	-.00174	-.07016	-.00270	-.03446	709.79530	-.00048	.03946
.900	2.047	.00130	.00086	.00029	-.13462	-.00261	-.03890	710.10188	-.00101	.18309
.899	4.247	.00154	.00107	.00038	-.18548	.00152	-.04240	709.59956	-.00369	.32428
	GRADIENT	.00022	-.00005	-.00107	-.02795	.00025	-.00191	-.08452	.00176	.06497

LARC 8FT TPT 749 (1A93) OTSAT130

(SJJ044) (24 JUN 76)

REFERENCE DATA

PARAMETRIC DATA

SREF = 2690.0000 SQ.FT. XMRP = 976.0000 IN. XT
 LREF = 1290.3000 INCHES YMRP = .0000 IN. YT
 BREF = 1290.3000 INCHES ZMRP = 400.0000 IN. ZT
 SCALE = .0100

BETA = .000 ELV-LI = 8.000
 ELV-LO = 14.000 ELV-RI = 8.000
 ELV-RO = 14.000

RUN NO. 158/ 0 RN/L = 4.08 GRADIENT INTERVAL = -5.00/ 5.00

MACH	ALPHA	CYN	CBL	CY	CLMU	CHEI	CHEO	Q(PSF)	BETA	CNU
.976	-9.135	-.00718	.00255	.02288	.20853	.00601	-.03703	767.85084	-.04383	-.59956
.975	-6.880	-.00263	.00163	.01653	.14185	-.00281	-.03754	767.51187	-.03869	-.42986
.975	-4.623	.00133	.00070	.00933	.08233	-.00975	-.03781	767.23684	-.03029	-.27368
.975	-2.397	.00458	.00014	.00086	.02669	-.01123	-.03805	767.45060	-.01746	-.12960
.975	-.202	.00337	-.00030	-.00051	-.02707	-.00499	-.03877	767.09789	-.00981	.00371
.975	2.025	.00208	-.00029	-.00148	-.08776	-.01325	-.04245	767.72562	-.00700	.15223
.975	4.243	-.00154	.00112	.00429	-.14904	-.02996	-.05167	767.20404	-.01291	.29688
	GRADIENT	-.00037	.00002	-.00056	-.02605	-.00192	-.00145	.00953	.00204	.06423

LARC 8FT TPT 749 (1A93) OTSAT130

(SJJ045) (24 JUN 76)

REFERENCE DATA

PARAMETRIC DATA

SREF = 2690.0000 SQ.FT. XMRP = 976.0000 IN. XT
 LREF = 1290.3000 INCHES YMRP = .0000 IN. YT
 BREF = 1290.3000 INCHES ZMRP = 400.0000 IN. ZT
 SCALE = .0100

BETA = 4.000 ELV-LI = 8.000
 ELV-LO = 14.000 ELV-RI = 8.000
 ELV-RO = 14.000

RUN NO. 166/ 0 RN/L = 3.97 GRADIENT INTERVAL = -5.00/ 5.00

MACH	ALPHA	CYN	CBL	CY	CLMU	CHEI	CHEO	Q(PSF)	BETA	CNU
.900	-8.998	.07219	-.01474	-.15596	.17270	-.01905	-.03054	710.18869	4.27563	-.54593
.900	-6.763	.07125	-.01741	-.15836	.11148	-.01256	-.02831	710.25728	4.30761	-.39810
.900	-4.554	.06979	-.01985	-.15563	.05329	-.01062	-.02988	710.37622	4.31689	-.24506
.899	-2.367	.07121	-.02262	-.16201	-.00503	-.01189	-.03196	709.90520	4.33866	-.11266
.899	-.157	.06860	-.02419	-.15926	-.06949	-.01273	-.03647	709.87301	4.34136	.03536
.899	2.039	.06653	-.02536	-.15829	-.13580	-.01476	-.04049	709.76800	4.34043	.18280
.900	4.258	.06786	-.02610	-.16018	-.18440	-.01407	-.04376	710.49513	4.33194	.31937
	GRADIENT	-.00039	-.00069	-.00024	-.02751	-.00044	-.00165	.00477	.00144	.06465

DATE 29 OCT 76

TABULATED SOURCE DATA - 1A93.

PAGE 155

LARC 8FT TPT 749 (1A93) OTSAT130

(SJJ045) (24 JUN 76)

REFERENCE DATA

SREF = 2690.0000 SQ.FT. XMRP = 976.0000 IN. XT
 LREF = 1290.3000 INCHES YMRP = .0000 IN. YT
 BREF = 1290.3000 INCHES ZMRP = 400.0000 IN. ZT
 SCALE = .0100

PARAMETRIC DATA

BETA = 4.000 ELV-LI = 8.000
 ELV-LO = 14.000 ELV-RI = 8.000
 ELV-RO = 14.000

RUN NO. 161/ 0 RN/L = 4.08 GRADIENT INTERVAL = -5.00/ 5.00

MACH	ALPHA	C/N	CBL	CY	CLMU	CHEI	CHEO	Q(PSF)	BETA	CNU
.975	-9.180	.08132	-.01887	-.17586	.20073	-.00663	-.03678	767 68070	4.30706	-.60265
.976	-6.918	.07817	-.02125	-.17196	.13347	-.01388	-.03688	767 75962	4.33059	-.43145
.976	-4.662	.07685	-.02368	-.17049	.07370	-.01871	-.03472	767 75962	4.34611	-.27393
.976	-2.420	.07555	-.02600	-.16903	.01943	-.02307	-.03447	767 80323	4.35694	-.13114
.975	-.199	.07470	-.02773	-.17064	-.03873	-.02433	-.03881	767 37436	4.36505	.01468
.975	2.025	.06860	-.02679	-.16534	-.09897	-.03151	-.05100	767 45060	4.36152	15803
.975	4.261	.06060	-.02631	-.15671	-.16183	-.03705	-.06352	767 25037	4.35060	.30960
	GRADIENT	-.00177	-.00027	.00140	-.02644	-.00202	-.00332	-.06149	00061	06533

LARC 8FT TPT 749 (1A93) OTSAT130

(SJJ046) (24 JUN 76)

REFERENCE DATA

SREF = 2690.0000 SQ.FT. XMRP = 976.0000 IN. XT
 LREF = 1290.3000 INCHES YMRP = .0000 IN. YT
 BREF = 1290.3000 INCHES ZMRP = 400.0000 IN. ZT
 SCALE = .0100

PARAMETRIC DATA

BETA = 6.000 ELV-LI = 8.000
 ELV-LO = 14.000 ELV-RI = 8.000
 ELV-RO = 14.000

RUN NO 167/ 0 RN/L = 3.97 GRADIENT INTERVAL = -5.00/ 5.00

MACH	ALPHA	C/N	CBL	CY	CLMU	CHEI	CHEO	Q(PSF)	BETA	CNU
.900	-9.039	.10925	-.02548	-.24014	.16860	-.02459	-.03280	710 62314	6.41387	-.54730
.899	-6.806	.10863	-.02819	-.24202	.11124	-.01467	-.02908	709 97380	6.45330	-.39723
.900	-4.587	.10753	-.03182	-.24102	.05424	-.01222	-.03032	710 15223	6.47810	-.25344
.900	-2.369	.10850	-.03243	-.24450	-.00380	-.01322	-.03203	710 70084	6.49908	-.11437
.900	-.145	.10797	-.03644	-.24644	-.06802	-.01491	-.03612	710 39918	6.50956	03143
.900	2.057	.10192	-.03995	-.23848	-.13364	-.01618	-.03965	710 17958	6.49869	18239
.900	4.286	.10272	-.04067	-.23971	-.18051	-.01508	-.04316	710 44480	6.48606	31801
	GRADIENT	-.00073	-.00100	00039	-.02703	-.00039	-.00150	00293	00070	.06493

ORIGINAL PAGE IS
OF POOR QUALITY

LARC 8FT TPT 749 (1A93) OTSAT130

(SJJ046) (24 JUN 76)

REFERENCE DATA

SREF = 2690.0000 SQ FT XMRP = 976.0000 IN. XT
 LREF = 1290.3000 INCHES YMRP = .0000 IN. YT
 BREF = 1290.3000 INCHES ZMRP = 400.0000 IN. ZT
 SCALE = .0100

PARAMETRIC DATA

BETA = 6.000 ELV-LI = 8.000
 ELV-LO = 14.000 ELV-RI = 8.000
 ELV-RO = 14.000

RUN NO. 162/ 0 RN/L = 4.08 GRADIENT INTERVAL = -5.00/ 5.00

MACH	ALPHA	CYN	CBL	CY	CLMU	CHEI	CHEO	Q(PSF)	BETA	CNU
.975	-9.236	.12754	-.03141	-.27671	.19839	-.00866	-.03900	767 52684	6.47917	-.60739
.976	-6.950	.12130	-.03388	-.26890	.12798	-.01831	-.03917	768 12835	6.51075	-.43025
.976	-4.694	.11621	-.03685	-.26266	.07008	-.02534	-.03568	767.65210	6.53244	-.27780
.976	-2.448	.11220	-.04025	-.25832	.01445	-.02986	-.03412	767.68206	6.54747	-.13119
.975	-.202	.10788	-.04146	-.25354	-.04753	-.03119	-.04226	767.65076	6.55111	.02025
.975	2.031	.09875	-.04091	-.24548	-.10659	-.03268	-.05431	767 48053	6.54696	.16337
.975	4.277	.09239	-.04231	-.23757	-.16514	-.03424	-.06191	767 29669	6.52550	.31253
	GRADIENT	-.00272	-.00052	.00281	-.02638	-.00092	-.00325	-.04068	-.00064	.06580

LARC 8FT TPT 749 (1A93) OTSAT130

(SJJ047) (24 JUN 76)

REFERENCE DATA

SREF = 2690.0000 SQ.FT. XMRP = 976 0000 IN XT
 LREF = 1290.3000 INCHES YMRP = .0000 IN YT
 BREF = 1290.3000 INCHES ZMRP = 400.0000 IN. ZT
 SCALE = .0100

PARAMETRIC DATA

BETA = -6.000 ELV-LI = 8.000
 ELV-LO = 4.000 ELV-RI = 8.000
 ELV-RO = 4.000

RUN NO. 185/ 0 RN/L = 3.98 GRADIENT INTERVAL = -5.00/ 5.00

MACH	ALPHA	CYN	CBL	CY	CLMU	CHEI	CHEO	Q(PSF)	BETA	CNU
.900	-9.051	-.12757	.03355	.29838	.18010	.03109	.00895	711.36355	-6.51665	-.56651
.900	-6.830	-.12234	.03489	.29273	.11932	.03035	.01373	710.92011	6.55128	-.40940
.900	-4.587	-.11646	.03627	.28037	.06538	.03009	.01442	711.16701	-6.56467	-.26692
.900	-2.389	-.11396	.03794	.27288	.00982	.02941	.01694	711.17614	-6.57275	-.13007
.901	-.180	-.11237	.04005	.26624	-.04162	.03023	.01708	711 78846	-6.57184	.00397
.900	2.022	-.11033	.04111	.26232	-.08921	.03033	.00724	711.26297	-6.56487	.13104
.901	4.256	-.11203	.04485	.26618	-.13881	.02804	-.00844	711.76568	-6.55934	.27030
	GRADIENT	.00056	.00092	-.00176	-.02296	-.00014	-.00251	.05818	.00084	.06044

LARC 8FT TPT 749 (1A93) OTSAT130

(SJJ047) (24 JUN 76)

REFERENCE DATA

SREF = 2690.0000 SQ.FT. XMRP = 976.0000 IN. XT
 LREF = 1290.3000 INCHES YMRP = .0000 IN. YT
 BREF = 1290.3000 INCHES ZMRP = 400.0000 IN. ZT
 SCALE = .0100

PARAMETRIC DATA

BETA = -6.000 ELV-LI = 8.000
 ELV-LO = 4.000 ELV-RI = 8.000
 ELV-RO = 4.000

RUN NO. 180/ 0 RN/L = 4.09 GRADIENT INTERVAL = -5.00/ 5.00

MACH	ALPHA	CYN	CBL	CY	CLMU	CHEI	CHEO	Q(PSF)	BETA	CNU
.975	-9 260	- 14321	.03814	.33177	.21559	.02305	.02331	766.98726	-6.58817	-.63197
.976	-6.969	-.12804	.03942	.31099	.14447	.01811	.02503	767.60582	-6.61199	- 45265
.975	-4 708	-.11802	.04088	.29553	.08861	.01312	.02623	767.34442	-6.62412	- 29860
.975	-2.442	-.10679	.04157	.27588	.03271	.01179	.02563	767.52823	-6.61799	-.14743
.974	- 202	-.10444	.04274	.26419	-.02526	.01407	.01949	766.54316	-6.59812	-.00164
.975	2 013	-.10205	.04418	.26056	-.07656	.01851	.01033	767.28173	-6.58582	.13262
.975	4 252	-.10303	.04601	.26402	-.12578	.02475	-.00281	767.60447	-6.58111	.27177
	GRADIENT	.00155	.00057	-.00351	-.02405	.00134	-.00328	.01201	.00528	.06350

RUN NO 175/ 0 RN/L = 4.21 GRADIENT INTERVAL = -5.00/ 5.00

MACH	ALPHA	CYN	CBL	CY	CLMU	CHEI	CHEO	Q(PSF)	BETA	CNU
1.150	-7.152	-.12643	.04264	.31085	.16077	.07546	.02115	863.34529	-6.65518	- 47875
1.150	-4.819	-.11462	.04451	.29107	.09388	.07033	.00843	863.23193	-6.67019	-.30430
1.150	-2.534	-.10901	.04712	.27939	.03876	.06533	-.00567	863.21174	-6.66554	- 14939
1.150	-.254	-.11064	.04804	.27309	-.02082	.05434	-.01691	863.55840	-6.65204	.00233
1.150	2.011	-.11237	.04903	.27439	-.07609	.04152	-.02669	863.24952	-6.64730	.14472
	GRADIENT	.00023	.00064	-.00248	-.02501	-.00428	-.00512	.01761	.00361	.06582

RUN NO. 170/ 0 RN/L = 4.22 GRADIENT INTERVAL = -5.00/ 5.00

MACH	ALPHA	CYN	CBL	CY	CLMU	CHEI	CHEO	Q(PSF)	BETA	CNU
1.205	-9 557	- 14333	.04056	.33819	.25064	.07878	.02089	883.23315	-6.65974	-.68873
1.205	-7.177	-.12878	.04383	.31223	.15868	.07289	.00876	883.14123	-6.66348	-.47594
1.205	-4 829	-.11818	.04604	.29727	.09086	.06658	-.00454	883.13921	-6.67922	- 30101
1.205	-2.530	-.11151	.04713	.28313	.03424	.06100	-.01501	883.23843	-6.66928	- 14224
1.205	- 259	-.11393	.04763	.27814	-.02235	.05259	-.02543	883.28804	-6.65782	.00547
1.205	2 014	-.11546	.04860	.27686	-.07521	.04276	-.03490	883.01183	-6.64671	.14680
1.205	4 289	-.11174	.04989	.27582	-.12961	.02959	-.04101	883.14123	-6.63830	.28915
	GRADIENT	.00039	.00040	-.00216	-.02416	-.00405	-.00408	-.00974	.00458	.06451

LARC 8FT TPT 749 (1A93) OTSAT130

(SJJ048) (24 JUN 76)

REFERENCE DATA

SREF = 2690.0000 SQ.FT. XMRP = 976.0000 IN. XT
 LREF = 1290.3000 INCHES YMRP = .0000 IN. YT
 BREF = 1290.3000 INCHES ZMRP = 400.0000 IN. ZT
 SCALE = .0100

PARAMETRIC DATA

BETA = -4.000 ELV-LI = 8.000
 ELV-LO = 4.000 ELV-RI = 8.000
 ELV-RO = 4.000

RUN NO. 184/ 0 RN/L = 3.97 GRADIENT INTERVAL = -5.00/ 5.00

MACH	ALPHA	CYN	CBL	CY	CLMU	CHEI	CHEO	Q(PSF)	BETA	CNU
.900	-9 011	-.08793	.02030	.20351	.19220	.02991	.00590	711.24930	-4.34179	-.57176
.900	-6.772	-.08298	.02194	.19860	.12735	.02916	.01286	711.19440	-4.36410	-.40932
.900	-4.558	-.07654	.02272	.18610	.07097	.02814	.01404	711.45493	-4.36634	-.26529
.900	-2.377	-.07582	.02418	.18215	.01534	.02737	.01730	711.56920	-4.37039	-.13301
.901	- 178	-.07236	.02533	.17271	-.03931	.02644	.01677	711.63309	-4.35943	.00195
.901	2 015	-.07230	.02603	.17313	-.08990	.02947	.01093	711.75653	-4.35680	.13076
.900	4 235	-.07219	.02831	.17430	-.14329	.02561	-.00590	711.36355	-4.35122	.27513
	GRADIENT	.00056	00059	-.00148	-.02429	-.00014	-.00211	.00009	00200	.06118

RUN NO 179/ 0 RN/L = 4 08 GRADIENT INTERVAL = -5 00/ 5.00

MACH	ALPHA	CYN	CBL	CY	CLMU	CHEI	CHEO	Q(PSF)	BETA	CNU
.975	-9.209	-.09751	.02500	.22597	.22371	.02336	.02326	767.14275	-4.38505	-.62993
.975	-6 939	-.08495	.02606	.20963	.15239	.01421	.02478	767.59084	-4.39573	-.45180
.975	-4 573	-.07559	.02608	.19418	.09560	.00773	.02612	767.54320	-4.39783	-.29624
.975	-2.439	-.06843	.02650	.17921	.04440	.00726	.02599	767.25181	-4.38939	-.15468
.975	- .220	-.06932	.02756	.17400	-.01274	.01203	.02256	767.23395	-4.37541	-.01520
.975	2.012	-.06742	.02753	.16950	-.06933	.01429	.01500	767.26677	-4.36521	.12521
.975	4 256	-.06282	.02801	.16648	-.12561	.01625	.00169	766.92748	-4.35817	.27090
	GRADIENT	.00119	00022	-.00292	-.02493	.00108	-.00268	-.05456	.00459	.06339

RUN NO. 174/ 0 RN/L = 4 21 GRADIENT INTERVAL = -5 00/ 5 00

MACH	ALPHA	CYN	CBL	CY	CLMU	CHEI	CHEO	Q(PSF)	BETA	CNU
1.150	-7 103	-.08163	.02690	.20556	.16987	.07226	.02737	863.44370	-4.44824	-.47725
1.150	-4 810	-.07502	.02904	.19452	.10332	.06539	.01748	863.36552	-4.45428	-.30750
1.150	-2.514	-.07154	.03070	.18341	.04436	.06060	.00384	863.34663	-4.43759	-.14999
1.150	-.234	-.07669	.03138	.18149	-.01652	.05298	-.00884	863.11325	-4.43119	.00227
1.150	2 016	-.07831	.03233	.18344	-.07189	.04048	-.02053	863.24952	-4.43298	.14170
	GRADIENT	-.00066	.00046	-.00155	-.02577	-.00361	-.00557	-.02563	.00310	.06591

LARC 8FT TPT 749 (1A93) OTSAT130

(SJ048) (24 JUN 76)

REFERENCE DATA

SREF = 2690 0000 SQ.FT. XMRP = 976 0000 IN. XT
 LREF = 1290 3000 INCHES YMRP = .0000 IN. YT
 BREF = 1290.3000 INCHES ZMRP = 400.0000 IN. ZT
 SCALE = .0100

PARAMETRIC DATA

BETA = -4.000 ELV-LI = 8.000
 ELV-LO = 4.000 ELV-RI = 8.000
 ELV-RO = 4.000

RUN NO. 169/ 0 RN/L = 4.22 GRADIENT INTERVAL = -5 00/ 5.00

MACH	ALPHA	CYN	CBL	CY	CLMU	CHEI	CHEO	Q(PSF)	BETA	CNU
1.205	-9.488	-.09211	.02592	.22332	.24993	.07548	.02616	883.02254	-4.43213	-.67528
1.205	-7.128	-.08409	.02889	.20877	.16588	.06956	.01718	883.11106	-4.44522	-.47296
1.205	-4.784	-.07695	.03012	.19727	.09627	.06318	.00401	883.18013	-4.44015	-.29537
1.205	-2.517	-.07314	.03058	.18563	.03660	.06031	-.00685	883.42819	-4.43461	-.13912
1.205	- .253	-.07693	.03111	.18313	-.01878	.05417	- .01754	882.96221	-4.41904	.00406
1.205	2.012	- .07895	.03195	.18341	- .07273	.04350	- .02897	883.15194	-4.41760	.14617
1.204	4.268	-.07689	.03342	.18498	-.12677	.03157	- .03666	882.83129	-4.41387	.28453
	GRADIENT	-.00025	.00035	- .00118	-.02454	- .00354	-.00457	- .04301	.00307	.06385

LARC 8FT TPT 749 (1A93) OTSAT130

(SJ049) (24 JUN 76)

REFERENCE DATA

SREF = 2690.0000 SQ FT. XMRP = 976.0000 IN. XT
 LREF = 1290.3000 INCHES YMRP = .0000 IN. YT
 BREF = 1290.3000 INCHES ZMRP = 400.0000 IN. ZT
 SCALE = .0100

PARAMETRIC DATA

BETA = .000 ELV-LI = 8.000
 ELV-LO = 4 000 ELV-RI = 8.000
 ELV-RO = 4 000

RUN NO. 183/ 0 RN/L = 3.97 GRADIENT INTERVAL = -5.00/ 5.00

MACH	ALPHA	CYN	CBL	CY	CLMU	CHEI	CHEO	Q(PSF)	BETA	CNU
.900	-8.972	-.00822	.00216	.02279	.20257	.01770	.00129	711.26297	-.01346	-.57465
.900	-6.745	-.00294	.00058	.01267	.13699	.01955	.00734	711.33153	-.00091	-.41463
.900	-4.547	.00017	- .00011	.00846	.07765	.01668	.01350	711.46408	.00119	-.26868
.900	-2.367	.00111	- .00027	.00574	.01863	.01551	.01555	710.97956	.00628	-.13687
.900	-.163	.00256	- .00098	-.00129	- .03861	.01677	.01699	711.06639	.01860	.00119
.900	2.013	.00227	- .00078	-.00175	-.09611	.02015	.01593	710.73261	.02216	.13543
.900	4.213	.00223	-.00056	- .00130	- .13760	.02453	.00391	710.95218	.02225	.26473
	GRADIENT	.00024	-.00006	- .00123	- .02490	.00093	-.00086	-.05795	.00265	.06115

LARC 8FT TPT 749 (1A93) OTSAT130

(SJJ049) (24 JUN 76)

REFERENCE DATA

SREF = 2690.0000 SQ.FT. XMRP = 976.0000 IN. XT
 LREF = 1290.3000 INCHES YMRP = .0000 IN. YT
 BREF = 1290.3000 INCHES ZMRP = 400.0000 IN. ZT
 SCALE = .0100

PARAMETRIC DATA

BETA = .000 ELV-LI = 8.000
 ELV-LO = 4.000 ELV-RI = 8.000
 ELV-RO = 4.000

RUN NO. 178/ 0 RN/L = 4.08 GRADIENT INTERVAL = -5.00/ 5.00

MACH	ALPHA	CYN	CBL	CY	CLMU	CHEI	CHEO	Q(PSF)	BETA	CNU
.975	-9.168	-.00604	.00157	.02119	.23341	.01117	.02295	767.37293	-.03204	-.63105
.976	-6.910	-.00270	.00094	.01710	.16496	.00476	.02328	767.89839	-.02551	-.45791
.975	-4.638	.00151	.00001	.00920	.10631	-.00140	.02589	767.19053	-.01288	-.30049
.975	-2.410	.00584	-.00080	-.00139	.05318	-.00554	.02767	767.38932	.00373	-.16175
.975	-.224	.00630	-.00156	-.00573	-.00034	-.00218	.02624	767.06651	.01487	-.02827
.975	2.008	.00369	-.00154	-.00238	-.05927	.00430	.02216	767.11284	.01348	.11700
.975	4.211	.00042	-.00049	.00232	-.11697	.00773	.01247	767.23395	.00617	.25675
	GRADIENT	-.00020	-.00008	-.00067	-.02528	.00127	-.00146	-.00850	.00216	.06300

RUN NO 173/ 0 RN/L = 4.21 GRADIENT INTERVAL = -5.00/ 5.00

MACH	ALPHA	CYN	CBL	CY	CLMU	CHEI	CHEO	Q(PSF)	BETA	CNU
1.150	-7.067	-.00223	.00134	.01498	.18561	.06478	.02164	863.26973	-.04378	-.48366
1.150	-4.774	.00132	.00051	.00900	.11858	.05735	.02906	863.24952	-.03862	-.31520
1.150	-2.494	.00270	-.00006	.00406	.05185	.05199	.02349	863.40462	-.02806	-.15136
1.150	-.253	.00067	-.00030	.00165	-.00668	.04943	.00865	863.32641	-.01821	-.01005
1.150	1.994	-.00176	.00016	.00316	-.06148	.04159	-.00620	863.22927	-.01658	.13009
	GRADIENT	-.00050	-.00006	-.00089	-.02656	-.00221	-.00535	-.00606	.00337	.06553

RUN NO. 168/ 0 RN/L = 4.22 GRADIENT INTERVAL = -5.00/ 5.00

MACH	ALPHA	CYN	CBL	CY	CLMU	CHEI	CHEO	Q(PSF)	BETA	CNU
1.205	-9.424	-.00268	.00203	.01695	.25457	.07141	.02258	882.99459	-.02902	-.66564
1.205	-7.086	-.00032	.00198	.01379	.17857	.06530	.02465	882.95149	-.02941	-.47542
1.205	-4.779	.00229	.00114	.00916	.10736	.05928	.01948	882.67989	-.01925	-.30049
1.205	-2.498	.00592	-.00021	-.00008	.04324	.05493	.01140	882.67989	-.00370	-.14108
1.205	-.246	.00441	-.00030	-.00253	-.01284	.05301	-.00209	882.94945	.00674	.00077
1.205	2.006	.00063	.00016	.00124	-.06484	.04805	-.01448	883.14123	.00762	.13889
1.205	4.240	-.00084	.00046	.00363	-.11601	.03706	-.02570	883.03223	.00573	.27275
	GRADIENT	-.00051	-.00004	-.00044	-.02462	-.00227	-.00516	.05175	.00272	.06329

LARC 8FT TPT 749 (1A93) OTSAT130

(SJJ050) (24 JUN 76)

REFERENCE DATA

SREF * 2690.0000 SQ.FT. XMRP = 976 0000 IN. XT
 LREF * 1290 3000 INCHES YMRP = .0000 IN. YT
 BREF * 1290 3000 INCHES ZMRP = 400.0000 IN. ZT
 SCALE = .0100

PARAMETRIC DATA

BETA = 4.000 ELV-L1 = 8.000
 ELV-LO = 4.000 ELV-R1 = 8.000
 ELV-RO = 4 000

RUN NO. 186/ 0 RN/L = 3.97 GRADIENT INTERVAL = -5.00/ 5.00

MACH	ALPHA	C/N	CBL	CY	CLMU	CHE1	CHEO	Q(PSF)	BETA	CNU
.900	-9 011	.07175	- 01549	-.15472	.18925	-.00320	-.00607	711 29499	4.28417	-.56573
900	-6.775	.07253	- 01894	- 15928	.12885	.00304	.00038	710.73261	4.31439	-.41270
.900	-4 586	.07124	- 02194	-.15741	07512	.00708	.00911	711.28586	4.32728	-.27321
.900	-2 382	.06990	- 02382	-.15964	01807	.00708	.01373	710.90187	4.34663	-.13877
.900	- 185	.07056	-.02607	-.16312	- 03738	00641	.01533	711 01605	4.35556	-.00399
.900	2 034	.06857	- 02676	-.16069	- 09884	00598	.01378	711 16701	4 35144	.14105
900	4.225	.07012	-.02691	-.16067	-.13966	00708	.00723	711 44124	4 34054	.26747
	GRADIENT	-.00016	-.00058	-.00034	-.02480	- 00005	-.00017	02613	00142	.06177

RUN NO 181/ 0 RN/L = 4 08 GRADIENT INTERVAL = -5.00/ 5.00

MACH	ALPHA	CYN	CBL	CY	CLMU	CHE1	CHEO	Q(PSF)	BETA	CNU
.975	-9.205	08234	- 01939	- 17701	22577	.00055	02028	767 03805	4.31833	-.63547
976	-6.951	07868	- 02162	-.17178	15748	-.00554	.01927	767.46833	4 33592	-.46220
975	-4 682	07608	- 02400	-.16805	09782	-.00803	02082	767.31308	4.35003	-.30291
975	-2.437	07551	- 02667	-.17020	04332	- 00850	.02215	767.43563	4.36572	-.15852
.975	- 222	07438	- 02863	-.16882	- 01069	- 00429	.02286	767.11284	4.36967	-.01829
975	2.007	06992	-.02874	- 16571	-.06945	- 00335	.01943	767 25181	4.37001	.12193
975	4.233	06296	- 02818	-.15863	-.12836	- 00453	.01357	767.14275	4.35858	.27037
	GRADIENT	-.00143	- 00047	00105	- 02537	00055	-.00077	-.02351	.00096	.06407

RUN NO. 176/ 0 RN/L = 4 21 GRADIENT INTERVAL = -5 00/ 5.00

MACH	ALPHA	CYN	CBL	CY	CLMU	CHE1	CHEO	Q(PSF)	BETA	CNU
1 150	-7 115	.07545	-.02119	- 16775	17878	04873	.02146	863.34663	4.36271	-.48860
1 150	-4 804	.07505	-.02569	-.16883	.10766	.04345	.02507	863.55967	4.38584	-.31232
1 150	-2.529	.07515	-.02896	- 16866	04607	03915	.03121	863.44370	4.39626	-.15762
1 150	- 251	07647	-.03085	- 17322	-.01314	.03215	.02584	863.13351	4.40921	-.00396
1 150	2.002	.07603	-.03111	-.17347	-.07077	.02457	01188	863 48151	4.40833	.13797
	GRADIENT	.00019	-.00080	-.00081	-.02619	-.00280	-.00198	-.02415	.00355	.06629

LARC 8FT TPT 749 (1A93) OTSAT130

(SJJ050) (24 JUN 76)

REFERENCE DATA

SREF = 2690.0000 SQ.FT. XMRP = 976.0000 IN. XT
 LREF = 1290.3000 INCHES YMRP = .0000 IN. YT
 BREF = 1290.3000 INCHES ZMRP = 400.0000 IN. ZT
 SCALE = .0100

PARAMETRIC DATA

BETA = 4.000 ELV-L1 = 8.000
 ELV-LO = 4.000 ELV-R1 = 8.000
 ELV-RO = 4.000

RUN NO. 171/ 0 RN/L = 4.21 GRADIENT INTERVAL = -5.00/ 5.00

MACH	ALPHA	CYN	CBL	CY	CLMU	CHEI	CHEO	Q(PSF)	BETA	CNU
1.205	-9.486	.07955	-.01845	-.17490	.25202	.05836	.02326	883.21221	4.35584	-.67658
1.205	-7.129	.07954	-.02270	-.17321	.17124	.05442	.02119	883.20156	4.37448	-.47748
1.205	-4.816	.07913	-.02628	-.17323	.10079	.05016	.02651	883.04199	4.39389	-.30358
1.205	-2.528	.07888	-.02894	-.17401	.04017	.04628	.02702	883.24918	4.40884	-.14695
1.205	-.231	.07964	-.03058	-.17668	-.01604	.04105	.01657	883.30953	4.41843	.00170
1.205	2.004	.08048	-.03149	-.17895	-.07005	.03386	.00203	883.25119	4.42084	.13966
1.205	4.261	.07685	-.03194	-.17575	-.12557	.02654	-.01113	882.95271	4.41127	.27947
	GRADIENT	-.00013	-.00061	-.00044	-.02482	-.00263	-.00441	-.00760	.00207	.06404

LARC 8FT TPT 749 (1A93) OTSAT130

(SJJ051) (24 JUN 76)

REFERENCE DATA

SREF = 2690.0000 SQ.FT. YMRP = 976.0000 IN. XT
 LREF = 1290.3000 INCHES YMRP = .0000 IN. YT
 BREF = 1290.3000 INCHES ZMRP = 400.0000 IN. ZT
 SCALE = .0100

PARAMETRIC DATA

BETA = 6.000 ELV-L1 = 8.000
 ELV-LO = 4.000 ELV-R1 = 8.000
 ELV-RO = 4.000

RUN NO. 187/ 0 RN/L = 3.97 GRADIENT INTERVAL = -5.00/ 5.00

MACH	ALPHA	CYN	CBL	CY	CLMU	CHEI	CHEO	Q(PSF)	BETA	CNU
.900	-9.027	.11121	-.02722	-.24334	.18331	-.00825	-.00623	710.99781	6.42960	-.56362
.900	-6.829	.11061	-.02991	-.24383	.12726	-.00051	.00070	710.86977	6.46894	-.41615
.900	-4.603	.10963	-.03413	-.24367	.07466	.00387	.00911	711.41382	6.49873	-.27745
.900	-2.397	.10997	-.03728	-.24671	.02079	.00312	.01233	711.15496	6.52791	-.14292
.900	-.188	.10913	-.03964	-.24593	-.03668	.00194	.01400	710.73261	6.53122	-.00468
.900	2.026	.10680	-.04158	-.24463	-.09173	.00168	.01291	711.63775	6.53644	.12968
.899	4.235	.10661	-.04183	-.24381	-.13604	.00228	.00826	710.68224	6.52096	.26306
	GRADIENT	-.00042	-.00089	.00008	-.02416	-.00021	-.00005	-.04341	.00240	.06125

LARC 8FT TPT 749 (1A93) OTSAT130

(SJJ051) (24 JUN 76)

REFERENCE DATA

SREF = 2690.0000 SQ.FT. XMRP = 976.0000 IN. XT
 LREF = 1290.3000 INCHES YMRP = .0000 IN. YT
 BREF = 1290.3000 INCHES ZMRP = 400.0000 IN. ZT
 SCALE = .0100

PARAMETRIC DATA

BETA = 6.000 ELV-LI = 8.000
 ELV-LO = 4.000 ELV-RI = 8.000
 ELV-RO = 4.000

RUN NO. 182/ 0 RN/L = 4.08 GRADIENT INTERVAL = -5.00/ 5.00

MACH	ALPHA	CYN	CBL	CY	CLMU	CHEI	CHEO	Q(PSF)	BETA	CNU
.975	-9.273	.12885	- 03214	-.27906	.22333	-.00078	.02067	767.26533	6.51065	-.63986
.976	-6.968	.12347	- 03470	-.27262	.15301	-.00928	.01878	767.43837	6.55017	-.46411
.975	-4.715	.11766	- 03781	-.26498	.09425	-.01435	.01942	767.39072	6.57051	-.30712
.975	-2.466	.11245	- .04096	- 25932	.03666	-.01474	.01997	767.28173	6.58922	-.15923
.975	-.223	.10992	- .04342	- 25763	-.02135	-.01022	.02012	767.32805	6.59960	-.01018
.975	2.002	.10134	- .04340	- 24832	-.07603	-.00686	.01754	767.31165	6.59472	.12619
.975	4.250	.09625	- .04443	-.24173	-.13080	-.00515	.01376	767.25037	6.57482	.27286
	GRADIENT	-.00241	- 00070	.00257	-.02522	.00117	-.00061	-.01121	.00063	.06453

RUN NO 177/ 0 RN/L = 4.21 GRADIENT INTERVAL = -5.00/ 5.00

MACH	ALPHA	CYN	CBL	CY	CLMU	CHEI	CHEO	Q(PSF)	BETA	CNU
1.150	-7.141	.11629	- 03455	- 26124	.17183	.04444	.02160	863.07550	6.55994	-.48759
1.150	-4.832	.11277	- 03952	- 25946	.10347	.03963	.02357	863.54075	6.59113	-.31689
1.150	-2.546	.10902	- 04364	- 25575	.04450	.03506	.02892	863.34663	6.60683	-.15939
1.150	-.264	.10958	- 04585	- 25802	-.01584	.02804	.02998	863.46261	6.61789	-.00672
1.150	2.006	.10821	- 04653	- 25775	-.07749	.01999	.01973	863.57858	6.61642	.14192
	GRADIENT	-.00058	- .00102	.00013	-.02646	-.00289	-.00046	.01002	.00382	.06708

RUN NO. 172/ 0 RN/L = 4.22 GRADIENT INTERVAL = -5.00/ 5.00

MACH	ALPHA	CYN	CBL	CY	CLMU	CHEI	CHEO	Q(PSF)	BETA	CNU
1.204	-9.551	.12735	- .03090	-.28051	.25624	.05341	.02366	883.09080	6.54309	-.69170
1.205	-7.167	.12106	- .03639	- 27006	.16835	.05023	.02038	882.95271	6.57090	-.48404
1.205	-4.853	.11765	- .04065	- 26602	.09896	.04588	.02461	883.02388	6.59597	-.30978
1.205	-2.557	.11448	- .04375	- 26216	.04145	.04011	.02957	883.02388	6.60188	- 15602
1.205	-.255	.11489	- 04587	- 26473	-.01913	.03393	.02318	883.07411	6.61938	-.00132
1.204	1.993	.11430	- .04687	- 26570	-.07568	.02681	.01083	883.14103	6.61946	.14060
1.204	4.280	.11034	- 04799	- 26200	-.13201	.02158	-.00362	883.06152	6.60659	.28519
	GRADIENT	-.00065	- 00078	.00020	-.02538	-.00271	-.00329	.00843	.00171	.06516

LARC 8FT TPT 749 (1A93) OTSAT130

(SJJ052) (24 JUN 76)

REFERENCE DATA

SREF = 2690.0000 SQ.FT. XMRP = 976.0000 IN. XT
 LREF = 1290.3000 INCHES YMRP = .0000 IN. YT
 BREF = 1290.3000 INCHES ZMRP = 400.0000 IN. ZT
 SCALE = .0100

PARAMETRIC DATA

BETA = -6.000 ELV-LI = 8.000
 ELV-LO = -5.000 ELV-RI = 8.000
 ELV-RO = -5.000

RUN NO. 195/ 0 RN/L = 4.21 GRADIENT INTERVAL = -5.00/ 5.00

MACH	ALPHA	CYN	CBL	CY	CLMU	CHE1	CHEO	Q(PSF)	BETA	CNU
1.150	-7.201	-.12610	.04244	.31002	.18188	.08777	.07182	863.15374	-6.66167	-.50272
1.150	-4.856	-.11497	.04526	.29205	.11305	.07978	.05327	863.21174	-6.66818	-.32605
1.150	-2.541	-.10877	.04800	.27992	.05517	.07241	.03520	863.26973	-6.67028	-.16511
1.150	-.287	-.11110	.04950	.27593	-.00039	.06172	.02120	863.21174	-6.66099	-.02272
1.150	2.001	-.11250	.05019	.27457	-.06041	.04902	.00778	863.15374	-6.65029	.12843
	GRADIENT	.00023	.00071	-.00248	-.02523	-.00451	-.00659	-.01011	.00275	.06598

RUN NO 190/ 0 RN/L = 4.22 GRADIENT INTERVAL = -5.00/ 5.00

MACH	ALPHA	CYN	CBL	CY	CLMU	CHE1	CHEO	Q(PSF)	BETA	CNU
1.205	-9.591	-.14479	.04072	.34145	.27274	.08860	.07312	882.82296	-6.67902	-.71524
1.205	-7.199	-.12874	.04418	.31307	.17915	.08039	.05594	882.69268	-6.68339	-.50012
1.205	-4.866	-.11828	.04683	.29741	.10951	.07163	.03797	882.76174	-6.69292	-.32231
1.205	-2.554	-.11207	.04839	.28339	.05063	.06545	.02488	882.76174	-6.68557	-.16030
1.205	-.277	-.11309	.04855	.27772	-.00446	.05825	.01395	882.84153	-6.67781	-.01574
1.205	1.976	-.11541	.04928	.27759	-.05801	.04820	.00385	882.80264	-6.67022	.12648
1.205	4.263	-.11255	.05076	.27862	-.11489	.03198	-.00528	882.70581	-6.66314	.27184
	GRADIENT	.00036	.00038	-.00191	-.02446	-.00424	-.00472	-.00310	.00329	.06474

LARC 8FT TPT 749 (1A93) OTSAT130

(SJJ053) (24 JUN 76)

REFERENCE DATA

SREF = 2690.0000 SQ.FT. XMRP = 976.0000 IN. XT
 LREF = 1290.3000 INCHES YMRP = .0000 IN. YT
 BREF = 1290.3000 INCHES ZMRP = 400.0000 IN. ZT
 SCALE = .0100

PARAMETRIC DATA

BETA = -4.000 ELV-LI = 8.000
 ELV-LO = -5.000 ELV-RI = 8.000
 ELV-RO = -5.000

RUN NO. 194/ 0 RN/L = 4.21 GRADIENT INTERVAL = -5.00/ 5.00

MACH	ALPHA	CYN	CBL	CY	CLMU	CHE1	CHEO	Q(PSF)	BETA	CNU
1.150	-7.111	-.07046	.02273	.17743	.19325	.08012	.07875	863.21174	-3.78919	-.50063
1.150	-4.828	-.06436	.02499	.16763	.12543	.07548	.05931	863.09574	-3.79348	-.32940
1.150	-2.532	-.06122	.02639	.15628	.06404	.06693	.05168	863.21174	-3.78104	-.16936
1.150	-.279	-.06570	.02757	.15484	.00649	.05903	.03561	863.05662	-3.77065	-.02578
1.150	1.992	-.06768	.02820	.15660	-.05360	.04763	.01930	863.21174	-3.76851	.12222
	GRADIENT	-.00063	.00048	-.00152	-.02618	-.00403	-.00731	.00855	.00376	.06498

LARC 8FT TPT 749 (1A93) OTSAT130

(SJJ053) (24 JUN 76)

REFERENCE DATA

SREF = 2690.0000 SQ.FT. XMRP = 976.0000 IN. XT
 LREF = 1290.3000 INCHES YMRP = .0000 IN. YT
 BREF = 1290.3000 INCHES ZMRP = 400 0000 IN. ZT
 SCALE = .0100

PARAMETRIC DATA

BETA = -4.000 ELV-LI = 8.000
 ELV-LO = -5.000 ELV-RI = 8.000
 ELV-RO = -5.000

RUN NO. 189/ 0 RN/L = 4.21 GRADIENT INTERVAL = -5.00/ 5.00

MACH	ALPHA	C/N	CBL	CY	CLMU	CHEI	CHEO	Q(PSF)	BETA	CNU
1.204	-9 507	-.09306	.02616	.22483	.27027	.08211	.07854	882.52155	-4.45638	-.69854
1.205	-7.150	-.08449	.02923	.20995	.18618	.07570	.06612	882.75603	-4.46402	-.49710
1.205	-4 829	-.07761	.03117	.19968	.11562	.06857	.04859	882.84153	-4.46772	-.32007
1.205	-2 536	-.07334	.03166	.18703	.05478	.06396	.03460	882.74230	-4.45563	-.16106
1.205	- 266	-.07812	.03241	.18610	-.00318	.05717	.02116	882.77247	-4.44836	-.01317
1.205	1.985	-.07933	.03256	.18525	-.05742	.04868	.00920	882.68487	-4.44371	.12778
1.204	4 246	-.07677	.03355	.18553	-.11299	.03714	-.00161	882.67226	-4.43579	.26925
	GRADIENT	-.00019	.00025	-.00133	-.02512	-.00344	-.00555	-.01747	.00334	.06473

LARC 8FT TPT 749 (1A93) OTSAT130

(SJJ054) (24 JUN 76)

REFERENCE DATA

SREF = 2690.0000 SQ.FT. XMRP = 976 0000 IN. XT
 LREF = 1290.3000 INCHES YMRP = .0000 IN. YT
 BREF = 1290.3000 INCHES ZMRP = 400 0000 IN. ZT
 SCALE = .0100

PARAMETRIC DATA

BETA = .000 ELV-LI = 8.000
 ELV-LO = -5.000 ELV-RI = 8.000
 ELV-RO = -5.000

RUN NO. 193/ 0 RN/L = 4.21 GRADIENT INTERVAL = -5.00/ 5.00

MACH	ALPHA	CYN	CBL	CY	CLMU	CHEI	CHEO	Q(PSF)	BETA	CNU
1.150	-7.083	-.00328	.00149	.01597	.20533	.06965	.07492	863.11463	-.03443	-.50602
1.150	-4 795	-.00108	.00109	.01255	.13781	.06333	.07965	863.05662	-.02997	-.33490
1.150	-2 511	.00142	.00025	.00475	.07075	.05861	.07218	863.11463	-.01553	-.17323
1.150	- 272	.00001	-.00016	.00225	.00936	.05438	.05514	863.01749	-.00483	-.02659
1.150	1 982	-.00129	-.00013	.00157	-.04709	.04618	.03737	863.09438	-.00216	.11398
	GRADIENT	-.00009	-.00018	-.00157	-.02730	-.00247	-.00637	.00075	.00417	.06617

RUN NO. 188/ 0 RN/L = 4.22 GRADIENT INTERVAL = -5.00/ 5.00

MACH	ALPHA	CYN	CBL	CY	CLMU	CHEI	CHEO	Q(PSF)	BETA	CNU
1.205	-9.447	-.00249	.00190	.01617	.27653	.07592	.07616	882.55512	-.02435	-.69189
1.205	-7.115	-.00147	.00210	.01561	.19822	.06979	.07648	882.85023	-.02640	-.49793
1.205	-4 805	.00226	.00111	.00866	.12808	.06402	.07078	882.83733	-.01582	-.32709
1.206	-2.534	.00465	.00017	.00220	.06075	.05965	.05903	882.98612	-.00328	-.16094
1.205	- 260	.00335	-.00003	-.00055	.00179	.05749	.04201	882.98829	.00703	-.01625
1.205	1.987	.00035	.00022	.00185	-.05027	.05180	.02648	882.80062	.00768	.11975
1.205	4.224	-.00071	.00028	.00349	-.10227	.04224	.01223	882.57606	.00787	.26585
	GRADIENT	-.00045	-.00007	-.00048	-.02533	-.00228	-.00658	-.03123	.00259	.06407

ORIGINAL PAGE IS
OF POOR QUALITY

LARC 8FT TPT 749 (1A93) OTSAT130

(SJJ055) (24 JUN 76)

REFERENCE DATA

SREF = 2690.0000 SQ.FT. XMRP = 976.0000 IN. XT
 LREF = 1290.3000 INCHES YMRP = .0000 IN. YT
 BREF = 1290.3000 INCHES ZMRP = 400.0000 IN. ZT
 SCALE = .0100

PARAMETRIC DATA

BETA = 4.000 ELV-LI = 8.000
 ELV-LO = -5.000 ELV-RI = 8.000
 ELV-RO = -5.000

RUN NO. 196/ 0 RN/L = 4.21 GRADIENT INTERVAL = -5.00/ 5.00

MACH	ALPHA	CYN	CBL	CY	CLMU	CHEI	CHEO	Q(PSF)	BETA	CNU
1.150	-7.124	.07361	-.02082	-.16630	.19745	.05054	.07467	863.38572	4.35178	-.50695
1.150	-4.831	.07377	-.02574	-.16789	.12808	.04589	.07681	863.21174	4.37060	-.33529
1.150	-2.536	.07335	-.02931	-.16806	.06295	.04201	.08105	863.17263	4.38324	-.17362
1.150	-.269	.07471	-.03145	-.17072	.00573	.03680	.07619	863.26973	4.39129	-.02572
1.150	1.988	.07479	-.03160	-.17183	-.05466	.02937	.05884	863.17263	4.39036	.12006
	GRADIENT	00019	-.00087	-.00064	-.02664	-.00241	-.00258	-.00088	.00297	.06663

RUN NO. 191/ 0 RN/L = 4.22 GRADIENT INTERVAL = -5.00/ 5.00

MACH	ALPHA	CYN	CBL	CY	CLMU	CHEI	CHEO	Q(PSF)	BETA	CNU
1.205	-9.504	.07938	-.01831	-.17519	.27285	.06076	.07567	882.80062	4.35458	-.70008
1.205	-7.162	.07977	-.02294	-.17456	.19216	.05695	.07255	882.89772	4.37810	-.50307
1.205	-4.842	.07751	-.02653	-.17182	.11995	.05274	.07665	882.91712	4.39371	-.32505
1.206	-2.540	.07701	-.02939	-.17198	.05639	.04921	.07595	883.03572	4.40463	-.16451
1.206	-.267	.07869	-.03137	-.17665	-.00020	.04357	.06446	883.10470	4.41740	-.01693
1.206	1.978	.07999	-.03206	-.17905	-.05563	.03658	.04668	883.01632	4.41913	.12208
1.205	4.237	.07563	-.03171	-.17431	-.11221	.02926	.02868	882.84812	4.40629	.26351
	GRADIENT	-.00003	-.00058	-.00053	-.02542	-.00263	-.00551	-.00683	.00176	.06456

LARC 8FT TPT 749 (1A93) OTSAT130

(SJJ056) (24 JUN 76)

REFERENCE DATA

SREF = 2690.0000 SQ.FT. XMRP = 976.0000 IN. XT
 LREF = 1290.3000 INCHES YMRP = .0000 IN. YT
 BREF = 1290.3000 INCHES ZMRP = 400.0000 IN. ZT
 SCALE = .0100

PARAMETRIC DATA

BETA = 6.000 ELV-LI = 8.000
 ELV-LO = -5.000 ELV-RI = 8.000
 ELV-RO = -5.000

RUN NO. 197/ 0 RN/L = 4.21 GRADIENT INTERVAL = -5.00/ 5.00

MACH	ALPHA	CYN	CBL	CY	CLMU	CHEI	CHEO	Q(PSF)	BETA	CNU
1.150	-7.170	.11550	-.03426	-.26145	.19280	.04679	.07495	863.28863	6.55582	-.51170
1.150	-4.871	.11119	-.03956	-.25861	.12426	.04000	.07553	863.15374	6.58477	-.34096
1.150	-2.557	.10726	-.04417	-.25485	.06149	.03743	.07907	863.11463	6.59698	-.17721
1.150	-.278	.10797	-.04670	-.25629	.00102	.03104	.08066	863.15374	6.60762	-.02529
1.150	1.992	.10720	-.04756	-.25813	-.06213	.02340	.06904	863.19284	6.60617	.12451
	GRADIENT	-.00049	-.00116	-.00000	-.02710	-.00245	-.00078	.00680	.00328	.06771

LARC 8FT TPT 749 (1A93) OTSAT130

(SJJ056) (24 JUN 76)

REFERENCE DATA

SREF = 2690.0000 SQ.FT. XMRP = 976.0000 IN. XT
 LREF = 1290.3000 INCHES YMRP = .0000 IN. YT
 BREF = 1290.3000 INCHES ZMRP = 400.0000 IN. ZT
 SCALE = .0100

PARAMETRIC DATA

BETA = 6.000 ELV-LI = 8.000
 ELV-LO = -5.000 ELV-RI = 8.000
 ELV-RO = -5.000

RUN NO. 192/ 0 RN/L = 4.21 GRADIENT INTERVAL = -5.00/ 5.00

MACH	ALPHA	C/N	CBL	CY	CLMU	CHEI	CHEO	Q(PSF)	BETA	CNU
1.205	-9 573	.12640	-.03058	-.28001	.27801	.05830	.07517	883.05731	6.54865	-.71698
1.206	-7.210	.12031	-.03645	-.26968	.18900	.05403	.07138	882.95592	6.57514	-.50901
1.205	-4 871	.11627	-.04121	-.26493	.11669	.04759	.07415	882.86753	6.60015	-.33099
1.205	-2 578	.11343	-.04471	-.26216	.05715	.04236	.07813	882.82871	6.61649	-.17251
1.205	- 306	.11329	-.04647	-.26321	-.00092	.03673	.07338	882.82005	6.62615	-.02365
1.205	1 981	.11316	-.04750	-.26481	-.06090	.02981	.05758	882.72285	6.62682	.12469
1.205	4 255	.10918	-.04799	-.26081	-.11736	.02404	.03888	882.67651	6.61131	.26832
	GRADIENT	-.00063	-.00072	.00025	-.02570	-.00261	-.00399	.02139	.00143	.06558

LARC 8FT TPT 749 (1A93) OTSAT130

(SJJ057) (24 JUN 76)

REFERENCE DATA

SREF = 2690.0000 SQ.FT. XMRP = 976 0000 IN XT
 LREF = 1290.3000 INCHES YMRP = 0000 IN. YT
 BREF = 1290.3000 INCHES ZMRP = 400 0000 IN. ZT
 SCALE = .0100

PARAMETRIC DATA

BETA = -6.000 ELV-LI = 8.000
 ELV-LO = 9.000 ELV-RI = 8.000
 ELV-RO = 9.000

RUN NO. 217/ 0 RN/L = 3.24 GRADIENT INTERVAL = -5.00/ 5.00

MACH	ALPHA	CYN	CBL	CY	CLMU	CHEI	CHEO	Q(PSF)	BETA	CNU
599	-8 551	-.10481	.03127	.25036	.14005	.02710	.00461	417.98871	-6.31592	-.46857
599	-6.419	-.10074	.03205	.24550	.08682	.02525	.00277	417.81928	-6.34702	-.33642
599	-4 308	-.09721	.03293	.24086	.04358	.02379	.00092	418.24122	-6.36815	-.22140
600	-2 195	-.09481	.03351	.23220	.00177	.02206	-.00110	418.40736	-6.37119	-.10607
599	- 098	-.09885	.03604	.23256	-.04304	.02095	-.00378	417.65471	-6.37146	.01349
599	2 014	-.09991	.03820	.23237	-.08725	.02066	-.00738	417.73943	-6.36619	.12843
599	4 152	-.10016	.04101	.23504	-.13516	.01980	-.01107	417.73943	-6.35554	.25125
	GRADIENT	-.00052	.00098	-.00054	-.02113	-.00044	-.00143	-.07896	.00143	.05584

LARC 8FT TRT '749 (1A93) OTSAT130

(SJJ057) (24 JUN 76)

REFERENCE DATA

SREF = 2690.0000 SQ.FT. XMRP = 976.0000 IN. XT
 LREF = 1290.3000 INCHES YMRP = .0000 IN. YT
 BREF = 1290.3000 INCHES ZMRP = 400.0000 IN. ZT
 SCALE = .0100

PARAMETRIC DATA

BETA = -6.000 ELV-LI = 8.000
 ELV-LO = 9.000 ELV-RI = 8.000
 ELV-RO = 9.000

RUN NO. 200/ 0 RN/L = 3.97 GRADIENT INTERVAL = -5.00/ 5.00

MACH	ALPHA	C/N	CBL	CY	CLMU	CHEI	CHEO	Q(PSF)	BETA	CNU
.900	-9.045	-.12520	03245	.29681	.16900	.02716	.00358	710.68702	-6.52743	-.55005
.900	-6.818	-.12158	.03450	.29280	.11013	.02775	.00970	710.61844	-6.56284	-.39642
.900	-4.595	-.11546	03566	.27921	.05966	.02799	.00845	710.93393	-6.57703	-.26101
.899	-2.380	-.11218	.03759	.27006	.00082	.02683	.00418	710.30283	-6.57663	-.11881
.900	-.169	-.11070	04015	.26367	-.05519	.02724	.0038	710.66877	-6.57157	.01971
.900	2.044	-.10781	04193	.25911	-.11156	.02411	-.00900	710.90653	-6.56431	.15914
.900	4.261	-.11007	04422	.26412	-.15816	.01670	-.02717	710.52250	-6.56185	.29319
	GRADIENT	.00668	00097	-.00186	-.02476	-.00114	-.00381	-.00992	.00193	.06263

RUN NO. 212/ 0 RN/L = 4.08 GRADIENT INTERVAL = -5.00/ 5.00

MACH	ALPHA	CYN	CBL	CY	CLMU	CHEI	CHEO	Q(PSF)	BETA	CNU
.975	-9.274	-.14203	03772	.32965	.20357	.01829	-.00387	766.68228	-6.57889	-.61974
.976	-6.970	-.12730	03933	.31098	.13009	.01070	-.00216	767.45468	-6.60387	-.43682
.975	-4.705	-.11602	.04015	.29292	.07531	.00461	.00020	767.09933	-6.61151	-.28254
.975	-2.433	-.10463	04074	.27279	.02069	.00344	.00040	767.11429	-6.60346	-.13378
.975	-.205	-.10309	.04197	.26324	-.03763	.00688	-.00126	767.14564	-6.58942	.01177
.975	2.026	-.10015	04307	.25969	-.09089	.01211	-.00904	766.86769	-6.58508	.14976
.975	4.245	-.09712	.04426	.25672	-.14425	.01454	-.02709	766.57615	-6.56732	.29173
	GRADIENT	.00189	00047	-.00383	-.02463	.00127	-.00286	-.05770	.00477	.06405

RUN NO. 206/ 0 RN/L = 4.19 GRADIENT INTERVAL = -5.00/ 5.00

MACH	ALPHA	CYN	CBL	CY	CLMU	CHEI	CHEO	Q(PSF)	BETA	CNU
1.150	-7.135	-.12630	04264	.31100	.14915	.07218	-.00299	863.59749	-6.65368	-.46256
1.150	-4.831	-.11570	.04463	.29310	.08369	.06560	-.01419	863.32773	-6.66029	-.29276
1.150	-2.531	-.10846	.04643	.27781	.02783	.05817	-.02673	863.38441	-6.65427	-.13555
1.150	-.247	-.11115	.04786	.27490	-.03084	.04713	-.03641	863.52060	-6.64497	.01318
1.150	2.012	-.11254	.04852	.27449	-.08700	.03519	-.04390	863.55840	-6.63882	.15780
	GRADIENT	.00030	00057	-.00258	-.02502	-.00448	-.00433	.03631	.00323	.06577

DATE 29 OCT 76

TABULATED SOURCE DATA - 1A93.

PAGE 169

LARC 8FT TPT 749 (1A93) OTSAT130

(SJJ057) (24 JUN 76)

REFERENCE DATA

SREF = 2690.0000 SQ.FT. XMRP = 976.0000 IN. XT
 LREF = 1290.3000 INCHES YMRP = .0000 IN. YT
 BREF = 1290.3000 INCHES ZMRP = 400.0000 IN. ZT
 SCALE = .0100

PARAMETRIC DATA

BETA = -6.000 ELV-LI = 8.000
 ELV-LO = 9.000 ELV-RI = 8.000
 ELV-RO = 9.000

RUN NO 222/ 0 RN/L = 4.22 GRADIENT INTERVAL = -5.00/ 5.00

MACH	ALPHA	C/N	CBL	CY	CLMU	CHEI	CHEO	Q(PSF)	BETA	CNU
1.205	-9.544	-.14239	.04009	.33627	.23957	.07787	-.00323	882.79368	-6.65865	-.67495
1.205	-7.170	-.12833	.04340	.31245	.14971	.07020	-.01082	882.78533	-6.67090	-.46586
1.205	-4.827	-.11733	.04536	.29506	.08114	.06312	-.02400	883.00111	-6.67502	-.28847
1.205	-2.533	-.11096	.04632	.28168	.02570	.05728	-.03508	883.10034	-6.67154	-.13248
1.205	-.249	-.11313	.04689	.27665	-.03177	.04949	-.04377	882.87170	-6.66148	.01687
1.205	2.014	-.11444	.04781	.27616	-.08498	.03972	-.05168	882.73356	-6.65508	.15871
1.205	4.293	-.11033	.04895	.27546	-.13827	.02566	-.05690	882.94275	-6.64848	.29777
	GRADIENT	.00046	.00037	-.00197	-.02412	-.00406	-.00362	-.02121	.00305	.06424

LARC 8FT TPT 749 (1A93) OTSAT130

(SJJ058) (24 JUN 76)

REFERENCE DATA

SREF = 2690.0000 SQ.FT. XMRP = 976.0000 IN. XT
 LREF = 1290.3000 INCHES YMRP = .0000 IN. YT
 BREF = 1290.3000 INCHES ZMRP = 400.0000 IN. ZT
 SCALE = .0100

PARAMETRIC DATA

BETA = -4.000 ELV-LI = 8.000
 ELV-LO = 9.000 ELV-RI = 8.000
 ELV-RO = 9.000

RUN NO. 216/ 0 RN/L = 3.21 GRADIENT INTERVAL = -5.00/ 5.00

MACH	ALPHA	CYN	CBL	CY	CLMU	CHEI	CHEO	Q(PSF)	BETA	CNU
.599	-8.504	-.07263	.02067	.17394	.14023	.02500	.00499	417.13980	-4.22420	-.46198
.599	-6.391	-.06963	.02089	.17060	.09027	.02285	.00333	417.05667	-4.24468	-.33403
.598	-4.287	-.06670	.02126	.16359	.04819	.02129	.00203	416.63452	-4.25768	-.22011
.599	-2.186	-.06436	.02166	.15688	.00670	.01980	.00018	417.81928	-4.26618	-.10909
.599	-.102	-.06583	.02328	.15426	-.03466	.01854	-.00230	417.99197	-4.26751	.00387
.599	2.025	-.06778	.02478	.15546	-.08034	.01836	-.00590	417.90563	-4.26625	.12190
.599	4.137	-.06498	.02616	.15374	-.12903	.01736	-.00996	417.82253	-4.25873	.24572
	GRADIENT	.00000	.00061	-.00100	-.02097	-.00044	-.00143	11666	-.00010	.05521

ORIGINAL PAGE IS
OF POOR QUALITY

LARC 8FT TPT 749 (IA93) OTSAT130

(SJJ059) (24 JUN 76)

REFERENCE DATA

SREF = 2690.0000 SQ.FT. XMRP = 976.0000 IN. XT
 LREF = 1290.3000 INCHES YMRP = .0000 IN. YT
 BREF = 1290.3000 INCHES ZMRP = 400.0000 IN. ZT
 SCALE = .0100

PARAMETRIC DATA

BETA = -4.000 ELV-L1 = 8.000
 ELV-LO = 9.000 ELV-R1 = 8.000
 ELV-RO = 9.000

RUN NO. 199/ 0 RN/L = 3.97 GRADIENT INTERVAL = -5.00/ 5.00

MACH	ALPHA	CYN	CBL	CY	CLMU	CHEI	CHEO	Q(PSF)	BETA	CNU
.900	-9.003	-.08848	.01994	.20671	.17938	.02522	.00222	710.63667	-4.36321	-.55291
.900	-6.774	-.08260	.02149	.19887	.12030	.02598	.00976	710.57720	-4.38412	-.39973
.900	-4.567	-.07629	.02222	.18644	.06568	.02565	.00949	710.42180	-4.38412	-.26038
.900	-2.365	-.07499	.02398	.18254	.00516	.02480	.00558	710.61844	-4.39056	-.11943
.899	-.162	-.07301	.02583	.17579	-.05424	.02396	.00130	710.36232	-4.38660	.02127
.900	2.032	-.07024	.02710	.17127	-.11698	.02025	-.00710	710.41268	-4.37943	.16468
.900	4.242	-.07168	.02822	.17623	-.16315	.01315	-.02513	711.21730	-4.38043	.29926
	GRADIENT	.00063	.00069	-.00144	-.02634	-.00134	-.00372	.06297	.00084	.06375

RUN NO. 211/ 0 RN/L = 4.10 GRADIENT INTERVAL = -5.00/ 5.00

MACH	ALPHA	CYN	CBL	CY	CLMU	CHEI	CHEO	Q(PSF)	BETA	CNU
.975	-9.207	-.09652	.02478	.22499	.20927	.01665	-.00437	766.54473	-4.39223	-.61312
.976	-6.906	-.08468	.02594	.21035	.13774	.00594	-.00271	767.20966	-4.40681	-.43426
.975	-4.662	-.07546	.02586	.19399	.08041	-.00141	-.00121	766.99316	-4.40525	-.27932
.975	-2.430	-.06952	.02653	.18041	.03056	-.00265	-.00141	766.90053	-4.39968	-.13945
.975	-.208	-.06863	.02701	.17236	-.02617	.00375	-.00206	766.79292	-4.38065	.00085
.975	2.014	-.06735	.02726	.17072	-.08373	.00594	-.00578	766.97677	-4.37892	.14173
.975	4.237	-.06188	.02756	.16719	-.14103	.00766	-.02165	766.86769	-4.37260	.28792
	GRADIENT	.00127	.00019	-.00285	-.02505	.00120	-.00203	-.00787	.00387	.06365

RUN NO. 205/ 0 RN/L = 4.19 GRADIENT INTERVAL = -5.00/ 5.00

MACH	ALPHA	CYN	CBL	CY	CLMU	CHEI	CHEO	Q(PSF)	BETA	CNU
1.150	-7.091	-.08145	.02665	.20415	.15782	.07150	.00031	863.36552	-4.43639	-.46239
1.150	-4.784	-.07605	.02928	.19592	.09008	.06254	-.00705	863.40462	-4.44596	-.29001
1.150	-2.511	-.07159	.03021	.18294	.03270	.05526	-.01865	863.40462	-4.43371	-.13521
1.150	-.243	-.07598	.03085	.18070	-.02525	.04526	-.02981	863.36552	-4.42208	.00995
1.150	2.015	-.07729	.03147	.18142	-.08236	.03415	-.03900	863.38441	-4.41824	.15380
	GRADIENT	-.00036	.00032	-.00202	-.02538	-.00420	-.00472	-.00441	.00418	.06515

DATE 29 OCT 76

TABULATED SOURCE DATA - 1A93.

PAGE 171

LARC 8FT TPT 749 (1A93) OTSAT130

(SJJ058) (24 JUN 76)

REFERENCE DATA

SREF = 2690.0000 SQ.FT. XMRP = 976.0000 IN. XT
 LREF = 1290.3000 INCHES YMRP = .0000 IN. YT
 BREF = 1290.3000 INCHES ZMRP = 400.0000 IN. ZT
 SCALE = .0100

PARAMETRIC DATA

BETA = -4.000 ELV-LI = 8.000
 ELV-LO = 9.000 ELV-RI = 8.000
 ELV-RO = 9.000

RUN NO. 221/ 0 RN/L = 4.22 GRADIENT INTERVAL = -5.00/ 5.00

MACH	ALPHA	CYN	CBL	CY	CLMU	CHEI	CHEO	Q(PSF)	BETA	CNU
1.205	-9.475	-.09200	.02575	.22264	.23844	.07502	.00048	882.76439	-4.44238	-.66088
1.205	-7.134	-.08354	.02827	.20825	.15537	.07019	-.00567	882.93204	-4.45375	-.46248
1.205	-4.791	-.07633	.02934	.19642	.08639	.06162	-.01715	883.08960	-4.45626	-.28587
1.205	-2.511	-.07174	.02973	.18368	.02767	.05614	-.02797	882.91059	-4.44439	-.12947
1.205	-.242	-.07683	.03064	.18315	-.02917	.05008	-.03752	883.13921	-4.43748	.01689
1.205	2.021	-.07838	.03149	.18354	-.08371	.03991	-.04655	883.00111	-4.43110	.15898
1.205	4.279	-.07500	.03237	.18425	-.13607	.02803	-.05292	883.01183	-4.43128	.29632
	GRADIENT	-.00018	.00034	-.00108	-.02454	-.00368	-.00398	-.00287	.00279	.06408

LARC 8FT TPT 749 (1A93) OTSAT130

(SJJ059) (24 JUN 76)

REFERENCE DATA

SREF = 2690.0000 SQ.FT. XMRP = 976.0000 IN. XT
 LREF = 1290.3000 INCHES YMRP = .0000 IN. YT
 BREF = 1290.3000 INCHES ZMRP = 400.0000 IN. ZT
 SCALE = .0100

PARAMETRIC DATA

BETA = .000 ELV-LI = 8.000
 ELV-LO = 9.000 ELV-RI = 8.000
 ELV-RO = 9.000

RUN NO. 215/ 0 RN/L = 3.16 GRADIENT INTERVAL = -5.00/ 5.00

MACH	ALPHA	CYN	CBL	CY	CLMU	CHEI	CHEO	Q(PSF)	BETA	CNU
.599	-8.479	-.00369	.00101	.01625	.14956	.02053	.00434	417.56673	-.01511	-.46781
.599	-6.391	-.00113	.00034	.01318	.10004	.01852	.00286	417.39888	-.01314	-.34022
.599	-4.281	.00193	-.00068	.00706	.05437	.01651	.00222	417.39726	-.00787	-.22241
.599	-2.176	.00387	-.00138	.00046	.01254	.01451	.00065	417.31577	-.00072	-.11107
.599	-.098	.00451	-.00166	-.00492	-.02939	.01322	-.00129	417.14466	.00428	.00163
.599	2.013	.00182	-.00105	-.00040	-.07598	.01365	-.00434	417.22940	.00056	.12032
.598	4.112	-.00052	-.00072	.00349	-.12325	.01293	-.00887	417.06153	-.00069	.23789
	GRADIENT	-.00033	.00001	-.00038	-.02116	-.00038	-.00130	-.03612	.00075	.05492

LARC 8FT TPT 749 (1A93) OTSAT130

(SJJ059) (24 JUN 76)

REFERENCE DATA

SREF = 2690.0000 SQ.FT. XMRP = 976.0000 IN. XT
 LREF = 1290.3000 INCHES YMRP = .0000 IN. YT
 BREF = 1290.3000 INCHES ZMRP = 400.0000 IN. ZT
 SCALE = .0100

PARAMETRIC DATA

BETA = .000 ELV-LI = 8.000
 ELV-LO = 9.000 ELV-RI = 8.000
 ELV-RO = 9.000

RUN NO. 198/ 0 RN/L = 3.97 GRADIENT INTERVAL = -5.00/ 5.00

MACH	ALPHA	CYN	CBL	CY	CLMU	CHEI	CHEO	Q(PSF)	BETA	CNU
.900	-8.988	-.00648	.00130	.02103	.19073	.00793	-.00342	710.60932	-.02415	-.55827
.900	-6.763	-.00155	-.00028	.01184	.13168	.01450	.00639	711.12134	-.02428	-.40886
.900	-4.541	.00008	-.00052	.01031	.06787	.01349	.00684	710.64140	-.02415	-.25331
.901	-2.384	.00209	-.00066	.00424	.0160	.01095	.00688	711.35895	-.01609	-.13011
.900	-.172	.00308	-.00120	-.00103	-.0581	.01105	.00065	710.79679	-.00463	.01722
.900	2.024	.00237	-.00093	-.00011	-.11762	.01095	-.00710	711.29956	-.00526	.16257
.900	4.242	.00093	-.00089	.00223	-.16476	.00818	-.01838	710.72822	-.00237	.30028
	GRADIENT	.00009	-.00005	-.00093	-.02710	-.00048	-.00312	.00480	.00247	.06371

RUN NO. 210/ 0 RN/L = 4.08 GRADIENT INTERVAL = -5.00/ 5.00

MACH	ALPHA	CYN	CBL	CY	CLMU	CHEI	CHEO	Q(PSF)	BETA	CNU
.975	-9.164	-.00558	.00132	.02127	.21998	.00641	-.00447	766.66734	-.03822	-.61431
.975	-6.876	-.00090	.00039	.01472	.15126	-.00141	-.00442	767.19333	-.02879	-.44094
.975	-4.632	.00316	-.00045	.00808	.09390	-.00773	-.00322	766.93188	-.02289	-.28767
.975	-2.415	.00652	-.00123	-.00092	.03894	-.01163	-.00231	766.82283	-.00801	-.14347
.975	-.201	.00647	-.00188	-.00515	-.01519	-.00570	-.00377	766.59262	.00286	-.01061
.975	2.007	.00514	-.00219	-.00445	-.07233	.00320	-.00573	766.79145	.00499	.13130
.975	4.226	.00035	-.00040	.00325	-.13201	-.00109	-.01246	766.72864	-.00408	.27545
	GRADIENT	-.00032	-.00004	-.00060	-.02544	.00127	-.00099	-.01979	.00229	.06329

RUN NO. 204/ 0 RN/L = 4.21 GRADIENT INTERVAL = -5.00/ 5.00

MACH	ALPHA	CYN	CBL	CY	CLMU	CHEI	CHEO	Q(PSF)	BETA	CNU
1.150	-7.060	-.00153	.00095	.01423	.17542	.06311	-.00491	863.23193	-.02806	-.47266
1.150	-4.763	.00094	.00041	.00995	.10694	.05477	-.00027	863.32773	-.02992	-.30099
1.150	-2.487	.00346	-.00044	.00298	.04111	.04893	-.00424	863.52060	-.01978	-.13984
1.150	-.246	.00180	-.00082	.00029	-.01738	.04387	-.01571	863.48151	-.00383	.00144
1.150	1.991	-.00037	-.00050	.00118	-.07234	.03423	-.02843	863.32641	-.00013	.14160
	GRADIENT	-.00025	-.00014	-.00129	-.02650	-.00296	-.00433	-.00177	.00468	.06529

LARC BFT TPT 749 (1A93) OTSAT130

(SJJ061) (24 JUN 76)

REFERENCE DATA

SREF * 2690.0000 SQ.FT. XMRP = 976 0000 IN. XT
 LREF * 1290.3000 INCHES YMRP = .0000 IN. YT
 BREF * 1290.3000 INCHES ZMRP = 400.0000 IN. ZT
 SCALE * .0100

PARAMETRIC DATA

BETA = 4.000 ELV-LI = 8.000
 ELV-LO = 9.000 ELV-R1 = 8.000
 ELV-RO = 9.000

RUN NO. 218/ 0 RN/L = 3 20 GRADIENT INTERVAL = -5.00/ 5.00

MACH	ALPHA	C/N	CBL	CY	CLMU	CHEI	CHEO	Q(PSF)	BETA	CNU
.599	-8 511	.06366	-.01554	-.13307	.14566	.01520	.00166	417.90400	4.18495	-.47228
.600	-6.409	.06298	-.01767	-.13321	.09702	.01246	.00028	418.41062	4.20813	-.34600
.599	-4.296	.06594	-.02037	-.13954	.05310	.01105	-.00018	417.73781	4.22817	-.23147
.599	-2.202	.06749	-.02235	-.14531	.01011	.01032	-.00101	418.15977	4.24256	-.11709
.599	-.101	.06974	-.02461	-.15128	-.03711	.01004	-.00249	417.73618	4.24954	.00599
.600	2.024	.07019	-.02627	-.15204	-.08186	.00930	-.00561	419.01329	4.24873	.12180
.600	4.141	.06587	-.02718	-.14597	-.13293	.00816	-.00993	418.84391	4.23848	.25086
	GRADIENT	.00012	-.00083	-.00093	-.02199	-.00032	-.00114	.14546	.00126	.05704

RUN NO. 202/ 0 RN/L = 3 97 GRADIENT INTERVAL = -5.00/ 5.00

MACH	ALPHA	CYN	CBL	CY	CLMU	CHEI	CHEO	Q(PSF)	BETA	CNU
.901	-9.013	.07304	-.01626	-.15616	.17963	-.01136	-.01094	711.42749	4.27669	-.55325
.899	-6.799	.07398	-.01958	-.16069	.12208	-.00337	-.00233	710.09703	4.30607	-.40442
.900	-4.559	.07085	-.02193	-.15537	.06432	-.00009	.00184	710.72822	4.31957	-.25638
.900	-2.367	.07005	-.02399	-.15855	.00563	-.00110	.00108	710.35321	4.33566	-.12134
.900	-.172	.07051	-.02608	-.16275	-.05367	-.00278	-.00222	711.00249	4.34866	.01583
.900	2.049	.06851	-.02731	-.16015	-.11909	-.00463	-.00656	710.93393	4.34409	.16441
.900	4.246	.06996	-.02728	-.16036	-.16501	-.00497	-.01338	711.13961	4.33278	.29796
	GRADIENT	-.00015	-.00064	-.00052	-.02649	-.00060	-.00173	.06373	.00158	.06331

RUN NO. 213/ 0 RN/L = 4 08 GRADIENT INTERVAL = -5.00/ 5.00

MACH	ALPHA	CYN	CBL	CY	CLMU	CHEI	CHEO	Q(PSF)	BETA	CNU
.975	-9.220	.08314	-.01993	-.17735	.21235	-.00265	-.00507	766.85421	4.31217	-.61773
.975	-6.923	.07949	-.02236	-.17293	.14327	-.00952	-.00548	766.90195	4.33498	-.44280
.975	-4.684	.07843	-.02512	-.17082	.08573	-.01194	-.00477	767.14564	4.34951	-.28944
.975	-2.445	.07696	-.02746	-.17109	.02962	-.01389	-.00311	766.93188	4.36568	-.14213
.975	-.219	.07593	-.02919	-.17165	-.02554	-.01163	-.00447	767.05301	4.37200	-.00039
.975	2.011	.07066	-.02883	-.16628	-.08331	-.01241	-.00869	766.93045	4.36868	.13934
.975	4.239	.06293	-.02809	-.15782	-.14120	-.01538	-.01663	766.74510	4.35559	.28343
	GRADIENT	-.00167	-.00033	.00138	-.02541	-.00024	-.00131	-.03599	.00068	.06400

LARC 8FT TPT 749 (1A93) OTSAT130

(SJJ061) (24 JUN 76)

REFERENCE DATA

SREF = 2690 0000 SQ.FT. XMRP = 976.0000 IN. XT
 LREF = 1290.3000 INCHES YMRP = .0000 IN. YT
 BREF = 1290 3000 INCHES ZMRP = 400 0000 IN. ZT
 SCALE = .0100

PARAMETRIC DATA

BETA = 4.000 ELV-LI = 8.000
 ELV-LO = 9.000 ELV-RI = 8.000
 ELV-RO = 9.000

RUN NO. 208/ 0 RN/L = 4.17 GRADIENT INTERVAL = -5.00/ 5.00

MACH	ALPHA	CYN	CBL	CY	CLMU	CHEI	CHEO	Q(PSF)	BETA	CNU
1.150	-7 105	.07504	-.02151	-.16697	.16611	.04526	-.00491	863.34529	4.36274	-.47051
1.150	-4 801	.07486	-.02581	-.16737	.09609	.04011	-.00241	863.59873	4.38150	-.29755
1.150	-2 504	.07556	-.02918	-.16845	.03225	.03519	.00259	863.42352	4.39484	-.13680
1.150	-.240	.07765	-.03125	-.17420	-.02507	.02832	-.00165	863.42352	4.40813	.01023
1.150	2 006	.07635	-.03119	-.17279	-.08294	.02013	-.01339	863.44241	4.40272	.15331
	GRADIENT	.00029	-.00080	-.00097	-.02619	-.00294	-.00163	-.02077	00340	.06611

RUN NO. 223/ 0 RN/L = 4.22 GRADIENT INTERVAL = -5.00/ 5.00

MACH	ALPHA	CYN	CBL	CY	CLMU	CHEI	CHEO	Q(PSF)	BETA	CNU
1.205	-9.475	.07998	-.01909	-.17462	24171	.05621	-.00305	882.88578	4.35414	-.66398
1.205	-7 124	.07984	-.02291	-.17308	16254	.05220	-.00449	883.01183	4.37548	-.46832
1.205	-4 821	.07945	-.02643	-.17307	.09257	.04744	-.00035	883.00981	4.39474	-.29481
1.205	-2 506	.07925	-.02905	-.17358	.02924	.04304	-.00035	882.86097	4.40681	-.13361
1.205	-.245	.07956	-.03057	-.17564	-.02607	.03774	-.00921	883.05072	4.41476	.01240
1.205	2 016	.08026	-.03143	-.17793	-.08099	.03000	-.02160	882.93204	4.41955	.15317
1.205	4.274	.07628	-.03177	-.17455	-.13614	.02104	-.03308	882.88578	4.40932	.29308
	GRADIENT	-.00023	-.00058	-.00032	-.02500	-.00290	-.00381	-.00782	.00185	.06440

LARC 8FT TPT /49 (1A93) OTSAT130

(SJJ062) (24 JUN 76)

REFERENCE DATA

SREF = 2690.0000 SQ FT. XMRP = 976.0000 IN. XT
 LREF = 1290.3000 INCHES YMRP = .0000 IN. YT
 BREF = 1290.3000 INCHES ZMRP = 400 0000 IN. ZT
 SCALE = .0100

PARAMETRIC DATA

BETA = 6.000 ELV-LI = 8.000
 ELV-LO = 9.000 ELV-RI = 8.000
 ELV-RO = 9 000

RUN NO. 219/ 0 RN/L = 3.17 GRADIENT INTERVAL = -5 00/ 5.00

MACH	ALPHA	CYN	CBL	CY	CLMU	CHEI	CHEO	Q(PSF)	BETA	CNU
.600	-8.546	.09455	-.02522	-.20427	.14190	.01188	.00193	418.67453	6.28120	-.46575
.599	-6.428	.09529	-.02770	-.20697	.09140	.00974	.00046	418.42369	6.31300	-.33931
.599	-4.337	.09681	-.03069	-.21163	.04807	.00831	.00029	418.17118	6.33967	-.22471
.599	-2.203	.09894	-.03361	-.21762	.00213	.00687	-.00018	418.50676	6.35836	-.10522
.599	-.087	.10237	-.03639	-.22326	-.04357	.00588	-.00147	417.97404	6.36610	.01419
.600	2.049	.10285	-.03886	-.22473	-.08966	.00487	-.00497	418.72647	6.36368	.13445
.598	4.153	.10085	-.04151	-.22203	-.13689	.00402	-.00933	416.98650	6.34823	.25309
	GRADIENT	.00057	-.00127	-.00132	-.02175	-.00050	-.00113	-.10084	.00106	.05630

RUN NO 203/ 0 RN/L = 3 97 GRADIENT INTERVAL = -5.00/ 5.00

MACH	ALPHA	CYN	CBL	CY	CLMU	CHEI	CHEO	Q(PSF)	BETA	CNU
.900	-9 057	.11133	-.02740	-.24263	.17650	-.01726	-.01268	710.83797	6.42931	-.55729
.900	-6 806	.11127	-.03042	-.24414	.11736	-.00750	-.00461	710.41268	6.46745	-.40196
.900	-4.596	.11050	-.03424	-.24450	.06610	-.00421	-.00163	710.60932	6.49241	-.26718
.900	-2.391	.10938	-.03694	-.24483	.01140	-.00531	-.00163	710.55897	6.51034	-.13270
.900	-.176	.10795	-.03939	-.24480	-.05208	-.00691	-.00336	710.43091	6.52057	.01322
.900	2.038	.10461	-.04167	-.24155	-.11403	-.00800	-.00726	710.82884	6.51603	.15771
.900	4.253	.10646	-.04250	-.24436	-.15961	-.00724	-.01149	710.89274	6.50486	.29012
	GRADIENT	-.00058	-.00096	.00016	-.02607	-.00040	-.00115	.03783	.00138	.06350

RUN NO. 214/ 0 RN/L = 4.08 GRADIENT INTERVAL = -5 00/ 5 00

MACH	ALPHA	CYN	CBL	CY	CLMU	CHEI	CHEO	Q(PSF)	BETA	CNU
.975	-9 259	.12976	-.03254	-.27839	.21034	-.00492	-.00543	766.89907	6.49006	-.62358
.975	-6 974	.12366	-.03510	-.27032	.14075	-.01428	-.00608	767.13206	6.52177	-.44773
.975	-4 699	.11789	-.03813	-.26305	.08027	-.01896	-.00537	767.06940	6.54298	-.28895
.975	-2.465	.11312	-.04137	-.25841	.02571	-.02021	-.00387	767.08436	6.55887	-.14401
.975	-.227	.10945	-.04288	-.25489	-.03259	-.01772	-.00558	766.96181	6.56414	.00158
.975	1 995	.10177	-.04313	-.24842	-.09022	-.01678	-.01115	767.03805	6.56095	.14299
.975	4 263	.09361	-.04415	-.24007	-.14730	-.01733	-.01713	766.96036	6.54015	.29186
	GRADIENT	-.00250	-.00062	.00250	-.02551	.00030	-.00138	-.01183	-.00017	.06472

LARC 8FT TPT 749 (1A93) OTSAT130

(5JJ062) (24 JUN 76)

REFERENCE DATA

SREF = 2690.0000 SQ.FT. XMRP = 976.0000 IN. XT
 LREF = 1290.3000 INCHES YMRP = .0000 IN. YT
 BREF = 1290.3000 INCHES ZMRP = 400.0000 IN. ZT
 SCALE = .0100

PARAMETRIC DATA

BETA = 6.000 ELV-LI = 8.000
 ELV-LO = 9.000 ELV-RI = 8.000
 ELV-RO = 9.000

RUN NO 209/ 0 RN/L = 4.17 GRADIENT INTERVAL = -5.00/ 5.00

MACH	ALPHA	CYN	CBL	CY	CLMU	CHEI	CHEO	Q(PSF)	BETA	CNU
1.150	-7.166	.11737	-.03498	-.26288	.16184	.04158	-.00482	863.36552	6.56355	-.47739
1.150	-4.838	.11279	-.03971	-.25901	.09234	.03491	-.00361	863.48277	6.59188	-.30258
1.150	-2.543	.11022	-.04417	-.25734	.03252	.03111	.00107	863.19152	6.61125	-.14459
1.150	-.258	.11027	-.04598	-.25789	-.02856	.02402	.00080	863.21040	6.61789	.00967
1.150	2.020	.10870	-.04664	-.25849	-.08990	.01583	-.00803	863.26840	6.61908	.15742
	GRADIENT	-.00053	-.00099	.00004	-.02659	-.00281	-.00059	- 02737	.00386	.06712

RUN NO. 224/ 0 RN/L = 4.21 GRADIENT INTERVAL = -5.00/ 5.00

MACH	ALPHA	CYN	CBL	CY	CLMU	CHEI	CHEO	Q(PSF)	BETA	CNU
1.205	-9.532	.12792	- 03167	-.28058	24428	.05371	-.00284	882.74345	6.55335	-.67484
1.205	-7.180	.12114	- 03644	-.26961	15997	.04928	-.00497	882.91507	6.57959	-.47413
1.205	-4.842	.11758	- 04081	- 26463	08837	.04270	- 00214	882.96221	6.60178	-.29698
1.205	-2.544	.11409	- 04358	- 26082	.02987	.03700	00249	882.91259	6.61781	-.14159
1.205	-.251	.11464	-.04572	- 26307	-.03036	.03075	- 00340	882.91259	6.62889	.01315
1.204	2.016	.11411	-.04684	- 26475	-.08676	.02261	- 01410	882.72250	6.63048	.15468
1.204	4.281	.10977	-.04781	-.26071	-.14212	.01718	-.02636	882.85225	6.61571	.29777
	GRADIENT	- 00068	-.00076	.00017	- 02533	-.00287	- 00285	-.01799	.00179	.06515

LARC 8FT TPT 749 (1A93) OTSAT130+TS1

(SJJ063) (24 JUN 76)

REFERENCE DATA

SREF = 2690.0000 SQ.FT. XMRP = 976.0000 IN. XT
 LREF = 1290.3000 INCHES YMRP = .0000 IN. YT
 BREF = 1290.3000 INCHES ZMRP = 400.0000 IN. ZT
 SCALE = .0100

PARAMETRIC DATA

BETA = -6.000 ELV-LI = 10.000
 ELV-LO = 9.000 ELV-RI = 10.000
 ELV-RO = 9.000

RUN NO. 249/ 0 RN/L = 4.09 GRADIENT INTERVAL = -5.00/ 5.00

MACH	ALPHA	CYN	CBL	CY	CLMU	CHE1	CHEO	Q(PSF)	BETA	CNU
.975	-9.237	-.14127	.03772	.32901	.19248	.00719	-.00606	767.21900	-6.60291	-.60283
.976	-6.958	-.12668	.03918	.31116	.12231	.00804	-.00425	767.77591	-6.62895	-.42498
.976	-4.692	-.11489	.03955	.29176	.07022	.02585	-.00214	767.66708	-6.63576	-.27674
.975	-2.434	-.10482	.04038	.27381	.01451	.03213	-.00205	766.99316	-6.63063	-.12516
.975	-.203	-.10309	.04158	.26340	-.04172	.02368	-.00521	767.32945	-6.61623	.01559
.975	2.037	-.09906	.04242	.25723	-.09826	.00875	-.01470	767.51187	-6.60204	.16034
.975	4.259	-.10042	.04440	.26089	-.14781	-.00951	-.03327	767.61804	-6.59485	.29639
	GRADIENT	.00155	.00052	-.00351	-.02453	-.00420	-.00334	01863	.00493	.06400

RUN NO 247/ 0 RN/L = 4.21 GRADIENT INTERVAL = -5.00/ 5.00

MACH	ALPHA	CYN	CBL	CY	CLMU	CHE1	CHEO	Q(PSF)	BETA	CNU
1.150	-7.111	-.12535	.04239	.30917	.14040	.04612	-.00588	863.19284	-6.69276	-.45020
1.150	-4.819	-.11415	.04411	.29041	.07465	.04022	-.01749	863.17394	-6.69756	-.28083
1.150	-2.518	-.10877	.04659	.27851	.01817	.03459	-.03043	863.30882	-6.69721	-.12262
1.150	-.231	-.11078	.04747	.27348	-.04023	.02660	-.03945	863.15374	-6.68379	.02687
1.150	2.034	-.11115	.04774	.27111	-.09460	.01771	-.04640	863.46261	-6.67386	.16847
	GRADIENT	.00031	.00052	-.00276	-.02478	-.00330	-.00419	03104	.00370	.06555

RUN NO. 245/ 0 RN/L = 4.21 GRADIENT INTERVAL = -5.00/ 5.00

MACH	ALPHA	CYN	CBL	CY	CLMU	CHE1	CHEO	Q(PSF)	BETA	CNU
1.205	-9.532	-.14318	.04026	.33770	.23092	.05219	-.00567	882.37514	-6.68959	-.66373
1.205	-7.174	-.12824	.04325	.31272	.14246	.04470	-.01282	882.66047	-6.70090	-.45757
1.205	-4.839	-.11777	.04543	.29538	.07340	.03777	-.02597	882.53107	-6.70995	-.27964
1.205	-2.523	-.11064	.04617	.28035	.01736	.03295	-.03671	882.48146	-6.69892	-.12242
1.205	-.238	-.11286	.04658	.27553	-.04009	.02656	-.04483	882.61086	-6.68223	.02756
1.205	2.036	-.11481	.04772	.27660	-.09250	.01800	-.05152	882.45332	-6.68147	.16903
1.205	4.303	-.11098	.04910	.27540	-.14567	.00693	-.05806	882.53311	-6.67277	.30733
	GRADIENT	.00041	.00039	-.00192	-.02399	-.00335	-.00346	-.00105	.00402	.06416

LARC 8FT TPT 749 (1A93) OTSAT130+TS1

(SJJ064) (24 JUN 76)

REFERENCE DATA

SREF = 2690.0000 SQ.FT. XMRP = 976.0000 IN. XT
 LREF = 1290.3000 INCHES YMRP = .0000 IN. YT
 BREF = 1290.3000 INCHES ZMRP = 400 0000 IN. ZT
 SCALE = .0100

PARAMETRIC DATA

BETA = .000 ELV-LI = 10.000
 ELV-LO = 9.000 ELV-RI = 10.000
 ELV-RO = 9.000

RUN NO. 248/ 0 RN/L = 4.08 GRADIENT INTERVAL = -5.00/ 5.00

MACH	ALPHA	CYN	CBL	CY	CLMU	CHEI	CHEO	Q(PSF)	BETA	CNU
.975	-9.148	-.00568	.00127	.02199	.21338	-.00156	-.00687	767.20256	-.06926	-.60657
.976	-6.891	-.00242	.00075	.01807	.14548	-.00405	-.00651	767.82087	-.06523	-.43388
.975	-4.636	.00259	-.00054	.00988	.08784	-.00140	-.00536	767.69568	-.05679	-.28006
.975	-2.394	.00450	-.00085	.00352	.03307	.01008	-.00456	767.39072	-.04409	-.13416
.975	-.199	.00453	-.00152	-.00087	-.02169	.00594	-.00661	767.43563	-.03405	-.00015
.975	2.018	.00250	-.00126	.00047	-.07885	-.00359	-.00908	767.05156	-.03095	.14126
.975	4.223	.00047	-.00061	.00235	-.13810	-.01592	-.01717	766.94393	-.03314	.28314
	GRADIENT	-.00028	-.00002	-.00082	-.02548	-.00192	-.00127	-.08331	.00273	.06335

RUN NO. 246/ 0 RN/L = 4.21 GRADIENT INTERVAL = -5.00/ 5.00

MACH	ALPHA	CYN	CBL	CY	CLMU	CHEI	CHEO	Q(PSF)	BETA	CNU
1.150	-7.052	-.00226	.00116	.01564	.16844	.04014	-.00735	863.34790	-.04436	-.46398
1.150	-4.753	.00128	.00014	.00934	.09928	.03305	-.00262	863.52183	-.03323	-.29120
1.150	-2.478	.00382	-.00077	.00221	.03310	.02813	-.00722	863.28863	-.02168	-.13017
1.150	-.232	.00196	-.00102	-.00033	-.02628	.02417	-.01945	863.23193	-.01188	.01398
1.150	2.018	-.00069	-.00069	.00217	-.08115	.01666	-.03158	863.67562	-.01230	.15520
	GRADIENT	-.00034	-.00012	-.00107	-.02663	-.00235	-.00439	.01780	.00322	.06576

RUN NO. 244/ 0 RN/L = 4.22 GRADIENT INTERVAL = -5.00/ 5.00

MACH	ALPHA	CYN	CBL	CY	CLMU	CHEI	CHEO	Q(PSF)	BETA	CNU
1.205	-9.407	-.00122	.00124	.01471	.23735	.04720	-.00684	882.84391	-.02856	-.64542
1.205	-7.075	.00004	.00147	.01383	.16252	.04135	-.00348	883.02711	-.02831	-.45784
1.206	-4.751	.00222	.00099	.00900	.08970	.03526	-.00802	882.51815	-.02073	-.27915
1.206	-2.493	.00555	-.00039	.00101	.02681	.03091	-.01523	882.43835	-.00841	-.12188
1.205	-.239	.00442	-.00063	-.00155	-.03043	.02833	-.02680	882.52894	.00204	.02152
1.205	2.016	.00177	-.00057	-.00105	-.08118	.02236	-.03707	882.28301	.00690	.15582
1.205	4.283	-.00023	-.00021	.00293	-.13376	.01359	-.04553	882.54382	-.00002	.29575
	GRADIENT	-.00038	-.00011	-.00063	-.02458	-.00230	-.00429	-.00458	.00251	.06323

LARC 8FT TPT 749 (1A93) OTSAT130+TS1-BA.3E TUBES

(SJJ065) (24 JUN 76)

REFERENCE DATA

SREF = 2690.0000 SQ.FT. XMRP = 976.0000 IN. XT
 LREF = 1290.3000 INCHES YMRP = .0000 IN. YT
 BREF = 1290.3000 INCHES ZMRP = 400.0000 IN. ZT
 SCALE = .0100

PARAMETRIC DATA

BETA = -6.000 ELV-LI = 10.000
 ELV-LO = 9.000 ELV-RI = 10.000
 ELV-RO = 9.000

RUN NO. 255/ 0 RN/L = 4.08 GRADIENT INTERVAL = -5.00/ 5.00

MACH	ALPHA	CYN	CBL	CY	CLMU	CHEI	CHEO	Q(PSF)	BETA	CNU
.975	-9.257	-.14231	.03819	.33208	.19261	.00524	-.00586	766.30106	-6.62526	-.60365
.976	-6.957	-.12561	.03895	.30862	.12196	.00656	-.00415	767.46966	-6.64464	-.42438
.976	-4.698	-.11487	.03967	.29179	.06939	.02484	-.00194	767.60582	-6.65638	-.27429
.975	-2.446	-.10504	.04051	.27351	.01481	.03156	-.00204	767.43702	-6.64748	-.12568
.975	-2.18	-.10297	.04165	.26299	-.04373	.02305	-.00575	767.49828	-6.63318	.01987
.975	2.017	-.09970	.04278	.25868	-.09922	.00883	-.01535	767.37575	-6.62272	.16147
.975	4.248	-.10014	.04448	.26059	-.14940	-.01015	-.03434	767.02165	-6.61308	.30173
	GRADIENT	.00156	.00053	-.00346	-.02468	-.00414	-.00349	-.05500	.00498	.06438

RUN NO. 253/ 0 RN/L = 4.20 GRADIENT INTERVAL = -5.00/ 5.00

MACH	ALPHA	CYN	CBL	CY	CLMU	CHEI	CHEO	Q(PSF)	BETA	CNU
1.149	-7.133	-.12528	.04236	.30846	.14101	.04637	-.00592	862.45288	-6.69856	-.45159
1.149	-4.837	-.11484	.04449	.29194	.07444	.04060	-.01745	862.37763	-6.70858	-.27999
1.149	-2.532	-.10953	.04677	.27980	.01942	.03503	-.03018	862.62707	-6.70768	-.12547
1.149	-.244	-.11033	.04735	.27261	-.03928	.02663	-.03913	862.41526	-6.69249	.02480
1.149	2.022	-.11138	.04787	.27204	-.09421	.01774	-.04705	862.04635	-6.68333	.16708
	GRADIENT	.00042	.00047	-.00293	-.02469	-.00337	-.00428	-.05250	.00397	.06523

RUN NO. 251/ 0 RN/L = 4.21 GRADIENT INTERVAL = -5.00/ 5.00

MACH	ALPHA	CYN	CBL	CY	CLMU	CHEI	CHEO	Q(PSF)	BETA	CNU
1.205	-9.559	-.14335	.04052	.33838	.23210	.05113	-.00583	882.99037	-6.70205	-.66651
1.205	-7.181	-.12752	.04319	.31110	.14178	.04455	-.01303	882.89984	-6.70756	-.45574
1.205	-4.849	-.11745	.04536	.29515	.07333	.03790	-.02626	882.82005	-6.71329	-.27904
1.205	-2.536	-.11159	.04651	.28133	.01520	.03281	-.03701	882.66251	-6.70450	-.11763
1.205	-.259	-.11376	.04715	.27772	-.04005	.02682	-.04498	882.96530	-6.69027	.02749
1.205	2.015	-.11463	.04773	.27627	-.09184	.01799	-.05165	883.00981	-6.68345	.16842
1.205	4.306	-.11061	.04900	.27422	-.14636	.00869	-.05978	882.81136	-6.67166	.30888
	GRADIENT	.00047	.00037	-.00206	-.02390	-.00320	-.00349	.01438	.00456	.06395

LARC 8FT TPT 749 (IA93) OTSAT130+TS1-BASE TUBES

(SJJ066) (24 JUN 76)

REFERENCE DATA

SREF = 2690.0000 SQ.FT. XMRP = 976.0000 IN. XT
 LREF = 1290.3000 INCHES YMRP = 0000 IN. YT
 BREF = 1290.3000 INCHES ZMRP = 400.0000 IN. ZT
 SCALE = .0100

PARAMETRIC DATA

BETA = .000 ELV-LI = 10.000
 ELV-LO = 9.000 ELV-RI = 10.000
 ELV-RO = 9.000

RUN NO. 254/ 0 RN/L = 4.08 GRADIENT INTERVAL = -5.00/ 5.00

MACH	ALPHA	CYN	CBL	CY	CLMU	CHEI	CHEO	Q(PSF)	BETA	CNU
.974	-9 180	-.00602	00139	.02346	.21453	-.00180	-.00702	766.33093	-.06473	-.60851
.975	-6 901	-.00166	00068	01687	.14546	-.00429	-.00686	767.00953	-.06089	-.43426
.975	-4 641	.00268	- 00034	00934	.08683	-.00203	-.00566	766.97819	-.05055	-.27774
.975	-2 442	.00749	-.00164	-.00230	.03502	.00876	-.00496	766.67035	-.03260	-.13952
.975	- 218	.00498	-.00155	- 00157	-.02215	.00563	-.00697	766.74659	-.02716	.00050
.975	2 009	.00240	-.00126	.00084	- 09006	-.00367	-.00938	766.62401	-.02745	.14245
.975	4 216	.00025	-.00052	.00326	-.13962	- 01648	-.01747	766.62251	-.02860	.28558
	GRADIENT	-.00045	00000	- 00040	-.02563	-.00187	-.00127	- 03415	.00221	.06355

RUN NO 252/ 0 RN/L = 4 21 GRADIENT INTERVAL = -5.00/ 5.00

MACH	ALPHA	CYN	CBL	CY	CLMU	CHEI	CHEO	Q(PSF)	BETA	CNU
1.149	-7 059	-.00250	00146	.01661	.16809	04003	-.00762	862.76358	-.05142	-.46265
1.149	-4 787	.00115	00038	01048	.10036	.03295	-.00280	862.51095	-.04201	-.29376
1.149	-2 495	.00337	- 00047	.00332	.03290	.02822	- 00758	862.68513	-.03074	-.12859
1.149	- .251	.00133	- 00072	00125	-.02619	.02427	-.01960	862.16251	-.01968	.01397
1.149	2 010	-.00096	- 00050	.00263	-.08174	.01648	-.03175	862.37601	-.01495	.15653
	GRADIENT	-.00037	- 00013	- 00113	-.02675	-.00236	- 00436	- 04080	.00408	.06599

RUN NO. 250/ 0 RN/L = 4.22 GRADIENT INTERVAL = -5.00/ 5.00

MACH	ALPHA	CYN	CBL	CY	CLMU	CHEI	CHEO	Q(PSF)	BETA	CNU
1.205	-9.429	-.00224	.00171	.01732	23811	04733	-.00688	882.91259	- 03711	-.64653
1.205	-7.092	.00033	.00158	.01337	.16236	.04121	- 00391	883.17806	-.03292	-.45660
1.206	-4.783	.00294	.00080	.00875	09036	03510	-.00836	883.01632	- 02484	-.28010
1.205	-2.502	.00595	-.00035	.00057	.02679	.03091	-.01535	882.67989	- 01231	-.12126
1.205	- .447	.00406	- 00046	-.00095	-.03072	.02805	-.02691	882.83947	-.00388	.02255
1.205	1 997	.00181	-.00044	-.00057	- 08142	.02248	-.03717	882.80062	.00140	.15673
1.205	4 271	00024	-.00030	.00217	- 13286	01406	-.04559	883.00111	- 00012	.29453
	GRADIENT	-.00042	-.00010	-.00063	-.02454	-.00223	-.00426	00394	.00279	.06314

ORIGINAL PAGE IS
OF POOR QUALITY

LARC 8FT TPT 749 (1A93) OTSAT130+TS2

(SJJ067) (24 JUN 76)

REFERENCE DATA

SREF = 2690.0000 SQ.FT. XMRP = 976 0000 IN. XT
 LREF = 1290.3000 INCHES YMRP = .0000 IN. YT
 BREF = 1290.3000 INCHES ZMRP = 400.0000 IN. ZT
 SCALE = .0100

PARAMETRIC DATA

BETA = -6.000 ELV-LI = 10.000
 ELV-LO = 9.000 ELV-RI = 10.000
 ELV-RO = 9.000

RUN NO. 241/ 0 RN/L = 4 81 GRADIENT INTERVAL = -5.00/ 5.00

MACH	ALPHA	C/N	CBL	CY	CLMU	CHEI	CHEO	Q(PSF)	BETA	CNU
.975	-9 495	-.14375	.03810	.33418	.20197	.00735	-.00468	904 88051	-6.68574	-.62599
.975	-7.128	-.12843	.03955	.31449	.12780	.00795	-.00281	904.74299	-6.70699	-.43914
.975	-4.832	-.11593	.03987	.29416	.07369	.02331	- 00051	905.26593	-6.70794	-.28624
.975	-2.534	-.10511	.04057	.27579	.01930	.03147	- 00021	904.77435	-6.70189	-.13697
975	-.224	-.10376	.04198	.26523	- 04068	.02305	- 00417	905.06577	-6.68095	.01392
975	2 026	-.09934	.04273	.25916	-.09497	.00987	- 01294	905 00308	-6.66988	.15297
975	4 321	-.09837	.04522	.26052	- 15245	-.00424	- 03275	904.71161	-6.65900	.30368
	GRADIENT	00179	00056	- 00367	- 02478	-.00335	-.00337	- 03849	00568	.06428

LARC 8FT TPT 749 (1A93) OTSAT130+TS2

(SJJ068) (24 JUN 76)

REFERENCE DATA

SREF = 2690 0000 SQ.FT. XMRP = 976.0000 IN. XT
 LREF = 1290.3000 INCHES YMRP = 0000 IN. YT
 BREF = 1290.3000 INCHES ZMRP = 400 0000 IN ZT
 SCALE = .0100

PARAMETRIC DATA

BETA = .000 ELV-LI = 10.000
 ELV-LO = 9.000 ELV-RI = 10.000
 ELV-RO = 9.000

RUN NO. 240/ 0 RN/L = 4.81 GRADIENT INTERVAL = -5.00/ 5.00

MACH	ALPHA	CYN	CBL	CY	CLMU	CHEI	CHEO	Q(PSF)	BETA	CNU
975	-9.384	- 00639	.00157	.02359	.22081	-.00033	-.00570	905.17335	-.07573	-.62633
976	-7 072	-.00213	.00084	.01693	.15201	- 00331	-.00540	905.29724	-.06937	-.45077
.975	-4 786	.00273	- 00044	.00905	.09257	-.00106	-.00421	905.09711	-.05783	-.29319
.975	-2.509	.00605	-.00134	.00048	.03837	.00947	-.00315	904.80427	- 03748	-.14621
.975	- 240	.00513	-.00165	-.00232	- 01725	.00623	-.00490	904 34386	- 03078	-.00854
975	2.009	.00242	- 00113	.00052	- 07514	-.00225	-.00754	904 77290	- 02992	.13473
975	4 279	.00002	-.00033	.00385	-.13596	-.01528	-.01558	904 91043	-.03212	.28034
	GRADIENT	-.00040	.00002	-.00046	-.02519	-.00177	- 00120	- 01799	.00261	.06305

LARC BFT TPT 749 (1/93) OTSAT130+TS2

(SJJ069) (24 JUN 76)

REFERENCE DATA

SREF = 2690.0000 SQ.FT. XMRP = 976.0000 IN. XT
 LREF = 1290.3000 INCHES YMRP = .0000 IN. YT
 BREF = 1290.3000 INCHES ZMRP = 400.0000 IN. ZT
 SCALE = .0100

PARAMETRIC DATA

BETA = 6.000 ELV-LI = 10.000
 ELV-LO = 9.000 ELV-RI = 10.000
 ELV-RO = 9.000

RUN NO. 229/ 0 RN/L = 4.08 GRADIENT INTERVAL = -5.00/ 5.00

MACH	ALPHA	C/N	CEL	CY	CLMU	CHE1	CHEO	Q(PSF)	BETA	CNU
.976	-9.254	.13014	-0.3285	-27941	.20459	.00000	-.00732	768.11210	6.49587	-.61529
.976	-6.967	.12339	-.03523	-27030	.13480	.00000	-.00778	767.85084	6.53140	-.43934
.976	-4.694	.11718	-0.3810	-26306	.07569	.00000	-.00758	767.84951	6.56288	-.28235
.976	-2.456	.11198	-0.4121	-25648	.02009	.00000	-.00668	767.69704	6.58237	-.13459
.975	-.213	.10912	-.04268	-.25452	-.03655	.00000	-.00914	767.71065	6.59269	.00579
.975	2.004	.10134	-.04277	-24854	-.09290	.00000	-.01511	767.52684	6.59376	.14519
.975	4.253	.09522	-.04412	-24041	-15097	.00000	-.02148	767.89444	6.57877	.29490
	GRADIENT	-.00244	-.00061	00238	-.02533	.00000	-.00162	-.00355	.00193	.06416

LARC BFT TPT 749 (1A93) OTSAT130+TS2

(SJJ070) (24 JUN 76)

REFERENCE DATA

SREF = 2690.0000 SQ FT. XMRP = 976.0000 IN. XT
 LREF = 1290.3000 INCHES YMRP = .0000 IN. YT
 BREF = 1290.3000 INCHES ZMRP = 400.0000 IN. ZT
 SCALE = .0100

PARAMETRIC DATA

BETA = -6.000 ELV-LI = 10.000
 ELV-LO = 9.000 ELV-RI = 10.000
 ELV-RO = 9.000

RUN NO. 243/ 0 RN/L = 2.04 GRADIENT INTERVAL = -5.00/ 5.00

MACH	ALPHA	CYN	CEL	CY	CLMU	CHE1	CHEO	Q(PSF)	BETA	CNU
.974	-8.595	-.13562	.03701	.31326	.18169	.00704	-.00573	383.27825	-6.36084	-.55718
.974	-6.459	-.12080	.03843	.29450	.11840	.00798	-.00382	383.21852	-6.38542	-.39795
.975	-4.310	-.11108	.03904	.27940	.06532	.01438	-.00281	383.52504	-6.39845	-.25300
.975	-2.199	-.10187	.03936	.26272	.01395	.01970	-.00321	383.34114	-6.39974	-.11708
.974	-.093	-.10013	.04017	.25361	-.04203	.01470	-.00553	383.37102	-6.39672	.01904
.974	2.021	-.09739	.04096	.25052	-.09329	.00188	-.01306	383.46220	-6.39206	.14877
.974	4.149	-.09744	.04249	.25180	-.14400	-.01687	-.03237	383.27825	-6.38071	.28250
	GRADIENT	.00150	.00040	-.00319	-.02488	-.00380	-.00327	-.01764	.00204	.06324

ORIGINAL PAGE IS
OF POOR QUALITY

LARC 8FT TPT 749 (1A93) OTSAT130+TS2

(SJJ071) (24 JUN 76)

REFERENCE DATA

SREF = 2690.0000 SQ.FT. XMRP = 976.0000 IN. XT
 LREF = 1290.3000 INCHES YMRP = .0000 IN. YT
 BREF = 1290.3000 INCHES ZMRP = 400.0000 IN. ZT
 SCALE = .0100

PARAMETRIC DATA

BETA = .000 ELV-LI = 10.000
 ELV-LO = 9.000 ELV-RI = 10.000
 ELV-RO = 9.000

RUN NO. 242/ 0 RN/L = 2.04 GRADIENT INTERVAL = -5.00/ 5.00

MACH	ALPHA	C/N	CBL	CY	CLMU	CHEI	CHEO	Q(PSF)	BETA	CNU
.974	-8 54.1	-.00426	.00129	0.1891	.20284	-.00750	-.00805	383.03293	-.02644	-.56472
.975	-6.409	-.00120	00084	0.1525	.14070	-.00796	-.00703	383.41738	-.02650	-.40652
.975	-4 298	00422	- 00078	.00589	.08453	-.00624	-.00603	383.51009	-.02236	-.26457
.975	-2 191	00567	- 00110	.00127	.03272	-.00047	-.00562	383.51009	-.01547	-.12866
.974	-.096	.00494	- 00151	-.00176	-.01843	-.00313	-.00834	383 24839	-.01021	-.00447
.974	2.016	.00378	- 00145	-.00185	-.07476	-.01140	-.01116	383 32464	-.00892	13073
.974	4 108	00129	- 00079	.00199	-.13328	-.02204	-.01650	383 03293	-.01285	.26691
	GRADIENT	- 00037	- 00002	-.00052	-.02584	-.00202	-.00126	-.05419	.00122	06291

LARC 8FT TPT 749 (1A93) OTSAT130

(TJJ001) (24 JUN 76)

REFERENCE DATA

SREF = 2690.0000 SQ.FT. XMRP = 976.0000 IN. XT
 LREF = 1290.3000 INCHES YMRP = .0000 IN. YT
 BREF = 1290.3000 INCHES ZMRP = 400.0000 IN. ZT
 SCALE = .0100

PARAMETRIC DATA

BETA = .000 ELV-LI = 10.000
 ELV-LO = 9.000 ELV-RI = 10.000
 ELV-RO = 9.000

RUN NO. 1/ 0 RN/L = 4.48 GRADIENT INTERVAL = -5.00/ 5.00

MACH	ALPHA	RN/L	L/DU	BETA	CLU	COU	CNW	CBW	CTW
.599	-8 689	4.48142	-1.14370	-.03232	- 40770	.35647	-.03744	- 00487	-.01557
.599	-6 523	4 47487	- 89518	-.02844	- 29051	.32454	-.01414	- 00054	-.01112
.599	-4.386	4 47143	- 59708	-.02451	-.18094	.30305	01218	.00405	-.00604
.599	-2 250	4 47431	- 27984	-.00931	- 08125	.29035	03760	.00851	- 00064
.599	-.095	4 47461	09132	-.00376	02586	28313	06230	.01314	.00416
.599	2.034	4.47644	.46675	-.00713	.13112	28092	.08769	.01772	.00933
600	4.198	4.48120	.86718	- 01252	.24742	28531	.11403	.02277	.01401
	GRADIENT	00101	17133	.00122	.04984	-.00209	.01183	00217	.00233

LARC 8FT TPT 749 (1A93) OTSAT130

(TJJ002) (24 JUN 76)

REFERENCE DATA

SREF = 2690.0000 SQ.FT. XMRP = 976.0000 IN. XT
 LREF = 1290.3000 INCHES YMRP = .0000 IN. YT
 BREF = 1290.3000 INCHES ZMRP = 400.0000 IN. ZT
 SCALE = .0100

PARAMETRIC DATA

BETA = -6.000 ELV-LI = 10.000
 ELV-LO = 9.000 ELV-RI = 10.000
 ELV-RO = 9.000

RUN NO. 4/ 0 RN/L = 3.16 GRADIENT INTERVAL = -5.00/ 5.00

MACH	ALPHA	RN/L	L/DU	BETA	CLU	CDU	CNW	CBW	CTW
.598	-8.545	3.16136	-1.11717	-6.32910	-.39532	.35386	-.04586	-.00508	-.01943
.599	-6.408	3.16597	-.86225	-6.36194	-.28128	.32622	-.02248	-.00082	-.01528
.599	-4.305	3.16611	-.58317	-6.37863	-.17828	.30570	.00015	.00312	-.01041
.599	-2.192	3.16266	-.25147	-6.38399	-.07354	.29243	.02017	.00682	-.00620
.599	-.054	3.16303	.12432	-6.38429	.03552	.28568	.04324	.01090	-.00107
.599	2.036	3.16188	.48489	-6.38033	.13808	.28477	.06704	.01512	.00342
.599	4.168	3.16110	.88332	-6.38299	.25598	.28979	.08922	.01943	.00723
	GRADIENT	-.00051	.17330	-.00024	.05101	-.00187	.01063	.00193	.00212

RUN NO. 11/ 0 RN/L = 3.97 GRADIENT INTERVAL = -5.00/ 5.00

MACH	ALPHA	RN/L	L/DU	BETA	CLU	CDU	CNW	CBW	CTW
.899	-9.015	3.97057	-1.06278	-6.51832	-.46817	.44052	-.03910	-.00614	-.01795
.899	-6.714	3.96928	-.82587	-6.55943	-.33081	.40056	-.01796	-.00219	-.01368
.899	-4.575	3.97006	-.57212	-6.56484	-.21389	.37386	.00498	.00195	-.00877
.900	-2.377	3.97082	-.25201	-6.56514	-.09002	.35720	.02840	.00621	-.00450
.899	-.186	3.97005	.09809	-6.55945	.03424	.34902	.05261	.01075	.00010
.899	2.059	3.96939	.46509	-6.54399	.16251	.34942	.08124	.01586	.00531
.900	4.306	3.97155	.79761	-6.53968	.28822	.36135	.10545	.02051	.00892
	GRADIENT	.00003	.15572	.00322	.05662	-.00146	.01143	.00211	.00204

RUN NO 16/ 0 RN/L = 4.07 GRADIENT INTERVAL = -5.00/ 5.00

MACH	ALPHA	RN/L	L/DU	BETA	CLU	CDU	CNW	CBW	CTW
.975	-9.233	4.07892	-.98534	-6.58705	-.52284	.53062	-.07074	-.01075	-.01805
.976	-6.943	4.07939	-.75153	-6.60849	-.36578	.48672	-.04188	-.00543	-.01402
.976	-4.684	4.08001	-.51835	-6.61849	-.23512	.45359	-.01460	-.00037	-.01013
.975	-2.444	4.07951	-.24351	-6.61079	-.10559	.43362	.01279	.00442	-.00508
.975	-.205	4.07530	.05420	-6.59754	.02315	.42706	.04024	.00932	-.00050
.975	2.029	4.07299	.34432	-6.58108	.14754	.42850	.06806	.01454	.00340
.975	4.275	4.07266	.63134	-6.57042	.27886	.44169	.09404	.01953	.00623
	GRADIENT	-.00095	.12894	.00562	.05721	-.00129	.01217	.00223	.00184

LARC 8FT TPT 749 (1A93) OTSAT130

(TJJ002) (24 JUN 76)

REFERENCE DATA

SREF = 2690.0000 SQ.FT. XMRP = 976.0000 IN. XT
 LREF = 1290.3000 INCHES YMRP = .0000 IN YT
 BREF = 1290.3000 INCHES ZMRP = 400.0000 IN ZT
 SCALE = .0100

PARAMETRIC DATA

BETA = -6.000 ELV-LI = 10.000
 ELV-LO = 9.000 ELV-RI = 10.000
 ELV-RO = 9.000

RUN NO. 27/ 0 RN/L = 4.23 GRADIENT INTERVAL = -5.00/ 5.00

MACH	ALPHA	RN/L	L/DU	BETA	CLU	CDU	CNW	CBW	CTW
1.149	-7.118	4.17000	-.69616	-6.65426	-.38385	.55138	-.05089	-.00670	-.00908
1.149	-4.803	4.23916	-.45287	-6.66103	-.23509	.51912	-.02128	-.00123	-.00483
1.150	-2.522	4.24016	-.20497	-6.66026	-.10292	.50212	.01148	.00435	.00008
1.149	-.225	4.23436	.05294	-6.64463	.02614	.49369	.04413	.01030	.00383
1.149	2.025	4.23460	.30725	-6.64187	.15201	.49473	.07383	.01576	.00647
	GRADIENT	-.00086	.11142	.00321	.05664	-.00359	.01396	.00250	.00165

RUN NO. 30/ 0 RN/L = 4.22 GRADIENT INTERVAL = -5.00/ 5.00

MACH	ALPHA	RN/L	L/DU	BETA	CLU	CDU	CNW	CBW	CTW
1.205	-9.542	4.21744	-.93011	-6.65151	-.57528	.61851	-.08567	-.01252	-.01061
1.205	-7.166	4.21745	-.69314	-6.65944	-.39162	.56499	-.05738	-.00715	-.00765
1.205	-4.833	4.21665	-.44722	-6.66734	-.23789	.53192	-.02797	-.00144	-.00460
1.205	-2.524	4.21746	-.19346	-6.66330	-.09945	.51410	.00505	.00465	-.00111
1.205	-.240	4.21785	.05708	-6.65667	.02893	.50684	.03651	.01043	.00220
1.205	2.032	4.21725	.29245	-6.64637	.14876	.50868	.06282	.01545	.00425
1.205	4.304	4.21785	.52304	-6.64136	.26953	.51532	.08638	.01973	.00611
	GRADIENT	.00010	.10629	-.00302	.05533	-.00170	.01255	.00233	.00117

LARC BFT TPT 749 (IA93) OTSAT130

(TJJ003) (24 JUN 76)

REFERENCE DATA

SREF = 2690 0000 SQ.FT. XMRP = 976.0000 IN. XT
 LREF = 1290.3000 INCHES YMRP = .0000 IN. YT
 BREF = 1290 3000 INCHES ZMRP = 400.0000 IN. ZT
 SCALE = .0100

PARAMETRIC DATA

BETA = -4.000 ELV-LI = 10.000
 ELV-LO = 9.000 ELV-RI = 10.000
 ELV-RO = 9.000

RUN NO. 3/ 0 RN/L = 3.16 GRADIENT INTERVAL = -5.00/ 5.00									
MACH	ALPHA	RN/L	L/DU	BETA	CLU	CDU	CNW	CBW	CTW
.599	-8.500	3.16418	-1.09164	-4.24598	-.38823	.35564	-.04367	-.00483	-.01898
.599	-6.391	3.16286	-.85167	-4.26440	-.27865	.32718	-.01938	-.00046	-.01455
.599	-4.283	3.16323	-.56430	-4.27565	-.17353	.30752	.00387	.00359	-.00981
.599	-2.162	3.16436	-.25098	-4.27784	-.07412	.29532	.02758	.00771	-.00487
.599	-.077	3.16349	.10168	-4.28149	.02929	.28808	.04860	.01166	-.00051
.599	2.029	3.16349	.47565	-4.28188	.13567	.28524	.07226	.01605	.00394
.599	4.138	3.16139	.84963	-4.27648	.24598	.28952	.09593	.02039	.00873
	GRADIENT	-.00022	.16899	-.00027	.04986	-.00219	.01088	.00199	.00218

RUN NO. 10/ 0 RN/L = 3.97 GRADIENT INTERVAL = -5.00/ 5.00									
MACH	ALPHA	RN/L	L/DU	BETA	CLU	CDU	CNW	CBW	CTW
.900	-8.989	3.97008	-1.07199	-4.37029	-.47467	.44279	-.03936	-.00599	-.01839
.900	-6.786	3.96903	-.85295	-4.38110	-.34331	.40249	-.01737	-.00198	-.01354
.899	-4.539	3.96953	-.57777	-4.38537	-.21490	.37195	.00525	.00230	-.00900
.899	-2.273	3.96837	-.24242	-4.38684	-.08548	.35263	.03076	.00676	-.00386
.899	-.144	3.96840	.09414	-4.37765	.03234	.34351	.05783	.01174	.00099
.900	2.146	3.97001	.49971	-4.37060	.17262	.34545	.09002	.01774	.00625
.899	4.252	3.96979	.79993	-4.36508	.28560	.35703	.11414	.02224	.00992
	GRADIENT	00010	.15900	.00258	.05724	-.00170	.01259	.00231	.00218

RUN NO. 15/ 0 RN/L = 4.08 GRADIENT INTERVAL = -5.00/ 5.00									
MACH	ALPHA	RN/L	L/DU	BETA	CLU	CDU	CNW	CBW	CTW
.975	-9.195	4.07913	-.97813	-4.44138	-.52152	.53318	-.06845	-.01022	-.01786
.976	-6.911	4.07954	-.75011	-4.45135	-.36421	.48555	-.03699	-.00474	-.01321
.975	-4.664	4.07793	-.51980	-4.45264	-.23580	.45364	-.00980	.00037	-.00915
.975	-2.429	4.07912	-.25574	-4.44714	-.11079	.43323	.01794	.00530	-.00436
.975	-.207	4.07856	.03390	-4.43688	.01438	.42406	.04531	.01029	.00038
.975	2.040	4.07777	.33269	-4.43007	.14124	.42453	.07694	.01616	.00445
.975	4.262	4.07783	.61912	-4.42548	.27168	.43881	.10518	.02159	.00756
	GRADIENT	-.00007	.12841	.00320	.05676	-.00172	.01295	.00239	.00189

LARC BFT TPT 749 (1A93) OTSAT130

(TJJ003) (24 JUN 76)

REFERENCE DATA

SREF = 2690.0000 SQ.FT XMRP = 976.0000 IN. XT
 LREF = 1290.3000 INCHES YMRP = .0000 IN. YT
 BREF = 1290.3000 INCHES ZMRP = 400.0000 IN. ZT
 SCALE = .0100

PARAMETRIC DATA

BETA = -4.000 ELV-L1 = 10.000
 ELV-LO = 9.000 ELV-R1 = 10.000
 ELV-RO = 9.000

RUN NO. 26/ 0 RN/L = 4.17 GRADIENT INTERVAL = -5.00/ 5.00

MACH	ALPHA	RN/L	L/DU	BETA	CLU	CDU	CNW	CBW	CTW
1.149	-7.114	4.16955	-.70587	-4.45272	-.38904	55115	-.04540	-.00587	-.00866
1.149	-4.784	4.16971	-.46056	-4.45301	-.23819	51717	-.01367	-.00005	-.00443
1.149	-2.503	4.16935	-.20843	-4.44740	-.10403	49913	.01908	.00600	-.00008
1.149	-.238	4.17039	.05077	-4.43810	.02491	.49054	.05193	.01221	.00341
1.149	2.030	4.16971	.30337	-4.43458	.14865	.49000	.08272	.01775	.00610
	GRADIENT	.00005	.11234	.00284	.05679	-.00397	.01418	.00263	.00155

RUN NO 29/ 0 RN/L = 4.22 GRADIENT INTERVAL = -5.00/ 5.00

MACH	ALPHA	RN/L	L/DU	BETA	CLU	CDU	CNW	CBW	CTW
1.205	-9.473	4.21428	-.91211	-4.43404	-.56262	.61684	-.07998	-.01170	-.01042
1.205	-7.114	4.21668	-.68697	-4.44578	-.38713	56353	-.04941	-.00597	-.00713
1.205	-4.797	4.21428	-.44742	-4.45019	-.23689	.52946	-.01841	.00008	-.00435
1.205	-2.488	4.21784	-.18737	-4.43839	-.09584	.51150	.01742	.00684	-.00102
1.205	-.235	4.21944	.05338	-4.42812	.02688	50358	.04862	.01251	.00224
1.205	2.026	4.21844	.29166	-4.42409	.14710	.50436	.07684	.01758	.00511
1.205	4.297	4.21902	.52328	-4.41721	.26794	.51204	.09864	.02176	.00655
	GRADIENT	.00045	.10662	.00354	.05518	-.00186	.01293	.00238	.00123

LARC 8FT TPT 749 (IA93) OTSAT130

(TJJ004) (30 JUN 76)

REFERENCE DATA

SREF = 2690.0000 SQ.FT. XMRP = 976.0000 IN. XT
 LREF = 1290.3000 INCHES YMRP = .0000 IN. YT
 BREF = 1290.3000 INCHES ZMRP = 400.0000 IN. ZT
 SCALE = .0100

PARAMETRIC DATA

BETA = .000 ELV-L1 = 10.000
 ELV-LO = 9.000 ELV-R1 = 10.000
 ELV-RO = 9.000

RUN NO. 0/ 0 RN/L = 3.16 GRADIENT INTERVAL = -5.00/ 5.00

MACH	ALPHA	RN/L	L/DU	BETA	CLU	CDU	CNW	CBW	CTW
.600	-8.465	3 16200	-1.11552	-.02708	-.39448	.35363	-.04431	-.00498	-.01831
.599	-6.364	3 16487	-.86235	-.02286	-.27879	.32329	-.01859	-.00041	-.01337
.599	-4.260	3.16822	-.59306	-.01839	-.17963	.30289	.00568	.00382	-.00838
.599	-2.164	3.16658	-.27123	-.00720	-.07861	.28984	.03253	.00837	-.00281
.600	-.076	3 16681	.08246	-.00407	.02335	.28320	.05500	.01266	.00164
.599	2.023	3 16321	.46301	-.00207	.12971	.28014	.07972	.01727	.00658
.599	4.126	3.16090	.84766	-.00682	.24158	.28500	.10447	.02205	.01116
	GRADIENT	-.00086	.17252	.00135	.05013	-.00217	.01168	.00216	.00231

RUN NO. 0/ 0 RN/L = 3.97 GRADIENT INTERVAL = -5.00/ 5.00

MACH	ALPHA	RN/L	L/DU	BETA	CLU	CDU	CNW	CBW	CTW
.898	-8.945	3 96296	-1.10502	-.02337	-.48456	.43851	-.04654	-.00700	-.01768
.900	-6.743	3 96929	-.89822	-.01851	-.35448	.39465	-.02160	-.00261	-.01238
.900	-4.529	3.97053	-.61177	-.01573	-.22061	.36060	.00596	.00234	-.00687
.900	-2.338	3.97030	-.29630	-.00309	-.10111	.34122	.03530	.00734	-.00046
.899	-.151	3.96954	.08833	.00718	.02942	.33311	.06949	.01358	.00516
.900	2.071	3 97207	.49784	.01383	.16777	.33700	.10577	.02022	.01044
.900	4.244	3.97133	.82820	.01805	.28915	.34913	.13368	.02490	.01483
	GRADIENT	.00015	.16736	.00385	.05869	-.00124	.01485	.00264	.00247

RUN NO. 0/ 0 RN/L = 4.07 GRADIENT INTERVAL = -5.00/ 5.00

MACH	ALPHA	RN/L	L/DU	BETA	CLU	CDU	CNW	CBW	CTW
.975	-9.168	4 08455	-.99713	-.03126	-.52858	.53010	-.06243	-.00928	-.01683
.976	-6.890	4 08301	-.78447	-.02572	-.37858	.48260	-.03086	-.00364	-.01182
.976	-4.641	4 07918	-.54010	-.02188	-.24203	.44813	-.00002	.00196	-.00674
.976	-2.419	4.07626	-.27783	-.00674	-.11865	.42706	.03099	.00742	-.00095
.975	-.207	4 07476	.00775	.00684	.00323	.41744	.06375	.01334	.00466
.975	2.007	4 07476	.30448	.00968	.12723	.41785	.09414	.01913	.00857
.975	4.228	4 07388	.60021	.00763	.25694	.42809	.12427	.02432	.01207
	GRADIENT	-.00050	.12917	.00340	.05612	-.00222	.01406	.00255	.00213

LARC 8FT TPT 749 (1A93) OTSAT130

(TJJ004) (30 JUN 76)

REFERENCE DATA

SREF = 2690.0000 SQ.FT XMRP = 976.0000 IN. XT
 LREF = 1290.3000 INCHES YMRP = .0000 IN. YT
 BREF = 1290.3000 INCHES ZMRP = 400.0000 IN. ZT
 SCALE = .0100

PARAMETRIC DATA

BETA = .000 ELV-LI = 10.000
 ELV-LO = 9.000 ELV-RI = 10.000
 ELV-RO = 9.000

RUN NO 0/ 0 RN/L = 4.18 GRADIENT INTERVAL = -5.00/ 5.00

MACH	ALPHA	RN/L	L/DU	BETA	CLU	CDU	CNW	CBW	CTW
1.150	-7.054	4.17476	- .71980	- .03451	- .39447	.54803	- .03227	- .00393	- .00682
1.149	-4.759	4.17365	- 48207	- .02759	- .24758	.51357	.00393	.00298	- .00299
1.149	-2.484	4.17664	- 21663	- 01395	- 10723	.49500	.04504	.01040	.00163
1.149	-.237	4.17757	03833	- 00391	01863	.48612	.07850	.01661	.00472
1.149	2.010	4.17597	28912	- .00470	.13984	.48369	10854	.02177	.00822
	GRADIENT	.00035	11389	00349	.05712	- .00437	.01540	.00278	00163

RUN NO. 0/ 0 RN/L = 4.22 GRADIENT INTERVAL = -5.00/ 5.00

MACH	ALPHA	RN/L	L/DU	BETA	CLU	CDU	CNW	CBW	CTW
1.205	-9.396	4.22516	- 91549	- 01524	- .55829	.60983	- .07111	- .01033	- 01017
1.205	-7.077	4.22121	- .70456	- .01413	- .39356	.55860	- .03527	- .00369	- 00653
1.206	-4.756	4.21768	- .45659	- .00501	- .23945	.52443	.00351	.00379	- .00392
1.206	-2.461	4.21490	- .19544	.00683	- .09876	.50530	.04059	.01051	- .00035
1.205	-.230	4.21588	.04729	.02006	.02354	.49768	.07454	.01661	.00311
1.205	2.024	4.21905	27602	01936	.13697	.49624	.10059	.02126	.00616
1.205	4.272	4.21923	.51301	01916	.25813	.50316	.12491	.02557	.00894
	GRADIENT	00032	10695	.00270	.05461	- .00230	.01344	.00241	.00143

LARC BFT TPT 749 (IA93) OTSAT130

(TJJ005) (24 JUN 76)

REFERENCE DATA

SREF = 2690.0000 SQ.FT. XMRP = 976.0000 IN. XT
 LREF = 1290.3000 INCHES YMRP = .0000 IN. YT
 BREF = 1290.3000 INCHES ZMRP = 400.0000 IN. ZT
 SCALE = 0100

PARAMETRIC DATA

BETA = 4.000 ELV-LI = 10.000
 ELV-LO = 9.000 ELV-RI = 10.000
 ELV-RO = 9.000

RUN NO. 5/ 0 RN/L = 3.16 GRADIENT INTERVAL = -5.00/ 5.00

MACH	ALPHA	RN/L	L/DU	BETA	CLU	CDU	CNW	CBW	CTW
.599	-8.491	3.16666	-1.11462	4.18950	-.39388	.35338	-.04608	-.00532	-.01801
.599	-6.379	3.16329	-.86672	4.21050	-.28153	.32482	-.02136	-.00070	-.01340
.598	-4.290	3.15978	-.60487	4.22699	-.18450	.30502	.00283	.00375	-.00856
.598	-2.181	3.15923	-.25725	4.24023	-.07485	.29095	.03072	.00870	-.00294
.598	-.077	3.16032	.10163	4.24736	.02894	.28471	.05696	.01360	.00220
.599	2.029	3.16105	.48525	4.24553	.13692	.28216	.08468	.01870	.00769
.599	4.132	3.16231	.83531	4.23661	.24030	.28768	.11039	.02352	.01242
	GRADIENT	.00033	.17207	.00117	.05041	-.00207	.01278	.00235	.00250

RUN NO 8/ 0 RN/L = 3.97 GRADIENT INTERVAL = -5.00/ 5.00

MACH	ALPHA	RN/L	L/DU	BETA	CLU	CDU	CNW	CBW	CTW
.900	-8.993	3.96989	-1.09136	4.29420	-.48090	.44064	-.04399	-.00651	-.01612
.900	-6.785	3.97190	-.87079	4.32445	-.34672	.39816	-.01627	-.00186	-.00943
.900	-4.515	3.97192	-.58331	4.33690	-.21477	.36819	.01677	.00405	-.00290
.901	-2.357	3.97270	-.27223	4.35666	-.09547	.35071	.04919	.00999	.00310
.900	-.191	3.97146	.08241	4.36283	.02819	.34204	.08313	.01626	.00828
.899	2.058	3.96905	.47877	4.36101	.16320	.34088	.11908	.02260	.01367
.900	4.229	3.97008	.81360	4.34847	.28921	.35547	.14662	.02703	.01765
	GRADIENT	-.00034	.16187	.00124	.05783	-.00160	.01505	.00267	.00236

RUN NO 13/ 0 RN/L = 4.08 GRADIENT INTERVAL = -5.00/ 5.00

MACH	ALPHA	RN/L	L/DU	BETA	CLU	CDU	CNW	CBW	CTW
.975	-9.194	4.07722	-.98805	4.34619	-.52367	.53000	-.05322	-.00778	-.01559
.976	-6.921	4.07583	-.77250	4.37409	-.37346	.48345	-.01981	-.00174	-.00990
.975	-4.657	4.07794	-.52861	4.38961	-.23780	.44986	.01469	.00442	-.00397
.975	-2.421	4.08204	-.25890	4.40296	-.11115	.42932	.04972	.01078	.00197
.975	-.206	4.08180	.03325	4.41341	.01403	.42198	.08401	.01720	.00685
.975	2.013	4.08517	.32326	4.40923	.13586	.42030	.11685	.02260	.01227
.975	4.252	4.07725	.63140	4.39216	.27279	.43204	.14740	.02806	.01504
	GRADIENT	.00008	.13042	.00051	.05699	-.00201	.01494	.00266	.00217

LARC 8FT TPT 749 (1A93) OTSAT130

(TJJ005) (24 JUN 76)

REFERENCE DATA

SREF = 2690.0000 SQ.FT. XMRP = 976.0000 IN. XT
 LREF = 1290.3000 INCHES YMRP = .0000 IN. YT
 BREF = 1290.3000 INCHES ZMRP = 400.0000 IN. ZT
 SCALE = .0100

PARAMETRIC DATA

BETA = 4.000 ELV-L1 = 10.000
 ELV-LO = 9.000 ELV-R1 = 10.000
 ELV-RO = 9.000

RUN NO 24/ 0 RN/L = 4.17 GRADIENT INTERVAL = -5.00/ 5.00

MACH	ALPHA	RN/L	L/DU	BETA	CLU	CDU	CNW	CBW	CTW
1.149	-7.096	4.17280	- .71434	4.39050	-.39544	.55358	-.02050	-.00154	-.00783
1.149	-4.786	4.17361	- .46752	4.41042	-.24209	.51782	.02591	.00679	-.00313
1.149	-2.493	4.17340	- .20964	4.42809	-.10407	.49641	.06502	.01385	.00091
1.149	-.243	4.17334	.04302	4.43315	.02095	.48709	.09810	.01977	.00468
1.149	2.018	4.17358	.30499	4.43485	.14786	.48480	.12722	.02494	.00830
	GRADIENT	- 00001	.11341	00346	.05714	-.00479	.01487	.00266	.00168

RUN NO. 31/ 0 RN/L = 4.22 GRADIENT INTERVAL = -5.00/ 5.00

MACH	ALPHA	RN/L	L/DU	BETA	CLU	CDU	CNW	CBW	CTW
1.205	-9.485	4.21113	- .91796	4.38876	-.56567	.61622	-.06557	-.00877	-.01404
1.205	-7.119	4.21075	- .69883	4.40968	-.39468	.56477	-.02375	-.00125	-.01042
1.205	-4.803	4.21231	-.45908	4.42885	-.24264	.52853	.01870	.00640	-.00643
1.205	-2.509	4.21627	- .20333	4.44371	-.10310	.50703	.05542	.01311	-.00278
1.205	-.235	4.21685	.04848	4.45322	.02412	.49747	.09016	.01905	.00187
1.205	2.022	4.21725	.28786	4.45467	.14278	.49601	.11754	.02397	.00557
1.205	4.280	4.21805	.52238	4.44486	.26315	.50375	.14150	.02816	.00858
	GRADIENT	00055	.10813	.00190	.05541	-.00268	.01356	.00240	.00169

LARC 8FT TPT 749 (IA93) OTSAT130

(TJJ006) (24 JUN 76)

REFERENCE DATA

SREF = 2690.0000 SQ.FT. XMRP = 976.0000 IN. XT
 LREF = 1290.3000 INCHES YMRP = .0000 IN. YT
 BREF = 1290.3000 INCHES ZMRP = 400.0000 IN. ZT
 SCALE = .0100

PARAMETRIC DATA

BETA = 6.000 ELV-LI = 10.000
 ELV-LO = 9.000 ELV-RI = 10.000
 ELV-RO = 9.000

RUN NO 6/ 0 RN/L = 3.16 GRADIENT INTERVAL = -5.00/ 5.00

MACH	ALPHA	RN/L	L/DU	BETA	CLU	CDU	CNW	CBW	CTW
.599	-8.530	3.16266	-1.13868	6.29740	-.40311	.35402	-.04882	-.00559	-.01841
.599	-6.422	3.16496	-.89188	6.33191	-.28968	.32480	-.02253	-.00085	-.01323
.599	-4.297	3.16562	-.60267	6.35996	-.18353	.30452	.00586	.00418	-.00757
.599	-2.196	3.16456	-.27088	6.37748	-.07868	.29044	.03158	.00902	-.00247
.599	-.080	3.16283	.10754	6.38778	.03042	.28290	.05942	.01414	.00286
.599	2.048	3.16139	.50718	6.38336	.14276	.28148	.08717	.01941	.00816
.599	4.157	3.16105	.90027	6.36954	.25729	.28580	.11654	.02493	.01347
GRADIENT		-.00058	.17890	.00118	.05215	-.00219	.01309	.00245	.00249

RUN NO. 9/ 0 RN/L = 3.97 GRADIENT INTERVAL = -5.00/ 5.00

MACH	ALPHA	RN/L	L/DU	BETA	CLU	CDU	CNW	CBW	CTW
.900	-9.055	3.97078	-1.09325	6.42430	-.48305	.44185	-.04387	-.00645	-.01535
.900	-6.800	3.97001	-.87761	6.46274	-.35081	.39974	-.01591	-.00172	-.00856
.899	-4.569	3.97057	-.60250	6.48821	-.22367	.37124	.01719	.00420	-.00223
.899	-2.408	3.97034	-.29432	6.50933	-.10404	.35350	.05125	.01042	.00393
.899	-.161	3.96946	.08550	6.51772	.02944	.34436	.08828	.01736	.00940
.899	2.072	3.96974	.46107	6.51265	.15944	.34580	.12474	.02354	.01520
.900	4.265	3.97298	.79946	6.49526	.28597	.35770	.14777	.02692	.01806
GRADIENT		.00019	.16073	.00078	.05792	-.00157	.01511	.00264	.00234

RUN NO. 14/ 0 RN/L = 4.08 GRADIENT INTERVAL = -5.00/ 5.00

MACH	ALPHA	RN/L	L/DU	BETA	CLU	CDU	CNW	CBW	CTW
.975	-9.243	4.08211	-.99618	6.49070	-.52861	.53063	-.05270	-.00754	-.01553
.976	-6.962	4.08438	-.77999	6.51860	-.37815	.48483	-.01790	-.00135	-.00941
.975	-4.688	4.08002	-.53339	6.54079	-.24112	.45204	.02035	.00538	-.00294
.975	-2.427	4.08025	-.25536	6.55396	-.10998	.43069	.05854	.01234	.00321
.975	-.200	4.07882	.04361	6.56283	.01840	.42196	.09228	.01857	.00815
.975	2.015	4.08177	.32920	6.55743	.13872	.42139	.12518	.02400	.01326
.975	4.276	4.07654	.63511	6.53649	.27440	.43205	.15786	.02963	.01610
GRADIENT		-.00024	.13060	-.00023	.05721	-.00220	.01527	.00269	.00215

LARC BFT TPT 749 (IA93) OTSAT130

(TJJ006) (24 JUN 76)

REFERENCE DATA

SREF = 2690.0000 SQ.FT. XMRP = 975.0000 IN. XT
 LREF = 1290.3000 INCHES YMRP = .0000 IN. YT
 BREF = 1290.3000 INCHES ZMRP = 400.0000 IN. ZT
 SCALE = .0100

PARAMETRIC DATA

BETA = 6.000 ELV-LI = 10.000
 ELV-LO = 9.000 ELV-RI = 10.000
 ELV-RO = 9.000

RUN NO. 25/ 0 RN/L = 4.17 GRADIENT INTERVAL = -5.00/ 5.00

MACH	ALPHA	RN/L	L/DO	BETA	CLU	CDU	CNW	CBW	CTW
1.149	-7.138	4.17126	-.71593	6.56422	-.39655	.55389	-.01347	-.00019	-.00858
1.149	-4.813	4.17208	-.47483	6.58794	-.24674	.51963	.03379	.00799	-.00369
1.149	-2.528	4.17226	-.22012	6.60450	-.10949	.49740	.07212	.01507	-.00001
1.149	-.248	4.17221	.04636	6.61810	.02253	.48603	.10665	.02107	.00438
1.149	2.029	4.17194	.30848	6.62008	.14970	.48528	.13733	.02632	.00839
	GRADIENT	- 00002	.11472	.00483	.05794	-.00502	.01513	.00267	.00178

RUN NO 32/ 0 RN/L = 4.22 GRADIENT INTERVAL = -5.00/ 5.00

MACH	ALPHA	RN/L	L/DO	BETA	CLU	CDU	CNW	CBW	CTW
1.205	-9.534	4.21865	-.93141	6.58547	-.57564	.61804	-.06164	-.00765	-.01563
1.206	-7.166	4.21648	-.70869	6.60846	-.40046	.56507	-.01978	-.00054	-.01166
1.206	-4.829	4.21549	-.46820	6.63516	-.24751	.52864	.02497	.00742	-.00757
1.205	-2.542	4.21368	-.22468	6.65014	-.11390	.50693	.06092	.01392	-.00377
1.205	-.247	4.21605	.04382	6.65719	.02177	.49679	.09590	.02004	.00068
1.205	2.033	4.21825	.29141	6.65995	.14469	.49650	.12599	.02513	.00495
1.205	4.297	4.21725	.53239	6.64226	.26780	.50301	.15022	.02930	.00819
	GRADIENT	.00035	.11028	.00106	.05648	-.00271	.01383	.00241	.00176

LARC 8FT TPT 749 (1A93) OTSAT130

(TJJ007) (24 JUN 76)

REFERENCE DATA

SREF = 2690.0000 SQ.FT. XMRP = 976.0000 IN XT
 LREF = 1290.3000 INCHES YMRP = .0000 IN. YT
 BREF = 1290.3000 INCHES ZMRP = 400.0000 IN. ZT
 SCALE = .0100

PARAMETRIC DATA

BETA = -6.000 ELV-LI = 10.000
 ELV-LO = 4.000 ELV-RI = 10.000
 ELV-RO = 4.000

RUN NO. 55/ 0 RN/L = 3.17 GRADIENT INTERVAL = -5.00/ 5.00

MACH	ALPHA	RN/L	L/DU	BETA	CLU	CDU	CNW	CBW	CTW
.600	-8.556	3.16580	-1.18682	-6.32292	-.42791	.36055	-.08808	-.01024	-.02517
.600	-6.435	3.16654	- 94957	-6.35334	-.31356	.33021	-.06689	-.00822	-.02120
.599	-4.320	3.16323	- 67463	-6.36990	-.20793	.30821	-.04536	-.00228	-.01707
.599	-2.209	3.16482	- 35649	-6.37367	-.10533	.29547	-.02225	.00161	-.01164
.600	-.081	3.16485	.01254	-6.37426	00359	.28669	-.00226	.00532	-.00742
.599	2.021	3.16658	.38014	-6.36937	.10818	.28457	.02252	.00950	-.00233
.600	4.136	3.16753	.74984	-6.35872	.21605	.28813	.04456	.01358	.00210
	GRADIENT	00049	.16959	00126	.05021	-.00242	01062	.00187	.00225

RUN NO. 35/ 0 RN/L = 3.97 GRADIENT INTERVAL = -5.00/ 5.00

MACH	ALPHA	RN/L	L/DU	BETA	CLU	CDU	CNW	CBW	CTW
.899	-9.060	3.96891	-1.10943	-6.51595	-.49393	.44521	-.06919	-.01015	-.02041
.899	-6.831	3.96946	- 87710	-6.55357	-.35541	.40521	-.04418	-.00556	-.01587
.899	-4.606	3.96801	- 62668	-6.56007	-.23598	.37656	-.02212	-.00142	-.01140
.899	-2.385	3.97010	- 30852	-6.56597	-.11089	.35942	.00096	.00280	-.00689
.900	-.182	3.97007	.03719	-6.55663	01302	.35017	.02451	.00697	-.00174
.900	2.021	3.97059	.36822	-6.54562	12894	.35018	.04988	.01131	.00378
.899	4.254	3.96981	.70540	-6.53608	25306	.35874	.07300	.01562	.00769
	GRADIENT	.00018	.15099	00309	05504	-.00203	.01081	.00192	.00221

RUN NO. 40/ 0 RN/L = 4.08 GRADIENT INTERVAL = -5.00/ 5.00

MACH	ALPHA	RN/L	L/DU	BETA	CLU	CDU	CNW	CBW	CTW
.974	-9.237	4.08225	-1.01638	-6.58892	-.54228	.53354	-.09619	-.01468	-.01875
.975	-6.960	4.08376	-.79411	-6.61271	-.38776	.48830	-.06959	-.00952	-.01524
.975	-4.711	4.08652	- 56314	-6.62058	-.25632	.45515	-.04091	-.00446	-.01043
.975	-2.459	4.09057	- 29044	-6.62269	-.12613	.43427	-.01314	.00046	-.00559
.975	-.230	4.08744	-.00638	-6.61233	-.00273	.42773	.01350	.00504	-.00095
.975	2.006	4.08133	.28590	-6.60390	.12281	.42957	.04016	.01006	.00291
.975	4.259	4.07650	.56698	-6.59473	.24962	.44025	.06581	.01502	.00599
	GRADIENT	-.00131	.12660	00315	.05627	-.00154	01191	.00217	.00185

LARC 8FT TPT 749 (1A93) OTSAT130

(TJJ007) (24 JUN 76)

REFERENCE DATA

PARAMETRIC DATA

SREF = 2690.0000 SQ FT. XMRP = 976.0000 IN. XT
 LREF = 1290.3000 INCHES YMRP = .0000 IN. YT
 BREF = 1290.3000 INCHES ZMRP = 400.0000 IN. ZT
 SCALE = .0100

BETA = -6.000 ELV-LI = 10.000
 ELV-LO = 4.000 ELV-RI = 10.000
 ELV-RO = 4.000

RUN NO. 50/ 0 RN/L = 4.21 GRADIENT INTERVAL = -5 00/ 5.00

MACH	ALPHA	RN/L	L/DU	BETA	CLU	CDU	CNW	CBW	CTW
1.149	-7.143	4 20789	-.72109	-6.63935	-.40038	.55525	-.06992	-.00981	-.00892
1.149	-4.831	4 20831	-.48536	-6.64241	-.25316	.52159	-.04097	-.00453	-.00474
1.148	-2.530	4 20714	-.23091	-6.63938	-.11617	.50310	-.01079	.00091	-.00039
1.149	-.263	4 20826	.01737	-6.62643	.00860	.49502	.02009	.00659	.00319
1.149	2.012	4 20823	.27663	-6.62084	.13715	.49581	.05067	.01234	.00558
	GRADIENT	00004	.11117	.00340	05684	-.00375	.01341	.00247	.00152

RUN NO. 45/ 0 RN/L = 4.22 GRADIENT INTERVAL = -5 00/ 5.00

MACH	ALPHA	RN/L	L/DU	BETA	CLU	CDU	CNW	CBW	CTW
1.205	-9.553	4 21646	-.95292	-6.66691	-.58835	.61742	-.09505	-.01489	-.00959
1.205	-7.185	4 21567	-.71656	-6.67448	-.40356	.56319	-.05674	-.00955	-.00663
1.205	-4.853	4 21587	-.47172	-6.68746	-.24972	.52939	-.03810	-.00406	-.00329
1.205	-2.542	4 21449	-.21838	-6.67815	-.11163	.51118	-.00630	.00187	-.00013
1.205	-.264	4 21469	.02852	-6.66809	.01435	.50324	.02491	.00770	.00314
1.205	2.009	4 21408	.26908	-6.66328	.13578	.50461	.05226	.01288	.00526
1.205	4.282	4 21528	.50317	-6.65809	.25719	.51113	.07681	.01735	.00727
	GRADIENT	-.00007	.10680	.00323	.05527	-.00189	.01264	.00236	.00116

LARC 8FT TPT 749 (1A93) OTSAT130

(TJJ008) (24 JUN 76)

REFERENCE DATA

SREF = 2690.0000 SQ.FT. XMRP = 976.0000 IN. XT
 LREF = 1290.3000 INCHES YMRP = .0000 IN. YT
 BREF = 1290.3000 INCHES ZMRP = 400.0000 IN. ZT
 SCALE = .0100

PARAMETRIC DATA

BETA = -4.000 ELV-LI = 10.000
 ELV-LO = 4.000 ELV-RI = 10.000
 ELV-RO = 4.000

RUN NO. 54/ 0 RN/L = 3.17 GRADIENT INTERVAL = -5.00/ 5.00

MACH	ALPHA	RN/L	L/DU	BETA	CLU	CDU	CNW	CBW	CTW
.599	-8.515	3.16237	-1.16297	-4.20840	-.41827	.35966	-.08657	-.01005	-.02473
.600	-6.406	3.16562	-.93186	-4.22959	-.30839	.33094	-.06643	-.00609	-.02120
.600	-4.303	3.16761	-.67041	-4.24515	-.20807	.31035	-.04316	-.00201	-.01672
.600	-2.198	3.16753	-.35244	-4.25512	-.10458	.29674	-.01846	.00210	-.01128
.600	-.095	3.16909	-.01647	-4.25486	-.00475	.28870	.00415	.00612	-.00652
.599	2.012	3.16839	.35771	-4.25166	.10172	.28436	.02720	.01026	-.00150
.599	4.121	3.16943	.73233	-4.24736	.21073	.28775	.05031	.01455	.00300
	GRADIENT	.00021	.16695	-.00005	.04957	-.00273	.01105	.00196	.00234

RUN NO. 34/ 0 RN/L = 3.97 GRADIENT INTERVAL = -5.00/ 5.00

MACH	ALPHA	RN/L	L/DU	BETA	CLU	CDU	CNW	CBW	CTW
.899	-9.015	3.96906	-1.10891	-4.33574	-.49485	.44625	-.06958	-.00995	-.02058
.899	-6.798	3.96725	-.89202	-4.35161	-.36094	.40463	-.04428	-.00532	-.01602
.899	-4.574	3.96777	-.62308	-4.35814	-.23349	.37473	-.02128	-.00108	-.01127
.899	-2.393	3.96765	-.32306	-4.35940	-.11466	.35491	.00108	.00298	-.00641
.899	-.175	3.97049	.03905	-4.35597	.01346	.34460	.02865	.00778	-.00068
.899	2.023	3.97135	.39444	-4.34990	.13522	.34282	.05679	.01269	.00522
.899	4.226	3.97228	.71513	-4.34332	.25346	.35442	.07906	.01703	.00839
	GRADIENT	.00058	.15416	.00178	.05559	-.00239	.01165	.00209	.00231

RUN NO. 39/ 0 RN/L = 4.07 GRADIENT INTERVAL = -5.00/ 5.00

MACH	ALPHA	RN/L	L/DU	BETA	CLU	CDU	CNW	CBW	CTW
.974	-9.197	4.07894	-1.00940	-4.37950	-.54128	.53624	-.09249	-.01400	-.01813
.976	-6.934	4.08262	-.79521	-4.39390	-.38946	.48976	-.06579	-.00892	-.01459
.975	-4.672	4.07440	-.56415	-4.39682	-.25724	.45597	-.03742	-.00395	-.01000
.975	-2.446	4.07000	-.30617	-4.38607	-.13288	.43400	-.00970	.00111	.00523
.975	-.212	4.06855	-.01495	-4.37137	-.00635	.42458	.01824	.00615	-.00016
.975	1.997	4.07000	.27296	-4.36652	.11593	.42471	.04721	.01163	.00385
.974	4.238	4.07411	.55909	-4.35984	.24410	.43659	.07551	.01704	.00696
	GRADIENT	-.00003	.12692	.00420	.05621	-.00216	.01270	.00235	.00193

LARC 8FT TPT 749 (1A93) OTSAT130

(TJJ008) (24 JUN 76)

REFERENCE DATA

SREF = 2690.0000 SQ.FT. XMRP = 976.0000 IN. XT
 LREF = 1290.3000 INCHES YMRP = .0000 IN. YT
 BREF = 1290.3000 INCHES ZMRP = 400.0000 IN. ZT
 SCALE = .0100

PARAMETRIC DATA

BETA = -4.000 ELV-LI = 10.000
 ELV-LO = 4.000 ELV-RI = 10.000
 ELV-RO = 4.000

RUN NO. 49/ 0 RN/L = 4.21 GRADIENT INTERVAL = -5.00/ 5.00

MACH	ALPHA	RN/L	L/DU	BETA	CLU	CDU	CNW	CBW	CTW
1.149	-7.104	4.20862	-.72858	-4.42889	-.40351	.55382	-.06337	-.00887	-.00829
1.149	-4.795	4.20541	-.48821	-4.42960	-.25363	.51951	-.03216	-.00323	-.00379
1.149	-2.501	4.20644	-.23528	-4.42628	-.11779	.50064	.00009	.00276	.00055
1.149	-.250	4.20620	.01949	-4.41150	.00958	.49158	.03283	.00891	.00382
1.149	2.002	4.20684	.26714	-4.41185	.13115	.49095	.06290	.01451	.00614
	GRADIENT	.00018	.11133	.00300	.05661	-.00419	.01404	.00262	.00146

RUN NO 44/ 0 RN/L = 4.22 GRADIENT INTERVAL = -5.00/ 5.00

MACH	ALPHA	RN/L	L/DU	BETA	CLU	CDU	CNW	CBW	CTW
1.205	-9.494	4.21329	-.93516	-4.42811	-.57545	.61535	-.08931	-.01403	-.00956
1.205	-7.135	4.21330	-.71458	-4.43720	-.40115	.56138	-.05975	-.00846	-.00639
1.205	-4.816	4.21370	-.47286	-4.44123	-.24892	.52642	-.02798	-.00245	-.00316
1.205	-2.522	4.21449	-.21841	-4.43039	-.11091	.50783	.00704	.00412	.00036
1.205	-.244	4.21429	.02974	-4.41979	.01486	.49958	.03954	.01012	.00361
1.205	2.003	4.21428	.26737	-4.41777	.13368	.49998	.06634	.01513	.00583
1.205	4.263	4.21585	.50077	-4.41234	.25418	.50758	.08915	.01944	.00746
	GRADIENT	.00018	.10727	.00311	.05515	-.00202	.01295	.00242	.00118

LARC 8FT TPT 749 (IA93) OTSAT130

(TJJ009) (24 JUN 76)

REFERENCE DATA

SREF = 2690.0000 SQ FT. XMRP = 976.0000 IN. XT
 LREF = 1290.3000 INCHES YMRP = .0000 IN. YT
 BREF = 1290.3000 INCHES ZMRP = 400.0000 IN. ZT
 SCALE = .0100

PARAMETRIC DATA

BETA = .000 ELV-LI = 10.000
 ELV-LO = 4.000 ELV-RI = 10.000
 ELV-RO = 4.000

RUN NO. 53/ 0 RN/L = 3.17 GRADIENT INTERVAL = -5.00/ 5.00

MACH	ALPHA	RN/L	L/DU	BETA	CLU	CDU	CNW	CBW	CTW
.598	-8.496	3.15490	-1.18700	.00403	-.42195	.35547	-.08869	-.01054	-.02451
.600	-6.384	3.17082	-.95562	.00469	-.31110	.32555	-.06445	-.00621	-.01971
.600	-4.283	3.17437	-.68139	.01273	-.20657	.30316	-.03866	-.00168	-.01455
.599	-2.190	3.17218	-.37590	.01702	-.10942	.29108	-.01446	.00252	-.00970
.600	-.090	3.17556	-.01823	.02068	-.00517	.28341	.01118	.00705	-.00404
.599	2.008	3.16981	.35375	.02354	.09906	.28004	03376	.01142	.00039
.600	4.108	3.17014	.72905	.01647	20569	.28214	05976	.01609	.00568
	GRADIENT	-.00052	.16924	.00067	04924	-.00253	01168	.00212	.00241

RUN NO. 33/ 0 RN/L = 3.97 GRADIENT INTERVAL = -5.00/ 5.00

MACH	ALPHA	RN/L	L/DU	BETA	CLU	CDU	CNW	CBW	CTW
.900	-8.960	3.97526	-1.14124	-.03323	-.50260	.44040	-.07688	-.01105	-.01981
.900	-6.759	3.97402	-.92882	-.02265	-.36673	.39484	-.04733	-.00593	-.01397
.899	-4.551	3.97151	-.65453	-.01970	-.23679	.36177	-.02129	-.00126	-.00866
.899	-2.349	3.96990	-.34537	-.01299	-.11794	.34148	.00905	.00388	-.00212
.899	-.179	3.96998	.01608	-.00158	.00535	.33268	.03752	.00903	.00353
.898	2.001	3.96740	.39468	.00684	.13146	.33308	.06852	.01431	.00983
.900	4.217	3.96978	.73716	.00350	.25558	.34671	.09398	.01877	.01326
	GRADIENT	-.00027	.16098	.00302	.05639	-.00176	.01325	.00231	.00255

RUN NO. 38/ 0 RN/L = 4.07 GRADIENT INTERVAL = -5.00/ 5.00

MACH	ALPHA	RN/L	L/DU	BETA	CLU	CDU	CNW	CBW	CTW
.975	-9.164	4.09355	-1.02960	-.02549	-.54844	.53267	-.08779	-.01322	-.01742
.976	-6.907	4.09541	-.82049	-.01483	-.39853	.48573	-.05618	-.00760	-.01221
.975	-4.659	4.08697	-.58654	-.00653	-.26356	.44935	-.02593	-.00220	-.00704
.976	-2.428	4.08402	-.32840	.00545	-.14072	.42850	.00366	.00307	-.00153
.975	-.221	4.07669	-.05678	.01189	-.02374	.41803	03500	.00880	.00373
.974	1.998	4.07235	.24997	.01945	.10401	.41607	.06661	.01490	.00785
.974	4.208	4.07372	.54630	.01068	.23307	.42663	.09491	.02007	.01113
	GRADIENT	-.00172	.12834	.00219	.05587	-.00261	.01375	.00254	.00206

LARC BFT TPT 749 (IA93) OTSAT130

(TJJ009) (24 JUN 76)

REFERENCE DATA

SREF = 2690.0000 SQ.FT. XMRP = 976.0000 IN. XT
 LREF = 1290.3000 INCHES YMRP = .0000 IN. YT
 BREF = 1290.3000 INCHES ZMRP = 400.0000 IN. ZT
 SCALE = .0100

PARAMETRIC DATA

BETA = .000 ELV-L1 = 10.000
 ELV-LO = 4.000 ELV-R1 = 10.000
 ELV-RO = 4.000

RUN NO. 48/ 0 RN/L = 4.21 GRADIENT INTERVAL = -5.00/ 5.00

MACH	ALPHA	RN/L	L/DU	BETA	CLU	CDU	CNW	CBW	CTW
1.149	-7.071	4 21098	-.75044	-.02794	-.41332	.55077	-.05338	-.00730	-.00682
1.149	-4.774	4 20910	-.51272	-.01978	-.26414	.51518	-.01589	-.00034	-.00238
1.149	-2.494	4.20826	-.24548	-.01113	-.12169	.49573	.02386	.00697	.00150
1.149	-.253	4.20720	.00214	.00296	.00104	.48616	.05915	.01341	.00513
1.148	2 015	4.20775	.25604	.00056	.12381	.48356	.08829	.01864	.00804
	GRADIENT	-.00023	.11297	.00332	.05691	-.00462	.01539	.00280	.00154

RUN NO 43/ 0 RN/L = 4 22 GRADIENT INTERVAL = -5.00/ 5 00

MACH	ALPHA	RN/L	L/DU	BETA	CLU	CDU	CNW	CBW	CTW
1 205	-9.422	4 21923	-.93450	-.03348	-.56862	.60848	-.07974	-.01269	-.00893
1 205	-7 096	4.21706	-.73028	-.03184	-.40624	.55627	-.04363	-.00604	-.00514
1.206	-4.781	4 21707	-.48997	-.02526	-.25567	.52182	-.00663	.00116	-.00254
1 205	-2.494	4 21627	-.22705	-.01264	-.11395	.50188	.03130	.00815	.00071
1.205	-.242	4.21686	.01873	.00039	.00924	.49324	.06578	.01431	.00425
1.205	2.005	4 21705	.25541	-.00081	.12558	.49168	.09312	.01921	.00738
1.205	4.246	4.21784	.48803	-.00411	.24319	.49831	.11551	.02339	.00944
	GRADIENT	.00010	.10813	.00241	.05487	-.00255	.01358	.00246	.00136

LARC 8FT TPT 749 (1A93) OTSAT130

(TJJ010) (24 JUN 76)

REFERENCE DATA

SREF = 2690.0000 SQ.FT. XMRP = 976.0000 IN. XT
 LREF = 1290.3000 INCHES YMRP = .0000 IN. YT
 BREF = 1290.3000 INCHES ZMRP = 400.0000 IN. ZT
 SCALE = .0100

PARAMETRIC DATA

BETA = 4.000 ELV-L1 = 10.000
 ELV-L0 = 4.000 ELV-R1 = 10.000
 ELV-R0 = 4.000

RUN NO. 56/ 0 RN/L = 3.17 GRADIENT INTERVAL = -5.00/ 5.00

MACH	ALPHA	RN/L	L/DU	BETA	CLU	CDU	CNW	CBW	CTW
.600	-8.511	3.16943	-1.18527	4.21766	-.42657	.35989	-.09149	-.01107	-.02416
.600	-6.409	3.16764	-.95798	4.24025	-.31578	.32963	-.06623	-.00644	-.01941
.600	-4.306	3.16931	-.69015	4.25949	-.21310	.30878	-.04362	-.00202	-.01513
.600	-2.203	3.16721	-.37639	4.27405	-.11070	.29411	-.01746	.00273	-.00964
.600	-.099	3.16493	-.02953	4.28150	-.00845	.28605	.01028	.00761	-.00378
.599	2.010	3.16407	.35237	4.28237	.09972	.28300	.03702	.01264	.00137
.600	4.125	3.16922	.71519	4.26896	.20482	.28639	.06251	.01742	.00651
GRADIENT		-.00016	.16795	.00129	.04965	-.00265	.01266	.00232	.00258

RUN NO. 36/ 0 RN/L = 3.97 GRADIENT INTERVAL = -5.00/ 5.00

MACH	ALPHA	RN/L	L/DU	BETA	CLU	CDU	CNW	CBW	CTW
.900	-9.013	3.97033	-1.13058	4.31589	-.50248	.44444	-.07223	-.01038	-.01791
.899	-6.783	3.96777	-.89965	4.34832	-.36005	.40021	-.04255	-.00521	-.01163
.899	-4.562	3.97081	-.63433	4.35876	-.23461	.36985	-.01101	.00037	-.00502
.899	-2.375	3.96938	-.33477	4.37895	-.11748	.35094	.02052	.00592	.00151
.899	-.180	3.97002	.00842	4.38887	.00287	.34145	.05085	.01145	.00726
.899	2.010	3.97000	.37744	4.38645	.12872	.34104	.08135	.01658	.01282
.899	4.232	3.96899	.71463	4.37863	.25290	.35388	.10575	.02043	.01551
GRADIENT		-.00014	.15520	.00214	.05558	-.00190	.01339	.00231	.00238

RUN NO. 41/ 0 RN/L = 4.08 GRADIENT INTERVAL = -5.00/ 5.00

MACH	ALPHA	RN/L	L/DU	BETA	CLU	CDU	CNW	CBW	CTW
.975	-9.216	4.08334	-1.02650	4.33639	-.54782	.53368	-.08094	-.01210	-.01654
.975	-6.939	4.08438	-.81514	4.36237	-.39585	.48563	-.04513	-.00590	-.01024
.975	-4.677	4.08507	-.57893	4.37643	-.26115	.45109	-.01176	.00012	-.00444
.975	-2.452	4.08256	-.31264	4.38998	-.13446	.43009	.02218	.00629	.00129
.974	-.228	4.08090	-.02798	4.39563	-.01179	.42149	.05708	.01288	.00634
.975	1.990	4.07923	.26498	4.39590	.11115	.41946	.08800	.01859	.01062
.974	4.224	4.07573	.56446	4.38299	.24216	.42902	.11829	.02367	.01493
GRADIENT		-.00099	.12877	.00085	.05630	-.00246	.01465	.00267	.00216

ORIGINAL PAGE IS
OF POOR QUALITY

LARC 8FT TPT 749 (1A93) OTSAT130

(TJJ010) (24 JUN 76)

REFERENCE DATA

SREF = 2690.0000 SQ.FT XMRP = 976.0000 IN. XT
 LREF = 1290.3000 INCHES YMRP = .0000 IN. YT
 BREF = 1290.3000 INCHES ZMRP = 400.0000 IN. ZT
 SCALE = .0100

PARAMETRIC DATA

BETA = 4.000 ELV-LI = 10.000
 ELV-LO = 4.000 ELV-RI = 10.000
 ELV-RO = 4.000

RUN NO. 51/ 0 RN/L = 4.21 GRADIENT INTERVAL = -5.00/ 5.00

MACH	ALPHA	RN/L	L/DU	BETA	CLU	CDU	CNW	CBW	CTW
1.149	-7.109	4.20765	-.73914	4.37167	-.41100	.55605	-.03874	-.00475	-.00701
1.149	-4.796	4.20702	-.50352	4.39408	-.26205	.52044	.00676	.00348	-.00268
1.149	-2.522	4.20647	-.24866	4.40878	-.12387	.49816	.04486	.01056	.00113
1.149	-.244	4.20548	.01293	4.42245	.00631	.48796	.07906	.01681	.00466
1.149	1.999	4.20532	.26682	4.41793	.12952	.48543	.10778	.02198	.00795
	GRADIENT	- 00027	11352	00377	.05758	-.00509	01488	00273	.00156

RUN NO 46/ 0 RN/L = 4.22 GRADIENT INTERVAL = -5.00/ 5.00

MACH	ALPHA	RN/L	L/DU	BETA	CLU	CDU	CNW	CBW	CTW
1.205	-9.491	4.21745	-.93867	4.37414	-.57654	.61421	-.07270	-.01108	-.01214
1.205	-7.140	4.21628	-.72487	4.39499	-.40765	.56238	-.03135	-.00350	-.00869
1.205	-4.820	4.21490	-.48308	4.41305	-.25393	.52565	.01093	.00431	-.00534
1.205	-2.515	4.21409	-.22620	4.42700	-.11397	.50384	.04866	.01113	-.00139
1.205	-.255	4.21448	.02406	4.43793	.01189	.49418	.08091	.01705	.00243
1.205	1.989	4.21526	.26378	4.44109	.12981	.49212	.10916	.02204	.00600
1.205	4.270	4.21545	.50400	4.42825	.25179	.49959	.13442	.02647	.00913
	GRADIENT	00010	10863	.00196	.05534	-.00282	.01356	.00244	00160

LARC 8FT TPT 749 (1A93) OTSAT130

(TJ011) (24 JUN 76)

REFERENCE DATA

SREF = 2690.0000 SQ.FT. XMRP = 976.0000 IN. XT
 LREF = 1290.3000 INCHES YMRP = .0000 IN. YT
 BREF = 1290.3000 INCHES ZMRP = 400.0000 IN. ZT
 SCALE = .0100

PARAMETRIC DATA

BETA = 6.000 ELV-L1 = 10.000
 ELV-LO = 4.000 ELV-R1 = 10.000
 ELV-RO = 4.000

RUN NO. 57/ 0 RN/L = 3.16 GRADIENT INTERVAL = -5.00/ 5.00

MACH	ALPHA	RN/L	L/DU	BETA	CLU	CDU	CNW	CBW	CTW
.600	-8.561	3.16894	-1.21150	6.29387	-.43753	.36114	-.09525	-.01156	-.02451
.600	-6.437	3.17076	-.97320	6.33093	-.32029	.32911	-.06845	-.00663	-.01941
.600	-4.314	3.16839	-.69455	6.37074	-.21373	.30773	-.04332	-.00182	-.01462
.600	-2.214	3.16894	-.38228	6.39519	-.11218	.29344	-.01449	.00324	-.00858
.600	-.098	3.16655	-.01239	6.40437	-.00353	.28499	.01220	.00828	-.00335
.600	2.030	3.16721	.38097	6.40083	.10761	.28245	.03986	.01341	.00229
.599	4.133	3.16378	.74800	6.38825	.21336	.28524	.06611	.01826	.00750
	GRADIENT	.00052	.17261	.00192	.05081	-.00265	.01292	.00238	.00261

RUN NO. 37/ 0 RN/L = 3.97 GRADIENT INTERVAL = -5.00/ 5.00

MACH	ALPHA	RN/L	L/DU	BETA	CLU	CDU	CNW	CBW	CTW
.899	-9.059	3.96750	-1.12846	6.46081	-.50067	.44367	-.07342	-.01032	-.01784
.899	-6.826	3.96931	-.91580	6.49924	-.36825	.40211	-.04335	-.00524	-.01113
.899	-4.591	3.96842	-.65979	6.52228	-.24635	.37338	-.01053	.00050	-.00455
.899	-2.404	3.96979	-.35310	6.54134	-.12521	.35460	.02278	.00639	.00245
.900	-.212	3.97182	-.01165	6.55258	-.00403	.34563	.05679	.01240	.00882
.900	2.022	3.97195	.35875	6.54501	.12422	.34626	.08574	.01737	.01395
.899	4.243	3.96953	.69834	6.52889	.24842	.35573	.10942	.02099	.01616
	GRADIENT	.00020	.15518	.00075	.05608	-.00196	.01370	.00235	.00239

RUN NO. 42/ 0 RN/L = 4.08 GRADIENT INTERVAL = -5.00/ 5.00

MACH	ALPHA	RN/L	L/DU	BETA	CLU	CDU	CNW	CBW	CTW
.974	-9.234	4.07373	-1.03055	6.51634	-.54759	.53136	-.07902	-.01165	-.01629
.975	-6.980	4.07592	-.82191	6.54830	-.40024	.48697	-.04408	-.00554	-.00991
.975	-4.720	4.07128	-.58412	6.57390	-.26460	.45298	-.00814	.00088	-.00375
.975	-2.473	4.07002	-.31745	6.58504	-.13689	.43120	.02963	.00769	.00219
.974	-.227	4.07529	-.00767	6.59045	-.00324	.42199	.06606	.01468	.00695
.974	1.995	4.08113	.27427	6.58699	.11543	.42084	.09667	.02007	.01157
.974	4.246	4.08363	.57787	6.56988	.24857	.43014	.12717	.02510	.01595
	GRADIENT	.00160	.13016	-.00027	.05708	-.00250	.01507	.00272	.00218

LARC 8FT TPT /49 (1A93) OTSAT130

(TJJ011) (24 JUN 76)

REFERENCE DATA

SREF = 2690.0000 SQ.FT. XMRP = 976.0000 IN XT
 LREF = 1290.3000 INCHES YMRP = 0000 IN. YT
 BREF = 1290.3000 INCHES ZMRP = 400.0000 IN. ZT
 SCALE = .0100

PARAMETRIC DATA

BETA = 6.000 ELV-LI = 10.000
 ELV-LO = 4.000 ELV-RI = 10.000
 ELV-RO = 4.000

RUN NO 52/ 0 RN/L = 4.21 GRADIENT INTERVAL = -5.00/ 5.00

MACH	ALPHA	RN/L	L/DU	BETA	CLU	CDU	CNW	CBW	CTW
1.149	-7.156	4.20702	-74544	6.57481	-441524	.55703	-03348	-.00349	-.00829
1.149	-4.845	4.20650	-.51070	6.60383	-.26699	.52280	01499	.00493	-.00375
1.149	-2.551	4.20605	-26103	6.61982	-.13047	.49982	05260	01194	-.00013
1.149	-.266	4.20641	00855	6.62963	.00417	.48783	08745	.01821	00395
1.148	2.001	4.20672	27020	6.62836	.13144	.48645	.11848	.02360	.00776
	GRADIENT	00004	11445	00366	.05827	-.00531	01513	00273	.00169

RUN NO. 47/ 0 RN/L = 4.22 GRADIENT INTERVAL = -5.00/ 5.00

MACH	ALPHA	RN/L	L/DU	BETA	CLU	CDU	CNW	CBW	CTW
1.205	-9.552	4.21626	-95547	6.55864	-.58876	61620	-.07108	-01020	-.01407
1.205	-7.185	4.21627	-73326	6.58113	-.41258	56267	-.02736	-.00260	-.01032
1.205	-4.857	4.21449	-49239	6.60480	-25895	52591	.01640	00525	-.00639
1.205	-2.566	4.21449	-24328	6.62453	-.12259	50390	.05319	.01201	-.00303
1.205	-.270	4.21468	01591	6.63295	.00785	.49319	.08816	01811	.00154
1.205	2.003	4.21467	27029	6.63266	.13321	.49285	.11836	.02333	00554
1.205	4.275	4.21646	.51060	6.61933	.25487	.49915	.14330	02757	.00892
	GRADIENT	00018	11035	00163	05621	-.00283	.01397	00245	.00172

LARC 8FT TPT 749 (1A93) OTSAT130

(TJJ012) (24 JUN 76)

REFERENCE DATA

SREF = 2690.0000 SQ FT. XMRP = 976.0000 IN XT
 LREF = 1290.3000 INCHES YMRP = .0000 IN YT
 BREF = 1290.3000 INCHES ZMRP = 400.0000 IN. ZT
 SCALE = .0100

PARAMETRIC DATA

BETA = -6.000 ELV-LI = 10.000
 ELV-LO = 14.000 ELV-RI = 10.000
 ELV-RO = 14.000

RUN NO 80/ 0 RN/L = 3.16 GRADIENT INTERVAL = -5.00/ 5.00

MACH	ALPHA	RN/L	L/DU	BETA	CLU	CDU	CNW	CBW	CTW
599	-8.515	3.16306	-1.08022	-6.31660	-.38606	.35739	-.05963	-00504	-.02626
599	-6.414	3.16199	-.81952	-6.34656	-.27026	.32977	-.03574	-.00079	-.02200
.599	-2.189	3.16220	-.20601	-6.37050	-.06133	.29770	.00753	.00692	-.01291
.598	-.073	3.15707	.15936	-6.36909	.04632	.29069	.02806	.01089	-.00863
599	2.046	3.15840	.55174	-6.36479	.16075	.29136	.05285	.01549	-.00408
598	4.162	3.15842	.91537	-6.35255	.27137	.29646	.07723	.01979	00062
	GRADIENT	-.00047	17743	00275	.05255	-00014	01105	00204	00213

LARC 8FT TPT 749 (1A93) OTSAT130

(TJJ012) (24 JUN 76)

REFERENCE DATA

SREF = 2690.0000 SQ.FT. XMRP = 976.0000 IN. XT
 LREF = 1290.3000 INCHES YMRP = .0000 IN. YT
 BREF = 1290.3000 INCHES ZMRP = 400.0000 IN. ZT
 SCALE = 0100

PARAMETRIC DATA

BETA = -6.000 ELV-LI = 10.000
 ELV-LO = 14.000 ELV-RI = 10.000
 ELV-RO = 14.000

RUN NO 75/ 0 RN/L = 3.97 GRADIENT INTERVAL = -5.00/ 5 00

MACH	ALPHA	RN/L	L/DU	BETA	CLU	CDU	CNW	CBW	CTW
.900	-9.044	3.97071	-1.04209	-6.51371	-.46735	.44847	-.04697	-.00600	-.02192
900	-6.806	3.97033	-.80822	-6.55220	- 33033	.40872	- 02523	-.00195	-.01741
900	-4.589	3.97011	- .54734	-6.55929	-.20859	.38109	- 00286	.00230	-.01296
900	-2.380	3.96812	-.23200	-6.56083	-.08446	.36407	02023	.00652	-.00861
.899	- 158	3.96658	.14024	-6.55342	04994	.35612	04574	.01142	-.00409
.899	2.067	3.97033	.50275	-6.53977	17940	.35684	07413	.01651	.00075
.900	4.293	3.97387	.82880	-6.53411	30514	.36818	10063	.02150	.00458
	GRADIENT	00044	.15700	00322	05814	-.00148	01175	00218	.00200

RUN NO 65/ 0 RN/L = 4.08 GRADIENT INTERVAL = -5.00/ 5.00

MACH	ALPHA	RN/L	L/DU	BETA	CLU	CDU	CNW	CBW	CTW
.975	-9.245	4.08487	-.95598	-6.59309	-.51549	.53923	-.07775	-.01034	-.02193
.976	-6.953	4.08519	-.72526	-6.61475	- 35845	.49424	- 04853	-.00495	-.01806
.975	-4.689	4.08439	-.48585	-6.61931	-.22403	.46110	- 01985	.00031	-.01379
.975	-2.451	4.07876	-.21584	-6.61313	-.09547	.44233	.00877	.00521	-.00867
.975	- 189	4.07913	08375	-6.59514	.03639	.43447	.03562	.01014	-.00420
.975	2.038	4.07921	.37540	-6.59189	16446	.43810	06468	.01544	-.00038
975	4.293	4.07891	.65364	-6.57832	29553	.45213	09092	.02056	.00255
	GRADIENT	-.00047	.12783	.00460	.05786	-.00099	.01236	.00226	.00182

RUN NO 70/ 0 RN/L = 4.21 GRADIENT INTERVAL = -5 00/ 5.00

MACH	ALPHA	RN/L	L/DU	BETA	CLU	CDU	CNW	CBW	CTW
1.149	-7.126	4.20871	- .67014	-6.66085	- 37430	.55855	-.05147	-.00595	- 01107
1.149	-4.810	4.20971	-.42933	-6.66821	-.22582	.52598	-.02331	-.00060	- 00742
1.149	-2.503	4.20937	-.17939	-6.66239	-.09136	.50925	.00843	.00505	- 00291
1.149	- 239	4.20968	07364	-6.65395	.03692	.50130	.03922	01080	.00067
1.149	2.036	4.21050	.32661	-6.64770	16412	.50251	.06944	.01638	00330
	GRADIENT	.00012	11055	.00307	.05693	-.00344	.01355	00249	.00157

DATE 29 OCT 76

TABULATED SOURCE DATA - 1A93.

(TJJ012) (24 JUN 76)

LARC 8FT TPT 749 (1A93) OTSAT130

REFERENCE DATA

SREF = 2690.0000 SQ FT. XMRP = 976.0000 IN. XT
 LREF = 1290.3000 INCHES YMRP = .0000 IN. YT
 BREF = 1290.3000 INCHES ZMRP = 400.0000 IN. ZT
 SCALE = .0100

PARAMETRIC DATA

BETA = -6.000 ELV-LI = 10.000
 ELV-LO = 14.000 ELV-RI = 10.000
 ELV-RO = 14.000

		RUN NO.	60/ 0	RN/L =	4.22	GRADIENT INTERVAL = -5.00/ 5.00			
MACH	ALPHA	RN/L	L/DU	BETA	CLU	CDU	CNW	CBW	CTW
1.199	-9.537	4.21139	-.90639	-6.67605	-.56162	.61962	-.07901	-.01141	-.01177
1.200	-7.171	4.21244	-.66673	-6.68300	-.37773	.56654	-.05090	-.00595	-.00899
1.200	-4.833	4.21223	-.42400	-6.68587	-.22649	.53419	-.02222	-.00033	-.00599
1.199	-2.526	4.21336	-.17220	-6.68244	-.08900	.51685	.01037	.00573	-.00264
1.200	-.243	4.21896	.07572	-6.67142	.03860	.50982	.04203	.01151	.00101
1.200	2.034	4.21697	.31692	-6.66797	.16217	.51170	.06914	.01658	.00322
1.200	4.300	4.21576	.54122	-6.65857	.28060	.51846	.09249	.02081	.00520
	GRADIENT	00047	.10601	.00311	05544	-.00161	.01263	.00233	.00124

LARC 8FT TPT 749 (1A93) OTSAT130

(TJJ013) (24 JUN 76)

REFERENCE DATA

SREF = 2690 0000 SQ FT. XMRP = 976.0000 IN. XT
 LREF = 1290 3000 INCHES YMRP = .0000 IN. YT
 BREF = 1290.3000 INCHES ZMRP = 400 0000 IN. ZT
 SCALE = .0100

PARAMETRIC DATA

BETA = -4.000 ELV-LI = 10.000
 ELV-LO = 14.000 ELV-RI = 10.000
 ELV-RO = 14.000

		RUN NO.	79/ 0	RN/L =	3.16	GRADIENT INTERVAL = -5.00/ 5.00			
MACH	ALPHA	RN/L	L/DU	BETA	CLU	CDU	CNW	CBW	CTW
599	-8.497	3.16093	-1.04735	-4.23764	-.37591	.35891	-.05792	-.00476	-.02630
599	-6.375	3.15866	-.79528	-4.26228	-.26299	.33068	-.03307	-.00039	-.02163
599	-4.269	3.15707	-.51585	-4.27343	-.16053	.31120	-.01096	.00363	-.01701
.599	-2.168	3.16012	-.20033	-4.28067	-.06003	.29966	.01122	.00753	-.01235
.599	-.060	3.16274	.15930	-4.28474	.04657	.29234	.03493	.01186	-.00761
.598	2.035	3.16311	.52432	-4.28220	.15228	.29044	.06029	.01641	-.00268
.599	4.154	3.16453	.88606	-4.28555	.26298	.29679	.08500	.02091	.00211
	GRADIENT	00085	.16763	-.00122	.05033	-.00181	.01145	.00206	.00228

LARC 8FT TPT 749 (1A93) OTSAT130

(TJJ013) (24 JUN 76)

REFERENCE DATA

SREF = 2690.0000 SO.FT. XMRP = 976.0000 IN. XT
 LREF = 1290.3000 INCHES YMRP = .0000 IN. YT
 BREF = 1290.3000 INCHES ZMRP = 400.0000 IN. ZT
 SCALE = .0100

PARAMETRIC DATA

BETA = -4.000 ELV-LI = 10.000
 ELV-LO = 14.000 ELV-RI = 10.000
 ELV-RO = 14.000

RUN NO. 74/ 0 RN/L = 3.97 GRADIENT INTERVAL = -5.00/ 5.00

MACH	ALPHA	RN/L	L/DU	BETA	CLU	CDU	CNW	CBW	CTW
.900	-9.002	3.97231	-1.04501	-4.35853	-.47011	.44986	-.04666	-.00573	-.02213
.900	-6.775	3.96923	-.82317	-4.37470	-.33580	.40793	-.02433	-.00161	-.01747
.899	-4.559	3.96794	-.54488	-4.38399	-.20649	.37897	-.00129	.00280	-.01315
.900	-2.357	3.96844	-.22006	-4.38420	-.07934	.36054	.02258	.00720	-.00819
.899	-.154	3.96679	.13826	-4.37645	.04842	.35022	.05224	.01256	-.00321
.899	2.056	3.96807	.52347	-4.36782	.18431	.35210	.08269	.01830	.00164
.900	4.281	3.97313	.84855	-4.36595	.30966	.36493	.11074	.02342	.00574
	GRADIENT	.00063	.15980	.00237	.05866	-.00165	.01286	.00237	.00215

RUN NO. 64/ 0 RN/L = 4.08 GRADIENT INTERVAL = -5.00/ 5.00

MACH	ALPHA	RN/L	L/DU	BETA	CLU	CDU	CNW	CBW	CTW
.975	-9.189	4.07811	-.94331	-4.39478	-.51020	.54086	-.07318	-.00950	-.02134
.975	-6.911	4.08170	-.72352	-4.40576	-.35728	.49380	-.04424	-.00430	-.01734
.975	-4.672	4.07957	-.48924	-4.40526	-.22570	.46133	-.01584	.00096	-.01319
.975	-2.425	4.07995	-.22566	-4.40016	-.09947	.44080	.01335	.00605	-.00809
.975	-.184	4.08222	.07246	-4.39011	.03132	.43227	.04216	.01133	-.00326
.975	2.042	4.08496	.36898	-4.38041	.16029	.43443	.07270	.01725	.00000
.975	4.267	4.08447	.65120	-4.37302	.29276	.44957	.10325	.02290	.00357
	GRADIENT	.00066	.12868	.00377	.05803	-.00134	.01331	.00246	.00186

RUN NO. 69/ 0 RN/L = 4.21 GRADIENT INTERVAL = -5.00/ 5.00

MACH	ALPHA	RN/L	L/DU	BETA	CLU	CDU	CNW	CBW	CTW
1.149	-7.088	4.20795	-.67703	-4.43587	-.37825	.55868	-.04568	-.00504	-.01075
1.149	-4.777	4.20708	-.43273	-4.43792	-.22720	.52504	-.01416	.00076	-.00670
1.149	-2.482	4.20835	-.18006	-4.42875	-.09124	.50672	.01835	.00692	-.00264
1.149	-.242	4.20868	.06993	-4.42163	.03485	.49835	.05148	.01304	.00102
1.149	2.024	4.20926	.31626	-4.41848	.15764	.49845	.08139	.01846	.00389
	GRADIENT	.00030	.11027	.00289	.05656	-.00390	.01412	.00262	.00156

LARC 8FT TPT 749 (1A93) OTSAT130

(TJJ013) (24 JUN 76)

REFERENCE DATA

SREF = 2690.0000 SQ.FT. XMRP = 976.0000 IN. XT
 LREF = 1290.3000 INCHES YMRP = 0000 IN. YT
 BREF = 1290.3000 INCHES ZMRP = 400.0000 IN. ZT
 SCALE = .0100

PARAMETRIC DATA

BETA = -4.000 ELV-LI = 10.000
 ELV-LO = 14.000 ELV-RI = 10.000
 ELV-RO = 14.000

RUN NO. 59/ 0 RN/L = 4.22 GRADIENT INTERVAL = -5.00/ 5.00

MACH	ALPHA	RN/L	L/DU	BETA	CLU	CDU	CNW	CBW	CTW
1.199	-9.478	4.21576	-.88717	-4.44957	-.54785	.61753	-.07402	-.01057	-.01180
1.200	-7.114	4.21559	-.66479	-4.45888	-.37591	.56545	-.04290	-.00483	-.00846
1.200	-4.798	4.21261	-.42361	-4.45580	-.22531	.53189	-.01161	.00129	-.00557
1.200	-2.502	4.21478	-.16666	-4.44869	-.08574	.51448	.02322	.00790	-.00226
1.199	-.229	4.21615	.08265	-4.43513	.04186	.50649	.05467	.01372	.00113
1.200	2.023	4.21538	31070	-4.43507	.15757	.50715	.08244	.01864	.00402
1.199	4.285	4.21712	54114	-4.42860	.27866	.51495	.10450	.02274	.00574
	GRADIENT	00042	10608	00300	.05515	-.00182	01285	00236	.00127

LARC 8FT TPT 749 (1A93) OTSAT130

(TJJ014) (24 JUN 76)

REFERENCE DATA

SREF = 2690.0000 SQ.FT. XMRP = 976.0000 IN. XT
 LREF = 1290.3000 INCHES YMRP = 0000 IN. YT
 BREF = 1290.3000 INCHES ZMRP = 400.0000 IN. ZT
 SCALE = .0100

PARAMETRIC DATA

BETA = .000 ELV-LI = 10.000
 ELV-LO = 14.000 ELV-RI = 10.000
 ELV-RO = 14.000

RUN NO. 78/ 0 RN/L = 3.17 GRADIENT INTERVAL = -5.00/ 5.00

MACH	ALPHA	RN/L	L/DU	BETA	CLU	CDU	CNW	CBW	CTW
.599	-8.472	3.14783	-1.07754	-.02036	-.38351	.35592	-.05762	-.00488	-.02551
.598	-6.364	3.14939	-.83014	-.01836	-.27066	.32605	-.03281	-.00049	-.02069
.598	-4.265	3.15573	-.54223	-.01681	-.16593	.30602	-.00796	.00388	-.01566
.598	-2.182	3.15858	-.23119	-.00922	-.06798	.29405	.01739	.00834	-.01046
.598	-.072	3.16455	.13362	-.00598	.03846	.28780	.04262	.01285	-.00525
.599	2.031	3.16816	.52046	-.00338	.14896	.28621	.06880	.01770	-.00002
.599	4.131	3.16967	.88341	-.00554	.25705	.29098	.09664	.02268	.00515
	GRADIENT	00178	.17154	00135	05060	-.00180	.01241	.00224	.00248

LARC 8FT TPT 749 (1A93) OTSAT130

(TJJ014) (24 JUN 76)

REFERENCE DATA

SREF = 2690.0000 SQ.FT. XMRP = 976 0000 IN. XT
 LREF = 1290.3000 INCHES YMRP = .0000 IN. YT
 BREF = 1290.3000 INCHES ZMRP = 400.0000 IN. ZT
 SCALE = .0100

PARAMETRIC DATA

BETA = .000 ELV-L1 = 10.000
 ELV-LO = 14.000 ELV-R1 = 10.000
 ELV-RO = 14.000

RUN NO. 73/ 0 RN/L = 3.97 GRADIENT INTERVAL = -5.00/ 5.00

MACH	ALPHA	RN/L	L/DO	BETA	CLU	CDU	CNW	CBW	CTW
.899	-8 952	3.96310	-1.06284	-.05611	-.47367	.44566	-.05578	-.00692	-.02241
.900	-6 752	3.96360	-.85973	-.04552	-.34514	.40145	-.02838	-.00217	-.01690
.899	-4 544	3.96271	-.56432	-.04452	-.20721	.36718	.00110	.00311	-.01121
.900	-2.343	3.96835	-.24786	-.03733	-.08639	.34857	.03082	.00824	-.00506
.900	- 141	3.96959	.14095	-.02693	.04819	.34190	.06534	.01463	.00032
.900	2.056	3 97157	.53022	-.01852	.18294	.34503	.09987	.02114	.00541
.900	4.267	3.97489	.86909	-.02055	.31172	.35867	.12974	.02611	.01039
	GRADIENT	.00125	.16552	.00303	.05936	-.00093	.01482	.00267	.00244

RUN NO. 63/ 0 RN/L = 4 08 GRADIENT INTERVAL = -5.00/ 5.00

MACH	ALPHA	RN/L	L/DO	BETA	CLU	CDU	CNW	CBW	CTW
.975	-9.162	4.08099	-.96320	-.04149	-.51720	.53696	-.06801	-.00876	-.02041
.975	-6.892	4.08169	-.74639	-.03763	-.36512	.48918	-.03641	-.00304	-.01554
.975	-4.632	4.08190	-.50338	-.02935	-.22833	.45360	-.00465	.00265	-.01030
.975	-2.411	4 08618	-.24206	-.00934	-.10498	.43368	.02697	.00824	-.00454
.975	-.189	4.08632	.04107	-.00787	.01748	.42549	.05803	.01402	.00046
.975	2.004	4 08585	.33172	-.00151	.14135	.42610	.09054	.01997	.00450
.975	4 239	4 08306	.63043	-.00253	.27581	.43749	.12036	.02536	.00744
	GRADIENT	.00009	.12824	.00277	.05662	-.00180	.01415	.00258	.00201

RUN NO. 68/ 0 RN/L = 4 21 GRADIENT INTERVAL = -5.00/ 5.00

MACH	ALPHA	RN/L	L/DO	BETA	CLU	CDU	CNW	CBW	CTW
1.149	-7.052	4.21023	-.69661	-.02983	-.38701	.55556	-.03563	-.00342	-.00961
1.149	-4.732	4.20974	-.45351	-.02344	-.23629	.52102	.00292	.00380	-.00543
1.149	-2.464	4 20968	-.18721	-.01073	-.09412	.50274	.04429	.01126	-.00079
1 149	- 233	4 21061	.05625	.00174	.02780	.49422	.07692	.01724	.00247
1 149	2.013	4 21007	.30118	.00750	.14835	.49256	.10623	.02239	.00582
	GRADIENT	.00009	.11162	.00469	.05680	-.00418	.01525	.00275	.00165

LARC 8FT TPT 749 (1A93) OTSAT130

(TJJ014) (24 JUN 76)

REFERENCE DATA

PARAMETRIC DATA

SREF = 2690 0000 SQ.FT. XMRP = 976.0000 IN. XT
 LREF = 1290.3000 INCHES YMRP = .0000 IN. YT
 BREF = 1290.3000 INCHES ZMRP = 400.0000 IN. ZT
 SCALE = .0100

BETA = .000 ELV-LI = 10.000
 ELV-LO = 14.000 ELV-RI = 10.000
 ELV-RO = 14.000

RUN NO. 58/ 0 RN/L = 4.21 GRADIENT INTERVAL = -5.00/ 5.00

MACH	ALPHA	RN/L	L/DU	BETA	CLU	CDU	CNW	CBW	CTW
1.199	-9.408	4.21733	-.88986	-.02663	-.54360	.61088	-.06416	-.00909	-.01148
1.200	-7.082	4.22071	-.67862	-.02792	-.38023	.56030	-.02877	-.00249	-.00787
1.200	-4.772	4.22012	-.43798	-.02108	-.23117	.52781	.00852	.00481	-.00532
1.200	-2.473	4.22012	-.17403	-.00772	-.08849	.50849	.04664	.01166	-.00150
1.199	- .236	4.22049	.06311	.00665	.03164	.50128	.08083	.01763	.00245
1.200	2.017	4.21857	.30208	.00949	.15103	.49997	.10762	.02241	.00556
1.199	4.265	4.21179	.52553	.00029	.26614	.50642	.13015	.02648	.00790
	GRADIENT	- .00081	.10651	.00266	.05470	-.00228	.01349	.00240	.00148

LARC 8FT TPT 749 (1A93) OTSAT130

(TJJ015) (24 JUN 76)

REFERENCE DATA

PARAMETRIC DATA

SREF = 2690.0000 SQ FT XMRP = 976 0000 IN. XT
 LREF = 1290.3000 INCHES YMRP = 0000 IN. YT
 BREF = 1290.3000 INCHES ZMRP = 400 0000 IN. ZT
 SCALE = .0100

BETA = 4.000 ELV-LI = 10.000
 ELV-LO = 14.000 ELV-RI = 10.000
 ELV-RO = 14.000

RUN NO. 81/ 0 RN/L = 3.16 GRADIENT INTERVAL = -5.00/ 5.00

MACH	ALPHA	RN/L	L/DU	BETA	CLU	CDU	CNW	CBW	CTW
599	-8.498	3.16672	-1.06885	4.17773	-.38192	.35732	-.05984	-.00526	-.02521
599	-6.389	3.16669	-.82818	4.20193	-.27279	.32938	-.03399	-.00062	-.02022
.599	-4.293	3.16364	-.57372	4.22091	-.17885	.31173	-.01022	.00370	-.01565
599	-2.183	3.16096	-.22382	4.23309	-.06637	.29654	.01761	.00879	-.01005
599	- .074	3.15932	.14745	4.24038	.04272	.28970	.04323	.01383	-.00490
.599	2.032	3.15989	.51641	4.24147	.14959	.28967	.07268	.01894	.00084
.598	4.153	3.15632	.89618	4.22746	.26350	.29402	.09959	.02421	.00580
	GRADIENT	-.00074	.17435	.00102	.05215	-.00200	.01301	.00242	.00255

LARC 8FT TPT /49 (1A93) OTSAT130

(TJJ015) (24 JUN 76)

REFERENCE DATA

SREF = 2690.0000 SQ FT. XMRP = 976.0000 IN. XT
 LREF = 1290.3000 INCHES YMRP = .0000 IN. YT
 BREF = 1290.3000 INCHES ZMRP = 400.0000 IN. ZT
 SCALE = .0100

PARAMETRIC DATA

BETA = 4.000 ELV-LI = 10.000
 ELV-LO = 14.000 ELV-RI = 10.000
 ELV-RO = 14.000

RUN NO. 76/ 0 RN/L = 3.97 GRADIENT INTERVAL = -5.00/ 5.00

MACH	ALPHA	RN/L	L/DU	BETA	CLU	CDU	CNW	CBW	CTW
.899	-9.001	3 96994	-1.05589	4.27346	-.47296	.44793	-.05181	-.00654	-.02002
.900	-6.770	3.97010	-.82804	4.30214	-.33578	.40551	-.02431	-.00164	-.01397
.900	-4.555	3 97037	-.56266	4.31488	-.21182	.37647	.00866	.00417	-.00808
.900	-2.366	3.96812	-.24027	4 33798	-.08598	.35783	.04454	.01069	-.00148
.900	-.161	3 96830	13066	4.34509	.04573	.35001	.08000	.01739	.00378
.900	2.058	3.97204	51578	4.33956	.18089	.35071	.11545	.02370	.00903
.899	4.286	3 97150	85496	4.33080	.31158	.36443	.14381	.02840	.01331
	GRADIENT	.00028	16246	00150	.05943	-.00140	.01543	.00278	.00241

RUN NO. 66/ 0 RN/L = 4.08 GRADIENT INTERVAL = -5.00/ 5.00

MACH	ALPHA	RN/L	L/DU	BETA	CLU	CDU	CNW	CBW	CTW
.975	-9.199	4 08126	-.96199	4.30851	-.51858	.53907	-.05928	-.00739	-.01923
.976	-6.919	4.07901	-.74256	4 33171	-.36508	.49165	-.02444	-.00116	-.01344
.975	-4.665	4.08012	-.50081	4.34595	-.22908	.45741	.01012	.00504	-.00760
.975	-2.434	4 08093	-.23818	4 35861	-.10407	.43692	.04315	.01120	-.00213
.975	-.199	4 08512	.06492	4 36562	.02790	.42972	.07851	.01789	.00300
.975	2.025	4.08440	.35971	4 36586	.15425	.42883	.11330	.02363	.00810
.975	4.279	4 08456	.65455	4.35235	.28961	.44246	.14490	.02924	.01103
	GRADIENT	.00055	.13016	00089	.05798	-.00170	.01520	.00272	.00212

RUN NO. 71/ 0 RN/L = 4.21 GRADIENT INTERVAL = -5.00/ 5.00

MACH	ALPHA	RN/L	L/DU	BETA	CLU	CDU	CNW	CBW	CTW
1.149	-7.096	4 20853	-.69065	4.37460	-.38737	.56087	-.02128	-.00084	-.00999
1.149	-4.783	4.20868	-.44420	4.39517	-.23328	.52518	.02464	.00736	-.00531
1.149	-2.489	4.20974	-.18958	4.40331	-.09552	.50383	.06345	.01444	-.00134
1.149	-.226	4.20802	.06412	4.41319	.03173	.49486	.09548	.02030	.00238
1.149	2.034	4 20965	.32029	4.41814	.15785	.49285	.12584	.02556	.00644
	GRADIENT	00005	.11214	.00347	.05727	-.00467	.01478	.00266	.00172

ORIGINAL PAGE IS OF POOR QUALITY

LARC 8FT TPT 749 (1A93) OTSAT130

(TJJ015) (24 JUN 76)

REFERENCE DATA

SREF = 2690.0000 SQ.FT. XMRP = 976.0000 IN. XT
 LREF = 1290.3000 INCHES YMRP = .0000 IN. YT
 BREF = 1290.3000 INCHES ZMRP = 400.0000 IN. ZT
 SCALE = .0100

PARAMETRIC DATA

BETA = 4.000 ELV-LI = 10.000
 ELV-LO = 14.000 ELV-RI = 10.000
 ELV-RO = 14.000

RUN NO. 61/ 0 RN/L = 4.22 GRADIENT INTERVAL = -5.00/ 5.00

MACH	ALPHA	RN/L	L/DO	BETA	CLU	CDU	CNW	CBW	CTW
1.200	-9.470	4.21300	-.89491	4.36945	-.55280	.61772	-.07683	-.00749	-.01480
1.200	-7.119	4.21419	-.67620	4.38955	-.38307	.56650	-.01606	-.00014	-.01091
1.200	-4.803	4.21460	-.43590	4.41411	-.23152	.53113	.02594	.00748	-.00702
1.200	-2.505	4.21399	-.17522	4.42192	-.08937	.51092	.06268	.01427	-.00330
1.199	-.275	4.21594	.06241	4.43331	.03129	.50138	.09471	.01993	.00090
1.199	2.029	4.21891	.30800	4.43821	.15399	.49999	.12361	.02498	.00494
1.199	4.275	4.21833	.53942	4.42797	.27360	.50722	.14796	.02923	.00778
	GRADIENT	.00055	.10727	.00194	.05525	-.00255	.01344	.00239	.00167

LARC 8FT TPT 749 (1A93) OTSAT130

(TJJ016) (24 JUN 76)

REFERENCE DATA

SREF = 2690.0000 SQ.FT. XMRP = 976.0000 IN. XT
 LREF = 1290.3000 INCHES YMRP = .0000 IN. YT
 BREF = 1290.3000 INCHES ZMRP = 400.0000 IN. ZT
 SCALE = .0100

PARAMETRIC DATA

BETA = 6.000 ELV-LI = 10.000
 ELV-LO = 14.000 ELV-RI = 10.000
 ELV-RO = 14.000

RUN NO. 82/ 0 RN/L = 3.16 GRADIENT INTERVAL = -5.00/ 5.00

MACH	ALPHA	RN/L	L/DO	BETA	CLU	CDU	CNW	CBW	CTW
.599	-8.537	3.16877	-1.08772	6.27137	-.39003	.35858	-.06141	-.00542	-.02521
.599	-6.404	3.16759	-.83136	6.30318	-.27284	.32819	-.03410	-.00046	-.01999
.599	-4.309	3.16450	-.57591	6.33110	-.17822	.30946	-.00994	.00393	-.01498
.599	-2.196	3.16266	-.23639	6.34857	-.07014	.29670	.01848	.00909	-.00949
.599	-.077	3.16136	.14953	6.35750	.04316	.28865	.04625	.01436	-.00418
.599	2.039	3.15981	.53020	6.35125	.15319	.28892	.07567	.01976	.00159
.599	4.160	3.15955	.91858	6.34014	.26984	.29376	.10296	.02514	.00640
	GRADIENT	-.00060	.17738	.00098	.05287	-.00185	.01337	.00251	.00254

LARC 8FT TPT 749 (1A93) OTSAT130

(TJJ016) (24 JUN 76)

REFERENCE DATA

SREF = 2690.0000 SQ FT XMRP = 976 0000 IN. XT
 LREF = 1290.3000 INCHES YMRP = .0000 IN. YT
 BREF = 1290.3000 INCHES ZMRP = 400.0000 IN. ZT
 SCALE = .0100

PARAMETRIC DATA

BETA = 6.000 ELV-LI = 10.000
 ELV-LO = 14.000 ELV-RI = 10.000
 ELV-RO = 14.000

RUN NO 77/ 0 RN/L = 3.97 GRADIENT INTERVAL = -5.00/ 5.00									
MACH	ALPHA	RN/L	L/DU	BETA	CLU	CDU	CNW	CBW	CTW
.899	-9.045	3.96860	-1.06557	6.42444	-.47651	.44718	-.05261	-.00670	-.01946
.899	-6.809	3.96735	-.84328	6.46370	-.34260	.40627	-.02389	-.00161	-.01319
.899	-4.587	3.96737	-.56635	6.48608	-.21386	.37760	.00994	.00453	-.00706
.900	-2.382	3.96707	-.25125	6.50855	-.09071	.36106	.04713	.01131	-.00063
.900	-.170	3.97301	.11672	6.51893	.04121	.35309	.08532	.01844	.00496
.900	2.061	3.97212	.49605	6.51028	.17598	.35476	.12053	.02461	.01046
.900	4.285	3.97328	.83233	6.49855	.30491	.36633	.14656	.02883	.01449
	GRADIENT	.00076	15977	.00119	.05878	-.00129	.01562	.00279	.00244
RUN NO 67/ 0 RN/L = 4.08 GRADIENT INTERVAL = -5.00/ 5.00									
MACH	ALPHA	RN/L	L/DU	BETA	CLU	CDU	CNW	CBW	CTW
.975	-9.252	4.08059	-.97661	6.48439	-.52685	.53947	-.05907	-.00724	-.01919
.976	-6.949	4.08171	-.74910	6.51686	-.36901	.49260	-.02192	-.00059	-.01301
.975	-4.694	4.08115	-.50085	6.53263	-.22999	.45921	.01483	.00596	-.00654
.975	-2.450	4.08012	-.23445	6.55074	-.10273	.43819	.05225	.01285	-.00088
.975	-.193	4.08059	.07525	6.55684	.03236	.42999	.08767	.01934	.00428
.975	2.046	4.08026	.37731	6.54963	.16243	.43049	.12222	.02522	.00883
.975	4.276	4.08390	.65777	6.53070	.29140	.44301	.15382	.03081	.01167
	GRADIENT	.00025	13055	-.00022	.05830	-.00179	.01551	.00277	.00206
RUN NO. 72/ 0 RN/L = 4.21 GRADIENT INTERVAL = -5.00/ 5.00									
MACH	ALPHA	RN/L	L/DU	BETA	CLU	CDU	CNW	CBW	CTW
1.149	-7.135	4.21050	-.69080	6.58732	-.38725	.56058	-.01397	.00041	-.01053
1.149	-4.812	4.21013	-.45332	6.61929	-.23888	.52695	.03203	.00854	-.00612
1.149	-2.515	4.20910	-.20009	6.63737	-.10098	.50465	.07033	.01564	-.00240
1.149	-.230	4.20793	.06772	6.64804	.03346	.49405	.10583	.02173	.00235
1.149	2.036	4.20708	.32505	6.64541	.16027	.49307	.13549	.02690	.00615
	GRADIENT	-.00045	11402	.00391	.05834	-.00492	.01515	.00268	.00182

LARC 8FT TPT 749 (1A93) OTSAT130

(TJJ016) (24 JUN 76)

REFERENCE DATA

SREF = 2690.0000 SQ FT. XMRP = 976.0000 IN. XT
 LREF = 1290.3000 INCHES YMRP = .0000 IN. YT
 BREF = 1290.3000 INCHES ZMRP = 400.0000 IN. ZT
 SCALE = .0100

PARAMETRIC DATA

BETA = 6.000 ELV-LI = 10.000
 ELV-LO = 14.000 ELV-RI = 10.000
 ELV-RO = 14.000

RUN NO. 62/ 0 RN/L = 4.22 GRADIENT INTERVAL = -5.00/ 5.00

MACH	ALPHA	RN/L	L/DU	BETA	CLU	CDU	CNW	CBW	CTW
1.200	-9.538	4.21735	-.90748	6.55886	-.56190	.61918	-.05396	-.00654	-.01642
1.200	-7.167	4.21854	-.68688	6.58389	-.38948	.56703	-.01209	.00050	-.01206
1.200	-4.835	4.21875	-.44158	6.60477	-.23444	.53092	.03166	.00836	-.00795
1.200	-2.539	4.21793	-.19576	6.62227	-.09977	.50965	.06844	.01510	-.00430
1.199	-.238	4.21826	.06794	6.63233	.03395	.49968	.10243	.02110	.00028
1.200	2.015	4.22150	.31859	6.63318	.15926	.49990	.13282	.02623	-.00437
1.200	4.295	4.21953	.55246	6.61400	.27976	.50638	.15715	.03039	.00747
	GRADIENT	00022	.10969	.00130	05644	-.00259	01383	.00242	.00173

LARC 8FT TPT 749 (1A93) OTSAT130

(TJJ017) (24 JUN 76)

REFERENCE DATA

SREF = 2690.0000 SQ FT. XMRP = 976.0000 IN. XT
 LREF = 1290.3000 INCHES YMRP = .0000 IN. YT
 BREF = 1290.3000 INCHES ZMRP = 400.0000 IN. ZT
 SCALE = .0100

PARAMETRIC DATA

BETA = -6.000 ELV-LI = 10.000
 ELV-LO = -5.000 ELV-RI = 10.000
 ELV-RO = -5.000

RUN NO. 90/ 0 RN/L = 4.21 GRADIENT INTERVAL = -5.00/ 5.00

MACH	ALPHA	RN/L	L/DU	BETA	CLU	CDU	CNW	CBW	CTW
1.149	-7.178	4.21182	-.77435	-6.65909	-.43285	.55898	-.08874	-.01390	-.00684
1.150	-4.855	4.21009	-.53673	-6.66521	-.28091	.52337	-.06008	-.00856	-.00278
1.149	-2.556	4.21085	-.28429	-6.66214	-.14315	.50333	-.03037	-.00317	.00135
1.150	-.282	4.20888	-.03052	-6.65153	-.01509	.49454	.00025	.00250	-.00491
1.149	1.988	4.20925	.22573	-6.64317	.11167	.49469	.03219	.00844	.00743
	GRADIENT	-.00026	.11144	.00336	.05727	-.00417	.01348	.00249	.00150

RUN NO. 85/ 0 RN/L = 4.22 GRADIENT INTERVAL = -5.00/ 5.00

MACH	ALPHA	RN/L	L/DU	BETA	CLU	CDU	CNW	CBW	CTW
1.200	-9.583	4.21795	-.99094	-6.65417	-.61550	.62113	-.11423	-.01886	-.00795
1.200	-7.205	4.22096	-.75907	-6.66404	-.42917	.56538	-.08484	-.01341	-.00454
1.200	-4.874	4.21956	-.51991	-6.67276	-.27575	.53037	-.05563	-.00786	-.00116
1.200	-2.554	4.21997	-.26740	-6.66688	-.13652	.51055	-.02477	-.00203	.00183
1.200	-.289	4.22094	-.02355	-6.65849	-.01183	.50216	.00655	.00373	.00516
1.200	1.985	4.22151	.22018	-6.64995	.11072	.50285	.03477	.00924	.00702
1.199	4.253	4.21971	.46567	-6.63773	.23686	.50863	.06012	.01410	.00824
	GRADIENT	00008	.10787	.00381	.05583	-.00225	.01277	.00242	.00175

LARC 8FT TPT 749 (1A93) OTSAT130

(TJJ018) (24 JUN 76)

REFERENCE DATA

SREF = 2690.0000 SQ.FT. XMRP = 976.0000 IN. XT
 LREF = 1290.3000 INCHES YMRP = .0000 IN. YT
 BREF = 1290.3000 INCHES ZMRP = 400.0000 IN. ZT
 SCALE = .0100

PARAMETRIC DATA

BETA = -4.000 ELV-LI = 10.000
 ELV-LO = -5.000 ELV-RI = 10.000
 ELV-RO = -5.000

RUN NO. 89/ 0 RN/L = 4.21 GRADIENT INTERVAL = -5 00/ 5.00

MACH	ALPHA	RN/L	L/DU	BETA	CLU	CDU	CNW	CBW	CTW
1.149	-7.132	4.20922	-.77930	-4.42750	-.43411	.55705	-.08273	-.01301	-.00630
1.149	-4.822	4.20846	-.54154	-4.43449	-.28235	.52139	-.05202	-.00735	-.00198
1.149	-2.538	4.20686	-.29339	-4.42491	-.14708	.50133	-.02050	-.00145	.00200
1.149	-.264	4.20804	-.03429	-4.41747	-.01683	.49084	.01381	.00491	.00559
1.149	1.980	4.20880	.21747	-4.41005	.10634	.48900	.04524	.01084	.00782
	GRADIENT	00010	.11182	.00356	.05716	-.00475	.01438	.00269	.00146

RUN NO 84/ 0 RN/L = 4.22 GRADIENT INTERVAL = -5.00/ 5.00

MACH	ALPHA	RN/L	L/DU	BETA	CLU	CDU	CNW	CBW	CTW
1.200	-9.512	4.21975	-.97181	-4.45240	-.60137	.61882	-.10893	-.01811	-.00791
1.201	-7.158	4.22038	-.76127	-4.45929	-.42888	.56337	-.07809	-.01245	-.00419
1.200	-4.837	4.21938	-.52130	-4.46049	-.27496	.52745	-.04700	-.00644	-.00120
1.200	-2.542	4.21977	-.26649	-4.44996	-.13524	.50748	-.01268	.00003	.00226
1.200	-.274	4.21755	-.01755	-4.44061	-.00874	.49794	.01923	.00612	.00504
1.199	1.987	4.21892	.22804	-4.43544	.11343	.49744	.04903	.01174	.00700
1.199	4.247	4.21947	.46561	-4.42879	.23509	.50491	.07272	.01633	.00843
	GRADIENT	-.00003	.10876	.00343	.05590	-.00244	.01327	.00252	.00106

LARC 8FT TPT 749 (1A93) OTSAT130

(TJJ019) (24 JUN 76)

REFERENCE DATA

SREF = 2690.0000 SQ.FT. XMRP = 976.0000 IN. XT
 LREF = 1290.3000 INCHES YMRP = .0000 IN. YT
 BREF = 1290.3000 INCHES ZMRP = 400.0000 IN. ZT
 SCALE = .0100

PARAMETRIC DATA

BETA = .000 ELV-LI = 10.000
 ELV-LO = -5.000 ELV-RI = 10.000
 ELV-RO = -5.000

RUN NO. 89/ 0 RN/L = 4.21 GRADIENT INTERVAL = -5.00/ 5.00

MACH	ALPHA	RN/L	L/DU	BETA	CLU	CDU	CNW	CBW	CTW
1.150	-7.097	4.20595	-.79905	-.03041	-.44208	.55325	-.07174	-.01145	-.00440
1.149	-4.789	4.20867	-.56753	-.02409	-.29310	.51644	-.03516	-.00451	-.00056
1.149	-2.513	4.21004	-.30545	-.01278	-.15138	.49558	.00457	.00287	.00338
1.149	-.277	4.20977	-.05157	-.00091	-.02503	.48533	.04149	.00966	.00691
1.149	1.890	4.21213	.19393	.00066	.09346	.48190	.06951	.01500	.00037
	GRADIENT	00045	.11397	.00388	.05776	-.00513	.01577	.00293	.00143

LARC 8FT TPT 749 (1A93) OTSAT130

(TJJ019) (24 JUN 76)

REFERENCE DATA

SREF = 2690.0000 SQ.FT. XMRP = 976.0000 IN. XT
 LREF = 1290.3000 INCHES YMRP = .0000 IN. YT
 BREF = 1290.3000 INCHES ZMRP = 400.0000 IN. ZT
 SCALE = .0100

PARAMETRIC DATA

BETA = .000 ELV-LI = 10.000
 ELV-LO = -5.000 ELV-RI = 10.000
 ELV-RO = -5.000

RUN NO. 83/ 0 RN/L = 4 22 GRADIENT INTERVAL = -5.00/ 5.00

MACH	ALPHA	RN/L	L/DU	BETA	CLU	CDU	CNW	CBW	CTW
1.201	-9.450	4.22276	-.97466	-.04038	-.69575	.61124	- 10038	-.01696	-.00714
1.201	-7.107	4.22318	-.77776	-.03747	-.43389	.55787	-.06472	-.01025	-.00345
1.201	-4.803	4.21943	-.53155	-.03347	-.27698	.52108	-.02631	-.00275	-.00106
1.201	-2.521	4.21803	-.27313	-.02003	-.13679	.50081	.01223	.00440	.00217
1.201	-.270	4.21840	-.02570	-.01213	-.01263	.49142	.04861	.01089	.00583
1.200	1.980	4.21975	.21787	-.00574	.10666	.48955	.07615	.01601	.00839
1.199	4.237	4.22288	.46103	-.01101	.22863	.49591	.10066	.02052	.01063
	GRADIENT	00038	.10966	00262	05557	-.00273	01408	.00258	.00131

LARC 8FT TPT 749 (1A93) OTSAT130

(TJJ020) (24 JUN 76)

REFERENCE DATA

SREF = 2690.0000 SQ.FT. XMRP = 976.0000 IN. XT
 LREF = 1290 3000 INCHES YMRP = .0000 IN. YT
 BREF = 1290 3000 INCHES ZMRP = 400 0000 IN. ZT
 SCALE = .0100

PARAMETRIC DATA

BETA = 4.000 ELV-LI = 10.000
 ELV-LO = -5.000 ELV-RI = 10.000
 ELV-RO = -5.000

RUN NO. 91/ 0 RN/L = 4.21 GRADIENT INTERVAL = -5.00/ 5.00

MACH	ALPHA	RN/L	L/DU	BETA	CLU	CDU	CNW	CBW	CTW
1.150	-7.140	4.20991	-.79218	4.37069	-.44300	.55922	-.05906	-.00905	-.00521
1.150	-4.833	4.20813	-.55893	4.38977	-.29175	.52199	- 01334	- 00064	- 00099
1.149	-2.545	4.20883	-.30124	4.40142	-.15029	.49891	.02674	.00691	.00244
1.150	-.270	4.21052	-.04411	4.41106	-.02152	.48797	.06097	.01336	.00564
1.149	1.974	4.20886	.21226	4.41202	.10275	.48408	.09106	.01880	.00894
	GRADIENT	00017	.11327	00337	.05783	-.00550	01531	00285	00145

RUN NO. 86/ 0 RN/L = 4 22 GRADIENT INTERVAL = -5.00/ 5.00

MACH	ALPHA	RN/L	L/DU	BETA	CLU	CDU	CNW	CBW	CTW
1.200	-9.518	4.21938	-.98257	4.36101	-.60743	.61821	-.09361	-.01547	-.01013
1.201	-7.152	4.21780	-.77221	4.38286	-.43532	.56374	-.05093	-.00748	-.00675
1.201	-4.842	4.21940	-.53253	4.40103	-.28026	.52629	-.00593	.00073	-.00331
1.201	-2.552	4.22058	-.28083	4.41677	-.14158	.50414	.02972	.00760	-.00040
1.200	-.279	4.21957	-.02803	4.42159	-.01383	.49339	.06412	.01372	.00379
1.200	1.978	4.22093	.21787	4.42528	.10683	.49033	.09347	.01899	.00722
1.199	4.236	4.21971	.46078	4.41450	.22923	.49748	.11938	.02356	.01027
	GRADIENT	.00004	.10955	00157	05587	-.00316	01386	.00252	.00153

LARC 8FT TPT 749 (1A93) OTSAT130

(TJJ021) (24 JUN 76)

REFERENCE DATA

SREF = 2690.0000 SQ.FT. XMRP = 976.0000 IN. XT
 LREF = 1290.3000 INCHES YMRP = .0000 IN. YT
 BREF = 1290.3000 INCHES ZMRP = 400.0000 IN. ZT
 SCALE = .0100

BETA = 6.000 ELV-LI = 10.000
 ELV-LO = -5.000 ELV-RI = 10.000
 ELV-RO = -5.000

PARAMETRIC DATA

RUN NO. 92/ 0 RN/L = 4.21 GRADIENT INTERVAL = -5.00/ 5.00

MACH	ALPHA	RN/L	L/DU	BETA	CLU	CDU	CNW	CBW	CTW
1.149	-7.195	4.20886	-.79533	6.57252	-.44565	.56033	-.05280	-.00775	-.00612
1.150	-4.855	4.20831	-.55895	6.59786	-.29276	.52378	-.00403	.00113	-.00221
1.149	-2.570	4.20925	-.30830	6.61320	-.15429	.50046	.03599	.00862	.00135
1.149	-.287	4.20835	-.04273	6.62668	-.02085	.48795	.07120	.01498	.00528
1.149	1.985	4.21243	.22814	6.62400	.11084	.48583	.10461	.02080	.00880
	GRADIENT	00050	.11519	.00403	.05895	-.00554	.01584	00287	.00162

RUN NO. 87/ 0 RN/L = 4.22 GRADIENT INTERVAL = -5.00/ 5.00

MACH	ALPHA	RN/L	L/DU	BETA	CLU	CDU	CNW	CBW	CTW
1.200	-9.579	4.21956	-.99750	6.55405	-.61927	.62082	-.09202	-.01469	-.01189
1.200	-7.210	4.21978	-.77993	6.58317	-.44044	.56471	-.04533	-.00639	-.00822
1.200	-4.879	4.21899	-.54031	6.60678	-.28478	.52707	-.00035	.00183	-.00486
1.200	-2.565	4.21938	-.29056	6.61726	-.14646	.50405	.03780	.00884	-.00129
1.200	-.280	4.21856	-.03199	6.62995	-.01576	.49264	.07123	.01493	.00241
1.200	1.993	4.21954	.22433	6.63191	.11031	.49172	.10307	.02037	.00646
1.199	4.269	4.22107	.47516	6.61057	.23635	.49740	.12938	.02483	.01009
	GRADIENT	.00019	.11139	.00098	.05684	-.00314	.01421	00252	.00165

LARC 8FT TPT 749 (1A93) OTSAT130

(TJJ022) (24 JUN 76)

REFERENCE DATA

SREF = 2690.0000 SQ.FT. XMRP = 976.0000 IN. XT
 LREF = 1290.3000 INCHES YMRP = .0000 IN. YT
 BREF = 1290.3000 INCHES ZMRP = 400.0000 IN. ZT
 SCALE = .0100

BETA = -6.000 ELV-LI = 12.000
 ELV-LO = -5.000 ELV-RI = 12.000
 ELV-RO = -5.000

PARAMETRIC DATA

RUN NO 100/ 0 RN/L = 4.21 GRADIENT INTERVAL = -5.00/ 5.00

MACH	ALPHA	RN/L	L/DU	BETA	CLU	CDU	CNW	CBW	CTW
1.149	-7.169	4.20807	-.75908	-6.65507	-.42482	.55966	-.08065	-.01326	-.00604
1.150	-4.839	4.20888	-.52144	-6.66192	-.27322	.52397	-.05202	-.00793	-.00198
1.149	-2.538	4.20980	-.26836	-6.66328	-.13540	.50453	-.02129	-.00246	.00232
1.149	-.277	4.20971	-.01905	-6.65480	-.00944	.49573	.00906	.00311	.00591
1.150	1.996	4.21167	.23943	-6.64820	.11880	.49618	.04145	.00913	.00854
	GRADIENT	.00036	.11121	.00218	.05719	-.00405	.01365	.00249	.00154

LARC 8FT TPT 749 (IA93) OTSAT130

(TJJ022) (24 JUN 76)

REFERENCE DATA

SREF = 2690.0000 SQ.FT. XMRP = 976.0000 IN. XT
 LREF = 1290.3000 INCHES YMRP = .0000 IN. YT
 BREF = 1290.3000 INCHES ZMRP = 400.0000 IN. ZT
 SCALE = .0100

PARAMETRIC DATA

BETA = -6.000 ELV-L1 = 12.000
 ELV-LO = -5.000 ELV-R1 = 12.000
 ELV-RO = -5.000

RUN NO. 95/ 0 RN/L = 4.22 GRADIENT INTERVAL = -5.00/ 5.00

MACH	ALPHA	RN/L	L/DO	BETA	CLU	CDU	CNW	CBW	CTW
1.205	-9.583	4.21904	- 97881	-6.67655	-.60936	.62255	-.10531	-.01817	-.00689
1.205	-7.206	4.21886	- 74843	-6.69139	-.42444	.56710	-.07699	-.01284	-.00392
1.205	-4.873	4.21686	- 50828	-6.69544	- 27036	.53192	- 04714	-.00720	-.00034
1.205	-2.549	4.21805	- 25447	-6.69071	- 13033	.51217	- 01638	-.00135	.00264
1.205	- 269	4.21805	- 00670	-6.67781	-.00337	.50347	.01591	.00456	.00604
1.205	2.007	4.21905	23930	-6.67884	12084	.50498	.04503	.01009	.00831
1.205	4.269	4.21865	47450	-6.66535	24237	.51079	.06901	.01479	.00939
	GRADIENT	00020	10768	.00315	05590	- 00218	.01286	.00243	00110

LARC 8FT TPT 749 (IA93) OTSAT130

(TJJ023) (24 JUN 76)

REFERENCE DATA

SREF = 2690.0000 SQ FT. XMRP = 976.0000 IN. XT
 LREF = 1290.3000 INCHES YMRP = .0000 IN. YT
 BREF = 1290.3000 INCHES ZMRP = 400.0000 IN. ZT
 SCALE = .0100

PARAMETRIC DATA

BETA = -4.000 ELV-L1 = 12.000
 ELV-LO = -5.000 ELV-R1 = 12.000
 ELV-RO = -5.000

RUN NO. 99/ 0 RN/L = 4.21 GRADIENT INTERVAL = -5.00/ 5.00

MACH	ALPHA	RN/L	L/DO	BETA	CLU	CDU	CNW	CBW	CTW
1.150	-7.125	4.21267	- 76344	-4.44377	-.42608	.55810	-.07306	-.01225	-.00516
1.150	-4.809	4.21206	- 53099	-4.43970	-.27767	.52292	-.04314	-.00670	-.00106
1.150	-2.530	4.21145	- 27392	-4.42644	-.13766	.50256	-.01043	-.00061	.00325
1.149	- 259	4.20838	-.02275	-4.42137	-.01120	.49229	.02257	.00548	.00676
1.149	2.002	4.20817	.23639	-4.41842	11603	.49085	.05495	.01160	.00926
	GRADIENT	- 00065	11246	.00304	.05759	- 00469	.01441	.00269	.00152

RUN NO. 94/ 0 RN/L = 4.22 GRADIENT INTERVAL = -5.00/ 5.00

MACH	ALPHA	RN/L	L/DO	BETA	CLU	CDU	CNW	CBW	CTW
1.205	-9.505	4.21587	-.96256	-4.44848	-.59780	.62105	-.10013	-.01747	-.00668
1.205	-7.145	4.22024	- 74591	-4.45215	-.42180	.56548	-.06932	-.01172	-.00318
1.205	-4.829	4.21488	- 50281	-4.45640	-.26596	.52896	-.03684	-.00557	.00008
1.205	-2.537	4.21787	-.25102	-4.44373	- 12792	.50958	-.00400	.00082	.00281
1.205	- 269	4.21786	- 00255	-4.43540	- 00128	.49984	.02933	.00699	.00599
1.205	2.013	4.21607	.23890	-4.42947	.11934	.49954	.05900	.01252	.00828
1.205	4.264	4.22064	.47638	-4.42645	.24163	.50723	.08232	.01708	.00964
	GRADIENT	.00043	.10769	.00326	.05553	- .00236	.01326	.00251	.00108

DATE 29 OCT 76

TABULATED SOURCE DATA - 1A93.

PAGE 219

LARC 8FT TPT 749 (1A93) OTSAT130

(TJJ024) (24 JUN 76)

REFERENCE DATA

SREF = 2690.0000 SQ.FT. XMRP = 976.0000 IN. XT
 LREF = 1290.3000 INCHES YMRP = .0000 IN. YT
 BREF = 1290.3000 INCHES ZMRP = 400.0000 IN. ZT
 SCALE = .0100

PARAMETRIC DATA

BETA = .000 ELV-LI = 12.000
 ELV-LO = -5.000 ELV-RI = 12.000
 ELV-RO = -5.000

RUN NO. 98/ 0 RN/L = 4.21 GRADIENT INTERVAL = -5.00/ 5.00

MACH	ALPHA	RN/L	L/DU	BETA	CLU	CDU	CNW	CBW	CTW
1.150	-7.086	4.21521	-79008	-.03947	-.43866	.55521	-.06381	-.01091	-.00377
1.149	-4.791	4.21319	-.55095	-.03407	-.28556	.51830	-.02633	-.00388	.00044
1.149	-2.508	4.20828	-.29356	-.01549	-.14605	.49750	.01338	.00350	.00430
1.149	-272	4.20424	-03910	-.00880	-.01904	.48687	.04873	.01010	.00763
1.149	1.986	4.20626	.21454	-.00406	.10376	.48361	.07850	.01575	.00979
	GRADIENT	-.00110	.11304	.00429	.05739	-.00509	.01550	.00290	.00139

RUN NO. 93/ 0 RN/L = 4.22 GRADIENT INTERVAL = -5.00/ 5.00

MACH	ALPHA	RN/L	L/DU	BETA	CLU	CDU	CNW	CBW	CTW
1.205	-9.429	4.22339	-.96275	-.03673	-.59002	.61285	-.09051	-.01615	-.00600
1.205	-7.098	4.22401	-75764	-.03508	-.42371	.55925	-.05384	-.00927	-.00254
1.205	-4.783	4.22124	-.52168	-.02476	-.27309	.52348	-.01711	-.00205	-.00017
1.206	-2.517	4.22065	-.25856	-.01988	-.13003	.50291	.02208	.00515	.00324
1.206	-253	4.21986	-.01040	-.00498	-.00513	.49300	.05890	.01171	.00686
1.205	1.986	4.21806	.22988	-.00569	.11285	.49093	.08511	.01668	.00928
1.205	4.235	4.22163	.46215	-.00755	.23004	.49777	.10893	.02105	.01168
	GRADIENT	-.00008	.10898	.00216	.05543	-.00282	.01398	.00256	.00132

LARC 8FT TPT 749 (1A93) OTSAT130

(TJJ025) (24 JUN 76)

REFERENCE DATA

SREF = 2690.0000 SQ.FT. XMRP = 976.0000 IN. XT
 LREF = 1290.3000 INCHES YMRP = .0000 IN. YT
 BREF = 1290.3000 INCHES ZMRP = 400.0000 IN. ZT
 SCALE = .0100

PARAMETRIC DATA

BETA = 4.000 ELV-LI = 12.000
 ELV-LO = -5.000 ELV-RI = 12.000
 ELV-RO = -5.000

RUN NO. 101/ 0 RN/L = 4.21 GRADIENT INTERVAL = -5.00/ 5.00

MACH	ALPHA	RN/L	L/DU	BETA	CLU	CDU	CNW	CBW	CTW
1.150	-7.122	4.20831	-.77637	4.39355	-.43468	.55989	-.04838	-.00821	-.00399
1.150	-4.831	4.20834	-.54717	4.41515	-.28647	.52354	-.00394	.00006	-.00015
1.149	-2.540	4.20825	-.28792	4.42835	-.14409	.50043	.03635	.00765	.00334
1.149	-.259	4.20919	-.02590	4.43645	-.01267	.48907	.07082	.01410	.00674
1.149	1.979	4.21079	.22388	4.43861	.10876	.48581	.10009	.01946	.00985
	GRADIENT	.00036	.11339	.00346	.05800	-.00549	.01526	.00285	.00147

7.4

DATE 29 OCT 76

TABULATED SOURCE DATA - 1A93.

PAGE 220

LARC 8FT TPT 749 (1A93) OTSAT130

(TJJ025) (24 JUN 76)

REFERENCE DATA

PARAMETRIC DATA

SREF = 2690.0000 SQ.FT. XMRP = 976.0000 IN. XT
 LREF = 1290.3000 INCHES YMRP = .0000 IN. YT
 BREF = 1290.3000 INCHES ZMRP = 400.0000 IN. ZT
 SCALE = .0100

BETA = 4.000 ELV-L1 = 12.000
 ELV-LO = -5.000 ELV-R1 = 12.000
 ELV-RO = -5.000

RUN NO. 96/ 0 RN/L = 4.22 GRADIENT INTERVAL = -5.00/ 5.00

MACH	ALPHA	RN/L	L/DU	BETA	CLU	CDU	CNW	CBW	CTW
1.205	-9.511	4.21863	-.96762	4.37650	-.59927	.61932	-.08370	-.01458	-.00944
1.205	-7.149	4.21963	-.75929	4.39674	-.42926	.56535	-.04183	-.00675	-.00619
1.206	-4.838	4.21945	-.51945	4.41536	-.27415	.52777	.00256	.00142	-.00295
1.205	-2.546	4.21824	-.26685	4.42818	-.13494	.50870	.03932	.00832	.00062
1.205	-.268	4.21903	-.00944	4.43849	-.00467	.49488	.07370	.01449	.00448
1.205	1.999	4.21786	.23500	4.44490	.11567	.49221	.10321	.01973	.00814
1.205	4.255	4.21765	.47319	4.43514	.23622	.49922	.12878	.02417	.01126
	GRADIENT	-.00018	.10942	.00248	.05594	-.00311	.01392	.00250	.00158

LARC 8FT TPT 749 (1A93) OTSAT130

(TJJ026) (24 JUN 76)

REFERENCE DATA

PARAMETRIC DATA

SREF = 2690.0000 SQ.FT. XMRP = 976.0000 IN. XT
 LREF = 1290.3000 INCHES YMRP = .0000 IN. YT
 BREF = 1290.3000 INCHES ZMRP = 400.0000 IN. ZT
 SCALE = .0100

BETA = 6.000 ELV-L1 = 12.000
 ELV-LO = -5.000 ELV-R1 = 12.000
 ELV-RO = -5.000

RUN NO. 102/ 0 RN/L = 4.21 GRADIENT INTERVAL = -5.00/ 5.00

MACH	ALPHA	RN/L	L/DU	BETA	CLU	CDU	CNW	CBW	CTW
1.149	-7.174	4.21034	-.77871	6.56882	-.43640	.56042	-.04285	-.00692	-.00525
1.150	-4.847	4.21112	-.54172	6.59944	-.28430	.52481	.00483	.00181	-.00146
1.149	-2.551	4.21037	-.29227	6.61509	-.14658	.50151	.04532	.00929	.00236
1.149	-.276	4.21143	-.03479	6.62670	-.01703	.48951	.07998	.01561	.00605
1.149	1.996	4.21037	.23325	6.62471	.11364	.48718	.11261	.02130	.00976
	GRADIENT	-.00005	.11324	.00384	.05803	-.00548	.01570	.00284	.00164

RUN NO. 97/ 0 RN/L = 4.22 GRADIENT INTERVAL = -5.00/ 5.00

MACH	ALPHA	RN/L	L/DU	BETA	CLU	CDU	CNW	CBW	CTW
1.205	-9.560	4.21668	-.98236	6.57273	-.61001	.62096	-.08128	-.01369	-.01105
1.205	-7.190	4.21133	-.76269	6.59913	-.43094	.56503	-.03527	-.00549	-.00760
1.205	-4.879	4.21468	-.53146	6.62731	-.28086	.52848	.00762	.00237	-.00445
1.205	-2.560	4.21544	-.27732	6.64051	-.14019	.50553	.04622	.00944	-.00076
1.205	-.286	4.22003	-.02058	6.64999	-.01017	.49406	.08025	.01550	.00325
1.205	1.998	4.21824	.23429	6.64934	.11552	.49305	.11153	.02091	.00733
1.205	4.274	4.22004	.48250	6.63611	.24076	.49898	.13722	.02530	.01068
	GRADIENT	.00059	.11107	.00116	.05682	-.00313	.01420	.00251	.00168

LARC 8FT TPT 749 (1A93) OTSAT130

(TJ027) (24 JUN 76)

REFERENCE DATA

SREF = 2690.0000 SQ.FT. XMRP = 976.0000 IN. XT
 LREF = 1290.3000 INCHES YMRP = .0000 IN. YT
 BREF = 1290.3000 INCHES ZMRP = 400.0000 IN. ZT
 SCALE = .0100

PARAMETRIC DATA

BETA = -6.000 ELV-LI = 12.000
 ELV-LO = 4.000 ELV-RI = 12.000
 ELV-RO = 4.000

RUN NO. 120/ 0 RN/L = 3.97 GRADIENT INTERVAL = -5.00/ 5.00

MACH	ALPHA	RN/L	L/DO	BETA	CLU	CDU	CNW	CBW	CTW
.900	-9.055	3.97247	-1.10767	-6.54177	-.49517	.44704	-.07282	-.01043	-.02145
899	-6.826	3.97286	-.88177	-6.58029	-.35845	.40651	-.04752	-.00582	-.01699
900	-4.596	3.97555	-.62220	-6.59297	-.23494	.37760	-.02516	-.00154	-.01240
899	-2.387	3.97130	-.31385	-6.59290	-.11263	.35885	-.00277	.00257	-.00785
.900	-.175	3.97138	.03125	-6.59347	.01096	.35069	.02085	.00675	-.00295
.899	2.024	3.96950	.37734	-6.55177	.13219	.35033	.04657	.01121	.00249
.900	4.254	3.97141	.71239	-6.54272	.25639	.35990	.07003	.01557	.00613
	GRADIENT	-.00046	.15198	.00640	.05551	-.00198	.01084	.00194	.00214

RUN NO. 115/ 0 RN/L = 4.08 GRADIENT INTERVAL = -5.00/ 5.00

MACH	ALPHA	RN/L	L/DO	BETA	CLU	CDU	CNW	CBW	CTW
.974	-9.250	4.07311	-1.01135	-6.61850	-.54195	.53587	-.09716	-.01457	-.02013
.975	-6.969	4.07715	-.78543	-6.64072	-.38528	.49054	-.07084	-.00937	-.01665
.975	-4.698	4.07595	-.55317	-6.64754	-.25288	.45714	-.04272	-.00435	-.01206
.975	-2.459	4.07956	-.28474	-6.65194	-.12438	.43682	-.01613	.00042	-.00726
.975	-.207	4.08343	.01734	-6.63700	.00745	.42983	.01281	.00537	-.00218
.975	2.020	4.08280	.29470	-6.63145	.12734	.43210	.03897	.01023	.00153
.975	4.253	4.08100	.57283	-6.59960	.25454	.44436	.06485	.01521	.00477
	GRADIENT	.00060	.12651	.00520	.05659	-.00136	.01207	.00219	.00190

RUN NO. 110/ 0 RN/L = 4.21 GRADIENT INTERVAL = -5.00/ 5.00

MACH	ALPHA	RN/L	L/DO	BETA	CLU	CDU	CNW	CBW	CTW
1.149	-7.146	4.20813	-.71372	-6.68142	-.39809	.55776	-.07140	-.00977	-.01048
1.150	-4.827	4.21088	-.47274	-6.69714	-.24767	.52390	-.04273	-.00447	-.00632
1.149	-2.532	4.20689	-.22577	-6.69290	-.11420	.50583	-.01202	.00099	-.00192
1.149	-.254	4.20874	.03199	-6.68460	.01591	.49741	.01958	.00682	.00184
1.149	2.015	4.20919	.28395	-6.68028	.14149	.49846	.04917	.01237	.00400
	GRADIENT	-.00014	.11083	.00258	.05690	-.00372	.01348	.00247	.00152

LARC 8FT TPT 749 (1A93) OTSAT130

(TJJ027) (24 JUN 76)

REFERENCE DATA

PARAMETRIC DATA

SREF = 2690.0000 SQ.FT. XMRP = 976.0000 IN. XT
 LREF = 1290.3000 INCHES YMRP = .0000 IN. YT
 BREF = 1290.3000 INCHES ZMRP = 400.0000 IN. ZT
 SCALE = .0100

BETA = -6.000 ELV-LI = 12.000
 ELV-LO = 4.000 ELV-RI = 12.000
 ELV-RO = 4.000

RUN NO. 105/ 0 RN/L = 4.22 GRADIENT INTERVAL = -5.00/ 5.00

MACH	ALPHA	RN/L	L/DU	BETA	CLU	CDU	CNW	CBW	CTW
1.205	-9.569	4.21467	- 94098	-6.67711	-.58314	.61971	-.09705	-.01483	-.01125
1.205	-7.192	4.21665	- 70432	-6.68535	-.39824	.56542	-.06825	- .00944	-.00820
1.205	-4.858	4.21925	- 46059	-6.69577	-.24476	.53140	-.03860	-.00387	-.00458
1.205	-2.553	4.21984	-.21310	-6.69186	- 10943	.51355	-.00732	.00199	-.00142
1.205	- .260	4.21528	.03648	-6.67873	.01845	.50587	.02441	.00782	.00199
1.205	2.003	4.21290	.27650	-6.67471	.14034	.50757	.05128	.01302	.00391
1.205	4.286	4.21803	.50853	-6.66618	.26123	.51371	.07562	.01742	.00591
	GRADIENT	- .00041	10628	.00334	.05524	-.00182	.01257	.00235	.00115

LARC 8FT TPT 749 (1A93) OTSAT130

(TJJ028) (24 JUN 76)

REFERENCE DATA

PARAMETRIC DATA

SREF = 2690.0000 SQ.FT. XMRP = 976.0000 IN. XT
 LREF = 1290.3000 INCHES YMRP = .0000 IN. YT
 BREF = 1290.3000 INCHES ZMRP = 400.0000 IN. ZT
 SCALE = .0100

BETA = -4.000 ELV-LI = 12.000
 ELV-LO = 4.000 ELV-RI = 12.000
 ELV-RO = 4.000

RUN NO. 119/ 0 RN/L = 3.97 GRADIENT INTERVAL = -5.00/ 5.00

MACH	ALPHA	RN/L	L/DU	BETA	CLU	CDU	CNW	CBW	CTW
.900	-9.022	3.97361	-1 11269	-4.37618	-.49892	.44839	-.07285	-.01019	-.02179
.899	-6.790	3.97060	- 88764	-4.39587	-.36058	.40622	-.04729	-.00556	-.01690
.900	-4.581	3.97123	-.62817	-4.39788	-.23649	.37647	-.02495	-.00126	-.01242
.899	-2.382	3.96946	-.32163	-4.39570	-.11441	.35571	-.00172	.00294	-.00730
.899	- .179	3.96766	.03306	-4.39572	.01141	.34512	.02536	.00764	-.00196
.899	2.032	3.96699	.39909	-4.38801	.13700	.34329	.05295	.01256	.00354
.900	4.245	3.97062	.73354	-4.38266	.26089	.35565	.07760	.01717	.00729
	GRADIENT	-.00017	.15609	.00182	.05647	-.00245	.01177	.00211	.00228

LARC 8FT TPT 749 (IA93) OTSAT130

(TJJ028) (24 JUN 76)

REFERENCE DATA

SREF * 2690 0000 SQ.FT. XMRP = 976.0000 IN XT
 LREF * 1290.3000 INCHES YMRP = .0000 IN. YT
 BREF * 1290.3000 INCHES ZMRP = 400.0000 IN. ZT
 SCALE * .0100

PARAMETRIC DATA

BETA = -4.000 ELV-LI = 12.000
 ELV-LO = 4.000 ELV-RI = 12.000
 ELV-RO = 4.000

RUN NO. 114/ 0 RN/L = 4.07 GRADIENT INTERVAL = -5.00/ 5.00

MACH	ALPHA	RN/L	L/DU	BETA	CLU	CDU	CNW	CBW	CTW
.974	-9.194	4.07649	- .99877	-4.42138	-.53752	.53818	- .09457	-.01386	-.02018
.975	-6.929	4.08047	- .78349	-4.43748	- .38477	.49110	- .06680	-.00876	-.01603
.975	-4.682	4.08077	- .55656	-4.43854	- .25506	.45827	- .03922	-.00380	-.01163
.975	-2.434	4.08029	- .29620	-4.42420	- .12944	.43699	- .01009	.00132	-.00632
.975	- .220	4.08319	- .00818	-4.41510	- .00350	.42762	.01633	.00617	- .00140
.975	1.999	4.07913	.27966	-4.40720	.11976	.42822	.04604	.01168	.00253
.974	4.236	4.07440	.57300	-4.39591	.25187	.43957	.07406	.01719	.00561
	GRADIENT	-.00062	12730	00459	.05672	-.00208	.01269	.00235	.00195

RUN NO. 109/ 0 RN/L = 4.21 GRADIENT INTERVAL = -5.00/ 5.00

MACH	ALPHA	RN/L	L/DU	BETA	CLU	CDU	CNW	CBW	CTW
1.149	-7.104	4.20623	- .71897	-4.47615	- .40046	.55699	- .06513	- .00886	-.00987
1.149	-4.793	4.20840	- .47653	-4.48881	- .24872	.52194	- .03521	-.00326	-.00572
1.149	-2.511	4.20877	- .22755	-4.47750	- .11455	.50341	- .00116	.00283	- .00094
1.149	- .247	4.21025	.02774	-4.47033	.01370	.49384	.03157	.00896	.00238
1.150	1.997	4.21246	.27672	-4.44323	.13668	.49394	.06182	.01464	.00471
	GRADIENT	.00360	.11112	00635	.05675	-.00414	01431	.00264	.00153

RUN NO. 104/ 0 RN/L = 4.22 GRADIENT INTERVAL = -5.00/ 5.00

MACH	ALPHA	RN/L	L/DU	BETA	CLU	CDU	CNW	CBW	CTW
1.205	-9.491	4.21646	- .92326	-4.47665	- .57051	.61793	- .09080	-.01399	-.01097
1.205	-7.130	4.21784	- .70054	-4.48296	- .39490	.56371	- .06131	-.00836	-.00776
1.205	-4.811	4.21905	- .45975	-4.47144	- .24316	.52891	- .02876	- .00227	-.00444
1.205	-2.515	4.21724	- .20435	-4.47335	- .10431	.51045	.00627	.00426	-.00086
1.205	-.256	4.21882	.04404	-4.46161	.02210	.50180	.03777	.01021	.00215
1.205	2.012	4.22100	.27988	-4.45853	.14069	.50266	.06479	.01522	.00459
1.205	4.264	4.22399	.51252	-4.45248	.26159	.51040	.08884	.01959	.00645
	GRADIENT	.00060	.10711	.00232	.05533	-.00198	.01296	.00241	.00120

LARC 8FT TPT /49 (1A93) OTSAT130

(TJJ029) (24 JUN 76)

REFERENCE DATA

SREF = 2690.0000 SQ.FT. XMRP = 976.0000 IN. XT
 LREF = 1290.3000 INCHES YMRP = .0000 IN. YT
 BREF = 1290.3000 INCHES ZMRP = 400 0000 IN. ZT
 SCALE = .0100

PARAMETRIC DATA

BETA = .000 ELV-L1 = 12.000
 ELV-LO = 4.000 ELV-R1 = 12.000
 ELV-RO = 4.000

RUN NO. 118/ 0 RN/L = 3.97 GRADIENT INTERVAL = -5.00/ 5.00

MACH	ALPHA	RN/L	L/DU	BETA	CLU	CDU	CNW	CBW	CTW
.899	-8.974	3.97962	-1.13934	-.02473	-.50502	.44326	-.07930	-.01114	-.02099
.900	-6.747	3.97326	-.93356	-.01624	-.37091	.39731	-.05060	-.00612	-.01535
.900	-4.554	3.96981	-.65618	-.01842	-.23895	.36416	-.02302	-.00116	-.00978
.900	-2.374	3.96660	-.34949	-.00781	-.12010	.34366	.00671	.00389	-.00349
.899	-.167	3.95320	.02246	.00539	.00752	.33323	.03703	.00929	.00270
.899	2.013	3.96516	.40310	.00934	.13492	.33471	.06718	.01465	.00800
.899	4.220	3.96702	.74555	.01230	.25900	.34739	.09278	.01909	.01162
	GRADIENT	-.00032	.16212	.00358	.05703	-.00193	.01331	.00234	.00247

RUN NO 113/ 0 RN/L = 4.08 GRADIENT INTERVAL = -5.00/ 5.00

MACH	ALPHA	RN/L	L/DU	BETA	CLU	CDU	CNW	CBW	CTW
.975	-9.161	4.08235	-1.01899	-.03780	-.54516	.53500	-.09054	-.01330	-.01913
.975	-6.902	4.07874	-.80907	-.04140	-.39445	.48754	-.05775	-.00749	-.01389
.975	-4.648	4.07518	-.58061	-.03392	-.26214	.45149	-.02861	-.00217	-.00888
.975	-2.433	4.07212	-.31947	-.01984	-.13729	.42975	.00210	.00317	-.00276
.975	-.224	4.07189	-.04103	-.01419	-.01722	.41969	.03378	.00902	.00253
.974	1.979	4.07193	.25388	-.01296	.10636	.41891	.06437	.01493	.00612
.974	4.212	4.07692	.55650	-.01772	.23845	.42848	.09417	.02027	.00961
	GRADIENT	.00015	.12867	.00177	.05625	-.00257	.01391	.00256	.00207

PUN NO 108/ 0 RN/L = 4.21 GRADIENT INTERVAL = -5.00/ 5.00

MACH	ALPHA	RN/L	L/DU	BETA	CLU	CDU	CNW	CBW	CTW
1.151	-7.080	4.21953	-.73681	-.06107	-.40834	.55419	-.05370	-.00710	-.00836
1.150	-4.776	4.20935	-.50550	-.05304	-.26223	.51876	-.01756	-.00033	-.00424
1.149	-2.505	4.20641	-.23953	-.03695	-.11956	.49912	.02261	.00704	.00001
1.149	-.252	4.20967	.00807	-.02865	.00395	.48921	.05812	.01345	.00368
1.149	2.005	4.20753	.25812	-.02306	.12566	.48684	.08622	.01861	.00650
	GRADIENT	-.00010	.11234	.00435	.05697	-.00468	.01535	.00280	.00159

DATE 29 OCT 76

TABULATED SOURCE DATA - 1A93.

PAGE 225

LARC 8FT TPT /49 (1A93) OTSAT130

(TJJ029) (24 JUN 76)

REFERENCE DATA

SREF = 2690.0000 SQ.FT. XMRP = 976.0000 IN. XT
 LREF = 1290.3000 INCHES YMRP = .0000 IN. YT
 BREF = 1290.3000 INCHES ZMRP = 400.0000 IN. ZT
 SCALE = .0100

PARAMETRIC DATA

BETA = .000 ELV-LI = 12.000
 ELV-LO = 4.000 ELV-RI = 12.000
 ELV-RO = 4.000

RUN NO. 103/ 0 RN/L = 4.22 GRADIENT INTERVAL = -5.00/ 5.00

MACH	ALPHA	RN/L	L/DU	BETA	CLU	CDU	CNW	CBW	CTW
1.205	-9.425	4.21705	-.92331	-.04507	-.56357	.61038	-.08146	-.01250	-.01078
1.205	-7.077	4.21765	-.71459	-.04658	-.39887	.55818	-.04561	-.00595	-.00688
1.205	-4.779	4.21746	-.46967	-.03709	-.24607	.52392	-.00861	.00139	-.00449
1.206	-2.496	4.21826	-.21141	-.02413	-.10663	.50434	.03006	.00836	-.00092
1.205	-.253	4.21944	.03429	-.01325	.01699	.49560	.06423	.01437	.00297
1.205	1.992	4.22081	.26747	-.01055	.13227	.49451	.09113	.01926	.00587
1.204	4.248	4.22397	.50287	-.01453	.25224	.50161	.11499	.02360	.00828
	GRADIENT	00069	.10754	.00261	05481	-.00242	.01368	00245	.00143

LARC 8FT TPT 749 (1A93) OTSAT130

(TJJ030) (24 JUN 76)

REFERENCE DATA

SREF = 2690.0000 SQ.FT. XMRP = 976.0000 IN. XT
 LREF = 1290.3000 INCHES YMRP = .0000 IN. YT
 BREF = 1290.3000 INCHES ZMRP = 400.0000 IN. ZT
 SCALE = .0100

PARAMETRIC DATA

BETA = 4.000 ELV-LI = 12.000
 ELV-LO = 4.000 ELV-RI = 12.000
 ELV-RO = 4.000

RUN NO. 121/ 0 RN/L = 3.97 GRADIENT INTERVAL = -5.00/ 5.00

MACH	ALPHA	RN/L	L/DU	BETA	CLU	CDU	CNW	CBW	CTW
.900	-9.024	3.97085	-1.12863	4.27133	-.50346	.44608	-.07576	-.01051	-.01968
.899	-6.792	3.97055	-.91147	4.30881	-.36682	.40245	-.04579	-.00542	-.01305
.899	-4.567	3.97314	-.64160	4.32204	-.23837	.37152	-.01454	.00022	-.00679
.899	-2.377	3.97380	-.33865	4.34058	-.11929	.35225	.01855	.00594	.00007
.900	-.188	3.97287	.01223	4.35077	.00420	.34331	.05036	.01166	.00624
.900	2.008	3.97059	.37738	4.34728	.12906	.34198	.07879	.01675	.01086
.899	4.219	3.97010	.71088	4.33937	.25250	.35520	.10162	.02031	.01340
	GRADIENT	-.00042	.15581	.00188	.05602	-.00195	.01332	00232	.00233

LARC 8FT TPT 749 (1A93) OTSAT130

(TJJ030) (24 JUN 76)

REFERENCE DATA

SREF = 2690.0000 SQ.FT. XMRP = 976.0000 IN. XT
 LREF = 1290.3000 INCHES YMRP = .0000 IN. YT
 BREF = 1290.3000 INCHES ZMRP = 400 0000 IN. ZT
 SCALE = .0100

PARAMETRIC DATA

BETA = 4.000 ELV-LI = 12.000
 ELV-LO = 4.000 ELV-RI = 12.000
 ELV-RO = 4.000

RUN NO. 116/ 0 RN/L = 4.08 GRADIENT INTERVAL = -5.00/ 5.00

MACH	ALPHA	RN/L	L/DU	BETA	CLU	CDU	CNW	CBW	CTW
.975	-9.201	4 07758	-1 01226	4.32372	-.54287	53630	-.08210	-.01195	-.01822
.976	-6.930	4 08313	- 80339	4 34735	- 39339	.48966	-.04705	-.00582	-.01224
.975	-4.660	4.08225	-.55972	4.36005	-.25438	.45447	-.01299	.00033	-.00588
.975	-2.426	4 06232	-.29813	4.37753	-.12909	.43302	.02119	.00651	.00010
.975	-.217	4 09247	-.01966	4.38675	-.00836	.42544	.05632	.01311	.00531
.975	2 009	4 08175	27974	4.38296	.11806	.42203	.08677	.01882	.00923
.975	4.249	4 08264	57250	4 37060	.24785	.43292	.11716	.02387	.01305
	GRADIENT	.00001	.12773	.00119	.05625	-.00243	01464	.00267	.00211

RUN NO 111/ 0 RN/L = 4.21 GRADIENT INTERVAL = -5.00/ 5.00

MACH	ALPHA	RN/L	L/DU	BETA	CLU	CDU	CNW	CBW	CTW
1.149	-7 111	4 21016	-.73154	4.34943	-.40893	.55900	-.03938	-.00461	-.00870
1.150	-4 807	4 21088	-.49569	4 37168	- 25946	.52343	.00611	.00367	-.00450
1.149	-2.528	4.21061	-.23658	4.38375	- 11847	.50076	.04467	.01085	-.00053
1.149	- 238	4.21101	.02436	4 39485	.01196	.49096	.07828	.01699	.00313
1.149	2.005	4.20956	.27647	4 39229	.13503	.48842	.10725	.02220	.00649
	GRADIENT	-.00016	.11341	00322	.05782	-.00506	.01483	00272	00161

RUN NO 106/ 0 RN/L = 4.22 GRADIENT INTERVAL = -5.00/ 5.00

MACH	ALPHA	RN/L	L/DU	BETA	CLU	CDU	CNW	CBW	CTW
1.205	-9 489	4 21843	-.92945	4.35292	- 57321	.61672	-.07464	-.01102	-.01403
1.205	-7 125	4.21943	-.70554	4 37322	-.39764	.56359	-.03206	-.00311	-.01055
1.205	-4.823	4 21904	-.46883	4 39020	- 24751	.52793	.01021	.00453	-.00686
1.205	-2.525	4.21746	-.21955	4 40658	-.11124	.50670	.04670	.01116	-.00310
1.205	-.263	4.21686	.02995	4 41281	.01488	.49690	.07998	.01714	.00097
1.205	2.026	4.21745	.27452	4.41752	.13592	.49513	.10920	.02226	.00474
1.205	4 265	4 21804	51074	4 40921	25666	.50253	.13416	.02664	.00797
	GRADIENT	- 00009	.10794	.00216	.05525	-.00275	.01366	.00243	.00165

LARC 8FT TPT 749 (1A93) OTSAT130

(TJJ031) (24 JUN 76)

REFERENCE DATA

SREF = 2690 0000 SQ.FT. XMRP = 976.0000 IN. XT
 LREF = 1290.3000 INCHES YMRP = .0000 IN. YT
 BREF = 1290.3000 INCHES ZMRP = 400.0000 IN. ZT
 SCALE = .0100

PARAMETRIC DATA

BETA = 6.000 ELV-L1 = 12.000
 ELV-LO = 4.000 ELV-R1 = 12.000
 ELV-RO = 4.000

RUN NO 122/ 0 RN/L = 3.97 GRADIENT INTERVAL = -5.00/ 5.00

MACH	ALPHA	RN/L	L/DU	BETA	CLU	CDU	CNW	CBW	CTW
.900	-9.065	3 97012	-1 12965	6.41394	-.50416	.44630	- 07682	-.01053	-.01951
.900	-6.827	3 97089	- 91192	6 45376	-.36874	.40436	- 04466	-.00517	- 01236
.900	-4 611	3.97006	- 65570	6.47657	- 24602	.37521	- 01285	.00054	-.00597
.899	-2.401	3.97325	-.34388	6 49697	-.12255	.35637	02148	.00654	.00091
.899	- 196	3 97186	.00127	6 51074	.00044	.34671	.05500	.01252	00704
.900	2 019	3 97557	.37723	6 50010	.13110	.34753	08607	.01788	.01221
.899	4 240	3.97120	.69540	6 48861	.24860	.35749	.10502	.02092	.01377
	GRADIENT	00021	.15475	00123	.05618	-.00200	01357	.00235	.00229

RUN NO. 117/ 0 RN/L = 4 08 GRADIENT INTERVAL = -5.00/ 5.00

MACH	ALPHA	RN/L	L/DU	BETA	CLU	CDU	CNW	CBW	CTW
.975	-9.259	4 07778	-1 02026	6 48989	-.54702	.53616	-.08089	-.01164	-.01833
.976	-6 961	4 07910	-.80073	6 52252	-.39221	.48982	- 04346	-.00517	- 01135
.975	-4 702	4 07998	- 56487	6.54354	-.25772	.45625	-.00758	00122	-.00495
.975	-2.459	4.07989	- 30460	6.55989	- 13243	.43476	.03007	00806	.00126
.975	- 217	4 07999	- 00367	6 56267	-.00156	.42440	.06414	01471	.00575
.975	2.014	4.08078	.28933	6 55889	.12278	.42434	09623	02039	.01038
.975	4 250	4 08030	.58400	6 53894	.25329	.43371	12659	02552	.01382
	GRADIENT	00007	12922	- 00045	.05708	-.00248	01496	.00272	.00209

RUN NO 112/ 0 RN/L = 4.21 GRADIENT INTERVAL = -5 00/ 5.00

MACH	ALPHA	RN/L	L/DU	BETA	CLU	CDU	CNW	CBW	CTW
1.149	-7 154	4 20777	-.73414	6 55265	-.41067	.55940	-.03407	-.00333	- 01019
1.149	-4 846	4 20746	-.50290	6.58285	- 26418	.52532	.01325	00501	- .00557
1.149	-2.544	4 20880	- 24587	6.60156	- 12349	.50224	.05162	.01214	- 00189
1.149	-.261	4 20913	.02022	6 61327	.00992	.49089	.08747	01849	00248
1.149	2 007	4.20953	.28089	6.60880	13746	.48937	.11896	.02390	00638
	GRADIENT	.00029	11459	.00393	05859	-.00523	01546	00276	.00176

ORIGINAL PAGE IS
OF POOR QUALITY

LARC 8FT TPT 749 (1A93) OTSAT130

(TJJ031) (24 JUN 76)

REFERENCE DATA

SREF = 2690.0000 SQ FT. XMRP = 976.0000 IN. XT
 LREF = 1290.3000 INCHES YMRP = .0000 IN. YT
 BREF = 1290.3000 INCHES ZMRP = 400.0000 IN. ZT
 SCALE = .0100

PARAMETRIC DATA

BETA = 6.000 ELV-LI = 12.000
 ELV-LO = 4.000 ELV-RI = 12.000
 ELV-RO = 4.000

RUN NO. 107/ 0 RN/L = 4.22 GRADIENT INTERVAL = -5.00/ 5.00

MACH	ALPHA	RN/L	L/DU	BETA	CLU	CDU	CNW	CBW	CTW
1.205	-9.551	4.21546	-.94600	6.54217	-.58543	.61885	-.07280	-.01007	-.01591
1.205	-7.169	4.21822	-.72041	6.56870	-.40651	.56428	-.02805	-.00236	-.01204
1.205	-4.842	4.21903	-.48060	6.59254	-.25379	.52808	.01551	.00541	-.00823
1.205	-2.561	4.21843	-.23189	6.60892	-.11744	.50647	.05325	.01222	-.00431
1.205	-.252	4.21863	.02924	6.62030	.01450	.49583	.08699	.01827	-.00016
1.205	1.994	4.21883	.27362	6.61748	.13560	.49556	.11742	.02342	.00413
1.205	4.269	4.21903	.51776	6.60397	.25980	.50178	.14189	.02768	.00730
	GRADIENT	.00002	.10986	.00139	.05621	-.00280	.01392	.00245	.00173

LARC 8FT TPT 749 (1A93) OTSAT130

(TJJ032) (24 JUN 76)

REFERENCE DATA

SREF = 2690.0000 SQ.FT. XMRP = 976.0000 IN. XT
 LREF = 1290.3000 INCHES YMRP = .0000 IN. YT
 BREF = 1290.3000 INCHES ZMRP = 400.0000 IN. ZT
 SCALE = .0100

PARAMETRIC DATA

BETA = -6.000 ELV-LI = 12.000
 ELV-LO = 9.000 ELV-RI = 12.000
 ELV-RO = 9.000

RUN NO. 145/ 0 RN/L = 3.16 GRADIENT INTERVAL = -5.00/ 5.00

MACH	ALPHA	RN/L	L/DU	BETA	CLU	CDU	CNW	CBW	CTW
.598	-8.531	3.16424	-1.10796	-6.34433	-.39920	.36030	-.07540	-.00663	-.02844
.598	-6.428	3.16178	-.85049	-6.37869	-.28083	.33020	-.05330	-.00247	-.02419
.598	-4.310	3.16701	-.58259	-6.39833	-.18159	.31169	-.03140	.00144	-.01992
.598	-2.183	3.16043	-.24711	-6.40441	-.07355	.29765	-.00937	.00530	-.01488
.598	-.080	3.15937	.10728	-6.40738	.03116	.29042	.01176	.00916	-.01048
.598	2.046	3.15764	.48108	-6.40103	.13926	.28947	.03555	.01366	-.00610
.598	4.137	3.15652	.83447	-6.39872	.24507	.29368	.05727	.01757	-.00175
	GRADIENT	-.00113	.16864	.00012	.05047	-.00210	.01052	.00192	.00214

LARC 8FT TPT 749 (1A93) OTSAT130

(TJJ032) (24 JUN 76)

REFERENCE DATA

SREF = 2690.0000 SQ.FT. XMRP = 976.0000 IN. XT
 LREF = 1290.3000 INCHES YMRP = .0000 IN. YT
 BREF = 1290.3000 INCHES ZMRP = 400.0000 IN. ZT
 SCALE = .0100

PARAMETRIC DATA

BETA = -6.000 ELV-LI = 12.000
 ELV-LO = 9.000 ELV-RI = 12.000
 ELV-RO = 9.000

RUN NO. 140/ 0 RN/L = 3.97 GRADIENT INTERVAL = -5.00/ 5.00

MACH	ALPHA	RN/L	L/DU	BETA	CLU	CDU	CNW	CBW	CTW
.900	-9.066	3.97608	-1.07116	-6.52728	-.48096	.44901	-.06014	-.00770	-.02258
.899	-6.811	3.97161	-.83873	-6.55992	-.34191	.40766	-.03812	-.00357	-.01816
.900	-4.601	3.97323	-.59070	-6.56675	-.22430	.37972	-.01608	.00067	-.01364
.900	-2.387	3.97051	-.26992	-6.56856	-.09754	.36138	.00726	.00487	-.00891
.900	-.180	3.97012	.08978	-6.56370	.03169	.35304	.03244	.00957	-.00424
.900	2.049	3.97026	.44244	-6.54664	.15628	.35323	.05985	.01456	.00047
.900	4.253	3.97025	.77317	-6.54336	.28172	.36437	.08555	.01930	.00421
	GRADIENT	.00028	.15535	.00310	.05716	-.00175	.01155	.00212	.00204

RUN NO 135/ 0 RN/L = 4.08 GRADIENT INTERVAL = -5.00/ 5.00

MACH	ALPHA	RN/L	L/DU	BETA	CLU	CDU	CNW	CBW	CTW
.975	-9.263	4.07858	-.97769	-6.63803	-.52587	.53787	-.08689	-.01174	-.02257
.976	-6.979	4.07980	-.75950	-6.66386	-.37470	.49335	-.05885	-.00651	-.01874
.976	-4.702	4.07995	-.51955	-6.67121	-.23894	.45991	-.03103	-.00134	-.01458
.975	-2.449	4.07742	-.24451	-6.66146	-.10739	.43922	-.00247	.00365	-.00935
.975	-.213	4.08046	.04622	-6.64665	.01998	.43228	.02413	.00842	-.00478
.975	2.012	4.08046	.33358	-6.64164	.14481	.43411	.05283	.01365	-.00061
.975	4.257	4.08088	.61477	-6.62966	.27538	.44794	.07910	.01876	.00223
	GRADIENT	.00022	.12720	.00460	.05723	-.00130	.01231	.00224	.00189

RUN NO. 130/ 0 RN/L = 4.21 GRADIENT INTERVAL = -5.00/ 5.00

MACH	ALPHA	RN/L	L/DU	BETA	CLU	CDU	CNW	CBW	CTW
1.149	-7.180	4.20865	-.69091	-6.67974	-.38620	.55898	-.06061	-.00733	-.01175
1.150	-4.833	4.20924	-.45086	-6.69386	-.23711	.52591	-.03297	-.00199	-.00819
1.150	-2.523	4.20852	-.19902	-6.67887	-.10109	.50797	-.00123	.00364	-.00367
1.149	-.246	4.21219	.05548	-6.67092	.02772	.49969	.03060	.00950	.00011
1.150	2.034	4.21375	.30543	-6.66660	.15300	.50095	.05982	.01504	.00232
	GRADIENT	.00075	.11030	.00261	.05679	-.00364	.01356	.00249	.00154

LARC 8FT TPT 749 (1A93) OTSAT130

(TJJ032) (24 JUN 76)

REFERENCE DATA

PARAMETRIC DATA

SREF = 2690.0000 SQ.FT. XMRP = 976.0000 IN. XT
 LREF = 1290.3000 INCHES YMRP = .0000 IN. YT
 BREF = 1290.3000 INCHES ZMRP = 400.0000 IN. ZT
 SCALE = .0100

BETA = -6.000 ELV-LI = 12.000
 ELV-LO = 9.000 ELV-RI = 12.000
 ELV-RO = 9.000

RUN NO. 125/ 0 RN/L = 4.22 GRADIENT INTERVAL = -5.00/ 5.00

MACH	ALPHA	RN/L	L/DU	BETA	CLU	CDU	CNW	CBW	CTW
1.205	-9.553	4.22301	-.92309	-6.67024	-.57226	.61994	-.09700	-.01258	-.01236
1.205	-7.192	4.22143	-.68217	-6.67509	-.39639	.56541	-.05796	-.00707	-.00942
1.205	-4.860	4.21786	-.43778	-6.68414	-.23336	.53306	-.02907	-.00142	-.00641
1.205	-2.542	4.21587	-.18677	-6.67400	-.09622	.51518	.00347	.00457	-.00302
1.205	-.258	4.21707	.06258	-6.66199	.03177	.50773	.03586	.01052	.00067
1.205	2.012	4.21627	.29582	-6.65884	.15084	.50991	.06197	.01551	.00251
1.205	4.274	4.21904	.52801	-6.65274	.27269	.51644	.08628	.01988	.00456
	GRADIENT	.00008	.10579	.00342	.05518	-.00170	.01268	.00235	.00120

LARC 8FT TPT 749 (1A93) OTSAT130

(TJJ033) (24 JUN 76)

REFERENCE DATA

PARAMETRIC DATA

SREF = 2690.0000 SQ FT. XMRP = 976.0000 IN. XT
 LREF = 1290.3000 INCHES YMRP = .0000 IN. YT
 BREF = 1290.3000 INCHES ZMRP = 400.0000 IN. ZT
 SCALE = .0100

BETA = -4.000 ELV-LI = 12.000
 ELV-LO = 9.000 ELV-RI = 12.000
 ELV-RO = 9.000

RUN NO. 144/ 0 RN/L = 3.15 GRADIENT INTERVAL = -5.00/ 5.00

MACH	ALPHA	RN/L	L/DU	BETA	CLU	CDU	CNW	CBW	CTW
.598	-8.512	3.16620	-1.08471	-4.21410	-.39089	.36037	-.07346	-.00626	-.02800
.598	-6.391	3.16741	-.83642	-4.23688	-.27741	.33167	-.05052	-.00215	-.02387
.598	-4.298	3.16305	-.57001	-4.24346	-.17790	.31209	-.02620	.00196	-.01870
.599	-2.152	3.16136	-.24729	-4.24830	-.07402	.29932	-.00350	.00604	-.01391
.598	-.080	3.15676	.09246	-4.24715	.02700	.29206	.01700	.00994	-.00950
.598	2.034	3.15365	.45111	-4.24248	.13054	.28938	.03976	.01431	-.00530
.598	4.133	3.15290	.81822	-4.23872	.24090	.29442	.06512	.01894	-.00038
	GRADIENT	-.00142	.16508	.00077	.04951	-.00215	.01073	.00201	.00215

LARC 8FT TPT 749 (A93) OTSAT130

(TJJ033) (24 JUN 76)

REFERENCE DATA

SREF = 2690.0000 SQ.FT. XMRP = 975.0000 IN. XT
 LREF = 1290.3000 INCHES YMRP = .0000 IN. YT
 BREF = 1290.3000 INCHES ZMRP = 400 0000 IN. ZT
 SCALE = .0100

PARAMETRIC DATA

BETA = -4.000 ELV-LI = 12.000
 ELV-LO = 9.000 ELV-RI = 12.000
 ELV-RO = 9.000

RUN NO. 139/ 0 RN/L = 3.97 GRADIENT INTERVAL = -5.00/ 5.00

MACH	ALPHA	RN/L	L/DU	BETA	CLU	CDU	CNW	CBW	CTW
.900	-9.009	3.97368	-1.07066	-4.39580	-.48164	.44986	-0.05955	-.00734	-0.02288
.900	-6.779	3.97272	-.84658	-4.41475	-.34527	.40784	-.03691	-.00309	-.01816
.900	-4.573	3.97172	-.59113	-4.42290	-.22340	.37792	-.01426	.00116	-.01349
.900	-2.373	3.96391	-.27807	-4.43098	-.09971	.35858	.00836	.00528	-.00856
.899	-.171	3.96790	.07820	-4.42617	0.02719	.34766	.03737	.01052	-.00358
.900	2.037	3.97071	.46015	-4.42302	1.6000	.34771	.06722	.01610	.00128
.900	4.253	3.97487	.79244	-4.41940	.28634	.36134	.09407	.02102	.00530
	GRADIENT	.00032	15889	.00068	.05798	-.00199	01249	.00229	.00215

RUN NO 134/ 0 RN/L = 4.08 GRADIENT INTERVAL = -5.00/ 5.00

MACH	ALPHA	RN/L	L/DU	BETA	CLU	CDU	CNW	CBW	CTW
.975	-9.188	4.07995	- .96848	-4.41788	- .52285	.53987	-.08342	-.01105	-.02230
.975	-6.919	4.08045	-.75007	-4.42781	-.36939	.49247	-.05427	-.00577	-.01810
.975	-4.678	4.08028	-.51417	-4.42854	-.23645	.45987	-.02587	-.00056	-.01375
.975	-2.435	4.08105	-.25973	-4.42113	-.11413	.43943	.00242	.00443	-.00868
.975	-.202	4.08392	0.2651	-4.40562	0.1140	.43020	.03031	.00950	-.00362
.975	2.015	4.08109	.32463	-4.40097	1.3989	.43092	.06083	.01532	.00002
.975	4.261	4.07811	.61236	-4.39166	.27240	.44483	.09055	.02097	.00328
	GRADIENT	-.00019	12707	.00421	.05696	-.00173	01304	.00242	.00192

RUN NO. 129/ 0 RN/L = 4.21 GRADIENT INTERVAL = -5.00/ 5.00

MACH	ALPHA	RN/L	L/DU	BETA	CLU	CDU	CNW	CBW	CTW
1.150	-7.115	4.21327	- .69357	-4.45291	- .39718	.55824	- .05478	-.00638	-.01156
1.150	-4.793	4.20997	-.44864	-4.45821	-.23518	.52421	-.02389	-.00057	-.00735
1.150	-2.489	4.21009	-.19768	-4.45140	-.09993	.50551	0.01017	.00564	-.00287
1.150	-.249	4.20940	.05248	-4.44233	.02606	.49664	.04176	.01160	.00050
1.149	2.015	4.20825	.29870	-4.43416	.14838	.49675	.07254	.01718	.00322
	GRADIENT	-.00026	10996	.00358	.05633	-.00403	.01416	.00261	.00155

LARC 8FT TPT 749 (1A93) OTSAT130

(TJJ033) (24 JUN 76)

REFERENCE DATA

SREF = 2690.0000 SQ FT. XMRP = 976.0000 IN XT
 LREF = 1290.3000 INCHES YMRP = .0000 IN. YT
 BREF = 1290.3000 INCHES ZMRP = 400.0000 IN. ZT
 SCALE = .0100

PARAMETRIC DATA

BETA = -4.000 ELV-L1 = 12.000
 ELV-LO = 9.000 ELV-R1 = 12.000
 ELV-RO = 9.000

RUN NO 124/ 0 RN/L = 4.22 GRADIENT INTERVAL = -5.00/ 5 00

MACH	ALPHA	RN/L	L/DU	BETA	CLU	CDU	CNW	CBW	CTW
1.205	-9.492	4.22083	-90330	-4.44346	-.55855	.61835	-.08150	-0.1175	-.01234
1.205	-7.134	4.21825	-.68063	-4.44610	-.38464	.56512	-.05049	-.00593	-.00907
1.205	-4.779	4.21826	-43436	-4.43860	-.23038	.53039	-.01845	.00031	-.03625
1.205	-2.528	4.21746	-18104	-4.44471	-.09285	.51288	.01608	.00685	-.00296
1.205	-.261	4.21785	06303	-4.43244	03180	.50456	.04747	.01260	.00055
1.205	2.034	4.21924	30325	-4.42705	.15328	.50546	.07575	01768	.00319
1.205	4.293	4.21963	53172	-4.42398	.27290	.51324	.09827	.02188	.00493
	GRADIENT	00020	10642	.00207	.05517	-00183	01291	00238	.00126

LARC 8FT TPT 749 (1A93) OTSAT130

(TJJ034) (24 JUN 76)

REFERENCE DATA

SREF = 2690.0000 SQ.FT. XMRP = 976.0000 IN. XT
 LREF = 1290.3000 INCHES YMRP = .0000 IN. YT
 BREF = 1290.3000 INCHES ZMRP = 400.0000 IN. ZT
 SCALE = .0100

PARAMETRIC DATA

BETA = .000 ELV-L1 = 12.000
 ELV-LO = 9.000 ELV-R1 = 12.000
 ELV-RO = 9.000

RUN NO. 143/ 0 RN/L = 3.14 GRADIENT INTERVAL = -5.00/ 5.00

MACH	ALPHA	RN/L	L/DU	BETA	CLU	CDU	CNW	CBW	CTW
.599	-8.468	3.17291	-1.10707	-.03554	-.39662	.35827	-.07114	-.00636	-.02685
.599	-6.372	3.16438	-.86883	-.03326	-.28434	.32727	-.04584	-.00189	-.02200
.599	-4.282	3.15907	-.58601	-.03078	-.17961	.30650	-.02153	.00245	-.01710
.599	-2.176	3.15061	-.27490	-.02423	-.08080	.29393	.00266	.00681	-.01208
.599	-.080	3.14675	.07317	-.01857	02101	.28712	.02482	.01103	-.00782
.598	2.040	3.14132	.44876	-.01822	12761	.28435	.04857	.01562	-.00305
.597	4.110	3.14285	.81904	-.01913	23578	.28787	.07390	.02042	.00184
	GRADIENT	-.00199	.16827	00140	.04948	-.00223	.01127	00213	.00223

LARC 8FT TPT 749 (1A93) OTSAT130

(TJJ034) (24 JUN 76)

REFERENCE DATA

SREF = 2690.0000 SQ FT. XMRP = 976.0000 IN. XT
 LREF = 1290.3000 INCHES YMRP = .0000 IN. YT
 BREF = 1290.3000 INCHES ZMRP = 400.0000 IN. ZT
 SCALE = .0100

PARAMETRIC DATA

BETA = .000 ELV-LI = 12.000
 ELV-LO = 9.000 ELV-RI = 12.000
 ELV-RO = 9.000

RUN NO. 138/ 0 RN/L = 3.97 GRADIENT INTERVAL = -5.00/ 5.00

MACH	ALPHA	RN/L	L/DU	BETA	CLU	CDU	CNW	CBW	CTW
.900	-8.989	3.96624	-1.10068	- .02517	-.49146	.44651	-.06775	-.00832	- .02310
.900	-6.747	3.96774	-.89471	-.02043	-.35743	.39949	-.04043	-.00354	-.01736
.901	-4.554	3.97080	-.61018	-.01723	-.22374	.36668	-.01151	.00153	-.01167
.900	-2.378	3.97335	-.31195	-.00979	-.10790	.34590	.01633	.00626	-.00551
.900	-.156	3.97705	.07945	.00303	.02686	.33811	.05229	.01277	.00059
.900	.2014	3.97402	.45795	.00481	.15574	.34008	.08482	.01889	.00505
.900	4.235	3.97097	.80046	.00430	.28310	.35368	.11209	.02352	.00929
GRADIENT		.00005	.16346	.00262	.05814	-.00144	.01437	.00258	.00239

RUN NO. 133/ 0 RN/L = 4.08 GRADIENT INTERVAL = -5.00/ 5.00

MACH	ALPHA	RN/L	L/DU	BETA	CLU	CDU	CNW	CBW	CTW
.975	-9.163	4.08050	-.98638	-.04749	-.52935	.53667	-.08004	-.01036	-.02151
.975	-6.907	4.07885	-.78122	-.04241	-.38221	.48925	-.04728	-.00459	-.01646
.975	-4.625	4.08006	-.54169	-.03695	-.24506	.45240	-.01537	.00104	-.01059
.975	-2.428	4.08354	-.28809	-.02075	-.12445	.43200	.01540	.00640	-.00474
.975	-.216	4.08360	-.00371	-.01191	-.00157	.42299	.04764	.01233	.00045
.975	.1991	4.08384	.29370	-.01171	.12440	.42355	.07842	.01824	.00396
.975	4.222	4.08072	.58805	-.01748	.25448	.43275	.10836	.02351	.00706
GRADIENT		.00007	.12850	.00216	.05644	-.00215	.01404	.00257	.00199

RUN NO. 128/ 0 RN/L = 4.21 GRADIENT INTERVAL = -5.00/ 5.00

MACH	ALPHA	RN/L	L/DU	BETA	CLU	CDU	CNW	CBW	CTW
1.150	-7.075	4.21130	-.71770	-.04190	-.39879	.55565	-.04398	-.00468	- .01023
1.149	-4.764	4.20907	-.47678	-.03839	-.24811	.52039	-.00650	.00238	-.00605
1.150	-2.495	4.21031	-.21011	-.02773	-.10537	.50151	.03513	.00992	-.00144
1.149	-.251	4.20964	.03757	-.01930	.01849	.49216	.06756	.01585	.00175
1.150	1.993	4.21049	.28126	-.01647	.13794	.49044	.09711	.02115	.00496
GRADIENT		.00016	.11201	.00330	.05695	-.00441	.01525	.00277	.00161

ORIGINAL PAGE IS
OF POOR QUALITY

LARC 8FT TPT 743 (IA93) OTSAT130

(TJJ034) (24 JUN 76)

REFERENCE DATA

SREF = 2690.0000 SQ.FT XMRP = 976.0000 IN. XT
 LREF = 1290.3000 INCHES YMRP = .0000 IN. YT
 BREF = 1290.3000 INCHES ZMRP = 400.0000 IN. ZT
 SCALE = .0100

PARAMETRIC DATA

BETA = .000 ELV-LI = 12.000
 ELV-LO = 9.000 ELV-RI = 12.000
 ELV-RO = 9.000

RUN NO. 123/ 0 RN/L = 4.22 GRADIENT INTERVAL = -5.00/ 5.00

MACH	ALPHA	RN/L	L/DU	BETA	CLU	CDU	CNW	CBW	CTW
1.205	-9.413	4.22141	-.89909	-.03522	-.54892	.61053	-.07087	-.01001	-.01227
1.205	-7.076	4.22103	-.68771	-.03400	-.38459	.55923	-.03501	-.00341	-.00862
1.206	-4.760	4.21709	-.44436	-.03037	-.23377	.52609	.00222	.00392	-.00620
1.206	-2.490	4.21846	-.19023	-.01669	-.09641	.50683	.04005	.01067	-.00239
1.205	-.203	4.22003	.05794	-.00365	.02891	.49906	.07475	.01683	.00137
1.205	1.992	4.22102	29021	-.00098	14443	49767	.10104	.02150	.00453
1.205	4.242	4.22380	51719	-.00687	.26099	50463	12379	.02557	.00712
	GRADIENT	00071	.10690	00280	.05473	-.00233	01353	00241	.00149

LARC 8FT TPT 749 (IA93) OTSAT130

(TJJ035) (24 JUN 76)

REFERENCE DATA

SREF = 2690.0000 SQ.FT. XMRP = 976.0000 IN. XT
 LREF = 1290.3000 INCHES YMRP = .0000 IN. YT
 BREF = 1290.3000 INCHES ZMRP = 400.0000 IN. ZT
 SCALE = .0100

PARAMETRIC DATA

BETA = 4.000 ELV-LI = 12.000
 ELV-LO = 9.000 ELV-RI = 12.000
 ELV-RO = 9.000

RUN NO. 146/ 0 RN/L = 3.16 GRADIENT INTERVAL = -5.00/ 5.00

MACH	ALPHA	RN/L	L/DU	BETA	CLU	CDU	CNW	CBW	CTW
.598	-8.520	3.16245	-1.11677	4.18241	-.40239	36032	-.07994	-.00729	-.02836
.598	-6.395	3.16455	-.86464	4.20630	-.28642	33126	-.05088	-.00227	-.02261
.598	-4.288	3.16311	-.58224	4.22323	-.18105	.31095	-.02554	.00239	-.01758
.598	-2.199	3.16271	-.27395	4.23703	-.08154	.29763	.00130	.00715	-.01192
.598	-.083	3.16014	.08358	4.24273	02424	.29001	.02706	.01202	-.00682
.598	2.011	3.15736	.44859	4.24200	.12916	.28792	.05399	.01695	-.00179
.598	4.122	3.15577	.82568	4.23119	.24096	.29183	.08081	.02210	.00344
	GRADIENT	-.00095	.16826	.00099	.05015	-.00228	.01262	00234	.00248

LARC 8FT TPT 749 (1A93) OTSAT130

(TJJ035) (24 JUN 76)

REFERENCE DATA

SREF = 2690 0000 SQ.FT. XMRP = 976 0000 IN. XT
 LREF = 1290.3000 INCHES YMRP = 0000 IN. YT
 BREF = 1290.3000 INCHES ZMRP = 400.0000 IN. ZT
 SCALE = .0100

PARAMETRIC DATA

BETA = 4.000 ELV-LI = 12.000
 ELV-LO = 9.000 ELV-RI = 12.000
 ELV-RO = 9.000

RUN NO. 141/ 0 RN/L = 3.97 GRADIENT INTERVAL = -5.00/ 5.00

MACH	ALPHA	RN/L	L/DU	BETA	CLU	CDU	CNW	CBW	CTW
.900	-9.004	3.97169	-1.09114	4.28196	-.48859	.44778	-.06300	-.00757	-.02150
900	-6.781	3.97221	-.86832	4.31496	-.35136	.40464	-.03590	-.00291	-.01491
.900	-4.588	3.97155	-.61409	4.32832	-.23025	.37495	-.00429	.00264	-.00865
.900	-2.381	3.97210	-.29764	4.34853	-.10579	.35543	03010	.00884	-.00230
900	-.185	3.97248	07192	4.35286	.02493	.34662	.06551	.01535	.00339
.900	2.030	3.97053	.45635	4.35173	.15817	.34659	.09987	.02156	.00815
.900	4.234	3.97038	.78423	4.34505	.28285	.36067	.12244	.02501	.01138
	GRADIENT	-.00018	16099	00166	.05850	-.00169	.01466	.00261	.00229

RUN NO. 136/ 0 RN/L = 4.08 GRADIENT INTERVAL = -5.00/ 5.00

MACH	ALPHA	RN/L	L/DU	BETA	CLU	CDU	CNW	CBW	CTW
975	-9.192	4.07925	-.98105	4.31712	-.52759	.53778	-.07041	-.00891	-.02070
975	-6.925	4.07788	-.76811	4.33732	-.37616	.48973	-.03499	-.00267	-.01449
.975	-4.686	4.08100	-.53138	4.35515	-.24289	.45709	-.00106	.00339	-.00839
.975	-2.437	4.07981	-.26297	4.36375	-.11445	.43523	03394	.00975	-.00226
.975	-.218	4.08120	.01464	4.37651	00626	.42723	.06679	.01604	.00255
.975	2.019	4.08209	.31776	4.37088	.13488	.42448	.09957	.02174	.00706
.975	4.243	4.08379	.61346	4.36211	.26845	.43759	.13207	.02728	.01027
	GRADIENT	.00035	12863	.00094	.05700	-.00223	01487	.00268	00209

RUN NO. 131/ 0 RN/L = 4.21 GRADIENT INTERVAL = -5.00/ 5.00

MACH	ALPHA	RN/L	L/DU	BETA	CLU	CDU	CNW	CBW	CTW
1.150	-7.110	4.21524	-.70483	4.33833	-.39491	.56029	-.03007	-.00209	-.01103
1.150	-4.783	4.21103	-.46485	4.35772	-.24382	.52451	.01608	.00628	-.00643
1.150	-2.515	4.20834	-.21737	4.37104	-.10930	.50285	.05441	.01316	-.00232
1.149	-.222	4.21007	04706	4.38198	02323	.49356	.08894	.01941	.00178
1.149	1.998	4.21082	.29257	4.38308	.14377	.49140	.11657	.02437	.00514
	GRADIENT	.00005	11207	.00385	.05723	-.00481	.01485	.00267	.00171

LARC 8FT TPT 749 (1A93) OTSAT130

(TJJ035) (24 JUN 76)

REFERENCE DATA

SREF = 2690.0000 SQ.FT. XMRP = 976.0000 IN. XT
 LREF = 1290.3000 INCHES YMRP = .0000 IN. YT
 BREF = 1290.3000 INCHES ZMRP = 400.0000 IN. ZT
 SCALE = .0100

PARAMETRIC DATA

BETA = 4.000 ELV-LI = 12.000
 ELV-LO = 9.000 ELV-RI = 12.000
 ELV-RO = 9.000

RUN NO. 126/ 0 RN/L = 4.22 GRADIENT INTERVAL = -5.00/ 5.00

MACH	ALPHA	RN/L	L/DU	BETA	CLU	CDU	CNW	CBW	CTW
1.205	-9.495	4.21764	-.90436	4.33102	-.55808	.61710	-.05455	-.00849	-.01595
1.205	-7.145	4.21805	-.69018	4.34778	-.39029	.56549	-.02305	-.00104	-.01209
1.205	-4.820	4.21906	-.45144	4.36519	-.23918	.52981	.01864	.00655	-.00831
1.205	-2.540	4.21727	-.19913	4.38093	-.10137	.50907	.05458	.01318	-.00468
1.205	-.250	4.21647	.05759	4.39104	.02874	.49904	.08953	.01927	.00001
1.205	2.012	4.21667	.29186	4.39275	.14518	.49743	.11621	.02401	.00360
1.205	4.262	4.21744	.52819	4.38400	.26678	.50509	.14020	.02825	.00669
	GRADIENT	-.00017	.10787	.00218	.05540	-.00270	.01342	.00239	.00169

LARC 8FT TPT 749 (1A93) OTSAT130

(TJJ036) (24 JUN 76)

REFERENCE DATA

SREF = 2690.0000 SQ.FT. XMRP = 976.0000 IN. XT
 LREF = 1290.3000 INCHES YMRP = .0000 IN. YT
 BREF = 1290.3000 INCHES ZMRP = 400.0000 IN. ZT
 SCALE = .0100

PARAMETRIC DATA

BETA = 6.000 ELV-LI = 12.000
 ELV-LO = 9.000 ELV-RI = 12.000
 ELV-RO = 9.000

RUN NO. 147/ 0 RN/L = 3.16 GRADIENT INTERVAL = -5.00/ 5.00

MACH	ALPHA	RN/L	L/DU	BETA	CLU	CDU	CNW	CBW	CTW
.598	-8.531	3.16303	-1.12278	6.25000	-.40453	.36029	-.08001	-.00729	-.02801
.598	-6.418	3.16187	-.86424	6.28591	-.28568	.33056	-.05156	-.00221	-.02252
.598	-4.324	3.16379	-.61133	6.31255	-.19028	.31125	-.02616	.00240	-.01746
.599	-2.184	3.16360	-.25854	6.33083	-.07654	.29604	.00276	.00760	-.01158
.598	-.094	3.16109	.09320	6.33606	.02693	.28894	.02853	.01256	-.00659
.598	2.031	3.16049	.47253	6.33621	.13585	.28750	.05792	.01779	-.00061
.598	4.157	3.15859	.84430	6.32105	.24599	.29135	.08579	.02318	.00451
	GRADIENT	-.00064	.17200	.00106	.05123	-.00228	.01318	.00244	.00259

LARC 8FT TPT 749 (1A93) OTSAT130

(TJJ036) (24 JUN 76)

REFERENCE DATA

SREF = 2690.0000 SQ.FT. XMRP = 976.0000 IN. XT
 LREF = 1290.3000 INCHES YMRP = .0000 IN. YT
 BREF = 1290.3000 INCHES ZMRP = 400.0000 IN. ZT
 SCALE = .0100

PARAMETRIC DATA

BETA = 6.000 ELV-L1 = 12.000
 ELV-LO = 9.000 ELV-R1 = 12.000
 ELV-RO = 9.000

RUN NO. 142/ 0 RN/L = 3.97 GRADIENT INTERVAL = -5.00/ 5.00

MACH	ALPHA	RN/L	L/DU	BETA	CLU	CDU	CNW	CBW	CTW
.900	-9.053	3.97310	-1.08771	6.41925	-.48755	.44823	-.06312	-.00747	-.02111
.900	-6.829	3.97128	-.87834	6.45694	-.35669	.40609	-.03453	-.00269	-.01411
.900	-4.589	3.97195	-.61206	6.48210	-.23052	.37663	-.00046	.00321	-.00727
.900	-2.399	3.97218	-.31110	6.50469	-.11177	.35927	.03307	.00940	-.00155
.900	-.196	3.97257	.05254	6.51169	.01839	.35010	.06969	.01626	.00414
.900	2.044	3.97223	.43934	6.50747	.15435	.35132	.10638	.02260	.00990
.900	4.281	3.97136	.76083	6.49425	.27548	.36208	.12761	.02571	.01260
	GRADIENT	-.00005	.15762	.00120	.05762	-.00166	.01485	.00262	.00231

RUN NO. 137/ 0 RN/L = 4.08 GRADIENT INTERVAL = -5.00/ 5.00

MACH	ALPHA	RN/L	L/DU	BETA	CLU	CDU	CNW	CBW	CTW
.975	-9.259	4.07862	-.98816	6.46556	-.53149	.53786	-.06847	-.00854	-.02030
.975	-6.953	4.08274	-.77179	6.49841	-.37903	.49111	-.03221	-.00211	-.01389
.976	-4.691	4.08738	-.52814	6.52140	-.24180	.45784	.00573	.00448	-.00703
.975	-2.457	4.08263	-.26348	6.53734	-.11499	.43645	.04274	.01138	-.00098
.975	-.214	4.08140	.03873	6.53983	.01654	.42710	.07564	.01768	.00346
.975	2.014	4.07724	.32644	6.54002	.13919	.42639	.10992	.02336	.00843
.975	4.252	4.07963	.62283	6.51746	.27259	.43766	.14193	.02899	.01893
	GRADIENT	-.00093	.12935	-.00023	.05739	-.00226	.01519	.00273	.00203

RUN NO. 132/ 0 RN/L = 4.21 GRADIENT INTERVAL = -5.00/ 5.00

MACH	ALPHA	RN/L	L/DU	BETA	CLU	CDU	CNW	CBW	CTW
1.149	-7.161	4.20924	-.71461	6.56024	-.40089	.56100	-.02403	-.00088	-.01206
1.150	-4.842	4.21000	-.47337	6.58595	-.24917	.52638	.02268	.00735	-.00727
1.150	-2.546	4.21055	-.22283	6.60345	-.11234	.50414	.06226	.01451	-.00315
1.149	-.252	4.20967	.04445	6.61467	.02190	.49271	.09757	.02066	.00133
1.149	2.017	4.20967	.30474	6.61102	.14986	.49175	.12638	.02574	.00519
	GRADIENT	-.00008	.11375	.00378	.05821	-.00505	.01515	.00268	.00183

LARC 8FT TPT 749 (1A93) OTSAT130

(TJJ036) (24 JUN 76)

REFERENCE DATA

SREF = 2690.0000 SQ.FT. XMRP = 976.0000 IN. XT
 LREF = 1290.3000 INCHES YMRP = .0000 IN. YT
 BREF = 1290.3000 INCHES ZMRP = 400.0000 IN. ZT
 SCALE = .0100

PARAMETRIC DATA

BETA = 6.000 ELV-L1 = 12.000
 ELV-LO = 9.000 ELV-R1 = 12.000
 ELV-RO = 9.000

RUN NO. 127/ 0 RN/L = 4.22 GRADIENT INTERVAL = -5.00/ 5.00

MACH	ALPHA	RN/L	L/DU	BETA	CLU	CDU	CNW	CBW	CTW
1.205	-9.546	4.21604	-.92072	6.60514	-.56950	.61854	-.06114	-.00744	-.01770
1.205	-7.182	4.21885	-.69856	6.62999	-.39509	.56558	-.01932	-.00031	-.01352
1.205	-4.856	4.21607	-.45997	6.65570	-.24368	.52978	.02470	.00756	-.00960
1.205	-2.544	4.21785	-.21085	6.67308	-.10709	.50787	.06183	.01424	-.00550
1.205	-.267	4.21805	.04795	6.68327	.02387	.49769	.09605	.02022	-.00105
1.205	2.004	4.21724	.29638	6.68483	.14746	.49754	.12593	.02528	.00339
1.205	4.278	4.21863	.53563	6.66698	.26999	.50406	.14889	.02934	.00634
	GRADIENT	00020	18950	00151	05619	-.00272	01370	.00239	.00179

LARC 8FT TPT 749 (1A93) OTSAT130

(TJJ037) (24 JUN 76)

REFERENCE DATA

SREF = 2690.0000 SQ.FT. XMRP = 976.0000 IN. XT
 LREF = 1290.3000 INCHES YMRP = .0000 IN. YT
 BREF = 1290.3000 INCHES ZMRP = 400.0000 IN. ZT
 SCALE = .0100

PARAMETRIC DATA

BETA = -6.000 ELV-L1 = 12.000
 ELV-LO = 14.000 ELV-R1 = 12.000
 ELV-RO = 14.000

RUN NO. 155/ 0 RN/L = 3.97 GRADIENT INTERVAL = -5.00/ 5.00

MACH	ALPHA	RN/L	L/DU	BETA	CLU	CDU	CNW	CBW	CTW
.900	-9.049	3.97007	-1.02403	-6.52104	-.46125	.45043	-.04679	-.00585	-.02162
.900	-6.777	3.97159	-.78284	-6.55436	-.32140	.41056	-.02443	-.00158	-.01707
.900	-4.586	3.97132	-.52952	-6.56502	-.20309	.38353	-.00207	.00257	-.01246
.899	-2.384	3.96982	-.21419	-6.56536	-.07835	.36581	.02068	.00678	-.00810
.900	-.156	3.97122	.14970	-6.55698	.05369	.35865	.04774	.01172	-.00329
.900	2.063	3.97070	.51792	-6.54084	.18618	.35948	.07549	.01680	.00130
.900	4.283	3.97176	.82992	-6.53932	.30791	.37101	.10081	.02161	.00494
	GRADIENT	.00008	.15556	.00342	05799	-.00141	.01175	.00217	.00199

LARC 8FT TPT /49 (1A93) OTSAT130

(TJJ037) (24 JUN 76)

REFERENCE DATA

SREF = 2690.0000 SQ.FT. XMRP = 976.0000 IN. XT
 LREF = 1290.3000 INCHES YMRP = .0000 IN. YT
 BREF = 1290.3000 INCHES ZMRP = 400.0000 IN. ZT
 SCALE = .0100

PARAMETRIC DATA

BETA = -6.000 ELV-LI = 12.000
 ELV-LO = 14.000 ELV-RI = 12.000
 ELV-RO = 14.000

RUN NO. 150/ 0 RN/L = 4.08 GRADIENT INTERVAL = -5 00/ 5.00

MACH	ALPHA	RN/L	L/DU	BETA	CLU	CDU	CNW	CBW	CTW
.976	-9.225	4.08309	-.93252	-6.60829	-.50509	.54164	-.07552	-.00988	-.02219
.976	-6.945	4.08161	-.70314	-6.62837	-.34908	.49646	-.04612	-.00444	-.01823
.976	-4.661	4.08027	-.46507	-6.63823	-.21569	.46379	-.01832	.00073	-.01412
.975	-2.433	4.08096	-.19475	-6.63403	-.08662	.44476	.00964	.00557	-.00897
.975	-.181	4.07962	.10190	-6.60901	.04464	.43805	.03858	.01072	-.00424
.975	2.043	4.08032	.38807	-6.60063	.17130	.44143	.06672	.01598	-.00054
.975	4.294	4.08161	.66978	-6.59030	.30558	.45624	.09463	.02122	.00280
GRADIENT		00009	.12743	.00578	.05809	-.00082	01264	.00230	.00188

LARC 8FT TPT 749 (1A93) OTSAT130

(TJJ038) (24 JUN 76)

REFERENCE DATA

SREF = 2690.0000 SQ.FT. XMRP = 976.0000 IN. XT
 LREF = 1290.3000 INCHES YMRP = .0000 IN. YT
 BREF = 1290.3000 INCHES ZMRP = 400.0000 IN. ZT
 SCALE = .0100

PARAMETRIC DATA

BETA = -4.000 ELV-LI = 12.000
 ELV-LO = 14.000 ELV-RI = 12.000
 ELV-RO = 14.000

RUN NO. 154/ 0 RN/L = 3.97 GRADIENT INTERVAL = -5 00/ 5.00

MACH	ALPHA	RN/L	L/DU	BETA	CLU	CDU	CNW	CBW	CTW
.900	-8.986	3.97444	-1.02432	-4.36341	-.46353	.45252	-.04618	-.00550	-.02165
.900	-6.769	3.97472	-.79597	-4.38725	-.32771	.41171	-.02413	-.00335	-.01727
.900	-4.547	3.97295	-.52730	-4.38894	-.20154	.38220	.00044	.00317	-.01252
.900	-2.359	3.97273	-.21615	-4.38798	-.07859	.36359	.02275	.00728	-.00772
.899	-.128	3.97030	.15433	-4.38063	.05457	.35362	.05424	.01289	-.00231
.900	2.063	3.96949	.52085	-4.37054	.18449	.35421	.08380	.01852	.00212
.900	4.273	3.97066	.85434	-4.36965	.31452	.36815	.11160	.02367	.00604
GRADIENT		-.00035	.15866	.00254	.05871	-.00170	01285	.00237	.00213

LARC 8FT TPT 749 (1A93) OTSAT130

(TJJ038) (24 JUN 76)

REFERENCE DATA

SREF = 2690.0000 SQ.FT. XMRP = 976.0000 IN. XT
 LREF = 1290.3000 INCHES YMRP = .0000 IN. YT
 BREF = 1290.3000 INCHES ZMRP = 400.0000 IN. ZT
 SCALE = .0100

PARAMETRIC DATA

BETA = -4.000 ELV-LI = 12.000
 ELV-LO = 14.000 ELV-RI = 12.000
 ELV-RO = 14.000

RUN NO. 149/ 0 RN/L = 4.08 GRADIENT INTERVAL = -5.00/ 5.00

MACH	ALPHA	RN/L	L/DU	BETA	CLU	CDU	CNW	CBW	CTW
.975	-9 184	4.08516	-.92672	-4.42512	-.50310	.54288	-.07065	-.00911	-.02153
.976	-6 895	4.08608	-.70312	-4.43603	-.34931	.49680	-.04153	-.00378	-.01743
.976	-4.650	4.08324	-.46079	-4.43699	-.21376	.46391	-.01226	.00161	-.01317
.975	-2' 418	4.08322	-.20807	-4.42448	-.09227	.44348	.01513	.00651	-.00831
.975	-.186	4 08146	.09337	-4.41579	.04070	.43595	.04395	.01177	-.00352
.975	2.046	4.08242	.37959	-4.40932	.16632	.43815	.07480	.01770	-.00019
.975	4.294	4.08314	.66095	-4.40290	.30006	.45398	.10554	.02346	.00339
	GRADIENT	- 00004	.12666	.00373	.05755	-.00112	.01321	.00246	.00184

LARC 8FT TPT 749 (1A93) OTSAT130

(TJJ039) (24 JUN 76)

REFERENCE DATA

SREF = 2690.0000 SQ FT. XMRP = 976.0000 IN XT
 LREF = 1290.3000 INCHES YMRP = .0000 IN. YT
 BREF = 1290.3000 INCHES ZMRP = 400 0000 IN. ZT
 SCALE = .0100

PARAMETRIC DATA

BETA = .000 ELV-LI = 12.000
 ELV-LO = 14.000 ELV-RI = 12.000
 ELV-RO = 14 000

RUN NO. 153/ 0 RN/L = 3.98 GRADIENT INTERVAL = -5.00/ 5 00

MACH	ALPHA	RN/L	L/DU	BETA	CLU	CDU	CNW	CBW	CTW
.900	-8 970	3 96579	-1 05978	-.04580	-.47741	.45047	-.05493	-.00671	-.02199
.900	-6.748	3 97077	-.84138	-.03743	-.34063	.40485	-.02692	-.00175	-.01656
.900	-4.530	3.97097	-.54290	-.03793	-.20163	.37140	.00292	.00362	-.01105
.899	-2 350	3 97126	-.23636	-.03039	-.08311	.35162	.03235	.00868	-.00488
.900	-.145	3.97517	.15868	-.02007	.05472	.34487	.06648	.01511	.00041
.900	2 059	3.97486	.53555	-.02014	.18645	.34815	.10080	.02147	.00536
.900	4.269	3 97600	.86734	-.01883	.31412	.36216	.13011	.02632	-.01021
	GRADIENT	.00062	.16325	.00220	.05912	-.00099	.01467	.00264	.00240

LARC 8FT TPT 749 (1A93) OTSAT130

(TJJ039) (24 JUN 76)

REFERENCE DATA

SREF = 2690.0000 SQ.FT. XMRP = 976.0000 IN. XT
 LREF = 1290.3000 INCHES YMRP = .0000 IN. YT
 BREF = 1290.3000 INCHES ZMRP = 400 0000 IN. ZT
 SCALE = .0100

PARAMETRIC DATA

BETA = .000 ELV-L1 = 12.000
 ELV-LO = 14.000 ELV-R1 = 12.000
 ELV-RO = 14.000

RUN NO. 148/ 0 RN/L = 4.08 GRADIENT INTERVAL = -5.00/ 5.00

MACH	ALPHA	RN/L	L/DU	BETA	CLU	CDU	CNW	CBW	CTW
.975	-9.145	4.08415	-.94470	-.03633	-.50898	.53878	-.06530	-.00824	-.02036
.976	-6.874	4.08742	-.72618	-.03542	-.35685	.49141	-.03398	-.00247	-.01581
.976	-4.634	4.08582	-.49288	-.02350	-.22557	.45765	-.00345	.00305	-.01056
.975	-2.406	4.08298	-.22512	-.01195	-.09846	.43737	.02964	.00880	-.00470
.975	-.189	4.08103	.06545	-.00359	.02808	.42896	.06189	.01478	.00025
.975	2.045	4.08000	.35283	.00157	.15197	.43072	.09450	.02076	.00392
.975	4.258	4.08232	.64439	-.00007	.29502	.44230	.12542	.02626	.00704
	GRADIENT	-.00045	.12829	.00272	.05719	-.00168	.01451	.00263	.00197

LARC 8FT TPT 749 (1A93) OTSAT130

(TJJ040) (24 JUN 76)

REFERENCE DATA

SREF = 2690.0000 SQ FT. XMRP = 976 0000 IN. XT
 LREF = 1290.3000 INCHES YMRP = .0000 IN. YT
 BREF = 1290.3000 INCHES ZMRP = 400.0000 IN. ZT
 SCALE = .0100

PARAMETRIC DATA

BETA = 4.000 ELV-L1 = 12.000
 ELV-LO = 14.000 ELV-R1 = 12.000
 ELV-RO = 14.000

RUN NO 156/ 0 RN/L = 3.97 GRADIENT INTERVAL = -5.00/ 5.00

MACH	ALPHA	RN/L	L/DU	BETA	CLU	CDU	CNW	CBW	CTW
.900	-9.006	3.97148	-1.04886	4.25715	-.47412	.45203	-.05055	-.00609	-.02010
.899	-6.770	3.97060	-.82000	4.28465	-.33455	.40798	-.02221	-.00116	-.01365
.900	-4.559	3.96974	-.54383	4.30339	-.20631	.37938	.01106	.00479	-.00769
.900	-2.366	3.97063	-.23324	4.31852	-.09418	.36092	.04577	.01108	-.00157
.899	-.144	3.96794	.14778	4.32720	.05202	.35203	.08186	.01794	.00387
.899	2.056	3.97079	.51272	4.32730	.18083	.35269	.11591	.02401	.00868
.899	4.291	3.97171	.85804	4.31584	.31570	.36793	.14387	.02848	.01296
	GRADIENT	.00019	.16047	.00152	.05918	-.00140	.01518	.00273	.00233

ORIGINAL PAGE IS
OF POOR QUALITY

LARC 8FT TPT 749 (1A93) OTSAT130

(TJJ040) (24 JUN 76)

REFERENCE DATA

PARAMETRIC DATA

SREF = 2690.0000 SQ.FT XMRP = 976.0000 IN. XT
 LREF = 1290.3000 INCHES YMRP = .0000 IN. YT
 BREF = 1290.3000 INCHES ZMRP = 400.0000 IN. ZT
 SCALE = .0100

BETA = 4.000 ELV-LI = 12.000
 ELV-LO = 14.000 ELV-RI = 12.000
 ELV-RO = 14.000

RUN NO. 151/ 0 RN/L = 4.08 GRADIENT INTERVAL = -5.00/ 5.00

MACH	ALPHA	RN/L	L/DU	BETA	CLU	CDU	CNW	CBW	CTW
.975	-9.192	4.08065	-.94608	4.28955	-.51209	.54127	-.05685	-.00696	-.01954
.976	-6.914	4.08267	-.72624	4.31106	-.35921	.49461	-.02287	-.00081	-.01376
.976	-4.664	4.08282	-.48701	4.32777	-.22451	.46101	.01158	.00533	-.00758
.975	-2.399	4.08155	-.20968	4.34149	-.09218	.43961	.04745	.01191	-.00159
.975	-.196	4.08162	.07482	4.34671	.03240	.43304	.08124	.01835	.00277
.976	2.040	4.08354	.37262	4.34470	.16112	.43241	.11464	.02414	.00686
.975	4.276	4.08467	.66210	4.33280	.29594	.44698	.14968	.03003	.01049
	GRADIENT	.00025	.12906	.00060	.05799	-.00158	.01539	.00276	.00200

LARC 8FT TPT 749 (1A93) OTSAT130

(TJJ041) (24 JUN 76)

REFERENCE DATA

PARAMETRIC DATA

SREF = 2690.0000 SQ.FT. XMRP = 976.0000 IN. XT
 LREF = 1290.3000 INCHES YMRP = .0000 IN. YT
 BREF = 1290.3000 INCHES ZMRP = 400.0000 IN. ZT
 SCALE = .0100

BETA = 6.000 ELV-LI = 12.000
 ELV-LO = 14.000 ELV-RI = 12.000
 ELV-RO = 14.000

RUN NO. 157/ 0 RN/L = 3.97 GRADIENT INTERVAL = -5.00/ 5.00

MACH	ALPHA	RN/L	L/DU	BETA	CLU	CDU	CNW	CBW	CTW
.900	-9.048	3.96837	-1.05423	6.38964	-.47645	.45194	-.05194	-.00627	-.01985
.900	-6.808	3.97063	-.82946	6.42879	-.33951	.40931	-.02172	-.00105	-.01311
.900	-4.601	3.97055	-.56015	6.45372	-.21363	.38138	.01242	.00506	-.00690
.900	-2.393	3.97058	-.24633	6.47538	-.08951	.36339	.04807	.01161	-.00073
.900	-.160	3.97084	.13858	6.47684	.04921	.35509	.08754	.01903	.00489
.900	2.054	3.97196	.50781	6.47498	.18133	.35709	.12306	.02522	.01036
.900	4.285	3.97292	.82821	6.46274	.30593	.36939	.14560	.02872	.01358
	GRADIENT	.00028	.15891	.00079	.05896	-.00136	.01536	.00274	.00234

DATE 29 OCT 76

TABULATED SOURCE DATA - 1A93.

PAGE 243

LARC 8FT TPT 749 (1A93) OTSAT130

(TJJ041) (24 JUN 76)

REFERENCE DATA

SREF = 2690.0000 SQ FT. XMRP = 976 0000 IN. XT
 LREF = 1290.3000 INCHES YMRP = .0000 IN. YT
 BREF = 1290.3000 INCHES ZMRP = 400.0000 IN. ZT
 SCALE = .0100

PARAMETRIC DATA

BETA = 6.000 ELV-LI = 12.000
 ELV-LO = 14.000 ELV-RI = 12.000
 ELV-RO = 14.000

RUN NO. 152/ 0 RN/L = 4.08 GRADIENT INTERVAL = -5.00/ 5.00

MACH	ALPHA	RN/L	L/DU	BETA	CLU	CDU	CNW	CBW	CTW
.976	-9.229	4.08171	-95068	6.46510	-.51494	.54165	-.05543	-.00654	-.01925
.976	-6.954	4.08516	-73257	6.49626	-.36277	.49519	-.01979	-.00024	-.01314
.976	-4.655	4.08210	-48173	6.51501	-.22234	.46155	.01806	.00647	-.00636
.975	-2.440	4.08050	-21407	6.52870	-.09437	.44083	.05512	.01337	-.00063
.975	-.196	4.08041	.09073	6.53488	.03926	.43270	.09067	.01992	.00402
.975	2.030	4.08016	.37336	6.53127	.16186	.43351	.12500	.02572	.00833
.976	4.281	4.08249	.66555	6.51349	.29761	.44717	.15825	.03157	.01129
	GRADIENT	.00002	12900	-00003	.05801	-.00161	.01568	00280	00198

LARC 8FT TPT 749 (1A93) OTSAT130

(TJJ042) (24 JUN 76)

REFERENCE DATA

SREF = 2690.0000 SQ.FT. XMRP = 976.0000 IN. XT
 LREF = 1290.3000 INCHES YMRP = .0000 IN. YT
 BREF = 1290.3000 INCHES ZMRP = 400.0000 IN. ZT
 SCALE = .0100

PARAMETRIC DATA

BETA = -6.000 ELV-LI = 8.000
 ELV-LO = 14.000 ELV-RI = 8.000
 ELV-RO = 14.000

RUN NO. 165/ 0 RN/L = 3.97 GRADIENT INTERVAL = -5.00/ 5.00

MACH	ALPHA	RN/L	L/DU	BETA	CLU	CDU	CNW	CBW	CTW
.900	-9.027	3.97063	-1.05873	-6.51178	-.47460	.44827	-.05986	-.00719	-.02223
.900	-6.801	3.96966	-82843	-6.54337	-.33851	.40861	-.03739	-.00305	-.01786
.899	-4.581	3.96737	-.56347	-6.54964	-.21440	.38049	-.01275	.00145	-.01331
.899	-2.372	3.96967	-.24707	-6.55385	-.08998	.36417	.00978	.00564	-.00925
.900	-.150	3.97198	.12252	-6.54885	.04368	.35653	.03552	.01053	-.00455
.900	2.074	3.96867	.48521	-6.54034	.17344	.35745	.06327	.01561	.00018
.900	4.296	3.96948	.80472	-6.53208	.29606	.36790	.08860	.02052	.00376
	GRADIENT	.00014	15625	.00219	.05785	-.00143	01154	.00217	.00196

LARC 8FT TPT 749 (1A93) OTSAT130

(TJJ042) (24 JUN 76)

REFERENCE DATA

SREF = 2690.0000 SQ.FT. XMRP = 976 0000 IN. XT
 LREF = 1290.3000 INCHES YMRP = .0000 IN. YT
 BREF = 1290.3000 INCHES ZMRP = 400.0000 IN. ZT
 SCALE = .0100

PARAMETRIC DATA

BETA = -6.000 ELV-L1 = 8.000
 ELV-LO = 14.000 ELV-R1 = 8.000
 ELV-RO = 14.000

RUN NO. 160/ 0 RN/L = 4.08 GRADIENT INTERVAL = -5.00/ 5.00

MACH	ALPHA	RN/L	L/DU	BETA	CLU	CDU	CNW	CBW	CTW
.975	-9.237	4.08065	- 96752	-6.59080	-.52128	.53878	-.08775	-.01117	-.02154
976	-6.951	4.08244	-.74093	-6.61435	-.36702	.49535	-.05942	-.00591	-.01760
976	-4.679	4.08187	-.50567	-6.62184	-.23384	.46243	-.03152	-.00078	-.01371
975	-2.437	4.07990	- 23379	-6.61152	-.10345	.44249	-.00379	.00418	-.00893
.975	-.198	4.08307	.05960	-6.60127	.02594	.43530	.02434	.00909	-.00449
975	2.046	4.08157	34436	-6.58590	.15042	.43680	.05371	.01444	-.00060
.975	4.275	4.08164	63137	-6.57551	.28456	.45071	.08193	.01974	.00276
	GRADIENT	00005	.12738	.00528	.05764	-.00130	01270	00229	00184

LARC 8FT TPT 749 (1A93) OTSAT130

(TJJ043) (24 JUN 76)

REFERENCE DATA

SREF = 2690.0000 SQ.FT. XMRP = 976.0000 IN. XT
 LREF = 1290.3000 INCHES YMRP = .0000 IN. YT
 BREF = 1290.3000 INCHES ZMRP = 400 0000 IN. ZT
 SCALE = .0100

PARAMETRIC DATA

BETA = -4.000 ELV-L1 = 8.000
 ELV-LO = 14.000 ELV-R1 = 8.000
 ELV-RO = 14.000

RUN NO. 164/ 0 RN/L = 3.97 GRADIENT INTERVAL = -5.00/ 5.00

MACH	ALPHA	RN/L	L/DU	BETA	CLU	CDU	CNW	CBW	CTW
.900	-8.973	3.97030	-1.06018	-4.35820	-.47618	.44915	-.05855	-.00679	-.02247
900	-6.768	3.96988	- 83790	-4.37604	-.34212	.40831	-.03674	-.00272	-.01815
.900	-4.556	3.96893	- 56690	-4.38300	-.21527	.37973	-.01241	.00178	-.01372
.900	-2.357	3.96947	- 24995	-4.38423	-.09019	.36082	.01220	.00625	-.00901
.899	-.141	3.96845	.11174	-4.37736	.03926	.35133	.04205	.01165	-.00366
.899	2.073	3.96766	.50685	-4.36587	.17850	.35218	.07288	.01754	.00104
.900	4.270	3.97180	.81897	-4.36131	.29882	.36487	.10035	.02257	.00509
	GRADIENT	00019	15980	.00280	.05873	-.00174	01296	00239	.00216

LARC 8FT TPT 749 (1A93) OTSAT130

(TJJ043) (24 JUN 76)

REFERENCE DATA

SREF = 2690.0000 SQ.FT. XMRP = 976.0000 IN. XT
 LREF = 1290.3000 INCHES YMRP = 0000 IN. YT
 BREF = 1290.3000 INCHES ZMRP = 400.0000 IN. ZT
 SCALE = .0100

PARAMETRIC DATA

BETA = -4.000 ELV-LI = 8.000
 ELV-LO = 14.000 ELV-RI = 8.000
 ELV-RO = 14.000

RUN NO. 159/ 0 RN/L = 4.08 GRADIENT INTERVAL = -5.00/ 5.00

MACH	ALPHA	RN/L	L/DU	BETA	CLU	CDU	CNW	CBW	CTW
.975	-9.193	4.08016	-.96431	-4.40592	-.52336	.54273	-.08397	-.01050	-.02114
.976	-6.910	4.07949	-.73963	-4.41664	-.36660	.49565	-.05596	-.00528	-.01738
.976	-4.643	4.08042	-.49678	-4.41625	-.22961	.46219	-.02642	.00013	-.01286
.975	-2.417	4.07979	-.23650	-4.40999	-.10445	.44163	.00218	.00517	-.00792
.975	-.173	4.07978	.04791	-4.40071	.02075	.43297	.03026	.01026	-.00355
.975	2.048	4.08099	.33471	-4.39110	.14531	.43415	.06077	.01606	.00004
.975	4.264	4.08195	.61991	-4.38157	.27792	.44832	.09049	.02164	.00327
	GRADIENT	.00019	.12588	.00396	.05677	-.00159	.01312	.00242	.00181

LARC 8FT TPT 749 (1A93) OTSAT130

(TJJ044) (24 JUN 76)

REFERENCE DATA

SREF = 2690.0000 SQ.FT. XMRP = 976.0000 IN. XT
 LREF = 1290.3000 INCHES YMRP = 0000 IN. YT
 BREF = 1290.3000 INCHES ZMRP = 400.0000 IN. ZT
 SCALE = .0100

PARAMETRIC DATA

BETA = .000 ELV-LI = 8.000
 ELV-LO = 14.000 ELV-RI = 8.000
 ELV-RO = 14.000

RUN NO. 163/ 0 RN/L = 3.97 GRADIENT INTERVAL = -5.00/ 5.00

MACH	ALPHA	RN/L	L/DU	BETA	CLU	CDU	CNW	CBW	CTW
.899	-8.980	3.97782	-1.09775	-.02781	-.49083	.44712	-.06737	-.00821	-.02227
.900	-6.738	3.97354	-.88082	-.02137	-.35381	.40168	-.03927	-.00334	-.01682
.900	-4.529	3.96723	-.58432	-.01723	-.21448	.36705	-.00940	.00204	-.01146
.900	-2.337	3.96519	-.26956	-.01262	-.09387	.34825	.01911	.00707	-.00567
.899	-.136	3.96549	.11832	-.00048	.04027	.34034	.05422	.01363	.00003
.900	2.047	3.97063	.49593	-.00101	.17089	.34458	.08632	.01985	.00440
.899	4.247	3.97143	.83789	-.00369	.29870	.35649	.11567	.02463	.00986
	GRADIENT	.00065	.16456	.00176	.05886	-.00113	.01447	.00264	.00240

LARC 8FT TPT /49 (1A93) OTSAT130

(TJJ044) (24 JUN 76)

REFERENCE DATA

SREF = 2690.0000 SQ.FT. XMRP = 976.0000 IN. XT
 LREF = 1290.3000 INCHES YMRP = .0000 IN. YT
 BREF = 1290.3000 INCHES ZMRP = 400.0000 IN. ZT
 SCALE = .0100

PARAMETRIC DATA

BETA = .000 ELV-LI = 8.000
 ELV-LO = 14.000 ELV-RI = 8.000
 ELV-RO = 14.000

RUN NO. 158/ 0 RN/L = 4.08 GRADIENT INTERVAL = -5.00/ 5.00

MACH	ALPHA	RN/L	L/DU	BETA	CLU	CDU	CNW	CBW	CTW
976	-9.135	4.07606	-96718	-.04383	-52069	.53836	-.07785	-.00931	-.02065
975	-6.880	4.08099	-76055	-.03869	-37369	.49134	-.04685	-.00370	-.01598
.975	-4.623	4.07634	-52158	-.03029	-.23772	.45577	-.01500	00200	-.01106
.975	-2.397	4.07736	-25594	-.01746	-11148	.43555	01811	00767	-.00504
975	-.202	4.07609	01223	-.00981	00521	.42608	.04746	.01322	-.00026
.975	2.025	4.08201	32157	-.00700	13724	.42679	.08084	01940	.00456
.975	4.243	4.08019	60818	-.01291	.26533	.43626	.10926	02448	.00759
GRADIENT		00056	12806	00204	05664	-.00216	01405	.00256	.00212

LARC 8FT TPT 749 (1A93) OTSAT130

(TJJ045) (24 JUN 76)

REFERENCE DATA

SREF = 2690.0000 SQ.FT. XMRP = 976.0000 IN. XT
 LREF = 1290.3000 INCHES YMRP = .0000 IN. YT
 BREF = 1290.3000 INCHES ZMRP = 400.0000 IN. ZT
 SCALE = .0100

PARAMETRIC DATA

BETA = 4.000 ELV-LI = 8.000
 ELV-LO = 14.000 ELV-RI = 8.000
 ELV-RO = 14.000

RUN NO. 166/ 0 RN/L = 3.97 GRADIENT INTERVAL = -5.00/ 5.00

MACH	ALPHA	RN/L	L/DU	BETA	CLU	CDU	CNW	CBW	CTW
900	-8.998	3.96897	-107385	4.27563	-48170	.44857	-.06467	-.00780	-.02025
900	-6.763	3.97033	-84606	4.30761	-.34277	.40514	-.03564	-.00277	-.01374
900	-4.554	3.97153	-57443	4.31689	-.21590	.37585	-.00422	.00302	-.00830
899	-2.367	3.96999	-27408	4.33866	-.09798	.35749	.02964	00918	-.00239
899	-.157	3.97027	10402	4.34136	03632	.34919	06728	01614	.00333
899	2.039	3.96947	.48734	4.34043	.17047	.34980	.10225	.02250	.00833
.900	4.258	3.97192	80432	4.33194	.29312	.36443	.12507	.02621	.01223
GRADIENT		-.00000	.15974	00144	.05840	-.00138	.01503	00271	.00235

LARC 8FT TPT 749 (IA93) OTSAT130

(TJJ045) (24 JUN 76)

REFERENCE DATA

SREF = 2690.0000 SQ FT. XMRP = 976.0000 IN. XT
 LREF = 1290.3000 INCHES YMRP = .0000 IN. YT
 BREF = 1290.3000 INCHES ZMRP = 400.0000 IN. ZT
 SCALE = .0100

PARAMETRIC DATA

BETA = 4.000 ELV-LI = 8.000
 ELV-LO = 14.000 ELV-RI = 8.000
 ELV-RO = 14.000

RUN NO. 161/ 0 RN/L = 4.08 GRADIENT INTERVAL = -5.00/ 5.00

MACH	ALPHA	RN/L	L/DU	BETA	CLU	CDU	CNW	CBW	CTW
.975	-9.180	4.08155	-.97099	4.30706	-.52336	.53900	-.06955	-.00820	-.01906
.976	-6.918	4.08117	-.76181	4.33059	-.37491	.49213	-.03637	-.00213	-.01374
.976	-4.662	4.08117	-.51758	4.34611	-.23743	.45873	-.00005	.00430	-.00776
.976	-2.420	4.08202	-.25767	4.35694	-.11276	.43760	.03332	.01041	-.00236
.975	-.199	4.07923	.03761	4.36505	.01618	.43009	.06791	.01700	.00247
.975	2.025	4.07962	.33429	4.36152	.14300	.42779	.10025	.02254	.00746
.975	4.261	4.08027	.62919	4.35060	.27759	.44118	.13232	.02813	.01112
	GRADIENT	-.00019	.12944	.00061	.05768	-.00202	.01468	.00268	.00213

LARC 8FT TPT 749 (IA93) OTSAT130

(TJJ046) (24 JUN 76)

REFERENCE DATA

SREF = 2690.0000 SQ.FT. XMRP = 976.0000 IN. XT
 LREF = 1290.3000 INCHES YMRP = .0000 IN. YT
 BREF = 1290.3000 INCHES ZMRP = 400.0000 IN. ZT
 SCALE = .0100

PARAMETRIC DATA

BETA = 6.000 ELV-LI = 8.000
 ELV-LO = 14.000 ELV-RI = 8.000
 ELV-RO = 14.000

RUN NO. 167/ 0 RN/L = 3.97 GRADIENT INTERVAL = -5.00/ 5.00

MACH	ALPHA	RN/L	L/DU	BETA	CLU	CDU	CNW	CBW	CTW
.900	-9.039	3.97121	-1.07590	6.41387	-.48279	.44873	-.06577	-.00778	-.01994
.899	-6.806	3.96805	-.86312	6.45330	-.35145	.40719	-.03610	-.00269	-.01355
.900	-4.587	3.96843	-.59152	6.47810	-.22389	.37850	-.00192	.00346	-.00739
.900	-2.369	3.97051	-.27531	6.49908	-.09951	.36145	.03438	.01010	-.00128
.900	-.145	3.97016	.09148	6.50956	.03233	.35343	.07355	.01751	.00436
.900	2.057	3.97103	.47905	6.49869	.16978	.35442	.10812	.02362	.00980
.900	4.285	3.97194	.79472	6.48606	.29142	.36670	.12748	.02639	.01313
	GRADIENT	.00034	.15906	.00070	.05863	-.00138	.01500	.00268	.00235

LARC 8FT TPT 749 (IA93) OTSAT130

(TJJ046) (24 JUN 76)

REFERENCE DATA

PARAMETRIC DATA

SREF = 2690.0000 SQ.FT. XMRP = 976.0000 IN. XT
 LREF = 1290.3000 INCHES YMRP = .0000 IN. YT
 BREF = 1290.3000 INCHES ZMRP = 400.0000 IN. ZT
 SCALE = .0100

BETA = 6.000 ELV-LI = 8.000
 ELV-LO = 14.000 ELV-RI = 8.000
 ELV-RO = 14.000

RUN NO. 162/ 0 RN/L = 4.08 GRADIENT INTERVAL = -5.00/ 5.00

MACH	ALPHA	RN/L	L/DU	BETA	CLU	CDU	CNW	CBW	CTW
.975	-9.236	4.08115	-.98073	6.47917	-.52785	.53822	-.06851	-.00784	-.01883
.976	-6.950	4.08221	-.75784	6.51075	-.37338	.49269	-.03221	-.00132	-.01276
.976	-4.694	4.07972	-.52377	6.53244	-.24096	.46005	.00436	.00511	-.00659
.976	-2.448	4.08003	-.25620	6.54747	-.11253	.43922	.04242	.01205	-.00102
.975	-.202	4.08010	.05070	6.55111	.02177	.42934	.07618	.01845	.00348
.975	2.031	4.07993	.34483	6.54696	.14823	.42988	.10944	.02408	.00845
.975	4.277	4.07922	.63432	6.52550	.28035	.44197	.14212	.02977	.01197
GRADIENT		-.00005	.13011	-.00064	.05813	-.00203	.01528	.00274	.00208

LARC 8FT TPT 749 (IA93) OTSAT130

(TJJ047) (24 JUN 76)

REFERENCE DATA

PARAMETRIC DATA

SREF = 2690.0000 SQ FT XMRP = 976.0000 IN XT
 LREF = 1290.3000 INCHES YMRP = .0000 IN YT
 BREF = 1290.3000 INCHES ZMRP = 400.0000 IN ZT
 SCALE = .0100

BETA = -6.000 ELV-LI = 8.000
 ELV-LO = 4.000 ELV-RI = 8.000
 ELV-RO = 4.000

RUN NO 185/ 0 RN/L = 3.98 GRADIENT INTERVAL = -5.00/ 5.00

MACH	ALPHA	RN/L	L/DU	BETA	CLU	CDU	CNW	CBW	CTW
.900	-9.051	3.97353	-1.13002	-6.51665	-.50278	.44493	-.07355	-.01083	-.01926
.900	-6.830	3.97555	-.89947	-6.55128	-.36388	.40455	-.04855	-.00619	-.01510
.900	-4.587	3.97613	-.63264	-6.56467	-.23764	.37563	-.02390	-.00159	-.01076
.900	-2.389	3.97632	-.32200	-6.57275	-.11525	.35791	-.00201	.00253	-.00691
.901	-.180	3.97784	.01451	-6.57164	.00506	.34890	.02206	.00671	-.00142
.900	2.022	3.97686	.34132	-6.56487	.11883	.34816	.04587	.01892	.00372
.901	4.256	3.97826	.68442	-6.55934	.24446	.35719	.06891	.01525	.00756
GRADIENT		.00021	.14923	.00084	.05423	-.00210	.01057	.00190	.00214

LARC BFT TPT 749 (1A93) OTSAT130

(1TJ047) (24 JUN 76)

REFERENCE DATA

SREF = 2690.0000 SQ.FT. XMRP = 976.0000 IN. XT
 LREF = 1290.3000 INCHES YMRP = .0000 IN. YT
 BREF = 1290.3000 INCHES ZMRP = 400.0000 IN. ZT
 SCALE = .0100

PARAMETRIC DATA

BETA = -6.000 ELV-LI = 8.000
 ELV-LO = 4.000 ELV-RI = 8.000
 ELV-RO = 4.000

RUN NO. 180/ 0 RN/L = 4.09 GRADIENT INTERVAL = -5.00/ 5.00

MACH	ALPHA	RN/L	L/DO	BETA	CLU	CDU	CNW	CBW	CTW
.975	-9.260	4.07993	-1.03563	-6.58817	-.55322	.53419	-.10075	-.01508	-.01773
.976	-6.969	4.08190	-.81227	-6.61199	-.39636	.48797	-.07268	-.00974	-.01403
.975	-4.708	4.08118	-.57495	-6.62412	-.26208	.45582	-.04600	-.00487	-.00984
.975	-2.442	4.08190	-.29656	-6.61799	-.12901	.43503	-.01797	.00010	-.00499
.974	-.202	4.07925	-.00033	-6.59812	-.00014	.42614	.01044	.00498	-.00020
.975	2.013	4.08360	.27459	-6.58582	.11764	.42842	.03713	.00985	.00374
.975	4.252	4.08569	.54467	-6.58111	.23979	.44024	.06186	.01472	.00660
	GRADIENT	00048	.12560	.00528	.05589	-.00170	01210	.00219	.00186

RUN NO. 175/ 0 RN/L = 4.21 GRADIENT INTERVAL = -5.00/ 5.00

MACH	ALPHA	RN/L	L/DO	BETA	CLU	CDU	CNW	CBW	CTW
1.150	-7.152	4.21097	-.74300	-6.66518	-.41279	.55558	-.07529	-.01026	-.00812
1.150	-4.819	4.21105	-.50155	-6.67019	-.26144	.52126	-.04536	-.00482	-.00384
1.150	-2.534	4.21121	-.25287	-6.66554	-.12726	.50328	-.01517	.00058	.00046
1.150	-.254	4.21281	.00915	-6.65204	.00452	.49410	.01725	.00652	.00410
1.150	2.011	4.21157	.25727	-6.64730	.12741	.49526	.04729	.01209	.00658
	GRADIENT	.00014	.11148	.00361	.05702	-.00383	01363	.00249	.00153

RUN NO. 170/ 0 RN/L = 4.22 GRADIENT INTERVAL = -5.00/ 5.00

MACH	ALPHA	RN/L	L/DO	BETA	CLU	CDU	CNW	CBW	CTW
1.205	-9.557	4.21469	-.96395	-6.65974	-.59458	.61681	-.09888	-.01521	-.00837
1.205	-7.177	4.21391	-.72787	-6.66348	-.40895	.56185	-.07056	-.00976	-.00559
1.205	-4.829	4.21352	-.48715	-6.67922	-.25744	.52846	-.04112	-.00424	-.00223
1.205	-2.530	4.21392	-.23501	-6.66928	-.11984	.50995	-.00936	.00169	.00099
1.205	-.259	4.21530	.01542	-6.65782	.00774	.50225	.02210	.00756	.00428
1.205	2.014	4.21449	.25639	-6.64671	.12917	.50382	.04871	.01266	.00622
1.205	4.289	4.21983	.49346	-6.63830	.25171	.51009	.07302	.01708	.00825
	GRADIENT	00058	.10767	.00458	.05564	-.00189	01257	.00235	.00115

LARC 8FT TPT 749 (1A93) OTSAT130

(TJJ048) (24 JUN 76)

REFERENCE DATA

PARAMETRIC DATA

SREF = 2690.0000 SQ.FT. XMRP = .976.0000 IN. XT
 LREF = 1290.3000 INCHES YMRP = .0000 IN. YT
 BREF = 1290.3000 INCHES ZMRP = 400.0000 IN. ZT
 SCALE = .0100

BETA = -4.000 ELV-LI = 8.000
 ELV-LO = 4.000 ELV-RI = 8.000
 ELV-RO = 4.000

RUN NO. 184/ 0 RN/L = 3.97 GRADIENT INTERVAL = -5.00/ 5.00

MACH	ALPHA	RN/L	L/DU	BETA	CLU	CDU	CNW	CBW	CTW
.900	-9.011	3.97699	-1.13876	-4.34179	-.50814	.44622	-.07384	-.01065	-.01977
.900	-6.772	3.97770	-.90273	-4.36410	-.36427	.40352	-.04696	-.00575	-.01521
.900	-4.558	3.97667	-.63209	-4.36634	-.23632	.37387	-.02299	-.00121	-.01088
.900	-2.377	3.97761	-.33399	-4.37039	-.11841	.35452	-.00027	.00291	-.00640
.901	-.178	3.97374	.00877	-4.35943	.00301	.34349	.02599	.00750	-.00077
.901	2.015	3.97482	.34691	-4.35680	.11879	.34243	.05375	.01227	.00515
.900	4.235	3.97353	.70827	-4.35122	.24977	.35265	-.07811	.01691	.00897
	GRADIENT	-.00041	.15297	.00200	.05503	-.00247	.01166	.00207	.00233

RUN NO. 179/ 0 RN/L = 4.08 GRADIENT INTERVAL = -5.00/ 5.00

MACH	ALPHA	RN/L	L/DU	BETA	CLU	CDU	CNW	CBW	CTW
.975	-9.209	4.08108	-1.02660	-4.38505	-.55112	.53684	-.09756	-.01434	-.01759
.976	-6.939	4.08175	-.80952	-4.39573	-.39565	.48874	-.06867	-.00906	-.01343
.975	-4.673	4.08205	-.57065	-4.39783	-.25998	.45559	-.04025	-.00399	-.00893
.975	-2.439	4.08102	-.31367	-4.38839	-.13630	.43455	-.01311	.00090	-.00424
.975	-.220	4.08050	-.03195	-4.37541	-.01357	.42460	.01322	.00571	.00009
.975	2.012	4.08004	.25008	-4.36521	.11037	.42439	.04446	.01144	.00464
.975	4.256	4.08158	.54842	-4.35817	.23919	.43615	.07218	.01680	.00766
	GRADIENT	-.00009	.12604	.00459	.05581	-.00219	.01266	.00234	.00189

RUN NO. 174/ 0 RN/L = 4.21 GRADIENT INTERVAL = -5.00/ 5.00

MACH	ALPHA	RN/L	L/DU	BETA	CLU	CDU	CNW	CBW	CTW
1.150	-7.103	4.20963	-.74440	-4.44824	-.41198	.55343	-.06745	-.00916	-.00732
1.150	-4.810	4.21081	-.50997	-4.45428	-.26488	.51940	-.03751	-.00367	-.00317
1.150	-2.514	4.21063	-.25608	-4.43759	-.12816	.50047	-.00503	.00233	.00114
1.150	-.234	4.21012	.00870	-4.43119	.00427	.49084	.02945	.00878	.00469
1.150	2.016	4.21275	.25369	-4.43298	.12451	.49081	.05950	.01431	.00705
	GRADIENT	.00023	.11230	.00310	.05716	-.00420	.01430	.00265	.00150

LARC 8FT TPT 749 (1A93) OTSAT130

(TJJ048) (24 JUN 76)

REFERENCE DATA

SREF = 2690.0000 SQ.FT. XMRP = 976.0000 IN. XT
 LREF = 1290.3000 INCHES YMRP = .0000 IN. YT
 BREF = 1290.3000 INCHES ZMRP = 400.0000 IN. ZT
 SCALE = .0100

PARAMETRIC DATA

BETA = -4.000 ELV-LI = 8.000
 ELV-LO = 4.000 ELV-RI = 8.000
 ELV-RO = 4.000

RUN NO. 169/ 0 RN/L = 4 22 GRADIENT INTERVAL = -5.00/ 5.00

MACH	ALPHA	RN/L	L/DU	BETA	CLU	CDU	CNW	CBW	CTW
1.205	-9.488	4.22061	-.94682	-4.43213	-.58193	.61461	-.09469	-.01450	-.00850
1.205	-7.128	4.22201	-.72602	-4.44522	-.40661	.56005	-.06363	-.00874	-.00511
1.205	-4.784	4.22102	-.48107	-4.44015	-.25248	.52483	-.03056	-.00250	-.00192
1.205	-2.517	4.22084	-.23078	-4.43461	-.11698	.50688	.00297	.00390	.00123
1.205	-.253	4.21666	.01257	-4.41904	.00626	.49831	.03499	.00973	.00446
1.205	2.012	4.21647	.25797	-4.41760	1.2873	.49902	.06304	.01488	.00689
1.204	4.268	4.21546	.48862	-4.41387	.24752	.50657	.08584	.01907	.00881
	GRADIENT	-.00068	.10728	.00307	.05504	-.00196	.01294	.00239	.00120

LARC 8FT TPT 749 (1A93) OTSAT130

(TJJ049) (24 JUN 76)

REFERENCE DATA

SREF = 2690.0000 SQ.FT. XMRP = 976.0000 IN. XT
 LREF = 1290.3000 INCHES YMRP = .0000 IN. YT
 BREF = 1290.3000 INCHES ZMRP = 400.0000 IN. ZT
 SCALE = .0100

PARAMETRIC DATA

BETA = .000 ELV-LI = 8.000
 ELV-LO = 4.000 ELV-RI = 8.000
 ELV-RO = 4.000

RUN NO. 183/ 0 RN/L = 3.97 GRADIENT INTERVAL = -5.00/ 5.00

MACH	ALPHA	RN/L	L/DU	BETA	CLU	CDU	CNW	CBW	CTW
.900	-8.972	3.97906	-1.16398	-.01346	-.51228	.44011	-.08046	-.01148	-.01955
.900	-6.745	3.97492	-.94116	-.00091	-.37091	.39410	-.04855	-.00601	-.01411
.900	-4.547	3.97241	-.66748	.00119	-.24084	.35082	-.02196	-.00121	-.00861
.900	-2.367	3.96909	-.36139	.00628	-.12293	.34016	.00777	.00378	-.00237
.900	-.163	3.96853	.00643	.01860	.00213	.33132	.03762	.00913	.00397
.900	2.013	3.96846	.37384	.02216	1.2387	.33134	.06669	.01425	.00976
.900	4.213	3.97197	.69818	.02225	2.4012	.34392	.08832	.01794	.01350
	GRADIENT	-.00007	.15829	.00265	.05519	-.00194	.01276	.00223	.00257

ORIGINAL PAGE IS
OF POOR QUALITY

LARC 8FT TPT 749 (1A93) OTSAT130

(TJJ049) (24 JUN 76)

REFERENCE DATA

SREF = 2690.0000 SQ FT. XMRP = 976.0000 IN. XT
 LREF = 1290.3000 INCHES YMRP = 0000 IN. YT
 BREF = 1290.3000 INCHES ZMRP = 400.0000 IN. ZT
 SCALE = .0100

PARAMETRIC DATA

BETA = .000 ELV-LI = 8.000
 ELV-LO = 4.000 ELV-RI = 8.000
 ELV-RO = 4.000

RUN NO. 178/ 0 RN/L = 4.08 GRADIENT INTERVAL = -5.00/ 5.00

MACH	ALPHA	RN/L	L/DU	BETA	CLU	CDU	CNW	CBW	CTW
.975	-9.168	4.08188	-1.03734	-.03204	-.55316	.53325	-.09178	-.01347	-.01662
.976	-6.910	4.08255	-.82901	-.02551	-.40243	.48543	-.06041	-.00784	-.01172
.975	-4.638	4.07965	-.59135	-.01288	-.26511	.44831	-.02959	-.00229	-.00651
.975	-2.410	4.07938	-.33682	00373	-.14391	.42727	00153	00306	-.00083
.975	-.224	4.07956	-.06386	01487	-.02664	.41711	.03334	.00887	00395
.975	2.008	4.07964	24602	01348	10247	.41650	.06515	.01494	00817
.975	4.211	4.08390	53073	00617	.22608	.42598	.09158	.01989	.01154
	GRADIENT	00040	.12783	.00216	.05556	-.00251	.01383	.00254	.00204

RUN NO 173/ 0 RN/L = 4.21 GRADIENT INTERVAL = -5.00/ 5.00

MACH	ALPHA	RN/L	L/DU	BETA	CLU	CDU	CNW	CBW	CTW
1.150	-7.067	4.21260	-.76274	-.04378	-.41923	.54963	-.05708	-.00763	-.00527
1.150	-4.774	4.21157	-.53135	-.03862	-.27334	.51441	-.02132	-.00085	-.00156
1.150	-2.494	4.21084	-.26267	-.02806	-.12996	.49476	01967	.00667	.00252
1.150	-.253	4.21079	-.01628	-.01821	-.00791	.48573	.05413	.01296	.00614
1.150	1.994	4.21055	.23484	-.01658	.11336	.48271	.08299	.01806	.00916
	GRADIENT	-.00014	.11289	.00337	.05688	-.00462	.01541	.00280	.00159

RUN NO. 168/ 0 RN/L = 4.22 GRADIENT INTERVAL = -5.00/ 5.00

MACH	ALPHA	RN/L	L/DU	BETA	CLU	CDU	CNW	CBW	CTW
1.205	-9.424	4.22180	-.94715	-.02902	-.57414	.60618	-.08565	-.01311	-.00804
1.205	-7.086	4.22002	-.74041	-.02941	-.41021	.55403	-.04902	-.00640	-.00427
1.205	-4.779	4.21825	-.49700	-.01925	-.25812	.51936	-.01173	.00086	-.00182
1.205	-2.498	4.21825	-.23877	-.00370	-.11939	.50003	.02573	.00770	.00140
1.205	-.246	4.21964	00586	.00674	.00288	.49144	.06012	01374	00542
1.205	2.006	4.22102	24873	00762	12182	.48976	.08675	.01857	00821
1.205	4.240	4.21981	.47657	.00573	.23668	.49663	.10916	.02275	.01030
	GRADIENT	.00026	.10801	.00272	.05461	-.00248	.01344	.00243	.00138

LARC 8FT TPT 749 (1A93) OTSAT130

(TJJ050) (24 JUN 76)

REFERENCE DATA

SREF = 2690.0000 SQ.FT. XMRP = 976.0000 IN. XT
 LREF = 1290.3000 INCHES YMRP = .0000 IN. YT
 BREF = 1290.3000 INCHES ZMRP = 400.0000 IN. ZT
 SCALE = .0100

PARAMETRIC DATA

BETA = 4.000 ELV-L1 = 8.000
 ELV-LO = 4.000 ELV-R1 = 8.000
 ELV-RO = 4.000

RUN NO. 186/ 0 RN/L = 3.97 GRADIENT INTERVAL = -5.00/ 5.00

MACH	ALPHA	RN/L	L/DU	BETA	CLU	CDU	CNW	CBW	CTW
900	-9 011	3.97327	-1.13277	4.28417	-.50246	.44356	- 07508	- 01049	-.01818
900	-6.775	3 97175	-.91854	4.31439	-.36801	.40065	- 04471	- 00538	-.01193
900	-4.586	3.97314	-.65959	4.32728	- 24437	.37049	- 01539	- 00002	-.00587
900	-2 382	3 97198	-.35502	4.34663	- 12432	.35019	.01918	00582	.00140
900	- 185	3 97293	-.00848	4.35556	- 00289	.34048	.04999	01147	.00747
900	2 034	3 97289	38053	4.35144	12909	.33924	07821	01665	.01236
.900	4.225	3 97393	.68888	4.34054	24222	.35162	09667	.01922	.01557
	GRADIENT	.00011	.15576	.00142	.05566	-.00221	.01285	.00224	.00244

RUN NO 181/ 0 RN/L = 4 08 GRADIENT INTERVAL = -5.00/ 5 00

MACH	ALPHA	RN/L	L/DU	BETA	CLU	CDU	CNW	CBW	CTW
.975	-9 205	4 07774	-1 04384	4.31833	-.55725	53384	-.08571	-.01253	- 01592
.976	-6 951	4.08014	- 83639	4.33592	-.40639	48588	-.05069	-.00636	-.01016
.975	-4.682	4 08013	- 59168	4.35003	-.26697	45121	- 01507	-.00001	-.00388
.975	-2 437	4 08287	- 32708	4 36572	- 14040	.42924	.01898	.00615	.00149
.975	- 222	4.08191	- 03949	4 36967	- 01666	42183	.05297	.01270	.00636
.975	2 007	4.08215	25649	4.37001	.10734	41850	.08483	01851	.01057
.975	4 233	4 08222	55732	4 35858	23932	.42942	.11526	02350	.01532
	GRADIENT	00016	12936	00096	05658	-.00244	.01466	.00267	.00213

RUN NO 176/ 0 RN/L = 4.21 GRADIENT INTERVAL = -5 00/ 5.00

MACH	ALPHA	RN/L	L/DU	BETA	CLU	CDU	CNW	CBW	CTW
1 150	-7 115	4 21413	-.76017	4 36271	- 42295	.55638	- 04314	- 00513	- 00589
1 150	-4.804	4 21484	-.51835	4 38584	- 26969	.52029	00155	.00313	-.00190
1.150	-2 529	4 21442	-.27255	4.39626	- 13578	.49816	.04036	.01014	.00231
1.150	- 251	4.21233	-.00374	4.40921	-.00182	48748	.07426	01632	.00598
1.150	2.002	4.21360	.24993	4.40833	12112	.48461	.10315	.02151	.00936
	GRADIENT	-.00026	11340	00355	.05756	-.00519	.01493	.00270	.00165

LARC 8FT TPT 749 (1A93) OTSAT130

(TJJ050) (24 JUN 76)

REFERENCE DATA

SREF = 2690.0000 SQ.FT. XMRP = 976.0000 IN. XT
 LREF = 1290.3000 INCHES YMRP = .0000 IN. YT
 BREF = 1290.3000 INCHES ZMRP = 400.0000 IN. ZT
 SCALE = .0100

PARAMETRIC DATA

BETA = 4.000 ELV-LI = 8.000
 ELV-LO = 4.000 ELV-RI = 8.000
 ELV-RO = 4.000

RUN NO. 171/ 0 RN/L = 4.21 GRADIENT INTERVAL = -5.00/ 5.00

MACH	ALPHA	RN/L	L/DU	BETA	CLU	CDU	CNW	CBW	CTW
1.205	-9.486	4.21943	- 95117	4.35584	-.58346	.61342	- 07679	-.01138	-.01095
1.205	-7.129	4.21904	- 73341	4.37448	- 41109	.56052	- 03598	-.00373	-.00773
1.205	-4.816	4.21587	- 49647	4.39389	-.26045	.52462	00678	.00400	-.00402
1.205	-2.528	4.21648	-.24827	4.40884	- 12489	.50305	04192	.01041	-.00013
1.205	- .231	4.21688	00749	4.41843	.00369	.49304	.07469	.01639	00364
1.205	2.004	4.21450	.24962	4.42084	.12256	.49099	.10345	.02147	.00720
1.205	4.261	4.21468	.48763	4.41127	.24310	.49853	12975	.02595	01054
	GRADIENT	- 00019	.10871	00207	.05531	-.00284	01356	.00242	.00161

LARC 8FT TPT 749 (1A93) OTSAT130

(TJJ051) (24 JUN 76)

REFERENCE DATA

SREF = 2690.0000 SQ.FT. XMRP = 976.0000 IN. XT
 LREF = 1290.3000 INCHES YMRP = .0000 IN. YT
 BREF = 1290.3000 INCHES ZMRP = 400.0000 IN. ZT
 SCALE = .0100

PARAMETRIC DATA

BETA = 6.000 ELV-LI = 8.000
 ELV-LO = 4.000 ELV-RI = 8.000
 ELV-RO = 4.000

RUN NO. 187/ 0 RN/L = 3.97 GRADIENT INTERVAL = -5.00/ 5.00

MACH	ALPHA	RN/L	L/DU	BETA	CLU	CDU	CNW	CBW	CTW
.900	-9.027	3.97485	-1 13101	6.42960	- 50039	.44243	- .07537	-.01034	-.01757
.900	-6.829	3.97447	- 92203	6.46894	- 37094	.40231	- .04498	-.00523	-.01122
.900	-4.603	3.97572	-.66502	6.49873	-.24829	.37336	-.01225	.00050	-.00444
.900	-2.397	3.97537	- 36159	6.52791	-.12821	.35457	.02162	.00644	.00264
.900	- .188	3.97285	- 01031	6.53122	-.00355	.34433	.05431	.01242	.00894
.900	2.026	3.97567	.34095	6.53644	.11756	.34479	.08128	.01713	.01377
.899	4.235	3.97286	.67072	6.52096	.23756	.35418	.09948	.01962	.01628
	GRADIENT	- 00025	.15268	.00240	05509	- 00218	.01281	.00221	.00238

LARC BFT TPT 749 (1A93) OTSAT130

(TJJ051) (24 JUN 76)

REFERENCE DATA

SREF = 2690.0000 SQ.FT. XMRP = 976.0000 IN. XT
 LREF = 1290.3000 INCHES YMRP = .0000 IN. YT
 BREF = 1290.3000 INCHES ZMRP = 400.0000 IN. ZT
 SCALE = .0100

PARAMETRIC DATA

BETA = 6.000 ELV-LI = 8.000
 ELV-LO = 4.000 ELV-RI = 8.000
 ELV-RO = 4.000

RUN NO. 182/ 0 RN/L = 4.08 GRADIENT INTERVAL = -5.00/ 5.00

MACH	ALPHA	RN/L	L/DU	BETA	CLU	CDU	CNW	CBW	CTW
.975	-9.273	4 07929	-1.05244	6 51066	- 56126	.53329	-.08432	-.01215	-.01565
.976	-6.968	4.07870	-.83816	6 55017	-.40806	.48685	-.04691	-.00568	-.00883
.975	-4.715	4.08013	-.59776	6 57051	- 27080	.45303	-.01119	.00073	-.00297
.975	-2.466	4.08020	-.32648	6.58922	-.14080	.43127	.02717	.00770	.00281
.975	- 223	4 08028	- 02022	6.59960	- 00854	.42222	.06275	.01457	.00712
.975	2.002	4 08164	.26493	6 59472	.11154	.42103	.09483	.02012	.01199
.975	4.250	4.08140	.56040	6 57482	.24158	.43108	.12266	.02471	.01633
	GRADIENT	.00018	.12982	.00063	.05702	-.00242	.01497	.00270	.00213

RUN NO 177/ 0 RN/L = 4.21 GRADIENT INTERVAL = -5.00/ 5.00

MACH	ALPHA	RN/L	L/DU	BETA	CLU	CDU	CNW	CBW	CTW
1.150	-7.141	4 21094	-.75697	6 55994	- 42162	.55699	-.03711	- 00372	- 00712
1.150	-4.832	4.21229	-.52430	6.59113	- 27387	.52235	.00920	.00448	-.00280
1.150	-2.546	4 21063	- 27496	6 60683	- 13734	.49950	.04775	.01150	.00127
1.150	-.264	4 21105	-.00917	6 61789	-.00447	.48760	.08157	.01755	.00516
1.150	2.006	4.21148	.25715	6 61642	.12499	.48605	.11407	.02314	.00910
	GRADIENT	-.00009	.11450	.00382	.05832	- 00530	.01529	.00272	.00174

RUN NO 172/ 0 RN/L = 4.22 GRADIENT INTERVAL = -5.00/ 5.00

MACH	ALPHA	RN/L	L/DU	BETA	CLU	CDU	CNW	CBW	CTW
1 204	-9.551	4.21429	-.96903	6.54309	-.59765	.61675	-.07594	-.01055	-.01306
1 205	-7 167	4 21468	- 74267	6.57090	-.41721	.56177	-.03147	- 00282	-.00924
1.205	-4 853	4.21483	-.50695	6 59597	-.26630	.52529	.01128	.00479	-.00534
1 205	-2 557	4 21606	-.26581	6.60188	-.13371	.50305	.04826	.01139	-.00142
1 205	- 255	4 21982	.00177	6.61938	.00087	.49238	.08226	.01751	.00265
1 204	1.993	4.22041	.25111	6 61946	.12357	.49210	.11245	.02272	.00665
1 204	4.280	4 21883	.49929	6.60659	.24871	.49813	.13770	.02707	.00987
	GRADIENT	.00054	.11086	.00171	.05642	- 00287	.01390	.00245	.00169

ORIGINAL PAGE IS OF POOR QUALITY.

LARC BFT TPT 749 (1A93) OTSAT130

(TJJ052) (24 JUN 76)

REFERENCE DATA

SREF = 2690.0000 SQ.FT. XMRP = 976.0000 IN. XT
 LREF = 1290.3000 INCHES YMRP = .0000 IN. YT
 BREF = 1290.3000 INCHES ZMRP = 400.0000 IN. ZT
 SCALE = .0100

PARAMETRIC DATA

BETA = -6.000 ELV-LI = 8.000
 ELV-LO = -5.000 ELV-RI = 8.000
 ELV-RO = -5.000

RUN NO. 195/ 0 RN/L = 4.21 GRADIENT INTERVAL = -5.00/ 5.00

MACH	ALPHA	RN/L	L/DO	BETA	CLU	CDU	CNW	CBW	CTW
1.150	-7.201	4.20864	-.78281	-6.66167	-.43630	.55734	-.08319	-.01361	-.00397
1.150	-4.856	4.21003	-.54254	-6.66818	-.28292	.52147	-.05506	-.00822	-.00014
1.150	-2.541	4.21024	-.28504	-6.67028	-.14300	.50170	-.02333	-.00269	.00453
1.150	-.287	4.21121	-.04107	-6.66099	-.02024	.49291	00602	.00276	.00779
1.150	2.001	4.20864	.22558	-6.65029	.11128	.49330	03870	.00889	.01034
	GRADIENT	-.00014	.11185	.00275	.05720	-.00409	01361	00249	.00152

RUN NO. 190/ 0 RN/L = 4.22 GRADIENT INTERVAL = -5.00/ 5.00

MACH	ALPHA	RN/L	L/DO	BETA	CLU	CDU	CNW	CBW	CTW
1.205	-9.591	4.22001	-1.00111	-6.67902	-.62062	.61993	-.10864	-.01858	-.00501
1.205	-7.199	4.21883	-.76777	-6.68339	-.43288	.56382	-.07933	-.01305	-.00186
1.205	-4.866	4.21903	-.52672	-6.69292	-.27846	.52868	-.04941	-.00744	.00173
1.205	-2.554	4.21903	-.27063	-6.68557	-.13776	.50904	-.01759	-.00147	.00482
1.205	-.277	4.21824	-.02663	-6.67781	-.01332	.49999	.01293	.00424	.00792
1.205	1.976	4.21705	.21802	-6.67022	.10927	.50117	.04239	.00981	.01000
1.205	4.263	4.21803	.46228	-6.66314	.23474	.50779	.06615	.01449	.01098
	GRADIENT	-.00017	.10825	.00329	.05589	-.00219	01278	.00242	.00104

LARC BFT TPT 749 (1A93) OTSAT130

(TJJ053) (24 JUN 76)

REFERENCE DATA

SREF = 2690.0000 SQ FT XMRP = 976.0000 IN XT
 LREF = 1290.3000 INCHES YMRP = .0000 IN YT
 BREF = 1290.3000 INCHES ZMRP = 400.0000 IN. ZT
 SCALE = .0100

PARAMETRIC DATA

BETA = -4.000 ELV-LI = 8.000
 ELV-LO = -5.000 ELV-RI = 8.000
 ELV-RO = -5.000

RUN NO 194/ 0 RN/L = 4.21 GRADIENT INTERVAL = -5.00/ 5.00

MACH	ALPHA	RN/L	L/DO	BETA	CLU	CDU	CNW	CBW	CTW
1.150	-7.111	4.21003	-.78587	-3.78919	-.43539	.55403	-.07561	-.01243	-.00333
1.150	-4.828	4.20960	-.55268	-3.79348	-.28675	.51884	-.04437	-.00675	.00099
1.150	-2.532	4.21003	-.29549	-3.78104	-.14745	.49901	-.01110	-.00052	.00520
1.150	-.279	4.20958	-.04785	-3.77065	-.02340	.48897	.02220	.00575	.00838
1.150	1.992	4.21003	.21634	-3.76851	.10536	.48701	.05464	.01181	.01072
	GRADIENT	.00004	.11248	.00376	.05726	-.00465	01454	.00273	.00143

LARC 8FT TPT 749 (1A93) OTSAT130

(TJJ053) (24 JUN 76)

REFERENCE DATA

SREF = 2690.0000 SQ.FT. XMRP = 976.0000 IN. XT
 LREF = 1290.3000 INCHES YMRP = 0000 IN. YT
 BREF = 1290.3000 INCHES ZMRP = 400.0000 IN. ZT
 SCALE = .0100

PARAMETRIC DATA

BETA = -4.000 ELV-LI = 8.000
 ELV-LO = -5.000 ELV-RI = 8.000
 ELV-RO = -5.000

RUN NO. 189/ 0 RN/L = 4.21 GRADIENT INTERVAL = -5.00/ 5.00

MACH	ALPHA	RN/L	L/DO	BETA	CLU	CDU	CNW	CBW	CTW
1.204	-9.507	4.21525	-.98019	-4.45638	-.60491	.61714	-.10372	-.01784	-.00487
1.205	-7.150	4.21586	-.76771	-4.46402	-.43063	.56093	-.07214	-.01200	-.00128
1.205	-4.829	4.21469	-.52731	-4.46772	-.27686	.52504	-.04054	-.00597	.00171
1.205	-2.536	4.21129	-.27472	-4.45563	-.13884	.50537	-.00676	.00045	.00492
1.205	-.266	4.21330	-.02192	-4.44836	-.01087	.49608	.02636	.00664	.00791
1.205	1.985	4.21329	.22314	-4.44371	.11066	.49593	.05508	.01214	.00974
1.204	4.246	4.21348	.46189	-4.43579	.23260	.50359	.07882	.01676	.01077
	GRADIENT	-.00015	.10923	.00334	.05595	-.00232	.01326	.00252	.00101

LARC 8FT TPT 749 (1A93) OTSAT130

(TJJ054) (24 JUN 76)

REFERENCE DATA

SREF = 2690.0000 SQ.FT. XMRP = 976.0000 IN. XT
 LREF = 1290.3000 INCHES YMRP = 0000 IN. YT
 BREF = 1290.3000 INCHES ZMRP = 400.0000 IN. ZT
 SCALE = .0100

PARAMETRIC DATA

BETA = .000 ELV-LI = 8.000
 ELV-LO = -5.000 ELV-RI = 8.000
 ELV-RO = -5.000

RUN NO. 193/ 0 RN/L = 4.21 GRADIENT INTERVAL = -5.00/ 5.00

MACH	ALPHA	RN/L	L/DO	BETA	CLU	CDU	CNW	CBW	CTW
1.150	-7.083	4.21333	-.80494	-.03443	-.44172	.54876	-.06703	-.01115	-.00161
1.150	-4.795	4.21076	-.57121	-.02997	-.29304	.51301	-.02944	-.00419	.00253
1.150	-2.511	4.20973	-.30815	-.01553	-.15180	.49261	.01131	.00332	.00653
1.150	-.272	4.20837	-.05037	-.00483	-.02430	.48236	.04621	.00997	.00939
1.150	1.982	4.20994	.20330	-.00216	.09746	.47939	.07623	.01559	.01170
	GRADIENT	-.00017	.11437	.00417	.05756	-.00493	.01559	.00292	.00135

RUN NO. 188/ 0 RN/L = 4.22 GRADIENT INTERVAL = -5.00/ 5.00

MACH	ALPHA	RN/L	L/DO	BETA	CLU	CDU	CNW	CBW	CTW
1.205	-9.447	4.21151	-.98503	-.02435	-.60005	.60916	-.09570	-.01669	-.00435
1.205	-7.115	4.21331	-.77955	-.02640	-.43253	.55485	-.05852	-.00976	-.00061
1.205	-4.805	4.21392	-.54855	-.01582	-.28462	.51887	-.02191	-.00261	.00163
1.206	-2.534	4.21452	-.27924	-.00328	-.13906	.49801	.01755	.00471	.00499
1.205	-.260	4.21609	-.02868	.00703	-.01403	.48907	.05441	.01126	.00856
1.205	1.987	4.21548	.21149	.00768	.10294	.48673	.08121	.01628	.01078
1.205	4.224	4.21625	.44603	.00787	.22010	.49347	.10565	.02074	.01322
	GRADIENT	.00025	.10984	.00259	.05543	-.00276	.01412	.00258	.00128

LARC 8FT TPT 749 (1A93) OTSAT130

(TJJ055) (24 JUN 76)

REFERENCE DATA

SREF = 2690.0000 SQ.FT. XMRP = 976.0000 IN. XT
 LREF = 1290.3000 INCHES YMRP = .0000 IN. YT
 BREF = 1290.3000 INCHES ZMRP = 400 0000 IN. ZT
 SCALE = .0100

PARAMETRIC DATA

BETA = 4.000 ELV-LI = 8.000
 ELV-LO = -5.000 ELV-RI = 8.000
 ELV-RO = -5.000

RUN NO. 196/ 0 RN/L = 4.21 GRADIENT INTERVAL = -5.00/ 5.00

MACH	ALPHA	RN/L	L/DU	BETA	CLU	CDU	CNW	CBW	CTW
1.150	-7.124	4.21066	-.79443	4.35178	-.44144	.55567	-.05289	-.00858	-.00189
1.150	-4.831	4.21003	-.56361	4.37060	-.29261	.51916	-.00892	-.00040	.00182
1.150	-2.536	4.21000	-.30585	4.38324	-.15181	.49636	.03315	.00735	.00572
1.150	-.269	4.21024	-.04823	4.39129	-.02344	.48590	.06591	.01364	.00840
1.150	1.988	4.21000	.21455	4.39036	.10340	.48194	.09723	.01925	.01187
	GRADIENT	00001	.11407	.00297	.05793	-.00538	.01546	.00287	.00144

RUN NO. 191/ 0 RN/L = 4.22 GRADIENT INTERVAL = -5.00/ 5.00

MACH	ALPHA	RN/L	L/DU	BETA	CLU	CDU	CNW	CBW	CTW
1.205	-9.504	4.21667	-.98612	4.35458	-.60680	.61534	-.08733	-.01495	-.00735
1.205	-7.162	4.21668	-.77803	4.37810	-.43652	.56106	-.04593	-.00708	-.00427
1.205	-4.842	4.21787	-.53819	4.39371	-.28185	.52371	-.00155	.00105	-.00085
1.206	-2.540	4.21827	-.28380	4.40463	-.14241	.50180	.03606	.00801	.00255
1.206	-.267	4.21847	-.02983	4.41740	-.01464	.49092	.06962	.01414	.00640
1.206	1.978	4.21827	.21581	4.41913	.10530	.48794	.09919	.01934	.00994
1.205	4.237	4.21766	.45913	4.40629	.22753	.49556	.12405	.02369	.01284
	GRADIENT	-.00002	.11000	.00176	.05586	-.00310	.01387	.00250	.00153

LARC 8FT TPT 749 (1A93) OTSAT130

(TJJ056) (24 JUN 76)

REFERENCE DATA

SREF = 2690.0000 SQ.FT. XMRP = 976.0000 IN. XT
 LREF = 1290.3000 INCHES YMRP = .0000 IN. YT
 BREF = 1290.3000 INCHES ZMRP = 400 0000 IN. ZT
 SCALE = .0100

PARAMETRIC DATA

BETA = 6.000 ELV-LI = 8.000
 ELV-LO = -5.000 ELV-RI = 8.000
 ELV-RO = -5.000

RUN NO. 197/ 0 RN/L = 4.21 GRADIENT INTERVAL = -5.00/ 5.00

MACH	ALPHA	RN/L	L/DU	BETA	CLU	CDU	CNW	CBW	CTW
1.150	-7.170	4.21042	-.80131	6.55582	-.44575	.55627	-.04683	-.00737	-.00289
1.150	-4.871	4.20982	-.57105	6.58477	-.29776	.52142	-.00015	.00119	.00074
1.150	-2.557	4.20979	-.31128	6.59698	-.15512	.49835	.04171	.00899	.00425
1.150	-.278	4.20982	-.04720	6.60762	-.02293	.48584	.07687	.01538	.00809
1.150	1.992	4.20984	.22255	6.60617	.10774	.48415	.10848	.02099	.01142
	GRADIENT	00000	.11565	.00328	.05898	-.00545	.01579	.00288	.00157

LA C 8FT TPT /49 (1A93) OTSAT130

(TJJ056) (24 JUN 76)

REFERENCE DATA

SREF = 2690.0000 SQ.FT. XMRP = 976.0000 IN. XT
 LREF = 1290.3000 INCHES YMRP = .0000 IN. YT
 BREF = 1290.3000 INCHES ZMRP = 400.0000 IN. ZT
 SCALE = .0100

PARAMETRIC DATA

BETA = 6.000 ELV-LI = 8.000
 ELV-LO = -5.000 ELV-RI = 8.000
 ELV-RO = -5.000

RUN NO. 192/ 0 RN/L = 4.21 GRADIENT INTERVAL = -5.00/ 5.00

MACH	ALPHA	RN/L	L/DU	BETA	CLU	CDU	CNW	CBW	CTW
1.205	-9.573	4.21392	-1.00691	6.54865	-.62280	.61852	-.08571	-.01417	-.00897
1.206	-7.210	4.21313	-.78644	6.57514	-.44197	.56199	-.04115	-.00601	-.00586
1.205	-4.871	4.21175	-.54802	6.60015	-.28748	.52457	.00429	.00212	-.00233
1.205	-2.578	4.21174	-.29981	6.61649	-.15007	.50220	.04264	.00906	.00135
1.205	-.306	4.21193	-.04287	6.62615	-.02103	.49048	.07524	.01504	.00494
1.205	1.991	4.21192	.22023	6.62682	.10783	.48961	.10724	.02055	.00911
1.205	4.255	4.21191	.46820	6.61131	.23217	.49589	.13276	.02484	.01256
	GRADIENT	00002	.11185	00143	.05687	-.00307	.01410	00250	.00165

LARC 8FT TPT 749 (1A93) OTSAT130

(TJJ057) (24 JUN 76)

REFERENCE DATA

SREF = 2690.0000 SQ.FT. XMRP = 976.0000 IN. XT
 LREF = 1290.3000 INCHES YMRP = .0000 IN. YT
 BREF = 1290.3000 INCHES ZMRP = 400.0000 IN. ZT
 SCALE = .0100

PARAMETRIC DATA

BETA = -6.000 ELV-LI = 8.000
 ELV-LO = 9.000 ELV-RI = 8.000
 ELV-RO = 9.000

RUN NO. 217/ 0 RN/L = 3.24 GRADIENT INTERVAL = -5.00/ 5.00

MACH	ALPHA	RN/L	L/DU	BETA	CLU	CDU	CNW	CBW	CTW
-.599	-8.551	3.22626	-1.15922	-6.31592	-.41943	.36182	-.07701	-.00787	-.02459
.599	-6.419	3.22909	-.90632	-6.34702	-.30116	.33229	-.05101	-.00330	-.02020
.599	-4.308	3.23271	-.63586	-6.36815	-.19851	.31219	-.02827	.00071	-.01557
.600	-2.195	3.23600	-.31757	-6.37119	-.09472	.29826	-.00605	.00466	-.01126
.599	-.088	3.23489	.04820	-6.37146	.01398	.29011	.01605	.00854	-.00646
.599	2.014	3.23798	.40968	-6.36619	.11835	.28889	.04021	.01291	-.00144
.599	4.152	3.23798	.79046	-6.35554	.23072	.29188	.06180	.01704	.00268
	GRADIENT	.00059	.16944	.00143	.05071	-.00236	.01071	.00194	.00219

ORIGINAL PAGE IS
OF POOR QUALITY

LARC 8FT TPT 749 (1A93) OTSAT130

(TJJ057) (24 JUN 76)

REFERENCE DATA

SREF = 2690.0000 SQ.FT. XMRP = 976.0000 IN. XT
 LREF = 1290.3000 INCHES YMRP = .0000 IN. YT
 BREF = 1290.3000 INCHES ZMRP = 400 0000 IN. ZT
 SCALE = .0100

PARAMETRIC DATA

BETA = -6.000 ELV-LI = 8.000
 ELV-LO = 9.000 ELV-RI = 8.000
 ELV-RO = 9.000

RUN NO. 200/ 0 RN/L = 3.97 GRADIENT INTERVAL = -5.00/ 5.00

MACH	ALPHA	RN/L	L/DO	BETA	CLU	CDU	CNW	CBW	CTW
.900	-9.045	3 95997	-1 08925	-6.52743	-.48595	.44614	- 06505	-.00846	-.02130
.900	-6.818	3 97410	- 86265	-6.56284	-.35065	.40648	-.04219	-.00434	-.01715
.900	-4.595	3.97390	-.61172	-6.57703	- 23144	.37835	-.01886	-.00002	-.01258
.899	-2.380	3.97211	- 28912	-6.57663	- 10397	.35960	00333	00416	-.00857
.900	-.169	3 97189	05895	-6 57157	02075	35203	.02754	00871	- 00392
.900	2 044	3 97239	.41643	-6 56431	14668	35222	.05576	01377	.00142
.900	4 261	3 97014	.73699	-6 56185	.26701	36230	.08021	01844	.00500
	GRADIENT	- 00033	15373	00193	.05636	-.00178	.01132	00210	00204

RUN NO 212/ 0 RN/L = 4 08 GRADIENT INTERVAL = -5.00/ 5.00

MACH	ALPHA	RN/L	L/DO	BETA	CLU	CDU	CNW	CBW	CTW
.975	-9 274	4 09085	-1.00596	-6 57889	- 54024	.53709	-.09288	- 01274	- 02058
.976	-6 970	4 09096	-.77569	-6.60387	- 38016	.49010	-.06399	- 00742	- 01642
.975	-4 705	4 08932	-.53715	-6.61151	- 24583	.45766	- 03701	- 00236	-.01246
.975	-2 433	4 08834	-.26320	-6 60346	- 11529	.43803	-.00895	.00257	-.00755
.975	- 205	4.08713	03090	-6 58942	01331	.43076	.01857	.00745	-.00301
.975	2.026	4.08436	31204	-6.58508	.13460	.43136	04711	.01260	.00087
.975	4 245	4.08333	58677	-6 56732	.25969	.44257	.07166	.01758	00338
	GRADIENT	- 00071	12626	.00477	05640	-.00166	01223	.00223	.00173

RUN NO 206/ 0 RN/L = 4 19 GRADIENT INTERVAL = -5.00/ 5.00

MACH	ALPHA	RN/L	L/DO	BETA	CLU	CDU	CNW	CBW	CTW
1.150	-7.135	4.19163	-.71134	-6 65368	-.39641	.55727	-.05802	-.00816	-.01042
1 150	-4 831	4.19048	-.47633	-6.66029	- 24953	.52385	-.04015	-.00289	-.00671
1.150	-2.531	4.19102	- 22413	-6 65427	- 11333	.50565	-.00893	.00270	- 00229
1.150	-.247	4.18895	.03081	-6 64497	.01533	.49761	02272	.00852	.00122
1.150	2.012	4.18815	.28121	-6 63882	.14036	.49913	.05248	.01409	.00360
	GRADIENT	-.00040	.11079	.00323	.05692	-.00361	.01357	.00249	00151

DATE 29 OCT 76

TABULATED SOURCE DATA - 1A93.

PAGE 261

LARC 8FT TPT 749 (1A93) OTSAT130

(TJJ057) (24 JUN 76)

REFERENCE DATA

SREF = 2690.0000 SQ.FT. XMRP = 976.0000 IN. XT
 LREF = 1290.3000 INCHES YMRP = .0000 IN. YT
 BREF = 1290.3000 INCHES ZMRP = 400.0000 IN. ZT
 SCALE = .0100

PARAMETRIC DATA

BETA = -6.000 ELV-LI = 8.000
 ELV-LO = 9.000 ELV-RI = 8.000
 ELV-RO = 9.000

RUN NO. 222/ 0 RN/L = 4.22 GRADIENT INTERVAL = -5.00/ 5.00

MACH	ALPHA	RN/L	L/DU	BETA	CLU	CDU	CNW	CBW	CTW
1.205	-9.544	4.21625	-.93870	-6.65865	-.58045	.61836	-.09250	-.01339	-.01078
1.205	-7.170	4.21606	-.70616	-6.67090	-.39854	.56437	-.06421	-.00794	-.00791
1.205	-4.827	4.21667	-.46106	-6.67502	-.24468	.53070	-.03377	-.00213	-.00462
1.205	-2.533	4.21707	-.21403	-6.67154	-.10989	.51344	-.00222	.00381	-.00153
1.205	-.249	4.21489	.03770	-6.66148	.01907	.50575	.03048	.00974	.00215
1.205	2.014	4.21566	.27787	-6.65508	.14096	.50730	.05761	.01489	.00410
1.205	4.293	4.21666	.50609	-6.64848	.26004	.51382	.08168	.01930	.00599
	GRADIENT	-.00006	.10648	.00305	.05531	-.00176	.01276	.00237	.00118

LARC 8FT TPT 749 (1A93) OTSAT130

(TJJ058) (24 JUN 76)

REFERENCE DATA

SREF = 2690.0000 SQ.FT. XMRP = 976.0000 IN. XT
 LREF = 1290.3000 INCHES YMRP = .0000 IN. YT
 BREF = 1290.3000 INCHES ZMRP = 400.0000 IN. ZT
 SCALE = .0100

PARAMETRIC DATA

BETA = -4.000 ELV-LI = 8.000
 ELV-LO = 9.000 ELV-RI = 8.000
 ELV-RO = 9.000

RUN NO 216/ 0 RN/L = 3.21 GRADIENT INTERVAL = -5.00/ 5.00

MACH	ALPHA	RN/L	L/DU	BETA	CLU	CDU	CNW	CBW	CTW
599	-8.504	3.16773	-1.13634	-4.22420	-.41279	.36327	-.08346	-.00812	-.02681
599	-6.391	3.17439	-.89539	-4.24468	-.29875	.33365	-.05797	-.00362	-.02237
599	-4.287	3.17957	-.62984	-4.25768	-.19725	.31318	-.03472	.00051	-.01773
599	-2.186	3.19090	-.32554	-4.26618	-.09771	.30015	-.00874	.00476	-.01222
599	-.102	3.20329	.01503	-4.26751	.00439	.29229	.01606	.00897	-.00712
599	2.025	3.20636	.38702	-4.26625	.11177	.28879	.04184	.01355	-.00198
599	4.137	3.20962	.76940	-4.25873	.22520	.29269	.06602	.01813	.00266
	GRADIENT	.00358	.16674	-.00010	.05007	-.00248	.01197	.00209	.00242

LARC 8FT TPT 749 (1A93) OTSAT130

(TJJ058) (24 JUN 76)

REFERENCE DATA

PARAMETRIC DATA

SREF = 2690.0000 SQ.FT. XMRP = 976.0000 IN. XT
 LREF = 1290.3000 INCHES YMRP = .0000 IN. YT
 BREF = 1290.3000 INCHES ZMRP = 400.0000 IN. ZT
 SCALE = .0100

BETA = -4.000 ELV-LI = 8.000
 ELV-LO = 9.000 ELV-RI = 8.000
 ELV-RO = 9.000

RUN NO. 199/ 0 RN/L = 3 97 GRADIENT INTERVAL = -5 00/ 5.00

MACH	ALPHA	RN/L	L/DU	BETA	CLU	CDU	CNW	CBW	CTW
.900	-9.003	3.97218	-1.09351	-4.36321	-.48896	.44715	- .06501	-.00817	-.02190
.900	-6.774	3.97205	- .87351	-4.38412	- .35435	.40566	- .04161	-.00400	-.01730
.900	-4.567	3.97126	-.61469	-4.38412	-.23117	.37608	-.01889	.00029	-.01294
.900	-2.365	3.96971	-.29397	-4.39056	-.10481	.35653	.00475	.00456	-.00814
.899	-.162	3.96894	.06414	-4.38660	.02225	.34697	.03403	.00984	-.00298
.900	2.032	3.97002	.44033	-4.37943	.15250	.34633	.06285	.01537	.00199
.900	4.242	3.97288	.76122	-4.38043	.27344	.35922	.08879	.02026	.00557
	GRADIENT	.00016	.15835	.00084	.05753	-.00199	.01242	.00231	.00214

RUN NO 211/ 0 RN/L = 4 10 GRADIENT INTERVAL = -5 00/ 5 00

MACH	ALPHA	RN/L	L/DU	BETA	CLU	CDU	CNW	CBW	CTW
.975	-9.207	4.08908	-.99221	-4.39223	-.53390	.53810	-.08827	-.01193	-.02009
.976	-6.906	4.09001	-.77099	-4.40681	-.37805	.49034	-.05980	-.00657	-.01578
.975	-4.662	4.09431	-.53161	-4.40525	-.24297	.45706	-.03125	-.00145	-.01169
.975	-2.430	4.09529	-.27710	-4.39968	-.12104	.43681	-.00380	.00343	-.00678
.975	-.208	4.09839	.00563	-4.38065	.00241	.42875	.02505	.00856	-.00169
.975	2.014	4.09910	.29669	-4.37892	.12679	.42734	.05383	.01408	.00183
.975	4.237	4.10260	.58289	-4.37260	.25615	.43945	.08421	.01969	.00512
	GRADIENT	.00092	.12601	.00387	.05602	-.00201	.01297	.00238	.00190

RUN NO. 205/ 0 RN/L = 4.19 GRADIENT INTERVAL = -5.00/ 5.00

MACH	ALPHA	RN/L	L/DU	BETA	CLU	CDU	CNW	CBW	CTW
1.150	-7.091	4.19787	-.71384	-4.43639	-.39681	.55588	-.06096	-.00718	-.00979
1.150	-4.784	4.19673	-.47357	-4.44596	-.24732	.52225	-.03003	-.00144	-.00563
1.150	-2.511	4.19555	-.22469	-4.43371	-.11324	.50398	.00277	.00466	-.00146
1.150	-.243	4.19435	.02434	-4.42208	.01205	.49502	.03543	.01079	.00193
1.150	2.015	4.19454	.27556	-4.41824	.13647	.49525	.06493	.01627	.00430
	GRADIENT	-.00034	.11014	.00418	.05633	-.00397	.01401	.00261	.00146

LARC 8FT TPT 749 (1A93) OTSAT130

(TJJ058) (24 JUN 76)

REFERENCE DATA

PARAMETRIC DATA

SREF = 2690.0000 SQ FT XMRP = 976 0000 IN. XT
 LREF = 1290.3000 INCHES YMRP = 0000 IN. YT
 BREF = 1290.3000 INCHES ZMRP = 400 0000 IN. ZT
 SCALE = 0100

BETA = -4.000 ELV-LI = 8.000
 ELV-LO = 9.000 ELV-RI = 8.000
 ELV-RO = 9.000

RUN NO. 221/ 0 RN/L = 4.22 GRADIENT INTERVAL = -5.00/ 5.00

MACH	ALPHA	RN/L	L/DU	BETA	CLU	CDU	CNW	CBW	CTW
1.205	-9.475	4 21369	- 92050	-4.44238	-.56718	.61617	- 08734	-.01261	-.01050
1.205	-7.134	4 21410	- 70202	-4.45375	-.39556	.56346	-.05647	-.00687	-.00736
1.205	-4.791	4 21450	- 45927	-4.45626	-.24260	.52823	-.02397	-.00051	-.00436
1.205	-2.511	4 21371	- 20989	-4.44439	-.10719	.51071	.01036	.00599	-.00121
1.205	- 242	4.21470	03785	-4 43748	01901	.50236	.04284	.01190	.00217
1.205	2 021	4 21430	28082	-4 43110	14132	.50323	.07190	01708	.00489
1.205	4 279	4 21686	50738	-4 43128	25896	.51040	.09444	02129	00660
	GRADIENT	00023	10692	00279	.05521	-.00191	.01316	00241	00124

LARC 8FT TPT 749 (1A93) OTSAT130

(TJJ059) (24 JUN 76)

REFERENCE DATA

PARAMETRIC DATA

SREF = 2690.0000 SQ.FT. XMRP = 976.0000 IN. XT
 LREF = 1290.3000 INCHES YMRP = .0000 IN. YT
 BREF = 1290.3000 INCHES ZMRP = 400 0000 IN. ZT
 SCALE = .0100

BETA = .000 ELV-LI = 8.000
 ELV-LO = 9.000 ELV-RI = 8.000
 ELV-RO = 9.000

RUN NO. 215/ 0 RN/L = 3 16 GRADIENT INTERVAL = -5.00/ 5.00

MACH	ALPHA	RN/L	L/DU	BETA	CLU	CDU	CNW	CBW	CTW
.599	-8.479	3 17935	-1.16539	- 01511	-.41934	.35983	- .07933	-.00799	-.02480
.599	-6.391	3.17433	- 92958	- 01314	-.30553	.32868	-.05500	- 00361	-.02036
.599	-4.281	3.17163	-.65253	- 00787	-.20008	.30662	-.03180	.00069	-.01575
.599	-2.176	3.16883	- 34015	- 00072	-.09998	.29393	- 00644	.00512	-.01070
.599	-.088	3.16626	.00723	.00428	00207	.28639	.01777	.00951	-.00568
.599	2 013	3.16490	.39000	.00056	11044	.28319	.04088	.01405	-.00121
.598	4 112	3.16424	.76153	-.00069	.21793	.28617	.06774	.01895	.00398
	GRADIENT	- 00089	.16964	.00075	.04989	-.00246	.01175	00217	00233

LARC 8FT TPT 749 (1A93) OTSAT130

(TJJ059) (24 JUN 76)

REFERENCE DATA

SREF = 2690.0000 SQ.FT. XMRP = 976.0000 IN. XT
 LREF = 1290.3000 INCHES YMRP = .0000 IN. YT
 BREF = 1290.3000 INCHES ZMRP = 400 0000 IN. ZT
 SCALE = .0100

PARAMETRIC DATA

BETA = .000 ELV-LI = 8.000
 ELV-LO = 9.000 ELV-RI = 8.000
 ELV-RO = 9.000

RUN NO. 198/ 0 RN/L = 3.97 GRADIENT INTERVAL = -5.00/ 5.00

MACH	ALPHA	RN/L	L/DU	BETA	CLU	CDU	CNW	CBW	CTW
.900	-8.988	3.97067	-1.11616	-.02415	-.49506	.44354	-.07352	-.00930	-.02186
.900	-6.763	3.97550	-.91536	-.02428	-.36450	.39821	-.04570	-.00457	-.01652
.900	-4.541	3.97368	-.62016	-.02415	-.22526	.36323	-.01660	.00055	-.01059
.901	-2.384	3.97490	-.33686	-.01609	-.11590	.34406	.01121	.00516	-.00420
.900	-.172	3.97228	.05430	-.00463	.01822	.33562	.04508	.01142	.00138
.900	2.024	3.97258	.44574	-.00526	.15072	.33814	.07836	.01779	.00602
.900	4.242	3.96982	.78355	-.00237	.27507	.35105	.10622	.02243	.01086
	GRADIENT	-.00046	.16340	.00247	.05768	-.00137	.01423	.00257	.00242

RUN NO. 210/ 0 RN/L = 4.08 GRADIENT INTERVAL = -5.00/ 5.00

MACH	ALPHA	RN/L	L/DU	BETA	CLU	CDU	CNW	CBW	CTW
.975	-9.164	4.07595	-1.00254	-.03822	-.53600	.53465	-.08389	-.01098	-.01996
.975	-6.876	4.07662	-.79102	-.02879	-.38538	.48720	-.05193	-.00531	-.01491
.975	-4.632	4.07703	-.55838	-.02289	-.25204	.45138	-.02047	.00026	-.00959
.975	-2.415	4.07710	-.29203	-.00801	-.12548	.42968	.01210	.00585	-.00361
.975	-.201	4.07631	-.02172	.00286	-.00913	.42040	.04416	.01175	.00133
.975	2.007	4.07717	.27796	.00499	.11667	.41973	.07446	.01763	.00554
.975	4.226	4.07845	.56945	-.00408	.24447	.42932	.10156	.02251	.00899
	GRADIENT	.00013	.12764	.00229	.05579	-.00244	.01384	.00254	.00209

RUN NO. 204/ 0 RN/L = 4.21 GRADIENT INTERVAL = -5.00/ 5.00

MACH	ALPHA	RN/L	L/DU	BETA	CLU	CDU	CNW	CBW	CTW
1.150	-7.060	4.20323	-.73810	-.02806	-.40784	.55255	-.05077	-.00559	-.00818
1.150	-4.763	4.20691	-.50045	-.02992	-.25892	.51738	-.01294	.00149	-.00419
1.150	-2.487	4.20773	-.23734	-.01978	-.11832	.49851	.02667	.00880	-.00003
1.150	-.246	4.20770	.00723	-.00383	.00354	.48952	.06092	.01506	.00333
1.150	1.991	4.20725	.25625	-.00013	.12477	.48689	.09028	.02024	.00643
	GRADIENT	.00004	.11175	.00468	.05657	-.00447	.01529	.00278	.00157

LARC 8FT TPT /49 (1A93) OTSAT130

(TJJ059) (24 JUN 76)

REFERENCE DATA

SREF = 2690.0000 SQ FT. XMRP = 976.0000 IN. XT
 LREF = 1290.3000 INCHES YMRP = .0000 IN. YT
 BREF = 1290.3000 INCHES ZMRP = 400.0000 IN. ZT
 SCALE = .0100

PARAMETRIC DATA

BETA = .000 ELV-L1 = 8.000
 ELV-LO = 9.000 ELV-R1 = 8.000
 ELV-RO = 9.000

RUN NO. 220/ 0 RN/L = 4.22 GRADIENT INTERVAL = -5.00/ 5.00

MACH	ALPHA	RN/L	L/DU	BETA	CLU	CDU	CNW	CBW	CTW
1.205	-9.414	4.21606	-.92292	-.03990	-.56151	.60840	-.07773	-.01107	-.01030
1.205	-7.055	4.21607	-.71320	-.03328	-.39676	.55631	-.04161	-.00431	-.00678
1.205	-4.784	4.21746	-.47315	-.02654	-.24741	.52289	-.00309	.00306	-.00398
1.205	-2.510	4.21905	-.21311	-.01406	-.10730	.50351	.03381	.00984	-.00075
1.205	-.237	4.21945	.02935	-.00356	.01455	.49594	.06823	.01594	.00303
1.205	2.006	4.21568	.26100	.00026	.12883	.49360	.09539	.02075	.00609
1.205	4.263	4.21903	.49829	-.00411	.24931	.50033	.11923	.02509	.00857
	GRADIENT	-.00001	.10690	.00262	.05439	-.00244	.01355	.00243	.00141

LARC 8FT TPT 749 (1A93) OTSAT130

(TJJ060) (24 JUN 76)

REFERENCE DATA

SREF = 2690.0000 SQ.FT. XMRP = 976.0000 IN. XT
 LREF = 1290.3000 INCHES YMRP = .0000 IN. YT
 BREF = 1290.3000 INCHES ZMRP = 400.0000 IN. ZT
 SCALE = .0100

PARAMETRIC DATA

BETA = .000 ELV-L1 = 8.000
 ELV-LO = 9.000 ELV-R1 = 8.000
 ELV-RO = 9.000

RUN NO. 201/ 0 RN/L = 3.97 GRADIENT INTERVAL = -5.00/ 5.00

MACH	ALPHA	RN/L	L/DU	BETA	CLU	CDU	CNW	CBW	CTW
.900	-.167	3.97447	.04253	-.00107	.01426	.33521	.04393	.01124	.00089
	GRADIENT	.00000	.00000	.00000	.00000	.00000	.00000	.00000	.00000

RUN NO. 207/ 0 RN/L = 4.18 GRADIENT INTERVAL = -5.00/ 5.00

MACH	ALPHA	RN/L	L/DU	BETA	CLU	CDU	CNW	CBW	CTW
1.150	-.241	4.17643	.01278	-.01151	.00625	.48904	.05989	.01506	.00307
	GRADIENT	.00000	.00000	.00000	.00000	.00000	.00000	.00000	.00000

ORIGINAL PAGE IS
OF POOR QUALITY

LARC BFT TPT /49, (1A93) OTSAT130

(TJJ061) (24 JUN 76)

REFERENCE DATA

SREF = 2690.0000 SQ FT. XMRP = 976.0000 IN. XT
 LREF = 1290.3000 INCHES YMRP = .0000 IN. YT
 BREF = 1290.3000 INCHES ZMRP = 400.0000 IN. ZT
 SCALE = .0100

PARAMETRIC DATA

BETA = 4.000 ELV-L1 = 8.000
 ELV-LO = 9.000 ELV-R1 = 8.000
 ELV-RO = 9.000

RUN NO 218/ 0 RN/L = 3.20 GRADIENT INTERVAL = -5.00/ 5.00

MACH	ALPHA	RN/L	L/DU	BETA	CLU	CDU	CNW	CBW	CTW
.599	-8.511	3.24844	-1.16877	4.18495	-.42333	.36220	- 07683	-.00830	-.02271
.600	-6.409	3.25157	- 93497	4.20813	-.31083	.33245	- 04941	-.00340	-.01736
.599	-4.296	3.25058	- 67139	4.22817	-.20877	.31094	- 02467	.00109	-.01266
.599	-2.202	3.25242	- 35639	4.24256	- 10577	.29678	00315	.00601	-.00685
.599	-.101	3.25231	02251	4.24954	.00650	.28856	03045	01112	-.00157
.600	2.024	3.25844	39161	4.24873	.11179	.28546	.05810	01608	.00393
.600	4.141	3.20232	79779	4.23848	.23059	.28904	.08060	02104	.00758
	GRADIENT	-.00424	.17473	.00126	.05196	-.00261	01258	.00237	00243

RUN NO 202/ 0 RN/L = 3.97 GRADIENT INTERVAL = -5.00/ 5.00

MACH	ALPHA	RN/L	L/DU	BETA	CLU	CDU	CNW	CBW	CTW
901	-9.013	3.97186	-1.09692	4.27669	- 48940	44616	- 06807	-.00846	-.02019
899	-6.799	3.96913	- 89052	4.30607	- 35920	40336	- 04100	-.00388	-.01388
.900	-4.559	3.97202	-.61116	4.31957	- 22751	37226	-.00757	.00199	-.00714
.900	-2.367	3.97210	-.30310	4.33566	-.10687	.35259	.02582	.00792	-.00055
.900	-.172	3.97526	.04891	4.34866	.01686	.34480	.06002	.01428	.00469
.900	2.049	3.97390	.44194	4.34409	.15220	34438	09243	02044	.00923
.900	4.246	3.97468	75929	4.33278	.27217	.35845	11400	02346	.01287
	GRADIENT	.00032	.15828	00158	.05714	-.00162	.01406	00252	.00226

RUN NO 213/ 0 RN/L = 4.08 GRADIENT INTERVAL = -5.00/ 5.00

MACH	ALPHA	RN/L	L/DU	BETA	CLU	CDU	CNW	CBW	CTW
.975	-9.220	4.08153	-1.00507	4.31217	-.53880	.53608	-.07637	-.00983	-.01882
.975	-6.923	4.08125	-.79307	4.33498	- 38683	48776	-.04113	-.00361	-.01295
.975	-4.684	4.08259	- 55651	4.34951	- 25314	.45487	- 00687	.00255	-.00703
.975	-2.445	4.08156	-.28605	4.36568	-.12378	.43273	.02948	.00900	-.00116
.975	-.219	4.08356	.00291	4.37200	.00123	.42492	06320	.01552	.00356
.975	2.011	4.08422	.29455	4.36868	12457	.42294	.09472	.02098	.00844
.975	4.239	4.08389	58010	4.35559	25201	43442	.12327	.02605	.01204
	GRADIENT	.00024	.12796	.00068	.05644	- 00227	.01460	.00264	00214

LARC 8FT TPT 749 (1A93) OTSAT130

(TJJ061) (24 JUN 76)

REFERENCE DATA

SREF = 2690.0000 SQ.FT. XMRP = 976.0000 IN. XT
 LREF = 1290.3000 INCHES YMRP = .0000 IN. YT
 BREF = 1290.3000 INCHES ZMRP = 400.0000 IN. ZT
 SCALE = .0100

PARAMETRIC DATA

BETA = 4.000 ELV-L1 = 8.000
 ELV-LO = 9.000 ELV-R1 = 8.000
 ELV-RO = 9.000

RUN NO. 208/ 0 RN/L = 4.17 GRADIENT INTERVAL = -5.00/ 5.00

MACH	ALPHA	RN/L	L/DU	BETA	CLU	CDU	CNW	CBW	CTW
1.150	-7.105	4.17584	-.72619	4.36274	- 40469	.55728	- 03847	-.00305	-.00912
1.150	-4.801	4.17387	-.48807	4.38150	-.25476	.52198	.00702	.00518	-.00491
1.150	-2.504	4.17358	-.22974	4.39484	-.11503	.50072	04631	.01234	-.00063
1.150	-.240	4.17242	.02503	4.40813	01229	.49109	07993	.01839	.00308
1.150	2.006	4.17260	.27905	4.40272	13630	.48845	.10808	.02348	00637
	GRADIENT	-.00022	.11268	00340	.05734	- 00487	.01485	.00269	.00166

RUN NO 223/ 0 RN/L = 4.22 GRADIENT INTERVAL = -5.00/ 5.00

MACH	ALPHA	RN/L	L/DU	BETA	CLU	CDU	CNW	CBW	CTW
1.205	-9.475	4.21646	-.92846	4.35414	- 57060	.61456	- 07090	-.00948	-.01377
1.205	-7.124	4.21686	-.71393	4.37548	- 40165	.56258	- 03012	- 00199	-.01029
1.205	-4.821	4.21648	-.47707	4.39474	- 25142	52700	.01284	00571	- 00621
1.205	-2.506	4.21588	-.22055	4.40681	-.11160	.50599	05005	01255	-.00243
1.205	-.245	4.21687	.02924	4.41476	01452	.49643	08350	01845	.00199
1.205	2.016	4.21646	.27470	4.41955	13585	.49455	11119	.02348	.00554
1.205	4.274	4.21764	.51031	4.40932	25635	50234	.13626	02772	.00865
	GRADIENT	.00013	.10876	00185	05562	-.00269	01356	00242	.00166

LARC 8FT TPT 749 (IA93) OTSAT130

(TJJ062) (24 JUN 76)

REFERENCE DATA

PARAMETRIC DATA

SREF = 12690.0000 SQ.FT. XMRP = 976.0000 IN. XT
 LREF = 1290.3000 INCHES YMRP = .0000 IN. YT
 BREF = 1290.3000 INCHES ZMRP = 400.0000 IN. ZT
 SCALE = .0100

BETA = 6.000 ELV-LI = 8.000
 ELV-LO = 9.000 ELV-RI = 8.000
 ELV-RO = 9.000

RUN NO. 219/ 0 RN/L = 3.17 GRADIENT INTERVAL = -5.00/ 5.00

MACH	ALPHA	RN/L	L/DU	BETA	CLU	CDU	CNW	CBW	CTW
.600	-8.546	3.15172	-1.15969	6.28120	- 41695	.35953	-.09054	-.00899	-.02623
.599	-6.428	3 14308	-.92270	6.31300	- 30430	.32980	-.06484	-.00419	-.02139
.599	-4.337	3 13355	-.65220	6.33967	-.20188	.30954	-.03853	.00053	-.01631
.599	-2.203	3.12041	-.31845	6.35836	-.09395	.29503	-.01176	.00549	-.01095
.599	- .087	3 11954	.05085	6 36610	01463	.28770	.01176	.01038	-.00651
.600	2 049	3 16671	.43358	6 36368	12428	.28663	04254	.01593	-.00020
.598	4.153	3.16871	80350	6 34823	23272	.28963	07226	02125	.00526
	GRADIENT	.00521	17254	00106	.05122	-.00227	.01299	.00244	.00254

RUN NO. 203/ 0 RN/L = 3 97 GRADIENT INTERVAL = -5 00/ 5 00

MACH	ALPHA	RN/L	L/DU	BETA	CLU	CDU	CNW	CBW	CTW
.900	-9.057	3.97103	-1.10478	6.42931	-.49317	.44640	-.06895	-.00847	-.01978
.900	-6 806	3.97002	-.88364	6.46745	- 35664	.40361	-.03911	-.00349	-.01264
.900	-4 596	3.97067	-.63295	6 49241	-.23784	.37576	-.00723	.00218	-.00628
.900	-2.391	3 97068	-.32975	6.51034	-.11789	.35750	.02657	.00833	-.00018
.900	-.176	3 97030	.04105	6 52057	.01429	.34818	.06385	01527	.00560
.900	2 038	3.97199	.41602	6 51603	.14538	.34944	09684	.02118	.01068
.900	4.253	3 97295	73261	6.50486	.26411	.36051	.11697	.02394	.01387
	GRADIENT	.00027	15714	.00138	.05727	-.00174	01440	00255	.00231

RUN NO 214/ 0 RN/L = 4 08 GRADIENT INTERVAL = -5.00/ 5.00

MACH	ALPHA	RN/L	L/DU	BETA	CLU	CDU	CNW	CBW	CTW
.975	-9.259	4 07975	-1 01734	6.49006	- 54455	.53527	-.07502	-.00956	-.01836
.975	-6.974	4 07978	-.80047	6.52177	- 39128	.48881	-.03838	-.00308	-.01216
.975	-4.699	4 07993	-.55426	6.54298	-.25248	.45553	-.00061	.00357	-.00590
.975	-2.465	4.08008	-.28878	6 55887	-.12544	.43437	.03691	.01045	-.00036
.975	-.227	4 08187	00767	6.56414	00326	.42484	.07066	.01687	.00437
.975	1 995	4.08340	30265	6.56095	12831	.42397	10355	.02242	.00974
.975	4.263	4.08339	.59758	6.54015	26021	.43543	13387	.02760	.01348
	GRADIENT	.00046	.12934	-.00017	.05715	-.00225	.01499	.00268	.00218

DATE 29 OCT 76

TABULATED SOURCE DATA - 1A93.

PAGE 269

LARC 8FT TPT /49 (1A93) OTSAT130

(TJJ062) (24 JUN 76)

REFERENCE DATA

SREF = 2690.0000 SQ.FT. XMRP = 976.0000 IN. XT
 LREF = 1290.3000 INCHES YMRP = .0000 IN. YT
 BREF = 1290.3000 INCHES ZMRP = 400.0000 IN. ZT
 SCALE = .0100

PARAMETRIC DATA

BETA = 6.000 ELV-LI = 8.000
 ELV-LO = 9.000 ELV-RI = 8.000
 ELV-RO = 9.000

RUN NO. 209/ 0 RN/L = 4.17 GRADIENT INTERVAL = -5.00/ 5.00

MACH	ALPHA	RN/L	L/DU	BETA	CLU	CDU	CNW	CBW	CTW
1.150	-7.166	4 16642	-.73622	6.56355	-.41097	.55821	-.03292	-.00194	-.01027
1.150	-4 838	4 16650	-.49521	6.59188	-.25933	.52368	.01362	.00635	-.00589
1.150	-2.543	4.16579	-.24398	6 61125	-.12244	.50185	.05351	.01352	-.00175
1.150	-.258	4.16597	.02423	6.61789	.01189	.49071	.08804	.01970	.00248
1.150	2.020	4 16734	.26658	6 61908	.14026	.48941	.11873	.02502	.00631
	GRADIENT	.00012	.11433	.00386	.05832	-.00499	.01531	.00272	.00178

RUN NO. 224/ 0 RN/L = 4.21 GRADIENT INTERVAL = -5.00/ 5.00

MACH	ALPHA	RN/L	L/DU	BETA	CLU	CDU	CNW	CBW	CTW
1.205	-9 532	4 21605	-.94155	6.55335	-.58072	.61677	-.06731	-.00833	-.01532
1.205	-7 180	4 21666	-.72246	6 57959	-.40693	.56325	-.02542	-.00117	-.01139
1 205	-4 842	4.21548	-.48056	6 60178	-.25338	.52727	.01934	.00680	-.00727
1 205	-2.544	4.21528	-.23589	6.61781	-.11927	.50561	.05582	.01339	-.00351
1.205	-.251	4.21409	.03092	6.62889	.01532	.49532	.09073	.01958	.00112
1 204	2.016	4 21368	.27720	6.63048	.13734	.49545	.11995	.02465	.00502
1 204	4.281	4.21428	.52021	6.61571	.26104	.50181	.14445	.02881	.00817
	GRADIENT	-.00018	.11026	.00179	.05637	-.00269	.01379	.00242	.00173

LARC 8FT TPT 749 (IA93) OTSAT130+TS1

(TJJ053) (24 JUN 76)

REFERENCE DATA

PARAMETRIC DATA

SREF = 2590.0000 SQ.FT. XMRP = 976.0000 IN. XT
 LREF = 1290.3000 INCHES YMRP = .0000 IN. YT
 BREF = 1290.3000 INCHES ZMRP = 400.0000 IN. ZT
 SCALE = .0100

BETA = -6.000 ELV-LI = 10.000
 ELV-LO = 9.000 ELV-RI = 10.000
 ELV-RO = 9.000

RUN NO 249/ 0 RN/L = 4.09 GRADIENT INTERVAL = -5.00/ 5.00

MACH	ALPHA	RN/L	L/DU	BETA	CLU	CDU	CNW	CBW	CTW
.975	-9.237	4.08148	- .97876	-6.60291	-.52373	.53509	-.07588	-.01133	-.01717
.976	-6.958	4.08208	-.75259	-6.62895	-.36839	.48950	-.04759	-.00610	-.01323
.976	-4.692	4.08214	-.52470	-6.63576	-.24012	.45763	-.02211	-.00125	-.00939
.975	-2.434	4.08067	-.24407	-6.63063	-.10669	.43714	.00675	.00383	-.00434
.975	-.203	4.08670	.03975	-6.61623	.01712	.43070	.03365	.00861	.00010
975	2.037	4.09007	.33548	-6.60204	.14507	.43241	.06319	.01404	.00417
975	4.259	4.09077	.59311	-6.59485	.26406	.44521	.08848	.01890	.00714
	GRADIENT	.00119	.12583	.00493	.05633	-.00133	.01241	.00226	.00186

RUN NO 247/ 0 RN/L = 4.21 GRADIENT INTERVAL = -5.00/ 5.00

MACH	ALPHA	RN/L	L/DU	BETA	CLU	CDU	CNW	CBW	CTW
1.150	-7.111	4.20866	-.69073	-6.69276	-.38428	.55634	-.05189	-.00691	-.00735
1.150	-4.919	4.20848	-.45416	-6.69756	-.23771	.52340	-.02375	-.00161	-.00362
1.150	-2.518	4.20909	-.19863	-6.69721	-.10049	.50592	.00794	.00398	.00096
1.150	-.231	4.20864	.05797	-6.68379	.02888	.49813	.04000	.00994	.00461
1.150	2.034	4.20987	.30206	-6.67386	.15084	.49936	.06945	.01545	.00693
	GRADIENT	.00016	.11054	.00370	.05669	-.00350	.01364	.00250	.00155

RUN NO. 245/ 0 RN/L = 4.21 GRADIENT INTERVAL = -5.00/ 5.00

MACH	ALPHA	RN/L	L/DU	BETA	CLU	CDU	CNW	CBW	CTW
1.205	-9.532	4.21663	-.92373	-6.68959	-.56949	.61652	-.07692	-.01212	-.00809
1.205	-7.174	4.21351	-.69149	-6.70090	-.39016	.56423	-.04965	-.00682	-.00529
1.205	-4.839	4.21291	-.44445	-6.70995	-.23574	.53041	-.02029	-.00110	-.00209
1.205	-2.523	4.21271	-.19474	-6.69892	-.09992	.51312	.01222	.00493	.00128
1.205	-.238	4.21331	.05864	-6.68223	.02966	.50588	.04439	.01084	.00475
1.205	2.036	4.21171	.29771	-6.68147	.15110	.50752	.07064	.01589	.00687
1.205	4.303	4.21211	.52395	-6.67277	.26950	.51435	.09418	.02017	.00881
	GRADIENT	-.00011	.10635	.00402	.05523	-.00166	.01258	.00234	.00120

LARC 8FT TPT 749 (1A93) OTSAT130+TS1

(TJJ064) (24 JUN 76)

REFERENCE DATA

SREF = 2690.0000 SQ.FT. XMRP = 976.0000 IN. XT
 LREF = 1290.3000 INCHES YMRP = .0000 IN YT
 BREF = 1290.3000 INCHES ZMRP = 400.0000 IN. ZT
 SCALE = .0100

PARAMETRIC DATA

BETA = .000 ELV-LI = 10.000
 ELV-LO = 9.000 ELV-RI = 10.000
 ELV-RO = 9.000

RUN NO. 248/ 0 RN/L = 4.08 GRADIENT INTERVAL = -5.00/ 5.00

MACH	ALPHA	RN/L	L/DU	BETA	CLU	CDU	CNW	CBW	CTW
.975	-9.148	4.09079	- 99124	-.06926	-.52852	.53319	-.06611	-.00970	-.01580
.976	-6.891	4.08708	- 77868	-.06523	- 37832	.48585	-.03533	-.00412	-.01113
.975	-4.636	4.08057	- 54272	-.05679	- 24446	.45044	-.00450	.00139	-.00591
.975	-2.394	4.07787	- 27106	-.04409	- 11633	.42917	.02823	.00712	.00010
.975	- 199	4 07720	00311	-.03405	00131	.42018	.05921	.01286	.00532
.975	2 018	4 07601	.30124	- 03095	12654	.42008	.08868	01860	.00924
.975	4 223	4 07909	58665	- 03314	25217	.42984	11845	02379	.01270
	GRADIENT	-.00022	12792	.00273	.05586	- 00228	01384	00254	00210

RUN NO 246/ 0 RN/L = 4 21 GRADIENT INTERVAL = -5.00/ 5.00

MACH	ALPHA	RN/L	L/DU	BETA	CLU	CDU	CNW	CBW	CTW
1.150	-7 052	4.21502	-.72293	-.04436	-.39920	.55220	-.03400	-.00433	-.00526
1.150	-4 753	4.21329	-.48109	-.03323	-.24915	.51788	.00345	.00280	-.00123
1.150	-2.478	4 21160	-.21786	- 02168	-.10870	.49892	.04333	.01012	.00275
1.150	-.232	4 20987	03258	-.01188	.01597	.49006	.07774	.01641	.00628
1.150	2 018	4.21054	28324	-.01230	.13811	.48761	.10721	.02159	.00955
	GRADIENT	-.00044	11275	.00322	.05703	-.00442	.01533	.00278	.00159

RUN NO. 244/ 0 RN/L = 4.22 GRADIENT INTERVAL = -5.00/ 5.00

MACH	ALPHA	RN/L	L/DU	BETA	CLU	CDU	CNW	CBW	CTW
1 205	-9.407	4.22238	-.91091	- 02856	-.55354	.60768	-.06233	-.00979	-.00782
1 205	-7 075	4 22202	- 70364	-.02831	-.39218	.55736	-.02829	-.00342	-.00432
1 206	-4.751	4 21583	-.45225	- 02073	-.23663	.52323	.01146	.00421	-.00152
1 206	-2.493	4 21548	-.19824	-.00841	- 10003	.50456	.04851	.01094	.00205
1 205	-.239	4 21726	.04752	00204	02359	.49642	.08266	01702	.00572
1 205	2.016	4.22021	.28023	.00690	13852	.49430	11023	.02183	.00913
1.205	4 283	4 22298	.51696	- 00002	.25905	.50110	.13379	.02607	.01161
	GRADIENT	.00084	10705	00251	05448	- 00241	01357	.00242	.00148

LARC 8FT TPT 749 (1A93) OTSAT130+TS1-BASE TUBES

(TJJ065) (24 JUN 76)

REFERENCE DATA

SREF = 2690.0000 SQ.FT. XMRP = 976.0000 IN. XT
 LREF = 1290.3000 INCHES YMRP = .0000 IN. YT
 BREF = 1290.3000 INCHES ZMRP = 400.0000 IN. ZT
 SCALE = .0100

PARAMETRIC DATA

BETA = -6.000 ELV-LI = 10.000
 ELV-LO = 9.000 ELV-RI = 10.000
 ELV-RO = 9.000

RUN NO 255/ 0 RN/L = 4.08 GRADIENT INTERVAL = -5.00/ 5.00

MACH	ALPHA	RN/L	L/DU	BETA	CLU	CDU	CNW	CBW	CTW
.975	-9.257	4.07867	-.98040	-6.62526	-.52443	.53492	-.07624	-.01143	-.01725
.976	-6.957	4.08203	-.75099	-6.64464	-.36777	.48972	-.04732	-.00606	-.01317
.976	-4.698	4.08304	-.51841	-6.65638	-.23755	.45824	-.02008	-.00104	-.00900
.975	-2.446	4.08135	-.24442	-6.64748	-.10708	.43812	.00818	.00393	-.00394
.975	-.218	4.09159	.04987	-6.63318	.02151	.43134	.03564	.00883	.00054
.975	2.017	4.08111	.33766	-6.62272	.14631	.43331	.06345	.01408	.00433
.975	4.248	4.07910	.60661	-6.61308	.26956	.44436	.09024	.01918	.00749
	GRADIENT	-.00036	.12669	.00498	.05670	-.00146	.01234	.00226	.00185

RUN NO 253/ 0 RN/L = 4.20 GRADIENT INTERVAL = -5.00/ 5.00

MACH	ALPHA	RN/L	L/DU	BETA	CLU	CDU	CNW	CBW	CTW
1.149	-7.133	4.20829	-.69189	-6.69856	-.38540	.55703	-.05092	-.00681	-.00711
1.149	-4.837	4.20756	-.45181	-6.70858	-.23667	.52381	-.02380	-.00160	-.00355
1.149	-2.532	4.20774	-.20385	-6.70768	-.10320	.50627	.00793	.00400	.00100
1.149	-.244	4.20674	.05407	-6.69249	.02693	.49795	.04003	.00996	.00461
1.149	2.022	4.20327	.29943	-6.68333	.14955	.49946	.06849	.01531	.00699
	GRADIENT	-.00061	.10985	.00397	.05637	-.00357	.01351	.00248	.00154

RUN NO. 251/ 0 RN/L = 4.21 GRADIENT INTERVAL = -5.00/ 5.00

MACH	ALPHA	RN/L	L/DU	BETA	CLU	CDU	CNW	CBW	CTW
1.205	-9.559	4.21529	-.92495	-6.70205	-.57179	.61818	-.07770	-.01220	-.00798
1.205	-7.181	4.21470	-.68750	-6.70756	-.38820	.56466	-.04894	-.00674	-.00495
1.205	-4.849	4.21430	-.44231	-6.71329	-.23498	.53126	-.01932	-.00100	-.00173
1.205	-2.536	4.21271	-.18505	-6.70450	-.09501	.51341	.01394	.00521	.00160
1.205	-.259	4.21567	.05882	-6.69027	.02977	.50620	.04434	.01081	.00487
1.205	2.015	4.21529	.29616	-6.68345	.15063	.50859	.07087	.01594	.00680
1.205	4.306	4.21449	.52624	-6.67166	.27098	.51494	.09490	.02030	.00886
	GRADIENT	.00013	.10579	.00456	.05501	-.00164	.01248	.00233	.00115

LARC 8FT TPT 749 (1A93) OTSAT130+TS1-BASE TUBES

(TJ066) (24 JUN 76)

REFERENCE DATA

PARAMETRIC DATA

SREF = 2690.0000 SQ.FT. XMRP = 976.0000 IN. XT
 LREF = 1290.3000 INCHES YMRP = .0000 IN YT
 BREF = 1290.3000 INCHES ZMRP = 400 0000 IN. ZT
 SCALE = .0100

BETA = .000 ELV-LI = 10.000
 ELV-LO = 9.000 ELV-RI = 10.000
 ELV-RO = 9.000

RUN NO 254/ 0 RN/L = 4.08 GRADIENT INTERVAL = -5.00/ 5.00

MACH	ALPHA	RN/L	L/DU	BETA	CLU	CDU	CNW	CBW	CTW
.974	-9 180	4.08238	-.99294	-.06473	- 53013	.53390	-.06624	-.00971	-.01563
.975	-6 901	4 08157	- 77911	-.06089	- 37861	.48595	- 03424	-.00405	-.01077
.975	-4.641	4 07825	-.53919	-.05055	- 24213	.44989	- 00365	.00153	-.00576
.975	-2 442	4 07632	- 28290	-.03260	-. 12136	.42897	02714	00690	-.00011
.975	-.218	4 07671	.00501	- 02716	.00210	.42000	.06012	.01295	.00553
.975	2 009	4 07510	.30441	- 02745	.12781	.41986	.00960	.01869	00941
.975	4 216	4 07662	59196	-.02860	25464	43017	.11966	02392	.01293
	GRADIENT	-.00020	12848	00221	.05607	-.00219	01394	.00255	.00212

RUN NO 252/ 0 RN/L = 4 21 GRADIENT INTERVAL = -5.00/ 5.00

MACH	ALPHA	RN/L	L/DU	BETA	CLU	CDU	CNW	CBW	CTW
1.149	-7 059	4.22221	- 71921	-.05142	- 39771	.55298	- 03433	-.00431	-.00521
1.149	-4 787	4 21677	-.48452	- 04201	- 25134	.51875	00242	00262	-.00130
1.149	-2.495	4.21267	- 21404	- 03074	-.10694	.49962	.04409	.01020	.00305
1.149	-.251	4 20959	03287	-.01968	.01612	.49050	.07782	.01637	.00646
1 149	2 010	4 20789	.28554	-.01495	.13948	.48849	.10711	.02162	.00950
	GRADIENT	- 00131	11290	00408	.05724	-.00442	.01537	.00279	00158

RUN NO. 250/ 0 RN/L = 4 22 GRADIENT INTERVAL = -5.00/ 5 00

MACH	ALPHA	RN/L	L/DU	BETA	CLU	CDU	CNW	CBW	CTW
1 205	-9.429	4.22358	-.90996	-.03711	- 55423	.60908	-.06160	-.00978	-.00747
1 205	-7.092	4 22182	-.70061	-.03292	- 39073	.55770	-.02651	- 00323	-.00402
1.206	-4.783	4 21827	- 45262	-.02484	- 23722	52412	.01169	.00423	-.00142
1 205	-2 502	4.21706	- 19663	- 01231	- 09931	.50505	.04924	.01100	.00227
1.205	- 247	4.21786	04968	-.00388	02470	.49728	08312	.01708	00584
1.205	1.997	4 21904	28126	00140	13952	.49606	11014	.02185	.00916
1.205	4 271	4.22260	51221	- 00012	25777	.50325	13368	.02612	.01167
	GRADIENT	.00047	10650	00279	.05436	-.00225	.01349	.00242	00146

LARC 8FT TPT 749 (1A93) OTSAT130+TS2

(TJJ067) (24 JUN 76)

REFERENCE DATA

SREF = 2690.0000 SQ.FT. XMRP = 976.0000 IN. XT
 LREF = 1290.3000 INCHES YMRP = .0000 IN. YT
 BREF = 1290.3000 INCHES ZMRP = 400.0000 IN. ZT
 SCALE = .0100

PARAMETRIC DATA

BETA = -6.000 ELV-L1 = 10.000
 ELV-LO = 9.000 ELV-R1 = 10.000
 ELV-RO = 9.000

RUN NO. 241/ 0 RN/L = 4.81 GRADIENT INTERVAL = -5.00/ 5.00

MACH	ALPHA	RN/L	L/DU	BETA	CLU	CDU	CNW	CBW	CTW
.975	-9.495	4 80814	-1.00383	-6.68574	- 54404	54196	- 08616	- .01231	- .02031
.975	-7.128	4.80751	- 77533	-6 70699	- .38110	.49153	- .05784	- .00698	- .01647
.975	-4.832	4.81162	- 54003	-6 70794	- .24838	.45994	- 03062	- .00190	- .01229
.975	-2.534	4.81010	- .26817	-6.70189	- 11769	.43885	- 00230	.00311	- .00736
.975	-.224	4 81113	03617	-6 68095	01561	.43157	02625	.00814	- .00245
.975	2.026	4.81123	.31798	-6.66988	.13774	.43316	.05399	.01329	.00125
.975	4.321	4 81025	.60893	-6.65900	.27092	.44492	.08222	.01858	.00477
	GRADIENT	- 00007	12613	.00568	.05659	- 00157	01233	.00224	.0187

LARC 8FT TPT 749 (1A93) OTSAT130+TS2

(TJJ068) (24 JUN 76)

REFERENCE DATA

SREF = 2690.0000 SQ.FT. XMRP = 976.0000 IN. XT
 LREF = 1290.3000 INCHES YMRP = .0000 IN. YT
 BREF = 1290.3000 INCHES ZMRP = 400.0000 IN. ZT
 SCALE = .0100

PARAMETRIC DATA

BETA = .000 ELV-L1 = 10.000
 ELV-LO = 9.000 ELV-R1 = 10.000
 ELV-RO = 9.000

RUN NO. 240/ 0 RN/L = 4.81 GRADIENT INTERVAL = -5.00/ 5.00

MACH	ALPHA	RN/L	L/DU	BETA	CLU	CDU	CNW	CBW	CTW
.975	-9.384	4 81279	-1.01045	-.07573	- .54559	.53995	- 07840	- 01081	- .01924
.975	-7.072	4 81288	- 80254	- 06937	- 39341	.49021	- .04624	- .00510	- 01431
.975	-4.786	4.81240	- 56562	- 05783	- 25628	.45309	- .01594	00046	- .00954
.975	-2.509	4 81041	- .29603	- 03748	- 12748	.43062	.01760	.00619	- .00324
.975	-.240	4.80883	- .01610	- .03078	- 00678	.42102	.04968	.01218	.00204
.975	2.009	4.81049	.28492	- .02992	.12003	.42129	.08057	.01795	.00664
.975	4.279	4.81111	.57604	- 03212	.24881	.43192	.10963	.02317	.00992
	GRADIENT	- .00011	12646	.00261	.05553	- .00229	.01387	.00252	.00215

LARC 8FT TPT 749 (1A93) OTSAT130+TS2

(TJJ069) (24 JUN 76)

REFERENCE DATA

SREF = 2690.0000 SQ.FT. XMRP = 976.0000 IN. XT
 LREF = 1290.3000 INCHES YMRP = .0000 IN. YT
 BREF = 1290.3000 INCHES ZMRP = 400.0000 IN. ZT
 SCALE = .0100

PARAMETRIC DATA

BETA = 6.000 ELV-L1 = 10.000
 ELV-LO = 9.000 ELV-R1 = 10.000
 ELV-RO = 9.000

RUN NO 229/ 0 RN/L = 4.08 GRADIENT INTERVAL = -5.00/ 5 00

MACH	ALPHA	RN/L	L/DU	BETA	CLU	CDU	CNW	CBW	CTW
.976	-9.254	4.08130	-.99586	6.49587	-.53575	53798	-.06976	-.00886	-.01941
976	-6.967	4.08172	- 78052	6.53140	-.38270	.49031	-.03441	-.00256	-.01327
976	-4.694	4.08210	-.53691	6.56288	-.24572	45765	.00381	.00410	-.00665
976	-2.456	4.08132	- 26579	6.58237	-.11600	.43643	04062	01090	-.00103
.975	- 213	4.08299	01964	6.59269	00837	.42646	07337	.01702	.00397
975	2.004	4.08341	30590	6.59376	.13037	.42617	.10713	.02267	.00931
.975	4.253	4.08483	.60118	6.57877	.26316	.43775	.13776	.02793	.01247
	GRADIENT	00034	.12740	.00193	.05655	- 00224	01496	00266	.00217

LARC 8FT TPT 749 (1A93) OTSAT130+TS2

(TJJ070) (24 JUN 76)

REFERENCE DATA

SREF = 2690.0000 SQ.FT. XMRP = 976.0000 IN. XT
 LREF = 1290.3000 INCHES YMRP = .0000 IN. YT
 BREF = 1290.3000 INCHES ZMRP = 400.0000 IN. ZT
 SCALE = .0100

PARAMETRIC DATA

BETA = -6.000 ELV-L1 = 10.000
 ELV-LO = 9.000 ELV-R1 = 10.000
 ELV-RO = 9.000

RUN NO. 243/ 0 RN/L = 2.04 GRADIENT INTERVAL = -5.00/ 5.00

MACH	ALPHA	RN/L	L/DU	BETA	CLU	CDU	CNW	CBW	CTW
974	-8.595	2.03876	-.92403	-6.36084	-.48430	.52411	-.10809	- 01230	- 02869
974	-6.459	2.03871	- 71293	-6.38542	-.34561	.48477	-.08297	- 00766	-.02526
.975	-4.310	2.04123	-.48063	-6.39845	- 21932	.45633	-.05681	-.00278	-.02130
.975	-2.199	2.04145	- 22996	-6.39974	-.10040	.43661	-.02895	00200	-.01662
.974	- 093	2.04176	.04599	-6.39672	.01974	42914	-.00288	.00668	-.01218
.974	2.021	2.04231	.31068	-6.39206	13368	43028	02506	.01179	-.00829
974	4.149	2.04159	57052	-6.38071	25129	44046	05076	.01662	-.00504
	GRADIENT	00009	.12503	.00204	05560	- 00180	01273	00230	.00193

ORIGINAL PAGE IS
OF POOR QUALITY

LARC 8FT TPT 749 (1A93) OTSAT130+TS2

(TJJ071) (24 JUN 76)

REFERENCE DATA

SREF = 2690.0000 SQ.FT. XMRP = 976.0000 IN. XT
 LREF = 1290.3000 INCHES YMRP = .0000 IN. YT
 BREF = 1290.3000 INCHES ZMRP = 400.0000 IN. ZT
 SCALE = .0100

PARAMETRIC DATA

BETA = .000 ELV-L1 = 10.000
 ELV-LO = 9.000 ELV-R1 = 10.000
 ELV-RO = 9.000

RUN NO. 242/ 0 RN/L = 2.04 GRADIENT INTERVAL = -5.00/ 5.00

MACH	ALPHA	RN/L	L/DU	BETA	CLU	CDU *	CNW	CBW	CTW
.974	-8.541	2 03895	-.94841	-.02644	-.49299	.51981	-.09888	-.01068	-.02780
.975	-6.409	2 04071	-.74173	- 02650	-.35528	.47899	-.07157	-.00564	-.02337
.975	-4.298	2 04201	-.51758	-.02236	-.23167	.44761	-.03968	-.00035	-.01792
.975	-2.191	2.04257	-.26221	- 01547	-.11236	.42849	-.01096	.00493	-.01258
.974	-.096	2 04185	-.00898	- 01021	-.00376	.41875	02189	.01074	-.00685
.974	2 016	2 04224	.27826	- 00892	.11612	.41730	.05091	.01624	-.00292
.974	4.108	2.04064	.55588	- 01285	.23697	.42630	.07681	.02083	00010
	GRADIENT	- 00015	.12786	.00122	.05546	-.00256	.01403	.00255	.00217

LARC 8FT TPT 749 (1A93) OTSAT130

(FJJ002) (15 JUL 76)

REFERENCE DATA

SREF = 2690.0000 SQ.FT. XMRP = 976.0000 IN. XT
 LREF = 1290.3000 INCHES YMRP = .0000 IN. YT
 BREF = 1290.3000 INCHES ZMRP = 400.0000 IN. ZT
 SCALE = 0100

PARAMETRIC DATA

BETA = -6.000 ELV-L1 = 10.000
 ELV-LO = 9.000 ELV-R1 = 10.000
 ELV-RO = 9.000

RUN NO. 0/ 0 RN/L = 3.17 GRADIENT INTERVAL = -5.00/ 5.00

MACH	ALPHA	BETA	RN/L	L/DU	CLU	CDU	CNW	CBW	CTW
.600	-8.000	-6.00000	3.16783	-1 05011	-.36486	.34666	- 03921	-.00391	-.01834
.600	-6.000	-6.00000	3 16859	- 80912	-.26030	.32181	-.01724	.00005	-.01423
.600	-4 000	-6 00000	3 16825	-.53511	-.16263	.30376	.00405	.00376	-.00966
.600	-2.000	-6.00000	3.16602	-.21940	-.06410	.29217	.02364	.00735	- 00554
.600	.000	-6 00000	3.16632	.13053	.03736	.28601	.04507	.01117	- 00084
.600	2.000	-6.00000	3.16543	.47775	.13614	.28478	.06780	.01524	.00344
.600	4.000	-6.00000	3.16447	.84600	.24496	.28921	.08899	.01929	.00724
	GRADIENT	.00000	-.00041	17297	.05077	-.00182	.01070	.00195	.00214

LARC 8FT TPT 749 (IA93) OTSAT130

(FJJ002) (15 JUL 76)

REFERENCE DATA

SREF = 2690.0000 SQ FT. XMRP = 975 0000 IN. XT
 LREF = 1290 3000 INCHES YMRP = 0000 IN. YT
 BREF = 1290.3000 INCHES ZMRP = 400.0000 IN. ZT
 SCALE = .0100

PARAMETRIC DATA

BETA = -6.000 ELV-LI = 10.000
 ELV-LO = 9.000 ELV-RI = 10.000
 ELV-RO = 9.000

RUN NO. 0/ 0 RN/L = 3.97 GRADIENT INTERVAL = -5.00/ 5.00

MACH	ALPHA	BETA	RN/L	L/DU	CLU	CDU	CNW	CBW	CTW
.900	-8.000	-6.00000	3 97095	-.86308	- .40869	.42337	-.02991	-.00437	-.01619
.900	-6.000	-6.00000	3 97084	-.74946	-.29309	.39151	-.01032	-.00074	-.01205
.900	-4.000	-6.00000	3 97150	-.49414	-.18247	.36911	.01102	.00314	-.00771
.900	-2.000	-6.00000	3 97067	-.19425	-.06887	.35468	.03274	.00706	-.00369
.900	.000	-6.00000	3 97117	.12531	.04358	.34837	.05598	.01140	.00067
.900	2.000	-6.00000	3.96994	.46025	.16047	.34893	.08226	.01615	.00530
.900	4.000	-6.00000	3.97121	.75581	.27151	.35886	.10452	.02037	.00867
	GRADIENT	.00000	-.00007	.15772	.05687	-.00131	.01183	.00218	.00209

RUN NO. 0/ 0 RN/L = 4.07 GRADIENT INTERVAL = -5.00/ 5.00

MACH	ALPHA	BETA	RN/L	L/DU	CLU	CDU	CNW	CBW	CTW
.975	-8.000	-6.00000	4 07850	-.85836	-.43537	.50590	-.05385	-.00769	-.01571
.975	-6.000	-6.00000	4.07806	-.65773	-.30892	.47043	-.02881	-.00307	-.01222
.975	-4.000	-6.00000	4 07894	-.44077	-.19678	.44601	-.00486	.00133	-.00844
.975	-2.000	-6.00000	4.07926	-.18952	-.08165	.43145	.01953	.00561	-.00396
.975	.000	-6.00000	4.07625	.07583	.03223	.42602	.04411	.01006	.00007
.975	2.000	-6.00000	4 07469	.33724	.14409	.42734	.07010	.01491	.00359
.975	4.000	-6.00000	4.07441	.59359	.26101	.43911	.09398	.01951	.00622
	GRADIENT	.00000	-.00068	.12977	.05707	-.00089	.01241	.00228	.00184

RUN NO. 0/ 0 RN/L = 4.23 GRADIENT INTERVAL = -5.00/ 5.00

MACH	ALPHA	BETA	RN/L	L/DU	CLU	CDU	CNW	CBW	CTW
1.150	-6.000	-6.00000	4.19627	-.58177	-.31196	.53447	-.03504	-.00378	-.00699
1.150	-4.000	-6.00000	4.21880	-.36879	-.18808	.51109	-.00795	.00107	-.00308
1.150	-2.000	-6.00000	4 21417	-.14782	-.07388	.49869	.02094	.00617	.00092
1.150	.000	-6.00000	4 21250	.07868	.03883	.49269	.04920	.01143	.00394
1.150	2.000	-6.00000	4.21260	.30336	.14970	.49351	.07572	.01627	.00623
	GRADIENT	.00000	-.00101	.11215	.05630	-.00294	.01396	.00254	.00155

LARC 8FT TPT 749 (1A93) OTSAT130

(FJJ002) (15 JUL 76)

REFERENCE DATA

SREF = 2690.0000 SQ.FT. XMRP = 976.0000 IN. XT
 LREF = 1290.3000 INCHES YMRP = .0000 IN. YT
 BREF = 1290.3000 INCHES ZMRP = 400.0000 IN. ZT
 SCALE = .0100

PARAMETRIC DATA

BETA = -6.000 ELV-L1 = 10.000
 ELV-LO = 9.000 ELV-R1 = 10.000
 ELV-RO = 9.000

RUN NO. 0/ 0 RN/L = 4.22 GRADIENT INTERVAL = -5.00/ 5.00

MACH	ALPHA	BETA	RN/L	L/DO	CLU	CDU	CNW	CBW	CTW
1.205	-8.000	-6.00000	4.21685	-.77509	-.45244	.58228	-.06538	-.00878	-.00860
1.205	-6.000	-6.00000	4.21621	-.57241	-.31195	.54573	-.04075	-.00402	-.00608
1.205	-4.000	-6.00000	4.21612	-.35662	-.18682	.52352	-.01339	.00123	-.00337
1.205	-2.000	-6.00000	4.21815	-.13447	-.06868	.51091	.01612	.00667	-.00033
1.205	0.000	-6.00000	4.21845	.08135	.04113	.50568	.04302	.01160	.00247
1.205	2.000	-6.00000	4.21762	.28969	.14697	.50739	.06663	.01602	.00448
1.205	4.000	-6.00000	4.21809	.49292	.25320	.51344	.08689	.01977	.00597
	GRADIENT	00000	00017	.10616	.05478	-.00118	.01255	.00232	.00118

LARC 8FT TPT 749 (1A93) OTSAT130

(FJJ003) (15 JUL 76)

REFERENCE DATA

SREF = 2690.0000 SQ FT XMRP = 976 0000 IN. XT
 LREF = 1290.3000 INCHES YMRP = 0000 IN. YT
 BREF = 1290.3000 INCHES ZMRP = 400 0000 IN. ZT
 SCALE = .0100

PARAMETRIC DATA

BETA = -4.000 ELV-L1 = 10.000
 ELV-LO = 9.000 ELV-R1 = 10.000
 ELV-RO = 9.000

RUN NO. 0/ 0 RN/L = 3.17 GRADIENT INTERVAL = -5.00/ 5.00

MACH	ALPHA	BETA	RN/L	L/DO	CLU	CDU	CNW	CBW	CTW
.600	-8.000	-4.00000	3.16664	-1.03759	-.36222	.34840	-.03754	-.00375	-.01788
.600	-6.000	-4.00000	3.16578	-.80205	-.25868	.32257	-.01466	.00034	-.01360
.600	-4.000	-4.00000	3.16661	-.52421	-.16011	.30531	.00756	.00419	-.00903
.600	-2.000	-4.00000	3.16770	-.22646	-.06666	.29442	.03010	.00811	-.00433
.600	0.000	-4.00000	3.16662	.11335	.03264	.28765	.05018	.01191	-.00022
.600	2.000	-4.00000	3.16674	.47033	.13409	.28486	.07272	.01611	.00402
.600	4.000	-4.00000	3.16470	.82452	.23835	.28874	.09534	.02025	.00862
	GRADIENT	.00000	-.00024	.16971	.04988	-.00214	.01091	.00201	.00218

LARC BFT TPT /49 (1A93) OTSAT130

(FJJ003) (15 JUL 76)

REFERENCE DATA

SREF = 2690.0000 SQ.FT. XMRP = 976.0000 IN. XT
 LREF = 1290.3000 INCHES YMRP = .0000 IN. YT
 BREF = 1290.3000 INCHES ZMRP = 400.0000 IN. ZT
 SCALE = .0100

PARAMETRIC DATA

BETA = -4.000 ELV-LI = 10.000
 ELV-LO = 9.000 ELV-RI = 10.000
 ELV-RO = 9.000

RUN NO. 0/ 0 RN/L = 3.97 GRADIENT INTERVAL = -5.00/ 5.00

MACH	ALPHA	BETA	RN/L	L/DU	CLU	CDU	CNW	CBW	CTW
.900	-8.000	-4.00000	3.96886	-.98156	-.41675	.42370	-.02972	-.00423	-.01615
.900	-6.000	-4.00000	3.96963	-.76833	-.29949	.39015	-.00981	-.00051	-.01197
.900	-4.000	-4.00000	3.97126	-.50409	-.18476	.36654	.01078	.00332	-.00778
.900	-2.000	-4.00000	3.97005	-.20425	-.07163	.35089	.03417	.00737	-.00305
.900	.000	-4.00000	3.97014	.11737	.04020	.34308	.06060	.01225	.00157
.900	2.000	-4.00000	3.97010	.47818	.16447	.34402	.08949	.01764	.00620
.900	4.000	-4.00000	3.97140	.76716	.27278	.35547	.11293	.02199	.00978
	GRADIENT	.00000	.00002	.16125	.05756	-.00145	.01298	.00238	.00222

RUN NO 0/ 0 RN/L = 4.07 GRADIENT INTERVAL = -5.00/ 5.00

MACH	ALPHA	BETA	RN/L	L/DU	CLU	CDU	CNW	CBW	CTW
.975	-8.000	-4.00000	4.07938	-.86185	-.43747	.50621	-.05086	-.00721	-.01527
.975	-6.000	-4.00000	4.07841	-.66245	-.31078	.46395	-.02489	-.00251	-.01141
.975	-4.000	-4.00000	4.07798	-.44748	-.19987	.44627	-.00071	.00199	-.00759
.975	-2.000	-4.00000	4.07874	-.20484	-.08799	.43007	.02425	.00641	-.00316
.975	.000	-4.00000	4.07849	.05752	.02426	.42284	.04948	.01104	.00111
.975	2.000	-4.00000	4.07792	.32442	.13739	.42356	.07803	.01635	.00468
.975	4.000	-4.00000	4.07805	.58320	.25454	.43582	.10395	.02130	.00757
	GRADIENT	.00000	-.00003	.12953	.05671	-.00137	.01316	.00243	.00191

RUN NO. 0/ 0 RN/L = 4.23 GRADIENT INTERVAL = -5.00/ 5.00

MACH	ALPHA	BETA	RN/L	L/DU	CLU	CDU	CNW	CBW	CTW
1.150	-6.000	-4.00000	4.16630	-.59219	-.31690	.53337	-.02909	-.00291	-.00651
1.150	-4.000	-4.00000	4.16241	-.37764	-.19183	.50903	-.00090	.00228	-.00280
1.150	-2.000	-4.00000	4.16354	-.15185	-.07547	.49617	.02856	.00781	.00085
1.150	.000	-4.00000	4.16496	.07693	.03772	.48973	.05740	.01326	.00374
1.150	2.000	-4.00000	4.16412	.29870	.14614	.48932	.08450	.01809	.00614
	GRADIENT	.00000	.00033	.11289	.05635	-.00328	.01425	.00264	.00149

LARC 8FT TPT 749 (1A93) OTSAT130

(FJJ003) (15 JUL 76)

REFERENCE DATA

PARAMETRIC DATA

SREF = 2690.0000 SQ.FT. XMRP = 976.0000 IN. XT
 LREF = 1290.3000 INCHES YMRP = .0000 IN. YT
 BREF = 1290.3000 INCHES ZMRP = 400.0000 IN. ZT
 SCALE = .0100

BETA = -4.000 ELV-LI = 10.000
 ELV-LO = 9.000 ELV-RI = 10.000
 ELV-RO = 9.000

RUN NO. 0/ 0 RN/L = 4.22 GRADIENT INTERVAL = -5.00/ 5.00

MACH	ALPHA	BETA	RN/L	L/DO	CLU	CDU	CNW	CBW	CTW
1.205	-8.000	-4.00000	4.21697	-.77361	-.45105	.58166	-.05962	-.00797	-.00818
1.205	-6.000	-4.00000	4.21561	-.57678	-.31349	.54420	-.03330	-.00290	-.00569
1.205	-4.000	-4.00000	4.21486	-.35938	-.18741	.52120	-.00403	.00277	-.00319
1.205	-2.000	-4.00000	4.21833	-.13449	-.06834	.50842	.02699	.00856	-.00023
1.205	.000	-4.00000	4.21935	.07729	.03882	.50257	.05424	.01348	.00264
1.205	2.000	-4.00000	4.21864	.28789	.14493	.50342	.07912	.01792	.00524
1.205	4.000	-4.00000	4.21903	.49276	.25147	.51001	.09853	.02163	.00659
	GRADIENT	.00000	.00043	.10633	.05455	-.00137	.01286	.00235	.00125

LARC 8FT TPT 749 (1A93) OTSAT130

(FJJ004) (15 JUL 76)

REFERENCE DATA

PARAMETRIC DATA

SREF = 2690.0000 SQ.FT. XMRP = 976.0000 IN. XT
 LREF = 1290.3000 INCHES YMRP = .0000 IN. YT
 BREF = 1290.3000 INCHES ZMRP = 400.0000 IN. ZT
 SCALE = .0100

BETA = .000 ELV-LI = 10.000
 ELV-LO = 9.000 ELV-RI = 10.000
 ELV-RO = 9.000

RUN NO. 0/ 0 RN/L = 3.17 GRADIENT INTERVAL = -5.00/ 5.00

MACH	ALPHA	BETA	RN/L	L/DO	CLU	CDU	CNW	CBW	CTW
.600	-8.000	.00000	3.16341	-1.05991	-.36796	.34638	-.03846	-.00394	-.01720
.600	-6.000	.00000	3.16882	-.81881	-.26089	.31878	-.01439	.00032	-.01253
.600	-4.000	.00000	3.17137	-.55658	-.16748	.30065	.00900	.00437	-.00768
.600	-2.000	.00000	3.16946	-.24446	-.07058	.28887	.03450	.00871	-.00241
.600	.000	.00000	3.16676	.09589	.02711	.28301	.05584	.01282	.00181
.600	2.000	.00000	3.16638	.46007	.12891	.27991	.07964	.01724	.00556
.600	4.000	.00000	3.16425	.82591	.23521	.28440	.10322	.02178	.01093
	GRADIENT	.00000	-.00087	.17347	.05024	-.00207	.01168	.00217	.00231

LARC 8FT TPT /49 (1A93) OTSAT130

(FJJ004) (15 JUL 76)

REFERENCE DATA

PARAMETRIC DATA

SREF = 2690.0000 SQ.FT. XMRP = 976.0000 IN. XT
 LREF = 1290.3000 INCHES YMRP = 0000 IN. YT
 BREF = 1290.3000 INCHES ZMRP = 400.0000 IN. ZT
 SCALE = .0100

BETA = .000 ELV-LI = 10.000
 ELV-LO = 9.000 ELV-RI = 10.000
 ELV-RO = 9.000

RUN NO. 0/ 0 RN/L = 3.97 GRADIENT INTERVAL = -5.00/ 5.00

MACH	ALPHA	BETA	RN/L	L/DO	CLU	CDU	CNW	CBW	CTW
900	-8 000	00000	3 96795	-1 02169	-.42970	.42005	-.03617	-.00519	-.01538
900	-6.000	.00000	3 96994	- 80937	-.30884	.38157	-.01258	- 00098	-.01060
.900	-4.000	00000	3 97050	- 53903	-.19108	.35464	01280	.00351	-.00535
.900	-2 000	00000	3.97036	- 24158	- 08205	.33940	.04023	.00821	.00047
900	000	00000	3.97137	11577	03859	.33401	07192	01404	.00552
.900	2.000	00000	3 97207	48572	.16354	.33674	.10467	02003	.01027
900	4.000	00000	3 97146	79325	.27595	.34756	.13070	02442	01434
	GRADIENT	00000	.00018	16959	.05898	-.00084	01501	00268	.00246

RUN NO 0/ 0 RN/L = 4 07 GRADIENT INTERVAL = -5.00/ 5 00

MACH	ALPHA	BETA	RN/L	L/DO	CLU	CDU	CNW	CBW	CTW
.975	-8 000	.00000	4 08326	-.89216	- 45070	.50417	-.04610	- 00638	-.01426
.975	-6 000	.00000	4 08062	- 69293	- 32272	.46623	-.01851	- 00140	-.00988
.975	-4.000	00000	4.07679	- 46738	-.20554	.43977	.00882	00352	-.00514
975	-2 000	00000	4.07406	- 22573	-.09559	.42360	03715	.00850	.00018
975	000	00000	4 07483	.03527	.01468	.41709	.06667	01389	.00509
.975	2 000	00000	4 07475	.30354	12683	.41784	.09400	.01911	00855
.975	4 000	00000	4 07398	.56994	24349	.42683	.12113	.02380	.01170
	GRADIENT	.00000	-.00025	.12020	05602	-.00158	.01407	00256	.00210

RUN NO. 0/ 0 RN/L = 4 23 GRADIENT INTERVAL = -5.00/ 5 00

MACH	ALPHA	BETA	RN/L	L/DO	CLU	CDU	CNW	CBW	CTW
1 150	-6 000	00000	4.17429	- 61358	- 32677	.53097	- 01621	- 00081	-.00517
1 150	-4 000	00000	4.17522	- 39505	-.19951	.50587	01774	.00550	-.00142
1 150	-2 000	00000	4.17777	- 16021	- 07901	.49263	05300	.01188	.00238
1.150	.000	00000	4.17810	06505	.03161	.48581	08173	.01720	.00503
1.150	2.000	00000	4.17666	28805	13934	.48388	.10837	.02175	.00818
	GRADIENT	00000	.00023	11373	.05636	- 00364	.01503	00270	.00157

LARC 8FT TPT 749 (1A93) OTSAT130

(FJJ004) (15 JUL 76)

REFERENCE DATA

SREF = 2690.0000 SQ.FT. XMRP = 976.0000 IN. XT
 LREF = 1290.3000 INCHES YMRP = .0000 IN. YT
 BREF = 1290.3000 INCHES ZMRP = 400.0000 IN. ZT
 SCALE = .0100

PARAMETRIC DATA

BETA = .000 ELV-LI = 10.000
 ELV-LO = 9.000 ELV-RI = 10.000
 ELV-RO = 9.000

RUN NO. 0/ 0 RN/L = 4.22 GRADIENT INTERVAL = -5.00/ 5.00

MACH	ALPHA	BETA	RN/L	L/DU	CLU	CDU	CNW	CBW	CTW
1.205	-8.000	.00000	4.22283	-.79177	-.45828	.57760	-.04984	-.00643	-.00785
1.205	-6.000	.00000	4.21915	-.59388	-.32062	.54043	-.01734	-.00023	-.00532
1.205	-4.000	.00000	4.21560	-.37131	-.19186	.51644	.01596	.00607	-.00281
1.205	-2.000	.00000	4.21419	-.14398	-.07233	.50286	.04803	.01183	.00044
1.205	.000	.00000	4.21624	.07107	.03530	.49726	.07745	.01714	.00344
1.205	2.000	.00000	4.21904	.27357	.13575	.49623	.10025	.02120	.00613
1.205	4.000	.00000	4.21931	.48396	.24317	.50210	.12186	.02503	.00860
	GRADIENT	.00000	.00061	.10640	.05391	-.00177	.01320	.00236	.00143

LARC 8FT TPT 749 (1A93) OTSAT130

(FJJ005) (15 JUL 76)

REFERENCE DATA

SREF = 2690.0000 SQ.FT. XMRP = 976.0000 IN. XT
 LREF = 1290.3000 INCHES YMRP = .0000 IN. YT
 BREF = 1290.3000 INCHES ZMRP = 400.0000 IN. ZT
 SCALE = .0100

PARAMETRIC DATA

BETA = 4.000 ELV-LI = 10.000
 ELV-LO = 9.000 ELV-RI = 10.000
 ELV-RO = 9.000

RUN NO. 0/ 0 RN/L = 3.17 GRADIENT INTERVAL = -5.00/ 5.00

MACH	ALPHA	BETA	RN/L	L/DU	CLU	CDU	CNW	CBW	CTW
.600	-8.000	4.00000	3.16880	-1.05620	-.36649	.34615	-.04005	-.00422	-.01692
.600	-6.000	4.00000	3.16622	-.82232	-.26327	.32035	-.01695	.00010	-.01255
.600	-4.000	4.00000	3.16599	-.56195	-.17010	.30224	.00660	.00438	-.00778
.600	-2.000	4.00000	3.16552	-.22647	-.06554	.28968	.03325	.00910	-.00242
.600	.000	4.00000	3.16654	.11490	.03271	.28414	.05802	.01374	.00243
.600	2.000	4.00000	3.16419	.47911	.13517	.28188	.08423	.01857	.00761
.600	4.000	4.00000	3.16530	.81182	.23333	.28705	.10851	.02312	.01209
	GRADIENT	.00000	-.00014	.17266	.05038	-.00191	.01274	.00235	.00249

LARC 8FT TPT 749 (1A93) OTSAT130

(FJJ005) (15 JUL 76)

REFERENCE DATA

SREF = 2690.0000 SQ.FT. XMRP = 976 0000 IN. XT
 LREF = 1290 3000 INCHES YMRP = .0000 IN. YT
 BREF = 1290.3000 INCHES ZMRP = 400.0000 IN. ZT
 SCALE = .0100

PARAMETRIC DATA

BETA * 4.000 ELV-LI = 10.000
 ELV-LO * 9.000 ELV-RI = 10.000
 ELV-RO * 9.000

RUN NO. 0/0 RN/L = 3.97 GRADIENT INTERVAL = -5.00/ 5.00

MACH	ALPHA	BETA	RN/L	L/DU	CLU	CDU	CNW	CBW	CTW
900	-8.000	4.00000	3.97090	-.99836	-42060	.42036	-.03222	-.00457	-.01324
.900	-6.000	4.00000	3.97220	-.77913	-30029	.38575	-.00567	.00001	-.00735
900	-4.000	4.00000	3.97150	-.51274	-.18572	.36204	.02384	.00533	-.00164
900	-2.000	4.00000	3.97075	-.21771	-.07542	.34688	.05372	.01080	.00380
900	.000	4.00000	3.97152	.11620	.03950	.34088	.08526	.01662	.00854
.900	2.000	4.00000	3.97100	.46984	.15999	.34092	.11723	.02228	.01329
900	4.000	4.00000	3.96998	.78212	.27655	.35310	.14337	.02653	.01713
	GRADIENT	.00000	-.00014	.16386	.05800	-.00119	.01513	.00269	.00235

RUN NO. 0/0 RN/L = 4.07 GRADIENT INTERVAL = -5.00/ 5.00

MACH	ALPHA	BETA	RN/L	L/DU	CLU	CDU	CNW	CBW	CTW
975	-8.000	4.00000	4.07516	-.87891	-.44371	.50377	-.03633	-.00473	-.01273
.975	-6.000	4.00000	4.07514	-.67881	-.31679	.46725	-.00689	.00057	-.00772
.975	-4.000	4.00000	4.07929	-.45344	-.20063	.44210	.02350	.00600	-.00240
.975	-2.000	4.00000	4.08178	-.20640	-.08794	.42674	.05453	.01170	.00270
975	.000	4.00000	4.08191	.05767	.02420	.42122	.08543	.01744	.00716
975	2.000	4.00000	4.08488	.31971	.13425	.41996	.11478	.02233	.01200
.975	4.000	4.00000	4.07829	.59458	.25605	.43003	.14205	.02713	.01461
	GRADIENT	.00000	.00066	.13111	.05678	-.00155	.01487	.00264	.00217

RUN NO. 0/0 RN/L = 4.23 GRADIENT INTERVAL = -5.00/ 5.00

MACH	ALPHA	BETA	RN/L	L/DU	CLU	CDU	CNW	CBW	CTW
1.150	-6.000	4.00000	4.17439	-.59939	-.32185	.53529	.00042	.00223	-.00548
1.150	-4.000	4.00000	4.17506	-.38020	-.19304	.50857	.03824	.00905	-.00162
1.150	-2.000	4.00000	4.17497	-.15408	-.07611	.49357	.07101	.01495	.00185
1.150	.000	4.00000	4.17497	.06988	.03402	.48678	.09962	.02008	.00509
1.150	2.000	4.00000	4.17513	.30157	.14617	.48480	.12512	.02462	.00826
	GRADIENT	.00000	.00001	.11346	.05639	-.00391	.01446	.00259	.00164

ORIGINAL PAGE IS
OF POOR QUALITY.

LARC 8FT TPT 749 (1A93) OTSAT130

(FJJ005) (15 JUL 76)

REFERENCE DATA

SREF = 2690.0000 SQ FT. XMRP = 976.0000 IN. XT
 LREF = 1290.3000 INCHES YMRP = .0000 IN. YT
 BREF = 1290.3000 INCHES ZMRP = 400.0000 IN. ZT
 SCALE = .0100

PARAMETRIC DATA

BETA = 4.000 ELV-LI = 10.000
 ELV-LO = 9.000 ELV-RI = 10.000
 ELV-RO = 9.000

RUN NO. 0/ 0 RN/L = 4.22 GRADIENT INTERVAL = -5.00/ 5.00

MACH	ALPHA	BETA	RN/L	L/DU	CLU	CDU	CNW	CBW	CTW
1.205	-8.000	4.00000	4.21097	-1.78269	-45684	.58249	-.04052	-00430	-.01150
1.205	-6.000	4.00000	4.21121	-.58658	-.31938	.54502	-.00413	00227	-.00819
1.205	-4.000	4.00000	4.21382	-.36966	-.19207	.51925	.03066	.00863	-.00495
1.205	-2.000	4.00000	4.21675	-.14459	-.07279	.50393	.06220	.01429	-.00154
1.205	0.000	4.00000	4.21679	07384	03665	.49695	.09207	01940	.00252
1.205	2.000	4.00000	4.21724	.28431	14096	.49584	.11564	.02368	.00566
1.205	4.000	4.00000	4.21807	.49186	.24732	.50245	.13699	.02743	.00832
	GRADIENT	.00000	.00045	.10760	.05463	-.00208	.01331	.00235	.00169

LARC 8FT TPT 749 (1A93) OTSAT130

(FJJ006) (15 JUL 76)

REFERENCE DATA

SREF = 2690.0000 SQ FT. XMRP = 976.0000 IN. XT
 LREF = 1290.3000 INCHES YMRP = .0000 IN. YT
 BREF = 1290.3000 INCHES ZMRP = 400.0000 IN. ZT
 SCALE = .0100

PARAMETRIC DATA

BETA = 6.000 ELV-LI = 10.000
 ELV-LO = 9.000 ELV-RI = 10.000
 ELV-RO = 9.000

RUN NO. 0/ 0 RN/L = 3.17 GRADIENT INTERVAL = -5.00/ 5.00

MACH	ALPHA	BETA	RN/L	L/DU	CLU	CDU	CNW	CBW	CTW
.600	-8.000	6.00000	3.16691	-1.07496	-37285	.34606	-.04196	-00439	-.01708
.600	-6.000	6.00000	3.16787	-.83569	-26731	.32002	-.01693	.00012	-.01217
.600	-4.000	6.00000	3.16799	-.55928	-16915	.30217	.00902	00477	-.00699
.600	-2.000	6.00000	3.16702	-.23482	-.06796	.28944	.03392	.00942	-.00205
.600	0.000	6.00000	3.16601	.12172	.03447	.28296	.06012	.01425	.00297
.600	2.000	6.00000	3.16441	.49543	.13956	.28150	.08631	.01919	.00800
.600	4.000	6.00000	3.16445	.85971	.24588	.28571	.11339	.02427	.01293
	GRADIENT	.00000	-.00048	.17841	.05188	-.00204	.01306	.00244	.00249

LARC 8FT TPT /49 (1A93) OTSAT130

(FJJ006) (15 JUL 76)

REFERENCE DATA

SREF = 2690.0000 SQ.FT. XMRP = 976.0000 IN. XT
 LREF = 1290.3000 INCHES YMRP = .0000 IN. YT
 BREF = 1290.3000 INCHES ZMRP = 400 0000 IN. ZT
 SCALE = .0100

PARAMETRIC DATA

BETA = 6.000 ELV-LI = 10.000
 ELV-LO = 9.000 ELV-RI = 10.000
 ELV-RO = 9.000

RUN NO. 0/ 0 RN/L = 3.97 GRADIENT INTERVAL = -5.00/ 5.00

MACH	ALPHA	BETA	RN/L	L/DU	CLU	CDU	CNW	CBW	CTW
.900	-8.000	6.00000	3.97032	-.99694	-.42047	.42085	-.03129	-.00437	-.01231
.900	-6.000	6.00000	3.97119	-.78227	-.30321	.38794	-.00455	.00026	-.00643
.900	-4.000	6.00000	3.97239	-.52059	-.19060	.36604	.02597	.00577	-.00072
.900	-2.000	6.00000	3.97166	-.22152	-.07881	.35115	.05730	.01155	.00475
.900	.000	6.00000	3.97130	.11368	.03906	.34435	.09004	.01764	.00957
.900	2.000	6.00000	3.97135	.45282	.15620	.34532	.12247	.02318	.01467
.900	4.000	6.00000	3.97203	.76408	.27209	.35568	.14522	.02664	.01770
	GRADIENT	.00000	-.00005	.16233	.05802	-.00133	.01518	.00267	.00234

RUN NO. 0/ 0 RN/L = 4.07 GRADIENT INTERVAL = -5.00/ 5.00

MACH	ALPHA	BETA	RN/L	L/DU	CLU	CDU	CNW	CBW	CTW
.975	-8.000	6.00000	4.08096	-.88028	-.44446	.50384	-.03428	-.00429	-.01231
.975	-6.000	6.00000	4.07994	-.67926	-.31779	.46844	-.00294	.00127	-.00690
.975	-4.000	6.00000	4.07985	-.45177	-.20076	.44399	.03045	.00720	-.00126
.975	-2.000	6.00000	4.08086	-.19980	-.08540	.42799	.06299	.01321	.00386
.975	.000	6.00000	4.08017	.06773	.02848	.42172	.09321	.01876	.00827
.975	2.000	6.00000	4.08313	.32613	.13733	.42113	.12296	.02364	.01300
.975	4.000	6.00000	4.07796	.59764	.25766	.43056	.15150	.02858	.01559
	GRADIENT	.00000	-.00007	.13124	.05698	-.00169	.01510	.00266	.00214

RUN NO. 0/ 0 RN/L = 4.23 GRADIENT INTERVAL = -5.00/ 5.00

MACH	ALPHA	BETA	RN/L	L/DU	CLU	CDU	CNW	CBW	CTW
1.150	-6.000	6.00000	4.17261	-.59839	-.32183	.53625	.00820	.00354	-.00595
1.150	-4.000	6.00000	4.17289	-.38367	-.19540	.51009	.04606	.01031	-.00220
1.150	-2.000	6.00000	4.17278	-.15706	-.07768	.49392	.07814	.01617	.00112
1.150	.000	6.00000	4.17276	.07407	.03604	.48611	.10755	.02129	.00486
1.150	2.000	6.00000	4.17273	.30484	.14794	.48535	.13390	.02586	.00824
	GRADIENT	.00000	-.00002	.11483	.05719	-.00410	.01465	.00259	.00175

LARC 8FT TPT 749 (1A93) OTSAT130

(FJJ006) (15 JUL 76)

REFERENCE DATA

SREF = 2690.0000 SQ.FT. XMRP = 976.0000 IN. XT
 LREF = 1290.3000 INCHES YMRP = 0000 IN. YT
 BREF = 1290.3000 INCHES ZMRP = 400.0000 IN. ZT
 SCALE = .0100

PARAMETRIC DATA

BETA = 6.000 ELV-L1 = 10.000
 ELV-LO = 9.000 ELV-R1 = 10.000
 ELV-RO = 9.000

RUN NO. 0/ 0 RN/L = 4.22 GRADIENT INTERVAL = -5.00/ 5.00

MACH	ALPHA	BETA	RN/L	L/DU	CLU	CDU	CNW	CBW	CTW
1.205	-8.000	6 00000	4.21422	-.78681	-.45926	.58258	-.03627	-.00341	-.01278
1 205	-6 000	6 00000	4.21347	-.58871	-.32055	.54500	.00146	.00321	-.00927
1 205	-4 000	6 00000	4 21394	-.37802	-.19644	.51945	.03689	.00962	-.00591
1.205	-2.000	6 00000	4 21502	-.15674	-.07894	.50380	.06754	.01515	-.00252
1 205	.000	6 00000	4 21660	.07269	.03608	.49656	.09767	.02034	.00153
1 205	2.000	6 00000	4.21784	.28761	.14274	.49633	.12309	.02473	.00510
1 205	4.000	6.00000	4.21760	.49858	.25057	.50225	.14458	.02845	.00791
	GRADIENT	.00000	.00051	.10988	.05578	-.00209	.01355	.00236	.00176

LARC 8FT TPT 749 (1A93) OTSAT130

(FJJ007) (15 JUL 76)

REFERENCE DATA

SREF = 2690 0000 SQ.FT. XMRP = 976.0000 IN. XT
 LREF = 1290.3000 INCHES YMRP = 0000 IN. YT
 BREF = 1290.3000 INCHES ZMRP = 400 0000 IN. ZT
 SCALE = .0100

PARAMETRIC DATA

BETA = -6.000 ELV-L1 = 10.000
 ELV-LO = 4.000 ELV-R1 = 10.000
 ELV-RO = 4.000

RUN NO 0/ 0 RN/L = 3.17 GRADIENT INTERVAL = -5.00/ 5.00

MACH	ALPHA	BETA	RN/L	L/DU	CLU	CDU	CNW	CBW	CTW
.600	-8 000	-6 00000	3.16604	-1.12255	-.39615	.35230	-.08234	-.00916	-.02408
.600	-6.000	-6.00000	3 16619	-.89384	-.29059	.32525	-.06254	-.00538	-.02045
.600	-4.000	-6 00000	3.16668	-.62879	-.19267	.30631	-.04128	-.00161	-.01624
.600	-2 000	-6 00000	3 16744	-.32116	-.09469	.29476	-.01936	.00209	-.01112
.600	.000	-6.00000	3 16561	.02113	.00605	.28699	-.00018	.00563	-.00710
.600	2.000	-6 00000	3 17001	.37270	.10609	.28444	.02334	.00962	-.00220
.600	4.000	-6 00000	3.16883	.72311	.20825	.28783	.04426	.01350	.00198
	GRADIENT	.00000	.00034	.16988	.05013	-.00236	.01069	-.00189	.00227

LARC 8FT TPT /49 (IA93) OTSAT130

(FJJ007) (15 JUL 76)

REFERENCE DATA

SREF = 2690.0000 SQ.FT. XMRP = 976.0000 IN. XT
 LREF = 1290.3000 INCHES YMRP = .0000 IN. YT
 BREF = 1290.3000 INCHES ZMRP = 400.0000 IN. ZT
 SCALE = .0100

PARAMETRIC DATA

BETA = -6.000 ELV-LI = 10.000
 ELV-LO = 4.000 ELV-RI = 10.000
 ELV-RO = 4.000

RUN NO. 0/0 RN/L = 3.97 GRADIENT INTERVAL = -5.00/ 5.00

MACH	ALPHA	BETA	RN/L	L/DU	CLU	CDU	CNW	CBW	CTW
.900	-8.000	-6.00000	3.97067	-1.00076	-.42816	.42689	-.05731	-.00790	-.01833
.900	-6.000	-6.00000	3.96999	-.78989	-.31098	.39417	-.03589	-.00393	-.01426
.900	-4.000	-6.00000	3.96996	-.54510	-.20265	.37164	-.01601	-.00023	-.01019
.900	-2.000	-6.00000	3.97116	-.25153	-.08980	.35708	.00490	.00357	-.00596
.900	.000	-6.00000	3.97066	.06651	.02314	.34874	.02767	.00755	-.00104
.900	2.000	-6.00000	3.97133	.37210	.12963	.34855	.05137	.01163	.00404
.900	4.000	-6.00000	3.97222	.66916	.23932	.35744	.07192	.01551	.00740
	GRADIENT	.00000	.00024	.15261	.05517	-.00185	.01112	.00198	.00226

RUN NO 0/0 RN/L = 4.08 GRADIENT INTERVAL = -5.00/ 5.00

MACH	ALPHA	BETA	RN/L	L/DU	CLU	CDU	CNW	CBW	CTW
.975	-8.000	-6.00000	4.08244	-.89518	-.45676	.50904	-.08108	-.01172	-.01682
.975	-6.000	-6.00000	4.08234	-.63976	-.33057	.47301	-.05658	-.00720	-.01320
.975	-4.000	-6.00000	4.08267	-.48302	-.21646	.44770	-.03125	-.00274	-.00886
.975	-2.000	-6.00000	4.08339	-.23713	-.10230	.43188	-.00680	.00159	-.00457
.975	.000	-6.00000	4.08083	.02163	.00916	.42671	.01740	.00584	-.00036
.975	2.000	-6.00000	4.07769	.28226	.12087	.42827	.04192	.01048	.00310
.975	4.000	-6.00000	4.07624	.53315	.23389	.43816	.06548	.01502	.00586
	GRADIENT	.00000	-.00093	.12759	.05619	-.00113	.01211	.00222	.00186

RUN NO. 0/0 RN/L = 4.21 GRADIENT INTERVAL = -5.00/ 5.00

MACH	ALPHA	BETA	RN/L	L/DU	CLU	CDU	CNW	CBW	CTW
1.150	-6.000	-6.00000	4.20783	-.60821	-.32766	.53714	-.05345	-.00690	-.00665
1.150	-4.000	-6.00000	4.20724	-.39609	-.20280	.51292	-.02749	-.00219	-.00285
1.150	-2.000	-6.00000	4.20729	-.17381	-.08702	.49996	-.00036	.00278	.00082
1.150	.000	-6.00000	4.20781	.04780	.02365	.49388	.02726	.00792	.00368
1.150	2.000	-6.00000	4.20794	.27302	.13501	.49458	.05400	.01294	.00570
	GRADIENT	.00000	.00013	.11145	.05621	-.00306	.01361	.00253	.00143

LARC 8FT TPT /49 (1A93) OTSAT130

(FJJ007) (15 JUL 76)

REFERENCE DATA

SREF = 2690.0000 SQ.FT. XMRP = 976.0000 IN. XT
 LREF = 1290.3000 INCHES YMRP = .0000 IN. YT
 BREF = 1290.3000 INCHES ZMRP = 400.0000 IN. ZT
 SCALE = 0100

PARAMETRIC DATA

BETA = -6.000 ELV-LI = 10.000
 ELV-LO = 4.000 ELV-RI = 10.000
 ELV-RO = 4.000

RUN NO. 0/ 0 RN/L = 4.22 GRADIENT INTERVAL = -5.00/ 5.00

MACH	ALPHA	BETA	RN/L	L/DU	CLU	CDU	CNW	CBW	CTW
1.205	-8.000	-6.00000	4.21477	-.79782	-.46399	.58022	-.07481	-.01114	-.00771
1.205	-6.000	-6.00000	4.21487	-.59502	-.32274	.54309	-.05022	-.00646	-.00496
1.205	-4.000	-6.00000	4.21479	-.37952	-.19761	.52042	-.02334	-.00138	-.00209
1.205	-2.000	-6.00000	4.21439	-.15927	-.08081	.50749	.00541	.00398	.00082
1.205	.000	-6.00000	4.21440	.05693	.02856	.50189	.03255	.00905	.00357
1.205	2.000	-6.00000	4.21405	.26823	.13499	.50327	.05629	.01353	.00539
1.205	4.000	-6.00000	4.21516	.47456	.24179	.50926	.07747	.01744	.00704
	GRADIENT	.00000	.00002	.10678	.05473	-.00133	.01263	.00236	.00114

LARC 8FT TPT 749 (1A93) OTSAT130

(FJJ008) (15 JUL 76)

REFERENCE DATA

SREF = 2690.0000 SQ.FT. XMRP = 976.0000 IN. XT
 LREF = 1290.3000 INCHES YMRP = .0000 IN. YT
 BREF = 1290.3000 INCHES ZMRP = 400.0000 IN. ZT
 SCALE = .0100

PARAMETRIC DATA

BETA = -4.000 ELV-LI = 10.000
 ELV-LO = 4.000 ELV-RI = 10.000
 ELV-RO = 4.000

RUN NO. 0/ 0 RN/L = 3.17 GRADIENT INTERVAL = -5.00/ 5.00

MACH	ALPHA	BETA	RN/L	L/DU	CLU	CDU	CNW	CBW	CTW
.600	-8.000	-4.00000	3.16525	-1.10750	-.39057	.35198	-.08163	-.00907	-.02388
.600	-6.000	-4.00000	3.16616	-.88510	-.28850	.32618	-.06211	-.00531	-.02039
.600	-4.000	-4.00000	3.16804	-.62780	-.19336	.30788	-.03927	-.00139	-.01587
.600	-2.000	-4.00000	3.16790	-.32235	-.09525	.29567	-.01581	.00253	-.01072
.600	.000	-4.00000	3.16981	-.00209	-.00062	.28833	.00587	.00639	-.00616
.600	2.000	-4.00000	3.17183	.35508	.10092	.28397	.02779	.01034	-.00137
.600	4.000	-4.00000	3.17283	.71109	.20434	.28700	.04984	.01442	.00293
	GRADIENT	.00000	.00068	.16776	.04958	-.00267	.01109	.00197	.00235

LARC 8FT TPT /49 (1A93) OTSAT130

(FJJ008) (15 JUL 76)

REFERENCE DATA

SREF = 2690.0000 SQ.FT. XMRP = 976.0000 IN. XT
 LREF = 1290.3000 INCHES YMRP = .0000 IN YT
 BREF = 1290.3000 INCHES ZMRP = 400.0000 IN. ZT
 SCALE = .0100

PARAMETRIC DATA

BETA = -4.000 ELV-LI = 10.000
 ELV-LO = 4.000 ELV-RI = 10.000
 ELV-RO = 4.000

RUN NO. 0/ 0 RN/L = 3.97 GRADIENT INTERVAL = -5.00/ 5 00

MACH	ALPHA	BETA	RN/L	L/DU	CLU	CDU	CNW	CBW	CTW
.900	-8.000	-4.00000	3 96991	-1.01604	- 43457	.42696	-.05843	-.00788	-.01847
.900	-6.000	-4 00000	3.96925	-.80327	-.31522	.39284	- 03617	-.00381	-.01426
.900	-4.000	-4 00000	3 96942	-.54981	-.20274	.36870	-.01579	-.00006	-.00990
.900	-2.000	-4.00000	3.96953	-.26500	-.09327	.35224	.00579	00380	-.00524
.900	.000	-4.00000	3 97240	.06687	.02289	34402	.03152	.00827	.00008
.900	2.000	-4 00000	3 97303	.39174	.13414	34275	.05742	.01280	.00546
.900	4.000	-4 00000	3 97382	.68372	.24159	.35309	.07797	.01678	00839
	GRADIENT	00000	00061	.15619	05580	-.00204	01196	.00213	.00236

RUN NO. 0/ 0 RN/L = 4.08 GRADIENT INTERVAL = -5.00/ 5 00

MACH	ALPHA	BETA	RN/L	L/DU	CLU	CDU	CNW	CBW	CTW
.975	-8.000	-4 00000	4 08232	-.89950	-.45996	.51024	-.07788	- 01121	- 01625
.975	-6 000	-4 00000	4 07919	-.70556	-.33356	.47336	-.05337	- 00670	-.01265
.975	-4 000	-4.00000	4.07169	-.49220	-.22063	.44798	-.02829	-.00224	-.00842
.975	-2.000	-4 00000	4.06813	-.25314	-.10895	.43074	- 00340	.00222	-.00402
.975	.000	-4 00000	4.06717	.00983	00411	.42347	.02201	.00685	.00051
.975	2.000	-4.00000	4.06911	.27092	.11486	.42390	.04859	01190	.00410
.975	4.000	-4 00000	4.07442	.52613	.22931	.43508	.07409	.01677	.00688
	GRADIENT	.00000	.00032	.12804	.05618	-.00163	.01284	00238	.00194

RUN NO. 0/ 0 RN/L = 4.21 GRADIENT INTERVAL = -5.00/ 5.00

MACH	ALPHA	BETA	RN/L	L/DU	CLU	CDU	CNW	CBW	CTW
1.150	-6.000	-4.00000	4.20691	- 61730	- 33177	.53580	-.04723	- 00600	-.00596
1.150	-4.000	-4.00000	4.20577	-.40399	-.20601	.51092	-.01936	- 00090	-.00205
1.150	-2.000	-4.00000	4.20683	-.17949	-.08942	.49747	.00981	.00456	.00152
1.150	.000	-4.00000	4.20637	.04660	.02291	.49061	.03892	.01002	.00425
1.150	2.000	-4.00000	4.20710	.26542	.13008	.49019	.06538	.01493	.00630
	GRADIENT	.00000	.00018	.11172	.05603	-.00345	.01417	.00265	.00139

LARC 8FT TPT 749 (1A93) OTSAT130

(FJJ008) (15 JUL 76)

REFERENCE DATA

SREF = 2690.0000 SQ.FT. XMRP = 976.0000 IN. XT
 LREF = 1290.3000 INCHES YMRP = .0000 IN. YT
 BREF = 1290.3000 INCHES ZMRP = 400.0000 IN. ZT
 SCALE = .0100

PARAMETRIC DATA

BETA = -4.000 ELV-L1 = 10.000
 ELV-LO = 4.000 ELV-R1 = 10.000
 ELV-RO = 4.000

RUN NO. 0/ 0 RN/L = 4 22 GRADIENT INTERVAL = -5.00/ 5.00

MACH	ALPHA	BETA	RN/L	L/DU	CLU	CDU	CNW	CBW	CTW
1.205	-8.000	-4.00000	4.21327	-.79852	-.46354	.57926	-.06955	-.01037	-.00743
1.205	-6.000	-4.00000	4.21340	-.60156	-.32529	.54132	-.04303	-.00536	-.00473
1.205	-4.000	-4.00000	4.21407	-.38467	-.19921	.51769	-.01353	.00022	-.00186
1.205	-2.000	-4.00000	4.21468	-.16175	-.08155	.50445	.01742	.00599	.00125
1.205	.000	-4.00000	4.21439	.05498	.02739	.49846	.04545	.01114	.00401
1.205	2.000	-4.00000	4.21448	.26615	.13283	.49905	.06903	.01554	.00599
1.205	4.000	-4.00000	4.21584	.47291	.23927	.50564	.08910	.01935	.00742
	GRADIENT	.00000	.00017	.10715	.05457	-.00147	.01284	.00239	.00116

LARC 8FT TPT 749 (1A93) OTSAT130

(FJJ009) (15 JUL 76)

REFERENCE DATA

SREF = 2690.0000 SQ.FT. XMRP = 976.0000 IN. XT
 LREF = 1290.3000 INCHES YMRP = .0000 IN. YT
 BREF = 1290.3000 INCHES ZMRP = 400.0000 IN. ZT
 SCALE = .0100

PARAMETRIC DATA

BETA = .000 ELV-L1 = 10.000
 ELV-LO = 4.000 ELV-R1 = 10.000
 ELV-RO = 4.000

RUN NO. 0/ 0 RN/L = 3.17 GRADIENT INTERVAL = -5.00/ 5.00

MACH	ALPHA	BETA	RN/L	L/DU	CLU	CDU	CNW	CBW	CTW
.600	-8.000	.00000	3.16371	-1.13556	-.39579	.34787	-.08293	-.00952	-.02339
.600	-6.000	.00000	3.17192	-.90867	-.29137	.32077	-.05979	-.00538	-.01878
.600	-4.000	.00000	3.17454	-.64220	-.19327	.30097	-.03531	-.00110	-.01390
.600	-2.000	.00000	3.17536	-.34522	-.10015	.29001	-.01200	.00293	-.00917
.600	.000	.00000	3.17553	-.00232	-.00066	.28317	.01219	.00724	-.00383
.600	2.000	.00000	3.17300	.35345	.09900	.27981	.03383	.01141	.00042
.600	4.000	.00000	3.17029	.70989	.20022	.28195	.05836	.01584	.00539
	GRADIENT	.00000	-.00054	.17014	.04931	-.00241	.01166	.00212	.00241

LARC 8FT TPT /49 (1A93) OTSAT130

(FJJ009) (15 JUL 76)

REFERENCE DATA

SREF = 2690.0000 SQ.FT. XMRP = 976.0000 IN. YT
 LREF = 1290 3000 INCHES YMRP = .0000 IN. YT
 BREF = 1290.3000 INCHES ZMRP = 400.0000 IN. ZT
 SCALE = .0100

PARAMETRIC DATA

BETA = .000 ELV-LI = 10.000
 ELV-LO = 4.000 ELV-RI = 10.000
 ELV-RO = 4.000

RUN NO. 0/ 0 RN/L = 3.97 GRADIENT INTERVAL = -5.00/ 5.00

MACH	ALPHA	BETA	RN/L	L/DO	CLU	CDU	CNW	CBW	CTW
.900	-8.000	.00000	3 97462	-1.05402	-.44300	.41945	-.06352	-.00876	-.01716
.900	-6.000	.00000	3.97385	-.84021	- 32089	.38220	-.03840	-.00432	-.01217
.900	-4.000	.00000	3.97292	-.57997	- 20687	.35671	-.01400	-.00002	-.00704
900	-2 000	.00000	3.97159	- 29084	- 09895	.34036	.01368	.00470	-.00116
.900	.000	.00000	3 97165	04653	01537	.33344	.03999	.00947	.00405
.900	2.000	.00000	3 97074	.39092	.13072	.33511	.06844	.01432	.00978
900	4 000	.00000	3 96987	70408	.24345	.34537	.09166	.01836	.01300
	GRADIENT	.00000	- 00035	.16249	.05652	-.00140	.01330	.00232	.00255

RUN NO 0/ 0 RN/L = 4 08 GRADIENT INTERVAL = -5.00/ 5 00

MACH	ALPHA	BETA	RN/L	L/DO	CLU	CDU	CNW	CBW	CTW
.975	-8 000	.00000	4.09475	- 92485	- 46971	.50698	-.07127	-.01029	-.01474
.975	-6.000	.00000	4 09163	-.73055	- 34218	.46875	-.04374	-.00538	-.01016
.975	-4 000	.00000	4.08548	-.51238	- 22627	.44153	-.01726	-.00066	-.00545
.975	-2 000	.00000	4 08175	- 27792	- 11804	.42488	.00954	.00412	-.00048
.975	.000	.00000	4.07610	-.02744	- 01151	.41752	.03815	.00940	.00419
975	2.000	.00000	4.07348	.24889	10392	.41703	.06656	.01490	.00782
.975	4.000	.00000	4.07469	51691	22075	.42629	.09232	.01962	.01080
	GRADIENT	.00000	-.00149	.12927	.05580	-.00192	.01381	.00257	.00204

RUN NO. 0/ 0 RN/L = 4 21 GRADIENT INTERVAL = -5.00/ 5.00

MACH	ALPHA	BETA	RN/L	L/DO	CLU	CDU	CNW	CBW	CTW
1.150	-6 000	.00000	4 21019	- 64285	-.34353	.53290	-.03597	-.00407	-.00467
1.150	-4 000	.00000	4 20902	- 42310	-.21416	.50697	-.00222	.00218	-.00102
1.150	-2.000	.00000	4.20824	-.18899	- 09327	.49307	.03236	.00852	.00233
1.150	.000	.00000	4 20747	03044	.01479	.48572	.06280	.01407	.00548
1.150	2.000	.00000	4 20831	.25477	12321	.48383	.08833	.01864	.00801
	GRADIENT	.00000	- 00014	.11265	.05601	- 00384	.01510	.00275	.00151

LARC 8FT TPT 749 (1A93) OTSAT130

(FJJ009) (15 JUL 76)

REFERENCE DATA

SREF = 2650.0000 SQ.FT. XMRP = 976.0000 IN. XT
 LREF = 1290.3000 INCHES YMRP = .0000 IN. YT
 BREF = 1290.3000 INCHES ZMRP = 400.0000 IN. ZT
 SCALE = .0100

PARAMETRIC DATA

BETA = .000 ELV-LI = 10.000
 ELV-LO = 4.000 ELV-RI = 10.000
 ELV-RO = 4.000

RUN NO. 0/0 RN/L = 4.22 GRADIENT INTERVAL = -5.00/ 5.00

MACH	ALPHA	BETA	RN/L	L/DO	CLU	CDU	CNW	CBW	CTW
1.205	-8.000	00000	4.21739	-.81260	-.46830	.57511	-.05760	-.00866	-.00648
1.205	-6.000	.00000	4.21704	-.62184	-.33400	.53768	-.02632	-.00267	-.00388
1.205	-4.000	00000	4.21673	-.40122	-.20616	.51352	.00629	.00359	-.00153
1.205	-2.000	.00000	4.21631	-.17158	-.08557	.49921	.03936	.00960	.00148
1.205	.000	00000	4.21691	.04445	.02186	.49273	.06907	.01490	.00462
1.205	2.000	00000	4.21705	.25489	.12532	.49167	.09307	.01920	.00737
1.205	4.000	00000	4.21773	.46256	.23021	.49738	.11316	.02295	.00924
	GRADIENT	00000	.00014	.10770	.05418	-.00199	01337	.00242	.00137

LARC 8FT TPT 749 (1A93) OTSAT130

(FJJ010) (15 JUL 76)

REFERENCE DATA

SREF = 2690.0000 SQ.FT. XMRP = 976.0000 IN. XT
 LREF = 1290.3000 INCHES YMRP = .0000 IN. YT
 BREF = 1290.3000 INCHES ZMRP = 400.0000 IN. ZT
 SCALE = .0100

PARAMETRIC DATA

BETA = 4.000 ELV-LI = 10.000
 ELV-LO = 4.000 ELV-RI = 10.000
 ELV-RO = 4.000

RUN NO. 0/0 RN/L = 3.17 GRADIENT INTERVAL = -5.00/ 5.00

MACH	ALPHA	BETA	RN/L	L/DO	CLU	CDU	CNW	CBW	CTW
.600	-8.000	4.00000	3.16851	-1.13106	-.39868	.35188	-.08491	-.00990	-.02296
.600	-6.000	4.00000	3.16787	-.90933	-.29508	.32472	-.06158	-.00557	-.01858
.600	-4.000	4.00000	3.16960	-.64674	-.19805	.30611	-.03996	-.00136	-.01443
.600	-2.000	4.00000	3.16712	-.34451	-.10088	.29294	-.01490	.00315	-.00913
.600	.000	4.00000	3.16526	-.01292	-.00371	.28570	.01150	.00778	-.00354
.600	2.000	4.00000	3.16743	.34972	.09895	.28268	.03682	.01253	.00133
.600	4.000	4.00000	3.16928	.69260	.19815	.28598	.06075	.01705	.00613
	GRADIENT	00000	-.00002	.16865	.04961	-.00253	01266	.00231	.00258

LARC 8FT TPT 7/49 (1A93) OTSAT130

(FJJ010) (15 JUL 76)

REFERENCE DATA

SREF = 2690.0000 SQ.FT. XMRP = 976.0000 IN. XT
 LREF = 1290.3000 INCHES YMRP = .0000 IN. YT
 BREF = 1290.3000 INCHES ZMRP = 400.0000 IN. ZT
 SCALE = .0100

PARAMETRIC DATA

BETA = 4.000 ELV-LI = 10.000
 ELV-LO = 4.000 ELV-RI = 10.000
 ELV-RO = 4.000

RUN NO. 0/ 0 RN/L = 3.97 GRADIENT INTERVAL = -5.00/ 5.00

MACH	ALPHA	BETA	RN/L	L/DU	CLU	CDU	CNW	CBW	CTW
.900	-8.000	4.00000	3.96971	-1.02898	-.43688	.42353	-.05914	-.00813	-.01519
.900	-6.000	4.00000	3.97091	-.80989	-.31406	.38831	-.03199	-.00335	-.00948
.900	-4.000	4.00000	3.97284	-.55982	-.20391	.36414	-.00344	.00169	-.00348
.900	-2.000	4.00000	3.97109	-.27865	-.09708	.34872	.02495	.00671	.00229
.900	.000	4.00000	3.97183	.03964	.01341	.34111	.05229	.01171	.00745
.900	2.000	4.00000	3.97162	.37701	.12848	.34112	.08038	.01641	.01258
.900	4.000	4.00000	3.97065	.68196	.24061	.35249	.10277	.01997	.01519
	GRADIENT	.00000	-.00019	.15696	.05573	-.00154	.01339	.00231	.00238

RUN NO. 0/ 0 RN/L = 4.08 GRADIENT INTERVAL = -5.00/ 5.00

MACH	ALPHA	BETA	RN/L	L/DU	CLU	CDU	CNW	CBW	CTW
.975	-8.000	4.00000	4.08520	-.91603	-.46536	.50691	-.06210	-.00887	-.01321
.975	-6.000	4.00000	4.08649	-.72195	-.33849	.46936	-.03187	-.00353	-.00794
.975	-4.000	4.00000	4.08610	-.50166	-.22236	.44292	-.00283	.00173	-.00287
.975	-2.000	4.00000	4.08376	-.25740	-.10989	.42743	.02773	.00732	.00221
.975	.000	4.00000	4.08234	-.00255	-.00112	.42147	.05872	.01318	.00665
.975	2.000	4.00000	4.07874	.26436	.11079	.41905	.08638	.01831	.01045
.975	4.000	4.00000	4.07628	.53129	.22781	.42812	.11359	.02292	.01425
	GRADIENT	.00000	-.00123	.12938	.05605	-.00190	.01458	.00267	.00212

RUN NO. 0/ 0 RN/L = 4.21 GRADIENT INTERVAL = -5.00/ 5.00

MACH	ALPHA	BETA	RN/L	L/DU	CLU	CDU	CNW	CBW	CTW
1.150	-6.000	4.00000	4.20780	-.62903	-.33909	.53765	-.01786	-.00099	-.00480
1.150	-4.000	4.00000	4.20731	-.41629	-.21232	.51067	.01899	.00577	-.00120
1.150	-2.000	4.00000	4.20662	-.18756	-.09283	.49473	.05149	.01180	.00207
1.150	.000	4.00000	4.20569	.04024	.01962	.48740	.08076	.01714	.00510
1.150	2.000	4.00000	4.20561	.26592	.12901	.48526	.10598	.02169	.00798
	GRADIENT	.00000	-.00030	.11372	.05682	-.00418	.01451	.00265	.00153

LARC 8FT TPT /49 (1A93) OTSAT130

(FJJ010) (15 JUL 76)

REFERENCE DATA

SREF = 2690 0000 SQ.FT. XMRP = 976 0000 IN. XT
 LREF = 1290.3000 INCHES YMRP = .0000 IN. YT
 BREF = 1290.3000 INCHES ZMRP = 400.0000 IN. ZT
 SCALE = .0100

PARAMETRIC DATA

BETA = 4.000 ELV-LI = 10.000
 ELV-LO = 4.000 ELV-RI = 10.000
 ELV-RO = 4.000

RUN NO. 0/ 0 RN/L = 4.22 GRADIENT INTERVAL = -5.00/ 5.00

MACH	ALPHA	BETA	RN/L	L/DO	CLU	CDU	CNW	CBW	CTH
1.205	-8 000	4.00000	4 21687	-1.80580	-.46814	.57989	-.04752	-.00653	-.00957
1 205	-6 000	4.00000	4 21577	- 61027	-.33051	.54206	-.01164	.00014	-.00679
1 205	-4 000	4 00000	4 21469	- 39242	-.20264	.51611	.02361	.00661	-.00372
1 205	-2.000	4.00000	4.21419	-.16772	-.08390	.50069	.05511	.01231	-.00023
1 205	.000	4 00000	4 21475	05165	.02544	.49352	.08291	.01743	.00305
1 205	2.000	4 00000	4 21548	26362	.12968	.49193	.10770	.02181	.00617
1.205	4.000	4 00000	4 21553	47402	.23638	.49829	.12986	.02572	.00886
	GRADIENT	.00000	00015	10821	.05458	-.00222	.01325	.00238	.00158

LARC 8FT TPT 749 (1A93) OTSAT130

(FJJ011) (15 JUL 76)

REFERENCE DATA

SREF = 2690.0000 SQ.FT. XMRP = 976 0000 IN. XT
 LREF = 1290.3000 INCHES YMRP = .0000 IN. YT
 BREF = 1290.3000 INCHES ZMRP = 400 0000 IN. ZT
 SCALE = .0100

PARAMETRIC DATA

BETA = 6 000 ELV-LI = 10.000
 ELV-LO = 4.000 ELV-RI = 10.000
 ELV-RO = 4 000

RUN NO 0/ 0 RN/L = 3.17 GRADIENT INTERVAL = -5.00/ 5 00

MACH	ALPHA	BETA	RN/L	L/DO	CLU	CDU	CNW	CBW	CTH
.600	-8 000	6.00000	3 16968	-1 14731	-.40480	.35216	-.08752	-.01019	-.02308
.600	-6 000	6.00000	3 16981	- 91735	-.29712	.32412	- 06309	-.00563	-.01849
.600	-4.000	6.00000	3 16840	-.64977	-.19864	.30562	-.03949	-.00114	- 01393
.600	-2 000	6 00000	3 16817	-.34653	-.10137	.29258	-.01242	.00364	- 00825
.600	.000	6 00000	3 16590	.00143	.00039	.28507	.01299	.00837	- 00320
.600	2.000	6 00000	3.16708	37008	.10460	.28261	.03898	.01320	.00205
.600	4.000	6 00000	3 16743	.71847	.20509	.28526	.06383	.01779	.00701
	GRADIENT	.00000	- 00015	17265	.05067	- 00253	.01290	.00237	.00261

LARC 8FT TPT /49 (1A93) OTSAT130

(FJJ011) (15 JUL 76)

REFERENCE DATA

SREF = 2690.0000 SQ.FT XMRP = 976.0000 IN. XT
 LREF = 1290.3000 INCHES YMRP = .0000 IN. YT
 BREF = 1290.3000 INCHES ZMRP = 400.0000 IN ZT
 SCALE = .0100

PARAMETRIC DATA

BETA = 6.000 ELV-LI = 10.000
 ELV-LO = 4.000 ELV-RI = 10.000
 ELV-RO = 4.000

RUN NO 0/ 0 RN/L = 3.97 GRADIENT INTERVAL = -5.00/ 5.00

MACH	ALPHA	BETA	RN/L	L/DU	CLU	CDU	CNW	CBW	CTW
.900	-8.000	6.00000	3.97000	-1.02781	-43680	.42407	-.05912	-.00798	-.01468
.900	-6.000	6.00000	3.97058	-.82083	-32024	.39066	-.03131	-.00318	-.00883
.900	-4.000	6.00000	3.97086	-.57410	-.21124	.36777	-.00165	.00205	-.00277
.900	-2.000	6.00000	3.97141	-.28772	-.10131	.35234	.02848	.00739	.00342
.900	.000	6.00000	3.97186	.02761	.00945	.34455	.05826	.01269	.00897
.900	2.000	6.00000	3.97194	.36054	.12441	.34517	.08453	.01716	.01363
.900	4.000	6.00000	3.97132	.66521	.23629	.35495	.10631	.02054	.01582
	GRADIENT	.00000	.00007	.15634	.05604	-.00164	.01360	.00234	.00237

RUN NO 0/ 0 RN/L = 4.08 GRADIENT INTERVAL = -5.00/ 5.00

MACH	ALPHA	BETA	RN/L	L/DU	CLU	CDU	CNW	CBW	CTW
.975	-8.000	6.00000	4.07781	-.91710	-.46559	.50669	-.06018	-.00842	-.01283
.975	-6.000	6.00000	4.07718	-.72154	-.33914	.47042	-.02916	-.00293	-.00736
.975	-4.000	6.00000	4.07429	-.50223	-.22325	.44427	.00248	.00274	-.00200
.975	-2.000	6.00000	4.07432	-.25354	-.10854	.42840	.03553	.00880	-.00305
.975	.000	6.00000	4.07873	.01694	.00709	.42242	.06725	.01487	.00725
.975	2.000	6.00000	4.08146	.27233	.11473	.42114	.09464	.01973	.01132
.975	4.000	6.00000	4.08241	.54029	.23236	.42944	.12191	.02426	.01524
	GRADIENT	.00000	.00117	.13055	.05672	-.00185	.01490	.00270	.00214

RUN NO 0/ 0 RN/L = 4.21 GRADIENT INTERVAL = -5.00/ 5.00

MACH	ALPHA	BETA	RN/L	L/DU	CLU	CDU	CNW	CBW	CTW
1.150	-6.000	6.00000	4.20709	-.62795	-.33930	.53893	-.01016	.00046	-.00564
1.150	-4.000	6.00000	4.20664	-.41917	-.21455	.51257	.02752	.00725	-.00208
1.150	-2.000	6.00000	4.20632	-.19389	-.09622	.49576	.05900	.01313	.00114
1.150	.000	6.00000	4.20631	.04076	.01992	.48750	.08879	.01847	.00456
1.150	2.000	6.00000	4.20656	.26966	.13114	.48640	.11540	.02314	.00775
	GRADIENT	.00000	-.00001	.11506	.05766	-.00434	.01467	.00265	.00165

LARC 8FT TPT /49 (1A93) OTSAT130

(FJJ011) (15 JUL 76)

REFERENCE DATA

PARAMETRIC DATA

SREF = 2690.0000 SQ.FT. XMRP = 976.0000 IN. XT
 LREF = 1290.3000 INCHES YMRP = 0000 IN. YT
 BREF = 1290.3000 INCHES ZMRP = 400.0000 IN. ZT
 SCALE = .0100

BETA = 6.000 ELV-L1 = 10.000
 ELV-LO = 4.000 ELV-R1 = 10.000
 ELV-RO = 4.000

RUN NO. 0/ 0 RN/L = 4.22 GRADIENT INTERVAL = -5.00/ 5.00

MACH	ALPHA	BETA	RN/L	L/DU	CLU	CDU	CNW	CBW	CTW
1.205	-8.000	6.00000	4.21651	-.80954	-47057	58009	-.04368	-.00555	-.01123
1.205	-6.000	6.00000	4.21535	-6.1148	-.33119	.54214	-.00613	.00117	-.00799
1.205	-4.000	6.00000	4.21426	-.39739	-20529	51637	.02930	.00763	-.00486
1.205	-2.000	6.00000	4.21434	-.17604	-.08807	50051	.06046	.01329	-.00155
1.205	.000	6.00000	4.21453	.04862	02395	.49302	.08973	.01846	.00227
1.205	2.000	6.00000	4.21479	.26868	.13237	.49267	.11560	.02296	.00565
1.205	4.000	6.00000	4.21586	.48032	23953	.49841	.13784	.02678	.00858
	GRADIENT	.00000	00018	.11001	.05550	-.00219	.01361	.00240	.00170

LARC 8FT TPT 749 (1A93) OTSAT130

(FJJ012) (15 JUL 76)

REFERENCE DATA

PARAMETRIC DATA

SREF = 2690.0000 SQ.FT. XMRP = 976.0000 IN. XT
 LREF = 1290.3000 INCHES YMRP = 0000 IN. YT
 BREF = 1290.3000 INCHES ZMRP = 400.0000 IN. ZT
 SCALE = .0100

BETA = -6.000 ELV-L1 = 10.000
 ELV-LO = 14.000 ELV-R1 = 10.000
 ELV-RO = 14.000

RUN NO. 0/ 0 RN/L = 3.16 GRADIENT INTERVAL = -5.00/ 5.00

MACH	ALPHA	BETA	RN/L	L/DU	CLU	CDU	CNW	CBW	CTW
.600	-8.000	-6.00000	3.16572	-1.01198	-35552	.35045	-.05315	-.00391	-.02521
.600	-6.000	-6.00000	3.16448	-76174	-24767	.32543	-.03059	.00009	-.02105
.600	-4.000	-6.00000	3.16437	-48464	-14887	30830	-.00971	.00379	-.01671
.600	-2.000	-6.00000	3.16483	-17401	-05178	29722	.01009	.00737	-.01242
.600	.000	-6.00000	3.16368	17320	05044	.29074	.03037	.01124	-.00827
.600	2.000	-6.00000	3.16308	53905	.15699	.29098	.05391	.01558	-.00390
.600	4.000	-6.00000	3.16502	88355	.26180	.29585	.07706	.01969	.00056
	GRADIENT	.00000	-.00002	.17247	.05151	-.00156	.01087	.00200	.00215

LARC 8FT TPT /49 (1A93) OTSAT130

(FJJ012) (15 JUL 76)

REFERENCE DATA

PARAMETRIC DATA

SREF = 2690.0000 SQ.FT. XMRP = 976.0000 IN. XT
 LREF = 1290.3000 INCHES YMRP = 0000 IN. YT
 BREF = 1290.3000 INCHES ZMRP = 400.0000 IN. ZT
 SCALE = .0100

BETA = -6.000 ELV-LI = 10.000
 ELV-LO = 14.000 ELV-RI = 10.000
 ELV-RO = 14.000

RUN NO 0/ 0 RN/L = 3.97 GRADIENT INTERVAL = -5.00/ 5 00

MACH	ALPHA	BETA	RN/L	L/DO	CLU	CDU	CNW	CBW	CTW
.900	-8.000	-6.00000	3.97080	-.93803	-.40376	.42933	-.03659	-.00404	-.01985
.900	-6.000	-6.00000	3.96999	-.72134	-.28629	.39734	-.01686	-.00030	-.01585
.900	-4.000	-6.00000	3.96921	-.46768	-.17576	.37559	.00351	.00354	-.01188
.900	-2.000	-6.00000	3.96806	-.16810	-.06074	.36142	.02501	.00750	-.00778
.900	.000	-6.00000	3.96852	.16556	.05876	.35542	.04930	.01208	-.00356
.900	2.000	-6.00000	3.97130	.49689	.17699	.35653	.07534	.01681	.00078
.900	4.000	-6.00000	3.97336	.79259	.29021	.36579	.09970	.02135	.00433
	GRADIENT	.00000	.00058	.15928	.05848	-.00122	.01214	.00225	.00205

RUN NO 0/ 0 RN/L = 4.08 GRADIENT INTERVAL = -5.00/ 5 00

MACH	ALPHA	BETA	RN/L	L/DO	CLU	CDU	CNW	CBW	CTW
.975	-8.000	-6.00000	4.08286	-.83053	-.42788	.51394	-.06058	-.00722	-.01969
.975	-6.000	-6.00000	4.08341	-.62821	-.30020	.47843	-.03536	-.00255	-.01622
.975	-4.000	-6.00000	4.08155	-.40844	-.18565	.45429	-.00993	.00203	-.01216
.975	-2.000	-6.00000	4.07872	-.16119	-.07083	.43961	.01534	.00639	-.00760
.975	.000	-6.00000	4.08015	.10644	.04614	.43383	.03975	.01091	-.00366
.975	2.000	-6.00000	4.08099	.36947	.16144	.43704	.06629	.01585	-.00043
.975	4.000	-6.00000	4.08074	.61861	.27844	.44959	.09098	.02058	.00239
	GRADIENT	.00000	.00003	.12924	.05802	-.00060	.01264	.00233	.00181

RUN NO. 0/ 0 RN/L = 4.21 GRADIENT INTERVAL = -5.00/ 5.00

MACH	ALPHA	BETA	RN/L	L/DO	CLU	CDU	CNW	CBW	CTW
1.150	-6.000	-6.00000	4.20870	-.55585	-.30210	.54164	-.03582	-.00305	-.00920
1.150	-4.000	-6.00000	4.20897	-.34377	-.17777	.51832	-.00969	.00178	-.00569
1.150	-2.000	-6.00000	4.20924	-.12387	-.06286	.50620	.01825	.00689	-.00198
1.150	.000	-6.00000	4.20957	.09972	.04095	.50031	.04606	.01207	.00108
1.150	2.000	-6.00000	4.21027	.32010	.16049	.50143	.07246	.01691	.00342
	GRADIENT	.00000	.00021	.11076	.05638	-.00283	.01371	.00253	.00152

LARC 8FT TPT 749 (1A93) OTSAT130

(FJJ012) (15 JUL 76)

REFERENCE DATA

SREF = 2690.0000 SQ.FT. XMRP = 976.0000 IN. XT
 LREF = 1290.3000 INCHES YMRP = .0000 IN. YT
 BREF = 1290.3000 INCHES ZMRP = 400.0000 IN. ZT
 SCALE = .0100

PARAMETRIC DATA

BETA = -6.000 ELV-LI = 10.000
 ELV-LO = 14.000 ELV-RI = 10.000
 ELV-RO = 14.000

RUN NO. 0/ 0 RN/L = 4.22 GRADIENT INTERVAL = -5.00/ 5.00

MACH	ALPHA	BETA	RN/L	L/DU	CLU	CDU	CNW	CBW	CTW
1.205	-8.000	-6.00000	4.21366	-.74844	-.43958	.58496	-.05867	-.00760	-.00966
1.205	-6.000	-6.00000	4.21285	-.54701	-.29937	.54829	-.03414	-.00281	-.00723
1.205	-4.000	-6.00000	4.21211	-.33286	-.17557	.52685	-.00714	.00242	-.00466
1.205	-2.000	-6.00000	4.21500	-.11139	-.05730	.51463	.02213	.00788	-.00171
1.205	000	-6.00000	4.21851	.10457	.05327	.50951	.04905	.01281	.00131
1.205	2.000	-6.00000	4.21669	.31082	.15896	.51121	.07272	.01715	.00340
1.205	4.000	-6.00000	4.21663	.50897	.26406	.51813	.09233	.02074	.00498
	GRADIENT	00000	.00054	.10529	.05478	-.00104	.01248	.00230	.00122

LARC 8FT TPT 749 (1A93) OTSAT130

(FJJ013) (15 JUL 76)

REFERENCE DATA

SREF = 2690.0000 SQ.FT. XMRP = 976.0000 IN. XT
 LREF = 1290.3000 INCHES YMRP = .0000 IN. YT
 BREF = 1290.3000 INCHES ZMRP = 400.0000 IN. ZT
 SCALE = .0100

PARAMETRIC DATA

BETA = -4.000 ELV-LI = 10.000
 ELV-LO = 14.000 ELV-RI = 10.000
 ELV-RO = 14.000

RUN NO. 0/ 0 RN/L = 3.16 GRADIENT INTERVAL = -5.00/ 5.00

MACH	ALPHA	BETA	RN/L	L/DU	CLU	CDU	CNW	CBW	CTW
.600	-8.000	-4.00000	3.16292	-.98961	-.34889	.35175	-.05162	-.00369	-.02516
.600	-6.000	-4.00000	3.16078	-.74854	-.24414	.32621	-.02863	.00038	-.02073
.600	-4.000	-4.00000	3.16007	-.47803	-.14783	.30902	-.00775	.00418	-.01631
.600	-2.000	-4.00000	3.16344	-.17393	-.05193	.29866	.01369	.00794	-.01184
.600	000	-4.00000	3.16644	.16905	.04940	.29190	.03662	.01211	-.00728
.600	2.000	-4.00000	3.17002	.51821	.15038	.28973	.06109	.01648	-.00249
.600	4.000	-4.00000	3.16844	.85882	.25435	.29575	.08443	.02074	.00203
	GRADIENT	.00000	.00117	.16829	.05033	-.00177	.01159	.00208	.00230

LARC 8FT TPT 749 (1A93) OTSAT130

(FJJ013) (15 JUL 76)

REFERENCE DATA

PARAMETRIC DATA

SREF = 2690.0000 SQ.FT. XMRP = 976.0000 IN. XT
 LREF = 1290.3000 INCHES YMRP = .0000 IN. YT
 BREF = 1290.3000 INCHES ZMRP = 400.0000 IN. ZT
 SCALE = .0100

BETA = -4.000 ELV-LI = 10.000
 ELV-LO = 14.000 ELV-RI = 10.000
 ELV-RO = 14.000

RUN NO. 0/0 RN/L = 3.97 GRADIENT INTERVAL = -5.00/ 5.00

MACH	ALPHA	BETA	RN/L	L/DU	CLU	CDU	CNW	CBW	CTW
.900	-8.000	-4.00000	3.97045	-.95336	-.41055	.42968	-.03707	-.00394	-.02004
.900	-6.000	-4.00000	3.95791	-.73586	-.29125	.39617	-.01648	-.00008	-.01598
.900	-4.000	-4.00000	3.96742	-.46631	-.17412	.37346	.00455	.00392	-.01189
.900	-2.000	-4.00000	3.96859	-.16555	-.05913	.35720	.02754	.00809	-.00721
.900	.000	-4.00000	3.96874	.16417	.05737	.34989	.05541	.01313	-.00265
.900	2.000	-4.00000	3.96972	.51491	.18112	.35204	.08329	.01842	.00173
.900	4.000	-4.00000	3.97267	.81262	.29485	.36250	.10894	.02308	.00554
	GRADIENT	.00000	.00058	.16192	.05891	-.00135	.01323	.00243	.00219

RUN NO 0/0 RN/L = 4.08 GRADIENT INTERVAL = -5.00/ 5.00

MACH	ALPHA	BETA	RN/L	L/DU	CLU	CDU	CNW	CBW	CTW
.975	-8.000	-4.00000	4.08041	-.83122	-.42927	.51510	-.05751	-.00672	-.01914
.975	-6.000	-4.00000	4.08087	-.63261	-.30242	.47862	-.03209	-.00206	-.01558
.975	-4.000	-4.00000	4.07918	-.41584	-.18871	.45352	-.00632	.00263	-.01156
.975	-2.000	-4.00000	4.08087	-.17365	-.07594	.43775	.01979	.00718	-.00687
.975	.000	-4.00000	4.08296	.09434	.04065	.43138	.04584	.01201	-.00269
.975	2.000	-4.00000	4.08550	.36097	.15645	.43347	.07352	.01741	.00016
.975	4.000	-4.00000	4.08507	.61650	.27566	.44655	.10130	.02254	.00336
	GRADIENT	.00000	.00082	.12996	.05806	-.00091	.01345	.00250	.00184

RUN NO. 0/0 RN/L = 4.21 GRADIENT INTERVAL = -5.00/ 5.00

MACH	ALPHA	BETA	RN/L	L/DU	CLU	CDU	CNW	CBW	CTW
1.150	-6.000	-4.00000	4.20753	-.56550	-.30720	.54142	-.02961	-.00214	-.00870
1.150	-4.000	-4.00000	4.20753	-.35001	-.18055	.51695	-.00151	.00311	-.00517
1.150	-2.000	-4.00000	4.20874	-.12658	-.06391	.50386	.02792	.00869	-.00166
1.150	.000	-4.00000	4.20899	.09549	.04756	.49761	.05740	.01409	.00149
1.150	2.000	-4.00000	4.20937	.31181	.15521	.49784	.08352	.01881	.00403
	GRADIENT	.00000	.00029	.11038	.05594	-.00318	.01423	.00262	.00154

LARC 8FT TPT /49 (1A93) OTSAT130

(FJJ013) (15 JUL 76)

REFERENCE DATA

SREF = 2690 0000 SQ.FT. XMRP = 976.0000 IN. XT
 LREF = 1290.3000 INCHES YMRP = .0000 IN. YT
 BREF = 1290.3000 INCHES ZMRP = 400 0000 IN. ZT
 SCALE = .0100

PARAMETRIC DATA

BETA = -4.000 ELV-LI = 10.000
 ELV-LO = 14.000 ELV-RI = 10.000
 ELV-RO = 14.000

RUN NO. 0/ 0 RN/L = 4.22 GRADIENT INTERVAL = -5.00/ 5.00

MACH	ALPHA	BETA	RN/L	L/DU	CLU	CDU	CNW	CBW	CTW
1.205	-8.000	-4.00000	4 21750	-.74804	-.43875	.58431	-.05288	-.00680	-.00926
1.205	-6.000	-4.00000	4 21518	-.55249	-.30178	.54699	-.02624	-.00166	-.00681
1.205	-4.000	-4.00000	4 21389	-.33516	-.17595	.52457	.00297	.00404	-.00434
1.205	-2.000	-4.00000	4.21636	-.10912	-.05586	.51220	.03360	.00979	-.00139
1.205	.000	-4.00000	4 21677	.10705	.05423	.50651	.06063	.01475	.00156
1.205	2.000	-4.00000	4.21581	.30668	.15559	.50710	.08493	.01901	.00417
1.205	4.000	-4.00000	4.21714	.50857	.26222	.51490	.10368	.02251	.00561
	GRADIENT	00000	.00030	10516	.05439	-.00122	.01264	.00231	.00127

LARC 8FT TPT 749 (1A93) OTSAT130

(FJJ014) (15 JUL 76)

REFERENCE DATA

SREF = 2690.0000 SQ.FT. XMRP = 976.0000 IN. XT
 LREF = 1290.3000 INCHES YMRP = .0000 IN. YT
 BREF = 1290.3000 INCHES ZMRP = 400 0000 IN. ZT
 SCALE = 0100

PARAMETRIC DATA

BETA = .000 ELV-LI = 10.000
 ELV-LO = 14.000 ELV-RI = 10.000
 ELV-RO = 14.000

RUN NO 0/ 0 RN/L = 3.16 GRADIENT INTERVAL = -5.00/ 5.00

MACH	ALPHA	BETA	RN/L	L/DU	CLU	CDU	CNW	CBW	CTW
.600	-8.000	.00000	3.15186	-1.02518	-.35817	.34857	-.05196	-.00390	-.02442
.600	-6.000	.00000	3.15678	-.78444	-.25218	.32141	-.02837	.00026	-.01980
.600	-4.000	.00000	3.16244	-.50491	-.15344	.30366	-.00458	.00444	-.01496
.600	-2.000	.00000	3.16519	-.20168	-.05903	.29279	.01980	.00873	-.00995
.600	.000	.00000	3.17081	.14825	.04273	.28717	.04382	.01304	-.00502
.600	2.000	.00000	3.17125	.51612	.14774	.28597	.06861	.01765	-.00006
.600	4.000	.00000	3.17266	.86248	.25078	.29042	.09510	.02239	.00487
	GRADIENT	00000	.00133	.17263	.05076	-.00166	.01241	.00224	.00248

LARC 8FT TPT /49 (1A93) OTSAT130

(FJJ014) (15 JUL 76)

REFERENCE DATA

SREF = 2690.0000 SQ.FT. XMRP = 976.0000 IN. XT
 LREF = 1290.3000 INCHES YMRP = 0000 IN. YT
 BREF = 1290.3000 INCHES ZMRP = 400 0000 IN. ZT
 SCALE = 0100

PARAMETRIC DATA

BETA = .000 ELV-LI = 10.000
 ELV-LO = 14.000 ELV-RI = 10.000
 ELV-RO = 14.000

RUN NO. 0/ 0 RN/L = 3.97 GRADIENT INTERVAL = -5.00/ 5.00

MACH	ALPHA	BETA	RN/L	L/DU	CLU	CDU	CNW	CBW	CTW
900	-8 000	00000	3.96425	-.98286	-.41945	.42624	-.04418	- 00493	- 02000
.900	-6.000	00000	3 96356	-.76607	-.29768	.38853	-.01845	- 00039	- 01498
.900	-4.000	00000	3 96548	-.48843	-.17671	.36209	00831	00436	-.00965
900	-2 000	.00000	3 96871	-.19196	-.06658	.34675	03600	.00916	- 00413
900	.000	.00000	3 96965	.16690	05703	34181	06772	.01508	00067
900	2.000	00000	3.97151	.52094	.17959	34480	.09912	.02100	.00530
900	4 000	.00000	3 97446	02972	29635	.35675	12636	.02557	.00981
	GRADIENT	.00000	.00104	.16746	.05961	-.00063	.01496	00271	.00242

RUN NO. 0/ 0 RN/L = 4 08 GRADIENT INTERVAL = -5 00/ 5 00

MACH	ALPHA	BETA	RN/L	L/DU	CLU	CDU	CNW	CBW	CTW
975	-8.000	00000	4 08154	- 85460	- 43820	51160	- 05176	-.00582	-.01792
.975	-6 000	.00000	4 09144	- 65391	- 30925	.47331	-.02395	- 00078	-.01353
.975	-4 000	.00000	4 08299	- 43123	- 19258	.44646	.00446	.00425	- 00865
.975	-2 000	.00000	4.08655	-.19116	-.08243	.43142	.03270	.00929	-.00353
975	.000	00000	4.08628	06584	02796	42518	.06083	01454	00085
.975	2.000	00000	4 09585	33118	14112	.42609	09049	01996	.00450
975	4 000	00000	4.08343	59847	.26122	.43601	.11729	02481	.00716
	GRADIENT	00000	.00001	12909	05656	- 00131	01417	00259	.00198

RUN NO 0/ 0 RN/L = 4 21 GRADIENT INTERVAL = -5.00/ 5.00

MACH	ALPHA	BETA	RN/L	L/DU	CLU	CDU	CNW	CBW	CTW
1.150	-6.000	00000	4.21031	-.58951	- 31851	.53865	- 01849	- 00018	-.00778
1 150	-4 000	.00000	4.20988	-.36836	- 18887	.51360	01661	00628	- 00389
1.150	-2.000	00000	4 21013	-.13451	-.06740	50046	05193	01265	-.00002
1.150	.000	00000	4.21090	.08161	04032	49393	.08011	.01781	.00280
1 150	2.000	.00000	4 21032	29394	.14775	49270	10609	.02236	.00580
	GRADIENT	.00000	.00010	.11105	05588	- 00346	.01483	00267	00159

ORIGINAL PAGE IS
OF POOR QUALITY

LARC 8FT TPT 749 (1A93) OTSAT130

(FJJ014) (15 JUL 76)

REFERENCE DATA

PARAMETRIC DATA

SREF = 2690.0000 SQ.FT. XMRP = 976.0000 IN. XT
 LREF = 1290.3000 INCHES YMRP = 0000 IN. YT
 BREF = 1290.3000 INCHES ZMRP = 400.0000 IN. ZT
 SCALE = .0100

BETA = .000 ELV-L1 = 10.000
 ELV-LO = 14.000 ELV-R1 = 10.000
 ELV-RO = 14.000

RUN NO. 0/ 0 RN/L = 4.22 GRADIENT INTERVAL = -5.00/ 5 00

MACH	ALPHA	BETA	RN/L	L/DU	CLU	CDU	CNW	CBW	CTW
1.205	-8.000	.00000	4 22052	-.76091	-.44275	.57960	-.04195	-.00504	-.00895
1.205	-6.000	.00000	4 22155	-.56848	-.30837	.54339	-.01073	.00103	-.00660
1 205	-4 000	.00000	4 22077	-.34755	-.19126	.52062	.02189	.00729	-.00425
1 205	-2 000	.00000	4 22114	-.12120	-.06128	.50678	.05450	.01302	-.00072
1 205	000	.00000	4 22143	.08852	.04441	.50175	.08435	.01821	.00282
1.205	2 000	.00000	4 21924	.29991	.15026	.50071	.10744	.02236	.00550
1.205	4 000	.00000	4 21276	.49687	.25231	.50726	.12685	.02588	.00747
	GRADIENT	.00000	- 00090	.10550	.05393	-.00164	.01314	.00233	.00148

LARC 8FT TPT 749 (1A93) OTSAT130

(FJJ015) (15 JUL 76)

REFERENCE DATA

PARAMETRIC DATA

SREF = 2690 0000 SQ.FT. XMRP = 976 0000 IN. XT
 LREF = 1290.3000 INCHES YMRP = 0000 IN. YT
 BREF = 1290 3000 INCHES ZMRP = 400 0000 IN. ZT
 SCALE = .0100

BETA = 4 000 ELV-L1 = 10.000
 ELV-LO = 14.000 ELV-R1 = 10.000
 ELV-RO = 14.000

RUN NO. 0/ 0 RN/L = 3 16 GRADIENT INTERVAL = -5.00/ 5.00

MACH	ALPHA	BETA	RN/L	L/DU	CLU	CDU	CNW	CBW	CTW
600	-8 000	4 00000	3 16947	-1 01200	-.35503	.34992	-.05341	-.00414	-.02397
600	-6 000	4 00000	3 16904	-.78532	-.25521	.32526	-.02954	.00016	-.01938
600	-4.000	4.00000	3.16621	-.53003	-.16412	.30920	-.00636	.00435	-.01491
.600	-2.000	4 00000	3.16382	-.19131	-.05640	.29523	.02002	.00921	-.00957
.600	.000	4.00000	3 16257	.16006	.04637	.28936	.04421	.01396	-.00470
600	2.000	4 00000	3.16327	.51108	.14801	.28936	.07219	.01880	.00074
600	4.000	4.00000	3 16303	.86912	.25531	.29324	.09791	.02377	.00552
	GRADIENT	.00000	- 00035	.17503	.05216	-.00189	.01304	.00242	.00256

LARC 8FT TPT /49 (1A93) OTSAT130

(FJJ015) (15 JUL 76)

REFERENCE DATA

SREF = 2690.0000 SQ.FT. XMRP = 976 0000 IN. XT
 LREF = 1290 3000 INCHES YMRP = .0000 IN. YT
 BREF = 1290 3000 INCHES ZMRP = 400.0000 IN ZT
 SCALE = .0100

PARAMETRIC DATA

BETA = 4.000 ELV-LI = 10.000
 ELV-LO = 14.000 ELV-RI = 10.000
 ELV-RO = 14.000

RUN NO. 0/ 0 RN/L = 3.97 GRADIENT INTERVAL = -5.00/ 5.00

MACH	ALPHA	BETA	RN/L	L/OU	CLU	CDU	CNW	CBW	CTW
.900	-8 000	4.00000	3.97049	- 95609	- 41045	42820	- 04019	- 00444	-.01742
.900	-6.000	4 00000	3 96999	- 74283	- 29188	39343	- 01385	.00021	-.01217
.900	-4.000	4 00000	3.96990	- 48687	- 18039	37016	01714	.00568	-.00660
900	-2.000	4 00000	3 96789	- 18134	- 06427	.35504	04962	.01163	-.00072
900	.000	4 00000	3 96816	16051	05595	34902	08161	.01768	.00393
.900	2.000	4 00000	3 97196	50862	.17790	34983	11364	02339	00866
900	4.000	4 00000	3 97334	81365	29535	.36265	13973	02774	.01259
	GRADIENT	00000	00055	.16455	.05968	-.00101	01546	.00279	.00239

RUN NO 0/ 0 RN/L = 4 08 GRADIENT INTERVAL = -5.00/ 5 00

MACH	ALPHA	BETA	RN/L	L/OU	CLU	CDU	CNW	CBW	CTW
975	-8 000	4 00000	4.07878	- 84963	- 43626	.51232	-.04157	- 00423	-.01630
975	-6 000	4 00000	4.07845	- 64804	- 30753	.47510	- 01109	00122	-.01122
975	-4 000	4 00000	4 08050	- 42674	-.19199	44955	01880	00663	- 00611
975	-2 000	4 00000	4.08207	- 18271	-.07924	.43438	04830	.01221	-.00132
.975	.000	4.00000	4.08578	.08943	.03828	.42902	.08006	.01816	.00329
975	2 000	4.00000	4 08484	.35347	15141	.42840	11125	02328	.00788
.975	4 000	4 00000	4.08446	61638	27158	43992	13935	.02825	.01056
	GRADIENT	00000	.00053	13112	.05789	- 00126	01520	.00272	.00213

RUN NO. 0/ 0 RN/L = 4 21 GRADIENT INTERVAL = -5.00/ 5.00

MACH	ALPHA	BETA	RN/L	L/OU	CLU	CDU	CNW	CBW	CTW
1.150	-6.000	4 00000	4 20859	-.57561	-.31336	.54263	- 00059	00286	-.00766
1 150	-4.000	4 00000	4 20941	- 35798	-.18438	.51596	.03714	00965	-.00380
1 150	-2 000	4 00000	4 20977	- 13412	- 06727	50106	06933	01555	-.00043
1.150	.000	4 00000	4 20843	.08860	04382	49457	09680	.02058	.00277
1.150	2.000	4 00000	4 21016	31484	15515	.49290	12363	.02521	00638
	GRADIENT	.00000	.00005	.11206	05648	- 00378	.01435	.00259	.00169

LARC 8FT TPT 749 (1A93) OTSAT130

(FJJ015) (15 JUL 76)

REFERENCE DATA

SREF = 2690.0000 SQ.FT. XMRP = 976.0000 IN. XT
 LREF = 1290.3000 INCHES YMRP = .0000 IN. YT
 BREF = 1290.3000 INCHES ZMRP = 400.0000 IN. ZT
 SCALE = .0100

PARAMETRIC DATA

BETA = 4.000 ELV-LI = 10.000
 ELV-LO = 14.000 ELV-RI = 10.000
 ELV-RO = 14.000

RUN NO. 0/0 RN/L = 4.22 GRADIENT INTERVAL = -5.00/ 5.00

MACH	ALPHA	BETA	RN/L	L/DU	CLU	CDU	CNW	CBW	CTW
1.205	-8 000	4 00000	4 21390	-.75661	- 44426	.58499	-.03159	-.00299	- 01215
1 205	-6 000	4 00000	4.21491	-.56325	- 30792	.54761	.00359	.00342	-.00893
1 205	-4 000	4.00000	4 21454	-.34349	-.17984	.52273	.03801	.00976	-.00577
1 205	-2 000	4 00000	4 21442	-.11733	- 05946	.50781	.06878	.01539	- 00240
1.205	000	4.00000	4 21724	.09069	.04547	.50173	.09705	.02032	.00143
1.205	2 000	4 00000	4 21950	.30133	.15098	.50077	.12130	.02460	.00483
1.205	4 000	4.00000	4 21844	.50461	.25665	.50807	.14238	.02830	.00719
	GRADIENT	00000	00064	10574	.05417	-.00182	01306	.00231	.00166

LARC 8FT TPT 749 (1A93) OTSAT130

(FJJ015) (15 JUL 76)

REFERENCE DATA

SREF = 2690.0000 SQ.FT. XMRP = 976.0000 IN. XT
 LREF = 1290.3000 INCHES YMRP = .0000 IN. YT
 BREF = 1290.3000 INCHES ZMRP = 400 0000 IN. ZT
 SCALE = .0100

PARAMETRIC DATA

BETA = 6.000 ELV-LI = 10.000
 ELV-LO = 14.000 ELV-RI = 10.000
 ELV-RO = 14.000

RUN NO. 0/0 RN/L = 3.16 GRADIENT INTERVAL = -5.00/ 5.00

MACH	ALPHA	BETA	RN/L	L/DU	CLU	CDU	CNW	CBW	CTW
.600	-8.000	6.00000	3.17178	-1.02052	-.35837	.35017	- 05412	-.00414	-.02386
.600	-6 000	6 00000	3 17028	- 78482	-.25404	.32396	- 02942	.00035	-.01906
.600	-4 000	6.00000	3 16711	-.53207	-.16388	.30771	- 00606	.00458	- 01430
.600	-2 000	6 00000	3.16527	- 19923	-.05889	.29560	.02098	.00953	-.00907
.600	.000	6 00000	3 16389	.16350	.04723	.28864	.04685	.01448	-.00408
.600	2.000	6.00000	3.16286	.52120	.15070	.28894	.07483	.01954	.00140
.600	4.000	6.00000	3 16251	.88606	.26019	.29332	.10057	.02459	.00601
	GRADIENT	.00000	-.00058	.17783	.05289	-.00177	.01336	.00250	.00255

LARC 8FT TPT 749 (1A93) OTSAT130

(FJJ016) (15 JUL 76)

REFERENCE DATA

SREF = 2690.0000 SQ FT. XMRP = 976.0000 IN. XT
 LREF = 1290.3000 INCHES YMRP = .0000 IN. YT
 BREF = 1290.3000 INCHES ZMRP = 400.0000 IN. ZT
 SCALE = .0100

PARAMETRIC DATA

BETA = 6.000 ELV-LI = 10.000
 ELV-LO = 14.000 ELV-RI = 10.000
 ELV-RO = 14.000

RUN NO. 0/ 0 RN/L = 3.97 GRADIENT INTERVAL = -5.00/ 5.00

MACH	ALPHA	BETA	RN/L	L/DO	CLU	CDU	CNW	CBW	CTW
900	-8 000	6.00000	3.97001	-.96205	- 41287	.42828	- 03954	-.00439	- 01662
900	-6.000	6.00000	3.96976	-.74519	-.29414	39513	- 01235	.00047	-.01117
900	-4 000	6 00000	3 96890	- 48592	-.18113	37268	01935	.00619	-.00555
.900	-2 000	6 00000	3 96776	-.18786	-.06731	.35844	.05314	.01240	.00021
900	.000	6 00000	3.97187	14954	.05263	.35223	08697	.01872	.00511
.900	2.000	6 00000	3 97209	49138	17373	35363	11859	02427	.01000
900	4 000	6 00000	3.97300	.79560	.29021	36438	.14293	02826	.01373
	GRADIENT	.00000	00063	16211	.05919	- 00107	01563	00280	.00242

RUN NO. 0/ 0 RN/L = 4 08 GRADIENT INTERVAL = -5.00/ 5 00

MACH	ALPHA	BETA	RN/L	L/DO	CLU	CDU	CNW	CBW	CTW
.975	-8 000	6.00000	4 07986	- 85423	- 43860	51230	- 03921	- 00372	- 01595
.975	-6.000	6.00000	4 08010	- 64750	- 30792	47613	- 00736	.00195	-.01045
.975	-4.000	6 00000	4.08062	-.42264	- 19082	.45118	02494	00778	-.00499
.975	-2.000	6 00000	4 08040	-.17678	- 07688	43549	05700	.01377	-.00017
.975	.000	6.00000	4 08192	10001	04290	42973	08849	.01953	00439
.975	2 000	6.00000	4 08144	.36786	15816	43001	11950	02473	00861
.975	4 000	6 00000	4 08370	.62267	27500	44108	14800	.02976	.01126
	GRADIENT	00000	00036	13176	05833	-.00128	01543	.00275	.00206

RUN NO. 0/ 0 RN/L = 4 21 GRADIENT INTERVAL = -5 00/ 5.00

MACH	ALPHA	BETA	RN/L	L/DO	CLU	CDU	CNW	CBW	CTW
1.150	-6 000	6.00000	4 20992	-.57493	- 31331	54338	00714	.00412	-.00812
1.150	-4 000	6.00000	4 20982	- 36297	-.18750	51735	04434	.01085	-.00456
1.150	-2 000	6 00000	4 20925	-.13820	- 06937	50135	07638	.01673	-.00116
1.150	.000	6 00000	4.20805	.09320	04607	.49406	10592	.02186	00274
1.150	2 000	6.00000	4 20823	.32003	15781	49316	.13220	.02643	.00617
	GRADIENT	.00000	- 00030	11402	.05757	- 00400	.01466	00259	.00180

LARC 8FT TPT 749 (1A93) OTSAT130

(FJJ016) (15 JUL 76)

REFERENCE DATA

SREF = 2690.0000 SQ.FT. XMRP = 976.0000 IN. XT
 LREF = 1290.3000 INCHES YMRP = 0000 IN. YT
 BREF = 1290.3000 INCHES ZMRP = 400.0000 IN. ZT
 SCALE = .0100

PARAMETRIC DATA

BETA = 6.000 ELV-LI = 10.000
 ELV-LO = 14.000 ELV-RI = 10.000
 ELV-RO = 14.000

RUN NO		0/0	RN/L = 4.22	GRADIENT INTERVAL = -5.00/ 5.00					
MACH	ALPHA	BETA	RN/L	L/DU	CLU	CDU	CNW	CBW	CTW
1.205	-8.000	6.00000	4.21705	-.76315	-.44825	.58546	-.02775	-.00222	-.01346
1.205	-6.000	6.00000	4.21773	-.56410	-.30849	.54756	.00877	.00422	-.00990
1.205	-4.000	6.00000	4.21740	-.34895	-.18245	.52244	.04400	.01067	-.00661
1.205	-2.000	6.00000	4.21684	-.12921	-.06550	.50725	.07448	.01624	-.00328
1.205	0.000	6.00000	4.21860	.09431	.04720	.50054	.10320	.02128	.00068
1.205	2.000	6.00000	4.22173	.31206	.15530	.50070	.12945	.02574	.00431
1.205	4.000	6.00000	4.22072	.51599	.26200	.50730	.15070	.02939	.00691
GRADIENT		00000	00058	.10856	.05554	-.00184	.01342	.00235	.00173

LARC 8FT TPT 749 (1A93) OTSAT130

(FJJ017) (15 JUL 76)

REFERENCE DATA

SREF = 2690.0000 SQ FT. XMRP = 976.0000 IN. XT
 LREF = 1290.3000 INCHES YMRP = .0000 IN. YT
 BREF = 1290.3000 INCHES ZMRP = 400.0000 IN. ZT
 SCALE = .0100

PARAMETRIC DATA

BETA = -6.000 ELV-LI = 10.000
 ELV-LO = -5.000 ELV-RI = 10.000
 ELV-RO = -5.000

RUN NO.		0/0	RN/L = 4.21	GRADIENT INTERVAL = -5.00/ 5.00					
MACH	ALPHA	BETA	RN/L	L/DU	CLU	CDU	CNW	CBW	CTW
1.150	-8.000	-6.00000	4.21022	-.65718	-.35547	.53932	-.07226	-.01090	-.00461
1.150	-4.000	-6.00000	4.20954	-.44662	-.22914	.51391	-.04673	-.00620	-.00102
1.150	-2.000	-6.00000	4.20938	-.22502	-.11264	.49997	-.01994	-.00127	.00247
1.150	0.000	-6.00000	4.20858	-.00007	.00003	.49308	.00803	.00393	.00544
1.150	2.000	-6.00000	4.20918	.22502	.11098	.49318	.03618	.00919	.00753
GRADIENT		00000	-.00009	.11199	.05665	-.00345	.01383	.00257	.00143

RUN NO.		0/0	RN/L = 4.22	GRADIENT INTERVAL = -5.00/ 5.00					
MACH	ALPHA	BETA	RN/L	L/DU	CLU	CDU	CNW	CBW	CTW
1.205	-8.000	-6.00000	4.22103	-.83540	-.48869	.58319	-.09256	-.01497	-.00542
1.205	-6.000	-6.00000	4.22105	-.63793	-.34705	.54488	-.06739	-.01021	-.00258
1.205	-4.000	-6.00000	4.22057	-.42434	-.22146	.52142	-.04087	-.00513	.00007
1.205	-2.000	-6.00000	4.22102	-.20491	-.10392	.50734	-.01284	.00014	.00279
1.205	0.000	-6.00000	4.22096	.01037	.00515	.50125	.01452	.00527	.00538
1.205	2.000	-6.00000	4.22184	.22474	.11284	.50215	.03941	.01011	.00691
1.205	4.000	-6.00000	4.22089	.43755	.22263	.50846	.06061	.01421	.00792
GRADIENT		.00000	00007	.10767	.05525	-.00156	.01276	.00243	.00099

LARC 8FT TPT /49 (1A93) OTSAT130

(FJJ018) (15 JUL 76)

REFERENCE DATA

SREF = 2690.0000 SQ.FT. XMRP = 976 0000 IN. XT
 LREF = 1290.3000 INCHES YMRP = 0000 IN. YT
 BREF = 1290.3000 INCHES ZMRP = 400 0000 IN. ZT
 SCALE = 0100

PARAMETRIC DATA

BETA = -4.000 ELV-L1 = 10.000
 ELV-L0 = -5.000 ELV-R1 = 10.000
 ELV-R0 = -5.000

RUN NO. 0/ 0 RN/L = 4.21 GRADIENT INTERVAL = -5.00/ 5.00

MACH	ALPHA	BETA	RN/L	L/DU	CLU	CDU	CNW	CBW	CTW
1.150	-6.000	-4.00000	4 20895	- 66609	-.35932	.53789	-.06639	-.01006	-.00397
1.150	-4 000	-4 00000	4 20787	-.45618	- 23321	.51212	-.03919	-.00499	-.00037
1.150	-2 000	-4 00000	4 20700	-.23401	-.11659	.49763	-.01006	.00046	.00307
1.150	.000	-4 00000	4 20841	- 00548	- 00262	.48967	.02047	.00612	.00606
1 150	2 000	-4.00000	4 20923	.21845	.10664	.48819	.04806	.01135	.00792
	GRADIENT	.00000	.00027	.11262	.05668	-.00399	.01461	.00273	.00139

RUN NO 0/ 0 RN/L = 4.22 GRADIENT INTERVAL = -5 00/ 5.00

MACH	ALPHA	BETA	RN/L	L/DU	CLU	CDU	CNW	CBW	CTW
1.205	-8.000	-4.00000	4.22164	-.83864	- 48935	.58196	-.08755	-.01430	-.00512
1.205	-6 000	-4.00000	4 22085	- 64606	- 35024	.54276	-.06102	-.00922	-.00252
1.205	-4 000	-4.00000	4.22072	- 42747	-.22181	.51856	-.03187	-.00361	.00011
1.205	-2.000	-4 00000	4 22027	-.20440	-.10302	.50416	-.00140	.00213	.00309
1.205	.000	-4 00000	4 21805	.01421	.00702	.49719	.02642	.00745	.00530
1.205	2.000	-4 00000	4 21985	.23107	.11494	.49746	.05254	.01235	.00700
1.205	4.000	-4.00000	4 22683	.43957	.22206	.50498	.07270	.01626	.00826
	GRADIENT	.00000	-.00001	.10848	.05528	-.00189	.01315	.00250	.00101

LARC 8FT TPT 749 (1A93) OTSAT130

(FJJ019) (15 JUL 76)

REFERENCE DATA

SREF = 2690 0000 SQ.FT. XMRP = 976.0000 IN XT
 LREF = 1290 3000 INCHES YMRP = .0000 IN YT
 BREF = 1290.3000 INCHES ZMRP = 400 0000 IN. ZT
 SCALE = 0100

PARAMETRIC DATA

BETA = 000 ELV-L1 = 10 000
 ELV-L0 = -5 000 ELV-R1 = 10 000
 ELV-R0 = -5.000

RUN NO. 0/ 0 RN/L = 4.21 GRADIENT INTERVAL = -5.00/ 5.00

MACH	ALPHA	BETA	RN/L	L/DU	CLU	CDU	CNW	CBW	CTW
1 150	-6.000	.00000	4.20747	-.69225	-.37096	.53448	-.05453	-.00818	-.00258
1 150	-4.000	.00000	4.20958	-.47831	-.24249	.50757	-.02138	-.00193	.00078
1 150	-2.000	.00000	4 21013	- 24573	-.12112	.49261	.01375	.00456	.00425
1 150	.000	.00000	4 21008	- 01986	-.00961	.48474	.04559	.01043	.00722
1 150	2.000	.00000	4 21244	.20669	.09962	.48194	.07094	.01527	.00894
	GRADIENT	.00000	.00043	.11404	.05689	-.00424	.01544	.00287	.00137

ORIGINAL PAGE IS
OF POOR QUALITY

LARC 8FT TPT /49 (1A93) OTSAT130

(FJJ019) (15 JUL 76)

REFERENCE DATA

SREF = 2690.0000 SQ FT. XMRP = 976.0000 IN. XT
 LREF = 1290 3000 INCHES YMRP = .0000 IN. YT
 BREF = 1290 3000 INCHES ZMRP = 400.0000 IN. ZT
 SCALE = .0100

PARAMETRIC DATA

BETA = .000 ELV-LI = 10.000
 ELV-LO = -5.000 ELV-RI = 10.000
 ELV-RO = -5.000

RUN NO. 0/ 0 RN/L = 4.22 GRADIENT INTERVAL = -5.00/ 5.00

MACH	ALPHA	BETA	RN/L	L/DU	CLU	CDU	CNW	CBW	CTW
1.205	-8.000	.00000	4.22497	-.85563	-.49532	.57760	-.07799	-.01279	-.00463
1.205	-6.000	.00000	4.22263	-.66256	-.35635	.53821	-.04575	-.00655	-.00225
1.205	-4.000	.00000	4.21927	-.43740	-.22433	.51273	-.01191	-.00001	-.00014
1.205	-2.000	.00000	4.21865	-.21280	-.10601	.49829	.02174	.00611	.00294
1.205	.000	.00000	4.21918	.00549	.00264	.49126	.05298	.01168	.00612
1.205	2.000	.00000	4.22051	.22135	.10853	.49033	.07695	.01613	.00836
1.205	4.000	.00000	4.22346	.43579	.21654	.49698	.09834	.02005	.01036
	GRADIENT	.00000	.00051	.10903	.05481	-.00197	.01379	.00251	.00132

LARC 8FT TPT 749 (1A93) OTSAT130

(FJJ020) (15 JUL 76)

REFERENCE DATA

SREF = 2690.0000 SQ.FT. XMRP = 976.0000 IN. XT
 LREF = 1290.3000 INCHES YMRP = .0000 IN. YT
 BREF = 1290.3000 INCHES ZMRP = 400.0000 IN. ZT
 SCALE = .0100

PARAMETRIC DATA

BETA = 4.000 ELV-LI = 10.000
 ELV-LO = -5.000 ELV-RI = 10.000
 ELV-RO = -5.000

RUN NO. 0/ 0 RN/L = 4.21 GRADIENT INTERVAL = -5.00/ 5.00

MACH	ALPHA	BETA	RN/L	L/DU	CLU	CDU	CNW	CBW	CTW
1.150	-6.000	4.00000	4.20876	-.68097	-.36817	.53930	-.03772	-.00515	-.00291
1.150	-4.000	4.00000	4.20823	-.46781	-.23899	.51144	.00007	.00188	.00047
1.150	-2.000	4.00000	4.20965	-.23913	-.11844	.49515	.03365	.00823	.00332
1.150	.000	4.00000	4.21068	-.01454	-.00707	.48705	.06293	.01374	.00614
1.150	2.000	4.00000	4.20896	.21327	.10318	.48381	.08928	.01852	.00898
	GRADIENT	.00000	.00016	.11339	.05689	-.00455	.01485	.00277	.00142

RUN NO. 0/ 0 RN/L = 4.22 GRADIENT INTERVAL = -5.00/ 5.00

MACH	ALPHA	BETA	RN/L	L/DU	CLU	CDU	CNW	CBW	CTW
1.205	-8.000	4.00000	4.21881	-.84886	-.49551	.58230	-.06707	-.01049	-.00778
1.205	-6.000	4.00000	4.21917	-.65487	-.35514	.54284	-.02876	-.00347	-.00481
1.205	-4.000	4.00000	4.22101	-.43819	-.22649	.51661	.00693	.00323	-.00224
1.205	-2.000	4.00000	4.22119	-.21678	-.10853	.50095	.03689	.00894	.00056
1.205	.000	4.00000	4.22063	.00458	.00218	.49298	.06720	.01424	.00438
1.205	2.000	4.00000	4.22225	.22015	.10803	.49071	.09238	.01880	.00726
1.205	4.000	4.00000	4.22154	.43360	.21601	.49813	.11499	.02280	.00983
	GRADIENT	.00000	.00011	.10902	.05508	-.00236	.01358	.00245	.00154

LARC 8FT TPT /49 (1A93) OTSAT130

(FJJ021) (15 JUL 76)

REFERENCE DATA

SREF = 2690.0000 SQ FT. XMRP = 976.0000 IN. XT
 LREF = 1290.3000 INCHES YMRP = .0000 IN. YT
 BREF = 1290.3000 INCHES ZMRP = 400.0000 IN. ZT
 SCALE = .0100

PARAMETRIC DATA

BETA = 6.000 ELV-LI = 10.000
 ELV-LO = -5.000 ELV-RI = 10.000
 ELV-RO = -5.000

RUN NO. 0/0 RN/L = 4.21 GRADIENT INTERVAL = -5.00/ 5.00

MACH	ALPHA	BETA	RN/L	L/DO	CLU	CDU	CNW	CBW	CTW
1.150	-6.000	6.00000	4.20857	-.67673	- 36672	.54050	- 07950	-.00357	-.00379
1.150	-4.000	6.00000	4.20854	-.46680	-.23926	.51320	00926	.00360	-.00054
1.150	-2.000	6.00000	4.20926	-.24122	-.11980	.49623	04243	.00982	.00251
1.150	.000	6.00000	4.20933	-.00988	- 00477	.48741	07231	01525	.00576
1.150	2.000	6.00000	4.21131	.22541	10943	.48547	.10085	02026	.00882
	GRADIENT	00000	.00042	11540	05805	- 00460	01523	00277	.00157

RUN NO 0/0 RN/L = 4.22 GRADIENT INTERVAL = -5.00/ 5.00

MACH	ALPHA	BETA	RN/L	L/DO	CLU	CDU	CNW	CBW	CTW
1.205	-8.000	6.00000	4.21999	-.85124	- 49750	.58289	- 06161	- 00934	- 00924
1.205	-6.000	6.00000	4.21986	-.65533	-.35563	.54334	- 02252	-.00226	-.00630
1.205	-4.000	6.00000	4.22051	-.44265	- 22912	.51730	.01351	00438	-.00344
1.205	-2.000	6.00000	4.22066	-.22329	-.11181	.50089	04406	.01007	-.00042
1.205	.000	6.00000	4.21990	.00199	00094	.49278	07325	01529	00304
1.205	2.000	6.00000	4.22090	.22343	10992	.49193	10032	.01997	.00647
1.205	4.000	6.00000	4.22132	.44022	.21939	.49820	12297	.02384	.00948
	GRADIENT	.00000	00009	11062	05594	-.00236	01376	00244	00164

LARC 8FT TPT 749 (1A93) OTSAT130

(FJJ022) (15 JUL 76)

REFERENCE DATA

SREF = 2690.0000 SQ.FT XMRP = 976.0000 IN. XT
 LREF = 1290.3000 INCHES YMRP = .0000 IN. YT
 BREF = 1290.3000 INCHES ZMRP = 400.0000 IN. ZT
 SCALE = .0100

PARAMETRIC DATA

BETA = -6.000 ELV-LI = 12.000
 ELV-LO = -5.000 ELV-RI = 12.000
 ELV-RO = -5.000

RUN NO. 0/0 RN/L = 4.21 GRADIENT INTERVAL = -5.00/ 5.00

MACH	ALPHA	BETA	RN/L	L/DO	CLU	CDU	CNW	CBW	CTW
1.150	-6.000	-6.00000	4.20965	-.64496	-.34948	.54032	-.06411	-.01030	-.00379
1.150	-4.000	-6.00000	4.21024	-.43356	- 22293	.51497	-.03823	-.00555	-.00014
1.150	-2.000	-6.00000	4.21038	-.21003	-.10537	.50112	-.01070	-.00057	.00354
1.150	.000	-6.00000	4.20957	.01087	00544	.49447	01692	00453	.00652
1.150	2.000	-6.00000	4.21063	.23931	11837	.49467	04548	00987	.00876
	GRADIENT	00000	00002	.11198	05674	-.00338	01394	00257	00148

LARC 8FT TPT 749 (IA93) OTSAT130

(FJJ022) (15 JUL 76)

REFERENCE DATA

PARAMETRIC DATA

SREF = 2690.0000 SQ.FT XMRP = 976.0000 IN. XT
 LREF = 1290.3000 INCHES YMRP = .0000 IN. YT
 BREF = 1290.3000 INCHES ZMRP = 400.0000 IN. ZT
 SCALE = .0100

BETA * = -6.000 ELV-LI = 12.000
 ELV-LO = -5.000 ELV-RI = 12.000
 ELV-RO = -5.000

RUN NO. 0/ 0 RN/L = 4.22 GRADIENT INTERVAL = -5.00/ 5.00

MACH	ALPHA	BETA	RN/L	L/DU	CLU	CDU	CNW	CBW	CTW
1.205	-8.000	-6.00000	4.21931	-.82629	-.48383	.58430	-.08487	-.01441	-.00485
1.205	-6.000	-6.00000	4.21745	-.62655	-.34180	.54611	-.05916	-.00959	-.00188
1.205	-4.000	-6.00000	4.21623	-.41245	-.21552	.52233	-.03246	-.00449	.00088
1.205	-2.000	-6.00000	4.21818	-.19323	-.09825	.50844	-.00494	.00075	.00344
1.205	0.000	-6.00000	4.21785	.02427	.01218	.50206	.02354	.00598	.00632
1.205	2.000	-6.00000	4.21793	.23844	.12001	.50333	.04911	.01081	.00825
1.205	4.000	-6.00000	4.21908	.44778	.22802	.50899	.07024	.01495	.00930
	GRADIENT	00000	00027	.10761	.05527	-.00159	.01297	.00245	.00108

LARC 8FT TPT 749 (IA93) OTSAT130

(FJJ023) (15 JUL 76)

REFERENCE DATA

PARAMETRIC DATA

SREF = 2690.0000 SQ.FT XMRP = 976.0000 IN. XT
 LREF = 1290.3000 INCHES YMRP = .0000 IN. YT
 BREF = 1290.3000 INCHES ZMRP = 400.0000 IN. ZT
 SCALE = .0100

BETA = -4.000 ELV-LI = 12.000
 ELV-LO = -5.000 ELV-RI = 12.000
 ELV-RO = -5.000

RUN NO. 0/ 0 RN/L = 4.21 GRADIENT INTERVAL = -5.00/ 5.00

MACH	ALPHA	BETA	RN/L	L/DU	CLU	CDU	CNW	CBW	CTW
1.150	-6.000	-4.00000	4.21296	-.65648	-.35507	.53944	-.05754	-.00944	-.00304
1.150	-4.000	-4.00000	4.21239	-.44402	-.22776	.51364	-.03005	-.00431	.00065
1.150	-2.000	-4.00000	4.21073	-.21662	-.10815	.49883	-.00040	.00121	.00432
1.150	0.000	-4.00000	4.20791	.00508	.00254	.49119	.02900	.00666	.00721
1.150	2.000	-4.00000	4.20780	.23460	.11497	.49005	.05744	.01205	.00934
	GRADIENT	00000	-.00083	.11288	.05694	-.00392	.01459	.00273	.00145

RUN NO. 0/ 0 RN/L = 4.22 GRADIENT INTERVAL = -5.00/ 5.00

MACH	ALPHA	BETA	RN/L	L/DU	CLU	CDU	CNW	CBW	CTW
1.205	-8.000	-4.00000	4.22027	-.82815	-.48435	.58372	-.07942	-.01367	-.00430
1.205	-6.000	-4.00000	4.21788	-.63061	-.34299	.54435	-.05177	-.00848	-.00139
1.205	-4.000	-4.00000	4.21534	-.41335	-.21486	.51978	-.02293	-.00291	.00111
1.205	-2.000	-4.00000	4.21859	-.19201	-.09712	.50580	.00662	.00277	.00362
1.205	0.000	-4.00000	4.21761	.02599	.01294	.49844	.03602	.00817	.00640
1.205	2.000	-4.00000	4.21589	.23701	.11814	.49845	.06156	.01294	.00834
1.205	4.000	-4.00000	4.22016	.44798	.22647	.50520	.08238	.01699	.00963
	GRADIENT	.00000	00035	.10758	.05490	-.00183	.01328	.00250	.00109

LARC 8FT TPT 749 (1A93) OTSAT130

(FJJ024) (15 JUL 76)

REFERENCE DATA

SREF = 2690.0000 SQ.FT. XMRP = 976.0000 IN. XT
 LREF = 1290.3000 INCHES YMRP = .0000 IN. YT
 BREF = 1290.3000 INCHES ZMRP = 400.0000 IN. ZT
 SCALE = .0100

PARAMETRIC DATA

BETA = .000 ELV-LI = 12.000
 ELV-LO = -5.000 ELV-RI = 12.000
 ELV-RO = -5.000

RUN NO. 0/0 RN/L = 4.21 GRADIENT INTERVAL = -5.00/ 5.00

MACH	ALPHA	BETA	RN/L	L/DU	CLU	CDU	CNW	CBW	CTW
1.150	-6.000	.00000	4.21456	-67855	-36506	.53643	-.04613	-.00759	-.00174
1.150	-4.000	.00000	4.21191	-.46294	-23548	.50946	-.01232	-.00127	.00180
1.150	-2.000	.00000	4.20727	-23486	-11625	.49449	.02215	.00513	.00511
1.150	.000	.00000	4.20445	-00795	-.00383	.48627	.05279	.01086	.00794
1.150	2.000	.00000	4.20650	.21637	.10467	.48373	.07881	.01580	.00979
	GRADIENT	.00000	-.00095	.11324	.05664	-.00427	.01520	.00285	.00134

RUN NO. 0/0 RN/L = 4.22 GRADIENT INTERVAL = -5.00/ 5.00

MACH	ALPHA	BETA	RN/L	L/DU	CLU	CDU	CNW	CBW	CTW
1.205	-8.000	.00000	4.22419	-83940	-.48659	.57852	-.06788	-.01195	-.00376
1.205	-6.000	.00000	4.22283	-.65106	-35120	.54001	-.03656	-.00587	-.00142
1.205	-4.000	.00000	4.22074	-43216	-22269	.51495	-.00378	.00046	.00086
1.205	-2.000	.00000	4.22036	-20096	-.10034	.49973	.03099	.00673	.00414
1.205	.000	.00000	4.21936	.01648	.00806	.49226	.05220	.01232	.00720
1.205	2.000	.00000	4.21807	.23136	.11358	.49094	.08529	.01671	.00929
1.205	4.000	.00000	4.22111	.43813	.21782	.49685	.10648	.02061	.01142
	GRADIENT	.00000	-.00008	.10864	.05475	-.00225	.01374	.00251	.00131

LARC 8FT TPT 749 (1A93) OTSAT130

(FJJ025) (15 JUL 76)

REFERENCE DATA

SREF = 2690.0000 SQ.FT. XMRP = 976.0000 IN. XT
 LREF = 1290.3000 INCHES YMRP = .0000 IN. YT
 BREF = 1290.3000 INCHES ZMRP = 400.0000 IN. ZT
 SCALE = .0100

PARAMETRIC DATA

BETA = 4.000 ELV-LI = 12.000
 ELV-LO = -5.000 ELV-RI = 12.000
 ELV-RO = -5.000

RUN NO. 0/0 RN/L = 4.21 GRADIENT INTERVAL = -5.00/ 5.00

MACH	ALPHA	BETA	RN/L	L/DU	CLU	CDU	CNW	CBW	CTW
1.150	-6.000	.00000	4.20841	-.66857	-.36239	.54068	-.02808	-.00445	-.00191
1.150	-4.000	.00000	4.20825	-.45680	-.23413	.51312	.00927	.00255	.00130
1.150	-2.000	.00000	4.20820	-22521	-.11192	.49664	.04313	.00894	.00426
1.150	.000	.00000	4.20896	.00340	.00168	.48826	.07248	.01443	.00720
1.150	2.000	.00000	4.21071	.22470	.10910	.48556	.09812	.01915	.00986
	GRADIENT	.00000	.00041	.11366	.05716	-.00455	.01479	.00276	.00143

LARC 8FT TPT 749 (1A93) OTSAT130

(FJJ025) (15 JUL 76)

REFERENCE DATA

PARAMETRIC DATA

SREF = 2690.0000 SQ FT. XMRP = 976.0000 IN. XT
 LREF = 1290.3000 INCHES YMRP = .0000 IN. YT
 BREF = 1290.3000 INCHES ZMRP = 400.0000 IN. ZT
 SCALE = 0100

BETA = 4.000 ELV-LI = 12.000
 ELV-LO = -5.000 ELV-RI = 12.000
 ELV-RO = -5.000

RUN NO 0/ 0 RN/L = 4.22 GRADIENT INTERVAL = -5.00/ 5 00

MACH	ALPHA	BETA	RN/L	L/DO	CLU	CDU	CNW	CBW	CTW
1.205	-8.000	4.00000	4.22037	-.83782	-.48956	.58334	-.05847	-.00988	-.00704
1.205	-6.000	4.00000	4.22057	-.64437	-.35046	.54423	-.02091	-.00292	-.00427
1.205	-4.000	4.00000	4.21936	-.42819	-.22177	.51779	.01516	.00380	-.00137
1.205	-2.000	4.00000	4.21871	-.20403	-.10239	.50211	.04635	.00961	.00182
1.205	.000	4.00000	4.21893	.02065	.01016	.49399	.07622	.01494	.00520
1.205	2.000	4.00000	4.21789	.23485	.11553	.49195	.10159	.01948	.00831
1.205	4.000	4.00000	4.21763	.44497	.22175	.49800	.12428	.02344	.01105
	GRADIENT	.00000	-.00021	.10926	.05525	-.00249	.01367	.00246	.00157

LARC 8FT TPT 749 (1A93) OTSAT130

(FJJ026) (15 JUL 76)

REFERENCE DATA

PARAMETRIC DATA

SREF = 2690.0000 SQ FT. XMRP = 976.0000 IN. XT
 LREF = 1290.3000 INCHES YMRP = .0000 IN. YT
 BREF = 1290.3000 INCHES ZMRP = 400.0000 IN. ZT
 SCALE = 0100

BETA = 6.000 ELV-LI = 12.000
 ELV-LO = -5.000 ELV-RI = 12.000
 ELV-RO = -5.000

RUN NO. 0/ 0 RN/L = 4.21 GRADIENT INTERVAL = -5.00/ 5 00

MACH	ALPHA	BETA	RN/L	L/DO	CLU	CDU	CNW	CBW	CTW
1.150	-6.000	6.00000	4.20996	-.66205	-.35941	.54150	-.02028	-.00287	-.00297
1.150	-4.000	6.00000	4.20993	-.45241	-.23249	.51450	.01817	.00424	.00029
1.150	-2.000	6.00000	4.21004	-.22822	-.11364	.49755	.05164	.01047	.00346
1.150	.000	6.00000	4.21108	.00002	.00005	.48887	.08128	.01589	.00663
1.150	2.000	6.00000	4.21078	.23173	.11284	.48693	.10906	.02079	.00976
	GRADIENT	.00000	.00018	.11403	.05748	-.00457	.01512	.00275	.00158

RUN NO. 0/ 0 RN/L = 4.22 GRADIENT INTERVAL = -5.00/ 5.00

MACH	ALPHA	BETA	RN/L	L/DO	CLU	CDU	CNW	CBW	CTW
1.205	-8.000	6.00000	4.21425	-.83843	-.48986	.58310	-.05272	-.00867	-.00842
1.205	-6.000	6.00000	4.21488	-.64525	-.35087	.54433	-.01455	-.00172	-.00563
1.205	-4.000	6.00000	4.21613	-.43399	-.22510	.51844	.02125	.00489	-.00271
1.205	-2.000	6.00000	4.21705	-.21116	-.10596	.50202	.05278	.01068	.00056
1.205	.000	6.00000	4.21971	.01478	.00728	.49374	.08228	.01591	.00409
1.205	2.000	6.00000	4.21807	.23488	.11576	.49286	.10907	.02057	.00757
1.205	4.000	6.00000	4.21885	.45093	.22481	.49825	.13189	.02449	.01048
	GRADIENT	.00000	.00032	.11079	.05608	-.00248	.01388	.00246	.00167

LARC 9FT TPT 749 (1A93) OTSAT130

(FJJ027) (15 JUL 76)

REFERENCE DATA

SREF = 2690.0000 SQ.FT. XMRP = 976.0000 IN. XT
 LREF = 1290.3000 INCHES YMRP = .0000 IN. YT
 BREF = 1290.3000 INCHES ZMRP = 400.0000 IN. ZT
 SCALE = .0100

PARAMETRIC DATA

BETA = -6.000 ELV-L1 = 12.000
 ELV-LO = 4.000 ELV-R1 = 12.000
 ELV-RO = 4.000

RUN NO. 0/ 0 RN/L = 3.97 GRADIENT INTERVAL = -5.00/ 5.00

MACH	ALPHA	BETA	RN/L	L/DU	CLU	CDU	CNW	CBW	CTW
.900	-8.000	-6.00000	3 97299	-1 00306	-.43062	.42836	-.06070	-.00818	-.01940
.900	-6.000	-6.00000	3 97404	-.79131	-.31250	.39544	-.03911	-.00414	-.01533
.900	-4.000	-6.00000	3 97396	-.54533	-.20289	.37174	-.01925	-.00035	-.01122
.900	-2.000	-6.00000	3 97212	-.25641	-.09148	.35716	.00136	.00338	-.00692
.900	.000	-6.00000	3 97083	.06043	.02102	.34931	.02407	.00735	-.00230
.900	2.000	-6.00000	3 97039	.37798	.13200	.34962	.04772	.01150	.00262
.900	4.000	-6.00000	3 97111	.68045	.24364	.35765	.06928	.01550	.00601
	GRADIENT	.00000	- 00037	.15430	.05583	-.00179	.01117	.00199	.00220

RUN NO 0/ 0 RN/L = 4.08 GRADIENT INTERVAL = -5.00/ 5.00

MACH	ALPHA	BETA	RN/L	L/DU	CLU	CDU	CNW	CBW	CTW
.975	-8.000	-6.00000	4 07738	-.88568	-.45385	.51119	-.08214	-.01155	-.01826
.975	-6.000	-6.00000	4 07827	-.68931	-.32712	.47514	-.05792	-.00706	-.01468
.975	-4.000	-6.00000	4 07812	-.47597	-.21440	.45007	-.03325	-.00268	-.01049
.975	-2.000	-6.00000	4 08107	-.22890	-.09942	.43463	-.00874	.00167	-.00599
.975	.000	-6.00000	4 08385	.03742	.01600	.42914	.01626	.00605	-.00160
.975	2.000	-6.00000	4 08185	.28903	.12457	.43103	.04074	.01061	.00175
.975	4.000	-6.00000	4 07953	.54147	.23953	.44183	.06443	.01520	.00460
	GRADIENT	.00000	.00018	.12764	.05659	-.00100	.01224	.00224	.00190

RUN NO 0/ 0 RN/L = 4.21 GRADIENT INTERVAL = -5.00/ 5.00

MACH	ALPHA	BETA	RN/L	L/DU	CLU	CDU	CNW	CBW	CTW
1.150	-6.000	-6.00000	4 20923	-.59708	-.32323	.53953	-.05544	-.00686	-.00831
1.150	-4.000	-6.00000	4 20945	-.38636	-.19864	.51525	-.02931	-.00212	-.00451
1.150	-2.000	-6.00000	4 20800	-.16682	-.08399	.50247	-.00112	.00293	-.00063
1.150	.000	-6.00000	4 20975	.05968	.02968	.49612	.02668	.00813	.00230
1.150	2.000	-6.00000	4 21064	.28115	.13978	.49718	.05293	.01306	.00419
	GRADIENT	.00000	.00026	.11145	.05645	-.00303	.01373	.00254	.00145

LARC 8FT TPT /49 (1A93) OTSAT130

(FJJ027) (15 JUL 76)

REFERENCE DATA

SREF = 2690.0000 SQ.FT. XMRP = 976.0000 IN. XT
 LREF = 1290.3000 INCHES YMRP = .0000 IN. YT
 BREF = 1290.3000 INCHES ZMRP = 400.0000 IN. ZT
 SCALE = .0100

PARAMETRIC DATA

BETA = -6.000 ELV-LI = 12.000
 ELV-LO = 4.000 ELV-RI = 12.000
 ELV-RO = 4.000

RUN NO. 0/ 0 RN/L = 4 22 GRADIENT INTERVAL = -5.00/ 5.00

MACH	ALPHA	BETA	RN/L	L/DU	CLU	CDU	CNW	CBW	CTW
1.205	-8.000	-6.00000	4.21639	-78462	-.45807	.58244	-.07840	-.01104	-.00923
1.205	-6.000	-6.00000	4.21832	-58223	-.31707	.54525	-.05109	-.00629	-.00633
1.205	-4.000	-6.00000	4.21946	-.36918	-.19304	.52267	-.02381	-.00118	-.00332
1.205	-2.000	-6.00000	4.21837	-.15041	-.07670	.50992	.00465	.00413	-.00042
1.205	0.000	-6.00000	4.21623	.06724	.03390	.50436	.03175	.00919	.00230
1.205	2.000	-6.00000	4.21574	.27741	.14038	.50608	.05528	.01368	.00410
1.205	4.000	-6.00000	4.21937	.48195	.24681	.51190	.07665	.01756	.00580
	GRADIENT	00000	-00014	.10650	.05484	-.00127	.01258	.00235	.00114

LARC 8FT TPT 749 (1A93) OTSAT130

(FJJ028) (15 JUL 76)

REFERENCE DATA

SREF = 2690.0000 SQ.FT. XMRP = 976.0000 IN. XT
 LREF = 1290.3000 INCHES YMRP = .0000 IN. YT
 BREF = 1290.3000 INCHES ZMRP = 400.0000 IN. ZT
 SCALE = .0100

PARAMETRIC DATA

BETA = -4.000 ELV-LI = 12.000
 ELV-LO = 4.000 ELV-RI = 12.000
 ELV-RO = 4.000

RUN NO. 0/ 0 RN/L = 3.97 GRADIENT INTERVAL = -5.00/ 5.00

MACH	ALPHA	BETA	RN/L	L/DU	CLU	CDU	CNW	CBW	CTW
.900	-8.000	-4.00000	3.97316	-1.01442	-.43581	.42871	-.06144	-.00812	-.01947
.900	-6.000	-4.00000	3.97134	-.80283	-.31614	.39433	-.03944	-.00403	-.01524
.900	-4.000	-4.00000	3.97059	-.55471	-.20501	.36935	-.01905	-.00015	-.01101
.900	-2.000	-4.00000	3.97026	-.26507	-.09354	.35334	.00308	.00376	-.00615
.900	0.000	-4.00000	3.96858	.06213	.02129	.34462	.02840	.00816	-.00120
.900	2.000	-4.00000	3.96817	.39480	.13537	.34329	.05368	.01269	.00375
.900	4.000	-4.00000	3.97008	.70031	.24770	.35320	.07634	.01691	.00723
	GRADIENT	00000	-.00016	.15850	.05672	-.00212	.01207	.00215	.00232

LARC 8FT TPT 749 (1A93) OTSAT130

(FJJ028) (15 JUL 76)

REFERENCE DATA

SREF = 2690.0000 SQ.FT. XMRP = 976.0000 IN. XT
 LREF = 1290.3000 INCHES YMRP = 0000 IN. YT
 BREF = 1290.3000 INCHES ZMRP = 400.0000 IN. ZT
 SCALE = .0100

PARAMETRIC DATA

BETA = -4.000 ELV-L1 = 12.000
 ELV-LO = 4.000 ELV-R1 = 12.000
 ELV-RO = 4.000

RUN NO 0/ 0 RN/L = 4.08 GRADIENT INTERVAL = -5.00/ 5.00

MACH	ALPHA	BETA	RN/L	L/DU	CLU	CDU	CNW	CBW	CTW
.975	-8.000	-4.00000	4.07972	-.88701	-.45575	.51254	-.07935	-.01107	-.01787
.975	-6.000	-4.00000	4.08106	-.69481	-.33003	.47558	-.05481	-.00661	-.01414
.975	-4.000	-4.00000	4.08024	-.48438	-.21828	.45034	-.02952	-.00212	-.00990
.975	-2.000	-4.00000	4.08018	-.24474	-.10610	.43380	-.00378	.00242	-.00503
.975	.000	-4.00000	4.08226	.01627	.00690	.42642	.02028	.00689	-.00070
.975	2.000	-4.00000	4.07830	.27695	.11838	.42738	.04752	.01196	.00279
.975	4.000	-4.00000	4.07546	.53969	.23670	.43789	.07292	.01694	.00555
	GRADIENT	.00000	-.00057	12849	.05672	-.00157	.01281	.00238	.00194

RUN NO 0/ 0 RN/L = 4.21 GRADIENT INTERVAL = -5.00/ 5.00

MACH	ALPHA	BETA	RN/L	L/DU	CLU	CDU	CNW	CBW	CTW
1.150	-6.000	-4.00000	4.20790	-.60675	-.32786	.53855	-.04989	-.00602	-.00780
1.150	-4.000	-4.00000	4.20859	-.39355	-.20163	.51349	-.02171	-.00086	-.00386
1.150	-2.000	-4.00000	4.20924	-.17116	-.08577	.50010	.00913	.00470	.00013
1.150	.000	-4.00000	4.21079	.05365	.02651	.49282	.03785	.01010	.00281
1.150	2.000	-4.00000	4.21247	.27509	.13562	.49302	.06441	.01508	.00489
	GRADIENT	.00000	.00066	11154	.05620	-.00343	.01435	.00266	.00145

RUN NO 0/ 0 RN/L = 4.22 GRADIENT INTERVAL = -5.00/ 5.00

MACH	ALPHA	BETA	RN/L	L/DU	CLU	CDU	CNW	CBW	CTW
1.205	-8.000	-4.00000	4.21736	-.78564	-.45805	.58173	-.07115	-.01030	-.00881
1.205	-6.000	-4.00000	4.21872	-.58825	-.31951	.54376	-.04430	-.00521	-.00610
1.205	-4.000	-4.00000	4.21822	-.37155	-.19339	.52032	-.01418	.00041	-.00314
1.205	-2.000	-4.00000	4.21719	-.14669	-.07435	.50692	.01666	.00616	-.00003
1.205	.000	-4.00000	4.21964	.07137	.03572	.50054	.04392	.01130	.00255
1.205	2.000	-4.00000	4.22193	.27823	.13957	.50159	.06753	.01565	.00475
1.205	4.000	-4.00000	4.22443	.48522	.24685	.50843	.08888	.01953	.00642
	GRADIENT	.00000	.00086	10692	.05472	-.00146	.01285	.00239	.00119

LARC 8FT TPT /49 (1A93) OTSAT130

(FJJ029) (15 JUL 76)

REFERENCE DATA

PARAMETRIC DATA

SREF = 2690.0000 SQ.FT. XMRP = 976.0000 IN. XT
 LREF = 1290.3000 INCHES YMRP = .0000 IN. YT
 BREF = 1290.3000 INCHES ZMRP = 400.0000 IN. ZT
 SCALE = .0100

BETA = .000 ELV-L1 = 12.000
 ELV-LO = 4.000 ELV-R1 = 12.000
 ELV-RO = 4.000

RUN NO. 0/ 0 RN/L = 3.97 GRADIENT INTERVAL = -5.00/ 5 00

MACH	ALPHA	BETA	RN/L	L/DU	CLU	CDU	CNW	CBW	CTW
.900	-8 000	.00000	3 97723	-1 05522	- 44687	.42284	-.06667	-.00895	-.01848
.900	-6.000	00000	3 97176	- 84600	-.32510	.38437	- 04128	-.00443	-.01349
.900	-4 000	00000	3 96907	- 58159	-.20807	.35784	-.01561	.00011	-.00822
.900	-2 000	.00000	3 96607	-.29068	- 09924	.34132	01184	.00478	- 00240
900	000	.00000	3 96473	05119	.01701	.33420	.03930	.00970	.00314
.900	2.000	00000	3 96665	39874	.13376	33590	06693	.01462	.00794
900	4.000	00000	3.96842	.70977	24644	.34710	.09032	01868	.01126
	GRADIENT	00000	- 00004	16361	05710	-.00134	.01335	.00235	00246

RUN NO 0/ 0 RN/L = 4 08 GRADIENT INTERVAL = -5 00/ 5.00

MACH	ALPHA	BETA	RN/L	L/DU	CLU	CDU	CNW	CBW	CTW
.975	-8.000	.00000	4.08049	-.91225	- 46602	.50975	-.07319	-.01025	- 01636
.975	-6.000	00000	4.07734	-.72157	-.33984	.47142	-.04582	- 00531	-.01194
.975	-4 000	00000	4 07412	- 50743	- 22529	.44375	- 01983	-.00063	-.00715
.975	-2 000	00000	4 07188	- 26607	-.11353	.42692	.00838	.00429	-.00158
975	.000	.00000	4 07194	-.01177	-.00498	.41923	.03703	.00965	.00297
.975	2.000	.00000	4 07324	25545	10737	.41985	.06475	01501	.00615
.975	4.000	.00000	4 07764	52598	.22558	.42819	09151	01981	.00927
	GRADIENT	.00000	.00042	12942	05613	- 00191	.01395	.00258	.00203

RUN NO. 0/ 0 RN/L = 4.21 GRADIENT INTERVAL = -5.00/ 5 00

MACH	ALPHA	BETA	RN/L	L/DU	CLU	CDU	CNW	CBW	CTW
1.150	-6 000	.00000	4.21418	- 63296	-.34037	.53624	-.03712	-.00399	-.00645
1.150	-4.000	.00000	4 20748	- 41640	-.21225	.51044	-.00372	.00223	-.00277
1.150	-2.000	.00000	4 20734	-.18172	-.09027	.49632	.03157	.00866	00090
1.150	000	00000	4 21004	.03605	.01764	.48876	.06184	.01412	.00403
1.150	2 000	.00000	4.20785	.25788	12555	.48696	.08639	.01863	.00649
	GRADIENT	.00000	.00019	.11203	05607	-.00390	01503	.00273	.00155

C-5

DATE 29 OCT 76

TABULATED SOURCE DATA - 1A93.

PAGE 317

LARC 8FT TPT 749 (1A93) OTSAT130

(FJJ029) (15 JUL 76)

REFERENCE DATA

PARAMETRIC DATA

SREF = 2690.0000 SQ FT. XMRP = 976.0000 IN. XT
 LREF = 1290.3000 INCHES YMRP = .0000 IN. YT
 BREF = 1290.3000 INCHES ZMRP = 400 0000 IN. ZT
 SCALE = .0100

BETA = .000 ELV-LI = 12.000
 ELV-LO = 4.000 ELV-RI = 12.000
 ELV-RO = 4.000

RUN NO. 0/ 0 RN/L = 4.22 GRADIENT INTERVAL = -5.00/ 5.00

MACH	ALPHA	BETA	RN/L	L/DO	CLU	CDU	CNW	CBW	CTW
1.205	-8.000	00000	4.21755	-.80051	-.46300	.57725	-.05970	-.00860	-.00825
1.205	-6.000	.00000	4.21755	-.60404	-.32585	.53993	-.02840	-.00253	-.00575
1.205	-4.000	.00000	4.21756	-.38197	-.19710	.51580	.00469	.00386	-.00344
1.205	-2.000	.00000	4.21839	-.15638	-.07839	.50155	.03816	.00978	-.00001
1.205	.000	00000	4.21955	.06102	.03017	.49509	.06766	.01498	.00335
1.205	2.000	00000	4.22080	.26828	.13268	.49451	.09127	.01928	.00588
1.205	4.000	00000	4.22382	.47676	.23895	.50089	.11250	.02314	.00801
	GRADIENT	00000	00075	.10711	.05416	-.00184	.01344	.00240	.00144

LARC 8FT TPT 749 (1A93) OTSAT130

(FJJ030) (15 JUL 76)

REFERENCE DATA

PARAMETRIC DATA

SREF = 2690.0000 SQ.FT. XMRP = 976.0000 IN. XT
 LREF = 1290.3000 INCHES YMRP = .0000 IN. YT
 BREF = 1290.3000 INCHES ZMRP = 400 0000 IN. ZT
 SCALE = .0100

BETA = 4.000 ELV-LI = 12.000
 ELV-LO = 4.000 ELV-RI = 12.000
 ELV-RO = 4.000

RUN NO. 0/ 0 RN/L = 3.97 GRADIENT INTERVAL = -5.00/ 5.00

MACH	ALPHA	BETA	RN/L	L/DO	CLU	CDU	CNW	CBW	CTW
.900	-8.000	4.00000	3.97156	-1.03400	-.44092	.42562	-.06237	-.00828	-.01668
.900	-6.000	4.00000	3.97318	-.82079	-.32030	.39071	-.03536	-.00354	-.01099
.900	-4.000	4.00000	3.97519	-.56593	-.20711	.36597	-.00666	.00159	-.00523
.900	-2.000	4.00000	3.97463	-.28155	-.09847	.35016	.02346	.00679	.00102
.900	.000	4.00000	3.97212	.04489	.01526	.34183	.05200	.01196	.00652
.900	2.000	4.00000	3.96996	.37726	.12868	.34113	.07767	.01656	.01065
.900	4.000	4.00000	3.97118	.67973	.24079	.35394	.09905	.01993	.01310
	GRADIENT	.00000	-.00863	.15751	.05615	-.00166	.01328	.00232	.00231

ORIGINAL PAGE IS
OF POOR QUALITY

LARC BFT TPT /49 (1A93) OTSAT130

(FJJ030) (15 JUL 76)

REFERENCE DATA

SREF = 2690.0000 SQ FT. XMRP = 976.0000 IN. XT
 LREF = 1290.3000 INCHES YMRP = .0000 IN. YT
 BREF = 1290.3000 INCHES ZMRP = 400 0000 IN. ZT
 SCALE = .0100

PARAMETRIC DATA

BETA = 4.000 ELV-LI = 12.000
 ELV-LO = 4.000 ELV-RI = 12.000
 ELV-RO = 4.000

RUN NO 0/ 0 RN/L = 4.08 GRADIENT INTERVAL = -5.00/ 5.00

MACH	ALPHA	BETA	RN/L	L/DO	CLU	CDU	CNW	CBW	CTW
.975	-8.000	4.00000	4.08046	-.90671	-.46335	.51008	-.06410	-.00882	-.01522
.975	-6.000	4.00000	4.08236	-.70971	-.33530	.47290	-.03395	-.00345	-.00984
.975	-4.000	4.00000	4.08189	-.48525	-.21674	.44631	-.00445	.00189	-.00428
.975	-2.000	4.00000	4.08198	-.24750	-.10634	.43040	.02632	.00746	.00099
.975	.000	4.00000	4.08195	.00611	.00247	.42457	.05783	.01339	.00561
.975	2.000	4.00000	4.08135	.27626	.11647	.42160	.08486	.01849	.00899
.975	4.000	4.00000	4.08250	.53843	.23238	.43092	.11198	.02303	.01242
	GRADIENT	.00000	.00003	.12856	.05605	-.00198	.01457	.00267	.00207

RUN NO. 0/ 0 RN/L = 4.21 GRADIENT INTERVAL = -5.00/ 5.00

MACH	ALPHA	BETA	RN/L	L/DO	CLU	CDU	CNW	CBW	CTW
1.150	-6.000	4.00000	4.21124	-.62115	-.33667	.54060	-.01836	-.00081	-.00654
1.150	-4.000	4.00000	4.21092	-.40631	-.20838	.51341	.01884	.00605	-.00294
1.150	-2.000	4.00000	4.21088	-.17534	-.08724	.49744	.05138	.01210	.00046
1.150	.000	4.00000	4.21125	.05045	.02474	.49046	.07989	.01730	.00356
1.150	2.000	4.00000	4.20961	.27440	.13397	.48831	.10531	.02189	.00649
	GRADIENT	.00000	-.00018	.11339	.05695	-.00411	.01440	.00264	.00157

RUN NO. 0/ 0 RN/L = 4.22 GRADIENT INTERVAL = -5.00/ 5.00

MACH	ALPHA	BETA	RN/L	L/DO	CLU	CDU	CNW	CBW	CTW
1.205	-8.000	4.00000	4.21924	-.78991	-.46037	.58160	-.04888	-.00625	-.01155
1.205	-6.000	4.00000	4.21938	-.59200	-.32157	.54380	-.01222	.00049	-.00848
1.205	-4.000	4.00000	4.21842	-.37992	-.19716	.51865	.02249	.00679	-.00531
1.205	-2.000	4.00000	4.21716	-.16072	-.08085	.50348	.05330	.01237	-.00194
1.205	.000	4.00000	4.21683	.05856	.02901	.49623	.08232	.01756	.00166
1.205	2.000	4.00000	4.21742	.27115	.13418	.49492	.10735	.02197	.00484
1.205	4.000	4.00000	4.21815	.48170	.24166	.50134	.12976	.02591	.00771
	GRADIENT	.00000	-.00001	.10775	.05463	-.00216	.01343	.00239	.00164

LARC 8FT TPT 749 (1A93) OTSAT130

(FJJ031) (15 JUL 76)

REFERENCE DATA

SREF = 2690.0000 SQ.FT. XMRP = 976.0000 IN. XT
 LREF = 1290.3000 INCHES YMRP = .0000 IN. YT
 BREF = 1290.3000 INCHES ZMRP = 400.0000 IN. ZT
 SCALE = .0100

PARAMETRIC DATA

BETA = 6.000 ELV-LI = 12.000
 ELV-LO = 4.000 ELV-RI = 12.000
 ELV-RO = 4.000

RUN NO. 0/ 0 RN/L = 3.97 GRADIENT INTERVAL = -5.00/ 5.00

MACH	ALPHA	BETA	RN/L	L/DU	CLU	CDU	CNW	CBW	CTW
.900	-8.000	6.00000	3.97078	-1.02883	-.43879	.42557	-.06145	-.00804	-.01612
.900	-6.000	6.00000	3.97093	-.82113	-.32149	.39192	-.03330	-.00316	-.01014
.900	-4.000	6.00000	3.97241	-.57119	-.21083	.36897	-.00397	.00209	-.00428
.900	-2.000	6.00000	3.97514	-.28220	-.09993	.35438	.02707	.00751	.00192
.900	.000	6.00000	3.97341	.03680	.01270	.34637	.05695	.01287	.00738
.900	2.000	6.00000	3.97431	.37418	.12953	.34616	.08412	.01758	.01186
.900	4.000	6.00000	3.97283	.66477	.23726	.35667	.10264	.02055	.01358
	GRADIENT	.00000	.00000	.15641	.05628	-.00164	.01351	.00235	.00228

RUN NO 0/ 0 RN/L = 4.08 GRADIENT INTERVAL = -5.00/ 5.00

MACH	ALPHA	BETA	RN/L	L/DU	CLU	CDU	CNW	CBW	CTW
.975	-8.000	6.00000	4.07826	-.90320	-.46098	.50939	-.06089	-.00822	-.01463
.975	-6.000	6.00000	4.07995	-.70456	-.33315	.47334	-.02944	-.00268	-.00888
.975	-4.000	6.00000	4.08106	-.48558	-.21768	.44805	.00245	.00303	-.00318
.975	-2.000	6.00000	4.08095	-.24482	-.10561	.43162	.03503	.00904	.00200
.975	.000	6.00000	4.08115	.02124	.00894	.42443	.06545	.01492	.00610
.975	2.000	6.00000	4.08134	.28559	.12101	.42373	.09370	.01997	.01007
.975	4.000	6.00000	4.08110	.54830	.23727	.43226	.12101	.02456	.01329
	GRADIENT	.00000	.00002	.12991	.05683	-.00197	.01479	.00270	.00205

RUN NO 0/ 0 RN/L = 4.21 GRADIENT INTERVAL = -5.00/ 5.00

MACH	ALPHA	BETA	RN/L	L/DU	CLU	CDU	CNW	CBW	CTW
1.150	-6.000	6.00000	4.20845	-.61993	-.33652	.54153	-.01122	.00059	-.00747
1.150	-4.000	6.00000	4.20911	-.40892	-.21038	.51506	.02638	.00742	-.00389
1.150	-2.000	6.00000	4.20992	-.17994	-.08974	.49836	.05847	.01338	-.00057
1.150	.000	6.00000	4.21003	.05149	.02528	.49057	.08859	.01872	.00307
1.150	2.000	6.00000	4.20990	.27946	.13672	.48927	.11561	.02342	.00636
	GRADIENT	.00000	.00012	.11483	.05782	-.00426	.01489	.00267	.00172

LARC 8FT TPT 749 (1A93) OTSAT130

(FJJ031) (15 JUL 76)

REFERENCE DATA

SREF = 2690.0000 SQ.FT. XMRP = 976.0000 IN. XT
 LREF = 1290.3000 INCHES YMRP = 0000 IN. YT
 BREF = 1290.3000 INCHES ZMRP = 400.0000 IN. ZT
 SCALE = .0100

PARAMETRIC DATA

BETA = 6.000 ELV-LI = 12.000
 ELV-LO = 4.000 ELV-RI = 12.000
 ELV-RO = 4.000

RUN NO. 0/0 RN/L = 4.22 GRADIENT INTERVAL = -5.00/ 5.00

MACH	ALPHA	BETA	RN/L	L/DU	CLU	CDU	CNW	CBW	CTW
1.205	-8.000	6.00000	4.21798	-.79720	-.46502	.58204	-.04479	-.00532	-.01304
1.205	-6.000	6.00000	4.21913	-.59864	-.32534	.54409	-.00706	.00138	-.00981
1.205	-4.000	6.00000	4.21876	-.38708	-.20096	.51890	.02857	.00778	-.00646
1.205	-2.000	6.00000	4.21795	-.16635	-.08366	.50320	.05977	.01344	-.00302
1.205	.000	6.00000	4.21801	.05769	.02858	.49571	.08859	.01858	.00063
1.205	2.000	6.00000	4.21831	.27365	.13559	.49548	.11503	.02309	.00428
1.205	4.000	6.00000	4.21853	.48721	.24430	.50114	.13703	.02692	.00714
	GRADIENT	.00000	-.00001	.10943	.05549	-.00216	.01361	.00240	.00173

LARC 8FT TPT 749 (1A93) OTSAT130

(FJJ032) (15 JUL 76)

REFERENCE DATA

SREF = 2690.0000 SQ.FT. XMRP = 976.0000 IN. XT
 LREF = 1290.3000 INCHES YMRP = 0000 IN. YT
 BREF = 1290.3000 INCHES ZMRP = 400.0000 IN. ZT
 SCALE = .0100

PARAMETRIC DATA

BETA = -6.000 ELV-LI = 12.000
 ELV-LO = 9.000 ELV-RI = 12.000
 ELV-RO = 9.000

RUN NO. 0/0 RN/L = 3.16 GRADIENT INTERVAL = -5.00/ 5.00

MACH	ALPHA	BETA	RN/L	L/DU	CLU	CDU	CNW	CBW	CTW
.600	-8.000	-6.00000	3.17023	-1.03909	-.36684	.35196	-.06907	-.00547	-.02726
.600	-6.000	-6.00000	3.16969	-.79691	-.25947	.32580	-.04804	-.00159	-.02325
.600	-4.000	-6.00000	3.17008	-.53554	-.16595	.30948	-.02694	.00212	-.01894
.600	-2.000	-6.00000	3.16636	-.21774	-.06465	.29698	-.00621	.00577	-.01425
.600	.000	-6.00000	3.16541	.11880	.03456	.29037	.01392	.00950	-.01006
.600	2.000	-6.00000	3.16347	.46812	.13554	.28915	.03615	.01371	-.00598
.600	4.000	-6.00000	3.16233	.80914	.23770	.29327	.05771	.01761	-.00171
	GRADIENT	.00000	-.00092	.16876	.05037	-.00201	.01058	.00195	.00214

LARC 8FT TPT /49 (1A93) OTSAT130

(FJJ032) (15 JUL 76)

REFERENCE DATA

SREF = 2690.0000 SQ.FT. XMRP = 976.0000 IN XT
 LREF = 1290.3000 INCHES YMRP = .0000 IN. YT
 BREF = 1290.3000 INCHES ZMRP = 400.0000 IN ZT
 SCALE = 0100

PARAMETRIC DATA

BETA = -6.000 ELV-LI = 12.000
 ELV-LO = 9.000 ELV-RI = 12.000
 ELV-RO = 9.000

RUN NO. 0/ 0 RN/L = 3.97 GRADIENT INTERVAL = -5.00/ 5.00

MACH	ALPHA	BETA	RN/L	L/DU	CLU	CDU	CNW	CBW	CTW
900	-8.000	-6.00000	3.97426	-.96248	-.41450	.42951	-.04955	-.00566	-.02057
900	-6.000	-6.00000	3.97319	-.75403	-.29870	.39672	-.02975	-.00188	-.01655
900	-4.000	-6.00000	3.97227	-.51155	-.19129	.37358	-.00954	.00192	-.01236
900	-2.000	-6.00000	3.96994	-.21093	-.07560	.35874	.01177	.00577	-.00804
.900	.000	-6.00000	3.96979	.11539	.04051	.35165	.03585	.01023	-.00374
900	2.000	-6.00000	3.97026	.44067	.15493	.35167	.06113	.01486	.00054
.900	4.000	-6.00000	3.97153	.74155	.26879	.36203	.08476	.01922	.00403
	GRADIENT	.00000	-.00006	.15789	.05753	-.00151	.01190	.00218	.00207

RUN NO 0/ 0 RN/L = 4.08 GRADIENT INTERVAL = -5.00/ 5.00

MACH	ALPHA	BETA	RN/L	L/DU	CLU	CDU	CNW	CBW	CTW
975	-8.000	-6.00000	4.07913	-.85704	-.44029	.51258	-.07021	-.00866	-.02036
.975	-6.000	-6.00000	4.07947	-.65839	-.31356	.47686	-.04550	-.00406	-.01689
.975	-4.000	-6.00000	4.07886	-.43742	-.19789	.45205	-.02057	.00047	-.01285
.975	-2.000	-6.00000	4.07902	-.19240	-.08402	.43717	.00426	.00482	-.00823
975	.000	-6.00000	4.08172	.06811	.02932	.43156	.02846	.00921	-.00409
975	2.000	-6.00000	4.08060	.32992	.14292	.43322	.05491	.01411	-.00052
975	4.000	-6.00000	4.07996	.58250	.25976	.44538	.07941	.01883	.00217
	GRADIENT	.00000	.00019	.12811	.05711	-.00086	.01253	.00230	.00189

RUN NO 0/ 0 RN/L = 4.21 GRADIENT INTERVAL = -5.00/ 5.00

MACH	ALPHA	BETA	RN/L	L/DU	CLU	CDU	CNW	CBW	CTW
1.150	-6.000	-6.00000	4.21014	-.57258	-.31087	.54112	-.04502	-.00435	-.00994
1.150	-4.000	-6.00000	4.20911	-.36137	-.18656	.51736	-.01900	.00046	-.00637
1.150	-2.000	-6.00000	4.20944	-.14117	-.07138	.50460	.00945	.00557	-.00250
1.150	.000	-6.00000	4.21151	.08241	.04115	.49858	.03722	.01076	.00053
1.150	2.000	-6.00000	4.21188	.30071	.15027	.49971	.06327	.01562	.00256
	GRADIENT	.00000	.00052	.11049	.05615	-.00295	.01373	.00253	.00149

LARC 8FT TPT 749 (1A93) OTSAT130

(FJJ032) (15 JUL 76)

REFERENCE DATA

SREF = 2690.0000 SQ.FT. XMRP = 976.0000 IN. XT
 LREF = 1290.3000 INCHES YMRP = .0000 IN. YT
 BREF = 1290.3000 INCHES ZMRP = 400.0000 IN. ZT
 SCALE = .0100

PARAMETRIC DATA

BETA = -6.000 ELV-LI = 12.000
 ELV-LO = 9.000 ELV-RI = 12.000
 ELV-RO = 9.000

RUN NO. 0/ 0 RN/L = 4.22 GRADIENT INTERVAL = -5.00/ 5.00

MACH	ALPHA	BETA	RN/L	L/DU	CLU	CDU	CNW	CBW	CTW
1.205	-8.000	-6.00000	4.22093	-.76441	-44701	.58335	-.06604	-00870	-.01039
1.205	-6.000	-6.00000	4.21904	-.56036	-30593	.54670	-.04111	-00387	-.00786
1.205	-4.000	-6.00000	4.21752	-.34569	-18140	.52449	-01417	00131	-.00524
1.205	-2.000	-6.00000	4.21704	-.12513	-06405	.51191	01511	00671	-.00213
1.205	0.000	-6.00000	4.21722	.09049	04583	.50657	.04246	01175	.00091
1.205	2.000	-6.00000	4.21719	.29663	.15084	.50857	.06578	.01611	.00268
1.205	4.000	-6.00000	4.21875	.50098	.25794	.51465	.08679	.01994	.00437
	GRADIENT	00000	00013	.10575	05468	-00115	.01263	00233	.00120

LARC 8FT TPT 749 (1A93) OTSAT130

(FJJ033) (15 JUL 76)

REFERENCE DATA

SREF = 2690.0000 SQ.FT. XMRP = 976.0000 IN. XT
 LREF = 1290.3000 INCHES YMRP = .0000 IN. YT
 BREF = 1290.3000 INCHES ZMRP = 400.0000 IN. ZT
 SCALE = .0100

PARAMETRIC DATA

BETA = -4.000 ELV-LI = 12.000
 ELV-LO = 9.000 ELV-RI = 12.000
 ELV-RO = 9.000

RUN NO 0/ 0 RN/L = 3.16 GRADIENT INTERVAL = -5.00/ 5.00

MACH	ALPHA	BETA	RN/L	L/DU	CLU	CDU	CNW	CBW	CTW
.600	-8.000	-4.00000	3.17328	-1.02620	-36286	.35269	-.06743	-.00522	-.02696
.600	-6.000	-4.00000	3.17347	-.79079	-.25849	.32688	-.04533	-.00133	-.02280
.600	-4.000	-4.00000	3.16901	-.52698	-.16384	.30939	-.02212	.00260	-.01780
.600	-2.000	-4.00000	3.16362	-.22422	-.06688	.29834	-.00130	.00640	-.01344
.600	.000	-4.00000	3.16219	.10492	03064	.29131	01869	.01020	-.00917
.600	2.000	-4.00000	3.15926	.44518	12873	.28870	.04024	.01434	-.00517
.600	4.000	-4.00000	3.15883	.79583	.23394	.29338	.06454	.01879	-.00048
	GRADIENT	.00000	-.00124	.16595	.04956	-.00208	01074	.00202	.00215

LARC 8FT TPT /49 (1A93) OTSAT130

(FJJ033) (15 JUL 76)

REFERENCE DATA

SREF = 2690.0000 SQ.FT. XMRP = 976.0000 IN. XT
 LREF = 1290.3000 INCHES YMRP = .0000 IN. YT
 BREF = 1290.3000 INCHES ZMRP = 400.0000 IN. ZT
 SCALE = 0100

PARAMETRIC DATA

BETA = -4.000 ELV-LI = 12.000
 ELV-LO = 9.000 ELV-RI = 12.000
 ELV-RO = 9.000

RUN NO 0/ 0 RN/L = 3.97 GRADIENT INTERVAL = -5.00/ 5.00

MACH	ALPHA	BETA	RN/L	L/DU	CLU	CDU	CNW	CBW	CTW
.900	-8.000	-4.00000	3.97268	-.97529	-42006	.42970	-.04974	-.00545	-.02078
.900	-6.000	-4.00000	3.97204	-.76578	-30228	.39514	-.02885	-.00154	-.01650
.900	-4.000	-4.00000	3.97100	-.51675	-19173	.37090	-.00838	.00225	-.01214
.900	-2.000	-4.00000	3.96999	-.22399	-.07950	.35514	.01329	.00616	-.00753
.900	.000	-4.00000	3.97019	.10574	.03659	.34703	.04088	.01114	-.00293
.900	2.000	-4.00000	3.97097	.45613	.15805	.34652	.06836	.01630	.00147
.900	4.000	-4.00000	3.97460	.75900	.27249	.35852	.09287	.02079	.00517
	GRADIENT	00000	00041	.16158	.05830	-.00167	.01288	.00236	.00218

RUN NO 0/ 0 RN/L = 4.08 GRADIENT INTERVAL = -5.00/ 5.00

MACH	ALPHA	BETA	RN/L	L/DU	CLU	CDU	CNW	CBW	CTW
.975	-8.000	-4.00000	4.08046	-.85740	-.44171	.51392	-.06767	-.00821	-.02002
.975	-6.000	-4.00000	4.08054	-.65729	-.31327	.47712	-.04189	-.00351	-.01621
.975	-4.000	-4.00000	4.08053	-.44219	-.20000	.45212	-.01637	.00110	-.01205
.975	-2.000	-4.00000	4.08225	-.21045	-.09177	.43635	.00880	.00553	-.00737
.975	.000	-4.00000	4.08423	.05001	.02141	.42914	.03433	.01023	-.00292
.975	2.000	-4.00000	4.08131	.32001	.13766	.43017	.06212	.01556	.00024
.975	4.000	-4.00000	4.07826	.57773	.25566	.44192	.08888	.02063	.00316
	GRADIENT	00000	-.00027	.12852	.05704	-.00133	.01319	.00245	.00190

RUN NO 0/ 0 RN/L = 4.21 GRADIENT INTERVAL = -5.00/ 5.00

MACH	ALPHA	BETA	RN/L	L/DU	CLU	CDU	CNW	CBW	CTW
1.150	-8.000	-4.00000	4.21137	-.57934	-.31409	.54028	-.03905	-.00344	-.00946
1.150	-4.000	-4.00000	4.20989	-.36523	-.18794	.51571	-.01039	.00185	-.00560
1.150	-2.000	-4.00000	4.21022	-.14401	-.07249	.50234	.01975	.00741	-.00188
1.150	.000	-4.00000	4.20895	.07865	.03905	.49564	.04761	.01267	.00093
1.150	2.000	-4.00000	4.20810	.29579	.14671	.49606	.07496	.01757	.00341
	GRADIENT	00000	-.00033	.11029	.05578	-.00328	.01420	.00262	.00149

LARC 8FT TPT /49 (1A93) OTSAT130

(FJJ033) (15 JUL 76)

REFERENCE DATA

SREF = 2690.0000 SQ.FT. XMRP = 976.0000 IN. XT
 LREF = 1290.3000 INCHES YMRP = .0000 IN. YT
 BREF = 1290.3000 INCHES ZMRP = 400.0000 IN. ZT
 SCALE = .0100

PARAMETRIC DATA

BETA = -4.000 ELV-LI = 12.000
 ELV-LO = 9.000 ELV-RI = 12.000
 ELV-RO = 9.000

RUN NO. 0/ 0 RN/L = 4.22 GRADIENT INTERVAL = -5.00/ 5.00

MACH	ALPHA	BETA	RN/L	L/DU	CLU	CDU	CNW	CBW	CTW
1.205	-8.000	-4.00000	4.21890	-76488	-.44677	58279	-.06061	-.00791	-.01012
1.205	-6.000	-4.00000	4.21805	-.56720	-.30901	.54543	-.03388	-.00276	-.00766
1.205	-4.000	-4.00000	4.21803	-.34808	-.18192	.52242	-.00447	.00295	-.00515
1.205	-2.000	-4.00000	4.21756	-.12340	-.06285	.50954	.02634	.00872	-.00206
1.205	.000	-4.00000	4.21830	.08995	.04528	.50352	.05343	.01363	.00096
1.205	2.000	-4.00000	4.21970	.29982	.15126	.50449	.07806	.01802	.00332
1.205	4.000	-4.00000	4.22005	.50199	.25678	.51122	.09803	.02174	.00490
	GRADIENT	.00000	.00031	.10617	.05457	-.00137	.01284	.00234	.00127

LARC 8FT TPT 749 (1A93) OTSAT130

(FJJ034) (15 JUL 76)

REFERENCE DATA

SREF = 2690.0000 SQ.FT. XMRP = 976.0000 IN. XT
 LREF = 1290.3000 INCHES YMRP = .0000 IN. YT
 BREF = 1290.3000 INCHES ZMRP = 400.0000 IN. ZT
 SCALE = .0100

PARAMETRIC DATA

BETA = .000 ELV-LI = 12.000
 ELV-LO = 9.000 ELV-RI = 12.000
 ELV-RO = 9.000

RUN NO. 0/ 0 RN/L = 3.16 GRADIENT INTERVAL = -5.00/ 5.00

MACH	ALPHA	BETA	RN/L	L/DU	CLU	CDU	CNW	CBW	CTW
.600	-8.000	.00000	3.17381	-1.05707	-.37150	.35070	-.06538	-.00536	-.02575
.600	-6.000	.00000	3.16648	-.82244	-.26522	.32254	-.04140	-.00111	-.02111
.600	-4.000	.00000	3.16120	-.54620	-.16621	.30415	-.01817	.00304	-.01639
.600	-2.000	.00000	3.15333	-.24737	-.07244	.29290	.00468	.00717	-.01166
.600	.000	.00000	3.14991	.08771	.02520	.28665	.02587	.01121	-.00760
.600	2.000	.00000	3.14780	.44375	.12622	.28386	.04856	.01558	-.00305
.600	4.000	.00000	3.15216	.80272	.23106	.28706	.07317	.02021	.00173
	GRADIENT	.00000	-.00118	.16945	.04966	-.00216	.01133	.00214	.00224

LARC BFT TPT /49 (1A93) OTSAT130

(FJJ034) (15 JUL 76)

REFERENCE DATA

SREF = 2690.0000 SQ FT. XMRP = 976.0000 IN XT
 LREF = 1290.3000 INCHES YMRP = .0000 IN. YT
 BREF = 1290.3000 INCHES ZMRP = 400 0000 IN. ZT
 SCALE = .0100

PARAMETRIC DATA

BETA = .000 ELV-LI = 12.000
 ELV-LO = 9 000 ELV-RI = 12.000
 ELV-RO = 9 000

RUN NO 0/ 0 RN/L = 3.97 GRADIENT INTERVAL = -5.00/ 5.00

MACH	ALPHA	BETA	RN/L	L/DU	CLU	CDU	CNW	CBW	CTW
.900	-8 000	.00000	3 96699	-1 01794	- 43321	42487	- 05601	-.00627	- 02055
.900	-6 000	.00000	3 95803	-.80444	-.31073	38633	- 03055	-.00180	-.01545
.900	-4 000	.00000	3 96984	-.53820	- 19343	.35932	- 00459	.00270	-.01015
.900	-2 000	.00000	3.97427	- 25105	- 08627	34379	.02201	.00726	-.00440
.900	0 000	.00000	3 97703	10795	.03643	33792	.05482	.01325	.00095
.900	2 000	.00000	3.97405	45566	15493	.34003	.08461	.01885	.00502
.900	4 000	.00000	3 97125	76528	.26969	.35197	.10932	.02307	.00884
	GRADIENT	.00000	00013	16568	.05837	-.00092	01452	.00262	00237

RUN NO 0/ 0 RN/L = 4 08 GRADIENT INTERVAL = -5.00/ 5.00

MACH	ALPHA	BETA	RN/L	L/DU	CLU	CDU	CNW	CBW	CTW
.975	-8.000	.00000	4 07942	-.88345	- 45269	.51144	-.06295	-.00736	-.01896
.975	-6 000	.00000	4 07883	- 68986	-.32598	47280	-.03437	-.00230	-.01418
.975	-4.000	.00000	4 08109	- 47201	- 21012	44514	-.00662	.00256	-.00889
.975	-2 000	.00000	4 08377	-.23522	- 10100	.42945	.02167	.00752	-.00362
.975	0 000	.00000	4 08361	02517	01061	42262	.05079	.01293	.00087
.975	2 000	.00000	4 08384	29489	.12491	42356	.07859	.01827	.00398
.975	4 000	.00000	4 08115	.55898	.24147	.43164	.10548	.02301	.00677
	GRADIENT	.00000	00001	.12960	05646	-.00164	.01406	.00258	.00195

RUN NO. 0/ 0 RN/L = 4.21 GRADIENT INTERVAL = -5.00/ 5.00

MACH	ALPHA	BETA	RN/L	L/DU	CLU	CDU	CNW	CBW	CTW
1.150	-6 000	.00000	4.21007	- 60883	-.32850	53793	-.02698	-.00145	-.00845
1.150	-4 000	.00000	4 20951	- 38830	-.19858	.51243	.00789	.00499	-.00445
1.150	-2 000	.00000	4 21032	-.15368	-.07675	.49879	.04325	.01142	-.00063
1.150	0 000	.00000	4 20992	05510	.03204	.49178	.07112	.01659	.00209
1.150	2 000	.00000	4.21051	28200	.13830	49043	.09728	.02118	.00497
	GRADIENT	.00000	.00013	.11147	05597	-.00365	.01480	.00269	.00155

ORIGINAL PAGE IS
OF POOR QUALITY

LARC BFT TPT 749 (IA93) OTSAT130

(FJJ034) (15 JUL 76)

REFERENCE DATA

SREF = 2690.0000 SQ.FT. XMRP = 976.0000 IN. XT
 LREF = 1290.3000 INCHES YMRP = 0000 IN. YT
 BREF = 1290.3000 INCHES ZMRP = 400.0000 IN. ZT
 SCALE = .0100

PARAMETRIC DATA

BETA = .000 ELV-LI = 12.000
 ELV-LO = 9.000 ELV-RI = 12.000
 ELV-RO = 9.000

RUN NO. 0/ 0 RN/L = 4.22 GRADIENT INTERVAL = -5.00/ 5.00

MACH	ALPHA	BETA	RN/L	L/DU	CLU	CDU	CNW	CBW	CTW
1.205	-8.000	.00000	4.22171	-.77423	-.44850	.57799	-.04919	-.00609	-.00991
1.205	-6.000	.00000	4.21902	-.57890	-.31318	.54164	-.01793	-.00003	-.00753
1.205	-4.000	.00000	4.21693	-.36017	-.18676	.51818	.01488	.00624	-.00505
1.205	-2.000	.00000	4.21885	-.13648	-.06872	.50427	.04797	.01207	-.00152
1.205	0.000	.00000	4.22011	.07970	.03970	.49869	.07749	.01732	.00168
1.205	2.000	.00000	4.22103	.29103	.14485	.49768	.10113	.02152	.00454
1.205	4.000	.00000	4.22344	.49307	.24849	.50366	.12145	.02515	.00686
	GRADIENT	.00000	.00076	.10670	.05420	-.00178	.01331	.00236	.00149

LARC BFT TPT 749 (IA93) OTSAT130

(FJJ035) (15 JUL 76)

REFERENCE DATA

SREF = 2690.0000 SQ.FT. XMRP = 976.0000 IN. XT
 LREF = 1290.3000 INCHES YMRP = 0000 IN. YT
 BREF = 1290.3000 INCHES ZMRP = 400.0000 IN. ZT
 SCALE = .0100

PARAMETRIC DATA

BETA = 4.000 ELV-LI = 12.000
 ELV-LO = 9.000 ELV-RI = 12.000
 ELV-RO = 9.000

RUN NO. 0/ 0 RN/L = 3.16 GRADIENT INTERVAL = -5.00/ 5.00

MACH	ALPHA	BETA	RN/L	L/DU	CLU	CDU	CNW	CBW	CTW
.600	-8.000	4.00000	3.16969	-1.05798	-.37379	.35243	-.07220	-.00602	-.02681
.600	-6.000	4.00000	3.17070	-.81556	-.26614	.32630	-.04568	-.00139	-.02156
.600	-4.000	4.00000	3.16895	-.54163	-.16709	.30820	-.02161	.00303	-.01674
.600	-2.000	4.00000	3.16849	-.24360	-.07219	.29618	.00403	.00758	-.01132
.600	0.000	4.00000	3.16565	.09770	.02837	.28932	.02833	.01218	-.00656
.600	2.000	4.00000	3.16287	.44705	.12871	.28740	.05394	.01688	-.00181
.600	4.000	4.00000	3.16160	.80458	.23460	.29107	.07914	.02170	.00313
	GRADIENT	.00000	-.00102	.16915	.05021	-.00215	.01257	.00233	.00246

LARC 8FT TPT /49 (1A93) OTSAT130

(FJJ035) (15 JUL 76)

REFERENCE DATA

SREF = 2690.0000 SQ FT. XMRP = 976.0000 IN. XT
 LREF = 1290.3000 INCHES YMRP = .0000 IN. YT
 BREF = 1290.3000 INCHES ZMRP = 400.0000 IN. ZT
 SCALE = .0100

PARAMETRIC DATA

BETA = 4.000 ELV-LI = 12.000
 ELV-LO = 9.000 ELV-RI = 12.000
 ELV-RO = 9.000

RUN NO.		0/ 0	RN/L = 3.97	GRADIENT INTERVAL = -5.00/ 5.00					
MACH	ALPHA	BETA	RN/L	L/DU	CLU	CDU	CNW	CBW	CTW
.900	-8.000	4.00000	3.97182	-.99401	-.42562	.42708	-.05152	-.00560	-.01863
.900	-6.000	4.00000	3.97184	-.78451	-.30725	.39213	-.02566	-.00111	-.01287
.900	-4.000	4.00000	3.97142	-.53643	-.19750	.36802	.00404	.00414	-.00717
.900	-2.000	4.00000	3.97243	-.23659	-.08323	.35230	.03532	.00978	-.00142
.900	.000	4.00000	3.97267	.10647	.03670	.34541	.06769	.01573	.00367
.900	2.000	4.00000	3.97060	.45328	.15669	.34571	.09841	.02131	.00784
.900	4.000	4.00000	3.97020	.75409	.27057	.35830	.11958	.02460	.01090
	GRADIENT	.00000	-.00021	.16355	.05881	-.00130	.01471	.00262	.00227

RUN NO.		0/ 0	RN/L = 4.08	GRADIENT INTERVAL = -5.00/ 5.00					
MACH	ALPHA	BETA	RN/L	L/DU	CLU	CDU	CNW	CBW	CTW
.975	-8.000	4.00000	4.07773	-.87175	-.44670	.51113	-.05231	-.00573	-.01752
.975	-6.000	4.00000	4.07864	-.67567	-.32007	.47440	-.02191	-.00033	-.01215
.975	-4.000	4.00000	4.08054	-.45328	-.20373	.44883	.00824	.00507	-.00666
.975	-2.000	4.00000	4.07981	-.21157	-.09128	.43248	.03896	.01071	-.00141
.975	.000	4.00000	4.08145	.03996	.01690	.42637	.06839	.01632	.00286
.975	2.000	4.00000	4.08265	.31299	.13273	.42414	.09750	.02140	.00680
.975	4.000	4.00000	4.08391	.57946	.25267	.43536	.12668	.02637	.00978
	GRADIENT	.00000	.00048	.12950	.05684	-.00176	.01477	.00266	.00205

RUN NO.		0/ 0	RN/L = 4.21	GRADIENT INTERVAL = -5.00/ 5.00					
MACH	ALPHA	BETA	RN/L	L/DU	CLU	CDU	CNW	CBW	CTW
1.150	-6.000	4.00000	4.21334	-.59220	-.32190	.54189	-.00885	.00177	-.00869
1.150	-4.000	4.00000	4.20962	-.38195	-.19643	.51506	.02843	.00851	-.00488
1.150	-2.000	4.00000	4.20842	-.15806	-.07904	.49970	.06112	.01439	-.00127
1.150	.000	4.00000	4.21053	.07185	.03544	.49322	.09038	.01971	.00217
1.150	2.000	4.00000	4.21118	.29125	.14308	.49136	.11501	.02413	.00513
	GRADIENT	.00000	.00034	.12447	.05665	-.00388	.01445	.00261	.00167

LARC 8FT TPT 749 (1A93) OTSAT130

(FJJ035) (15 JUL 76)

REFERENCE DATA

PARAMETRIC DATA

SREF = 2690.0000 SQ.FT. XMRP = 976.0000 IN. XT
 LREF = 1290.3000 INCHES YMRP = .0000 IN. YT
 BREF = 1290.3000 INCHES ZMRP = 400 0000 IN. ZT
 SCALE = .0100

BETA = 4.000 ELV-L1 = 12.000
 ELV-LO = 9.000 ELV-R1 = 12.000
 ELV-RO = 9.000

RUN NO. 0/ 0 RN/L = 4.22 GRADIENT INTERVAL = -5.00/ 5.00

MACH	ALPHA	BETA	RN/L	L/DO	CLU	COU	CNW	CBW	CTW
1.205	-8.000	4.00000	4.21792	-.77017	-.44972	.58275	-.03907	-.00395	-.01322
1.205	-6.000	4.00000	4.21889	-.57587	-.31389	.54561	-.00318	.00256	-.00995
1.205	-4.000	4.00000	4.21871	-.36166	-.18844	.52078	.03069	.00882	-.00688
1.205	-2.000	4.00000	4.21692	-.13690	-.06920	.50584	.06194	.01450	-.00342
1.205	.000	4.00000	4.21654	.08447	.04207	.49850	.09173	.01967	.00064
1.205	2.000	4.00000	4.21685	.28999	.14422	.49733	.11468	.02378	.00367
1.205	4.000	4.00000	4.21761	.49932	.25180	.50393	.13608	.02757	.00642
	GRADIENT	.00000	-.00011	.10744	.05469	-.00211	.01318	.00234	.00168

LARC 8FT TPT 749 (1A93) OTSAT130

(FJJ035) (15 JUL 76)

REFERENCE DATA

PARAMETRIC DATA

SREF = 2690.0000 SQ.FT. XMRP = 976 0000 IN. XT
 LREF = 1290.3000 INCHES YMRP = .0000 IN. YT
 BREF = 1290.3000 INCHES ZMRP = 400 0000 IN. ZT
 SCALE = .0100

BETA = 6.000 ELV-L1 = 12.000
 ELV-LO = 9.000 ELV-R1 = 12.000
 ELV-RO = 9.000

RUN NO. 0/ 0 RN/L = 3.16 GRADIENT INTERVAL = -5.00/ 5.00

MACH	ALPHA	BETA	RN/L	L/DO	CLU	COU	CNW	CBW	CTW
.600	-8.000	6.00000	3.16880	-.05689	-.37322	.35202	-.07252	-.00599	-.02658
.600	-6.000	6.00000	3.16898	-.81710	-.26611	.32584	-.04628	-.00131	-.02146
.600	-4.000	6.00000	3.16984	-.56012	-.17307	.30845	-.02180	.00313	-.01655
.600	-2.000	6.00000	3.16736	-.23016	-.06794	.29526	.00497	.00797	-.01112
.600	.000	6.00000	3.16759	.10776	.03114	.28868	.02983	.01272	-.00627
.600	2.000	6.00000	3.16661	.46434	.13361	.28734	.05730	.01762	-.00078
.600	4.000	6.00000	3.16474	.81560	.23763	.29091	.08330	.02262	.00408
	GRADIENT	.00000	-.00055	.17230	.05115	-.00215	.01313	.00243	.00258

LARC 8FT TPT /49 (IA93) OTSAT130

(FJJ036) (15 JUL 76)

REFERENCE DATA

SREF = 2690.0000 SQ.FT. XMRP = 976.0000 IN. XT
 LREF = 1290.3000 INCHES YMRP = .0000 IN. YT
 BREF = 1290.3000 INCHES ZMRP = 400.0000 IN. ZT
 SCALE = .0100

PARAMETRIC DATA

BETA = 6.000 ELV-LI = 12.000
 ELV-LO = 9.000 ELV-RI = 12.000
 ELV-RO = 9.000

RUN NO. 0/ 0 RN/L = 3.97 GRADIENT INTERVAL = -5.00/ 5.00

MACH	ALPHA	BETA	RN/L	L/DO	CLU	CDU	CNW	CBW	CTW
900	-8.000	6.00000	3.97215	-.99228	- 42496	.42736	-.05021	-.00534	- 01792
.900	-6.000	6.00000	3.97165	-.78456	- 30846	.39348	-.02290	- 00070	-.01174
900	-4.000	6.00000	3.97199	-.53552	- 19860	.37075	00774	00472	-.00593
900	-2.000	6.00000	3.97217	-.24558	-.08749	.35626	.03880	.01048	-.00069
900	000	6.00000	3.97235	09183	.03201	.34904	.07214	01667	.00449
900	2.000	6.00000	3.97166	.43755	15315	35009	10433	.02228	.00939
.900	4.000	6.00000	3.97118	.72994	26325	36025	.12425	.02526	01204
	GRADIENT	00000	- 00011	.16070	.05822	- 00136	.01493	00264	00230

RUN NO 0/ 0 RN/L = 4.08 GRADIENT INTERVAL = -5.00/ 5.00

MACH	ALPHA	BETA	RN/L	L/DO	CLU	CDU	CNW	CBW	CTW
975	-8.000	6.00000	4.07995	-.87179	- 44682	51137	- 04937	- 00516	- 01698
975	-6.000	6.00000	4.08327	-.67267	- 31920	.47496	-.01745	00043	-.01126
.975	-4.000	6.00000	4.08414	- 45014	- 20241	.44936	.01555	.00629	-.00537
.975	-2.000	6.00000	4.08144	-.20448	-.08855	43364	04744	.01232	-.00033
975	.000	6.00000	4.08111	.06081	02585	42678	07666	01785	00369
.975	2.000	6.00000	4.07859	.32260	13737	42586	.10712	02292	.00806
975	4.000	6.00000	4.08042	.58764	25664	43616	.13613	02796	.01057
	GRADIENT	.00003	-.00051	13013	05720	-.00171	01504	00270	.00201

RUN NO. 0/ 0 RN/L = 4.21 GRADIENT INTERVAL = -5.00/ 5.00

MACH	ALPHA	BETA	RN/L	L/DO	CLU	CDU	CNW	CBW	CTW
1.150	-6.000	6.00000	4.21098	-.59274	- 32264	54267	-.00177	.00302	- 00937
1.150	-4.000	6.00000	4.21009	-.38254	- 19723	.51642	.03595	.00978	-.00553
1.150	-2.000	6.00000	4.20979	- 15958	- 07996	50032	06879	01568	-.00191
1.150	000	6.00000	4.21007	.07376	03638	49267	09860	.02092	.00187
1.150	2.000	6.00000	4.21026	.30007	14756	49181	12355	02535	.00512
	GRADIENT	00000	.00004	.11406	.05754	-.00407	.01463	.00260	.00179

LARC 8FT TPT 749 (1A93) OTSAT130

(FJJ036) (15 JUL 76)

REFERENCE DATA

SREF = 2690.0000 SQ.FT. XMRP = 976.0000 IN. XT
 LREF = 1290.3000 INCHES YMRP = .0000 IN. YT
 BREF = 1290.3000 INCHES ZMRP = 400.0000 IN. ZT
 SCALE = .0100

PARAMETRIC DATA

BETA = 6.000 ELV-LI = 12.000
 ELV-LO = 9.000 ELV-RI = 12.000
 ELV-RO = 9.000

RUN NO. 0/ 0 RN/L = 4.22 GRADIENT INTERVAL = -5.00/ 5 00

MACH	ALPHA	BETA	RN/L	L/DU	CLU	CDU	CNW	CBW	CTW
1.205	-8.000	6.00000	4.21815	-77487	-.45259	58290	-.03531	-.00312	-.01460
1.205	-6.000	6.00000	4.21785	-57805	-.31507	54563	00193	00346	-.01117
1.205	-4.000	6.00000	4.21716	-.36686	-.19108	.52061	03714	.00985	-.00784
1.205	-2.000	6.00000	4.21767	-.14541	-.07341	.50503	06804	.01542	-.00426
1.205	0.000	6.00000	4.21727	.08042	04001	.49766	.09775	.02057	-.00021
1.205	2.000	6.00000	4.21689	29418	.14636	.49753	12278	.02488	.00341
1.205	4.000	6.00000	4.21779	50480	.25430	.50348	.14358	.02855	.00610
	GRADIENT	0.0000	0.0002	.10915	05553	-.00209	.01338	.00234	00178

LARC 8FT TPT 749 (1A93) OTSAT130

(FJJ037) (08 JUL 76)

REFERENCE DATA

SREF = 2690.0000 SQ.FT. XMRP = 976.0000 IN. XT
 LREF = 1290.3000 INCHES YMRP = .0000 IN. YT
 BREF = 1290.3000 INCHES ZMRP = 400.0000 IN. ZT
 SCALE = .0100

PARAMETRIC DATA

BETA = -6.000 ELV-LI = 12.000
 ELV-LO = 14.000 ELV-RI = 12.000
 ELV-RO = 14.000

RN/L = 3.97 GRADIENT INTERVAL = -5.00/ 5 00

MACH	ALPHA	BETA	RN/L	L/DU	CLU	CDU	CNW	CBW	CTW
900	-8.000	-6.00000	3.97229	-91550	-.39652	43191	-.03642	-.00381	-.01959
	-6.000	-6.00000	3.97248	-.69970	-.27952	.39999	-.01613	.00001	-.01550
	-4.000	-6.00000	3.97173	-.45184	-.17098	37807	.00435	.00381	-.01134
	-2.000	-6.00000	3.97170	-.15484	-.05631	.36420	.02545	00770	-.00723
	0.000	-6.00000	3.97116	.17566	06274	35751	.05133	.01237	-.00273
	2.000	-6.00000	3.97019	.50834	.18192	35795	.07677	.01709	.00135
	4.000	-6.00000	3.97106	.79810	29444	36851	.10033	.02154	.00472
	GRADIENT	0.0000	-.00014	15815	05845	-.00127	.01216	.00224	.00204

DATE 29 OCT 76

TABULATED SOURCE DATA - 1A93.

PAGE 331

LARC 8FT TPT 749 (1A93) OTSAT130

(FJJ037) (08 JUL 76)

REFERENCE DATA

PARAMETRIC DATA

SREF = 2690.0000 SQ.FT. XMRP = 976.0000 IN. XT
 LREF = 1290.3000 INCHES YMRP = .0000 IN. YT
 BREF = 1290.3000 INCHES ZMRP = 400.0000 IN. ZT
 SCALE = 0100

BETA = -6.000 ELV-LI = 12.000
 ELV-LO = 14.000 ELV-RI = 12.000
 ELV-RO = 14.000

RN/L = 4.08 GRADIENT INTERVAL = -5.00/ 5.00

MACH =	975	ALPHA	BETA	RN/L	L/DU	CLU	CDU	CNW	CBW	CTW
		-8.000	-6.00000	4.08232	-.81111	-41961	51612	-.05814	-.00674	-.01986
		-6.000	-6.00000	4.08052	-.60818	-.29177	48051	-.03282	-.00204	-.01638
		-4.000	-6.00000	4.08020	-.38903	-.17757	.45622	-.00821	.00245	-.01242
		-2.000	-6.00000	4.08167	-.14307	-.06322	.44241	.01655	.00678	-.00780
		.000	-6.00000	4.08018	.12414	.05425	.43745	.04229	.01144	-.00378
		2.000	-6.00000	4.08106	.38079	.16767	.44041	.06829	.01636	-.00060
		4.000	-6.00000	4.08204	.63084	.28650	.45355	.09391	.02117	.00245
		GRADIENT	.00000	.00015	.12818	.05795	-.00037	.01280	.00235	.00185

LARC 8FT TPT 749 (1A93) OTSAT130

(FJJ038) (08 JUL 76)

REFERENCE DATA

PARAMETRIC DATA

SREF = 2690.0000 SQ.FT. XMRP = 976.0000 IN. XT
 LREF = 1290.3000 INCHES YMRP = .0000 IN. YT
 BREF = 1290.3000 INCHES ZMRP = 400.0000 IN. ZT
 SCALE = 0100

BETA = -4.000 ELV-LI = 12.000
 ELV-LO = 14.000 ELV-RI = 12.000
 ELV-RO = 14.000

RN/L = 3.97 GRADIENT INTERVAL = -5.00/ 5.00

MACH =	900	ALPHA	BETA	RN/L	L/DU	CLU	CDU	CNW	CBW	CTW
		-8.000	-4.00000	3.97477	-.92957	-40390	.43350	-.03711	-.00374	-.01978
		-6.000	-4.00000	3.97425	-.71150	-.28409	.39965	-.01562	.00024	-.01567
		-4.000	-4.00000	3.97283	-.45569	-.17129	.37578	.00613	.00424	-.01131
		-2.000	-4.00000	3.97291	-.16110	-.05807	.36057	.02783	.00818	-.00671
		.000	-4.00000	3.97195	.17608	.06213	.35343	.05702	.01341	-.00185
		2.000	-4.00000	3.96971	.51207	.18081	.35317	.08443	.01864	.00220
		4.000	-4.00000	3.97058	.81720	.29897	.36534	.10991	.02334	.00583
		GRADIENT	.00000	-.00039	.16095	.05897	-.00141	.01321	.00243	.00216

ORIGINAL PAGE IS
OF POOR QUALITY

LARC 8FT IPT /49 (1A93) OTSAT130

(FJJ038) (08 JUL 76)

REFERENCE DATA

PARAMETRIC DATA

SREF = 2690.0000 SQ.FT. XMRP = 976.0000 IN. XT
 LREF = 1290.3000 INCHES YMRP = .0000 IN. YT
 BREF = 1290.3000 INCHES ZMRP = 400.0000 IN. ZT
 SCALE = .0100

BETA = -4.000 ELV-LI = 12.000
 ELV-LO = 14.000 ELV-RI = 12.000
 ELV-RO = 14.000

RN/L = 4.08 GRADIENT INTERVAL = -5.00/ 5.00

MACH =	975								
	ALPHA	BETA	RN/L	L/DU	CLU	CDU	CNW	CBW	CTW
	-8.000	-4.00000	4.08581	-.81618	-42314	51731	-.05497	-.00627	-.01930
	-6.000	-4.00000	4.08394	-.61166	-29351	48053	-.02881	-.00146	-.01562
	-4.000	-4.00000	4.08242	-.39297	-.17900	45548	-.00309	.00323	-.01160
	-2.000	-4.00000	4.08331	-.15715	-.06920	44074	.02150	.00763	-.00713
	.000	-4.00000	4.08154	.11595	.05039	43504	.04781	.01248	-.00294
	2.000	-4.00000	4.08242	.37115	.16226	43723	.07580	.01788	-.00003
	4.000	-4.00000	4.08313	.62223	.28081	45062	.10339	.02305	.00311
	GRADIENT	.00000	.00003	.12794	.05755	-.00066	.01336	.00249	.00183

LARC 8FT IPT 749 (1A93) OTSAT130

(FJJ039) (08 JUL 76)

REFERENCE DATA

PARAMETRIC DATA

SREF = 2690.0000 SQ.FT. XMRP = 976.0000 IN. XT
 LREF = 1290.3000 INCHES YMRP = .0000 IN. YT
 BREF = 1290.3000 INCHES ZMRP = 400.0000 IN. ZT
 SCALE = .0100

BETA = .000 ELV-LI = 12.000
 ELV-LO = 14.000 ELV-RI = 12.000
 ELV-RO = 14.000

RN/L = 3.97 GRADIENT INTERVAL = -5.00/ 5.00

MACH =	900								
	ALPHA	BETA	RN/L	L/DU	CLU	CDU	CNW	CBW	CTW
	-8.000	.00000	3.96843	-.97235	-41857	42970	-.04292	-.00460	-.01959
	-6.000	.00000	3.97111	-.74659	-29253	39189	-.01692	.00006	-.01475
	-4.000	.00000	3.97112	-.47127	-.17227	36565	.00999	.00483	-.00954
	-2.000	.00000	3.97318	-.17859	-.06264	35080	.03754	.00963	-.00394
	.000	.00000	3.97521	.18516	.06380	34472	.06888	.01557	.00075
	2.000	.00000	3.97487	.52616	.18302	34790	.10002	.02133	.00525
	4.000	.00000	3.97580	.82803	.29861	36019	.12677	.02579	.00964
	GRADIENT	.00000	.00055	.16517	.05937	-.00069	.01480	.00268	.00238

DATE 29 OCT 76

TABULATED SOURCE DATA - 1A93.

PAGE 333

LARC 8FT IPT 749 (1A93) OTSAT130

(FJJ039) (08 JUL 76)

REFERENCE DATA

PARAMETRIC DATA

SREF = 2690.0000 SQ FT. XMRP = 976 0000 IN. XT
 LREF = 1290.3000 INCHES YMRP = .0000 IN. YT
 BREF = 1290.3000 INCHES ZMRP = 400 0000 IN. ZT
 SCALE = 0100

BETA = .000 ELV-LI = 12.000
 ELV-LO = 14.000 ELV-RI = 12.000
 ELV-RO = 14.000

RN/L = 4.08 GRADIENT INTERVAL = -5 00/ 5.00

MACH =	.975	BETA	RN/L	L/DU	CLU	CDU	CNW	CBW	CTW
ALPHA									
-8.000	.00000	4 08532	-.83667	-.43040	51321	- 04927	-.00529	-.01812	
-6.000	.00000	4 08548	-.64027	- 30376	.47519	- 02208	-.00030	-.01387	
-4 000	.00000	4 08388	-.42101	-.18943	.44977	.00588	.00466	-.00889	
-2 000	.00000	4 08267	-.17271	-.07510	.43509	.03566	.00989	-.00368	
000	.00000	4 08086	09004	.03857	.42869	.06466	.01530	.00061	
2 000	.00000	4 07999	34701	14939	.43057	.09385	.02064	.00385	
4.000	.00000	4 08196	61010	26916	.44071	.12186	.02563	.00668	
GRADIENT	.00000	- 00033	12910	05708	- 00113	01451	00263	.00193	

LARC 8FT IPT 749 (1A93) OTSAT130

(FJJ040) (08 JUL 76)

REFERENCE DATA

PARAMETRIC DATA

SREF = 2690 0000 SQ.FT. XMRP = 976 0000 IN. XT
 LREF = 1290.3000 INCHES YMRP = 0000 IN. YT
 BREF = 1290.3000 INCHES ZMRP = 400 0000 IN. ZT
 SCALE = 0100

BETA = 4 000 ELV-LI = 12 000
 ELV-LO = 14.000 ELV-RI = 12.000
 ELV-RO = 14.000

RN/L = 3.97 GRADIENT INTERVAL = -5.00/ 5.00

MACH =	.900	BETA	RN/L	L/DU	CLU	CDU	CNW	CBW	CTW
ALPHA									
-8.000	4.00000	3 97210	-.95015	-.41111	.43164	- .03850	- 00400	-.01726	
-6.000	4 00000	3 97122	-.72832	- 28866	.39688	- 01146	00077	- 01173	
-4.000	4 00000	3 96978	-.46892	- 17505	.37307	.01931	.00627	- 00632	
-2.000	4.00000	3 97060	-.17361	- 06215	.35834	.05093	.01204	-.00079	
000	4.00000	3 96966	17286	06074	.35222	.08314	.01819	.00397	
2 000	4.00000	3 97239	50345	17750	.35296	11400	.02369	.00829	
4.000	4.00000	3 97339	.81384	29829	.36615	.13987	.02786	.01225	
GRADIENT	.00000	.00045	.16213	.05932	- .00096	.01521	.00274	.00231	

LARC 8FT TPT 749 (1A93) OTSAT130

(FJJ040) (08 JUL 76)

REFERENCE DATA

SREF = 2690.0000 SQ.FT. XMRP = 976.0000 IN. XT
 LREF = 1290.3000 INCHES YMRP = .0000 IN. YT
 BREF = 1290.3000 INCHES ZMRP = 400.0000 IN. ZT
 SCALE = .0100

PARAMETRIC DATA

BETA * 4.000 ELV-L1 = 12.000
 ELV-LO = 14.000 ELV-R1 = 12.000
 ELV-RO = 14.000

RN/L = 4.08 GRADIENT INTERVAL = -5.00/ 5.00

MACH =	ALPHA	BETA	RN/L	L/DU	CLU	CDU	CNW	CBW	CTW
.975	-8.000	4 00000	4 08100	- 83340	-.43029	.51506	-.03968	- 00384	-.01666
	-6.000	4 00000	4 08135	- 63519	-.30303	.47793	-.00993	00151	-.01147
	-4.000	4.00000	4 08160	-.41051	-.18584	.45223	.02083	.00700	-.00593
	-2.000	4 00000	4.08 70	-.15992	-.06979	.43748	.05230	.01285	-.00089
	.000	4 00000	4 08167	.09866	.04254	.43236	.08264	.01861	.00295
	2.000	4 00000	4 08207	.36778	.15832	.43097	.11242	.02377	.00660
	4.000	4.00000	4.08444	.62604	.27852	.44425	.14370	.02902	.00988
	GRADIENT	00000	00030	13004	.05784	- 00112	01529	00275	.00196

LARC 8FT TPT 749 (1A93) OTSAT130

(FJJ041) (08 JUL 76)

REFERENCE DATA

SREF = 2690.0000 SQ.FT. XMRP = 976 0000 IN XT
 LREF = 1290.3000 INCHES YMRP = 0000 IN. YT
 BREF = 1290.3000 INCHES ZMRP = 400 0000 IN. ZT
 SCALE = .0100

PARAMETRIC DATA

BETA = 6.000 ELV-L1 = 12.000
 ELV-LO = 14.000 ELV-R1 = 12.000
 ELV-RO = 14.000

RN/L = 3.97 GRADIENT INTERVAL = -5.00/ 5.00

MACH =	ALPHA	BETA	RN/L	L/DU	CLU	CDU	CNW	CBW	CTW
900	-8.000	6.00000	3 97034	-.95154	-.41119	.43107	-.03810	- 00391	-.01671
	-6.000	6.00000	3.97091	-.73366	-.29136	.39758	-.00982	.00105	-.01093
	-4.000	6 00000	3 97031	- 47751	- 17935	.37538	.02162	.00671	-.00536
	-2.000	6.00000	3.97051	-.17992	-.06490	.36087	.05428	.01276	.00012
	.000	6.00000	3.97037	.16760	.05938	.35459	.08908	.01930	.00508
	2.000	6 00000	3.97189	.49945	.17783	.35618	.12075	.02483	.00987
	4.000	6.00000	3.97280	.79407	.29211	.36747	.14270	.02830	.01307
	GRADIENT	.00000	.00032	.16113	.05928	-.00103	.01543	.00276	.00233

DATE 29 OCT 76

TABULATED SOURCE DATA - 1A93.

PAGE 335

LARC 8FT TPT 749 (1A93) OTSAT130

(FJJ041) (08 JUL 76)

REFERENCE DATA

SREF = 2690 0000 SQ.FT XMRP = 976.0000 IN. XT
 LREF = 1290 3000 INCHES YMRP = .0000 IN. YT
 BREF = 1290.3000 INCHES ZMRP = 400.0000 IN. ZT
 SCALE = .0100

PARAMETRIC DATA

BETA = 6.000 ELV-LI = 12.000
 ELV-LO = 14.000 ELV-RI = 12.000
 ELV-RO = 14.000

RN/L = 4.08 GRADIENT INTERVAL = -5.00/ 5.00

MACH =	ALPHA	BETA	RN/L	L/DU	CLU	CDU	CNW	CBW	CTW
.975	-8.000	6.00000	4.08224	-.83581	-.43107	.51466	-.03685	-.00331	-.01614
	-6.000	6.00000	4.08221	-.63345	-.30257	.47841	-.00535	.00229	-.01056
	-4.000	6.00000	4.08049	-.40698	-.18459	.45328	.02746	.00818	-.00480
	-2.000	6.00000	4.08084	-.15603	-.06828	.43833	.06021	.01433	.00010
	.000	6.00000	4.08076	.11253	.04859	.43260	.09140	.02008	.00409
	2.000	6.00000	4.08078	.37019	.16018	.43286	.12198	.02526	.00791
	4.000	6.00000	4.08191	.63002	.28032	.44448	.15210	.03047	.01080
	GRADIENT	.00000	.00014	13001	.05791	-.00115	.01555	.00278	.00195

LARC 8FT TPT 749 (1A93) OTSAT130

(FJJ042) (08 JUL 76)

REFERENCE DATA

SREF = 2690.0000 SQ.FT XMRP = 976.0000 IN. XT
 LREF = 1290.3000 INCHES YMRP = .0000 IN. YT
 BREF = 1290.3000 INCHES ZMRP = 400.0000 IN. ZT
 SCALE = .0100

PARAMETRIC DATA

BETA = -6.000 ELV-LI = 8.000
 ELV-LO = 14.000 ELV-RI = 8.000
 ELV-RO = 14.000

RN/L = 3.97 GRADIENT INTERVAL = -5.00/ 5.00

MACH =	ALPHA	BETA	RN/L	L/DU	CLU	CDU	CNW	CBW	CTW
.900	-8.000	-6.00000	3.97000	-.95662	-.41177	.42940	-.04939	-.00521	-.02034
	-6.000	-6.00000	3.96921	-.74000	-.29382	.39746	-.02849	-.00135	-.01634
	-4.000	-6.00000	3.96923	-.48605	-.18287	.37612	-.00686	.00263	-.01238
	-2.000	-6.00000	3.97115	-.18929	-.06854	.36228	.01441	.00657	-.00848
	.000	-6.00000	3.97136	.14423	.05122	.35540	.03906	.01117	-.00403
	2.000	-6.00000	3.96882	.47942	.17071	.35629	.06483	.01595	.00022
	4.000	-6.00000	3.96977	.76852	.28126	.36560	.08835	.02043	.00358
	GRADIENT	.00000	-.00006	15889	.05838	-.00135	.01204	.00225	.00203

LARC 8FT TPT /49 (1A93) OTSAT130

(FJJ042) (08 JUL 76)

REFERENCE DATA

PARAMETRIC DATA

SREF = 2690.0000 SQ.FT. XMRP = 976.0000 IN. XT
 LREF = 1290.3000 INCHES YMRP = .0000 IN. YT
 BREF = 1290.3000 INCHES ZMRP = 400.0000 IN. ZT
 SCALE = .0100

BETA = -6.000 ELV-LI = 8.000
 ELV-LO = 14.000 ELV-RI = 8.000
 ELV-RO = 14.000

RN/L = 4.08 GRADIENT INTERVAL = -5.00/ 5.00

MACH =	.975								
	ALPHA	BETA	RN/L	L/DO	CLU	CDU	CNW	CBW	CTW
	-8.000	-6.00000	4.08019	-84653	-43669	.51471	-.07143	-.00816	-.01936
	-6.000	-6.00000	4.07994	-64607	-30901	.47904	-.04650	-.00354	-.01595
	-4.000	-6.00000	4.07989	-.42621	-19380	.45443	-.02159	.00100	-.01208
	-2.000	-6.00000	4.08034	-.17885	-.07863	.44017	.00308	.00538	-.00777
	.000	-6.00000	4.08220	.08148	.03533	.43452	.02832	.00985	-.00393
	2.000	-6.00000	4.08135	.33576	.14637	.43601	.05483	.01475	-.00059
	4.000	-6.00000	4.08167	.59307	.26523	.44827	.08070	.01951	.00242
	GRADIENT	.00000	.00023	.12766	.05725	-.00082	.01282	.00233	.00181

LARC 8FT TPT 749 (1A93) OTSAT130

(FJJ043) (08 JUL 76)

REFERENCE DATA

PARAMETRIC DATA

SREF = 2690.0000 SQ.FT. XMRP = 976.0000 IN. XT
 LREF = 1290.3000 INCHES YMRP = .0000 IN. YT
 BREF = 1290.3000 INCHES ZMRP = 400.0000 IN. ZT
 SCALE = .0100

BETA = -4.000 ELV-LI = 8.000
 ELV-LO = 14.000 ELV-RI = 8.000
 ELV-RO = 14.000

RN/L = 3.97 GRADIENT INTERVAL = -5.00/ 5.00

MACH =	.900								
	ALPHA	BETA	RN/L	L/DO	CLU	CDU	CNW	CBW	CTW
	-8.000	-4.00000	3.97065	-.96928	-.41781	.43009	-.04948	-.00507	-.02060
	-6.000	-4.00000	3.96957	-75367	-29850	.39646	-.02852	-.00118	-.01663
	-4.000	-4.00000	3.96856	-49250	-18384	.37308	-.00619	.00293	-.01253
	-2.000	-4.00000	3.96914	-19671	-.07029	.35759	.01718	.00713	-.00800
	.000	-4.00000	3.96947	.13517	.04734	.35114	.04497	.01219	-.00311
	2.000	-4.00000	3.96923	.49421	.17383	.35217	.07311	.01750	.00108
	4.000	-4.00000	3.97162	.78584	.28509	.36245	.09873	.02225	.00491
	GRADIENT	.00000	.00031	.16238	.05910	-.00133	.01329	.00246	.00220

DATE 29 OCT 76

TABULATED SOURCE DATA - 1A93.

PAGE 337

LARC 8FT TPT 749 (1A93) OTSAT130

(FJJ043) (08 JUL 76)

REFERENCE DATA

SREF = 2690.0000 SQ FT. XMRP = 976.0000 IN. XT
 LREF = 1290.3000 INCHES YMRP = 0000 IN. YT
 BREF = 1290.3000 INCHES ZMRP = 400.0000 IN. ZT
 SCALE = .0100

PARAMETRIC DATA

BETA = -4.000 ELV-LI = 8.000
 ELV-LO = 14.000 ELV-RI = 8.000
 ELV-RO = 14.000

RN/L = 4.08 GRADIENT INTERVAL = -5.00/ 5.00

MACH =	.975								
	ALPHA	BETA	RN/L	L/DU	CLU	CDU	CNW	CBW	CTW
	-8.000	-4.00000	4.07854	-.85064	-44033	.51645	-.06879	-.00767	-.01921
	-6.000	-4.00000	4.07797	-.64790	-30991	.47907	-.04330	-.00295	-.01560
	-4.000	-4.00000	4.07900	-.42568	-19330	.45393	-.01691	.00180	-.01129
	-2.000	-4.00000	4.07952	-.18706	-.08201	.43882	.00861	.00629	-.00681
	.000	-4.00000	4.07929	.06685	.02884	.43200	.03380	.01092	-.00301
	2.000	-4.00000	4.08099	.32690	.14163	.43334	.06162	.01623	.00023
	4.000	-4.00000	4.06183	.58440	.26066	.44544	.08853	.02128	.00312
	GRADIENT	.00000	.00036	.12671	.05658	-.00112	.01319	.00244	.00179

LARC 8FT TPT 749 (1A93) OTSAT130

(FJJ044) (08 JUL 76)

REFERENCE DATA

SREF = 2690.0000 SQ FT. XMRP = 976.0000 IN. XT
 LREF = 1290.3000 INCHES YMRP = 0000 IN. YT
 BREF = 1290.3000 INCHES ZMRP = 400.0000 IN. ZT
 SCALE = .0100

PARAMETRIC DATA

BETA = .000 ELV-LI = 8.000
 ELV-LO = 14.000 ELV-RI = 8.000
 ELV-RO = 14.000

RN/L = 3.97 GRADIENT INTERVAL = -5.00/ 5.00

MACH =	.990								
	ALPHA	BETA	RN/L	L/DU	CLU	CDU	CNW	CBW	CTW
	-8.000	.00000	3.97690	-1.01003	-43199	.42714	-.05543	-.00616	-.01985
	-6.000	.00000	3.97121	-.78831	-30631	.38846	-.02927	-.00155	-.01504
	-4.000	.00000	3.96612	-.51131	-18451	.36114	-.00266	.00323	-.01010
	-2.000	.00000	3.96528	-.21439	-.07438	.34653	.02416	.00798	-.00473
	.000	.00000	3.96715	.14156	.04823	.34136	.05630	.01405	.00033
	2.000	.00000	3.97056	.48823	.16813	.34439	.08567	.01973	.00430
	4.000	.00000	3.97267	.79805	.28405	.35586	.11237	.02413	.00919
	GRADIENT	.00000	.00092	.16607	.05898	-.00063	.01458	.00268	.00238

LARC 8FT TPT 749 (1A93) OTSAT130

(FJJ044) (08 JUL 76)

REFERENCE DATA

SREF = 2690.0000 SQ.FT. XMRP = 976.0000 IN. XT
 LREF = 1290.3000 INCHES YMRP = .0000 IN. YT
 BREF = 1290.3000 INCHES ZMRP = 400.0000 IN. ZT
 SCALE = .0100

PARAMETRIC DATA

BETA = .300 ELV-LI = 8.000
 ELV-LO = 14.000 ELV-RI = 8.000
 ELV-RO = 14.000

RN/L = 4.08 GRADIENT INTERVAL = -5.00/ 5.00

MACH =	ALPHA	BETA	RN/L	L/DU	CLU	CDU	CNW	CBW	CTW
.975									
-8.000	.00000	00000	4.07917	-86642	-44567	.51340	-06213	-.00648	-.01828
-6.000	.00000	00000	4.07959	-67206	-31953	.47577	-.03460	-.00148	-.01416
-4.000	.00000	00000	4.07620	-44883	-.20144	.44871	-.00554	.00361	-.00938
-2.000	.00000	00000	4.07715	-.20875	-.09040	.43313	.02357	.00866	-.00408
.000	.00000	00000	4.07640	03911	.01663	.42570	.05041	.01378	.00019
2.000	.00000	00000	4.08197	.31815	.13575	.42672	.08052	.01934	.00452
4.000	.00000	00000	4.08068	.57771	.25152	.43502	.10638	.02397	.00733
GRADIENT	00000	00000	00069	.12900	05660	-.00169	01404	00257	.00210

LARC 8FT TPT 749 (1A93) OTSAT130

(FJJ045) (08 JUL 76)

REFERENCE DATA

SREF = 2690.0000 SQ.FT. XMRP = 976.0000 IN. XT
 LREF = 1290.3000 INCHES YMRP = .0000 IN. YT
 BREF = 1290.3000 INCHES ZMRP = 400.0000 IN. ZT
 SCALE = .0100

PARAMETRIC DATA

BETA = 4.000 ELV-LI = 8.000
 ELV-LO = 14.000 ELV-RI = 8.000
 ELV-RO = 14.000

RN/L = 3.97 GRADIENT INTERVAL = -5.00/ 5.00

MACH =	ALPHA	BETA	RN/L	L/DU	CLU	CDU	CNW	CBW	CTW
.900									
-8.000	4.00000	00000	3.96981	-97759	-.41938	.42795	-.05209	-.00567	-.01734
-6.000	4.00000	00000	3.97111	-.75732	-.29726	.39286	-.02538	-.00091	-.01197
-4.000	4.00000	00000	3.97167	-.50238	-.18582	.36978	.00355	.00443	-.00705
-2.000	4.00000	00000	3.97123	-.21596	-.07676	.35574	.03488	.01013	-.00160
.000	4.00000	00000	3.97158	.13339	.04644	.34917	.06899	.01644	.00351
2.000	4.00000	00000	3.97092	.48017	.16789	.35002	.10061	.02221	.00798
4.000	4.00000	00000	3.97177	.77157	.27960	.36195	.12222	.02577	.01166
GRADIENT	00000	00000	00001	.16220	05877	-.00107	.01515	.00274	.00235

LARC 8FT TPT /49 (1A93) OTSAT130

(FJJ045) (08 JUL 76)

REFERENCE DATA

SREF = 2690.0000 SQ.FT. XMRP = 976.0000 IN. XT
 LREF = 1290.3000 INCHES YMRP = .0000 IN. YT
 BREF = 1290.3000 INCHES ZMRP = 400.0000 IN. ZT
 SCALE = .0100

PARAMETRIC DATA

BETA = 4.000 ELV-LI = 8.000
 ELV-LO = 14.000 ELV-RI = 8.000
 ELV-RO = 14.000

RN/L = 4.08 GRADIENT INTERVAL = -5.00/ 5.00

MACH =	.975								
ALPHA	BETA	RN/L	L/DU	CLU	CDU	CNW	CBW	CTW	
-8.000	4.00000	4.08033	-.86676	- 44530	.51276	-.05329	-.00520	-.01650	
-6.000	4.00000	4.07949	-.66781	- 31725	.47565	-.02252	.00033	-.01155	
-4.000	4.00000	4.08005	-.44456	- 20004	.44976	.00877	.00588	-.00633	
-2.000	4.00000	4.08036	-.20549	- 08908	.43429	.03827	.01136	-.00165	
.000	4.00000	4.07892	.06170	.02639	.42945	.06939	.01726	.00274	
2.000	4.00000	4.07971	.32941	.14077	.42742	.09837	.02223	.00724	
4.000	4.00000	4.08029	.59355	.26087	.43873	.12689	.02719	.01056	
GRADIENT	.00000	-.00001	.13057	.05758	-.00145	.01482	.00267	.00213	

LARC 8FT TPT 749 (1A93) OTSAT130

(FJJ046) (08 JUL 76)

REFERENCE DATA

SREF = 2690.0000 SQ.FT. XMRP = 976.0000 IN. XT
 LREF = 1290.3000 INCHES YMRP = .0000 IN. YT
 BREF = 1290.3000 INCHES ZMRP = 400.0000 IN. ZT
 SCALE = .0100

PARAMETRIC DATA

BETA = 6.000 ELV-LI = 8.000
 ELV-LO = 14.000 ELV-RI = 8.000
 ELV-RO = 14.000

RN/L = 3.97 GRADIENT INTERVAL = -5.00/ 5.00

MACH =	.900								
ALPHA	BETA	RN/L	L/DU	CLU	CDU	CNW	CBW	CTW	
-8.000	6.00000	3.97004	-.97873	- 42066	.42896	-.05214	-.00551	-.01695	
-6.000	6.00000	3.96934	-.76595	- 30262	.39547	-.02423	-.00060	-.01136	
-4.000	6.00000	3.96977	-.50916	- 18977	.37256	.00672	.00503	-.00598	
-2.000	6.00000	3.97103	-.21751	- 07806	.35907	.03963	.01108	-.00056	
.000	6.00000	3.97070	.12088	.04256	.35258	.07472	.01767	.00452	
2.000	6.00000	3.97098	.47222	.16684	.35348	.10621	.02327	.00937	
4.000	6.00000	3.97179	.75945	.27708	.36440	.12496	.02610	.01256	
GRADIENT	.00000	.00020	.16135	.05893	-.00110	.01515	.00272	.00235	

LARC 8FT TPT /49 (1A93) OTSAT130

(FJJ046) (08 JUL 76)

REFERENCE DATA

SREF = 2690.0000 SQ.FT. XMRP = 976.0000 IN. XT
 LREF = 1290.3000 INCHES YMRP = .0000 IN. YT
 BREF = 1290.3000 INCHES ZMRP = 400.0000 IN. ZT
 SCALE = .0100

PARAMETRIC DATA

BETA = 6.000 ELV-L1 = 8.000
 ELV-LO = 14.000 ELV-R1 = 8.000
 ELV-RO = 14.000

RN/L = 4 08 GRADIENT INTERVAL = -5.00/ 5.00

MACH =	ALPHA	BETA	RN/L	L/DU	CLU	CDU	CNW	CBW	CTW
975	-8.000	6.00000	4.08102	- .86307	- .44292	.51210	-.04972	-.00449	-.01575
	-6.000	6.00000	4 07959	-.66419	-.31575	.47609	-.01814	.00112	-.01044
	-4.000	6.00000	4 07873	- .44572	-.20109	.45103	.01466	.00693	-.00507
	-2.000	6 00000	4 07946	-.19891	- .08650	.43534	.04689	.01293	-.00043
	.000	6.00000	4.07996	.07496	.03212	.42933	.07718	.01864	.00368
	2.000	6.00000	4.07977	.33833	.14521	.42926	.10672	.02362	.00815
	4.000	6.00000	4 07956	.59806	.26352	.44006	.13588	.02869	.01141
	GRADIENT	.00000	00010	.13124	.05805	- .00140	.01511	00271	00208

LARC 8FT TPT 749 (1A93) OTSAT130

(FJJ047) (15 JUL 76)

REFERENCE DATA

SREF = 2690.0000 SQ.FT. XMRP = 976.0000 IN. XT
 LREF = 1290.3000 INCHES YMRP = .0000 IN. YT
 BREF = 1290.3000 INCHES ZMRP = 400 0000 IN. ZT
 SCALE = .0100

PARAMETRIC DATA

BETA = -6.000 ELV-L1 = 8.000
 ELV-LO = 4.000 ELV-R1 = 8.000
 ELV-RO = 4.000

RUN NO. 0/ 0 RN/L = 3.98 GRADIENT INTERVAL = -5.00/ 5.00

MACH	ALPHA	BETA	RN/L	L/DU	CLU	CDU	CNW	CBW	CTW
.900	-8.000	-6.00000	3 97543	-1 02538	-.43726	.42543	- .06151	-.00855	-.01743
.900	-6.000	-6.00000	3.97638	-.80679	-.31633	.39246	- .03886	-.00434	-.01354
.900	-4 000	-6.00000	3 97665	-.55452	- .20525	.36995	-.01780	-.00037	-.00983
.900	-2.000	-6.00000	3 97675	-.26677	-.09465	.35487	.00251	.00337	-.00599
.900	.000	-6.00000	3.97523	.04039	.01397	.34603	.02528	.00730	-.00087
.900	2.000	-6.00000	3 97596	.33984	.11773	.34635	.04778	.01125	.00400
.900	4.000	-6.00000	3 97589	.65331	.23169	.35409	.06891	.01523	.00749
	GRADIENT	.00000	-.00012	.15111	.05431	-.00201	.01094	.00195	.00223

DATE 29 OCT 76

TABULATED SOURCE DATA - 1A93.

PAGE 341

LARC 8FT TPT 749 (1A93) OTSAT130

(FJJ047) (15 JUL 76)

REFERENCE DATA

SREF = 2690.0000 SQ.FT. XMRP = 976 0000 IN. XT
 LREF = 1290 3000 INCHES YMRP = .0000 IN. YT -
 BREF = 1290.3000 INCHES ZMRP = 400.0000 IN. ZT
 SCALE = .0100

PARAMETRIC DATA

BETA = -6.000 ELV-L1 = 8.000
 ELV-LO = 4.000 ELV-R1 = 8.000
 ELV-RO = 4.000

RUN NO. 0/ 0 RN/L = 4.09 GRADIENT INTERVAL = -5.00/ 5.00

MACH	ALPHA	BETA	RN/L	L/DU	CLU	CDU	CNW	CBW	CTW
.975	-8.000	-6.00000	4.08034	-.91373	-.46499	.50774	-.08419	-.01191	-.01568
.975	-6.000	-6.00000	4.08093	-.71391	-.33675	.47231	-.05986	-.00742	-.01215
.975	-4.000	-6.00000	4.08179	-.49260	-.22106	.44844	-.03584	-.00309	-.00815
.975	-2.000	-6.00000	4.08145	-.24426	-.10558	.43248	-.01133	.00126	-.00390
.975	.000	-6.00000	4.08061	.01751	.00743	.42618	.01342	.00560	.00023
.975	2.000	-6.00000	4.08252	.26898	.11495	.42737	.03876	.01023	.00391
.975	4.000	-6.00000	4.08418	.51531	.22579	.43768	.06179	.01473	.00654
	GRADIENT	.00000	.00029	.12645	.05571	-.00133	.01227	.00223	.00186

RUN NO 0/ 0 RN/L = 4.21 GRADIENT INTERVAL = -5.00/ 5.00

MACH	ALPHA	BETA	RN/L	L/DU	CLU	CDU	CNW	CBW	CTW
1.150	-6.000	-6.00000	4.21078	-.62657	-.33746	.53685	-.05819	-.00724	-.00585
1.150	-4.000	-6.00000	4.21099	-.41673	-.21321	.51267	-.03228	-.00255	-.00210
1.150	-2.000	-6.00000	4.21121	-.19314	-.09668	.49960	-.00469	.00247	.00159
1.150	.000	-6.00000	4.21195	.03770	.01866	.49282	.02424	.00783	.00457
1.150	2.000	-6.00000	4.21208	.25530	.12611	.49399	.05068	.01272	.00666
	GRADIENT	.00000	.00020	.11235	.05667	-.00314	.01389	.00256	.00146

RUN NO. 0/ 0 RN/L = 4.22 GRADIENT INTERVAL = -5.00/ 5.00

MACH	ALPHA	BETA	RN/L	L/DU	CLU	CDU	CNW	CBW	CTW
1.205	-8.000	-6.00000	4.21685	-.80925	-.46982	.57915	-.07893	-.01143	-.00657
1.205	-6.000	-6.00000	4.21651	-.60913	-.32974	.54208	-.05367	-.00668	-.00384
1.205	-4.000	-6.00000	4.21628	-.39609	-.20593	.51957	-.02659	-.00158	-.00101
1.205	-2.000	-6.00000	4.21635	-.17531	-.08875	.50641	.00185	.00376	.00185
1.205	.000	-6.00000	4.21547	.04247	.02126	.50086	.02914	.00882	.00459
1.205	2.000	-6.00000	4.21493	.25580	.12852	.50246	.05279	.01329	.00639
1.205	4.000	-6.00000	4.21760	.46308	.23554	.50838	.07382	.01713	.00814
	GRADIENT	.00000	.00006	.10747	.05501	-.00132	.01259	.00235	.00114

LARC BFT TPT /49 (1A93) OTSAT130

(FJJ048) (15 JUL 76)

REFERENCE DATA

SREF = 2690.0000 SQ FT. XMRP = 976.0000 IN. XT
 LREF = 1290.3000 INCHES YMRP = .0000 IN. YT
 BREF = 1290.3000 INCHES ZMRP = 400.0000 IN. ZT
 SCALE = 0100

PARAMETRIC DATA

BETA = -4.000 ELV-LI = 8.000
 ELV-LO = 4.000 ELV-RI = 8.000
 ELV-RO = 4.000

RUN NO. 0/ 0 RN/L = 3.98 GRADIENT INTERVAL = -5.00/ 5.00

MACH	ALPHA	BETA	RN/L	L/DO	CLU	CDU	CNW	CBW	CTW
.900	-8.000	-4.00000	3.97791	-1.03847	-.44307	.42565	- .06175	-.00844	-.01772
.900	-6.000	-4.00000	3.97723	-.81539	- .31852	.39102	- .03832	-.00410	-.01367
.900	-4.000	-4.00000	3.97688	-.56181	-.20634	.36723	- .01719	-.00013	-.00969
.900	-2.000	-4.00000	3.97658	-.27994	-.09816	.35074	.00443	.00372	-.00532
.900	.000	-4.00000	3.97140	.03679	.01256	.34062	.02926	.00804	-.00003
.900	2.000	-4.00000	3.97273	.34752	.11826	.34003	.05492	.01244	.00545
.900	4.000	-4.00000	3.97320	.67158	.23562	.35035	.07687	.01661	.00895
	GRADIENT	.00000	-.00056	.15471	.05502	-.00222	.01193	.00211	.00240

RUN NO 0/ 0 RN/L = 4.09 GRADIENT INTERVAL = -5.00/ 5.00

MACH	ALPHA	BETA	RN/L	L/DO	CLU	CDU	CNW	CBW	CTW
.975	-8.000	-4.00000	4.08862	-.91465	-.46697	.50941	-.08147	-.01140	-.01533
.975	-6.000	-4.00000	4.08121	-.71525	-.33748	.47241	-.05600	-.00681	-.01150
.975	-4.000	-4.00000	4.08183	-.49743	-.22287	.44783	- .03100	-.00236	-.00731
.975	-2.000	-4.00000	4.08063	-.26340	-.11353	.43128	- .00706	.00197	-.00316
.975	.000	-4.00000	4.08033	-.00753	-.00324	.42343	.01725	.00644	.00074
.975	2.000	-4.00000	4.07966	.25649	.10864	.42360	.04575	.01168	.00485
.975	4.000	-4.00000	4.08108	.51499	.22362	.43365	.07074	.01650	.00760
	GRADIENT	.00000	-.00012	.12724	.05576	-.00180	.01282	.00237	.00189

RUN NO. 0/ 0 RN/L = 4.21 GRADIENT INTERVAL = -5.00/ 5.00

MACH	ALPHA	BETA	RN/L	L/DO	CLU	CDU	CNW	CBW	CTW
1.150	-6.000	-4.00000	4.21029	-.63589	-.34137	.53526	-.05195	-.00637	-.00517
1.150	-4.000	-4.00000	4.21084	-.42519	-.21667	.51051	-.02474	-.00135	-.00148
1.150	-2.000	-4.00000	4.21022	-.19738	-.09823	.49691	.00505	.00419	.00218
1.150	.000	-4.00000	4.20998	.03313	.01630	.48978	.03520	.00983	.00512
1.150	2.000	-4.00000	4.21265	.25042	.12267	.48984	.06170	.01468	.00720
	GRADIENT	.00000	.00026	.11287	.05663	-.00346	.01447	.00269	.00145

DATE 29 OCT 76

TABULATED SOURCE DATA - 1A93

PAGE 343

LARC 8FT TPT 749 (1A93) OTSAT130

(FJJ048) (15 JUL 76)

REFERENCE DATA

PARAMETRIC DATA

SREF = 2690.0000 SQ.FT. XMRP = 976.0000 IN. XT
 LREF = 1290 3000 INCHES YMRP = .0000 IN. YT
 BREF = 1290 3000 INCHES ZMRP = 400.0000 IN. ZT
 SCALE = .0100

BETA = -4.000 ELV-LI = 8.000
 ELV-LO = 4.000 ELV-RI = 8.000
 ELV-RO = 4.000

RUN NO. 0/ 0 RN/L = 4.22 GRADIENT INTERVAL = -5.00/ 5.00

MACH	ALPHA	BETA	RN/L	L/DU	CLU	CDU	CNW	CBW	CTW
1.205	-8 000	-4.00000	4 22252	-.81090	- 46986	.57820	- 07420	-.01075	-.00623
1.205	-6 000	-4 00000	4 22221	-.61294	- 33060	.53990	-.04643	- 00556	-.00345
1.205	-4 000	-4 00000	4 22179	-.39524	- 20418	.51647	-.01695	00008	-.00081
1.205	-2.000	-4.00000	4 22057	- 1.520	-.08819	.50342	01292	.00571	.00204
1.205	.000	-4 00000	4 21680	.03924	.01949	.49710	.04090	.01075	.00489
1.205	2 000	-4 00000	4 21707	.25640	.12768	.49799	.06548	01525	.00703
1.205	4.000	-4 00000	4.21553	.46077	.23278	50485	.08557	01895	.00872
	GRADIENT	00000	-.00079	10718	.05449	-.00143	.01288	.00236	.00120

LARC 8FT TPT 749 (1A93) OTSAT130

(FJJ049) (15 JUL 76)

REFERENCE DATA

PARAMETRIC DATA

SREF = 2690 0000 SQ.FT. XMRP = 976 0000 IN XT
 LREF = 1290 3000 INCHES YMRP = 0000 IN YT
 BREF = 1290.3000 INCHES ZMRP = 400 0000 IN ZT
 SCALE = 0100

BETA = .000 ELV-LI = 8.000
 ELV-LO = 4 000 ELV-RI = 8.000
 ELV-RO = 4 000

RUN NO. 0/ 0 RN/L = 3.98 GRADIENT INTERVAL = -5.00/ 5.00

MACH	ALPHA	BETA	RN/L	L/DU	CLU	CDU	CNW	CBW	CTW
.900	-8 000	.00000	3.97705	-1.07138	- 44999	.41910	-.06597	- 00903	-.01717
.900	-6 000	.00000	3.97404	-.85380	32533	.38130	-.03937	- 00435	- 01230
.900	-4 000	.00000	3 97155	-.59457	- 21083	35448	-.01482	00000	-.00710
.900	-2 000	00000	3 96882	-.30378	- 10260	33795	01276	00465	-.00131
.900	.000	.00000	3 96849	03478	01146	33099	03982	00953	.00442
.900	2 000	.00000	3 96845	37163	12312	33131	.06647	.01421	.00971
.900	4 000	.00000	3 97153	.66796	22903	34242	08638	01761	01317
	GRADIENT	00000	-.00002	.16002	.05527	- 00154	01281	.00224	.00258

ORIGINAL PAGE IS
OF POOR QUALITY

LARC 8FT TPT /49 (1A93) OTSAT130

(FJJ049) (15 JUL 76)

REFERENCE DATA

SREF # 2690.0000 SQ.FT. XMRP = 976 0000 IN XT
 LREF # 1290 3000 INCHES YMRP = .0000 IN. YT
 BREF # 1290.3000 INCHES ZMRP = 400.0000 IN. ZT
 SCALE # .0100

PARAMETRIC DATA

BETA = .000 ELV-LI = 8.000
 ELV-LO = 4.000 ELV-RI = 8.000
 ELV-RO = 4.000

RUN NO. 0/0 RN/L = 4.09 GRADIENT INTERVAL = -5.00/ 5.00

MACH	ALPHA	BETA	RN/L	L/DO	CLU	CDU	CNW	CBW	CTW
.975	-8.000	.00000	4 08171	-.93302	-.47395	.50707	-.07534	-.01053	-.01412
.975	-6.000	.00000	4 08062	-.73816	-.34530	.46812	-.04794	-.00558	-.00972
.975	-4.000	.00000	4 07941	-.52024	-.22942	.44094	-.02080	-.00077	-.00488
.975	-2.000	.00000	4 07944	-.28799	-.12228	.42466	.00739	.00410	.00013
.975	.000	.00000	4 07951	-.03355	-.01401	.41658	.03657	.00948	.00439
.975	2.000	.00000	4 07962	.24493	.10201	.41649	.06498	.01491	.00815
.975	4.000	.00000	4 08338	.50416	.21440	.42487	.08913	.01944	.01123
	GRADIENT	.00000	.00041	.12909	.05560	-.00202	.01387	.00256	.00201

RUN NO. 0/0 RN/L = 4.21 GRADIENT INTERVAL = -5.00/ 5.00

MACH	ALPHA	BETA	RN/L	L/DO	CLU	CDU	CNW	CBW	CTW
1.150	-6.000	.00000	4.21215	-.65941	-.35171	.53198	-.04094	-.00455	-.00358
1.150	-4.000	.00000	4.21129	-.44204	-.22342	.50601	-.00738	.00172	-.00018
1.150	-2.000	.00000	4.21082	-.20659	-.10171	.49209	.02812	.00821	.00338
1.150	.000	.00000	4.21079	.01141	.00554	.48517	.05766	.01359	.00651
1.150	2.000	.00000	4.21055	.23551	.11368	.48269	.08315	.01809	.00917
	GRADIENT	.00000	-.00011	.11253	.05593	-.00384	.01506	.00272	.00156

RUN NO. 0/0 RN/L = 4.22 GRADIENT INTERVAL = -5.00/ 5.00

MACH	ALPHA	BETA	RN/L	L/DO	CLU	CDU	CNW	CBW	CTW
1.205	-8.000	.00000	4.22074	-.82478	-.47351	.57301	-.06335	-.00908	-.00561
1.205	-6.000	.00000	4.21905	-.63044	-.33728	.53547	-.03151	-.00299	-.00307
1.205	-4.000	.00000	4.21801	-.40885	-.20915	.51131	.00115	.00327	-.00088
1.205	-2.000	.00000	4.21847	-.18384	-.09138	.49741	.03378	.00912	.00229
1.205	.000	.00000	4.21985	.03253	.01593	.49090	.06338	.01432	.00580
1.205	2.000	.00000	4.22103	.24811	.12151	.48976	.08665	.01855	.00820
1.205	4.000	.00000	4.22081	.45248	.22443	.49569	.10678	.02231	.01008
	GRADIENT	.00000	.00033	.10773	.05400	-.00194	.01321	.00237	.00139

LARC 8FT TPT /49 (1A93) OTSAT130

(FJJ050) (15 JUL 76)

REFERENCE DATA

SREF = 2690.0000 SQ FT. XMRP = 976.0000 IN. XT
 LREF = 1290.3000 INCHES YMRP = 0000 IN. YT
 BREF = 1290.3000 INCHES ZMRP = 400.0000 IN. ZT
 SCALE = 0100

PARAMETRIC DATA

BETA = 4.000 ELV-L1 = 8.000
 ELV-LO = 4.000 ELV-R1 = 8.000
 ELV-RO = 4.000

RUN NO 0/0 RN/L = 3.98 GRADIENT INTERVAL = -5.00/ 5.00

MACH	ALPHA	BETA	RN/L	L/DO	CLU	CDU	CNW	CBW	CTW
.900	-8 000	4.00000	3.97220	-1.04163	-.44152	.42297	-.06137	-.00826	-.01543
.900	-6 000	4.00000	3.97203	-.83430	-.32344	.38804	-.03501	-.00361	-.01004
.900	-4 000	4.00000	3.97259	-.58286	-.21187	.36327	-.00707	.00140	-.00421
.900	-2.000	4.00000	3.97149	-.29883	-.10353	.34684	.02416	.00666	.00233
.900	000	4.00000	3.97275	.02461	.00826	.33911	.05164	.01177	.00769
.900	2 000	4.00000	3.97240	.37851	.12801	.33821	.07715	.01645	.01210
.900	4.000	4.00000	3.97360	.66182	.23146	.34926	.09445	.01892	.01516
	GRADIENT	.00000	00015	.15834	.05591	-.00183	.01280	.00224	.00243

RUN NO 0/0 PN/L = 4.09 GRADIENT INTERVAL = -5.00/ 5.00

MACH	ALPHA	BETA	RN/L	L/DO	CLU	CDU	CNW	CBW	CTW
.975	-8 000	4.00000	4.07861	-.93694	-.47541	.50640	-.06761	-.00935	-.01307
.975	-6 000	4.00000	4.07930	-.73867	-.34597	.46888	-.03650	-.00382	-.00771
.975	-4 000	4.00000	4.08100	-.51408	-.22785	.44282	-.00580	.00165	-.00235
.975	-2.000	4.00000	4.08298	-.27379	-.11661	.42659	.02417	.00713	.00230
.975	000	4.00000	4.08184	-.01323	-.00570	.42090	.05468	.01301	.00666
.975	2 000	4.00000	4.08209	.25412	.10623	.41808	.08309	.01821	.01035
.975	4 000	4.00000	4.08241	.52437	.22450	.42748	.11053	.02274	.01458
	GRADIENT	.00000	.00010	.13024	.05638	-.00196	.01458	.00266	.00210

RUN NO. 0/0 RN/L = 4.21 GRADIENT INTERVAL = -5.00/ 5.00

MACH	ALPHA	BETA	RN/L	L/DO	CLU	CDU	CNW	CBW	CTW
1.150	-6 000	4.00000	4.21469	-.64468	-.34753	.53743	-.02272	-.00134	-.00388
1.150	-4 000	4.00000	4.21505	-.43409	-.22119	.51036	.01413	.00543	-.00029
1.150	-2.000	4.00000	4.21410	-.21098	-.10444	.49450	.04716	.01139	.00334
1.150	000	4.00000	4.21235	.02465	.01203	.48672	.07609	.01667	.00646
1.150	2 000	4.00000	4.21360	.24805	.12013	.48428	.10123	.02120	.00940
	GRADIENT	.00000	-.00030	.11410	.05702	-.00430	.01451	.00263	.00161

ORIGINAL PAGE IS
OF POOR QUALITY

LARC 8FT TPT 749 (1A93) OTSAT130

(FJJ050) (15 JUL 76)

REFERENCE DATA				PARAMETRIC DATA						
SREF =	2690.0000	SQ.FT	XMRP =	976.0000	IN	XT	BETA =	4.000	ELV-LI =	8.000
LREF =	1290.3000	INCHES	YMRP =	.0000	IN.	YT	ELV-LO =	4.000	ELV-RI =	8.000
BREF =	1290.3000	INCHES	ZMRP =	400.0000	IN.	ZT	ELV-RO =	4.000		
SCALE =	.0100									

RUN NO. 0/ 0 RN/L = 4.22 GRADIENT INTERVAL = -5.00/ 5.00

MACH	ALPHA	BETA	RN/L	L/DU	CLU	CDU	CNW	CBW	CTW
1.205	-8.000	4.00000	4.22003	-81593	-47280	.57829	-.05239	-.00581	-.00865
1.205	-6.000	4.00000	4.21765	-62075	-33518	.54054	-.01594	-.00010	-.00570
1.205	-4.000	4.00000	4.21576	-40832	-21048	.51517	.01875	.00619	-.00242
1.205	-2.000	4.00000	4.21682	-18814	-.09393	.49970	.04826	.01160	.00096
1.205	.000	4.00000	4.21657	.03303	.01621	.49235	.07650	.01673	.00422
1.205	2.000	4.00000	4.21431	24872	.12204	.49068	.10179	.02121	.00733
1.205	4.000	4.00000	4.21449	45887	.22832	.49717	.12514	.02521	.01025
	GRADIENT	.00000	-.00025	.10856	.05468	-.00225	.01332	.00238	.00158

LARC 8FT TPT 749 (1A93) OTSAT130

(FJJ051) (15 JUL 76)

REFERENCE DATA				PARAMETRIC DATA						
SREF =	2690.0000	SQ.FT.	XMRP =	976.0000	IN	XT	BETA =	6.000	ELV-LI =	8.000
LREF =	1290.3000	INCHES	YMRP =	.0000	IN.	YT	ELV-LO =	4.000	ELV-RI =	8.000
BREF =	1290.3000	INCHES	ZMRP =	400.0000	IN	ZT	ELV-RO =	4.000		
SCALE =	.0100									

RUN NO. 0/ 0 RN/L = 3.98 GRADIENT INTERVAL = -5.00/ 5.00

MACH	ALPHA	BETA	RN/L	L/DU	CLU	CDU	CNW	CBW	CTW
.900	-8.000	6.00000	3.97384	-103660	-43937	.42302	-.06114	-.00803	-.01475
.900	-6.000	6.00000	3.97414	-.83168	-32404	.38993	-.03334	-.00323	-.00900
.900	-4.000	6.00000	3.97522	-.58530	-.21479	.36683	-.00378	.00198	-.00285
.900	-2.000	6.00000	3.97417	-.30000	-.10534	.35121	.02715	.00738	.00356
.900	.000	6.00000	3.97307	.02091	.00715	.34310	.05591	.01268	.00906
.900	2.000	6.00000	3.97500	.34785	.11940	.34338	.08035	.01700	.01336
.900	4.000	6.00000	3.97448	.64156	.22670	.35311	.09735	.01938	.01587
	GRADIENT	.00000	-.00003	.15508	.05539	-.00176	.01277	.00222	.00236

LARC 8FT TPT 749 (1A93) OTSAT130

(FJJ051) (15 JUL 76)

REFERENCE DATA

SREF = 2690.0000 SQ FT. XMRP = 976.0000 IN. XT
 LREF = 1290.3000 INCHES YMRP = .0000 IN. YT
 BREF = 1290.3000 INCHES ZMRP = 400.0000 IN. ZT
 SCALE = .0100

PARAMETRIC DATA

BETA = 6.000 ELV-L1 = 8.000
 ELV-LO = 4.000 ELV-R1 = 8.000
 ELV-RO = 4.000

RUN NO 0/ 0 RN/L = 4.09 GRADIENT INTERVAL = -5.00/ 5.00

MACH	ALPHA	BETA	RN/L	L/DU	CLU	CDU	CNW	CBW	CTW
.975	-8.000	6.00000	4.07782	-.93742	-.47533	.50609	-.06429	-.00873	-.01211
.975	-6.000	6.00000	4.07862	-.73894	-.34690	.46993	-.03264	-.00314	-.00661
.975	-4.000	6.00000	4.08073	-.51464	-.22889	.44446	-.00040	.00264	-.00133
.975	-2.000	6.00000	4.08108	-.26603	-.11377	.42812	.03244	.00871	.00342
.975	.000	6.00000	4.08093	.00407	.00162	.42178	.06345	.01470	.00737
.975	2.000	6.00000	4.08186	.26219	.11021	.42034	.09209	.01969	.01158
.975	4.000	6.00000	4.08164	.52741	.22670	.42928	.11791	.02393	.01562
	GRADIENT	.00000	.00013	.13062	.05676	-.00191	.01481	.00268	.00210

RUN NO 0/ 0 RN/L = 4.21 GRADIENT INTERVAL = -5.00/ 5.00

MACH	ALPHA	BETA	RN/L	L/DU	CLU	CDU	CNW	CBW	CTW
1.150	-6.000	6.00000	4.21281	-.64289	-.34734	.53880	-.01542	.00006	-.00470
1.150	-4.000	6.00000	4.21289	-.43495	-.22247	.51222	.02205	.00681	-.00103
1.150	-2.000	6.00000	4.21170	-.21206	-.10519	.49549	.05415	.01265	.00252
1.150	.000	6.00000	4.21154	.02364	.01157	.48704	.08329	.01787	.00584
1.150	2.000	6.00000	4.21229	.25480	.12375	.48569	.11089	.02268	.00917
	GRADIENT	.00000	-.00010	.11525	.05777	-.00440	.01478	.00264	.00169

RUN NO. 0/ 0 RN/L = 4.22 GRADIENT INTERVAL = -5.00/ 5.00

MACH	ALPHA	BETA	RN/L	L/DU	CLU	CDU	CNW	CBW	CTW
1.205	-8.000	6.00000	4.21607	-.82079	-.47669	.57952	-.04814	-.00581	-.01021
1.205	-6.000	6.00000	4.21561	-.62309	-.33693	.54130	-.01075	.00085	-.00697
1.205	-4.000	6.00000	4.21522	-.41603	-.21465	.51573	.02430	.00712	-.00354
1.205	-2.000	6.00000	4.21686	-.19843	-.09912	.49969	.05471	.01261	-.00011
1.205	.000	6.00000	4.21886	.03171	.01559	.49217	.08351	.01781	.00335
1.205	2.000	6.00000	4.21832	.25101	.12348	.49191	.10986	.02237	.00676
1.205	4.000	6.00000	4.21745	.46606	.23206	.49760	.13250	.02625	.00967
	GRADIENT	.00000	.00030	.11068	.05580	-.00220	.01358	.00240	.00166

LARC 8FT TPT 749 (1A93) OTSAT130

(FJJ052) (15 JUL 76)

REFERENCE DATA

SREF = 2690.0000 SQ FT. XMRP = 976.0000 IN. XT
 LREF = 1290.3000 INCHES YMRP = .0000 IN. YT
 BREF = 1290 3000 INCHES ZMRP = 400.0000 IN. ZT
 SCALE = .0100

PARAMETRIC DATA

BETA = -6.000 ELV-LI = 8.000
 ELV-LO = -5.000 ELV-RI = 8.000
 ELV-RO = -5.000

RUN NO. 0/ 0 RN/L = 4.21 GRADIENT INTERVAL = -5.00/ 5.00

MACH	ALPHA	BETA	RN/L	L/DU	CLU	CDU	CNW	CBW	CTW
1.150	-6.000	-6.00000	4.20945	-.66450	-.35807	.53733	-.06718	-.01060	-.00196
1.150	-4.000	-6.00000	4.20996	-.45070	-.23042	.51203	-.04104	-.00583	.00180
1.150	-2.000	-6.00000	4.21041	-.22864	-.11405	.49829	-.01348	-.00089	.00556
1.150	.000	-6.00000	4.21075	-.01077	-.00523	.49174	.01348	.00416	.00823
1.150	2.000	-6.00000	4.20903	.22386	.11013	.49195	.04224	.00955	.01040
	GRADIENT	00000	-.00012	.11208	.05652	-.00334	.01384	.00256	.00142

RUN NO. 0/ 0 RN/L = 4.22 GRADIENT INTERVAL = -5.00/ 5.00

MACH	ALPHA	BETA	RN/L	L/DU	CLU	CDU	CNW	CBW	CTW
1.205	-8.000	-6.00000	4.21809	-.84639	-.49258	.58071	-.08744	-.01467	-.00286
1.205	-6.000	-6.00000	4.21768	-.64766	-.35097	.54253	-.06190	-.00987	.00004
1.205	-4.000	-6.00000	4.21753	-.43262	-.22461	.51894	-.03481	-.00475	.00288
1.205	-2.000	-6.00000	4.21723	-.21200	-.10702	.50491	-.00674	.00053	.00560
1.205	.000	-6.00000	4.21631	.00501	.00248	.49845	.02062	.00566	.00819
1.205	2.000	-6.00000	4.21571	.22248	.11116	.49967	.04639	.01057	.00988
1.205	4.000	-6.00000	4.21629	.43537	.22034	.50585	.06730	.01467	.01073
	GRADIENT	00000	-.00020	.10852	.05540	-.00157	.01287	.00244	.00100

LARC 8FT TPT 749 (1A93) OTSAT130

(FJJ053) (15 JUL 76)

REFERENCE DATA

SREF = 2690.0000 SQ.FT. XMRP = 976.0000 IN. XT
 LREF = 1290.3000 INCHES YMRP = .0000 IN. YT
 BREF = 1290 3000 INCHES ZMRP = 400 0000 IN. ZT
 SCALE = 0100

PARAMETRIC DATA

BETA = -4.000 ELV-LI = 8.000
 ELV-LO = -5.000 ELV-RI = 8.000
 ELV-RO = -5.000

RUN NO 0/ 0 RN/L = 4.21 GRADIENT INTERVAL = -5.00/ 5.00

MACH	ALPHA	BETA	RN/L	L/DU	CLU	CDU	CNW	CBW	CTW
1.150	-6.000	-4.00000	4.20962	-.67358	-.36192	.53584	-.06115	-.00979	-.00132
1.150	-4.000	-4.00000	4.20975	-.45995	-.23435	.51028	-.03343	-.00469	.00248
1.150	-2.000	-4.00000	4.21002	-.23592	-.11719	.49627	-.00438	.00076	.00598
1.150	.000	-4.00000	4.20969	-.01588	-.00771	.48880	.02484	.00626	.00864
1.150	2.000	-4.00000	4.20997	.21810	.10634	.48756	.05342	.01159	.01068
	GRADIENT	.00000	.00002	.11271	.05658	-.00378	.01449	.00272	.00136

LARC 8FT TPT /49 (1A93) OTSAT130

(FJJ053) (15 JUL 76)

REFERENCE DATA				PARAMETRIC DATA			
SREF = 2690 0000 SQ.FT.	XMRP = 976.0000 IN. XT	BETA = -4.000	ELV-LI = 8.000				
LREF = 1290.3000 INCHES	YMRP = .0000 IN. YT	ELV-LO = -5.000	ELV-RI = 8.000				
BREF = 1290.3000 INCHES	ZMRP = 400.0000 IN. ZT	ELV-RO = -5.000					
SCALE = .0100							

	RUN NO	0/ 0	RN/L = 4.22	GRADIENT INTERVAL = -5.00/ 5.00					
MACH	ALPHA	BETA	RN/L	L/DU	CLU	CDU	CNW	CBW	CTW
1.205	-8 000	-4.00000	4.21523	- 84796	- .49197	.57902	- 08233	- .01396	-.00235
1.205	-6.000	-4 00000	4.21473	-.65432	- 35291	.53988	- 05517	- 00882	.00030
1.205	-4 000	-4 00000	4 21383	-.43883	- 22636	.51563	- 02661	-.00334	.00284
1.205	-2.000	-4 00000	4 21350	- 21562	- 10810	50146	00377	.00239	.00574
1.205	000	-4 00000	4 21281	00732	.00361	.49470	.03291	.00782	.00825
1.205	2 000	-4 00000	4 21293	.22442	.11106	.49485	05789	01262	.00979
1.205	4 000	-4.00000	4 21313	.43508	.21846	50178	01897	01671	01076
	GRADIENT	00000	- 00010	10939	.05544	- .00172	01326	00252	.00099

LARC 8FT TPT 749 (1A93) OTSAT130

(FJJ054) (15 JUL 76)

REFERENCE DATA				PARAMETRIC DATA			
SREF = 2690 0000 SQ.FT.	XMRP = 976 0000 IN. XT	BETA = 000	ELV-LI = 8 000				
LREF = 1290 3000 INCHES	YMRP = .0000 IN. YT	ELV-LO = -5 000	ELV-RI = 8.000				
BREF = 1290.3000 INCHES	ZMRP = 400 0000 IN ZT	ELV-RO = -5.000					
SCALE = .0100							

	RUN NO	0/ 0	RN/L = 4.21	GRADIENT INTERVAL = -5.00/ 5.00					
MACH	ALPHA	BETA	RN/L	L/DU	CLU	CDU	CNW	CBW	CTW
1.150	-6 000	.00000	4.21193	- 69725	- .37091	.53055	- 04954	- .00790	-.00035
1.150	-4 000	00000	4 21038	-.48210	- .24275	50421	- 01514	- 00157	.00400
1.150	-2 000	00000	4 20942	-.24858	- 12180	48956	01996	.00495	.00728
1.150	000	00000	4.20839	-.01955	-.00938	48169	.05005	01070	.00968
1.150	2 000	00000	4 20996	.20532	.09842	.47938	.07647	01564	01172
	GRADIENT	00000	- 00011	.11456	.05580	- 00412	01525	00287	.00128

	RUN NO.	0/ 0	RN/L = 4.22	GRADIENT INTERVAL = -5.00/ 5.00					
MACH	ALPHA	BETA	RN/L	L/DU	CLU	CDU	CNW	CBW	CTW
1.205	-8.000	.00000	4.21275	- 85909	- .49410	.57394	- .07245	- 01240	- 00186
1.205	-6.000	.00000	4.21375	-.67386	- .36020	53523	- .04101	-.00634	.00049
1.205	-4.000	.00000	4 21400	-.45520	- .23234	50993	- .00820	- .00001	.00267
1.205	-2.000	.00000	4 21484	- 21852	- 10802	49497	.02673	.00634	.00592
1.205	000	00000	4 21611	-.00079	- 00046	48847	.05793	01190	.00887
1.205	2 000	00000	4 21547	.21298	.10363	48675	.08131	01630	01079
1.205	4 000	00000	4 21611	.42268	.20835	49259	10316	02029	.01296
	GRADIENT	.00000	.00024	.10936	.05465	- .00214	.01387	00253	.00127

LARC 8FT TPT /49 (IA93) OTSAT130

(FJJ055) (15 JUL 76)

REFERENCE DATA

SREF = 2690.0000 SQ.FT. XMRP = 976.0000 IN. XT
 LREF = 1290.3000 INCHES YMRP = .0000 IN. YT
 BREF = 1290.3000 INCHES ZMRP = 400.0000 IN. ZT
 SCALE = .0100

PARAMETRIC DATA

BETA = 4.000 FLV-L1 = 8.000
 ELV-LO = -5.000 ELV-R1 = 8.000
 ELV-RO = -5.000

RUN NO. 0/ 0 RN/L = 4.21 GRADIENT INTERVAL = -5.00/ 5.00

MACH	ALPHA	BETA	RN/L	L/DU	CLU	CDU	CNW	CBW	CTW
1.150	-6.000	4.00000	4.21044	-68460	-36802	.53624	-0.3289	-00484	-00000
1.150	-4.000	4.00000	4.21000	-47293	-24029	.50862	.00526	.00219	.00348
1.150	-2.000	4.00000	4.21005	-24504	-12074	.49260	.03990	.00864	.00659
1.150	.000	4.00000	4.21017	-01769	-00859	.48493	.06783	.01402	.00884
1.150	2.000	4.00000	4.21000	21451	.10329	.48148	.09553	.01897	.01194
	GRADIENT	00000	00001	11448	05714	-.00446	.01494	.00279	.00138

RUN NO. 0/ 0 RN/L = 4.22 GRADIENT INTERVAL = -5.00/ 5.00

MACH	ALPHA	BETA	RN/L	L/DU	CLU	CDU	CNW	CBW	CTW
1.205	-8.000	4.00000	4.21661	-85526	-49591	.57882	-.06213	-.01017	-.00510
1.205	-6.000	4.00000	4.21756	-66206	-35708	.53981	-.02478	-.00321	-.00228
1.205	-4.000	4.00000	4.21850	-44613	-22930	.51379	.01142	.00346	.00063
1.205	-2.000	4.00000	4.21856	-22243	-11071	.49806	.04286	.00928	.00375
1.205	.000	4.00000	4.21893	-00006	-00008	.48988	.07214	.01459	.00715
1.205	2.000	4.00000	4.21866	21721	.10590	.48751	.09790	.01914	.01015
1.205	4.000	4.00000	4.21827	43219	.21377	.49418	.12003	.02302	.01255
	GRADIENT	00000	-.00002	.10981	.05514	-.00249	.01361	.00245	.00152

LARC 8FT TPT 749 (IA93) OTSAT130

(FJJ056) (15 JUL 76)

REFERENCE DATA

SREF = 2690.0000 SQ FT XMRP = 976.0000 IN. XT
 LREF = 1290.3000 INCHES YMRP = .0000 IN. YT
 BREF = 1290.3000 INCHES ZMRP = 400.0000 IN. ZT
 SCALE = .0100

PARAMETRIC DATA

BETA = 6.000 ELV-L1 = 8.000
 ELV-LO = -5.000 ELV-R1 = 8.000
 ELV-RO = -5.000

RUN NO. 0/ 0 RN/L = 4.21 GRADIENT INTERVAL = -5.00/ 5.00

MACH	ALPHA	BETA	RN/L	L/DU	CLU	CDU	CNW	CBW	CTW
1.150	-6.000	6.00000	4.21006	-68532	-36924	.53750	-.02489	-00336	-.00077
1.150	-4.000	6.00000	4.20980	-47439	-24205	.51082	.01396	.00382	.00240
1.150	-2.000	6.00000	4.20991	-24620	-12173	.49406	.04833	.01021	.00553
1.150	.000	6.00000	4.21002	-01532	-00733	.48534	.07764	.01560	.00857
1.150	2.000	6.00000	4.20930	22151	.10711	.48358	.10547	.02054	.01157
	GRADIENT	.00000	00002	.11593	.05809	-.00452	.01519	.00278	.00153

LARC 8FT TPT /49 (1A93) OTSAT130

(FJJ056) (15 JUL 76)

REFERENCE DATA

SREF = 2690.0000 SQ.FT. XMRP = 976.0000 IN. XT
 LREF = 1290.3000 INCHES YMRP = .0000 IN. YT
 BREF = 1290.3000 INCHES ZMRP = 400.0000 IN. ZT
 SCALE = .0100

PARAMETRIC DATA

BETA = 6.000 ELV-LI = 8.000
 ELV-LO = -5.000 ELV-RI = 8.000
 ELV-RO = -5.000

RUN NO. 0/ 0 RN/L = 4.22 GRADIENT INTERVAL = -5.00/ 5.00

MACH	ALPHA	BETA	RN/L	L/DU	CLU	CDU	CNW	CBW	CTW
1.205	-8.000	6.00000	4.21449	-.85995	-.49913	.57937	-.05764	-.00909	-.00555
1.205	-6.000	6.00000	4.21397	-.66404	-.35850	.54039	-.01888	-.00205	-.00369
1.205	-4.000	6.00000	4.21379	-.45153	-.23251	.51471	.01809	.00461	-.00057
1.205	-2.000	6.00000	4.21396	-.23117	-.11519	.49840	.04926	.01034	.00257
1.205	.000	6.00000	4.21408	-.00518	-.00256	.48994	.07782	.01554	.00588
1.205	2.000	6.00000	4.21402	.22125	.10823	.48914	.10519	.02026	.00939
1.205	4.000	6.00000	4.21380	.43896	.21741	.49498	.12769	.02409	.01228
	GRADIENT	00000	00000	11167	05616	-.00244	.01376	00244	.00163

LARC 8FT TPT 749 (1A93) OTSAT130

(FJJ057) (15 JUL 76)

REFERENCE DATA

SREF = 2690.0000 SQ.FT. XMRP = 975.0000 IN. XT
 LREF = 1290.3000 INCHES YMRP = .0000 IN. YT
 BREF = 1290.3000 INCHES ZMRP = 400.0000 IN. ZT
 SCALE = .0100

PARAMETRIC DATA

BETA = -6.000 ELV-LI = 8.000
 ELV-LO = 9.000 ELV-RI = 8.000
 ELV-RO = 9.000

RUN NO. 0/ 0 RN/L = 3.24 GRADIENT INTERVAL = -5.00/ 5.00

MACH	ALPHA	BETA	RN/L	L/DU	CLU	CDU	CNW	CBW	CTW
.600	-8.000	-6.00000	3.21962	-1.09149	-.38726	.35399	-.07120	-.00670	-.02389
.600	-6.000	-6.00000	3.22277	-.85349	-.27968	.32782	-.04753	-.00253	-.01973
.600	-4.000	-6.00000	3.22657	-.59253	-.18385	.31005	-.02613	.00126	-.01535
.600	-2.000	-6.00000	3.22877	-.28713	-.08550	.29776	-.00445	.00504	-.01102
.600	.000	-6.00000	3.23286	.05900	.01713	.29027	.01740	.00884	-.00634
.600	2.000	-6.00000	3.23579	.40270	.11638	.28880	.04065	.01302	-.00154
.600	4.000	-6.00000	3.23613	.76011	.22196	.29174	.06135	.01698	.00242
	GRADIENT	00000	00131	16976	05067	-.00228	01100	.00197	.00225

LARC 8FT TPT /49 (IA93) OTSAT130

(FJJ057) (15 JUL 76)

REFERENCE DATA

SREF = 2690.0000 SQ FT. XMRP = 976.0000 IN. XT
 LREF = 1290.3000 INCHES YMRP = .0000 IN. YT
 BREF = 1290.3000 INCHES ZMRP = 400.0000 IN. ZT
 SCALE = .0100

PARAMETRIC DATA

BETA = -6.000 ELV-LI = 8.000
 ELV-LO = 9.000 ELV-RI = 8.000
 ELV-RO = 9.000

RUN NO.		0/ 0	RN/L =	3.97	GRADIENT INTERVAL = -5.00/ 5.00				
MACH	ALPHA	BETA	RN/L	L/DU	CLU	CDU	CNW	CBW	CTW
.900	-8.000	-6.00000	3.97224	-.98622	-4.2225	.42706	-.05420	-.00645	-.01952
.900	-6.000	-6.00000	3.97345	-.77951	-.30733	.39478	-.03345	-.00266	-.01557
.900	-4.000	-6.00000	3.97288	-.53234	-.19840	.37229	-.01297	.00118	-.01161
.900	-2.000	-6.00000	3.97238	-.23073	-.08242	.35768	.00766	.00503	-.00777
.900	.000	-6.00000	3.97158	.08805	.03081	.35084	.03140	.00941	-.00332
.900	2.000	-6.00000	3.97162	.41721	.14623	.35060	.05707	.01411	.00142
.900	4.000	-6.00000	3.97120	.70812	.25529	.36010	.07963	.01841	.00468
	GRADIENT	.00000	-.00021	.15644	.05680	-.00157	.01173	.00218	.00209

RUN NO.		0/ 0	RN/L =	4.08	GRADIENT INTERVAL = -5.00/ 5.00				
MACH	ALPHA	BETA	RN/L	L/DU	CLU	CDU	CNW	CBW	CTW
.975	-8.000	-6.00000	4.08993	-.87930	-.44941	.50988	-.07535	-.00957	-.01812
.975	-6.000	-6.00000	4.09050	-.67648	-.32031	.47415	-.05086	-.00500	-.01462
.975	-4.000	-6.00000	4.09155	-.45602	-.20554	.45036	-.02699	-.00059	-.01084
.975	-2.000	-6.00000	4.09119	-.21181	-.09217	.43562	-.00230	.00373	-.00642
.975	.000	-6.00000	4.09127	.05085	.02179	.43007	.02281	.00821	-.00228
.975	2.000	-6.00000	4.08965	.30510	.13127	.43029	.04845	.01293	.00105
.975	4.000	-6.00000	4.08980	.55562	.24497	.44038	.07229	.01760	.00354
	GRADIENT	.00000	-.00025	.12701	.05622	-.00126	.01247	.00228	.00181

RUN NO.		0/ 0	RN/L =	4.19	GRADIENT INTERVAL = -5.00/ 5.00				
MACH	ALPHA	BETA	RN/L	L/DU	CLU	CDU	CNW	CBW	CTW
1.150	-6.000	-6.00000	4.19258	-.59754	-.32330	.53936	-.05209	-.00526	-.00844
1.150	-4.000	-6.00000	4.19205	-.38658	-.19885	.51536	-.02610	-.00046	-.00484
1.150	-2.000	-6.00000	4.19159	-.16550	-.08332	.50255	.00191	.00463	-.00114
1.150	.000	-6.00000	4.18993	.05656	.02816	.49666	.02968	.00980	.00171
1.150	2.000	-6.00000	4.18962	.27854	.13874	.49808	.05581	.01469	.00376
	GRADIENT	.00000	-.00045	.11087	.05621	-.00289	.01367	.00253	.00143

LARC 8FT TPT 749 (1A93) OTSAT130

(FJJ057) (15 JUL 76)

REFERENCE DATA

PARAMETRIC DATA

SREF = 2690.0000 SQ.FT. XMRP = 976.0000 IN. XT
 LREF = 1290.3000 INCHES YMRP = .0000 IN. YT
 BREF = 1290.3000 INCHES ZMRP = 400.0000 IN. ZT
 SCALE = 0100

BETA = -6.000 ELV-LI = 8.000
 ELV-LO = 9.000 ELV-RI = 8.000
 ELV-RO = 9.000

RUN NO 0/0 RN/L = 4.22 GRADIENT INTERVAL = -5.00/ 5.00

MACH	ALPHA	BETA	RN/L	L/DU	CLU	CDU	CNW	CBW	CTW
1.205	-8.000	-6.00000	4.21525	-78694	-.45891	.58185	-.07239	-.00963	-.00885
1.205	-6.000	-6.00000	4.21554	-.58541	-.31858	.54480	-.04683	-.00473	-.00618
1.205	-4.000	-6.00000	4.21590	-.37263	-.19473	.52248	-.01953	.00052	-.00349
1.205	-2.000	-6.00000	4.21545	-.15482	-.07899	.51014	.00921	.00587	-.00061
1.205	.000	-6.00000	4.21462	.06495	.03277	.50451	.03737	.01098	.00244
1.205	2.000	-6.00000	4.21516	.27787	.14064	.50617	.06170	.01551	.00432
1.205	4.000	-6.00000	4.21645	.47842	.24506	.51202	.08250	.01935	.00591
	GRADIENT	00000	.00004	.10674	.05496	-.00124	.01283	.00237	.00119

LARC 8FT TPT 749 (1A93) OTSAT130

(FJJ058) (15 JUL 76)

REFERENCE DATA

PARAMETRIC DATA

SREF = 2690.0000 SQ FT. XMRP = 976.0000 IN XT
 LREF = 1290.3000 INCHES YMRP = .0000 IN. YT
 BREF = 1290.3000 INCHES ZMRP = 400.0000 IN. ZT
 SCALE = .0100

BETA = -4.000 ELV-LI = 8.000
 ELV-LO = 9.000 ELV-RI = 8.000
 ELV-RO = 9.000

RUN NO. 0/0 RN/L = 3.24 GRADIENT INTERVAL = -5.00/ 5.00

MACH	ALPHA	BETA	RN/L	L/DU	CLU	CDU	CNW	CBW	CTW
.600	-8.000	-4.00000	3.16788	-1.08025	-.38494	.35560	-.07744	-.00703	-.02585
600	-6.000	-4.00000	3.17403	-.84954	-.27924	.32877	-.05393	-.00285	-.02166
600	-4.000	-4.00000	3.18127	-.59146	-.18380	.31044	-.03151	.00109	-.01710
600	-2.000	-4.00000	3.18966	-.29746	-.08892	.29895	-.00662	.00515	-.01180
600	.000	-4.00000	3.20145	.03036	.00888	.29169	.01727	.00923	-.00692
600	2.000	-4.00000	3.20410	.38230	.11034	.28835	.04154	.01356	-.00210
.600	4.000	-4.00000	3.20821	.74394	.21748	.29195	.06482	.01794	.00238
	GRADIENT	00000	.00342	.16753	.05009	-.00238	.01204	.00211	.00243

ORIGINAL PAGE IS
OF POOR QUALITY

LARC 8FT TPT '749 (1A93) OTSAT130

(FUJ058) (15 JUL 76)

REFERENCE DATA

SREF = 2690.0000 SQ FT. XMRP = 976.0000 IN. XT
 LREF = 1290.3000 INCHES YMRP = .0000 IN. YT
 BREF = 1290.3000 INCHES ZMRP = 400.0000 IN. ZT
 SCALE = .0100

PARAMETRIC DATA

BETA = -4.000 ELV-L1 = 8.000
 ELV-LO = 9.000 ELV-R1 = 8.000
 ELV-RO = 9.000

RUN NO. 0/ 0 RN/L = 3.97 GRADIENT INTERVAL = -5.00/ 5.00

MACH	ALPHA	BETA	RN/L	L/DU	CLU	CDU	CNW	CBW	CTW
.900	-8.000	-4.00000	3.97223	-1.00073	-.42860	.42734	-.05486	-.00635	-.01985
.900	-6.000	-4.00000	3.97192	-.79238	- .31132	.39329	-.03377	-.00250	-.01578
.900	-4.000	-4.00000	3.97060	-.53916	-.19909	.36902	-.01312	.00137	-.01169
.900	-2.000	-4.00000	3.96961	-.24025	-.08477	.35326	.00964	.00541	-.00708
.900	.000	-4.00000	3.97085	.09163	.03162	.34843	.03718	.01040	-.00231
.900	2.000	-4.00000	3.96989	.43785	.15115	.34523	.06375	.01554	.00215
.900	4.000	-4.00000	3.97243	.73171	.26128	.35661	.08761	.02002	.00551
	GRADIENT	.00000	.00020	.16099	.05783	-.00164	.01278	.00237	.00218

RUN NO 0/ 0 RN/L = 4.08 GRADIENT INTERVAL = -5.00/ 5.00

MACH	ALPHA	BETA	RN/L	L/DU	CLU	CDU	CNW	CBW	CTW
.975	-8.000	-4.00000	4.08725	-.88030	-.45112	.51133	-.07202	-.00899	-.01777
.975	-6.000	-4.00000	4.09020	-.67927	- .32191	.47445	-.04671	-.00434	-.01408
.975	-4.000	-4.00000	4.09444	-.45998	-.20682	.44940	-.02226	.00015	-.01017
.975	-2.000	-4.00000	4.09539	-.22730	-.09852	.43393	.00288	.00457	-.00552
.975	.000	-4.00000	4.09839	.02683	.01224	.42759	.02910	.00929	-.00105
.975	2.000	-4.00000	4.09924	.29252	.12476	.42652	.05510	.01433	.00206
.975	4.000	-4.00000	4.10258	.55152	.24132	.43697	.08268	.01939	.00507
	GRADIENT	.00000	.00101	.12714	.05598	-.00161	.01310	.00241	.00190

RUN NO. 0/ 0 RN/L = 4.19 GRADIENT INTERVAL = -5.00/ 5.00

MACH	ALPHA	BETA	RN/L	L/DU	CLU	CDU	CNW	CBW	CTW
1.150	-6.000	-4.00000	4.19896	-.60402	-.32617	.53829	-.04516	-.00431	-.00766
1.150	-4.000	-4.00000	4.19811	-.39063	-.20035	.51389	-.01699	.00093	-.00398
1.150	-2.000	-4.00000	4.19692	-.16998	-.08525	.50072	.01265	.00647	-.00045
1.150	.000	-4.00000	4.19613	.04924	.02439	.49405	.04124	.01184	.00238
1.150	2.000	-4.00000	4.19640	.27206	.13451	.49436	.06723	.01664	.00448
	GRADIENT	.00000	-.00030	.11036	.05571	-.00326	.01406	.00263	.00141

LARC 8FT TPT 749 (1A93) OTSAT130

(FJJ058) (15 JUL 76)

REFERENCE DATA

SREF = 2690.0000 SQ.FT. XMRP = 976.0000 IN. XT
 LREF = 1290.3000 INCHES YMRP = .0000 IN. YT
 BREF = 1290.3000 INCHES ZMRP = 400.0000 IN. ZT
 SCALE = .0100

PARAMETRIC DATA

BETA = -4.000 ELV-LI = 8.000
 ELV-LO = 9.000 ELV-RI = 8.000
 ELV-RO = 9.000

RUN NO. 0/ 0 RN/L = 4.22 GRADIENT INTERVAL = -5.00/ 5.00

MACH	ALPHA	BETA	RN/L	L/DU	CLU	CDU	CNW	CBW	CTW
1.205	-8.000	-4.00000	4.21378	-.78558	-.45746	.58114	-.06673	-.00887	-.00838
1.205	-6.000	-4.00000	4.21437	-.58891	-.31969	.54335	-.03936	-.00360	-.00580
1.205	-4.000	-4.00000	4.21414	-.37401	-.19451	.52001	-.00993	.00214	-.00324
1.205	-2.000	-4.00000	4.21395	-.15390	-.07809	.50737	.02042	.00781	-.00037
1.205	.000	-4.00000	4.21496	.06355	.03185	.50125	.04875	.01292	.00257
1.205	2.000	-4.00000	4.21421	.27762	.13943	.50220	.07431	.01744	.00503
1.205	4.000	-4.00000	4.21653	.47948	.24390	.50843	.09442	.02119	.00659
	GRADIENT	.00000	.00025	.10692	.05472	-.00142	.01313	.00239	.00125

LARC 8FT TPT 749 (1A93) OTSAT130

(FJJ059) (15 JUL 76)

REFERENCE DATA

SREF = 2690.0000 SQ.FT. XMRP = 976.0000 IN. XT
 LREF = 1290.3000 INCHES YMRP = .0000 IN. YT
 BREF = 1290.3000 INCHES ZMRP = 400.0000 IN. ZT
 SCALE = .0100

PARAMETRIC DATA

BETA = .000 ELV-LI = 8.000
 ELV-LO = 9.000 ELV-RI = 8.000
 ELV-RO = 9.000

RUN NO. 0/ 0 RN/L = 3.24 GRADIENT INTERVAL = -5.00/ 5.00

MACH	ALPHA	BETA	RN/L	L/DU	CLU	CDU	CNW	CBW	CTW
.600	-8.000	.00000	3.18156	-1.11371	-.39291	.35207	-.07350	-.00697	-.02376
.600	-6.000	.00000	3.17716	-.88201	-.28531	.32352	-.05056	-.00281	-.01949
.600	-4.000	.00000	3.17462	-.61297	-.18655	.30420	-.02842	.00128	-.01507
.600	-2.000	.00000	3.17177	-.31246	-.09153	.29285	-.00422	.00549	-.01023
.600	.000	.00000	3.16925	.02365	.00680	.28588	.01886	.00970	-.00546
.600	2.000	.00000	3.16807	.38893	.11017	.28296	.04093	.01404	-.00120
.600	4.000	.00000	3.17033	.74452	.21304	.28559	.06666	.01872	.00377
	GRADIENT	.00000	-.00061	.17092	.05004	-.00236	.01177	.00217	.00234

LARC 8FT TPT '749 (1A93) OTSAT130

(FJJ059) (15 JUL 76)

REFERENCE DATA

SREF = 2690 0000 SQ.FT. XMRP = 976.0000 IN. XT
 LREF = 1290.3000 INCHES YMRP = .0000 IN. YT
 BREF = 1290.3000 INCHES ZMRP = 400.0000 IN. ZT
 SCALE = .0100

PARAMETRIC DATA

BETA = .000 ELV-LI = 8.000
 ELV-LO = 9.000 ELV-RI = 8.000
 ELV-RO = 9.000

RUN NO. 0/ 0 RN/L = 3.97 GRADIENT INTERVAL = -5.00/ 5.00

MACH	ALPHA	BETA	RN/L	L/DU	CLU	CDU	CNW	CBW	CTW
.900	-8.000	.00000	3.97349	-1.03691	-43876	.42271	-.06134	-.00726	-.01952
.900	-6.000	.00000	3.97530	-.81948	-31542	.38471	-.03569	-.00280	-.01457
.900	-4.000	.00000	3.97340	-.55126	-19652	.35682	-.00972	.00169	-.00898
.900	-2.000	.00000	3.97309	-.27666	-09442	.34085	.01673	.00612	-.00313
.900	.000	.00000	3.97229	.08640	.02897	.33546	.04783	.01195	.00177
.900	2.000	.00000	3.97259	.44178	.14933	.33805	.07805	.01773	.00597
.900	4.000	.00000	3.97022	.74819	.26171	.34940	.10334	.02197	.01033
	GRADIENT	.00000	-.00034	.16587	.05801	-.00088	.01437	.00261	.00239

RUN NO. 0/ 0 RN/L = 4.08 GRADIENT INTERVAL = -5.00/ 5.00

MACH	ALPHA	BETA	RN/L	L/DU	CLU	CDU	CNW	CBW	CTW
.975	-9.000	.00000	4.07629	-.89654	-.45795	.50969	-.06754	-.00809	-.01739
.975	-6.000	.00000	4.07676	-.70486	-.33212	.47163	-.03970	-.00313	-.01292
.975	-4.000	.00000	4.07709	-.48471	-.21524	.44378	-.01123	.00184	-.00788
.975	-2.000	.00000	4.07694	-.24212	-.10333	.42713	.01821	.00693	-.00259
.975	.000	.00000	4.07632	.00447	.00182	.41997	.04700	.01230	.00174
.975	2.000	.00000	4.07718	.27701	.11626	.41972	.07434	.01761	.00552
.975	4.000	.00000	4.07831	.54025	.23150	.42811	.09889	.02204	.00866
	GRADIENT	.00000	.00013	.12845	.05565	-.00194	.01382	.00255	.00206

RUN NO. 0/ 0 RN/L = 4.19 GRADIENT INTERVAL = -5.00/ 5.00

MACH	ALPHA	BETA	RN/L	L/DU	CLU	CDU	CNW	CBW	CTW
1.150	-6.000	.00000	4.20542	-.63162	-.33890	.53496	-.03351	-.00235	-.00637
1.150	-4.000	.00000	4.20730	-.41348	-.21027	.50933	.00052	.00398	-.00277
1.150	-2.000	.00000	4.20771	-.18284	-.09076	.49593	.03474	.01028	.00077
1.150	.000	.00000	4.20766	.03410	.01670	.48899	.06433	.01567	.00367
1.150	2.000	.00000	4.20725	.25726	.12526	.48688	.09040	.02026	.00644
	GRADIENT	.00000	-.00001	.11146	.05570	-.00371	.01496	.00271	.00153

DATE 29 OCT 76

TABULATED SOURCE DATA - 1A93.

PAGE 357

LARC 8FT TPT /49 (1A93) OTSAT130

(FJJ059) (15 JUL 76)

REFERENCE DATA

SREF = 2690.0000 SQ FT. XMRP = 976.0000 IN. XT
 LREF = 1290.3000 INCHES YMRP = .0000 IN. YT
 BREF = 1290.3000 INCHES ZMRP = 400.0000 IN. ZT
 SCALE = .0100

PARAMETRIC DATA

BETA = .000 ELV-LI = 8.000
 ELV-LO = 9.000 ELV-RI = 8.000
 ELV-RO = 9.000

RUN NO. 0/0 RN/L = 4.22 GRADIENT INTERVAL = -5.00/ 5.00

MACH	ALPHA	BETA	RN/L	L/DU	CLU	CDU	CNW	CBW	CTW
1.205	-8.000	.00000	4.21594	-.80073	-.46193	.57568	-.05644	-.00711	-.00813
1.205	-6.000	.00000	4.21662	-.60543	-.32633	.53867	-.02377	-.00089	-.00546
1.205	-4.000	.00000	4.21801	-.38351	-.19757	.51472	.01000	.00551	-.00296
1.205	-2.000	.00000	4.21946	-.15692	-.07850	.50103	.04194	.01129	.00009
1.205	.000	.00000	4.21911	.05386	.02661	.49544	.07144	.01651	.00340
1.205	2.000	.00000	4.21568	.26038	.12852	.49359	.09532	.02074	.00608
1.205	4.000	.00000	4.21839	.47049	.23509	.49928	.11652	.02459	.00829
	GRADIENT	.00000	-.00015	.10626	.05362	-.00192	.01332	.00238	.00143

LARC 8FT TPT 749 (1A93) OTSAT130

(FJJ061) (15 JUL 76)

REFERENCE DATA

SREF = 2690.0000 SQ.FT. XMRP = 976.0000 IN. XT
 LREF = 1290.3000 INCHES YMRP = .0000 IN. YT
 BREF = 1290.3000 INCHES ZMRP = 400.0000 IN. ZT
 SCALE = .0100

PARAMETRIC DATA

BETA = 4.000 ELV-LI = 8.000
 ELV-LO = 9.000 ELV-RI = 8.000
 ELV-RO = 9.000

RUN NO. 0/0 RN/L = 3.24 GRADIENT INTERVAL = -5.00/ 5.00

MACH	ALPHA	BETA	RN/L	L/DU	CLU	CDU	CNW	CBW	CTW
.600	-8.000	4.00000	3.25513	-1.11418	-.39576	.35453	-.06919	-.00703	-.02118
.600	-6.000	4.00000	3.25621	-.88797	-.29069	.32756	-.04380	-.00248	-.01628
.600	-4.000	4.00000	3.25889	-.63219	-.19499	.30825	-.02018	.00177	-.01171
.600	-2.000	4.00000	3.26067	-.32366	-.09565	.29550	.00664	.00652	-.00611
.600	.000	4.00000	3.26139	.03868	.01117	.28799	.03277	.01137	-.00105
.600	2.000	4.00000	3.26182	.38499	.10981	.28525	.05834	.01598	.00401
.600	4.000	4.00000	3.20841	.76870	.22189	.28852	.07938	.02064	.00743
	GRADIENT	.00000	-.00499	.17552	.05196	-.00249	.01254	.00236	.00242

LARC 8FT TPT 749 (1A93) OTSAT130

(FJJ051) (15 JUL 76)

REFERENCE DATA

SREF = 2690.0000 SQ.FT. XMRP = 976.0000 IN. XT
 LREF = 1290.3000 INCHES YMRP = .0000 IN. YT
 BREF = 1290.3000 INCHES ZMRP = 400.0000 IN. ZT
 SCALE = .0100

PARAMETRIC DATA

BETA = 4.000 ELV-LI = 8.000
 ELV-LO = 9.000 ELV-RI = 8.000
 ELV-RO = 9.000

RUN NO. 0/0 RN/L = 3.97 GRADIENT INTERVAL = -5.00/ 5.00

MACH	ALPHA	BETA	RN/L	L/DO	CLU	CDU	CNW	CBW	CTW
900	-8.000	4.00000	3.97051	-1.00997	-.43072	42574	-.05659	-.00654	-.01748
900	-6.000	4.00000	3.97175	-.79836	-.31207	39122	-.02998	-.00196	-.01173
900	-4.000	4.00000	3.97213	-.53426	-.19520	36519	.00051	00340	-.00558
.900	-2.000	4.00000	3.97282	-.24807	-.08660	34965	.03076	.00877	.00027
900	000	4.00000	3.97554	.08011	.02743	34360	.06179	.01460	.00488
900	2.000	4.00000	3.97409	.43625	.14980	34344	.09096	.02017	.00892
.900	4.000	4.00000	3.97440	.72948	.26000	35588	.11139	.02313	.01236
	GRADIENT	.00000	00029	16059	.05734	-.00124	01410	.00254	.00223

RUN NO. 0/0 RN/L = 4.08 GRADIENT INTERVAL = -5.00/ 5.00

MACH	ALPHA	BETA	RN/L	L/DO	CLU	CDU	CNW	CBW	CTW
975	-8.000	4.00000	4.08091	-.89463	-.45660	50915	-.05818	-.00663	-.01585
.975	-6.000	4.00000	4.08167	-.70057	-.33058	47249	-.02809	-.00124	-.01073
.975	-4.000	4.00000	4.08203	-.47801	-.21370	44651	00294	00427	-.00536
.975	-2.000	4.00000	4.08133	-.23006	-.09870	42989	.03507	01006	-.00031
.975	000	4.00000	4.08313	.02952	.01240	42412	.06496	.01583	.00388
975	2.000	4.00000	4.08355	.29126	.12307	42259	.09299	.02069	.00820
.975	4.000	4.00000	4.08328	.54781	.23719	43241	.11852	.02524	.01146
	GRADIENT	.00000	.00024	.12865	.05618	-.00177	.01445	.00263	00211

RUN NO. 0/0 RN/L = 4.19 GRADIENT INTERVAL = -5.00/ 5.00

MACH	ALPHA	BETA	RN/L	L/DO	CLU	CDU	CNW	CBW	CTW
1.150	-6.000	4.00000	4.17702	-.61511	-.33244	53891	-.01753	00072	-.00698
1.150	-4.000	4.00000	4.17625	-.40008	-.20475	51251	.01986	.00753	-.00326
1.150	-2.000	4.00000	4.17608	-.17262	-.08594	49755	.05272	.01351	.00039
1.150	.000	4.00000	4.17507	.05063	.02485	49046	.08157	.01870	.00352
1.150	2.000	4.00000	4.17512	.27645	.13496	48818	.10634	.02319	.00640
	GRADIENT	00000	-.00022	.11264	05650	-.00400	.01441	.00261	00161

LARC 8FT TPT /49 (1A93) OTSAT130

(FJJ061) (15 JUL 76)

REFERENCE DATA				PARAMETRIC DATA					
SREF =	2690.0000	SQ.FT.	XMRP =	976.0000	IN. XT	BETA =	4.000	ELV-LI =	8.000
LREF =	1290.3000	INCHES	YMRP =	.0000	IN. YT	ELV-LO =	9.000	ELV-RI =	8.000
BREF =	1290.3000	INCHES	ZMRP =	400.0000	IN. ZT	ELV-RO =	9.000		
SCALE =	.0100								

RUN NO 0/ 0 RN/L = 4.22 GRADIENT INTERVAL = -5.00/ 5.00

MACH	ALPHA	BETA	RN/L	L/DU	CLU	CDU	CNW	CBW	CTW
1.205	-8.000	4.00000	4.21678	-.79615	-.46299	.58037	-.04667	-.00503	-.01140
1.205	-6.000	4.00000	4.21690	-.60222	-.32660	.54285	-.01012	.00159	-.00806
1.205	-4.000	4.00000	4.21639	-.38648	-.20025	.51779	.02540	.00805	-.00468
1.205	-2.000	4.00000	4.21645	-.16304	-.08193	.50296	.05658	.01374	-.00128
1.205	.000	4.00000	4.21736	.05553	.02749	.49583	.08548	.01883	.00258
1.205	2.000	4.00000	4.21663	.27176	.13431	.49425	.10950	.02322	.00562
1.205	4.000	4.00000	4.21774	.48046	.24086	.50090	.13180	.02702	.00835
	GRADIENT	00000	00014	10843	-.05492	-.00212	01329	00237	.00165

LARC 8FT TPT 749 (1A93) OTSAT130

(FJJ062) (15 JUL 76)

REFERENCE DATA				PARAMETRIC DATA					
SREF =	2690.0000	SQ.FT.	XMRP =	976.0000	IN. XT	BETA =	6.000	ELV-LI =	8.000
LREF =	1290.3000	INCHES	YMRP =	.0000	IN. YT	ELV-LO =	9.000	ELV-RI =	8.000
BREF =	1290.3000	INCHES	ZMRP =	400.0000	IN. ZT	ELV-RO =	9.000		
SCALE =	.0100								

RUN NO. 0/ 0 RN/L = 3.24 GRADIENT INTERVAL = -5.00/ 5.00

MACH	ALPHA	BETA	RN/L	L/DU	CLU	CDU	CNW	CBW	CTW
.600	-8.000	6.00000	3.16800	-1.10215	-.38859	.35187	-.08160	-.00764	-.02436
.600	-6.000	6.00000	3.16472	-.87423	-.28429	.32534	-.05670	-.00310	-.01951
.600	-4.000	6.00000	3.15983	-.60898	-.18719	.30714	-.03141	.00140	-.01467
.600	-2.000	6.00000	3.15519	-.29191	-.08592	.29427	-.00611	.00608	-.00956
.600	.000	6.00000	3.15248	.06170	.01776	.28760	.01716	.01080	-.00514
.600	2.000	6.00000	3.18658	.41712	.11948	.28644	.04539	.01588	.00060
.600	4.000	6.00000	3.18239	.77653	.22478	.28914	.07233	.02087	.00549
	GRADIENT	00000	00383	.17400	.05147	-.00219	01295	00244	.00252

LARC RFT TPT /49 (1A93) OTSAT130

(FJJ062) (15 JUL 76)

REFERENCE DATA

SREF = 2690.0000 SQ FT. XMRP = 976.0000 IN. XT
 LREF = 1290.3000 INCHES YMRP = .0000 IN. YT
 BREF = 1290.3000 INCHES ZMRP = 400.0000 IN. ZT
 SCALE = .0100

PARAMETRIC DATA

BETA = 6.000 ELV-LI = 8.000
 ELV-LO = 9.000 ELV-RI = 8.000
 ELV-RO = 9.000

RUN NO. 0/ 0 RN/L = 3.97 GRADIENT INTERVAL = -5.00/ 5.00

MACH	ALPHA	BETA	RN/L	L/DU	CLU	CDU	CNW	CBW	CTW
.900	-8.000	6.00000	3 97030	-1.00363	-.42794	.42538	-.07527	-.00625	-.01655
.900	-6.000	6.00000	3 97036	-.79648	- 31189	.39202	-.02805	-.00157	-.01052
.900	-4.000	6.00000	3 97104	-.55091	- 20358	.36928	.00170	.00375	-.00475
.900	-2.000	6.00000	3 97106	-.26168	-.09268	.35423	.03291	.00943	.00081
.900	.000	6.00000	3 97183	.07380	.02558	.34722	.06598	.01560	.00583
.900	2.000	6.00000	3 97252	.41655	.14497	.34810	.09539	.02095	.01025
.900	4.000	6.00000	3.97345	.70516	.25312	.35855	.11428	.02360	.01328
	GRADIENT	00000	00031	15952	05755	-.00138	01438	.00256	.00228

RUN NO 0/ 0 RN/L = 4.08 GRADIENT INTERVAL = -5.00/ 5.00

MACH	ALPHA	BETA	RN/L	L/DU	CLU	CDU	CNW	CBW	CTW
.975	-8.000	6.00000	4.08032	-.89880	-.45824	.50873	-.05541	-.00611	-.01513
.975	-6.000	6.00000	4.08070	-.69863	-.33000	.47286	-.02348	-.00046	-.00971
.975	-4.000	6.00000	4.08091	-.47458	- 21257	.44755	.00958	.00541	-.00432
.975	-2.000	6.00000	4.08107	-.22872	- 09853	.43129	.04228	.01147	.00044
.975	.000	6.00000	4.08301	.03711	.01566	.42454	.07216	.01715	.00469
.975	2.000	6.00000	4.08408	.30079	.12747	.42380	.10134	.02206	.00941
.975	4.000	6.00000	4.08399	.55981	.24310	.43369	.12798	.02665	.01275
	GRADIENT	.00000	.00046	12991	.05687	-.00176	.01479	.00265	.00216

RUN NO 0/ 0 RN/L = 4.19 GRADIENT INTERVAL = -5.00/ 5.00

MACH	ALPHA	BETA	RN/L	L/DU	CLU	CDU	CNW	CBW	CTW
1.150	-6.000	6.00000	4.16813	-.61494	-.33293	.53983	-.01085	.00197	-.00779
1.150	-4.000	6.00000	4.16757	-.40321	-.20691	.51395	.02705	.00878	-.00409
1.150	-2.000	6.00000	4.16707	-.17801	-.08879	.49820	.06000	.01473	-.00045
1.150	.000	6.00000	4.16698	.05429	.02667	.49039	.08827	.01996	.00309
1.150	2.000	6.00000	4.16791	.28312	.13851	.48920	.11542	.02455	.00629
	GRADIENT	00000	00005	.11456	05759	-.00410	.01472	.00263	.00173

LARC 8FT TPT 749 (1A93) OTSAT130

(FJJ062) (15 JUL 76)

REFERENCE DATA

SREF = 2690.0000 SQ.FT. XMRP = 976.0000 IN. XT
 LREF = 1290.3000 INCHES YMRP = .0100 IN. YT
 BREF = 1290.3000 INCHES ZMRP = 400.0000 IN. ZT
 SCALE = .0100

PARAMETRIC DATA

BETA = 6.000 ELV-LI = 8.000
 ELV-LO = 9.000 ELV-RI = 8.000
 ELV-RO = 9.000

RUN NO. 0/ 0 RN/L = 4.22 GRADIENT INTERVAL = -5.00/ 5.00

MACH	ALPHA	BETA	RN/L	L/DU	CLU	CDU	CNW	CBW	CTW
1.205	-8.000	6.00000	4 21670	-.79947	- 46520	.58073	-.04190	-.00405	-.01256
1.205	-6.000	6.00000	4 21629	-.60171	-.32649	.54313	-.00415	.00261	-.00906
1.205	-4.000	6.00000	4 21553	-.39091	-.20262	.51813	.03161	.00905	-.00565
1.205	-2.000	6.00000	4 21520	-.17073	-.08579	.50257	.06244	.01463	-.00219
1.205	.000	6.00000	4 21489	.05841	.02892	.49525	.09210	.01987	.00184
1.205	2.000	6.00000	4 21524	.27506	.13624	.49529	.11719	.02428	.00513
1.205	4.000	6.00000	4 21586	.48740	.24447	.50127	.13910	.02799	.00791
	GRADIENT	00000	.00003	.11012	.05581	-.00205	.01349	.00238	.00172

LARC 8FT TPT 749 (1A93) OTSAT130+TS1

(FJJ063) (15 JUL 76)

REFERENCE DATA

SREF = 2690.0000 SQ FT. XMRP = 976.0000 IN. XT
 LREF = 1290.3000 INCHES YMRP = .0000 IN. YT
 BREF = 1290.3000 INCHES ZMRP = 400.0000 IN. ZT
 SCALE = .0100

PARAMETRIC DATA

BETA = -6.000 ELV-LI = 10.000
 ELV-LO = 9.000 ELV-RI = 10.000
 ELV-RO = 9.000

RUN NO. 0/ 0 RN/L = 4.09 GRADIENT INTERVAL = -5.00/ 5.00

MACH	ALPHA	BETA	RN/L	L/DU	CLU	CDU	CNW	CBW	CTW
.975	-8.000	-6.00000	4.08187	-.85795	- 43781	.50883	-.05919	-.00829	-.01486
.975	-6.000	-6.00000	4.08153	-.66384	-.31378	.47346	-.03556	-.00384	-.01150
.975	-4.000	-6.00000	4.08057	-.44585	-.20052	.44907	-.01170	.00057	-.00759
.975	-2.000	-6.00000	4.08110	-.19218	-.08326	.43419	.01414	.00508	-.00298
.975	.000	-6.00000	4.08627	.06303	.02703	.42951	.03865	.00948	.00098
.975	2.000	-6.00000	4.08876	.32790	.14140	.43116	.06508	.01437	.00458
.975	4.000	-6.00000	4.08984	.56373	.24949	.44208	.08838	.01880	.00733
	GRADIENT	00000	.00129	.12696	.05623	-.00085	.01256	.00229	.00187

RUN NO. 0/ 0 RN/L = 4.21 GRADIENT INTERVAL = -5.00/ 5.00

MACH	ALPHA	BETA	RN/L	L/DU	CLU	CDU	CNW	CBW	CTW
1.150	-6.000	-6.00000	4.20906	-.58158	-.31425	.53863	-.03633	-.00402	-.00541
1.150	-4.000	-6.00000	4.20915	-.36813	-.18916	.51491	-.00973	.00084	-.00180
1.150	-2.000	-6.00000	4.20924	-.14246	-.07174	.50268	.01904	.00597	.00208
1.150	.000	-6.00000	4.20879	.08074	.04022	.49706	.04698	.01119	.00507
1.150	2.000	-6.00000	4.20991	.29669	.14783	.49813	.07286	.01599	.00716
	GRADIENT	00000	.00009	.11088	.05615	-.00280	.01378	.00253	.00149

ORIGINAL PAGE IS
OF POOR QUALITY

LARC 8FT TPT 749 (1A93) OTSAT130+TS1

(FJJ063) (15 JUL 76)

REFERENCE DATA

SREF = 2690.0000 SQ.FT. XMRP = 976.0000 IN. XT
 LREF = 1290.3000 INCHES YMRP = .0000 IN. YT
 BREF = 1290.3000 INCHES ZMRP = 400.0000 IN. ZT
 SCALE = .0100

PARAMETRIC DATA

BETA = -6.000 ELV-L1 = 10.000
 ELV-LO = 9.000 ELV-R1 = 10.000
 ELV-RO = 9.000

RUN NO. 0/0 RN/L = 4.21 GRADIENT INTERVAL = -5.00/ 5.00

MACH	ALPHA	BETA	RN/L	L/DO	CLU	CDU	CNW	CBW	CTW
1.205	-8.000	-6.00000	4.21524	-.77616	-.45159	.58057	-.05759	-.00844	-.00624
1.205	-6.000	-6.00000	4.21368	-.57114	-.31047	.54419	-.03266	-.00358	-.00365
1.205	-4.000	-6.00000	4.21301	-.35606	-.18586	.52191	-.00537	.00163	-.00085
1.205	-2.000	-6.00000	4.21319	-.13757	-.07013	.50978	.02361	.00694	.00219
1.205	.000	-6.00000	4.21366	.08328	.04203	.50467	.05135	.01204	.00514
1.205	2.000	-6.00000	4.21259	.29247	.14804	.50610	.07431	.01643	.00707
1.205	4.000	-6.00000	4.21304	.49331	.25270	.51197	.09510	.02022	.00883
	GRADIENT	.00000	-.00003	.10644	.05476	-.00118	.01258	.00233	.00121

LARC 8FT TPT 749 (1A93) OTSAT130+TS1

(FJJ064) (15 JUL 76)

REFERENCE DATA

SREF = 2690.0000 SQ.FT. XMRP = 976.0000 IN. XT
 LREF = 1290.3000 INCHES YMRP = .0000 IN. YT
 BREF = 1290.3000 INCHES ZMRP = 400.0000 IN. ZT
 SCALE = .0100

PARAMETRIC DATA

BETA = .000 ELV-L1 = 10.000
 ELV-LO = 9.000 ELV-R1 = 10.000
 ELV-RO = 9.000

RUN NO. 0/0 RN/L = 4.09 GRADIENT INTERVAL = -5.00/ 5.00

MACH	ALPHA	BETA	RN/L	L/DO	CLU	CDU	CNW	CBW	CTW
.975	-8.000	.00000	4.08865	-.88504	-.45060	.50790	-.05027	-.00682	-.01347
.975	-6.000	.00000	4.08385	-.69040	-.32401	.46978	-.02318	-.00193	-.00918
.975	-4.000	.00000	4.07944	-.46839	-.20763	.44303	.00480	.00301	-.00421
.975	-2.000	.00000	4.07770	-.22277	-.09500	.42673	.03409	.00817	.00115
.975	.000	.00000	4.07702	.02900	.01213	.41974	.06203	.01341	.00575
.975	2.000	.00000	4.07594	.29869	.12543	.41998	.08856	.01858	.00924
.975	4.000	.00000	4.07860	.55820	.23944	.42856	.11557	.02330	.01238
	GRADIENT	.00000	-.00017	.12873	.05573	-.00178	.01380	.00255	.00206

RUN NO. 0/0 RN/L = 4.21 GRADIENT INTERVAL = -5.00/ 5.00

MACH	ALPHA	BETA	RN/L	L/DO	CLU	CDU	CNW	CBW	CTW
1.150	-6.000	.00000	4.21424	-.61509	-.33021	.53522	-.01711	-.00109	-.00341
1.150	-4.000	.00000	4.21279	-.39540	-.20131	.50993	.01678	.00526	.00012
1.150	-2.000	.00000	4.21116	-.16354	-.08126	.49637	.05132	.01158	.00354
1.150	.000	.00000	4.20983	.05820	.02852	.48957	.08101	.01700	.00663
1.150	2.000	.00000	4.21053	.28119	.13711	.48760	.10705	.02156	.00953
	GRADIENT	.00000	-.00041	.11258	.05625	-.00369	.01502	.00272	.00157

LARC 8FT TPT /49 (1A93) OTSAT130+TS1

(FJJ064) (15 JUL 76)

REFERENCE DATA

SREF = 2690.0000 SQ.FT. XMRP = 976.0000 IN. XT
 LREF = 1290.3000 INCHES YMRP = .0000 IN. YT
 BREF = 1290.3000 INCHES ZMRP = 400.0000 IN. ZT
 SCALE = .0100

PARAMETRIC DATA

BETA = .000 ELV-LI = 10.000
 ELV-LO = 9.000 ELV-RI = 10.000
 ELV-RO = 9.000

RUN NO. 0/ 0 RN/L = 4.21 GRADIENT INTERVAL = -5.00/ 5.00

MACH	ALPHA	BETA	RN/L	L/DU	CLU	CDU	CNW	CBW	CTW
1.205	-8.000	00000	4.22295	-.79018	-.45599	.57600	-.04234	-.00608	-.00551
1.205	-6.000	00000	4.21923	-.59190	-.31902	.53936	-.01021	.00007	-.00304
1.205	-4.000	.00000	4.21513	-.36807	-.18981	.51551	.02402	.00653	-.00041
1.205	-2.000	00000	4.21580	-.14374	-.07211	.50203	.05629	.01233	.00288
1.205	.000	00000	4.21753	.07265	.03598	.49589	.08590	.01759	.00610
1.205	2.000	00000	4.22018	.27860	.13771	.49430	.11001	.02179	.00911
1.205	4.000	00000	4.22265	.48722	.24379	.49999	.13093	.02555	.01133
	GRADIENT	00000	.00097	.10665	.05385	-.00194	.01338	.00237	.00148

LARC 8FT TPT 749 (1A93) OTSAT130+TS1-BASE TUBES

(FJJ065) (15 JUL 76)

REFERENCE DATA

SREF = 2690.0000 SQ.FT. XMRP = 976.0000 IN. XT
 LREF = 1290.3000 INCHES YMRP = .0000 IN. YT
 BREF = 1290.3000 INCHES ZMRP = 400.0000 IN. ZT
 SCALE = .0100

PARAMETRIC DATA

BETA = -6.000 ELV-LI = 10.000
 ELV-LO = 9.000 ELV-RI = 10.000
 ELV-RO = 9.000

RUN NO. 0/ 0 RN/L = 4.08 GRADIENT INTERVAL = -5.00/ 5.00

MACH	ALPHA	BETA	RN/L	L/DU	CLU	CDU	CNW	CBW	CTW
.975	-8.000	-6.00000	4.08031	-.85794	-.43768	.50879	-.05923	-.00830	-.01484
.975	-6.000	-6.00000	4.08162	-.65928	-.31192	.47380	-.03439	-.00370	-.01126
.975	-4.000	-6.00000	4.08147	-.44118	-.19856	.44961	-.00974	.00076	-.00719
.975	-2.000	-6.00000	4.08084	-.19031	-.08263	.43492	.01567	.00521	-.00258
.975	.000	-6.00000	4.08113	.07440	.03198	.43005	.04072	.00973	.00142
.975	2.000	-6.00000	4.08055	.33249	.14366	.43199	.06572	.01448	.00478
.975	4.000	-6.00000	4.07908	.57595	.25459	.44161	.09003	.01907	.00766
	GRADIENT	00000	-.00025	.12785	.05663	-.00095	.01248	.00229	.00185

PUN NO. 0/ 0 RN/L = 4.20 GRADIENT INTERVAL = -5.00/ 5.00

MACH	ALPHA	BETA	RN/L	L/DU	CLU	CDU	CNW	CBW	CTW
1.150	-6.000	-6.00000	4.20932	-.57769	-.31243	.53904	-.03576	-.00393	-.00522
1.150	-4.000	-6.00000	4.20865	-.36609	-.18825	.51540	-.00951	.00090	-.00168
1.150	-2.000	-6.00000	4.20839	-.14538	-.07331	.50308	.01952	.00607	.00218
1.150	.000	-6.00000	4.20706	.07905	.03939	.49711	.04725	.01124	.00511
1.150	2.000	-6.00000	4.20411	.29570	.14743	.49852	.07224	.01592	.00723
	GRADIENT	00000	-.00075	.11049	.05593	-.00283	.01365	.00251	.00148

LARC BFT TPT 749 (1A93) OTSAT130+TS1-BASE TUBES

(FJJ065) (15 JUL 76)

REFERENCE DATA

SREF = 2690.0000 SQ.FT. XMRP = 975.0000 IN. XT
 LREF = 1290.3000 INCHES YMRP = .0000 IN. YT
 BREF = 1290.3000 INCHES ZMRP = 400.0000 IN. ZT
 SCALE = .0100

PARAMETRIC DATA

BETA = -6.000 ELV-L1 = 10.000
 ELV-LO = 9.000 ELV-R1 = 10.000
 ELV-RO = 9.000

RUN NO. 0/ 0 RN/L = 4.21 GRADIENT INTERVAL = -5 00/ 5.00

MACH	ALPHA	BETA	RN/L	L/DU	CLU	CDU	CNW	CBW	CTW
1.205	-8.000	-6.00000	4.21566	-.77176	-.44942	.58093	-.05693	-.00835	-.00594
1.205	-6.000	-6.00000	4.21529	-.56792	-.30889	.54468	-.03167	-.00347	-.00329
1.205	-4.000	-6.00000	4.21391	-.35006	-.18302	.52254	-.00391	-.00184	-.00051
1.205	-2.000	-6.00000	4.21359	-.12807	-.06528	.50994	.02521	.00720	.00250
1.205	0.000	-6.00000	4.21607	.08507	.04297	.50510	05155	01207	.00526
1.205	2.000	-6.00000	4.21568	.29329	.14880	.50728	07474	01652	.00703
1.205	4.000	-6.00000	4.21533	.49468	.25380	.51283	.09571	.02034	.00885
	GRADIENT	.00000	.00025	.10554	05439	-.00110	.01244	00232	.00116

LARC BFT TPT 749 (1A93) OTSAT130+TS1-BASE TUBES

(FJJ066) (15 JUL 76)

REFERENCE DATA

SREF = 2690.0000 SQ.FT. XMRP = 975.0000 IN. XT
 LREF = 1290.3000 INCHES YMRP = .0000 IN. YT
 BREF = 1290.3000 INCHES ZMRP = 400.0000 IN. ZT
 SCALE = .0100

PARAMETRIC DATA

BETA = 0.000 ELV-L1 = 10.000
 ELV-LO = 9.000 ELV-R1 = 10.000
 ELV-RO = 9.000

RUN NO 0/ 0 RN/L = 4.08 GRADIENT INTERVAL = -5.00/ 5.00

MACH	ALPHA	BETA	RN/L	L/DU	CLU	CDU	CNW	CBW	CTW
.975	-8.000	.00000	4.08269	-.88493	-.45078	.50837	-.04946	-.00677	-.01308
.975	-6.000	.00000	4.08031	-.68662	-.32233	.46978	-.02185	-.00179	-.00882
.975	-4.000	.00000	4.07737	-.46635	-.20634	.44232	.00519	.00308	-.00417
.975	-2.000	.00000	4.07634	-.22809	-.09720	.42631	.03381	.00808	.00110
.975	0.000	.00000	4.07659	.03410	.01425	.41953	06326	.01356	.00601
.975	2.000	.00000	4.07508	.30308	.12722	.41978	08959	.01869	.00942
.975	4.000	.00000	4.07636	.56403	.24212	.42887	11680	.02344	.01261
	GRADIENT	00000	-.00016	.12960	05607	-.00167	01395	.00257	.00209

RUN NO 0/ 0 RN/L = 4.20 GRADIENT INTERVAL = -5.00/ 5.00

MACH	ALPHA	BETA	RN/L	L/DU	CLU	CDU	CNW	CBW	CTW
1.150	-6.000	.00000	4.21984	-.61340	-.32962	.53586	-.01753	-.00112	-.00342
1.150	-4.000	.00000	4.21548	-.39282	-.20029	.51063	01702	00529	.00022
1.150	-2.000	.00000	4.21217	-.15756	-.07841	.49709	.05252	.01174	.00388
1.150	0.000	.00000	4.20965	.06056	.02971	.49016	.08140	.01701	.00680
1.150	2.000	.00000	4.20824	.28432	.13893	.48866	.10714	.02162	.00949
	GRADIENT	00000	-.00121	.11248	05629	-.00364	.01496	.00271	.00154

LARC 8FT TPT /49 (1A93) OTSAT130+TS1-BASE TUBES

(FJJ066) (15 JUL 76)

REFERENCE DATA

SREF = 2690.0000 SQ.FT XMRP = 976.0000 IN. XT
 LREF = 1290.3000 INCHES YMRP = .0000 IN. YT
 BREF = 1290.3000 INCHES ZMRP = 400.0000 IN. ZT
 SCALE = .0100

PARAMETRIC DATA

BETA = .000 ELV-L1 = 10.000
 ELV-LO = 9.000 ELV-R1 = 10.000
 ELV-RO = 9.000

RUN NO. 0/ 0 RN/L = 4.21 GRADIENT INTERVAL = -5.00/ 5.00

MACH	ALPHA	BETA	RN/L	L/DO	CLU	CDU	CNW	CBW	CTW
1.205	-8.000	.00000	4.22276	-.78591	- 45374	.57619	-.04038	-.00587	-.00523
1.205	-6.000	00000	4.22021	-.58774	-.31684	.53958	- 00872	.00027	-.00282
1.205	-4.000	00000	4.21755	-.36507	- 18851	51609	.02475	00664	- 00025
1.205	-2.000	00000	4.21716	- 14081	- 07069	50254	.05727	.01243	00310
1.205	0.000	.00000	4.21795	07575	.03758	49682	08644	.01767	.00622
1.205	2.000	.00000	4.21904	28157	.13968	49607	11016	02185	.00916
1.205	4.000	00000	4.22210	48470	24357	50216	.13094	02562	.01140
	GRADIENT	00000	00055	10610	05373	-.00172	01326	00237	.00147

LARC 8FT TPT 749 (1A93) OTSAT130+TS2

(FJJ067) (08 JUL 76)

REFERENCE DATA

SREF = 2690.0000 SQ.FT XMRP = 976.0000 IN. XT
 LREF = 1290.3000 INCHES YMRP = .0000 IN. YT
 BREF = 1290.3000 INCHES ZMRP = 400.0000 IN. ZT
 SCALE = .0100

PARAMETRIC DATA

BETA = -6.000 ELV-L1 = 10.000
 ELV-LO = 9.000 ELV-R1 = 10.000
 ELV-RO = 9.000

RN/L = 4.81 GRADIENT INTERVAL = -5.00/ 5.00

MACH	ALPHA	BETA	RN/L	L/DO	CLU	CDU	CNW	CBW	CTW
975									
-8.000	-6.00000	4.82713	-.86413	- 44055	50854	-.06720	-.00878	-.01769	
-6.000	-6.00000	4.82953	-.66775	-.31575	47364	-.04326	-.00428	-.01425	
-4.000	-6.00000	4.83085	- 45083	-.20306	44990	-.01890	00015	-.01023	
-2.000	-6.00000	4.82906	- 20419	- 08859	43474	.00643	00457	-.00567	
0.000	-6.00000	4.82939	05787	02487	42985	.03148	.00905	-.00150	
2.000	-6.00000	4.82941	31029	13392	43147	.05637	.01370	.00182	
4.000	-6.00000	4.82849	.56387	.24918	44124	.08104	01831	.00487	
	GRADIENT	.00000	- 00022	12719	.05635	- 00103	.01249	.00227	00188

ORIGINAL PAGE IS OF POOR QUALITY

LARC 8FT TPT 749 (1A93) OTSAT130+TS2

(FJJ068) (08 JUL 76)

REFERENCE DATA

SREF = 2690.0000 SQ.FT. XMRP = 976.0000 IN. XT
 LREF = 1290.3000 INCHES YMRP = .0000 IN. YT
 BREF = 1290.3000 INCHES ZMRP = 400.0000 IN. ZT
 SCALE = .0100

PARAMETRIC DATA

BETA = .000 ELV-LI = 10.000
 ELV-LO = 9.000 ELV-RI = 10.000
 ELV-RO = 9.000

RN/L = 4.81 GRADIENT INTERVAL = -5.00/ 5.00

MACH =	ALPHA	BETA	RN/L	L/DO	CLU	CDU	CNW	CBW	CTW
.975									
-8.000	.00000	4 80881	-.88846	-.45331	50925	-.05879	-.00736	-.01622	
-6.000	.00000	4 80915	-.69643	-.32773	.47099	-.03208	-.00247	-.01219	
-4.000	.00000	4 80903	-.47500	-.21089	.44372	-.00446	.00243	-.00742	
-2.000	.00000	4 80794	-.23459	-.10021	.42748	.02509	.00754	-.00193	
.000	.00000	4 80720	.01519	.00633	.42056	.05313	.01284	.00258	
2.000	.00000	4 80883	.28371	.11950	.42125	.08057	.01795	.00664	
4.000	.00000	4 80934	.54087	.23303	.43032	.10626	.02257	.00958	
GRADIENT	.00000	00008	.12750	.05538	-.00165	.01325	.00253	.00213	

LARC 8FT TPT 749 (1A93) OTSAT130+TS2

(FJJ069) (08 JUL 76)

REFERENCE DATA

SREF = 2690.0000 SQ.FT. XMRP = 976.0000 IN. XT
 LREF = 1290.3000 INCHES YMRP = .0000 IN. YT
 BREF = 1290.3000 INCHES ZMRP = 400.0000 IN. ZT
 SCALE = .0100

PARAMETRIC DATA

BETA = 6.000 ELV-LI = 10.000
 ELV-LO = 9.000 ELV-RI = 10.000
 ELV-RO = 9.000

RN/L = 4.81 GRADIENT INTERVAL = -5.00/ 5.00

MACH =	ALPHA	BETA	RN/L	L/DO	CLU	CDU	CNW	CBW	CTW
.975									
-8.000	6.00000	4 15300	-.88142	-.45093	.51044	-.05131	-.00560	-.01609	
-6.000	6.00000	4 15736	-.68348	-.32373	.47421	-.01959	-.00003	-.01058	
-4.000	6.00000	4 16024	-.45818	-.20594	.44914	.01377	.00587	-.00500	
-2.000	6.00000	4 16181	-.21203	-.09164	.43268	.04543	.01176	-.00014	
.000	6.00000	4 16415	.04234	.01795	.42514	.07447	.01714	.00439	
2.000	6.00000	4 16471	.30227	.12858	.42535	.10469	.02224	.00912	
4.000	6.00000	4 16427	.56429	.24591	.43524	.13194	.02693	.01201	
GRADIENT	.00000	.00055	.12796	.05620	-.00176	.01478	.00263	.00216	

LARC 8FT TPT 749 (1A93) OTSAT130+TS2

(FJJ070) (08 JUL 76)

REFERENCE DATA

SREF = 2690.0000 SQ.FT. XMRP = 976.0000 IN. XT
 LREF = 1290.3000 INCHES YMRP = .0000 IN. YT
 BREF = 1290.3000 INCHES ZMRP = 400.0000 IN. ZT
 SCALE = .0100

PARAMETRIC DATA

BETA = -6.000 ELV-LI = 10.000
 ELV-LO = 9.000 ELV-RI = 10.000
 ELV-RO = 9.000

RN/L = 2.04 GRADIENT INTERVAL = -5.00/ 5.00

MACH =	.975								
	ALPHA	BETA	RN/L	L/DO	CLU	CDU	CNW	CBW	CTW
	-8.000	-6.00000	2.03860	-.86807	-.44559	.51229	-.10059	-.01093	-.02770
	-6.000	-6.00000	2.03923	-.66736	-.31833	.47741	-.07681	-.00651	-.02435
	-4.000	-6.00000	2.04129	-.44780	-.20263	.45234	-.05169	-.00192	-.02043
	-2.000	-6.00000	2.04152	-.20675	-.08985	.43488	-.02529	.00263	-.01592
	.000	-6.00000	2.04179	.05465	.02342	.42837	-.00013	.00715	-.01166
	2.000	-6.00000	2.04231	.30614	.13148	.42942	.02638	.01201	-.00799
	4.000	-6.00000	2.04161	.55172	.24223	.43877	.05060	.01655	-.00495
	GRADIENT	.00000	.00007	.12560	.05555	-.00163	.01281	.00232	.00194

LARC 8FT TPT 749 (1A93) OTSAT130+TS2

(FJJ071) (08 JUL 76)

REFERENCE DATA

SREF = 2690.0000 SQ.FT. XMRP = 976.0000 IN. XT
 LREF = 1290.3000 INCHES YMRP = .0000 IN. YT
 BREF = 1290.3000 INCHES ZMRP = 400.0000 IN. ZT
 SCALE = .0100

PARAMETRIC DATA

BETA = .000 ELV-LI = 10.000
 ELV-LO = 9.000 ELV-RI = 10.000
 ELV-RO = 9.000

RN/L = 2.04 GRADIENT INTERVAL = -5.00/ 5.00

MACH =	.975								
	ALPHA	BETA	RN/L	L/DO	CLU	CDU	CNW	CBW	CTW
	-8.000	.00000	2.03942	-.89676	-.45729	.50903	-.09230	-.00942	-.02675
	-6.000	.00000	2.04101	-.70080	-.33057	.47199	-.06549	-.00462	-.02236
	-4.000	.00000	2.04217	-.48282	-.21450	.44416	-.03545	.00040	-.01715
	-2.000	.00000	2.04253	-.23936	-.10225	.42725	-.00809	.00545	-.01205
	.000	.00000	2.04185	.00331	.00136	.41846	.02338	.01101	-.00662
	2.000	.00000	2.04224	.27603	.11517	.41725	.05074	.01621	-.00294
	4.000	.00000	2.04075	.54175	.23073	.42569	.07554	.02061	-.00004
	GRADIENT	.00000	-.00016	.12823	.05539	-.00235	.01404	.00256	.00217

LARC 8FT TPT /49 (1A93) OTSAT130

(1JJ002) (13 AUG 76)

REFERENCE DATA

SREF = 2690 0000 SQ.FT. XMRP = 976.0000 IN. XT
 LREF = 1290.3000 INCHES YMRP = .0000 IN. YT
 BREF = 1290.3000 INCHES ZMRP = 400.0000 IN. ZT
 SCALE = .0100

PARAMETRIC DATA

BETA = -6.000 ELV-L1 = 10.000
 ELV-LO = 9.000 ELV-R1 = 10.000
 ELV-RO = 9.000

RUN NO.	0/ 0	RN/L =	GRADIENT INTERVAL =					
		3.17	-5.00/ 5.00					
MACH	ALPHA	CABO	CABT	CABS	CAF	CNF	CLMF	
.600	-8.000	.04071	.08771	.03706	.08956	-.43014	.11903	
.600	-6.000	.04004	.08327	.03602	.09761	-.31280	.07275	
.600	-4.000	.03951	.07944	.03529	.10214	-.20355	.03321	
.600	-2.000	.03858	.07570	.03459	.10629	-.09397	-.00779	
.600	.000	.03780	.07343	.03388	.10701	.01797	-.04863	
.600	2.000	.03682	.07226	.03294	.10490	.12706	-.09082	
.600	4.000	.03611	.07078	.03220	.09996	.24598	-.13769	
	GRADIENT	-.00043	-.00104	-.00039	-.00029	.05600	-.02124	
RUN NO.	0/ 0	RN/L =	GRADIENT INTERVAL =					
		3.97	-5.00/ 5.00					
MACH	ALPHA	CABO	CABT	CABS	CAF	CNF	CLMF	
.900	-8.000	.04983	.09247	.03772	.14402	-.48918	.14526	
.900	-6.000	.04853	.08932	.03710	.14687	-.35713	.09554	
.900	-4.000	.04716	.08720	.03671	.14764	-.23157	.04676	
.900	-2.000	.04635	.08395	.03617	.14943	-.10451	-.00665	
.900	.000	.04575	.08106	.03651	.14855	.02049	-.05767	
.900	2.000	.04547	.07886	.03719	.14441	.14982	-.11173	
.900	4.000	.04491	.07769	.03636	.14344	.27379	-.15517	
	GRADIENT	-.00027	-.00121	.00002	-.00067	.06325	-.02545	
RUN NO.	0/ 0	RN/L =	GRADIENT INTERVAL =					
		4.07	-5.00/ 5.00					
MACH	ALPHA	CABO	CABT	CABS	CAF	CNF	CLMF	
.975	-8.000	.05867	.10399	.04594	.18512	-.53222	.16906	
.975	-6.000	.05624	.09981	.04594	.18789	-.38573	.11365	
.975	-4.000	.05397	.09740	.04492	.18991	-.25544	.06768	
.975	-2.000	.05257	.09563	.04407	.19199	-.12383	.01794	
.975	.000	.05192	.09404	.04430	.19150	.00549	-.03449	
.975	2.000	.05189	.09263	.04449	.18857	.13221	-.08486	
.975	4.000	.05239	.09260	.04530	.18393	.26403	-.13663	
	GRADIENT	-.00019	-.00063	.00006	-.00077	.06475	-.02557	

LARC 8FT TPT 749 (1A93) OTSAT130

(1JJ002) (13 AUG 76)

REFERENCE DATA

SREF = 2690.0000 SQ.FT. XMRP = 976.0000 IN. XT
 LREF = 1290.3000 INCHES YMRP = .0000 IN. YT
 BREF = 1290.3000 INCHES ZMRP = 400.0000 IN. ZT
 SCALE = .0100

PARAMETRIC DATA

BETA = -6.000 ELV-LI = 10.000
 ELV-LO = 9.000 ELV-RI = 10.000
 ELV-RO = 9.000

RUN NO. 0/ 0 RN/L = 4.23 GRADIENT INTERVAL = -5.00/ 5.00

MACH	ALPHA	CABO	CABT	CABS	CAF	CNF	CLMF
1.150	-6.000	.05630	.09231	.04635	.25697	- .39465	.12252
1.150	-4.000	.05560	.09026	.04541	.26022	- .25140	.06862
1.150	-2.000	.05470	.08856	.04432	.26392	- .11905	.02039
1.150	000	.05336	.08613	.04387	.26538	01161	-.03102
1.150	2.000	.05238	.08373	.04304	.26577	.13994	-.08105
	GRADIENT	- .00055	-.00110	- .00038	.00091	06523	- .02502

RUN NO. 0/ 0 RN/L = 4.22 GPADIENT INTERVAL = -5.00/ 5.00

MACH	ALPHA	CABO	CABT	CABS	CAF	CNF	CLMF
1.205	-8.000	.05675	.09301	.04595	.27130	- .55779	.18926
1.205	-6.000	.05595	.09037	.04498	.27411	- .39545	.12296
1.205	-4.000	.05535	.08766	.04410	.27792	- .25078	.06870
1.205	-2.000	.05436	.08542	.04340	.28163	- .11397	.01814
1.205	000	.05309	.08301	.04313	.28334	.01415	- .03066
1.205	2.000	.05237	.08078	.04249	.28384	.13784	-.07675
1.205	4.000	.05215	.07803	.04138	.28128	.26171	-.12439
	GRADIENT	- .00042	-.00119	- .00032	.00045	.06384	- .02405

LARC 8FT TPT '749 (1A93) OTSAT130

(1JJ003) (13 AUG 76)

REFERENCE DATA

SREF = 2690.0000 SQ.FT. XMRP = 976.0000 IN. XT
 LREF = 1290.3000 INCHES YMRP = .0000 IN. YT
 BREF = 1290.3000 INCHES ZMRP = 400.0000 IN. ZT
 SCALE = 0100

PARAMETRIC DATA

BETA = -4.000 ELV-L1 = 10.000
 ELV-LO = 9.000 ELV-R1 = 10.000
 ELV-RO = 9.000

RUN NO.	0/0	RN/L =	GRADIENT INTERVAL =					
		3.17	-5.00/ 5.00					
MACH	ALPHA	CABO	CABT	CABS	CAF	CNF	CLMF	
.600	-8.000	.04044	.08521	.03558	.09741	-.42776	.12082	
600	-6.000	.03967	.08094	.03436	.10452	-.31126	.07602	
.600	-4.000	.03892	.07744	.03381	.10941	-.20100	.03577	
600	-2.000	.03797	.07438	.03337	.11282	-.09625	-.00314	
600	.000	.03729	.07250	.03275	.11238	.01358	-.04322	
600	2.000	.03606	.07073	.03176	.10969	.12545	-.08766	
.600	4.000	.03490	.06881	.03105	.10546	.23989	-.13260	
	GRADIENT	-.00050	-.00104	-.00036	-.00055	.05517	-.02106	
RUN NO.	0/0	RN/L =	GRADIENT INTERVAL =					
		3.97	-5.00/ 5.00					
MACH	ALPHA	CABO	CABT	CABS	CAF	CNF	CLMF	
900	-8.000	.04827	.09282	.03596	.14803	-.49642	.15654	
900	-6.000	.04720	.08950	.03521	.14976	-.36264	.10490	
900	-4.000	.04651	.08631	.03468	.15050	-.23340	.05259	
900	-2.000	.04612	.08079	.03412	.15304	-.10723	-.00231	
.900	.000	.04529	.07809	.03478	.15013	.01719	-.05511	
.900	2.000	.04483	.07594	.03551	.14630	.15372	-.11465	
.900	4.000	.04375	.07552	.03490	.14629	.27499	-.15763	
	GRADIENT	-.00034	-.00132	.00009	-.00076	.06389	-.02664	
RUN NO.	0/0	RN/L =	GRADIENT INTERVAL =					
		4.07	-5.00/ 5.00					
MACH	ALPHA	CABO	CABT	CABS	CAF	CNF	CLMF	
.975	-8.000	.05671	.10290	.04455	.19098	-.53348	.17746	
.975	-6.000	.05447	.09794	.04411	.19450	-.38688	.12146	
975	-4.000	.05262	.09574	.04290	.19699	-.25828	.07598	
975	-2.000	.05126	.09412	.04237	.19662	-.12981	.02718	
.975	.000	.05068	.09194	.04291	.19442	-.00217	-.02615	
.975	2.000	.05105	.09095	.04325	.19001	.12542	-.07816	
.975	4.000	.05107	.09044	.04420	.18680	.25769	-.13132	
	GRADIENT	-.00017	-.00069	.00017	-.00135	.06436	-.02600	

DATE 29 OCT 76

TABULATED SOURCE DATA - 1A93.

PAGE 371

LARC 8FT TPT /49 (1A93) OTSAT130

(1JJ003) (13 AUG 76)

REFERENCE DATA

SREF = 2690.0000 SQ.FT. XMRP = 976.0000 IN. XT
 LREF = 1290 3000 INCHES YMRP = .0000 IN. YT
 BREF = 1290 3000 INCHES ZMRP = 400.0000 IN. ZT
 SCALE * .0100

PARAMETRIC DATA

BETA = -4.000 ELV-LI = 10.000
 ELV-LO = 9.000 ELV-RI = 10.000
 ELV-RO = 9.000

RUN NO. 0/0 RN/L = 4.23 GRADIENT INTERVAL = -5.00/ 5.00

MACH	ALPHA	CABO	CABT	CABS	CAF	CNF	CLMF
1.150	-6.000	.05506	.09073	04538	.26013	-.39900	.13230
1.150	-4.000	05434	.08828	04445	.26307	-.25453	.07652
1.150	-2.000	05352	08655	.04343	.26632	- 12010	.02500
1.150	000	.05207	08444	04325	.26664	01098	-.02734
1.150	2.000	.05073	.08236	.04264	26552	.13691	- 07684
	GRADIENT	- 00061	-.00099	-.00028	00038	06527	- 02562

RUN NO. 0/0 RN/L = 4.22 GRADIENT INTERVAL = -5.00/ 5.00

MACH	ALPHA	CABO	CABT	CABS	CAF	CNF	CLMF
1.205	-8.000	05546	.09114	04525	.27545	-.55581	.19533
1.205	-6.000	05473	.08851	04380	27787	-.39530	.13064
1.205	-4.000	05407	08548	04282	28156	-.25064	07394
1.205	-2.000	05317	08327	.04225	28480	-.11303	.02108
1.205	000	.05197	08141	04227	28466	.01232	- 02739
1.205	2.000	.05069	.07909	04173	.28481	.13636	- 07446
1.205	4.000	05019	07659	.04068	.28278	.26058	- .12253
	GRADIENT	- 00051	- 00110	- 00024	.00012	.06359	- .02442

LARC 8FT TPT /49 (1A93) OTSAT130

(1JJ004) (13 AUG 76)

REFERENCE DATA

SREF = 2690.0000 SQ.FT. XMRP = 976 0000 IN. XT
 LREF = 1290.3000 INCHES YMRP = .0000 IN. YT
 BREF = 1290.3000 INCHES ZMRP = 400.0000 IN. ZT
 SCALE = .0100

PARAMETRIC DATA

BETA = .000 ELV-L1 = 10.000
 ELV-LO = 9.000 ELV-R1 = 10.000
 ELV-RO = 9.000

RUN NO. 0/ 0 RN/L = 3.17 GRADIENT INTERVAL = -5 00/ 5 00

MACH	ALPHA	CABO	CABT	CABS	CAF	CNF	CLMF
.600	-8.000	.03947	08206	03262	.10458	- 43261	13008
600	-6.000	.03894	07841	.03104	.11045	- .31257	08408
600	-4.000	.03830	07493	.03003	.11491	- 20761	.04347
600	-2.000	.03743	07229	02949	.11752	- 09981	.00302
.600	.000	.03650	07075	02886	.11804	00833	-.03697
600	2.000	.03547	06833	02868	.11409	.12030	-.08167
600	4.000	.03422	06568	.02870	.10986	.23683	-.12876
	GRADIENT	- 00051	- 00112	- 00017	- 00068	.05545	- 02146

RUN NO 0/ 0 RN/L = 3.97 GRADIENT INTERVAL = -5 00/ 5 00

MACH	ALPHA	CABO	CABT	CABS	CAF	CNF	CLMF
.900	-8.000	04651	09346	.03250	.15069	- 50768	.16883
.900	-6.000	04607	08867	03060	.15134	- .37041	.11444
900	-4.000	04620	08304	02933	.15258	- .23891	.05950
900	-2.000	.04630	07696	02904	.15497	- .11735	.00469
.900	.000	.04509	.07496	.02975	.15448	.01570	-.05348
900	2.000	.04464	07227	03054	.15286	.15257	-.11638
900	4.000	04370	.07191	03094	.14972	.27729	-.16041
	GRADIENT	- 00033	- 00135	00024	-.00039	06512	-.02805

RUN NO. 0/ 0 RN/L = 4.07 GRADIENT INTERVAL = -5.00/ 5 00

MACH	ALPHA	CABO	CABT	CABS	CAF	CNF	CLMF
.975	-8.000	.05390	10212	.04205	19578	- .54473	19122
.975	-6.000	.05245	09795	.04073	.19825	- 39718	.13460
975	-4.000	.05230	09442	.03919	19923	- 26347	08527
.975	-2.000	.05301	.09157	.03781	19979	- .13879	.03717
.975	.000	05344	08959	.03767	.19875	- .01401	-.01386
975	2.000	05420	08860	.03825	19387	.11236	- 06521
.975	4.000	.05421	.08651	03925	18931	24382	-.12020
	GRADIENT	.00025	-.00094	.00003	-.00129	.06329	-.02567

LARC 8FT TPT 749 (1A93) OTSAT130

(1JJ004) (13 AUG 76)

REFERENCE DATA

SREF = 2690.0000 SQ FT XMRP = 976.0000 IN. XT
 LREF = 1290.3000 INCHES YMRP = .0000 IN. YT
 BREF = 1290.3000 INCHES ZMRP = 400.0000 IN. ZT
 SCALE = .0100

PARAMETRIC DATA

BETA = .000 ELV-LI = 10.000
 ELV-LO = 9.000 ELV-RI = 10.000
 ELV-RO = 9.000

RUN NO 0/ 0 RN/L = 4.23 GRADIENT INTERVAL = -5.00/ 5.00

MACH	ALPHA	CABO	CABT	CABS	CAF	CNF	CLMF
1 150	-6.000	.05514	09130	.04330	.26027	- 40915	.14834
1 150	-4.000	05426	08844	.04224	26366	- 26239	.08944
1 150	-2.000	05336	.08556	.04109	26849	- 12396	03255
1 150	.000	05238	.08218	.04024	.27066	00392	- 02017
1 150	2 000	05092	.07981	.04020	.26758	12914	- 06901
	GRADIENT	- 00055	- 00146	- .00035	00070	06512	- 02640

RUN NO. 0/ 0 RN/L = 4.22 GRADIENT INTERVAL = -5.00/ 5.00

MACH	ALPHA	CABO	CABT	CABS	CAF	CNF	CLMF
1 205	-8 000	05475	09045	04227	.27784	- 56246	.20779
1 205	-6 000	05386	.08800	04129	.27970	- .40310	.14361
1 205	-4 000	05326	08500	.04058	28233	- .25490	08330
1 205	-2 000	05243	.08184	.03949	28677	- 11690	.02743
1 205	.000	05155	.07958	.03881	.28855	00856	- .02212
1 205	2 000	05041	07664	03874	28666	.12657	- 06613
1 205	4 000	.04927	07361	03861	28352	25167	- .11304
	GRADIENT	- 00050	- .00140	- .00023	.00011	06283	- .02431

ORIGINAL PAGE IS OF POOR QUALITY

LARC 8FT TPT /49 (IA93) OTSAT130

(1JJ005) (13 AUG 76)

REFERENCE DATA

SREF = 2690.0000 SQ.FT. XMRP = 976.0000 IN. XT
 LREF = 1290.3000 INCHES YMRP = .0000 IN YT
 BREF = 1290.3000 INCHES ZMRP = 400.0000 IN. ZT
 SCALE = .0100

PARAMETRIC DATA

BETA = 4.000 ELV-L1 = 10.000
 ELV-LO = 9.000 ELV-R1 = 10.000
 ELV-RO = 9.000

RUN NO 0/ 0 RN/L = 3 17 GRADIENT INTERVAL = -5.00/ 5.00

MACH	ALPHA	CABO	CABT	CABS	CAF	CNF	CLMF
.600	-8.000	.03931	.08213	.02941	.11108	-.43121	.12473
600	-6.000	.03841	.07854	.02809	.11810	- .31503	.08003
600	-4.000	.03774	.07521	.02684	.12293	-.21020	.04026
.600	-2.000	.03722	.07233	.02609	.12551	-.09483	-.00397
.600	.000	.03651	.07074	.02538	.12614	.01380	-.04503
600	2.000	.03577	.06939	.02547	.12091	.12631	-.08947
.600	4.000	.03430	.06682	.02607	.11670	.23479	-.13211
	GRADIENT	-.00042	-.00099	-.00011	-.00085	.05556	-.02151

RUN NO 0/ 0 RN/L = 3 97 GRADIENT INTERVAL = -5.00/ 5.00

MACH	ALPHA	CABO	CABT	CABS	CAF	CNF	CLMF
900	-8.000	.04776	.09120	.03084	.15655	-.49895	.15774
.900	-6.000	.04625	.08769	.02980	.15887	- .36215	.10523
.900	-4.000	.04491	.08385	.02867	.16208	- .23324	.05258
.900	-2.000	.04547	.07853	.02825	.16354	- .11041	-.00165
.900	.000	.04436	.07679	.02762	.16451	.01721	-.05701
.900	2.000	.04379	.07413	.02771	.16180	.14988	-.11591
900	4.000	.04338	.07374	.02834	.15691	.27871	-.16418
	GRADIENT	-.00024	-.00123	-.00006	-.00040	.06421	-.02739

RUN NO. 0/ 0 RN/L = 4.07 GRADIENT INTERVAL = -5.00/ 5.00

MACH	ALPHA	CABO	CABT	CABS	CAF	CNF	CLMF
.975	-8.000	.05564	.10010	.03883	.20308	-.53827	.17916
975	-6.000	.05366	.09573	.03780	.20679	-.39170	.12274
975	-4.000	.05201	.09255	.03624	.20997	- .25813	.07345
975	-2.000	.05085	.09117	.03468	.21202	-.12944	.02479
975	.000	.05086	.09072	.03380	.21208	- .00259	-.02579
.975	2.000	.05090	.08816	.03428	.20738	.12202	-.07643
.975	4.000	.05073	.08702	.03600	.20105	.25874	-.13356
	GRADIENT	-.00012	-.00070	-.00004	-.00112	.06426	-.02576

LARC 8FT TPT /49 (IA93) OTSAT130

(1JJ005) (13 AUG 76)

REFERENCE DATA

SREF = 2690.0000 SQ FT. XMRP = 976.0000 IN. XT
 LREF = 1290.3000 INCHES YMRP = .0000 IN. YT
 BREF = 1290.3000 INCHES ZMRP = 400.0000 IN. ZT
 SCALE = .0100

PARAMETRIC DATA

BETA = 4.000 ELV-LI = 10.000
 ELV-LO = 9.000 ELV-RI = 10.000
 ELV-RO = 9.000

RUN NO 0/ 0 - RN/L = 4.23 GRADIENT INTERVAL = -5.00/ 5.00

MACH	ALPHA	CABO	CABT	CABS	CAF	CNF	CLMF
1.150	-6.000	05759	.09107	.03996	.26948	-.40592	.13869
1.150	-4.000	05615	.08788	.03869	.27262	-.25715	.07861
1.150	-2.000	05490	.08505	03701	27666	-.12183	.02518
1.150	000	.05390	08304	03581	27810	00592	-.02467
1.150	2.000	05213	08047	03589	27501	13580	-.07674
	GRADIENT	-.00065	-.00121	-.00048	.00043	06533	-.02580

RUN NO. 0/ 0 RN/L = 4.22 GRADIENT INTERVAL = -5.00/ 5.00

MACH	ALPHA	CABO	CABT	CABS	CAF	CNF	CLMF
1.205	-8.000	05844	.09122	03969	.28358	-.56353	.20195
1.205	-6.000	.05724	08885	03880	28518	-.40406	.13742
1.205	-4.000	.05552	.08520	.03734	28912	-.25654	.07760
1.205	-2.000	05409	.08213	03567	.29351	-.11839	.02368
1.205	000	05290	08031	03438	29500	.00913	-.02435
1.205	2.000	.05161	07746	.03433	29290	13127	-.07161
1.205	4.000	.05021	07487	.03545	28770	25556	-.12043
	GRADIENT	-.00066	-.00127	-.00026	-.00017	.06369	-.02457

LARC BFT TPT 749 (1A93) OTSAT130

(1JJ006) (13 AUG 76)

REFERENCE DATA

SREF = 2690.0000 SQ FT. XMRP = 976.0000 IN. XT
 LREF = 1290 3000 INCHES YMRP = 0000 IN. YT
 BREF = 1290.3000 INCHES ZMRP = 400 0000 IN. ZT
 SCALE = 0100

PARAMETRIC DATA

BETA = 6.000 ELV-LI = 10.000
 ELV-LO = 9.000 ELV-RI = 10.000
 ELV-RO = 9.000

RUN NO. 0/ 0 RN/L = 3.17 GRADIENT INTERVAL = -5.00/ 5.00

MACH	ALPHA	CABO	CABT	CABS	CAF	CNF	CLMF
.600	-8.000	04006	.08313	.02705	.11308	- .43788	.12447
.600	-6.000	.03936	.07966	.02619	.11905	- .31953	.07816
.600	-4.000	03850	.07615	.02545	.12406	- .20970	.03704
.600	-2.000	03809	.07365	.02482	.12553	- .09770	-.00656
.600	.000	03757	.07196	.02422	.12499	.01503	- .04939
.600	2.000	03674	.07078	.02468	.11960	.13021	- .09467
.600	4.000	03573	.06869	.02543	.11242	.24653	- .14065
	GRADIENT	- .00034	- .00089	- .00001	- .00146	.05702	-.02217

RUN NO 0/ 0 RN/L = 3.97 GRADIENT INTERVAL = -5.00/ 5.00

MACH	ALPHA	CABO	CABT	CABS	CAF	CNF	CLMF
.900	-8.000	04906	.09255	.02844	.15921	- .49981	.15483
.900	-6.000	.04733	.08922	.02790	.16191	- .36601	.10407
.900	-4.000	04600	.08646	.02736	.16466	- .23899	.05342
.900	-2.000	04524	.08281	.02693	.16525	- .11443	.00013
.900	.000	04543	.07965	.02635	.16660	.01619	-.05691
.900	2.000	04502	.07714	.02683	.16386	.14562	- .11277
.900	4.000	04409	.07613	.02728	.16078	.27418	- .16002
	GRADIENT	- .00025	- .00132	- .00001	- .00046	.06432	- .02699

RUN NO. 0/ 0 RN/L = 4.07 GRADIENT INTERVAL = -5.00/ 5.00

MACH	ALPHA	CABO	CABT	CABS	CAF	CNF	CLMF
.975	-8.000	05908	.10129	.03483	.20644	- .54095	.17579
.975	-6.000	.05655	.09691	.03437	.21064	- .39444	.11926
.975	-4.000	.05445	.09389	.03361	.21331	- .25979	.06951
.975	-2.000	.05296	.09263	.03264	.21386	- .12808	.01930
.975	.000	05181	.09174	.03213	.21396	.00121	-.03289
.975	2.000	05141	.08972	.03285	.20925	.12491	-.08263
.975	4.000	05133	.08854	.03426	.20280	.26016	- .13717
	GRADIENT	- .00039	- .00068	.00008	-.00128	.06465	-.02576

LARC 8FT TPT /49 (1A93) OTSAT130

(1JJ006) (13 AUG 76)

REFERENCE DATA

SREF = 2690.0000 SQ.FT. XMRP = 976.0000 IN. XT
 LREF = 1290.3000 INCHES YMRP = .0000 IN. YT
 BREF = 1290.3000 INCHES ZMRP = 400.0000 IN. ZT
 SCALE = .0100

PARAMETRIC DATA

BETA = 6.000 ELV-LI = 10.000
 ELV-LO = 9.000 ELV-RI = 10.000
 ELV-RO = 9.000

RUN NO. 0/0 RN/L = 4.23 GRADIENT INTERVAL = -5.00/ 5.00

MACH	ALPHA	CABO	CABT	CABS	CAF	CNF	CLMF
1.150	-6.000	.06002	.09224	.03674	.27330	-40735	.13329
1.150	-4.000	.05838	.08920	.03610	.27560	-26086	.07567
1.150	-2.000	.05653	.08702	.03491	.27757	-12432	.02321
1.150	.000	.05511	.08503	.03382	.27823	.00731	-.02885
1.150	2.000	.05344	.08218	.03476	.27472	.13688	-.08176
	GRADIENT	-.00081	-.00115	-.00026	-.00010	.06624	-.02622

RUN NO 0/0 RN/L = 4.22 GRADIENT INTERVAL = -5.00/ 5.00

MACH	ALPHA	CABO	CABT	CABS	CAF	CNF	CLMF
1.205	-8.000	.06030	.09329	.03703	.28479	-.56697	.19923
1.205	-6.000	.05926	.08970	.03615	.28743	-.40632	.13345
1.205	-4.000	.05749	.08588	.03508	.29093	-.26197	.07622
1.205	-2.000	.05565	.08375	.03371	.29389	-.12536	.02410
1.205	.000	.05428	.08213	.03259	.29501	.00781	-.02729
1.205	2.000	.05285	.07931	.03322	.29247	.13240	-.07627
1.205	4.000	.05154	.07676	.03420	.28654	.25806	-.12564
	GRADIENT	-.00073	-.00113	-.00011	-.00051	.06489	-.02521

ORIGINAL PAGE IS OF POOR QUALITY

LARC 8FT TPT /49 (1A93) OTSAT130

(1JJ007) (13 AUG 76)

REFERENCE DATA

SREF = 2690.0000 SQ FT. XMRP = 976.0000 IN. XT
 LREF = 1290.3000 INCHES YMRP = .0000 IN. YT
 BREF = 1290.3000 INCHES ZMRP = 400.0000 IN. ZT
 SCALE = .0100

PARAMETRIC DATA

BETA = -6.000 ELV-LI = 10.000
 ELV-LO = 4.000 ELV-RI = 10.000
 ELV-RO = 4.000

RUN NO. 0/0 RN/L = 3.17 GRADIENT INTERVAL = -5.00/ 5.00

MACH	ALPHA	CABO	CABT	CABS	CAF	CNF	CLMF
.600	-8.000	.04108	.08844	.03709	.08962	- .46199	.14287
.600	-6.000	.04049	.08425	.03607	.09632	- .34340	.09700
.600	-4.000	.03991	.08025	.03523	.10147	- .23377	.05660
.600	-2.000	.03898	.07628	.03455	.10691	- .12480	.01609
.600	.000	.03806	.07410	.03397	.10690	- .01339	-.02431
.600	2.000	.03718	.07306	.03306	.10421	.09684	- .06629
.600	4.000	.03651	.07171	.03260	.09904	.20910	- .10984
	GRADIENT	-.00043	- .00102	- .00034	- .00038	.05537	- .02076

RUN NO. 0/0 RN/L = 3.97 GRADIENT INTERVAL = -5.00/ 5.00

MACH	ALPHA	CABO	CABT	CABS	CAF	CNF	CLMF
.900	-8.000	.05046	.09278	.03757	.14415	- .50920	.16058
.900	-6.000	.04910	.08970	.03707	.14677	- .37548	.10992
.900	-4.000	.04772	.08747	.03677	.14781	- .25222	.06252
.900	-2.000	.04675	.08425	.03612	.15048	- .12576	.01033
.900	.000	.04581	.08073	.03614	.14994	.00004	-.03922
.900	2.000	.04526	.07942	.03653	.14610	.11928	-.08567
.900	4.000	.04501	.07860	.03611	.14377	.24160	- .12898
	GRADIENT	-.00035	-.00113	- .00005	-.00062	.06163	-.02395

RUN NO. 0/0 RN/L = 4.08 GRADIENT INTERVAL = -5.00/ 5.00

MACH	ALPHA	CABO	CABT	CABS	CAF	CNF	CLMF
.975	-8.000	.05907	.10451	.04566	.18494	- .55406	.18757
.975	-6.000	.05670	.10011	.04557	.18814	- .40780	.13197
.975	-4.000	.05446	.09759	.04458	.19023	- .27549	.08516
.975	-2.000	.05304	.09587	.04362	.19190	- .14474	.03619
.975	.000	.05243	.09419	.04385	.19241	- .01782	-.01554
.975	2.000	.05266	.09318	.04413	.18967	.10860	-.06518
.975	4.000	.05303	.09332	.04503	.18410	.23657	- .11376
	GRADIENT	-.00016	-.00056	.00007	- .00072	.06387	-.02496

LARC 8FT TPT 749 (1A93) OTSAT130

(1JJ007) (13 AUG 76)

REFERENCE DATA

SREF = 2690.0000 SQ FT. XMRP = 976.0000 IN. XT
 LREF = 1290.3000 INCHES YMRP = .0000 IN. YT
 BREF = 1290.3000 INCHES ZMRP = 400.0000 IN. ZT
 SCALE = .0100

PARAMETRIC DATA

BETA = -6.000 ELV-LI = 10.000
 ELV-LO = 4.000 ELV-RI = 10.000
 ELV-RO = 4.000

RUN NO	0/0	RN/L =	GRADIENT INTERVAL = -5.00/ 5 00					
MACH	ALPHA	CABO	CABT	CABS	CAF	CNF	CLMF	
1.150	-6.000	.05662	.09295	.04628	.25720	- .41063	.13658	
1.150	-4.000	.05589	.09097	.04538	.26005	- .26628	.08254	
1.150	-2.000	.05489	.08900	.04421	.26434	- .13224	.03361	
1.150	.000	.05388	.08718	.04381	.26509	- .00373	-.01757	
1.150	2.000	.05283	.08476	.04305	.26586	.12516	-.06791	
	GRADIENT	- .00051	-.00102	-.00037	.00091	.06514	-.02513	
RUN NO.	0/0	RN/L =	GRADIENT INTERVAL = -5.00/ 5 00					
MACH	ALPHA	CABO	CABT	CABS	CAF	CNF	CLMF	
1.205	-8.000	.05670	.09308	.04557	.26843	- .56889	.19898	
1.205	-6.000	.05596	.09043	.04463	.27098	- .40589	.13242	
1.205	-4.000	.05534	.08766	.04376	.27476	- .26130	.07862	
1.205	-2.000	.05444	.08575	.04313	.27791	- .12598	.02898	
1.205	.000	.05331	.08357	.04286	.27932	.00151	-.02018	
1.205	2.000	.05255	.08128	.04229	.27984	.12563	-.06680	
1.205	4.000	.05238	.07870	.04122	.27734	.24991	-.11463	
	GRADIENT	- .00039	-.00112	-.00030	.00035	.06370	-.02411	

LARC BFT TPT /49 (1A93) OTSAT130

(1JJ008) (13 AUG 76)

REFERENCE DATA

SREF = 2690.0000 SQ.FT. XMRP = 976.0000 IN. XT
 LREF = 1290.3000 INCHES YMRP = .0000 IN. YT
 BREF = 1290.3000 INCHES ZMRP = 400.0000 IN. ZT
 SCALE = .0100

PARAMETRIC DATA

BETA = -4.000 ELV-LI = 10.000
 ELV-LO = 4.000 ELV-R1 = 10.000
 ELV-RO = 4.000

RUN NO. 0/ 0 RN/L = 3.17 GRADIENT INTERVAL = -5.00/ 5.00

MACH	ALPHA	CABO	CABT	CABS	CAF	CNF	CLMF
.600	-8.000	.04077	.08578	.03541	.09641	- 45637	.14358
.600	-6.000	.04008	.08201	.03440	.10346	- 34139	.09957
.600	-4.000	.03920	.07814	.03369	.10888	- 23451	.06046
.600	-2.000	.03843	.07470	.03332	.11241	- 12533	.01999
.600	.000	.03759	.07318	.03284	.11190	- 01976	-.01766
.600	2.000	.03636	.07148	.03179	.10886	09205	- 06134
.600	4.000	.03517	.06993	.03132	.10421	.20572	- 10482
	GRADIENT	- 00051	- 00098	- 00031	- 00064	05489	-.02059

RUN NO 0/ 0 RN/L = 3.97 GRADIENT INTERVAL = -5.00/ 5.00

MACH	ALPHA	CABO	CABT	CABS	CAF	CNF	CLMF
.900	-8.000	.04901	.09315	.03586	.14789	- 51484	.17117
.900	-6.000	.04788	.08984	.03530	.14956	- 37886	.11863
.900	-4.000	.04695	.08659	.03464	.15085	- 25170	.06759
.900	-2.000	.04619	.08138	.03403	.15311	- 12882	.01484
.900	.000	.04482	.07844	.03459	.15159	00035	-.03774
.900	2.000	.04389	.07711	.03495	.14697	.12419	- 08885
.900	4.000	.04345	.07617	.03451	.14648	.24409	- 13207
	GRADIENT	- 00047	- 00126	.00003	- 00074	06223	-.02515

RUN NO 0/ 0 RN/L = 4.08 GRADIENT INTERVAL = -5.00/ 5.00

MACH	ALPHA	CABO	CABT	CABS	CAF	CNF	CLMF
.975	-8.000	.05720	.10397	.04413	.19118	- 55649	.19667
.975	-6.000	.05518	.09904	.04379	.19431	- 41023	.14041
.975	-4.000	.05335	.09618	.04266	.19660	- 27950	.09389
.975	-2.000	.05179	.09456	.04182	.19667	- 15104	.04584
.975	.000	.05130	.09227	.04239	.19516	-.02259	-.00772
.975	2.000	.05200	.09112	.04271	.19109	.10241	-.05823
.975	4.000	.05191	.09079	.04370	.18768	.23206	-.10963
	GRADIENT	- 00013	- 00071	00015	- 00117	.06383	-.02556

DATE 29 OCT 76

TABULATED SOURCE DATA - 1A93.

PAGE 381

LARC 8FT TPT /49 (1A93) OTSAT130

(1JJ008) (13 AUG 76)

REFERENCE DATA

SREF = 2690.0000 SQ.FT. XMRP = 976.0000 IN. XT
 LREF = 1290.3000 INCHES YMRP = .0000 IN. YT
 BREF = 1290.3000 INCHES ZMRP = 400.0000 IN. ZT
 SCALE = .0100

PARAMETRIC DATA

BETA = -4.000 ELV-LI = 10.000
 ELV-LO = 4.000 ELV-RI = 10.000
 ELV-RO = 4.000

RUN NO. 0/ 0 RN/L = 4.21 GRADIENT INTERVAL = -5.00/ 5.00

MACH	ALPHA	CABO	CABT	CABS	CAF	CNF	CLMF
1.150	-6.000	.05520	.09092	.04512	.26118	- 41405	.14627
1.150	-4.000	.05461	.08908	.04435	.26310	- 26887	.09045
1.150	-2.000	.05379	.08720	.04328	.26651	- .13415	.03895
1.150	.000	.05261	.08555	.04304	.26630	- .00401	-.01371
1.150	2.000	.05120	.08321	.04252	.26589	.12072	- 06305
	GRADIENT	- 00057	-.00096	-.00029	00041	.06494	- 02566

RUN NO 0/ 0 RN/L = 4.22 GRADIENT INTERVAL = -5.00/ 5.00

MACH	ALPHA	CABO	CABT	CABS	CAF	CNF	CLMF
1.205	-8.000	.05533	.09103	.04485	.27244	-.56773	.20558
1.205	-6.000	.05467	.08836	.04339	.27475	- 40767	.14095
1.205	-4.000	.05400	.08543	.04240	.27822	-.26213	.08440
1.205	-2.000	.05324	.08374	.04190	.28053	-.12610	.03203
1.205	.000	.05231	.08238	.04195	.27990	.00076	- 01728
1.205	2.000	.05090	.07995	.04153	.28020	.12401	- 06425
1.205	4.000	.05040	.07746	.04053	.27851	.24799	- 11230
	GRADIENT	-.00048	-.00099	-.00021	00001	.06352	- 02448

LARC 8FT TPT '749 (1A93) OTSAT130

(1JJ009) (13 AUG 76)

REFERENCE DATA

SREF = 2690.0000 SQ.FT. XMRP = 976.0000 IN. XT
 LREF = 1290.3000 INCHES YMRP = .0000 IN. YT
 BREF = 1290.3000 INCHES ZMRP = 400.0000 IN. ZT
 SCALE = .0100

PARAMETRIC DATA

BETA = .000 ELV-LI = 10.000
 ELV-LO = 4.000 ELV-RI = 10.000
 ELV-RO = 4.000

RUN NO. 0/0 RN/L = 3 17 GRADIENT INTERVAL = -5.00/ 5.00

MACH	ALPHA	CABO	CABT	CABS	CAF	CNF	CLMF
.600	-8.000	.03993	.08322	.03227	.10134	-.46052	.15112
.600	-6.000	.03927	.07956	.03087	.10806	-.34320	.10575
.600	-4.000	.03866	.07627	.02984	.11216	-.23349	.06486
.600	-2.000	.03789	.07357	.02945	.11587	-.12958	.02539
.600	.000	.03686	.07198	.02885	.11665	-.01957	-.01463
.600	2.000	.03562	.06913	.02874	.11395	.09035	-.05713
.600	4.000	.03429	.06668	.02884	.10853	.20171	-.10105
	GRADIENT	-.00055	-.00119	-.00013	-.00046	.05452	-.02072

RUN NO. 0/0 RN/L = 3 97 GRADIENT INTERVAL = -5.00/ 5.00

MACH	ALPHA	CABO	CABT	CABS	CAF	CNF	CLMF
.900	-8.000	.04748	.09362	.03220	.14766	-.52113	.18167
.900	-6.000	.04686	.08913	.03080	.14910	-.38272	.12638
.900	-4.000	.04675	.08356	.02945	.15219	-.25499	.07323
.900	-2.000	.04688	.07735	.02894	.15458	-.13449	.01982
.900	.000	.04560	.07518	.02973	.15320	-.00771	-.03332
.900	2.000	.04524	.07317	.03062	.15069	.11940	-.08839
.900	4.000	.04421	.07266	.03094	.14855	.24445	-.13302
	GRADIENT	-.00034	-.00130	.00023	-.00056	.06264	-.02603

RUN NO. 0/0 RN/L = 4.08 GRADIENT INTERVAL = -5.00/ 5.00

MACH	ALPHA	CABO	CABT	CABS	CAF	CNF	CLMF
.975	-8.000	.05454	.10263	.04172	.19542	-.56417	.20789
.975	-6.000	.05352	.09829	.04043	.19794	-.41728	.15195
.975	-4.000	.05346	.09433	.03870	.19943	-.28472	.10314
.975	-2.000	.05392	.09179	.03713	.20054	-.16157	.05581
.975	.000	.05451	.09042	.03694	.19871	-.04064	.00763
.975	2.000	.05500	.08923	.03767	.19358	.08915	-.04588
.975	4.000	.05505	.08721	.03888	.18964	.22084	-.10097
	GRADIENT	.00021	-.00084	.00004	-.00133	.06309	-.02550

LARC 8FT TPT 749 (1A93) OTSAT130

(1JJ009) (13 AUG 76)

REFERENCE DATA

SREF = 2690.0000 SQ.FT. XMRP = 976.0000 IN. YT
 LREF = 1290.3000 INCHES YMRP = .0000 IN. YT
 BREF = 1290.3000 INCHES ZMRP = 400.0000 IN. ZT
 SCALE = .0100

PARAMETRIC DATA

BETA = .000 ELV-LI = 10.000
 ELV-LO = 4.000 ELV-RI = 10.000
 ELV-RO = 4.000

RUN NO 0/ 0 RN/L = 4.21 GRADIENT INTERVAL = -5.00/ 5.00

MACH	ALPHA	CABO	CABT	CABS	CAF	CNF	CLMF
1.150	-6.000	.05523	.09123	.04290	.26122	-.42603	.16283
1.150	-4.000	.05446	.08903	.04212	.26318	-.27715	.10314
1.150	-2.000	.05365	.08615	.04092	.26793	-.13831	.04628
1.150	0.000	.05294	.08354	.04003	.26908	-.01302	-.00590
1.150	2.000	.05140	.08063	.03995	.26726	.11287	-.05530
	GRADIENT	-.00049	-.00139	-.00037	.00067	.06477	-.02638

RUN NO 0/ 0 RN/L = 4.22 GRADIENT INTERVAL = -5.00/ 5.00

MACH	ALPHA	CABO	CABT	CABS	CAF	CNF	CLMF
1.205	-8.000	.05482	.09074	.04210	.27397	-.57200	.21731
1.205	-6.000	.05393	.08832	.04106	.27567	-.41612	.15454
1.205	-4.000	.05324	.08524	.04019	.27893	-.26895	.09492
1.205	-2.000	.05247	.08223	.03911	.28301	-.13002	.03907
1.205	0.000	.05164	.08016	.03841	.28414	-.00492	-.01093
1.205	2.000	.05062	.07754	.03842	.28200	.11594	-.05668
1.205	4.000	.04944	.07452	.03837	.27913	.23837	-.10254
	GRADIENT	-.00047	-.00131	-.00022	-.00003	.06303	-.02453

LARC 8FT TPT 749 (1A93) OTSAT130

(1J010) (13 AUG 76)

REFERENCE DATA

SREF = 2690.0000 SQ.FT. XMRP = 976 0000 IN. XT
 LREF = 1290.3000 INCHES YMRP = 0000 IN. YT
 BREF = 1290.3000 INCHES ZMRP = 400.0000 IN. ZT
 SCALE = .0100

PARAMETRIC DATA

BETA = 4.000 ELV-LI = 10.000
 ELV-LO = 4.000 ELV-RI = 10.000
 ELV-RO = 4.000

RUN NO. 0/ 0 RN/L = 3.17 GRADIENT INTERVAL = -5.00/ 5.00

MACH	ALPHA	CABO	CABT	CABS	CAF	CNF	CLMF
.600	-8.000	.03980	.08306	.02922	.11127	-.46406	.14892
.600	-6.000	.03998	.07959	.02814	.11736	-.34732	.10431
.600	-4.000	.03812	.07602	.02696	.12346	-.23849	.06255
.600	-2.000	.03743	.07289	.02619	.12653	-.13030	.02177
.600	0.000	.03685	.07185	.02562	.12576	-.02271	-.01809
.600	2.000	.03582	.07013	.02542	.12227	.09020	-.06146
.600	4.000	.03477	.06815	.02639	.11564	.19947	-.10403
	GRADIENT	-.00042	-.00093	-.00009	-.00100	.05482	-.02082

RUN NO 0/ 0 RN/L = 3.97 GRADIENT INTERVAL = -5.00/ 5.00

MACH	ALPHA	CABO	CABT	CABS	CAF	CNF	CLMF
.900	-8.000	.04849	.09149	.03060	.15680	-.51581	.17129
.900	-6.000	.04746	.08853	.02976	.15803	-.37674	.11787
.900	-4.000	.04641	.08488	.02887	.15995	-.25221	.06797
.900	-2.000	.04670	.07966	.02837	.16202	-.13268	.01613
.900	0.000	.04561	.07778	.02782	.16209	-.00950	-.03461
.900	2.000	.04459	.07466	.02768	.16184	.11797	-.08889
.900	4.000	.04420	.07475	.02846	.15872	.24239	-.13345
	GRADIENT	-.00033	-.00126	-.00008	-.00013	.06199	-.02539

RUN NO 0/ 0 RN/L = 4.08 GRADIENT INTERVAL = -5.00/ 5.00

MACH	ALPHA	CABO	CABT	CABS	CAF	CNF	CLMF
.975	-8.000	.05588	.10863	.03845	.20314	-.56018	.19706
.975	-6.000	.05401	.09626	.03744	.20646	-.41358	.14081
.975	-4.000	.05251	.09310	.03602	.20862	-.27996	.09118
.975	-2.000	.05135	.09175	.03463	.21099	-.15150	.04284
.975	0.000	.05125	.09148	.03362	.21153	-.02795	-.00477
.975	2.000	.05112	.08859	.03385	.20752	.09858	-.05770
.975	4.000	.05133	.08781	.03531	.20121	.23024	-.11104
	GRADIENT	-.00013	-.00069	-.00011	-.00091	.06352	-.02525

' ARC 8FT TPT /49 (1A93) OTSAT130

(1JJ010) (13 AUG 76)

REFERENCE DATA

SREF = 2690.0000 SQ FT. XMRP = 976.0000 IN. XT
 LREF = 1290.3000 INCHES YMRP = .0000 IN. YT
 BREF = 1290.3000 INCHES ZMRP = 400.0000 IN. ZT
 SCALE = .0100

PARAMETRIC DATA

BETA = 4.000 ELV-L1 = 10.000
 ELV-LO = 4.000 ELV-R1 = 10.000
 ELV-RO = 4.000

RUN NO. 0/ 0 RN/L = 4.21 GRADIENT INTERVAL = -5.00/ 5.00

MACH	ALPHA	CABO	CABT	CABS	CAF	CNF	CLMF
1.150	-6.000	.05780	.09171	.03988	.26937	- 42335	.15350
1.150	-4.000	.05645	.08873	.03873	.27213	- 27662	.09457
1.150	-2.000	.05519	.08594	.03710	.27588	- 13866	.04001
1.150	.000	.05423	.08387	.03583	.27755	- 00856	- 01162
1.150	2.000	.05242	.08121	.03576	.27531	11862	- 06300
	GRADIENT	- 00065	- 00123	- 00051	00056	06579	- .02622

RUN NO 0/ 0 RN/L = 4.22 GRADIENT INTERVAL = -5.00/ 5.00

MACH	ALPHA	CABO	CABT	CABS	CAF	CNF	CLMF
1.205	-8.000	.05826	.09125	.03942	.28018	- 57424	.21122
1.205	-6.000	.05700	.08873	.03843	.28215	- 41466	.14683
1.205	-4.000	.05554	.08575	.03718	.28502	- 26684	.08759
1.205	-2.000	.05434	.08312	.03566	.28867	- 12945	.03395
1.205	.000	.05290	.08074	.03410	.29172	- 00204	- 01455
1.205	2.000	.05180	.07828	.03408	.28886	.11981	- .06196
1.205	4.000	.05045	.07578	.03522	.28362	24425	- 11125
	GRADIENT	- 00064	- 00124	- 00027	- 00013	06357	- .02468

ORIGINAL PAGE IS
OF POOR QUALITY

LARC 8FT TPT '749 (1A93) OTSAT130

(1J011) (13 AUG 76)

REFERENCE DATA

SREF = 2690.0000 SQ.FT. XMRP = 976.0000 IN. XT
 LREF = 1290.3000 INCHES YMRP = .0000 IN. YT
 BREF = 1290.3000 INCHES ZMRP = 400.0000 IN. ZT
 SCALE = .0100

PARAMETRIC DATA

BETA = 6.000 ELV-LI = 10.000
 ELV-LO = 4.000 ELV-RI = 10.000
 ELV-RO = 4.000

RUN NO. 0/ 0 RN/L = 3.17 GRADIENT INTERVAL = -5.00/ 5.00

MACH	ALPHA	CABO	CABT	CABS	CAF	CNF	CLMF
.600	-8.000	.04058	.09382	.02715	.11324	-.47052	.14942
.600	-6.000	.03975	.08028	.02625	.11885	-.34969	.10242
.600	-4.000	.03888	.07684	.02562	.12403	-.23948	.06017
.600	-2.000	.03831	.07439	.02504	.12608	-.13124	.01916
.600	.000	.03759	.07267	.02439	.12603	-.01898	-.02311
.600	2.000	.03692	.07151	.02404	.12068	.09531	-.06664
.600	4.000	.03591	.06955	.02560	.11346	.20583	-.10944
	GRADIENT	-.00037	-.00087	-.00001	-.00133	.05586	-.02125

RUN NO. 0/ 0 RN/L = 3.97 GRADIENT INTERVAL = -5.00/ 5.00

MACH	ALPHA	CABO	CABT	CABS	CAF	CNF	CLMF
.900	-8.000	.04958	.09326	.02853	.15864	-.51656	.16796
.900	-6.000	.04803	.08993	.02799	.16130	-.38351	.11745
.900	-4.000	.04670	.08704	.02747	.16341	-.25994	.06924
.900	-2.000	.04657	.08320	.02700	.16483	-.13700	.01853
.900	.000	.04569	.08007	.02633	.16616	-.01348	-.03304
.900	2.000	.04528	.07786	.02688	.16373	.11376	-.03588
.900	4.000	.04475	.07759	.02754	.15992	.23811	-.13026
	GRADIENT	-.00026	-.00121	.00000	-.00040	.06234	-.02517

RUN NO. 0/ 0 RN/L = 4.08 GRADIENT INTERVAL = -5.00/ 5.00

MACH	ALPHA	CABO	CABT	CABS	CAF	CNF	CLMF
.975	-8.000	.05905	.10173	.03460	.20639	-.56220	.19412
.975	-6.000	.05671	.09749	.03418	.21001	-.41588	.13722
.975	-4.000	.05467	.09441	.03342	.21167	-.28221	.08737
.975	-2.000	.05316	.09317	.03255	.21289	-.15122	.03809
.975	.000	.05186	.09236	.03201	.21423	-.02013	-.01405
.975	2.000	.05146	.09010	.03254	.21023	.10239	-.06380
.975	4.000	.05193	.08931	.03384	.20299	.23462	-.11514
	GRADIENT	-.00036	-.00066	.00004	-.00100	.06436	-.02535

DATE 29 OCT 76

TABULATED SOURCE DATA - IA93.

PAGE 387

LARC 8FT TPT /49 (IA93) OTSAT130

(1JJ011) (13 AUG 76)

REFERENCE DATA

SREF = 2690.0000 SQ.FT. XMRP = 976.0000 IN. XT
 LREF = 1290.3000 INCHES YMRP = .0000 IN. YT
 BREF = 1290.3000 INCHES ZMRP = 400.0000 IN. ZT
 SCALE = .0100

PARAMETRIC DATA

BETA = 6.000 ELV-LI = 10.000
 ELV-LO = 4.000 ELV-RI = 10.000
 ELV-RO = 4.000

RUN NO 0/ 0 RN/L = 4.21 GRADIENT INTERVAL = -5.00/ 5.00

MACH	ALPHA	CABO	CABT	CABS	CAF	CNF	CLMF
1.150	-6.000	.06006	.09260	.03671	.27380	-.42496	.14829
1.150	-4.000	.05853	.08984	.03614	.27588	-.28016	.09131
1.150	-2.000	.05673	.08770	.03502	.27763	-.14295	.03834
1.150	.000	.05532	.08578	.03391	.27848	-.00887	-.01483
1.150	2.000	.05361	.08295	.03468	.27561	.12010	-.06772
	GRADIENT	-.00081	-.00113	-.00027	.00000	.06674	-.02651

RUN NO. 0/ 0 RN/L = 4.22 GRADIENT INTERVAL = -5.00/ 5.00

MACH	ALPHA	CABO	CABT	CABS	CAF	CNF	CLMF
1.205	-8.000	.06007	.09320	.03679	.28151	-.57768	.20859
1.205	-6.000	.05910	.08983	.03594	.28395	-.41649	.14249
1.205	-4.000	.05745	.08626	.03501	.28704	-.27051	.08513
1.205	-2.000	.05564	.08423	.03371	.28985	-.13432	.03316
1.205	.000	.05412	.08238	.03239	.29177	-.00418	-.01728
1.205	2.000	.05292	.08005	.03302	.28873	.12191	-.06702
1.205	4.000	.05167	.07749	.03407	.28288	.24675	-.11585
	GRADIENT	-.00071	-.00109	-.00013	-.00047	.06454	-.02511

LARC 8FT TPT '749 (1A93) OTSAT130

(11J012) (13 AUG 76)

REFERENCE DATA

SREF = 2690 0000 SQ.FT. XMRP = 976.0000 IN. XT
 LREF = 1290.3000 INCHES YMRP = 0000 IN. YT
 BREF = 1290.3000 INCHES ZMRP = 400.0000 IN. ZT
 SCALE = .0100

PARAMETRIC DATA

BETA = -6.000 ELV-LI = 10.000
 ELV-LO = 14.000 ELV-RI = 10.000
 ELV-RO = 14.000

RUN NO. 0/ 0 RN/L = 3.16 GRADIENT INTERVAL = -5.00/ 5.00

MACH	ALPHA	CABO	CABT	CABS	CAF	CNF	CLMF
600	-8.000	.04129	.08730	.03735	.09382	-.42164	.10989
.600	-6.000	.04083	.08333	.03637	.10104	-.30093	.06267
600	-4.000	.04022	.07938	.03558	.10672	-.19039	.02147
600	-2.000	.03947	.07576	.03481	.11037	-.08223	-.01859
.600	.000	.03850	.07316	.03390	.11128	.03076	-.06141
.600	2.000	.03766	.07229	.03303	.10932	.14777	-.10745
600	4.000	.03690	.07062	.03214	.10494	.26300	-.15325
	GRADIENT	-.00042	-.00105	-.00043	-.00023	.05684	-.02191

RUN NO. 0/ 0 RN/L = 3.97 GRADIENT INTERVAL = -5.00/ 5.00

MACH	ALPHA	CABO	CABT	CABS	CAF	CNF	CLMF
.900	-8.000	.04894	.09341	.03854	.14894	-.48449	.13923
900	-6.000	.04729	.09055	.03800	.15158	-.35013	.08780
900	-4.000	.04567	.08828	.03764	.15314	-.22443	.03863
.900	-2.000	.04507	.08514	.03704	.15478	-.09583	-.01591
900	.000	.04455	.08168	.03713	.15493	.03652	-.07159
900	2.000	.04424	.07950	.03758	.15126	.16749	-.12783
.900	4.000	.04400	.07791	.03649	.14946	.29341	-.17290
	GRADIENT	-.00021	-.00132	-.00009	-.00054	.06495	-.02675

RUN NO. 0/ 0 RN/L = 4.08 GRADIENT INTERVAL = -5.00/ 5.00

MACH	ALPHA	CABO	CABT	CABS	CAF	CNF	CLMF
.975	-8.000	.05924	.10429	.04635	.19248	-.52628	.16314
.975	-6.000	.05658	.09999	.04634	.19540	-.37818	.10645
.975	-4.000	.05414	.09713	.04545	.19803	-.24513	.05851
.975	-2.000	.05253	.09521	.04462	.19988	-.11345	.00816
975	.000	.05162	.09361	.04471	.19921	.01937	-.04708
.975	2.000	.05164	.09229	.04500	.19722	.14984	-.10018
975	4.000	.05205	.09202	.04572	.19324	.28210	-.15287
	GRADIENT	-.00025	-.00066	.00005	-.00061	.06589	-.02656

LARC 8FT TPT /49 (1A93) OTSAT130

(1JJ012) (13 AUG 76)

REFERENCE DATA

SREF = 2690.0000 SQ FT. XMRP = 976.0000 IN. XT
 LREF = 1290.3000 INCHES YMRP = .0000 IN. YT
 BREF = 1290.3000 INCHES ZMRP = 400.0000 IN. ZT
 SCALE = .0100

PARAMETRIC DATA

BETA = -6.000 ELV-LI = 10.000
 ELV-LO = 14.000 ELV-RI = 10.000
 ELV-RO = 14.000

RUN NO. 0/ 0 RN/L = 4.21 GRADIENT INTERVAL = -5.00/ 5.00

MACH	ALPHA	CABO	CABT	CABS	CAF	CNF	CLMF
1.150	-6 000	.05696	.09216	.04687	.26358	- 38586	.11457
1.150	-4 000	.05624	.09019	.04598	.26643	-.24188	.06077
1.150	-2 000	.05524	.08829	.04491	.27037	- 10851	.01221
1.150	000	.05398	.08585	.04444	.27152	.02249	-.03982
1.150	2 000	.05308	.08364	.04355	.27166	.15071	-.08961
	GRADIENT	- 00054	-.00110	-.00039	.00084	06544	- 02516

RUN NO. 0/ 0 RN/L = 4.22 GRADIENT INTERVAL = -5.00/ 5.00

MACH	ALPHA	CABO	CABT	CABS	CAF	CNF	CLMF
1.205	-8 000	.05721	.09263	.04599	.27522	- 54565	.17946
1.205	-6 000	.05653	.09001	.04509	.27765	- 38345	.11312
1.205	-4 000	.05601	.08735	.04429	.28129	-.24009	.05924
1.205	-2 000	.05498	.08508	.04375	.28476	-.10297	.00851
1.205	000	.05356	.08244	.04356	.28643	.02611	- 04043
1.205	2 000	.05271	.08003	.04267	.28728	.14981	-.08674
1.205	4 000	.05261	.07726	.04151	.28422	.27261	-.13425
	GRADIENT	- 00045	- 00126	- 00033	.00042	.06391	- 02411

LARC 8FT TPT /49 (1A93) OTSAT130

(1JJ013) (13 AUG 76)

REFERENCE DATA

SREF = 2690 0000 SQ.FT. XMRP = 976.0000 IN. XT
 LREF = 1290 3000 INCHES YMRP = 0000 IN. YT
 BREF = 1290.3000 INCHES ZMRP = 400 0000 IN. ZT
 SCALE = .0100

PARAMETRIC DATA

BETA = -4.000 ELV-LI = 10.000
 ELV-LO = 14.000 ELV-RI = 10.000
 ELV-RO = 14.000

RUN NO. 0/ 0 RN/L = 3.16 GRADIENT INTERVAL = -5.00/ 5.00

MACH	ALPHA	CABO	CABT	CABS	CAF	CNF	CLMF
.600	-8.000	.04112	.08499	.03593	.10140	-.41528	.10970
.600	-6.000	.04047	.08108	.03480	.10785	-.29752	.06422
.600	-4.000	.03943	.07702	.03406	.11334	-.18934	.02441
.600	-2.000	.03875	.07383	.03354	.11701	-.08233	-.01575
.600	.000	.03790	.07189	.03266	.11680	.02987	-.05776
.600	2.000	.03660	.07025	.03154	.11440	.14155	-.10161
.600	4.000	.03548	.06877	.03111	.11067	.25605	-.14714
	GRADIENT	-.00050	-.00100	-.00040	-.00040	.05573	-.02145

RUN NO 0/ 0 RN/L = 3.97 GRADIENT INTERVAL = -5.00/ 5.00

MACH	ALPHA	CABO	CABT	CABS	CAF	CNF	CLMF
.900	-8.000	.04721	.09371	.03683	.15324	-.49034	.14963
.900	-6.000	.04608	.09082	.03621	.15439	-.35433	.09623
.900	-4.000	.04522	.08751	.03572	.15519	-.22251	.04255
.900	-2.000	.04472	.08188	.03505	.15822	-.09397	-.01399
.900	.000	.04425	.07903	.03548	.15566	.03525	-.06952
.900	2.000	.04369	.07703	.03598	.15284	.17165	-.13083
.900	4.000	.04302	.07566	.03523	.15166	.29807	-.17681
	GRADIENT	-.00027	-.00143	-.00000	-.00072	.06534	-.02778

RUN NO. 0/ 0 RN/L = 4.08 GRADIENT INTERVAL = -5.00/ 5.00

MACH	ALPHA	CABO	CABT	CABS	CAF	CNF	CLMF
.975	-8.000	.05727	.10382	.04498	.19863	-.52696	.17121
.975	-6.000	.05489	.09869	.04454	.20194	-.37980	.11441
.975	-4.000	.05268	.09548	.04343	.20420	-.24781	.06626
.975	-2.000	.05089	.09369	.04284	.20454	-.11800	.01649
.975	.000	.05011	.09160	.04342	.20285	.01429	-.03926
.975	2.000	.05043	.09035	.04399	.19901	.14496	-.09396
.975	4.000	.05062	.08984	.04474	.19599	.27954	-.14913
	GRADIENT	-.00023	-.00073	.00019	-.00110	.06588	-.02706

LARC 8FT TPT /49 (1A93) OTSAT130

(1JJ013) (13 AUG 76)

REFERENCE DATA

SREF = 2690.0000 SQ.FT. XMRP = 976.0000 IN. XT
 LREF = 1290.3000 INCHES YMRP = .0000 IN. YT
 BREF = 1290.3000 INCHES ZMRP = 400 0000 IN. ZT
 SCALE = .0100

PARAMETRIC DATA

BETA = -4.000 ELV-L1 = 10 000
 ELV-LO = 14.000 ELV-R1 = 10.000
 ELV-RO = 14.000

RUN NO 0/ 0 RN/L = 4.21 GRADIENT INTERVAL = -5 00/ 5.00

MACH	ALPHA	CABO	CABT	CABS	CAF	CNF	CLMF
1.150	-6.000	.05563	.09048	.04589	.26780	-.39041	.12484
1.150	-4.000	.05486	.08817	.04504	.27015	-.24405	.06823
1.150	-2.000	.05399	.08526	.04403	.27303	-.10900	.01670
1.150	.000	.05273	.08443	.04393	.27250	.02056	-.03509
1.150	2.000	.05137	.08212	.04320	.27221	.14599	-.08482
	GRADIENT	-.00059	-.00100	-.00028	.00028	.06498	-.02555

RUN NO. 0/ 0 PN/L = 4.22 GRADIENT INTERVAL = -5.00/ 5 00

MACH	ALPHA	CABO	CABT	CABS	CAF	CNF	CLMF
1.205	-8.000	.05608	.09089	.04510	.27934	-.54428	.18565
1.205	-6.000	.05534	.08809	.04378	.28178	-.39518	.12113
1.205	-4.000	.05462	.08508	.04299	.28526	-.23957	.06411
1.205	-2.000	.05380	.08323	.04261	.28768	-.10095	.01076
1.205	.000	.05239	.08090	.04275	.28777	.02754	-.03868
1.205	2.000	.05079	.07824	.04181	.28872	.14708	-.08381
1.205	4.000	.05057	.07587	.04072	.28601	.27140	-.13157
	GRADIENT	-.00056	-.00117	-.00027	.00013	.06351	-.02430

ORIGINAL PAGE IS
OF POOR QUALITY

LARC 8FT TPT '749 (1A93) OTSAT130

(1J014) (13 AUG 76)

REFERENCE DATA

SREF = 2690.0000 SQ.FT. XMRP = 976.0000 IN. XT
 LREF = 1290.3000 INCHES YMRP = .0000 IN. YT
 BREF = 1290.3000 INCHES ZMRP = 400.0000 IN. ZT
 SCALE = .0100

PARAMETRIC DATA

BETA = .000 ELV-L1 = 10.000
 ELV-LO = 14.000 ELV-R1 = 10.000
 ELV-RO = 14.000

RUN NO. 0/ 0 RN/L = 3.16 GRADIENT INTERVAL = -5.00/ 5.00

MACH	ALPHA	CABO	CABT	CABS	CAF	CNF	CLMF
.600	-8.000	.04016	.08228	.03309	.10634	- 42345	.11986
.600	-6.000	.03960	.07881	.03148	.11201	- .30440	.07431
.600	-4.000	.03885	.07546	.03029	.11731	- .19398	.03119
.600	-2.000	.03799	.07271	.02965	.12054	- 08860	-.00896
.600	.000	.03704	.07084	.02905	.12121	.02373	-.05151
.600	2.000	.03584	.06820	.02887	.11887	.13915	- 09742
.600	4.000	.03452	.06561	.02865	.11468	.25261	-.14351
	GRADIENT	-.00054	-.00121	- 00020	- 00035	.05605	-.02189

RUN NO. 0/ 0 RN/L = 3.97 GRADIENT INTERVAL = -5.00/ 5.00

MACH	ALPHA	CABO	CABT	CABS	CAF	CNF	CLMF
.900	-8.000	.04675	.09394	.03385	.15488	- 49871	.16112
.900	-6.000	.04626	.08912	.03215	.15567	- .36031	.10462
.900	-4.000	.04613	.08343	.03056	.15826	- .22521	.04670
.900	-2.000	.04611	.07723	.02990	.16103	- .10219	-.00981
.900	.000	.04513	.07492	.03050	.16079	.03403	- 06955
.900	2.000	.04467	.07285	.03140	.15802	.16873	-.13192
.900	4.000	.04378	.07204	.03170	.15572	.29815	-.17989
	GRADIENT	-.00031	- 00136	00019	-.00040	.06588	-.02876

RUN NO 0/ 0 RN/L = 4.08 GRADIENT INTERVAL = -5.00/ 5.00

MACH	ALPHA	CABO	CABT	CABS	CAF	CNF	CLMF
.975	-8.000	.05432	.10269	.04235	.20330	- .53366	.18247
.975	-6.000	.05311	.09829	.04107	.20505	- .38498	.12491
.975	-4.000	.05259	.09410	.03966	.20589	- .25126	.07487
.975	-2.000	.05268	.09108	.03864	.20723	- 12580	.02579
.975	.000	.05289	.08894	.03855	.20627	- 00047	-.02572
.975	2.000	.05351	.08787	.03902	.20149	.12722	-.07857
.975	4.000	.05339	.08599	.03967	.19771	.26249	- 13702
	GRADIENT	.00012	-.00097	.00002	- 00111	.06403	- 02641

DATE 29 OCT 76

TABULATED SOURCE DATA - 1A93.

PAGE 393

LARC 8FT TPT 749 (1A93) OTSAT130

(1JJ014) (13 AUG 76)

REFERENCE DATA

SREF = 2890.0000 SQ.FT. XMRP = 976.0000 IN. XT
 LREF = 1290.3000 INCHES YMRP = .0000 IN. YT
 BREF = 1290.3000 INCHES ZMRP = 400.0000 IN. ZT
 SCALE = .0100

PARAMETRIC DATA

BETA = .000 ELV-LI = 10.000
 ELV-LO = 14.000 ELV-RI = 10.000
 ELV-RO = 14.000

RUN NO. 0/ 0 RN/L = 4.21 GRADIENT INTERVAL = -5.00/ 5.00

MACH	ALPHA	CABO	CABT	CABS	CAF	CNF	CLMF
1.150	-6.000	.05553	.09087	04388	.26765	- 40190	.14168
1.150	-4.000	05466	.08812	04296	.27058	-.25250	.08113
1.150	-2.000	05364	.08517	.04178	.27549	- 11275	.02357
1.150	.000	.05244	.08169	04091	27788	01270	- 02779
1.150	2.000	.05101	07902	.04077	27567	13788	- 07659
	GRADIENT	- 00061	-.00154	-.00037	.00088	06483	- 02623

RUN NO. 0/ 0 RN/L = 4.22 GRADIENT INTERVAL = -5.00/ 5.00

MACH	ALPHA	CABO	CABT	CABS	CAF	CNF	CLMF
1.205	-8.000	.05520	.09050	04257	.28045	-.54759	.19692
1.205	-6.000	.05430	08732	04141	28409	-.39142	.13354
1.205	-4.000	05369	.08411	04061	.28757	-.24486	.07381
1.205	-2.000	05306	.08211	03984	28953	- 10633	.01831
1.205	.000	.05202	07955	03921	29178	01745	- 03076
1.205	2.000	.05056	07590	03892	29086	14120	- 07715
1.205	4.000	04955	.07338	.03878	.28654	.26099	-.12136
	GRADIENT	- 00054	-.00138	- 00023	-.00004	.06296	-.02429

LARC 8FT TPT 749 (1A93) OTSAT130

(1JJ015) (13 AUG 76)

REFERENCE DATA

SREF = 2690.0000 SQ.FT. XMRP = 976.0000 IN. XT
 LREF = 1290.3000 INCHES YMRP = .0000 IN. YT
 BREF = 1290.3000 INCHES ZMRP = 400.0000 IN. ZT
 SCALE = .0100

PARAMETRIC DATA

BETA = 4.000 ELV-LI = 10.000
 ELV-LO = 14.000 ELV-RI = 10.000
 ELV-RO = 14.000

RUN NO 0/ 0 RN/L = 3.16 GRADIENT INTERVAL = -5.00/ 5.00

MACH	ALPHA	CABO	CABT	CABS	CAF	CNF	CLMF
.600	-8.000	.04008	.08235	.02953	.11519	- 42067	.11444
.600	-6.000	.03909	.07866	.02827	.12266	- 30778	.07108
.600	-4.000	.03837	.07551	.02710	.12888	- 20499	.03188
.600	-2.000	.03758	.07197	.02616	.13123	- 08601	-.01511
.600	0.000	.03690	.07060	.02554	.13077	.02734	-.05803
.600	2.000	.03617	.06942	.02564	.12717	.13929	-.10184
.600	4.000	.03480	.06672	.02615	.12075	.25697	-.14886
	GRADIENT	-.00043	-.00101	-.00012	-.00102	.05746	-.02241

RUN NO 0/ 0 RN/L = 3.97 GRADIENT INTERVAL = -5.00/ 5.00

MACH	ALPHA	CABO	CABT	CABS	CAF	CNF	CLMF
.900	-8.000	.04755	.09193	.03131	.16420	- 49003	.15057
.900	-6.000	.04597	.08840	.03023	.16612	- 35466	.09713
.900	-4.000	.04483	.08478	.02929	.16844	- 22856	.04444
.900	-2.000	.04506	.07988	.02865	.17036	- 09940	-.01303
.900	0.000	.04444	.07711	.02791	.17165	.03355	-.07169
.900	2.000	.04363	.07425	.02779	.16996	.16812	-.13154
.900	4.000	.04347	.07415	.02877	.16569	.29805	-.18069
	GRADIENT	-.00021	-.00134	-.00009	-.00029	.06604	-.02844

RUN NO. 0/ 0 RN/L = 4.08 GRADIENT INTERVAL = -5.00/ 5.00

MACH	ALPHA	CABO	CABT	CABS	CAF	CNF	CLMF
.975	-8.000	.05606	.10104	.03933	.21021	- 53223	.17289
.975	-6.000	.05365	.09646	.03825	.21393	- 38330	.11512
.975	-4.000	.05178	.09290	.03668	.21702	- 24998	.06515
.975	-2.000	.05073	.09142	.03509	.21899	- 12101	.01534
.975	0.000	.05055	.09050	.03408	.21987	.01161	-.03793
.975	2.000	.05060	.08847	.03480	.21420	.13960	-.09158
.975	4.000	.05084	.08727	.03649	.20847	.27486	-.14974
	GRADIENT	-.00010	-.00071	-.00003	-.00109	.06551	-.02684

LARC 8FT TPT 749 (1A93) OTSAT130

(1JJ015) (13 AUG 76)

REFERENCE DATA

SREF = 2690.0000 SQ.FT. XMRP = 976.0000 IN. XT
 LREF = 1290.3000 INCHES YMRP = 0000 IN. YT
 BREF = 1290.3000 INCHES ZMRP = 400.0000 IN. ZT
 SCALE = .0100

PARAMETRIC DATA

BETA = 4.000 ELV-L1 = 10.000
 ELV-LO = 14.000 ELV-R1 = 10.000
 ELV-RO = 14.000

RUN NO. 0/ 0 RN/L = 4.21 GRADIENT INTERVAL = -5.00/ 5.00

MACH	ALPHA	CABO	CABT	CABS	CAF	CNF	CLMF
1.150	-6.000	.05783	.09105	.04054	.27628	- 39829	.13147
1.150	-4.000	.05645	.08790	.03937	.27892	- 24914	.07140
1.150	-2.000	.05518	.08503	.03768	.28285	- 11335	.01768
1.150	.000	.05419	.08289	.03640	.28460	01567	-.03320
1.150	2.000	.05223	.07998	.03634	.28223	14511	-.08546
	GRADIENT	- 00068	-.00129	-.00052	.00058	06559	- 02607

RUN NO 0/ 0 RN/L = 4.22 GRADIENT INTERVAL = -5.00/ 5.00

MACH	ALPHA	CABO	CABT	CABS	CAF	CNF	CLMF
1.205	-8.000	.05821	.09051	.04017	.28738	-.55128	.19111
1.205	-6.000	.05711	.08817	.03928	.28895	-.39280	.12744
1.205	-4.000	.05577	.08522	.03801	.29176	- 24469	.06813
1.205	-2.000	.05442	.08244	.03633	.29593	-.10536	.01307
1.205	.000	.05305	.08011	.03479	.29902	01788	- 03376
1.205	2.000	.05181	.07687	.03453	.29746	14147	- 08129
1.205	4.000	.05062	.07493	.03574	.29040	26503	- 12983
	GRADIENT	- 00065	-.00131	-.00032	-.00006	06331	-.02451

LARC BFT TPT 749 (1A93) OTSAT130

(1JJ016) (13 AUG 76.)

REFERENCE DATA

SREF = 2690.0000 SQ FT. XMRP = 976.0000 IN. XT
 LREF = 1290.3000 INCHES YMRP = .0000 IN. YT
 BREF = 1290.3000 INCHES ZMRP = 400.0000 IN. ZT
 SCALE = .0100

PARAMETRIC DATA

BETA = 6.000 ELV-L1 = 10.000
 ELV-LO = 14.000 ELV-R1 = 10.000
 ELV-RO = 14.000

RUN NO. 0/ 0 RN/L = 3.16 GRADIENT INTERVAL = -5.00/ 5.00

MACH	ALPHA	CABO	CABT	CABS	CAF	CNF	CLMF
600	-8.000	.04075	.08309	.02716	.11825	-.42430	.11321
.600	-6.000	.04007	.07992	.02629	.12322	-.30703	.06763
600	-4.000	.03951	.07699	.02580	.12737	-.20528	.02926
.600	-2.000	.03843	.07355	.02485	.13170	-.08897	-.01657
.600	.000	.03799	.07203	.02432	.13000	.02763	-.06157
600	2.000	.03697	.07028	.02468	.12692	.14156	-.10570
600	4.000	.03608	.06808	.02548	.11918	.26121	-.15355
	GRADIENT	-.00042	-.00105	-.00004	-.00106	.05818	-.02274

RUN NO 0/ 0 RN/L = 3.97 GRADIENT INTERVAL = -5.00/ 5.00

MACH	ALPHA	CABO	CABT	CABS	CAF	CNF	CLMF
.900	-8.000	.04906	.09336	.02884	.16597	-.49331	.14798
.900	-6.000	.04715	.08974	.02829	.16891	-.35774	.09575
.900	-4.000	.04584	.08699	.02772	.17085	-.23003	.04387
.900	-2.000	.04587	.08322	.02706	.17265	-.10306	-.01124
.900	.000	.04533	.07969	.02643	.17437	.02976	-.07007
900	2.000	.04470	.07726	.02680	.17182	.16356	-.12784
900	4.000	.04429	.07650	.02760	.16695	.29273	-.17671
	GRADIENT	-.00021	-.00135	-.00003	-.00043	.06561	-.02789

RUN NO. 0/ 0 RN/L = 4.08 GRADIENT INTERVAL = -5.00/ 5.00

MACH	ALPHA	CABO	CABT	CABS	CAF	CNF	CLMF
.975	-8.000	.05948	.10223	.03516	.21359	-.53649	.17045
.975	-6.000	.05661	.09774	.03460	.21795	-.38547	.11157
.975	-4.000	.05417	.09456	.03388	.22027	-.25031	.06048
.975	-2.000	.05262	.09314	.03293	.22088	-.11976	.00992
.975	.000	.05141	.09174	.03246	.22169	.01573	-.04522
.975	2.000	.05105	.08978	.03320	.21701	.14615	-.09923
.975	4.000	.05137	.08869	.03476	.21093	.27809	-.15304
	GRADIENT	-.00036	-.00076	.00010	-.00113	.06614	-.02681

LARC 8FT TPT 749 (1A93) OTSAT130

(1JJ016) (13 AUG 76)

REFERENCE DATA

PARAMETRIC DATA

SREF = 2690.0000 SQ FT. XMRP = 976.0000 IN. XT
 LREF = 1290.3000 INCHES YMRP = .0000 IN. YT
 BREF = 1290.3000 INCHES ZMRP = 400.0000 IN. ZT
 SCALE = .0100

BETA = 6.000 ELV-LI = 10.000
 ELV-LO = 14.000 ELV-RI = 10.000
 ELV-RO = 14.000

RUN NO. 0/ 0 RN/L = 4.21 GRADIENT INTERVAL = -5.00/ 5.00

MACH	ALPHA	CABO	CABT	CABS	CAF	CNF	CLMF
1.150	-6.000	.06021	.09203	.03723	.28031	-.39965	.12641
1.150	-4.000	.05860	.08888	.03656	.28259	-.25355	.06884
1.150	-2.000	.05681	.08679	.03533	.28437	-.11636	.01585
1.150	.000	.05538	.08464	.03424	.28548	.01728	-.03718
1.150	2.000	.05342	.08140	.03518	.28213	.14714	-.09069
	GRADIENT	-00085	-.00123	-00026	-00001	.06679	-.02658

RUN NO. 0/ 0 RN/L = 4.22 GRADIENT INTERVAL = -5.00/ 5.00

MACH	ALPHA	CABO	CABT	CABS	CAF	CNF	CLMF
1.205	-8.000	.06057	.09323	.03753	.28758	-.55661	.18929
1.205	-6.000	.05931	.08914	.03661	.29094	-.39458	.12327
1.205	-4.000	.05760	.08550	.03562	.29402	-.24824	.06551
1.205	-2.000	.05590	.08363	.03428	.29654	-.11215	.01292
1.205	.000	.05430	.08145	.03299	.29884	.01897	-.03783
1.205	2.000	.05297	.07858	.03357	.29626	.14613	-.08784
1.205	4.000	.05178	.07621	.03454	.28939	.26971	-.13589
	GRADIENT	-.00073	-.00118	-.00014	-00048	.06471	-.02517

LARC 8FT TPT 749 (1A93) OTSAT130

(1JJ017) (13 AUG 76)

REFERENCE DATA

PARAMETRIC DATA

SREF = 2690.0000 SQ FT. XMRP = 976.0000 IN. XT
 LREF = 1290.3000 INCHES YMRP = .0000 IN. YT
 BREF = 1290.3000 INCHES ZMRP = 400.0000 IN. ZT
 SCALE = .0100

BETA = -6.000 ELV-LI = 10.000
 ELV-LO = -5.000 ELV-RI = 10.000
 ELV-RO = -5.000

RUN NO. 0/ 0 RN/L = 4.21 GRADIENT INTERVAL = -5.00/ 5.00

MACH	ALPHA	CABO	CABT	CABS	CAF	CNF	CLMF
1.150	-6.000	.05614	.09230	.04553	.25907	-.43825	.16099
1.150	-4.000	.05562	.09079	.04474	.26094	-.29247	.10581
1.150	-2.000	.05481	.08928	.04363	.26441	-.15776	.05576
1.150	.000	.05365	.08719	.04309	.26595	-.02721	.00372
1.150	2.000	.05282	.08495	.04247	.26631	.10110	-.04701
	GRADIENT	-00048	-00098	-00037	.00088	.06556	-.02553

ORIGINAL PAGE IS
OF POOR QUALITY

LARC 8FT TPT 749 (1A93) OTSAT130

(1JJ017) (13 AUG 76)

REFERENCE DATA

SREF = 2690.0000 SQ.FT. XMRP = 976.0000 IN. XT
 LREF = 1290.3000 INCHES YMRP = .0000 IN. YT
 BREF = 1290.3000 INCHES ZMRP = 400.0000 IN. ZT
 SCALE = .0100

PARAMETRIC DATA

BETA = -6.000 ELV-LI = 10.000
 ELV-LO = -5.000 ELV-RI = 10.000
 ELV-RO = -5.000

RUN NO. 0/ 0 RN/L = 4.22 GRADIENT INTERVAL = -5.00/ 5.00

MACH	ALPHA	CABO	CABT	CABS	CAF	CNF	CLMF
1.205	-8.000	05645	.09269	.04473	.26999	- 59357	.22193
1.205	-6.000	.05571	.08992	04380	.27273	-.43002	.15442
1.205	-4.000	05521	.08744	.04300	.27594	-.28504	.09981
1.205	-2.000	05437	.08571	04240	.27854	-.14897	.04920
1.205	0.000	05335	.08375	04225	27970	-.02187	-.00012
1.205	2.000	05265	08185	04184	27970	.10345	-.04739
1.205	4.000	.05251	07931	04087	.27682	.23067	-.09704
	GRADIENT	- 00036	-.00101	- 00024	.00015	.06419	-.02451

LARC 8FT TPT 749 (1A93) OTSAT130

(1JJ018) (13 AUG 76)

REFERENCE DATA

SREF = 2690.0000 SQ.FT. XMRP = 976.0000 IN. XT
 LREF = 1290.3000 INCHES YMRP = .0000 IN. YT
 BREF = 1290.3000 INCHES ZMRP = 400.0000 IN. ZT
 SCALE = .0100

PARAMETRIC DATA

BETA = -4.000 ELV-LI = 10.000
 ELV-LO = -5.000 ELV-RI = 10.000
 ELV-RO = -5.000

RUN NO. 0/ 0 RN/L = 4.21 GRADIENT INTERVAL = -5.00/ 5.00

MACH	ALPHA	CABO	CABT	CABS	CAF	CNF	CLMF
1.150	-6.000	05493	.09061	.04436	.26248	- 44148	.17082
1.150	-4.000	05433	.08871	.04343	.26488	-.29593	.11444
1.150	-2.000	05372	.08756	.04248	.26701	-.16125	.06264
1.150	0.000	05261	.08582	.04227	.26661	- 02951	.00837
1.150	2.000	05132	08347	04188	.26566	.09717	- 04247
	GRADIENT	- .00051	- 00087	-.00024	.00010	06555	-.02625

RUN NO. 0/ 0 RN/L = 4.22 GRADIENT INTERVAL = -5.00/ 5.00

MACH	ALPHA	CABO	CABT	CABS	CAF	CNF	CLMF
1.205	-8.000	05512	.09057	04397	.27371	-.59349	.22939
1.205	-6.000	05440	.08794	.04249	.27615	- 43241	.16355
1.205	-4.000	.05382	.08538	04161	.27931	-.28458	.10534
1.205	-2.000	05311	.08385	.04110	.28110	-.14743	.05213
1.205	0.000	05219	.08231	.04118	.28038	-.01955	.00134
1.205	2.000	.05099	.08028	04080	.28026	.10606	-.04711
1.205	4.000	.05056	07783	.03994	27864	.23056	- 09574
	GRADIENT	- 00043	-.00093	-.00018	- 00011	.06420	-.02507

LARC 8FT TPT /49 (1A93) OTSAT130

(1JJ019) (13 AUG 76)

REFERENCE DATA

SREF = 2690.0000 SQ.FT. XMRP = 976.0000 IN. XT
 LREF = 1290.3000 INCHES YMRP = .0000 IN. YT
 BREF = 1290.3000 INCHES ZMRP = 400.0000 IN. ZT
 SCALE = .0100

PARAMETRIC DATA

BETA = .000 ELV-L1 = 10.000
 ELV-LO = -5.000 ELV-R1 = 10.000
 ELV-RO = -5.000

RUN NO. 0/ 0 RN/L = 4.21 GRADIENT INTERVAL = -5.00/ 5.00

MACH	ALPHA	CABO	CABT	CABS	CAF	CNF	CLMF
1.150	-6.000	.05520	.09099	.04213	.26173	-.45330	.18745
1.150	-4.000	.05431	.08825	.04109	.26402	-.30534	.12759
1.150	-2.000	.05379	.08605	.03997	.26834	-.16620	.06921
1.150	.000	.05314	.08331	.03898	.27021	-.03748	.01522
1.150	2.000	.05181	.08102	.03924	.26702	.08910	-.03551
	GRADIENT	-.00041	-.00122	-.00033	.00043	.06560	-.02717

RUN NO. 0/ 0 RN/L = 4.22 GRADIENT INTERVAL = -5.00/ 5.00

MACH	ALPHA	CABO	CABT	CABS	CAF	CNF	CLMF
1.205	-8.000	.05478	.09062	.04137	.27413	-.59907	.24182
1.205	-6.000	.05384	.08778	.04003	.27655	-.43829	.17606
1.205	-4.000	.05303	.08448	.03904	.28019	-.28685	.11386
1.205	-2.000	.05236	.08216	.03812	.28352	-.15036	.05824
1.205	.000	.05184	.08042	.03731	.28444	-.02428	.00696
1.205	2.000	.05086	.07791	.03749	.28248	.09898	-.04023
1.205	4.000	.04973	.07525	.03783	.27865	.22449	-.08736
	GRADIENT	-.00040	-.00113	-.00015	-.00021	.06360	-.02505

LARC 8FT TPT /49 (1A93) OTSAT130

(1JJ020) (13 AUG 76)

REFERENCE DATA

SREF = 2690.0000 SQ.FT. XMRP = 976.0000 IN. XT
 LREF = 1290.3000 INCHES YMRP = .0000 IN. YT
 BREF = 1290.3000 INCHES ZMRP = 400.0000 IN. ZT
 SCALE = .0100

PARAMETRIC DATA

BETA = 4.000 ELV-L1 = 10.000
 ELV-LO = -5.000 ELV-R1 = 10.000
 ELV-RO = -5.000

RUN NO. 0/ 0 RN/L = 4.21 GRADIENT INTERVAL = -5.00/ 5.00

MACH	ALPHA	CABO	CABT	CABS	CAF	CNF	CLMF
1.150	-6.000	.05746	.09142	.03928	.26979	-.45219	.17859
1.150	-4.000	.05636	.08876	.03831	.27191	-.30315	.11821
1.150	-2.000	.05527	.08644	.03693	.27519	-.16424	.06270
1.150	.000	.05419	.08426	.03549	.27750	-.03519	.01149
1.150	2.000	.05266	.08159	.03522	.27527	.09268	-.04091
	GRADIENT	-.00061	-.00118	-.00053	.00062	.06583	-.02643

LARC 8FT TPT /49 (1A93) OTSAT130

(1JJ020) (13 AUG 76)

REFERENCE DATA

SREF = 2690.0000 SQ.FT. XMRP = 976.0000 IN. XT
 LREF = 1290.3000 INCHES YMRP = 0000 IN. YT
 BREF = 1290.3000 INCHES ZMRP = 400.0000 IN. ZT
 SCALE = .0100

PARAMETRIC DATA

BETA = 4.000 ELV-L1 = 10.000
 ELV-LO = -5.000 ELV-R1 = 10.000
 ELV-RO = -5.000

RUN NO. 0/0 RN/L = 4.22 GRADIENT INTERVAL = -5.00/ 5.00

MACH	ALPHA	CABO	CABT	CABS	CAF	CNF	CLMF
1.205	-8.000	.05755	.09057	.03897	.28079	-.60126	.23498
1.205	-6.000	.05648	.08807	.03786	.28272	-.43889	.16897
1.205	-4.000	.05531	.08549	.03660	.28549	-.29051	.10872
1.205	-2.000	.05415	.08300	.03524	.28920	-.15395	.05492
1.205	.000	.05294	.08101	.03383	.29142	-.02530	.00573
1.205	2.000	.05179	.07840	.03368	.28907	.09817	-.04303
1.205	4.000	.05049	.07629	.03509	.28362	.22380	-.09378
	GRADIENT	-.00060	-.00115	-.00023	-.00019	.06404	-.02515

LARC 8FT TPT 749 (1A93) OTSAT130

(1JJ021) (13 AUG 76)

REFERENCE DATA

SREF = 2690.0000 SQ.FT. XMRP = 976.0000 IN. XT
 LREF = 1290.3000 INCHES YMRP = 0000 IN. YT
 BREF = 1290.3000 INCHES ZMRP = 400.0000 IN. ZT
 SCALE = .0100

PARAMETRIC DATA

BETA = 6.000 ELV-L1 = 10.000
 ELV-LO = -5.000 ELV-R1 = 10.000
 ELV-RO = -5.000

RUN NO. 0/0 RN/L = 4.21 GRADIENT INTERVAL = -5.00/ 5.00

MACH	ALPHA	CABO	CABT	CABS	CAF	CNF	CLMF
1.150	-6.000	.05968	.09203	.03641	.27404	-.45214	.17257
1.150	-4.000	.05831	.08965	.03598	.27549	-.30465	.11398
1.150	-2.000	.05655	.08783	.03501	.27728	-.16640	.06024
1.150	.000	.05524	.08596	.03384	.27842	-.03343	.00729
1.150	2.000	.05341	.08280	.03450	.27618	.09854	-.04784
	GRADIENT	-.00081	-.00112	-.00028	.00016	.06713	-.02692

RUN NO. 0/0 RN/L = 4.22 GRADIENT INTERVAL = -5.00/ 5.00

MACH	ALPHA	CABO	CABT	CABS	CAF	CNF	CLMF
1.205	-8.000	.05974	.09262	.03673	.28132	-.60456	.23178
1.205	-6.000	.05865	.08897	.03578	.28429	-.44060	.16384
1.205	-4.000	.05701	.08577	.03482	.28758	-.29404	.10590
1.205	-2.000	.05532	.08404	.03360	.29011	-.15781	.05377
1.205	.000	.05402	.08238	.03240	.29163	-.02709	.00293
1.205	2.000	.05288	.07999	.03302	.28887	.09952	-.04732
1.205	4.000	.05166	.07763	.03418	.28269	.22661	-.09816
	GRADIENT	-.00066	-.00102	-.00009	-.00055	.06493	-.02546

LARC 8FT TPT 749 (1A93) OTSAT130

(1JJ022) (13 AUG 76)

REFERENCE DATA

PARAMETRIC DATA

SREF = 2690.0000 SQ.FT. XMRP = 976.0000 IN. XT
 LREF = 1290.3000 INCHES YMRP = .0000 IN. YT
 BREF = 1290.3000 INCHES ZMRP = 400.0000 IN. ZT
 SCALE = .0100

BETA = -6.000 ELV-LI = 12.000
 ELV-LO = -5.000 ELV-RI = 12.000
 ELV-RO = -5.000

RUN NO. 0/ 0 RN/L = 4.21 GRADIENT INTERVAL = -5.00/ 5.00

MACH	ALPHA	CABO	CABT	CABS	CAF	CNF	CLMF
1.150	-6.000	.05642	.09220	.04581	.25997	- 43242	.15563
1.150	-4.000	.05578	.09047	.04499	.26206	- 28630	.10001
1.150	-2.000	.05502	.08898	.04378	.26561	- 15054	.04994
1.150	.000	.05389	.08698	.04316	.26716	- 02181	-.00084
1.150	2.000	.05292	.08472	.04253	.26753	.10862	-.05255
	GRADIENT	- 00049	-.00096	-.00040	.00090	.06567	- 02542

RUN NO. 0/ 0 RN/L = 4.22 GRADIENT INTERVAL = -5.00/ 5.00

MACH	ALPHA	CABO	CABT	CABS	CAF	CNF	CLMF
1.205	-8.000	.05663	.09206	.04482	.27233	- 58890	21720
1.205	-6.000	.05593	.08962	.04411	.27385	- 42499	14961
1.205	-4.000	.05542	.08722	.04340	.27651	- 27920	.09478
1.205	-2.000	.05456	.08541	.04259	.27955	- 14335	.04456
1.205	.000	.05349	.08339	.04228	.28064	- 01482	- 00558
1.205	2.000	.05275	.08131	.04183	.28112	11071	- 05307
1.205	4.000	.05255	.07886	.04085	.27845	23621	- 10190
	GRADIENT	-.00038	-.00104	-.00029	.00027	.06424	-.02455

LARC 8FT TPT 749 (1A93) OTSAT130

(1JJ023) (13 AUG 76)

REFERENCE DATA

PARAMETRIC DATA

SREF = 2690.0000 SQ.FT. XMRP = 976.0000 IN. XT
 LREF = 1290.3000 INCHES YMRP = .0000 IN. YT
 BREF = 1290.3000 INCHES ZMRP = 400.0000 IN. ZT
 SCALE = .0100

BETA = -4.000 ELV-LI = 12.000
 ELV-LO = -5.000 ELV-RI = 12.000
 ELV-RO = -5.000

RUN NO. 0/ 0 RN/L = 4.21 GRADIENT INTERVAL = -5.00/ 5.00

MACH	ALPHA	CABO	CABT	CABS	CAF	CNF	CLMF
1.150	-6.000	.05529	.09087	.04469	.26322	- 43746	.16695
1.150	-4.000	.05456	.08871	.04383	.26570	- 29056	.10966
1.150	-2.000	.05389	.08720	.04280	.26812	- 15281	.05606
1.150	.000	.05286	.08556	.04234	.26799	- 02436	.00397
1.150	2.000	.05159	.08349	.04205	.26657	.10555	- 04827
	GRADIENT	-.00050	-.00087	-.00029	.00012	.06584	- 02629

ORIGINAL PAGE IS OF POOR QUALITY

LARC 8FT TPT /49 (1A93) OTSAT130

(1J023) (13 AUG 76)

REFERENCE DATA

SREF = 2690 0000 SQ.FT. XMRP = 976 0000 IN XT
 LREF = 1290.3000 INCHES YMRP = 0000 IN. YT
 BREF = 1290.3000 INCHES ZMRP = 400.0000 IN. ZT
 SCALE = .0100

PARAMETRIC DATA

BETA = -4.000 ELV-LI = 12.000
 ELV-LO = -5.000 ELV-RI = 12.000
 ELV-RO = -5.000

RUN NO. 0/0 RN/L = 4.22 GRADIENT INTERVAL = -5.00/ 5.00

MACH	ALPHA	CABO	CABT	CABS	CAF	CNF	CLMF
1.205	-8.000	.05530	.08999	.04401	.27671	-.58871	.22467
1.205	-6.000	.05467	.08752	.04270	.27813	-.42538	.15789
1.205	-4.000	.05414	.08531	.04210	.27984	-.27777	.09983
1.205	-2.000	.05331	.08340	.04136	.28265	-.14157	.04684
1.205	0.000	.05240	.08197	.04127	.28158	-.01359	-.00391
1.205	2.000	.05117	.07994	.04101	.28090	.10930	-.05062
1.205	4.000	.05061	.07750	.04011	.27956	.23522	-.10011
	GRADIENT	-.00046	-.00095	-.00022	-.00012	.06384	-.02487

LARC 8FT TPT 749 (1A93) OTSAT130

(1J024) (13 AUG 76)

REFERENCE DATA

SREF = 2690 0000 SQ.FT. XMRP = 976 0000 IN. XT
 LREF = 1290.3000 INCHES YMRP = .0000 IN. YT
 BREF = 1290.3000 INCHES ZMRP = 400.0000 IN. ZT
 SCALE = .0100

PARAMETRIC DATA

BETA = .000 ELV-LI = 12.000
 ELV-LO = -5.000 ELV-RI = 12.000
 ELV-RO = -5.000

RUN NO. 0/0 RN/L = 4.21 GRADIENT INTERVAL = -5.00/ 5.00

MACH	ALPHA	CABO	CABT	CABS	CAF	CNF	CLMF
1.150	-6.000	.05550	.09107	.04242	.26326	-.44777	.18312
1.150	-4.000	.05469	.08864	.04148	.26567	-.29852	.12307
1.150	-2.000	.05391	.08584	.04021	.26997	-.16128	.06566
1.150	0.000	.05330	.08333	.03928	.27098	-.03165	.01030
1.150	2.000	.05190	.08052	.03928	.26882	.09425	-.03924
	GRADIENT	-.00045	-.00134	-.00038	.00052	.06540	-.02712

RUN NO. 0/0 RN/L = 4.22 GRADIENT INTERVAL = -5.00/ 5.00

MACH	ALPHA	CABO	CABT	CABS	CAF	CNF	CLMF
1.205	-8.000	.05491	.09009	.04151	.27653	-.59052	.23591
1.205	-6.000	.05402	.08753	.04036	.27831	-.43335	.17179
1.205	-4.000	.05339	.08475	.03960	.28072	-.28543	.11112
1.205	-2.000	.05273	.08202	.03859	.28404	-.14481	.05363
1.205	0.000	.05198	.07975	.03762	.28530	-.01880	.00231
1.205	2.000	.05096	.07729	.03769	.28303	.10414	-.04465
1.205	4.000	.04981	.07447	.03798	.27996	.22590	-.09069
	GRADIENT	-.00045	-.00126	-.00021	-.00013	.06358	-.02509

LARC 8FT TPT /49 (1A93) OTSAT130

(1JJ025) (13 AUG 76)

REFERENCE DATA

SREF = 2690.0000 SQ FT. XMRP = 976 0000 IN. XT
 LREF = 1290.3000 INCHES YMRP = .0000 IN. YT
 BREF = 1290.3000 INCHES ZMRP = 400 0000 IN. ZT
 SCALE = .0100

PARAMETRIC DATA

BETA = 4.000 ELV-LI = 12.000
 ELV-LO = -5.000 ELV-RI = 12.000
 ELV-RO = -5.000

RUN NO 0/ 0 RN/L = 4.21 GRADIENT INTERVAL = -5.00/ 5.00

MACH	ALPHA	CABO	CABT	CABS	CAF	CNF	CLMF
1.150	-6 000	.05762	.09101	.03961	.27138	-.44657	.17366
1.150	-4 000	.05633	.08806	.03651	.27427	-.29832	.11348
1.150	-2.000	.05511	.08564	.03702	.27767	-.15760	.05759
1.150	000	.05412	.08377	.03561	.27906	-.02630	.00563
1.150	2 000	.05279	.08126	.03514	.27715	.09869	-.04612
	GRADIENT	-.00058	-.00111	-.00058	.00050	.06612	-.02654

RUN NO. 0/ 0 RN/L = 4.22 GRADIENT INTERVAL = -5.00/ 5.00

MACH	ALPHA	CABO	CABT	CABS	CAF	CNF	CLMF
1.205	-8 000	.05768	.09039	.03908	.28273	-.59552	.23066
1.205	-6 000	.05662	.08823	.03818	.28357	-.43439	.16509
1.205	-4 000	.05537	.08522	.03689	.28666	-.28581	.10464
1.205	-2.000	.05433	.08282	.03551	.29004	-.14787	.05016
1.205	000	.05296	.08048	.03395	.29268	-.01724	.00027
1.205	2.000	.05178	.07767	.03359	.29099	.10583	-.04875
1.205	4 000	.05063	.07563	.03471	.28534	.22968	-.09823
	GRADIENT	-.00060	-.00122	-.00031	-.00008	.06423	-.02523

LARC 8FT TPT 749 (1A93) OTSAT130

(1JJ026) (13 AUG 76)

REFERENCE DATA

SREF = 2690.0000 SQ.FT. XMRP = 976 0000 IN. XT
 LREF = 1290 3000 INCHES YMRP = .0000 IN. YT
 BREF = 1290 3000 INCHES ZMRP = 400.0000 IN. ZT
 SCALE = .0100

PARAMETRIC DATA

BETA = 6 000 ELV-LI = 12.000
 ELV-LO = -5 000 ELV-RI = 12.000
 ELV-RO = -5.000

RUN NO. 0/ 0 RN/L = 4.21 GRADIENT INTERVAL = -5.00/ 5.00

MACH	ALPHA	CABO	CABT	CABS	CAF	CNF	CLMF
1.150	-6.000	.05989	.09189	.03676	.27504	-.44495	.16693
1.150	-4.000	.05831	.08909	.03624	.27729	-.29788	.10856
1.150	-2.000	.05655	.08719	.03520	.27916	-.16013	.05528
1.150	000	.05521	.08550	.03399	.28008	-.02851	.00292
1.150	2.000	.05349	.08259	.03443	.27776	.10207	-.05149
	GRADIENT	-.00079	-.00106	-.00033	.00012	.06657	-.02663

LARC 8FT TPT 749 (1A93) OTSAT130

(1JJ026) (13 AUG 76)

REFERENCE DATA

SREF = 2690 0000 SQ.FT. XMRP = 976.0000 IN. XT
 LREF = 1290.3000 INCHES YMRP = .0000 IN. YT
 BREF = 1290.3000 INCHES ZMRP = 400 0000 IN. ZT
 SCALE = .0100

PARAMETRIC DATA

BETA = 6.000 ELV-L1 = 12.000
 ELV-LO = -5.000 ELV-R1 = 12.000
 ELV-RO = -5.000

RUN NO. 0/ 0 RN/L = 4.22 GRADIENT INTERVAL = -5.00/ 5.00

MACH	ALPHA	CABO	CABT	CABS	CAF	CNF	CLMF
1.205	-8.000	.05977	.09234	.03676	.28301	-.59689	.22560
1.205	-6.000	.05867	.08884	.03588	.28562	-.43590	.15977
1.205	-4.000	.05714	.08548	.03497	.28885	-.29011	.10222
1.205	-2.000	.05563	.08398	.03384	.29072	-.15210	.04937
1.205	.000	.05401	.08192	.03245	.29294	-.02065	-.00180
1.205	2.000	.05279	.07948	.03280	.29065	.10553	-.05221
1.205	4.000	.05167	.07737	.03379	.28445	.23219	-.10261
	GRADIENT	-.00069	-.00104	-.00017	-.00044	.06511	-.02556

LARC 8FT TPT 749 (1A93) OTSAT130

(1JJ027) (13 AUG 76)

REFERENCE DATA

SREF = 2690.0000 SQ FT. XMRP = 976.0000 IN. XT
 LREF = 1290.3000 INCHES YMRP = .0000 IN. YT
 BREF = 1290.3000 INCHES ZMRP = 400 0000 IN. ZT
 SCALE = 0100

PARAMETRIC DATA

BETA = -6.000 ELV-L1 = 12.000
 ELV-LO = 4.000 ELV-R1 = 12.000
 ELV-RO = 4.000

RUN NO. 0/ 0 RN/L = 3.97 GRADIENT INTERVAL = -5.00/ 5.00

MACH	ALPHA	CABO	CABT	CABS	CAF	CNF	CLMF
.900	-8.000	.04928	.09394	.03815	.14414	-.51100	.16144
.900	-6.000	.04767	.09111	.03758	.14688	-.37615	.11048
.900	-4.000	.04598	.08849	.03703	.14810	-.25142	.06232
.900	-2.000	.04529	.08546	.03650	.14990	-.12658	.01096
.900	.000	.04455	.08164	.03633	.15049	-.00134	-.03896
.900	2.000	.04434	.07999	.03672	.14703	.12217	-.08848
.900	4.000	.04412	.07842	.03592	.14513	.24634	-.13341
	GRADIENT	-.00023	-.00128	-.00010	-.00044	.06221	-.02454

LARC 8FT TPT 749 (1A93) OTSAT130

(1JU027) (13 AUG 76)

REFERENCE DATA

SREF = 2690.0000 SQ.FT. XMRP = 976.0000 IN. XT
 LREF = 1290.3000 INCHES YMRP = .0000 IN. YT
 BREF = 1290.3000 INCHES ZMRP = 400.0000 IN. ZT
 SCALE = 0100

PARAMETRIC DATA

BETA = -6.000 ELV-L1 = 12.000
 ELV-LO = 4.000 ELV-R1 = 12.000
 ELV-RO = 4.000

RUN NO.	0/0	RN/L =	4.08	GRADIENT INTERVAL = -5.00/ 5.00				
MACH	ALPHA	CABO	CABT	CABS	CAF	CNF	CLMF	
.975	-8.000	.05887	.10420	.04565	.18801	-.55142	.18571	
.975	-6.000	.05648	.09978	.04563	.19105	-.40462	.13013	
.975	-4.000	.05432	.09709	.04469	.19318	-.27376	.08383	
.975	-2.000	.05289	.09570	.04378	.19472	-.14212	.03421	
.975	.000	.05206	.09392	.04401	.19517	-.01106	-.01933	
.975	2.000	.05239	.09305	.04416	.19268	.11221	-.06827	
.975	4.000	.05287	.09316	.04504	.18764	.24227	-.11774	
	GRADIENT	-.00017	-.00053	.00005	-.00066	.06432	-.02528	
RUN NO.	0/0	RN/L =	4.21	GRADIENT INTERVAL = -5.00/ 5.00				
MACH	ALPHA	CABO	CABT	CABS	CAF	CNF	CLMF	
1.150	-6.000	.05704	.09237	.04646	.25978	-.40670	.13347	
1.150	-4.000	.05621	.09027	.04546	.26292	-.26249	.07935	
1.150	-2.000	.05522	.08851	.04426	.26698	-.12952	.03091	
1.150	.000	.05401	.08645	.04382	.26794	.00217	-.02123	
1.150	2.000	.05311	.08425	.04306	.26852	.12984	-.07133	
	GRADIENT	-.00053	-.00101	-.00038	.00089	.06543	-.02521	
RUN NO.	0/0	RN/L =	4.22	GRADIENT INTERVAL = -5.00/ 5.00				
MACH	ALPHA	CABO	CABT	CABS	CAF	CNF	CLMF	
1.205	-8.000	.05724	.09246	.04553	.27163	-.56359	.19513	
1.205	-6.000	.05643	.08990	.04476	.27351	-.40071	.12873	
1.205	-4.000	.05577	.08704	.04387	.27731	-.25713	.07559	
1.205	-2.000	.05487	.08514	.04314	.28062	-.12220	.02598	
1.205	.000	.05374	.08307	.04297	.28165	.00662	-.02372	
1.205	2.000	.05290	.08077	.04236	.28249	.13096	-.07043	
1.205	4.000	.05267	.07835	.04125	.27962	.25496	-.11784	
	GRADIENT	-.00041	-.00109	-.00030	.00032	.06387	-.02416	

ORIGINAL PAGE IS
OF POOR QUALITY

LARC 8FT TPT /49 (1A93) OTSAT130

(1JJ028) (13 AUG 76)

REFERENCE DATA

SREF = 2690.0000 SQ.FT. XMRP = 976.0000 IN. XT
 LREF = 1290 3000 INCHES YMRP = .0000 IN. YT
 BREF = 1290 3000 INCHES ZMRP = 400.0000 IN. ZT
 SCALE = 0100

PARAMETRIC DATA

BETA = -4.000 ELV-L1 = 12.000
 ELV-LO = 4.000 ELV-R1 = 12.000
 ELV-RO = 4.000

RUN NO. 0/0 RN/L = 3.97 GRADIENT INTERVAL = -5.00/ 5.00

MACH	ALPHA	CABO	CABT	CABS	CAF	CNF	CLMF
.900	-8.000	.04791	.09434	.03645	.14812	-.51547	.17161
.900	-6.000	.04643	.09091	.03570	.15057	-.37897	.11860
.900	-4.000	.04530	.08725	.03482	.15191	-.25299	.06796
.900	-2.000	.04497	.08255	.03442	.15350	-.12835	.01527
.900	0.000	.04423	.07901	.03482	.15176	-.00091	-.03808
.900	2.000	.04352	.07714	.03518	.14735	.12562	-.09159
.900	4.000	.04312	.07623	.03463	.14619	.25031	-.13613
	GRADIENT	-.00029	-.00137	.00002	-.00088	.06303	-.02575

RUN NO. 0/0 RN/L = 4.08 GRADIENT INTERVAL = -5.00/ 5.00

MACH	ALPHA	CABO	CABT	CABS	CAF	CNF	CLMF
.975	-8.000	.05702	.10376	.04424	.19421	-.55261	.19398
.975	-6.000	.05486	.09868	.04392	.19732	-.40683	.13811
.975	-4.000	.05303	.09583	.04278	.19955	-.27727	.09215
.975	-2.000	.05157	.09443	.04199	.19984	-.14843	.04377
.975	0.000	.05086	.09207	.04257	.19839	-.01989	-.00924
.975	2.000	.05168	.09081	.04273	.19502	.10589	-.06103
.975	4.000	.05163	.09065	.04357	.19063	.23944	-.11440
	GRADIENT	-.00013	-.00070	.00012	-.00113	.06439	-.02589

RUN NO. 0/0 RN/L = 4.21 GRADIENT INTERVAL = -5.00/ 5.00

MACH	ALPHA	CABO	CABT	CABS	CAF	CNF	CLMF
1.150	-6.000	.05575	.09057	.04526	.26384	-.41071	.14355
1.150	-4.000	.05490	.08831	.04434	.26645	-.26485	.08715
1.150	-2.000	.05412	.08675	.04331	.26931	-.13080	.03615
1.150	0.000	.05296	.08513	.04310	.26844	-.00062	-.01633
1.150	2.000	.05148	.08259	.04254	.26885	.12616	-.06662
	GRADIENT	-.00057	-.00094	-.00028	.00032	.06516	-.02569

DATE 29 OCT 76

TABULATED SOURCE DATA - 1A93

PAGE 407

LARC 8FT TPT 749 (1A93) OTSAT130

(1JJ028) (13 AUG 76)

REFERENCE DATA

SREF = 2690.0000 SQ.FT. XMRP = 976.0000 IN. XT
 LREF = 1290.3000 INCHES YMRP = .0000 IN. YT
 BREF = 1290.3000 INCHES ZMRP = 400.0000 IN. ZT
 SCALE = .0100

PARAMETRIC DATA

BETA = -4.000 ELV-LI = 12.000
 ELV-LO = 4.000 ELV-RI = 12.000
 ELV-RO = 4.000

RUN NO. 0/0 RN/L = 4.22 GRADIENT INTERVAL = -5.00/ 5.00

MACH	ALPHA	CABO	CABT	CABS	CAF	CNF	CLMF
1.205	-8.000	.05590	.09019	.04459	.27641	-.56287	.20228
1.205	-6.000	.05530	.08808	.04352	.27720	-.40247	.13722
1.205	-4.000	.05456	.08504	.04253	.28084	-.25677	.09075
1.205	-2.000	.05366	.08307	.04192	.28346	-.11922	.02778
1.205	0.000	.05257	.08150	.04198	.28253	.00890	-.02250
1.205	2.000	.05120	.07971	.04155	.28291	.13066	-.06843
1.205	4.000	.05076	.07694	.04050	.28097	.25553	-.11650
	GRADIENT	-.00050	-.00100	-.00022	-.00002	.06372	-.02454

LARC 8FT TPT 749 (1A93) OTSAT130

(1JJ029) (13 AUG 76)

REFERENCE DATA

SREF = 2690.0000 SQ.FT. XMRP = 976.0000 IN. XT
 LREF = 1290.3000 INCHES YMRP = .0000 IN. YT
 BREF = 1290.3000 INCHES ZMRP = 400.0000 IN. ZT
 SCALE = .0100

PARAMETRIC DATA

BETA = 0.000 ELV-LI = 12.000
 ELV-LO = 4.000 ELV-RI = 12.000
 ELV-RO = 4.000

PUN NO. 0/0 RN/L = 3.97 GRADIENT INTERVAL = -5.00/ 5.00

MACH	ALPHA	CABO	CABT	CABS	CAF	CNF	CLMF
.900	-8.000	.04767	.09371	.03267	.14928	-.52562	.18345
.900	-6.000	.04639	.08913	.03120	.14987	-.38728	.12841
.900	-4.000	.04649	.08364	.02983	.15268	-.25622	.07435
.900	-2.000	.04626	.07737	.02928	.15543	-.13456	.01976
.900	0.000	.04534	.07559	.03015	.15299	-.00598	-.03448
.900	2.000	.04487	.07336	.03092	.15095	.12264	-.09149
.900	4.000	.04425	.07343	.03140	.14832	.24746	-.13524
	GRADIENT	-.00029	-.00122	.00024	-.00066	.06323	-.02652

LARC 8FT TPT /49 (IA93) OTSAT130

(1JJ029) (13 AUG 76)

REFERENCE DATA

SREF = 2690.0000 SQ.FT. XMRP = 976.0000 IN. XT
 LREF = 1290.3000 INCHES YMRP = .0000 IN. YT
 BREF = 1290.3000 INCHES ZMRP = 400.0000 IN. ZT
 SCALE = .0100

PARAMETRIC DATA

BETA = .000 ELV-LI = 12.000
 ELV-LO = 4.000 ELV-RI = 12.000
 ELV-RO = 4.000

RUN NO	0/0	RN/L =	GRADIENT INTERVAL = -5.00/ 5.00				
MACH	ALPHA	CABO	CABT	CABS	CAF	CNF	CLMF
.975	-8.000	.05451	.10286	.04180	.19830	-.56093	.20581
.975	-6.000	.05344	.09841	.04051	.20067	-.41523	.15062
.975	-4.000	.05318	.09429	.03892	.20158	-.28384	.10262
.975	-2.000	.05346	.09189	.03767	.20201	-.15699	.05363
.975	.000	.05383	.09016	.03751	.20025	-.03380	.00345
.975	2.000	.05449	.08904	.03805	.19620	.09289	-.04827
.975	4.000	.05443	.08741	.03893	.19150	.22600	-.10492
	GRADIENT	.00018	-.00083	.00002	-.00130	.06348	-.02585
RUN NO.	0/0	RN/L =	GRADIENT INTERVAL = -5.00/ 5.00				
MACH	ALPHA	CABO	CABT	CABS	CAF	CNF	CLMF
1.150	-6.000	.05577	.09085	.04315	.26423	-.42351	.16091
1.150	-4.000	.05497	.08832	.04222	.26674	-.27573	.10148
1.150	-2.000	.05405	.08544	.04096	.27150	-.13564	.04390
1.150	.000	.05309	.08244	.04004	.27305	-.01029	-.00811
1.150	2.000	.05173	.08006	.04009	.27031	.11514	-.05744
	GRADIENT	-.00053	-.00139	-.00037	.00061	.06490	-.02644
RUN NO.	0/0	RN/L =	GRADIENT INTERVAL = -5.00/ 5.00				
MACH	ALPHA	CABO	CABT	CABS	CAF	CNF	CLMF
1.205	-8.000	.05537	.09022	.04213	.27676	-.56739	.21444
1.205	-6.000	.05455	.08807	.04119	.27810	-.40856	.15005
1.205	-4.000	.05382	.08475	.04029	.28160	-.26034	.09004
1.205	-2.000	.05297	.08161	.03921	.28552	-.12318	.03483
1.205	.000	.05208	.07946	.03842	.28674	.00314	-.01577
1.205	2.000	.05099	.07657	.03844	.28513	.12315	-.06116
1.205	4.000	.04974	.07351	.03838	.28256	.24712	-.10774
	GRADIENT	-.00051	-.00138	-.00023	.00008	.06306	-.02458

LARC 8FT TPT /49 (1A93) OTSAT130

(1JJ030) (13 AUG 76)

REFERENCE DATA

SREF = 2690.0000 SQ.FT. XMRP = 976.0000 1N. XT
 LREF = 1290.3000 INCHES YMRP = .0000 1N. YT
 BREF = 1290.3000 INCHES ZMRP = 400.0000 1N. ZT
 SCALE = .0100

PARAMETRIC DATA

BETA = 4.000 ELV-L1 = 12.000
 ELV-LO = 4.000 ELV-R1 = 12.000
 ELV-RO = 4.000

RUN NO. 0/ 0 RN/L = 3.97 GRADIENT INTERVAL = -5.00/ 5.00

MACH	ALPHA	CABO	CABT	CABS	CAF	CNF	CLMF
.900	-8.000	.04826	.09217	.03073	.15766	-.52001	.17406
.900	-6.000	.04667	.08879	.02980	.16016	-.38284	.12135
.900	-4.000	.04529	.08494	.02890	.16260	-.25497	.06975
.900	-2.000	.04535	.08026	.02839	.16410	-.13339	.01714
.900	.000	.04457	.07762	.02765	.16435	-.00707	-.03561
.900	2.000	.04384	.07509	.02765	.16220	.11859	-.09064
.900	4.000	.04361	.07523	.02840	.16038	.24300	-.13448
	GRADIENT	-.00024	-.00123	-.00009	-.00032	.06240	-.02581

RUN NO. 0/ 0 RN/L = 4.08 GRADIENT INTERVAL = -5.00/ 5.00

MACH	ALPHA	CABO	CABT	CABS	CAF	CNF	CLMF
.975	-8.000	.05609	.10088	.03863	.20579	-.55874	.19557
.975	-6.000	.05409	.09647	.03769	.20950	-.41079	.13879
.975	-4.000	.05233	.09305	.03631	.21206	-.27453	.08883
.975	-2.000	.05134	.09210	.03495	.21309	-.14808	.04101
.975	.000	.05131	.09160	.03381	.21407	-.02440	-.00759
.975	2.000	.05110	.08882	.03405	.20926	.10435	-.06096
.975	4.000	.05135	.08792	.03548	.20316	.23499	-.11480
	GRADIENT	-.00011	-.00068	-.00013	-.00108	.06357	-.02546

RUN NO 0/ 0 RN/L = 4.21 GRADIENT INTERVAL = -5.00/ 5.00

MACH	ALPHA	CABO	CABT	CABS	CAF	CNF	CLMF
1.150	-6.000	.05794	.09116	.04018	.27236	-.42132	.15130
1.150	-4.000	.05670	.08845	.03913	.27434	-.27303	.09150
1.150	-2.000	.05546	.08586	.03743	.27814	-.13333	.03617
1.150	.000	.05426	.08335	.03585	.28107	-.00347	-.01465
1.150	2.000	.05264	.08067	.03567	.27869	.12356	-.06631
	GRADIENT	-.00067	-.00128	-.00060	.00080	.06598	-.02621

ORIGINAL PAGE IS
OF POOR QUALITY

LARC 8FT TPT /49 (1A93) OTSAT130

(1JJ030) (13 AUG 76)

REFERENCE DATA

PARAMETRIC DATA

SREF = 2690.0000 SQ.FT. XMRP = 976.0000 IN. XT
 LREF = 1290.3000 INCHES YMRP = .0000 IN. YT
 BREF = 1290.3000 INCHES ZMRP = 400.0000 IN. ZT
 SCALE = .0100

BETA = 4.000 ELV-LI = 12.000
 ELV-LO = 4.000 ELV-RI = 12.000
 ELV-RO = 4.000

RUN NO. 0/ 0 RN/L = 4.22 GRADIENT INTERVAL = -5.00/ 5.00

MACH	ALPHA	CABO	CABT	CABS	CAF	CNF	CLMF
1.205	-8.000	.05817	.09053	.03964	.28326	-.56678	.20750
1.205	-6.000	.05705	.08842	.03880	.28436	-.40599	.14231
1.205	-4.000	.05570	.08528	.03741	.28777	-.26167	.08395
1.205	-2.000	.05449	.08245	.03578	.29185	-.12664	.03150
1.205	.000	.05316	.08023	.03422	.29442	.00136	-.01703
1.205	2.000	.05215	.07784	.03398	.29200	.12423	-.06554
1.205	4.000	.05069	.07514	.03502	.28709	.24962	-.11487
	GRADIENT	-.00062	-.00124	-.00013	-.00006	.06367	-.02473

LARC 8FT TPT 749 (1A93) OTSAT130

(1JJ031) (13 AUG 76)

REFERENCE DATA

PARAMETRIC DATA

SREF = 2690.0000 SQ.FT. XMRP = 976.0000 IN. XT
 LREF = 1290.3000 INCHES YMRP = .0000 IN. YT
 BREF = 1290.3000 INCHES ZMRP = 400.0000 IN. ZT
 SCALE = .0100

BETA = 6.000 ELV-LI = 12.000
 ELV-LO = 4.000 ELV-RI = 12.000
 ELV-RO = 4.000

RUN NO. 0/ 0 RN/L = 3.97 GRADIENT INTERVAL = -5.00/ 5.00

MACH	ALPHA	CABO	CABT	CABS	CAF	CNF	CLMF
.900	-8.000	.04923	.09320	.02843	.16047	-.51850	.16948
.900	-6.000	.04748	.08981	.02792	.16323	-.38463	.11881
.900	-4.000	.04621	.08704	.02748	.16509	-.25940	.06950
.900	-2.000	.04631	.08366	.02707	.16658	-.13558	.01828
.900	.000	.04558	.08015	.02642	.16781	-.01018	-.03461
.900	2.000	.04490	.07764	.02674	.16540	.11912	-.08941
.900	4.000	.04458	.07779	.02752	.16160	.23926	-.13190
	GRADIENT	-.00023	-.00123	-.00001	-.00041	.06260	-.02552

LARC 8FT TPT 749 (1A93) OTSAT130

(1JJ031) (13 AUG 76)

REFERENCE DATA

PARAMETRIC DATA

SREF = 2690.0000 SQ.FT. XMRP = 976.0000 IN. XT
 LREF = 1290.3000 INCHES YMRP = .0000 IN. YT
 ØREF = 1290.3000 INCHES ZMRP = 400 0000 IN. ZT
 SCALE = .0100

BETA = 6.000 ELV-LI = 12.000
 ELV-LO = 4.000 ELV-RI = 12.000
 ELV-RO = 4.000

RUN NO. 0/ 0 RN/L = 4.08 GRADIENT INTERVAL = -5.00/ 5.00

MACH	ALPHA	CABO	CABT	CABS	CAF	CNF	CLMF
.975	-8.000	.05920	.10168	.03476	.20923	-.55806	.19126
.975	-6.000	.05667	.09749	.03444	.21306	-.41021	.13411
.975	-4.000	.05445	.09461	.03367	.21536	-.27687	.08489
.975	-2.000	.05290	.09359	.03272	.21571	-.14834	.03642
.975	0.000	.05167	.09266	.03214	.21586	-.01824	-.01572
.975	2.000	.05136	.09028	.03272	.21216	.10874	-.06731
.975	4.000	.05189	.08961	.03410	.20466	.23964	-.11872
	GRADIENT	-.00033	-.00067	00004	-.00125	06451	-.02555

RUN NO. 0/ 0 RN/L = 4.21 GRADIENT INTERVAL = -5.00/ 5.00

MACH	ALPHA	CABO	CABT	CABS	CAF	CNF	CLMF
1.150	-6.000	.06029	.09190	.03702	.27657	-.42256	.14549
1.150	-4.000	.05873	.08927	.03644	.27839	-.27627	.08786
1.150	-2.000	.05689	.08714	.03524	.28045	-.13664	.03420
1.150	0.000	.05547	.08525	.03404	.28168	-.00357	-.01829
1.150	2.000	.05357	.08215	.03466	.27915	.12581	-.07138
	GRADIENT	-.00085	-.00116	-.00033	00018	.06697	-.02651

RUN NO. 0/ 0 RN/L = 4.22 GRADIENT INTERVAL = -5.00/ 5.00

MACH	ALPHA	CABO	CABT	CABS	CAF	CNF	CLMF
1.205	-8.000	.06032	.09244	.03693	.28442	-.57258	.20516
1.205	-6.000	.05924	.08913	.03615	.28665	-.41092	.13877
1.205	-4.000	.05745	.08540	.03510	.29052	-.26636	.08193
1.205	-2.000	.05566	.08338	.03369	.29353	-.13003	.03017
1.205	0.000	.05431	.08166	.03247	.29484	.00034	-.02010
1.205	2.000	.05309	.07930	.03299	.29207	.12514	-.06962
1.205	4.000	.05171	.07662	.03403	.28620	.25169	-.11934
	GRADIENT	-.00070	-.00108	-.00014	-.00050	06456	-.02512

LARC 8FT TPT /49 (1A93) OTSAT130

(1JJ032) (13 AUG 76)

REFERENCE DATA

SREF = 2690.0000 SQ.FT. XMRP = 976.0000 IN. XT
 LREF = 1290.3000 INCHES YMRP = .0000 IN. YT
 BREF = 1290.3000 INCHES ZMRP = 400.0000 IN. ZT
 SCALE = .0100

PARAMETRIC DATA

BETA = -6.000 ELV-L1 = 12.000
 ELV-LO = 9.000 ELV-R1 = 12.000
 ELV-RO = 9.000

RUN NO. 0/ 0 RN/L = 3.16 GRADIENT INTERVAL = -5.00/ 5.00

MACH	ALPHA	CABO	CABT	CABS	CAF	CNF	CLMF
.600	-8.000	.04165	.08708	.03720	.09389	-.43315	.12015
.600	-6.000	.04118	.08283	.03618	.10065	-.31277	.07269
.600	-4.000	.04051	.07864	.03529	.10736	-.20756	.03471
.600	-2.000	.03971	.07515	.03450	.11069	-.09510	-.00720
.600	.000	.03901	.07288	.03379	.11092	.01474	-.04834
.600	2.000	.03812	.07195	.03290	.10838	.12615	-.09079
.600	4.000	.03739	.07051	.03210	.10375	.23866	-.13527
	GRADIENT	-.00039	-.00097	-.00040	-.00048	.05568	-.02118

RUN NO. 0/ 0 RN/L = 3.97 GRADIENT INTERVAL = -5.00/ 5.00

MACH	ALPHA	CABO	CABT	CABS	CAF	CNF	CLMF
.900	-8.000	.04935	.09347	.03834	.14749	-.49544	.14972
.900	-6.000	.04774	.09062	.03778	.14963	-.36273	.09951
.900	-4.000	.04604	.08819	.03726	.15051	-.24006	.05180
.900	-2.000	.04511	.08490	.03657	.15273	-.11070	-.00242
.900	.000	.04449	.08157	.03660	.15242	.01816	-.05581
.900	2.000	.04407	.07931	.03709	.14851	.14529	-.10974
.900	4.000	.04394	.07808	.03620	.14771	.27180	-.15473
	GRADIENT	-.00026	-.00129	-.00008	-.00049	.06399	-.02602

RUN NO. 0/ 0 RN/L = 4.08 GRADIENT INTERVAL = -5.00/ 5.00

MACH	ALPHA	CABO	CABT	CABS	CAF	CNF	CLMF
.975	-8.000	.05906	.10405	.04606	.19045	-.53832	.17326
.975	-6.000	.05649	.09965	.04602	.19350	-.39132	.11756
.975	-4.000	.05417	.09702	.04511	.19570	-.25734	.06929
.975	-2.000	.05261	.09523	.04421	.19772	-.12667	.01956
.975	.000	.05172	.09351	.04432	.19772	.00244	-.03318
.975	2.000	.05187	.09261	.04448	.19453	.13095	-.08442
.975	4.000	.05222	.09244	.04536	.19049	.26306	-.13644
	GRADIENT	-.00023	-.00059	.00004	-.00068	.06492	-.02577

LARC 8FT TPT 749 (1A93) OTSAT130

(1JJ032) (13 AUG 76)

REFERENCE DATA

PARAMETRIC DATA

SREF = 2690.0000 SQ.FT. XMRP = 976.0000 IN. XT
 LREF = 1290.3000 INCHES YMRP = .0000 IN. YT
 BREF = 1290.3000 INCHES ZMRP = 400.0000 IN. ZT
 SCALE = .0100

BETA = -6.000 ELV-LI = 12.000
 ELV-LO = 9.000 ELV-RI = 12.000
 ELV-RO = 9.000

RUN NO. 0/ 0 RN/L = 4.21 GRADIENT INTERVAL = -5.00/ 5.00

MACH	ALPHA	CABO	CABT	CABS	CAF	CNF	CLMF
1.150	-6 000	05723	.09226	.04671	.26211	- 39469	.12248
1 150	-4.000	05642	09022	.04570	.26523	-.25073	06839
1.150	-2 000	05545	08834	.04447	26908	-.11713	.01949
1.150	000	.05420	.08605	.04403	.27018	01354	-.03211
1 150	2.000	.05332	08391	.04327	.27035	.14030	-.08153
	GRADIENT	-.00053	-.00106	-.00039	.00082	.06519	- 02507

RUN NO. 0/ 0 RN/L = 4.22 GRADIENT INTERVAL = -5.00/ 5.00

MACH	ALPHA	CABO	CABT	CABS	CAF	CNF	CLMF
1.205	-8 000	.05752	.09265	04596	.27273	- 55293	.18550
1 205	-6 000	05669	08979	04502	.27546	-.38992	11923
1.205	-4 000	.05603	08698	.04413	.27921	- 24578	.06534
1 205	-2.000	05501	08488	04337	.28274	- 10970	.01500
1.205	000	05379	08261	.04313	.28393	.01852	-.03378
1.205	2.000	.05304	.08041	.04252	.28451	.14143	-.07962
1.205	4.000	.05271	.07783	.04138	.28181	.26623	-.12809
	GRADIENT	-.00043	- 00114	- 00032	.00035	.06376	-.02407

6.8

LARC 8FT TPT '749 (1A93) OTSAT130

(1JJ033) (13 AUG 76)

REFERENCE DATA

SREF = 2690.0000 SQ.FT. XMRP = 976.0000 IN. XT
 LREF = 1290.3000 INCHES YMRP = .0000 IN. YT
 BREF = 1290.3000 INCHES ZMRP = 400.0000 IN. ZT
 SCALE = .0100

PARAMETRIC DATA

BETA = -4.000 ELV-LI = 12.000
 ELV-LO = 9.000 ELV-RI = 12.000
 ELV-RO = 9.000

RUN NO. 0/0 RN/L = 3.16 GRADIENT INTERVAL = -5.00/ 5.00

MACH	ALPHA	CABO	CABT	CABS	CAF	CNF	CLMF
.600	-8.000	.04145	.08472	.03567	.10083	- .42933	.12128
.600	-6.000	.04072	.08069	.03457	.10763	- .31186	.07534
.600	-4.000	.03978	.07679	.03372	.11318	- .20536	.03696
.600	-2.000	.03911	.07374	.03336	.11826	- .09741	-.00229
.600	.000	.03819	.07135	.03244	.11690	-.01100	-.04339
.600	2.000	.03717	.07028	.03150	.11358	.11966	-.08522
.600	4.000	.03597	.06877	.03105	.10937	.23540	-.13040
	GRADIENT	-.00048	-.00097	-.00036	-.00051	.05493	-.02088

RUN NO. 0/0 RN/L = 3.97 GRADIENT INTERVAL = -5.00/ 5.00

MACH	ALPHA	CABO	CABT	CABS	CAF	CNF	CLMF
.900	-8.000	.04777	.09357	.03652	.15206	-.50018	.15991
.900	-6.000	.04629	.09030	.03579	.15338	-.36535	.10730
.900	-4.000	.04523	.08695	.03507	.15424	-.23987	.05673
.900	-2.000	.04487	.08197	.03460	.15612	-.11440	.00286
.900	.000	.04431	.07899	.03507	.15361	.01433	-.05288
.900	2.000	.04336	.07662	.03529	.15023	.14852	-.11225
.900	4.000	.04286	.07563	.03476	.15037	.27554	-.15777
	GRADIENT	-.00031	-.00140	.00000	-.00068	.06469	-.02721

RUN NO. 0/0 RN/L = 4.08 GRADIENT INTERVAL = -5.00/ 5.00

MACH	ALPHA	CABO	CABT	CABS	CAF	CNF	CLMF
.975	-8.000	.05705	.10342	.04472	.19688	-.53898	.18166
.975	-6.000	.05479	.09837	.04435	.20009	-.39039	.12415
.975	-4.000	.05284	.09556	.04318	.20229	-.25915	.07692
.975	-2.000	.05119	.09378	.04245	.20300	-.13404	.03028
.975	.000	.05040	.09139	.04292	.20152	-.00516	-.02402
.975	2.000	.05103	.09056	.04328	.19695	.12564	-.07780
.975	4.000	.05083	.09018	.04424	.19322	.25909	-.13192
	GRADIENT	-.00021	-.00070	.00015	-.00121	.06481	-.02629

LARC 8FT TPT '749 (1A93) OTSAT130

(1JJ033) (13 AUG 76)

REFERENCE DATA

PARAMETRIC DATA

SREF = 2690.0000 SQ.FT. XMRP = 976.0000 IN. XT
 LREF = 1290.3000 INCHES YMRP = .0000 IN. YT
 BREF = 1290.3000 INCHES ZMRP = 400.0000 IN. ZT
 SCALE = .0100

BETA = -4.000 ELV-LI = 12.000
 ELV-LO = 9.000 ELV-RI = 12.000
 ELV-RO = 9.000

RUN NO. 0/ 0 RN/L = 4.21 GRADIENT INTERVAL = -5.00/ 5.00

MACH	ALPHA	CABO	CABT	CABS	CAF	CNF	CLMF
1.150	-6.000	.05602	.09038	.04556	.26629	-.39735	.13238
1.150	-4.000	.05512	.08799	.04460	.26921	-.25149	.07578
1.150	-2.000	.05428	.08631	.04355	.27181	-.11771	.02447
1.150	0.000	.05305	.08454	.04345	.27105	.01184	-.02782
1.150	2.000	.05165	.08214	.04283	.27120	.13727	-.07743
	GRADIENT	-.00058	-.00097	-.00027	.00026	.06479	-.02550

RUN NO. 0/ 0 RN/L = 4.22 GRADIENT INTERVAL = -5.00/ 5.00

MACH	ALPHA	CABO	CABT	CABS	CAF	CNF	CLMF
1.205	-8.000	.05638	.09080	.04516	.27681	-.55212	.19225
1.205	-6.000	.05559	.08791	.04375	.27939	-.39235	.12763
1.205	-4.000	.05474	.08461	.04273	.28357	-.24555	.07067
1.205	-2.000	.05376	.08260	.04213	.28644	-.10786	.01738
1.205	0.000	.05273	.08115	.04226	.28514	.01840	-.03183
1.205	2.000	.05149	.07917	.04185	.28455	.14232	-.07833
1.205	4.000	.05087	.07673	.04078	.28261	.26558	-.12512
	GRADIENT	-.00050	-.00096	-.00021	-.00019	.06362	-.02446

ORIGINAL PAGE IS
OF POOR QUALITY

LARC 8FT TPT '749 (1A93) OTSAT130

(1J034) (13 AUG 76)

REFERENCE DATA

PARAMETRIC DATA

SREF = 2690.0000 SQ.FT. XMRP = 976.0000 IN. XT
 LREF = 1290.3000 INCHES YMRP = .0000 IN. YT
 BREF = 1290.3000 INCHES ZMRP = 400.0000 IN. ZT
 SCALE = .0100

BETA = .000 ELV-LI = 12.000
 ELV-LO = 9.000 ELV-RI = 12.000
 ELV-RO = 9.000

RUN NO. 0/ 0 RN/L = 3.16 GRADIENT INTERVAL = -5.00/ 5.00

MACH	ALPHA	CABO	CABT	CABS	CAF	CNF	CLMF
.600	-8.000	.04021	.08202	.03272	.10751	-.43691	.13098
.600	-6.000	.03970	.07878	.03123	.11219	-.31747	.08404
.600	-4.000	.03877	.07478	.02989	.11847	-.20665	.04252
.600	-2.000	.03814	.07261	.02951	.12041	-.10202	.00374
.600	.000	.03719	.07089	.02882	.12093	.00618	-.03712
.600	2.000	.03623	.06860	.02874	.11698	.11744	-.08136
.600	4.000	.03470	.06583	.02863	.11236	.23266	-.12748
	GRADIENT	-.00050	-.00110	-.00016	-.00078	.05490	-.02126

RUN NO. 0/ 0 RN/L = 3.97 GRADIENT INTERVAL = -5.00/ 5.00

MACH	ALPHA	CABO	CABT	CABS	CAF	CNF	CLMF
.900	-8.000	.04717	.09364	.03324	.15266	-.51229	.17235
.900	-6.000	.04644	.08869	.03149	.15367	-.37302	.11717
.900	-4.000	.04599	.08282	.02984	.15650	-.24155	.06200
.900	-2.000	.04618	.07708	.02958	.15811	-.12170	.00761
.900	.000	.04510	.07500	.03011	.15763	.01353	-.05226
.900	2.000	.04468	.07302	.03093	.15486	.14400	-.11184
.900	4.000	.04399	.07281	.03138	.15247	.27112	-.15677
	GRADIENT	-.00027	-.00120	.00022	-.00057	.06455	-.02785

RUN NO. 0/ 0 RN/L = 4.08 GRADIENT INTERVAL = -5.00/ 5.00

MACH	ALPHA	CABO	CABT	CABS	CAF	CNF	CLMF
.975	-8.000	.05436	.10275	.04230	.20117	-.54798	.19381
.975	-6.000	.05312	.09821	.04089	.20319	-.40153	.13795
.975	-4.000	.05266	.09404	.03934	.20399	-.26863	.08883
.975	-2.000	.05291	.09148	.03816	.20494	-.14437	.04049
.975	.000	.05331	.08950	.03802	.20379	-.01800	-.01159
.975	2.000	.05395	.08836	.03854	.19955	.11074	-.06438
.975	4.000	.05386	.08660	.03939	.19425	.24231	-.12012
	GRADIENT	.00017	-.00090	.00002	-.00124	.06385	-.02614

LARC 8FT TPT 749 (1A93) OTSAT130

(1JJ034) (13 AUG 76)

REFERENCE DATA

SREF = 2690.0000 SQ.FT. XMRP = 976.0000 IN. XT
 LREF = 1290.3000 INCHES YMRP = .0000 IN. YT
 BREF = 1290.3000 INCHES ZMRP = 400.0000 IN. ZT
 SCALE = .0100

PARAMETRIC DATA

BETA = .000 ELV-LI = 12.000
 ELV-LO = 9.000 ELV-RI = 12.000
 ELV-RO = 9.000

RUN NO. 0/ 0 RN/L = 4.21 GRADIENT INTERVAL = -5.00/ 5.00

MACH	ALPHA	CABO	CABT	CABS	CAF	CNF	CLMF
1.150	-6.000	.05604	.09079	.04343	.26636	-.41202	.15018
1.150	-4.000	.05512	.08798	.04245	.26944	-.26232	.08981
1.150	-2.000	.05416	.08513	.04128	.27400	-.12228	.03189
1.150	.000	.05315	.08233	.04051	.27518	.00409	-.02047
1.150	2.000	.05157	.07947	.04042	.27344	12809	-.06861
	GRADIENT	-.00058	-.00142	-.00034	.00066	06488	-.02638

RUN NO. 0/ 0 RN/L = 4.22 GRADIENT INTERVAL = -5.00/ 5.00

MACH	ALPHA	CABO	CABT	CABS	CAF	CNF	CLMF
1.205	-8.000	.05554	.09009	.04222	.27927	-.55322	.20265
1.205	-6.000	.05463	.08748	.04128	.28147	-.39618	.13913
1.205	-4.000	.05403	.08442	.04059	.28419	-.25030	.08021
1.205	-2.000	.05316	.08138	.03951	.28801	-.11371	.02538
1.205	.000	.05216	.07912	.03876	.28990	.01264	-.02525
1.205	2.000	.05110	.07652	.03874	.28723	.13542	-.07143
1.205	4.000	.05003	.07366	.03868	.28380	25671	-.11704
	GRADIENT	-.00050	-.00132	-.00023	-.00008	.06316	-.02457

LARC 8FT TPT 749 (1A93) OTSAT130

(1JJ035) (13 AUG 76)

REFERENCE DATA

PARAMETRIC DATA

SREF = 2690.0000 SQ.FT. XMRP = 976.0000 IN. XT
 LREF = 1290.3000 INCHES YMRP = .0000 IN. YT
 BREF = 1290.3000 INCHES ZMRP = 400.0000 IN. ZT
 SCALE = .0100

BETA = 4.000 ELV-LI = 12.000
 ELV-LO = 9.000 ELV-RI = 12.000
 ELV-RO = 9.000

RUN NO. 0/ 0 RN/L = 3.16 GRADIENT INTERVAL = -5.00/ 5.00

MACH	ALPHA	CABO	CABT	CABS	CAF	CNF	CLMF
.600	-8.000	.04053	.08207	.02950	.11496	-.43967	.12688
.600	-6.000	.03959	.07867	.02830	.12191	-.31893	.08090
.600	-4.000	.03865	.07497	.02706	.12805	-.20797	.03976
.600	-2.000	.03781	.07172	.02610	.13174	-.10187	-.00182
.600	.000	.03725	.07062	.02547	.13052	.00919	-.04415
.600	2.000	.03632	.06916	.02545	.12634	.11990	-.08707
.600	4.000	.03520	.06697	.02626	.11920	.23599	-.13222
	GRADIENT	-.00042	-.00093	-.00011	-.00115	.05549	-.02146

RUN NO. 0/ 0 RN/L = 3.97 GRADIENT INTERVAL = -5.00/ 5.00

MACH	ALPHA	CABO	CABT	CABS	CAF	CNF	CLMF
.900	-8.000	.04801	.09225	.03095	.16092	-.50506	.16252
.900	-6.000	.04635	.08877	.02991	.16313	-.36993	.11070
.900	-4.000	.04503	.08481	.02901	.16543	-.24561	.05913
.900	-2.000	.04513	.08001	.02842	.16718	-.11820	.00276
.900	.000	.04435	.07729	.02769	.16841	.01445	-.05451
.900	2.000	.04362	.07446	.02766	.16665	.14688	-.11431
.900	4.000	.04321	.07434	.02835	.16407	.27320	-.15904
	GRADIENT	-.00026	-.00133	-.00010	-.00016	.06514	-.02767

RUN NO 0/ 0 RN/L = 4.08 GRADIENT INTERVAL = -5.00/ 5.00

MACH	ALPHA	CABO	CABT	CABS	CAF	CNF	CLMF
.975	-8.000	.05595	.10073	.03893	.20880	-.54235	.18219
.975	-6.000	.05383	.09634	.03796	.21247	-.39571	.12607
.975	-4.000	.05225	.09318	.03657	.21489	-.26178	.07658
.975	-2.000	.05086	.09161	.03492	.21674	-.13297	.02729
.975	.000	.05077	.09101	.03378	.21704	-.00982	-.02179
.975	2.000	.05075	.08856	.03419	.21156	.12079	-.07636
.975	4.000	.05110	.08745	.03592	.20599	.25563	-.13285
	GRADIENT	-.00012	-.00072	-.00010	-.00115	.06443	-.02613

LARC 8FT TPT '749 (1A93) OTSAT130

(1J035) (13 AUG 76)

REFERENCE DATA

SREF = 2690.0000 SQ.FT. XMRP = 976.0000 IN. XT
 LREF = 1290.3000 INCHES YMRP = .0000 IN. YT
 BREF = 1290.3000 INCHES ZMRP = 400.0000 IN. ZT
 SCALE = .0100

PARAMETRIC DATA

BETA = 4.000 ELV-L1 = 12.000
 ELV-LO = 9.000 ELV-R1 = 12.000
 ELV-RO = 9.000

RUN NO. 0/ 0 RN/L = 4.21 GRADIENT INTERVAL = -5.00/ 5.00

MACH	ALPHA	CABO	CABT	CABS	CAF	CNF	CLMF
1.150	-6.000	.05793	.09062	.04038	.27531	-.40677	.13934
1.150	-4.000	.05655	.08767	.03917	.27774	-.26116	.08046
1.150	-2.000	.05541	.08509	.03740	.28134	-.12519	.02656
1.150	.000	.05434	.08287	.03600	.28394	.00720	-.02553
1.150	2.000	.05265	.08013	.03588	.28155	.13279	-.07580
	GRADIENT	-.00064	-.00124	-.00056	.00070	.06571	-.02604

RUN NO. 0/ 0 RN/L = 4.22 GRADIENT INTERVAL = -5.00/ 5.00

MACH	ALPHA	CABO	CABT	CABS	CAF	CNF	CLMF
1.205	-8.000	.05859	.09094	.03999	.28443	-.55658	.19753
1.205	-6.000	.05739	.08856	.03908	.28590	-.39872	.13388
1.205	-4.000	.05589	.08522	.03770	.28982	-.25320	.07521
1.205	-2.000	.05457	.08223	.03595	.29439	-.11509	.02117
1.205	.000	.05320	.07990	.03435	.29674	.01442	-.02770
1.205	2.000	.05208	.07696	.03425	.29445	.13442	-.07443
1.205	4.000	.05080	.07473	.03532	.28868	.25989	-.12411
	GRADIENT	-.00063	-.00131	-.00032	-.00011	.06378	-.02471

LARC 8FT TPT /49 (1A93) OTSAT130

(1JJ036) (13 AUG 76)

REFERENCE DATA

PARAMETRIC DATA

SREF = 2690.0000 SQ.FT. XMRP = 976.0000 IN. XT
 LREF = 1290.3000 INCHES YMRP = .0000 IN. YT
 BREF = 1290.3000 INCHES ZMRP = 400.0000 IN. ZT
 SCALE = .0100

BETA = 6.000 ELV-L1 = 12.000
 ELV-LO = 9.000 ELV-R1 = 12.000
 ELV-RO = 9.000

RUN NO. 0/ 0 RN/L = 3.16 GRADIENT INTERVAL = -5.00/ 5 00

MACH	ALPHA	CABO	CABT	CABS	CAF	CNF	CLMF
.600	-8 000	.04120	.08271	.02723	.11779	-.43938	.12534
.600	-6.000	.04018	.07896	.02618	.12490	-.31919	.07848
.600	-4 000	.03940	.07592	.02566	.12891	-.21439	.03890
.600	-2 000	.03872	.07331	.02495	.13079	-.09808	-.00572
.600	.000	.03803	.07144	.02418	.13087	.01161	-.04804
.600	2 000	.03732	.07029	.02462	.12566	.12431	.09217
.600	4 000	.03625	.06820	.02534	.11837	.23852	-.13693
	GRADIENT	-.00039	-.00092	-.00005	-.00131	.05641	-.02191

RUN NO. 0/ 0 RN/L = 3.97 GRADIENT INTERVAL = -5.00/ 5.00

MACH	ALPHA	CABO	CABT	CABS	CAF	CNF	CLMF
.900	-8 000	.04914	.09312	.02851	.16422	-.50513	.15852
.900	-6.000	.04739	.09004	.02808	.16564	-.37188	.10815
.900	-4 000	.04600	.08699	.02755	.16787	-.24733	.05837
.900	-2.000	.04591	.08306	.02696	.17008	-.12310	.00524
.900	.000	.04542	.07979	.02637	.17111	.00917	-.05208
.900	2.000	.04479	.07717	.02670	.16918	.14291	-.11100
.900	4.000	.04419	.07683	.02737	.16499	.26563	-.15477
	GRADIENT	-.00024	-.00131	-.00003	-.00033	.06460	-.02713

RUN NO. 0/ 0 RN/L = 4.08 GRADIENT INTERVAL = -5.00/ 5.00

MACH	ALPHA	CABO	CABT	CABS	CAF	CNF	CLMF
.975	-8.000	.05948	.10184	.03496	.21236	-.54448	.17874
.975	-6.000	.05658	.09748	.03453	.21606	-.39650	.12146
.975	-4.000	.05415	.09443	.03382	.21791	-.26167	.07124
.975	-2.000	.05259	.09316	.03285	.21881	-.13128	.02170
.975	.000	.05142	.09208	.03220	.21892	-.00128	-.03091
.975	2.000	.05118	.08995	.03275	.21418	.12522	-.08299
.975	4.000	.05155	.08908	.03421	.20782	.25938	-.13674
	GRADIENT	-.00033	-.00070	.00003	-.00124	.06493	-.02603

LARC BFT TPT 749 (1A93) OTSAT130

(1JJ036) (13 AUG 76)

REFERENCE DATA

PARAMETRIC DATA

SREF = 2690.0000 SQ.FT. XMRP = 976.0000 IN. XT
 LREF = 1290.3000 INCHES YMRP = .0000 IN. YT
 BREF = 1290.3000 INCHES ZMRP = 400.0000 IN. ZT
 SCALE = .0100

BETA = 6.000 ELV-L1 = 12.000
 ELV-LO = 9.000 ELV-R1 = 12.000
 ELV-RO = 9.000

RUN NO. 0/ 0 RN/L = 4.21 GRADIENT INTERVAL = -5.00/ 5.00

MACH	ALPHA	CABO	CABT	CABS	CAF	CNF	CLMF
1.150	-6.000	.06047	.09187	.03714	.27870	-.40897	.13419
1.150	-4.000	.05881	.08903	.03651	.28074	-.26328	.07707
1.150	-2.000	.05691	.08666	.03520	.28326	-.12694	.02463
1.150	.000	.05552	.08462	.03399	.28445	.00752	-.02889
1.150	2.000	.05376	.08179	.03476	.28128	.13666	-.08180
	GRADIENT	- .00083	- .00119	-.00032	.00014	.06671	-.02651

RUN NO. 0/ 0 RN/L = 4.22 GRADIENT INTERVAL = -5.00/ 5.00

MACH	ALPHA	CABO	CABT	CABS	CAF	CNF	CLMF
1.205	-8.000	.06069	.09251	.03716	.28614	-.56059	.19473
1.205	-6.000	.05944	.08874	.03629	.28915	-.40098	.12963
1.205	-4.000	.05760	.08529	.03524	.29262	-.25671	.07282
1.205	-2.000	.05578	.08325	.03377	.29557	-.11991	.02046
1.205	.000	.05442	.08137	.03254	.29683	.01172	-.03014
1.205	2.000	.05326	.07891	.03312	.29371	.13592	-.07929
1.205	4.000	.05180	.07622	.03415	.28790	.26179	-.12850
	GRADIENT	- .00071	-.00112	-.00014	-.00056	.06464	-.02512

ORIGINAL PAGE IS OF POOR QUALITY

LARC BFT TPT '749 (IA93) OTSAT130

(1JJ037) (13 AUG 76)

REFERENCE DATA

PARAMETRIC DATA

SREF = 2690.0000 SQ.FT. XMRP = 976.0000 IN. XT
 LREF = 1290.3000 INCHES YMRP = .0000 IN. YT
 BREF = 1290.3000 INCHES ZMRP = 400.0000 IN. ZT
 SCALE = .0100

BETA = -6.000 ELV-LI = 12.000
 ELV-LO = 14.000 ELV-RI = 12.000
 ELV-RO = 14.000

RN/L = 3.97 GRADIENT INTERVAL = -5.00/ 5.00

MACH =	900	ALPHA	CABO	CABT	CABS	CAF	CNF	CLMF
	-8.000		04909	09386	.03905	.15084	-47801	.13560
	-6.000		04752	.09100	.03848	.15332	-.34405	.08395
	-4.000		04588	.08856	03801	15470	-.22013	.03546
	-2.000		04518	.08584	03746	.15610	-.09166	-.01858
	.000		04462	.08214	.03724	15629	.04033	-.07479
	2.000		04419	.07950	.03755	.15261	17240	-.13181
	4.000		04373	.07778	03659	.15210	.29783	-.17657
	GRADIENT		-00026	-.00139	-00014	-.00043	.06500	-.02686

RN/L = 4.08 GRADIENT INTERVAL = -5.00/ 5.00

MACH =	.975	ALPHA	CABO	CABT	CABS	CAF	CNF	CLMF
	-8.000		05930	10401	.04652	.19568	-.51849	.15826
	-6.000		05654	09950	04650	.19854	-37007	10128
	-4.000		05406	09668	04569	.20056	-.23728	.05323
	-2.000		05237	09472	.04481	.20320	-.10596	.00304
	.000		.05153	.09317	.04491	.20296	.02741	-.05256
	2.000		05146	.09191	.04492	.20108	15612	-.10533
	4.000		05194	09168	.04560	.19728	29037	-15849
	GRADIENT		-.00026	-.00064	-00000	-00043	06587	-02659

LARC 8FT TPT 749 (1A93) OTSAT130

(1JJ038) (13 AUG 76)

REFERENCE DATA

SREF = 2690.0000 SQ.FT. XMRP = 976.0000 IN XT
 LREF = 1290.3000 INCHES YMRP = .0000 IN. YT
 BREF = 1290.3000 INCHES ZMRP = 400.0000 IN. ZT
 SCALE = 0100

PARAMETRIC DATA

BETA = -4.000 ELV-LI = 12.000
 ELV-LO = 14.000 ELV-RI = 12.000
 ELV-RO = 14.000

RN/L = 3.97 GRADIENT INTERVAL = -5.00/ 5 00

MACH =	ALPHA	CABO	CABT	CABS	CAF	CNF	CLMF
.900							
-8 000	.04744	.09395	.03731	.15648	- .48470	.14654	
-6 000	.04613	.09080	.03663	.15772	- .34783	.09207	
-4 000	.04504	.08763	.03596	.15832	- .21988	.04014	
-2.000	.04467	.08326	.03544	.15951	- .09311	-.01490	
000	.04427	.07936	.03556	.15870	.03984	-.07276	
2 000	.04375	.07718	.03595	.15384	.17128	-.13227	
4.000	.04294	.07543	.03535	.15422	.30231	-.18066	
GRADIENT	-.00026	-.00152	-.00004	-.00069	.06544	-.02795	

RN/L = 4 08 GRADIENT INTERVAL = -5.00/ 5 00

MACH =	ALPHA	CABO	CABT	CABS	CAF	CNF	CLMF
.975							
-8 000	.05718	.10330	.04519	.20190	- .52119	.16729	
-6 000	.05469	.09806	.04483	.20495	- .37108	.10861	
-4.000	.05257	.09504	.04383	.20663	- .23831	.06001	
-2.000	.05084	.09324	.04318	.20756	- .11149	.01253	
000	.04998	.09106	.04364	.20676	.02400	-.04564	
2 000	.05038	.09015	.04390	.20300	.15079	-.09861	
4.000	.05043	.08957	.04452	.20053	.28492	-.15348	
GRADIENT	-.00024	-.00070	.00010	-.00084	.06544	-.02691	

LARC 8FT TPT '749 (1A93) OTSAT130

(1JJ039) (13 AUG 76)

REFERENCE DATA

SREF = 2690.0000 SQ FT. XMRP = 976.0000 IN. XT
 LREF = 1290.3000 INCHES YMRP = .0000 IN. YT
 BREF = 1290.3000 INCHES ZMRP = 400.0000 IN. ZT
 SCALE = .0100

PARAMETRIC DATA

BETA = .000 ELV-L1 = 12.000
 ELV-LO = 14.000 ELV-R1 = 12.000
 ELV-RO = 14.000

RN/L = 3 97 GRADIENT INTERVAL = -5.00/ 5.00

MACH =	ALPHA	CABO	CABT	CABS	CAF	CNF	CLMF
.900							
-8.000	.04654	.09357	.03415	.15836	-.49829	.16093	
-6.000	.04598	.08865	.03243	.15973	-.35545	.10236	
-4.000	.04593	.08305	.03077	.16228	-.22100	.04434	
-2.000	.04595	.07711	.03034	.16461	-.09837	-.01118	
.000	.04501	.07455	.03073	.16374	.04081	-.07350	
2.000	.04461	.07288	.03152	.16080	.17224	-.13384	
4.000	.04390	.07236	.03182	.15827	.30050	-.18088	
GRADIENT	-.00027	-.00128	.00016	-.00059	.06568	-.02865	

RN/L = 4 08 GRADIENT INTERVAL = -5.00/ 5.00

MACH =	ALPHA	CABO	CABT	CABS	CAF	CNF	CLMF
.975							
-8.000	.05404	.10224	.04243	.20651	-.52608	.17792	
-6.000	.05269	.09774	.04118	.20826	-.37955	.12102	
-4.000	.05214	.09361	.04002	.20961	-.24820	.07190	
-2.000	.05223	.09075	.03906	.21110	-.11847	.02139	
.000	.05264	.08886	.03894	.20934	.01019	-.03271	
2.000	.05326	.08764	.03917	.20587	.13570	-.08436	
4.000	.05322	.08585	.03956	.20237	.27074	-.14281	
GRADIENT	.00016	-.00093	-.00004	-.00099	.06460	-.02676	

LARC 8FT TPT /49 (IA93) OTSAT130

(1JJ040) (13 AUG 76)

REFERENCE DATA

PARAMETRIC DATA

SREF = 2690.0000 SQ.FT. XMRP = 976.0000 IN. XT
 LREF = 1290.3000 INCHES YMRP = .0000 IN. YT
 BREF = 1290.3000 INCHES ZMRP = 400.0000 IN. ZT
 SCALE = .0100

BETA = 4.000 ELV-LI = 12.000
 ELV-LO = 14.000 ELV-RI = 12.000
 ELV-RO = 14.000

RN/L = 3 97 GRADIENT INTERVAL = -5.00/ 5.00

MACH =	ALPHA	CABO	CABT	CABS	CAF	CNF	CLMF
.900							
-8.000	.04759	.09233	.03162	.16647	-.49126	.15080	
-6.000	.04609	.08901	.03069	.16818	-.35193	.09597	
-4.000	.04472	.08495	.02952	.17124	-.22346	.04204	
-2.000	.04488	.08011	.02872	.17349	-.09738	-.01433	
.000	.04450	.07767	.02817	.17373	.03826	-.07362	
2.000	.04394	.07522	.02790	.17162	.16761	-.13177	
4.000	.04342	.07423	.02873	.16899	.30118	-.18195	
GRADIENT	-.00018	-.00132	-.00012	-.00032	.06571	-.02827	

RN/L = 4.08 GRADIENT INTERVAL = -5.00/ 5.00

MACH =	ALPHA	CABO	CABT	CABS	CAF	CNF	CLMF
.975							
-8.000	.05608	.10069	.03944	.21385	-.52674	.16982	
-6.000	.05378	.09630	.03846	.21686	-.37921	.11244	
-4.000	.05193	.09269	.03686	.21975	-.24416	.06110	
-2.000	.05077	.09111	.03524	.22243	-.11178	.01019	
.000	.05065	.09017	.03415	.22326	.01574	-.04160	
2.000	.05068	.08795	.03476	.21704	.14648	-.09752	
4.000	.05103	.08704	.03637	.21260	.28192	-.15410	
GRADIENT	-.00009	-.00072	-.00007	-.00098	.06552	-.02691	

LARC 8FT TPT '49 (1A93) OTSAT130

(1JJ041) (13 AUG 76)

REFERENCE DATA

SREF = 2690.0000 SQ.FT. XMRP = 976.0000 IN. XT
 LREF = 1290.3000 INCHES YMRP = .0000 IN. YT
 BREF = 1290.3000 INCHES ZMRP = 400.0000 IN. ZT
 SCALE = .0100

PARAMETRIC DATA

BETA = 6.000 ELV-L1 = 12.000
 ELV-LO = 14.000 ELV-R1 = 12.000
 ELV-RO = 14.000

RN/L = 3 97 GRADIENT INTERVAL = -5.00/ 5.00

MACH =	900						
	ALPHA	CABO	CABT	CABS	CAF	CNF	CLMF
	-8.000	04901	09328	.02885	16908	-.49208	.14696
	-6.000	.04721	.08994	.02840	17116	- 35531	.09397
	-4.000	04574	08719	02779	.17344	- 22848	.04221
	-2.000	04552	08380	02712	.17481	- 10066	-.01287
	0.000	04505	08002	02654	17648	.03655	-.07330
	2.000	04473	07741	02671	.17423	16769	-.13135
	4.000	04424	07654	02749	17013	29482	-.17811
	GRADIENT	-.00019	-.00138	- 00005	- 00036	06575	-.02796

RN/L = 4 08 GRADIENT INTERVAL = -5.00/ 5.00

MACH =	975						
	ALPHA	CABO	CABT	CABS	CAF	CNF	CLMF
	-8.000	.05965	10186	03533	.21688	- 52946	.16618
	-6.000	05658	09744	03484	22066	- 38040	.10801
	-4.000	05413	09427	03407	22273	- 24427	05675
	-2.000	05265	09288	03313	.22387	-.11132	.00555
	0.000	.05145	.09156	03251	.22460	.02134	-.04924
	2.000	.05113	.08968	.03317	.21988	.14814	- 10271
	4.000	.05152	08864	03476	.21383	.28350	-.15714
	GRADIENT	- 00034	- 00072	00007	- 00109	06575	- 02680

LARC 8FT TPT /49 (1A93) OTSAT130

(1JJ042) (13 AUG 76)

REFERENCE DATA

SREF = 2690.0000 SQ.FT. XMRP = 976.0000 IN. XT
 LREF = 1290.3000 INCHES YMRP = .0000 IN. YT
 BREF = 1290.3000 INCHES ZMRP = 400.0000 IN. ZT
 SCALE = .0100

PARAMETRIC DATA

BETA = -6.000 ELV-LI = 8.000
 ELV-LO = 14.000 ELV-RI = 8.000
 ELV-RO = 14.000

RN/L = 3.97 GRADIENT INTERVAL = -5 00/ 5 00

MACH =	ALPHA	CABO	CABT	CABS	CAF	CNF	CLMF
.900							
-8.000	.04993	.09332	.03822	.14764	- .49296	.14667	
-6.000	.04828	.09062	.03773	.15040	- .35814	.09479	
-4.000	.04647	.08861	.03749	.15235	- .23190	.04520	
-2.000	.04560	.08548	.03695	.15469	- .10386	- .00879	
.000	.04468	.08157	.03696	.15525	.02896	- .06457	
2.000	.04448	.07949	.03743	.15131	.16114	- .12216	
4.000	.04438	.07782	.03643	.14975	.28437	- .16574	
GRADIENT	-.00027	-.00138	-.00008	-.00043	.06488	- .02676	

RN/L = 4.08 GRADIENT INTERVAL = -5.00/ 5.00

MACH =	ALPHA	CABO	CABT	CABS	CAF	CNF	CLMF
.975							
-8.000	.05918	.10418	.04621	.19247	- .53498	.17034	
-6.000	.05679	.10013	.04620	.19503	- .38705	.11350	
-4.000	.05458	.09755	.04539	.19684	- .25350	.06512	
-2.000	.05306	.09567	.04455	.19931	- .12152	.01528	
.000	.05209	.09371	.04469	.19937	.00836	- .03775	
2.000	.05211	.09256	.04487	.19624	.13450	- .08869	
4.000	.05267	.09233	.04561	.19207	.26961	- .14216	
GRADIENT	-.00024	-.00068	.00004	-.00063	.06511	- .02593	

ORIGINAL PAGE IS
OF POOR QUALITY

LARC 8FT TPT /49 (1A93) OTSAT130

(1JJ043) (13 AUG 76)

REFERENCE DATA

PARAMETRIC DATA

SREF = 2690.0000 SQ.FT. XMRP = 976.0000 IN. XT
 LREF = 1290.3000 INCHES YMRP = .0000 IN. YT
 BREF = 1290.3000 INCHES ZMRP = 400.0000 IN. ZT
 SCALE = .0100

BETA = -4.000 ELV-LI = 8.000
 ELV-LO = 14.000 ELV-RI = 8.000
 ELV-RO = 14.000

RN/L = 3.97 GRADIENT INTERVAL = -5.00/ 5.00

MACH =	ALPHA	CABO	CABT	CABS	CAF	CNF	CLMF
.900							
-8.000	04825	09358	03645	.15245	-49820	.15666	
-6.000	04691	09037	.03576	.15446	-36196	.10297	
-4.000	04585	.08747	03526	.15546	-.23234	.04987	
-2.000	.04525	08252	03482	.15754	-.10528	-.00553	
.000	04460	.07910	03538	.15669	02511	-.06163	
2.000	04421	.07719	03593	.15264	.16424	-.12457	
4.000	04348	07565	03527	.15177	.28824	-.16969	
GRADIENT	-.00029	-.00145	.00006	-.00061	.06553	-.02791	

RN/L = 4.08 GRADIENT INTERVAL = -5.00/ 5.00

MACH =	ALPHA	CABO	CABT	CABS	CAF	CNF	CLMF
.975							
-8.000	.05736	10388	.04485	.19854	-.53796	.17959	
-6.000	05510	09897	.04448	.20123	-.38727	.12062	
-4.000	.05321	.09622	04345	.20298	-.25264	07129	
-2.000	.05152	.09417	.04278	.20445	-.12445	02326	
.000	.05070	.09174	04335	.20288	.00222	-.02965	
2.000	05126	.09083	.04371	.19865	.12972	-.08254	
4.000	.05138	08995	.04448	.19557	.26422	-.13733	
GRADIENT	-.00020	-.00079	00015	-.00103	.06439	-.02615	

DATE 29 OCT 76

TABULATED SOURCE DATA - IA93.

PAGE 429

LARC 8FT TPT /49 (IA93) OTSAT130

(1JJ044) (13 AUG 76)

REFERENCE DATA

PARAMETRIC DATA

SREF = 2690.0000 SQ FT. XMRP = 976.0000 IN. XT
 LREF = 1290.3000 INCHES YMRP = .0000 IN. YT
 BREF = 1290.3000 INCHES ZMRP = 400.0000 IN. ZT
 SCALE = .0100

BETA = .000 ELV-LI = 8.000
 ELV-LO = 14.000 ELV-RI = 8.000
 ELV-RO = 14.000

RN/L = 3 97 GRADIENT INTERVAL = -5.00/ 5.00

MACH =	ALPHA	CABO	CABT	CABS	CAF	CNF	CLMF
.900							
-8.000	.04737	.09358	.03329	.15483	-.51140	.16997	
-6.000	.04667	.08851	.03159	.15602	-.36892	.11162	
-4.000	.04644	.08261	.02993	.15853	-.23289	.05307	
-2.000	.04638	.07673	.02956	.16145	-.10994	-.00279	
.000	.04546	.07485	.03041	.16026	.02523	-.06239	
2.000	.04490	.07249	.03114	.15867	.15732	-.12209	
4.000	.04431	.07237	.03193	.15437	.28565	-.16853	
GRADIENT	-.00029	-.00124	.00028	-.00055	.06522	-.02813	

RN/L = 4 08 GRADIENT INTERVAL = -5.00/ 5.00

MACH =	ALPHA	CABO	CABT	CABS	CAF	CNF	CLMF
.975							
-8.000	.05481	.10288	.04213	.20380	-.54140	.18882	
-6.000	.05350	.09816	.04088	.20654	-.39551	.13233	
-4.000	.05305	.09401	.03959	.20725	-.26032	.08110	
-2.000	.05316	.09122	.03846	.20844	-.13393	.03204	
.000	.05365	.08958	.03823	.20602	-.01205	-.01727	
2.000	.05409	.08807	.03888	.20179	.12177	-.07204	
4.000	.05365	.08605	.03986	.19674	.25283	-.12759	
GRADIENT	.00011	-.00095	.00005	-.00138	.06410	-.02607	

LARC 8FT TPT /49 (1A93) OTSAT130

(1JJ045) (13 AUG 76)

REFERENCE DATA

PARAMETRIC DATA

SREF = 2690.0000 SQ.FT. XMRP = 976.0000 IN. XT
 LREF = 1290.3000 INCHES YMRP = .0000 IN. YT
 BREF = 1290.3000 INCHES ZMRP = 400.0000 IN. ZT
 SCALE = .0100

BETA = 4.000 ELV-LI = 8.000
 ELV-LO = 14.000 ELV-RI = 8.000
 FLV-RO = 14.000

RN/L = 3.97 GRADIENT INTERVAL = -5.00/ 5.00

MACH =	.900	ALPHA	CABO	CABT	CABS	CAF	CNF	CLMF
	-8.000		.04826	.09219	.03116	.16205	-.49906	.15779
	-6.000		.04655	.08869	.03018	.16418	-.36010	.10318
	-4.000		.04536	.08461	.02926	.16743	-.23408	.05024
	-2.000		.04586	.07985	.02873	.16963	-.11220	-.00358
	.000		.04486	.07740	.02810	.17074	.02395	-.06310
	2.000		.04413	.07446	.02811	.16916	.15795	-.12361
	4.000		.04375	.07425	.02897	.16536	.28224	-.16883
	GRADIENT		-.00025	-.00130	-.00006	-.00023	.06514	-.02791

RN/L = 4.08 GRADIENT INTERVAL = -5.00/ 5.00

MACH =	.975	ALPHA	CABO	CABT	CABS	CAF	CNF	CLMF
	-8.000		.05629	.10132	.03914	.20931	-.54133	.18042
	-6.000		.05429	.09704	.03802	.21265	-.39323	.12315
	-4.000		.05257	.09352	.03650	.21561	-.25825	.07215
	-2.000		.05112	.09170	.03496	.21816	-.13088	.02329
	.000		.05079	.09091	.03414	.21950	-.00032	-.02879
	2.000		.05080	.08944	.03491	.21320	.12893	-.08322
	4.000		.05098	.08716	.03664	.20772	.26414	-.13972
	GRADIENT		-.00017	-.00080	.00001	-.00104	.06523	-.02651

DATE 29 OCT 76

TABULATED SOURCE DATA - 1A93.

PAGE 431

LARC 8FT TPT '749 (1A93) OTSAT130

(1JJ046) (13 AUG 76)

REFERENCE DATA

PARAMETRIC DATA

SREF = 2690.0000 SQ.FT. XMRP = 976.0000 IN. XT
 LREF = 1290.3000 INCHES YMRP = .0000 IN. YT
 BREF = 1290.3000 INCHES ZMRP = 400.0000 IN. ZT
 SCALE = .0100

BETA = 6.000 ELV-LI = 8.000
 ELV-LO = 14.000 ELV-RI = 8.000
 ELV-RO = 14.000

RN/L = 3.97 GRADIENT INTERVAL = -5.00/ 5.00

MACH =	ALPHA	CABO	CABT	CABS	CAF	CNF	CLMF
.900							
-8.000	.04960	.09303	.02982	.16544	-.50130	.15475	
-6.000	.04788	.08986	.02834	.16739	-.36647	.10253	
-4.000	.04644	.08706	.02777	.16936	-.23982	.05066	
-2.000	.04634	.08339	.02714	.17211	-.11395	-.00261	
.000	.04547	.07983	.02646	.17436	.01971	-.06165	
2.000	.04520	.07730	.02697	.17102	.15652	-.12176	
4.000	.04457	.07679	.02778	.16700	.27958	-.16537	
GRADIENT	-.00024	-.00133	-.00001	-.00029	.06536	-.02756	

RN/L = 4.08 GRADIENT INTERVAL = -5.00/ 5.00

MACH =	ALPHA	CABO	CABT	CABS	CAF	CNF	CLMF
.975							
-8.000	.05950	.10210	.03511	.21301	-.54068	.17595	
-6.000	.05713	.09815	.03452	.21636	-.39341	.11859	
-4.000	.05480	.09511	.03375	.21847	-.26072	.06873	
-2.000	.05295	.09334	.03283	.22008	-.12943	.01815	
.000	.05168	.09226	.03244	.22055	.00486	-.03667	
2.000	.05125	.08988	.03325	.21630	.13314	-.09003	
4.000	.05164	.08889	.03481	.21012	.26650	-.14336	
GRADIENT	-.00040	-.00079	.00013	-.00102	.06585	-.02662	

LARC 8FT TPT 749 (1A93) OTSAT130

(1JJ047) (13 AUG 76)

REFERENCE DATA

PARAMETRIC DATA

SREF = 2690.0000 SQ.FT. XMRP = 976.0000 IN. XT
 LREF = 1290.3000 INCHES YMRP = .0000 IN. YT
 BREF = 1290.3000 INCHES ZMRP = 400.0000 IN. ZT
 SCALE = .0100

BETA = -6.000 ELV-LI = 8.000
 ELV-LO = 4.000 ELV-RI = 8.000
 ELV-RO = 4.000

RUN NO. 0/ 0 RN/L = 3.98 GRADIENT INTERVAL = -5.00/ 5.00

MACH	ALPHA	CABO	CABT	CABS	CAF	CNF	CLMF
.900	-8.000	.05014	.09348	.03733	.14154	-.51759	.16603
.900	-6.000	.04861	.09036	.03678	.14489	-.38015	.11325
.900	-4.000	.04699	.08817	.03641	.14671	-.25413	.06400
.900	-2.000	.04615	.08545	.03597	.14780	-.13000	.01303
.900	.000	.04522	.08169	.03595	.14725	-.00853	-.03430
.900	2.000	.04491	.08012	.03605	.14492	.10770	-.07839
.900	4.000	.04473	.07843	.03558	.14246	.23400	-.12426
	GRADIENT	-.00029	-.00124	-.00008	-.00057	.06070	-.02340

RUN NO. 0/ 0 RN/L = 4.09 GRADIENT INTERVAL = -5.00/ 5.00

MACH	ALPHA	CABO	CABT	CABS	CAF	CNF	CLMF
.975	-8.000	.05900	.10414	.04543	.18341	-.56191	.19307
.975	-6.000	.05689	.09987	.04543	.18713	-.41394	.13652
.975	-4.000	.05515	.09788	.04466	.18954	-.28055	.08884
.975	-2.000	.05363	.09619	.04372	.19127	-.14849	.03906
.975	.000	.05275	.09449	.04370	.19156	-.01989	-.01294
.975	2.000	.05318	.09328	.04391	.18882	.10221	-.06034
.975	4.000	.05391	.09354	.04455	.18402	.22792	-.10611
	GRADIENT	-.00015	-.00058	-.00000	-.00067	.06738	-.02447

RUN NO. 0/ 0 RN/L = 4.21 GRADIENT INTERVAL = -5.00/ 5.00

MACH	ALPHA	CABO	CABT	CABS	CAF	CNF	CLMF
1.150	-6.000	.05594	.09284	.04606	.25706	-.42001	.14352
1.150	-4.000	.05533	.09112	.04522	.25986	-.27634	.08994
1.150	-2.000	.05448	.08940	.04411	.26382	-.14162	.04049
1.150	.000	.05343	.08747	.04366	.26453	-.00846	-.01253
1.150	2.000	.05271	.08548	.04306	.26496	.11635	-.06122
	GRADIENT	-.00045	-.00094	-.00035	.00080	.06556	-.02533

LARC 8FT TPT 749 (1A93) OTSAT130

(1JJ047) (13 AUG 76)

REFERENCE DATA

PARAMETRIC DATA

SREF = 2690.0000 SQ.FT. XMRP = 976.0000 IN. XT
 LREF = 1290.3000 INCHES YMRP = .0000 IN. YT
 BREF = 1290.3000 INCHES ZMRP = 400.0000 IN. ZT
 SCALE = .0100

BETA = -6.000 ELV-LI = 8.000
 ELV-LO = 4.000 ELV-RI = 8.000
 ELV-RO = 4.000

RUN NO. 0/0 RN/L = 4.22 GRADIENT INTERVAL = -5.00/ 5.00

MACH	ALPHA	CABO	CABT	CABS	CAF	CNF	CLMF
1.205	-8.000	.05584	.09276	.04530	.26826	- .57403	.20437
1.205	-6.000	.05507	.09041	.04439	.27064	- .41221	.13830
1.205	-4.000	.05451	.08809	.04366	.27395	- .26904	.08500
1.205	-2.000	.05366	.08615	.04297	.27725	- .13338	.03500
1.205	.000	.05266	.08405	.04268	.27881	- .00535	- .01430
1.205	2.000	.05205	.08187	.04218	.27939	.11948	- .06110
1.205	4.000	.05200	.07947	.04123	.27643	.24386	- .10890
	GRADIENT	-.00033	-.00108	-.00028	.00035	.06393	- .02420

ORIGINAL PAGE IS
OF POOR QUALITY

LARC 8FT TPT 749 (1A93) OTSAT130

(1JJ048) (13 AUG 76)

REFERENCE DATA

PARAMETRIC DATA

SREF = 2690.0000 SQ.FT. XMRP = 975.0000 IN. XT
 LREF = 1290.3000 INCHES YMRP = .0000 IN. YT
 BREF = 1290.3000 INCHES ZMRP = 400.0000 IN. ZT
 SCALE = .0100

BETA = -4.000 ELV-LI = 8.000
 ELV-LO = 4.000 ELV-RI = 8.000
 ELV-RO = 4.000

RUN NO. 0/0 RN/L = 3.98 GRADIENT INTERVAL = -5.00/ 5.00

MACH	ALPHA	CABO	CABT	CABS	CAF	CNF	CLMF
.900	-8.000	.04872	.09420	.03555	.14520	- .52264	.17599
.900	-6.000	.04748	.09039	.03496	.14796	- .38153	.12016
.900	-4.000	.04642	.08716	.03426	.14982	- .25467	.06913
.900	-2.000	.04562	.08245	.03373	.15153	- .13304	.01740
.900	.000	.04456	.07860	.03407	.14935	- .00950	- .03304
.900	2.000	.04402	.07741	.03432	.14562	.10852	- .07990
.900	4.000	.04371	.07644	.03429	.14403	.23797	- .12739
	GRADIENT	-.00035	-.00132	.00003	-.00087	.06134	- .02452

LARC 8FT TPT 749 (1A93) OTSAT130

(1JJ048) (13 AUG 76)

1 REFERENCE DATA

PARAMETRIC DATA

SREF = 2690.0000 SQ.FT XMRP = 976.0000 IN. XT
 LREF = 1290.3000 INCHES YMRP = .0000 IN. YT
 BREF = 1290.3000 INCHES ZMRP = 400.0000 IN. ZT
 SCALE = .0100

BETA = -4.000 ELV-LI = 8.000
 ELV-LO = 4.000 ELV-RI = 8.000
 ELV-RO = 4.000

RUN NO 0/ 0 RN/L = 4.09 GRADIENT INTERVAL = -5.00/ 5.00

MACH	ALPHA	CABO	CABT	CABS	CAF	CNF	CLMF
.975	-8.000	.05734	.10387	.04392	.18975	-.56327	.20119
.975	-6.000	.05533	.09894	.04362	.19325	-.41400	.14360
.975	-4.000	.05380	.09679	.04260	.19536	-.28193	.09661
.975	-2.000	.05226	.09503	.04177	.19622	-.15603	.04948
.975	.000	.05161	.09280	.04221	.19461	-.03028	-.00279
.975	2.000	.05249	.09130	.04268	.19042	.09580	-.05361
.975	4.000	.05260	.09069	.04326	.18690	.22582	-.10447
	GRADIENT	-.00011	-.00080	.00011	-.00114	.06337	-.02526

RUN NO 0/ 0 RN/L = 4.21 GRADIENT INTERVAL = -5.00/ 5.00

MACH	ALPHA	CABO	CABT	CABS	CAF	CNF	CLMF
1.150	-6.000	.05483	.09102	.04490	.26036	-.42339	.15324
1.150	-4.000	.05414	.08899	.04403	.26314	-.27925	.09773
1.150	-2.000	.05353	.08778	.04315	.26557	-.14277	.04547
1.150	.000	.05250	.08662	.04302	.26466	-.01052	-.00798
1.150	2.000	.05114	.08400	.04251	.26510	.11335	-.05707
	GRADIENT	-.00050	-.00081	-.00023	.00025	.06550	-.02589

RUN NO. 0/ 0 RN/L = 4.22 GRADIENT INTERVAL = -5.00/ 5.00

MACH	ALPHA	CABO	CABT	CABS	CAF	CNF	CLMF
1.205	-8.000	.05465	.09012	.04421	.27336	-.57342	.21098
1.205	-6.000	.05392	.08805	.04303	.27458	-.41237	.14606
1.205	-4.000	.05326	.08577	.04233	.27720	-.26654	.08947
1.205	-2.000	.05239	.08393	.04172	.28028	-.13219	.03750
1.205	.000	.05144	.08252	.04175	.27965	-.00666	-.01106
1.205	2.000	.05037	.08035	.04133	.27985	.11913	-.05871
1.205	4.000	.04996	.07799	.04041	.27818	.24169	-.10646
	GRADIENT	-.00043	-.00096	-.00021	.00008	.06339	-.02440

LARC 8FT TPT /49 (1A93) OTSAT130

(1JJ049) (13 AUG 76)

REFERENCE DATA

PARAMETRIC DATA

SREF = 2690.0000 SQ.FT. XMRP = 976.0000 IN. XT
 LREF = 1290.3000 INCHES YMRP = .0000 IN. YT
 BREF = 1290.3000 INCHES ZMRP = 400.0000 IN ZT
 SCALE = .0100

BETA = .000 ELV-LI = 8.000
 ELV-LO = 4.000 ELV-RI = 8.000
 ELV-RO = 4.000

RUN NO 0/ 0 RN/L = 3.98 GRADIENT INTERVAL = -5.00/ 5.00

MACH	ALPHA	CABO	CABT	CABS	CAF	CNF	CLMF
.900	-8.000	.04825	.09377	.03176	.14628	-.52827	.18533
.900	-6.000	.04752	.08894	.03031	.14828	-.38723	.12826
.900	-4.000	.04715	.08340	.02898	.15040	-.25884	.07456
.900	-2.000	.04670	.07745	.02869	.15263	-.13781	.02064
.900	.000	.04532	.07530	.02941	.15157	-.01125	-.03189
.900	2.000	.04481	.07320	.03013	.14853	.11210	-.08470
.900	4.000	.04414	.07313	.03066	.14680	.23000	-.12292
	GRADIENT	-.00039	-.00124	.00024	-.00057	.06138	-.02502

RUN NO 0/ 0 RN/L = 4.09 GRADIENT INTERVAL = -5.00/ 5.00

MACH	ALPHA	CABO	CABT	CABS	CAF	CNF	CLMF
.975	-8.000	.05530	.10353	.04141	.19391	-.56866	.21153
.975	-6.000	.05424	.09926	.04022	.19572	-.42058	.15461
.975	-4.000	.05385	.09510	.03859	.19769	-.28791	.10557
.975	-2.000	.05403	.09238	.03719	.19935	-.16571	.05833
.975	.000	.05444	.09053	.03686	.19790	-.04295	.00899
.975	2.000	.05512	.08904	.03748	.19357	.08731	-.04391
.975	4.000	.05496	.08713	.03879	.18899	.21461	-.09656
	GRADIENT	.00017	-.00096	.00003	-.00116	.06290	-.02533

RUN NO. 0/ 0 RN/L = 4.21 GRADIENT INTERVAL = -5.00/ 5.00

MACH	ALPHA	CABO	CABT	CABS	CAF	CNF	CLMF
1.150	-6.000	.05504	.09147	.04282	.25958	-.43389	.16902
1.150	-4.000	.05410	.08918	.04197	.26206	-.28610	.10976
1.150	-2.000	.05325	.08703	.04100	.26603	-.14647	.05239
1.150	.000	.05246	.08459	.04007	.26787	-.02191	.00116
1.150	2.000	.05104	.08126	.03984	.26646	.10360	-.04775
	GRADIENT	-.00050	-.00131	-.00037	.00075	.06468	-.02619

LARC 8FT TPT 749 (1A93) OTSAT130

(1JJ049) (13 AUG 76)

REFERENCE DATA

SREF = 2690.0000 SQ.FT. XMRP = 976.0000 IN. XT
 LREF = 1290.3000 INCHES YMRP = .0000 IN. YT
 BREF = 1290.3000 INCHES ZMRP = 400.0000 IN. ZT
 SCALE = .0100

PARAMETRIC DATA

BETA = .000 ELV-L1 = 8.000
 ELV-LO = 4.000 ELV-R1 = 8.000
 ELV-RO = 4.000

RUN NO. 0/ 0 RN/L = 4.22 GRADIENT INTERVAL = -5.00/ 5.00

MACH	ALPHA	CABO	CABT	CABS	CAF	CNF	CLMF
1.205	-8.000	.05442	.09023	.04174	.27282	-.57655	.22199
1.205	-6.000	.05337	.08771	.04065	.27509	-.41879	.15823
1.205	-4.000	.05263	.08492	.03985	.27816	-.27142	.09835
1.205	-2.000	.05182	.08247	.03892	.28182	-.13546	.04385
1.205	.000	.05105	.08051	.03822	.28292	-.01057	-.00515
1.205	2.000	.05009	.07795	.03817	.28084	.11238	-.05130
1.205	4.000	.04886	.07472	.03819	.27863	.23285	-.09733
	GRADIENT	-.00046	-.00125	-.00020	-.00000	.06282	-.02433

LARC 8FT TPT 749 (1A93) OTSAT130

(1JJ050) (13 AUG 76)

REFERENCE DATA

SREF = 2690.0000 SQ.FT. XMRP = 976.0000 IN. XT
 LREF = 1290.3000 INCHES YMRP = .0000 IN. YT
 BREF = 1290.3000 INCHES ZMRP = 400.0000 IN. ZT
 SCALE = .0100

PARAMETRIC DATA

BETA = 4.000 ELV-L1 = 8.000
 ELV-LO = 4.000 ELV-R1 = 8.000
 ELV-RO = 4.000

RUN NO 0/ 0 RN/L = 3.98 GRADIENT INTERVAL = -5.00/ 5.00

MACH	ALPHA	CABO	CABT	CABS	CAF	CNF	CLMF
.900	-8.000	.04890	.09250	.03043	.15457	-.52041	.17395
.900	-6.000	.04734	.08913	.02937	.15707	-.38584	.12776
.900	-4.000	.04581	.08505	.02841	.15988	-.25962	.07146
.900	-2.000	.04575	.08104	.02823	.15978	-.13837	.01954
.900	.000	.04469	.07800	.02760	.16120	-.01400	-.03178
.900	2.000	.04369	.07536	.02755	.15938	.11801	-.08802
.900	4.000	.04351	.07526	.02831	.15669	.23355	-.12565
	GRADIENT	-.00033	-.00126	-.00004	-.00034	.06214	-.02509

DATE 29 OCT 76

TABULATED SOURCE DATA - IA93.

PAGE 437

LARC 8FT TPT '749 (IA93) OTSAT130

(1JJ050) (13 AUG 76)

REFERENCE DATA

SREF = 2690.0000 SQ.FT. XMRP = 976.0000 IN. XT
 LREF = 1290.3000 INCHES YMRP = .0000 IN. YT
 BREF = 1290.3000 INCHES ZMRP = 400.0000 IN. ZT
 SCALE = .0100

PARAMETRIC DATA

BETA = 4.000 ELV-LI = 8.000
 ELV-LO = 4.000 ELV-RI = 8.000
 ELV-RO = 4.000

RUN NO. 0/ 0 RN/L = 4.09 GRADIENT INTERVAL = -5.00/ 5.00

MACH	ALPHA	CABO	CABT	CABS	CAF	CNF	CLMF
.975	-8.000	.05608	.10122	.03819	.20101	-.57009	.20357
.975	-6.000	.05429	.09688	.03716	.20484	-.42100	.14634
.975	-4.000	.05279	.09366	.03577	.20783	-.28549	.09580
.975	-2.000	.05150	.09237	.03444	.20950	-.15810	.04759
.975	0.000	.05132	.09166	.03356	.21082	-.03240	-.00118
.975	2.000	.05141	.08886	.03402	.20582	.09401	-.05441
.975	4.000	.05181	.08785	.03559	.19966	.22689	-.10769
	GRADIENT	-.00010	-.00076	-.00004	-.00100	.06384	-.02545

RUN NO. 0/ 0 RN/L = 4.21 GRADIENT INTERVAL = -5.00/ 5.00

MACH	ALPHA	CABO	CABT	CABS	CAF	CNF	CLMF
1.150	-6.000	.05691	.09098	.03929	.27101	-.43114	.15975
1.150	-4.000	.05585	.08863	.03818	.27307	-.28503	.10070
1.150	-2.000	.05489	.08670	.03693	.27510	-.15003	.04725
1.150	.000	.05387	.08473	.03586	.27634	-.01592	-.00457
1.150	2.000	.05235	.08203	.03574	.27394	.10979	-.05562
	GRADIENT	-.00058	-.00109	-.00042	.00019	.06593	-.02604

RUN NO. 0/ 0 RN/L = 4.22 GRADIENT INTERVAL = -5.00/ 5.00

MACH	ALPHA	CABO	CABT	CABS	CAF	CNF	CLMF
1.205	-8.000	.05734	.09083	.03889	.28029	-.57801	.21577
1.205	-6.000	.05622	.08862	.03794	.28204	-.41861	.15101
1.205	-4.000	.05495	.08607	.03674	.28469	-.27420	.09316
1.205	-2.000	.05377	.08356	.03538	.28805	-.13909	.04136
1.205	0.000	.05259	.08162	.03421	.28973	-.01106	-.00708
1.205	2.000	.05118	.07855	.03398	.28845	.11252	-.05541
1.205	4.000	.04990	.07611	.03523	.28331	.23646	-.10464
	GRADIENT	-.00063	-.00125	-.00022	-.00012	.06365	-.02462

LARC 8FT TPT /49 (1A93) OTSAT130

(1JJ051) (13 AUG 76)

REFERENCE DATA

SREF = 2690.0000 SQ.FT. XMRP = 976.0000 IN. XT
 LREF = 1290.3000 INCHES YMRP = .0000 IN. YT
 BREF = 1290.3000 INCHES ZMRP = 400.0000 IN. ZT
 SCALE = .0100

PARAMETRIC DATA

BETA = 6.000 ELV-LI = 8.000
 ELV-LO = 4.000 ELV-RI = 8.000
 ELV-RO = 4.000

RUN NO. 0/ 0 RN/L = 3.98 GRADIENT INTERVAL = -5.00/ 5.00

MACH	ALPHA	CABO	CABT	CABS	CAF	CNF	CLMF
.900	-8.000	.04973	.09348	.02839	.15722	-.51881	.16960
900	-6.000	.04816	.09011	.02784	.16014	-.39714	.11963
.900	-4.000	.04676	.08739	.02732	.16212	-.26332	.07170
900	-2.000	.04641	.08421	.02696	.16277	-.14079	.02145
900	.000	.04565	.08080	.02639	.16389	-.01567	-.03068
.900	2.000	.04506	.07817	.02679	.16220	.10890	-.08223
900	4.000	.04472	.07822	.02755	.15815	.22851	-.12201
	GRADIENT	-.00027	-.00122	.00001	-.00043	.06167	-.02456

RUN NO. 0/ 0 RN/L = 4.09 GRADIENT INTERVAL = -5.00/ 5.00

MACH	ALPHA	CABO	CABT	CABS	CAF	CNF	CLMF
.975	-8.000	.05912	.10215	.03439	.20436	-.57171	.19989
.975	-6.000	.05706	.09800	.03392	.20838	-.42362	.14260
.975	-4.000	.05504	.09492	.03321	.21101	-.28796	.09238
975	-2.000	.05332	.09376	.03237	.21203	-.15643	.04226
.975	.000	.05208	.09291	.03193	.21297	-.02565	-.01007
.975	2.000	.05167	.09061	.03253	.20889	.09779	-.06036
.975	4.000	.05238	.08974	.03403	.20194	.22883	-.11036
	GRADIENT	-.00035	-.00069	.00009	-.00106	.06439	-.02541

RUN NO. 0/ 0 RN/L = 4.21 GRADIENT INTERVAL = -5.00/ 5.00

MACH	ALPHA	CABO	CABT	CABS	CAF	CNF	CLMF
1.150	-6.000	.05957	.09280	.03641	.27369	-.43262	.15436
1.150	-4.000	.05808	.09024	.03582	.27568	-.28771	.09746
1.150	-2.000	.05638	.08820	.03484	.27726	-.15163	.04563
1.150	.000	.05500	.08630	.03384	.27796	-.01697	-.00761
1.150	2.000	.05332	.08345	.03470	.27489	.11291	-.06138
	GRADIENT	-.00078	-.00111	-.00022	-.00008	.06683	-.02649

LARC 8FT TPT 749 (1A93) OTSAT130

(1J051) (13 AUG 76)

REFERENCE DATA

SREF = 2690.0000 SQ.FT. XMRP = 976.0000 IN. XT
 LREF = 1290.3000 INCHES YMRP = .0000 IN. YT
 BREF = 1290.3000 INCHES ZMRP = 400.0000 IN. ZT
 SCALE = .0100

PARAMETRIC DATA

BETA = 6.000 ELV-LI = 8.000
 ELV-LO = 4.000 ELV-RI = 8.000
 ELV-RO = 4.000

RUN NO. 0/0 RN/L = 4.22 GRADIENT INTERVAL = -5.00/ 5.00

MACH	ALPHA	CABO	CABT	CABS	CAF	CNF	CLMF
1.205	-8.000	.05966	.09287	.03644	.28150	-.58338	.21366
1.205	-6.000	.05854	.08963	.03559	.28398	-.42172	.14739
1.205	-4.000	.05685	.08661	.03469	.28663	-.27939	.09210
1.205	-2.000	.05499	.08444	.03338	.28970	-.14490	.04130
1.205	0.000	.05364	.08275	.03230	.29121	-.01222	-.01036
1.205	2.000	.05240	.08019	.03301	.28869	.11333	-.06020
1.205	4.000	.05116	.07766	.03414	.28267	.23954	-.10979
	GRADIENT	-.00070	-.00111	-.00007	-.00045	.06480	-.02526

LARC 8FT TPT 749 (1A93) OTSAT130

(1J052) (13 AUG 76)

REFERENCE DATA

SREF = 2690.0000 SQ.FT. XMRP = 976.0000 IN. XT
 LREF = 1290.3000 INCHES YMRP = .0000 IN. YT
 BREF = 1290.3000 INCHES ZMRP = 400.0000 IN. ZT
 SCALE = .0100

PARAMETRIC DATA

BETA = -6.000 ELV-LI = 8.000
 ELV-LO = -5.000 ELV-RI = 8.000
 ELV-RO = -5.000

RUN NO. 0/0 RN/L = 4.21 GRADIENT INTERVAL = -5.00/ 5.00

MACH	ALPHA	CABO	CABT	CABS	CAF	CNF	CLMF
1.150	-6.000	.05670	.09254	.04526	.25659	-.44103	.16307
1.150	-4.000	.05558	.09118	.04440	.25928	-.29366	.10736
1.150	-2.000	.05482	.08997	.04339	.26252	-.15920	.05793
1.150	0.000	.05375	.08782	.04294	.26415	-.03259	.00770
1.150	2.000	.05307	.08561	.04233	.26446	.09998	-.04519
	GRADIENT	-.00043	-.00094	-.00033	.00086	.06538	-.02539

RUN NO. 0/0 RN/L = 4.22 GRADIENT INTERVAL = -5.00/ 5.00

MACH	ALPHA	CABO	CABT	CABS	CAF	CNF	CLMF
1.205	-8.000	.05681	.09263	.04464	.26715	-.59743	.22485
1.205	-6.000	.05540	.09007	.04362	.27041	-.43365	.15741
1.205	-4.000	.05445	.08798	.04283	.27382	-.28759	.10213
1.205	-2.000	.05379	.08627	.04225	.27632	-.15165	.05156
1.205	0.000	.05285	.08423	.04202	.27736	-.02425	.00251
1.205	2.000	.05230	.08215	.04147	.27809	.10183	-.04519
1.205	4.000	.05238	.07972	.04066	.27549	.22829	-.09472
	GRADIENT	-.00028	-.00103	-.00026	.00025	.06426	-.02452

ORIGINAL PAGE IS
OF POOR QUALITY

LARC 8FT TPT 749 (1A93) OTSAT130

(1JJ053) (13 AUG 76)

REFERENCE DATA

SREF = 2690.0000 SQ.FT. XMRP = 976.0000 IN. XT
 LREF = 1290.3000 INCHES YMRP = .0000 IN. YT
 BREF = 1290.3000 INCHES ZMRP = 400.0000 IN. ZT
 SCALE = .0100

PARAMETRIC DATA

BETA = -4.000 ELV-LI = 8.000
 ELV-LO = -5.000 ELV-RI = 8.000
 ELV-RO = -5.000

RUN NO. 0/ 0 RN/L = 4.21 GRADIENT INTERVAL = -5.00/ 5.00

MACH	ALPHA	CABO	CABT	CABS	CAF	CNF	CLMF
1.150	-6 000	.05612	.09022	.04402	.26009	- .44452	.17281
1.150	-4 000	.05514	.08890	.04311	.26256	- .29746	.11571
1.150	-2 000	.05401	.08869	.04233	.26456	- .16209	.06372
1.150	000	.05286	.08687	.04227	.26441	- .03480	.01243
1.150	2.000	.05156	.08398	.04163	.26475	.09656	-.04076
	GRADIENT	-.00060	-.00083	-.00022	.00032	.06547	-.02604

RUN NO. 0/ 0 RN/L = 4.22 GRADIENT INTERVAL = -5.00/ 5.00

MACH	ALPHA	CABO	CABT	CABS	CAF	CNF	CLMF
1.205	-8 000	.05476	.09112	.04413	.27017	- .59548	.23072
1.205	-6 000	.05394	.08808	.04246	.27331	- .43455	.16501
1.205	-4.000	.05321	.08531	.04153	.27694	- .28857	.10774
1.205	-2 000	.05235	.08415	.04110	.27868	- .15198	.05479
1.205	000	.05158	.08283	.04113	.27806	- .02259	.00381
1.205	2.000	.05054	.08078	.04070	.27794	.10232	-.04415
1.205	4.000	.05012	.07822	.03982	.27692	.22711	-.09299
	GRADIENT	-.00040	-.00088	-.00019	-.00004	.06428	-.02502

LARC 8FT TPT 749 (1A93) OTSAT130

(1JJ054) (13 AUG 76)

REFERENCE DATA

SREF = 2690.0000 SQ.FT. XMRP = 976.0000 IN. XT
 LREF = 1290.3000 INCHES YMRP = .0000 IN. YT
 BREF = 1290.3000 INCHES ZMRP = 400.0000 IN. ZT
 SCALE = .0100

PARAMETRIC DATA

BETA = .000 ELV-LI = 8.000
 ELV-LO = -5.000 ELV-RI = 8.000
 ELV-RO = -5.000

RUN NO. 0/ 0 RN/L = 4.21 GRADIENT INTERVAL = -5.00/ 5.00

MACH	ALPHA	CABO	CABT	CABS	CAF	CNF	CLMF
1.150	-6.000	.05536	.09102	.04177	.25832	- .45289	.18781
1.150	-4.000	.05439	.08362	.04085	.26148	- .30534	.12845
1.150	-2.000	.05336	.08640	.03979	.26571	- .16645	.07028
1.150	000	.05238	.08428	.03903	.26687	- .03667	.01627
1.150	2.000	.05100	.08180	.03918	.26451	.08844	-.03386
	GRADIENT	-.00056	-.00113	-.00029	.00051	.06556	-.02705

LARC 8FT TPT 749 (1A93) OTSAT130

(1JJ054) (13 AUG 76)

REFERENCE DATA

SREF = 2690.0000 SQ.FT. XMRP = 976.0000 IN. XT
 LREF = 1290.3000 INCHES YMRP = .0000 IN. YT
 BREF = 1290.3000 INCHES ZMRP = 400.0000 IN. ZT
 SCALE = .0100

PARAMETRIC DATA

BETA = .000 ELV-LI = 8.000
 ELV-LO = -5.000 ELV-RI = 8.000
 ELV-RO = -5.000

RUN NO. 0/ 0 RN/L = 4.22 GRADIENT INTERVAL = -5.00/ 5.00

MACH	ALPHA	CABO	CABT	CABS	CAF	CNF	CLMF
1.205	-8.000	.05445	.09027	04114	.27195	-.59701	.24106
1.205	-6.000	.05329	.08756	.03986	.27436	-.44146	.17755
1.205	-4.000	.05245	.08482	.03906	.27697	-.29433	.11750
1.205	-2.000	.05178	.08242	03816	.28042	-.15197	.05974
1.205	.000	.05123	08035	03726	.28238	-.02709	.00915
1.205	2.000	.05012	07827	03758	.27928	09443	-.03722
1.205	4.000	04910	07561	03790	27611	21653	-.08386
	GRADIENT	-.00042	-.00113	-.00015	-.00014	.06341	-.02498

LARC 8FT TPT 749 (1A93) OTSAT130

(1JJ055) (13 AUG 76)

REFERENCE DATA

SREF = 2690.0000 SQ.FT. XMRP = 976.0000 IN. XT
 LREF = 1290.3000 INCHES YMRP = .0000 IN. YT
 BREF = 1290.3000 INCHES ZMRP = 400.0000 IN. ZT
 SCALE = .0100

PARAMETRIC DATA

BETA = 4.000 ELV-LI = 8.000
 ELV-LO = -5.000 ELV-RI = 8.000
 ELV-RO = -5.000

RUN NO. 0/ 0 RN/L = 4.21 GRADIENT INTERVAL = -5.00/ 5.00

MACH	ALPHA	CABO	CABT	CABS	CAF	CNF	CLMF
1.150	-6.000	.05682	.09240	03900	.26701	-.45121	.17900
1.150	-4.000	.05580	.08971	.03786	.26953	-.30380	.11908
1.150	-2.000	.05468	08701	03631	.27381	-.16604	.06399
1.150	.000	.05351	08510	03516	.27589	-.03630	01359
1.150	2.000	.05197	08274	.03537	.27216	.09313	-.04016
	GRADIENT	-.00063	-.00114	-.00043	.00050	.06603	-.02641

RUN NO. 0/ 0 RN/L = 4.22 GRADIENT INTERVAL = -5.00/ 5.00

MACH	ALPHA	CABO	CABT	CABS	CAF	CNF	CLMF
1.205	-8.000	.05702	.09137	.03859	.27802	-.60063	.23551
1.205	-6.000	.05568	.08891	03746	.28022	-.43987	.17012
1.205	-4.000	.05436	.08630	.03619	.28344	-.29245	.11064
1.205	-2.000	.05330	.08397	03488	.28685	-.15549	.05686
1.205	.000	.05218	08205	03358	28851	-.02711	.00752
1.205	2.000	.05104	.07957	.03356	.28577	.09634	-.04170
1.205	4.000	05000	07730	03485	28084	22170	-.09186
	GRADIENT	-.00055	-.00112	-.00020	-.00031	.06401	-.02518

LARC 8FT TPT /49 (1A93) OTSAT130

(1JJ056) (13 AUG 76)

REFERENCE DATA

PARAMETRIC DATA

SREF = 2690.0000 SQ.FT. XMRP = 976.0000 IN XT
 LREF = 1290.3000 INCHES YMRP = 0000 IN YT
 BREF = 1290.3000 INCHES ZMRP = 400 0000 IN. ZT
 SCALE = .0100

BETA = 6.000 ELV-LI = 8.000
 ELV-LO = -5.000 ELV-RI = 8.000
 ELV-RO = -5.000

RUN NO. 0/ 0 RN/L = 4.21 GRADIENT INTERVAL = -5.00/ 5.00

MACH	ALPHA	CABO	CABT	CABS	CAF	CNF	CLMF
1.150	-6.000	.05866	.09346	.03618	27089	-.45364	.17398
1.150	-4.000	.05737	.09093	.03564	27326	-.30664	.11570
1.150	-2.000	.05600	.08890	.03459	27546	-.16785	.06197
1.150	.000	.05477	.08688	.03354	27650	-.03577	.00948
1.150	2.000	.05336	.08395	.03455	27313	.09623	-.04616
	GRADIENT	-.00066	-.00115	-.00022	00003	.06703	-.02690

RUN NO. 0/ 0 RN/L = 4.22 GRADIENT INTERVAL = -5.00/ 5.00

MACH	ALPHA	CABO	CABT	CABS	CAF	CNF	CLMF
1.205	-8.000	.05897	.09321	.03626	.27900	-.60514	.23325
1.205	-6.000	.05767	.09009	.03533	.28174	-.44249	.16572
1.205	-4.000	.05616	.08708	.03443	.28509	-.29665	.10832
1.205	-2.000	.05470	.08506	.03318	.28795	-.16071	.05673
1.205	.000	.05341	.08330	.03206	.28914	-.03021	.00576
1.205	2.000	.05240	.08094	.03290	.28591	.09801	-.04600
1.205	4.000	.05134	.07853	.03398	.28050	.22466	-.09624
	GRADIENT	-.00060	-.00106	-.00006	-.00056	.06507	-.02559

LARC 8FT TPT 749 (1A93) OTSAT130

(1JJ057) (13 AUG 76)

REFERENCE DATA

SREF = 2690.0000 SQ.FT. XMRP = 976.0000 IN. XT
 LREF = 1290.3000 INCHES YMRP = 0000 IN. YT
 BREF = 1290.3000 INCHES ZMRP = 400 0000 IN. ZT
 SCALE = .0100

PARAMETRIC DATA

BETA = -6.000 ELV-LI = 8.000
 ELV-LO = 9.000 ELV-RI = 8.000
 ELV-RO = 9.000

RUN NO. 0/ 0 RN/L = 3.24 GRADIENT INTERVAL = -5.00/ 5.00

MACH	ALPHA	CABO	CABT	CABS	CAF	CNF	CLMF
600	-8.000	.04190	.08787	.03726	.09191	- 45384	13624
600	-6 000	04140	.08354	.03612	.09973	- 33317	08846
.600	-4 000	04078	07967	03537	10527	-.22549	04853
.600	-2 000	03975	07665	03485	10848	-.11580	00847
600	000	.03845	.07433	03415	.10922	- 00225	- 03412
600	2 000	.03775	.07337	03335	.10674	10730	- 07637
.600	4 000	03711	.07149	03263	.10151	22298	-.12153
	GRADIENT	- 00047	-.00098	-.00035	- 00046	05600	-.02125

RUN NO 0/ 0 RN/L = 3.97 GRADIENT INTERVAL = -5.00/ 5.00

MACH	ALPHA	CABO	CABT	CABS	CAF	CNF	CLMF
.900	-8 000	.04982	.09332	03763	14511	- 50274	15581
.900	-6 000	04813	.09049	.03707	.14795	- 37105	.10608
900	-4 000	04649	08856	03684	14873	-.24706	.05757
.900	-2.000	04566	.08559	03644	.15049	- 11755	.00325
.900	000	04496	08177	.03645	.15121	.00841	-.04840
.900	2 000	.04478	.07955	03623	.14730	.13641	-.10171
900	4.000	04480	.07835	03610	.14581	.25796	- 14430
	GRADIENT	-.00021	-.00132	- 00005	-.00045	06320	-.02543

RUN NO. 0/ 0 RN/L = 4.08 GRADIENT INTERVAL = -5.00/ 5.00

MACH	ALPHA	CABO	CABT	CABS	CAF	CNF	CLMF
.975	-8.000	.05774	.10575	04561	.18698	- .54593	17871
.975	-6.000	05578	.10078	04555	19063	- 39707	.12183
.975	-4 000	05428	09765	04477	19342	- 26479	07526
.975	-2 000	05299	09599	.04386	19541	- 13507	.02680
.975	000	05219	.09443	.04386	.19576	-.00558	-.02559
.975	2.000	.05245	.09261	04387	.19266	11874	-.07440
975	4.000	.05277	.09251	.04432	.18801	24753	-.12345
	GRADIENT	-.00018	-.00068	-.00004	-.00068	.06392	-.02493

DATE 29 OCT 76

TABULATED SOURCE DATA - 1A93.

PAGE 444

LARC 8FT TPT /49 (1A93) OTSAT130

(1JJ057) (13 AUG 76)

REFERENCE DATA

SREF = 2690.0000 SQ.FT. XMRP = 976.0000 IN. XT
 LREF = 1290.3000 INCHES YMRP = .0000 IN. YT
 BREF = 1290.3000 INCHES ZMRP = 400.0000 IN. ZT
 SCALE = .0100

PARAMETRIC DATA

BETA = -6.000 ELV-LI = 8.000
 ELV-LO = 9.000 ELV-RI = 8.000
 ELV-RO = 9.000

RUN NO. 0/ 0 RN/L = 4.19 GRADIENT INTERVAL = -5.00/ 5.00

MACH	ALPHA	CABO	CABT	CABS	CAF	CNF	CLMF
1.150	-6.000	.05711	.09243	.04631	.25983	-.40687	13261
1.150	-4.000	.05604	.09102	.04549	.26235	-.26265	07881
1.150	-2.000	.05509	.08922	.04441	.26624	-.12879	.02994
1.150	0.000	.05393	.08691	.04397	.26778	0.0071	-.02181
1.150	2.000	.05315	.08467	.04323	.26864	.12877	-.07175
	GRADIENT	- .00049	-.00107	-.00036	.00102	.06519	-.02517

RUN NO. 0/ 0 RN/L = 4.22 GRADIENT INTERVAL = -5.00/ 5.00

MACH	ALPHA	CABO	CABT	CABS	CAF	CNF	CLMF
1.205	-8.000	.05873	.09290	.04605	.26797	-.56527	19569
1.205	-6.000	.05708	.09059	.04501	.27106	-.40262	.12934
1.205	-4.000	.05561	.08842	.04412	.27528	-.25875	07600
1.205	-2.000	.05462	.08676	.04360	.27848	-.12436	.02675
1.205	0.000	.05350	.08444	.04332	.27996	0.0564	-.02363
1.205	2.000	.05296	.08189	.04267	.28078	.13113	-.07092
1.205	4.000	.05283	.07934	.04153	.27816	.25309	-.11755
	GRADIENT	- .00036	-.00115	-.00031	.00040	.06396	-.02424

LARC 8FT TPT 749 (1A93) OTSAT130

(1JJ058) (13 AUG 76)

REFERENCE DATA

PARAMETRIC DATA

SREF = 2690.0000 SQ.FT. XMRP = 976 0000 IN. XT
 LREF = 1290.3000 INCHES YMRP = .0000 IN. YT
 BREF = 1290.3000 INCHES ZMRP = 400.0000 IN. ZT
 SCALE = .0100

BETA = -4.000 ELV-LI = 8.000
 ELV-LO = 9.000 ELV-RI = 8.000
 ELV-RO = 9.000

RUN NO.	0/ 0	RN/L =	GRADIENT INTERVAL =					
		3.24	-5.00/ 5.00					
MACH	ALPHA	CABO	CABT	CABS	CAF	CNF	CLMF	
.600	-8.000	.04133	.08564	.03568	.09982	-.45141	.13846	
.600	-6.000	.04068	.08185	.03453	.10629	- .33247	.09262	
.600	-4.000	.03992	.07855	.03387	.11064	- .22506	.05288	
.600	-2.000	.03892	.07548	.03354	.11418	- .11892	.01312	
.600	.000	.03784	.07311	.03276	.11522	- .01028	-.02669	
.600	2.000	.03685	.07188	.03195	.11170	.10159	- .07016	
.600	4.000	.03558	.06972	.03139	.10785	.21907	-.11635	
	GRADIENT	-.00054	-.00106	-.00033	-.00040	.05544	-.02109	
		3.97	-5.00/ 5.00					
MACH	ALPHA	CABO	CABT	CABS	CAF	CNF	CLMF	
.900	-8.000	.04832	.09395	.03589	.14889	-.50831	.16614	
.900	-6.000	.04708	.09095	.03524	.15027	- .37427	.11427	
.900	-4.000	.04606	.08767	.03457	.15132	- .24724	.06242	
.900	-2.000	.04535	.08242	.03413	.15406	- .11960	.00725	
.900	.000	.04471	.07900	.03471	.15331	.00940	-.04757	
.900	2.000	.04417	.07702	.03521	.14815	.14144	- .10631	
.900	4.000	.04350	.07584	.03458	.14878	.26415	-.14894	
	GRADIENT	-.00031	-.00145	.00005	-.00055	.06419	-.02681	
		4.08	-5.00/ 5.00					
MACH	ALPHA	CABO	CABT	CABS	CAF	CNF	CLMF	
.975	-8.000	.05618	.10498	.04426	.19324	- .54708	.18712	
.975	-6.000	.05427	.09975	.04401	.19635	- .39792	.12899	
.975	-4.000	.05283	.09633	.04300	.19969	- .26530	.08126	
.975	-2.000	.05172	.09433	.04224	.19968	- .14082	.03583	
.975	.000	.05099	.09236	.04264	.19900	- .01465	- .01600	
.975	2.000	.05136	.09076	.04281	.19416	.11251	-.06807	
.975	4.000	.05147	.08947	.04300	.19186	.24415	- .12009	
	GRADIENT	-.00015	-.00086	.00003	-.00096	.06361	-.02533	

LARC 8FT TPT 7/49 (1A93) OTSAT130

(1JJ058) (13 AUG 76)

REFERENCE DATA

SREF = 2690.0000 SQ.FT. XMRP = 976 0000 IN. XT
 LREF = 1290.3000 INCHES YMRP = .0000 IN. YT
 BREF = 1290.3000 INCHES ZMRP = 400.0000 IN. ZT
 SCALE = .0100

PARAMETRIC DATA

BETA = -4.000 ELV-LI = 8.000
 ELV-LO = 9.000 ELV-RI = 8.000
 ELV-RO = 9.000

RUN NO	0/ 0	RN/L =	GRADIENT INTERVAL = -5.00/ 5.00					
MACH	ALPHA	CABO	CABT	CABS	CAF	CNF	CLMF	
1.150	-6.000	.05660	.09011	.04516	.26358	-.40957	.14148	
1.150	-4.000	.05525	.08870	.04438	.26611	-.26395	.08556	
1.150	-2.000	.05416	.08729	.04348	.26906	-.13040	.03489	
1.150	.000	.05287	.08563	.04344	.26857	-.00270	-.01673	
1.150	2.000	.05148	.08319	.04278	.26911	.12503	-.06734	
	GRADIENT	-.00063	-.00091	-.00024	.00043	.06473	-.02552	

RUN NO.	0/ 0	RN/L =	GRADIENT INTERVAL = -5.00/ 5.00					
MACH	ALPHA	CABO	CABT	CABS	CAF	CNF	CLMF	
1.205	-8.000	.05802	.09079	.04540	.27160	-.56332	.20092	
1.205	-6.000	.05707	.08787	.04384	.27456	-.40363	.13636	
1.205	-4.000	.05509	.08548	.04279	.27897	-.25830	.08060	
1.205	-2.000	.05353	.08449	.04243	.28145	-.12297	.02895	
1.205	.000	.05236	.08291	.04246	.28109	.00513	-.02105	
1.205	2.000	.05122	.08040	.04196	.28151	.13045	-.06904	
1.205	4.000	.05070	.07790	.04077	.27972	.25254	-.11549	
	GRADIENT	-.00055	-.00096	-.00022	.00008	.06375	-.02451	

LARC 8FT TPT '749 (1A93) OTSAT130

(1JJ059) (13 AUG 76)

REFERENCE DATA

SREF = 2690.0000 SQ.FT XMRP = 976.0000 IN. XT
 LREF = 1290.3000 INCHES YMRP = .0000 IN. YT
 BREF = 1290.3000 INCHES ZMRP = 400.0000 IN. ZT
 SCALE = .0100

PARAMETRIC DATA

BETA = .000 ELV-LI = 8.000
 ELV-LO = 9.000 ELV-RI = 8.000
 ELV-RO = 9.000

RUN NO. 0/ 0 RN/L = 3.24 GRADIENT INTERVAL = -5.00/ 5.00

MACH	ALPHA	CABO	CABT	CABS	CAF	CNF	CLMF
.600	-8.000	.04056	.08348	.03260	.10433	-.45844	.14802
600	-6.000	.03992	.07993	.03123	.10972	-.33767	.10112
600	-4.000	.03919	.07642	.03016	.11450	-.22714	.05835
.600	-2.000	.03830	.07414	.02963	.11778	-.12119	.01862
600	.000	.03732	.07234	.02899	.11824	-.01227	-.02206
.600	2.000	.03596	.06937	.02892	.11577	.10146	-.06682
.600	4.000	.03459	.06685	.02893	.11062	.21459	-.11247
	GRADIENT	-.00058	-.00120	-.00016	-.00049	.05531	-.02135

RUN NO 0/ 0 RN/L = 3.97 GRADIENT INTERVAL = -5.00/ 5.00

MACH	ALPHA	CABO	CABT	CABS	CAF	CNF	CLMF
900	-8.000	.04788	.09392	.03244	.15041	-.51760	.17715
900	-6.000	.04733	.08965	.03099	.15069	-.37775	.12143
.900	-4.000	.04698	.08350	.02939	.15307	-.24468	.06532
.900	-2.000	.04682	.07692	.02869	.15615	-.12984	.01356
900	.000	.04579	.07515	.02975	.15507	.00595	-.04582
900	2.000	.04504	.07260	.03053	.15393	.13835	-.10580
.900	4.000	.04427	.07247	.03111	.15106	.26301	-.14902
	GRADIENT	-.00036	-.00132	.00026	-.00031	.06418	-.02740

RUN NO. 0/ 0 RN/L = 4.08 GRADIENT INTERVAL = -5.00/ 5.00

MACH	ALPHA	CABO	CABT	CABS	CAF	CNF	CLMF
.975	-8.000	.05574	.10307	.04145	.19861	-.55360	.19894
975	-6.000	.05454	.09854	.04029	.20088	-.40812	.14266
.975	-4.000	.05374	.09426	.03870	.20221	-.27401	.09289
.975	-2.000	.05356	.09185	.03749	.20289	-.14674	.04377
975	.000	.05393	.08993	.03729	.20153	-.02692	-.00521
.975	2.000	.05440	.08859	.03790	.19662	.10202	-.05716
.975	4.000	.05443	.08664	.03903	.19153	.23215	-.11109
	GRADIENT	.00011	-.00092	.00005	-.00138	.06305	-.02544

LARC 8FT TPT 749 (1A93) OTSAT130

(1JJ059) (13 AUG 76)

REFERENCE DATA

SREF = 2690 0000 SQ FT. XMRP = 976.0000 IN. XT
 LREF = 1290.3000 INCHES YMRP = .0000 IN. YT
 BREF = 1290.3000 INCHES ZMRP = 400.0000 IN. ZT
 SCALE = .0100

PARAMETRIC DATA

BETA = .000 ELV-LI = 8.000
 ELV-LO = 9.000 ELV-RI = 8.000
 ELV-RO = 9.000

RUN NO. 0/ 0 RN/L = 4.19 GRADIENT INTERVAL = -5.00/ 5.00

MACH	ALPHA	CABO	CABT	CABS	CAF	CNF	CLMF
1.150	-6.000	.05555	.09113	.04319	.26296	-.42167	.15827
1.150	-4.000	.05454	.08832	.04213	.26641	-.27344	.09869
1.150	-2.000	.05325	.08581	.04110	.27124	-.13567	.04195
1.150	.000	.05181	.08326	.04041	.27300	-.01037	-.00964
1.150	2.000	.05053	.08071	.04032	.27034	.11568	-.05894
	GRADIENT	- .00067	- .00127	-.00031	.00068	.06463	-.02622

RUN NO 0/ 0 RN/L = 4.22 GRADIENT INTERVAL = -5.00/ 5.00

MACH	ALPHA	CABO	CABT	CABS	CAF	CNF	CLMF
1.205	-8.000	.05564	.09099	.04239	.27376	-.56608	.21218
1.205	-6.000	.05449	.08842	.04134	.27624	-.40880	.14860
1.205	-4.000	.05345	.08514	.04039	.28024	-.26056	.08845
1.205	-2.000	.05252	.08254	.03951	.28392	-.12310	.03356
1.205	.000	.05148	.08044	.03890	.28575	-.00013	-.01467
1.205	2.000	.05005	.07810	.03890	.28286	.11959	-.06000
1.205	4.000	.04893	.07494	.03874	.28001	.24374	-.10669
	GRADIENT	- .00058	-.00124	-.00020	-.00008	.06256	-.02419

LARC 8FT TPT /49 (1A93) OTSAT130

(1J061) (13 AUG 76)

REFERENCE DATA

SREF = 2690.0000 SQ.FT. XMRP = 976 0000 IN. XT
 LREF = 1290.3000 INCHES YMRP = 0000 IN. YT
 BREF = 1290.3000 INCHES ZMRP = 400.0000 IN. ZT
 SCALE = .0100

PARAMETRIC DATA

BETA = 4 000 ELV-LI = 8.000
 ELV-LO = 9.000 ELV-RI = 8.000
 ELV-RO = 9.000

RUN NO. 0/ 0 RN/L = 3.24 GRADIENT INTERVAL = -5.00/ 5.00

MACH	ALPHA	CABO	CABT	CABS	CAF	CNF	CLMF
600	-8 000	04076	.08377	02932	.11241	- 46177	.14407
600	-6 000	03984	08029	.02827	.11880	- 34350	.09863
.600	-4 000	03876	.07670	02708	.12425	- 23577	05740
.600	-2 000	.03600	.07373	.02630	.12762	- 12542	01596
.600	000	.03702	.07206	02570	12752	- .00789	-.02925
.600	2 000	03612	07074	02568	.12303	.10098	-.07116
.600	4 000	.03488	06838	.02655	11582	22325	- 11951
	GRADIENT	-.00048	-.00098	-.00008	-.00107	.05722	-.02205

RUN NO. 0/ 0 RN/L = 3 97 GRADIENT INTERVAL = -5.00/ 5 00

MACH	ALPHA	CABO	CABT	CABS	CAF	CNF	CLMF
.900	-8 000	.04869	.09180	03067	15933	-.51007	.16595
.900	-6 000	04720	08856	02966	.16150	-.37485	.11403
900	-4 000	04568	08443	02858	.16340	- 24314	06062
900	-2 000	.04594	.07970	.02829	.16419	- 12168	.00713
900	000	.04499	.07735	02771	16584	00505	-.04791
900	2 000	04380	.07434	02758	.16471	13996	-.10762
900	4 000	04360	07442	02650	16163	26244	- 15026
	GPADIENT	- 00032	- 00127	- 00004	- 00015	06364	- 02683

RUN NO. 0/ 0 RN/L = 4 08 GRADIENT INTERVAL = -5.00/ 5.00

MACH	ALPHA	CABO	CABT	CABS	CAF	CNF	CLMF
.975	-8 000	.05629	10225	.03862	20422	-.55199	.18998
975	-6 000	.05417	09794	03731	.20882	-.40606	.13384
.975	-4 000	.05252	09454	03574	21191	- 27161	.08353
975	-2 000	.05133	.09315	.03443	21284	- 14037	.03326
.975	000	.05090	09193	.03353	.21426	-.01418	-.01617
.975	2 000	.05105	08914	03395	20994	.11101	-.06797
.975	4 000	05113	.08824	03557	.20403	.24002	-.12022
	GRADIENT	-.00015	-.00083	- 00004	-.00093	.06373	-.02544

ORIGINAL PAGE IS
OF POOR QUALITY.

LARC BFT TPT '749 (1A93) OTSAT130

(1JJ061) (13 AUG 76)

REFERENCE DATA

SREF = 2690.0000 SQ.FT. XMRP = 976.0000 IN. XT
 LREF = 1290.3000 INCHES YMRP = .0000 IN. YT
 BREF = 1290.3000 INCHES ZMRP = 400 0000 IN ZT
 SCALE = .0100

PARAMETRIC DATA

BETA * 4.000 ELV-LI * 8.000
 ELV-LO * 9.000 ELV-RI * 8.000
 ELV-RO * 9.000

MACH	ALPHA	CABO	CABT	CABS	CAF	CNF	CLMF
RUN NO. 0/ 0 RN/L = 4.19 GRADIENT INTERVAL = -5.00/ 5 00							
1.150	-6.000	.05723	.09216	.03993	.27133	-.41640	.14822
1.150	-4.000	.05595	.08923	.03867	.27461	-.26881	.08861
1.150	-2.000	.05470	.08644	.03704	.27907	-.13154	.03421
1.150	.000	.05353	.08445	.03601	.28036	-.00291	-.01610
1.150	2.000	.05184	.08179	.03617	.27720	.12508	-.06776
	GRADIENT	-.00067	-.00122	-.00043	.00045	.06551	-.02597

MACH	ALPHA	CABO	CABT	CABS	CAF	CNF	CLMF
RUN NO. 0/ 0 RN/L = 4.22 GRADIENT INTERVAL = -5.00/ 5.00							
1.205	-8.000	.05817	.09241	.03985	.27941	-.56893	.20688
1.205	-6.000	.05680	.09005	.03887	.28137	-.41053	.14298
1.205	-4.000	.05515	.08695	.03747	.28544	-.26423	.08424
1.205	-2.000	.05387	.08437	.03592	.28972	-.12727	.03091
1.205	.000	.05252	.08178	.03444	.29266	.00023	-.01731
1.205	2.000	.05128	.07890	.03462	.28985	.12487	-.06591
1.205	4.000	.05008	.07660	.03584	.28425	.24916	-.11492
	GRADIENT	-.00064	-.00131	-.00023	-.00011	.06395	-.02476

LARC 8FT TPT /49 (1A93) OTSAT130

(1JJ062) (13 AUG 76)

REFERENCE DATA

SREF = 2690.0000 SQ FT. XMRP = 976.0000 IN. XT
 LREF = 1290.3000 INCHES YMRP = .0000 IN. YT
 BREF = 1290.3000 INCHES ZMRP = 400.0000 IN. ZT
 SCALE = .0100

PARAMETRIC DATA

BETA = 6.000 ELV-LI = 8.000
 ELV-LO = 9.000 ELV-RI = 8.000
 ELV-RO = 9.000

RUN NO. 0/ 0 RN/L = 3.24 GRADIENT INTERVAL = -5.00/ 5.00

MACH	ALPHA	CABO	CABT	CABS	CAF	CNF	CLMF
.600	-8 000	.04126	.08468	.02726	.11348	-.45455	.13935
.600	-6.000	.04027	.08082	.02630	.12028	-.33712	.09326
.600	-4 000	.03915	.07750	.02567	.12530	-.22820	.05219
.600	-2 000	.03843	.07493	.02499	.12775	-.11590	.00910
.600	.000	.03783	.07352	.02450	.12727	-.00177	-.03464
.600	2 000	.03677	.07168	.02486	.12394	.11037	-.07754
.600	4 000	.03607	.06995	.02577	.11506	.22565	-.12351
	GRADIENT	-.00039	-.00092	.00000	-.00121	.05670	-.02190

RUN NO 0/ 0 PN/L = 3 97 GRADIENT INTERVAL = -5.00/ 5.00

MACH	ALPHA	CABO	CABT	CABS	CAF	CNF	CLMF
.900	-8.000	.04986	.09312	.02854	.16104	-.50800	.16119
.900	-6 000	.04821	.08984	.02799	.16341	-.37537	.11088
.900	-4 000	.04667	.08681	.02742	.16583	-.25235	.06284
.900	-2 000	.04656	.08315	.02694	.16720	-.12832	.01070
.900	.000	.04591	.07990	.02638	.16875	.00271	-.04659
.900	2.000	.04511	.07720	.02679	.16695	.13462	-.10357
.900	4.000	.04459	.07702	.02747	.16323	.25534	-.14561
	GRADIENT	-.00028	-.00128	-.00000	-.00027	.06392	-.02656

RUN NO. 0/ 0 RN/L = 4 08 GRADIENT INTERVAL = -5 00/ 5.00

MACH	ALPHA	CABO	CABT	CABS	CAF	CNF	CLMF
.975	-8 000	.05927	.10287	.03461	.20803	-.55523	.18735
.975	-6 000	.05687	.09885	.03406	.21214	-.40703	.12978
.975	-4.000	.05468	.09588	.03332	.21440	-.27177	.07898
.975	-2.000	.05309	.09440	.03248	.21511	-.14128	.02926
.975	.000	.05178	.09300	.03202	.21575	-.01153	-.02266
.975	2.000	.05167	.09055	.03272	.21143	.11509	-.07458
.975	4.000	.05211	.08966	.03419	.20521	.24553	-.12539
	GRADIENT	-.00033	-.00081	.00010	-.00110	.06455	-.02563

LARC 8FT TPT 749 (1A93) OTSAT130

(1JJ062) (13 AUG 76)

REFERENCE DATA

SREF = 2690.0000 SQ.FT. XMRP = 976.0000 IN XT
 LREF = 1290.3000 INCHES YMRP = .0000 IN. YT
 BREF = 1290.3000 INCHES ZMRP = 400.0000 IN. ZT
 SCALE = .0100

PARAMETRIC DATA

BETA = 6.000 ELV-LI = 8.000
 ELV-LO = 9.000 ELV-RI = 8.000
 ELV-RO = 9.000

RUN NO. 0/ 0 RN/L = 4.19 GRADIENT INTERVAL = -5.00/ 5.00

MACH	ALPHA	CABO	CABT	CABS	CAF	CNF	CLMF
1.150	-6.000	.05921	.09350	.03672	.27528	-.41812	.14293
1.150	-4.000	.05785	.09085	.03611	.27753	-.27214	.08562
1.150	-2.000	.05635	.08844	.03495	.28011	-.13533	.03313
1.150	.000	.05505	.08635	.03398	.28095	-.00189	-.01984
1.150	2.000	.05331	.08322	.03501	.27750	.12781	-.07344
	GRADIENT	- .00075	- .00125	- .00021	.00004	.06666	-.02651

RUN NO. 0/ 0 RN/L = 4.22 GRADIENT INTERVAL = -5.00/ 5.00

MACH	ALPHA	CABO	CABT	CABS	CAF	CNF	CLMF
1.205	-8.000	.06007	.09412	.03720	.28117	-.57235	.20458
1.205	-6.000	.05877	.09130	.03632	.28352	-.41158	.13850
1.205	-4.000	.05728	.08821	.03540	.28642	-.26773	.08195
1.205	-2.000	.05576	.08594	.03413	.28927	-.13207	.03047
1.205	.000	.05398	.08335	.03271	.29253	.00091	-.02111
1.205	2.000	.05288	.08091	.03354	.28938	.12595	-.07067
1.205	4.000	.05164	.07816	.03458	.28360	.25194	-.11986
	GRADIENT	- .00071	-.00126	-.00011	- .00028	.06487	-.02524

LARC 8FT TPT 749 (1A93) OTSAT130+TS1

(1JJ063) (13 AUG 76)

REFERENCE DATA

SREF = 2690.0000 SQ.FT. XMRP = 976.0000 IN. XT
 LREF = 1290.3000 INCHES YMRP = .0000 IN. YT
 BREF = 1290.3000 INCHES ZMRP = 400.0000 IN. ZT
 SCALE = .0100

PARAMETRIC DATA

BETA = -6.000 ELV-L1 = 10.000
 ELV-LO = 9.000 ELV-R1 = 10.000
 ELV-RO = 9.000

RUN NO. 0/ 0 RN/L = 4.09 GRADIENT INTERVAL = -5.00/ 5.00

MACH	ALPHA	CABO	CABT	CABS	CAF	CNF	CLMF
.975	-8.000	05855	10619	.04610	.18526	-.53483	.17030
.975	-6.000	05659	.10124	.04583	.18888	-.39102	.11633
.975	-4.000	05502	.09780	.04480	.19144	-.26017	.07043
.975	-2.000	05381	.09608	04382	.19354	-.12663	.02004
.975	.000	.05302	.09473	04369	.19438	-.00083	-.03068
.975	2.000	.05331	09291	.04373	.19230	.12840	-.08126
.975	4.000	05374	09332	04447	.18735	.25162	-.12688
	GRADIENT	-.00015	-.00061	-.00004	-.00047	06393	-.02480

RUN NO. 0/ 0 RN/L = 4.21 GRADIENT INTERVAL = -5.00/ 5.00

MACH	ALPHA	CABO	CABT	CABS	CAF	CNF	CLMF
1.150	-6.000	05787	.09361	.04675	.25713	-.39829	.12517
1.150	-4.000	.05699	.09188	.04586	.26004	-.25346	.07075
1.150	-2.000	05608	.08975	04469	.26469	-.11777	.02091
1.150	.000	05475	.08707	04400	.26716	.01228	-.03059
1.150	2.000	.05409	08474	.04331	.26717	.13736	-.07851
	GRADIENT	-.00050	-.00121	-.00042	.00119	.06513	-.02496

RUN NO. 0/ 0 RN/L = 4.21 GRADIENT INTERVAL = -5.00/ 5.00

MACH	ALPHA	CABO	CABT	CABS	CAF	CNF	CLMF
1.205	-8.000	05920	.09273	04555	.26845	-.55818	.18908
1.205	-6.000	05730	09073	.04489	.27116	-.39468	.12215
1.205	-4.000	.05616	08854	.04418	.27457	-.25019	06834
1.205	-2.000	.05534	.08636	.04345	.27840	-.11591	.01923
1.205	.000	05412	.08376	04303	.28076	01452	-.03110
1.205	2.000	05360	.08118	.04241	.28104	.13820	-.07683
1.205	4.000	05323	07837	04144	.27831	.26053	-.12364
	GRADIENT	-.00038	-.00128	-.00033	00051	06378	-.02400

ORIGINAL PAGE IS
OF POOR QUALITY

LARC BFT TPT 749 (1A93) OTSAT130+TS1

(1JJD64) (13 AUG 76)

REFERENCE DATA

SREF = 2690.0000 SQ.FT. XMRP = 976.0000 IN. XT
 LREF = 1290.3000 INCHES YMRP = 0000 IN. YT
 BREF = 1290.3000 INCHES ZMRP = 400.0000 IN. ZT
 SCALE = .0100

PARAMETRIC DATA

BETA = .000 ELV-LI = 10.000
 ELV-LO = 9.000 ELV-RI = 10.000
 ELV-RO = 9.000

RUN NO. 0/ 0 RN/L = 4.09 GRADIENT INTERVAL = -5.00/ 5.00

MACH	ALPHA	CABO	CABT	CABS	CAF	CNF	CLMF
.975	-8.000	.05547	.10293	.04204	.19717	-.54608	.19301
.975	-6.000	.05409	.09817	.04075	.19980	-.39976	.13648
.975	-4.000	.05341	.09431	.03921	.20125	-.26633	.08721
.975	-2.000	.05363	.09221	.03804	.20126	-.13853	.03854
.975	.000	.05386	.09013	.03784	.20007	-.01665	-.01155
.975	2.000	.05439	.08893	.03859	.19487	.11108	-.06319
.975	4.000	.05429	.08713	.03951	.19013	.24003	-.11709
	GRADIENT	.00013	-.00088	.00006	-.00143	.06312	-.02552

RUN NO. 0/ 0 RN/L = 4.21 GRADIENT INTERVAL = -5.00/ 5.00

MACH	ALPHA	CABO	CABT	CABS	CAF	CNF	CLMF
1.150	-6.000	.05644	.09138	.04347	.26239	-.41354	.15161
1.150	-4.000	.05553	.08863	.04251	.26560	-.26505	.09156
1.150	-2.000	.05431	.08611	.04149	.26986	-.12673	.03433
1.150	.000	.05277	.08358	.04072	.27169	.00090	-.01789
1.150	2.000	.05120	.08069	.04055	.26950	.12712	-.06680
	GRADIENT	-.00073	-.00132	-.00033	.00068	.06521	-.02636

RUN NO. 0/ 0 RN/L = 4.21 GRADIENT INTERVAL = -5.00/ 5.00

MACH	ALPHA	CABO	CABT	CABS	CAF	CNF	CLMF
1.205	-8.000	.05589	.09032	.04223	.27569	-.56049	.20676
1.205	-6.000	.05502	.08779	.04127	.27785	-.40197	.14266
1.205	-4.000	.05424	.08457	.04044	.28130	-.25330	.08238
1.205	-2.000	.05329	.08172	.03947	.28524	-.11711	.02784
1.205	.000	.05218	.07998	.03889	.28599	.00891	-.02226
1.205	2.000	.05062	.07754	.03883	.28337	.12847	-.06732
1.205	4.000	.04942	.07428	.03873	.28029	.25217	-.11378
	GRADIENT	-.00062	-.00124	-.00020	-.00019	.06283	-.02437

LARC BFT TPT 749 (1A93) OTSAT130+TS1-BASE TUBES

(1J065) (13 AUG 76)

REFERENCE DATA

SREF = 2690.0000 SQ.FT. XMRP = 976.0000 IN. XT
 LREF = 1290.3000 INCHES YMRP = .0000 IN. YT
 BREF = 1290.3000 INCHES ZMRP = 400.0000 IN. ZT
 SCALE = .0100

PARAMETRIC DATA

BETA = -6.000 ELV-L1 = 10.000
 ELV-LO = 9.000 ELV-R1 = 10.000
 ELV-RO = 9.000

RUN NO. 0/ 0 RN/L = 4.08 GRADIENT INTERVAL = -5.00/ 5.00

MACH	ALPHA	CABO	CABT	CABS	CAF	CNF	CLMF
.975	-8.000	.00000	.00000	.00000	.44221	- .50429	.15465
.975	-6.000	.00000	.00000	.00000	.43886	- .35972	.10057
.975	-4.000	.00000	.00000	.00000	.43458	- .22946	.05508
.975	-2.000	.00000	.00000	.00000	.43177	- .09774	.00526
.975	.000	.00000	.00000	.00000	.43008	.03198	-.04732
.975	2.000	.00000	.00000	.00000	.42672	.15865	-.09703
.975	4.000	.00000	.00000	.00000	.42251	.28478	-.14299
	GRADIENT	.00000	.00000	.00000	-.00146	.06424	-.02492

RUN NO. 0/ 0 RN/L = 4.20 GRADIENT INTERVAL = -5.00/ 5.00

MACH	ALPHA	CABO	CABT	CABS	CAF	CNF	CLMF
1.150	-6.000	.00000	.00000	.00000	.50279	- .36714	.10998
1.150	-4.000	.00000	.00000	.00000	.50120	- .22371	.05624
1.150	-2.000	.00000	.00000	.00000	.50022	- .09084	.00750
1.150	.000	.00000	.00000	.00000	.49703	.03939	-.04411
1.150	2.000	.00000	.00000	.00000	.49304	.16474	-.09241
	GRADIENT	.00000	.00000	.00000	-.00138	.06478	-.02488

RUN NO. 0/ 0 RN/L = 4.21 GRADIENT INTERVAL = -5.00/ 5.00

MACH	ALPHA	CABO	CABT	CABS	CAF	CNF	CLMF
1.205	-8.000	.00000	.00000	.00000	.51208	- .52596	.17325
1.205	-6.000	.00000	.00000	.00000	.50967	- .36411	.10731
1.205	-4.000	.00000	.00000	.00000	.50841	- .21903	.05327
1.205	-2.000	.00000	.00000	.00000	.50737	- .08303	.00319
1.205	.000	.00000	.00000	.00000	.50512	.04298	-.04508
1.205	2.000	.00000	.00000	.00000	.50178	.16641	-.09047
1.205	4.000	.00000	.00000	.00000	.49357	.28894	-.13773
	GRADIENT	.00000	.00000	.00000	-.00176	.06327	-.02378

LARC 8FT TPT '749 (IA93) OTSAT130+TS1-BASE TUBES

(1JJ066) (13 AUG 76)

REFERENCE DATA

PARAMETRIC DATA

SREF = 2690.0000 SQ.FT. XMRP = 976.0000 IN. XT
 LREF = 1290.3000 INCHES YMRP = .0000 IN. YT
 BREF = 1290.3000 INCHES ZMRP = 400.0000 IN. ZT
 SCALE = .0100

BETA = .000 ELV-LI = 10.000
 ELV-LO = 9.000 ELV-RI = 10.000
 ELV-RO = 9.000

RUN NO. 0/0 RN/L = 4.08 GRADIENT INTERVAL = -5.00/ 5.00

MACH	ALPHA	CABO	CABT	CABS	CAF	CNF	CLMF
.975	-8.000	.00000	.00000	.00000	.44009	-.51721	.17825
.975	-6.000	.00000	.00000	.00000	.43370	-.36966	.12103
.975	-4.000	.00000	.00000	.00000	.42683	-.23669	.07186
.975	-2.000	.00000	.00000	.00000	.42264	-.11200	.02414
.975	.000	.00000	.00000	.00000	.41956	.01424	-.02773
.975	2.000	.00000	.00000	.00000	.41510	.14179	-.07974
.975	4.000	.00000	.00000	.00000	.41070	.27145	-.13368
	GRADIENT	.00000	.00000	.00000	-.00199	.06350	-.02575

RUN NO 0/0 RN/L = 4.20 GRADIENT INTERVAL = -5.00/ 5.00

MACH	ALPHA	CABO	CABT	CABS	CAF	CNF	CLMF
1.150	-6.000	.00000	.00000	.00000	.49791	-.39391	.13670
1.150	-4.000	.00000	.00000	.00000	.49550	-.23539	.07678
1.150	-2.000	.00000	.00000	.00000	.49411	-.09572	.01921
1.150	.000	.00000	.00000	.00000	.49006	.02971	-.03249
1.150	2.000	.00000	.00000	.00000	.48351	.15591	-.08147
	GRADIENT	.00000	.00000	.00000	-.00200	.06497	-.02632

RUN NO 0/0 RN/L = 4.21 GRADIENT INTERVAL = -5.00/ 5.00

MACH	ALPHA	CABO	CABT	CABS	CAF	CNF	CLMF
1.205	-8.000	.00000	.00000	.00000	.50684	-.52960	.19177
1.205	-6.000	.00000	.00000	.00000	.50367	-.37147	.12778
1.205	-4.000	.00000	.00000	.00000	.50164	-.22407	.06795
1.205	-2.000	.00000	.00000	.00000	.49975	-.08818	.01349
1.205	.000	.00000	.00000	.00000	.49685	.03757	-.03655
1.205	2.000	.00000	.00000	.00000	.49089	.15691	-.08149
1.205	4.000	.00000	.00000	.00000	.48367	.27800	-.12668
	GRADIENT	.00000	.00000	.00000	-.00224	.06246	-.02421

DATE 29 OCT 76

TABULATED SOURCE DATA - 1A93.

PAGE 457

LARC 8FT TPT 749 (1A93) OTSAT130+TS2

(1JJ067) (13 AUG 76)

REFERENCE DATA

SREF = 2690.0000 SQ.FT. XMRP = 976 0000 IN. XT
 LREF = 1290.3000 INCHES YMRP = .0000 IN. YT
 BREF = 1290.3000 INCHES ZMRP = 400.0000 IN. ZT
 SCALE = .0100

PARAMETRIC DATA

BETA = -6.000 ELV-LI = 10.000
 ELV-LO = 9.000 ELV-RI = 10.000
 ELV-RO = 9.000

RN/L = 4.81 GRADIENT INTERVAL = -5.00/ 5.00

MACH =	.975						
	ALPHA	CABO	CABT	CABS	CAF	CNF	CLMF
	-8.000	.05810	.10559	.04615	.18567	-.53730	.17241
	-6.000	.05634	.10079	.04579	.18958	-.39287	.11831
	-4.000	.05507	.09786	.04478	.19208	-.26284	.07254
	-2.000	.05393	.09605	.04379	.19381	-.13206	.02335
	.000	.05328	.09469	.04367	.19458	-.00315	-.02841
	2.000	.05360	.09298	.04370	.19257	.12078	-.07697
	4.000	.05392	.09294	.04453	.18649	.25118	-.12746
	GRADIENT	-.00013	-.00065	-.00003	-.00062	.06404	-.02502

LARC 8FT TPT 749 (1A93) OTSAT130+TS2

(1JJ068) (13 AUG 76)

REFERENCE DATA

SREF = 2690.0000 SQ.FT. XMRP = 976 0000 IN. XT
 LREF = 1290.3000 INCHES YMRP = .0000 IN. YT
 BREF = 1290.3000 INCHES ZMRP = 400 0000 IN. ZT
 SCALE = .0100

PARAMETRIC DATA

BETA = .000 ELV-LI = 10.000
 ELV-LO = 9.000 ELV-RI = 10.000
 ELV-RO = 9.000

RN/L = 4.81 GRADIENT INTERVAL = -5.00/ 5.00

MACH =	.975						
	ALPHA	CABO	CABT	CABS	CAF	CNF	CLMF
	-8.000	.05545	.10315	.04209	.19786	-.54894	.19394
	-6.000	.05417	.09836	.04080	.20023	-.40365	.13782
	-4.000	.05351	.09444	.03921	.20149	-.26971	.08845
	-2.000	.05349	.09221	.03799	.20206	-.14372	.04122
	.000	.05388	.09045	.03788	.20048	-.02250	-.00816
	2.000	.05448	.08943	.03866	.19561	.10515	-.05977
	4.000	.05445	.08751	.03963	.19151	.23367	-.11347
	GRADIENT	.00014	-.00083	.00008	-.00132	.06278	-.02524

LARC 8FT TPT /49 (1A93) OTSAT130+TS2

(1JJ069) (13 AUG '76)

REFERENCE DATA

PARAMETRIC DATA

SREF = 2690.0000 SQ.FT. XMRP = 976.0000 IN. XT
 LREF = 1290.3000 INCHES YMRP = .0000 IN. YT
 BREF = 1290.3000 INCHES ZMRP = 400.0000 IN. ZT
 SCALE = .0100

BETA = 6.000 ELV-LI = 10.000
 ELV-LO = 9.000 ELV-RI = 10.000
 ELV-RO = 9.000

RN/L = 4.81 GRADIENT INTERVAL = -5.00/ 5.00

MACH =	.975	ALPHA	CABO	CABT	CABS	CAF	CNF	CLMF
	-8.000	.06024	.10347	.03464	.20909	-.54888	.18304	
	-6.000	.05761	.09940	.03416	.21265	-.40146	.12591	
	-4.000	.05543	.09649	.03365	.21441	-.26586	.07549	
	-2.000	.05396	.09460	.03285	.21495	-.13516	.02577	
	.000	.05268	.09308	.03246	.21449	-.00992	-.02489	
	2.000	.05255	.09129	.03321	.21033	.11563	-.07602	
	4.000	.05297	.09035	.03455	.20429	.24783	-.12795	
	GRADIENT	-.00032	-.00078	.00011	-.00124	.06391	-.02543	

LARC 8FT TPT 749 (1A93) OTSAT130+TS2

(1JJ070) (13 AUG 76)

REFERENCE DATA

PARAMETRIC DATA

SREF = 2690.0000 SQ.FT. XMRP = 976.0000 IN. XT
 LREF = 1290.3000 INCHES YMRP = .0000 IN. YT
 BREF = 1290.3000 INCHES ZMRP = 400.0000 IN. ZT
 SCALE = .0100

BETA = -6.000 ELV-LI = 10.000
 ELV-LO = 9.000 ELV-RI = 10.000
 ELV-RO = 9.000

RN/L = 2.04 GRADIENT INTERVAL = -5.00/ 5.00

MACH =	.975	ALPHA	CABO	CABT	CABS	CAF	CNF	CLMF
	-8.000	.05940	.10613	.04496	.18929	-.54338	.18039	
	-6.000	.05747	.10209	.04518	.19174	-.39636	.12294	
	-4.000	.05550	.09773	.04492	.19400	-.26266	.07404	
	-2.000	.05394	.09545	.04387	.19434	-.13322	.02450	
	.000	.05282	.09376	.04375	.19429	-.00425	-.02873	
	2.000	.05251	.09215	.04362	.19268	.11891	-.07755	
	4.000	.05280	.09207	.04408	.18760	.24462	-.12563	
	GRADIENT	-.00034	-.00073	-.00010	-.00072	.06333	-.02507	

LARC 8FT, TPT 749 (1A93) OTSAT130+TS2

(1JJ071) (13 AUG 76)

REFERENCE DATA

SREF = 2690.0000 SQ.FT. XMRP = 976.0000 IN. XT
 LREF = 1290.3000 INCHES YMRP = .0000 IN. YT
 BREF = 1290.3000 INCHES ZMRP = 400.0000 IN. ZT
 SCALE = .0100

PARAMETRIC DATA

BETA = .000 ELV-LI = 10.000
 ELV-LO = 9.000 ELV-RI = 10.000
 ELV-RO = 9.000

RN/L = 2.04 GRADIENT INTERVAL = -5.00/ 5.00

MACH =	ALPHA	CABO	CABT	CAB5	CAF	CNF	CLMF
.975	-8.000	.05579	.10164	.04147	.19951	-.55295	.20192
	-6.000	.05436	.09889	.04046	.20082	-.40666	.14419
	-4.000	.05323	.09497	.03925	.20135	-.27314	.09171
	-2.000	.05301	.09172	.03809	.20253	-.14544	.04304
	.000	.05333	.08989	.03754	.20018	-.02720	-.00585
	2.000	.05338	.08771	.03805	.19578	.10125	-.05946
	4.000	.05315	.08554	.03990	.19193	.23175	-.11562
	GRADIENT	00001	-.00114	-.00004	-.00128	.06282	-.02586

LARC 8FT TPT 749 (1A93) OTSAT130

(MJJ002) (02 JUL 76)

REFERENCE DATA

SREF = 2690.0000 SQ.FT. XMRP = 976.0000 IN. XT
 LREF = 1290.3000 INCHES YMRP = .0000 IN. YT
 BREF = 1290.3000 INCHES ZMRP = 400.0000 IN. ZT
 SCALE = .0100

PARAMETRIC DATA

BETA = -6.000 ELV-LI = 10.000
 ELV-LO = 9.000 ELV-RI = 10.000
 ELV-RO = 9.000

RUN NO. 0/ 0 RN/L = 3.17 GRADIENT INTERVAL = -5.00/ 5.00

MACH	ALPHA	CYN	CBL	CY	CHEI	ELV-LI	CHEO	ELV-LO
.600	-8.000	-.09968	.02976	.23944	.01640	10.26518	-.00073	10.43493
.600	-6.000	-.09639	.03066	.23506	.01496	10.25972	-.00198	10.43311
.600	-4.000	-.09200	.03117	.22747	.01369	10.25492	-.00356	10.43079
.600	-2.000	-.09113	.03235	.22205	.01237	10.24986	-.00592	10.42735
.600	.000	-.09327	.03412	.22007	.01122	10.24552	-.00859	10.42344
.600	2.000	-.09464	.03606	.21953	.01047	10.24265	-.01147	10.41924
.600	4.000	-.09564	.03918	.22476	.00972	10.23981	-.01599	10.41263
	GRADIENT	-.00054	.00099	-.00040	-.00049	-.00187	-.00152	-.00222

ORIGINAL PAGE IS OF POOR QUALITY

LARC 8FT TPT /49 (1A93) OTSAT130

(NJ002) (02 JUL '76)

REFERENCE DATA

SREF = 2690.0000 SQ.FT. XMRP = 976.0000 IN. XT
 LREF = 1290.3000 INCHES YMRP = .0000 IN. YT
 BREF = 1290.3000 INCHES ZMRP = 400.0000 IN. ZT
 SCALE = .0100

PARAMETRIC DATA

BETA = -6.000 ELV-LI = 10.000
 ELV-LO = 9.000 ELV-RI = 10.000
 ELV-RO = 9.000

RUN NO. 0/ 0 RN/L = 3.97 GRADIENT INTERVAL = -5.00/ 5.00

MACH	ALPHA	CYN	CBL	CY	CHEI	ELV-LI	CHEO	ELV-LO
.900	-8.000	-.11217	.02973	.27064	.02116	10.33915	.00019	10.43694
.900	-6.000	-.10703	.03110	.26179	.02307	10.35145	.00409	10.45632
.900	-4.000	-.10255	.03252	.25081	.02381	10.35617	.00182	10.44504
.900	-2.000	-.09982	.03382	.24368	.02428	10.35911	.00093	10.44061
.900	.000	-.09839	.03595	.23780	.02436	10.35973	-.00311	10.42828
.900	2.000	-.09651	.03800	.23420	.02315	10.35185	-.01243	10.40516
.900	4.000	-.09814	.04000	.23865	.01486	10.29862	-.02842	10.36544
	GRADIENT	.00061	.00096	-.00169	-.00095	-.00612	-.00369	-.00973

RUN NO 0/ 0 RN/L = 4.07 GRADIENT INTERVAL = -5.00/ 5.00

MACH	ALPHA	CYN	CBL	CY	CHEI	ELV-LI	CHEO	ELV-LO
.975	-8.000	-.12192	.03507	.29289	.01128	10.28130	-.00752	10.41587
.975	-6.000	-.11033	.03535	.27572	.02194	10.35527	-.00509	10.42237
.975	-4.000	-.10078	.03543	.25936	.03205	10.42549	-.00304	10.42785
.975	-2.000	-.09381	.03637	.24511	.02714	10.39151	-.00346	10.42674
.975	.000	-.09280	.03728	.23793	.01581	10.31280	-.00588	10.42026
.975	2.000	-.09814	.03795	.23431	.00334	10.22621	-.01373	10.39923
.975	4.000	-.08776	.03971	.23390	-.00889	10.17621	-.03314	10.34727
	GRADIENT	.00149	.00051	-.00309	-.00528	-.03319	-.00352	-.00943

RUN NO. 0/ 0 RN/L = 4.23 GRADIENT INTERVAL = -5.00/ 5.00

MACH	ALPHA	CYN	CBL	CY	CHEI	ELV-LI	CHEO	ELV-LO
1.150	-6.000	-.10708	.03832	.27010	.04029	10.51769	-.01059	10.40407
1.150	-4.000	-.10041	.04040	.25794	.03563	10.48125	-.02084	10.37321
1.150	-2.000	-.09877	.04215	.24988	.03068	10.44259	-.03130	10.34169
1.150	.000	-.10078	.04230	.24583	.02331	10.39500	-.03891	10.31875
1.150	2.000	-.10173	.04299	.24697	.01524	10.32200	-.04597	10.29748
	GRADIENT	-.00030	.00040	-.00185	-.00343	-.02677	-.00415	-.01251

LARC 8FT TPT 749 (1A93) OTSAT130

(MJJ002) (02 JUL 76)

REFERENCE DATA

SREF = 2690.0000 SQ.FT. XMRP = 976.0000 IN. XT
 LREF = 1290.3000 INCHES YMRP = .0000 IN. YT
 BREF = 1290.3000 INCHES ZMRP = 400.0000 IN. ZT
 SCALE = .0100

PARAMETRIC DATA

BETA = -6.000 ELV-LI = 10.000
 ELV-LO = 9.000 ELV-RI = 10.000
 ELV-RO = 9.000

RUN NO. 0/ 0 RN/L = 4.22 GRADIENT INTERVAL = -5.00/ 5.00

MACH	ALPHA	CYN	CBL	CY	CHEI	ELV-LI	CHEO	ELV-LO
1.205	-8.000	-.11916	.03808	.28886	.04380	10.55292	-.01008	10.40494
1.205	-6.000	-.10963	.03981	.27330	.03835	10.50932	-.01858	10.37875
1.205	-4.000	-.10258	.04099	.26101	.03380	10.47294	-.02913	10.34624
1.205	-2.000	-.10082	.04200	.25280	.02978	10.44089	-.03824	10.31811
1.205	.000	-.10381	.04235	.25105	.02420	10.39636	-.04508	10.29703
1.205	2.000	-.10500	.04326	.25086	.01682	10.33737	-.05206	10.27553
1.205	4.000	-.10198	.04451	.25077	.00791	10.26619	-.05812	10.25685
	GRADIENT	-.00015	.00041	-.00112	-.00324	-.02585	-.00359	-.01107

LARC 8FT TPT 749 (1A93) OTSAT130

(MJJ003) (02 JUL 76)

REFERENCE DATA

SREF = 2690.0000 SQ.FT. XMRP = 976.0000 IN. XT
 LREF = 1290.3000 INCHES YMRP = .0000 IN. YT
 BREF = 1290.3000 INCHES ZMRP = 400.0000 IN. ZT
 SCALE = .0100

PARAMETRIC DATA

BETA = -4.000 ELV-LI = 10.000
 ELV-LO = 9.000 ELV-RI = 10.000
 ELV-RO = 9.000

RUN NO. 0/ 0 RN/L = 3.17 GRADIENT INTERVAL = -5.00/ 5.00

MACH	ALPHA	CYN	CBL	CY	CHEI	ELV-LI	CHEO	ELV-LO
.600	-8.000	-.06987	.01993	.16648	.01491	10.25946	-.00084	10.43477
.600	-6.000	-.06687	.02037	.16257	.01365	10.25466	-.00184	10.43331
.600	-4.000	-.06287	.02022	.15575	.01198	10.24837	-.00322	10.43129
.600	-2.000	-.06047	.02054	.14766	.01007	10.24116	-.00518	10.42843
.600	.000	-.06090	.02171	.14472	.00924	10.23801	-.00777	10.42463
.600	2.000	-.06319	.02348	.14679	.00851	10.23526	-.01111	10.41974
.600	4.000	-.06212	.02505	.14732	.00757	10.23167	-.01522	10.41375
	GRADIENT	-.00006	.00063	-.00089	-.00952	-.00196	-.00150	-.00219

LARC 8FT TPT '749 (1A93) OTSAT130

(MJJ003) (02 JUL 76)

REFERENCE DATA

SREF = 2690.0000 SQ.FT. XMRP = 976.0000 IN. XT
 LREF = 1290.3000 INCHES YMRP = .0000 IN. YT
 BREF = 1290.3000 INCHES ZMRP = 400.0000 IN. ZT
 SCALE = .0100

PARAMETRIC DATA

BETA = -4.000 ELV-L1 = 10.000
 ELV-LO = 9.000 ELV-R1 = 10.000
 ELV-RO = 9.000

RUN NO 0/ 0 RN/L = 3.97 GRADIENT INTERVAL = -5.00/ 5.00

MACH	ALPHA	CYN	CBL	CY	CHEI	ELV-L1	CHEO	ELV-LO
.900	-8.000	-.07687	.01844	.18459	.01745	10.31527	-.00076	10.43411
.900	-6.000	-.07162	.01953	.17527	.01929	10.32718	.00513	10.46149
.900	-4.000	-.06895	.02090	.16990	.01953	10.32866	.00225	10.44719
.900	-2.000	-.06620	.02185	.16357	.01930	10.32714	.00021	10.43702
.900	.000	-.06423	.02305	.15724	.01918	10.32630	-.00218	10.43059
.900	2.000	-.06192	.02423	.15458	.01946	10.32810	-.01261	10.40473
.900	4.000	-.06238	.02501	.15637	.01268	10.28460	-.02604	10.37136
	GRADIENT	.00087	.00053	-.00181	-.00068	-.00436	-.00347	-.00920

RUN NO 0/ 0 RN/L = 4.07 GRADIENT INTERVAL = -5.00/ 5.00

MACH	ALPHA	CYN	CBL	CY	CHEI	ELV-L1	CHEO	ELV-LO
.975	-8.000	-.08326	.02337	.20159	.00919	10.26676	-.00820	10.41405
.975	-6.000	-.07325	.02304	.18598	.01655	10.31784	-.00648	10.41864
.975	-4.000	-.06558	.02267	.17180	.02453	10.37323	-.00541	10.42152
.975	-2.000	-.06151	.02353	.16220	.02213	10.35663	-.00552	10.42122
.975	.000	-.06246	.02429	.15847	.01238	10.28891	-.00606	10.41976
.975	2.000	-.06051	.02398	.15557	.00099	10.20989	-.01103	10.40647
.975	4.000	-.05674	.02444	.15330	-.01131	10.16893	-.02700	10.36371
	GRADIENT	.00093	.00020	-.00218	-.00464	-.02777	-.00244	-.00652

RUN NO. 0/ 0 RN/L = 4.23 GRADIENT INTERVAL = -5.00/ 5.00

MACH	ALPHA	CYN	CBL	CY	CHEI	ELV-L1	CHEO	ELV-LO
1.150	-6.000	-.06992	.02456	.18092	.03816	10.50098	-.00640	10.41672
1.150	-4.000	-.06539	.02621	.17155	.03315	10.46187	-.01395	10.39398
1.150	-2.000	-.06586	.02753	.16599	.02886	10.42836	-.02475	10.36142
1.150	.000	-.07004	.02774	.16499	.02281	10.38115	-.03412	10.33316
1.150	2.000	-.07074	.02807	.16491	.01542	10.32342	-.04124	10.31174
	GRADIENT	-.00101	.00029	-.00105	-.00296	-.02313	-.00456	-.01375

LARC 8FT TPT 749 (1A93) OTSAT130

(MJJ003) (02 JUL 76)

REFERENCE DATA

SREF = 2690.0000 SQ.FT. XMRP = 976.0000 IN. XT
 LREF = 1290.3000 INCHES YMRP = .0000 IN. YT
 BREF = 1290.3000 INCHES ZMRP = 400 0000 IN. ZT
 SCALE = .0100

PARAMETRIC DATA

BETA = -4.000 ELV-LI = 10.000
 ELV-LO = 9.000 ELV-RI = 10.000
 ELV-RO = 9.000

RUN NO 0/ 0 RN/L = 4.22 GRADIENT INTERVAL = -5 00/ 5.00

MACH	ALPHA	CYN	CBL	CY	CHEI	ELV-LI	CHEO	ELV-LO
1.205	-8.000	-.07788	.02504	.19425	.04265	10.54375	-.00612	10.41714
1.205	-6.000	-.07202	.02635	.18466	.03697	10.49934	-.01327	10.39510
1.205	-4.000	-.06660	.02667	.17423	.03257	10.46503	-.02297	10.36525
1.205	-2.000	-.06608	.02724	.16691	.02927	10.43680	-.03194	10.33758
1.205	.000	-.07043	.02778	.16648	.02446	10.39847	-.03999	10.31271
1.205	2.000	-.07256	.02880	.16886	.01800	10.34676	-.04785	10.28850
1.205	4.000	-.06969	.02948	.16719	.00849	10.27084	-.05440	10.26832
	GRADIENT	-.00063	.00036	-.00060	-.00297	-.02372	-.00394	-.01215

LARC 8FT TPT 749 (1A93) OTSAT130

(MJJ004) (02 JUL 76)

REFERENCE DATA

SREF = 2690.0000 SQ.FT. XMRP = 976.0000 IN. XT
 LREF = 1290.3000 INCHES YMRP = .0000 IN. YT
 BREF = 1290.3000 INCHES ZMRP = 400 0000 IN. ZT
 SCALE = .0100

PARAMETRIC DATA

BETA = .000 ELV-LI = 10.000
 ELV-LO = 9.000 ELV-RI = 10.000
 ELV-RO = 9.000

RUN NO 0/ 0 RN/L = 3.17 GRADIENT INTERVAL = -5.00/ 5.00

MACH	ALPHA	CYN	CBL	CY	CHEI	ELV-LI	CHEO	ELV-LO
.600	-8.000	-.00393	.00106	.01751	.00989	10.24044	-.00100	10.43454
.600	-6.000	-.00121	.00026	.01265	.00865	10.23578	-.00208	10.43296
.600	-4.000	.00121	-.00053	.00795	.00768	10.23213	-.00290	10.43176
.600	-2.000	.00121	-.00050	.00505	.00571	10.22462	-.00469	10.42915
.600	.000	.00281	-.00103	-.00027	.00485	10.22136	-.00695	10.42593
.600	2.000	.00214	-.00124	-.00111	.00451	10.22008	-.01018	10.42111
.600	4.000	.00014	-.00080	-.00329	.00380	10.21740	-.01467	10.41456
	GRADIENT	-.00006	-.00006	-.00077	-.00045	-.00170	-.00145	-.00212

LARC 8FT TPT 749 (1A93) OTSAT130

(MJJ004) (02 JUL 76)

REFERENCE DATA

SREF = 2690.0000 SQ.FT. XMRP = 976.0000 IN. XT
 LREF = 1290.3000 INCHES YMRP = .0000 IN. YT
 BREF = 1290.3000 INCHES ZMRP = 400.0000 IN. ZT
 SCALE = .0100

PARAMETRIC DATA

BETA = .000 ELV-LI = 10.000
 ELV-LO = 9 000 ELV-RI = 10.000
 ELV-RO = 9 000

RUN NO. 0/ 0 RN/L = 3.97 GRADIENT INTERVAL = -5.00/ 5.00

MACH	ALPHA	CYN	CBL	CY	CHE1	ELV-LI	CHEO	ELV-LO
.900	-8 000	- 00447	.00069	01721	00511	10 23586	-.00731	10 41787
.900	-6 000	- .00159	.00000	.01261	00670	10 24606	00090	10 44047
.900	-4 000	00063	- 00046	.00920	.00487	10 23431	.00190	10 44544
.900	-2.000	00200	- 00073	.00427	00157	10 21311	- 00201	10 43101
.900	.000	.00286	- 00120	.00042	00239	10 21837	- 00546	10 42244
.900	2 000	.00271	- .00104	- 00032	00224	10 21740	- .01336	10 40281
.900	4 000	00251	- .00133	- 00012	00355	10 22581	- .02218	10 38094
	GRADIENT	.00022	- .00010	- .00116	- 00010	- 00064	- .00298	- 00786

RUN NO 0/ 0 RN/L = 4 07 GRADIENT INTERVAL = -5.00/ 5.00

MACH	ALPHA	CYN	CBL	CY	CHE1	ELV-LI	CHEO	ELV-LO
.975	-8 000	- 00225	00068	.01680	- 00280	10 19456	-.00937	10 41091
.975	-6.000	00100	- .00009	.01258	- 00337	10 19283	- 00886	10 41226
.975	-4.000	00449	- 00100	00621	.00134	10 21233	-.00745	10 41605
.975	-2 000	00668	- .00154	- .00095	00591	10 24397	-.00741	10 41618
.975	.000	00571	- .00185	- .00309	00093	10 20946	- .00927	10 41117
.975	2.000	00402	- .00173	- .00213	- 00751	10 18039	- .01165	10 40480
.975	4.000	.00169	- .00112	00104	- .01895	10 14592	- 01936	10 38418
	GRADIENT	- 00041	- .00002	- .00058	- 00270	- .00982	- 00140	- .00376

RUN NO. 0/ 0 RN/L = 4.23 GRADIENT INTERVAL = -5.00/ 5.00

MACH	ALPHA	CYN	CBL	CY	CHE1	ELV-LI	CHEO	ELV-LO
1.150	-6 000	.00042	.00030	01150	03457	10 47290	-.00597	10 41802
1 150	-4 000	00309	- 00053	.00589	.02930	10 43175	- .00443	10 42265
1 150	-2 000	.00367	- .00105	00113	02622	10 40775	- .01082	10 40338
1.150	.000	.00202	- .00133	- .00051	02339	10 38570	- .02176	10 37041
1.150	2.000	- 00093	- .00072	.00292	.01620	10 32954	- .03174	10 34034
	GRADIENT	- .00069	- .00004	- .00053	- 00211	- .01643	- .00464	- .01400

LARC 8FT TPT 749 (1A93) OTSAT130

(MJJ004) (02 JUL 76)

REFERENCE DATA

PARAMETRIC DATA

SREF = 2690.0000 SQ.FT XMRP = 976.0000 IN. XT
 LREF = 1290.3000 INCHES YMRP = .0000 IN. YT
 BREF = 1290.3000 INCHES ZMRP = 400.0000 IN. ZT
 SCALE = .0100

BETA = .000 ELV-LI = 10.000
 ELV-LO = 9.000 ELV-RI = 10.000
 ELV-RO = 9.000

RUN NO 0/ 0 RN/L = 4.22 GRADIENT INTERVAL = -5 00/ 5.00

MACH	ALPHA	CYN	CEL	CY	CHEI	ELV-LI	CHEO	ELV-LO
1.205	-8 000	00040	00126	.01300	.04112	10 53151	- 00504	10.42047
1.205	-6 000	.00244	00091	.00964	.03564	10 48776	-.00596	10.41763
1.205	-4 000	.00419	.00021	.00560	.03080	10 44902	-.01106	10 40192
1.205	-2 000	00519	-.00037	00086	.02778	10 42481	-.01830	10 37963
1.205	000	00408	- 00049	-.00189	.02545	10.40635	-.02866	10.34766
1.205	2.000	00055	00000	.00202	02066	10.36805	-.03787	10.31924
1.205	4 000	- 00069	00009	.00390	.01308	10.30749	-.04534	10 29622
	GRADIENT	-.00072	.00001	-.00011	-.00213	- 01699	-.00441	- 01359

LARC 8FT TPT 749 (1A93) OTSAT130

(MJJ005) (02 JUL 76)

REFERENCE DATA

PARAMETRIC DATA

SREF = 2690.0000 SQ.FT. XMRP = 976.0000 IN. XT
 LREF = 1290.3000 INCHES YMRP = .0000 IN. YT
 BREF = 1290.3000 INCHES ZMRP = 400.0000 IN. ZT
 SCALE = .0100

BETA = 4.000 ELV-LI = 10.000
 ELV-LO = 9.000 ELV-RI = 10.000
 ELV-RO = 9.000

RUN NO. 0/ 0 RN/L = 3.17 GRADIENT INTERVAL = -5.00/ 5.00

MACH	ALPHA	CYN	CEL	CY	CHEI	ELV-LI	CHEO	ELV-LO
.600	-8 000	05933	-.01548	-.12499	.00577	10 22488	-.00231	10.43263
.600	-6.000	.05917	-.01731	-.12548	.00371	10.21705	-.00323	10.43128
.600	-4 000	.06042	- 01930	-.12900	.00247	10.21238	-.00364	10.43068
.600	-2 000	06255	- 02142	-.13412	.00224	10.21149	-.00478	10.42900
.600	.000	06382	-.02319	- 13888	.00216	10 21119	- 00673	10 42614
.600	2.000	06358	-.02458	-.13845	.00139	10 20825	- 00992	10.42151
.600	4.000	.06017	-.02504	-.13354	.00057	10.20518	-.01387	10 41572
	GRADIENT	.00003	- 00073	-.00067	-.00023	- .00088	-.00128	-.00187

ORIGINAL PAGE IS
OF POOR QUALITY

LARC 8FT TPT 749 (1A93) OTSAT:30

(MJJ005) (02 JUL 76)

REFERENCE DATA

PARAMETRIC DATA

SREF = 2690.0000 SQ.FT. XMRP = 976.0000 IN. XT
 LREF = 1290.3000 INCHES YMRP = .0000 IN. YT
 BREF = 1290.3000 INCHES ZMRP = 400.0000 IN. ZT
 SCALE = .0100

BETA = 4.000 ELV-LI = 10.000
 ELV-LO = 9.000 ELV-RI = 10.000
 ELV-RO = 9.000

RUN NO. 0/ 0 RN/L = 3.97 GRADIENT INTERVAL = -5.00/ 5 00

MACH	ALPHA	CYN	CBL	CY	CHEI	ELV-LI	CHEO	ELV-LO
900	-8 000	.06676	-.01617	-.14443	-.00753	10.18197	-.00962	10.41214
.900	-6 000	.06486	-.01851	-.14268	-.00679	10.18405	-.00459	10.42460
.900	-4.000	.06365	-.02074	-.14112	-.00716	10.18301	-.00344	10.42748
.900	-2.000	.06401	-.02256	-.14609	-.00845	10.17941	-.00435	10.42522
.900	.000	.06356	-.02406	-.14686	-.00931	10.17700	-.00698	10.41868
.900	2.000	.06269	-.02490	-.14588	-.01037	10.17404	-.01089	10.40899
900	4 000	.06245	-.02570	-.14565	-.00986	10.17546	-.01684	10.39421
	GRADIENT	-.00019	-.00061	-.00044	-.00037	-.00102	-.00167	-.00414

RUN NO 0/ 0 RN/L = 4 07 GRADIENT INTERVAL = -5 00/ 5 00

MACH	ALPHA	CYN	CBL	CY	CHEI	ELV-LI	CHEO	ELV-LO
975	-8.000	.07388	-.01964	-.15931	-.01489	10.15815	-.01007	10.40905
.975	-6.000	.07177	-.02159	-.15582	-.01754	10.15016	-.00991	10.40948
.975	-4.000	.07022	-.02356	-.15348	-.01884	10.14625	-.00953	10.41047
.975	-2.000	.07022	-.02570	-.15744	-.01805	10.14862	-.01014	10.40885
.975	.000	.07037	-.02712	-.15788	-.01545	10.15646	-.01217	10.40339
.975	2.000	.06553	-.02641	-.15304	-.01877	10.14642	-.01750	10.38911
.975	4.000	.05757	-.02555	-.14433	-.02406	10.13053	-.02607	10.36619
	GRADIENT	-.00150	-.00023	.00103	-.00056	-.00168	-.00202	-.00542

RUN NO. 0/ 0 RN/L = 4.23 GRADIENT INTERVAL = -5.00/ 6 00

MACH	ALPHA	CYN	CBL	CY	CHEI	ELV-LI	CHEO	ELV-LO
1.150	-6.000	.06840	-.02190	-.15124	.02417	10.39176	-.00833	10.41092
1.150	-4 000	.06893	-.02530	-.15218	.02051	10.36314	-.00473	10.42175
1.150	-2.000	.07023	-.02775	-.15530	.01638	10.33088	-.00270	10.42785
1.150	.000	.07089	-.02869	-.15814	.01015	10.28222	-.00928	10.40803
1.150	2.000	.06971	-.02866	-.15637	.00408	10.23484	-.01985	10.37619
	GRADIENT	.00015	-.00055	-.00077	-.00278	-.02168	-.00260	-.00782

LARC 8FT TPT 749 (1A93) OTSAT130

(MJJ005) (02 JUL 76)

REFERENCE DATA

PARAMETRIC DATA

SREF = 2690.0000 SQ.FT. XMRP = 976.0000 IN. XT
 LREF = 1290.3000 INCHES YMRP = .0000 IN. YT
 BREF = 1290.3000 INCHES ZMRP = 400.0000 IN. ZT
 SCALE = .0100

BETA = 4.000 ELV-LI = 10.000
 ELV-LO = 9.000 ELV-RI = 10.000
 ELV-RO = 9.000

RUN NO. 0/ 0 RN/L = 4.22 GRADIENT INTERVAL = -5.00/ 5.00

MACH	ALPHA	CYN	CBL	CY	CHEI	ELV-LI	CHEO	ELV-LO
1.205	-8.000	.07268	-0.1960	-.15738	.03320	10.46821	-.00774	10.41215
1.205	-6.000	.07219	-.02236	-.15627	.02940	10.43777	-.00601	10.41748
1.205	-4.000	.07149	-0.02473	-.15536	.02606	10.41112	-.00359	10.42493
1.205	-2.000	.07208	-.02673	-.15688	.02320	10.38834	-0.00692	10.41468
1.205	.000	.07318	-.02795	-0.16035	.01893	10.35422	-.01576	10.38742
1.205	2.000	.07284	-.02836	-0.16045	.01273	10.30516	-.02636	10.35476
1.205	4.000	.06959	-.02862	-.15738	.00618	10.25239	-.03525	10.32734
	GRADIENT	-.00015	-.00047	-.00038	-.00251	-.02003	-0.00414	-0.01276

LARC 8FT TPT 749 (1A93) OTSAT130

(MJJ006) (02 JUL 76)

REFERENCE DATA

PARAMETRIC DATA

SREF = 2690.0000 SQ.FT. XMRP = 976.0000 IN. XT
 LREF = 1290.3000 INCHES YMRP = .0000 IN. YT
 BREF = 1290.3000 INCHES ZMRP = 400.0000 IN. ZT
 SCALE = .0100

BETA = 6.000 ELV-LI = 10.000
 ELV-LO = 9.000 ELV-RI = 10.000
 ELV-RO = 9.000

RUN NO. 0/ 0 RN/L = 3.17 GRADIENT INTERVAL = -5.00/ 5.00

MACH	ALPHA	CYN	CBL	CY	CHEI	ELV-LI	CHEO	ELV-LO
.600	-8.000	.08877	-.02431	-.19294	.00433	10.21940	-.00275	10.43198
.600	-6.000	.08874	-.02667	-.19398	.00284	10.21376	-.00350	10.43088
.600	-4.000	.08966	-.02921	-.19758	.00158	10.20900	-.00388	10.43032
.600	-2.000	.09236	-.03204	-.20366	.00117	10.20742	-0.00497	10.42873
.600	.000	.09538	-.03449	-.20893	.00057	10.20516	-0.00659	10.42636
.600	2.000	.09540	-.03664	-.20927	-.00059	10.20204	-.00987	10.42158
.600	4.000	.09281	-.03858	-.20559	-.00110	10.20120	-.01378	10.41586
	GRADIENT	.00047	-0.00117	-.00108	-.00036	-.00105	-.00123	-.00180

LARC BFT TPT '749 (1A93) OTSAT130

(MJJ006) (02 JUL 76)

REFERENCE DATA

SREF = 2690.0000 SQ.FT. XMRP = 976.0000 IN. XT
 LREF = 1290.3000 INCHES YMRP = .0000 IN. YT
 BREF = 1290.3000 INCHES ZMRP = 400.0000 IN. ZT
 SCALE = 0100

PARAMETRIC DATA

BETA = 6.000 ELV-LI = 10.000
 ELV-LO = 9.000 ELV-RI = 10.000
 ELV-RO = 9.000

RUN NO. 0/ 0 RN/L = 3.97 GRADIENT INTERVAL = -5.00/ 5.00

MACH	ALPHA	CYN	CBL	CY	CHEI	ELV-LI	CHEO	ELV-LO
.900	-8.000	.10165	-.02629	-.22340	-.00992	10.17531	-.01038	10.41025
.900	-6.000	.09964	-.02885	-.22160	-.00903	10.17778	-.00595	10.42122
.900	-4.000	.09841	-.03173	-.22069	-.01000	10.17507	-.00527	10.42292
.900	-2.000	.09959	-.03419	-.22381	-.01075	10.17299	-.00554	10.42226
.900	.000	.09750	-.03634	-.22366	-.01224	10.16882	-.00776	10.41675
.900	2.000	.09504	-.03820	-.22117	-.01284	10.16716	-.01103	10.40863
.900	4.000	.09507	-.03908	-.22033	-.01211	10.16917	-.01497	10.39883
	GRADIENT	-.00051	-.00093	.00017	-.00032	-.00088	-.00125	-.00309

RUN NO. 0/ 0 RN/L = 4.07 GRADIENT INTERVAL = -5.00/ 5.00

MACH	ALPHA	CYN	CBL	CY	CHEI	ELV-LI	CHEO	ELV-LO
.975	-8.000	.11450	-.03094	-.24942	-.01967	10.14375	-.01106	10.40638
.975	-6.000	.10955	-.03318	-.24255	-.02320	10.13310	-.01136	10.40558
.975	-4.000	.10499	-.03576	-.23674	-.02424	10.12993	-.01114	10.40617
.975	-2.000	.10208	-.03821	-.23373	-.02229	10.13583	-.01128	10.40579
.975	.000	.10021	-.03951	-.23352	-.01843	10.14749	-.01387	10.39886
.975	2.000	.09317	-.03917	-.22636	-.01912	10.14538	-.02015	10.39201
.975	4.000	.08558	-.03974	-.21857	-.02174	10.13750	-.02664	10.36467
	GRADIENT	-.00229	-.00045	.00219	.00041	.00123	-.00199	-.00534

RUN NO. 0/ 0 RN/L = 4.23 GRADIENT INTERVAL = -5.00/ 5.00

MACH	ALPHA	CYN	CBL	CY	CHEI	ELV-LI	CHEO	ELV-LO
1.150	-6.000	.10393	-.03399	-.23522	.02059	10.36382	-.00902	10.40883
1.150	-4.000	.10131	-.03791	-.23277	.01709	10.33643	-.00610	10.41761
1.150	-2.000	.10015	-.04088	-.23212	.01305	10.30492	-.00262	10.42810
1.150	.000	.10097	-.04220	-.23444	.00656	10.25422	-.00606	10.41775
1.150	2.000	.09951	-.04258	-.23416	-.00018	10.20239	-.01486	10.39122
	GRADIENT	-.00023	-.00077	-.00032	-.00291	-.02264	-.00149	-.00448

LARC 8FT TPT 749 (1A93) OTSAT130

(MJJ006) (02 JUL 76)

REFERENCE DATA

SREF = 2690.0000 SQ.FT. XMRP = 976.0000 IN. XT
 LREF = 1290.3000 INCHES YMRP = .0000 IN. YT
 BREF = 1290.3000 INCHES ZMRP = 400.0000 IN. ZT
 SCALE = .0100

PARAMETRIC DATA

BETA = 6.000 ELV-LI = 10.000
 ELV-LO = 9.000 ELV-RI = 10.000
 ELV-RO = 9.000

RUN NO. 0/ 0 RN/L = 4.22 GRADIENT INTERVAL = -5.00/ 5.00

MACH	ALPHA	CYN	CBL	CY	CHEI	ELV-LI	CHEO	ELV-LO
1.205	-8.000	11105	-.03126	-.24621	.02979	10.44097	-.00819	10.41076
1.205	-6.000	10792	-.03497	-.24127	.02640	10.41383	-.00734	10.41337
1.205	-4.000	10574	-.03807	-.23885	.02247	10.38243	-.00321	10.42611
1.205	-2.000	10430	-.04019	-.23754	.01840	10.34996	-.00313	10.42636
1.205	.000	10493	-.04171	-.23948	.01340	10.31001	-.01049	10.40367
1.205	2.000	10442	-.04255	-.24020	.00736	10.26178	-.02028	10.37350
1.205	4.000	10085	-.04322	-.23666	.00207	10.21955	-.02987	10.34391
GRADIENT		-.00048	-.00063	.00009	-.00259	-.02070	-.00352	-.01086

LARC 8FT TPT 749 (1A93) OTSAT130

(MJJ007) (02 JUL 76)

REFERENCE DATA

SREF = 2690.0000 SQ.FT. XMRP = 976.0000 IN. XT
 LREF = 1290.3000 INCHES YMRP = .0000 IN. YT
 BREF = 1290.3000 INCHES ZMRP = 400.0000 IN. ZT
 SCALE = .0100

PARAMETRIC DATA

BETA = -6.000 ELV-LI = 10.000
 ELV-LO = 4.000 ELV-RI = 10.000
 ELV-RO = 4.000

RUN NO. 0/ 0 RN/L = 3.17 GRADIENT INTERVAL = -5.00/ 5.00

MACH	ALPHA	CYN	CBL	CY	CHEI	ELV-LI	CHEO	ELV-LO
600	-8.000	10139	.03068	.24096	.01837	10.27260	.00873	5.06452
600	-6.000	09722	.03144	.23531	.01680	10.26666	.00772	5.06157
600	-4.000	09336	.03207	.22728	.01570	10.26252	.00677	5.05881
.600	-2.000	09250	.03312	.22261	.01453	10.25811	.00545	5.05495
.600	.000	09547	.03539	.22154	.01320	10.25297	.00343	5.04901
.600	2.000	09688	.03736	.22257	.01281	10.25159	.00108	5.04217
.600	4.000	09600	.03973	.22332	.01197	10.24834	-.00202	5.03605
GRADIENT		-.00048	.00098	-.00040	-.00046	-.00174	-.00110	-.00291

ORIGINAL PAGE IS OF POOR QUALITY

LARC 8FT TPT 749 (1A93) OTSAT130

(MJJ007) (02 JUL 76)

REFERENCE DATA

SREF = 2690.0000 SQ.FT. XMRP = 976.0000 IN. XT
 LREF = 1290.3000 INCHES YMRP = .0000 IN. YT
 BREF = 1290.3000 INCHES ZMRP = 400.0000 IN. ZT
 SCALE = .0100

PARAMETRIC DATA

BETA = -6.000 ELV-LI = 10.000
 ELV-LO = 4.000 ELV-RI = 10.000
 ELV-RO = 4.000

RUN NO. 0/ 0 RN/L = 3.97 GRADIENT INTERVAL = -5.00/ 5.00

MACH	ALPHA	CYN	CBL	CY	CHEI	ELV-LI	CHEO	ELV-LO
.900	8.000	-.11522	.03107	.27330	.02731	10.37863	.00956	5.08645
.900	-6.000	-.10948	.03206	.26351	.02872	10.38761	.01315	5.10424
.900	-4.000	-.10453	.03313	.25209	.02874	10.38776	.01318	5.10440
.900	-2.000	-.10330	.03485	.24766	.02838	10.38549	.01399	5.10843
.900	.000	-.10145	.03668	.24071	.02919	10.39067	.01234	5.10021
.900	2.000	-.09987	.03831	.23823	.02849	10.38620	.00307	5.05422
.900	4.000	-.10148	.04080	.24197	.02120	10.33941	-.01155	5.01032
	GRADIENT	.00048	.00094	-.00148	-.00075	-.00480	-.00302	-.01212

RUN NO. 0/ 0 RN/L = 4.08 GRADIENT INTERVAL = -5.00/ 5.00

MACH	ALPHA	CYN	CBL	CY	CHEI	ELV-LI	CHEO	ELV-LO
.975	-8.000	-.12232	.03583	.29230	.01171	10.28428	.01951	5.14352
.975	-6.000	-.11177	.03650	.27650	.02020	10.34321	.02105	5.15172
.975	-4.000	-.10274	.03691	.26152	.03241	10.42795	.02262	5.16015
.975	-2.000	-.09568	.03770	.24754	.03349	10.43554	.02218	5.15782
.975	.000	-.09545	.03899	.23995	.02525	10.37833	.01690	5.12955
.975	2.000	-.09302	.03993	.23725	.01508	10.30769	.00850	5.08451
.975	4.000	-.09043	.04116	.23585	.00751	10.25514	-.00348	5.02969
	GRADIENT	.00136	.00054	-.00308	-.00341	-.02367	-.00329	-.01671

RUN NO. 0/ 0 RN/L = 4.21 GRADIENT INTERVAL = -5.00/ 5.00

MACH	ALPHA	CYN	CBL	CY	CHEI	ELV-LI	CHEO	ELV-LO
1.150	-6.000	-.10817	.03943	.27070	.04467	10.55166	.01385	5.12242
1.150	-4.000	-.10034	.04123	.25658	.04075	10.52104	.00312	5.05776
1.150	-2.000	-.09848	.04298	.24858	.03608	10.48467	-.00832	5.01393
1.150	.000	-.10207	.04392	.24822	.02866	10.42671	-.01790	4.98510
1.150	2.000	-.10350	.04464	.24885	.02031	10.36156	-.02625	4.95995
	GRADIENT	-.00065	.00056	-.00118	-.00344	-.02682	-.00488	-.01611

LARC 8FT TPT 749 (1A93) OTSAT130

(MJJ007) (02 JUL 76)

REFERENCE DATA

PARAMETRIC DATA

SREF = 2690.0000 SQ.FT. XMRP = 976.0000 IN. XT
 LREF = 1290.3000 INCHES YMRP = .0000 IN. YT
 BREF = 1290.3000 INCHES ZMRP = 400.0000 IN. ZT
 SCALE = .0100

BETA = -6.000 ELV-LI = 10.000
 ELV-LO = 4.000 ELV-RI = 10.000
 ELV-RO = 4.000

RUN NO. 0/ 0 RN/L = 4.22 GRADIENT INTERVAL = -5.00/ 5.00

MACH	ALPHA	CYN	CBL	CY	CHEI	ELV-LI	CHEO	ELV-LO
1.205	-8.000	-11949	.03957	.28874	.04764	10.58352	.01234	5.11508
1.205	-6.000	-11032	.04085	.27415	.04239	10.54160	.00248	5.05427
1.205	-4.000	-10323	.04221	.26253	.03770	10.50417	-.00821	5.01368
1.205	-2.000	-10116	.04309	.25349	.03346	10.47030	-.01783	4.98406
1.205	0.000	-10500	.04362	.25184	.02782	10.42517	-.02637	4.95774
1.205	2.000	-10601	.04433	.25211	.02073	10.36859	-.03385	4.93469
1.205	4.000	-10339	.04553	.25227	.01110	10.29169	-.04022	4.91502
	GRADIENT	-00026	00039	-00109	-.00330	-02633	-.00400	-01233

LARC 8FT TPT 749 (1A93) OTSAT130

(MJJ008) (02 JUL 76)

REFERENCE DATA

PARAMETRIC DATA

SREF = 2690.0000 SQ.FT. XMRP = 976.0000 IN. XT
 LREF = 1290.3000 INCHES YMRP = .0000 IN. YT
 BREF = 1290.3000 INCHES ZMRP = 400.0000 IN. ZT
 SCALE = .0100

BETA = -4.000 ELV-LI = 10.000
 ELV-LO = 4.000 ELV-RI = 10.000
 ELV-RO = 4.000

RUN NO. 0/ 0 RN/L = 3.17 GRADIENT INTERVAL = -5.00/ 5.00

MACH	ALPHA	CYN	CBL	CY	CHEI	ELV-LI	CHEO	ELV-LO
.600	-8.000	-.07115	.02090	.16703	.01695	10.26727	.00850	5.06386
.600	-6.000	-.06711	.02106	.16137	.01529	10.26087	.00778	5.06174
.600	-4.000	-.06478	.02143	.15622	.01426	10.25700	.00698	5.05941
.600	-2.000	-.06197	.02172	.14807	.01288	10.25174	.00596	5.05641
.600	0.000	-.06261	.02284	.14564	.01115	10.24523	.00447	5.05206
.600	2.000	-.06713	.02510	.15018	.01129	10.24582	.00174	5.04409
.600	4.000	-.06381	.02632	.14882	.01034	10.24226	-.00148	5.03684
	GRADIENT	-00016	00066	-00063	-.00047	-00177	-00106	-.00287

LARC BFT TPT 749 (1A93) OTSAT130

(MJJ008) (02 JUL 76)

REFERENCE DATA

SREF = 2690.0000 SQ.FT. XMRP = 976.0000 IN. XT
 LREF = 1290.3000 INCHES YMRP = .0000 IN. YT
 BREF = 1290.3000 INCHES ZMRP = 400.0000 IN. ZT
 SCALE = .0100

PARAMETRIC DATA

BETA = -4.000 ELV-LI = 10.000
 ELV-LO = 4.000 ELV-RI = 10.000
 ELV-RO = 4.000

RUN NO. 0/ 0 RN/L = 3.97 GRADIENT INTERVAL = -5.00/ 5.00

MACH	ALPHA	CYN	CBL	CY	CHEI	ELV-LI	CHEO	ELV-LO
900	-8.000	-.07958	.01969	.18669	.02531	10.36565	.00847	5.08100
.900	-6.000	-.07380	.02048	.17717	.02630	10.37202	.01352	5.10602
.900	-4.000	-.06992	.02134	.16947	.02623	10.37158	.01388	5.10782
.900	-2.000	-.06841	.02260	.16505	.02616	10.37113	.01428	5.10983
900	.000	-.06785	.02451	.16161	.02643	10.37308	.01321	5.10461
.900	2.000	-.06563	.02535	.15741	.02705	10.37699	.00828	5.08012
900	4.000	-.06574	.02626	.15938	.02011	10.33240	-.00732	5.02084
	GRADIENT	00056	.00063	-.00139	-.00057	-.00363	-.00242	-.01018

RUN NO 0/ 0 RN/L = 4.08 GRADIENT INTERVAL = -5.00/ 5.00

MACH	ALPHA	CYN	CBL	CY	CHEI	ELV-LI	CHEO	ELV-LO
.975	-8.000	-.08263	.02394	.19917	.00996	10.27215	.01910	5.14134
.975	-6.000	-.07418	.02426	.18725	.01465	10.30470	.02062	5.14949
.975	-4.000	-.06715	.02424	.17470	.02415	10.37072	.02201	5.15692
.975	-2.000	-.06256	.02467	.16258	.02735	10.39277	.02230	5.15838
.975	.000	-.06388	.02553	.15831	.02173	10.35376	.01973	5.14463
.975	2.000	-.06215	.02560	.15619	.01115	10.28036	.01182	5.10230
.975	4.000	-.05852	.02591	.15385	.00259	10.22093	.00111	5.04494
	GRADIENT	00088	00021	-.00240	-.00297	-.02059	-.00261	-.01400

RUN NO 0/ 0 RN/L = 4.21 GRADIENT INTERVAL = -5.00/ 5.00

MACH	ALPHA	CYN	CBL	CY	CHEI	ELV-LI	CHEO	ELV-LO
1.150	-6.000	-.07054	.02546	.18035	.04149	10.52680	.01977	5.15808
1.150	-4.000	-.06516	.02694	.16995	.03741	10.49493	.01150	5.10824
1.150	-2.000	-.06582	.02836	.16483	.03392	10.46774	.00009	5.03955
1.150	.000	-.07072	.02889	.16496	.02796	10.42116	-.01101	5.00586
1.150	2.000	-.07206	.02950	.16648	.02016	10.36033	-.02057	4.97706
	GRADIENT	-.00128	00041	-.00051	-.00289	-.02252	-.00536	-.02136

DATE 29 OCT 76

TABULATED SOURCE DATA - 1A93.

PAGE 473

LARC 8FT TPT 749 (1A93) OTSAT130

(MJJ008) (02 JUL 76)

REFERENCE DATA

SREF = 2690.0000 SQ.FT. XMRP = 976.0000 IN. XT
 LREF = 1290.3000 INCHES YMRP = .0000 IN. YT
 BREF = 1290.3000 INCHES ZMRP = 400.0000 IN. ZT
 SCALE = .0100

PARAMETRIC DATA

BETA = -4.000 ELV-LI = 10.000
 ELV-LO = 4.000 ELV-RI = 10.000
 ELV-RO = 4.000

RUN NO. 0/ 0 RN/L = 4.22 GRADIENT INTERVAL = -5.00/ 5.00

MACH	ALPHA	CYN	CEL	CY	CHE1	ELV-LI	CHE0	ELV-LO
1.205	-9.000	-.07800	.02552	.19366	.04547	10.56612	.01766	5.14785
1.205	-6.000	-.07197	.02697	.18378	.04033	10.52513	.00966	5.09855
1.205	-4.000	-.06672	.02755	.17340	.03627	10.49268	-.00045	5.03763
1.205	-2.000	-.06632	.02816	.16617	.03314	10.46768	-.01049	5.00666
1.205	.000	-.07134	.02878	.16700	.02832	10.42921	-.01995	4.97751
1.205	2.000	-.07334	.02964	.16944	.02191	10.37800	-.02908	4.94939
1.205	4.000	-.07078	.03036	.16851	.01295	10.30645	-.03596	4.92820
	GRADIENT	-.06076	.00036	-.00033	-.00289	-.02311	-.00448	-.01381

LARC 8FT TPT 749 (1A93) OTSAT130

(MJJ009) (02 JUL 76)

REFERENCE DATA

SREF = 2690.0000 SQ.FT. XMRP = 976.0000 IN. XT
 LREF = 1290.3000 INCHES YMRP = .0000 IN. YT
 BREF = 1290.3000 INCHES ZMRP = 400.0000 IN. ZT
 SCALE = .0100

PARAMETRIC DATA

BETA = .000 ELV-LI = 10.000
 ELV-LO = 4.000 ELV-RI = 10.000
 ELV-RO = 4.000

RUN NO. 0/ 0 RN/L = 3.17 GRADIENT INTERVAL = -5.00/ 5.00

MACH	ALPHA	CYN	CEL	CY	CHE1	ELV-LI	CHE0	ELV-LO
.600	-8.000	-.00388	.00176	.01603	.01195	10.24822	.00837	5.06345
.600	-6.000	-.00188	.00132	.01306	.01052	10.24287	.00740	5.06064
.600	-4.000	.00113	.00014	.00680	.00942	10.23869	.00686	5.05908
.600	-2.000	.00093	.00011	.00465	.00785	10.23276	.00631	5.05744
.600	.000	.00098	.00008	.00109	.00717	10.23015	.00512	5.05397
.600	2.000	.00108	-.00019	-.00026	.00719	10.23024	.00327	5.04867
.600	4.000	-.00112	.00033	.00368	-.00637	10.22719	.00051	5.04050
	GRADIENT	-.00022	.00000	-.00056	-.00034	-.00128	-.00079	-.00230

LARC 8FT TPT 749 (1A93) OTSAT130

(MJJ009) (02 JUL 76)

REFERENCE DATA

SREF = 2690.0000 SQ.FT. XMRP = 976.0000 IN. XT
 LREF = 1290.3000 INCHES YMRP = .0000 IN. YT
 BREF = 1290.3000 INCHES ZMRP = 400.0000 IN. ZT
 SCALE = .0100

PARAMETRIC DATA

BETA = .000 ELV-LI = 10.000
 ELV-LO = 4.000 ELV-RI = 10.000
 ELV-RO = 4.000

RUN NO.		0/ 0	RN/L = 3.97	GRADIENT INTERVAL = -5.00/ 5.00				
MACH	ALPHA	CYN	CBL	CY	CHEI	ELV-LI	CHEO	ELV-LO
900	-8.000	-.00717	.00185	.01953	.01449	10.29614	.00393	5.05847
.900	-6.000	-.00344	.00090	.01348	.01508	10.29995	.01108	5.09397
.900	-4.000	-.00081	.00029	.01006	.01353	10.29007	.01450	5.11099
900	-2.000	.00010	.00008	.00652	.01269	10.28459	.01519	5.11438
.900	.000	.00090	-.00025	.00198	.01420	10.29432	.01501	5.11353
.900	2.000	.00157	-.00002	-.00105	.01505	10.29978	.01189	5.09802
900	4.000	.00112	.00032	.00060	.01598	10.30571	.00207	5.04928
	GRADIENT	.00027	-.00000	-.00132	-.00036	.00233	-.00141	-.00699

RUN NO		0/ 0	RN/L = 4.08	GRADIENT INTERVAL = -5.00/ 5.00				
MACH	ALPHA	CYN	CBL	CY	CHEI	ELV-LI	CHEO	ELV-LO
975	-8.000	-.00448	.00180	.01889	-.00012	10.20265	.01847	5.13802
.975	-6.000	-.00113	.00109	.01392	-.00286	10.19438	.01973	5.14478
.975	-4.000	.00287	.00015	.00615	.00028	10.20497	.02211	5.15749
.975	-2.000	.00502	-.00037	-.00023	.00815	10.25958	.02305	5.16255
.975	.000	.00423	-.00070	-.00214	.00665	10.24915	.02167	5.15514
.975	2.000	.00327	-.00095	-.00279	.00208	10.21741	.01815	5.13624
975	4.000	-.00005	.00013	.00247	-.00676	10.18262	.00861	5.08514
	GRADIENT	-.00038	-.00003	-.00050	-.00101	-.00434	-.00159	-.00855

RUN NO		0/ 0	RN/L = 4.21	GRADIENT INTERVAL = -5.00/ 5.00				
MACH	ALPHA	CYN	CBL	CY	CHEI	ELV-LI	CHEO	ELV-LO
1.150	-6.000	-.00037	.00109	.01100	.03753	10.49594	.02180	5.17030
1.150	-4.000	.00157	.00059	.00694	.03262	10.45766	.02413	5.18438
1.150	-2.000	.00206	.00012	.00302	.02980	10.43560	.01654	5.13865
1.150	.000	.00081	-.00034	-.00001	.02754	10.41791	.00393	5.06266
1.150	2.000	-.00190	.00027	.00347	.02147	10.37063	-.00919	5.01130
	GRADIENT	-.00058	-.00007	-.00067	-.00179	-.01394	-.00563	-.02976

LARC 8FT TPT 749 (1A93) OTSAT130

(MJJ009) (02 JUL 76)

REFERENCE DATA

SREF = 2690.0000 SQ.FT. XMRP = 976.0000 IN. XT
 LREF = 1290.3000 INCHES YMRP = .0000 IN. YT
 BREF = 1290.3000 INCHES ZMRP = 400.0000 IN. ZT
 SCALE = .0100

PARAMETRIC DATA

BETA = .000 ELV-LI = 10.000
 ELV-LO = 4.000 ELV-RI = 10.000
 ELV-RO = 4.000

RUN NO. 0/ 0 RN/L = 4.22 GRADIENT INTERVAL = -5.00/ 5 00

MACH	ALPHA	CYN	CBL	CY	CHEI	ELV-LI	CHEO	ELV-LO
1.205	-8.000	-.00128	.00224	.01468	.04339	10.54953	.02034	5.16436
1.205	-6.000	.00077	.00183	.01170	.03944	10.50990	.01942	5.15869
1.205	-4.000	.00341	.00097	.00639	.03424	10.47637	.01387	5.12443
1.205	-2.000	.00487	.00019	.00057	.03176	10.45659	.00534	5.07193
1.205	.000	.00339	.00001	-.00134	.02971	10.44029	-.00624	5.01976
1.205	2.000	.00016	.00051	.00209	.02474	10.40057	-.01743	4.98528
1.205	4.000	-.00170	.00087	.00512	.01723	10.34060	-.02664	4.95690
	GRADIENT	-.00075	.00001	-.00005	-.00205	-.01638	-.00519	-.02109

LARC 8FT TPT 749 (1A93) OTSAT130

(MJJ010) (02 JUL 76)

REFERENCE DATA

SREF = 2690.0000 SQ.FT. XMRP = 976.0000 IN. XT
 LREF = 1290.3000 INCHES YMRP = .0000 IN. YT
 BREF = 1290.3000 INCHES ZMRP = 400.0000 IN. ZT
 SCALE = .0100

PARAMETRIC DATA

BETA = 4.000 ELV-LI = 10.000
 ELV-LO = 4.000 ELV-RI = 10.000
 ELV-RO = 4.000

RUN NO. 0/ 0 RN/L = 3.17 GRADIENT INTERVAL = -5.00/ 5.00

MACH	ALPHA	CYN	CBL	CY	CHEI	ELV-LI	CHEO	ELV-LO
.600	-8.000	.05959	-.01434	-.12612	.00724	10.23040	.00691	5.05920
.600	-6.000	.05948	-.01629	-.12692	.00508	10.22224	.00603	5.05661
.600	-4.000	.06103	-.01852	-.13076	.00394	10.21754	.00583	5.05606
.600	-2.000	.06215	-.02029	-.13415	.00400	10.21815	.00614	5.05696
.600	.000	.06372	-.02227	-.13964	.00441	10.21970	.00550	5.05507
.600	2.000	.06507	-.02427	-.14268	.00363	10.21677	.00389	5.05038
.600	4.000	.06116	-.02479	-.13717	.00257	10.21273	.00110	5.04222
	GRADIENT	.00015	-.00083	-.00107	-.00015	-.00055	-.00059	-.00171

LARC 8FT TPT 749 (1A93) OTSAT130

(MJJ010) (02 JUL 76)

REFERENCE DATA

SREF = 2690.0000 SQ FT. XMRP = 976.0000 IN. XT
 LREF = 1290.3000 INCHES YMRP = .0000 IN. YT
 BREF = 1290.3000 INCHES ZMRP = 400.0000 IN. ZT
 SCALE = .0100

PARAMETRIC DATA

BETA = 4.000 ELV-L1 = 10.000
 ELV-LO = 4.000 ELV-R1 = 10.000
 ELV-RO = 4.000

RUN NO. 0/ 0 RN/L = 3.97 GRADIENT INTERVAL = -5.00/ 5.00

MACH	ALPHA	CYN	CBL	CY	CHE1	ELV-L1	CHE0	ELV-LO
.900	-8.000	.06556	-.01519	-.14483	-.00025	10.20229	-.00319	5.03109
.900	-6.000	.06431	-.01790	-.14354	.00099	10.20935	.00521	5.06485
.900	-4.000	.06216	-.01988	-.13989	.00116	10.21046	.01219	5.09950
.900	-2.000	.06234	-.02165	-.14489	-.00015	10.20259	.01409	5.10890
.900	.000	.06201	-.02299	-.14611	-.00001	10.20297	.01449	5.11090
.900	2.000	.06160	-.02316	-.14429	-.00028	10.20222	.01296	5.10335
.900	4.000	.06288	-.02440	-.14744	-.00053	10.20151	.00628	5.07017
	GRADIENT	-.00002	-.00053	-.00073	-.00018	-.00091	-.00065	-.00321

RUN NO 0/ 0 RN/L = 4.08 GRADIENT INTERVAL = -5.00/ 5.00

MACH	ALPHA	CYN	CBL	CY	CHE1	ELV-L1	CHE0	ELV-LO
.975	-8.000	.07243	-.01817	-.15823	-.01238	10.16571	.01544	5.12170
.975	-6.000	.07013	-.02025	-.15489	-.01409	10.16053	.01597	5.12456
.975	-4.000	.06906	-.02236	-.15376	-.01475	10.15855	.01806	5.13576
.975	-2.000	.06844	-.02422	-.15456	-.01287	10.16422	.01921	5.14192
.975	.000	.06743	-.02555	-.15392	-.00862	10.17702	.01834	5.13726
.975	2.000	.06364	-.02554	-.15099	-.00879	10.17653	.01435	5.11586
.975	4.000	.06666	-.02457	-.14368	-.01209	10.16653	.00826	5.08324
	GRADIENT	-.00148	-.00029	-.00119	.00047	.00142	-.00122	-.00656

RUN NO. 0/ 0 RN/L = 4.21 GRADIENT INTERVAL = -5.00/ 5.00

MACH	ALPHA	CYN	CBL	CY	CHE1	ELV-L1	CHE0	ELV-LO
1.150	-6.000	.06723	-.02072	-.15074	.02603	10.40613	.01869	5.15157
1.150	-4.000	.06768	-.02425	-.15140	.02305	10.38287	.02373	5.18189
1.150	-2.000	.06903	-.02637	-.15415	.01915	10.35244	.02666	5.19959
1.150	.000	.07030	-.02823	-.15828	.01313	10.30549	.01910	5.15407
1.150	2.000	.06904	-.02797	-.15582	.00766	10.26281	.00674	5.07958
	GRADIENT	.00027	-.00062	-.00087	-.00261	-.02036	-.00293	-.01762

LARC 8FT TPT 749 (1A93) OTSAT130

(MJJD10) (02 JUL 76)

REFERENCE DATA

SREF = 2690.0000 SQ FT. XMRP = 976.0000 IN. XT
 LREF = 1290.3000 INCHES YMRP = .0000 IN. YT
 BREF = 1290.3000 INCHES ZMRP = 400.0000 IN. ZT
 SCALE = .0100

PARAMETRIC DATA

BETA = 4.000 ELV-LI = 10.000
 ELV-LO = 4.000 ELV-RI = 10.000
 ELV-RO = 4.000

RUN NO. 0/ 0 RN/L = 4.22 GRADIENT INTERVAL = -5.00/ 5.00

MACH	ALPHA	CYN	CEL	CY	CHEI	ELV-LI	CHEO	ELV-LO
1.205	-8.000	.07183	-.01973	-.15635	.03368	10.47208	.01684	5.14279
1.205	-6.000	.07141	-.02178	-.15496	.03071	10.44832	.01942	5.15875
1.205	-4.000	.07091	-.02446	-.15454	.02817	10.42802	.02340	5.18328
1.205	-2.000	.07136	-.02646	-.15642	.02551	10.40674	.02006	5.16263
1.205	.000	.07318	-.02786	-.16103	.02163	10.37573	.00940	5.09695
1.205	2.000	.07352	-.02845	-.16223	.01671	10.33643	-.00231	5.03189
1.205	4.000	.06982	-.02852	-.15808	.01036	10.28575	-.01385	4.99631
	GRADIENT	-.00000	-.00051	-.00064	-.00222	-.01774	-.00484	-.02523

LARC 8FT TPT 749 (1A93) OTSAT130

(MJJD11) (02 JUL 76)

REFERENCE DATA

SREF = 2690.0000 SQ FT. XMRP = 976.0000 IN. XT
 LREF = 1290.3000 INCHES YMRP = .0000 IN. YT
 BREF = 1290.3000 INCHES ZMRP = 400.0000 IN. ZT
 SCALE = .0100

PARAMETRIC DATA

BETA = 6.000 ELV-LI = 10.000
 ELV-LO = 4.000 ELV-RI = 10.000
 ELV-RO = 4.000

RUN NO. 0/ 0 RN/L = 3.17 GRADIENT INTERVAL = -5.00/ 5.00

MACH	ALPHA	CYN	CEL	CY	CHEI	ELV-LI	CHEO	ELV-LO
600	-8.000	.08766	-.02284	-.19182	.00535	10.22327	.00636	5.05760
.600	-6.000	.08911	-.02567	-.19488	.00434	10.21942	.00574	5.05579
.600	-4.000	.09031	-.02832	-.19876	.00290	10.21397	.00551	5.05511
.600	-2.000	.09219	-.03080	-.20411	.00241	10.21212	.00576	5.05585
.600	.000	.09526	-.03347	-.20952	.00208	10.21089	.00545	5.05493
.600	2.000	.09607	-.03576	-.21148	.00136	10.20814	.00373	5.04990
.600	4.000	.09279	-.03753	-.20672	.00111	10.20722	.00105	5.04208
	GRADIENT	.00044	-.00117	-.00116	-.00023	-.00087	-.00055	-.00160

ORIGINAL PAGE IS OF POOR QUALITY

LARC 8FT TPT 749 (1A93) OTSAT130

(MJJ011) (02 JUL 76)

REFERENCE DATA

SREF = 2690.0000 SQ.FT. XMRP = 976.0000 IN. XT
 LREF = 1290.3000 INCHES YMRP = .0000 IN. YT
 BREF = 1290.3000 INCHES ZMRP = 400.0000 IN. ZT
 SCALE = .0100

PARAMETRIC DATA

BETA = 6.000 ELV-LI = 10.000
 ELV-LO = 4.000 ELV-RI = 10.000
 ELV-RO = 4.000

RUN NO. 0/ 0 RN/L = 3.97 GRADIENT INTERVAL = -5.00/ 5.00

MACH	ALPHA	CYN	CBL	CY	CHEI	ELV-LI	CHEO	ELV-LO
.900	-8.000	.10125	-.02539	-.22419	-.00334	10.19368	-.00341	5.03054
.900	-6.000	.09997	-.02840	-.22345	-.00199	10.19745	.00489	5.06329
.900	-4.000	.09838	-.03131	-.22195	-.00261	10.19572	.01123	5.09473
.900	-2.000	.09730	-.03326	-.22280	-.00338	10.19356	.01288	5.10292
.900	.000	.09669	-.03527	-.22350	-.00385	10.19226	.01369	5.10692
.900	2.000	.09410	-.03653	-.22019	-.00417	10.19135	.01241	5.10056
.900	4.000	.09529	-.03789	-.22160	-.00402	10.19179	.00726	5.07504
	GRADIENT	-.00047	-.00082	.00017	-.00018	-.00050	-.00042	-.00209

RUN NO. 0/ 0 RN/L = 4.08 GRADIENT INTERVAL = -5.00/ 5.00

MACH	ALPHA	CYN	CBL	CY	CHEI	ELV-LI	CHEO	ELV-LO
.975	-8.000	.11261	-.02943	-.24770	-.01738	10.15062	.01529	5.12095
.975	-6.000	.10819	-.03182	-.24172	-.01960	10.14392	.01517	5.12030
.975	-4.000	.10424	-.03450	-.23679	-.01953	10.14419	.01627	5.12609
.975	-2.000	.10069	-.03680	-.23260	-.01642	10.15355	.01684	5.12917
.975	.000	.09830	-.03850	-.23051	-.01123	10.16917	.01584	5.12385
.975	2.000	.09219	-.03855	-.22525	-.00974	10.17365	.01227	5.10476
.975	4.000	.08599	-.03892	-.21842	-.01015	10.17242	.00801	5.08193
	GRADIENT	-.00225	-.00053	.00220	.00127	.00383	-.00105	-.00564

RUN NO. 0/ 0 RN/L = 4.21 GRADIENT INTERVAL = -5.00/ 5.00

MACH	ALPHA	CYN	CBL	CY	CHEI	ELV-LI	CHEO	ELV-LO
1.150	-6.000	.10310	-.03300	-.23481	.02229	10.37700	.01810	5.14801
1.150	-4.000	.10044	-.03705	-.23224	.01936	10.35411	.02170	5.16971
1.150	-2.000	.09955	-.04024	-.23177	.01556	10.32445	.02619	5.19671
1.150	.000	.10026	-.04173	-.23374	.00941	10.27642	.02375	5.18205
1.150	2.000	.09902	-.04198	-.23295	.00300	10.22642	.01332	5.11922
	GRADIENT	-.00018	-.00081	-.00021	-.00276	-.02156	-.00138	-.00831

LARC 8FT TPT 749 (1A93) OTSAT130

(MJJ011) (02 JUL 76)

REFERENCE DATA

SREF = 2690 0000 SQ.FT. XMRP = 976.0000 IN. XT
 LREF = 1290.3000 INCHES YMRP = .0000 IN. YT
 BREF = 1290.3000 INCHES ZMRP = 400.0000 IN. ZT
 SCALE = .0100

PARAMETRIC DATA

BETA = 6.000 ELV-LI = 10.000
 ELV-LO = 4.000 ELV-RI = 10.000
 ELV-RO = 4.000

RUN NO. 0/ 0 RN/L = 4.22 GRADIENT INTERVAL = -5.00/ 5.00

MACH	ALPHA	CYN	CEL	CY	CHEI	ELV-LI	CHEO	ELV-LO
1.205	-8.000	.11051	-.03057	-.24567	.03019	10.44420	.01655	5.14106
1.205	-6.000	.10727	-.03443	-.24005	.02749	10.42263	.01790	5.14933
1.205	-4.000	.10517	-.03783	-.23758	.02441	10.39800	.02342	5.18337
1.205	-2.000	.10397	-.04023	-.23701	.02062	10.36770	.02416	5.18790
1.205	.000	.10446	-.04144	-.23876	.01605	10.33118	.01585	5.13669
1.205	2.000	.10470	-.04237	-.24042	.01060	10.28765	.00479	5.06850
1.205	4.000	.10120	-.04312	-.23734	.00587	10.24987	-.00683	5.01795
	GRADIENT	-.00036	-.00064	-.00015	-.00236	- 01882	-.00399	- 02251

LARC 8FT TPT 749 (1A93) OTSAT130

(MJJ012) (02 JUL 76)

REFERENCE DATA

SREF = 2690 0000 SQ.FT. XMRP = 976.0000 IN. XT
 LREF = 1290.3000 INCHES YMRP = .0000 IN. YT
 BREF = 1290.3000 INCHES ZMRP = 400.0000 IN. ZT
 SCALE = .0100

PARAMETRIC DATA

BETA = -6.000 ELV-LI = 10.000
 ELV-LO = 14.000 ELV-RI = 10.000
 ELV-RO = 14.000

RUN NO. 0/ 0 RN/L = 3.16 GRADIENT INTERVAL = -5.00/ 5.00

MACH	ALPHA	CYN	CEL	CY	CHEI	ELV-LI	CHEO	ELV-LO
600	-8.000	-.09961	.03087	.23793	.01100	10.24467	-.01424	15.75718
600	-6.000	-.09590	.03176	.23325	.00958	10.23928	-.01646	15.75394
600	-4.000	-.09176	.03234	.22552	.00821	10.23413	-.01956	15.74940
600	-2.000	-.09079	.03359	.22023	.00701	10.22958	-.02289	15.74452
600	.000	-.09476	.03610	.22121	.00598	10.22568	-.02638	15.73943
600	2.000	-.09664	.03850	.22217	.00466	10.22064	-.03115	15.73250
600	4.000	-.09559	.04084	.22253	.00340	10.21586	-.03718	15.72364
	GRADIENT	-.00067	.00109	-.00020	-.00060	- 00227	-.00218	- 00318

LARC 8FT TPT 749 (1A93) OTSAT130

(MJJ012) (02 JUL 76)

REFERENCE DATA

SREF = 2690.0000 SQ.FT. XMRP = 976.0000 IN. XT
 LREF = 1290.3000 INCHES YMRP = .0000 IN. YT
 BREF = 1290.3000 INCHES ZMRP = 400.0000 IN. ZT
 SCALE = .0100

PARAMETRIC DATA

BETA = -6.000 ELV-LI = 10.000
 ELV-LO = 14.000 ELV-RI = 10.000
 ELV-RO = 14.000

RUN NO.		0/ 0	RN/L = 3.97	GRADIENT INTERVAL = -5.00/ 5.00				
MACH	ALPHA	CYN	CBL	CY	CHEI	ELV-LI	CHEO	ELV-LO
.900	-8.000	-.11304	.03093	.26980	.01101	10.27378	-.02183	15.72385
.900	-6.000	-.10883	.03282	.26288	.01216	10.28118	-.02294	15.72110
.900	-4.000	-.10414	.03397	.25289	.01245	10.28305	-.02743	15.70994
.900	-2.000	-.10120	.03547	.24493	.01239	10.28261	-.02940	15.70509
.900	.000	-.09840	.03755	.23701	.01004	10.26757	-.03203	15.69853
.900	2.000	-.09528	.03953	.23116	.00965	10.26506	-.03822	15.68317
.900	4.000	-.09733	.04162	.23631	.00709	10.24857	-.04842	15.65787
	GRADIENT	00098	.00097	-.00235	-.00067	-.00433	-.00254	-.00630

RUN NO.		0/ 0	RN/L = 4.08	GRADIENT INTERVAL = -5.00/ 5.00				
MACH	ALPHA	CYN	CBL	CY	CHEI	ELV-LI	CHEO	ELV-LO
.975	-8.000	-.12265	.03629	.29201	.01160	10.28356	-.03665	15.67981
.975	-6.000	-.11135	.03664	.27507	.01678	10.31953	-.03357	15.68804
.975	-4.000	-.10198	.03688	.25931	.01612	10.31491	-.03179	15.69281
.975	-2.000	-.09518	.03793	.24598	.00328	10.22580	-.03363	15.68791
.975	.000	-.09436	.03893	.23830	-.01391	10.16107	-.03820	15.67566
.975	2.000	-.09239	.04022	.23603	-.02876	10.11631	-.05384	15.63376
.975	4.000	-.08937	.04204	.23416	-.03211	10.10625	-.05914	15.59285
	GRADIENT	00140	.00063	-.00301	-.00643	-.02634	-.00474	-.01270

RUN NO.		0/ 0	RN/L = 4.21	GRADIENT INTERVAL = -5.00/ 5.00				
MACH	ALPHA	CYN	CBL	CY	CHEI	ELV-LI	CHEO	ELV-LO
1.150	-6.000	-.10834	.03951	.26994	.03401	10.46861	-.03953	15.65888
1.150	-4.000	-.10102	.04127	.25716	.02911	10.43032	-.04873	15.63114
1.150	-2.000	-.09885	.04273	.24892	.02374	10.38844	-.05760	15.60441
1.150	.000	-.10205	.04341	.24740	.01582	10.32654	-.06441	15.58393
1.150	2.000	-.10324	.04421	.24802	.00768	10.26301	-.07048	15.56558
	GRADIENT	-.00049	.00048	-.00145	-.00361	-.02819	-.00360	-.01086

LARC 8FT TPT 749 (1A93) OTSAT130

(MJJ012) (02 JUL 76)

REFERENCE DATA

SREF = 2690.0000 SQ FT. XMRP = 976.0000 IN. XT
 LREF = 1290.3000 INCHES YMRP = .0000 IN. YT
 BREF = 1290.3000 INCHES ZMRP = 400.0000 IN. ZT
 SCALE = .0100

PARAMETRIC DATA

BETA = -6.000 ELV-LI = 10.000
 ELV-LO = 14.000 ELV-RI = 10.000
 ELV-RO = 14.000

RUN NO. 0/ 0 RN/L = 4.22 GRADIENT INTERVAL = -5.00/ 5.00

MACH	ALPHA	CYN	CEL	CY	CHEI	ELV-LI	CHEO	ELV-LO
1.205	-8.000	-.12058	.03896	.29035	.03885	10.51342	-.03709	15.66365
1.205	-6.000	-.11071	.04064	.27382	.03386	10.47348	-.04464	15.64040
1.205	-4.000	-.10349	.04174	.26169	.03001	10.44266	-.05463	15.60965
1.205	-2.000	-.10032	.04228	.25242	.02633	10.41334	-.06321	15.58316
1.205	.000	-.10404	.04273	.25033	.02091	10.37012	-.07053	15.56048
1.205	2.000	-.10557	.04395	.25101	.01220	10.30050	-.07694	15.54081
1.205	4.000	-.10210	.04519	.25057	-.00097	10.19963	-.08190	15.52554
	GRADIENT	-.00010	.00043	-.00118	-.00380	-.02994	-.00341	-.01053

LARC 8FT TPT 749 (1A93) OTSAT130

(MJJ013) (02 JUL 76)

REFERENCE DATA

SREF = 2690.0000 SQ.FT. XMRP = 976.0000 IN. XT
 LREF = 1290.3000 INCHES YMRP = .0000 IN. YT
 BREF = 1290.3000 INCHES ZMRP = 400.0000 IN. ZT
 SCALE = .0100

PARAMETRIC DATA

BETA = -4.000 ELV-LI = 10.000
 ELV-LO = 14.000 ELV-RI = 10.000
 ELV-RO = 14.000

RUN NO. 0/ 0 RN/L = 3.16 GRADIENT INTERVAL = -5.00/ 5.00

MACH	ALPHA	CYN	CEL	CY	CHEI	ELV-LI	CHEO	ELV-LO
.600	-8.000	-.07063	.02103	.16637	.00972	10.23983	-.01440	15.75695
.600	-6.000	-.06623	.02111	.16088	.00827	10.23431	-.01640	15.75403
.600	-4.000	-.06359	.02156	.15481	.00707	10.22976	-.01916	15.75003
.600	-2.000	-.06186	.02251	.14888	.00571	10.22459	-.02250	15.74515
.600	.000	-.06352	.02418	.14711	.00426	10.21913	-.02629	15.73960
.600	2.000	-.06480	.02522	.14609	.00302	10.21444	-.03024	15.73377
.600	4.000	-.06325	.02703	.14806	.00173	10.20954	-.03674	15.72434
	GRADIENT	-.00011	.00068	-.00081	-.00067	-.00253	-.00214	-.00314

ORIGINAL PAGE IS
 OF POOR QUALITY

LARC 8FT TPT 749 (1A93) OTSAT130

(MJJ013) (02 JUL 76)

REFERENCE DATA

PARAMETRIC DATA

SREF = 2690.0000 SQ.FT. XMRP = 976.0000 IN. XT
 LREF = 1290.3000 INCHES YMRP = .0000 IN. YT
 BREF = 1290.3000 INCHES ZMRP = 400.0000 IN. ZT
 SCALE = .0100

BETA = -4.000 ELV-LI = 10.000
 ELV-LO = 14.000 ELV-RI = 10.000
 ELV-RO = 14.000

RUN NO.		0/ 0	RN/L = 3.97	GRADIENT INTERVAL = -5.00/ 5.00				
MACH	ALPHA	CYN	CBL	CY	CHEI	ELV-LI	CHEO	ELV-LO
900	-8.000	-.07860	.01955	.18435	.00551	10.23841	-.02391	15.71869
900	-6.000	-.07330	.02106	.17619	.00625	10.24318	-.02415	15.71810
.900	-4.000	-.06966	.02197	.16949	.00586	10.24069	-.02885	15.70644
.900	-2.000	-.06793	.02329	.16362	.00566	10.23936	-.03160	15.69966
900	.000	-.06520	.02480	.15644	.00379	10.22738	-.03402	15.69361
.900	2.000	-.06172	.02577	.15110	.00264	10.21999	-.03931	15.68043
.900	4.000	-.06307	.02710	.15633	.00234	10.21802	-.04674	15.66202
	GRADIENT	.00097	.00064	-.00194	-.00050	-.00324	-.00217	-.00540

RUN NO.		0/ 0	RN/L = 4.08	GRADIENT INTERVAL = 5.00/ 5.00				
MACH	ALPHA	CYN	CBL	CY	CHEI	ELV-LI	CHEO	ELV-LO
975	-8.000	-.08319	.02432	.19871	.01013	10.27334	-.03797	15.67623
.975	-6.000	-.07340	.02417	.18404	.01320	10.29468	-.03643	15.68037
975	-4.000	-.06649	.02406	.17138	.01158	10.28338	-.03538	15.68324
.975	-2.000	-.05319	.02513	.16293	.00140	10.21270	-.03553	15.68283
975	.000	-.06471	.02604	.15980	-.01632	10.15382	-.03911	15.67322
975	2.000	-.06290	.02610	.15558	-.03325	10.10277	-.05077	15.64197
.975	4.000	-.05908	.02694	.15304	-.03925	10.08473	-.06547	15.60263
	GRADIENT	.00076	.00034	-.00220	-.00682	-.02536	-.00377	-.01010

RUN NO.		0/ 0	RN/L = 4.21	GRADIENT INTERVAL = -5.00/ 5.00				
MACH	ALPHA	CYN	CBL	CY	CHEI	ELV-LI	CHEO	ELV-LO
1.150	-6.000	-.07146	.02592	.18092	.03271	10.45843	-.03734	15.66548
1.150	-4.000	-.06689	.02742	.17173	.02729	10.41612	-.04422	15.64477
1.150	-2.000	-.06607	.02810	.16425	.02250	10.37874	-.05307	15.61808
1.150	.000	-.07060	.02844	.16389	.01552	10.32424	-.06058	15.59544
1.150	2.000	-.07230	.02930	.16556	.00749	10.26152	-.06737	15.57498
	GRADIENT	-.00104	.00030	-.00094	-.00332	-.02591	-.00385	-.01160

LARC 8FT TPT 749 (1A93) OTSAT130

(MJJ013) (02 JUL 76)

REFERENCE DATA

SREF = 2690.0000 SQ.FT. XMRP = 976.0000 IN. XT
 LREF = 1290.3000 INCHES YMRP = .0000 IN. YT
 BREF = 1290.3000 INCHES ZMRP = 400.0000 IN. ZT
 SCALE = 0100

PARAMETRIC DATA

BETA = -4.000 ELV-LI = 10.000
 ELV-LO = 14.000 ELV-RI = 10.000
 ELV-RO = 14.000

RUN NO. 0/ 0 RN/L = 4.22 GRADIENT INTERVAL = -5.00/ 5.00

MACH	ALPHA	CYN	CBL	CY	CHEI	ELV-LI	CHEO	ELV-LO
1.205	-8.000	-.07926	.02614	.19571	.03784	10.50541	-.03506	15.66990
1.205	-6.000	-.07297	.02715	.18466	.03258	10.46329	-.04105	15.65146
1.205	-4.000	-.06721	.02738	.17380	.02856	10.43107	-.05018	15.62336
1.205	-2.000	-.06635	.02780	.16677	.02533	10.40541	-.05846	15.59779
1.205	.000	-.07102	.02833	.16587	.02128	10.37304	-.06581	15.57508
1.205	2.000	-.07236	.02912	.16685	.01400	10.31480	-.07232	15.55510
1.205	4.000	-.06974	.03031	.16743	.00285	10.22577	-.07824	15.53678
	GRADIENT	-.00055	.00036	-.00063	-.00314	-.02506	-.00350	-.01079

LARC 8FT TPT 749 (1A93) OTSAT130

(MJJ014) (02 JUL 76)

REFERENCE DATA

SREF = 2690.0000 SQ.FT. XMRP = 976.0000 IN. XT
 LREF = 1290.3000 INCHES YMRP = .0000 IN. YT
 BREF = 1290.3000 INCHES ZMRP = 400.0000 IN. ZT
 SCALE = 0100

PARAMETRIC DATA

BETA = .000 ELV-LI = 10.000
 ELV-LO = 14.000 ELV-RI = 10.000
 ELV-RO = 14.000

RUN NO. 0/ 0 RN/L = 3.16 GRADIENT INTERVAL = -5.00/ 5.00

MACH	ALPHA	CYN	CBL	CY	CHEI	ELV-LI	CHEO	ELV-LO
.600	-8.000	-.00376	.00177	.01571	.00519	10.22266	-.01465	15.75660
.600	-6.000	-.00099	.00096	.01132	.00366	10.21687	-.01597	15.75464
.600	-4.000	.00203	.00002	.00502	.00256	10.21269	-.01829	15.75125
.600	-2.000	.00245	.00014	.00147	.00052	10.20495	-.02166	15.74635
.600	.000	.00188	.00040	-.00037	-.00044	10.20227	-.02565	15.74046
.600	2.000	.00110	.00030	-.00004	-.00090	10.20152	-.03022	15.73384
.600	4.000	-.00079	.00085	.00320	-.00171	10.20018	-.03520	15.72653
	GRADIENT	-.00035	.00009	-.00026	-.00050	-.00142	-.00212	-.00310

LARC 8FT TPT 749 (1A93) OTSAT130

(MJJ014) (02-JUL 76 1

REFERENCE DATA

SREF = 2690.0000 SQ.FT. XMRP = 976.0000 IN. XT
 LREF = 1290.3000 INCHES YMRP = .0000 IN. YT
 BREF = 1290.3000 INCHES ZMRP = 400.0000 IN. ZT
 SCALE = .0100

PARAMETRIC DATA

BETA = .000 ELV-LI = 10.000
 ELV-LO = 14.000 ELV-RI = 10.000
 ELV-RO = 14.000

RUN NO. 0/ 0 RN/L = 3.97 GRADIENT INTERVAL = -5.00/ 5.00

MACH	ALPHA	CYN	CBL	CY	CHEI	ELV-LI	CHEO	ELV-LO
.900	-8.000	-.00546	.00175	.01618	-.00756	10.18189	-.03034	15.70270
.900	-6.000	-.00181	.00115	.01024	-.00780	10.18125	-.02938	15.70513
.900	-4.000	.00100	.00087	.00619	-.01029	10.17428	-.03223	15.69807
.900	-2.000	.00126	.00110	.00300	-.01349	10.16535	-.03586	15.68901
.900	.000	.00166	.00064	.00060	-.01355	10.16519	-.03987	15.67908
.900	2.000	.00256	.00057	-.00365	-.01498	10.16121	-.04357	15.66996
.900	4.000	.00200	.00078	-.00174	-.01226	10.16878	-.04678	15.66191
	GRADIENT	.00016	-.00004	-.00113	-.00027	-.00076	-.00184	-.00457

RUN NO 0/ 0 RN/L = 4.08 GRADIENT INTERVAL = -5.00/ 5.00

MACH	ALPHA	CYN	CBL	CY	CHEI	ELV-LI	CHEO	ELV-LO
.975	-8.000	-.00377	.00190	.01720	-.00295	10.19411	-.04075	15.66885
.975	-6.000	-.00067	.00124	.01290	-.00068	10.20095	-.04099	15.66821
.975	-4.000	.00306	.00037	.00529	-.00052	10.20144	-.04116	15.66775
.975	-2.000	.00468	.00002	-.00079	-.00846	10.17749	-.04108	15.66792
.975	.000	.00233	.00002	.00060	-.02122	10.13904	-.04168	15.66633
.975	2.000	.00133	.00017	-.00055	-.03702	10.09144	-.04682	15.65257
.975	4.000	-.00069	.00116	.00190	-.05206	10.04603	-.05049	15.61596
	GRADIENT	-.00054	.00009	-.00033	-.00658	-.01984	-.00222	-.00595

RUN NO 0/ 0 RN/L = 4.21 GRADIENT INTERVAL = -5.00/ 5.00

MACH	ALPHA	CYN	CBL	CY	CHEI	ELV-LI	CHEO	ELV-LO
1.150	-6.000	-.00093	.00158	.01191	.03015	10.43848	-.03862	15.66162
1.150	-4.000	.00120	.00098	.00754	.02503	10.39843	-.03889	15.66082
1.150	-2.000	.00131	.00062	.00383	.02127	10.36912	-.04485	15.64283
1.150	.000	-.00099	.00048	.00277	.01758	10.34041	-.05286	15.61862
1.150	2.000	-.00229	.00045	.00289	.01028	10.28331	-.05959	15.59842
	GRADIENT	-.00064	-.00009	-.00075	-.00240	-.01870	-.00351	-.01057

LARC 8FT TPT 749 (1A93) OTSAT130

(MJJ014) (02 JUL 76)

REFERENCE DATA

SREF = 2690.0000 SQ.FT. XMRP = 976.0000 IN. XT
 LREF = 1290.3000 INCHES YMRP = .0000 IN. YT
 BREF = 1290.3000 INCHES ZMRP = 400.0000 IN. ZT
 SCALE = .0100

PARAMETRIC DATA

BETA = .000 ELV-LI = 10.000
 ELV-LO = 14.000 ELV-RI = 10.000
 ELV-RO = 14.000

RUN NO. 0/ 0 RN/L = 4.22 GRADIENT INTERVAL = -5 00/ 5.00

MACH	ALPHA	CYN	CBL	CY	CHEI	ELV-LI	CHEO	ELV-LO
1 205	-8.000	-.00068	.00250	.01353	.03833	10.50917	-.03532	15.66912
1 205	-6.000	.00071	.00239	.01126	.03268	10.46408	-.03660	15.66518
1 205	-4.000	.00281	.00157	.00631	.02765	10.42387	-.04209	15.64827
1.205	-2.000	.00442	.00066	.00041	.02449	10.39862	-.04874	15.62776
1.205	.000	.00305	.00057	-.00188	.02201	10.37894	-.05705	15.60206
1 205	2 000	-.00002	.00085	.00096	.01669	10.33646	-.06518	15.57693
1 205	4.000	-.00205	.00122	.00530	.00856	10.27140	-.07092	15.55932
	GRADIENT	-.00071	-.00003	-.00007	-.00230	-.01836	-.00370	-.01144

LARC 8FT TPT 749 (1A93) OTSAT130

(MJJ015) (02 JUL 76)

REFERENCE DATA

SREF = 2690.0000 SQ.FT. XMRP = 976 0000 IN XT
 LREF = 1290.3000 INCHES YMRP = .0000 IN YT
 BREF = 1290.3000 INCHES ZMRP = 400 0000 IN ZT
 SCALE = .0100

PARAMETRIC DATA

BETA = 4 000 ELV-LI = 10.000
 ELV-LO = 14.000 ELV-RI = 10.000
 ELV-RO = 14.000

RUN NO. 0/ 0 RN/L = 3.16 GRADIENT INTERVAL = -5.00/ 5.00

MACH	ALPHA	CYN	CBL	CY	CHEI	ELV-LI	CHEO	ELV-LO
.600	-8 000	.06013	-.01483	-.12673	.00114	10.20732	-.01566	15.75511
.600	-6.000	.06100	-.01697	-.12880	-.00080	10.20169	-.01732	15.75267
.600	-4 000	.06111	-.01841	-.13146	-.00236	10.19912	-.01868	15.75070
.600	-2.000	.06309	-.02050	-.13641	-.00252	10.19886	-.02127	15.74693
.600	.000	.06404	-.02225	-.14021	-.00282	10.19837	-.02540	15.74089
.600	2 000	.06429	-.02351	-.14169	-.00357	10.19713	-.03015	15.73394
.600	4 000	.06016	-.02416	-.13591	-.00467	10.19532	-.03445	15.72762
	GRADIENT	-.00004	-.00073	-.00071	-.00028	-.00047	-.00202	-.00296

LARC 8FT TPT 749 (1A93) OTSAT130

(MJJ015) (02 JUL 76)

REFERENCE DATA

SREF = 2690.0000 SQ FT. XMRP = 976.0000 IN. XT
 LREF = 1290.3000 INCHES YMRP = .0000 IN. YT
 BREF = 1290.3000 INCHES ZMRP = 400.0000 IN. ZT
 SCALE = .0100

PARAMETRIC DATA

BETA = 4.000 ELV-LI = 10.000
 ELV-LO = 14.000 ELV-RI = 10.000
 ELV-RO = 14.000

RUN NO. 0/ 0 RN/L = 3.97 GRADIENT INTERVAL = -5.00/ 5.00

MACH	ALPHA	CYN	CBL	CY	CHEI	ELV-LI	CHEO	ELV-LO
.900	-8.000	.06564	-.01443	-.14462	-.01758	10.15391	-.03217	15.69815
.900	-6.000	.06446	-.01663	-.14316	-.01732	10.15465	-.03215	15.69822
.900	-4.000	.06384	-.01880	-.14210	-.01831	10.15190	-.03388	15.69393
.900	-2.000	.06442	-.02092	-.14825	-.01937	10.14895	-.03628	15.68801
.900	.000	.06336	-.02243	-.14795	-.01939	10.14890	-.04061	15.67732
.900	2.000	.06002	-.02268	-.14414	-.02087	10.14475	-.04384	15.66921
.900	4.000	.06022	-.02372	-.14509	-.02080	10.14493	-.04671	15.66206
	GRADIENT	-.00058	-.00058	-.00009	-.00032	-.00091	-.00166	-.00413

RUN NO 0/ 0 RN/L = 4.08 GRADIENT INTERVAL = -5.00/ 5.00

MACH	ALPHA	CYN	CBL	CY	CHEI	ELV-LI	CHEO	ELV-LO
.975	-8.000	.07370	-.01842	-.16056	-.02259	10.13493	-.04147	15.66693
.975	-6.000	.07108	-.02028	-.15644	-.02702	10.12159	-.04066	15.66912
.975	-4.000	.06933	-.02201	-.15375	-.03077	10.11025	-.04026	15.67014
.975	-2.000	.06880	-.02369	-.15458	-.03394	10.10072	-.04280	15.66336
.975	.000	.06744	-.02481	-.15489	-.03544	10.09617	-.04853	15.64798
.975	2.000	.06329	-.02421	-.15210	-.04086	10.07988	-.06014	15.61691
.975	4.000	.05609	-.02352	-.14428	-.04566	10.06542	-.06952	15.59177
	GRADIENT	-.00160	-.00018	.00107	-.00183	-.00553	-.00379	-.01016

RUN NO 0/ 0 RN/L = 4.21 GRADIENT INTERVAL = -5.00/ 5.00

MACH	ALPHA	CYN	CBL	CY	CHEI	ELV-LI	CHEO	ELV-LO
1.150	-6.000	.06754	-.02052	-.15162	.02096	10.36667	-.04032	15.65653
1.150	-4.000	.06729	-.02357	-.15135	.01717	10.33711	-.03872	15.66130
1.150	-2.000	.06801	-.02580	-.15316	.01305	10.30490	-.03851	15.66192
1.150	.000	.06875	-.02683	-.15612	.00688	10.25670	-.04423	15.64476
1.150	2.000	.06866	-.02731	-.15714	.00010	10.20376	-.05096	15.62446
	GRADIENT	.00024	-.00061	-.00102	-.00287	-.02241	-.00212	-.00639

LARC 8FT TPT 749 (1A93) OTSAT130

(MJJ015) (02 JUL 76)

REFERENCE DATA

SREF = 2690.0000 SQ.FT. XMRP = 976.0000 IN. XT
 LREF = 1290.3000 INCHES YMRP = .0000 IN. YT
 BREF = 1290.3000 INCHES ZMRP = 400.0000 IN. ZT
 SCALE = .0100

PARAMETRIC DATA

BETA = 4.000 ELV-LI = 10.000
 ELV-LO = 14.000 ELV-RI = 10.000
 ELV-RO = 14.000

RUN NO. 0/ 0 RN/L = 4.22 GRADIENT INTERVAL = -5.00/ 5.00

MACH	ALPHA	CYN	CBL	CY	CHEI	ELV-LI	CHEO	ELV-LO
1.205	-8.000	.07124	-.01856	-.15669	.03039	10.44569	-.03789	15.66124
1.205	-6.000	.07167	-.02147	-.15686	.02671	10.41637	-.03725	15.66317
1.205	-4.000	.07082	-.02364	-.15597	.02301	10.38684	-.03647	15.66559
1.205	-2.000	.06976	-.02508	-.15517	.02005	10.36315	-.04053	15.65310
1.205	.000	.07148	-.02673	-.15972	.01590	10.33005	-.04727	15.63226
1.205	2.000	.07196	-.02753	-.16170	.00970	10.28052	-.05522	15.60770
1.205	4.000	.06795	-.02791	-.15765	.00281	10.22547	-.06154	15.58825
	GRADIENT	-.00018	-.00055	-.00049	-.00254	-.02027	-.00324	-.01000

LARC 8FT TPT 749 (1A93) OTSAT130

(MJJ016) (02 JUL 76)

REFERENCE DATA

SREF = 2690.0000 SQ.FT. XMRP = 976.0000 IN. XT
 LREF = 1290.3000 INCHES YMRP = .0000 IN. YT
 BREF = 1290.3000 INCHES ZMRP = 400.0000 IN. ZT
 SCALE = .0100

PARAMETRIC DATA

BETA = 6.000 ELV-LI = 10.000
 ELV-LO = 14.000 ELV-RI = 10.000
 ELV-RO = 14.000

RUN NO. 0/ 0 RN/L = 3.16 GRADIENT INTERVAL = -5.00/ 5.00

MACH	ALPHA	CYN	CBL	CY	CHEI	ELV-LI	CHEO	ELV-LO
.600	-8.000	.08843	-.02332	-.19354	-.00095	10.20144	-.01640	15.75400
.600	-6.000	.08960	-.02595	-.19607	-.00203	10.19965	-.01794	15.75175
.600	-4.000	.09064	-.02833	-.20005	-.00334	10.19751	-.01883	15.75049
.600	-2.000	.09296	-.03112	-.20568	-.00411	10.19623	-.02121	15.74700
.600	.000	.09555	-.03352	-.21084	-.00450	10.19560	-.02493	15.74156
.600	2.000	.09537	-.03544	-.21037	-.00579	10.19349	-.02973	15.73458
.600	4.000	.09317	-.03748	-.20783	-.00690	10.19166	-.03392	15.72844
	GRADIENT	.00037	-.00113	-.00101	-.00044	-.00072	-.00193	-.00283

ORIGINAL PAGE IS
OF POOR QUALITY

LARC 8FT TPT 749 (1A93) OTSAT130

(MJJ016) (02 JUL 76)

REFERENCE DATA

SREF = 2690.0000 SQ.FT. XMRP = 976.0000 IN. XT
 LREF = 1290.3000 INCHES YMRP = .0000 IN. YT
 BREF = 1290.3000 INCHES ZMRP = 400.0000 IN. ZT
 SCALE = .0100

PARAMETRIC DATA

BETA = 6.000 ELV-LI = 10.000
 ELV-LO = 14.000 ELV-RI = 10.000
 ELV-RO = 14.000

RUN NO. 0/ 0 RN/L = 3.97 GRADIENT INTERVAL = -5.00/ 5 00

MACH	ALPHA	CYN	CBL	CY	CHEI	ELV-LI	CHEO	ELV-LO
.900	-8.000	.10111	-.02447	-.22454	-.01988	10.14750	-.03275	15.69570
.900	-6.000	.09907	-.02694	-.22216	-.01910	10.14965	-.03237	15.69764
.900	-4.000	.09724	-.02962	-.21979	-.01974	10.14790	-.03384	15.69404
.900	-2.000	.09809	-.03236	-.22433	-.01937	10.14896	-.03560	15.68971
.900	.000	.09711	-.03479	-.22453	-.02019	10.14665	-.03949	15.68003
.900	2.000	.09237	-.03614	-.21865	-.02101	10.14437	-.04238	15.67287
.900	4.000	.09266	-.03771	-.21982	-.02091	10.14464	-.04534	15.66550
	GRADIENT	-.00074	-.00100	.00028	-.00020	-.00056	-.00149	-.00370

RUN NO. 0/ 0 RN/L = 4.08 GRADIENT INTERVAL = -5.00/ 5 00

MACH	ALPHA	CYN	CBL	CY	CHEI	ELV-LI	CHEO	ELV-LO
.975	-8.000	.11425	-.02968	-.25092	-.02796	10.11876	-.04397	15.66021
.975	-6.000	.10873	-.03166	-.24281	-.03380	10.10112	-.04310	15.66255
.975	-4.000	.10406	-.03410	-.23629	-.03723	10.09076	-.04151	15.66676
.975	-2.000	.10145	-.03655	-.23458	-.03866	10.08647	-.04472	15.65821
.975	.000	.09782	-.03730	-.23170	-.03788	10.08880	-.05312	15.63567
.975	2.000	.09080	-.03704	-.22525	-.03865	10.08653	-.06128	15.61385
.975	4.000	.08400	-.03754	-.21718	-.04101	10.07933	-.06813	15.59548
	GRADIENT	-.00254	-.00037	.00238	-.00038	-.00113	-.00349	-.00935

RUN NO. 0/ 0 RN/L = 4.21 GRADIENT INTERVAL = -5.00/ 5.00

MACH	ALPHA	CYN	CBL	CY	CHEI	ELV-LI	CHEO	ELV-LO
1.150	-6.000	.10322	-.03257	-.23570	.01777	10.34176	-.04103	15.65436
1.150	-4.000	.10008	-.03633	-.23230	.01414	10.31344	-.03957	15.65876
1.150	-2.000	.09873	-.03929	-.23171	.01020	10.28267	-.03792	15.66372
1.150	.000	.09917	-.04054	-.23367	.00381	10.23274	-.04175	15.65220
1.150	2.000	.09776	-.04095	-.23314	-.00383	10.19000	-.04818	15.63285
	GRADIENT	-.00033	-.00076	-.00022	-.00302	-.02101	-.00148	-.00446

LARC 8FT TPT 749 (1A93) OTSAT130

(MJJ016) (02 JUL 76)

REFERENCE DATA

SREF = 2690.0000 SQ.FT. XMRP = 976.0000 IN. XT
 LREF = 1290.3000 INCHES YMRP = .0000 IN. YT
 BREF = 1290.3000 INCHES ZMRP = 400.0000 IN. ZT
 SCALE = .0100

PARAMETRIC DATA

BETA = 6.000 ELV-LI = 10.000
 ELV-LO = 14.000 ELV-RI = 10.000
 ELV-RO = 14.000

RUN NO. 0/ 0 RN/L = 4.22 GRADIENT INTERVAL = -5.00/ 5.00

MACH	ALPHA	CYN	CBL	CY	CHEI	ELV-LI	CHEO	ELV-LO
1.205	-8.000	.11020	-.03027	-.24670	.02712	10.41959	-.03850	15.65934
1.205	-6.000	.10688	-.03392	-.24150	.02388	10.39376	-.03850	15.65932
1.205	-4.000	.10434	-.03681	-.23844	.01973	10.36061	-.03598	15.66712
1.205	-2.000	.10240	-.03871	-.23657	.01568	10.32822	-.03690	15.66432
1.205	.000	.10318	-.04046	-.23961	.01111	10.29175	-.04330	15.64455
1.205	2.000	.10324	-.04162	-.24120	.00478	10.24123	-.05076	15.62148
1.205	4.000	.09918	-.04245	-.23673	-.00068	10.20066	-.05677	15.60296
	GRADIENT	-.00047	-.00071	-.00006	-.00259	-.02034	-.00277	-.00856

LARC 8FT TPT 749 (1A93) OTSAT130

(MJJ017) (02 JUL 76)

REFERENCE DATA

SREF = 2690.0000 SQ.FT. XMRP = 976.0000 IN. XT
 LREF = 1290.3000 INCHES YMRP = .0000 IN. YT
 BREF = 1290.3000 INCHES ZMRP = 400.0000 IN. ZT
 SCALE = .0100

PARAMETRIC DATA

BETA = -6.000 ELV-LI = 10.000
 ELV-LO = -5.000 ELV-RI = 10.000
 ELV-RO = -5.000

RUN NO. 0/ 0 RN/L = 4.21 GRADIENT INTERVAL = -5.00/ 5.00

MACH	ALPHA	CYN	CBL	CY	CHEI	ELV-LI	CHEO	ELV-LO
1.150	-6.000	-.10726	.03927	.27020	.05297	10.61667	.06570	-4.88399
1.150	-4.000	-.09955	.04150	.25688	.04827	10.58003	.05078	-4.97396
1.150	-2.000	-.09757	.04331	.24854	.04247	10.53478	.03590	-5.06361
1.150	.000	-.10129	.04447	.24765	.03487	10.47533	.02268	-5.14332
1.150	2.000	-.10262	.04511	.24808	.02609	10.40678	.01072	-5.21537
	GRADIENT	-.00063	.00060	-.00136	-.00371	-.02896	-.00667	-.04020

RUN NO. 0/ 0 RN/L = 4.22 GRADIENT INTERVAL = -5.00/ 5.00

MACH	ALPHA	CYN	CBL	CY	CHEI	ELV-LI	CHEO	ELV-LO
1.205	-8.000	-.11915	.03877	.28925	.05245	10.62229	.06470	-4.88088
1.205	-6.000	-.10949	.04105	.27337	.04604	10.57108	.05038	-4.96921
1.205	-4.000	-.10167	.04226	.26041	.04073	10.52864	.03692	-5.05220
1.205	-2.000	-.09945	.04323	.25160	.03653	10.49503	.02607	-5.11914
1.205	.000	-.10370	.04390	.25022	.03072	10.44855	.01538	-5.18514
1.205	2.000	-.10491	.04424	.24979	.02352	10.39103	.00522	-5.24779
1.205	4.000	-.10187	.04542	.24986	.01204	10.29922	-.00377	-5.29163
	GRADIENT	-.00029	.00037	-.00115	-.00352	-.02814	-.00511	-.03038

LARC 8FT TPT 749 (1A93) OTSAT130

(MJJ018) (02 JUL 76)

REFERENCE DATA

SREF = 2690.0000 SQ.FT. XMRP = 976.0000 IN. XT
 LREF = 1290.3000 INCHES YMRP = .0000 IN. YT
 BREF = 1290.3000 INCHES ZMRP = 400.0000 IN. ZT
 SCALE = .0100

PARAMETRIC DATA

BETA = -4.000 ELV-LI = 10.000
 ELV-LO = -5.000 ELV-RI = 10.000
 ELV-RO = -5.000

RUN NO. 0/ 0 RN/L = 4.21 GRADIENT INTERVAL = -5.00/ 5.00

MACH	ALPHA	CYN	CBL	CY	CHEI	ELV-LI	CHEO	ELV-LO
1.150	-6.000	-.07020	.02534	.18013	.04895	10.58532	.07371	-4.83568
1.150	-4.000	-.06478	.02707	.16999	.04466	10.55183	.06204	-4.90605
1.150	-2.000	-.06416	.02824	.16251	.04013	10.51637	.04700	-4.99675
1.150	.000	-.07031	.02936	.16461	.03388	10.46768	.03200	-5.08708
1.150	2.000	-.07089	.02960	.16459	.02604	10.40639	.01813	-5.17073
	GRADIENT	-.00122	.00043	-.00070	-.00311	-.02425	-.00734	-.04422

RUN NO 0/ 0 RN/L = 4.22 GRADIENT INTERVAL = -5.00/ 5.00

MACH	ALPHA	CYN	CBL	CY	CHEI	ELV-LI	CHEO	ELV-LO
1.205	-8.000	-.07757	.02548	.19362	.04991	10.60190	.07259	-4.83231
1.205	-6.000	-.07139	.02720	.18338	.04457	10.55930	.06029	-4.90805
1.205	-4.000	-.06572	.02779	.17278	.03992	10.52229	.04621	-4.99483
1.205	-2.000	-.06533	.02840	.16606	.03617	10.49215	.03456	-5.06679
1.205	.000	-.07047	.02904	.16625	.03155	10.45509	.02295	-5.13853
1.205	2.000	-.07138	.02910	.16547	.02587	10.40976	.01121	-5.21086
1.205	4.000	-.06968	.03032	.16753	.01638	10.33391	.00048	-5.27706
	GRADIENT	-.00070	.00029	-.00055	-.00287	-.02296	-.00574	-.03543

LARC 8FT TPT 749 (1A93) OTSAT130

(MJJ019) (02 JUL 76)

REFERENCE DATA

SREF = 2690.0000 SQ.FT. XMRP = 976.0000 IN. XT
 LREF = 1290.3000 INCHES YMRP = .0000 IN. YT
 BREF = 1290.3000 INCHES ZMRP = 400.0000 IN. ZT
 SCALE = .0100

PARAMETRIC DATA

BETA = .000 ELV-LI = 10.000
 ELV-LO = -5.000 ELV-RI = 10.000
 ELV-RO = -5.000

RUN NO 0/ 0 RN/L = 4.21 GRADIENT INTERVAL = -5.00/ 5.00

MACH	ALPHA	CYN	CBL	CY	CHEI	ELV-LI	CHEO	ELV-LO
1.150	-6.000	-.00118	.00098	.01213	.04105	10.52361	.07859	-4.80639
1.150	-4.000	.00115	.00038	.00716	.03703	10.49228	.07837	-4.80754
1.150	-2.000	.00243	-.00029	.00168	.03481	10.47490	.06850	-4.86709
1.150	.000	.00107	-.00069	-.00035	.03235	10.45563	.05328	-4.95989
1.150	2.000	-.00182	.00007	.00305	.02598	10.40591	.03657	-5.05961
	GRADIENT	-.00051	-.00007	-.00072	-.00178	-.01392	-.00703	-.04240

LARC 8FT TPT 749 (1A93) OTSAT130

(MJJ019) (02 JUL 76)

REFERENCE DATA

SREF = 2690.0000 SQ.FT. XMRP = 976.0000 IN. XT
 LREF = 1290.3000 INCHES YMRP = .0000 IN. YT
 BREF = 1290.3000 INCHES ZMRP = 400.0000 IN. ZT
 SCALE = .0100

PARAMETRIC DATA

BETA = .000 ELV-LI = 10.000
 ELV-LO = -5.000 ELV-RI = 10.000
 ELV-RO = -5.000

RUN NO. 0/ 0 RN/L = 4.22 GRADIENT INTERVAL = -5.00/ 5.00

MACH	ALPHA	CYN	CBL	CY	CHEI	ELV-LI	CHEO	ELV-LO
1.205	-8.000	.00001	.00157	.01240	.04691	10.57801	.07749	-4.80197
1.205	-6.000	.00168	.00127	.01013	.04176	10.53690	.07490	-4.81788
1.205	-4.000	.00419	.00034	.00487	.03748	10.50261	.06704	-4.86644
1.205	-2.000	.00551	-.00037	-.00052	.03503	10.48290	.05516	-4.93984
1.205	.000	.00301	-.00010	-.00002	.03253	10.46296	.04125	-5.02559
1.205	2.000	.00106	.00003	.00029	.02793	10.42628	.02725	-5.11193
1.205	4.000	-.00066	.00039	.00350	.02138	10.37394	.01358	-5.19619
	GRADIENT	-.00071	.00003	-.00010	-.00196	-.01570	-.00674	-.04158

LARC 8FT TPT 749 (1A93) OTSAT130

(MJJ020) (02 JUL 76)

REFERENCE DATA

SREF = 2690.0000 SQ.FT. XMRP = 976.0000 IN. XT
 LREF = 1290.3000 INCHES YMRP = .0000 IN. YT
 BREF = 1290.3000 INCHES ZMRP = 400.0000 IN. ZT
 SCALE = .0100

PARAMETRIC DATA

BETA = 4.000 ELV-LI = 10.000
 ELV-LO = -5.000 ELV-RI = 10.000
 ELV-RO = -5.000

RUN NO. 0/ 0 RN/L = 4.21 GRADIENT INTERVAL = -5.00/ 5.00

MACH	ALPHA	CYN	CBL	CY	CHEI	ELV-LI	CHEO	ELV-LO
1.150	-6.000	.06651	-.02102	-.15102	.02864	10.42660	.07666	-4.81808
1.150	-4.000	.06646	-.02464	-.15161	.02582	10.40459	.07980	-4.79913
1.150	-2.000	.06743	-.02750	-.15339	.02311	10.38355	.08131	-4.78985
1.150	.000	.06894	-.02908	-.15666	.01845	10.34714	.07335	-4.83779
1.150	2.000	.06888	-.02896	-.15686	.01293	10.30396	.05673	-4.93804
	GRADIENT	.00044	-.00073	-.00095	-.00217	-.01692	-.00386	-.02323

RUN NO. 0/ 0 RN/L = 4.22 GRADIENT INTERVAL = -5.00/ 5.00

MACH	ALPHA	CYN	CBL	CY	CHEI	ELV-LI	CHEO	ELV-LO
1.205	-8.000	.07192	-.01930	-.15788	.03566	10.49597	.07340	-4.82735
1.205	-6.000	.07148	-.02261	-.15657	.03326	10.46872	.07478	-4.81895
1.205	-4.000	.07117	-.02548	-.15701	.03031	10.44525	.07755	-4.80173
1.205	-2.000	.07118	-.02743	-.15799	.02807	10.42737	.07326	-4.82816
1.205	.000	.07196	-.02851	-.15944	.02458	10.39944	.06072	-4.90545
1.205	2.000	.07323	-.02909	-.16233	.01939	10.35799	.04463	-5.00463
1.205	4.000	.06963	-.02901	-.15907	.01335	10.30971	.02913	-5.10024
	GRADIENT	-.00005	-.00044	-.00042	-.00213	-.01702	-.00627	-.03867

LARC 8FT TPT 749 (1A93) OTSAT130

(MJJ021) (02 JUL 76)

REFERENCE DATA

SREF = 2690.0000 SQ.FT. XMRP = 976.0000 IN. XT
 LREF = 1290.3000 INCHES YMRP = .0000 IN. YT
 BREF = 1290.3000 INCHES ZMRP = 400.0000 IN. ZT
 SCALE = .0100

PARAMETRIC DATA

BETA = 6.000 ELV-LI = 10.000
 ELV-LO = -5.000 ELV-RI = 10.000
 ELV-RO = -5.000

RUN NO. 0/ 0 RN/L = 4.21 GRADIENT INTERVAL = -5.00/ 5.00

MACH	ALPHA	CYN	CBL	CY	CHEI	ELV-LI	CHEO	ELV-LO
1.150	-6.000	.10285	-.03354	- 23600	.02476	10.39629	.07608	-4.82159
1.150	-4.000	.09944	-.03771	- 23222	.02182	10.37341	.07798	-4.81010
1.150	-2.000	.09811	-.04103	- 23094	.01905	10.35179	.08133	-4.78974
1.150	.000	.09937	-.04292	- 23423	.01379	10.31069	.07908	-4.80337
1.150	2.000	.09874	-.04343	- 23476	.00795	10.26509	.06595	-4.88235
	GRADIENT	- .00004	-.00095	- 00055	-.00234	- 01830	-.00192	-.01152

RUN NO 0/ 0 RN/L = 4.22 GRADIENT INTERVAL = -5.00/ 5.00

MACH	ALPHA	CYN	CBL	CY	CHEI	ELV-LI	CHEO	ELV-LO
1.205	-8.000	.11096	-.03129	- 24009	.03283	10.46541	.07258	-4.83224
1.205	-6.000	.10737	-.03549	- 24218	.02998	10.44264	.07287	-4.83043
1.205	-4.000	.10450	-.03881	- 23853	.02657	10.41542	.07708	-4.80447
1.205	-2.000	.10317	-.04123	- 23756	.02295	10.38646	.07755	-4.80154
1.205	.000	.10391	-.04268	- 23987	.01886	10.35374	.06936	-4.85215
1.205	2.000	.10434	-.04346	- 24181	.01351	10.31099	.05460	-4.94317
1.205	4.000	.10058	-.04372	- 23762	.00891	10.27421	.03773	-5.04722
	GRADIENT	-.00033	- 00060	-.00012	-.00224	- 01789	-.00508	-.03136

LARC 8FT TPT 749 (1A93) OTSAT130

(MJJ022) (02 JUL 76)

REFERENCE DATA

SREF = 2690.0000 SQ.FT. XMRP = 976.0000 IN. XT
 LREF = 1290.3000 INCHES YMRP = .0000 IN. YT
 BREF = 1290.3000 INCHES ZMRP = 400.0000 IN. ZT
 SCALE = .0100

PARAMETRIC DATA

BETA = -6.000 ELV-LI = 12.000
 ELV-LO = -5.000 ELV-RI = 12.000
 ELV-RO = -5.000

RUN NO. 0/ 0 RN/L = 4.21 GRADIENT INTERVAL = -5.00/ 5.00

MACH	ALPHA	CYN	CBL	CY	CHEI	ELV-LI	CHEO	ELV-LO
1.150	-6.000	-.10678	.03929	.26945	.02835	12.30242	.06568	-4.88414
1.150	-4.000	-.09927	.04152	.25616	.02491	12.27551	.05076	-4.97407
1.150	-2.000	-.09731	.04358	.24842	.02076	12.24316	.03601	-5.06290
1.150	.000	-.10079	.04471	.24764	.01458	12.19483	.02310	-5.14078
1.150	2.000	-.10227	.04525	.24785	.00764	12.14065	.01062	-5.21596
	GRADIENT	-.00062	.00062	-.00129	-.00290	-.02264	-.00667	-.04018

LARC 8FT TPT 749 (1A93) OTSAT130

(MJJ022) (02 JUL 76)

REFERENCE DATA

SREF = 2690.0000 SQ.FT. XMRP = 976.0000 IN. XT
 LREF = 1290.3000 INCHES YMRP = .0000 IN. YT
 BREF = 1290.3000 INCHES ZMRP = 400.0000 IN. ZT
 SCALE = .0100

PARAMETRIC DATA

BETA = -6.000 ELV-L1 = 12.000
 ELV-LO = -5.000 ELV-R1 = 12.000
 ELV-RO = -5.000

RUN NO. 0/ 0 RN/L = 4.22 GRADIENT INTERVAL = -5.00/ 5.00

MACH	ALPHA	CYN	CBL	CY	CHEI	ELV-L1	CHEO	ELV-LO
1.205	-8.000	-.11878	.03891	.28923	.02910	12.31358	.06464	-4.88130
1.205	-6.000	-.10929	.04110	.27334	.02441	12.27605	.04998	-4.97187
1.205	-4.000	-.10138	.04231	.26001	.02071	12.24645	.03684	-5.05291
1.205	-2.000	-.09881	.04324	.25087	.01746	12.22052	.02624	-5.11818
1.205	.000	-.10298	.04383	.24940	.01163	12.17395	.01515	-5.18660
1.205	2.000	-.10493	.04456	.25068	.00302	12.10512	.00501	-5.24909
1.205	4.000	-.10242	.04549	.25005	-.00694	12.05693	-.00459	-5.29417
	GRADIENT	-.00041	.00038	-.00101	-.00349	-.02472	-.00520	-.03067

LARC 8FT TPT 749 (1A93) OTSAT130

(MJJ023) (02 JUL 76)

REFERENCE DATA

SREF = 2690.0000 SQ.FT. XMRP = 976.0000 IN. XT
 LREF = 1290.3000 INCHES YMRP = .0000 IN. YT
 BREF = 1290.3000 INCHES ZMRP = 400.0000 IN. ZT
 SCALE = .0100

PARAMETRIC DATA

BETA = -4.000 ELV-L1 = 12.000
 ELV-LO = -5.000 ELV-R1 = 12.000
 ELV-RO = -5.000

RUN NO. 0/ 0 RN/L = 4.21 GRADIENT INTERVAL = -5.00/ 5.00

MACH	ALPHA	CYN	CBL	CY	CHEI	ELV-L1	CHEO	ELV-LO
1.150	-6.000	-.06947	.02541	.18037	.02574	12.28202	.07384	-4.83491
1.150	-4.000	-.06435	.02724	.17014	.02252	12.25690	.06176	-4.90773
1.150	-2.000	-.06463	.02881	.16367	.01910	12.23018	.04631	-5.00084
1.150	.000	-.06962	.02966	.16494	.01418	12.19176	.03201	-5.08701
1.150	2.000	-.07103	.02994	.16562	.00753	12.13979	.01784	-5.17244
	GRADIENT	-.00125	.00045	-.00061	-.00250	-.01949	-.00730	-.04401

RUN NO. 0/ 0 RN/L = 4.22 GRADIENT INTERVAL = -5.00/ 5.00

MACH	ALPHA	CYN	CBL	CY	CHEI	ELV-L1	CHEO	ELV-LO
1.205	-8.000	-.07725	.02549	.19277	.02713	12.29784	.07210	-4.83526
1.205	-6.000	-.07119	.02732	.18301	.02304	12.26506	.05941	-4.91370
1.205	-4.000	-.06555	.02798	.17242	.01943	12.23619	.04560	-4.99892
1.205	-2.000	-.06482	.02844	.16466	.01666	12.21417	.03440	-5.06779
1.205	.000	-.06979	.02900	.16535	.01267	12.18226	.02294	-5.13856
1.205	2.000	-.07197	.02948	.16700	.00600	12.12893	.01063	-5.21450
1.205	4.000	-.06996	.03016	.16664	-.00311	12.07020	.00023	-5.27859
	GRADIENT	-.00080	.00027	-.00046	-.00279	-.02086	-.00573	-.03530

LARC 8FT TPT 749 (1A93) OTSAT130

(MJJ024) (02 JUL 76)

REFERENCE DATA

SREF = 2690.0000 SQ.FT. XMRP = 976.0000 IN. XT
 LREF = 1290.3000 INCHES YMRP = .0000 IN. YT
 BREF = 1290.3000 INCHES ZMRP = 400.0000 IN. ZT
 SCALE = .0100

PARAMETRIC DATA

BETA = .000 ELV-L1 = 12.000
 ELV-L0 = -5.000 ELV-R1 = 12.000
 ELV-R0 = -5.000

RUN NO. 0/ 0 RN/L = 4.21 GRADIENT INTERVAL = -5.00/ 5.00

MACH	ALPHA	CYN	CBL	CY	CHE1	ELV-L1	CHE0	ELV-L0
1.150	-6.000	-.00092	.00119	.01277	.02094	12.24458	.07819	-4.80864
1.150	-4.000	.00208	.00031	.00661	.01825	12.22356	.07812	-4.80896
1.150	-2.000	.00331	-.00043	.00112	.01657	12.21051	.06815	-4.86907
1.150	.000	-.00023	-.00003	.00283	.01439	12.19338	.05284	-4.96152
1.150	2.000	-.00136	.00007	.00267	.00956	12.15569	.03675	-5.05844
	GRADIENT	-.00069	-.00002	-.00051	-.00141	-.01104	-.00697	-.04204

RUN NO. 0/ 0 RN/L = 4.22 GRADIENT INTERVAL = -5.00/ 5.00

MACH	ALPHA	CYN	CBL	CY	CHE1	ELV-L1	CHE0	ELV-L0
1.205	-8.000	-.00100	.00205	.01416	.02498	12.28068	.07676	-4.80643
1.205	-6.000	.00154	.00137	.00979	.02143	12.25234	.07446	-4.82066
1.205	-4.000	.00417	.00047	.00459	.01838	12.22789	.06638	-4.87067
1.205	-2.000	.00433	.00020	.00180	.01642	12.21222	.05419	-4.94585
1.205	.000	.00348	-.00021	-.00121	.01451	12.19695	.04057	-5.02981
1.205	2.000	.00085	.00011	.00087	.01042	12.16427	.02640	-5.11721
1.205	4.000	-.00058	.00033	.00339	.00466	12.11827	.01405	-5.19330
	GRADIENT	-.00065	-.00002	-.00017	-.00167	-.01336	-.00662	-.04083

LARC 8FT TPT 749 (1A93) OTSAT130

(MJJ025) (02 JUL 76)

REFERENCE DATA

SREF = 2690.0000 SQ.FT. XMRP = 976.0000 IN. XT
 LREF = 1290.3000 INCHES YMRP = .0000 IN. YT
 BREF = 1290.3000 INCHES ZMRP = 400.0000 IN. ZT
 SCALE = .0100

PARAMETRIC DATA

BETA = 4.000 ELV-L1 = 12.000
 ELV-L0 = -5.000 ELV-R1 = 12.000
 ELV-R0 = -5.000

RUN NO. 0/ 0 RN/L = 4.21 GRADIENT INTERVAL = -5.00/ 5.00

MACH	ALPHA	CYN	CBL	CY	CHE1	ELV-L1	CHE0	ELV-L0
1.150	-6.000	.06658	-.02094	-.15096	.01150	12.17084	.07603	-4.82181
1.150	-4.000	.06667	-.02463	-.15158	.00931	12.15371	.07925	-4.80230
1.150	-2.000	.06756	-.02756	-.15340	.00641	12.13106	.08069	-4.79355
1.150	.000	.06881	-.02896	-.15630	.00103	12.08906	.07258	-4.84249
1.150	2.000	.06937	-.02898	-.15726	-.00436	12.06623	.05706	-4.93601
	GRADIENT	.00047	-.00072	-.00100	-.00232	-.01522	-.00373	-.02250

LARC 8FT TPT 749 (1A93) OTSAT130

(MJJ025) (02 JUL 76)

REFERENCE DATA

SREF = 2690.0000 SQ.FT. XMRP = 976.0000 IN. XT
 LREF = 1290.3000 INCHES YMRP = .0000 IN. YT
 BREF = 1290.3000 INCHES ZMRP = 400.0000 IN. ZT
 SCALE = .0100

PARAMETRIC DATA

BETA = 4.000 ELV-LI = 12.000
 ELV-LO = -5.000 ELV-RI = 12.000
 ELV-RO = -5.000

RUN NO. 0/ 0 RN/L = 4.22 GRADIENT INTERVAL = -5.00/ 5.00

MACH	ALPHA	CYN	CBL	CY	CHEI	ELV-LI	CHEO	ELV-LO
1.205	-8.000	.07205	- .01906	-.15730	.01808	12.22546	.07328	-4.82813
1.205	-6.000	.07135	- .02233	-.15585	.01557	12.20541	.07459	-4.82011
1.205	-4.000	.07018	- .02509	-.15494	.01336	12.18773	.07690	-4.80598
1.205	-2.000	.06998	- .02701	-.15539	.01140	12.17208	.07239	-4.83376
1.205	.000	.07207	- .02857	-.15954	.00790	12.14411	.06030	-4.90822
1.205	2.000	.07368	- .02924	- .16350	.00276	12.10308	.04425	-5.00714
1.205	4.000	.07039	- .02899	- .15964	-.00271	12.07161	.02901	-5.10117
	GRADIENT	.00021	- .00050	-.00088	-.00204	-.01506	-.00620	-.03819

LARC 8FT TPT 749 (1A93) OTSAT130

(MJJ026) (02 JUL 76)

REFERENCE DATA

SREF = 2690.0000 SQ.FT. XMRP = 976.0000 IN. XT
 LREF = 1290.3000 INCHES YMRP = .0000 IN. YT
 BREF = 1290.3000 INCHES ZMRP = 400.0000 IN. ZT
 SCALE = .0100

PARAMETRIC DATA

BETA = 6.000 ELV-LI = 12.000
 ELV-LO = -5.000 ELV-RI = 12.000
 ELV-RO = -5.000

RUN NO. 0/ 0 RN/L = 4.21 GRADIENT INTERVAL = -5.00/ 5.00

MACH	ALPHA	CYN	CBL	CY	CHEI	ELV-LI	CHEO	ELV-LO
1.150	-6.000	.10262	- .03348	-.23534	.00829	12.14575	.07542	-4.82541
1.150	-4.000	.09937	- .03773	-.23215	.00587	12.12683	.07738	-4.81360
1.150	-2.000	.09803	- .04106	-.23101	.00308	12.10507	.08065	-4.79380
1.150	.000	.09927	- .04290	-.23379	-.00251	12.07249	.07825	-4.80820
1.150	2.000	.09884	- .04326	-.23398	-.00860	12.05185	.06569	-4.88402
	GRADIENT	-.00002	- .00092	-.00041	-.00245	-.01288	-.00187	-.01128

RUN NO. 0/ 0 RN/L = 4.22 GRADIENT INTERVAL = -5.00/ 5.00

MACH	ALPHA	CYN	CBL	CY	CHEI	ELV-LI	CHEO	ELV-LO
1.205	-8.000	.11052	- .03099	-.24643	.01561	12.20572	.07224	-4.83465
1.205	-6.000	.10715	- .03515	-.24102	.01325	12.18686	.07268	-4.83199
1.205	-4.000	.10445	- .03859	-.23800	.01045	12.16446	.07644	-4.80889
1.205	-2.000	.10300	- .04109	-.23702	.00744	12.14044	.07667	-4.80753
1.205	.000	.10394	- .04261	-.23915	.00357	12.10955	.06871	-4.85630
1.205	2.000	.10421	- .04322	-.24060	-.00207	12.07384	.05377	-4.94853
1.205	4.000	.10143	- .04370	-.23851	-.00672	12.05768	.03774	-5.04729
	GRADIENT	-.00024	- .00062	-.00023	-.00219	-.01401	-.00501	-.03089

ORIGINAL PAGE IS OF POOR QUALITY

LARC 8FT TPT 749 (1A93) OTSAT130

(MJJ027) (02 JUL 76)

REFERENCE DATA

SREF = 2690.0000 SQ.FT. XMRP = 976.0000 IN. XT
 LREF = 1290.3000 INCHES YMRP = .0000 IN. YT
 BREF = 1290.3000 INCHES ZMRP = 400.0000 IN. ZT
 SCALE = .0100

PARAMETRIC DATA

BETA = -6.000 ELV-LI = 12.000
 ELV-LO = 4.000 ELV-RI = 12.000
 ELV-RO = 4.000

RUN NO. 0/ 0 RN/L = 3.97 GRADIENT INTERVAL = -5.00/ 5.00

MACH	ALPHA	CYN	CBL	CY	CHEI	ELV-LI	CHEO	ELV-LO
.900	-8.000	-.11516	.03137	.27311	.01863	12.20083	.00730	5.07523
.900	-6.000	-.11002	.03254	.26513	.02126	12.21776	.01196	5.09839
.900	-4.000	-.10473	.03350	.25285	.02217	12.22359	.01281	5.10257
.900	-2.000	-.10169	.03479	.24465	.02216	12.22357	.01364	5.10669
.900	.000	-.10155	.03727	.24196	.02249	12.22560	.01182	5.09765
.900	2.000	-.09870	.03863	.23702	.01848	12.19987	.00199	5.04888
.900	4.000	-.10038	.04118	.24046	.00581	12.11840	-.01370	5.00500
	GRADIENT	00058	.00096	-.00162	-.00182	-.01170	-.00323	-.01265

RUN NO 0/ 0 RN/L = 4.08 GRADIENT INTERVAL = -5.00/ 5.00

MACH	ALPHA	CYN	CBL	CY	CHEI	ELV-LI	CHEO	ELV-LO
.975	-8.000	-.12164	.03580	.29145	.02344	12.24364	.01777	5.13414
.975	-6.000	-.11680	.03643	.27570	.02754	12.27204	.02035	5.14793
.975	-4.000	-.10142	.03671	.25982	.02661	12.26557	.02248	5.15934
.975	-2.000	-.09444	.03755	.24489	.01996	12.21950	.02172	5.15531
.975	.000	-.09441	.03909	.23857	.00894	12.14303	.01603	5.12490
.975	2.000	-.09292	.04034	.23704	-.00431	12.06802	.00686	5.07574
.975	4.000	-.09045	.04162	.23554	-.01476	12.03651	-.00745	5.01905
	GRADIENT	00117	00063	-.00282	-.00535	-.03048	-.00374	-.01801

RUN NO 0/ 0 RN/L = 4.21 GRADIENT INTERVAL = -5.00/ 5.00

MACH	ALPHA	CYN	CBL	CY	CHEI	ELV-LI	CHEO	ELV-LO
1.150	-6.000	-.10735	.03945	.26973	.02228	12.25500	.01226	5.11291
1.150	-4.000	-.10008	.04141	.25667	.01932	12.23189	.00121	5.04628
1.150	-2.000	-.09821	.04317	.24832	.01538	12.20113	-.01078	5.00652
1.150	.000	-.10181	.04414	.24716	.00905	12.15166	-.02066	4.97674
1.150	2.000	-.10279	.04468	.24734	.00235	12.09935	-.02874	4.95238
	GRADIENT	-.00059	00054	-.00146	-.00286	-.02235	-.00499	-.01557

LARC 8FT TPT 749 (1A93) OTSAT130

(MJJ027) (02 JUL 76)

REFERENCE DATA

SREF = 2690.0000 SQ FT. XMRP = 976.0000 IN. XT
 LREF = 1290.3000 INCHES YMRP = .0000 IN. YT
 BREF = 1290.3000 INCHES ZMRP = 400.0000 IN. ZT
 SCALE = .0100

PARAMETRIC DATA

BETA = -6.000 ELV-LI = 12.000
 ELV-LO = 4.000 ELV-RI = 12.000
 ELV-RO = 4.000

RUN NO. 0/ 0 RN/L = 4.22 GRADIENT INTERVAL = -5.00/ 5.00

MACH	ALPHA	CYN	CBL	CY	CHEI	ELV-LI	CHEO	ELV-LO
1.205	-8.000	-.11901	.03995	.28813	.02474	12.27860	.01032	5.10261
1.205	-6.000	-.10983	.04096	.27296	.02056	12.24521	.00014	5.03984
1.205	-4.000	-.10265	.04224	.26094	.01699	12.21674	-.01040	5.00692
1.205	-2.000	-.10033	.04309	.25201	.01388	12.19188	-.01981	4.97794
1.205	.000	-.10381	.04347	.24975	.00852	12.14905	-.02868	4.95060
1.205	2.000	-.10529	.04425	.25035	.00174	12.09487	-.03600	4.92805
1.205	4.000	-.10286	.04553	.25076	-.00639	12.05885	-.04252	4.90793
	GRADIENT	-.00027	.00039	-.00110	-.00294	-.02064	-.00402	-.01239

LARC 8FT TPT 749 (1A93) OTSAT130

(MJJ028) (02 JUL 76)

REFERENCE DATA

SREF = 2690.0000 SQ FT. XMRP = 976.0000 IN. XT
 LREF = 1290.3000 INCHES YMRP = .0000 IN. YT
 BREF = 1290.3000 INCHES ZMRP = 400.0000 IN. ZT
 SCALE = .0100

PARAMETRIC DATA

BETA = -4.000 ELV-LI = 12.000
 ELV-LO = 4.000 ELV-RI = 12.000
 ELV-RO = 4.000

RUN NO. 0/ 0 RN/L = 3.97 GRADIENT INTERVAL = -5.00/ 5.00

MACH	ALPHA	CYN	CBL	CY	CHEI	ELV-LI	CHEO	ELV-LO
.900	-8.000	-.08084	.02013	.18924	.01615	12.18491	.00600	5.06880
.900	-6.000	-.07505	.02097	.18063	.01849	12.19995	.01229	5.10000
.900	-4.000	-.06921	.02128	.16894	.01875	12.20156	.01369	5.10693
.900	-2.000	-.06625	.02213	.16102	.01810	12.19738	.01431	5.11003
.900	.000	-.06704	.02462	.16070	.01813	12.19760	.01250	5.10102
.900	2.000	-.06416	.02548	.15549	.01814	12.19763	.00723	5.07488
.900	4.000	-.06526	.02677	.15860	.00529	12.11501	-.00962	5.01513
	GRADIENT	.00050	.00072	-.00131	-.00134	-.00864	-.00269	-.01094

LARC 8FT TPT 749 (IA93) OTSAT130

(MJJ028) (02 JUL 76)

REFERENCE DATA

PARAMETRIC DATA

SREF = 2690.0000 SQ.FT. XMRP = 976.0000 IN. XT
 LREF = 1290.3000 INCHES YMRP = .0000 IN. YT
 BREF = 1290.3000 INCHES ZMRP = 400.0000 IN. ZT
 SCALE = 0100

BETA = -4.000 ELV-LI = 12.000
 ELV-LO = 4.000 ELV-RI = 12.000
 ELV-RO = 4.000

RUN NO. 0/ 0 RN/L = 4.08 GRADIENT INTERVAL = -5.00/ 5.00

MACH	ALPHA	CYN	CBL	CY	CHEI	ELV-LI	CHEO	ELV-LO
.975	-8.000	-08185	.02381	.19853	.01996	12.21949	.01744	5.13238
.975	-6.000	-07330	.02413	.18683	.02197	12.23344	.01965	5.14425
.975	-4.000	-06601	.02401	.17297	.01915	12.21383	.02141	5.15361
.975	-2.000	-06175	.02462	.16099	.01389	12.17731	.02145	5.15381
.975	.000	-06358	.02582	.15930	.00349	12.10523	.01856	5.13834
.975	2.000	-06186	.02597	.15621	-.00780	12.05752	.01043	5.09487
.975	4.000	-05809	.02633	.15283	-01874	12.02455	-00278	5.0315C
	GRADIENT	00079	00030	-.00225	-.00487	-02492	-.00297	-.01515

RUN NO 0/ 0 RN/L = 4.21 GRADIENT INTERVAL = -5.00/ 5.00

MACH	ALPHA	CYN	CBL	CY	CHEI	ELV-LI	CHEO	ELV-LO
1.150	-6.000	-06993	.02569	.17988	.02002	12.23738	.01812	5.14824
1.150	-4.000	-06506	.02732	.17022	.01681	12.21226	.00962	5.09596
1.150	-2.000	-06511	.02843	.16335	.01364	12.18751	-.00233	5.03197
1.150	.000	-07032	.02915	.16396	.00834	12.14615	-.01334	4.99980
1.150	2.000	-.07086	.02932	.16343	.00139	12.09186	-02303	4.96957
	GRADIENT	-.00113	00034	-.00099	-.00258	-02013	-.00545	-.02077

RUN NO. 0/ 0 RN/L = 4.22 GRADIENT INTERVAL = -5.00/ 5.00

MACH	ALPHA	CYN	CBL	CY	CHEI	ELV-LI	CHEO	ELV-LO
1.205	-8.000	-.07814	.02592	.19395	.02345	12.26830	.01586	5.13678
1.205	-6.000	-.07189	.02729	.18357	.01937	12.23571	.00738	5.08447
1.205	-4.000	-.06661	.02784	.17359	.01610	12.20960	-.00287	5.03016
1.205	-2.000	-06635	.02847	.16672	.01364	12.18990	-01271	4.99985
1.205	.000	-07132	.02900	.16664	.00927	12.15505	-.02272	4.96897
1.205	2.000	-07310	.02973	.16854	.00286	12.10384	-.03137	4.94231
1.205	4.000	-.07091	.03055	.16805	-.00457	12.06516	-.03870	4.91968
	GRADIENT	-.00077	00033	-.00046	-.00261	-.01875	-.00452	-.01392

LARC 8FT TPT 749 (JA93) OTSAT130

(MJJ029) (02 JUL 76)

REFERENCE DATA

PARAMETRIC DATA

SREF = 2690.0000 SQ.FT. XMRP = 976.0000 IN. XT
 LREF = 1290.3000 INCHES YMRP = .0000 IN. YT
 BREF = 1290.3000 INCHES ZMRP = 400.0000 IN. ZT
 SCALE = .0100

BETA = .000 ELV-LI = 12.000
 ELV-LO = 4.000 ELV-RI = 12.000
 ELV-RO = 4.000

RUN NO. 0/ 0 RN/L = 3.97 GRADIENT INTERVAL = -5.00/ 5.00

MACH	ALPHA	CYN	CBL	CY	CHEI	ELV-LI	CHEO	ELV-LO
.900	-8.000	-.00621	.00191	.01717	.00606	12.11997	.00102	5.04407
.900	-6.000	-.00341	.00110	.01285	.00792	12.13194	.00894	5.08339
.900	-4.000	-.00154	.00059	.01140	.00682	12.12486	.01474	5.11217
.900	-2.000	.00168	-.00012	.00327	.00444	12.10957	.01547	5.11573
.900	.000	.00251	-.00040	-.00185	.00473	12.11140	.01368	5.10689
.900	2.000	.00159	.00033	-.00073	.00378	12.10533	.00938	5.08556
.900	4.000	.00108	.00063	.00074	.00228	12.09567	-.00056	5.03761
GRADIENT		.00026	.00003	-.00127	-.00049	-.00313	-.00183	-.00896

RUN NO 0/ 0 RN/L = 4.08 GRADIENT INTERVAL = -5.00/ 5.00

MACH	ALPHA	CYN	CBL	CY	CHEI	ELV-LI	CHEO	ELV-LO
.975	-8.000	-.00327	.00159	.01633	.00507	12.11620	.01684	5.12915
.975	-6.000	-.00031	.00087	.01246	.00902	12.14359	.01850	5.13807
.975	-4.000	.00392	-.00015	.00458	.00764	12.13398	.02125	5.15279
.975	-2.000	.00588	-.00055	-.00223	.00099	12.08787	.02204	5.15696
.975	.000	.00362	-.00040	-.00156	-.00643	12.06164	.02037	5.14803
.975	2.000	.00261	-.00066	-.00193	-.01452	12.03729	.01679	5.12885
.975	4.000	.00008	.00028	.00160	-.02337	12.01064	.00627	5.07258
GRADIENT		-.00055	.00004	-.00028	-.00388	-.01486	-.00176	-.00943

RUN NO 0/ 0 RN/L = 4.21 GRADIENT INTERVAL = -5.00/ 5.00

MACH	ALPHA	CYN	CBL	CY	CHEI	ELV-LI	CHEO	ELV-LO
1.150	-6.000	-.00116	.00159	.01251	.01734	12.21647	.01992	5.15916
1.150	-4.000	.00145	.00083	.00746	.01342	12.18577	.02275	5.17610
1.150	-2.000	.00252	.00011	.00248	.01129	12.16920	.01481	5.12827
1.150	.000	.00064	-.00011	.00078	.00935	12.15409	.00126	5.04658
1.150	2.000	-.00159	.00039	.00219	.00363	12.10933	-.01120	5.00525
GRADIENT		-.00055	-.00008	-.00088	-.00157	-.01222	-.00577	-.02971

ORIGINAL PAGE IS OF POOR QUALITY

LARC 8FT TPT 749 (1A93) OTSAT130

(MJJ029) (02 JUL 76)

REFERENCE DATA

SREF = 2690.0000 SQ.FT. XMRP = 976.0000 IN. XT
 LREF = 1290.3000 INCHES YMRP = .0000 IN. YT
 BREF = 1290.3000 INCHES ZMRP = 400 0000 IN. ZT
 SCALE = .0100

PARAMETRIC DATA

BETA = .000 ELV-LI = 12.000
 ELV-LO = 4.000 ELV-RI = 12.000
 ELV-RO = 4.000

RUN NO. 0/ 0 RN/L = 4.22 GRADIENT INTERVAL = -5.00/ 5.00

MACH	ALPHA	CYN	CBL	CY	CHEI	ELV-LI	CHEO	ELV-LO
1.205	-8.000	-.00080	.00227	.01433	.02207	12.25728	.01840	5.15242
1.205	-6.000	.00119	.00188	.01108	.01844	12.22829	.01750	5.14690
1.205	-4.000	.00395	.00080	.00489	.01535	12.20359	.01208	5.11345
1.205	-2.000	.00510	.00005	.00005	.01342	12.18820	.00390	5.06306
1.205	.000	.00286	.00034	-.00040	.01137	12.17186	-.00848	5.01286
1.205	2.000	.00037	.00050	.00106	.00684	12.13560	-.01952	4.97883
1.205	4.000	-.00072	.00060	.00291	.00004	12.08129	-.02884	4.95006
	GRADIENT	-.00070	.00000	-.00015	-.00186	-.01486	-.00526	-.02055

LARC 8FT TPT 749 (1A93) OTSAT130

(MJJ030) (02 JUL 76)

REFERENCE DATA

SREF = 2690.0000 SQ.FT. XMRP = 976 0000 IN. XT
 LREF = 1290 3000 INCHES YMRP = 0000 IN. YT
 BREF = 1290.3000 INCHES ZMRP = 400 0000 IN. ZT
 SCALE = .0100

PARAMETRIC DATA

BETA = 4.000 ELV-LI = 12.000
 ELV-LO = 4.000 ELV-RI = 12.000
 ELV-RO = 4.000

RUN NO. 0/ 0 RN/L = 3.97 GRADIENT INTERVAL = -5.00/ 5.00

MACH	ALPHA	CYN	CBL	CY	CHEI	ELV-LI	CHEO	ELV-LO
.900	-8.000	.06490	-.01488	-.14346	-.00525	12.06634	-.00307	5.03138
.900	-6.000	.06453	-.01782	-.14361	-.00440	12.06870	.00489	5.06326
.900	-4.000	.06358	-.02023	-.14249	-.00431	12.06897	.01180	5.09759
.900	-2.000	.06256	-.02154	-.14503	-.00499	12.06706	.01428	5.10990
.900	.000	.06289	-.02327	-.14748	-.00552	12.06559	.01502	5.11356
.900	2.000	.06104	-.02323	-.14520	-.00686	12.06185	.01184	5.09773
.900	4.000	.06339	-.02422	-.14784	-.00897	12.05594	.00452	5.06144
	GRADIENT	-.00010	-.00048	-.00054	-.00056	-.00156	-.00085	-.00422

LARC 8FT TPT 749 (1A93) OTSAT130

(MJJ030) (02 JUL 76)

REFERENCE DATA

SREF = 2690.0000 SQ FT XMRP = 976.0000 IN. XT
 LREF = 1290.3000 INCHES YMRP = 0000 IN. YT
 BREF = 1290.3000 INCHES ZMRP = 400 0000 IN. ZT
 SCALE = .0100

PARAMETRIC DATA

BETA = 4.000 ELV-LI = 12.000
 ELV-LO = 4.000 ELV-RI = 12.000
 ELV-RO = 4.000

RUN NO. 0/ 0 RN/L = 4.08 GRADIENT INTERVAL = -5.00/ 5.00

MACH	ALPHA	CYN	CBL	CY	CHE1	ELV-LI	CHE0	ELV-LO
975	-8 000	.07397	-.01845	-.16112	-.01855	12.02513	.01376	5.11267
975	-6 000	.07086	-.02021	-.15624	-.01840	12.02554	.01437	5.11601
.975	-4.000	.06843	-.02197	-.15228	-.01888	12 02408	.01589	5.12416
.975	-2.000	.06858	-.02416	-.15489	-.01780	12 02736	.01657	5.12781
.975	.000	.06807	-.02569	-.15585	-.01425	12 03806	.01558	5.12248
.975	2.000	.06401	-.02559	-.15146	-.01449	12 03734	.01147	5 10046
975	4 000	.05783	-.02496	-.14553	-.01843	12 02548	.00493	5 06540
	GRADIENT	- 00129	- 00037	00085	.00021	.00064	- 00135	-.00724

RUN NO 0/ 0 RN/L = 4 21 GRADIENT INTERVAL = -5 00/ 5.00

MACH	ALPHA	CYN	CBL	CY	CHE1	ELV-LI	CHE0	ELV-LO
1.150	-6 000	.06747	- 02078	-.15191	00882	12.14993	.01671	5.13969
1.150	-4 000	.06781	-.02435	- 15256	00633	12 13041	.02217	5.17263
1.150	-2 000	.06844	-.02674	-.15385	00270	12.10212	.02540	5 19215
1.150	.000	.06974	- 02793	-.15726	-.00378	12 06819	.01762	5.14527
1.150	2 000	.06951	-.02804	- 15735	- 00946	12.04893	.00427	5.06473
	GRADIENT	00032	- 00061	-.00089	-.00269	- 01392	- 00307	-.01853

RUN NO. 0/ 0 RN/L = 4 22 GRADIENT INTERVAL = -5 00/ 5.00

MACH	ALPHA	CYN	CBL	CY	CHE1	ELV-LI	CHE0	ELV-LO
1.205	-8.000	.07168	- 01873	-.15720	.01551	12 20494	.01486	5 13062
1.205	-6.000	.07127	-.02178	-.15593	.01356	12 18935	.01762	5.14763
1.205	-4 000	.07166	-.02460	- 15707	.01159	12 17361	.02181	5.17345
1.205	-2.000	.07219	-.02676	- 15890	.00907	12 15348	.01863	5.15386
1.205	.000	.07342	- 02800	- 16119	.00558	12 12554	.00782	5 08719
1.205	2 000	.07333	- 02819	-.16175	00049	12.08489	- 00445	5.02529
1.205	4 000	.07069	- 02858	-.15990	-.00616	12.05964	- 01617	4.98914
	GRADIENT	-.00004	- 00047	-.00043	-.00220	-.01483	-.00495	-.02486

LARC BFT TPT 749 (1A93) OTSAT130

(MJJ031) (02 JUL 76)

REFERENCE DATA

PARAMETRIC DATA

SREF = 2690.0000 SQ.FT. XMRP = 976.0000 IN. XT
 LREF = 1290.3000 INCHES YMRP = .0000 IN YT
 BREF = 1290.3000 INCHES ZMRP = 400.0000 IN. ZT
 SCALE = .0100

BETA = 6.000 ELV-LI = 12.000
 ELV-LO = 4.000 ELV-RI = 12.000
 ELV-RO = 4.000

RUN NO 0/ 0 RN/L = 3.97 GRADIENT INTERVAL = -5.00/ 5.00

MACH	ALPHA	CYN	CBL	CY	CHEI	ELV-LI	CHEO	ELV-LO
.900	-8.000	.10089	-.02528	-.22395	-.00757	12.05987	-.00300	5.03156
.900	-6.000	.09978	-.02832	-.22331	-.00762	12.05973	.00533	5.06543
.900	-4.000	.09797	-.03121	-.22106	-.00816	12.05822	.01167	5.09688
.900	-2.000	.09780	-.03343	-.22380	-.00889	12.05617	.01285	5.10282
.900	.000	.09810	-.03584	-.22611	-.01007	12.05291	.01345	5.10573
.900	2.000	.09396	-.03656	-.22033	-.01093	12.05048	.01150	5.09609
.900	4.000	.09626	-.03804	-.22343	-.01139	12.04921	.00623	5.06991
	GRADIENT	-.00036	-.00084	-.00006	-.00042	-.00119	-.00061	-.00303

RUN NO 0/ 0 RN/L = 4.08 GRADIENT INTERVAL = -5.00/ 5.00

MACH	ALPHA	CYN	CBL	CY	CHEI	ELV-LI	CHEO	ELV-LO
.975	-8.000	.11345	-.02958	-.24992	-.02553	12.00411	.01348	5.11119
.975	-6.000	.10769	-.03159	-.24153	-.02501	12.00562	.01337	5.11054
.975	-4.000	.10310	-.03406	-.23559	-.02354	12.01003	.01407	5.11443
.975	-2.000	.10093	-.03683	-.23458	-.01992	12.02094	.01411	5.11460
.975	.000	.09809	-.03832	-.23123	-.01487	12.03618	.01284	5.10777
.975	2.000	.09233	-.03867	-.22601	-.01386	12.03922	.00904	5.08741
.975	4.000	.08619	-.03909	-.21923	-.01322	12.03515	.00461	5.06372
	GRADIENT	-.00212	-.00060	.00206	.00114	.00343	-.00120	-.00643

RUN NO 0/ 0 RN/L = 4.21 GRADIENT INTERVAL = -5.00/ 5.00

MACH	ALPHA	CYN	CBL	CY	CHEI	ELV-LI	CHEO	ELV-LO
1.150	-6.000	.10334	-.03300	-.23581	.00634	12.13049	.01600	5.13546
1.150	-4.000	.10086	-.03721	-.23386	.00368	12.10974	.01996	5.15931
1.150	-2.000	.09965	-.04038	-.23310	-.00001	12.08096	.02483	5.18866
1.150	.000	.10041	-.04180	-.23505	-.00638	12.05937	.02225	5.17312
1.150	2.000	.09968	-.04221	-.23515	-.01293	12.03716	.01146	5.10808
	GRADIENT	-.00014	-.00082	-.00029	-.00281	-.01197	-.00140	-.00846

LARC 8FT TPT 749 (1A93) OTSAT130

(MJJ031) (02 JUL 76)

REFERENCE DATA

PARAMETRIC DATA

SREF = 2690.0000 SQ.FT. XMRP = 976.0000 IN. XT
 LREF = 1290.3000 INCHES YMRP = .0000 IN. YT
 BREF = 1290.3000 INCHES ZMRP = 400.0000 IN. ZT
 SCALE = .0100

BETA = 6.000 ELV-L1 = 12.000
 ELV-LO = 4.000 ELV-R1 = 12.000
 ELV-RO = 4.000

RUN NO. 0/ 0 RN/L = 4.22 GRADIENT INTERVAL = -5.00/ 5.00

MACH	ALPHA	CYN	CSL	CY	CHEI	ELV-L1	CHEO	ELV-LO
1.205	-8.000	.11102	-.03068	-.24736	.01332	12.18740	.01457	5.12883
1.205	-6.000	.10785	-.03465	-.24197	.01137	12.17181	.01596	5.13739
1.205	-4.000	.10578	-.03801	-.23938	.00859	12.14960	.02178	5.17328
1.205	-2.000	.10443	-.04035	-.23859	.00487	12.11991	.02273	5.17912
1.205	.000	.10501	-.04168	-.24040	.00048	12.08482	.01437	5.12759
1.205	2.000	.10477	-.04233	-.24060	-.00493	12.06392	.00305	5.05782
1.205	4.000	.10168	-.04313	-.23846	-.00971	12.04733	-.00923	5.01054
GRADIENT		-.00039	-.00061	-.00001	-.00232	-.01303	-.00409	-.02234

LARC 8FT TPT 749 (1A93) OTSAT130

(MJJ032) (02 JUL 76)

REFERENCE DATA

PARAMETRIC DATA

SREF = 2690.0000 SQ.FT. XMRP = 976.0000 IN. XT
 LREF = 1290.3000 INCHES YMRP = .0000 IN. YT
 BREF = 1290.3000 INCHES ZMRP = 400.0000 IN. ZT
 SCALE = .0100

BETA = -6.000 ELV-L1 = 12.000
 ELV-LO = 9.000 ELV-R1 = 12.000
 ELV-RO = 9.000

RUN NO. 0/ 0 RN/L = 3.16 GRADIENT INTERVAL = -5.00/ 5.00

MACH	ALPHA	CYN	CSL	CY	CHEI	ELV-L1	CHEO	ELV-LO
.600	-8.000	-.09951	.03000	.23864	.00309	12.09271	.00011	10.43633
.600	-6.000	-.09564	.03086	.23417	.00163	12.08719	-.00124	10.43419
.600	-4.000	-.09179	.03132	.22655	.00035	12.08233	-.00289	10.43178
.600	-2.000	-.09122	.03256	.22118	-.00098	12.07939	-.00495	10.42876
.600	.000	-.09363	.03454	.21941	-.00167	12.07826	-.00728	10.42534
.600	2.000	-.09448	.03625	.21839	-.00261	12.07670	-.01012	10.42121
.600	4.000	-.09510	.03878	.22262	-.00339	12.07542	-.01328	10.41659
GRADIENT		-.00049	.00093	-.00053	-.00046	-.00083	-.00130	-.00190

LARC 8FT TPT 7/49 (1A93) OTSAT130

(MJJ032) (02 JUL 76)

REFERENCE DATA

PARAMETRIC DATA

SREF = 2690.0000 SQ.FT. XMRP = 976.0000 IN. XT
 LREF = 1290.3000 INCHES YMRP = .0000 IN. YT
 BREF = 1290.3000 INCHES ZMRP = 400.0000 IN. ZT
 SCALE = .0100

BETA = -6.000 ELV-LI = 12.000
 ELV-LO = 9.000 ELV-RI = 12.000
 ELV-RO = 9.000

RUN NO. 0/ 0 RN/L = 3.97 GRADIENT INTERVAL = -5.00/ 5.00

MACH	ALPHA	CYN	CBL	CY	CHEI	ELV-LI	CHEO	ELV-LO
.900	-8.000	- 11258	.03014	.27080	.01079	12.15042	-.00095	10.43365
.900	-6.000	-.10734	.03130	.26105	.01268	12.16255	.00388	10.45526
.900	-4.000	- 10244	.03240	.24951	.01309	12.16524	.00266	10.44921
.900	-2.000	- 10033	.03426	.24409	.01300	12.16465	.00112	10.44156
.900	000	-.09819	.03623	.23733	.01287	12.16376	-.00207	10.43085
.900	2.000	-.09518	.03790	.23203	.01230	12.16008	-.01105	10.40858
.900	4.000	- 09731	.04020	.23725	-.00088	12.07853	-.02771	10.36724
	GRADIENT	00077	.00096	-.00183	-.00143	-.00890	-.00365	-.00985

RUN NO 0/ 0 RN/L = 4.08 GRADIENT INTERVAL = -5.00/ 5.00

MACH	ALPHA	CYN	CBL	CY	CHEI	ELV-LI	CHEO	ELV-LO
.975	-8.000	- 12002	.03475	.28977	.01887	12.21198	-.00631	10.41911
.975	-6.000	- 10934	.03532	.27446	.02305	12.24104	-.00359	10.42637
.975	-4.000	- 10017	.03557	.25863	.02074	12.22496	-.00151	10.43196
.975	-2.000	- 09277	.03628	.24307	.01243	12.16728	-.00202	10.43059
.975	.000	- 09249	.03749	.23681	.00011	12.08177	-.00451	10.42391
.975	2.000	-.08994	.03831	.23345	-.01481	12.03636	-.01271	10.40196
.975	4.000	-.08701	.03974	.23101	-.02748	11.99821	-.03362	10.34596
	GRADIENT	.00146	.00052	-.00324	-.00618	-.02922	-.00375	-.01003

RUN NO 0/ 0 RN/L = 4.21 GRADIENT INTERVAL = -5.00/ 5.00

MACH	ALPHA	CYN	CBL	CY	CHEI	ELV-LI	CHEO	ELV-LO
1.150	-6.000	-.10631	.03857	.26873	.01888	12.22848	-.00965	10.40691
1.150	-4.000	-.09922	.04048	.25541	.01532	12.20069	-.01985	10.37616
1.150	-2.000	-.09729	.04210	.24682	.01097	12.16667	-.03034	10.34455
1.150	000	-.09978	.04252	.24466	.00482	12.11867	-.03849	10.31998
1.150	2.000	-.10103	.04325	.24540	.00021	12.08261	-.04534	10.29932
	GRADIENT	-.00040	.00044	-.00161	-.00257	-.02011	-.00423	-.01276

LARC 8FT TPT 749 (1A93) OTSAT130

(MJJ032) (02 JUL 76)

REFERENCE DATA

SREF = 2690.0000 SQ.FT. XMRP = 976.0000 IN. XT
 LREF = 1290.3000 INCHES YMRP = .0000 IN. YT
 BREF = 1290.3000 INCHES ZMRP = 400.0000 IN. ZT
 SCALE = .0100

PARAMETRIC DATA

BETA = -6.000 ELV-LI = 12.000
 ELV-LO = 9.000 ELV-RI = 12.000
 ELV-RO = 9.000

RUN NO. 0/ 0 RN/L = 4.22 GRADIENT INTERVAL = -5.00/ 5.00

MACH	ALPHA	CYN	CBL	CY	CHEI	ELV-LI	CHEO	ELV-LO
1.205	-8.000	-.11791	.03800	.28657	.02184	12.25551	-.00934	10.40720
1.205	-6.000	-.10817	.03964	.27047	.01770	12.22241	-.01822	10.37982
1.205	-4.000	-.10140	.04092	.25924	.01433	12.19553	-.02863	10.34774
1.205	-2.000	-.09956	.04190	.25076	.01135	12.17166	-.03724	10.32119
1.205	.000	-.10260	.04217	.24799	.00643	12.13235	-.04458	10.29857
1.205	2.000	-.10364	.04294	.24832	-.00099	12.07757	-.05180	10.27634
1.205	4.000	-.10096	.04419	.24852	-.00835	12.05204	-.05809	10.25693
	GRADIENT	-.00016	.00038	-.00119	-.00289	-.01905	-.00367	-.01132

LARC 8FT TPT 749 (1A93) OTSAT130

(MJJ033) (02 JUL 76)

REFERENCE DATA

SREF = 2690.0000 SQ.FT. XMRP = 976.0000 IN. XT
 LREF = 1290.3000 INCHES YMRP = .0000 IN. YT
 BREF = 1290.3000 INCHES ZMRP = 400.0000 IN. ZT
 SCALE = .0100

PARAMETRIC DATA

BETA = -4.000 ELV-LI = 12.000
 ELV-LO = 9.000 ELV-RI = 12.000
 ELV-RO = 9.000

RUN NO. 0/ 0 RN/L = 3.16 GRADIENT INTERVAL = -5.00/ 5.00

MACH	ALPHA	CYN	CBL	CY	CHEI	ELV-LI	CHEO	ELV-LO
.600	-8.000	-.06896	.01967	.16355	.00167	12.08731	.00005	10.43615
.600	-6.000	-.06604	.02020	.16039	.00022	12.08185	-.00092	10.43466
.600	-4.000	-.06143	.01977	.15139	-.00111	12.07917	-.00239	10.43250
.600	-2.000	-.06048	.02069	.14690	-.00275	12.07649	-.00460	10.42928
.600	.000	-.06256	.02251	.14666	-.00362	12.07503	-.00692	10.42588
.600	2.000	-.06372	.02341	.14558	-.00422	12.07407	-.00974	10.42176
.600	4.000	-.06240	.02503	.14696	-.00522	12.07242	-.01299	10.41702
	GRADIENT	-.00026	.00066	-.00051	-.00048	-.00080	-.00132	-.00192

ORIGINAL PAGE IS
 OF POOR QUALITY

LARC 8FT TPT 749 (1A93) OTSAT130

(MJJ033) (02 JUL 76)

REFERENCE DATA

SREF = 2690.0000 SQ.FT. XMRP = 976 0000 IN. XT
 LREF = 1290.3000 INCHES YMRP = .0000 IN. YT
 BREF = 1290.3000 INCHES ZMRP = 400.0000 IN. ZT
 SCALE = .0100

PARAMETRIC DATA

BETA = -4.000 ELV-LI = 12.000
 ELV-LO = 9.000 ELV-RI = 12.000
 ELV-RO = 9.000

RUN NO		0/ 0	RN/L = 3.97	GRADIENT INTERVAL = -5.00/ 5.00				
MACH	ALPHA	CYN	CBL	CY	CHEI	ELV-LI	CHEO	ELV-LO
900	-8.000	-07791	.01864	.18566	.00759	12.12983	-.00206	10.43088
900	-6.000	-07194	.01943	.17563	.00906	12.13926	.00468	10.45921
.900	-4.000	-06812	.02042	.16766	.00899	12.13884	.00317	10.45173
900	-2.000	-.06762	.02227	.16532	.00798	12.13235	.00072	10.43955
.900	.000	-.06402	.02330	.15721	.00674	12.12438	-.00196	10.43113
.900	2.000	-.06159	.02436	.15301	.00709	12.12661	-.01045	10.41007
900	4.000	-.06262	.02562	.15600	-.00343	12.07144	-.02548	10.37277
	GRADIENT	00085	00062	-.00178	-.00129	-.00703	-.00342	-.00937

RUN NO		0/ 0	RN/L = 4.08	GRADIENT INTERVAL = -5.00/ 5.00				
MACH	ALPHA	CYN	CBL	CY	CHEI	ELV-LI	CHEO	ELV-LO
975	-8.000	-08067	.02280	.19702	.01599	12.19204	-.00688	10.41757
.975	-6.000	-07162	.02286	.18388	.01775	12.20427	-.00490	10.42288
975	-4.000	-06443	.02267	.17127	.01375	12.17645	-.00358	10.42641
.975	-2.000	-05949	.02312	.15905	.00724	12.13127	-.00383	10.42574
975	.000	-06115	.02395	.15540	-.00475	12.06668	-.00455	10.42380
.975	2.000	-05992	.02398	.15353	-.01680	12.03035	-.00945	10.41068
.975	4.000	-05623	.02452	.15109	-.03075	11.98835	-.02707	10.36349
	GRADIENT	00080	00023	-.00229	-.00565	-.02386	-.00263	-.00704

RUN NO		0/ 0	RN/L = 4.21	GRADIENT INTERVAL = -5.00/ 5.00				
MACH	ALPHA	CYN	CBL	CY	CHEI	ELV-LI	CHEO	ELV-LO
1.150	-6.000	-.06876	.02471	.17799	.01745	12.21734	-.00505	10.42078
1.150	-4.000	-06427	.02626	.16860	.01341	12.18572	-.01280	10.39742
1.150	-2.000	-.06420	.02732	.16233	.00964	12.15632	-.02346	10.36530
1.150	.000	-06920	.02799	.16319	.00434	12.11491	-.03326	10.33573
1.150	2.000	-.07018	.02843	.16319	-.00247	12.07264	-.04103	10.31232
	GRADIENT	-.00114	.00036	-.00077	-.00265	-.01903	-.00472	-.01424

LARC 8FT TPT 749 (1A93) OTSAT130

(MJJ033) (02 JUL 76)

REFERENCE DATA

SREF = 2690.0000 SQ.FT. XMRP = 976.0000 IN. XT
 LREF = 1290.3000 INCHES YMRP = .0000 IN. YT
 BREF = 1290.3000 INCHES ZMRP = 400.0000 IN. ZT
 SCALE = .0100

PARAMETRIC DATA

BETA = -4.000 ELV-LI = 12.000
 ELV-LO = 9.000 ELV-RI = 12.000
 ELV-RO = 9.000

RUN NO. 0/ 0 RN/L = 4.22 GRADIENT INTERVAL = -5.00/ 5.00

MACH	ALPHA	CYN	CEL	CY	CHEI	ELV-LI	CHEO	ELV-LO
1.205	-8.000	-.07645	.02485	.19106	.02117	12.25018	-.00539	10.41939
1.205	-6.000	-.07025	.02594	.18094	.01693	12.21630	-.01269	10.39686
1.205	-4.000	-.06516	.02639	.17144	.01353	12.18910	-.02235	10.36709
1.205	-2.000	-.06484	.02705	.16399	.01045	12.16450	-.03137	10.33930
1.205	.000	-.06945	.02766	.16385	.00617	12.13033	-.03947	10.31432
1.205	2.000	-.07099	.02835	.16552	.00040	12.08423	-.04725	10.29033
1.205	4.000	-.06895	.02921	.16588	-.00739	12.05535	-.05457	10.26774
	GRADIENT	-.00069	.00035	-.00048	-.00259	-.01739	-.00402	-.01238

LARC 8FT TPT 749 (1A93) OTSAT130

(MJJ034) (02 JUL 76)

REFERENCE DATA

SREF = 2690.0000 SQ.FT. XMRP = 976.0000 IN. XT
 LREF = 1290.3000 INCHES YMRP = .0000 IN. YT
 BREF = 1290.3000 INCHES ZMRP = 400.0000 IN. ZT
 SCALE = .0100

PARAMETRIC DATA

BETA = .000 ELV-LI = 12.000
 ELV-LO = 9.000 ELV-RI = 12.000
 ELV-RO = 9.000

RUN NO. 0/ 0 RN/L = 3.16 GRADIENT INTERVAL = -5.00/ 5.00

MACH	ALPHA	CYN	CEL	CY	CHEI	ELV-LI	CHEO	ELV-LO
.600	-8.000	-.00275	.00093	.01446	-.00308	12.07594	-.00009	10.43626
.600	-6.000	-.00083	.00020	.01144	-.00464	12.07337	-.00079	10.43484
.600	-4.000	.00140	-.00071	.00663	-.00530	12.07227	-.00208	10.43296
.600	-2.000	.00232	-.00088	.00244	-.00750	12.06868	-.00391	10.43029
.600	.000	.00289	-.00129	-.00140	-.00815	12.06761	-.00606	10.42714
.600	2.000	.00161	-.00124	-.00046	-.00799	12.06787	-.00887	10.42305
.600	4.000	.00066	-.00111	.00106	-.00850	12.06701	-.01250	10.41773
	GRADIENT	-.00011	-.00096	-.00070	-.00034	-.00057	-.00129	-.00189

LARC 8FT TPT 749 (1A93) OTSAT130

(MJJ034) (02 JUL 76)

REFERENCE DATA

SREF = 2690.0000 SQ.FT. XMRP = 976.0000 IN. XT
 LREF = 1290.3000 INCHES YMRP = .0000 IN. YT
 BREF = 1290.3000 INCHES ZMRP = 400.0000 IN. ZT
 SCALE = .0100

PARAMETRIC DATA

BETA = .000 ELV-LI = 12.000
 ELV-LO = 9.000 ELV-RI = 12.000
 ELV-RO = 9.000

RUN NO. 0/ 0 RN/L = 3.97 GRADIENT INTERVAL = -5.00/ 5.00

MACH	ALPHA	CYN	CBL	CY	CHEI	ELV-LI	CHEO	ELV-LO
.900	-8.000	-.00335	.00050	.01492	-.00380	12.07040	-.00858	10.41472
.900	-6.000	-.00085	-.00026	.01056	-.00179	12.07600	.00003	10.43617
.900	-4.000	-.00048	-.00043	.00862	-.00341	12.07148	.00210	10.44642
.900	-2.000	.00285	-.00084	.00235	-.00687	12.06183	-.00127	10.43285
.900	.000	.00417	-.00150	-.00277	-.00920	12.05809	-.00450	10.42484
.900	2.000	.00340	-.00121	-.00224	-.00866	12.05683	-.01068	10.40952
.900	4.000	.00286	-.00114	-.00113	-.00897	12.05597	-.01992	10.38658
	GRADIENT	.00027	-.00009	-.00120	-.00065	-.00180	-.00267	-.00715

RUN NO. 0/ 0 RN/L = 4.08 GRADIENT INTERVAL = -5.00/ 5.00

MACH	ALPHA	CYN	CBL	CY	CHEI	ELV-LI	CHEO	ELV-LO
.975	-8.000	-.00200	.00049	.01570	.00321	12.10331	-.00771	10.41533
.975	-6.000	.00150	-.00038	.01067	.00573	12.12076	-.00693	10.41743
.975	-4.000	.00537	-.00130	.00339	.00284	12.10071	-.00522	10.42202
.975	-2.000	.00759	-.00175	-.00409	-.00538	12.06478	-.00493	10.42278
.975	.000	.00639	-.00202	-.00532	-.01422	12.03814	-.00656	10.41843
.975	2.000	.00406	-.00180	-.00280	-.02416	12.00818	-.00866	10.41278
.975	4.000	.00166	-.00092	.00063	-.03437	11.97746	-.01664	10.39144
	GRADIENT	-.00055	.00004	-.00021	-.00466	-.01515	-.00133	-.00356

RUN NO. 0/ 0 RN/L = 4.21 GRADIENT INTERVAL = -5.00/ 5.00

MACH	ALPHA	CYN	CBL	CY	CHEI	ELV-LI	CHEO	ELV-LO
1.150	-6.000	.00136	.00024	.00935	.01553	12.20235	-.00401	10.42391
1.150	-4.000	.00353	-.00046	.00492	.01125	12.16892	-.00221	10.42934
1.150	-2.000	.00332	-.00068	.00194	.00851	12.14748	-.00896	10.40901
1.150	.000	.00095	-.00070	.00151	.00592	12.12724	-.02057	10.37400
1.150	2.000	-.00034	-.00056	.00147	-.00025	12.08014	-.03123	10.34188
	GRADIENT	-.00070	-.00002	-.00054	-.00186	-.01433	-.00493	-.01487

LARC 8FT TPT 749 (1A93) OTSAT130

(MJJ034) (02 JUL 76)

REFERENCE DATA

SREF = 2690.0000 SQ.FT. XMRP = 976.0000 IN. XT
 LREF = 1290.3000 INCHES YMRP = .0000 IN. YT
 BREF = 1290.3000 INCHES ZMRP = 400.0000 IN. ZT
 SCALE = .0100

PARAMETRIC DATA

BETA = .000 ELV-LI = 12.000
 ELV-LO = 9.000 ELV-RI = 12.000
 ELV-RO = 9.000

RUN NO. 0/ 0 RN/L = 4.22 GRADIENT INTERVAL = -5.00/ 5.00

MACH	ALPHA	CYN	CBL	CY	CHEI	ELV-LI	CHEO	ELV-LO
1.205	-8.000	.00090	.00131	.01188	.02076	12.24691	-.00394	10.42386
1.205	-6.000	.00267	.00091	.00938	.01667	12.21419	-.00503	10.42049
1.205	-4.000	.00499	-.00005	.00449	.01310	12.18568	-.01024	10.40444
1.205	-2.000	.00651	-.00079	-.00135	.01069	12.16640	-.01738	10.38245
1.205	.000	.00485	-.00078	-.00317	.00844	12.14841	-.02825	10.34895
1.205	2.000	.00177	-.00044	-.00044	.00378	12.11117	-.03825	10.31808
1.205	4.000	-.00022	.00014	.00313	-.00287	12.07104	-.04630	10.29320
	GRADIENT	-.00076	.00004	-.00009	-.00194	-.01423	-.00465	-.01434

LARC 8FT TPT 749 (1A93) OTSAT130

(MJJ035) (02 JUL 76)

REFERENCE DATA

SREF = 2690.0000 SQ.FT. XMRP = 976.0000 IN. XT
 LREF = 1290.3000 INCHES YMRP = .0000 IN. YT
 BREF = 1290.3000 INCHES ZMRP = 400.0000 IN. ZT
 SCALE = .0100

PARAMETRIC DATA

BETA = 4.000 ELV-LI = 12.000
 ELV-LO = 9.000 ELV-RI = 12.000
 ELV-RO = 9.000

RUN NO. 0/ 0 RN/L = 3.16 GRADIENT INTERVAL = -5.00/ 5.00

MACH	ALPHA	CYN	CBL	CY	CHEI	ELV-LI	CHEO	ELV-LO
.600	-8.000	.06114	-.01618	-.12839	-.00686	12.06972	-.00124	10.43419
.600	-6.000	.06011	-.01783	-.12819	-.00944	12.06547	-.00225	10.43271
.600	-4.000	.06109	-.01977	-.13082	-.01034	12.06398	-.00251	10.43232
.600	-2.000	.06325	-.02180	-.13658	-.01007	12.06443	-.00333	10.43112
.600	.000	.06493	-.02375	-.14139	-.01022	12.06419	-.00522	10.42837
.600	2.000	.06515	-.02536	-.14216	-.01047	12.06378	-.00820	10.42401
.600	4.000	.06143	-.02608	-.13736	-.01109	12.06277	-.01148	10.41923
	GRADIENT	.00013	-.00081	-.00093	-.00010	-.00015	-.00114	-.00167

ORIGINAL PAGE IS
 OF POOR QUALITY

LARC BFT TPT /49 (1A93) OTSAT130

(MJJ035) (02 JUL 76)

REFERENCE DATA

PARAMETRIC DATA

SREF = 2690.0000 SQ.FT. XMRP = 976.0000 IN. XT
 LREF = 1290.3000 INCHES YMRP = .0000 IN. YT
 BREF = 1290.3000 INCHES ZMRP = 400.0000 IN. ZT
 SCALE = .0100

BETA = 4.000 ELV-LI = 12.000
 ELV-LO = 9.000 ELV-RI = 12.000
 ELV-RO = 9.000

RUN NO. 0/ 0 RN/L = 3.97 GRADIENT INTERVAL = -5.00/ 5.00

MACH	ALPHA	CYN	CBL	CY	CHEI	ELV-LI	CHEO	ELV-LO
.900	-8.000	.06769	-.01661	-.14641	-.01313	12.04436	-.00923	10.41311
.900	-6.000	.06683	-.01907	-.14640	-.01175	12.04821	-.00470	10.42433
.900	-4.000	.06577	-.02109	-.14528	-.01293	12.04491	-.00268	10.42935
.900	-2.000	.06561	-.02296	-.14895	-.01488	12.03947	-.00293	10.42873
.900	.000	.06431	-.02446	-.14853	-.01616	12.03591	-.00552	10.42230
.900	2.000	.06161	-.02476	-.14494	-.01802	12.03069	-.00872	10.41436
.900	4.000	.06464	-.02572	-.14957	-.01798	12.03080	-.01481	10.39925
	GRADIENT	-.00031	-.00055	-.00023	-.00066	-.00185	-.00150	-.00373

RUN NO 0/ 0 RN/L = 4.08 GRADIENT INTERVAL = -5.00/ 5.00

MACH	ALPHA	CYN	CBL	CY	CHEI	ELV-LI	CHEO	ELV-LO
.975	-8.000	.07460	-.01950	-.16032	-.02103	12.01764	-.00870	10.41270
.975	-6.000	.07227	-.02150	-.15702	-.02244	12.01337	-.00850	10.41322
.975	-4.000	.07086	-.02338	-.15506	-.02428	12.00779	-.00834	10.41365
.975	-2.000	.06975	-.02512	-.15532	-.02417	12.00816	-.00907	10.41172
.975	.000	.07046	-.02694	-.15916	-.02066	12.01874	-.01101	10.40652
.975	2.000	.06509	-.02614	-.15203	-.02283	12.01222	-.01619	10.39265
.975	4.000	.05929	-.02598	-.14695	-.02788	11.99693	-.02386	10.37208
	GRADIENT	-.00139	-.00031	.00098	-.00029	-.00088	-.00191	-.00511

RUN NO 0/ 0 RN/L = 4.21 GRADIENT INTERVAL = -5.00/ 5.00

MACH	ALPHA	CYN	CBL	CY	CHEI	ELV-LI	CHEO	ELV-LO
1.150	-6.000	.06844	-.02180	-.15186	.00719	12.13718	-.00647	10.41648
1.150	-4.000	.06871	-.02521	-.15213	.00428	12.11444	-.00239	10.42881
1.150	-2.000	.06998	-.02766	-.15507	.00040	12.08412	-.00008	10.43576
1.150	.000	.07132	-.02872	-.15901	-.00646	12.05910	-.00700	10.41490
1.150	2.000	.07116	-.02876	-.15927	-.01238	12.03902	-.01823	10.38105
	GRADIENT	.00044	-.00058	-.00127	-.00284	-.01256	-.00272	-.00821

6.7

DATE 29 OCT 76

TABULATED SOURCE DATA - 1A93.

PAGE 511

LARC 8FT TPT 749 (1A93) OTSAT130

(MJJ035) (02 JUL 76)

REFERENCE DATA

SREF = 2690.0000 SQ.FT XMRP = 976.0000 IN. XT
 LREF = 1290.3000 INCHES YMRP = 0000 IN. YT
 BREF = 1290.3000 INCHES ZMRP = 400.0000 IN. ZT
 SCALE = .0100

PARAMETRIC DATA

BETA = 4.000 ELV-LI = 12.000
 ELV-LO = 9.000 ELV-RI = 12.000
 ELV-RO = 9.000

RUN NO. 0/ 0 RN/L = 4.22 GRADIENT INTERVAL = -5.00/ 5.00

MACH	ALPHA	CYN	CBL	CY	CHEI	ELV-LI	CHEO	ELV-LO
1.205	-8.000	.07320	-.01989	-.15872	.01521	12.20255	-.00729	10.41352
1.205	-6.000	.07298	-.02275	-.15783	.01251	12.18097	-.00491	10.42085
1.205	-4.000	.07244	-.02521	-.15780	.00970	12.15854	-.00186	10.43025
1.205	-2.000	.07278	-.02720	-.15907	.00697	12.13672	-.00519	10.42001
1.205	.000	.07390	-.02829	-.16163	.00300	12.10496	-.01440	10.39162
1.205	2.000	.07390	-.02868	-.16252	-.00304	12.07047	-.02525	10.35816
1.205	4.000	.07085	-.02900	-.16027	-.00907	12.04956	-.03544	10.32675
GRADIENT		-.00010	-.00045	-.00042	-.00238	-.01421	-.00436	-.01344

LARC 8FT TPT 749 (1A93) OTSAT130

(MJJ036) (02 JUL 76)

REFERENCE DATA

SREF = 2690.0000 SQ.FT. XMRP = 976.0000 IN. XT
 LREF = 1290.3000 INCHES YMRP = 0000 IN. YT
 BREF = 1290.3000 INCHES ZMRP = 400.0000 IN. ZT
 SCALE = .0100

PARAMETRIC DATA

BETA = 6.000 ELV-LI = 12.000
 ELV-LO = 9.000 ELV-RI = 12.000
 ELV-RO = 9.000

RUN NO. 0/ 0 RN/L = 3.16 GRADIENT INTERVAL = -5.00/ 5.00

MACH	ALPHA	CYN	CBL	CY	CHEI	ELV-LI	CHEO	ELV-LO
.600	-8.000	.08823	-.02441	-.19269	-.00901	12.06617	-.00181	10.43336
.600	-6.000	.08946	-.02717	-.19603	-.01013	12.06434	-.00256	10.43225
.600	-4.000	.09127	-.02993	-.20059	-.01093	12.06302	-.00296	10.43167
.600	-2.000	.09300	-.03256	-.20488	-.01148	12.06213	-.00356	10.43080
.600	.000	.09579	-.03496	-.21029	-.01145	12.06215	-.00509	10.42855
.600	2.000	.09615	-.03716	-.21123	-.01222	12.06089	-.00819	10.42402
.600	4.000	.09427	-.03942	-.20869	-.01278	12.05998	-.01127	10.41951
GRADIENT		.00046	-.00118	-.00113	-.00022	-.00037	-.00106	-.00155

LARC 8FT TPT 749 (1A93) OTSAT130

(MJJ036) (02 JUL 76)

REFERENCE DATA

SREF = 2690.0000 SQ FT. XMRP = 976.0000 IN. XT
 LREF = 1290.3000 INCHES YMRP = .0000 IN. YT
 BREF = 1290.3000 INCHES ZMRP = 400.0000 IN. ZT
 SCALE = .0100

PARAMETRIC DATA

BETA = 6.000 ELV-LI = 12.000
 ELV-LO = 9.000 ELV-RI = 12.000
 ELV-RO = 9.000

RUN NO.		0/ 0	RN/L = 3.97	GRADIENT INTERVAL = -5.00/ 5.00				
MACH	ALPHA	CYN	CBL	CY	CHEI	ELV-LI	CHEO	ELV-LO
.900	-8.000	.10289	-.02678	-.22590	-.01503	12.03904	-.00924	10.41308
.900	-6.000	.10032	-.02909	-.22315	-.01467	12.04006	-.00553	10.42228
.900	-4.000	.09871	-.03192	-.22162	-.01580	12.03691	-.00402	10.42604
.900	-2.000	.09943	-.03462	-.22549	-.01678	12.03416	-.00393	10.42624
.900	.000	.09758	-.03667	-.22365	-.01847	12.02943	-.00612	10.42080
.900	2.000	.09466	-.03841	-.22109	-.01967	12.02606	-.00887	10.41398
.900	4.000	.09653	-.03939	-.22358	-.01930	12.02711	-.01292	10.40394
	GRADIENT	-.00045	-.00094	.00002	-.00050	-.00138	-.00114	-.00282

RUN NO		0/ 0	RN/L = 4.08	GRADIENT INTERVAL = -5.00/ 5.00				
MACH	ALPHA	CYN	CBL	CY	CHEI	ELV-LI	CHEO	ELV-LO
.975	-8.000	.11497	-.03092	-.25051	-.02800	11.99664	-.00983	10.40967
.975	-6.000	.10963	-.03299	-.24310	-.02903	11.99352	-.01025	10.40855
.975	-4.000	.10486	-.03541	-.23691	-.02855	11.99496	-.01016	10.40877
.975	-2.000	.10180	-.03789	-.23396	-.02555	12.00398	-.01070	10.40732
.975	.000	.09944	-.03912	-.23234	-.02067	12.01871	-.01349	10.39987
.975	2.000	.09364	-.03941	-.22815	-.02070	12.01864	-.01916	10.38470
.975	4.000	.08779	-.04025	-.22076	-.02348	12.01024	-.02458	10.37017
	GRADIENT	-.00211	-.00056	.00191	.00075	.00226	-.00186	-.00499

RUN NO		0/ 0	RN/L = 4.21	GRADIENT INTERVAL = -5.00/ 5.00				
MACH	ALPHA	CYN	CBL	CY	CHEI	ELV-LI	CHEO	ELV-LO
1.150	-6.000	.10492	-.03411	-.23729	.00469	12.11765	-.00717	10.41438
1.150	-4.000	.10154	-.03797	-.23368	.00150	12.09276	-.00401	10.42390
1.150	-2.000	.10024	-.04093	-.23292	-.00231	12.07316	-.00024	10.43528
1.150	.000	.10161	-.04233	-.23585	-.00899	12.05050	-.00335	10.42590
1.150	2.000	.10024	-.04248	-.23562	-.01578	12.02746	-.01251	10.39828
	GRADIENT	-.00013	-.00075	-.00044	-.00293	-.01093	-.00143	-.00431

LARC 8FT TPT 749 (1A93) OTSAT130

(MJJ036) (02 JUL 76)

REFERENCE DATA

SREF = 2690.0000 SQ.FT. XMRP = 976.0000 IN. XT
 LREF = 1290.3000 INCHES YMRP = .0000 IN. YT
 BREF = 1290.3000 INCHES ZMRP = 400.0000 IN. ZT
 SCALE = .0100

PARAMETRIC DATA

BETA = 6.000 ELV-LI = 12.000
 ELV-LO = 9.000 ELV-RI = 12.000
 ELV-RO = 9.000

RUN NO. 0/ 0 RN/L = 4.22 GRADIENT INTERVAL = -5.00/ 5.00

MACH	ALPHA	CYN	CBL	CY	CHEI	ELV-LI	CHEO	ELV-LO
1.205	-8.000	.11161	-.03153	-.24746	.01314	12.18599	-.00745	10.41304
1.205	-6.000	.10856	-.03532	-.24258	.01051	12.16496	-.00609	10.41722
1.205	-4.000	.10638	-.03850	-.24028	.00689	12.13605	-.00151	10.43136
1.205	-2.000	.10494	-.04068	-.23901	.00292	12.10429	-.00124	10.43217
1.205	.000	.10561	-.04207	-.24072	-.00174	12.07498	-.00857	10.40959
1.205	2.000	.10535	-.04292	-.24231	-.00814	12.05279	-.01878	10.37811
1.205	4.000	.10181	-.04350	-.23903	-.01270	12.03698	-.02927	10.34578
	GRADIENT	-.00044	-.00061	-.00004	-.00251	-.01248	-.00365	-.01126

ORIGINAL PAGE IS OF POOR QUALITY

LARC 8FT TPT 749 (1A93) OTSAT130

(MJJ057) (02 JUL 76)

REFERENCE DATA

SREF = 2690.0000 SQ.FT. XMRP = 976.0000 IN. XT
 LREF = 1290.3000 INCHES YMRP = .0000 IN. YT
 BREF = 1290.3000 INCHES ZMRP = 400.0000 IN. ZT
 SCALE = .0100

PARAMETRIC DATA

BETA = -6.000 ELV-LI = 12.000
 ELV-LO = 14.000 ELV-RI = 12.000
 ELV-RO = 14.000

RN/L = 3.97 GRADIENT INTERVAL = -5.00/ 5.00

MACH	ALPHA	CYN	CBL	CY	CHEI	ELV-LI	CHEO	ELV-LO
.900	-8.000	-.11256	.03129	.26992	-.00065	12.07918	-.02571	15.71420
	-6.000	-.10821	.03309	.26224	.00043	12.08380	-.02647	15.71231
	-4.000	-.10343	.03443	.25115	.00081	12.08618	-.03017	15.70313
	-2.000	-.10023	.03580	.24317	.00036	12.08332	-.03233	15.69777
	.000	-.09840	.03814	.23729	.00036	12.08327	-.03453	15.69232
	2.000	-.09440	.03979	.23012	.00087	12.08661	-.04049	15.67755
	4.000	-.09640	.04194	.23570	-.00600	12.08426	-.04955	15.65504
	GRADIENT	.00099	.00095	-.00220	-.00065	-.00203	-.00235	-.00582

LARC 8FT TPT 749 (1A93) OTSAT130

(MJJ037) (02 JUL 76)

REFERENCE DATA

SREF = 2690.0000 SQ.FT. XMRP = 976.0000 IN. XT
 LREF = 1290.3000 INCHES YMRP = .0000 IN. YT
 BREF = 1290.3000 INCHES ZMRP = 400.0000 IN. ZT
 SCALE = .0100

PARAMETRIC DATA

BETA = -6.000 ELV-L1 = 12.000
 ELV-LO = 14.000 ELV-R1 = 12.000
 ELV-RO = 14.000

RN/L = 4.08 GRADIENT INTERVAL = -5.00/ 5.00

MACH =	ALPHA	CYN	CBL	CY	CHEI	ELV-L1	CHEO	ELV-LO
975"								
-8.000		-.12165	.03629	.29103	.00256	12.09879	-.03949	15.67219
-6.000		-.11121	.03699	.27570	.00226	12.09669	-.03698	15.67894
-4.000		-.10269	.03760	.26159	-.00308	12.07173	-.03525	15.68356
-2.000		-.09474	.03830	.24560	-.01756	12.02803	-.03745	15.67759
.000		-.09381	.03922	.23723	-.03363	11.97959	-.04396	15.66019
2.000		-.09178	.04042	.23472	-.04399	11.94836	-.05813	15.62220
4.000		-.08863	.04210	.23303	-.04454	11.94670	-.07103	15.58762
GRADIENT		00155	.00056	-.00340	-.00547	-.01649	-.00461	-.01236

LARC 8FT TPT 749 (1A93) OTSAT130

(MJJ038) (02 JUL 76)

REFERENCE DATA

SREF = 2690.0000 SQ.FT. XMRP = 976.0000 IN. XT
 LREF = 1290.3000 INCHES YMRP = .0000 IN. YT
 BREF = 1290.3000 INCHES ZMRP = 400.0000 IN. ZT
 SCALE = .0100

PARAMETRIC DATA

BETA = -4.000 ELV-L1 = 12.000
 ELV-LO = 14.000 ELV-R1 = 12.000
 ELV-RO = 14.000

RN/L = 3.97 GRADIENT INTERVAL = -5.00/ 5.00

MACH =	ALPHA	CYN	CBL	CY	CHEI	ELV-L1	CHEO	ELV-LO
.900								
-8.000		-.07858	.01997	.18679	-.00574	12.06497	-.02807	15.70832
-6.000		-.07388	.02153	.17986	-.00511	12.06673	-.02804	15.70838
-4.000		-.06983	.02256	.16992	-.00557	12.06544	-.03150	15.69982
-2.000		-.06743	.02361	.16358	-.00650	12.06286	-.03421	15.69311
.000		-.06484	.02511	.15697	-.00690	12.06173	-.03672	15.68691
2.000		-.06125	.02586	.15105	-.00681	12.06199	-.04148	15.67512
4.000		-.06198	.02729	.15466	-.01009	12.05283	-.04841	15.65788
GRADIENT		.00109	00059	-.00215	-.00047	-.00130	-.00205	-.00509

LARC 8FT TPT 749 (IA93) OTSAT130

(MJJ038) (02 JUL 76)

REFERENCE DATA

SREF = 2690.0000 SQ.FT. XMRP = 976.0000 IN. XT
 LREF = 1290.3000 INCHES YMRP = .0000 IN. YT
 BREF = 1290.3000 INCHES ZMRP = 400.0000 IN. ZT
 SCALE = .0100

PARAMETRIC DATA

BETA = -4.000 ELV-LI = 12.000
 ELV-LO = 14.000 ELV-RI = 12.000
 ELV-RO = 14.000

RN/L = 4.08 GRADIENT INTERVAL = -5.00/ 5.00

MACH =	ALPHA	CYN	CBL	CY	CHEI	ELV-LI	CHEO	ELV-LO
.975								
-8.000	-.09251	.02424	.19921	.00302	12.10200	-.04066	15.66903	
-6.000	-.07410	.02452	.18660	.00027	12.08287	-.03922	15.67293	
-4.000	-.06675	.02434	.17285	-.00774	12.05767	-.03828	15.67545	
-2.000	-.06149	.02481	.16073	-.02097	12.01775	-.03909	15.67322	
.000	-.06351	.02603	.15854	-.03794	11.96659	-.04480	15.65792	
2.000	-.06219	.02617	.15566	-.04956	11.93159	-.05632	15.62707	
4.000	-.05860	.02692	.15285	-.05160	11.92540	-.06708	15.59820	
GRADIENT	.00078	.00033	-.00225	-.00582	-.01754	-.00374	-.01003	

LARC 8FT TPT 749 (IA93) OTSAT130

(MJJ039) (02 JUL 76)

REFERENCE DATA

SREF = 2690.0000 SQ.FT. XMRP = 976.0000 IN. XT
 LREF = 1290.3000 INCHES YMRP = .0000 IN. YT
 BREF = 1290.3000 INCHES ZMRP = 400.0000 IN. ZT
 SCALE = .0100

PARAMETRIC DATA

BETA = .000 ELV-LI = 12.000
 ELV-LO = 14.000 ELV-RI = 12.000
 ELV-RO = 14.000

RN/L = 3.97 GRADIENT INTERVAL = -5.00/ 5.00

MACH =	ALPHA	CYN	CBL	CY	CHEI	ELV-LI	CHEO	ELV-LO
.900								
-8.000	-.00494	.00176	.01601	-.01555	12.03759	-.03293	15.69628	
-6.000	-.00238	.00149	.01191	-.01569	12.03719	-.03205	15.69847	
-4.000	-.00058	.00151	.00940	-.01823	12.03012	-.03488	15.69148	
-2.000	.00212	.00096	.00206	-.02182	12.02008	-.03812	15.68342	
.000	.00291	.00043	-.00197	-.02231	12.01869	-.04219	15.67330	
2.000	.00161	.00106	-.00069	-.02132	12.02151	-.04573	15.66459	
4.000	.00199	.00111	-.00146	-.01973	12.02591	-.04936	15.65551	
GRADIENT	.00023	-.00003	-.00122	-.00013	-.00035	-.00183	-.00454	

LARC 8FT TPT 749 (1A93) OTSAT130

(MJJ039) (02 JUL 76)

REFERENCE DATA

SREF = 2690.0000 SQ.FT. XMRP = 976.0000 IN. XT
 LREF = 1290.3000 INCHES YMRP = .0000 IN. YT
 BREF = 1290.3000 INCHES ZMRP = 400 0000 IN. ZT
 SCALE = .0100

PARAMETRIC DATA

BETA = .000 ELV-LI = 12.000
 ELV-LO = 14.000 ELV-RI = 12.000
 ELV-RO = 14 000

RN/L = 4.08 GRADIENT INTERVAL = -5.00/ 5.00

MACH =	ALPHA	CYN	CBL	CY	CHE1	ELV-LI	CHE0	ELV-LO
.975								
-8.000		-.00414	.00204	.01821	-.00170	12.07588	-.04164	15.66644
-6.000		-.00026	.00112	.01234	-.00575	12.06368	-.04203	15.66539
-4.000		.00391	.00017	.00436	-.01512	12.03543	-.04256	15.66397
-2.000		.00411	.00034	.00069	-.02799	11.99657	-.04232	15.66454
000		.00251	.00010	-.00004	-.04260	11.95252	-.04356	15.66122
2.000		.00129	.00018	-.00042	-.05514	11.91475	-.05190	15.63892
4.000		-.00032	.00094	.00112	-.06206	11.89383	-.06415	15.60604
GRADIENT		-.00056	.00007	-.00038	-.00605	-.01825	-.00264	-.00707

LARC 8FT TPT 749 (1A93) OTSAT130

(MJJ040) (02 JUL 76)

REFERENCE DATA

SREF = 2690.0000 SQ.FT. XMRP = 976.0000 IN. XT
 LREF = 1290.3000 INCHES YMRP = .0000 IN. YT
 BREF = 1290.3000 INCHES ZMRP = 400 0000 IN. ZT
 SCALE = .0100

PARAMETRIC DATA

BETA = 4.000 ELV-LI = 12.000
 ELV-LO = 14.000 ELV-RI = 12.000
 ELV-RO = 14 000

RN/L = 3.97 GRADIENT INTERVAL = -5.00/ 5.00

MACH =	ALPHA	CYN	CBL	CY	CHE1	ELV-LI	CHE0	ELV-LO
.900								
-8.000		.06604	-.01466	-.14444	-.02320	12.01620	-.03364	15.69449
-6.000		.06480	-.01678	-.14417	-.02337	12.01574	-.03331	15.69531
-4.000		.06443	-.01894	-.14397	-.02430	12.01319	-.03569	15.68945
-2.000		.06281	-.02036	-.14455	-.02451	12.01257	-.03799	15.68370
000		.06320	-.02253	-.14773	-.02475	12.01192	-.04116	15.67587
2.000		.06085	-.02314	-.14624	-.02630	12.00757	-.04449	15.66757
4.000		.06096	-.02385	-.14610	-.02666	12.00654	-.04822	15.65829
GRADIENT		-.00045	-.00063	-.00030	-.00033	-.00091	-.00158	-.00392

LARC 8FT TPT 749 (IA93) OTSAT130

(MJJ040) (02 JUL 76)

REFERENCE DATA

SREF = 2690.0000 SQ.FT. XMRP = 976.0000 IN. XT
 LREF = 1290.3000 INCHES YMRP = .0000 IN. YT
 BREF = 1290.3000 INCHES ZMRP = 400.0000 IN. ZT
 SCALE = .0100

PARAMETRIC DATA

BETA = 4.000 ELV-LI = 12.000
 ELV-LO = 14.000 ELV-RI = 12.000
 ELV-RO = 14.000

RN/L = 4.08 GRADIENT INTERVAL = -5.00/ 5.00

MACH =	ALPHA	CYN	CBL	CY	CHEI	ELV-LI	CHEO	ELV-LO
.975								
-8.000	.07273	.07273	-.01817	-.15857	-.03074	11.98834	-.04433	15.65922
-6.000	.07050	.07050	-.02002	-.15495	-.03472	11.97633	-.04432	15.65923
-4.000	.06989	.06989	-.02197	-.15457	-.03938	11.96227	-.04550	15.65608
-2.000	.06891	.06891	-.02377	-.15525	-.04321	11.95067	-.04974	15.64467
.000	.06729	.06729	-.02470	-.15500	-.04267	11.95232	-.05523	15.62998
2.000	.06244	.06244	-.02404	-.15012	-.04472	11.94623	-.06352	15.60784
4.000	.05640	.05640	-.02395	-.14460	-.04991	11.93048	-.07150	15.58606
GRADIENT	-.00167	-.00167	-.00021	.00125	-.00113	-.00340	-.00330	-.00884

LARC 8FT TPT 749 (IA93) OTSAT130

(MJJ041) (02 JUL 76)

REFERENCE DATA

SREF = 2690.0000 SQ.FT. XMRP = 976.0000 IN. XT
 LREF = 1290.3000 INCHES YMRP = .0000 IN. YT
 BREF = 1290.3000 INCHES ZMRP = 400.0000 IN. ZT
 SCALE = .0100

PARAMETRIC DATA

BETA = 6.000 ELV-LI = 12.000
 ELV-LO = 14.000 ELV-RI = 12.000
 ELV-RO = 14.000

RN/L = 3.97 GRADIENT INTERVAL = -5.00/ 5.00

MACH =	ALPHA	CYN	CBL	CY	CHEI	ELV-LI	CHEO	ELV-LO
.900								
-8.000	.10114	.10114	-.02469	-.22393	-.02464	12.01222	-.03457	15.69219
-6.000	.09933	.09933	-.02719	-.22275	-.02470	12.01203	-.03385	15.69400
-4.000	.09857	.09857	-.03024	-.22241	-.02484	12.01167	-.03573	15.68937
-2.000	.09818	.09818	-.03262	-.22357	-.02351	12.01537	-.03707	15.68602
.000	.09558	.09558	-.03460	-.22082	-.02457	12.01243	-.04015	15.67839
2.000	.09265	.09265	-.03651	-.21928	-.02601	12.00840	-.04321	15.67081
4.000	.09302	.09302	-.03762	-.21992	-.02608	12.00921	-.04640	15.66288
GRADIENT	-.00083	-.00083	-.00093	.00046	-.00025	-.00069	-.00137	-.00341

LARC 8FT TPT 749 (1A93) OTSAT130

(MJJ041) (02 JUL 76)

REFERENCE DATA

SREF = 2690.0000 SQ.FT. XMRP = 976.0000 IN. XT
 LREF = 1290.3000 INCHES YMRP = .0000 IN. YT
 BREF = 1290.3000 INCHES ZMRP = 400.0000 IN. ZT
 SCALE = .0100

PARAMETRIC DATA

BETA = 6.000 ELV-LI = 12.000
 ELV-LO = 14.000 ELV-RI = 12.000
 ELV-RO = 14.000

RN/L = 4.08 GRADIENT INTERVAL = -5.00/ 5.00

MACH =	ALPHA	CYN	CBL	CY	CHEI	ELV-LI	CHEO	ELV-LO
.975								
-8.000		.11367	-.02958	-.24952	-.03576	11.97321	-.04711	15.65178
-6.000		.10812	-.03155	-.24167	-.03954	11.96184	-.04719	15.65156
-4.000		.10359	-.03392	-.23563	-.04247	11.95298	-.04750	15.65072
-2.000		.10048	-.03628	-.23296	-.04345	11.94994	-.05200	15.63859
.000		.09735	-.03730	-.23085	-.04044	11.95905	-.05855	15.62105
2.000		.09080	-.03716	-.22503	-.04056	11.95872	-.06404	15.60640
4.000		.08492	-.03819	-.21838	-.04369	11.94930	-.06991	15.59067
GRADIENT		-.00235	-.00047	.00212	.00002	.00007	-.00284	-.00761

LARC 8FT TPT 749 (1A93) OTSAT130

(MJJ042) (02 JUL 76)

REFERENCE DATA

SREF = 2690.0000 SQ.FT. XMRP = 976.0000 IN. XT
 LREF = 1290.3000 INCHES YMRP = .0000 IN. YT
 BREF = 1290.3000 INCHES ZMRP = 400.0000 IN. ZT
 SCALE = .0100

PARAMETRIC DATA

BETA = -6.000 ELV-LI = 8.000
 ELV-LO = 14.000 ELV-RI = 8.000
 ELV-RO = 14.000

RN/L = 3.97 GRADIENT INTERVAL = -5.00/ 5.00

MACH =	ALPHA	CYN	CBL	CY	CHEI	ELV-LI	CHEO	ELV-LO
.900								
-8.000		-.11377	-.03091	-.27083	-.01838	7.78312	-.01540	15.73980
-6.000		-.10892	-.03253	-.26222	-.01964	7.79124	-.01731	15.73508
-4.000		-.10455	-.03392	-.25238	-.02087	7.79916	-.02231	15.72268
-2.000		-.10225	-.03565	-.24627	-.02109	7.80069	-.02448	15.71723
.000		-.09996	-.03785	-.23930	-.01860	7.78463	-.02702	15.71092
2.000		-.09670	-.03986	-.23350	-.01702	7.77441	-.03301	15.69612
4.000		-.09848	-.04173	-.23867	-.01538	7.76389	-.04376	15.66946
GRADIENT		.00088	.00099	-.00201	-.00075	-.00484	-.00257	-.00638

LARC 8FT TPT 749 (IA93) OTSAT130

(MJJ042) (02 JUL 76)

REFERENCE DATA

PARAMETRIC DATA

SREF = 2690 0000 SQ.FT. XMRP = 976.0000 IN. XT
 LREF = 1290.3000 INCHES YMRP = 0000 IN. YT
 BREF = 1290.3000 INCHES ZMRP = 400.0000 IN. ZT
 SCALE = .0100

BETA = -6 000 ELV-LI = 8.000
 ELV-LO = 14.000 ELV-RI = 8.000
 ELV-RO = 14.000

RN/L = 4.08 GRADIENT INTERVAL = -5.00/ 5.00

MACH = 975

ALPHA	CYN	CBL	CY	CHEI	ELV-LI	CHEO	ELV-LO
-8 000	-.12362	.03660	.29363	.01547	7 77239	-.03373	15.68763
-6 000	-.11257	.03724	.27735	.00983	7 73325	-.03099	15.69500
-4 000	-.10312	.03755	.26057	.00892	7 72694	-.02965	15.69859
-2 000	-.09597	.03829	.24576	.01133	7 74367	-.03131	15 69408
000	-.09563	.03932	.24026	.00420	7 69419	-.03313	15 68920
2 000	-.09281	.03989	.23595	-.00717	7 64338	-.04354	15.66134
4 000	-.08895	.04145	.23277	-.01473	7 62061	-.05999	15.61726
GRADIENT	.00158	.00047	-.00327	-.00329	-.01565	-.00365	-.00977

LARC 8FT TPT 749 (IA93) OTSAT130

(MJJ043) (02 JUL 76)

REFERENCE DATA

PARAMETRIC DATA

SREF = 2690.0000 SQ.FT. XMRP = 976.0000 IN. XT
 LREF = 1290.3000 INCHES YMRP = 0000 IN. YT
 BREF = 1290.3000 INCHES ZMRP = 400.0000 IN. ZT
 SCALE = .0100

BETA = -4.000 ELV-LI = 8.000
 ELV-LO = 14.000 ELV-RI = 8.000
 ELV-RO = 14 000

RN/L = 3.97 GRADIENT INTERVAL = -5.00/ 5.00

MACH = 900

ALPHA	CYN	CBL	CY	CHEI	ELV-LI	CHEO	ELV-LO
-8.000	-.07876	.01950	.18609	.01250	7.74536	-.01693	15.73601
-6.000	-.07374	.02091	.17847	.01409	7.75556	-.01792	15.73354
-4 000	-.07067	.02209	.17169	.01505	7 76170	-.02348	15.71978
-2 000	-.06917	.02340	.16607	.01624	7.76940	-.02639	15 71253
000	-.06585	.02464	.15845	.01438	7.75753	-.02934	15.70517
2 000	-.06253	.02579	.15282	.01033	7.73142	-.03384	15.69401
4 000	-.06300	.02673	.15557	.01203	7.74237	-.04196	15 67391
GRADIENT	.00110	.00058	-.00227	-.00060	-.00383	-.00222	-.00551

ORIGINAL PAGE IS
OF POOR QUALITY

LARC 8FT TPT 749 (1A93) OTSAT130

(MJJ043) (02 JUL 76)

REFERENCE DATA

SREF = 2690.0000 SQ.FT. XMRP = 976.0000 IN. XT
 LREF = 1290.3000 INCHES YMRP = .0000 IN. YT
 BREF = 1290.3000 INCHES ZMRP = 400.0000 IN. ZT
 SCALE = .0100

PARAMETRIC DATA

BETA = -4.000 ELV-LI = 8.000
 ELV-LO = 14.000 ELV-RI = 8.000
 ELV-RO = 14.000

RN/L = 4.08 GRADIENT INTERVAL = -5.00/ 5.00

MACH = .975

ALPHA	CYN	CBL	CY	CHEI	ELV-LI	CHEO	ELV-LO
-8.000	-.08292	.02419	.19920	.01259	7.75240	-.03487	15.68458
-6.000	-.07424	.02458	.18600	.00411	7.69351	-.03353	15.68822
-4.000	-.06793	.02471	.17383	.00198	7.67875	-.03310	15.68933
-2.000	-.06358	.02532	.16349	.00725	7.71538	-.03372	15.68762
.000	-.06477	.02602	.16033	.00358	7.68987	-.03546	15.68298
2.000	-.06298	.02573	.15675	-.00910	7.63756	-.04159	15.66652
4.000	-.05884	.02645	.15327	-.02051	7.60318	-.05556	15.62911
GRADIENT	.00094	.00019	-.00239	-.00307	-.01145	-.00264	-.00708

LARC 8FT TPT 749 (1A93) OTSAT130

(MJJ044) (02 JUL 76)

REFERENCE DATA

SREF = 2690.0000 SQ.FT. XMRP = 976.0000 IN. XT
 LREF = 1290.3000 INCHES YMRP = .0000 IN. YT
 BREF = 1290.3000 INCHES ZMRP = 400.0000 IN. ZT
 SCALE = .0100

PARAMETRIC DATA

BETA = .000 ELV-LI = 8.000
 ELV-LO = 14.000 ELV-RI = 8.000
 ELV-RO = 14.000

RN/L = 3.97 GRADIENT INTERVAL = -5.00/ 5.00

MACH = .900

ALPHA	CYN	CBL	CY	CHEI	ELV-LI	CHEO	ELV-LO
-8.000	-.00480	.00177	.01598	-.00402	7.65378	-.02427	15.71777
-6.000	-.00190	.00141	.01112	-.00121	7.66161	-.02313	15.72062
-4.000	-.00007	.00132	.00827	-.00145	7.66096	-.02693	15.71120
-2.000	.00152	.00103	.00345	-.00327	7.65587	-.03087	15.70141
.000	.00277	.00026	-.00185	-.00273	7.65739	-.03479	15.69168
2.000	.00134	.00084	.00020	-.00265	7.65760	-.03881	15.68176
4.000	.00146	.00105	.00040	.00060	7.66888	-.04213	15.67350
GRADIENT	.00014	-.00004	-.00095	.00024	.00088	-.00192	-.00475

LARC 8FT TPT 749 (1A93) OTSAT130

(MJJ044) (02 JUL 76)

REFERENCE DATA

PARAMETRIC DATA

SREF = 2690.0000 SQ.FT. XMRP = 976.0000 IN. XT
 LREF = 1290.3000 INCHES YMRP = .0000 IN. YT
 BREF = 1290.3000 INCHES ZMRP = 400.0000 IN. ZT
 SCALE = .0100

BETA = .000 ELV-LI = 8.000
 ELV-LO = 14.000 ELV-RI = 8.000
 ELV-RO = 14.000

RN/L = 4.08 GRADIENT INTERVAL = -5.00/ 5.00

MACH =	975	ALPHA	CYN	CBL	CY	CHEI	ELV-LI	CHEO	ELV-LO
-8.000	-	00402	.00188	.01783	00129	7.67392	-.03724	15.67820	
-6.000	-	.00043	.00105	.01250	-.00592	7.64716	-.03769	15.67701	
-4.000		00296	.00036	.00560	-.01115	7.63139	-.03787	15.67654	
-2.000		.00488	- 00004	- 00043	-.01021	7.63421	-.03811	15.67589	
.000		00340	- 00039	- 00100	- 00503	7.64984	- 03892	15.67373	
2.000		00222	-.00034	- 00177	-.01311	7.62546	-.04238	15.66438	
4.000	-	00089	.00086	00301	- 02804	7.58049	- 05054	15.64260	
GRADIENT	-	.00052	00003	-.00033	- 00183	-.00553	-.00148	- 00397	

LARC 8FT TPT 749 (1A93) OTSAT130

(MJJ045) (02 JUL 76)

REFERENCE DATA

PARAMETRIC DATA

SREF = 2690.0000 SQ.FT. XMRP = 976.0000 IN. XT
 LREF = 1290.3000 INCHES YMRP = .0000 IN. YT
 BREF = 1290.3000 INCHES ZMRP = 400.0000 IN. ZT
 SCALE = .0100

BETA = 4.000 ELV-LI = 8.000
 ELV-LO = 14.000 ELV-RI = 8.000
 ELV-RO = 14.000

RN/L = 3.97 GRADIENT INTERVAL = -5.00/ 5.00

MACH =	.900	ALPHA	CYN	CBL	CY	CHEI	ELV-LI	CHEO	ELV-LO
-8.000		06681	-.01461	-.14629	- 01525	7.62246	-.02895	15.70620	
-6.000		06523	-.01669	-.14498	-.01093	7.63451	-.02834	15.70771	
-4.000		06475	-.01884	-.14455	-.01051	7.63567	-.03021	15.70306	
-2.000		.06550	-.02104	- 14941	-.01192	7.63172	-.03257	15.69718	
.000		.06280	-.02223	- 14621	- 01258	7.62988	-.03684	15.68657	
2.000		06121	- 02317	-.14584	-.01444	7.62470	-.04064	15.67718	
4.000		.06237	-.02385	-.14766	- 01368	7.62681	-.04345	15.67020	
GRADIENT	-	00045	-.00061	-.00013	-.00044	-.00124	-.00173	- 00429	

LARC 8FT TPT 749 (1A93) OTSAT130

(MJJ045) (02 JUL 76)

REFERENCE DATA

SREF = 2690.0000 SQ.FT. XMRP = 976.0000 IN. XT
 LREF = 1290.3000 INCHES YMRP = .0000 IN. YT
 BREF = 1290.3000 INCHES ZMRP = 400.0000 IN. ZT
 SCALE = .0100

PARAMETRIC DATA

BETA = 4.000 ELV-LI = 8.000
 ELV-LO = 14.000 ELV-RI = 8.000
 ELV-RO = 14.000

RN/L = 4.08 GRADIENT INTERVAL = -5.00/ 5.00

MACH = .975

ALPHA	CYN	CBL	CY	CHEI	ELV-LI	CHEO	ELV-LO
-8.000	.07304	-.01833	-.15908	-.01007	7.63466	-.03687	15.67922
-6.000	.07119	-.02031	-.15661	-.01509	7.61953	-.03595	15.68173
-4.000	.07034	-.02224	-.15541	-.01923	7.60704	-.03446	15.68569
-2.000	.06964	-.02416	-.15514	-.02218	7.59816	-.03496	15.68436
.000	.06875	-.02547	-.15663	-.02331	7.59473	-.03930	15.67269
2.000	.06352	-.02455	-.15212	-.03048	7.57310	-.05017	15.64355
4.000	.05647	-.02394	-.14472	-.03640	7.55529	-.06161	15.61294
GRADIENT	-.00169	-.00019	.00122	-.00213	-.00643	-.00347	-.00932

LARC 8FT TPT 749 (1A93) OTSAT130

(MJJ046) (02 JUL 76)

REFERENCE DATA

SREF = 2690.0000 SQ.FT. XMRP = 976.0000 IN. XT
 LREF = 1290.3000 INCHES YMRP = .0000 IN. YT
 BREF = 1290.3000 INCHES ZMRP = 400.0000 IN. ZT
 SCALE = .0100

PARAMETRIC DATA

BETA = 6.000 ELV-LI = 8.000
 ELV-LO = 14.000 ELV-RI = 8.000
 ELV-RO = 14.000

RN/L = 3.97 GRADIENT INTERVAL = -5.00/ 5.00

MACH = .900

ALPHA	CYN	CBL	CY	CHEI	ELV-LI	CHEO	ELV-LO
-8.000	.10166	-.02446	-.22475	-.01863	7.61300	-.03037	15.70264
-6.000	.10003	-.02700	-.22349	-.01278	7.62933	-.02916	15.70566
-4.000	.09907	-.03002	-.22237	-.01205	7.63136	-.03068	15.70191
-2.000	.09984	-.03295	-.22598	-.01323	7.62807	-.03259	15.69712
.000	.09813	-.03515	-.22524	-.01462	7.62420	-.03653	15.68738
2.000	.09368	-.03650	-.21998	-.01608	7.62012	-.03984	15.67918
4.000	.09439	-.03726	-.22121	-.01533	7.62222	-.04292	15.67153
GRADIENT	-.00077	-.00090	.00042	-.00047	-.00131	-.00159	-.00394

LARC 8FT TPT 749 (1A93) OTSAT130

(MJJ046) (02 JUL 76)

REFERENCE DATA

SREF = 2690.0000 SQ FT. XMRP = 976 0000 IN. XT
 LREF = 1290.3000 INCHES YMRP = .0000 IN. YT
 BREF = 1290.3000 INCHES ZMRP = 400.0000 IN. ZT
 SCALE = 0100

PARAMETRIC DATA

BETA = 6.000 ELV-LI = 8.000
 ELV-LO = 14.000 ELV-RI = 8.000
 ELV-RO = 14.000

RN/L = 4.08 GRADIENT INTERVAL = -5.00/ 5.00

MACH =	ALPHA	CYN	CBL	CY	CHE1	ELV-LI	CHEO	ELV-LO
975								
-8.000	11368	-.02972	-.24949	-.01345	7.62444	-.03875	15.67416	
-6.000	.10889	-.03185	-.24304	-.02012	7.60438	-.03725	15.67822	
-4.000	10522	-.03450	-.23834	-.02507	7.58947	-.03423	15.68634	
-2.000	10243	-.03705	-.23511	-.02831	7.57969	-.03477	15.68486	
.000	09901	-.03797	-.23221	-.02984	7.57502	-.04225	15.66475	
2.000	09141	-.03733	-.22555	-.03278	7.56618	-.05341	15.63486	
4.000	08538	-.03816	-.21888	-.03494	7.55969	-.06174	15.61257	
GRADIENT	-.00254	-.00038	.00242	-.00121	-.00365	-.00368	-.00988	

LARC 8FT TPT 749 (1A93) OTSAT130

(MJJ047) (02 JUL 76)

REFERENCE DATA

SREF = 2690.0000 SQ.FT. XMRP = 976 0000 IN. XT
 LREF = 1290.3000 INCHES YMRP = .0000 IN. YT
 BREF = 1290.3000 INCHES ZMRP = 400 0000 IN. ZT
 SCALE = 0100

PARAMETRIC DATA

BETA = -6.000 ELV-LI = 8.000
 ELV-LO = 4.000 ELV-RI = 8.000
 ELV-RO = 4.000

RUN NO. 0/ 0 RN/L = 3.98 GRADIENT INTERVAL = -5.00/ 5.00

MACH	ALPHA	CYN	CBL	CY	CHE1	ELV-LI	CHEO	ELV-LO
900	-8.000	-.11567	.03087	.27335	.03052	7.86139	01120	5.09460
900	-6.000	-.10997	.03196	.26438	.03001	7.85812	01405	5.10875
900	-4.000	-.10531	03307	25372	02956	7.85532	01483	5.11268
900	-2.000	-.10386	03466	24805	02906	7.85207	.01748	5.12584
900	.000	-.10193	03625	24147	02970	7.85612	.01652	5.12101
900	2.000	-.10068	.03717	23958	.03034	7.86024	.00828	5.08011
900	4.000	-.10177	04012	24240	02773	7.84343	-.00606	5.02396
GRADIENT		00051	00083	-.00156	-.00012	-.00078	-.00255	-.01116

ORIGINAL PAGE IS
OF POOR QUALITY

LARC 8FT TPT 749 (1A93) OTSAT130

(MJJ047) (02 JUL 76)

REFERENCE DATA

SREF = 2690 0000 SQ.FT XMRP = 976.0000 IN XT
 LREF = 1290 3000 INCHES YMRP = .0000 IN. YT
 BREF = 1290 3000 INCHES ZMRP = 400 0000 IN. ZT
 SCALE = .0100

PARAMETRIC DATA

BETA = -6.000 ELV-L1 = 8.000
 ELV-LO = 4 000 ELV-R1 = 8.000
 ELV-RO = 4 000

RUN NO. 0/ 0 RN/L = 4.09 GRADIENT INTERVAL = -5.00/ 5.00

MACH	ALPHA	CYN	CBL	CY	CHE1	ELV-L1	CHEO	ELV-LO
.975	-8 000	- 12232	03518	.29155	.01994	7.80336	02411	5.16813
.975	-6 000	- 11161	03616	.27599	.01441	7.76504	02548	5.17551
.975	-4.000	- 10253	.03687	.26112	.01075	7.73968	02637	5.18033
.975	-2.000	- .09540	.03757	24641	01114	7.74234	.02498	5.17289
.975	000	- 09506	.03879	23955	.01416	7.76334	.01962	5.14414
.975	2 000	- .09301	.03971	23641	.01742	7.78598	.01161	5.10123
.975	4 000	- .09219	.04098	.23761	.02171	7.81575	-.00011	5.03869
	GRADIENT	00115	.00052	- 00285	.00141	00979	-.00332	-.01775

RUN NO 0/ 0 RN/L = 4 21 GRADIENT INTERVAL = -5 00/ 5.00

MACH	ALPHA	CYN	CBL	CY	CHE1	ELV-L1	CHEO	ELV-LO
1.150	-6.000	- 10746	03869	.27003	07146	8.22332	.01776	5.14607
1.150	-4.000	- 09997	04070	25697	.06721	8.19004	00621	5.07643
1.150	-2.000	- 09810	.04251	.24887	.06204	8.14972	- 00586	5.02134
1.150	000	- 10124	.04321	24612	05252	8.07534	- 01570	4.99165
1.150	2.000	- 10258	.04412	.24777	.04108	7.98590	-.02485	4.96410
	GRADIENT	- 00055	.00055	- 00152	-.00440	-.03434	-.00515	-.01833

RUN NO. 0/ 0 RN/L = 4 22 GRADIENT INTERVAL = -5 00/ 5 00

MACH	ALPHA	CYN	CBL	CY	CHE1	ELV-L1	CHEO	ELV-LO
1.205	-8 000	- 11951	03830	28819	.07398	8.25030	.01574	5.13607
1.205	-6 000	- .11018	.04038	27349	.06849	8.21235	.00479	5.06853
1.205	-4 000	- .10285	04156	.26169	06383	8.17524	-.00599	5.02052
1.205	-2 000	- 10030	04229	25218	05942	8.14002	- 01497	4.99283
1.205	000	- 10373	.04284	25015	.05204	8.08089	- 02430	4.96405
1.205	2 000	- 10502	.04373	.24966	04284	8.00736	-.03318	4.93668
1.205	4 000	- .10237	.04498	24974	.03169	7.91829	-.03911	4.91839
	GRADIENT	- 00019	00041	-.00132	-.00404	- 03233	- 00422	- 01302

LARC 8FT TPT 749 (1A93) OTSAT130

(MJJ048) (02 JUL 76)

REFERENCE DATA

PARAMETRIC DATA

SREF = 2690.0000 SQ.FT. XMRP = 976.0000 IN. XT
 LREF = 1290.3000 INCHES YMRP = .0000 IN. YT
 ØREF = 1290.3000 INCHES ZMRP = 400.0000 IN. ZT
 SCALE = .0100

BETA = -4.000 ELV-LI = 8.000
 ELV-LO = 4.000 ELV-RI = 8.000
 ELV-RO = 4.000

RUN NO. 0/ 0 RN/L = 3.98 GRADIENT INTERVAL = -5.00/ 5.00

MACH	ALPHA	CYN	CBL	CY	CHEI	ELV-LI	CHEO	ELV-LO
.900	-8.000	-.07957	.01923	.18710	.02925	7.85328	.00933	5.08534
.900	-6.000	-.07378	.02017	.17848	.02835	7.84747	.01337	5.10542
.900	-4.000	-.06945	.02089	.16928	.02732	7.84091	.01477	5.11238
.900	-2.000	-.06885	.02219	.16559	.02642	7.83513	.01750	5.12595
.900	.000	-.06583	.02305	.15744	.02623	7.83373	.01647	5.12075
.900	2.000	-.06617	.02367	.15869	.02940	7.85413	.01148	5.09598
.900	4.000	-.06602	.02553	.15974	.02617	7.83349	-.00322	5.03100
	GRADIENT	.00048	.00054	-.00130	.00003	.00021	-.00210	.00964

RUN NO. 0/ 0 RN/L = 4.09 GRADIENT INTERVAL = -5.00/ 5.00

MACH	ALPHA	CYN	CBL	CY	CHEI	ELV-LI	CHEO	ELV-LO
.975	-8.000	-.08272	.02335	.19903	.01768	7.78769	.02391	5.16704
.975	-6.000	-.07334	.02366	.18554	.01017	7.73564	.02529	5.17450
.975	-4.000	-.06572	.02354	.17182	.00585	7.70562	.02642	5.18061
.975	-2.000	-.06158	.02417	.16117	.00695	7.71324	.02583	5.17740
.975	.000	-.06317	.02504	.15821	.01153	7.74505	.02256	5.15988
.975	2.000	-.06161	.02491	.15476	.01350	7.75876	.01584	5.12390
.975	4.000	-.05751	.02527	.15206	.01505	7.76943	.00423	5.06166
	GRADIENT	.00082	.00021	-.00230	.00125	.00866	-.00272	-.01457

RUN NO. 0/ 0 RN/L = 4.21 GRADIENT INTERVAL = -5.00/ 5.00

MACH	ALPHA	CYN	CBL	CY	CHEI	ELV-LI	CHEO	ELV-LO
1.150	-6.000	-.07005	.02492	.18041	.05804	8.19659	.02410	5.18429
1.150	-4.000	-.06517	.02659	.17093	.06275	8.15527	.01491	5.12890
1.150	-2.000	-.06500	.02773	.16395	.05863	8.12304	.00278	5.05575
1.150	.000	-.07010	.02827	.16392	.05184	8.06991	-.00851	5.01334
1.150	2.000	-.07132	.02910	.16568	.04077	7.98351	-.01921	4.98110
	GRADIENT	-.00118	.00040	-.00079	-.00364	-.02842	-.00568	-.02429

LARC 8FT TPT /49 (1A93) OTSAT130

(MJJ048) (02 JUL 76)

REFERENCE DATA

SREF = 2690.0000 SQ FT. XMRP = 976 0000 IN. XT
 LREF = 1290.3000 INCHES YMRP = .0000 IN. YT
 BREF = 1290.3000 INCHES ZMRP = 400 0000 IN. ZT
 SCALE = .0100

PARAMETRIC DATA

BETA = -4.000 ELV-LI = 8.000
 ELV-LO = 4.000 ELV-RI = 8.000
 ELV-RO = 4.000

RUN NO. 0/ 0 RN/L = 4.22 GRADIENT INTERVAL = -5.00/ 5.00

MACH	ALPHA	CYN	CBL	CY	CHEI	ELV-LI	CHEO	ELV-LO
1.205	-8 000	-.07796	.02511	.19300	.07149	8.23636	02208	5.17516
1.205	-6 000	-.07215	.02669	.18350	.06575	8.19046	01265	5.11704
1.205	-4 000	-.06707	.02721	.17376	.06159	8.15735	00170	5.04947
1.205	-2.000	-.06594	.02754	.16572	.05919	8.13815	-.00755	5.01571
1.205	.000	-.07007	.02814	.16538	.05343	8.09191	-.01746	4.98517
1.205	2.000	-.07185	.02888	.16605	.04406	8.01712	-.02771	4.95355
1.205	4 000	-.07040	.03015	.16776	.03364	7.93391	-.03502	4.93099
	GRADIENT	-.00063	.00036	-.00058	-.00355	-.02840	-.00468	-.01496

LARC 8FT TPT 749 (1A93) OTSAT130

(MJJ049) (02 JUL 76)

REFERENCE DATA

SREF = 2690.0000 SQ FT. XMRP = 976.0000 IN. XT
 LREF = 1290.3000 INCHES YMRP = .0000 IN. YT
 BREF = 1290.3000 INCHES ZMRP = 400 0000 IN. ZT
 SCALE = .0100

PARAMETRIC DATA

BETA = .000 ELV-LI = 8.000
 ELV-LO = 4.000 ELV-RI = 8.000
 ELV-RO = 4.000

RUN NO 0/ 0 RN/L = 3.98 GRADIENT INTERVAL = -5.00/ 5.00

MACH	ALPHA	CYN	CBL	CY	CHEI	ELV-LI	CHEO	ELV-LO
900	-8.000	-.00565	.00138	.01760	.01896	7.78705	.00380	5.05786
900	-6 000	-.00159	.00024	.01063	.01887	7.78651	.00965	5.08694
900	-4 000	.00046	-.00013	.00809	.01609	7.76861	.01436	5.11032
900	-2.000	.00121	-.00033	.00498	.01559	7.76528	.01576	5.11725
900	.000	.00230	-.00089	-.00085	.01701	7.77444	.01711	5.12396
900	2 000	.00192	-.00065	-.00091	.02020	7.79491	.01596	5.11823
900	4.000	.00186	-.00044	-.00047	.02415	7.82035	.00530	5.06533
	GRADIENT	.00018	-.00005	-.00115	.00104	.00666	-.00090	-.00445

LARC 8FT TPT '749 (1A93) OTSAT130

(MJJ049) (02 JUL 76)

REFERENCE DATA

SREF = 2690.0000 SQ.FT. XMRP = 976 0000 IN. XT
 LREF = 1290.3000 INCHES YMRP = .0000 IN. YT
 BREF = 1290.3000 INCHES ZMRP = 400.0000 IN. ZT
 SCALE = .0100

PARAMETRIC DATA

BETA = .000 ELV-L1 = 8.000
 ELV-L0 = 4.000 ELV-R1 = 8.000
 ELV-R0 = 4.000

RUN NO.	0/ 0	RN/L = 4.09	GRADIENT INTERVAL = -5.00/ 5.00					
MACH	ALPHA	CYN	CBL	CY	CHEI	ELV-L1	CHEO	ELV-L0
.975	-8.000	-.00381	.00113	.01805	.00769	7.71842	.02277	5.16102
.975	-6.000	-.00078	.00047	.01362	.00221	7.68034	.02403	5.16776
.975	-4.000	.00304	-.00028	.00578	-.00307	7.65575	.02666	5.18187
.975	-2.000	.00615	-.00092	-.00260	-.00546	7.64853	.02762	5.18703
.975	.000	.00588	-.00151	-.00508	-.00151	7.66046	.02599	5.17823
.975	2.000	.00349	-.00146	-.00188	.00431	7.69492	.02218	5.15782
.975	4.000	.00064	-.00057	.00213	.00750	7.71709	.01352	5.11144
	GRADIENT	-.00037	-.00006	-.00033	.00155	.00845	-.00159	-.00850

RUN NO	0/ 0	RN/L = 4.21	GRADIENT INTERVAL = -5.00/ 5.00					
MACH	ALPHA	CYN	CBL	CY	CHEI	ELV-L1	CHEO	ELV-L0
1.150	-6.000	.00026	.00070	.01041	.06111	8.14242	.02609	5.19629
1.150	-4.000	.00275	.00006	.00573	.05504	8.09498	.02881	5.21268
1.150	-2.000	.00290	-.00033	.00223	.05138	8.06647	.02076	5.16420
1.150	.000	.00070	-.00040	.00094	.04880	8.04623	.00697	5.08102
1.150	2.000	-.00146	.00004	.00249	.04153	7.98945	-.00618	5.02039
	GRADIENT	-.00074	-.00001	-.00055	-.00215	-.01684	-.00594	-.03300

RUN NO	0/ 0	RN/L = 4.22	GRADIENT INTERVAL = -5.00/ 5.00					
MACH	ALPHA	CYN	CBL	CY	CHEI	ELV-L1	CHEO	ELV-L0
1.205	-8.000	-.00065	.00190	.01372	.06766	8.20563	.02454	5.19033
1.205	-6.000	.00118	.00155	.01109	.06236	8.16321	.02290	5.18022
1.205	-4.000	.00395	.00055	.00556	.05748	8.12410	.01721	5.14510
1.205	-2.000	.00609	-.00035	-.00131	.05442	8.09973	.00876	5.09302
1.205	.000	.00387	-.00021	-.00200	.05274	8.08640	-.00360	5.02790
1.205	2.000	.00049	.00021	.00154	.04808	8.04926	-.01448	4.99436
1.205	4.000	-.00086	.00048	.00369	.03839	7.97179	-.02452	4.96339
	GRADIENT	-.00076	.00002	-.00004	-.00223	-.01775	-.00534	-.02311

LARC BFT TPT 749 (IA93) OTSAT130

(MJJ050) (02 JUL 76)

REFERENCE DATA

PARAMETRIC DATA

SREF = 2690.0000 SQ.FT. XMRP = 976 0000 IN. XT
 LREF = 1290.3000 INCHES YMRP = .0000 IN. YT
 BREF = 1290.3000 INCHES ZMRP = 400.0000 IN. ZT
 SCALE = .0100

BETA = 4.000 ELV-LI = 8.000
 ELV-LO = 4.000 ELV-RI = 8.000
 ELV-RO = 4.000

RUN NO. 0/ 0 RN/L = 3.98 GRADIENT INTERVAL = -5.00/ 5.00

MACH	ALPHA	CYN	CBL	CY	CHEI	ELV-LI	CHEO	ELV-LO
.900	-8.000	.06689	-.01560	-.14545	.00069	7.66942	-.00327	5.03087
.900	-6.000	.06678	-.01852	-.14647	.00561	7.70108	.00367	5.05722
.900	-4.000	.06507	-.02065	-.14448	.00792	7.71595	.01101	5.09367
.900	-2.000	.06407	-.02216	-.14693	.00757	7.71373	.01435	5.11023
.900	.000	.06455	-.02404	-.14978	.00714	7.71096	.01557	5.11631
.900	2.000	.06285	-.02449	-.14762	.00689	7.70936	.01407	5.10886
.900	4.000	.06433	-.02468	-.14784	.00811	7.71719	.00792	5.07635
	GRADIENT	-.00013	-.00052	-.00037	-.00001	-.00009	-.00032	-.00160

RUN NO 0/ 0 RN/L = 4.09 GRADIENT INTERVAL = -5.00/ 5.00

MACH	ALPHA	CYN	CBL	CY	CHEI	ELV-LI	CHEO	ELV-LO
.975	-8.000	.07371	-.01878	-.15934	-.00257	7.65725	.01947	5.14324
.975	-6.000	.07087	-.02063	-.15463	-.00617	7.64641	.01990	5.14558
.975	-4.000	.06959	-.02268	-.15380	-.00782	7.64142	.02169	5.15524
.975	-2.000	.06955	-.02486	-.15598	-.00736	7.64280	.02291	5.16180
.975	.000	.06839	-.02635	-.15446	-.00352	7.65439	.02316	5.16308
.975	2.000	.06459	-.02637	-.15198	-.00276	7.65667	.01982	5.14520
.975	4.000	.05842	-.02577	-.14602	-.00379	7.65357	.01430	5.11560
	GRADIENT	-.00137	-.00038	.00098	.00063	.00191	-.00089	-.00479

RUN NO 0/ 0 RN/L = 4.21 GRADIENT INTERVAL = -5.00/ 5.00

MACH	ALPHA	CYN	CBL	CY	CHEI	ELV-LI	CHEO	ELV-LO
1.150	-6.000	.06867	-.02126	-.15305	.04707	8.03281	.02289	5.17704
1.150	-4.000	.06856	-.02455	-.15292	.04298	8.00088	.02805	5.20816
1.150	-2.000	.06918	-.02689	-.15394	.03880	7.96819	.03097	5.22576
1.150	.000	.07002	-.02814	-.15763	.03263	7.91989	.02332	5.17958
1.150	2.000	.06953	-.02825	-.15759	.02597	7.86797	.01030	5.10111
	GRADIENT	.00019	-.00062	-.00089	-.00286	-.02235	-.00304	-.01837

LARC 8FT TPT 749 (1A93) OTSAT130

(MJJ050) (02 JUL 76)

REFERENCE DATA

SREF = 2690.0000 SQ FT. XMRP = 976 0000 IN. XT
 LREF = 1290.3000 INCHES YMRP = .0000 IN. YT
 BREF = 1290.3000 INCHES ZMRP = 400.0000 IN. ZT
 SCALE = .0100

PARAMETRIC DATA

BETA = 4.000 ELV-LI = 8.000
 ELV-LO = 4.000 ELV-RI = 8.000
 ELV-RO = 4.000

RUN NO. 0/ 0 RN/L = 4.22 GRADIENT INTERVAL = -5.00/ 5.00

MACH	ALPHA	CYN	CEL	CY	CHEI	ELV-LI	CHEO	ELV-LO
1.205	-8 000	.07258	-.01908	-.15747	.05687	8.11960	.02131	5.17045
1.205	-6.000	.07248	-.02217	-.15676	.05319	8.09010	.02366	5.18494
1.205	-4 000	.07221	-.02476	-.15702	.04968	8.06205	.02752	5.20872
1.205	-2 000	.07232	-.02665	-.15824	.04636	8.03554	.02442	5.18963
1.205	000	.07296	-.02780	-.16045	.04179	7.99906	.01357	5.12269
1.205	2.000	.07349	-.02851	-.16207	.03545	7.94836	.00043	5.04168
1.205	4.000	.07063	-.02889	-.15978	.02856	7.89320	-.01111	5.00474
	GRADIENT	-.00010	-.00051	-.00047	-.00266	-.02124	-.00506	-.02779

LARC 8FT TPT 749 (1A93) OTSAT130

(MJJ051) (02 JUL 76)

REFERENCE DATA

SREF = 2690.0000 SQ.FT. XMRP = 976 0000 IN. XT
 LREF = 1290.3000 INCHES YMRP = .0000 IN. YT
 BREF = 1290.3000 INCHES ZMRP = 400.0000 IN. ZT
 SCALE = .0100

PARAMETRIC DATA

BETA = 6.000 ELV-LI = 8.000
 ELV-LO = 4.000 ELV-RI = 8.000
 ELV-RO = 4.000

RUN NO. 0/ 0 RN/L = 3.98 GRADIENT INTERVAL = -5.00/ 5.00

MACH	ALPHA	CYN	CEL	CY	CHEI	ELV-LI	CHEO	ELV-LO
.900	-8.000	.10291	-.02589	-.22574	-.00379	7.65441	-.00345	5.03044
.900	-6.000	.10169	-.02886	-.22468	.00226	7.67954	.00377	5.05772
.900	-4.000	.10038	-.03213	-.22391	.00480	7.69592	.01048	5.09106
.900	-2.000	.09999	-.03430	-.22569	.00386	7.68983	.01308	5.10397
.900	000	.09933	-.03646	-.22548	.00294	7.68391	.01437	5.11035
.900	2.000	.09718	-.03786	-.22380	.00260	7.68175	.01312	5.10420
.900	4.000	.09751	-.03821	-.22367	.00300	7.68430	.00866	5.08205
	GRADIENT	-.00043	-.00078	.00012	-.00024	-.00157	-.00018	-.00089

ORIGINAL PAGE IS
OF POOR QUALITY

LARC 8FT TPT 749 (1A93) OTSAT130

(MJJ051) (02 JUL 76)

REFERENCE DATA

SREF = 2690.0000 SQ.FT. XMRP = 976.0000 IN. XT
 LREF = 1290.3000 INCHES YMRP = .0000 IN YT
 BREF = 1290.3000 INCHES ZMRP = 400.0000 IN. ZT
 SCALE = .0100

PARAMETRIC DATA

BETA = 6.000 ELV-LI = 8.000
 ELV-LO = 4.000 ELV-RI = 8.000
 ELV-RO = 4.000

RUN NO. 0/ 0 RN/L = 4.09 GRADIENT INTERVAL = -5.00/ 5.00

MACH	ALPHA	CYN	CBL	CY	CHE1	ELV-LI	CHE0	ELV-LO
.975	-8.000	.11470	-.03025	-.25081	-.00528	7.64809	.01915	5.14153
.975	-6.000	.10984	-.03250	-.24385	-.01068	7.63283	.01892	5.14036
.975	-4.000	.10520	-.03511	-.23795	-.01319	7.62523	.01999	5.14614
.975	-2.000	.10217	-.03771	-.23519	-.01209	7.62855	.02066	5.14969
.975	.000	.09975	-.03947	-.23289	-.00791	7.64117	.02073	5.15010
.975	2.000	.09303	-.03944	-.22625	-.00592	7.64715	.01802	5.13555
.975	4.000	.08807	-.04001	-.22075	-.00533	7.64893	.01416	5.11485
	GRADIENT	-.00217	-.00058	.00217	.00109	.00330	-.00072	-.00384

RUN NO 0/ 0 RN/L = 4.21 GRADIENT INTERVAL = -5.00/ 5.00

MACH	ALPHA	CYN	CBL	CY	CHE1	ELV-LI	CHE0	ELV-LO
1.150	-6.000	.10429	-.03341	-.23646	.04284	7.99971	.02225	5.17318
1.150	-4.000	.10132	-.03730	-.23353	.03900	7.96978	-.02593	5.19541
1.150	-2.000	.09979	-.04025	-.23203	.03459	7.93529	.03056	5.22325
1.150	.000	.10052	-.04178	-.23459	.02799	7.88366	.02817	5.20884
1.150	2.000	.09953	-.04223	-.23438	.02098	7.82896	.01764	5.14541
	GRADIENT	-.00023	-.00082	-.00026	-.00303	-.02371	-.00136	-.00822

RUN NO 0/ 0 RN/L = 4.22 GRADIENT INTERVAL = -5.00/ 5.00

MACH	ALPHA	CYN	CBL	CY	CHE1	ELV-LI	CHE0	ELV-LO
1.205	-8.000	.11174	-.03106	-.24741	-.05248	8.08444	.02084	5.16751
1.205	-6.000	.10857	-.03488	-.24242	.04924	8.05849	.02219	5.17586
1.205	-4.000	.10612	-.03792	-.23945	.04518	8.02608	.02758	5.20907
1.205	-2.000	.10453	-.04020	-.23790	.04058	7.98932	.02831	5.21361
1.205	.000	.10513	-.04169	-.24016	.03517	7.94608	.02016	5.16338
1.205	2.000	.10512	-.04256	-.24150	.02873	7.89471	.00818	5.08949
1.205	4.000	.10193	-.04344	-.23888	.02359	7.85361	-.00417	5.02613
	GRADIENT	-.00039	-.00067	-.00012	-.00275	-.02198	-.00418	-.02450

LARC 8FT TPT 749 (1A93) OTSAT130

(MJJ052) (02 JUL 76)

REFERENCE DATA

SREF = 2690.0000 SQ FT. XMRP = 976.0000 IN. XT
 LREF = 1290.3000 INCHES YMRP = .0000 IN. YT
 BREF = 1290.3000 INCHES ZMRP = 400 0000 IN. ZT
 SCALE = .0100

PARAMETRIC DATA

BETA = -6.000 ELV-LI = 8.000
 ELV-LO = -5.000 ELV-RI = 8.000
 ELV-RO = -5.000

RUN NO. 0/ 0 RN/L = 4.21 GRADIENT INTERVAL = -5.00/ 5.00

MACH	ALPHA	CYN	CBL	CY	CHEI	ELV-LI	CHEO	ELV-LO
1.150	-6.000	-.10779	.03912	.27064	.08245	8.30905	.06577	-4.88350
1.150	-4.000	-.10018	.04142	.25758	.07630	8.26104	.05049	-4.97563
1.150	-2.000	-.09804	.04337	.24953	.06894	8.20356	.03520	-5.06779
1.150	.000	-.10137	.04459	.24802	.05956	8.13029	.02274	-5.14290
1.150	2.000	-.10266	.04523	.24804	.04855	8.04423	.01026	-5.21813
	GRADIENT	-.00054	.00063	-.00151	-.00463	-.03619	-.00666	-.04013

RUN NO. 0/ 0 RN/L = 4.22 GRADIENT INTERVAL = -5.00/ 5.00

MACH	ALPHA	CYN	CBL	CY	CHEI	ELV-LI	CHEO	ELV-LO
1.205	-8.000	-.11931	.03844	.28829	.08154	8.31636	.06504	-4.87905
1.205	-6.000	-.10977	.04089	.27330	.07444	8.25968	.04991	-4.97229
1.205	-4.000	-.10287	.04254	.26160	.06837	8.21121	.03569	-5.05997
1.205	-2.000	-.10027	.04336	.25190	.06348	8.17212	.02489	-5.12657
1.205	.000	-.10321	.04369	.24992	.05677	8.11851	.01465	-5.18969
1.205	2.000	-.10470	.04422	.24976	.04804	8.04880	.00522	-5.24780
1.205	4.000	-.10240	.04543	.25066	.03533	7.94724	-.00330	-5.29017
	GRADIENT	-.00017	.00033	-.00120	-.00408	-.03256	-.00488	-.02908

LARC 8FT TPT 749 (1A93) OTSAT130

(MJJ053) (02 JUL 76)

REFERENCE DATA

SREF = 2690.0000 SQ.FT. XMRP = 976.0000 IN. XT
 LREF = 1290.3000 INCHES YMRP = .0000 IN. YT
 BREF = 1290.3000 INCHES ZMRP = 400.0000 IN. ZT
 SCALE = .0100

PARAMETRIC DATA

BETA = -4.000 ELV-LI = 8.000
 ELV-LO = -5.000 ELV-RI = 8.000
 ELV-RO = -5.000

RUN NO. 0/ 0 RN/L = 4.21 GRADIENT INTERVAL = -5.00/ 5.00

MACH	ALPHA	CYN	CBL	CY	CHEI	ELV-LI	CHEO	ELV-LO
1.150	-6.000	-.07113	.02528	.18205	.07874	8.28002	.07436	-4.83177
1.150	-4.000	-.06600	.02703	.17189	.07304	8.23555	.06235	-4.90413
1.150	-2.000	-.06552	.02832	.16435	.06543	8.17615	.04637	-5.00048
1.150	.000	-.06995	.02941	.16454	.05797	8.11780	.03253	-5.08393
1.150	2.000	-.07147	.02997	.16614	.04760	8.03684	.01825	-5.16998
	GRADIENT	-.00104	.00049	-.00085	-.00419	-.03272	-.00731	-.04405

ORIGINAL PAGE IS
OF POOR QUALITY

LARC 8FT TPT 749 (IA93) OTSAT130

(MJJ053) (02 JUL 76)

REFERENCE DATA

SREF = 2690.0000 SQ.FT. XMRP = 976.0000 IN. XT
 LREF = 1290.3000 INCHES YMRP = .0000 IN. YT
 BREF = 1290.3000 INCHES ZMRP = 400.0000 IN. ZT
 SCALE = .0100

PARAMETRIC DATA

BETA = -4.000 ELV-LI = 8.000
 ELV-LO = -5.000 ELV-RI = 8.000
 ELV-RO = -5.000

RUN NO. 0/ 0 RN/L = 4.22 GRADIENT INTERVAL = -5.00/ 5.00

MACH	ALPHA	CYN	CBL	CY	CHEI	ELV-LI	CHEO	ELV-LO
1.205	-8.000	-.07812	.02525	.19321	.07744	8.28366	.07263	-4.83225
1.205	-6.000	-.07228	.02725	.18437	.07144	8.23579	.05987	-4.91086
1.205	-4.000	-.06693	.02809	.17455	.06640	8.19546	.04559	-4.99890
1.205	-2.000	-.06605	.02849	.16666	.06239	8.16345	.03354	-5.07321
1.205	.000	-.07100	.02920	.16750	.05640	8.11559	.02132	-5.14867
1.205	2.000	-.07184	.02929	.16693	.04906	8.05692	.01047	-5.21548
1.205	4.000	-.06985	.03008	.16735	.03944	7.98015	.00051	-5.27688
	GRADIENT	-.00058	.00024	-.00071	-.00336	-.02686	-.00566	-.03491

LARC 8FT TPT 749 (IA93) OTSAT130

(MJJ054) (02 JUL 76)

REFERENCE DATA

SREF = 2690.0000 SQ.FT. XMRP = 976.0000 IN. XT
 LREF = 1290.3000 INCHES YMRP = .0000 IN. YT
 BREF = 1290.3000 INCHES ZMRP = 400.0000 IN. ZT
 SCALE = .0100

PARAMETRIC DATA

BETA = .000 ELV-LI = 8.000
 ELV-LO = -5.000 ELV-RI = 8.000
 ELV-RO = -5.000

RUN NO. 0/ 0 RN/L = 4.21 GRADIENT INTERVAL = -5.00/ 5.00

MACH	ALPHA	CYN	CBL	CY	CHEI	ELV-LI	CHEO	ELV-LO
1.150	-6.000	-.00180	.00117	.01349	.06640	8.18364	.07809	-4.80932
1.150	-4.000	.00044	.00065	.00886	.06138	8.14442	.07865	-4.80590
1.150	-2.000	.00159	.00002	.00317	.05775	8.11604	.06886	-4.86490
1.150	.000	-.00013	-.00020	.00199	.05359	8.08355	.05296	-4.96082
1.150	2.000	-.00126	-.00014	.00148	.04610	8.02509	.03724	-5.05552
	GRADIENT	-.00034	-.00013	-.00117	-.00250	-.01952	-.00701	-.04224

RUN NO. 0/ 0 RN/L = 4.22 GRADIENT INTERVAL = -5.00/ 5.00

MACH	ALPHA	CYN	CBL	CY	CHEI	ELV-LI	CHEO	ELV-LO
1.205	-8.000	-.00165	.00200	.01531	.07204	8.24048	.07679	-4.80658
1.205	-6.000	.00057	.00159	.01180	.06689	8.19949	.07472	-4.81927
1.205	-4.000	.00363	.00064	.00563	.06217	8.16166	.06707	-4.86653
1.205	-2.000	.00463	.00005	.00112	.05909	8.13704	.05463	-4.94321
1.205	.000	.00288	.00004	-.00015	.05710	8.12131	.04010	-5.03271
1.205	2.000	.00019	.00028	.00218	.05176	8.07855	.02636	-5.11748
1.205	4.000	-.00080	-.00034	.00369	.04328	8.01070	.01360	-5.19615
	GRADIENT	-.00066	-.00002	-.00014	-.00226	-.01802	-.00676	-.04168

LARC 8FT TPT 749 (1A93) OTSAT130

(MJJ055) (02 JUL 76)

REFERENCE DATA

PARAMETRIC DATA

SREF = 2690.0000 SQ.FT. XMRP = 976.0000 IN. XT
 LREF = 1290.3000 INCHES YMRP = .0000 IN. YT
 BREF = 1290.3000 INCHES ZMRP = 400.0000 IN. ZT
 SCALE = .0100

BETA = 4.000 ELV-LI = 8.000
 ELV-LO = -5.000 ELV-RI = 8.000
 ELV-RO = -5.000

RUN NO. 0/ 0 RN/L = 4.21 GRADIENT INTERVAL = -5.00/ 5.00

MACH	ALPHA	CYN	CBL	CY	CHEI	ELV-LI	CHEO	ELV-LO
1.150	-6.000	.06741	-.02121	-.15220	.04936	8.05063	.07551	-4.82476
1.150	-4.000	.06735	-.02479	-.15272	.04568	8.02182	.07891	-4.80427
1.150	-2.000	.06753	-.02735	-.15349	.04219	7.99460	.08081	-4.79282
1.150	.000	.06862	-.02882	-.15576	.03744	7.95751	.07326	-4.83829
1.150	2.000	.06864	-.02881	-.15662	.03076	7.90528	.05688	-4.93709
	GRADIENT	.00025	-.00068	-.00070	-.00248	-.01933	-.00368	-.02220

RUN NO. 0/ 0 RN/L = 4.22 GRADIENT INTERVAL = -5.00/ 5.00

MACH	ALPHA	CYN	CBL	CY	CHEI	ELV-LI	CHEO	ELV-LO
1.205	-8.000	.07291	-.01927	-.15875	.05926	8.13847	.07314	-4.82903
1.205	-6.000	.07185	-.02245	-.15887	.05576	8.11054	.07465	-4.81965
1.205	-4.000	.07029	-.02502	-.15503	.05255	8.08483	.07738	-4.80289
1.205	-2.000	.07059	-.02717	-.15657	.04920	8.05804	.07313	-4.82918
1.205	.000	.07217	-.02861	-.16067	.04418	8.01793	.06084	-4.90489
1.205	2.000	.07302	-.02905	-.16223	.03796	7.96821	.04472	-5.00431
1.205	4.000	.06961	-.02879	-.15874	.03130	7.91510	.02880	-5.10242
	GRADIENT	.00005	-.00047	-.00065	-.00269	-.02146	-.00628	-.03871

LARC 8FT TPT 749 (1A93) OTSAT130

(MJJ056) (02 JUL 76)

REFERENCE DATA

PARAMETRIC DATA

SREF = 2690.0000 SQ.FT. XMRP = 976.0000 IN. XT
 LREF = 1290.3000 INCHES YMRP = .0000 IN. YT
 BREF = 1290.3000 INCHES ZMRP = 400.0000 IN. ZT
 SCALE = .0100

BETA = 6.000 ELV-LI = 8.000
 ELV-LO = -5.000 ELV-RI = 8.000
 ELV-RO = -5.000

RUN NO. 0/ 0 RN/L = 4.21 GRADIENT INTERVAL = -5.00/ 5.00

MACH	ALPHA	CYN	CBL	CY	CHEI	ELV-LI	CHEO	ELV-LO
1.150	-6.000	.10310	-.03340	-.23612	.04400	8.00875	.07502	-4.82769
1.150	-4.000	.09986	-.03765	-.23321	.04026	7.97945	.07706	-4.81545
1.150	-2.000	.09817	-.04092	-.23143	.03733	7.95660	.08066	-4.79375
1.150	.000	.09910	-.04269	-.23314	.03150	7.91108	.07873	-4.80538
1.150	2.000	.09858	-.04318	-.23453	.02478	7.85858	.06621	-4.88087
	GRADIENT	-.00014	-.00092	-.00028	-.00261	-.02041	-.00173	-.01040

LARC 8FT TPT 749 (1A93) OTSAT130

(MJJ056) (02 JUL 76)

REFERENCE DATA

SREF = 2690.0000 SQ.FT. XMRP = 976.0000 IN. XT
 LREF = 1290.3000 INCHES YMRP = .0000 IN. YT
 BREF = 1290.3000 INCHES ZMRP = 400.0000 IN. ZT
 SCALE = .0100

PARAMETRIC DATA

BETA = 6.000 ELV-LI = 8.000
 ELV-LO = -5.000 ELV-RI = 8.000
 ELV-RO = -5.000

RUN NO. 0/ 0 RN/L = 4.22 GRADIENT INTERVAL = -5.00/ 5.00

MACH	ALPHA	CYN	CEL	CY	CHEI	ELV-LI	CHEO	ELV-LO
1.205	-8.000	.11116	-.03107	-.24726	.05610	8.11312	.07222	-4.83474
1.205	-6.000	.10749	-.03519	-.24165	.05165	8.07760	.07269	-4.83183
1.205	-4.000	.10447	-.03853	-.23804	.04711	8.04143	.07670	-4.80706
1.205	-2.000	.10306	-.04098	-.23691	.04301	8.00857	.07724	-4.80382
1.205	.000	.10371	-.04237	-.23905	.03765	7.96578	.06933	-4.85254
1.205	2.000	.10400	-.04316	-.24064	.03146	7.91631	.05437	-4.94483
1.205	4.000	.10065	-.04344	-.23751	.02597	7.87248	.03801	-5.04566
	GRADIENT	- .00033	-.00060	-.00013	-.00269	-.02151	-.00501	-.03091

LARC 8FT TPT 749 (1A93) OTSAT130

(MJJ057) (02 JUL 76)

REFERENCE DATA

SREF = 2690.0000 SQ.FT. XMRP = 976.0000 IN. XT
 LREF = 1290.3000 INCHES YMRP = .0000 IN. YT
 BREF = 1290.3000 INCHES ZMRP = 400.0000 IN. ZT
 SCALE = .0100

PARAMETRIC DATA

BETA = -6.000 ELV-LI = 8.000
 ELV-LO = 9.000 ELV-RI = 8.000
 ELV-RO = 9.000

RUN NO 0/ 0 RN/L = 3.24 GRADIENT INTERVAL = -5.00/ 5.00

MACH	ALPHA	CYN	CEL	CY	CHEI	ELV-LI	CHEO	ELV-LO
.600	-8.000	-.09888	.02975	.23742	.02638	7.76497	.00429	10.44855
.600	-6.000	-.09502	.03033	.23240	.02473	7.75872	.00265	10.44375
.600	-4.000	-.09153	.03094	.22624	.02336	7.75359	.00095	10.43879
.600	-2.000	-.08971	.03156	.21868	.02159	7.74676	-.00105	10.43446
.600	.000	-.09333	.03390	.21895	.02072	7.74355	-.00364	10.43068
.600	2.000	-.09444	.03583	.21905	.02038	7.74224	-.00711	10.42561
.600	4.000	-.09422	.03826	.22098	.01947	7.73881	-.01069	10.42036
	GRADIENT	- .00051	.00094	-.00051	-.00045	-.00170	-.00147	-.00229

LARC 8FT TPT 749 (1A93) OTSAT130

(MJJ057) (02 JUL 76)

REFERENCE DATA

SREF = 2690.0000 SQ FT. XMRP = 976.0000 IN. XT
 LREF = 1290.3000 INCHES YMRP = .0000 IN. YT
 BREF = 1290.3000 INCHES ZMRP = 400.0000 IN. ZT
 SCALE = .0100

PARAMETRIC DATA

BETA = -6.000 ELV-LI = 8.000
 ELV-LO = 9.000 ELV-RI = 8.000
 ELV-RO = 9.000

RUN NO. 0/ 0 RN/L = 3.97 GRADIENT INTERVAL = -5.00/ 5.00

MACH	ALPHA	CYN	CBL	CY	CHEI	ELV-LI	CHEO	ELV-LO
.900	-8.000	-.11446	.03021	.27294	.02715	7.83959	.00691	10.47031
.900	-6.000	-.10919	.03143	.26374	.02760	7.84249	.01020	10.48663
.900	-4.000	-.10405	.03244	.25202	.02719	7.83993	.00767	10.47408
.900	-2.000	-.10223	.03440	.24615	.02625	7.83397	.00390	10.45538
.900	.000	-.10068	.03654	.24027	.02633	7.83438	.00025	10.43722
.900	2.000	-.09811	.03805	.23639	.02320	7.81420	-.00816	10.41575
.900	4.000	-.09972	.03981	.24064	.01662	7.77189	-.02437	10.37552
	GRADIENT	.00064	.00092	-.00163	-.00121	-.00779	-.00381	-.01194

RUN NO. 0/ 0 RN/L = 4.08 GRADIENT INTERVAL = -5.00/ 5.00

MACH	ALPHA	CYN	CBL	CY	CHEI	ELV-LI	CHEO	ELV-LO
.975	-8.000	-.12171	.03507	.29152	.01319	7.75652	-.00312	10.42764
.975	-6.000	-.11089	.03589	.27576	.00620	7.70803	-.00123	10.43270
.975	-4.000	-.10120	.03631	.25943	.00181	7.67754	.00001	10.43605
.975	-2.000	-.09414	.03705	.24507	.00234	7.68127	-.00028	10.43526
.975	.000	-.09403	.03806	.23860	.00660	7.71083	-.00172	10.43138
.975	2.000	-.09169	.03884	.23616	.01013	7.73528	-.00792	10.41480
.975	4.000	-.08826	.03972	.23361	.01237	7.75081	-.02352	10.37304
	GRADIENT	.00142	.00043	-.00303	.00145	.01003	-.00273	-.00732

RUN NO. 0/ 0 RN/L = 4.19 GRADIENT INTERVAL = -5.00/ 5.00

MACH	ALPHA	CYN	CBL	CY	CHEI	ELV-LI	CHEO	ELV-LO
1.150	-6.000	-.10845	.03894	.27190	.06840	8.19949	-.00643	10.41662
1.150	-4.000	-.10078	.04066	.25815	.06224	8.15131	-.01629	10.38688
1.150	-2.000	-.09786	.04195	.24823	.05506	8.09519	-.02695	10.35474
1.150	.000	-.10149	.04298	.24747	.04515	8.01782	-.03543	10.32917
1.150	2.000	-.10253	.04357	.24762	.03480	7.93696	-.04242	10.30809
	GRADIENT	-.00044	.00049	-.00162	-.00461	-.03602	-.00434	-.01310

LARC 8FT TPT 749 (1A93) OTSAT130

(MJJ057) (02 JUL 76)

REFERENCE DATA

SREF = 2690.0000 SQ.FT. XMRP = 976.0000 IN. XT
 LREF = 1290.3000 INCHES YMRP = .0000 IN. YT
 BREF = 1290.3000 INCHES ZMRP = 400.0000 IN. ZT
 SCALE = .0100

PARAMETRIC DATA

BETA = -6.000 ELV-LI = 8.000
 ELV-LO = 9.000 ELV-RI = 8.000
 ELV-RO = 9.000

RUN NO. 0/ 0 RN/L = 4.22 GRADIENT INTERVAL = -5.00/ 5.00

MACH	ALPHA	CYN	CBL	CY	CHEI	ELV-LI	CHEO	ELV-LO
1.205	-8.000	-.11889	.03780	.28769	.07279	8.24651	-.00599	10.41754
1.205	-6.000	-.10947	.03973	.27244	.06642	8.19575	-.01514	10.38932
1.205	-4.000	-.10194	.04075	.25950	.06050	8.14847	-.02618	10.35528
1.205	-2.000	-.09935	.04142	.25035	.05546	8.10815	-.03514	10.32765
1.205	.000	-.10302	.04213	.24887	.04866	8.05381	-.04286	10.30385
1.205	2.000	-.10403	.04298	.24891	.03968	7.98205	-.05012	10.28150
1.205	4.000	-.10073	.04390	.24882	.02805	7.88916	-.05514	10.26599
	GRADIENT	-.00011	.00039	-.00115	.00403	-.03224	-.00365	-.01124

LARC 8FT TPT 749 (1A93) OTSAT130

(MJJ058) (02 JUL 76)

REFERENCE DATA

SREF = 2690.0000 SQ.FT. XMRP = 976.0000 IN. XT
 LREF = 1290.3000 INCHES YMRP = .0000 IN. YT
 BREF = 1290.3000 INCHES ZMRP = 400.0000 IN. ZT
 SCALE = .0100

PARAMETRIC DATA

BETA = -4.000 ELV-LI = 8.000
 ELV-LO = 9.000 ELV-RI = 8.000
 ELV-RO = 9.000

RUN NO. 0/ 0 RN/L = 3.24 GRADIENT INTERVAL = -5.00/ 5.00

MACH	ALPHA	CYN	CBL	CY	CHEI	ELV-LI	CHEO	ELV-LO
.600	-8.000	-.06833	.01952	.16492	.02434	7.75711	-.00466	10.44962
.600	-6.000	-.06531	.01963	.16050	.02251	7.75017	-.00328	10.44558
.600	-4.000	-.06243	.01984	.15311	.02126	7.74558	-.00213	10.44222
.600	-2.000	-.06034	.02026	.14684	.01957	7.73919	-.00018	10.43653
.600	.000	-.06169	.02175	.14433	.01844	7.73492	-.00226	10.43269
.600	2.000	-.06362	.02311	.14576	.01817	7.73389	-.00570	10.42765
.600	4.000	-.06117	.02433	.14439	.01718	7.73014	-.00967	10.42186
	GRADIENT	-.00004	.00059	-.00093	-.00048	-.00181	-.00147	-.00248

LARC 8FT TPT 749 (1A93) OTSAT130

(MJJ058) (02 JUL 76)

REFERENCE DATA

SREF = 2690.0000 SQ.FT. XMRP = 976.0000 IN. XT
 LREF = 1290.3000 INCHES YMRP = .0000 IN. YT
 BREF = 1290.3000 INCHES ZMRP = 400.0000 IN. ZT
 SCALE = .0100

PARAMETRIC DATA

BETA = -4.000 ELV-LI = 8.000
 ELV-LO = 9.000 ELV-RI = 8.000
 ELV-RO = 9.000

RUN NO. 0/ 0 RN/L = 3.97 GRADIENT INTERVAL = -5.00/ 5.00

MACH	ALPHA	CYN	CBL	CY	CHEI	ELV-LI	CHEO	ELV-LO
.900	-8.000	-.07921	.01871	.18776	.02502	7.82589	.00607	10.46611
.900	-6.000	-.07309	.01956	.17778	.02543	7.82849	.01051	10.48813
.900	-4.000	-.06871	.02032	.16885	.02476	7.82418	.00882	10.47977
.900	-2.000	-.06794	.02194	.16579	.02391	7.81880	.00516	10.46161
.900	.000	-.06593	.02345	.15951	.02272	7.81122	.00098	10.44087
.900	2.000	-.06374	.02455	.15606	.01969	7.79159	-.00675	10.41925
.900	4.000	-.06486	.02541	.16013	-.01356	7.75229	-.02249	10.38015
	GRADIENT	.00060	.00064	-.00136	-.00133	-.00855	-.00373	-.01208

RUN NO 0/ 0 RN/L = 4.08 GRADIENT INTERVAL = -5.00/ 5.00

MACH	ALPHA	CYN	CBL	CY	CHEI	ELV-LI	CHEO	ELV-LO
.975	-8.000	-.08205	.02312	.19895	.01012	7.73520	-.00358	10.42642
.975	-6.000	-.07306	.02340	.18550	.00170	7.67677	-.00211	10.43036
.975	-4.000	-.06570	.02341	.17202	-.00365	7.65399	-.00136	10.43237
.975	-2.000	-.06149	.02409	.16180	-.00275	7.65672	-.00175	10.43131
.975	.000	-.06247	.02447	.15642	.00350	7.68931	-.00226	10.42995
.975	2.000	-.06139	.02459	.15537	.00542	7.70260	-.00540	10.42154
.975	4.000	-.05685	.02487	.15289	.00662	7.71092	-.01871	10.38590
	GRADIENT	.00089	.00017	-.00223	.00144	.00799	-.00192	-.00514

RUN NO. 0/ 0 RN/L = 4.19 GRADIENT INTERVAL = -5.00/ 5.00

MACH	ALPHA	CYN	CBL	CY	CHEI	ELV-LI	CHEO	ELV-LO
1.150	-6.000	-.07086	.02507	.18127	.06660	8.18536	-.00205	10.42981
1.150	-4.000	-.06618	.02666	.17230	.05947	8.12965	-.00923	10.40818
1.150	-2.000	-.06485	.02721	.16340	.05290	8.07831	-.01981	10.37628
1.150	.000	-.06939	.02777	.16321	.04406	8.00924	-.02965	10.34660
1.150	2.000	-.07040	.02833	.16405	.03431	7.93306	-.03806	10.32126
	GRADIENT	-.00086	.00028	-.00125	-.00422	-.03294	-.00482	-.01452

LARC 8FT TPT '749 (1A93) OTSAT130

(MJJ058) (02 JUL 76)

REFERENCE DATA

SREF = 2690.0000 SQ.FT. XMRP = 976.0000 IN. XT
 LREF = 1290.3000 INCHES YMRP = 0000 IN. YT
 BREF = 1290.3000 INCHES ZMRP = 400.0000 IN. ZT
 SCALE = .0100

PARAMETRIC DATA

BETA = -4.000 ELV-LI = 8.000
 ELV-LO = 9.000 ELV-RI = 8.000
 ELV-RO = 9.000

RUN NO. 0/ 0 RN/L = 4.22 GRADIENT INTERVAL = -5.00/ 5.00

MACH	ALPHA	CYN	CBL	CY	CHEI	ELV-LI	CHEO	ELV-LO
1.205	-8.000	-.07736	.02459	.19206	.07226	8.24232	-.00219	10.42926
1.205	-6.000	-.07137	.02589	.18236	.06592	8.19176	-.00963	10.40631
1.205	-4.000	-.06582	.02629	.17182	.05912	8.13742	-.01966	10.37539
1.205	-2.000	-.06454	.02671	.16371	.05494	8.10400	-.02870	10.34751
1.205	0.000	-.06973	.02759	.16488	.04945	8.06022	-.03734	10.32085
1.205	2.000	-.07103	.02834	.16553	.04038	7.98768	-.04548	10.29578
1.205	4.000	-.06844	.02906	.16635	.03009	7.90546	-.05137	10.27759
	GRADIENT	-.00059	00036	-.00046	-.00363	-.02901	-.00401	-.01237

LARC 8FT TPT 749 (1A93) OTSAT130

(MJJ059) (02 JUL 76)

REFERENCE DATA

SREF = 2690.0000 SQ.FT. XMRP = 976.0000 IN. XT
 LREF = 1290.3000 INCHES YMRP = 0000 IN. YT
 BREF = 1290.3000 INCHES ZMRP = 400.0000 IN. ZT
 SCALE = .0100

PARAMETRIC DATA

BETA = 000 ELV-LI = 8.000
 ELV-LO = 9.000 ELV-RI = 8.000
 ELV-RO = 9.000

RUN NO. 0/ 0 RN/L = 3.24 GRADIENT INTERVAL = -5.00/ 5.00

MACH	ALPHA	CYN	CBL	CY	CHEI	ELV-LI	CHEO	ELV-LO
.600	-8.000	-.00291	.00081	.01516	.02010	7.74115	-.00395	10.44755
.600	-6.000	-.00037	.00010	.01177	.01827	7.73419	00281	10.44422
.600	-4.000	.00234	-.00083	.00598	.01639	7.72706	00218	10.44237
.600	-2.000	.00397	-.00142	-.00012	.01451	7.71993	.00058	10.43770
.600	0.000	.00436	-.00162	-.00472	.01333	7.71545	-.00136	10.43402
.600	2.000	.00181	-.00104	-.00038	.01370	7.71686	-.00435	10.42965
.600	4.000	-.00039	-.00074	.00329	.01308	7.71461	-.00878	10.42315
	GRADIENT	-.00038	.00003	-.00028	-.00037	-.00140	-.00134	-.00232

LARC 8FT TPT 749 (1A93) OTSAT130

(MJJ059) (02 JUL 76)

REFERENCE DATA

SREF = 2690.0000 SQ.FT. XMRP = 976.0000 IN. XT
 LREF = 1290.3000 INCHES YMRP = .0000 IN. YT
 BREF = 1290.3000 INCHES ZMRP = 400.0000 IN. ZT
 SCALE = 0100

PARAMETRIC DATA

BETA = .000 ELV-LI = 8.000
 ELV-LO = 9.000 ELV-RI = 8.000
 ELV-RO = 9.000

RUN NO. 0/ 0 RN/L = 3.97 GRADIENT INTERVAL = -5.00/ 5.00

MACH	ALPHA	CYN	CBL	CY	CHEI	ELV-LI	CHEO	ELV-LO
.900	-8.000	-.00351	.00038	.01508	.01141	7.73842	.00151	10.44350
.900	-6.000	-.00034	-.00060	.01000	.01476	7.75997	.00796	10.47553
.900	-4.000	.00088	-.00062	.00843	.01274	7.74693	.00873	10.47932
.900	-2.000	.00256	-.00082	.00252	.01107	7.73617	.00614	10.46646
.900	.000	.00315	-.00123	-.00133	.01107	7.73623	.00010	10.43648
.900	2.000	.00247	-.00097	-.00033	.01095	7.73547	-.00700	10.41862
.900	4.000	.00114	-.00090	.00187	.00855	7.71998	-.01705	10.39368
	GRADIENT	00002	-.00003	-.00080	-.00043	-.00273	-.00323	-.01096

RUN NO 0/ 0 RN/L = 4.08 GRADIENT INTERVAL = -5.00/ 5.00

MACH	ALPHA	CYN	CBL	CY	CHEI	ELV-LI	CHEO	ELV-LO
.975	-8.000	-.00250	.00067	.01640	.00223	7.68045	-.00456	10.42379
.975	-6.000	.00119	-.00009	.01124	-.00402	7.65287	-.00408	10.42507
.975	-4.000	.00465	-.00080	.00473	-.00941	7.63665	-.00280	10.42851
.975	-2.000	.00683	-.00139	-.00238	-.01133	7.63088	-.00246	10.42942
.975	.000	.00635	-.00192	-.00517	-.00473	7.65074	-.00389	10.42559
.975	2.000	.00507	-.00216	-.00427	.00320	7.68721	-.00571	10.42070
.975	4.000	.00097	-.00065	.00219	-.00030	7.66413	-.01164	10.40482
	GRADIENT	-.00046	-.00002	-.00035	.00164	.00556	-.00105	-.00280

RUN NO 0/ 0 RN/L = 4.19 GRADIENT INTERVAL = -5.00/ 5.00

MACH	ALPHA	CYN	CBL	CY	CHEI	ELV-LI	CHEO	ELV-LO
1.150	-6.000	.00001	-.00058	.01139	.05998	8.12575	-.00177	10.43067
1.150	-4.000	.00249	-.00005	.00651	.05244	8.07474	-.00006	10.43582
1.150	-2.000	.00369	-.00069	.00130	.04794	8.03965	-.00631	10.41698
1.150	.000	.00158	-.00083	.00016	.04303	8.00127	-.01710	10.38445
1.150	2.000	-.00038	-.00050	.00118	.03419	7.93209	-.02848	10.35014
	GRADIENT	-.00054	-.00008	-.00086	-.00298	-.02332	-.00480	-.01448

ORIGINAL PAGE IS OF POOR QUALITY

LARC 8FT TPT 749 (1A93) OTSAT130

(MJJ059) (02 JUL 76)

REFERENCE DATA

SREF = 2890.0000 SQ.FT. XMRP = 976.0000 IN. XT
 LREF = 1290.3000 INCHES YMRP = .0000 IN. YT
 BREF = 1290.3000 INCHES ZMRP = 400.0000 IN. ZT
 SCALE = .0100

PARAMETRIC DATA

BETA = .000 ELV-LI = 8.000
 ELV-LO = 9.000 ELV-RI = 8.000
 ELV-RO = 9.000

RUN NO. 0/ 0 RN/L = 4.22 GRADIENT INTERVAL = -5.00/ 5.00

MACH	ALPHA	CYN	CBL	CY	CHEI	ELV-LI	CHEO	ELV-LO
1.205	-8.000	-.00039	.00159	.01390	.06698	8.19931	-.00114	10.43249
1.205	-6.000	-.00179	.00118	.01030	.06121	8.15410	-.00226	10.42904
1.205	-4.000	.00450	.00027	.00474	.05584	8.11123	-.00761	10.41253
1.205	-2.000	.00605	-.00052	-.00058	.05255	8.08497	-.01472	10.39059
1.205	.000	.00447	-.00060	-.00215	.04993	8.06404	-.02560	10.35706
1.205	2.000	.00202	-.00039	-.00071	.04321	8.01019	-.03546	10.32670
1.205	4.000	.00049	-.00034	.00195	.03335	7.93150	-.04280	10.30406
GRADIENT		-.00060	-.00005	-.00029	-.00272	-.02171	-.00455	-.01404

LARC 8FT TPT 749 (1A93) OTSAT130

(MJJ061) (02 JUL 76)

REFERENCE DATA

SREF = 2690.0000 SQ FT. XMRP = 976.0000 IN. XT
 LREF = 1290.3000 INCHES YMRP = .0000 IN. YT
 BREF = 1290.3000 INCHES ZMRP = 400.0000 IN. ZT
 SCALE = .0100

PARAMETRIC DATA

BETA = 4.000 ELV-LI = 8.000
 ELV-LO = 9.000 ELV-RI = 8.000
 ELV-RO = 9.000

RUN NO 0/ 0 RN/L = 3.24 GRADIENT INTERVAL = -5.00/ 5.00

MACH	ALPHA	CYN	CBL	CY	CHEI	ELV-LI	CHEO	ELV-LO
.600	-8.000	.06034	-.01517	-.12615	.01469	7.72069	.00128	10.43975
.600	-6.000	.06019	-.01722	-.12675	.01238	7.71189	.00020	10.43659
.600	-4.000	.06285	-.01956	-.13254	.01128	7.70775	-.00017	10.43576
.600	-2.000	.06402	-.02128	-.13761	.01065	7.70541	-.00108	10.43442
.600	.000	.06599	-.02333	-.14300	.01038	7.70433	-.00261	10.43219
.600	2.000	.06632	-.02478	-.14341	.00972	7.70184	-.00557	10.42786
.600	4.000	.06233	-.02557	-.13789	.00863	7.69771	-.00964	10.42190
GRADIENT		.00006	-.00078	-.00083	-.00031	-.00118	-.00117	-.00171

LARC 8FT TPT 749 (1A93) OTSAT130

(MJJ061) (02 JUL 76)

REFERENCE DATA

SREF = 2690.0000 SQ.FT. XMRP = 976.0000 IN. XT
 LREF = 1290.3000 INCHES YMRP = 0000 IN. YT
 BREF = 1290.3000 INCHES ZMRP = 400.0000 IN. ZT
 SCALE = .0100

PARAMETRIC DATA

BETA = 4.000 ELV-LI = 8.000
 ELV-LO = 9.000 ELV-RI = 8.000
 ELV-RO = 9.000

RUN NO.		0/ 0	RN/L = 3.97	GRADIENT INTERVAL = -5.00/ 5.00				
MACH	ALPHA	CYN	CBL	CY	CHEI	ELV-LI	CHEO	ELV-LO
900	-8.000	.06882	-.01651	-.14793	-.00643	7.64703	-.00627	10.42043
.900	-6.000	.06779	-.01901	-.14706	-.00084	7.66266	.00025	10.43725
.900	-4.000	.06475	-.02067	-.14247	.00069	7.66947	.00261	10.44895
.900	-2.000	.06457	-.02242	-.14672	-.00062	7.66326	.00109	10.44141
.900	.000	.06476	-.02415	-.14981	-.00206	7.65923	-.00231	10.43027
900	2.000	.06307	-.02512	-.14749	-.00370	7.65467	-.00641	10.42009
900	4.000	.06424	-.02513	-.14759	-.00422	7.65320	-.01281	10.40418
	GRADIENT	-.00013	-.00058	-.00055	-.00065	-.00206	-.00192	-.00554

RUN NO		0/ 0	RN/L = 4.08	GRADIENT INTERVAL = -5.00/ 5.00				
MACH	ALPHA	CYN	CBL	CY	CHEI	ELV-LI	CHEO	ELV-LO
.975	-8.000	.07439	-.01940	-.16028	-.00617	7.64642	-.00529	10.42183
.975	-6.000	.07257	-.02159	-.15716	-.01002	7.63481	-.00530	10.42180
.975	-4.000	.07194	-.02379	-.15623	-.01202	7.62879	-.00408	10.42508
.975	-2.000	.07094	-.02562	-.15711	-.01307	7.62564	-.00300	10.42796
.975	.000	.06996	-.02693	-.15740	-.01072	7.63271	-.00461	10.42365
.975	2.000	.06542	-.02652	-.15269	-.01123	7.63117	-.00831	10.41375
.975	4.000	.05855	-.02572	-.14543	-.01420	7.62221	-.01536	10.39488
	GRADIENT	-.00162	-.00024	-.00130	-.00013	-.00038	-.00139	-.00373

RUN NO.		0/ 0	RN/L = 4.19	GRADIENT INTERVAL = -5.00/ 5.00				
MACH	ALPHA	CYN	CBL	CY	CHEI	ELV-LI	CHEO	ELV-LO
1.150	-6.000	.06835	-.02147	-.15178	.04387	8.00784	-.00402	10.42388
1.150	-4.000	.06854	-.02467	-.15176	.03958	7.97433	-.00015	10.43554
1.150	-2.000	.06978	-.02713	-.15408	.03494	7.93804	.00239	10.45041
1.150	.000	.07124	-.02857	-.15870	.02876	7.88977	-.00357	10.42524
1.150	2.000	.06997	-.02839	-.15711	.02133	7.83167	-.01458	10.39205
	GRADIENT	.00029	-.00063	-.00103	-.00305	-.02381	-.00246	-.00778

LARC 8FT TPT 749 (1A93) OTSAT130

(MJJ061) (02 JUL 76)

REFERENCE DATA

PARAMETRIC DATA

SREF = 2690.0000 SQ.FT. XMRP = 976.0000 IN. XT
 LREF = 1290.3000 INCHES YMRP = .0000 IN. YT
 BREF = 1290.3000 INCHES ZMRP = 400.0000 IN. ZT
 SCALE = .0100

BETA = 4.000 ELV-LI = 8.000
 ELV-LO = 9.000 ELV-RI = 8.000
 ELV-RO = 9.000

RUN NO. 0/ 0 RN/L = 4.22 GRADIENT INTERVAL = -5.00/ 5.00

MACH	ALPHA	CYN	CBL	CY	CHEI	ELV-LI	CHEO	ELV-LO
1.205	-8.000	.07294	-.01941	-.15733	.05461	8.10135	-.00443	10.42234
1.205	-6.000	.07279	-.02232	-.15672	.05077	8.07075	-.00248	10.42837
1.205	-4.000	.07265	-.02491	-.15699	.04687	8.03951	.00037	10.43826
1.205	-2.000	.07271	-.02677	-.15786	.04318	8.01005	-.00256	10.42811
1.205	.000	.07299	-.02786	-.15971	.03845	7.97231	-.01179	10.39966
1.205	2.000	.07342	-.02850	-.16136	.03159	7.91738	-.02291	10.36537
1.205	4.000	.07027	-.02880	-.15892	.02323	7.85060	-.03289	10.33459
	GRADIENT	-.00020	-.00048	-.00037	-.00294	-.02352	-.00434	-.01350

LARC 8FT TPT 749 (1A93) OTSAT130

(MJJ062) (02 JUL 76)

REFERENCE DATA

PARAMETRIC DATA

SREF = 2640.0000 SQ.FT. XMRP = 976.0000 IN. XT
 LREF = 1290.3000 INCHES YMRP = .0000 IN. YT
 BREF = 1290.3000 INCHES ZMRP = 400.0000 IN. ZT
 SCALE = .0100

BETA = 6.000 ELV-LI = 8.000
 ELV-LO = 9.000 ELV-RI = 8.000
 ELV-RO = 9.000

RUN NO. 0/ 0 RN/L = 3.24 GRADIENT INTERVAL = -5.00/ 5.00

MACH	ALPHA	CYN	CBL	CY	CHEI	ELV-LI	CHEO	ELV-LO
.600	-8.000	.09037	-.02442	-.19490	.01169	7.70933	.00137	10.44001
.600	-6.000	.09064	-.02671	-.19654	.00982	7.70226	.00027	10.43680
.600	-4.000	.09207	-.02943	-.20081	.00861	7.69766	.00013	10.43639
.600	-2.000	.09387	-.03191	-.20592	.00746	7.69333	-.00044	10.43536
.600	.000	.09680	-.03443	-.21097	.00667	7.69031	-.00179	10.43338
.600	2.000	.09729	-.03664	-.21232	.00572	7.68669	-.00504	10.42863
.600	4.000	.09535	-.03892	-.20986	.00485	7.68339	-.00910	10.42269
	GRADIENT	.00050	-.00119	-.00123	-.00046	-.00176	-.00115	.00171

LARC 8FT TPT 749 (1A93) OTSAT130

(MJJ062) (02 JUL 76)

REFERENCE DATA

SREF = 2690.0000 SQ.FT. XMRP = 976.0000 IN. XT
 LREF = 1290.3000 INCHES YMRP = .0000 IN. YT
 BREF = 1290.3000 INCHES ZMRP = 400.0000 IN. ZT
 SCALE = .0100

PARAMETRIC DATA

BETA = 6.000 ELV-LI = 8.000
 ELV-LO = 9.000 ELV-RI = 8.000
 ELV-RO = 9.000

RUN NO. 0/ 0 RN/L = 3.97 GRADIENT INTERVAL = -5 00/ 5.00

MACH	ALPHA	CYN	CBL	CY	CHEI	ELV-LI	CHEO	ELV-LO
900	-8.000	10360	-.02639	-.22605	-.01134	7.63335	-.00819	10.41568
.900	-6.000	10264	-.02928	-.22553	-.00488	7.65139	-.00245	10.42992
.900	-4.000	10083	-.03213	-.22376	-.00337	7.65558	-.00067	10.43434
.900	-2.000	09976	-.03424	-.22458	-.00467	7.65196	-.00127	10.43285
.900	.000	.09855	-.03634	-.22483	-.00617	7.64778	-.00335	10.42768
.900	2.000	.09590	-.03818	-.22212	-.00740	7.64433	-.00696	10.41874
.900	4.000	09750	-.03884	-.22420	-.00704	7.64532	-.01135	10.40782
	GRADIENT	-.00053	-.00087	00008	-.00050	-.00141	-.00135	-.00336

RUN NO 0/ 0 RN/L = 4.08 GRADIENT INTERVAL = -5 00/ 5.00

MACH	ALPHA	CYN	CBL	CY	CHEI	ELV-LI	CHEO	ELV-LO
975	-8.000	11564	-.03087	-.25071	-.00966	7.63589	-.00576	10.42058
.975	-6.000	11075	-.03315	-.24373	-.01525	7.61905	-.00584	10.42036
.975	-4.000	10658	-.03584	-.23852	-.01776	7.61148	-.00467	10.42350
.975	-2.000	10328	-.03825	-.23552	-.01802	7.61070	-.00365	10.42622
.975	.000	10030	-.03940	-.23298	-.01582	7.61732	-.00565	10.42088
.975	2.000	09383	-.03942	-.22729	-.01591	7.61707	-.01048	10.40792
.975	4.000	.08815	-.03999	-.22056	-.01697	7.61389	-.01638	10.39213
	GRADIENT	-.00232	-.00047	.00221	00019	00056	-.00151	-.00405

RUN NO 0/ 0 RN/L = 4.19 GRADIENT INTERVAL = -5.00/ 5.00

MACH	ALPHA	CYN	CBL	CY	CHEI	ELV-LI	CHEO	ELV-LO
1.150	-6.000	.10436	-.03365	-.23609	.03895	7.96938	-.00455	10.42228
1.150	-4.000	10156	-.03755	-.23329	.03472	7.93528	-.00156	10.43130
1.150	-2.000	.10078	-.04064	-.23294	.03070	7.90486	.00221	10.44935
1.150	.000	10135	-.04198	-.23478	.02406	7.85300	-.00042	10.43473
1.150	2.000	.09996	-.04232	-.23462	.01686	7.79673	-.00932	10.40791
	GRADIENT	-.00021	-.00078	-.00029	-.00301	-.02352	-.00130	-.00424

ORIGINAL PAGE IS
OF POOR QUALITY

LARC 8FT TPT 749 (1A93) OTSAT130

(MJJ062) (02 JUL 76)

REFERENCE DATA

PARAMETRIC DATA

SREF = 2690.0000 SQ.FT. XMRP = 976.0000 IN. XT
 LREF = 1290.3000 INCHES YMRP = .0000 IN. YT
 BREF = 1290.3000 INCHES ZMRP = 400.0000 IN. ZT
 SCALE = .0100

BETA = 6.000 ELV-LI = 8.000
 ELV-LO = 9.000 ELV-RI = 8.000
 ELV-RO = 9.000

RUN NO. 0/ 0 RN/L = 4.22 GRADIENT INTERVAL = -5 00/ 5.00

MACH	ALPHA	CYN	CBL	CY	CHEI	ELV-LI	CHEO	ELV-LO
1.205	-8 000	.11182	-.03126	-.24686	.05156	8.07700	-.00470	10.42152
1.205	-6.000	.10857	-.03496	-.24148	.04697	8.04033	-.00384	10.42417
1.205	-4 000	.10601	-.03795	-.23815	.04195	8.00018	.00042	10.43858
1.205	-2.000	.10424	-.04002	-.23641	.03746	7.96434	.00114	10.44303
1.205	.000	.10485	-.04156	-.23849	.03186	7.91959	-.00610	10.41719
1.205	2 000	.10476	-.04244	-.24012	.02477	7.86291	-.01625	10.38589
1.205	4 000	.10129	-.04321	-.23734	.01894	7.81634	-.02693	10.35295
	GRADIENT	-.00045	-.00065	-.00011	-.00294	-.02346	-.00360	-.01142

LARC 8FT TPT 749 (1A93) OTSAT130+TS1

(MJJ063) (02 JUL 76)

REFERENCE DATA

PARAMETRIC DATA

SREF = 2690.0000 SQ.FT. XMRP = 976.0000 IN. XT
 LREF = 1290.3000 INCHES YMRP = .0000 IN. YT
 BREF = 1290.3000 INCHES ZMRP = 400.0000 IN. ZT
 SCALE = .0100

BETA = -6.000 ELV-LI = 10.000
 ELV-LO = 9.000 ELV-RI = 10.000
 ELV-RO = 9.000

RUN NO. 0/ 0 RN/L = 4.09 GRADIENT INTERVAL = -5.00/ 5.00

MACH	ALPHA	CYN	CBL	CY	CHEI	ELV-LI	CHEO	ELV-LO
.975	-8.000	-.12091	.03508	.29128	.00464	10.23522	-.00534	10.42169
.975	-6 000	-.10990	.03560	.27541	.01270	10.29118	-.00355	10.42650
.975	-4.000	-.10018	.03579	.25896	.02703	10.39062	-.00206	10.43049
.975	-2.000	-.09370	.03666	.24563	.02938	10.40698	-.00260	10.42903
.975	.000	-.09281	.03762	.23800	.02089	10.34807	-.00583	10.42038
.975	2 000	-.08978	.03840	.23372	.00788	10.25775	-.01396	10.39858
.975	4.000	-.09092	.04006	.23677	-.00797	10.17898	-.02954	10.35683
	GRADIENT	.00112	.00051	-.00281	-.00457	-.02863	-.00332	-.00889

RUN NO. 0/ 0 RN/L = 4.21 GRADIENT INTERVAL = -5.00/ 5.00

MACH	ALPHA	CYN	CBL	CY	CHEI	ELV-LI	CHEO	ELV-LO
1.150	-6.000	-.10713	.03868	.26962	.04250	10.53501	-.01058	10.40411
1.150	-4.000	-.09937	.04029	.25608	.03758	10.49655	-.02019	10.37515
1.150	-2.000	-.09713	.04196	.24820	.03241	10.45621	-.03041	10.34432
1.150	.000	-.09944	.04254	.24521	.02549	10.40211	-.03821	10.32082
1.150	2.000	-.09998	.04284	.24393	.01773	10.34156	-.04480	10.30092
	GRADIENT	-.00021	.00041	-.00197	-.00332	-.02595	-.00408	-.01231

LARC 8FT TPT /49 (1A93) OTSAT130+TS1

(MJJ063) (02 JUL 76)

REFERENCE DATA

SREF = 2690.0000 SQ FT. XMRP = 976.0000 IN. XT
 LREF = 1290.3000 INCHES YMRP = .0000 IN. YT
 BREF = 1290.3000 INCHES ZMRP = 400.0000 IN. ZT
 SCALE = .0100

PARAMETRIC DATA

BETA = -6.000 ELV-LI = 10.000
 ELV-LO = 9.000 ELV-RI = 10.000
 ELV-RO = 9.000

RUN NO. 0/ 0 RN/L = 4.21 GRADIENT INTERVAL = -5.00/ 5.00

MACH	ALPHA	CYN	CBL	CY	CHEI	ELV-LI	CHEO	ELV-LO
1.205	-8.000	-.11920	.03798	.28871	.04696	10.57812	-.00906	10.40807
1.205	-6.000	-.10954	.03995	.27266	.04072	10.52825	-.01762	10.38169
1.205	-4.000	-.10196	.04103	.25942	.03568	10.48794	-.02815	10.34925
1.205	-2.000	-.09841	.04138	.24938	.03156	10.45504	-.03651	10.32349
1.205	.000	-.10129	.04184	.24728	.02599	10.41060	-.04379	10.30105
1.205	2.000	-.10294	.04278	.24830	.01859	10.35147	-.04995	10.28209
1.205	4.000	- .10039	.04395	.24806	.00912	10.27580	-.05590	10.26373
	GRADIENT	- .00007	.00036	-.00119	- .00330	- .02639	- .00345	-.01062

LARC 8FT TPT 749 (1A93) OTSAT130+TS1

(MJJ064) (02 JUL 76)

REFERENCE DATA

SREF = 2690.0000 SQ.FT. XMRP = 976.0000 IN. XT
 LREF = 1290.3000 INCHES YMRP = .0000 IN. YT
 BREF = 1290.3000 INCHES ZMRP = 400.0000 IN. ZT
 SCALE = .0100

PARAMETRIC DATA

BETA = .000 ELV-LI = 10.000
 ELV-LO = 9.000 ELV-RI = 10.000
 ELV-RO = 9.000

RUN NO. 0/ 0 RN/L = 4.09 GRADIENT INTERVAL = -5.00/ 5.00

MACH	ALPHA	CYN	CBL	CY	CHEI	ELV-LI	CHEO	ELV-LO
.975	-8.000	-.00293	.00072	.01739	-.00335	10.19289	-.00672	10.41800
.975	-6.000	.00077	-.00015	.01232	-.00468	10.18888	-.00619	10.41941
.975	-4.000	.00441	-.00102	.00558	.00176	10.21524	-.00495	10.42272
.975	-2.000	.00532	-.00122	.00079	.01043	10.27547	-.00480	10.42313
.975	.000	.00496	-.00176	-.00231	.00506	10.23814	-.00678	10.41784
.975	2.000	.00300	-.00147	-.00076	-.00356	10.19227	-.00901	10.41186
.975	4.000	.00117	-.00090	.00089	-.01464	10.15890	-.01613	10.39282
	GRADIENT	- .00044	- .00000	-.00055	-.00234	-.00979	-.00133	-.00355

RUN NO 0/ 0 RN/L = 4.21 GRADIENT INTERVAL = -5.00/ 5.00

MACH	ALPHA	CYN	CBL	CY	CHEI	ELV-LI	CHEO	ELV-LO
1.150	-6.000	.00004	.00045	.01124	.03670	10.48977	-.00444	10.42262
1.150	-4.000	.00294	-.00040	.00563	.03112	10.44620	-.00288	10.42731
1.150	-2.000	.00406	-.00102	.00038	.02736	10.41675	-.00938	10.40773
1.150	.000	.00187	-.00109	-.00072	.02356	10.38708	-.02074	10.37348
1.150	2.000	-.00047	-.00078	.00165	.01673	10.33373	-.03146	10.34112
	GRADIENT	- .00062	-.00006	-.00065	-.00235	- .01835	-.00485	-.01464

LARC 8FT TPT 749 (1A93) OTSAT130+TS1

(MJJ064) (02 JUL 76)

REFERENCE DATA

SREF = 2690.0000 SQ.FT. XMRP = 976.0000 IN. XT
 LREF = 1290.3000 INCHES YMRP = .0000 IN. YT
 BREF = 1290.3000 INCHES ZMRP = 400.0000 IN. ZT
 SCALE = .0100

PARAMETRIC DATA

BETA = .000 ELV-LI = 10.000
 ELV-LO = 9.000 ELV-RI = 10.000
 ELV-RO = 9.000

RUN NO. 0/ 0 RN/L = 4.21 GRADIENT INTERVAL = -5.00/ 5.00

MACH	ALPHA	CYN	CEL	CY	CHEI	ELV-LI	CHEO	ELV-LO
1.205	-8.000	.00009	.00124	.01312	.04371	10.55228	-.00400	10.42366
1.205	-6.000	.00126	.00122	.01114	.03847	10.51028	-.00480	10.42122
1.205	-4.000	.00375	.00039	.00555	.03350	10.47040	-.00986	10.40563
1.205	-2.000	.00577	-.00059	-.00029	.03031	10.44498	-.01735	10.38255
1.205	.000	.00409	-.00050	-.00149	.02791	10.42588	-.02804	10.34960
1.205	2.000	.00167	-.00052	-.00078	.02241	10.38194	-.03702	10.32195
1.205	4.000	-.00003	-.00026	.00238	.01474	10.32073	-.04452	10.29882
	GRADIENT	-.00058	-.00006	-.00034	-.00227	-.01812	-.00445	-.01371

LARC 8FT TPT 749 (1A93) OTSAT130+TS1-BASE TUBES

(MJJ065) (02 JUL 76)

REFERENCE DATA

SREF = 2690.0000 SQ.FT. XMRP = 976.0000 IN. XT
 LREF = 1290.3000 INCHES YMRP = .0000 IN. YT
 BREF = 1290.3000 INCHES ZMRP = 400.0000 IN. ZT
 SCALE = .0100

PARAMETRIC DATA

BETA = -6.000 ELV-LI = 10.000
 ELV-LO = 9.000 ELV-RI = 10.000
 ELV-RO = 9.000

RUN NO. 0/ 0 RN/L = 4.08 GRADIENT INTERVAL = -5.00/ 5.00

MACH	ALPHA	CYN	CEL	CY	CHEI	ELV-LI	CHEO	ELV-LO
.975	-8.000	-.12011	.03496	.28966	.00307	10.22428	-.00527	10.42190
.975	-6.000	-.10883	.03539	.27294	.01149	10.28272	-.00346	10.42674
.975	-4.000	-.09995	.03584	.25828	.02615	10.38450	-.00192	10.43086
.975	-2.000	-.09328	.03659	.24408	.02868	10.40215	-.00275	10.42864
.975	.000	-.09246	.03761	.23709	.02022	10.34340	-.00642	10.41880
.975	2.000	-.09007	.03861	.23434	.00777	10.25695	-.01468	10.39666
.975	4.000	-.09059	.04009	.23624	-.00859	10.17710	-.03055	10.35417
	GRADIENT	.00110	.00053	-.00269	-.00452	-.02800	-.00346	-.00927

RUN NO. 0/ 0 RN/L = 4.20 GRADIENT INTERVAL = -5.00/ 5.00

MACH	ALPHA	CYN	CEL	CY	CHEI	ELV-LI	CHEO	ELV-LO
1.150	-6.000	-.10721	.03888	.26972	.04272	10.53653	-.01080	10.40348
1.150	-4.000	-.09997	.04060	.25729	.03790	10.49896	-.02032	10.37477
1.150	-2.000	-.09750	.04201	.24858	.03269	10.45829	-.03032	10.34463
1.150	.000	-.09899	.04241	.24429	.02547	10.40183	-.03814	10.32110
1.150	2.000	-.10011	.04291	.24448	.01772	10.34129	-.04551	10.29893
	GRADIENT	-.00009	.00037	-.00214	-.00339	-.02647	-.00417	-.01255

LARC 8FT TPT 749 (1A93) OTSAT130+TS1-BASE TUBES

(MJJ065) (02 JUL 76)

REFERENCE DATA

PARAMETRIC DATA

SREF = 2690.0000 SQ.FT. XMRP = 976.0000 IN. XT
 LREF = 1290.3000 INCHES YMRP = .0000 IN. YT
 BREF = 1290.3000 INCHES ZMRP = 400.0000 IN. ZT
 SCALE = .0100

BETA = -6.000 ELV-LI = 10.000
 ELV-LO = 9.000 ELV-RI = 10.000
 ELV-RO = 9.000

RUN NO. 0/ 0 RN/L = 4.21 GRADIENT INTERVAL = -5.00/ 5.00

MACH	ALPHA	CYN	CEL	CY	CHEI	ELV-LI	CHEO	ELV-LO
1.205	-8.000	-.11852	.03900	28717	.04654	10.57485	-.00928	10.40740
1.205	-6.000	-.10874	.03981	.27135	.04076	10.52869	-.01793	10.38072
1.205	-4.000	-.10192	.04104	25936	.03565	10.48776	-.02851	10.34813
1.205	-2.000	-.09926	.04175	25031	.03147	10.45442	-.03682	10.32252
1.205	.000	-.10194	.04229	.24888	.02611	10.41163	-.04396	10.30046
1.205	2.000	-.10274	.04280	.24798	.01850	10.35086	-.05013	10.28143
1.205	4.000	-.10002	.04385	.24699	.01045	10.28648	-.05648	10.26190
	GRADIENT	.00002	.00033	-.00135	-.00317	-.02531	-.00346	-.01068

LARC 8FT TPT 749 (1A93) OTSAT130+TS1-BASE TUBES

(MJJ066) (02 JUL 76)

REFERENCE DATA

PARAMETRIC DATA

SREF = 2690.0000 SQ.FT. XMRP = 976.0000 IN. XT
 LREF = 1290.3000 INCHES YMRP = .0000 IN. YT
 BREF = 1290.3000 INCHES ZMRP = 400.0000 IN. ZT
 SCALE = .0100

BETA = .000 ELV-LI = 10.000
 ELV-LO = 9.000 ELV-RI = 10.000
 ELV-RO = 9.000

RUN NO. 0/ 0 RN/L = 4.08 GRADIENT INTERVAL = -5.00/ 5.00

MACH	ALPHA	CYN	CEL	CY	CHEI	ELV-LI	CHEO	ELV-LO
.975	-8.000	-.00246	.00068	01708	-.00316	10.19347	-.00708	10.41704
.975	-6.000	-.00095	.00000	.01196	-.00480	10.18855	-.00652	10.41854
.975	-4.000	.00519	-.00105	.00376	.00096	10.20965	-.00528	10.42187
.975	-2.000	.00802	-.00192	-.00440	.00931	10.26757	-.00523	10.42199
.975	.000	.00508	-.00170	-.00233	.00478	10.23615	-.00714	10.41688
.975	2.000	.00283	-.00145	-.00024	-.00368	10.19193	-.00934	10.41101
.975	4.000	.00090	-.00080	.00190	-.01518	10.15729	-.01646	10.39193
	GRADIENT	-.00069	.00005	.00002	-.00226	-.00902	-.00132	-.00354

RUN NO. 0/ 0 RN/L = 4.20 GRADIENT INTERVAL = -5.00/ 5.00

MACH	ALPHA	CYN	CEL	CY	CHEI	ELV-LI	CHEO	ELV-LO
1.150	-6.000	.00010	.00065	.01191	.03657	10.48862	-.00460	10.42215
1.150	-4.000	.00296	-.00021	.00623	.03107	10.44562	-.00322	10.42631
1.150	-2.000	.00370	-.00077	.00120	.02751	10.41787	-.00989	10.40619
1.150	.000	.00138	-.00084	.00052	.02367	10.38778	-.02108	10.37252
1.150	2.000	-.00067	-.00061	.00199	-.01662	10.33281	-.03177	10.34029
	GRADIENT	-.00066	-.00006	-.00067	-.00236	-.01843	-.00484	-.01459

LARC 8FT TPT 749 (1A93) OTSAT130+TS1-BASE TUBES

(MJJ066) (02 JUL 76)

REFERENCE DATA

SREF = 2690.0000 SQ FT. XMRP = 976.0000 IN. XT
 LREF = 1290.3000 INCHES YMRP = .0000 IN. YT
 BREF = 1290.3000 INCHES ZMRP = 400.0000 IN. ZT
 SCALE = .0100

PARAMETRIC DATA

BETA = .000 ELV-LI = 10.000
 ELV-LO = 9.000 ELV-RI = 10.000
 ELV-RO = 9.000

RUN NO. 0/ 0 RN/L = 4.21 GRADIENT INTERVAL = -5.00/ 5.00

MACH	ALPHA	CYN	CBL	CY	CHE1	ELV-LI	CHEO	ELV-LO
1.205	-8.000	00007	.00147	.01323	.04361	10.55157	-.00428	10.42280
1.205	-6.000	00195	.00111	01038	.03820	10.50826	-.00529	10.41970
1.205	-4.000	.00456	00022	.00500	.03337	10.46953	-.01023	10.40448
1.205	-2.000	00609	-00053	-.00078	.03030	10.44502	-.01762	10.38170
1.205	.000	.00381	-00047	-00107	.02761	10.42361	-.02817	10.34916
1.205	2.000	00178	-.00043	-.00051	.02247	10.38251	-.03719	10.32137
1.205	4.000	00041	-00032	00178	.01513	10.32387	-.04463	10.29840
	GRADIENT	-.00063	-00005	-00031	-.00222	-01769	-.00442	-01362

LARC 8FT TPT 749 (1A93) OTSAT130+TS2

(MJJ067) (02 JUL 76)

REFERENCE DATA

SREF = 2690.0000 SQ FT. XMRP = 976.0000 IN. XT
 LREF = 1290.3000 INCHES YMRP = .0000 IN. YT
 BREF = 1290.3000 INCHES ZMRP = 400.0000 IN. ZT
 SCALE = .0100

PARAMETRIC DATA

BETA = -6.000 ELV-LI = 10.000
 ELV-LO = 9.000 ELV-RI = 10.000
 ELV-RO = 9.000

RN/L = 4.81 GRADIENT INTERVAL = -5.00/ 5.00

MACH	ALPHA	CYN	CBL	CY	CHE1	ELV-LI	CHEO	ELV-LO
.975	-8.000	-.12009	.03506	.28974	.00490	10.24327	-.00379	10.42397
	-6.000	-10912	.03549	.27328	.01215	10.30289	-.00200	10.42966
	-4.000	-.09890	.03561	.25668	.02483	10.40716	-.00039	10.43477
	-2.000	-.09259	.03641	.24364	.02829	10.43553	-.00101	10.43279
	.000	-.09232	.03754	.23684	.01986	10.35625	-.00466	10.42122
	2.000	-.08904	.03824	.23286	.00843	10.27232	-.01192	10.39817
	4.000	-.08842	.04025	.23422	-.00399	10.18875	-.02757	10.34857
	GRADIENT	00123	.00056	-.00279	-.00387	-03000	-.00326	-01035

LARC 8FT TPT 749 (IA93) OTSAT130+TS2

(MJJ069) (02 JUL 76)

REFERENCE DATA

SREF = 2690.0000 SQ.FT XMRP = 976.0000 IN. XT
 LREF = 1290.3000 INCHES YMRP = .0000 IN. YT
 BREF = 1290.3000 INCHES ZMRP = 400.0000 IN. ZT
 SCALE = .0100

PARAMETRIC DATA

BETA = .000 ELV-LI = 10.000
 ELV-LO = 9.000 ELV-RI = 10.000
 ELV-RO = 9.000

RN/L = 4.81 GRADIENT INTERVAL = -5.00/ 5.00

MACH = .975

ALPHA	CYN	CBL	CY	CHEI	ELV-LI	CHEO	ELV-LO
-8.000	-.00250	.00080	.01643	-.00236	10.19461	-.00562	10.41826
-6.000	.00134	-.00011	.01066	-.00363	10.19010	-.00499	10.42023
-4.000	.00510	-.00112	.00378	.00263	10.22453	-.00367	10.42441
-2.000	.00675	-.00169	-.00216	.00995	10.28445	-.00338	10.42534
.000	.00536	-.00183	-.00340	.00539	10.24712	-.00510	10.41989
2.000	.00288	-.00133	-.00064	-.00223	10.19508	-.00753	10.41223
4.000	.00076	-.00064	-.00226	-.01354	10.15490	-.01440	10.39052
GRADIENT	-.00063	.00007	-.00008	-.00223	-.01143	-.00128	-.00404

LARC 8FT TPT 749 (IA93) OTSAT130+TS2

(MJJ069) (02 JUL 76)

REFERENCE DATA

SREF = 2690.0000 SQ.FT. XMRP = 976.0000 IN. XT
 LREF = 1290.3000 INCHES YMRP = .0000 IN. YT
 BREF = 1290.3000 INCHES ZMRP = 400.0000 IN. ZT
 SCALE = .0100

PARAMETRIC DATA

BETA = 6.000 ELV-LI = 10.000
 ELV-LO = 9.000 ELV-RI = 10.000
 ELV-RO = 9.000

RN/L = 4.81 GRADIENT INTERVAL = -5.00/ 5.00

MACH = .975

ALPHA	CYN	CBL	CY	CHEI	ELV-LI	CHEO	ELV-LO
-8.000	.11616	-.03140	-.25133	-.00039	10.20181	-.00744	10.41569
-6.000	.11079	-.03340	-.24417	-.00074	10.20073	-.00762	10.41520
-4.000	.10582	-.03587	-.23803	-.00024	10.20225	-.00691	10.41712
-2.000	.10223	-.03817	-.23370	.00066	10.20765	-.00650	10.41825
.000	.09938	-.03908	-.23192	.00025	10.20475	-.00911	10.41110
2.000	.09254	-.03908	-.22643	-.00052	10.20141	-.01413	10.39736
4.000	.08748	-.04014	-.22008	-.00173	10.19768	-.01975	10.38201
GRADIENT	-.00232	-.00047	.00216	-.00021	-.00077	-.00167	-.00455

ORIGINAL PAGE IS
OF POOR QUALITY

LARC 8FT TPT 749 (1A93) OTSAT130+TS2

(MJJ070) (02 JUL 76)

REFERENCE DATA

SREF = 2690.0000 SQ.FT. XMRP = 976.0000 IN. XT
 LREF = 1290.3000 INCHES YMRP = 0000 IN. YT
 BREF = 1290.3000 INCHES ZMRP = 400.0000 IN. ZT
 SCALE = .0100

PARAMETRIC DATA

BETA = -6.000 ELV-LI = 10.000
 ELV-LO = 9.000 ELV-RI = 10.000
 ELV-RO = 9.000

RN/L = 2.04 GRADIENT INTERVAL = -5.00/ 5.00

MACH =	.975	ALPHA	CYN	CBL	CY	CHEI	ELV-LI	CHEO	ELV-LO
-8.000		-8.000	-12370	.03535	.29091	.00611	10 22418	-.00531	10.42890
-6.000		-6.000	-.11121	.03630	.27418	.00790	10 23041	-.00371	10.43104
-4.000		-4.000	-.10244	.03658	.25993	.01418	10 25223	-.00297	10.43203
-2.000		-2.000	-.09472	.03688	.24516	.01845	10.26702	-.00348	10.43134
000		000	-.09354	.03761	.23752	.01318	10 24872	-.00587	10.42815
2.000		2.000	-.09119	.03834	.23502	.00122	10 20723	-.01282	10 41884
4.000		4.000	-.09145	.03978	.23667	-.01583	10 17916	-.02995	10.39592
GRADIENT		GRADIENT	00128	00039	-.00283	-.00386	- 01030	-.00316	-.00424

LARC 8FT TPT 749 (1A93) OTSAT130+TS2

(MJJ071) (02 JUL 76)

REFERENCE DATA

SREF = 2690.0000 SQ.FT. XMRP = 976.0000 IN. XT
 LREF = 1290.3000 INCHES YMRP = 0000 IN. YT
 BREF = 1290.3000 INCHES ZMRP = 400.0000 IN. ZT
 SCALE = .0100

PARAMETRIC DATA

BETA = .000 ELV-LI = 10.000
 ELV-LO = 9.000 ELV-RI = 10.000
 ELV-RO = 9.000

RN/L = 2.04 GRADIENT INTERVAL = -5.00/ 5.00

MACH =	.975	ALPHA	CYN	CBL	CY	CHEI	ELV-LI	CHEO	ELV-LO
-8.000		-8.000	-.00316	.00112	.01721	-.00772	10 19139	-.00780	10.42557
-6.000		-6.000	.00030	.00040	.01251	-.00003	10.19090	-.00686	10.42682
-4.000		-4.000	.00510	-.00104	.00397	-.00552	10.19468	-.00588	10.42813
-2.000		-2.000	.00589	-.00122	.00036	-.00033	10 20250	-.00577	10.42828
000		000	.00506	-.00159	-.00225	-.00345	10.19780	-.00847	10.42466
2.000		2.000	.00393	-.00151	-.00222	-.01134	10.18592	-.01113	10.42111
4.000		4.000	.00163	-.00092	.00125	-.02148	10.17068	-.01616	10.41439
GRADIENT		GRADIENT	-.00045	-.00000	-.00040	-.00215	-.00323	-.00130	-.00173

LARC 8FT TPT 749 (1A93) OTSAT130

(MJJA02) (18 AUG 76)

REFERENCE DATA

SREF = 2690.0000 SQ.FT. XMRP = 976.0000 IN. XT
 LREF = 1290.3000 INCHES YMRP = .0000 IN. YT
 BREF = 1290.3000 INCHES ZMRP = 400.0000 IN. ZT
 SCALE = 0100

PARAMETRIC DATA

BETA = -6.000 ELV-LI = 10.000
 ELV-LO = 9.000 ELV-RI = 10.000
 ELV-RO = 9.000

RUN NO. 0/ 0 RN/L = 3.98 GRADIENT INTERVAL = -5.00/ 5.00

MACH	ALPHA	ELV-LI	ELV-LO	CNW	CBW	CTW	CYN	CBL	CY	CHEI	CHEO
.900	-8.000	10.00000	9.00000	-.03433	-.00508	-.01610	-.11277	.02986	.27134	.02446	.00435
.900	-6.000	10.00000	9.00000	-.01442	-.00141	-.01197	-.10745	.03113	.26219	.02627	.00857
.900	-4.000	10.00000	9.00000	.00682	.00245	-.00765	-.10289	.03251	.25106	.02683	.00679
.900	-2.000	10.00000	9.00000	.02839	.00635	-.00365	-.10049	.03387	.24448	.02714	.00618
.900	.000	10.00000	9.00000	.05146	.01060	.00085	-.09913	.03594	.23859	.02760	.00239
.900	2.000	10.00000	9.00000	.07748	.01526	.00562	-.09745	.03791	.23553	.02627	-.00723
.900	4.000	10.00000	9.00000	.09948	.01943	.00897	-.09894	.03996	.23965	.01809	-.02359
	GRADIENT	.00000	.00000	.01172	.00214	.00213	.00055	.00095	-.00159	-.00092	-.00371

RUN NO. 0/ 0 RN/L = 4.09 GRADIENT INTERVAL = -5.00/ 5.00

MACH	ALPHA	ELV-LI	ELV-LO	CNW	CBW	CTW	CYN	CBL	CY	CHEI	CHEO
.975	-8.000	10.00000	9.00000	-.05833	-.00850	-.01538	-.12204	.03512	.29297	.01083	.00013
.975	-6.000	10.00000	9.00000	-.03340	-.00392	-.01181	-.11063	.03548	.27602	.02071	.00232
.975	-4.000	10.00000	9.00000	-.00934	.00046	-.00789	-.10115	.03564	.25988	.03205	.00428
.975	-2.000	10.00000	9.00000	.01500	.00474	-.00349	-.09418	.03654	.24571	.02987	.00398
.975	.000	10.00000	9.00000	.03965	.00917	.00054	-.09325	.03748	.23840	.02084	.00121
.975	2.000	10.00000	9.00000	.06539	.01400	.00401	-.09053	.03812	.23480	.00975	-.00610
.975	4.000	10.00000	9.00000	.08933	.01862	.00660	-.08815	.03975	.23435	-.00228	-.02466
	GRADIENT	.00000	.00000	-.01239	.00228	.00182	.00148	.00049	-.00310	-.00444	-.00340

RUN NO. 0/ 0 RN/L = 4.21 GRADIENT INTERVAL = -5.00/ 5.00

MACH	ALPHA	ELV-LI	ELV-LO	CNW	CBW	CTW	CYN	CBL	CY	CHEI	CHEO
1.150	-6.000	10.00000	9.00000	-.04120	-.00476	-.00672	-.10762	.03867	.27058	.04789	-.00365
1.150	-4.000	10.00000	9.00000	-.01419	.00008	-.00285	-.10053	.04063	.25775	.04272	-.01418
1.150	-2.000	10.00000	9.00000	.01441	.00518	.00103	-.09875	.04235	.24963	.03713	-.02508
1.150	.000	10.00000	9.00000	.04281	.01044	.00399	-.10126	.04275	.24669	.02871	-.03337
1.150	2.000	10.00000	9.00000	.06963	.01536	.00621	-.10233	.04345	.24767	.01944	-.04091
	GRADIENT	.00000	.00000	.01399	.00255	.00151	-.00040	.00044	-.00166	-.00391	-.00442

LARC 8FT TPT 749 (1A93) OTSAT130

(MJJA02) (18 AUG 76)

REFERENCE DATA

PARAMETRIC DATA

SREF = 2690.0000 SQ FT. XMRP = 976.0000 IN. XT
 LREF = 1290.3000 INCHES YMRP = .0000 IN. YT
 BREF = 1290.3000 INCHES ZMRP = 400.0000 IN. ZT
 SCALE = .0100

BETA = -6.000 ELV-LI = 10.000
 ELV-LO = 9.000 ELV-RI = 10.000
 ELV-RO = 9.000

RUN NO. 0/ 0 RN/L = 4.22 GRADIENT INTERVAL = -5.00/ 5.00

MACH	ALPHA	ELV-LI	ELV-LO	CNW	CBW	CTW	CYN	CBL	CY	CHEI	CHEO
1.205	-8.000	10.00000	9.00000	-.06869	-.00954	-.00813	-.11937	.03821	.28809	.05190	-.00372
1.205	-6.000	10.00000	9.00000	-.04387	-.00477	-.00556	-.10998	.04010	.27375	.04571	-.01281
1.205	-4.000	10.00000	9.00000	-.01650	.00046	-.00282	-.10285	.04131	.26154	.04040	-.02358
1.205	-2.000	10.00000	9.00000	.01287	.00590	.00015	-.10093	.04225	.25300	.03569	-.03296
1.205	.000	10.00000	9.00000	.04001	.01089	.00292	-.10420	.04268	.25139	.02938	-.04040
1.205	2.000	10.00000	9.00000	.06383	.01535	.00487	-.10533	.04355	.25129	.02130	-.04763
1.205	4.000	10.00000	9.00000	.08441	.01917	.00638	-.10239	.04477	.25125	.01119	-.05376
	GRADIENT	.00000	.00000	.01264	.00234	.00116	-.00017	.00041	-.00111	-.00364	-.00375

LARC 8FT TPT 749 (1A93) OTSAT130

(MJJA03) (18 AUG 76)

REFERENCE DATA

PARAMETRIC DATA

SREF = 2690.0000 SQ.FT. XMRP = 976.0000 IN. XT
 LREF = 1290.3000 INCHES YMRP = .0000 IN. YT
 BREF = 1290.3000 INCHES ZMRP = 400.0000 IN. ZT
 SCALE = 0100

BETA = -4.000 ELV-LI = 10.000
 ELV-LO = 9.000 ELV-RI = 10.000
 ELV-RO = 9.000

RUN NO. 0/ 0 RN/L = 3.98 GRADIENT INTERVAL = -5.00/ 5.00

MACH	ALPHA	ELV-LI	ELV-LO	CNW	CBW	CTW	CYN	CBL	CY	CHEI	CHEO
.900	-8.000	10.00000	9.00000	-.03430	-.00496	-.01608	-.07725	.01857	.18507	.02123	.00344
.900	-6.000	10.00000	9.00000	-.01410	-.00120	-.01186	-.07192	.01957	.17564	.02299	.00962
.900	-4.000	10.00000	9.00000	.00648	.00261	-.00769	-.06912	.02089	.16997	.02315	.00745
.900	-2.000	10.00000	9.00000	.02968	.00663	-.00297	-.06649	.02184	.16399	.02294	.00584
.900	.000	10.00000	9.00000	.05588	.01142	.00180	-.06491	.02315	.15820	.02306	.00360
.900	2.000	10.00000	9.00000	.08443	.01668	.00661	-.06277	.02428	.15564	.02335	-.00636
.900	4.000	10.00000	9.00000	.10739	.02099	.01003	-.06302	.02501	.15713	.01624	-.02085
	GRADIENT	.00000	.00000	.01283	.00234	.00225	.00080	.00053	-.00170	-.00067	-.00344

LARC 8FT TPT 749 (IA93) OTSAT130

(MJJA03) (18 AUG 76)

REFERENCE DATA

SREF = 2690.0000 SQ.FT. XMRP = 976.0000 IN. XT
 LREF = 1290.3000 INCHES YMRP = .0000 IN. YT
 BREF = 1290.3000 INCHES ZMRP = 400.0000 IN. ZT
 SCALE = 0100

PARAMETRIC DATA

BETA = -4.000 ELV-LI = 10.000
 ELV-LO = 9.000 ELV-RI = 10.000
 ELV-RO = 9.000

RUN NO. 0/ 0 RN/L = 4.09 GRADIENT INTERVAL = -5.00/ 5.00

MACH	ALPHA	ELV-LI	ELV-LO	CNW	CBW	CTW	CYN	CBL	CY	CHEI	CHEO
.975	-8 000	10.00000	9.00000	-.05523	-.00801	-.01493	-.08325	.02341	.20155	.00879	-.00047
.975	-6.000	10.00000	9.00000	-.02943	-.00334	-.01105	-.07352	.02320	.18650	.01536	.00122
.975	-4 000	10.00000	9.00000	-.00524	.00112	-.00713	-.06590	.02288	.17243	.02448	.00235
975	-2.000	10.00000	9.00000	.01959	.00553	-.00274	-.06173	.02367	.16246	.02450	.00231
975	.000	10.00000	9.00000	.04483	.01016	.00154	-.06262	.02439	.15842	.01742	.00162
.975	2 000	10.00000	9.00000	.07311	.01543	.00513	-.06066	.02410	.15577	.00709	-.00333
975	4 000	10.00000	9.00000	.09904	.02038	.00794	-.05687	.02448	.15349	-.00487	-.01857
	GRADIENT	.00000	.00000	.01310	.00242	.00190	.00096	.00018	-.00223	-.00381	-.00237

RUN NO 0/ 0 RN/L = 4.21 GRADIENT INTERVAL = -5.00/ 5.00

MACH	ALPHA	ELV-LI	ELV-LO	CNW	CBW	CTW	CYN	CBL	CY	CHEI	CHEO
1.150	-6 000	10.00000	9.00000	-.03506	-.00389	-.00615	-.07033	.02484	.18103	.04515	.00111
1.150	-4 000	10.00000	9.00000	-.00680	.00130	-.00240	-.06547	.02643	.17137	.03962	-.00678
1.150	-2 000	10.00000	9.00000	.02277	.00685	.00119	-.06592	.02775	.16580	.03495	-.01794
1.150	.000	10.00000	9.00000	.05201	.01234	.00403	-.07025	.02802	.16500	.02810	-.02794
1.150	2 000	10.00000	9.00000	.07904	.01721	.00630	-.07118	.02846	.16553	.01971	-.03588
	GRADIENT	.00000	.00000	.01434	.00266	.00145	-.00107	.00032	-.00092	-.00333	-.00487

RUN NO. 0/ 0 RN/L = 4.22 GRADIENT INTERVAL = -5.00/ 5.00

MACH	ALPHA	ELV-LI	ELV-LO	CNW	CBW	CTW	CYN	CBL	CY	CHEI	CHEO
1.205	-8 000	10.00000	9.00000	-.06310	-.00875	-.00774	-.07798	.02513	.19407	.05028	.00069
1.205	-6.000	10.00000	9.00000	-.03647	-.00365	-.00519	-.07211	.02650	.18448	.04394	-.00688
1.205	-4 000	10.00000	9.00000	-.00701	.00202	-.00260	-.06672	.02690	.17402	.03888	-.01688
1.205	-2.000	10.00000	9.00000	.02402	.00781	.00036	-.06613	.02745	.16656	.03525	-.02626
1.205	.000	10.00000	9.00000	.05171	.01282	.00319	-.07069	.02802	.16668	.02985	-.03484
1.205	2.000	10.00000	9.00000	.07638	.01727	.00560	-.07280	.02903	.16907	.02252	-.04321
1.205	4.000	10.00000	9.00000	.09604	.02102	.00694	-.06999	.02971	.16760	.01220	-.04982
	GRADIENT	.00000	.00000	.01292	.00237	.00122	-.00066	.00036	-.00052	-.00331	-.00414

LARC 8FT TPT 749 (1A93) OTSAT130

(MJJA04) (18 AUG 76)

REFERENCE DATA

SREF = 2690.0000 SQ FT. XMRP = 976.0000 IN. XT
 LREF = 1290.3000 INCHES YMRP = .0000 IN. YT
 BREF = 1290.3000 INCHES ZMRP = 400.0000 IN. ZT
 SCALE = .0100

PARAMETRIC DATA

BETA = .000 ELV-L1 = 10.000
 ELV-LO = 9.000 ELV-R1 = 10.000
 ELV-RO = 9.000

RUN NO. 0/ 0 RN/L = 3.98 GRADIENT INTERVAL = -5.00/ 5.00

MACH	ALPHA	ELV-L1	ELV-LO	CNW	CBW	CTW	CYN	CBL	CY	CHE1	CHE0
.900	-8.000	10.00000	9.00000	-.04027	-.00587	- 01516	-.00489	.00079	.01777	.00880	-.00284
.900	-6.000	10.00000	9.00000	-.01672	-.00167	- 01038	-.00188	.00005	.01297	.01047	.00577
.900	-4.000	10.00000	9.00000	.00832	.00275	- 00515	.00037	-.00045	.00959	.00867	.00747
.900	-2.000	10.00000	9.00000	.03581	.00746	.00071	.00169	-.00074	.00485	.00581	.00434
.900	.000	10.00000	9.00000	.06645	.01308	.00578	.00254	-.00117	.00081	.00694	.00143
.900	2.000	10.00000	9.00000	.09868	.01889	.01074	.00247	-.00099	-.00007	.00710	-.00608
.900	4.000	10.00000	9.00000	.12432	.02323	.01466	.00225	-.00122	.00026	.00819	-.01572
	GRADIENT	.00000	.00000	.01474	.00262	.00248	.00023	-.00009	-.00118	.00002	-.00284

RUN NO. 0/ 0 RN/L = 4.09 GRADIENT INTERVAL = -5.00/ 5.00

MACH	ALPHA	ELV-L1	ELV-LO	CNW	CBW	CTW	CYN	CBL	CY	CHE1	CHE0
.975	-8.000	10.00000	9.00000	-.05015	-.00715	-.01391	-.00256	.00079	.01720	-.00240	-.00149
.975	-6.000	10.00000	9.00000	-.02264	-.00220	-.00950	.00073	.00002	.01285	-.00403	-.00079
.975	-4.000	10.00000	9.00000	.00449	.00268	-.00479	.00427	-.00089	.00638	.00070	.00095
.975	-2.000	10.00000	9.00000	.03264	.00762	.00052	.00649	-.00144	-.00069	.00742	.00118
.975	.000	10.00000	9.00000	.06211	.01301	.00540	.00573	-.00180	-.00321	.00445	-.00075
.975	2.000	10.00000	9.00000	.08943	.01826	.00889	.00415	-.00177	-.00242	-.00202	-.00316
.975	4.000	10.00000	9.00000	.11639	.02296	.01206	.00158	-.00110	.00126	-.01270	-.01076
	GRADIENT	.00000	.00000	.01403	.00256	.00210	-.00039	-.00004	-.00060	-.00181	-.00139

RUN NO. 0/ 0 RN/L = 4.21 GRADIENT INTERVAL = -5.00/ 5.00

MACH	ALPHA	ELV-L1	ELV-LO	CNW	CBW	CTW	CYN	CBL	CY	CHE1	CHE0
1.150	-6.000	10.00000	9.00000	-.02271	-.00184	-.00481	.00015	.00055	.01139	.04053	.00190
1.150	-4.000	10.00000	9.00000	.01123	.00445	-.00112	.00260	-.00017	.00626	.03467	.00372
1.150	-2.000	10.00000	9.00000	.04638	.01084	.00251	.00321	-.00069	.00169	.03123	-.00314
1.150	.000	10.00000	9.00000	.07594	.01627	.00532	.00170	-.00105	-.00044	.02817	-.01474
1.150	2.000	10.00000	9.00000	.10256	.02086	.00829	-.00122	-.00044	.00310	.02060	-.02585
	GRADIENT	.00000	.00000	.01518	.00273	.00155	-.00065	-.00006	-.00058	-.00226	-.00502

LARC 8FT TPT 749 (IA93) OTSAT130

(MJJA04) (18 AUG 76)

REFERENCE DATA

SREF = 2690.0000 SQ FT. XMRP = 976.0000 IN. XT
 LREF = 1290.3000 INCHES YMRP = .0000 IN. YT
 BREF = 1290.3000 INCHES ZMRP = 400.0000 IN. ZT
 SCALE = 0100

PARAMETRIC DATA

BETA = .000 ELV-LI = 10.000
 ELV-LO = 9.000 ELV-RI = 10.000
 ELV-RO = 9.000

RUN NO. 0/ 0 RN/L = 4.22 GRADIENT INTERVAL = -5.00/ 5.00

MACH	ALPHA	ELV-LI	ELV-LO	CNW	CBW	CTW	CYN	CBL	CY	CHEI	CHEO
1.205	-8.000	10.00000	9.00000	-.05267	-.00715	-.00721	-.00026	.00159	.01372	.04781	.00219
1.205	-6.000	10.00000	9.00000	-.02035	-.00100	-.00464	.00183	.00122	.01039	.04182	.00120
1.205	-4.000	10.00000	9.00000	.01287	.00531	-.00220	.00390	.00047	.00592	.03655	-.00416
1.205	-2.000	10.00000	9.00000	.04522	.01115	.00091	.00508	-.00019	.00080	.03332	-.01189
1.205	.000	10.00000	9.00000	.07478	.01647	.00396	.00389	-.00035	-.00174	.03086	-.02275
1.205	2.000	10.00000	9.00000	.09804	.02062	.00664	.00043	.00016	.00208	.02544	-.03261
1.205	4.000	10.00000	9.00000	.11935	.02446	.00890	-.00098	.00029	.00425	.01699	-.04060
	GRADIENT	.00000	.00000	.01329	.00239	.00140	-.00072	-.00000	-.00010	-.00235	-.00460

LARC 8FT TPT 749 (IA93) OTSAT130

(MJJA05) (18 AUG 76)

REFERENCE DATA

SREF = 2690.0000 SQ.FT XMRP = 976.0000 IN. XT
 LREF = 1290.3000 INCHES YMRP = .0000 IN. YT
 BREF = 1290.3000 INCHES ZMRP = 400.0000 IN. ZT
 SCALE = .0100

PARAMETRIC DATA

BETA = 4.000 ELV-LI = 10.000
 ELV-LO = 9.000 ELV-RI = 10.000
 ELV-RO = 9.000

RUN NO. 0/ 0 RN/L = 3.98 GRADIENT INTERVAL = -5.00/ 5.00

MACH	ALPHA	ELV-LI	ELV-LO	CNW	CBW	CTW	CYN	CBL	CY	CHEI	CHEO
.900	-8.000	10.00000	9.00000	-.03615	-.00522	-.01310	.06668	-.01614	-.14452	-.00505	-.00645
.900	-6.000	10.00000	9.00000	-.00953	-.00062	-.00719	.06481	-.01856	-.14279	-.00400	-.00030
.900	-4.000	10.00000	9.00000	.01955	.00464	-.00140	.06331	-.02073	-.14067	-.00410	.00219
.900	-2.000	10.00000	9.00000	.04898	.00997	.00405	.06362	-.02252	-.14557	-.00539	.00187
.900	.000	10.00000	9.00000	.07966	.01562	.00885	.06331	-.02400	-.14666	-.00615	-.00010
.900	2.000	10.00000	9.00000	.11095	.02111	.01368	.06261	-.02480	-.14585	-.00703	-.00370
.900	4.000	10.00000	9.00000	.13657	.02525	.01733	.06267	-.02563	-.14590	-.00663	-.01014
	GRADIENT	.00000	.00000	.01479	.00262	.00235	-.00011	-.00060	-.00054	-.00034	-.00151

LARC 8FT TPT 749 (1A93) OTSAT130

(MJJA05) (18 AUG 76)

REFERENCE DATA

SREF = 2690.0000 SQ.FT. XMRP = 976.0000 IN. XT
 LREF = 1290.3000 INCHES YMRP = .0000 IN. YT
 BREF = 1290.3000 INCHES ZMRP = 400 0000 IN. ZT
 SCALE = .0100

PARAMETRIC DATA

BETA = 4.000 ELV-LI = 10.000
 ELV-LO = 9.000 ELV-RI = 10.000
 ELV-RO = 9.000

RUN NO. 0/ 0 RN/L = 4.09 GRADIENT INTERVAL = -5.00/ 5.00

MACH	ALPHA	ELV-LI	ELV-LO	CNW	CBW	CTW	CYN	CBL	CY	CHEI	CHEO
.975	-8.000	10.00000	9.00000	-.04050	-.00553	-.01239	.07361	-.01948	-.15897	-.01323	-.00266
.975	-6.000	10.00000	9.00000	-.01103	-.00024	-.00736	.07153	-.02146	-.15557	-.01569	-.00250
.975	-4.000	10.00000	9.00000	.01917	.00516	-.00207	.07011	-.02349	-.15353	-.01667	-.00177
.975	-2.000	10.00000	9.00000	.05029	.01086	.00304	.07006	-.02563	-.15541	-.01536	-.00184
.975	0.000	10.00000	9.00000	.08117	.01660	.00749	.07007	-.02703	-.15734	-.01212	-.00335
.975	2.000	10.00000	9.00000	.11011	.02153	.01218	.06540	-.02646	-.15277	-.01469	-.00794
.975	4.000	10.00000	9.00000	.13731	.02629	.01500	.05750	-.02555	-.14416	-.01970	-.01617
	GRADIENT	.00000	.00000	.01481	.00265	.00216	-.00149	-.00025	.00107	-.00027	-.00174

RUN NO. 0/ 0 RN/L = 4.21 GRADIENT INTERVAL = -5.00/ 5.00

MACH	ALPHA	ELV-LI	ELV-LO	CNW	CBW	CTW	CYN	CBL	CY	CHEI	CHEO
1.150	-6.000	10.00000	9.00000	-.00545	.00124	-.00510	.06810	-.02152	-.15110	.02827	-.00087
1.150	-4.000	10.00000	9.00000	.03206	.00804	-.00133	.06858	-.02494	-.15192	.02444	.00325
1.150	-2.000	10.00000	9.00000	.06479	.01397	.00208	.06990	-.02747	-.15491	.02003	.00562
1.150	0.000	10.00000	9.00000	.09380	.01919	.00522	.07074	-.02852	-.15821	.01344	-.00142
1.150	2.000	10.00000	9.00000	.11944	.02376	.00828	.06946	-.02842	-.15608	.00705	-.01269
	GRADIENT	.00000	.00000	.01456	.00262	.00160	.00017	-.00057	-.00079	-.00294	-.00274

RUN NO. 0/ 0 RN/L = 4.22 GRADIENT INTERVAL = -5.00/ 5.00

MACH	ALPHA	ELV-LI	ELV-LO	CNW	CBW	CTW	CYN	CBL	CY	CHEI	CHEO
1.205	-8.000	10.00000	9.00000	-.04298	-.00501	-.01069	.07242	-.01930	-.15692	.03786	-.00089
1.205	-6.000	10.00000	9.00000	-.00673	.00159	-.00756	.07197	-.02214	-.15577	.03390	.00109
1.205	-4.000	10.00000	9.00000	.02834	.00800	-.00434	.07133	-.02461	-.15498	.03046	.00404
1.205	-2.000	10.00000	9.00000	.05991	.01368	-.00091	.07185	-.02659	-.15659	.02736	.00066
1.205	0.000	10.00000	9.00000	.08913	.01880	.00285	.07314	-.02788	-.16045	.02281	-.00893
1.205	2.000	10.00000	9.00000	.11326	.02315	.00596	.07302	-.02837	-.16091	.01654	-.02004
1.205	4.000	10.00000	9.00000	.13500	.02696	.00860	.06962	-.02857	-.15747	.00941	-.02976
	GRADIENT	.00000	.00000	.01333	.00237	.00164	-.00011	-.00049	-.00047	-.00265	-.00442

LARC 8FT TPT 749 (1A93) OTSAT130

(MJJA06) (18 AUG 76)

REFERENCE DATA

SREF = 2690 0000 SQ.FT. XMRP = 976.0000 IN. XT
 LREF = 1290.3000 INCHES YMRP = 0000 IN YT
 BREF = 1290 3000 INCHES ZMRP = 400.0000 IN. ZT
 SCALE = .0100

PARAMETRIC DATA

BETA = 6.000 ELV-L1 = 10.000
 ELV-LO = 9.000 ELV-R1 = 10.000
 ELV-RO = 9.000

RUN NO. 0/0 RN/L = 3.98 GRADIENT INTERVAL = -5.00/ 5.00

MACH	ALPHA	ELV-L1	ELV-LO	CNW	CBW	CTW	CYN	CBL	CY	CHE1	CHE0
.900	-8.000	10.00000	9.00000	-.03536	-.00502	-.01223	.10164	-.02628	-.22342	-.00769	-.00721
.900	-6.000	10.00000	9.00000	-.00856	-.00039	-.00633	.09982	-.02894	-.22195	-.00646	-.00165
.900	-4.000	10.00000	9.00000	.02163	.00505	-.00055	.09859	-.03185	-.22108	-.00729	.00026
.900	-2.000	10.00000	9.00000	.05252	.01070	.00504	.09841	-.03417	-.22353	-.00814	.00045
.900	.000	10.00000	9.00000	.08462	.01663	.00997	.09741	-.03627	-.22357	-.00952	-.00108
.900	2.000	10.00000	9.00000	.11595	.02197	.01499	.09516	-.03808	-.22126	-.01005	-.00409
.900	4.000	10.00000	9.00000	.13850	.02538	.01784	.09532	-.03896	-.22057	-.00937	-.00838
	GRADIENT	.00000	.00000	.01486	.00260	.00234	-.00049	-.00091	.00016	-.00030	-.00109

RUN NO. 0/0 RN/L = 4.09 GRADIENT INTERVAL = -5.00/ 5.00

MACH	ALPHA	ELV-L1	ELV-LO	CNW	CBW	CTW	CYN	CBL	CY	CHE1	CHE0
.975	-8.000	10.00000	9.00000	-.03851	-.00510	-.01197	.11419	-.03078	-.24897	-.01792	-.00338
.975	-6.000	10.00000	9.00000	-.00727	.00044	-.00658	.10940	-.03308	-.24239	-.02122	-.00375
.975	-4.000	10.00000	9.00000	.02589	.00633	-.00099	.10498	-.03569	-.23683	-.02196	-.00345
.975	-2.000	10.00000	9.00000	.05858	.01235	.00414	.10192	-.03811	-.23348	-.01959	-.00315
.975	.000	10.00000	9.00000	.08903	.01799	.00851	.10011	-.03954	-.23317	-.01528	-.00493
.975	2.000	10.00000	9.00000	.11829	.02284	.01318	.09320	-.03925	-.22621	-.01561	-.01064
.975	4.000	10.00000	9.00000	.14663	.02770	.01602	.08670	-.03978	-.21864	-.01786	-.01685
	GRADIENT	.00000	.00000	.01506	.00266	.00215	-.00226	-.00047	.00218	.00061	-.00171

RUN NO. 0/0 RN/L = 4.21 GRADIENT INTERVAL = -5.00/ 5.00

MACH	ALPHA	ELV-L1	ELV-LO	CNW	CBW	CTW	CYN	CBL	CY	CHE1	CHE0
1.150	-6.000	10.00000	9.00000	.00237	.00260	-.00570	.10366	-.03366	-.23499	.02418	-.00157
1.150	-4.000	10.00000	9.00000	.04019	.00937	-.00202	.10107	-.03761	-.23256	.02055	.00162
1.150	-2.000	10.00000	9.00000	.07204	.01523	.00127	.10002	-.04064	-.23199	.01629	.00548
1.150	.000	10.00000	9.00000	.10167	.02043	.00488	.10075	-.04201	-.23414	.00945	.00227
1.150	2.000	10.00000	9.00000	.12835	.02506	.00818	.09935	-.04236	-.23368	.00234	-.00723
	GRADIENT	.00000	.00000	.01471	.00261	.00171	-.00022	-.00078	-.00028	-.00307	-.00149

ORIGINAL PAGE IS
OF POOR QUALITY

LARC 8FT TPT 749 (1A93) OTSAT130

(MJJA06) (18 AUG 76)

REFERENCE DATA

PARAMETRIC DATA

SREF = 2690.0000 SQ.FT. XMRP = 976.0000 IN. XT
 LREF = 1290.3000 INCHES YMRP = 0000 IN. YT
 BREF = 1290.3000 INCHES ZMRP = 400.0000 IN. ZT
 SCALE = .0100

BETA = 6.000 ELV-LI = 10.000
 ELV-LO = 9.000 ELV-RI = 10.000
 ELV-RO = 9.000

RUN NO. 0/ 0 RN/L = 4.22 GRADIENT INTERVAL = -5.00/ 5.00

MACH	ALPHA	ELV-LI	ELV-LO	CNW	CBW	CTW	CYN	CBL	CY	CHEI	CHEO
1.205	-8.000	10.00000	9.00000	-.03877	-.00408	-.01210	.11091	-.03102	-.24595	.03401	-.00133
1.205	-6.000	10.00000	9.00000	-.00107	.00258	-.00867	.10774	-.03476	-.24077	.03041	-.00036
1.205	-4.000	10.00000	9.00000	.03439	.00900	-.00537	.10556	-.03793	-.23829	.02637	.00427
1.205	-2.000	10.00000	9.00000	.06523	.01456	-.00203	.10417	-.04014	-.23718	.02206	.00456
1.205	.000	10.00000	9.00000	.09520	.01977	.00193	.10475	-.04157	-.23911	.01675	-.00330
1.205	2.000	10.00000	9.00000	.12086	.02422	.00538	.10448	-.04245	-.24014	.01042	-.01364
1.205	4.000	10.00000	9.00000	.14273	.02799	.00821	.10094	-.04317	-.23678	.00488	-.02391
	GRADIENT	.00000	.00000	.01362	.00238	.00173	-.00045	-.00064	.00000	-.00273	-.00373

LARC 8FT TPT 749 (1A93) OTSAT130

(MJJA07) (18 AUG 76)

REFERENCE DATA

PARAMETRIC DATA

SREF = 2690.0000 SQ.FT. XMRP = 976.0000 IN. XT
 LREF = 1290.3000 INCHES YMRP = 0000 IN. YT
 BREF = 1290.3000 INCHES ZMRP = 400.0000 IN. ZT
 SCALE = .0100

BETA = -6.000 ELV-LI = 10.000
 ELV-LO = 4.000 ELV-RI = 10.000
 ELV-RO = 4.000

RUN NO. 0/ 0 RN/L = 3.98 GRADIENT INTERVAL = -5.00/ 5.00

MACH	ALPHA	ELV-LI	ELV-LO	CNW	CBW	CTW	CYN	CBL	CY	CHEI	CHEO
.900	-8.000	10.00000	4.00000	-.06462	-.00880	-.01887	-.11605	.03141	.27391	.02938	.01113
.900	-6.000	10.00000	4.00000	-.04274	-.00474	-.01486	-.11015	.03233	.26383	.03032	.01422
.900	-4.000	10.00000	4.00000	-.02318	-.00106	-.01092	-.10514	.03330	.25254	.03000	.01475
.900	-2.000	10.00000	4.00000	-.00255	.00270	-.00668	-.10448	.03519	.24912	.02935	.01619
.900	.000	10.00000	4.00000	.02022	.00660	-.00156	-.10222	.03682	.24128	.03026	.01533
.900	2.000	10.00000	4.00000	.04347	.01054	.00363	-.10080	.03830	.23926	.03031	.00626
.900	4.000	10.00000	4.00000	.06401	.01440	.00703	-.10233	.04096	.24279	.02428	-.00783
	GRADIENT	.00000	.00000	.01102	.00194	.00231	.00046	.00092	-.00147	-.00052	-.00276

LARC BFT TPT 749 (1A93) OTSAT130

(MJJA07) (18 AUG 76)

REFERENCE DATA

SREF = 2690.0000 SQ.FT. XMRP = 975.0000 IN. XT
 LREF = 1290.3000 INCHES YMRP = .0000 IN. YT
 BREF = 1290.3000 INCHES ZMRP = 400.0000 IN. ZT
 SCALE = .0100

PARAMETRIC DATA

BETA = -6.000 ELV-LI = 10.000
 ELV-LO = 4.000 ELV-RI = 10.000
 ELV-RO = 4.000

RUN NO. 0/ 0 RN/L = 4.09 GRADIENT INTERVAL = -5.00/ 5.00

MACH	ALPHA	ELV-LI	ELV-LO	CNW	CBW	CTW	CYN	CBL	CY	CHEI	CHEO
.975	-8.000	10.00000	4.00000	-.08891	-.01290	-.01717	-.12249	.03604	.29207	.01165	.02575
.975	-6.000	10.00000	4.00000	-.06462	-.00832	-.01350	-.11227	.03685	.27668	.01860	.02710
.975	-4.000	10.00000	4.00000	-.03898	-.00384	-.00896	-.10346	.03740	.26226	.03055	.02854
.975	-2.000	10.00000	4.00000	-.01444	.00051	-.00474	-.09637	.03814	.24843	.03364	.02795
.975	.000	10.00000	4.00000	.00981	.00473	-.00051	-.09630	.03949	.24061	.02707	.02162
.975	2.000	10.00000	4.00000	.03444	.00937	.00294	-.09386	.04048	.23799	.01831	.01251
.975	4.000	10.00000	4.00000	.05832	.01396	.00572	-.09125	.04157	.23643	.01279	.00243
	GRADIENT	.00000	.00000	.01217	.00222	.00185	.00135	.00053	-.00310	-.00254	-.00338

RUN NO. 0/ 0 RN/L = 4.21 GRADIENT INTERVAL = -5.00/ 5.00

MACH	ALPHA	ELV-LI	ELV-LO	CNW	CBW	CTW	CYN	CBL	CY	CHEI	CHEO
1.150	-6.000	10.00000	4.00000	-.05691	-.00751	-.00616	-.10821	.03943	.27073	.05242	.02011
1.150	-4.000	10.00000	4.00000	-.03092	-.00278	-.00242	-.10027	.04123	.25646	.04795	.00865
1.150	-2.000	10.00000	4.00000	-.00390	.00219	.00115	-.09839	.04300	.24850	.04264	-.00333
1.150	.000	10.00000	4.00000	.02394	.00736	.00397	-.10210	.04400	.24831	.03415	-.01346
1.150	2.000	10.00000	4.00000	.05089	.01242	.00595	-.10362	.04477	.24905	.02459	-.02237
	GRADIENT	.00000	.00000	.01366	.00254	.00140	-.00069	.00058	-.00112	-.00393	-.00516

RUN NO. 0/ 0 RN/L = 4.22 GRADIENT INTERVAL = -5.00/ 5.00

MACH	ALPHA	ELV-LI	ELV-LO	CNW	CBW	CTW	CYN	CBL	CY	CHEI	CHEO
1.205	-8.000	10.00000	4.00000	-.07717	-.01166	-.00709	-.11957	.03865	.28872	.05548	.01838
1.205	-6.000	10.00000	4.00000	-.05240	-.00695	-.00439	-.11039	.04088	.27424	.04948	.00765
1.205	-4.000	10.00000	4.00000	-.02550	-.00186	-.00156	-.10325	.04226	.26268	.04415	-.00344
1.205	-2.000	10.00000	4.00000	.00322	.00350	.00130	-.10112	.04312	.25350	.03933	-.01326
1.205	.000	10.00000	4.00000	.03050	.00860	.00400	-.10506	.04369	.25189	.03292	-.02228
1.205	2.000	10.00000	4.00000	.05439	.01311	.00576	-.10604	.04438	.25208	.02502	-.03022
1.205	4.000	10.00000	4.00000	.07573	.01706	.00735	-.10345	.04558	.25228	.01420	-.03682
	GRADIENT	.00000	.00000	.01268	.00237	.00111	-.00027	.00040	-.00111	-.00371	-.00419

LARC 8FT TPT '749 (1A93) OTSAT130

(MJJA08) - (18 AUG 76)

REFERENCE DATA

PARAMETRIC DATA

SREF = 2690 0000 SQ.FT. XMRP = 976.0000 IN XT
 LREF = 1290.3000 INCHES YMRP = .0000 IN. YT
 BREF = 1290.3000 INCHES ZMRP = 400.0000 IN. ZT
 SCALE = .0100

BETA * -4.000 ELV-LI = 10.000
 ELV-LO * 4.000 ELV-RI = 10.000
 ELV-RO * 4.000

RUN NO. 0/0 RN/L = 3.98 GRADIENT INTERVAL = -5.00/ 5.00

MACH	ALPHA	ELV-LI	ELV-LO	CNW	CBW	CTW	CYN	CBL	CY	CHEI	CHEO
.900	-8.000	10.00000	4.00000	-.06599	-.00880	-.01910	-.08017	.01996	.18692	.02779	.00987
.900	-6.000	10.00000	4.00000	-.04313	-.00462	-.01493	-.07427	.02071	.17738	.02822	.01421
.900	-4.000	10.00000	4.00000	-.02274	-.00089	-.01054	-.07022	.02147	.16935	.02792	.01530
.900	-2.000	10.00000	4.00000	-.00177	.00292	-.00596	-.06938	.02290	.16594	.02788	.01655
.900	.000	10.00000	4.00000	.02385	.00728	-.00041	-.06868	.02481	.16235	.02814	.01594
.900	2.000	10.00000	4.00000	.04916	.01160	.00521	-.06675	.02552	.15824	.02914	.01264
.900	4.000	10.00000	4.00000	.06952	.01557	.00800	-.06661	.02655	.16014	.02322	-.00326
	GRADIENT	.00000	.00000	.01177	.00208	.00241	.00049	.00064	-.00131	-.00041	-.00205

RUN NO. 0/0 RN/L = 4.09 GRADIENT INTERVAL = -5.00/ 5.00

MACH	ALPHA	ELV-LI	ELV-LO	CNW	CBW	CTW	CYN	CBL	CY	CHEI	CHEO
.975	-8.000	10.00000	4.00000	-.08565	-.01228	-.01657	-.08249	.02411	.19837	.01011	.02535
.975	-6.000	10.00000	4.00000	-.06157	-.00782	-.01304	-.07441	.02460	.18734	.01326	.02683
.975	-4.000	10.00000	4.00000	-.03626	-.00338	-.00866	-.06759	.02469	.17539	.02263	.02838
.975	-2.000	10.00000	4.00000	-.01154	.00108	-.00431	-.06289	.02500	.16271	.02764	.02876
.975	.000	10.00000	4.00000	.01416	.00574	.00026	-.06432	.02586	.15816	.02390	.02535
.975	2.000	10.00000	4.00000	.04065	.01079	.00385	-.06266	.02603	.15622	.01372	.01610
.975	4.000	10.00000	4.00000	.06655	.01570	.00662	-.05904	.02632	.15393	.00655	.00652
	GRADIENT	.00000	.00000	.01289	.00239	.00194	.00087	.00021	-.00247	-.00230	-.00282

RUN NO. 0/0 RN/L = 4.21 GRADIENT INTERVAL = -5.00/ 5.00

MACH	ALPHA	ELV-LI	ELV-LO	CNW	CBW	CTW	CYN	CBL	CY	CHEI	CHEO
1.150	-8.000	10.00000	4.00000	-.05069	-.00663	-.00544	-.07070	.02545	.18031	.04863	.02659
1.150	-4.000	10.00000	4.00000	-.02284	-.00153	-.00159	-.06511	.02693	.16983	.04397	.01762
1.150	-2.000	10.00000	4.00000	.00640	.00396	.00191	-.06572	.02836	.16466	.04003	.00554
1.150	.000	10.00000	4.00000	.03590	.00948	.00463	-.07075	.02893	.16493	.03337	-.00617
1.150	2.000	10.00000	4.00000	.06247	.01442	.00660	-.07220	.02963	.16679	.02445	-.01646
	GRADIENT	.00000	.00000	.01427	.00267	.00136	-.00131	.00043	-.00044	-.00326	-.00570

LARC 8FT TPT 749 (1A93) OTSAT130

(MJJA08) (18 AUG 76)

REFERENCE DATA

PARAMETRIC DATA

SREF = 2690.0000 SQ FT. XMRP = 976.0000 IN. XT
 LREF = 1290.3000 INCHES YMRP = .0000 IN. YT
 BREF = 1290.3000 INCHES ZMRP = 400.0000 IN. ZT
 SCALE = .0100

BETA = -4.000 ELV-L1 = 10.000
 ELV-L0 = 4.000 ELV-R1 = 10.000
 ELV-R0 = 4.000

RUN NO. 0/ 0 RN/L = 4.22 GRADIENT INTERVAL = -5.00/ 5.00

MACH	ALPHA	ELV-L1	ELV-L0	CNW	CBW	CTW	CYN	CBL	CY	CHE1	CHE0
1.205	-8.000	10.00000	4.00000	-.07211	-.01092	-.00685	-.07796	.02546	.19343	.05276	.02428
1.205	-6.000	10.00000	4.00000	-.04530	-.00587	-.00416	-.07197	.02697	.18364	.04695	.01548
1.205	-4.000	10.00000	4.00000	-.01573	-.00026	-.00134	-.06674	.02758	.17332	.04242	.00470
1.205	-2.000	10.00000	4.00000	.01516	.00550	.00173	-.06626	.02816	.16599	.03900	-.00564
1.205	.000	10.00000	4.00000	.04343	.01069	.00446	-.07126	.02880	.16588	.03358	-.01551
1.205	2.000	10.00000	4.00000	.06717	.01514	.00632	-.07322	.02962	.16911	.02636	-.02520
1.205	4.000	10.00000	4.00000	.08729	.01896	.00771	-.07080	.03042	.16859	.01644	-.03241
	GRADIENT	.00000	.00000	.01290	.00240	.00113	-.00075	.00036	-.00032	-.00323	-.00469

LARC 8FT TPT 749 (1A93) OTSAT130

(MJJA09) (18 AUG 76)

REFERENCE DATA

PARAMETRIC DATA

SREF = 2690.0000 SQ.FT. XMRP = 976.0000 IN. XT
 LREF = 1290.3000 INCHES YMRP = .0000 IN. YT
 BREF = 1290.3000 INCHES ZMRP = 400.0000 IN. ZT
 SCALE = .0100

BETA = .000 ELV-L1 = 10.000
 ELV-L0 = 4.000 ELV-R1 = 10.000
 ELV-R0 = 4.000

RUN NO. 0/ 0 RN/L = 3.98 GRADIENT INTERVAL = -5.00/ 5.00

MACH	ALPHA	ELV-L1	ELV-L0	CNW	CBW	CTW	CYN	CBL	CY	CHE1	CHE0
.900	-8.000	10.00000	4.00000	-.07054	-.00962	-.01774	-.00784	.00214	.02011	.01711	.00571
.900	-6.000	10.00000	4.00000	-.04508	-.00512	-.01271	-.00379	.00111	.01342	.01722	.01213
.900	-4.000	10.00000	4.00000	-.02109	-.00090	-.00763	-.00100	.00049	.00984	.01559	.01591
.900	-2.000	10.00000	4.00000	.00663	.00383	-.00175	-.00050	.00037	.00724	.01557	.01787
.900	.000	10.00000	4.00000	.03151	.00832	.00351	.00029	.00005	.00253	.01733	.01884
.900	2.000	10.00000	4.00000	.05881	.01286	.00955	.00131	.00024	-.00146	.01873	.01742
.900	4.000	10.00000	4.00000	.08155	.01685	.01259	.00084	.00073	.00055	.02005	.00734
	GRADIENT	.00000	.00000	.01287	.00223	.00259	.00027	.00002	-.00136	.00060	-.00088

LARC 8FT TPT 749 (1A93) OTSAT130

(MJJA09) (18 AUG 76)

REFERENCE DATA

SREF = 2690.0000 SQ.FT. XMRP = 976.0000 IN. XT
 LREF = 1290.3000 INCHES YMRP = .0000 IN. YT
 BREF = 1290.3000 INCHES ZMRP = 400.0000 IN. ZT
 SCALE = .0100

PARAMETRIC DATA

BETA = .000 ELV-L1 = 10.000
 ELV-LO = 4.000 ELV-R1 = 10.000
 ELV-RO = 4.000

RUN NO. 0/0 RN/L = 4.09 GRADIENT INTERVAL = -5.00/ 5.00

MACH	ALPHA	ELV-L1	ELV-LO	CNW	CBW	CTW	CYN	CBL	CY	CHE1	CHE0
.975	-8.000	10.00000	4.00000	-.07842	-.01132	-.01495	-.00519	.00213	.01959	.00070	.02462
.975	-6.000	10.00000	4.00000	-.05092	-.00643	-.01032	-.00183	.00146	.01436	-.00292	.02604
.975	-4.000	10.00000	4.00000	-.02466	-.00176	-.00561	.00230	.00053	.00614	-.00058	.02868
.975	-2.000	10.00000	4.00000	.00162	.00294	-.00076	.00447	.00001	-.00005	.00786	.03001
.975	.000	10.00000	4.00000	.03001	.00820	.00380	.00380	-.00036	-.00194	.00756	.02877
.975	2.000	10.00000	4.00000	.05905	.01382	.00752	.00299	-.00059	-.00289	.00416	.02462
.975	4.000	10.00000	4.00000	.08468	.01859	.01042	-.00058	.00052	.00291	-.00394	.01402
	GRADIENT	.00000	.00000	.01381	.00258	.00202	-.00036	-.00004	-.00047	-.00052	-.00173

RUN NO. 0/0 RN/L = 4.21 GRADIENT INTERVAL = -5.00/ 5.00

MACH	ALPHA	ELV-L1	ELV-LO	CNW	CBW	CTW	CYN	CBL	CY	CHE1	CHE0
1.150	-6.000	10.00000	4.00000	-.03981	-.00475	-.00414	-.00031	.00107	.01071	.04346	.02900
1.150	-4.000	10.00000	4.00000	-.00609	.00150	-.00057	.00152	.00063	.00687	.03799	.03130
1.150	-2.000	10.00000	4.00000	.02864	.00788	.00270	.00191	.00020	.00317	.03481	.02313
1.150	.000	10.00000	4.00000	.05948	.01350	.00588	.00069	-.00028	.00005	.03232	.00972
1.150	2.000	10.00000	4.00000	.08518	.01811	.00829	-.00199	.00033	.00355	.02574	-.00431
	GRADIENT	.00000	.00000	.01523	.00277	.00149	-.00059	-.00007	-.00065	-.00196	-.00601

RUN NO. 0/0 RN/L = 4.22 GRADIENT INTERVAL = -5.00/ 5.00

MACH	ALPHA	ELV-L1	ELV-LO	CNW	CBW	CTW	CYN	CBL	CY	CHE1	CHE0
1.205	-8.000	10.00000	4.00000	-.06012	-.00921	-.00585	-.00137	.00226	.01465	.05004	.02732
1.205	-6.000	10.00000	4.00000	-.02882	-.00322	-.00329	.00063	.00186	.01186	.04449	.02611
1.205	-4.000	10.00000	4.00000	.00381	.00305	-.00101	.00336	.00099	.00649	.03977	.02011
1.205	-2.000	10.00000	4.00000	.03707	.00911	.00193	.00499	.00017	.00031	.03698	.01094
1.205	.000	10.00000	4.00000	.06701	.01444	.00509	.00341	-.00000	-.00142	.03480	-.00118
1.205	2.000	10.00000	4.00000	.09121	.01879	.00778	.00017	.00052	.00208	.02941	-.01289
1.205	4.000	10.00000	4.00000	.11123	.02255	.00953	-.00179	.00092	.00527	.02107	-.02273
	GRADIENT	.00000	.00000	.01345	.00243	.00135	-.00076	.00001	-.00003	-.00225	-.00548

LARC 8FT TPT 749 (1A93) OTSAT130

(MJJA10) (18 AUG 76)

REFERENCE DATA

SREF = 2690.0000 SQ.-FT. XMRP = 976.0000 IN. XT
 LREF = 1290.3000 INCHES YMRP = .0000 IN. YT
 BREF = 1290.3000 INCHES ZMRP = 400 0000 IN. ZT
 SCALE = .0100

PARAMETRIC DATA

BETA * 4.000 ELV-LI = 10.000
 ELV-LO = 4.000 ELV-RI = 10.000
 ELV-RO = 4.000

RUN NO. 0/ 0 RN/L = 3.98 GRADIENT INTERVAL = -5.00/ 5.00

MACH	ALPHA	ELV-LI	ELV-LO	CNW	CBW	CTW	CYN	CBL	CY	CHEI	CHEO
900	-8.000	10.00000	4.00000	-.06587	-.00896	-.01579	.06532	-.01492	-.14505	.00131	-.00276
900	-6.000	10.00000	4.00000	-.03887	-.00417	-.01020	.06427	-.01770	-.14393	.00290	.00618
900	-4.000	10.00000	4.00000	-.01080	.00076	-.00416	.06186	-.01958	-.13973	.00333	.01458
.900	-2.000	10.00000	4.00000	.01730	.00569	.00172	.06202	-.02137	-.14483	.00201	.01721
.900	.000	10.00000	4.00000	.04349	.01048	.00697	.06166	-.02267	-.14605	.00248	.01835
.900	2.000	10.00000	4.00000	.07068	.01495	.01223	.05999	-.02266	-.14387	.00245	.01758
.900	4.000	10.00000	4.00000	.09224	.01835	.01458	.06293	-.02401	-.14789	.00212	.01079
	GRADIENT	.00000	00000	.01297	.00222	.00240	.00001	-.00051	-.00077	-.00010	-.00036

RUN NO. 0/ 0 RN/L = 4.09 GRADIENT INTERVAL = -5.00/ 5.00

MACH	ALPHA	ELV-LI	ELV-LO	CNW	CBW	CTW	CYN	CBL	CY	CHEI	CHEO
.975	-8.000	10.00000	4.00000	-.06928	-.00996	-.01344	.07201	-.01774	-.15789	-.01149	.02080
.975	-6.000	10.00000	4.00000	-.03876	-.00460	-.00809	.06965	-.01985	-.15459	-.01322	.02146
.975	-4.000	10.00000	4.00000	-.01016	.00061	-.00311	.06875	-.02199	-.15392	-.01399	.02409
.975	-2.000	10.00000	4.00000	.02008	.00615	.00191	.06791	-.02374	-.15430	-.01190	.02568
.975	.000	10.00000	4.00000	.05111	.01206	.00635	.06650	-.02504	-.15263	-.00735	.02497
.975	2.000	10.00000	4.00000	.07864	.01728	.00989	.06305	-.02522	-.15028	-.00679	.02090
.975	4.000	10.00000	4.00000	.10617	.02189	.01405	.05637	-.02424	-.14352	-.00952	.01523
	GRADIENT	.00000	00000	.01456	.00268	.00212	-.00148	-.00030	.00124	.00069	-.00113

RUN NO. 0/ 0 RN/L = 4.21 GRADIENT INTERVAL = -5.00/ 5.00

MACH	ALPHA	ELV-LI	ELV-LO	CNW	CBW	CTW	CYN	CBL	CY	CHEI	CHEO
1.150	-6.000	10.00000	4.00000	-.02148	-.00164	-.00434	.06724	-.02065	-.15082	.03021	.02560
1.150	-4.000	10.00000	4.00000	.01520	.00510	-.00080	.06754	-.02416	-.15135	.02697	.03082
1.150	-2.000	10.00000	4.00000	.04775	.01115	.00243	.06886	-.02693	-.15399	.02285	.03381
1.150	.000	10.00000	4.00000	.07732	.01656	.00538	.07019	-.02824	-.15826	.01653	.02578
1.150	2.000	10.00000	4.00000	.10279	.02116	.00819	.06895	-.02795	-.15581	.01063	.01254
	GRADIENT	.00000	00000	.01462	.00268	.00150	.00028	-.00063	-.00088	-.00277	-.00314

LARC 8FT TPT 749 (IA93) OTSAT130

(MJJA10) (18 AUG 76)

REFERENCE DATA

SREF = 2690.0000 SQ.FT. XMRP = 976.0000 IN. XT
 LREF = 1290.3000 INCHES YMRP = .0000 IN. YT
 BREF = 1290.3000 INCHES ZMRP = 400.0000 IN. ZT
 SCALE = .0100

PARAMETRIC DATA

BETA = 4.000 ELV-L1 = 10.000
 ELV-LO = 4.000 ELV-R1 = 10.000
 ELV-RO = 4.000

RUN NO. 0/ 0 RN/L = 4.22 GRADIENT INTERVAL = -5.00/ 5.00

MACH	ALPHA	ELV-L1	ELV-LO	CNW	CBW	CTW	CYN	CBL	CY	CHE1	CHE0
1.205	+8.000	10.00000	4.00000	-.04974	-.00706	-.00891	.07185	-.01871	-.15637	.03872	.02347
1.205	-6.000	10.00000	4.00000	-.01382	-.00036	-.00620	.07147	-.02180	-.15501	.03538	.02610
1.205	-4.000	10.00000	4.00000	.02147	.00612	-.00319	.07092	-.02450	-.15457	.03256	.03028
1.205	-2.000	10.00000	4.00000	.05281	.01182	.00027	.07128	-.02647	-.15639	.02966	.02673
1.205	.000	10.00000	4.00000	.08058	.01698	.00341	.07309	-.02786	-.16098	.02542	.01535
1.205	2.000	10.00000	4.00000	.10571	.02141	.00648	.07360	-.02852	-.16247	.02016	.00284
1.205	4.000	10.00000	4.00000	.12816	.02536	.00913	.06982	-.02855	-.15817	.01339	-.00939
	GRADIENT	.00000	.00000	.01331	.00240	.00154	.00001	-.00051	-.00066	-.00239	-.00516

LARC 8FT TPT 749 (IA93) OTSAT130

(MJJA11) (18 AUG 76)

REFERENCE DATA

SREF = 2690.0000 SQ.FT. XMRP = 976.0000 IN. XT
 LREF = 1290.3000 INCHES YMRP = .0000 IN. YT
 BREF = 1290.3000 INCHES ZMRP = 400.0000 IN. ZT
 SCALE = .0100

PARAMETRIC DATA

BETA = 6.000 ELV-L1 = 10.000
 ELV-LO = 4.000 ELV-R1 = 10.000
 ELV-RO = 4.000

RUN NO. 0/ 0 RN/L = 3.98 GRADIENT INTERVAL = -5.00/ 5.00

MACH	ALPHA	ELV-L1	ELV-LO	CNW	CBW	CTW	CYN	CBL	CY	CHE1	CHE0
.900	-8.000	10.00000	4.00000	-.06614	-.00883	-.01540	.10123	-.02512	-.22453	-.00203	-.00284
.900	-6.000	10.00000	4.00000	-.03830	-.00402	-.00960	.10010	-.02823	-.22400	-.00026	.00617
.900	-4.000	10.00000	4.00000	-.00901	.00112	-.00347	.09842	-.03113	-.22236	-.00062	.01392
.900	-2.000	10.00000	4.00000	.02085	.00636	.00292	.09704	-.03297	-.22266	-.00135	.01611
.900	.000	10.00000	4.00000	.04981	.01146	.00866	.09649	-.03494	-.22342	-.00148	.01767
.900	2.000	10.00000	4.00000	.07439	.01564	.01320	.09387	-.03606	-.21996	-.00173	.01695
.900	4.000	10.00000	4.00000	.09624	.01904	.01527	.09527	-.03754	-.22187	-.00174	.01148
	GRADIENT	.00000	.00000	.01320	.00226	.00239	-.00047	-.00079	.00018	-.00013	-.00020

LARC 8FT TPT 749 (1A93) OTSAT130

(MJJA11) (18 AUG 76)

REFERENCE DATA

SREF = 2690.0000 SQ FT. XMRP = 976.0000 IN. XT
 LREF = 1290.3000 INCHES YMRP = .0000 IN. YT
 BREF = 1290.3000 INCHES ZMRP = 400.0000 IN. ZT
 SCALE = .0100

PARAMETRIC DATA

BETA = 6.000 ELV-LI = 0.000
 ELV-LO = 4.000 ELV-RI = 10.000
 ELV-RO = 4.000

RUN NO. 0/ 0 RN/L = 4.09 GRADIENT INTERVAL = -5.00/ 5.00

MACH	ALPHA	ELV-LI	ELV-LO	CNW	CBW	CTW	CYN	CBL	CY	CHEI	CHEO
.975	-8.000	10.00000	4.00000	-.06739	-.00950	-.01307	.11213	-.02899	-.24732	-.01649	.02077
.975	-6.000	10.00000	4.00000	-.03641	-.00402	-.00758	.10787	-.03142	-.24159	-.01873	.02073
.975	-4.000	10.00000	4.00000	-.00533	.00157	-.00233	.10408	-.03412	-.23687	-.01861	.02218
.975	-2.000	10.00000	4.00000	.02781	.00765	.00267	.10031	-.03636	-.23232	-.01541	.02284
.975	.000	10.00000	4.00000	.06004	.01388	.00682	.09773	-.03817	-.22967	-.01002	.02201
.975	2.000	10.00000	4.00000	.08702	.01876	.01071	.09185	-.03831	-.22492	-.00792	.01900
.975	4.000	10.00000	4.00000	.11408	.02319	.01503	.08579	-.03863	-.21838	-.00770	.01518
	GRADIENT	.00000	.00000	.01490	.00272	.00214	-.00225	-.00055	.00222	.00147	-.00089

RUN NO 0/ 0 RN/L = 4.21 GRADIENT INTERVAL = -5.00/ 5.00

MACH	ALPHA	ELV-LI	ELV-LO	CNW	CBW	CTW	CYN	CBL	CY	CHEI	CHEO
1.150	-5.000	10.00000	4.00000	-.01370	-.00017	-.00524	.10308	-.03296	-.23489	.02600	.02496
1.150	-4.000	10.00000	4.00000	.02396	.00663	-.00173	.10032	-.03700	-.23214	.02284	.02861
1.150	-2.000	10.00000	4.00000	.05542	.01251	.00147	.09940	-.04020	-.23158	.01883	.03325
1.150	.000	10.00000	4.00000	.08528	.01789	.00478	.10014	-.04174	-.23364	.01233	.03080
1.150	2.000	10.00000	4.00000	.11227	.02263	.00791	.09894	-.04198	-.23284	.00551	.01960
	GRADIENT	.00000	.00000	.01474	.00267	.00161	-.00017	-.00082	-.00021	-.00293	-.00147

RUN NO. 0/ 0 RN/L = 4.22 GRADIENT INTERVAL = -5.00/ 5.00

MACH	ALPHA	ELV-LI	ELV-LO	CNW	CBW	CTW	CYN	CBL	CY	CHEI	CHEO
1.205	-8.000	10.00000	4.00000	-.04583	-.00604	-.01064	.11055	-.03058	-.24576	.03465	.02310
1.205	-6.000	10.00000	4.00000	-.00825	.00070	-.00745	.10728	-.03445	-.24008	.03169	.02446
1.205	-4.000	10.00000	4.00000	.02713	.00715	-.00436	.10510	-.03785	-.23750	.02835	.03018
1.205	-2.000	10.00000	4.00000	.05827	.01282	-.00111	.10389	-.04029	-.23692	.02425	.03094
1.205	.000	10.00000	4.00000	.08758	.01802	.00263	.10439	-.04147	-.23872	.01933	.02220
1.205	2.000	10.00000	4.00000	.11371	.02257	.00592	.10474	-.04243	-.24059	.01348	.01032
1.205	4.000	10.00000	4.00000	.13621	.02643	.00885	.10122	-.04315	-.23744	.00846	-.00206
	GRADIENT	.00000	.00000	.01368	.00242	.00167	-.00035	-.00064	-.00018	-.00253	-.00426

LARC 8FT TPT 749 (1A93) OTSAT130

(MJJA12) (18 AUG 76 -)

REFERENCE DATA

SREF = 2690.0000 SQ.FT. XMRP = 976.0000 IN. XT
 LREF = 1290.3000 INCHES YMRP = .0000 IN. YT
 BREF = 1290.3000 INCHES ZMRP = 400.0000 IN. ZT
 SCALE = .0100

PARAMETRIC DATA

BETA = -6.000 ELV-LI = 10.000
 ELV-LO = 14.000 ELV-RI = 10.000
 ELV-RO = 14.000

RN/L = 3.98 GRADIENT INTERVAL = -5.00/ 5.00

MACH =	.900	ALPHA	ELV-LI	ELV-LO	CNW	CBW	CTW	CYN	CBL	CY	CHEI	CHEO
	-8.000	10.00000	14.00000	14.00000	-.03242	-.00399	-.01821	-.11257	.03034	.27005	.01594	-.01308
	-6.000	10.00000	14.00000	14.00000	-.01286	-.00032	-.01415	-.10804	.03205	.26243	.01746	-.01221
	-4.000	10.00000	14.00000	14.00000	.00802	.00356	-.01004	-.10347	.03333	.25213	.01797	-.01615
	-2.000	10.00000	14.00000	14.00000	.02966	.00752	-.00601	-.10054	.03473	.24433	.01618	-.01793
	.000	10.00000	14.00000	14.00000	.05350	.01202	-.00179	-.09832	.03687	.23729	.01657	-.02140
	2.000	10.00000	14.00000	14.00000	.07982	.01681	.00265	-.09570	.03893	.23233	.01555	-.02892
	4.000	10.00000	14.00000	14.00000	.10348	.02127	.00610	-.09755	.04092	.23717	.01094	-.04169
	GRADIENT	.00000	.00000	.00000	01205	00224	.00205	00083	00097	-.00210	-.00083	-.00310

RN/L = 4.09 GRADIENT INTERVAL = -5.00/ 5.00

MACH =	.975	ALPHA	ELV-LI	ELV-LO	CNW	CBW	CTW	CYN	CBL	CY	CHEI	CHEO
	-8.000	10.00000	14.00000	14.00000	-.05655	-.00719	-.01796	-.12247	.03578	.29256	.01183	-.02691
	-6.000	10.00000	14.00000	14.00000	-.03139	-.00254	-.01446	-.11095	.03608	.27538	.01895	-.02395
	-4.000	10.00000	14.00000	14.00000	-.00657	.00196	-.01053	-.10141	.03521	.25913	.02264	-.02204
	-2.000	10.00000	14.00000	14.00000	.01850	.00631	-.00602	-.09460	.03724	.24556	.01311	-.02339
	.000	10.00000	14.00000	14.00000	.04310	.01082	-.00209	-.09364	.03818	.23813	-.00176	-.02690
	2.000	10.00000	14.00000	14.00000	.06949	.01576	.00120	-.09138	.03922	.23526	-.01616	-.03974
	4.000	10.00000	14.00000	14.00000	.09382	.02044	.00388	-.08862	.04107	.23399	-.02354	-.05746
	GRADIENT	.00000	.00000	.00000	01259	00232	00180	.00144	00058	-.00303	-.00608	-.00436

LARC 8FT TPT 749 (1A93) OTSAT130

(MJJA13) (18 AUG 76)

REFERENCE DATA

SREF = 2690.0000 SQ.FT. XMRP = 976.0000 IN. XT
 LREF = 1290.3000 INCHES YMRP = .0000 IN. YT
 BREF = 1290.3000 INCHES ZMRP = 400.0000 IN. ZT
 SCALE = .0100

PARAMETRIC DATA

BETA = -4.000 ELV-LI = 10.000
 ELV-LO = 14.000 ELV-RI = 10.000
 ELV-RO = 14.000

RN/L = 3.98 GRADIENT INTERVAL = -5.00/ 5.00

MACH =	ALPHA	ELV-LI	ELV-LO	CNW	CBW	CTW	CYN	CBL	CY	CHEI	CHEO
.900											
-8.000	10.00000	14.00000	-.03247	-.00386	-.01830	-.07777	.01901	.18432	.01087	-.01475	
-6.000	10.00000	14.00000	-.01237	-.00009	-.01418	-.07251	.02037	.17569	.01219	-.01252	
-4.000	10.00000	14.00000	.00951	.00386	-.01011	-.06936	.02150	.16978	.01207	-.01690	
-2.000	10.00000	14.00000	.03189	.00801	-.00541	-.06713	.02264	.16358	.01190	-.01965	
.000	10.00000	14.00000	.05920	.01302	-.00088	-.06466	.02400	.15657	.01059	-.02228	
2.000	10.00000	14.00000	.08769	.01842	.00354	-.06163	.02510	.15240	.00964	-.03008	
4.000	10.00000	14.00000	.11265	.02299	.00728	-.06266	.02618	.15628	.00699	-.03985	
GRADIENT	.00000	.00000	.01320	.00243	.00219	.00094	.00059	-.00191	-.00062	-.00282	

RN/L = 4.09 GRADIENT INTERVAL = -5.00/ 5.00

MACH =	ALPHA	ELV-LI	ELV-LO	CNW	CBW	CTW	CYN	CBL	CY	CHEI	CHEO
.975											
-8.000	10.00000	14.00000	-.05349	-.00669	-.01749	-.08333	.02392	.20007	.00993	-.02803	
-6.000	10.00000	14.00000	-.02777	-.00201	-.01377	-.07332	.02366	.18472	.01456	-.02637	
-4.000	10.00000	14.00000	-.00262	.00261	-.00983	-.06611	.02343	.17138	.01694	-.02537	
-2.000	10.00000	14.00000	.02323	.00712	-.00524	-.06262	.02448	.16284	.01002	-.02558	
.000	10.00000	14.00000	.04900	.01189	-.00108	-.06382	.02529	.15941	-.00451	-.02782	
2.000	10.00000	14.00000	.07711	.01727	.00200	-.06191	.02519	.15560	-.01977	-.03684	
4.000	10.00000	14.00000	.10418	.02235	.00503	-.05810	.02590	.15315	-.02880	-.05274	
GRADIENT	.00000	.00000	.01337	.00248	.00185	.00084	.00028	-.00219	-.00606	-.00330	

ORIGINAL PAGE IS
OF POOR QUALITY

LARC 8FT TPT 749 (1A93) OTSAT130

(MJJA14) (18 AUG 76)

REFERENCE DATA

SREF = 2690.0000 SQ FT. XMRP = 976.0000 IN. XT
 LREF = 1290.3000 INCHES YMRP = .0000 IN. YT
 BREF = 1290.3000 INCHES ZMRP = 400.0000 IN. ZT
 SCALE = .0100

PARAMETRIC DATA

BETA = .000 ELV-LI = 10.000
 ELV-LO = 14.000 ELV-RI = 10.000
 ELV-RO = 14.000

RN/L = 3 98 GRADIENT INTERVAL = -5.00/ 5.00

MACH =	ALPHA	ELV-LI	ELV-LO	CNW	CBW	CTW	CYN	CBL	CY	CHEI	CHEO
.900											
-8.000	10.00000	14.00000	14.00000	-.03934	-.00483	-.01800	-.00490	.00125	.01644	-.00257	-.02163
-6.000	10.00000	14.00000	14.00000	-.01457	-.00044	-.01310	-.00158	.00063	.01110	-.00188	-.01771
-4.000	10.00000	14.00000	14.00000	.01172	.00422	-.00779	.00098	.00028	.00728	-.00413	-.01930
-2.000	10.00000	14.00000	14.00000	.03929	.00899	-.00217	.00166	.00033	.00339	-.00757	-.02348
.000	10.00000	14.00000	14.00000	.07134	.01495	.00270	.00222	-.00014	.00048	-.00729	-.02764
2.000	10.00000	14.00000	14.00000	.10356	.02099	.00729	.00267	-.00013	-.00226	-.00841	-.03345
4.000	10.00000	14.00000	14.00000	.13053	.02551	.01171	.00225	-.00014	-.00106	-.00622	-.03882
GRADIENT	.00000	.00000	.00000	.01510	.00273	.00242	.00018	-.00007	-.00112	-.00025	-.00245

RN/L = 4 09 GRADIENT INTERVAL = -5.00/ 5.00

MACH =	ALPHA	ELV-LI	ELV-LO	CNW	CBW	CTW	CYN	CBL	CY	CHEI	CHEO
.975											
-8.000	10.00000	14.00000	14.00000	-.04806	-.00580	-.01642	-.00302	.00135	.01689	-.00308	-.03039
-6.000	10.00000	14.00000	14.00000	-.02028	-.00078	-.01206	.00012	.00065	.01270	-.00191	-.03040
-4.000	10.00000	14.00000	14.00000	.00777	.00423	-.00724	.00369	-.00023	.00574	.00034	-.03002
-2.000	10.00000	14.00000	14.00000	.03622	.00926	-.00199	.00557	-.00067	-.00088	-.00246	-.03005
.000	10.00000	14.00000	14.00000	.06494	.01458	.00260	.00374	-.00079	-.00087	-.01196	-.03120
2.000	10.00000	14.00000	14.00000	.09366	.01991	.00617	.00244	-.00063	-.00115	-.02528	-.03522
4.000	10.00000	14.00000	14.00000	.12064	.02469	.00899	.00031	.00022	.00151	-.03974	-.04674
GRADIENT	.00000	.00000	.00000	.01416	.00258	.00203	-.00049	.00005	-.00044	-.00515	-.00193

LARC 8FT TPT 749 (1A93) OTSAT130

(MJJA15) (18 AUG 76)

REFERENCE DATA

SREF = 2690.0000 SQ.FT. XMRP = 976.0000 IN. XT
 LREF = 1290.3000 INCHES YMRP = .0000 IN. YT
 BREF = 1290.3000 INCHES ZMRP = 400.0000 IN. ZT
 SCALE = .0100

PARAMETRIC DATA

BETA = 4.000 ELV-LI = 10.000
 ELV-LO = 14.000 ELV-RI = 10.000
 ELV-RO = 14.000

RN/L = 3.98 GRADIENT INTERVAL = -5.00/ 5.00

MACH =	ALPHA	ELV-LI	ELV-LO	CNW	CBW	CTW	CYN	CBL	CY	CHEI	CHEO
.900	-8.000	10.00000	14.00000	-.03537	-.00428	-.01559	.06618	-.01517	-.14456	-.01383	-.02362
	-6.000	10.00000	14.00000	-.00898	.00032	-.01008	.06466	-.01740	-.14289	-.01327	-.02181
	-4.000	10.00000	14.00000	.02150	.00576	-.00447	.06384	-.01961	-.14172	-.01400	-.02282
	-2.000	10.00000	14.00000	.05304	.01155	.00121	.06440	-.02163	-.14754	-.01518	-.02490
	.000	10.00000	14.00000	.08514	.01757	.00585	.06354	-.02313	-.14755	-.01563	-.02888
	2.000	10.00000	14.00000	.11742	.02333	.01056	.06122	-.02367	-.14494	-.01703	-.03264
	4.000	10.00000	14.00000	.14372	.02769	.01453	.06104	-.02456	-.14514	-.01675	-.03669
	GRADIENT	00000	00000	.01544	.00278	.00237	-.00044	-.00060	-.00021	-.00037	-.00178

RN/L = 4.09 GRADIENT INTERVAL = -5.00/ 5.00

MACH =	ALPHA	ELV-LI	ELV-LO	CNW	CBW	CTW	CYN	CBL	CY	CHEI	CHEO
.975	-8.000	10.00000	14.00000	-.03791	-.00416	-.01483	.07388	-.01900	-.16018	-.01919	-.03092
	-6.000	10.00000	14.00000	-.00785	.00124	-.00981	.07148	-.02089	-.15630	-.02309	-.03038
	-4.000	10.00000	14.00000	.02237	.00667	-.00460	.06976	-.02270	-.15363	-.02595	-.03006
	-2.000	10.00000	14.00000	.05249	.01230	.00030	.06950	-.02459	-.15499	-.02769	-.03195
	.000	10.00000	14.00000	.08392	.01816	.00485	.06879	-.02581	-.15631	-.02783	-.03641
	2.000	10.00000	14.00000	.11447	.02318	.00960	.06429	-.02511	-.15265	-.03289	-.04597
	4.000	10.00000	14.00000	.14215	.02809	.01215	.05669	-.02433	-.14431	-.03815	-.05549
	GRADIENT	00000	00000	.01508	.00269	.00214	-.00157	-.00019	.00105	-.00148	-.00324

LARC 8FT TPT 749 (1A93) OTSAT130

(MJJA16) (18 AUG 76)

REFERENCE DATA

SREF = 2690.0000 SQ.FT. XMRP = 976.0000 IN. XT
 LREF = 1290.3000 INCHES YMRP = .0000 IN. YT
 BREF = 1290.3000 INCHES ZMRP = 400.0000 IN. ZT
 SCALE = .0100

PARAMETRIC DATA

BETA = 6.000 ELV-LI = 10.000
 ELV-LO = 14.000 ELV-RI = 10.000
 ELV-RO = 14.000

RN/L = 3.98 GRADIENT INTERVAL = -5.00/ 5.00

MACH =	ALPHA	ELV-LI	ELV-LO	CNW	CBW	CTW	CYN	CBL	CY	CHEI	CHEO
.900											
	-8.000	10.00000	14.00000	-.03454	-.00416	-.01471	.10136	-.02523	-.22403	-.01621	-.02437
	-6.000	10.00000	14.00000	-.00762	.00059	-.00910	.09930	-.02772	-.22184	-.01523	-.02260
	-4.000	10.00000	14.00000	.02367	.00625	-.00347	.09773	-.03047	-.22005	-.01598	-.02363
	-2.000	10.00000	14.00000	.05659	.01232	.00213	.09840	-.03314	-.22421	-.01611	-.02499
	.000	10.00000	14.00000	.09019	.01861	.00694	.09739	-.03547	-.22433	-.01729	-.02852
	2.000	10.00000	14.00000	.12252	.02423	.01193	.09350	-.03705	-.21971	-.01805	-.03177
	4.000	10.00000	14.00000	.14625	.02801	.01545	.09360	-.03830	-.21994	-.01766	-.03508
	GRADIENT	.00000	.00000	.01556	.00277	.00238	-.00066	-.00098	.00024	-.00027	-.00148

RN/L = 4.09 GRADIENT INTERVAL = -5.00/ 5.00

MACH =	ALPHA	ELV-LI	ELV-LO	CNW	CBW	CTW	CYN	CBL	CY	CHEI	CHEO
.975											
	-8.000	10.00000	14.00000	-.03564	-.00367	-.01446	.11449	-.03027	-.25047	-.02432	-.03293
	-6.000	10.00000	14.00000	-.00393	.00197	-.00900	.10916	-.03235	-.24279	-.02953	-.03251
	-4.000	10.00000	14.00000	.02894	.00786	-.00346	.10451	-.03484	-.23650	-.03219	-.03145
	-2.000	10.00000	14.00000	.06115	.01384	.00147	.10184	-.03731	-.23437	-.03248	-.03350
	.000	10.00000	14.00000	.09200	.01949	.00598	.09890	-.03823	-.23264	-.03076	-.03990
	2.000	10.00000	14.00000	.12262	.02456	.01044	.09177	-.03789	-.22573	-.03178	-.04777
	4.000	10.00000	14.00000	.15116	.02958	.01296	.08500	-.03841	-.21769	-.03445	-.05484
	GRADIENT	.00000	.00000	.01530	.00271	.00209	-.00245	-.00039	.00231	-.00019	-.00305

LARC 8FT TPT 749 (1A93) OTSAT130

(MJJA17) (18 AUG 76)

REFERENCE DATA

SREF = 2690.0000 SQ FT. XMRP = 976.0000 IN. XT
 LREF = 1290.3000 INCHES YMRP = .0000 IN. YT
 BREF = 1290.3000 INCHES ZMRP = 400.0000 IN. ZT
 SCALE = .0100

PARAMETRIC DATA

BETA = -6.000 ELV-LI = 10.000
 ELV-LO = -5.000 ELV-RI = 10.000
 ELV-RO = -5.000

RUN NO. 0/ 0 RN/L = 4.21 GRADIENT INTERVAL = -5.00/ 5.00

MACH	ALPHA	ELV-LI	ELV-LO	CNW	CBW	CTW	CYN	CBL	CY	CHEI	CHEO
1.150	-6.000	10.00000	-5.00000	-.07266	-.01097	-.00424	-.10739	.03924	.27036	.06138	.06633
1.150	-4.000	10.00000	-5.00000	-.04698	-.00623	-.00069	-.09978	.04148	.25709	.05568	.05085
1.150	-2.000	10.00000	-5.00000	-.02010	-.00128	.00275	-.09768	.04328	.24868	.04879	.03551
1.150	.000	10.00000	-5.00000	.00784	.00393	.00561	-.10138	.04446	.24773	.04005	.02207
1.150	2.000	10.00000	-5.00000	.03604	.00922	.00763	-.10271	.04511	.24815	.03005	.00992
	GRADIENT	.00000	.00000	.01385	.00258	.00139	-.00062	.00060	-.00139	-.00428	-.00681

RUN NO 0/ 0 RN/L = 4.22 GRADIENT INTERVAL = -5.00/ 5.00

MACH	ALPHA	ELV-LI	ELV-LO	CNW	CBW	CTW	CYN	CBL	CY	CHEI	CHEO
1.205	-8.000	10.00000	-5.00000	-.09292	-.01503	-.00503	-.11922	.03869	.28910	.06064	.06541
1.205	-6.000	10.00000	-5.00000	-.06765	-.01025	-.00226	-.10955	.04102	.27336	.05315	.05051
1.205	-4.000	10.00000	-5.00000	-.04095	-.00514	.00035	-.10188	.04229	.26064	.04697	.03652
1.205	-2.000	10.00000	-5.00000	-.01277	.00016	.00305	-.09966	.04325	.25176	.04214	.02537
1.205	.000	10.00000	-5.00000	.01454	.00530	.00557	-.10377	.04389	.25032	.03568	.01454
1.205	2.000	10.00000	-5.00000	.03948	.01015	.00702	-.10494	.04423	.24979	.02783	.00427
1.205	4.000	10.00000	-5.00000	.06077	.01427	.00799	-.10194	.04543	.25001	.01514	-.00473
	GRADIENT	.00000	.00000	.01278	.00244	.00096	-.00027	.00036	-.00116	-.00390	-.00518

LARC 8FT TPT 749 (1A93) OTSAT130

(MJJA18) (18 AUG 76)

REFERENCE DATA

SREF = 2690.0000 SQ.FT. XMRP = 976.0000 IN. XT
 LREF = 1290.3000 INCHES YMRP = .0000 IN. YT
 BREF = 1290.3000 INCHES ZMRP = 400.0000 IN. ZT
 SCALE = .0100

PARAMETRIC DATA

BETA = -4.000 ELV-LI = 10.000
 ELV-LO = -5.000 ELV-RI = 10.000
 ELV-RO = -5.000

RUN NO 0/ 0 RN/L = 4.21 GRADIENT INTERVAL = -5.00/ 5.00

MACH	ALPHA	ELV-LI	ELV-LO	CNW	CBW	CTW	CYN	CBL	CY	CHEI	CHEO
1.150	-6.000	10.00000	-5.00000	-.06695	-.01016	-.00363	-.07043	.02531	.18042	.05684	.07468
1.150	-4.000	10.00000	-5.00000	-.03963	-.00506	-.00006	-.06501	.02705	.17026	.05166	.06260
1.150	-2.000	10.00000	-5.00000	-.01048	.00041	.00331	-.06429	.02819	.16261	.04601	.04701
1.150	.000	10.00000	-5.00000	.02013	.00610	.00621	-.07035	.02933	.16457	.03886	.03170
1.150	2.000	10.00000	-5.00000	.04781	.01135	.00801	-.07097	.02961	.16470	.02993	.01753
	GRADIENT	.00000	.00000	.01465	.00275	.00136	-.00120	.00044	-.00074	-.00362	-.00753

LARC 8FT TPT 749 (1A93) OTSAT130

(MJJA18) (18 AUG 76)

REFERENCE DATA

SREF = 2690.0000 SQ.FT. XMRP = 976.0000 IN. XT
 LREF = 1290.3000 INCHES YMRP = .0000 IN. YT
 BREF = 1290.3000 INCHES ZMRP = 400.0000 IN. ZT
 SCALE = .0100

PARAMETRIC DATA

BETA = -4.000 ELV-LI = 10.000
 ELV-LO = -5.000 ELV-RI = 10.000
 ELV-RO = -5.000

RUN NO. 0/ 0 RN/L = 4.22 GRADIENT INTERVAL = -5.00/ 5.00

MACH	ALPHA	ELV-LI	ELV-LO	CNW	CBW	CTW	CYN	CBL	CY	CHEI	CHEO
1.205	-8.000	10.00000	-5.00000	-.08807	-.01439	-.00474	-.07770	.02544	.19368	.05750	.07361
1.205	-6.000	10.00000	-5.00000	-.06149	-.00929	-.00223	-.07154	.02719	.18358	.05131	.06082
1.205	-4.000	10.00000	-5.00000	-.03225	-.00366	.00036	-.06590	.02780	.17306	.04599	.04622
1.205	-2.000	10.00000	-5.00000	-.00156	.00211	.00335	-.06548	.02840	.16630	.04171	.03415
1.205	.000	10.00000	-5.00000	.02637	.00746	.00550	-.07062	.02906	.16650	.03642	.02217
1.205	2.000	10.00000	-5.00000	.05246	.01238	.00712	-.07142	.02910	.16556	.03014	.01034
1.205	4.000	10.00000	-5.00000	.07276	.01630	.00832	-.06972	.03033	.16765	.01981	-.00049
	GRADIENT	.00000	.00000	.01320	.00251	.00098	-.00068	.00029	-.00058	-.00320	-.00586

LARC 8FT TPT 749 (1A93) OTSAT130

(MJJA19) (18 AUG 76)

REFERENCE DATA

SREF = 2690.0000 SQ.FT. XMRP = 976.0000 IN. XT
 LREF = 1290.3000 INCHES YMRP = .0000 IN. YT
 BREF = 1290.3000 INCHES ZMRP = 400.0000 IN. ZT
 SCALE = .0100

PARAMETRIC DATA

BETA = .000 ELV-LI = 10.000
 ELV-LO = -5.000 ELV-RI = 10.000
 ELV-RO = -5.000

RUN NO. 0/ 0 RN/L = 4.21 GRADIENT INTERVAL = -5.00/ 5.00

MACH	ALPHA	ELV-LI	ELV-LO	CNW	CBW	CTW	CYN	CBL	CY	CHEI	CHEO
1.150	-6.000	10.00000	-5.00000	-.05511	-.00827	-.00224	-.00131	.00098	.01228	.04697	.07967
1.150	-4.000	10.00000	-5.00000	-.02190	-.00203	.00110	.00095	.00041	.00744	.04232	.07946
1.150	-2.000	10.00000	-5.00000	.01337	.00449	.00454	.00225	-.00025	.00188	.03965	.06926
1.150	.000	10.00000	-5.00000	.04525	.01040	.00742	.00108	-.00071	-.00044	.03671	.05349
1.150	2.000	10.00000	-5.00000	.07074	.01527	.00911	-.00182	.00005	.00295	.02956	.03634
	GRADIENT	.00000	.00000	.01549	.00289	.00135	-.00047	-.00008	-.00079	-.00206	-.00726

RUN NO. 0/ 0 RN/L = 4.22 GRADIENT INTERVAL = -5.00/ 5.00

MACH	ALPHA	ELV-LI	ELV-LO	CNW	CBW	CTW	CYN	CBL	CY	CHEI	CHEO
1.205	-8.000	10.00000	-5.00000	-.07890	-.01292	-.00429	-.00007	.00155	.01255	.05367	.07864
1.205	-6.000	10.00000	-5.00000	-.04659	-.00667	-.00195	.00158	.00128	.01035	.04783	.07597
1.205	-4.000	10.00000	-5.00000	-.01264	-.00011	.00011	.00414	.00035	.00496	.04292	.06785
1.205	-2.000	10.00000	-5.00000	.02117	.00605	.00318	.00554	-.00039	-.00060	.04010	.05551
1.205	.000	10.00000	-5.00000	.05257	.01164	.00631	.00294	-.00007	.00010	.03737	.04107
1.205	2.000	10.00000	-5.00000	.07671	.01612	.00851	.00098	.00005	.00045	.03223	.02673
1.205	4.000	10.00000	-5.00000	.09826	.02006	.01046	-.00072	.00042	.00359	.02484	.01274
	GRADIENT	.00000	.00000	.01387	.00252	.00130	-.00071	.00003	-.00009	-.00220	-.00695

LARC 8FT TPT 749 (1A93) OTSAT130

(MJJA20) (18 AUG 76)

REFERENCE DATA

SREF = 2690.0000 SQ.FT. XMRP = 976.0000 IN. XT
 LREF = 1290.3000 INCHES YMRP = .0000 IN. YT
 BREF = 1290.3000 INCHES ZMRP = 400.0000 IN. ZT
 SCALE = .0100

PARAMETRIC DATA

BETA = 4.000 ELV-LI = 10.000
 ELV-LO = -5.000 ELV-RI = 10.000
 ELV-RO = -5.000

RUN NO. 0/ 0 RN/L = 4.21 GRADIENT INTERVAL = -5.00/ 5.00

MACH	ALPHA	ELV-LI	ELV-LO	CNW	CBW	CTW	CYN	CBL	CY	CHEI	CHEO
1.150	-6.000	10.00000	-5.00000	-.03852	-.00526	-.00268	.06658	-.02106	-.15116	.03260	.07768
1.150	-4.000	10.00000	-5.00000	-.00064	.00177	.00071	.06650	-.02468	-.15173	.02943	.08089
1.150	-2.000	10.00000	-5.00000	.03304	.00814	.00355	.06740	-.02750	-.15339	.02652	.08245
1.150	.000	10.00000	-5.00000	.06224	.01366	.00628	.06890	-.02909	-.15658	.02163	.07429
1.150	2.000	10.00000	-5.00000	.08892	.01848	.00911	.06882	-.02896	-.15682	.01556	.05702
	GRADIENT	.00000	.00000	.01489	.00278	.00140	.00042	-.00072	-.00092	-.00233	-.00399

RUN NO 0/ 0 RN/L = 4.22 GRADIENT INTERVAL = -5.00/ 5.00

MACH	ALPHA	ELV-LI	ELV-LO	CNW	CBW	CTW	CYN	CBL	CY	CHEI	CHEO
1.205	-8.000	10.00000	-5.00000	-.06784	-.01059	-.00751	.07204	-.01934	-.15811	.04172	.07440
1.205	-6.000	10.00000	-5.00000	-.02950	-.00356	-.00455	.07154	-.02265	-.15674	.03791	.07581
1.205	-4.000	10.00000	-5.00000	.00617	.00313	-.00200	.07119	-.02550	-.15710	.03460	.07868
1.205	-2.000	10.00000	-5.00000	.03618	.00885	.00076	.07125	-.02747	-.15816	.03204	.07425
1.205	.000	10.00000	-5.00000	.06661	.01417	.00457	.07196	-.02853	-.15952	.02812	.06126
1.205	2.000	10.00000	-5.00000	.09198	.01877	.00740	.07317	-.02907	-.16221	.02245	.04466
1.205	4.000	10.00000	-5.00000	.11472	.02279	.00991	.06957	-.02899	-.15900	.01589	.02869
	GRADIENT	.00000	.00000	.01365	.00246	.00152	-.00007	-.00043	-.00039	-.00235	-.00648

LARC 8FT TPT 749 (1A93) OTSAT130

(MJJA21) (18 AUG 76)

REFERENCE DATA

SREF = 2690.0000 SQ.FT. XMRP = 976.0000 IN. XT
 LREF = 1290.3000 INCHES YMRP = .0000 IN. YT
 BREF = 1290.3000 INCHES ZMRP = 400.0000 IN. ZT
 SCALE = .0100

PARAMETRIC DATA

BETA = 6.000 ELV-LI = 10.000
 ELV-LO = -5.000 ELV-RI = 10.000
 ELV-RO = -5.000

RUN NO. 0/ 0 RN/L = 4.21 GRADIENT INTERVAL = -5.00/ 5.00

MACH	ALPHA	ELV-LI	ELV-LO	CNW	CBW	CTW	CYN	CBL	CY	CHEI	CHEO
1.150	-6.000	10.00000	-5.00000	-.03026	-.00368	-.00356	.10290	-.03355	-.23610	.02822	.07710
1.150	-4.000	10.00000	-5.00000	.00857	.00350	-.00033	.05947	-.03773	-.23232	.02497	.07903
1.150	-2.000	10.00000	-5.00000	.04184	.00974	.00270	.09809	-.04105	-.23096	.02204	.08248
1.150	.000	10.00000	-5.00000	.07173	.01518	.00592	.09935	-.04294	-.23421	.01644	.08019
1.150	2.000	10.00000	-5.00000	.10043	.02022	.00893	.09872	-.04346	-.23484	.01015	.06660
	GRADIENT	.00000	.00000	.01527	.00278	.00155	-.00005	-.00095	-.00054	-.00250	-.00198

ORIGINAL PAGE IS OF POOR QUALITY

LARC 8FT TPT 749 (1A93) OTSAT130

(MJJA21) (18 AUG 76)

REFERENCE DATA

SREF = 2690.0000 SQ.FT. XMRP = 976.0000 IN. XT
 LREF = 1290.3000 INCHES YMRP = 0000 IN. YT
 BREF = 1290.3000 INCHES ZMRP = 400.0000 IN. ZT
 SCALE = .0100

PARAMETRIC DATA

BETA = 6.000 ELV-L1 = 10.000
 ELV-LO = -5.000 ELV-R1 = 10.000
 ELV-RO = -5.000

RUN NO. 0/ 0 RN/L = 4.22 GRADIENT INTERVAL = -5.00/ 5.00

MACH	ALPHA	ELV-L1	ELV-LO	CNW	CBW	CTW	CYN	CBL	CY	CHE1	CHEO
1.205	-8.000	10.00000	-5.00000	-.06247	-.00945	-.00900	.11104	-.03132	-.24824	.03749	.07355
1.205	-6.000	10.00000	-5.00000	-.02328	-.00235	-.00606	.10741	-.03552	-.24231	.03416	.07383
1.205	-4.000	10.00000	-5.00000	.01285	.00429	-.00321	.10449	-.03883	-.23857	.03030	.07816
1.205	-2.000	10.00000	-5.00000	.04334	.00998	-.00023	.10316	-.04124	-.23757	.02631	.07867
1.205	.000	10.00000	-5.00000	.07254	.01521	.00318	.10389	-.04268	-.23990	.02181	.07022
1.205	2.000	10.00000	-5.00000	.09984	.01993	.00659	.10432	-.04347	-.24184	.01605	.05494
1.205	4.000	10.00000	-5.00000	.12267	.02382	.00957	.10053	-.04370	-.23755	.01107	.03754
	GRADIENT	00000	00000	.01381	.00245	.00162	-.00034	-.00060	-.00011	-.00244	-.00525

LARC 8FT TPT 749 (1A93) OTSAT130

(MJJA22) (18 AUG 76)

REFERENCE DATA

SREF = 2690.0000 SQ.FT. XMRP = 976.0000 IN. XT
 LREF = 1290.3000 INCHES YMRP = 0000 IN. YT
 BREF = 1290.3000 INCHES ZMRP = 400.0000 IN. ZT
 SCALE = .0100

PARAMETRIC DATA

BETA = -6.000 ELV-L1 = 12.000
 ELV-LO = -5.000 ELV-R1 = 12.000
 ELV-RO = -5.000

RUN NO. 0/ 0 RN/L = 4.21 GRADIENT INTERVAL = -5.00/ 5.00

MACH	ALPHA	ELV-L1	ELV-LO	CNW	CBW	CTW	CYN	CBL	CY	CHE1	CHEO
1.150	-6.000	12.00000	-5.00000	-.06610	-.01047	-.00399	-.10685	.03928	.26959	.03296	.06634
1.150	-4.000	12.00000	-5.00000	-.04006	-.00570	-.00037	-.09933	.04152	.25628	.02881	.05091
1.150	-2.000	12.00000	-5.00000	-.01238	-.00068	.00327	-.09736	.04353	.24843	.02389	.03570
1.150	.000	12.00000	-5.00000	.01571	.00449	.00626	-.10090	.04468	.24766	.01685	.02239
1.150	2.000	12.00000	-5.00000	.04458	.00986	.00851	-.10235	.04524	.24789	.00904	.00976
	GRADIENT	00000	.00000	.01410	.00259	.00148	-.00063	.00062	-.00130	-.00332	-.00684

RUN NO. 0/ 0 RN/L = 4.22 GRADIENT INTERVAL = -5.00/ 5.00

MACH	ALPHA	ELV-L1	ELV-LO	CNW	CBW	CTW	CYN	CBL	CY	CHE1	CHEO
1.205	-8.000	12.00000	-5.00000	-.08683	-.01458	-.00500	-.11885	.03888	.28927	.03356	.06535
1.205	-6.000	12.00000	-5.00000	-.06093	-.00973	-.00207	-.10932	.04110	.27335	.02795	.05022
1.205	-4.000	12.00000	-5.00000	-.03401	-.00459	.00066	-.10141	.04230	.26006	.02356	.03662
1.205	-2.000	12.00000	-5.00000	-.00619	.00068	.00324	-.09892	.04324	.25100	.01983	.02565
1.205	.000	12.00000	-5.00000	.02245	.00594	.00609	-.10311	.04385	.24954	.01350	.01431
1.205	2.000	12.00000	-5.00000	.04839	.01081	.00802	-.10497	.04455	.25064	.00431	.00394
1.205	4.000	12.00000	-5.00000	.06991	.01499	.00912	-.10245	.04551	.25011	-.00626	-.00573
	GRADIENT	.00000	00000	.01312	.00246	.00109	-.00041	.00039	-.00101	-.00376	-.00532

LARC 8FT TPT 749 (1A93) OTSAT130

(MJJA23) (18 AUG 76)

REFERENCE DATA

SREF = 2690.0000 SQ.FT. XMRP = 976.0000 IN. XT
 LREF = 1290.3000 INCHES YMRP = .0000 IN. YT
 BREF = 1290.3000 INCHES ZMRP = 400.0000 IN. ZT
 SCALE = .0100

PARAMETRIC DATA

BETA = -4.000 ELV-LI = 12.000
 ELV-LO = -5.000 ELV-RI = 12.000
 ELV-RO = -5.000

RUN NO. 0/ 0 RN/L = 4.21 GRADIENT INTERVAL = -5.00/ 5.00

MACH	ALPHA	ELV-LI	ELV-LO	CNW	CBW	CTW	CYN	CBL	CY	CHEI	CHEO
1.150	-6.000	12.00000	-5.00000	-.05954	-.00962	-.00322	-.06957	.02538	.18026	.02975	.07477
1.150	-4.000	12.00000	-5.00000	-.03191	-.00447	.00044	-.06439	.02720	.17006	.02595	.06231
1.150	-2.000	12.00000	-5.00000	-.00208	.00109	.00406	-.06450	.02871	.16344	.02199	.04643
1.150	.000	12.00000	-5.00000	.02784	.00661	.00697	-.06973	.02962	.16489	.01637	.03159
1.150	2.000	12.00000	-5.00000	.05652	.01202	.00909	-.07101	.02990	.16546	.00896	.01714
	GRADIENT	.00000	.00000	.01476	.00275	.00144	-.00126	.00045	-.00062	-.00283	-.00752

RUN NO. 0/ 0 RN/L = 4.22 GRADIENT INTERVAL = -5.00/ 5.00

MACH	ALPHA	ELV-LI	ELV-LO	CNW	CBW	CTW	CYN	CBL	CY	CHEI	CHEO
1.205	-8.000	12.00000	-5.00000	-.08140	-.01387	-.00447	-.07727	.02548	.19292	.03129	.07321
1.205	-6.000	12.00000	-5.00000	-.05370	-.00865	-.00163	-.07119	.02729	.18304	.02647	.06007
1.205	-4.000	12.00000	-5.00000	-.02453	-.00303	.00089	-.06555	.02794	.17244	.02228	.04573
1.205	-2.000	12.00000	-5.00000	.00538	.00268	.00347	-.06490	.02844	.16488	.01908	.03411
1.205	.000	12.00000	-5.00000	.03478	.00811	.00616	-.06391	.02901	.16549	.01464	.02228
1.205	2.000	12.00000	-5.00000	.06074	.01293	.00811	-.07197	.02947	.16693	.00748	.00973
1.205	4.000	12.00000	-5.00000	.08197	.01701	.00946	-.07001	.03020	.16677	-.00231	-.00089
	GRADIENT	.00000	.00000	.01342	.00252	.00109	-.00080	.00028	-.00046	-.00304	-.00588

LARC 8FT TPT 749 (1A93) OTSAT130

(MJJA24) (18 AUG 76)

REFERENCE DATA

SREF = 2690.0000 SQ.FT. XMRP = 976.0000 IN. XT
 LREF = 1290.3000 INCHES YMRP = .0000 IN. YT
 BREF = 1290.3000 INCHES ZMRP = 400.0000 IN. ZT
 SCALE = .0100

PARAMETRIC DATA

BETA = .000 ELV-LI = 12.000
 ELV-LO = -5.000 ELV-RI = 12.000
 ELV-RO = -5.000

RUN NO. 0/ 0 RN/L = 4.21 GRADIENT INTERVAL = -5.00/ 5.00

MACH	ALPHA	ELV-LI	ELV-LO	CNW	CBW	CTW	CYN	CBL	CY	CHEI	CHEO
1.150	-6.000	12.00000	-5.00000	-.04782	-.00776	-.00186	-.00092	.00113	.01261	.02392	.07946
1.150	-4.000	12.00000	-5.00000	-.01397	-.00144	.00166	.00199	.00029	.00661	.02080	.07925
1.150	-2.000	12.00000	-5.00000	.02972	.00500	.00498	.00322	-.00043	.00115	.01889	.06892
1.150	.000	12.00000	-5.00000	.05172	.01079	.00781	-.00004	-.00013	.00237	.01646	.05312
1.150	2.000	12.00000	-5.00000	.07792	.01575	.00964	-.00142	.00008	.00273	.01102	.03642
	GRADIENT	.00000	.00000	.01533	.00287	.00134	-.00067	-.00002	-.00052	-.00159	-.00721

LARC 8FT TPT 749 (1A93) OTSAT130

(MJJA24) (18 AUG 76)

REFERENCE DATA

SREF = 2690 0000 SQ FT. XMRP = 976.0000 IN. XT
 LREF = 1290.3000 INCHES YMRP = .0000 IN. YT
 BREF = 1290.3000 INCHES ZMRP = 400.0000 IN. ZT
 SCALE = .0100

PARAMETRIC DATA

BETA = .000 ELV-LI = 12.000
 ELV-LO = -5.000 ELV-RI = 12.000
 ELV-RO = -5.000

RUN NO. 0/ 0 RN/L = 4.22 GRADIENT INTERVAL = -5.00/ 5.00

MACH	ALPHA	ELV-LI	ELV-LO	CNW	CBW	CTW	CYN	CBL	CY	CHEI	CHEO
1.205	-8.000	12.00000	-5.00000	-.07019	-.01219	-.00391	-.00074	.00193	.01369	.02878	.07816
1.205	-6.000	12.00000	-5.00000	-.03843	-.00605	-.00156	.00162	.00132	.00976	.02454	.07564
1.205	-4.000	12.00000	-5.00000	-.00524	.00035	.00070	.00420	.00043	.00461	.02096	.06724
1.205	-2.000	12.00000	-5.00000	.02949	.00662	.00393	.00452	.00010	.00143	.01874	.05464
1.205	.000	12.00000	-5.00000	.06086	.01224	.00699	.00341	-.00019	-.00103	.01655	.04053
1.205	2.000	12.00000	-5.00000	.08431	.01667	.00911	.00087	.00011	.00079	.01204	.02594
1.205	4.000	12.00000	-5.00000	.10583	.02060	.01124	-.00059	.00035	.00339	.00571	.01314
	GRADIENT	.00000	.00000	.01385	.00253	.00131	-.00066	-.00001	-.00015	-.00186	-.00684

LARC 8FT TPT 749 (1A93) OTSAT130

(MJJA25) (18 AUG 76)

REFERENCE DATA

SREF = 2690.0000 SQ.FT. XMRP = 976.0000 IN. XT
 LREF = 1290.3000 INCHES YMRP = .0000 IN. YT
 BREF = 1290.3000 INCHES ZMRP = 400.0000 IN. ZT
 SCALE = .0100

PARAMETRIC DATA

BETA = 4.000 ELV-LI = 12.000
 ELV-LO = -5.000 ELV-RI = 12.000
 ELV-RO = -5.000

RUN NO. 0/ 0 RN/L = 4.21 GRADIENT INTERVAL = -5.00/ 5.00

MACH	ALPHA	ELV-LI	ELV-LO	CNW	CBW	CTW	CYN	CBL	CY	CHEI	CHEO
1.150	-6.000	12.00000	-5.00000	-.02944	-.00460	-.00199	.06655	-.02096	-.15093	.01327	.07727
1.150	-4.000	12.00000	-5.00000	.00807	.00241	.00125	.06662	-.02465	-.15154	.01085	.08052
1.150	-2.000	12.00000	-5.00000	.04208	.00881	.00422	.06754	-.02759	-.15340	.00778	.08194
1.150	.000	12.00000	-5.00000	.07179	.01435	.00717	.06882	-.02899	-.15632	.00204	.07354
1.150	2.000	12.00000	-5.00000	.09765	.01911	.00983	.06936	-.02899	-.15725	-.00364	.05740
	GRADIENT	.00000	.00000	.01492	.00278	.00143	.00047	-.00072	-.00100	-.00246	-.00389

RUN NO. 0/ 0 RN/L = 4.22 GRADIENT INTERVAL = -5.00/ 5.00

MACH	ALPHA	ELV-LI	ELV-LO	CNW	CBW	CTW	CYN	CBL	CY	CHEI	CHEO
1.205	-8.000	12.00000	-5.00000	-.06008	-.01004	-.00714	.07204	-.01912	-.15740	.02061	.07440
1.205	-6.000	12.00000	-5.00000	-.02225	-.00306	-.00432	.07138	-.02240	-.15597	.01773	.07572
1.205	-4.000	12.00000	-5.00000	.01388	.00367	-.00146	.07030	-.02517	-.15521	.01523	.07812
1.205	-2.000	12.00000	-5.00000	.04503	.00948	.00168	.07009	-.02708	-.15566	.01310	.07343
1.205	.000	12.00000	-5.00000	.07522	.01484	.00512	.07204	-.02857	-.15950	.00933	.06086
1.205	2.000	12.00000	-5.00000	.10089	.01943	.00821	.07365	-.02922	-.16342	.00378	.04424
1.205	4.000	12.00000	-5.00000	.12383	.02343	.01093	.07035	-.02899	-.15961	-.00206	.02853
	GRADIENT	.00000	.00000	.01379	.00247	.00157	.00018	-.00049	-.00083	-.00219	-.00642

LARC 8FT TPT 749 (IA93) OTSAT130

(MJJA26) (18 AUG 76)

REFERENCE DATA

SREF = 2690.0000 SQ.FT. XMRP = 976.0000 IN. XT
 LREF = 1290.3000 INCHES YMRP = 0000 IN. YT
 BREF = 1290.3000 INCHES ZMRP = 400.0000 IN. ZT
 SCALE = .0100

PARAMETRIC DATA

BETA = 6.000 ELV-LI = 12.000
 ELV-LO = -5.000 ELV-RI = 12.000
 ELV-RO = -5.000

RUN NO. 0/ 0 RN/L = 4.21 GRADIENT INTERVAL = -5.00/ 5.00

MACH	ALPHA	ELV-LI	ELV-LO	CNW	CBW	CTW	CYN	CBL	CY	CHEI	CHEO
1.150	-6.000	12.00000	-5.00000	-.02140	-.00300	-.00302	.10264	-.03351	-.23541	.00973	.07663
1.150	-4.000	12.00000	-5.00000	.01723	.00413	.00027	.09934	-.03775	-.23211	.00709	.07859
1.150	-2.000	12.00000	-5.00000	.05085	.01037	.00346	.09799	-.04109	-.23094	.00413	.08191
1.150	.000	12.00000	-5.00000	.08073	.01581	.00664	.09926	-.04293	-.23380	-.00174	.07942
1.150	2.000	12.00000	-5.00000	.10870	.02074	.00976	.09883	-.04329	-.23400	-.00804	.06636
	GRADIENT	.00000	.00000	.01522	.00276	.00158	-.00001	-.00092	-.00043	-.00256	-.00196

RUN NO. 0/ 0 RN/L = 4.22 GRADIENT INTERVAL = -5.00/ 5.00

MACH	ALPHA	ELV-LI	ELV-LO	CNW	CBW	CTW	CYN	CBL	CY	CHEI	CHEO
1.205	-8.000	12.00000	-5.00000	-.05418	-.00882	-.00851	.11057	-.03106	-.24668	.01770	.07334
1.205	-6.000	12.00000	-5.00000	-.01575	-.00184	-.00569	.10717	-.03522	-.24117	.01510	.07374
1.205	-4.000	12.00000	-5.00000	.02019	.00477	-.00276	.10443	-.03864	-.23805	.01202	.07763
1.205	-2.000	12.00000	-5.00000	.05176	.01057	.00050	.10299	-.04113	-.23705	.00874	.07785
1.205	.000	12.00000	-5.00000	.08150	.01583	.00404	.10393	-.04264	-.23920	.00459	.06959
1.205	2.000	12.00000	-5.00000	.10858	.02053	.00751	.10421	-.04324	-.24067	-.00138	.05409
1.205	4.000	12.00000	-5.00000	.13153	.02447	.01041	.10140	-.04370	-.23847	-.00621	.03751
	GRADIENT	.00000	.00000	.01397	.00247	.00167	-.00024	-.00061	-.00022	-.00233	-.00520

ORIGINAL PAGE IS OF POOR QUALITY

LARC 8FT TPT 749 (1A93) OTSAT130

(MJJA27) (18 AUG 76)

REFERENCE DATA

SREF = 2690.0000 SQ.FT. XMRP = 976.0000 IN. XT
 LREF = 1290.3000 INCHES YMRP = .0000 IN. YT
 BREF = 1290.3000 INCHES ZMRP = 400.0000 IN. ZT
 SCALE = .0100

PARAMETRIC DATA

BETA = -6.000 ELV-LI = 12.000
 ELV-LO = 4.000 ELV-RI = 12.000
 ELV-RO = 4.000

RUN NO. 0/ 0 RN/L = 3.98 GRADIENT INTERVAL = -5.00/ 5.00

MACH	ALPHA	ELV-LI	ELV-LO	CNW	CBW	CTW	CYN	CBL	CY	CHEI	CHEO
.900	-8.000	12.00000	4.00000	-.06286	-.00870	-.01905	-.11582	.03170	.27369	.02114	.00848
.900	-6.000	12.00000	4.00000	-.04089	-.00462	-.01496	-.11066	.03287	.26590	.02385	.01271
.900	-4.000	12.00000	4.00000	-.02119	-.00086	-.01087	-.10532	.03381	.25358	.02475	.01383
.900	-2.000	12.00000	4.00000	-.00073	.00285	-.00658	-.10235	.03504	.24532	.02467	.01517
.900	.000	12.00000	4.00000	.02179	.00672	-.00182	-.10239	.03754	.24289	.02520	.01379
.900	2.000	12.00000	4.00000	.04513	.01077	.00324	-.09966	.03986	.23826	.02073	.00388
.900	4.000	12.00000	4.00000	.06636	.01472	.00656	-.10115	.04146	.24127	.00839	-.01128
	GRADIENT	00000	00000	.01105	.00195	.00223	.00055	.00096	-.00158	-.00183	-.00308

RUN NO 0/ 0 RN/L = 4.09 GRADIENT INTERVAL = -5.00/ 5.00

MACH	ALPHA	ELV-LI	ELV-LO	CNW	CBW	CTW	CYN	CBL	CY	CHEI	CHEO
.975	-8.000	12.00000	4.00000	-.08523	-.01230	-.01763	-.12221	.03617	.29201	.02171	.02276
.975	-6.000	12.00000	4.00000	-.06119	-.00785	-.01401	-.11146	.03684	.27622	.02625	.02519
.975	-4.000	12.00000	4.00000	-.03638	-.00349	-.00970	-.10215	.03718	.26065	.02812	.02727
.975	-2.000	12.00000	4.00000	-.01181	.00087	-.00527	-.09519	.03803	.24596	.02280	.02640
.975	.000	12.00000	4.00000	.01364	.00529	-.00086	-.09511	.03960	.23921	.01137	.01951
.975	2.000	12.00000	4.00000	.03781	.00983	.00236	-.09376	.04094	.23801	-.00216	.00958
.975	4.000	12.00000	4.00000	.06160	.01445	.00523	-.09133	.04216	.23671	-.01193	-.00288
	GRADIENT	00000	00000	.01228	.00224	.00187	.00115	.00064	-.00279	-.00525	-.00386

RUN NO 0/ 0 RN/L = 4.21 GRADIENT INTERVAL = -5.00/ 5.00

MACH	ALPHA	ELV-LI	ELV-LO	CNW	CBW	CTW	CYN	CBL	CY	CHEI	CHEO
1.150	-6.000	12.00000	4.00000	-.05690	-.00734	-.00767	-.10760	.03956	.27002	.02653	.01772
1.150	-4.000	12.00000	4.00000	-.03072	-.00258	-.00390	-.10018	.04150	.25672	.02308	.00610
1.150	-2.000	12.00000	4.00000	-.00271	.00247	-.00010	-.09829	.04328	.24847	.01863	-.00631
1.150	.000	12.00000	4.00000	.02511	.00767	.00276	-.10201	.04432	.24758	.01155	-.01669
1.150	2.000	12.00000	4.00000	.05157	.01266	.00461	-.10300	.04485	.24767	.00389	-.02529
	GRADIENT	.00000	.00000	.01373	.00255	.00142	-.00061	.00056	-.00140	-.00323	-.00523

LARC 8FT TPT 749 (1A93) OTSAT130

(MJJA27) (18 AUG 76)

REFERENCE DATA

SREF = 2690.0000 SQ.FT. XMRP = 976.0000 IN. XT
 LREF = 1290.3000 INCHES YMRP = .0000 IN. YT
 BREF = 1290.3000 INCHES ZMRP = 400.0000 IN. ZT
 SCALE = .0100

PARAMETRIC DATA

BETA = -6.000 ELV-LI = 12.000
 ELV-LO = 4.000 ELV-RI = 12.000
 ELV-RO = 4.000

RUN NO. 0/ 0 RN/L = 4.22 GRADIENT INTERVAL = -5.00/ 5.00

MACH	ALPHA	ELV-LI	ELV-LO	CNW	CBW	CTW	CYN	CBL	CY	CHEI	CHEO
1.205	-8.000	12.00000	4.00000	-.07769	-.01149	-.00864	-.11920	.03901	.28846	.02927	.01564
1.205	-6.000	12.00000	4.00000	-.05240	-.00674	-.00577	-.11005	.04110	.27343	.02434	.00483
1.205	-4.000	12.00000	4.00000	-.02516	-.00163	-.00279	-.10281	.04239	.26132	.02015	-.00607
1.205	-2.000	12.00000	4.00000	.00326	.00370	.00005	-.10046	.04323	.25230	.01653	-.01581
1.205	.000	12.00000	4.00000	.03041	.00878	.00271	-.10404	.04364	.25015	.01060	-.02506
1.205	2.000	12.00000	4.00000	.05406	.01332	.00447	-.10549	.04440	.25069	.00317	-.03268
1.205	4.000	12.00000	4.00000	.07546	.01722	.00611	-.10305	.04566	.25102	-.00561	-.03947
	GRADIENT	.00000	.00000	.01260	.00237	.00111	-.00028	.00039	-.00111	-.00324	-.00418

LARC 8FT TPT 749 (1A93) OTSAT130

(MJJA28) (18 AUG 76)

REFERENCE DATA

SREF = 2690.0000 SQ.FT. XMRP = 976.0000 IN. XT
 LREF = 1290.3000 INCHES YMRP = .0000 IN. YT
 BREF = 1290.3000 INCHES ZMRP = 400.0000 IN. ZT
 SCALE = .0100

PARAMETRIC DATA

BETA = -4.000 ELV-LI = 12.000
 ELV-LO = 4.000 ELV-RI = 12.000
 ELV-RO = 4.000

RUN NO. 0/ 0 RN/L = 3.98 GRADIENT INTERVAL = -5.00/ 5.00

MACH	ALPHA	ELV-LI	ELV-LO	CNW	CBW	CTW	CYN	CBL	CY	CHEI	CHEO
.900	-8.000	12.00000	4.00000	-.06379	-.00869	-.01909	-.08144	.02052	.18981	.01874	.00708
.900	-6.000	12.00000	4.00000	-.04151	-.00457	-.01487	-.07574	.02139	.18153	.02118	.01279
.900	-4.000	12.00000	4.00000	-.02112	-.00069	-.01064	-.06968	.02162	.16941	.02149	.01470
.900	-2.000	12.00000	4.00000	.00100	.00321	-.00574	-.06628	.02226	.16052	.02102	.01601
.900	.000	12.00000	4.00000	.02600	.00750	-.00062	-.06803	.02507	.16182	.02144	.01452
.900	2.000	12.00000	4.00000	.05085	.01189	.00450	-.06502	.02585	.15626	.02133	.01031
.900	4.000	12.00000	4.00000	.07309	.01609	.00778	-.06590	.02709	.15922	.00818	-.00876
	GRADIENT	.00000	.00000	.01191	.00211	.00235	.00044	.00073	-.00123	-.00131	-.00243

LARC 8FT TPT 749 (IA93) OTSAT130

(MJJA28) (18 AUG 76)

REFERENCE DATA

SREF = 2690.0000 SQ.FT. XMRP = 976.0000 IN. XT
 LREF = 1290.3000 INCHES YMRP = .0000 IN. YT
 BREF = 1290.3000 INCHES ZMRP = 400.0000 IN. ZT
 SCALE = .0100

PARAMETRIC DATA

BETA = -4.000 ELV-LI = 12.000
 ELV-LO = 4.000 ELV-RI = 12.000
 ELV-RO = 4.000

RUN NO. 0/ 0 RN/L = 4.09 GRADIENT INTERVAL = -5.00/ 5.00

MACH	ALPHA	ELV-LI	ELV-LO	CNW	CBW	CTW	CYN	CBL	CY	CHEI	CHEO
.975	-8.000	12.00000	4.00000	-.08221	-.01180	-.01720	-.08229	.02417	.19897	.01871	.02241
.975	-6.000	12.00000	4.00000	-.05810	-.00740	-.01352	-.07399	.02459	.18779	.02095	.02462
.975	-4.000	12.00000	4.00000	-.03280	-.00294	-.00923	-.06674	.02451	.17386	.02026	.02647
.975	-2.000	12.00000	4.00000	-.00692	.00163	-.00437	-.06255	.02512	.16178	.01609	.02659
.975	.000	12.00000	4.00000	.01718	.00610	-.00006	-.06436	.02640	.16036	.00545	.02273
.975	2.000	12.00000	4.00000	.04444	01115	00346	-.06249	.02657	.15700	-.00638	.01319
.975	4.000	12.00000	4.00000	.06985	.01617	00616	-.05866	.02687	.15336	-.01643	.00122
	GRADIENT	.00000	00000	01283	.00239	.00193	00081	.00031	-.00229	-.00479	-.00319

RUN NO. 0/ 0 RN/L = 4.21 GRADIENT INTERVAL = -5.00/ 5.00

MACH	ALPHA	ELV-LI	ELV-LO	CNW	CBW	CTW	CYN	CBL	CY	CHEI	CHEO
1.150	-6.000	12.00000	4.00000	-.05132	-.00651	-.00712	-.07018	.02577	.18015	.02376	.02403
1.150	-4.000	12.00000	4.00000	-.02319	-.00136	-.00322	-.06512	.02738	.17030	.02017	.01501
1.150	-2.000	12.00000	4.00000	.00752	.00422	.00067	-.06527	.02856	.16364	.01666	.00249
1.150	.000	12.00000	4.00000	.03645	.00967	.00331	-.07046	.02927	.16419	.01079	-.00904
1.150	2.000	12.00000	4.00000	.06303	.01468	.00530	-.07102	.02945	.16374	.00313	-.01932
	GRADIENT	00000	00000	01438	.00268	.00141	-.00114	.00035	-.00096	-.00285	-.00573

RUN NO. 0/ 0 RN/L = 4.22 GRADIENT INTERVAL = -5.00/ 5.00

MACH	ALPHA	ELV-LI	ELV-LO	CNW	CBW	CTW	CYN	CBL	CY	CHEI	CHEO
1.205	-8.000	12.00000	4.00000	-.07252	-.01077	-.00822	-.07823	.02595	.19413	.02756	.02156
1.205	-6.000	12.00000	4.00000	-.04565	-.00567	-.00553	-.07202	.02739	.18382	.02285	.01254
1.205	-4.000	12.00000	4.00000	-.01554	-.00004	-.00258	-.06671	.02796	.17368	.01909	.00179
1.205	-2.000	12.00000	4.00000	.01532	.00572	.00048	-.06643	.02858	.16682	.01631	-.00841
1.205	.000	12.00000	4.00000	.04279	.01092	.00301	-.07146	.02912	.16691	.01150	-.01880
1.205	2.000	12.00000	4.00000	.06634	.01529	.00510	-.07329	.02986	.16885	.00446	-.02792
1.205	4.000	12.00000	4.00000	.08774	.01921	.00672	-.07106	.03066	.16823	-.00354	-.03550
	GRADIENT	.00000	.00000	.01288	.00240	.00116	-.00078	.00033	-.00044	-.00286	-.00471

LARC 8FT TPT 749 (1A93) OTSAT130

(NJJ29) (18 AUG 76)

REFERENCE DATA

SREF = 2690.0000 SQ.FT XMRP = 976.0000 IN. XT
 LREF = 1290.3000 INCHES YMRP = .0000 IN. YT
 BREF = 1290.3000 INCHES ZMRP = 400 0000 IN ZT
 SCALE = 0100

PARAMETRIC DATA

BETA = 000 ELV-LI = 12.000
 ELV-LO = 4.000 ELV-RI = 12.000
 ELV-RO = 4.000

RUN NO. 0/0 RN/L = 3.98 GRADIENT INTERVAL = -5.00/ 5.00

MACH	ALPHA	ELV-LI	ELV-LO	CNW	CBW	CTW	CYN	CBL	CY	CHEI	CHEO
.900	-8.000	12.00000	4.00000	-.06859	-.00952	-.01788	-.00707	.00231	01799	.00856	.00246
.900	-6.000	12.00000	4.00000	-.04329	-.00501	-.01290	-.00414	.00151	01356	01030	.00984
.900	-4.000	12.00000	4.00000	-.01784	-.00048	-.00765	-.00206	.00092	.01204	.00927	.01612
.900	-2.000	12.00000	4.00000	00990	.00424	-.00181	.00119	.00018	.00379	.00726	.01793
.900	.000	12.00000	4.00000	.03583	.00887	.00371	.00187	-.00000	-.00122	.00810	.01659
.900	2.000	12.00000	4.00000	.06310	.01363	.00878	.01104	.00081	-.00033	.00713	.01293
900	4.000	12.00000	4.00000	.08646	.01772	.01195	.00060	.00115	.00116	.00537	.00291
	GRADIENT	.00000	.00000	.01309	.00229	.00249	.00026	.00005	-.00129	-.00040	-.00157

RUN NO 0/0 RN/L = 4.09 GRADIENT INTERVAL = -5.00/ 5.00

MACH	ALPHA	ELV-LI	ELV-LO	CNW	CBW	CTW	CYN	CBL	CY	CHEI	CHEO
.975	-8.000	12.00000	4.00000	-.07538	-.01094	-.01560	-.00383	.00199	01685	.00486	.02174
.975	-6.000	12.00000	4.00000	-.04840	-.00604	-.01124	-.00097	.00131	.01315	.00811	.02361
.975	-4.000	12.00000	4.00000	-.02280	-.00141	-.00659	.00335	.00027	.00507	.00728	.02656
.975	-2.000	12.00000	4.00000	.00536	.00361	-.00101	.00517	-.00009	-.00136	.00199	.02749
.975	.000	12.00000	4.00000	.03396	.00886	.00355	.00270	.00013	-.00031	-.00524	.02577
.975	2.000	12.00000	4.00000	.06191	.01426	.00676	.00211	-.00026	-.00161	-.01313	.02131
975	4.000	12.00000	4.00000	.08893	.01915	.00993	-.00041	.00067	.00188	-.02183	.00964
	GRADIENT	.00000	.00000	.01400	.00258	.00204	-.00053	.00003	-.00033	-.00367	-.00200

RUN NO. 0/0 RN/L = 4.21 GRADIENT INTERVAL = -5.00/ 5.00

MACH	ALPHA	ELV-LI	ELV-LO	CNW	CBW	CTW	CYN	CBL	CY	CHEI	CHEO
1.150	-6.000	12.00000	4.00000	-.03883	-.00450	-.00578	-.00132	.00166	.01263	.02042	.02615
1.150	-4.000	12.00000	4.00000	-.00555	.00169	-.00215	.00122	.00094	.00766	.01613	.02892
1.150	-2.000	12.00000	4.00000	.02967	.00813	.00141	.00239	.00019	.00257	.01381	.02050
1.150	.000	12.00000	4.00000	.06042	.01369	.00454	.00058	-.00006	.00069	.01168	.00633
1.150	2.000	12.00000	4.00000	.08500	.01824	.00688	-.00174	.00047	.00239	.00552	-.00684
	GRADIENT	.00000	.00000	.01512	.00276	.00151	-.00054	-.00008	-.00088	-.00170	-.00607

ORIGINAL PAGE IS
OF POOR QUALITY

LARC 8FT TPT 749 (1A93) OTSAT130

(MJJA29) (18 AUG 76)

REFERENCE DATA

SREF = 2690.0000 SQ.FT. XMRP = 976.0000 IN. XT
 LREF = 1290.3000 INCHES YMRP = .0000 IN. YT
 BREF = 1290.3000 INCHES ZMRP = 400.0000 IN. ZT
 SCALE = 0100

PARAMETRIC DATA

BETA = .000 ELV-LI = 12.000
 ELV-LO = 4.000 ELV-RI = 12.000
 ELV-RO = 4.000

RUN NO. 0/ 0 RN/L = 4.22 GRADIENT INTERVAL = -5.00/ 5.00

MACH	ALPHA	ELV-LI	ELV-LO	CNW	CBW	CTW	CYN	CBL	CY	CHEI	CHEO
1.205	-8 000	12.00000	4 00000	-.06096	- 00909	-.00755	-.00110	00237	.01466	.02577	.02446
1.205	-6 000	12.00000	4.00000	-.02972	-.00302	-.00506	.00096	00197	.01133	.02159	.02344
1.205	-4 000	12 00000	4 00000	.00333	.00338	-.00280	.00376	00091	.00514	.01809	.01763
1.205	-2 000	12.00000	4 00000	.03692	00936	.00051	.00488	00017	.00035	.01596	.00881
1.205	000	12 00000	4 00000	.06658	01461	.03381	.00274	.00039	-.00026	.01372	-.00394
1.205	2 000	12.00000	4 00000	.09022	01894	.00628	.00024	.00058	.00129	.00876	-.01547
1.205	4.000	12 00000	4 00000	.11140	02283	.00832	-.00082	.00066	.00305	.00137	-.02523
	GRADIENT	00000	00000	01347	00242	.00140	-.00069	-.00000	-.00016	-.00203	-.00550

LARC 8FT TPT 749 (1A93) OTSAT130

(MJJA30) (18 AUG 76)

REFERENCE DATA

SREF = 2690.0000 SQ.FT. XMRP = 976.0000 IN XT
 LREF = 1290.3000 INCHES YMRP = .0000 IN YT
 BREF = 1290.3000 INCHES ZMRP = 400.0000 IN ZT
 SCALE = .0100

PARAMETRIC DATA

BETA = 4.000 ELV-LI = 12.000
 ELV-LO = 4.000 ELV-RI = 12.000
 ELV-RO = 4.000

RUN NO. 0/ 0 RN/L = 3.98 GRADIENT INTERVAL = -5.00/ 5.00

MACH	ALPHA	ELV-LI	ELV-LO	CNW	CBW	CTW	CYN	CBL	CY	CHEI	CHEO
.900	-8.000	12 00000	4.00000	-.06433	-.00885	-.01612	.06419	-.01440	-.14275	-.00364	-.00276
.900	-6.000	12 00000	4.00000	-.03706	-.00405	-.01044	.06386	-.01741	-.14283	-.00293	.00589
.900	-4 000	12.00000	4.00000	-.00862	.00104	-.00464	.06287	-.01988	-.14157	-.00246	-.01389
.900	-2 000	12 00000	4.00000	.02110	.00612	.00171	.06162	-.02105	-.14380	-.00275	.01696
.900	.000	12 00000	4.00000	.04858	.01108	.00729	.06241	-.02284	-.14708	-.00299	.01853
.900	2.000	12 00000	4.00000	.07316	.01545	.01145	.06081	-.02274	-.14526	-.00417	.01537
.900	4 000	12.00000	4 00000	.09502	.01893	.01377	.06288	-.02376	-.14725	-.00688	.00775
	GRADIENT	.00000	00000	.01297	.00226	.00233	-.00004	-.00047	-.00064	-.00051	-.00069

LARC 8FT TPT 749 (1A93) OTSAT130

(MJJA30) (18 AUG 76)

REFERENCE DATA

SREF = 2690.0000 SQ.FT. XMRP = 976.0000 IN. XT
 LREF = 1290.3000 INCHES YMRP = .0000 IN. YT
 BREF = 1290.3000 INCHES ZMRP = 400.0000 IN. ZT
 SCALE = .0100

PARAMETRIC DATA

BETA = 4.000 ELV-LI = 12.000
 ELV-LO = 4.000 ELV-RI = 12.000
 ELV-RO = 4.000

RUN NO. 0/ 0 RN/L = 4.09 GRADIENT INTERVAL = -5.00/ 5.00

MACH	ALPHA	ELV-LI	ELV-LO	CNW	CBW	CTW	CYN	CBL	CY	CHEI	CHEO
.975	-8.000	12.00000	4.00000	-.06654	-.00954	-.01455	.07368	-.01810	-.16118	-.01831	.01782
.975	-6.000	12.00000	4.00000	-.03648	-.00418	-.00917	.07039	-.01980	-.15591	-.01792	.01855
975	-4.000	12.00000	4.00000	-.00713	.00114	-.00360	.06776	-.02153	-.15156	-.01819	.02040
975	-2.000	12.00000	4.00000	.02368	.00671	.00167	.06822	-.02383	-.15476	-.01702	.02130
.975	000	12.00000	4.00000	.05576	.01273	.00635	.06726	-.02524	-.15471	-.01356	.02037
.975	2.000	12.00000	4.00000	.08236	.01786	.00958	.06358	-.02533	-.15119	-.01331	.01627
975	4.000	12.00000	4.00000	.10921	.02232	.01313	.05729	-.02459	-.14502	-.01706	.00980
	GRADIENT	.00000	00000	.01457	.00268	.00207	-.00128	-.00038	.00083	.00030	-.00131

RUN NO 0/ 0 RN/L = 4.21 GRADIENT INTERVAL = -5.00/ 5.00

MACH	ALPHA	ELV-LI	ELV-LO	CNW	CBW	CTW	CYN	CBL	CY	CHEI	CHEO
1.150	-6.000	12.00000	4.00000	-.02005	-.00133	-.00591	.06727	-.02065	-.15171	.01069	.02272
1.150	-4.000	12.00000	4.00000	.01707	.00553	-.00236	.06762	-.02425	-.15242	.00805	.02834
1.150	-2.000	12.00000	4.00000	.04964	.01162	.00096	.06824	-.02669	-.15369	.00422	.03165
1.150	000	12.00000	4.00000	.07824	.01685	.00396	.06953	-.02791	-.15706	-.00251	.02347
1.150	2.000	12.00000	4.00000	.10388	.02150	.00683	.06930	-.02800	-.15708	-.00839	.00935
	GRADIENT	.00000	00000	.01445	.00266	.00153	.00032	-.00062	-.00087	-.00280	-.00326

RUN NO. 0/ 0 RN/L = 4.22 GRADIENT INTERVAL = -5.00/ 5.00

MACH	ALPHA	ELV-LI	ELV-LO	CNW	CBW	CTW	CYN	CBL	CY	CHEI	CHEO
1.205	-8.000	12.00000	4.00000	-.05028	-.00674	-.01088	.07154	-.01861	-.15690	.01787	.02070
1.205	-6.000	12.00000	4.00000	-.01365	.00002	-.00790	.07108	-.02169	-.15556	.01569	.02348
1.205	-4.000	12.00000	4.00000	.02126	.00636	-.00476	.07139	-.02454	-.15655	.01361	.02781
1.205	-2.000	12.00000	4.00000	.05213	.01198	-.00142	.07192	-.02669	-.15843	.01094	.02443
1.205	.000	12.00000	4.00000	.08103	.01719	.00204	.07329	-.02798	-.16106	.00718	.01301
1.205	2.000	12.00000	4.00000	.10633	.02165	.00518	.07330	-.02820	-.16179	.00181	.00011
1.205	4.000	12.00000	4.00000	.12887	.02562	.00802	.07062	-.02855	-.15977	-.00511	-.01214
	GRADIENT	00000	.00000	.01347	.00241	.00161	-.00001	-.00048	-.00049	-.00233	-.00521

LARC 8FT TPT 749 (1A93) OTSAT130

(MJJA31) (18 AUG 76)

REFERENCE DATA

SREF = 2690.0000 SQ.FT. XMRP = 976.0000 IN. XT
 LREF = 1290.3000 INCHES YMRP = .0000 IN. YT
 BREF = 1290.3000 INCHES ZMRP = 400.0000 IN. ZT
 SCALE = .0100

PARAMETRIC DATA

BETA = 6.000 ELV-L1 = 12.000
 ELV-LO = 4.000 ELV-R1 = 12.000
 ELV-RO = 4.000

RUN NO. 0/ 0 RN/L = 3.98 GRADIENT INTERVAL = -5.00/ 5.00

MACH	ALPHA	ELV-L1	ELV-LO	CNW	CBW	CTW	CYN	CBL	CY	CHE1	CHE0
.900	-8.000	12.00000	4.00000	-.06359	-.00862	-.01560	.10035	-.02483	-.22341	-.00608	-.00272
.900	-6.000	12.00000	4.00000	-.03529	-.00369	-.00968	.09960	-.02804	-.22335	-.00616	.00662
.900	-4.000	12.00000	4.00000	-.00630	.00151	-.00380	.09778	-.03094	-.22099	-.00848	.01408
.900	-2.000	12.00000	4.00000	.02476	.00685	.00266	.09728	-.03302	-.22322	-.00703	.01551
.900	.000	12.00000	4.00000	.05383	.01200	.00819	.09806	-.03549	-.22648	-.00801	.01680
.900	2.000	12.00000	4.00000	.07970	.01649	.01256	.09367	-.03598	-.22002	-.00880	.01504
.900	4.000	12.00000	4.00000	.09823	.01952	.01407	.09595	-.03762	-.22315	-.00952	.00940
	GRADIENT	00000	00000	.01320	.00228	.00228	-.00036	-.00082	-.00006	-.00039	-.00049

RUN NO 0/ 0 RN/L = 4.09 GRADIENT INTERVAL = -5.00/ 5.00

MACH	ALPHA	ELV-L1	ELV-LO	CNW	CBW	CTW	CYN	CBL	CY	CHE1	CHE0
.975	-8.000	12.00000	4.00000	-.06323	-.00892	-.01396	.11299	-.02916	-.24970	-.02526	.01764
.975	-6.000	12.00000	4.00000	-.03192	-.00340	-.00822	.10711	-.03115	-.24104	-.02448	.01763
.975	-4.000	12.00000	4.00000	-.00034	.00228	-.00257	.10258	-.03363	-.23518	-.02292	.01850
.975	-2.000	12.00000	4.00000	.03244	.00829	.00265	.10062	-.03646	-.23465	-.01933	.01850
.975	.000	12.00000	4.00000	.06329	.01427	.00677	.09763	-.03801	-.23083	-.01429	.01744
.975	2.000	12.00000	4.00000	.09100	.01933	.01060	.09185	-.03836	-.22529	-.01301	.01405
.975	4.000	12.00000	4.00000	.11804	.02382	.01402	.08564	-.03869	-.21870	-.01403	.00973
	GRADIENT	00000	00000	.01477	.00271	.00206	-.00213	-.00060	.00212	.00121	-.00110

RUN NO. 0/ 0 RN/L = 4.21 GRADIENT INTERVAL = -5.00/ 5.00

MACH	ALPHA	ELV-L1	ELV-LO	CNW	CBW	CTW	CYN	CBL	CY	CHE1	CHE0
1.150	-6.000	12.00000	4.00000	-.01280	.00011	-.00689	.10309	-.03289	-.23552	.00785	.02198
1.150	-4.000	12.00000	4.00000	.02481	.00695	-.00337	.10066	-.03713	-.23365	.00508	.02600
1.150	-2.000	12.00000	4.00000	.05678	.01292	-.00011	.09949	-.04034	-.23293	.00120	.03102
1.150	.000	12.00000	4.00000	.08695	.01829	.00345	.10020	-.04179	-.23483	-.00530	.02842
1.150	2.000	12.00000	4.00000	.11434	.02306	.00669	.09955	-.04222	-.23498	-.01203	.01697
	GRADIENT	00000	00000	.01494	.00268	.00169	-.00013	-.00084	-.00029	-.00289	-.00148

LARC 8FT TPT 749 (1A93) OTSAT130

(MJJA31) (18 AUG 76)

REFERENCE DATA

PARAMETRIC DATA

SREF = 2690.0000 SQ.FT. XMRP = 976.0000 IN. XT
 LREF = 1290.3000 INCHES YMRP = .0000 IN. YT
 BREF = 1290.3000 INCHES ZMRP = 400.0000 IN. ZT
 SCALE = .0100

BETA = 6.000 ELV-LI = 12.000
 ELV-LO = 4.000 ELV-RI = 12.000
 ELV-RO = 4.000

RUN NO. 0/ 0 RN/L = 4.22 GRADIENT INTERVAL = -5.00/ 5.00

MACH	ALPHA	ELV-LI	ELV-LO	CNW	CBW	CTW	CYN	CBL	CY	CHEI	CHEO
1.205	-8.000	12.00000	4.00000	-.04614	-.00578	-.01242	.11084	-.03058	-.24707	.01530	.02033
1.205	-6.000	12.00000	4.00000	-.00837	.00095	-.00925	.10765	-.03457	-.24160	.01317	.02170
1.205	-4.000	12.00000	4.00000	.02723	.00736	-.00596	.10556	-.03796	-.23899	.01028	.02769
1.205	-2.000	12.00000	4.00000	.05845	.01304	-.00259	.10425	-.04035	-.23832	.00637	.02867
1.205	.000	12.00000	4.00000	.08728	.01821	.00098	.10485	-.04167	-.24019	.00169	.01991
1.205	2.000	12.00000	4.00000	.11393	.02277	.00458	.10468	-.04231	-.24041	-.00385	.00792
1.205	4.000	12.00000	4.00000	.13614	.02664	.00744	.10164	-.04312	-.23836	-.00882	-.00495
	GRADIENT	.00000	00000	.01366	.00241	00170	-.00037	-.00061	-.00004	-.00242	-.00430

LARC 8FT TPT 749 (1A93) OTSAT130

(MJJA32) (18 AUG 76)

REFERENCE DATA

PARAMETRIC DATA

SREF = 2690.0000 SQ.FT. XMRP = 976.0000 IN. XT
 LREF = 1290.3000 INCHES YMRP = .0000 IN. YT
 BREF = 1290.3000 INCHES ZMRP = 400.0000 IN. ZT
 SCALE = .0100

BETA = -6.000 ELV-LI = 12.000
 ELV-LO = 9.000 ELV-RI = 12.000
 ELV-RO = 9.000

RUN NO. 0/ 0 RN/L = 3.98 GRADIENT INTERVAL = -5.00/ 5.00

MACH	ALPHA	ELV-LI	ELV-LO	CNW	CBW	CTW	CYN	CBL	CY	CHEI	CHEO
.900	-8.000	12.00000	9.00000	-.05057	-.00613	-.01998	-.11299	.03022	.27126	.01424	.00277
.900	-6.000	12.00000	9.00000	-.03041	-.00233	-.01590	-.10768	.03134	.26170	.01645	.00801
.900	-4.000	12.00000	9.00000	-.01012	.00149	-.01170	-.10275	.03243	.25006	.01700	.00725
.900	-2.000	12.00000	9.00000	.01114	.00532	-.00740	-.10055	.03418	.24427	.01700	.00627
.900	.000	12.00000	9.00000	.03475	.00966	-.00304	-.09878	.03621	.23817	.01696	.00313
.900	2.000	12.00000	9.00000	.05984	.01422	.00139	-.09600	.03787	.23329	.01563	-.00637
.900	4.000	12.00000	9.00000	.08193	.01845	.00458	-.09795	.04021	.23901	.00161	-.02350
	GRADIENT	00000	00000	.01164	.00214	00207	00071	00096	-.00176	-.00161	-.00371

ORIGINAL PAGE IS
OF POOR QUALITY

LARC 8FT TPT 749 (1A93) OTSAT130

(MJJA32) (18 AUG 76)

REFERENCE DATA

SREF = 2690.0000 SQ.FT. XMRP = 976.0000 IN. XT
 LREF = 1290.3000 INCHES YMRP = .0000 IN. YT
 BREF = 1290.3000 INCHES ZMRP = 400.0000 IN. ZT
 SCALE = .0100

PARAMETRIC DATA

BETA = 1.000 ELV-L1 = 12.000
 ELV-LO = 9.000 ELV-R1 = 12.000
 ELV-RO = 9.000

RUN NO. 0/ 0 RN/L = 4.09 GRADIENT INTERVAL = -5 00/ 5 00

MACH	ALPHA	ELV-L1	ELV-LO	CNW	CBW	CTW	CYN	CBL	CY	CHE1	CHE0
.975	-8.000	12.00000	9.00000	-.07106	-.00921	-.01939	-.12042	.03485	.29039	.01975	.00075
.975	-6.000	12.00000	9.00000	-.04613	-.00462	-.01580	-.10961	.03539	.27479	.02548	.00341
.975	-4.000	12.00000	9.00000	-.02147	-.00014	-.01177	-.10031	.03559	.25876	.02601	.00558
.975	-2.000	12.00000	9.00000	.00265	.00417	-.00736	-.09305	.03635	.24347	.01858	.00525
.975	.000	12.00000	9.00000	.02596	.00849	-.00342	-.09275	.03762	.23718	.00582	.00259
.975	2.000	12.00000	9.00000	.05164	.01331	-.00000	-.09032	.03848	.23400	-.00983	-.00530
.975	4.000	12.00000	9.00000	.07562	.01802	.00255	-.08746	.03985	.23160	-.02379	-.02601
	GRADIENT	.00000	.00000	.01216	.00227	.00180	.00142	.00053	-.00319	-.00640	-.00369

RUN NO 0/ 0 RN/L = 4.21 GRADIENT INTERVAL = -5.00/ 5.00

MACH	ALPHA	ELV-L1	ELV-LO	CNW	CBW	CTW	CYN	CBL	CY	CHE1	CHE0
1.150	-6.000	12.00000	9.00000	-.04649	-.00496	-.00909	-.10676	.03881	.26923	.02281	-.00420
1.150	-4.000	12.00000	9.00000	-.02041	-.00016	-.00547	-.09962	.04074	.25604	.01893	-.01471
1.150	-2.000	12.00000	9.00000	.00781	.00494	-.00167	-.09773	.04241	.24754	.01422	-.02566
1.150	.000	12.00000	9.00000	.03532	.01013	.00121	-.10045	.04295	.24547	.00734	-.03426
1.150	2.000	12.00000	9.00000	.06117	.01500	.00312	-.10158	.04363	.24603	.00150	-.04146
	GRADIENT	.00000	.00000	.01361	.00253	.00143	-.00043	.00046	-.00160	-.00296	-.00444

RUN NO. 0/ 0 RN/L = 4.22 GRADIENT INTERVAL = -5.00/ 5.00

MACH	ALPHA	ELV-L1	ELV-LO	CNW	CBW	CTW	CYN	CBL	CY	CHE1	CHE0
1.205	-8.000	12.00000	9.00000	-.06867	-.00934	-.00981	-.11844	.03830	.28737	.02611	-.00457
1.205	-6.000	12.00000	9.00000	-.04369	-.00454	-.00723	-.10887	.04005	.27160	.02130	-.01379
1.205	-4.000	12.00000	9.00000	-.01658	.00064	-.00453	-.10195	.04132	.26003	.01736	-.02431
1.205	-2.000	12.00000	9.00000	.01255	.00604	-.00152	-.09998	.04226	.25141	.01392	-.03326
1.205	.000	12.00000	9.00000	.03976	.01108	.00136	-.10309	.04255	.24878	.00839	-.04099
1.205	2.000	12.00000	9.00000	.06310	.01549	.00308	-.10418	.04332	.24903	.00062	-.04823
1.205	4.000	12.00000	9.00000	.08419	.01934	.00474	-.10153	.04457	.24923	-.00729	-.05458
	GRADIENT	.00000	.00000	.01260	.00234	.00116	-.00017	.00038	-.00120	-.00313	-.00378

LARC BFT TPT 749 (1A93) OTSAT130

(MJJA33) (18 AUG 76)

REFERENCE DATA

SREF = 2690 0000 SQ FT XMRP = 976 0000 IN. XT
 LREF = 1290.3000 INCHES YMRP = .0000 IN. YT
 BREF = 1290.3000 INCHES ZMRP = 400.0000 IN. ZT
 SCALE = .0100

PARAMETRIC DATA

BETA = -4.000 ELV-LI = 12.000
 ELV-LO = 9.000 ELV-RI = 12.000
 ELV-RO = 9.000

RUN NO. 0/ 0 RN/L = 3.98 GRADIENT INTERVAL = -5.00/ 5.00

MACH	ALPHA	ELV-LI	ELV-LO	CNW	CBW	CTW	CYN	CBL	CY	CHEI	CHEO
.900	-8.000	12.00000	9.00000	-.05107	-.00596	-.02021	-.07825	.01877	.18605	.01116	.00173
.900	-6.000	12.00000	9.00000	-.03005	-.00205	-.01589	-.07228	.01953	.17606	.01300	.00898
.900	-4.000	12.00000	9.00000	-.00969	.00174	-.01157	-.06826	.02045	.16791	.01305	.00801
.900	-2.000	12.00000	9.00000	.01212	.00566	-.00693	-.06731	.02210	.16463	.01212	.00615
.900	.000	12.00000	9.00000	.03898	.01051	-.00230	-.06452	.02336	.15788	.01108	.00365
.900	2.000	12.00000	9.00000	.06631	.01558	.00226	-.06212	.02442	.15377	.01139	-.00482
.900	4.000	12.00000	9.00000	.08961	.01996	.00571	-.06311	.02565	.15656	-.00050	-.02082
	GRADIENT	.00000	.00000	.01264	.00232	.00219	.00077	.00064	-.00168	-.00139	-.00343

RUN NO 0/ 0 RN/L = 4.09 GRADIENT INTERVAL = -5.00/ 5.00

MACH	ALPHA	ELV-LI	ELV-LO	CNW	CBW	CTW	CYN	CBL	CY	CHEI	CHEO
.975	-8.000	12.00000	9.00000	-.06869	-.00876	-.01910	-.08104	.02293	.19767	.01675	.00027
.975	-6.000	12.00000	9.00000	-.04302	-.00411	-.01524	-.07194	.02297	.18447	.01985	.00232
.975	-4.000	12.00000	9.00000	-.01799	.00044	-.01115	-.06468	.02278	.17156	.01817	.00377
.975	-2.000	12.00000	9.00000	.00682	.00486	-.00658	-.05992	.02329	.15955	.01262	.00371
.975	.000	12.00000	9.00000	.03133	.00946	-.00232	-.06145	.02413	.15597	.00067	.00311
.975	2.000	12.00000	9.00000	.05865	.01473	.00082	-.06008	.02415	.15387	-.01183	-.00181
.975	4.000	12.00000	9.00000	.08478	.01978	.00354	-.05635	.02463	.15122	-.02693	-.01946
	GRADIENT	.00000	.00000	.01287	.00243	.00184	.00082	.00023	-.00232	-.00573	-.00260

RUN NO 0/ 0 RN/L = 4.21 GRADIENT INTERVAL = -5.00/ 5.00

MACH	ALPHA	ELV-LI	ELV-LO	CNW	CBW	CTW	CYN	CBL	CY	CHEI	CHEO
1.150	-6.000	12.00000	9.00000	-.04077	-.00409	-.00862	-.06929	.02499	.17890	.02085	.00079
1.150	-4.000	12.00000	9.00000	-.01243	.00116	-.00481	-.06462	.02656	.16934	.01658	-.00720
1.150	-2.000	12.00000	9.00000	.01773	.00672	-.00109	-.06466	.02766	.16301	.01261	-.01831
1.150	.000	12.00000	9.00000	.04571	.01204	.00160	-.06961	.02830	.16355	.00676	-.02846
1.150	2.000	12.00000	9.00000	.07257	.01695	.00387	-.07042	.02866	.16334	-.00065	-.03673
	GRADIENT	.00000	.00000	.01415	.00263	.00144	-.00112	.00035	-.00087	-.00288	-.00494

LARC 8FT TPT 749 (1A93) OTSAT130

(MJJ433) (18 AUG 76)

REFERENCE DATA

SREF = 2690.0000 SQ.FT XMRP = 976.0000 IN. XT
 LREF = 1290 3000 INCHES YMRP = .0000 IN. YT
 BREF = 1290.3000 INCHES ZMRP = 400.0000 IN. ZT
 SCALE = .0100

PARAMETRIC DATA

BETA = -4.000 ELV-LI = 12.000
 ELV-LO = 9.000 ELV-RI = 12.000
 ELV-RO = 9.000

RUN NO. 0/ 0 RN/L = 4.22 GRADIENT INTERVAL = -5.00/ 5.00

MACH	ALPHA	ELV-LI	ELV-LO	CNW	CBW	CTW	CYN	CBL	CY	CHEI	CHEO
1.205	-8.000	12.00000	9.00000	-.06330	-.00857	-.00949	-.07717	.02520	.19240	.02506	-.00012
1.205	-6.000	12.00000	9.00000	-.03662	-.00344	-.00700	-.07096	.02638	.18219	.02021	-.00775
1.205	-4.000	12.00000	9.00000	-.00697	.00225	-.00440	-.06576	.02684	.17238	.01641	-.01762
1.205	-2.000	12.00000	9.00000	.02394	.00804	-.00134	-.06543	.02747	.16507	.01321	-.02695
1.205	.000	12.00000	9.00000	.05108	.01302	.00149	-.07009	.02805	.16487	.00845	-.03562
1.205	2.000	12.00000	9.00000	.07536	.01741	.00376	-.07169	.02876	.16659	.00197	-.04366
1.205	4.000	12.00000	9.00000	.09569	.02118	.00531	-.06954	.02959	.16655	-.00611	-.05096
	GRADIENT	00000	00000	.01284	.00236	.00123	-.00069	.00034	-.00051	-.00281	-.00417

LARC 8FT TPT 749 (1A93) OTSAT130

(MJJ434) (18 AUG 76)

REFERENCE DATA

SREF = 2690.0000 SQ.FT. XMRP = 976.0000 IN. XT
 LREF = 1290 3000 INCHES YMRP = .0000 IN. YT
 BREF = 1290 3000 INCHES ZMRP = 400.0000 IN. ZT
 SCALE = .0100

PARAMETRIC DATA

BETA = .000 ELV-LI = 12.000
 ELV-LO = 9.000 ELV-RI = 12.000
 ELV-RO = 9.000

RUN NO. 0/ 0 RN/L = 3.98 GRADIENT INTERVAL = -5.00/ 5.00

MACH	ALPHA	ELV-LI	ELV-LO	CNW	CBW	CTW	CYN	CBL	CY	CHEI	CHEO
.900	-8.000	12.00000	9.00000	-.05802	-.00684	-.02001	-.00379	.00065	.01537	-.00059	-.00472
.900	-6.000	12.00000	9.00000	-.03270	-.00239	-.01489	-.00123	-.00015	.01099	.00163	.00449
.900	-4.000	12.00000	9.00000	-.00702	.00208	-.00960	.00021	-.00041	.00909	.00017	.00762
.900	-2.000	12.00000	9.00000	.01960	.00664	-.00386	.00265	-.00086	.00266	-.00313	.00493
.900	.000	12.00000	9.00000	.05148	.01243	.00156	.00391	-.00145	-.00250	-.00418	.00204
.900	2.000	12.00000	9.00000	.08093	.01792	.00574	.00321	-.00113	-.00204	-.00487	-.00415
.900	4.000	12.00000	9.00000	.10537	.02212	.00941	.00262	-.00103	-.00075	-.00554	-.01409
	GRADIENT	00000	00000	.01430	.00257	.00238	.00027	-.00008	-.00122	-.00066	-.00263

LARC 8FT TPT 749 (1A93) OTSAT130

(MJJA34) (18 AUG 76)

REFERENCE DATA

PARAMETRIC DATA

SREF = 2690.0000 SQ.FT. XMRP = 976.0000 IN. XT
 LREF = 1290.3000 INCHES YMRP = .0000 IN. YT
 BREF = 1290.3000 INCHES ZMRP = 400.0000 IN. ZT
 SCALE = .0100

BETA = .000 ELV-LI = 12.000
 ELV-LO = 9.000 ELV-RI = 12.000
 ELV-RO = 9.000

RUN NO. 0/ 0 RN/L = 4.09 GRADIENT INTERVAL = -5.00/ 5.00

MACH	ALPHA	ELV-LI	ELV-LO	CNW	CBW	CTW	CYN	CBL	CY	CHE1	CHE0
.975	-8.000	12.00000	9.00000	-.06478	-.00799	-.01823	-.00208	.00057	.01570	.00350	-.00045
.975	-6.000	12.00000	9.00000	-.03619	-.00295	-.01345	.00127	-.00025	.01102	.00647	.00057
.975	-4.000	12.00000	9.00000	-.00903	.00186	-.00831	.00516	-.00120	.00372	.00512	.00270
.975	-2.000	12.00000	9.00000	.01871	.00676	-.00307	.00752	-.00170	-.00400	-.00165	.00314
.975	.000	12.00000	9.00000	.04749	.01215	.00139	.00620	-.00190	-.00503	-.00983	.00150
.975	2.000	12.00000	9.00000	.07484	.01747	.00442	.00403	-.00176	-.00285	-.01951	-.00029
.975	4.000	12.00000	9.00000	.10132	.02220	.00715	.00155	-.00086	.00076	-.03014	-.00841
	GRADIENT	.00000	.00000	.01384	.00257	.00192	-.00054	.00003	-.00024	-.00442	-.00128

RUN NO. 0/ 0 RN/L = 4.21 GRADIENT INTERVAL = -5.00/ 5.00

MACH	ALPHA	ELV-LI	ELV-LO	CNW	CBW	CTW	CYN	CBL	CY	CHE1	CHE0
1.150	-6.000	12.00000	9.00000	-.02857	-.00208	-.00745	.00052	.00065	.01048	.01838	.00199
1.150	-4.000	12.00000	9.00000	.00553	.00426	-.00369	.00283	-.00006	.00579	.01370	.00421
1.150	-2.000	12.00000	9.00000	.04078	.01069	.00003	.00306	-.00045	.00210	.01088	-.00293
1.150	.000	12.00000	9.00000	.06941	.01597	.00282	.00095	-.00057	.00110	.00825	-.01520
1.150	2.000	12.00000	9.00000	.09487	.02053	.00552	-.00071	-.00028	.00177	.00164	-.02641
	GRADIENT	.00000	.00000	.01483	.00271	.00152	-.00064	-.00004	-.00065	-.00194	-.00521

RUN NO. 0/ 0 RN/L = 4.22 GRADIENT INTERVAL = -5.00/ 5.00

MACH	ALPHA	ELV-LI	ELV-LO	CNW	CBW	CTW	CYN	CBL	CY	CHE1	CHE0
1.205	-8.000	12.00000	9.00000	-.05206	-.00683	-.00913	.00029	.00161	.01281	.02418	.00162
1.205	-6.000	12.00000	9.00000	-.02068	-.00075	-.00674	.00216	.00122	.01000	.01962	.00064
1.205	-4.000	12.00000	9.00000	.01223	.00557	-.00436	.00456	.00025	.00481	.01572	-.00464
1.205	-2.000	12.00000	9.00000	.04535	.01143	-.00093	.00597	-.00049	-.00073	.01318	-.01215
1.205	.000	12.00000	9.00000	.07489	.01668	.00226	.00421	-.00043	-.00228	.01078	-.02350
1.205	2.000	12.00000	9.00000	.09851	.02092	.00498	.00127	-.00013	.00019	.00575	-.03380
1.205	4.000	12.00000	9.00000	.11913	.02463	.00720	-.00040	.00028	.00313	-.00146	-.04222
	GRADIENT	.00000	.00000	.01335	.00238	.00145	-.00073	.00002	-.00012	-.00209	-.00484

LARC 8FT TPT 749 (1A93) OTSAT130

(MJJA35) (18 AUG 76)

REFERENCE DATA

SREF = 2690.0000 SQ.FT XMRP = 976.0000 IN. XT
 LREF = 1290.3000 INCHES YMRP = .0000 IN. YT
 BREF = 1290.3000 INCHES ZMRP = 400.0000 IN. ZT
 SCALE = .0100

PARAMETRIC DATA

BETA = 4.000 ELV-LI = 12.000
 ELV-LO = 9.000 ELV-RI = 12.000
 ELV-RO = 9.000

RUN NO. 0/0 RN/L = 3.98 GRADIENT INTERVAL = -5.00/ 5.00

MACH	ALPHA	ELV-LI	ELV-LO	CNW	CBW	CTW	CYN	CBL	CY	CHEI	CHEO
.900	-8.000	12.00000	9.00000	-.05396	-.00618	-.01823	.06731	-.01646	-.14600	-.01068	-.00605
.900	-6.000	12.00000	9.00000	-.02795	-.00167	-.01245	.06652	-.01902	-.14597	-.00926	-.00050
.900	-4.000	12.00000	9.00000	.00140	.00353	-.00672	.06541	-.02111	-.14475	-.01022	.00279
.900	-2.000	12.00000	9.00000	.03230	.00906	-.00089	.06525	-.02292	-.14854	-.01209	.00320
.900	.000	12.00000	9.00000	.06393	.01485	.00429	.06411	-.02440	-.14835	-.01332	.00125
.900	2.000	12.00000	9.00000	.09374	.02026	.00844	.05159	-.02462	-.14488	-.01513	-.00196
.900	4.000	12.00000	9.00000	.11473	.02354	.01131	.06468	-.02562	-.14949	-.01546	-.00855
	GRADIENT	.00000	.00000	.01441	.00256	.00227	-.00026	-.00054	-.00029	-.00068	-.00139

RUN NO. 0/0 RN/L = 4.09 GRADIENT INTERVAL = -5.00/ 5.00

MACH	ALPHA	ELV-LI	ELV-LO	CNW	CBW	CTW	CYN	CBL	CY	CHEI	CHEO
.975	-8.000	12.00000	9.00000	-.05533	-.00644	-.01712	.07463	-.01943	-.16059	-.01967	-.00158
.975	-6.000	12.00000	9.00000	-.02498	-.00104	-.01175	.07216	-.02140	-.15704	-.02060	-.00128
.975	-4.000	12.00000	9.00000	.00494	.00433	-.00627	.07050	-.02324	-.15459	-.02195	-.00073
.975	-2.000	12.00000	9.00000	.03559	.00994	-.00099	.06951	-.02506	-.15524	-.02131	-.00089
.975	.000	12.00000	9.00000	.06547	.01560	.00341	.07030	-.02691	-.15890	-.01752	-.00239
.975	2.000	12.00000	9.00000	.09412	.02069	.00726	.06513	-.02623	-.15211	-.01941	-.00718
.975	4.000	12.00000	9.00000	.12262	.02555	.01023	.05928	-.02597	-.14690	-.02432	-.01473
	GRADIENT	.00000	.00000	.01469	.00266	.00206	-.00135	-.00033	.00093	-.00014	-.00172

RUN NO. 0/0 RN/L = 4.21 GRADIENT INTERVAL = -5.00/ 5.00

MACH	ALPHA	ELV-LI	ELV-LO	CNW	CBW	CTW	CYN	CBL	CY	CHEI	CHEO
1.150	-6.000	12.00000	9.00000	-.01077	.00109	-.00785	.06814	-.02148	-.15180	.00905	-.00072
1.150	-4.000	12.00000	9.00000	.02633	.00785	-.00413	.06846	-.02494	-.15225	.00600	.00392
1.150	-2.000	12.00000	9.00000	.05874	.01376	-.00064	.06954	-.02736	-.15471	.00189	.00663
1.150	.000	12.00000	9.00000	.08764	.01904	.00263	.07084	-.02846	-.15847	-.00513	-.00065
1.150	2.000	12.00000	9.00000	.11250	.02353	.00554	.07063	-.02852	-.15862	-.01121	-.01264
	GRADIENT	.00000	.00000	.01437	.00261	.00161	.00039	-.00059	-.00114	-.00293	-.00285

LARC 8FT TPT 749 (1A93) OTSAT130

(MJJA35) (18 AUG 76)

REFERENCE DATA

SREF = 2690.0000 SQ.FT. XMRP = 976.0000 IN. XT
 LREF = 1290.3000 INCHES YMRP = .0000 IN. YT
 BREF = 1290.3000 INCHES ZMRP = 400.0000 IN. ZT
 SCALE = .0100

PARAMETRIC DATA

BETA = 4.000 ELV-LI = 12.000
 ELV-LO = 9.000 ELV-RI = 12.000
 ELV-RO = 9.000

RUN NO. 0/ 0 RN/L = 4.22 GRADIENT INTERVAL = -5.00/ 5.00

MACH	ALPHA	ELV-LI	ELV-LO	CNW	CBW	CTW	CYN	CBL	CY	CHEI	CHEO
1.205	-8.000	12.00000	9.00000	-.04183	-.00462	-.01255	.07267	-.01949	-.15807	.01740	-.00176
1.205	-6.000	12.00000	9.00000	-.00574	.00195	-.00936	.07237	-.02240	-.15704	.01460	.00075
1.205	-4.000	12.00000	9.00000	.02841	.00824	-.00627	.07211	-.02496	-.15730	.01181	.00422
1.205	-2.000	12.00000	9.00000	.05958	.01389	-.00286	.07256	-.02701	-.15884	.00892	.00092
1.205	.000	12.00000	9.00000	.08912	.01908	.00100	.07374	-.02817	-.16147	.00476	-.00887
1.205	2.000	12.00000	9.00000	.11273	.02330	.00403	.07369	-.02851	-.16219	-.00135	-.02018
1.205	4.000	12.00000	9.00000	.13443	.02714	.00678	.07077	-.02886	-.16007	-.00783	-.03082
	GRADIENT	.00000	.00000	.01326	.00236	.00165	-.00008	-.00046	-.00044	-.00248	-.00456

LARC 8FT TPT 749 (1A93) OTSAT130

(MJJA36) (18 AUG 76)

REFERENCE DATA

SREF = 2690.0000 SQ.FT. XMRP = 976.0000 IN. XT
 LREF = 1290.3000 INCHES YMRP = .0000 IN. YT
 BREF = 1290.3000 INCHES ZMRP = 400.0000 IN. ZT
 SCALE = .0100

PARAMETRIC DATA

BETA = 6.000 ELV-LI = 12.000
 ELV-LO = 9.000 ELV-RI = 12.000
 ELV-RO = 9.000

RUN NO. 0/ 0 RN/L = 3.98 GRADIENT INTERVAL = -5.00/ 5.00

MACH	ALPHA	ELV-LI	ELV-LO	CNW	CBW	CTW	CYN	CBL	CY	CHEI	CHEO
.900	-8.000	12.00000	9.00000	-.05273	-.00592	-.01755	.10266	-.02668	-.22566	-.01273	-.00597
.900	-6.000	12.00000	9.00000	-.02539	-.00127	-.01138	.10028	-.02911	-.22317	-.01238	-.00115
.900	-4.000	12.00000	9.00000	.00489	.00410	-.00554	.09858	-.03193	-.22143	-.01349	.00154
.900	-2.000	12.00000	9.00000	.03577	.00977	-.00015	.09922	-.03457	-.22530	-.01463	.00195
.900	.000	12.00000	9.00000	.06829	.01577	.00508	.09783	-.03568	-.22432	-.01629	.00034
.900	2.000	12.00000	9.00000	.09961	.02123	.00990	.09471	-.03824	-.22110	-.01742	-.00227
.900	4.000	12.00000	9.00000	.11923	.02419	.01234	.09684	-.03930	-.22380	-.01717	-.00666
	GRADIENT	.00000	.00000	.01463	.00258	.00229	-.00040	-.00092	-.00003	-.00051	-.00103

LARC 8FT TPT 749 (1A93) OTSAT130

(MJJA36) (18 AUG 76)

REFERENCE DATA

PARAMETRIC DATA

SREF = 2690.0000 SQ FT. XMRP = 976.0000 IN. XT
 LREF = 1290.3000 INCHES YMRP = .0000 IN. YT
 BREF = 1290.3000 INCHES ZMRP = 400.0000 IN. ZT
 SCALE = .0100

BETA = 6.000 ELV-L1 = 12.000
 ELV-LO = 9.000 ELV-R1 = 12.000
 ELV-RO = 9.000

RUN NO 0/ 0 RN/L = 4.09 GRADIENT INTERVAL = -5.00/ 5.00

MACH	ALPHA	ELV-L1	ELV-LO	CNW	CBW	CTW	CYN	CBL	CY	CHE1	CHEO
.975	-8.000	12.00000	9.00000	-.05257	-.00587	-.01663	.11481	-.03080	-.25049	-.02688	-.00240
.975	-6.000	12.00000	9.00000	-.02072	-.00030	-.01090	.10942	-.03286	-.24294	-.02740	-.00279
.975	-4.000	12.00000	9.00000	.01210	.00553	-.00503	.10465	-.03529	-.23679	-.02644	-.00255
.975	-2.000	12.00000	9.00000	.04413	.01155	.00006	.10176	-.03784	-.23415	-.02297	-.00264
.975	.000	12.00000	9.00000	.07360	.01714	.00415	.09938	-.03914	-.23229	-.01789	-.00488
.975	2.000	12.00000	9.00000	.10368	.02221	.00849	.09364	-.03947	-.22802	-.01776	-.01033
.975	4.000	12.00000	9.00000	.13224	.02716	.01106	.08774	-.04022	-.22068	-.02029	-.01563
	GRADIENT	00000	00000	.01499	.00270	.00203	-.00210	-.00057	.00192	.00088	-.00169

RUN NO. 0/ 0 RN/L = 4.21 GRADIENT INTERVAL = -5.00/ 5.00

MACH	ALPHA	ELV-L1	ELV-LO	CNW	CBW	CTW	CYN	CBL	CY	CHE1	CHEO
1.150	-6.000	12.00000	9.00000	-.00373	.00238	-.00863	.10437	-.03375	-.23668	.00629	-.00141
1.150	-4.000	12.00000	9.00000	.03375	.00914	-.00491	.10134	-.03771	-.23369	.00303	.00211
1.150	-2.000	12.00000	9.00000	.06611	.01504	-.00143	.10008	-.04074	-.23297	-.00098	.00634
1.150	.000	12.00000	9.00000	.09591	.02030	.00226	.10124	-.04213	-.23557	-.00778	.00336
1.150	2.000	12.00000	9.00000	.12144	.02482	.00548	.10007	-.04237	-.23546	-.01474	-.00641
	GRADIENT	00000	.00000	.01464	.00262	.00174	-.00013	-.00077	-.00040	-.00301	-.00143

RUN NO. 0/ 0 RN/L = 4.22 GRADIENT INTERVAL = -5.00/ 5.00

MACH	ALPHA	ELV-L1	ELV-LO	CNW	CBW	CTW	CYN	CBL	CY	CHE1	CHEO
1.205	-8.000	12.00000	9.00000	-.03799	-.00375	-.01398	.11135	-.03123	-.24724	.01494	-.00197
1.205	-6.000	12.00000	9.00000	-.00059	.00287	-.01062	.10827	-.03506	-.24222	.01226	-.00060
1.205	-4.000	12.00000	9.00000	.03470	.00925	-.00731	.10615	-.03830	-.23987	.00865	.00449
1.205	-2.000	12.00000	9.00000	.06566	.01485	-.00383	.10476	-.04053	-.23880	.00446	.00500
1.205	.000	12.00000	9.00000	.09514	.02001	.00007	.10541	-.04191	-.24057	-.00043	-.00277
1.205	2.000	12.00000	9.00000	.12064	.02440	.00366	.10516	-.04272	-.24174	-.00673	-.01338
1.205	4.000	12.00000	9.00000	.14182	.02812	.00638	.10176	-.04338	-.23880	-.01154	-.02441
	GRADIENT	00000	.00000	.01346	.00236	.00174	-.00042	-.00062	-.00004	-.00258	-.00381

LARC BFT TPT 749 (IA93) OTSAT130

(MJJA37) (18 AUG 76)

REFERENCE DATA

SREF = 2690.0000 SQ FT XMRP = 976 0000 IN. XT
 LREF = 1290.3000 INCHES YMRP = .0000 IN. YT
 BREF = 1290.3000 INCHES ZMRP = 400.0000 IN. ZT
 SCALE = .0100

PARAMETRIC DATA

BETA = -6.000 ELV-LI = 12.000
 ELV-LO = 14.000 ELV-RI = 12.000
 ELV-RO = 14.000

RN/L = 3 98 GRADIENT INTERVAL = -5.00/ 5.00

MACH =	ALPHA	ELV-LI	ELV-LO	CNW	CBW	CTW	CYN	CBL	CY	CHEI	CHEO
.900											
-8.000	12.00000	14.00000	-.03976	-.00430	-.01985	-.11237	.03071	.27008	.00405	-.01638	
-6.000	12.00000	14.00000	-.01977	-.00052	-.01577	-.10767	.03227	.26154	.00549	-.01491	
-4.000	12.00000	14.00000	.00073	.00329	-.01159	-.10290	.03354	.25040	.00586	-.01789	
-2.000	12.00000	14.00000	.02201	.00718	-.00741	-.10014	.03512	.24348	.00558	-.01996	
.000	12.00000	14.00000	.04719	.01180	-.00302	-.09807	.03728	.23699	.00539	-.02276	
2.000	12.00000	14.00000	.07276	.01653	.00112	-.09453	.03900	.23062	.00561	-.02998	
4.000	12.00000	14.00000	.09599	.02094	.00443	-.09656	.04119	.23610	-.00389	-.04218	
GRADIENT	.00000	.00000	.01206	.00223	.00203	.00091	.00096	-.00207	-.00097	-.00293	

RN/L = 4 09 GRADIENT INTERVAL = -5.00/ 5.00

MACH =	ALPHA	ELV-LI	ELV-LO	CNW	CBW	CTW	CYN	CBL	CY	CHEI	CHEO
.975											
-8.000	12.00000	14.00000	-.06087	-.00722	-.01991	-.12105	.03563	.29065	.00859	-.02829	
-6.000	12.00000	14.00000	-.03559	-.00254	-.01640	-.11043	.03624	.27517	.01082	-.02564	
-4.000	12.00000	14.00000	-.01094	.00197	-.01244	-.10161	.03668	.26030	.00735	-.02376	
-2.000	12.00000	14.00000	.01357	.00629	-.00790	-.09389	.03742	.24456	-.00540	-.02533	
.000	12.00000	14.00000	.03824	.01082	-.00397	-.09316	.03843	.23696	-.02100	-.03019	
2.000	12.00000	14.00000	.06437	.01576	-.00068	-.09087	.03948	.23397	-.03375	-.04228	
4.000	12.00000	14.00000	.08956	.02056	.00218	-.08778	.04110	.23194	-.03933	-.05893	
GRADIENT	.00000	.00000	.01259	.00233	.00182	.00153	.00055	-.00337	-.00609	-.00436	

LARC 8FT TPT 749 (1A93) OTSAT130

(MJJA38) (18 AUG 76)

REFERENCE DATA

PARAMETRIC DATA

SREF = 2690.0000 SQ.FT. XMRP = 976.0000 IN. XT
 LREF = 1290.3000 INCHES YMRP = .0000 IN. YT
 BREF = 1290.3000 INCHES ZMRP = 400.0000 IN. ZT
 SCALE = .0100

BETA = -4.000 ELV-LI = 12.000
 ELV-LO = 14.000 ELV-RI = 12.000
 ELV-RO = 14.000

RN/L = 3.98 GRADIENT INTERVAL = -5 00/ 5.00

MACH =	ALPHA	ELV-LI	ELV-LO	CNW	CBW	CTW	CYN	CBL	CY	CHEI	CHEO
.900	-8.000	12.00000	14.00000	-.04033	-.00417	-.02007	-.07806	.01932	.18599	-.00052	-.01827
	-6.000	12.00000	14.00000	-.01919	-.00024	-.01588	-.07286	.02058	.17772	.00048	-.01551
	-4.000	12.00000	14.00000	.00206	.00367	-.01153	-.06910	.02166	.16902	.00013	-.01855
	-2.000	12.00000	14.00000	.02381	.00761	-.00695	-.06753	.02306	.16445	-.00087	-.02141
	.000	12.00000	14.00000	.05240	.01278	-.00223	-.06430	.02428	.15677	-.00173	-.02407
	2.000	12.00000	14.00000	.08012	.01804	.00194	-.06120	.02519	.15167	-.00156	-.03073
	4.000	12.00000	14.00000	.10502	.02266	.00554	-.06205	.02655	.15503	-.00762	-.04071
	GRADIENT	.00000	.00000	.01311	.00242	.00215	.00102	.00060	-.00204	-.00081	-.00268

RN/L = 4.09 GRADIENT INTERVAL = -5 00/ 5.00

MACH =	ALPHA	ELV-LI	ELV-LO	CNW	CBW	CTW	CYN	CBL	CY	CHEI	CHEO
.975	-8.000	12.00000	14.00000	-.05806	-.00676	-.01946	-.08188	.02364	.19849	.00779	-.02926
	-6.000	12.00000	14.00000	-.03190	-.00198	-.01570	-.07308	.02378	.18536	.00737	-.02762
	-4.000	12.00000	14.00000	-.00643	.00268	-.01169	-.06577	.02358	.17208	.00144	-.02656
	-2.000	12.00000	14.00000	.01815	.00708	-.00721	-.06064	.02406	.16007	-.00969	-.02719
	.000	12.00000	14.00000	.04393	.01187	-.00301	-.06243	.02510	.15711	-.02564	-.03094
	2.000	12.00000	14.00000	.07177	.01726	-.00007	-.06118	.02520	.15469	-.03794	-.03994
	4.000	12.00000	14.00000	.09899	.02240	.00294	-.05757	.02590	.15206	-.04500	-.05377
	GRADIENT	.00000	.00000	.01322	.00248	.00182	.00079	.00029	-.00227	-.00606	-.00336

LARC 8FT TPT 749 (1A93) OTSAT130

(MJJA39) (18 AUG 76)

REFERENCE DATA

SREF = 2690.0000 SQ.FT. XMRP = 976.0000 IN. XT
 LREF = 1290.3000 INCHES YMRP = .0000 IN. YT
 BREF = 1290.3000 INCHES ZMRP = 400.0000 IN. ZT
 SCALE = .0100

PARAMETRIC DATA

BETA = .000 ELV-L1 = 12.000
 ELV-LO = 14.000 ELV-R1 = 12.000
 ELV-RO = 14.000

RN/L = 3.98 GRADIENT INTERVAL = -5.00/ 5.00

MACH =	ALPHA	ELV-L1	ELV-LO	CNW	CBW	CTW	CYN	CBL	CY	CHE1	CHE0
.900	-8.000	12.00000	14.00000	-.04683	-.00504	-.02000	-.00414	.00117	.01547	-.01139	-.02403
	-6.000	12.00000	14.00000	-.02107	-.00046	-.01505	-.00160	.00071	.01124	-.01065	-.02001
	-4.000	12.00000	14.00000	.00545	.00420	-.00981	.00000	.00067	.00888	-.01291	-.02119
	-2.000	12.00000	14.00000	.03256	.00889	-.00417	.00247	.00021	.00214	-.01661	-.02487
	.000	12.00000	14.00000	.06484	.01493	.00076	.00350	-.00039	-.00229	-.01755	-.02879
	2.000	12.00000	14.00000	.09569	.02069	.00505	.00243	.00007	-.00139	-.01713	-.03360
	4.000	12.00000	14.00000	.12180	.02507	.00926	.00244	.00012	-.00146	-.01617	-.03942
	GRADIENT	.00000	.00000	.01479	.00268	.00237	.00024	-.00006	-.00121	-.00035	-.00226

RN/L = 4.09 GRADIENT INTERVAL = -5.00/ 5.00

MACH =	ALPHA	ELV-L1	ELV-LO	CNW	CBW	CTW	CYN	CBL	CY	CHE1	CHE0
.975	-8.000	12.00000	14.00000	-.05331	-.00586	-.01848	-.00321	.00136	.01718	-.00015	-.03026
	-6.000	12.00000	14.00000	-.02542	-.00084	-.01399	.00053	.00046	.01164	-.00161	-.03028
	-4.000	12.00000	14.00000	.00247	.00410	-.00890	.00455	-.00048	.00399	-.00821	-.03000
	-2.000	12.00000	14.00000	.03151	.00922	-.00373	.00556	-.00056	-.00124	-.01946	-.02977
	.000	12.00000	14.00000	.06051	.01464	.00060	.00421	-.00083	-.00234	-.03237	-.03118
	2.000	12.00000	14.00000	.08907	.01998	.00374	.00246	-.00066	-.00139	-.04444	-.03724
	4.000	12.00000	14.00000	.11664	.02489	.00649	.00055	.00015	.00084	-.05276	-.04787
	GRADIENT	.00000	.00000	.01429	.00262	.00191	-.00056	.00006	-.00032	-.00570	-.00216

ORIGINAL PAGE IS
OF POOR QUALITY

LARC BFT TPT '749 (1A93) OTSAT130

(MJJA40) (18 AUG 76)

REFERENCE DATA

SREF = 2690.0000 SQ.FT. XMRP = 976.0000 IN. XT
 LREF = 1290 3000 INCHES YMRP = .0000 IN. YT
 BREF = 1290.3000 INCHES ZMRP = 400 0000 IN ZT
 SCALE = .0100

PARAMETRIC DATA

BETA = 4.000 ELV-LI = 12.000
 ELV-LO = 14.000 ELV-RI = 12.000
 ELV-RO = 14.000

RN/L = 3.98 GRADIENT INTERVAL = -5.00/ 5.00

MACH = 900

ALPHA	ELV-LI	ELV-LO	CNW	CBW	CTW	CYN	CBL	CY	CHEI	CHEO
-8.000	12.00000	14.00000	-04256	-00443	-01786	.06686	-01553	-14538	-01971	-02450
-6.000	12.00000	14.00000	-01604	.00022	-01223	.06572	-01776	-14518	-01924	-02274
-4.000	12.00000	14.00000	.01436	.00563	-00672	.06508	-01984	-14462	-02037	-02377
-2.000	12.00000	14.00000	.04590	.01138	-00115	.06411	-02148	-14653	-02136	-02549
.000	12.00000	14.00000	.07844	.01750	.00371	.06373	-02336	-14810	-02207	-02872
2.000	12.00000	14.00000	.10960	.02311	.00797	.06120	-02387	-14572	-02381	-03207
4.000	12.00000	14.00000	.13372	.02695	.01163	.06244	-02468	-14752	-02387	-03670
GRADIENT	.00000	.00000	.01512	.00272	.00229	-.00041	-.00060	-00025	-00047	-.00162

RN/L = 4.09 GRADIENT INTERVAL = -5.00/ 5.00

MACH = 975

ALPHA	ELV-LI	ELV-LO	CNW	CBW	CTW	CYN	CBL	CY	CHEI	CHEO
-8.000	12.00000	14.00000	-04364	-00434	-01713	.07349	-01876	-15918	-02716	-03213
-6.000	12.00000	14.00000	-01366	.00102	-01188	.07128	-02068	-15579	-03030	-03210
-4.000	12.00000	14.00000	.01690	.00648	-00637	.07044	-02261	-15496	-03402	-03290
-2.000	12.00000	14.00000	.04815	.01226	-00124	.06932	-02436	-15532	-03648	-03600
.000	12.00000	14.00000	.07806	.01795	.00274	.06867	-02564	-15682	-03480	-04030
2.000	12.00000	14.00000	.10771	.02309	.00651	.06350	-02487	-15084	-03708	-04760
4.000	12.00000	14.00000	.13841	.02827	.00964	.05759	-02479	-14559	-04243	-05578
GRADIENT	.00000	.00000	.01513	.00272	.00199	-.00158	-.00024	.00116	-.00087	-.00287

LARC 8FT TPT 749 (IA93) OTSAT130

(MJJA41) (18 AUG 76)

REFERENCE DATA

SREF = 2690.0000 SQ.FT. XMRP = 976.0000 IN. XT
 LREF = 1290.3000 INCHES YMRP = .0000 IN. YT
 BREF = 1290.3000 INCHES ZMRP = 400.0000 IN. ZT
 SCALE = .0100

PARAMETRIC DATA

BETA = 6.000 ELV-L1 = 12.000
 ELV-LO = 14.000 ELV-R1 = 12.000
 ELV-RO = 14.000

RN/L = 3.98 GRADIENT INTERVAL = -5.00/ 5.00

MACH =	900	ALPHA	ELV-L1	ELV-LO	CNW	CBW	CTW	CYN	CBL	CY	CHE1	CHE0
	-8.000	12.00000	14.00000	-0.04181	-0.00427	-0.01724	.10195	-0.02561	-0.22481	-0.02132	-0.02509	
	-6.000	12.00000	14.00000	-0.01398	.00055	-0.01129	.09974	-0.02799	-0.22287	-0.02119	-0.02349	
	-4.000	12.00000	14.00000	.01723	.00613	-0.00564	.09866	-0.03094	-0.22211	-0.02177	-0.02440	
	-2.000	12.00000	14.00000	.04927	.01209	-0.00032	.09878	-0.03348	-0.22443	-0.02137	-0.02528	
	.000	12.00000	14.00000	.08371	.01855	.00469	.09633	-0.03547	-0.22178	-0.02273	-0.02826	
	2.000	12.00000	14.00000	.11595	.02418	.00955	.09348	-0.03738	-0.22003	-0.02411	-0.03131	
	4.000	12.00000	14.00000	.13726	.02746	.01261	.09443	-0.03840	-0.22132	-0.02395	-0.03480	
	GRADIENT	.00000	.00000	.01534	.00274	.00232	-0.00069	-0.00094	.00030	-0.00036	-0.00134	

RN/L = 4.09 GRADIENT INTERVAL = -5.00/ 5.00

MACH =	.975	ALPHA	ELV-L1	ELV-LO	CNW	CBW	CTW	CYN	CBL	CY	CHE1	CHE0
	-8.000	12.00000	14.00000	-0.04088	-0.00380	-0.01663	.11427	-0.03019	-0.24993	-0.03301	-0.03438	
	-6.000	12.00000	14.00000	-0.00920	.00179	-0.01100	.10883	-0.03220	-0.24231	-0.03583	-0.03465	
	-4.000	12.00000	14.00000	.02378	.00768	-0.00518	.10419	-0.03459	-0.23621	-0.03753	-0.03490	
	-2.000	12.00000	14.00000	.05623	.01379	-0.00022	.10103	-0.03697	-0.23327	-0.03705	-0.03801	
	.000	12.00000	14.00000	.08669	.01945	.00379	.09824	-0.03805	-0.23149	-0.03334	-0.04331	
	2.000	12.00000	14.00000	.11741	.02459	.00784	.09196	-0.03806	-0.22634	-0.03357	-0.04910	
	4.000	12.00000	14.00000	.14726	.02978	.01053	.08612	-0.03905	-0.21940	-0.03675	-0.05500	
	GRADIENT	.00000	.00000	.01541	.00275	.00197	-0.00226	-0.00050	.00203	.00025	-0.00256	

LARC 8FT TPT 749 (1A93) OTSAT130

(MJJA42) (18 AUG 76)

REFERENCE DATA

PARAMETRIC DATA

SREF = 2690.0000 SQ.FT. XMRP = 976.0000 IN. XT
 LREF = 1290.3000 INCHES YMRP = .0000 IN. YT
 BREF = 1290.3000 INCHES ZMRP = 400.0000 IN. ZT
 SCALE = .0100

BETA = -6.000 ELV-LI = 8.000
 ELV-LO = 14.000 ELV-RI = 8.000
 ELV-RO = 14.000

RN/L = 3.98 GRADIENT INTERVAL = -5.00/ 5.00

MACH =	.900	ALPHA	ELV-LI	ELV-LO	CNW	CBW	CTW	CYN	CBL	CY	CHEI	CHEO
	-8.000	8.00000	14.00000	14.00000	-.04879	-.00539	-.01995	-.11383	.03055	.27149	.02131	-.00732
	-6.000	8.00000	14.00000	14.00000	-.02827	-.00161	-.01596	-.10890	.03205	.26278	.02237	-.00702
	-4.000	8.00000	14.00000	14.00000	-.00717	.00230	-.01197	-.10420	.03328	.25216	.02293	-.01131
	-2.000	8.00000	14.00000	14.00000	.01398	.00623	-.00807	-.10198	.03508	.24593	.02269	-.01449
	.000	8.00000	14.00000	14.00000	.03831	.01077	-.00370	-.09996	.03729	.23935	.02110	-.01779
	2.000	8.00000	14.00000	14.00000	.06453	.01559	.00077	-.09694	.03918	.23420	.01875	-.02492
	4.000	8.00000	14.00000	14.00000	.08821	.02006	.00415	-.09868	.04096	.23906	.01494	-.03808
	GRADIENT	.00000	.00000	.00000	.01207	.00224	.00205	.00080	.00097	-.00190	-.00100	-.00320

RN/L = 4.09 GRADIENT INTERVAL = -5.00/ 5.00

MACH =	.975	ALPHA	ELV-LI	ELV-LO	CNW	CBW	CTW	CYN	CBL	CY	CHEI	CHEO
	-8.000	8.00000	14.00000	14.00000	-.07014	-.00836	-.01884	-.12282	.03597	.29282	.01386	-.02406
	-6.000	8.00000	14.00000	14.00000	-.04496	-.00373	-.01536	-.11174	.03659	.27653	.00975	-.02156
	-4.000	8.00000	14.00000	14.00000	-.02024	.00078	-.01150	-.10213	.03688	.25983	.00881	-.02015
	-2.000	8.00000	14.00000	14.00000	.00446	.00513	-.00712	-.09510	.03768	.24546	.00891	-.02123
	.000	8.00000	14.00000	14.00000	.02959	.00962	-.00318	-.09474	.03867	.23935	.00425	-.02293
	2.000	8.00000	14.00000	14.00000	.05589	.01448	.00011	-.09216	.03939	.23596	-.00304	-.03251
	4.000	8.00000	14.00000	14.00000	.08089	.01927	.00286	-.08849	.04078	.23311	-.00770	-.04943
	GRADIENT	.00000	.00000	.00000	.01268	.00232	.00180	.00151	.00048	-.00315	-.00225	-.00349

LARC 8FT TPT 749 (1A93) OTSAT130

(MJJA43) (18 AUG 76)

REFERENCE DATA

SREF = 2690.0000 SQ.FT. XMRP = 976 0000 IN. XT
 LREF = 1290.3000 INCHES YMRP = .0000 IN. YT
 BREF = 1290.3000 INCHES ZMRP = 400.0000 IN. ZT
 SCALE = .0100

PARAMETRIC DATA

BETA = -4.000 ELV-LI = 8.000
 ELV-LO = 14.000 ELV-RI = 8.000
 ELV-RO = 14.000

RN/L = 3.98 GRADIENT INTERVAL = -5.00/ 5.00

MACH = .900

ALPHA	ELV-LI	ELV-LO	CNW	CBW	CTW	CYN	CBL	CY	CHEI	CHEO
-8.000	8.00000	14.00000	-.04887	-.00525	-.02019	-.07879	.01912	.18647	.01676	-.00865
-6.000	8.00000	14.00000	-.02819	-.00143	-.01617	-.07332	.02032	.17779	.01799	-.00728
-4.000	8.00000	14.00000	-.00665	.00257	-.01208	-.06978	.02135	.17042	.01824	-.01160
-2.000	8.00000	14.00000	.01663	.00673	-.00748	-.06841	.02277	.16567	.01855	-.01523
.000	8.00000	14.00000	.04453	.01181	-.00270	-.06576	.02418	.15873	.01687	-.01887
2.000	8.00000	14.00000	.07247	.01720	.00158	-.06270	.02534	.15372	.01308	-.02522
4.000	8.00000	14.00000	.09781	.02182	.00528	-.06352	.02620	.15725	.01150	-.03632
GRADIENT	.00000	.00000	.01324	.00245	.00219	.00091	.00061	-.00191	-.00095	-.00297

RN/L = 4.09 GRADIENT INTERVAL = -5.00/ 5.00

MACH = .975

ALPHA	ELV-LI	ELV-LO	CNW	CBW	CTW	CYN	CBL	CY	CHEI	CHEO
-8.000	8.00000	14.00000	-.06699	-.00783	-.01857	-.08269	.02379	.19929	.01096	-.02503
-6.000	8.00000	14.00000	-.04108	-.00310	-.01488	-.07370	.02402	.18561	.00482	-.02366
-4.000	8.00000	14.00000	-.01542	.00156	-.01076	-.06691	.02405	.17281	.00287	-.02306
-2.000	8.00000	14.00000	.01003	.00603	-.00618	-.06281	.02479	.16298	.00477	-.02351
.000	8.00000	14.00000	.03570	.01072	-.00208	-.06387	.02537	.15888	.00255	-.02470
2.000	8.00000	14.00000	.06296	.01595	.00102	-.06231	.02526	.15616	-.00622	-.03031
4.000	8.00000	14.00000	.09038	.02104	.00399	-.05808	.02585	.15322	-.01348	-.04490
GRADIENT	.00000	.00000	.01323	.00244	.00183	.00091	.00020	-.00230	-.00219	-.00252

LARC 8FT TPT 749 (1A93) OTSAT130

(MJJA44) (18 AUG 76)

REFERENCE DATA

SREF = 2690.0000 SQ FT XMRP = 976 0000 IN. XT
 LREF = 1290.3000 INCHES YMRP = 0000 IN. YT
 BREF = 1290.3000 INCHES ZMRP = 400.0000 IN. ZT
 SCALE = .0100

PARAMETRIC DATA

BETA = 000 ELV-LI = 8.000
 ELV-LO = 14.000 ELV-RI = 8.000
 ELV-RO = 14.000

RN/L = 3.98 GRADIENT INTERVAL = -5.00/ 5.00

MACH =	ALPHA	ELV-LI	ELV-LO	CNW	CBW	CTW	CYN	CBL	CY	CHEI	CHEO
.900	-8.000	8.00000	14.00000	-.05437	-.00620	-.01956	-.00429	.00116	.01563	.00124	-.01529
	-6.000	8.00000	14.00000	-.02886	-.00171	-.01470	-.00123	.00055	.01065	.00414	-.01180
	-4.000	8.00000	14.00000	-.00234	.00296	-.00943	.00050	.00045	.00809	.00297	-.01400
	-2.000	8.00000	14.00000	.02453	.00761	-.00385	.00193	.00028	.00301	.00083	-.01787
	.000	8.00000	14.00000	.05656	.01364	.00106	.00279	-.00030	-.00120	.00106	-.02310
	2.000	8.00000	14.00000	.08696	.01949	.00516	.00198	.00006	-.00043	.00056	-.02888
	4.000	8.00000	14.00000	.11370	.02393	.00987	.00143	.00019	.00078	.00143	-.03475
	GRADIENT	.00000	.00000	.01472	.00269	.00238	.00010	-.00004	-.00090	-.00017	-.00263

RN/L = 4.09 GRADIENT INTERVAL = -5.00/ 5.00

MACH =	ALPHA	ELV-LI	ELV-LO	CNW	CBW	CTW	CYN	CBL	CY	CHEI	CHEO
.975	-8.000	8.00000	14.00000	-.06078	-.00673	-.01778	-.00327	.00137	.01709	.00038	-.02711
	-6.000	8.00000	14.00000	-.03288	-.00173	-.01348	.00028	.00059	.01204	-.00495	-.02728
	-4.000	8.00000	14.00000	-.00399	.00333	-.00860	.00369	-.00014	.00537	-.00837	-.02699
	-2.000	8.00000	14.00000	.02516	.00840	-.00329	.00567	-.00062	-.00110	-.00863	-.02706
	.000	8.00000	14.00000	.05282	.01362	.00106	.00441	-.00098	-.00224	-.00552	-.02809
	2.000	8.00000	14.00000	.08163	.01904	.00507	.00325	-.00101	-.00258	-.00951	-.03094
	4.000	8.00000	14.00000	.10755	.02365	.00801	-.00068	.00027	.00249	-.02180	-.03921
	GRADIENT	.00000	.00000	.01398	.00256	.00208	-.00050	.00002	-.00036	-.00139	-.00142

LARC 8FT TPT 749 (1A93) OTSAT130

(MJJA45) (18 AUG 76)

REFERENCE DATA

SREF = 2690.0000 SQ FT. XMRP = 976.0000 IN. XT
 LREF = 1290.3000 INCHES YMRP = .0000 IN. YT
 BREF = 1290.3000 INCHES ZMRP = 400.0000 IN. ZT
 SCALE = .0100

PARAMETRIC DATA

BETA = 4.000 ELV-LI = 8.000
 ELV-LO = 14.000 ELV-R1 = 8.000
 ELV-RO = 14.000

RN/L = 3.98 GRADIENT INTERVAL = -5.00/ 5.00

MACH =	ALPHA	ELV-LI	ELV-LO	CNW	CBW	CTW	CYN	CBL	CY	CHEI	CHEO
	-8.000	8.00000	14.00000	-.04975	-.00558	-.01708	.06741	-.01536	-.14659	-.01231	-.02084
	-6.000	8.00000	14.00000	-.02325	-.00092	-.01156	.06596	-.01758	-.14520	-.00823	-.01807
	-4.000	8.00000	14.00000	.00659	.00446	-.00610	.06450	-.01956	-.14310	-.00769	-.01868
	-2.000	8.00000	14.00000	.03761	.01009	-.00050	.06504	-.02161	-.14823	-.00912	-.02106
	.000	8.00000	14.00000	.07057	.01623	.00430	.06357	-.02301	-.14760	-.01007	-.02538
	2.000	8.00000	14.00000	.10187	.02200	.00869	.06180	-.02390	-.14613	-.01186	-.02949
	4.000	8.00000	14.00000	.12430	.02558	.01238	.06263	-.02440	-.14703	-.01170	-.03371
	GRADIENT	.00000	.00000	.01498	.00271	.00231	-.00035	-.00060	-.00029	-.00054	-.00193

RN/L = 4.09 GRADIENT INTERVAL = -5.00/ 5.00

MACH =	ALPHA	ELV-LI	ELV-LO	CNW	CBW	CTW	CYN	CBL	CY	CHEI	CHEO
	-8.000	8.00000	14.00000	-.05111	-.00529	-.01604	.07369	-.01884	-.15978	-.01043	-.02712
	-6.000	8.00000	14.00000	-.02065	.00017	-.01103	.07179	-.02089	-.15689	-.01496	-.02658
	-4.000	8.00000	14.00000	.01042	.00569	-.00578	.07083	-.02289	-.15539	-.01819	-.02540
	-2.000	8.00000	14.00000	.04097	.01131	-.00092	.07011	-.02476	-.15577	-.02037	-.02564
	.000	8.00000	14.00000	.07179	.01717	.00346	.06922	-.02603	-.15693	-.02042	-.02932
	2.000	8.00000	14.00000	.10093	.02210	.00804	.06435	-.02528	-.15254	-.02541	-.03804
	4.000	8.00000	14.00000	.12822	.02692	.01111	.05710	-.02452	-.14475	-.03053	-.04813
	GRADIENT	.00000	.00000	.01478	.00266	.00214	-.00166	-.00019	.00123	-.00149	-.00289

ORIGINAL PAGE IS
OF POOR QUALITY

LARC BFT TPT /49 (1A93) OTSAT130

(MJJA46) (18 AUG 76)

REFERENCE DATA

SREF = 2690.0000 SQ.FT. XMRP = 976.0000 IN. XT
 LREF = 1290.3000 INCHES YMRP = .0000 IN. YT
 BREF = 1290.3000 INCHES ZMRP = 400.0000 IN. ZT
 SCALE = .0100

PARAMETRIC DATA

BETA = 6.000 ELV-LI = 8.000
 ELV-LO = 14.000 ELV-RI = 8.000
 ELV-RO = 14.000

RN/L = 3.98 GRADIENT INTERVAL = -5.00/ 5.00

MACH =	ALPHA	ELV-LI	ELV-LO	CNW	CBW	CTW	CYN	CBL	CY	CHEI	CHEO
.900	-8.000	8.00000	14.00000	-.04900	-.00537	-.01638	.10223	-.02523	-.22501	-.01604	-.02241
	-6.000	8.00000	14.00000	-.02174	-.00059	-.01066	.10076	-.02788	-.22383	-.01087	-.01968
	-4.000	8.00000	14.00000	00888	.00495	-.00514	.09936	-.03076	-.22227	-.01025	-.02033
	-2.000	8.00000	14.00000	04134	.01092	00033	.09950	-.03337	-.22511	-.01131	-.02196
	0.000	8.00000	14.00000	07576	01736	00530	.09812	-.03558	-.22501	-.01274	-.02550
	2.000	8.00000	14.00000	.10709	02295	.01007	.09427	-.03713	-.22048	-.01403	-.02909
	4.000	8.00000	14.00000	.12708	02595	.01332	.09517	-.03799	-.22187	-.01348	-.03265
	GRADIENT	.00000	00000	.01511	00270	.00233	-.00068	-.00091	.00027	-.00046	-.00159

RN/L = 4.09 GRADIENT INTERVAL = -5.00/ 5.00

MACH =	ALPHA	ELV-LI	ELV-LO	CNW	CBW	CTW	CYN	CBL	CY	CHEI	CHEO
.975	-8.000	8.00000	14.00000	-.04801	-.00468	-.01538	.11452	-.03023	-.25009	-.01424	-.02862
	-6.000	8.00000	14.00000	-.01613	00096	-.01000	.10960	-.03240	-.24322	-.02049	-.02781
	-4.000	8.00000	14.00000	.01688	00682	-.00459	.10559	-.03504	-.23806	-.02430	-.02570
	-2.000	8.00000	14.00000	04925	.01283	00015	.10267	-.03752	-.23516	-.02613	-.02603
	0.000	8.00000	14.00000	07948	01850	.00442	.09944	-.03846	-.23260	-.02608	-.03185
	2.000	8.00000	14.00000	.10921	.02348	.00901	.09225	-.03807	-.22614	-.02796	-.04077
	4.000	8.00000	14.00000	.13751	.02841	.01209	.08606	-.03871	-.21902	-.03002	-.04842
	GRADIENT	.00000	00000	.01506	.00269	.00211	-.00247	-.00039	.00236	-.00066	-.00301

LARC BFT TPT 749 (1A93) OTSAT130

(MJJA47) (18 AUG 76)

REFERENCE DATA

SREF = 2690.0000 SQ FT. XMRP = 976.0000 IN. XT
 LREF = 1290.3000 INCHES YMRP = .0000 IN. YT
 BREF = 1290.3000 INCHES ZMRP = 400.0000 IN. ZT
 SCALE = .0100

PARAMETRIC DATA

BETA = -6.000 ELV-L1 = 8.000
 ELV-LO = 4.000 ELV-R1 = 8.000
 ELV-RO = 4.000

		RUN NO.	0/ 0	RN/L =	3.98	GRADIENT INTERVAL =		-5.00/	5.00			
MACH	ALPHA	ELV-L1	ELV-LO	CNW	CBW	CTW	CYN	CBL	CY	CHE1	CHE0	
.900	-8.000	8.00000	4.00000	-.06334	-.00901	-.01711	-.11596	.03109	.27340	.03093	.01121	
.900	-6.000	8.00000	4.00000	-.04029	-.00471	-.01322	-.11015	.03216	.26439	.03033	.01370	
.900	-4.000	8.00000	4.00000	-.01919	-.00073	-.00955	-.10562	.03329	.25403	.02994	.01513	
.900	-2.000	8.00000	4.00000	.00105	.00298	-.00567	-.10434	.03483	.24867	.02958	.01931	
.900	.000	8.00000	4.00000	.02363	.00681	-.00039	-.10222	.03628	.24168	.03026	.01908	
.900	2.000	8.00000	4.00000	.04542	.01060	.00448	-.10124	.03713	.24018	.03181	.01085	
.900	4.000	8.00000	4.00000	.06619	.01453	.00796	-.10224	.04034	.24277	.03000	-.00298	
	GRADIENT	00000	.00000	.01076	.00191	.00226	.00049	.00082	-.00155	.00012	-.00223	

		RUN NO.	0/ 0	RN/L =	4.09	GRADIENT INTERVAL =		-5.00/	5.00			
MACH	ALPHA	ELV-L1	ELV-LO	CNW	CBW	CTW	CYN	CBL	CY	CHE1	CHE0	
.975	-8.000	8.00000	4.00000	-.08696	-.01254	-.01533	-.12257	.03537	.29170	.02059	.02962	
.975	-6.000	8.00000	4.00000	-.06277	-.00808	-.01181	-.11197	.03637	.27621	.01677	.03084	
.975	-4.000	8.00000	4.00000	-.03848	-.00375	-.00769	-.10311	.03714	.26178	.01576	.03168	
.975	-2.000	8.00000	4.00000	-.01399	.00061	-.00350	-.09595	.03784	.24710	.01680	.03005	
.975	.000	8.00000	4.00000	.01071	.00492	.00062	-.09557	.03910	.24002	.01777	.02353	
.975	2.000	8.00000	4.00000	.03608	.00958	.00435	-.09347	.04004	.23666	.01886	.01465	
.975	4.000	8.00000	4.00000	.05923	.01409	.00703	-.09298	.04138	.23831	.02225	.00382	
	GRADIENT	00000	00000	.01227	.00223	.00187	.00114	.00053	-.00287	.00075	-.00356	

		RUN NO.	0/ 0	RN/L =	4.21	GRADIENT INTERVAL =		-5.00/	5.00			
MACH	ALPHA	ELV-L1	ELV-LO	CNW	CBW	CTW	CYN	CBL	CY	CHE1	CHE0	
1.150	-6.000	8.00000	4.00000	-.05975	-.00767	-.00524	-.10722	.03858	.26969	.07494	.02352	
1.150	-4.000	8.00000	4.00000	-.03373	-.00296	-.00153	-.09985	.04069	.25692	.07038	.01109	
1.150	-2.000	8.00000	4.00000	-.00601	.00208	.00212	-.09809	.04258	.24901	.06482	-.00165	
1.150	.000	8.00000	4.00000	.02312	.00746	.00506	-.10118	.04326	.24595	.05441	-.01194	
1.150	2.000	8.00000	4.00000	.04977	.01239	.00710	-.10260	.04423	.24781	.04197	-.02160	
	GRADIENT	00000	.00000	.01398	.00257	.00144	-.00057	.00056	-.00152	-.00478	-.00542	

LARC 8FT TPT 749 (1A93) OTSAT130

(MJJA47) (18 AUG 76)

REFERENCE DATA

SREF = 2690.0000 SQ.FT. XMRP = 976.0000 IN. XT
 LREF = 1290.3000 INCHES YMRP = .0000 IN. YT
 BREF = 1290.3000 INCHES ZMRP = 400.0000 IN. ZT
 SCALE = .0100

PARAMETRIC DATA

BETA = -6.000 ELV-LI = 8.000
 ELV-LO = 4.000 ELV-RI = 8.000
 ELV-RO = 4.000

RUN NO. 0/ 0 RN/L = 4.22 GRADIENT INTERVAL = -5.00/ 5.00

MACH	ALPHA	ELV-LI	ELV-LO	CNW	CBW	CTW	CYN	CBL	CY	CHEI	CHEO
1.205	-8.000	8.00000	4.00000	-.08065	-.01183	-.00597	-.11957	.03832	.28817	.07727	.02119
1.205	-6.000	8.00000	4.00000	-.05516	-.00705	-.00328	-.11021	.04043	.27349	.07131	.00930
1.205	-4.000	8.00000	4.00000	-.02796	-.00195	-.00048	-.10292	.04165	.26180	.06637	-.00184
1.205	-2.000	8.00000	4.00000	.00048	.00339	.00234	-.10032	.04236	.25223	.06162	-.01099
1.205	.000	8.00000	4.00000	.02781	.00846	.00500	-.10371	.04291	.25017	.05344	-.02075
1.205	2.000	8.00000	4.00000	.05163	.01296	.00674	-.10510	.04382	.24973	.04347	-.02997
1.205	4.000	8.00000	4.00000	.07286	.01683	.00841	-.10258	.04513	.24999	.03154	-.03616
	GRADIENT	00000	00000	01264	.00236	.00111	-.00020	.00042	-.00131	-.00439	-.00438

LARC 8FT TPT 749 (1A93) OTSAT130

(MJJA48) (18 AUG 76)

REFERENCE DATA

SREF = 2690.0000 SQ FT. XMRP = 976.0000 IN. XT
 LREF = 1290.3000 INCHES YMRP = .0000 IN. YT
 BREF = 1290.3000 INCHES ZMRP = 400.0000 IN. ZT
 SCALE = 0100

PARAMETRIC DATA

BETA = -4.000 ELV-LI = 8.000
 ELV-LO = 4.000 ELV-RI = 8.000
 ELV-RO = 4.000

RUN NO. 0/ 0 RN/L = 3.98 GRADIENT INTERVAL = -5.00/ 5.00

MACH	ALPHA	ELV-LI	ELV-LO	CNW	CBW	CTW	CYN	CBL	CY	CHEI	CHEO
.900	-8.000	8.00000	4.00000	-.06357	-.00890	-.01740	-.07967	.01944	.18682	.02969	.00913
.900	-6.000	8.00000	4.00000	-.03964	-.00447	-.01334	-.07400	.02041	.17851	.02860	.01281
.900	-4.000	8.00000	4.00000	-.01841	-.00049	-.00935	-.06979	.02115	.16951	.02762	.01471
.900	-2.000	8.00000	4.00000	.00284	.00332	-.00502	-.06924	.02240	.16569	.02691	.01888
.900	.000	8.00000	4.00000	.02710	.00748	.00042	-.06609	.02317	.15737	.02696	.01871
.900	2.000	8.00000	4.00000	.05249	.01171	.00611	-.06677	.02367	.15915	.03129	.01469
.900	4.000	8.00000	4.00000	.07391	.01583	.00952	-.06629	.02570	.15956	.02878	.00022
	GRADIENT	00000	.00000	.01171	.00205	.00244	.00047	.00052	-.00132	.00034	-.00166

LARC 8FT TPT 749 (1A93) OTSAT130

(MJJA48) (18 AUG 76)

REFERENCE DATA

SREF = 2690.0000 SQ.FT. XMRP = 976.0000 IN. XT
 LREF = 1290.3000 INCHES YMRP = .0000 IN. YT
 BREF = 1290.3000 INCHES ZMRP = 400.0000 IN. ZT
 SCALE = .0100

PARAMETRIC DATA

BETA = -4.000 ELV-LI = 8.000
 ELV-LO = 4.000 ELV-RI = 8.000
 ELV-RO = 4.000

RUN NO. 0/ 0 RN/L = 4.09 GRADIENT INTERVAL = -5.00/ 5.00

MACH	ALPHA	ELV-LI	ELV-LO	CNW	CBW	CTW	CYN	CBL	CY	CHEI	CHEO
.975	-8.000	8.00000	4.00000	-.08440	-.01205	-.01497	-.08288	02354	.19894	.01854	.02939
.975	-6.000	8.00000	4.00000	-.05919	-.00751	-.01120	-.07362	02392	.18580	.01239	.03068
.975	-4.000	8.00000	4.00000	-.03397	-.00307	-.00692	-.06614	.02382	.17247	.01082	.03191
.975	-2.000	8.00000	4.00000	-.01020	00127	-.00288	-.06190	02437	.16136	.01297	.03142
.975	.000	8.00000	4.00000	.01396	.00572	.00098	-.06359	02534	.15871	.01552	.02738
.975	2.000	8.00000	4.00000	.04291	.01102	.00524	-.06188	.02518	.15485	.01522	.01922
.975	4.000	8.00000	4.00000	.06760	.01583	.00792	-.05794	.02555	.15214	.01530	.00808
	GRADIENT	00000	00000	01281	.00238	.00189	00082	00021	-.00236	.00056	-.00299

RUN NO 0/ 0 RN/L = 4.21 GRADIENT INTERVAL = -5.00/ 5.00

MACH	ALPHA	ELV-LI	ELV-LO	CNW	CBW	CTW	CYN	CBL	CY	CHEI	CHEO
1.150	-6.000	8.00000	4.00000	-.05362	-.00683	-.00458	-.06991	02486	.18041	.07102	.03042
1.150	-4.000	8.00000	4.00000	-.02643	-.00181	-.00095	-.06510	02658	.17093	.06537	.02037
1.150	-2.000	8.00000	4.00000	.00354	.00377	.00268	-.05498	02777	.16397	.06091	.00742
1.150	.000	8.00000	4.00000	.03396	.00945	.00560	-.07014	.02835	.16397	.05371	-.00438
1.150	2.000	8.00000	4.00000	.06075	.01434	.00762	-.07143	.02922	.16588	.04165	-.01567
	GRADIENT	00000	00000	.01460	.00271	.00143	-.00121	00042	-.00076	-.00392	-.00600

RUN NO 0/ 0 RN/L = 4.22 GRADIENT INTERVAL = -5.00/ 5.00

MACH	ALPHA	ELV-LI	ELV-LO	CNW	CBW	CTW	CYN	CBL	CY	CHEI	CHEO
1.205	-8.000	8.00000	4.00000	-.07607	-.01119	-.00561	-.07806	.02515	.19309	.07421	.02822
1.205	-6.000	8.00000	4.00000	-.04798	-.00596	-.00287	-.07228	02680	.18368	.06800	.01782
1.205	-4.000	8.00000	4.00000	-.01841	-.00031	-.00030	-.06724	02733	.17409	.06379	.00617
1.205	-2.000	8.00000	4.00000	.01140	.00532	.00251	-.06608	.02763	.16598	.06138	-.00331
1.205	.000	8.00000	4.00000	.03952	.01038	.00529	-.07008	02821	.16544	.05499	-.01367
1.205	2.000	8.00000	4.00000	.06424	.01492	.00736	-.07192	02895	.16610	.04483	-.02435
1.205	4.000	8.00000	4.00000	.08455	.01865	.00897	-.07058	.03026	.16791	.03372	-.03200
	GRADIENT	.00000	00000	01284	.00238	.00117	-.00063	00036	-.00061	-.00383	-.00487

ORIGINAL PAGE IS
OF POOR QUALITY

LARC BFT TPT 749 (1A93) OTSAT130

(MJJA49) (18 AUG 76)

REFERENCE DATA

SREF = 2690.0000 SQ FT. XMRP = 976.0000 IN. XT
 LREF = 1290.3000 INCHES YMRP = .0000 IN. YT
 BREF = 1290.3000 INCHES ZMRP = 400.0000 IN. ZT
 SCALE = .0100

PARAMETRIC DATA

BETA = .000 ELV-LI = 8.000
 ELV-LO = 4.000 ELV-RI = 8.000
 ELV-RO = 4.000

		RUN NO. 0/ 0		RN/L = 3.98		GRADIENT INTERVAL = -5.00/ 5.00					
MACH	ALPHA	ELV-LI	ELV-LO	CNW	CBW	CTW	CYN	CBL	CY	CHEI	CHEO
.900	-8.000	8.00000	4.00000	-.06748	-.00945	-.01678	-.00643	.00174	.01852	.01993	.00353
.900	-6.000	8.00000	4.00000	-.04069	-.00473	-.01189	-.00218	.00060	.01113	.01905	.00900
.900	-4.000	8.00000	4.00000	-.01660	-.00044	-.00682	.00017	.00013	.00816	.01631	.01422
.900	-2.000	8.00000	4.00000	.01122	.00428	-.00105	.00059	-.00004	.00595	.01619	.01657
.900	.000	8.00000	4.00000	.03706	.00889	.00481	.00179	-.00063	-.00026	.01803	.01975
.900	2.000	8.00000	4.00000	.06289	.01329	.01045	.00169	-.00041	-.00114	.02184	.02017
.900	4.000	8.00000	4.00000	.08195	.01650	.01363	.00192	-.00014	-.00094	.02714	.00956
.900	GRADIENT	.00000	.00000	.01244	.00215	.00262	.00023	-.00005	-.00126	.00137	-.00029

		RUN NO 0/ 0		RN/L = 4.09		GRADIENT INTERVAL = -5.00/ 5.00					
MACH	ALPHA	ELV-LI	ELV-LO	CNW	CBW	CTW	CYN	CBL	CY	CHEI	CHEO
.975	-8.000	8.00000	4.00000	-.07764	-.01117	-.01353	-.00444	.00145	.01882	.00774	.02805
.975	-6.000	8.00000	4.00000	-.05032	-.00623	-.00914	-.00152	.00082	.01438	.00226	.02943
.975	-4.000	8.00000	4.00000	-.02359	-.00149	-.00437	.00242	.00005	.00616	-.00160	.03232
.975	-2.000	8.00000	4.00000	.00384	.00328	.00052	.00557	-.00058	-.00204	-.00143	.03349
.975	.000	8.00000	4.00000	.03294	.00864	.00482	.00532	-.00116	-.00438	.00134	.03190
.975	2.000	8.00000	4.00000	.06200	.01417	.00861	.00295	-.00111	-.00144	.00443	.02745
.975	4.000	8.00000	4.00000	.08627	.01878	.01159	.00029	-.00032	.00231	.00691	.01766
.975	GRADIENT	.00000	.00000	.01389	.00257	.00200	-.00034	-.00006	-.00036	.00114	-.00177

		RUN NO 0/ 0		RN/L = 4.21		GRADIENT INTERVAL = -5.00/ 5.00					
MACH	ALPHA	ELV-LI	ELV-LO	CNW	CBW	CTW	CYN	CBL	CY	CHEI	CHEO
1.150	-6.000	8.00000	4.00000	-.04256	-.00502	-.00294	.00021	.00072	.01046	.06307	.03266
1.150	-4.000	8.00000	4.00000	-.00897	.00124	.00042	.00272	.00008	.00575	.05662	.03542
1.150	-2.000	8.00000	4.00000	.02680	.00779	.00394	.00278	-.00028	.00236	.05276	.02671
1.150	.000	8.00000	4.00000	.05642	.01321	.00700	.00055	-.00034	.00112	.05013	.01195
1.150	2.000	8.00000	4.00000	.08203	.01774	.00957	-.00157	.00009	.00259	.04249	-.00185
1.150	GRADIENT	.00000	.00000	.01513	.00275	.00153	-.00075	-.00000	-.00054	-.00225	-.00633

LARC 8FT TPT 749 (IA93) OTSAT130

(MJJA49) (18 AUG 76)

REFERENCE DATA

PARAMETRIC DATA

SREF = 2690.0000 SQ.FT. XMRP = 976.0000 IN. XT
 LREF = 1290.3000 INCHES YMRP = .0000 IN. YT
 BREF = 1290.3000 INCHES ZMRP = 400.0000 IN. ZT
 SCALE = .0100

BETA = .000 ELV-LI = 8.000
 ELV-LO = 4.000 ELV-RI = 8.000
 ELV-RO = 4.000

RUN NO. 0/0 RN/L = 4.22 GRADIENT INTERVAL = -5.00/ 5.00

MACH	ALPHA	ELV-LI	ELV-LO	CNW	CBW	CTW	CYN	CBL	CY	CHEI	CHEO
1.205	-8.000	8.00000	4.00000	-.06532	-.00954	-.00502	-.00065	.00190	.01367	.07000	.03093
1.205	-6.000	8.00000	4.00000	-.03342	-.00345	-.00253	.00112	.00158	.01115	.06435	.02901
1.205	-4.000	8.00000	4.00000	-.00072	.00283	-.00043	.00391	.00056	.00558	.05912	.02293
1.205	-2.000	8.00000	4.00000	.03222	.00871	.00275	.00508	-.00034	-.00137	.05582	.01383
1.205	.000	8.00000	4.00000	.06200	.01395	.00625	.00377	-.00016	-.00192	.05410	.00082
1.205	2.000	8.00000	4.00000	.08533	-.01821	.00855	.00033	.00027	.00179	.04929	-.01046
1.205	4.000	8.00000	4.00000	.10573	.02200	.01037	-.00101	.00056	.00389	.03891	-.02110
	GRADIENT	.00000	.00000	.01330	.00239	.00137	-.00078	.00003	-.00001	-.00235	-.00562

LARC 8FT TPT 749 (IA93) OTSAT130

(MJJA50) (18 AUG 76)

REFERENCE DATA

PARAMETRIC DATA

SREF = 2690.0000 SQ FT. XMRP = 976.0000 IN. XT
 LREF = 1290.3000 INCHES YMRP = .0000 IN. YT
 BREF = 1290.3000 INCHES ZMRP = 400.0000 IN. ZT
 SCALE = 0100

BETA = 4.000 ELV-LI = 8.000
 ELV-LO = 4.000 ELV-RI = 8.000
 ELV-RO = 4.000

RUN NO. 0/0 RN/L = 3.98 GRADIENT INTERVAL = -5.00/ 5.00

MACH	ALPHA	ELV-LI	ELV-LO	CNW	CBW	CTW	CYN	CBL	CY	CHEI	CHEO
.900	-8.000	8.00000	4.00000	-.06307	-.00869	-.01509	.06621	-.01525	-.14493	.00204	-.00347
.900	-6.000	8.00000	4.00000	-.03668	-.00401	-.00976	.06609	-.01820	-.14592	.00630	-.00363
.900	-4.000	8.00000	4.00000	-.00938	.00089	-.00400	.06462	-.02039	-.14422	.00850	.01202
.900	-2.000	8.00000	4.00000	.02152	.00608	.00257	.06370	-.02193	-.14681	.00821	.01629
.900	.000	8.00000	4.00000	.04807	.01098	.00808	.06396	-.02372	-.14903	.00820	.01847
.900	2.000	8.00000	4.00000	.07322	.01546	.01276	.06224	-.02398	-.14695	.00830	.01774
.900	4.000	8.00000	4.00000	.09054	.01800	.01561	.06408	-.02443	-.14795	.00973	.01163
	GRADIENT	.00000	.00000	.01258	.00218	.00247	-.00013	-.00051	-.00038	.00013	.00003

LARC 8FT TPT 749 (1A93) OTSAT130

(MJJAS0) (18 AUG 76)

REFERENCE DATA

SREF = 2690.0000 SQ.FT. XMRP = 976.0000 IN. XT
 LREF = 1290.3000 INCHES YMRP = .0000 IN. YT
 BREF = 1290.3000 INCHES ZMRP = 400.0000 IN. ZT
 SCALE = .0100

PARAMETRIC DATA

BETA = 4.000 ELV-LI = 8.000
 ELV-LO = 4.000 ELV-RI = 8.000
 ELV-RO = 4.000

RUN NO. 0/ 0 RN/L = 4.09 GRADIENT INTERVAL = -5.00/ 5.00

MACH	ALPHA	ELV-LI	ELV-LO	CNW	CBW	CTW	CYN	CBL	CY	CHEI	CHEO
.975	-8.000	8.00000	4.00000	-.06995	-.01002	-.01252	.07312	-.01840	-.15868	-.00328	.02393
.975	-6.000	8.00000	4.00000	-.03868	-.00449	-.00712	.07018	-.02022	-.15399	-.00666	.02454
.975	-4.000	8.00000	4.00000	-.00849	.00091	-.00187	.06889	-.02226	-.15336	-.00816	.02670
.975	-2.000	8.00000	4.00000	.02089	.00633	.00275	.06886	-.02442	-.15531	-.00713	.02802
.975	.000	8.00000	4.00000	.05162	.01223	.00716	.06760	-.02591	-.15334	-.00290	.02842
.975	2.000	8.00000	4.00000	.08007	.01753	.01069	.06402	-.02603	-.15145	-.00218	.02464
.975	4.000	8.00000	4.00000	.10810	.02211	.01513	.05789	-.02541	-.14560	-.00321	.01915
	GRADIENT	.00000	.00000	.01462	.00268	.00210	-.00134	-.00040	.00097	.00074	-.00092

RUN NO. 0/ 0 RN/L = 4.21 GRADIENT INTERVAL = -5.00/ 5.00

MACH	ALPHA	ELV-LI	ELV-LO	CNW	CBW	CTW	CYN	CBL	CY	CHEI	CHEO
1.150	-6.000	8.00000	4.00000	-.02397	-.00178	-.00328	.06867	-.02124	-.15321	.04790	.02906
1.150	-4.000	8.00000	4.00000	.01289	.00498	.00029	.06850	-.02455	-.15305	.04360	.03440
1.150	-2.000	8.00000	4.00000	.04604	.01096	.00387	.06901	-.02688	-.15390	.03927	.03735
1.150	.000	8.00000	4.00000	.07504	.01629	.00689	.06982	-.02813	-.15745	.03278	.02916
1.150	2.000	8.00000	4.00000	.10049	.02088	.00976	.06939	-.02824	-.15745	.02584	.01529
	GRADIENT	.00000	.00000	.01459	.00265	.00157	.00018	-.00062	-.00084	-.00299	-.00328

RUN NO. 0/ 0 RN/L = 4.22 GRADIENT INTERVAL = -5.00/ 5.00

MACH	ALPHA	ELV-LI	ELV-LO	CNW	CBW	CTW	CYN	CBL	CY	CHEI	CHEO
1.205	-8.000	8.00000	4.00000	-.05391	-.00721	-.00809	.07260	-.01908	-.15766	.05847	.02745
1.205	-6.000	8.00000	4.00000	-.01732	-.00048	-.00519	.07246	-.02218	-.15687	.05452	.02981
1.205	-4.000	8.00000	4.00000	.01735	.00580	-.00193	.07210	-.02476	-.15701	.05079	.03380
1.205	-2.000	8.00000	4.00000	.04681	.01120	.00141	.07220	-.02667	-.15824	.04725	.03047
1.205	.000	8.00000	4.00000	.07522	.01638	.00456	.07292	-.02784	-.16055	.04232	.01892
1.205	2.000	8.00000	4.00000	.10092	.02091	.00761	.07348	-.02853	-.16217	.03564	.00497
1.205	4.000	8.00000	4.00000	.12445	.02494	.01048	.07056	-.02887	-.15971	.02851	-.00717
	GRADIENT	.00000	.00000	.01341	.00240	.00155	-.00009	-.00050	-.00047	-.00281	-.00537

LARC 8FT TPT 749 (1A93) OTSAT130

(MJJA51) (18 AUG 76)

REFERENCE DATA

SREF = 2690.0000 SQ FT. XMRP = 976.0000 IN. XT
 LREF = 1290.3000 INCHES YMRP = .0000 IN. YT
 BREF = 1290.3000 INCHES ZMRP = 400.0000 IN. ZT
 SCALE = .0100

PARAMETRIC DATA

BETA = 6.000 ELV-LI = 8.000
 ELV-LO = 4.000 ELV-RI = 8.000
 ELV-RO = 4.000

RUN NO. 0/ 0 RN/L = 3.98 GRADIENT INTERVAL = -5.00/ 5.00

MACH	ALPHA	ELV-LI	ELV-LO	CNW	CBW	CTW	CYN	CBL	CY	CHEI	CHEO
.900	-8.000	8.00000	4.00000	-.06325	-.00851	-.01455	.10244	-.02559	-.22546	-.00212	-.00327
.900	-6.000	8.00000	4.00000	-.03532	-.00368	-.00884	.10115	-.02858	-.22435	.00319	.00436
.900	-4.000	8.00000	4.00000	-.00584	.00149	-.00261	.09993	-.03189	-.22369	.00552	.01217
.900	-2.000	8.00000	4.00000	.02486	.00681	.00397	.09954	-.03412	-.22546	.00469	.01539
.900	.000	8.00000	4.00000	.05279	.01190	.00962	.09894	-.03616	-.22517	.00406	.01740
.900	2.000	8.00000	4.00000	.07620	.01598	.01395	.09681	-.03742	-.22342	.00392	.01679
.900	4.000	8.00000	4.00000	.09379	.01850	.01629	.09699	-.03789	-.22311	.00426	.01213
	GRADIENT	.00000	.00000	.01253	.00216	.00239	-.00043	-.00077	.00016	-.00016	.00007

RUN NO. 0/ 0 RN/L = 4.09 GRADIENT INTERVAL = -5.00/ 5.00

MACH	ALPHA	ELV-LI	ELV-LO	CNW	CBW	CTW	CYN	CBL	CY	CHEI	CHEO
.975	-8.000	8.00000	4.00000	-.06680	-.00941	-.01163	.11390	-.02982	-.25003	-.00619	.02363
.975	-6.000	8.00000	4.00000	-.03539	-.00386	-.00615	.10922	-.03211	-.24344	-.01119	.02346
.975	-4.000	8.00000	4.00000	-.00361	.00185	-.00091	.10470	-.03473	-.23769	-.01337	.02470
.975	-2.000	8.00000	4.00000	.02930	.00793	.00387	.10152	-.03727	-.23443	-.01171	.02527
.975	.000	8.00000	4.00000	.06087	.01404	.00779	.09919	-.03918	-.23217	-.00698	.02542
.975	2.000	8.00000	4.00000	.08907	.01904	.01182	.09253	-.03914	-.22569	-.00462	.02282
.975	4.000	8.00000	4.00000	.11505	.02326	.01608	.08752	-.03969	-.22027	-.00376	.01925
	GRADIENT	.00000	.00000	.01485	.00270	.00210	-.00217	-.00059	.00218	.00132	-.00067

RUN NO. 0/ 0 RN/L = 4.21 GRADIENT INTERVAL = -5.00/ 5.00

MACH	ALPHA	ELV-LI	ELV-LO	CNW	CBW	CTW	CYN	CBL	CY	CHEI	CHEO
1.150	-6.000	8.00000	4.00000	-.01653	-.00036	-.00412	.10422	-.03338	-.23649	.04340	.02834
1.150	-4.000	8.00000	4.00000	.02099	.00641	-.00048	.10119	-.03728	-.23352	.03939	.03209
1.150	-2.000	8.00000	4.00000	.03312	.01225	.00301	.09957	-.04024	-.23186	.03477	.03684
1.150	.000	8.00000	4.00000	.08237	.01750	.00625	.10033	-.04180	-.23442	.02784	.03434
1.150	2.000	8.00000	4.00000	.11020	.02236	.00949	.09937	-.04223	-.23417	.02048	.02307
	GRADIENT	.00000	.00000	.01484	.00266	.00166	-.00023	-.00082	-.00023	-.00318	-.00148

LARC 8FT TPT 749 (1A93) OTSAT130

(MJJA51) (18 AUG 76)

REFERENCE DATA

PARAMETRIC DATA

SREF = 2690.0000 SQ.FT. XMRP = 976.0000 IN. XT
 LREF = 1290.3000 INCHES YMRP = 0000 IN. YT
 BREF = 1290.3000 INCHES ZMRP = 400.0000 IN. ZT
 SCALE = .0100

BETA = 6.000 ELV-LI = 8.000
 ELV-LO = 4.000 ELV-RI = 8.000
 ELV-RO = 4.000

RUN NO. 0/ 0 RN/L = 4.22 GRADIENT INTERVAL = -5.00/ 5.00

MACH	ALPHA	ELV-LI	ELV-LO	CNW	CBW	CTW	CYN	CBL	CY	CHEI	CHEO
1.205	-8.000	8.00000	4.00000	-04959	-00620	-00970	.11176	-03106	-.24757	.05361	.02682
1.205	-6.000	8.00000	4.00000	-01213	00048	-00651	.10856	-03490	-.24259	.05022	.02819
1.205	-4.000	8.00000	4.00000	02297	.00673	-00310	.10606	-.03795	-.23957	.04596	.03375
1.205	-2.000	8.00000	4.00000	05347	.01224	00029	.10448	-.04027	-.23802	.04105	.03443
1.205	0.000	8.00000	4.00000	08234	.01746	.00364	.10507	-04174	-.24024	.03531	.02584
1.205	2.000	8.00000	4.00000	10909	.02208	.00702	.10508	-.04260	-.24156	.02858	.01307
1.205	4.000	8.00000	4.00000	.13196	.02600	.00990	.10188	-.04344	-.23884	.02320	.00004
	GRADIENT	00000	.00000	.01368	00242	.00164	-00039	-.00067	-00010	-.00290	-.00444

LARC 8FT TPT 749 (1A93) OTSAT130

(MJJA52) (18 AUG 76)

REFERENCE DATA

PARAMETRIC DATA

SREF = 2690.0000 SQ.FT. XMRP = 976.0000 IN. XT
 LREF = 1290.3000 INCHES YMRP = 0000 IN. YT
 BREF = 1290.3000 INCHES ZMRP = 400.0000 IN. ZT
 SCALE = .0100

BETA = -6.000 ELV-LI = 8.000
 ELV-LO = -5.000 ELV-RI = 8.000
 ELV-RO = -5.000

RUN NO. 0/ 0 RN/L = 4.21 GRADIENT INTERVAL = -5.00/ 5.00

MACH	ALPHA	ELV-LI	ELV-LO	CNW	CBW	CTW	CYN	CBL	CY	CHEI	CHEO
1.150	-6.000	8.00000	-5.00000	-.06595	-.01056	-00141	-.10787	.03911	.27070	.08640	.06634
1.150	-4.000	8.00000	-5.00000	-03986	-00576	.00225	-.10024	.04141	.25765	.07935	.05055
1.150	-2.000	8.00000	-5.00000	-.01239	-.00081	.00591	-.09809	.04338	.24963	.07113	.03485
1.150	0.000	8.00000	-5.00000	01420	.00424	.00841	-.10136	.04457	.24800	.06082	.02221
1.150	2.000	8.00000	-5.00000	.04261	.00962	.01041	-.10266	.04521	.24803	.04881	.00949
	GRADIENT	.00000	.00000	.01370	.00256	.00135	-.00053	.00063	-.00152	-.00510	-.00679

RUN NO. 0/ 0 RN/L = 4.22 GRADIENT INTERVAL = -5.00/ 5.00

MACH	ALPHA	ELV-LI	ELV-LO	CNW	CBW	CTW	CYN	CBL	CY	CHEI	CHEO
1.205	-8.000	8.00000	-5.00000	-.08619	-.01462	-.00233	-.111931	.03839	.28811	.08555	.06572
1.205	-6.000	8.00000	-5.00000	-.06077	-.00980	-.00046	-.10980	.04087	.27328	.07762	.04996
1.205	-4.000	8.00000	-5.00000	-.03378	-.00467	.00321	-.10300	.04257	.26174	.07088	.03528
1.205	-2.000	8.00000	-5.00000	-.00587	.00063	.00584	-.10033	.04336	.25192	.06546	.02428
1.205	0.000	8.00000	-5.00000	.02129	.00576	.00833	-.10318	.04366	.24990	.05801	.01385
1.205	2.000	8.00000	-5.00000	.04671	.01064	.00989	-.10472	.04422	.24977	.04840	.00424
1.205	4.000	8.00000	-5.00000	.06713	.01471	.01058	-.10241	.04544	.25062	.03474	-.00437
	GRADIENT	00000	00000	.01272	00244	00094	-.00016	.00033	-.00122	-.00447	-.00497

LARC 8FT TPT 749 (1A93) OTSAT130

(MJJA53) (18 AUG 76)

REFERENCE DATA

SREF = 2690.0000 SQ.FT. XMRP = 976.0000 IN. XT
 LREF = 1290.3000 INCHES YMRP = .0000 IN. YT
 BREF = 1290.3000 INCHES ZMRP = 400.0000 IN. ZT
 SCALE = 0100

PARAMETRIC DATA

BETA = -4.000 ELV-LI = 8.000
 ELV-LO = -5.000 ELV-RI = 8.000
 ELV-RO = -5.000

RUN NO. 0/ 0 RN/L = 4.21 GRADIENT INTERVAL = -5.00/ 5.00

MACH	ALPHA	ELV-LI	ELV-LO	CNW	CBW	CTW	CYN	CBL	CY	CHEI	CHEO
1.150	-6.000	8.00000	-5.00000	-.06003	-.00978	-.00079	-.07128	.02529	.18242	.08255	.07531
1.150	-4.000	8.00000	-5.00000	-.03236	-.00465	.00294	-.06616	.02704	.17217	.07600	.06284
1.150	-2.000	8.00000	-5.00000	-.00355	.00081	.00630	-.06567	.02835	.16456	.06727	.04628
1.150	.000	8.00000	-5.00000	.02536	.00630	.00880	-.06992	.02941	.16454	.05911	.03222
1.150	2.000	8.00000	-5.00000	.05370	.01165	.01069	-.07149	.02996	.16618	.04783	.01762
	GRADIENT	.00000	.00000	.01435	.00272	.00129	-.00101	.00049	-.00090	-.00463	-.00749

RUN NO. 0/ 0 RN/L = 4.22 GRADIENT INTERVAL = -5.00/ 5.00

MACH	ALPHA	ELV-LI	ELV-LO	CNW	CBW	CTW	CYN	CBL	CY	CHEI	CHEO
1.205	-8.000	8.00000	-5.00000	-.08119	-.01392	-.00181	-.07819	.02521	.19309	.08085	.07347
1.205	-6.000	8.00000	-5.00000	-.05409	-.00877	.00075	-.07238	.02726	.18449	.07418	.06021
1.205	-4.000	8.00000	-5.00000	-.02575	-.00328	.00317	-.06706	.02813	.17472	.06859	.04551
1.205	-2.000	8.00000	-5.00000	.00450	.00245	.00597	-.06611	.02850	.16668	.06422	.03315
1.205	.000	8.00000	-5.00000	.03358	.00789	.00841	-.07100	.02919	.16752	.05760	.02064
1.205	2.000	8.00000	-5.00000	.05824	.01268	.00983	-.07187	.02929	.16697	.04950	.00960
1.205	4.000	8.00000	-5.00000	.07886	.01675	.01069	-.06990	.03011	.16740	.03910	-.00049
	GRADIENT	.00000	.00000	.01316	.00251	.00094	-.00057	.00024	-.00072	-.00369	-.00578

LARC 8FT TPT 749 (1A93) OTSAT130

(MJJA54) (18 AUG 76)

REFERENCE DATA

SREF = 2690.0000 SQ FT XMRP = 976.0000 IN. XT
 LREF = 1290.3000 INCHES YMRP = .0000 IN. YT
 BREF = 1290.3000 INCHES ZMRP = 400.0000 IN. ZT
 SCALE = .0100

PARAMETRIC DATA

BETA = .000 ELV-LI = 8.000
 ELV-LO = -5.000 ELV-RI = 8.000
 ELV-RO = -5.000

RUN NO. 0/ 0 RN/L = 4.21 GRADIENT INTERVAL = -5.00/ 5.00

MACH	ALPHA	ELV-LI	ELV-LO	CNW	CBW	CTW	CYN	CBL	CY	CHEI	CHEO
1.150	-6.000	8.00000	-5.00000	-.04889	-.00791	.00074	-.00192	.00120	.01374	.06847	.07900
1.150	-4.000	8.00000	-5.00000	-.01452	-.00158	.00436	.00034	.00068	.00908	.06300	.07959
1.150	-2.000	8.00000	-5.00000	.02043	.00495	.00754	.00154	.00004	.00327	.05894	.06951
1.150	.000	8.00000	-5.00000	.05033	.01071	.00982	-.00021	-.00017	.00215	.05432	.05311
1.150	2.000	8.00000	-5.00000	.07660	.01565	.01175	-.00125	-.00014	.00147	.04630	.03701
	GRADIENT	.00000	.00000	.01516	.00287	.00122	-.00033	-.00013	-.00120	-.00274	-.00721

ORIGINAL PAGE IS
OF POOR QUALITY

LARC 8FT TPT 749 (IA93) OTSAT130

(MJJA54) (18 AUG 76)

REFERENCE DATA

SREF = 2690.0000 SQ.FT. XMRP = 976.0000 IN. XT
 LREF = 1290.3000 INCHES YMRP = .0000 IN. YT
 BREF = 1290.3000 INCHES ZMRP = 400.0000 IN. ZT
 SCALE = .0100

PARAMETRIC DATA

BETA = .000 ELV-LI = 8.000
 ELV-LO = -5.000 ELV-RI = 8.000
 ELV-RO = -5.000

RUN NO. 0/ 0 RN/L = 4.22 GRADIENT INTERVAL = -5.00/ 5.00

MACH	ALPHA	ELV-LI	ELV-LO	CNW	CBW	CTW	CYN	CBL	CY	CHEI	CHEO
1.205	-8.000	8.00000	-5.00000	-.07140	-.01237	-.00139	-.00195	.00208	.01583	.07459	.07768
1.205	-6.000	8.00000	-5.00000	-.04029	-.00635	.00088	.00043	.00162	.01198	.06908	.07564
1.205	-4.000	8.00000	-5.00000	-.00773	-.00004	.00299	.00357	.00067	.00569	.06393	.06773
1.205	-2.000	8.00000	-5.00000	.02729	.00636	.00619	.00452	.00010	.00132	.06051	.05483
1.205	.000	8.00000	-5.00000	.05845	.01194	.00907	.00288	.00005	-.00019	.05836	.03986
1.205	2.000	8.00000	-5.00000	.08162	.01633	.01088	.00015	.00029	.00228	.05254	.02583
1.205	4.000	8.00000	-5.00000	.10318	.02032	.01292	-.00082	.00035	.00372	.04331	.01285
	GRADIENT	.00000	.00000	.01381	.00253	.00123	-.00066	-.00002	-.00015	-.00246	-.00694

LARC 8FT TPT 749 (IA93) OTSAT130

(MJJA55) (18 AUG 76)

REFERENCE DATA

SREF = 2690.0000 SQ.FT. XMRP = 976.0000 IN. XT
 LREF = 1290.3000 INCHES YMRP = .0000 IN. YT
 BREF = 1290.3000 INCHES ZMRP = 400.0000 IN. ZT
 SCALE = .0100

PARAMETRIC DATA

BETA = 4.000 ELV-LI = 8.000
 ELV-LO = -5.000 ELV-RI = 8.000
 ELV-RO = -5.000

RUN NO. 0/ 0 RN/L = 4.21 GRADIENT INTERVAL = -5.00/ 5.00

MACH	ALPHA	ELV-LI	ELV-LO	CNW	CBW	CTW	CYN	CBL	CY	CHEI	CHEO
1.150	-6.000	8.00000	-5.00000	-.03285	-.00488	.00014	.06740	-.02121	-.15219	.04981	.07640
1.150	-4.000	8.00000	-5.00000	.00521	.00214	.00358	.06733	-.02480	-.15272	.04588	.07987
1.150	-2.000	8.00000	-5.00000	.03976	.00859	.00664	.06749	-.02736	-.15348	.04220	.08181
1.150	.000	8.00000	-5.00000	.06753	.01398	.00879	.06861	-.02885	-.15575	.03720	.07407
1.150	2.000	8.00000	-5.00000	.09505	.01893	.01178	.06863	-.02882	-.15662	.03014	.05716
	GRADIENT	.00000	.00000	.01487	.00279	.00134	.00025	-.00068	-.00070	-.00261	-.00379

RUN NO. 0/ 0 RN/L = 4.22 GRADIENT INTERVAL = -5.00/ 5.00

MACH	ALPHA	ELV-LI	ELV-LO	CNW	CBW	CTW	CYN	CBL	CY	CHEI	CHEO
1.205	-8.000	8.00000	-5.00000	-.06170	-.01018	-.00482	.07300	-.01927	-.15883	.06057	.07401
1.205	-6.000	8.00000	-5.00000	-.02453	-.00324	-.00206	.07186	-.02245	-.15687	.05683	.07556
1.205	-4.000	8.00000	-5.00000	.01164	.00343	.00083	.07018	-.02501	-.15485	.05338	.07833
1.205	-2.000	8.00000	-5.00000	.04312	.00927	.00390	.07052	-.02717	-.15645	.04974	.07393
1.205	.000	8.00000	-5.00000	.07221	.01458	.00721	.07217	-.02862	-.16068	.04433	.06129
1.205	2.000	8.00000	-5.00000	.09775	.01913	.01010	.07302	-.02905	-.16222	.03773	.04470
1.205	4.000	8.00000	-5.00000	.11970	.02302	.01249	.06962	-.02880	-.15877	.03070	.02842
	GRADIENT	.00000	.00000	.01354	.00245	.00148	.00007	-.00047	-.00068	-.00287	-.00645

LARC 8FT TPT 749 (IA93) OTSAT130

(MJJA56) (18 AUG 76)

REFERENCE DATA

SREF = 2690.0000 SQ.FT. XMRP = 976.0000 IN. XT
 LREF = 1290.3000 INCHES YMRP = .0000 IN. YT
 BREF = 1290.3000 INCHES ZMRP = 400.0000 IN. ZT
 SCALE = .0100

PARAMETRIC DATA

BETA = 6.000 ELV-LI = 8.000
 ELV-LO = -5.000 ELV-RI = 8.000
 ELV-RO = -5.000

RUN NO. 0/ 0 RN/L = 4.21 GRADIENT INTERVAL = -5.00/ 5.00

MACH	ALPHA	ELV-LI	ELV-LO	CNW	CBW	CTW	CYN	CBL	CY	CHEI	CHEO
1.150	-6.000	8.00000	-5.00000	-.02501	-.00342	-.00070	.10308	-.03340	-.23610	.04405	.07594
1.150	-4.000	8.00000	-5.00000	.01374	.00376	.00242	.09982	-.03766	-.23319	.04009	.07801
1.150	-2.000	8.00000	-5.00000	.04804	.01016	.00550	.09814	-.04095	-.23141	.03704	.08169
1.150	.000	8.00000	-5.00000	.07718	.01554	.00846	.09909	-.04272	-.23317	.03094	.07972
1.150	2.000	8.00000	-5.00000	.10488	.02048	.01136	.09858	-.04322	-.23457	.02392	.06576
	GRADIENT	.00000	.00000	.01513	.00278	.00149	-.00014	-.00092	-.00030	-.00273	-.00179

RUN NO. 0/ 0 RN/L = 4.22 GRADIENT INTERVAL = -5.00/ 5.00

MACH	ALPHA	ELV-LI	ELV-LO	CNW	CBW	CTW	CYN	CBL	CY	CHEI	CHEO
1.205	-8.000	8.00000	-5.00000	-.05736	-.00911	-.00631	.11115	-.03106	-.24717	.05729	.07305
1.205	-6.000	8.00000	-5.00000	-.01873	-.00208	-.00351	.10747	-.03518	-.24159	.05238	.07353
1.205	-4.000	8.00000	-5.00000	.01818	.00458	-.00045	.10442	-.03854	-.23797	.04748	.07761
1.205	-2.000	8.00000	-5.00000	.04925	.01030	.00263	.10302	-.04100	-.23686	.04310	.07817
1.205	.000	8.00000	-5.00000	.07765	.01551	.00586	.10368	-.04239	-.23904	.03741	.07006
1.205	2.000	8.00000	-5.00000	.10483	.02023	.00926	.10401	-.04318	-.24070	.03087	.05465
1.205	4.000	8.00000	-5.00000	.12720	.02406	.01206	.10064	-.04346	-.23751	.02512	.03780
	GRADIENT	.00000	.00000	.01368	.00244	.00158	-.00033	-.00060	-.00015	-.00285	-.00516

LARC BFT TPT 749 (1A93) OTSAT130

(MJJA57) (18 AUG 76)

REFERENCE DATA

SREF = 2690.0000 SQ FT. XMRP = 976.0000 IN. XT
 LREF = 1290.3000 INCHES YMRP = .0000 IN. YT
 BREF = 1290.3000 INCHES ZMRP = 400.0000 IN. ZT
 SCALE = .0100

PARAMETRIC DATA

BETA = -6.000 ELV-LI = 8.000
 ELV-LO = 9.000 ELV-RI = 8.000
 ELV-RO = 9.000

		RUN NO.	0/ 0	RN/L =	3.98	GRADIENT INTERVAL =		-5.00/	5.00			
MACH	ALPHA	ELV-LI	ELV-LO	CNW	CBW	CTW	CYN	CBL	CY	CHEI	CHEO	
.900	-8.000	8.00000	9.00000	-.05378	-.00677	-.01872	-.11456	.03022	.27304	.02837	.00925	
.900	-6.000	8.00000	9.00000	-.03284	-.00293	-.01477	-.10919	.03140	.26384	.02872	.01298	
.900	-4.000	8.00000	9.00000	-.01223	.00093	-.01082	-.10413	.03244	.25221	.02826	.01124	
.900	-2.000	8.00000	9.00000	.00848	.00477	-.00696	-.10234	.03429	.24631	.02740	.00867	
.900	.000	8.00000	9.00000	.03192	.00905	-.00240	-.10081	.03633	.24041	.02782	.00531	
.900	2.000	8.00000	9.00000	.05741	.01365	.00245	-.09860	.03775	.23709	.02537	-.00349	
.900	4.000	8.00000	9.00000	.08029	.01793	.00584	-.10005	.03973	.24097	.01902	-.02004	
	GRADIENT	.00000	.00000	.01170	.00214	.00214	.00059	.00090	-.00159	-.00103	-.00374	

		RUN NO.	0/ 0	RN/L =	4.09	GRADIENT INTERVAL =		-5.00/	5.00			
MACH	ALPHA	ELV-LI	ELV-LO	CNW	CBW	CTW	CYN	CBL	CY	CHEI	CHEO	
.975	-8.000	8.00000	9.00000	-.07445	-.00989	-.01715	-.12176	.03498	.29163	.01359	.00396	
.975	-6.000	8.00000	9.00000	-.04946	-.00529	-.01356	-.11087	.03578	.27576	.00933	.00567	
.975	-4.000	8.00000	9.00000	-.02533	-.00090	-.00970	-.10129	.03620	.25972	.00795	.00692	
.975	-2.000	8.00000	9.00000	-.00073	.00342	-.00530	-.09425	.03696	.24541	.00797	.00655	
.975	.000	8.00000	9.00000	.02399	.00785	-.00119	-.09397	.03799	.23863	.01061	.00432	
.975	2.000	8.00000	9.00000	.04930	.01255	.00217	-.09165	.03878	.23604	.01314	-.00198	
.975	4.000	8.00000	9.00000	.07279	.01717	.00462	-.08880	.03978	.23446	.01450	-.01739	
	GRADIENT	.00000	.00000	.01231	.00226	.00180	.00138	.00045	-.00299	.00091	-.00286	

		RUN NO.	0/ 0	RN/L =	4.21	GRADIENT INTERVAL =		-5.00/	5.00			
MACH	ALPHA	ELV-LI	ELV-LO	CNW	CBW	CTW	CYN	CBL	CY	CHEI	CHEO	
1.150	-6.000	8.00000	9.00000	-.05557	-.00594	-.00789	-.10819	.03887	.27137	.07150	.00052	
1.150	-4.000	8.00000	9.00000	-.02924	-.00114	-.00426	-.10052	.04066	.25776	.06535	-.01008	
1.150	-2.000	8.00000	9.00000	-.00082	.00399	-.00054	-.09787	.04208	.24831	.05811	-.02140	
1.150	.000	8.00000	9.00000	.02812	.00929	.00244	-.10141	.04301	.24702	.04744	-.03050	
1.150	2.000	8.00000	9.00000	.05511	.01424	.00459	-.10254	.04369	.24766	.03602	-.03825	
	GRADIENT	.00000	.00000	.01410	.00257	.00148	-.00048	.00050	-.00158	-.00493	-.00468	

LARC 8FT TPT 749 (1A93) OTSAT130

(MJA57) (18 AUG 76)

REFERENCE DATA

SREF = 2690.0000 SQ.FT. XMRP = 976.0000 IN. XT
 LREF = 1290.3000 INCHES YMRP = 0000 IN. YT
 BREF = 1290.3000 INCHES ZMRP = 400.0000 IN. ZT
 SCALE = .0100

PARAMETRIC DATA

BETA = -6.000 ELV-LI = 8.000
 ELV-LO = 9.000 ELV-RI = 8.000
 ELV-RO = 9.000

RUN NO. 0/ 0 RN/L = 4.22 GRADIENT INTERVAL = -5.00/ 5.00

MACH	ALPHA	ELV-LI	ELV-LO	CNW	CBW	CTW	CYN	CBL	CY	CHEI	CHEO
1.205	-8.000	8.00000	9.00000	-.07516	-.01021	-.00828	-.11902	.03791	.28764	.07593	.00021
1.205	-6.000	8.00000	9.00000	-.04936	-.00531	-.00558	-.10964	.03989	.27259	.06925	-.00977
1.205	-4.000	8.00000	9.00000	-.02193	-.00008	-.00287	-.10213	.04094	.26006	.06315	-.02089
1.205	-2.000	8.00000	9.00000	.00685	.00529	-.00000	-.09952	.04160	.25071	.05781	-.02995
1.205	.000	8.00000	9.00000	.03503	.01042	.00297	-.10319	.04230	.24914	.05014	-.03834
1.205	2.000	8.00000	9.00000	.05937	.01495	.00483	-.10432	.04318	.24913	.04034	-.04620
1.205	4.000	8.00000	9.00000	.08049	.01881	.00649	-.10126	.04423	.24920	.02812	-.05159
	GRADIENT	.00000	.00000	.01287	.00237	.00118	-.00015	.00041	-.00116	-.00438	-.00388

LARC 8FT TPT 749 (1A93) OTSAT130

(MJA58) (18 AUG 76)

REFERENCE DATA

SREF = 2690.0000 SQ.FT. XMRP = 976.0000 IN. XT
 LREF = 1290.3000 INCHES YMRP = 0000 IN. YT
 BREF = 1290.3000 INCHES ZMRP = 400.0000 IN. ZT
 SCALE = .0100

PARAMETRIC DATA

BETA = -4.000 ELV-LI = 8.000
 ELV-LO = 9.000 ELV-RI = 8.000
 ELV-RO = 9.000

RUN NO. 0/ 0 RN/L = 3.98 GRADIENT INTERVAL = -5.00/ 5.00

MACH	ALPHA	ELV-LI	ELV-LO	CNW	CBW	CTW	CYN	CBL	CY	CHEI	CHEO
.900	-8.000	8.00000	9.00000	-.05416	-.00665	-.01898	-.07910	.01872	.18751	.02656	.00824
.900	-6.000	8.00000	9.00000	-.03281	-.00274	-.01490	-.07304	.01956	.17764	.02681	.01324
.900	-4.000	8.00000	9.00000	-.01215	.00113	-.01081	-.06874	.02034	.16885	.02603	.01230
.900	-2.000	8.00000	9.00000	.01053	.00513	-.00622	-.06783	.02185	.16554	.02507	.00981
.900	.000	8.00000	9.00000	.03757	.01000	-.00135	-.06582	.02326	.15912	.02425	.00619
.900	2.000	8.00000	9.00000	.06439	.01504	.00337	-.06413	.02427	.15674	.02267	-.00173
.900	4.000	8.00000	9.00000	.08836	.01950	.00681	-.06492	.02526	.16002	.01642	-.01792
	GRADIENT	.00000	.00000	.01274	.00233	.00201	.00057	.00061	-.00132	-.00108	-.00360

LARC BFT TPT 749 (1A93) OTSAT130

(MJJA58) (18 AUG 76)

REFERENCE DATA

SREF = 2690.0000 SQ.FT. XMRP = 976.0000 IN. XT
 LREF = 1290.3000 INCHES YMRP = .0000 IN. YT
 BREF = 1290.3000 INCHES ZMRP = 400.0000 IN. ZT
 SCALE = .0100

PARAMETRIC DATA

BETA = -4.000 ELV-L1 = 8.000
 ELV-LO = 9.000 ELV-R1 = 8.000
 ELV-RO = 9.000

RUN NO. 0/ 0 RN/L = 4.09 GRADIENT INTERVAL = -5.00/ 5.00

MACH	ALPHA	ELV-L1	ELV-LO	CNW	CBW	CTW	CYN	CBL	CY	CHE1	CHE0
.975	-8.000	8.00000	9.00000	-.07095	-.00931	-.01674	-.08233	.02314	.19944	.01075	.00352
.975	-6.000	8.00000	9.00000	-.04495	-.00462	-.01290	-.07315	.02333	.18571	.00500	.00491
.975	-4.000	8.00000	9.00000	-.02040	-.00015	-.00894	-.06562	.02325	.17196	.00268	.00575
.975	-2.000	8.00000	9.00000	.00446	.00425	-.00442	-.06147	.02395	.16181	.00330	.00541
.975	.000	8.00000	9.00000	.03000	.00890	-.00006	-.06247	.02444	.15684	.00758	.00456
.975	2.000	8.00000	9.00000	.05655	.01398	.00327	-.06121	.02447	.15531	.00868	.00080
.975	4.000	8.00000	9.00000	.08349	.01900	.00620	-.05682	.02475	.15291	.00889	-.01254
	GRADIENT	.00000	.00000	.01299	.00240	.00190	.00089	.00018	-.00223	.00089	-.00206

RUN NO. 0/ 0 RN/L = 4.21 GRADIENT INTERVAL = -5.00/ 5.00

MACH	ALPHA	ELV-L1	ELV-LO	CNW	CBW	CTW	CYN	CBL	CY	CHE1	CHE0
1.150	-6.000	8.00000	9.00000	-.04867	-.00501	-.00711	-.07059	.02503	.18091	.06903	.00555
1.150	-4.000	8.00000	9.00000	-.02032	.00021	-.00340	-.06587	.02665	.17187	.06173	-.00249
1.150	-2.000	8.00000	9.00000	.00989	.00581	.00019	-.06481	.02733	.16341	.05538	-.01378
1.150	.000	8.00000	9.00000	.03956	.01132	.00310	-.06959	.02789	.16338	.04646	-.02430
1.150	2.000	8.00000	9.00000	.06634	.01618	.00525	-.07068	.02852	.16455	.03563	-.03351
	GRADIENT	.00000	.00000	.01448	.00267	.00144	-.00096	.00031	-.00110	-.00436	-.00518

RUN NO. 0/ 0 RN/L = 4.22 GRADIENT INTERVAL = -5.00/ 5.00

MACH	ALPHA	ELV-L1	ELV-LO	CNW	CBW	CTW	CYN	CBL	CY	CHE1	CHE0
1.205	-8.000	8.00000	9.00000	-.06984	-.00949	-.00783	-.07746	.02469	.19204	.07481	.00488
1.205	-6.000	8.00000	9.00000	-.04196	-.00419	-.00519	-.07152	.02608	.18243	.06804	-.00345
1.205	-4.000	8.00000	9.00000	-.01227	.00156	-.00261	-.06614	.02651	.17222	.06135	-.01399
1.205	-2.000	8.00000	9.00000	.01801	.00723	.00023	-.06486	.02690	.16411	.05738	-.02318
1.205	.000	8.00000	9.00000	.04643	.01234	.00315	-.06977	.02771	.16489	.05127	-.03234
1.205	2.000	8.00000	9.00000	.07198	.01688	.00554	-.07127	.02849	.16567	.04127	-.04127
1.205	4.000	8.00000	9.00000	.09230	.02064	.00715	-.06906	.02938	.16680	.03017	-.04767
	GRADIENT	.00000	.00000	.01315	.00239	.00124	-.00061	.00037	-.00046	-.00392	-.00427

LARC 8FT TPT 749 (1A93) OTSAT130

(MJJA59) (18 AUG 76)

REFERENCE DATA

SREF = 2690.0000 SQ.FT. XMRP = 976.0000 IN. XT
 LREF = 1290.3000 INCHES YMRP = .0000 IN. YT
 BREF = 1290.3000 INCHES ZMRP = 400.0000 IN. ZT
 SCALE = 0100

PARAMETRIC DATA

BETA = .000 ELV-LI = 8.000
 ELV-LO = 9.000 ELV-RI = 8.000
 ELV-RO = 9.000

		RUN NO.	0 / 0	RN/L =	3.98	GRADIENT INTERVAL = -5.00/ 5.00					
MACH	ALPHA	ELV-LI	ELV-LO	CNW	CBW	CTW	CYN	CBL	CY	CHEI	CHEO
.900	-8.000	8.00000	9.00000	-.05900	-.00739	-.01835	-.00397	.00049	.01585	.01367	.00326
.900	-6.000	8.00000	9.00000	-.03388	-.00298	-.01348	-.00064	-.00052	.01046	.01637	.01041
.900	-4.000	8.00000	9.00000	-.00818	.00146	-.00792	.00082	-.00067	.00857	.01409	.01223
.900	-2.000	8.00000	9.00000	.01875	.00596	-.00202	.00227	-.00087	.00324	.01243	.01023
.900	.000	8.00000	9.00000	.04905	.01159	.00300	.00292	-.00128	-.00083	.01281	.00557
.900	2.000	8.00000	9.00000	.07917	.01723	.00752	.00244	-.00105	-.00035	.01325	-.00098
.900	4.000	8.00000	9.00000	.10388	.02138	.01166	.00139	-.00103	.00141	.01192	-.01171
	GRADIENT	.00000	.00000	.01423	.00256	.00244	.00007	-.00005	-.00090	-.00018	-.00295

		RUN NO.	0 / 0	RN/L =	4.09	GRADIENT INTERVAL = -5.00/ 5.00					
MACH	ALPHA	ELV-LI	ELV-LO	CNW	CBW	CTW	CYN	CBL	CY	CHEI	CHEO
.975	-8.000	8.00000	9.00000	-.06561	-.00839	-.01607	-.00262	.00068	.01674	.00214	.00245
.975	-6.000	8.00000	9.00000	-.03762	-.00341	-.01156	.00090	-.00006	.01189	-.00337	.00308
.975	-4.000	8.00000	9.00000	-.00949	.00152	-.00658	.00441	-.00080	.00526	-.00660	.00473
.975	-2.000	8.00000	9.00000	.01960	.00656	-.00131	.00675	-.00141	-.00208	-.00652	.00516
.975	.000	8.00000	9.00000	.04858	.01194	.00309	.00635	-.00194	-.00501	-.00193	.00358
.975	2.000	8.00000	9.00000	.07553	.01721	.00673	.00488	-.00212	-.00376	.00437	.00151
.975	4.000	8.00000	9.00000	.10064	.02171	.00995	.00116	-.00084	.00198	.00142	-.00507
	GRADIENT	.00000	.00000	.01381	.00255	.00206	-.00042	-.00004	-.00041	.00135	-.00116

		RUN NO.	0 / 0	RN/L =	4.21	GRADIENT INTERVAL = -5.00/ 5.00					
MACH	ALPHA	ELV-LI	ELV-LO	CNW	CBW	CTW	CYN	CBL	CY	CHEI	CHEO
1.150	-6.000	8.00000	9.00000	-.03680	-.00306	-.00567	.00014	.00061	.01097	.06083	.00621
1.150	-4.000	8.00000	9.00000	-.00250	.00328	-.00210	.00263	-.00002	.00617	.05387	.00822
1.150	-2.000	8.00000	9.00000	.03247	.00968	-.00146	.00348	-.00059	.00156	.04928	.00120
1.150	.000	8.00000	9.00000	.06242	.01510	.00446	.00133	-.00071	.00038	.04479	-.01080
1.150	2.000	8.00000	9.00000	.08897	.01972	.00726	-.00072	-.00034	.00165	.03588	-.02295
	GRADIENT	.00000	.00000	.01522	.00274	.00155	-.00061	-.00005	-.00074	-.00292	-.00528

LARC 8FT TPT 749 (1A93) OTSAT130

(MJJA59) (18 AUG 76)

REFERENCE DATA

SREF = 2690 0000 SQ.FT. XMRP = 976.0000 IN. XT
 LREF = 1290.3000 INCHES YMRP = .0000 IN. YT
 BREF = 1290.3000 INCHES ZMRP = 400.0000 IN. ZT
 SCALE = .0100

PARAMETRIC DATA

BETA = .000 ELV-LI = 8.000
 ELV-LO = 9.000 ELV-RI = 8.000
 ELV-RO = 9.000

RUN NO. 0/ 0 RN/L = 4.22 GRADIENT INTERVAL = -5.00/ 5.00

MACH	ALPHA	ELV-LI	ELV-LO	CNW	CBW	CTW	CYN	CBL	CY	CHEI	CHEO
1.205	-8.000	8.00000	9.00000	-.05918	-.00772	-.00748	-.00047	.00170	.01380	.06912	.00627
1.205	-6.000	8.00000	9.00000	-.02658	-.00152	-.00484	.00159	.00130	.01054	.06312	.00483
1.205	-4.000	8.00000	9.00000	.00705	.00486	-.00243	.00437	.00034	.00491	.05743	-.00079
1.205	-2.000	8.00000	9.00000	.03929	.01067	.00065	.00616	-.00050	-.00097	.05392	-.00841
1.205	.000	8.00000	9.00000	.06892	.01589	.00403	.00433	-.00049	-.00217	.05138	-.01993
1.205	2.000	8.00000	9.00000	.09285	.02015	.00664	.00160	-.00022	-.00009	.04474	-.03023
1.205	4.000	8.00000	9.00000	.11401	.02400	.00876	.00007	-.00009	.00251	.03419	-.03847
	GRADIENT	.00000	.00000	.01337	.00239	.00142	-.00066	-.00003	-.00020	-.00278	-.00486

LARC 8FT TPT 749 (1A93) OTSAT130

(MJJA61) (18 AUG 76)

REFERENCE DATA

SREF = 2690 0000 SQ FT. XMRP = 976.0000 IN. XT
 LREF = 1290.3000 INCHES YMRP = .0000 IN. YT
 BREF = 1290.3000 INCHES ZMRP = 400.0000 IN. ZT
 SCALE = .0100

PARAMETRIC DATA

BETA = 4.000 ELV-LI = 8.000
 ELV-LO = 9.000 ELV-RI = 8.000
 ELV-RO = 9.000

RUN NO 0/ 0 RN/L = 3.98 GRADIENT INTERVAL = -5.00/ 5.00

MACH	ALPHA	ELV-LI	ELV-LO	CNW	CBW	CTW	CYN	CBL	CY	CHEI	CHEO
.900	-8.000	8.00000	9.00000	-.05304	-.00656	-.01615	.06826	-.01643	-.14699	-.00428	-.00429
.900	-6.000	8.00000	9.00000	-.02665	-.00200	-.01043	.06723	-.01900	-.14624	.00051	.00272
.900	-4.000	8.00000	9.00000	.00321	.00328	-.00432	.06447	-.02080	-.14217	.00203	.00616
.900	-2.000	8.00000	9.00000	.03339	.00861	.00160	.06419	-.02248	-.14624	.00088	.00560
.900	.000	8.00000	9.00000	.06363	.01426	.00631	.06458	-.02423	-.14943	-.00035	.00318
.900	2.000	8.00000	9.00000	.09259	.01968	.01055	.06314	-.02512	-.14738	-.00161	-.0053
.900	4.000	8.00000	9.00000	.11366	.02278	.01398	.06402	-.02525	-.14716	-.00180	-.00721
	GRADIENT	.00000	.00000	.01400	.00250	.00228	-.00010	-.00058	-.00056	-.00051	-.00164

LARC 8FT TPT 749 (1A93) OTSAT130

(MJJA61) (18 AUG 76)

REFERENCE DATA

PARAMETRIC DATA

SREF = 2690.0000 SQ.FT. XMRP = 976.0000 IN. XT
 LREF = 1290.3000 INCHES YMRP = .0000 IN. YT
 BREF = 1290.3000 INCHES ZMRP = 400.0000 IN. ZT
 SCALE = .0100

BETA = 4.000 ELV-LI = 8.000
 ELV-LO = 9.000 ELV-RI = 8.000
 ELV-RO = 9.000

RUN NO. 0/0 RN/L = 4.09 GRADIENT INTERVAL = -5.00/ 5.00

MACH	ALPHA	ELV-LI	ELV-LO	CNW	CBW	CTW	CYN	CBL	CY	CHEI	CHEO
.975	-8.000	8.00000	9.00000	-.05598	-.00689	-.01453	.07419	-.01940	-.15991	-.00639	.00106
.975	-6.000	8.00000	9.00000	-.02582	-.00150	-.00938	.07219	-.02151	-.15645	-.00996	.00105
.975	-4.000	8.00000	9.00000	.00505	.00398	-.00401	.07132	-.02368	-.15535	-.01155	.00226
.975	-2.000	8.00000	9.00000	.03688	.00973	.00102	.07068	-.02564	-.15675	-.01175	.00326
.975	.000	8.00000	9.00000	.06694	.01550	.00525	.06982	-.02697	-.15694	-.00878	.00215
.975	2.000	8.00000	9.00000	.09518	.02042	.00958	.06544	-.02663	-.15267	-.00908	-.00119
.975	4.000	8.00000	9.00000	.12118	.02498	.01290	.05839	-.02580	-.14519	-.01201	-.00811
	GRADIENT	.00000	.00000	.01453	.00264	.00212	-.00156	-.00026	.00122	.00009	-.00126

RUN NO. 0/0 RN/L = 4.21 GRADIENT INTERVAL = -5.00/ 5.00

MACH	ALPHA	ELV-LI	ELV-LO	CNW	CBW	CTW	CYN	CBL	CY	CHEI	CHEO
1.150	-6.000	8.00000	9.00000	-.01903	.00014	-.00610	.06849	-.02140	-.15222	.04495	.00329
1.150	-4.000	8.00000	9.00000	.01843	.00695	-.00238	.06858	-.02463	-.15214	.04047	.00761
1.150	-2.000	8.00000	9.00000	.05161	.01293	.00131	.06963	-.02706	-.15407	.03571	.01028
1.150	.000	8.00000	9.00000	.08095	.01819	.00448	.07088	-.02842	-.15839	.02912	.00345
1.150	2.000	8.00000	9.00000	.10639	.02274	.00741	.06980	-.02834	-.15713	.02157	-.00845
	GRADIENT	.00000	.00000	.01466	.00263	.00163	.00024	-.00062	-.00096	-.00316	-.00275

RUN NO. 0/0 RN/L = 4.22 GRADIENT INTERVAL = -5.00/ 5.00

MACH	ALPHA	ELV-LI	ELV-LO	CNW	CBW	CTW	CYN	CBL	CY	CHEI	CHEO
1.205	-8.000	8.00000	9.00000	-.04859	-.00554	-.01063	.07285	-.01931	-.15739	.05623	.00270
1.205	-6.000	8.00000	9.00000	-.01199	.00111	-.00740	.07275	-.02228	-.15679	.05217	.00479
1.205	-4.000	8.00000	9.00000	.02331	.00751	-.00403	.07259	-.02486	-.15712	.04811	.00799
1.205	-2.000	8.00000	9.00000	.05400	.01311	-.00064	.07263	-.02673	-.15804	.04427	.00491
1.205	.000	8.00000	9.00000	.08288	.01824	.00302	.07300	-.02782	-.15994	.03927	-.00509
1.205	2.000	8.00000	9.00000	.10755	.02268	.00608	.07343	-.02848	-.16152	.03213	-.01707
1.205	4.000	8.00000	9.00000	.13037	.02657	.00887	.07032	-.02881	-.15902	.02379	-.02758
	GRADIENT	.00000	.00000	.01338	.00238	.00163	-.00019	-.00048	-.00036	-.00304	-.00466

LARC 8FT TPT 749 (1A93) OTSAT130

(MJJA62) (18 AUG 76)

REFERENCE DATA

SREF = 2690.0000 SQ.FT. XMRP = 976.0000 IN. XT
 LREF = 1290.3000 INCHES YMRP = 0000 IN. YT
 BREF = 1290.3000 INCHES ZMRP = 400.0000 IN. ZT
 SCALE = .0100

PARAMETRIC DATA

BETA = 6.000 ELV-LI = 8.000
 ELV-LO = 9.000 ELV-RI = 8.000
 ELV-RO = 9.000

RUN NO. 0/ 0 RN/L = 3.98 GRADIENT INTERVAL = -5.00/ 5.00

MACH	ALPHA	ELV-LI	ELV-LO	CNW	CBW	CTW	CYN	CBL	CY	CHEI	CHEO
.900	-8 000	8 00000	9 00000	-.05172	-.00628	-.01519	.10322	-.02642	- 22549	-.00882	-.00583
.900	-6 000	8 00000	9 00000	-.02480	-.00163	-.00925	10215	- 02931	- 22484	-.00330	.00049
.900	-4 000	8 00000	9 00000	.00486	.00367	-.00340	.10048	- 03223	- 22338	-.00197	.00324
900	-2.000	8 00000	9 00000	.03589	.00928	.00232	.09951	- 03433	- 22439	- 00314	.00335
900	.000	8 00000	9 00000	.06803	.01525	.00738	.09848	- 03642	- 22464	- 00453	.00199
.900	2.000	8 00000	9 00000	.09697	.02043	.01189	.09613	- 03823	- 22238	-.00548	-.00123
.900	4.000	8 00000	9 00000	.11641	.02319	.01480	.09725	-.03886	- 22351	- 00508	-.00574
	GRADIENT	00000	.00000	.01421	.00251	.00230	- 00049	- 00086	.00009	-.00043	-.00113

RUN NO. 0/ 0 RN/L = 4 09 GRADIENT INTERVAL = -5 00/ 5.00

MACH	ALPHA	ELV-LI	ELV-LO	CNW	CBW	CTW	CYN	CBL	CY	CHEI	CHEO
.975	-8.000	8 00000	9 00000	-.05325	- 00638	-.01382	.11533	-.03084	- 25040	-.00991	.00064
.975	-6.000	8 00000	9 00000	-.02132	- 00075	-.00838	.11048	-.03314	- 24350	-.01513	.00033
.975	-4.000	8 00000	9 00000	.01174	.00513	-.00296	.10616	-.03581	- 23811	-.01721	.00118
.975	-2.000	8 00000	9 00000	.04452	.01118	.00189	.10291	-.03824	- 23506	-.01658	.00214
.975	.000	8 00000	9 00000	.07462	.01689	.00612	.10031	-.03956	- 23311	-.01345	.00091
.975	2 000	8 00000	9 00000	.10368	.02179	.01079	.09374	-.03952	- 22696	- 01312	-.00341
.975	4.000	8 00000	9 00000	.13043	.02636	.01415	.08799	-.04006	- 22022	-.01412	-.00905
	GRADIENT	00000	.00000	.01483	.00265	.00216	- 00228	-.00049	.00219	.00048	-.00130

RUN NO. 0/ 0 RN/L = 4.21 GRADIENT INTERVAL = -5.00/ 5.00

MACH	ALPHA	ELV-LI	ELV-LO	CNW	CBW	CTW	CYN	CBL	CY	CHEI	CHEO
1.150	-6.000	8 00000	9 00000	-.01182	.00147	-.00688	.10435	- 03358	- 23620	.03999	.00261
1 150	-4.000	8 00000	9 00000	.02620	.00827	-.00313	.10150	- 03747	- 23335	.03567	.00585
1.150	-2 000	8 00000	9 00000	.05905	.01418	.00051	.10047	-.04051	- 23262	.03127	.00992
1.150	.000	8 00000	9 00000	.08875	.01944	.00403	.10108	-.04190	- 23468	.02426	.00708
1.150	2.000	8 00000	9 00000	.11589	.02414	.00731	.09978	-.04228	- 23441	.01673	-.00263
	GRADIENT	.00000	.00000	.01494	.00264	.00174	-.00023	-.00079	-.00026	- 00319	-.00141

LARC 8FT TPT 749 (1A93) OTSAT130

(MJJA62) (13 AUG 76)

REFERENCE DATA

SREF = 2690.0000 SQ.FT. XMRP = 976.0000 IN. XT
 LREF = 1290.3000 INCHES YMRP = .0000 IN. YT
 BREF = 1290.3000 INCHES ZMRP = 400.0000 IN. ZT
 SCALE = 0100

PARAMETRIC DATA

BETA = 6.000 ELV-LI = 8.000
 ELV-LO = 9.000 ELV-RI = 8.000
 ELV-RO = 9.000

RUN NO. 0/ 0 RN/L = 4.22 GRADIENT INTERVAL = -5.00/ 5.00

MACH	ALPHA	ELV-LI	ELV-LO	CNW	CBW	CTW	CYN	CBL	CY	CHEI	CHEO
1.205	-8.000	8.00000	9.00000	-.04388	-.00455	-.01191	.11186	-.03120	-.24710	.05249	.00232
1.205	-6.000	8.00000	9.00000	-.00619	.00211	-.00848	.10863	-.03493	-.24183	.04803	.00331
1.205	-4.000	8.00000	9.00000	.02939	.00849	-.00504	.10609	-.03793	-.23860	.04300	.00797
1.205	-2.000	8.00000	9.00000	.06017	.01405	-.00159	.10436	-.04006	-.23691	.03819	.00864
1.205	.000	8.00000	9.00000	.08978	.01929	.00226	.10496	-.04158	-.23904	.03229	.00882
1.205	2.000	8.00000	9.00000	.11549	.02378	.00558	.10485	-.04246	-.24051	.02502	-.01014
1.205	4.000	8.00000	9.00000	.13781	.02757	.00840	.10143	-.04326	-.23768	.01908	-.02140
	GRADIENT	00000	.00000	.01361	.00239	.00170	-.00044	-.00065	-.00009	-.00305	-.00388

LARC 8FT IPT 749 (1A93) OTSAT130

(MJJB02) (18 AUG 76)

REFERENCE DATA

SREF = 2690.0000 SQ FT. XMRP = 976.0000 IN. XT
 LREF = 1290.3000 INCHES YMRP = .0000 IN. YT
 BREF = 1290.3000 INCHES ZMRP = 400.0000 IN. ZT
 SCALE = .0100

PARAMETRIC DATA

BETA = -6.000 ELV-LI = 10.000
 ELV-LO = 9.000 ELV-RI = 10.000
 ELV-RO = 9.000

RUN NO. 0/ 0 RN/L = 3.98 GRADIENT INTERVAL = -5.00/ 5.00

MACH	ALPHA	ELV-LI	ELV-LO	CAF	CNF	CLMF	CABO	CABT	CABS	CHEI	CHEO
.900	-8.000	10.00000	9.00000	.14339	-.49366	.14893	.05007	.09242	.03756	.02446	.00435
.900	-6.000	10.00000	9.00000	.14627	-.36163	.09926	.04880	.08925	.03694	.02627	.00857
.900	-4.000	10.00000	9.00000	.14702	-.23635	.05068	.04745	.08716	.03659	.02683	.00679
.900	-2.000	10.00000	9.00000	.14893	-.10955	-.00241	.04661	.08394	.03606	.02714	.00618
.900	.000	10.00000	9.00000	.14807	.01468	-.05259	.04592	.08095	.03637	.02760	.00239
.900	2.000	10.00000	9.00000	.14395	.14218	-.10509	.04562	.07892	.03702	.02627	-.00723
.900	4.000	10.00000	9.00000	.14278	.26577	-.14853	.04508	.07784	.03630	.01809	-.02359
	GRADIENT	00000	00000	-.00067	.06280	-.02506	-.00029	-.00118	.00002	-.00092	-.00371

ORIGINAL PAGE IS
OF POOR QUALITY

LARC 8FT TPT 749 (1A93) OTSAT130

(MJJB02) (18 AUG 76)

REFERENCE DATA

SREF = 2690.0000 SQ.FT. XMRP = 976 0000 IN. XT
 LREF = 1290.3000 INCHES YMRP = .0000 IN. YT
 BREF = 1290.3000 INCHES ZMRP = 400.0000 IN. ZT
 SCALE = .0100

PARAMETRIC DATA

BETA = -6.000 ELV-LI = 10.000
 ELV-LO = 9.000 ELV-RI = 10.000
 ELV-RO = 9.000

RUN NO.		0/0	RN/L = 4.09		GRADIENT INTERVAL = -5.00/ 5.00						
MACH	ALPHA	ELV-LI	ELV-LO	CAF	CNF	CLMF	CABO	CABT	CABS	CHEI	CHEO
.975	-8.000	10.00000	9.00000	.18419	-.53711	.17323	.05862	.10415	.04583	.01083	.00013
.975	-6.000	10.00000	9.00000	.18699	-.39075	.11787	.05625	.09992	.04581	.02071	.00232
.975	-4.000	10.00000	9.00000	.18891	-.26055	.07211	.05406	.09753	.04478	.03205	.00428
.975	-2.000	10.00000	9.00000	.19094	-.12913	.02264	.05269	.09578	.04391	.02987	.00398
.975	.000	10.00000	9.00000	.19070	-.00043	-.02949	.05208	.09417	.04415	.02084	.00121
.975	2.000	10.00000	9.00000	.18791	.12592	-.07956	.05208	.09276	.04435	.00975	-.00610
.975	4.000	10.00000	9.00000	.18298	.25723	-.13086	.05256	.09278	.04518	-.00228	-.02466
	GRADIENT	.00000	.00000	-.00075	.06453	-.02541	-.00018	-.00063	.00006	-.00444	-.00340

RUN NO		0/0	RN/L = 4.21		GRADIENT INTERVAL = -5.00/ 5.00						
MACH	ALPHA	ELV-LI	ELV-LO	CAF	CNF	CLMF	CABO	CABT	CABS	CHEI	CHEO
1.150	-6.000	10.00000	9.00000	.25674	-.40068	.12770	.05636	.09255	.04630	.04789	-.00365
1.150	-4.000	10.00000	9.00000	.25982	-.25687	.07360	.05563	.09058	.04539	.04272	-.01418
1.150	-2.000	10.00000	9.00000	.26371	-.12370	.02493	.05470	.08878	.04429	.03713	-.02508
1.150	.000	10.00000	9.00000	.26499	.00654	-.02668	.05347	.08652	.04386	.02871	-.03337
1.150	2.000	10.00000	9.00000	.26556	.13532	-.07700	.05248	.08408	.04305	.01944	-.04091
	GRADIENT	.00000	.00000	.00093	.06534	-.02517	-.00053	-.00109	-.00037	-.00391	-.00442

RUN NO.		0/0	RN/L = 4.22		GRADIENT INTERVAL = -5.00/ 5.00						
MACH	ALPHA	ELV-LI	ELV-LO	CAF	CNF	CLMF	CABO	CABT	CABS	CHEI	CHEO
1.205	-8.000	10.00000	9.00000	.26979	-.56231	.19314	.05680	.09307	.04586	.05190	-.00372
1.205	-6.000	10.00000	9.00000	.27263	-.39965	.12661	.05594	.09048	.04488	.04571	-.01281
1.205	-4.000	10.00000	9.00000	.27652	-.25488	.07239	.05527	.08782	.04401	.04040	-.02358
1.205	-2.000	10.00000	9.00000	.28010	-.11845	.02205	.05431	.08570	.04335	.03569	-.03296
1.205	.000	10.00000	9.00000	.28184	.00981	-.02713	.05309	.08332	.04307	.02938	-.04040
1.205	2.000	10.00000	9.00000	.28244	.13400	-.07363	.05239	.08102	.04245	.02130	-.04763
1.205	4.000	10.00000	9.00000	.27998	.25804	-.12142	.05220	.07829	.04135	.01119	-.05376
	GRADIENT	.00000	.00000	.00046	.06391	-.02416	-.00040	-.00119	-.00031	-.00364	-.00375

LARC 8FT TPT 749 (IA93) OTSAT130

(MJJB03) (18 AUG 76)

REFERENCE DATA

SREF = 2690.0000 SQ.FT. XMRP = 976.0000 IN XT
 LREF = 1290.3000 INCHES YMRP = .0000 IN. YT
 BREF = 1290.3000 INCHES ZMRP = 400.0000 IN. ZT
 SCALE = .0100

PARAMETRIC DATA

BETA = -4.000 ELV-LI = 10.000
 ELV-LO = 9.000 ELV-RI = 10.000
 ELV-RO = 9.000

RUN NO. 0/0 RN/L = 3.98 GRADIENT INTERVAL = -5.00/ 5.00

MACH	ALPHA	ELV-LI	ELV-LO	CAF	CNF	CLMF	CABO	CABT	CABS	CHEI	CHEO
.900	-8.000	10.00000	9.00000	.14728	-.50079	.16016	.04855	.09281	.03581	.02123	.00344
.900	-6.000	10.00000	9.00000	.14905	-.36689	.10860	.04750	.08946	.03509	.02299	.00962
.900	-4.000	10.00000	9.00000	.14982	-.23808	.05652	.04680	.08629	.03454	.02315	.00745
.900	-2.000	10.00000	9.00000	.15241	-.11259	.00205	.04631	.08082	.03398	.02294	.00584
.900	.000	10.00000	9.00000	.14982	.01223	-.05036	.04534	.07806	.03465	.02306	.00360
.900	2.000	10.00000	9.00000	.14564	.14633	-.10818	.04484	.07608	.03536	.02335	-.00636
.900	4.000	10.00000	9.00000	.14570	.26698	-.15106	.04381	.07563	.03480	.01624	-.02085
	GRADIENT	00000	00000	-.00075	.06345	-.02627	-.00037	-.00130	.00009	-.00067	-.00344

RUN NO. 0/0 RN/L = 4.09 GRADIENT INTERVAL = -5.00/ 5.00

MACH	ALPHA	ELV-LI	ELV-LO	CAF	CNF	CLMF	CABO	CABT	CABS	CHEI	CHEO
.975	-8.000	10.00000	9.00000	.19009	-.53862	.18175	.05670	.10309	.04441	.00879	-.00047
.975	-6.000	10.00000	9.00000	.19349	-.39214	.12577	.05453	.09815	.04399	.01536	.00122
.975	-4.000	10.00000	9.00000	.19589	-.26345	.08037	.05276	.09591	.04279	.02448	.00235
.975	-2.000	10.00000	9.00000	.19552	-.13510	.03184	.05143	.09429	.04221	.02450	.00231
.975	.000	10.00000	9.00000	.19350	-.00782	-.02124	.05089	.09209	.04275	.01742	.00162
.975	2.000	10.00000	9.00000	.18917	.11902	-.07280	.05130	.09105	.04307	.00709	-.00333
.975	4.000	10.00000	9.00000	.18602	.25084	-.12562	.05128	.09054	.04402	-.00487	-.01857
	GRADIENT	00000	00000	-.00130	.05414	-.02583	-.00015	-.00070	.00017	-.00381	-.00237

RUN NO. 0/0 RN/L = 4.21 GRADIENT INTERVAL = -5.00/ 5.00

MACH	ALPHA	ELV-LI	ELV-LO	CAF	CNF	CLMF	CABO	CABT	CABS	CHEI	CHEO
1.150	-6.000	10.00000	9.00000	.26011	-.40471	.13734	.05512	.09079	.04527	.04515	.00111
1.150	-4.000	10.00000	9.00000	.26269	-.25987	.08145	.05441	.08862	.04441	.03962	-.00678
1.150	-2.000	10.00000	9.00000	.26603	-.12503	.02972	.05357	.08684	.04339	.03495	-.01794
1.150	.000	10.00000	9.00000	.26624	.00595	-.02289	.05219	.08487	.04320	.02810	-.02794
1.150	2.000	10.00000	9.00000	.26537	.13181	-.07256	.05083	.08269	.04262	.01971	-.03588
	GRADIENT	.00000	00000	.00041	.06530	-.02573	-.00061	-.00099	-.00028	-.00333	-.00487

LARC 8FT TPT 749 (1A93) OTSAT130

(MJJB03) (18 AUG 76)

REFERENCE DATA

SREF = 2690.0000 SQ.FT. XMRP = 976.0000 IN. XT
 LREF = 1290.3000 INCHES YMRP = .0000 IN. YT
 BREF = 1290.3000 INCHES ZMRP = 400.0000 IN. ZT
 SCALE = .0100

PARAMETRIC DATA

BETA = -4.000 ELV-LI = 10.000
 ELV-LO = 9.000 ELV-RI = 10.000
 ELV-RO = 9.000

RUN NO. 0/ 0 RN/L = 4.22 GRADIENT INTERVAL = -5.00/ 5.00

MACH	ALPHA	ELV-LI	ELV-LO	CAF	CNF	CLMF	CABO	CABT	CABS	CHEI	CHEO
1.205	-8.000	10.00000	9.00000	.27388	- 56048	.19920	.05554	.09110	.04515	.05028	.00069
1.205	-6.000	10.00000	9.00000	.27637	- 40060	.13441	.05480	.08846	.04369	.04394	- 00688
1.205	-4.000	10.00000	9.00000	.28004	- 25494	.07772	.05404	.08556	.04271	.03888	- 01688
1.205	-2.000	10.00000	9.00000	.28306	- 11797	.02505	.05314	.08357	.04218	.03525	- 02626
1.205	.000	10.00000	9.00000	.28292	.00803	- 02378	.05201	.08184	.04220	.02985	- 03484
1.205	2.000	10.00000	9.00000	.28326	.13222	- 07113	.05071	.07943	.04189	.02252	- 04321
1.205	4.000	10.00000	9.00000	.28141	.25654	- 11934	.05022	.07690	.04065	.01220	- 04982
	GRADIENT	.00000	00000	.00015	.06366	- 02451	- 00050	-.00107	-.00023	-.00331	-.00414

LARC 8FT TPT 749 (1A93) OTSAT130

(MJJB04) (18 AUG 76)

REFERENCE DATA

SREF = 2690.0000 SQ.FT. XMRP = 976.0000 IN. XT
 LREF = 1290.3000 INCHES YMRP = .0000 IN. YT
 BREF = 1290.3000 INCHES ZMRP = 400.0000 IN. ZT
 SCALE = .0100

PARAMETRIC DATA

BETA = .000 ELV-LI = 10.000
 ELV-LO = 9.000 ELV-RI = 10.000
 ELV-RO = 9.000

RUN NO. 0/ 0 RN/L = 3.98 GRADIENT INTERVAL = -5.00/ 5.00

MACH	ALPHA	ELV-LI	ELV-LO	CAF	CNF	CLMF	CABO	CABT	CABS	CHEI	CHEO
.900	-8.000	10.00000	9.00000	.14964	- 51101	.17194	.04669	.09345	.03227	.00880	- 00284
.900	-6.000	10.00000	9.00000	.15038	- 37366	.11761	.04624	.08876	.03046	.01047	.00577
.900	-4.000	10.00000	9.00000	.15180	- 24317	.06324	.04636	.08313	.02921	.00867	.00747
.900	-2.000	10.00000	9.00000	.15424	- 12207	.00890	.04646	.07700	.02890	.00581	.00434
.900	.000	10.00000	9.00000	.15355	.00956	- 04817	.04521	.07500	.02966	.00694	.00143
.900	2.000	10.00000	9.00000	.15194	.14503	- 10980	.04475	.07236	.03045	.00710	- 00608
.900	4.000	10.00000	9.00000	.14890	.26938	- 15359	.04379	.07200	.03085	.00819	- 01572
	GRADIENT	00000	00000	-.00040	.06461	-.02762	-.00034	-.00135	.00024	.00002	-.00284

LARC 8FT TPT 749 (1A93) OTSAT130

(MJJB04) (18 AUG 76)

REFERENCE DATA

SREF = 2690.0000 SQ.FT XMRP = 976.0000 IN. XT
 LREF = 1290.3000 INCHES YMRP = .0000 IN. YT
 BREF = 1290.3000 INCHES ZMRP = 400.0000 IN. ZT
 SCALE = .0100

PARAMETRIC DATA

BETA = .000 ELV-LI = 10.000
 ELV-LO = 9.000 ELV-RI = 10.000
 ELV-RO = 9.000

RUN NO. 0/ 0 RN/L = 4.09 GRADIENT INTERVAL = -5.00/ 5.00

MACH	ALPHA	ELV-LI	ELV-LO	CAF	CNF	CLMF	CABO	CABT	CABS	CHEI	CHEO
.975	-8.000	10.00000	9.00000	.19490	-.54939	.19516	.05403	.10217	.04193	-.00240	-.00149
.975	-6.000	10.00000	9.00000	.19745	-.40205	.13871	.05263	.09800	.04062	-.00403	-.00079
.975	-4.000	10.00000	9.00000	.19855	-.26854	.08953	.05253	.09445	.03903	.00070	.00095
.975	-2.000	10.00000	9.00000	.19909	-.14413	.04166	.05324	.09167	.03757	.00742	.00118
.975	.000	10.00000	9.00000	.19792	-.02034	-.00869	.05372	.08982	.03742	.00445	-.00075
.975	2.000	10.00000	9.00000	.19297	.10659	-.06032	.05443	.08879	.03804	-.00202	-.00316
.975	4.000	10.00000	9.00000	.18851	.23785	-.11508	.05445	.08668	.03913	-.01270	-.01076
	GRADIENT	.00000	.00000	-.00131	.06317	-.02556	.00025	-.07092	.00003	-.00181	-.00139

RUN NO. 0/ 0 RN/L = 4.21 GRADIENT INTERVAL = -5.00/ 5.00

MACH	ALPHA	ELV-LI	ELV-LO	CAF	CNF	CLMF	CABO	CABT	CABS	CHEI	CHEO
1.150	-6.000	10.00000	9.00000	.26013	-.41503	.15331	.05510	.09133	.04317	.04053	.00190
1.150	-4.000	10.00000	9.00000	.26308	-.26758	.09414	.05425	.08870	.04220	.03467	.00372
1.150	-2.000	10.00000	9.00000	.26792	-.12905	.03725	.05336	.08584	.04105	.03123	-.00314
1.150	.000	10.00000	9.00000	.26983	-.00190	-.01538	.05244	.08272	.04020	.02817	-.01474
1.150	2.000	10.00000	9.00000	.26716	.12396	-.06468	.05097	.08015	.04013	.02060	-.02585
	GRADIENT	.00000	.00000	.00071	.06509	-.02645	-.00054	-.00144	-.00035	-.00226	-.00502

RUN NO. 0/ 0 RN/L = 4.22 GRADIENT INTERVAL = -5.00/ 5.00

MACH	ALPHA	ELV-LI	ELV-LO	CAF	CNF	CLMF	CABO	CABT	CABS	CHEI	CHEO
1.205	-8.000	10.00000	9.00000	.27595	-.56635	.21139	.05475	.09063	.04223	.04781	.00219
1.205	-6.000	10.00000	9.00000	.27787	-.40810	.14765	.05383	.08818	.04122	.04182	.00120
1.205	-4.000	10.00000	9.00000	.28083	-.26001	.08739	.05317	.08515	.04045	.03655	-.00416
1.205	-2.000	10.00000	9.00000	.28520	-.12152	.03142	.05236	.08207	.03939	.03332	-.01189
1.205	.000	10.00000	9.00000	.28683	.00367	-.01813	.05149	.07987	.03872	.03086	-.02275
1.205	2.000	10.00000	9.00000	.28491	.12254	-.06275	.05037	.07703	.03867	.02544	-.03261
1.205	4.000	10.00000	9.00000	.28201	.24717	-.10959	.04923	.07394	.03855	.01699	-.04060
	GRADIENT	.00000	.00000	.00010	.06292	-.02441	-.00049	-.00137	-.00023	-.00235	-.00468

LARC 8FT TPT 749 (1A93) OTSAT130

(MJJB05) (18 AUG 76)

REFERENCE DATA

SREF = 2690.0000 SQ.FT. XMRP = 976.0000 IN. XT
 LREF = 1290.3000 INCHES YMRP = .0000 IN. YT
 BREF = 1290.3000 INCHES ZMRP = 400.0000 IN. ZT
 SCALE = .0100

PARAMETRIC DATA

BETA = 4.000 ELV-LI = 10.000
 ELV-LO = 9.000 ELV-RI = 10.000
 ELV-RO = 9.000

		RUN NO.	0/ 0	RN/L =	3.98	GRADIENT INTERVAL = -5.00/ 5.00					
MACH	ALPHA	ELV-LI	ELV-LO	CAF	CNF	CLMF	CABO	CABT	CABS	CHEI	CHEO
.900	-8.000	10.00000	9.00000	.15581	-.50276	.16078	.04793	.09116	.03075	-.00505	-.00645
.900	-6.000	10.00000	9.00000	.15796	-.36547	.10822	.04653	.08776	.02974	-.00400	-.00030
.900	-4.000	10.00000	9.00000	.16102	-.23685	.05604	.04522	.08393	.02863	-.00410	.00219
.900	-2.000	10.00000	9.00000	.16250	-.11543	.00264	.04577	.07860	.02823	-.00539	.00187
.900	.000	10.00000	9.00000	.16330	.01067	-.05150	.04460	.07694	.02763	-.00615	-.00010
.900	2.000	10.00000	9.00000	.16097	.14240	-.10951	.04396	.07421	.02769	-.00703	-.00370
.900	4.000	10.00000	9.00000	.15813	.27034	-.15708	.04253	.07388	.02832	-.00663	-.01014
	GRADIENT	.00000	.00000	-.00037	.06361	-.02692	-.00026	-.00122	-.00006	-.00034	-.00151

		RUN NO.	0/ 0	RN/L =	4.09	GRADIENT INTERVAL = -5.00/ 5.00					
MACH	ALPHA	ELV-LI	ELV-LO	CAF	CNF	CLMF	CABO	CABT	CABS	CHEI	CHEO
.975	-8.000	10.00000	9.00000	.20227	-.54301	.18314	.05565	.10015	.03871	-.01323	-.00266
.975	-6.000	10.00000	9.00000	.20593	-.39664	.12686	.05373	.09580	.03767	-.01369	-.00250
.975	-4.000	10.00000	9.00000	.20896	-.26305	.07755	.05212	.09265	.03613	-.01667	-.00177
.975	-2.000	10.00000	9.00000	.21106	-.13435	.02903	.05096	.09129	.03461	-.01536	-.00184
.975	.000	10.00000	9.00000	.21116	-.00846	-.02081	.05097	.09090	.03373	-.01212	-.00335
.975	2.000	10.00000	9.00000	.20671	.11604	-.07155	.05092	.08822	.03416	-.01469	-.00794
.975	4.000	10.00000	9.00000	.20033	.25204	-.12795	.05083	.08715	.03583	-.01970	-.01617
	GRADIENT	.00000	.00000	-.00108	.06403	-.02558	-.00013	-.00070	-.00005	-.00027	-.00174

		RUN NO.	0/ 0	RN/L =	4.21	GRADIENT INTERVAL = -5.00/ 5.00					
MACH	ALPHA	ELV-LI	ELV-LO	CAF	CNF	CLMF	CABO	CABT	CABS	CHEI	CHEO
1.150	-6.000	10.00000	9.00000	.26912	-.41161	.14355	.05759	.09137	.03989	.02827	-.00087
1.150	-4.000	10.00000	9.00000	.27222	-.26344	.08383	.05618	.08824	.03865	.02444	.00325
1.150	-2.000	10.00000	9.00000	.27619	-.12733	.03004	.05494	.08542	.03701	.02003	.00562
1.150	.000	10.00000	9.00000	.27760	.00129	-.02050	.05396	.08339	.03583	.01344	-.00142
1.150	2.000	10.00000	9.00000	.27479	.13068	-.07261	.05217	.08077	.03587	.00705	-.01269
	GRADIENT	.00000	.00000	.00046	.06555	-.02599	-.00065	-.00122	-.00048	-.00294	-.00274

LARC 8FT TPT 749 (IA93) OTSAT130

(MJJB05) (18 AUG 76)

REFERENCE DATA

PARAMETRIC DATA

SREF = 2690.0000 SQ.FT. XMRP = 976.0000 IN. XT
 LREF = 1290.3000 INCHES YMRP = .0000 IN. YT
 BREF = 1290.3000 INCHES ZMRP = 400.0000 IN. ZT
 SCALE = 0100

BETA = 4.000 ELV-LI = 10.000
 ELV-LO = 9.000 ELV-RI = 10.000
 ELV-RO = 9.000

RUN NO. 0/ 0 RN/L = 4.22 GRADIENT INTERVAL = -5.00/ 5.00

MACH	ALPHA	ELV-LI	ELV-LO	CAF	CNF	CLMF	CABO	CABT	CABS	CHEI	CHEO
1.205	-8.000	10.00000	9.00000	.28201	-.56764	.20534	.05833	.09137	.03958	.03786	-.00089
1.205	-6.000	10.00000	9.00000	.28381	-.40814	.14083	.05711	.08894	.03865	.03390	.00109
1.205	-4.000	10.00000	9.00000	.28742	-.26043	.08119	.05546	.08552	.03727	.03046	.00404
1.205	-2.000	10.00000	9.00000	.29157	-.12246	.02734	.05410	.08261	.03566	.02736	.00066
1.205	.000	10.00000	9.00000	.29363	.00506	-.02093	.05284	.08058	.03431	.02281	-.00893
1.205	2.000	10.00000	9.00000	.29137	.12758	-.06849	.05160	.07781	.03429	.01654	-.02004
1.205	4.000	10.00000	9.00000	.28626	.25200	-.11756	.05023	.07521	.03541	.00941	-.02976
	GRADIENT	.00000	00000	-.00013	.06374	-.02467	-.00065	-.00127	-.00025	-.00265	-.00442

LARC 8FT TPT 749 (IA93) OTSAT130

(MJJB06) (18 AUG 76)

REFERENCE DATA

PARAMETRIC DATA

SREF = 2690.0000 SQ.FT. XMRP = 976.0000 IN. XT
 LREF = 1290.3000 INCHES YMRP = .0000 IN. YT
 BREF = 1290.3000 INCHES ZMRP = 400.0000 IN. ZT
 SCALE = .0100

BETA = 6.000 ELV-LI = 10.000
 ELV-LO = 9.000 ELV-RI = 10.000
 ELV-RO = 9.000

RUN NO. 0/ 0 RN/L = 3.98 GRADIENT INTERVAL = -5.00/ 5.00

MACH	ALPHA	ELV-LI	ELV-LO	CAF	CNF	CLMF	CABO	CABT	CABS	CHEI	CHEO
.900	-8.000	10.00000	9.00000	.15834	-.50332	.15775	.04918	.09260	.02842	-.00769	-.00721
.900	-6.000	10.00000	9.00000	.16106	-.36989	.10720	.04750	.08929	.02788	-.00646	-.00165
.900	-4.000	10.00000	9.00000	.16378	-.24362	.05718	.04616	.08651	.02735	-.00729	.00026
.900	-2.000	10.00000	9.00000	.16436	-.11956	.00455	.04636	.08285	.02693	-.00814	.00045
.900	.000	10.00000	9.00000	.16570	.00954	-.05135	.04550	.07973	.02633	-.00952	-.00108
.900	2.000	10.00000	9.00000	.16301	.13808	-.10641	.04511	.07726	.02685	-.01005	-.00409
.900	4.000	10.00000	9.00000	.15997	.26594	-.15306	.04420	.07635	.02730	-.00937	-.00838
	GRADIENT	00000	00000	-.00045	.06384	-.02657	-.00026	-.00129	-.00001	-.00030	-.00109

ORIGINAL PAGE IS
OF POOR QUALITY

LARC 8FT TPT 749 (1A93) OTSAT130

(MJJB06) (18 AUG 76)

REFERENCE DATA

SREF = 2690.0000 SO.FT. XMRP = 976 0000 IN. XT
 LREF = 1290.3000 INCHES YMRP = .0000 IN. YT
 BREF = 1290.3000 INCHES ZMRP = 400.0000 IN. ZT
 SCALE = .0100

PARAMETRIC DATA

BETA = 6.000 ELV-L1 = 10.000
 ELV-LO = 9.000 ELV-R1 = 10.000
 ELV-RO = 9.000

RUN NO. 0/ 0 RN/L = 4.09 GRADIENT INTERVAL = -5.00/ 5.00

MACH	ALPHA	ELV-L1	ELV-LO	CAF	CNF	CLMF	CABO	CABT	CABS	CHEI	CHEO
.975	-8.000	10.00000	9.00000	.20562	-.54546	.17977	.05903	.10131	.03475	-.01792	-.00338
.975	-6.000	10.00000	9.00000	.20973	-.39936	.12336	.05658	.09697	.03430	-.02122	-.00375
.975	-4.000	10.00000	9.00000	.21227	-.26491	.07369	.05453	.09395	.03354	-.02196	-.00345
.975	-2.000	10.00000	9.00000	.21292	-.13320	.02357	.05304	.09271	.03259	-.01959	-.00315
.975	.000	10.00000	9.00000	.21319	-.00413	-.02824	.05187	.09187	.03207	-.01528	-.00493
.975	2.000	10.00000	9.00000	.20862	.11879	-.07763	.05146	.08980	.03276	-.01561	-.01064
.975	4.000	10.00000	9.00000	.20201	.25382	-.13168	.05145	.08867	.03414	-.01786	-.01685
	GRADIENT	.00000	00000	-.00124	.06447	-.02560	-.00039	-.00067	.00007	.00061	-.00171

RUN NO 9/ 0 RN/L = 4.21 GRADIENT INTERVAL = -5.00/ 5.00

MACH	ALPHA	ELV-L1	ELV-LO	CAF	CNF	CLMF	CABO	CABT	CABS	CHEI	CHEO
1.150	-6.000	10.00000	9.00000	.27313	-.41300	.13816	.05994	.09248	.03670	.02418	-.00157
1.150	-4.000	10.00000	9.00000	.27541	-.26710	.08075	.05836	.08953	.03607	.02055	.00162
1.150	-2.000	10.00000	9.00000	.27731	-.13043	.02817	.05655	.08734	.03492	.01629	.00548
1.150	.000	10.00000	9.00000	.27803	.00214	-.02438	.05515	.08536	.03384	.00945	.00227
1.150	2.000	10.00000	9.00000	.27473	.13174	-.07749	.05348	.08249	.03475	.00234	-.00723
	GRADIENT	00000	.03000	-.00007	.06646	-.02636	-.00080	-.00116	-.00025	-.00307	-.00149

RUN NO. 0/ 0 RN/L = 4.22 GRADIENT INTERVAL = -5.00/ 5.00

MACH	ALPHA	ELV-L1	ELV-LO	CAF	CNF	CLMF	CABO	CABT	CABS	CHEI	CHEO
1.205	-8.000	10.00000	9.00000	.28331	-.57093	.20263	.06017	.09341	.03694	.03401	-.00133
1.205	-6.000	10.00000	9.00000	.28586	-.41004	.13668	.05916	.08995	.03607	.03041	-.00036
1.205	-4.000	10.00000	9.00000	.28918	-.26524	.07945	.05745	.08623	.03506	.02637	.00427
1.205	-2.000	10.00000	9.00000	.29213	-.12878	.02738	.05563	.08409	.03372	.02206	.00456
1.205	.000	10.00000	9.00000	.29389	.00375	-.02386	.05419	.08234	.03253	.01675	-.00330
1.205	2.000	10.00000	9.00000	.29108	.12907	-.07336	.05284	.07963	.03318	.01042	-.01364
1.205	4.000	10.00000	9.00000	.28525	.25461	-.12268	.05157	.07706	.03418	.00488	-.02391
	GRADIENT	.00000	.00000	-.00045	.06488	-.02525	-.00073	-.00114	-.00012	-.00273	-.00373

LARC 8FT TPT 749 (1A93) OTSAT130

(MJJB07) (18 AUG 76)

REFERENCE DATA

SREF = 2690.0000 SQ.FT. XMRP = 976 0000 IN. XT
 LREF = 1290.3000 INCHES YMRP = .0000 IN. YT
 BREF = 1290.3000 INCHES ZMRP = 400 0000 IN. ZT
 SCALE = 0100

PARAMETRIC DATA

BETA = -6.000 ELV-LI = 10.000
 ELV-LO = 4.000 ELV-RI = 10.000
 ELV-RO = 4.000

RUN NO. 0/ 0 RN/L = 3.98 GRADIENT INTERVAL = -5.00/ 5.00

MACH	ALPHA	ELV-LI	ELV-LO	CAF	CNF	CLMF	CABO	CABT	CABS	CHEI	CHEO
.900	-8 000	10.00000	4.00000	.14421	-.51458	.16450	.05067	.09284	.03750	.02938	.01113
.900	-6.000	10.00000	4.00000	.14681	-.38012	.11339	.04929	.08977	.03703	.03032	.01422
.900	-4 000	10.00000	4 00000	.14803	-.25737	.06625	.04791	.08755	.03678	.03000	.01475
.900	-2 000	10.00000	4 00000	.15087	-.13106	.01437	.04689	.08435	.03609	.02935	.01619
.900	000	10.00000	4 00000	.15030	-.00496	-.03483	.04584	.08067	.03604	.03026	.01533
.900	2 000	10.00000	4 00000	.14665	.11123	-.07910	.04520	.07959	.03631	.03031	.00626
900	4 000	10.00000	4 00000	.14391	.23394	-.12290	.04505	.07882	.03603	.02428	-.00783
	GRADIENT	.00000	.00000	-.00062	.06125	-.02359	-.00037	-.00111	-.00006	-.00052	-.00276

RUN NO 0/ 0 RN/L = 4.09 GRADIENT INTERVAL = -5.00/ 5.00

MACH	ALPHA	ELV-LI	ELV-LO	CAF	CNF	CLMF	CABO	CABT	CABS	CHEI	CHEO
.975	-8.000	10.00000	4 00000	.18496	-.56040	.19279	.05925	.10463	.04560	.01165	.02575
.975	-6.000	10.00000	4.00000	.18828	-.41424	.13714	.05690	.10019	.04548	.01860	.02710
.975	-4.000	10 00000	4 00000	.19036	-.28110	.08994	.05469	.09771	.04452	.03055	.02854
.975	-2.000	10.00000	4 00000	.19191	-.15055	.04113	.05325	.09595	.04353	.03364	.02795
.975	.000	10.00000	4 00000	.19269	-.02425	-.01054	.05262	.09425	.04373	.02707	.02162
.975	2.000	10 00000	4 00000	.19005	.10274	-.06035	.05291	.09333	.04406	.01831	.01251
.975	4.000	10 00000	4 00000	.18431	.22988	-.10829	.05324	.09349	.04496	.01279	.00243
	GRADIENT	00000	00000	-.00070	.06376	-.02490	-.00016	-.00055	00007	-.00254	-.00338

RUN NO. 0/ 0 RN/L = 4.21 GRADIENT INTERVAL = -5.00/ 5.00

MACH	ALPHA	ELV-LI	ELV-LO	CAF	CNF	CLMF	CABO	CABT	CABS	CHEI	CHEO
1.150	-6 000	10 00000	4.00000	.25695	-.41575	.14085	.05648	.09305	.04618	.05242	.02011
1.150	-4.000	10.00000	4.00000	.25970	-.27097	.08656	.05579	.09115	.04531	.04795	.00865
1.150	-2 000	10.00000	4.00000	.26401	-.13625	.03716	.05482	.08917	.04415	.04264	-.00333
1.150	.000	10.00000	4.00000	.26473	-.00745	-.01435	.05386	.08740	.04376	.03415	-.01346
1.150	2.000	10.00000	4.00000	.26555	.12147	-.06482	.05284	.08498	.04303	.02459	-.02237
	GRADIENT	.00000	.00000	.00091	.06531	-.02528	-.00049	-.00101	-.00036	-.00393	-.00516

LARC 8FT TPT 749 (1A93) OTSAT130

(MJJB07) (18 AUG 76)

REFERENCE DATA

SREF = 2690.0000 SQ.FT. XMRP = 976.0000 IN. XT
 LREF = 1290.3000 INCHES YMRP = .0000 IN. YT
 BREF = 1290.3000 INCHES ZMRP = 400.0000 IN. ZT
 SCALE = .0100

PARAMETRIC DATA

BETA = -6.000 ELV-LI = 10.000
 ELV-LO = 4.000 ELV-RI = 10.000
 ELV-RO = 4.000

RUN NO. 0/ 0 RN/L = 4.22 GRADIENT INTERVAL = -5.00/ 5 00

MACH	ALPHA	ELV-LI	ELV-LO	CAF	CNF	CLMF	CABO	CABT	CABS	CHEI	CHEO
1.205	-8.000	10.00000	4.00000	.26774	-.57288	.20259	.05644	.09310	.04544	.05548	.01838
1.205	-6.000	10.00000	4.00000	.27037	-.40969	.13578	.05575	.09047	.04450	.04948	.00766
1.205	-4.000	10.00000	4.00000	.27408	-.26495	.08178	.05517	.08777	.04366	.04415	-.00344
1.205	-2.000	10.00000	4.00000	.27718	-.12947	.03199	.05430	.08589	.04304	.03933	-.01326
1.205	.000	10.00000	4.00000	.27863	-.00198	-.01731	.05321	.08372	.04277	.03292	-.02228
1.205	2.000	10.00000	4.00000	.27914	.12248	-.06419	.05249	.08145	.04223	.02502	-.03022
1.205	4.000	10.00000	4.00000	.27669	.24724	-.11238	.05236	.07886	.04119	.01420	-.03682
	GRADIENT	.00000	.00000	.00036	.06382	-.02423	-.00037	-.00111	-.00029	-.00371	-.00419

LARC 8FT TPT 749 (1A93) OTSAT130

(MJJB08) (18 AUG 76)

REFERENCE DATA

SREF = 2690.0000 SQ.FT. XMRP = 976.0000 IN. XT
 LREF = 1290.3000 INCHES YMRP = .0000 IN. YT
 BREF = 1290.3000 INCHES ZMRP = 400.0000 IN. ZT
 SCALE = .0100

PARAMETRIC DATA

BETA = -4.000 ELV-LI = 10.000
 ELV-LO = 4.000 ELV-RI = 10.000
 ELV-RO = 4.000

RUN NO. 0/ 0 RN/L = 3.98 GRADIENT INTERVAL = -5.00/ 5 00

MACH	ALPHA	ELV-LI	ELV-LO	CAF	CNF	CLMF	CABO	CABT	CABS	CHEI	CHEO
.900	-8.000	10.00000	4.00000	.14789	-.51974	.17484	.04923	.09323	.03580	.02779	.00987
.900	-6.000	10.00000	4.00000	.14953	-.38271	.12176	.04810	.08991	.03531	.02822	.01421
.900	-4.000	10.00000	4.00000	.15107	-.25591	.07098	.04712	.08669	.03463	.02792	.01530
.900	-2.000	10.00000	4.00000	.15324	-.13416	.01884	.04621	.08156	.03399	.02788	.01655
.900	.000	10.00000	4.00000	.15202	-.00387	-.03356	.04468	.07853	.03451	.02814	.01594
.900	2.000	10.00000	4.00000	.14734	.11597	-.06199	.04363	.07749	.03474	.02914	.01264
.900	4.000	10.00000	4.00000	.14664	.23678	-.12617	.04339	.07635	.03440	.02322	-.00326
	GRADIENT	.00000	.00000	-.00074	.06178	-.02476	-.00050	-.00124	.00001	-.00041	-.00205

LARC BFT TPT 749 (1A93) OTSAT130

(MJJB08) (18 AUG 76)

REFERENCE DATA

SREF = 2690.0000 SQ.FT. XMRP = 976 0000 IN. XT
 LREF = 1290.3000 INCHES YMRP = .0000 IN. YT
 BREF = 1290.3000 INCHES ZMRP = 400.0000 IN. ZT
 SCALE = 0100

PARAMETRIC DATA

BETA = -4.000 ELV-LI = 10.000
 ELV-LO = 4.000 ELV-R1 = 10.000
 ELV-RO = 4.000

ORIGINAL PAGE IS
OF POOR QUALITY

RUN NO. 0/ 0 RN/L = 4.09 GRADIENT INTERVAL = -5 00/ 5 00

MACH	ALPHA	ELV-LI	ELV-LO	CAF	CNF	CLMF	CABO	CABT	CABS	CHEI	CHEO
.975	-8.000	10.00000	4.00000	.19135	-.56308	.20202	.05741	.10430	.04402	01011	.02535
.975	-6.000	10.00000	4.00000	.19436	-.41673	.14560	.05545	.09939	.04371	.01326	.02683
.975	-4.000	10.00000	4.00000	.19652	-.28516	.09868	.05364	.09638	.04261	.02263	.02838
.975	-2.000	10.00000	4.00000	.19676	-.15698	.05095	.05198	.09471	.04167	.02764	.02876
.975	.000	10.00000	4.00000	.19545	-.02815	-.00291	.05150	.09239	.04224	.02390	.02535
.975	2.000	10.00000	4.00000	.19146	.09679	-.05338	.05227	.09117	.04261	.01372	.01610
.975	4.000	10.00000	4.00000	.18811	.22607	-.10465	.05215	.09086	.04360	.00655	.00652
	GRADIENT	.00000	00000	-.00111	.06381	-.02555	-.00013	-.00073	.00015	-.00230	-.00282

RUN NO. 0/ 0 RN/L = 4.21 GRADIENT INTERVAL = -5.00/ 5.00

MACH	ALPHA	ELV-LI	ELV-LO	CAF	CNF	CLMF	CABO	CABT	CABS	CHEI	CHEO
1.150	-6.000	10.00000	4.00000	.26091	-.41898	.15052	.05507	.09099	.04500	04863	.02659
1.150	-4.000	10.00000	4.00000	.26279	-.27365	.09456	.05453	.08923	.04424	.04397	.01762
1.150	-2.000	10.00000	4.00000	.26611	-.13831	.04263	.05374	.08741	.04320	04003	.00554
1.150	.000	10.00000	4.00000	.26587	-.00772	-.01045	.05262	.08583	.04297	.03337	-.00617
1.150	2.000	10.00000	4.00000	.26557	.11691	-.05992	.05122	.08343	.04248	.02445	-.01646
	GRADIENT	.00000	00000	00040	.06511	-.02583	-.00055	-.00095	-.00028	-.00326	-.00570

RUN NO. 0/ 0 RN/L = 4.22 GRADIENT INTERVAL = -5.00/ 5.00

MACH	ALPHA	ELV-LI	ELV-LO	CAF	CNF	CLMF	CABO	CABT	CABS	CHEI	CHEO
1.205	-8.000	10.00000	4.00000	.27178	-.57194	.20927	.05508	.09097	.04468	05276	.02428
1.205	-6.000	10.00000	4.00000	.27416	-.41146	.14440	.05443	.08832	.04323	.04695	.01548
1.205	-4.000	10.00000	4.00000	.27749	-.26556	.08755	.05381	.08551	.04229	.04242	.00470
1.205	-2.000	10.00000	4.00000	.27976	-.12988	.03517	.05309	.08388	.04180	.03900	-.00564
1.205	.000	10.00000	4.00000	.27913	-.00295	-.01424	.05222	.08258	.04185	.03358	-.01551
1.205	2.000	10.00000	4.00000	.27943	.12096	-.06163	.05084	.08015	.04146	.02636	-.02520
1.205	4.000	10.00000	4.00000	.27786	.24501	-.10990	.05037	.07764	.04049	.01644	-.03241
	GRADIENT	.00000	.00000	.00002	.06360	-.02458	-.00046	-.00097	-.00020	-.00323	-.00469

LARC 8FT TPT 749 (1A93) OTSAT130

(MJJB09) (18 AUG 76)

REFERENCE DATA

SREF = 2690.0000 SQ.FT. XMRP = 976.0000 IN. XT
 LREF = 1290.3000 INCHES YMRP = .0000 IN. YT
 BREF = 1290.3000 INCHES ZMRP = 400.0000 IN. ZT
 SCALE = .0100

PARAMETRIC DATA

BETA = .000 ELV-LI = 10.000
 ELV-LO = 4.000 ELV-RI = 10.000
 ELV-RO = 4.000

		RUN NO	0/ 0	RN/L = 3.98	GRADIENT INTERVAL = -5.00/ 5.00						
MACH	ALPHA	ELV-LI	ELV-LO	CAF	CNF	CLMF	CABO	CABT	CABS	CHEI	CHEO
.900	-8.000	10.00000	4.00000	.14689	-.52408	.18452	.04776	.09368	.03212	.01711	.00571
.900	-6.000	10.00000	4.00000	.14866	-.38521	.12883	.04709	.08924	.03086	.01722	.01213
.900	-4.000	10.00000	4.00000	.15226	-.25861	.07609	.04692	.08368	.02948	.01559	.01591
.900	-2.000	10.00000	4.00000	.15460	-.13835	.02303	.04705	.07747	.02892	.01557	.01787
.900	.000	10.00000	4.00000	.15313	-.01325	-.02872	.04573	.07521	.02971	.01733	.01884
.900	2.000	10.00000	4.00000	.15022	.11079	-.08140	.04540	.07342	.03062	.01873	.01742
.900	4.000	10.00000	4.00000	.14846	.23600	-.12628	.04432	.07281	.03091	.02005	.00734
	GRADIENT	00000	00000	-.00060	.06192	-.02546	-.00034	-.00129	.00023	.00060	-.00088

		RUN NO	0/ 0	RN/L = 4.09	GRADIENT INTERVAL = -5.00/ 5.00						
MACH	ALPHA	ELV-LI	ELV-LO	CAF	CNF	CLMF	CABO	CABT	CABS	CHEI	CHEO
.975	-8.000	10.00000	4.00000	.19549	-.56923	.21221	.05476	.10283	.04164	.00070	.02462
.975	-6.000	10.00000	4.00000	.19797	-.42233	.15632	.05387	.09843	.04036	-.00292	.02604
.975	-4.000	10.00000	4.00000	.19964	-.29009	.10762	.05382	.09433	.03858	-.00058	.02868
.975	-2.000	10.00000	4.00000	.20099	-.16785	.06069	.05419	.09185	.03696	.00786	.03001
.975	.000	10.00000	4.00000	.19897	-.04788	.01327	.05482	.09064	.03675	.00756	.02877
.975	2.000	10.00000	4.00000	.19375	.08340	-.04117	.05522	.08937	.03752	.00416	.02462
.975	4.000	10.00000	4.00000	.19004	.21538	-.09654	.05525	.08734	.03880	-.00394	.01402
	GRADIENT	00000	.00000	-.00132	.06311	-.02551	.00019	-.00082	.00005	-.00052	-.00173

		RUN NO.	0/ 0	RN/L = 4.21	GRADIENT INTERVAL = -5.00/ 5.00						
MACH	ALPHA	ELV-LI	ELV-LO	CAF	CNF	CLMF	CABO	CABT	CABS	CHEI	CHEO
1.150	-6.000	10.00000	4.00000	.26078	-.43081	.16690	.05515	.09128	.04277	.04346	.02900
1.150	-4.000	10.00000	4.00000	.26266	-.28165	.10707	.05438	.08916	.04202	.03799	.03130
1.150	-2.000	10.00000	4.00000	.26727	-.14255	.04997	.05360	.08639	.04086	.03481	.02313
1.150	.000	10.00000	4.00000	.26839	-.01719	-.00239	.05296	.08391	.03996	.03232	.00972
1.150	2.000	10.00000	4.00000	.26685	.10909	-.05212	.05141	.08085	.03988	.02574	-.00431
	GRADIENT	00000	.00000	.00068	.06488	-.02650	-.00048	-.00137	-.00037	-.00196	-.00601

LARC 8FT TPT 749 (1A93) OTSAT130

(MJJB09) (18 AUG 76)

REFERENCE DATA

SREF = 2690.0000 SQ.FT. XMRP = 976.0000 IN. XT
 LREF = 1290.3000 INCHES YMRP = .0000 IN. YT
 BREF = 1290.3000 INCHES ZMRP = 400.0000 IN. ZT
 SCALE = .0100

PARAMETRIC DATA

BETA = .000 ELV-LI = 10.000
 ELV-LO = 4.000 ELV-RI = 10.000
 ELV-RO = 4.000

RUN NO. 0/ 0 RN/L = 4.22 GRADIENT INTERVAL = -5.00/ 5.00

MACH	ALPHA	ELV-LI	ELV-LO	CAF	CNF	CLMF	CABO	CABT	CABS	CHEI	CHEO
1.205	-8 000	10 00000	4.00000	.27302	-.57576	.22075	.05469	.09075	.04197	.05004	.02732
1.205	-6 000	10 00000	4.00000	.27489	-.42008	.15799	.05378	.08827	.04090	.04449	.02611
1.205	-4 000	10.00000	4.00000	.27820	-.27279	.09821	.05308	.08524	.04004	.03977	.02011
1.205	-2.000	10.00000	4 00000	.28220	-.13385	.04230	.05234	.08236	.03899	.03698	.01094
1.205	000	10.00000	4.00000	.28327	- 00871	-.00779	.05155	.08034	.03829	.03480	-.00118
1.205	2 000	10 00000	4.00000	.28110	.11308	-.05404	.05056	.07778	.03832	.02941	- 01289
1.205	4 000	10.00000	4 00000	.27831	.23523	-.09998	.04940	.07475	.03831	.02107	-.02273
	GRADIENT	00000	00000	-.00004	.06315	-.02464	-.00046	-.00128	-.00021	-.00225	-.00548

LARC 8FT TPT 749 (1A93) OTSAT130

(MJJB10) (18 AUG 76)

REFERENCE DATA

SREF = 2690.0000 SQ FT XMRP = 976 0000 IN XT
 LREF = 1290 3000 INCHES YMRP = .0000 IN. YT
 BREF = 1290.3000 INCHES ZMRP = 400 0000 IN ZT
 SCALE = .0100

PARAMETRIC DATA

BETA = 4 000 ELV-LI = 10.000
 ELV-LO = 4 000 ELV-RI = 10 000
 ELV-RO = 4 000

RUN NO. 0/ 0 RN/L = 3.38 GRADIENT INTERVAL = -5.00/ 5.00

MACH	ALPHA	ELV-LI	ELV-LO	CAF	CNF	CLMF	CABO	CABT	CABS	CHEI	CHEO
900	-8.000	10.00000	4.00000	.15708	-.51933	.17411	.04868	.09160	.03054	.00131	-.00276
900	-6.000	10 00000	4.00000	.15800	-.38001	.12054	.04778	.08879	.02975	.00290	.00618
900	-4 000	10.00000	4.00000	.15956	- 25713	.07159	.04684	.08521	.02893	.00333	.01458
.900	-2.000	10 00000	4 00000	.16176	- 13814	.02025	.04703	.08007	.02841	.00201	.01721
900	000	10.00000	4 00000	.16166	- 01594	-.02936	.04596	.07807	.02789	.00248	.01835
.900	2.000	10 00000	4 00000	.16215	.11066	-.00259	.04479	.07482	.02767	.00245	.01758
.900	4 000	10.00000	4 00000	.15884	.23383	- 12617	.04441	.07502	.02851	.00212	.01079
	GRADIENT	.00000	.00000	-.00005	.06154	-.02492	-.00036	-.00128	-.00008	-.00010	-.00036

LARC 8FT TPT 749 (1A93) OTSAT130

(MJJB10) (18 AUG 76)

REFERENCE DATA

SREF = 2690.0000 SQ.FT. XMRP = 976.0000 IN. XT
 LREF = 1290.3000 INCHES YMRP = .0000 IN. YT
 BREF = 1290.3000 INCHES ZMRP = 400.0000 IN. ZT
 SCALE = .0100

PARAMETRIC DATA

BETA = 4.000 ELV-LI = 10.000
 ELV-LO = 4.000 ELV-RI = 10.000
 ELV-RO = 4.000

RUN NO. 0/0 RN/L = 4.09 GRADIENT INTERVAL = -5.00/ 5.00

MACH	ALPHA	ELV-LI	ELV-LO	CAF	CNF	CLMF	CABO	CABT	CABS	CHEI	CHEO
.975	-8.000	10.00000	4.00000	.20334	-.56608	20175	.05596	.10081	.03836	-.01149	.02080
.975	-6.000	10.00000	4.00000	.20656	-.41931	14547	.05411	.09644	.03735	-.01322	.02146
.975	-4.000	10.00000	4.00000	.20844	-.28583	.09576	.05265	.09328	.03596	-.01389	.02409
.975	-2.000	10.00000	4.00000	.21094	-.15742	.04747	.05148	.09191	.03462	-.01190	.02568
.975	.000	10.00000	4.00000	.21165	-.03443	.00054	.05133	.09167	.03357	-.00735	.02497
.975	2.000	10.00000	4.00000	.20775	.09283	-.05328	.05118	.08871	.03376	-.00679	.02090
.975	4.000	10.00000	4.00000	.20147	.22346	-.10583	.05150	.08801	.03516	-.00952	.01523
	GRADIENT	.00000	.00000	-.00086	.06344	-.02520	-.00013	-.00069	-.00012	.00069	-.00113

RUN NO. 0/0 RN/L = 4.21 GRADIENT INTERVAL = -5.00/ 5.00

MACH	ALPHA	ELV-LI	ELV-LO	CAF	CNF	CLMF	CABO	CABT	CABS	CHEI	CHEO
1.150	-6.000	10.00000	4.00000	.26925	-.42790	.15742	.05771	.09174	.03975	.03021	.02560
1.150	-4.000	10.00000	4.00000	.27193	-.28158	.09867	.05640	.08885	.03862	.02697	.03082
1.150	-2.000	10.00000	4.00000	.27546	-.14366	.04407	.05518	.08617	.03706	.02285	.03381
1.150	.000	10.00000	4.00000	.27711	-.01265	-.00810	.05424	.08409	.03581	.01653	.02578
1.150	2.000	10.00000	4.00000	.27502	.11454	-.05970	.05244	.08140	.03572	.01063	.01254
	GRADIENT	.00000	.00000	.00055	.06597	-.02636	-.00064	-.00122	-.00050	-.00277	-.00314

RUN NO. 0/0 RN/L = 4.22 GRADIENT INTERVAL = -5.00/ 5.00

MACH	ALPHA	ELV-LI	ELV-LO	CAF	CNF	CLMF	CABO	CABT	CABS	CHEI	CHEO
1.205	-8.000	10.00000	4.00000	.27949	-.57817	.21449	.05810	.09123	.03927	.03872	.02347
1.205	-6.000	10.00000	4.00000	.28158	-.41857	.15007	.05685	.08869	.03826	.03538	.02610
1.205	-4.000	10.00000	4.00000	.28422	-.27069	.09091	.05545	.08588	.03705	.03256	.03028
1.205	-2.000	10.00000	4.00000	.28774	-.13330	.03726	.05428	.08333	.03560	.02966	.02673
1.205	.000	10.00000	4.00000	.29088	-.00557	-.01154	.05285	.08092	.03405	.02542	.01535
1.205	2.000	10.00000	4.00000	.28812	.11661	-.05922	.05174	.07844	.03403	.02016	.00284
1.205	4.000	10.00000	4.00000	.28290	.24126	-.10883	.05043	.07596	.03521	.01339	-.00939
	GRADIENT	.00000	.00000	-.00011	.06369	-.02480	-.00063	-.00124	-.00026	-.00239	-.00516

LARC 8FT TPT 749 (1A93) OTSAT130

(MJJB11) (18 AUG 76)

REFERENCE DATA

SREF = 2690.0000 SQ.FT. XMRP = 976.0000 IN. XT
 LREF = 1290.3000 INCHES YMRP = 0000 IN. YT
 BREF = 1290.3000 INCHES ZMRP = 400.0000 IN. ZT
 SCALE = 0100

PARAMETRIC DATA

BETA = 6.000 ELV-LI = 10.000
 ELV-LO = 4.000 ELV-RI = 10.000
 ELV-RO = 4.000

RUN NO. 0/ 0 RN/L = 3.98 GRADIENT INTERVAL = -5 00/ 5.00

MACH	ALPHA	ELV-LI	ELV-LO	CAF	CNF	CLMF	CABO	CABT	CABS	CHEI	CHEO
.900	-8.000	10.00000	4.00000	.15868	-.52022	.17074	04973	09348	.02858	-.00203	-.00284
.900	-6.000	10.00000	4.00000	.16134	-.38752	.12036	04822	09016	.02803	-.00026	.00617
900	-4.000	10.00000	4.00000	.16325	-.26503	.07288	04690	08723	.02751	-.00062	.01392
.900	-2.000	10.00000	4.00000	.16493	-.14252	.02283	04664	.08334	.02702	-.00135	.01611
900	.000	10.00000	4.00000	.16626	-.02078	-.02733	.04576	08020	.02632	-.00148	.01767
.900	2.000	10.00000	4.00000	.16395	10593	-.07936	.04534	07808	.02689	-.00173	.01695
900	4.000	10.00000	4.00000	.15984	22949	-.12317	04493	07799	.02762	-.00174	.01148
	GRADIENT	.00000	.00000	-.00039	06187	-.02471	-.00026	-.00119	00001	-.00013	-.00020

RUN NO 0/ 0 RN/L = 4.09 GRADIENT INTERVAL = -5 00/ 5.00

MACH	ALPHA	ELV-LI	ELV-LO	CAF	CNF	CLMF	CABO	CABT	CABS	CHEI	CHEO
.975	-8.000	10.00000	4.00000	.20657	-.56807	.19899	.05906	10190	.03455	-.01649	.02077
975	-6.000	10.00000	4.00000	.21005	-.42155	.14185	.05677	09769	.03412	-.01873	.02073
975	-4.000	10.00000	4.00000	.21142	-.28808	.09189	.05474	09459	.03337	-.01861	.02218
.975	-2.000	10.00000	4.00000	.21285	-.15724	.04281	.05321	09332	.03253	-.01541	.02284
.975	.000	10.00000	4.00000	.21459	-.02530	-.00949	.05187	09252	.03199	-.01002	.02201
.975	2.000	10.00000	4.00000	.21075	.09711	-.05945	.05147	.09020	.03246	-.00732	.01900
.975	4.000	10.00000	4.00000	.20334	.22856	-.10999	.05211	.08952	.03375	-.00770	.01518
	GRADIENT	.00000	.00000	-.00091	.05438	-.02530	-.00035	-.00066	.00003	.00147	-.00089

RUN NO 0/ 0 RN/L = 4.21 GRADIENT INTERVAL = -5.00/ 5.00

MACH	ALPHA	ELV-LI	ELV-LO	CAF	CNF	CLMF	CABO	CABT	CABS	CHEI	CHEO
1.150	-6.000	10.00000	4.00000	.27360	-.42940	.15216	.05998	09270	.03664	.02600	.02496
1.150	-4.000	10.00000	4.00000	.27565	-.28482	.09525	.05848	.08999	.03608	.02284	.02861
1.150	-2.000	10.00000	4.00000	.27735	-.14778	.04233	.05671	.08788	.03500	.01883	.03325
1.150	.000	10.00000	4.00000	.27824	-.01310	-.01120	.05531	.08596	.03390	.01233	.03380
1.150	2.000	10.00000	4.00000	.27548	.11634	-.06454	.05361	.08310	.03466	.00551	.01960
	GRADIENT	.00000	.00000	.00002	.06691	-.02664	-.00080	-.00113	-.00027	-.00293	-.00147

LARC 8FT TPT 749 (1A93) OTSAT130

(MJJB11) (18 AUG 76)

REFERENCE DATA

SREF = 2690.0000 SQ.FT. XMRP = 976.0000 IN. XT
 LREF = 1290.3000 INCHES YMRP = .0000 IN. YT
 BREF = 1290.3000 INCHES ZMRP = 400.0000 IN. ZT
 SCALE = .0100

PARAMETRIC DATA

BETA = 6.000 ELV-LI = 10.000
 ELV-LO = 4.000 ELV-RI = 10.000
 ELV-RO = 4.000

RUN NO. 0/ 0 RN/L = 4.22 GRADIENT INTERVAL = -5.00/ 5.00

MACH	ALPHA	ELV-LI	ELV-LO	CAF	CNF	CLMF	CABO	CABT	CABS	CHEI	CHEO
1.205	-8.000	10.00000	4.00000	.28082	-.58150	.21181	.05995	.09319	.03670	.03465	.02310
1.205	-6.000	10.00000	4.00000	.28330	-.42007	.14556	.05899	.08984	.03584	.03169	.02446
1.205	-4.000	10.00000	4.00000	.28623	-.27408	.08833	.05735	.08638	.03494	.02835	.03018
1.205	-2.000	10.00000	4.00000	.28903	-.13801	.03637	.05555	.08436	.03367	.02425	.03094
1.205	.000	10.00000	4.00000	.29107	-.00780	-.01428	.05404	.08250	.03235	.01933	.02220
1.205	2.000	10.00000	4.00000	.28806	.11887	-.06441	.05288	.08019	.03300	.01348	.01032
1.205	4.000	10.00000	4.00000	.28225	.24390	-.11344	.05166	.07764	.03407	.00846	-.00206
	GRADIENT	.00000	.00000	-.00045	.06464	-.02522	-.00070	-.00108	-.00012	-.00253	-.00426

LARC 8FT TPT 749 (1A93) OTSAT130

(MJJB12) (18 AUG 76)

REFERENCE DATA

SREF = 2690.0000 SQ.FT. XMRP = 976.0000 IN. XT
 LREF = 1290.3000 INCHES YMRP = .0000 IN. YT
 BREF = 1290.3000 INCHES ZMRP = 400.0000 IN. ZT
 SCALE = .0100

PARAMETRIC DATA

BETA = -6.000 ELV-LI = 10.000
 ELV-LO = 14.000 ELV-RI = 10.000
 ELV-RO = 14.000

RN/L = 3.98 GRADIENT INTERVAL = -5.00/ 5.00

MACH	ALPHA	ELV-LI	ELV-LO	CAF	CNF	CLMF	CABO	CABT	CABS	CHEI	CHEO
900	-8.000	10.00000	14.00000	.14675	-.48567	.14110	.04929	.09298	.03816	.01594	-.01308
	-6.000	10.00000	14.00000	.14952	-.35241	.09047	.04778	.09000	.03759	.01746	-.01221
	-4.000	10.00000	14.00000	.15077	-.22643	.04128	.04626	.08784	.03723	.01797	-.01615
	-2.000	10.00000	14.00000	.15243	-.09841	-.01292	.04559	.08465	.03667	.01818	-.01793
	.000	10.00000	14.00000	.15222	.03095	-.06681	.04504	.08144	.03690	.01657	-.02140
	2.000	10.00000	14.00000	.14835	.16214	-.12282	.04478	.07921	.03747	.01555	-.02892
	4.000	10.00000	14.00000	.14695	.28736	-.16731	.04439	.07777	.03645	.01094	-.04169
	GRADIENT	.00000	.00000	-.00059	.06441	-.02635	-.00023	-.00128	-.00004	-.00083	-.00310

LARC 8FT TPT 749 (IA93) OTSAT130

(MJJB12) (18 AUG 76)

REFERENCE DATA

PARAMETRIC DATA

SREF = 2690.0000 SQ.FT. XMRP = 976.0000 IN. XT
 LREF = 1290.3000 INCHES YMRP = .0000 IN. YT
 BREF = 1290.3000 INCHES ZMRP = 400.0000 IN. ZT
 SCALE = .0100

BETA = -6.000 ELV-LI = 10.000
 ELV-LO = 14.000 ELV-RI = 10.000
 ELV-RO = 14.000

RN/L = 4.09 GRADIENT INTERVAL = -5.00/ 5 00

MACH =	ALPHA	ELV-LI	ELV-LO	CAF	CNF	CLMF	CABO	CABT	CABS	CHE1	CHEO
.975											
-8.000	10.00000	14.00000	14.00000	.18937	-.52784	16470	.05894	.10419	.04619	.01183	-.02691
-6.000	10.00000	14.00000	14.00000	.19213	-.38043	10858	.05639	.09997	.04618	.01895	-.02395
-4.000	10.00000	14.00000	14.00000	.19449	-.24869	06156	.05406	.09729	.04523	.02264	-.02204
-2.000	10.00000	14.00000	14.00000	.19651	-.11674	.01128	.05254	.09542	.04441	.01311	-.02339
.000	10.00000	14.00000	14.00000	.19593	01504	-.04302	.05172	.09381	.04456	-.00176	-.02690
2.000	10.00000	14.00000	14.00000	.19368	14420	-.09526	.05170	.09239	.04482	-.01616	-.03974
4.000	10.00000	14.00000	14.00000	.18961	27673	-.14797	.05215	.09220	.04557	-.02354	-.05746
GRADIENT	.00000	.00000	.00000	-.00063	.05559	-.02628	-.00023	-.00066	.00005	-.00508	-.00436

LARC 8FT TPT 749 (IA93) OTSAT130

(MJJB13) (18 AUG 76)

REFERENCE DATA

PARAMETRIC DATA

SREF = 2690.0000 SQ.FT. XMRP = 976.0000 IN. XT
 LREF = 1290.3000 INCHES YMRP = .0000 IN. YT
 BREF = 1290.3000 INCHES ZMRP = 400.0000 IN. ZT
 SCALE = .0100

BETA = -4.000 ELV-LI = 10.000
 ELV-LO = 14.000 ELV-RI = 10.000
 ELV-RO = 14.000

RN/L = 3.98 GRADIENT INTERVAL = -5.00/ 5 00

MACH =	ALPHA	ELV-LI	ELV-LO	CAF	CNF	CLMF	CABO	CABT	CABS	CHE1	CHEO
.900											
-8.000	10.00000	14.00000	14.00000	.15092	-.49208	15181	.04762	.09333	.03644	.01087	-.01475
-6.000	10.00000	14.00000	14.00000	.15231	-.35724	.09929	.04653	.09027	.03576	.01219	-.01252
-4.000	10.00000	14.00000	14.00000	.15369	-.22611	.04593	.04575	.08703	.03527	.01207	-.01690
-2.000	10.00000	14.00000	14.00000	.15602	-.09813	-.01022	.04531	.08138	.03466	.01190	-.01965
.000	10.00000	14.00000	14.00000	.15327	.02879	-.06461	.04472	.07862	.03520	.01059	-.02228
2.000	10.00000	14.00000	14.00000	.15011	16648	-.12603	.04425	.07653	.03584	.00964	-.03008
4.000	10.00000	14.00000	14.00000	.14942	29069	-.17070	.04336	.07557	.03512	.00699	-.03985
GRADIENT	.00000	.00000	.00000	-.00072	.06491	-.02745	-.00029	-.00139	.00004	-.00062	-.00282

ORIGINAL PAGE IS
OF POOR QUALITY

LARC 8FT TPT 749 (1A93) OTSAT130

(MJJB13) (18 AUG 76)

REFERENCE DATA

SREF = 2690.0000 SQ.FT. XMRP = 976.0000 IN. XT
 LREF = 1290.3000 INCHES YMRP = .0000 IN. YT
 BREF = 1290.3000 INCHES ZMRP = 400.0000 IN. ZT
 SCALE = .0100

PARAMETRIC DATA

BETA = -4.000 ELV-LI = 10.000
 ELV-LO = 14.000 ELV-RI = 10.000
 ELV-RO = 14.000

RN/L = 4.09 GRADIENT INTERVAL = -5.00/ 5.00

MACH =	ALPHA	ELV-LI	ELV-LO	CAF	CNF	CLMF	CABO	CABT	CABS	CHEI	CHEO
.975											
-8.000	10.00000	14.00000	14.00000	.19538	-.52862	.17282	.05700	.10345	.04481	.00993	-.02803
-6.000	10.00000	14.00000	14.00000	.19873	-.38174	.11641	.05467	.09839	.04437	.01456	-.02637
-4.000	10.00000	14.00000	14.00000	.20108	-.25117	.06936	.05262	.09562	.04321	.01694	-.02537
-2.000	10.00000	14.00000	14.00000	.20115	-.12161	.01975	.05103	.09387	.04267	.01002	-.02558
.000	10.00000	14.00000	14.00000	.19928	-.00869	-.03497	.05032	.09175	.04325	-.00451	-.02782
2.000	10.00000	14.00000	14.00000	.19532	.13856	-.08891	.05062	.09058	.04373	-.01977	-.03684
4.000	10.00000	14.00000	14.00000	.19237	.27267	-.14360	.05075	.09004	.04455	-.02880	-.05274
GRADIENT	.00000	.00000	.00000	-.00116	.06539	-.02673	-.00021	-.00072	.00019	-.00606	-.00330

LARC 8FT TPT 749 (1A93) OTSAT130

(MJJB14) (18 AUG 76)

REFERENCE DATA

SREF = 2690.0000 SQ.FT. XMRP = 976.0000 IN. XT
 LREF = 1290.3000 INCHES YMRP = .0000 IN. YT
 BREF = 1290.3000 INCHES ZMRP = 400.0000 IN. ZT
 SCALE = .0100

PARAMETRIC DATA

BETA = .000 ELV-LI = 10.000
 ELV-LO = 14.000 ELV-RI = 10.000
 ELV-RO = 14.000

RN/L = 3.98 GRADIENT INTERVAL = -5.00/ 5.00

MACH =	ALPHA	ELV-LI	ELV-LO	CAF	CNF	CLMF	CABO	CABT	CABS	CHEI	CHEO
.900											
-8.000	10.00000	14.00000	14.00000	.15328	-.50165	.16351	.04662	.09375	.03330	-.00257	-.02163
-6.000	10.00000	14.00000	14.00000	.15392	-.36386	.10797	.04616	.08894	.03148	-.00188	-.01771
-4.000	10.00000	14.00000	14.00000	.15584	-.22981	.05105	.04616	.08325	.03003	-.00413	-.01930
-2.000	10.00000	14.00000	14.00000	.15853	-.10731	-.00491	.04616	.07708	.02953	-.00757	-.02348
.000	10.00000	14.00000	14.00000	.15825	.02805	-.06433	.04510	.07493	.03019	-.00729	-.02764
2.000	10.00000	14.00000	14.00000	.15608	.16448	-.12757	.04463	.07254	.03104	-.00841	-.03345
4.000	10.00000	14.00000	14.00000	.15334	.29206	-.17397	.04373	.07193	.03140	-.00622	-.03882
GRADIENT	.00000	.00000	.00000	-.00037	.06578	-.02863	-.00032	-.00136	.00021	-.00025	-.00245

LARC 8FT TPT 749 (1A93) OTSAT130

(MJJB14) (18 AUG 76)

REFERENCE DATA

PARAMETRIC DATA

SREF = 2690.0000 SQ.FT. XMRP = 976.0000 IN. XT
 LREF = 1290.3000 INCHES YMRP = .0000 IN. YT
 BREF = 1290.3000 INCHES ZMRP = 400.0000 IN. ZT
 SCALE = .0100

BETA = 000 ELV-LI = 10.000
 ELV-LO = 14.000 ELV-RI = 10.000
 ELV-RO = 14.000

RN/L = 4.09 GRADIENT INTERVAL = -5.00/ 5.00

MACH =	ALPHA	ELV-LI	ELV-LO	CAF	CNF	CLMF	CABO	CABT	CABS	CHEI	CHEO
.975	-8.000	10.00000	14.00000	20025	-.53706	.18504	05415	.10245	.04223	-.00308	-.03039
	-6.000	10.00000	14.00000	.20230	-.38880	.12779	05282	.09815	04094	-.00191	-.03040
	-4.000	10.00000	14.00000	.20313	-.25486	.07793	.05243	.09425	03949	.00034	-.03002
	-2.000	10.00000	14.00000	20410	-.12957	.02916	.05278	.09127	03833	-.00246	-.03005
	.000	10.00000	14.00000	.20320	-.00437	-.02226	.05306	.08916	.03823	-.01196	-.03120
	2.000	10.00000	14.00000	.19842	.12282	-.07452	05373	08812	.03975	-.02528	-.03522
	4.000	10.00000	14.00000	19441	.25680	-.13179	.05365	.08614	.03954	-.03974	-.04674
	GRADIENT	.00000	.00000	-.00116	06379	-.02616	00017	-.00097	.00003	-.00515	-.00193

LARC 8FT TPT 749 (1A93) OTSAT130

(MJJB15) (18 AUG 76)

REFERENCE DATA

PARAMETRIC DATA

SREF = 2690.0000 SQ.FT. XMRP = 976.0000 IN. XT
 LREF = 1290.3000 INCHES YMRP = .0000 IN. YT
 BREF = 1290.3000 INCHES ZMRP = 400.0000 IN. ZT
 SCALE = .0100

BETA = 4.000 ELV-LI = 10.000
 ELV-LO = 14.000 ELV-RI = 10.000
 ELV-RO = 14.000

RN/L = 3.98 GRADIENT INTERVAL = -5.00/ 5.00

MACH =	ALPHA	ELV-LI	ELV-LO	CAF	CNF	CLMF	CABO	CABT	CABS	CHEI	CHEO
.900	-8.000	10.00000	14.00000	.16103	-.49252	.15258	04760	09160	03113	-.01383	-.02362
	-6.000	10.00000	14.00000	16319	-.35677	.09959	04602	.08804	.03005	-.01327	-.02181
	-4.000	10.00000	14.00000	16595	-.22915	.04669	.04478	08432	.02902	-.01400	-.02282
	-2.000	10.00000	14.00000	16764	-.10240	-.00960	.04516	.07925	.02848	-.01518	-.02490
	.000	10.00000	14.00000	.16891	02867	-.06727	.04433	07690	02778	-.01563	-.02888
	2.000	10.00000	14.00000	.16668	.16305	-.12715	.04364	.07414	.02776	-.01703	-.03264
	4.000	10.00000	14.00000	.16293	.29268	-.17616	04339	.07392	.02860	-.01675	-.03669
	GRADIENT	.00000	00000	-.00035	.06546	-.02816	-.00022	-.00130	-.00008	-.00037	-.00178

ORIGINAL PAGE IS
OF POOR QUALITY

LARC 8FT TPT 749 (1A93) OTSAT130

(MJJB15) (18 AUG 76)

REFERENCE DATA

SREF = 2690.0000 SQ.FT. XMRP = 976.0000 IN. XT
 LREF = 1290.3000 INCHES YMRP = .0000 IN. YT
 BREF = 1290.3000 INCHES ZMRP = 400.0000 IN. ZT
 SCALE = .0100

PARAMETRIC DATA

BETA = 4.000 ELV-LI = 10.000
 ELV-LO = 14.000 ELV-RI = 10.000
 ELV-RO = 14.000

RN/L = 4.09 GRADIENT INTERVAL = -5.00/ 5.00

MACH = .975

ALPHA	ELV-LI	ELV-LO	CAF	CNF	CLMF	CABO	CABT	CABS	CHEI	CHEO
-8.000	10.00000	14.00000	.20725	-.53338	.17432	.05588	.10067	.03915	-.01919	-.03092
-6.000	10.00000	14.00000	.21103	-.38532	.11704	.05364	.09616	.03808	-.02309	-.03038
-4.000	10.00000	14.00000	.21424	-.25188	.06734	.05184	.09275	.03651	-.02595	-.03006
-2.000	10.00000	14.00000	.21622	-.12304	.01795	.05075	.09131	.03492	-.02769	-.03195
.000	10.00000	14.00000	.21678	.00774	-.03454	.05065	.09055	.03398	-.02783	-.03641
2.000	10.00000	14.00000	.21152	.13427	-.08689	.05070	.08834	.03463	-.03289	-.04597
4.000	10.00000	14.00000	.20559	.27048	-.14499	.05075	.08713	.03635	-.03815	-.05549
GRADIENT	.00000	.00000	-.00110	.06510	-.02648	-.00011	-.00071	-.00003	-.00148	-.00324

LARC 8FT TPT 749 (1A93) OTSAT130

(MJJB16) (18 AUG 76)

REFERENCE DATA

SREF = 2690.0000 SQ.FT. XMRP = 976.0000 IN. XT
 LREF = 1290.3000 INCHES YMRP = .0000 IN. YT
 BREF = 1290.3000 INCHES ZMRP = 400.0000 IN. ZT
 SCALE = .0100

PARAMETRIC DATA

BETA = 6.000 ELV-LI = 10.000
 ELV-LO = 14.000 ELV-RI = 10.000
 ELV-RO = 14.000

RN/L = 3.98 GRADIENT INTERVAL = -5.00/ 5.00

MACH = .900

ALPHA	ELV-LI	ELV-LO	CAF	CNF	CLMF	CABO	CABT	CABS	CHEI	CHEO
-8.000	10.00000	14.00000	.16320	-.49485	.14990	.04904	.09299	.02867	-.01621	-.02437
-6.000	10.00000	14.00000	.16606	-.35998	.09825	.04720	.08947	.02813	-.01523	-.02260
-4.000	10.00000	14.00000	.16837	-.23226	.04669	.04587	.08673	.02757	-.01598	-.02363
-2.000	10.00000	14.00000	.16965	-.10617	-.00786	.04602	.08302	.02701	-.01611	-.02499
.000	10.00000	14.00000	.17126	.02618	-.06636	.04537	.07964	.02640	-.01729	-.02852
2.000	10.00000	14.00000	.16860	.15854	-.12362	.04481	.07716	.02682	-.01805	-.03177
4.000	10.00000	14.00000	.16450	.28774	-.17204	.04418	.07625	.02746	-.01766	-.03508
GRADIENT	.00000	.00000	-.00044	.06524	-.02766	-.00023	-.00134	-.00002	-.00027	-.00148

LARC 8FT TPT 749 (IA93) OTSAT130

(MJJB16) (18 AUG 76)

REFERENCE DATA

PARAMETRIC DATA

SREF = 2690.0000 SQ.FT. XMRP = 976.0000 IN. XT
 LREF = 1290.3000 INCHES YMRP = .0000 IN. YT
 BREF = 1290.3000 INCHES ZMRP = 400.0000 IN. ZT
 SCALE = .0100

BETA = 6.000 ELV-LI = 10.000
 ELV-LO = 14.000 ELV-RI = 10.000
 ELV-RO = 14.000

RN/L = 4.09 GRADIENT INTERVAL = -5.00/ 5.00

MACH	ALPHA	ELV-LI	ELV-LO	CAF	CNF	CLMF	CABO	CABT	CABS	CHEI	CHEO
.975	-8.000	10.00000	14.00000	.21067	-.53700	17145	.05932	.10185	.03504	-.02432	-.03293
	-6.000	10.00000	14.00000	.21503	-.38769	11348	.05659	.09740	.03452	-.02953	-.03251
	-4.000	10.00000	14.00000	.21757	-.25268	06292	.05427	.09429	.03378	-.03219	-.03145
	-2.000	10.00000	14.00000	.21812	-.12165	01243	.05274	.09292	.03282	-.03248	-.03350
	.000	10.00000	14.00000	.21859	.01136	-.04159	.05157	.09172	.03234	-.03076	-.03990
	2.000	10.00000	14.00000	.21390	.13942	-.09402	.05119	.08974	.03309	-.03178	-.04777
	4.000	10.00000	14.00000	.20778	.27282	-.14836	.05132	.08959	.03460	-.03445	-.05484
	GRADIENT	.00000	.00000	-.00119	.06360	-.02645	-.00037	-.00073	.00010	-.00019	-.00305

LARC 8FT TPT 749 (IA93) OTSAT130

(MJJB17) (18 AUG 76)

REFERENCE DATA

PARAMETRIC DATA

SREF = 2690.0000 SQ FT XMRP = 976.0000 IN. XT
 LREF = 1290.3000 INCHES YMRP = .0000 IN. YT
 BREF = 1290.3000 INCHES ZMRP = 400.0000 IN. ZT
 SCALE = .0100

BETA = -6.000 ELV-LI = 10.000
 ELV-LO = -5.000 ELV-RI = 10.000
 ELV-RO = -5.000

RUN NO. 0/0 RN/L = 4.21 GRADIENT INTERVAL = -5.00/ 5.00

MACH	ALPHA	ELV-LI	ELV-LO	CAF	CNF	CLMF	CABO	CABT	CABS	CHEI	CHEO
1.150	-6.000	10.00000	-5.00000	.25856	-.43980	16233	.05619	.09234	.04544	.06138	.06633
1.150	-4.000	10.00000	-5.00000	.26054	-.29351	110686	.05560	.09089	.04466	.05568	.05085
1.150	-2.000	10.00000	-5.00000	.26400	-.15869	.05664	.05478	.08941	.04358	.04879	.03551
1.150	.000	10.00000	-5.00000	.26558	-.02816	.00443	.05364	.08730	.04308	.04005	.02207
1.150	2.000	10.00000	-5.00000	.26599	.10069	-.04667	.05284	.08505	.04247	.03005	.00992
	GRADIENT	.00000	.00000	.00090	.06566	-.02564	-.00047	-.00098	-.00035	-.00428	-.00681

RUN NO. 0/0 RN/L = 4.22 GRADIENT INTERVAL = -5.00/ 5.00

MACH	ALPHA	ELV-LI	ELV-LO	CAF	CNF	CLMF	CABO	CABT	CABS	CHEI	CHEO
1.205	-8.000	10.00000	-5.00000	.26923	-.59517	22335	.05649	.09276	.04469	.06064	.06541
1.205	-6.000	10.00000	-5.00000	.27225	-.43130	.15556	.05563	.08998	.04373	.05315	.05051
1.205	-4.000	10.00000	-5.00000	.27556	-.28597	.10062	.05508	.08754	.04294	.04697	.03652
1.205	-2.000	10.00000	-5.00000	.27810	-.14968	.04980	.05427	.08582	.04237	.04214	.02537
1.205	.000	10.00000	-5.00000	.27928	-.02249	.00040	.05328	.08384	.04223	.03568	.01454
1.205	2.000	10.00000	-5.00000	.27935	.10309	-.04709	.05260	.08193	.04182	.02783	.00427
1.205	4.000	10.00000	-5.00000	.27654	.23058	-.09698	.05250	.07936	.04087	.01514	-.00473
	GRADIENT	.00000	.00000	.00016	.06429	-.02461	-.00034	-.00101	-.00023	-.00390	-.00518

LARC 8FT TPT 749 (1A93) OTSAT130

(MJJB18) (18 AUG 76)

REFERENCE DATA

SREF = 2690.0000 SQ.FT. XMRP = 976.0000 IN. XT
 LREF = 1290.3000 INCHES YMRP = .0000 IN. YT
 BREF = 1290.3000 INCHES ZMRP = 400.0000 IN. ZT
 SCALE = .0100

PARAMETRIC DATA

BETA = -4.000 ELV-LI = 10.000
 ELV-LO = -5.000 ELV-RI = 10.000
 ELV-RO = -5.000

RUN NO. 0/ 0 RN/L = 4.21 GRADIENT INTERVAL = -5 00/ 5.00

MACH	ALPHA	ELV-LI	ELV-LO	CAF	CNF	CLMF	CABO	CABT	CABS	CHEI	CHEO
1.150	-6.000	10.00000	-5.00000	.26202	-.44292	.17202	.05507	.09050	.04424	.05684	.07468
1.150	-4.000	10.00000	-5.00000	.26446	-.29707	.11544	.05442	.08873	.04332	.05166	.06260
1.150	-2.000	10.00000	-5.00000	.26656	-.16238	.06359	.05374	.08775	.04242	.04601	.04701
1.150	.000	10.00000	-5.00000	.26620	-.03049	.00916	.05261	.08598	.04227	.03886	.03170
1.150	2.000	10.00000	-5.00000	.26548	.09660	-.04202	.05131	.08352	.04185	.02993	.01753
	GRADIENT	.00000	.00000	.00014	.06564	-.02634	-.00052	-.00087	-.00023	-.00362	-.00753

RUN NO 0/ 0 RN/L = 4.22 GRADIENT INTERVAL = -5.00/ 5.00

MACH	ALPHA	ELV-LI	ELV-LO	CAF	CNF	CLMF	CABO	CABT	CABS	CHEI	CHEO
1.205	-8.000	10.00000	-5.00000	.27278	-.59489	.23065	.05504	.09073	.04398	.05750	.07361
1.205	-6.000	10.00000	-5.00000	.27551	-.43385	.16470	.05430	.08801	.04245	.05131	.06082
1.205	-4.000	10.00000	-5.00000	.27892	-.28595	.10634	.05370	.08538	.04154	.04599	.04622
1.205	-2.000	10.00000	-5.00000	.28060	-.14855	.05294	.05300	.08394	.04107	.04171	.03415
1.205	.000	10.00000	-5.00000	.27993	-.02030	.00196	.05210	.08242	.04118	.03642	.02217
1.205	2.000	10.00000	-5.00000	.27990	.10568	-.04679	.05093	.08036	.04078	.03014	.01034
1.205	4.000	10.00000	-5.00000	.27835	.23038	-.09556	.05052	.07789	.03994	.01981	-.00049
	GRADIENT	.00000	.00000	-.00009	.06434	-.02518	-.00042	-.00093	-.00017	-.00320	-.00586

LARC 8FT TPT 749 (1A93) OTSAT130

(MJJB19) (18 AUG 76)

REFERENCE DATA

SREF = 2690.0000 SQ.FT. XMRP = 976.0000 IN. XT
 LREF = 1290.3000 INCHES YMRP = .0000 IN. YT
 BREF = 1290.3000 INCHES ZMRP = 400.0000 IN. ZT
 SCALE = .0100

PARAMETRIC DATA

BETA = .000 ELV-LI = 10.000
 ELV-LO = -5.000 ELV-RI = 10.000
 ELV-RO = -5.000

RUN NO. 0/ 0 RN/L = 4.21 GRADIENT INTERVAL = -5 00/ 5.00

MACH	ALPHA	ELV-LI	ELV-LO	CAF	CNF	CLMF	CABO	CABT	CABS	CHEI	CHEO
1.150	-6.000	10.00000	-5.00000	.26109	-.45447	.18847	.05518	.09098	.04203	.04697	.07967
1.150	-4.000	10.00000	-5.00000	.26435	-.30666	.12868	.05427	.08822	.04099	.04232	.07946
1.150	-2.000	10.00000	-5.00000	.26786	-.16715	.07002	.05372	.08611	.03990	.03965	.06926
1.150	.000	10.00000	-5.00000	.26977	-.03813	.01596	.05304	.08341	.03895	.03671	.05349
1.150	2.000	10.00000	-5.00000	.26660	.08864	-.03508	.05172	.08114	.03923	.02956	.03634
	GRADIENT	.00000	.00000	.00043	.06575	-.02727	-.00042	-.00120	-.00031	-.00206	-.00726

LARC 8FT TPT 749 (1A93) OTSAT130

(MJJB19) (18 AUG 76)

REFERENCE DATA

PARAMETRIC DATA

SREF = 2690.0000 SQ.FT. XMRP = 976.0000 IN. XT
 LREF = 1290.3000 INCHES YMRP = .0000 IN. YT
 BREF = 1290.3000 INCHES ZMRP = 400.0000 IN. ZT
 SCALE = .0100

BETA = .000 ELV-LI = 10.000
 ELV-LO = -5.000 ELV-RI = 10.000
 ELV-RO = -5.000

RUN NO. 0/ 0 RN/L = 4.22 GRADIENT INTERVAL = -5.00/ 5.00

MACH	ALPHA	ELV-LI	ELV-LO	CAF	CNF	CLMF	CABO	CABT	CABS	CHEI	CHEO
1.205	-8.000	10.00000	-5.00000	.27353	-.60045	.24299	.05471	.09062	.04130	.05367	.07864
1.205	-6.000	10.00000	-5.00000	.27608	-.43973	.17719	.05374	.08776	.03994	.04783	.07597
1.205	-4.000	10.00000	-5.00000	.27977	-.28818	.11488	.05291	.08447	.03896	.04292	.06785
1.205	-2.000	10.00000	-5.00000	.28310	-.15130	.05906	.05225	.08220	.03806	.04010	.05551
1.205	.000	10.00000	-5.00000	.28410	-.02517	.00769	.05175	.08049	.03727	.03737	.04107
1.205	2.000	10.00000	-5.00000	.28205	.09814	-.03963	.05077	.07801	.03749	.03223	.02673
1.205	4.000	10.00000	-5.00000	.27826	.22384	-.08699	.04967	.07535	.03783	.02484	.01274
	GRADIENT	.00000	.00000	-.00020	.06367	-.02512	-.00040	-.00112	-.00014	-.00220	-.00695

LARC 8FT TPT 749 (1A93) OTSAT130

(MJJB20) (18 AUG 76)

REFERENCE DATA

PARAMETRIC DATA

SREF = 2690.0000 SQ.FT. XMRP = 976.0000 IN. XT
 LREF = 1290.3000 INCHES YMRP = .0000 IN. YT
 BREF = 1290.3000 INCHES ZMRP = 400.0000 IN. ZT
 SCALE = .0100

BETA = 4.000 ELV-LI = 10.000
 ELV-LO = -5.000 ELV-RI = 10.000
 ELV-RO = -5.000

RUN NO. 0/ 0 RN/L = 4.21 GRADIENT INTERVAL = -5.00/ 5.00

MACH	ALPHA	ELV-LI	ELV-LO	CAF	CNF	CLMF	CABO	CABT	CABS	CHEI	CHEO
1.150	-6.000	10.00000	-5.00000	.26934	-.45317	.17959	.05737	.09156	.03921	.03260	.07768
1.150	-4.000	10.00000	-5.00000	.27144	-.30414	.11920	.05630	.08892	.03824	.02943	.08089
1.150	-2.000	10.00000	-5.00000	.27481	-.16551	.06374	.05524	.08657	.03685	.02652	.08245
1.150	.000	10.00000	-5.00000	.27724	-.03652	.01256	.05414	.08437	.03545	.02163	.07429
1.150	2.000	10.00000	-5.00000	.27490	.00208	-.04031	.05261	.08170	.03523	.01556	.05702
	GRADIENT	.00000	.00000	.00064	.06588	-.02649	-.00061	-.00119	-.00052	-.00233	-.00399

RUN NO. 0/ 0 RN/L = 4.22 GRADIENT INTERVAL = -5.00/ 5.00

MACH	ALPHA	ELV-LI	ELV-LO	CAF	CNF	CLMF	CABO	CABT	CABS	CHEI	CHEO
1.205	-8.000	10.00000	-5.00000	.28026	-.60235	.23599	.05745	.09068	.03890	.04172	.07440
1.205	-6.000	10.00000	-5.00000	.28238	-.43995	.16995	.05636	.08813	.03777	.03791	.07581
1.205	-4.000	10.00000	-5.00000	.28520	-.29170	.10973	.05519	.08560	.03651	.03460	.07868
1.205	-2.000	10.00000	-5.00000	.28894	-.15518	.05599	.05404	.08311	.03517	.03204	.07425
1.205	.000	10.00000	-5.00000	.29104	-.02651	.00664	.05287	.08116	.03379	.02812	.06126
1.205	2.000	10.00000	-5.00000	.28862	.09731	-.04240	.05173	.07857	.03368	.02245	.04466
1.205	4.000	10.00000	-5.00000	.28326	.22337	-.09345	.05044	.07642	.03510	.01589	.02869
	GRADIENT	.00000	.00000	-.00021	.06413	-.02524	-.00059	-.00115	-.00022	-.00235	-.00648

ORIGINAL PAGE IS
OF POOR QUALITY

LARC 8FT TPT 749 (1A93) OTSAT130

(MJJB21) (18 AUG 76)

REFERENCE DATA

SREF = 2690.0000 SQ.FT. XMRP = 976.0000 IN. XT
 LREF = 1290.3000 INCHES YMRP = .0000 IN. YT
 BREF = 1290.3000 INCHES ZMRP = 400.0000 IN. ZT
 SCALE = .0100

PARAMETRIC DATA

BETA = 6.000 ELV-LI = 10.000
 ELV-LO = -5.000 ELV-RI = 10.000
 ELV-RO = -5.000

RUN NO. 0/ 0 RN/L = 4.21 GRADIENT INTERVAL = -5.00/ 5.00

MACH	ALPHA	ELV-LI	ELV-LO	CAF	CNF	CLMF	CABO	CABT	CABS	CHEI	CHEO
1.150	-6.000	10.00000	-5.00000	.27365	-.45344	17367	.05956	.09216	.03634	.02822	.07710
1.150	-4.000	10.00000	-5.00000	.27511	-.30585	11503	.05822	.08980	.03593	.02497	.07903
1.150	-2.000	10.00000	-5.00000	.27695	-.16748	06123	.05660	.08797	.03495	.02204	.08248
1.150	.000	10.00000	-5.00000	.27815	-.03443	00820	.05520	.08606	.03380	.01644	.08019
1.150	2.000	10.00000	-5.00000	.27589	.09794	- 04728	.05340	.08287	.03450	.01015	.06660
	GRADIENT	.00000	.00000	.00018	.06722	- 02700	-.00079	-.00114	-.00027	-.00250	-.00198

RUN NO. 0/ 0 RN/L = 4.22 GRADIENT INTERVAL = -5.00/ 5.00

MACH	ALPHA	ELV-LI	ELV-LO	CAF	CNF	CLMF	CABO	CABT	CABS	CHEI	CHEO
1.205	-8.000	10.00000	-5.00000	.28088	-.60596	23295	.05965	.09271	.03667	.03749	.07355
1.205	-6.000	10.00000	-5.00000	.28391	-.44174	16486	.05854	.08909	.03572	.03416	.07383
1.205	-4.000	10.00000	-5.00000	.28726	-.29520	10694	.05690	.08591	.03476	.03030	.07816
1.205	-2.000	10.00000	-5.00000	.28992	-.15913	05489	.05523	.08413	.03353	.02631	.07867
1.205	.000	10.00000	-5.00000	.29134	-.02827	00389	.05397	.08250	.03237	.02181	.07022
1.205	2.000	10.00000	-5.00000	.28854	.09878	- 04670	.05285	.08009	.03303	.01605	.05494
1.205	4.000	10.00000	-5.00000	.28243	.22617	- 09779	.05164	.07771	.03420	.01107	.03754
	GRADIENT	.00000	.00000	-.00055	.06503	- 02555	-.00064	-.00102	-.00008	-.00244	-.00525

LARC 8FT TPT 749 (1A93) OTSAT130

(MJJB22) (18 AUG 76)

REFERENCE DATA

SREF = 2690.0000 SQ.FT. XMRP = 976.0000 IN. XT
 LREF = 1290.3000 INCHES YMRP = .0000 IN. YT
 BREF = 1290.3000 INCHES ZMRP = 400.0000 IN. ZT
 SCALE = .0100

PARAMETRIC DATA

BETA = -6.000 ELV-LI = 12.000
 ELV-LO = -5.000 ELV-RI = 12.000
 ELV-RO = -5.000

RUN NO. 0/ 0 RN/L = 4.21 GRADIENT INTERVAL = -5.00/ 5.00

MACH	ALPHA	ELV-LI	ELV-LO	CAF	CNF	CLMF	CABO	CABT	CABS	CHEI	CHEO
1.150	-6.000	12.00000	-5.00000	.25987	-.43392	.15700	.05633	.09221	.04575	.03296	.06634
1.150	-4.000	12.00000	-5.00000	.26188	-.28754	.10116	.05575	.09052	.04495	.02881	.05091
1.150	-2.000	12.00000	-5.00000	.26545	-.15162	.05077	.05499	.08901	.04376	.02389	.03570
1.150	.000	12.00000	-5.00000	.26702	-.02211	-.00057	.05385	.08699	.04317	.01685	.02239
1.150	2.000	12.00000	-5.00000	.26744	.10836	- 05243	.05291	.08473	.04254	.00904	.00976
	GRADIENT	.00000	.00000	.00091	.06586	- 02561	-.00048	-.00097	-.00039	-.00332	-.00684

LARC 8FT TPT 749 (1A93) OTSAT130

(MJJB22) (18 AUG 76)

REFERENCE DATA

SREF = 2690.0000 SQ FT. XMRP = 976.0000 IN XT
 LREF = 1290.3000 INCHES YMRP = .0000 IN. YT
 BREF = 1290.3000 INCHES ZMRP = 400.0000 IN. ZT
 SCALE = .0100

PARAMETRIC DATA

BETA = -6.000 ELV-LI = 12.000
 ELV-LO = -5.000 ELV-RI = 12.000
 ELV-RO = -5.000

RUN NO. 0/ 0 RN/L = 4 22 GRADIENT INTERVAL = -5.00/ 5.00

MACH	ALPHA	ELV-LI	ELV-LO	CAF	CNF	CLMF	CABO	CABT	CABS	CHEI	CHEO
1.205	-8 000	12 00000	-5.00000	27191	-.59015	.21846	.05657	.09220	.04479	.03356	.06535
1.205	-6.000	12.00000	-5.00000	.27369	-.42596	.15054	.05589	.08967	.04405	.02795	.05022
1.205	-4 000	12 00000	-5.00000	27646	-.28003	.09550	.05541	.08725	.04334	.02356	.03662
1.205	-2 000	12.00000	-5 00000	27944	-.14392	.04501	.05454	.08545	.04257	.01983	.02565
1.205	.000	12 00000	-5 00000	28056	-.01524	-.00529	.05348	.08342	.04230	.01350	.01431
1.205	2.000	12.00000	-5 00000	.28104	.11069	-.05310	.05275	.08133	.04185	.00431	-.00394
1.205	4.000	12.00000	-5 00000	27840	.23652	- 10215	.05255	.07886	.04086	-.00626	-.00573
	GRADIENT	00000	.00000	00027	06439	- 02467	- 00037	- 00104	-.00028	-.00376	-.00532

LARC 8FT TPT 749 (1A93) OTSAT130

(MJJB23) (18 AUG 76)

REFERENCE DATA

SREF = 2690 0000 SQ FT. XMRP = 976.0000 IN XT
 LREF = 1290.3000 INCHES YMRP = .0000 IN. YT
 BREF = 1290.3000 INCHES ZMRP = 400 0000 IN. ZT
 SCALE = .0100

PARAMETRIC DATA

BETA = -4.000 ELV-LI = 12.000
 ELV-LO = -5.000 ELV-RI = 12.000
 ELV-RO = -5.000

RUN NO. 0/ 0 RN/L = 4.21 GRADIENT INTERVAL = -5.00/ 5.00

MACH	ALPHA	ELV-LI	ELV-LO	CAF	CNF	CLMF	CABO	CABT	CABS	CHEI	CHEO
1.150	-6.000	12.00000	-5 00000	26314	-.43864	.16808	.05518	.09083	.04463	.02975	.07477
1.150	-4.000	12 00000	-5 00000	26561	-.29175	.11071	.05450	.08871	.04376	.02595	.06231
1.150	-2 000	12.00000	-5.00000	26799	-.15416	.05711	.05385	.08724	.04275	.02199	.04643
1.150	.000	12 00000	-5 00000	26783	-.02475	.00432	.05283	.08558	.04233	.01637	.03159
1.150	2 000	12.00000	-5 00000	.26651	.10510	- 04803	.05156	.08346	.04205	.00896	.01714
	GRADIENT	.00000	.00000	.00013	06600	-.02645	-.00049	-.00087	-.00028	-.00283	-.00752

RUN NO 0/ 0 RN/L = 4.22 GRADIENT INTERVAL = -5.00/ 5.00

MACH	ALPHA	ELV-LI	ELV-LO	CAF	CNF	CLMF	CABO	CABT	CABS	CHEI	CHEO
1 205	-8.000	12 00000	-5.00000	27619	-.59013	.22604	.05527	.09010	.04399	.03129	.07321
1 205	-6.000	12 00000	-5 00000	.27785	-.42687	.15911	.05462	.08759	.04265	.02647	.06007
1.205	-4.000	12 00000	-5.00000	.27980	-.27882	.10070	.05410	.08532	.04202	.02228	.04573
1.205	-2.000	12 00000	-5 00000	.28246	- 14222	.04745	.05330	.08347	.04133	.01908	.03411
1 205	.000	12 00000	-5.00000	.28145	- 01398	-.00354	.05238	.08200	.04127	.01464	.02228
1 205	2.000	12 00000	-5.00000	28090	10949	- 05071	.05115	.07994	.04101	.00748	.00973
1 205	4.000	12.00000	-5.00000	27954	.23558	- 10034	.05062	.07750	.04011	-.00231	-.00889
	GRADIENT	00000	00000	-.00010	06402	- 02501	- 00046	- 00096	-.00021	-.00304	-.00588

LARC 8FT TPT 749 (1A93) OTSAT130

(MJJB24) (18 AUG 76)

REFERENCE DATA

SREF = 2690.0000 SQ.FT. XMRP = 976.0000 IN. XT
 LREF = 1290.3000 INCHES YMRP = .0000 IN. YT
 BREF = 1290.3000 INCHES ZMRP = 400.0000 IN. ZT
 SCALE = .0100

PARAMETRIC DATA

BETA = .000 ELV-LI = 12.000
 ELV-LO = -5.000 ELV-RI = 12.000
 ELV-RO = -5.000

RUN NO 0/ 0 RN/L = 4.21 GRADIENT INTERVAL = -5.00/ 5.00

MACH	ALPHA	ELV-LI	ELV-LO	CAF	CNF	CLMF	CABO	CABT	CABS	CHEI	CHEO
1.150	-6.000	12.00000	-5.00000	.26308	-.44923	.18430	.05544	.09106	.04236	.02392	.07946
1.150	-4.000	12.00000	-5.00000	.26562	-.30003	.12418	.05462	.08857	.04141	.02080	.07925
1.150	-2.000	12.00000	-5.00000	.26977	-.16234	.06645	.05390	.08587	.04017	.01889	.06892
1.150	.000	12.00000	-5.00000	.27093	-.03252	.01101	.05329	.08331	.03924	.01646	.05312
1.150	2.000	12.00000	-5.00000	.26866	.09382	-.03897	.05190	.08056	.03928	.01102	.03642
	GRADIENT	.00000	.00000	.00051	.06557	-.02724	-.00044	-.00133	-.00037	-.00159	-.00721

RUN NO. 0/ 0 RN/L = 4.22 GRADIENT INTERVAL = -5.00/ 5.00

MACH	ALPHA	ELV-LI	ELV-LO	CAF	CNF	CLMF	CABO	CABT	CABS	CHEI	CHEO
1.205	-8.000	12.00000	-5.00000	.27613	-.59274	.23754	.05489	.09020	.04147	.02878	.07816
1.205	-6.000	12.00000	-5.00000	.27810	-.43460	.17291	.05399	.08756	.04029	.02454	.07564
1.205	-4.000	12.00000	-5.00000	.28071	-.28583	.11176	.05334	.08469	.03950	.02096	.06724
1.205	-2.000	12.00000	-5.00000	.28402	-.14572	.05439	.05269	.08203	.03851	.01874	.05464
1.205	.000	12.00000	-5.00000	.28521	-.01944	.00286	.05197	.07984	.03758	.01655	.04053
1.205	2.000	12.00000	-5.00000	.28303	.10382	-.04437	.05096	.07735	.03768	.01204	.02594
1.205	4.000	12.00000	-5.00000	.27993	.22628	-.09077	.04981	.07450	.03797	.00571	.01314
	GRADIENT	.00000	.00000	-.00013	.06369	-.02519	-.00044	-.00125	-.00019	-.00186	-.00684

LARC 8FT TPT 749 (1A93) OTSAT130

(MJJB25) (18 AUG 76)

REFERENCE DATA

SREF = 2690.0000 SQ.FT. XMRP = 376.0000 IN. XT
 LREF = 1290.3000 INCHES YMRP = .0000 IN. YT
 BREF = 1290.3000 INCHES ZMRP = 400.0000 IN. ZT
 SCALE = .0100

PARAMETRIC DATA

BETA = 4.000 ELV-LI = 12.000
 ELV-LO = -5.000 ELV-RI = 12.000
 ELV-RO = -5.000

RUN NO. 0/ 0 RN/L = 4.21 GRADIENT INTERVAL = -5.00/ 5.00

MACH	ALPHA	ELV-LI	ELV-LO	CAF	CNF	CLMF	CABO	CABT	CABS	CHEI	CHEO
1.150	-6.000	12.00000	-5.00000	.27124	-.44770	.17465	.05760	.09103	.03957	.01327	.07727
1.150	-4.000	12.00000	-5.00000	.27409	-.29934	.11442	.05633	.08810	.03848	.01085	.08052
1.150	-2.000	12.00000	-5.00000	.27748	-.15875	.05850	.05512	.08570	.03701	.00778	.08194
1.150	.000	12.00000	-5.00000	.27897	-.02722	.00630	.05413	.08380	.03560	.00204	.07354
1.150	2.000	12.00000	-5.00000	.27708	.09824	-.04575	.05279	.08127	.03514	-.00364	.05740
	GRADIENT	.00000	.00000	.00052	.06621	-.02664	-.00058	-.00112	-.00057	-.00246	-.00389

LARC 8FT TPT 749 (1A93) OTSAT130

(MJJB25) (18 AUG 76)

REFERENCE DATA

SREF = 2690.0000 SQ.FT. XMRP = 976.0000 IN. XT
 LREF = 1290.3000 INCHES YMRP = .0000 IN. YT
 BREF = 1290.3000 INCHES ZMRP = 400.0000 IN. ZT
 SCALE = .0100

PARAMETRIC DATA

BETA = 4.000 ELV-L1 = 12.000
 ELV-LO = -5.000 ELV-R1 = 12.000
 ELV-RO = -5.000

RUN NO. 0/ 0 RN/L = 4.22 GRADIENT INTERVAL = -5.00/ 5.00

MACH	ALPHA	ELV-L1	ELV-LO	CAF	CNF	CLMF	CABO	CABT	CABS	CHE1	CHEO
1.205	-8.000	12.00000	-5.00000	.28249	-.59698	.23176	.05766	.09040	.03906	.02062	.07440
1.205	-6.000	12.00000	-5.00000	.28350	-.43560	.16607	.05661	.08819	.03813	.01773	.07572
1.205	-4.000	12.00000	-5.00000	.28655	-.28691	.10557	.05537	.08524	.03685	.01523	.07812
1.205	-2.000	12.00000	-5.00000	.28997	-.14893	.05101	.05431	.08283	.03548	.01310	.07343
1.205	.000	12.00000	-5.00000	.29258	-.01818	.00095	.05297	.08052	.03394	.00933	.06086
1.205	2.000	12.00000	-5.00000	.29088	.10531	-.04837	.05178	.07771	.03359	.00378	.04424
1.205	4.000	12.00000	-5.00000	.28528	.22961	-.09819	.05063	.07566	.03474	-.00206	.02853
	GRADIENT	.00000	00000	-.00008	.06436	-.02534	-.00060	-.00121	-.00031	-.00219	-.00642

LARC 8FT TPT 749 (1A93) OTSAT130

(MJJB26) (18 AUG 76)

REFERENCE DATA

SREF = 2690.0000 SQ.FT. XMRP = 976.0000 IN. XT
 LREF = 1290.3000 INCHES YMRP = .0000 IN. YT
 BREF = 1290.3000 INCHES ZMRP = 400.0000 IN. ZT
 SCALE = .0100

PARAMETRIC DATA

BETA = 6.000 ELV-L1 = 12.000
 ELV-LO = -5.000 ELV-R1 = 12.000
 ELV-RO = -5.000

RUN NO. 0/ 0 RN/L = 4.21 GRADIENT INTERVAL = -5.00/ 5.00

MACH	ALPHA	ELV-L1	ELV-LO	CAF	CNF	CLMF	CABO	CABT	CABS	CHE1	CHEO
1.150	-6.000	12.00000	-5.00000	.27497	-.44604	.16786	.05987	.09189	.03672	.00973	.07663
1.150	-4.000	12.00000	-5.00000	.27716	-.29884	.10940	.05831	.08912	.03622	.00709	.07859
1.150	-2.000	12.00000	-5.00000	.27904	-.16109	.05608	.05655	.08722	.03519	.00413	.08191
1.150	.000	12.00000	-5.00000	.28001	-.02925	.00354	.05521	.08552	.03398	-.00174	.07942
1.150	2.000	12.00000	-5.00000	.27771	.10166	-.05114	.05349	.08260	.03443	-.00804	.06636
	GRADIENT	00000	00000	.00013	.06667	-.02671	-.00079	-.00106	-.00033	-.00256	-.00196

RUN NO. 0/ 0 RN/L = 4.22 GRADIENT INTERVAL = -5.00/ 5.00

MACH	ALPHA	ELV-L1	ELV-LO	CAF	CNF	CLMF	CABO	CABT	CABS	CHE1	CHEO
1.205	-8.000	12.00000	-5.00000	.28280	-.59841	.22769	.05978	.09236	.03676	.01770	.07334
1.205	-6.000	12.00000	-5.00000	.28550	-.43693	.16065	.05867	.08883	.03587	.01510	.07374
1.205	-4.000	12.00000	-5.00000	.28874	-.29101	.10301	.05713	.08549	.03496	.01202	.07763
1.205	-2.000	12.00000	-5.00000	.29065	-.15307	.05014	.05561	.08398	.03383	.00874	.07785
1.205	.000	12.00000	-5.00000	.29285	-.02141	-.00120	.05401	.08194	.03245	.00459	.06959
1.205	2.000	12.00000	-5.00000	.29058	.10514	-.05188	.05280	.07950	.03281	-.00138	.05409
1.205	4.000	12.00000	-5.00000	.28440	.23207	-.10252	.05167	.07737	.03380	-.00621	.03751
	GRADIENT	00000	.00000	-.00044	.06522	-.02565	-.00069	-.00104	-.00017	-.00233	-.00520

ORIGINAL PAGE IS
OF POOR QUALITY

LARC 8FT TPT 749 (1A93) OTSAT130

(MJJB27) (18 AUG 76)

REFERENCE DATA

SREF = 2690.0000 SQ.FT. XMRP = 976.0000 IN. XT
 LREF = 1290.3000 INCHES YMRP = 0000 IN. YT
 BREF = 1290.3000 INCHES ZMRP = 400.0000 IN. ZT
 SCALE = .0100

PARAMETRIC DATA

BETA = -6.000 ELV-L1 = 12.000
 ELV-LO = 4.000 ELV-R1 = 12.000
 ELV-RO = 4.000

RUN NO. 0/0 RN/L = 3.98 GRADIENT INTERVAL = -5.00/ 5.00

MACH	ALPHA	ELV-L1	ELV-LO	CAF	CNF	CLMF	CAB0	CABT	CABS	CHE1	CHE0
.900	-8.000	12.00000	4.00000	.14363	-.51380	.16359	.04944	.09390	.03806	.02114	.00848
.900	-6.000	12.00000	4.00000	.14648	-.37865	.11249	.04788	.09103	.03750	.02385	.01271
.900	-4.000	12.00000	4.00000	.14776	-.25378	.06441	.04625	.08842	.03699	.02475	.01383
.900	-2.000	12.00000	4.00000	.14972	-.12973	.01359	.04558	.08544	.03648	.02467	.01517
.900	.000	12.00000	4.00000	.15029	-.00489	-.03566	.04477	.08151	.03626	.02520	.01379
.900	2.000	12.00000	4.00000	.14688	.11741	-.08395	.04452	.08007	.03663	.02073	.00388
900	4.000	12.00000	4.00000	.14468	.24117	-.12904	.04423	.07851	.03589	.00838	-.01128
	GRADIENT	.00000	.00000	-.00045	.06185	-.02422	-.00026	-.00126	-.00010	-.00183	-.00308

RUN NO 0/0 RN/L = 4.09 GRADIENT INTERVAL = -5.00/ 5.00

MACH	ALPHA	ELV-L1	ELV-LO	CAF	CNF	CLMF	CAB0	CABT	CABS	CHE1	CHE0
.975	-8.000	12.00000	4.00000	.18731	-.55453	.18870	.05888	.10432	.04558	.02171	.02276
.975	-6.000	12.00000	4.00000	.19033	-.40798	.13320	.05654	.09988	.04555	.02625	.02519
.975	-4.000	12.00000	4.00000	.19241	-.27759	.08727	.05438	.09718	.04459	.02812	.02727
.975	-2.000	12.00000	4.00000	.19389	-.14579	.03772	.05298	.09581	.04367	.02280	.02640
.975	.000	12.00000	4.00000	.19457	-.01420	-.01621	.05218	.09403	.04394	.01137	.01951
.975	2.000	12.00000	4.00000	.19242	.10858	-.06511	.05251	.09313	.04410	-.00216	.00958
.975	4.000	12.00000	4.00000	.18717	.23848	-.11425	.05302	.09330	.04498	-.01193	-.00288
	GRADIENT	.00000	.00000	-.00060	.06433	-.02529	-.00016	-.00052	.00006	-.00525	-.00386

RUN NO. 0/0 RN/L = 4.21 GRADIENT INTERVAL = -5.00/ 5.00

MACH	ALPHA	ELV-L1	ELV-LO	CAF	CNF	CLMF	CAB0	CABT	CABS	CHE1	CHE0
1.150	-6.000	12.00000	4.00000	.25913	-.41000	.13636	.05694	.09249	.04638	.02653	.01772
1.150	-4.000	12.00000	4.00000	.26221	-.26539	.08196	.05614	.09041	.04541	.02308	.00610
1.150	-2.000	12.00000	4.00000	.26637	-.13203	.03328	.05516	.08862	.04421	.01863	-.00631
1.150	.000	12.00000	4.00000	.26740	-.00063	-.01888	.05398	.08659	.04377	.01155	-.01669
1.150	2.000	12.00000	4.00000	.26813	.12762	-.06933	.05307	.08434	.04301	.00389	-.02529
	GRADIENT	.00000	.00000	.00094	.06552	-.02530	-.00052	-.00101	-.00038	-.00323	-.00523

LARC BFT TPT 749 (1A93) OTSAT130

(MJJB27) (18 AUG 76)

REFERENCE DATA

PARAMETRIC DATA

SREF = 2690.0000 SQ.FT. XMRP = 976.0000 IN. XT
 LREF = 1290.3000 INCHES YMRP = .0000 IN. YT
 BREF = 1290.3000 INCHES ZMRP = 400.0000 IN. ZT
 SCALE = .0100

BETA = -6.000 ELV-LI = 12.000
 ELV-LO = 4.000 ELV-RI = 12.000
 ELV-RO = 4.000

RUN NO. 0/ 0 RN/L = 4.22 GRADIENT INTERVAL = -5.00/ 5.00

MACH	ALPHA	ELV-LI	ELV-LO	CAF	CNF	CLMF	CABO	CABT	CABS	CHEI	CHEO
1.205	-8.000	12.00000	4.00000	27086	-.56702	.19799	.05711	.09255	.04546	.02927	.01564
1.205	-6.000	12.00000	4.00000	.27287	-.40378	.13127	.05633	.08999	.04468	.02434	.00483
1.205	-4.000	12.00000	4.00000	27669	- 25980	07788	05568	.08714	.04381	.02015	-.00607
1.205	-2.000	12.00000	4.00000	.27999	-.12479	.02822	.05480	08526	.04310	.01653	-.01581
1.205	.000	12.00000	4.00000	28112	.00407	-.02165	.05369	.08318	.04291	.01060	-.02506
1.205	2.000	12.00000	4.00000	.28205	12880	-.06863	.05287	.08085	.04232	.00317	-.03268
1.205	4.000	12.00000	4.00000	27927	.25297	-.11614	.05266	.07843	.04122	-.00561	-.03947
	GRADIENT	00000	00000	00036	.06396	-.02425	-.00040	-.00109	-.00030	-.00324	-.00418

LARC BFT TPT 749 (1A93) OTSAT130

(MJJB28) (18 AUG 76)

REFERENCE DATA

PARAMETRIC DATA

SREF = 2690.0000 SQ.FT. XMRP = 976.0000 IN. XT
 LREF = 1290.3000 INCHES YMRP = .0000 IN. YT
 BREF = 1290.3000 INCHES ZMRP = 400.0000 IN. ZT
 SCALE = .0100

BETA = -4.000 ELV-LI = 12.000
 ELV-LO = 4.000 ELV-RI = 12.000
 ELV-RO = 4.000

RUN NO. 0/ 0 RN/L = 3.98 GRADIENT INTERVAL = -5.00/ 5.00

MACH	ALPHA	ELV-LI	ELV-LO	CAF	CNF	CLMF	CABO	CABT	CABS	CHEI	CHEO
.900	-8.000	12.00000	4.00000	.14748	-.51839	.17382	.04809	.09437	.03640	.01874	.00708
.900	-6.000	12.00000	4.00000	.15004	-.38161	.12079	.04668	.09093	.03568	.02118	.01279
.900	-4.000	12.00000	4.00000	.15147	- 25530	.07006	.04555	.08727	.03479	.02149	.01470
.900	-2.000	12.00000	4.00000	.15305	- 13110	01762	.04517	.08258	.03437	.02102	.01601
.900	.000	12.00000	4.00000	.15166	- 00323	-.03524	.04428	.07896	.03476	.02144	.01452
.900	2.000	12.00000	4.00000	.14688	12093	-.08706	.04399	.07730	.03515	.02133	.01031
.900	4.000	12.00000	4.00000	.14550	.24507	-.13175	.04321	.07635	.03461	.00818	-.00676
	GRADIENT	.00000	.00000	-.00091	.06264	-.02542	-.00031	-.00136	00002	-.00131	-.00243

LARC 8FT TPT 749 (IA93) OTSAT130

(MJJ028) (18 AUG 76)

REFERENCE DATA

SREF = 2690.0000 SQ.FT. XMRP = 976.0000 IN. XT
 LREF = 1290.3000 INCHES YMRP = .0000 IN. YT
 BREF = 1290.3000 INCHES ZMRP = 400.0000 IN. ZT
 SCALE = .0100

PARAMETRIC DATA

BETA = -4.000 ELV-LI = 12.000
 ELV-LO = 4.000 ELV-RI = 12.000
 ELV-RO = 4.000

RUN NO. 0/ 0 RN/L = 4.09 GRADIENT INTERVAL = -5.00/ 5.00

MACH	ALPHA	ELV-LI	ELV-LO	CAF	CNF	CLMF	CABO	CABT	CABS	CHEI	CHEO
.975	-8.000	12.00000	4.00000	.19349	-.55612	.19709	.05706	.10391	.04412	.01871	.02241
.975	-6.000	12.00000	4.00000	.19653	-.41101	.14157	.05494	.09884	.04382	.02095	.02462
.975	-4.000	12.00000	4.00000	.19874	-.28151	.09572	.05312	.09593	.04270	.02026	.02647
.975	-2.000	12.00000	4.00000	.19894	-.15162	.04686	.05168	.09458	.04188	.01609	.02659
.975	.000	12.00000	4.00000	.19766	-.02253	-.00629	.05099	.09224	.04249	.00545	.02273
.975	2.000	12.00000	4.00000	.19470	.10199	-.05768	.05183	.09087	.04262	-.00638	.01319
.975	4.000	12.00000	4.00000	.19030	.23583	-.11114	.05181	.09074	.04343	-.01643	.00122
	GRADIENT	.00000	00000	-.00106	.06441	-.02591	-.00012	-.00070	.00011	-.00479	-.00319

RUN NO 0/ 0 RN/L = 4.21 GRADIENT INTERVAL = -5.00/ 5.00

MACH	ALPHA	ELV-LI	ELV-LO	CAF	CNF	CLMF	CABO	CABT	CABS	CHEI	CHEO
1.150	-6.000	12.00000	4.00000	.26317	-.41412	.14649	.05562	.09066	.04517	.02376	.02403
1.150	-4.000	12.00000	4.00000	.26566	-.26809	.08999	.05483	.08949	.04429	.02017	.01501
1.150	-2.000	12.00000	4.00000	.26868	-.13358	.03865	.05406	.08687	.04326	.01666	.00249
1.150	.000	12.00000	4.00000	.26797	-.00328	-.01401	.05291	.08525	.04303	.01079	-.00904
1.150	2.000	12.00000	4.00000	.26834	.12382	-.06453	.05145	.08271	.04249	.00313	-.01932
	GRADIENT	.00000	00000	.00037	.06530	-.02581	-.00056	-.00095	-.00028	-.00285	-.00573

RUN NO. 0/ 0 RN/L = 4.22 GRADIENT INTERVAL = -5.00/ 5.00

MACH	ALPHA	ELV-LI	ELV-LO	CAF	CNF	CLMF	CABO	CABT	CABS	CHEI	CHEO
1.205	-8.000	12.00000	4.00000	.27554	-.56631	.20515	.05574	.09030	.04456	.02756	.02156
1.205	-6.000	12.00000	4.00000	.27657	-.40555	.13986	.05516	.08812	.04343	.02285	.01254
1.205	-4.000	12.00000	4.00000	.28014	-.25968	.08318	.05446	.08514	.04246	.01909	.00179
1.205	-2.000	12.00000	4.00000	.28271	-.12224	.03020	.05359	.08322	.04187	.01631	-.00841
1.205	.000	12.00000	4.00000	.28192	.00618	-.02027	.05254	.08166	.04192	.01150	-.01880
1.205	2.000	12.00000	4.00000	.28245	.12819	-.06647	.05116	.07930	.04150	.00446	-.02792
1.205	4.000	12.00000	4.00000	.28064	.25344	-.11476	.05073	.07701	.04046	-.00354	-.03550
	GRADIENT	.00000	00000	.00004	.06383	-.02463	-.00050	-.00101	-.00022	-.00286	-.00471

LARC 8FT TPT 749 (1A93) OTSAT130

(MJJB29) (18 AUG 76)

REFERENCE DATA

SREF = 2690.0000 SQ.FT. XMRP = 976.0000 IN. XT
 LREF = 1290.3000 INCHES YMRP = .0000 IN. YT
 BREF = 1290.3000 INCHES ZMRP = 400 0000 IN. ZT
 SCALE = .0100

PARAMETRIC DATA

BETA = .000 ELV-LI = 12.000
 ELV-LO = 4.000 ELV-RI = 12.000
 ELV-RO = 4.000

RUN NO. 0/ 0 RN/L = 3.98 GRADIENT INTERVAL = -5.00/ 5.00

MACH	ALPHA	ELV-LI	ELV-LO	CAF	CNF	CLMF	CABO	CABT	CABS	CHEI	CHEO
.900	-8 000	12.00000	4.00000	.14862	-.52772	.18543	.04775	.09372	.03254	.00856	.00246
.900	-6.000	12.00000	4.00000	.14917	-.38949	.13031	.04709	.08924	.03115	.01030	.00984
.900	-4 000	12.00000	4.00000	.15202	-.25884	.07656	.04664	.08385	.02985	.00927	.01612
.900	-2.000	12.00000	4.00000	.15505	-.13675	.02201	.04633	.07745	.02922	.00726	.01793
.900	.000	12.00000	4.00000	.15218	-.00980	-.03084	.04542	.07568	.03016	.00810	.01659
.900	2.000	12.00000	4.00000	.15028	.11831	-.08714	.04496	.07343	.03093	.00713	.01293
.900	4 000	12.00000	4.00000	.14766	.24298	-.13106	.04431	.07350	.03140	.00537	.00291
	GRADIENT	.00000	.00000	-.00067	.06293	-.02622	-.00030	-.00124	.00024	-.00040	-.00157

RUN NO. 0/ 0 RN/L = 4.09 GRADIENT INTERVAL = -5.00/ 5.00

MACH	ALPHA	ELV-LI	ELV-LO	CAF	CNF	CLMF	CABO	CABT	CABS	CHEI	CHEO
.975	-8 000	12.00000	4.00000	.19768	-.56359	.20840	.05454	.10284	.04168	.00486	.02174
.975	-6 000	12.00000	4.00000	.20010	-.41808	.15335	.05353	.09842	.04041	.00811	.02361
.975	-4.000	12.00000	4.00000	.20112	-.28707	.10559	.05333	.09432	.03882	.00728	.02656
.975	-2 000	12.00000	4.00000	.20152	-.15946	.05640	.05360	.09195	.03755	.00199	.02749
.975	.000	12.00000	4.00000	.19956	-.03696	.00663	.05397	.09032	.03739	-.00524	.02577
.975	2.000	12.00000	4.00000	.19558	.08936	-.04499	.05461	.08919	.03795	-.01313	.02131
.975	4.000	12.00000	4.00000	.19119	.22333	-.10223	.05455	.08757	.03882	-.02183	.00964
	GRADIENT	.00000	.00000	-.00129	.06348	-.02585	.00017	-.00081	.00002	-.00367	-.00200

RUN NO 0/ 0 RN/L = 4.21 GRADIENT INTERVAL = -5.00/ 5.00

MACH	ALPHA	ELV-LI	ELV-LO	CAF	CNF	CLMF	CABO	CABT	CABS	CHEI	CHEO
1.150	-6 000	12.00000	4.00000	.26357	-.42655	.16366	.05565	.09092	.04304	.02042	.02615
1.150	-4.000	12.00000	4.00000	.26597	-.27870	.10424	.05488	.08846	.04214	.01613	.02892
1.150	-2.000	12.00000	4.00000	.27077	-.13876	.04665	.05399	.08557	.04088	.01381	.02050
1.150	.000	12.00000	4.00000	.27233	-.01309	-.00571	.05309	.08260	.03995	.01168	.00633
1.150	2.000	12.00000	4.00000	.26970	.11273	-.05534	.05173	.08018	.04002	.00552	-.00684
	GRADIENT	.00000	.00000	.00064	.06500	-.02656	-.00052	-.00139	-.00037	-.00170	-.00607

ORIGINAL PAGE IS
OF POOR QUALITY

LARC 8FT TPT 749 (1A93) OTSAT130

(MJJB29) (18 AUG 76)

REFERENCE DATA

PARAMETRIC DATA

SREF = 2690.0000 SQ.FT. XMRP = 976.0000 IN. XT
 LREF = 1290.3000 INCHES YMRP = .0000 IN. YT
 BREF = 1290.3000 INCHES ZMRP = 400.0000 IN. ZT
 SCALE = .0100

BETA = .000 ELV-LI = 12.000
 ELV-LO = 4.000 ELV-RI = 12.000
 ELV-RO = 4.000

RUN NO. 0/ 0 RN/L = 4.22 GRADIENT INTERVAL = -5.00/ 5.00

MACH	ALPHA	ELV-LI	ELV-LO	CAF	CNF	CLMF	CABO	CABT	CABS	CHEI	CHEO
1.205	-8.000	12.00000	4.00000	27593	-.57100	.21739	.05525	.09034	.04209	.02577	.02446
1.205	-6.000	12.00000	4.00000	27732	-.41250	15315	.05444	.08817	.04112	.02159	.02344
1.205	-4.000	12.00000	4.00000	.28089	-.26397	09289	.05371	.08485	.04021	.01809	.01763
1.205	-2.000	12.00000	4.00000	28486	-.12612	03729	.05288	.08173	.03913	.01596	.00881
1.205	.000	12.00000	4.00000	28603	00022	- 01343	.05203	.07959	.03835	.01372	-.00394
1.205	2.000	12.00000	4.00000	28453	12044	- 05904	.05095	.07670	.03838	.00876	-.01547
1.205	4.000	12.00000	4.00000	28212	24483	- 10584	.04971	.07360	.03833	.00137	-.02523
	GRADIENT	.00000	00000	.03011	.06321	-.02469	-.00050	-.00138	-.00022	-.00203	-.00550

LARC 8FT TPT 749 (1A93) OTSAT130

(MJJB30) (18 AUG 76)

REFERENCE DATA

PARAMETRIC DATA

SREF = 2690.0000 SQ.FT. XMRP = 976.0000 IN. XT
 LREF = 1290.3000 INCHES YMRP = .0000 IN. YT
 BREF = 1290.3000 INCHES ZMRP = 400.0000 IN. ZT
 SCALE = .0100

BETA = 4.000 ELV-LI = 12.000
 ELV-LO = 4.000 ELV-RI = 12.000
 ELV-RO = 4.000

RUN NO. 0/ 0 RN/L = 3.98 GRADIENT INTERVAL = -5.00/ 5.00

MACH	ALPHA	ELV-LI	ELV-LO	CAF	CNF	CLMF	CABO	CABT	CABS	CHEI	CHEO
.900	-8.000	12.00000	4.00000	.15715	- .52273	.17613	.04831	.09212	.03070	-.00364	-.00276
.900	-6.000	12.00000	4.00000	.15961	-.38482	.12310	.04679	.08880	.02881	-.00293	.00589
.900	-4.000	12.00000	4.00000	.16205	-.25616	.07155	.04541	.08498	.02890	-.00246	.01389
.900	-2.000	12.00000	4.00000	.16356	-.13625	.01996	.04547	.08030	.02840	-.00275	.01696
.900	.000	12.00000	4.00000	.16348	- 01159	- 03161	.04469	.07774	.02768	-.00299	.01853
.900	2.000	12.00000	4.00000	.16133	11233	-.08536	.04395	.07526	.02766	-.00417	.01537
.900	4.000	12.00000	4.00000	.15968	.23689	- 12949	.04375	.07542	.02844	-.00688	.00775
	GRADIENT	.00000	.00000	-.00035	.06173	-.02537	- 00024	-.00121	-.00008	-.00051	-.00069

LARC 8FT TPT 749 (IA93) OTSAT130

(MJJB30) (18 AUG 76)

REFERENCE DATA

SREF = 2690.0000 SQ.FT. XMRP = 976.0000 IN. XT
 LREF = 1290.3000 INCHES YMRP = .0000 IN. YT
 BREF = 1290.3000 INCHES ZMRP = 400.0000 IN. ZT
 SCALE = .0100

PARAMETRIC DATA

BETA = 4.000 ELV-LI = 12.000
 ELV-LO = 4.000 ELV-RI = 12.000
 ELV-RO = 4.000

RUN NO. 0/ 0 RN/L = 4.09 GRADIENT INTERVAL = -5.00/ 5.00

MACH	ALPHA	ELV-LI	ELV-LO	CAF	CNF	CLMF	CABO	CABT	CABS	CHEI	CHEO
.975	-8.000	12.00000	4.00000	.20524	- .56223	.19845	.05614	.0091	.03857	-.01831	.01782
.975	-6.000	12.00000	4.00000	.20891	-.41394	.14146	.05416	.09649	.03764	-.01792	.01855
.975	-4.000	12.00000	4.00000	.21151	-.27708	.09130	.05234	.09299	.03626	-.01819	.02040
.975	-2.000	12.00000	4.00000	.21238	-.15104	.04379	.05146	.09219	.03497	-.01702	.02130
.975	.000	12.00000	4.00000	.21356	-.02704	-.00478	.05144	.09170	.03383	-.01356	.02037
.975	2.000	12.00000	4.00000	.20891	.10126	-.05798	.05119	.08885	.03404	-.01331	.01627
.975	4.000	12.00000	4.00000	.20275	.23106	-.11129	.05141	.08801	.03538	-.01706	.00980
	GRADIENT	.00000	.00000	-.00105	.06343	-.02535	-.00011	-.00067	-.00013	.00030	-.00131

RUN NO 0/ 0 RN/L = 4.21 GRADIENT INTERVAL = -5.00/ 5.00

MACH	ALPHA	ELV-LI	ELV-LO	CAF	CNF	CLMF	CABO	CABT	CABS	CHEI	CHEO
1.150	-6.000	12.00000	4.00000	.27167	-.42453	.15408	.05793	.09129	.04011	.01069	.02272
1.150	-4.000	12.00000	4.00000	.27374	-.27615	.09430	.05668	.08956	.03906	.00805	.02834
1.150	-2.000	12.00000	4.00000	.27758	-.13602	.03878	.05543	.08575	.03739	.00422	.03165
1.150	.000	12.00000	4.00000	.28048	-.00616	-.01218	.05425	.08345	.03582	-.00251	.02347
1.150	2.000	12.00000	4.00000	.27820	.12119	-.06420	.05264	.08077	.03563	-.00838	.00935
	GRADIENT	.00000	.00000	.00081	.06609	-.02632	-.00067	-.00128	-.00059	-.00280	-.00326

RUN NO 0/ 0 RN/L = 4.22 GRADIENT INTERVAL = -5.00/ 5.00

MACH	ALPHA	ELV-LI	ELV-LO	CAF	CNF	CLMF	CABO	CABT	CABS	CHEI	CHEO
1.205	-8.000	12.00000	4.00000	.28261	- .57046	.21031	.05813	.09059	.03956	.01787	.02070
1.205	-6.000	12.00000	4.00000	.28382	-.40946	.14505	.05700	.08843	.03869	.01569	.02348
1.205	-4.000	12.00000	4.00000	.28711	-.26454	.08650	.05565	.08535	.03733	.01361	.02781
1.205	-2.000	12.00000	4.00000	.29110	-.12932	.03389	.05447	.08257	.03574	.01094	.02443
1.205	.000	12.00000	4.00000	.29396	-.00124	-.01483	.05313	.08032	.03418	.00718	.01301
1.205	2.000	12.00000	4.00000	.29150	.12207	-.06365	.05212	.07795	.03394	.00181	.00011
1.205	4.000	12.00000	4.00000	.28670	.24751	-.11307	.05067	.07523	.03499	-.00511	-.01214
	GRADIENT	.00000	.00000	-.00002	.06377	-.02483	-.00062	-.00124	-.00032	-.00233	-.00521

ORIGINAL PAGE IS OF POOR QUALITY

LARC BFT TPT 749 (1A93) OTSAT130

(MJ0831) (18 AUG 76)

REFERENCE DATA

SREF = 2690.0000 SQ.FT. XMRP = 976.0000 IN. XT
 LREF = 1290.3000 INCHES YMRP = .0000 IN. YT
 BREF = 1290.3000 INCHES ZMRP = 400.0000 IN. ZT
 SCALE = .0100

PARAMETRIC DATA

BETA = 6.000 ELV-LI = 12.000
 ELV-LO = 4.000 ELV-RI = 12.000
 ELV-RO = 4.000

RUN NO. 0/0 RN/L = 3.98 GRADIENT INTERVAL = -5.00/ 5.00

MACH	ALPHA	ELV-LI	ELV-LO	CAF	CNF	CLMF	CABO	CABT	CABS	CHEI	CHEO
.900	-8.000	12.00000	4.00000	.15977	-.52101	.17150	.04926	.09323	.02844	-.00608	-.00272
.900	-6.000	12.00000	4.00000	.16285	-.38694	.12071	.04752	.08976	.02790	-.00616	.00662
.900	-4.000	12.00000	4.00000	.16461	-.26162	.07154	.04628	.08706	.02748	-.00648	.01408
.900	-2.000	12.00000	4.00000	.16589	-.13778	.02076	.04640	.08382	.02710	-.00703	.01551
.900	.000	12.00000	4.00000	.16720	-.01398	-.03108	.04561	.08024	.02644	-.00801	.01680
.900	2.000	12.00000	4.00000	.16466	.11406	-.08477	.04494	.07778	.02676	-.00880	.01504
.900	4.000	12.00000	4.00000	.16097	.23407	-.12729	.04468	.07801	.02756	-.00952	.00940
	GRADIENT	.00000	.00000	-.00043	.06216	-.02516	-.00023	-.00121	-.00001	-.00039	-.00049

RUN NO. 0/0 RN/L = 4.09 GRADIENT INTERVAL = -5.00/ 5.00

MACH	ALPHA	ELV-LI	ELV-LO	CAF	CNF	CLMF	CABO	CABT	CABS	CHEI	CHEO
.975	-8.000	12.00000	4.00000	.20863	-.56083	.19387	.05914	.10164	.03473	-.02526	.01764
.975	-6.000	12.00000	4.00000	.21250	-.41297	.13671	.05670	.09749	.03443	-.02448	.01763
.975	-4.000	12.00000	4.00000	.21491	-.27998	.08772	.05452	.09465	.03365	-.02292	.01850
.975	-2.000	12.00000	4.00000	.21512	-.15181	.03945	.05299	.09368	.03270	-.01933	.01850
.975	.000	12.00000	4.00000	.21533	-.02154	-.01266	.05174	.09278	.03213	-.01429	.01744
.975	2.000	12.00000	4.00000	.21190	.10551	-.06421	.05140	.09035	.03273	-.01301	.01405
.975	4.000	12.00000	4.00000	.20414	.23580	-.11515	.05197	.08971	.03409	-.01403	.00973
	GRADIENT	.00000	.00000	-.00124	.06444	-.02547	-.00033	-.00066	.00005	.00121	-.00110

RUN NO. 0/0 RN/L = 4.21 GRADIENT INTERVAL = -5.00/ 5.00

MACH	ALPHA	ELV-LI	ELV-LO	CAF	CNF	CLMF	CABO	CABT	CABS	CHEI	CHEO
1.150	-6.000	12.00000	4.00000	.27602	-.42552	.14817	.06023	.09196	.03697	.00785	.02198
1.150	-4.000	12.00000	4.00000	.27788	-.27927	.09051	.05869	.08933	.03640	.00508	.02600
1.150	-2.000	12.00000	4.00000	.27990	-.13948	.03675	.05686	.08723	.03523	.00120	.03102
1.150	.000	12.00000	4.00000	.28114	-.00646	-.01574	.05545	.08536	.03404	-.00530	.02842
1.150	2.000	12.00000	4.00000	.27876	.12324	-.06910	.05354	.08223	.03464	-.01203	.01697
	GRADIENT	.00000	.00000	.00019	.06703	-.02657	-.00084	-.00116	-.00032	-.00289	-.00148

LARC 8FT TPT 749 (1A93) OTSAT130

(MJJB31) (18 AUG 76)

REFERENCE DATA

SPEF = 2690.0000 SQ.FT. XMRP = 976.0000 IN. YT
 LREF = 1290.3000 INCHES YMRP = 0000 IN. YT
 BREF = 1290.3000 INCHES ZMRP = 400.0000 IN. ZT
 SCALE = .0100

PARAMETRIC DATA

BETA = 6.000 ELV-LI = 12.000
 ELV-LO = 4.000 ELV-RI = 12.000
 ELV-RO = 4.000

RUN NO. 0/ 0 RN/L = 4.22 GRADIENT INTERVAL = -5.00/ 5.00

MACH	ALPHA	ELV-LI	ELV-LO	CAF	CNF	CLMF	CABO	CABT	CABS	CHEI	CHEO
1.205	-8.000	12.00000	4.00000	.28374	-.57591	.20785	.06023	.09253	.03688	.01530	.02033
1.205	-6.000	12.00000	4.00000	.28597	-.41398	.14131	.05918	.08924	.03610	.01317	.02170
1.205	-4.000	12.00000	4.00000	.28980	-.26911	.08437	.05742	.08551	.03507	.01028	.02769
1.205	-2.000	12.00000	4.00000	.29282	-.13270	.03256	.05565	.08350	.03370	.00637	.02867
1.205	.000	12.00000	4.00000	.29433	-.00229	-.01787	.05428	.08174	.03246	.00169	.01991
1.205	2.000	12.00000	4.00000	.29167	.12293	-.06766	.05305	.07939	.03297	-.00385	.00792
1.205	4.000	12.00000	4.00000	.28583	.24961	-.11753	.05170	.07673	.03401	-.00882	-.00495
	GRADIENT	.00000	00000	-.00045	.06465	-.02520	-.00070	-.00108	-.00014	-.00242	-.00430

LARC 8FT TPT 749 (1A93) OTSAT130

(MJJB32) (18 AUG 76)

REFERENCE DATA

SREF = 2690.0000 SQ.FT. XMRP = 976.0000 IN. XT
 LREF = 1290.3000 INCHES YMRP = 0000 IN. YT
 BREF = 1290.3000 INCHES ZMRP = 400.0000 IN. ZT
 SCALE = .0100

PARAMETRIC DATA

BETA = -6.000 ELV-LI = 12.000
 ELV-LO = 9.000 ELV-RI = 12.000
 ELV-RO = 9.000

RUN NO. 0/ 0 RN/L = 3.98 GRADIENT INTERVAL = -5.00/ 5.00

MACH	ALPHA	ELV-LI	ELV-LO	CAF	CNF	CLMF	CABO	CABT	CABS	CHEI	CHEO
.900	-8.000	12.00000	9.00000	.14628	-.49897	.15250	.04944	.09339	.03818	.01424	.00277
.900	-6.000	12.00000	9.00000	.14853	-.36609	.10236	.04787	.09058	.03760	.01645	.00801
.900	-4.000	12.00000	9.00000	.14940	-.24287	.05453	.04621	.08807	.03709	.01700	.00725
.900	-2.000	12.00000	9.00000	.15162	-.11446	.00088	.04531	.08478	.03643	.01700	.00627
.900	.000	12.00000	9.00000	.15131	.01313	-.05141	.04466	.08145	.03648	.01696	.00313
.900	2.000	12.00000	9.00000	.14745	.13943	-.10433	.04427	.07935	.03700	.01563	-.00637
.900	4.000	12.00000	9.00000	.14667	.26538	-.14927	.04405	.07814	.03613	.00161	-.02350
	GRADIENT	.00000	.00000	-.00048	.06352	-.02564	-.00027	-.00126	-.00007	-.00161	-.00371

LARC 8FT TPT 749 (1A93) OTSAT130

(MJJB32) (18 AUG 76)

REFERENCE DATA

SREF = 2690.0000 SQ.FT XMRP = 976.0000 IN. XT
 LREF = 1290.3000 INCHES YMRP = .0000 IN. YT
 BREF = 1290.3000 INCHES ZMRP = 400.0000 IN. ZT
 SCALE = .0100

PARAMETRIC DATA

BETA = -6.000 ELV-L1 = 12.000
 ELV-LO = 9.000 ELV-R1 = 12.000
 ELV-RO = 9.000

RUN NO. 0/ 0 RN/L = 4.09 GRADIENT INTERVAL = -5.00/ 5.00

MACH	ALPHA	ELV-L1	ELV-LO	CAF	CNF	CLMF	CABO	CABT	CABS	CHE1	CHEO
.975	-8.000	12.00000	9.00000	.18883	-.54147	.17618	.05898	.10406	.04593	.01975	.00075
.975	-6.000	12.00000	9.00000	.19172	-.39467	.12061	.05647	.09970	.04590	.02548	.00341
.975	-4.000	12.00000	9.00000	.19390	-.26174	.07306	.05417	.09713	.04495	.02601	.00558
.975	-2.000	12.00000	9.00000	.19601	-.13096	.02348	.05268	.09540	.04406	.01858	.00525
.975	.000	12.00000	9.00000	.19641	-.00210	-.02902	.05182	.09364	.04421	.00582	.00259
.975	2.000	12.00000	9.00000	.19346	.12545	-.07974	.05200	.09275	.04439	-.00983	-.00530
.975	4.000	12.00000	9.00000	.18941	.25719	-.13138	.05236	.09263	.04528	-.02379	-.02601
	GRADIENT	.00000	.00000	-.00058	.06471	-.02560	-.00022	-.00058	.00005	-.00640	-.00369

RUN NO. 0/ 0 RN/L = 4.21 GRADIENT INTERVAL = -5.00/ 5.00

MACH	ALPHA	ELV-L1	ELV-LO	CAF	CNF	CLMF	CABO	CABT	CABS	CHE1	CHEO
1.150	-6.000	12.00000	9.00000	.26063	-.39777	.12534	.05705	.09233	.04660	.02281	-.00420
1.150	-4.000	12.00000	9.00000	.26389	-.25376	.07121	.05627	.09026	.04561	.01893	-.01471
1.150	-2.000	12.00000	9.00000	.26794	-.12040	.02246	.05531	.08841	.04440	.01422	-.02566
1.150	.000	12.00000	9.00000	.26917	.01059	-.02933	.05409	.08618	.04397	.00734	-.03426
1.150	2.000	12.00000	9.00000	.26960	.13777	-.07902	.05322	.08399	.04321	.00150	-.04146
	GRADIENT	.00000	.00000	.00092	.06528	-.02512	-.00052	-.00105	-.00038	-.00296	-.00444

RUN NO. 0/ 0 RN/L = 4.22 GRADIENT INTERVAL = -5.00/ 5.00

MACH	ALPHA	ELV-L1	ELV-LO	CAF	CNF	CLMF	CABO	CABT	CABS	CHE1	CHEO
1.205	-8.000	12.00000	9.00000	.27205	-.55642	.18852	.05729	.09268	.04584	.02611	-.00457
1.205	-6.000	12.00000	9.00000	.27463	-.39335	.12209	.05651	.08992	.04495	.02130	-.01379
1.205	-4.000	12.00000	9.00000	.27846	-.24915	.06825	.05588	.08708	.04406	.01736	-.02431
1.205	-2.000	12.00000	9.00000	.28199	-.11320	.01802	.05490	.08500	.04331	.01392	-.03326
1.205	.000	12.00000	9.00000	.28323	.01527	-.03109	.05372	.08276	.04310	.00839	-.04099
1.205	2.000	12.00000	9.00000	.28392	.13875	-.07729	.05297	.08052	.04248	.00062	-.04823
1.205	4.000	12.00000	9.00000	.28121	.26339	-.12551	.05268	.07797	.04135	-.00729	-.05458
	GRADIENT	.00000	.00000	.00037	.06385	-.02414	-.00042	-.00114	-.00031	-.00313	-.00378

LARC 8FT TPT 749 (1A93) OTSAT130

(MJJB33) (18 AUG 76)

REFERENCE DATA

SREF = 2590.0000 SQ.FT. XMRP = 976.0000 IN. XT
 LREF = 1290.3000 INCHES YMRP = .0000 IN. YT
 BREF = 1290.3000 INCHES ZMRP = 400.0000 IN. ZT
 SCALE = .0100

PARAMETRIC DATA

BETA = -4.000 ELV-LI = 12.000
 ELV-LO = 9.000 ELV-RI = 12.000
 ELV-RO = 9.000

RUN NO. 0/ 0 RN/L = 3.98 GRADIENT INTERVAL = -5.00/ 5.00

MACH	ALPHA	ELV-LI	ELV-LO	CAF	CNF	CLMF	CABO	CABT	CABS	CHEI	CHEO
.900	-8.000	12.00000	9.00000	.15065	-.50384	.16281	.04789	.09359	.03639	.0111	.00173
.900	-6.000	12.00000	9.00000	.15216	-.36905	.11043	.04644	.09026	.03564	.01300	.00898
.900	-4.000	12.00000	9.00000	.15311	-.24333	.05980	.04542	.08686	.03491	.01305	.00801
.900	-2.000	12.00000	9.00000	.15508	-.11813	.00617	.04504	.08183	.03445	.01212	.00615
.900	.000	12.00000	9.00000	.15255	.00968	-.04870	.04439	.07887	.03496	.01108	.00365
.900	2.000	12.00000	9.00000	.14908	.14298	-.10705	.04348	.07661	.03523	.01139	-.00482
.900	4.000	12.00000	9.00000	.14915	.26888	-.15210	.04294	.07574	.03469	-.00050	-.02082
	GRADIENT	.00000	.00000	-.00070	.06428	-.02685	-.00033	-.00137	.00002	-.00139	-.00343

RUN NO. 0/ 0 RN/L = 4.09 GRADIENT INTERVAL = -5.00/ 5.00

MACH	ALPHA	ELV-LI	ELV-LO	CAF	CNF	CLMF	CABO	CABT	CABS	CHEI	CHEO
.975	-8.000	12.00000	9.00000	.19523	-.54225	.18458	.05701	.10341	.04458	.01675	.00027
.975	-6.000	12.00000	9.00000	.19842	-.39454	.12766	.05478	.09839	.04420	.01985	.00232
.975	-4.000	12.00000	9.00000	.20077	-.26413	.08105	.05288	.09568	.04302	.01817	.00377
.975	-2.000	12.00000	9.00000	.20142	-.13825	.03401	.05130	.09397	.04229	.01262	.00371
.975	.000	12.00000	9.00000	.20013	-.01025	-.01955	.05054	.09157	.04279	.00067	.00311
.975	2.000	12.00000	9.00000	.19590	.11989	-.07297	.05121	.09065	.04313	-.01183	-.00181
.975	4.000	12.00000	9.00000	.19218	.25347	-.12704	.05100	.09031	.04410	-.02693	-.01946
	GRADIENT	.00000	.00000	-.00114	.06467	-.02616	-.00019	-.00070	.00015	-.00573	-.00260

RUN NO. 0/ 0 RN/L = 4.21 GRADIENT INTERVAL = -5.00/ 5.00

MACH	ALPHA	ELV-LI	ELV-LO	CAF	CNF	CLMF	CABO	CABT	CABS	CHEI	CHEO
1.150	-6.000	12.00000	9.00000	.26470	-.40106	.13529	.05580	.09050	.04546	.02085	.00079
1.150	-4.000	12.00000	9.00000	.26763	-.25528	.07881	.05497	.08814	.04452	.01658	-.00720
1.150	-2.000	12.00000	9.00000	.27053	-.12127	.02751	.05416	.08646	.04348	.01261	-.01831
1.150	.000	12.00000	9.00000	.26998	.00871	-.02491	.05296	.08470	.04335	.00676	-.02846
1.150	2.000	12.00000	9.00000	.27030	.13450	-.07471	.05155	.08226	.04275	-.00065	-.03673
	GRADIENT	.00000	.00000	.00037	.06496	-.02565	-.00057	-.00097	-.00027	-.00288	-.00494

ORIGINAL PAGE IS
OF POOR QUALITY

LARC 8FT TPT 749 (1A93) OTSAT130

(MJJB33) (18 AUG 76)

REFERENCE DATA

SREF = 2690.0000 SQ.FT. XMRP = 976.0000 IN. XT
 LREF = 1290.3000 INCHES YMRP = .0000 IN. YT
 BREF = 1290.3000 INCHES ZMRP = 400.0000 IN. ZT
 SCALE = .0100

PARAMETRIC DATA

BETA = -4.000 ELV-LI = 12.000
 ELV-LO = 9.000 ELV-RI = 12.000
 ELV-RO = 9.000

RUN NO. 0/ 0 RN/L = 4.22 GRADIENT INTERVAL = -5.00/ 5.00

MACH	ALPHA	ELV-LI	ELV-LO	CAF	CNF	CLMF	CABO	CABT	CABS	CHEI	CHEO
1.205	-8.000	12.00000	9.00000	.27633	-.55546	.19530	.05606	.09072	.04502	.02506	-.00012
1.205	-6.000	12.00000	9.00000	.27846	-.39546	.13048	.05536	.08806	.04370	.02021	-.00775
1.205	-4.000	12.00000	9.00000	.28251	-.24901	.07360	.05460	.08483	.04268	.01641	-.01762
1.205	-2.000	12.00000	9.00000	.28537	-.11125	.02035	.05367	.08280	.04209	.01321	-.02695
1.205	.000	12.00000	9.00000	.28433	.01560	-.02919	.05263	.08127	.04219	.00845	-.03562
1.205	2.000	12.00000	9.00000	.28410	.13914	-.07572	.05137	.07917	.04177	.00197	-.04366
1.205	4.000	12.00000	9.00000	.28217	.26303	-.12369	.05082	.07677	.04071	-.00611	-.05096
	GRADIENT	.00000	00000	-.00010	.06372	-.02453	-.00049	-.00099	-.00021	-.00281	-.00417

LARC 8FT TPT 749 (1A93) OTSAT130

(MJJB34) (18 AUG 76)

REFERENCE DATA

SREF = 2690.0000 SQ.FT. XMRP = 976.0000 IN. XT
 LREF = 1290.3000 INCHES YMRP = .0000 IN. YT
 BREF = 1290.3000 INCHES ZMRP = 400.0000 IN. ZT
 SCALE = .0100

PARAMETRIC DATA

BETA = .000 ELV-LI = 12.000
 ELV-LO = 9.000 ELV-RI = 12.000
 ELV-RO = 9.000

RUN NO. 0/ 0 RN/L = 3.98 GRADIENT INTERVAL = -5.00/ 5.00

MACH	ALPHA	ELV-LI	ELV-LO	CAF	CNF	CLMF	CABO	CABT	CABS	CHEI	CHEO
.900	-8.000	12.00000	9.00000	.15147	-.51555	.17510	.04727	.09364	.03302	-.00059	-.00472
.900	-6.000	12.00000	9.00000	.15235	-.37691	.12031	.04655	.08877	.03131	.00163	.00449
.900	-4.000	12.00000	9.00000	.15512	-.24589	.06567	.04610	.08296	.02973	.00017	.00762
.900	-2.000	12.00000	9.00000	.15393	-.12586	.01132	.04622	.07712	.02944	-.00313	.00493
.900	.000	12.00000	9.00000	.15615	.00771	-.04724	.04515	.07514	.03004	-.00418	.00204
.900	2.000	12.00000	9.00000	.15358	.13806	-.10645	.04472	.07306	.03086	-.00487	-.00415
.900	4.000	12.00000	9.00000	.15116	.26473	-.15110	.04403	.07292	.03132	-.00554	-.01409
	GRADIENT	00000	00000	-.00056	.06426	-.02757	-.00028	-.00121	.00023	-.00066	-.00263

LARC BFT TPT 749 (1A93) OTSAT130

(MJJB34) (18 AUG 76)

REFERENCE DATA

SREF = 2690.0000 SQ FT. XMRP = 976.0000 IN. XT
 LREF = 1290.3000 INCHES YMRP = 0000 IN. YT
 BREF = 1290.3000 INCHES ZMRP = 400 0000 IN. ZT
 SCALE = .0100

PARAMETRIC DATA

BETA = .000 ELV-LI = 12.000
 ELV-LO = 9.000 ELV-RI = 12.000
 ELV-RO = 9.000

RUN NO. 0/ 0 RN/L = 4.09 GRADIENT INTERVAL = -5.00/ 5.00

MACH	ALPHA	ELV-LI	ELV-LO	CAF	CNF	CLMF	CABO	CABT	CABS	CHEI	CHEO
.975	-8.000	12.00000	9 00000	.19982	-.55197	.19715	.05437	.10276	.04219	.00350	-.00045
.975	-6.000	12.00000	9.00000	.20190	-.40553	.14142	.05315	.09825	.04079	.00647	.00057
.975	-4 000	12.00000	9.00000	.20274	-.27282	.09256	.05277	.09414	.03920	.00512	.00270
.975	-2 000	12 00000	9 00000	.20354	-.14872	.04442	.05308	.09162	.03798	-.00165	.00314
.975	000	12 00000	9 00000	.20252	-.02327	-.00705	.05347	.08968	.03784	-.00983	.00150
.975	2.000	12 00000	9 00000	.19834	.10530	-.05970	.05411	.08855	.03839	-.01951	-.00029
.975	4.000	12.00000	9.00000	.19310	.23688	-.11542	.05402	.08681	.03930	-.03014	-.00841
	GRADIENT	.00000	.00000	-.00123	.06367	-.02600	.00018	-.00089	.00003	-.00442	-.00128

RUN NO. 0/ 0 RN/L = 4.21 GRADIENT INTERVAL = -5.00/ 5.00

MACH	ALPHA	ELV-LI	ELV-LO	CAF	CNF	CLMF	CABO	CABT	CABS	CHEI	CHEO
1.150	-6.000	12 00000	9 00000	.26495	-.41469	.15278	.05584	.09088	.04333	.01838	.00199
1.150	-4 000	12.00000	9.00000	.26797	-.26591	.09290	.05498	.08815	.04238	.01370	.00421
1.150	-2 000	12.00000	9.00000	.27272	-.12590	.03513	.05406	.08527	.04118	.01088	-.00293
1.150	.000	12.00000	9 00000	.27416	.00032	-.01721	.05308	.08236	.04037	.00825	-.01520
1.150	2.000	12.00000	9 00000	.27225	.12485	-.06578	.05159	.07965	.04033	.00164	-.02641
	GRADIENT	00000	00000	.00071	.06492	-.02642	-.00056	-.00142	-.00035	-.00194	-.00521

RUN NO. 0/ 0 RN/L = 4.22 GRADIENT INTERVAL = -5.00/ 5.00

MACH	ALPHA	ELV-LI	ELV-LO	CAF	CNF	CLMF	CABO	CABT	CABS	CHEI	CHEO
1.205	-8.000	12 00000	9 00000	.27822	-.55839	.20651	.05536	.09020	.04221	.02418	.00162
1.205	-6.000	12 00000	9 00000	.28015	-.40049	.14264	.05450	.08775	.04127	.01962	.00064
1.205	-4 000	12.00000	9.00000	.28315	-.25356	.08318	.05388	.08460	.04052	.01572	-.00464
1.205	-2 000	12.00000	9.00000	.28712	-.11652	.02806	.05303	.08149	.03943	.01318	-.01215
1.205	000	12 00000	9.00000	.28884	.00985	-.02256	.05208	.07926	.03868	.01078	-.02350
1.205	2.000	12.00000	9.00000	.28658	.13168	-.06849	.05102	.07654	.03867	.00575	-.03380
1.205	4.000	12.00000	9.00000	.28346	.25418	-.11459	.04992	.07361	.03860	-.00146	-.04222
	GRADIENT	.00000	00000	.00000	.06318	-.02460	-.00050	-.00135	-.00023	-.00209	-.00484

LARC 8FT TPT 749 (1A93) OTSAT130

(MJJB35) (18 AUG 76)

REFERENCE DATA

SREF = 2690.0000 SQ.FT. XMRP = 976.0000 IN. XT
 LREF = 1290.3000 INCHES YMRP = .0000 IN. YT
 BREF = 1290.3000 INCHES ZMRP = 400.0000 IN. ZT
 SCALE = .0100

PARAMETRIC DATA

BETA = 4.000 ELV-LI = 12.000
 ELV-LO = 9.000 ELV-RI = 12.000
 ELV-RO = 9.000

RUN NO. 0/ 0 RN/L = 3.98 GRADIENT INTERVAL = -5.00/ 5.00

MACH	ALPHA	ELV-LI	ELV-LO	CAF	CNF	CLMF	CABO	CABT	CABS	CHEI	CHEO
.900	-8.000	12.00000	9.00000	.15973	-.50867	.16540	.04808	.09219	.03085	-.01068	-.00605
.900	-6.000	12.00000	9.00000	.16201	-.37349	.11368	.04643	.08871	.02982	-.00926	-.00050
.900	-4.000	12.00000	9.00000	.16430	-.24884	.06233	.04511	.08480	.02893	-.01022	.00279
.900	-2.000	12.00000	9.00000	.16598	-.12256	.00673	.04521	.08000	.02839	-.01209	.00320
.900	.000	12.00000	9.00000	.16711	.00855	-.04949	.04438	.07731	.02764	-.01332	.00125
.900	2.000	12.00000	9.00000	.16533	.14005	-.10856	.04364	.07450	.02764	-.01513	-.00196
.900	4.000	12.00000	9.00000	.16289	.26558	-.15284	.04327	.07449	.02832	-.01546	-.00855
	GRADIENT	.00000	.00000	-.00017	.06457	-.02728	-.00026	-.00131	-.00010	-.00068	-.00139

RUN NO. 0/ 0 RN/L = 4.09 GRADIENT INTERVAL = -5.00/ 5.00

MACH	ALPHA	ELV-LI	ELV-LO	CAF	CNF	CLMF	CABO	CABT	CABS	CHEI	CHEO
.975	-8.000	12.00000	9.00000	.20775	-.54661	.18564	.05596	.10075	.03883	-.01967	-.00158
.975	-6.000	12.00000	9.00000	.21150	-.39983	.12952	.05388	.09636	.03787	-.02060	-.00128
.975	-4.000	12.00000	9.00000	.21391	-.26562	.08013	.05229	.09319	.03649	-.02195	-.00073
.975	-2.000	12.00000	9.00000	.21555	-.13755	.03126	.05095	.09173	.03490	-.02131	-.00089
.975	.000	12.00000	9.00000	.21589	-.01459	-.01755	.05088	.09119	.03376	-.01752	-.00239
.975	2.000	12.00000	9.00000	.21063	.11563	-.07178	.05082	.08865	.03412	-.01941	-.00718
.975	4.000	12.00000	9.00000	.20492	.24974	-.12786	.05115	.08757	.03581	-.02432	-.01473
	GRADIENT	.00000	.00000	-.00115	.06419	-.02595	-.00012	-.00072	-.00011	-.00014	-.00172

RUN NO. 0/ 0 RN/L = 4.21 GRADIENT INTERVAL = -5.00/ 5.00

MACH	ALPHA	ELV-LI	ELV-LO	CAF	CNF	CLMF	CABO	CABT	CABS	CHEI	CHEO
1.150	-6.000	12.00000	9.00000	.27391	-.41060	.14247	.05792	.09084	.04029	.00905	-.00072
1.150	-4.000	12.00000	9.00000	.27631	-.26409	.08332	.05658	.08793	.03913	.00600	.00392
1.150	-2.000	12.00000	9.00000	.28009	-.12711	.02908	.05541	.08526	.03740	.00189	.00663
1.150	.000	12.00000	9.00000	.28287	.00434	-.02258	.05431	.08301	.03595	-.00513	-.00065
1.150	2.000	12.00000	9.00000	.28056	.13061	-.07341	.05263	.08028	.03583	-.01121	-.01264
	GRADIENT	.00000	.00000	.00078	.06578	-.02609	-.00065	-.00126	-.00057	-.00293	-.00285

DATE 29 OCT 76

TABULATED SOURCE DATA - 1A93.

PAGE 661

LARC 8FT TPT 749 (1A93) OTSAT130

(MJJB35) (18 AUG 76)

REFERENCE DATA

PARAMETRIC DATA

SREF = 2690.0000 SQ.FT. XMRP = 976.0000 IN. XT
 LREF = 1290.3000 INCHES YMRP = .0000 IN. YT
 BREF = 1290.3000 INCHES ZMRP = 400.0000 IN. ZT
 SCALE = .0100

BETA = 4.000 ELV-L1 = 12.000
 ELV-LO = 9.000 ELV-R1 = 12.000
 ELV-RO = 9.000

RUN NO 0/ 0 RN/L = 4.22 GRADIENT INTERVAL = -5.00/ 5.00

MACH	ALPHA	ELV-L1	ELV-LO	CAF	CNF	CLMF	CABO	CABT	CABS	CHE1	CHEO
1.205	-8.000	12.00000	9.00000	.28390	-.56001	.20060	.05847	.09086	.03986	.01740	-.00176
1.205	-6.000	12.00000	9.00000	.28532	-.40108	.13640	.05729	.08855	.03897	.01460	.00075
1.205	-4.000	12.00000	9.00000	.28907	-.25565	.07771	.05581	.08524	.03758	.01181	.00422
1.205	-2.000	12.00000	9.00000	.29350	-.11840	.02412	.05451	.08229	.03588	.00892	.00092
1.205	.000	12.00000	9.00000	.29593	.01060	-.02468	.05317	.08002	.03432	.00476	-.00887
1.205	2.000	12.00000	9.00000	.29366	.13167	-.07206	.05209	.07724	.03418	-.00135	-.02018
1.205	4.000	12.00000	9.00000	.28821	.25722	-.12169	.05075	.07484	.03524	-.00783	-.03082
	GRADIENT	.00000	00000	-.00008	.06379	-.02475	-.00063	-.00129	-.00032	-.00248	-.00456

LARC 8FT TPT 749 (1A93) OTSAT130

(MJJB36) (18 AUG 76)

REFERENCE DATA

PARAMETRIC DATA

SREF = 2690.0000 SQ.FT. XMRP = 976.0000 IN. XT
 LREF = 1290.3000 INCHES YMRP = .0000 IN. YT
 BREF = 1290.3000 INCHES ZMRP = 400.0000 IN. ZT
 SCALE = .0100

BETA = 6.000 ELV-L1 = 12.000
 ELV-LO = 9.000 ELV-R1 = 12.000
 ELV-RO = 9.000

RUN NO. 0/ 0 RN/L = 3.98 GRADIENT INTERVAL = -5.00/ 5.00

MACH	ALPHA	ELV-L1	ELV-LO	CAF	CNF	CLMF	CABO	CABT	CABS	CHE1	CHEO
.900	-8.000	12.00000	9.00000	.16300	-.50847	.16135	.04916	.09310	.02847	-.01273	-.00597
.900	-6.000	12.00000	9.00000	.16463	-.37544	.11117	.04743	.08999	.02802	-.01238	-.00115
.900	-4.000	12.00000	9.00000	.16680	-.25094	.06165	.04606	.08697	.02752	-.01349	.00154
.900	-2.000	12.00000	9.00000	.16892	-.12711	.00906	.04603	.08310	.02697	-.01463	.00195
.900	.000	12.00000	9.00000	.16996	.00343	-.04717	.04548	.07983	.02636	-.01629	.00034
.900	2.000	12.00000	9.00000	.16796	.13651	-.10537	.04482	.07723	.02671	-.01742	-.00227
.900	4.000	12.00000	9.00000	.16387	.25860	-.14879	.04425	.07702	.02739	-.01717	-.00666
	GRADIENT	.00000	.00000	-.00034	.06413	-.02677	-.00024	-.00129	-.00003	-.00051	-.00103

LARC 8FT TPT 749 (1A93) OTSAT130

(MJJB36) (18 AUG 76)

REFERENCE DATA

SREF = 2690.0000 SQ.FT. XMRP = 976.0000 IN. XT
 LREF = 1290.3000 INCHES YMRP = .0000 IN. YT
 BREF = 1290.3000 INCHES ZMRP = 400.0000 IN. ZT
 SCALE = .0100

PARAMETRIC DATA

BETA = 6.000 ELV-LI = 12.000
 ELV-LO = 9.000 ELV-RI = 12.000
 ELV-RO = 9.000

RUN NO. 0/0 RN/L = 4.09 GRADIENT INTERVAL = -5.00/ 5.00

MACH	ALPHA	ELV-LI	ELV-LO	CAF	CNF	CLMF	CABO	CABT	CABS	CHEI	CHEO
.975	-8.000	12.00000	9.00000	.21141	-.54825	.18210	.05941	.10181	.03489	-.02688	-.00240
.975	-6.000	12.00000	9.00000	.21514	-.40039	.12492	.05660	.09749	.03448	-.02740	-.00279
.975	-4.000	12.00000	9.00000	.21704	-.26594	.07498	.05420	.09448	.03377	-.02644	-.00255
.975	-2.000	12.00000	9.00000	.21779	-.13609	.02575	.05264	.09326	.03280	-.02297	-.00264
.975	.000	12.00000	9.00000	.21781	-.00624	-.02663	.05147	.09223	.03216	-.01789	-.00488
.975	2.000	12.00000	9.00000	.21326	.12032	-.07851	.05122	.09003	.03271	-.01776	-.01033
.975	4.000	12.00000	9.00000	.20671	.25387	-.13185	.05161	.08920	.03414	-.02029	-.01563
	GRADIENT	.00000	.00000	-.00126	.06480	-.02590	-.00033	-.00069	.00003	.00088	-.00169

RUN NO. 0/0 RN/L = 4.21 GRADIENT INTERVAL = -5.00/ 5.00

MACH	ALPHA	ELV-LI	ELV-LO	CAF	CNF	CLMF	CABO	CABT	CABS	CHEI	CHEO
1.150	-6.000	12.00000	9.00000	.27767	-.41254	.13714	.06040	.09191	.03708	.00629	-.00141
1.150	-4.000	12.00000	9.00000	.27973	-.26675	.07993	.05877	.08912	.03647	.00303	.00211
1.150	-2.000	12.00000	9.00000	.28214	-.12943	.02714	.05689	.08683	.03520	-.00098	.00634
1.150	.000	12.00000	9.00000	.28342	.00457	-.02603	.05550	.08483	.03400	-.00778	.00336
1.150	2.000	12.00000	9.00000	.28054	.13385	-.07904	.05370	.08190	.03474	-.01474	-.00641
	GRADIENT	.00000	.00000	.00019	.06679	-.02650	-.00083	-.00118	-.00032	-.00301	-.00143

RUN NO. 0/0 RN/L = 4.22 GRADIENT INTERVAL = -5.00/ 5.00

MACH	ALPHA	ELV-LI	ELV-LO	CAF	CNF	CLMF	CABO	CABT	CABS	CHEI	CHEO
1.205	-8.000	12.00000	9.00000	.28544	-.56443	.19792	.06055	.09258	.03707	.01494	-.00197
1.205	-6.000	12.00000	9.00000	.28820	-.40406	.13235	.05938	.08896	.03624	.01226	-.00060
1.205	-4.000	12.00000	9.00000	.29180	-.25960	.07548	.05755	.08537	.03518	.00865	.00449
1.205	-2.000	12.00000	9.00000	.29483	-.12290	.02328	.05574	.08331	.03374	.00446	.00500
1.205	.000	12.00000	9.00000	.29615	.00851	-.02734	.05439	.08148	.03252	-.00043	-.00277
1.205	2.000	12.00000	9.00000	.29318	.13302	-.07669	.05320	.07904	.03309	-.00673	-.01338
1.205	4.000	12.00000	9.00000	.28739	.25917	-.12612	.05177	.07634	.03412	-.01154	-.02441
	GRADIENT	.00000	.00000	-.00052	.06467	-.02516	-.00071	-.00112	-.00014	-.00258	-.00381

LARC BFT TPT 749 (1A93) OTSAT130

(MJJB37) (18 AUG 76)

REFERENCE DATA

SREF = 2690.0000 SQ.FT. XMRP = 976.0000 IN. XT
 LREF = 1290.3000 INCHES YMRP = .0000 IN. YT
 BREF = 1290.3000 INCHES ZMRP = 400.0000 IN. ZT
 SCALE = .0100

PARAMETRIC DATA

BETA * = -6.000 ELV-LI = 12.000
 ELV-LO = 14.000 ELV-R1 = 12.000
 ELV-RO * = 14.000

RN/L = 3.98 GRADIENT INTERVAL = -5.00/ 5.00

MACH =	ALPHA	ELV-LI	ELV-LO	CAF	CNF	CLMF	CABO	CABT	CABS	CHEI	CHEO
.900	-8.000	12.00000	14.00000	.14952	-.48365	.14020	.04920	.09362	.03874	.00405	-.01638
	-6.000	12.00000	14.00000	.15185	-.35034	.08921	.04763	.09074	.03817	.00549	-.01491
	-4.000	12.00000	14.00000	.15301	-.22680	.04094	.04598	.08833	.03769	.00586	-.01789
	-2.000	12.00000	14.00000	.15473	-.09777	-.01335	.04518	.08536	.03708	.00558	-.01996
	.000	12.00000	14.00000	.15465	.03306	-.06858	.04462	.08187	.03700	.00539	-.02276
	2.000	12.00000	14.00000	.15086	.16363	-.12476	.04419	.07936	.03741	.00561	-.02998
	4.000	12.00000	14.00000	.15042	.28965	-.16967	.04382	.07786	.03646	-.00389	-.04218
	GRADIENT	.00000	.00000	-.00045	.06471	-.02663	-.00027	-.00135	-.00011	-.00097	-.00293

RN/L = 4.09 GRADIENT INTERVAL = -5.00/ 5.00

MACH =	ALPHA	ELV-LI	ELV-LO	CAF	CNF	CLMF	CABO	CABT	CABS	CHEI	CHEO
.975	-8.000	12.00000	14.00000	.19338	-.52505	.16304	.05920	.10401	.04636	.00859	-.02829
	-6.000	12.00000	14.00000	.19623	-.37720	.10656	.05651	.09957	.04633	.01082	-.02564
	-4.000	12.00000	14.00000	.19837	-.24397	.05844	.05407	.09684	.04547	.00735	-.02376
	-2.000	12.00000	14.00000	.20094	-.11281	.00836	.05244	.09491	.04460	-.00540	-.02533
	.000	12.00000	14.00000	.20099	.01888	-.04613	.05159	.09328	.04470	-.02100	-.03019
	2.000	12.00000	14.00000	.19873	.14796	-.09859	.05158	.09214	.04478	-.03375	-.04228
	4.000	12.00000	14.00000	.19505	.28179	-.15166	.05200	.09191	.04553	-.03933	-.05893
	GRADIENT	.00000	.00000	-.00044	.06561	-.02636	-.00025	-.00063	.00001	-.00609	-.00436

ORIGINAL PAGE IS
OF POOR QUALITY

LARC 8FT TPT 749 (1A93) OTSAT130

(MJJB38) (18 AUG 76)

REFERENCE DATA

SREF = 2690.0000 SQ.FT. XMRP = 976.0000 IN. XT
 LREF = 1290.3000 INCHES YMRP = .0000 IN. YT
 BREF = 1290.3000 INCHES ZMRP = 400.0000 IN. ZT
 SCALE = .0100

PARAMETRIC DATA

BETA = -4.000 ELV-LI = 12.000
 ELV-LO = 14.000 ELV-RI = 12.000
 ELV-RO = 14.000

RN/L = 3.98 GRADIENT INTERVAL = -5.00/ 5.00

MACH =	ALPHA	ELV-LI	ELV-LO	CAF	CNF	CLMF	CABO	CABT	CABS	CHEI	CHEO
.900	-8.000	12.00000	14.00000	.15476	-.48967	.15089	.04756	.09371	.03698	-.00052	-.01827
	-6.000	12.00000	14.00000	.15595	-.35380	.09726	.04620	.09053	.03627	.00048	-.01551
	-4.000	12.00000	14.00000	.15666	-.22656	.04573	.04516	.08731	.03560	.00013	-.01855
	-2.000	12.00000	14.00000	.15819	-.10014	-.00904	.04478	.08263	.03509	-.00087	-.02141
	.000	12.00000	14.00000	.15660	.03095	-.06606	.04433	.07917	.03537	-.00173	-.02407
	2.000	12.00000	14.00000	.15246	.16432	-.12606	.04364	.07689	.03571	-.00156	-.03073
	4.000	12.00000	14.00000	.15288	.29376	-.17335	.04291	.07547	.03513	-.00762	-.04071
	GRADIENT	.00000	.00000	-.00067	.06526	-.02776	-.00028	-.00147	-.00002	-.00081	-.00268

RN/L = 4.09 GRADIENT INTERVAL = -5.00/ 5.00

MACH =	ALPHA	ELV-LI	ELV-LO	CAF	CNF	CLMF	CABO	CABT	CABS	CHEI	CHEO
.975	-8.000	12.00000	14.00000	.19969	-.52689	.17180	.05712	.10330	.04503	.00779	-.02926
	-6.000	12.00000	14.00000	.20283	-.37739	.11362	.05471	.09814	.04465	.00737	-.02762
	-4.000	12.00000	14.00000	.20480	-.24527	.06557	.05265	.09524	.04358	.00144	-.02656
	-2.000	12.00000	14.00000	.20574	-.11907	.01834	.05095	.09342	.04292	-.00969	-.02719
	.000	12.00000	14.00000	.20486	.01394	-.03844	.05011	.09114	.04339	-.02564	-.03094
	2.000	12.00000	14.00000	.20080	.14267	-.09193	.05059	.09029	.04370	-.03794	-.03994
	4.000	12.00000	14.00000	.19814	.27670	-.14668	.05052	.08976	.04445	-.04500	-.05377
	GRADIENT	.00000	.00000	-.00091	.06528	-.02674	-.00023	-.00070	.00013	-.00606	-.00336

LARC 8FT TPT 749 (1A93) OTSAT130

(MJJB39) (18 AUG 76)

REFERENCE DATA

SREF = 2690.0000 SQ.FT. XMRP = 976.0000 IN. XT
 LREF = 1290.3000 INCHES YMRP = .0000 IN. YT
 BREF = 1290.3000 INCHES ZMRP = 400.0000 IN. ZT
 SCALE = .0100

PARAMETRIC DATA

BETA = .000 ELV-LI = 12.000
 ELV-LO = 14.000 ELV-RI = 12.000
 ELV-RO = 14.000

RN/L = 3.98 GRADIENT INTERVAL = -5.00/ 5.00

MACH =	ALPHA	ELV-LI	ELV-LO	CAF	CNF	CLMF	CABO	CABT	CABS	CHEI	CHEO
.900											
-8.000	12.00000	14.00000	15627	-.50273	.16453	.04674	.09359	.03382	-.01139	-.02403	
-6.000	12.00000	14.00000	.15750	-.36138	10736	.04611	.08864	.03206	-.01065	-.02001	
-4.000	12.00000	14.00000	.16014	-.22804	05038	.04592	.08291	.03059	-.01291	-.02119	
-2.000	12.00000	14.00000	.16217	-.10652	-00474	.04603	.07707	.03005	-.01661	-.02487	
.000	12.00000	14.00000	.16160	03157	-06649	.04502	.07469	.03048	-.01755	-.02879	
2.000	12.00000	14.00000	.15871	.16296	-.12685	.04462	.07290	.03128	-.01713	-.03360	
4.000	12.00000	14.00000	.15625	.29098	-.17319	.04391	.07248	.03164	-.01617	-.03942	
GRADIENT	.00000	00000	-00056	06538	-.02846	-.00027	-.00125	00019	-.00035	-.00226	

RN/L = 4.09 GRADIENT INTERVAL = -5.00/ 5.00

MACH =	ALPHA	ELV-LI	ELV-LO	CAF	CNF	CLMF	CABO	CABT	CABS	CHEI	CHEO
.975											
-8.000	12.00000	14.00000	20438	-.53372	.18324	.05414	.10242	.04241	-.00015	-.03026	
-6.000	12.00000	14.00000	20621	-.38701	.12661	.05281	.09791	.04109	-.00161	-.03028	
-4.000	12.00000	14.00000	20740	-.25490	.07740	.05229	.09378	.03978	-.00821	-.03000	
-2.000	12.00000	14.00000	20881	-.12749	.02779	.05246	.09100	.03874	-.01946	-.02977	
.000	12.00000	14.00000	.20744	00063	-02575	.05286	.08906	.03863	-.03237	-.03118	
2.000	12.00000	14.00000	.20382	.12765	-.07799	.05348	.08786	.03897	-.04444	-.03724	
4.000	12.00000	14.00000	.19972	.26142	-.13548	.05341	.08607	.03952	-.05276	-.04787	
GRADIENT	.00000	00000	-00102	.06439	-.02658	.00016	-.00093	-.00001	-.00570	-.00216	

LARC 8FT TPT 749 (1A93) OTSAT130

(MJJB40) (18 AUG 76)

REFERENCE DATA

PARAMETRIC DATA

SREF = 2690.0000 SQ.FT. XMRP = 976.0000 IN. XT
 LREF = 1290.3000 INCHES YMRP = 0000 IN. YT
 BREF = 1290.3000 INCHES ZMRP = 400.0000 IN. ZT
 SCALE = .0100

BETA = 4.000 ELV-LI = 12.000
 ELV-LO = 14.000 ELV-RI = 12.000
 ELV-RO = 14.000

RN/L = 3.98 GRADIENT INTERVAL = -5.00/ 5.00

MACH =	ALPHA	ELV-LI	ELV-LO	CAF	CNF	CLMF	CABO	CABT	CABS	CHEI	CHEO
.900											
-8.000	12.00000	14.00000	.16445	-.49552	.15451	.04773	.09229	.03137	-.01971	-.02450	
-6.000	12.00000	14.00000	.16633	-.35800	.10093	.04617	.08889	.03039	-.01924	-.02274	
-4.000	12.00000	14.00000	.16911	-.23135	.04791	.04482	.08488	.02932	-.02037	-.02377	
-2.000	12.00000	14.00000	.17118	-.10436	-.00871	.04496	.08003	.02860	-.02136	-.02549	
.000	12.00000	14.00000	.17190	.03052	-.06753	.04442	.07749	.02798	-.02207	-.02872	
2.000	12.00000	14.00000	.16995	.16159	-.12668	.04379	.07487	.02781	-.02381	-.03207	
4.000	12.00000	14.00000	.16729	.29255	-.17488	.04331	.07421	.02858	-.02387	-.03670	
GRADIENT	.00000	.00000	-.00024	.06569	-.02818	-.00021	-.00132	-.00011	-.00047	-.00162	

RN/L = 4.09 GRADIENT INTERVAL = -5.00/ 5.00

MACH =	ALPHA	ELV-LI	ELV-LO	CAF	CNF	CLMF	CABO	CABT	CABS	CHEI	CHEO
.975											
-8.000	12.00000	14.00000	.21210	-.53159	.17364	.05602	.10069	.03926	-.02716	-.03213	
-6.000	12.00000	14.00000	.21537	-.38449	.11679	.05378	.09630	.03829	-.03030	-.03210	
-4.000	12.00000	14.00000	.21810	-.24999	.06616	.05205	.09288	.03677	-.03402	-.03290	
-2.000	12.00000	14.00000	.22056	-.11870	.01572	.05077	.09126	.03512	-.03648	-.03600	
.000	12.00000	14.00000	.22113	.00709	-.03510	.05066	.09044	.03401	-.03480	-.04030	
2.000	12.00000	14.00000	.21517	.13804	-.09069	.05069	.08815	.03456	-.03708	-.04760	
4.000	12.00000	14.00000	.21043	.27368	-.14749	.05104	.08716	.03623	-.04243	-.05578	
GRADIENT	.00000	.00000	-.00103	.06520	-.02669	-.00011	-.00073	-.00008	-.00087	-.00287	

LARC 8FT TPT 749 (1A93) OTSAT130

(MJJB41) (18 AUG 76)

REFERENCE DATA

SREF = 2690.0000 SQ.FT. XMRP = 976.0000 IN. XT
 LREF = 1290.3000 INCHES YMRP = .0000 IN. YT
 BREF = 1290.3000 INCHES ZMRP = 400.0000 IN. ZT
 SCALE = .0100

PARAMETRIC DATA

BETA = 6.000 ELV-L1 = 12.000
 ELV-LO = 14.000 ELV-R1 = 12.000
 ELV-RO = 14.000

RN/L = 3.98 GRADIENT INTERVAL = -5.00/ 5.00

MACH =	.900	ALPHA	ELV-L1	ELV-LO	CAF	CNF	CLMF	CABO	CABT	CABS	CHEI	CHEO
	-8.000	12.00000	14.00000	.16737	-.49619	.15067	.04905	.09320	.02872	-.02132	-.02509	
	-6.000	12.00000	14.00000	.16911	-.36085	.09874	.04727	.08999	.02828	-.02119	-.02349	
	-4.000	12.00000	14.00000	.17140	-.23492	.04770	.04582	.08710	.02770	-.02177	-.02440	
	-2.000	12.00000	14.00000	.17314	-.10847	-.00675	.04565	.08346	.02705	-.02137	-.02528	
	.000	12.00000	14.00000	.17457	.02728	-.06630	.04518	.07990	.02647	-.02273	-.02826	
	2.000	12.00000	14.00000	.17248	.15975	-.12497	.04475	.07728	.02670	-.02411	-.03131	
	4.000	12.00000	14.00000	.16833	.28545	-.17073	.04419	.07658	.02744	-.02395	-.03480	
	GRADIENT	.00000	00000	-.00034	.06545	-.02775	-.00021	-.00136	-.00004	-.00036	-.00134	

RN/L = 4.09 GRADIENT INTERVAL = -5.00/ 5.00

MACH =	.975	ALPHA	ELV-L1	ELV-LO	CAF	CNF	CLMF	CABO	CABT	CABS	CHEI	CHEO
	-8.000	12.00000	14.00000	.21540	-.53424	.17012	.05960	.10186	.03520	-.03301	-.03438	
	-6.000	12.00000	14.00000	.21914	-.38559	.11228	.05657	.09746	.03473	-.03583	-.03465	
	-4.000	12.00000	14.00000	.22110	-.24982	.06134	.05412	.09431	.03399	-.03753	-.03490	
	-2.000	12.00000	14.00000	.22220	-.11763	.01065	.05261	.09295	.03303	-.03705	-.03801	
	.000	12.00000	14.00000	.22267	.01401	-.04339	.05143	.09171	.03240	-.03334	-.04331	
	2.000	12.00000	14.00000	.21789	.14065	-.09640	.05114	.08976	.03301	-.03357	-.04910	
	4.000	12.00000	14.00000	.21184	.27593	-.15081	.05151	.08877	.03456	-.03675	-.05500	
	GRADIENT	.00000	00000	-.00114	.06549	-.02657	-.00033	-.00071	.00006	.00025	-.00256	

LARC 8FT TPT 749 (1A93) OTSAT130

(MJJB42) (18 AUG 76)

REFERENCE DATA

SREF = 2690.0000 SQ.FT. XMRP = 976.0000 IN. XT
 LREF = 1290.3000 INCHES YMRP = .0000 IN YT
 BREF = 1290.3000 INCHES ZMRP = 400.0000 IN. ZT
 SCALE = .0100

PARAMETRIC DATA

BETA = -6.000 ELV-LI = 8.000
 ELV-LO = 14.000 ELV-RI = 8.000
 ELV-RO = 14.000

RN/L = 3.98 GRADIENT INTERVAL = -5.00/ 5.00

MACH =	ALPHA	ELV-LI	ELV-LO	CAF	CNF	CLMF	CABO	CABT	CABS	CHEI	CHEO
.900											
-8 000	8.00000	14.00000	.14683	-.49484	.14876	.04979	.09326	.03801	.02131	-.00732	
-6 000	8.00000	14.00000	.14959	-.36173	.09802	.04814	.09051	.03749	.02237	-.00702	
-4 000	8.00000	14.00000	.15098	-.23639	.04887	.04642	.08854	.03725	.02293	-.01131	
-2 000	8.00000	14.00000	.15309	-.10743	-.00551	.04559	.08543	.03676	.02269	-.01449	
000	8.00000	14.00000	.15372	.02292	-.05994	.04480	.08162	.03680	.02110	-.01779	
2 000	8.00000	14.00000	.14969	.15441	-.11654	.04462	.07944	.03727	.01875	-.02492	
4 000	8.00000	14.00000	.14818	.27728	-.15089	.04454	.07799	.03635	.01494	-.03808	
GRADIENT	.00000	00000	-.00045	06446	-.02643	-.00024	-.00135	-.00006	-.00100	-.00320	

RN/L = 4.09 GRADIENT INTERVAL = -5.00/ 5.00

MACH =	ALPHA	ELV-LI	ELV-LO	CAF	CNF	CLMF	CABO	CABT	CABS	CHEI	CHEO
.975											
-8 000	8.00000	14.00000	.19030	-.53685	.17160	.05857	.10482	.04601	.01386	-.02406	
-6 000	8.00000	14.00000	.19320	-.38845	.11470	.05632	.10039	.04598	.00975	-.02156	
-4 000	8.00000	14.00000	.19541	-.25567	.06719	.05434	.09755	.04516	.00881	-.02015	
-2 000	8.00000	14.00000	.19765	-.12458	.01784	.05292	.09575	.04430	.00891	-.02123	
000	8.00000	14.00000	.19771	.00555	-.03523	.05204	.09398	.04440	.00425	-.02293	
2 000	8.00000	14.00000	.19474	.13191	-.08591	.05211	.09252	.04454	-.00304	-.03251	
4 000	8.00000	14.00000	.19046	.26478	-.13812	.05254	.09231	.04518	-.00770	-.04943	
GRADIENT	00000	00000	-.00064	06487	-.02572	-.00022	-.00069	.00001	-.00225	-.00349	

LARC 8FT TPT 749 (1A93) OTSAT130

(MJJB43) (18 AUG 76)

REFERENCE DATA

PARAMETRIC DATA

SREF = 2690.0000 SQ.FT. XMRP = 976.0000 IN. XT
 LREF = 1290.3000 INCHES YMRP = .0000 IN. YT
 BREF = 1290.3000 INCHES ZMRP = 400.0000 IN. ZT
 SCALE = .0100

BETA = -4.000 ELV-LI = 8.000
 ELV-LO = 14.000 ELV-RI = 8.000
 ELV-RO = 14.000

RN/L = 3.98 GRADIENT INTERVAL = -5.00/ 5.00

MACH =	ALPHA	ELV-LI	ELV-LO	CAF	CNF	CLMF	CABO	CABT	CABS	CHEI	CHEO
.900	8.0000	14.0000	14.0000	.15117	-.50024	.15886	.04817	.09366	.03626	.01676	-.00865
-8.000	8.0000	14.0000	14.0000	.15278	-.36547	.10628	.04690	.09061	.03558	.01799	-.00728
-6.000	8.0000	14.0000	14.0000	.15383	-.23645	.05346	.04590	.08752	.03503	.01824	-.01160
-4.000	8.0000	14.0000	14.0000	.15626	-.10861	-.00223	.04528	.08232	.03457	.01855	-.01523
-2.000	8.0000	14.0000	14.0000	.15528	.02124	-.05797	.04467	.07902	.03516	.01687	-.01887
.000	8.0000	14.0000	14.0000	.15069	.15887	-.12017	.04421	.07702	.03573	.01308	-.02522
2.000	8.0000	14.0000	14.0000	.15064	.28205	-.16414	.04347	.07567	.03504	.01150	-.03632
4.000	8.0000	14.0000	14.0000	.15064	.28205	-.16414	.04347	.07567	.03504	.01150	-.03632
GRADIENT	.00000	.00000	.00000	-.00059	.06522	-.02766	-.00030	-.00145	.00006	-.00095	-.00297

RN/L = 4.09 GRADIENT INTERVAL = -5.00/ 5.00

MACH =	ALPHA	ELV-LI	ELV-LO	CAF	CNF	CLMF	CABO	CABT	CABS	CHEI	CHEO
.975	8.0000	14.0000	14.0000	.19639	-.53877	.18034	.05684	.10426	.04466	.01096	-.02503
-8.000	8.0000	14.0000	14.0000	.19924	-.38901	.12187	.05469	.09919	.04432	.00482	-.02366
-6.000	8.0000	14.0000	14.0000	.20130	-.25571	.07341	.05292	.09613	.04327	.00287	-.02306
-4.000	8.0000	14.0000	14.0000	.20235	-.12847	.02601	.05148	.09415	.04260	.00477	-.02351
-2.000	8.0000	14.0000	14.0000	.20106	.00147	-.02674	.05070	.09194	.04312	.00255	-.02470
.000	8.0000	14.0000	14.0000	.19664	.12662	-.07978	.05111	.09074	.04343	-.00622	-.03031
2.000	8.0000	14.0000	14.0000	.19391	.26046	-.13391	.05123	.08975	.04402	-.01348	-.04490
4.000	8.0000	14.0000	14.0000	.19391	.26046	-.13391	.05123	.08975	.04402	-.01348	-.04490
GRADIENT	.00000	.00000	.00000	-.00102	.06437	-.02602	-.00019	-.00081	.00012	-.00219	-.00252

ORIGINAL PAGE IS OF POOR QUALITY

LARC 8FT TPT 749 (1A93) OTSAT130

(MJJB44) (18 AUG 76)

REFERENCE DATA

PARAMETRIC DATA

SREF = 2690.0000 SQ.FT. XMRP = 976.0000 IN. XT
 LREF = 1290.3000 INCHES YMRP = .0000 IN. YT
 BREF = 1290.3000 INCHES ZMRP = 400.0000 IN. ZT
 SCALE = .0100

BETA = .000 ELV-L1 = 8.000
 ELV-LO = 14.000 ELV-R1 = 8.000
 ELV-RO = 14.000

RN/L = 3.98 GRADIENT INTERVAL = -5.00/ 5 00

MACH =	900	ALPHA	ELV-L1	ELV-LO	CAF	CNF	CLMF	CABO	CABT	CABS	CHE1	CHEO
	-8.000	8.00000	14.00000	.15323	-.51113	.17075	04740	.09375	03304	.00124	-.01529	
	-6.000	8.00000	14.00000	.15389	-.37061	.11397	.04681	.08903	.03140	.00414	-.01180	
	-4.000	8.00000	14.00000	.15627	-.23556	.05632	.04657	.08304	02979	.00297	-.01400	
	-2.000	8.00000	14.00000	.15929	-.11572	.00188	04651	.07683	.02925	.00083	-.01787	
	.000	8.00000	14.00000	.15832	02022	-.05800	.04554	.07496	.03016	.00106	-.02310	
	2.000	8.00000	14.00000	.15692	.15389	-.11895	04492	.07249	03094	.00056	-.02888	
	4.000	8.00000	14.00000	.15330	.28140	-.16472	04420	.07227	.03159	.00143	-.03475	
	GRADIENT	.00000	00000	-.00042	06518	-.02815	-.00032	-.00129	.00027	-.00017	-.00263	

RN/L = 4.09 GRADIENT INTERVAL = -5.00/ 5 00

MACH =	.975	ALPHA	ELV-L1	ELV-LO	CAF	CNF	CLMF	CABO	CABT	CABS	CHE1	CHEO
	-8.000	8.00000	14.00000	.20163	-.54383	.19076	05503	10284	.04193	.00038	-.02711	
	-6.000	8.00000	14.00000	.20409	-.39763	.13413	.05372	09825	.04070	-.00495	-.02728	
	-4.000	8.00000	14.00000	.20494	-.26279	.08350	.05315	.09411	.03928	-.00837	-.02699	
	-2.000	8.00000	14.00000	.20584	-.13613	.03441	.05320	.09141	.03813	-.00863	-.02706	
	.000	8.00000	14.00000	.20409	-.01464	-.01504	.05361	.08958	.03794	-.00552	-.02809	
	2.000	8.00000	14.00000	.19949	.11629	-.06838	.05409	.08823	.03856	-.00951	-.03094	
	4.000	8.00000	14.00000	.19458	.24801	-.12400	.05387	.08623	.03955	-.02180	-.03921	
	GRADIENT	00000	00000	-.00135	06370	-.02589	.00012	-.00095	.00005	-.00139	-.00142	

LARC 8FT TPT 749 (1A93) OTSAT130

(MJJB45) (18 AUG 76)

REFERENCE DATA

SREF = 2690.0000 SQ.FT. XMRP = 976.0000 IN. XT
 LREF = 1290.3000 INCHES YMRP = .0000 IN. YT
 BREF = 1290.3000 INCHES ZMRP = 400.0000 IN. ZT
 SCALE = .0100

PARAMETRIC DATA

BETA = 4.000 ELV-LI = 8.000
 ELV-LO = 14.000 ELV-RI = 8.000
 ELV-RO = 14.000

RN/L = 3.98 GRADIENT INTERVAL = -5.00/ 5.00

MACH =	ALPHA	ELV-LI	ELV-LO	CAF	CNF	CLMF	CABO	CABT	CABS	CHEI	CHEO
.900											
-8.000	8.00000	14.00000	.16112	-.50058	.15884	.04825	.09188	.03100	-.01231	-.02084	
-6.000	8.00000	14.00000	.16326	-.36356	.10550	.04665	.08846	.02999	-.00823	-.01807	
-4.000	8.00000	14.00000	.16593	-.23507	.05227	.04535	.08444	.02899	-.00769	-.01868	
-2.000	8.00000	14.00000	.16762	-.11235	-.00203	.04578	.07958	.02854	-.00912	-.02106	
.000	8.00000	14.00000	.16898	.01983	-.05997	.04482	.07722	.02791	-.01007	-.02538	
2.000	8.00000	14.00000	.16746	.15456	-.12038	.04393	.07427	.02788	-.01186	-.02949	
4.000	8.00000	14.00000	.16383	.27967	-.16586	.04364	.07418	.02876	-.01170	-.03371	
GRADIENT	00000	00000	-.00022	.06482	-.02773	-.00026	-.00129	-.00006	-.00054	-.00193	

RN/L = 4.09 GRADIENT INTERVAL = -5.00/ 5.00

MACH =	ALPHA	ELV-LI	ELV-LO	CAF	CNF	CLMF	CABO	CABT	CABS	CHEI	CHEO
.975											
-8.000	8.00000	14.00000	.20728	-.54222	.18153	.05622	.10155	.03900	-.01043	-.02712	
-6.000	8.00000	14.00000	.21116	-.39489	.12461	.05411	.09721	.03781	-.01496	-.02658	
-4.000	8.00000	14.00000	.21423	-.26047	.07411	.05238	.09373	.03625	-.01819	-.02540	
-2.000	8.00000	14.00000	.21608	-.13145	-.02461	.05110	.09212	.03478	-.02037	-.02564	
.000	8.00000	14.00000	.21731	-.00192	-.02686	.05077	.09118	.03391	-.02042	-.02932	
2.000	8.00000	14.00000	.21192	.12534	-.07990	.05084	.08867	.03456	-.02541	-.03804	
4.000	8.00000	14.00000	.20617	.25882	-.13559	.05092	.08750	.03626	-.03053	-.04813	
GRADIENT	.00000	00000	-.00101	.06477	-.02620	-.00016	-.00080	-.00001	-.00149	-.00289	

LARC 8FT TPT 749 (1A93) OTSAT130

(MJJB46) (18 AUG 76)

REFERENCE DATA

SREF = 2690.0000 SQ.FT. XMRP = 976.0000 IN. XT
 LREF = 1290.3000 INCHES YMRP = .0000 IN. YT
 BREF = 1290.3000 INCHES ZMRP = 400.0000 IN. ZT
 SCALE = .0100

PARAMETRIC DATA

BETA = 6.000 ELV-LI = 8.000
 ELV-LO = 14.000 ELV-RI = 8.000
 ELV-RO = 14.000

RN/L = 3.98 GRADIENT INTERVAL = -5.00/ 5.00

MACH =	ALPHA	ELV-LI	ELV-LO	CAF	CNF	CLMF	CABO	CABT	CABS	CHEI	CHEO
.900											
-8.000	8.00000	14.00000	.16363	-.50146	.15531	.04958	.09302	.02871	-.01604	-.02241	
-6.000	8.00000	14.00000	.16592	-.36737	.10386	.04786	.08975	.02819	-.01087	-.01968	
-4.000	8.00000	14.00000	.16813	-.24118	.05326	.04640	.08687	.02762	-.01025	-.02033	
-2.000	8.00000	14.00000	.17018	-.11624	-.00003	.04637	.08316	.02705	-.01131	-.02196	
.000	8.00000	14.00000	.17212	.01656	-.05869	.04558	.07975	.02642	-.01274	-.02550	
2.000	8.00000	14.00000	.16938	.15142	-.11754	.04510	.07718	.02689	-.01403	-.02909	
4.000	8.00000	14.00000	.16545	.27518	-.16187	.04449	.07667	.02762	-.01348	-.03265	
GRADIENT	.00000	.00000	-.00031	.06502	-.02739	-.00025	-.00132	-.00001	-.00046	-.00159	

RN/L = 4.09 GRADIENT INTERVAL = -5.00/ 5.00

MACH =	ALPHA	ELV-LI	ELV-LO	CAF	CNF	CLMF	CABO	CABT	CABS	CHEI	CHEO
.975											
-8.000	8.00000	14.00000	.21098	-.54372	.17800	.05939	.10233	.03495	-.01424	-.02862	
-6.000	8.00000	14.00000	.21479	-.39564	.12036	.05693	.09826	.03437	-.02049	-.02781	
-4.000	8.00000	14.00000	.21704	-.26170	.07002	.05464	.09523	.03362	-.02430	-.02570	
-2.000	8.00000	14.00000	.21810	-.13081	.01974	.05294	.09362	.03271	-.02613	-.02603	
.000	8.00000	14.00000	.21862	.00186	-.03402	.05168	.09238	.03229	-.02608	-.03185	
2.000	8.00000	14.00000	.21427	.12995	-.08689	.05137	.09005	.03307	-.02796	-.04077	
4.000	8.00000	14.00000	.20814	.26237	-.13978	.05169	.08905	.03459	-.03002	-.04842	
GRADIENT	.00000	.00000	-.00102	.06545	-.02631	-.00037	-.00080	.00012	-.00066	-.00301	

LARC 8FT TPT 749 (1A93) OTSAT130

(MJJB47) (18 AUG 76)

REFERENCE DATA

SREF = 2690.0000 SQ FT. XMRP = 976.0000 IN. XT
 LREF = 1290.3000 INCHES YMRP = .0000 IN. YT
 BREF = 1290.3000 INCHES ZMRP = 400.0000 IN. ZT
 SCALE = .0100

PARAMETRIC DATA

BETA = -6.000 ELV-LI = 8.000
 ELV-LO = 4.000 ELV-RI = 8.000
 ELV-RO = 4.000

RUN NO. 0/0 RN/L = 3.98 GRADIENT INTERVAL = -5.00/ 5.00

MACH	ALPHA	ELV-LI	ELV-LO	CAF	CNF	CLMF	CABO	CABT	CABS	CHEI	CHEO
.900	-8.000	8.00000	4.00000	.14105	-.52041	16790	.05027	.09346	.03730	.03093	.01121
.900	-6.000	8.00000	4.00000	.14445	-.38173	.11445	.04880	.09027	.03676	.03033	.01370
.900	-4.000	8.00000	4.00000	.14652	-.25545	.06518	.04720	.08802	.03636	.02994	.01513
.900	-2.000	8.00000	4.00000	.14764	-.13249	.01496	.04635	.08530	.03589	.02958	.01931
.900	.000	8.00000	4.00000	.14676	-.01138	-.03167	.04534	.08157	.03585	.03026	.01908
.900	2.000	8.00000	4.00000	.14471	.10228	-.07384	.04495	.08020	.03591	.03181	.01085
.900	4.000	8.00000	4.00000	.14205	.22966	-.12051	.04474	.07847	.03552	.03000	-.00298
	GRADIENT	.00000	.00000	-.00059	.06025	-.02301	-.00032	-.00121	-.00008	.00012	-.00223

RUN NO. 0/0 RN/L = 4.09 GRADIENT INTERVAL = -5.00/ 5.00

MACH	ALPHA	ELV-LI	ELV-LO	CAF	CNF	CLMF	CABO	CABT	CABS	CHEI	CHEO
.975	-8.000	8.00000	4.00000	.18294	-.56538	.19633	.05940	.10374	.04543	.02059	.02962
.975	-6.000	8.00000	4.00000	.18663	-.41785	.13994	.05721	.09968	.04544	.01677	.03084
.975	-4.000	8.00000	4.00000	.18888	-.28406	.09192	.05532	.09792	.04464	.01576	.03168
.975	-2.000	8.00000	4.00000	.19055	-.15159	.04192	.05374	.09619	.04368	.01680	.03005
.975	.000	8.00000	4.00000	.19090	-.02351	-.01002	.05287	.09444	.04370	.01777	.02353
.975	2.000	8.00000	4.00000	.18824	.09903	-.05762	.05332	.09344	.04398	.01886	.01465
.975	4.000	8.00000	4.00000	.18336	.22452	-.10318	.05409	.09376	.04469	.02225	.00382
	GRADIENT	.00000	.00000	-.00067	.06339	-.02449	-.00014	-.00055	.00002	.00075	-.00356

RUN NO. 0/0 RN/L = 4.21 GRADIENT INTERVAL = -5.00/ 5.00

MACH	ALPHA	ELV-LI	ELV-LO	CAF	CNF	CLMF	CABO	CABT	CABS	CHEI	CHEO
1.150	-6.000	8.00000	4.00000	.25671	-.42360	.14650	.05576	.09284	.04597	.07494	.02352
1.150	-4.000	8.00000	4.00000	.25958	-.27959	.09265	.05521	.09112	.04513	.07038	.01109
1.150	-2.000	8.00000	4.00000	.26350	-.14447	.04288	.05439	.08947	.04403	.06482	-.00165
1.150	.000	8.00000	4.00000	.26418	-.01058	-.01052	.05337	.08755	.04359	.05441	-.01194
1.150	2.000	8.00000	4.00000	.26458	.11444	-.05950	.05268	.08557	.04301	.04197	-.02160
	GRADIENT	.00000	.00000	.00078	.06580	-.02549	-.00043	-.00093	-.00034	-.00478	-.00542

ORIGINAL PAGE IS
OF POOR QUALITY

LARC 8FT TPT 749 (1A93) OTSAT130

(MJJB47) (18 AUG 76)

REFERENCE DATA

SREF = 2690.0000 SQ.FT. XMRP = 976.0000 IN. XT
 LREF = 1290.3000 INCHES YMRP = .0000 IN. YT
 BREF = 1290.3000 INCHES ZMRP = 400.0000 IN. ZT
 SCALE = .0100

PARAMETRIC DATA

BETA = -6.000 ELV-LI = 8.000
 ELV-LO = 4.000 ELV-RI = 8.000
 ELV-RO = 4.000

RUN NO. 0/ 0 RN/L = 4.22 GRADIENT INTERVAL = -5.00/ 5.00

MACH	ALPHA	ELV-LI	ELV-LO	CAF	CNF	CLMF	CABO	CABT	CABS	CHEI	CHEO
1.205	-8.000	8.00000	4.00000	.26839	-.57672	20701	.05541	.09267	.04513	.07727	.02119
1.205	-6.000	8.00000	4.00000	.27066	-.41484	14075	.05475	.09036	.04426	.07131	.00930
1.205	-4.000	8.00000	4.00000	.27381	-.27158	08724	.05431	.08807	.04356	.06637	-.00184
1.205	-2.000	8.00000	4.00000	.27711	-.13557	03695	.05351	.08611	.04286	.06162	-.01099
1.205	.000	8.00000	4.00000	.27865	-.00748	-.01244	.05255	.08403	.04258	.05344	-.02075
1.205	2.000	8.00000	4.00000	.27919	11760	-.05946	.05197	.08189	.04210	.04347	-.02997
1.205	4.000	8.00000	4.00000	.27622	.24252	-.10770	.05195	.07947	.04118	.03154	-.03616
	GRADIENT	.00000	00000	.00034	06407	-.02431	-.00031	-.00107	-.00028	-.00439	-.00438

LARC 8FT TPT 749 (1A93) OTSAT130

(MJJB48) (18 AUG 76)

REFERENCE DATA

SREF = 2690.0000 SQ.FT. XMRP = 976.0000 IN. XT
 LREF = 1290.3000 INCHES YMRP = .0000 IN. YT
 BREF = 1290.3000 INCHES ZMRP = 400.0000 IN. ZT
 SCALE = .0100

PARAMETRIC DATA

BETA = -4.000 ELV-LI = 8.000
 ELV-LO = 4.000 ELV-RI = 8.000
 ELV-RO = 4.000

RUN NO. 0/ 0 RN/L = 3.98 GRADIENT INTERVAL = -5.00/ 5.00

MACH	ALPHA	ELV-LI	ELV-LO	CAF	CNF	CLMF	CABO	CABT	CABS	CHEI	CHEO
.900	-8.000	8.00000	4.00000	.14475	-.52529	.17777	.04886	.09415	.03551	.02969	.00913
.900	-6.000	8.00000	4.00000	.14774	-.38279	.12117	.04784	.09018	.03495	.02860	.01281
.900	-4.000	8.00000	4.00000	.14978	-.25585	.07031	.04658	.08699	.03425	.02762	.01471
.900	-2.000	8.00000	4.00000	.15126	-.13574	.01939	.04575	.08237	.03369	.02691	.01888
.900	.000	8.00000	4.00000	.14884	-.01275	-.03025	.04453	.07850	.03399	.02696	.01871
.900	2.000	8.00000	4.00000	.14541	10228	-.07457	.04394	.07753	.03417	.03129	.01469
.900	4.000	8.00000	4.00000	.14344	23295	-.12330	.04373	.07656	.03426	.02878	.00022
	GRADIENT	.00000	.00000	-.00093	.06078	-.02406	-.00038	-.00128	.00003	.00034	-.00166

LARC 8FT TPT 749 (1A93) OTSAT130

(MJJB48) (18 AUG 76)

REFERENCE DATA

SREF = 2690.0000 SQ.FT. XMRP = 976 0000 IN. XT
 LREF = 1290.3000 INCHES YMRP = .0000 IN. YT
 BREF = 1290.3000 INCHES ZMRP = 400.0000 IN. ZT
 SCALE = .0100

PARAMETRIC DATA

BETA = -4.000 ELV-LI = 8.000
 ELV-LO = 4.000 ELV-RI = 8.000
 ELV-RO = 4.000

RUN NO. 0/ 0 RN/L = 4.09 GRADIENT INTERVAL = -5.00/ 5.00

MACH	ALPHA	ELV-LI	ELV-LO	CAF	CNF	CLMF	CABO	CABT	CABS	CHEI	CHEO
.975	-8.000	8.00000	4.00000	.18932	-.56704	.20456	.05769	.10363	.04388	.01854	.02939
.975	-6.000	8.00000	4.00000	.19286	-.41800	.14715	.05566	.09881	.04355	.01239	.03068
.975	-4.000	8.00000	4.00000	.19491	-.28595	.10023	.05403	.09585	.04252	.01082	.03191
.975	-2.000	8.00000	4.00000	.19568	-.15928	.05256	.05235	.09514	.04166	.01297	.03142
.975	.000	8.00000	4.00000	.19387	-.03316	-.00015	.05174	.09283	.04214	.01552	.02738
.975	2.000	8.00000	4.00000	.18986	.09267	-.05074	.05273	.09141	.04267	.01522	.01922
.975	4.000	8.00000	4.00000	.18614	.22243	-.10162	.05279	.09099	.04342	.01530	.00808
	GRADIENT	.00000	.00000	-.00117	.06344	-.02535	-.00010	-.00077	.00014	.00056	-.00299

RUN NO 0/ 0 RN/L = 4.21 GRADIENT INTERVAL = -5.00/ 5.00

MACH	ALPHA	ELV-LI	ELV-LO	CAF	CNF	CLMF	CABO	CABT	CABS	CHEI	CHEO
1.150	-6.000	8.00000	4.00000	.25987	-.42709	.15635	.05465	.09109	.04480	.07102	.03042
1.150	-4.000	8.00000	4.00000	.26280	-.28274	.10057	.05402	.08899	.04391	.06537	.02037
1.150	-2.000	8.00000	4.00000	.26510	-.14553	.04785	.05347	.08791	.04306	.06091	.00742
1.150	.000	8.00000	4.00000	.26418	-.01265	-.00595	.05248	.08666	.04294	.05371	-.00439
1.150	2.000	8.00000	4.00000	.26469	.11144	-.05533	.05112	.08408	.04244	.04165	-.01567
	GRADIENT	.00000	.00000	.00024	.06577	-.02608	-.00048	-.00080	-.00023	-.00392	-.00600

RUN NO. 0/ 0 RN/L = 4.22 GRADIENT INTERVAL = -5.00/ 5.00

MACH	ALPHA	ELV-LI	ELV-LO	CAF	CNF	CLMF	CABO	CABT	CABS	CHEI	CHEO
1.205	-8.000	8.00000	4.00000	.27374	-.57633	.21380	.05412	.08994	.04396	.07421	.02822
1.205	-6.000	8.00000	4.00000	.27460	-.41477	.14852	.05346	.08804	.04287	.06800	.01782
1.205	-4.000	8.00000	4.00000	.27698	-.26869	.09161	.05300	.08580	.04224	.06379	.00617
1.205	-2.000	8.00000	4.00000	.28015	-.13434	.03949	.05220	.08388	.04161	.06138	-.00331
1.205	.000	8.00000	4.00000	.27946	-.00881	-.00916	.05131	.08248	.04164	.05499	-.01367
1.205	2.000	8.00000	4.00000	.27961	.11127	-.05703	.05028	.08036	.04124	.04483	-.02435
1.205	4.000	8.00000	4.00000	.27794	.24015	-.10518	.04991	.07800	.04036	.03372	-.03200
	GRADIENT	.00000	.00000	.00007	.06346	-.02451	-.00040	-.00096	-.00021	-.00383	-.00487

LARC 8FT TPT 749 (1A93) OTSAT130

(MJJB49) (18 AUG 76)

REFERENCE DATA

SREF = 2690.0000 SQ.FT. XMRP = 976.0000 IN. XT
 LREF = 1290.3000 INCHES YMRP = .0000 IN. YT
 BREF = 1290.3000 INCHES ZMRP = 400.0000 IN. ZT
 SCALE = .0100

PARAMETRIC DATA

BETA = .000 ELV-LI = 8.000
 ELV-LO = 4.000 ELV-RI = 8.000
 ELV-RO = 4.000

RUN NO. 0/ 0 RN/L = 3.98 GRADIENT INTERVAL = -5.00/ 5.00

MACH	ALPHA	ELV-LI	ELV-LO	CAF	CNF	CLMF	CABO	CABT	CABS	CHEI	CHEO
.900	-8.000	8.00000	4.00000	.14561	-.52975	.18670	.04826	.09372	.03168	.01993	.00353
.900	-6.000	8.00000	4.00000	.14801	-.38860	.12938	.04748	.08877	.03025	.01905	.00900
.900	-4.000	8.00000	4.00000	.15029	-.26146	.07627	.04714	.08337	.02897	.01631	.01422
.900	-2.000	8.00000	4.00000	.15232	-.13888	.02187	.04672	.07756	.02875	.01619	.01657
.900	.000	8.00000	4.00000	.15123	-.01472	-.02895	.04526	.07530	.02939	.01803	.01975
.900	2.000	8.00000	4.00000	.14769	.10642	-.07995	.04484	.07336	.03012	.02184	.02017
.900	4.000	8.00000	4.00000	.14621	.22389	-.11805	.04414	.07323	.03062	.02714	.00956
	GRADIENT	.00000	.00000	-.00064	.06080	-.02452	-.00039	-.00122	.00023	.00137	-.00029

RUN NO. 0/ 0 RN/L = 4.09 GRADIENT INTERVAL = -5.00/ 5.00

MACH	ALPHA	ELV-LI	ELV-LO	CAF	CNF	CLMF	CABO	CABT	CABS	CHEI	CHEO
.975	-8.000	8.00000	4.00000	.19324	-.57194	.21427	.05509	.10353	.04146	.00774	.02805
.975	-6.000	8.00000	4.00000	.19511	-.42338	.15732	.05408	.09927	.04025	.00226	.02943
.975	-4.000	8.00000	4.00000	.19719	-.29104	.10844	.05387	.09515	.03859	-.00160	.03232
.975	-2.000	8.00000	4.00000	.19909	-.17025	.06178	.05418	.09237	.03709	-.00143	.03349
.975	.000	8.00000	4.00000	.19745	-.04731	.01275	.05465	.09068	.03675	.00134	.03190
.975	2.000	8.00000	4.00000	.19308	.08396	-.04095	.05530	.08917	.03742	.00443	.02745
.975	4.000	8.00000	4.00000	.18880	.21141	-.09382	.05511	.08723	.03878	.00691	.01766
	GRADIENT	.00000	.00000	-.00114	.06295	-.02536	.00018	-.00095	.00003	.00114	-.00177

RUN NO. 0/ 0 RN/L = 4.21 GRADIENT INTERVAL = -5.00/ 5.00

MACH	ALPHA	ELV-LI	ELV-LO	CAF	CNF	CLMF	CABO	CABT	CABS	CHEI	CHEO
1.150	-8.000	8.00000	4.00000	.25898	-.43691	.17176	.05499	.09150	.04272	.06307	.03266
1.150	-4.000	8.00000	4.00000	.26144	-.28917	.11248	.05405	.08926	.04189	.05662	.03542
1.150	-2.000	8.00000	4.00000	.26533	-.14908	.05478	.05324	.08718	.04092	.05276	.02671
1.150	.000	8.00000	4.00000	.26723	-.02413	.00327	.05251	.08475	.03998	.05013	.01195
1.150	2.000	8.00000	4.00000	.26597	.10163	-.04593	.05109	.08134	.03976	.04249	-.00185
	GRADIENT	.00000	.00000	.00078	.06487	-.02634	-.00048	-.00131	-.00037	-.00225	-.00633

LARC 8FT TPT 749 (1A93) OTSAT130

(MJJB49) (18 AUG 76)

REFERENCE DATA

PARAMETRIC DATA

SREF = 2690.0000 SQ.FT. XMRP = 976.0000 IN. XT
 LREF = 1290.3000 INCHES YMRP = 0000 IN. YT
 BREF = 1290.3000 INCHES ZMRP = 400.0000 IN. ZT
 SCALE = .0100

BETA = .000 ELV-LI = 8.000
 ELV-LO = 4.000 ELV-RI = 8.000
 ELV-RO = 4.000

RUN NO. 0/ 0 RN/L = 4.22 GRADIENT INTERVAL = -5.00/ 5.00

MACH	ALPHA	ELV-LI	ELV-LO	CAF	CNF	CLMF	CABO	CABT	CABS	CHEI	CHEO
1.205	-8.000	8.00000	4.00000	.27266	-.57930	.22464	.05422	.09005	.04158	.07000	.03093
1.205	-6.000	8.00000	4.00000	.27495	-.42124	16063	.05319	.08754	.04049	.06435	.02901
1.205	-4.000	8.00000	4.00000	.27785	-.27389	10064	.05249	.08485	.03973	.05912	.02293
1.205	-2.000	8.00000	4.00000	.28149	-.13785	04598	05170	08246	.03880	.05582	01383
1.205	0.000	8.00000	4.00000	.28257	-.01258	-.00328	05098	.08051	.03810	.05410	.00082
1.205	2.000	8.00000	4.00000	.28055	.11080	-.04967	05009	.07795	.03806	.04929	-.01046
1.205	4.000	8.00000	4.00000	.27836	.23109	-.09586	04887	.07474	.03813	.03891	-.02110
	GRADIENT	.00000	00000	.00000	06293	-.02443	-.00044	-.00124	-.00020	-.00235	-.00562

LARC 8FT TPT 749 (1A93) OTSAT130

(MJJB50) (18 AUG 76)

REFERENCE DATA

PARAMETRIC DATA

SREF = 2690.0000 SQ.FT. XMRP = 976.0000 IN. XT
 LREF = 1290.3000 INCHES YMRP = .0000 IN. YT
 BREF = 1290.3000 INCHES ZMRP = 400.0000 IN. ZT
 SCALE = .0100

BETA = 4.000 ELV-LI = 8.000
 ELV-LO = 4.000 ELV-RI = 8.000
 ELV-RO = 4.000

RUN NO. 0/ 0 RN/L = 3.98 GRADIENT INTERVAL = -5.00/ 5.00

MACH	ALPHA	ELV-LI	ELV-LO	CAF	CNF	CLMF	CABO	CABT	CABS	CHEI	CHEO
.900	-8.000	8.00000	4.00000	.15420	-.52171	.17517	.04890	.09247	.03042	.00204	-.00347
.900	-6.000	8.00000	4.00000	.15639	-.38645	.12266	.04745	.08920	.02939	.00630	.00363
.900	-4.000	8.00000	4.00000	.15918	-.26250	.07342	.04603	.08523	.02848	.00850	.01202
.900	-2.000	8.00000	4.00000	.15931	-.14171	.02197	.04596	.08119	.02827	.00821	.01629
.900	0.000	8.00000	4.00000	.16042	-.01791	-.02838	.04487	.07818	.02765	.00820	.01847
.900	2.000	8.00000	4.00000	.15891	.11271	-.08342	04388	.07549	.02759	.00830	.01774
.900	4.000	8.00000	4.00000	.15613	.22805	-.12104	04366	.07539	.02832	.00973	.01163
	GRADIENT	.00000	.00000	-.00032	.06178	-.02472	-.00034	-.00127	-.00005	.00013	.00003

ORIGINAL PAGE IS
OF POOR QUALITY

LARC 8FT TPT 749 (1A93) OTSAT130

(MJJB50) (18 AUG 76)

REFERENCE DATA

PARAMETRIC DATA

SREF = 2690.0000 SQ.FT. XMRP = 976.0000 IN. XT
 LREF = 1290.3000 INCHES YMRP = .0000 IN. YT
 BREF = 1290.3000 INCHES ZMRP = 400.0000 IN. ZT
 SCALE = .0100

BETA = 4.000 ELV-LI = 8.000
 ELV-LO = 4.000 ELV-RI = 8.000
 ELV-RO = 4.000

RUN NO. 0/ 0 RN/L = 4.09 GRADIENT INTERVAL = -5.00/ 5.00

MACH	ALPHA	ELV-LI	ELV-LO	CAF	CNF	CLMF	CABO	CABT	CABS	CHEI	CHEO
.975	-8.000	8.00000	4.00000	.20087	-.57307	.20597	.05601	.10088	.03814	-.00328	.02393
.975	-6.000	8.00000	4.00000	.20436	-.42367	.14865	.05428	.09653	.03718	-.00666	.02454
.975	-4.000	8.00000	4.00000	.20708	-.28846	.09823	.05284	.09337	.03583	-.00816	.02670
.975	-2.000	8.00000	4.00000	.20920	-.16181	.05050	.05153	.09204	.03448	-.00713	.02802
.975	.000	8.00000	4.00000	.21036	-.03660	.00220	.05141	.09156	.03359	-.00290	.02842
.975	2.000	8.00000	4.00000	.20537	.09043	-.05165	.05144	.08874	.03401	-.00218	.02464
.975	4.000	8.00000	4.00000	.19918	.22405	-.10520	.05190	.08776	.03555	-.00321	.01915
	GRADIENT	.00000	.00000	-.00098	.06386	-.02545	-.00010	-.00073	-.00005	.00074	-.00092

RUN NO. 0/ 0 RN/L = 4.21 GRADIENT INTERVAL = -5.00/ 5.00

MACH	ALPHA	ELV-LI	ELV-LO	CAF	CNF	CLMF	CABO	CABT	CABS	CHEI	CHEO
1.150	-6.000	8.00000	4.00000	.27080	-.43414	.16230	.05685	.09089	.03918	.04790	.02906
1.150	-4.000	8.00000	4.00000	.27269	-.28813	.10326	.05583	.08862	.03810	.04360	.03440
1.150	-2.000	8.00000	4.00000	.27454	-.15314	.04978	.05491	.08674	.03688	.03927	.03735
1.150	.000	8.00000	4.00000	.27586	-.01839	-.00241	.05391	.08476	.03580	.03278	.02916
1.150	2.000	8.00000	4.00000	.27356	.10765	-.05385	.05239	.08205	.03568	.02584	.01529
	GRADIENT	.00000	.00000	.00020	.06610	-.02618	-.00057	-.00108	-.00042	-.00299	-.00328

RUN NO. 0/ 0 RN/L = 4.22 GRADIENT INTERVAL = -5.00/ 5.00

MACH	ALPHA	ELV-LI	ELV-LO	CAF	CNF	CLMF	CABO	CABT	CABS	CHEI	CHEO
1.205	-8.000	8.00000	4.00000	.28037	-.58039	.21811	.05716	.09061	.03872	.05847	.02745
1.205	-6.000	8.00000	4.00000	.28206	-.42080	.15316	.05608	.08844	.03778	.05452	.02981
1.205	-4.000	8.00000	4.00000	.28454	-.27665	.09540	.05487	.08598	.03660	.05079	.03380
1.205	-2.000	8.00000	4.00000	.28778	-.14162	.04362	.05372	.08348	.03528	.04725	.03047
1.205	.000	8.00000	4.00000	.28933	-.01320	-.00514	.05258	.08163	.03415	.04232	.01892
1.205	2.000	8.00000	4.00000	.28815	.11058	-.05377	.05117	.07856	.03389	.03564	.00497
1.205	4.000	8.00000	4.00000	.28304	.23481	-.10330	.04992	.07611	.03516	.02851	-.00717
	GRADIENT	.00000	.00000	-.00013	.06376	-.02474	-.00062	-.00123	-.00021	-.00281	-.00537

LARC 8FT TPT 749 (1A93) OTSAT130

(MJJB51) (18 AUG 76)

REFERENCE DATA

SREF = 2690.0000 SQ.FT. XMRP = 976 0000 IN. XT
 LREF = 1290 3000 INCHES YMRP = 0000 IN. YT
 BREF = 1290.3000 INCHES ZMRP = 400.0000 IN. ZT
 SCALE = .0100

PARAMETRIC DATA

BETA = 6.000 ELV-LI = 8.000
 ELV-LO = 4.000 ELV-RI = 8.000
 ELV-RO = 4.000

RUN NO. 0/0 RN/L = 3.98 GRADIENT INTERVAL = -5.00/ 5.00

MACH	ALPHA	ELV-LI	ELV-LO	CAF	CNF	CLMF	CABO	CABT	CABS	CHEI	CHEO
.900	-8.000	8.00000	4.00000	.15688	-.52090	.17117	.04972	.09356	.02841	-.00212	-.00327
.900	-6.000	8.00000	4.00000	.15979	-.38929	.12120	.04818	.09019	.02786	.00319	.00436
.900	-4.000	8.00000	4.00000	.16163	-.26557	.07337	.04682	.08750	.02735	.00552	.01217
.900	-2.000	8.00000	4.00000	.16237	-.14339	.02355	.04642	.08428	.02698	.00469	.01539
.900	0.000	8.00000	4.00000	.16347	-.02011	-.02713	.04562	.08089	.02638	.00406	.01740
.900	2.000	8.00000	4.00000	.16165	.10344	-.07769	.04512	.07838	.02682	.00392	.01679
.900	4.000	8.00000	4.00000	.15751	.22377	-.11785	.04479	.07843	.02760	.00426	.01213
	GRADIENT	.00000	.00000	-.00045	.06128	-.02418	-.00027	-.00120	.00002	-.00016	.00007

RUN NO 0/0 RN/L = 4.09 GRADIENT INTERVAL = -5.00/ 5.00

MACH	ALPHA	ELV-LI	ELV-LO	CAF	CNF	CLMF	CABO	CABT	CABS	CHEI	CHEO
.975	-8.000	8.00000	4.00000	.20410	-.57437	.20223	.05908	.10194	.03438	-.00619	.02363
.975	-6.000	8.00000	4.00000	.20796	-.42665	.14502	.05706	.09774	.03393	-.01119	.02346
.975	-4.000	8.00000	4.00000	.21038	-.29142	.09496	.05507	.09462	.03322	-.01337	.02470
.975	-2.000	8.00000	4.00000	.21164	-.15966	.04491	.05335	.09348	.03239	-.01171	.02527
.975	0.000	8.00000	4.00000	.21285	-.02819	-.00762	.05210	.09278	.03193	-.00698	.02542
.975	2.000	8.00000	4.00000	.20887	.09428	-.05753	.05162	.09052	.03248	-.00462	.02282
.975	4.000	8.00000	4.00000	.20170	.22571	-.10756	.05238	.08968	.03395	-.00376	.01925
	GRADIENT	.00000	.00000	-.00101	.06441	-.02537	-.00036	-.00064	.00008	.00132	-.00067

RUN NO 0/0 RN/L = 4.21 GRADIENT INTERVAL = -5.00/ 5.00

MACH	ALPHA	ELV-LI	ELV-LO	CAF	CNF	CLMF	CABO	CABT	CABS	CHEI	CHEO
1.150	-6.000	8.00000	4.00000	.27336	-.43553	.15682	.05957	.09276	.03636	.04340	.02834
1.150	-4.000	8.00000	4.00000	.27533	-.29062	.09988	.05808	.09020	.03578	.03939	.03209
1.150	-2.000	8.00000	4.00000	.27681	-.15443	.04797	.05637	.08820	.03482	.03477	.03684
1.150	0.000	8.00000	4.00000	.27752	-.01955	-.00546	.05500	.08632	.03381	.02784	.03434
1.150	2.000	8.00000	4.00000	.27453	.11071	-.05957	.05335	.08349	.03466	.02048	.02307
	GRADIENT	.00000	.00000	-.00008	.06694	-.02659	-.00078	-.00110	-.00022	-.00318	-.00148

ORIGINAL PAGE IS
OF POOR QUALITY

LARC 8FT TPT 749 (1A93) OTSAT130

(MJJB51) (18 AUG 76)

REFERENCE DATA

SREF = 2690.0000 SQ.FT. XMRP = 976.0000 IN. XT
 LREF = 1290.3000 INCHES YMRP = .0000 IN. YT
 BREF = 1290.3000 INCHES ZMRP = 400.0000 IN. ZT
 SCALE = 0100

PARAMETRIC DATA

BETA = 6.000 ELV-LI = 8.000
 ELV-LO = 4.000 ELV-RI = 8.000
 ELV-RO = 4.000

RUN NO. 0/ 0 RN/L = 4.22 GRADIENT INTERVAL = -5.00/ 5.00

MACH	ALPHA	ELV-LI	ELV-LO	CAF	CNF	CLMF	CABO	CABT	CABS	CHEI	CHEO
1.205	-8.000	8.00000	4.00000	.28146	-.58605	.21598	.05955	.09271	.03632	.05361	.02682
1.205	-6.000	8.00000	4.00000	.28395	-.42418	.14958	.05844	.08943	.03547	.05022	.02819
1.205	-4.000	8.00000	4.00000	.28658	-.28192	.09436	.05675	.08644	.03458	.04596	.03375
1.205	-2.000	8.00000	4.00000	.28964	-.14734	.04349	.05488	.08429	.03328	.04105	.03443
1.205	.000	8.00000	4.00000	.29093	-.01458	-.00838	.05360	.08270	.03224	.03531	.02584
1.205	2.000	8.00000	4.00000	.28841	.11157	-.05865	.05237	.08016	.03295	.02858	.01307
1.205	4.000	8.00000	4.00000	.28238	.23797	-.10847	.05116	.07766	.03408	.02320	.00004
	GRADIENT	.00000	.00000	-.00048	.06493	-.02539	-.00068	-.00108	-.00007	-.00290	-.00444

LARC 8FT TPT 749 (1A93) OTSAT130

(MJJB52) (18 AUG 76)

REFERENCE DATA

SREF = 2690.0000 SQ.FT. XMRP = 976.0000 IN. XT
 LREF = 1290.3000 INCHES YMRP = .0000 IN. YT
 BREF = 1290.3000 INCHES ZMRP = 400.0000 IN. ZT
 SCALE = .0100

PARAMETRIC DATA

BETA = -6.000 ELV-LI = 8.000
 ELV-LO = -5.000 ELV-RI = 8.000
 ELV-RO = -5.000

RUN NO. 0/ 0 RN/L = 4.21 GRADIENT INTERVAL = -5.00/ 5.00

MACH	ALPHA	ELV-LI	ELV-LO	CAF	CNF	CLMF	CABO	CABT	CABS	CHEI	CHEO
1.150	-6.000	8.00000	-5.00000	.25622	-.44142	.16336	.05683	.09257	.04521	.08640	.06634
1.150	-4.000	8.00000	-5.00000	.25909	-.29359	.10737	.05559	.09122	.04436	.07935	.05055
1.150	-2.000	8.00000	-5.00000	.26235	-.15902	.05786	.05482	.09003	.04336	.07113	.03485
1.150	.000	8.00000	-5.00000	.26403	-.03248	.00758	.05375	.08786	.04294	.06082	.02221
1.150	2.000	8.00000	-5.00000	.26439	.10030	-.04550	.05306	.08563	.04235	.04881	.00949
	GRADIENT	.00000	.00000	.00088	.06541	-.02544	-.00043	-.00095	-.00032	-.00510	-.00679

RUN NO. 0/ 0 RN/L = 4.22 GRADIENT INTERVAL = -5.00/ 5.00

MACH	ALPHA	ELV-LI	ELV-LO	CAF	CNF	CLMF	CABO	CABT	CABS	CHEI	CHEO
1.205	-8.000	8.00000	-5.00000	.26674	-.59817	.22538	.05692	.09259	.04462	.08555	.06572
1.205	-6.000	8.00000	-5.00000	.27013	-.43401	.15768	.05537	.09008	.04361	.07762	.04996
1.205	-4.000	8.00000	-5.00000	.27359	-.28758	.10212	.05436	.08804	.04283	.07088	.03528
1.205	-2.000	8.00000	-5.00000	.27614	-.15151	.05145	.05373	.08630	.04225	.06546	.02428
1.205	.000	8.00000	-5.00000	.27726	-.02393	.00227	.05280	.08424	.04201	.05801	.01385
1.205	2.000	8.00000	-5.00000	.27808	.10223	-.04554	.05227	.08215	.04148	.04840	.00424
1.205	4.000	8.00000	-5.00000	.27551	.22874	-.09514	.05235	.07971	.04068	.03474	-.00437
	GRADIENT	.00000	.00000	.00029	.06432	-.02458	-.00027	-.00104	-.00025	-.00447	-.00497

LARC 8FT TPT 749 (1A93) OTSAT130

(MJJB53) (18 AUG 76)

REFERENCE DATA

SREF = 2690.0000 SQ.FT. XMRP = 976.0000 IN. XT
 LREF = 1290.3000 INCHES YMRP = .0000 IN. YT
 BREF = 1290.3000 INCHES ZMRP = 400.0000 IN. ZT
 SCALE = .0100

PARAMETRIC DATA

BETA = -4.000 ELV-LI = 8.000
 ELV-LO = -5.000 ELV-RI = 8.000
 ELV-RO = -5.000

RUN NO. 0/0 RN/L = 4.21 GRADIENT INTERVAL = -5.00/ 5.00

MACH	ALPHA	ELV-LI	ELV-LO	CAF	CNF	CLMF	CABO	CABT	CABS	CHEI	CHEO
1.150	-6.000	8.00000	-5.00000	25978	-44511	17325	.05638	.09014	.04396	.08255	.07531
1.150	-4.000	8.00000	-5.00000	26229	-.29758	11584	.05528	.08892	.04307	.07600	.06284
1.150	-2.000	8.00000	-5.00000	26436	-.16192	06363	.05405	.08879	.04233	.06727	.04628
1.150	.000	8.00000	-5.00000	.26428	-.03481	.01242	.05287	.08693	.04228	.05911	.03222
1.150	2.000	8.00000	-5.00000	.26471	.09685	-.04102	.05155	.08400	.04165	.04783	.01762
	GRADIENT	00000	.00000	.00036	.06552	-.02609	-.00062	-.00083	-.00022	-.00463	-.00749

RUN NO. 0/0 RN/L = 4.22 GRADIENT INTERVAL = -5.00/ 5.00

MACH	ALPHA	ELV-LI	ELV-LO	CAF	CNF	CLMF	CABO	CABT	CABS	CHEI	CHEO
1.205	-8.000	8.00000	-5.00000	26964	-.59595	23102	.05475	.09121	.04417	.08085	.07347
1.205	-6.000	8.00000	-5.00000	.27299	-.43476	16514	.05391	.08808	.04246	.07418	.06021
1.205	-4.000	8.00000	-5.00000	.27670	-.28878	10782	.05316	.08530	.04154	.06859	.04551
1.205	-2.000	8.00000	-5.00000	.27852	-.15208	.05476	.05229	.08416	.04111	.06422	.03315
1.205	.000	8.00000	-5.00000	.27796	-.02247	.00368	.05153	.08285	.04114	.05760	.02064
1.205	2.000	8.00000	-5.00000	.27791	.10256	-.04436	.05052	.08078	.04071	.04950	.00960
1.205	4.000	8.00000	-5.00000	.27695	.22747	-.09334	.05010	.07821	.03984	.03910	-.00049
	GRADIENT	00000	00000	-.00000	.06436	-.02507	-.00039	-.00088	-.00019	-.00369	-.00578

LARC 8FT TPT 749 (1A93) OTSAT130

(MJJB54) (18 AUG 76)

REFERENCE DATA

SREF = 2690.0000 SQ.FT. XMRP = 976.0000 IN. XT
 LREF = 1290.3000 INCHES YMRP = .0000 IN. YT
 BREF = 1290.3000 INCHES ZMRP = 400.0000 IN. ZT
 SCALE = .0100

PARAMETRIC DATA

BETA = .000 ELV-LI = 8.000
 ELV-LO = -5.000 ELV-RI = 8.000
 ELV-RO = -5.000

RUN NO. 0/0 RN/L = 4.21 GRADIENT INTERVAL = -5.00/ 5.00

MACH	ALPHA	ELV-LI	ELV-LO	CAF	CNF	CLMF	CABO	CABT	CABS	CHEI	CHEO
1.150	-6.000	8.00000	-5.00000	.25803	-.45299	.18805	.05541	.09101	.04173	.06847	.07900
1.150	4.000	8.00000	-5.00000	.26127	-.30550	.12874	.05442	.08864	.04081	.06300	.07959
1.150	-2.000	8.00000	-5.00000	.26561	-.16663	.07051	.05334	.08639	.03976	.05894	.06951
1.150	.000	8.00000	-5.00000	.26674	-.03660	.01630	.05234	.08432	.03903	.05432	.05311
1.150	2.000	8.00000	-5.00000	.26448	.08852	-.03392	.05099	.08181	.03918	.04630	.03701
	GRADIENT	.00000	.00000	.00054	.06560	-.02711	-.00056	-.00113	-.00028	-.00274	-.00721

LARC 8FT TPT 749 (1A93) OTSAT130

(MJJ854) (18 AUG 76)

REFERENCE DATA

PARAMETRIC DATA

SREF = 2690.0000 SQ.FT. XMRP = 976.0000 IN. XT
 LREF = 1290.3000 INCHES YMRP = .0000 IN. YT
 BREF = 1290.3000 INCHES ZMRP = 400.0000 IN. ZT
 SCALE = .0100

BETA = .000 ELV-LI = 8.000
 ELV-LO = -5.000 ELV-RI = 8.000
 ELV-RO = -5.000

RUN NO. 0/ 0 RN/L = 4.22 GRADIENT INTERVAL = -5.00/ 5.00

MACH	ALPHA	ELV-LI	ELV-LO	CAF	CNF	CLMF	CABO	CABT	CABS	CHEI	CHEO
1.205	-8.000	8.00000	-5.00000	.27173	-.59676	.24107	.05442	.09021	.04111	.07459	.07768
1.205	-6.000	8.00000	-5.00000	.27417	-.44209	.17792	.05325	.08753	.03984	.06908	.07564
1.205	-4.000	8.00000	-5.00000	.27669	-.29528	.11801	.05242	.08486	.03906	.06393	.06773
1.205	-2.000	8.00000	-5.00000	.28019	-.15204	.05983	.05175	.08243	.03817	.06051	.05483
1.205	.000	8.00000	-5.00000	.28225	-.02712	.00916	.05119	.08033	.03727	.05836	.03986
1.205	2.000	8.00000	-5.00000	.27916	.09453	-.03730	.05009	.07827	.03759	.05254	.02583
1.205	4.000	8.00000	-5.00000	.27614	.21677	-.08408	.04909	.07559	.03790	.04331	.01285
	GRADIENT	.00000	.00000	-.00011	.06353	-.02507	-.00042	-.00113	-.00015	-.00246	-.00694

LARC 8FT TPT 749 (1A93) OTSAT130

(MJJ855) (18 AUG 76)

REFERENCE DATA

PARAMETRIC DATA

SREF = 2690.0000 SQ.FT. XMRP = 976.0000 IN. XT
 LREF = 1290.3000 INCHES YMRP = .0000 IN. YT
 BREF = 1290.3000 INCHES ZMRP = 400.0000 IN. ZT
 SCALE = .0100

BETA = 4.000 ELV-LI = 8.000
 ELV-LO = -5.000 ELV-RI = 8.000
 ELV-RO = -5.000

RUN NO. 0/ 0 RN/L = 4.21 GRADIENT INTERVAL = -5.00/ 5.00

MACH	ALPHA	ELV-LI	ELV-LO	CAF	CNF	CLMF	CABO	CABT	CABS	CHEI	CHEO
1.150	-6.000	8.00000	-5.00000	.26685	-.45143	.17929	.05681	.09247	.03899	.04981	.07640
1.150	-4.000	8.00000	-5.00000	.26944	-.30408	.11940	.05580	.08975	.03785	.04588	.07987
1.150	-2.000	8.00000	-5.00000	.27382	-.16624	.06429	.05468	.08702	.03630	.04220	.08181
1.150	.000	8.00000	-5.00000	.27594	-.03664	.01386	.05352	.08509	.03515	.03720	.07407
1.150	2.000	8.00000	-5.00000	.27228	.09294	-.04003	.05199	.08269	.03536	.03014	.05716
	GRADIENT	.00000	.00000	.00053	.06603	-.02644	-.00063	-.00116	-.00043	-.00261	-.00379

RUN NO. 0/ 0 RN/L = 4.22 GRADIENT INTERVAL = -5.00/ 5.00

MACH	ALPHA	ELV-LI	ELV-LO	CAF	CNF	CLMF	CABO	CABT	CABS	CHEI	CHEO
1.205	-8.000	8.00000	-5.00000	.27778	-.60086	.23580	.05599	.09146	.03857	.06057	.07401
1.205	-6.000	8.00000	-5.00000	.28003	-.44026	.17049	.05563	.08899	.03744	.05683	.07556
1.205	-4.000	8.00000	-5.00000	.28333	-.29282	.11101	.05430	.08636	.03618	.05338	.07833
1.205	-2.000	8.00000	-5.00000	.28677	-.15572	.05711	.05327	.08402	.03487	.04974	.07393
1.205	.000	8.00000	-5.00000	.28849	-.02724	.00764	.05217	.08206	.03358	.04433	.06129
1.205	2.000	8.00000	-5.00000	.28582	.09634	-.04169	.05105	.07956	.03356	.03773	.04470
1.205	4.000	8.00000	-5.00000	.28096	.22184	-.09200	.05001	.07725	.03486	.03070	.02842
	GRADIENT	.00000	.00000	-.00028	.06407	-.02524	-.00054	-.00113	-.00020	-.00287	-.00645

LARC 8FT TPT 749 (1A93) OTSAT130

(MJJB56) (18 AUG 76)

REFERENCE DATA

SREF = 2690.0000 SQ FT. XMRP = 976.0000 IN. XT
 LREF * 1290.3000 INCHES YMRP = .0000 IN. YT
 BREF = 1290.3000 INCHES ZMRP = 400.0000 IN. ZT
 SCALE = .0100

PARAMETRIC DATA

BETA = 6.000 ELV-LI = 8.000
 ELV-LO = -5.000 ELV-R! = 8.000
 ELV-RO = -5.000

RUN NO. 0/ 0 RN/L = 4.21 GRADIENT INTERVAL = -5.00/ 5.00

MACH	ALPHA	ELV-LI	ELV-LO	CAF	CNF	CLMF	CABO	CABT	CABS	CHEI	CHEO
1.150	-6.000	8.00000	-5.00000	.27083	-.45396	.17430	.05863	.09349	.03617	.04405	.07594
1.150	-4.000	8.00000	-5.00000	.27324	-.30692	.11600	.05736	.09094	.03564	.04009	.07801
1.150	-2.000	8.00000	-5.00000	.27548	-.16809	.06226	.05601	.08890	.03460	.03704	.08169
1.150	000	8.00000	-5.00000	.27657	-.03604	.00973	.05478	.08685	.03354	.03094	.07972
1.150	2.000	8.00000	-5.00000	.27332	.09617	-.04605	.05336	.08388	.03455	.02392	.06676
	GRADIENT	.00000	.00000	.00007	.06707	-.02693	-.00066	-.00116	-.00022	-.00273	-.00179

RUN NO 0/ 0 RN/L = 4.22 GRADIENT INTERVAL = -5.00/ 5.00

MACH	ALPHA	ELV-LI	ELV-LO	CAF	CNF	CLMF	CABO	CABT	CABS	CHEI	CHEO
1.205	-8.000	8.00000	-5.00000	.27883	-.60539	.23358	.05891	.09326	.03623	.05729	.07305
1.205	-6.000	8.00000	-5.00000	.28160	-.44286	.16606	.05762	.09017	.03531	.05238	.07353
1.205	-4.000	8.00000	-5.00000	.28500	-.29698	.10864	.05613	.08714	.03442	.04748	.07761
1.205	-2.000	8.00000	-5.00000	.28790	-.16097	.05700	.05470	.08510	.03318	.04310	.07817
1.205	000	8.00000	-5.00000	.28915	-.03042	.00595	.05342	.08330	.03206	.03741	.07006
1.205	2.000	8.00000	-5.00000	.28600	.09792	-.04592	.05243	.08091	.03291	.03087	.05465
1.205	4.000	8.00000	-5.00000	.28062	.22474	-.09633	.05136	.07847	.03400	.02512	.03780
	GRADIENT	.00000	.00000	-.00053	.06512	-.02564	-.00059	-.00108	-.00006	-.00285	-.00516

ORIGINAL PAGE IS OF POOR QUALITY

LARC 8FT TPT 749 (1A93) OTSAT130

(MJJB57) (18 AUG 76)

REFERENCE DATA

SREF = 2690.0000 SQ.FT. XMRP = 976.0000 IN. XT
 LREF = 1290.3000 INCHES YMRP = .0000 IN. YT
 BREF = 1290.3000 INCHES ZMRP = 400.0000 IN. ZT
 SCALE = .0100

PARAMETRIC DATA

BETA * -6.000 ELV-LI * 8.000
 ELV-LO = 9.000 ELV-RI * 8.000
 ELV-RO = 9.000

RUN NO. 0/ 0 RN/L = 3.98 GRADIENT INTERVAL = -5.00/ 5.00

MACH	ALPHA	ELV-LI	ELV-LO	CAF	CNF	CLMF	CABO	CABT	CABS	CHEI	CHEO
.900	-8.000	8.00000	9.00000	.14409	-.50517	.15762	.04990	.09325	.03751	.02837	.00925
.900	-6.000	8.00000	9.00000	.14703	-.37278	.10759	.04828	.09033	.03694	.02872	.01298
.900	-4.000	8.00000	9.00000	.14790	-.24843	.05899	.04669	.08835	.03668	.02826	.01124
.900	-2.000	8.00000	9.00000	.14950	-.11993	.00529	.04586	.08541	.03628	.02740	.00867
.900	.000	8.00000	9.00000	.14988	.00455	-.04516	.04514	.08169	.03632	.02782	.00531
.900	2.000	8.00000	9.00000	.14619	.13047	-.09670	.04494	.07958	.03667	.02537	-.00349
.900	4.000	8.00000	9.00000	.14452	.25333	-.14017	.04488	.07833	.03602	.01902	-.02004
	GRADIENT	.00000	.00000	-.00050	.06270	-.02502	-.00023	-.00129	-.00005	-.00103	-.00374

RUN NO. 0/ 0 RN/L = 4.09 GRADIENT INTERVAL = -5.00/ 5.00

MACH	ALPHA	ELV-LI	ELV-LO	CAF	CNF	CLMF	CABO	CABT	CABS	CHEI	CHEO
.975	-8.000	8.00000	9.00000	.18549	-.54804	.18084	.05794	.10540	.04556	.01359	.00396
.975	-6.000	8.00000	9.00000	.18904	-.39936	.12406	.05595	.10055	.04552	.00933	.00567
.975	-4.000	8.00000	9.00000	.19163	-.26730	.07753	.05435	.09769	.04470	.00795	.00692
.975	-2.000	8.00000	9.00000	.19355	-.13706	.02880	.05304	.09602	.04379	.00797	.00655
.975	.000	8.00000	9.00000	.19387	-.00798	-.02334	.05228	.09447	.04381	.01061	.00432
.975	2.000	8.00000	9.00000	.19093	.11600	-.07186	.05254	.09274	.04387	.01314	-.00198
.975	4.000	8.00000	9.00000	.18624	.24422	-.12040	.05293	.09272	.04437	.01450	-.01739
	GRADIENT	.00000	.00000	-.00067	.06380	-.02483	-.00017	-.00066	-.00003	.00091	-.00286

RUN NO. 0/ 0 RN/L = 4.21 GRADIENT INTERVAL = -5.00/ 5.00

MACH	ALPHA	ELV-LI	ELV-LO	CAF	CNF	CLMF	CABO	CABT	CABS	CHEI	CHEO
1.150	-6.000	8.00000	9.00000	.25934	-.41176	.13659	.05679	.09256	.04625	.07150	.00052
1.150	-4.000	8.00000	9.00000	.26185	-.26737	.08261	.05584	.09109	.04543	.06535	-.01008
1.150	-2.000	8.00000	9.00000	.26571	-.13276	.03317	.05491	.08928	.04434	.05811	-.02140
1.150	.000	8.00000	9.00000	.26688	-.00153	-.01945	.05378	.08707	.04390	.04744	-.03050
1.150	2.000	8.00000	9.00000	.26750	.12587	-.06933	.05299	.08487	.04319	.03602	-.03825
	GRADIENT	.00000	.00000	.00091	.06555	-.02542	-.00048	-.00104	-.00036	-.00493	-.00468

LARC 8FT TPT 749 (IA93) OTSAT130

(MJJB57) (18 AUG 76)

REFERENCE DATA

SREF = 2690.0000 SQ.FT. XMRP = 976.0000 IN. XT
 LREF = 1290.3000 INCHES YMRP = .0000 IN. YT
 BREF = 1290.3000 INCHES ZMRP = 400.0000 IN. ZT
 SCALE = .0100

PARAMETRIC DATA

BETA = -6.000 ELV-LI = 8.000
 ELV-LO = 9.000 ELV-RI = 8.000
 ELV-RO = 9.000

RUN NO. 0/ 0 RN/L = 4.22 GRADIENT INTERVAL = -5.00/ 5.00

MACH	ALPHA	ELV-LI	ELV-LO	CAF	CNF	CLMF	CABO	CABT	CABS	CHEI	CHEO
1.205	-8.000	8.00000	9.00000	26786	-.56820	.19862	.05798	.09282	.04582	.07593	.00021
1.205	-6.000	8.00000	9.00000	.27076	-.40564	.13221	.05654	.09054	.04484	.06925	-.00977
1.205	-4.000	8.00000	9.00000	.27477	-.26196	.07882	.05530	.08836	.04400	.06315	-.02089
1.205	-2.000	8.00000	9.00000	.27804	-.12712	.02923	.05434	.08664	.04344	.05781	-.02995
1.205	.000	8.00000	9.00000	.27960	.00269	-.02114	.05326	.08435	.04316	.05014	-.03834
1.205	2.000	8.00000	9.00000	.28044	.12828	-.06854	.05269	.08187	.04255	.04034	-.04620
1.205	4.000	8.00000	9.00000	.27783	.25124	-.11577	.05256	.07931	.04145	.02812	-.05159
	GRADIENT	.00000	.00000	.00043	.06409	-.02435	-.00036	-.00114	-.00030	-.00438	-.00388

LARC 8FT TPT 749 (IA93) OTSAT130

(MJJB58) (18 AUG 76)

REFERENCE DATA

SREF = 2690.0000 SQ.FT. XMRP = 976.0000 IN. XT
 LREF = 1290.3000 INCHES YMRP = .0000 IN. YT
 BREF = 1290.3000 INCHES ZMRP = 400.0000 IN. ZT
 SCALE = .0100

PARAMETRIC DATA

BETA = -4.000 ELV-LI = 8.000
 ELV-LO = 9.000 ELV-RI = 8.000
 ELV-RO = 9.000

RUN NO. 0/ 0 RN/L = 3.98 GRADIENT INTERVAL = -5.00/ 5.00

MACH	ALPHA	ELV-LI	ELV-LO	CAF	CNF	CLMF	CABO	CABT	CABS	CHEI	CHEO
.900	-8.000	8.00000	9.00000	.14776	-.51076	.16794	.04843	.09390	.03577	.02656	.00824
.900	-6.000	8.00000	9.00000	.14936	-.37578	.11563	.04722	.09074	.03512	.02681	.01324
.900	-4.000	8.00000	9.00000	.15052	-.24872	.06394	.04623	.08745	.03445	.02603	.01230
.900	-2.000	8.00000	9.00000	.15314	-.12220	.00938	.04553	.08224	.03398	.02507	.00981
.900	.000	8.00000	9.00000	.15197	.00537	-.04438	.04478	.07881	.03454	.02425	.00619
.900	2.000	8.00000	9.00000	.14703	.13497	-.10087	.04425	.07695	.03503	.02267	-.00173
.900	4.000	8.00000	9.00000	.14732	.25875	-.14441	.04360	.07591	.03452	.01642	-.01792
	GRADIENT	.00000	.00000	-.00063	.06361	-.02635	-.00033	-.00142	.00006	-.00108	-.00360

LARC 8FT TPT 749 (1A93) OTSAT130

(MJJB58) (18 AUG 76)

REFERENCE DATA

SREF = 2690.0000 SQ.FT. XMRP = 976.0000 IN. XT
 LREF = 1290.3000 INCHES YMRP = .0000 IN. YT
 BREF = 1290.3000 INCHES ZMRP = 400.0000 IN. ZT
 SCALE = .0100

PARAMETRIC DATA

BETA = -4.000 ELV-LI = 8.000
 ELV-LO = 9.000 ELV-RI = 8.000
 ELV-RO = 9.000

RUN NO. 0/ 0 RN/L = 4.09 GRADIENT INTERVAL = -5.00/ 5.00

MACH	ALPHA	ELV-LI	ELV-LO	CAF	CNF	CLMF	CABO	CABT	CABS	CHEI	CHEO
.975	-8.000	8.00000	9.00000	.19168	-.54901	.18906	.05634	.10460	.04418	.01075	.00352
.975	-6.000	8.00000	9.00000	.19486	- .40010	.13123	.05441	.09940	.04390	.00500	.00491
.975	-4.000	8.00000	9.00000	.19718	-.26838	.08413	.05294	.09634	.04286	.00268	.00575
.975	-2.000	8.00000	9.00000	.19784	-.14316	.03800	.05177	.09446	.04212	.00330	.00541
.975	.000	8.00000	9.00000	.19689	- .01709	- .01388	.05110	.09245	.04254	.00758	.00456
.975	2.000	8.00000	9.00000	.19223	.10965	-.06551	.05154	.09090	.04276	.00868	.00080
.975	4.000	8.00000	9.00000	.18973	.24086	-.11728	.05163	.08979	.04308	.00889	-.01254
	GRADIENT	00000	.00000	-.00103	.06356	-.02532	-.00014	-.00083	.00005	.00089	-.00206

RUN NO 0/ 0 RN/L = 4.21 GRADIENT INTERVAL = -5.00/ 5.00

MACH	ALPHA	ELV-LI	ELV-LO	CAF	CNF	CLMF	CABO	CABT	CABS	CHEI	CHEO
1.150	-6.000	8.00000	9.00000	.26295	-.41447	.14562	.05613	.09037	.04508	.06903	.00555
1.150	-4.000	8.00000	9.00000	.26548	-.26896	.08954	.05492	.08880	.04428	.06173	-.00249
1.150	-2.000	8.00000	9.00000	.26817	-.13415	.03809	.05398	.08745	.04340	.05538	-.01378
1.150	.000	8.00000	9.00000	.26743	-.00458	-.01451	.05276	.08589	.04334	.04646	-.02430
1.150	2.000	8.00000	9.00000	.26783	.12234	-.06498	.05135	.08340	.04272	.03563	-.03351
	GRADIENT	.00000	.00000	.00031	.06517	-.02581	-.00060	-.00089	-.00024	-.00436	-.00518

RUN NO. 0/ 0 RN/L = 4.22 GRADIENT INTERVAL = -5.00/ 5.00

MACH	ALPHA	ELV-LI	ELV-LO	CAF	CNF	CLMF	CABO	CABT	CABS	CHEI	CHEO
1.205	-8.000	8.00000	9.00000	.27201	-.56679	.20427	.05719	.09046	.04501	.07481	.00488
1.205	-6.000	8.00000	9.00000	.27441	-.40639	.13943	.05627	.08785	.04359	.06804	-.00345
1.205	-4.000	8.00000	9.00000	.27834	-.26068	.08327	.05460	.08557	.04266	.06135	-.01399
1.205	-2.000	8.00000	9.00000	.28105	-.12568	.03146	.05320	.08436	.04224	.05738	-.02318
1.205	.000	8.00000	9.00000	.28064	.00187	-.01830	.05210	.08282	.04227	.05127	-.03234
1.205	2.000	8.00000	9.00000	.28110	.12762	-.06644	.05097	.08037	.04179	.04127	-.04127
1.205	4.000	8.00000	9.00000	.27943	.25011	-.11353	.05047	.07786	.04068	.03017	-.04767
	GRADIENT	00000	.00000	.00011	.06374	-.02457	-.00052	-.00097	-.00022	-.00392	-.00427

DATE 29 OCT 76

TABULATED SOURCE DATA - 1A93.

PAGE 687

LARC 8FT TPT 749 (1A93) OTSAT130

(MJJB59) (18 AUG 76)

REFERENCE DATA

PARAMETRIC DATA

SREF = 2690.0000 SQ.FT. XMRP = 976.0000 IN. XT
 LREF = 1290.3000 INCHES YMRP = .0000 IN. YT
 BREF = 1290.3000 INCHES ZMRP = 400.0000 IN. ZT
 SCALE = .0100

BETA = .000 ELV-LI = 8.000
 ELV-LO = 9.000 ELV-RI = 8.000
 ELV-RO = 9.000

RUN NO. 0/ 0 RN/L = 3.98 GRADIENT INTERVAL = -5.00/ 5.00

MACH	ALPHA	ELV-LI	ELV-LO	CAF	CNF	CLMF	CABO	CABT	CABS	CHEI	CHEO
.900	-8.000	8.00000	9.00000	.14927	-.51872	.17818	.04779	.09385	.03222	.01367	.00326
.900	-6.000	8.00000	9.00000	.14979	-.37938	.12275	.04726	.08950	.03073	.01637	.01041
.900	-4.000	8.00000	9.00000	.15195	-.24762	.06742	.04697	.08350	.02924	.01409	.01223
.900	-2.000	8.00000	9.00000	.15483	-.13142	.01521	.04679	.07703	.02864	.01243	.01023
.900	.000	8.00000	9.00000	.15383	.00235	-.04274	.04565	.07517	.02962	.01281	.00557
.900	2.000	8.00000	9.00000	.15240	.13399	-.10195	.04498	.07264	.03040	.01325	-.00098
.900	4.000	8.00000	9.00000	.14977	.25748	-.14437	.04417	.07248	.03093	.01192	-.01171
	GRADIENT	.00000	.00000	-.00034	.06377	-.02704	-.00037	-.00132	.00026	-.00018	-.00295

RUN NO. 0/ 0 RN/L = 4.09 GRADIENT INTERVAL = -5.00/ 5.00

MACH	ALPHA	ELV-LI	ELV-LO	CAF	CNF	CLMF	CABO	CABT	CABS	CHEI	CHEO
.975	-8.000	8.00000	9.00000	.19670	-.55597	.20088	.05543	.10298	.04147	.00214	.00245
.975	-6.000	8.00000	9.00000	.19889	-.40964	.14436	.05419	.09857	.04029	-.00337	.00308
.975	-4.000	8.00000	9.00000	.20029	-.27583	.09485	.05356	.09445	.03868	-.00660	.00473
.975	-2.000	8.00000	9.00000	.20104	-.14979	.04625	.05360	.09194	.03738	-.00652	.00516
.975	.000	8.00000	9.00000	.19981	-.02905	-.00292	.05400	.09003	.03717	-.00193	.00359
.975	2.000	8.00000	9.00000	.19497	.09916	-.05461	.05455	.08874	.03778	.00437	.00151
.975	4.000	8.00000	9.00000	.19005	.22912	-.10844	.05459	.08676	.03895	.00142	-.00507
	GRADIENT	.00000	.00000	-.00133	.06294	-.02537	.00015	-.00093	.00005	.00135	-.00116

RUN NO 0/ 0 RN/L = 4.21 GRADIENT INTERVAL = -5.00/ 5.00

MACH	ALPHA	ELV-LI	ELV-LO	CAF	CNF	CLMF	CABO	CABT	CABS	CHEI	CHEO
1.150	-8.000	8.00000	9.00000	.26212	-.42593	.16189	.05541	.09124	.04309	.06083	.00621
1.150	-4.000	8.00000	9.00000	.26517	-.27750	.10216	.05440	.08860	.04210	.05387	.00822
1.150	-2.000	8.00000	9.00000	.26968	-.13886	.04501	.05325	.08622	.04110	.04928	.00120
1.150	.000	8.00000	9.00000	.27147	-.01361	-.00665	.05201	.08368	.04033	.04479	-.01080
1.150	2.000	8.00000	9.00000	.26912	.11283	.05622	.05068	.08084	.04019	.03588	-.02295
1.150	4.000	8.00000	9.00000	.26068	.06481	-.02634	-.00062	-.00129	-.00033	-.00292	-.00528
	GRADIENT	.00000	.00000	.00068	.06481	-.02634	-.00062	-.00129	-.00033	-.00292	-.00528

ORIGINAL PAGE IS
OF POOR QUALITY

LARC 8FT TPT 749 (1A93) OTSAT130

(MJJB59) (18 AUG 76)

REFERENCE DATA

PARAMETRIC DATA

SREF = 2690.0000 SQ.FT. XMRP = 976.0000 IN. XT
 LREF = 1290.3000 INCHES YMRP = .0000 IN. YT
 BREF = 1290.3000 INCHES ZMRP = 400.0000 IN. ZT
 SCALE = .0100

BETA = .000 ELV-LI = 8.000
 ELV-LO = 9.000 ELV-RI = 8.000
 ELV-RO = 9.000

RUN NO. 0/ 0 RN/L = 4.22 GRADIENT INTERVAL = -5.00/ 5.00

MACH	ALPHA	ELV-LI	ELV-LO	CAF	CNF	CLMF	CABO	CABT	CABS	CHEI	CHEO
1.205	-8.000	8.00000	9.00000	.27320	-.56913	.21522	.05533	.09075	.04219	.06912	.00627
1.205	-6.000	8.00000	9.00000	.27574	-.41166	.15148	.05418	.08819	.04113	.06312	.00483
1.205	-4.000	8.00000	9.00000	.27956	-.26358	.09131	.05321	.08506	.04023	.05743	-.00079
1.205	-2.000	8.00000	9.00000	.28322	-.12673	.03659	.05231	.08254	.03934	.05392	-.00841
1.205	.000	8.00000	9.00000	.28486	-.00309	-.01194	.05134	.08048	.03872	.05138	-.01993
1.205	2.000	8.00000	9.00000	.28230	.11786	-.05774	.05006	.07805	.03870	.04474	-.03023
1.205	4.000	8.00000	9.00000	.27976	.24118	-.10447	.04891	.07483	.03859	.03419	-.03847
	GRADIENT	.00000	.00000	-.00003	.06271	-.02429	-.00054	-.00125	-.00020	-.00278	-.00486

LARC 8FT TPT 749 (1A93) OTSAT130

(MJJB61) (18 AUG 76)

REFERENCE DATA

PARAMETRIC DATA

SREF = 2690.0000 SQ.FT. XMRP = 976.0000 IN. XT
 LREF = 1290.3000 INCHES YMRP = .0000 IN. YT
 BREF = 1290.3000 INCHES ZMRP = 400.0000 IN. ZT
 SCALE = .0100

BETA = 4.000 ELV-LI = 8.000
 ELV-LO = 9.000 ELV-RI = 8.000
 ELV-RO = 9.000

RUN NO. 0/ 0 RN/L = 3.98 GRADIENT INTERVAL = -5.00/ 5.00

MACH	ALPHA	ELV-LI	ELV-LO	CAF	CNF	CLMF	CABO	CABT	CABS	CHEI	CHEO
.900	-8.000	8.00000	9.00000	.15761	-.51075	.16653	.04861	.09171	.03061	-.00428	-.00429
.900	-6.000	8.00000	9.00000	.15984	-.37557	.11471	.04715	.08845	.02959	.00051	.00272
.900	-4.000	8.00000	9.00000	.16202	-.24474	.06198	.04565	.08439	.02850	.00203	.00616
.900	-2.000	8.00000	9.00000	.16268	-.12351	.00883	.04590	.07964	.02823	.00088	.00560
.900	.000	8.00000	9.00000	.16418	.00193	-.04512	.04489	.07736	.02765	-.00035	.00318
.900	2.000	8.00000	9.00000	.16272	.13596	-.10396	.04380	.07445	.02757	-.00161	-.00053
.900	4.000	8.00000	9.00000	.15980	.25843	-.14675	.04357	.07443	.02841	-.00180	-.00721
	GRADIENT	.00000	.00000	-.00022	.06329	-.02651	-.00031	-.00126	-.00004	-.00051	-.00164

LARC 8FT TPT 749 (1A93) OTSAT130

(MJJB61) (18 AUG 76)

REFERENCE DATA

SREF = 2690.0000 SQ.FT. XMRP = 976.0000 IN. XT
 LREF = 1290.3000 INCHES YMRP = .0000 IN. YT
 BREF = 1290.3000 INCHES ZMRP = 400.0000 IN. ZT
 SCALE = .0100

PARAMETRIC DATA

BETA = 4.000 ELV-LI = 8.000
 ELV-LO = 9.000 ELV-RI = 8.000
 ELV-RO = 9.000

RUN NO. 0/ 0 RN/L = 4.09 GRADIENT INTERVAL = -5.00/ 5.00

MACH	ALPHA	ELV-LI	ELV-LO	CAF	CNF	CLMF	CABO	CABT	CABS	CHEI	CHEO
.975	-8.000	8.00000	9.00000	.20278	-.55361	.19130	.05612	.10174	.03853	-.00639	.00106
.975	-6.000	8.00000	9.00000	.20716	-.40722	.13498	.05409	.09740	.03730	-.00996	.00105
.975	-4.000	8.00000	9.00000	.21025	-.27281	.08486	.05247	.09409	.03575	-.01155	.00226
.975	-2.000	8.00000	9.00000	.21142	-.14235	.03516	.05130	.09275	.03442	-.01175	.00326
.975	.000	8.00000	9.00000	.21257	-.01650	-.01409	.05098	.09175	.03353	-.00878	.00215
.975	2.000	8.00000	9.00000	.20830	.10823	-.06558	.05111	.08895	.03394	-.00908	-.00119
.975	4.000	8.00000	9.00000	.20219	.23894	-.11858	.05116	.08802	.03555	-.01201	-.00811
	GRADIENT	.00000	.00000	-.00096	.06370	-.02538	-.00014	-.00080	-.00004	.00009	-.00126

RUN NO. 0/ 0 RN/L = 4.21 GRADIENT INTERVAL = -5.00/ 5.00

MACH	ALPHA	ELV-LI	ELV-LO	CAF	CNF	CLMF	CABO	CABT	CABS	CHEI	CHEO
1.150	-6.000	8.00000	9.00000	.27135	-.42066	.15147	.05712	.09175	.03973	.04495	.00329
1.150	-4.000	8.00000	9.00000	.27417	-.27342	.09194	.05592	.08900	.03852	.04047	.00761
1.150	-2.000	8.00000	9.00000	.27774	-.13682	.03777	.05477	.08648	.03701	.03571	.01028
1.150	.000	8.00000	9.00000	.27894	-.00611	-.01331	.05366	.08446	.03597	.02912	.00345
1.150	2.000	8.00000	9.00000	.27599	.12168	-.06513	.05201	.08176	.03603	.02157	-.00845
	GRADIENT	.00000	.00000	.00033	.06580	-.02611	-.00064	-.00119	-.00043	-.00316	-.00275

RUN NO. 0/ 0 RN/L = 4.22 GRADIENT INTERVAL = -5.00/ 5.00

MACH	ALPHA	ELV-LI	ELV-LO	CAF	CNF	CLMF	CABO	CABT	CABS	CHEI	CHEO
1.205	-8.000	8.00000	9.00000	.27962	-.57143	.20944	.05789	.09193	.03956	.05623	.00270
1.205	-6.000	8.00000	9.00000	.28154	-.41275	.14525	.05660	.08962	.03859	.05217	.00479
1.205	-4.000	8.00000	9.00000	.28519	-.26716	.08682	.05509	.08669	.03725	.04811	.00799
1.205	-2.000	8.00000	9.00000	.28921	-.13072	.03393	.05385	.08412	.03576	.04427	.00491
1.205	.000	8.00000	9.00000	.29181	-.00281	-.01456	.05255	.08171	.03438	.03927	-.00509
1.205	2.000	8.00000	9.00000	.28957	.12177	-.06329	.05126	.07873	.03443	.03213	-.01707
1.205	4.000	8.00000	9.00000	.28419	.24618	-.11255	.05003	.07633	.03565	.02379	-.02758
	GRADIENT	.00000	.00000	-.00008	.06396	-.02480	-.00064	-.00131	-.00023	-.00304	-.00466

ORIGINAL PAGE IS
OF POOR QUALITY

LARC BFT TPT 749 (1A93) OTSAT130

(MJJB62) (18 AUG 76)

REFERENCE DATA

SREF = 2690.0000 SQ.FT. XMRP = 976.0000 IN. XT
 LREF = 1290.3000 INCHES YMRP = .0000 IN. YT
 BREF = 1290.3000 INCHES ZMRP = 400.0000 IN. ZT
 SCALE = .0100

PARAMETRIC DATA

BETA = 6.000 ELV-LI = 8.000
 ELV-LO = 9.000 ELV-RI = 8.000
 ELV-RO = 9.000

RUN NO. 0/ 0 RN/L = 3.98 GRADIENT INTERVAL = -5.00/ 5.00

MACH	ALPHA	ELV-LI	ELV-LO	CAF	CNF	CLMF	CABO	CABT	CABS	CHEI	CHEO
.900	-8.000	8.00000	9.00000	.15946	-.50890	.16203	.04973	.09306	.02847	-.00882	-.00583
.900	-6.000	8.00000	9.00000	.16206	-.37650	.11192	.04810	.08975	.02792	-.00330	.00049
.900	-4.000	8.00000	9.00000	.16452	-.25306	.06382	.04662	.08680	.02736	-.00197	.00324
.900	-2.000	8.00000	9.00000	.16547	-.12928	.01193	.04653	.08323	.02692	-.00314	.00335
.900	.000	8.00000	9.00000	.16687	.00031	-.04422	.04575	.08001	.02637	-.00453	.00199
.900	2.000	8.00000	9.00000	.16500	.13000	-.09972	.04511	.07735	.02679	-.00548	-.00123
.900	4.000	8.00000	9.00000	.16144	.25201	-.14234	.04454	.07706	.02743	-.00508	-.00574
	GRADIENT	.00000	.00000	-.00033	.06347	-.02620	-.00028	-.00127	.00000	-.00043	-.00113

RUN NO. 0/ 0 RN/L = 4.09 GRADIENT INTERVAL = -5.00/ 5.00

MACH	ALPHA	ELV-LI	ELV-LO	CAF	CNF	CLMF	CABO	CABT	CABS	CHEI	CHEO
.975	-8.000	8.00000	9.00000	.20641	-.55669	.18845	.05917	.10249	.03456	-.00991	.00064
.975	-6.000	8.00000	9.00000	.21056	-.40883	.13108	.05682	.09837	.03405	-.01513	.00033
.975	-4.000	8.00000	9.00000	.21296	-.27347	.08052	.05471	.09538	.03331	-.01721	.00118
.975	-2.000	8.00000	9.00000	.21364	-.14255	.03071	.05314	.09401	.03245	-.01658	.00214
.975	.000	8.00000	9.00000	.21428	-.01318	-.02102	.05187	.09280	.03198	-.01345	.00091
.975	2.000	8.00000	9.00000	.20994	.11197	-.07200	.05167	.09044	.03267	-.01312	-.00341
.975	4.000	8.00000	9.00000	.20354	.24335	-.12325	.05204	.08950	.03412	-.01412	-.00905
	GRADIENT	.00000	.00000	-.00113	.05441	-.02551	-.00034	-.00077	.00009	.00048	-.00130

RUN NO. 0/ 0 RN/L = 4.21 GRADIENT INTERVAL = -5.00/ 5.00

MACH	ALPHA	ELV-LI	ELV-LO	CAF	CNF	CLMF	CABO	CABT	CABS	CHEI	CHEO
1.150	-6.000	8.00000	9.00000	.27480	-.42207	.14596	.05935	.09325	.03662	.03999	.00261
1.150	-4.000	8.00000	9.00000	.27691	-.27632	.08869	.05795	.09060	.03602	.03567	.00585
1.150	-2.000	8.00000	9.00000	.27908	-.13970	.03634	.05637	.08830	.03492	.03127	.00992
1.150	.000	8.00000	9.00000	.27978	-.00563	-.01696	.05504	.08625	.03393	.02426	.00708
1.150	2.000	8.00000	9.00000	.27636	.12442	-.07083	.05332	.08321	.03490	.01673	-.00263
	GRADIENT	.00000	.00000	-.00005	.06681	-.02659	-.00076	-.00121	-.00022	-.00319	-.00141

LARC 8FT TPT 749 (1A93) OTSAT130

(MJJB62) (18 AUG 76)

REFERENCE DATA

PARAMETRIC DATA

SREF = 2690.0000 SQ FT. XMRP = 976.0000 IN. XT
 LREF = 1290.3000 INCHES YMRP = .0000 IN. YT
 BREF = 1290.3000 INCHES ZMRP = 400.0000 IN. ZT
 SCALE = 0100

BETA = 6.000 ELV-LI = 8.000
 ELV-LO = 9.000 ELV-RI = 8.000
 ELV-RO = 9.000

RUN NO. 0/ 0 RN/L = 4.22 GRADIENT INTERVAL = -5.00/ 5.00

MACH	ALPHA	ELV-LI	ELV-LO	CAF	CNF	CLMF	CABO	CABT	CABS	CHEI	CHEO
1.205	-8.000	8.00000	9.00000	.28126	- .57549	.20716	.05995	.09372	.03696	.05249	.00232
1.205	-6.000	8.00000	9.00000	.28368	-.41439	.14098	.05871	.09078	.03610	.04803	.00331
1.205	-4.000	8.00000	9.00000	.28653	-.27109	.08484	.05716	.08769	.03518	.04300	.00797
1.205	-2.000	8.00000	9.00000	.28950	-.13572	.03350	.05552	.08542	.03389	.03819	.00864
1.205	.000	8.00000	9.00000	.29222	-.00255	-.01833	.05389	.08312	.03259	.03229	.00082
1.205	2.000	8.00000	9.00000	.28935	.12288	-.06816	.05273	.08061	.03336	.02502	-.01014
1.205	4.000	8.00000	9.00000	.28352	.24910	-.11765	.05149	.07791	.03443	.01908	-.02140
	GRADIENT	00000	00000	-.00031	.06495	-.02533	-.00071	-.00122	-.00010	-.00305	-.00388