

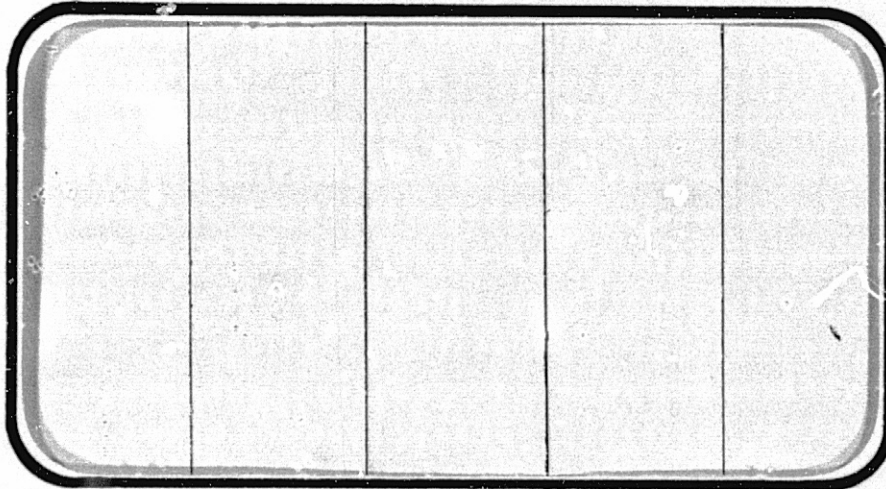
## **General Disclaimer**

### **One or more of the Following Statements may affect this Document**

- This document has been reproduced from the best copy furnished by the organizational source. It is being released in the interest of making available as much information as possible.
- This document may contain data, which exceeds the sheet parameters. It was furnished in this condition by the organizational source and is the best copy available.
- This document may contain tone-on-tone or color graphs, charts and/or pictures, which have been reproduced in black and white.
- This document is paginated as submitted by the original source.
- Portions of this document are not fully legible due to the historical nature of some of the material. However, it is the best reproduction available from the original submission.



NATIONAL AERONAUTICS AND SPACE ADMINISTRATION



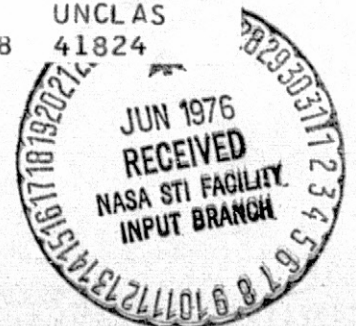
(NASA-CR-144615) RESULTS OF AN AERODYNAMIC INVESTIGATION OF A SPACE SHUTTLE ORBITER/747 CARRIER FLIGHT TEST CONFIGURATION TO DETERMINE SEPARATION CHARACTERISTICS UTILIZING 0.0125-SCALE MODELS (CHRYSLER

N76-25325  
HC \$18.75

G3/18 UNCLAS 41824

SPACE SHUTTLE

AEROTHERMODYNAMIC DATA REPORT



JOHNSON SPACE CENTER

HOUSTON, TEXAS

DATA MANAGEMENT services

SPACE DIVISION



CHRYSLER CORPORATION

April, 1976

DMS-DR-2273  
NASA CR-144,615  
VOLUME 4 OF 5

RESULTS OF AN AERODYNAMIC INVESTIGATION OF A  
SPACE SHUTTLE ORBITER/747 CARRIER FLIGHT TEST  
CONFIGURATION TO DETERMINE SEPARATION CHARACTERISTICS  
UTILIZING 0.0125-SCALE MODELS (48-0/AX1318I-1) IN  
THE LTV 4 x 4-FOOT HIGH SPEED WIND TUNNEL (CA26)

by

R. L. Gillins  
Shuttle Aerosciences  
Rockwell International Space Division

Prepared Under NASA Contract Number NAS9-13247

by

Data Management Services  
Chrysler Corporation Space Division  
New Orleans, La. 70189

for

Engineering Analysis Division  
Johnson Space Center  
National Aeronautics and Space Administration  
Houston, Texas

WIND TUNNEL TEST SPECIFICS:

Test Number: LTV HSWT 559  
NASA Series Number: CA26  
Model Number: 48-0 Orbiter/AX1318I-1 747  
Test Dates: August 1 through August 15, 1975  
Occupancy Hours: 95

FACILITY COORDINATOR:

Mr. Tom Baker  
Vought Systems Division  
Gas Dynamics Laboratories  
P. O. Box 1046  
Grand Prairie, Texas 75050  
Phone: (214) 266-4462

PROJECT ENGINEERS:

R. L. Gillins, V. Esparza  
Rockwell International  
Space Division  
12214 Lakewood Blvd.  
Mail Code AC07  
Downey, Calif. 90241  
Phone: (213) 922-4994

Carl Ziegler  
Gas Dynamics Laboratories  
P. O. Box 1046  
Grand Prairie, Texas 75050  
Phone: (214) 266-4462

AERODYNAMICS ANALYSIS ENGINEERS:

P. H. Kief, A. L. Mena  
Rockwell International  
Space Division  
12214 Lakewood Blvd.  
Mail Code AC07  
Downey, Calif. 90241  
Phone: (213) 922-4771

C. R. Mullen  
The Boeing Company  
Orgn. B-8241 OL-21  
Seattle, Washington  
98007  
Phone: (206) 342-1112

L. Perez, D. Homan  
NASA/JSC  
Bldg. 13, EX33  
Houston, Texas  
77058  
Phone: (713)  
483-4701

DATA MANAGEMENT SERVICES:

Prepared by: Liaison--J. W. Ball, T. L. Mulkey, D. A. Sarver  
Operations--G. W. Klug

Reviewed by: D. E. Poucher

Approved: J. L. Glynn  
J. L. Glynn, Manager  
Data Operations

Concurrence: N. D. Kemp  
N. D. Kemp, Manager  
Data Management Services

Chrysler Corporation Space Division assumes no responsibility for the data presented other than display characteristics.

RESULTS OF AN AERODYNAMIC INVESTIGATION OF A  
SPACE SHUTTLE ORBITER/747 CARRIER FLIGHT TEST  
CONFIGURATION TO DETERMINE SEPARATION CHARACTERISTICS  
UTILIZING 0.0125-SCALE MODELS (48-0/AX13181-1) IN THE  
LTV 4 x 4-FOOT HIGH SPEED WIND TUNNEL (CA26)

by

R. L. Gillins  
Shuttle Aerosciences  
Rockwell International Space Division

ABSTRACT

This report presents results of tests conducted on a 0.0125-scale model of the VC70-000002 Space Shuttle Orbiter and a 0.0125-scale model of the 747 CAM configuration in the LTV 4 x 4-foot High Speed Wind Tunnel. Force and moment data were obtained for each vehicle separately at a Mach number of 0.6 and for each vehicle in proximity to the other at Mach numbers of 0.3, 0.5, 0.6 and 0.7.

The enclosed data present the proximity effects of each vehicle on the other at separation distances (from the mated configuration) ranging from 1.5 feet to 75 feet; 747 Carrier angles of attack from 0 degrees to 6 degrees and angles of sideslip of 0° and -5° were tested. The Orbiter was tested in proximity to the 747 at incidence angles of 4 degrees, 6 degrees and 8 degrees and angles of sideslip of 0 degrees and ±5 degrees. The Orbiter alone was tested at angles of attack from 0 degrees to 17 degrees at angles of sideslip of 0 degrees and -5 degrees.

ABSTRACT (Concluded)

Model variables include orbiter elevon, aileron and body flap deflections, orbiter tailcone on and off, and 747 stabilizer and rudder deflections. The tests, designated CA26, were conducted from August 1 through August 15, 1975.

## TABLE OF CONTENTS

	Page
ABSTRACT	iii
INDEX OF MODEL FIGURES	2
INDEX OF DATA FIGURES	3
NOMENCLATURE	24
REMARKS	28
CONFIGURATION INVESTIGATED	29
INSTRUMENTATION	32
TEST FACILITY DESCRIPTION	33
DATA REDUCTION	35
REFERENCES	36
TABLES	
I. TEST CONDITIONS	37
II. DATA SET/RUN NUMBER COLLATION SUMMARY	38
III. MODEL DIMENSIONAL DATA	
A. ORBITER MODEL	49
B. CARRIER MODEL	62
IV. CA26 DATA SET DESCRIPTION	76
FIGURES	
MODEL	77
DATA	97
VOLUME 1 (FIGURES 4 - 83)	
VOLUME 2 (FIGURES 84 - 164)	
VOLUME 3 (FIGURES 165 - 240)	
APPENDIX - TABULATED SOURCE DATA	97
VOLUME 4 (ORBITER)	
VOLUME 5 (CARRIER)	

## INDEX OF MODEL FIGURES

Figures	Title	Page
1	Axis systems	
	a. General	77
	b. Orbiter/747 Angular Relations	78
	c. Orbiter/747 Flight Test Configuration Reference Dimensions	79
2.	Model Instrumentation Sketches	
	a. SSV Orbiter Configuration (VC70-000002)	80
	b. Orbiter Tail Cone -- TC <sub>4</sub> (X <sub>3B</sub> )	81
	c. Elevon - E <sub>44</sub>	82
	d. 747-100 Configuration (Model AX1318I-1)	83
	e. In-flight Spoiler Configuration	84
	f. Simulated Attach Structure AT <sub>96</sub> and AT <sub>99</sub> (AT <sub>x</sub> )	85
	g. Simulated Attach Structure AT <sub>112</sub> and AT <sub>113</sub> (AT <sub>y</sub> )	86
	h. Orbiter Alone Installation Sketches	87
	i. Carrier and Separation Installation Sketches	88
	j. Orbiter Base Pressure Tap Locations	89
	k. Sting and Strut Pressure Tap Locations	90
	l. Orbiter/747 Moment Transfers (Mated)	91
3	Model Installation Photographs	
	a. Orbiter Alone	92
	b. 747 Alone	93
	c. Front View, Orbiter Separating From 747	94
	d. Rear View, Orbiter Separating From 747	95



INDEX OF DATA FIGURES

FIGURE NUMBER	TITLE	COEFFICIENT SCHEDULE	PAGES
<u>VOLUME 1</u>			
4	ORBITER ISOLATED, ALPHA SWEEP, AFE001	F	1-8
5	ORBITER ISOLATED, ALPHA SWEEP, AFE002	F	9-16
6	ORBITER ISOLATED, ALPHA SWEEP, AFE003	F	17-24
7	ORBITER ISOLATED, ALPHA SWEEP, AFE004	F	25-32
8	ORBITER ISOLATED, ALPHA SWEEP, AFE005	F	33-40
9	ORBITER ISOLATED, ALPHA SWEEP, AFE006	F	41-48
10	ORBITER ISOLATED, DELZ SWEEP, AFE007	C	49-56
11	ORBITER ISOLATED, ALPHA SWEEP, AFE008	F	57-64
12	ORBITER ISOLATED, ALPHA SWEEP, AFE009	F	65-72
13	ORBITER ISOLATED, ALPHA SWEEP, AFE010	F	73-80
14	ORBITER ISOLATED, ALPHA SWEEP, AFE011	F	81-88
15	ORBITER ISOLATED, ALPHA SWEEP, AFE012	F	89-96
16	ORBITER ISOLATED, ALPHA SWEEP, AFE013	F	97-104
17	ORBITER ISOLATED, ALPHA SWEEP, AFE014	G	105-112
18	ORBITER ISOLATED, ALPHA SWEEP, AFE015	G	113-120
19	ORBITER ISOLATED, ALPHA SWEEP, AFE131	G	121-128
20	ORBITER ISOLATED, ALPHA SWEEP, AFE132	G	129-136

INDEX OF DATA FIGURES (Continued)

FIGURE NUMBER	TITLE	COEFFICIENT SCHEDULE	PAGES
21	ORBITER ISOLATED, ALPHA SWEEP, AFE133	G	137-144
22	ORBITER ISOLATED, ALPHA SWEEP, AFE134	F	145-152
23	ORB. DATA, CARRIER PROXIMITY, ALPHAC = 0, IORB = 4, BETAC = 0, BETAO = 0, AFE030	C	153-160
24	ORB. DATA, CARRIER PROXIMITY, ALPHAC = 0, IORB = 6, BETAC = 0, BETAO = 0, AFE031	C	161-168
25	ORB. DATA, CARRIER PROXIMITY, ALPHAC = 0, IORB = 6, BETAC = 0, BETAO = 0, AFE032	C	169-176
26	ORB. DATA, CARRIER PROXIMITY, ALPHAC = 0, IORB = 6, BETAC = 0, BETAO = 0, AFE033	C	177-184
27	ORB. DATA, CARRIER PROXIMITY, ALPHAC = 0, IORB = 8, BETAC = 0, BETAO = 0, AFE034	C	185-192
28	ORB. DATA, CARRIER PROXIMITY, ALPHAC = 0, IORB = 4, BETAC = 0, BETAO = 5, AFE035	C	193-200
29	ORB. DATA, CARRIER PROXIMITY, ALPHAC = 0, IORB = 6, BETAC = 0, BETAO = 5, AFE036	C	201-208
30	ORB. DATA, CARRIER PROXIMITY, ALPHAC = 0, IORB = 8, BETAC = 0, BETAO = 5, AFE037	C	209-216
31	ORB. DATA, CARRIER PROXIMITY, ALPHAC = 0, IORB = 4, BETAC = 0, BETAO = 0, AFE038	C	217-224
32	ORB. DATA, CARRIER PROXIMITY, ALPHAC = 0, IORB = 6, BETAC = 0, BETAO = 0, AFE039	C	225-232

D

E

INDEX OF DATA FIGURES (Continued)

FIGURE NUMBER	TITLE	COEFFICIENT SCHEDULE	PAGES
33	ORB. DATA, CARRIER PROXIMITY, ALPHAC = 0, IORB = 8, BETAC = 0, BETAO = 0, AFEO40	C	233-240
34	ORB. DATA, CARRIER PROXIMITY, ALPHAC = 2, IORB = 4, BETAC = 0, BETAO = 0, AFEO41	C	241-248
35	ORB. DATA, CARRIER PROXIMITY, ALPHAC = 2, IORB = 6, BETAC = 0, BETAO = 0, AFEO42	C	249-256
36	ORB. DATA, CARRIER PROXIMITY, ALPHAC = 2, IORB = 4, BETAC = 0, BETAO = 0, AFEO45	C	257-264
37	ORB. DATA, CARRIER PROXIMITY, ALPHAC = 2, IORB = 6, BETAC = 0, BETAO = 0, AFEO46	C	265-272
38	ORB. DATA, CARRIER PROXIMITY, ALPHAC = 2, IORB = 8, BETAC = 0, BETAO = 0, AFEO47	C	273-280
39	ORB. DATA, CARRIER PROXIMITY, ALPHAC = 2, IORB = 4, BETAC = 0, BETAO = 5, AFEO48	C	281-288
40	ORB. DATA, CARRIER PROXIMITY, ALPHAC = 2, IORB = 6, BETAC = 0, BETAO = 5, AFEO49	C	289-296
41	ORB. DATA, CARRIER PROXIMITY, ALPHAC = 2, IORB = 8, BETAC = 0, BETAO = 5, AFEO50	C	297-304
42	ORB. DATA, CARRIER PROXIMITY, ALPHAC = 2, IORB = 4, BETAC = 0, BETAO = 0, AFEO51	C	305-312
43	ORB. DATA, CARRIER PROXIMITY, ALPHAC = 2, IORB = 6, BETAC = 0, BETAO = 0, AFEO52	C	313-320

INDEX OF DATA FIGURES (Continued)

FIGURE NUMBER	TITLE	COEFFICIENT SCHEDULE	PAGES
44	ORB. DATA, CARRIER PROXIMITY, ALPHAC = 2, IORB = 6, BETAC = 0, BETAO = 0, AFE053	E	321-328
45	ORB. DATA, CARRIER PROXIMITY, ALPHAC = 2, IORB = 6, BETAC = 0, BETAO = 0, AFE054	E	329-336
46	ORB. DATA, CARRIER PROXIMITY, ALPHAC = 2, IORB = 6, BETAC = 0, BETAO = 0, AFE055	E	337-344
47	ORB. DATA, CARRIER PROXIMITY, ALPHAC = 2, IORB = 6, BETAC = 0, BETAO = 5, AFE056	E	345-352
48	ORB. DATA, CARRIER PROXIMITY, ALPHAC = 2, IORB = 6, BETAC = 0, BETAO = 5, AFE057	E	353-360
49	ORB. DATA, CARRIER PROXIMITY, ALPHAC = 2, IORB = 6, BETAC = 0, BETAO = 5, AFE058	E	361-368
50	ORB. DATA, CARRIER PROXIMITY, ALPHAC = 2, IORB = 6, BETAC = 0, BETAO = 0, AFE059	E	369-376
51	ORB. DATA, CARRIER PROXIMITY, ALPHAC = 2, IORB = 6, BETAC = 0, BETAO = 0, AFE060	E	377-384
52	ORB. DATA, CARRIER PROXIMITY, ALPHAC = 2, IORB = 6, BETAC = 0, BETAO = 0, AFE061	E	385-392
53	ORB. DATA, CARRIER PROXIMITY, ALPHAC = 2, IORB = 6, BETAC = 0, BETAO = 0, AFE062	D	393-400
54	ORB. DATA, CARRIER PROXIMITY, ALPHAC = 2, IORB = 6, BETAC = 0, BETAO = 0, AFE063	D	401-408

INDEX OF DATA FIGURES (Continued)

FIGURE NUMBER	TITLE	COEFFICIENT SCHEDULE	PAGES
55	ORB. DATA, CARRIER PROXIMITY, ALPHAC = 2, IORB = 6, BETAC = 0, BETAO = 0, AFE064	D	409-416
56	ORB. DATA, CARRIER PROXIMITY, ALPHAC = 2, IORB = 6, BETAC = 0, BETAO = 5, AFE065	D	417-424
57	ORB. DATA, CARRIER PROXIMITY, ALPHAC = 2, IORB = 6, BETAC = 0, BETAO = 5, AFE066	D	425-432
58	ORB. DATA, CARRIER PROXIMITY, ALPHAC = 2, IORB = 6, BETAC = 0, BETAO = 5, AFE067	D	433-440
59	ORB. DATA, CARRIER PROXIMITY, ALPHAC = 2, IORB = 4, BETAC = 0, BETAO = 0, AFE068	C	441-448
60	ORB. DATA, CARRIER PROXIMITY, ALPHAC = 2, IORB = 6, BETAC = 0, BETAO = 0, AFE069	C	449-456
61	ORB. DATA, CARRIER PROXIMITY, ALPHAC = 2, IORB = 8, BETAC = 0, BETAO = 0, AFE070	C	457-464
62	ORB. DATA, CARRIER PROXIMITY, ALPHAC = 2, IORB = 4, BETAC = 0, BETAO = 0, AFE071	C	465-472
63	ORB. DATA, CARRIER PROXIMITY, ALPHAC = 2, IORB = 6, BETAC = 0, BETAG = 0, AFE072	C	473-480
64	ORB. DATA, CARRIER PROXIMITY, ALPHAC = 2, IORB = 8, BETAC = 0, BETAO = 0, AFE073	C	481-488
65	ORB. DATA, CARRIER PROXIMITY, ALPHAC = 2, IORB = 4, BETAC = 0, BETAO = 0, AFE074	C	489-496

INDEX OF DATA FIGURES (Continued)

FIGURE NUMBER	TITLE	COEFFICIENT SCHEDULE	PAGES
66	ORB. DATA, CARRIER PROXIMITY, ALPHAC = 2, IORB = 6, BETAC = 0, BETAO = 0, AFE075	C	497-504
67	ORB. DATA, CARRIER PROXIMITY, ALPHAC = 2 IORB = 8, BETAC = 0, BETAO = 0, AFE076	C	505-512
68	ORB. DATA, CARRIER PROXIMITY, ALPHAC = 2, IORB = 6, BETAC = 0, BETAO = 0, AFE077	C	513-520
69	ORB. DATA, CAR. PROXIMITY, ALPHAC = 2, IORB = 6 BETAC=BETAO = 0, ALLRON = -5, AFE078	C	521-528
70	ORB. DATA, CAR. PROXIMITY, ALPHAC = 2, IORB = 6 BETAC=BETAO = 0, RUDDER = 10, AFE079	C	529-536
71	ORB. DATA, CARRIER PROXIMITY, ALPHAC = 2, IORB = 4; BETAC = -5, BETAO = -5, AFE080	C	537-544
72	ORB. DATA, CARRIER PROXIMITY, ALPHAC = 2, IORB = 6, BETAC = -5, BETAO = -5, AFE081	C	545-552
73	ORB. DATA, CARRIER PROXIMITY, ALPHAC = 2, IORB = 8, BETAC = -5, BETAO = -5, AFE082	C	553-560
74	ORB. DATA, CARRIER PROXIMITY, ALPHAC = 2, IORB = 6, BETAC = -5, BETAO = 0, AFE083	D	561-568
75	ORB. DATA, CARRIER PROXIMITY, ALPHAC = 2, IORB = 6, BETAC = -5, BETAO = 0, AFE084	D	569-576
76	ORB. DATA, CARRIER PROXIMITY, ALPHAC = 2, IORB = 6, BETAC = -5, BETAO = 0, AFE085	D	577-584

INDEX OF DATA FIGURES (Continued)

FIGURE NUMBER	TITLE	COEFFICIENT SCHEDULE	PAGES
77	ORB. DATA, CARRIER PROXIMITY, ALPHAC = 2, IORB = 6, BETAC = -5, BETAO = 0, AFE086	E	585-592
78	ORB. DATA, CARRIER PROXIMITY, ALPHAC = 2, IORB = 6, BETAC = -5, BETAO = 0, AFE087	E	593-600
79	ORB. DATA, CARRIER PROXIMITY, ALPHAC = 2, IORB = 6, BETAC = -5, BETAO = 0, AFE088	E	601-608
80	ORB. DATA, CARRIER PROXIMITY, ALPHAC = 4, IORB = 4, BETAC = 0, BETAO = 0, AFE089	C	609-616
81	ORB. DATA, CARRIER PROXIMITY, ALPHAC = 4, IORB = 6, BETAC = 0, BETAO = 0, AFE090	C	617-624
82	ORB. DATA, CARRIER PROXIMITY, ALPHAC = 4, IORB = 8, BETAC = 0, BETAO = 0, AFE091	C	625-632
83	ORB. DATA, CARRIER PROXIMITY, ALPHAC = 4, IORB = 4, BETAC = 0, BETAO = 5, AFE092	C	633-640
<u>VOLUME 2</u>			
84	ORB. DATA, CARRIER PROXIMITY, ALPHAC = 4, IORB = 6, BETAC = 0, BETAO = 5, AFE093	C	641-648
85	ORB. DATA, CARRIER PROXIMITY, ALPHAC = 4, IORB = 8, BETAC = 0, BETAO = 5, AFE094	C	649-656
86	ORB. DATA, CARRIER PROXIMITY, ALPHAC = 4, IORB = 4, BETAC = 0, BETAO = 0, AFE095	C	657-664
87	ORB. DATA, CARRIER PROXIMITY, ALPHAC = 4, IORB = 6, BETAC = 0, BETAO = 0, AFE096	C	665-672

INDEX OF DATA FIGURES (Continued)

FIGURE NUMBER	TITLE	COEFFICIENT SCHEDULE	PAGES
88	ORB. DATA, CARRIER PROXIMITY, ALPHAC = 4, IORB = 8, BETAC = 0, BETAO = 0, AFE097	C	673-680
89	ORB. DATA, CARRIER PROXIMITY, ALPHAC = 4, IORB = 4, BETAC = 0, BETAO = 0, AFE098	C	681-688
90	ORB. DATA, CARRIER PROXIMITY, ALPHAC = 4, IORB = 0, BETAC = 0, BETAO = 0, AFE099	C	689-696
91	ORB. DATA, CARRIER PROXIMITY, ALPHAC = 4, IORB = 8, BETAC = 0, BETAO = 0, AFE100	C	697-704
92	ORB. DATA, CARRIER PROXIMITY, ALPHAC = 4, IORB = 4, BETAC = -5, BETAO = -5, AFE101	C	705-712
93	ORB. DATA, CARRIER PROXIMITY, ALPHAC = 4, IORB = 6, BETAC = -5, BETAO = -5, AFE102	C	713-720
94	ORB. DATA, CARRIER PROXIMITY, ALPHAC = 4 IORB = 8, BETAC = -5, BETAO = -5, AFE103	C	721-728
95	ORB. DATA, CARRIER PROXIMITY, ALPHAC = 5.5, IORB = 6, BETAC = 0, BETAO = 0, AFE104	C	729-736
96	ORB. DATA, CARRIER PROXIMITY, ALPHAC = 0, IORB = 4, BETAC = -5, BETAO = -5, AFE105	C	737-744
97	ORB. DATA, CARRIER PROXIMITY, ALPHAC = 0, IORB = 6, BETAC = -5, BETAO = -5, AFE106	C	745-752
98	ORB. DATA, CARRIER PROXIMITY, ALPHAC = 0, IORB = 8, BETAC = -5, BETAO = -5, AFE107	C	753-760



INDEX OF DATA FIGURES (Continued)

FIGURE NUMBER	TITLE	COEFFICIENT SCHEDULE	PAGES
99	ORB. DATA, CARRIER PROXIMITY, ALPHAC = 2, IORB = 6, BETAC = 0, BETAO = 0, AFE108	C	761-768
100	ORB. DATA, CARRIER PROXIMITY, ALPHAC = 2, IORB = 4, BETAC = 0, BETAO = 0, AFE109	C	769-776
101	ORB. DATA, CARRIER PROXIMITY, ALPHAC = 2, IORB = 6, BETAC = 0, BETAO = 0, AFE110	C	777-784
102	ORB. DATA, CARRIER PROXIMITY, ALPHAC = 2, IORB = 8, BETAC = 0, BETAO = 0, AFE111	C	785-792
103	ORB. DATA, CARRIER PROXIMITY, ALPHAC = 2, IORB = 6, BETAC = 0, BETAO = 0, AFE112	D	793-800
104	ORB. DATA, CARRIER PROXIMITY, ALPHAC = 2, IORB = 6, BETAC = 0, BETAO = 0, AFE113	D	801-808
105	ORB. DATA, CARRIER PROXIMITY, ALPHAC = 2, IORB = 6, BETAC = 0, BETAO = 0, AFE114	D	809-816
106	ORB. DATA, CARRIER PROXIMITY, ALPHAC = 2, IORB = 6, BETAC = 0, BETAO = 0, AFE115	E	817-824
107	ORB. DATA, CARRIER PROXIMITY, ALPHAC = 2, IORB = 6, BETAC = 0, BETAO = 0, AFE116	E	825-832
108	ORB. DATA, CARRIER PROXIMITY, ALPHAC = 2, IORB = 6, BETAC = 0, BETAO = 0, AFE117	E	833-840
109	ORB. DATA, CARRIER PROXIMITY, ALPHAC = 2, IORB = 6, BETAC = 0, BETAO = 0, AFE118	C	841-848

INDEX OF DATA FIGURES (Continued)

FIGURE NUMBER	TITLE	COEFFICIENT SCHEDULE	PAGES
110	ORB. DATA, CARRIER PROXIMITY, ALPHAC = 2, IORB = 6, BETAC = 0, BETAO = 0, AFE119	C	849-856
111	ORB. DATA, CARRIER PROXIMITY, ALPHAC = 2, IORB = 6, BETAC = -5, BETAO = -5, AFE120	C	857-864
112	ORB. DATA, CARRIER PROXIMITY, ALPHAC = 4, IORB = 4, BETAC = 0, BETAO = 0, AFE121	C	865-872
113	ORB. DATA, CARRIER PROXIMITY, ALPHAC = 4, IORB = 6, BETAC = 0, BETAO = 0, AFE122	C	873-880
114	ORB. DATA, CARRIER PROXIMITY, ALPHAC = 4, IORB = 8, BETAC = 0, BETAO = 0, AFE123	C	881-888
115	ORB. DATA, CARRIER PROXIMITY, ALPHAC = 0, IORB = 4, BETAC = 0, BETAO = 0, AFE124	C	889-896
116	ORB. DATA, CARRIER PROXIMITY, ALPHAC = 0, IORB = 6, BETAC = 0, BETAO = 0, AFE125	C	897-904
117	ORB. DATA, CARRIER PROXIMITY, ALPHAC = 0, IORB = 8, BETAC = 0, BETAO = 0, AFE126	C	905-912
118	ORB. DATA, CAR. PROXIM., ALPHAC = 2, IORB =6, BETAC = 0, BETAO = 0, DELPHI = 7.5, AFE127	C	913-920
119	ORB. DATA, CAR. PROXIM., ALPHAC = 2, IORB =6, BETAC = 0, BETAO = 0, DELPHI = 7.5, AFE128	C	921-928
120	ORB. DATA, CAR. PROXIM., ALPHAC = 2, IORB =6, BETAC = 0, BETAO = 5, DELPHI = 7.5, AFE129	C	929-936

INDEX OF DATA FIGURES (Continued)

FIGURE NUMBER	TITLE	COEFFICIENT SCHEDULE	PAGES
121	ORB. DATA, CAR. PROXIM., ALPHAC = 2, IORB = 6, BETAC = -5, BETAO = 0, DELPHI = 7.5, AFE130	C	937-944
122	CARRIER ISOLATED, RFE016	B	945-952
123	CARRIER ISOLATED, RFE017	B	953-960
124	CARRIER ISOLATED, RFE018	B	961-968
125	CARRIER ISOLATED, RFE019	B	969-976
126	CARRIER ISOLATED, RFE020	B	977-984
127	CARRIER ISOLATED, RFE021	B	985-992
128	CARRIER ISOLATED, RFE022	B	993-1000
129	CARRIER ISOLATED, RFE023	B	1001-1008
130	CARRIER ISOLATED, DELZ SWEEP, RFE024	C	1009-1016
131	CARRIER ISOLATED, DELX SWEEP, RFE025	D	1017-1024
132	CARRIER ISOLATED, RFE026	B	1025-1032
133	CARRIER ISOLATED, RFE027	B	1033-1040
134	CARRIER ISOLATED, RFE028	B	1041-1048
135	CARRIER ISOLATED, RFE029	B	1049-1056
136	CARRIER DATA, ORB. PROXIMITY, ALPHAC = 0, IORB = 4, BETAC = 0, BETAO = 0, RFE030	C	1057-1064

INDEX OF DATA FIGURES (Continued)

FIGURE NUMBER	TITLE	COEFFICIENT SCHEDULE	PAGES
137	CARRIER DATA, ORB. PROXIMITY, ALPHAC = 0, IORB = 6, BETAC = 0, BETAO = 0, RFEO31	C	1065-1072
138	CARRIER DATA, ORB. PROXIMITY, ALPHAC = 0, IORB = 6, BETAC = 0, BETAO = 0, RFEO32	C	1073-1080
139	CARRIER DATA, ORB. PROXIMITY, ALPHAC = 0, IORB = 6, BETAC = 0, BETAO = 0, RFEO33	C	1081-1088
140	CARRIER DATA, ORB. PROXIMITY, ALPHAC = 0, IORB = 8, BETAC = 0, BETAO = 0, RFEO34	C	1089-1096
141	CARRIER DATA, ORB. PROXIMITY, ALPHAC = 0, IORB = 4, BETAC = 0, BETAO = 5, RFEO35	C	1097-1104
142	CARRIER DATA, ORB. PROXIMITY, ALPHAC = 0, IORB = 6, BETAC = 0, BETAO = 5, RFEO36	C	1105-1112
143	CARRIER DATA, ORB. PROXIMITY, ALPHAC = 0, IORB = 8, BETAC = 0, BETAO = 5, RFEO37	C	1113-1120
144	CARRIER DATA, ORB. PROXIMITY, ALPHAC = 0, IORB = 4, BETAC = 0, BETAO = 0, RFEO38	C	1121-1128
145	CARRIER DATA, ORB. PROXIMITY, ALPHAC = 0, IORB = 6, BETAC = 0, BETAO = 0, RFEO39	C	1129-1136
146	CARRIER DATA, ORB. PROXIMITY, ALPHAC = 0, IORB = 8, BETAC = 0, BETAO = 0, RFEO40	C	1137-1144
147	CARRIER DATA, ORB. PROXIMITY, ALPHAC = 2, IORB = 4, BETAC = 0, BETAO = 0, RFEO41	C	1145-1152

INDEX OF DATA FIGURES (Continued)

FIGURE NUMBER	TITLE	COEFFICIENT SCHEDULE	PAGES
148	CARRIER DATA, ORB. PROXIMITY, ALPHAC = 2, IORB = 6, BETAC = 0, BETAO = 0, RFE042	C	1153-1160
149	CARRIER DATA, ORB. PROXIMITY, ALPHAC = 2, IORB = 4, BETAC = 0, BETAO = 0, RFE045	C	1161-1168
150	CARRIER DATA, ORB. PROXIMITY, ALPHAC = 2, IORB = 6, BETAC = 0, BETAO = 0, RFE046	C	1169-1176
151	CARRIER DATA, ORB. PROXIMITY, ALPHAC = 2, IORB = 8, BETAC = 0, BETAO = 0, RFE047	C	1177-1184
152	CARRIER DATA, ORB. PROXIMITY, ALPHAC = 2, IORB = 4, BETAC = 0, BETAO = 5, RFE048	C	1185-1192
153	CARRIER DATA, ORB. PROXIMITY, ALPHAC = 2, IORB = 6, BETAC = 0, BETAO = 5, RFE049	C	1193-1200
154	CARRIER DATA, ORB. PROXIMITY, ALPHAC = 2, IORB = 8, BETAC = 0, BETAO = 5, RFE050	C	1201-1208
155	CARRIER DATA, ORB. PROXIMITY, ALPHAC = 2, IORB = 4, BETAC = 0, BETAO = 0, RFE051	C	1209-1216
156	CARRIER DATA, ORB. PROXIMITY, ALPHAC = 2, IORB = 6, BETAC = 0, BETAO = 0, RFE052	C	1217-1224
157	CARRIER DATA, ORB. PROXIMITY, ALPHAC = 2, IORB = 6, BETAC = 0, BETAO = 0, RFE053	E	1225-1232
158	CARRIER DATA, ORB. PROXIMITY, ALPHAC = 2, IORB = 6, BETAC = 0, BETAO = 0, RFE054	E	1233-1240

INDEX OF DATA FIGURES (Continued)

FIGURE NUMBER	TITLE	COEFFICIENT SCHEDULE	PAGES
159	CARRIER DATA, ORB. PROXIMITY, ALPHAC = 2, IORB = 6, BETAC = 0, BETAO = 0, RFE055	E	1241-1248
160	CARRIER DATA, ORB. PROXIMITY, ALPHAC = 2, IORB = 6, BETAC = 0, BETAO = 5, RFE056	E	1249-1256
161	CARRIER DATA, ORB. PROXIMITY, ALPHAC = 2, IORB = 6, BETAC = 0, BETAO = 5, RFE057	E	1257-1264
162	CARRIER DATA, ORB. PROXIMITY, ALPHAC = 2, IORB = 6, BETAC = 0, BETAO = 5, RFE058	E	1265-1272
163	CARRIER DATA, ORB. PROXIMITY, ALPHAC = 2, IORB = 6, BETAC = 0, BETAO = 0, RFE059	E	1273-1280
164	CARRIER DATA, ORB. PROXIMITY, ALPHAC = 2, IORB = 6, BETAC = 0, BETAO = 0, REF060.	E	1281-1288
<u>VOLUME 3</u>			
165	CARRIER DATA, ORB. PROXIMITY, ALPHAC = 2, IORB = 6, BETAC = 0, BETAO = 0, REF061	E	1289-1296
166	CARRIER DATA, ORB. PROXIMITY, ALPHAC = 2, IORB = 6, BETAC = 0, BETAO = 0, REF062	D	1297-1304
167	CARRIER DATA, ORB. PROXIMITY, ALPHAC = 2, IORB = 6, BETAC = 0, BETAO = 0, REF063	D	1305-1312
168	CARRIER DATA, ORB. PROXIMITY, ALPHAC = 2, IORB = 6, BETAC = 0, BETAO = 0, REF064	D	1313-1320
169	CARRIER DATA, ORB. PROXIMITY, ALPHAC = 2, IORB = 6, BETAC = 0, BETAO = 5, RFE065	D	1321-1328

INDEX OF DATA FIGURES (Continued)

FIGURE NUMBER	TITLE	COEFFICIENT SCHEDULE	PAGES
170	CARRIER DATA, ORB. PROXIMITY, ALPHAC = 2, IORB = 6, BETAC = 0, BETAO = 5, RFE066	D	1329-1336
171	CARRIER DATA, ORB. PROXIMITY, ALPHAC = 2, IORB = 6, BETAC = 0, BETAO = 5, RFE067	D	1337-1344
172	CARRIER DATA, ORB. PROXIMITY, ALPHAC = 2, IORB = 4, BETAC = 0, BETAO = 0, RFE068	C	1345-1352
173	CARRIER DATA, ORB. PROXIMITY, ALPHAC = 2, IORB = 6, BETAC = 0, BETAO = 0, RFE069	C	1353-1360
174	CARRIER DATA, ORB. PROXIMITY, ALPHAC = 2, IORB = 8, BETAC = 0, BETAO = 0, RFE070	C	1361-1368
175	CARRIER DATA, ORB. PROXIMITY, ALPHAC = 2, IORB = 4, BETAC = 0, BETAO = 0, RFE071	C	1369-1376
176	CARRIER DATA, ORB. PROXIMITY, ALPHAC = 2, IORB = 6, BETAC = 0, BETAO = 0, RFE072	C	1377-1384
177	CARRIER DATA, ORB. PROXIMITY, ALPHAC = 2, IORB = 8, BETAC = 0, BETAO = 0, RFE073	C	1385-1392
178	CARRIER DATA, ORB. PROXIMITY, ALPHAC = 2, IORB = 4, BETAC = 0, BETAO = 0, RFE074	C	1393-1400
179	CARRIER DATA, ORB. PROXIMITY, ALPHAC = 2, IORB = 6, BETAC = 0, BETAO = 0, RFE075	C	1401-1408
180	CARRIER DATA, ORB. PROXIMITY, ALPHAC = 2, IORB = 8, BETAC = 0, BETAO = 0, RFE076	C	1409-1416

INDEX OF DATA FIGURES (Continued)

FIGURE NUMBER	TITLE	COEFFICIENT SCHEDULE	PAGES
181	CARRIER DATA, ORB. PROXIMITY, ALPHAC = 2, IORB = 6, BETAC = 0, BETAO = 0, RFE077	C	1417-1424
182	CAR. DATA, ORB. PROXIMITY, ALPHAC = 2, IORB=6, BETAC=BETAO = 0, AILRON = -5, RFE078	C	1425-1432
183	CAR. DATA, ORB. PROXIMITY, ALPHAC = 2, IORB=6, BETAC=BETAO = 0, RUDDER = 10, RFE079	C	1433-1440
184	CARRIER DATA, ORB. PROXIMITY, ALPHAC = 2, IORB = 4, BETAC = -5, BETAO = -5, RFE080	C	1441-1448
185	CARRIER DATA, ORB. PROXIMITY, ALPHAC = 2, IORB = 6, BETAC = -5, BETAO = -5, RFE081	C	1449-1456
186	CARRIER DATA, ORB. PROXIMITY, ALPHAC = 2, IORB = 8, BETAC = -5, BETAO = -5, RFE082	C	1457-1464
187	CARRIER DATA, ORB. PROXIMITY, ALPHAC = 2, IORB = 6, BETAC = -5, BETAO = 0, RFE083	D	1465-1472
188	CARRIER DATA, ORB, PROXIMITY, ALPHAC = 2, IORB = 6, BETAC = -5, BETAO = 0, RFE084	D	1473-1480
189	CARRIER DATA, ORB. PROXIMITY; ALPHAC = 2, IORB = 6, BETAC = -5, BETAO = 0, RFE085	D	1481-1488
190	CARRIER DATA, ORB, PROXIMITY, ALPHAC = 2, IORB = 6, BETAC = -5, BETAO = 0, RFE086	E	1489-1496
191	CARRIER DATA, ORB. PROXIMITY, ALPHAC = 2, IORB = 6, BETAC = -5, BETAO = 0, RFE087	E	1497-1504



INDEX OF DATA FIGURES (Continued)

FIGURE NUMBER	TITLE	COEFFICIENT SCHEDULE	PAGES
192	CARRIER DATA, ORB. PROXIMITY, ALPHAC = 2, IORB = 6, BETAC = -5, BETAO = 0, RFE088	E	1505-1512
193	CARRIER DATA, ORB. PROXIMITY, ALPHAC = 4, IORB = 4, BETAC = 0, BETAO = 0, RFE089	C	1513-1520
194	CARRIER DATA, ORB. PROXIMITY, ALPHAC = 4, IORB = 6, BETAC = 0, BETAO = 0, RFE090	C	1521-1528
195	CARRIER DATA, ORB. PROXIMITY, ALPHAC = 4, IORB = 8, BETAC = 0, BETAO = 0, RFE091	C	1529-1536
196	CARRIER DATA, ORB. PROXIMITY, ALPHAC = 4, IORB = 4, BETAC = 0, BETAO = 5, RFE092	C	1537-1544
197	CARRIER DATA, ORB. PROXIMITY, ALPHAC = 4, IORB = 6, BETAC = 0, BETAO = 5, RFE093	C	1545-1552
198	CARRIER DATA, ORB. PROXIMITY, ALPHAC = 4, IORB = 8, BETAC = 0, BETAO = 5, RFE094	C	1553-1560
199	CARRIER DATA, ORB. PROXIMITY, ALPHAC = 4, IORB = 4, BETAC = 0, BETAO = 0, RFE095	C	1561-1568
200	CARRIER DATA, ORB. PROXIMITY, ALPHAC = 4, IORB = 6, BETAC = 0, BETAO = 0, RFE096	C	1569-1576
201	CARRIER DATA, ORB. PROXIMITY, ALPHAC = 4, IORB = 8, BETAC = 0, BETAO = 0, RFE097	C	1577-1584
202	CARRIER DATA, ORB. PROXIMITY, ALPHAC = 4, IORB = 4, BETAC = 0, BETAO = 0, RFE098	C	1585-1592

INDEX OF DATA FIGURES (Continued)

FIGURE NUMBER	TITLE	COEFFICIENT SCHEDULE	PAGES
203	CARRIER DATA, ORB. PROXIMITY, ALPHAC = 4, IORB = 6, BETAC = 0, BETAO = 0, RFE099	C	1593-1600
204	CARRIER DATA, ORB. PROXIMITY, ALPHAC = 4, IORB = 8, BETAC = 0, BETAO = 0, RFE100	C	1601-1608
205	CARRIER DATA, ORB. PROXIMITY, ALPHAC = 4, IORB = 4, BETAC = -5, BETAO = -5, RFE101	C	1609-1616
206	CARRIER DATA, ORB. PROXIMITY, ALPHAC = 4, IORB = 6, BETAC = -5, BETAO = -5, RFE102	C	1617-1624
207	CARRIER DATA, ORB. PROXIMITY, ALPHAC = 4, IORB = 8, BETAC = -5, BETAO = -5, RFE103	C	1625-1632
208	CARRIER DATA, ORB. PROXIMITY, ALPHAC = 5.5, IORB = 6, BETAC = 0, BETAO = 0, RFE104	C	1633-1640
209	CARRIER DATA, ORB. PROXIMITY, ALPHAC = 0, IORB = 4, BETAC = -5, BETAO = -5, RFE105	C	1641-1648
210	CARRIER DATA, ORB. PROXIMITY, ALPHAC = 0, IORB = 6, BETAC = -5, BETAO = -5, RFE106	C	1649-1656
211	CARRIER DATA, ORB. PROXIMITY, ALPHAC = 0, IORB = 8, BETAC = -5, BETAO = -5, RFE107	C	1657-1664
212	CARRIER DATA, ORB. PROXIMITY, ALPHAC = 2, IORB = 6, BETAC = 0, BETAO = 0, RFE108	C	1665-1672
213	CARRIER DATA, ORB. PROXIMITY, ALPHAC = 2, IORB = 4, BETAC = 0, BETAO = 0, RFE109	C	1673-1680



INDEX OF DATA FIGURES (Continued)

FIGURE NUMBER	TITLE	COEFFICIENT SCHEDULE	PAGES
214	CARRIER DATA, ORB. PROXIMITY, ALPHAC = 2, IORB = 6, BETAC = 0, BETAO = 0, RFE110	C	1681-1688
215	CARRIER DATA, ORB. PROXIMITY, ALPHAC = 2, IORB = 8, BETAC = 0, BETAO = 0, RFE111	C	1689-1696
216	CARRIER DATA, ORB. PROXIMITY, ALPHAC = 2, IORB = 6, BETAC = 0, BETAO = 0, RFE112	D	1697-1704
217	CARRIER DATA, ORB. PROXIMITY, ALPHAC = 2, IORB = 6, BETAC = 0, BETAO = 0, RFE113	D	1705-1712
218	CARRIER DATA, ORB. PROXIMITY, ALPHAC = 2, IORB = 6, BETAC = 0, BETAO = 0, RFE114	D	1713-1720
219	CARRIER DATA, ORB. PROXIMITY, ALPHAC = 2, IORB = 6, BETAC = 0, BETAO = 0, RFE115	E	1721-1728
220	CARRIER DATA, ORB. PROXIMITY, ALPHAC = 2, IORB = 6, BETAC = 0, BETAO = 0, RFE116	E	1729-1736
221	CARRIER DATA, ORB. PROXIMITY, ALPHAC = 2, IORB = 6, BETAC = 0, BETAO = 0, RFE117	E	1737-1744
222	CARRIER DATA, ORB. PROXIMITY, ALPHAC = 2, IORB = 6, BETAC = 0, BETAO = 0, RFE118	C	1745-1752
223	CARRIER DATA, ORB. PROXIMITY, ALPHAC = 2, IORB = 6, BETAC = 0, BETAO = 0, RFE119	C	1753-1760
224	CARRIER DATA, ORB. PROXIMITY, ALPHAC = 2, IORB = 6, BETAC = -5, BETAO = -5, RFE120	C	1761-1768

INDEX OF DATA FIGURES (Continued)

FIGURE NUMBER	TITLE	COEFFICIENT SCHEDULE	PAGES
225	CARRIER DATA, ORB. PROXIMITY, ALPHAC = 4, IORB = 4, BETAC = 0, BETAO = 0, RFE121	C	1769-1776
226	CARRIER DATA, ORB. PROXIMITY, ALPHAC = 4, IORB = 6, BETAC = 0, BETAO = 0, RFE122	C	1777-1784
227	CARRIER DATA, ORB. PROXIMITY, ALPHAC = 4, IORB = 8, BETAC = 0, BETAO = 0, RFE123	C	1785-1792
228	CARRIER DATA, ORB. PROXIMITY, ALPHAC = 0, IORB = 4, BETAC = 0, BETAO = 0, RFE124	C	1793-1800
229	CARRIER DATA, ORB. PROXIMITY, ALPHAC = 0, IORB = 6, BETAC = 0, BETAO = 0, RFE125	C	1801-1808
230	CARRIER DATA, ORB. PROXIMITY, ALPHAC = 0, IORB = 8, BETAC = 0, BETAO = 0, RFE126	C	1809-1816
231	CAR. DATA, ORB. PROXIM., ALPHAC = 2, IORB = 6, BETAC = 0, BETAO = 0, DELPHI = 7.5, RFE127	C	1817-1824
232	CAR. DATA, ORB. PROXIM., ALPHAC = 2, IORB = 6, BETAC = 0, BETAO = 0, DELPHI = 7.5, RFE128	C	1825-1832
233	CAR. DATA, ORB. PROXIM., ALPHAC = 2, IORB = 6, BETAC = 0, BETAO = 5, DELPHI = 7.5, RFE129	C	1833-1840
234	CAR. DATA, ORB. PROXIM., ALPHAC = 2, IORB = 6, BETAC = -5, BETAO = 0, DELPHI = 7.5, RFE130	C	1841-1848

INDEX OF DATA FIGURES (Concluded)

FIGURE NUMBER	TITLE	COEFFICIENT SCHEDULE	CONDITIONS VARYING	PAGES
235	LAT-DIRECT AERO VS DELZ, ALPHA747 = 0.0	A	BETA0, BETAC	1849-1863
236	LAT-DIRECT AERO VS DELZ, ALPHA747 = 2.0	A	BETA0, BETAC	1864-1878
237	LAT-DIRECT AERO VS DELZ, ALPHA747 = 4.0	A	BETA0, BETAC	1879-1893
238	LAT-DIRECT AERO VS DELZ, ALPHA747 = 0.0, DELBETA = 5.0	A	BETA0, BETAC	1894-1908
239	LAT-DIRECT AERO VS DELZ. ALPHA747 = 2.0, DELBETA = 5.0	A	BETA0, BETAC	1909-1923
240	LAT-DIRECT AERO VS DELZ. ALPHA747 = 4.0, DELBETA = 5.0	A	BETA0, BETAC	1924-1938

COEFFICIENT SCHEDULE:

- |   |  |
|---|--|
| (A) CY, CYN, CBL, CPS1, CPS2, CYB, CYNB,<br>CBLB, DCPSB versus DZ | (E) CN, CLM, CA, CY, CYN, CBL, CL,<br>CD versus DY     |
| (B) CN, CLM, CA, CY, CYN, CBL, CL,<br>CD versus ALPHAC            | (F) CN, CLM, CA, CY, CYN, CBL, CL,<br>CD versus ALPHAO |
| (C) CN, CLM, CA, CY, CYN, CBL, CL,<br>CD versus DZ                | (G) CN, CLM, CA, CY, CYN, CBL, CL,<br>CD versus INCID  |
| (D) CN, CLM, CA, CY, CYN, CBL, CL,<br>CD versus DX                |  |

NOMENCLATURE  
General

<u>SYMBOL</u>	<u>PLOT SYMBOL</u>	<u>DEFINITION</u>
a		speed of sound; m/sec, ft/sec
C <sub>p</sub>	CP	pressure coefficient; $(p_1 - p_\infty)/q$
M	MACH	Mach number; $V/a$
p		pressure; N/m <sup>2</sup> , psf
q	Q(NSM) Q(PSF)	dynamic pressure; $1/2\rho V^2$ , N/m <sup>2</sup> , psf
RN/L	RN/L	unit Reynolds number; per m, per ft
V		velocity; m/sec, ft/sec
$\alpha$	ALPHA	angle of attack, degrees
$\beta$	BETA	angle of sideslip, degrees
$\psi$	PSI	angle of yaw, degrees
$\phi$	PHI	angle of roll, degrees
$\rho$		mass density; kg/m <sup>3</sup> , slugs/ft <sup>3</sup>

Reference & C.G. Definitions

Ab		base area; m <sup>2</sup> , ft <sup>2</sup>
b	BREF	wing span or reference span; m, ft
c.g.		center of gravity
$\frac{l}{c}$ <sub>REF</sub>	LREF	reference length or wing mean aerodynamic chord; m, ft
S	SREF	wing area or reference area; m <sup>2</sup> , ft <sup>2</sup>
	MRP	moment reference point
	XMRP	moment reference point on X axis
	YMRP	moment reference point on Y axis
	ZMRP	moment reference point on Z axis

SUBSCRIPTS

b	base
l	local
s	static conditions
t	total conditions
$\infty$	free stream
w	wing

NOMENCLATURE (Continued)

Body-Axis System

<u>SYMBOL</u>	<u>PLOT SYMBOL</u>	<u>DEFINITION</u>
$C_N$	CN	normal-force coefficient; $\frac{\text{normal force}}{qS}$
$C_A$	CA	axial-force coefficient; $\frac{\text{axial force}}{qS}$
$C_Y$	CY	side-force coefficient; $\frac{\text{side force}}{qS}$
$C_{A_b}$	CAB	base-force coefficient; $\frac{\text{base force}}{qS}$ $-A_b(p_b - p_\infty)/qS$
$C_{A_f}$	CAF	forebody axial force coefficient, $C_A - C_{A_b}$
$C_m$	CIM	pitching-moment coefficient; $\frac{\text{pitching moment}}{qS l_{REF}}$
$C_n$	CYN	yawing-moment coefficient; $\frac{\text{yawing moment}}{qS b}$
$C_l$	CBL	rolling-moment coefficient; $\frac{\text{rolling moment}}{qS b}$

Stability-Axis System

$C_L$	CL	lift coefficient; $\frac{\text{lift}}{qS}$
$C_D$	CD	drag coefficient; $\frac{\text{drag}}{qS}$
$C_{D_b}$	CDB	base-drag coefficient; $\frac{\text{base drag}}{qS}$
$C_{D_f}$	CDF	forebody drag coefficient; $C_D - C_{D_b}$
$C_Y$	CY	side-force coefficient; $\frac{\text{side force}}{qS}$
$C_m$	CIM	pitching-moment coefficient; $\frac{\text{pitching moment}}{qS l_{REF}}$
$C_n$	CLN	yawing-moment coefficient; $\frac{\text{yawing moment}}{qS b}$
$C_l$	CSL	rolling-moment coefficient; $\frac{\text{rolling moment}}{qS b}$
L/D	L/D	lift-to-drag ratio; $C_L/C_D$
L/D <sub>f</sub>	L/DF	lift to forebody drag ratio; $C_L/C_{D_f}$

NOMENCLATURE (Continued)

<u>SYMBOL</u>	<u>PLOT SYMBOL</u>	<u>DEFINITION</u>
BSTA		Longitudinal carrier station, in.
BWL		Vertical carrier station, in.
BL		Lateral carrier station, in.
$\delta_a$	AILRON	Orbiter aileron deflection angle, $\delta_a = \frac{\delta_{eL} - \delta_{eR}}{2}$ , degrees
$\delta_{BF}$	BDFLAP	Orbiter body flap surface deflection angle, positive deflection trailing edge down, degrees
$\delta_e$	ELEVON	Orbiter elevon surface deflection angle, positive deflection trailing edge down, degrees
$\delta_r$	RUDDER	747 rudder surface deflection angle, positive deflection trailing edge to the left, degrees
$\delta_s$	STAB	747 stabilizer surface deflection angle, positive deflection trailing edge down, degrees
$C_{y\beta}$	CYB	Side force coefficient due to beta
$C_{n\beta}$	CYNB	Yawing moment coefficient due to beta
$C_{l\beta}$	CBLB	Rolling moment coefficient due to beta
$\Delta C_{pS\beta}$	DCPSB	Differential right hand and left hand strut pressure coefficient due to beta

ORBITER

$C_{p_{B1}}$	CPB1	Orbiter (tail cone off) base pressure coefficient, 1
$C_{p_{B2}}$	CPB2	Orbiter (tail cone off) base pressure coefficient, 2
$C_{p_{B3}}$	CPB3	Orbiter (tail cone off) base pressure coefficient, 3



NOMENCLATURE (Concluded)

<u>SYMBOL</u>	<u>PLOT SYMBOL</u>	<u>DEFINITION</u>
$C_{PCO}$	CPCO	Orbiter balance cavity pressure coefficient
$C_{PS1}$	CPS1	Orbiter strut L. H. side pressure coefficient
$C_{PS2}$	CPS2	Orbiter strut R. H. side pressure coefficient
$C_{PCC}$	CPCO	747 cavity pressure coefficient
$C_{PSB1}$	CPSB1	747 upper forward sting cavity pressure coefficient
$C_{PSB2}$	CPSB2	747 upper center sting cavity pressure coefficient
$C_{PSB3}$	CPSB3	747 upper aft sting cavity exit pressure coefficient

SEPARATION PARAMETERS

$\Delta x$	DELX	Orbiter longitudinal displacement from mated position, positive aft, feet
$\Delta y$	DELY	Orbiter lateral displacement from mated position, positive right, feet
$\Delta z$	DELZ	Orbiter vertical displacement from mated position, positive up, feet
$\Delta\phi$	DPHI DELPHI	Incremental roll angle, Orbiter FRP, degrees
$i_o$	IORB	Orbiter incidence angle, orbiter FRL to 747 FRL ( $i_o = \alpha_o - \alpha_c$ ), degrees
	INCID	Orbiter incidence angle (accounts for tunnel flow angularity variation from tunnel $\mathcal{C}$ to tunnel wall) $i_o = \alpha_o - \alpha_c - \Delta Z(-.0059)$ , degrees
$\alpha_o$	ALPHAO	Orbiter angle of attack (tunnel flow angularity from tunnel $\mathcal{C}$ to tunnel wall not applied), degrees
$\alpha_c$	ALPHAC	Carrier FRL angle of attack, degrees
$\Delta\beta$	DELBETA	Incremental sideslip angle, orbiter to 747 FRL, degrees

REMARKS

The model component surface deflection angles called out in the run summary are nominal values. The actual angles tested are outlined below.

	<u>Nominal</u>	<u>Actual</u>
Orbiter Elevon:	0° +5° +10°	0° +5.0° +9.8°
Orbiter Aileron: ( $\delta_e = 5, \delta_a = -5$ )	0°/10°	0°/+9.8°
747 Stabilizer:	-1° +3° +5°	-0.75° 3.27° 5.32°
747 Rudder:	+10°	+10.7°

During the early separation  $\Delta z$  sweep runs, it was noted that for  $\Delta z$  in the 0 to 15 foot range, the coefficient polars had different characteristics for  $\Delta z$  decreasing than for  $\Delta z$  increasing. Subsequent pitch/pause data runs demonstrated that there was a proximity hysteresis effect. All runs thereafter were made with pitch/pause points in close proximity and constant sweep beyond 10 feet.

## CONFIGURATIONS INVESTIGATED

The orbiter model, 48-0, was an 0.0125-scale representation of the Space Shuttle Orbiter VC70-000002 lines, illustrated in figure 2a. The Orbiter model was tested both with and without a tail cone fairing which covered the MPS nozzles and the OMS pod base as shown in figure 2b. Orbiter alone runs were made with a base sting mount, the sting replacing the upper MPS nozzle, figure 2h. The following orbiter configurations were tested:

$O_2 = B_{64} C_{14} F_{14} E_{44} M_{18} N_{94} N_{92} W_{116}$   
 $O_4 = B_{64} C_{14} F_{14} E_{44} M_{18} N_{105} N_{92} R_{18} V_{23} W_{116}$  (upper MPS nozzle off)  
 $O_6 = B_{64} C_{14} F_{14} E_{44} M_{18} W_{116} TC_4$

where:

<u>Component</u>	<u>Description</u>
B <sub>64</sub>	Orbiter fuselage per Rockwell lines VC70-000002, Model drawing SS-A01377
C <sub>14</sub>	Orbiter canopy per Rockwell lines VC70-000002, Model drawing SS-A01377
E <sub>44</sub>	Orbiter full span, unswept hingeline, 6-inch gapped elevons per Rockwell lines VC70-000002, Model drawing SS-A01377
F <sub>14</sub>	Orbiter body flap per Rockwell lines VC70-000002, Model drawing SS-A01377
M <sub>18</sub>	Orbiter OMS/RCS pods per Rockwell lines VC70-000002, Model drawing SS-A01377
N <sub>92</sub>	Orbiter OMS engine nozzles per Rockwell lines VC70-000002, Model drawing SS-A01377
N <sub>94</sub>	Orbiter main engine nozzles per Rockwell lines VC70-000002, Model drawing SS-A01377
N <sub>105</sub>	Same as N <sub>94</sub> with upper nozzle removed

CONFIGURATIONS INVESTIGATED - (Continued)

<u>Component</u>	<u>Description</u>
R <sub>18</sub>	Orbiter rudder per Rockwell lines VC70-000002, Model drawing SS-A01377
V <sub>23</sub>	Orbiter vertical tail per Rockwell lines VC70-000002, Model drawing SS-A01377
W <sub>116</sub>	Orbiter double delta wing per Rockwell lines VC70-000002, Model drawing SS-A01377
TC <sub>4</sub>	Orbiter tail cone fairing which covers the MPS nozzles and the OMS nozzles and base

Orbiter elevon, aileron and body flap deflection angles were varied. Configuration O<sub>4</sub> was the sting mounted orbiter configuration, and O<sub>2</sub> and O<sub>6</sub> were blade mounted configurations.

Orbiter-to-carrier attach structure was simulated. These included faired and unfaired strut members as identified below and illustrated in figures 2f and 2g.

$$AT_y = AT_{112} + AT_{113}$$

$$AT_x = AT_{96} + AT_{99}$$

where:

<u>Component</u>	<u>Description</u>
AT <sub>112</sub>	Fwd. attach structure, short fairing, $i_o = 4^\circ$
AT <sub>113</sub>	Aft attach structure, unfaired draglink, other members faired
AT <sub>96</sub>	Fwd attach structure, faired, $i_o = 4^\circ$
AT <sub>99</sub>	Aft attach structure, faired

CONFIGURATIONS INVESTIGATED - (Concluded)

The carrier model, AX1318I-1, was an 0.0125-scale representation of the Boeing 747-100 aircraft with surface contours built to represent the 747 under loads it would experience with a 600,000 pound gross weight flying at Mach 0.86 at an altitude of 5,000 feet. The CAM (Carrier Aircraft Modification) kit tested on the model included 200 square foot tip fins on the horizontal tail panels and simulated orbiter-to-carrier attach structure. In-flight speed brakes were deployed for most runs in the configuration shown in figure 2e. Stabilizer and rudder deflections were varied during the test. The carrier was tested both isolated and in proximity to the orbiter. Configurations investigated were:

747/1 = B27.8 W44.1 V9.1 H15.6 M25 M26 N57 N58 S1-12 T14 AT( )  
 747/4 = Same as 747/1 except no H15.6

where:

<u>Component</u>	<u>Description</u>
B27.8	Fuselage
W44.1	Wing
V9.1	Vertical Tail
H15	Horizontal tail, basic
H15.6	Horizontal tail, with 200 ft. <sup>2</sup> tip fins
M25	Inboard nacelle struts
M26	Outboard nacelle struts
N57	Inboard nacelles
N58	Outboard nacelles
S1-12	Spoiler Panels
T14	Flap track fairings

## INSTRUMENTATION

Force instrumentation consisted of a six-component internal force balance mounted in each model. The orbiter balance measured orbiter forces and the carrier balance measured carrier data.

Pressure instrumentation for the orbiter consisted of 3 base pressure orifices (tailcone off only) and 1 balance cavity orifice. Pressure instrumentation for the carrier consisted of 1 balance cavity orifice and 3 sting/boattail cavity pressure orifices as shown below. Also, see figure 2k. All pressures were measured by individual pressure transducers.

	<u>Pressure</u>
Orbiter pressures:	PC <sub>0</sub>
	PB <sub>1</sub>
	PB <sub>2</sub>
	PB <sub>3</sub>
Carrier pressures:	PCC
	PSB <sub>1</sub>
	PSB <sub>2</sub>
	PSB <sub>3</sub>
Strut pressures:	PS <sub>1</sub>
	PS <sub>2</sub>
Tailcone pressure:	PTC

## TEST FACILITY DESCRIPTION

The Vought Aeronautics Company High Speed Wind Tunnel is a blowdown-to-atmosphere, transonic-supersonic adjustable Mach number facility.

Six tanks with a total of 28,000 cubic feet air storage capacity receive the reheated air until a maximum storage pressure of 600 psia is reached. The compressor discharge is then vented to atmosphere until the tank pressure is reduced below 400 psia. An alumina pebble bed in each tank absorbs heat during pump up and dissipates heat during air discharge to maintain a near constant supply temperature.

The time required to recharge the air storage tanks following a run varies from 15 to 45 minutes depending upon the final tank pressure. A nominal tank pressure increase rate is 9 psi per minute.

Mach number control at the supersonic test section velocities is accomplished with an adjustable contour nozzle. Two flexible stainless steel plates, 3/4-inch thick, 48 inches wide, and 453 inches long, are contoured to produce a uniform test section flow using 28 nozzle jacks on each plate spaced at 10- to 18-inch intervals. During nozzle changes the plates are hydraulically extended to permit positioning of the threaded nozzle jacks. After the nozzle jacks are properly set, the plates are retracted against the nozzle jack stops. Microswitches on the stops indicate plate contact. Strain indicators at each jack position protect the nozzle plate from excessive stresses.

During each run the hydraulic cylinders are charged with high pressure to hold each plate support rigidly against the nozzle jack stops.

## TEST FACILITY DESCRIPTION (Concluded)

For transonic operation the supersonic diffuser is removed and the transonic test section and ejector section are set in place. The model cart is relocated downstream approximately 11 feet into the transonic test section. Test section window locations relative to the model cart are the same for either section. Conversion time is nominally 2 hours.

The transonic test section has normal hole perforated walls with 22.5% porosity. Test section size is nominal 4 x 4 feet with each side wall converged 25 minutes. Subsonic Mach number control is accomplished with hydraulic servo-actuated choking flaps downstream of the test section. A control system maintains the preset ratio of static to total pressure during each run by causing small changes in choking area. Above Mach number 0.9, approximately, the choking flaps are fully open and Mach control is switched to a set of plenum chamber bleed control flaps. These hydraulically-actuated, servo-controlled "Mach flaps" remove test section air through the porous walls by ejection pumping of the plenum chamber. A maximum Mach number of 1.15 can be attained with a sonic nozzle. To obtain Mach numbers greater than 1.5, it is necessary to contour the nozzle plates in addition to utilizing plenum pumping. A maximum Mach number of 1.8 is possible in the transonic test section, although the supersonic test section is recommended for Mach numbers of 1.4 and greater.



## DATA REDUCTION

Force and moment data were reduced in both body and stability axes using standard data reduction procedures. Coefficient data for each vehicle were computed based on their respective reference dimensions. Separation distances  $\Delta x$ ,  $\Delta y$ , and  $\Delta z$  were computed in the carrier body axis system and represent the movement of the orbiter from the base (mated) position.

<u>Symbol</u>	<u>Carrier</u>		<u>Orbiter</u>		<u>Description</u>
	<u>Model Scale</u>	<u>Full Scale</u>	<u>Model Scale</u>	<u>Full Scale</u>	
S	0.859	5500	0.420	2690	reference area, ft. <sup>2</sup>
b	29.351	2348.04	11.709	936.68	reference span, in.
$\bar{c}$	4.097	327.78	5.935	474.81	reference MAC, in.
MRC					moment reference center, in.
X <sub>c</sub> or X <sub>o</sub>	16.749	1339.90	13.862	1109	
Y <sub>c</sub> or Y <sub>o</sub>	0.0	0.0	0.0	0.0	
Z <sub>c</sub> or Z <sub>o</sub>	2.385	190.75	4.687	375	

No base or cavity pressure corrections were applied to the data.

Wind tunnel data were interpolated versus angle of attack, angle of sideslip, orbiter incidence angle and separation distances  $\Delta x$ ,  $\Delta y$  and  $\Delta z$ . Both basic and interpolated data are presented in this report.

REFERENCES

- SD75-SH-0054, "Pretest Information for a Test of an 0.0125-scale Model 48-0 orbiter/747 Flight Test Configuration in the LTV 4 x 4-foot High Speed Wind Tunnel (CA23)," February 17, 1975
- VC70-000002, "Design Geometry - Orbiter," June 10, 1974
- SS-A01377, "Orbiter Assembly - #48-0, 0.0125-Scale SSV, Ferry/Separation," August 9, 1974
- SS-A01378, "Model Installation - 0.0125-Scale SSV Orbiter Ferry/Separation (LTV)"
- SS-A01452, "Tail Cone Assy - 0.0125-Scale SSV Orbiter, #48-0"
- SS-A01559, "Fwd and Aft attach Supports, 48-0, 0.0125-Scale SSV Orbiter, March 11, 1975
- W-1132SA, "Sting Assy - 48-0 SSV, Carrier, Ferry/Separation," August 9, 1974
- W-1133SA "Sting Assy - Orbiter Ferry Separation, #48-0," January 13, 1975
- The Boeing Company - 747 Carrier
- 747-MD-461, "General Arrangement - 747 Space Shuttle Orbiter Carrier Aircraft (Piggyback Configuration)," July 15, 1974
- 747-MD-654, "Forward Support Structure Instl. -747 CAM"
- 747-MD-658, "Support Structure Instl. -Aft"
- AX 1318I-1, "747 Model Drawings 0.0125-Scale."
- 65C13609, "Model Assy AX1318I-1"
- 65-89588, "Body Lines AX1318I-1"



TABLE II

TEST: CA26		DATA SET/RUN NUMBER COLLATION SUMMARY											DATE: POST TEST			
DATA SET IDENTIFIER	CONFIGURATION	CARRIER				ORBITER							MACH NUMBERS			
		$\alpha$	$\beta$	$\delta_A$	$\delta_r$	$\delta_e$	$\delta_{BF}$	$\delta_a$	$\Delta X$	$\Delta Y$	$\Delta Z$	$\alpha_0$	$\beta_0$	$\phi_0$	0.6	
AFE001	04*					0	0	0				$\triangle 2$	0	0		1
02						0	16.3	0				$\triangle 2$	0	0		2
03						5	0	0				$\triangle 2$	0	0		4.1
04						5	0	0				$\triangle 2$	-5	0		4.2
05	02S1					5	0	0				$\triangle 2$	0	0		7.1
06						5	0	0				$\triangle 2$	-5	0		7.2
07						5	0	0			$\triangle X$	8	0	0		8
08						0	0	0				$\triangle 2$	0	0		9
09						0	16.3	0				$\triangle 2$	0	0		10
10						0	-11.7	0				$\triangle 2$	0	0		11
11						0	5	0				$\triangle 2$	0	0		12
12	06S1					0	-11.7	0				$\triangle 2$	0	0		14
13						0	-11.7	0				$\triangle 2$	-5	0		15
14						5	-11.7	0				$\triangle 2$	0	0		16.1
15						5	-11.7	0				$\triangle 2$	-5	0		16.2

38

TEST RUN NUMBERS

1      7      13      19      25      31      37      43      49      55      61      67      73 76

$\triangle 2$   $\alpha_0 = 0^\circ$  to  $16^\circ$   
 $\triangle X$   $Z = 0$  to  $72$  feet  
 COEFFICIENTS  
 IDVAR(1)    IDVAR(2)    NDV  
 $\alpha$  OR  $\beta$  SCHEDULES

SEE PAGE 46 FOR COEFFICIENT SCHEDULE

\* STRIPPED OFF

NASA-MSFC-MAF



TABLE II (Continued)

TEST: CA26		DATA SET/RUN NUMBER COLLATION SUMMARY											DATE: POST TEST				
DATA SET IDENTIFIER	CONFIGURATION	CARRIER				ORBITER									MACH NUMBERS		
		$\alpha$	$\beta$	$\delta_e$	$\delta_r$	$\delta_e$	$\delta_{BF}$	$\delta_a$	$\Delta X$	$\Delta Y$	$\Delta Z$	$\alpha_0$	$\beta_0$	$\phi_0$			
RFE016	747/1 ATY	0	0	5	0											0.6	
17		2	0	5	0												17
18		4	0	5	0												25.1
19		5	0	5	0												24
20		0	0	-1	0												29
21		2	0	-1	0												18
22		4	0	-1	0												27
23		2	-5	5	0												23
24		2	0	5	0												28
25		2	0	5	0												25.2
26	747/1	0	0	-1	0												25.3
27		0	0	3	0												19
28		0	0	5	0												21
29	747/4	0	0	-	0												20
																	22

39

TEST RUN NUMBERS

1 7 13 19 25 31 37 43 49 55 61 67 75 76

COEFFICIENTS IDVAR(1) IDVAR(2) NDV

$\alpha$  OR  $\beta$  SCHEDULES

$\triangle$  Z = 0 to 53 feet

$\triangle$  X = 0 to 40 feet

NASA-MSFC-MAF

TABLE II (Continued)

TEST: CAZ6		DATA SET/RUN NUMBER COLLATION SUMMARY												DATE: POST FL -				
DATA SET IDENTIFIER	CONFIGURATION	CARRIER				ORBITER								MACH NUMBERS				
		$\alpha$	$\beta$	$\delta_A$	$\delta_r$	$\delta_e$	$\delta_{BF}$	$\delta_a$	$\Delta X$	$\Delta Y$	$\Delta Z$	$i_0$	$\beta_0$	$\phi_0$	0.3	0.5	0.6	0.7
R/AFF030	747/1 ATV $\delta z_1$	0	0	5	0	5	-11.7	0	0	0	$\triangle^1$	4	0	0				30.1
31											$\triangle^2$	6						30.2
32											$\triangle^1$	6						30.3
33											$\triangle^3$	6						34.2
34											$\triangle^1$	8						31
35		0	0	5	0	5	-11.7	0	0	0	$\triangle^1$	4	5	0				33.1
36											$\triangle^1$	6						33.2
37											$\triangle^1$	8						34.1
38		0	0	-1	0	5	-11.7	0	0	0	$\triangle^1$	4	0	0				35.1
39											$\triangle^1$	6						35.2
40											$\triangle^1$	8						36
41		2	0	-1	0	5	-11.7	0	0	0	$\triangle^4$	4	0	0				37.1
42											$\triangle^3$	6						37.2
43	NO DATA AVAILABLE										$\triangle^4$	8						38.1
44	NO DATA AVAILABLE										$\triangle^3$	8						38.2
45		2	0	5	0	5	-11.7	0	0	0	$\triangle^1$	4	0	0				39.1
46											$\triangle^1$	6			44	43	39.2	42
47											$\triangle^1$	8						40.1

TEST RUN NUMBERS

40

1      7      13      19      25      31      37      43      49      55      61      67      73      79

$\alpha$  OR  $\beta$   
SCHEDULES

COEFFICIENTS  
 $\triangle^1$   $\Delta Z$  increasing, no pauses  
 $\triangle^2$   $\Delta Z$  decreasing, no pauses

IDVAR(1)    IDVAR(2)    NDV  
 $\triangle^3$   $\Delta Z$  increasing, with pauses  
 $\triangle^4$   $\Delta Z$  decreasing, with pauses

$\triangle$   $\Delta Z$  increasing & decreasing, with pauses

NASA-MSFC-MAF

TABLE II (Continued)

TEST: CA26		DATA SET/RUN NUMBER COLLATION SUMMARY											DATE: POST TEST				
DATA SET IDENTIFIER	CONFIGURATION	CARRIER					ORBITER							MACH NUMBERS			
		$\alpha$	$\beta$	$\delta_a$	$\delta_r$	$\delta_e$	$\delta_{BF}$	$\delta_a$	$\Delta X$	$\Delta Y$	$\Delta Z$	$L_0$	$\beta_0$	$\phi_0$			0.6
R/AFED48	747/1 ATY $\phi_2 S_1$	2	0	5	0	5	0	0	0	0	$\triangle 3$	4	5	0			41.1
49											$\triangle 3$	6					41.2
50											$\triangle 3$	8					40.2
51	747/1 ATX $\phi_2 S_1$	2	0	5	0	5	0	0	0	0	$\triangle 3$	4	0	0			45.1
52											$\triangle 3$	6					45.2
53	747/1 ATY $\phi_2 S_1$	2	0	5	0	5	0	0	0	$\triangle 4$	0	6	0	0			46.1
54											15						46.2
55											60						46.3
56		2	0	5	0	5	0	0	0	$\triangle 4$	0	6	5	0			47.1
57											15						47.2
58											60						47.3
59		2	0	5	0	5	0	0	10	4	0	6	0	0			48.1
60											15						48.2
61											60						48.3
62		2	0	5	0	5	0	0	0	$\triangle 5$	0	6	0	0			49.1
63											15						49.2
64											60						49.3

TEST RUN NUMBERS

41

1      7      13      19      25      31      37      43      49      55      61      67      73      76

$\alpha$  OR  $\beta$   
SCHEDULES

$\triangle 4$   $\Delta Y = -10$  to  $10$  feet      COEFFICIENTS

$\triangle 5$   $\Delta X = 0$  to  $20$  feet      IDVAR(1)      IDVAR(2)      NDV

TABLE II (Continued)

TEST: CA26		DATA SET/RUN NUMBER COLLATION SUMMARY												DATE: POST TEST		
DATA SET IDENTIFIER	CONFIGURATION	CARRIER				ORBITER								MACH NUMBERS		
		$\alpha$	$\beta$	$\delta_A$	$\delta_r$	$\delta_e$	$\delta_{BF}$	$\delta_a$	$\Delta x$	$\Delta y$	$\Delta z$	$t_0$	$\beta_0$	$\phi_0$		
R/AFED65	747/1 ATY Ø2 S1	2	0	5	0	5	0	0	5	0	0	6	0	0		SC1
66											15					SC2
67											60					SC3
68		2	0	5	0	0	16.3	0	0	0	3	4	0	0		E11
69											6					S12
70											8					S2
71		2	0	5	0	0	5	0	0	0	3	4	0	0		S3.1
72											6					S3.2
73											8					S4
74		2	0	5	0	0	0	0	0	0	3	4	0	0		S5.1
75											6					S5.2
76											8					S6
77		2	0	5	0	10	0	0	0	0	3	6	0	0		S7
78		2	0	5	0	5	0	-5	0	0	3	6	0	0		S8
79		2	0	5	10	5	0	0	0	0	3	6	0	0		S9
80		2	-5	5	0	5	0	0	0	0	3	4	-5	0		S10.1
81											6					S10.2
82											8					S11

TEST RUN NUMBERS

42

COEFFICIENTS

IDVAR 1 IDVAR 2 NVA

$\alpha$  OR  $\beta$   
SCHEDULES



TABLE II (Continued)

TEST: CAZ6		SET RUN NUMBER COLLATION SUMMARY													DATE: POST TEST	
DATA SET IDENTIFIER	CONFIGURATION	CARRIER						ORBITER						MACH NUMBERS		
		$\alpha$	$\beta$	$\delta_a$	$\delta_r$	$\delta_e$	$\delta_{BF}$	$\delta_o$	$\Delta X$	$\Delta Y$	$\Delta Z$	$l_o$	$\beta_o$	$\phi_o$		$D.G$
R/AFEO83	747/L ATY $\phi_{2E}$	2	3	5	0	5	0	0	$\triangle 5$	0	0	6	0	0		62.1
84											15				62.2	
85											60				62.3	
86		2	5	5	0	5	0	0	0	$\triangle 4$	0	6	0	0	63.1	
87											15				63.2	
88											60				63.3	
89		4	0	5	0	5	0	0	0	0	$\triangle 3$	4	0	0	64.1	
90												6			64.2	
91												8			65	
92		4	0	5	0	5	0	0	0	0	$\triangle 3$	4	5	0	66.1	
93												6			66.2	
94												8			67	
95		4	0	-1	0	5	0	0	0	0	$\triangle 3$	4	0	0	68.1	
96												6			68.2	
97												8			69	
98		4	0	5	0	0	0	0	0	0	$\triangle 3$	4	0	0	70.1	
99												6			70.2	
100												8			71	

TEST RUN NUMBERS

43

COEFFICIENTS

IDVAR(1) IDVAR(2) NDV

$\alpha$  OR  $\beta$   
SCHEDULES

TABLE II (Continued)

TEST: CA26		DATA SET/RUN NUMBER COLLATION SUMMARY													DATE: POST TEST		
DATA SET IDENTIFIER	CONFIGURATION	CARRIER				ORBITER								MACH NUMBERS			
		$\alpha$	$\beta$	$\delta_e$	$\delta_r$	$\delta_e$	$\delta_{BF}$	$\delta_a$	$\Delta x$	$\Delta y$	$\Delta z$	$\dot{\epsilon}_0$	$\beta_0$	$\phi_0$			
R/AFE101	747/1 ATY $\phi_2 S_1$	4	-5	5	0	5	0	0	0	0	$\triangle 3$	4	-5	0			72.1
102												6					72.2
103												8					73
104		5.5	0	5	0	5	0	0	0	0	$\triangle 3$	6	0	0			74
105		0	-5	5	0	5	0	0	0	0	$\triangle 3$	4	-5	0			75.1
106												6					75.2
107												8					76
108	747/1 ATY $\phi_6 S_1$	2	0	5	0	5	-11.7	0	0	0	$\triangle 3$	6	0	0			77
109		2	0	5	0	0	-11.7	0	0	0	$\triangle 3$	4	0	0			78.1
110												6					78.2
111												8					79
112		2	0	5	0	0	-11.7	0	$\triangle 5$	0	0	6	0	0			81.1
113												15					81.2
114												60					81.3
115		2	0	5	0	0	-11.7	0	0	$\triangle 4$	0	6	0	0			82.1
116												15					82.2
117												60					82.3

TEST RUN NUMBERS

44

1      7      13      19      25      31      37      43      49      55      61      67      73      76

COEFFICIENTS

IDVAR(1)    IDVAR(2)    NDV

$\alpha$  OR  $\beta$  \_\_\_\_\_  
 SCHEDULES \_\_\_\_\_

TABLE II (Continued)

TEST: CA26		DATA SET/RUN NUMBER COLLATION SUMMARY												DATE: POST TEST		
DATA SET IDENTIFIER	CONFIGURATION	CARRIER				ORBITER								MACH NUMBERS		
		$\alpha$	$\beta$	$\delta_A$	$\delta_r$	$\delta_e$	$\delta_{BF}$	$\delta_a$	$\Delta X$	$\Delta Y$	$\Delta Z$	$\epsilon_0$	$\beta_0$	$\phi_0$	0.6	
R/AFE118	747/1 ATY $\phi_6 S_1$	2	0	-1	0	0	-11.7	0	0	0	3	6	0	0		83
119		2	0	5	10	0	-11.7	0	0	0	3	6	0	0		84
120		2	-5	5	0	0	-11.7	0	0	0	3	6	-5	0		85
121		4	0	5	0	0	-11.7	0	0	0	3	4	0	0		86.1
122												6				86.2
123												8				87
124		0	0	5	0	0	-11.7	0	0	0	3	4	0	0		88.1
125												6				88.2
126												8				89
127		2	0	5	0	0	-11.7	0	0	0	3	6	0	7.5		90
128	747/1 ATY $\phi_2 S_1$	2	0	5	0	5	0	0	0	0	3	6	0	7.5		91
129		2	0	5	0	5	0	0	0	0	3	6	5	7.5		92
130		2	0	5	0	5	0	0	0	0	3	6	0	7.5		93
AFE 131	$\phi_2 S_1$					5	0	0				2	5	0		94.1
132						5	0	0				2	0	0		94.2
133						5	0	0				2	-5	0		94.3
134						0	0	0				2	0	0		13*

TEST RUN NUMBERS

45

COEFFICIENTS

IDVAR(1) IDVAR(2) NDV

$\alpha$  OR  $\beta$   
SCHEDULES

\* Vertical strut blade/orbiter gap sealed

TABLE II (Continued)

DATA SET 1st CHARACTER IDENTIFIER	DATA SET NUMBER	INDEPENDENT VARIABLE		DEPENDENT VARIABLES
		FIRST	SECOND	
AW	1-6	MACH	ALPHAO	BETAO, CN, CLM, CA, CY, CYN, CBL, CL, CD
AW	7	MACH	DZ	DY, DX, CN, CLM, CA, CY, CYN, CBL, CL, CD
AW	8-13	MACH	ALPHAO	BETAO, CN, CLM, CA, CY, CYN, CBL, CL, CD
AW	14-15	MACH	INCID	CN, CLM, CA, CY, CYN, CBL, CL, CD
AWRY	30-52	MACH	DZ	DY, DX, CN, CLM, CA, CY, CYN, CBL, CL, CD
AWRY	53-61	MACH	DY	DX, DZ, CN, CLM, CA, CY, CYN, CBL, CL, CD
AWRY	62-67	MACH	DX	DY, DZ, CN, CLM, CA, CY, CYN, CBL, CL, CD
AWRY	68-82	MACH	DZ	DY, DX, CN, CLM, CA, CY, CYN, CBL, CL, CD
AWRY	83-85	MACH	DX	DY, DZ, CN, CLM, CA, CY, CYN, CBL, CL, CD
AWRY	86-88	MACH	DY	DX, DZ, CN, CLM, CA, CY, CYN, CBL, CL, CD
AWRY	89-111	MACH	DZ	DY, DX, CN, CLM, CA, CY, CYN, CBL, CL, CD
AWRY	112-114	MACH	DX	DY, DZ, CN, CLM, CA, CY, CYN, CBL, CL, CD
AWRY	115-117	MACH	DY	DX, DZ, CN, CLM, CA, CY, CYN, CBL, CL, CD
AWRY	118-130	MACH	DZ	DY, DX, CN, CLM, CA, CY, CYN, CBL, CL, CD
AW	131-133	MACH	INCID	CN, CLM, CA, CY, CYN, CBL, CL, CD
AW	134	MACH	ALPHAO	BETAO, CN, CLM, CA, CY, CYN, CBL, CL, CD
BX	1-4	MACH	ALPHAO	CPCO, CPB1, CPB2, CPB3
BX	5-6	MACH	ALPHAO	CPCO, CPB1, CPB2, CPB3, CPS1, CPS2
BX	7	MACH	DZ	CPCO, CPB1, CPB2, CPB3, CPS1, CPS2, ALPHAO, BETAO
BX	8-11	MACH	ALPHAO	CPCO, CPB1, CPB2, CPB3, CPS1, CPS2
BX	12-13	MACH	ALPHAO	CPCO, CPS1, CPS2
BX	14-15	MACH	INCID	CPCO, CPS1, CPS2
BX	30-52	MACH	DZ	CPCO, CPB1, CPB2, CPB3, CPS1, CPS2, ALPHAO, BETAO, INCID, ALPHAC
BX	53-61	MACH	DY	CPCO, CPB1, CPB2, CPB3, CPS1, CPS2, ALPHAO, BETAO, INCID, ALPHAC
BX	62-67	MACH	DX	CPCO, CPB1, CPB2, CPB3, CPS1, CPS2, ALPHAO, BETAO, INCID, ALPHAC

ORIGINAL PAGE IS  
OF POOR QUALITY

TABLE II (Continued)

DATA SET 1st CHARACTER IDENTIFIER	DATA SET NUMBER	INDEPENDENT VARIABLE		DEPENDENT VARIABLES
		FIRST	SECOND	
BX	68-82	MACH	DZ	CPCO, CPB1, CPB2, CPB3, CPS1, CPS2, ALPHAO, BETAO, INCID, ALPHAC
BX	83-85	MACH	DX	CPCO, CPB1, CPB2, CPB3, CPS1, CPS2, ALPHAO, BETAO, INCID, ALPHAC
BX	86-88	MACH	DY	CPCO, CPB1, CPB2, CPB3, CPS1, CPS2, ALPHAO, BETAO, INCID, ALPHAC
BX	89-111	MACH	DZ	CPCO, CPB1, CPB2, CPB3, CPS1, CPS2, ALPHAO, BETAO, INCID, ALPHAC
BX	112-114	MACH	DX	CPCO, CPS1, CPS2, ALPHAO, BETAO, INCID, ALPHAC
BX	115-117	MACH	DY	CPCO, CPS1, CPS2, ALPHAO, BETAO, INCID, ALPHAC
BX	118-130	MACH	DZ	CPCO, CPS1, CPS2, ALPHAO, BETAO, INCID, ALPHAC
BX	131-133	MACH	INCID	CPCO, CPS1, CPS2
BX	134	MACH	ALPHAO	CPCO, CPB1, CPB2, CPB3, CPS1, CPS2
RY	16-23	MACH	ALPHAC	BETAC, CN, CLM, CA, CY, CYN, CBL, CL, CD
RY	24	MACH	DZ	DY, DX, CN, CLM, CA, CY, CYN, CBL, CL, CD
RY	25	MACH	DX	DY, DZ, CN, CLM, CA, CY, CYN, CBL, CL, CD
RY	26-29	MACH	ALPHAC	BETAC, CN, CLM, CA, CY, CYN, CBL, CL, CD
SZ	16-23	MACH	ALPHAC	CPCC, CPSB1, CPSB2, CPSB3, Q(PSF)
SZ	24	MACH	DZ	CPCC, CPSB1, CPSB2, CPSB3, Q(PSF), ALPHAC, BETAC
SZ	25	MACH	DX	CPCC, CPSB1, CPSB2, CPSB3, Q(PSF), ALPHAC, BETAC
SZ	26-29	MACH	ALPHAC	CPCC, CPSB1, CPSB2, CPSB3, Q(PSF)
SZ	30-52	MACH	DZ	CPCC, CPSB1, CPSB2, CPSB3, Q(PSF), ALPHAC, BETAC, ALPHAO, BETAO, INCID
SZ	53-61	MACH	DY	CPCC, CPSB1, CPSB2, CPSB3, Q(PSF), ALPHAC, BETAC, ALPHAO, BETAO, INCID
SZ	62-67	MACH	DX	CPCC, CPSB1, CPSB2, CPSB3, Q(PSF), ALPHAC, BETAC, ALPHAO, BETAO, INCID

TABLE II (Concluded)

DATA SET 1st CHARACTER IDENTIFIER	DATA SET NUMBER	INDEPENDENT VARIABLE		DEPENDENT VARIABLES
		FIRST	SECOND	
SZ	68-82	MACH	DZ	CPCC, CPSB1, CPSB2, CPSB3, Q(FSF), ALPHAC, BETAC, ALPHAO, BETAO, INCID
SZ	83-85	MACH	DX	CPCC, CPSB1, CPSB2, CPSB3, Q(PSF), ALPHAC, BETAC, ALPHAO, BETAO, INCID
SZ	86-88	MACH	DY	CPCC, CPSB1, CPSB2, CPSB3, Q(PSF), ALPHAC, BETAC, ALPHAO, BETAO, INCID
SZ	89-111	MACH	DZ	CPCC, CPSB1, CPSB2, CPSB3, Q(PSF), ALPHAC, BETAC, ALPHAO, BETAO, INCID
SZ	112-114	MACH	DX	CPCC, CPSB1, CPSB2, CPSB3, Q(PSF), ALPHAC, BETAC, ALPHAO, BETAO, INCID
SZ	115-117	MACH	DY	CPCC, CPSB1, CPSB2, CPSB3, Q(PSF), ALPHAC, BETAC, ALPHAO, BETAO, INCID
SZ	118-130	MACH	DZ	CPCC, CPSB1, CPSB2, CPSB3, Q(PSF), ALPHAC, BETAC, ALPHAO, BETAO, INCID

TABLE III (MODEL DIMENSIONAL DATA)

a. Orbiter Model

MODEL COMPONENT : BODY - CML - B<sub>EL</sub>

GENERAL DESCRIPTION : The body is an elongated structure containing the Crew Module and Cargo Bay. Same as IML plus 1" TPS.

MODEL SCALE: 0.0125

DRAWING NUMBER: VC70-000002, SS-A01377

DIMENSIONS :	FULL SCALE	MODEL SCALE
Length ( $X_0 = 235$ to $1519$ ), In.	<u>1284.0</u>	<u>16.050</u>
Max Width ( $X_0 = 1516.8$ ), In.	<u>262.718</u>	<u>3.281</u>
Max Depth ( $X_0 = 1463.316$ ), In.	<u>248.575</u>	<u>3.107</u>
Fineness Ratio	<u>5.1365</u>	<u>5.1365</u>
Area - Ft <sup>2</sup>	<u>                    </u>	<u>                    </u>
Max. Cross-Sectional	<u>340.82</u>	<u>0.053</u>
Planform	<u>                    </u>	<u>                    </u>
Wetted	<u>                    </u>	<u>                    </u>
Base	<u>                    </u>	<u>                    </u>

TABLE III (Cont'd)

a. Orbiter Model

MODEL COMPONENT : CANOPY (OUTER MOLD LINE) - C<sub>21</sub>

GENERAL DESCRIPTION : The canopy is that part of the forward fuselage which covers the Crew Module. One inch TPS thickness on the canopy.

Configuration 140C.

MODEL SCALE: 0.0125

DRAWING NUMBER: VC70-000002, SS-A01377

DIMENSIONS :	FULL SCALE	MODEL SCALE
Length ( $X_0=435.196 - 670.0$ ), In.	<u>234.80</u>	<u>2.935</u>
Max Width ( $X_0 = 594.0$ ), In.	<u>195.58</u>	<u>2.445</u>
Max Depth	<u>                    </u>	<u>                    </u>
Fineness Ratio	<u>                    </u>	<u>                    </u>
Area	<u>                    </u>	<u>                    </u>
Max. Cross-Sectional	<u>                    </u>	<u>                    </u>
Planform	<u>                    </u>	<u>                    </u>
Wetted	<u>                    </u>	<u>                    </u>
Base	<u>                    </u>	<u>                    </u>

WINDSHIELD PLANES:

$$\begin{aligned}
 .7012 X_0 - .2552 Y_0 - .6656 Z_0 - 6.1789 &= 0 \\
 .5710 X_0 - .5641 Y_0 - .5965 Z_0 + 32.7354 &= 0 \\
 .2636 X_0 - .7564 Y_0 - .5965 Z_0 + 189.4099 &= 0
 \end{aligned}$$



TABLE III (Cont'd)

a. Orbiter Model

MODEL COMPONENT : ELEVON - E<sub>44</sub>

GENERAL DESCRIPTION : 6.0 In. F.S. gaps machined into E<sub>26</sub> elevon.  
Flipper doors, centerbody pieces, and tipseals are not simulated. (Data  
are for one side.)

MODEL SCALE: 0.0125

DRAWING NUMBER Not available.

DIMENSIONS	FULL SCALE	MODEL SCALE
Area - Ft <sup>2</sup>	<u>210.00</u>	<u>0.033</u>
Span (equivalent), In.,	<u>349.2</u>	<u>4.365</u>
Inb'd equivalent chord, In.	<u>118.0</u>	<u>1.475</u>
Outb'd equivalent chord, In.	<u>55.19</u>	<u>0.690</u>
Ratio movable surface chord/ total surface chord	<u>                    </u>	<u>                    </u>
At Inb'd equiv. chord	<u>0.2096</u>	<u>0.2096</u>
At Outb'd equiv. chord	<u>0.4004</u>	<u>0.4004</u>
Sweep Back Angles, degrees	<u>                    </u>	<u>                    </u>
Leading Edge	<u>0.00</u>	<u>0.00</u>
Trailing Edge	<u>- 10.056</u>	<u>- 10.056</u>
Hingeline	<u>0.00</u>	<u>0.00</u>
Area Moment (Product of area & $\bar{c}$ ) (Normalized to reference chord), Ft <sup>3</sup>	<u>1587.25</u>	<u>0.003</u>
Mean Aerodynamic Chord, In.	<u>90.7</u>	<u>1.134</u>

TABLE III (Cont'd)

a. Orbiter Model

MODEL COMPONENT: BODY FLAP - F<sub>11</sub>

GENERAL DESCRIPTION: The body flap is a secondary movable airfoil  
located at the aft end of the body.

MODEL SCALE: 0.0125

DRAWING NUMBER: VC70-000002

<u>DIMENSIONS:</u>	<u>FULL-SCALE</u>	<u>MODEL SCALE</u>
Area - Ft <sup>2</sup>	<u>135.75</u>	<u>0.021</u>
Span (equivalent), In.	<u>241.33</u>	<u>3.017</u>
Inb'd equivalent chord, In.	<u>81.0</u>	<u>1.013</u>
Outb'd equivalent chord, In.	<u>81.0</u>	<u>1.013</u>
Ratio movable surface chord/ total surface chord		
At Inb'd equiv. chord	<u>0.0</u>	<u>0.0</u>
At Outb'd equiv. chord	<u>0.0</u>	<u>0.0</u>
Sweep Back Angles, degrees		
Leading Edge	<u>0.0</u>	<u>0.0</u>
Tailing Edge	<u>0.0</u>	<u>0.0</u>
Hingeline	<u>0.0</u>	<u>0.0</u>
(Product of Area & $\bar{c}$ )		
Area Moment (Normal to hingeline), Ft <sup>3</sup>	<u>916.31</u>	<u>0.0018</u>
Mean Aerodynamic Chord, In.	<u>81.0</u>	<u>1.013</u>

TABLE III (Cont'd)

a. Orbiter Model

MODEL COMPONENT : CMS PODS (OML) - M<sub>1g</sub>

GENERAL DESCRIPTION : The CMS pods are nacelles housing the maneuvering engines and are located on the fuselage on either side of the vertical tail. Same as IML plus 1/2" TPS.

MODEL SCALE: 0.0125

DRAWING NUMBER : VC70-000002, VL70-843001

DIMENSIONS :	FULL SCALE	MODEL SCALE
Length (X <sub>0</sub> =1311 - 1511), In.	<u>200.00</u>	<u>2.500</u>
Max Width (X <sub>0</sub> = 304), In.	<u>135.75</u>	<u>1.697</u>
Max Depth (X <sub>0</sub> = 304), In.	<u>74.5</u>	<u>0.931</u>
Fineness Ratio	<u>                    </u>	<u>                    </u>
Area - Ft <sup>2</sup>	<u>                    </u>	<u>                    </u>
Max. Cross-Sectional	<u>58.169</u>	<u>0.009</u>
Planform	<u>                    </u>	<u>                    </u>
Wetted	<u>                    </u>	<u>                    </u>
Base	<u>                    </u>	<u>                    </u>

TABLE III (Cont'd)

a. Orbiter Model

MODEL COMPONENT: NOZZLES - N<sub>Q2</sub>

GENERAL DESCRIPTION: The two orbiter maneuvering system nozzles are level-bell shaped and are located at the aft end of the OMS pods. These dimensions are external and are not to be used for plume tests.

MODEL SCALE: 0.0125

DRAWING NUMBER: MC62100009, VC70-000002, VL70-008401, Aerojet 1181900

DIMENSIONS:	<u>FULL SCALE</u>	<u>MODEL SCALE</u>
MACH NO.		
Length - In.		
Gimbal Point to Exit Plane	<u>56.00</u>	<u>0.700</u>
Throat to Exit Plane	<u>56.00</u>	<u>0.700</u>
Diameter - In.		
Exit	<u>4.5.09</u>	<u>0.564</u>
Throat	<u>          </u>	<u>          </u>
Inlet	<u>          </u>	<u>          </u>
Area - ft <sup>2</sup>		
Exit	<u>11.09</u>	<u>0.139</u>
Throat	<u>          </u>	<u>          </u>
Gimbal Point (Station) - In.		
X	<u>1518.0</u>	<u>18.975</u>
Y	<u>88.0</u>	<u>1.100</u>
Z	<u>492.0</u>	<u>6.150</u>
	<u>          </u>	<u>          </u>
	<u>          </u>	<u>          </u>
	<u>          </u>	<u>          </u>
Null Position - Deg.		
Pitch	<u>15.82°</u>	<u>15.82°</u>
Yaw	<u>6.5°</u>	<u>6.5°</u>
	<u>          </u>	<u>          </u>
	<u>          </u>	<u>          </u>

TABLE III (Cont'd)

a. Orbiter Model

MODEL COMPONENT: MPS NOZZLES - N<sub>94</sub>

GENERAL DESCRIPTION: The main propulsion nozzles are Laval-bell shaped and are located on the aft planes of the orbiter. These dimensions are external and are not to be scaled for plume tests.

MODEL SCALE: 0.0125

DRAWING NUMBER: VC70-000002, VL70-008144; RS009169, RS009107, 13M15000

DIMENSIONS:	<u>FULL SCALE</u>	<u>MODEL SCALE</u>
MACH NO.		
Length - In.		
Gimbal Point to Exit Plane	<u>157.00</u>	<u>1.963</u>
Throat to Exit Plane	<u>          </u>	<u>          </u>
Diameter - In.		
Exit	<u>97.914</u>	<u>1.224</u>
Throat	<u>          </u>	<u>          </u>
Inlet	<u>          </u>	<u>          </u>
Area - ft <sup>2</sup>		
Exit	<u>52.290</u>	<u>0.008</u>
Throat	<u>          </u>	<u>          </u>
Gimbal Point (Station) - In.		
Upper Nozzle		
X <sub>0</sub>	<u>1445.0</u>	<u>18.063</u>
Y <sub>0</sub>	<u>0.0</u>	<u>0.0</u>
Z <sub>0</sub>	<u>443.0</u>	<u>5.538</u>
Lower Nozzles		
X <sub>0</sub>	<u>1468.170</u>	<u>18.352</u>
Y <sub>0</sub>	<u>53.00</u>	<u>0.663</u>
Z <sub>0</sub>	<u>342.640</u>	<u>4.283</u>
Null Position - Deg.		
Upper Nozzle		
Pitch	<u>16.0</u>	<u>16.0</u>
Yaw	<u>0.0</u>	<u>0.0</u>
Lower Nozzle		
Pitch	<u>10.0</u>	<u>10.0</u>
Yaw	<u>3.5</u>	<u>3.5</u>

TABLE III (Cont'd)

a. Orbiter Model

MODEL COMPONENT: MP3 NOZZLES - N<sub>105</sub>

GENERAL DESCRIPTION: Same as N<sub>04</sub> except the upper nozzle is removed.

MODEL SCALE: 0.0125

DRAWING NUMBER: VC70-000002, VL70-008144; RS009169, RS009107, 13M15000

DIMENSIONS:	FULL SCALE	MODEL SCALE
MACH NO.		
Length - In.		
Gimbal Point to Exit Plane	<u>157.00</u>	<u>1.963</u>
Throat to Exit Plane	<u>          </u>	<u>          </u>
Diameter - In.		
Exit	<u>97.914</u>	<u>1.224</u>
Throat	<u>          </u>	<u>          </u>
Inlet	<u>          </u>	<u>          </u>
Area - ft <sup>2</sup>		
Exit	<u>52.290</u>	<u>0.008</u>
Throat	<u>          </u>	<u>          </u>
Gimbal Point (Station) - In.		
Upper Nozzle		
X	<u>          </u>	<u>          </u>
Y	<u>          </u>	<u>          </u>
Z	<u>          </u>	<u>          </u>
Lower Nozzles		
X <sub>0</sub>	<u>1468.170</u>	<u>18.352</u>
Y <sub>0</sub>	<u>53.00</u>	<u>0.663</u>
Z <sub>0</sub>	<u>342.640</u>	<u>4.283</u>
Null Position - Deg.		
Upper Nozzle		
Pitch	<u>          </u>	<u>          </u>
Yaw	<u>          </u>	<u>          </u>
Lower Nozzle		
Pitch	<u>10.0</u>	<u>10.0</u>
Yaw	<u>3.5</u>	<u>3.5</u>

TABLE III (Cont'd)

a. Orbiter model

MODEL COMPONENT : RUDDER - R<sub>18</sub>

GENERAL DESCRIPTION : The rudder is a secondary movable airfoil at the trailing edge of the vertical fin that imparts yaw forces. This dimensional data was calculated from the OML master dimensions 7-19-74.

MODEL SCALE: 0.0125

DRAWING NUMBER : \_\_\_\_\_

DIMENSIONS :	FULL SCALE	MODEL SCALE
Area = Ft <sup>2</sup>	<u>97.148</u>	<u>0.015</u>
Span (equivalent) , In.	<u>198.614</u>	<u>2.483</u>
Inb'd equivalent chord, In.	<u>90.07</u>	<u>1.126</u>
Outb'd equivalent chord , In.	<u>50.80</u>	<u>0.635</u>
Ratio movable surface chord/ total surface chord	<u>                    </u>	<u>                    </u>
At Inb'd equiv. chord	<u>0.400</u>	<u>0.400</u>
At Outb'd equiv. chord	<u>0.400</u>	<u>0.400</u>
Sweep Back Angles, degrees	<u>                    </u>	<u>                    </u>
Leading Edge	<u>34.833</u>	<u>34.833</u>
Trailing Edge	<u>26.249</u>	<u>26.249</u>
Hingeline	<u>34.833</u>	<u>34.833</u>
(MAC X AREA, Ft <sup>3</sup> )	<u>                    </u>	<u>                    </u>
Area Moment (Wingspan x hinge line)	<u>584.99</u>	<u>0.0011</u>
Mean Aerodynamic Chord, In.	<u>72.260</u>	<u>0.903</u>

TABLE III (Cont'd)

a. Orbiter Model

MODEL COMPONENT : ORBITER TAILCONE - TC<sub>1</sub>

GENERAL DESCRIPTION : Fairing mounted on orbiter fuselage base for ferry missions configuration.

MODEL SCALE: 0.0125

DRAWING NUMBER : SS-A01A52

DIMENSIONS :	FULL SCALE	MODEL SCALE
Length	<u>435.76</u>	<u>5.447</u>
Max Width	<u>300.80</u>	<u>3.76</u>
Max Depth Height	<u>266.40</u>	<u>3.33</u>
Fineness Ratio	<u>          </u>	<u>          </u>
Area - Ft <sup>2</sup>	<u>          </u>	<u>          </u>
Max. Cross-Sectional	<u>462.37</u>	<u>0.0722</u>
Planform	<u>635.803</u>	<u>0.0993</u>
Wetted	<u>          </u>	<u>          </u>
Base	<u>          </u>	<u>          </u>



TABLE III (Cont'd)

a. Orbiter Model

MODEL COMPONENT: VERTICAL - V<sub>23</sub> (Outer Mold Lines)

GENERAL DESCRIPTION: The vertical tail is double-wedge shaped and mounted dorsally on the aft fuselage. These data correspond to configuration 140C.

MODEL SCALE: 0.0125

DRAWING NUMBER: VC70-000002, master dimensions.

DIMENSIONS:	FULL SCALE	MODEL SCALE
TOTAL DATA		
Area (Theo) - Ft <sup>2</sup>		
Planform	<u>413.253</u>	<u>0.065</u>
Span (Theo) - In.	<u>315.72</u>	<u>3.947</u>
Aspect Ratio	<u>1.675</u>	<u>1.675</u>
Rate of Taper	<u>0.507</u>	<u>0.507</u>
Taper Ratio	<u>0.404</u>	<u>0.404</u>
Sweep-Back Angles, Degrees.		
Leading Edge	<u>45.000</u>	<u>45.000</u>
Trailing Edge	<u>26.25</u>	<u>26.25</u>
0.25 Element Line	<u>41.13</u>	<u>41.13</u>
Chords:		
Root (Theo) WP	<u>268.50</u>	<u>3.356</u>
Tip (Theo) WP	<u>108.47</u>	<u>1.356</u>
MAC	<u>199.81</u>	<u>2.498</u>
Fus. Sta. of .25 MAC	<u>1463.50</u>	<u>18.294</u>
W.P. of .25 MAC	<u>635.52</u>	<u>7.944</u>
B.L. of .25 MAC	<u>0.0</u>	<u>0.0</u>
Airfoil Section		
Leading Wedge Angle - Deg.	<u>10.00</u>	<u>10.00</u>
Trailing Wedge Angle - Deg.	<u>14.92</u>	<u>14.92</u>
Leading Edge Radius	<u>2.00</u>	<u>0.0250</u>
Void Area	<u>13.17</u>	<u>0.0002</u>
Blanketed Area	<u>0.0</u>	<u>0.0</u>

TABLE III (Cont'd)

a. Orbiter Model

MODEL COMPONENT: WING-W<sub>116</sub>

GENERAL DESCRIPTION:

NOTE: Identical to W<sub>111</sub> except airfoil thickness. Dihedral angle is along trailing edge of wing. Geometric twist = 0.

MODEL SCALE: 0.0125

TEST NO.

DWG. NO. VLTG-0001404 -000200

DIMENSIONS:

ORIGINAL PAGE IS  
OF POOR QUALITY

FULL-SCALE

MODEL SCALE

## TOTAL DATA

Area (Theo.) Ft<sup>2</sup>

Planform

2690.00

0.120

Span (Theo) In.

936.68

11.709

Aspect Ratio

2.265

2.265

Rate of Taper

1.177

1.177

Taper Ratio

0.200

0.200

Dihedral Angle, degrees

3.500

3.500

Incidence Angle, degrees

0.500

0.500

Aerodynamic Twist, degrees

Sweep Back Angles, degrees

Leading Edge

45.00

45.00

Trailing Edge

- 10.056

- 10.056

0.25 Element Line

35.209

35.209

Chords:

Root (Theo) B.P.O.O.

689.24

8.616

Tip, (Theo) B.P.

137.85

1.723

MAC

474.81

5.935

Fus. Sta. of .25 MAC

1136.83

14.210

W.P. of .25 MAC

290.58

3.672

B.L. of .25 MAC

182.13

2.277

## EXPOSED DATA

Area (Theo) Ft<sup>2</sup>

1751.50

0.274

Span, (Theo) In. BP108

720.68

9.009

Aspect Ratio

2.059

2.059

Taper Ratio

0.245

0.245

Chords

Root BP108

562.09

7.026

Tip 1.00  $\frac{b}{2}$ 

137.85

1.723

MAC

392.83

4.910

Fus. Sta. of .25 MAC

1185.98

14.825

W.P. of .25 MAC

294.30

3.679

B.L. of .25 MAC

251.77

3.147

Airfoil Section (Rockwell Mod NASA)

XXXX-64

Root  $\frac{b}{2}$  =

0.113

0.113

Tip  $\frac{b}{2}$  =

0.120

0.120

Data for (1) of (2) Sides

Leading Edge Cuff

Planform Area Ft<sup>2</sup>

113.18

0.6177

Leading Edge Intersects Fus M. L. @ Sta

400.0

6.250

Leading Edge Intersects Wing @ Sta

1024.0

12.800

TABLE III (MODEL DIMENSIONAL DATA)

a. Orbiter Model (Concluded)

MODEL COMPONENT : Mounting Strut - S<sub>1</sub>

GENERAL DESCRIPTION : Blade strut attachment to orbiter aft upper fuselage where vertical tail is normally mounted. Strut leading edge and lower trailing edge conform to the vertical tail planform. Airfoil section is blunted diamond. The tip of the strut mounts to a sting.

MODEL SCALE: 0.0125

DRAWING NUMBER: Rockwell W-11335H

DIMENSIONS :

MODEL SCALE

Theoretical intersection of L.E.  
with fuselage ML, in.

$X_0$

15.973

$Z_0$

6.250

Leading edge sweep angle, deg.

45.0

Trailing edge sweep angle, deg.

45.0

chord length, in.

2.38

maximum thickness, in.

0.52

distance from L.E. to maximum  
thickness, in.

1.42

position of sting  $C_L$ , in.  $Z_0$

12.835

TABLE III (MODEL DIMENSIONAL DATA)

b. Carrier Model

MODEL COMPONENT: ATTACH STRUCTURE - AT96

GENERAL DESCRIPTION: Forward attach structure between the Orbiter and Carrier, faired struts,  $i_0 = 4^\circ$

MODEL SCALE: 0.0125

DRAWING NO.: Boeing Dwg. 747-MD-654, SS-A01559-4, -18, -35

DIMENSIONS:		<u>FULL SCALE</u>	<u>MODEL SCALE</u>
$i_0$ , Incidence angle, deg. (Orbiter FRL to 747 FRL)		4.0	4.0
Fairing chord, right and left, In.		31.0	0.388
Fairing T/C		0.226	0.226
Carrier attach points, In.	BSTA	689.4	8.617
	BWL	372.0	4.650
	BL	66.3	0.829
Orbiter attach points, In.	$X_0$	388.15	4.852
	$Z_0$	283.11	3.539
	$Y_0$	0.0	0.0
	BSTA	681.52	8.519
	BWL	480.4	6.005

TABLE III (Cont'd)

## b. Carrier Model

MODEL COMPONENT: ATTACH STRUCTURE - AT<sub>99</sub>

GENERAL DESCRIPTION: Aft attach structure between orbiter and carrier, same as AT<sub>95</sub> with a single fairing covering the main strut and drag strut on each side, and a fairing on the sway brace.

MODEL SCALE: 0.0125

DRAWING NO.: Boeing Dwg 747-MD-658, W-1135A-11, -12, SS-A01559-33, -34, -35

## DIMENSIONS:

		<u>FULL SCALE</u>	<u>MODEL SCALE</u>
Orbiter attach points, In.	X <sub>0</sub>	1317.0	16.462
	Y <sub>0</sub>	± 96.51	± 1.206
	Z <sub>0</sub> , BL	267.5	3.344
	BSTA	1607.0	20.087
	BWL	400.0	5.000
Main fairing:			
Root chord, In.		250.0	3.125
T/c of root chord		0.09	0.09
Tip chord, In.		120.0	1.500
T/c of tip chord		0.14	0.14
Sway brace:			
Chord, In.		31.0	0.388
T/c		0.226	0.226

TABLE III (Cont'd)

b. Carrier Model

MODEL COMPONENT: ATTACH STRUCTURE - AT<sub>112</sub>

GENERAL DESCRIPTION: Forward attach structure between the Orbiter and Carrier with truncated strut fairings. The Orbiter/strut attach point is covered with a "bathtub" fairing, and the 747/strut attach points are also faired over. Struts are set in the  $i_0 = 4^\circ$  position.

MODEL SCALE: 0.0125

DRAWING NO.: Boeing Dwgs. 747-MD-680 (Modified), AX 1319-224

DIMENSIONS:	<u>FULL SCALE</u>	<u>MODEL SCALE</u>
$i_0$ , Incidence angle, deg. (Orbiter FRL to 747 FRL)	4.0	4.0
Strut Fairing		
Chord, In.	18.667	0.233
t/c	0.480	0.480
Length, (Each side), In.	112.0	1.400
Orbiter/Strut "Bathtub" Fairing		
Chord, In.	87.20	1.09
t/c	0.275	0.275
Carrier Attach Points, In.		
BSTA	680.0	8.500
BWL	372.0	4.650
BL	466.3	5.829
Orbiter Attach Point, In.		
$X_0$	386.15	4.852
$Z_0$	203.11	3.539
$Y_0$	0.0	0.0
BSTA	680.0	8.500
BWL	480.4	6.005

TABLE III (Cont'd)

## b. Carrier Model

MODEL COMPONENT: ATTACH STRUCTURE - AT<sub>113</sub>

GENERAL DESCRIPTION: Aft attach structure between Orbiter and Carrier, all components except the drag struts are faired. Consists of two faired vertical members, two sway braces, and two drag struts. There are fairing blisters at each end of the sway braces and on the forward end of the drag struts.

MODEL SCALE: 0.0125

DRAWING NO.: Boeing Dwgs. 747-MD-683, AX 1319-213

DIMENSIONS:		<u>FULL SCALE</u>	<u>MODEL SCALE</u>
Orbiter Attach Points, In.			
	X <sub>o</sub>	1317.0	16.462
	Y <sub>o</sub>	±96.51	±1.206
	Z <sub>o</sub>	267.5	3.344
	BSTA	1607.0	20.087
	BWL	400.0	5.000
747 Attach Points, In.			
	BSTA	1607.0	20.087
	BWL	320.0	4.000
	BL	±96.51	±1.206
Main Strut Fairings			
	Root chord (BWL 320-358.8), In.	80.0	
	t/c, Root chord	0.183	0.183
	Tip chord, Theoretical (BWL 398), In.	137.0	1.713
	t/c, Tip chord, Theoretical	0.250	0.250
Sway Brace Fairings			
	Chord, In.	40.28	0.504
	t/c	0.180	0.180
	Length (Each side), In.	56.0	0.700
Drag Struts			
	Fwd attach points		
	BSTA, in.	1443	18.038
	BWL, in.	320	4.000
	BL, in.	±96.51	±1.206
	Diameter, In.	12.0	0.150

TABLE III (Cont'd)

MODEL COMPONENT : BCDY - B<sub>27.8</sub> <sup>b. Carrier Model</sup>

GENERAL DESCRIPTION : Body 74-7 Project with A.P.V.

MODEL SCALE: 0.0125 MODEL DWG: 1318I-1

DRAWING NUMBER : 65013609, 1318-54

DIMENSIONS :	FULL SCALE	MODEL SCALE
Length , In.	<u>2702.0</u>	<u>33.78</u>
Max Width , In.	<u>255.3</u>	<u>3.19</u>
Max Depth	<u>          </u>	<u>          </u>
Fineness Ratio	<u>9.73</u>	<u>9.73</u>
Area - Ft <sup>2</sup>	<u>          </u>	<u>          </u>
Max. Cross-Sectional	<u>          </u>	<u>          </u>
Planform	<u>          </u>	<u>          </u>
Wetted	<u>14.093</u>	<u>2.20</u>
Base	<u>          </u>	<u>          </u>



TABLE III (Cont'd)

b. Carrier Model

MODEL COMPONENT: HORIZONTAL TAIL - H<sub>15.6</sub>

GENERAL DESCRIPTION: Horizontal tail, H<sub>15</sub>, with vertical fins on each  
 tip at body B.L. 427.3

MODEL SCALE: 0.0125

MODEL DWG: 1318I-1

DRAWING NO.: 65C13609, 1318-5, 1318-70

DIMENSIONS:

Fin Exposed Data (one side):

Area = Ft<sup>2</sup>

Span, In.

Chord, In.

FULL SCALE

MODEL SCALE

200.0

252.0

113.6

0.0312

3.15

1.42

TABLE III (Cont'd)

b. Carrier Model

MODEL COMPONENT: M<sub>25</sub>

GENERAL DESCRIPTION: Inboard 747, JT9D nacelle strut

MODEL SCALE: 0.0125

MODEL DWG: 1318I-1

DRAWING NO.: 65C13609, 1318-60

DIMENSIONS:	<u>FULL SCALE</u>	<u>MODEL SCALE</u>
Wing B.L. of nacelle C <sub>L</sub> , In.	470.0	5.875
Cant angle deg., inboard	2.0	2.0

TABLE III (Cont'd)

b. Carrier Model

MODEL COMPONENT: M<sub>26</sub>

GENERAL DESCRIPTION: Outboard 747, JT9D

Strut

MODEL SCALE: 0.0125

MODEL DWG: 1318I-1

DRAWING NO.: 65C13609, 1318-60

DIMENSIONS:

	<u>FULL SCALE</u>	<u>MODEL SCALE</u>
W L of C <sub>L</sub> , In.	834.0	10.425
Cant angle, deg. inboard	2.0	2.0

TABLE III (Cont'd).

b. Carrier Model

MODEL COMPONENT: N<sub>57</sub>

GENERAL DESCRIPTION: Inboard fan cowl and primary 747 nacelle, flow-through type.

MODEL SCALE: 0.0125

MODEL DWG: 1318I-1

DRAWING NO.: 65C13609, 1318-60

TABLE III (Cont'd)

b. Carrier Model

MODEL COMPONENT: N58

MODEL DESCRIPTION: Outboard fan cowl and primary 747 nacelle, flow-through type.

MODEL SCALE: 0.0125

MODEL DWG: 1318I-1

DRAWING NO.: 65C13609, 1318-60

TABLE III (Cont'd)

b. Carrier Model

MODEL COMPONENT: SPOILERS -  $S_{1-12}$

GENERAL DESCRIPTION: Multi-panel flight spoilers. Four outboard and two inboard spoilers per side. Subscript denotes spoiler panel  $S_1$  is the most outboard L.H. panel and  $S_{12}$  is most outboard R.H. panel.

MODEL SCALE: 0.0125

MODEL DWG: 1318I-1

DRAWING NO.: 65C13609, 1318-56

DIMENSIONS: (ONE PANEL)	<u>FULL SCALE</u>	<u>MODEL SCALE</u>
Outboard $S_{1-4}$ and $S_{9-12}$ ( $\text{Ft}^2$ )	21.48	0.0034
Span (equivalent), In.	75.00	0.94
Chord, In.	41.28	0.52
Inboard, $S_{5-6}$ and $S_{7-8}$ ( $\text{Ft}^2$ )	35.31	0.0055
Span (equivalent), In.	90.00	1.130
Chord, In.	56.52	0.71

TABLE III (Cont'd)

b. Carrier Model

MODEL COMPONENT: T<sub>14</sub>

GENERAL DESCRIPTION: Flap track fairings, four on each side

MODEL SCALE: 0.0125

DRAWING NO.: 65C13609, 1318-67

DIMENSIONS:

	<u>FULL SCALE</u>	<u>MODEL SCALE</u>
WBL of Track No. 1, In.	235.3	2.94
2, In.	353.0	4.41
3, In.	585.0	7.31
4, In.	743.6	9.30
Distance from wing Trailing edge to:		
Track trailing edge, In.	44.0	0.55

TABLE III (Cont'd)

## b. Carrier Model

MODEL COMPONENT: VERTICAL -- V<sub>9.1</sub>

GENERAL DESCRIPTION: Swept vertical tail

MODEL SCALE: 0.0125

MODEL DWG: 1318I-1

DRAWING NO.: 65C13609, 1318-8

## DIMENSIONS:

FULL SCALEMODEL SCALE

## TOTAL DATA

Area (Theo), Ft <sup>2</sup>	630.0	0.098
Span (Theo), In.	386.5	4.830
Sweepback angles, deg., L.E.	50.12	50.12
Aspect ratio	1.25	1.25
Chord:		
Root (Theo), WP, In.	461.67	5.77
Tip (Theo), WP, In.	157.0	1.96
Mean Aerodynamic Chord, In.	334.16	0.43
Fus. Sta. of 0.25 MAC	2529.6	31.62
W.P. of 0.25 MAC	528.0	6.60



TABLE III (Concluded)

b. Carrier Model

MODEL COMPONENT: WING - W<sub>44.1</sub>

GENERAL DESCRIPTION: Swept 747 wing

MODEL SCALE: 0.0125

MODEL DWG: 1318I-1

DRAWING NO.: 65C13609, 1318-46

DIMENSIONS:

FULL SCALE    MODEL SCALE

Total Data:

Area (Theo.), Ft<sup>2</sup>

Planform

5500.00    0.860

Span (Theo.), In.

2348.0    29.35

Aspect ratio

6.96    6.96

Incidence angle, deg.

7.0    7.0

Chords, In.:

MAC

327.8    4.10

Fus. sta. of 0.25 MAC

1339.87    16.75

W.P. of 0.25 MAC

190.42    2.38

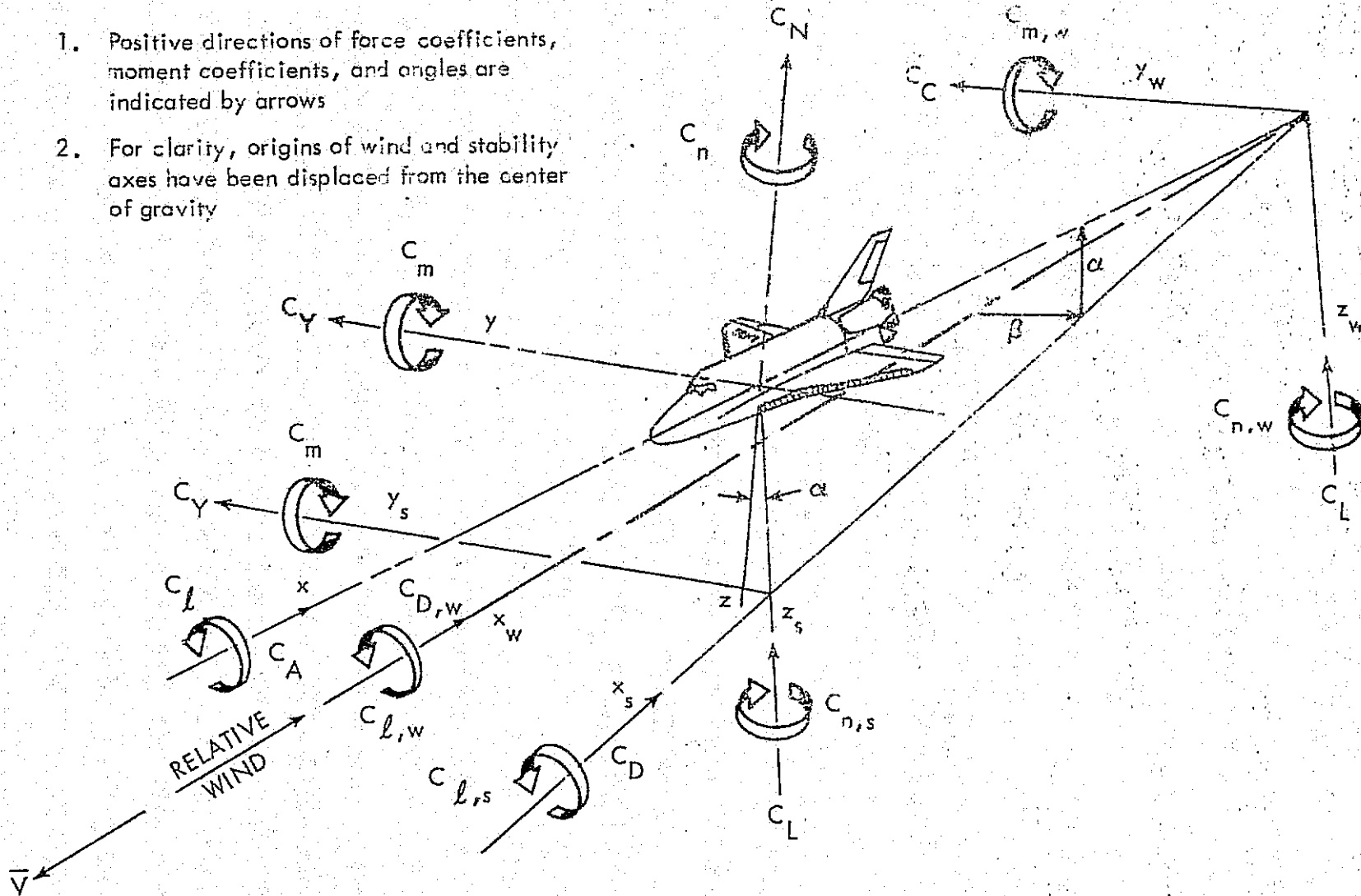
TABLE IV.

CA-26 DATASET DESCRIPTION

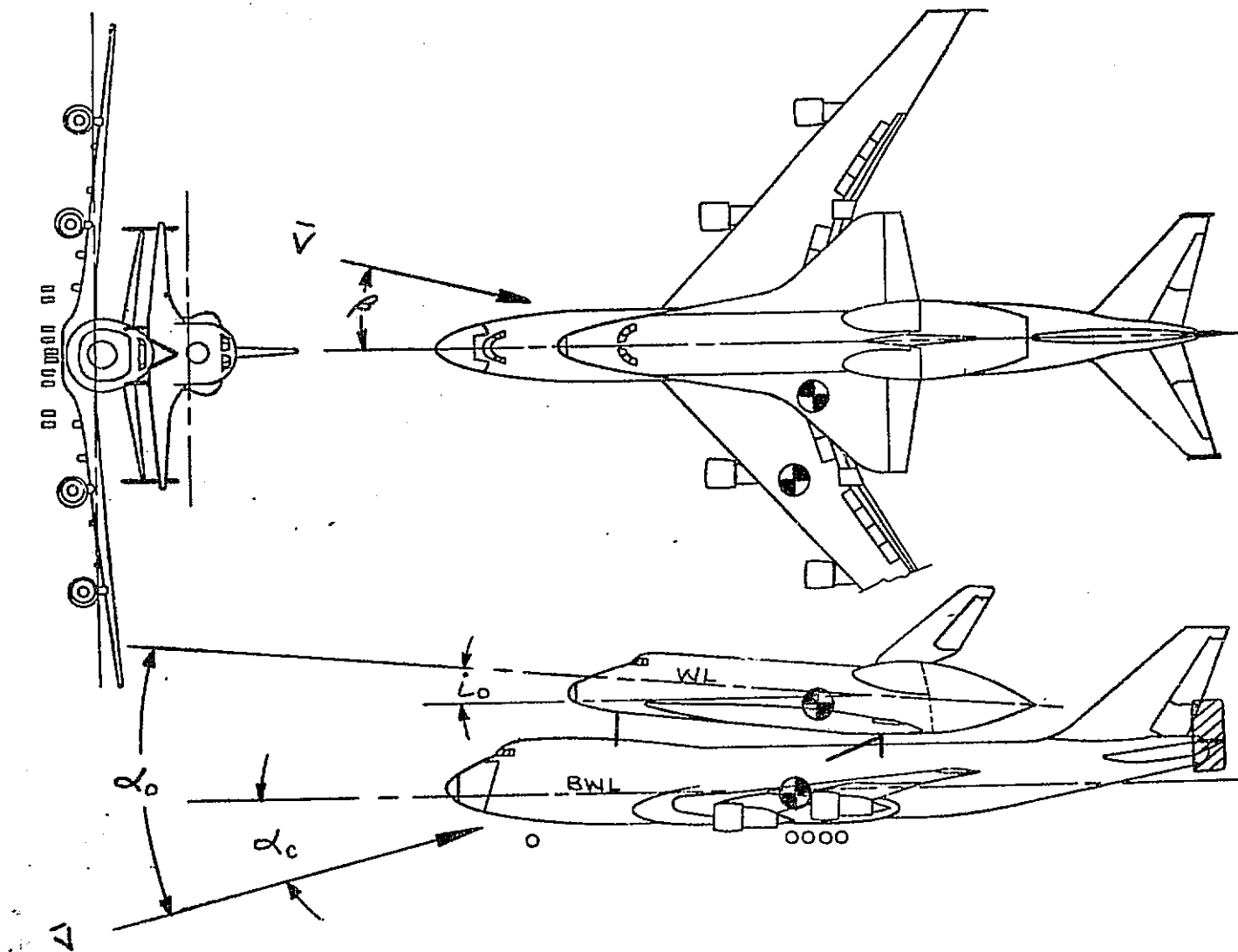
Dataset Type	Description
RFEXXX    YFEXXX SFEXXX    ZFEXXX	Carrier main balance data. Due to the large amount of data, alternate points were placed in corresponding data- sets, e.g., $R + S = \text{total}$ . Y and Z contain additional variables supplementary to R and S, respectively.
AFEXXX    WFEXXX BFEXXX    XFEXXX	Orbiter balance data. Data were separated similar to the carrier data where W and X contain the supplementary variables.

Notes:

1. Positive directions of force coefficients, moment coefficients, and angles are indicated by arrows
2. For clarity, origins of wind and stability axes have been displaced from the center of gravity



a. General  
Figure 1. Axis systems.



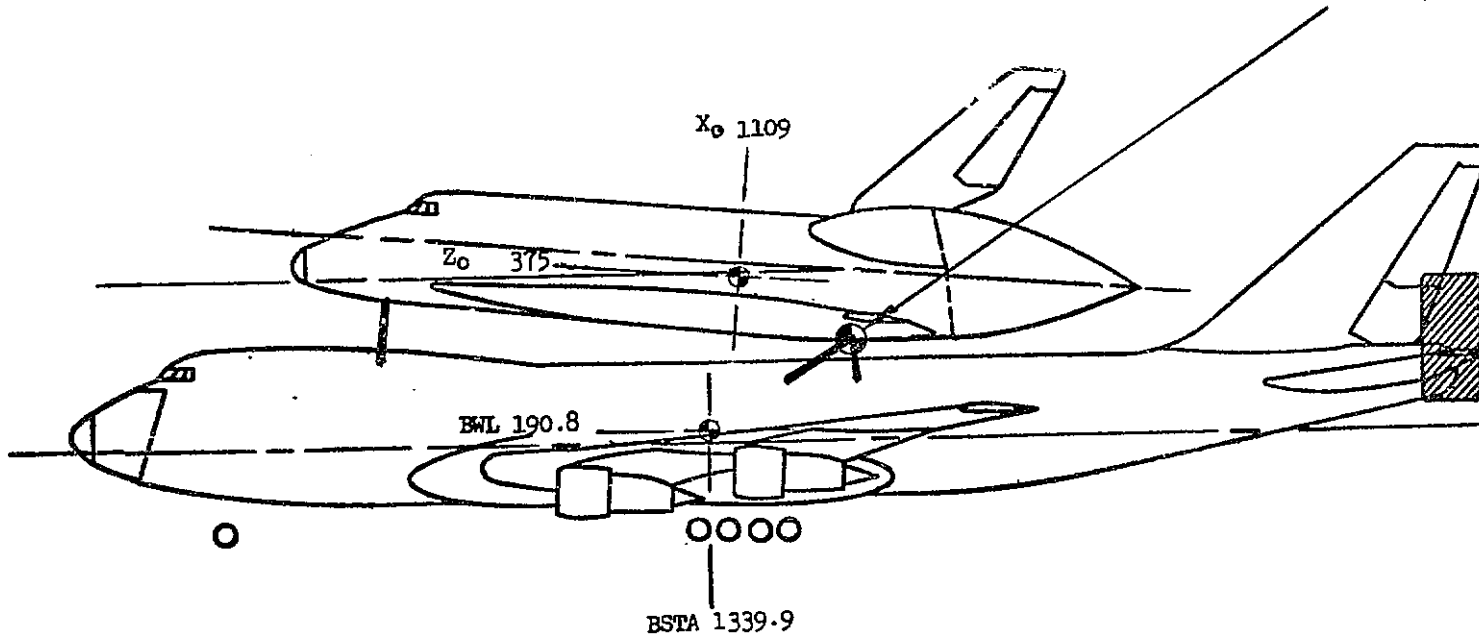
b. Orbiter/747 Angular Relations

Figure 1. Axis systems

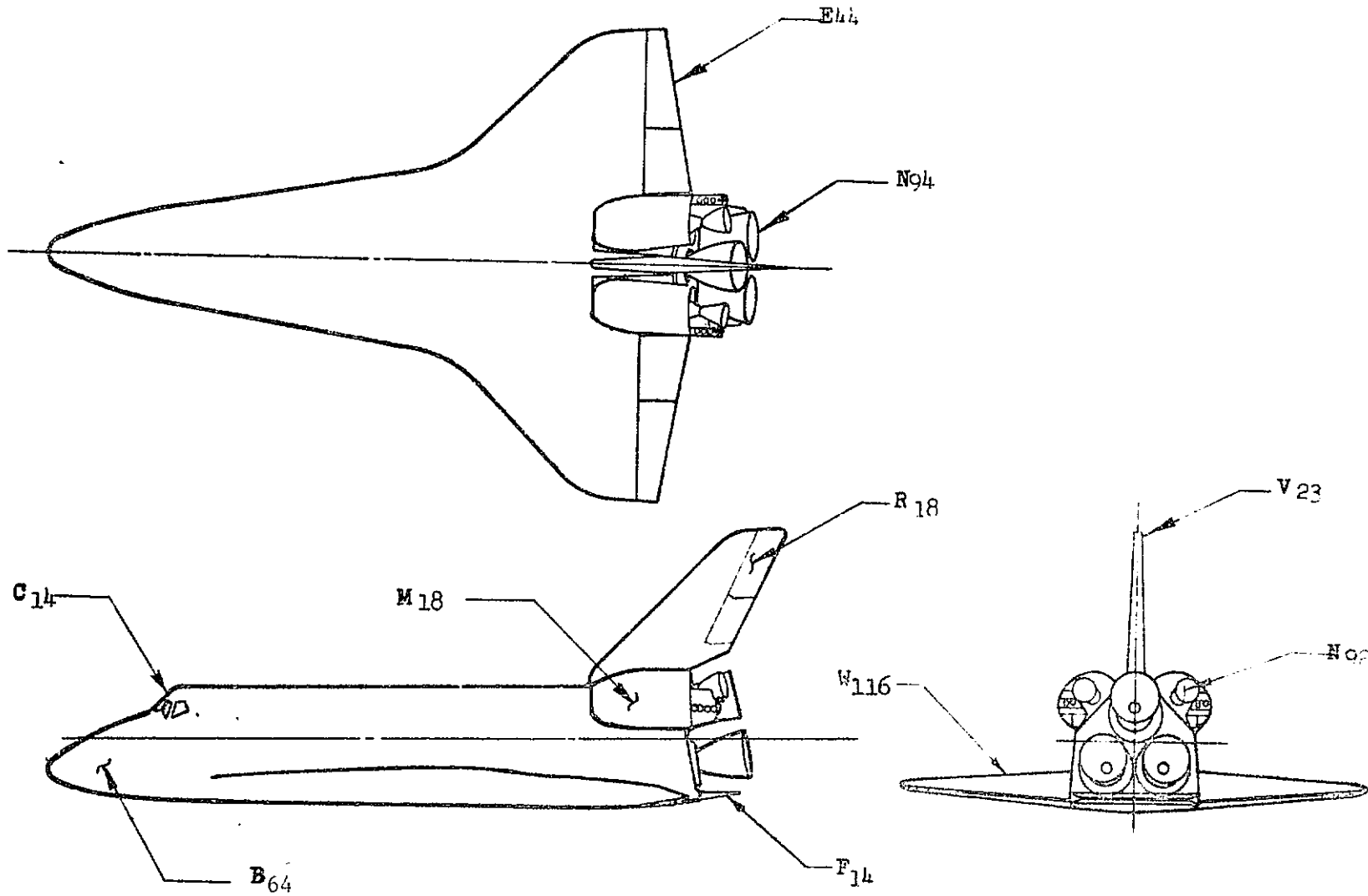
REFERENCE DIMENSIONS (FS)

	ORBITER	747 CARRIER
WING AREA ~ Ft <sup>2</sup>	2690	5500
MAC ( $\bar{c}$ ) ~ INCHES	474.81	327.76
SPAN (b) ~ INCHES	936.68	2348.04
MOMENT REFERENCE CENTER	67.5% LB	25.0 % $\bar{c}$
F.S. ~ INCHES	1109.0	1339.9
W.P. ~ INCHES	375.0	190.8

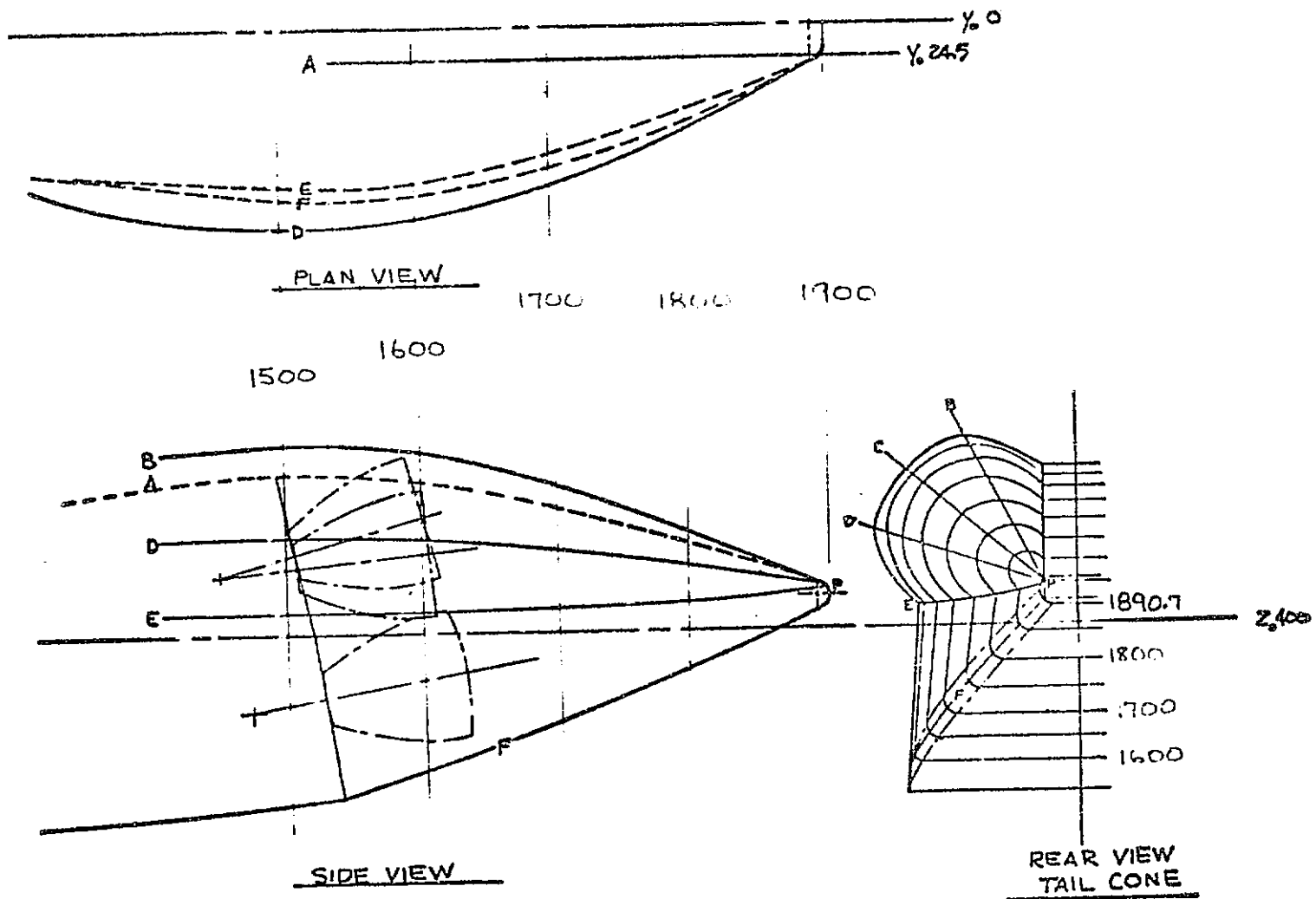
BWL 400 ( $X_0$  96.51)  
 BSTA 1607 ( $Z_0$  267.5)  
 ( $X_0$  1317)



c. Orbiter/747 Flight Test Configuration Reference Dimensions  
 Figure 1. Axis systems

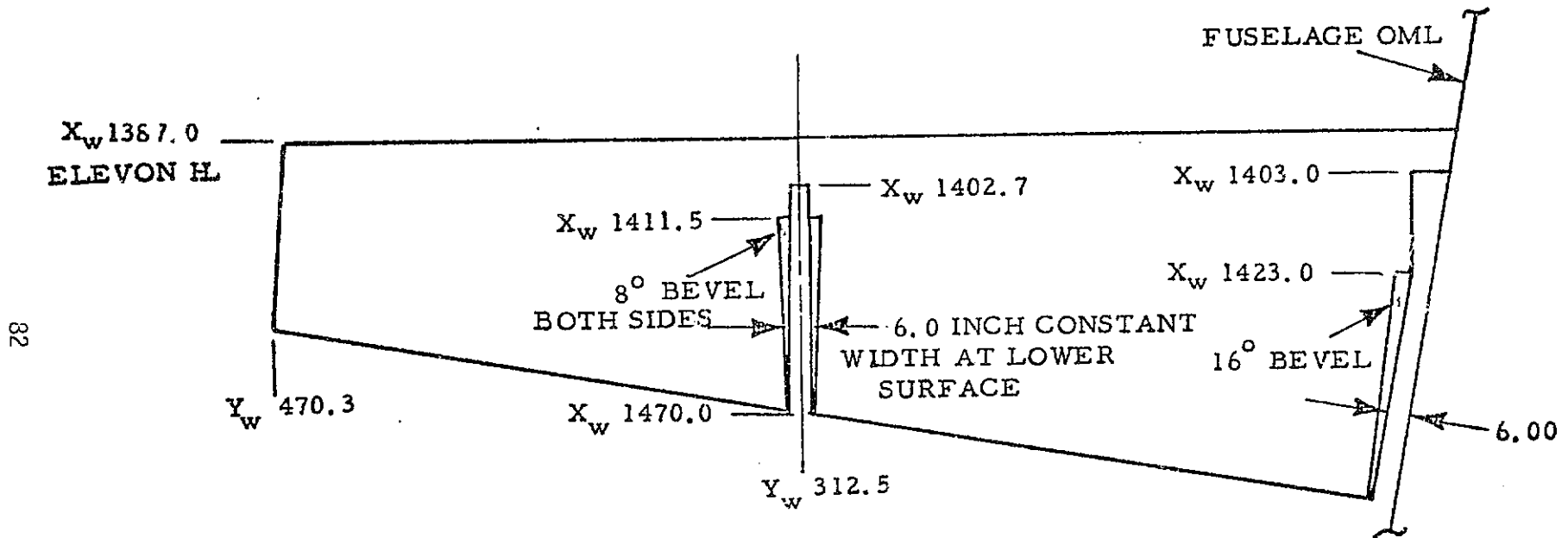


a. SSV Orbiter Configuration (VC70-000002)  
 Figure 2. Model Instrumentation Sketches



b. Orbiter Tail Cone -- TC4 (X<sub>3B</sub>)  
Figure 2. Model Instrumentation Sketches

E<sub>44</sub> elevon with 6.0 inch gaps installed. Flipper doors, centerbody pieces, and tip seals are not simulated.



82

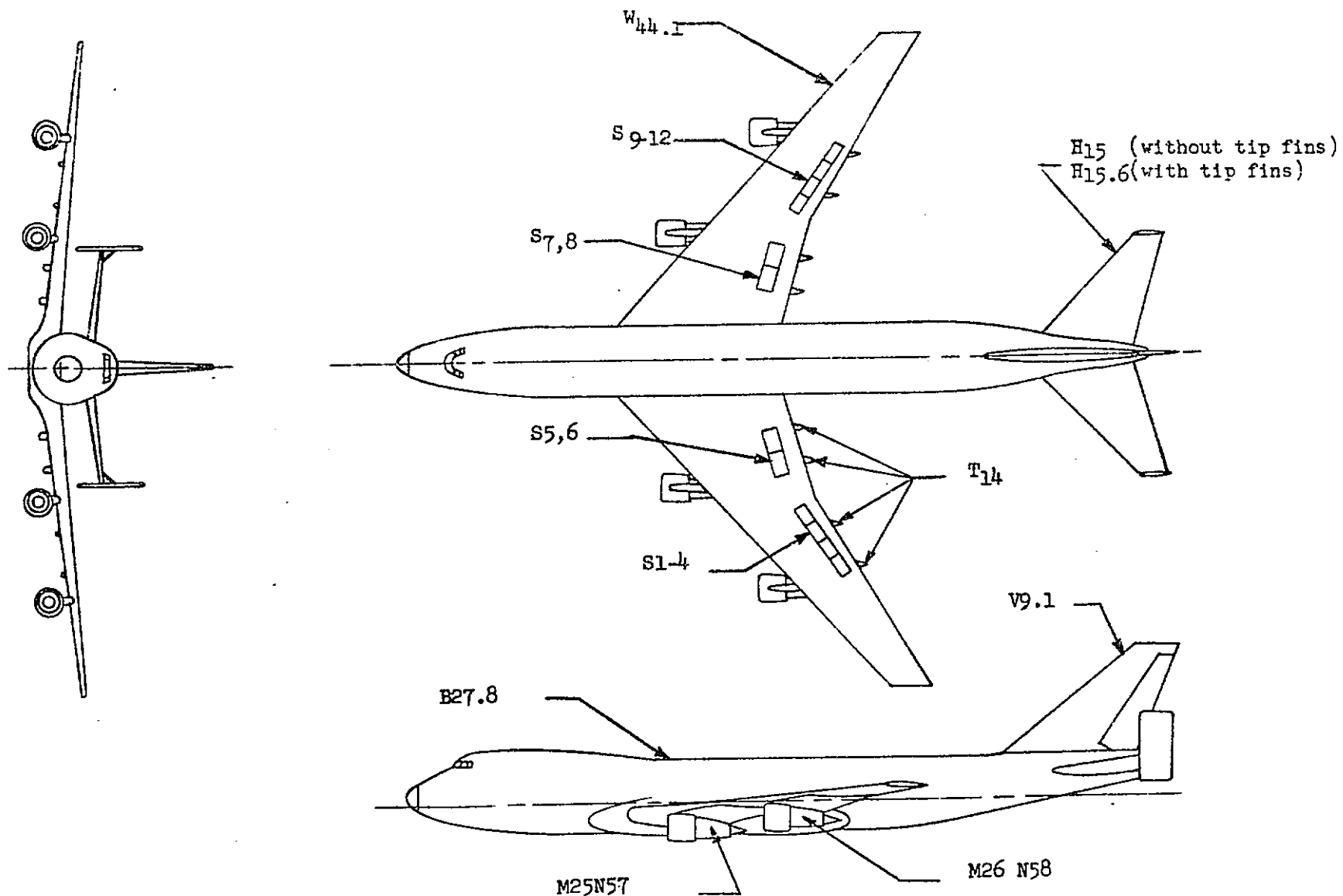
(ALL DIMENSIONS ARE FULL SCALE, INCHES)

(VIEW IS PERPENDICULAR TO WING  
REFERENCE PLANE)

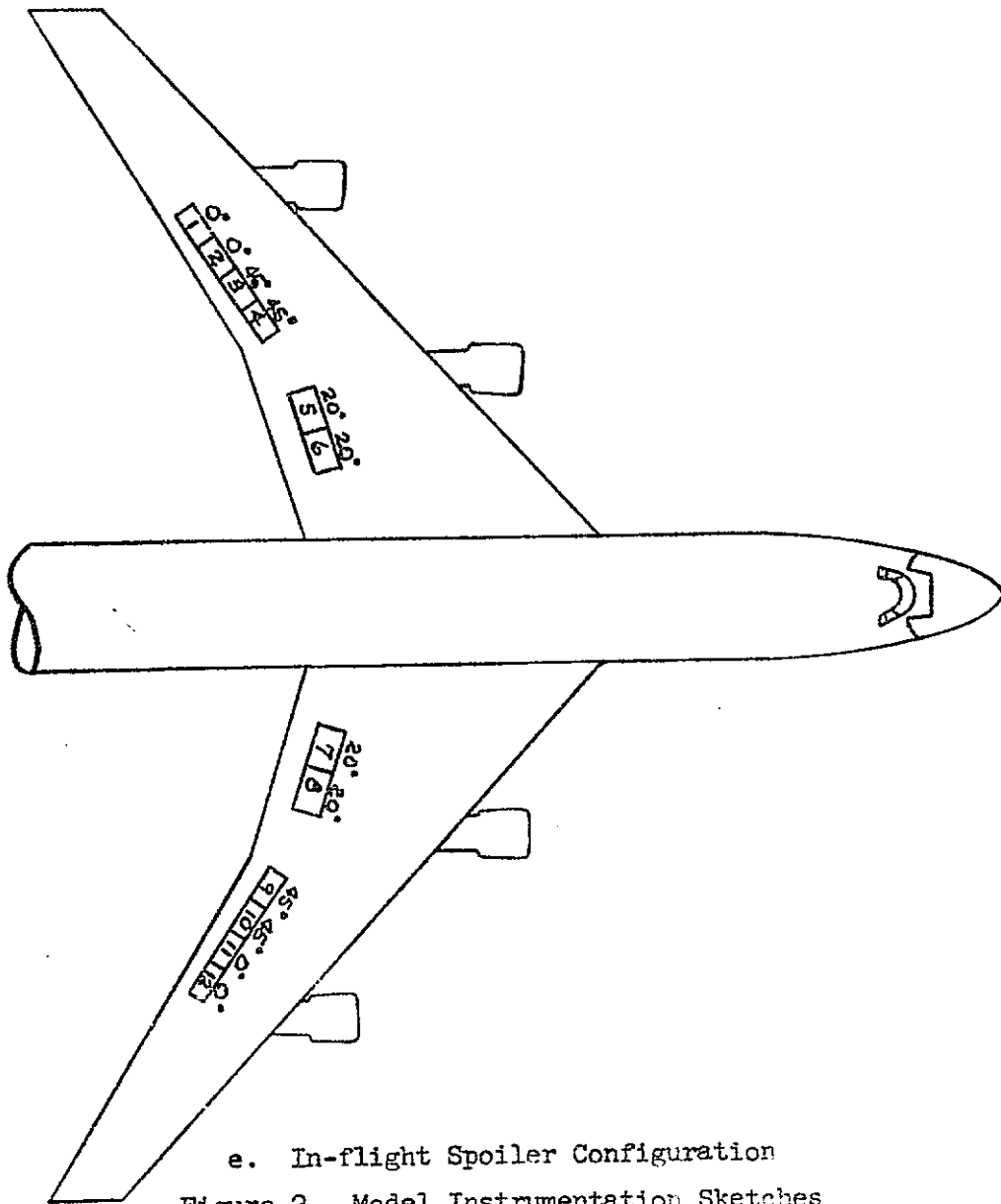
c. Elevon - E<sub>44</sub>

Figure 2. Model Instrumentation Sketches





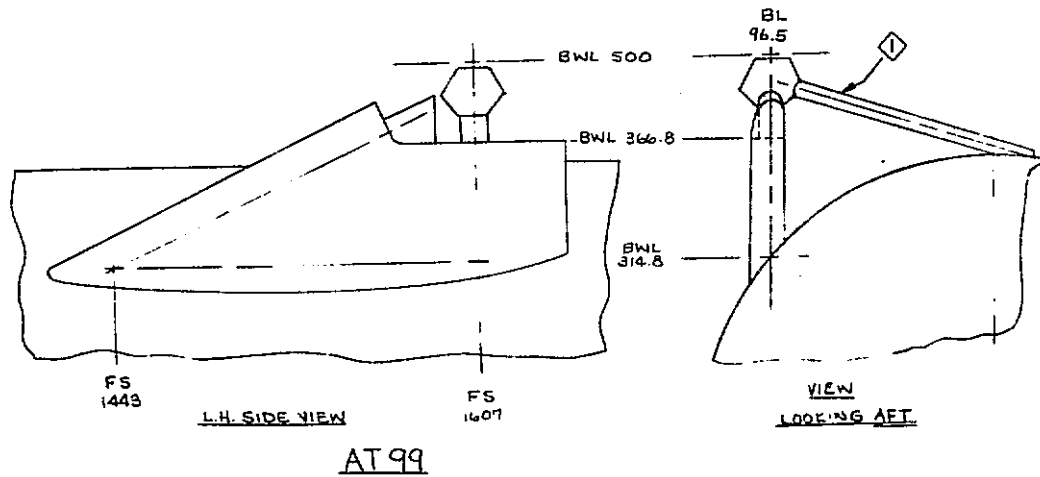
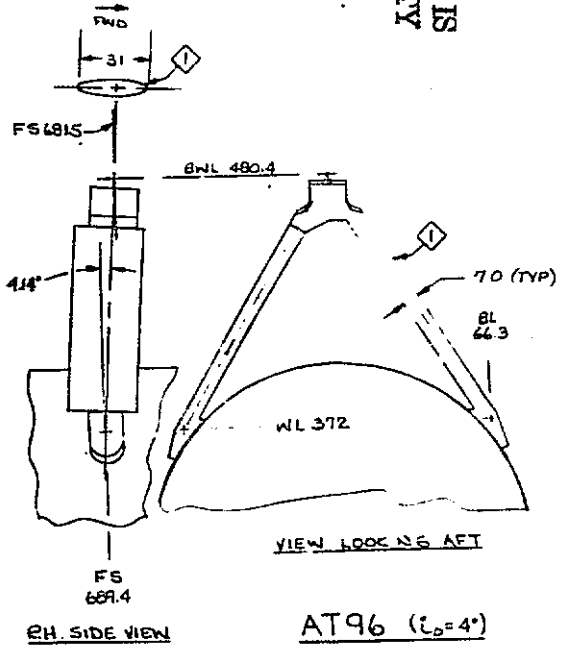
d. 747-100 Configuration (Model AX1318I-1)  
 Figure 2. Model Instrumentation Sketches



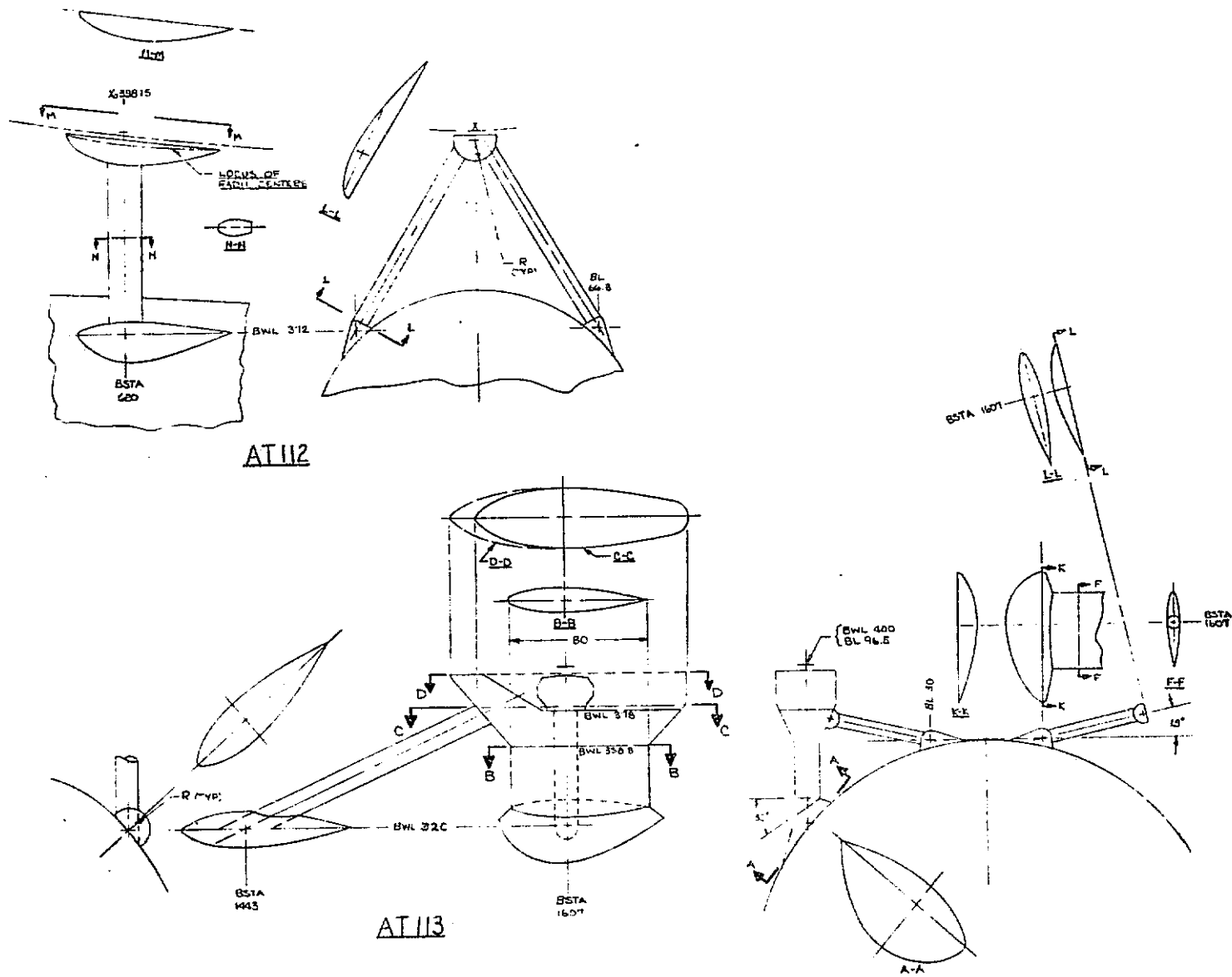
e. In-flight Spoiler Configuration  
 Figure 2. Model Instrumentation Sketches

ORIGINAL PAGE IS  
OF POOR QUALITY

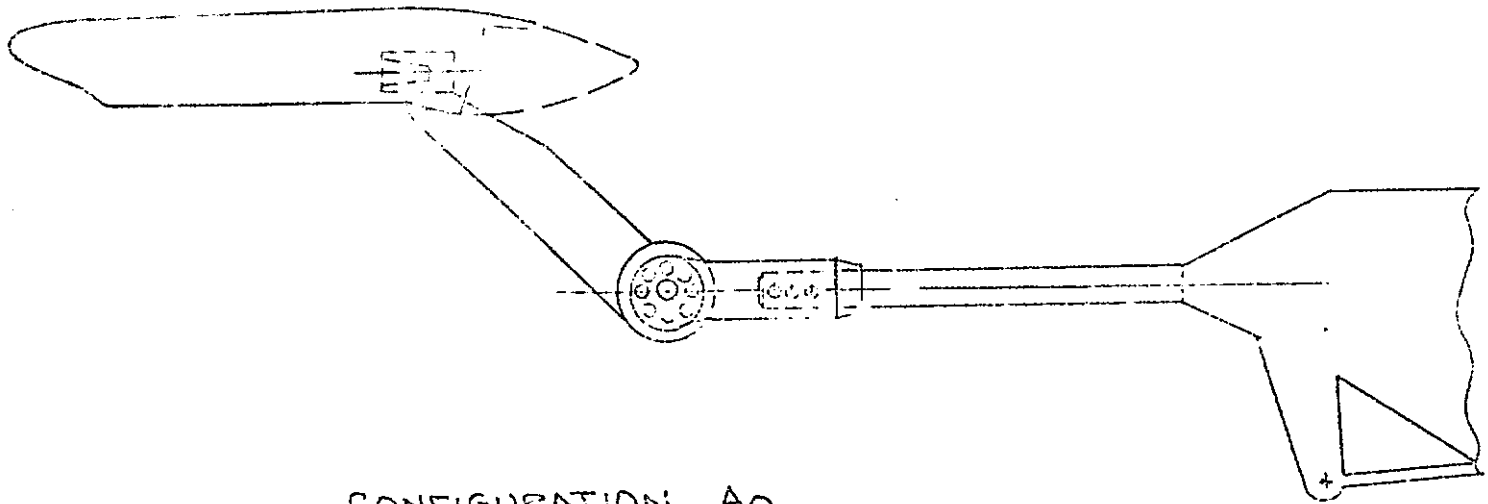
85



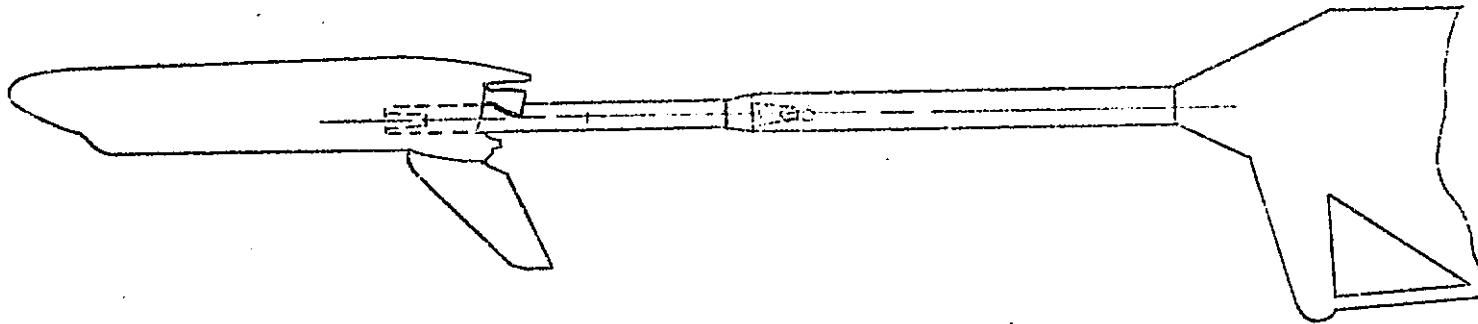
f. Simulated Attach Structure AT96 and AT99 ( $AT_x$ )  
Figure 2. Model Instrumentation Sketches



g. Simulated Attach Structure AT<sub>112</sub> and AT<sub>113</sub> (AT<sub>y</sub>)  
Figure 2. Model Instrumentation Sketches



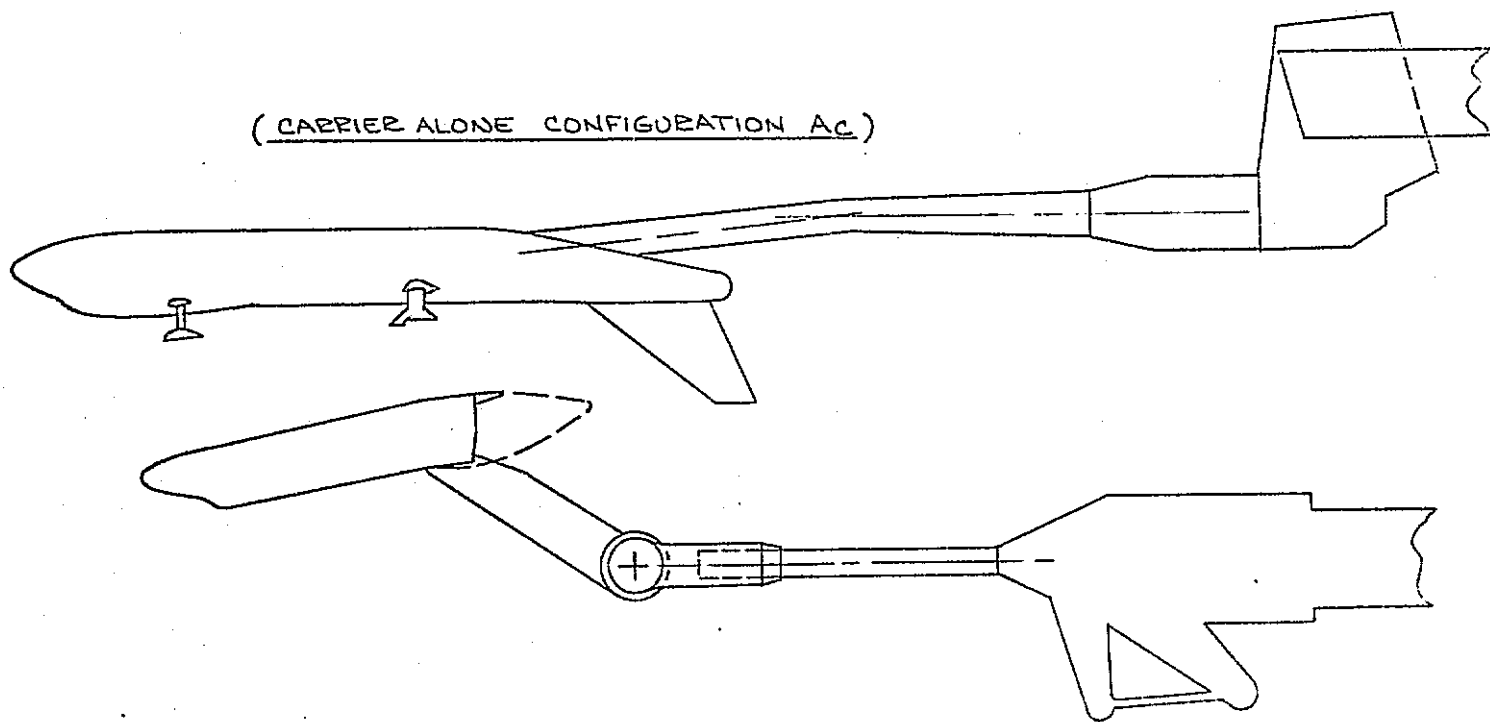
CONFIGURATION A0



CONFIGURATION A5

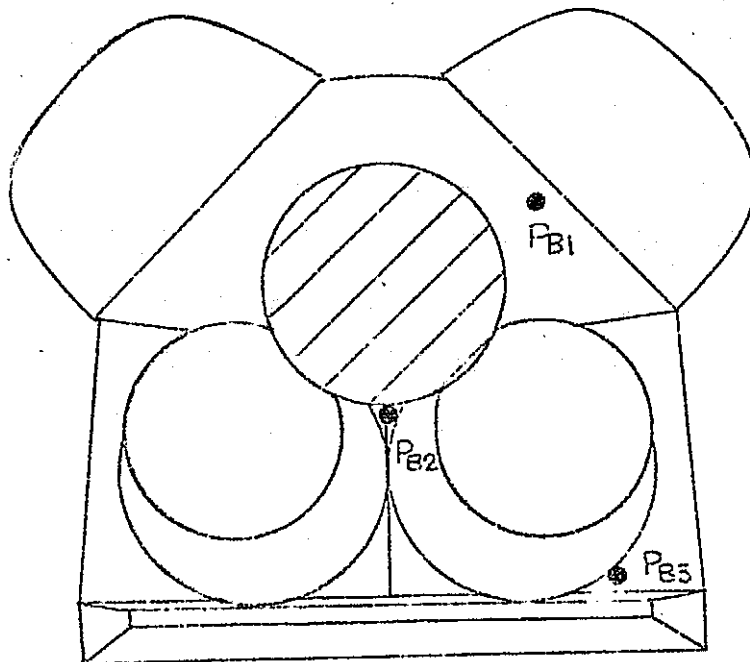
h. Orbiter Alone Installation Sketches

Figure 2. Model Instrumentation Sketches

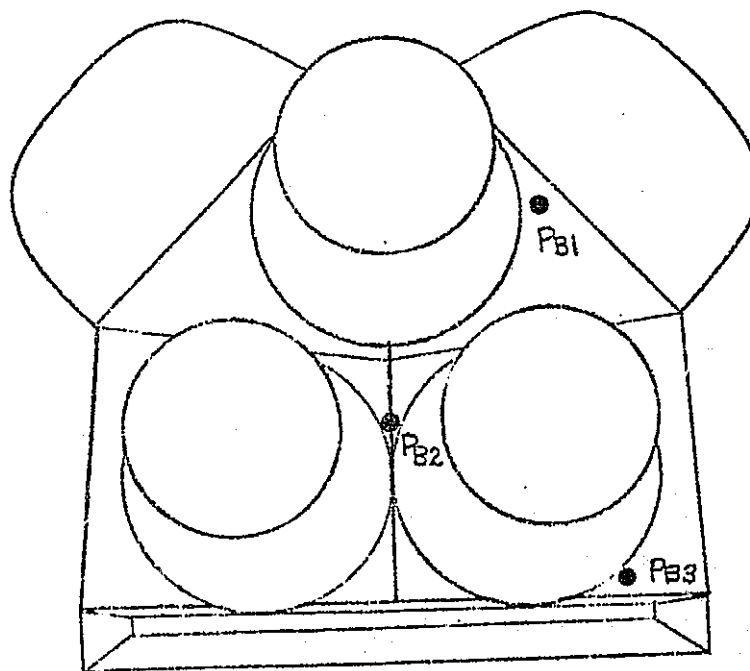


CONFIGURATION A<sub>1</sub>

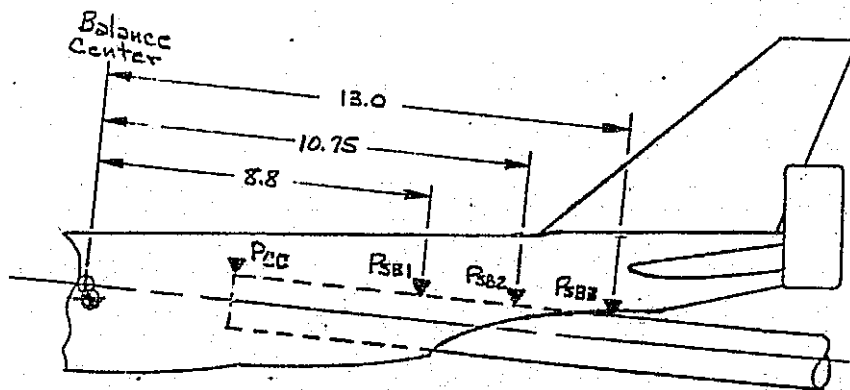
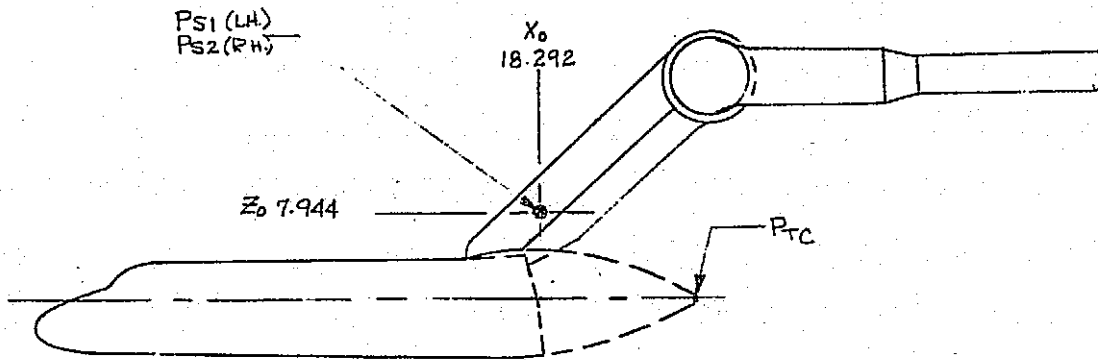
1. Carrier and Separation Installation Sketches  
Figure 2. Model Instrumentation Sketches



STING MOUNTED



j. Orbiter Base Pressure Tap Locations  
 Figure 2. Model Instrumentation Sketches



k. Sting and Strut Pressure Tap Locations  
Figure 2. Model Instrumentation Sketches

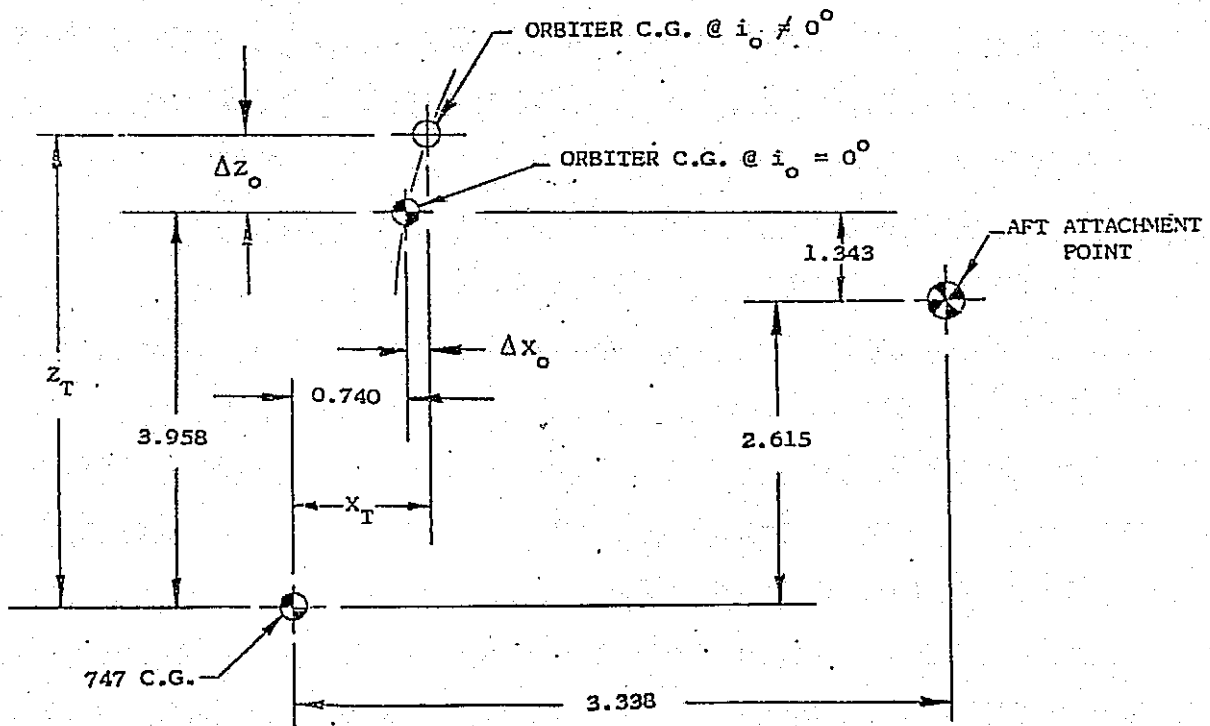


$$\Delta x_0 = 2.925 \cos(i_0 + 27.336)$$

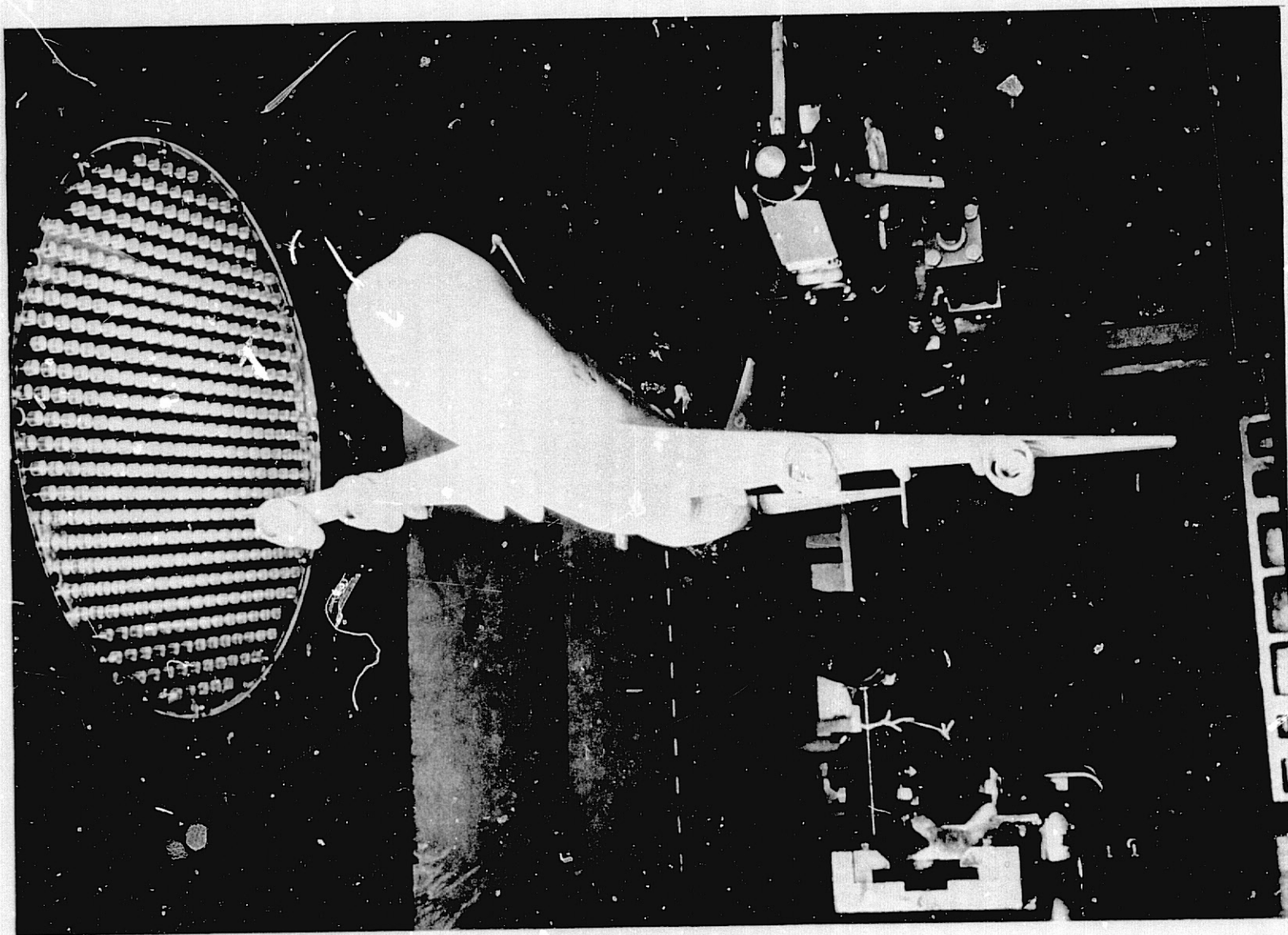
$$\Delta z_0 = 2.925 \sin(i_0 + 27.336) - 1.343$$

$$x_{\text{TRANSFER}} = 0.740 + \Delta x_0$$

$$z_{\text{TRANSFER}} = 3.958 + \Delta z_0$$

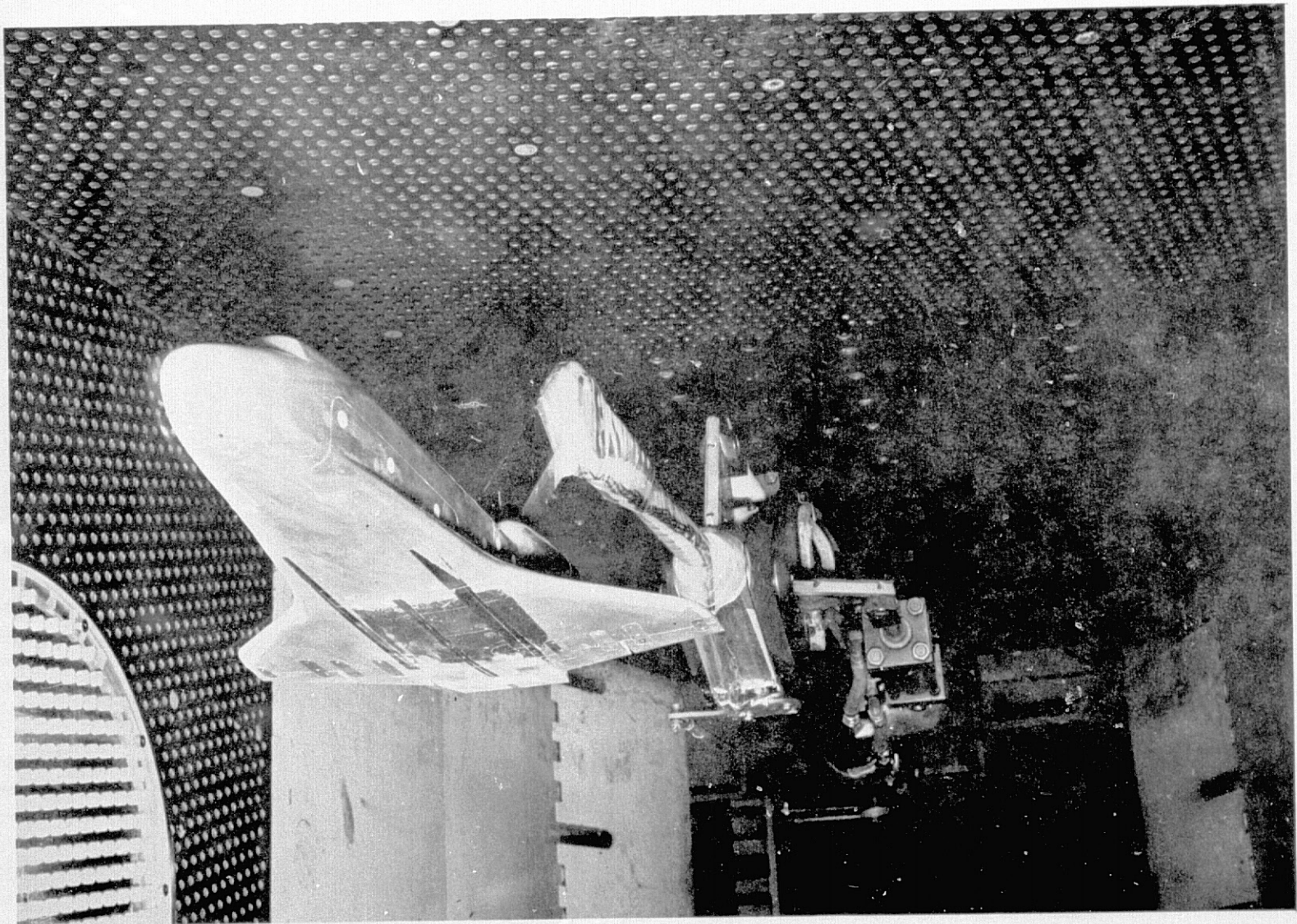


1. Orbiter/747 Moment Transfer: (Mate)  
 Figure 2. Model Instrumentation Matches



B. 747 Alone

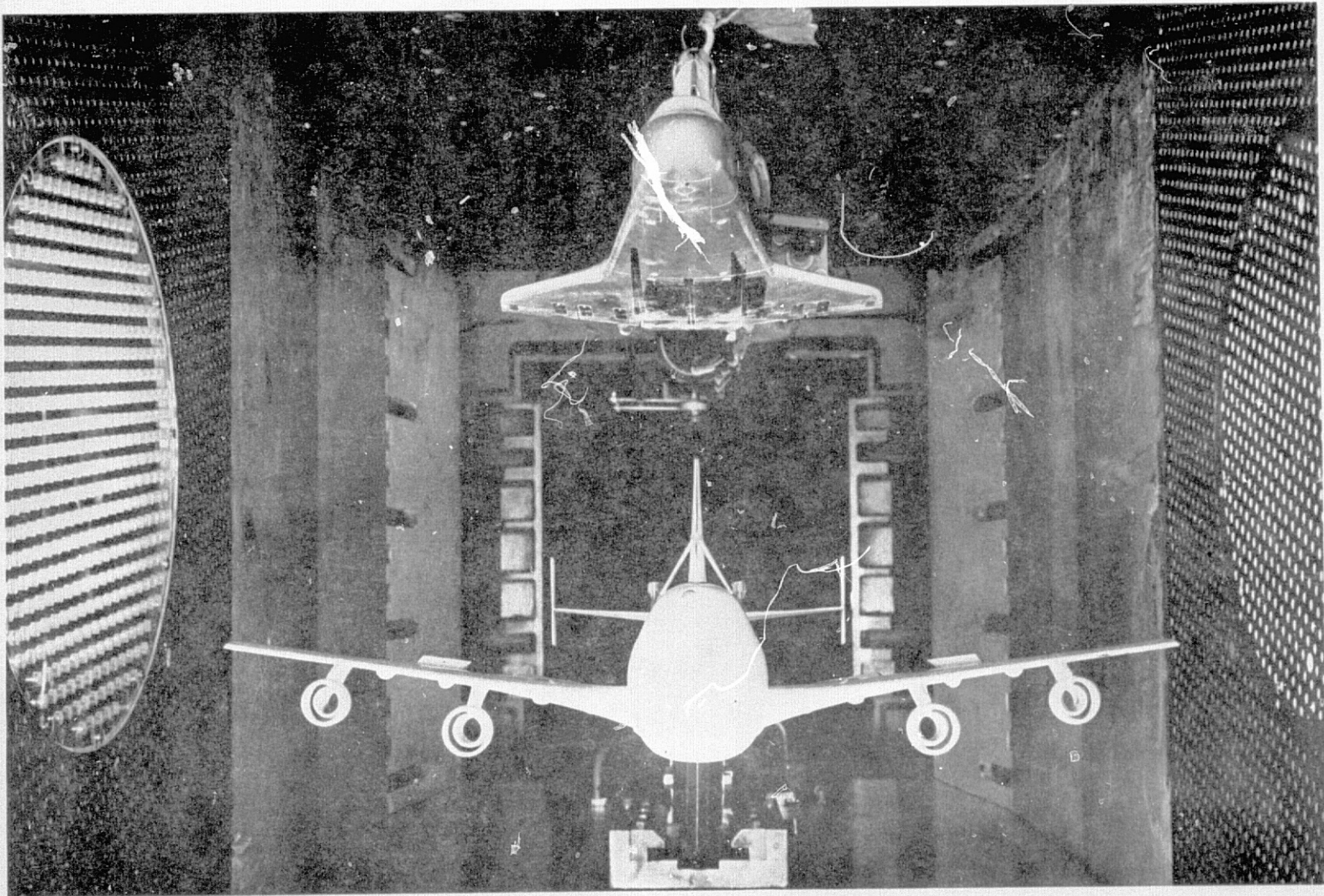
Figure 3. Model Installation



a. ORBITER ALONE

Figure 3. - Model Installation

ORIGINAL PAGE IS  
OF POOR QUALITY

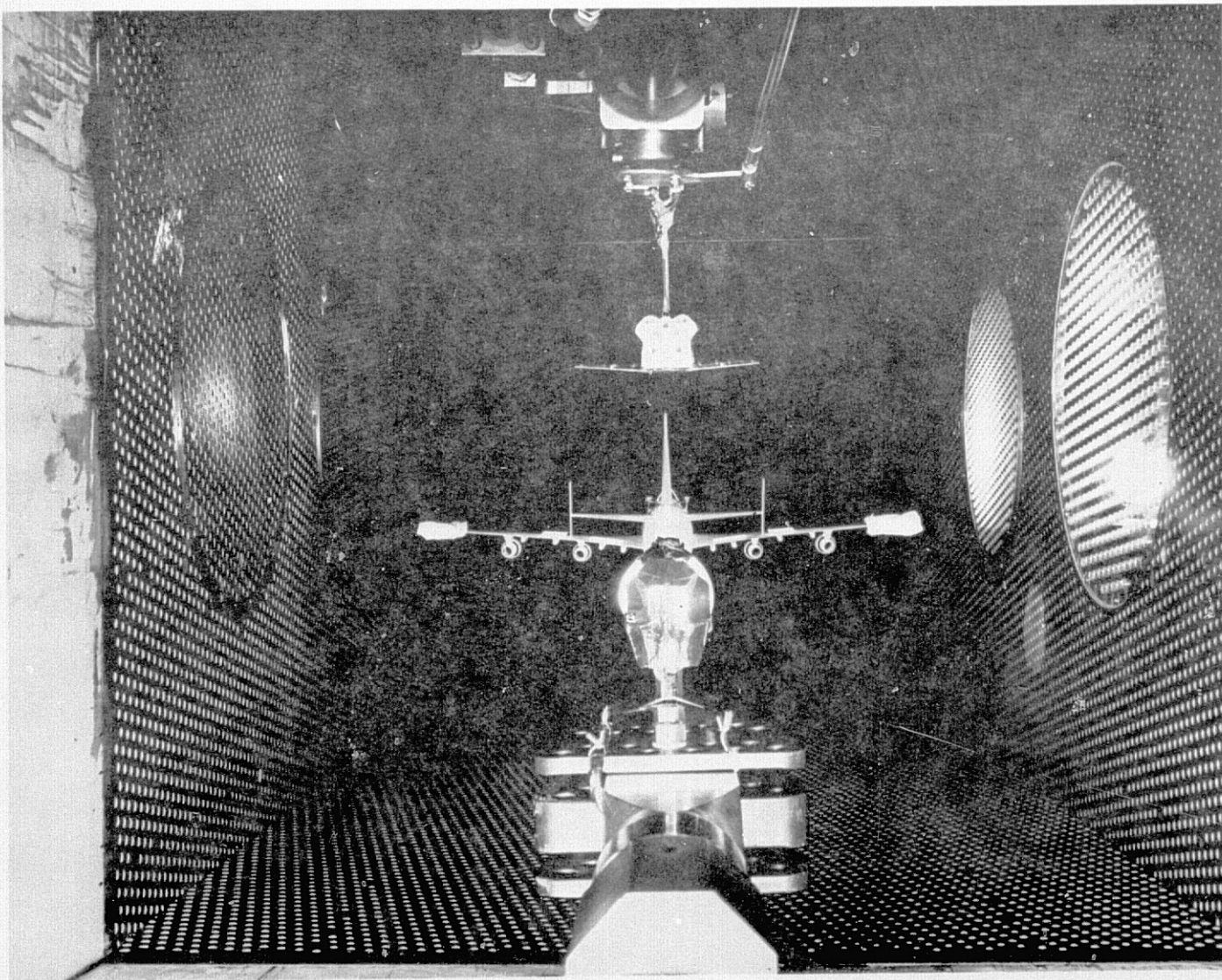


c. Front View, Orbiter Separating From 747

Figure 3. - Model installation

(Reverse of this page is blank.)

95



d. Rear View, Orbiter Separating From 747

Figure 3. Model installation

APPENDIX

TABULATED SOURCE DATA

Tabulated listing of plotted data are available on request from  
Data Management Services.

LTV44-559(CA26) 04 S

(AFE001) ( 18 NOV 75 )

REFERENCE DATA

SREF = 2690.0000 SQ.FT. XMRP = 1109.0000 IN. XO  
 LREF = 474.8100 IN. YMRP = .0000 IN. YO  
 BREF = 936.6800 IN. ZMRP = 375.0000 IN. ZO  
 SCALE = .0125

PARAMETRIC DATA

BETA0 = .000 ELEVON = .000  
 BDFLAP = .000

RUN NO. 1/ 0 RN/L = .00 GRADIENT INTERVAL = -5.00/ 5.00

MACH	ALPHA0	BETA0	CN	CLM	CA	CY	CYN	CBL	CL	CD
.601	.100	.02000	-.05320	.02080	.04790	-.00810	-.00050	-.00090	-.05330	.04780
.601	.679	.00000	-.02600	.02210	.04700	-.00840	-.00050	-.00080	-.02660	.04670
.601	1.090	.01000	-.00410	.02340	.04620	-.00770	-.00050	-.00080	-.00500	.04610
.599	1.510	.03000	.01640	.02430	.04500	-.00770	-.00040	-.00090	.01520	.04540
.599	1.950	.02000	.03930	.02570	.04360	-.00710	-.00040	-.00090	.03780	.04490
.600	2.390	.02000	.06210	.02680	.04220	-.00700	-.00040	-.00090	.06030	.04480
.600	2.840	.02000	.08420	.02930	.04070	-.00680	-.00050	-.00100	.08210	.04480
.599	3.280	.00000	.10560	.02950	.03910	-.00650	-.00050	-.00100	.10310	.04510
.599	3.710	.01000	.12700	.03070	.03700	-.00630	-.00050	-.00120	.12430	.04520
.601	4.150	.02000	.14980	.03190	.03470	-.00570	-.00060	-.00110	.14690	.04550
.600	4.600	.00000	.17170	.03320	.03260	-.00590	-.00050	-.00120	.16850	.04630
.600	5.050	.00000	.19410	.03430	.03000	-.00570	-.00050	-.00110	.19070	.04690
.599	5.480	.00000	.21770	.03530	.02730	-.00580	-.00060	-.00120	.21400	.04800
.598	5.930	-.01000	.24150	.03620	.02470	-.00600	-.00050	-.00110	.23760	.04960
.599	6.350	.02000	.26480	.03700	.02150	-.00500	-.00050	-.00110	.26070	.05070
.599	6.810	-.01000	.28700	.03860	.01820	-.00520	-.00060	-.00110	.28280	.05220
.599	7.230	.02000	.30800	.03970	.01510	-.00510	-.00050	-.00120	.30360	.05380
.600	7.670	.01000	.33000	.04140	.01180	-.00440	-.00060	-.00110	.32550	.05580
.600	8.120	.01000	.35330	.04350	.00830	-.00500	-.00060	-.00100	.34860	.05810
.600	8.550	.02000	.37260	.04540	.00490	-.00470	-.00050	-.00110	.36790	.06030
.600	9.000	.00000	.39440	.04760	.00100	-.00420	-.00050	-.00120	.38940	.06280
.599	9.450	-.01000	.41720	.04930	-.00210	-.00460	-.00050	-.00110	.41190	.06640
.599	9.880	.01000	.44240	.05070	-.001570	-.00430	-.00060	-.00110	.43690	.07020
.599	10.340	.00000	.47170	.05220	-.003950	-.00380	-.00070	-.00110	.46580	.07530
.599	10.770	.00000	.49560	.05260	-.00210	-.00300	-.00070	-.00120	.48910	.08070
.599	11.220	.01000	.52460	.05280	-.00430	-.00410	-.00050	-.00140	.51730	.08810
.600	11.690	.00000	.55500	.05350	-.001640	-.00490	-.00020	-.00160	.54680	.09630
.600	12.130	.00000	.58330	.05370	-.001740	-.00420	-.00020	-.00160	.57390	.10550
.599	12.590	.00000	.61550	.05390	-.001750	-.00370	-.00020	-.00130	.60450	.11700
.598	13.020	.01000	.63980	.05360	-.001720	-.00350	-.00020	-.00100	.62720	.12740
.599	13.450	.01000	.66100	.05420	-.001670	-.00370	-.00030	-.00090	.64670	.13750
.597	13.920	-.01000	.68850	.05610	-.001660	-.00390	-.00040	-.00070	.67230	.14940
.598	14.350	-.01000	.71000	.05730	-.001630	-.00400	-.00040	-.00070	.69190	.16020
.597	14.770	.02000	.73000	.05650	-.001580	-.00390	-.00030	-.00050	.70990	.17080
.598	15.230	-.01000	.75510	.05950	-.001510	-.00360	-.00040	-.00040	.73260	.18370
.598	15.660	.00000	.77910	.06000	-.001420	-.00430	-.00020	-.00030	.75400	.19660
.597	16.100	.01000	.80730	.06030	-.001350	-.00460	-.00010	-.00010	.77930	.21090
.598	16.550	.00000	.83060	.05970	-.001240	-.00460	-.00040	-.00010	.79970	.22480
.599	16.980	.02000	.85650	.05840	-.001120	-.00430	-.00030	.00010	.82240	.23950
.598	17.210	.00000	.87230	.05820	-.001160	-.00520	.00000	.00000	.83670	.24710
.598	GRADIENT	-.00170	.05018	.00279	-.00344	.00059	-.00001	-.00009	.04949	-.00033

ORIGINAL PAGE IS  
OF POOR QUALITY

LTV44-559(CA26) 04 S

(AFE002) ( 18 NOV 75 )

REFERENCE DATA

SREF = 2690.0000 SQ.FT. XMRP = 1109.0000 IN. XO  
 LREF = 474.8100 IN. YMRP = .0000 IN. YO  
 BREF = 936.6800 IN. ZMRP = 375.0000 IN. ZO  
 SCALE = .0125

PARAMETRIC DATA

BETA0 = .000 ELEVON = .000  
 BDFLAP = 16.300

RUN NO. 2/ 0 RN/L = .00 GRADIENT INTERVAL = -5.00/ 5.00

MACH	ALPHA0	BETA0	CN	CLM	CA	CY	CYN	CBL	CL	CD
.597	.100	.05000	-.00960	-.00560	.05380	-.00620	-.00030	-.00050	-.00970	.05370
.596	.440	.07000	.01110	-.00460	.05320	-.00630	-.00040	-.00060	.01070	.05330
.596	.860	.07000	.02970	-.00380	.05250	-.00590	-.00040	-.00070	.02890	.05290
.596	1.300	.09000	.05260	-.00240	.05150	-.00630	-.00040	-.00070	.05140	.05270
.596	1.720	.05000	.07460	-.00100	.05020	-.00550	-.00040	-.00070	.07300	.05240
.596	2.170	.06000	.09760	-.00010	.04900	-.00560	-.00040	-.00080	.09560	.05270
.596	2.620	.07000	.11900	.00100	.04770	-.00550	-.00040	-.00080	.11670	.05310
.595	3.050	.05000	.14130	.00200	.04640	-.00530	-.00040	-.00100	.13860	.05390
.595	3.510	.08000	.16450	.00310	.04460	-.00500	-.00040	-.00100	.16140	.05460
.595	3.930	.09000	.18660	.00400	.04270	-.00510	-.00040	-.00100	.18320	.05540
.595	4.370	.07000	.21000	.00500	.04040	-.00490	-.00040	-.00110	.20630	.05630
.593	4.830	.07000	.23460	.00640	.03840	-.00520	-.00030	-.00100	.23050	.05800
.594	5.250	.06000	.25840	.00710	.03590	-.00450	-.00030	-.00100	.25400	.05950
.595	5.700	.08000	.27920	.00740	.03340	-.00470	-.00030	-.00100	.27450	.06100
.594	6.130	.08000	.30160	.00840	.03050	-.00420	-.00040	-.00100	.29660	.06260
.595	6.560	.07000	.32350	.00940	.02750	-.00430	-.00030	-.00110	.31820	.06430
.595	7.000	.05000	.34540	.01090	.02430	-.00360	-.00040	-.00100	.33990	.06620
.594	7.420	.06000	.36770	.01220	.02140	-.00410	-.00030	-.00100	.36180	.06870
.595	7.880	.05000	.38930	.01460	.01780	-.00350	-.00030	-.00100	.38320	.07110
.594	8.320	.07000	.41010	.01640	.01440	-.00360	-.00030	-.00110	.40370	.07370
.596	8.780	.06000	.43050	.01840	.01110	-.00370	-.00050	-.00110	.42380	.07670
.596	9.220	.07000	.45380	.02030	.00740	-.00340	-.00040	-.00100	.44670	.08010
.595	9.650	.08000	.47830	.02120	.00400	-.00340	-.00030	-.00100	.47090	.08420
.595	10.110	.08000	.50340	.02260	.00050	-.00270	-.00040	-.00100	.49550	.08890
.595	10.550	.07000	.52760	.02300	-.00240	-.00230	-.00060	-.00110	.51910	.09410
.594	10.980	.05000	.55760	.02350	-.00530	-.00280	-.00040	-.00120	.54840	.10090
.594	11.440	.03000	.58730	.02420	-.00770	-.00280	-.00030	-.00140	.57710	.10890
.594	11.890	.04000	.61580	.02500	-.00960	-.00260	-.00010	-.00150	.60450	.11750
.592	12.340	.06000	.64760	.02530	-.01080	-.00310	-.00010	-.00140	.63500	.12780
.593	12.770	.09000	.67590	.02510	-.01100	-.00380	-.00010	-.00100	.66160	.13870
.592	13.220	.06000	.70380	.02580	-.01090	-.00360	-.00020	-.00090	.68760	.15020
.592	13.670	.04000	.72550	.02690	-.01120	-.00300	-.00030	-.00080	.70750	.16060
.591	14.100	.07000	.74710	.02840	-.01150	-.00250	-.00030	-.00070	.72740	.17090
.592	14.550	.04000	.76540	.03000	-.01110	-.00320	-.00030	-.00070	.74360	.18150
.592	14.990	.04000	.78840	.03140	-.01070	-.00420	-.00030	-.00060	.76430	.19360
.591	15.420	.05000	.81040	.03240	-.01020	-.00400	-.00010	-.00040	.78390	.20560
.592	15.850	.04000	.83110	.03340	-.01000	-.00270	-.00010	-.00050	.80220	.21740
.592	16.300	.04000	.85590	.03400	-.00990	-.00260	-.00030	-.00110	.82430	.23070
.592	16.740	.04000	.88090	.03400	-.00850	-.00250	-.00050	-.00100	.84600	.24560
.593	17.170	.06000	.90800	.03380	-.00800	-.00290	-.00010	-.00060	.86990	.26040
	GRADIENT	.00254	.05110	.00250	-.00323	.00027	.00000	-.00012	.05025	.00086



LTV44-559(CA26) 04 5

(AFE003) ( 18 NOV 75 )

## REFERENCE DATA

SREF = 2690.0000 SQ.FT. XMRP = 1109.0000 IN. XO  
 LREF = 474.8100 IN. YMRP = .0000 IN. YO  
 BREF = 936.6800 IN. ZMRP = 375.0000 IN. ZO  
 SCALE = .0125

## PARAMETRIC DATA

BETA0 = .000 ELEVON = 5.000  
 BDFLAP = .000

RUN NO. 4/ 0 RN/L = .00 GRADIENT INTERVAL = -5.00/ 5.00

MACH	ALPHA0	BETA0	CN	CLM	CA	CY	CYN	CBL	CL	CD
.597	.170	.06000	.03790	-.01610	.05190	-.00760	-.00040	-.00050	.03780	.05200
.596	.530	.03000	.05560	-.01490	.05100	-.00670	-.00030	-.00040	.05520	.05150
.597	.960	.03000	.07610	-.01360	.04980	-.00670	-.00030	-.00040	.07520	.05110
.596	1.380	.03000	.09720	-.01250	.04870	-.00720	-.00030	-.00050	.09600	.05100
.595	1.790	.02000	.11840	-.01140	.04780	-.00710	-.00040	-.00050	.11690	.05140
.596	2.270	.03000	.14330	-.00980	.04610	-.00710	-.00030	-.00060	.14140	.05180
.597	2.710	.04000	.16570	-.00860	.04390	-.00600	-.00030	-.00050	.16350	.05170
.596	3.150	.05000	.18710	-.00730	.04210	-.00650	-.00030	-.00060	.18450	.05240
.595	3.580	.03000	.21010	-.00590	.04020	-.00580	-.00030	-.00050	.20720	.05330
.596	4.020	.03000	.23030	-.00490	.03800	-.00460	-.00040	-.00030	.22710	.05410
.594	4.450	.00000	.25320	-.00320	.03590	-.00620	-.00030	-.00050	.24970	.05550
.595	4.890	.01000	.27450	-.00200	.03280	-.00510	-.00040	-.00050	.27070	.05610
.596	5.340	.01000	.29500	-.00100	.03030	-.00450	-.00030	-.00050	.29090	.05770
.594	5.760	.01000	.31900	.00010	.02780	-.00530	-.00040	-.00060	.31460	.05970
.595	6.210	.04000	.34030	.00090	.02490	-.00530	-.00030	-.00060	.33560	.06160
.593	6.650	.01000	.36470	.00200	.02170	-.00480	-.00030	-.00060	.35980	.06380
.594	7.110	.01000	.38610	.00310	.01820	-.00490	-.00030	-.00080	.38090	.06590
.594	7.530	.02000	.40860	.00440	.01510	-.00510	-.00030	-.00070	.40310	.06860
.593	7.960	.00000	.43410	.00580	.01140	-.00480	-.00030	-.00080	.42830	.07150
.592	8.420	.00000	.45630	.00730	.00800	-.00420	-.00040	-.00080	.45020	.07470
.592	8.850	.00000	.47860	.00900	.00430	-.00500	-.00030	-.00100	.47230	.07800
.595	9.290	.01000	.49880	.01060	.00070	-.00470	-.00030	-.00090	.49210	.08130
.594	9.750	.01000	.52300	.01170	-.00270	-.00420	-.00030	-.00080	.51590	.08580
.593	10.200	.03000	.55030	.01370	-.00620	-.00440	-.00040	-.00090	.54270	.09130
.594	10.650	.01000	.57400	.01450	-.00870	-.00390	-.00040	-.00080	.56570	.09750
.592	11.090	.02000	.60530	.01520	-.01110	-.00430	-.00020	-.00100	.59620	.10550
.593	11.520	.02000	.63200	.01600	-.01330	-.00380	-.00010	-.00100	.62200	.11310
.593	11.990	.01000	.66240	.01680	-.01440	-.00350	-.00010	-.00110	.65100	.12350
.591	12.420	-.01000	.69180	.01650	-.01500	-.00410	.00000	-.00120	.67880	.13400
.591	12.880	.02000	.72100	.01730	-.01510	-.00460	.00000	-.00070	.70620	.14600
.590	13.320	.01000	.74500	.01760	-.01400	-.00450	.00000	-.00030	.72820	.15800
.591	13.760	.00000	.76440	.01830	-.01300	-.00480	.00000	-.00020	.74560	.16910
.591	14.170	.01000	.78830	.01930	-.01210	-.00580	.00010	.00050	.76730	.18120
.592	14.650	.01000	.81530	.02000	-.01120	-.00640	.00020	.00090	.79160	.19540
.592	15.090	.01000	.83690	.02050	-.01010	-.00530	.00010	.00090	.81060	.20810
.593	15.510	.01000	.85710	.02060	-.00860	-.00570	.00000	.00060	.82820	.22090
.593	15.950	.03000	.88080	.02120	-.00740	-.00590	.00010	.00030	.84900	.23490
.592	16.370	.00000	.90840	.02040	-.00650	-.00610	.00030	.00050	.87330	.24980
.591	16.830	.00000	.94080	.01990	-.00630	-.00570	.00030	.00050	.90230	.26640
.592	17.300	.03000	.96950	.01990	-.00640	-.00620	.00040	.00040	.92650	.28190
	GRADIENT	-.00571	.05038	.00296	-.00396	.00046	-.00000	-.00000	.04360	.00094

LTV44-559(CA26) 04 S

(AFE004) ( 18 NOV 75 )

## REFERENCE DATA

## PARAMETRIC DATA

SREF = 2690.0000 SQ.FT. XMRP = 1109.0000 IN. XO  
 LREF = 474.8100 IN. YMRP = .0000 IN. YO  
 BREF = 936.6800 IN. ZMRP = 375.0000 IN. ZO  
 SCALE = .0125

BETA0 = -5.000 ELEVON = 5.000  
 BDFLAP = .000

RUN NO. 1004/ 0 RN/L = .00 GRADIENT INTERVAL = -5.00/ 5.00

MACH	ALPHA0	BETA0	CN	CLM	CA	CY	CYN	CBL	CL	CO
.595	.170	-5.09000	.03940	-.02130	.05010	.08910	-.00510	.00500	.03920	.05020
.594	.720	-5.07000	.06830	-.01930	.04920	.08890	-.00520	.00530	.06770	.05000
.593	1.140	-5.08000	.08720	-.01850	.04880	.09020	-.00490	.00570	.08620	.05050
.596	1.600	-5.06000	.10930	-.01690	.04700	.08770	-.00510	.00580	.10790	.05010
.595	2.020	-5.09000	.13120	-.01560	.04560	.08990	-.00490	.00620	.12950	.05030
.595	2.460	-5.09000	.15270	-.01410	.04420	.08920	-.00500	.00650	.15070	.05080
.594	2.910	-5.07000	.17480	-.01280	.04270	.08960	-.00500	.00670	.17240	.05160
.595	3.330	-5.09000	.19400	-.01180	.04080	.08870	-.00490	.00700	.19130	.05200
.592	3.780	-5.07000	.21630	-.01050	.03940	.08980	-.00470	.00720	.21320	.05360
.594	4.210	-5.07000	.23710	-.00910	.03690	.08950	-.00470	.00740	.23370	.05430
.594	4.650	-5.10000	.26000	-.00760	.03450	.08730	-.00450	.00750	.25640	.05550
.593	5.080	-5.09000	.27990	-.00660	.03240	.08750	-.00430	.00760	.27590	.05710
.593	5.530	-5.08000	.30170	-.00510	.02990	.08770	-.00410	.00790	.29740	.05890
.593	5.980	-5.05000	.32380	-.00360	.02690	.08730	-.00420	.00820	.31920	.06050
.593	6.400	-5.06000	.34600	-.00220	.02410	.08780	-.00430	.00850	.34110	.06260
.591	6.840	-5.09000	.36960	-.00100	.02130	.08850	-.00460	.00890	.36440	.06520
.592	7.280	-5.07000	.39180	.00010	.01830	.08810	-.00470	.00930	.38640	.06780
.591	7.730	-5.06000	.41540	.00140	.01540	.08960	-.00460	.00980	.40950	.07120
.593	8.170	-5.06000	.43640	.00230	.01170	.08820	-.00490	.01020	.43030	.07360
.591	8.600	-5.07000	.46190	.00340	.00860	.08840	-.00500	.01040	.45540	.07760
.593	9.050	-5.07000	.48390	.00440	.00480	.08800	-.00510	.01080	.47710	.08090
.592	9.510	-5.05000	.51260	.00600	.00090	.08880	-.00520	.01100	.50540	.08560
.591	9.930	-5.09000	.53590	.00670	-.00190	.08960	-.00520	.01120	.52820	.09040
.591	10.380	-5.09000	.56170	.00800	-.00540	.08950	-.00530	.01140	.55340	.09590
.593	10.840	-5.06000	.58440	.00820	-.00800	.08900	-.00520	.01170	.57650	.10190
.593	11.280	-5.06000	.61320	.00830	-.01040	.08920	-.00520	.01200	.60340	.10970
.592	11.720	-5.08000	.64360	.00860	-.01250	.08930	-.00510	.01220	.63270	.11850
.591	12.170	-5.07000	.67030	.00890	-.01400	.08950	-.00530	.01210	.65820	.12760
.590	12.600	-5.07000	.69830	.00940	-.01450	.09010	-.00590	.01190	.68460	.13820
.592	13.070	-5.07000	.71960	.00950	-.01480	.09120	-.00640	.01150	.70430	.14830
.591	13.490	-5.07000	.74670	.01020	-.01420	.09320	-.00690	.01090	.72940	.16040
.593	13.950	-5.07000	.76590	.01180	-.01430	.09380	-.00730	.01080	.74680	.17070
.591	14.380	-5.09000	.79380	.01360	-.01390	.09510	-.00760	.01100	.77240	.18360
.591	14.830	-5.06000	.81590	.01470	-.01290	.09560	-.00780	.01060	.79200	.19630
.590	15.260	-5.07000	.84000	.01510	-.01160	.09740	-.00820	.01010	.81340	.20980
.590	15.690	-5.08000	.86280	.01590	-.00970	.09730	-.00800	.01050	.83330	.22400
.590	16.130	-5.09000	.88300	.01590	-.00660	.09590	-.00740	.01220	.85010	.23900
.590	16.570	-5.08000	.90740	.01610	-.00580	.09510	-.00730	.01280	.87140	.25320
.591	17.030	-5.08000	.93790	.01660	-.00640	.09630	-.00760	.01300	.89870	.26860
.592	17.230	-5.10000	.94470	.01650	-.00680	.09680	-.00770	.01300	.90430	.27340
	GRADIENT	-.00135	.04891	.00301	-.00350	-.00020	.00012	.00058	.04814	.00119

LTV44-559(CA26) 02 S1

(AFE005) ( 18 NOV 75 )

## REFERENCE DATA

SREF = 2690.0000 SQ.FT. XMRP = 1109.0000 IN. XO  
 LREF = 474.8100 IN. YMRP = .0000 IN. YO  
 BREF = 936.6800 IN. ZMRP = 375.0000 IN. ZO  
 SCALE = .0125

## PARAMETRIC DATA

BETA0 = .000 ELEVON = 5.000  
 BDFLAP = .000

RUN NO. 7/ 0 RN/L = .00 GRADIENT INTERVAL = -5.00/ 5.00

MACH	ALPHA0	BETA0	CN	CLM	CA	CY	CYN	CBL	CL	CD
.599	.160	.04000	.01700	-.01270	.06260	-.00550	-.00140	.00040	.01690	.06270
.597	.500	.09000	.03250	-.01130	.06170	-.00580	-.00140	.00030	.03200	.06200
.596	.900	.07000	.05170	-.01050	.06130	-.00560	-.00140	.00020	.05080	.06210
.597	1.360	.08000	.07250	-.00910	.05980	-.00550	-.00130	.00010	.07110	.06150
.596	1.780	.08000	.09320	-.00790	.05850	-.00570	-.00120	.00020	.09140	.06140
.595	2.220	.08000	.11360	-.00680	.05720	-.00520	-.00110	.00020	.11130	.06150
.594	2.680	.07000	.13660	-.00520	.05530	-.00550	-.00120	.00020	.13380	.06160
.594	3.100	.07000	.15630	-.00430	.05420	-.00500	-.00130	.00010	.15310	.06260
.594	3.560	.07000	.17630	-.00290	.05250	-.00450	-.00120	.00010	.17270	.06330
.593	3.970	.07000	.19710	-.00170	.05050	-.00430	-.00120	.00010	.19310	.06400
.594	4.410	.05000	.21800	-.00020	.04790	-.00390	-.00110	.00010	.21370	.06460
.593	4.870	.09000	.23810	.00040	.04570	-.00350	-.00100	.00010	.23330	.06580
.593	5.290	.03000	.25800	.00170	.04340	-.00310	-.00110	.00000	.25290	.06700
.593	5.740	.07000	.27980	.00340	.04060	-.00340	-.00100	.00000	.27430	.06840
.594	6.190	.06000	.29970	.00460	.03800	-.00270	-.00110	.00020	.29380	.07020
.591	6.610	.05000	.32200	.00560	.03510	-.00240	-.00100	.00010	.31580	.07200
.592	7.070	.08000	.34230	.00660	.03180	-.00320	-.00110	-.00020	.33580	.07380
.595	7.480	.03000	.35800	.00740	.02870	-.00170	-.00090	.00000	.35120	.07520
.593	7.930	.03000	.38410	.00880	.02570	-.00210	-.00090	.00000	.37690	.07850
.592	8.380	.06000	.40520	.01010	.02260	-.00270	-.00090	.00000	.39760	.08140
.592	8.810	.03000	.42590	.01200	.01890	-.00180	-.00080	.00010	.41800	.08400
.590	9.260	.03000	.45030	.01380	.01580	-.00130	-.00080	.00000	.44190	.08800
.591	9.700	.04000	.47030	.01490	.01250	-.00150	-.00080	.00000	.46140	.09160
.589	10.140	.02000	.49380	.01650	.00920	-.00160	-.00080	.00000	.48440	.09600
.589	10.580	.02000	.51680	.01800	.00590	-.00160	-.00070	.00000	.50690	.10080
.591	11.040	.04000	.53860	.01880	.00290	-.00050	-.00060	-.00020	.52810	.10600
.591	11.500	.00000	.56480	.02030	.00050	-.00090	-.00070	-.00020	.55330	.11310
.591	11.940	.05000	.59080	.02090	-.00170	-.00090	-.00060	-.00050	.57840	.12050
.589	12.360	.04000	.61780	.02130	-.00340	-.00090	-.00050	-.00070	.60420	.12890
.589	12.830	.01000	.64400	.02160	-.00480	-.00070	-.00040	-.00070	.62900	.13820
.590	13.290	.00000	.66630	.02260	-.00590	-.00060	-.00040	-.00060	.64980	.14750
.589	13.750	.02000	.69750	.02270	-.00610	-.00040	-.00040	-.00020	.67900	.15980
.599	14.180	.03000	.72040	.02260	-.00480	.00000	-.00050	-.00010	.69960	.17180
.589	14.620	.00000	.74300	.02330	-.00410	.00040	-.00060	.00000	.71990	.18360
.591	15.070	.02000	.76030	.02430	-.00320	-.00110	-.00060	.00030	.73500	.19450
.589	15.500	.01000	.78710	.02490	-.00260	-.00040	-.00020	.00080	.75910	.20780
.589	15.950	.02000	.80800	.02550	-.00170	-.00100	-.00010	.00120	.77730	.22040
.591	16.360	.04000	.82620	.02500	.00000	-.00140	-.00020	.00130	.79270	.23280
.590	16.820	.01000	.84980	.02550	.00170	-.00070	.00010	.00120	.81290	.24760
.589	17.260	.01000	.87650	.02540	.00280	-.00050	.00020	.00130	.83620	.26280
GRADIENT		.00143	.04722	.00282	-.00353	.00045	.00007	-.00005	.04622	.00068

LTV44-559(CA26) 02 51

(AFE006) ( 18 NOV 75 )

## REFERENCE DATA

SREF = 2690.0000 SQ.FT. XMRP = 1109.0000 IN. XO  
 LREF = 474.8100 IN. YMRP = .0000 IN. YO  
 BREF = 936.6800 IN. ZMRP = 375.0000 IN. ZO  
 SCALE = .0125

## PARAMETRIC DATA

BETA0 = -5.000 ELEVON = 5.000  
 BDFLAP = .000

RUN NO. 1007/ 0 RN/L = .00 GRADIENT INTERVAL = -5.00/ 5.00

MACH	ALPHA	BETA0	CN	CLM	CA	CY	CYN	CBL	CL	CD
.592	.140	-5.22000	.01100	-.01540	.05930	.05530	.01030	-.00600	.01090	.05930
.589	.490	-5.20000	.02680	-.01450	.05880	.05590	.01030	-.00580	.02630	.05910
.591	.880	-5.21000	.04380	-.01350	.05820	.05540	.01020	-.00570	.04290	.05880
.590	1.320	-5.21000	.06570	-.01200	.05700	.05560	.01020	-.00520	.06440	.05850
.590	1.760	-5.21000	.08690	-.01050	.05580	.05630	.01030	-.00480	.08520	.05840
.591	2.210	-5.23000	.10600	-.00930	.05460	.05730	.01040	-.00450	.10380	.05860
.590	2.640	-5.23000	.12720	-.00800	.05340	.05720	.01030	-.00420	.12460	.05920
.591	3.060	-5.23000	.14610	-.00680	.05200	.05780	.01030	-.00390	.14310	.05970
.592	3.510	-5.23000	.16610	-.00530	.05020	.05680	.01010	-.00360	.16270	.06030
.592	3.950	-5.23000	.18710	-.00390	.04820	.05750	.01020	-.00320	.18340	.06100
.589	4.400	-5.21000	.20740	-.00280	.04680	.05760	.01010	-.00280	.20320	.06260
.590	4.830	-5.22000	.22860	-.00130	.04430	.05810	.01010	-.00260	.22400	.06340
.591	5.270	-5.22000	.24500	-.00080	.04270	.05780	.01000	-.00230	.24010	.06510
.589	5.700	-5.22000	.26990	.00090	.04060	.05880	.01020	-.00200	.26450	.06720
.590	6.140	-5.23000	.29740	.00220	.03820	.05890	.01020	-.00170	.28170	.06880
.588	6.570	-5.24000	.31080	.00350	.03570	.05940	.01030	-.00130	.30460	.07110
.589	7.040	-5.22000	.33050	.00510	.03300	.05880	.01010	-.00090	.32390	.07330
.590	7.460	-5.22000	.34930	.00640	.03040	.05880	.01020	-.00050	.34240	.07560
.590	7.890	-5.23000	.36910	.00760	.02760	.05880	.01020	-.00010	.36180	.07810
.589	8.330	-5.25000	.39270	.00840	.02490	.05970	.01020	.00020	.38500	.08160
.588	8.780	-5.23000	.41710	.00960	.02150	.06000	.01010	.00070	.40890	.08500
.590	9.240	-5.24000	.43460	.01070	.01830	.05890	.01000	.00080	.42500	.08790
.590	9.670	-5.24000	.45960	.01180	.01480	.06020	.01030	.00130	.45080	.09180
.590	10.140	-5.23000	.48390	.01350	.01150	.05980	.01010	.00140	.47420	.09650
.589	10.580	-5.24000	.50560	.01460	.00840	.05970	.01020	.00160	.49550	.10110
.589	11.010	-5.25000	.53000	.01590	.00480	.05980	.01020	.00180	.51930	.10600
.588	11.450	-5.25000	.55170	.01690	.00230	.06000	.01020	.00190	.54030	.11180
.588	11.900	-5.25000	.57360	.01760	-.00070	.06010	.01040	.00200	.56140	.11750
.589	12.340	-5.25000	.60150	.01780	-.00350	.05990	.01060	.00210	.58830	.12510
.590	12.820	-5.24000	.62620	.01840	-.00600	.06000	.01080	.00230	.61200	.13300
.589	13.260	-5.24000	.65360	.01940	-.00800	.06010	.01060	.00230	.63800	.14210
.588	13.700	-5.23000	.67730	.02010	-.00930	.06060	.01020	.00220	.66020	.15130
.588	14.120	-5.27000	.70340	.01970	-.00950	.06330	.00970	.00210	.68440	.16240
.588	14.580	-5.25000	.72420	.02020	-.00950	.06310	.00930	.00130	.70330	.17310
.587	15.030	-5.23000	.74820	.02100	-.00950	.06340	.00900	.00080	.72500	.18490
.587	15.450	-5.28000	.76680	.02200	-.00900	.06540	.00880	.00070	.74150	.19560
.586	15.900	-5.26000	.79190	.02280	-.00850	.06740	.00860	.00050	.76390	.20870
.587	16.360	-5.24000	.81280	.02460	-.00830	.06700	.00830	.00010	.78220	.22100
.587	16.770	-5.31000	.83650	.02570	-.00720	.06880	.00850	.00020	.80300	.23440
.586	17.220	-5.28000	.85610	.02690	-.00710	.06860	.00950	.00020	.81980	.24660
	GRADIENT	-.00317	.04632	.00302	-.00316	.00058	-.00004	.00075	.04537	.00086

LTV44-559(CA26) 02 S1

(AFE007) ( 16 NOV 75 )

## REFERENCE DATA

SREF = 2690.0000 SQ.FT. XMRP = 1109.0000 IN. XO  
 LREF = 474.8100 IN. YMRP = .0000 IN. YO  
 BREF = 936.6800 IN. ZMRP = 375.0000 IN. ZO  
 SCALE = .0125

## PARAMETRIC DATA

ALPHA0 = 8.000 BETA0 = .000  
 ELEVON = 5.000 BDFLAP = .000

RUN NO. 8/0 RN/L = .00 GRADIENT INTERVAL = -5.00/ 5.00											
MACH	DZ	DY	DX	CN	CLM	CA	CY	CYN	CBL	CL	CD
.590	.000	.00000	.00000	.44850	.01480	.01450	.00070	-.00040	.00000	.44070	.08450
.591	1.320	.00000	.00000	.44550	.01450	.01480	.00080	-.00050	.00000	.43770	.08410
.592	2.650	.00000	.00000	.44600	.01460	.01450	.00000	-.00040	.00000	.43830	.08390
.591	3.990	.00000	.00000	.44870	.01490	.01430	.00000	-.00040	.00000	.44090	.08410
.593	5.320	.00000	.00000	.44580	.01480	.01460	.00060	-.00040	.00000	.43800	.08390
.592	6.660	.00000	.00000	.44760	.01500	.01470	.00050	-.00050	-.00010	.43980	.08430
.591	7.980	.00000	.00000	.44690	.01450	.01460	.00000	-.00040	.00000	.43920	.08390
.591	9.320	.00000	.00000	.44660	.01480	.01480	.00010	-.00050	.00000	.43890	.08390
.592	10.650	.00000	.00000	.44600	.01480	.01460	.00040	-.00050	.00000	.43830	.08360
.593	11.990	.00000	.00000	.44240	.01430	.01540	.00060	-.00050	.00000	.43460	.08380
.592	13.320	.00000	.00000	.44520	.01440	.01520	-.00050	-.00060	.00000	.43750	.08410
.592	14.650	.00000	.00000	.44430	.01440	.01510	-.00040	-.00040	.00030	.43660	.08370
.593	15.980	.00000	.00000	.43940	.01420	.01570	-.00040	-.00040	.00010	.43160	.08350
.592	17.320	.00000	.00000	.44040	.01400	.01550	-.00020	-.00050	.00000	.43270	.08320
.593	18.650	.00000	.00000	.43880	.01390	.01580	-.00080	-.00050	.00000	.43110	.08330
.593	19.990	.00000	.00000	.43890	.01400	.01560	-.00020	-.00040	.00010	.43120	.08310
.593	21.320	.00000	.00000	.44020	.01390	.01570	-.00100	-.00040	.00010	.43250	.08340
.593	22.650	.00000	.00000	.43940	.01370	.01570	-.00050	-.00040	.00010	.43170	.08320
.593	23.990	.00000	.00000	.43850	.01370	.01590	.00000	-.00040	.00010	.43090	.08300
.592	25.320	.00000	.00000	.43800	.01390	.01610	-.00030	-.00040	.00020	.43030	.08300
.593	26.660	.00000	.00000	.43780	.01370	.01590	-.00060	-.00050	.00010	.43020	.08280
.593	27.980	.00000	.00000	.43810	.01410	.01590	-.00070	-.00040	.00020	.43050	.08270
.593	29.320	.00000	.00000	.43510	.01350	.01620	-.00050	-.00040	.00020	.42750	.08260
.593	30.650	.00000	.00000	.43730	.01370	.01630	-.00090	-.00040	.00010	.42960	.08300
.593	31.990	.00000	.00000	.43590	.01360	.01620	-.00080	-.00040	.00000	.42830	.08260
.593	33.320	.00000	.00000	.43410	.01330	.01660	-.00190	-.00050	.00000	.42650	.08260
.594	34.650	.00000	.00000	.43380	.01370	.01640	-.00070	-.00040	.00010	.42620	.08250
.593	35.980	.00000	.00000	.43480	.01350	.01690	-.00070	-.00040	.00000	.42710	.08300
.591	37.320	.00000	.00000	.43170	.01340	.01680	-.00030	-.00040	.00010	.42420	.08230
.593	38.650	.00000	.00000	.43380	.01330	.01660	-.00050	-.00030	.00000	.42630	.08220
.593	39.990	.00000	.00000	.43240	.01330	.01660	-.00050	-.00030	.00000	.42490	.08210
.594	41.320	.00000	.00000	.43190	.01330	.01680	-.00110	-.00040	.00010	.42430	.08200
.593	42.650	.00000	.00000	.43040	.01290	.01720	-.00100	-.00040	.00010	.42280	.08220
.593	43.990	.00000	.00000	.42950	.01280	.01740	-.00090	-.00040	.00020	.42190	.08230
.593	45.320	.00000	.00000	.43100	.01290	.01730	-.00150	-.00040	.00000	.42350	.08200
.593	46.660	.00000	.00000	.42970	.01270	.01760	-.00180	-.00050	.00000	.42110	.08190
.593	48.650	.00000	.00000	.42950	.01260	.01740	-.00060	-.00050	.00020	.42200	.08190
.594	50.650	.00000	.00000	.42760	.01300	.01730	-.00290	-.00070	.00020	.42010	.08150
.595	52.650	.00000	.00000	.42490	.01230	.01770	-.00090	-.00050	.00000	.41740	.08140
.594	54.650	.00000	.00000	.42700	.01290	.01750	-.00140	-.00050	.00010	.41960	.08150
.593	56.660	.00000	.00000	.42720	.01300	.01760	-.00170	-.00060	.00030	.41970	.08130
.593	58.650	.00000	.00000	.42630	.01200	.01800	-.00280	-.00070	.00020	.41880	.08160
.594	60.650	.00000	.00000	.42280	.01210	.01840	-.00180	-.00050	.00030	.41530	.08140

LTV44-559(CA26) 02 S1

(AFED07) ( 18 NOV 75 )

## REFERENCE DATA

SREF = 2690.0000 SQ.FT. XMRP = 1109.0000 IN. XO  
 LREF = 474.8100 IN. YMRP = .0000 IN. YO  
 BREF = 936.6800 IN. ZMRP = 375.0000 IN. ZO  
 SCALE = .0125

## PARAMETRIC DATA

ALPHA0 = 8.000 BETA0 = .000  
 ELEVON = 5.000 BDFLAP = .000

RUN NO. 8/ 0 RN/L = .00 GRADIENT INTERVAL = -5.00/ 5.00

MACH	DZ	DY	DX	CN	CLM	CA	CY	CYN	CBL	CL	CD
.594	62.650	.00000	.00000	.42580	.01230	.01800	-.00280	-.00060	.00030	.41840	.08140
.593	64.660	.00000	.00000	.42240	.01170	.01890	-.00290	-.00060	.00040	.41480	.08150
.594	66.660	.00000	.00000	.42120	.01150	.01870	-.00320	-.00070	.00040	.41380	.08110
.594	68.650	.00000	.00000	.42510	.01250	.01820	-.00190	-.00050	.00030	.41770	.08120
.594	70.650	.00000	.00000	.42320	.01190	.01870	-.00440	-.00070	.00080	.41580	.08130
.594	72.650	.00000	.00000	.42120	.01130	.01880	-.00410	-.00060	.00060	.41380	.08090
	GRADIENT	.00000	.00000	.00009	.00003	-.00007	-.00022	.00001	.00000	.00009	-.00010

LTV44-559(CA26) 02 S1

(AFE008) ( 18 NOV 75 )

## REFERENCE DATA

SREF = 2690.0000 SQ.FT. XMRP = 1109.0000 IN. XO  
 LREF = 474.8100 IN. YMRP = .0000 IN. YO  
 BREF = 936.6800 IN. ZMRP = 375.0000 IN. ZO  
 SCALE = .0125

## PARAMETRIC DATA

BETA0 = .000 ELEVON = .000  
 BDFLAP = .000

RUN NO. 9/ 0 RN/L = .00 GRADIENT INTERVAL = -5.00/ 5.00

MACH	ALPHA0	BETA0	CN	CLM	CA	CY	CYN	CBL	CL	CD
.594	.070	.04000	-.06530	.02220	.05780	-.00690	-.00150	.00000	-.06540	.05770
.593	.410	.04000	-.04840	.02310	.05720	-.00640	-.00150	.00000	-.04880	.05680
.593	.820	.04000	-.03020	.02420	.05680	-.00660	-.00140	.00000	-.03100	.05640
.593	1.270	.03000	-.00980	.02530	.05580	-.00590	-.00140	.00000	-.01100	.05560
.594	1.710	.03000	.01030	.02660	.05460	-.00610	-.00130	-.00010	.00870	.05490
.592	2.130	.03000	.03070	.02780	.05360	-.00500	-.00130	-.00010	.02870	.05470
.594	2.600	.03000	.05500	.02950	.05120	-.00520	-.00130	-.00020	.05270	.05360
.591	3.040	.01000	.07480	.03050	.05030	-.00410	-.00120	-.00020	.07200	.05420
.592	3.460	.02000	.09540	.03170	.04860	-.00360	-.00120	-.00030	.09220	.05430
.591	3.900	.01000	.11500	.03270	.04700	-.00340	-.00130	-.00020	.11150	.05470
.592	4.330	.01000	.13460	.03380	.04450	-.00290	-.00120	-.00030	.13090	.05460
.590	4.790	.01000	.15650	.03520	.04240	-.00390	-.00120	-.00030	.15240	.05540
.590	5.200	.03000	.17460	.03620	.04030	-.00390	-.00110	-.00030	.17020	.05600
.591	5.660	.02000	.19550	.03710	.03780	-.00330	-.00120	-.00040	.19080	.05700
.590	6.100	.02000	.21870	.03820	.03480	-.00260	-.00100	-.00050	.21380	.05780
.590	6.550	.02000	.23920	.03930	.03210	-.00300	-.00110	-.00050	.23400	.05920
.590	6.980	.01000	.26190	.04020	.02880	-.00240	-.00100	-.00050	.25650	.06040
.590	7.410	.02000	.28190	.04130	.02600	-.00210	-.00100	-.00030	.27620	.06210
.590	7.870	.01000	.30140	.04270	.02300	-.00280	-.00100	-.00030	.29540	.06410
.590	8.290	.02000	.32070	.04400	.01980	-.00260	-.00100	-.00040	.31450	.06590
.591	8.740	.01000	.34080	.04590	.01670	-.00240	-.00090	-.00030	.33430	.06830
.591	9.180	.01000	.36210	.04830	.01310	-.00230	-.00090	-.00020	.35530	.07070
.590	9.600	.00000	.38320	.05040	.00980	-.00170	-.00070	-.00010	.37610	.07360
.590	10.040	.00000	.40350	.05220	.00650	-.00160	-.00070	-.00010	.39630	.07680
.590	10.520	.00000	.42670	.05370	.00340	-.00090	-.00070	-.00020	.41890	.08130
.590	10.910	.01000	.44590	.05440	.00060	-.00110	-.00080	-.00030	.43770	.08510
.590	11.390	.00000	.47580	.05590	-.00300	-.00020	-.00070	-.00040	.46710	.09100
.589	11.840	.00000	.50030	.05670	-.00540	.00050	-.00070	-.00050	.49070	.09740
.589	12.250	.00000	.52360	.05680	-.00720	-.00100	-.00070	-.00080	.51320	.10400
.589	12.720	.00000	.55020	.05730	-.00880	-.00040	-.00040	-.00110	.53870	.11250
.588	13.180	.00000	.57920	.05800	-.01010	-.00010	-.00030	-.00090	.56620	.12220
.589	13.630	.02000	.60390	.05790	-.01060	-.00100	-.00020	-.00080	.58940	.13200
.588	14.070	.00000	.63110	.05800	-.00960	-.00030	-.00020	-.00040	.61450	.14410
.588	14.510	-.01000	.65220	.05850	-.00920	-.00050	-.00040	-.00020	.63370	.15450
.588	14.940	.00000	.67530	.05950	-.00910	.00000	-.00040	-.00010	.65540	.16540
.588	15.380	-.01000	.69740	.06040	-.00850	.00020	-.00030	.00010	.67470	.17680
.589	15.820	.00000	.71570	.06170	-.00770	-.00070	-.00010	.00010	.69070	.19770
.588	16.260	-.01000	.74090	.06300	-.00740	-.00030	.00000	.00040	.71340	.20040
.588	16.710	-.01000	.76000	.06310	-.00600	.00000	.00000	.00040	.72960	.21280
.588	17.140	.01000	.78370	.06350	-.00430	-.00090	.00000	.00050	.75010	.22680
GRADIENT		-.00742	.04709	.00277	-.00326	.00084	.00006	-.00009	.04623	-.00053

LTV44-559(CA26) 02 51

(AFED09) ( 18 NOV 75 )

## REFERENCE DATA

SREF = 2690.0000 SQ.FT. XMRP = 1109.0000 IN. XO  
 LREF = 474.8100 IN. YMRP = .0000 IN. YO  
 BREF = 936.6600 IN. ZMRP = 375.0000 IN. ZO  
 SCALE = .0125

## PARAMETRIC DATA

BETA0 = .000 ELEVON = .000  
 BDFLAP = 16.300

RUN NO. 10/ 0 RN/L = .00 GRADIENT INTERVAL = -5.00/ 5.00

MACH	ALPHA0	BETA0	CN	CLM	CA	CY	CYN	CBL	CL	CD
.591	.090	.06000	-.03110	-.00120	.06010	-.00570	-.00170	.00010	-.03120	.06000
.590	.130	.06000	-.01410	-.00020	.05920	-.00530	-.00170	.00000	-.01450	.05910
.591	.180	.04000	.00360	.00070	.05860	-.00490	-.00160	.00000	.00270	.05870
.589	1.290	.05000	.02440	.00170	.05770	-.00450	-.00160	.00000	.02310	.05830
.590	1.730	.05000	.04550	.00330	.05680	-.00470	-.00150	.00000	.04390	.05810
.590	2.170	.04000	.06520	.00450	.05520	-.00390	-.00140	-.00010	.06300	.05760
.589	2.580	.07000	.08730	.00540	.05370	-.00420	-.00140	-.00030	.08480	.05760
.590	3.040	.05000	.10690	.00690	.05190	-.00390	-.00140	-.00030	.10400	.05750
.592	3.460	.05000	.12800	.00820	.05000	-.00350	-.00140	-.00020	.12480	.05770
.590	3.900	.04000	.14760	.00920	.04830	-.00340	-.00130	-.00030	.14390	.05830
.591	4.350	.02000	.16990	.01040	.04560	-.00320	-.00130	-.00040	.16590	.05840
.590	4.800	.06000	.19020	.01180	.04350	-.00330	-.00130	-.00040	.18590	.05930
.591	5.220	.04000	.21110	.01280	.04120	-.00320	-.00120	-.00040	.20650	.06020
.589	5.660	.04000	.23190	.01330	.03890	-.00270	-.00120	-.00030	.22690	.06160
.589	6.120	.05000	.25370	.01440	.03560	-.00270	-.00130	-.00040	.24850	.06250
.589	6.550	.06000	.27620	.01560	.03300	-.00330	-.00120	-.00040	.27060	.06340
.588	6.990	.03000	.29650	.01680	.02990	-.00240	-.00110	-.00050	.29070	.06580
.590	7.430	.01000	.31550	.01770	.02710	-.00140	-.00120	-.00040	.30940	.06770
.588	7.860	.03000	.33820	.01890	.02420	-.00150	-.00100	-.00030	.33170	.07030
.588	8.310	.03000	.35660	.02070	.02120	-.00170	-.00100	-.00030	.34980	.07260
.590	8.750	.03000	.37620	.02300	.01770	-.00210	-.00090	-.00010	.36920	.07470
.590	9.180	.03000	.39550	.02450	.01440	-.00130	-.00080	-.00010	.38810	.07730
.590	9.620	.04000	.41680	.02640	.01140	-.00200	-.00100	-.00020	.40900	.08090
.590	10.060	.03000	.43950	.02810	.00770	-.00200	-.00090	-.00010	.43140	.08440
.589	10.510	.04000	.46310	.02960	.00440	-.00060	-.00080	-.00020	.45450	.08880
.591	10.940	.04000	.48160	.03090	.00180	-.00140	-.00100	-.00030	.47250	.09330
.589	11.410	.05000	.51250	.03200	-.00120	-.00090	-.00090	-.00050	.50260	.10010
.588	11.860	.01000	.53890	.03250	-.00360	.00020	-.00070	-.00050	.52810	.10720
.588	12.310	.01000	.56400	.03290	-.00510	-.00040	-.00060	-.00090	.55210	.11520
.589	12.750	.00000	.58880	.03300	-.00620	-.00030	-.00040	-.00110	.57560	.12390
.590	13.200	.02000	.61480	.03370	-.00680	-.00030	-.00030	-.00090	.60010	.13380
.590	13.630	.01000	.64100	.03280	-.00650	.00000	-.00030	-.00050	.62440	.14470
.589	14.130	.02000	.66760	.03340	-.00500	-.00060	-.00060	-.00040	.64860	.15800
.590	14.520	.02000	.68400	.03370	-.00450	-.00080	-.00060	-.00030	.66320	.16720
.589	14.960	.01000	.70630	.03440	-.00390	.00010	-.00060	-.00010	.68330	.17850
.587	15.410	.03000	.73290	.03610	-.00340	-.00040	-.00060	.00000	.70740	.19140
.587	15.840	.01000	.75460	.03680	-.00230	-.00020	-.00020	.00040	.72660	.20370
.587	16.280	.01000	.77760	.03760	-.00120	-.00030	-.00020	.00050	.74680	.21680
.588	16.720	.02000	.79680	.03760	.00000	-.00040	-.00010	.00090	.76310	.22940
.589	17.180	.01000	.82100	.03760	-.00110	-.00090	-.00010	.00090	.78400	.24350
	GRADIENT	-.00192	.04707	.00277	-.00350	.00051	.00009	-.00011	.04617	-.00017



LTV44-559(CA26) 02 S1

(AFE010) ( 18 NOV 75 )

REFERENCE DATA

SREF = 2690.0000 SQ.FT. XMRP = 1109.0000 IN. XO  
 LREF = 474.8100 IN. YMRP = .0000 IN. YO  
 BREF = 936.6800 IN. ZMRP = 375.0000 IN. ZO  
 SCALE = .0125

PARAMETRIC DATA

BETA0 = .000 ELEVON = .000  
 BDFLAP = -11.700

RUN NO. 11/ 0 RN/L = .00 GRADIENT INTERVAL = -5.00/ 5.00

MACH	ALPHA0	BETA0	CN	CLM	CA	CY	CYN	CBL	CL	CD
.593	.010	.09000	-.09450	.03840	.06380	-.00760	-.00160	.00000	-.09450	.06380
.597	.370	.06000	-.07620	.03930	.06250	-.00780	-.00150	.00000	-.07660	.06200
.596	.750	.10000	-.06050	.04000	.06200	-.00780	-.00150	.00000	-.06130	.06120
.596	1.220	.08000	-.03800	.04140	.06090	-.00720	-.00140	-.00030	-.03930	.06010
.595	1.660	.09000	-.01810	.04290	.06010	-.00770	-.00150	-.00020	-.01980	.05950
.595	2.080	.07000	.00140	.04460	.05880	-.00690	-.00130	-.00020	-.00060	.05880
.596	2.540	.08000	.02410	.04620	.05730	-.00670	-.00140	-.00030	.02150	.05830
.597	2.960	.09000	.04280	.04730	.05560	-.00610	-.00130	-.00040	.03980	.05780
.596	3.400	.09000	.06280	.04860	.05390	-.00550	-.00130	-.00050	.05950	.05750
.595	3.850	.05000	.08320	.05040	.05220	-.00590	-.00130	-.00040	.07950	.05760
.596	4.290	.07000	.10540	.05160	.04970	-.00540	-.00130	-.00050	.10140	.05740
.594	4.710	.07000	.12530	.05260	.04820	-.00500	-.00130	-.00060	.12090	.05830
.596	5.180	.07000	.14590	.05400	.04540	-.00480	-.00130	-.00060	.14130	.05840
.595	5.610	.04000	.16700	.05510	.04280	-.00510	-.00130	-.00050	.16200	.05890
.595	6.040	.06000	.18970	.05670	.03980	-.00410	-.00120	-.00060	.18450	.05950
.594	6.480	.06000	.21120	.05750	.03710	-.00380	-.00110	-.00060	.20570	.06070
.597	6.940	.03000	.23160	.05810	.03360	-.00420	-.00120	-.00050	.22590	.06140
.596	7.390	.06000	.25310	.05950	.03050	-.00390	-.00120	-.00060	.24700	.06290
.594	7.820	.03000	.27500	.06100	.02780	-.00270	-.00100	-.00040	.26870	.06490
.595	8.270	.07000	.29660	.06290	.02420	-.00350	-.00110	-.00050	.29000	.06670
.595	8.700	.05000	.31640	.06460	.02070	-.00330	-.00090	-.00040	.30960	.06840
.597	9.160	.03000	.33430	.06620	.01730	-.00330	-.00090	-.00020	.32720	.07040
.596	9.600	.03000	.35470	.06900	.01450	-.00200	-.00090	-.00030	.34730	.07350
.597	10.030	.02000	.37530	.07080	.01040	-.00260	-.00100	-.00030	.36780	.07570
.594	10.490	.01000	.40250	.07320	.00680	-.00310	-.00110	-.00020	.39450	.08000
.596	10.920	.00000	.42190	.07370	.00380	-.00150	-.00090	-.00040	.41350	.08370
.595	11.390	.02000	.44680	.07430	.00080	-.00170	-.00100	-.00040	.43970	.08940
.594	11.840	.02000	.47810	.07520	-.00190	-.00090	-.00090	-.00080	.46830	.09610
.596	12.270	.00000	.49990	.07550	-.00360	-.00030	-.00080	-.00100	.48930	.10270
.596	12.740	.00000	.52560	.07550	-.00500	-.00080	-.00050	-.00110	.51380	.11100
.596	13.200	.01000	.55390	.07640	-.00620	-.00160	-.00050	-.00110	.54070	.12040
.595	13.630	.00000	.58120	.07560	-.00620	-.00140	-.00050	-.00080	.56630	.13090
.596	14.070	-.01000	.60480	.07550	-.00540	.00000	-.00040	-.00050	.58800	.14180
.595	14.510	.00000	.63080	.07690	-.00530	-.00120	-.00080	-.00040	.61200	.15280
.595	14.950	.00000	.65220	.07810	-.00510	.00000	-.00070	-.00020	.63140	.16330
.597	15.400	-.01000	.67010	.07940	-.00520	.00040	-.00070	.00000	.64740	.17300
.595	15.850	-.02000	.69500	.08050	-.00530	.00070	-.00080	.00000	.67000	.18470
.595	16.290	-.01000	.71690	.08190	-.00490	-.00010	-.00080	.00010	.68950	.19640
.594	16.740	-.02000	.73760	.08220	-.00300	.00000	-.00040	.00030	.70720	.20950
.595	17.180	-.02000	.76250	.08200	-.00180	-.00060	.00000	.00040	.72900	.22350
GRADIENT		-.00342	.04654	.00315	-.00328	.00062	.00006	-.00013	.04560	-.00117

ORIGINAL PAGE IS  
 OF POOR QUALITY

LTV44-559(CA26) 02 S1

(AFED11) (18 NOV 75)

## REFERENCE DATA

SREF = 2690.0000 SQ.FT. XMRP = 1109.0000 IN. XO  
 LREF = 474.8100 IN. YMRP = .0000 IN. YO  
 BREF = 936.6800 IN. ZMRP = 375.0000 IN. ZO  
 SCALE = .0125

## PARAMETRIC DATA

BETA0 = .000 ELEVON = .000  
 BDFLAP = 5.000

RUN NO. 12/ 0 RN/L = .00 GRADIENT INTERVAL = -5.00/ 5.00

MACH	ALPHA	BETA0	CN	CLM	CA	CY	CYN	CBL	CL	CD
.593	.050	.06000	-.05240	.01490	.05740	-.00660	-.00120	.00010	-.05250	.05740
.594	.610	.05000	-.02940	.01570	.05650	-.00620	-.00110	.00000	-.03000	.05620
.594	1.050	.07000	-.00920	.01730	.05570	-.00540	-.00110	.00000	-.01020	.05560
.593	1.490	.05000	.01040	.01850	.05490	-.00520	-.00100	.00000	.00900	.05510
.594	1.940	.03000	.03270	.01960	.05360	-.00410	-.00100	.00000	.03080	.05470
.593	2.360	.05000	.05420	.02110	.05260	-.00500	-.00100	.00000	.05190	.05480
.593	2.810	.05000	.07490	.02220	.05060	-.00440	-.00090	-.00010	.07230	.05430
.593	3.230	.05000	.09470	.02320	.04900	-.00380	-.00090	-.00010	.09170	.05430
.592	3.680	.05000	.11550	.02480	.04730	-.00330	-.00090	-.00020	.11220	.05470
.593	4.140	.02000	.13640	.02620	.04510	-.00340	-.00090	-.00010	.13270	.05480
.593	4.570	.03000	.15640	.02710	.04300	-.00330	-.00090	-.00030	.15250	.05540
.594	5.010	.04000	.17930	.02830	.04030	-.00270	-.00080	-.00030	.17510	.05580
.593	5.450	.04000	.20090	.02920	.03810	-.00180	-.00080	-.00040	.19630	.05700
.593	5.900	.01000	.22040	.03050	.03540	-.00250	-.00090	-.00020	.21550	.05790
.593	6.320	.00000	.24150	.03120	.03280	-.00270	-.00080	-.00020	.23650	.05920
.593	6.770	.04000	.26430	.03240	.02960	-.00230	-.00080	-.00010	.25890	.06060
.592	7.200	.02000	.28470	.03330	.02670	-.00200	-.00070	-.00050	.27910	.06220
.591	7.640	.04000	.30530	.03460	.02380	-.00180	-.00070	-.00030	.29940	.06420
.592	8.080	.05000	.32620	.03600	.02040	-.00110	-.00060	-.00020	.32010	.06610
.593	8.520	.01000	.34440	.03770	.01740	-.00120	-.00060	.00000	.33800	.06830
.593	8.960	.00000	.36550	.03960	.01440	-.00140	-.00050	.00000	.35870	.07120
.593	9.420	.00000	.38580	.04150	.01100	-.00180	-.00060	.00000	.37880	.07400
.592	9.840	.03000	.40720	.04360	.00730	-.00070	-.00050	-.00010	.39990	.07690
.594	10.300	.00000	.42740	.04530	.00400	-.00130	-.00060	.00000	.41980	.08040
.594	10.740	.00000	.44920	.04680	.00090	-.00180	-.00060	-.00010	.44120	.08460
.594	11.180	.00000	.47390	.04800	-.00190	-.00020	-.00050	-.00030	.46530	.09000
.592	11.630	.01000	.50140	.04880	-.00440	.00110	-.00050	-.00040	.49200	.09580
.593	12.070	.04000	.52730	.04900	-.00660	.00040	-.00050	-.00060	.51700	.10380
.593	12.530	.02000	.55550	.04960	-.00850	-.00050	-.00030	-.00090	.54410	.11230
.593	12.970	.00000	.57990	.05020	-.00970	.00030	.00000	-.00090	.56730	.12070
.593	13.410	.01000	.60570	.05030	-.00970	.00000	.00000	-.00080	.59140	.13100
.592	13.860	.01000	.63200	.04990	-.00910	.00020	-.00010	-.00030	.61580	.14250
.591	14.310	-.03000	.65640	.05020	-.00880	.00140	-.00010	-.00030	.63820	.15380
.592	14.760	.01000	.67920	.05140	-.00860	.00110	-.00030	-.00020	.65900	.16470
.592	15.210	-.02000	.70100	.05250	-.00780	.00010	-.00030	-.00010	.67850	.17630
.592	15.630	.01000	.72110	.05410	-.00780	.00050	-.00030	.00020	.69660	.18680
.592	16.090	-.02000	.74460	.05580	-.00780	.00130	-.00010	.00040	.71760	.19880
.592	16.540	-.01000	.76510	.05590	-.00620	.00030	.00000	.00040	.73520	.21180
.592	16.980	.01000	.79050	.05640	-.00450	.00000	.00030	.00070	.75740	.22660
	GRADIENT	-.00636	.04680	.00281	-.00321	.00075	.00007	-.00007	.04594	-.00042

LTV44-559(CA26) 06 S1

(AFEO12) ( 18 NOV 75 )

REFERENCE DATA

PARAMETRIC DATA

SREF = 2690.0000 SQ.FT. XMRP = 1109.0000 IN. XO  
 LREF = 474.8100 IN. YMRP = .0000 IN. YO  
 BREF = 936.6800 IN. ZMRP = 375.0000 IN. ZO  
 SCALE = .0125

BETA0 = .000 ELEVON = .000

RUN NO. 14/ 0 RN/L = .00 GRADIENT INTERVAL = -5.00/ 5.00

MACH	ALPHA0	BETA0	CN	CLM	CA	CY	CYN	CBL	CL	CD
.591	.030	.04000	-.05250	-.00510	.03840	-.00340	-.00280	.00000	-.05250	.03840
.592	.390	.06000	-.03700	-.00330	.03790	-.00360	-.00280	.00000	-.03730	.03760
.592	.800	.02000	-.02050	-.00190	.03800	-.00200	-.00270	.00000	-.02110	.03770
.591	1.240	.04000	.00070	.00030	.03720	-.00230	-.00290	-.00010	.00000	.03720
.591	1.690	.00000	.02010	.00200	.03650	-.00150	-.00280	-.00010	.01900	.03700
.591	2.120	.04000	.04180	.00410	.03510	-.00180	-.00280	-.00030	.04050	.03670
.591	2.580	.00000	.06080	.00630	.03400	-.00150	-.00270	-.00020	.05920	.03670
.591	3.000	.02000	.08140	.00860	.03250	-.00110	-.00260	-.00040	.07960	.03670
.591	3.430	.02000	.10100	.01010	.03080	-.00010	-.00260	-.00040	.09890	.03680
.591	3.880	.01000	.12170	.01200	.02920	-.00010	-.00250	-.00050	.11940	.03730
.590	4.310	.05000	.14200	.01350	.02710	-.00010	-.00260	-.00050	.13950	.03770
.591	4.750	.03000	.16200	.01570	.02490	-.00080	-.00250	-.00050	.15940	.03830
.591	5.170	.04000	.18030	.01650	.02240	.00000	-.00230	-.00060	.17760	.03860
.590	5.620	.03000	.20240	.01870	.02010	-.00020	-.00250	-.00060	.19950	.03980
.591	6.080	-.02000	.22250	.02020	.01770	.00110	-.00230	-.00070	.21940	.04120
.591	6.510	.00000	.24270	.02190	.01470	.00080	-.00220	-.00070	.23950	.04220
.592	6.970	-.01000	.26610	.02350	.01180	.00060	-.00230	-.00070	.26270	.04400
.591	7.390	-.01000	.28680	.02490	.00840	.00150	-.00210	-.00080	.28330	.04520
.590	7.860	.00000	.30720	.02640	.00570	.00160	-.00200	-.00050	.30360	.04770
.591	8.280	.02000	.32350	.02860	.00300	.00060	-.00210	-.00050	.31960	.04950
.590	8.710	.02000	.34550	.03170	-.00050	.00030	-.00190	-.00040	.34160	.05170
.592	9.160	-.01000	.36560	.03390	-.00420	.00100	-.00200	-.00040	.36170	.05400
.592	9.580	.00000	.38450	.03600	-.00740	.00150	-.00200	-.00040	.38040	.05660
.590	10.040	.02000	.40600	.03800	-.01070	.00090	-.00200	-.00040	.40160	.06010
.592	10.480	-.03000	.42720	.03890	-.01460	.00230	-.00190	-.00030	.42270	.06330
.592	10.900	-.02000	.44690	.04070	-.01740	.00200	-.00190	-.00050	.44220	.06740
.591	11.390	.00000	.47440	.04210	-.02140	.00270	-.00190	-.00070	.46930	.07270
.590	11.820	.00000	.50260	.04240	-.02440	.00280	-.00200	-.00090	.49690	.07900
.590	12.260	-.01000	.52830	.04200	-.02660	.00280	-.00170	-.00110	.52190	.08620
.590	12.710	.00000	.55540	.04200	-.02870	.00210	-.00160	-.00130	.54810	.09410
.590	13.180	-.03000	.58250	.04170	-.03000	.00270	-.00140	-.00120	.57400	.10350
.590	13.630	.00000	.61120	.04060	-.03060	.00250	-.00130	-.00080	.60120	.11420
.590	14.080	.01000	.63630	.04000	-.03040	.00220	-.00130	-.00060	.62460	.12530
.590	14.490	-.01000	.65520	.04000	-.03010	.00230	-.00140	-.00060	.64190	.13480
.590	14.950	-.01000	.68150	.04020	-.03030	.00230	-.00130	-.00050	.66630	.14640
.590	15.390	-.04000	.70380	.04030	-.03040	.00240	-.00110	-.00010	.68670	.15740
.590	15.860	-.01000	.72310	.04110	-.03020	.00180	-.00120	.00000	.70380	.16850
.589	16.290	-.02000	.74810	.04190	-.03090	.00180	-.00100	.00010	.72680	.18020
.590	16.690	.00000	.77050	.04090	-.03030	.00160	-.00050	.00070	.74680	.19220
.589	17.160	-.03000	.79530	.04020	-.02980	.00030	-.00020	.00090	.76870	.20610
	GRADIENT	-.00281	.04570	.00442	-.00285	.00069	.00007	-.00013	.04514	-.00004

LTV44-559(CA26) 06 S1

(AFE013) ( 18 NOV 75 )

## REFERENCE DATA

SREF = 2690.0000 SQ.FT. XMRP = 1109.0000 IN. XO  
 LREF = 474.8100 IN. YMRP = .0000 IN. YO  
 BREF = 936.6800 IN. ZMRP = 375.0000 IN. ZO  
 SCALE = .0125

## PARAMETRIC DATA

BETA0 = -5.000 ELEVON = .000

RUN NO.	15/ 0	RN/L = .00	GRADIENT	INTERVAL = -5.00/ 5.00						
MACH	ALPHA	BETA0	CN	CLM	CA	CY	CYN	CBL	CL	CD
.593	.000	-5.20000	-.04360	-.01300	.02890	.04800	.01410	-.00800	-.04360	.02890
.594	.390	-5.23000	-.02930	-.01150	.02870	.04850	.01420	-.00780	-.02950	.02850
.594	.800	-5.24000	-.01050	-.01000	.02840	.04840	.01430	-.00740	-.01090	.02820
.593	1.230	-5.20000	.00800	-.00830	.02810	.04870	.01440	-.00710	.00730	.02830
.593	1.680	-5.24000	.02840	-.00650	.02690	.04840	.01440	-.00670	.02760	.02770
.591	2.100	-5.21000	.04650	-.00480	.02650	.04980	.01470	-.00650	.04550	.02820
.592	2.560	-5.21000	.06710	-.00240	.02560	.04890	.01450	-.00620	.06590	.02860
.593	3.000	-5.25000	.08610	-.00040	.02430	.04840	.01460	-.00590	.08470	.02880
.593	3.430	-5.22000	.10730	.00180	.02270	.04970	.01500	-.00560	.10580	.02910
.594	3.860	-5.22000	.12720	.00370	.02140	.04950	.01510	-.00520	.12550	.02990
.593	4.310	-5.22000	.14830	.00580	.01950	.04900	.01510	-.00490	.14640	.03060
.593	4.740	-5.23000	.16600	.00700	.01790	.04900	.01530	-.00470	.16400	.03160
.593	5.160	-5.23000	.18580	.00860	.01630	.04900	.01540	-.00440	.18360	.03300
.593	5.620	-5.22000	.20730	.01080	.01400	.04820	.01530	-.00410	.20490	.03430
.592	6.060	-5.20000	.22610	.01230	.01180	.04910	.01580	-.00370	.22360	.03560
.593	6.480	-5.19000	.24410	.01460	.00970	.04890	.01570	-.00330	.24150	.03720
.591	6.920	-5.21000	.26460	.01670	.00740	.04880	.01580	-.00280	.26180	.03920
.592	7.360	-5.19000	.28470	.01830	.00440	.04810	.01590	-.00230	.28180	.04080
.593	7.820	-5.21000	.30810	.01970	.00060	.04840	.01610	-.00170	.30510	.04250
.592	8.250	-5.20000	.33030	.02070	-.00270	.04750	.01630	-.00130	.32730	.04460
.593	8.720	-5.21000	.35380	.02160	-.00610	.04740	.01650	-.00090	.35060	.04750
.593	9.160	-5.22000	.37750	.02280	-.01030	.04750	.01670	-.00070	.37430	.04990
.593	9.600	-5.22000	.39780	.02410	-.01350	.04690	.01680	-.00030	.39450	.05300
.593	10.060	-5.23000	.42250	.02660	-.01750	.04800	.01710	.00000	.41900	.05650
.593	10.500	-5.23000	.44410	.02760	-.02120	.04760	.01710	.00010	.44060	.06000
.593	10.940	-5.24000	.46720	.02910	-.02490	.04750	.01730	.00020	.46340	.06420
.593	11.380	-5.22000	.48900	.03100	-.02840	.04710	.01720	.00030	.48500	.06860
.594	11.830	-5.22000	.51420	.03180	-.03230	.04760	.01760	.00030	.50990	.07380
.593	12.260	-5.24000	.53760	.03190	-.03480	.04720	.01770	.00050	.53270	.08010
.593	12.730	-5.23000	.56540	.03270	-.03830	.04750	.01820	.00080	.56000	.08720
.593	13.170	-5.22000	.58820	.03330	-.04040	.04640	.01830	.00080	.58190	.09470
.592	13.610	-5.22000	.61340	.03430	-.04220	.04730	.01850	.00060	.60610	.10330
.592	14.070	-5.23000	.63960	.03380	-.04310	.04730	.01830	.00020	.63090	.11360
.591	14.500	-5.25000	.66360	.03420	-.04320	.04750	.01830	-.00010	.65330	.12430
.591	14.960	-5.26000	.68410	.03490	-.04370	.04750	.01840	.00000	.67220	.13430
.593	15.380	-5.23000	.70290	.03660	-.04410	.04770	.01800	.00010	.68940	.14390
.591	15.840	-5.24000	.72930	.03730	-.04460	.04900	.01790	.00020	.71380	.15610
.592	16.270	-5.20000	.75170	.03760	-.04420	.04950	.01780	.00040	.73400	.16810
.594	16.710	-5.24000	.76920	.03740	-.04120	.04810	.01860	.00180	.74860	.18170
.593	17.150	-5.25000	.79370	.03640	-.03960	.04730	.01920	.00250	.77000	.19620
	GRADIENT	-.00183	.04474	.00437	-.00233	.00022	.00024	.00071	.04432	.00055

LTV44-559(CA26) 06 S1

(AFE014) ( 18 NOV 75 )

## REFERENCE DATA

SREF = 2690.0000 SQ.FT. XMRP = 1109.0000 IN. XO  
 LREF = 474.8100 IN. YMRP = .0000 IN. YO  
 BREF = 936.6800 IN. ZMRP = 375.0000 IN. ZO  
 SCALE = .0125

## PARAMETRIC DATA

BETA0 = .000 ELEVON = 5.000

RUN NO. 16/ 0 RN/L = .00 GRADIENT INTERVAL = -5.00/ 5.00

MACH	INCID	CN	CLM	CA	CY	CYN	CBL	CL	CD
.593	.170	.04350	-.04690	.04170	-.00350	-.00220	.00010	.04340	.04180
.594	.510	.06000	-.04540	.04060	-.00360	-.00210	.00000	.05960	.04120
.595	.910	.07650	-.04380	.04010	-.00340	-.00210	.00000	.07590	.04130
.594	1.380	.09770	-.04110	.03900	-.00340	-.00200	.00000	.09680	.04140
.593	1.820	.11830	-.03940	.03800	-.00260	-.00190	-.00010	.11700	.04180
.594	2.260	.13800	-.03730	.03700	-.00330	-.00200	-.00020	.13640	.04250
.594	2.690	.15780	-.03510	.03530	-.00240	-.00190	-.00020	.15590	.04300
.594	3.120	.17890	-.03290	.03370	-.00250	-.00190	-.00030	.17680	.04340
.593	3.570	.19820	-.03140	.03190	-.00280	-.00180	-.00030	.19590	.04420
.595	4.010	.21910	-.02900	.02960	-.00220	-.00160	-.00030	.21650	.04490
.594	4.460	.23910	-.02790	.02760	-.00100	-.00140	-.00040	.23620	.04610
.595	4.890	.25860	-.02590	.02510	-.00220	-.00160	-.00040	.25550	.04710
.594	5.310	.27740	-.02440	.02320	-.00180	-.00150	-.00040	.27400	.04880
.594	5.760	.29830	-.02250	.02040	-.00130	-.00130	-.00040	.29480	.05030
.593	6.190	.31910	-.02120	.01760	-.00160	-.00140	-.00050	.31540	.05190
.593	6.640	.33970	-.01940	.01510	-.00200	-.00150	-.00040	.33570	.05430
.593	7.100	.36030	-.01670	.01220	-.00100	-.00130	-.00040	.35610	.05670
.593	7.520	.38180	-.01530	.00900	-.00120	-.00130	-.00040	.37730	.05890
.593	7.980	.40520	-.01350	.00560	-.00100	-.00140	-.00040	.40050	.06130
.594	8.400	.42400	-.01210	.00260	-.00090	-.00130	-.00060	.41910	.06460
.593	8.860	.44620	-.01040	-.00080	-.00140	-.00100	-.00030	.44100	.06790
.593	9.300	.46740	-.00900	-.00420	-.00060	-.00100	-.00030	.46190	.07140
.594	9.740	.48720	-.00700	-.00720	-.00120	-.00100	-.00030	.48140	.07520
.593	10.190	.51170	-.00630	-.01110	-.00080	-.00090	-.00040	.50560	.07960
.593	10.640	.53370	-.00500	-.01440	-.00050	-.00090	-.00030	.52710	.08440
.594	11.080	.55630	-.00390	-.01750	-.00070	-.00120	-.00040	.54930	.08970
.593	11.520	.58240	-.00310	-.02000	-.00080	-.00120	-.00030	.57460	.09660
.594	11.990	.60910	-.00250	-.02230	.00020	-.00080	-.00070	.60040	.10460
.594	12.420	.63570	-.00230	-.02450	.00000	-.00070	-.00110	.62610	.11270
.593	12.880	.66160	-.00140	-.02570	.00010	-.00050	-.00120	.65070	.12230
.594	13.330	.68550	-.00160	-.02680	.00010	-.00040	-.00120	.67330	.13190
.593	13.750	.71420	-.00210	-.02740	.00000	-.00040	-.00060	.70020	.14310
.591	14.220	.73860	-.00130	-.02690	-.00030	-.00060	-.00030	.72260	.15520
.592	14.630	.75960	-.00160	-.02680	-.00060	-.00060	-.00010	.74170	.16590
.592	15.070	.78290	-.00120	-.02670	-.00050	-.00030	.00040	.76290	.17780
.592	15.520	.80440	-.00140	-.02640	-.00150	-.00010	.00120	.78210	.18980
.592	15.970	.82650	-.00100	-.02600	-.00140	.00000	.00120	.80180	.20240
.593	16.400	.84660	-.00090	-.02530	-.00160	-.00010	.00110	.81930	.21470
.592	16.860	.86920	-.00030	-.02450	-.00190	-.00010	.00110	.83900	.22850
.592	17.300	.89470	-.00050	-.02380	-.00080	.00010	.00100	.86130	.24340
GRADIENT		.04564	.00452	-.00340	.00041	.00014	-.00011	.04501	.00119

LTV44-559(CA26) 06 S1

(AFE015) ( 18 NOV 75 )

## REFERENCE DATA

SREF = 2690.0000 SQ.FT. XMRP = 1109.0000 IN. XO  
 LREF = 474.8100 IN. YMRP = .0000 IN. YO  
 BREF = 936.6800 IN. ZMRP = 375.0000 IN. ZO  
 SCALE = .0125

## PARAMETRIC DATA

BETA0 = -5.000 ELEVON = 5.000

RUN NO. 1016/ 0 RN/L = .00 GRADIENT INTERVAL = -5.00/ 5.00

MACH	INCID	CN	CLM	CA	CY	CYN	CBL	CL	CD
.596	.150	.04770	-.05210	.03220	.04730	.01440	-.00680	.04770	.03230
.596	.720	.06980	-.05010	.03200	.04610	.01420	-.00650	.06940	.03290
.596	1.130	.08910	-.04800	.03120	.04720	.01440	-.00610	.08840	.03290
.595	1.580	.10790	-.04630	.03070	.04730	.01450	-.00590	.10700	.03370
.596	2.000	.12790	-.04370	.02940	.04730	.01470	-.00550	.12680	.03390
.596	2.460	.14720	-.04190	.02850	.04610	.01460	-.00510	.14580	.03480
.594	2.900	.16830	-.03960	.02690	.04680	.01490	-.00480	.16570	.03530
.594	3.330	.18600	-.03720	.02570	.04660	.01510	-.00450	.18420	.03640
.595	3.750	.20430	-.03530	.02400	.04680	.01530	-.00420	.20230	.03730
.594	4.210	.22490	-.03300	.02260	.04700	.01540	-.00390	.22270	.03910
.594	4.640	.24370	-.03090	.02080	.04640	.01530	-.00350	.24120	.04040
.594	5.090	.26310	-.02910	.01840	.04650	.01560	-.00340	.26050	.04170
.595	5.510	.28150	-.02780	.01670	.04610	.01570	-.00300	.27860	.04360
.594	5.950	.30490	-.02570	.01440	.04650	.01580	-.00260	.30180	.04590
.594	6.410	.32340	-.02360	.01200	.04570	.01600	-.00230	.32000	.04810
.594	6.830	.34270	-.02180	.00960	.04570	.01620	-.00190	.33910	.05030
.593	7.280	.36550	-.02020	.00620	.04460	.01630	-.00160	.36170	.05260
.595	7.720	.38360	-.01850	.00330	.04500	.01670	-.00110	.37960	.05480
.594	8.170	.40890	-.01740	-.00060	.04510	.01700	-.00080	.40490	.05760
.594	8.620	.43170	-.01660	-.00420	.04530	.01730	-.00050	.42740	.06050
.595	9.080	.45430	-.01550	-.00780	.04390	.01730	-.00020	.44980	.06390
.596	9.490	.47500	-.01420	-.01120	.04380	.01740	.00000	.47040	.06720
.594	9.970	.50280	-.01300	-.01540	.04450	.01760	.00010	.49790	.07180
.593	10.390	.52620	-.01210	-.01860	.04390	.01770	.00040	.52100	.07640
.593	10.840	.54830	-.01070	-.02220	.04550	.01810	.00060	.54270	.08120
.594	11.280	.57080	-.01000	-.02570	.04350	.01800	.00060	.56480	.08630
.593	11.720	.59500	-.00910	-.02910	.04380	.01840	.00080	.58850	.09230
.593	12.190	.62210	-.00840	-.03250	.04320	.01880	.00090	.61500	.09960
.593	12.630	.64850	-.00790	-.03520	.04190	.01910	.00100	.64050	.10740
.594	13.070	.67220	-.00760	-.03720	.04270	.01940	.00100	.66320	.11580
.594	13.520	.69830	-.00730	-.03890	.04320	.01920	.00090	.68810	.12540
.592	13.970	.72200	-.00710	-.03940	.04320	.01870	.00040	.71010	.13600
.592	14.430	.74700	-.00660	-.04020	.04470	.01870	.00000	.73350	.14710
.592	14.850	.77060	-.00690	-.04080	.04470	.01870	-.00020	.75530	.15800
.594	15.310	.78960	-.00600	-.04050	.04480	.01840	-.00020	.77230	.16930
.591	15.730	.81670	-.00570	-.04030	.04620	.01830	-.00050	.79700	.18260
.591	16.180	.83790	-.00580	-.04020	.04720	.01800	-.00080	.81600	.19480
.592	16.620	.85790	-.00500	-.03920	.04670	.01840	.00000	.83320	.20780
.592	17.060	.87550	-.00390	-.03750	.04570	.01880	.00170	.84800	.22100
.591	17.270	.88820	-.00370	-.03770	.04670	.01890	.00210	.85940	.22760
	GRADIENT	.04401	.00482	-.00264	-.00009	.00027	.00074	.04348	.00175

LTV44-559(CA26) 747/1 ATY 02 S1 (ORBITER DATA)

(AFE030) ( 18 NOV 75 )

## REFERENCE DATA

SREF = 2690.0000 SQ.FT. XMRP = 1109.0000 IN. XO  
 LREF = 474.8100 IN. YMRP = .0000 IN. YO  
 BREF = 936.6800 IN. ZMRP = 375.0000 IN. ZO  
 SCALE = .0125

## PARAMETRIC DATA

ALPHAC = .000 BETAC = .000  
 STAB = 5.000 ELEVON = 5.000  
 RUDDER = .000 DX = .000  
 DY = .000 IORB = 4.000  
 BETAO = .000 DPHI = .000

RUN NO. 30/ 0 RN/L = .00 GRADIENT INTERVAL = -5.00/ 5.00

MACH	DZ	DY	DX	CN	CLM	CA	CY	CYN	CBL	CL	CD
.627	1.460	.00000	-.05000	.17340	.01700	.04790	-.00270	-.00090	-.00020	.16970	.05970
.625	2.760	.00000	-.05000	.17420	.01670	.04800	-.00300	-.00100	-.00030	.17050	.05980
.625	4.050	.00000	-.05000	.17380	.01550	.04840	-.00300	-.00110	-.00030	.17010	.06020
.626	5.350	.00000	-.05000	.17430	.01350	.04870	-.00270	-.00100	-.00040	.17050	.06050
.624	6.650	.00000	-.05000	.17570	.01150	.04910	-.00360	-.00120	-.00050	.17190	.06100
.624	7.950	.00000	-.03000	.17610	.01000	.04960	-.00300	-.00110	-.00050	.17220	.06150
.627	9.240	.00000	-.03000	.17700	.00890	.04900	-.00290	-.00110	-.00060	.17330	.06090
.628	10.540	.00000	-.03000	.17660	.00870	.04950	-.00300	-.00100	-.00040	.17290	.06130
.625	11.830	.00000	-.02000	.17840	.00820	.05000	-.00330	-.00100	-.00040	.17450	.06200
.624	13.130	.00000	-.02000	.17800	.00700	.05040	-.00330	-.00100	-.00040	.17420	.06230
.623	14.420	.00000	-.02000	.17950	.00660	.05060	-.00320	-.00090	-.00050	.17570	.06260
.625	15.720	.00000	-.02000	.17920	.00630	.05040	-.00310	-.00100	-.00050	.17540	.06250
.625	17.020	.00000	-.01000	.17920	.00540	.05080	-.00370	-.00100	-.00040	.17530	.06270
.627	18.320	.00000	-.01000	.18000	.00540	.05060	-.00320	-.00090	-.00050	.17620	.06260
.627	19.610	.00000	-.01000	.17970	.00500	.05090	-.00340	-.00100	-.00040	.17590	.06270
.625	20.910	.00000	-.01000	.17910	.00460	.05120	-.00350	-.00090	-.00030	.17520	.06310
.623	22.200	.00000	.00000	.18110	.00450	.05170	-.00430	-.00100	-.00020	.17720	.06370
.624	23.490	.00000	.00000	.18040	.00390	.05190	-.00320	-.00080	-.00040	.17650	.06370
.624	24.790	.00000	.00000	.18190	.00400	.05170	-.00360	-.00080	-.00040	.17800	.06360
.625	26.080	.00000	.00000	.18290	.00340	.05200	-.00400	-.00100	-.00040	.17900	.06400
.627	27.380	.00000	.01000	.18250	.00390	.05190	-.00270	-.00080	-.00040	.17860	.06390
.626	28.680	.00000	.01000	.18310	.00310	.05230	-.00350	-.00100	-.00050	.17920	.06420
.626	29.970	.00000	.01000	.18360	.00320	.05240	-.00350	-.00090	-.00030	.17970	.06440
.625	31.270	.00000	.02000	.18130	.00200	.05300	-.00360	-.00100	-.00030	.17740	.06490
.626	32.570	.00000	.02000	.18240	.00250	.05260	-.00300	-.00080	-.00030	.17860	.06440
.626	33.860	.00000	.02000	.18360	.00230	.05290	-.00390	-.00090	-.00030	.17980	.06470
.628	35.160	.00000	.02000	.18390	.00250	.05260	-.00360	-.00090	-.00030	.18000	.06450
.626	36.460	.00000	.03000	.18590	.00240	.05270	-.00320	-.00090	-.00030	.18210	.06480
.628	37.750	.00000	.03000	.18380	.00260	.05270	-.00410	-.00090	-.00020	.18000	.06450
.625	39.050	.00000	.03000	.18420	.00230	.05340	-.00350	-.00090	-.00020	.18030	.06530
.627	40.340	.00000	.03000	.18410	.00150	.05330	-.00350	-.00090	-.00020	.18030	.06520
.626	41.640	.00000	.05000	.18580	.00210	.05330	-.00430	-.00090	-.00030	.18200	.06530
.623	42.940	.00000	.05000	.18710	.00150	.05400	-.00330	-.00090	-.00020	.18320	.06590
.626	44.240	.00000	.05000	.18590	.00170	.05350	-.00500	-.00100	-.00010	.18200	.06540
.625	45.530	.00000	.06000	.18520	.00120	.05430	-.00340	-.00090	.00000	.18130	.06610
.625	46.830	.00000	.06000	.18540	.00070	.05420	-.00360	-.00090	-.00010	.18150	.06610
.626	48.120	.00000	.06000	.18520	.00090	.05420	-.00390	-.00100	.00000	.18130	.06600
GRADIENT		.00000	.00387	.00016	-.00058	.00019	-.00012	-.00008	-.00004	.00016	.00019

LTV44-559(CA26) 747/1 ATY 02 S1 (ORBITER DATA)

(AFE031) ( 18 NOV 75 )

## REFERENCE DATA

## PARAMETRIC DATA

SREF = 2690.0000 SQ.FT. XMRP = 1109.0000 IN. XO  
 LREF = 474.8100 IN. YMRP = .0000 IN. YO  
 BREF = 936.6800 IN. ZMRP = 375.0000 IN. ZO  
 SCALE = .0125

ALPHAC = .000 BETAC = .000  
 STAB = 5.000 ELEVON = 5.000  
 RUDDER = .000 DX = .000  
 DY = .000 IORB = 6.000  
 BETA0 = .000 DPHI = .000

RUN NO. 1030/ 0 RN/L = .00 GRADIENT INTERVAL = -5.00/ 5.00

MACH	DZ	DY	DX	CN	CLM	CA	CY	CYN	CBL	CL	CD
.622	1.480	.00000	-.03000	.28570	.01990	.03880	-.00120	-.00090	-.00080	.28010	.06840
.625	2.950	.00000	-.03000	.28390	.01930	.03830	-.00100	-.00100	-.00080	.27840	.06770
.625	3.210	.00000	-.03000	.28400	.01770	.03870	-.00200	-.00110	-.00070	.27840	.06820
.623	4.370	.00000	-.03000	.28560	.01640	.03920	-.00210	-.00090	-.00070	.28000	.06880
.625	5.530	.00000	-.03000	.28440	.01540	.03910	-.00200	-.00080	-.00080	.27880	.06840
.621	6.690	.00000	-.03000	.28560	.01410	.04010	-.00250	-.00090	-.00070	.27990	.06950
.625	7.850	.00000	-.03000	.28250	.01400	.03970	-.00240	-.00100	-.00070	.27690	.06870
.623	9.010	.00000	-.03000	.28210	.01350	.04030	-.00250	-.00090	-.00070	.27640	.06920
.626	10.170	.00000	-.03000	.28120	.01300	.04010	-.00210	-.00090	-.00060	.27550	.06890
.625	11.330	.00000	-.02000	.28200	.01240	.04090	-.00190	-.00080	-.00070	.27630	.06970
.626	12.480	.00000	-.02000	.28430	.01220	.04080	-.00250	-.00090	-.00070	.27850	.07000
.626	13.640	.00000	-.02000	.28080	.01120	.04070	-.00260	-.00080	-.00060	.27520	.06930
.624	14.800	.00000	-.02000	.28200	.01110	.04110	-.00220	-.00080	-.00070	.27630	.06980
.624	15.960	.00000	-.02000	.28290	.01120	.04140	-.00260	-.00090	-.00060	.27720	.07020
.624	17.120	.00000	-.01000	.28430	.01090	.04160	-.00250	-.00090	-.00060	.27860	.07060
.626	18.280	.00000	-.01000	.28090	.01000	.04150	-.00260	-.00070	-.00060	.27520	.06990
.625	19.440	.00000	-.01000	.28030	.00950	.04170	-.00260	-.00070	-.00050	.27480	.07000
.625	20.600	.00000	-.01000	.28110	.00980	.04190	-.00190	-.00070	-.00060	.27530	.07030
.623	21.750	.00000	.00000	.28300	.00920	.04240	-.00300	-.00090	-.00050	.27720	.07100
.623	22.910	.00000	.00000	.28180	.00890	.04260	-.00230	-.00080	-.00050	.27600	.07090
.623	24.070	.00000	.00000	.28360	.00900	.04280	-.00200	-.00080	-.00050	.27780	.07120
.624	25.230	.00000	.00000	.28250	.00890	.04280	-.00260	-.00070	-.00050	.27670	.07120
.623	26.390	.00000	.00000	.28250	.00880	.04280	-.00300	-.00070	-.00050	.27660	.07130
.624	27.550	.00000	.01000	.28360	.00830	.04300	-.00240	-.00080	-.00050	.27790	.07140
.624	28.710	.00000	.01000	.28410	.00830	.04320	-.00220	-.00070	-.00050	.27820	.07160
.626	29.870	.00000	.01000	.28120	.00840	.04320	-.00290	-.00090	-.00060	.27540	.07120
.623	31.030	.00000	.01000	.28430	.00840	.04340	-.00250	-.00070	-.00060	.27850	.07190
.624	32.180	.00000	.02000	.28350	.00770	.04360	-.00270	-.00080	-.00050	.27770	.07180
.624	33.340	.00000	.02000	.28310	.00800	.04390	-.00300	-.00080	-.00050	.27720	.07210
.624	34.500	.00000	.02000	.28300	.00790	.04380	-.00240	-.00080	-.00050	.27720	.07190
.625	35.660	.00000	.02000	.28380	.00730	.04360	-.00250	-.00080	-.00050	.27800	.07180
.625	36.820	.00000	.03000	.28270	.00730	.04380	-.00370	-.00090	-.00040	.27680	.07200
.623	37.980	.00000	.03000	.28490	.00790	.04400	-.00320	-.00080	-.00030	.27910	.07230
.625	39.140	.00000	.03000	.28400	.00730	.04400	-.00300	-.00080	-.00040	.27810	.07230
.623	40.300	.00000	.03000	.28280	.00690	.04460	-.00350	-.00080	-.00020	.27690	.07260
.624	41.460	.00000	.03000	.28280	.00670	.04470	-.00350	-.00090	-.00030	.27700	.07250
.627	42.610	.00000	.05000	.28180	.00630	.04450	-.00300	-.00090	-.00030	.27600	.07240
.625	43.780	.00000	.05000	.28200	.00620	.04450	-.00400	-.00090	-.00030	.27620	.07220
.626	44.940	.00000	.05000	.28340	.00690	.04430	-.00330	-.00080	-.00030	.27750	.07240
.623	46.100	.00000	.05000	.28360	.00650	.04480	-.00360	-.00080	-.00010	.27780	.07260
.624	47.260	.00000	.06000	.28320	.00640	.04500	-.00430	-.00100	-.00020	.27730	.07280
.626	48.420	.00000	.06000	.28260	.00590	.04510	-.00290	-.00080	-.00010	.27670	.07290



LTV44-559(CA26) 747/1 ATY 02 S1 (ORBITER DATA)

(AFE031) ( 18 NOV 75 )

## REFERENCE DATA

SREF = 2690.0000 SQ.FT. XMRP = 1109.0000 IN. XO  
 LREF = 474.8100 IN. YMRP = .0000 IN. YO  
 BREF = 936.6800 IN. ZMRP = 375.0000 IN. ZO  
 SCALE = .0125

## PARAMETRIC DATA

ALPHAC = .000 BETAC = .000  
 STAB = 5.000 ELEVON = 5.000  
 RUDDER = .000 OX = .000  
 DY = .000 IORB = 6.000  
 BETA0 = .000 OPHI = .000

RUN NO. 1030/ 0 RN/L = .00 GRADIENT INTERVAL = -5.00/ 5.00

MACH	DZ	DY	DX	CN	CLM	CA	CY	CYN	CBL	CL	CD
.623	49.570	.00000	.06000	.28410	.00600	.04580	-.00340	-.00080	-.00030	.27820	.07360
.624	50.730	.00000	.06000	.28420	.00630	.04540	-.00350	-.00080	-.00020	.27830	.07340
.623	51.890	.00000	.06000	.28350	.00600	.04550	-.00410	-.00090	.00000	.27760	.07320
.623	53.050	.00000	.06000	.28430	.00640	.04480	-.00500	-.00080	.00010	.27850	.07260
.625	54.210	.00000	.07000	.27300	.00530	.04610	-.00370	-.00070	.00000	.26740	.07180
	GRADIENT	.00000	-.00000	.00008	-.00123	.00019	-.00039	-.00000	.00004	.00007	.00021

LTV44-559(CA26) 747/1 ATY 02 S1 (ORBITER DATA)

(AFE032) ( 18 NOV 75 )

REFERENCE DATA

SREF = 2690.0000 SQ.FT. XMRP = 1109.0000 IN. XO  
 LREF = 474.8100 IN. YMRP = .0000 IN. YO  
 BREF = 936.6800 IN. ZMRP = 375.0000 IN. ZO  
 SCALE = .0125

PARAMETRIC DATA

ALPHAC = .000 BETAC = .000  
 STAB = 5.000 ELEVON = 5.000  
 RUDDER = .000 DX = .000  
 DY = .000 IORB = 6.000  
 BETAO = .000 DPHI = .000

RUN NO. 2030/ 0 RN/L = .00 GRADIENT INTERVAL = -5.00/ 5.00

MACH	DZ	DY	DX	CN	CLM	CA	CY	CYN	CBL	CL	CD
.622	2.050	.00000	-.05000	.28780	.02050	.03840	-.00210	-.00100	-.00060	.28220	.06830
.624	3.210	.00000	-.03000	.28580	.02100	.03850	-.00190	-.00100	-.00060	.28030	.06810
.626	4.370	.00000	-.03000	.28240	.02330	.03830	-.00120	-.00090	-.00070	.27690	.06730
.625	5.530	.00000	-.03000	.28200	.01890	.03850	-.00120	-.00100	-.00080	.27650	.06750
.626	6.690	.00000	-.03000	.28120	.01720	.03890	-.00170	-.00090	-.00080	.27570	.06790
.624	7.850	.00000	-.03000	.28450	.01640	.03920	-.00200	-.00110	-.00080	.27890	.06850
.624	9.010	.00000	-.03000	.28450	.01540	.03960	-.00230	-.00110	-.00080	.27890	.06880
.626	10.170	.00000	-.02000	.28290	.01420	.03980	-.00240	-.00100	-.00080	.27730	.06880
.624	11.330	.00000	-.02000	.28370	.01390	.03990	-.00210	-.00090	-.00070	.27810	.06890
.627	12.490	.00000	-.02000	.28150	.01320	.04000	-.00270	-.00090	-.00070	.27580	.06880
.625	13.650	.00000	-.02000	.28230	.01280	.04030	-.00220	-.00080	-.00070	.27670	.06910
.625	14.810	.00000	-.02000	.28140	.01240	.04080	-.00170	-.00080	-.00070	.27570	.06940
.627	15.970	.00000	-.02000	.28190	.01210	.04080	-.00220	-.00090	-.00070	.27620	.06950
.626	17.130	.00000	-.01000	.28070	.01120	.04120	-.00260	-.00080	-.00060	.27500	.06980
.624	18.280	.00000	-.01000	.28150	.01090	.04150	-.00200	-.00080	-.00060	.27580	.07000
.624	19.440	.00000	-.01000	.28240	.01070	.04170	-.00320	-.00090	-.00060	.27670	.07020
.623	20.600	.00000	-.01000	.28320	.01070	.04190	-.00220	-.00080	-.00060	.27750	.07050
.621	21.750	.00000	.00000	.28560	.01050	.04250	-.00290	-.00080	-.00060	.27980	.07150
.627	22.910	.00000	.00000	.28080	.01020	.04170	-.00240	-.00070	-.00070	.27510	.06990
.626	24.080	.00000	.00000	.27940	.00990	.04210	-.00280	-.00070	-.00060	.27370	.07030
.626	25.240	.00000	.00000	.28100	.00950	.04230	-.00270	-.00070	-.00060	.27530	.07060
.626	26.400	.00000	.00000	.28180	.00940	.04250	-.00220	-.00060	-.00060	.27610	.07080
.624	27.560	.00000	.01000	.28050	.00930	.04280	-.00260	-.00080	-.00060	.27470	.07090
.624	28.710	.00000	.01000	.28300	.00910	.04300	-.00270	-.00070	-.00060	.27730	.07120
.626	29.870	.00000	.01000	.27990	.00890	.04260	-.00250	-.00070	-.00060	.27420	.07060
.626	31.030	.00000	.01000	.28130	.00860	.04290	-.00290	-.00070	-.00050	.27560	.07090
.624	32.190	.00000	.02000	.28340	.00880	.04320	-.00320	-.00070	-.00070	.27760	.07160
.626	33.350	.00000	.02000	.28130	.00850	.04320	-.00280	-.00070	-.00070	.27550	.07130
.626	34.520	.00000	.02000	.28320	.00840	.04330	-.00270	-.00080	-.00050	.27740	.07160
.627	35.670	.00000	.02000	.28260	.00830	.04320	-.00320	-.00080	-.00050	.27680	.07140
.627	36.830	.00000	.03000	.28010	.00770	.04380	-.00240	-.00070	-.00040	.27430	.07170
.626	37.990	.00000	.03000	.28050	.00760	.04430	-.00370	-.00090	-.00050	.27470	.07210
.628	39.150	.00000	.03000	.28000	.00780	.04360	-.00280	-.00070	-.00050	.27420	.07140
.624	40.310	.00000	.03000	.28170	.00780	.04440	-.00340	-.00070	-.00040	.27590	.07220
.623	41.470	.00000	.05000	.28300	.00740	.04480	-.00390	-.00080	-.00030	.27710	.07280
.626	42.630	.00000	.05000	.28230	.00740	.04410	-.00340	-.00070	-.00030	.27650	.07190
.624	43.790	.00000	.05000	.28570	.00780	.04420	-.00330	-.00090	-.00030	.27990	.07250
.625	44.950	.00000	.05000	.28160	.00730	.04440	-.00430	-.00080	-.00030	.27580	.07210
.627	46.110	.00000	.05000	.28230	.00730	.04430	-.00270	-.00070	-.00030	.27650	.07210
.627	47.270	.00000	.06000	.28510	.00720	.04430	-.00260	-.00080	-.00040	.27930	.07240
.624	48.430	.00000	.06000	.28420	.00680	.04530	-.00270	-.00070	-.00030	.27830	.07310
.626	49.590	.00000	.06000	.28140	.00670	.04490	-.00280	-.00070	-.00050	.27560	.07240

LTV44-559(CA26) 747/1 ATY 02 S1 (ORBITER DATA)

(AFED32) ( 18 NOV 75 )

REFERENCE DATA

SREF = 2690.0000 SQ.FT. XMRP = 1109.0000 IN. XO  
 LREF = 474.8100 IN. YMRP = .0000 IN. YO  
 BREF = 936.6800 IN. ZMRP = 375.0000 IN. ZO  
 SCALE = .0125

PARAMETRIC DATA

ALPHAC = .000 BETAC = .000  
 STAB = 5.000 ELEVON = 5.000  
 RUDDER = .000 DX = .000  
 DY = .000 IORB = 6.000  
 BETAO = .000 OPHI = .000

RUN NO. 2030/ 0 RN/L = .00 GRADIENT INTERVAL = -5.00/ 5.00

MACH	DZ	DY	DX	CN	CLM	CA	CY	CYN	CBL	CL	CD
.626	50.750	.00000	.07000	.28400	.00670	.04460	-.00410	-.00070	-.00030	.27820	.07240
.626	51.900	.00000	.07000	.28180	.00610	.04520	-.00310	-.00070	.00000	.27590	.07280
.623	53.060	.00000	.07000	.28440	.00600	.04550	-.00430	-.00080	-.00020	.27850	.07340
.625	54.220	.00000	.07000	.28180	.00600	.04530	-.00260	-.00060	-.00040	.27600	.07280
.622	54.800	.00000	.09000	.28420	.00620	.04590	-.00340	-.00060	-.00030	.27830	.07360
	GRADIENT	.00000	.00862	-.00233	-.00009	-.00004	.00039	.00004	-.00004	-.00228	-.00043

LTV44-559(CA26) 747/1 ATY 02 S1 (ORBITER DATA)

(AFE033) ( 18 NOV 75 )

REFERENCE DATA

SREF = 2690.0000 SQ.FT. XMRP = 1109.0000 IN. XO  
 LREF = 474.8100 IN. YMRP = .0000 IN. YO  
 BREF = 936.6800 IN. ZMRP = 375.0000 IN. ZO  
 SCALE = .0125

PARAMETRIC DATA

ALPHAC = .000 BETAC = .000  
 STAB = 5.000 ELEVON = 5.000  
 BDFLAP = .000 DX = .000  
 DY = .000 IORB = 6.000  
 BETAO = .000 RUDDER = .000

RUN NO. 1034/ 0 RN/L = .00 GRADIENT INTERVAL = -5.00/ 5.00

MACH	DZ	DY	DX	CN	CLM	CA	CY	CYN	CBL	CL	CD
.617	1.480	.00000	-.05000	.29970	.01770	.04050	-.00220	-.00130	-.00080	.29380	.07160
.619	1.680	.00000	-.05000	.29700	.01770	.04000	-.00260	-.00120	-.00070	.29120	.07060
.619	2.080	.00000	-.05000	.29010	.02100	.04040	-.00190	-.00130	-.00040	.28430	.07040
.617	2.480	.00000	-.03000	.28650	.02070	.04020	-.00190	-.00120	-.00050	.28080	.06970
.619	3.290	.00000	-.03000	.28580	.02030	.04000	-.00260	-.00130	-.00050	.28010	.06960
.617	4.110	.00000	-.03000	.28510	.01970	.04050	-.00240	-.00130	-.00050	.27940	.06990
.620	4.910	.00000	-.03000	.28210	.01860	.04030	-.00260	-.00130	-.00050	.27640	.06930
.617	5.730	.00000	-.03000	.28460	.01760	.04070	-.00280	-.00120	-.00050	.27880	.07010
.617	6.540	.00000	-.03000	.28570	.01660	.04060	-.00220	-.00120	-.00060	.27990	.07000
.616	7.350	.00000	-.03000	.28490	.01600	.04130	-.00340	-.00130	-.00070	.27910	.07070
.617	8.170	.00000	-.03000	.28450	.01530	.04120	-.00340	-.00130	-.00060	.27870	.07030
.620	8.980	.00000	-.03000	.28340	.01380	.04100	-.00310	-.00120	-.00060	.27770	.06990
	GRADIENT	.00000	.00669	-.00445	.00017	.00002	-.00011	-.00002	.00006	-.00440	-.00048

ORIGINAL PAGE IS  
 OF POOR QUALITY

LTV44-559(CA26) 747/1 ATY 02 S1 (ORBITER DATA)

(AFE034) ( 18 NOV 75 )

## REFERENCE DATA

SREF = 2690.0000 SQ.FT. XMRP = 1109.0000 IN. XO  
 LREF = 474.8100 IN. YMRP = .0000 IN. YO  
 BREF = 936.6800 IN. ZMRP = 375.0000 IN. ZO  
 SCALE = .0125

## PARAMETRIC DATA

ALPHAC = .000 BETAC = .000  
 STAB = 5.000 ELEVON = 5.000  
 BDFLAP = .000 DX = .000  
 DY = .000 IORB = 8.000  
 BETA0 = .000 RUDDER = .000

RUN NO. 31/ 0 RN/L = .00 GRADIENT INTERVAL = -5.00/ 5.00

MACH	DZ	DY	DX	CN	CLM	CA	CY	CYN	CBL	CL	CD
.624	1.460	.00000	-.03000	.40760	.02330	.02480	-.00170	-.00120	-.00070	.40020	.08150
.625	2.770	.00000	-.02000	.40360	.02430	.02490	-.00180	-.00120	-.00060	.39620	.08080
.625	4.070	.00000	-.02000	.39920	.02430	.02540	-.00170	-.00120	-.00060	.39170	.08070
.625	5.370	.00000	-.02000	.39650	.02430	.02570	-.00160	-.00110	-.00050	.38910	.08050
.628	6.680	.00000	-.02000	.38900	.02230	.02580	-.00200	-.00110	-.00060	.38160	.07940
.626	7.990	.00000	-.02000	.39150	.02130	.02590	-.00250	-.00120	-.00070	.38410	.08020
.625	9.290	.00000	-.02000	.39220	.02030	.02650	-.00240	-.00110	-.00070	.38470	.08080
.626	10.600	.00000	-.02000	.38920	.01930	.02670	-.00230	-.00110	-.00070	.38180	.08020
.624	11.900	.00000	-.02000	.39230	.01990	.02700	-.00230	-.00100	-.00060	.38470	.08120
.625	13.200	.00000	-.02000	.38920	.01810	.02730	-.00220	-.00100	-.00070	.38070	.08060
.625	14.510	.00000	-.01000	.38720	.01740	.02790	-.00400	-.00120	-.00070	.37950	.08100
.626	15.810	.00000	-.01000	.38600	.01680	.02800	-.00220	-.00100	-.00060	.37650	.08070
.626	17.110	.00000	-.01000	.38700	.01640	.02880	-.00220	-.00100	-.00070	.37940	.08190
.624	18.420	.00000	-.01000	.38780	.01620	.02900	-.00360	-.00110	-.00070	.38010	.08190
.626	19.720	.00000	-.01000	.38510	.01610	.02900	-.00220	-.00100	-.00060	.37750	.08160
.625	21.030	.00000	-.01000	.38720	.01590	.02930	-.00310	-.00100	-.00070	.37950	.08200
.626	22.330	.00000	.00000	.38530	.01530	.02970	-.00280	-.00100	-.00060	.37750	.08220
.625	23.630	.00000	.00000	.38440	.01490	.02990	-.00300	-.00100	-.00060	.37660	.08200
.624	24.940	.00000	.00000	.38670	.01490	.03010	-.00240	-.00090	-.00060	.37900	.08260
.625	26.240	.00000	.00000	.38510	.01440	.03030	-.00280	-.00110	-.00060	.37740	.08250
.627	27.540	.00000	.01000	.39400	.01440	.03020	-.00290	-.00100	-.00070	.37620	.08230
.624	28.850	.00000	.01000	.38570	.01400	.03080	-.00250	-.00100	-.00060	.37790	.08300
.623	30.150	.00000	.01000	.38710	.01330	.03090	-.00270	-.00100	-.00060	.37930	.08320
.626	31.460	.00000	.01000	.38450	.01370	.03120	-.00310	-.00110	-.00050	.37670	.08300
.624	32.760	.00000	.02000	.38570	.01350	.03120	-.00270	-.00110	-.00050	.37790	.08320
.623	34.070	.00000	.02000	.38550	.01310	.03160	-.00250	-.00100	-.00060	.37770	.08330
.627	35.370	.00000	.02000	.38190	.01300	.03120	-.00270	-.00090	-.00060	.37410	.08250
.624	36.680	.00000	.02000	.38630	.01290	.03170	-.00260	-.00100	-.00050	.37850	.08350
.624	37.980	.00000	.03000	.38460	.01270	.03190	-.00410	-.00110	-.00060	.37880	.08350
.626	39.280	.00000	.03000	.38200	.01220	.03200	-.00280	-.00110	-.00050	.37420	.08310
.627	40.590	.00000	.03000	.38380	.01230	.03230	-.00310	-.00110	-.00060	.37600	.08360
.626	41.890	.00000	.03000	.38520	.01190	.03220	-.00410	-.00120	-.00040	.37730	.08390
.627	43.200	.00000	.05000	.38440	.01190	.03220	-.00310	-.00100	-.00050	.37660	.08370
.627	44.500	.00000	.05000	.38090	.01170	.03210	-.00240	-.00100	-.00030	.37310	.08290
.625	45.800	.00000	.05000	.38200	.01150	.03260	-.00360	-.00110	-.00030	.37410	.08350
.626	47.110	.00000	.05000	.38360	.01140	.03260	-.00330	-.00110	-.00030	.37570	.08390
.624	48.420	.00000	.06000	.38850	.01180	.03260	-.00350	-.00100	-.00040	.38050	.08430
.626	49.720	.00000	.06000	.38490	.01170	.03250	-.00460	-.00120	-.00020	.37710	.08360
.625	51.030	.00000	.07000	.38670	.01130	.03280	-.00310	-.00090	-.00030	.37890	.08430
.625	52.330	.00000	.07000	.38560	.01120	.03320	-.00380	-.00100	-.00020	.37770	.08420
.626	53.630	.00000	.07000	.38450	.01110	.03320	-.00340	-.00100	-.00030	.37670	.08400
.627	54.940	.00000	.07000	.38380	.01070	.03290	-.00380	-.00100	-.00030	.37600	.08350

LTV44-559(CA26) 747/1 ATY 02 S1 (ORBITER DATA)

(AFE034) ( 18 NOV 75 )

## REFERENCE DATA

SREF = 2690.0000 SQ.FT. XMRP = 1109.0000 IN. XO  
 LREF = 474.8100 IN. YMRP = .0000 IN. YO  
 BREF = 936.6800 IN. ZMRP = 375.0000 IN. ZO  
 SCALE = .0125

## PARAMETRIC DATA

ALPHAC = .000 BETAC = .000  
 STAB = 5.000 ELEVON = 5.000  
 BDFLAP = .000 DX = .000  
 DY = .000 IORB = 8.000  
 BETA0 = .000 RUDDER = .000

RUN NO. 31/ 0 RN/L = .00 GRADIENT INTERVAL = -5.00/ 5.00

MACH	DZ	DY	DX	CN	CLM	CA	CY	CYN	CBL	CL	CD
.626	56.240	.00000	.09000	.38150	.01020	.03350	-.00420	-.00100	-.00020	.37370	.08380
.625	57.540	.00000	.09000	.38320	.01060	.03350	-.00360	-.00100	-.00030	.37540	.08390
.624	58.850	.00000	.09000	.38250	.01050	.03380	-.00390	-.00100	-.00010	.37460	.08400
.626	60.150	.00000	.09000	.38360	.00990	.03370	-.00360	-.00100	-.00020	.37570	.08420
.626	61.460	.00000	.09000	.38410	.01020	.03370	-.00390	-.00100	.00000	.37620	.08440
	GRADIENT	.00000	.00384	-.00322	.00038	.00023	-.00000	.00000	.00004	-.00326	-.00031

LTV44-559(CA26) 747/1 ATY 02 S1 (ORBITER DATA)

(AFE035) (18 NOV 75)

## REFERENCE DATA

SREF = 2690.0000 SQ.FT. XMRP = 1109.0000 IN. XO  
 LREF = 474.8100 IN. YMRP = .0000 IN. YO  
 BREF = 936.6800 IN. ZMRP = 375.0000 IN. ZO  
 SCALE = .0125

## PARAMETRIC DATA

ALPHAC = .000 BETAC = .000  
 STAB = 5.000 ELEVON = 5.000  
 BOFLAP = .000 DX = .000  
 DY = .000 TORB = 4.000  
 BETAO = 5.000 RUDDER = .000

RUN NO. 33/ 0 RN/L = .00 GRADIENT INTERVAL = -5.00/ 5.00

MACH	DZ	DY	DX	CN	CLM	CA	CY	CYN	CBL	CL	CD
.628	1.460	.00000	-.06000	.18690	.01410	.04730	-.06310	-.01270	.00140	.18320	.06010
.627	2.760	.00000	-.05000	.18780	.01410	.04740	-.06270	-.01270	.00150	.18410	.06020
.627	4.050	.00000	-.05000	.18680	.01260	.04760	-.06270	-.01260	.00170	.18310	.06030
.628	5.350	.00000	-.05000	.18700	.01150	.04770	-.06280	-.01260	.00190	.18330	.06040
.629	6.650	.00000	-.05000	.18630	.00880	.04770	-.06310	-.01260	.00210	.18260	.06040
.627	7.950	.00000	-.03000	.18780	.00780	.04810	-.06360	-.01260	.00220	.18410	.06080
.627	9.240	.00000	-.03000	.18790	.00640	.04840	-.06350	-.01260	.00250	.18410	.06110
.628	10.540	.00000	-.03000	.18650	.00570	.04850	-.06310	-.01260	.00260	.18470	.06120
.627	11.830	.00000	-.03000	.18830	.00490	.04900	-.06390	-.01260	.00260	.18460	.06170
.628	13.130	.00000	-.02000	.18950	.00440	.04910	-.06360	-.01260	.00280	.18570	.06190
.627	14.420	.00000	-.02000	.18870	.00370	.04930	-.06400	-.01260	.00290	.18490	.06200
.627	15.720	.00000	-.02000	.18990	.00310	.04950	-.06400	-.01250	.00300	.18610	.06230
.627	17.020	.00000	-.01000	.18930	.00270	.04960	-.06340	-.01240	.00310	.18540	.06240
.627	18.320	.00000	-.01000	.19120	.00250	.04970	-.06370	-.01250	.00310	.18740	.06260
.629	19.610	.00000	-.01000	.18950	.00210	.04970	-.06330	-.01240	.00320	.18570	.06230
.628	20.910	.00000	-.01000	.19280	.00200	.05020	-.06380	-.01240	.00320	.18900	.06300
.628	22.200	.00000	.00000	.19040	.00110	.05030	-.06300	-.01240	.00320	.18660	.06300
.628	23.490	.00000	.00000	.18950	.00090	.05040	-.06320	-.01230	.00320	.18580	.06290
.629	24.790	.00000	.00000	.19000	.00080	.05070	-.06380	-.01250	.00340	.18620	.06320
.628	26.080	.00000	.00000	.19110	.00050	.05110	-.06370	-.01240	.00340	.18730	.06360
.627	27.380	.00000	.01000	.19170	.00040	.05110	-.06360	-.01230	.00340	.18790	.06380
.628	28.680	.00000	.01000	.19140	.00030	.05120	-.06430	-.01250	.00340	.18760	.06370
.630	29.970	.00000	.01000	.19120	-.00010	.05130	-.06290	-.01220	.00340	.18740	.05370
.627	31.270	.00000	.02000	.19330	.00000	.05150	-.06400	-.01240	.00350	.18950	.06420
.628	32.570	.00000	.02000	.19130	.00000	.05140	-.06360	-.01230	.00340	.18750	.06380
.628	33.860	.00000	.02000	.19340	-.00020	.05140	-.06430	-.01230	.00350	.18960	.06410
.628	35.160	.00000	.02000	.19180	-.00040	.05180	-.06480	-.01250	.00350	.18800	.06430
.630	36.460	.00000	.03000	.19210	-.00030	.05150	-.06470	-.01250	.00360	.18830	.06390
.628	37.750	.00000	.03000	.19290	-.00070	.05190	-.06390	-.01240	.00350	.18900	.06440
.627	39.050	.00000	.03000	.19400	-.00050	.05200	-.06430	-.01240	.00350	.19020	.06450
.627	40.340	.00000	.05000	.19240	-.00090	.05220	-.06440	-.01250	.00370	.18860	.06460
.629	41.640	.00000	.05000	.19160	-.00130	.05200	-.06550	-.01240	.00370	.18780	.06440
.628	42.940	.00000	.05000	.19320	-.00130	.05210	-.06530	-.01230	.00370	.18940	.06450
.629	44.240	.00000	.05000	.19220	-.00130	.05220	-.06390	-.01230	.00380	.18840	.06460
.628	45.530	.00000	.06000	.19150	-.00200	.05260	-.06580	-.01260	.00390	.18770	.06480
.627	46.830	.00000	.06000	.19320	-.00190	.05240	-.06600	-.01250	.00390	.18940	.06480
.627	48.120	.00000	.06000	.19410	-.00210	.05260	-.06460	-.01230	.00400	.19030	.06490
GRADIENT	.00000	.00000	.00387	-.00004	-.00058	.00012	.00015	.00004	.00012	-.00004	.00008

LTV44-559(CA26) 747/1 ATY 02 S1 (ORBITER DATA)

(AFE036) ( 18 NOV 75 )

## REFERENCE DATA

SREF = 2690.0000 SQ.FT. XMRP = 1109.0000 IN. XO  
 LREF = 474.8100 IN. YMRP = .0000 IN. YO  
 BREF = 936.6800 IN. ZMRP = 375.0000 IN. ZO  
 SCALE = .0125

## PARAMETRIC DATA

ALPHAC = .000 BETAC = .000  
 STAB = 5.000 ELEVON = 5.000  
 BDFLAP = .000 DX = .000  
 DY = .000 IORB = 6.000  
 BETA0 = 5.000 RUDDER = .000

RUN NO. 1033/ 0 RN/L = .00 GRADIENT INTERVAL = -5.00/ 5.00

MACH	DZ	DY	DX	CN	CLM	CA	CY	CYN	CBL	CL	CD
.628	2.050	.00000	-.03000	.29120	.01740	.03840	-.06170	-.01250	-.00100	.28560	.06850
.624	3.210	.00000	-.03000	.29690	.01870	.03860	-.06240	-.01270	-.00120	.29120	.06940
.625	4.370	.00000	-.03000	.29440	.01790	.03890	-.06190	-.01250	-.00090	.28870	.06940
.625	5.530	.00000	-.03000	.29390	.01610	.03930	-.06250	-.01250	-.00050	.28830	.06960
.628	6.690	.00000	-.03000	.29250	.01470	.03890	-.06210	-.01230	-.00030	.28690	.06900
.627	7.850	.00000	-.03000	.29200	.01390	.03910	-.06260	-.01230	-.00010	.28630	.06940
.626	9.010	.00000	-.03000	.29410	.01250	.03960	-.06330	-.01250	.00000	.28840	.06980
.629	10.170	.00000	-.02000	.29140	.01140	.03950	-.06280	-.01230	.00020	.28580	.06940
.626	11.330	.00000	-.02000	.29230	.01150	.04010	-.06270	-.01240	.00030	.28660	.07030
.626	12.490	.00000	-.02000	.29390	.01030	.04010	-.06310	-.01240	.00040	.28810	.07030
.626	13.650	.00000	-.02000	.29240	.01010	.04050	-.06300	-.01230	.00050	.28660	.07050
.626	14.810	.00000	-.02000	.29250	.00960	.04070	-.06260	-.01230	.00060	.28680	.07060
.626	15.970	.00000	-.02000	.29130	.00940	.04080	-.06280	-.01220	.00070	.28560	.07050
.629	17.130	.00000	-.01000	.29020	.00870	.04070	-.06280	-.01210	.00080	.28450	.07040
.628	18.290	.00000	-.01000	.29010	.00810	.04130	-.06280	-.01210	.00080	.28430	.07080
.626	19.440	.00000	-.01000	.29210	.00840	.04120	-.06350	-.01220	.00100	.28640	.07090
.627	20.600	.00000	-.01000	.29060	.00770	.04130	-.06260	-.01210	.00100	.28490	.07070
.629	21.750	.00000	.00000	.29090	.00750	.04140	-.06220	-.01200	.00100	.28510	.07090
.628	22.910	.00000	.00000	.28920	.00720	.04150	-.06270	-.01210	.00110	.28350	.07070
.628	24.080	.00000	.00000	.29030	.00720	.04170	-.06270	-.01200	.00110	.28450	.07090
.626	25.240	.00000	.00000	.29200	.00700	.04210	-.06240	-.01200	.00120	.28620	.07160
.627	26.400	.00000	.00000	.29100	.00650	.04220	-.06280	-.01210	.00140	.28520	.07150
.626	27.560	.00000	.01000	.29040	.00650	.04240	-.06290	-.01210	.00140	.28460	.07180
.628	28.710	.00000	.01000	.29050	.00630	.04240	-.06280	-.01210	.00130	.28470	.07170
.629	29.870	.00000	.01000	.28970	.00610	.04250	-.06240	-.01200	.00140	.28390	.07160
.627	31.030	.00000	.01000	.29190	.00570	.04270	-.06320	-.01200	.00140	.28610	.07200
.627	32.190	.00000	.02000	.29090	.00550	.04280	-.06280	-.01200	.00140	.28510	.07180
.627	33.350	.00000	.02000	.29150	.00550	.04290	-.06300	-.01200	.00140	.28560	.07220
.627	34.510	.00000	.02000	.29090	.00550	.04280	-.06390	-.01210	.00140	.28520	.07180
.628	35.670	.00000	.02000	.29070	.00530	.04270	-.06240	-.01190	.00140	.28490	.07160
.629	36.830	.00000	.02000	.29110	.00530	.04280	-.06220	-.01190	.00150	.28530	.07190
.627	37.990	.00000	.03000	.29190	.00540	.04320	-.06460	-.01210	.00170	.28590	.07230
.629	39.150	.00000	.03000	.28920	.00470	.04320	-.06370	-.01210	.00180	.28340	.07200
.627	40.310	.00000	.03000	.29050	.00480	.04360	-.06330	-.01200	.00170	.28470	.07240
.629	41.470	.00000	.05000	.29030	.00490	.04310	-.06360	-.01190	.00160	.28460	.07180
.628	42.630	.00000	.05000	.29070	.00450	.04360	-.06380	-.01200	.00180	.28400	.07250
.628	43.790	.00000	.05000	.28980	.00420	.04370	-.06530	-.01220	.00190	.28400	.07230
.628	44.950	.00000	.05000	.28910	.00410	.04360	-.06280	-.01190	.00180	.28330	.07220
.628	46.110	.00000	.06000	.29190	.00440	.04340	-.06370	-.01190	.00180	.28620	.07220
.626	47.270	.00000	.06000	.29060	.00420	.04380	-.06440	-.01200	.00180	.28480	.07240
.627	48.430	.00000	.06000	.29230	.00410	.04370	-.06380	-.01190	.00180	.28660	.07230
.626	49.590	.00000	.06000	.28930	.00350	.04440	-.06480	-.01220	.00220	.28310	.07280

LTV44-559(CA26) 747/1 ATY 02 51 (ORBITER DATA)

(AFE036) ( 18 NOV 75 )

## REFERENCE DATA

SREF = 2690.0000 SQ.FT. XMRP = 109.0000 IN. XO  
 LREF = 474.8100 IN. YMRP = .0000 IN. YO  
 BREF = 936.6800 IN. ZMRP = 375.0000 IN. ZO  
 SCALE = .0125

## PARAMETRIC DATA

ALPHAC = .000 BETAC = .000  
 STAB = 5.000 ELEVON = 5.000  
 BDFLAP = .000 DX = .000  
 DY = .000 TORB = 6.000  
 BETAO = 5.000 RUDDER = .000

RUN NO. 1033/ 0 RN/L = .00 GRADIENT INTERVAL = -5.00/ 5.00

MACH	DZ	DY	DX	CN	CLM	CA	CY	CYN	CBL	CL	CD
.628	50.750	.00000	.06000	.29040	.00390	.04400	-.06460	-.01210	.00190	.28470	.07250
.627	51.900	.00000	.06000	.29350	.00380	.04400	-.06240	-.01190	.00190	.28770	.07290
.629	53.060	.00000	.07000	.29160	.00400	.04390	-.06450	-.01200	.00200	.28590	.07240
.631	54.220	.00000	.07000	.29000	.00370	.04410	-.06310	-.01180	.00200	.28420	.07240
.628	54.800	.00000	.07000	.29200	.00350	.04430	-.06400	-.01190	.00210	.28630	.07260
	GRADIENT	.00000	.00000	.00138	.00022	.00022	-.00009	.00000	.00004	.00134	.00039



LTV44-559(CA26) 747/1 ATY 02 S1 (ORBITER DATA)

(AFE037) ( 18 NOV 75 )

## REFERENCE DATA

SREF = 2690.0000 SQ.FT. XMRP = 1109.0000 IN. XO  
 LREF = 474.8100 IN. YMRP = .0000 IN. YO  
 BREF = 936.6800 IN. ZMRP = 375.0000 IN. ZO  
 SCALE = .0125

## PARAMETRIC DATA

ALPHAC = .000 BETAC = .000  
 STAB = 5.000 ELEVON = 5.000  
 BDFLAP = .000 DX = .000  
 DY = .000 TORB = 8.000  
 BETAO = 5.000 RUDDER = .000

RUN NO. 34/ 0 RN/L = .00 GRADIENT INTERVAL = -5.00/ 5.00

MACH	DZ	DY	DX	CN	CLM	CA	CY	CYN	CBL	CL	CD
.617	1.460	.00000	-.02000	.41570	.02400	.02730	-.05960	-.01210	-.00390	.40770	.08530
.619	2.770	.00000	-.02000	.41320	.02340	.02720	-.06010	-.01210	-.00390	.40530	.08460
.617	4.070	.00000	-.02000	.41220	.02330	.02760	-.06040	-.01220	-.00370	.40430	.08490
.618	5.370	.00000	-.02000	.40720	.02180	.02790	-.05870	-.01200	-.00330	.39940	.08410
.616	6.680	.00000	-.02000	.40720	.02030	.02800	-.06040	-.01200	-.00290	.39930	.08450
.618	7.990	.00000	-.02000	.40440	.01950	.02820	-.05980	-.01190	-.00280	.39650	.08440
.616	9.290	.00000	-.02000	.40450	.01870	.02880	-.06070	-.01190	-.00250	.39660	.08470
.620	10.600	.00000	-.02000	.40180	.01750	.02870	-.06080	-.01190	-.00240	.39400	.08420
.620	11.900	.00000	-.02000	.40120	.01690	.02890	-.06040	-.01170	-.00210	.39340	.08410
.618	13.200	.00000	-.02000	.40240	.01700	.02940	-.06080	-.01170	-.00200	.39440	.08490
.620	14.510	.00000	-.02000	.39810	.01570	.02940	-.06100	-.01170	-.00180	.39030	.08390
.620	15.810	.00000	-.01000	.39800	.01520	.03000	-.06120	-.01180	-.00170	.39010	.08440
.618	17.110	.00000	-.01000	.39790	.01510	.03030	-.06170	-.01170	-.00160	.39000	.08480
.618	18.420	.00000	-.01000	.39680	.01450	.03070	-.06100	-.01170	-.00150	.38880	.08470
.619	19.720	.00000	-.01000	.39540	.01440	.03080	-.06150	-.01160	-.00150	.38750	.08480
.621	21.030	.00000	-.01000	.39580	.01380	.03100	-.06110	-.01180	-.00150	.38780	.08490
.620	22.330	.00000	.00000	.39660	.01380	.03110	-.06090	-.01170	-.00140	.38860	.08510
.618	23.630	.00000	.00000	.39800	.01390	.03140	-.06160	-.01180	-.00120	.39000	.08550
.619	24.940	.00000	.00000	.39480	.01300	.03180	-.06170	-.01180	-.00120	.38670	.08530
.618	26.240	.00000	.00000	.39470	.01300	.03200	-.06210	-.01180	-.00110	.38670	.08550
.620	27.540	.00000	.01000	.39340	.01290	.03220	-.06050	-.01160	-.00110	.38540	.08520
.620	28.850	.00000	.01000	.39400	.01250	.03200	-.06110	-.01170	-.00110	.38600	.08520
.619	30.150	.00000	.01000	.39440	.01270	.03220	-.06130	-.01170	-.00120	.38640	.08550
.620	31.460	.00000	.01000	.39370	.01260	.03220	-.06070	-.01150	-.00100	.38570	.08520
.617	32.760	.00000	.02000	.39690	.01270	.03280	-.06200	-.01180	-.00090	.38870	.08650
.620	34.070	.00000	.02000	.39320	.01200	.03280	-.06170	-.01160	-.00080	.38510	.08570
.619	35.370	.00000	.02000	.39380	.01190	.03270	-.06180	-.01160	-.00080	.38580	.08560
.618	36.680	.00000	.02000	.39500	.01190	.03280	-.06180	-.01150	-.00080	.38700	.08600
.617	37.980	.00000	.03000	.39590	.01180	.03310	-.06160	-.01150	-.00070	.38790	.08590
.617	39.280	.00000	.03000	.39550	.01170	.03320	-.06230	-.01160	-.00060	.38740	.08610
.619	40.590	.00000	.03000	.39130	.01080	.03320	-.06240	-.01170	-.00060	.38330	.08550
.619	41.890	.00000	.05000	.39150	.01130	.03350	-.06240	-.01160	-.00050	.38340	.08590
.618	43.200	.00000	.05000	.39380	.01110	.03360	-.06160	-.01150	-.00050	.38570	.08610
.618	44.500	.00000	.05000	.39640	.01070	.03370	-.06340	-.01180	-.00050	.38820	.08670
.618	45.800	.00000	.05000	.39490	.01090	.03360	-.06240	-.01170	-.00050	.38680	.08640
.619	47.110	.00000	.06000	.39340	.01090	.03370	-.06170	-.01140	-.00070	.38540	.08620
.618	48.420	.00000	.06000	.39480	.01110	.03390	-.06320	-.01170	-.00030	.38680	.08630
.619	49.720	.00000	.06000	.39330	.01100	.03390	-.06310	-.01160	-.00030	.38520	.08610
.619	51.030	.00000	.07000	.39320	.01060	.03400	-.06300	-.01150	-.00020	.38510	.08630
.617	52.330	.00000	.07000	.39330	.01020	.03440	-.06500	-.01180	.00000	.38520	.08650
.620	53.630	.00000	.07000	.39080	.01040	.03380	-.06240	-.01140	-.00020	.38280	.08540
.619	54.940	.00000	.07000	.39240	.01030	.03430	-.06290	-.01150	-.00020	.38430	.08620

LTV44-559(CA26) 747/I ATY 02 S1 (ORBITER DATA)

(AFE037) ( 18 NOV 75 )

## REFERENCE DATA

SREF = 2690.0000 SQ.FT. XMRP = 1109.0000 IN. XO  
 LREF = 474.8100 IN. YMRP = .0000 IN. YO  
 BREF = 936.6800 IN. ZMRP = 375.0000 IN. ZO  
 SCALE = .0125

## PARAMETRIC DATA

ALPHAC = .000 BETAC = .000  
 STAB = 5.000 ELEVON = 5.000  
 BDFLAP = .000 DX = .000  
 DY = .000 IORB = 8.000  
 BETA0 = 5.000 RUDDER = .000

		RUN NO.	34/ 0	RN/L =	.00	GRADIENT INTERVAL = -5.00/ 5.00					
MACH	DZ	DY	DX	CN	CLM	CA	CY	CYN	CBL	CL	CD
.619	56.240	.00000	.09000	.39180	.01000	.03460	-.06400	-.01170	.00000	.38370	.08620
.618	57.540	.00000	.09000	.39130	.00980	.03480	-.06400	-.01170	.00000	.38320	.08640
.618	58.850	.00000	.09000	.39250	.00950	.03490	-.06480	-.01180	.00000	.38410	.08670
.616	60.150	.00000	.09000	.39460	.00960	.03510	-.06360	-.01170	.00000	.38640	.08700
.617	61.460	.00000	.10000	.39060	.00920	.03520	-.06530	-.01190	.00000	.38250	.08660
	GRADIENT	.00000	.00000	-.00134	-.00027	.00011	-.00031	-.00004	.00008	-.00130	-.00015

LTV44-559(CA26) 747/1 ATY O2 S1 (ORBITER DATA)

(AFE038) ( 18 NOV 75 )

## REFERENCE DATA

SREF = 2690.0000 SQ.FT. XMRP = 1109.0000 IN. XO  
 LREF = 474.8100 IN. YMRP = .0000 IN. YO  
 BREF = 936.6800 IN. ZMRP = 375.0000 IN. ZO  
 SCALE = .0125

## PARAMETRIC DATA

ALPHAC = .000 BETAC = .000  
 STAB = -1.000 ELEVON = 5.000  
 BDFLAP = .000 DX = .000  
 DY = .000 IORB = 4.000  
 BETAO = .000 RUDDER = .000

RUN NO. 35/ 0 RN/L = .00 GRADIENT INTERVAL = -5.00/ 5.00

MACH	DZ	DY	DX	CN	CLM	CA	CY	CYN	CBL	CL	CD
.625	1.460	.00000	.05000	.17700	.01790	.04730	-.00410	-.00130	-.00010	.17290	.06050
.625	2.760	.00000	.05000	.17690	.01780	.04750	-.00370	-.00130	-.00020	.17280	.06070
.627	4.050	.00000	.05000	.17830	.01670	.04760	-.00420	-.00130	-.00030	.17420	.06090
.625	5.350	.00000	.05000	.18070	.01460	.04830	-.00350	-.00130	-.00040	.17650	.06170
.626	6.650	.00000	.03000	.18150	.01290	.04820	-.00330	-.00140	-.00040	.17740	.06170
.624	7.950	.00000	.03000	.18370	.01160	.04880	-.00340	-.00140	-.00050	.17950	.06230
.626	9.240	.00000	.03000	.18230	.01040	.04860	-.00310	-.00130	-.00040	.17820	.06210
.627	10.540	.00000	.02000	.18410	.00980	.04890	-.00390	-.00140	-.00050	.17990	.06250
.624	11.830	.00000	.02000	.18570	.00900	.04950	-.00420	-.00140	-.00050	.18160	.06320
.627	13.130	.00000	.02000	.18300	.00930	.04930	-.00370	-.00140	-.00040	.17880	.06270
.626	14.420	.00000	.01000	.18520	.00760	.04980	-.00330	-.00130	-.00040	.19100	.06340
.625	15.720	.00000	.01000	.18770	.00750	.05010	-.00390	-.00130	-.00050	.18350	.06380
.625	17.020	.00000	.01000	.18770	.00680	.05020	-.00320	-.00130	-.00040	.18350	.06390
.626	18.320	.00000	.00000	.18890	.00660	.05050	-.00410	-.00130	-.00040	.18470	.06420
.627	19.610	.00000	.00000	.18750	.00610	.05050	-.00350	-.00130	-.00040	.18330	.06420
.627	20.910	.00000	.00000	.18710	.00560	.05090	-.00370	-.00130	-.00030	.18290	.06460
.625	22.200	.00000	-.01000	.18950	.00550	.05110	-.00410	-.00130	-.00040	.18520	.06470
.627	23.490	.00000	-.01000	.18690	.00510	.05120	-.00390	-.00130	-.00030	.18270	.06480
.627	24.790	.00000	-.01000	.18760	.00480	.05110	-.00350	-.00120	-.00030	.18330	.06480
.628	26.080	.00000	-.02000	.18820	.00480	.05120	-.00430	-.00130	-.00040	.18390	.06480
.625	27.380	.00000	-.02000	.19020	.00450	.05190	-.00410	-.00130	-.00040	.18600	.06560
.627	28.680	.00000	-.02000	.18980	.00410	.05180	-.00340	-.00120	-.00030	.18560	.06550
.626	29.970	.00000	-.03000	.19010	.00410	.05250	-.00450	-.00130	-.00040	.18580	.06600
.629	31.270	.00000	-.03000	.19050	.00380	.05200	-.00360	-.00130	-.00020	.18630	.06560
.627	32.570	.00000	-.03000	.19140	.00360	.05250	-.00450	-.00140	-.00030	.18710	.06620
.625	33.860	.00000	-.05000	.19170	.00330	.05290	-.00410	-.00130	-.00030	.18740	.06650
.627	35.150	.00000	-.05000	.19230	.00320	.05270	-.00330	-.00120	-.00020	.18810	.06640
.629	36.460	.00000	-.05000	.19310	.00330	.05250	-.00410	-.00140	-.00020	.18880	.06620
.627	37.750	.00000	-.06000	.19280	.00310	.05280	-.00480	-.00140	-.00020	.18860	.06650
.629	39.050	.00000	-.06000	.19130	.00290	.05290	-.00450	-.00140	-.00010	.18700	.06650
.628	40.340	.00000	-.06000	.19220	.00270	.05300	-.00530	-.00150	-.00010	.18790	.06660
.628	41.640	.00000	-.07000	.19490	.00290	.05300	-.00430	-.00130	-.00010	.19060	.06680
.626	42.940	.00000	-.07000	.19530	.00250	.05340	-.00570	-.00150	-.00020	.19100	.06720
.627	44.240	.00000	-.07000	.19340	.00250	.05340	-.00390	-.00130	-.00020	.18910	.06710
.627	45.530	.00000	-.09000	.19360	.00210	.05310	-.00430	-.00130	.00000	.18930	.06680
.629	46.830	.00000	-.09000	.19230	.00180	.05310	-.00400	-.00130	-.00010	.18800	.06670
.626	48.120	.00000	-.09000	.19790	.00220	.05360	-.00390	-.00110	-.00020	.19370	.06740
	GRADIENT	.00000	.00000	.00050	-.00046	.00012	-.00004	.00000	-.00008	.00050	.00015

LTV44-559(CA26) 747/1 ATY 02 S1 (ORBITER DATA)

(AFE039) ( 18 NOV 75 )

## REFERENCE DATA

SREF = 2690.0000 SQ.FT. XMRP = 1109.0000 IN. XO  
 LREF = 474.8100 IN. YMRP = .0000 IN. YO  
 BREF = 936.6800 IN. ZMRP = 375.0000 IN. ZO  
 SCALE = .0125

## PARAMETRIC DATA

ALPHAC = .000 BETAC = .000  
 STAB = -1.000 ELEVON = 5.000  
 BDFLAP = .000 DX = .000  
 DY = .000 IORB = 6.000  
 BETAO = .000 RUDDER = .000

RUN NO. 1035/ 0 RN/L = .00 GRADIENT INTERVAL = -5.00/ 5.00

MACH	DZ	DY	DX	CN	CLM	CA	CY	CYN	CBL	CL	CD
.627	2.050	.00000	.06000	.28830	.02130	.03660	-.00220	-.00110	-.00060	.28260	.06790
.625	3.210	.00000	.06000	.29030	.02130	.03680	-.00220	-.00120	-.00060	.28450	.06850
.623	4.370	.00000	.06000	.29240	.02110	.03720	-.00220	-.00130	-.00060	.28650	.06910
.626	5.530	.00000	.05000	.28720	.01910	.03710	-.00170	-.00120	-.00070	.28130	.06840
.625	6.690	.00000	.05000	.28730	.01830	.03760	-.00230	-.00130	-.00070	.28140	.06880
.627	7.850	.00000	.05000	.28870	.01690	.03760	-.00300	-.00130	-.00080	.28280	.06890
.626	9.010	.00000	.03000	.28910	.01600	.03790	-.00190	-.00110	-.00070	.28320	.06930
.627	10.170	.00000	.03000	.28980	.01530	.03810	-.00280	-.00120	-.00080	.28290	.06950
.626	11.330	.00000	.02000	.28790	.01450	.03820	-.00230	-.00120	-.00080	.28200	.06940
.626	12.490	.00000	.02000	.28860	.01440	.03870	-.00280	-.00120	-.00070	.28270	.06980
.625	13.650	.00000	.02000	.28840	.01350	.03890	-.00260	-.00110	-.00070	.28250	.07010
.626	14.810	.00000	.01000	.28890	.01340	.03940	-.00290	-.00120	-.00070	.28290	.07030
.626	15.970	.00000	.01000	.28880	.01300	.03950	-.00300	-.00120	-.00070	.28290	.07050
.627	17.130	.00000	.01000	.28730	.01240	.03930	-.00230	-.00110	-.00070	.28140	.07030
.629	18.280	.00000	.00000	.28690	.01220	.04000	-.00270	-.00110	-.00070	.28090	.07090
.627	19.440	.00000	.00000	.28840	.01210	.04010	-.00290	-.00120	-.00060	.28230	.07110
.627	20.600	.00000	.00000	.28880	.01170	.04030	-.00300	-.00110	-.00060	.28270	.07120
.627	21.750	.00000	-.01000	.28870	.01120	.04030	-.00330	-.00110	-.00070	.28270	.07120
.627	22.910	.00000	-.01000	.28810	.01130	.04060	-.00270	-.00110	-.00060	.28200	.07150
.628	24.080	.00000	-.01000	.28710	.01070	.04060	-.00270	-.00110	-.00070	.28110	.07120
.629	25.240	.00000	-.01000	.28620	.01080	.04080	-.00260	-.00110	-.00060	.28020	.07130
.627	26.400	.00000	-.02000	.28940	.01070	.04110	-.00220	-.00110	-.00060	.28330	.07190
.626	27.560	.00000	-.02000	.28960	.01000	.04170	-.00300	-.00120	-.00070	.28350	.07240
.629	28.710	.00000	-.02000	.28700	.01010	.04140	-.00290	-.00120	-.00050	.28090	.07200
.628	29.870	.00000	-.03000	.29140	.00930	.04160	-.00180	-.00100	-.00060	.28530	.07260
.627	31.030	.00000	-.03000	.29030	.00950	.04200	-.00390	-.00120	-.00060	.28420	.07270
.626	32.190	.00000	-.03000	.28950	.00960	.04190	-.00270	-.00120	-.00070	.28330	.07260
.626	33.350	.00000	-.05000	.28910	.00940	.04230	-.00260	-.00110	-.00050	.28290	.07300
.627	34.510	.00000	-.05000	.28920	.00910	.04210	-.00350	-.00110	-.00060	.28310	.07260
.627	35.670	.00000	-.05000	.29010	.00940	.04230	-.00310	-.00120	-.00050	.28400	.07300
.626	36.830	.00000	-.06000	.29090	.00900	.04230	-.00250	-.00110	-.00050	.28470	.07300
.628	37.990	.00000	-.06000	.29170	.00880	.04230	-.00400	-.00120	-.00040	.28550	.07300
.627	39.150	.00000	-.06000	.29080	.00890	.04260	-.00290	-.00110	-.00040	.28450	.07330
.628	40.310	.00000	-.06000	.29060	.00900	.04250	-.00320	-.00120	-.00040	.28440	.07320
.625	41.470	.00000	-.07000	.29390	.00820	.04310	-.00380	-.00120	-.00040	.28770	.07390
.627	42.630	.00000	-.07000	.29130	.00830	.04280	-.00290	-.00110	-.00040	.28510	.07340
.624	43.790	.00000	-.07000	.29380	.00840	.04310	-.00300	-.00110	-.00050	.28760	.07400
.627	44.950	.00000	-.07000	.29010	.00790	.04330	-.00290	-.00100	-.00050	.28400	.07370
.628	46.110	.00000	-.09000	.29010	.00770	.04340	-.00350	-.00110	-.00030	.28390	.07360
.630	47.270	.00000	-.09000	.28970	.00800	.04290	-.00280	-.00120	-.00040	.28350	.07310
.627	48.430	.00000	-.10000	.29110	.00780	.04340	-.00390	-.00120	-.00020	.28490	.07380
.628	49.590	.00000	-.10000	.29100	.00750	.04350	-.00340	-.00120	-.00020	.28480	.07380

LTV44-559(CA26) 747/1 ATY 02 S1 (ORBITER DATA)

(AFE039) ( 18 NOV 75 )

## REFERENCE DATA

SREF = 2690.0000 SQ.FT. XMRP = 1109.0000 IN. XO  
 LREF = 474.8100 IN. YMRP = .0000 IN. YO  
 BREF = 936.6800 IN. ZMRP = 375.0000 IN. ZO  
 SCALE = .0125

## PARAMETRIC DATA

ALPAC = .000 BETAC = .000  
 STAB = -1.000 ELEVON = 5.000  
 BDFLAP = .000 DX = .000  
 DY = .000 IORB = 6.000  
 BETA0 = .000 RUDDER = .000

RUN NO. 1035/ 0 RN/L = .00 GRADIENT INTERVAL = -5.00/ 5.00

MACH	DZ	DY	DX	CN	CLM	CA	CY	CYN	CBL	CL	CD
.628	50.750	.00000	-.10000	.29170	.00750	.04340	-.00320	-.00100	-.00040	.28550	.07380
.628	51.900	.00000	-.11000	.29280	.00770	.04360	-.00300	-.00100	-.00030	.28660	.07410
.627	53.060	.00000	-.11000	.29170	.00730	.04380	-.00230	-.00100	-.00050	.28550	.07400
.625	54.220	.00000	-.11000	.29350	.00700	.04400	-.00260	-.00100	-.00050	.28730	.07430
.626	54.800	.00000	-.11000	.29330	.00670	.04430	-.00200	-.00090	-.00040	.28700	.07480
	GRADIENT	.00000	.00000	.00177	.00004	.00026	.00000	-.00009	-.00000	.00168	.00052

LTV44-559(CA26) 747/1 ATY 02 S1 (ORBITER DATA)

(AFE040) ( 18 NOV 75 )

REFERENCE DATA

SREF = 2690.0000 SQ.FT. XMRP = 1109.0000 IN. XO  
 LREF = 474.8100 IN. YMRP = .0000 IN. YO  
 BREF = 936.6800 IN. ZMRP = 375.0000 IN. ZO  
 SCALE = .0125

PARAMETRIC DATA

ALPHAC = .000 BETAC = .000  
 STAB = -1.000 ELEVON = 5.000  
 BDFLAP = .000 DX = .000  
 DY = .000 1ORB = 6.000  
 BETAO = .000 RUDDER = .000

RUN NO. 36/ 0 RN/L = .00 GRADIENT INTERVAL = -5.00/ 5.00

MACH	DZ	DY	DX	CN	CLM	CA	CY	CYN	CBL	CL	CD
.622	1.460	.00000	.07000	.41390	.02750	.02410	-.00110	-.00120	-.00050	.40600	.08380
.623	2.770	.00000	.06000	.41050	.02700	.02420	-.00170	-.00120	-.00050	.40270	.08340
.620	4.070	.00000	.06000	.40890	.02780	.02500	-.00080	-.00110	-.00060	.40100	.08380
.622	5.370	.00000	.06000	.40430	.02590	.02480	-.00140	-.00110	-.00050	.39650	.08310
.623	6.680	.00000	.05000	.40300	.02420	.02520	-.00180	-.00110	-.00060	.39510	.08300
.621	7.990	.00000	.05000	.40280	.02350	.02550	-.00170	-.00110	-.00050	.39480	.08350
.621	9.290	.00000	.03000	.40290	.02280	.02600	-.00140	-.00100	-.00060	.39490	.08390
.621	10.600	.00000	.03000	.40260	.02210	.02640	-.00180	-.00110	-.00060	.39460	.08400
.621	11.900	.00000	.02000	.40280	.02160	.02660	-.00250	-.00110	-.00060	.39480	.08420
.621	13.200	.00000	.02000	.40070	.02080	.02700	-.00240	-.00100	-.00060	.39270	.08420
.624	14.510	.00000	.02000	.39720	.01950	.02720	-.00200	-.00090	-.00050	.38920	.08400
.621	15.810	.00000	.01000	.39950	.01950	.02750	-.00290	-.00110	-.00050	.39140	.08460
.624	17.110	.00000	.01000	.39520	.01850	.02750	-.00210	-.00090	-.00050	.38720	.08360
.624	18.420	.00000	.00000	.39690	.01830	.02740	-.00180	-.00090	-.00050	.38890	.08380
.623	19.720	.00000	.00000	.39610	.01850	.02830	-.00240	-.00100	-.00050	.38800	.08450
.623	21.030	.00000	.00000	.39570	.01790	.02820	-.00220	-.00080	-.00050	.38770	.08420
.622	22.330	.00000	-.01000	.39780	.01790	.02870	-.00190	-.00100	-.00050	.38960	.08520
.622	23.630	.00000	-.01000	.39850	.01710	.02850	-.00280	-.00100	-.00050	.39040	.08490
.622	24.940	.00000	-.01000	.39830	.01750	.02900	-.00150	-.00080	-.00060	.39010	.08520
.625	26.240	.00000	-.02000	.39470	.01700	.02920	-.00170	-.00080	-.00050	.38660	.08480
.622	27.540	.00000	-.02000	.39740	.01660	.02970	-.00260	-.00090	-.00050	.38910	.08580
.623	28.850	.00000	-.02000	.39630	.01630	.02970	-.00200	-.00090	-.00040	.38810	.08540
.622	30.150	.00000	-.03000	.39730	.01580	.02980	-.00220	-.00090	-.00040	.38910	.08570
.621	31.460	.00000	-.03000	.39930	.01600	.03030	-.00210	-.00090	-.00050	.39100	.08630
.621	32.760	.00000	-.03000	.39830	.01550	.03060	-.00290	-.00100	-.00040	.39000	.08650
.622	34.070	.00000	-.05000	.39810	.01550	.03060	-.00220	-.00090	-.00050	.38980	.08640
.623	35.370	.00000	-.05000	.39530	.01540	.03070	-.00140	-.00090	-.00040	.38710	.08610
.623	36.680	.00000	-.05000	.39710	.01470	.03050	-.00280	-.00100	-.00050	.38890	.08600
.621	37.980	.00000	-.06000	.39920	.01470	.03100	-.00200	-.00080	-.00050	.39090	.08670
.623	39.280	.00000	-.06000	.39730	.01480	.03080	-.00220	-.00100	-.00050	.38900	.08640
.623	40.590	.00000	-.07000	.39940	.01430	.03100	-.00250	-.00100	-.00040	.39110	.08680
.623	41.890	.00000	-.07000	.39870	.01460	.03100	-.00260	-.00100	-.00040	.39040	.08660
.622	43.200	.00000	-.07000	.40120	.01440	.03120	-.00150	-.00080	-.00030	.39290	.08700
.621	44.500	.00000	-.09000	.39920	.01410	.03170	-.00290	-.00100	-.00030	.39080	.08730
.623	45.800	.00000	-.09000	.39840	.01370	.03180	-.00260	-.00100	-.00020	.39000	.08720
.621	47.110	.00000	-.09000	.39980	.01390	.03190	-.00210	-.00100	-.00030	.39140	.08750
.620	48.420	.00000	-.10000	.39750	.01330	.03250	-.00290	-.00100	-.00010	.38910	.08780
	GRADIENT	.00000	-.00384	-.00192	.00011	.00034	.00011	.00004	-.00004	-.00192	-.00000

LTV44-559(CA26) 747/1 ATY 02 S1 (ORBITER DATA)

(AFE041) ( 18 NOV 75 )

## REFERENCE DATA

SREF = 2690.0000 SQ.FT. XMRP = 1109.0000 IN. XO  
 LREF = 474.8100 IN. YMRP = .0000 IN. YO  
 BREF = 936.6800 IN. ZMRP = 375.0000 IN. ZO  
 SCALE = .0125

## PARAMETRIC DATA

ALPHAC = 2.000 BETAC = .000  
 STAB = -1.000 ELEVON = 5.000  
 BDFLAP = .000 DX = .000  
 DY = .000 IORB = 4.000  
 BETAO = .000 RUDDER = .000

RUN NO. 37/ 0 RN/L = .00 GRADIENT INTERVAL = -5.00/ 5.00

MACH	DZ	DY	DX	CN	CLM	CA	CY	CYN	CBL	CL	CD
.595	1.470	.00000	.10000	.30700	.00150	.04290	-.00680	-.00050	-.00470	.29960	.07970
.597	1.770	.00000	.11000	.25440	.02200	.04320	-.00180	-.00140	-.00100	.24740	.07350
.596	2.370	.00000	.10000	.25610	.02180	.04350	-.00200	-.00140	-.00110	.24910	.07400
.594	2.970	.00000	.10000	.25540	.02190	.04400	-.00240	-.00140	-.00110	.24830	.07430
.597	3.970	.00000	.10000	.25840	.01930	.04390	-.00160	-.00130	-.00110	.25130	.07450
.596	4.960	.00000	.09000	.25960	.01950	.04390	-.00160	-.00120	-.00110	.25250	.07470
.594	6.210	.00000	.09000	.26510	.01660	.04450	-.00230	-.00130	-.00100	.25790	.07580
.592	7.460	.00000	.07000	.26740	.01610	.04480	-.00160	-.00120	-.00090	.26000	.07650
.595	8.710	.00000	.06000	.26470	.01560	.04430	-.00140	-.00110	-.00090	.25750	.07570
.592	9.960	.00000	.06000	.26510	.01560	.04500	-.00340	-.00140	-.00100	.25790	.07620
.583	11.170	.00000	.05000	.26750	.01390	.04600	-.00160	-.00110	-.00090	.26010	.07750
.581	12.370	.00000	.05000	.27100	.01370	.04570	-.00210	-.00120	-.00080	.26360	.07760
.581	13.570	.00000	.03000	.27220	.01300	.04590	-.00310	-.00120	-.00080	.26480	.07790
.580	14.770	.00000	.02000	.27480	.01340	.04570	-.00270	-.00120	-.00070	.26750	.07800
.580	15.970	.00000	.02000	.27510	.01320	.04610	-.00360	-.00120	-.00080	.26770	.07840
.582	17.170	.00000	.01000	.27720	.01290	.04630	-.00370	-.00130	-.00080	.26980	.07880
.582	18.370	.00000	.01000	.28140	.01270	.04660	-.00340	-.00120	-.00070	.27380	.07970
.587	19.570	.00000	.00000	.28330	.01250	.04640	-.00300	-.00110	-.00080	.27580	.07960
.590	20.770	.00000	.00000	.28320	.01210	.04650	-.00240	-.00120	-.00080	.27570	.07960
.596	21.970	.00000	-.01000	.28530	.01230	.04640	-.00330	-.00120	-.00090	.27780	.07990
.600	23.170	.00000	-.01000	.28520	.01210	.04660	-.00290	-.00110	-.00070	.27760	.08000
.603	24.370	.00000	-.02000	.28700	.01190	.04680	-.00480	-.00130	-.00060	.27940	.08040
.608	25.570	.00000	-.02000	.28700	.01150	.04720	-.00350	-.00110	-.00060	.27940	.08090
.611	26.770	.00000	-.03000	.28560	.01130	.04690	-.00290	-.00110	-.00060	.27810	.08030
.610	27.970	.00000	-.05000	.28960	.01130	.04720	-.00290	-.00110	-.00060	.28200	.08110
.608	29.170	.00000	-.05000	.29410	.01140	.04760	-.00320	-.00100	-.00070	.28640	.08190
.612	30.370	.00000	-.06000	.29120	.01090	.04730	-.00210	-.00100	-.00060	.28360	.08130
.613	31.570	.00000	-.06000	.29220	.01100	.04730	-.00460	-.00120	-.00040	.28460	.08130
.611	32.780	.00000	-.07000	.29490	.01080	.04740	-.00270	-.00110	-.00060	.28720	.08180
.612	33.980	.00000	-.09000	.29660	.01090	.04760	-.00330	-.00100	-.00060	.28890	.08220
.613	35.180	.00000	-.09000	.29590	.01050	.04770	-.00440	-.00120	-.00040	.28820	.08200
.611	36.380	.00000	-.10000	.29880	.01080	.04780	-.00410	-.00120	-.00030	.29110	.08260
.612	37.580	.00000	-.10000	.29780	.01010	.04810	-.00440	-.00110	-.00020	.29010	.08260
.612	38.780	.00000	-.11000	.29980	.01020	.04780	-.00360	-.00110	-.00040	.29210	.08250
.613	39.980	.00000	-.13000	.29680	.00950	.04820	-.00360	-.00110	-.00020	.28920	.08250
.610	41.180	.00000	-.13000	.30200	.00990	.04800	-.00420	-.00120	-.00040	.29420	.08360
.611	42.380	.00000	-.14000	.30260	.00980	.04840	-.00390	-.00110	-.00040	.29480	.08350
.611	43.580	.00000	-.15000	.30340	.00970	.04880	-.00240	-.00090	-.00040	.29560	.08390
.613	44.780	.00000	-.15000	.29980	.00910	.04810	-.00410	-.00100	-.00020	.29220	.08270
GRADIENT		.00000	-.00355	-.00692	.00243	.00029	.00088	-.00009	.00057	-.00689	-.00063

LTV44-559(CA26) 747/1 ATY 02 S1 (ORBITER DATA)

(AFE042) (18 NOV 75)

## REFERENCE DATA

SREF = 2690.0000 SQ.FT. XMRP = 1109.0000 IN. XO  
 LREF = 474.8100 IN. YMRP = .0000 IN. YO  
 BREF = 936.6800 IN. ZMRP = 375.0000 IN. ZO  
 SCALE = .0125

## PARAMETRIC DATA

ALPHAC = 2.000 BETAC = .000  
 STAB = -1.000 ELEVON = 5.000  
 BDFLAP = .000 DX = .000  
 DY = .000 IORB = 6.000  
 BETA0 = .000 RUDDER = .000

RUN NO. 1037/ 0 RN/L = .00 GRADIENT INTERVAL = -5.00/ 5.00

MACH	DZ	DY	DX	CN	CLM	CA	CY	CYN	CBL	CL	CD
.592	1.470	.00000	.10000	.62320	-.08330	.03610	-.01940	.00350	-.01970	.61000	.13280
.596	2.070	.00000	.10000	.65910	-.10120	.03630	-.01990	.00360	-.02260	.64540	.13870
.595	2.670	.00000	.10000	.63340	-.08810	.01780	-.01730	.00150	-.02110	.62310	.11540
.595	3.470	.00000	.10000	.36880	.02730	.03090	-.00090	-.00090	-.00160	.35960	.08740
.597	4.470	.00000	.10000	.36390	.02810	.03080	.00000	-.00100	-.00110	.35480	.08660
.596	5.600	.00000	.09000	.36860	.02670	.03060	-.00050	-.00110	-.00100	.35940	.08730
.593	6.850	.00000	.09000	.37180	.02690	.03110	-.00050	-.00100	-.00110	.36250	.08800
.594	8.100	.00000	.07000	.37300	.02580	.03120	-.00020	-.00090	-.00100	.36370	.08860
.594	9.350	.00000	.06000	.37360	.02440	.03120	-.00080	-.00120	-.00100	.36440	.08850
.596	10.580	.00000	.06000	.37370	.02300	.03180	-.00060	-.00090	-.00090	.36430	.08900
.594	11.800	.00000	.05000	.37530	.02310	.03180	-.00120	-.00090	-.00090	.36590	.08920
.595	13.020	.00000	.05000	.37480	.02190	.03170	-.00140	-.00090	-.00080	.36550	.08890
.595	14.240	.00000	.03000	.37730	.02250	.03180	-.00070	-.00080	-.00080	.36790	.08950
.596	15.460	.00000	.02000	.37630	.02140	.03210	-.00140	-.00090	-.00090	.36690	.08960
.594	16.680	.00000	.02000	.37970	.02090	.03270	-.00150	-.00100	-.00090	.37020	.09060
.594	17.900	.00000	.01000	.38140	.02120	.03270	-.00080	-.00080	-.00080	.37190	.09080
.598	19.120	.00000	.01000	.37750	.02040	.03260	-.00210	-.00090	-.00070	.36800	.09000
.596	20.340	.00000	.00000	.38140	.01980	.03310	-.00120	-.00100	-.00080	.37180	.09100
.592	21.560	.00000	-.01000	.38930	.02010	.03350	-.00100	-.00100	-.00060	.37960	.09260
.595	22.780	.00000	-.01000	.38440	.01950	.03370	-.00160	-.00100	-.00070	.37470	.09210
.597	24.000	.00000	-.02000	.38380	.01960	.03340	-.00170	-.00080	-.00060	.37430	.09150
.596	25.220	.00000	-.02000	.38550	.01930	.03370	-.00070	-.00080	-.00060	.37590	.09200
.596	26.440	.00000	-.03000	.38820	.01880	.03350	-.00090	-.00090	-.00070	.37850	.09230
.597	27.660	.00000	-.03000	.38650	.01860	.03420	-.00170	-.00090	-.00060	.37680	.09260
.595	28.880	.00000	-.05000	.38870	.01860	.03430	-.00140	-.00080	-.00060	.37890	.09300
.596	30.100	.00000	-.05000	.38990	.01790	.03430	-.00120	-.00080	-.00060	.38020	.09300
.595	31.330	.00000	-.06000	.38820	.01770	.03500	-.00190	-.00090	-.00050	.37840	.09340
.597	32.540	.00000	-.07000	.39050	.01740	.03460	-.00240	-.00090	-.00060	.38080	.09340
.595	33.770	.00000	-.07000	.39300	.01750	.03480	-.00130	-.00080	-.00060	.38320	.09390
.595	34.980	.00000	-.09000	.39430	.01720	.03510	-.00220	-.00090	-.00040	.38450	.09440
.596	36.210	.00000	-.09000	.39410	.01730	.03500	-.00200	-.00070	-.00040	.38420	.09440
.596	37.430	.00000	-.10000	.39490	.01710	.03500	-.00210	-.00070	-.00040	.38500	.09450
.595	38.650	.00000	-.11000	.39810	.01680	.03530	-.00130	-.00070	-.00030	.38820	.09500
.595	39.870	.00000	-.11000	.39920	.01640	.03500	-.00230	-.00070	-.00030	.38930	.09470
.595	41.090	.00000	-.13000	.40010	.01620	.03500	-.00290	-.00090	-.00030	.39020	.09490
.596	42.310	.00000	-.14000	.39880	.01640	.03540	-.00300	-.00080	-.00010	.38890	.09500
.594	43.530	.00000	-.14000	.40190	.01620	.03590	-.00270	-.00080	-.00010	.39190	.09620
.596	44.750	.00000	-.15000	.40160	.01560	.03540	-.00290	-.00090	-.00020	.39170	.09530
.595	45.970	.00000	-.15000	.40230	.01530	.03580	-.00280	-.00080	.00010	.39230	.09610
.597	47.190	.00000	-.16000	.40110	.01490	.03580	-.00420	-.00100	.00020	.39110	.09570
.597	48.420	.00000	-.16000	.40150	.01480	.03590	-.00420	-.00100	.00000	.39150	.09600
.594	49.630	.00000	-.18000	.40440	.01500	.03630	-.00320	-.00070	.00000	.39440	.09640



DATE 22 MAR 76

CA-26 FORCE SOURCE DATA TABULATION

PAGE 35

LTV44-559(CA26) 747/1 ATY 02 S1 (ORBITER DATA)

(AFE042) ( 18 NOV 75 )

REFERENCE DATA

SREF = 2690.0000 SQ.FT. XMRP = 1109.0000 IN. XO  
LREF = 474.8100 IN. YMRP = .0000 IN. YO  
BREF = 936.6800 IN. ZMRP = 375.0000 IN. ZO  
SCALE = .0125

PARAMETRIC DATA

ALPHAC = 2.000 BETAC = .000  
STAB = -1.000 ELEVON = 5.000  
BDFLAP = .000 DX = .000  
DY = .000 TORB = 6.000  
BETA0 = .000 RUDDER = .000

RUN NO. 1037/ 0 RN/L = .00 GRADIENT INTERVAL = -5.00/ 5.00

MACH	DZ	DY	DX	CN	CLM	CA	CY	CYN	CBL	CL	CD
.597	50.860	.00000	-.19000	.40480	.01520	.03530	-.00310	-.00070	-.00020	.39490	.09570
.596	51.470	.00000	-.19000	.40650	.01510	.03580	-.00290	-.00060	-.00020	.39650	.09640
GRADIENT		.00000	.00000	-.11113	.04824	-.00166	.00787	-.00180	.00802	-.10947	-.01919

LTV44-559(CA26) 747/1 ATY 02 S1 (ORBITER DATA)

(AFE045) ( 18 NOV 75 )

REFERENCE DATA

PARAMETRIC DATA

SREF = 2690.0000 SQ.FT. XMRP = 1109.0000 IN. XO  
 LREF = 474.8100 IN. YMRP = .0000 IN. YO  
 BREF = 936.6800 IN. ZMRP = 375.0000 IN. ZO  
 SCALE = .0125

ALPHAC = 2.000 BETAC = .000  
 STAB = 5.000 ELEVON = 5.000  
 BDFLAP = .000 DX = .000  
 DY = .000 IORB = 4.000  
 BETAO = .000 RUDDER = .000

RUN NO. 39/ 0 RN/L = .00 GRADIENT INTERVAL = -5.00/ 5.00

MACH	DZ	DY	DX	CN	CLM	CA	CY	CYN	CBL	CL	CD
.600	1.470	.00000	.01000	.24670	.02160	.04330	-.00060	-.00120	-.00100	.24010	.07160
.600	1.770	.00000	.01000	.24830	.02070	.04370	-.00070	-.00140	-.00110	.24150	.07210
.601	2.370	.00000	.01000	.24880	.02030	.04390	-.00070	-.00140	-.00110	.24200	.07250
.604	2.970	.00000	.01000	.24660	.02000	.04350	-.00090	-.00130	-.00100	.23990	.07170
.601	3.970	.00000	.01000	.25490	.01800	.04420	-.00090	-.00120	-.00100	.24800	.07330
.602	4.960	.00000	.01000	.25260	.01750	.04400	-.00090	-.00120	-.00110	.24580	.07290
.601	6.210	.00000	.01000	.25720	.01570	.04450	-.00140	-.00120	-.00090	.25030	.07380
.601	7.460	.00000	.01000	.25780	.01460	.04470	-.00110	-.00110	-.00090	.25090	.07420
.601	9.710	.00000	.00000	.26160	.01440	.04490	-.00150	-.00110	-.00100	.25470	.07470
.601	9.960	.00000	.00000	.25960	.01440	.04450	-.00090	-.00110	-.00100	.25270	.07420
.599	11.170	.00000	.00000	.26190	.01350	.04540	-.00170	-.00110	-.00100	.25490	.07520
.602	12.370	.00000	.00000	.26420	.01310	.04530	-.00170	-.00110	-.00090	.25730	.07540
.603	13.570	.00000	.00000	.26500	.01280	.04510	-.00200	-.00110	-.00090	.25810	.07520
.601	14.770	.00000	.00000	.26780	.01250	.04530	-.00190	-.00110	-.00090	.26080	.07580
.600	15.970	.00000	.00000	.26960	.01270	.04590	-.00100	-.00110	-.00080	.26260	.07640
.603	17.170	.00000	.00000	.26790	.01220	.04610	-.00130	-.00110	-.00070	.26090	.07640
.601	18.370	.00000	.00000	.26950	.01170	.04650	-.00150	-.00120	-.00070	.26240	.07700
.600	19.570	.00000	.00000	.27320	.01180	.04620	-.00170	-.00100	-.00080	.26610	.07710
.603	20.770	.00000	.00000	.27040	.01130	.04650	-.00200	-.00110	-.00080	.26330	.07710
.602	21.970	.00000	-.01000	.27420	.01120	.04650	-.00240	-.00110	-.00090	.26710	.07750
.601	23.170	.00000	-.01000	.27600	.01150	.04640	-.00070	-.00100	-.00070	.26890	.07750
.601	24.370	.00000	-.01000	.27730	.01140	.04640	-.00200	-.00100	-.00070	.27020	.07770
.601	25.570	.00000	-.01000	.27860	.01160	.04630	-.00310	-.00120	-.00060	.27160	.07770
.600	26.770	.00000	-.01000	.27710	.01090	.04690	-.00160	-.00110	-.00060	.27000	.07800
.599	27.970	.00000	-.01000	.28020	.01040	.04700	-.00240	-.00110	-.00060	.27310	.07840
.602	29.170	.00000	-.01000	.27950	.01070	.04650	-.00260	-.00110	-.00050	.27250	.07780
.599	30.370	.00000	-.01000	.28160	.01050	.04690	-.00150	-.00100	-.00050	.27450	.07850
.600	31.570	.00000	-.01000	.28130	.00970	.04740	-.00360	-.00120	-.00030	.27410	.07900
.598	32.780	.00000	-.02000	.28190	.00970	.04810	-.00200	-.00110	-.00050	.27460	.07970
.601	33.980	.00000	-.02000	.28540	.01010	.04700	-.00130	-.00090	-.00060	.27830	.07900
.601	35.180	.00000	-.02000	.28700	.01010	.04740	-.00280	-.00100	-.00050	.27980	.07960
.602	36.380	.00000	-.02000	.28550	.00960	.04770	-.00260	-.00100	-.00030	.27830	.07970
.602	37.580	.00000	-.02000	.28530	.00890	.04810	-.00260	-.00100	-.00040	.27810	.07980
.602	38.780	.00000	-.02000	.28770	.00920	.04780	-.00190	-.00090	-.00040	.28050	.07990
.603	39.980	.00000	-.02000	.28900	.00890	.04800	-.00370	-.00100	-.00020	.28180	.08010
.602	41.180	.00000	-.02000	.28570	.00870	.04870	-.00320	-.00110	.00000	.27850	.08030
.602	42.380	.00000	-.03000	.29040	.01000	.04770	-.00410	-.00110	-.00010	.28320	.07980
.601	43.580	.00000	-.03000	.29010	.00950	.04770	-.00290	-.00100	-.00020	.28290	.07980
.601	44.790	.00000	-.03000	.28760	.00870	.04800	-.00280	-.00090	-.00020	.28040	.07990
GRADIENT		.00000	.00000	.00197	-.00115	.00018	-.00009	.00004	-.00000	.00192	.00038

LTV44-559(CA26) 747/1 ATY 02 S1 (ORBITER DATA)

(AFE046) ( 13 NOV 75 )

## REFERENCE DATA

SREF = 2690.0000 SQ.FT. XMRP = 1109.0000 IN. YO  
 LREF = 474.8100 IN. YMRP = .0000 IN. YO  
 BREF = 936.6800 IN. ZMRP = 375.0000 IN. ZO  
 SCALE = .0125

## PARAMETRIC DATA

ALPHAC = 2.000 BETAC = .000  
 STAB = 5.000 ELEVON = 5.000  
 BDFLAP = .000 DX = .000  
 DY = .000 IORB = 6.000  
 BETAO = .000 RUDDER = .000

RUN NO. 44/ 0 RN/L = .00 GRADIENT INTERVAL = -5.00/ 5.00

MACH	DZ	DY	DX	CN	CLM	CA	CY	CYN	CBL	CL	CD
.329	1.460	.00000	.00000	.32920	.02710	.02000	-.00210	-.00120	-.00120	.32240	.06920
.325	2.060	.00000	.00000	.33290	.02700	.02050	-.00110	-.00100	-.00100	.32600	.07040
.324	2.660	.00000	.00000	.33140	.02650	.02020	-.00080	-.00100	-.00110	.32460	.06970
.315	3.360	.00000	.00000	.33480	.02610	.02120	-.00070	-.00110	-.00110	.32780	.07130
.315	4.160	.00000	.00000	.33270	.02530	.02080	.00020	-.00120	-.00120	.32580	.07040
.317	4.960	.00000	.00000	.32810	.02510	.01960	.00070	-.00140	-.00110	.32150	.06850
.312	5.960	.00000	.00000	.32930	.02550	.02060	.00140	-.00120	-.00120	.32250	.06960
.310	6.960	.00000	.00000	.33650	.02380	.02080	.00000	-.00100	-.00110	.32960	.07090
.309	7.970	.00000	.00000	.33810	.02280	.02140	.00040	-.00110	-.00100	.33110	.07170
.311	8.960	.00000	.00000	.33310	.02340	.02030	.00030	-.00130	-.00110	.32640	.06960
.308	9.960	.00000	.00000	.34140	.02250	.02100	.00040	-.00100	-.00110	.33440	.07180
.309	11.150	.00000	.00000	.33400	.02250	.02060	-.00160	-.00100	-.00120	.32710	.07020
.306	12.330	.00000	.00000	.34100	.02250	.02110	.00040	-.00100	-.00130	.33400	.07170
.309	13.520	.00000	.00000	.33610	.02180	.02050	-.00040	-.00090	-.00120	.32930	.07030
.306	14.700	.00000	.00000	.34110	.02210	.02160	.00150	-.00120	-.00080	.33410	.07200
.309	15.900	.00000	.00000	.33920	.02060	.02120	-.00040	-.00110	-.00120	.33120	.07130
.306	17.080	.00000	.00000	.33800	.01890	.02120	-.00200	-.00130	-.00130	.33110	.07120
.306	18.270	.00000	.00000	.34480	.02110	.02190	-.00080	-.00110	-.00090	.33770	.07270
.311	19.450	.00000	.00000	.33320	.01930	.02060	-.00020	-.00080	-.00110	.32650	.06970
.312	20.640	.00000	.00000	.33060	.01960	.02060	-.00060	-.00080	-.00120	.32390	.06950
.307	21.810	.00000	-.01000	.34290	.02030	.02140	.00080	-.00130	-.00080	.33600	.07170
.312	23.000	.00000	-.01000	.33890	.01930	.02200	.00120	-.00120	-.00090	.33190	.07200
.307	24.190	.00000	-.01000	.34800	.02060	.02190	.00170	-.00130	-.00080	.34090	.07310
.308	25.370	.00000	-.01000	.34150	.01930	.02110	-.00020	-.00110	-.00120	.33470	.07110
.305	26.560	.00000	-.01000	.34690	.01910	.02220	.00230	-.00110	-.00060	.33980	.07310
.309	27.740	.00000	-.01000	.34030	.01920	.02190	.00000	-.00100	-.00090	.33330	.07190
.309	28.930	.00000	-.01000	.34540	.01920	.02140	-.00230	-.00120	-.00130	.33950	.07190
.310	30.110	.00000	-.01000	.35040	.01950	.02080	-.00090	-.00100	-.00140	.34350	.07230
.311	31.310	.00000	-.01000	.34480	.01830	.02170	-.00050	-.00120	-.00090	.33790	.07200
.309	32.490	.00000	-.01000	.35710	.01880	.02200	-.00120	-.00110	-.00140	.35000	.07420
.312	33.680	.00000	-.01000	.35330	.02040	.02180	-.00040	-.00110	-.00100	.34620	.07350
.315	34.860	.00000	-.01000	.34520	.01780	.02130	.00110	-.00110	-.00080	.33830	.07170
.314	36.050	.00000	-.01000	.34560	.01750	.02130	-.00190	-.00120	-.00070	.33880	.07160
.315	37.230	.00000	-.01000	.35140	.01910	.02180	-.00320	-.00130	-.00070	.34440	.07310
.309	38.420	.00000	-.01000	.36450	.01840	.02320	-.00180	-.00130	-.00060	.35720	.07620
.313	39.610	.00000	-.01000	.35450	.01860	.02210	-.00270	-.00140	-.00090	.34750	.07370
.313	40.790	.00000	-.01000	.35440	.01620	.02280	.00080	-.00100	-.00080	.34730	.07420
.314	41.980	.00000	-.01000	.35180	.01610	.02280	-.00100	-.00110	-.00070	.34470	.07390
.317	43.160	.00000	-.01000	.34990	.01700	.02220	-.00320	-.00120	-.00090	.34300	.07290
.313	44.350	.00000	-.01000	.35620	.01660	.02230	-.00100	-.00120	-.00060	.34910	.07400
.313	45.530	.00000	-.01000	.35690	.01710	.02260	-.00270	-.00140	-.00040	.34990	.07420
.314	46.720	.00000	-.01000	.35320	.01570	.02260	-.00090	-.00130	-.00060	.34620	.07370

LTV44-559(CA26) 747/1 ATY 02 S1 (ORBITER DATA)

(AFE046) ( 18 NOV 75 )

## REFERENCE DATA

SREF = 2690.0000 SQ.FT. XMRP = 1109.0000 IN. XO  
 LREF = 474.8100 IN. YMRP = .0000 IN. YO  
 BREF = 936.6800 IN. ZMRP = 375.0000 IN. ZO  
 SCALE = .0125

## PARAMETRIC DATA

ALPHAC = 2.000 BETAC = .000  
 STAB = 5.000 ELEVON = 5.000  
 BDFLAP = .000 OX = .000  
 DY = .000 IORB = 6.000  
 BETA0 = .000 RUDDER = .000

RUN NO. 44/ 0 RN/L = .00 GRADIENT INTERVAL = -5.00/ 5.00

MACH	DZ	DY	DX	CN	CLM	CA	CY	CYN	CBL	CL	CD
.314	47.910	.00000	-.01000	.35280	.01700	.02300	-.00190	-.00110	-.00060	.34570	.07400
.313	49.090	.00000	-.01000	.34920	.01500	.02360	-.00120	-.00140	-.00030	.34210	.07390
.314	50.230	.00000	-.01000	.34960	.01520	.02360	-.00090	-.00150	-.00020	.34250	.07410
.311	51.460	.00000	-.01000	.36360	.01780	.02210	-.00100	-.00120	-.00030	.35650	.07460
	GRADIENT	.00000	.00000	-.00021	-.00057	-.00002	.00073	-.00007	-.00001	-.00018	-.00012

LTV44-559(CA26) 747/1 ATY 02 S1 (ORBITER DATA)

(AFE046) ( 18 NOV 75 )

## REFERENCE DATA

SREF = 2690.0000 SQ.FT. XMRP = 1109.0000 IN. XO  
 LREF = 474.8100 IN. YMRP = .0000 IN. YO  
 BREF = 936.6800 IN. ZMRP = 375.0000 IN. ZO  
 SCALE = .0125

## PARAMETRIC DATA

ALPHAC = 2.000 BETAC = .000  
 STAB = 5.000 ELEVON = 5.000  
 BDFLAP = .000 DX = .000  
 DY = .000 TORB = 6.000  
 BETAO = .000 RUDDER = .000

RUN NO. 43/ 0 RN/L = .00 GRADIENT INTERVAL = -5.00/ 5.00

MACH	DZ	DY	DX	CN	CLM	CA	CY	CYN	CBL	CL	CD
.501	1.460	.00000	.01000	.34950	.02760	.02560	-.00010	-.00070	-.00140	.34160	.07790
.512	2.060	.00000	.01000	.33810	.02660	.02520	-.00080	-.00080	-.00150	.33050	.07570
.506	2.660	.00000	.01000	.34350	.02640	.02550	-.00030	-.00080	-.00150	.33570	.07690
.510	3.360	.00000	.01000	.34050	.02490	.02580	-.00080	-.00070	-.00160	.33280	.07660
.508	4.160	.00000	.00000	.34330	.02450	.02610	-.00040	-.00080	-.00150	.33550	.07740
.506	4.960	.00000	.00000	.34950	.02310	.02610	-.00090	-.00070	-.00140	.34170	.07820
.506	5.960	.00000	.00000	.34900	.02300	.02610	-.00050	-.00080	-.00150	.34110	.07820
.506	6.960	.00000	.00000	.35070	.02370	.02590	-.00040	-.00070	-.00170	.34290	.07810
.505	7.970	.00000	.00000	.35040	.02190	.02640	-.00050	-.00070	-.00140	.34250	.07860
.507	8.960	.00000	.00000	.35030	.02140	.02630	-.00120	-.00070	-.00150	.34240	.07850
.506	9.960	.00000	.00000	.35260	.02030	.02670	-.00130	-.00070	-.00140	.34460	.07900
.506	11.150	.00000	.00000	.34930	.01980	.02700	-.00100	-.00070	-.00130	.34130	.07880
.505	12.330	.00000	.00000	.35160	.02010	.02670	-.00160	-.00060	-.00150	.34380	.07870
.506	13.520	.00000	.00000	.35220	.02020	.02680	-.00120	-.00060	-.00130	.34430	.07880
.505	14.700	.00000	.00000	.35730	.01930	.02710	-.00040	-.00060	-.00140	.34930	.08010
.508	15.900	.00000	.00000	.34990	.01850	.02710	-.00100	-.00070	-.00130	.34200	.07870
.505	17.080	.00000	.00000	.35790	.01900	.02730	-.00190	-.00080	-.00140	.34980	.08030
.508	18.270	.00000	.00000	.35190	.01800	.02740	-.00120	-.00060	-.00130	.34390	.07910
.509	19.450	.00000	.00000	.35280	.01760	.02770	-.00030	-.00050	-.00120	.34470	.07970
.504	20.640	.00000	.00000	.35940	.01780	.02820	-.00260	-.00080	-.00130	.35120	.08110
.506	21.810	.00000	-.01000	.35960	.01790	.02770	-.00040	-.00070	-.00130	.35150	.08070
.507	23.000	.00000	-.01000	.35040	.01820	.02760	-.00120	-.00070	-.00130	.35230	.08060
.508	24.190	.00000	-.01000	.35960	.01760	.02770	-.00130	-.00080	-.00130	.35160	.08040
.508	25.370	.00000	-.01000	.35940	.01760	.02810	-.00110	-.00060	-.00130	.35130	.08070
.506	26.560	.00000	-.01000	.36220	.01690	.02840	-.00090	-.00050	-.00120	.35400	.08150
.505	27.740	.00000	-.01000	.36170	.01710	.02830	-.00320	-.00090	-.00110	.35360	.08120
.505	28.930	.00000	-.01000	.36250	.01660	.02890	-.00210	-.00070	-.00100	.35430	.08190
.506	30.110	.00000	-.01000	.36330	.01650	.02880	-.00160	-.00070	-.00100	.35520	.08180
.507	31.310	.00000	-.01000	.36480	.01650	.02920	-.00280	-.00070	-.00120	.35650	.08230
.507	32.490	.00000	-.01000	.36570	.01630	.02940	-.00280	-.00080	-.00100	.35750	.08270
.505	33.680	.00000	-.01000	.36920	.01620	.02940	-.00230	-.00080	-.00090	.36090	.08320
.508	34.860	.00000	-.01000	.36690	.01620	.02900	-.00240	-.00080	-.00100	.35870	.08240
.507	36.050	.00000	-.01000	.36940	.01610	.02920	-.00170	-.00070	-.00110	.36120	.08280
.507	37.230	.00000	-.01000	.37070	.01640	.02850	-.00190	-.00060	-.00110	.36250	.08260
.506	38.420	.00000	-.01000	.37180	.01580	.02890	-.00230	-.00050	-.00100	.36350	.08290
.506	39.610	.00000	-.01000	.37160	.01560	.02890	-.00120	-.00050	-.00120	.36330	.08290
.506	40.790	.00000	-.01000	.37050	.01560	.02930	-.00340	-.00080	-.00100	.36230	.08300
.507	41.980	.00000	-.01000	.36920	.01560	.02910	-.00220	-.00060	-.00090	.36100	.08270
.506	43.160	.00000	-.01000	.37160	.01470	.02940	-.00180	-.00070	-.00090	.36330	.08330
.507	44.350	.00000	-.01000	.37630	.01540	.02940	-.00300	-.00080	-.00080	.36800	.08380
.509	45.530	.00000	-.01000	.36570	.01450	.02950	-.00270	-.00080	-.00060	.35750	.08250
.510	46.720	.00000	-.02000	.36870	.01490	.02940	-.00300	-.00090	-.00050	.36050	.08280

ORIGINAL PAGE IS  
OF POOR QUALITY

LTV44-559(CA26) 747/1 ATY 02 S1 (ORBITER DATA)

(AFE046) ( 18 NOV 75 )

## REFERENCE DATA

SREF = 2690.0000 SQ.FT. XMRP = 1109.0000 IN. XO  
 LREF = 474.8100 IN. YMRP = .0000 IN. YO  
 BREF = 936.6800 IN. ZMRP = 375.0000 IN. ZO  
 SCALE = .0125

## PARAMETRIC DATA

ALPHAC = 2.000 BETAC = .000  
 STAB = 5.000 ELEVON = 5.000  
 BDFLAP = .000 DX = .000  
 DY = .000 IORB = 6.000  
 BETA0 = .000 RUDDER = .000

RUN NO. 43/ 0 RN/L = .00 GRADIENT INTERVAL = -5.00/ 5.00

MACH	DZ	DY	DX	CN	CLM	CA	CY	CYN	CBL	CL	CD
.508	47.910	.00000	-.02000	.37070	.01460	.03000	-.00340	-.00080	-.00040	.36240	.08360
.508	49.090	.00000	-.02000	.37200	.01460	.02980	-.00250	-.00060	-.00060	.36370	.08360
.508	50.280	.00000	-.01000	.37200	.01420	.03000	-.00200	-.00070	-.00080	.36370	.08370
.508	51.460	.00000	-.01000	.37590	.01420	.02990	-.00100	-.00030	-.00110	.36760	.08400
	GRADIENT	.00000	-.00337	.00069	-.00124	.00023	-.00013	.00001	-.00000	.00068	.00029

LTV44-559(CA26) 747/1 ATY 02 S1 (ORBITER DATA)

(AFE046) ( 18 NOV 75 )

## REFERENCE DATA

SREF = 2690.0000 SQ.FT. XMRP = 1109.0000 IN. XO  
 LREF = 474.8100 IN. YMRP = .0000 IN. YO  
 BREF = 936.6800 IN. ZMRP = 375.0000 IN. ZO  
 SCALE = .0125

## PARAMETRIC DATA

ALPHAC = 2.000 BETAC = .000  
 STAB = 5.000 ELEVON = 5.000  
 BDFLAP = .000 DX = .000  
 DY = .000 TORB = 6.000  
 BETAO = .000 RUDDER = .000

RUN NO. 1039/ 0 RN/L = .00 GRADIENT INTERVAL = -5.00/ 5.00

MACH	DZ	DY	DX	CN	CLM	CA	CY	CYN	CBL	CL	CD
.604	1.470	.00000	.02000	.35600	.02850	.03100	-.00920	-.00110	-.00100	.34730	.08420
.602	2.070	.00000	.02000	.35840	.02910	.03130	.00000	-.00110	-.00100	.34960	.08500
.601	2.670	.00000	.02000	.35820	.02860	.03110	.00030	-.00100	-.00110	.34940	.08470
.600	3.470	.00000	.01000	.35790	.02680	.03170	.00000	-.00110	-.00110	.34910	.08530
.600	4.470	.00000	.01000	.35940	.02660	.03180	-.00040	-.00110	-.00120	.35050	.08560
.603	5.600	.00000	.01000	.35950	.02460	.03170	-.00070	-.00100	-.00120	.34960	.08540
.601	6.850	.00000	.01000	.35880	.02410	.03210	-.00050	-.00100	-.00110	.34990	.08560
.604	8.100	.00000	.01000	.35660	.02330	.03170	-.00100	-.00100	-.00110	.34780	.08490
.603	9.350	.00000	.01000	.36150	.02260	.03210	-.00070	-.00090	-.00100	.35260	.08610
.603	10.580	.00000	.01000	.36410	.02130	.03250	-.00030	-.00090	-.00090	.35510	.08670
.601	11.800	.00000	.00000	.36560	.02110	.03280	-.00060	-.00090	-.00090	.35650	.08720
.601	13.020	.00000	.00000	.36550	.02050	.03310	-.00090	-.00090	-.00090	.35640	.08730
.601	14.240	.00000	.00000	.36560	.02000	.03310	-.00090	-.00080	-.00110	.35650	.08740
.600	15.460	.00000	.00000	.36800	.01990	.03310	-.00210	-.00090	-.00110	.35890	.08770
.600	16.680	.00000	.00000	.36840	.01950	.03330	-.00150	-.00080	-.00100	.35930	.08790
.601	17.900	.00000	.00000	.36960	.01920	.03350	-.00080	-.00080	-.00090	.36040	.08830
.602	19.120	.00000	.00000	.36990	.01920	.03310	-.00190	-.00080	-.00090	.36080	.08790
.602	20.340	.00000	.00000	.37210	.01880	.03350	-.00080	-.00070	-.00090	.36300	.08840
.602	21.560	.00000	-.01000	.37250	.01870	.03350	-.00110	-.00080	-.00090	.36340	.08830
.601	22.780	.00000	-.01000	.37210	.01830	.03390	-.00140	-.00080	-.00090	.36290	.08870
.603	24.000	.00000	-.01000	.37330	.01810	.03390	-.00060	-.00080	-.00090	.36410	.08890
.604	25.220	.00000	-.01000	.37220	.01760	.03400	-.00190	-.00090	-.00080	.36300	.08890
.600	26.440	.00000	-.01000	.37740	.01750	.03460	-.00130	-.00070	-.00070	.36810	.09010
.602	27.660	.00000	-.01000	.37730	.01770	.03430	-.00150	-.00080	-.00080	.36800	.08970
.603	28.880	.00000	-.01000	.37600	.01720	.03410	-.00220	-.00080	-.00070	.36680	.08940
.602	30.100	.00000	-.01000	.37890	.01750	.03440	-.00260	-.00080	-.00080	.36960	.09000
.605	31.330	.00000	-.01000	.37630	.01690	.03400	-.00210	-.00080	-.00060	.36710	.08930
.603	32.540	.00000	-.02000	.37880	.01650	.03450	-.00200	-.00070	-.00050	.36950	.09010
.603	33.770	.00000	-.02000	.37970	.01640	.03490	-.00250	-.00080	-.00060	.37040	.09050
.600	34.980	.00000	-.02000	.38200	.01620	.03500	-.00360	-.00100	-.00050	.37270	.09070
.603	36.210	.00000	-.02000	.38140	.01610	.03470	-.00300	-.00100	-.00030	.37210	.09040
.600	37.430	.00000	-.02000	.38460	.01610	.03520	-.00210	-.00080	-.00050	.37520	.09120
.602	38.650	.00000	-.02000	.38200	.01560	.03540	-.00260	-.00080	-.00050	.37270	.09100
.600	39.870	.00000	-.02000	.38630	.01560	.03530	-.00390	-.00100	-.00040	.37690	.09160
.600	41.090	.00000	-.02000	.38660	.01550	.03540	-.00240	-.00090	-.00030	.37720	.09170
.602	42.310	.00000	-.02000	.38300	.01500	.03550	-.00140	-.00070	-.00030	.37360	.09130
.600	43.530	.00000	-.03000	.38850	.01530	.03560	-.00220	-.00070	-.00050	.37920	.09200
.602	44.750	.00000	-.03000	.38520	.01470	.03580	-.00360	-.00090	-.00030	.37580	.09160
.601	45.970	.00000	-.03000	.38490	.01440	.03590	-.00270	-.00070	.00000	.37560	.09170
.601	47.190	.00000	-.03000	.38480	.01410	.03590	-.00370	-.00090	-.00010	.37540	.09170
.603	48.420	.00000	-.03000	.38400	.01360	.03600	-.00380	-.00090	.00000	.37460	.09160
.603	49.630	.00000	-.03000	.38580	.01380	.03590	-.00400	-.00090	.00000	.37650	.09150

LTV44-559(CA26) 747/1 ATY 02 S1 (ORBITER DATA)

(AFE046) ( 18 NOV 75 )

## REFERENCE DATA

SREF = 2690.0000 SQ.FT. XMRP = 1109.0000 IN. XO  
 LREF = 474.8100 IN. YMRP = .0000 IN. YO  
 BREF = 936.6800 IN. ZMRP = 375.0000 IN. ZO  
 SCALE = .0125

## PARAMETRIC DATA

ALPHAC = 2.000 BETAC = .000  
 STAB = 5.000 ELEVON = 5.000  
 BDFLAP = .000 DX = .000  
 DY = .000 LORB = 6.000  
 BETAO = .000 RUDDER = .000

RUN NO. 1039/ 0 RN/L = .00 GRADIENT INTERVAL = -5.00/ 5.00

MACH	DZ	DY	DX	CN	CLM	CA	CY	CYN	CBL	CL	CD
.603	50.860	.00000	-.03000	.38490	.01360	.03590	-.00380	-.00080	.00000	.37560	.09150
.603	51.470	.00000	-.05000	.38900	.01400	.03570	-.00420	-.00090	.00000	.37970	.09180
	GRADIENT	.00000	-.00411	.00083	-.00084	.00027	-.00008	-.00000	-.00007	.00078	.00042



LTV44-559(CA26) 747/1 ATY 02 S1 (ORBITER DATA)

(AFE046) ( 18 NOV 75 )

## REFERENCE DATA

SREF = 2690.0000 SQ.FT. XMRP = 1109.0000 IN. XO  
 LREF = 474.8100 IN. YMRP = .0000 IN. YO  
 BREF = 936.6800 IN. ZMRP = 375.0000 IN. ZO  
 SCALE = .0125

## PARAMETRIC DATA

ALPHAC = 2.000 BETAC = .000  
 STAB = 5.000 ELEVON = 5.000  
 BDFLAP = .000 DX = .000  
 DY = .000 TORB = 6.000  
 BETAO = .000 RUDDER = .000

RUN NO. 42/ 0 RN/L = .00 GRADIENT INTERVAL = -5.00/ 5.00

MACH	DZ	DY	DX	CN	CLM	CA	CY	CYN	CBL	CL	CD
.698	1.460	.00000	.00000	.36390	.03070	.03050	-.00070	-.00120	-.00200	.35520	.08480
.696	2.060	.00000	.00000	.36440	.03080	.03080	-.00100	-.00120	-.00210	.35560	.08530
.695	2.660	.00000	.00000	.36460	.03100	.03120	-.00050	-.00120	-.00210	.35580	.08560
.698	3.360	.00000	.00000	.36210	.03030	.03110	-.00120	-.00120	-.00210	.35330	.08500
.697	4.160	.00000	.00000	.36120	.02970	.03120	-.00090	-.00120	-.00200	.35240	.08490
.700	4.960	.00000	.00000	.36380	.02680	.03140	-.00070	-.00110	-.00190	.35500	.08560
.699	5.960	.00000	.00000	.36250	.02690	.03170	-.00180	-.00120	-.00200	.35370	.08570
.700	6.960	.00000	.00000	.36470	.02630	.03160	-.00030	-.00110	-.00180	.35590	.08570
.700	7.970	.00000	.00000	.36430	.02560	.03170	-.00120	-.00100	-.00200	.35540	.08570
.703	8.960	.00000	.00000	.36340	.02470	.03150	-.00140	-.00110	-.00190	.35460	.08530
.698	9.960	.00000	.00000	.36880	.02320	.03230	-.00180	-.00110	-.00190	.35980	.08700
.699	11.150	.00000	.00000	.36540	.02270	.03240	-.00200	-.00110	-.00180	.35650	.08630
.699	12.330	.00000	.00000	.36910	.02240	.03270	-.00150	-.00110	-.00170	.36010	.08740
.698	13.520	.00000	.00000	.36940	.02220	.03280	-.00110	-.00100	-.00170	.36040	.08750
.698	14.700	.00000	.00000	.37000	.02180	.03300	-.00110	-.00100	-.00170	.36100	.08780
.699	15.900	.00000	.00000	.37110	.02150	.03310	-.00210	-.00110	-.00180	.36210	.08790
.699	17.080	.00000	.00000	.37180	.02110	.03330	-.00160	-.00100	-.00170	.36270	.08800
.698	18.270	.00000	.00000	.37220	.02050	.03400	-.00170	-.00110	-.00150	.36300	.08880
.698	19.450	.00000	.00000	.37270	.02030	.03390	-.00150	-.00100	-.00160	.36350	.08870
.698	20.640	.00000	.00000	.37500	.02040	.03390	-.00170	-.00110	-.00170	.36590	.08890
.699	21.810	.00000	-.01000	.37550	.01980	.03420	-.00100	-.00100	-.00160	.36630	.08910
.700	23.000	.00000	-.01000	.37700	.01950	.03450	-.00150	-.00110	-.00160	.36780	.08980
.699	24.190	.00000	-.01000	.37800	.01950	.03430	-.00110	-.00100	-.00160	.36880	.08960
.700	25.370	.00000	-.01000	.37820	.01930	.03460	-.00120	-.00100	-.00160	.36890	.09000
.699	26.560	.00000	-.01000	.37930	.01900	.03460	-.00170	-.00100	-.00160	.37000	.09010
.701	27.740	.00000	-.01000	.37940	.01870	.03430	-.00240	-.00110	-.00150	.37020	.08970
.700	28.930	.00000	-.01000	.38280	.01880	.03470	-.00200	-.00100	-.00150	.37350	.09070
.702	30.110	.00000	-.01000	.37910	.01810	.03490	-.00230	-.00110	-.00130	.36980	.09010
.699	31.310	.00000	-.01000	.38130	.01780	.03540	-.00290	-.00110	-.00130	.37190	.09100
.700	32.490	.00000	-.01000	.38390	.01790	.03520	-.00180	-.00090	-.00140	.37450	.09130
.700	33.680	.00000	-.01000	.38440	.01740	.03560	-.00250	-.00100	-.00130	.37500	.09160
.698	34.860	.00000	-.01000	.38460	.01720	.03590	-.00160	-.00100	-.00140	.37520	.09180
.698	36.050	.00000	-.01000	.38690	.01750	.03540	-.00330	-.00110	-.00150	.37750	.09170
.699	37.230	.00000	-.01000	.38720	.01710	.03600	-.00170	-.00100	-.00120	.37780	.09220
.700	38.420	.00000	-.01000	.38870	.01710	.03570	-.00170	-.00090	-.00130	.37930	.09210
.699	39.610	.00000	-.01000	.38860	.01680	.03580	-.00250	-.00090	-.00150	.37920	.09220
.699	40.790	.00000	-.01000	.38750	.01620	.03620	-.00250	-.00090	-.00140	.37810	.09240
.699	41.980	.00000	-.01000	.38760	.01580	.03620	-.00280	-.00100	-.00120	.37820	.09220
.699	43.160	.00000	-.01000	.38970	.01590	.03640	-.00300	-.00090	-.00120	.38020	.09280
.699	44.350	.00000	-.01000	.39060	.01570	.03630	-.00340	-.00110	-.00110	.38110	.09280
.699	45.530	.00000	-.01000	.39100	.01550	.03680	-.00230	-.00090	-.00140	.38150	.09340
.697	46.720	.00000	-.01000	.39540	.01540	.03680	-.00250	-.00100	-.00100	.38580	.09390

LTV44-559(CA26) 747/1 ATY 02 S1 (ORBITER DATA)

(AFE046) ( 18 NOV 75 )

## REFERENCE DATA

## PARAMETRIC DATA

SREF = 2690.0000 SQ.FT. XMRP = 1109.0000 IN. XO  
 LREF = 474.8100 IN. YMRP = .0000 IN. YO  
 BREF = 936.6800 IN. ZMRP = 375.0000 IN. ZO  
 SCALE = .0125

ALPHAC = 2.000 BETAC = .000  
 STAB = 5.000 ELEVON = 5.000  
 BDFLAP = .000 DX = .000  
 DY = .000 LORB = 6.000  
 BETAD = .000 RUDDER = .000

RUN NO. 42/ 0 RN/L = .00 GRADIENT INTERVAL = -5.00/ 5.00

MACH	DZ	DY	DX	CN	CLM	CA	CY	CYN	CBL	CL	CD
.700	47.910	.00000	-.01000	.39040	.01480	.03690	-.00170	-.00080	-.00110	.38090	.09320
.699	49.090	.00000	-.01000	.39320	.01500	.03660	-.00250	-.00090	-.00110	.38380	.09320
.698	50.280	.00000	-.01000	.39360	.01470	.03660	-.00290	-.00100	-.00100	.38410	.09330
.697	51.460	.00000	-.02000	.39520	.01460	.03670	-.00310	-.00090	-.00110	.38570	.09340
	GRADIENT	.00000	.00000	-.00050	-.00101	.00022	-.00001	.00002	.00004	-.00052	.00009

LTV44-559(CA26) 747/1 ATY 02 S1 (ORBITER DATA)

(AFE047) ( 18 NOV 75 )

## REFERENCE DATA

SREF = 2690.0000 SQ.FT. XMRP = 1109.0000 IN. XO  
 LREF = 474.8100 IN. YMRP = .0000 IN. YO  
 BREF = 936.6800 IN. ZMRP = 375.0000 IN. ZO  
 SCALE = .0125

## PARAMETRIC DATA

ALPHAC = 2.000 BETAC = .000  
 STAB = 5.000 ELEVON = 5.000  
 BDFLAP = .000 DX = .000  
 DY = .000 IORB = 8.000  
 BETAO = .000 RUDDER = .000

RUN NO. 40/ 0 RN/L = .00 GRADIENT INTERVAL = -5.00/ 5.00

MACH	OZ	OY	OX	CN	CLM	CA	CY	CYN	CBL	CL	CD
.599	1.480	.00000	-.02000	.49560	.02570	.01670	-.00040	-.00120	-.00350	.48380	.10880
.600	1.770	.00000	-.02000	.46390	.03520	.01720	.00110	-.00140	-.00200	.45260	.10290
.598	2.370	.00000	-.02000	.46570	.03560	.01730	.00080	-.00150	-.00210	.45450	.10320
.599	2.970	.00000	-.02000	.46370	.03560	.01740	.00150	-.00130	-.00210	.45250	.10290
.598	3.980	.00000	-.01000	.46500	.03250	.01770	.00080	-.00120	-.00200	.45380	.10320
.598	4.970	.00000	-.01000	.46400	.03270	.01770	.00000	-.00140	-.00190	.45270	.10320
.599	6.220	.00000	-.01000	.46410	.02990	.01830	.00000	-.00120	-.00180	.45280	.10350
.600	7.470	.00000	-.01000	.46450	.02930	.01830	-.00020	-.00120	-.00170	.45320	.10350
.601	8.720	.00000	-.01000	.46650	.02920	.01830	.00040	-.00120	-.00180	.45510	.10400
.602	9.970	.00000	-.01000	.46340	.02880	.01850	.00020	-.00120	-.00180	.45200	.10360
.600	11.390	.00000	.00000	.46760	.02720	.01910	.00000	-.00110	-.00180	.45610	.10480
.600	12.800	.00000	.00000	.46770	.02700	.01940	-.00070	-.00120	-.00170	.45620	.10500
.599	14.220	.00000	.00000	.46780	.02670	.01940	-.00040	-.00120	-.00170	.45640	.10460
.599	15.640	.00000	.00000	.46920	.02600	.01980	-.00040	-.00110	-.00170	.45770	.10530
.601	17.050	.00000	.00000	.46690	.02580	.01960	-.00030	-.00120	-.00160	.45540	.10460
.599	18.470	.00000	.00000	.47150	.02530	.02020	-.00070	-.00110	-.00160	.45980	.10610
.599	19.890	.00000	.00000	.47020	.02480	.02000	-.00040	-.00110	-.00160	.45860	.10540
.600	21.310	.00000	.00000	.47060	.02450	.01990	.00000	-.00110	-.00150	.45910	.10540
.597	22.710	.00000	.01000	.47230	.02440	.02090	-.00170	-.00120	-.00150	.46060	.10650
.599	24.130	.00000	.01000	.47060	.02410	.02060	-.00200	-.00120	-.00150	.45910	.10580
.600	25.540	.00000	.01000	.47090	.02310	.02070	-.00040	-.00100	-.00140	.45920	.10610
.600	26.960	.00000	.01000	.47180	.02340	.02110	-.00150	-.00110	-.00140	.46010	.10650
.597	28.380	.00000	.01000	.47660	.02360	.02130	-.00150	-.00110	-.00130	.46480	.10740
.599	29.800	.00000	.01000	.47370	.02310	.02100	-.00150	-.00110	-.00120	.46210	.10650
.596	31.210	.00000	.01000	.48200	.02300	.02120	-.00110	-.00110	-.00130	.47010	.10830
.599	32.630	.00000	.01000	.47480	.02220	.02170	-.00150	-.00110	-.00120	.46310	.10710
.598	34.050	.00000	.01000	.47940	.02260	.02130	-.00060	-.00090	-.00140	.46770	.10750
.600	35.460	.00000	.01000	.48030	.02230	.02120	-.00050	-.00090	-.00130	.46850	.10780
.600	36.880	.00000	.01000	.48210	.02240	.02150	-.00140	-.00100	-.00130	.47020	.10840
.602	38.290	.00000	.01000	.48020	.02170	.02140	-.00140	-.00120	-.00090	.46850	.10780
.601	39.710	.00000	.01000	.48140	.02110	.02190	-.00200	-.00110	-.00090	.46950	.10860
.598	41.120	.00000	.01000	.48610	.02110	.02200	-.00180	-.00110	-.00110	.47420	.10940
.600	42.540	.00000	.01000	.48340	.02080	.02200	-.00200	-.00100	-.00090	.47160	.10870
.601	43.960	.00000	.01000	.48070	.01990	.02210	-.00380	-.00130	-.00060	.46880	.10840
.600	45.370	.00000	.01000	.48330	.02050	.02200	-.00290	-.00120	-.00070	.47150	.10850
.600	46.790	.00000	.02000	.48290	.01960	.02240	-.00040	-.00090	-.00100	.47100	.10880
.600	48.210	.00000	.01000	.48340	.02000	.02230	-.00130	-.00100	-.00090	.47150	.10870
.599	49.630	.00000	.02000	.48370	.01990	.02240	-.00290	-.00110	-.00080	.47180	.10870
.599	51.040	.00000	.02000	.48550	.01990	.02200	-.00300	-.00120	-.00040	.47370	.10860
.598	52.460	.00000	.02000	.48180	.01890	.02270	-.00240	-.00110	-.00030	.47000	.10860
.597	53.870	.00000	.02000	.48580	.01900	.02230	-.00350	-.00130	-.00040	.47400	.10880
.597	55.290	.00000	.02000	.48700	.01900	.02250	-.00200	-.00100	-.00040	.47520	.10910

LTV44-559(CA26) 747/1 ATY 02 S1 (ORBITER DATA)

(AFE047) ( 18 NOV 75 )

## REFERENCE DATA

SREF = 2690.0000 SQ.FT. XMRP = 1109.0000 IN. XO  
 LREF = 474.8100 IN. YMRP = .0000 IN. YO  
 BREF = 936.6800 IN. ZMRP = 375.0000 IN. ZO  
 SCALE = .0125

## PARAMETRIC DATA

ALPHAC = 2.000 BETAC = .000  
 STAB = 5.000 ELEVON = 5.000  
 BDFLAP = .000 DX = .000  
 DY = .000 TORB = 8.000  
 BETAO = .000 RUDDER = .000

RUN NO. 40/ 0 RN/L = .00 GRADIENT INTERVAL = -5.00/ 5.00

MACH	DZ	DY	DX	CN	CLM	CA	CY	CYN	CBL	CL	CD
.597	56.710	.00000	.02000	.48880	.01870	.02220	-.00280	-.00110	-.00040	.47700	.10940
.598	58.120	.00000	.02000	.48040	.01700	.02320	-.00170	-.00110	-.00060	.46850	.10860
	GRADIENT	.00000	.00344	-.00503	.00061	.00025	-.00002	-.00000	.00027	-.00494	-.00086

LTV44-559(CA26) 747/1 ATY 02 S1 (ORBITER DATA)

(AF048) ( 18 NOV 75 )

## REFERENCE DATA

SREF = 2690.0000 SQ.FT. XMRP = 1109.0000 IN. XO  
 LREF = 474.8100 IN. YMRP = .0000 IN. YO  
 BREF = 936.6800 IN. ZMRP = 375.0000 IN. ZO  
 SCALE = .0125

## PARAMETRIC DATA

ALPHAC = 2.000 BETAC = .000  
 STAB = 5.000 ELEVON = 5.000  
 BDFLAP = .000 DX = .000  
 DY = .000 TORB = 4.000  
 BETA0 = 5.000 RUDDER = .000

RUN NO. 41/ 0 RN/L = .00 GRADIENT INTERVAL = -5.00/ 5.00

MACH	DZ	DY	DX	CN	CLM	CA	CY	CYN	CBL	CL	CD
.603	1.460	.00000	.00000	.24860	.02170	.03980	-.06080	-.01220	-.00040	.24230	.06820
.601	2.060	.00000	.00000	.25030	.02.70	.03990	-.06150	-.01220	-.00040	.24400	.06840
.600	2.660	.00000	.00000	.25020	.02!30	.03990	-.06140	-.01230	-.00030	.24400	.06840
.601	3.360	.00000	.00000	.25360	.01990	.04020	-.06080	-.01230	-.00020	.24730	.06920
.604	4.160	.00000	.00000	.25090	.01890	.04030	-.06060	-.01210	-.00020	.24460	.06880
.604	4.960	.00000	.00000	.25460	.01750	.04020	-.06140	-.01220	.00000	.24820	.06920
.602	6.960	.00000	.00000	.25460	.01700	.04080	-.06120	-.01220	-.00010	.24830	.06960
.604	8.960	.00000	.00000	.25600	.01580	.04060	-.06090	-.01210	.00010	.24970	.06960
.602	10.460	.00000	.00000	.26120	.01370	.04130	-.06150	-.01210	.00030	.25480	.07090
.601	11.460	.00000	.00000	.26050	.01370	.04160	-.06110	-.01210	.00040	.25410	.07110
.602	12.450	.00000	.00000	.26170	.01390	.04110	-.05970	-.01190	.00040	.25530	.07060
.601	13.450	.00000	.00000	.26360	.01320	.04160	-.06220	-.01210	.00050	.25720	.07130
.601	14.440	.00000	.00000	.26500	.01260	.04170	-.06130	-.01200	.00050	.25850	.07170
.603	15.440	.00000	.00000	.26320	.01270	.04150	-.06000	-.01180	.00050	.25670	.07120
.602	16.430	.00000	.00000	.26620	.01250	.04170	-.06060	-.01190	.00040	.25980	.07170
.602	17.430	.00000	.00000	.26650	.01200	.04210	-.06120	-.01190	.00060	.26000	.07210
.602	18.420	.00000	.00000	.26810	.01210	.04200	-.06050	-.01190	.00050	.26160	.07230
.602	19.420	.00000	.00000	.26890	.01150	.04250	-.06130	-.01190	.00060	.26230	.07270
.601	20.410	.00000	.00000	.27070	.01140	.04230	-.06090	-.01180	.00050	.26410	.07260
.602	21.410	.00000	.00000	.27160	.01120	.04240	-.06110	-.01180	.00060	.26510	.07290
.604	22.390	.00000	.01000	.27000	.01150	.04200	-.06130	-.01190	.00070	.26350	.07230
.605	23.390	.00000	.01000	.26970	.01140	.04230	-.06190	-.01200	.00070	.26310	.07260
.605	24.390	.00000	.01000	.27330	.01140	.04230	-.06130	-.01180	.00070	.26680	.07300
.602	25.380	.00000	.01000	.27470	.01090	.04280	-.06220	-.01190	.00070	.26810	.07360
.602	26.380	.00000	.01000	.27550	.01040	.04320	-.06150	-.01190	.00060	.26890	.07390
.602	27.370	.00000	.01000	.27740	.01060	.04270	-.06080	-.01170	.00070	.27080	.07370
.604	28.370	.00000	.01000	.27840	.01070	.04250	-.06250	-.01180	.00070	.27180	.07360
.602	29.360	.00000	.01000	.28050	.01060	.04270	-.06250	-.01180	.00080	.27400	.07380
.603	30.350	.00000	.01000	.27840	.01060	.04290	-.06120	-.01170	.00080	.27180	.07390
.603	31.350	.00000	.01000	.28100	.01050	.04280	-.06160	-.01170	.00080	.27440	.07410
.604	32.350	.00000	.01000	.27990	.01070	.04280	-.06210	-.01190	.00080	.27330	.07400
.603	33.340	.00000	.01000	.28220	.01050	.04290	-.06090	-.01160	.00080	.27560	.07440
.600	34.340	.00000	.01000	.28230	.01000	.04340	-.06210	-.01180	.00080	.27570	.07480
.599	35.340	.00000	.01000	.28310	.00990	.04350	-.06250	-.01180	.00090	.27640	.07500
.600	36.330	.00000	.01000	.28340	.00970	.04330	-.06140	-.01170	.00090	.27680	.07470
.603	37.320	.00000	.01000	.28280	.00980	.04330	-.06220	-.01190	.00110	.27620	.07470
.602	38.320	.00000	.01000	.28710	.00990	.04300	-.06270	-.01180	.00090	.28050	.07480
.603	39.310	.00000	.01000	.28330	.00930	.04370	-.06040	-.01150	.00060	.27670	.07480
.604	40.310	.00000	.01000	.28430	.00950	.04350	-.06220	-.01170	.00080	.27770	.07490
.603	41.310	.00000	.01000	.28700	.00930	.04370	-.06240	-.01160	.00090	.28030	.07550
.603	42.300	.00000	.01000	.28710	.00910	.04390	-.06270	-.01170	.00110	.28050	.07540
.604	43.290	.00000	.01000	.28760	.00950	.04360	-.06340	-.01190	.00110	.28100	.07530

LTV44-559(CA26) 747/1 ATY 02 S1 (ORBITER DATA)

(AFE048) ( 18 NOV 75 )

## REFERENCE DATA

SREF = 2690.0000 SQ.FT. XMRP = 1109.0000 IN. XO  
 LREF = 474.8100 IN. YMRP = .0000 IN. YO  
 BREF = 936.6800 IN. ZMRP = 375.0000 IN. ZO  
 SCALE = .0125

## PARAMETRIC DATA

ALPHAC = 2.000 BETAC = .000  
 STAB = 5.000 ELEVON = 5.000  
 BDFLAP = .000 DX = .000  
 DY = .000 IORB = 4.000  
 BETAO = 5.000 RUDDER = .000

RUN NO. 41/ 0 RN/L = .00 GRADIENT INTERVAL = -5.00/ 5.00

MACH	DZ	DY	DX	CN	CLM	CA	CY	CYN	CBL	CL	CD
.603	44.290	.00000	.01000	.28950	.00930	.04360	-.06310	-.01180	.00110	.28280	.07540
.603	44.790	.00000	.01000	.28710	.00880	.04350	-.06280	-.01180	.00100	.28050	.07510
	GRADIENT	.00000	.00000	.00142	-.00127	.00014	.00001	.00001	.00011	.00140	.00028

LTV44-559(CA26) 747/1 ATY 02 S1 (ORBITER DATA)

(AFE049) ( 18 NOV 75 )

## REFERENCE DATA

SREF = 2690.0000 SQ.FT. XMRP = 1109.0000 IN. XO  
 LREF = 474.8100 IN. YMRP = .0000 IN. YO  
 BREF = 936.6800 IN. ZMRP = 375.0000 IN. ZO  
 SCALE = .0125

## PARAMETRIC DATA

ALPHAC = 2.000 BETAC = .000  
 STAB = 5.000 ELEVON = 5.000  
 BDFLAP = .000 DX = .000  
 DY = .000 TORB = 6.000  
 BETA0 = 5.000 RUDDER = .000

RUN NO. 1041/ 0 RN/L = .00 GRADIENT INTERVAL = -5.00/ 5.00

MACH	DZ	DY	DX	CN	CLM	CA	CY	CYN	CBL	CL	CD
.602	1.470	.00000	-.01000	.36370	.02800	.02910	-.05850	-.01220	-.00310	.35520	.08350
.603	2.070	.00000	-.01000	.36500	.02630	.02940	-.05830	-.01220	-.00290	.35650	.08390
.601	2.670	.00000	-.01000	.36530	.02600	.02960	-.05890	-.01230	-.00290	.35670	.08410
.604	3.370	.00000	-.01000	.36670	.02420	.02930	-.05870	-.01210	-.00280	.35820	.08400
.601	4.170	.00000	-.01000	.36880	.02350	.02970	-.05760	-.01210	-.00280	.36020	.08450
.603	4.960	.00000	.00000	.36520	.02370	.02970	-.05800	-.01210	-.00270	.35660	.08430
.601	6.970	.00000	.00000	.36900	.02100	.03000	-.05740	-.01190	-.00220	.36040	.08470
.600	8.970	.00000	.00000	.37040	.02060	.03030	-.05820	-.01200	-.00210	.36170	.08510
.601	10.600	.00000	.00000	.37130	.01980	.03040	-.05850	-.01190	-.00210	.36260	.08520
.604	11.880	.00000	.00000	.36850	.01970	.03030	-.05760	-.01170	-.00190	.35990	.08490
.603	13.160	.00000	.00000	.37200	.01930	.03040	-.05790	-.01170	-.00190	.36330	.08540
.603	14.440	.00000	.00000	.37210	.01900	.03050	-.05890	-.01180	-.00180	.36340	.08540
.600	15.710	.00000	.00000	.37330	.01830	.03130	-.05850	-.01180	-.00170	.36450	.08610
.600	16.990	.00000	.00000	.37490	.01780	.03130	-.05850	-.01170	-.00150	.36620	.08650
.600	18.270	.00000	.00000	.37650	.01790	.03150	-.05920	-.01180	-.00150	.36770	.08680
.602	19.540	.00000	.00000	.37490	.01760	.03150	-.05950	-.01190	-.00140	.36620	.08640
.601	20.820	.00000	.00000	.37680	.01730	.03170	-.05950	-.01180	-.00140	.36800	.08680
.602	22.090	.00000	.01000	.37900	.01740	.03170	-.05960	-.01170	-.00130	.37010	.08730
.602	23.360	.00000	.01000	.38020	.01710	.03200	-.05960	-.01170	-.00130	.37130	.08770
.601	24.650	.00000	.01000	.38330	.01700	.03200	-.06030	-.01170	-.00130	.37440	.08810
.604	25.920	.00000	.01000	.37980	.01660	.03180	-.05950	-.01170	-.00100	.37100	.08750
.602	27.200	.00000	.01000	.38260	.01510	.03220	-.06030	-.01180	-.00120	.37370	.08810
.602	28.470	.00000	.01000	.38550	.01650	.03250	-.05950	-.01160	-.00120	.37650	.08870
.604	29.750	.00000	.01000	.38390	.01640	.03220	-.05890	-.01140	-.00110	.37500	.08830
.601	31.030	.00000	.01000	.38540	.01600	.03250	-.06070	-.01170	-.00100	.37650	.08860
.604	32.300	.00000	.01000	.38410	.01570	.03240	-.06100	-.01160	-.00090	.37520	.08850
.602	33.580	.00000	.01000	.38620	.01580	.03250	-.05960	-.01160	-.00090	.37730	.08890
.600	34.850	.00000	.01000	.38810	.01550	.03270	-.06130	-.01170	-.00100	.37910	.08910
.601	36.130	.00000	.01000	.38860	.01540	.03280	-.06040	-.01160	-.00090	.37970	.08920
.600	37.410	.00000	.01000	.38730	.01490	.03330	-.06010	-.01160	-.00080	.37830	.08950
.600	38.690	.00000	.01000	.38860	.01460	.03310	-.06150	-.01180	-.00080	.37960	.08940
.600	39.960	.00000	.01000	.38990	.01460	.03320	-.06110	-.01160	-.00090	.38080	.08990
.600	41.240	.00000	.01000	.39070	.01480	.03310	-.06170	-.01180	-.00050	.38170	.08950
.603	42.520	.00000	.01000	.38910	.01450	.03310	-.06220	-.01170	-.00060	.38010	.08960
.602	43.790	.00000	.01000	.39140	.01440	.03350	-.06200	-.01180	-.00050	.38240	.09020
.602	45.070	.00000	.01000	.38910	.01410	.03340	-.06180	-.01170	-.00020	.38010	.08970
.604	46.340	.00000	.01000	.39020	.01430	.03330	-.06370	-.01200	-.00010	.38120	.08970
.603	47.620	.00000	.01000	.39240	.01380	.03340	-.06020	-.01160	-.00060	.38340	.08990
.603	48.900	.00000	.01000	.39220	.01320	.03350	-.06140	-.01170	-.00040	.38320	.09010
.602	50.180	.00000	.01000	.39230	.01330	.03360	-.06280	-.01200	-.00020	.38330	.09010
.601	51.460	.00000	.01000	.39220	.01330	.03380	-.06340	-.01220	-.00040	.38320	.09030
	GRADIENT	.00000	.00215	.00079	-.00127	.00015	.00021	.00004	.00010	.00076	.00023

LTV44-559(CA26) 747/1 ATY 02 S1 (ORBITER DATA)

(AFE050) ( 18 NOV 75 )

## REFERENCE DATA

SREF = 2690.0000 SQ.FT. XMRP = 1109.0000 IN. XO  
 LREF = 474.8100 IN. YMRP = .0000 IN. YO  
 BREF = 936.6800 IN. ZMRP = 375.0000 IN. ZO  
 SCALE = .0125

## PARAMETRIC DATA

ALPHAC = 2.000 BETAC = .000  
 STAB = 5.000 ELEVON = 5.000  
 BDFLAP = .000 DX = .000  
 DY = .000 IORB = 8.000  
 BETAO = 5.000 RUDDER = .000

RUN NO. 1040/ 0 RN/L = .00 GRADIENT INTERVAL = -5.00/ 5.00

MACH	DZ	DY	DX	CN	CLM	CA	CY	CYN	CBL	CL	CD
.600	1.480	.00000	-.02000	.48450	.03230	.01860	-.05680	-.01180	-.00430	.47270	.10800
.600	2.070	.00000	-.02000	.48460	.03290	.01860	-.05670	-.01190	-.00430	.47270	.10620
.600	2.670	.00000	-.02000	.48460	.03260	.01840	-.05640	-.01180	-.00430	.47280	.10790
.599	3.470	.00000	-.02000	.48200	.03150	.01880	-.05630	-.01180	-.00410	.47020	.10790
.599	4.480	.00000	-.01000	.48220	.03100	.01900	-.05730	-.01180	-.00410	.47040	.10780
.601	5.810	.00000	-.01000	.48110	.02930	.01890	-.05660	-.01170	-.00380	.46930	.10750
.601	7.480	.00000	-.01000	.48120	.02910	.01900	-.05660	-.01170	-.00380	.46950	.10740
.601	9.140	.00000	-.01000	.48080	.02810	.01910	-.05690	-.01160	-.00360	.46910	.10740
.602	10.600	.00000	.00000	.48300	.02640	.01920	-.05760	-.01160	-.00310	.47120	.10770
.600	11.830	.00000	.00000	.48270	.02630	.01970	-.05730	-.01160	-.00320	.47080	.10830
.599	13.060	.00000	.00000	.48370	.02610	.01960	-.05690	-.01150	-.00300	.47180	.10820
.599	14.300	.00000	.00000	.48220	.02530	.02010	-.05770	-.01160	-.00290	.47040	.10810
.599	15.530	.00000	.00000	.48330	.02520	.02000	-.05730	-.01150	-.00290	.47140	.10850
.599	16.770	.00000	.00000	.48350	.02440	.02000	-.05750	-.01140	-.00280	.47170	.10800
.598	18.000	.00000	.00000	.48570	.02450	.02020	-.05740	-.01160	-.00280	.47370	.10900
.600	19.240	.00000	.00000	.48450	.02360	.02030	-.05770	-.01140	-.00270	.47270	.10830
.600	20.470	.00000	.00000	.48530	.02360	.02070	-.05740	-.01150	-.00270	.47330	.10900
.600	21.700	.00000	.01000	.48600	.02340	.02080	-.05730	-.01140	-.00270	.47400	.10920
.599	22.940	.00000	.01000	.48540	.02310	.02120	-.05730	-.01150	-.00260	.47340	.10920
.598	24.170	.00000	.01000	.48920	.02310	.02110	-.05780	-.01150	-.00240	.47720	.10960
.600	25.410	.00000	.01000	.48740	.02210	.02140	-.05890	-.01160	-.00230	.47530	.11000
.600	26.640	.00000	.01000	.49130	.02260	.02130	-.05850	-.01160	-.00230	.47910	.11070
.601	27.870	.00000	.01000	.49020	.02180	.02180	-.05820	-.01150	-.00220	.47810	.11080
.601	29.110	.00000	.01000	.49130	.02210	.02180	-.05790	-.01150	-.00230	.47920	.11060
.601	30.350	.00000	.01000	.49140	.02140	.02190	-.05870	-.01150	-.00210	.47920	.11070
.602	31.590	.00000	.01000	.49260	.02150	.02180	-.05830	-.01150	-.00200	.48050	.11070
.601	32.820	.00000	.01000	.49270	.02160	.02190	-.05970	-.01170	-.00190	.48060	.11070
.600	34.050	.00000	.01000	.49360	.02160	.02210	-.05740	-.01130	-.00210	.48140	.11090
.599	35.290	.00000	.01000	.49710	.02130	.02190	-.05850	-.01140	-.00210	.48490	.11140
.601	36.520	.00000	.01000	.49300	.02130	.02190	-.05840	-.01130	-.00200	.48080	.11090
.599	37.760	.00000	.01000	.49830	.02080	.02200	-.05880	-.01140	-.00200	.48670	.11170
.598	38.990	.00000	.01000	.49690	.01990	.02240	-.05910	-.01150	-.00190	.48470	.11160
.601	40.230	.00000	.01000	.49410	.01970	.02270	-.05920	-.01160	-.00190	.48190	.11160
.600	41.460	.00000	.01000	.49820	.02060	.02230	-.05780	-.01130	-.00200	.48600	.11190
.600	42.700	.00000	.01000	.49880	.02040	.02220	-.05850	-.01130	-.00200	.48660	.11170
.600	43.940	.00000	.01000	.49770	.01960	.02300	-.05780	-.01130	-.00200	.48530	.11240
.601	45.170	.00000	.01000	.49740	.01940	.02270	-.05870	-.01130	-.00180	.48520	.11170
.601	46.400	.00000	.02000	.50060	.01930	.02260	-.05930	-.01150	-.00180	.48830	.11230
.599	47.640	.00000	.02000	.50270	.01900	.02290	-.05850	-.01140	-.00180	.49040	.11300
.600	48.870	.00000	.01000	.50190	.01870	.02290	-.05910	-.01140	-.00180	.48960	.11260
.601	50.110	.00000	.02000	.49690	.01830	.02310	-.05920	-.01150	-.00180	.48460	.11190
.599	51.340	.00000	.02000	.50080	.01790	.02310	-.06100	-.01180	-.00140	.48860	.11250



DATE 22 MAR 76

CA-26 FORCE SOURCE DATA TABULATION

PAGE 51

LTV44-559(CA26) 747/1 ATY 02 S1 (ORBITER DATA)

(AFE050) ( 18 NOV 75 )

## REFERENCE DATA

SREF = 2690.0000 SQ.FT. XMRP = 1109.0000 IN. XO  
 LREF = 474.8100 IN. YMRP = .0000 IN. YO  
 BREF = 936.6800 IN. ZMRP = 375.0000 IN. ZO  
 SCALE = .0125

## PARAMETRIC DATA

ALPHAC = 2.000 BETAC = .000  
 STAB = 5.000 ELEVON = 5.000  
 BDFLAP = .000 DX = .000  
 DY = .000 IORB = 8.000  
 BETA0 = 5.000 RUDDER = .000

RUN NO. 1040/ 0 RN/L = .00 GRADIENT INTERVAL = -5.00/ 5.00

MACH	DZ	DY	DX	CN	CLM	CA	CY	CYN	CBL	CL	CD
.599	52.580	.00000	.02000	.49880	.01730	.02330	-.06040	-.01170	-.00120	.48660	.11210
.600	53.810	.00000	.02000	.49170	.01520	.02460	-.06010	-.01220	-.00180	.47930	.11200
.600	55.050	.00000	.02000	.49910	.01650	.02350	-.06020	-.01180	-.00150	.48680	.11260
.600	56.290	.00000	.02000	.50350	.01720	.02320	-.06090	-.01180	-.00120	.49110	.11320
.601	57.520	.00000	.02000	.49940	.01770	.02350	-.06070	-.01180	-.00110	.48710	.11230
.600	58.140	.00000	.02000	.50070	.01790	.02320	-.06030	-.01170	-.00110	.48860	.11220
	GRADIENT	.00000	.00296	-.00098	-.00056	.00015	-.00012	.00001	.00008	-.00097	-.00010

ORIGINAL PAGE IS  
 OF POOR QUALITY

LTV44-559(CA26) 747/1 ATX 02 S1 (ORBITER DATA)

(AFE051) ( 18 NOV 75 )

## REFERENCE DATA

SREF = 2690.0000 SQ.FT. XMRP = 1109.0000 IN. XO  
 LREF = 474.8100 IN. YMRP = .0000 IN. YO  
 BREF = 936.6800 IN. ZMRP = 375.0000 IN. ZO  
 SCALE = .0125

## PARAMETRIC DATA

ALPHAC = 2.000 BETAC = .000  
 STAB = 5.000 ELEVON = 5.000  
 BDFLAP = .000 DX = .000  
 DY = .000 IORB = 4.000  
 BETAO = .000 RUDDER = .000

RUN NO. 45/ 0 RW/L = .00 GRADIENT INTERVAL = -5.00/ 5.00

MACH	DZ	DY	DX	CN	CLM	CA	CY	CYN	CBL	CL	CD
.603	1.460	.00000	.00000	.23940	.02070	.04000	-.00190	-.00090	-.00060	.23320	.06740
.604	2.060	.00000	.00000	.23780	.02060	.04000	-.00200	-.00090	-.00050	.23160	.06710
.604	2.660	.00000	.00000	.23800	.02050	.04020	-.00130	-.00090	-.00050	.23180	.06720
.603	3.360	.00000	.00000	.24160	.01340	.04030	-.00210	-.00090	-.00050	.23540	.06780
.603	4.160	.00000	.00000	.24090	.01880	.04040	-.00180	-.00090	-.00050	.23460	.06780
.604	4.960	.00000	.00000	.24290	.01690	.04060	-.00180	-.00090	-.00050	.23660	.06820
.603	6.960	.00000	.00000	.24390	.01660	.04070	-.00210	-.00090	-.00050	.23760	.06830
.604	8.960	.00000	.00000	.24420	.01640	.04100	-.00190	-.00080	-.00050	.23790	.06870
.605	10.460	.00000	.00000	.25050	.01460	.04150	-.00150	-.00070	-.00050	.24410	.06980
.605	11.460	.00000	.00000	.24900	.01420	.04160	-.00230	-.00090	-.00050	.24260	.06970
.603	12.450	.00000	.00000	.25260	.01400	.04160	-.00140	-.00070	-.00050	.24630	.07010
.604	13.450	.00000	.00000	.25410	.01380	.04200	-.00190	-.00090	-.00050	.24760	.07060
.603	14.440	.00000	.00000	.25420	.01330	.04250	-.00230	-.00080	-.00050	.24770	.07120
.606	15.440	.00000	.00000	.25330	.01290	.04180	-.00180	-.00070	-.00050	.24690	.07040
.603	16.430	.00000	.00000	.25910	.01270	.04260	-.00160	-.00090	-.00050	.25260	.07170
.605	17.430	.00000	.00000	.25910	.01270	.04260	-.00160	-.00090	-.00050	.25260	.07170
.610	18.420	.00000	.00000	.25740	.01250	.04240	-.00330	-.00100	-.00040	.25090	.07140
.604	19.420	.00000	.00000	.25470	.01260	.04170	-.00180	-.00080	-.00050	.24840	.07020
.605	20.410	.00000	.00000	.25990	.01250	.04250	-.00160	-.00080	-.00060	.25350	.07150
.606	21.410	.00000	.00000	.25840	.01200	.04300	-.00150	-.00070	-.00060	.25190	.07150
.605	22.390	.00000	.00000	.26070	.01180	.04260	-.00240	-.00080	-.00050	.25430	.07170
.606	23.390	.00000	-.01000	.26330	.01200	.04280	-.00270	-.00080	-.00060	.25680	.07210
.605	24.390	.00000	-.01000	.26280	.01160	.04270	-.00230	-.00090	-.00040	.25630	.07210
.602	25.380	.00000	-.01000	.26390	.01150	.04310	-.00270	-.00090	-.00050	.25730	.07260
.604	26.380	.00000	-.01000	.26590	.01170	.04330	-.00300	-.00080	-.00060	.25940	.07290
.604	27.370	.00000	-.01000	.26590	.01160	.04300	-.00280	-.00090	-.00060	.25940	.07260
.602	28.370	.00000	-.01000	.26470	.01110	.04350	-.00350	-.00100	-.00050	.25810	.07280
.604	29.360	.00000	-.01000	.27030	.01120	.04330	-.00190	-.00080	-.00060	.26380	.07330
.605	30.360	.00000	-.01000	.27010	.01130	.04360	-.00230	-.00080	-.00080	.26350	.07370
.603	31.350	.00000	-.01000	.26840	.01080	.04380	-.00260	-.00080	-.00040	.26180	.07350
.604	32.350	.00000	-.01000	.27110	.01090	.04390	-.00360	-.00090	-.00030	.26450	.07390
.603	33.340	.00000	-.01000	.27010	.01030	.04400	-.00280	-.00090	-.00040	.26350	.07390
.604	34.340	.00000	-.01000	.27260	.01080	.04380	-.00270	-.00080	-.00040	.26600	.07390
.604	35.340	.00000	-.01000	.27140	.01040	.04420	-.00360	-.00090	-.00030	.26480	.07410
.604	36.330	.00000	-.01000	.27370	.01020	.04410	-.00280	-.00090	-.00040	.26710	.07420
.604	37.320	.00000	-.01000	.27510	.01030	.04410	-.00300	-.00090	-.00040	.26850	.07440
.604	38.320	.00000	-.01000	.27290	.00980	.04460	-.00350	-.00080	-.00030	.26620	.07460
.603	39.310	.00000	-.01000	.27380	.00960	.04450	-.00380	-.00090	-.00030	.26710	.07460
.604	40.310	.00000	-.01000	.27720	.01000	.04450	-.00420	-.00090	-.00020	.27050	.07510
.604	41.310	.00000	-.01000	.27890	.01040	.04400	-.00350	-.00070	-.00030	.27140	.07470
.603	42.300	.00000	-.01000	.27850	.01000	.04430	-.00380	-.00090	-.00030	.27190	.07490
.603	43.290	.00000	-.01000	.27670	.00910	.04500	-.00390	-.00090	-.00010	.27000	.07540
.603				.28040	.00940	.04470	-.00280	-.00080	-.00050	.27370	.07540

DATE 22 MAR 76

CA-26 FORCE SOURCE DATA TABULATION

PAGE 53

LTV44-559(CA26) 747/1 ATX 02 S1 (ORBITER DATA)

(AFE051) ( 18 NOV 75 )

REFERENCE DATA

SREF = 2690.0000 SQ.FT. XMRP = 1109.0000 IN. XC  
LREF = 474.8100 IN. YMRP = .0000 IN. YO  
BREF = 936.6800 IN. ZMRP = 375.0000 IN. ZO  
SCALE = .0125

PARAMETRIC DATA

ALPHAC = 2.000 BETAC = .000  
STAB = 5.000 ELEVON = 5.000  
BDFLAP = .000 DX = .000  
DY = .000 IORB = 4.000  
BETAO = .000 RUDDER = .000

RUN NO. 45/ 0 RN/L = .00 GRADIENT INTERVAL = -5.00/ 5.00

MACH	DZ	DY	DX	CN	CLM	CA	CY	CYN	CBL	CL	CD
.602	44.290	.00000	-.01000	.27950	.00950	.04490	-.00500	-.00100	-.00020	.27280	.07540
.605	44.790	.00000	-.01000	.28420	.01000	.04400	-.00360	-.00080	-.00030	.27750	.07520
	GRADIENT	.00000	.00000	.00127	-.00106	.00018	.00001	.00000	.00002	.00123	.00028

LTV44-559(CA26) 747/1 ATX 02 S1 (ORBITER DATA)

(AFE052) ( 18 NOV 75 )

## REFERENCE DATA

SREF = 2690.0000 SQ.FT. XMRP = 1109.0000 IN. XO  
 LREF = 474.8100 IN. YMRP = .0000 IN. YO  
 BREF = 936.6800 IN. ZMRP = 375.0000 IN. ZO  
 SCALE = .0125

## PARAMETRIC DATA

ALPHAC = 2.000 BETAC = .000  
 STAB = 5.000 ELEVON = 5.000  
 BOFLAP = .000 DX = .000  
 DY = .000 TORB = 6.000  
 BETA0 = .000 RUDDER = .000

RUN NO. 1045/ 0 RN/L = .00 GRADIENT INTERVAL = -5.00/ 5.00

MACH	DZ	DY	DX	CN	CLM	CA	CY	CYN	CBL	CL	CD
.604	1.470	.00000	.01000	.34830	.02890	.02810	-.00100	-.00090	-.00140	.34020	.08000
.603	2.070	.00000	.00000	.34750	.02770	.02830	-.00140	-.00080	-.00130	.33930	.08020
.604	2.670	.00000	.01000	.34640	.02740	.02830	-.00170	-.00080	-.00130	.33830	.08000
.602	3.370	.00000	.00000	.35030	.02580	.02880	-.00230	-.00080	-.00140	.34200	.08110
.602	4.170	.00000	.00000	.35160	.02530	.02860	-.00160	-.00080	-.00130	.34340	.08080
.602	4.960	.00000	.00000	.35070	.02530	.02990	-.00150	-.00070	-.00130	.34240	.08110
.605	6.970	.00000	.00000	.35420	.02250	.02900	-.00220	-.00080	-.00120	.34590	.08160
.604	8.970	.00000	.00000	.35710	.02240	.02950	-.00150	-.00080	-.00130	.34870	.08240
.603	10.600	.00000	.00000	.35730	.02120	.02990	-.00210	-.00070	-.00110	.34890	.08270
.604	11.880	.00000	.00000	.35640	.02040	.02990	-.00190	-.00070	-.00120	.34800	.08250
.604	13.160	.00000	.00000	.35680	.01980	.03020	-.00150	-.00070	-.00110	.34840	.08270
.603	14.440	.00000	.00000	.35930	.01970	.03070	-.00120	-.00070	-.00120	.35070	.08370
.601	15.710	.00000	.00000	.36280	.02000	.03080	-.00190	-.00080	-.00110	.35420	.08440
.603	16.990	.00000	.00000	.36100	.01950	.03080	-.00260	-.00090	-.00120	.35250	.08390
.602	18.270	.00000	.00000	.36240	.01920	.03110	-.00080	-.00070	-.00120	.35380	.08420
.603	19.540	.00000	.00000	.36390	.01920	.03070	-.00080	-.00070	-.00120	.35540	.08400
.602	20.820	.00000	.00000	.36560	.01900	.03100	-.00200	-.00080	-.00120	.35700	.08450
.601	22.090	.00000	-.01000	.36570	.01850	.03120	-.00180	-.00070	-.00110	.35710	.08480
.603	23.360	.00000	-.01000	.36550	.01810	.03170	-.00140	-.00070	-.00110	.35680	.08510
.605	24.650	.00000	-.01000	.36690	.01790	.03130	-.00230	-.00080	-.00120	.35830	.08490
.604	25.920	.00000	-.01000	.36740	.01810	.03150	-.00070	-.00070	-.00110	.35880	.08510
.606	27.200	.00000	-.01000	.36550	.01790	.03130	-.00250	-.00080	-.00110	.35700	.08460
.603	28.470	.00000	-.01000	.36930	.01760	.03190	-.00240	-.00070	-.00110	.36070	.08570
.602	29.750	.00000	-.01000	.37200	.01750	.03210	-.00200	-.00070	-.00110	.36330	.08620
.604	31.030	.00000	-.01000	.36940	.01710	.03220	-.00310	-.00080	-.00090	.36070	.08610
.605	32.300	.00000	-.01000	.36960	.01570	.03230	-.00370	-.00090	-.00080	.36090	.08600
.604	33.580	.00000	-.01000	.37100	.01610	.03250	-.00320	-.00080	-.00080	.36230	.08640
.603	34.850	.00000	-.01000	.37280	.01660	.03260	-.00280	-.00090	-.00090	.36400	.08680
.605	36.130	.00000	-.01000	.37250	.01600	.03260	-.00290	-.00080	-.00090	.36370	.08680
.602	37.410	.00000	-.01000	.37790	.01680	.03240	-.00200	-.00070	-.00110	.36910	.08710
.603	38.690	.00000	-.01000	.37580	.01610	.03270	-.00130	-.00060	-.00110	.36700	.08710
.605	39.960	.00000	-.01000	.37530	.01600	.03280	-.00330	-.00090	-.00090	.36650	.08720
.602	41.240	.00000	-.01000	.37820	.01580	.03280	-.00260	-.00080	-.00090	.36930	.08750
.602	42.520	.00000	-.01000	.37810	.01520	.03300	-.00270	-.00070	-.00080	.36920	.08760
.604	43.790	.00000	-.01000	.37660	.01530	.03310	-.00310	-.00090	-.00050	.36780	.08760
.601	45.070	.00000	-.01000	.38230	.01490	.03320	-.00340	-.00070	-.00050	.37350	.08820
.605	46.340	.00000	-.01000	.38420	.01510	.03260	-.00330	-.00100	-.00050	.37540	.08800
.602	47.620	.00000	-.01000	.38340	.01500	.03340	-.00250	-.00080	-.00090	.37450	.08860
.602	48.900	.00000	-.01000	.38330	.01460	.03320	-.00150	-.00070	-.00080	.37440	.08840
.606	50.180	.00000	-.01000	.37890	.01420	.03290	-.00420	-.00100	-.00060	.37020	.08720
.605	51.460	.00000	-.01000	.38120	.01450	.03280	-.00310	-.00080	-.00060	.37240	.08750
GRADIENT		.00000	-.00244	.00118	-.00108	.00022	-.00013	.00004	.00002	.00113	.00034

LTV44-559(CA26) 747/1 ATY 02 S1 (ORBITER DATA)

(AFE053) ( 18 NOV 75 )

## REFERENCE DATA

SREF = 2690.0000 SQ.FT. XMRP = 1109.0000 IN. XO  
 LREF = 474.8100 IN. YMRP = .0000 IN. YO  
 BREF = 936.6800 IN. ZMRP = 375.0000 IN. ZO  
 SCALE = .0125

## PARAMETRIC DATA

ALPHAC = 2.000 BETAC = .000  
 STAB = 5.000 ELEVON = 5.000  
 BDFLAP = .000 DX = .000  
 DZ = .000 IORB = 6.000  
 BETA0 = .000 RUDDER = .000

RUN NO. 46/ 0 RN/L = .00 GRADIENT INTERVAL = -5.00/ 5.00

MACH	DY	DX	DZ	CN	CLM	CA	CY	CYN	CBL	CL	CD
.598	-10.000	.01000	1.46000	.35350	.02870	.02800	-.00370	.00050	.00100	.34530	.08060
.600	-9.420	.01000	1.46000	.35100	.02840	.02780	-.00410	.00040	.00080	.34290	.08010
.600	-8.850	.01000	1.46000	.35130	.02840	.02790	-.00180	.00060	.00060	.34310	.08030
.597	-8.280	.01000	1.46000	.35350	.02950	.02810	-.00160	.00060	.00040	.34530	.08080
.600	-7.710	.02000	1.46000	.35090	.02850	.02770	-.00280	.00040	.00020	.34280	.08000
.598	-7.140	.02000	1.46000	.35410	.02890	.02790	-.00300	.00020	.00000	.34590	.08060
.601	-6.560	.02000	1.46000	.34990	.02860	.02780	-.00290	.00010	.00000	.34180	.07980
.598	-5.990	.02000	1.46000	.35240	.02900	.02810	-.00180	.00010	-.00020	.34420	.08070
.599	-5.420	.02000	1.46000	.34980	.02910	.02790	-.00080	.00000	-.00020	.34170	.07990
.601	-4.850	.02000	1.46000	.34990	.02940	.02780	-.00130	.00000	-.00050	.34170	.08010
.601	-4.280	.02000	1.46000	.35020	.02940	.02800	-.00140	-.00020	-.00070	.34200	.08030
.602	-3.710	.02000	1.46000	.34910	.02970	.02760	-.00120	-.00050	-.00090	.34100	.07970
.602	-3.130	.01000	1.46000	.34920	.02920	.02750	-.00130	-.00060	-.00110	.34120	.07950
.603	-2.570	.01000	1.46000	.34790	.02910	.02760	-.00040	-.00070	-.00130	.33980	.07950
.604	-1.990	.01000	1.46000	.34910	.02900	.02780	.00080	-.00070	-.00150	.34100	.07990
.602	-1.420	.01000	1.46000	.35110	.02900	.02790	.00060	-.00090	-.00170	.34290	.08030
.602	-.850	.01000	1.46000	.35130	.02930	.02750	.00060	-.00110	-.00190	.34320	.08000
.602	-.270	.01000	1.46000	.35290	.02900	.02760	-.00010	-.00140	-.00220	.34480	.08020
.603	.270	.02000	1.46000	.35140	.02870	.02770	.00030	-.00150	-.00240	.34320	.08010
.601	.850	.02000	1.46000	.35480	.02790	.02800	.00080	-.00160	-.00250	.34660	.08080
.601	1.420	.02000	1.46000	.35540	.02790	.02770	.00120	-.00170	-.00260	.34720	.08090
.600	1.990	.02000	1.46000	.35750	.02800	.02790	.00150	-.00180	-.00280	.34920	.08130
.600	2.560	.02000	1.46000	.35800	.02900	.02780	.00240	-.00180	-.00300	.34980	.08110
.602	3.130	.02000	1.46000	.35570	.02700	.02770	.00170	-.00200	-.00310	.34750	.08070
.600	3.710	.02000	1.46000	.35770	.02760	.02830	.00210	-.00190	-.00340	.34940	.08160
.602	4.290	.01000	1.46000	.35670	.02580	.02780	.00220	-.00210	-.00350	.34850	.08110
.600	4.850	.01000	1.46000	.35880	.02590	.02780	.00240	-.00210	-.00360	.35060	.08140
.599	5.420	.01000	1.46000	.35980	.02680	.02780	.00240	-.00220	-.00380	.35150	.08150
.599	5.990	.01000	1.46000	.35940	.02720	.02780	.00260	-.00220	-.00400	.35120	.08130
.601	6.560	.01000	1.46000	.35810	.02660	.02770	.00140	-.00240	-.00410	.34990	.08100
.599	7.140	.01000	1.46000	.36130	.02720	.02760	.00180	-.00260	-.00430	.35300	.08150
.601	7.700	.01000	1.46000	.36060	.02690	.02740	.00110	-.00270	-.00450	.35240	.08120
.600	8.280	.01000	1.46000	.36220	.02730	.02750	.00160	-.00280	-.00470	.35400	.08150
.600	8.850	.01000	1.46000	.36260	.02720	.02760	.00210	-.00270	-.00480	.35440	.08150
.600	9.420	.01000	1.46000	.36180	.02670	.02780	.00210	-.00270	-.00490	.35360	.08170
.600	10.000	.01000	1.46000	.35950	.02680	.02750	.00110	-.00280	-.00490	.35130	.08100
GRADIENT		.00007	-.00000	.00111	-.00029	.00002	.00041	-.00022	-.00033	.00109	.00018

LTV44-559(CA26) 747/1 ATY 02 S1 (ORBITER DATA)

(AFE054) ( 18 NOV 75 )

## REFERENCE DATA

SREF = 2690.0000 SQ.FT. XMRP = 1109.0000 IN. XO  
 LREF = 474.8100 IN. YMRP = .0000 IN. YO  
 BREF = 936.6800 IN. ZMRP = 375.0000 IN. ZO  
 SCALE = .0125

## PARAMETRIC DATA

ALPHAC = 2.000 BETAC = .000  
 STAB = 5.000 ELEVON = 5.000  
 BDFLAP = .000 DX = .000  
 DZ = 15.000 IORB = 6.000  
 BETAO = .000 RUDDER = .000

RUN NO. 1046/ 0 RN/L = .00 GRADIENT INTERVAL = -5.00/ 5.00

MACH	OY	DX	DZ	CN	CLM	CA	CY	CYN	CBL	CL	CD
.599	-9.420	.01000	16.46000	.36270	.02020	.03000	-.00060	-.00010	.00010	.35420	.08340
.600	-8.850	.01000	16.46000	.36270	.02000	.02970	-.00150	-.00010	.00010	.35420	.08320
.599	-8.280	.01000	16.46000	.36400	.02000	.02990	-.00120	-.00020	.00000	.35550	.08350
.600	-7.710	.01000	16.46000	.36260	.02040	.02980	-.00060	-.00010	.00000	.35410	.08330
.601	-7.140	.01000	16.46000	.36110	.01950	.02990	.00020	-.00020	-.00020	.35260	.08320
.603	-6.560	.01000	16.46000	.36010	.01980	.02970	-.00040	-.00020	-.00020	.35170	.08270
.602	-5.990	.01000	16.46000	.36200	.02030	.02990	-.00010	-.00020	-.00030	.35350	.08340
.601	-5.420	.01000	16.46000	.36230	.01970	.02990	-.00100	-.00040	-.00030	.35390	.08340
.599	-4.850	.01000	16.46000	.36340	.02020	.03030	-.00010	-.00030	-.00050	.35490	.08380
.601	-4.280	.01000	16.46000	.36100	.02000	.03020	-.00040	-.00030	-.00050	.35250	.08350
.603	-3.710	.01000	16.46000	.35890	.01930	.02980	-.00170	-.00050	-.00060	.35050	.08270
.601	-3.140	.01000	16.46000	.36050	.01930	.03000	-.00130	-.00050	-.00070	.35200	.08320
.601	-2.570	.01000	16.46000	.36080	.01930	.02990	-.00080	-.00040	-.00080	.35230	.08310
.600	-1.990	.00000	16.46000	.36180	.01950	.02990	.00000	-.00050	-.00080	.35340	.08320
.602	-1.420	.00000	16.46000	.35950	.01990	.03000	-.00040	-.00070	-.00100	.35110	.08300
.600	-.850	.00000	16.46000	.36220	.01940	.02990	-.00070	-.00070	-.00110	.35370	.08330
.602	-.280	.00000	16.46000	.36080	.02000	.02970	-.00050	-.00080	-.00120	.35240	.08300
.601	.270	.01000	16.46000	.36220	.01980	.02980	-.00040	-.00080	-.00130	.35370	.08310
.602	.850	.01000	16.46000	.36090	.01930	.02970	-.00050	-.00070	-.00140	.35250	.08290
.603	1.410	.01000	16.46000	.36080	.01970	.02950	-.00050	-.00080	-.00150	.35240	.08290
.603	1.990	.01000	16.46000	.36100	.01960	.02950	-.00130	-.00090	-.00170	.35260	.08270
.603	2.560	.01000	16.46000	.36120	.01990	.02960	-.00060	-.00110	-.00170	.35290	.08280
.602	3.130	.01000	16.46000	.36130	.01950	.02980	-.00150	-.00110	-.00170	.35290	.08300
.602	3.700	.01000	16.46000	.36160	.01940	.02960	-.00180	-.00110	-.00180	.35320	.08310
.600	4.270	.01000	16.46000	.36330	.01950	.02990	-.00140	-.00110	-.00190	.35490	.08320
.602	4.850	.01000	16.46000	.36220	.01940	.02940	-.00160	-.00110	-.00200	.35380	.08280
.602	5.420	.01000	16.46000	.36350	.02000	.02930	-.00100	-.00120	-.00220	.35510	.08300
.602	5.980	.01000	16.46000	.36290	.01950	.02950	-.00220	-.00130	-.00220	.35450	.08300
.600	6.560	.01000	16.46000	.36450	.01980	.02970	-.00200	-.00140	-.00230	.35610	.08350
.599	7.130	.01000	16.46000	.36590	.01940	.02980	-.00100	-.00130	-.00250	.35740	.08380
.601	7.700	.01000	16.46000	.36520	.02010	.02920	-.00090	-.00140	-.00250	.35680	.08310
.598	8.270	.01000	16.46000	.36650	.02000	.02970	-.00150	-.00150	-.00270	.35800	.08380
.599	8.840	.01000	16.46000	.36520	.01980	.02960	-.00150	-.00160	-.00280	.35680	.08340
.601	9.420	.01000	16.46000	.36260	.01950	.02940	-.00200	-.00160	-.00290	.35420	.08290
.599	9.990	.01000	16.46000	.36710	.02010	.02950	-.00230	-.00180	-.00290	.35870	.08360
GRADIENT		.00029	.00000	.00011	-.00003	-.00006	-.00009	-.00009	-.00016	.00012	-.00005

LTV44-559(CA26) 747/1 ATY 02 S1 (ORBITER DATA)

(AF055) ( 18 NOV 75 )

## REFERENCE DATA

SREF = 2690.0000 SQ.FT. XMRP = 1109.0000 IN. XO  
 LREF = 474.8100 IN. YMRP = .0000 IN. YO  
 BREF = 936.6800 IN. ZMRP = 375.0000 IN. ZO  
 SCALE = .0125

## PARAMETRIC DATA

ALPHAC = 2.000 BETAC = .000  
 STAB = 5.000 ELEVON = 5.000  
 BDFLAP = .000 DX = .000  
 DZ = 60.000 IORB = 6.000  
 BETA0 = .000 RUDDER = .000

RUN NO. 2046/ 0 RN/L = .00 GRADIENT INTERVAL = -5.00/ 5.00

MACH	DY	DX	DZ	CN	CLM	CA	CY	CYN	CBL	CL	CD
.599	-10.000	-.01000	51.46000	.38150	.01520	.03220	-.00360	-.00100	.00000	.37280	.08700
.600	-9.430	-.01000	51.46000	.38390	.01540	.03180	-.00250	-.00080	-.00030	.37520	.08700
.599	-8.860	-.01000	51.46000	.38300	.01550	.03180	-.00310	-.00090	-.00030	.37430	.08690
.600	-8.280	-.01000	51.46000	.38190	.01490	.03210	-.00430	-.00110	-.00040	.37320	.08710
.599	-7.710	-.01000	51.46000	.38380	.01540	.03250	-.00270	-.00090	-.00040	.37510	.08760
.600	-7.140	-.01000	51.46000	.38190	.01480	.03240	-.00170	-.00070	-.00030	.37310	.08740
.599	-6.570	-.01000	51.46000	.38370	.01510	.03260	-.00270	-.00090	-.00030	.37490	.08790
.598	-6.000	-.01000	51.46000	.38550	.01530	.03250	-.00480	-.00110	-.00040	.37670	.08810
.600	-5.420	-.02000	51.46000	.38510	.01540	.03220	-.00340	-.00090	-.00050	.37630	.08770
.600	-4.860	-.02000	51.46000	.38280	.01470	.03250	-.00190	-.00080	-.00050	.37400	.08770
.600	-4.290	-.02000	51.46000	.38160	.01420	.03250	-.00040	-.00060	-.00060	.37280	.08740
.601	-3.710	-.02000	51.46000	.37960	.01440	.03280	-.00420	-.00110	-.00050	.37080	.08760
.601	-3.140	-.02000	51.46000	.38110	.01430	.03300	-.00490	-.00110	-.00060	.37230	.08780
.601	-2.570	-.02000	51.46000	.38040	.01420	.03300	-.00220	-.00080	-.00100	.37150	.08780
.603	-2.000	-.01000	51.46000	.38070	.01440	.03250	-.00070	-.00070	-.00080	.37190	.08740
.601	-1.430	-.01000	51.46000	.38240	.01410	.03270	-.00070	-.00080	-.00080	.37360	.08780
.603	-.850	-.02000	51.46000	.37890	.01390	.03250	-.00340	-.00120	-.00070	.37010	.08710
.601	-.280	-.01000	51.46000	.38200	.01400	.03270	-.00340	-.00110	-.00090	.37380	.08790
.601	.270	-.02000	51.46000	.38160	.01400	.03310	-.00130	-.00080	-.00090	.37270	.08790
.598	.840	-.01000	51.46000	.38350	.01400	.03360	-.00150	-.00090	-.00100	.37460	.08890
.601	1.410	-.02000	51.46000	.38150	.01350	.03300	.00010	-.00060	-.00130	.37270	.08780
.601	1.990	-.02000	51.46000	.38430	.01440	.03230	-.00150	-.00080	-.00150	.37550	.08760
.602	2.560	-.02000	51.46000	.37980	.01360	.03260	-.00170	-.00090	-.00130	.37110	.08740
.601	3.130	-.02000	51.46000	.38010	.01330	.03330	-.00220	-.00100	-.00120	.37120	.08810
.600	3.700	-.02000	51.46000	.37760	.01260	.03390	-.00290	-.00110	-.00120	.36880	.08820
.599	4.270	-.01000	51.46000	.38030	.01290	.03360	-.00050	-.00070	-.00180	.37140	.08830
.600	4.850	-.01000	51.46000	.37780	.01280	.03390	.00040	-.00060	-.00210	.36890	.08810
.601	5.410	-.02000	51.46000	.38090	.01350	.03270	.00000	-.00070	-.00160	.37210	.08760
.600	5.980	-.02000	51.46000	.38330	.01390	.03260	-.00140	-.00090	-.00150	.37450	.08800
.600	6.560	-.02000	51.46000	.38280	.01390	.03250	-.00250	-.00110	-.00170	.37400	.08770
.600	7.130	-.02000	51.46000	.38480	.01390	.03240	-.00240	-.00110	-.00170	.37600	.08780
.602	7.700	-.01000	51.46000	.38050	.01350	.03260	-.00330	-.00110	-.00180	.37180	.08730
.601	8.270	-.01000	51.46000	.38560	.01420	.03230	-.00080	-.00080	-.00180	.37690	.08780
.602	8.840	-.02000	51.46000	.38420	.01420	.03190	-.00100	-.00080	-.00190	.37550	.08720
.601	9.420	-.02000	51.46000	.38600	.01460	.03170	-.00310	-.00100	-.00190	.37730	.08750
	GRADIENT	.00040	-.00000	-.00021	-.00017	.00011	.00017	.00001	-.00013	-.00021	.00006

LTV44-559(CA26) 74711 ATY 02 S1 (ORBITER DATA)

(AFE056) ( 18 NOV 75 )

## REFERENCE DATA

SREF = 2690.0000 SQ.FT. XMRP = 1109.0000 IN. XO  
 LREF = 474.8100 IN. YMRP = .0000 IN. YO  
 BREF = 936.6800 IN. ZMRP = 375.0000 IN. ZO  
 SCALE = .0125

## PARAMETRIC DATA

ALPHAC = 2.000 BETAC = .000  
 STAB = 5.000 ELEVON = 5.000  
 BOFLAP = .000 DX = .000  
 OZ = .000 TORB = 6.000  
 BETA0 = 5.000 RUDDER = .000

RUN NO. 47/ 0 RN/L = .00 GRADIENT INTERVAL = -5.00/ 5.00

MACH	DY	DX	OZ	CN	CLM	CA	CY	CYN	CBL	CL	CD
.611	-10.000	.02000	1.46000	.36700	.02660	.02830	-.05950	-.01080	-.00030	.35850	.08340
.610	-9.420	.02000	1.46000	.36830	.02670	.02860	-.05990	-.01090	-.00050	.35980	.08370
.609	-8.850	.02000	1.46000	.36840	.02660	.02830	-.06120	-.01110	-.00060	.35990	.08360
.608	-8.280	.02000	1.46000	.36740	.02650	.02860	-.06090	-.01120	-.00090	.35890	.08360
.609	-7.710	.02000	1.46000	.36740	.02650	.02840	-.06090	-.01140	-.00090	.35890	.08350
.611	-7.140	.02000	1.46000	.36350	.02700	.02820	-.05950	-.01130	-.00110	.35500	.08280
.609	-6.560	.02000	1.46000	.36440	.02720	.02840	-.05960	-.01150	-.00130	.35600	.08310
.607	-5.990	.02000	1.46000	.36550	.02660	.02860	-.06080	-.01170	-.00140	.35700	.08340
.610	-5.420	.01000	1.46000	.36290	.02710	.02820	-.06010	-.01180	-.00160	.35450	.08240
.609	-4.850	.01000	1.46000	.36310	.02730	.02830	-.05940	-.01180	-.00170	.35480	.08250
.608	-4.280	.01000	1.46000	.36340	.02710	.02870	-.05900	-.01170	-.00190	.35490	.08330
.609	-3.710	.01000	1.46000	.36550	.02710	.02840	-.05990	-.01200	-.00210	.35710	.08310
.610	-3.130	.01000	1.46000	.36320	.02690	.02850	-.06030	-.01230	-.00230	.35470	.08290
.611	-2.570	.01000	1.46000	.36340	.02680	.02850	-.05880	-.01220	-.00260	.35500	.08290
.610	-1.990	.01000	1.46000	.36720	.02700	.02840	-.05870	-.01230	-.00280	.35870	.08340
.609	-1.420	.01000	1.46000	.36610	.02650	.02870	-.05860	-.01240	-.00310	.35760	.08350
.608	-.850	.01000	1.46000	.36540	.02610	.02890	-.06000	-.01270	-.00320	.35790	.08350
.611	-.270	.01000	1.46000	.36200	.02570	.02880	-.05870	-.01260	-.00340	.35350	.08300
.610	.270	.02000	1.46000	.36450	.02570	.02890	-.05810	-.01270	-.00370	.35600	.08340
.610	.850	.02000	1.46000	.36490	.02540	.02880	-.05730	-.01270	-.00380	.35640	.08350
.608	1.420	.02000	1.46000	.36860	.02540	.02910	-.05800	-.01290	-.00400	.36000	.08410
.608	1.990	.02000	1.46000	.37000	.02510	.02900	-.05860	-.01300	-.00420	.36150	.08420
.610	2.560	.01000	1.46000	.36560	.02450	.02880	-.05820	-.01300	-.00430	.35710	.08350
.610	3.130	.01000	1.46000	.36790	.02410	.02900	-.05810	-.01310	-.00440	.35940	.08380
.610	3.710	.01000	1.46000	.36670	.02410	.02910	-.05770	-.01320	-.00460	.35810	.08390
.609	4.280	.01000	1.46000	.37040	.02420	.02900	-.05780	-.01330	-.00480	.36190	.08410
.610	4.850	.01000	1.46000	.36900	.02390	.02900	-.05680	-.01340	-.00510	.36050	.08400
.611	5.420	.01000	1.46000	.36760	.02330	.02870	-.05680	-.01340	-.00520	.35910	.08360
.609	5.990	.01000	1.46000	.37150	.02370	.02850	-.05690	-.01360	-.00540	.36310	.08390
.609	6.560	.01000	1.46000	.37120	.02350	.02830	-.05650	-.01360	-.00560	.36270	.08370
.607	7.140	.01000	1.46000	.37380	.02320	.02850	-.05720	-.01370	-.00580	.36540	.08400
.609	7.700	.01000	1.46000	.37110	.02310	.02850	-.05730	-.01380	-.00600	.36260	.08380
.609	8.280	.01000	1.46000	.37080	.02260	.02860	-.05670	-.01370	-.00620	.36230	.08380
.608	8.850	.01000	1.46000	.37530	.02300	.02820	-.05640	-.01370	-.00640	.36690	.08400
.608	9.420	.00000	1.46000	.37580	.02320	.02810	-.05760	-.01390	-.00640	.36740	.08390
.611	10.000	.01000	1.46000	.37070	.02300	.02780	-.05690	-.01380	-.00630	.36230	.08300
GRADIENT		.00029	-.00000	.00058	-.00038	.00007	.00024	-.00016	-.00034	.00057	.00013



LTV44-559(CA26) 747/1 ATY 02 S1 (ORBITER DATA)

(AFE057) ( 18 NOV 75 )

## REFERENCE DATA

SREF = 2690.0000 SQ.FT. XMRP = 1109.0000 IN. XO  
 LREF = 474.8100 IN. YMRP = .0000 IN. YO  
 BREF = 936.6800 IN. ZMRP = 375.0000 IN. ZO  
 SCALE = .0125

## PARAMETRIC DATA

ALPHAC = 2.000 BETAC = .000  
 STAB = 5.000 ELEVON = 5.000  
 BDFLAP = .000 DX = .000  
 DZ = 15.000 IORB = 6.000  
 BETAO = 5.000 RUDDER = .000

RUN NO. 1047/ 0 RN/L = .00 GRADIENT INTERVAL = -5.00/ 5.00

MACH	OY	DX	DZ	CN	CLM	CA	CY	CYN	CBL	CL	CD
.609	-9.420	.01000	15.00000	.37320	.01970	.03010	-.06000	-.01120	.00030	.36460	.08520
.610	-8.850	.01000	15.00000	.37350	.01970	.02990	-.05980	-.01120	.00020	.36490	.08520
.608	-8.280	.00000	15.00000	.37510	.01890	.03040	-.05840	-.01110	.00010	.36640	.08580
.609	-7.710	.00000	15.00000	.37470	.01900	.03030	-.05860	-.01120	.00010	.36600	.08590
.607	-7.140	.00000	15.00000	.37470	.01870	.03050	-.05940	-.01130	.00000	.36600	.08600
.610	-6.560	.00000	15.00000	.37240	.01880	.03020	-.05920	-.01140	.00000	.36370	.08550
.608	-5.990	.00000	15.00000	.37380	.01830	.03040	-.06000	-.01140	-.00010	.36510	.08570
.609	-5.420	.00000	15.00000	.37370	.01830	.03030	-.05990	-.01150	-.00020	.36500	.08540
.607	-4.850	.00000	15.00000	.37410	.01880	.03060	-.05890	-.01150	-.00030	.36540	.08610
.609	-4.280	.00000	15.00000	.37290	.01870	.03050	-.05830	-.01150	-.00040	.36420	.08580
.610	-3.710	.00000	15.00000	.37210	.01810	.03010	-.05880	-.01150	-.00050	.36350	.08510
.607	-3.140	.00000	15.00000	.37440	.01830	.03040	-.05930	-.01150	-.00060	.36570	.08590
.610	-2.570	.00000	15.00000	.37290	.01820	.03000	-.05970	-.01170	-.00070	.36430	.08510
.609	-1.990	.00000	15.00000	.37310	.01820	.02990	-.05930	-.01160	-.00080	.36450	.08500
.608	-1.420	.00000	15.00000	.37460	.01810	.03020	-.05900	-.01170	-.00090	.36590	.08540
.610	-.850	.00000	15.00000	.37190	.01780	.03000	-.05840	-.01170	-.00100	.36330	.08490
.608	-.280	.00000	15.00000	.37460	.01800	.03040	-.05960	-.01180	-.00110	.36600	.08570
.610	.270	.01000	15.00000	.37330	.01800	.03020	-.06000	-.01200	-.00120	.36460	.08550
.611	.850	.01000	15.00000	.37260	.01810	.03020	-.05910	-.01190	-.00130	.36390	.08530
.610	1.410	.01000	15.00000	.37370	.01830	.03020	-.05910	-.01200	-.00140	.36500	.08550
.608	1.990	.01000	15.00000	.37420	.01810	.03060	-.05930	-.01220	-.00140	.36550	.08600
.609	2.560	.01000	15.00000	.37230	.01770	.03090	-.05990	-.01230	-.00140	.36360	.08590
.610	3.130	.01000	15.00000	.37140	.01750	.03040	-.06020	-.01220	-.00160	.36270	.08530
.609	3.700	.01000	15.00000	.37420	.01810	.03000	-.05960	-.01230	-.00180	.36550	.08540
.611	4.270	.01000	15.00000	.37450	.01760	.02980	-.05940	-.01230	-.00180	.36590	.08530
.610	4.850	.01000	15.00000	.37460	.01760	.02980	-.05980	-.01240	-.00190	.36600	.08510
.611	5.420	.01000	15.00000	.37430	.01790	.02990	-.05950	-.01240	-.00200	.36560	.08540
.609	5.980	.01000	15.00000	.37580	.01750	.03010	-.06020	-.01240	-.00200	.36710	.08580
.608	6.560	.01000	15.00000	.37650	.01770	.03030	-.05980	-.01250	-.00220	.36780	.08600
.609	7.130	.01000	15.00000	.37600	.01720	.03010	-.06000	-.01250	-.00230	.36740	.08560
.610	7.700	.01000	15.00000	.37610	.01720	.02990	-.05930	-.01250	-.00260	.36750	.08560
.608	8.270	.01000	15.00000	.37660	.01740	.03020	-.05980	-.01260	-.00270	.36790	.08590
.610	8.840	.01000	15.00000	.37610	.01710	.02980	-.06040	-.01260	-.00270	.36750	.08530
.610	9.420	.01000	15.00000	.37640	.01710	.02970	-.05940	-.01260	-.00270	.36780	.08530
.611	9.990	.01000	15.00000	.37720	.01730	.02970	-.05910	-.01260	-.00280	.36860	.08530
GRADIENT		.00147	-.00000	.00005	-.00009	-.00002	-.00010	-.00010	-.00016	.00005	-.00002

ORIGINAL PAGE IS  
OF POOR QUALITY

LTV44-559(CA26) 747/1 ATY 02 S1 (ORBITER DATA)

(AFED58) ( 18 NOV 75 )

## REFERENCE DATA

SREF = 2690.0000 SQ.FT. XMRP = 1109.0000 IN. XO  
 LREF = 474.8100 IN. YMRP = .0000 IN. YO  
 BREF = 936.6800 IN. ZMRP = 375.0000 IN. ZO  
 SCALE = .0125

## PARAMETRIC DATA

ALPHAC = 2.000 BETAC = .000  
 STAB = 5.000 ELEVON = 5.000  
 BDFLAP = .000 DX = .000  
 DZ = 60.000 IORB = 6.000  
 BETA0 = 5.000 RUDDER = .000

RUN NO. 2047/ 0 RN/L = .00 GRADIENT INTERVAL = -5.00/ 5.00

MACH	DY	DX	DZ	CN	CLM	CA	CY	CYN	CBL	CL	CD
.607	-10.000	-.02000	51.46000	.39860	.01400	.03260	-.06380	-.01190	.00040	.38970	.09000
.611	-9.430	-.02000	51.46000	.39320	.01370	.03220	-.06240	-.01190	.00020	.38440	.08900
.608	-8.860	-.02000	51.46000	.39670	.01380	.03240	-.06190	-.01190	.00020	.38780	.08970
.607	-8.280	-.02000	51.46000	.39720	.01370	.03250	-.06360	-.01210	.00030	.38830	.09000
.609	-7.710	-.02000	51.46000	.39220	.01310	.03240	-.06330	-.01200	.00010	.38330	.08910
.607	-7.140	-.02000	51.46000	.39650	.01360	.03260	-.06370	-.01220	.00010	.38750	.08990
.609	-6.570	.00000	51.46000	.39250	.01350	.03240	-.06090	-.01170	.00000	.38360	.08910
.606	-6.000	.00000	51.46000	.39540	.01300	.03290	-.06170	-.01190	.00000	.38640	.09000
.610	-5.420	.00000	51.46000	.39190	.01320	.03250	-.06230	-.01210	.00000	.38300	.08910
.608	-4.860	.00000	51.46000	.39640	.01320	.03240	-.06340	-.01220	.00010	.38750	.08980
.608	-4.290	.00000	51.46000	.39500	.01290	.03270	-.06380	-.01220	.00020	.38610	.08970
.611	-3.710	.00000	51.46000	.39170	.01310	.03240	-.06170	-.01200	.00010	.38280	.08920
.611	-3.140	.00000	51.46000	.39260	.01310	.03240	-.06380	-.01220	.00000	.38380	.08890
.611	-2.570	-.01000	51.46000	.39180	.01300	.03270	-.06340	-.01220	.00000	.38290	.08930
.611	-2.000	-.01000	51.46000	.39260	.01310	.03240	-.06220	-.01210	-.00020	.38380	.08900
.611	-1.430	.00000	51.46000	.39280	.01320	.03220	-.06200	-.01210	-.00010	.38400	.08880
.610	-.850	.00000	51.46000	.39520	.01290	.03230	-.06370	-.01220	.00000	.38630	.08940
.608	-.280	.00000	51.46000	.39520	.01270	.03260	-.06470	-.01230	-.00020	.38620	.08970
.609	.270	-.01000	51.46000	.39520	.01240	.03270	-.06330	-.01220	-.00040	.38630	.08970
.609	.840	-.01000	51.46000	.39340	.01190	.03310	-.06200	-.01220	-.00050	.38440	.09000
.609	1.410	-.01000	51.46000	.39400	.01240	.03280	-.05880	-.01170	-.00090	.38510	.08980
.612	1.990	-.02000	51.46000	.39190	.01230	.03250	-.06200	-.01220	-.00080	.38310	.08900
.610	2.560	-.01000	51.46000	.39580	.01220	.03260	-.06240	-.01220	-.00090	.38690	.08970
.611	3.130	-.01000	51.46000	.39270	.01220	.03290	-.06210	-.01230	-.00050	.38380	.08940
.610	3.700	-.01000	51.46000	.39470	.01190	.03300	-.06060	-.01190	-.00050	.38570	.09020
.612	4.270	-.01000	51.46000	.39180	.01190	.03270	-.06080	-.01200	-.00080	.38290	.08930
.610	4.850	-.02000	51.46000	.39430	.01190	.03300	-.06150	-.01200	-.00100	.38530	.08990
.611	5.410	-.01000	51.46000	.39230	.01210	.03270	-.06190	-.01210	-.00090	.38340	.08930
.609	5.980	-.01000	51.46000	.39430	.01200	.03280	-.06050	-.01190	-.00100	.38540	.08950
.611	6.560	-.01000	51.46000	.39480	.01270	.03190	-.05800	-.01160	-.00130	.38600	.08890
.609	7.130	-.02000	51.46000	.39750	.01250	.03210	-.05890	-.01170	-.00160	.38860	.08940
.611	7.700	-.01000	51.46000	.39590	.01220	.03200	-.05960	-.01180	-.00150	.38710	.08900
.609	8.270	-.02000	51.46000	.39680	.01190	.03240	-.06110	-.01200	-.00140	.38790	.08970
.608	8.840	-.02000	51.46000	.39570	.01170	.03280	-.05920	-.01180	-.00160	.38670	.08980
.610	9.420	-.01000	51.46000	.39270	.01130	.03270	-.05920	-.01170	-.00180	.38380	.08910
	GRADIENT	-.00161	-.00000	-.00002	-.00015	.00005	.00026	.00001	-.00012	-.00003	.00004

LTV44-559(CA26) 747/1 ATY 02 S1 (ORBITER DATA)

(AFE059) ( 18 NOV 75 )

## REFERENCE DATA

SREF = 2690.0000 SQ.FT. XMRP = 1109.0000 IN. XO  
 LREF = 474.8100 IN. YMRP = .0000 IN. YO  
 BREF = 936.6800 IN. ZMRP = 375.0000 IN. ZO  
 SCALE = .0125

## PARAMETRIC DATA

ALPHAC = 2.000 BETAC = .000  
 STAB = 5.000 ELEVON = 5.000  
 BDFLAP = .000 DX = 10.000  
 DZ = .000 IORB = 6.000  
 BETA0 = .000 RUDDER = .000

RUN NO. 48/ 0 RN/L = .00 GRADIENT INTERVAL = -5.00/ 5.00

MACH	DY	DX	OZ	CN	CLM	CA	CY	CYN	CBL	CL	CD
.603	-10.000	9.97000	1.46000	.35300	.02060	.03090	-.00310	.00010	.00030	.34430	.08370
.605	-9.420	9.97000	1.46000	.35130	.02130	.03080	-.00340	.00000	.00030	.34260	.08330
.604	-8.850	9.97000	1.46000	.35310	.02140	.03080	-.00260	.00000	.00010	.34440	.08380
.605	-8.280	9.97000	1.46000	.35210	.02160	.03080	-.00220	.00000	.00000	.34340	.08360
.603	-7.710	9.97000	1.46000	.35480	.02160	.03090	-.00220	.00000	-.00010	.34610	.08410
.604	-7.140	9.97000	1.46000	.35440	.02180	.03060	-.00240	-.00010	-.00030	.34570	.08370
.607	-6.560	9.97000	1.46000	.35030	.02200	.03020	-.00160	-.00020	-.00030	.34180	.08270
.605	-5.990	9.97000	1.46000	.35380	.02210	.03030	-.00160	-.00010	-.00060	.34520	.08330
.606	-5.420	9.97000	1.46000	.35380	.02240	.03030	-.00100	-.00010	-.00070	.34520	.08340
.607	-4.850	9.97000	1.46000	.35070	.02190	.02990	-.00040	-.00010	-.00090	.34220	.08240
.605	-4.280	9.97000	1.46000	.35340	.02210	.03040	-.00170	-.00040	-.00090	.34470	.08330
.608	-3.710	9.97000	1.46000	.34950	.02190	.03010	-.00160	-.00050	-.00110	.34100	.08230
.607	-3.130	9.98000	1.46000	.35190	.02260	.03020	-.00170	-.00070	-.00120	.34330	.08310
.606	-2.560	9.98000	1.46000	.35370	.02230	.03040	-.00030	-.00070	-.00140	.34500	.08360
.606	-1.990	9.98000	1.46000	.35280	.02200	.03030	-.00050	-.00080	-.00150	.34420	.08300
.608	-1.410	9.98000	1.46000	.35120	.02250	.02990	-.00140	-.00100	-.00160	.34270	.08260
.605	-.840	9.98000	1.46000	.35560	.02230	.03040	-.00130	-.00100	-.00190	.34700	.08370
.608	-.260	9.98000	1.46000	.35290	.02240	.03030	-.00050	-.00110	-.00190	.34430	.08330
.608	.290	9.97000	1.46000	.35120	.02170	.03000	.00020	-.00100	-.00220	.34270	.08250
.606	.860	9.97000	1.46000	.35530	.02210	.03040	.00000	-.00120	-.00230	.34670	.08370
.608	1.430	9.97000	1.46000	.35260	.02190	.03030	-.00030	-.00130	-.00240	.34400	.08310
.609	2.010	9.97000	1.46000	.35260	.02180	.03020	-.00040	-.00150	-.00250	.34400	.08300
.608	2.570	9.97000	1.46000	.35360	.02130	.03020	-.00020	-.00130	-.00270	.34500	.08300
.607	3.150	9.97000	1.46000	.35610	.02130	.03060	.00010	-.00140	-.00270	.34740	.08400
.606	3.720	9.97000	1.46000	.35750	.02090	.03080	.00000	-.00150	-.00290	.34870	.08440
.607	4.290	9.97000	1.46000	.35530	.02030	.03050	.00010	-.00160	-.00310	.34660	.08370
.609	4.860	9.97000	1.46000	.35340	.02000	.03050	.00040	-.00160	-.00320	.34480	.08330
.607	5.430	9.97000	1.46000	.35570	.01980	.03060	.00120	-.00160	-.00330	.34700	.08380
.606	6.000	9.97000	1.46000	.35870	.02000	.03090	.00070	-.00170	-.00350	.34990	.08450
.606	6.580	9.97000	1.46000	.35840	.02010	.03070	-.00020	-.00190	-.00360	.34970	.08440
.608	7.150	9.97000	1.46000	.35710	.01980	.03050	-.00030	-.00200	-.00370	.34850	.08390
.608	7.720	9.97000	1.46000	.35690	.01910	.03030	.00020	-.00200	-.00390	.34820	.08360
.607	8.290	9.97000	1.46000	.35900	.01930	.03030	.00080	-.00200	-.00390	.34930	.08390
.605	8.860	9.97000	1.46000	.36220	.01920	.03070	.00040	-.00210	-.00400	.35350	.08470
.605	9.440	9.97000	1.46000	.36200	.01920	.03060	-.00060	-.00220	-.00410	.35330	.08460
.607	10.010	9.98000	1.46000	.35790	.01920	.03030	-.00100	-.00230	-.00410	.34920	.08390
	GRADIENT	-.00065	.00000	.00041	-.00018	.00004	.00017	-.00014	-.00025	.00040	.00010

LTV44-559(CA26) 747/1 ATY 02 S1 (ORBITER DATA)

(AFE060) ( 18 NOV 75 )

## REFERENCE DATA

SREF = 2690.0000 SQ.FT. XMRP = 1109.0000 IN. XO  
 LREF = 474.8100 IN. YMRP = .0000 IN. YO  
 BREF = 936.6800 IN. ZMRP = 375.0000 IN. ZO  
 SCALE = .0125

## PARAMETRIC DATA

ALPHAC = 2.000 BETAC = .000  
 STAB = 5.000 ELEVON = 5.000  
 BDFLAP = .000 DX = 10.000  
 DZ = 15.000 TORB = 6.000  
 BETA0 = .000 RUDDER = .000

RUN NO. 1048/ 0 RN/L = .00 GRADIENT INTERVAL = -5.00/ 5.00

MACH	DY	DX	DZ	CN	CLM	CA	CY	CYN	CBL	CL	CD
.608	-9.420	9.98000	15.00000	.35730	.01540	.03130	-.00080	.00000	.00020	.34860	.08410
.608	-8.850	9.98000	15.00000	.35790	.01560	.03130	-.00250	-.00010	.00010	.34920	.08410
.606	-8.280	9.98000	15.00000	.35840	.01550	.03150	-.00130	.00000	.00010	.34970	.08440
.607	-7.710	9.98000	15.00000	.35830	.01580	.03150	-.00120	.00000	.00000	.34960	.08440
.606	-7.140	9.98000	15.00000	.35710	.01530	.03160	-.00030	.00000	.00000	.34840	.08420
.607	-6.560	9.98000	15.00000	.35540	.01530	.03140	-.00100	-.00010	.00000	.34680	.08380
.605	-5.990	9.98000	15.00000	.35750	.01600	.03160	-.00180	-.00040	-.00010	.34880	.08450
.606	-5.420	9.98000	15.00000	.35820	.01620	.03180	-.00160	-.00040	-.00020	.34940	.08480
.608	-4.850	9.98000	15.00000	.35730	.01640	.03130	-.00080	-.00020	-.00050	.34870	.08410
.608	-4.280	9.98000	15.00000	.35780	.01640	.03130	-.00050	-.00020	-.00050	.34910	.08430
.607	-3.710	9.98000	15.00000	.35710	.01620	.03130	-.00190	-.00050	-.00050	.34850	.08410
.606	-3.140	9.98000	15.00000	.35910	.01630	.03150	-.00170	-.00050	-.00060	.35040	.08470
.608	-2.570	9.98000	15.00000	.35760	.01660	.03130	-.00100	-.00050	-.00080	.34900	.08410
.607	-1.990	9.98000	15.00000	.35770	.01630	.03150	.00060	-.00030	-.00100	.34900	.08440
.607	-1.410	10.00000	15.00000	.35630	.01630	.03170	-.00100	-.00070	-.00100	.34770	.08410
.606	-.850	10.00000	15.00000	.35750	.01620	.03160	-.00120	-.00080	-.00100	.34880	.08460
.606	-.270	10.00000	15.00000	.35660	.01610	.03160	-.00130	-.00080	-.00120	.34790	.08440
.608	.280	9.98000	15.00000	.35700	.01630	.03130	-.00080	-.00060	-.00140	.34840	.08410
.607	.850	9.98000	15.00000	.35800	.01660	.03140	-.00130	-.00070	-.00150	.34930	.08420
.607	1.420	9.98000	15.00000	.35740	.01630	.03130	-.00140	-.00080	-.00150	.34870	.08430
.605	1.990	9.98000	15.00000	.35890	.01650	.03150	-.00200	-.00090	-.00160	.35020	.08460
.606	2.570	9.98000	15.00000	.35900	.01650	.03120	-.00250	-.00100	-.00170	.35030	.08440
.608	3.140	9.98000	15.00000	.35930	.01640	.03080	-.00100	-.00090	-.00180	.35070	.08390
.607	3.710	9.98000	15.00000	.35880	.01640	.03130	-.00110	-.00100	-.00180	.35010	.08450
.605	4.280	9.98000	15.00000	.36130	.01660	.03120	-.00150	-.00110	-.00190	.35260	.08480
.606	4.850	9.98000	15.00000	.35900	.01620	.03080	-.00220	-.00120	-.00200	.35030	.08400
.605	5.420	9.98000	15.00000	.35220	.01640	.03100	-.00170	-.00120	-.00210	.35350	.08460
.607	5.990	9.98000	15.00000	.35830	.01620	.03110	-.00190	-.00130	-.00210	.34970	.08400
.607	6.560	9.98000	15.00000	.35900	.01600	.03100	-.00090	-.00120	-.00220	.35040	.08400
.607	7.140	9.98000	15.00000	.35960	.01610	.03110	-.00200	-.00130	-.00230	.35090	.08430
.608	7.710	9.98000	15.00000	.35860	.01610	.03080	-.00230	-.00140	-.00240	.35000	.08380
.605	8.280	9.98000	15.00000	.36170	.01620	.03110	-.00160	-.00140	-.00260	.35310	.08460
.607	8.850	9.98000	15.00000	.35920	.01630	.03110	-.00180	-.00140	-.00260	.35060	.08420
.606	9.420	9.98000	15.00000	.36070	.01620	.03110	-.00280	-.00160	-.00280	.35210	.08420
.607	10.000	9.98000	15.00000	.36150	.01660	.03090	-.00330	-.00170	-.00290	.35280	.08460
	GRADIENT	-.00032	-.00000	.00024	.00001	-.00004	-.00010	-.00009	-.00017	.00024	.00001

LTV44-559(CA26) 747/1 ATY 02 S1 (ORBITER DATA)

(AFE061) ( 18 NOV 75 )

## REFERENCE DATA

SREF = 2690.0000 SQ.FT. XMRP = 1109.0000 IN. XO  
 LREF = 474.8100 IN. YMRP = .0000 IN. YO  
 BREF = 936.6800 IN. ZMRP = 375.0000 IN. ZO  
 SCALE = .0125

## PARAMETRIC DATA

ALPHAC = 2.000 BETAC = .000  
 STAB = 5.000 ELEVON = 5.000  
 BDFLAP = .000 DX = 10.000  
 DZ = 60.000 IORB = 6.000  
 BETAO = .000 RUDDER = .000

RUN NO. 2048/ 0 RN/L = .00 GRADIENT INTERVAL = -5.00/ 5.00

MACH	DY	DX	DZ	CN	CLM	CA	CY	CYN	CBL	CL	CD
.607	-10.000	10.02000	51.46000	.37790	.01370	.03380	-.00460	-.00090	.00010	.36900	.08810
.607	-9.420	10.02000	51.46000	.37780	.01340	.03370	-.00560	-.00100	.00020	.36890	.08810
.605	-8.850	10.01000	51.46000	.37970	.01420	.03370	-.00540	-.00100	.00000	.37080	.08830
.607	-8.280	10.02000	51.46000	.37620	.01290	.03380	-.00460	-.00090	.00000	.36730	.08790
.606	-7.700	10.02000	51.46000	.37700	.01320	.03370	-.00350	-.00090	-.00010	.36810	.08810
.605	-7.140	10.02000	51.46000	.37960	.01390	.03390	-.00280	-.00080	-.00020	.37060	.08860
.607	-6.560	10.02000	51.46000	.38040	.01380	.03330	-.00480	-.00090	-.00020	.37150	.08800
.606	-5.990	10.02000	51.46000	.37990	.01410	.03370	-.00390	-.00090	-.00050	.37100	.08850
.605	-5.420	10.02000	51.46000	.38420	.01410	.03350	-.00240	-.00060	-.00070	.37520	.08890
.607	-4.850	10.01000	51.46000	.38180	.01430	.03320	-.00300	-.00070	-.00050	.37300	.08820
.604	-4.280	10.01000	51.46000	.38420	.01440	.03360	-.00410	-.00090	-.00050	.37530	.08910
.603	-3.710	10.01000	51.46000	.38370	.01420	.03360	-.00350	-.00080	-.00060	.37470	.08890
.605	-3.130	10.01000	51.46000	.38220	.01420	.03360	-.00390	-.00090	-.00070	.37330	.08860
.607	-2.560	10.02000	51.46000	.37870	.01320	.03350	-.00210	-.00070	-.00080	.36980	.08800
.606	-2.000	10.01000	51.46000	.38030	.01330	.03350	-.00200	-.00060	-.00080	.37140	.08840
.608	-1.430	10.01000	51.46000	.38010	.01360	.03310	-.00300	-.00070	-.00080	.37130	.08780
.607	-.850	10.01000	51.46000	.38030	.01390	.03310	-.00260	-.00080	-.00080	.37140	.08800
.605	-.280	10.02000	51.46000	.38340	.01380	.03350	-.00400	-.00080	-.00060	.37450	.08880
.608	.270	10.02000	51.46000	.37900	.01370	.03320	-.00360	-.00090	-.00070	.37020	.08790
.607	.840	10.02000	51.46000	.37870	.01340	.03350	-.00520	-.00110	-.00080	.36990	.08810
.606	1.410	10.01000	51.46000	.38040	.01250	.03380	-.00290	-.00080	-.00100	.37140	.08880
.608	1.990	10.02000	51.46000	.37820	.01290	.03380	-.00210	-.00070	-.00120	.36930	.08830
.605	2.560	10.02000	51.46000	.37880	.01250	.03450	-.00210	-.00080	-.00140	.36980	.08900
.607	3.130	10.02000	51.46000	.37700	.01250	.03450	-.00360	-.00100	-.00130	.36800	.08870
.606	3.700	10.01000	51.46000	.38100	.01260	.03390	-.00280	-.00080	-.00150	.37200	.08890
.607	4.270	10.01000	51.46000	.38230	.01270	.03400	-.00160	-.00060	-.00170	.37330	.08910
.607	4.850	10.01000	51.46000	.38210	.01270	.03390	.00000	-.00030	-.00190	.37320	.08890
.607	5.410	10.02000	51.46000	.38220	.01300	.03350	-.00070	-.00050	-.00200	.37330	.08860
.607	5.980	10.02000	51.46000	.38290	.01360	.03320	-.00080	-.00060	-.00190	.37400	.08850
.607	6.560	10.02000	51.46000	.38180	.01270	.03360	-.00200	-.00080	-.00190	.37290	.08870
.608	7.130	10.02000	51.46000	.37880	.01300	.03380	-.00190	-.00090	-.00190	.36990	.08850
.605	7.700	10.01000	51.46000	.38320	.01280	.03380	-.00260	-.00070	-.00180	.37430	.08890
.607	8.270	10.01000	51.46000	.38500	.01310	.03300	-.00170	-.00070	-.00190	.37610	.08860
.606	8.840	10.01000	51.46000	.38380	.01350	.03300	-.00100	-.00060	-.00200	.37490	.08830
.607	9.420	10.01000	51.46000	.38250	.01320	.03290	-.00240	-.00080	-.00200	.37370	.08830
	GRADIENT	.00038	-.00000	-.00025	-.00020	.00009	.00017	.00001	-.00013	-.00026	.00005

LTV44-559(CA26) 747/1 ATY 02 S1 (ORBITER DATA)

(AFED62) ( 18 NOV 75 )

## REFERENCE DATA

SREF = 2690.0000 SQ.FT. XMRP = 1109.0000 IN. XO  
 LREF = 474.8100 IN. YMRP = .0000 IN. YO  
 BREF = 936.6800 IN. ZMRP = 375.0000 IN. ZO  
 SCALE = .0125

## PARAMETRIC DATA

ALPHAC = 2.000 BETAC = .000  
 STAB = 5.000 ELEVON = 5.000  
 BDFLAP = .000 DY = .000  
 DZ = .000 IORB = 6.000  
 BETAO = .000 RUDDER = .000

RUN NO. 49/ 0 RN/L = .00 GRADIENT INTERVAL = -5.00/ 5.00

MACH	DX	DY	DZ	CN	CLM	CA	CY	CYN	CBL	CL	CD
.608	-.010	.00000	1.46000	.35330	.02870	.02840	-.00090	-.00100	-.00160	.34500	.08110
.609	.550	.00000	1.46000	.35370	.02890	.02820	-.00070	-.00110	-.00160	.34550	.08100
.608	1.130	.00000	1.46000	.35390	.02900	.02820	-.00050	-.00110	-.00160	.34560	.08100
.611	1.700	.00000	1.46000	.35110	.02890	.02810	-.00050	-.00100	-.00170	.34290	.08050
.609	2.270	.00000	1.46000	.35160	.02830	.02830	-.00010	-.00100	-.00160	.34330	.08070
.609	2.850	.00000	1.46000	.35250	.02830	.02850	-.00080	-.00110	-.00160	.34420	.08110
.608	3.420	.00000	1.46000	.35080	.02790	.02850	-.00010	-.00110	-.00150	.34250	.08100
.610	3.990	.00000	1.46000	.35060	.02730	.02840	-.00040	-.00100	-.00160	.34240	.08080
.609	4.570	.00000	1.46000	.35080	.02710	.02870	.00000	-.00100	-.00150	.34240	.08120
.609	5.140	.00000	1.46000	.35140	.02690	.02890	-.00060	-.00100	-.00140	.34300	.08140
.608	5.710	.00000	1.46000	.35340	.02660	.02900	-.00080	-.00100	-.00140	.34500	.08180
.608	6.280	.00000	1.46000	.35270	.02570	.02870	-.00050	-.00090	-.00150	.34440	.08150
.610	6.860	.00000	1.46000	.35000	.02540	.02860	.00000	-.00090	-.00150	.34170	.08030
.611	7.430	.00000	1.46000	.35110	.02510	.02890	.00020	-.00090	-.00150	.34270	.08150
.610	8.000	.00000	1.46000	.35200	.02430	.02910	.00030	-.00090	-.00150	.34360	.08170
.609	8.580	.00000	1.46000	.35180	.02390	.02920	-.00040	-.00100	-.00140	.34340	.08190
.607	9.150	.00000	1.46000	.35490	.02380	.02960	-.00090	-.00100	-.00140	.34640	.08260
.607	9.700	.00000	1.46000	.35360	.02330	.02950	-.00020	-.00100	-.00140	.34520	.08240
.608	10.270	.00000	1.46000	.35330	.02300	.02970	.00050	-.00100	-.00140	.34480	.08260
.610	10.840	.00000	1.46000	.35280	.02260	.02980	-.00010	-.00090	-.00140	.34430	.08260
.608	11.410	.00000	1.45000	.35350	.02230	.02980	.00030	-.00100	-.00140	.34490	.08270
.609	11.990	.00000	1.45000	.35350	.02160	.03000	-.00060	-.00100	-.00150	.34500	.08300
.608	12.560	.00000	1.45000	.35400	.02130	.03010	-.00030	-.00100	-.00140	.34540	.08320
.609	13.130	.00000	1.45000	.35220	.02090	.03020	.00070	-.00090	-.00140	.34360	.08300
.607	13.710	.00000	1.45000	.35550	.02100	.03080	-.00050	-.00100	-.00130	.34680	.08410
.608	14.280	.00000	1.45000	.35460	.02030	.03090	-.00060	-.00090	-.00140	.34580	.08410
.608	14.850	.00000	1.45000	.35310	.02010	.03090	-.00010	-.00100	-.00130	.34440	.08360
.609	15.420	.01000	1.45000	.35350	.02000	.03100	-.00020	-.00100	-.00130	.34480	.08410
.608	16.000	.00000	1.45000	.35420	.01940	.03120	-.00030	-.00090	-.00140	.34550	.08430
.608	16.560	.01000	1.44000	.35330	.01940	.03130	-.00010	-.00090	-.00130	.34460	.08420
.610	17.140	.01000	1.44000	.35240	.01890	.03130	-.00070	-.00090	-.00130	.34360	.08420
.608	17.720	.01000	1.44000	.35440	.01830	.03170	-.00040	-.00100	-.00130	.34550	.08480
.607	18.290	.01000	1.44000	.35730	.01830	.03190	-.00080	-.00090	-.00130	.34840	.08530
.610	18.820	.01000	1.44000	.35240	.01750	.03180	.00000	-.00080	-.00130	.34360	.08460
.609	19.400	.01000	1.44000	.35290	.01720	.03230	-.00010	-.00080	-.00130	.34400	.08500
.610	19.970	.01000	1.44000	.35300	.01700	.03220	-.00060	-.00090	-.00130	.34410	.08500
GRADIENT	.00000	.00000	.00000	-.00070	-.00041	.00008	.00015	.00001	.00002	-.00072	.00001

LTV44-559(CA26) 747/1 ATY 02 S1 (ORBITER DATA)

(AFE063) ( 18 NOV 75 )

## REFERENCE DATA

SREF = 2690.0000 SQ.FT. XMRP = 1109.0000 IN. XO  
 LREF = 474.8100 IN. YMRP = .0000 IN. YO  
 BREF = 936.6800 IN. ZMRP = 375.0000 IN. ZO  
 SCALE = .0125

## PARAMETRIC DATA

ALPHAC = 2.000 BETAC = .000  
 STAB = 5.000 ELEVON = 5.000  
 BDFLAP = .000 DY = .000  
 DZ = 15.000 TORB = 6.000  
 BETA0 = .000 RUDDER = .000

RUN NO. 1049/ 0 RN/L = .00 GRADIENT INTERVAL = -5.00/ 5.00

MACH	DX	DY	DZ	CN	CLM	CA	CY	CYN	CBL	CL	CD
.609	.570	.00000	15.00000	.36180	.02040	.03030	-.00060	-.00090	-.00130	.35330	.08370
.606	1.140	.00000	15.00000	.36640	.02050	.03060	-.00010	-.00070	-.00130	.35770	.08470
.608	1.710	.00000	15.00000	.36460	.02060	.03060	-.00060	-.00090	-.00130	.35600	.08450
.609	2.290	.00000	15.00000	.36290	.02010	.03070	-.00130	-.00090	-.00130	.35430	.08430
.611	2.860	.00000	15.00000	.36240	.01970	.03040	-.00100	-.00090	-.00130	.35390	.08380
.610	3.430	.00000	15.00000	.36260	.01960	.03030	-.00010	-.00080	-.00130	.35410	.08380
.611	4.010	.00000	15.00000	.36170	.01930	.03030	-.00020	-.00080	-.00130	.35320	.08370
.608	4.580	.00000	15.00000	.36450	.01930	.03080	-.00030	-.00070	-.00140	.35590	.08480
.610	5.150	.00000	15.00000	.36110	.01940	.03050	-.00010	-.00080	-.00140	.35250	.08390
.608	5.720	.00000	15.00000	.36110	.01860	.03050	-.00010	-.00090	-.00130	.35260	.08360
.609	6.300	.00000	15.00000	.35970	.01840	.03050	-.00100	-.00080	-.00120	.35120	.08350
.609	6.870	.00000	15.00000	.36000	.01860	.03090	.00000	-.00070	-.00120	.35140	.08400
.608	7.420	.00000	15.00000	.36140	.01870	.03090	.00040	-.00080	-.00120	.35270	.08450
.610	7.990	.00000	15.00000	.36020	.01770	.03080	-.00070	-.00090	-.00120	.35160	.08380
.609	8.560	.00000	15.00000	.36060	.01760	.03080	-.00110	-.00100	-.00120	.35200	.08410
.608	9.140	.00000	15.00000	.36180	.01790	.03090	-.00110	-.00100	-.00120	.35310	.08440
.610	9.710	.00000	15.00000	.35940	.01740	.03080	-.00080	-.00080	-.00130	.35090	.08380
.609	10.280	.00000	15.00000	.36070	.01700	.03090	-.00030	-.00080	-.00120	.35210	.08420
.608	10.850	.00000	15.00000	.36200	.01690	.03100	-.00030	-.00080	-.00120	.35340	.08450
.610	11.430	.00000	15.00000	.35850	.01620	.03110	-.00050	-.00070	-.00120	.34990	.08400
.612	12.000	.00000	15.00000	.35730	.01640	.03120	-.00050	-.00080	-.00120	.34870	.08400
.609	12.570	.00000	14.99000	.36050	.01580	.03110	-.00080	-.00090	-.00120	.35180	.08430
.608	13.150	.00000	14.99000	.36270	.01610	.03100	-.00090	-.00090	-.00120	.35400	.08470
.610	13.720	.00000	14.99000	.35920	.01530	.03110	-.00010	-.00070	-.00120	.35060	.08400
.610	14.290	.00000	14.99000	.36040	.01510	.03120	.00000	-.00070	-.00120	.35180	.08440
.610	14.860	.00000	14.99000	.35930	.01490	.03110	-.00010	-.00070	-.00120	.35070	.08410
.610	15.440	.00000	14.99000	.35980	.01520	.03140	-.00050	-.00080	-.00130	.35110	.08460
.609	16.010	.00000	14.99000	.36170	.01440	.03150	-.00090	-.00080	-.00110	.35300	.08490
.609	16.560	.00000	14.99000	.36150	.01420	.03170	-.00050	-.00080	-.00120	.35270	.08520
.608	17.130	.00000	14.99000	.36180	.01370	.03200	-.00020	-.00090	-.00120	.35300	.08550
.610	17.700	.00000	14.99000	.35850	.01360	.03210	-.00060	-.00080	-.00110	.34980	.08490
.610	18.280	.00000	14.99000	.36050	.01350	.03200	-.00080	-.00100	-.00120	.35170	.08530
.609	18.850	.00000	14.99000	.36230	.01350	.03200	-.00090	-.00100	-.00120	.35340	.08560
.609	19.420	.00000	14.99000	.36360	.01320	.03190	-.00070	-.00090	-.00120	.35470	.08580
.610	20.000	.00000	14.99000	.36110	.01280	.03210	-.00030	-.00090	-.00120	.35230	.08540
GRADIENT	.00000	.00000	.00000	-.00023	-.00036	.00002	.00007	.00002	-.00001	-.00022	.00000

LTV44-559(CA26) 747/1 ATY 02 S1 (ORBITER DATA)

(AFE064) ( 18 NOV 75 )

## REFERENCE DATA

SREF = 2690.0000 SQ.FT. XMRP = 1109.0000 IN. XO  
 LREF = 474.8100 IN. YMRP = .0000 IN. YO  
 BREF = 936.6800 IN. ZMRP = 375.0000 IN. ZO  
 SCALE = .0125

## PARAMETRIC DATA

ALPHAC = 2.000 BETAC = .000  
 STAB = 5.000 ELEVON = 5.000  
 BDFLAP = .000 DY = .000  
 DZ = 60.000 IORB = 6.000  
 BETAO = .000 RUDDER = .000

RUN NO. 2049/ 0 RN/L = .00 GRADIENT INTERVAL = -5.00/ 5.00

MACH	DX	DY	DZ	CN	CLM	CA	CY	CYN	CBL	CL	CD
.611	.590	.00000	51.46000	.38330	.01520	.03270	-.00200	-.00070	-.00080	.37450	.08780
.609	1.170	.00000	51.46000	.38520	.01510	.03310	-.00280	-.00090	-.00060	.37630	.08860
.611	1.740	.00000	51.46000	.38360	.01510	.03310	-.00310	-.00090	-.00050	.37480	.08810
.610	2.310	.00000	51.46000	.38270	.01470	.03320	-.00250	-.00080	-.00060	.37390	.08830
.608	2.870	.00000	51.46000	.38440	.01480	.03320	-.00350	-.00090	-.00040	.37550	.08850
.610	3.450	.00000	51.46000	.38010	.01370	.03360	-.00420	-.00100	-.00020	.37120	.08820
.609	4.020	.00000	51.46000	.38230	.01420	.03360	-.00300	-.00100	-.00040	.37340	.08850
.611	4.590	.00000	51.46000	.37880	.01390	.03350	-.00310	-.00100	-.00040	.36990	.08800
.611	5.180	.00000	51.46000	.38120	.01430	.03310	-.00390	-.00100	-.00030	.37300	.08810
.610	5.720	.00000	51.46000	.38540	.01480	.03300	-.00280	-.00090	-.00050	.37650	.08850
.610	6.280	.00000	51.46000	.38350	.01430	.03280	-.00110	-.00060	-.00080	.37470	.08790
.609	6.860	.00000	51.46000	.38490	.01450	.03270	-.00100	-.00060	-.00090	.37620	.08790
.611	7.430	.00000	51.46000	.38200	.01450	.03270	-.00070	-.00060	-.00090	.37330	.08750
.608	8.000	.00000	51.46000	.38650	.01470	.03300	-.00220	-.00070	-.00080	.37760	.08870
.609	8.580	.00000	51.46000	.38260	.01430	.03320	-.00250	-.00090	-.00080	.37370	.08820
.609	9.150	.00000	51.46000	.38360	.01410	.03330	-.00210	-.00080	-.00090	.37480	.08850
.610	9.720	.00000	51.46000	.37890	.01320	.03370	-.00300	-.00090	-.00070	.37010	.08800
.611	10.290	.00000	51.46000	.37580	.01310	.03370	-.00340	-.00110	-.00030	.36710	.08750
.610	10.870	.00000	51.46000	.37750	.01330	.03330	-.00310	-.00100	-.00040	.36880	.08740
.610	11.440	.00000	51.46000	.37990	.01320	.03280	-.00240	-.00100	-.00050	.37120	.08730
.607	12.010	.00000	51.46000	.38450	.01380	.03320	-.00380	-.00110	-.00030	.37570	.08840
.610	12.590	.00000	51.46000	.37810	.01330	.03320	-.00610	-.00140	.00000	.36930	.08760
.610	13.160	.00000	51.46000	.37700	.01340	.03350	-.00500	-.00120	.00000	.36820	.08770
.610	13.730	.00000	51.46000	.37790	.01310	.03360	-.00370	-.00100	-.00040	.36910	.08800
.610	14.300	.00000	51.46000	.37750	.01260	.03340	-.00270	-.00090	-.00050	.36860	.08770
.608	14.860	.00000	51.45000	.37930	.01250	.03370	-.00150	-.00080	-.00080	.37040	.08820
.611	15.420	.00000	51.45000	.37550	.01210	.03370	-.00020	-.00060	-.00100	.36670	.08750
.608	16.000	.00000	51.46000	.37710	.01180	.03440	-.00250	-.00090	-.00070	.36820	.08840
.610	16.570	.00000	51.45000	.37650	.01200	.03370	-.00230	-.00100	-.00050	.36770	.08790
.611	17.140	.00000	51.46000	.37950	.01260	.03320	-.00370	-.00110	-.00060	.37080	.08770
.610	17.720	.00000	51.46000	.37770	.01170	.03410	-.00400	-.00110	-.00020	.36880	.08840
.611	18.290	.00000	51.45000	.37450	.01170	.03400	-.00480	-.00130	.00000	.36560	.08780
.609	18.880	.00000	51.45000	.37710	.01160	.03410	-.00480	-.00120	.00000	.36820	.08810
.609	19.440	.00000	51.45000	.38040	.01220	.03370	-.00290	-.00100	-.00010	.37150	.08840
.608	20.010	.00000	51.45000	.38170	.01220	.03360	-.00240	-.00080	-.00050	.37290	.08830
GRADIENT		.00000	.00000	-.00114	-.00037	.00020	-.00027	-.00006	.00010	-.00117	.00003



LTV44-559(CA26) 747/1 ATY 02 S1 (ORBITER DATA)

(AFE065) ( 18 NOV 75 )

## REFERENCE DATA

SREF = 2690.0000 SQ.FT. XMRP = 1109.0000 IN. XO  
 LREF = 474.8100 IN. YMRP = .0000 IN. YO  
 BREF = 936.6800 IN. ZMRP = 375.0000 IN. ZO  
 SCALE = .0125

## PARAMETRIC DATA

ALPHAC = 2.000 BETAC = .000  
 STAB = 5.000 ELEVON = 5.000  
 BDFLAP = .000 DY = .000  
 DZ = .000 TORB = 6.000  
 BETAO = 5.000 RUDDER = .000

RUN NO. 50/ 0 RN/L = .00 GRADIENT INTERVAL = -5.00/ 5.00

MACH	DX	DY	DZ	CN	CLM	CA	CY	CYN	CBL	CL	CD
.609	-.010	.00000	1.46000	.36760	.02540	.02920	-.05930	-.01230	-.00290	.35900	.08430
.608	.550	.00000	1.46000	.36850	.02590	.02950	-.05860	-.01230	-.00280	.35980	.08460
.609	1.130	.00000	1.46000	.36670	.02580	.02920	-.05910	-.01230	-.00300	.35810	.08410
.610	1.700	.00000	1.46000	.36780	.02560	.02910	-.05830	-.01220	-.00290	.35920	.08420
.608	2.270	.00000	1.46000	.36660	.02520	.02940	-.05960	-.01240	-.00280	.35800	.08410
.610	2.850	.00000	1.46000	.36590	.02510	.02920	-.05950	-.01230	-.00270	.35730	.08410
.610	3.420	.00000	1.46000	.36630	.02490	.02940	-.05940	-.01230	-.00260	.35770	.08440
.610	3.990	.00000	1.46000	.36520	.02430	.02940	-.05940	-.01230	-.00260	.35660	.08390
.609	4.570	.00000	1.46000	.36530	.02390	.02960	-.05950	-.01230	-.00240	.35670	.08410
.610	5.140	.00000	1.46000	.36480	.02340	.02960	-.05950	-.01230	-.00240	.35620	.08420
.610	5.710	.00000	1.46000	.36500	.02300	.02960	-.05970	-.01240	-.00230	.35640	.08410
.608	6.280	.00000	1.46000	.36530	.02240	.03000	-.06010	-.01250	-.00220	.35670	.08450
.608	6.860	.00000	1.46000	.36650	.02210	.03000	-.05950	-.01240	-.00210	.35780	.08480
.609	7.430	.00000	1.46000	.36520	.02180	.02990	-.05970	-.01240	-.00210	.35650	.08460
.608	8.000	.00000	1.46000	.36640	.02130	.02990	-.05970	-.01250	-.00200	.35770	.08480
.611	8.580	.00000	1.46000	.36420	.02080	.02990	-.05900	-.01240	-.00200	.35560	.08450
.609	9.150	.00000	1.46000	.36540	.02030	.03000	-.05920	-.01250	-.00190	.35680	.08460
.610	9.700	.00000	1.46000	.36410	.01990	.03020	-.05940	-.01240	-.00190	.35540	.08480
.609	10.270	.00000	1.46000	.36380	.01930	.03030	-.05930	-.01230	-.00180	.35500	.08490
.608	10.840	.01000	1.46000	.36510	.01920	.03030	-.05970	-.01240	-.00180	.35630	.08490
.608	11.410	.01000	1.45000	.36540	.01870	.03050	-.05970	-.01250	-.00170	.35660	.08520
.610	11.990	.01000	1.45000	.36490	.01840	.03080	-.05930	-.01240	-.00170	.35610	.08550
.610	12.560	.01000	1.45000	.36470	.01780	.03060	-.05990	-.01260	-.00170	.35590	.08530
.608	13.130	.01000	1.45000	.36590	.01760	.03080	-.05980	-.01260	-.00160	.35700	.08560
.608	13.690	.01000	1.45000	.36360	.01700	.03090	-.05970	-.01250	-.00160	.35480	.08530
.608	14.270	.01000	1.45000	.36440	.01680	.03100	-.05950	-.01250	-.00150	.35550	.08550
.608	14.840	.01000	1.45000	.36380	.01660	.03110	-.05900	-.01240	-.00140	.35490	.08560
.610	15.410	.01000	1.44000	.36310	.01610	.03110	-.05890	-.01230	-.00150	.35420	.08550
.610	15.980	.01000	1.44000	.36220	.01570	.03130	-.05890	-.01230	-.00150	.35330	.08550
.609	16.560	.01000	1.44000	.36260	.01550	.03150	-.05960	-.01240	-.00150	.35370	.08580
.608	17.130	.01000	1.44000	.36470	.01540	.03140	-.06060	-.01260	-.00140	.35580	.08600
.610	17.700	.01000	1.44000	.36370	.01480	.03150	-.06010	-.01240	-.00140	.35480	.08600
.609	18.280	.01000	1.44000	.36370	.01450	.03150	-.05980	-.01230	-.00140	.35480	.08590
.608	18.820	.01000	1.44000	.36340	.01420	.03170	-.05960	-.01230	-.00130	.35450	.08620
.607	19.400	.01000	1.44000	.36500	.01410	.03210	-.05960	-.01240	-.00120	.35590	.08690
.608	19.980	.01000	1.44000	.36620	.01390	.03210	-.06020	-.01240	-.00130	.35710	.08720
	GRADIENT	.00000	.00000	-.00063	-.00038	.00005	-.00015	-.00000	.00010	-.00063	-.00007

ORIGINAL PAGE IS  
OF POOR QUALITY

LTV44-559(CA26) 747/1 ATY 02 S1 (ORBITER DATA)

(AFE066) ( 18 NOV 75 )

## REFERENCE DATA

SREF = 2690.0000 SQ.FT. XMRP = 1109.0000 IN. XO  
 LREF = 474.8100 IN. YMRP = .0000 IN. YO  
 BREF = 936.6800 IN. ZMRP = 375.0000 IN. ZO  
 SCALE = .0125

## PARAMETRIC DATA

ALPHAC = 2.000 BETAC = .000  
 STAB = 5.000 ELEVON = 5.000  
 BDFLAP = .000 DY = .000  
 DZ = 15.000 IORB = 6.000  
 BETAO = 5.000 RUDDER = .000

RUN NO. 1050/ 0 RN/L = .00 GRADIENT INTERVAL = -5.00/ 5.00

MACH	DX	DY	DZ	CN	CLM	CA	CY	CYN	CBL	CL	CD
.610	.570	.00000	15.00000	.37540	.01710	.03060	-.05820	-.01180	-.00130	.36660	.08630
.610	1.140	.00000	15.00000	.37610	.01740	.03050	-.05960	-.01190	-.00140	.36740	.08620
.612	1.710	.00000	15.00000	.37590	.01740	.03050	-.05910	-.01190	-.00130	.36710	.08610
.609	2.290	.00000	15.00000	.37690	.01730	.03100	-.06000	-.01200	-.00140	.36810	.08660
.610	2.860	.00000	15.00000	.37530	.01700	.03090	-.05920	-.01190	-.00120	.36650	.08630
.609	3.430	.00000	15.00000	.37630	.01690	.03110	-.05950	-.01200	-.00130	.36750	.08670
.609	4.010	.00000	15.00000	.37680	.01690	.03110	-.05970	-.01200	-.00130	.36790	.08690
.610	4.580	.00000	15.00000	.37620	.01660	.03100	-.05860	-.01190	-.00130	.36730	.08680
.609	5.150	.00000	15.00000	.37510	.01630	.03120	-.05910	-.01200	-.00130	.36630	.08650
.610	5.720	.00000	15.00000	.37290	.01590	.03100	-.05910	-.01190	-.00120	.36420	.08590
.609	6.300	.00000	15.00000	.37420	.01600	.03120	-.05930	-.01200	-.00110	.36540	.08630
.610	6.870	.00000	15.00000	.37170	.01550	.03120	-.05900	-.01190	-.00110	.36290	.08590
.608	7.420	.00000	15.00000	.37570	.01530	.03130	-.05920	-.01200	-.00110	.36680	.08690
.610	7.990	.00000	15.00000	.37290	.01500	.03120	-.05840	-.01200	-.00100	.36410	.08620
.610	8.560	.00000	15.00000	.37310	.01480	.03120	-.05890	-.01200	-.00100	.36430	.08630
.610	9.140	.00000	15.00000	.37300	.01480	.03130	-.05920	-.01200	-.00100	.36420	.08630
.609	9.710	.00000	15.00000	.37390	.01450	.03150	-.05900	-.01190	-.00100	.36500	.08670
.608	10.280	.00000	15.00000	.37280	.01440	.03160	-.05950	-.01210	-.00090	.36400	.08660
.608	10.850	.00000	15.00000	.37290	.01380	.03170	-.05910	-.01200	-.00090	.36390	.08690
.608	11.430	.00000	15.00000	.37180	.01350	.03160	-.05980	-.01200	-.00090	.36300	.08660
.609	12.000	.01000	15.00000	.37250	.01350	.03140	-.05820	-.01190	-.00090	.36360	.08650
.608	12.570	.01000	14.99000	.37290	.01330	.03160	-.05840	-.01200	-.00080	.36400	.08680
.610	13.150	.01000	15.00000	.37210	.01300	.03140	-.05800	-.01180	-.00090	.36330	.08640
.610	13.720	.01000	14.99000	.37190	.01270	.03160	-.05900	-.01190	-.00090	.36310	.08660
.609	14.290	.01000	14.99000	.37250	.01270	.03140	-.05910	-.01200	-.00080	.36370	.08630
.610	14.860	.01000	14.99000	.37170	.01240	.03130	-.05850	-.01180	-.00080	.36290	.08630
.607	15.440	.01000	14.99000	.37560	.01240	.03120	-.05900	-.01190	-.00070	.36670	.08740
.607	16.010	.01000	14.99000	.37430	.01180	.03200	-.05900	-.01190	-.00070	.36540	.08720
.607	16.560	.01000	14.99000	.37350	.01150	.03210	-.05910	-.01190	-.00070	.36460	.08720
.609	17.130	.01000	14.99000	.37140	.01170	.03190	-.05930	-.01200	-.00070	.36260	.08670
.610	17.700	.01000	14.99000	.37100	.01130	.03200	-.05930	-.01200	-.00060	.36210	.08680
.609	18.280	.01000	14.99000	.37150	.01100	.03210	-.05970	-.01200	-.00070	.36260	.08690
.607	18.850	.01000	14.99000	.37430	.01050	.03230	-.05920	-.01190	-.00060	.36530	.08780
.609	19.420	.01000	14.99000	.37330	.01070	.03230	-.05860	-.01180	-.00070	.36430	.08750
.611	20.000	.01000	14.99000	.37260	.01030	.03220	-.05910	-.01190	-.00050	.36370	.08720
GRADIENT		.00000	.00000	.00018	-.00016	.00016	-.00008	-.00003	.00001	.00015	.00018

LTV44-559(CA26) 747/1 ATY O2 S1 (ORBITER DATA)

(AFE067) ( 18 NOV 75 )

## REFERENCE DATA

SREF = 2690.0000 SQ.FT. XMRP = 1109.0000 IN. XO  
 LREF = 474.8100 IN. YMRP = .0000 IN. YO  
 BREF = 936.6800 IN. ZMRP = 375.0000 IN. ZO  
 SCALE = .0125

## PARAMETRIC DATA

ALPHAC = 2.000 BETAC = .000  
 STAB = 5.000 ELEVON = 5.000  
 BDFLAP = .000 DY = .000  
 OZ = 60.000 IORB = 6.000  
 BETA0 = 5.000 RUDDER = .000

RUN NO. 2050/ 0 RN/L = .00 GRADIENT INTERVAL = -5.00/ 5.00

MACH	DX	DY	DZ	CN	CLM	CA	CY	CYN	CBL	CL	CD
.609	.580	.00000	51.46000	.39300	.01180	.03350	-.06330	-.01220	-.00010	.38390	.09020
.607	1.150	.00000	51.46000	.39510	.01200	.03410	-.06500	-.01260	-.00020	.38600	.09100
.607	1.730	.00000	51.46000	.39890	.01230	.03360	-.06280	-.01220	-.00040	.38980	.09110
.608	2.300	.00000	51.46000	.39860	.01230	.03340	-.06130	-.01200	-.00050	.38950	.09100
.609	2.870	.00000	51.46000	.39700	.01230	.03320	-.05970	-.01170	-.00060	.38800	.09060
.609	3.450	.00000	51.46000	.39610	.01210	.03300	-.06180	-.01180	-.00050	.38710	.09020
.608	4.020	.00000	51.46000	.39630	.01240	.03320	-.06350	-.01220	-.00050	.38730	.09040
.607	4.590	.00000	51.46000	.39550	.01140	.03360	-.06350	-.01230	-.00030	.38650	.09050
.607	5.160	.00000	51.46000	.39640	.01150	.03380	-.06330	-.01230	-.00020	.38730	.09090
.608	5.710	.00000	51.46000	.39600	.01150	.03350	-.06210	-.01200	-.00020	.38690	.09060
.608	6.280	.00000	51.46000	.39590	.01170	.03350	-.06090	-.01190	-.00050	.38680	.09070
.610	6.860	.00000	51.46000	.39380	.01180	.03310	-.06070	-.01200	-.00040	.38480	.08980
.608	7.430	.00000	51.46000	.39690	.01140	.03340	-.06150	-.01190	-.00060	.38780	.09070
.610	8.000	.00000	51.46000	.39450	.01130	.03300	-.06180	-.01200	-.00040	.38560	.08980
.609	8.580	.00000	51.46000	.39370	.01120	.03330	-.06380	-.01220	-.00010	.38470	.08990
.607	9.150	.00000	51.46000	.39380	.01150	.03380	-.06380	-.01230	-.00010	.38480	.09050
.607	9.720	.00000	51.46000	.39320	.01100	.03380	-.06340	-.01230	.00000	.38420	.09040
.607	10.290	.00000	51.46000	.39210	.01100	.03410	-.06270	-.01230	.00000	.38300	.09080
.609	10.870	.00000	51.46000	.39350	.01110	.03340	-.06140	-.01190	-.00010	.38460	.09010
.609	11.440	.00000	51.46000	.39440	.01140	.03280	-.06200	-.01190	-.00040	.38540	.08970
.607	12.010	.00000	51.46000	.39730	.01090	.03300	-.06400	-.01220	-.00020	.38830	.09040
.609	12.590	.00000	51.46000	.39430	.01080	.03300	-.06220	-.01190	-.00030	.38530	.08980
.607	13.160	.00000	51.46000	.39390	.01050	.03340	-.06210	-.01200	.00000	.38490	.09010
.609	13.730	.00000	51.46000	.39040	.01070	.03370	-.06260	-.01210	.00000	.38140	.08990
.609	14.300	.00000	51.46000	.39220	.01090	.03330	-.06340	-.01220	-.00010	.38320	.08990
.609	14.850	.00000	51.46000	.39360	.01130	.03330	-.06420	-.01220	.00000	.38450	.09020
.609	15.420	.00000	51.45000	.39540	.01120	.03330	-.06340	-.01210	.00000	.38640	.09020
.610	16.000	.00000	51.46000	.39230	.01070	.03330	-.06070	-.01170	-.00020	.38330	.09000
.610	16.570	.00000	51.46000	.39550	.01110	.03280	-.05990	-.01160	-.00030	.38660	.08980
.609	17.140	.00000	51.46000	.39700	.01080	.03320	-.06200	-.01200	-.00020	.38800	.09020
.609	17.720	.00000	51.46000	.39460	.01040	.03340	-.06360	-.01210	.00000	.38560	.09030
.610	18.290	.00000	51.45000	.39420	.01000	.03320	-.06290	-.01210	-.00020	.39530	.08990
.610	18.860	.00000	51.46000	.39130	.09930	.03360	-.06300	-.01230	-.00020	.38230	.08980
.610	19.440	.00000	51.45000	.39240	.01010	.03340	-.06110	-.01190	-.00020	.38340	.08990
.609	20.010	.00000	51.45000	.39490	.01010	.03320	-.06080	-.01180	-.00020	.38580	.09020
GRADIENT		.00000	.00000	.00028	-.00003	-.00012	.00022	.00006	-.00007	.00031	-.00008

LTV44-559(CA26) 747/1 ATY 02 S1 (ORBITER DATA)

(AFE068) ( 18 NOV 75 )

## REFERENCE DATA

## PARAMETRIC DATA

SREF = 2690.0000 SQ.FT. XMRP = 1109.0000 IN. XO  
 LREF = 474.8100 IN. YMRP = .0000 IN. YO  
 BREF = 936.6800 IN. ZMRP = 375.0000 IN. ZO  
 SCALE = .0125

ALPHAC = 2.000 BETAC = .000  
 STAB = 5.000 ELEVON = .000  
 BDFLAP = 16.300 DX = .000  
 DY = .000 TORB = 4.000  
 BETAO = .000 RUDDER = .000

RUN NO. 51/ 0 RN/L = .00 GRADIENT INTERVAL = -5.00/ 5.00

MACH	DZ	DY	DX	CN	CLM	CA	CY	CYN	CBL	CL	CD
.602	1.460	.00000	.00000	.20440	.02770	.04010	-.00170	-.00100	-.00080	.19840	.06340
.599	2.060	.00000	.00000	.20630	.02760	.04060	-.00180	-.00100	-.00070	.20030	.06420
.602	2.660	.00000	.00000	.20390	.02770	.03990	-.00300	-.00100	-.00080	.19790	.06320
.600	3.360	.00000	.00000	.20430	.02740	.04060	-.00270	-.00100	-.00090	.19830	.06390
.600	4.160	.00000	.01000	.20580	.02730	.04070	-.00120	-.00080	-.00090	.19970	.06410
.598	4.960	.00000	.01000	.20490	.02620	.04150	-.00250	-.00100	-.00090	.19890	.06470
.600	6.960	.00000	.01000	.20550	.02620	.04120	-.00260	-.00090	-.00090	.19940	.06450
.602	8.960	.00000	.01000	.20570	.02560	.04120	-.00210	-.00100	-.00080	.19970	.06440
.604	10.460	.00000	.01000	.20840	.02390	.04220	-.00220	-.00080	-.00070	.20220	.06570
.603	11.460	.00000	.01000	.20790	.02410	.04230	-.00270	-.00090	-.00080	.20180	.06560
.604	12.450	.00000	.00000	.20900	.02400	.04210	-.00180	-.00080	-.00080	.20280	.06570
.601	13.450	.00000	.00000	.21370	.02400	.04230	-.00170	-.00080	-.00080	.20750	.06640
.600	14.440	.00000	.00000	.21300	.02350	.04290	-.00220	-.00090	-.00070	.20680	.06680
.600	15.440	.00000	.00000	.21270	.02310	.04270	-.00290	-.00100	-.00060	.20650	.06660
.600	16.430	.00000	.00000	.21540	.02290	.04300	-.00190	-.00090	-.00060	.20910	.06710
.604	17.430	.00000	.00000	.21160	.02250	.04260	-.00310	-.00090	-.00070	.20540	.06620
.600	18.420	.00000	.01000	.21470	.02260	.04320	-.00240	-.00090	-.00070	.20840	.06720
.602	19.420	.00000	.01000	.21800	.02270	.04290	-.00240	-.00090	-.00070	.21170	.06740
.601	20.410	.00000	.01000	.21860	.02230	.04360	-.00250	-.00090	-.00060	.21230	.06820
.601	21.410	.00000	.00000	.22040	.02250	.04360	-.00320	-.00100	-.00060	.21400	.06820
.601	22.390	.00000	.00000	.22060	.02220	.04380	-.00210	-.00090	-.00070	.21430	.06840
.601	23.390	.00000	.00000	.22060	.02200	.04390	-.00220	-.00080	-.00070	.21420	.06860
.598	24.390	.00000	.00000	.22080	.02160	.04520	-.00420	-.00120	-.00030	.21430	.06990
.602	25.380	.00000	.01000	.21970	.02130	.04440	-.00250	-.00090	-.00050	.21330	.06890
.602	26.380	.00000	.01000	.22420	.02170	.04390	-.00370	-.00100	-.00060	.21780	.06890
.603	27.370	.00000	.01000	.22570	.02190	.04370	-.00260	-.00080	-.00060	.21930	.06890
.601	28.370	.00000	.01000	.22720	.02170	.04410	-.00350	-.00100	-.00040	.22070	.06950
.602	29.360	.00000	.01000	.22510	.02110	.04420	-.00280	-.00100	-.00050	.21870	.06920
.601	30.360	.00000	.01000	.22660	.02090	.04450	-.00250	-.00090	-.00050	.22020	.06970
.603	31.350	.00000	.01000	.22650	.02090	.04410	-.00170	-.00080	-.00060	.22010	.06920
.601	32.350	.00000	.01000	.22760	.02120	.04400	-.00300	-.00080	-.00060	.22130	.06920
.601	33.340	.00000	.01000	.22910	.02070	.04420	-.00330	-.00100	-.00030	.22270	.06960
.600	34.340	.00000	.01000	.23070	.02030	.04460	-.00270	-.00090	-.00020	.22430	.07010
.600	35.340	.00000	.01000	.23020	.02030	.04480	-.00340	-.00090	-.00040	.22380	.07030
.602	36.330	.00000	.01000	.22930	.02010	.04500	-.00360	-.00090	-.00040	.22280	.07020
.601	37.320	.00000	.01000	.23240	.02030	.04440	-.00290	-.00090	-.00040	.22600	.07010
.602	38.320	.00000	.01000	.23170	.01980	.04490	-.00270	-.00080	-.00050	.22530	.07050
.602	39.310	.00000	.01000	.23210	.01980	.04510	-.00360	-.00090	-.00030	.22560	.07060
.603	40.310	.00000	.01000	.23260	.01360	.04500	-.00310	-.00080	-.00020	.22610	.07070
.600	41.310	.00000	.01000	.23530	.01980	.04530	-.00390	-.00090	.00000	.22880	.07120
.599	42.300	.00000	.01000	.23750	.02000	.04530	-.00350	-.00100	.00000	.23110	.07140
.600	43.290	.00000	.01000	.23670	.01970	.04580	-.00320	-.00090	-.00010	.23010	.07190

DATE 22 MAR 76

CA-26 FORCE SOURCE DATA TABULATION

PAGE 71

LTV44-559(CA26) 747/1 ATY 02 S1 (ORBITER DATA)

(AFE06B) ( 18 NOV 75 )

REFERENCE DATA

SREF = 2690.0000 SQ.FT. XMRP = 1109.0000 IN. XO  
LREF = 474.8100 IN. YMRP = .0000 IN. YO  
BREF = 936.6800 IN. ZMRP = 375.0000 IN. ZO  
SCALE = .0125

PARAMETRIC DATA

ALPHAC = 2.000 BETAC = .000  
STAB = 5.000 ELEVON = .000  
BDFLAP = 16.300 DX = .000  
DY = .000 TORB = 4.000  
BETA0 = .000 RUDDER = .000

RUN NO. 51/ 0 RN/L = .00 GRADIENT INTERVAL = -5.00/ 5.00

MACH	OZ	DY	DX	CN	CLM	CA	CY	CYN	CBL	CL	CD
.501	44.290	.00000	.01000	.23850	.01970	.04530	-.00350	-.00080	-.00020	.23190	.07160
.602	44.790	.00000	.01000	.23690	.01920	.04510	-.00370	-.00080	-.00010	.23050	.07120
	GRADIENT	.00000	.00337	.00007	-.00037	.00034	-.00006	.00002	-.00005	.00004	.00029

ORIGINAL PAGE IS  
OF POOR QUALITY

LTV44-559(CA26) 747/1 ATY 02 S1 (ORBITER DATA)

(AFE069) ( 18 NOV 75 )

## REFERENCE DATA

SREF = 2690.0000 SQ.FT. XMRP = 1109.0000 IN. XO  
 LREF = 474.8100 IN. YMRP = .0000 IN. YO  
 BREF = 936.6800 IN. ZMRP = 375.0000 IN. ZO  
 SCALE = .0125

## PARAMETRIC DATA

ALPHAC = 2.000 BETAC = .000  
 STAB = 5.000 ELEVON = .000  
 BDFLAP = 16.300 DX = .000  
 DY = .000 TORB = 6.000  
 BETAO = .000 RUDDER = .000

RUN NO. 1051/ 0 RN/L = .00 GRADIENT INTERVAL = -5.00/ 5.00

MACH	DZ	DY	DX	CN	CLM	CA	CY	CYN	CBL	CL	CD
.603	1.470	.00000	-.01000	.32170	.03250	.02710	-.00030	-.00080	-.00130	.31400	.07500
.603	2.070	.00000	-.01000	.31590	.03340	.02710	-.00100	-.00080	-.00150	.30820	.07420
.601	2.670	.00000	.00000	.31830	.03360	.02750	-.00080	-.00080	-.00140	.31060	.07490
.601	3.370	.00000	.00000	.31740	.03320	.02750	-.00030	-.00090	-.00140	.30970	.07470
.600	4.170	.00000	.00000	.31720	.03310	.02830	-.00100	-.00090	-.00150	.30940	.07540
.600	4.960	.00000	.00000	.31470	.03310	.02830	-.00040	-.00090	-.00140	.30700	.07490
.601	6.970	.00000	.00000	.31870	.03210	.02960	-.00200	-.00080	-.00130	.31070	.07680
.600	8.970	.00000	.00000	.31640	.03200	.03010	-.00120	-.00080	-.00140	.30840	.07670
.603	10.600	.00000	.00000	.31500	.03100	.02990	-.00100	-.00080	-.00140	.30710	.07630
.601	11.880	.00000	.00000	.31790	.03130	.03040	-.00170	-.00080	-.00130	.30990	.07730
.600	13.160	.00000	.00000	.31850	.03040	.03070	-.00130	-.00080	-.00130	.31040	.07760
.600	14.440	.00000	.00000	.31750	.03010	.03060	-.00140	-.00090	-.00120	.30940	.07730
.601	15.710	.00000	.00000	.31910	.03030	.03110	-.00200	-.00090	-.00130	.31090	.07800
.602	16.990	.00000	.00000	.31910	.03040	.03090	-.00100	-.00100	-.00120	.31100	.07770
.601	18.270	.00000	.00000	.31980	.02980	.03120	-.00140	-.00080	-.00130	.31170	.07810
.601	19.540	.00000	.00000	.31910	.02960	.03130	-.00220	-.00090	-.00120	.31100	.07810
.600	20.820	.00000	.00000	.32280	.02950	.03100	-.00050	-.00070	-.00120	.31470	.07830
.601	22.090	.00000	.01000	.32310	.02920	.03140	-.00210	-.00090	-.00120	.31500	.07860
.600	23.360	.00000	.01000	.32240	.02880	.03160	-.00160	-.00090	-.00120	.31430	.07870
.601	24.650	.00000	.01000	.32310	.02880	.03220	-.00200	-.00090	-.00110	.31480	.07940
.600	25.920	.00000	.01000	.32640	.02910	.03180	-.00230	-.00100	-.00110	.31820	.07950
.602	27.200	.00000	.01000	.32530	.02850	.03160	-.00200	-.00080	-.00120	.31710	.07890
.601	28.470	.00000	.01000	.32640	.02790	.03200	-.00180	-.00080	-.00120	.31820	.07940
.602	29.750	.00000	.01000	.32390	.02760	.03250	-.00270	-.00100	-.00120	.31570	.07970
.602	31.030	.00000	.01000	.32660	.02800	.03200	-.00200	-.00090	-.00120	.31840	.07960
.600	32.300	.00000	.01000	.32800	.02730	.03260	-.00290	-.00090	-.00110	.31970	.08010
.601	33.580	.00000	.01000	.32840	.02730	.03220	-.00340	-.00090	-.00100	.32020	.07990
.600	34.850	.00000	.01000	.33040	.02670	.03240	-.00300	-.00070	-.00100	.32210	.08040
.598	36.130	.00000	.01000	.33450	.02690	.03240	-.00240	-.00090	-.00100	.32620	.08100
.600	37.410	.00000	.01000	.32970	.02640	.03310	-.00390	-.00110	-.00080	.32140	.08070
.602	38.690	.00000	.01000	.32990	.02620	.03250	-.00350	-.00110	-.00080	.32160	.08020
.602	39.960	.00000	.01000	.33380	.02720	.03220	-.00270	-.00080	-.00100	.32550	.08050
.601	41.240	.00000	.01000	.33270	.02610	.03250	-.00330	-.00090	-.00090	.32440	.08060
.600	42.520	.00000	.01000	.33430	.02630	.03260	-.00400	-.00100	-.00080	.32600	.08100
.600	43.790	.00000	.01000	.33410	.02610	.03290	-.00320	-.00080	-.00070	.32580	.08110
.600	45.070	.00000	.01000	.33470	.02540	.03290	-.00470	-.00110	-.00060	.32640	.08110
.600	46.340	.00000	.01000	.33730	.02490	.03310	-.00530	-.00110	-.00040	.32900	.08170
.602	47.620	.00000	.01000	.33650	.02550	.03290	-.00180	-.00070	-.00100	.32820	.08130
.600	48.900	.00000	.01000	.33560	.02410	.03380	-.00080	-.00040	-.00110	.32710	.08220
.602	50.180	.00000	.01000	.33230	.02410	.03370	-.00410	-.00110	-.00060	.32390	.08140
.602	51.460	.00000	.01000	.33310	.02440	.03340	-.00360	-.00090	-.00060	.32470	.08120
GRADIENT		.00000	.00314	-.00129	.00006	.00040	.00000	-.00004	-.00002	-.00131	.00012

LTV44-559(CA26) 747/1 ATY 02 S1 (ORBITER DATA)

(AFE070) ( 18 NOV 75 )

## REFERENCE DATA

SREF = 2690.0000 SQ.FT. XMRP = 1109.0000 IN. XO  
 LREF = 474.8100 IN. YMRP = .0000 IN. YO  
 BREF = 936.6800 IN. ZMRP = 375.0000 IN. ZO  
 SCALE = .0125

## PARAMETRIC DATA

ALPHAC = 2.000 BETAC = .000  
 STAB = 5.000 ELEVON = .000  
 BDFLAP = 16.300 DX = .000  
 DY = .000 IORB = 8.000  
 BETAO = .000 RUDDER = .000

RUN NO. 52/ 0 RN/L = .00 GRADIENT INTERVAL = -5.00/ 5.00

MACH	DZ	DY	DX	CN	CLM	CA	CY	CYN	CBL	CL	CD
.597	1.460	.00000	-.01000	.43690	.03710	.01580	-.00060	-.00110	-.00180	.42650	.09590
.600	2.060	.00000	-.01000	.43470	.03710	.01570	-.00050	-.00110	-.00180	.42430	.09560
.599	2.660	.00000	-.01000	.43290	.03780	.01430	.00070	-.00110	-.00170	.42280	.09390
.602	3.460	.00000	-.01000	.42670	.03980	.01280	.00110	-.00120	-.00170	.41710	.09120
.601	4.460	.00000	-.01000	.42860	.04000	.01290	.00030	-.00120	-.00180	.41880	.09170
.601	5.590	.00000	-.01000	.42220	.04110	.01420	.00010	-.00120	-.00190	.41230	.09160
.600	6.840	.00000	-.01000	.42220	.04070	.01430	.00080	-.00110	-.00180	.41230	.09180
.601	8.090	.00000	-.01000	.41850	.04050	.01480	.00040	-.00110	-.00180	.40870	.09120
.600	9.340	.00000	.00000	.41740	.04040	.01540	.00110	-.00110	-.00180	.40740	.09180
.600	10.580	.00000	.00000	.41730	.04020	.01590	.00020	-.00110	-.00170	.40740	.09200
.601	11.810	.00000	.00000	.41900	.04080	.01610	.00030	-.00110	-.00170	.40900	.09270
.600	13.050	.00000	.00000	.41990	.04050	.01640	.00010	-.00100	-.00170	.40980	.09310
.600	14.290	.00000	.00000	.41630	.04010	.01680	.00020	-.00110	-.00160	.40620	.09270
.600	15.520	.00000	.00000	.41940	.03990	.01680	.00000	-.00100	-.00160	.40930	.09300
.599	16.750	.00000	.00000	.41930	.04020	.01670	.00040	-.00110	-.00160	.40920	.09300
.599	17.990	.00000	.00000	.41910	.03990	.01740	.00020	-.00100	-.00160	.40890	.09370
.602	19.230	.00000	.00000	.41720	.03910	.01730	-.00010	-.00100	-.00160	.40710	.09300
.600	20.460	.00000	.00000	.42100	.03920	.01770	-.00060	-.00110	-.00160	.41070	.09410
.599	21.690	.00000	.01000	.42600	.04020	.01760	-.00050	-.00120	-.00150	.41570	.09480
.600	22.930	.00000	.01000	.42160	.03850	.01790	-.00020	-.00100	-.00150	.41130	.09440
.601	24.160	.00000	.01000	.42050	.03810	.01810	.00000	-.00110	-.00150	.41020	.09430
.601	25.390	.00000	.01000	.42120	.03850	.01810	-.00060	-.00120	-.00140	.41090	.09430
.603	26.630	.00000	.01000	.42290	.03840	.01780	-.00010	-.00120	-.00140	.41270	.09420
.601	27.860	.00000	.01000	.42390	.03750	.01870	.00000	-.00100	-.00150	.41350	.09520
.600	29.100	.00000	.01000	.42700	.03740	.01840	.00010	-.00090	-.00140	.41660	.09540
.601	30.340	.00000	.01000	.42640	.03780	.01790	-.00020	-.00100	-.00140	.41610	.09460
.599	31.570	.00000	.01000	.43090	.03860	.01840	-.00050	-.00110	-.00140	.41960	.09600
.598	32.800	.00000	.01000	.42570	.03690	.01870	-.00050	-.00100	-.00140	.41530	.09520
.600	34.040	.00000	.01000	.42640	.03660	.01870	-.00030	-.00090	-.00130	.41600	.09550
.600	35.280	.00000	.01000	.42710	.03630	.01890	-.00020	-.00100	-.00120	.41670	.09560
.602	36.510	.00000	.01000	.42690	.03670	.01860	-.00040	-.00110	-.00120	.41650	.09550
.599	37.740	.00000	.01000	.43220	.03630	.01870	-.00040	-.00110	-.00110	.42170	.09640
.602	38.980	.00000	.01000	.42800	.03580	.01900	-.00050	-.00100	-.00120	.41750	.09580
.600	40.220	.00000	.01000	.43110	.03590	.01880	-.00060	-.00110	-.00100	.42070	.09610
.601	41.450	.00000	.01000	.42930	.03530	.01950	-.00040	-.00100	-.00100	.41870	.09650
.601	42.690	.00000	.01000	.42950	.03480	.01950	-.00090	-.00120	-.00100	.41900	.09650
.601	43.920	.00000	.01000	.43040	.03480	.01930	-.00020	-.00120	-.00090	.41990	.09630
.599	45.150	.00000	.01000	.43090	.03420	.02040	-.00080	-.00110	-.00080	.42030	.09720
.597	46.390	.00000	.01000	.43560	.03420	.02000	-.00020	-.00110	-.00070	.42490	.09800
.601	47.630	.00000	.01000	.43560	.03420	.01990	-.00080	-.00100	-.00080	.42510	.09670
.600	48.860	.00000	.01000	.43630	.03400	.01900	-.00070	-.00090	-.00080	.42590	.09670
.601	50.090	.00000	.02000	.43430	.03440	.01940	-.00030	-.00120	-.00070	.42390	.09670

LTV44-559(CA26) 747/1 ATY 02 S1 (ORBITER DATA)

(AFE070) ( 18 NOV 75 )

## REFERENCE DATA

SREF = 2690.0000 SQ.FT. XMRP = 1109.0000 IN. XO  
 LREF = 474.8100 IN. YMRP = .0000 IN. YO  
 BREF = 936.6800 IN. ZMRP = 375.0000 IN. ZO  
 SCALE = .0125

## PARAMETRIC DATA

ALPHAC = 2.000 BETAC = .000  
 STAB = 5.000 ELEVON = .000  
 BDFLAP = 16.300 DX = .000  
 DY = .000 TORB = 8.000  
 BETAO = .000 RUDDER = .000

RUN NO. 52/ 0 RN/L = .00 GRADIENT INTERVAL = -5.00/ 5.00

MACH	DZ	DY	DX	CN	CLM	CA	CY	CYN	CBL	CL	CD
.601	51.330	.00000	.02000	.43520	.03420	.01950	-.00130	-.00080	-.00090	.42470	.09710
.600	52.570	.00000	.01000	.43250	.03270	.02050	.00060	-.00070	-.00110	.42180	.09750
.599	53.800	.00000	.02000	.43290	.03270	.02020	-.00310	-.00110	-.00070	.42230	.09730
.601	55.040	.00000	.02000	.43360	.03290	.01980	-.00280	-.00110	-.00050	.42300	.09700
.601	56.270	.00000	.02000	.42980	.03150	.02030	-.00200	-.00110	-.00040	.41930	.09670
.599	57.500	.00000	.02000	.43530	.03150	.02080	-.00240	-.00120	-.00040	.42470	.09790
.600	58.120	.00000	.02000	.43260	.03100	.02110	-.00300	-.00130	-.00040	.42190	.09780
	GRADIENT	.00000	-.00000	-.00321	.00115	-.00115	.00041	-.00004	.00001	-.00295	-.00168



LTV44-559(CA26) 747/1 ATY 02 S1 (ORBITER DATA)

(AFE071) ( 18 NOV 75 )

## REFERENCE DATA

SREF = 2690.0000 SQ.FT. XMRP = 1109.0000 IN. XO  
 LREF = 474.8100 IN. YMRP = .0000 IN. YO  
 BREF = 936.6800 IN. ZMRP = 375.0000 IN. ZO  
 SCALE = .0125

## PARAMETRIC DATA

ALPHAC = 2.000 BETAC = .000  
 STAB = 5.000 ELEVON = .000  
 BDFLAP = 5.000 DX = .000  
 DY = .000 IORB = 4.000  
 BETA0 = .000 RUDDER = .000

RUN NO. 53/ 0 RN/L = .00 GRADIENT INTERVAL = -5.00/ 5.00

MACH	DZ	DY	DX	CN	CLM	CA	CY	CYN	CBL	CL	CD
.600	1.460	.00000	.01000	.17710	.04620	.04130	-.00210	-.00090	-.00080	.17120	.06120
.599	2.060	.00000	.01000	.17710	.04640	.04170	-.00250	-.00100	-.00080	.17120	.06160
.600	2.660	.00000	.01000	.17640	.04660	.04160	-.00280	-.00100	-.00080	.17040	.06150
.597	3.360	.00000	.01000	.17920	.04650	.04250	-.00200	-.00090	-.00080	.17320	.06280
.600	4.160	.00000	.01000	.17680	.04570	.04210	-.00250	-.00080	-.00080	.17080	.06200
.601	4.960	.00000	.01000	.17690	.04390	.04200	-.00290	-.00100	-.00080	.17090	.06190
.597	6.960	.00000	.01000	.17810	.04460	.04270	-.00250	-.00090	-.00080	.17210	.06260
.601	8.960	.00000	.01000	.17800	.04330	.04240	-.00210	-.00090	-.00080	.17200	.06240
.598	10.460	.00000	.01000	.18340	.04250	.04280	-.00190	-.00090	-.00070	.17740	.06340
.595	11.460	.00000	.01000	.18500	.04270	.04320	-.00230	-.00100	-.00070	.17880	.06400
.597	12.450	.00000	.01000	.18500	.04170	.04330	-.00220	-.00090	-.00070	.17890	.06390
.598	13.450	.00000	.01000	.18680	.04160	.04310	-.00240	-.00090	-.00070	.18070	.06400
.598	14.440	.00000	.01000	.18590	.04130	.04340	-.00270	-.00100	-.00060	.17980	.06410
.597	15.440	.00000	.01000	.18950	.04110	.04370	-.00270	-.00090	-.00070	.18330	.06490
.597	16.430	.00000	.01000	.19070	.04080	.04340	-.00230	-.00090	-.00080	.18450	.06480
.598	17.430	.00000	.01000	.19140	.04100	.04390	-.00160	-.00080	-.00080	.18520	.06520
.600	18.420	.00000	.00000	.19040	.04020	.04400	-.00230	-.00080	-.00080	.18420	.06520
.600	19.420	.00000	.00000	.19260	.04010	.04400	-.00310	-.00100	-.00060	.18630	.06550
.598	20.410	.00000	.00000	.19430	.04050	.04420	-.00290	-.00100	-.00070	.18810	.06590
.599	21.410	.00000	.00000	.19510	.04040	.04380	-.00210	-.00090	-.00070	.18890	.06560
.597	22.390	.00000	.01000	.19740	.04040	.04440	-.00270	-.00090	-.00070	.19110	.06640
.600	23.390	.00000	.01000	.19530	.03910	.04400	-.00410	-.00090	-.00050	.18910	.06570
.597	24.390	.00000	.01000	.19820	.03950	.04420	-.00220	-.00080	-.00070	.19200	.06620
.597	25.380	.00000	.01000	.19940	.03970	.04440	-.00290	-.00090	-.00070	.19310	.06650
.600	26.380	.00000	.01000	.19780	.03910	.04430	-.00400	-.00100	-.00050	.19160	.06620
.596	27.370	.00000	.01000	.20260	.03920	.04490	-.00360	-.00090	-.00050	.19620	.06740
.598	28.370	.00000	.01000	.20260	.03900	.04490	-.00330	-.00080	-.00050	.19630	.06740
.598	29.360	.00000	.01000	.20210	.03850	.04490	-.00370	-.00090	-.00060	.19580	.06730
.600	30.360	.00000	.01000	.20120	.03810	.04480	-.00300	-.00090	-.00060	.19500	.06700
.599	31.350	.00000	.01000	.20250	.03820	.04490	-.00310	-.00090	-.00050	.19620	.06720
.596	32.350	.00000	.01000	.20570	.03880	.04520	-.00260	-.00080	-.00050	.19940	.06800
.600	33.340	.00000	.01000	.20440	.03790	.04510	-.00430	-.00100	-.00040	.19810	.06760
.598	34.340	.00000	.01000	.20660	.03840	.04500	-.00320	-.00090	-.00050	.20030	.06780
.597	35.340	.00000	.01000	.20930	.03860	.04480	-.00260	-.00080	-.00060	.20300	.06790
.598	36.330	.00000	.01000	.20650	.03810	.04550	-.00440	-.00100	-.00030	.20010	.06810
.599	37.320	.00000	.01000	.20880	.03800	.04500	-.00320	-.00090	-.00030	.20250	.06790
.598	38.320	.00000	.01000	.20990	.03790	.04550	-.00390	-.00090	-.00040	.20350	.06860
.598	39.310	.00000	.01000	.21110	.03750	.04580	-.00440	-.00090	-.00020	.20470	.06900
.597	40.310	.00000	.01000	.20990	.03720	.04590	-.00470	-.00100	-.00000	.20340	.06890
.597	41.310	.00000	.01000	.21270	.03770	.04590	-.00390	-.00090	-.00020	.20630	.06920
.599	42.300	.00000	.01000	.21330	.03810	.04510	-.00350	-.00090	-.00030	.20700	.06840
.598	43.290	.00000	.01000	.21080	.03710	.04600	-.00380	-.00080	-.00020	.20440	.06900

LTV44-559(CA26) 747/1 ATY 02 S1 (ORBITER DATA)

(AFE071) ( 18 NOV 75 )

## REFERENCE DATA

SREF = 2690.0000 SQ.FT. XMRP = 1109.0000 IN. XO  
 LREF = 474.8100 IN. YMRP = .0000 IN. YO  
 BREF = 936.6800 IN. ZMRP = 375.0000 IN. ZO  
 SCALE = .0125

## PARAMETRIC DATA

ALPHAC = 2.000 BETAC = .000  
 STAB = 5.000 ELEVON = .000  
 BDFLAP = 5.000 DX = .000  
 DY = .000 TORB = 4.000  
 BETA0 = .000 RUDDER = .000

RUN NO. 53/ 0 RN/L = .00 GRADIENT INTERVAL = -5.00/ 5.00

MACH	DZ	DY	DX	CN	CLM	CA	CY	CYN	CBL	CL	CD
.599	44.290	.00000	.01000	.21140	.03660	.04590	-.00350	-.00080	-.00030	.20500	.06890
.602	44.790	.00000	.01000	.21070	.03660	.04560	-.00390	-.00090	-.00010	.20430	.06870
	GRADIENT	.00000	.00000	.00002	-.00059	.00022	-.00013	.00001	-.00000	-.00001	.00023

LTV44-559(CA26) 747/1 ATY 02 S1 (ORBITER DATA)

(AFE072) ( 18 NOV 75 )

## REFERENCE DATA

SREF = 2690.0000 SQ.FT. XMRP = 1109.0000 IN. XO  
 LREF = 474.8100 IN. YMRP = .0000 IN. YO  
 BREF = 936.6800 IN. ZMRP = 375.0000 IN. ZO  
 SCALE = .0125

## PARAMETRIC DATA

ALPHAC = 2.000 BETAC = .000  
 STAB = 5.000 ELEVON = .000  
 BDFLAP = 5.000 DX = .000  
 DY = .000 IORB = 6.000  
 BETAO = .000 RUDDER = .000

RUN NO. 1053/ 0 RN/L = .00 GRADIENT INTERVAL = -5.00/ 5.00

MACH	DZ	DY	DX	CN	CLM	CA	CY	CYN	CBL	CL	CD
.598	1.470	.00000	.00000	.29340	.05320	.02960	-.00160	-.00090	-.00140	.28570	.07320
.598	2.070	.00000	.00000	.29040	.05270	.02940	-.00090	-.00080	-.00160	.28280	.07240
.599	2.670	.00000	.00000	.28910	.05250	.02980	-.00130	-.00090	-.00150	.28140	.07270
.598	3.370	.00000	.00000	.28910	.05210	.03030	-.00240	-.00090	-.00150	.28130	.07310
.599	4.170	.00000	.00000	.28970	.05140	.03020	-.00090	-.00080	-.00160	.28200	.07300
.598	4.960	.00000	.00000	.28920	.05160	.03060	-.00120	-.00090	-.00150	.28140	.07340
.599	6.970	.00000	.00000	.29000	.04970	.03070	-.00230	-.00080	-.00140	.28220	.07350
.599	8.970	.00000	.00000	.28990	.04960	.03090	-.00100	-.00080	-.00150	.28210	.07360
.599	10.600	.00000	.00000	.29020	.04870	.03100	-.00110	-.00070	-.00140	.28230	.07380
.599	11.880	.00000	.00000	.29140	.04850	.03100	-.00140	-.00080	-.00140	.28360	.07390
.598	13.160	.00000	.00000	.29220	.04820	.03150	-.00220	-.00080	-.00140	.28430	.07440
.597	14.440	.00000	.00000	.29490	.04790	.03150	-.00030	-.00070	-.00140	.28700	.07470
.598	15.710	.00000	.00000	.29460	.04770	.03150	-.00080	-.00080	-.00140	.28670	.07480
.598	16.990	.00000	.00000	.29610	.04770	.03180	-.00200	-.00090	-.00140	.28820	.07520
.598	18.270	.00000	.00000	.29620	.04730	.03200	-.00140	-.00080	-.00120	.28830	.07530
.598	19.540	.00000	.00000	.29470	.04610	.03210	-.00170	-.00090	-.00110	.28680	.07510
.598	20.820	.00000	.00000	.29810	.04680	.03260	-.00170	-.00090	-.00120	.29000	.07610
.599	22.090	.00000	.01000	.29950	.04630	.03230	-.00170	-.00090	-.00120	.29150	.07610
.599	23.360	.00000	.01000	.29790	.04600	.03250	-.00200	-.00100	-.00110	.28990	.07600
.599	24.650	.00000	.01000	.30220	.04620	.03260	-.00180	-.00080	-.00120	.29410	.07660
.598	25.920	.00000	.01000	.30360	.04610	.03270	-.00050	-.00070	-.00130	.29550	.07690
.598	27.200	.00000	.01000	.30480	.04530	.03270	-.00160	-.00080	-.00130	.29670	.07710
.599	28.470	.00000	.01000	.30540	.04500	.03280	-.00140	-.00080	-.00130	.29730	.07730
.599	29.750	.00000	.01000	.30450	.04560	.03280	-.00210	-.00080	-.00120	.29640	.07700
.600	31.030	.00000	.01000	.30390	.04530	.03290	-.00270	-.00080	-.00120	.29580	.07710
.597	32.300	.00000	.01000	.30690	.04510	.03350	-.00290	-.00080	-.00110	.29860	.07810
.598	33.580	.00000	.01000	.30620	.04490	.03290	-.00220	-.00080	-.00110	.29810	.07720
.597	34.850	.00000	.01000	.30760	.04450	.03350	-.00320	-.00100	-.00090	.29940	.07800
.597	36.130	.00000	.01000	.30680	.04420	.03350	-.00260	-.00090	-.00090	.29860	.07800
.596	37.410	.00000	.01000	.31280	.04470	.03390	-.00170	-.00080	-.00090	.30440	.07930
.598	38.690	.00000	.01000	.30990	.04380	.03410	-.00240	-.00070	-.00090	.30160	.07880
.597	39.960	.00000	.01000	.30940	.04350	.03390	-.00410	-.00100	-.00080	.30110	.07870
.598	41.240	.00000	.01000	.30940	.04310	.03420	-.00340	-.00100	-.00060	.30110	.07880
.599	42.520	.00000	.01000	.31010	.04330	.03350	-.00350	-.00090	-.00080	.30190	.07820
.597	43.790	.00000	.01000	.30940	.04260	.03460	-.00410	-.00100	-.00060	.30110	.07920
.597	45.070	.00000	.01000	.31350	.04280	.03420	-.00320	-.00080	-.00070	.30520	.07930
.598	46.340	.00000	.01000	.31710	.04300	.03400	-.00410	-.00090	-.00070	.30870	.07970
.598	47.620	.00000	.01000	.31400	.04210	.03450	-.00450	-.00100	-.00060	.30550	.08020
.603	48.900	.00000	.02000	.30990	.04150	.03420	-.00260	-.00090	-.00060	.30170	.07870
.598	50.180	.00000	.02000	.31560	.04220	.03450	-.00280	-.00080	-.00050	.30730	.07980
.599	51.460	.00000	.01000	.31210	.04200	.03460	-.00350	-.00080	-.00030	.30380	.07930
	GRADIENT	.00000	.00000	-.00089	-.00050	.00032	.00005	.00000	-.00002	-.00093	.00014

LTV44-559(CA26) 747/1 ATY 02 S1 (ORBITER DATA)

(AFED73) ( 18 NOV 75 )

## REFERENCE DATA

SREF = 2690.0000 SQ.FT. XMRP = 1109.0000 IN. XO  
 LREF = 474.8100 IN. YMRP = .0000 IN. YO  
 BREF = 936.6800 IN. ZMRP = 375.0000 IN. ZO  
 SCALE = .0125

## PARAMETRIC DATA

ALPHAC = 2.000 BETAC = .000  
 STAB = 5.000 ELEVON = .000  
 BDFLAP = 5.000 DX = .000  
 DY = .000 IORB = 8.000  
 BETA0 = .000 RUDDER = .000

RUN NO. 54/ 0 RN/L = .00 GRADIENT INTERVAL = -5.00/ 5.00

MACH	DZ	DY	DX	CN	CLM	CA	CY	CYN	CBL	CL	CD
.599	1.460	.00000	-.01000	.40260	.05950	.01560	.00030	-.00100	-.00160	.39280	.08960
.599	2.060	.00000	-.01000	.40330	.05930	.01580	.00040	-.00090	-.00170	.39350	.08970
.599	2.660	.00000	-.01000	.40040	.05960	.01610	.00060	-.00080	-.00160	.39060	.08950
.599	3.460	.00000	-.01000	.39630	.06070	.01630	.00080	-.00090	-.00170	.38660	.08870
.599	4.460	.00000	-.01000	.39590	.06070	.01630	.00040	-.00100	-.00170	.38610	.08890
.600	5.590	.00000	.00000	.39230	.06000	.01670	.00080	-.00090	-.00170	.38250	.08850
.599	6.840	.00000	.00000	.39230	.05990	.01690	.00030	-.00090	-.00170	.38250	.08870
.601	8.090	.00000	.00000	.38930	.05900	.01720	.00030	-.00090	-.00170	.37960	.08820
.599	9.340	.00000	.00000	.39180	.05940	.01740	.00030	-.00090	-.00170	.38200	.08880
.602	10.580	.00000	.00000	.38940	.05810	.01790	.00000	-.00090	-.00150	.37960	.08890
.601	11.810	.00000	.00000	.38990	.05830	.01790	.00000	-.00090	-.00150	.38010	.08880
.598	13.050	.00000	.00000	.39030	.05780	.01820	.00040	-.00070	-.00160	.38050	.08900
.601	14.290	.00000	.00000	.38900	.05760	.01820	.00000	-.00090	-.00150	.37910	.08900
.599	15.520	.00000	.00000	.39080	.05740	.01850	.00000	-.00090	-.00150	.38090	.08940
.598	16.750	.00000	.00000	.39050	.05690	.01880	.00090	-.00080	-.00150	.38050	.08950
.597	17.990	.00000	.00000	.39270	.05700	.01850	.00000	-.00090	-.00140	.38280	.08960
.597	19.230	.00000	.00000	.39390	.05650	.01910	-.00020	-.00090	-.00140	.38390	.09030
.598	20.460	.00000	.00000	.39310	.05590	.01910	.00000	-.00090	-.00140	.38310	.09020
.600	21.690	.00000	.01000	.39330	.05610	.01890	-.00030	-.00090	-.00130	.38340	.09000
.598	22.930	.00000	.01000	.39550	.05570	.01970	-.00040	-.00100	-.00130	.38540	.09100
.601	24.160	.00000	.01000	.39350	.05500	.02000	-.00050	-.00100	-.00130	.38330	.09100
.600	25.390	.00000	.01000	.39710	.05550	.01960	.00040	-.00090	-.00130	.38700	.09110
.601	26.630	.00000	.01000	.39700	.05470	.02000	-.00090	-.00100	-.00130	.38689	.09160
.599	27.860	.00000	.01000	.39760	.05500	.02000	-.00060	-.00100	-.00130	.38740	.09140
.600	29.100	.00000	.01000	.39950	.05500	.01990	-.00040	-.00100	-.00120	.38930	.09160
.602	30.340	.00000	.01000	.39920	.05420	.01990	-.00070	-.00090	-.00120	.38900	.09170
.602	31.570	.00000	.01000	.39900	.05390	.02030	-.00060	-.00090	-.00120	.38880	.09180
.600	32.800	.00000	.01000	.40120	.05400	.02030	-.00010	-.00080	-.00120	.39100	.09230
.601	34.040	.00000	.01000	.40170	.05360	.02040	-.00070	-.00090	-.00120	.39140	.09230
.601	35.280	.00000	.01000	.39910	.05320	.02070	-.00200	-.00110	-.00090	.38880	.09210
.599	36.510	.00000	.01000	.40430	.05330	.02070	-.00170	-.00100	-.00080	.39400	.09310
.601	37.740	.00000	.01000	.40460	.05330	.02000	-.00050	-.00090	-.00100	.39440	.09240
.602	38.980	.00000	.01000	.40150	.05280	.02060	-.00220	-.00110	-.00090	.39130	.09240
.600	40.220	.00000	.01000	.40240	.05260	.02090	-.00120	-.00100	-.00100	.39210	.09280
.598	41.450	.00000	.01000	.40570	.05240	.02100	.00030	-.00070	-.00110	.39530	.09350
.600	42.690	.00000	.01000	.40440	.05230	.02050	-.00200	-.00100	-.00100	.39420	.09260
.602	43.920	.00000	.01000	.40400	.05200	.02010	-.00080	-.00090	-.00080	.39380	.09210
.599	45.150	.00000	.01000	.40550	.05170	.02090	-.00150	-.00090	-.00060	.39520	.09330
.598	46.390	.00000	.01000	.40930	.05210	.02100	-.00210	-.00100	-.00070	.39890	.09400
.601	47.630	.00000	.01000	.40790	.05180	.02080	-.00070	-.00080	-.00070	.39760	.09360
.598	48.860	.00000	.01000	.40630	.05090	.02140	-.00270	-.00110	-.00050	.39590	.09360
.599	50.090	.00000	.01000	.41210	.05170	.02060	-.00380	-.00120	-.00040	.40170	.09400

DATE 22 MAR 76

CA-26 FORCE SOURCE DATA TABULATION

PAGE 79

LTV44-559(CA26) 747/1 ATY 02 S1 (ORBITER DATA)

(AFED73) ( 18 NOV 75 )

## REFERENCE DATA

SREF = 2690.0000 SQ.FT. XMRP = 1109.0000 IN. XO  
 LREF = 474.8100 IN. YMRP = .0000 IN. YO  
 BREF = 936.6800 IN. ZMRP = 375.0000 IN. ZO  
 SCALE = .0125

## PARAMETRIC DATA

ALPHAC = 2.000 BETAC = .000  
 STAB = 5.000 ELEVON = .000  
 BDFLAP = 5.000 DX = .000  
 DY = .000 IORB = 0.000  
 BETA0 = .000 RUDDER = .000

RUN NO. 547 0 RN/L = .00 GRADIENT INTERVAL = -5.00/ 5.00

MACH	DZ	DY	DX	CN	CLM	CA	CY	CYN	CBL	CL	CD
.599	51.330	.00000	.01000	.40780	.05020	.02120	-.00190	-.00100	-.00040	.39750	.09350
.599	52.570	.00000	.02000	.40640	.04990	.02160	-.00010	-.00070	-.00080	.39600	.09360
.602	53.800	.00000	.01000	.40370	.04930	.02140	-.00230	-.00090	-.00050	.39340	.09310
.601	55.040	.00000	.01000	.40370	.04860	.02200	-.00530	-.00140	.00000	.39330	.09350
.601	56.270	.00000	.02000	.40380	.04800	.02190	-.00340	-.00120	.00000	.39340	.09350
.599	57.500	.00000	.02000	.40960	.04830	.02190	-.00330	-.00120	-.00040	.39920	.09440
.599	58.120	.00000	.02000	.40710	.04810	.02220	-.00230	-.00110	-.00050	.39660	.09440
	GRADIENT	.00000	-.00000	-.00274	.00052	.00025	.00006	-.00001	-.00003	-.00273	-.00032

LTV44-559(CA26) 747/1 ATY 02 S1 (ORBITER DATA)

(AFE074) ( 18 NOV 75 )

REFERENCE DATA

SREF = 2690.0000 SQ.FT. XMRP = 1109.0000 IN. XO  
 LREF = 474.8100 IN. YMRP = .0000 IN. YO  
 BREF = 936.6800 IN. ZMRP = 375.0000 IN. ZO  
 SCALE = .0125

PARAMETRIC DATA

ALPHAC = 2.000 BETAC = .000  
 STAB = 5.000 ELEVON = .000  
 BDFLAP = .000 DX = .000  
 DY = .000 TORB = 4.000  
 BETAO = .000 RUDDER = .000

RUN NO. 55/ 0 RN/L = .60 GRADIENT INTERVAL = -5.00/ 5.00

MACH	DZ	DY	DX	CN	CLM	CA	CY	CYN	CBL	CL	CD
.602	1.460	.00000	.02000	.15880	.05460	.04210	-.00340	-.00110	-.00080	.15290	.06000
.602	2.060	.00000	.01000	.15830	.05490	.04200	-.00270	-.00100	-.00080	.15240	.05980
.601	2.660	.00000	.01000	.16000	.05510	.04220	-.00240	-.00100	-.00090	.15410	.06020
.602	3.360	.00000	.01000	.15930	.05440	.04270	-.00300	-.00110	-.00080	.15340	.06060
.602	4.160	.00000	.01000	.15910	.05370	.04260	-.00280	-.00100	-.00080	.15320	.06040
.602	4.960	.00000	.01000	.16040	.05240	.04300	-.00250	-.00090	-.00080	.15440	.06100
.602	6.960	.00000	.01000	.15840	.05200	.04330	-.00350	-.00100	-.00080	.15250	.06090
.602	8.960	.00000	.01000	.16100	.05140	.04320	-.00310	-.00100	-.00070	.15500	.06120
.601	10.460	.00000	.01000	.16650	.05040	.04310	-.00270	-.00090	-.00070	.16050	.06180
.601	11.460	.00000	.01000	.16740	.04980	.04360	-.00270	-.00090	-.00080	.16130	.06240
.601	12.450	.00000	.01000	.16790	.04990	.04370	-.00320	-.00100	-.00070	.16190	.06250
.602	13.450	.00000	.01000	.16930	.04940	.04360	-.00250	-.00090	-.00080	.16330	.06260
.602	14.440	.00000	.01000	.16960	.04940	.04410	-.00270	-.00100	-.00080	.16350	.06300
.602	15.440	.00000	.01000	.17090	.04870	.04380	-.00300	-.00090	-.00070	.16480	.06280
.601	16.430	.00000	.01000	.17220	.04890	.04410	-.00310	-.00100	-.00070	.16610	.06340
.601	17.430	.00000	.01000	.17309	.04860	.04430	-.00270	-.00100	-.00070	.16680	.06360
.601	18.420	.00000	.01000	.17400	.04810	.04430	-.00290	-.00100	-.00070	.16780	.06370
.603	19.420	.00000	.01000	.17470	.04770	.04480	-.00450	-.00120	-.00050	.16860	.06420
.602	20.410	.00000	.01000	.17820	.04690	.04420	-.00320	-.00090	-.00070	.17210	.06400
.602	21.410	.00000	.01000	.17800	.04770	.04450	-.00300	-.00090	-.00070	.17180	.06430
.601	22.390	.00000	.01000	.18020	.04750	.04480	-.00270	-.00080	-.00080	.17400	.06480
.602	23.390	.00000	.01000	.17980	.04720	.04440	-.00370	-.00090	-.00070	.17370	.06440
.602	24.390	.00000	.01000	.18160	.04740	.04470	-.00390	-.00100	-.00070	.17540	.06480
.600	25.380	.00000	.01000	.18410	.04790	.04490	-.00260	-.00090	-.00070	.17780	.06530
.602	26.380	.00000	.01000	.18250	.04710	.04500	-.00400	-.00100	-.00050	.17630	.06520
.601	27.370	.00000	.01000	.18450	.04720	.04470	-.00420	-.00100	-.00070	.17830	.06520
.600	28.370	.00000	.01000	.18320	.04640	.04530	-.00340	-.00100	-.00050	.17690	.06560
.601	29.360	.00000	.01000	.18710	.04710	.04520	-.00410	-.00100	-.00070	.18090	.06590
.601	30.360	.00000	.01000	.18620	.04620	.04520	-.00360	-.00100	-.00050	.18000	.06570
.602	31.350	.00000	.01000	.18650	.04610	.04520	-.00300	-.00090	-.00050	.18030	.06580
.603	32.350	.00000	.01000	.18720	.04610	.04510	-.00340	-.00100	-.00060	.18100	.06580
.602	33.340	.00000	.01000	.18920	.04610	.04570	-.00360	-.00100	-.00050	.18290	.06660
.601	34.340	.00000	.01000	.18950	.04600	.04580	-.00430	-.00110	-.00050	.18320	.06670
.602	35.340	.00000	.01000	.18910	.04560	.04560	-.00420	-.00110	-.00050	.18280	.06640
.602	36.330	.00000	.01000	.18950	.04530	.04580	-.00300	-.00090	-.00040	.18320	.06670
.601	37.320	.00000	.01000	.19340	.04580	.04590	-.00450	-.00110	-.00020	.18710	.06710
.602	38.320	.00000	.01000	.19370	.04560	.04560	-.00330	-.00100	-.00030	.18740	.06700
.601	39.310	.00000	.01000	.19370	.04540	.04590	-.00320	-.00090	-.00040	.18740	.06720
.601	40.310	.00000	.01000	.19210	.04510	.04620	-.00430	-.00100	-.00040	.18570	.06720
.603	41.310	.00000	.01000	.19510	.04520	.04560	-.00450	-.00100	-.00030	.18880	.06690
.601	42.300	.00000	.01000	.19620	.04520	.04600	-.00440	-.00110	.00000	.18990	.06750
.601	43.290	.00000	.01000	.19690	.04500	.04610	-.00390	-.00100	-.00020	.19060	.06770

DATE 22 MAR 76

CA-26 FORCE SOURCE DATA TABULATION

PAGE 81

LTV44-559(CA26) 747/1 ATY 02 S1 (ORBITER DATA)

(AFE074) ( 18 NOV 75 )

REFERENCE DATA

SREF = 2690.0000 SQ.FT. XMRP = 1109.0000 IN. XO  
LREF = 474.8100 IN. YMRP = .0000 IN. YO  
BREF = 936.6800 IN. ZMRP = 375.0000 IN. ZO  
SCALE = .0125

PARAMETRIC DATA

ALPHAC = 2.000 BETAC = .000  
STAB = 5.000 ELEVON = .000  
BDFLAP = .000 DX = .000  
DY = .000 TORB = 4.000  
BETAO = .000 RUDDER = .000

RUN NO. 55/ G RN/L = .00 GRADIENT INTERVAL = -5.00/ 5.00

MACH	DZ	DY	DX	CN	CLM	CA	CY	CYN	CBL	CL	CD
.600	44.290	.00000	.01000	.19550	.04460	.04640	-.00280	-.00070	-.00050	.18920	.06770
.603	44.790	.00000	.01000	.19590	.04420	.04660	-.00410	-.00100	.00000	.18950	.06790
	GRADIENT	.00000	-.00192	.00039	-.03065	.00028	.00014	.00004	.00001	.00037	.00029

LTV44-559(CA26) 747/1 ATY Q2 S1 (ORBITER DATA)

(AFE075) ( 18 NOV 75 )

## REFERENCE DATA

SREF = 2E90.0000 SQ.FT. XMRP = 1109.0000 IN. XO  
 LREF = 474.8100 IN. YMRP = .0000 IN. YO  
 BREF = 936.6800 IN. ZMRP = 375.0000 IN. ZO  
 SCALE = .0125

## PARAMETRIC DATA

ALPHAC = 2.000 BETAC = .000  
 STAB = 5.000 ELEVON = .000  
 BDFLAP = .000 DX = .000  
 OY = .000 LORB = 6.000  
 BETA0 = .000 RUDDER = .000

RUN NO. 1055/ 0 RN/L = .00 GRADIENT INTERVAL = -5.00/ 5.00

MACH	DZ	DY	DX	CN	CLM	CA	CY	CYN	CBL	CL	CD
.603	1.470	.00000	.00000	.27600	.06160	.03000	-.00070	-.00090	-.00140	.26850	.07080
.601	2.070	.00000	.00000	.27330	.05140	.03020	-.00150	-.00100	-.00150	.26580	.07070
.602	2.670	.00000	.00000	.27080	.05090	.03030	-.00150	-.00100	-.00160	.26320	.07030
.601	3.370	.00000	.00000	.26980	.05380	.03060	-.00180	-.00100	-.00160	.26220	.07060
.602	4.170	.00000	.01000	.27120	.05970	.03030	-.00100	-.00100	-.00160	.26370	.07040
.600	4.960	.00000	.00000	.27200	.05990	.03050	-.00150	-.00100	-.00160	.26440	.07060
.601	5.870	.00000	.01000	.27430	.05780	.03120	-.00170	-.00090	-.00160	.26660	.07160
.602	6.970	.00000	.00000	.27090	.05710	.03130	-.00180	-.00090	-.00150	.26330	.07120
.601	10.600	.00000	.01000	.27580	.05680	.03160	-.00180	-.00090	-.00150	.26800	.07220
.602	11.880	.00000	.00000	.27510	.05640	.03130	-.00110	-.00090	-.00140	.26750	.07180
.602	13.160	.00000	.00000	.27500	.05570	.03160	-.00220	-.00110	-.00140	.26730	.07200
.601	14.440	.00000	.01000	.27860	.05580	.03210	-.00180	-.00090	-.00140	.27070	.07300
.600	15.710	.00000	.00000	.27910	.05520	.03250	-.00190	-.00090	-.00140	.27020	.07330
.601	16.990	.00000	.00000	.27990	.05520	.03220	-.00140	-.00090	-.00140	.27200	.07320
.601	18.270	.00000	.00000	.28000	.05470	.03220	-.00180	-.00090	-.00140	.27220	.07330
.600	19.540	.00000	.00000	.28010	.05460	.03240	-.00210	-.00100	-.00130	.27230	.07340
.599	20.820	.00000	.00000	.28150	.05430	.03290	-.00200	-.00100	-.00130	.27350	.07410
.600	22.090	.00000	.01000	.28390	.05410	.03270	-.00180	-.00090	-.00130	.27510	.07390
.601	23.360	.00000	.01000	.28350	.05430	.03250	-.00150	-.00090	-.00140	.27570	.07390
.603	24.650	.00000	.01000	.28420	.05400	.03260	-.00230	-.00100	-.00130	.27630	.07400
.603	25.920	.00000	.01000	.28430	.05360	.03280	-.00220	-.00100	-.00120	.27640	.07420
.602	27.200	.00000	.01000	.28780	.05370	.03300	-.00340	-.00110	-.00120	.27990	.07480
.602	28.470	.00000	.01000	.28670	.05370	.03300	-.00180	-.00090	-.00130	.28070	.07510
.602	29.750	.00000	.01000	.28780	.05330	.03300	-.00150	-.00080	-.00130	.27980	.07490
.602	31.030	.00000	.01000	.28830	.05290	.03340	-.00230	-.00090	-.00120	.28020	.07540
.599	32.300	.00000	.01000	.28900	.05240	.03380	-.00290	-.00100	-.00100	.28100	.07580
.600	33.580	.00000	.01000	.29210	.05290	.03340	-.00220	-.00090	-.00110	.28400	.07590
.600	34.850	.00000	.01000	.29190	.05230	.03360	-.00380	-.00100	-.00110	.28390	.07600
.604	36.130	.00000	.01000	.28910	.05170	.03350	-.00410	-.00100	-.00100	.28110	.07540
.603	37.410	.00000	.01000	.29040	.05180	.03360	-.00200	-.00090	-.00100	.28240	.07570
.600	38.690	.00000	.01000	.29330	.05160	.03420	-.00260	-.00090	-.00100	.28520	.07660
.599	39.960	.00000	.01000	.29430	.05150	.03390	-.00320	-.00100	-.00080	.28620	.07640
.600	41.240	.00000	.01000	.29420	.05110	.03420	-.00300	-.00100	-.00080	.28610	.07670
.603	42.520	.00000	.01000	.29080	.05030	.03440	-.00210	-.00090	-.00090	.28250	.07640
.602	43.790	.00000	.01000	.29280	.04990	.03500	-.00330	-.00110	-.00090	.28470	.07710
.603	45.070	.00000	.01000	.29480	.05040	.03450	-.00310	-.00090	-.00080	.28660	.07700
.601	46.340	.00000	.01000	.30040	.05040	.03420	-.00420	-.00110	-.00050	.29220	.07760
.603	47.620	.00000	.01000	.29530	.04970	.03460	-.00430	-.00110	-.00050	.28710	.07710
.600	48.900	.00000	.01000	.29730	.04950	.03490	-.00290	-.00080	-.00070	.28910	.07770
.601	50.180	.00000	.01000	.29940	.05020	.03440	-.00340	-.00080	-.00080	.29030	.07720
.602	51.460	.00000	.01000	.29600	.04970	.03430	-.00380	-.00100	-.00050	.28790	.07670
GRADIENT		.00000	.00123	-.00103	-.00059	.00012	-.00010	-.00002	-.00005	-.00105	-.00006



LTV44-559(CA26) 747/1 ATY 02 S1 (ORBITER DATA)

(AFE076) ( 18 NOV 75 )

## REFERENCE DATA

SREF = 2690.0000 SQ.FT. XMRP = 1109.0000 IN. XO  
 LREF = 474.8100 IN. YMRP = .0000 IN. YO  
 BREF = 936.6800 IN. ZMRP = 375.0000 IN. ZO  
 SCALE = .0125

## PARAMETRIC DATA

ALPHAC = 2.000 BETAC = .000  
 STAB = 5.000 ELEVON = .000  
 BOFLAP = .000 DX = .000  
 DY = .000 TORB = 8.000  
 BETA0 = .000 RUDDER = .000

RUN NO. 56/ 0 RN/L = .00 GRADIENT INTERVAL = -5.00/ 5.00

MACH	DZ	DY	DX	CN	CLM	CA	CY	CYN	CBL	CL	CD
.599	1.460	.00000	-.01000	.38330	.07030	.01660	.00000	-.00090	-.00170	.37370	.08690
.599	2.060	.00000	-.01000	.38360	.07040	.01680	-.00070	-.00090	-.00160	.37390	.08720
.599	2.660	.00000	-.01000	.38250	.07070	.01650	-.00070	-.00080	-.00170	.37290	.08670
.598	3.460	.00000	-.01000	.37940	.07070	.01710	-.00050	-.00090	-.00170	.36980	.08670
.598	4.460	.00000	.00000	.37890	.07070	.01710	-.00030	-.00090	-.00170	.36930	.08640
.599	5.590	.00000	.00000	.37590	.06930	.01750	-.00040	-.00100	-.00170	.36630	.08610
.600	6.840	.00000	.00000	.37490	.06900	.01780	-.00020	-.00090	-.00170	.36520	.08630
.598	8.090	.00000	.00000	.37750	.06890	.01800	.00000	-.00080	-.00170	.36780	.08680
.598	9.340	.00000	.00000	.37510	.06820	.01820	-.00080	-.00090	-.00160	.36540	.08670
.596	10.580	.00000	.00000	.37960	.06820	.01840	-.00080	-.00090	-.00170	.36980	.08760
.599	11.810	.00000	.00000	.37450	.06720	.01830	.00010	-.00080	-.00160	.36480	.08650
.599	13.050	.00000	.00000	.37500	.06670	.01870	-.00020	-.00080	-.00150	.36530	.08690
.597	14.290	.00000	.00000	.37900	.06660	.01910	-.00110	-.00080	-.00150	.36910	.08800
.599	15.520	.00000	.00000	.37820	.06650	.01900	-.00070	-.00090	-.00160	.36830	.08780
.599	16.750	.00000	.00000	.37700	.06600	.01910	-.00070	-.00090	-.00160	.36720	.08760
.599	17.990	.00000	.00000	.37930	.06560	.01910	-.00050	-.00080	-.00160	.36950	.08800
.600	19.230	.00000	.00000	.38010	.06550	.01950	-.00100	-.00090	-.00150	.37020	.08860
.600	20.460	.00000	.00000	.38040	.06490	.01950	-.00050	-.00080	-.00150	.37050	.08840
.599	21.690	.00000	.00000	.38080	.06470	.01960	-.00050	-.00080	-.00150	.37090	.08830
.598	22.930	.00000	.01000	.39210	.06470	.01930	-.00100	-.00080	-.00140	.37210	.08910
.598	24.160	.00000	.01000	.38420	.06440	.02010	-.00030	-.00070	-.00150	.37420	.08960
.600	25.390	.00000	.01000	.38160	.06410	.02020	-.00060	-.00090	-.00130	.37160	.08920
.599	26.630	.00000	.01000	.38440	.06410	.02030	-.00030	-.00080	-.00140	.37440	.08950
.600	27.860	.00000	.01000	.39420	.06390	.01930	-.00040	-.00080	-.00130	.37420	.08920
.601	29.100	.00000	.01000	.38300	.06320	.02020	-.00130	-.00090	-.00120	.37300	.08920
.599	30.340	.00000	.01000	.38510	.06330	.02040	-.00040	-.00080	-.00130	.37500	.08960
.598	31.570	.00000	.01000	.38460	.06280	.02070	-.00140	-.00100	-.00110	.37460	.08980
.598	32.800	.00000	.01000	.38340	.06180	.02120	-.00180	-.00100	-.00100	.37330	.09020
.599	34.040	.00000	.01000	.38530	.06250	.02040	-.00170	-.00100	-.00110	.37630	.09000
.598	35.280	.00000	.01000	.38920	.06220	.02060	-.00090	-.00080	-.00110	.37910	.09060
.600	36.510	.00000	.01000	.38720	.06160	.02080	-.00130	-.00080	-.00110	.37710	.09020
.599	37.740	.00000	.01000	.39010	.06140	.02090	-.00200	-.00090	-.00100	.37990	.09090
.599	38.980	.00000	.01000	.39000	.06130	.02110	-.00210	-.00080	-.00090	.37980	.09110
.599	40.220	.00000	.01000	.38790	.06110	.02110	-.00160	-.00090	-.00110	.37780	.09050
.599	41.450	.00000	.01000	.39080	.06140	.02080	-.00060	-.00060	-.00110	.38070	.09080
.600	42.690	.00000	.01000	.38280	.06060	.02110	-.00230	-.00090	-.00090	.37960	.09080
.600	43.920	.00000	.01000	.38990	.05980	.02120	-.00310	-.00090	-.00070	.37970	.09100
.599	45.150	.00000	.01000	.39140	.05980	.02160	-.00120	-.00070	-.00080	.38110	.09140
.600	46.390	.00000	.01000	.39080	.05970	.02130	-.00250	-.00090	-.00070	.38070	.09110
.600	47.630	.00000	.01000	.39150	.05960	.02140	-.00300	-.00090	-.00050	.38130	.09120
.598	48.860	.00000	.02000	.39300	.05960	.02210	-.00370	-.00090	-.00050	.38270	.09210
.600	50.090	.00000	.02000	.39400	.05970	.02150	-.00250	-.00090	-.00050	.38380	.09170

ORIGINAL PAGE IS  
 OF POOR QUALITY

DATE 22 MAR 76

CA-26 FORCE SOURCE DATA TABULATION

PAGE 84

LTV44-559(CA26) 747/1 ATY 02 S1 (ORBITER DATA)

(AFE076) ( 18 NOV 75 )

## REFERENCE DATA

SREF = 2690.0000 SQ.FT. XMRP = 1109.0000 IN. XO  
 LREF = 474.8100 IN. YMRP = .0000 IN. YO  
 BREF = 936.6800 IN. ZMRP = 375.0000 IN. ZO  
 SCALE = .0125

## PARAMETRIC DATA

ALPHAC = 2.000 BETAC = .000  
 STAB = 5.000 ELEVON = .000  
 BDFLAP = .000 DX = .000  
 DY = .000 IORB = 8.000  
 BETAO = .000 RUDDER = .000

RUN NO. 56/ 0 RN/L = .00 GRADIENT INTERVAL = -5.00/ 5.00

MACH	OZ	DY	DX	CN	CLM	CA	CY	CYN	CBL	CL	CD
.598	51.330	.00000	.01000	.39510	.05890	.02140	-.00310	-.00110	-.00050	.38490	.09170
.599	52.570	.00000	.02000	.39200	.05850	.02190	-.00340	-.00100	-.00040	.38180	.09160
.598	53.800	.00000	.02000	.39360	.05830	.02200	-.00220	-.00080	-.00040	.38330	.09180
.602	55.040	.00000	.02000	.39210	.05770	.02120	-.00250	-.00090	-.00050	.38200	.09100
.598	56.270	.00000	.02000	.39570	.05770	.02210	-.00260	-.00100	-.00050	.38550	.09220
.601	57.500	.00000	.02000	.39220	.05740	.02190	-.00260	-.00090	-.00030	.38200	.09130
.596	58.120	.00000	.02000	.39950	.05770	.02200	-.00250	-.00100	-.00030	.38920	.09300
	GRADIENT	.00000	.00295	-.00177	.00014	.00018	-.00003	-.00000	-.00001	-.00175	-.00021

LTV44-559(CA26) 747/1 ATY 02 S1 (ORBITER DATA)

(AFE077) ( 18 NOV 75 )

## REFERENCE DATA

SREF = 2690.0000 SQ.FT. XMRP = 1109.0000 IN. XO  
 LREF = 474.8100 IN. YMRP = .0000 IN. YO  
 BREF = 936.6800 IN. ZMRP = 375.0000 IN. ZO  
 SCALE = .0125

## PARAMETRIC DATA

ALPHAC = 2.000 BETAC = .000  
 STAB = 5.000 ELEVON = 10.000  
 BDFLAP = .000 DX = .000  
 DY = .000 IORB = 6.000  
 BETAO = .000 RUDDER = .000

RUN NO. 57/ 0 RN/L = .00 GRADIENT INTERVAL = -5.00/ 5.00

MACH	DZ	DY	DX	CN	CLM	CA	CY	CYN	CBL	CL	CD
.602	1.460	.00000	-.03000	.44250	-.00980	.03840	-.00060	-.00060	-.00150	.43150	.10510
.601	2.060	.00000	-.02000	.44270	-.00970	.03870	-.00060	-.00070	-.00150	.43170	.10530
.603	2.660	.00000	-.02000	.44010	-.01050	.03900	-.00040	-.00060	-.00150	.42910	.10510
.604	3.360	.00000	-.02000	.44070	-.01160	.03910	-.00070	-.00070	-.00140	.42970	.10520
.602	4.160	.00000	-.02000	.44040	-.01260	.03920	-.00010	-.00070	-.00150	.42940	.10530
.602	4.960	.00000	-.02000	.44310	-.01480	.03950	-.00090	-.00070	-.00140	.43210	.10580
.603	5.960	.00000	-.02000	.44350	-.01440	.03930	-.00060	-.00070	-.00150	.43250	.10570
.603	6.960	.00000	-.01000	.44360	-.01560	.03960	-.00090	-.00060	-.00140	.43260	.10590
.603	7.970	.00000	-.01000	.44470	-.01650	.03980	-.00050	-.00060	-.00140	.43360	.10620
.602	8.960	.00000	-.01000	.44750	-.01710	.03970	-.00140	-.00060	-.00130	.43650	.10640
.603	9.960	.00000	-.01000	.44630	-.01910	.04050	-.00160	-.00070	-.00130	.43520	.10690
.604	11.150	.00000	-.01000	.44750	-.01900	.04040	-.00180	-.00070	-.00130	.43550	.10670
.606	12.330	.00000	.00000	.44670	-.01950	.04030	-.00020	-.00060	-.00110	.43560	.10650
.598	13.520	.00000	.00000	.45690	-.02030	.04130	-.00080	-.00060	-.00110	.44550	.10910
.604	14.700	.00000	.00000	.45690	-.02050	.04070	-.00160	-.00060	-.00120	.43960	.10760
.601	15.900	.00000	.00000	.45360	-.02120	.04150	-.00170	-.00060	-.00130	.44240	.10840
.601	17.080	.00000	.00000	.45660	-.02170	.04130	-.00070	-.00040	-.00130	.44540	.10890
.600	18.270	.00000	.00000	.45760	-.02180	.04170	-.00150	-.00060	-.00120	.44640	.10900
.601	19.450	.00000	.00000	.45790	-.02200	.04200	-.00040	-.00060	-.00120	.44650	.10960
.600	20.640	.00000	.00000	.45840	-.02230	.04240	-.00140	-.00060	-.00110	.44710	.10960
.600	21.810	.00000	.01000	.46100	-.02230	.04200	-.00090	-.00060	-.00110	.44970	.10990
.601	23.000	.00000	.01000	.45950	-.02310	.04260	-.00150	-.00070	-.00120	.44820	.11000
.602	24.190	.00000	.01000	.45920	-.02360	.04280	-.00150	-.00070	-.00110	.44780	.11030
.602	25.370	.00000	.01000	.46300	-.02330	.04280	-.00170	-.00070	-.00120	.44660	.11060
.601	26.560	.00000	.01000	.46300	-.02340	.04280	-.00120	-.00060	-.00110	.44670	.11060
.602	27.740	.00000	.01000	.46130	-.02370	.04340	-.00220	-.00070	-.00100	.44990	.11080
.603	28.930	.00000	.01000	.46510	-.02400	.04300	-.00140	-.00070	-.00110	.44370	.11090
.598	30.110	.00000	.01000	.47120	-.02460	.04400	-.00230	-.00080	-.00110	.45960	.11290
.602	31.310	.00000	.01000	.46710	-.02460	.04340	-.00180	-.00070	-.00100	.45560	.11170
.602	32.490	.00000	.01000	.46560	-.02500	.04370	-.00240	-.00070	-.00070	.45410	.11150
.601	33.680	.00000	.01000	.46670	-.02520	.04420	-.00200	-.00070	-.00070	.45510	.11230
.600	34.850	.00000	.01000	.47010	-.02480	.04380	-.00260	-.00070	-.00090	.45670	.11210
.604	36.050	.00000	.01000	.46780	-.02440	.04310	-.00210	-.00060	-.00090	.45640	.11120
.602	37.230	.00000	.01000	.46950	-.02510	.04370	-.00220	-.00090	-.00050	.45810	.11200
.602	38.420	.00000	.01000	.47160	-.02480	.04370	-.00190	-.00060	-.00070	.45910	.11210
.602	39.610	.00000	.02000	.47390	-.02520	.04400	-.00250	-.00070	-.00080	.46220	.11290
.602	40.790	.00000	.01000	.47240	-.02520	.04440	-.00150	-.00060	-.00090	.46090	.11260
.601	41.980	.00000	.02000	.47410	-.02530	.04390	-.00140	-.00050	-.00090	.46260	.11240
.602	43.160	.00000	.02000	.47290	-.02590	.04370	-.00310	-.00070	-.00070	.46150	.11200
.603	44.350	.00000	.02000	.46950	-.02590	.04410	-.00220	-.00050	-.00060	.45900	.11210
.601	45.530	.00000	.02000	.47460	-.02650	.04470	-.00170	-.00050	-.00070	.46310	.11320
.600	46.720	.00000	.02000	.47700	-.02660	.04500	-.00290	-.00070	-.00060	.46530	.11410

LTV44-559(CA26) 747(1) ATY 02 S1 (ORBITER DATA)

(AFE077) ( 18 NOV 75 )

## REFERENCE DATA

SREF = 2690.0000 SQ.FT. XMRP = 1109.0000 IN. XO  
 LREF = 474.8100 IN. YMRP = .0000 IN. YO  
 BREF = 936.6800 IN. ZMRP = 375.0000 IN. ZO  
 SCALE = .0125

## PARAMETRIC DATA

ALPHAC = 2.000 BETAC = .000  
 STAB = 5.000 ELEVON = 10.000  
 BDFLAP = .000 OX = .000  
 DY = .000 TORB = 6.000  
 BETAO = .000 RUDDER = .000

RUN NO. 57/ 0 RN/L = .00 GRADIENT INTERVAL = -5.00/ 5.00

MACH	DZ	DY	DX	CN	CLM	CA	CY	CYN	CBL	CL	CD
.601	47.910	.00000	.02000	.47470	-.02690	.04460	-.00190	-.00050	-.00060	.46320	.11320
.601	49.090	.00000	.02000	.47140	-.02770	.04490	-.00300	-.00070	-.00050	.46000	.11260
.602	50.280	.00000	.02000	.47060	-.02810	.04540	-.00170	-.00050	-.00060	.45910	.11320
.605	51.460	.00000	.02000	.47640	-.02680	.04400	-.00340	-.00080	-.00060	.46500	.11260
	GRADIENT	.00000	.00192	-.00008	-.00144	.00029	-.00002	-.00002	.00002	-.00008	.00015

LTV44-559(CA26) 747/1 ATY 02 S1 (ORBITER DATA)

(AFE078) ( 18 NOV 75 )

## REFERENCE DATA

SREF = 2690.0000 SQ.FT. XMRP = 1109.0000 IN. XO  
 LREF = 474.8100 IN. YMRP = .0000 IN. YO  
 BREF = 936.6800 IN. ZMRP = 375.0000 IN. ZO  
 SCALE = .0125

## PARAMETRIC DATA

ALPHAC = 2.000 BETAC = .000  
 STAB = 5.000 ELEVON = 5.000  
 AILRON = -5.000 DX = .000  
 DY = .000 TORB = 6.000  
 BETAO = .000 DPHI = .000

RUN NO. 58/ 0 RN/L = .00 GRADIENT INTERVAL = -5.00/ 5.00

MACH	DZ	DY	DX	CN	CLM	CA	CY	CYN	CBL	CL	CD
.599	1.460	.00000	-.01000	.36150	.02620	.03470	.01480	-.00280	-.02120	.35220	.08850
.594	2.060	.00000	-.01000	.36770	.02670	.03530	.01430	-.00300	-.02160	.35830	.09020
.598	2.660	.00000	-.01000	.35990	.02600	.03510	.01440	-.00290	-.02140	.35050	.08870
.600	3.360	.00000	-.01000	.35900	.02500	.03480	.01520	-.00290	-.02150	.34970	.08840
.597	4.160	.00000	-.01000	.36040	.02490	.03550	.01500	-.00290	-.02160	.35100	.08900
.598	4.960	.00000	-.01000	.35890	.02280	.03560	.01480	-.00300	-.02140	.34940	.08880
.597	5.960	.00000	-.01000	.35820	.02290	.03570	.01420	-.00300	-.02150	.34950	.08880
.599	6.960	.00000	-.01000	.35690	.02210	.03580	.01510	-.00300	-.02140	.34750	.08870
.597	7.970	.00000	.00000	.36030	.02170	.03600	.01500	-.00300	-.02150	.35080	.08950
.598	8.960	.00000	.00000	.35990	.02090	.03570	.01500	-.00290	-.02130	.35050	.08900
.599	9.960	.00000	.00000	.36430	.02000	.03600	.01610	-.00290	-.02140	.35480	.08990
.599	11.150	.00000	.00000	.36180	.01960	.03640	.01490	-.00290	-.02140	.35240	.08970
.600	12.330	.00000	.00000	.36280	.01930	.03640	.01580	-.00290	-.02140	.35340	.08980
.595	13.520	.00000	.00000	.36780	.01890	.03720	.01560	-.00300	-.02150	.35820	.09140
.599	14.700	.00000	.00000	.36460	.01830	.03680	.01540	-.00290	-.02140	.35510	.09050
.597	15.900	.00000	.00000	.36650	.01810	.03710	.01620	-.00290	-.02140	.35890	.09130
.599	17.080	.00000	.00000	.35570	.01780	.03710	.01430	-.00300	-.02130	.35620	.09070
.598	18.270	.00000	.00000	.36920	.01740	.03750	.01540	-.00300	-.02130	.35860	.09150
.600	19.450	.00000	.00000	.36830	.01740	.03740	.01600	-.00280	-.02130	.35870	.09150
.596	20.640	.00000	.00000	.37280	.01710	.03800	.01650	-.00290	-.02140	.36310	.09280
.599	21.810	.00000	.01000	.36870	.01660	.03770	.01510	-.00290	-.02130	.35920	.09160
.599	23.000	.00000	.01000	.36940	.01640	.03770	.01490	-.00290	-.02130	.35980	.09170
.597	24.190	.00000	.01000	.37420	.01640	.03840	.01610	-.00290	-.02120	.36440	.09310
.597	25.370	.00000	.01000	.37310	.01610	.03850	.01480	-.00300	-.02120	.36340	.09300
.599	26.560	.00000	.01000	.37020	.01580	.03840	.01470	-.00300	-.02100	.36120	.09240
.596	27.740	.00000	.01000	.37740	.01560	.03850	.01670	-.00270	-.02130	.36760	.09370
.600	28.930	.00000	.01000	.37210	.01500	.03870	.01480	-.00300	-.02100	.36240	.09290
.599	30.110	.00000	.01000	.37550	.01480	.03870	.01460	-.00300	-.02110	.36570	.09360
.599	31.310	.00000	.01000	.37800	.01550	.03850	.01610	-.00290	-.02120	.36820	.09360
.597	32.490	.00000	.01000	.37990	.01530	.03890	.01490	-.00300	-.02130	.37010	.09400
.600	33.680	.00000	.01000	.37990	.01470	.03860	.01570	-.00290	-.02120	.37010	.09390
.598	34.860	.00000	.01000	.38220	.01500	.03930	.01650	-.00280	-.02140	.37300	.09430
.600	36.050	.00000	.01000	.37830	.01420	.03910	.01500	-.00290	-.02100	.36850	.09400
.599	37.230	.00000	.01000	.37990	.01420	.03900	.01460	-.00300	-.02100	.37010	.09430
.597	38.420	.00000	.01000	.38330	.01420	.03920	.01600	-.00290	-.02110	.37350	.09460
.598	39.610	.00000	.01000	.38130	.01370	.03920	.01360	-.00310	-.02070	.37150	.09430
.598	40.790	.00000	.01000	.38080	.01330	.04000	.01460	-.00300	-.02080	.37100	.09490
.597	41.980	.00000	.01000	.38520	.01350	.03970	.01520	-.00300	-.02090	.37530	.09510
.599	43.160	.00000	.01000	.38120	.01310	.03900	.01380	-.00310	-.02070	.37140	.09450
.598	44.350	.00000	.01000	.38250	.01290	.03960	.01510	-.00290	-.02080	.37270	.09460
.596	45.530	.00000	.01000	.38490	.01280	.04040	.01540	-.00300	-.02080	.37490	.09590
.598	46.720	.00000	.02000	.38490	.01280	.03980	.01330	-.00320	-.02050	.37510	.09520

LTV44-559(CA26) 747/1 ATY 02 S1 (ORBITER DATA)

(AFED7B) ( 18 NOV 75 )

## REFERENCE DATA

SREF = 2690.0000 SQ.FT. XMRP = 1109.0000 IN. XO  
 LREF = 474.8100 IN. YMRP = .0000 IN. YO  
 BREF = 936.6800 IN. ZMRP = 375.0000 IN. ZO  
 SCALE = .0125

## PARAMETRIC DATA

ALPHAC = 2.000 BETAC = .000  
 STAB = 5.000 ELEVON = 5.000  
 AILRON = -5.000 DX = .000  
 DY = .000 IORB = 6.000  
 BETAO = .000 OPHI = .000

RUN NO. 58/ 0 RN/L = .00 GRADIENT INTERVAL = -5.00/ 5.00

MACH	DZ	DY	DX	CN	CLM	CA	CY	CYN	CBL	CL	CD
.597	47.910	.00000	.01000	.38720	.01290	.04010	.01460	-.00290	-.02070	.37730	.09560
.600	49.090	.00000	.02000	.38410	.01230	.04000	.01470	-.00280	-.02060	.37430	.09500
.600	50.280	.00000	.02000	.38700	.01220	.03990	.01510	-.00290	-.02090	.37710	.09550
.598	51.460	.00000	.02000	.39020	.01190	.04030	.01330	-.00320	-.02060	.38030	.09630
	GRADIENT	.00000	.00000	-.00146	-.00097	.00020	.00012	-.00003	-.00004	-.00147	-.00010

LTV44-559(CA26) 747/1 ATY 02 S1 (ORBITER DATA)

(AFE079) ( 29 JAN 76 )

## REFERENCE DATA

SREF = 2690.0000 SQ.FT. XMRP = 1109.0000 IN. XO  
 LREF = 474.8100 IN. YMRP = .0000 IN. YO  
 BREF = 936.6800 IN. ZMRP = 375.0000 IN. ZO  
 SCALE = .0125

## PARAMETRIC DATA

ALPHAC = 2.000 BETAC = .000  
 STAB = 5.000 RUDDER = 10.000  
 ELEVON = 5.000 DX = .000  
 DY = .000 IORB = 6.000  
 BETA0 = .000 DPHI = .000

RUN NO. 59/ 0 RN/L = .00 GRADIENT INTERVAL = -5.00/ 5.00

MACH	DZ	DY	DX	CN	CLM	CA	CY	CYN	CBL	CL	CD
.599	1.460	.00000	-.01000	.35080	.02870	.03160	-.00410	-.00100	-.00140	.34210	.08390
.599	2.060	.00000	-.01000	.34890	.02850	.03160	-.00420	-.00100	-.00140	.34020	.08370
.599	2.660	.00000	-.01000	.34790	.02880	.03180	-.00420	-.00110	-.00140	.33910	.08360
.597	3.360	.00000	-.01000	.35220	.02750	.03210	-.00440	-.00110	-.00150	.34330	.08460
.598	4.160	.00000	-.01000	.35040	.02730	.03210	-.00390	-.00110	-.00160	.34160	.08440
.600	4.960	.00000	-.01000	.35070	.02430	.03220	-.00410	-.00110	-.00140	.34190	.08450
.599	5.960	.00000	.00000	.34970	.02450	.03260	-.00400	-.00110	-.00140	.34090	.08450
.597	6.960	.00000	.00000	.35350	.02450	.03270	-.00340	-.00090	-.00140	.34470	.08520
.598	7.970	.00000	.00000	.35280	.02310	.03250	-.00420	-.00100	-.00130	.34400	.08500
.597	8.960	.00000	.00000	.35540	.02310	.03300	-.00420	-.00110	-.00150	.34640	.08570
.596	9.960	.00000	.00000	.35750	.02170	.03320	-.00410	-.00100	-.00130	.34860	.08630
.599	11.150	.00000	.00000	.35610	.02160	.03300	-.00420	-.00110	-.00140	.34720	.08580
.600	12.330	.00000	.00000	.35570	.02110	.03310	-.00420	-.00100	-.00140	.34670	.08570
.598	13.520	.00000	.00000	.35870	.02140	.03350	-.00410	-.00090	-.00130	.34980	.08650
.599	14.700	.00000	.00000	.35690	.02010	.03360	-.00440	-.00110	-.00140	.34790	.08640
.596	15.900	.00000	.00000	.36100	.02000	.03400	-.00450	-.00100	-.00130	.35190	.08730
.596	17.080	.00000	.00000	.36120	.01970	.03430	-.00450	-.00110	-.00130	.35220	.08750
.599	18.270	.00000	.00000	.36140	.01900	.03410	-.00390	-.00100	-.00120	.35240	.08730
.598	19.450	.00000	.00000	.36340	.01950	.03440	-.00340	-.00100	-.00120	.35430	.08790
.599	20.640	.00000	.00000	.36470	.01890	.03460	-.00330	-.00120	-.00130	.35550	.08830
.600	21.810	.00000	.01000	.36370	.01830	.03430	-.00410	-.00120	-.00130	.35460	.08780
.599	23.000	.00000	.01000	.36540	.01870	.03450	-.00410	-.00110	-.00120	.35630	.08820
.598	24.190	.00000	.01000	.36600	.01810	.03490	-.00430	-.00100	-.00130	.35680	.08870
.600	25.370	.00000	.01000	.36400	.01810	.03470	-.00390	-.00100	-.00120	.35490	.08790
.599	26.560	.00000	.01000	.36780	.01840	.03490	-.00470	-.00120	-.00110	.35860	.08890
.598	27.740	.00000	.01000	.37000	.01760	.03490	-.00510	-.00110	-.00110	.35880	.08910
.598	28.930	.00000	.01000	.37040	.01750	.03510	-.00490	-.00110	-.00120	.36110	.08930
.596	30.110	.00000	.01000	.37210	.01710	.03530	-.00390	-.00090	-.00110	.36290	.08970
.595	31.310	.00000	.01000	.37380	.01710	.03570	-.00480	-.00100	-.00100	.36480	.09010
.601	32.490	.00000	.01000	.37000	.01710	.03530	-.00450	-.00110	-.00120	.36160	.08950
.598	33.680	.00000	.01000	.37440	.01670	.03550	-.00490	-.00100	-.00100	.36520	.09010
.600	34.860	.00000	.01000	.37340	.01660	.03540	-.00620	-.00130	-.00100	.36420	.08980
.595	36.050	.00000	.01000	.37780	.01650	.03600	-.00520	-.00110	-.00080	.36840	.09100
.600	37.230	.00000	.01000	.37300	.01650	.03560	-.00650	-.00130	-.00080	.36380	.08980
.598	38.420	.00000	.01000	.37610	.01670	.03580	-.00550	-.00120	-.00080	.36680	.09040
.597	39.610	.00000	.01000	.37610	.01690	.03630	-.00500	-.00110	-.00080	.36680	.09080
.599	40.790	.00000	.01000	.37470	.01680	.03660	-.00540	-.00110	-.00080	.36530	.09030
.597	41.980	.00000	.01000	.37720	.01540	.03670	-.00540	-.00110	-.00080	.36780	.09140
.598	43.160	.00000	.01000	.37930	.01560	.03680	-.00580	-.00100	-.00080	.37000	.09070
.599	44.350	.00000	.02000	.37950	.01540	.03600	-.00530	-.00110	-.00070	.37020	.09090
.599	45.530	.00000	.02000	.37690	.01490	.03700	-.00570	-.00120	-.00080	.36760	.09130
.597	46.720	.00000	.02000	.37810	.01440	.03680	-.00590	-.00110	-.00060	.36870	.09140

ORIGINAL PAGE IS  
OF POOR QUALITY

LTV44-559(CA26) 747(1) ATY 02 S1 (ORBITER DATA)

(AFED79) ( 20 JAN 76 )

## REFERENCE DATA

SREF = 2690.0000 SQ.FT. XMRP = 1109.0000 IN. XO  
 LREF = 474.8100 IN. YMRP = .0000 IN. YO  
 BREF = 936.6800 IN. ZMRP = 375.0000 IN. ZO  
 SCALE = .0125

## PARAMETRIC DATA

ALPHAC = 2.000 BETAC = .000  
 STAB = 5.000 RUDDER = 10.000  
 ELEVON = 5.000 DX = .000  
 DY = .000 IORB = 6.000  
 BETAO = .000 DPHI = .000

RUN NO. 59/ 0 RN/L = .00 GRADIENT INTERVAL = -5.00/ 5.00

MACH	DZ	DY	DX	CN	CLM	CA	CY	CYN	CBL	CL	CD
.597	47.910	.00000	.02000	.38090	.01530	.03680	-.00500	-.00110	-.00080	.37140	.09190
.597	49.090	.00000	.02000	.38220	.01500	.03670	-.00670	-.00110	-.00050	.37280	.09190
.598	50.280	.00000	.02000	.38110	.01480	.03710	-.00570	-.00110	-.00050	.37170	.09200
.600	51.460	.00000	.02000	.38010	.01340	.03660	-.00640	-.00120	-.00040	.37080	.09140
GRADIENT		.00000	.00000	.00035	-.00113	.00019	.00003	-.00003	-.00003	.00032	.00025



LTV44-559(CA26) 747/1 ATY 02 S1 (ORBITER DATA)

(AFE080) ( 29 JAN 76 )

## REFERENCE DATA

SREF = 2690.0000 SQ.FT. XMRP = 1109.0000 IN. XO  
 LREF = 474.8100 IN. YMRP = .0000 IN. YO  
 BREF = 936.6800 IN. ZMRP = 375.0000 IN. ZO  
 SCALE = .0125

## PARAMETRIC DATA

ALPHAC = 2.000 BETAC = -5.000  
 STAB = 5.000 ELEVON = 5.000  
 BDFLAP = .000 DX = .000  
 DY = .000 TORB = 4.000  
 BETA0 = -5.000 RUDDER = .000

RUN NO. 60/ 0 RN/L = .00 GRADIENT INTERVAL = -5.00/ 5.00

MACH	DZ	DY	DX	CN	CLM	CA	CY	CYN	CBL	CL	CD
.589	1.460	.00000	.00000	.22380	.01660	.04520	.05560	.01360	.00610	.21720	.07060
.592	2.060	.00000	.00000	.22370	.01630	.04450	.05550	.01350	.00610	.21710	.06990
.592	2.660	.00000	.00000	.22090	.01670	.04480	.05580	.01340	.00560	.21420	.06990
.592	3.350	.00000	.00000	.22140	.01600	.04490	.05570	.01320	.00480	.21480	.07000
.591	4.160	.00000	.00000	.22260	.01610	.04520	.05610	.01320	.00450	.21600	.07050
.591	4.960	.00000	.00000	.22640	.01450	.04540	.05650	.01300	.00330	.21970	.07110
.591	6.960	.00000	.00000	.22300	.01400	.04560	.05600	.01300	.00330	.21630	.07070
.593	8.960	.00000	.00000	.22597	.01380	.04540	.05690	.01280	.00250	.21920	.07090
.591	10.460	.00000	.00000	.23480	.01180	.04620	.05750	.01250	.00120	.22800	.07260
.589	11.460	.00000	.00000	.23560	.01180	.04640	.05830	.01260	.00100	.22880	.07300
.592	12.450	.00000	.00000	.23570	.01210	.04600	.05820	.01230	.00070	.22890	.07250
.591	13.450	.00000	.00000	.23940	.01140	.04630	.05840	.01230	.00050	.23260	.07320
.592	14.440	.00000	.00000	.24070	.01160	.04640	.05900	.01220	.00030	.23380	.07360
.590	15.440	.00000	.00000	.24250	.01090	.04670	.05860	.01230	.00000	.23550	.07380
.593	16.430	.00000	.00000	.24140	.01110	.04650	.05900	.01200	.00000	.23450	.07370
.593	17.430	.00000	.00000	.24300	.01060	.04680	.05940	.01200	-.00030	.23700	.07410
.590	18.420	.00000	.00000	.24550	.01010	.04720	.05930	.01220	-.00040	.24130	.07470
.589	19.420	.00000	.00000	.24830	.01030	.04740	.05950	.01190	-.00050	.24130	.07500
.590	20.410	.00000	.00000	.24890	.01040	.04720	.05900	.01170	-.00070	.24130	.07490
.591	21.410	.00000	.00000	.24900	.01010	.04740	.05900	.01180	-.00070	.24200	.07520
.590	22.390	.00000	.01000	.25060	.01010	.04740	.05860	.01170	-.00080	.24360	.07530
.592	23.390	.00000	.01000	.25160	.01000	.04730	.05900	.01170	-.00100	.24470	.07540
.592	24.390	.00000	.01000	.25090	.00930	.04770	.05940	.01170	-.00110	.24390	.07580
.591	25.380	.00000	.01000	.25410	.00970	.04790	.05960	.01160	-.00120	.24710	.07620
.592	26.380	.00000	.01000	.25460	.00900	.04790	.05920	.01170	-.00120	.24750	.07630
.593	27.370	.00000	.01000	.25510	.00930	.04800	.05930	.01150	-.00120	.24800	.07650
.593	28.370	.00000	.01000	.25510	.00860	.04800	.05850	.01140	-.00130	.24810	.07650
.591	29.360	.00000	.01000	.25920	.00880	.04830	.05990	.01170	-.00140	.25220	.07710
.594	30.360	.00000	.01000	.25910	.00900	.04820	.05960	.01140	-.00150	.25110	.07700
.591	31.350	.00000	.01000	.26190	.00890	.04830	.05940	.01130	-.00150	.25480	.07730
.593	32.350	.00000	.01000	.25970	.00890	.04800	.05910	.01140	-.00160	.25270	.07690
.592	33.340	.00000	.01000	.26260	.00850	.04800	.05910	.01140	-.00170	.25560	.07710
.591	34.340	.00000	.01000	.26410	.00820	.04820	.05910	.01150	-.00170	.25710	.07740
.590	35.330	.00000	.01000	.26230	.00750	.04820	.05940	.01140	-.00160	.25580	.07790
.591	36.330	.00000	.01000	.26540	.00790	.04860	.05960	.01140	-.00150	.25830	.07790
.589	37.320	.00000	.01000	.26390	.00810	.04850	.05910	.01130	-.00170	.25680	.07760
.591	38.320	.00000	.01000	.26490	.00750	.04900	.05930	.01140	-.00180	.25780	.07820
.591	39.310	.00000	.01000	.26600	.00800	.04850	.05920	.01110	-.00180	.25900	.07790
.591	40.310	.00000	.01000	.26670	.00800	.04840	.05990	.01130	-.00180	.25960	.07780
.590	41.310	.00000	.01000	.26850	.00770	.04880	.06050	.01120	-.00180	.26140	.07840
.590	42.300	.00000	.01000	.27040	.00770	.04890	.06020	.01120	-.00190	.26330	.07870
.593	43.290	.00000	.01000	.26820	.00730	.04840	.06140	.01130	-.00200	.26110	.07800

LTV44-559(CA26) 747/1 ATY 02 S1 (ORBITER DATA)

(AFE080) ( 29 JAN 76 )

## REFERENCE DATA

SREF = 2690.0000 SQ.FT. XMRP = 1109.0000 IN. XO  
 LREF = 474.8100 IN. YMRP = .0000 IN. YO  
 BREF = 936.6800 IN. ZMRP = 375.0000 IN. ZO  
 SCALE = .0125

## PARAMETRIC DATA

ALPHAC = 2.000 BETAC = -5.000  
 STAB = 5.000 ELEVON = 5.000  
 BDFLAP = .000 DX = .000  
 DY = .000 IORB = 4.000  
 BETAO = -5.000 RUDDER = .000

RUN NO. 60/ 0 RN/L = .00 GRADIENT INTERVAL = -5.00/ 5.00

MACH	DZ	DY	DX	CN	CLM	CA	CY	CYN	CBL	CL	CD
.591	44.290	.00000	.01000	.26850	.00680	.04900	.06090	.01140	-.00190	.26130	.07860
.590	44.790	.00000	.01000	.27200	.00710	.04880	.06210	.01140	-.00200	.26490	.07880
	GRADIENT	.00000	.00000	.00051	-.00050	.00014	.00025	-.00017	-.00081	.00049	.00020

LTV44-559(CA26) 747/1 ATY 02 S1 (ORBITER DATA)

(AF081) ( 29 JAN 76 )

REFERENCE DATA

SREF = 2690.0000 SO.FT. XMRP = 1109.0000 IN. XO  
 LREF = 474.8100 IN. YMRP = .0000 IN. YO  
 BREF = 936.6800 IN. ZMRP = 375.0000 IN. ZO  
 SCALE = .0125

PARAMETRIC DATA

ALPHAC = 2.000 BETAC = -5.000  
 STAB = 5.000 ELEVON = 5.000  
 BDFLAP = .000 DX = .000  
 DY = .000 IORB = 6.000  
 BETAO = -5.000 RUDDER = .000

RUN NO. 1060/ D RN/L = .00 GRADIENT INTERVAL = -5.00/ 5.00

MACH	DZ	DY	DX	CN	CLM	CA	CY	CYN	CBL	CL	CD
.592	1.470	.00000	.00000	.33720	.02490	.03380	.05540	.01310	.00800	.32830	.08410
.591	2.070	.00000	.00000	.33460	.02400	.03410	.05600	.01310	.00700	.32560	.08400
.591	2.670	.00000	.00000	.33340	.02410	.03420	.05510	.01300	.00700	.32450	.08380
.589	3.370	.00000	.00000	.33640	.02330	.03410	.05670	.01300	.00600	.32750	.08410
.589	4.170	.00000	.00000	.33650	.02290	.03450	.05800	.01300	.00560	.32760	.08450
.593	4.960	.00000	.00000	.33390	.02260	.03450	.05630	.01270	.00560	.32490	.08410
.592	6.970	.00000	.00000	.34110	.02020	.03500	.05770	.01240	.00370	.33200	.08550
.590	8.970	.00000	.00000	.34100	.01960	.03570	.05850	.01250	.00340	.33190	.08610
.592	10.600	.00000	.00000	.34530	.01950	.03550	.05790	.01220	.00290	.33610	.08660
.590	11.880	.00000	.00000	.34650	.01860	.03590	.05880	.01220	.00270	.33730	.08700
.592	13.160	.00000	.00000	.34480	.01830	.03600	.05920	.01210	.00210	.33560	.08680
.590	14.440	.00000	.00000	.34700	.01800	.03630	.05970	.01200	.00190	.33780	.08730
.592	15.710	.00000	.00000	.34830	.01800	.03620	.06010	.01190	.00160	.33910	.08760
.592	16.990	.00000	.00000	.34810	.01740	.03630	.05970	.01180	.00160	.33890	.08750
.592	18.270	.00000	.00000	.34970	.01720	.03640	.05950	.01170	.00150	.34050	.08760
.592	19.540	.00000	.00000	.35150	.01710	.03680	.05840	.01150	.00120	.34230	.08820
.590	20.820	.00000	.00000	.35500	.01700	.03700	.06140	.01180	.00110	.34660	.08910
.590	22.090	.00000	.00000	.35750	.01690	.03720	.06020	.01160	.00100	.34810	.08950
.590	23.360	.00000	.00000	.35980	.01680	.03710	.05990	.01140	.00090	.34940	.08960
.593	24.650	.00000	.00000	.35660	.01610	.03700	.06000	.01150	.00080	.34730	.08900
.590	25.920	.00000	.00000	.36000	.01640	.03700	.05990	.01140	.00070	.35060	.08970
.589	27.200	.00000	.00000	.36000	.01590	.03770	.05950	.01140	.00060	.35050	.09020
.591	29.470	.00000	.00000	.36220	.01610	.03720	.06100	.01150	.00040	.35280	.09000
.589	29.750	.00000	.00000	.36160	.01560	.03780	.05990	.01130	.00050	.35210	.09040
.591	31.030	.00000	.00000	.36220	.01530	.03730	.06000	.01130	.00040	.35290	.08990
.591	32.300	.00000	.00000	.36350	.01510	.03770	.05980	.01120	.00020	.35400	.09070
.590	33.580	.00000	.00000	.36320	.01460	.03780	.06110	.01140	.00010	.35370	.09050
.589	34.850	.00000	.00000	.36760	.01440	.03820	.06010	.01120	.00030	.35800	.09170
.589	36.130	.00000	.00000	.36500	.01410	.03810	.06060	.01140	.00020	.35540	.09120
.592	37.410	.00000	.00000	.36240	.01360	.03910	.06050	.01130	.00000	.35300	.09050
.592	39.690	.00000	.00000	.36500	.01350	.03910	.06120	.01130	.00010	.35560	.09080
.590	39.960	.00000	.00000	.36830	.01340	.03930	.06080	.01120	.00020	.35580	.09160
.591	41.240	.00000	.00000	.36730	.01330	.03940	.06020	.01120	.00000	.35840	.09140
.593	42.520	.00000	.00000	.36860	.01330	.03790	.06100	.01120	.00000	.35920	.09110
.593	43.790	.00000	.00000	.37170	.01300	.03900	.06120	.01130	.00000	.36220	.09170
.592	45.070	.00000	.00000	.37330	.01250	.03900	.06090	.01130	.00020	.36380	.09210
.593	46.340	.00000	.00000	.36270	.01090	.03930	.06200	.01130	.00020	.35330	.09100
.592	47.620	.00000	.00000	.36400	.01220	.03940	.06030	.01110	.00000	.35950	.09160
.593	49.900	.00000	.00000	.37100	.01270	.03940	.06060	.01100	.00000	.36140	.09160
.593	50.180	.00000	.00000	.36890	.01220	.03920	.06080	.01110	.00000	.35950	.09130
.590	51.460	.00000	.00000	.37100	.01200	.03970	.06030	.01110	.00010	.36150	.09220
GRADIENT		.00000	.00000	.00000	-.00053	.00019	.00049	-.00010	-.00069	-.00031	.00008

LTV44-559(CA26) 747/1 ATY 02 S1 (ORBITER DATA)

(AFE082) ( 29 JAN 76 )

## REFERENCE DATA

SREF = 2690.0000 SQ.FT. XMRP = 1109.0000 IN. XO  
 LREF = 474.8100 IN. YMRP = .0000 IN. YO  
 BREF = 936.6800 IN. ZMRP = 375.0000 IN. ZO  
 SCALE = .0125

## PARAMETRIC DATA

ALPHAC = 2.000 BETAC = -5.000  
 STAB = 5.000 ELEVON = 5.000  
 BDFLAP = .000 DX = .000  
 DY = .000 IORB = 8.000  
 BETA0 = -5.000 RUDDER = .000

RUN NO. 61/ 0 RN/L = .00 GRADIENT INTERVAL = -5.00/ 5.00

MACH	DZ	DY	DX	CN	CLM	CA	CY	CYN	CBL	CL	CD
.594	1.460	.00000	-.01000	.44940	.03290	.01860	.05510	.01210	.00890	.43820	.10110
.592	2.060	.00000	-.01000	.44930	.03310	.01910	.05560	.01220	.00900	.43810	.10170
.594	2.660	.00000	-.01000	.44620	.03220	.01910	.05580	.01230	.00860	.43490	.10130
.592	3.460	.00000	-.01000	.44340	.03110	.01920	.05570	.01230	.00790	.43230	.10060
.590	4.460	.00000	-.01000	.44490	.03100	.01920	.05570	.01230	.00770	.43380	.10090
.593	5.590	.00000	-.01000	.44460	.02970	.01910	.05540	.01210	.00660	.43340	.10070
.593	6.840	.00000	-.01000	.44150	.02910	.01940	.05650	.01210	.00650	.43040	.10030
.591	8.090	.00000	-.01000	.44730	.02860	.02000	.05670	.01210	.00570	.43600	.10200
.593	9.340	.00000	.00000	.44290	.02770	.01980	.05650	.01180	.00520	.43170	.10060
.594	10.580	.00000	.00000	.44410	.02660	.02000	.05720	.01160	.00450	.43290	.10120
.592	11.810	.00000	.00000	.44760	.02670	.02050	.05690	.01170	.00430	.43630	.10200
.592	13.050	.00000	.00000	.44820	.02630	.02070	.05810	.01170	.00410	.43680	.10240
.593	14.290	.00000	.00000	.44910	.02580	.02120	.05820	.01160	.00370	.43760	.10300
.593	15.520	.00000	.00000	.44830	.02510	.02100	.05890	.01150	.00350	.43690	.10270
.593	16.750	.00000	.00000	.45040	.02500	.02120	.05880	.01140	.00330	.43890	.10320
.593	17.990	.00000	.00000	.45150	.02470	.02110	.05880	.01140	.00290	.44010	.10300
.594	19.230	.00000	.00000	.45090	.02420	.02140	.05800	.01120	.00270	.43950	.10310
.593	20.460	.00000	.00000	.45260	.02420	.02170	.05920	.01120	.00250	.44100	.10390
.591	21.690	.00000	.01000	.45550	.02410	.02190	.05910	.01110	.00240	.44400	.10420
.591	22.930	.00000	.01000	.45700	.02360	.02200	.06000	.01120	.00220	.44540	.10450
.591	24.160	.00000	.01000	.45690	.02330	.02210	.05990	.01110	.00200	.44520	.10450
.592	25.390	.00000	.01000	.45690	.02320	.02220	.05920	.01100	.00190	.44530	.10490
.593	26.630	.00000	.01000	.45830	.02300	.02210	.05960	.01100	.00180	.44670	.10490
.594	27.860	.00000	.01000	.45450	.02230	.02260	.05900	.01070	.00180	.44290	.10470
.594	29.100	.00000	.01000	.45510	.02190	.02280	.05850	.01070	.00170	.44350	.10490
.594	30.340	.00000	.01000	.46190	.02240	.02250	.06070	.01100	.00130	.45020	.10580
.595	31.570	.00000	.01000	.45810	.02160	.02270	.05930	.01070	.00150	.44640	.10520
.594	32.800	.00000	.01000	.45960	.02160	.02260	.05930	.01060	.00130	.44790	.10550
.593	34.040	.00000	.01000	.46050	.02110	.02290	.06100	.01090	.00120	.44880	.10580
.592	35.280	.00000	.01000	.46490	.02130	.02310	.05990	.01080	.00110	.45320	.10650
.593	36.510	.00000	.01000	.46290	.02100	.02280	.06060	.01080	.00110	.45120	.10600
.593	37.740	.00000	.01000	.46130	.02020	.02340	.06050	.01070	.00130	.44950	.10610
.592	38.980	.00000	.01000	.46620	.02070	.02320	.05990	.01070	.00120	.45430	.10690
.591	40.220	.00000	.01000	.46970	.02090	.02310	.06030	.01070	.00090	.45790	.10740
.593	41.450	.00000	.01000	.46700	.02000	.02330	.06120	.01060	.00100	.45520	.10700
.591	42.690	.00000	.01000	.46920	.02000	.02370	.06110	.01080	.00080	.45730	.10780
.594	43.920	.00000	.02000	.46600	.01960	.02340	.06040	.01070	.00080	.45420	.10660
.592	45.150	.00000	.02000	.47120	.01950	.02340	.06100	.01080	.00100	.45930	.10770
.593	46.390	.00000	.02000	.46810	.01930	.02300	.06140	.01100	.00070	.45620	.10730
.594	47.630	.00000	.02000	.46550	.01850	.02400	.06080	.01090	.00080	.45370	.10700
.593	48.860	.00000	.02000	.46610	.01840	.02400	.06090	.01080	.00050	.45430	.10690
.593	50.090	.00000	.02000	.47100	.01830	.02410	.06340	.01110	.00040	.45910	.10810

DATE 22 MAR 76

CA-26 FORCE SOURCE DATA TABULATION

PAGE 95

LTV44-559(CA26) 747/1 ATY 02 S1 (ORBITER DATA)

(AFE082) ( 29 JAN 76 )

## REFERENCE DATA

SREF = 2690.0000 SQ.FT. XMRP = 1109.0000 IN. XO  
 LREF = 474.8100 IN. YMRP = .0000 IN. YO  
 BREF = 936.6800 IN. ZMRP = 375.0000 IN. ZO  
 SCALE = .0125

## PARAMETRIC DATA

ALPHAC = 2.000 BETAC = -5.000  
 STAB = 5.000 ELEVON = 5.000  
 BDFLAP = .000 DX = .000  
 DY = .000 IORB = 8.000  
 BETA0 = -5.000 RUDDER = .000

RUN NO. 61/ 0 RN/L = .00 GRADIENT INTERVAL = -5.00/ 5.00

MACH	DZ	DY	DX	CN	CLM	CA	CY	CYN	CBL	CL	CD
.595	51.330	.00000	.02000	.46840	.01820	.02350	.06070	.01080	.00060	.45670	.10680
.593	52.570	.00000	.02000	.46970	.01730	.02420	.05970	.01070	.00110	.45780	.10780
.594	53.800	.00000	.02000	.46970	.01720	.02390	.06000	.01050	.00110	.45790	.10740
.593	55.040	.00000	.02000	.46970	.01660	.02440	.06070	.01070	.00110	.45780	.10760
	GRADIENT	.00000	-.00000	-.00191	-.00078	.00016	.00016	.00006	-.00047	-.00187	-.00020

LTV44-559(CA26) 747/1 ATY 02 S1 (ORBITER DATA)

(AFE083) ( 29 JAN 76 )

## REFERENCE DATA

SREF = 2690.0000 SQ.FT. XMRP = 1109.0000 IN. XO  
 LREF = 474.8100 IN. YMRP = .0000 IN. YO  
 BREF = 936.6800 IN. ZMRP = 375.0000 IN. ZO  
 SCALE = .0125

## PARAMETRIC DATA

ALPHAC = 2.000 BETAC = -5.000  
 STAB = 5.000 ELEVON = 5.000  
 BDFLAP = .000 OY = .000  
 DZ = .000 TORB = 6.000  
 BETAO = .000 RUDDER = .000

RUN NO. 62/ 0 RN/L = .00 GRADIENT INTERVAL = -5.00/ 5.00

MACH	DX	DY	DZ	CN	CLM	CA	CY	CYN	CBL	CL	CD
.596	.000	.00000	1.46000	.34520	.02990	.03030	-.00100	.00210	.00650	.33670	.08160
.597	.570	.00000	1.46000	.34350	.02960	.03040	-.00040	.00220	.00640	.33500	.08150
.596	1.140	.00000	1.46000	.34660	.02980	.03040	-.00150	.00210	.00660	.33820	.08200
.597	1.710	.00000	1.46000	.34570	.02960	.03030	-.00160	.00210	.00660	.33730	.08160
.600	2.290	.00000	1.46000	.34110	.02950	.02990	-.00160	.00210	.00650	.33280	.08060
.599	2.860	.00000	1.46000	.34200	.02930	.03010	-.00110	.00220	.00650	.33360	.08100
.600	3.430	.00000	1.46000	.34280	.02870	.03000	-.00150	.00220	.00660	.33440	.08110
.598	4.010	.00000	1.46000	.34300	.02870	.03010	-.00100	.00210	.00660	.33460	.08110
.598	4.570	.00000	1.46000	.34260	.02790	.03050	-.00130	.00210	.00670	.33420	.08130
.600	5.140	.00000	1.46000	.34140	.02760	.03030	-.00160	.00200	.00660	.33300	.08110
.600	5.710	.00000	1.46000	.33950	.02700	.03040	-.00170	.00200	.00660	.33110	.08090
.597	6.300	.00000	1.46000	.34230	.02640	.03090	-.00100	.00210	.00660	.33380	.08170
.600	6.860	.00000	1.46000	.34000	.02600	.03060	-.00160	.00190	.00650	.33150	.08130
.599	7.430	.00000	1.46000	.34150	.02580	.03070	-.00080	.00200	.00660	.33300	.08140
.598	8.000	.00000	1.46000	.34270	.02530	.03090	-.00110	.00200	.00660	.33420	.08190
.601	8.580	.00000	1.46000	.33790	.02380	.03120	-.00130	.00200	.00650	.32940	.08150
.599	9.150	.00000	1.46000	.34120	.02400	.03130	-.00110	.00200	.00650	.33260	.08210
.599	9.700	.00000	1.46000	.34200	.02370	.03140	-.00140	.00190	.00640	.33350	.08220
.597	10.270	.00000	1.46000	.34300	.02320	.03170	-.00160	.00190	.00650	.33430	.08280
.598	10.840	.00000	1.46000	.34310	.02230	.03170	-.00180	.00190	.00650	.33450	.08270
.598	11.410	.00000	1.46000	.34150	.02230	.03160	-.00160	.00180	.00640	.33290	.08260
.598	11.990	.00000	1.46000	.34280	.02150	.03190	-.00210	.00180	.00640	.33410	.08290
.597	12.560	.00000	1.45000	.34460	.02160	.03210	-.00200	.00170	.00630	.33580	.08330
.598	13.130	.00000	1.45000	.34280	.02050	.03230	-.00210	.00180	.00620	.33410	.08330
.599	13.710	.00000	1.45000	.33970	.02000	.03250	-.00110	.00180	.00610	.33090	.08310
.598	14.280	.00000	1.45000	.34090	.02010	.03270	-.00120	.00170	.00610	.33210	.08360
.597	14.850	.00000	1.45000	.34140	.01950	.03330	-.00100	.00180	.00600	.33250	.08420
.597	15.420	.00000	1.45000	.34130	.01890	.03350	-.00140	.00180	.00600	.33240	.08450
.598	16.000	.00000	1.45000	.34220	.01910	.03320	-.00180	.00160	.00590	.33330	.08430
.599	16.570	.00000	1.45000	.34000	.01860	.03340	-.00140	.00170	.00600	.33110	.08400
.598	17.140	.00000	1.44000	.34020	.01810	.03380	-.00130	.00170	.00590	.33120	.08450
.597	17.720	.00000	1.44000	.34200	.01750	.03410	-.00130	.00180	.00600	.33300	.08510
.597	18.290	.00000	1.44000	.34330	.01770	.03420	-.00120	.00170	.00590	.33430	.08550
.599	18.840	.00000	1.44000	.34160	.01670	.03430	-.00210	.00170	.00590	.33250	.08510
.598	19.410	.00000	1.44000	.34320	.01670	.03460	-.00220	.00160	.00590	.33400	.08590
.597	19.980	.00000	1.44000	.34380	.01690	.03520	-.00170	.00170	.00590	.33460	.08650
	GRADIENT	.00000	.00000	-.00068	-.00038	-.00003	-.00007	.00000	.00004	-.00066	-.00014

LTV44-559(CA26) 747/1 ATY 02 S1 (ORBITER DATA)

(AFED084) ( 29 JAN 76 )

## REFERENCE DATA

SREF = 2690.0000 SQ.FT. XMRP = 1109.0000 IN. XO  
 LREF = 474.8100 IN. YMRP = .0000 IN. YO  
 BREF = 936.6800 IN. ZMRP = 375.0000 IN. ZO  
 SCALE = .0125

## PARAMETRIC DATA

ALPHAC = 2.000 BETAC = -5.000  
 STAB = 5.000 ELEVON = 5.000  
 BDFLAP = .000 DY = .000  
 DZ = 15.000 IORB = 6.000  
 BETAO = .000 RUDDER = .000

RUN NO. 1062/ 0 RN/L = .00 GRADIENT INTERVAL = -5.00/ 5.00

MACH	DX	DY	DZ	CN	CLM	CA	CY	CYN	CBL	CL	CD
.599	.570	.00000	15.00000	.35320	.02070	.03200	.00190	.00120	.00210	.34460	.08400
.599	1.140	.00000	15.00000	.35300	.02020	.03170	.00120	.00120	.00220	.34440	.08370
.598	1.710	.00000	15.00000	.35420	.02090	.03150	.00180	.00120	.00210	.34550	.08380
.598	2.290	.00000	15.00000	.35440	.02040	.03190	.00190	.00130	.00210	.34580	.08390
.596	2.860	.00000	15.00000	.35480	.02000	.03240	.00210	.00130	.00220	.34620	.08450
.596	3.430	.00000	15.00000	.35400	.01970	.03230	.00150	.00130	.00220	.34530	.08430
.597	4.010	.00000	15.00000	.35510	.02000	.03210	.00150	.00130	.00220	.34640	.08430
.598	4.580	.00000	15.00000	.35330	.01940	.03170	.00150	.00130	.00210	.34470	.08380
.599	5.150	.00000	15.00000	.35350	.01940	.03180	.00170	.00120	.00210	.34490	.08390
.600	5.720	.00000	15.00000	.35190	.01900	.03190	.00200	.00120	.00210	.34320	.08380
.599	6.300	.00000	15.00000	.35440	.01930	.03230	.00200	.00110	.00210	.34570	.08450
.599	6.870	.00000	15.00000	.35350	.01880	.03210	.00130	.00110	.00220	.34490	.08420
.597	7.420	.00000	15.00000	.35600	.01890	.03230	.00180	.00110	.00220	.34730	.08460
.598	7.990	.00000	15.00000	.35480	.01800	.03240	.00130	.00110	.00220	.34610	.08460
.599	8.560	.00000	15.00000	.35310	.01820	.03260	.00150	.00100	.00210	.34430	.08450
.601	9.140	.00000	15.00000	.35300	.01810	.03240	.00190	.00100	.00220	.34420	.08450
.600	9.710	.00000	15.00000	.35300	.01730	.03230	.00200	.00110	.00220	.34430	.08430
.600	10.280	.00000	15.00000	.35230	.01720	.03240	.00210	.00110	.00220	.34360	.08430
.600	10.850	.00000	15.00000	.35290	.01720	.03270	.00180	.00100	.00210	.34410	.08470
.599	11.430	.01000	15.00000	.35240	.01660	.03260	.00190	.00110	.00210	.34370	.08450
.600	12.000	.01000	15.00000	.35200	.01660	.03240	.00130	.00100	.00210	.34320	.08430
.598	12.570	.01000	15.00000	.35450	.01590	.03280	.00110	.00090	.00220	.34580	.08500
.599	13.150	.01000	15.00000	.35180	.01590	.03290	.00160	.00100	.00210	.34300	.08470
.598	13.720	.01000	15.00000	.35450	.01590	.03310	.00220	.00100	.00210	.34560	.08520
.599	14.290	.01000	14.99000	.35300	.01510	.03290	.00220	.00110	.00210	.34430	.08480
.598	14.860	.01000	14.99000	.35370	.01480	.03340	.00200	.00100	.00210	.34490	.08540
.599	15.440	.01000	14.99000	.35330	.01470	.03350	.00180	.00100	.00220	.34440	.08560
.600	16.010	.01000	14.99000	.35120	.01450	.03340	.00170	.00090	.00210	.34240	.08500
.600	16.560	.01000	14.99000	.35230	.01390	.03340	.00120	.00090	.00220	.34340	.08520
.600	17.130	.01000	14.99000	.35130	.01380	.03360	.00240	.00110	.00220	.34240	.08520
.599	17.700	.01000	14.99000	.35340	.01330	.03350	.00260	.00110	.00220	.34460	.08550
.599	18.280	.01000	14.99000	.35360	.01360	.03380	.00260	.00090	.00220	.34470	.08590
.599	18.850	.01000	14.99000	.35340	.01340	.03400	.00200	.00090	.00210	.34450	.08610
.597	19.420	.01000	14.99000	.35370	.01270	.03440	.00230	.00100	.00210	.34470	.08650
.601	20.000	.01000	14.99000	.35250	.01250	.03390	.00210	.00100	.00210	.34360	.08570
GRADIENT		.00000	.00000	.00023	-.00029	.00036	-.00004	.00003	.00001	.00022	.00008

LTV44-559(CA26) 747/1 ATY 02 S1 (ORBITER DATA)

(AFE085) ( 29 JAN 76 )

## REFERENCE DATA

SREF = 2690.0000 SQ.FT. XMRP = 1109.0000 IN. XO  
 LREF = 474.8100 IN. YMRP = .0000 IN. YO  
 BREF = 936.6800 IN. ZMRP = 375.0000 IN. ZO  
 SCALE = .0125

## PARAMETRIC DATA

ALPHAC = 2.000 BETAC = -5.000  
 STAB = 5.000 ELEVON = 5.000  
 BDFLAP = .000 DY = .000  
 DZ = 60.000 IORB = 6.000  
 BETAO = .000 RUDDER = .000

RUN NO. 2062/ 0 RN/L = .00 GRADIENT INTERVAL = -5.00/ 5.00

MACH	DX	DY	DZ	CN	CLM	CA	CY	CYN	CBL	CL	CD
.597	.590	.00000	51.46000	.37760	.01320	.03450	.00240	.00010	.00010	.36860	.08890
.598	1.170	.00000	51.46000	.37840	.01350	.03450	.00230	.00010	.00020	.36940	.08890
.601	1.740	.00000	51.46000	.37510	.01360	.03430	.00290	.00020	.00010	.36620	.08800
.599	2.310	.00000	51.46000	.37850	.01340	.03460	.00380	.00040	.00010	.36950	.08900
.599	2.890	.00000	51.46000	.37820	.01360	.03470	.00390	.00050	.00020	.36920	.08900
.601	3.460	.00000	51.46000	.37580	.01310	.03480	.00440	.00060	.00000	.36680	.08870
.599	4.030	.00000	51.46000	.37840	.01330	.03480	.00480	.00060	-.00020	.36930	.08930
.602	4.600	.00000	51.46000	.37850	.01340	.03420	.00340	.00040	-.00010	.36760	.08820
.601	5.180	.00000	51.46000	.37500	.01330	.03430	.00470	.00040	.00000	.36610	.08810
.599	5.720	.00000	51.46000	.37610	.01320	.03460	.00360	.00040	.00000	.36710	.08870
.600	6.280	.00000	51.46000	.37690	.01320	.03440	.00450	.00060	.00000	.36800	.08850
.600	6.870	.00000	51.46000	.37880	.01360	.03410	.00330	.00050	.00000	.36990	.08860
.600	7.440	.00000	51.46000	.37660	.01330	.03440	.00190	.00030	.00000	.36770	.08860
.601	8.020	.00000	51.46000	.37470	.01340	.03430	.00210	.00020	.00010	.36580	.08810
.600	8.590	.00000	51.46000	.37460	.01290	.03440	.00240	.00040	.00010	.36570	.08830
.600	9.160	.00000	51.46000	.37760	.01310	.03430	.00310	.00050	.00000	.36870	.08870
.601	9.730	.00000	51.46000	.37440	.01310	.03460	.00450	.00060	-.00010	.36550	.08840
.597	10.310	.00000	51.46000	.37790	.01280	.03490	.00390	.00060	-.00020	.36890	.08910
.597	10.880	.00000	51.46000	.37540	.01250	.03510	.00530	.00070	-.00030	.36640	.08880
.598	11.450	.00000	51.46000	.37630	.01270	.03470	.00440	.00060	-.00030	.36740	.08880
.598	12.030	.00000	51.46000	.37590	.01250	.03470	.00300	.00030	-.00010	.36690	.08880
.598	12.600	.00000	51.45000	.37170	.01160	.03480	.00210	.00010	.00020	.36280	.08800
.597	13.170	.00000	51.46000	.37500	.01200	.03480	.00210	.00010	.00030	.36600	.08870
.597	13.750	.00000	51.45000	.37600	.01200	.03430	.00300	.00020	.00040	.36710	.08830
.596	14.320	.00000	51.45000	.37450	.01150	.03460	.00270	.00020	.00030	.36550	.08850
.598	14.860	.00000	51.45000	.36930	.01050	.03540	.00140	.00000	.00040	.36040	.08830
.598	15.440	.01000	51.45000	.37120	.01120	.03520	.00150	.00010	.00020	.36220	.08850
.599	16.010	.01000	51.45000	.37240	.01160	.03480	.00330	.00030	.00010	.36340	.08840
.599	16.580	.01000	51.45000	.36910	.01070	.03530	.00380	.00030	.00000	.36020	.08820
.601	17.140	.01000	51.45000	.36710	.01050	.03540	.00330	.00030	.00010	.35810	.08790
.595	17.720	.01000	51.45000	.37710	.01130	.03510	.00280	.00030	.00010	.36800	.08920
.598	18.290	.01000	51.45000	.37770	.01150	.03430	.00230	.00030	.00010	.36870	.08860
.600	18.880	.01000	51.45000	.37320	.01130	.03400	.00270	.00030	.00000	.36430	.08750
.599	19.440	.01000	51.45000	.37360	.01090	.03460	.00390	.00040	.00000	.36470	.08810
.598	20.010	.01000	51.45000	.37370	.01060	.03530	.00380	.00040	.00010	.36470	.08890
GRADIENT		.00000	.00000	-.00012	-.00002	.00002	.00050	.00012	-.00007	-.00012	-.00002



LTV44-559(CA26) 747/1 ATY 02 S1 (ORBITER DATA)

(AFE086) ( 29 JAN 76 )

## REFERENCE DATA

SREF = 2690.0000 SQ.FT. XMRP = 1109.0000 IN. XO  
 LREF = 474.8100 IN. YMRP = .0000 IN. YO  
 BREF = 936.6800 IN. ZMRP = 375.0000 IN. ZO  
 SCALE = .0125

## PARAMETRIC DATA

ALPHAC = 2.000 BETAC = -5.000  
 STAB = 5.000 ELEVON = 5.000  
 BDFLAP = .000 DX = .000  
 DZ = .000 IORB = 6.000  
 BETA0 = .000 RUDDER = .000

RUN NO. 63/ 0 RN/L = .00 GRADIENT INTERVAL = -5.00/ 5.00

MACH	DY	DX	DZ	CN	CLM	CA	CY	CYN	CBL	CL	CD
.594	-10.000	-.02000	1.46000	.35560	.03520	.02850	.00120	.00420	.00870	.34730	.08160
.594	-9.420	-.02000	1.46000	.35310	.03460	.02850	.00180	.00410	.00880	.34480	.08120
.592	-8.850	-.02000	1.46000	.35400	.03470	.02890	.00050	.00410	.00880	.34560	.08190
.594	-8.280	-.02000	1.46000	.35110	.03410	.02890	.00040	.00400	.00860	.34280	.08130
.592	-7.710	-.02000	1.46000	.35250	.03420	.02900	-.00060	.00370	.00840	.34410	.08180
.593	-7.140	-.02000	1.46000	.34900	.03350	.02910	-.00030	.00360	.00840	.34060	.08120
.592	-6.560	-.02000	1.46000	.35040	.03340	.02920	-.00060	.00350	.00810	.34200	.08150
.593	-5.990	-.02000	1.46000	.34700	.03270	.02930	-.00030	.00330	.00800	.33870	.08190
.594	-5.420	-.02000	1.46000	.34660	.03220	.02930	-.00030	.00320	.00780	.33820	.08110
.594	-4.850	-.02000	1.46000	.34640	.03190	.02950	-.00040	.00310	.00760	.33810	.08110
.593	-4.280	-.02000	1.46000	.34730	.03180	.02970	-.00100	.00290	.00740	.33900	.08150
.594	-3.710	-.02000	1.46000	.34480	.03120	.02960	-.00080	.00280	.00720	.33650	.08090
.591	-3.130	-.02000	1.46000	.34760	.03130	.03010	-.00170	.00260	.00710	.33920	.08190
.594	-2.570	-.02000	1.46000	.34280	.03030	.02980	-.00080	.00240	.00690	.33440	.08070
.595	-1.990	-.02000	1.46000	.34190	.03010	.03000	-.00060	.00230	.00680	.33360	.08080
.593	-1.420	-.01000	1.46000	.34550	.02960	.03060	-.00050	.00220	.00650	.33700	.08200
.595	-.850	-.01000	1.46000	.34120	.02930	.03050	-.00070	.00200	.00620	.33270	.08120
.593	-.270	-.01000	1.46000	.34340	.02960	.03060	-.00140	.00180	.00590	.33500	.08160
.593	.270	.00000	1.46000	.34470	.02930	.03070	-.00090	.00170	.00570	.33620	.08200
.594	.850	.00000	1.46000	.34280	.02870	.03070	.00030	.00170	.00540	.33440	.08170
.596	1.420	.00000	1.46000	.33960	.02820	.03060	.00020	.00150	.00510	.33120	.08090
.593	1.990	.00000	1.46000	.34320	.02830	.03090	-.00090	.00130	.00480	.33470	.08180
.594	2.560	.00000	1.46000	.34250	.02740	.03090	-.00070	.00110	.00460	.33410	.08180
.593	3.130	.00000	1.46000	.34350	.02720	.03110	-.00090	.00090	.00440	.33500	.08210
.595	3.710	.00000	1.46000	.34060	.02640	.03090	.00060	.00090	.00420	.33220	.08130
.594	4.280	.00000	1.46000	.34390	.02640	.03120	.00030	.00080	.00400	.33540	.08210
.595	4.850	.00000	1.46000	.34070	.02570	.03090	-.00060	.00050	.00370	.33230	.08140
.593	5.420	.00000	1.46000	.34610	.02520	.03120	-.00020	.00050	.00340	.33760	.08230
.595	5.990	.00000	1.46000	.34420	.02450	.03110	.00040	.00040	.00320	.33570	.08210
.594	6.560	.00000	1.46000	.34520	.02430	.03130	.00070	.00050	.00290	.33660	.08240
.594	7.140	.00000	1.46000	.34570	.02400	.03120	.00030	.00030	.00270	.33720	.08230
.594	7.700	.00000	1.46000	.34710	.02410	.03110	-.00090	.00010	.00240	.33850	.08250
.592	8.280	.00000	1.46000	.34820	.02360	.03130	.00030	.00010	.00230	.33370	.08260
.595	8.850	.00000	1.46000	.34570	.02370	.03110	.00060	.00010	.00220	.33720	.08230
.595	9.420	.00000	1.46000	.34450	.02330	.03100	-.00040	.00000	.00210	.33610	.08200
.594	10.000	.00000	1.46000	.34650	.02380	.03110	.00030	.00000	.00210	.33800	.08240
	GRADIENT	.00277	-.00000	-.00048	-.00062	.00016	.00009	-.00026	-.00042	-.00049	.00006

ORIGINAL PAGE IS  
 OF POOR QUALITY

LTV44-559(CA26) 747/1 ATY 02 S1 (ORBITER DATA)

(AFE087) ( 29 JAN 76 )

## REFERENCE DATA

SREF = 2690.0000 SQ.FT. XMRP = 1109.0000 IN. XO  
 LREF = 474.8100 IN. YMRP = .0000 IN. YO  
 BREF = 936.6800 IN. ZMRP = 375.0000 IN. ZO  
 SCALE = .0125

## PARAMETRIC DATA

ALPHAC = 2.000 BETAC = -5.000  
 STAB = 5.000 ELEVON = 5.000  
 BDFLAP = .000 DX = .000  
 DZ = 15.000 IORB = 6.000  
 BETAO = .000 RUDDER = .000

RUN NO. 1063/ 0 RN/L = .00 GRADIENT INTERVAL = -5.00/ 5.00

MACH	DY	DX	DZ	CN	CLM	CA	CY	CYN	CBL	CL	CD
.594	-9.420	.00000	15.00000	.35190	.02390	.03040	.00300	.00200	.00350	.35330	.08380
.592	-8.850	.00000	15.00000	.35480	.02390	.03070	.00260	.00190	.00340	.35620	.08450
.594	-8.280	.00000	15.00000	.35970	.02320	.03100	.00260	.00190	.00330	.35110	.08410
.595	-7.710	.00000	15.00000	.35930	.02310	.03090	.00250	.00180	.00330	.35070	.08390
.595	-7.140	.00000	15.00000	.35670	.02280	.03130	.00290	.00180	.00330	.34810	.08400
.594	-6.560	.00000	15.00000	.35780	.02270	.03130	.00270	.00170	.00330	.34920	.08410
.594	-5.990	.00000	15.00000	.35980	.02300	.03100	.00330	.00180	.00320	.35120	.08420
.593	-5.420	.00000	15.00000	.35940	.02280	.03120	.00190	.00160	.00300	.35070	.08430
.593	-4.850	.00000	15.00000	.35750	.02250	.03140	.00160	.00150	.00300	.34900	.08420
.593	-4.280	.00000	15.00000	.35800	.02240	.03140	.00190	.00160	.00280	.34940	.08420
.593	-3.710	.00000	15.00000	.35720	.02240	.03120	.00200	.00160	.00280	.34860	.08390
.593	-3.140	.00000	15.00000	.35660	.02220	.03140	.00210	.00160	.00270	.34800	.08410
.595	-2.570	.00000	15.00000	.35570	.02210	.03110	.00200	.00150	.00270	.34720	.08340
.592	-1.990	.00000	15.00000	.35800	.02220	.03150	.00130	.00140	.00270	.34930	.08430
.593	-1.420	.00000	15.00000	.35520	.02200	.03140	.00090	.00140	.00250	.34660	.08370
.593	-.850	.00000	15.00000	.35530	.02180	.03150	.00130	.00140	.00230	.34670	.08390
.593	-.280	.00000	15.00000	.35550	.02180	.03150	.00180	.00140	.00230	.34690	.08390
.595	.270	-.01000	15.00000	.35430	.02150	.03130	.00150	.00140	.00220	.34580	.08340
.593	.850	-.01000	15.00000	.35560	.02140	.03180	.00080	.00130	.00210	.34700	.08420
.593	1.410	-.01000	15.00000	.35640	.02130	.03200	.00130	.00120	.00200	.34770	.08440
.594	1.990	-.01000	15.00000	.35430	.02110	.03170	.00050	.00110	.00190	.34570	.08380
.595	2.560	-.01000	15.00000	.35330	.02090	.03190	.00060	.00110	.00180	.34470	.08390
.593	3.130	-.01000	15.00000	.35770	.02110	.03230	.00130	.00110	.00170	.34890	.083500
.592	3.700	-.01000	15.00000	.35810	.02110	.03220	.00130	.00110	.00160	.34940	.08490
.593	4.270	-.01000	15.00000	.35730	.02110	.03190	.00190	.00110	.00160	.34860	.08450
.595	4.850	-.01000	15.00000	.35490	.02070	.03170	.00070	.00090	.00130	.34620	.08400
.595	5.420	-.01000	15.00000	.35510	.02050	.03190	.00030	.00080	.00130	.34650	.08410
.595	5.980	-.01000	15.00000	.35340	.02010	.03210	-.00100	.00060	.00120	.34480	.08400
.595	6.560	-.01000	15.00000	.35440	.02010	.03190	-.00040	.00060	.00100	.34570	.08410
.594	7.130	-.01000	15.00000	.35650	.02030	.03180	.00090	.00070	.00100	.34780	.08430
.595	7.700	-.01000	15.00000	.35460	.02000	.03190	.00070	.00070	.00080	.34600	.08400
.594	8.270	-.01000	15.00000	.35500	.02000	.03230	.00130	.00070	.00070	.34630	.08460
.595	8.840	-.01000	15.00000	.35480	.02000	.03190	.00020	.00050	.00050	.34620	.08420
.594	9.420	-.01000	15.00000	.35270	.02010	.03200	.00040	.00040	.00050	.35000	.08470
.593	9.990	-.01000	15.00000	.35700	.01970	.03220	-.00080	.00030	.00030	.34830	.08470
GRADIENT	-.00147	-.00000	-.00000	-.00013	-.00019	.00009	-.00009	-.00007	-.00016	-.00015	.00005

LTV44-559(CA26) 747/1 ATY 02 S1 (ORBITER DATA)

(AFE088) ( 29 JAN 76 )

## REFERENCE DATA

SREF = 2690.0000 SQ.FT. XMRP = 1109.0000 IN. XO  
 LREF = 474.8100 IN. YMRP = .0000 IN. YO  
 BREF = 936.6800 IN. ZMRP = 375.0000 IN. ZO  
 SCALE = .0125

## PARAMETRIC DATA

ALPHAC = 2.000 BETAC = -5.000  
 STAB = 5.000 ELEVON = 5.000  
 BDFLAP = .000 DX = .000  
 DZ = 60.000 IORB = 6.000  
 BETA0 = .000 RUDDER = .000

RUN NO. 2063/ 0 RN/L = .00 GRADIENT INTERVAL = -5.00/ 5.00

MACH	DY	DX	DZ	CN	CLM	CA	CY	CYN	CBL	CL	CD
.594	-10.000	.02000	51.46000	.38130	.01510	.03360	.00120	.00020	.00100	.37240	.08840
.596	-9.430	.02000	51.46000	.37630	.01500	.03370	.00220	.00020	.00100	.36750	.08770
.593	-8.860	.02000	51.46000	.37940	.01440	.03470	.00140	.00020	.00090	.37040	.08920
.594	-8.280	.02000	51.46000	.37730	.01460	.03460	.00170	.00010	.00090	.36830	.08890
.594	-7.710	.02000	51.46000	.37930	.01460	.03480	.00260	.00030	.00070	.37020	.08940
.595	-7.140	.02000	51.46000	.37830	.01430	.03450	.00350	.00050	.00060	.36930	.08880
.595	-6.570	.02000	51.46000	.37830	.01460	.03440	.00370	.00040	.00060	.36930	.08900
.594	-6.000	.02000	51.46000	.38030	.01510	.03420	.00250	.00030	.00070	.37130	.08900
.593	-5.420	.02000	51.46000	.37990	.01480	.03460	.00280	.00030	.00050	.37090	.08930
.594	-4.860	.02000	51.46000	.37800	.01460	.03500	.00250	.00030	.00050	.36900	.08940
.595	-4.290	.02000	51.46000	.37990	.01480	.03440	.00200	.00020	.00050	.37090	.08910
.595	-3.710	.02000	51.46000	.38030	.01490	.03400	.00470	.00070	.00010	.37140	.08870
.594	-3.140	.02000	51.46000	.38100	.01520	.03410	.00400	.00050	.00010	.37200	.08880
.595	-2.570	.02000	51.46000	.37900	.01470	.03420	.00330	.00040	.00000	.37000	.08880
.597	-2.000	.02000	51.46000	.37730	.01450	.03500	.00390	.00030	-.00010	.36830	.08920
.597	-1.430	.02000	51.46000	.37620	.01430	.03500	.00390	.00040	-.00010	.36720	.08910
.592	-.850	.02000	51.46000	.38100	.01450	.03440	.00410	.00050	.00000	.37200	.08920
.594	-.280	.02000	51.46000	.37830	.01470	.03410	.00290	.00020	-.00010	.36930	.08860
.594	.270	.01000	51.46000	.37800	.01460	.03420	.00430	.00040	-.00040	.36900	.08860
.594	.840	.01000	51.46000	.37710	.01420	.03500	.00540	.00050	-.00040	.36810	.08910
.594	1.410	.01000	51.46000	.37560	.01390	.03520	.00660	.00070	-.00050	.36660	.08920
.594	1.990	.01000	51.46000	.37970	.01430	.03470	.00450	.00050	-.00040	.37070	.08940
.594	2.560	.01000	51.46000	.38030	.01470	.03450	.00270	.00020	-.00050	.37130	.08930
.593	3.130	.01000	51.46000	.38190	.01470	.03440	.00290	.00030	-.00050	.37280	.08940
.595	3.700	.01000	51.46000	.37850	.01420	.03420	.00540	.00060	-.00040	.36960	.08860
.594	4.270	.01000	51.46000	.37950	.01440	.03480	.00450	.00050	-.00040	.37050	.08920
.594	4.850	.01000	51.46000	.37900	.01390	.03450	.00340	.00030	-.00040	.37010	.08890
.593	5.410	.01000	51.46000	.38150	.01480	.03450	.00220	.00020	-.00050	.37250	.08940
.594	5.980	.01000	51.46000	.38140	.01440	.03460	.00250	.00030	-.00060	.37230	.08950
.595	6.550	.01000	51.46000	.37840	.01370	.03430	.00560	.00060	-.00090	.36950	.08850
.595	7.130	.01000	51.46000	.37890	.01430	.03470	.00520	.00060	-.00100	.36980	.08920
.594	7.700	.01000	51.46000	.37860	.01420	.03470	.00410	.00040	-.00100	.36960	.08890
.594	8.270	.01000	51.46000	.38030	.01410	.03430	.00450	.00050	-.00090	.37130	.08910
.594	8.840	.01000	51.46000	.37930	.01430	.03470	.00530	.00060	-.00090	.37030	.08900
.593	9.420	.01000	51.46000	.38010	.01390	.03460	.00550	.00060	-.00100	.37110	.08920
	GRADIENT	-.00146	-.00000	.00002	-.00007	.00001	.00012	.00000	-.00009	.00002	.00001

LTV44-559(CA26) 747/1 ATY 02 S1 (ORBITER DATA)

(AFE089) ( 29 JAN 76 )

## REFERENCE DATA

SREF = 2690.0000 SQ.FT. XMRP = 1109.0000 IN. XO  
 LREF = 474.8100 IN. YMRP = .0000 IN. YO  
 BREF = 936.6800 IN. ZMRP = 375.0000 IN. ZO  
 SCALE = .0125

## PARAMETRIC DATA

ALPHAC = 4.000 BETAC = .000  
 STAB = 5.000 ELEVON = 5.000  
 BDFLAP = .000 DX = .000  
 DY = .000 IORB = 4.000  
 BETAO = .000 RUDDER = .000

RUN NO. 64/ 0 RN/L = .00 GRADIENT INTERVAL = -5.00/ 5.00

MACH	OZ	DY	DX	CN	CLM	CA	CY	CYN	CBL	CL	CD
.599	1.460	.00000	-.02000	.25970	.02580	.03750	.00270	.00000	-.00070	.25230	.07160
.599	2.060	.00000	-.02000	.25940	.02540	.03740	.00260	.00000	-.00060	.25210	.07160
.598	2.660	.00000	-.02000	.26160	.02490	.03750	.00170	.00000	-.00080	.25420	.07220
.597	3.360	.00000	-.01000	.26600	.02350	.03770	.00210	.00000	-.00070	.25860	.07290
.598	4.160	.00000	-.01000	.26470	.02310	.03770	.00200	.00000	-.00080	.25730	.07270
.602	4.960	.00000	-.01000	.26500	.02080	.03760	.00240	.00000	-.00070	.25760	.07270
.600	6.960	.00000	-.01000	.26630	.02060	.03790	.00200	.00000	-.00070	.25890	.07300
.597	8.960	.00000	-.01000	.27260	.02010	.03850	.00220	.00010	-.00080	.26500	.07430
.601	10.460	.00000	-.01000	.27680	.01800	.03820	.00260	.00010	-.00070	.26920	.07470
.599	11.460	.00000	-.01000	.27940	.01810	.03850	.00310	.00010	-.00060	.27180	.07530
.599	12.450	.00000	-.01000	.28020	.01780	.03840	.00240	.00000	-.00070	.27260	.07530
.600	13.450	.00000	.00000	.27980	.01740	.03830	.00210	.00000	-.00070	.27230	.07520
.596	14.440	.00000	.00000	.28450	.01720	.03910	.00300	.00020	-.00070	.27680	.07640
.597	15.440	.00000	.00000	.28520	.01740	.03880	.00270	.00010	-.00070	.27760	.07620
.598	16.430	.00000	.00000	.28580	.01660	.03910	.00220	.00010	-.00070	.27820	.07650
.599	17.430	.00000	.00000	.28580	.01620	.03920	.00260	.00010	-.00070	.27810	.07660
.598	18.420	.00000	.00000	.28930	.01640	.03940	.00180	.00000	-.00070	.28160	.07710
.599	19.420	.00000	.00000	.29000	.01670	.03900	.00140	.00000	-.00060	.28230	.07700
.600	20.410	.00000	.00000	.29090	.01650	.03910	.00190	.00000	-.00050	.28320	.07720
.600	21.410	.00000	.00000	.29410	.01630	.03910	.00230	.00020	-.00060	.28640	.07760
.597	22.390	.00000	.01000	.29480	.01570	.03980	.00220	.00010	-.00070	.28700	.07830
.599	23.390	.00000	.01000	.29500	.01570	.03940	.00200	.00000	-.00050	.28720	.07790
.600	24.390	.00000	.01000	.29400	.01520	.03990	.00190	.00000	-.00040	.28620	.07810
.599	25.380	.00000	.01000	.29960	.01630	.03940	.00190	.00000	-.00050	.29170	.07850
.600	26.380	.00000	.01000	.29990	.01570	.03970	.00180	.00000	-.00050	.29190	.07880
.597	27.370	.00000	.01000	.30200	.01510	.04090	.00170	.00000	-.00040	.29420	.07920
.597	28.370	.00000	.01000	.30250	.01470	.04010	.00150	.00000	-.00040	.29460	.07930
.599	29.360	.00000	.02000	.30150	.01460	.03990	.00040	.00000	-.00020	.29360	.07910
.599	30.360	.00000	.02000	.30170	.01410	.04020	.00100	.00000	-.00020	.29380	.07940
.598	31.350	.00000	.02000	.30900	.01510	.04020	.00150	.00000	-.00030	.30010	.08030
.597	32.350	.00000	.02000	.30890	.01480	.04020	.00100	.00000	-.00020	.30090	.08040
.599	33.340	.00000	.02000	.30620	.01460	.04050	.00020	.00000	-.00020	.29830	.08010
.597	34.340	.00000	.02000	.31080	.01460	.04060	.00230	.00020	-.00030	.30280	.08090
.600	35.340	.00000	.02000	.30940	.01470	.04020	.00190	.00010	-.00040	.30150	.08030
.600	36.330	.00000	.03000	.31080	.01440	.04020	.00040	.00000	-.00020	.30280	.08050
.598	37.320	.00000	.03000	.31350	.01440	.04030	.00150	.00020	-.00010	.30560	.08080
.600	38.320	.00000	.03000	.31290	.01430	.03980	.00120	.00000	-.00030	.30500	.08030
.595	39.310	.00000	.03000	.31880	.01480	.04060	.00180	.00020	-.00030	.31080	.08170
.597	40.310	.00000	.03000	.31710	.01430	.04030	.00060	.00010	.00000	.30920	.08110
.598	41.310	.00000	.03000	.31460	.01370	.04080	.00060	.00000	.00010	.30660	.08150
.600	42.300	.00000	.03000	.31160	.01320	.04100	.00000	.00000	.00000	.30360	.08120
.597	43.290	.00000	.05000	.31690	.01280	.04110	.00110	.00000	.00000	.30880	.08200

DATE 22 MAR 76

CA-26 FORCE SOURCE DATA TABULATION

PAGE 103

LTV44-559(CA26) 747/1 ATY 02 S1 (ORBITER DATA)

(AFE089) ( 29 JAN 76 )

REFERENCE DATA

SREF = 2690.0000 SQ.FT. XMRP = 1109.0000 IN. XO  
LREF = 474.8100 IN. YMRP = .0000 IN. YO  
BREF = 936.6800 IN. ZMRP = 375.0000 IN. ZO  
SCALE = .0125

PARAMETRIC DATA

ALPHAC = 4.000 BETAC = .000  
STAB = 5.000 ELEVON = 5.000  
BDFLAP = .000 DX = .000  
DY = .000 TORB = 4.000  
BETA0 = .000 RUDDER = .000

RUN NO. 64/ 0 RN/L = .00 GRADIENT INTERVAL = -5.00/ 5.00

MACH	DZ	DY	DX	CN	CLM	CA	CY	CYN	CBL	CL	CD
.600	44.290	.00000	.05000	.31630	.01340	.04050	.00020	.00010	.00000	.30830	.08120
.599	44.790	.00000	.05000	.31760	.01310	.04080	.00150	.00030	-.00010	.30960	.08170
	GRADIENT	.00000	.00366	.00187	-.00137	.00006	-.00010	.00000	-.00002	.00186	.09034

LTV44-559(CA26) 747/1 ATY 02 S1 (ORBITER DATA)

(AFE090) ( 29 JAN 76 )

## REFERENCE DATA

SREF = 2690.0000 SQ.FT. XMRP = 1109.0000 IN. XO  
 LREF = 474.8100 IN. YMRP = .0000 IN. YO  
 BREF = 936.6800 IN. ZMRP = 375.0000 IN. ZO  
 SCALE = .0125

## PARAMETRIC DATA

ALPHAC = 4.000 BETAC = .000  
 STAB = 5.000 ELEVON = 5.000  
 BDFLAP = .000 DX = .000  
 DY = .000 IORB = 6.000  
 BETAO = .000 RUDDER = .000

RUN NO. 1064/ 0 RN/L = .00 GRADIENT INTERVAL = -5.00/ 5.00

MACH	DZ	DY	DX	CN	CLM	CA	CY	CYN	CBL	CL	CD
.598	1.470	.00000	-.02000	.37750	.03500	.02450	.00540	.00020	-.00110	.36800	.08750
.599	2.070	.00000	-.02000	.37660	.03240	.02500	.00430	.00010	-.00110	.36700	.08800
.598	2.670	.00000	-.02000	.37700	.03250	.02490	.00470	.00000	-.00110	.36750	.08790
.598	3.370	.00000	-.02000	.37890	.03030	.02490	.00500	.00010	-.00110	.36940	.08800
.598	4.170	.00000	-.02000	.37970	.03020	.02500	.00540	.00020	-.00110	.37010	.08850
.599	4.960	.00000	-.02000	.38010	.03040	.02490	.00490	.00010	-.00110	.37060	.08830
.598	6.970	.00000	-.02000	.38630	.02730	.02530	.00510	.00020	-.00110	.37660	.08980
.598	8.970	.00000	-.01000	.38410	.02660	.02580	.00520	.00020	-.00100	.37430	.08990
.599	10.600	.00000	-.01000	.38690	.02650	.02580	.00320	.00000	-.00100	.37900	.09060
.598	11.880	.00000	-.01000	.39030	.02600	.02600	.00240	.00000	-.00110	.38050	.09090
.598	13.160	.00000	-.01000	.39260	.02540	.02610	.00430	.00010	-.00110	.38270	.09140
.598	14.440	.00000	.00000	.39290	.02500	.02630	.00420	.00010	-.00100	.38300	.09150
.597	15.710	.00000	.00000	.39330	.02490	.02640	.00290	-.00010	-.00080	.38340	.09170
.598	16.990	.00000	.00000	.39760	.02490	.02640	.00400	.00010	-.00110	.38770	.09230
.598	18.270	.00000	.00000	.39900	.02490	.02630	.00280	.00000	-.00100	.38910	.09230
.597	19.540	.00000	.00000	.39970	.02440	.02660	.00430	.00010	-.00090	.38970	.09260
.598	20.820	.00000	.00000	.39890	.02410	.02680	.00380	.00010	-.00090	.38890	.09270
.598	22.090	.00000	.01000	.40230	.02380	.02680	.00390	.00010	-.00090	.39230	.09330
.599	23.360	.00000	.01000	.40340	.02360	.02690	.00330	.00000	-.00070	.39330	.09330
.599	24.650	.00000	.01000	.40220	.02320	.02660	.00300	.00000	-.00090	.39230	.09290
.598	25.920	.00000	.01000	.40440	.02250	.02710	.00330	.00010	-.00090	.39440	.09360
.599	27.200	.00000	.01000	.40640	.02270	.02730	.00340	.00000	-.00070	.39630	.09400
.597	28.470	.00000	.01000	.40830	.02260	.02740	.00250	.00000	-.00080	.39810	.09460
.597	29.750	.00000	.02000	.40770	.02200	.02760	.00290	.00000	-.00060	.39760	.09450
.599	31.030	.00000	.02000	.40730	.02220	.02720	.00230	.00000	-.00070	.39720	.09420
.599	32.300	.00000	.02000	.40920	.02160	.02710	.00300	.00010	-.00060	.39910	.09430
.597	33.580	.00000	.02000	.41110	.02110	.02760	.00280	.00010	-.00070	.40080	.09530
.600	34.850	.00000	.02000	.41010	.02110	.02750	.00270	.00010	-.00070	.40000	.09450
.598	36.130	.00000	.03000	.41520	.02130	.02760	.00210	.00010	-.00060	.40490	.09560
.597	37.410	.00000	.03000	.41670	.02110	.02790	.00320	.00020	-.00060	.40650	.09600
.599	38.690	.00000	.03000	.41640	.02070	.02760	.00210	.00020	-.00060	.40620	.09580
.598	39.960	.00000	.03000	.41730	.02030	.02820	.00100	.00000	-.00040	.40700	.09650
.598	41.240	.00000	.03000	.41970	.02050	.02800	.00170	.00010	-.00050	.40930	.09660
.598	42.520	.00000	.03000	.41890	.01970	.02800	.00260	.00020	-.00050	.40860	.09640
.597	43.790	.00000	.05000	.42050	.01930	.02830	-.00020	-.00020	-.00010	.41020	.09680
.597	45.070	.00000	.05000	.42290	.01890	.02860	.00270	.00010	-.00030	.41170	.09730
.598	46.340	.00000	.05000	.42450	.01900	.02830	.00260	.00000	-.00020	.41410	.09750
.598	47.620	.00000	.05000	.42050	.01780	.02860	.00040	-.00010	.00000	.41010	.09720
.597	48.900	.00000	.05000	.41870	.01760	.02900	-.00020	-.00010	.00030	.40830	.09700
.598	50.180	.00000	.05000	.41350	.01690	.02940	.00250	.00000	-.00030	.40320	.09630
.597	51.460	.00000	.06000	.41890	.01790	.02890	.00100	.00000	-.00030	.40840	.09670
GRADIENT		.00000	-.00000	.00101	-.00127	.00008	.00005	-.00000	.00000	.00101	.00023

LTV44-559(CA26) 747/1 ATY U2 S1 (ORBITER DATA)

(AFEO91) ( 29 JAN 76 )

## REFERENCE DATA

SREF = 2690.0000 SQ.FT. XMRP = 1109.0000 IN. XO  
 LREF = 474.8100 IN. YMRP = .0000 IN. YO  
 BREF = 936.6800 IN. ZMRP = 375.0000 IN. ZO  
 SCALE = .0125

## PARAMETRIC DATA

ALPHAC = 4.000 BETAC = .000  
 STAB = 5.000 ELEVON = 5.000  
 BDFLAP = .000 DX = .000  
 DY = .000 IORB = 8.000  
 BETA0 = .000 RUDDER = .000

RUN NO. 65/ 0 RN/L = .00 GRADIENT INTERVAL = -5.00/ 5.00

MACH	DZ	DY	DX	CN	CLM	CA	CY	CYN	CBL	CL	CD
.600	1.460	.00000	-.05000	.49670	.04100	.01060	.00560	.00000	-.00070	.48410	.11140
.598	2.060	.00000	-.05000	.49820	.04110	.01090	.00640	.00010	-.00060	.48560	.11210
.597	2.660	.00000	-.05000	.49810	.04110	.01090	.00660	.00010	-.00070	.48550	.11200
.595	3.460	.00000	-.03000	.49770	.03990	.01090	.00540	.00000	-.00070	.48510	.11180
.599	4.460	.00000	-.03000	.49170	.03910	.01090	.00530	.00000	-.00070	.47920	.11040
.598	5.590	.00000	-.03000	.49540	.03730	.01160	.00490	.00000	-.00060	.48280	.11160
.598	6.840	.00000	-.02000	.49650	.03690	.01130	.00600	.00000	-.00060	.48400	.11140
.599	8.090	.00000	-.02000	.49620	.03600	.01170	.00550	-.00010	-.00050	.48350	.11190
.599	9.340	.00000	-.02000	.49720	.03530	.01190	.00580	.00000	-.00050	.48450	.11240
.601	10.560	.00000	-.01000	.49660	.03430	.01200	.00480	-.00010	-.00060	.48390	.11200
.599	11.740	.00000	-.01000	.49750	.03410	.01210	.00470	-.00000	-.00070	.48480	.11240
.600	12.920	.00000	-.01000	.49630	.03350	.01240	.00560	.00000	-.00070	.48360	.11230
.599	14.110	.00000	-.01000	.49900	.03300	.01260	.00480	.00000	-.00060	.48620	.11300
.597	15.290	.00000	-.01000	.50310	.03250	.01300	.00510	-.00010	-.00050	.49020	.11390
.599	16.480	.00000	.00000	.50160	.03220	.01270	.00470	-.00010	-.00060	.48870	.11340
.597	17.660	.00000	.00000	.50700	.03210	.01300	.00440	-.00010	-.00050	.49400	.11460
.598	18.840	.00000	.00000	.50690	.03200	.01290	.00580	.00000	-.00040	.49400	.11460
.602	20.030	.00000	.00000	.50150	.03100	.01290	.00430	-.00010	-.00030	.48870	.11320
.600	21.210	.00000	.00000	.50550	.03110	.01330	.00460	-.00010	-.00030	.49260	.11440
.600	22.390	.00000	.01000	.50620	.03030	.01370	.00500	.00000	-.00020	.49330	.11470
.597	23.570	.00000	.01000	.51090	.03090	.01390	.00440	-.00020	-.00020	.49770	.11600
.597	24.760	.00000	.01000	.51410	.03060	.01390	.00490	-.00010	-.00020	.50090	.11640
.600	25.940	.00000	.01000	.50970	.03030	.01400	.00410	-.00010	-.00030	.49660	.11570
.600	27.130	.00000	.01000	.51250	.02980	.01390	.00420	-.00010	-.00020	.49940	.11610
.601	28.310	.00000	.01000	.51200	.02990	.01350	.00450	-.00010	-.00020	.49900	.11550
.598	29.490	.00000	.02000	.51670	.03010	.01440	.00520	-.00010	-.00020	.50340	.11730
.600	30.670	.00000	.02000	.51140	.02880	.01430	.00350	-.00010	-.00000	.49830	.11580
.600	31.850	.00000	.02000	.51390	.02920	.01450	.00390	-.00010	-.00010	.50070	.11660
.598	33.040	.00000	.02000	.52010	.02840	.01420	.00400	.00000	.00000	.50680	.11770
.597	34.230	.00000	.02000	.52110	.02820	.01420	.00370	-.00020	.00000	.50780	.11770
.599	35.410	.00000	.03000	.51570	.02770	.01480	.00260	-.00030	.00010	.50240	.11700
.599	36.590	.00000	.03000	.51910	.02790	.01500	.00410	.00000	.00000	.50570	.11780
.600	37.780	.00000	.03000	.51980	.02770	.01450	.00360	.00000	.00010	.50660	.11750
.598	38.960	.00000	.03000	.52480	.02810	.01460	.00230	-.00020	.00010	.51150	.11860
.600	40.150	.00000	.03000	.52150	.02750	.01460	.00430	.00000	.00020	.50830	.11750
.598	41.330	.00000	.03000	.52800	.02740	.01490	.00400	.00000	.00010	.51450	.11950
.600	42.520	.00000	.05000	.52680	.02730	.01440	.00320	-.00010	.00010	.51340	.11860
.599	43.700	.00000	.05000	.52450	.02620	.01540	.00300	-.00010	.00010	.51110	.11870
.601	44.880	.00000	.05000	.52440	.02660	.01490	.00320	.00000	.00030	.51110	.11860
.598	46.060	.00000	.05000	.52910	.02600	.01520	.00250	-.00010	.00060	.51560	.11950
.601	47.250	.00000	.05000	.52520	.02530	.01490	.00330	-.00010	.00040	.51180	.11870
.599	48.430	.00000	.06000	.52890	.02510	.01550	.00350	-.00010	.00030	.51530	.11990

LTV44-559(CA26) 747/1 ATY 02 S1 (ORBITER DATA)

(AFE091) ( 29 JAN 76 )

## REFERENCE DATA

SREF = 2690.0000 SQ.FT. XMRP = 1109.0000 IN. XO  
 LREF = 474.8100 IN. YMRP = .0000 IN. YO  
 BREF = 936.6800 IN. ZMRP = 375.0000 IN. ZO  
 SCALE = .0125

## PARAMETRIC DATA

ALPHAC = 4.000 BETAC = .000  
 STAB = 5.000 ELEVON = 5.000  
 BDFLAP = .000 DX = .000  
 DY = .000 IORB = 8.000  
 BETA0 = .000 RUDDER = .000

RUN NO. 65/ 0 RN/L = .00 GRADIENT INTERVAL = -5.00/ 5.00

MACH	DZ	DY	DX	CN	CLM	CA	CY	CYN	CBL	CL	CD
.600	49.620	.00000	.06000	.52600	.02430	.01590	.00310	-.00010	.00030	.51250	.11940
.598	50.800	.00000	.06000	.52960	.02510	.01560	.00410	.00010	.00030	.51600	.12000
.600	51.990	.00000	.06000	.52750	.02490	.01530	.00190	-.00030	.00070	.51410	.11900
.598	53.170	.00000	.06000	.53150	.02430	.01570	.00180	-.00030	.00070	.51790	.12030
.600	54.350	.00000	.06000	.52590	.02370	.01560	.00140	-.00020	.00090	.51250	.11880
.600	55.540	.00000	.07000	.52910	.02420	.01530	.00010	-.00050	.00130	.51570	.11920
.599	56.130	.00000	.07000	.52780	.02330	.01570	.00120	-.00030	.00110	.51440	.11920
	GRADIENT	.00000	.00821	-.00161	-.00070	.00007	-.00025	-.00002	-.00001	-.00158	-.00036



LTV44-559(CA26) 747/1 ATY 02 S1 (ORBITER DATA)

(AFE092) ( 29 JAN 76 )

## REFERENCE DATA

SREF = 2690.0000 SQ.FT. XMRP = 1109.0000 IN. XO  
 LREF = 474.8100 IN. YMRP = .0000 IN. YO  
 BREF = 936.6800 IN. ZMRP = 375.0000 IN. ZO  
 SCALE = .0125

## PARAMETRIC DATA

ALPHAC = 4.000 BETAC = .000  
 STAB = 5.000 ELEVON = 5.000  
 BDFLAP = .000 DX = .000  
 DY = .000 IORB = 4.000  
 BETAO = 5.000 RUDDER = .000

RUN NO. 66/ 0 RN/L = .00 GRADIENT INTERVAL = -5.00/ 5.00

MACH	DZ	DY	DX	CN	CLM	CA	CY	CYN	CBL	CL	CD
.599	1.460	.00000	-.02000	.27720	.02540	.03560	-.05820	-.01090	-.00010	.26990	.07250
.595	2.060	.00000	-.02000	.27970	.02510	.03620	-.05920	-.01120	-.00020	.27230	.07320
.597	2.660	.00000	-.02000	.27880	.02500	.03590	-.05800	-.01090	.00000	.27150	.07270
.595	3.360	.00000	-.02000	.28170	.02270	.03610	-.05830	-.01100	.00000	.27440	.07340
.596	4.160	.00000	-.01000	.28080	.02280	.03620	-.05800	-.01090	.00000	.27350	.07330
.597	4.960	.00000	-.01000	.28500	.02100	.03590	-.05740	-.01070	.00030	.27770	.07350
.594	6.960	.00000	-.01000	.28600	.02050	.03660	-.05870	-.01100	.00020	.27860	.07420
.595	8.960	.00000	-.01000	.28790	.01930	.03650	-.05820	-.01100	.00030	.28050	.07430
.594	10.430	.00000	-.01000	.29660	.01830	.03700	-.05770	-.01090	.00050	.28900	.07600
.597	11.370	.00000	-.01000	.29220	.01720	.03670	-.05780	-.01080	.00040	.28470	.07510
.595	12.310	.00000	-.01000	.29480	.01740	.03690	-.05720	-.01070	.00050	.28730	.07560
.598	13.250	.00000	.00000	.29550	.01660	.03660	-.05760	-.01080	.00040	.28800	.07580
.596	14.180	.00000	.00000	.29860	.01670	.03720	-.05730	-.01090	.00050	.29100	.07640
.597	15.120	.00000	.00000	.30030	.01650	.03720	-.05790	-.01100	.00060	.29280	.07660
.598	16.060	.00000	.00000	.30120	.01610	.03700	-.05730	-.01070	.00060	.29360	.07650
.595	17.000	.00000	.00000	.30380	.01620	.03730	-.05830	-.01090	.00060	.29620	.07710
.596	17.940	.00000	.00000	.30360	.01590	.03760	-.05790	-.01100	.00060	.29600	.07730
.595	18.880	.00000	.00000	.30650	.01610	.03780	-.05770	-.01080	.00060	.29880	.07800
.595	19.810	.00000	.00000	.30630	.01590	.03820	-.05900	-.01100	.00070	.29850	.07820
.596	20.750	.00000	.00000	.30830	.01570	.03770	-.05870	-.01090	.00080	.30060	.07810
.599	21.680	.00000	.01000	.30870	.01530	.03750	-.05770	-.01080	.00070	.30110	.07780
.596	22.620	.00000	.01000	.31300	.01580	.03780	-.05760	-.01080	.00060	.30530	.07830
.595	23.560	.00000	.01000	.31330	.01560	.03800	-.05790	-.01090	.00060	.30550	.07900
.597	24.500	.00000	.01000	.31170	.01520	.03770	-.05700	-.01070	.00060	.30400	.07840
.595	25.440	.00000	.01000	.31410	.01530	.03800	-.05840	-.01090	.00060	.30640	.07900
.596	26.380	.00000	.01000	.31510	.01460	.03790	-.05820	-.01090	.00090	.30740	.07890
.594	27.310	.00000	.01000	.31630	.01450	.03840	-.05910	-.01100	.00080	.30860	.07950
.596	28.250	.00000	.01000	.31750	.01430	.03810	-.05860	-.01090	.00080	.30970	.07940
.594	29.190	.00000	.02000	.32170	.01480	.03820	-.05720	-.01070	.00060	.31390	.08000
.598	30.130	.00000	.02000	.31990	.01460	.03810	-.05810	-.01090	.00070	.31210	.07980
.598	31.060	.00000	.02000	.32190	.01430	.03920	-.05930	-.01100	.00080	.31410	.08000
.598	32.000	.00000	.02000	.32140	.01430	.03810	-.05780	-.01080	.00070	.31360	.07990
.599	32.940	.00000	.02000	.32230	.01400	.03840	-.05790	-.01090	.00080	.31450	.08030
.598	33.880	.00000	.02000	.32390	.01420	.03830	-.05820	-.01080	.00080	.31610	.08040
.595	34.820	.00000	.02000	.32580	.01370	.03860	-.05830	-.01090	.00080	.31800	.08070
.597	35.760	.00000	.03000	.32030	.01320	.03880	-.05790	-.01080	.00070	.31250	.08020
.597	36.700	.00000	.03000	.32450	.01340	.03860	-.05860	-.01080	.00080	.31670	.08070
.596	37.630	.00000	.03000	.32590	.01350	.03890	-.05880	-.01100	.00100	.31810	.08090
.596	38.570	.00000	.03000	.32840	.01330	.03900	-.05890	-.01090	.00100	.32050	.08130
.594	39.510	.00000	.03000	.32960	.01320	.03890	-.05950	-.01100	.00120	.32180	.08140
.595	40.450	.00000	.03000	.33020	.01320	.03910	-.06030	-.01110	.00110	.32240	.08160
.596	41.380	.00000	.03000	.32900	.01290	.03910	-.06020	-.01120	.00120	.32120	.08140

ORIGINAL PAGE IS  
OF POOR QUALITY

DATE 22 MAR 76

CA-26 FORCE SOURCE DATA TABULATION

PAGE 108

LTV44-5591CA26) 747/1 ATY 02 S1 (ORBITER DATA)

(AFE092) ( 29 JAN 76 )

## REFERENCE DATA

SREF =	2690.0000 SQ.FT.	XMRP =	1109.0000 IN. XO
LREF =	474.8100 IN.	YMRP =	.0000 IN. YO
BREF =	936.6800 IN.	ZMRP =	375.0000 IN. ZO
SCALE =	.0125		

## PARAMETRIC DATA

ALPHAC =	4.000	BETAC =	.000
STAB =	5.000	ELEVON =	5.000
BDFLAP =	.000	DX =	.000
DY =	.000	IORB =	4.000
BETA0 =	5.000	RUDDER =	.000

RUN NO. 66/ 0 RN/L = .00 GRADIENT INTERVAL = -5.00/ 5.00

MACH	DZ	DY	DX	CN	CLM	CA	CY	CYN	CBL	CL	CD
.598	42.320	.00000	.03000	.32660	.01230	.03930	-.05950	-.01110	.00110	.31880	.08130
.597	42.790	.00000	.05000	.32870	.01180	.03940	-.06030	-.01110	.00120	.32090	.08150
	GRADIENT	.00000	.00337	.00186	-.00128	.00006	.00030	.00008	.00011	.00187	.00024

LTV44-559(CA26) 747/1 ATY 02 S1 (ORBITER DATA)

(AFE093) ( 29 JAN 76 )

## REFERENCE DATA

SREF = 2690.0000 SQ.FT. XMRP = 1109.0000 IN. XO  
 LREF = 474.8100 IN. YMRP = .0000 IN. YO  
 BREF = 936.6800 IN. ZMRP = 375.0000 IN. ZO  
 SCALE = .0125

## PARAMETRIC DATA

ALPHAC = 4.000 BETAC = .000  
 STAB = 5.000 ELEVON = 5.500  
 BDFLAP = .000 DX = .000  
 DY = .000 TORB = 6.000  
 BETAO = 5.000 RUDDER = .000

RUN NO. 1066/ 0 RN/L = .00 GRADIENT INTERVAL = -5.00/ 5.00

MACH	DZ	DY	DX	CN	CLM	CA	CY	CYN	CBL	CL	CD
.594	1.480	.00000	-.03000	.39770	.03190	.02410	-.05650	-.01110	-.00230	.38800	.09060
.595	2.070	.00000	-.02000	.39950	.02960	.02390	-.05530	-.01080	-.00210	.38980	.09090
.595	2.670	.00000	-.02000	.39940	.02970	.02390	-.05620	-.01100	-.00210	.38970	.09060
.596	3.380	.00000	-.02000	.40170	.02820	.02410	-.05640	-.01090	-.00190	.39190	.09130
.596	4.170	.00000	-.02000	.40180	.02750	.02430	-.05600	-.01100	-.00180	.39200	.09140
.597	4.970	.00000	-.02000	.40010	.02750	.02410	-.05580	-.01090	-.00180	.39040	.09080
.594	6.970	.00000	-.02000	.40870	.02530	.02460	-.05650	-.01090	-.00150	.39880	.09270
.596	8.980	.00000	-.01000	.40470	.02450	.02470	-.05570	-.01080	-.00120	.39490	.09200
.596	10.580	.00000	-.01000	.40990	.02400	.02510	-.05590	-.01080	-.00130	.39990	.09310
.597	11.790	.00000	-.01000	.40700	.02320	.02520	-.05510	-.01070	-.00110	.39710	.09270
.596	13.010	.00000	-.01000	.40790	.02290	.02530	-.05670	-.01090	-.00100	.39790	.09290
.593	14.220	.00000	.00000	.41540	.02290	.02530	-.05600	-.01080	-.00110	.40530	.09430
.597	15.440	.00000	.00000	.41170	.02240	.02540	-.05570	-.01080	-.00110	.40170	.09370
.594	16.660	.00000	.00000	.41870	.02230	.02580	-.05590	-.01070	-.00120	.40860	.09500
.595	17.870	.00000	.00000	.41490	.02220	.02580	-.05560	-.01070	-.00120	.40480	.09450
.596	19.090	.00000	.00000	.41600	.02200	.02560	-.05620	-.01080	-.00090	.40590	.09420
.594	20.300	.00000	.00000	.42370	.02190	.02570	-.05600	-.01070	-.00110	.41350	.09570
.596	21.510	.00000	.01000	.42250	.02190	.02560	-.05620	-.01080	-.00100	.41240	.09550
.595	22.730	.00000	.01000	.42360	.02110	.02580	-.05620	-.01070	-.00090	.41350	.09560
.594	23.940	.00000	.01000	.42450	.02100	.02620	-.05650	-.01080	-.00070	.41430	.09610
.596	25.150	.00000	.01000	.42670	.02090	.02590	-.05630	-.01070	-.00070	.41650	.09620
.595	26.370	.00000	.01000	.42790	.02090	.02610	-.05700	-.01080	-.00070	.41760	.09670
.595	27.590	.00000	.01000	.42740	.02060	.02640	-.05800	-.01090	-.00080	.41720	.09650
.596	28.800	.00000	.01000	.43050	.02050	.02650	-.05700	-.01060	-.00080	.42020	.09730
.597	30.020	.00000	.02000	.42820	.01990	.02630	-.05680	-.01070	-.00080	.41800	.09640
.597	31.230	.00000	.02000	.42800	.01910	.02660	-.05620	-.01060	-.00080	.41780	.09680
.595	32.450	.00000	.02000	.43320	.01950	.02690	-.05750	-.01080	-.00080	.42280	.09810
.595	33.660	.00000	.02000	.43400	.01950	.02680	-.05970	-.01100	-.00050	.42370	.09780
.596	34.880	.00000	.02000	.43130	.01930	.02650	-.05790	-.01080	-.00040	.42100	.09730
.594	36.090	.00000	.02000	.43870	.01940	.02670	-.05790	-.01080	-.00040	.42830	.09860
.595	37.310	.00000	.03000	.43440	.01830	.02710	-.05910	-.01090	-.00030	.42400	.09810
.594	38.530	.00000	.03000	.43660	.01860	.02680	-.05870	-.01080	-.00070	.42630	.09800
.593	39.740	.00000	.03000	.43970	.01900	.02680	-.05880	-.01090	-.00040	.42930	.09860
.595	40.950	.00000	.03000	.43880	.01840	.02670	-.05770	-.01060	-.00050	.42840	.09850
.595	42.170	.00000	.05000	.44110	.01830	.02670	-.06030	-.01110	-.00030	.43070	.09880
.594	43.380	.00000	.05000	.44090	.01750	.02740	-.05980	-.01110	-.00030	.43040	.09940
.594	44.600	.00000	.05000	.44230	.01740	.02740	-.05920	-.01090	-.00020	.43180	.09950
.597	45.820	.00000	.05000	.43580	.01710	.02750	-.05970	-.01100	.00000	.42540	.09830
.597	47.030	.00000	.05000	.43850	.01710	.02710	-.05890	-.01090	-.00010	.42810	.09860
.596	48.250	.00000	.05000	.44330	.01760	.02700	-.05990	-.01100	.00000	.43290	.09910
.597	49.460	.00000	.06000	.43990	.01750	.02690	-.05900	-.01080	-.00020	.42960	.09830
GRADIENT		.00000	.00191	.00081	-.00119	.00006	.00005	.00002	.00015	.00081	.00012

LTV44-559(CA26) 747/1 ATY 02 S1 (ORBITER DATA)

(AFE094) ( 29 JAN 76 )

## REFERENCE DATA

SREF = 2690.0000 SQ.FT. XMRP = 1109.0000 IN. XO  
 LREF = 474.8100 IN. YMRP = .0000 IN. YO  
 BREF = 936.6800 IN. ZMRP = 375.0000 IN. ZO  
 SCALE = .0125

## PARAMETRIC DATA

ALPHAC = 4.000 BETAC = .000  
 STAB = 5.000 ELEVON = 5.000  
 BDFLAP = .000 DX = .000  
 DY = .000 TORB = 8.000  
 BETA0 = 5.000 RUDDER = .000

RUN NO. 67/ 0 RN/L = .00 GRADIENT INTERVAL = -5.00/ 5.00

MACH	DZ	DY	DX	CN	CLM	CA	CY	CYN	CBL	CL	CD
.602	1.460	.00000	-.03000	.50840	.03730	.00940	-.05470	-.01060	-.00340	.49590	.11250
.602	2.060	.00000	-.03000	.50640	.03690	.00960	-.05500	-.01060	-.00340	.49390	.11240
.601	2.660	.00000	-.03000	.50760	.03660	.00940	-.05530	-.01070	-.00330	.49510	.11220
.603	3.460	.00000	-.03000	.50740	.03560	.00950	-.05430	-.01060	-.00300	.49480	.11250
.601	4.460	.00000	-.03000	.50840	.03520	.00990	-.05480	-.01060	-.00310	.49590	.11270
.601	5.590	.00000	-.02000	.51050	.03430	.00950	-.05470	-.01070	-.00290	.49800	.11260
.601	6.840	.00000	-.02000	.50990	.03400	.01010	-.05370	-.01060	-.00290	.49730	.11280
.602	8.090	.00000	-.02000	.50960	.03290	.00980	-.05430	-.01060	-.00270	.49710	.11260
.601	9.340	.00000	-.02000	.51020	.03280	.01040	-.05430	-.01050	-.00270	.49760	.11330
.600	10.560	.00000	-.01000	.51360	.03130	.01060	-.05520	-.01060	-.00250	.50100	.11370
.601	11.740	.00000	-.01000	.51280	.03090	.01090	-.05440	-.01060	-.00240	.50010	.11410
.600	12.920	.00000	-.01000	.51450	.03100	.01120	-.05490	-.01060	-.00250	.50170	.11460
.602	14.110	.00000	-.01000	.51210	.03080	.01110	-.05410	-.01050	-.00240	.49930	.11400
.603	15.290	.00000	.00000	.51260	.03000	.01140	-.05500	-.01070	-.00230	.49990	.11400
.602	16.480	.00000	.00000	.51440	.02990	.01140	-.05440	-.01060	-.00230	.50160	.11460
.601	17.660	.00000	.00000	.51600	.02920	.01190	-.05450	-.01050	-.00230	.50310	.11530
.600	18.840	.00000	.00000	.51820	.02860	.01210	-.05480	-.01050	-.00230	.50530	.11560
.602	20.030	.00000	.00000	.51630	.02890	.01200	-.05490	-.01060	-.00220	.50340	.11510
.602	21.210	.00000	.00000	.51870	.02860	.01190	-.05430	-.01050	-.00230	.50590	.11540
.601	22.390	.00000	.01000	.52050	.02830	.01240	-.05470	-.01050	-.00220	.50750	.11610
.603	23.570	.00000	.01000	.51880	.02760	.01250	-.05450	-.01040	-.00230	.50570	.11610
.604	24.760	.00000	.01000	.52160	.02770	.01250	-.05520	-.01040	-.00200	.50850	.11680
.603	25.940	.00000	.01000	.52220	.02720	.01260	-.05510	-.01050	-.00210	.50910	.11690
.604	27.130	.00000	.01000	.52480	.02700	.01250	-.05510	-.01050	-.00200	.51170	.11720
.603	28.310	.00000	.01000	.52990	.02710	.01280	-.05610	-.01060	-.00190	.51670	.11810
.602	29.490	.00000	.02000	.53030	.02720	.01300	-.05610	-.01070	-.00180	.51710	.11820
.602	30.670	.00000	.02000	.52660	.02650	.01310	-.05520	-.01060	-.00180	.51340	.11780
.601	31.860	.00000	.02000	.52640	.02620	.01320	-.05610	-.01050	-.00180	.51330	.11770
.601	33.040	.00000	.02000	.52670	.02570	.01320	-.05550	-.01050	-.00190	.51350	.11780
.601	34.230	.00000	.02000	.52690	.02550	.01350	-.05480	-.01060	-.00200	.51370	.11820
.600	35.410	.00000	.02000	.53260	.02560	.01330	-.05560	-.01060	-.00190	.51930	.11890
.600	36.590	.00000	.03000	.53540	.02600	.01330	-.05550	-.01060	-.00190	.52210	.11930
.601	37.780	.00000	.03000	.53210	.02570	.01350	-.05620	-.01070	-.00170	.51880	.11900
.601	38.960	.00000	.03000	.53740	.02530	.01350	-.05570	-.01050	-.00180	.52400	.11990
.600	40.150	.00000	.03000	.53720	.02460	.01390	-.05620	-.01070	-.00200	.52380	.12000
.602	41.330	.00000	.03000	.53000	.02350	.01430	-.05600	-.01080	-.00140	.51660	.11920
.601	42.520	.00000	.03000	.53360	.02340	.01470	-.05790	-.01110	-.00110	.52020	.12010
.602	43.700	.00000	.05000	.53410	.02360	.01410	-.05700	-.01100	-.00140	.52080	.11930
.600	44.880	.00000	.05000	.53970	.02390	.01440	-.05710	-.01100	-.00130	.52620	.12090
.601	46.060	.00000	.05000	.54010	.02350	.01420	-.05760	-.01110	-.00130	.52660	.12080
.603	47.250	.00000	.05000	.53690	.02300	.01400	-.05730	-.01090	-.00140	.52350	.12010
.604	48.430	.00000	.05000	.53780	.02250	.01440	-.05620	-.01080	-.00150	.52430	.12060

DATE 22 MAR 76

CA-26 FORCE SOURCE DATA TABULATION

PAGE 111

LTV44-559(CA26) 747/1 ATY 02 S1 (ORBITER DATA)

(AFÉ094) ( 29 JAN 76 )

## REFERENCE DATA

SREF = 2690.0000 SQ.FT. XMRP = 1109.0000 IN. XO  
 LREF = 474.8100 IN. YMRP = .0000 IN. YO  
 BREF = 936.6800 IN. ZMRP = 375.0000 IN. ZO  
 SCALE = .0125

## PARAMETRIC DATA

ALPHAC = 4.000 BETAC = .000  
 STAB = 5.000 ELEVON = 5.000  
 BDFLAP = .000 DX = .000  
 DY = .000 IORB = 8.000  
 BETAO = 5.000 RUDDER = .000

RUN NO. 67/ 0 RN/L = .00 GRADIENT INTERVAL = -5.00/ 5.00

MACH	DZ	DY	DX	CN	CLM	CA	CY	CYN	CBL	CL	CO
.604	49.620	.00000	.05000	.53980	.02270	.01400	-.05550	-.01060	-.00150	.52640	.12030
.601	50.800	.00000	.06000	.54300	.02340	.01410	-.05700	-.01100	-.00130	.52950	.12090
.603	51.990	.00000	.06000	.53900	.02250	.01430	-.05890	-.01130	-.00090	.52560	.12030
.602	53.170	.00000	.06000	.54320	.02240	.01380	-.05560	-.01060	-.00150	.52980	.12060
.602	54.350	.00000	.06000	.54170	.02190	.01410	-.05700	-.01100	-.00110	.52840	.12030
.602	55.540	.00000	.06000	.54220	.02170	.01410	-.05750	-.01100	-.00120	.52880	.12030
.601	56.130	.00000	.06000	.54170	.02150	.01440	-.05750	-.01120	-.00100	.52830	.12070
	GRADIENT	.00000	-.00000	.00018	-.00074	.00013	.00007	.00000	.00013	.00017	.00008

LTV44-559(CA26) 747/1 ATY 02 S1 (ORBITER DATA)

(AFE095) ( 29 JAN 76 )

## REFERENCE DATA

SREF = 2690.0000 SQ.FT. XMRP = 1.59.0000 IN. XO  
 LREF = 474.8100 IN. YMRP = .0000 IN. YO  
 BREF = 936.6800 IN. ZMRP = 375.0000 IN. ZO  
 SCALE = .0125

## PARAMETRIC DATA

ALPHAC = 4.000 BETAC = .000  
 STAB = -1.000 ELEVON = 5.000  
 BDFLAP = .000 DX = .000  
 DY = .000 IORB = 4.000  
 BETA0 = .000 RUDDER = .000

RUN NO. 68/ 0 RN/L = .00 GRADIENT INTERVAL = -5.00/ 5.00

MACH	DZ	DY	DX	CN	CLM	CA	CY	CYN	CBL	CL	CD
.597	1.460	.00000	-.14000	.27270	.02740	.03340	.00080	.00010	-.00080	.26540	.07110
.598	2.060	.00000	-.13000	.27060	.02700	.03360	.00120	.00010	-.00090	.26330	.07090
.597	2.660	.00000	-.13000	.27200	.02650	.03360	.00150	.00010	-.00090	.26470	.07100
.597	3.360	.00000	-.13000	.27620	.02500	.03390	.00100	.00010	-.00090	.26880	.07200
.597	4.160	.00000	-.11000	.27550	.02400	.03390	.00030	.00000	-.00090	.26810	.07200
.596	4.960	.00000	-.11000	.28220	.02270	.03410	.00120	.00010	-.00090	.27480	.07290
.596	6.960	.00000	-.10000	.28250	.02260	.03410	.00070	.00000	-.00080	.27500	.07300
.596	8.960	.00000	-.07000	.28520	.02250	.03450	.00170	.00020	-.00080	.27760	.07390
.596	10.430	.00000	-.07000	.29180	.02000	.03440	.00040	.00000	-.00080	.28420	.07430
.594	11.370	.00000	-.06000	.29350	.01990	.03460	.00060	.00000	-.00090	.28590	.07480
.595	12.310	.00000	-.06000	.29460	.02030	.03500	.00100	.00000	-.00080	.28690	.07550
.597	13.250	.00000	-.05000	.29330	.02010	.03470	.00140	.00010	-.00070	.28570	.07480
.598	14.180	.00000	-.05000	.29410	.01940	.03460	.00060	.00000	-.00070	.28650	.07480
.596	15.120	.00000	-.03000	.29710	.01960	.03520	.00150	.00000	-.00090	.28940	.07590
.598	16.060	.00000	-.03000	.29680	.01920	.03470	.00170	.00010	-.00080	.28920	.07530
.596	17.000	.00000	-.02000	.30240	.01940	.03530	.00120	.00000	-.00080	.29460	.07670
.594	17.940	.00000	-.01000	.30510	.01900	.03550	.00130	.00000	-.00080	.29730	.07730
.595	18.880	.00000	-.01000	.30470	.01900	.03560	.00140	.00010	-.00080	.29690	.07710
.598	19.810	.00000	.00000	.30240	.01830	.03530	.00080	.00010	-.00060	.29470	.07650
.594	20.750	.00000	.00000	.30820	.01830	.03590	.00030	.00000	-.00070	.30030	.07800
.596	21.680	.00000	.01000	.30710	.01850	.03580	.00090	.00000	-.00060	.29920	.07770
.596	22.620	.00000	.01000	.30990	.01770	.03570	.00090	.00000	-.00070	.30200	.07800
.597	23.560	.00000	.02000	.30980	.01770	.03580	.00050	.00000	-.00070	.30190	.07810
.595	24.500	.00000	.02000	.31400	.01780	.03640	.00110	.00000	-.00070	.30600	.07910
.597	25.440	.00000	.03000	.31310	.01720	.03630	.00100	.00000	-.00060	.30520	.07890
.599	26.380	.00000	.03000	.31520	.01790	.03600	.00030	.00000	-.00060	.30730	.07880
.598	27.310	.00000	.05000	.31530	.01750	.03680	.00010	.00000	-.00060	.30720	.07970
.600	28.250	.00000	.05000	.31530	.01740	.03650	.00090	.00010	-.00050	.30740	.07940
.597	29.190	.00000	.06000	.31890	.01710	.03670	.00000	.00000	-.00070	.31080	.08010
.599	30.130	.00000	.06000	.31560	.01620	.03640	.00080	.00000	-.00050	.30760	.07920
.599	31.060	.00000	.07000	.31740	.01690	.03670	.00080	.00010	-.00050	.30940	.07970
.597	32.000	.00000	.08000	.31940	.01700	.03660	.00070	.00010	-.00050	.31140	.07990
.595	32.940	.00000	.09000	.32090	.01650	.03730	.00030	.00000	-.00060	.31280	.08080
.596	33.880	.00000	.10000	.32290	.01600	.03650	.00090	.00010	-.00050	.31490	.08030
.597	34.820	.00000	.10000	.32140	.01620	.03690	.00010	.00000	-.00040	.31340	.08030
.597	35.760	.00000	.11000	.32330	.01630	.03670	.00010	.00010	-.00040	.31530	.08030
.596	36.700	.00000	.11000	.32480	.01560	.03710	-.00070	.00000	-.00020	.31680	.08100
.596	37.630	.00000	.13000	.32990	.01610	.03660	-.09060	.00000	-.00030	.32180	.08120
.594	38.570	.00000	.13000	.32880	.01560	.03740	-.00210	-.00020	-.00010	.32070	.08180
.598	39.510	.00000	.14000	.32690	.01560	.03660	-.00070	.00010	-.00020	.31890	.08060
.597	40.450	.00000	.14000	.32720	.01580	.03740	-.00160	.00000	-.00000	.31910	.08140
.597	41.380	.00000	.15000	.32920	.01560	.03740	-.00010	.00000	-.00010	.32100	.08180

DATE 22 MAR 76

CA-26 FORCE SOURCE DATA TABULATION

PAGE 113

LTV44-559(CA26) 747/1 ATY 02 S1 (ORBITER DATA)

(AFED95) ( 29 JAN 76 )

REFERENCE DATA

SREF = 2690.0000 SQ.FT. XMRP = 1109.0000 IN. XO  
LREF = 474.8100 IN. YMRP = .0000 IN. YO  
BREF = 936.6800 IN. ZMRP = 375.0000 IN. ZO  
SCALE = .0125

PARAMETRIC DATA

ALPHAC = 4.000 BETAC = .000  
STAB = -1.000 ELEVON = 5.000  
BDFLAP = .000 DX = .000  
DY = .000 IORB = 4.000  
BETA0 = .000 RUDDER = .000

RUN NO. 68/ 0 RN/L = .00 GRADIENT INTERVAL = -5.00/ 5.00

MACH	DZ	DY	DX	CN	CLM	CA	CY	CYN	CBL	CL	CD
.597	42.320	.00000	.16000	.33100	.01490	.03720	-.00060	.00000	-.00010	.32290	.08180
.599	42.790	.00000	.16000	.33140	.01510	.03710	-.00010	.00010	-.00030	.32330	.08160
	GRADIENT	.00000	.00865	.00278	-.00140	.00019	-.00005	-.00001	-.00001	.00274	.00055

LTV44-559(CA26) 747/1 ATY 02 S1 (ORBITER DATA)

(AFE096) ( 29 JAN 76 )

## REFERENCE DATA

SREF = 2690.0000 SO.FT. XMRP = 1109.0000 IN. XO  
 LREF = 474.8100 IN. YMRP = .0000 IN. YO  
 BREF = 936.6800 IN. ZMRP = 375.0000 IN. ZO  
 SCALE = .0125

## PARAMETRIC DATA

ALPHAC = 4.000 BETAC = .000  
 STAB = -1.000 ELEVON = 5.000  
 BDFLAP = .000 DX = .000  
 DY = .000 IORB = 6.000  
 BETAO = .000 RUDDER = .000

RUN NO. 1068/ 0 RN/L = .00 GRADIENT INTERVAL = -5.00/ 5.00

MACH	DZ	DY	DX	CN	CLM	CA	CY	CYN	CBL	CL	CD
.597	1.480	.00000	-.14000	.38370	.03710	.02060	.00320	.00030	-.00120	.37430	.08700
.599	2.070	.00000	-.14000	.38400	.03500	.02020	.00260	.00020	-.00120	.37470	.08660
.596	2.670	.00000	-.13000	.38740	.03560	.02070	.00330	.00030	-.00130	.37790	.08790
.596	3.380	.00000	-.13000	.38780	.03310	.02090	.00250	.00020	-.00120	.37830	.08790
.597	4.170	.00000	-.11000	.38830	.03220	.02090	.00270	.00010	-.00120	.37880	.08800
.597	4.970	.00000	-.11000	.38850	.03280	.02110	.00310	.00020	-.00130	.37890	.08820
.593	6.970	.00000	-.10000	.39660	.03040	.02170	.00250	.00010	-.00130	.38680	.09020
.597	8.980	.00000	-.09000	.39170	.02890	.02180	.00230	.00010	-.00130	.38200	.08930
.597	10.580	.00000	-.07000	.39640	.02840	.02180	.00240	.00000	-.00130	.38670	.09010
.596	11.790	.00000	-.06000	.39950	.02840	.02220	.00230	.00000	-.00120	.38970	.09080
.595	13.010	.00000	-.05000	.40240	.02850	.02230	.00310	.00010	-.00120	.39250	.09140
.595	14.220	.00000	-.05000	.40500	.02910	.02260	.00260	.00000	-.00120	.39500	.09210
.597	15.440	.00000	-.03000	.40250	.02740	.02250	.00190	.00010	-.00120	.39260	.09160
.595	16.660	.00000	-.02000	.40700	.02760	.02300	.00320	.00010	-.00130	.39700	.09280
.595	17.870	.00000	-.02000	.40760	.02720	.02290	.00240	.00010	-.00120	.39750	.09280
.596	19.090	.00000	-.01000	.40900	.02680	.02310	.00150	.00000	-.00110	.39890	.09300
.595	20.300	.00000	.00000	.41220	.02620	.02310	.00140	.00000	-.00100	.40210	.09360
.596	21.510	.00000	.01000	.41280	.02620	.02300	.00220	.00010	-.00100	.40270	.09350
.596	22.730	.00000	.01000	.41480	.02570	.02290	.00130	.00000	-.00100	.40470	.09380
.599	23.940	.00000	.02000	.41340	.02550	.02300	.00220	.00010	-.00090	.40330	.09370
.597	25.150	.00000	.03000	.41730	.02580	.02330	.00290	.00010	-.00090	.40710	.09450
.598	26.370	.00000	.03000	.41590	.02540	.02340	.00160	.00000	-.00090	.40580	.09410
.595	27.590	.00000	.05000	.42130	.02550	.02360	.00210	.00000	-.00090	.41110	.09540
.598	28.800	.00000	.06000	.41740	.02390	.02380	.00220	.00010	-.00080	.40720	.09480
.597	30.020	.00000	.06000	.41980	.02400	.02370	.00090	.00000	-.00080	.40950	.09500
.599	31.230	.00000	.07000	.42140	.02390	.02380	.00140	.00010	-.00080	.41120	.09530
.596	32.450	.00000	.09000	.42490	.02430	.02410	.00280	.00020	-.00080	.41460	.09630
.595	33.660	.00000	.10000	.42830	.02400	.02370	.00140	.00000	-.00070	.41790	.09660
.595	34.880	.00000	.10000	.42950	.02340	.02400	.00120	.00000	-.00050	.41910	.09690
.596	36.090	.00000	.11000	.42720	.02280	.02410	.00110	.00000	-.00060	.41690	.09660
.596	37.310	.00000	.13000	.42800	.02230	.02440	.00010	-.00010	-.00060	.41750	.09710
.598	38.530	.00000	.13000	.42830	.02240	.02430	.00180	.00020	-.00060	.41790	.09680
.597	39.740	.00000	.14000	.43020	.02260	.02450	.00040	.00000	-.00040	.41980	.09720
.597	40.950	.00000	.15000	.43230	.02240	.02420	.00020	.00000	-.00020	.42190	.09740
.598	42.170	.00000	.16000	.43340	.02190	.02420	.00070	.00000	-.00040	.42300	.09770
.598	43.380	.00000	.16000	.43310	.02170	.02450	-.00050	.00000	.00000	.42260	.09780
.597	44.600	.00000	.18000	.43500	.02130	.02450	.00000	-.00020	-.00020	.42460	.09790
.599	45.820	.00000	.19000	.43300	.02040	.02500	-.00040	-.00010	-.00010	.42250	.09810
.595	47.030	.00000	.19000	.43570	.02040	.02450	.00170	.00010	-.00050	.42530	.09790
.597	48.250	.00000	.20000	.43120	.01930	.02520	-.00100	-.00020	-.00030	.42070	.09770
.594	49.460	.00000	.22000	.43400	.02010	.02560	-.00080	-.00020	-.00010	.42340	.09860
	GRADIENT	.00000	.00988	.00148	-.00130	.00020	-.00004	-.00004	-.00002	.00142	.00042



LTV44-559(CA26) 747/1 ATY 02 S1 (ORBITER DATA)

(AFE097) ( 29 JAN 76 )

## REFERENCE DATA

SREF = 2690.0000 SQ.FT. XMRP = 1109.0000 IN. XO  
 LREF = 474.8100 IN. YMRP = .0000 IN. YO  
 BREF = 936.6800 IN. ZMRP = 375.0000 IN. ZO  
 SCALE = .0125

## PARAMETRIC DATA

ALPHAC = 4.000 BETAC = .000  
 STAB = -1.000 ELEVON = 5.000  
 BDFLAP = .000 DX = .000  
 DY = .000 IORB = 8.000  
 BETA0 = .000 RUDDER = .000

RUN NO. 69/ 0 RN/L = .00 GRADIENT INTERVAL = -5.00/ 5.00

MACH	DZ	DY	DX	CN	CLM	CA	CY	CYN	CBL	CL	CD
.594	1.460	.00000	-.15000	.51180	.04330	.00740	.00440	.00000	-.00090	.49910	.11390
.595	2.060	.00000	-.15000	.50970	.04350	.00760	.00420	.00000	-.00080	.49700	.11350
.597	2.660	.00000	-.14000	.50730	.04320	.00720	.00420	.00000	-.00090	.49470	.11250
.594	3.460	.00000	-.14000	.51010	.04170	.00790	.00430	.00000	-.00090	.49730	.11380
.596	4.460	.00000	-.13000	.51070	.04160	.00750	.00440	.00000	-.00080	.49790	.11380
.597	5.590	.00000	-.11000	.50990	.03970	.00780	.00420	.00000	-.00080	.49710	.11360
.595	6.840	.00000	-.11000	.51020	.03940	.00820	.00370	-.00010	-.00080	.49740	.11390
.595	8.090	.00000	-.10000	.51320	.03870	.00810	.00380	.00000	-.00080	.50030	.11430
.597	9.340	.00000	-.09000	.51210	.03730	.00850	.00390	.00000	-.00080	.49920	.11450
.598	10.560	.00000	-.07000	.51220	.03610	.00890	.00390	-.00010	-.00070	.49920	.11490
.597	11.740	.00000	-.06000	.51590	.03670	.00870	.00390	-.00010	-.00070	.50290	.11540
.597	12.920	.00000	-.05000	.51600	.03570	.00910	.00360	.00000	-.00070	.50300	.11570
.596	14.110	.00000	-.05000	.51630	.03510	.00950	.00330	.00000	-.00080	.50320	.11600
.593	15.290	.00000	-.03000	.52030	.03530	.00970	.00370	-.00010	-.00070	.50710	.11690
.595	16.480	.00000	-.02000	.51960	.03500	.00980	.00340	-.00020	-.00060	.50640	.11690
.595	17.660	.00000	-.02000	.52200	.03470	.00970	.00350	-.00020	-.00060	.50870	.11720
.597	18.840	.00000	-.01000	.52080	.03390	.01020	.00340	-.00020	-.00060	.50740	.11750
.598	20.030	.00000	.00000	.52110	.03340	.01020	.00350	.00000	-.00070	.50780	.11720
.597	21.210	.00000	.00000	.52240	.03320	.01040	.00410	.00000	-.00070	.50910	.11770
.596	22.390	.00000	.01000	.52790	.03350	.01030	.00320	-.00010	-.00060	.51440	.11880
.595	23.570	.00000	.02000	.52950	.03260	.01120	.00250	-.00010	-.00050	.51600	.11970
.595	24.760	.00000	.02000	.53140	.03260	.01100	.00320	.00000	-.00050	.51780	.11990
.596	25.940	.00000	.03000	.52810	.03210	.01130	.00330	.00000	-.00050	.51460	.11920
.592	27.130	.00000	.05000	.53690	.03220	.01120	.00250	-.00020	-.00040	.52320	.12100
.598	28.310	.00000	.05000	.53010	.03190	.01120	.00330	-.00020	-.00040	.51650	.11970
.595	29.490	.00000	.06000	.53660	.03130	.01160	.00330	.00000	-.00040	.52280	.12140
.597	30.670	.00000	.07000	.53230	.03150	.01130	.00290	-.00020	-.00030	.51870	.12010
.596	31.860	.00000	.09000	.53410	.03100	.01170	.00290	-.00010	-.00030	.52040	.12070
.595	33.040	.00000	.09000	.53660	.03020	.01210	.00290	-.00010	-.00020	.52280	.12160
.597	34.230	.00000	.10000	.53770	.03050	.01170	.00270	.00000	-.00020	.52390	.12160
.597	35.410	.00000	.11000	.53700	.02970	.01190	.00150	-.00010	-.00010	.52320	.12150
.595	36.590	.00000	.11000	.54210	.02960	.01210	.00250	.00000	-.00010	.52810	.12270
.595	37.780	.00000	.13000	.54100	.02910	.01270	.00240	-.00010	.00000	.52700	.12310
.595	38.960	.00000	.14000	.54250	.02910	.01270	.00280	-.00010	.00000	.52850	.12310
.597	40.150	.00000	.14000	.54020	.02840	.01260	.00110	-.00040	.00010	.52630	.12260
.597	41.330	.00000	.15000	.54480	.02890	.01240	.00100	-.00040	.00010	.53090	.12310
.596	42.520	.00000	.16000	.54440	.02830	.01240	.00170	-.00010	.00030	.53040	.12320
.594	43.700	.00000	.16000	.54830	.02880	.01250	.00160	-.00020	.00010	.53420	.12390
.596	44.880	.00000	.18000	.54270	.02730	.01320	.00180	-.00010	.00000	.52860	.12330
.595	46.060	.00000	.19000	.54650	.02760	.01300	.00260	.00000	.00000	.53240	.12400
.594	47.250	.00000	.20000	.55200	.02760	.01300	.00070	-.00040	.00030	.53780	.12510
.598	48.430	.00000	.20000	.54470	.02640	.01290	.00190	-.00020	.00030	.53080	.12310

LTV44-559(CA26) 747/1 ATY 02 S1 (ORBITER DATA)

(AFE097) ( 29 JAN 76 )

## REFERENCE DATA

SREF = 2690.0000 SQ.FT. XMRP = 1109.0000 IN. XO  
 LREF = 474.8100 IN. YMRP = .0000 IN. YO  
 BREF = 936.6800 IN. ZMRP = 375.0000 IN. ZO  
 SCALE = .0125

## PARAMETRIC DATA

ALPHAC = 4.000 BETAC = .000  
 STAB = -1.000 ELEVON = 5.000  
 BDFLAP = .000 DX = .000  
 DY = .000 IORB = 8.000  
 BETAD = .000 RUDDER = .000

RUN NO. 69/ 0 RN/L = .00 GRADIENT INTERVAL = -5.00/ 5.00

MACH	DZ	DY	DX	CN	CLM	CA	CY	CYN	CBL	CL	CD
.596	49.620	.00000	.22000	.54630	.02660	.01340	.00200	-.00010	.00030	.53220	.12390
.596	50.800	.00000	.23000	.55350	.02640	.01280	.00280	.00000	.00000	.53940	.12490
.597	51.990	.00000	.23000	.54900	.02550	.01330	.00220	-.00010	.00030	.53490	.12420
.596	53.170	.00000	.24000	.54870	.02540	.01380	.00100	-.00060	.00070	.53460	.12480
.599	54.350	.00000	.26000	.54640	.02490	.01330	-.00060	-.00050	.00080	.53230	.12380
.595	55.540	.00000	.27000	.55080	.02410	.01360	-.00030	-.00040	.00100	.53660	.12480
.595	56.130	.00000	.27000	.54930	.02350	.01400	-.00070	-.00050	.00090	.53510	.12490
GRADIENT		.00000	.00677	-.00010	-.00071	.00007	.00002	.00000	.00002	-.00015	.00005

LTV44-559(CA26) 747/1 ATY 02 S1 (ORBITER DATA)

(AFE098) ( 29 JAN 76 )

## REFERENCE DATA

SREF = 2690.0000 SQ.FT. XMRP = 1109.0000 IN. XO  
 LREF = 474.8100 IN. YMRP = .0000 IN. YO  
 BREF = 936.6800 IN. ZMRP = 375.0000 IN. ZO  
 SCALE = .0125

## PARAMETRIC DATA

ALPHAC = 4.000 BETAC = .000  
 STAB = 5.000 ELEVON = .000  
 BDFLAP = .000 DX = .000  
 DY = .000 IORB = 4.000  
 BETAO = .000 RUDDER = .000

RUN NO. 70/ 0 RN/L = .00 GRADIENT INTERVAL = -5.00/ 5.00

MACH	DZ	DY	DX	CN	CLM	CA	CY	CYN	CBL	CL	CD
.599	1.460	.00000	-.01000	.18390	.05940	.03470	.00150	.00010	-.00110	.17760	.05890
.600	2.060	.00000	-.01000	.18170	.05920	.03450	.00250	.00010	-.00110	.17550	.05840
.602	2.660	.00000	-.01000	.18220	.05850	.03460	.00200	.00010	-.00110	.17600	.05850
.599	3.360	.00000	-.01000	.18390	.05850	.03520	.00160	.00000	-.00100	.17760	.05930
.599	4.160	.00000	-.01000	.18360	.05790	.03530	.00180	.00010	-.00110	.17730	.05930
.599	4.960	.00000	-.01000	.18580	.05690	.03530	.00260	.00010	-.00110	.17940	.05960
.599	6.960	.00000	-.01000	.18500	.05660	.03550	.00140	.00000	-.00110	.17860	.05980
.600	8.960	.00000	.00000	.18810	.05560	.03530	.00210	.00010	-.00110	.18180	.05990
.600	10.430	.00000	-.01000	.19310	.05460	.03560	.00170	.00000	-.00100	.18670	.06080
.599	11.370	.00000	.00000	.19430	.05420	.03560	.00170	.00000	-.00100	.18790	.06100
.600	12.310	.00000	.00000	.19520	.05380	.03540	.00200	.00000	-.00100	.18880	.06080
.600	13.250	.00000	.00000	.19620	.05360	.03590	.00210	.00000	-.00110	.18970	.06150
.599	14.180	.00000	.00000	.19950	.05350	.03610	.00150	.00000	-.00130	.19290	.06220
.598	15.120	.00000	.00000	.19820	.05290	.03610	.00170	.00000	-.00110	.19170	.06190
.599	16.060	.00000	.00000	.20160	.05270	.03580	.00240	.00010	-.00110	.19510	.06200
.598	17.000	.00000	.00000	.20580	.05330	.03580	.00210	.00000	-.00130	.19930	.06270
.599	17.940	.00000	.00000	.20460	.05260	.03580	.00180	.00000	-.00110	.19810	.06240
.600	18.880	.00000	.00000	.20670	.05240	.03600	.00230	.00000	-.00100	.20020	.06290
.599	19.810	.00000	.00000	.20710	.05210	.03620	.00140	.00000	-.00100	.20050	.06310
.599	20.750	.00000	.00000	.20950	.05200	.03630	.00140	.00000	-.00110	.20290	.06360
.603	21.680	.00000	.01000	.20800	.05140	.03610	.00100	-.00010	-.00100	.20140	.06320
.599	22.620	.00000	.01000	.20990	.05210	.03660	.00100	-.00010	-.00090	.20320	.06380
.600	23.560	.00000	.01000	.21250	.05190	.03610	.00040	-.00010	-.00090	.20590	.06370
.601	24.500	.00000	.01000	.21160	.05140	.03650	.00040	-.00010	-.00090	.20490	.06410
.602	25.440	.00000	.01000	.21250	.05110	.03660	.00100	.00000	-.00090	.20580	.06420
.597	26.380	.00000	.01000	.21780	.05140	.03720	.00120	-.00010	-.00080	.21100	.06550
.599	27.310	.00000	.01000	.21890	.05120	.03670	.00180	.00000	-.00090	.21230	.06500
.601	28.250	.00000	.01000	.22170	.05140	.03660	.00140	-.00010	-.00090	.21500	.06530
.599	29.190	.00000	.02000	.21800	.05090	.03710	.00070	-.00010	-.00080	.21130	.06520
.598	30.130	.00000	.02000	.22360	.05150	.03680	.00110	.00000	-.00100	.21690	.06580
.601	31.060	.00000	.02000	.22510	.05120	.03630	.00150	.00000	-.00090	.21830	.06560
.600	32.000	.00000	.02000	.22340	.05070	.03680	.00030	.00000	-.00080	.21670	.06560
.600	32.940	.00000	.02000	.22680	.05100	.03690	.00090	.00000	-.00080	.22000	.06630
.599	33.880	.00000	.02000	.22590	.05060	.03730	.00200	.00000	-.00070	.21900	.06660
.599	34.820	.00000	.02000	.22590	.05050	.03750	.00200	-.00010	-.00080	.21890	.06670
.597	35.760	.00000	.02000	.23050	.05070	.03730	.00120	.00000	-.00090	.22370	.06700
.599	36.700	.00000	.03000	.22840	.05000	.03710	.00210	.00000	-.00080	.22160	.06650
.599	37.630	.00000	.03000	.22790	.05000	.03770	.00010	-.00020	-.00050	.22100	.06700
.599	38.570	.00000	.03000	.22850	.04980	.03740	.00060	.00000	-.00070	.22170	.06680
.598	39.510	.00000	.03000	.23020	.04970	.03770	.00110	.00000	-.00070	.22340	.06730
.599	40.450	.00000	.03000	.23110	.04940	.03760	.00110	.00000	-.00070	.22420	.06730
.600	41.380	.00000	.03000	.23350	.04960	.03730	.00120	.00000	-.00070	.22670	.06730

LTV44-559(CA26) 747/1 ATY 02 S1 (ORBITER DATA)

(AFE098) ( 29 JAN 76 )

## REFERENCE DATA

SREF = 2690.0000 SQ.FT. XMRP = 1109.0000 IN. XO  
 LREF = 474.8100 IN. YMRP = .0000 IN. YO  
 BREF = 936.6800 IN. ZMRP = 375.0000 IN. ZO  
 SCALE = .0125

## PARAMETRIC DATA

ALPHAC = 4.000 BETAC = .000  
 STAB = 5.000 ELEVON = .000  
 BDFLAP = .000 DX = .000  
 DY = .000 IORB = 4.000  
 BETAO = .000 RUDDER = .000

RUN NO. 70/ 0 RN/L = .00 GRADIENT INTERVAL = -5.00/ 5.00

MACH	DZ	DY	DX	CN	CLM	CA	CY	CYN	CBL	CL	CD
.598	42.320	.00000	.05000	.23140	.04920	.03790	.00060	.00000	-.00070	.22450	.06750
.601	42.790	.00000	.05000	.23480	.04900	.03750	.00130	.00000	-.00040	.22790	.06770
	GRADIENT	.00000	.00000	.00073	-.00067	.00025	.00013	-.00000	.00000	.00069	.00029

LTV44-559(CA26) 747/1 ATY 02 S1 (ORBITER DATA)

(AFE099) ( 29 JAN 76 )

## REFERENCE DATA

SREF = 2690.0000 SQ.FT. XMRP = 1109.0000 IN. XO  
 LREF = 474.8100 IN. YMRP = .0000 IN. YO  
 BREF = 936.6800 IN. ZMRP = 375.0000 IN. ZO  
 SCALE = .0125

## PARAMETRIC DATA

ALPHAC = 4.000 BETAC = .000  
 STAB = 5.000 ELEVON = .000  
 BDFLAP = .000 DX = .000  
 DY = .000 LORB = 6.000  
 BETAO = .000 RUDDER = .000

RUN NO. 1070/ 0 RN/L = .00 GRADIENT INTERVAL = -5.00/ 5.00

MACH	DZ	DY	DX	CN	CLM	CA	CY	CYN	CBL	CL	CD
.599	1.480	.00000	-.02000	.29280	.06870	.02250	.00380	.00000	-.00130	.28480	.07140
.600	2.070	.00000	-.01000	.29420	.06870	.02240	.00370	.00000	-.00160	.28620	.07140
.598	2.670	.00000	-.01000	.29330	.06810	.02280	.00400	.00000	-.00160	.28540	.07160
.599	3.380	.00000	-.01000	.29190	.06630	.02260	.00400	.00000	-.00140	.28390	.07130
.600	4.170	.00000	-.01000	.29280	.06590	.02240	.00320	.00000	-.00150	.28490	.07130
.599	4.970	.00000	-.01000	.29380	.06660	.02250	.00390	.00000	-.00150	.28590	.07150
.601	6.970	.00000	-.01000	.29660	.06390	.02310	.00340	.00000	-.00150	.28860	.07250
.600	8.980	.00000	-.01000	.29760	.06390	.02310	.00340	.00000	-.00150	.28960	.07260
.599	10.580	.00000	-.01000	.30060	.06380	.02320	.00340	.00000	-.00140	.29260	.07300
.599	11.790	.00000	-.01000	.30000	.06290	.02320	.00480	.00000	-.00160	.29190	.07290
.599	13.010	.00000	.00000	.30080	.06270	.02330	.00400	.00000	-.00150	.29270	.07300
.597	14.220	.00000	.00000	.30520	.06330	.02350	.00320	.00000	-.00150	.29700	.07410
.597	15.440	.00000	.00000	.30840	.06260	.02370	.00390	.00000	-.00150	.30010	.07480
.597	16.660	.00000	.00000	.30870	.06270	.02380	.00340	.00000	-.00150	.30040	.07490
.600	17.870	.00000	.00000	.30490	.06160	.02380	.00340	.00000	-.00140	.29670	.07400
.598	19.090	.00000	.00000	.31110	.06180	.02360	.00390	.00000	-.00140	.30290	.07490
.598	20.300	.00000	.00000	.31030	.06160	.02420	.00200	-.00010	-.00130	.30190	.07550
.598	21.510	.00000	.01000	.31140	.06130	.02390	.00280	-.00010	-.00120	.30310	.07540
.597	22.730	.00000	.01000	.31270	.06130	.02440	.00310	-.00010	-.00130	.30420	.07600
.599	23.940	.00000	.01000	.31420	.06070	.02420	.00280	-.00010	-.00130	.30580	.07600
.598	25.150	.00000	.01000	.31700	.06080	.02450	.00330	.00000	-.00110	.30850	.07680
.601	26.370	.00000	.01000	.31490	.06020	.02410	.00190	-.00020	-.00130	.30660	.07580
.600	27.590	.00000	.01000	.31680	.06020	.02400	.00430	.00000	-.00130	.30850	.07610
.601	28.800	.00000	.02000	.31680	.06000	.02410	.00290	-.00010	-.00120	.30840	.07610
.599	30.020	.00000	.02000	.32160	.06010	.02450	.00230	.00000	-.00120	.31310	.07730
.601	31.230	.00000	.02000	.32120	.06000	.02440	.00240	.00000	-.00120	.31270	.07730
.597	32.450	.00000	.02000	.32330	.05930	.02500	.00190	.00000	-.00130	.31470	.07810
.598	33.660	.00000	.02000	.32210	.05860	.02520	.00200	.00000	-.00110	.31350	.07800
.600	34.880	.00000	.02000	.32430	.05880	.02470	.00210	.00000	-.00110	.31580	.07780
.600	36.090	.00000	.03000	.32340	.05810	.02480	.00220	.00000	-.00110	.31490	.07780
.598	37.310	.00000	.03000	.32670	.05820	.02550	.00180	.00000	-.00090	.31810	.07900
.599	38.530	.00000	.03000	.33070	.05910	.02460	.00200	.00000	-.00100	.32210	.07890
.598	39.740	.00000	.03000	.32880	.05790	.02540	.00100	-.00020	-.00080	.32010	.07910
.599	40.950	.00000	.03000	.32950	.05810	.02500	.00220	.00000	-.00090	.32090	.07870
.599	42.170	.00000	.03000	.32900	.05760	.02500	.00220	.00000	-.00100	.32110	.07880
.600	43.380	.00000	.05000	.33030	.05740	.02500	.00190	.00000	-.00080	.32170	.07900
.597	44.590	.00000	.05000	.32900	.05660	.02550	.00000	-.00010	-.00070	.32040	.07900
.600	45.800	.00000	.05000	.32750	.05600	.02560	.00040	.00000	-.00060	.31890	.07880
.599	47.030	.00000	.05000	.33070	.05640	.02540	.00110	-.00010	-.00070	.32210	.07910
.597	48.250	.00000	.05000	.33600	.05720	.02540	.00070	-.00010	-.00060	.32730	.08000
.598	49.460	.00000	.06000	.33680	.05690	.02540	.00100	-.00010	-.00060	.32810	.08020
	GRADIENT	.00000	.00191	-.00001	-.00083	-.00001	-.00004	.00000	-.00002	.00002	-.00000

ORIGINAL PAGE IS  
OF POOR QUALITY

LTV44-559(CA26) 747/1 ATY 02 S1 (ORBITER DATA)

(AFE100) ( 29 JAN 76 )

## REFERENCE DATA

SREF = 2690.0000 SQ.FT. XMRP = 1109.0000 IN. XO  
 LREF = 474.8100 IN. YMRP = .0000 IN. YO  
 BREF = 936.6800 IN. ZMRP = 375.0000 IN. ZO  
 SCALE = .0125

## PARAMETRIC DATA

ALPHAC = 4.000 BETAC = .000  
 STAB = 5.000 ELEVON = .000  
 BDFLAP = .000 DX = .000  
 DY = .000 IORB = 8.000  
 BETA0 = .000 RUDDER = .000

RUN NO. 71/ 0 RN/L = .00 GRADIENT INTERVAL = -5.00/ 5.00

MACH	DZ	DY	DX	CN	CLM	CA	CY	CYN	CBL	CL	CO
.597	1.460	.00000	-.03000	.41290	.07650	.00910	.00450	.00000	-.00150	.40250	.09250
.597	2.060	.00000	-.03000	.41190	.07670	.00910	.00490	.00000	-.00150	.40160	.09220
.597	2.660	.00000	-.02000	.41080	.07730	.00930	.00540	.00000	-.00160	.40040	.09210
.598	3.460	.00000	-.02000	.40530	.07660	.00970	.00510	.00000	-.00160	.39490	.09150
.599	4.460	.00000	-.02000	.40440	.07620	.00970	.00470	.00000	-.00160	.39410	.09120
.598	5.590	.00000	-.02000	.40510	.07550	.01010	.00500	.00000	-.00160	.39460	.09180
.596	6.840	.00000	-.02000	.40470	.07530	.01010	.00470	.00000	-.00170	.39430	.09150
.598	8.090	.00000	-.01000	.40190	.07470	.01020	.00530	.00000	-.00170	.39150	.09130
.596	9.340	.00000	-.01000	.40450	.07460	.00990	.00540	.00000	-.00170	.39420	.09140
.598	10.560	.00000	-.01000	.40510	.07300	.01040	.00500	.00000	-.00160	.39470	.09190
.598	11.740	.00000	-.01000	.40350	.07250	.01060	.00460	.00000	-.00160	.39310	.09170
.599	12.920	.00000	-.01000	.40560	.07230	.01090	.00430	.00000	-.00160	.39510	.09230
.598	14.110	.00000	-.01000	.40630	.07220	.01080	.00520	.00000	-.00150	.39590	.09220
.598	15.290	.00000	.00000	.40880	.07210	.01070	.00420	-.00010	-.00140	.39830	.09270
.598	16.480	.00000	.00000	.40920	.07160	.01100	.00420	-.00010	-.00140	.39870	.09310
.598	17.660	.00000	.00000	.40960	.07110	.01120	.00500	.00000	-.00130	.39900	.09330
.599	18.840	.00000	.00000	.41210	.07140	.01100	.00460	-.00010	-.00120	.40150	.09360
.597	20.030	.00000	.00000	.41460	.07090	.01120	.00470	.00000	-.00140	.40390	.09410
.601	21.210	.00000	.00000	.41020	.06980	.01130	.00410	.00000	-.00130	.39960	.09310
.599	22.390	.00000	.01000	.41210	.07000	.01130	.00490	.00000	-.00120	.40150	.09360
.596	23.570	.00000	.01000	.41880	.07010	.01190	.00260	-.00020	-.00110	.40790	.09540
.598	24.760	.00000	.01000	.41470	.06930	.01190	.00460	.00000	-.00130	.40400	.09460
.602	25.940	.00000	.01000	.41260	.06860	.01150	.00490	.00000	-.00120	.40200	.09370
.598	27.130	.00000	.01000	.42050	.06920	.01170	.00370	-.00010	-.00110	.40960	.09570
.598	28.310	.00000	.01000	.41990	.06910	.01180	.00350	-.00020	-.00090	.40910	.09520
.598	29.490	.00000	.02000	.42280	.06900	.01180	.00450	.00000	-.00100	.41200	.09580
.599	30.670	.00000	.02000	.42320	.06860	.01210	.00280	-.00010	-.00100	.41230	.09610
.599	31.860	.00000	.02000	.42440	.06830	.01230	.00230	-.00020	-.00080	.41340	.09680
.598	33.040	.00000	.02000	.42530	.06810	.01180	.00420	.00000	-.00090	.41510	.09630
.597	34.230	.00000	.02000	.42540	.06730	.01220	.00230	-.00010	-.00080	.41450	.09660
.597	35.410	.00000	.02000	.42610	.06740	.01240	.00250	-.00010	-.00090	.41510	.09700
.597	36.590	.00000	.03000	.42820	.06710	.01220	.00400	.00000	-.00090	.41720	.09690
.599	37.780	.00000	.03000	.43250	.06710	.01200	.00380	.00000	-.00120	.42140	.09780
.597	38.960	.00000	.03000	.42910	.06640	.01270	.00300	-.00020	-.00070	.41800	.09760
.598	40.150	.00000	.03000	.43080	.06580	.01270	.00360	.00000	-.00080	.41970	.09790
.597	41.330	.00000	.03000	.43150	.06580	.01270	.00370	.00000	-.00100	.42040	.09790
.599	42.520	.00000	.05000	.43210	.06570	.01250	.00260	.00000	-.00090	.42110	.09790
.600	43.700	.00000	.05000	.43330	.06560	.01230	.00230	-.00010	-.00040	.42230	.09790
.599	44.880	.00000	.05000	.43090	.06510	.01300	.00120	-.00020	-.00050	.41980	.09800
.599	46.060	.00000	.05000	.43170	.06410	.01350	.00220	-.00020	-.00050	.42050	.09860
.597	47.250	.00000	.05000	.43430	.06430	.01300	.00150	-.00030	-.00010	.42310	.09870
.596	48.430	.00000	.06000	.43560	.06380	.01300	.00240	-.00020	-.00030	.42440	.09910

DATE 22 MAR 76

CA-26 FORCE SOURCE DATA TABULATION

PAGE 121

LTV44-559(CA26) 747/1 ATY 02 S1 (ORBITER DATA)

(AFE100) ( 29 JAN 76 )

## REFERENCE DATA

SREF = 2690.0000 SQ.FT. XMRP = 1109.0000 IN. XO  
 LREF = 474.8100 IN. YMRP = .0000 IN. YO  
 BREF = 936.6800 IN. ZMRP = 375.0000 IN. ZO  
 SCALE = .0125

## PARAMETRIC DATA

ALPHAC = 4.000 BETAC = .000  
 STAB = 5.000 ELEVON = .000  
 BDFLAP = .000 DX = .000  
 DY = .000 IORB = 8.000  
 BETA0 = .000 RUDDER = .000

RUN NO. 71/ 0 RN/L = .00 GRADIENT INTERVAL = -5.00/ 5.00

MACH	DZ	DY	DX	CN	CLM	CA	CY	CYN	CBL	CL	CD
.596	49.620	.00000	.06000	.43620	.06340	.01310	.00120	-.00050	-.00020	.42500	.09920
.597	50.800	.00000	.06000	.43480	.06280	.01340	.00220	-.00040	-.00010	.42350	.09910
.598	51.990	.00000	.06000	.43760	.06350	.01280	.00060	-.00040	-.00020	.42650	.09890
.598	53.170	.00000	.06000	.43630	.06250	.01320	.00150	-.00040	-.00010	.42510	.09910
.600	54.350	.00000	.07000	.43900	.06250	.01290	.00160	-.00020	-.00020	.42780	.09930
.600	55.540	.00000	.07000	.43730	.06170	.01360	.00300	-.00010	-.00040	.42600	.09970
.601	56.130	.00000	.07000	.43540	.06130	.01350	.00340	-.00010	-.00020	.42420	.09900
	GRADIENT	.00000	.00382	-.00319	-.00013	.00024	.00005	.00000	-.00004	-.00317	-.00045

LTV44-559(CA26) 747/1 ATY 02 S1 (ORBITER DATA)

(AFE101) (29 JAN 76)

## REFERENCE DATA

SREF = 2690.0000 SQ.FT. XMRP = 1109.0000 IN. XO  
 LREF = 474.8100 IN. YMRP = .0000 IN. YO  
 BREF = 936.6800 IN. ZMRP = 375.0000 IN. ZO  
 SCALE = .0125

## PARAMETRIC DATA

ALPHAC = 4.000 BETAC = -5.000  
 STAB = 5.000 ELEVON = 5.000  
 BDFLAP = .000 DX = .000  
 DY = .000 IORB = 4.000  
 BETAO = -5.000 RUDDER = .000

RUN NO. 72/ 0 RN/L = .00 GRADIENT INTERVAL = -5.00/ 5.00

MACH	DZ	DY	DX	CN	CLM	CA	CY	CYN	CBL	CL	CD
.593	1.460	.00000	-.02000	.25020	.01380	.03960	.05300	.01250	.00610	.24270	.07270
.595	2.060	.00000	-.02000	.24690	.01360	.03920	.05340	.01250	.00610	.23950	.07180
.595	2.660	.00000	-.02000	.24660	.01300	.04000	.05390	.01270	.00570	.23900	.07250
.596	3.360	.00000	-.02000	.24430	.01290	.03980	.05430	.01250	.00460	.23680	.07190
.597	4.160	.00000	-.02000	.24360	.01260	.04000	.05370	.01250	.00440	.23610	.07200
.597	4.960	.00000	-.01000	.24580	.01260	.04000	.05340	.01220	.00320	.23820	.07240
.596	6.960	.00000	-.01000	.24530	.01210	.04010	.05430	.01220	.00320	.23780	.07240
.594	8.960	.00000	-.01000	.24330	.01200	.04020	.05480	.01220	.00250	.24080	.07290
.595	10.430	.00000	-.01000	.25470	.01100	.04070	.05520	.01180	.00120	.24700	.07410
.596	11.370	.00000	-.01000	.25610	.01160	.04060	.05610	.01190	.00120	.24850	.07420
.596	12.310	.00000	-.01000	.25650	.01100	.04080	.05640	.01180	.00090	.24890	.07440
.596	13.250	.00000	-.01000	.25930	.01090	.04080	.05650	.01170	.00060	.25160	.07470
.595	14.180	.00000	.00000	.26140	.01080	.04100	.05740	.01180	.00030	.25360	.07520
.596	15.120	.00000	.00000	.26220	.01100	.04100	.05730	.01160	.00020	.25440	.07530
.596	16.060	.00000	.00000	.26390	.01110	.04100	.05690	.01160	.00000	.25620	.07550
.596	17.000	.00000	.00000	.26600	.01040	.04100	.05600	.01160	.00000	.25820	.07580
.595	17.940	.00000	.00000	.26920	.01030	.04160	.05740	.01150	-.00010	.26140	.07680
.596	18.880	.00000	.00000	.27090	.01110	.04130	.05730	.01140	-.00020	.26300	.07670
.594	19.810	.00000	.00000	.27240	.01040	.04180	.05720	.01150	-.00030	.26450	.07740
.595	20.750	.00000	.00000	.27090	.01020	.04190	.05690	.01140	-.00030	.26300	.07710
.593	21.680	.00000	.01000	.27430	.01060	.04210	.05830	.01150	-.00050	.26630	.07780
.597	22.620	.00000	.01000	.27330	.01020	.04160	.05690	.01120	-.00060	.26540	.07710
.594	23.560	.00000	.01000	.27680	.01050	.04200	.05800	.01130	-.00070	.26890	.07790
.594	24.500	.00000	.01000	.27930	.01020	.04200	.05730	.01110	-.00070	.27140	.07830
.593	25.440	.00000	.01000	.27950	.01050	.04220	.05800	.01120	-.00090	.27150	.07850
.595	26.380	.00000	.01000	.27950	.01030	.04210	.05930	.01130	-.00090	.27160	.07840
.596	27.310	.00000	.01000	.28050	.00980	.04200	.05700	.01100	-.00090	.27260	.07840
.593	28.250	.00000	.01000	.28550	.01020	.04230	.05830	.01110	-.00100	.27750	.07940
.595	29.190	.00000	.02000	.28490	.00980	.04210	.05800	.01110	-.00080	.27700	.07890
.595	30.130	.00000	.02000	.28590	.00960	.04220	.05830	.01110	-.00090	.27790	.07920
.593	31.060	.00000	.02000	.28680	.01020	.04260	.05970	.01120	-.00120	.27880	.07970
.594	32.000	.00000	.02000	.29950	.01030	.04250	.05900	.01110	-.00110	.28040	.07980
.594	32.940	.00000	.02000	.29010	.01010	.04260	.05870	.01110	-.00110	.28210	.08020
.596	33.880	.00000	.02000	.29250	.01030	.04240	.05930	.01100	-.00120	.28150	.07980
.595	34.820	.00000	.02000	.29310	.00990	.04270	.05900	.01110	-.00130	.28100	.08000
.594	35.760	.00000	.03000	.29160	.00920	.04310	.05880	.01100	-.00100	.28350	.08080
.595	36.700	.00000	.03000	.29390	.00950	.04290	.05880	.01100	-.00110	.28570	.08100
.594	37.630	.00000	.03000	.29450	.00970	.04300	.05980	.01120	-.00140	.28640	.08100
.597	38.570	.00000	.03000	.29270	.00980	.04260	.05980	.01100	-.00140	.28470	.08030
.597	39.510	.00000	.03000	.29470	.01000	.04240	.06000	.01100	-.00140	.28670	.08020
.594	40.450	.00000	.03000	.29790	.00980	.04300	.05860	.01090	-.00110	.28980	.08130
.598	41.380	.00000	.03000	.29380	.00960	.04230	.05910	.01090	-.00130	.28780	.08030



DATE 22 MAR 76

CA-26 FORCE SOURCE DATA TABULATION

PAGE 123

LTV44-559(CA26) 747/1 ATY 02 S1 (ORBITER DATA)

(AFE101) ( 29 JAN 76 )

REFERENCE DATA

SREF = 2690.0000 SQ.FT. XMRP = 1109.0000 IN. XO  
LREF = 474.8100 IN. YMRP = .0000 IN. YO  
BREF = 936.6800 IN. ZMRP = 375.0000 IN. ZO  
SCALE = .0125

PARAMETRIC DATA

ALPHAC = 4.000 BETAC = -5.000  
STAB = 5.000 ELEVON = 5.000  
BDFLAP = .000 DX = .000  
DY = .000 IORB = 4.000  
BETAO = -5.000 RUDDER = .000

RUN NO. 72/ 0 RN/L = .00 GRADIENT INTERVAL = -5.00/ 5.00

MACH	DZ	DY	DX	CN	CLM	CA	CY	CYN	CBL	CL	CD
.596	42.320	.00000	.05000	.29740	.00930	.04260	.05870	.01090	-.00110	.28930	.08090
.594	42.790	.00000	.05000	.29810	.00890	.04310	.06110	.01110	-.00150	.28990	.08150
	GRADIENT	.00000	.00215	-.00133	-.00036	.00017	.00011	-.00007	-.00085	-.00136	-.00005

LTV44-559(CA26) 747/1 ATY 02 SI (ORBITER DATA)

(AFE102) ( 29 JAN 76 )

## REFERENCE DATA

SREF = 2690.0000 SQ.FT. XMRP = 1109.0000 IN. XO  
 LREF = 474.8100 IN. YMRP = .0000 IN. YO  
 BREF = 936.6800 IN. ZMRP = 375.0000 IN. ZO  
 SCALE = .0125

## PARAMETRIC DATA

ALPHAC = 4.000 BETAC = -5.000  
 STAB = 5.000 ELEVON = 5.000  
 BCFLAP = .000 DX = .000  
 DY = .000 TOR3 = 6.000  
 BETA0 = -5.000 RUDDER = .000

RUN NO. 1072/ 0 RN/L = .00 GRADIENT INTERVAL = -5.00/ 5.00

MACH	DZ	DY	DX	CN	CLM	CA	CY	CYN	CBL	CL	CD
.593	1.480	.00000	-.03000	.35880	.02340	.02720	.05380	.01240	.00770	.34910	.08700
.600	2.070	.00000	-.03000	.35400	.02290	.02770	.05440	.01240	.00660	.34430	.08690
.596	2.670	.00000	-.03000	.35460	.02280	.02790	.05460	.01230	.00650	.34480	.08720
.592	3.380	.00000	-.03000	.35770	.02250	.02820	.05540	.01240	.00560	.34790	.08790
.595	4.170	.00000	-.02000	.35610	.02140	.02810	.05510	.01220	.00520	.34630	.08760
.596	4.970	.00000	-.02000	.35350	.02100	.02840	.05550	.01230	.00510	.34370	.08740
.594	6.970	.00000	-.02000	.36430	.02020	.02870	.05790	.01200	.00350	.35430	.08940
.596	8.980	.00000	-.01000	.35990	.01920	.02880	.05660	.01180	.00310	.34990	.08880
.594	10.580	.00000	-.01000	.36700	.01980	.02900	.05750	.01170	.00250	.35690	.09000
.593	11.790	.00000	-.01000	.37010	.01990	.02890	.05820	.01170	.00240	.36010	.09030
.594	13.010	.00000	-.01000	.37120	.01940	.02910	.05780	.01160	.00210	.36120	.09070
.593	14.220	.00000	-.01000	.37260	.01890	.02940	.05780	.01160	.00190	.36250	.09110
.595	15.440	.00000	.00000	.37200	.01840	.02930	.05820	.01160	.00170	.36200	.09080
.595	16.660	.00000	.00000	.37350	.01800	.02950	.05810	.01150	.00160	.36330	.09140
.595	17.870	.00000	.00000	.37790	.01830	.02940	.05860	.01140	.00140	.36780	.09180
.595	19.090	.00000	.00000	.37780	.01810	.02980	.05860	.01130	.00130	.36760	.09230
.595	20.300	.00000	.00000	.37920	.01780	.02950	.05870	.01130	.00120	.36900	.09200
.594	21.510	.00000	.01000	.38150	.01780	.02980	.05870	.01120	.00100	.37130	.09270
.596	22.730	.00000	.01000	.38250	.01800	.02970	.05810	.01100	.00100	.37220	.09280
.596	23.940	.00000	.01000	.38590	.01810	.02970	.05900	.01110	.00090	.37560	.09340
.595	25.150	.00000	.01000	.38620	.01800	.02970	.05930	.01110	.00080	.37590	.09330
.594	26.370	.00000	.01000	.38910	.01790	.02990	.05890	.01100	.00070	.37880	.09400
.594	27.590	.00000	.01000	.39100	.01780	.03010	.05920	.01110	.00060	.38060	.09450
.594	28.800	.00000	.02000	.38990	.01750	.03010	.05920	.01100	.00050	.37960	.09420
.594	30.020	.00000	.02000	.39180	.01760	.03020	.06060	.01100	.00040	.38140	.09460
.594	31.230	.00000	.02000	.39240	.01700	.03020	.06140	.01120	.00020	.38200	.09470
.592	32.450	.00000	.02000	.39780	.01750	.03030	.05890	.01090	.00020	.38730	.09550
.594	33.660	.00000	.02000	.39410	.01660	.03000	.05940	.01090	.00030	.38370	.09470
.594	34.880	.00000	.02000	.39280	.01590	.03030	.05950	.01110	.00020	.38240	.09460
.594	36.090	.00000	.03000	.39700	.01620	.03030	.06060	.01120	.00020	.38660	.09540
.593	37.310	.00000	.03000	.39710	.01610	.03060	.05970	.01110	.00030	.38660	.09540
.595	38.530	.00000	.03000	.40100	.01650	.03040	.05970	.01110	.00000	.39050	.09600
.595	39.740	.00000	.03000	.40050	.01610	.03040	.06010	.01090	.00010	.39000	.09570
.595	40.950	.00000	.03000	.39820	.01570	.03090	.05860	.01070	.00020	.38770	.09580
.593	42.170	.00000	.05000	.40730	.01610	.03050	.06060	.01110	.00000	.39680	.09690
.595	43.380	.00000	.05000	.40440	.01540	.03060	.06070	.01100	.00000	.39390	.09640
.596	44.600	.00000	.05000	.40200	.01480	.03100	.06050	.01100	.00000	.39150	.09660
.595	45.820	.00000	.05000	.40540	.01480	.03100	.06110	.01100	.00000	.39480	.09710
.595	47.030	.00000	.05000	.40680	.01440	.03100	.06000	.01100	.00000	.39630	.09680
.597	48.250	.00000	.06000	.40300	.01430	.03090	.06100	.01100	.00010	.39250	.09630
.596	49.460	.00000	.06000	.39940	.01350	.03150	.05910	.01080	.00010	.38900	.09620
GRADIENT	.00000	.00000	.00337	-.00069	-.00069	.00030	.00046	-.00004	-.00073	-.00072	.00019

LTV44-559(CA26) 747/1 ATY 02 S1 (ORBITER DATA)

(AFE103) ( 29 JAN 76 )

## REFERENCE DATA

SREF = 2690.0000 SQ.FT. XMRP = 1109.0000 IN. XO  
 LREF = 474.8100 IN. YMRP = .0000 IN. YO  
 BREF = 936.6800 IN. ZMRP = 375.0000 IN. ZO  
 SCALE = .0125

## PARAMETRIC DATA

ALPHAC = 4.000 BETAC = -5.000  
 STAB = 5.000 ELEVON = 5.000  
 BDFLAP = .000 DX = .000  
 DY = .000 IORB = 8.000  
 BETAO = -5.000 RUDDER = .000

RUN NO. 73/ 0 RN/L = .00 GRADIENT INTERVAL = -5.00/ 5.00

MACH	OZ	DY	DX	CN	CLM	CA	CY	CYN	CBL	CL	CD
.600	1.460	.00000	-.03000	.49000	.03550	.01610	.05650	.01190	.00940	.47650	.11540
.601	2.060	.00000	-.03000	.48930	.03590	.01640	.05600	.01180	.00940	.47570	.11570
.601	2.660	.00000	-.03000	.48540	.03610	.01670	.05600	.01190	.00910	.47190	.11500
.599	3.460	.00000	-.03000	.48510	.03480	.01670	.05630	.01210	.00840	.47150	.11500
.599	4.460	.00000	-.03000	.48330	.03480	.01700	.05630	.01210	.00820	.46970	.11500
.602	5.590	.00000	-.03000	.48230	.03300	.01670	.05580	.01190	.00700	.46890	.11430
.600	6.840	.00000	-.02000	.48460	.03290	.01740	.05630	.01200	.00680	.47110	.11500
.600	8.090	.00000	-.02000	.48140	.03190	.01760	.05720	.01190	.00620	.46780	.11480
.601	9.340	.00000	-.02000	.48220	.03130	.01750	.05780	.01180	.00570	.46860	.11490
.601	10.560	.00000	-.01000	.48700	.03040	.01790	.05800	.01170	.00470	.47340	.11580
.601	11.740	.00000	-.01000	.48600	.03030	.01790	.05840	.01170	.00460	.47240	.11580
.600	12.920	.00000	-.01000	.48840	.02990	.01850	.05850	.01170	.00430	.47470	.11660
.600	14.110	.00000	-.01000	.49210	.02970	.01850	.05880	.01160	.00400	.47830	.11730
.601	15.290	.00000	.00000	.48980	.02940	.01850	.05910	.01140	.00370	.47600	.11660
.601	16.480	.00000	.00000	.49330	.02930	.01840	.05940	.01140	.00340	.47950	.11740
.600	17.660	.00000	.00000	.49570	.02900	.01880	.05990	.01130	.00340	.48180	.11810
.600	18.840	.00000	.00000	.49760	.02870	.01910	.05920	.01120	.00320	.48370	.11860
.599	20.030	.00000	.00000	.49950	.02850	.01910	.05940	.01130	.00290	.48550	.11890
.600	21.210	.00000	.03000	.50030	.02810	.01900	.05960	.01110	.00280	.48630	.11900
.601	22.390	.00000	.01000	.49970	.02790	.01930	.06010	.01110	.00260	.48570	.11910
.601	23.570	.00000	.01000	.49390	.02690	.01960	.06080	.01110	.00250	.48580	.11940
.599	24.760	.00000	.01000	.50670	.02730	.01980	.06070	.01120	.00240	.49250	.12090
.601	25.940	.00000	.01000	.50470	.02650	.01970	.06020	.01110	.00230	.49040	.12050
.599	27.130	.00000	.01000	.50800	.02670	.01980	.06000	.01100	.00230	.49370	.12120
.601	28.310	.00000	.02000	.50530	.02590	.01980	.06100	.01110	.00210	.49110	.12020
.600	29.490	.00000	.02000	.50840	.02550	.02010	.06130	.01110	.00230	.49420	.12100
.601	30.670	.00000	.02000	.50990	.02530	.02000	.06130	.01120	.00190	.49550	.12180
.600	31.860	.00000	.02000	.51060	.02550	.02030	.06060	.01100	.00190	.49620	.12190
.600	33.040	.00000	.02000	.51060	.02530	.02020	.06140	.01100	.00170	.49620	.12170
.600	34.230	.00000	.02000	.51100	.02490	.02060	.06070	.01090	.00190	.49660	.12220
.601	35.410	.00000	.03000	.51330	.02450	.02040	.06140	.01110	.00180	.49880	.12260
.601	36.590	.00000	.03000	.51550	.02410	.02060	.06210	.01110	.00150	.50100	.12300
.601	37.780	.00000	.03000	.51590	.02360	.02070	.06180	.01110	.00150	.50140	.12290
.601	38.960	.00000	.03000	.51500	.02350	.02090	.06430	.01150	.00120	.50050	.12280
.601	40.150	.00000	.03000	.51590	.02360	.02050	.06240	.01100	.00140	.50150	.12270
.600	41.330	.00000	.05000	.52030	.02330	.02080	.06140	.01100	.00140	.50580	.12360
.601	42.520	.00000	.05000	.51620	.02250	.02110	.06400	.01120	.00140	.50160	.12350
.602	43.700	.00000	.05000	.51790	.02230	.02110	.06360	.01110	.00150	.50330	.12360
.601	44.880	.00000	.05000	.51640	.02080	.02180	.06120	.01080	.00160	.50180	.12370
.601	46.060	.00000	.05000	.52140	.02150	.02070	.06360	.01110	.00160	.50690	.12370
.601	47.250	.00000	.06000	.51560	.02010	.02150	.06190	.01080	.00150	.50120	.12300
.601	48.430	.00000	.06000	.52000	.02040	.02110	.06330	.01110	.00130	.50550	.12360

LTV44-559(CA26) 747/1 ATY 02 SI (ORBITER DATA)

(AFE103) ( 29 JAN 76 )

## REFERENCE DATA

SREF = 2690.0000 SQ.FT. XMRP = 1109.0000 IN. XO  
 LREF = 474.8100 IN. YMRP = .0000 IN. YO  
 BREF = 936.6800 IN. ZMRP = 375.0000 IN. ZO  
 SCALE = .0125

## PARAMETRIC DATA

ALPHAC = 4.000 BETAC = -5.000  
 STAB = 5.000 ELEVON = 5.000  
 BDFLAP = .000 DX = .000  
 DY = .000 TORB = 8.000  
 BETA0 = -5.000 RUDDER = .000

RUN NO. 73/ 0 RN/L = .00 GRADIENT INTERVAL = -5.00/ 5.00

MACH	DZ	DY	DX	CN	CLM	CA	CY	CYN	CBL	CL	CC
.600	49.620	.00000	.06000	.51910	.01980	.02180	.06670	.01160	.00090	.50450	.12420
.600	50.800	.00000	.06000	.52160	.02010	.02160	.06270	.01110	.00120	.50700	.12440
.601	51.990	.00000	.06000	.52270	.02010	.02100	.06430	.01120	.00130	.50820	.12410
.602	53.170	.00000	.07000	.52450	.02090	.02090	.06250	.01090	.00110	.50990	.12440
.601	54.350	.00000	.07000	.52060	.01880	.02210	.06340	.01110	.00100	.50590	.12450
.602	55.540	.00000	.07000	.51830	.01780	.02180	.06500	.01150	.00120	.50380	.12360
.600	56.130	.00000	.07000	.52050	.01760	.02200	.06430	.01110	.00140	.50600	.12400
	GRADIENT	.00000	-.00000	-.00232	-.00036	.00028	.00000	.00010	-.00046	-.00234	-.00019

LTV44-559(CA26) 747/1 ATY 02 S1 (ORBITER DATA)

(AFE104) ( 29 JAN 76 )

## REFERENCE DATA

SREF = 2690.0000 SQ.FT. XMRP = 1109.0000 IN. XO  
 LREF = 474.8100 IN. YMRP = .0000 IN. YO  
 BREF = 936.6800 IN. ZMRP = 375.0000 IN. ZO  
 SCALE = .0125

## PARAMETRIC DATA

ALPHAC = 5.500 BETAC = .000  
 STAB = 5.000 ELEVON = 5.000  
 BDFLAP = .000 DX = .000  
 DY = .000 IORB = 6.000  
 BETAO = .000 RUDDER = .000

RUN NO. 74/ 0 RN/L = .00 GRADIENT INTERVAL = -5.00/ 5.00

MACH	DZ	DY	DX	CN	CLM	CA	CY	CYN	CBL	CL	CD
.599	1.450	.00000	-.09000	.44390	.04290	.01670	.00200	-.00060	-.00100	.43110	.10740
.597	2.060	.00000	-.09000	.44700	.04330	.01670	.00130	-.00070	-.00110	.43400	.10810
.599	2.660	.00000	-.07000	.44130	.04310	.01670	.00140	-.00080	-.00120	.42850	.10690
.598	3.360	.00000	-.07000	.44360	.04180	.01690	.00230	-.00060	-.00110	.43070	.10750
.597	4.160	.00000	-.07000	.44580	.04140	.01680	.00160	-.00080	-.00110	.43290	.10780
.596	4.960	.00000	-.06000	.45240	.03980	.01710	.00270	-.00060	-.00100	.43930	.10930
.600	5.960	.00000	-.06000	.44440	.03870	.01700	.00140	-.00080	-.00110	.43150	.10740
.599	6.960	.00000	-.06000	.44940	.03860	.01670	.00140	-.00080	-.00110	.43640	.10830
.598	7.970	.00000	-.05000	.45460	.03770	.01670	.00260	-.00070	-.00120	.44150	.10920
.597	8.960	.00000	-.05000	.45430	.03690	.01710	.00070	-.00090	-.00130	.44120	.10960
.599	9.960	.00000	-.05000	.45810	.03560	.01720	.00180	-.00080	-.00110	.44490	.11050
.598	11.150	.00000	-.03000	.45950	.03590	.01750	.00110	-.00090	-.00100	.44620	.11100
.599	12.330	.00000	-.03000	.45880	.03530	.01720	.00080	-.00100	-.00100	.44560	.11060
.595	13.520	.00000	-.02000	.46650	.03540	.01720	.00080	-.00090	-.00120	.45320	.11180
.597	14.700	.00000	-.02000	.46730	.03530	.01740	.00060	-.00090	-.00120	.45390	.11230
.598	15.900	.00030	-.01000	.46900	.03460	.01720	.00150	-.00090	-.00100	.45560	.11230
.597	17.080	.00000	-.01000	.47100	.03440	.01750	.00120	-.00090	-.00100	.45760	.11300
.597	18.270	.00000	-.01000	.47400	.03430	.01750	-.00060	-.00110	-.00100	.46050	.11360
.596	19.450	.00000	.00000	.47760	.03410	.01770	.00070	-.00100	-.00100	.46400	.11440
.597	20.640	.00000	.00000	.48130	.03390	.01770	.00050	-.00100	-.00100	.46760	.11530
.598	21.810	.00000	.01000	.48110	.03360	.01790	.00040	-.00100	-.00070	.46750	.11530
.597	23.000	.00000	.01000	.48430	.03340	.01800	.00030	-.00100	-.00080	.47050	.11610
.599	24.190	.00000	.01000	.47970	.03220	.01850	.00090	-.00100	-.00050	.46600	.11540
.598	25.370	.00000	.02000	.48510	.03250	.01820	.00010	-.00100	-.00060	.47130	.11630
.596	26.560	.00000	.02000	.48960	.03210	.01840	-.00030	-.00120	-.00040	.47570	.11740
.598	27.740	.00000	.03000	.48670	.03150	.01890	.00050	-.00090	-.00070	.47280	.11710
.596	28.930	.00000	.03000	.49510	.03150	.01850	.00170	-.00080	-.00070	.48110	.11850
.599	30.110	.00000	.05000	.49140	.03100	.01840	-.00080	-.00120	-.00040	.47750	.11760
.598	31.310	.00000	.05000	.49700	.03140	.01800	-.00030	-.00110	-.00030	.48310	.11810
.598	32.490	.00000	.06000	.50260	.03160	.01820	.00050	-.00090	-.00050	.48840	.11970
.598	33.680	.00000	.06000	.49930	.03040	.01870	.00060	-.00090	-.00040	.48520	.11930
.598	34.860	.00000	.06000	.50130	.03020	.01870	.00010	-.00100	-.00030	.49720	.11930
.593	36.050	.00000	.07000	.50720	.03040	.01820	.00000	-.00110	-.00030	.49320	.12000
.599	37.230	.00000	.07000	.50550	.02990	.01840	-.00140	-.00120	.00000	.49140	.11990
.598	38.420	.00000	.09000	.50440	.02920	.01890	.00030	-.00110	.00000	.49020	.12010
.595	39.610	.00000	.09000	.51040	.02930	.01920	-.00220	-.00130	.00000	.49610	.12170
.598	40.790	.00000	.10000	.50950	.02910	.01900	-.00090	-.00110	.00000	.49520	.12130
.599	41.980	.00000	.10000	.50910	.02830	.01860	-.00050	-.00110	.00010	.49490	.12080
.599	43.160	.00000	.11000	.51190	.02850	.01880	-.00230	-.00120	.00010	.49770	.12130
.599	44.350	.00000	.11000	.51340	.02820	.01910	-.00230	-.00120	.00040	.49900	.12210
.599	45.530	.00000	.11000	.51100	.02720	.01940	-.00120	-.00120	.00040	.49670	.12160
.597	46.720	.00000	.13000	.51810	.02750	.01930	.00170	-.00060	-.00050	.50370	.12290

LTV44-559(CA26) 747/1 ATY 02 S1 (ORBITER DATA)

(AFE104) ( 29 JAN 76 )

## REFERENCE DATA

SREF = 2690.0000 SQ.FT. XMRP = 1109.0000 IN. XO  
 LREF = 474.8100 IN. YMRP = .0000 IN. YO  
 BREF = 936.6800 IN. ZMRP = 375.0000 IN. ZO  
 SCALE = .0125

## PARAMETRIC DATA

ALPHAC = 5.500 BETAC = .000  
 STAB = 5.000 ELEVON = 5.000  
 BDFLAP = .000 DX = .000  
 DY = .000 IORB = 6.000  
 BETAO = .000 RUDDER = .000

RUN NO. 74/ 0 RN/L = .00 GRADIENT INTERVAL = -5.00/ 5.00

MACH	DZ	DY	DX	CN	CLM	CA	CY	CYN	CBL	CL	CD
.597	47.910	.00000	.14000	.52320	.02780	.01880	-.00030	-.00090	-.00010	.50870	.12340
.597	49.090	.00000	.14000	.52150	.02730	.01950	-.00110	-.00110	-.00010	.50700	.12360
.599	50.280	.00000	.14000	.51850	.02590	.01970	.00160	-.00080	.00000	.50400	.12330
.600	51.460	.00000	.15000	.51820	.02580	.01910	-.00270	-.00140	.00070	.50390	.12260
	GRADIENT	.00000	.00842	.00181	-.00094	.00010	.00023	-.00000	.00001	.00175	.00040

LTV44-559(CA26) 747/1 ATY 02 S1 (ORBITER DATA)

(AFE105) ( 29 JAN 76 )

## REFERENCE DATA

SREF = 2690.0000 SQ.FT. XMRP = 1109.0000 IN. XO  
 LREF = 474.8100 IN. YMRP = .0000 IN. YO  
 BREF = 936.6800 IN. ZMRP = 375.0000 IN. ZO  
 SCALE = .0125

## PARAMETRIC DATA

ALPHAC = .000 BETAC = -5.000  
 STAB = 5.000 ELEVON = 5.000  
 BDFLAP = .000 DX = .000  
 J1 = .000 IORB = 4.000  
 BETAO = -5.000 RUDDER = .000

RUN NO. 75/ 0 RN/L = .00 GRADIENT INTERVAL = -5.00/ 5.00

MACH	DZ	DY	DX	CN	CLM	CA	CY	CYN	CBL	CL	CD
.602	1.460	.00000	.05000	.15980	.01090	.05590	.05990	.01390	.00540	.15550	.06680
.603	2.060	.00000	.05000	.15940	.01100	.05570	.05990	.01390	.00540	.15510	.06670
.602	2.660	.00000	.05000	.15760	.01100	.05610	.05990	.01390	.00500	.15340	.06690
.602	3.360	.00000	.05000	.15460	.01030	.05600	.05880	.01360	.00400	.15040	.06660
.602	4.160	.00000	.05000	.15490	.01010	.05610	.05960	.01360	.00380	.15070	.06670
.603	4.960	.00000	.05000	.15790	.00790	.05610	.05910	.01310	.00260	.15360	.06700
.601	6.960	.00000	.03000	.15750	.00770	.05640	.05890	.01320	.00260	.15330	.06700
.604	8.960	.00000	.03000	.15770	.00690	.05650	.05900	.01290	.00180	.15350	.06720
.601	10.460	.00000	.03000	.16200	.00510	.05740	.05950	.01250	.00020	.15770	.06840
.601	11.460	.00000	.02000	.16260	.00500	.05730	.06010	.01250	.00010	.15830	.06830
.603	12.450	.00000	.02000	.16140	.00450	.05750	.06030	.01240	-.00010	.15710	.06850
.601	13.450	.00000	.02000	.16340	.00430	.05800	.06020	.01230	-.00040	.15900	.06900
.603	14.440	.00000	.02000	.16310	.00320	.05780	.06000	.01220	-.00060	.15870	.06880
.601	15.440	.00000	.02000	.16510	.00350	.05810	.06050	.01210	-.00090	.16080	.06930
.601	16.430	.00000	.01000	.16470	.00320	.05820	.05970	.01200	-.00100	.16040	.06940
.602	17.430	.00000	.01000	.16490	.00320	.05820	.05960	.01200	-.00130	.16060	.06920
.603	18.420	.00000	.01000	.16600	.00240	.05850	.06010	.01190	-.00150	.16170	.06960
.602	19.420	.00000	.01000	.16840	.00250	.05860	.05960	.01170	-.00170	.16410	.06980
.603	20.410	.00000	.01000	.16890	.00230	.05860	.05970	.01160	-.00180	.16460	.06990
.602	21.410	.00000	.01000	.16810	.00210	.05920	.06070	.01170	-.00210	.16370	.07040
.603	22.390	.00000	.00000	.16800	.00200	.05910	.05990	.01150	-.00210	.16370	.07030
.604	23.390	.00000	.00000	.16740	.00130	.05880	.05960	.01150	-.00220	.16310	.06990
.605	24.390	.00000	.00000	.16710	.00110	.05850	.06040	.01150	-.00230	.16280	.06960
.601	25.380	.00000	.00000	.16770	.00110	.05950	.06060	.01150	-.00260	.16330	.07060
.603	26.380	.00000	.00000	.16920	.00100	.05900	.06020	.01140	-.00250	.16480	.07030
.604	27.370	.00000	-.01000	.16930	.00090	.05910	.05960	.01120	-.00260	.16500	.07020
.601	28.370	.00000	-.01000	.17080	.00100	.05980	.05990	.01130	-.00280	.16650	.07100
.603	29.360	.00000	-.01000	.17050	.00070	.05940	.06030	.01140	-.00280	.16620	.07060
.604	30.360	.00000	-.01000	.16950	.00070	.05930	.05980	.01130	-.00290	.16420	.07030
.604	31.350	.00000	-.01000	.16960	.00050	.05930	.06090	.01130	-.00300	.16530	.07050
.605	32.350	.00000	-.02000	.17100	.00040	.05950	.06050	.01120	-.00310	.16670	.07070
.605	33.340	.00000	-.02000	.17100	.00040	.05980	.06010	.01110	-.00310	.16670	.07100
.602	34.340	.00000	-.02000	.17250	.00030	.06040	.05990	.01110	-.00310	.16820	.07160
.602	35.340	.00000	-.02000	.17090	-.00020	.06040	.06080	.01120	-.00310	.16660	.07140
.603	36.330	.00000	-.02000	.17170	-.00030	.06000	.05960	.01110	-.00330	.16730	.07120
.601	37.320	.00000	-.02000	.17250	.00000	.06040	.05980	.01100	-.00330	.16810	.07160
.602	38.320	.00000	-.03000	.17480	.00000	.06030	.06050	.01110	-.00340	.17050	.07170
.602	39.310	.00000	-.03000	.17370	-.00030	.06040	.06010	.01100	-.00350	.16940	.07160
.601	40.310	.00000	-.03000	.17320	-.00050	.06050	.06150	.01110	-.00360	.16890	.07170
.602	41.310	.00000	-.03000	.17350	-.00040	.06040	.06010	.01090	-.00340	.16920	.07160
.602	42.300	.00000	-.05000	.17320	-.00110	.06040	.06040	.01100	-.00350	.16890	.07180
.605	43.290	.00000	-.05000	.17300	-.00090	.06020	.05960	.01090	-.00360	.16860	.07150

ORIGINAL PAGE IS  
OF POOR QUALITY

LTV44-559(CA26) 747/1 ATY 02 S1 (ORBITER DATA)

(AFE105) ( 29 JAN 76 )

## REFERENCE DATA

SREF = 2690.0000 SQ.FT. XMRP = 1109.0000 IN. XO  
 LREF = 474.8100 IN. YMRP = .0000 IN. YO  
 BREF = 936.6600 IN. ZMRP = 375.0000 IN. ZO  
 SCALE = .0125

## PARAMETRIC DATA

ALPHAC = .000 BETAC = -5.000  
 STAB = 5.000 ELEVON = 5.000  
 BDFLAP = .000 DX = .000  
 DY = .000 IORB = 4.000  
 BETAO = -5.000 RUDDER = .000

RUN NO. 75/ 0 RN/L = .00 GRADIENT INTERVAL = -5.00/ 5.00

MACH	DZ	DY	DX	CN	CLM	CA	CY	CYN	CBL	CL	CD
.604	44.290	.00000	-.05000	.17290	-.00110	.06040	.05970	.01100	-.00360	.16860	.07150
.604	44.790	.00000	-.05000	.17420	-.00070	.06020	.06010	.01090	-.00360	.17000	.07140
	GRADIENT	.00000	.00000	-.00099	-.00078	.00008	-.00024	-.00021	-.00082	-.00098	.00003



LTV44-559(CA26) 747/1 ATY 02 S1 (ORBITER DATA)

(AFE106) ( 29 JAN 76 )

## REFERENCE DATA

SREF = 2690.0000 SQ.FT. XMRP = 1109.0000 IN. XO  
 LREF = 474.8100 IN. YMRP = .0000 IN. YO  
 BREF = 936.6800 IN. ZMRP = 375.0000 IN. ZO  
 SCALE = .0125

## PARAMETRIC DATA

ALPHAC = .000 BETAC = -5.000  
 STAB = 5.000 ELEVON = 5.000  
 BDFLAP = .000 DX = .000  
 DY = .000 IORB = 6.000  
 BETA0 = -5.000 RUDDER = .000

RUN NO. 1075/ 0 RN/L = .00 GRADIENT INTERVAL = -5.00/ 5.00

MACH	DZ	DY	DX	CN	CLM	CA	CY	CYN	CBL	CL	CD
.603	1.470	.00000	.05000	.26820	.01790	.04760	.05910	.01340	.00710	.26180	.07540
.601	2.070	.00000	.03000	.26300	.01660	.04810	.05830	.01330	.00600	.25650	.07520
.600	2.670	.00000	.03000	.26280	.01640	.04850	.05880	.01340	.00590	.25630	.07570
.600	3.370	.00000	.03000	.26220	.01520	.04860	.05880	.01310	.00480	.25570	.07570
.603	4.170	.00000	.03000	.26230	.01480	.04820	.05820	.01300	.00430	.25590	.07510
.603	4.960	.00000	.03000	.26210	.01480	.04850	.05840	.01290	.00430	.25560	.07560
.604	6.970	.00000	.03000	.26300	.01160	.04900	.06020	.01240	.00210	.25650	.07600
.605	8.970	.00000	.03000	.26180	.01130	.04910	.05940	.01220	.00190	.25530	.07600
.603	10.600	.00000	.02000	.26220	.01030	.04960	.05930	.01200	.00140	.25560	.07640
.603	11.880	.00000	.02000	.26280	.01000	.04960	.05970	.01180	.00100	.25630	.07650
.602	13.160	.00000	.02000	.26440	.00940	.05030	.06070	.01190	.00070	.25780	.07720
.600	14.440	.00000	.02000	.26630	.00920	.05080	.06050	.01190	.00030	.25970	.07790
.601	15.710	.00000	.01000	.26540	.00880	.05060	.06030	.01180	.00010	.25880	.07760
.602	16.990	.00000	.01000	.26640	.00850	.05090	.06050	.01170	-.00010	.25970	.07810
.600	18.270	.00000	.01000	.26520	.00830	.05140	.06080	.01160	-.00030	.25850	.07820
.603	19.540	.00000	.01000	.26510	.00810	.05110	.06010	.01140	-.00050	.25850	.07800
.601	20.820	.00000	.01000	.26780	.00790	.05140	.06050	.01140	-.00050	.26120	.07850
.604	22.090	.00000	.00000	.26600	.00760	.05120	.05970	.01130	-.00070	.25940	.07800
.603	23.360	.00000	.00000	.26710	.00730	.05140	.06030	.01130	-.00090	.26050	.07830
.603	24.650	.00000	.00000	.26610	.00710	.05160	.06050	.01120	-.00090	.25950	.07840
.601	25.920	.00000	.00000	.26550	.00660	.05200	.06040	.01110	-.00110	.25890	.07870
.603	27.200	.00000	-.01000	.26590	.00710	.05160	.06080	.01100	-.00110	.25930	.07820
.601	28.470	.00000	-.01000	.26880	.00710	.05230	.06140	.01100	-.00120	.26210	.07920
.602	29.750	.00000	-.01000	.26890	.00670	.05220	.06040	.01090	-.00130	.26220	.07920
.602	31.030	.00000	-.01000	.26770	.00600	.05240	.06130	.01100	-.00150	.26100	.07920
.604	32.300	.00000	-.02000	.26520	.00610	.05220	.06120	.01090	-.00160	.25850	.07890
.601	33.580	.00000	-.02000	.26890	.00590	.05280	.06070	.01100	-.00170	.26220	.07970
.604	34.850	.00000	-.02000	.26430	.00560	.05220	.06140	.01090	-.00180	.25780	.07850
.602	36.130	.00000	-.02000	.26870	.00570	.05250	.06120	.01090	-.00180	.26210	.07940
.601	37.410	.00000	-.02000	.27040	.00550	.05300	.06050	.01090	-.00180	.26370	.08000
.601	38.690	.00000	-.03000	.26980	.00510	.05300	.06090	.01090	-.00190	.26310	.07990
.603	39.960	.00000	-.03000	.26850	.00530	.05290	.06050	.01070	-.00190	.26190	.07950
.601	41.240	.00000	-.03000	.27170	.00510	.05310	.06100	.01080	-.00200	.26500	.08010
.603	42.520	.00000	-.03000	.26970	.00490	.05310	.06080	.01070	-.00190	.26300	.07980
.603	43.790	.00300	-.05000	.27010	.00490	.05270	.06040	.01070	-.00200	.26340	.07940
.603	45.070	.00000	-.05000	.26900	.00470	.05260	.06080	.01070	-.00200	.26240	.07910
.602	46.340	.00000	-.05000	.26930	.00400	.05340	.06110	.01070	-.00210	.26260	.08000
.600	47.620	.00000	-.05000	.27150	.00380	.05340	.06160	.01080	-.00220	.26480	.08030
.602	48.900	.00000	-.05000	.26760	.00370	.05330	.06070	.01080	-.00190	.26090	.07970
.602	50.180	.00000	-.06000	.27160	.00420	.05320	.05990	.01060	-.00210	.26500	.07990
.601	51.460	.00000	-.06000	.26970	.00380	.05330	.06090	.01070	-.00210	.26310	.07970
	GRADIENT	.00000	-.00384	-.00129	-.00089	.00019	-.00016	-.00015	-.00081	-.00130	.00002

LTV44-559(CA26) 747/1 ATY 02 S1 (ORBITER DATA)

(AFE107) ( 29 JAN 76 )

## REFERENCE DATA

SREF = 2690.0000 SQ.FT. XMRP = 1109.0000 IN. XO  
 LREF = 474.8100 IN. YMRP = .0000 IN. YO  
 BREF = 936.6800 IN. ZMRP = 375.0000 IN. ZO  
 SCALE = .0125

## PARAMETRIC DATA

ALPHAC = .000 BETAC = -5.000  
 STAB = 5.000 ELEVON = 5.000  
 BDFLAP = .000 DX = .000  
 DY = .000 TORB = 8.000  
 BETAO = -5.000 RUDDER = .000

RUN NO. 76/ 0 RN/L = .00 GRADIENT INTERVAL = -5.00/ 5.00

MACH	DZ	DY	DX	CN	CLM	CA	CY	CYN	CBL	CL	CD
.600	1.460	.00000	.03000	.36800	.02570	.03590	.05780	.01280	.00850	.35940	.08680
.601	2.060	.00000	.03000	.36680	.02590	.03580	.05770	.01270	.00840	.35820	.08650
.600	2.660	.00000	.03000	.36710	.02560	.03630	.05780	.01290	.00820	.35850	.08690
.601	3.460	.00000	.03000	.36350	.02400	.03640	.05740	.01280	.00740	.35480	.08670
.600	4.460	.00000	.03000	.36250	.02360	.03670	.05740	.01270	.00720	.35390	.08680
.601	5.590	.00000	.03000	.35990	.02160	.03680	.05690	.01260	.00590	.35130	.08650
.602	6.840	.00000	.02000	.35890	.02140	.03700	.05750	.01250	.00570	.35030	.08640
.601	8.090	.00000	.02000	.36120	.02090	.03740	.05770	.01240	.00530	.35250	.08710
.601	9.340	.00000	.02000	.35910	.02020	.03750	.05760	.01220	.00460	.35050	.08690
.602	10.580	.00000	.02000	.35640	.01830	.03780	.05780	.01200	.00360	.34780	.08660
.600	11.810	.00000	.02000	.35990	.01810	.03830	.05820	.01210	.00350	.35110	.08770
.600	13.050	.00000	.02000	.35730	.01760	.03860	.05890	.01210	.00300	.34860	.08740
.600	14.290	.00000	.02000	.35880	.01720	.03880	.05880	.01190	.00270	.35000	.08780
.602	15.520	.00000	.01000	.35810	.01690	.03870	.05870	.01170	.00240	.34940	.08750
.601	16.750	.00000	.01000	.35740	.01680	.03900	.05910	.01160	.00200	.34860	.08760
.602	17.990	.00000	.01000	.35640	.01630	.03920	.05990	.01150	.00180	.34770	.08760
.602	19.230	.00000	.01000	.35510	.01600	.03960	.05980	.01150	.00150	.34630	.08770
.601	20.460	.00000	.01000	.35440	.01570	.03970	.05890	.01140	.00130	.34570	.08770
.600	21.690	.00000	.00000	.35550	.01530	.04000	.05930	.01140	.00120	.34760	.08840
.600	22.930	.00000	.00000	.35520	.01490	.04040	.06000	.01140	.00090	.34640	.08850
.602	24.160	.00000	.00000	.35460	.01460	.04020	.05990	.01130	.00080	.34580	.08820
.600	25.390	.00000	.00000	.35740	.01450	.04070	.05960	.01120	.00060	.34850	.08900
.602	26.630	.00000	.00000	.35690	.01500	.04020	.05970	.01110	.00050	.34800	.08850
.601	27.860	.00000	-.01000	.35540	.01450	.04050	.05900	.01100	.00040	.34670	.08830
.600	29.100	.00000	-.01000	.35770	.01430	.04080	.05970	.01110	.00020	.34890	.08890
.601	30.340	.00000	-.01000	.35660	.01380	.04110	.05930	.01100	.00000	.34770	.08910
.600	31.570	.00000	-.01000	.35830	.01410	.04110	.06070	.01100	.00000	.34940	.08920
.600	32.800	.00000	-.02000	.35790	.01340	.04170	.06030	.01100	-.00010	.34900	.08960
.601	34.040	.00000	-.02000	.35730	.01370	.04130	.06020	.01090	-.00010	.34830	.08940
.601	35.280	.00000	-.02000	.35620	.01370	.04130	.06050	.01080	-.00030	.34730	.08910
.600	36.510	.00000	-.02000	.35650	.01280	.04200	.06040	.01090	-.00040	.34750	.08980
.601	37.740	.00000	-.02000	.35760	.01290	.04160	.06090	.01090	-.00030	.34860	.08950
.601	38.980	.00000	-.03000	.35940	.01280	.04190	.05990	.01070	-.00040	.34950	.08990
.602	40.220	.00000	-.03000	.35710	.01280	.04160	.06040	.01070	-.00040	.34830	.08920
.601	41.450	.00000	-.03000	.35780	.01270	.04180	.06020	.01060	-.00040	.34890	.08970
.600	42.690	.00000	-.05000	.36060	.01300	.04220	.06060	.01070	-.00050	.35170	.09030
.602	43.920	.00000	-.05000	.35780	.01260	.04180	.06040	.01060	-.00060	.34890	.08960
.601	45.150	.00000	-.05000	.35710	.01230	.04210	.05990	.01060	-.00050	.34830	.08960
.602	46.390	.00000	-.05000	.35690	.01210	.04190	.06050	.01070	-.00070	.34810	.08920
.601	47.630	.00000	-.05000	.35770	.01230	.04190	.06010	.01050	-.00060	.34890	.08960
.601	48.860	.00000	-.05000	.35940	.01220	.04220	.06040	.01050	-.00060	.35050	.08990
.600	50.090	.00000	-.06000	.35940	.01210	.04250	.05990	.01060	-.00070	.35050	.09030

DATE 22 MAR 76

CA-26 FORCE SOURCE DATA TABULATION

PAGE 133

LTV44-559(CA26) 747/1 ATY 02 S1 (ORBITER DATA)

(AFE107) ( 29 JAN 76 )

## REFERENCE DATA

SREF = 2690.0000 SQ.FT. XMRP = 1109.0000 IN. XO  
 LREF = 474.8100 IN. YMRP = .0000 IN. YO  
 BREF = 936.6800 IN. ZMRP = 375.0000 IN. ZO  
 SCALE = .0125

## PARAMETRIC DATA

ALPHAC = .000 BETAC = -5.000  
 STAB = 5.000 ELEVON = 5.000  
 BDFLAP = .000 OX = .000  
 DY = .000 ICRB = 8.000  
 BETA0 = -5.000 RUDDER = .000

RUN NO. 76/ 0 RN/L = .00 GRADIENT INTERVAL = -5.00/ 5.00

MACH	DZ	DY	DX	CN	CLM	CA	CY	CYN	CBL	CL	CD
.600	51.330	.00000	-.06000	.35780	.01120	.04280	.06120	.01080	-.00090	.34880	.09020
.602	52.570	.00000	-.06000	.35560	.01150	.04240	.06040	.01060	-.00090	.34670	.08970
.602	53.800	.00000	-.07000	.35650	.01110	.04220	.06040	.01060	-.00080	.34770	.08930
.601	55.040	.00000	-.07000	.35740	.01100	.04270	.06070	.01070	-.00070	.34850	.09000
.601	56.270	.00000	-.07000	.35660	.01030	.04320	.06060	.01070	-.00080	.34770	.09020
.601	57.500	.00000	-.07000	.35860	.01080	.04300	.06090	.01080	-.00100	.34980	.09010
.600	58.120	.00000	-.07000	.36000	.01110	.04280	.06050	.01070	-.00090	.35110	.09030
	GRADIENT	.00000	.00000	-.00195	-.00084	.00030	-.00015	-.00002	-.00049	-.00195	.00003

LTV44-559(CA26) 747/1 ATY 06 SI (ORBITER DATA)

(AFE10B) ( 29 JAN 76 )

## REFERENCE DATA

SREF = 2690.0000 SQ.FT. XMRP = 1109.0000 IN. XO  
 LREF = 474.8100 IN. YMRP = .0000 IN. YO  
 BREF = 936.6800 IN. ZMRP = 375.0000 IN. ZO  
 SCALE = .0125

## PARAMETRIC DATA

ALPHAC = 2.000 BETAC = .000  
 STAB = 5.000 ELEVON = 5.000  
 AILRON = .000 DX = .000  
 DY = .000 IORB = 6.000  
 BETAO = .000 DPHI = .000

RUN NO. 77/ 0 RN/L = .00 GRADIENT INTERVAL = -5.00/ 5.00

MACH	DZ	DY	DX	CN	CLM	CA	CY	CYN	CBL	CL	CD
.600	1.460	.00000	-.02000	.36220	.01030	.00960	.00230	-.00140	-.00100	.35660	.06410
.602	2.060	.00000	-.01000	.35860	.00960	.00990	.00280	-.00140	-.00100	.35300	.06360
.601	2.660	.00000	-.01000	.36090	.00940	.00960	.00310	-.00160	-.00100	.35540	.06390
.600	3.360	.00000	-.01000	.36080	.00730	.01000	.00250	-.00150	-.00110	.35520	.06410
.602	4.160	.00000	-.01000	.35920	.00620	.00960	.00290	-.00160	-.00110	.35370	.06340
.600	4.960	.00000	-.01000	.36560	.00310	.00980	.00260	-.00160	-.00110	.35990	.06470
.603	5.960	.00000	-.01000	.36060	.00240	.00960	.00210	-.00170	-.00100	.35510	.06360
.601	6.960	.00000	-.01000	.36670	.00210	.00970	.00270	-.00160	-.00100	.36110	.06480
.598	7.970	.00000	-.01000	.37120	.00040	.00980	.00310	-.00140	-.00100	.36550	.06550
.603	8.960	.00000	-.01000	.36650	-.00070	.00970	.00220	-.00150	-.00120	.36090	.06460
.600	9.960	.00000	.00000	.37310	-.00280	.00970	.00220	-.00160	-.00110	.36750	.06530
.602	11.150	.00000	.00000	.37000	-.00230	.00980	.00160	-.00160	-.00100	.36440	.06510
.606	12.330	.00000	.00000	.36820	-.00260	.01010	.00250	-.00140	-.00110	.36250	.06510
.602	13.520	.00000	.00000	.37150	-.00350	.01030	.00300	-.00160	-.00100	.36570	.06560
.601	14.700	.00000	.00000	.37280	-.00390	.01070	.00230	-.00150	-.00090	.36700	.06620
.601	15.900	.00000	.00000	.37550	-.00410	.01070	.00260	-.00140	-.00090	.36980	.06650
.598	17.080	.00000	.00000	.37860	-.00510	.01060	.00210	-.00140	-.00100	.37280	.06690
.601	18.270	.00000	.00000	.37510	-.00500	.01050	.00220	-.00150	-.00090	.36940	.06620
.599	19.450	.00000	.00000	.37870	-.00570	.01080	.00320	-.00140	-.00100	.37290	.06700
.601	20.640	.00000	.00000	.37790	-.00550	.01100	.00260	-.00140	-.00090	.37200	.06690
.600	21.810	.00000	.01000	.38150	-.00600	.01140	.00230	-.00140	-.00100	.37560	.06780
.600	23.000	.00000	.01000	.38300	-.00550	.01160	.00260	-.00150	-.00090	.37710	.06830
.603	24.190	.00000	.01000	.38080	-.00640	.01130	.00220	-.00150	-.00100	.37490	.06760
.601	25.370	.00000	.01000	.38410	-.00630	.01190	.00100	-.00170	-.00080	.37810	.06850
.602	26.560	.00000	.01000	.38480	-.00610	.01190	.00270	-.00140	-.00080	.37880	.06870
.603	27.740	.00000	.01000	.38250	-.00620	.01200	.00230	-.00140	-.00080	.37650	.06850
.601	28.930	.00000	.01000	.38690	-.00720	.01210	.00110	-.00150	-.00090	.38080	.06910
.603	30.110	.00000	.01000	.38520	-.00650	.01230	.00270	-.00140	-.00080	.37920	.06890
.603	31.310	.00000	.01000	.38590	-.00700	.01220	.00230	-.00140	-.00080	.37990	.06880
.602	32.490	.00000	.01000	.38930	-.00750	.01240	.00130	-.00150	-.00070	.38230	.06950
.600	33.680	.00000	.01000	.38990	-.00770	.01250	.00170	-.00140	-.00080	.38380	.06980
.602	34.860	.00000	.01000	.38760	-.00780	.01280	.00150	-.00150	-.00070	.38160	.06950
.602	36.050	.00000	.01000	.38910	-.00810	.01260	.00160	-.00140	-.00060	.38300	.06970
.602	37.230	.00000	.01000	.39030	-.00820	.01240	.00180	-.00130	-.00070	.38420	.06940
.602	38.420	.00000	.01000	.39020	-.00790	.01230	.00230	-.00140	-.00060	.38420	.06940
.602	39.610	.00000	.01000	.39270	-.00810	.01270	.00100	-.00160	-.00050	.38660	.07000
.600	40.790	.00000	.02000	.39390	-.00820	.01290	.00120	-.00150	-.00040	.38770	.07050
.599	41.980	.00000	.02000	.39500	-.00860	.01290	.00230	-.00130	-.00070	.38880	.07050
.602	43.160	.00000	.02000	.39240	-.00850	.01320	.00150	-.00130	-.00070	.38620	.07040
.600	44.350	.00000	.02000	.39450	-.00890	.01320	.00200	-.00140	-.00050	.38840	.07050
.598	45.530	.00000	.02000	.39880	-.00950	.01320	.00190	-.00140	-.00050	.39260	.07130
.602	46.720	.00000	.02000	.39520	-.00930	.01340	.00050	-.00150	-.00030	.38900	.07090

DATE 22 MAR 76

CA-26 FORCE SOURCE DATA TABULATION

PAGE 135

LTV44-559(CA26) 747/1 ATY 06 S1 (ORBITER DATA)

(AFE108) ( 29 JAN 76 )

## REFERENCE DATA

SREF = 2690.0000 SQ.FT. XMRP = 1109.0000 IN. XO  
 LREF = 474.8100 IN. YMRP = .0000 IN. YO  
 BREF = 936.6800 IN. ZMRP = 375.0000 IN. ZO  
 SCALE = .0125

## PARAMETRIC DATA

ALPHAC = 2.000 BETAC = .000  
 STAB = 5.930 ELEVON = 5.000  
 AILRON = .000 DX = .000  
 DY = .000 TORB = 6.000  
 BETA0 = .000 DPHI = .000

RUN NO. 77/ 0 RN/L = .00 GRADIENT INTERVAL = -5.00/ 5.00

MACH	DZ	DY	DX	CN	CLM	CA	CY	CYN	CBL	CL	CD
.602	47.910	.00000	.02000	.39380	-.00970	.01360	.00050	-.00160	.00000	.38760	.07100
.602	49.090	.00000	.02000	.39620	-.00990	.01340	.00130	-.00140	-.00030	.39000	.07100
.601	50.280	.00000	.02000	.39800	-.01030	.01340	.00130	-.00140	-.00030	.39180	.07110
.601	51.460	.00000	.02000	.39990	-.01030	.01360	.00220	-.00120	-.00020	.39270	.07140
	GRADIENT	.00000	.00192	.00083	-.00200	.00002	.00004	-.00006	-.00004	.00082	.00009

LTV44-559(CA26) 747/1 ATY 06 S1 (ORBITER DATA)

(AFE109) ( 29 JAN 76 )

## REFERENCE DATA

SREF = 2690.0000 SQ.FT. XMRP = 1109.0000 IN. XO  
 LREF = 474.8100 IN. YMRP = .0000 IN. YO  
 BREF = 936.6800 IN. ZMRP = 375.0000 IN. ZO  
 SCALE = .0125

## PARAMETRIC DATA

ALPHAC = 2.000 BETAC = .000  
 STAB = 5.000 ELEVON = .000  
 AILRON = .000 DX = .000  
 DY = .000 IORB = 4.000  
 BETAO = .000 DPHI = .000

RUN NO. 78/ 0 RN/L = .00 GRADIENT INTERVAL = -5.00/ 5.00

MACH	OZ	DY	DX	CN	CLM	CA	CY	CYN	CBL	CL	CD
.601	1.460	.00000	.01000	.16580	.03620	.02070	.00380	-.00210	-.00110	.16230	.03970
.603	2.060	.00000	.01000	.16480	.03580	.02020	.00350	-.00210	-.00110	.16140	.03900
.600	2.660	.00000	.01000	.16460	.03600	.02100	.00330	-.00200	-.00110	.16110	.03980
.602	3.360	.00000	.01000	.16440	.03610	.02100	.00430	-.00220	-.00110	.16090	.03970
.601	4.160	.00000	.01000	.16380	.03620	.02140	.00360	-.00220	-.00110	.16020	.04000
.602	4.960	.00000	.01000	.16590	.03390	.02120	.00400	-.00240	-.00110	.16230	.04010
.600	6.960	.00000	.01000	.16550	.03370	.02160	.00350	-.00220	-.00120	.16200	.04040
.601	8.960	.00000	.01000	.16840	.03250	.02150	.00330	-.00230	-.00120	.16480	.04070
.600	10.460	.00000	.01000	.17630	.02880	.02140	.00410	-.00220	-.00110	.17270	.04150
.602	11.460	.00000	.01000	.17500	.02910	.02160	.00400	-.00220	-.00110	.17130	.04140
.604	12.450	.00000	.01000	.17490	.02930	.02180	.00330	-.00220	-.00110	.17130	.04160
.600	13.450	.00000	.01000	.17770	.02850	.02210	.00460	-.00220	-.00110	.17400	.04230
.601	14.440	.00000	.00000	.17860	.02790	.02210	.00430	-.00210	-.00110	.17490	.04230
.600	15.440	.00000	.00000	.18140	.02770	.02200	.00400	-.00220	-.00110	.17760	.04250
.601	16.430	.00000	.00000	.18190	.02770	.02240	.00370	-.00220	-.00120	.17810	.04290
.602	17.430	.00000	.00000	.18170	.02690	.02260	.00370	-.00220	-.00110	.17800	.04310
.603	18.420	.00000	.00000	.18390	.02640	.02230	.00380	-.00220	-.00100	.18020	.04310
.602	19.420	.00000	.00000	.18330	.02610	.02270	.00370	-.00230	-.00110	.17950	.04350
.603	20.410	.00000	.00000	.18550	.02600	.02260	.00410	-.00220	-.00110	.18170	.04350
.602	21.410	.00000	.00000	.18580	.02600	.02290	.00370	-.00230	-.00110	.18200	.04380
.601	22.390	.00000	.01000	.18850	.02630	.02300	.00390	-.00210	-.00100	.18470	.04420
.602	23.390	.00000	.01000	.18760	.02620	.02310	.00360	-.00220	-.00100	.18370	.04420
.601	24.390	.00000	.01000	.19300	.02650	.02310	.00350	-.00220	-.00110	.18910	.04480
.600	25.380	.00000	.01000	.19150	.02590	.02320	.00380	-.00210	-.00100	.18760	.04480
.601	26.380	.00000	.01000	.19310	.02610	.02320	.00400	-.00220	-.00100	.18920	.04500
.603	27.370	.00000	.01000	.19600	.02580	.02320	.00340	-.00230	-.00100	.19210	.04520
.603	28.370	.00000	.01000	.19620	.02550	.02320	.00320	-.00230	-.00100	.19230	.04530
.602	29.360	.00000	.01000	.19650	.02520	.02350	.00360	-.00220	-.00100	.19260	.04560
.601	30.360	.00000	.01000	.19500	.02500	.02370	.00360	-.00220	-.00100	.19110	.04550
.605	31.350	.00000	.01000	.19260	.02470	.02390	.00380	-.00210	-.00100	.18870	.04550
.602	32.350	.00000	.01000	.19630	.02480	.02370	.00390	-.00210	-.00110	.19230	.04570
.601	33.340	.00000	.01000	.20130	.02530	.02370	.00310	-.00220	-.00100	.19730	.04630
.601	34.340	.00000	.01000	.20070	.02480	.02410	.00290	-.00240	-.00080	.19670	.04650
.602	35.340	.00000	.01000	.19840	.02480	.02440	.00360	-.00230	-.00090	.19440	.04660
.600	36.330	.00000	.01000	.20320	.02470	.02400	.00290	-.00230	-.00080	.19920	.04660
.599	37.320	.00000	.01000	.20260	.02420	.02440	.00310	-.00220	-.00090	.19850	.04690
.602	38.320	.00000	.01000	.20310	.02460	.02420	.00240	-.00230	-.00080	.19910	.04690
.600	39.310	.00000	.01000	.20510	.02450	.02440	.00270	-.00230	-.00060	.20100	.04720
.605	40.310	.00000	.01000	.20170	.02490	.02410	.00190	-.00250	-.00050	.19770	.04660
.601	41.310	.00000	.01000	.20450	.02430	.02470	.00250	-.00210	-.00050	.20040	.04740
.604	42.300	.00000	.01000	.20490	.02410	.02450	.00100	-.00240	-.00030	.20080	.04730
.603	43.290	.00000	.01000	.20570	.02330	.02430	.00120	-.00230	-.00030	.20170	.04700

DATE 22 MAR 76

CA-26 FORCE SOURCE DATA TABULATION

PAGE 137

LTV44-559(CA26) 747/1 ATY 06 S1 (ORBITER DATA)

(AFE109) ( 29 JAN 76 )

REFERENCE DATA

SREF = 2690.0000 SQ.FT. XMRP = 1109.0000 IN. XO  
LREF = 474.8100 IN. YMRP = .0000 IN. YO  
BREF = 936.6800 IN. ZMRP = 375.0000 IN. ZO  
SCALE = .0125

PARAMETRIC DATA

ALPHAC = 2.000 BETAC = .000  
STAB = 5.000 ELEVON = .000  
AILRON = .000 DX = .000  
DY = .000 IORB = 4.000  
BETA0 = .000 DPHI = .000

RUN NO. 78/ 0 RN/L = .00 GRADIENT INTERVAL = -5.00/ 5.00

MACH	DZ	DY	DX	CN	CLM	CA	CY	CYN	CBL	CL	CD
.603	44.290	.00000	.02000	.20520	.02370	.02480	.00240	-.00220	-.00050	.20110	.04760
.603	44.790	.00000	.01000	.20630	.02290	.02450	.00380	-.00200	-.00060	.20220	.04750
	GRADIENT	.00000	.00000	-.00008	-.00044	.00025	.00010	-.00008	.00000	-.00012	.00020

ORIGINAL PAGE IS  
OF POOR QUALITY

LTV44-559(CA26) 747/1 ATY 06 S1 (ORBITER DATA)

(AFE110) ( 29 JAN 76 )

## REFERENCE DATA

SREF = 2690.0000 SQ.FT. XMRP = 1109.0000 IN. XO  
 LREF = 474.8100 IN. YMRP = .0000 IN. YO  
 BREF = 936.6800 IN. ZMRP = 375.0000 IN. ZO  
 SCALE = .0125

## PARAMETRIC DATA

ALPHAC = 2.000 BETAC = .000  
 STAB = 5.000 ELEVON = .000  
 AILRON = .000 DX = .000  
 DY = .000 IORB = 6.000  
 BETA0 = .000 DPHI = .000

RUN NO. 1078/ D RN/L = .00 GRADIENT INTERVAL = -5.00/ 5.00

MACH	DZ	DY	DX	CN	CLM	CA	CY	CYN	CBL	CL	CD
.602	1.470	.00000	.00000	.27510	.04670	.01010	.00380	-.00170	-.00190	.27050	.05120
.602	2.070	.00000	.00000	.27150	.04670	.01020	.00380	-.00200	-.00200	.26690	.05080
.601	2.670	.00000	.00000	.27030	.04640	.01050	.00420	-.00200	-.00190	.26570	.05080
.601	3.370	.00000	.00000	.27250	.04480	.01050	.00470	-.00210	-.00200	.26780	.05110
.600	4.170	.00000	.00000	.27460	.04360	.01020	.00380	-.00220	-.00190	.27000	.05110
.599	4.960	.00000	.00000	.27410	.04370	.01050	.00440	-.00210	-.00200	.26940	.05120
.602	6.970	.00000	.00000	.27750	.03990	.01070	.00420	-.00220	-.00200	.27280	.05190
.601	8.970	.00000	.00000	.27650	.03840	.01050	.00430	-.00200	-.00190	.27190	.05160
.601	10.600	.00000	.00000	.27930	.03720	.01060	.00370	-.00220	-.00170	.27460	.05200
.599	11.880	.00000	.00000	.28340	.03830	.01120	.00430	-.00210	-.00170	.27860	.05320
.602	13.160	.00000	.00000	.28180	.03720	.01120	.00430	-.00200	-.00180	.27700	.05310
.599	14.440	.00000	.00000	.28420	.03720	.01150	.00460	-.00210	-.00180	.27930	.05370
.601	15.710	.00000	.00000	.28470	.03640	.01140	.00500	-.00210	-.00170	.27990	.05350
.599	16.990	.00000	.00000	.28750	.03600	.01150	.00410	-.00230	-.00180	.28260	.05410
.600	18.270	.00000	.00000	.28820	.03610	.01130	.00460	-.00220	-.00180	.28330	.05400
.602	19.540	.00000	.00000	.28780	.03520	.01140	.00390	-.00210	-.00170	.28290	.05380
.599	20.820	.00000	.00000	.29250	.03500	.01130	.00390	-.00220	-.00170	.28760	.05450
.600	22.090	.00000	.01000	.29060	.03490	.01180	.00410	-.00210	-.00170	.28570	.05480
.599	23.360	.00000	.01000	.29380	.03520	.01210	.00360	-.00220	-.00170	.28880	.05540
.600	24.650	.00000	.01000	.29420	.03460	.01210	.00520	-.00210	-.00180	.28920	.05550
.604	25.920	.00000	.01000	.29120	.03380	.01220	.00470	-.00200	-.00160	.28620	.05510
.601	27.200	.00000	.01000	.29310	.03430	.01240	.00390	-.00220	-.00160	.28810	.05560
.601	28.470	.00000	.01000	.29690	.03500	.01220	.00450	-.00220	-.00170	.29180	.05590
.601	29.750	.00000	.01000	.29610	.03410	.01240	.00450	-.00210	-.00160	.29110	.05600
.603	31.030	.00000	.01000	.29560	.03330	.01230	.00280	-.00220	-.00140	.29060	.05570
.600	32.300	.00000	.01000	.29760	.03310	.01290	.00200	-.00230	-.00130	.29250	.05650
.601	33.580	.00000	.01000	.30120	.03360	.01240	.00330	-.00230	-.00140	.29610	.05660
.599	34.850	.00000	.01000	.30270	.03410	.01260	.00360	-.00240	-.00160	.29750	.05710
.599	36.130	.00000	.01000	.30110	.03260	.01310	.00400	-.00210	-.00140	.29590	.05720
.600	37.410	.00000	.01000	.30060	.03290	.01290	.00250	-.00230	-.00120	.29550	.05700
.598	38.690	.00000	.01000	.30250	.03250	.01310	.00250	-.00220	-.00130	.29730	.05730
.598	39.960	.00000	.01000	.30500	.03280	.01290	.00360	-.00200	-.00150	.29980	.05740
.600	41.240	.00000	.01000	.30300	.03190	.01320	.00270	-.00220	-.00110	.29780	.05750
.600	42.520	.00000	.01000	.30320	.03160	.01340	.00240	-.00230	-.00100	.29800	.05770
.600	43.790	.00000	.01000	.30170	.03070	.01380	.00340	-.00210	-.00130	.29650	.05770
.602	45.070	.00000	.02000	.30710	.03220	.01280	.00240	-.00210	-.00110	.30200	.05760
.601	46.340	.00000	.02000	.30800	.03130	.01310	.00260	-.00200	-.00110	.30280	.05800
.601	47.620	.00000	.02000	.30700	.03170	.01330	.00240	-.00200	-.00110	.30170	.05780
.604	48.900	.00000	.02000	.30460	.03160	.01310	.00100	-.00230	-.00090	.29940	.05740
.601	50.180	.00000	.02000	.30900	.03180	.01300	.00250	-.00210	-.00100	.30380	.05790
.600	51.460	.00000	.02000	.31110	.03210	.01260	.00260	-.00200	-.00120	.30590	.05790
GRADIENT		.00000	.00000	.00034	-.00106	.00008	.00013	-.00011	-.00001	.00031	.00005



LTV44-559(CA26) 747/1 ATY 06 SI (ORBITER DATA)

(AFE111) ( 29 JAN 76 )

## REFERENCE DATA

SREF = 2690.0000 SQ.FT. XMRP = 1109.0000 IN. XO  
 LREF = 474.8100 IN. YMRP = .0000 IN. YO  
 ØREF = 936.6800 IN. ZMRP = 375.0000 IN. ZO  
 SCALE = .0125

## PARAMETRIC DATA

ALPHAC = 2.000 BETAC = .000  
 STAB = 5.000 ELEVON = .000  
 AILRON = .000 DX = .000  
 DY = .000 IORB = 8.000  
 BETAO = .000 DPHI = .000

RUN NO. 79/ 0 RN/L = .00 GRADIENT INTERVAL = -5.00/ 5.00

MACH	DZ	DY	DX	CN	CLM	CA	CY	CYN	CBL	CL	CD
.600	1.460	.00000	-.01000	.37990	.06060	-.00320	.00440	-.00160	-.00180	.37400	.06690
.601	2.060	.00000	-.01000	.37930	.06040	-.00320	.00440	-.00160	-.00190	.37340	.06670
.599	2.660	.00000	-.01000	.37970	.06100	-.00330	.00450	-.00160	-.00190	.37380	.06680
.601	3.460	.00000	-.01000	.37550	.05910	-.00320	.00500	-.00170	-.00190	.36970	.06620
.600	4.460	.00000	-.01000	.37500	.05890	-.00300	.00520	-.00160	-.00190	.36920	.06610
.601	5.590	.00000	-.01000	.37530	.05620	-.00310	.00510	-.00190	-.00190	.36940	.06590
.600	6.840	.00000	.00000	.37390	.05590	-.00290	.00510	-.00210	-.00190	.36800	.06580
.599	8.090	.00000	.00000	.37710	.05540	-.00310	.00480	-.00200	-.00190	.37120	.06600
.601	9.340	.00000	.00000	.37390	.05430	-.00280	.00540	-.00190	-.00190	.36800	.06600
.600	10.580	.00000	.00000	.37820	.05200	-.00290	.00610	-.00180	-.00200	.37230	.06650
.600	11.810	.00000	.00000	.37760	.05160	-.00260	.00490	-.00190	-.00200	.37170	.06660
.601	13.050	.00000	.00000	.37840	.05160	-.00260	.00480	-.00190	-.00180	.37250	.06670
.601	14.290	.00000	.00000	.38010	.05080	-.00230	.00450	-.00180	-.00180	.37400	.06740
.599	15.520	.00000	.00000	.38330	.05050	-.00230	.00430	-.00190	-.00180	.37730	.06780
.602	16.750	.00000	.00000	.38130	.04940	-.00250	.00580	-.00190	-.00180	.37540	.06710
.601	17.990	.00000	.00000	.38320	.04930	-.00190	.00520	-.00180	-.00180	.37710	.06800
.601	19.230	.00000	.00000	.38280	.04900	-.00200	.00360	-.00200	-.00180	.37680	.06770
.602	20.460	.00000	.00000	.38230	.04840	-.00180	.00480	-.00180	-.00180	.37620	.06780
.600	21.690	.00000	.01000	.38540	.04820	-.00180	.00480	-.00190	-.00180	.37930	.06830
.601	22.930	.00000	.01000	.38580	.04730	-.00190	.00410	-.00210	-.00180	.37970	.06850
.601	24.160	.00000	.01000	.38690	.04740	-.00170	.00590	-.00170	-.00180	.38070	.06870
.601	25.390	.00000	.01000	.38650	.04760	-.00170	.00460	-.00200	-.00170	.38040	.06860
.600	26.630	.00000	.01000	.38770	.04750	-.00150	.00350	-.00200	-.00160	.38150	.06880
.599	27.860	.00000	.01000	.38740	.04740	-.00130	.00470	-.00180	-.00180	.38120	.06910
.604	29.100	.00000	.01000	.38460	.04680	-.00140	.00520	-.00180	-.00170	.37850	.06840
.597	30.340	.00000	.01000	.39270	.04690	-.00100	.00410	-.00200	-.00160	.38640	.07020
.601	31.570	.00000	.01000	.39000	.04630	-.00110	.00330	-.00200	-.00160	.38370	.06960
.600	32.800	.00000	.01000	.39200	.04610	-.00110	.00400	-.00200	-.00160	.38570	.06970
.599	34.040	.00000	.01000	.39190	.04610	-.00100	.00340	-.00200	-.00150	.38560	.06990
.599	35.280	.00000	.01000	.39100	.04570	-.00050	.00380	-.00200	-.00150	.38470	.06990
.600	36.510	.00000	.01000	.39330	.04600	-.00080	.00340	-.00200	-.00150	.38700	.07040
.599	37.740	.00000	.01000	.39530	.04570	-.00090	.00350	-.00190	-.00140	.38900	.07040
.598	38.980	.00000	.01000	.39810	.04480	-.00060	.00340	-.00180	-.00150	.39170	.07140
.602	40.220	.00000	.01000	.39480	.04470	-.00050	.00320	-.00190	-.00140	.38840	.07080
.601	41.450	.00000	.01000	.39700	.04460	-.00050	.00320	-.00200	-.00140	.39060	.07090
.602	42.690	.00000	.02000	.39660	.04420	-.00050	.00430	-.00170	-.00160	.39020	.07080
.602	43.920	.00000	.02000	.39570	.04300	-.00010	.00270	-.00200	-.00120	.38930	.07120
.599	45.150	.00000	.02000	.40050	.04320	.00000	.00280	-.00210	-.00110	.39390	.07230
.601	46.390	.00000	.02000	.39800	.04310	-.00040	.00230	-.00220	-.00120	.39150	.07110
.602	47.630	.00000	.02000	.39580	.04250	.00000	.00230	-.00200	-.00120	.38930	.07110
.600	48.860	.00000	.02000	.39930	.04370	-.00020	.00160	-.00210	-.00110	.39280	.07160
.601	50.090	.00000	.02000	.39970	.04300	-.00010	.00160	-.00220	-.00090	.39220	.07150

LTV44-559(CA26) 747/1 ATY 06 S1 (ORBITER DATA)

(AFE111) ( 29 JAN 76 )

## REFERENCE DATA

SREF = 2690.0000 SQ.FT. XMRP = 1109.0000 IN. XO  
 LREF = 474.8100 IN. YMRP = .0000 IN. YO  
 BREF = 936.6800 IN. ZMRP = 375.0000 IN. ZO  
 SCALE = .0125

## PARAMETRIC DATA

ALPHAC = 2.000 BETAC = .000  
 STAB = 5.000 ELEVON = .000  
 AILRON = .000 DX = .000  
 DY = .000 IORB = 8.000  
 BETAO = .000 DPHI = .000

RUN NO. 79/ 0 RN/L = .00 GRADIENT INTERVAL = -5.00/ 5.00

MACH	OZ	DY	DX	CN	CLM	CA	CY	CYN	CBL	CL	CD
.603	51.330	.00000	.02000	.39630	.04190	.00000	.00210	-.00210	-.00090	.38990	.07090
.602	52.570	.00000	.02000	.39620	.04080	.00020	.00250	-.00180	-.00120	.38970	.07130
.599	53.800	.00000	.02000	.39600	.04020	.00070	.00160	-.00230	-.00110	.38940	.07180
.600	55.040	.00000	.02000	.40060	.04200	.00000	.00430	-.00180	-.00140	.39410	.07170
.599	56.270	.00000	.03000	.40270	.04170	.00010	.00270	-.00180	-.00100	.39620	.07210
.602	57.500	.00000	.03000	.39710	.03920	.00050	.00210	-.00200	-.00100	.39060	.07140
.602	58.120	.00000	.03000	.39970	.04030	.00020	.00340	-.00170	-.00120	.39320	.07180
	GRADIENT	.00000	-.00000	-.00187	-.00066	.00006	.00030	-.00001	-.00002	-.00183	-.00029

LTV44-559(CA26) 747/1 ATY 06 S1 (ORBITER DATA)

(AFE112) ( 29 JAN 76 )

## REFERENCE DATA

SREF = 2690.0000 SQ.FT. XMRP = 1109.0000 IN. XO  
 LREF = 474.8100 IN. YMRP = .0000 IN. YO  
 BREF = 936.6800 IN. ZMRP = 375.0000 IN. ZO  
 SCALE = .0125

## PARAMETRIC DATA

ALPHAC = 2.000 BETAC = .000  
 STAB = 5.000 RUDDER = .000  
 ELEVON = .000 DY = .000  
 DZ = .000 TORB = 6.000  
 BETAO = .000 DPHI = .000

RUN NO. 81/ 0 RN/L = .00 GRADIENT INTERVAL = -5.00/ 5.00

MACH	DX	DY	DZ	CN	CLM	CA	CY	CYN	CBL	CL	CD
.601	.000	.00000	1.46000	.27430	.04740	.00660	.00330	-.00170	-.00180	.27020	.04770
.600	.390	.00000	1.46000	.27420	.04750	.00650	.00300	-.00170	-.00190	.27020	.04740
.601	.780	.00000	1.46000	.27450	.04750	.00670	.00320	-.00180	-.00170	.27040	.04790
.599	1.140	.00000	1.46000	.27640	.04780	.00690	.00290	-.00170	-.00180	.27220	.04830
.600	1.530	.00000	1.46000	.27310	.04730	.00670	.00210	-.00180	-.00180	.26910	.04750
.601	1.920	.00000	1.46000	.27280	.04700	.00650	.00270	-.00170	-.00170	.26870	.04730
.601	2.290	.00000	1.46000	.27210	.04700	.00650	.00270	-.00160	-.00180	.26800	.04720
.602	2.680	.00000	1.46000	.27210	.04670	.00670	.00360	-.00170	-.00170	.26800	.04750
.602	3.070	.00000	1.46000	.27360	.04660	.00680	.00380	-.00180	-.00170	.26950	.04770
.600	3.430	.00000	1.46000	.27560	.04640	.00680	.00290	-.00180	-.00170	.27150	.04790
.598	3.820	.00000	1.46000	.27720	.04620	.00670	.00380	-.00180	-.00170	.27310	.04820
.602	4.190	.00000	1.46000	.27210	.04500	.00640	.00300	-.00170	-.00180	.26810	.04710
.600	4.580	.00000	1.46000	.27370	.04490	.00680	.00350	-.00170	-.00190	.26960	.04770
.600	4.970	.00000	1.46000	.27480	.04470	.00700	.00390	-.00160	-.00180	.27060	.04810
.601	5.330	.00000	1.46000	.27350	.04440	.00700	.00280	-.00170	-.00190	.26940	.04790
.601	5.720	.00000	1.46000	.27520	.04420	.00710	.00330	-.00170	-.00170	.27160	.04840
.602	6.110	.00000	1.46000	.27280	.04360	.00710	.00230	-.00170	-.00190	.26870	.04790
.602	6.480	.00000	1.46000	.27450	.04350	.00730	.00310	-.00160	-.00170	.27030	.04820
.601	6.870	.00000	1.46000	.27370	.04320	.00730	.00230	-.00170	-.00180	.26950	.04830
.600	7.230	.00000	1.46000	.27560	.04290	.00760	.00310	-.00160	-.00170	.27130	.04890
.601	7.630	.00000	1.46000	.27530	.04230	.00750	.00310	-.00160	-.00170	.27110	.04870
.602	8.020	.00000	1.46000	.27450	.04190	.00750	.00350	-.00160	-.00170	.27030	.04850
.601	8.380	.00000	1.46000	.27430	.04170	.00770	.00250	-.00170	-.00180	.27000	.04880
.602	8.770	.00000	1.46000	.27550	.04150	.00780	.00370	-.00170	-.00170	.27120	.04910
.602	9.160	.00000	1.46000	.27550	.04110	.00760	.00310	-.00170	-.00170	.27120	.04890
.601	9.530	.00000	1.46000	.27420	.04070	.00780	.00230	-.00180	-.00180	.26990	.04880
.602	9.920	.00000	1.46000	.27600	.04070	.00800	.00310	-.00180	-.00170	.27160	.04930
.602	10.280	.00000	1.46000	.27560	.04050	.00820	.00340	-.00170	-.00170	.27120	.04950
.602	10.670	.00000	1.46000	.27280	.04010	.00840	.00270	-.00180	-.00170	.26840	.04920
.603	11.060	.00000	1.46000	.27250	.03970	.00850	.00310	-.00190	-.00160	.26810	.04940
.603	11.430	.00000	1.46000	.27480	.03930	.00820	.00340	-.00180	-.00170	.27040	.04940
.601	11.820	.00000	1.46000	.27590	.03920	.00810	.00320	-.00180	-.00180	.27160	.04940
.602	12.210	.00000	1.46000	.27410	.03870	.00830	.00320	-.00180	-.00170	.26970	.04940
.602	12.570	.00000	1.46000	.27440	.03860	.00830	.00240	-.00180	-.00180	.27000	.04950
.600	12.960	.00000	1.46000	.27530	.03820	.00830	.00330	-.00190	-.00180	.27090	.04940
.602	13.330	.00000	1.46000	.27290	.03740	.00930	.00380	-.00190	-.00160	.26850	.04910
GRADIENT		.00000	.00000	-.00000	-.00060	.00003	.00015	.00001	.00000	-.00001	.00002

LTV44-559(CA26) 747/1 ATY 06 S1 (ORBITER DATA)

(AFE113) ( 29 JAN 76 )

## REFERENCE DATA

SREF = 2690.0000 SQ.FT. XMRP = 1109.0000 IN. XO  
 LREF = 474.8100 IN. YMRP = .0000 IN. YO  
 BREF = 936.6800 IN. ZMRP = 375.0000 IN. ZO  
 SCALE = .0125

## PARAMETRIC DATA

ALPHAC = 2.000 BETAC = .000  
 STAB = 5.000 RUDDER = .000  
 ELEVON = .000 DY = .000  
 DZ = 15.000 TORB = 6.000  
 BETAO = .000 DPHI = .000

RUN NO. 1081/ 0 RN/L = .00 GRADIENT INTERVAL = -5.00/ 5.00

MACH	DX	DY	DZ	CN	CLM	CA	CY	CYN	CBL	CL	CD
.600	.390	.00000	15.00000	.28530	.03690	.00740	.00320	-.00190	-.00190	.28110	.04970
.602	.780	.00000	15.00000	.28420	.03700	.00760	.00330	-.00190	-.00180	.27990	.04980
.601	1.140	.00000	15.00000	.28470	.03700	.00740	.00420	-.00180	-.00180	.28040	.04960
.602	1.530	.00000	15.00000	.28420	.03670	.00750	.00290	-.00200	-.00180	.27990	.04970
.602	1.900	.00000	15.00000	.28400	.03620	.00750	.00270	-.00210	-.00180	.27970	.04970
.602	2.290	.00000	15.00000	.28320	.03590	.00760	.00340	-.00200	-.00180	.27890	.04950
.600	2.680	.00000	15.00000	.28430	.03600	.00790	.00340	-.00210	-.00180	.28000	.04990
.602	3.040	.00000	15.00000	.28340	.03590	.00780	.0310	-.00190	-.00190	.27910	.04980
.602	3.430	.00000	15.00000	.28420	.03580	.00750	.00350	-.00190	-.00180	.27990	.04970
.601	3.820	.00000	15.00000	.28510	.03590	.00760	.00340	-.00180	-.00190	.28080	.04990
.600	4.190	.00000	15.00000	.28350	.03520	.00790	.00380	-.00180	-.00190	.27920	.04990
.599	4.580	.00000	15.00000	.28270	.03510	.00800	.00310	-.00190	-.00180	.27840	.04990
.600	4.940	.00000	15.00000	.28370	.03510	.00780	.00330	-.00190	-.00180	.27940	.04970
.599	5.330	.00000	15.00000	.28430	.03470	.00750	.00340	-.00190	-.00180	.28000	.04950
.601	5.720	.00000	15.00000	.28280	.03420	.00750	.00410	-.00190	-.00180	.27860	.04950
.601	6.090	.00000	15.00000	.28170	.03370	.00790	.00360	-.00190	-.00180	.27740	.04970
.599	6.480	.00000	15.00000	.28270	.03380	.00790	.00370	-.00190	-.00180	.27840	.04980
.599	6.870	.00000	15.00000	.28330	.03320	.00770	.00340	-.00190	-.00180	.27900	.04970
.602	7.230	.00000	15.00000	.28300	.03300	.00750	.00320	-.00180	-.00190	.27870	.04940
.601	7.630	.00000	15.00000	.28190	.03290	.00770	.00310	-.00190	-.00180	.27760	.04950
.602	7.990	.00000	15.00000	.28250	.03290	.00780	.00280	-.00190	-.00180	.27820	.04950
.598	8.380	.00000	15.00000	.28480	.03360	.00790	.00340	-.00190	-.00170	.28050	.05020
.603	8.770	.00000	15.00000	.28300	.03270	.00770	.00360	-.00180	-.00180	.27870	.04960
.597	9.140	.00000	15.00000	.28780	.03340	.00790	.00350	-.00190	-.00170	.28340	.05070
.602	9.530	.00000	15.00000	.28240	.03190	.00780	.00360	-.00190	-.00170	.27810	.04960
.601	9.920	.00000	15.00000	.28470	.03240	.00810	.00200	-.00210	-.00170	.28030	.05030
.603	10.280	.00000	15.00000	.28280	.03170	.00770	.00310	-.00200	-.00170	.27850	.04960
.603	10.670	.00000	15.00000	.28380	.03190	.00790	.00340	-.00200	-.00170	.27950	.04990
.602	11.040	.00000	15.00000	.28450	.03150	.00840	.00390	-.00180	-.00170	.28010	.05060
.603	11.430	.00000	15.00000	.28180	.03130	.00810	.00390	-.00190	-.00160	.27740	.04980
.602	11.820	.00000	15.00000	.28300	.03100	.00820	.00330	-.00180	-.00180	.27860	.05020
.600	12.180	.00000	15.00000	.28490	.03090	.00840	.00240	-.00200	-.00170	.28040	.05060
.602	12.570	.00000	15.00000	.28350	.03100	.00840	.00240	-.00200	-.00160	.27910	.05030
.603	12.960	.00000	15.00000	.28160	.03090	.00810	.00320	-.00190	-.00160	.27730	.04980
.600	13.330	.00000	15.00000	.28540	.03070	.00840	.00340	-.00170	-.00170	.28100	.05080
GRADIENT		.00000	.00000	-.00027	-.00044	.00010	.00001	.00002	-.00000	-.00028	.00004

LTV44-559(CA26) 747/1 ATY 06 S1 (ORBITER DATA)

(AFE114) ( 29 JAN 76 )

## REFERENCE DATA

SREF = 2690.0000 SQ.FT. XMRP = 1109.0000 IN. XO  
 LREF = 474.8100 IN. YMRP = .0000 IN. YO  
 BREF = 936.6800 IN. ZMRP = 375.0000 IN. ZO  
 SCALE = .0125

## PARAMETRIC DATA

ALPHAC = 2.000 BETAC = .000  
 STAB = 5.000 RUDDER = .000  
 ELEVON = .000 DY = .000  
 DZ = 60.000 TORB = 6.000  
 BETA0 = .000 DPHI = .000

RUN NO. 2081/ 0 RN/L = .00 GRADIENT INTERVAL = -5.00/ 5.00

MACH	DX	DY	DZ	CN	CLM	CA	CY	CYN	CBL	CL	CD
.604	.410	.00000	51.46000	.30320	.03090	.01000	.00180	-.00180	-.00110	.29860	.05400
.604	.780	.00000	51.46000	.30580	.03100	.00990	.00050	-.00200	-.00100	.30110	.05420
.602	1.170	.00000	51.46000	.30700	.03100	.01000	.00050	-.00200	-.00100	.30220	.05450
.600	1.560	.00000	51.46000	.30780	.03120	.01030	.00120	-.00200	-.00090	.30300	.05480
.601	1.920	.00000	51.46000	.30480	.03050	.01050	.00020	-.00210	-.00060	.30010	.05470
.603	2.310	.00000	51.46000	.30470	.03100	.01000	.00020	-.00220	-.00060	.30000	.05430
.603	2.690	.00000	51.46000	.30440	.03090	.00990	.00000	-.00210	-.00070	.29980	.05400
.601	3.070	.00000	51.46000	.30690	.03050	.00980	.00370	-.00140	-.00100	.30220	.05430
.603	3.460	.00000	51.46000	.30710	.03130	.00950	.00330	-.00160	-.00130	.30250	.05410
.603	3.820	.00000	51.46000	.30800	.03160	.00960	.00290	-.00170	-.00130	.30340	.05430
.600	4.210	.00000	51.46000	.30990	.03160	.00970	.00030	-.00200	-.00100	.30520	.05450
.601	4.600	.00000	51.46000	.30780	.03120	.01000	.00080	-.00200	-.00100	.30310	.05440
.602	4.970	.00000	51.46000	.30640	.03110	.00970	.00220	-.00170	-.00110	.30170	.05410
.601	5.360	.00000	51.46000	.30920	.03150	.00950	.00150	-.00180	-.00110	.30450	.05430
.600	5.720	.00000	51.46000	.31040	.03150	.00950	.00190	-.00190	-.00100	.30580	.05450
.600	6.110	.00000	51.46000	.30830	.03120	.00970	.00150	-.00190	-.00110	.30370	.05420
.602	6.510	.00000	51.46000	.30470	.03100	.00990	.00000	-.00210	-.00090	.30010	.05410
.601	6.870	.00000	51.46000	.30720	.03090	.00990	.00000	-.00210	-.00060	.30250	.05450
.600	7.260	.00000	51.46000	.30710	.03060	.00980	.00000	-.00210	-.00070	.30240	.05440
.600	7.650	.00000	51.46000	.30510	.03080	.01000	.00110	-.00210	-.00060	.30050	.05410
.602	8.020	.00000	51.46000	.30310	.02990	.01020	.00030	-.00230	-.00060	.29840	.05410
.599	8.410	.00000	51.46000	.30310	.02890	.01060	-.00140	-.00260	-.00050	.29840	.05450
.601	8.770	.00000	51.46000	.30010	.02980	.01040	-.00350	-.00250	-.00040	.29550	.05380
.599	9.160	.00000	51.46000	.30520	.02900	.01020	-.00040	-.00220	-.00050	.30050	.05440
.600	9.550	.00000	51.46000	.30690	.02990	.00940	-.00020	-.00220	-.00060	.30230	.05390
.600	9.920	.00000	51.46000	.30710	.03010	.00970	.00070	-.00190	-.00080	.30240	.05430
.600	10.310	.00000	51.46000	.30640	.02980	.01020	.00040	-.00190	-.00080	.30170	.05460
.600	10.700	.00000	51.46000	.30640	.02960	.01020	.00030	-.00200	-.00090	.30160	.05470
.603	11.060	.00000	51.46000	.30520	.03020	.00980	.00090	-.00200	-.00090	.30050	.05400
.600	11.450	.00000	51.46000	.30710	.02960	.00980	.00180	-.00180	-.00090	.30240	.05430
.603	11.800	.00000	51.46000	.30510	.02950	.00970	.00140	-.00190	-.00100	.30040	.05390
.601	12.210	.00000	51.46000	.30750	.02950	.00970	.00110	-.00170	-.00110	.30280	.05430
.603	12.590	.00000	51.46000	.30670	.03000	.00960	.00010	-.00200	-.00090	.30200	.05420
.605	12.960	.00000	51.46000	.30260	.02980	.01010	.00140	-.00190	-.00110	.29800	.05390
.603	13.350	.00000	51.46000	.30540	.02980	.01020	.00230	-.00170	-.00110	.30070	.05450
GRADIENT		.00000	.00000	.00070	.00010	-.00010	.00025	.00005	-.00004	.00071	-.00002

LTV44-559(CA26) 747/1 ATY 06 S1 (ORBITER DATA)

(AFE115) ( 29 JAN 76 )

## REFERENCE DATA

SREF = 2690.0000 SQ.FT. XMRP = 1109.0000 IN. XO  
 LREF = 474.8100 IN. YMRP = .0000 IN. YO  
 BREF = 936.6800 IN. ZMRP = 375.0000 IN. ZO  
 SCALE = .0125

## PARAMETRIC DATA

ALPHAC = 2.000 BETAC = .000  
 STAB = 5.000 RUDDER = .000  
 ELEVON = .000 DX = .000  
 DZ = .000 IORB = 6.000  
 BETAO = .000 DPHI = .000

RUN NO. 82/ 0 RN/L = .00 GRADIENT INTERVAL = -5.00/ 5.00

MACH	DY	DX	DZ	CN	CLM	CA	CY	CYN	CBL	CL	CD
.605	-10.000	-.01000	1.46000	.27290	.04660	.00600	.00090	-.00040	.00040	.26890	.04690
.605	-9.420	-.01000	1.46000	.27350	.04650	.00620	.00210	-.00050	.00200	.26940	.04720
.605	-8.850	-.01000	1.46000	.27240	.04690	.00630	.00300	-.00070	.00000	.26840	.04700
.605	-8.280	-.01000	1.46000	.27340	.04690	.00630	.00230	-.00080	-.00020	.26940	.04730
.605	-7.710	-.01000	1.46000	.27270	.04760	.00640	.00200	-.00110	-.00030	.26870	.04720
.607	-7.140	-.01000	1.46000	.27250	.04750	.00620	.00150	-.00120	-.00050	.26850	.04710
.606	-6.560	-.01000	1.46000	.27140	.04750	.00630	.00270	-.00130	-.00050	.26740	.04700
.605	-5.990	-.01000	1.46000	.27140	.04790	.00650	.00360	-.00130	-.00060	.26730	.04710
.605	-5.420	-.01000	1.46000	.27100	.04810	.00660	.00320	-.00140	-.00080	.26700	.04720
.606	-4.850	-.01000	1.46000	.27110	.04820	.00690	.00240	-.00170	-.00090	.26700	.04740
.605	-4.280	-.01000	1.46000	.27290	.04790	.00640	.00360	-.00170	-.00110	.26890	.04720
.605	-3.710	-.01000	1.46000	.27240	.04780	.00630	.00430	-.00170	-.00130	.26840	.04700
.606	-3.130	.00000	1.46000	.27150	.04750	.00650	.00440	-.00180	-.00140	.26740	.04700
.607	-2.570	.00000	1.46000	.26980	.04700	.00640	.00340	-.00190	-.00160	.26590	.04660
.604	-1.990	.00000	1.46000	.27300	.04760	.00630	.00290	-.00190	-.00180	.26900	.04720
.603	-1.420	.00000	1.46000	.27270	.04770	.00640	.00430	-.00180	-.00180	.26870	.04710
.603	-.850	.00000	1.46000	.27250	.04830	.00660	.00330	-.00190	-.00190	.26840	.04750
.605	-.270	.00000	1.46000	.27250	.04800	.00670	.00270	-.00190	-.00210	.26840	.04740
.605	.270	-.01000	1.46000	.27210	.04780	.00670	.00330	-.00200	-.00210	.26800	.04740
.605	.850	-.01000	1.46000	.27360	.04810	.00650	.00280	-.00210	-.00230	.26950	.04740
.605	1.420	-.01000	1.46000	.27500	.04760	.00620	.00350	-.00220	-.00240	.27090	.04730
.605	1.990	-.01000	1.46000	.27450	.04760	.00640	.00410	-.00230	-.00250	.27040	.04740
.605	2.560	-.01000	1.46000	.27530	.04770	.00620	.00450	-.00240	-.00270	.27120	.04750
.604	3.130	-.01000	1.46000	.27520	.04760	.00650	.00390	-.00260	-.00290	.27110	.04780
.605	3.710	-.01000	1.46000	.27390	.04710	.00640	.00410	-.00290	-.00300	.26980	.04750
.605	4.280	-.01000	1.46000	.27570	.04700	.00620	.00390	-.00310	-.00320	.27160	.04740
.605	4.850	-.01000	1.46000	.27560	.04640	.00610	.00470	-.00310	-.00340	.27150	.04720
.605	5.420	-.01000	1.46000	.27670	.04620	.00600	.00610	-.00310	-.00360	.27270	.04750
.605	5.990	-.01000	1.46000	.27620	.04560	.00590	.00670	-.00330	-.00370	.27220	.04720
.605	6.560	-.01000	1.46000	.27560	.04500	.00570	.00620	-.00350	-.00390	.27170	.04680
.605	7.140	-.01000	1.46000	.27730	.04540	.00580	.00500	-.00360	-.00420	.27330	.04730
.606	7.700	-.01000	1.46000	.27730	.04520	.00560	.00460	-.00380	-.00430	.27330	.04700
.606	8.280	-.01000	1.46000	.27790	.04490	.00540	.00510	-.00400	-.00430	.27400	.04690
.606	8.850	-.01000	1.46000	.27810	.04540	.00550	.00560	-.00400	-.00440	.27410	.04720
.605	9.420	-.01000	1.46000	.27970	.04560	.00560	.00570	-.00390	-.00440	.27570	.04730
.605	10.000	-.01000	1.46000	.28010	.04550	.00520	.00510	-.00400	-.00460	.27620	.04720
	GRADIENT	-.00065	-.00000	.00046	-.00009	-.00003	.00009	-.00014	-.00024	.00045	.00005

LTV44-559(CA26) 747/1 ATY 06 S1 (ORBITER DATA)

(AFE116) ( 29 JAN 76 )

## REFERENCE DATA

SREF = 2690.0000 SQ.FT. XMRP = 1109.0000 IN. XO  
 LREF = 474.8100 IN. YMRP = .0000 IN. YO  
 BREF = 936.6800 IN. ZMRP = 375.0000 IN. ZO  
 SCALE = .0125

## PARAMETRIC DATA

ALPHAC = 2.000 BETAC = .000  
 STAB = 5.000 RUDDER = .000  
 ELEVON = .000 DX = .000  
 DZ = 15.000 IORB = 6.000  
 BETAO = .000 DPHI = .000

RUN NO. 1082/ 0 RN/L = .00 GRADIENT INTERVAL = -5.00/ 5.00

MACH	DY	DX	DZ	CN	CLM	CA	CY	CYN	CBL	CL	CD
.606	-9.420	.00000	15.00000	.27920	.03700	.00720	.00230	-.00100	-.00010	.27500	.04870
.607	-8.850	.00000	15.00000	.28090	.03680	.00710	.00120	-.00110	-.00020	.27670	.04870
.606	-8.280	.00000	15.00000	.28060	.03680	.00690	.00220	-.00100	-.00020	.27650	.04840
.606	-7.710	.00000	15.00000	.28010	.03670	.00710	.00230	-.00110	-.00020	.27600	.04860
.606	-7.140	.00000	15.00000	.28130	.03660	.00710	.00270	-.00110	-.00040	.27710	.04880
.606	-6.560	.00000	15.00000	.28000	.03660	.00710	.00260	-.00120	-.00040	.27580	.04860
.606	-5.990	.00000	15.00000	.27900	.03660	.00740	.00250	-.00140	-.00050	.27480	.04870
.606	-5.420	.00000	15.00000	.27900	.03650	.00730	.00220	-.00140	-.00060	.27480	.04870
.605	-4.850	.00000	15.00000	.28000	.03690	.00730	.00240	-.00150	-.00070	.27580	.04880
.605	-4.280	.00000	15.00000	.27970	.03690	.00730	.00270	-.00160	-.00080	.27550	.04880
.606	-3.710	.00000	15.00000	.27900	.03660	.00710	.00310	-.00150	-.00090	.27480	.04840
.606	-3.140	.00000	15.00000	.27940	.03630	.00700	.00270	-.00160	-.00110	.27530	.04830
.605	-2.570	.00000	15.00000	.27940	.03680	.00740	.00230	-.00160	-.00120	.27520	.04880
.605	-1.990	.00000	15.00000	.27980	.03640	.00730	.00260	-.00170	-.00130	.27560	.04880
.606	-1.420	.00000	15.00000	.27960	.03650	.00730	.00260	-.00180	-.00140	.27540	.04870
.607	-.850	.00000	15.00000	.27940	.03690	.00720	.00300	-.00180	-.00140	.27530	.04850
.607	-.280	.00000	15.00000	.27710	.03640	.00740	.00220	-.00200	-.00140	.27290	.04850
.605	.270	-.01000	15.00000	.27960	.03630	.00750	.00240	-.00200	-.00150	.27530	.04890
.606	.850	-.01000	15.00000	.27820	.03650	.00750	.00250	-.00210	-.00160	.27400	.04880
.605	1.410	-.01000	15.00000	.27990	.03660	.00740	.00260	-.00210	-.00180	.27570	.04880
.604	1.990	-.01000	15.00000	.28110	.03670	.00730	.00290	-.00220	-.00190	.27680	.04900
.604	2.560	-.01000	15.00000	.28000	.03670	.00720	.00390	-.00220	-.00190	.27580	.04870
.605	3.130	-.01000	15.00000	.27900	.03620	.00730	.00310	-.00240	-.00200	.27480	.04870
.603	3.700	-.01000	15.00000	.28130	.03650	.00730	.00220	-.00260	-.00220	.27700	.04900
.603	4.270	-.01000	15.00000	.27980	.03640	.00730	.00220	-.00270	-.00230	.27560	.04880
.603	4.850	-.01000	15.00000	.28050	.03600	.00750	.00260	-.00270	-.00240	.27630	.04910
.605	5.420	-.01000	15.00000	.28030	.03630	.00720	.00300	-.00260	-.00240	.27610	.04870
.604	5.990	-.01000	15.00000	.28170	.03650	.00720	.00300	-.00270	-.00260	.27750	.04890
.604	6.560	-.01000	15.00000	.28350	.03710	.00710	.00250	-.00270	-.00270	.27930	.04930
.606	7.130	-.01000	15.00000	.28080	.03650	.00690	.00240	-.00280	-.00280	.27670	.04830
.603	7.700	-.01000	15.00000	.28300	.03680	.00680	.00330	-.00280	-.00290	.27890	.04880
.605	8.270	-.01000	15.00000	.28310	.03670	.00680	.00350	-.00280	-.00290	.27890	.04860
.606	8.840	-.01000	15.00000	.28310	.03680	.00650	.00250	-.00300	-.00300	.27900	.04840
.605	9.420	-.01000	15.00000	.28370	.03660	.00670	.00220	-.00300	-.00310	.27950	.04860
.605	9.990	-.01000	15.00000	.28390	.03720	.00660	.00240	-.00320	-.00320	.27970	.04870
GRADIENT		-.00147	-.00000	.00009	-.00004	.00002	.00001	-.00013	-.00017	.00008	.00004

LTV44-559(CA26) 747/1 ATY 06 S1 (ORBITER DATA)

(AFE117) ( 29 JAN 76 )

## REFERENCE DATA

SREF = 2690.0000 SQ.FT. XMRP = 1109.0000 IN. XO  
 LREF = 474.8100 IN. YMRP = .0000 IN. YO  
 BREF = 936.6800 IN. ZMRP = 375.0000 IN. ZO  
 SCALE = .0125

## PARAMETRIC DATA

ALPHAC = 2.000 BETAC = .000  
 STAB = 5.000 RUDDER = .000  
 ELEVON = .000 DX = .000  
 DZ = 60.000 YORB = 6.000  
 BETAO = .000 DPHI = .000

RUN NO. 2082/ 0 RN/L = .00 GRADIENT INTERVAL = -5.00/ 5.00

MACH	DY	DX	DZ	CN	CLM	CA	CY	CYN	CBL	CL	CD
.604	-10.000	.02000	51.46000	.30730	.03280	.00930	.00000	-.00210	-.00020	.30270	.05400
.605	-9.430	.02000	51.46000	.30490	.03260	.00920	.00180	-.00190	-.00050	.30030	.05330
.604	-8.860	.02000	51.46000	.30640	.03330	.00920	.00090	-.00220	-.00030	.30180	.05370
.606	-8.280	.02000	51.46000	.30440	.03210	.00950	-.00030	-.00220	-.00030	.29970	.05370
.604	-7.710	.02000	51.46000	.30560	.03250	.00930	-.00050	-.00230	-.00030	.30100	.05370
.606	-7.140	.02000	51.46000	.30390	.03190	.00930	.00120	-.00210	-.00050	.29940	.05340
.603	-6.570	.02000	51.46000	.30790	.03230	.00930	.00060	-.00220	-.00070	.30320	.05420
.605	-6.000	.02000	51.46000	.30640	.03220	.00960	.00090	-.00210	-.00080	.30170	.05400
.604	-5.420	.02000	51.46000	.30660	.03260	.00950	.00170	-.00200	-.00080	.30200	.05390
.604	-4.860	.02000	51.46000	.30480	.03190	.00950	.00140	-.00190	-.00080	.30010	.05360
.604	-4.290	.02000	51.46000	.30450	.03270	.00940	.00040	-.00220	-.00080	.29990	.05360
.603	-3.710	.02000	51.46000	.30680	.03190	.00940	.00000	-.00230	-.00080	.30220	.05380
.604	-3.140	.02000	51.46000	.30520	.03140	.00960	.00250	-.00190	-.00110	.30050	.05400
.606	-2.570	.02000	51.46000	.30330	.03160	.00950	.00390	-.00160	-.00110	.29860	.05350
.605	-2.000	.02000	51.46000	.30490	.03190	.00940	.00180	-.00200	-.00100	.30030	.05360
.603	-1.430	.02000	51.46000	.30640	.03150	.00940	-.00110	-.00250	-.00070	.30170	.05380
.605	-.850	.02000	51.46000	.30490	.03150	.00950	-.00150	-.00260	-.00050	.30030	.05370
.606	-.280	.02000	51.46000	.30410	.03200	.00930	.00070	-.00230	-.00070	.29950	.05340
.606	.270	.01000	51.46000	.30610	.03240	.00920	.00270	-.00200	-.00130	.30150	.05360
.605	.840	.01000	51.46000	.30750	.03190	.00930	.00230	-.00200	-.00140	.30290	.05390
.604	1.410	.01000	51.46000	.30770	.03180	.00920	.00220	-.00200	-.00140	.30300	.05380
.606	1.990	.01000	51.46000	.30580	.03200	.00930	.00120	-.00220	-.00140	.30120	.05380
.604	2.560	.01000	51.46000	.30650	.03090	.00960	.00130	-.00220	-.00140	.30180	.05400
.607	3.130	.01000	51.46000	.30090	.03020	.01000	.00160	-.00200	-.00140	.29620	.05370
.606	3.700	.01000	51.46000	.30160	.03030	.01010	.00250	-.00200	-.00160	.29690	.05370
.606	4.270	.01000	51.46000	.30270	.03020	.01000	.00210	-.00210	-.00180	.29810	.05390
.603	4.850	.01000	51.46000	.30670	.02980	.00940	.00290	-.00180	-.00190	.30210	.05400
.605	5.410	.01000	51.46000	.30410	.02950	.00950	.00190	-.00210	-.00180	.29940	.05370
.605	5.980	.01000	51.46000	.30370	.02980	.00980	.00250	-.00200	-.00190	.29900	.05390
.605	6.560	.01000	51.46000	.30370	.02990	.00980	.00230	-.00190	-.00190	.29900	.05380
.608	7.130	.02000	51.46000	.30310	.02970	.00940	.00190	-.00220	-.00190	.29850	.05320
.606	7.700	.01000	51.46000	.30390	.02900	.00960	.00170	-.00220	-.00200	.29930	.05360
.607	8.270	.02000	51.46000	.30160	.03040	.01000	.00280	-.00210	-.00200	.29690	.05370
.606	8.840	.02000	51.46000	.30290	.03080	.00980	.00320	-.00200	-.00220	.29830	.05380
.606	9.420	.02000	51.46000	.30470	.03100	.00940	.00220	-.00210	-.00220	.30010	.05370
GRADIENT	-.00146	-.00000	-.00011	-.00020	.00003	.00014	.00001	-.00011	-.00010	.00002	



LTV44-559(CA26) 747/1 ATY 06 S1 (ORBITER DATA)

(AFE118) ( 29 JAN 76 )

## REFERENCE DATA

SREF = 2690.0000 SQ.FT. XMRP = 1109.0000 IN. XO  
 LREF = 474.8100 IN. YMRP = .0000 IN. YO  
 BREF = 936.6800 IN. ZMRP = 375.9000 IN. ZO  
 SCALE = .0125

## PARAMETRIC DATA

ALPHAC = 2.000 BETAC = .000  
 STAB = -1.000 RUDDER = .000  
 ELEVON = .000 OX = .000  
 DY = .000 IORB = 6.000  
 BETAO = .000 DPFI = .000

RUN NG. 83/ 0 RN/L = .00 GRADIENT INTERVAL = -5.00/ 5.00

MACH	DZ	DY	DX	CN	CLM	CA	CY	CYN	CBL	CL	CD
.605	1.460	.00000	-.11000	.27690	.05130	.00450	.00410	-.00200	-.00190	.27280	.04760
.604	2.060	.00000	-.10000	.27720	.05080	.00440	.00460	-.00200	-.00190	.27310	.04730
.604	2.660	.00000	-.10000	.27570	.05020	.00490	.00460	-.00190	-.00200	.27160	.04760
.603	3.360	.00000	-.10000	.27680	.04890	.00470	.00320	-.00230	-.00200	.27270	.04760
.603	4.160	.00000	-.09000	.27620	.04940	.00490	.00420	-.00220	-.00200	.27210	.04770
.603	4.960	.00000	-.09000	.27950	.04720	.00460	.00490	-.00230	-.00210	.27530	.04600
.603	5.960	.00000	-.09000	.27810	.04690	.00490	.00480	-.00220	-.00210	.27400	.04800
.607	6.960	.00000	-.07000	.27750	.04530	.00480	.00450	-.00220	-.00200	.27340	.04770
.606	7.970	.00000	-.07000	.28140	.04490	.00450	.00380	-.00220	-.00190	.27730	.04800
.608	8.960	.00000	-.06000	.27960	.04370	.00480	.00400	-.00220	-.00190	.27540	.04800
.603	9.960	.00000	-.06000	.28730	.04140	.00470	.00460	-.00230	-.00190	.28310	.04900
.604	11.150	.00000	-.05000	.28800	.04180	.00490	.00310	-.00240	-.00190	.28380	.04950
.603	12.330	.00000	-.05000	.28940	.04150	.00490	.00390	-.00220	-.00200	.28520	.04950
.605	13.520	.00000	-.03000	.28910	.04080	.00470	.00420	-.00230	-.00190	.28480	.04950
.605	14.700	.00000	-.03000	.29000	.04030	.00480	.00360	-.00230	-.00190	.28580	.04950
.605	15.900	.00000	-.02000	.29040	.03930	.00490	.00350	-.00240	-.00180	.28610	.04960
.604	17.080	.00000	-.02000	.29240	.03900	.00500	.00400	-.00240	-.00180	.28820	.05010
.602	18.270	.00000	-.01000	.29750	.03950	.00490	.00460	-.00220	-.00190	.29320	.05060
.604	19.450	.00000	.00000	.29600	.03820	.00550	.00330	-.00240	-.00180	.29160	.05110
.605	20.640	.00000	.00000	.29550	.03830	.00550	.00460	-.00230	-.00180	.29110	.05080
.602	21.810	.00000	.01000	.30030	.03890	.00550	.00380	-.00210	-.00180	.29580	.05150
.605	23.000	.00000	.01000	.29760	.03820	.00570	.00310	-.00230	-.00170	.29320	.05140
.605	24.190	.00000	.02000	.29920	.03790	.00600	.00410	-.00210	-.00180	.29470	.05180
.603	25.370	.00000	.02000	.30030	.03730	.00600	.00300	-.00230	-.00180	.29580	.05200
.603	26.560	.00000	.03000	.30090	.03740	.00620	.00280	-.00220	-.00180	.29640	.05230
.605	27.740	.00000	.05000	.30310	.03700	.00640	.00340	-.00220	-.00180	.29860	.05270
.604	28.930	.00000	.05000	.30510	.03720	.00600	.00340	-.00220	-.00180	.30050	.05280
.603	30.110	.00000	.06000	.30910	.03730	.00600	.00340	-.00240	-.00160	.30360	.05310
.605	31.310	.00000	.06000	.30540	.03650	.00600	.00320	-.00230	-.00170	.30090	.05250
.606	32.490	.00000	.07000	.30690	.03670	.00640	.00270	-.00230	-.00160	.30230	.05320
.604	33.680	.00000	.07000	.30980	.03670	.00620	.00220	-.00230	-.00160	.30520	.05340
.604	34.860	.00000	.09000	.31090	.03660	.00630	.00200	-.00240	-.00150	.30630	.05380
.605	36.050	.00000	.10000	.30940	.03680	.00650	.00280	-.00220	-.00160	.30480	.05370
.603	37.230	.00000	.10000	.31310	.03620	.00660	.00300	-.00220	-.00150	.30850	.05410
.605	38.420	.00000	.11000	.30860	.03540	.00680	.00290	-.00210	-.00150	.30390	.05370
.603	39.610	.00000	.11000	.31420	.03600	.00690	.00470	-.00200	-.00140	.30940	.05470
.604	40.790	.00000	.13000	.31760	.03660	.00640	.00250	-.00240	-.00140	.31290	.05470
.605	41.980	.00000	.14000	.31690	.03570	.00650	.00200	-.00240	-.00140	.31220	.05460
.609	43.160	.00000	.14000	.31220	.03520	.00710	.00220	-.00230	-.00130	.30750	.05430
.602	44.350	.00000	.15000	.31880	.03570	.00700	.00270	-.00230	-.00130	.31400	.05520
.602	45.530	.00000	.15000	.31890	.03480	.00710	.00230	-.00220	-.00110	.31410	.05550
.606	46.720	.00000	.16000	.31530	.03380	.00690	.00190	-.00220	-.00120	.31060	.05460

ORIGINAL PAGE IS  
OF POOR QUALITY

LTV44-559(CA26) 747/1 ATY 06 S1 (ORBITER DATA)

(AFE118) ( 29 JAN 76 )

## REFERENCE DATA

SREF = 2690.0000 SQ.FT. XMRP = 1109.0000 IN. XO  
 LREF = 474.8100 IN. YMRP = .0000 IN. YO  
 BREF = 936.6800 IN. ZMRP = 375.0000 IN. ZO  
 SCALE = .0125

## PARAMETRIC DATA

ALPHAC = 2.000 BETAC = .000  
 STAB = -1.000 RUDDER = .000  
 ELEVON = .000 DX = .000  
 DY = .000 IORB = 6.000  
 BETAO = .000 DPHI = .000

RUN NO. 83/ 0 RN/L = .00 GRADIENT INTERVAL = -5.00/ 5.00

MACH	DZ	DY	DX	CN	CLM	CA	CY	CYN	CBL	CL	CD
.603	47.910	.00000	.18000	.31600	.03320	.00780	.00210	-.00220	-.00100	.31110	.05560
.603	49.090	.00000	.18000	.31830	.03410	.00720	.00290	-.00210	-.00110	.31360	.05520
.605	50.280	.00000	.19000	.31950	.03400	.00720	.00170	-.00220	-.00110	.31470	.05550
.602	51.460	.00000	.19000	.32090	.03330	.00740	.00320	-.00200	-.00120	.31610	.05580
	GRADIENT	.00000	.00528	.00050	-.00106	.00007	.00007	-.00010	-.00005	.00047	.00013

LTV44-559(CA26) 747/1 ATY 06 S1 (ORBITER DATA)

(AFE119) ( 29 JAN 76 )

## REFERENCE DATA

SREF = 2690.0000 SQ.FT. XMRP = 1109.0000 IN. XO  
 LREF = 474.8100 IN. YMRP = .0000 IN. YO  
 BREF = 936.6800 IN. ZMRP = 375.0000 IN. ZO  
 SCALE = .0125

## PARAMETRIC DATA

ALPHAC = 2.000 BETAC = .000  
 STAB = 5.000 RUDDER = 10.000  
 ELEVEN = .000 DX = .000  
 DY = .000 IORB = 6.000  
 BETA0 = .000 DPHI = .000

RUN NO. 84/ 0 RN/L = .00 GRADIENT INTERVAL = -5.00/ 5.00

MACH	DZ	DY	DX	CN	CLM	CA	CY	CYN	CBL	CL	CD
.603	1.460	.00000	.00000	.27810	.04740	.00710	.00340	-.00210	-.00200	.27390	.04850
.603	2.060	.00000	.00000	.27750	.04750	.00710	.00290	-.00220	-.00200	.27330	.04860
.604	2.660	.00000	.00000	.27720	.04700	.00700	.00320	-.00220	-.00210	.27300	.04850
.605	3.360	.00000	.00000	.27650	.04620	.00730	.00270	-.00240	-.00220	.27230	.04850
.607	4.160	.00000	.00000	.27550	.04540	.00730	.00410	-.00240	-.00200	.27130	.04840
.607	4.960	.00000	.00000	.27650	.04400	.00740	.00360	-.00240	-.00210	.27230	.04870
.607	5.960	.00000	.00000	.27730	.04340	.00740	.00400	-.00240	-.00210	.27300	.04880
.607	6.960	.00000	.00000	.27600	.04270	.00750	.00410	-.00240	-.00200	.27170	.04870
.606	7.970	.00000	.00000	.27800	.04190	.00720	.00360	-.00240	-.00210	.27370	.04870
.605	8.960	.00000	.00000	.27900	.04080	.00730	.00320	-.00260	-.00200	.27480	.04880
.602	9.960	.00000	.00000	.28360	.03920	.00770	.00400	-.00250	-.00190	.27930	.04980
.603	11.150	.00000	.00000	.28140	.03880	.00780	.00370	-.00250	-.00180	.27710	.04950
.605	12.330	.00000	.00000	.28270	.03820	.00750	.00400	-.00250	-.00190	.27840	.04940
.605	13.520	.00000	.00000	.28320	.03770	.00770	.00370	-.00260	-.00190	.27880	.04970
.603	14.700	.00000	.00000	.28580	.03750	.00800	.00350	-.00250	-.00200	.28140	.05040
.606	15.900	.00000	.00000	.28620	.03700	.00800	.00400	-.00250	-.00190	.28180	.05040
.604	17.080	.00000	.00000	.28920	.03690	.00820	.00290	-.00270	-.00190	.28480	.05100
.605	18.270	.00000	.00000	.28750	.03600	.00810	.00360	-.00260	-.00180	.28310	.05050
.608	19.450	.00000	.00000	.28720	.03570	.00850	.00350	-.00250	-.00170	.28270	.05100
.606	20.640	.00000	.00000	.29130	.03600	.00840	.00260	-.00240	-.00190	.28680	.05150
.607	21.810	.00000	.01000	.29040	.03570	.00870	.00330	-.00240	-.00180	.28590	.05150
.606	23.000	.00000	.01000	.29050	.03450	.00890	.00360	-.00240	-.00180	.28600	.05170
.604	24.190	.00000	.01000	.29520	.03500	.00890	.00280	-.00270	-.00170	.29060	.05240
.605	25.370	.00000	.01000	.29580	.03490	.00860	.00310	-.00250	-.00170	.29130	.05220
.604	26.560	.00000	.01000	.29680	.03490	.00870	.00340	-.00230	-.00170	.29230	.05240
.606	27.740	.00000	.01000	.29670	.03490	.00890	.00250	-.00260	-.00160	.29220	.05260
.606	28.930	.00000	.01000	.29490	.03460	.00910	.00260	-.00250	-.00160	.29040	.05240
.606	30.110	.00000	.01000	.29510	.03380	.00940	.00170	-.00270	-.00160	.29050	.05270
.603	31.310	.00000	.01000	.30070	.03410	.00930	.00180	-.00270	-.00140	.29600	.05350
.604	32.490	.00000	.01000	.30050	.03400	.00910	.00130	-.00270	-.00140	.29590	.05320
.603	33.680	.00000	.01000	.29920	.03310	.00950	.00160	-.00270	-.00130	.29450	.05330
.606	34.860	.00000	.01000	.30140	.03370	.00940	.00190	-.00260	-.00150	.29680	.05350
.607	36.050	.00000	.01000	.30100	.03330	.00920	.00340	-.00260	-.00140	.29640	.05320
.606	37.230	.00000	.01000	.30320	.03390	.00960	.00150	-.00260	-.00140	.29850	.05400
.604	38.420	.00000	.02000	.30350	.03320	.00970	.00190	-.00260	-.00130	.29890	.05400
.605	39.610	.00000	.02000	.30280	.03220	.00960	.00260	-.00240	-.00140	.29920	.05370
.606	40.790	.00000	.02000	.30320	.03210	.00950	.00260	-.00240	-.00140	.29850	.05380
.604	41.980	.00000	.02000	.30690	.03300	.00970	.00290	-.00240	-.00130	.30220	.05440
.608	43.160	.00000	.02000	.30540	.03310	.01000	.00300	-.00260	-.00120	.30070	.05450
.605	44.350	.00000	.02000	.30840	.03350	.00980	.00280	-.00230	-.00120	.30370	.05460
.605	45.530	.00000	.02000	.30780	.03280	.01030	.00150	-.00250	-.00110	.30300	.05500
.605	46.720	.00000	.02000	.30770	.03270	.00990	.00160	-.00260	-.00110	.30290	.05470

LTV44-559(CA26) 747/1 ATY 06 S1 (ORBITER DATA)

(AFE119) ( 29 JAN 76 )

## REFERENCE DATA

SREF = 2690.0000 SQ.FT. XMRP = 1109.0000 IN. XO  
 LREF = 474.8100 IN. YMRP = .0000 IN. YO  
 BREF = 936.6800 IN. ZMRP = 375.0000 IN. ZO  
 SCALE = .0125

## PARAMETRIC DATA

ALPHAC = 2.000 BETAC = .000  
 STAB = 5.000 RUDDER = 10.000  
 ELEVON = .000 DX = .000  
 DY = .000 TORB = 6.000  
 BETAO = .000 DPHI = .000

RUN NO. 84/ 0 RN/L = .00 GRADIENT INTERVAL = -5.00/ 5.00

MACH	DZ	DY	DX	CN	CLM	CA	CY	CYN	CBL	CL	CD
.605	47.910	.00000	.02000	.30930	.03260	.00980	.00260	-.00240	-.00120	.30460	.05470
.606	49.090	.00000	.03000	.30820	.03130	.01020	.00260	-.00240	-.00110	.30340	.05500
.605	50.280	.00000	.03000	.31030	.03150	.01000	.00300	-.00220	-.00140	.30550	.05510
.605	51.460	.00000	.03000	.30830	.03030	.01060	.00110	-.00240	-.00090	.30350	.05520
	GRADIENT	.00000	.00000	-.00059	-.00100	.00010	.00018	-.00009	-.00002	-.00059	.00002

LTV44-559(CA26) 747/1 ATY 06 S1 (ORBITER DATA)

(AFE120) ( 29 JAN 76 )

## REFERENCE DATA

SREF = 2690.0000 SQ.FT. XMRP = 1109.0000 IN. XO  
 LREF = 474.8100 IN. YMRP = .0000 IN. YO  
 BREF = 936.6800 IN. ZMRP = 375.0000 IN. ZO  
 SCALE = .0125

## PARAMETRIC DATA

ALPHAC = 2.000 BETAC = -5.000  
 STAB = 5.000 RUDDER = .000  
 ELEVON = .000 DX = .000  
 DY = .000 IORB = 6.000  
 BETAO = -5.000 DPHI = .000

RUN NO. 85/ 0 RN/L = .00 GRADIENT INTERVAL = -5.00/ 5.00

MACH	DZ	DY	DX	CN	CLM	CA	CY	CYN	CBL	CL	CD
.600	1.460	.00000	.00000	.26850	.04030	.00520	.03890	.01870	.00570	.26470	.04530
.601	2.060	.00000	.00000	.26820	.03940	.00460	.03890	.01890	.00570	.26450	.04480
.598	2.660	.00000	.00000	.26890	.04020	.00530	.03930	.01900	.00560	.26510	.04560
.598	3.360	.00000	.00000	.26700	.03970	.00490	.03960	.01900	.00490	.26320	.04480
.599	4.160	.00000	.00000	.26480	.03900	.00540	.03910	.01890	.00460	.26100	.04500
.600	4.960	.00000	.00000	.26840	.03670	.00500	.03940	.01870	.00360	.26460	.04520
.599	5.960	.00000	.00000	.26870	.03620	.00500	.03930	.01880	.00360	.26500	.04520
.599	6.960	.00000	.00000	.26930	.03590	.00540	.03990	.01860	.00340	.26550	.04560
.599	7.970	.00000	.00000	.26960	.03450	.00520	.03990	.01830	.00290	.26580	.04530
.597	8.960	.00000	.00000	.27230	.03340	.00520	.04080	.01840	.00240	.26850	.04560
.598	9.960	.00000	.00000	.27530	.03180	.00560	.04200	.01810	.00170	.27140	.04660
.599	11.150	.00000	.00000	.27380	.03170	.00550	.04170	.01810	.00170	.27000	.04610
.600	12.330	.00000	.00000	.27650	.03180	.00570	.04200	.01790	.00140	.27260	.04670
.598	13.520	.00000	.00000	.27840	.03120	.00540	.04300	.01800	.00120	.27450	.04680
.598	14.700	.00000	.00000	.28030	.03060	.00570	.04310	.01770	.00090	.27640	.04730
.600	15.900	.00000	.00000	.28050	.03050	.00600	.04330	.01740	.00070	.27650	.04750
.600	17.080	.00000	.00000	.28120	.02970	.00640	.04390	.01730	.00050	.27710	.04800
.600	18.270	.00000	.00000	.28440	.02990	.00620	.04450	.01720	.00020	.28040	.04820
.600	19.450	.00000	.00000	.28650	.02930	.00600	.04430	.01690	.00010	.28250	.04840
.598	20.640	.00000	.00000	.28680	.02840	.00630	.04590	.01700	.00000	.28270	.04860
.598	21.810	.00000	.01000	.28710	.02910	.00690	.04550	.01690	.00000	.28290	.04930
.598	23.000	.00000	.01000	.28720	.02850	.00680	.04480	.01680	-.00010	.28310	.04920
.600	24.190	.00000	.01000	.29100	.02910	.00700	.04600	.01680	-.00030	.28680	.05010
.600	25.370	.00000	.01000	.29070	.02870	.00660	.04530	.01660	-.00030	.28650	.04930
.600	26.560	.00000	.01000	.29120	.02770	.00730	.04540	.01650	-.00030	.28690	.05010
.598	27.740	.00000	.01000	.29370	.02830	.00720	.04550	.01650	-.00040	.28940	.05050
.598	28.930	.00000	.01000	.29470	.02800	.00740	.04460	.01620	-.00060	.29040	.05060
.598	30.110	.00000	.01000	.29540	.02810	.00730	.04530	.01640	-.00060	.29110	.05080
.598	31.310	.00000	.01000	.29520	.02750	.00750	.04620	.01650	-.00080	.29080	.05080
.599	32.490	.00000	.01000	.29710	.02690	.00700	.04590	.01630	-.00080	.29280	.05060
.598	33.680	.00000	.01000	.29830	.02670	.00740	.04610	.01620	-.00080	.29400	.05110
.599	34.860	.00000	.01000	.29780	.02660	.00750	.04570	.01620	-.00090	.29350	.05110
.599	36.050	.00000	.01000	.29970	.02680	.00790	.04560	.01610	-.00090	.29530	.05170
.599	37.230	.00000	.01000	.30080	.02740	.00810	.04720	.01620	-.00110	.29630	.05210
.600	38.420	.00000	.01000	.29930	.02670	.00820	.04700	.01610	-.00100	.29480	.05190
.600	39.610	.00000	.01000	.30140	.02660	.00800	.04650	.01600	-.00090	.29700	.05210
.601	40.790	.00000	.02000	.29980	.02540	.00790	.04560	.01590	-.00090	.29540	.05170
.597	41.980	.00000	.02000	.30500	.02660	.00820	.04760	.01620	-.00120	.30050	.05270
.597	43.160	.00000	.02000	.30400	.02570	.00840	.04700	.01610	-.00120	.29960	.05260
.601	44.350	.00000	.02000	.30380	.02620	.00840	.04690	.01580	-.00120	.29940	.05260
.599	45.530	.00000	.02000	.30460	.02540	.00860	.04680	.01600	-.00110	.30010	.05290
.597	46.720	.00000	.02000	.30390	.02510	.00890	.04750	.01600	-.00110	.29940	.05300

DATE 22 MAR 76

CA-26 FORCE SOURCE DATA TABULATION

PAGE 152

LTV44-559(CA26) 747/1 ATY 06 S1 (ORBITER DATA)

(AFE120) ( 29 JAN 76 )

## REFERENCE DATA

SREF = 2690.0000 SQ.FT. XMRP = 1109.0000 IN. XO  
 LREF = 474.8100 IN. YMRP = .0000 IN. YO  
 BREF = 936.6800 IN. ZMRP = 375.0000 IN. ZO  
 SCALE = .0125

## PARAMETRIC DATA

ALPHAC = 2.000 BETAC = -5.000  
 STAB = 5.000 RUDDER = .000  
 ELEVON = .000 DX = .000  
 DY = .000 IORB = 6.000  
 BETAO = -5.000 DPHI = .000

RUN NO. 85/ 0 RN/L = .00 GRADIENT INTERVAL = -5.00/ 5.00

MACH	DZ	DY	DX	CN	CLM	CA	CY	CYN	CBL	CL	CD
.597	47.910	.00000	.02000	.30500	.02510	.00910	.04770	.01600	-.00110	.30040	.05330
.598	49.090	.00000	.02000	.30900	.02510	.00850	.04700	.01590	-.00120	.30440	.05340
.599	50.280	.00000	.02000	.30760	.02510	.00850	.04780	.01590	-.00140	.30310	.05310
.598	51.460	.00000	.02000	.30910	.02440	.00890	.04640	.01590	-.00110	.30450	.05380
	GRADIENT	.00000	.00000	-.00050	-.00083	.00004	.00013	-.00001	-.00060	-.00051	-.00003

LTV44-559(CA26) 747/1 ATY 06 S1 (ORBITER DATA)

(AFE121) ( 29 JAN 76 )

## REFERENCE DATA

SREF = 2690.0000 SQ.FT. XMRP = 1109.0000 IN. XO  
 LREF = 474.8100 IN. YMRP = .0000 IN. YO  
 BREF = 936.6800 IN. ZMRP = 375.0000 IN. ZO  
 SCALE = .0125

## PARAMETRIC DATA

ALPHAC = 4.000 BETAC = .000  
 STAB = 5.000 RUDDER = .000  
 ELEVON = .000 DX = .000  
 DY = .000 IORB = 4.000  
 BETAO = .000 DPHI = .000

RUN NO. 86/ 0 RN/L = .00 GRADIENT INTERVAL = -5.00/ 5.00

MACH	DZ	DY	DX	CN	CLM	CA	CY	CYN	CBL	CL	CD
.603	1.460	.00000	-.01000	.19440	.04020	.01370	.00270	-.00190	-.00150	.19090	.03950
.604	2.060	.00000	-.01000	.19280	.03940	.01330	.00170	-.00210	-.00140	.18940	.03880
.603	2.660	.00000	-.01000	.19530	.03970	.01370	.00230	-.00200	-.00150	.19180	.03960
.603	3.360	.00000	-.01000	.19420	.03930	.01390	.00300	-.00210	-.00140	.19060	.03970
.603	4.160	.00000	-.01000	.19480	.03890	.01370	.00300	-.00210	-.00150	.19120	.03960
.602	4.960	.00000	-.01000	.20080	.03750	.01360	.00290	-.00210	-.00150	.19720	.04030
.601	5.960	.00000	-.01000	.19950	.03760	.01390	.00230	-.00220	-.00150	.19590	.04030
.602	6.960	.00000	-.01000	.19840	.03700	.01410	.00190	-.00230	-.00150	.19480	.04040
.603	7.970	.00000	-.01000	.20020	.03520	.01370	.00190	-.00230	-.00140	.19660	.04030
.602	8.960	.00000	-.01000	.20680	.03440	.01360	.00320	-.00220	-.00150	.20310	.04090
.604	9.960	.00000	-.01000	.20930	.03260	.01400	.00300	-.00210	-.00150	.20550	.04180
.603	10.900	.00000	-.01000	.20930	.03280	.01410	.00270	-.00230	-.00140	.20550	.04170
.603	11.840	.00000	-.01000	.21040	.03250	.01420	.00290	-.00230	-.00140	.20660	.04190
.604	12.780	.00000	.00000	.21220	.03220	.01410	.00340	-.00210	-.00150	.20850	.04220
.603	13.710	.00000	.00000	.21400	.03190	.01420	.00300	-.00210	-.00150	.21020	.04240
.604	14.650	.00000	.00000	.21350	.03180	.01450	.00210	-.00210	-.00160	.20970	.04260
.603	15.590	.00000	.00000	.21530	.03130	.01440	.00120	-.00220	-.00160	.21150	.04290
.600	16.530	.00000	.00000	.21950	.03090	.01450	.00260	-.00220	-.00130	.21570	.04350
.598	17.470	.00000	.00000	.22100	.03110	.01470	.00180	-.00220	-.00140	.21710	.04380
.602	18.410	.00000	.00000	.22030	.03100	.01490	.00200	-.00220	-.00140	.21640	.04390
.601	19.350	.00000	.00000	.22130	.03090	.01480	.00190	-.00220	-.00140	.21740	.04400
.602	20.280	.00000	.00000	.22490	.03080	.01460	.00250	-.00230	-.00140	.22100	.04420
.603	21.220	.00000	.00000	.22640	.03040	.01460	.00170	-.00240	-.00130	.22250	.04440
.606	22.150	.00000	.01000	.22560	.03020	.01500	.00240	-.00210	-.00130	.22160	.04470
.603	23.090	.00000	.01000	.22570	.03010	.01520	.00150	-.00220	-.00130	.22170	.04490
.604	24.030	.00000	.01000	.22910	.03010	.01540	.00290	-.00230	-.00130	.22510	.04540
.604	24.960	.00000	.01000	.23070	.02960	.01500	.00230	-.00230	-.00130	.22670	.04530
.604	25.910	.00000	.01000	.23060	.02980	.01540	.00170	-.00220	-.00120	.22660	.04560
.604	26.850	.00000	.01000	.23490	.03050	.01540	.00180	-.00230	-.00110	.23080	.04630
.604	27.780	.00000	.01000	.23230	.02970	.01570	.00110	-.00240	-.00120	.22820	.04620
.604	28.720	.00000	.02000	.23210	.02930	.01570	.00240	-.00220	-.00130	.22800	.04600
.603	29.560	.00000	.02000	.23290	.02900	.01600	.00110	-.00230	-.00120	.22880	.04640
.603	30.600	.00000	.02000	.23590	.02940	.01590	.00160	-.00230	-.00110	.23170	.04680
.602	31.530	.00000	.02000	.23560	.02920	.01600	.00040	-.00240	-.00090	.23240	.04690
.604	32.470	.00000	.02000	.23850	.02870	.01590	.00150	-.00230	-.00100	.23430	.04720
.602	33.410	.00000	.02000	.24040	.02890	.01630	.00140	-.00230	-.00080	.23620	.04780
.602	34.350	.00000	.02000	.24060	.02890	.01590	.00100	-.00220	-.00100	.23640	.04740
.600	35.290	.00000	.03000	.24310	.02860	.01620	.00080	-.00240	-.00090	.23890	.04790
.602	36.230	.00000	.03000	.24240	.02840	.01590	.00080	-.00220	-.00100	.23820	.04740
.602	37.170	.00000	.03000	.24090	.02780	.01640	.00030	-.00220	-.00080	.23670	.04770
.603	38.100	.00000	.03000	.24410	.02790	.01620	.00080	-.00220	-.00080	.23990	.04800
.603	39.040	.00000	.03000	.24560	.02800	.01600	.00000	-.00240	-.00070	.24140	.04800

LTV44-559(CA26) 747/1 ATY 06 S1 (ORBITER DATA)

(AFE121) ( 29 JAN 76 )

## REFERENCE DATA

SREF = 2690.0000 SQ.FT. XMRP = 1109.0000 IN. XO  
 LREF = 474.8100 IN. YMRP = .0000 IN. YO  
 BREF = 936.6800 IN. ZMRP = 375.0000 IN. ZO  
 SCALE = .0125

## PARAMETRIC DATA

ALPHAC = 4.000 BETAC = .000  
 STAB = 5.000 RUDDER = .000  
 ELEVON = .000 DX = .000  
 DY = .000 TORB = 4.000  
 BETA0 = .000 DPHI = .000

RUN NO. 86/ 0 RN/L = .00 GRADIENT INTERVAL = -5.00/ 5.00

MACH	DZ	DY	DX	CN	CLM	CA	CY	CYN	CBL	CL	CD
.603	39.980	.00000	.03000	.24240	.02720	.01670	.00080	-.00220	-.00070	.23820	.04820
.603	40.920	.00000	.03000	.24650	.02810	.01660	.00000	-.00240	-.00080	.24220	.04860
.605	41.850	.00000	.05000	.24600	.02760	.01630	.00210	-.00190	-.00090	.24180	.04820
.604	42.790	.00000	.05000	.24870	.02750	.01610	.00090	-.00200	-.00080	.24440	.04840
	GRADIENT	.00000	.00000	.00157	-.00064	.00003	.00023	-.00004	-.00001	.00152	.00027



LTV44-559(CA26) 747/1 ATY 06 S1 (ORBITER DATA)

(AFE122) ( 29 JAN 76 )

## REFERENCE DATA

SREF = 2690.0000 SQ.FT. XMRP = 1109.0000 IN. XO  
 LREF = 474.8100 IN. YMRP = .0000 IN. YO  
 BREF = 936.6800 IN. ZMRP = 375.0000 IN. ZO  
 SCALE = .0125

## PARAMETRIC DATA

ALPHAC = 4.000 BETAC = .000  
 STAB = 5.000 RUDDER = .000  
 ELEVON = .000 DX = .000  
 DY = .000 IORB = 6.000  
 BETA0 = .000 DPHI = .000

RUN NO. 1086/ 0 RN/L = .00 GRADIENT INTERVAL = -5.00/ 5.00

MACH	DZ	DY	DX	CN	CLM	CA	CY	CYN	CBL	CL	CD
.602	1.480	.00000	-.02000	.30040	.05390	.00170	.00340	-.00190	-.00200	.29580	.05230
.604	2.070	.00000	-.02000	.30120	.05270	.00240	.00370	-.00190	-.00210	.29650	.05310
.604	2.670	.00000	-.02000	.30200	.05280	.00220	.00290	-.00200	-.00220	.29740	.05290
.603	3.380	.00000	-.02000	.30160	.05030	.00200	.00380	-.00200	-.00210	.29700	.05260
.602	4.180	.00000	-.01000	.30450	.05000	.00180	.00410	-.00190	-.00220	.29980	.05300
.600	4.980	.00000	-.01000	.30390	.05050	.00210	.00420	-.00190	.00200	.29930	.05310
.605	5.970	.00000	-.01000	.30380	.04730	.00230	.00360	-.00200	.00220	.29910	.05330
.602	6.980	.00000	-.01000	.31080	.04760	.00190	.00390	-.00210	-.00200	.30600	.05420
.604	7.970	.00000	-.01000	.30920	.04620	.00180	.00280	-.00220	-.00210	.30450	.05350
.603	8.980	.00000	-.01000	.31090	.04570	.00180	.00360	-.00220	-.00220	.30620	.05390
.602	9.970	.00000	-.01000	.30990	.04560	.00200	.00310	-.00220	-.00220	.30520	.05390
.604	11.290	.00000	-.01000	.31400	.04430	.00210	.00380	-.00220	-.00200	.30920	.05470
.602	12.610	.00000	-.01000	.31630	.04390	.00220	.00380	-.00220	-.00210	.31150	.05520
.605	13.920	.00000	.00000	.31470	.04310	.00270	.00350	-.00220	-.00190	.30980	.05510
.601	15.240	.00000	.00000	.31860	.04300	.00270	.00370	-.00220	-.00200	.31360	.05590
.602	16.550	.00000	.00000	.32070	.04270	.00260	.00330	-.00230	-.00190	.31570	.05620
.603	17.870	.00000	.00000	.32070	.04180	.00280	.00300	-.00230	-.00190	.31570	.05620
.606	19.190	.00000	.00000	.32090	.04170	.00250	.00290	-.00210	-.00200	.31600	.05590
.600	20.500	.00000	.00000	.32520	.04140	.00290	.00360	-.00220	-.00190	.32020	.05710
.602	21.810	.00000	.01000	.32680	.04210	.00270	.00320	-.00220	-.00190	.32180	.05710
.602	23.130	.00000	.01000	.32800	.04110	.00310	.00320	-.00230	-.00180	.32290	.05760
.603	24.450	.00000	.01000	.32750	.04120	.00350	.00250	-.00240	-.00170	.32230	.05800
.606	25.770	.00000	.01000	.32650	.04110	.00350	.00290	-.00220	-.00180	.32140	.05770
.602	27.080	.00000	.01000	.33430	.04140	.00300	.00320	-.00220	-.00170	.32910	.05850
.602	28.400	.00000	.02000	.33350	.04040	.00310	.00240	-.00220	-.00170	.32830	.05850
.605	29.710	.00000	.02000	.33250	.04060	.00330	.00210	-.00210	-.00170	.32730	.05850
.605	31.030	.00000	.02000	.33510	.03990	.00320	.00250	-.00200	-.00170	.32990	.05860
.602	32.350	.00000	.02000	.33770	.03990	.00320	.00240	-.00210	-.00150	.33250	.05920
.602	33.670	.00000	.02000	.33800	.03900	.00360	.00140	-.00230	-.00140	.33270	.05960
.605	34.980	.00000	.03000	.33530	.03860	.00360	.00210	-.00210	-.00170	.33010	.05920
.601	36.290	.00000	.03000	.34050	.03920	.00370	.00280	-.00210	-.00160	.33520	.05990
.604	37.610	.00000	.03000	.33940	.03960	.00350	.00270	-.00220	-.00140	.33420	.05930
.605	38.930	.00000	.03000	.34170	.03920	.00370	.00230	-.00210	-.00150	.33640	.06000
.602	40.240	.00000	.03000	.34190	.03830	.00440	.00110	-.00230	-.00140	.33650	.06080
.606	41.560	.00000	.05000	.33860	.03810	.00450	.00100	-.00230	-.00110	.33330	.06010
.606	42.870	.00000	.05000	.34280	.03790	.00370	.00120	-.00230	-.00120	.33750	.06010
.605	44.200	.00000	.05000	.34420	.03790	.00430	.00000	-.00200	-.00150	.33890	.06070
.604	45.510	.00000	.05000	.34520	.03840	.00380	.00250	-.00190	-.00140	.33990	.06040
.604	46.830	.00000	.06000	.34540	.03770	.00410	.00160	-.00200	-.00110	.34000	.06080
.602	48.140	.00000	.06000	.34790	.03710	.00440	.00140	-.00190	-.00140	.34240	.06160
.603	49.460	.00000	.06000	.34530	.03680	.00430	.00100	-.00220	-.00090	.33990	.06100
GRADIENT		.00000	.00336	.00110	-.00110	-.00001	.00026	.00000	-.00000	.00110	.00014

ORIGINAL PAGE IS  
OF POOR QUALITY

LTV44-559(CA26) 747/1 ATY 06 S1 (ORBITER DATA)

(AFE123) ( 29 JAN 76 )

## REFERENCE DATA

SREF = 2690.0000 SQ.FT. XMRP = 1109.0000 IN. XO  
 LREF = 474.8100 IN. YMRP = .0000 IN. YO  
 BREF = 936.6800 IN. ZMRP = 375.0000 IN. ZO  
 SCALE = .0125

## PARAMETRIC DATA

ALPHAC = 4.000 BETAC = .000  
 STAB = 5.000 RUDDER = .000  
 ELEVON = .000 DX = .000  
 DY = .000 IORB = 8.000  
 BETA0 = .000 DPHI = .000

RUN NO. 87/ 0 RN/L = .00 GRADIENT INTERVAL = -5.00/ 5.00

MACH	DZ	DY	DX	CN	CLM	CA	CY	CYN	CBL	CL	CD
.603	1.460	.00000	-.03000	.41490	.06430	-.01250	.00500	-.00170	-.00210	.40880	.07190
.603	2.060	.00000	-.03000	.41450	.06440	-.01220	.00460	-.00170	-.00210	.40840	.07220
.603	2.660	.00000	-.02000	.41160	.06400	-.01220	.00470	-.00170	-.00210	.40550	.07130
.602	3.360	.00000	-.02000	.41040	.06340	-.01200	.00500	-.00170	-.00210	.40430	.07140
.602	4.160	.00000	-.02000	.41100	.06310	-.01220	.00500	-.00180	-.00220	.40490	.07130
.602	4.960	.00000	-.02000	.41140	.06160	-.01220	.00550	-.00190	-.00220	.40540	.07120
.602	5.960	.00000	-.02000	.41020	.06110	-.01220	.00520	-.00200	-.00220	.40420	.07100
.601	6.960	.00000	-.02000	.41330	.05990	-.01240	.00510	-.00190	-.00220	.40720	.07140
.602	7.970	.00000	-.02000	.41370	.05950	-.01230	.00510	-.00220	-.00220	.40770	.07140
.601	8.960	.00000	-.01000	.41550	.05900	-.01240	.00550	-.00200	-.00220	.40950	.07160
.601	9.960	.00000	-.01000	.41810	.05680	-.01200	.00470	-.00210	-.00200	.41190	.07260
.602	11.120	.00000	-.01000	.41710	.05700	-.01220	.00490	-.00200	-.00200	.41100	.07190
.601	12.270	.00000	-.01000	.41800	.05620	-.01170	.00520	-.00190	-.00180	.41180	.07270
.603	13.430	.00000	-.01000	.41800	.05550	-.01210	.00480	-.00220	-.00170	.41180	.07220
.603	14.580	.00000	-.01000	.41780	.05440	-.01180	.00500	-.00210	-.00180	.41170	.07240
.600	15.730	.00000	.00000	.42220	.05460	-.01130	.00480	-.00200	-.00170	.41580	.07390
.600	16.890	.00000	.00000	.42670	.05470	-.01190	.00440	-.00210	-.00160	.42040	.07410
.601	18.040	.00000	.00000	.42300	.05340	-.01150	.00430	-.00210	-.00170	.41670	.07350
.603	19.200	.00000	.00000	.42200	.05260	-.01150	.00510	-.00200	-.00150	.41570	.07340
.601	20.360	.00000	.00000	.42680	.05210	-.01150	.00380	-.00220	-.00140	.42040	.07450
.603	21.500	.00000	.01000	.42820	.05210	-.01180	.00400	-.00210	-.00150	.42190	.07440
.601	22.650	.00000	.01000	.42760	.05170	-.01120	.00590	-.00190	-.00150	.42120	.07460
.601	23.810	.00000	.01000	.42840	.05160	-.01110	.00460	-.00220	-.00140	.42200	.07490
.600	24.960	.00000	.01000	.43370	.05220	-.01120	.00410	-.00220	-.00130	.42720	.07590
.600	26.120	.00000	.01000	.43580	.05170	-.01080	.00440	-.00200	-.00130	.42920	.07650
.603	27.270	.00000	.01000	.43360	.05090	-.01050	.00330	-.00230	-.00110	.42690	.07650
.602	28.430	.00000	.02000	.43540	.05040	-.01120	.00450	-.00200	-.00140	.42890	.07580
.600	29.580	.00000	.02000	.43750	.05060	-.01060	.00440	-.00190	-.00130	.43080	.07700
.602	30.730	.00000	.02000	.43430	.04950	-.01020	.00350	-.00220	-.00100	.42760	.07670
.602	31.890	.00000	.02000	.44130	.05050	-.01070	.00430	-.00210	-.00110	.43450	.07760
.604	33.040	.00000	.02000	.43840	.04940	-.01040	.00260	-.00210	-.00120	.43170	.07720
.601	34.200	.00000	.02000	.44300	.05030	-.01030	.00400	-.00200	-.00130	.43610	.07810
.602	35.360	.00000	.03000	.44000	.04920	-.01030	.00300	-.00210	-.00110	.43330	.07760
.601	36.510	.00000	.03000	.44300	.04930	-.01080	.00260	-.00230	-.00080	.43620	.07760
.601	37.660	.00000	.03000	.44620	.04920	-.01040	.00390	-.00200	-.00090	.43930	.07850
.601	38.810	.00000	.03000	.44500	.04830	-.01030	.00250	-.00220	-.00060	.43820	.07830
.601	39.970	.00000	.03000	.44400	.04710	-.01000	.00150	-.00240	-.00060	.43710	.07840
.603	41.120	.00000	.05000	.44500	.04750	-.01030	.00250	-.00220	-.00040	.43820	.07830
.603	42.280	.00000	.05000	.44850	.04810	-.01030	.00270	-.00210	-.00060	.44160	.07900
.604	43.430	.00000	.05000	.44620	.04730	-.00990	.00280	-.00210	-.00070	.43930	.07870
.602	44.590	.00000	.05000	.44880	.04690	-.01000	.00280	-.00200	-.00070	.44190	.07920
.603	45.740	.00000	.05000	.44880	.04610	-.00980	.00320	-.00190	-.00080	.44180	.07920

DATE 22 MAR 76

CA-26 FORCE SOURCE DATA TABULATION

PAGE 157

LTV44-559(CA26) 747/1 ATY 06 S1 (ORBITER DATA)

(AFE123) ( 29 JAN 76 )

## REFERENCE DATA

SREF = 2690.0000 SQ.FT. XMRP = 1109.0000 IN. XO  
 LREF = 474.8100 IN. YMRP = .0000 IN. YO  
 BREF = 936.6800 IN. ZMRP = 375.0000 IN. ZO  
 SCALE = .0125

## PARAMETRIC DATA

ALPHAC = 4.000 BETAC = .000  
 STAB = 5.000 RUDDER = .000  
 ELEVO = .000 DX = .000  
 DY = .000 IORB = 8.000  
 BETAO = .000 DPFI = .000

RUN NO. 87/ 0 RN/L = .00 GRADIENT INTERVAL = -5.00/ 5.00

MACH	DZ	DY	DX	CN	CLM	CA	CY	CYN	CBL	CL	CD
.603	46.900	.00000	.05000	.45240	.04690	-.01010	.00200	-.00200	-.00070	.44540	.07980
.600	48.050	.00000	.06000	.44920	.04570	-.00950	.00130	-.00230	-.00030	.44220	.07960
.601	49.200	.00000	.06000	.45280	.04590	-.01010	.00410	-.00180	-.00070	.44590	.07970
.600	50.360	.00000	.06000	.45520	.04590	-.01020	.00300	-.00200	-.00080	.44830	.08000
.600	51.510	.00000	.06000	.45220	.04480	-.00940	.00320	-.00200	-.00050	.44520	.07990
.602	52.670	.00000	.07000	.44960	.04430	-.00910	.00110	-.00220	-.00020	.44260	.07980
.601	53.820	.00000	.07000	.45770	.04500	-.00990	.00200	-.00210	-.00030	.45070	.08060
.601	54.980	.00000	.07000	.45460	.04300	-.00960	.00160	-.00240	-.00010	.44760	.08020
	GRADIENT	.00000	.00313	-.00114	-.00075	.00006	.00017	-.00006	-.00003	-.00111	-.00024

LTV44-559(CA26) 747/1 ATY 06 S1 (ORBITER DATA)

(AFE124) ( 29 JAN 76 )

## REFERENCE DATA

SREF = 2690.0000 SQ.FT. XMRP = 1109.0000 IN. XO  
 LREF = 474.8100 IN. YMRP = .0000 IN. YO  
 BREF = 936.6800 IN. ZMRP = 375.0000 IN. ZO  
 SCALE = .0125

## PARAMETRIC DATA

ALPHAC = .000 BETAC = .000  
 STAB = 5.000 RUDDER = .000  
 ELEVON = .000 DX = .000  
 DY = .000 TORB = 4.000  
 BETAO = .000 DPHI = .000

RUN NO. BB/ 0 RN/L = .00 GRADIENT INTERVAL = -5.00/ 5.00

MACH	DZ	DY	DX	CN	CLM	CA	CY	CYN	CBL	CL	CD
.600	1.460	.00000	.07000	.09600	.03040	.02730	.00010	-.00190	-.00060	.09390	.03380
.599	2.060	.00000	.06000	.09760	.02990	.02670	.00000	-.00200	-.00070	.09560	.03330
.599	2.660	.00000	.06000	.09610	.02960	.02690	.00050	-.00200	-.00060	.09410	.03350
.601	3.360	.00000	.06000	.09560	.02890	.02710	.00050	-.00220	-.00060	.09350	.03360
.598	4.160	.00000	.06000	.09570	.02820	.02730	.00180	-.00210	-.00060	.09360	.03370
.597	4.960	.00000	.06000	.09620	.02670	.02770	.00110	-.00210	-.00060	.09410	.03430
.597	6.960	.00000	.05000	.09430	.02600	.02800	.00040	-.00210	-.00060	.09220	.03430
.598	8.960	.00000	.05000	.09620	.02500	.02790	.00070	-.00220	-.00070	.09410	.03440
.602	10.510	.00000	.03000	.09920	.02170	.02780	.00040	-.00220	-.00070	.09710	.03450
.601	11.600	.00000	.03000	.10060	.02140	.02800	.00080	-.00220	-.00070	.09840	.03480
.600	12.690	.00000	.03000	.09970	.02060	.02840	.00130	-.00210	-.00070	.09750	.03510
.599	13.780	.00000	.02000	.10240	.01990	.02840	.00090	-.00230	-.00050	.10030	.03520
.599	14.870	.00000	.02000	.10160	.01960	.02860	.00090	-.00220	-.00060	.09950	.03540
.601	15.960	.00000	.02000	.09990	.01900	.02870	.00040	-.00230	-.00070	.09770	.03530
.598	17.050	.00000	.02000	.10340	.01860	.02880	.00100	-.00210	-.00060	.10120	.03570
.601	18.140	.00000	.01000	.10110	.01840	.02910	.00070	-.00210	-.00060	.09890	.03580
.599	19.240	.00000	.01000	.10370	.01820	.02910	.00110	-.00220	-.00050	.10150	.03590
.598	20.320	.00000	.01000	.10230	.01780	.02940	.00110	-.00220	-.00050	.10100	.03610
.601	21.420	.00000	.01000	.10460	.01740	.02910	.00060	-.00210	-.00060	.10240	.03600
.599	22.500	.00000	.00000	.10420	.01740	.02940	.00050	-.00220	-.00060	.10200	.03630
.602	23.590	.00000	.00000	.10330	.01680	.02910	.00020	-.00210	-.00070	.10110	.03600
.598	24.680	.00000	.00000	.10640	.01610	.02940	.00130	-.00210	-.00050	.10420	.03640
.599	25.770	.00000	.00000	.10670	.01620	.02960	.00120	-.00200	-.00050	.10450	.03660
.600	26.860	.00000	-.01000	.10850	.01610	.02960	.00070	-.00210	-.00060	.10630	.03670
.599	27.950	.00000	-.01000	.10540	.01570	.03000	.00100	-.00210	-.00060	.10310	.03700
.605	29.040	.00000	-.01000	.10370	.01540	.02970	.00110	-.00200	-.00060	.10150	.03650
.599	30.130	.00000	-.01000	.10730	.01560	.03000	.00110	-.00210	-.00060	.10510	.03700
.603	31.220	.00000	-.01000	.10570	.01560	.02990	.00090	-.00210	-.00050	.10350	.03680
.599	32.310	.00000	-.02000	.10820	.01570	.03040	-.00010	-.00220	-.00060	.10590	.03750
.603	33.400	.00000	-.02000	.10490	.01490	.03030	.00060	-.00220	-.00040	.10270	.03720
.600	34.500	.00000	-.02000	.10840	.01470	.03030	.00020	-.00220	-.00050	.10620	.03740
.602	35.580	.00000	-.02000	.10560	.01550	.03050	.00010	-.00220	-.00050	.10340	.03740
.601	36.680	.00000	-.03000	.10800	.01520	.03060	.00180	-.00200	-.00050	.10580	.03760
.601	37.760	.00000	-.03000	.10710	.01460	.03090	.00090	-.00230	-.00030	.10490	.03780
.598	38.860	.00000	-.03000	.10980	.01450	.03080	-.00070	-.00230	-.00040	.10760	.03780
.598	32.950	.00000	-.03000	.10960	.01460	.03120	-.00060	-.00220	-.00040	.10730	.03830
.598	41.040	.00000	-.03000	.10960	.01500	.03140	-.00070	-.00220	-.00040	.10730	.03850
.599	42.130	.00000	-.05000	.10700	.01370	.03120	-.00030	-.00220	-.00030	.10470	.03810
.601	43.220	.00000	-.05000	.11220	.01440	.03070	.00030	-.00210	-.00040	.11000	.03790
.599	44.310	.00000	-.05000	.11000	.01410	.03130	.00010	-.00220	-.00040	.10780	.03840
.601	45.400	.00000	-.05000	.10790	.01370	.03120	.00010	-.00240	-.00010	.10570	.03810
.602	46.490	.00000	-.05000	.10860	.01380	.03110	-.00010	-.00240	-.00030	.10640	.03800

DATE 22 MAR 76

CA-26 FORCE SOURCE DATA TABULATION

PAGE 159

LTV44-559(CA26) 747/1 ATY 06 S1 (ORBITER DATA)

(AFE124) ( 29 JAN 76 )

## REFERENCE DATA

SREF = 2690.0000 SQ.FT. XMRP = 1109.0000 IN. XO  
 LREF = 474.8100 IN. YMRP = .0000 IN. YO  
 BREF = 936.6800 IN. ZMRP = 375.0000 IN. ZO  
 SCALE = .0125

## PARAMETRIC DATA

ALPHAC = .000 BETAC = .000  
 STAB = 5.000 RUDDER = .000  
 ELEVON = .000 DX = .000  
 DY = .000 TORB = 4.000  
 BETAO = .000 DPHI = .000

RUN NO. 88/ 0 RN/L = .00 GRADIENT INTERVAL = -5.00/ 5.00

MACH	DZ	DY	DX	CN	CLM	CA	CY	CYN	CBL	CL	CD
.601	47.580	.00000	-.06000	.10900	.01340	.03110	-.00060	-.00220	-.00030	.10670	.03810
.600	48.120	.00000	-.06000	.10840	.01320	.03120	-.00120	-.00240	.00000	.10620	.03810
	GRADIENT	.00000	-.00192	-.00021	-.00100	.00017	.00042	-.00006	.00001	-.00022	.00017

LTV44-559(CA26) 747/1 ATY 06 S1 (ORBITER DATA)

(AFE125) ( 29 JAN 76 )

## REFERENCE DATA

SREF = 2690.0000 SQ.FT. XMRP = 1109.0000 IN. XO  
 LREF = 474.8100 IN. YMRP = .0000 IN. YO  
 BREF = 936.6800 IN. ZMRP = 375.0000 IN. ZO  
 SCALE = .0125

## PARAMETRIC DATA

ALPHAC = .000 BETAC = .000  
 STAB = 5.000 RUDDER = .000  
 ELEVON = .000 DX = .000  
 DY = .000 LORB = 6.000  
 BETA0 = .000 DPHI = .000

RUN NO. 1088/ 0 RN/L = .00 GRADIENT INTERVAL = -5.00/ 5.00

MACH	DZ	DY	DX	CN	CLM	CA	CY	CYN	CBL	CL	CD
.604	1.480	.00000	.06000	.20390	.03810	.01840	.00150	-.00180	-.00080	.20090	.03940
.600	2.070	.00000	.05000	.20360	.03700	.01870	.00190	-.00190	-.00090	.20060	.03970
.597	2.670	.00000	.05000	.20370	.03720	.01910	.00220	-.00180	-.00090	.20060	.04010
.597	3.380	.00000	.05000	.20490	.03470	.01870	.00250	-.00190	-.00100	.20180	.03980
.600	4.170	.00000	.05000	.20390	.03370	.01900	.00280	-.00190	-.00100	.20080	.04010
.600	4.970	.00000	.05000	.20170	.03440	.01890	.00260	-.00190	-.00100	.19860	.03970
.600	6.970	.00000	.03000	.20380	.02990	.01950	.00270	-.00210	-.00110	.20070	.04050
.602	8.980	.00000	.03000	.20140	.02890	.01960	.00250	-.00200	-.00090	.19830	.04030
.600	10.660	.00000	.03000	.20340	.02750	.01990	.00210	-.00210	-.00090	.20030	.04060
.601	12.040	.00000	.02000	.20320	.02630	.01960	.00250	-.00200	-.00090	.20010	.04030
.600	13.420	.00000	.02000	.20190	.02630	.02000	.00280	-.00200	-.00100	.19880	.04060
.594	14.800	.00000	.02000	.20640	.02630	.02040	.00280	-.00210	-.00090	.20320	.04160
.603	16.180	.00000	.02000	.20070	.02490	.02010	.00230	-.00200	-.00100	.19760	.04050
.601	17.560	.00000	.01000	.20500	.0254	.02040	.00240	-.00200	-.00090	.20180	.04120
.598	18.940	.00000	.01000	.20430	.02450	.02070	.00260	-.00190	-.00090	.20110	.04140
.600	20.320	.00000	.01000	.20370	.02440	.02080	.00130	-.00200	-.00080	.20050	.04160
.599	21.690	.00000	.00000	.20400	.02430	.02100	.00210	-.00190	-.00090	.20080	.04160
.598	23.070	.00000	.00000	.20630	.02340	.02130	.00200	-.00200	-.00080	.20300	.04220
.601	24.450	.00000	.00000	.20380	.02320	.02140	.00170	-.00200	-.00070	.20050	.04200
.598	25.830	.00000	.00000	.20610	.02350	.02120	.00170	-.00200	-.00080	.20290	.04200
.595	27.200	.00000	-.01000	.21020	.02370	.02150	.00240	-.00220	-.00080	.20690	.04270
.601	28.580	.00000	-.01000	.20590	.02310	.02130	.00200	-.00200	-.00080	.20270	.04210
.601	29.960	.00000	-.01000	.20780	.02250	.02130	.00150	-.00200	-.00080	.20450	.04220
.601	31.340	.00000	-.01000	.20520	.02310	.02190	.00220	-.00200	-.00080	.20190	.04250
.595	32.730	.00000	-.02000	.20920	.02290	.02250	.00140	-.00200	-.00080	.20590	.04360
.598	34.110	.00000	-.02000	.20750	.02240	.02190	.00110	-.00210	-.00080	.20420	.04280
.600	35.490	.00000	-.02000	.20770	.02180	.02220	.00090	-.00200	-.00070	.20440	.04290
.601	36.860	.00000	-.02000	.20530	.02110	.02200	.00180	-.00200	-.00080	.20200	.04240
.600	38.240	.00000	-.03000	.20710	.02130	.02180	.00160	-.00190	-.00080	.20390	.04240
.602	39.620	.00000	-.03000	.20630	.02100	.02230	.00140	-.00190	-.00070	.20300	.04280
.601	41.000	.00000	-.03000	.20650	.02120	.02260	.00100	-.00210	-.00070	.20320	.04300
.601	42.380	.00000	-.05000	.20660	.02080	.02260	.00080	-.00200	-.00070	.20340	.04310
.600	43.760	.00000	-.05000	.20720	.02090	.02250	.00090	-.00190	-.00060	.20390	.04320
.599	45.140	.00000	-.05000	.20730	.02080	.02260	.00050	-.00200	-.00060	.20400	.04310
.600	46.510	.00000	-.05000	.20950	.02130	.02280	.00020	-.00210	-.00040	.20620	.04350
.600	47.890	.00000	-.06000	.20820	.02100	.02250	.00000	-.00210	-.00040	.20490	.04320
.600	49.270	.00000	-.06000	.20540	.02060	.02270	-.00030	-.00220	-.00040	.20210	.04300
.597	50.650	.00000	-.06000	.20860	.02000	.02320	.00050	-.00210	-.00030	.20530	.04360
.601	52.030	.00000	-.06000	.20750	.02000	.02280	-.00070	-.00210	-.00030	.20430	.04320
.601	53.420	.00000	-.06000	.20840	.02060	.02250	.00080	-.00210	-.00040	.20510	.04300
.602	54.790	.00000	-.07000	.20870	.02110	.02280	.00120	-.00200	-.00050	.20540	.04330
GRADIENT		.00000	-.00191	-.00040	-.00125	.00012	.00034	-.00002	-.00006	-.00043	.00009

LTV44-559(CA26) 747/1 ATY 06 S1 (ORBITER DATA)

(AFE126) ( 29 JAN 76 )

## REFERENCE DATA

SREF = 2690.0000 SQ.FT. XMRP = 1109.0000 IN. XO  
 LREF = 474.8100 IN. YMRP = .0000 IN. YO  
 BREF = 936.6800 IN. ZMRP = 375.0000 IN. ZO  
 SCALE = .0125

## PARAMETRIC DATA

ALPHAC = .000 BETAC = .000  
 STAB = 5.000 RUDDER = .000  
 ELEVON = .000 DX = .000  
 DY = .000 IORB = 8.000  
 BETA0 = .000 DPHI = .000

RUN NO. 89/ 0 RN/L = .00 GRADIENT INTERVAL = -5.00/ 5.00

MACH	DZ	DY	DX	CN	CLM	CA	CY	CYN	CBL	CL	CD
.600	1.460	.00000	.05000	.30200	.04820	.00720	.00150	-.00160	-.00180	.30400	.04990
.598	2.060	.00000	.05000	.30890	.04790	.00710	.00100	-.00160	-.00180	.30490	.05000
.601	2.660	.00000	.05000	.30440	.04750	.00740	.00160	-.00150	-.00180	.30040	.04950
.598	3.460	.00000	.03000	.30520	.04630	.00750	.00090	-.00170	-.00180	.30120	.04980
.600	4.460	.00000	.03000	.30440	.04550	.00710	.00150	-.00170	-.00170	.30050	.04910
.600	5.590	.00000	.03000	.30170	.04300	.00740	.00220	-.00180	-.00190	.29780	.04920
.598	6.840	.00000	.03000	.30340	.04300	.00770	.00180	-.00180	-.00190	.29940	.04950
.600	8.090	.00000	.03000	.29910	.04120	.00770	.00200	-.00190	-.00190	.29520	.04910
.602	9.340	.00000	.02000	.29700	.03940	.00750	.00240	-.00200	-.00190	.29320	.04840
.600	10.620	.00000	.02000	.30120	.03790	.00820	.00240	-.00180	-.00170	.29720	.04970
.598	11.940	.00000	.02000	.30190	.03790	.00820	.00220	-.00190	-.00180	.29790	.04970
.599	13.270	.00000	.02000	.30140	.03720	.00840	.00220	-.00190	-.00180	.29740	.04990
.600	14.590	.00000	.02000	.30150	.03580	.00840	.00230	-.00180	-.00180	.29750	.04980
.598	15.910	.00000	.01000	.30230	.03580	.00890	.00200	-.00190	-.00170	.29820	.05020
.598	17.220	.00000	.01000	.30170	.03460	.00920	.00240	-.00170	-.00170	.29760	.05050
.599	18.550	.00000	.01000	.30360	.03420	.00910	.00200	-.00170	-.00170	.29950	.05060
.597	19.870	.00000	.01000	.30510	.03380	.00970	.00190	-.00170	-.00170	.30100	.05120
.601	21.190	.00000	.01000	.30210	.03340	.00950	.00230	-.00190	-.00160	.29800	.05080
.601	22.500	.00000	.00000	.30180	.03300	.00930	.00250	-.00180	-.00160	.29770	.05050
.600	23.830	.00000	.00000	.30240	.03240	.00950	.00200	-.00170	-.00170	.29830	.05070
.600	25.150	.00000	.00000	.30280	.03240	.00950	.00260	-.00170	-.00170	.29860	.05070
.597	26.460	.00000	.00000	.30380	.03270	.00990	.00210	-.00170	-.00150	.30150	.05150
.600	27.780	.00000	-.01000	.30260	.03180	.01010	.00180	-.00180	-.00150	.29840	.05110
.599	29.110	.00000	-.01000	.30170	.03160	.01030	.00180	-.00190	-.00150	.29750	.05130
.599	30.430	.00000	-.01000	.30120	.03120	.01020	.00230	-.00170	-.00140	.29700	.05100
.599	31.750	.00000	-.01000	.30320	.03120	.01050	.00220	-.00170	-.00150	.29900	.05130
.600	33.070	.00000	-.02000	.30150	.03140	.01080	.00170	-.00170	-.00160	.29730	.05150
.598	34.390	.00000	-.02000	.30340	.03130	.01060	.00220	-.00170	-.00150	.29920	.05140
.600	35.710	.00000	-.02000	.30100	.03050	.01070	.00180	-.00170	-.00140	.29680	.05120
.598	37.030	.00000	-.02000	.30270	.03010	.01070	.00250	-.00180	-.00140	.29850	.05140
.600	38.350	.00000	-.02000	.30130	.02970	.01100	.00180	-.00190	-.00140	.29710	.05160
.598	39.670	.00000	-.03000	.30210	.02980	.01140	.00230	-.00200	-.00110	.29780	.05190
.601	40.990	.00000	-.03000	.30230	.02920	.01130	.00180	-.00180	-.00130	.29800	.05200
.599	42.310	.00000	-.03000	.30390	.02920	.01140	.00180	-.00200	-.00130	.29860	.05200
.599	43.640	.00000	-.05000	.30530	.02940	.01110	.00180	-.00180	-.00150	.30100	.05190
.599	44.960	.00000	-.05000	.30470	.02930	.01140	.00260	-.00170	-.00130	.30040	.05210
.599	46.270	.00000	-.05000	.30000	.02880	.01200	.00110	-.00190	-.00120	.29570	.05210
.598	47.590	.00000	-.05000	.30470	.02950	.01160	.00100	-.00170	-.00140	.30040	.05240
.599	48.920	.00000	-.05000	.30260	.02880	.01200	.00180	-.00180	-.00110	.29830	.05230
.599	50.240	.00000	-.06000	.30240	.02840	.01180	.00040	-.00190	-.00130	.29810	.05220
.601	51.560	.00000	-.06000	.30360	.02890	.01180	.00210	-.00170	-.00110	.29930	.05230
.601	52.880	.00000	-.06000	.30250	.02850	.01160	.00140	-.00170	-.00110	.29820	.05180

LTV44-559(CA26) 747/1 ATY 06 S1 (ORBITER DATA)

(AFE126) ( 29 JAN 76 )

## REFERENCE DATA

SREF = 2690.0000 SQ.FT. XMRP = 1109.0000 IN. XO  
 LREF = 474.8100 IN. YMRP = .0000 IN. YO  
 BREF = 936.6800 IN. ZMRP = 375.0000 IN. ZO  
 SCALE = .0125

## PARAMETRIC DATA

ALPHAC = .000 BETAC = .000  
 STAB = 5.000 RUDDER = .000  
 ELEVON = .000 OX = .000  
 DY = .000 TORB = 8.000  
 BETA0 = .000 DPHI = .000

RUN NO. 89/ 0 RN/L = .00 GRADIENT INTERVAL = -5.00/ 5.00

MACH	DZ	DY	DX	CN	CLM	CA	CY	CYN	CBL	CL	CD
.599	54.200	.00000	-.06000	.30310	.02850	.01220	.00050	-.00180	-.00110	.29880	.05250
.599	55.520	.00000	-.07000	.30310	.02860	.01180	.00110	-.00180	-.00100	.29880	.05200
.599	56.840	.00000	-.07000	.30020	.02760	.01220	.00060	-.00180	-.00120	.29590	.05190
.600	58.160	.00000	-.07000	.30080	.02750	.01260	.00080	-.00170	-.00090	.29650	.05250
.599	59.480	.00000	-.09000	.30170	.02740	.01250	.00240	-.00140	-.00130	.29740	.05240
.598	60.800	.00000	-.09000	.30240	.02710	.01280	.00120	-.00160	-.00090	.29810	.05280
.599	61.460	.00000	-.09000	.30050	.02710	.01250	-.00010	-.00170	-.00090	.29620	.05210
	GRADIENT	.00000	-.00821	-.0041	-.00096	.00001	-.00000	-.00004	.00003	-.00138	-.00025



LTV44-559(CA26) 747/1 ATY 06 S1 (ORBITER DATA)

(AFE127) ( 29 JAN 76 )

## REFERENCE DATA

SREF = 2690.0000 SQ.FT. XMRP = 1109.0000 IN. XO  
 LREF = 474.8100 IN. YMRP = .0000 IN. YO  
 BREF = 936.6800 IN. ZMRP = 375.0000 IN. ZO  
 SCALE = .0125

## PARAMETRIC DATA

ALPHAC = 2.000 BETAC = .000  
 STAB = 5.000 RUDDER = .000  
 ELEVON = .000 DX = .000  
 DY = .000 IORB = 6.000  
 BETA0 = .000 DPHI = 7.500

RUN NO. 90/ 0 RN/L = .00 GRADIENT INTERVAL = -5.00/ 5.00

MACH	OZ	DY	DX	CN	CLM	CA	CY	CYN	CBL	CL	CD
.605	1.460	.00000	.00000	.28380	.04650	.00740	.00070	-.00260	-.00110	.27950	.04980
.604	2.060	.00000	.00000	.28210	.04710	.00710	.00090	-.00260	-.00110	.27780	.04930
.604	2.660	.00000	.00000	.27750	.04880	.00730	.00070	-.00250	-.00070	.27320	.04870
.605	3.360	.00000	.00000	.27340	.04740	.00720	.00050	-.00230	-.00040	.26920	.04820
.602	4.160	.00000	.00000	.27680	.04730	.00760	.00050	-.00230	-.00050	.27250	.04890
.608	4.960	.00000	.00000	.27460	.04490	.00760	-.00080	-.00240	-.00040	.27040	.04860
.604	5.960	.00000	.00000	.27770	.04500	.00780	-.00060	-.00240	-.00040	.27340	.04930
.605	6.960	.00000	.00000	.27810	.04450	.00760	.00000	-.00240	-.00040	.27380	.04910
.605	7.970	.00000	.00000	.27750	.04290	.00790	-.00020	-.00250	-.00050	.27320	.04930
.605	8.960	.00000	.00000	.27840	.04220	.00800	-.00050	-.00250	-.00050	.27410	.04950
.605	9.960	.00000	.00000	.28230	.04030	.00760	.00110	-.00250	-.00060	.27800	.04970
.605	11.150	.00000	.00000	.27950	.04000	.00800	.00050	-.00270	-.00060	.27520	.04950
.606	12.330	.00000	.00000	.28220	.03960	.00790	.00110	-.00240	-.00060	.27780	.05000
.604	13.520	.00000	.00000	.28430	.03910	.00800	.00100	-.00250	-.00070	.27990	.05020
.604	14.700	.00000	.00000	.28620	.03850	.00810	.00010	-.00270	-.00070	.28170	.05070
.607	15.900	.00000	.00000	.28190	.03750	.00800	.00060	-.00250	-.00070	.27760	.04970
.604	17.080	.00000	.00000	.28570	.03750	.00820	.00060	-.00250	-.00070	.28130	.05050
.604	18.270	.00000	.00000	.28750	.03720	.00860	.00010	-.00250	-.00080	.28300	.05120
.605	19.450	.00000	.00000	.28800	.03710	.00870	.00020	-.00260	-.00080	.28350	.05150
.605	20.640	.00000	.00000	.28750	.03700	.00870	.00040	-.00260	-.00080	.28310	.05110
.607	21.810	.00000	.01000	.28750	.03690	.00870	.00000	-.00280	-.00070	.28310	.05120
.605	23.000	.00000	.01000	.28950	.03660	.00910	.00070	-.00260	-.00090	.28500	.05190
.604	24.190	.00000	.01000	.29070	.03570	.00910	.00050	-.00260	-.00080	.28610	.05200
.606	25.370	.00000	.01000	.29150	.03630	.00920	-.00090	-.00260	-.00070	.28700	.05210
.604	26.560	.00000	.01000	.29300	.03600	.00900	-.00150	-.00260	-.00070	.28850	.05230
.604	27.740	.00000	.01000	.29420	.03620	.00930	-.00140	-.00270	-.00060	.28960	.05260
.604	28.930	.00000	.01000	.29480	.03560	.00960	.00030	-.00250	-.00080	.29020	.05300
.607	30.110	.00000	.01000	.29650	.03540	.00930	-.00160	-.00260	-.00090	.29190	.05310
.607	31.310	.00000	.01000	.29610	.03510	.00930	-.00150	-.00280	-.00070	.29150	.05280
.605	32.490	.00000	.01000	.29700	.03530	.00950	-.00070	-.00250	-.00070	.29240	.05310
.605	33.680	.00000	.01000	.29750	.03510	.00960	.00000	-.00260	-.00070	.29280	.05330
.605	34.860	.00000	.01000	.29870	.03410	.00930	-.00060	-.00260	-.00100	.29400	.05370
.605	36.050	.00000	.01000	.30010	.03380	.01000	-.00030	-.00280	-.00080	.29540	.05400
.607	37.230	.00000	.01000	.30190	.03480	.01010	.00020	-.00280	-.00090	.29720	.05430
.607	38.420	.00000	.01000	.30350	.03530	.00980	-.00050	-.00300	-.00090	.29880	.05420
.606	39.610	.00000	.01000	.30340	.03430	.00980	.00010	-.00290	-.00100	.29870	.05400
.605	40.790	.00000	.02000	.30400	.03450	.01020	.00020	-.00290	-.00100	.29930	.05450
.604	41.980	.00000	.02000	.30390	.03300	.01010	.00060	-.00270	-.00110	.29910	.05440
.606	43.160	.00000	.02000	.30350	.03240	.01000	.00130	-.00250	-.00110	.29880	.05420
.604	44.350	.00000	.02000	.30670	.03330	.01030	-.00030	-.00260	-.00090	.30190	.05500
.605	45.530	.00000	.02000	.30550	.03260	.01010	-.00040	-.00260	-.00090	.30080	.05460
.605	46.720	.00000	.02000	.30440	.03220	.01050	.00020	-.00250	-.00090	.29960	.05510

DATE 22 MAR 76

CA-26 FORCE SOURCE DATA TABULATION

PAGE 164

LTV44-559(CA26) 747/1 ATY 06 S1 (ORBITER DATA)

(AFE127) ( 29 JAN 76 )

## REFERENCE DATA

SREF = 2690.0000 SQ.FT. XMRP = 1109.0000 IN. XO  
 LREF = 474.8100 IN. YMRP = .0000 IN. YO  
 BREF = 936.6800 IN. ZMRP = 375.0000 IN. ZO  
 SCALE = .0125

## PARAMETRIC DATA

ALPHAC = 2.000 BETAC = .000  
 STAB = 5.000 RUDDER = .000  
 ELEVON = .000 DX = .000  
 OY = .000 IORB = 6.000  
 BETA0 = .000 DPHI = 7.500

RUN NO. 90/ 0 RN/L = .00 GRADIENT INTERVAL = -5.00/ 5.00

MACH	DZ	DY	DX	CN	CLM	CA	CY	CYN	CBL	CL	CD
.603	47.910	.00000	.02000	.30640	.03220	.01090	-.00030	-.00250	-.00070	.30160	.05540
.606	49.090	.00000	.02000	.30460	.03130	.01090	-.00190	-.00280	-.00050	.29970	.05520
.606	50.280	.00000	.02000	.30600	.03130	.01090	-.00070	-.00250	-.00070	.30110	.05530
.604	51.460	.00000	.02000	.30860	.03100	.01080	-.00260	-.00260	-.00090	.30370	.05550
	GRADIENT	.00000	.00000	-.00259	-.00041	.00010	-.00038	.00008	.00022	-.00257	-.00030

LTV44-559(CA26) 747/1 ATY 02 S1 (ORBITER DATA)

(AFE128) ( 29 JAN 76 )

## REFERENCE DATA

SREF = 2690.0000 SQ.FT. XMRP = 1109.0000 IN. XO  
 LREF = 474.8100 IN. YMRP = .0000 IN. YO  
 BREF = 936.6800 IN. ZMRP = 375.0000 IN. ZO  
 SCALE = .0125

## PARAMETRIC DATA

ALPHAC = 2.000 BETAC = .000  
 STAB = 5.000 ELEVON = 5.000  
 RUDDER = .000 DX = .000  
 DY = .000 IORB = 6.000  
 BETA0 = .000 DPH1 = 7.500

RUN NO. 91/ 0 RN/L = .00 GRADIENT INTERVAL = -5.00/ 5.00

MACH	DZ	DY	DX	CN	CLM	CA	CY	CYN	CBL	CL	CD
.606	1.460	.00000	-.01000	.34700	.02850	.02860	-.00500	-.00120	.00000	.33880	.08020
.606	2.060	.00000	-.01000	.34580	.02830	.02820	-.00540	-.00110	.00000	.33770	.07950
.605	2.660	.00000	-.01000	.34650	.02820	.02850	-.00470	-.00100	.00000	.33840	.08000
.605	3.360	.00000	-.01000	.34640	.02620	.02880	-.00510	-.00110	-.00020	.33820	.08030
.606	4.160	.00000	-.01000	.34590	.02660	.02890	-.00510	-.00110	-.00010	.33770	.08020
.606	4.960	.00000	-.01000	.34900	.02490	.02910	-.00550	-.00120	-.00030	.34070	.08090
.608	5.960	.00000	.00000	.34680	.02470	.02900	-.00520	-.00120	-.00030	.33860	.08050
.606	6.960	.00000	.00000	.34950	.02430	.02940	-.00470	-.00110	-.00020	.34120	.08120
.606	7.970	.00000	.00000	.35140	.02390	.02930	-.00570	-.00130	-.00020	.34310	.08140
.607	8.960	.00000	.00000	.34970	.02300	.02940	-.00510	-.00120	-.00040	.34140	.08130
.605	9.960	.00000	.00000	.35120	.02150	.02960	-.00520	-.00120	-.00040	.34280	.08160
.605	11.150	.00000	.00000	.35100	.02200	.02990	-.00490	-.00120	-.00030	.34260	.08190
.608	12.330	.00000	.00000	.35190	.02180	.02970	-.00540	-.00120	-.00030	.34360	.08180
.608	13.520	.00000	.00000	.35100	.02080	.03020	-.00450	-.00120	-.00030	.34270	.08200
.607	14.700	.00000	.00000	.35430	.02110	.03020	-.00490	-.00120	-.00040	.34590	.08240
.608	15.900	.00000	.00000	.35310	.02000	.03020	-.00520	-.00120	-.00050	.34470	.08230
.606	17.080	.00000	.00000	.35550	.02020	.03060	-.00570	-.00120	-.00050	.34700	.08310
.605	18.270	.00000	.00000	.35760	.02000	.03090	-.00520	-.00120	-.00050	.34900	.08350
.606	19.450	.00000	.00000	.35730	.01950	.03090	-.00470	-.00120	-.00050	.34880	.08340
.607	20.640	.00000	.00000	.35630	.01890	.03120	-.00550	-.00130	-.00040	.34780	.08340
.606	21.810	.00000	.01000	.35970	.01920	.03150	-.00600	-.00130	-.00050	.35110	.08420
.607	23.000	.00000	.01000	.36050	.01830	.03130	-.00540	-.00120	-.00060	.35200	.08400
.608	24.190	.00000	.01000	.36240	.01900	.03100	-.00500	-.00110	-.00070	.35390	.08410
.606	25.370	.00000	.01000	.36070	.01850	.03170	-.00440	-.00110	-.00060	.35210	.08450
.606	26.560	.00000	.01000	.36380	.01830	.03140	-.00570	-.00120	-.00070	.35520	.08470
.607	27.740	.00000	.01000	.36300	.01730	.03150	-.00430	-.00110	-.00070	.35440	.08460
.607	28.930	.00000	.01000	.36560	.01820	.03170	-.00520	-.00110	-.00070	.35720	.08510
.606	30.110	.00000	.01000	.36570	.01900	.03170	-.00600	-.00130	-.00050	.35710	.08500
.606	31.310	.00000	.01000	.36550	.01730	.03220	-.00440	-.00110	-.00060	.35780	.08550
.607	32.490	.00000	.01000	.36980	.01760	.03190	-.00550	-.00120	-.00070	.36010	.08560
.605	33.680	.00000	.01000	.37110	.01750	.03240	-.00580	-.00120	-.00070	.36230	.08640
.606	34.860	.00000	.01000	.36890	.01690	.03260	-.00500	-.00120	-.00060	.36010	.08630
.607	36.050	.00000	.01000	.36930	.01630	.03270	-.00440	-.00120	-.00070	.35950	.08610
.607	37.230	.00000	.01000	.36730	.01620	.03230	-.00610	-.00140	-.00050	.35860	.08600
.606	38.420	.00000	.01000	.37170	.01640	.03310	-.00560	-.00130	-.00050	.36290	.08700
.606	39.610	.00000	.01000	.37260	.01640	.03300	-.00700	-.00140	-.00050	.36380	.08690
.608	40.790	.00000	.02000	.37370	.01680	.03270	-.00590	-.00130	-.00060	.36490	.08690
.607	41.980	.00000	.02000	.37070	.01600	.03290	-.00520	-.00120	-.00050	.36190	.08650
.606	43.160	.00000	.02000	.37670	.01660	.03270	-.00610	-.00120	-.00060	.36790	.08730
.605	44.350	.00000	.02000	.37400	.01600	.03320	-.00560	-.00120	-.00060	.36520	.08720
.605	45.530	.00000	.02000	.37440	.01560	.03340	-.00520	-.00120	-.00050	.36550	.08750
.606	46.720	.00000	.02000	.37530	.01550	.03340	-.00520	-.00120	-.00050	.36650	.08750

LTV44-559(CA26) 747/1 ATY 02 S1 (ORBITER DATA)

(AFE128) ( 29 JAN 76 )

## REFERENCE DATA

SREF = 2690.0000 SQ.FT. XMRP = 1109.0000 IN. XO  
 LREF = 474.8100 IN. YMRP = .0000 IN. YO  
 BREF = 936.6800 IN. ZMRP = 375.0000 IN. ZO  
 SCALE = .0125

## PARAMETRIC DATA

ALPHA = 2.000 BETAC = .000  
 STAB = 5.000 ELEVON = 5.000  
 RUDDER = .000 DX = .000  
 DY = .000 IORB = 6.000  
 BETA0 = .000 OPHI = 7.500

RUN NO. 91/ 0 RN/L = .00 GRADIENT INTERVAL = -5.00/ 5.00

MACH	DZ	DY	DX	CN	CLM	CA	CY	CYN	CBL	CL	CD
.607	47.910	.00000	.02000	.37900	.01600	.03270	-.00540	-.00110	-.00070	.37020	.08740
.606	49.090	.00000	.02000	.37720	.01550	.03310	-.00380	-.00110	-.00070	.36840	.08730
.606	50.280	.00000	.02000	.37610	.01480	.03370	-.00420	-.00110	-.00050	.36720	.08770
.606	51.460	.00000	.02000	.37270	.01340	.03400	-.00590	-.00140	-.00030	.36390	.08750
	GRADIENT	.00000	.00000	.00045	-.00105	.00020	-.00009	-.00001	-.00008	.00041	.00025

LTV44-559(CA26) 747/1 ATY 02 S1 (ORBITER DATA)

(AFE129) (29 JAN 76)

## REFERENCE DATA

SREF = 2690.0000 SQ.FT. XMRP = 1109.0000 IN. XO  
 LREF = 474.8100 IN. YMRP = .0000 IN. YO  
 BREF = 936.6800 IN. ZMRP = 375.0000 IN. ZO  
 SCALE = .0125

## PARAMETRIC DATA

ALPHAC = 2.000 BETAC = .000  
 STAB = 5.000 ELEVON = 5.000  
 RUDDER = .000 DX = .000  
 DY = .000 IORB = 6.000  
 BETAO = 5.000 DPFI = 7.500

RUN NO. 92/ 0 RN/L = .00 GRADIENT INTERVAL = -5.00/ 5.00

MACH	DZ	DY	DX	CN	CLM	CA	CY	CYN	CBL	CL	CD
.603	1.460	.00000	-.01000	.32500	.02400	.03660	-.06090	-.01270	-.00040	.31570	.08520
.605	2.060	.00000	-.01000	.32450	.02380	.03660	-.06170	-.01280	-.00040	.31530	.08490
.604	2.660	.00000	-.01000	.32470	.02330	.03680	-.06130	-.01280	-.00030	.31550	.08510
.606	3.360	.00000	-.01000	.32530	.02140	.03710	-.06130	-.01270	-.00020	.31600	.08560
.604	4.160	.00000	-.01000	.32600	.02200	.03710	-.06170	-.01280	-.00010	.31670	.08550
.605	4.960	.00000	-.01000	.32650	.01970	.03680	-.06110	-.01270	-.00010	.31720	.08550
.603	5.960	.00000	.00000	.32770	.02000	.03730	-.06120	-.01280	.00000	.31840	.08610
.605	6.960	.00000	.00000	.32500	.01880	.03720	-.06130	-.01260	.00000	.31570	.08550
.605	7.970	.00000	.00000	.32800	.01840	.03700	-.06160	-.01250	.00000	.31880	.08580
.606	8.960	.00000	.00000	.32870	.01780	.03700	-.06130	-.01250	.00000	.31940	.08590
.605	9.960	.00000	.00000	.33040	.01650	.03780	-.06160	-.01270	.00020	.32100	.08680
.605	11.150	.00000	.00000	.32950	.01660	.03760	-.06170	-.01250	.00020	.32020	.08640
.604	12.330	.00000	.00000	.33060	.01700	.03750	-.06050	-.01250	.00020	.32130	.08640
.605	13.520	.00000	.00000	.32920	.01640	.03740	-.06000	-.01230	.00010	.32000	.08610
.604	14.700	.00000	.00000	.33550	.01600	.03790	-.06160	-.01250	.00020	.32620	.08740
.604	15.900	.00000	.00000	.33190	.01530	.03800	-.06160	-.01260	.00030	.32260	.08700
.603	17.080	.00000	.00000	.33600	.01520	.03840	-.06130	-.01250	.00030	.32650	.08780
.604	18.270	.00000	.00000	.33680	.01490	.03840	-.06080	-.01240	.00010	.32740	.08800
.605	19.450	.00000	.00000	.33820	.01510	.03850	-.06130	-.01250	.00030	.32970	.08830
.605	20.640	.00000	.00000	.33720	.01470	.03840	-.06140	-.01250	.00020	.32780	.08800
.605	21.810	.00000	.01000	.33710	.01430	.03890	-.06080	-.01240	.00020	.32760	.08830
.604	23.000	.00000	.01000	.34130	.01400	.03900	-.06120	-.01250	.00020	.33180	.08900
.605	24.190	.00000	.01000	.34160	.01420	.03880	-.06100	-.01240	.00020	.33210	.08890
.604	25.370	.00000	.01000	.34430	.01260	.03930	-.06120	-.01240	.00020	.33470	.08960
.605	26.560	.00000	.01000	.34480	.01340	.03930	-.06140	-.01240	.00030	.33520	.08980
.606	27.740	.00000	.01000	.34440	.01400	.03890	-.06220	-.01250	.00030	.33490	.08940
.605	28.930	.00000	.01000	.34700	.01380	.03900	-.06160	-.01230	.00030	.33740	.08970
.606	30.110	.00000	.01000	.34740	.01380	.03880	-.06180	-.01240	.00030	.33790	.08960
.605	31.310	.00000	.01000	.34600	.01350	.03920	-.06190	-.01250	.00040	.33650	.08960
.605	32.490	.00000	.01000	.34780	.01320	.03930	-.06220	-.01240	.00040	.33820	.08990
.605	33.680	.00000	.01000	.34750	.01260	.03940	-.06200	-.01250	.00040	.33800	.08990
.604	34.860	.00000	.01000	.34870	.01250	.03940	-.06130	-.01230	.00020	.33910	.09020
.605	36.050	.00000	.01000	.34830	.01250	.03940	-.06320	-.01250	.00040	.33870	.09000
.604	37.230	.00000	.01000	.35110	.01280	.03880	-.06140	-.01210	.00010	.34140	.09100
.604	38.420	.00000	.01000	.35310	.01280	.03950	-.06260	-.01230	.00040	.34340	.09090
.605	39.610	.00000	.01000	.35290	.01230	.03960	-.06290	-.01240	.00030	.34330	.09090
.605	40.790	.00000	.02000	.35440	.01270	.03960	-.06290	-.01240	.00030	.34470	.09120
.606	41.980	.00000	.01000	.34830	.01030	.04040	-.06300	-.01230	.00050	.33860	.09080
.605	43.160	.00000	.02000	.35360	.01150	.03960	-.06310	-.01220	.00030	.34400	.09090
.604	44.350	.00000	.02000	.35440	.01150	.04020	-.06400	-.01240	.00050	.34470	.09140
.605	45.530	.00000	.02000	.35540	.01160	.03980	-.06330	-.01230	.00050	.34580	.09120
.604	46.720	.00000	.02000	.35390	.01100	.04040	-.06260	-.01230	.00050	.34420	.09150

LTV44-559(CA26) 747/1 ATY 02 S1 (ORBITER DATA)

(AFE129) ( 29 JAN 76 )

## REFERENCE DATA

SREF = 2690.0000 SQ.FT. XMRP = 1109.0000 IN. XO  
 LREF = 474.8100 IN. YMRP = .0000 IN. YO  
 BREF = 936.6800 IN. ZMRP = 375.0000 IN. ZO  
 SCALE = .0125

## PARAMETRIC DATA

ALPHAC = 2.000 BETAC = .000  
 STAB = 5.000 ELEVON = 5.000  
 RUDDER = .000 DX = .000  
 DY = .000 IORB = 6.000  
 BETAO = 5.000 DPHI = 7.500

RUN NO. 92/ 0 RN/L = .00 GRADIENT INTERVAL = -5.00/ 5.00

MACH	DZ	DY	DX	CN	CLM	CA	CY	CYN	CBL	CL	CD
.605	47.910	.00000	.02000	.35260	.01070	.04040	-.06300	-.01250	.00020	.34300	.09140
.606	49.090	.00000	.02000	.34920	.01030	.04080	-.06420	-.01280	.00070	.33960	.09100
.604	50.280	.00000	.02000	.35470	.01060	.04060	-.06170	-.01250	.00020	.34500	.09180
.604	51.460	.00000	.02000	.35450	.00920	.04080	-.06210	-.01250	.00020	.34480	.09190
	GRADIENT	.00000	.00000	.00053	-.00118	.00011	-.00003	.00001	.00010	.00051	.00015

LTV44-559(CA26) 747/1 ATY 02 S1 (ORBITER DATA)

(AFE130) ( 29 JAN 76 )

## REFERENCE DATA

SREF = 2690.0000 SQ.FT. XMRP = 1109.0000 IN. XO  
 LREF = 474.8100 IN. YMRP = .0000 IN. YO  
 BREF = 936.6800 IN. ZMRP = 375.0000 IN. ZO  
 SCALE = .0125

## PARAMETRIC DATA

ALPHAC = 2.000 BETAC = -5.000  
 STAB = 5.000 ELEVON = 5.000  
 RUDDER = .000 DX = .000  
 DY = .000 IORB = 6.000  
 BETAO = .000 OPFI = 7.500

RUN NO. 93/ 0 RN/L = .00 GRADIENT INTERVAL = -5.00/ 5.00

MACH	DZ	DY	DX	CN	CLM	CA	CY	CYN	CBL	CL	CD
.602	1.460	10.00000	.00000	.33660	.02950	.03350	-.00890	.00080	.00680	.32770	.08370
.602	2.060	10.00000	.00000	.33700	.02970	.03370	-.00870	.00080	.00690	.32810	.08390
.603	2.660	10.00000	.00000	.33550	.02990	.03360	-.00910	.00090	.00650	.32670	.08360
.600	3.360	10.00000	-.01000	.33640	.02890	.03370	-.00910	.00070	.00590	.32760	.08370
.602	4.160	10.00000	-.01000	.33600	.02900	.03370	-.00890	.00070	.00570	.32720	.08370
.604	4.960	10.00000	-.01000	.33650	.02670	.03370	-.00850	.00060	.00480	.32760	.08370
.603	5.960	10.00000	-.01000	.33870	.02720	.03400	-.00980	.00050	.00470	.32980	.08430
.603	6.960	10.00000	-.01000	.33880	.02690	.03360	-.00910	.00050	.00440	.33000	.08390
.603	7.970	10.00000	-.01000	.34000	.02570	.03400	-.00760	.00050	.00400	.33120	.08420
.602	8.960	10.00000	-.01000	.34090	.02480	.03400	-.00860	.00040	.00370	.33200	.08440
.602	9.960	10.00000	-.01000	.34300	.02410	.03460	-.00810	.00030	.00310	.33400	.08540
.603	11.150	10.00000	-.01000	.34100	.02350	.03440	-.00810	.00020	.00320	.33210	.08480
.602	12.330	10.00000	-.01000	.34490	.02350	.03450	-.00760	.00010	.00310	.33590	.08540
.602	13.520	10.00000	-.01000	.34640	.02340	.03420	-.00730	.00020	.00280	.33740	.08520
.604	14.700	10.00000	-.01000	.34450	.02260	.03440	-.00750	.00010	.00250	.33550	.08550
.603	15.900	10.00000	-.01000	.34640	.02200	.03470	-.00690	.00010	.00220	.33740	.08580
.604	17.080	10.00000	-.01000	.34890	.02220	.03500	-.00700	.00000	.00200	.33980	.08660
.603	18.270	10.00000	-.01000	.35400	.02130	.03500	-.00700	.00000	.00180	.34490	.08710
.602	19.450	10.00000	-.01000	.35420	.02200	.03500	-.00680	-.00020	.00150	.34510	.08710
.601	20.640	10.00000	-.01000	.35370	.02170	.03550	-.00650	-.00020	.00130	.34460	.08740
.603	21.810	10.00000	.00000	.35300	.02120	.03490	-.00780	-.00030	.00130	.34400	.08670
.600	23.000	10.00000	.00000	.35750	.02090	.03540	-.00730	-.00020	.00110	.34840	.08780
.602	24.190	10.00000	.00000	.35580	.02070	.03560	-.00690	-.00030	.00110	.34660	.08770
.601	25.370	10.00000	.00000	.35690	.02000	.03590	-.00630	-.00030	.00080	.34770	.08820
.601	26.560	10.00000	.00000	.36080	.02000	.03600	-.00660	-.00020	.00070	.35150	.08890
.602	27.740	10.00000	.00000	.35950	.01970	.03570	-.00680	-.00040	.00050	.35030	.08910
.602	28.930	10.00000	.00000	.36090	.01950	.03590	-.00640	-.00040	.00040	.35170	.08850
.602	30.110	10.00000	.00000	.36230	.01970	.03600	-.00610	-.00040	.00030	.35360	.08900
.604	31.310	10.00000	.00000	.36260	.01920	.03520	-.00560	-.00040	.00040	.35340	.08890
.604	32.490	10.00000	.00000	.35980	.01860	.03630	-.00630	-.00050	.00030	.35050	.08880
.603	33.680	10.00000	.00000	.36320	.01830	.03640	-.00670	-.00060	.00020	.35390	.08940
.603	34.860	10.00000	.00000	.36580	.01830	.03660	-.00570	-.00040	.00020	.35640	.08980
.604	36.050	10.00000	.00000	.36360	.01780	.03670	-.00540	-.00050	.00010	.35430	.08970
.604	37.230	10.00000	.00000	.36440	.01770	.03690	-.00480	-.00050	.00000	.35500	.09010
.605	38.420	10.00000	.00000	.36660	.01810	.03590	-.00420	-.00040	-.00030	.35740	.08940
.604	39.610	10.00000	.01000	.36890	.01770	.03640	-.00500	-.00050	-.00030	.35360	.09030
.603	40.790	10.00000	.01000	.36310	.01680	.03730	-.00380	-.00050	-.00040	.35370	.09000
.622	41.990	10.00000	.01000	.36890	.01720	.03660	-.00470	-.00060	-.00040	.35950	.09010
.602	43.160	10.00000	.01000	.36750	.01630	.03650	-.00350	-.00050	-.00040	.35820	.08960
.622	44.350	10.00000	.01000	.36660	.01610	.03710	-.00380	-.00050	-.00050	.35730	.09010
.603	45.530	10.00000	.01000	.36810	.01530	.03650	-.00470	-.00060	-.00040	.35880	.08980
.604	46.720	10.00000	.01000	.36530	.01530	.03720	-.00450	-.00060	-.00060	.35600	.08990

ORIGINAL PAGE IS  
OF POOR QUALITY

LTV44-559(CA26) 747/1 ATY 02 S1 (ORBITER DATA)

(AFE130) ( 29 JAN 76 )

## REFERENCE DATA

SREF = 2690.0000 SQ.FT. XMRP = 1109.0000 IN. XO  
 LREF = 474.8100 IN. YMRP = .0000 IN. YO  
 BREF = 936.6800 IN. ZMRP = 375.0000 IN. ZO  
 SCALE = .0125

## PARAMETRIC DATA

ALPHAC = 2.000 BETAC = -5.000  
 STAB = 5.000 ELEVON = 5.000  
 RUDDER = .000 OX = .000  
 DY = .000 TORB = 6.000  
 BETAD = .000 DPHI = 7.500

RUN NO. 93/ 0 RN/L = .00 GRADIENT INTERVAL = -5.00/ 5.00

MACH	DZ	DY	DX	CN	CLM	CA	CY	CYN	CBL	CL	CD
.601	47.910	10.00000	.01000	.36830	.01560	.03710	-.00370	-.00040	-.00070	.35900	.09030
.601	49.090	10.00000	.01000	.37030	.01580	.03710	-.00510	-.00060	-.00070	.36100	.09040
.601	50.280	10.00000	.01000	.37060	.01590	.03690	-.00550	-.00060	-.00060	.36130	.09040
.602	51.460	10.00000	.01000	.37010	.01450	.03780	-.00650	-.00090	-.00050	.36080	.09100
	GRADIENT	-.00000	-.00366	-.00009	-.00072	.00004	.00007	-.00006	-.00059	-.00008	-.00002



DATE 22 MAR 76

## CA-26 FORCE SOURCE DATA TABULATION

PAGE 171

LTV44-559(CA26) 02 S1

(AFE131) (29 JAN 76)

## REFERENCE DATA

SREF = 2690.0000 SQ.FT. XMRP = 1109.0000 IN. XO  
 LREF = 474.8100 IN. YMRP = .0000 IN. YO  
 BREF = 936.6800 IN. ZMRP = 375.0000 IN. ZO  
 SCALE = .0125

## PARAMETRIC DATA

BETA0 = 5.000 ELEVON = 5.000  
 BDFLAP = .000

RUN NO. 94/ 0 RN/L = .00 GRADIENT INTERVAL = -5.00/ 5.00

MACH	INCID	CN	CLM	CA	CY	CYN	CBL	CL	CD
.598	-2.460	.02650	-.01370	.06070	-.06460	-.01240	.00730	.02640	.06080
.599	-2.110	.04000	-.01290	.05990	-.06450	-.01250	.00700	.03960	.06020
.601	-1.770	.05670	-.01250	.05990	-.06570	-.01250	.00660	.05590	.06070
.602	-1.340	.07530	-.01080	.05950	-.06590	-.01250	.00620	.07400	.06100
.603	-.960	.09410	-.00980	.05860	-.06410	-.01220	.00580	.09250	.06110
.604	-.550	.11400	-.00790	.05750	-.06460	-.01220	.00530	.11200	.06140
.603	-.170	.13340	-.00700	.05690	-.06510	-.01220	.00500	.13100	.06230
.604	.250	.15100	-.00570	.05560	-.06430	-.01200	.00450	.14820	.06280
.599	.640	.17240	-.00470	.05490	-.06480	-.01210	.00420	.16910	.06440
.601	1.040	.19080	-.00350	.05330	-.06480	-.01190	.00360	.18710	.06510
.602	1.420	.20590	-.00190	.05160	-.06380	-.01180	.00340	.20190	.06570
.601	1.830	.22540	-.00080	.05040	-.06380	-.01170	.00290	.22090	.06740
.600	2.220	.24300	.00030	.04850	-.06240	-.01140	.00250	.23820	.06840
.600	2.630	.26230	.00150	.04710	-.06320	-.01150	.00230	.25700	.07050
.600	3.020	.27840	.00280	.04500	-.06210	-.01130	.00170	.27270	.07170
.600	3.390	.29850	.00400	.04340	-.06180	-.01110	.00110	.29240	.07390
.598	3.820	.31710	.00530	.04160	-.06170	-.01120	.00080	.31050	.07640
.599	4.200	.33540	.00640	.03970	-.06130	-.01120	.00040	.32840	.07870
.598	4.620	.35580	.00700	.03780	-.06150	-.01130	.00000	.34830	.08180
.599	5.000	.37350	.00830	.03570	-.06100	-.01110	-.00050	.36560	.08430
.599	5.420	.39670	.00950	.03280	-.06030	-.01100	-.00090	.38830	.08740
.599	5.810	.41860	.01010	.03060	-.06020	-.01110	-.00120	.40980	.09100
.602	6.180	.43600	.01140	.02790	-.05940	-.01080	-.00150	.42680	.09360
.602	6.590	.45500	.01220	.02570	-.05940	-.01090	-.00170	.44520	.09740
.601	6.970	.47620	.01370	.02350	-.05920	-.01090	-.00190	.46580	.10180
.602	7.390	.49710	.01510	.02060	-.05830	-.01090	-.00200	.48610	.10590
.602	7.770	.51850	.01530	.01830	-.05960	-.01120	-.00210	.50690	.11070
.600	8.200	.54360	.01670	.01590	-.05790	-.01120	-.00240	.53110	.11690
.600	8.560	.56090	.01710	.01400	-.05830	-.01110	-.00250	.54770	.12170
.600	9.010	.58800	.01780	.01150	-.05870	-.01140	-.00280	.57380	.12890
.600	9.370	.60870	.01830	.00990	-.05860	-.01130	-.00300	.59360	.13520
.600	9.760	.63020	.01840	.00780	-.05850	-.01090	-.00300	.61400	.14180
.600	10.190	.65440	.01980	.00670	-.05960	-.01060	-.00290	.63690	.15070
.600	10.560	.67500	.01900	.00550	-.05990	-.01010	-.00230	.65620	.15820
.599	10.980	.69890	.01980	.00530	-.06030	-.00970	-.00170	.67830	.16840
.600	11.340	.71650	.01990	.00540	-.06120	-.00940	-.00120	.69430	.17700
.599	11.780	.74100	.02120	.00510	-.06230	-.00930	-.00100	.71680	.18810
.601	12.140	.75620	.02170	.00530	-.06290	-.00910	-.00080	.73000	.19730
.600	12.580	.77920	.02390	.00670	-.06310	-.00990	-.00030	.75050	.20960
.601	12.970	.79570	.02330	.00750	-.06410	-.00890	.00010	.76470	.21980
	GRADIENT	.04666	.00304	-.00340	.00060	.00021	-.00104	.04562	.00307

LTV44-559(CA26) 02 S1

(AFE132) ( 29 JAN 76 )

## REFERENCE DATA

## PARAMETRIC DATA

SREF = 2690.0000 SQ.FT. XMRP = 1109.0000 IN. XO  
 LREF = 474.8100 IN. YMRP = .0000 IN. YO  
 BREF = 936.6800 IN. ZMRP = 375.0000 IN. ZO  
 SCALE = .0125

BETA0 = .000 ELEVON = 5.000  
 BOFLAP = .000

RUN NO. 1094/ 0 RN/L = .00 GRADIENT INTERVAL = -5.00/ 5.00

MACH	INCID	CN	CLM	CA	CY	CYN	CBL	CL	CD
.601	-1.840	.04580	-.00840	.06330	-.00390	-.00090	.00030	.04510	.06390
.601	-1.430	.06530	-.00730	.06290	-.00450	-.00090	.00030	.06410	.06420
.601	-1.040	.08430	-.00620	.06210	-.00490	-.00110	.00010	.08270	.06720
.599	-.610	.10230	-.00480	.06160	-.00440	-.00090	.00010	.10020	.06490
.599	-.260	.11940	-.00370	.06060	-.00370	-.00100	.00000	.11690	.06530
.599	.170	.14130	-.00210	.05970	-.00380	-.00080	-.00010	.13830	.06630
.599	.540	.15990	-.00080	.05870	-.00430	-.00090	-.00010	.15650	.06720
.601	.940	.17820	.00010	.05650	-.00340	-.00070	-.00020	.17440	.06710
.603	1.360	.19570	.00090	.05470	-.00380	-.00080	-.00030	.19150	.06790
.601	1.720	.21440	.00230	.05410	-.00370	-.00080	-.00040	.20980	.06980
.602	2.140	.23320	.00370	.05140	-.00270	-.00060	-.00050	.22820	.07020
.599	2.530	.25240	.00440	.04980	-.00410	-.00080	-.00060	.24710	.07190
.600	2.920	.27100	.00540	.04790	-.00390	-.00080	-.00060	.26520	.07340
.599	3.300	.28740	.00760	.04570	-.00320	-.00070	-.00060	.28130	.07460
.599	3.710	.30850	.00920	.04330	-.00270	-.00060	-.00070	.30200	.07660
.600	4.130	.32690	.00930	.04100	-.00330	-.00060	-.00070	.32000	.07860
.599	4.520	.34560	.01090	.03850	-.00260	-.00060	-.00100	.33920	.08070
.599	4.910	.36350	.01190	.03630	-.00180	-.00050	-.00120	.35570	.08310
.600	5.300	.38310	.01310	.03360	-.00160	-.00060	-.00140	.37500	.08550
.600	5.720	.40430	.01460	.03060	-.00300	-.00080	-.00140	.39570	.08830
.600	6.100	.42130	.01620	.02810	-.00160	-.00050	-.00150	.41230	.09100
.599	6.520	.44230	.01740	.02530	-.00190	-.00060	-.00140	.43280	.09450
.601	6.890	.45830	.01840	.02280	-.00250	-.00060	-.00130	.44840	.09750
.601	7.280	.48090	.01920	.01950	-.00200	-.00060	-.00110	.47060	.10120
.600	7.640	.50180	.01980	.01750	-.00160	-.00070	-.00100	.49080	.10590
.601	8.100	.52440	.02100	.01500	-.00150	-.00080	-.00100	.51270	.11140
.600	8.440	.54500	.02110	.01350	-.00110	-.00080	-.00070	.53250	.11680
.603	8.880	.56790	.02180	.01110	-.00190	-.00080	-.00070	.55450	.12320
.601	9.260	.59410	.02200	.00980	-.00150	-.00050	-.00080	.57950	.13110
.603	9.700	.61670	.02260	.00840	-.00100	-.00030	-.00100	.60100	.13890
.600	10.090	.64300	.02320	.00760	-.00130	-.00040	-.00110	.62580	.14800
.601	10.490	.66110	.02360	.00710	-.00150	-.00030	-.00100	.64250	.15590
.603	10.850	.68190	.02430	.00700	-.00140	-.00020	-.00110	.66180	.16470
.601	11.280	.70260	.02500	.00550	-.00160	.00000	-.00110	.68760	.17570
.600	11.680	.73330	.02480	.00760	-.00150	-.00010	-.00020	.70900	.18740
.602	12.070	.74860	.02580	.00840	.00020	-.00010	.00030	.72230	.19670
.601	12.460	.76910	.02630	.00900	-.00280	-.00030	.00050	.74060	.20760
.601	12.870	.78960	.02600	.01040	-.00210	-.00020	.00100	.75840	.21970
.600	13.410	.81900	.02590	.01240	-.00470	-.00030	.00220	.78410	.23690
	GRADIENT	.04717	.00304	-.00411	.00031	.00006	-.00020	.04613	.00276

LTV44-559(CA26) 02 S1

(AFE133) ( 29 JAN 76 )

## REFERENCE DATA

SREF = 2690.0000 SQ.FT. XMRP = 1109.0000 IN. XO  
 LREF = 474.8100 IN. YMRP = .0000 IN. YO  
 BREF = 936.6800 IN. ZMRP = 375.0000 IN. ZO  
 SCALE = .0125

## PARAMETRIC DATA

BETA0 = -5.000 ELEVON = 5.000  
 BDFLAP = .000

RUN NO. 2094/ 0 RN/L = .00 GRADIENT INTERVAL = -5.00/ 5.00

MACH	INCID	CN	CLM	CA	CY	CYN	CBL	CL	CD
.599	-2.490	.01140	-.01240	.06310	.04800	.00900	-.00610	.01130	.06310
.600	-1.920	.03370	-.01190	.06240	.05150	.00950	-.00630	.03310	.06280
.599	-1.550	.05040	-.01100	.06230	.05080	.00950	-.00590	.04930	.06310
.601	-1.140	.07040	-.00960	.06150	.05220	.00960	-.00570	.06890	.06320
.600	-.750	.08700	-.00870	.06130	.05240	.00970	-.00550	.08510	.06400
.600	-.370	.10430	-.00750	.06040	.05220	.07970	-.00530	.10190	.06420
.600	.030	.12560	-.00610	.05920	.05230	.00960	-.00490	.12280	.06470
.598	.410	.14330	-.00540	.05860	.05310	.00970	-.00470	.14010	.06590
.599	.820	.16260	-.00420	.05710	.05280	.00960	-.00440	.15900	.06650
.599	1.220	.18060	-.00210	.05600	.05270	.00950	-.00410	.17650	.06770
.599	1.630	.19920	-.00110	.05440	.05340	.00950	-.00390	.19470	.06870
.600	2.010	.21630	-.00060	.05310	.05300	.00940	-.00360	.21140	.07010
.601	2.440	.23630	.00090	.05130	.05380	.00940	-.00330	.23100	.07150
.599	2.800	.25420	.00160	.05000	.05490	.00950	-.00330	.24840	.07340
.601	3.210	.27250	.00270	.04780	.05440	.00950	-.00300	.26630	.07480
.601	3.620	.28960	.00440	.04650	.05470	.00940	-.00270	.28290	.07730
.599	3.990	.31160	.00510	.04450	.05450	.00950	-.00220	.30450	.07960
.601	4.420	.32810	.00650	.04200	.05460	.00940	-.00180	.32060	.08140
.601	4.820	.34770	.00790	.03980	.05420	.00930	-.00150	.33980	.08400
.600	5.200	.36820	.00880	.03750	.05480	.00950	-.00130	.35980	.08670
.600	5.610	.38560	.01030	.03520	.05530	.00940	-.00110	.37670	.08950
.597	5.990	.40630	.01150	.03330	.05560	.00950	-.00080	.39690	.09320
.599	6.380	.42620	.01310	.03000	.05550	.00950	-.00070	.41640	.09570
.598	6.770	.44460	.01360	.02750	.05570	.00950	-.00050	.43430	.09900
.601	7.210	.46520	.01520	.02460	.05520	.00920	-.00040	.45440	.10300
.602	7.610	.48440	.01600	.02230	.05500	.00920	-.00030	.47290	.10720
.599	8.010	.50830	.01680	.01990	.05660	.00950	-.00020	.49610	.11240
.600	8.370	.52630	.01730	.01780	.05640	.00940	.00000	.51340	.11700
.601	8.770	.55060	.01810	.01470	.05600	.00930	.00030	.53700	.12230
.600	9.160	.57220	.01820	.01330	.05620	.00940	.00080	.55770	.12900
.599	9.570	.59890	.01800	.01110	.05640	.00970	.00120	.58330	.13650
.602	10.000	.61790	.01910	.00920	.05600	.00950	.00120	.60110	.14310
.601	10.390	.64120	.01970	.00780	.05660	.00940	.00140	.62320	.15100
.598	10.790	.66620	.01980	.00700	.05830	.00950	.00130	.64660	.16030
.601	11.170	.68170	.01990	.00610	.05780	.00890	.00130	.66090	.16750
.599	11.560	.70820	.02070	.00630	.05950	.00850	.00100	.68530	.17850
.597	11.970	.73330	.02060	.00660	.06000	.00870	.00050	.70830	.18990
.598	12.360	.75200	.02130	.00660	.05920	.00830	.00020	.72500	.19970
.597	12.770	.77290	.02260	.00750	.06070	.00830	.00000	.74350	.21110
	GRADIENT	.04643	.00287	-.00322	.00045	-.00001	.00066	.04535	.00289

LTV44-559(CA26) 02 S1

(AFE134) ( 18 NOV 75 )

REFERENCE DATA

PARAMETRIC DATA

SREF = 2690.0000 SQ.FT. XMRP = 1109.0000 IN. XO  
 LREF = 474.8100 IN. YMRP = .0000 IN. YO  
 BREF = 936.6800 IN. ZMRP = 375.0000 IN. ZO  
 SCALE = .0125

BETA0 = .000 ELEVON = .000  
 BDFLAP = .000

RUN NO. 13/ 0 RN/L = .00 GRADIENT INTERVAL = -5.00/ 5.00

MACH	ALPHA0	BETA0	CN	CLM	CA	CY	CYN	CBL	CL	CD
.592	.050	.05000	-.06700	.02080	.05800	-.00750	-.00120	.00000	-.06710	.05800
.591	.610	.07000	-.04190	.02250	.05690	-.00700	-.00120	.00000	-.04250	.05650
.593	1.020	.04000	-.02220	.02320	.05610	-.00710	-.00120	.00000	-.02320	.05570
.592	1.500	.06000	.00080	.02500	.05500	-.00720	-.00120	.00000	-.00050	.05500
.593	1.900	.05000	.01940	.02620	.05370	-.00600	-.00110	-.00010	.01760	.05440
.593	2.340	.05000	.03970	.02770	.05230	-.00600	-.00110	-.00020	.03750	.05380
.591	2.790	.02000	.05960	.02860	.05080	-.00590	-.00110	-.00040	.05700	.05370
.591	3.240	.06000	.07980	.03040	.04930	-.00590	-.00110	-.00020	.07690	.05380
.590	3.670	.08000	.10110	.03150	.04740	-.00520	-.00100	-.00020	.09780	.05370
.592	4.090	.06000	.12120	.03240	.04480	-.00500	-.00090	-.00020	.11770	.05330
.591	4.540	.05000	.14200	.03390	.04250	-.00500	-.00090	-.00030	.13820	.05370
.590	4.990	.05000	.16350	.03540	.04030	-.00500	-.00090	-.00030	.15940	.05440
.590	5.410	.03000	.18290	.03680	.03760	-.00430	-.00090	-.00040	.17860	.05480
.590	5.860	.03000	.20440	.03770	.03490	-.00420	-.00090	-.00040	.19970	.05560
.592	6.300	.07000	.22350	.03850	.03250	-.00410	-.00100	-.00040	.21860	.05690
.592	6.740	.06000	.24730	.03980	.02950	-.00410	-.00100	-.00030	.24210	.05830
.592	7.180	.05000	.26720	.04080	.02660	-.00330	-.00080	-.00040	.26180	.05990
.592	7.620	.07000	.28730	.04210	.02350	-.00350	-.00080	-.00040	.28160	.06140
.591	8.050	.03000	.30980	.04340	.01990	-.00370	-.00070	-.00040	.30390	.06310
.592	8.500	.03000	.32970	.04530	.01640	-.00280	-.00060	-.00010	.32360	.06500
.591	8.910	.05000	.34940	.04700	.01330	-.00400	-.00070	-.00010	.34310	.06730
.592	9.360	.03000	.36870	.04960	.00970	-.00360	-.00060	.00000	.36220	.06960
.592	9.820	.05000	.38810	.05100	.00630	-.00380	-.00070	-.00020	.38140	.07250
.591	10.270	.03000	.41020	.05290	.00330	-.00250	-.00060	-.00020	.40300	.07640
.591	10.690	.04000	.43220	.05450	-.00020	-.00300	-.00070	-.00030	.42480	.07990
.590	11.160	.03000	.45550	.05580	-.00330	-.00100	-.00040	-.00040	.44750	.08480
.592	11.600	.04000	.48070	.05630	-.00610	-.00140	-.00070	-.00050	.47220	.09060
.592	12.060	.08000	.50980	.05700	.00900	-.00120	-.00060	-.00080	.50040	.09770
.591	12.520	.04000	.53580	.05740	-.01090	-.00080	-.00040	-.00100	.52540	.10540
.591	12.950	.04000	.55960	.05750	-.01210	-.00140	-.00030	-.00100	.54810	.11350
.591	13.400	.02000	.58630	.05810	-.01280	-.00100	-.00010	-.00090	.57330	.12330
.591	13.840	.06000	.61190	.05760	-.01250	-.00110	-.00010	-.00060	.59710	.13420
.591	14.290	.04000	.63800	.05790	-.01200	-.00100	-.00040	-.00040	.62120	.14580
.591	14.730	.01000	.66120	.05870	-.01180	-.00030	-.00050	-.00040	.64250	.15650
.591	15.180	.03000	.68030	.05960	-.01150	-.00040	-.00030	-.00010	.65960	.16700
.591	15.610	.02000	.70020	.06080	-.01090	-.00030	-.00020	.00010	.67730	.17780
.590	16.040	.00000	.72370	.06230	-.01040	-.00040	-.00010	.00020	.69840	.18990
.590	16.490	.01000	.74890	.06300	-.00980	-.00070	-.00000	.00030	.72730	.20310
.591	16.950	.02000	.76330	.06290	-.00860	-.00150	.00020	.00070	.73840	.21600
.589	17.150	.01000	.78590	.06350	-.00800	-.00160	.00030	.00080	.75330	.22410
GRADIENT		.00051	.04651	.00295	-.00360	.00065	.00007	-.00007	.04578	-.00072

DATE 22 MAR 76

## CA-26 FORCE SOURCE DATA TABULATION

PAGE 175

LTV44-559(CA26) 04 S

(BF001) ( 18 NOV 75 )

## REFERENCE DATA

SREF = 2690.0000 SQ.FT. XMRP = 1109.0000 IN. XO  
 LREF = 474.8100 IN. YMRP = .0000 IN. YO  
 BREF = 936.6800 IN. ZMRP = 375.0000 IN. ZO  
 SCALE = .0125

## PARAMETRIC DATA

BETA0 = .000 ELEVON = .000  
 BDFLAP = .000

RUN NO. 1/ 0 RN/L = .00 GRADIENT INTERVAL = -5.00/ 5.00

MACH	ALPHA0	CPC0	CPB1	CPB2	CPB3
.601	.100	-.16200	-.14900	-.21400	-.19600
.601	.670	-.16500	-.15400	-.21500	-.19500
.601	1.090	-.16300	-.15300	-.21800	-.19800
.599	1.510	-.16200	-.15400	-.22000	-.19800
.599	1.950	-.15900	-.15200	-.22000	-.19600
.600	2.390	-.16100	-.15000	-.22200	-.19800
.600	2.840	-.16100	-.15300	-.22200	-.19700
.599	3.280	-.16200	-.15200	-.22100	-.19500
.599	3.710	-.16100	-.15200	-.22200	-.19500
.601	4.150	-.16000	-.15000	-.22000	-.19500
.600	4.600	-.15900	-.14700	-.21800	-.19300
.600	5.050	-.16000	-.15100	-.22000	-.19300
.599	5.480	-.15800	-.14900	-.22000	-.19300
.598	5.930	-.16100	-.14900	-.22400	-.19600
.599	6.350	-.16000	-.15000	-.22500	-.19500
.599	6.810	-.15800	-.14800	-.22300	-.19400
.599	7.230	-.15900	-.15100	-.22700	-.19600
.600	7.670	-.16000	-.15400	-.22900	-.19900
.600	8.120	-.16100	-.15500	-.22900	-.19700
.600	8.550	-.16100	-.15500	-.23000	-.19800
.600	9.000	-.15800	-.15300	-.23100	-.19900
.599	9.450	-.16000	-.15100	-.23200	-.19900
.599	9.880	-.16200	-.15400	-.23400	-.20100
.599	10.340	-.16300	-.15500	-.23700	-.20300
.599	10.770	-.16200	-.15500	-.24200	-.20600
.599	11.220	-.16700	-.15800	-.24500	-.20800
.600	11.690	-.16700	-.15800	-.24700	-.20900
.600	12.130	-.16900	-.16000	-.25000	-.21200
.599	12.590	-.17200	-.16500	-.25300	-.21900
.598	13.020	-.17800	-.17200	-.26000	-.22400
.599	13.450	-.17900	-.17500	-.26200	-.22500
.597	13.920	-.18700	-.17800	-.26700	-.23000
.598	14.350	-.19000	-.18300	-.27000	-.23500
.597	14.770	-.19300	-.18800	-.27700	-.24200
.598	15.230	-.20000	-.19300	-.28000	-.24500
.598	15.660	-.20500	-.19600	-.28500	-.25200
.597	16.100	-.21400	-.20600	-.29900	-.26000
.598	16.550	-.21800	-.20900	-.30300	-.26800
.599	16.990	-.22400	-.21400	-.31100	-.27400
.598	17.210	-.22700	-.22100	-.31600	-.27500
	GRADIENT	.00079	.00064	-.00116	.00059

LTV44-559(CA26) 04 S

(BFE002) ( 18 NOV 75 )

## REFERENCE DATA

SREF = 2590.0000 SQ.FT. XMRP = 1109.0000 IN. XO  
 LREF = 474.8100 IN. YMRP = .0000 IN. YO  
 BREF = 936.6800 IN. ZMRP = 375.0000 IN. ZO  
 SCALE = .0125

## PARAMETRIC DATA

BETA0 = .000 ELEVON = .000  
 BOFLAP = 16.300

RUN NO. 2/ 0 RN/L = .00 GRADIENT INTERVAL = -5.00/ 5.00

MACH	ALPHA0	CP00	CPB1	CPB2	CPB3
.597	.100	-.18000	-.18400	-.19600	-.20500
.596	.440	-.18300	-.19500	-.19700	-.20500
.596	.860	-.18100	-.19300	-.19800	-.20700
.596	1.300	-.18000	-.19100	-.19500	-.20100
.596	1.720	-.18000	-.18900	-.19300	-.20400
.596	2.170	-.18100	-.18900	-.19200	-.19900
.596	2.620	-.18000	-.18800	-.19300	-.20000
.595	3.050	-.18200	-.19200	-.19400	-.20300
.595	3.510	-.18200	-.19600	-.19300	-.20100
.595	3.930	-.18800	-.19700	-.19300	-.20200
.595	4.370	-.18700	-.19800	-.19100	-.20200
.593	4.830	-.18800	-.19600	-.19300	-.20400
.594	5.250	-.19100	-.19700	-.19300	-.20200
.595	5.700	-.18700	-.19600	-.19200	-.20200
.594	6.130	-.18700	-.19600	-.19300	-.20500
.595	6.560	-.18800	-.19900	-.19500	-.20300
.595	7.000	-.18900	-.19700	-.19500	-.20500
.594	7.420	-.18900	-.20200	-.19400	-.20300
.595	7.880	-.18700	-.20400	-.19600	-.20200
.594	8.320	-.18700	-.20300	-.19600	-.20300
.596	8.780	-.18700	-.19800	-.19200	-.20400
.596	9.220	-.18900	-.19800	-.19200	-.20500
.595	9.650	-.18700	-.19900	-.19200	-.20200
.595	10.110	-.18900	-.19500	-.19100	-.20600
.595	10.550	-.18500	-.19500	-.19300	-.20400
.594	10.980	-.18600	-.19500	-.19700	-.20900
.594	11.440	-.18700	-.19800	-.19600	-.20600
.594	11.890	-.18400	-.19600	-.19900	-.20600
.592	12.340	-.18300	-.19400	-.20000	-.20900
.593	12.770	-.18500	-.19600	-.20600	-.21500
.592	13.220	-.18500	-.19400	-.21300	-.22100
.592	13.670	-.18300	-.18700	-.21400	-.22000
.591	14.100	-.18300	-.19000	-.22300	-.22400
.592	14.550	-.18100	-.18400	-.22500	-.22600
.592	14.990	-.18100	-.18400	-.23400	-.22900
.591	15.420	-.18400	-.18600	-.24100	-.23300
.592	15.850	-.18100	-.18900	-.24700	-.23300
.592	16.300	-.18700	-.19400	-.25200	-.23700
.592	16.740	-.19700	-.20800	-.26000	-.24800
.593	17.170	-.19900	-.20700	-.26700	-.25300
	GRADIENT	-.00152	-.00168	.00103	.00060

LTV44-559(CA26) 04 S

(BFE003) ( 18 NOV 75 )

## REFERENCE DATA

SREF = 2690.0000 SQ.FT. XMRP = 1109.0000 IN. XO  
 LREF = 474.8100 IN. YMRP = .0000 IN. YO  
 BREF = 936.6800 IN. ZMRP = 375.0000 IN. ZO  
 SCALE = .0125

## PARAMETRIC DATA

BETA0 = .000 ELEVON = 5.000  
 BDFLAP = .000

RUN NO. 4/ 0 RN/L = .00 GRADIENT INTERVAL = -5.00/ 5.00

MACH	ALPHA0	CPC0	CPB1	CPB2	CPB3
.597	.170	-.17800	-.16100	-.23400	-.21900
.596	.530	-.18200	-.16000	-.23800	-.22300
.597	.960	-.17900	-.15800	-.23800	-.22000
.596	1.390	-.18100	-.16200	-.24000	-.22000
.595	1.790	-.18300	-.16200	-.24400	-.22500
.596	2.270	-.18200	-.16200	-.24600	-.22300
.597	2.710	-.17700	-.15700	-.24600	-.21800
.596	3.150	-.17900	-.16100	-.24800	-.21800
.595	3.580	-.18100	-.15700	-.25000	-.22300
.596	4.020	-.17900	-.15800	-.25300	-.22100
.594	4.450	-.18300	-.16100	-.25200	-.22200
.595	4.890	-.18000	-.15900	-.25600	-.22200
.596	5.340	-.17700	-.15800	-.25800	-.22100
.594	5.760	-.18300	-.16200	-.26000	-.22600
.595	6.210	-.18300	-.16500	-.26200	-.22400
.593	6.650	-.18600	-.16700	-.26500	-.22800
.594	7.110	-.18000	-.16400	-.26800	-.22500
.594	7.530	-.18600	-.16500	-.27000	-.22800
.593	7.960	-.18700	-.16600	-.27400	-.23200
.592	8.420	-.18900	-.17000	-.27600	-.23100
.592	8.850	-.18700	-.16900	-.28200	-.23500
.595	9.290	-.18700	-.16500	-.28300	-.23400
.594	9.750	-.18700	-.16800	-.28800	-.23300
.593	10.200	-.19100	-.17100	-.29300	-.23700
.594	10.650	-.19100	-.16900	-.29500	-.23800
.592	11.090	-.19600	-.17800	-.29900	-.24400
.593	11.520	-.19600	-.17500	-.30400	-.24600
.593	11.990	-.19800	-.16300	-.30900	-.24900
.591	12.420	-.20400	-.18600	-.31600	-.25800
.591	12.880	-.20800	-.18900	-.32300	-.26100
.590	13.320	-.21500	-.19800	-.32900	-.26900
.591	13.760	-.21400	-.19800	-.33300	-.27100
.591	14.170	-.22500	-.20200	-.34000	-.27700
.592	14.650	-.22700	-.20900	-.34500	-.28000
.592	15.090	-.23300	-.21600	-.35500	-.28800
.593	15.510	-.23700	-.21800	-.35900	-.29200
.593	15.950	-.24800	-.22800	-.37200	-.30200
.592	16.370	-.25900	-.23900	-.38100	-.31400
.591	16.830	-.26600	-.24700	-.39200	-.32400
.592	17.300	-.27400	-.25700	-.40100	-.32800
	GRADIENT	-.00010	.00037	-.00430	-.00015

LTV44-559(CA26) 04 S

(BFE004) ( 18 NOV 75 )

## REFERENCE DATA

SREF = 2690.0000 SQ.FT. XMRP = 1109.0000 IN. XO  
 LREF = 474.8100 IN. YMRP = .0000 IN. YO  
 BREF = 936.6800 IN. ZMRP = 375.0000 IN. ZO  
 SCALE = .0125

## PARAMETRIC DATA

BETA0 = -5.000 ELEVON = 5.000  
 BDFLAP = .000

RUN NO. 1004/ 0 RN/L = .00 GRADIENT INTERVAL = -5.00/ 5.00

MACH	ALPHA0	CP00	CPB1	CPB2	CPB3
.595	.170	-.25800	-.25000	-.38400	-.30700
.594	.720	-.26100	-.25700	-.38800	-.31100
.593	1.140	-.26400	-.26100	-.38700	-.31500
.596	1.600	-.26000	-.25200	-.38200	-.30700
.595	2.020	-.25900	-.24900	-.38500	-.30800
.595	2.460	-.25400	-.24900	-.38500	-.30800
.594	2.910	-.25900	-.25200	-.38600	-.31100
.595	3.330	-.25600	-.24900	-.38300	-.30600
.592	3.780	-.26200	-.25300	-.38700	-.31300
.594	4.210	-.25800	-.24700	-.38500	-.30700
.594	4.650	-.25600	-.24700	-.38600	-.30800
.593	5.080	-.25700	-.25000	-.39000	-.31200
.593	5.530	-.25200	-.24300	-.39000	-.31100
.593	5.980	-.25100	-.24200	-.39100	-.31000
.593	6.400	-.25200	-.24200	-.39200	-.31200
.591	6.840	-.25200	-.24400	-.39000	-.31400
.592	7.280	-.25300	-.24600	-.39200	-.31500
.591	7.730	-.25900	-.25200	-.39200	-.31900
.593	8.170	-.25400	-.24700	-.39100	-.31300
.591	8.600	-.25800	-.25200	-.39400	-.31700
.593	9.050	-.25500	-.24800	-.39200	-.31300
.592	9.510	-.25500	-.25100	-.39300	-.31600
.591	9.930	-.26200	-.25900	-.39700	-.32100
.591	10.380	-.26000	-.25900	-.39500	-.31900
.593	10.840	-.26100	-.25900	-.39500	-.31600
.593	11.280	-.26700	-.26300	-.39600	-.32100
.592	11.720	-.27100	-.26800	-.40100	-.32800
.591	12.170	-.27600	-.27500	-.40300	-.33100
.590	12.600	-.28200	-.28000	-.40900	-.33800
.592	13.070	-.27900	-.27700	-.41000	-.33500
.591	13.490	-.28600	-.28300	-.41300	-.34500
.593	13.950	-.28700	-.28400	-.41500	-.34100
.591	14.380	-.29000	-.29000	-.41800	-.34800
.591	14.830	-.29300	-.28900	-.42100	-.35200
.590	15.260	-.30100	-.29900	-.42800	-.36100
.590	15.690	-.30900	-.30400	-.43100	-.36700
.590	16.130	-.31100	-.30800	-.43700	-.37200
.590	16.570	-.31700	-.31300	-.43800	-.37800
.591	17.030	-.32400	-.32000	-.44300	-.38600
.592	17.230	-.32300	-.31900	-.44000	-.38300
	GRADIENT	.00073	.00166	-.00003	.00031



LTV44-559(CA26) 02 S1

(BFE005) ( 18 NOV 75 )

## REFERENCE DATA

SREF = 2690.0000 SQ.FT. XMRP = 1109.0000 IN. XO  
 LREF = 474.8100 IN. YMRP = .0000 IN. YO  
 BREF = 936.6800 IN. ZMRP = 375.0000 IN. ZO  
 SCALE = .0125

## PARAMETRIC DATA

BETA0 = .000 ELEVON = 5.000  
 BDFLAP = .000

RUN NO. 7/ 0 RN/L = .00 GRADIENT INTERVAL = -5.00/ 5.00

MACH	ALPHA	CPCO	CPB1	CPB2	CPB3	CPS1	CPS2
.599	.160	.04300	-.22700	-.30100	-.27500	-.08400	-.15400
.597	.500	.04100	-.22800	-.30300	-.27700	-.08500	-.15400
.596	.900	.03800	-.22800	-.30500	-.27800	-.08900	-.15600
.597	1.360	.03400	-.22900	-.30200	-.27400	-.09000	-.15500
.596	1.780	.02800	-.22800	-.30100	-.27600	-.09500	-.16000
.595	2.220	.02700	-.22800	-.30000	-.27400	-.09700	-.15900
.594	2.680	.02600	-.23000	-.29300	-.26700	-.09500	-.15700
.594	3.100	.02100	-.22500	-.29900	-.27000	-.09900	-.15900
.594	3.560	.01800	-.22700	-.29800	-.26700	-.09900	-.16100
.593	3.970	.01700	-.22700	-.29400	-.26700	-.10200	-.16000
.594	4.410	.01700	-.22200	-.29300	-.26600	-.10200	-.16000
.593	4.870	.01700	-.22400	-.29100	-.26500	-.10400	-.16000
.593	5.290	.01500	-.22300	-.29500	-.26700	-.10700	-.16200
.593	5.740	.01500	-.21700	-.29500	-.26000	-.10700	-.15900
.594	6.190	.01100	-.21900	-.28900	-.25900	-.11000	-.16100
.591	6.610	.00900	-.21900	-.29100	-.26000	-.11500	-.16200
.592	7.070	.00800	-.22200	-.28800	-.26000	-.11500	-.16300
.595	7.480	.00800	-.22100	-.28500	-.25900	-.11700	-.15900
.593	7.930	.00900	-.21900	-.28300	-.25600	-.11500	-.16000
.592	8.380	.00900	-.22100	-.28300	-.25200	-.11700	-.15900
.592	8.810	.00500	-.21800	-.28000	-.25200	-.11800	-.16000
.590	9.260	.00300	-.22200	-.28300	-.25400	-.11900	-.16300
.591	9.700	.00500	-.22400	-.28600	-.25500	-.12300	-.16000
.589	10.140	.00200	-.22600	-.28900	-.25900	-.12300	-.16300
.589	10.590	.00300	-.22500	-.28900	-.25700	-.12400	-.16100
.591	11.040	.00700	-.22700	-.28800	-.25800	-.12200	-.15700
.591	11.500	.00600	-.22700	-.29100	-.25900	-.12300	-.15800
.591	11.940	.00400	-.22600	-.29400	-.26100	-.12400	-.15600
.589	12.360	.00100	-.23100	-.30000	-.26400	-.13000	-.15800
.589	12.830	.00600	-.23600	-.30300	-.26400	-.13000	-.15700
.590	13.290	.00100	-.23600	-.30200	-.26600	-.12800	-.15700
.589	13.750	.00100	-.24000	-.31100	-.27000	-.12900	-.15800
.589	14.180	.00400	-.24300	-.31400	-.27500	-.12900	-.15600
.589	14.620	-.00200	-.24900	-.32200	-.28300	-.13700	-.16000
.591	15.070	-.00100	-.24700	-.32700	-.28200	-.13500	-.16000
.589	15.500	-.00400	-.25700	-.33000	-.29100	-.14200	-.16100
.589	15.950	-.00400	-.25300	-.33600	-.29100	-.14400	-.16100
.591	16.360	-.00500	-.26000	-.34200	-.29600	-.14200	-.16200
.590	16.820	-.00500	-.26500	-.35300	-.30500	-.14700	-.16000
.589	17.260	-.00700	-.27800	-.36000	-.31600	-.14900	-.16400
	GRADIENT	-.00605	.00090	.00252	.00281	-.00415	-.00139

ORIGINAL PAGE IS  
 OF POOR QUALITY

LTV44-559(CA26) 02 S1

(BFE006) ( 18 NOV 75 )

## REFERENCE DATA

SREF = 2690.0000 SQ.FT. XMRP = 1109.0000 IN. XO  
 LREF = 474.8100 IN. YMRP = .0000 IN. YO  
 BREF = 936.6800 IN. ZMRP = 375.0000 IN. ZO  
 SCALE = .0125

## PARAMETRIC DATA

BETA0 = -5.000 ELEVON = 5.000  
 BDFLAP = .000

RUN NO. 1007/ 0 RN/L = .00 GRADIENT INTERVAL = -5.00/ 5.00

MACH	ALPHA	CPCO	CPB1	CPB2	CPB3	CPS1	CPS2
.592	.140	.00800	-.27100	-.32500	-.27800	-.28000	.04700
.589	.490	.00100	-.27700	-.32500	-.28100	-.28900	.04500
.591	.880	.00400	-.27200	-.31900	-.27400	-.28800	.04800
.590	1.320	-.00100	-.26900	-.31600	-.27400	-.28500	.04500
.590	1.760	-.00400	-.27100	-.31600	-.27200	-.28900	.04300
.591	2.210	-.00300	-.26600	-.31200	-.26700	-.28800	.04600
.590	2.640	-.01200	-.26900	-.31200	-.27200	-.29100	.04500
.591	3.060	-.01100	-.26500	-.31000	-.26800	-.28700	.04300
.592	3.510	-.01200	-.26200	-.30400	-.26100	-.28500	.04300
.592	3.950	-.01500	-.25800	-.29900	-.26000	-.28700	.04400
.589	4.400	-.02000	-.26400	-.30300	-.26200	-.28800	.03800
.590	4.830	-.02100	-.26000	-.30400	-.26400	-.28600	.03800
.591	5.270	-.01800	-.25600	-.29800	-.25900	-.28100	.04100
.590	5.700	-.01800	-.26200	-.30100	-.26000	-.28500	.03900
.590	6.140	-.01600	-.25600	-.29700	-.25900	-.28200	.04200
.588	6.570	-.01700	-.25800	-.29300	-.26100	-.28600	.04000
.589	7.040	-.02300	-.26000	-.29800	-.25800	-.28500	.03900
.590	7.460	-.02600	-.25800	-.29500	-.25500	-.28000	.04000
.590	7.890	-.03000	-.25500	-.29500	-.25800	-.28300	.03800
.589	8.330	-.03400	-.25500	-.29700	-.26000	-.28500	.04100
.588	8.780	-.04900	-.25800	-.29500	-.25800	-.28400	.04100
.590	9.240	-.05100	-.25000	-.28500	-.25400	-.28200	.04300
.590	9.670	-.05400	-.24900	-.28400	-.25200	-.28100	.04300
.590	10.140	-.06100	-.25500	-.28700	-.25500	-.28300	.04300
.589	10.580	-.06100	-.24900	-.28100	-.25200	-.28300	.04600
.589	11.010	-.06300	-.24800	-.28100	-.25200	-.28500	.04700
.588	11.450	-.06500	-.24900	-.28200	-.25400	-.28900	.04500
.589	11.900	-.06400	-.24600	-.27600	-.25100	-.28800	.04900
.588	12.340	-.06500	-.24600	-.27500	-.25000	-.29600	.04800
.590	12.820	-.06600	-.24700	-.27400	-.24900	-.30000	.04900
.589	13.260	-.06600	-.25000	-.27400	-.25100	-.30400	.04800
.588	13.700	-.06000	-.25000	-.27600	-.25100	-.30800	.04800
.588	14.120	-.05800	-.25000	-.27500	-.25100	-.30900	.05000
.588	14.580	-.06100	-.25200	-.27700	-.25200	-.31000	.05100
.587	15.030	-.06200	-.25600	-.27800	-.25400	-.31200	.05200
.587	15.450	-.06300	-.25800	-.27900	-.25900	-.31500	.05300
.586	15.900	-.06800	-.26700	-.28500	-.26500	-.32000	.05100
.587	16.360	-.07000	-.26600	-.28600	-.26500	-.32200	.05200
.587	16.770	-.07300	-.27200	-.29000	-.27000	-.32700	.05600
.586	17.220	-.07700	-.27200	-.29000	-.27200	-.32500	.05900
	GRADIENT	-.00587	.00313	.00523	.00400	-.00036	-.00163

LTV44-559(CA26) 02 51

(BFE007) ( 18 NOV 75 )

## REFERENCE DATA

SREF = 2690.0000 SQ.FT. XMRP = 1109.0000 IN. XO  
 LREF = 474.8100 IN. YMRP = .0000 IN. YO  
 BREF = 936.6800 IN. ZMRP = 375.0000 IN. ZO  
 SCALE = .0125

## PARAMETRIC DATA

ALPHA0 = 8.000 BETA0 = .000  
 ELEVON = 5.000 BOFLAP = .000

RUN NO. B/ 0 RN/L = .00 GRADIENT INTERVAL = -5.00/ 5.00

MACH	DZ	CPC0	CPB1	CPB2	CPB3	CPS1	CPS2	ALPHA0	BETA0
.590	.000	-.01200	-.21900	-.29700	-.26600	-.12200	-.20700	8.99000	.02000
.591	1.320	-.00800	-.21500	-.29500	-.26700	-.12100	-.20600	8.96000	.01000
.592	2.650	-.00800	-.21400	-.29600	-.26700	-.12200	-.20700	8.97000	.02000
.591	3.990	-.01000	-.21500	-.29900	-.26600	-.11900	-.20700	8.96000	.01000
.593	5.320	-.01200	-.21600	-.29900	-.26700	-.12100	-.20800	8.96000	.01000
.592	6.660	-.01700	-.22100	-.30500	-.27200	-.12400	-.21200	8.95000	.01000
.591	7.980	-.01500	-.22100	-.30600	-.27200	-.12600	-.21200	8.94000	.00000
.591	9.320	-.01400	-.21900	-.30700	-.27000	-.12700	-.21500	8.93000	.00000
.592	10.650	-.01700	-.22300	-.31100	-.27300	-.12800	-.21800	8.92000	.01000
.593	11.990	-.01700	-.22100	-.31200	-.27100	-.12600	-.21600	8.92000	.00000
.592	13.320	-.01600	-.22000	-.31400	-.27300	-.12800	-.21600	8.92000	.02000
.592	14.650	-.01700	-.22200	-.31400	-.27100	-.12800	-.21600	8.90000	.02000
.593	15.980	-.01900	-.22100	-.31700	-.27400	-.12900	-.21800	8.90000	.03000
.592	17.320	-.01900	-.22400	-.32000	-.27600	-.13100	-.22100	8.86000	.00000
.593	18.650	-.02000	-.22600	-.32100	-.27600	-.13200	-.22100	8.87000	.02000
.593	19.990	-.02400	-.23000	-.32600	-.28000	-.13700	-.22300	8.87000	.01000
.593	21.320	-.02200	-.22800	-.32600	-.27700	-.13200	-.22000	8.86000	.01000
.593	22.650	-.02100	-.22800	-.32900	-.28000	-.13500	-.22100	8.86000	.02000
.593	23.990	-.02300	-.22800	-.33200	-.27900	-.13600	-.22200	8.83000	.00000
.592	25.320	-.02200	-.22900	-.33300	-.28000	-.13800	-.22300	8.81000	.00000
.593	26.660	-.02400	-.22900	-.33500	-.27900	-.13700	-.22500	8.81000	.01000
.593	27.980	-.02700	-.23400	-.34200	-.28600	-.14100	-.22600	8.80000	.01000
.593	29.320	-.02600	-.23200	-.33900	-.28200	-.13900	-.22500	8.79000	.00000
.593	30.650	-.02600	-.23700	-.34200	-.28700	-.14400	-.22800	8.79000	.00000
.593	31.990	-.02700	-.23300	-.34100	-.28600	-.14400	-.22700	8.78000	.00000
.593	33.320	-.03000	-.23800	-.34800	-.29000	-.14600	-.23000	8.76000	.04000
.594	34.650	-.03100	-.23800	-.34800	-.28500	-.14600	-.22800	8.78000	.02000
.593	35.980	-.03200	-.24100	-.35100	-.28900	-.14800	-.22800	8.76000	.01000
.594	37.320	-.03200	-.24100	-.35100	-.28800	-.14800	-.22800	8.75000	.00000
.593	38.650	-.02900	-.23800	-.35300	-.28900	-.14800	-.22600	8.72000	.03000
.593	39.990	-.03100	-.23900	-.35300	-.28700	-.14900	-.22600	8.73000	-.01000
.594	41.320	-.03600	-.24300	-.35700	-.29000	-.15100	-.22800	8.70000	.03000
.593	42.650	-.03700	-.24400	-.36100	-.29400	-.15400	-.23000	8.70000	.00000
.593	43.990	-.03700	-.24700	-.36300	-.29500	-.15500	-.23100	8.70000	.00000
.593	45.320	-.03800	-.24700	-.36500	-.29500	-.15700	-.22900	8.67000	.05000
.593	46.660	-.03800	-.24800	-.37000	-.30000	-.15900	-.23000	8.65000	.06000
.593	48.650	-.03800	-.24800	-.37200	-.29700	-.15800	-.22800	8.67000	.01000
.594	50.650	-.04200	-.24900	-.36900	-.29800	-.16400	-.22900	8.66000	.01000
.595	52.650	-.03900	-.25100	-.37300	-.29600	-.16100	-.22500	8.65000	.01000
.594	54.650	-.04100	-.25100	-.37900	-.30000	-.16400	-.22600	8.64000	.00000
.593	56.660	-.04700	-.25700	-.38200	-.30600	-.17300	-.22800	8.60000	.04000
.593	58.650	-.04800	-.26100	-.38700	-.30600	-.17300	-.23100	8.60000	.02000
.594	60.650	-.04500	-.25900	-.38500	-.30600	-.17300	-.22700	8.59000	.02000

DATE 22 MAR 76

CA-26 FORCE SOURCE DATA TABULATION

PAGE 182

LTV44-559(CA26) 02 S1

(BFE007) ( 18 NOV 75 )

REFERENCE DATA

PARAMETRIC DATA

SREF = 2690.0000 SQ.FT. XMRP = 1109.0000 IN. XO  
 LREF = 474.8100 IN. YMRP = .0000 IN. YO  
 BREF = 936.6800 IN. ZMRP = 375.0000 IN. ZO  
 SCALE = .0125

ALPHA0 = 8.000 BETA0 = .000  
 ELEVON = 5.000 BDFLAP = .000

RUN NO. 8/ 0 RN/L = .00 GRADIENT INTERVAL = -5.00/ 5.00

MACH	DZ	CPCO	CPB1	CPB2	CPB3	CPS1	CPS2	ALPHA0	BETA0
.594	62.650	-.04700	-.26200	-.39000	-.30800	-.17600	-.22800	8.58000	.00000
.593	64.660	-.05000	-.26600	-.39300	-.31100	-.18000	-.23200	8.55000	.05000
.594	66.660	-.04900	-.26200	-.39200	-.30900	-.17800	-.22700	8.53000	.05000
.594	68.650	-.05100	-.26300	-.39300	-.31000	-.18100	-.22400	8.55000	.04000
.594	70.650	-.05300	-.26400	-.39700	-.31300	-.18300	-.23000	8.54000	.03000
.594	72.650	-.05000	-.26800	-.39800	-.31400	-.18300	-.22800	8.50000	.06000
	GRADIENT	.00045	.00097	-.00053	.00000	.00060	-.00008	-.00600	-.00150

LTV44-559(CA26) 02 S1

(RFE008) ( 18 NOV 75 )

## REFERENCE DATA

SREF = 2690.0000 SQ.FT. XMRP = 1109.0000 IN. XO  
 LREF = 474.8100 IN. YMRP = .0000 IN. YO  
 BREF = 936.6800 IN. ZMRP = 375.0000 IN. ZO  
 SCALE = .0125

## PARAMETRIC DATA

BETA0 = .000 ELEVON = .000  
 BDFLAP = .000

RUN NO. 9/ 0 RN/L = .00 GRADIENT INTERVAL = -5.00/ 5.00

MACH	ALPHA0	CPC0	CPB1	CPB2	CPB3	CPS1	CPS2
.594	.070	.03700	-.21600	-.29600	-.26900	-.08500	-.16600
.593	.410	.03600	-.21300	-.29800	-.26800	-.08500	-.16300
.593	.820	.03400	-.21300	-.29800	-.26800	-.08700	-.16400
.593	1.270	.02800	-.21900	-.30000	-.27200	-.09300	-.16900
.594	1.710	.02700	-.21400	-.29700	-.26500	-.09100	-.16600
.592	2.130	.02900	-.20900	-.29500	-.26300	-.09200	-.16600
.594	2.600	.02100	-.21000	-.29300	-.26100	-.09500	-.16800
.591	3.040	.02300	-.20700	-.29400	-.26100	-.09800	-.16900
.592	3.460	.01700	-.20900	-.29300	-.26200	-.10100	-.17100
.591	3.900	.01400	-.21000	-.29200	-.26100	-.10400	-.17300
.592	4.330	.01200	-.20900	-.28800	-.25600	-.10000	-.17100
.590	4.790	.01300	-.21000	-.29400	-.26000	-.10500	-.17500
.590	5.200	.00700	-.21100	-.29400	-.25900	-.10800	-.17700
.591	5.660	.00700	-.20800	-.28500	-.25300	-.10500	-.17500
.590	6.100	.00500	-.20800	-.28800	-.25500	-.10900	-.17800
.590	6.550	.00800	-.20200	-.28500	-.25100	-.10600	-.17500
.590	6.980	.00700	-.20200	-.28500	-.25000	-.11000	-.17600
.590	7.410	.00700	-.20200	-.28100	-.25000	-.11400	-.17900
.590	7.870	.00000	-.20600	-.28800	-.25300	-.11700	-.18000
.590	8.290	.00000	-.20700	-.28700	-.25200	-.11900	-.18000
.591	8.740	.00000	-.20600	-.28800	-.25200	-.12000	-.18100
.591	9.180	-.00200	-.21000	-.29100	-.25400	-.12300	-.18200
.590	9.600	.00200	-.20400	-.28400	-.24800	-.11700	-.17800
.590	10.040	.00000	-.20600	-.28600	-.25000	-.12000	-.17800
.590	10.520	.00000	-.20800	-.28700	-.25000	-.12200	-.17800
.590	10.910	-.00500	-.21500	-.30100	-.25900	-.12700	-.18100
.590	11.390	-.00400	-.21400	-.30000	-.26000	-.13000	-.18200
.589	11.840	-.00400	-.21700	-.30400	-.26200	-.13200	-.18100
.589	12.250	-.00700	-.22200	-.31100	-.26500	-.13200	-.18200
.589	12.720	-.00800	-.22500	-.31500	-.26700	-.13300	-.18000
.588	13.180	-.00600	-.22600	-.31700	-.27000	-.13300	-.18200
.589	13.630	-.01200	-.23300	-.32400	-.27500	-.13800	-.18300
.588	14.070	-.01000	-.23600	-.32800	-.27700	-.13900	-.18300
.588	14.510	-.00800	-.23600	-.32900	-.27700	-.13700	-.18100
.588	14.940	-.01500	-.24500	-.33700	-.28400	-.14200	-.18500
.588	15.380	-.01600	-.25100	-.34300	-.29100	-.14400	-.18600
.589	15.820	-.01600	-.25300	-.34700	-.29300	-.14600	-.18500
.588	16.260	-.02000	-.25900	-.35700	-.30100	-.14900	-.18600
.588	16.710	-.02100	-.26500	-.36800	-.31000	-.15600	-.18800
.588	17.140	-.01700	-.27200	-.37300	-.31300	-.15200	-.18600
	GRADIENT	-.00560	.00155	.00162	.00258	-.00434	-.00206

LTV44-559(CA26) 02 51

(BFED09) ( 18 NOV 75 )

## REFERENCE DATA

SREF = 2690.0000 SQ.FT. XMRP = 1109.0000 IN. XO  
 LREF = 474.8100 IN. YMRP = .0000 IN. YO  
 BREF = 936.6800 IN. ZMRP = 375.0000 IN. ZO  
 SCALE = .0125

## PARAMETRIC DATA

BETA0 = .000 ELEVON = .000  
 BDFLAP = 16.300

RUN NO. 10/ 0 RN/L = .00 GRADIENT INTERVAL = -5.00/ 5.00

MACH	ALPHA0	CPC0	CPB1	CPB2	CPB3	CPS1	CPS2
.591	.090	.03500	-.21600	-.30700	-.27800	-.09000	-.17300
.590	.430	.03000	-.21600	-.31300	-.28400	-.09400	-.17700
.591	.840	.02600	-.21500	-.30600	-.28100	-.09600	-.17500
.589	1.290	.02400	-.21700	-.31100	-.28200	-.09700	-.17900
.590	1.740	.02300	-.21400	-.30500	-.28100	-.10100	-.18100
.590	2.170	.01800	-.21500	-.30400	-.28100	-.10200	-.17900
.589	2.580	.01500	-.21600	-.30800	-.28000	-.10600	-.18400
.590	3.040	.01000	-.21400	-.30500	-.27900	-.10800	-.18400
.592	3.460	.01100	-.21000	-.29900	-.27300	-.10900	-.18200
.590	3.900	.00900	-.21000	-.29700	-.27400	-.10900	-.18400
.591	4.350	.00700	-.20900	-.29100	-.27100	-.11200	-.18500
.590	4.800	.00200	-.20800	-.29300	-.27500	-.11400	-.18700
.591	5.220	.00400	-.20500	-.28900	-.27000	-.11700	-.18600
.589	5.660	.00100	-.20700	-.28800	-.27200	-.11900	-.19000
.589	5.120	-.00100	-.20300	-.28600	-.27200	-.12100	-.19000
.589	6.550	-.00400	-.20500	-.28700	-.27200	-.12700	-.19200
.588	6.990	-.00300	-.20100	-.28400	-.27000	-.12100	-.19200
.590	7.430	-.00300	-.19600	-.27700	-.26500	-.12600	-.19000
.588	7.860	-.00500	-.20600	-.28800	-.26700	-.12900	-.19500
.588	8.310	-.00700	-.20700	-.28900	-.27000	-.12900	-.19400
.590	8.750	-.00900	-.20700	-.28400	-.26700	-.13200	-.19100
.590	9.180	-.00800	-.20600	-.28400	-.26700	-.13400	-.19100
.590	9.620	-.00800	-.20700	-.28800	-.26800	-.13600	-.19100
.590	10.060	-.00800	-.20500	-.29000	-.27000	-.13600	-.19200
.589	10.510	-.01100	-.21100	-.29700	-.27300	-.13900	-.19300
.591	10.940	-.01100	-.21000	-.29600	-.27300	-.14000	-.19100
.588	11.410	-.01200	-.21500	-.30700	-.27700	-.14100	-.19600
.588	11.860	-.01200	-.21800	-.31500	-.28400	-.14200	-.19600
.588	12.310	-.01300	-.22200	-.31900	-.28300	-.14300	-.19400
.589	12.750	-.01200	-.22400	-.32900	-.29100	-.14600	-.19400
.590	13.200	-.01600	-.22900	-.32900	-.28900	-.14600	-.19200
.590	13.630	-.01900	-.23500	-.33900	-.29900	-.15000	-.19500
.589	14.130	-.01900	-.24400	-.35300	-.30300	-.15400	-.19900
.590	14.520	-.02200	-.24900	-.35500	-.30700	-.15400	-.19900
.589	14.960	-.02200	-.25600	-.36500	-.31200	-.15900	-.20000
.587	15.410	-.02600	-.26600	-.37500	-.31900	-.16200	-.20200
.587	15.840	-.02800	-.27400	-.38600	-.32700	-.16500	-.20600
.588	16.280	-.02900	-.27800	-.39000	-.33200	-.16500	-.20500
.588	16.720	-.03200	-.28400	-.39700	-.33800	-.17000	-.20500
.589	17.180	-.03000	-.29000	-.40300	-.34500	-.17000	-.20500
GRADIENT		-.00642	.00179	.00383	.00205	-.00486	-.00256

DATE 22 MAR 76

## CA-26 FORCE SOURCE DATA TABULATION

PAGE 185

LTV44-559(CA26) 02 S1

(BFE010) ( 18 NOV 75 )

## REFERENCE DATA

SREF = 2690.0000 SQ.FT. XMRP = 1109.0000 IN. XO  
 LREF = 474.8100 IN. YMRP = .0000 IN. YO  
 BREF = 936.6800 IN. ZMRP = 375.0000 IN. ZO  
 SCALE = .0125

## PARAMETRIC DATA

BETA0 = .000 ELEVON = .000  
 BDFLAP = -11.700

RUN NO. 11/ 0 RN/L = .00 GRADIENT INTERVAL = -5.00/ 5.00

MACH	ALPHA0	CPC0	CPB1	CPB2	CPB3	CPS1	CPS2
.593	.010	.03400	-.22300	-.30300	-.28400	-.08400	-.17500
.597	.370	.02900	-.22400	-.30400	-.28000	-.08500	-.17400
.596	.750	.02400	-.22200	-.30500	-.28000	-.08800	-.17600
.596	1.220	.02100	-.22200	-.30100	-.27600	-.08600	-.17400
.595	1.660	.02300	-.22100	-.30400	-.27600	-.08700	-.17500
.595	2.080	.01700	-.21900	-.30400	-.27900	-.09600	-.17900
.596	2.540	.01400	-.22000	-.30300	-.27800	-.09600	-.17800
.597	2.960	.01200	-.21600	-.29900	-.27300	-.09800	-.17700
.596	3.400	.00700	-.21900	-.29500	-.27600	-.09900	-.18100
.595	3.850	.00800	-.21700	-.29400	-.27200	-.10300	-.18100
.596	4.290	.00700	-.21300	-.28800	-.26700	-.10300	-.17900
.594	4.710	.00000	-.21400	-.29600	-.27200	-.10700	-.18500
.596	5.180	.00100	-.20900	-.29200	-.26800	-.10600	-.18200
.595	5.610	-.00100	-.21100	-.29300	-.26600	-.11000	-.18700
.595	6.040	-.00100	-.21100	-.28700	-.26400	-.11000	-.18500
.594	6.480	-.00300	-.21200	-.29300	-.26600	-.11600	-.18700
.597	6.940	.00000	-.20700	-.28700	-.26000	-.11400	-.18600
.596	7.390	-.00200	-.20600	-.28500	-.26000	-.11400	-.18600
.594	7.820	-.00600	-.20800	-.28000	-.26200	-.11900	-.18600
.595	8.270	-.00700	-.20900	-.28600	-.26000	-.11600	-.18700
.595	8.700	-.00700	-.20800	-.28600	-.25900	-.11800	-.18500
.597	9.160	-.00500	-.20300	-.28200	-.25400	-.11800	-.18200
.596	9.600	-.01000	-.20600	-.28600	-.25900	-.12000	-.18600
.597	10.030	-.00800	-.20400	-.28000	-.25500	-.12000	-.18500
.594	10.490	-.01200	-.20700	-.29300	-.25900	-.12500	-.19100
.596	10.920	-.01000	-.20500	-.28700	-.25700	-.12200	-.18700
.595	11.390	-.01100	-.21000	-.29200	-.26300	-.13200	-.18700
.594	11.840	-.01100	-.21200	-.29700	-.26500	-.13300	-.18800
.596	12.270	-.01200	-.20900	-.29500	-.26500	-.12700	-.18500
.596	12.740	-.01000	-.21300	-.30200	-.26700	-.13000	-.18400
.596	13.200	-.01500	-.21800	-.30700	-.27300	-.13100	-.18700
.595	13.630	-.01300	-.22200	-.31300	-.27500	-.13600	-.18700
.596	14.070	-.01900	-.22600	-.31500	-.27900	-.13700	-.18800
.595	14.510	-.02000	-.23500	-.32300	-.28400	-.14300	-.19100
.595	14.950	-.01900	-.23500	-.32300	-.28900	-.14200	-.19000
.597	15.400	-.02200	-.23400	-.32600	-.29000	-.14000	-.18800
.595	15.850	-.02100	-.24200	-.33600	-.29300	-.14500	-.19200
.595	16.290	-.02200	-.24900	-.34200	-.30000	-.14700	-.19300
.594	16.740	-.02800	-.25700	-.35000	-.31100	-.15200	-.19300
.595	17.180	-.02800	-.26400	-.36600	-.32000	-.15400	-.19600
	GRADIENT	-.00636	.00212	.00279	.00254	-.00499	-.00186

LTV44-559(CA26) 02 S1

(BFE011) ( 18 NOV 75 )

## REFERENCE DATA

SREF = 2690.0000 SQ.FT. XMRP = 1109.0000 IN. XO  
 LREF = 474.8100 IN. YMRP = .0000 IN. YO  
 BREF = 936.6800 IN. ZMRP = 375.0000 IN. ZO  
 SCALE = .0125

## PARAMETRIC DATA

BETA0 = .000 ELEVON = .000  
 BDFLAP = 5.000

RUN NO. 12/ 0 RN/L = .00 GRADIENT INTERVAL = -5.00/ 5.00

MACH	ALPHA0	CPC0	CPB1	CPB2	CPB3	CPS1	CPS2
.593	.050	.02600	-.21700	-.31600	-.28600	-.09300	-.19200
.594	.610	.02400	-.21300	-.31300	-.28200	-.09300	-.19400
.594	1.050	.01800	-.21500	-.31500	-.28400	-.09700	-.19600
.593	1.490	.01400	-.21500	-.31700	-.28500	-.10100	-.19700
.594	1.940	.01400	-.21400	-.31500	-.28300	-.10200	-.19600
.593	2.360	.00500	-.22000	-.32200	-.28700	-.10700	-.20200
.593	2.810	.00600	-.21600	-.31500	-.27900	-.10500	-.19900
.593	3.230	.00400	-.21500	-.31500	-.27900	-.10700	-.20100
.592	3.680	.00000	-.21600	-.31500	-.28000	-.11200	-.20500
.593	4.140	-.00500	-.21900	-.31500	-.27700	-.11400	-.20800
.593	4.570	-.00700	-.21800	-.31600	-.27700	-.11400	-.20700
.594	5.010	-.00700	-.21300	-.31700	-.27600	-.11800	-.20800
.593	5.450	-.00800	-.21200	-.31700	-.27700	-.12000	-.20900
.593	5.900	-.01400	-.21500	-.31600	-.27400	-.12200	-.21100
.593	6.320	-.01700	-.21700	-.31200	-.27300	-.12500	-.21500
.593	6.770	-.01800	-.21800	-.31500	-.27500	-.12800	-.21600
.592	7.200	-.01400	-.21200	-.31100	-.27200	-.12600	-.21200
.591	7.640	-.01800	-.21500	-.31600	-.27600	-.13100	-.21500
.592	8.080	-.02000	-.21500	-.31600	-.27500	-.13300	-.21600
.593	8.520	-.01800	-.21400	-.31600	-.27300	-.13200	-.21400
.593	8.960	-.01900	-.21700	-.31600	-.27300	-.13100	-.21400
.593	9.420	-.02200	-.22000	-.32000	-.27500	-.13400	-.21700
.592	9.840	-.02000	-.21800	-.32400	-.27600	-.13600	-.21600
.594	10.300	-.02600	-.22100	-.31900	-.27500	-.13700	-.21900
.594	10.740	-.02700	-.22400	-.32400	-.27400	-.13900	-.21900
.594	11.180	-.02400	-.22500	-.33000	-.27800	-.14000	-.21500
.592	11.630	-.02700	-.22900	-.33800	-.28400	-.14600	-.21900
.593	12.070	-.02600	-.22900	-.34200	-.28600	-.14500	-.21700
.593	12.530	-.02700	-.23200	-.34700	-.28900	-.14600	-.21900
.593	12.970	-.03300	-.23600	-.35200	-.29300	-.15200	-.22200
.593	13.410	-.03800	-.24700	-.36000	-.29800	-.15600	-.22500
.592	13.860	-.03900	-.25100	-.36600	-.30400	-.15900	-.22600
.591	14.310	-.03700	-.25200	-.36800	-.30700	-.16100	-.22600
.592	14.760	-.04300	-.25700	-.37300	-.30900	-.16200	-.22700
.592	15.210	-.04200	-.26300	-.38300	-.31700	-.16400	-.22900
.592	15.630	-.04400	-.26800	-.39100	-.32300	-.16600	-.23000
.592	16.090	-.04800	-.27500	-.39700	-.32700	-.16700	-.23000
.592	16.540	-.04600	-.27700	-.40200	-.33300	-.17400	-.23200
.592	16.980	-.04900	-.28700	-.41600	-.34300	-.17500	-.23100
	GRADIENT	-.00741	-.00068	-.00008	.00190	-.00508	-.00345



DATE 22 MAR 76

## CA-26 FORCE SOURCE DATA TABULATION

PAGE 187

LTV44-559(CA26) 06 51

(BFEO12) ( 18 NOV 75 )

## REFERENCE DATA

SREF = 2690.0000 SQ.FT. XMRP = 1109.0000 IN. XO  
 LREF = 474.8100 IN. YMRP = .0000 IN. YO  
 BREF = 936.6800 IN. ZMRP = 375.0000 IN. ZO  
 SCALE = .0125

## PARAMETRIC DATA

BETA0 = .000 ELEVON = .000

RUN NO. 14/ 0 RN/L = .00 GRADIENT INTERVAL = -5.00/ 5.00

MACH	ALPHA0	CPC0	CPS1	CPS2
.591	.030	-.01600	-.10300	-.20700
.592	.390	-.01700	-.09800	-.20500
.592	.800	-.01900	-.10200	-.20700
.591	1.240	-.02400	-.10200	-.20700
.591	1.690	-.02700	-.11000	-.21100
.591	2.120	-.02800	-.10700	-.20800
.591	2.580	-.02800	-.11000	-.20900
.591	3.000	-.02900	-.11200	-.21000
.591	3.430	-.03600	-.11300	-.21100
.591	3.880	-.03200	-.11400	-.21000
.590	4.310	-.03900	-.11600	-.21300
.591	4.750	-.04200	-.11800	-.21600
.591	5.170	-.04500	-.12400	-.21800
.590	5.620	-.04700	-.12600	-.22000
.591	6.080	-.04700	-.12800	-.21800
.591	6.510	-.05000	-.12900	-.21900
.592	6.970	-.05000	-.13200	-.21900
.591	7.390	-.05100	-.13200	-.21900
.590	7.860	-.05400	-.13700	-.22300
.591	8.280	-.05400	-.13500	-.22200
.590	8.710	-.05500	-.13500	-.22100
.592	9.160	-.05600	-.13800	-.22200
.592	9.580	-.05700	-.13900	-.22300
.590	10.040	-.05300	-.13700	-.22000
.592	10.480	-.05600	-.14300	-.22300
.592	10.900	-.05800	-.14500	-.22200
.591	11.390	-.06000	-.14400	-.22200
.590	11.820	-.06900	-.15200	-.22900
.590	12.260	-.06500	-.15100	-.22500
.590	12.710	-.06900	-.15300	-.22600
.590	13.180	-.06700	-.15300	-.22600
.590	13.630	-.07300	-.15700	-.22900
.590	14.080	-.07700	-.16100	-.23200
.590	14.490	-.07400	-.16300	-.23300
.590	14.950	-.07900	-.16500	-.23400
.590	15.390	-.08200	-.17000	-.23700
.590	15.860	-.08000	-.16900	-.23700
.589	16.290	-.08300	-.17300	-.24000
.590	16.690	-.08700	-.18000	-.24300
.589	17.160	-.08500	-.17900	-.24200
	GRADIENT	-.00516	-.00384	-.00170

LTV44-559(CA26) 06 S1

(BFE013) ( 18 NOV 75 )

## REFERENCE DATA

SREF = 2690.0000 SQ.FT. XMRP = 1109.0000 IN. XO  
 LREF = 474.8100 IN. YMRP = .0000 IN. YO  
 BREF = 936.6800 IN. ZMRP = 375.0000 IN. ZO  
 SCALE = .0125

## PARAMETRIC DATA

BETA0 = -5.000 ELEVON = .000

RUN NO. 15/ 0 RN/L = .00 GRADIENT INTERVAL = -5.00/ 5.00

MACH	ALPHA0	CPC0	CPS1	CPS2
.593	.000	-.06500	-.31800	-.04100
.594	.390	-.06700	-.32700	-.04400
.594	.800	-.06800	-.32900	-.04500
.593	1.230	-.06900	-.32800	-.04800
.593	1.620	-.07200	-.32900	-.04800
.591	2.100	-.07800	-.33200	-.05500
.592	2.560	-.07900	-.32400	-.05500
.593	3.000	-.08200	-.32300	-.05600
.593	3.450	-.08300	-.32100	-.05600
.594	3.860	-.08300	-.31800	-.05600
.593	4.310	-.08700	-.31500	-.06000
.593	4.740	-.09200	-.31800	-.06500
.593	5.160	-.09400	-.31600	-.06600
.593	5.620	-.09400	-.31600	-.06500
.592	6.060	-.09300	-.31300	-.06400
.593	6.480	-.09100	-.31300	-.06300
.591	6.920	-.09300	-.31600	-.06700
.592	7.360	-.09400	-.31600	-.06800
.592	7.820	-.10200	-.32400	-.06900
.592	8.250	-.11400	-.33100	-.07200
.593	8.720	-.12500	-.33500	-.07600
.593	9.160	-.13500	-.34300	-.07700
.593	9.600	-.14100	-.34800	-.07600
.593	10.060	-.14800	-.35200	-.07600
.593	10.500	-.15400	-.35600	-.07600
.593	10.940	-.16400	-.36100	-.07600
.593	11.380	-.17100	-.36800	-.07800
.594	11.830	-.17400	-.37300	-.07500
.593	12.260	-.18000	-.38100	-.07900
.593	12.730	-.18400	-.39200	-.07800
.592	13.170	-.17800	-.39600	-.08200
.592	13.610	-.18400	-.40400	-.08300
.592	14.070	-.18400	-.40800	-.08700
.591	14.500	-.18500	-.41300	-.08600
.591	14.960	-.18300	-.41800	-.08800
.593	15.380	-.17800	-.41900	-.08800
.591	15.840	-.18100	-.42500	-.08800
.592	16.270	-.18600	-.42700	-.08500
.594	16.710	-.18600	-.42900	-.08500
.593	17.150	-.19200	-.43300	-.08800
	GRADIENT	-.00550	.00201	-.00441

DATE 22 MAR 76

CA-26 FORCE SOURCE DATA TABULATION

PAGE 189

LTV44-559(CA26) 06 S1

(BFE014) ( 18 NOV 75 )

REFERENCE DATA

SREF = 2690.0000 SQ.FT. XMRP = 1109.0000 IN. XO  
 LREF = 474.8100 IN. YMRP = .0000 IN. YO  
 BREF = 936.6800 IN. ZMRP = 375.0000 IN. ZO  
 SCALE = .0125

PARAMETRIC DATA

BETA0 = .000 ELEVON = 5.000

RUN NO. 16/ 0 RN/L = .00 GRADIENT INTERVAL = -5.00/ 5.00

MACH	INCID	CPCO	CPS1	CPS2
.593	.170	-.02200	-.10200	-.20900
.594	.510	-.02300	-.10000	-.20900
.595	.910	-.02500	-.10400	-.21200
.594	1.380	-.03000	-.11000	-.21400
.593	1.820	-.03000	-.10700	-.21100
.594	2.260	-.03300	-.11000	-.21100
.594	2.690	-.03400	-.11200	-.21400
.594	3.120	-.03600	-.11100	-.21300
.593	3.570	-.03800	-.11400	-.21400
.595	4.010	-.04200	-.11800	-.21800
.594	4.460	-.04700	-.12200	-.22000
.595	4.890	-.04600	-.12000	-.21900
.5511	5.310	-.04600	-.12000	-.22000
.594	5.760	-.04900	-.12200	-.22000
.593	6.190	-.05400	-.12900	-.22400
.593	6.640	-.05200	-.12800	-.22300
.593	7.100	-.05400	-.13200	-.22300
.593	7.520	-.05600	-.13100	-.22400
.593	7.980	-.05500	-.13300	-.22400
.594	8.400	-.05600	-.13300	-.22400
.593	8.860	-.05700	-.13300	-.22400
.593	9.300	-.06000	-.13800	-.22700
.594	9.740	-.06100	-.13800	-.22600
.593	10.190	-.06100	-.14000	-.22600
.593	10.640	-.06000	-.14400	-.22900
.594	11.080	-.06400	-.14300	-.23000
.593	11.520	-.06600	-.14500	-.23100
.594	11.990	-.06600	-.14900	-.22900
.594	12.420	-.06800	-.14700	-.22900
.593	12.880	-.06800	-.15000	-.22900
.594	13.330	-.07000	-.15200	-.23100
.593	13.750	-.07200	-.15100	-.23200
.591	14.220	-.07500	-.15600	-.23500
.592	14.630	-.08000	-.15700	-.23900
.592	15.070	-.08200	-.15800	-.24100
.592	15.520	-.08400	-.16100	-.24200
.592	15.970	-.08600	-.16900	-.24600
.593	16.400	-.08600	-.16600	-.24500
.592	16.860	-.08600	-.17100	-.24600
.592	17.300	-.08800	-.17600	-.24700
	GRADIENT	-.00529	-.00425	-.00209

ORIGINAL PAGE IS  
OF POOR QUALITY

LTV44-559(CA26) 06 S1

(BFE015) ( 18 NOV 75 )

## REFERENCE DATA

## PARAMETRIC DATA

SREF = 2690.0000 SQ.FT. XMRP = 1109.0000 IN. XO  
 LREF = 474.8100 IN. YMRP = .0000 IN. YO  
 BREF = 936.6800 IN. ZMRP = 375.0000 IN. ZO  
 SCALE = .0125

BETA0 = -5.000 ELEVON = 5.000

RUN NO. 1016/ 0 RN/L = .00 GRADIENT INTERVAL = -5.00/ 5.00

MACH	INCID	CPC0	CPS1	CPS2
.596	.150	-.11800	-.37100	-.05600
.596	.720	-.11800	-.36900	-.05500
.596	1.130	-.11500	-.36600	-.05700
.595	1.580	-.11800	-.36900	-.05400
.596	2.000	-.11900	-.36800	-.05700
.596	2.460	-.11900	-.36500	-.05700
.594	2.900	-.12600	-.37400	-.06100
.594	3.330	-.12600	-.37300	-.06100
.595	3.750	-.12700	-.37400	-.05900
.594	4.210	-.12600	-.36800	-.05900
.594	4.640	-.12700	-.36800	-.06200
.594	5.090	-.12700	-.36700	-.05900
.595	5.510	-.13000	-.36700	-.06000
.594	5.950	-.12600	-.36300	-.05800
.594	6.410	-.12600	-.36100	-.05900
.594	6.830	-.12800	-.36400	-.06000
.593	7.280	-.13200	-.36700	-.06000
.595	7.720	-.13600	-.37000	-.05800
.594	8.170	-.14500	-.37800	-.06200
.594	8.620	-.15500	-.38400	-.06200
.595	9.080	-.15700	-.38100	-.06200
.596	9.490	-.16600	-.38400	-.06000
.594	9.970	-.17200	-.38800	-.06000
.593	10.390	-.18200	-.39100	-.06100
.593	10.840	-.18800	-.39700	-.05900
.594	11.280	-.19600	-.40600	-.06100
.593	11.720	-.19800	-.41100	-.05900
.593	12.190	-.19900	-.41900	-.06300
.593	12.630	-.19900	-.42300	-.06300
.594	13.070	-.20000	-.43300	-.06400
.594	13.520	-.20400	-.44000	-.06600
.592	13.970	-.20400	-.44600	-.07000
.592	14.430	-.20200	-.44800	-.06900
.592	14.850	-.20400	-.45300	-.06900
.594	15.310	-.20400	-.45400	-.06800
.591	15.730	-.20700	-.45900	-.07100
.591	16.180	-.21100	-.46300	-.07200
.592	16.620	-.21100	-.46200	-.06800
.592	17.060	-.20800	-.46300	-.06800
.591	17.270	-.21000	-.46300	-.06800
	GRADIENT	-.00278	-.00038	-.00143

DATE 22 MAR 76

CA-26 FORCE SOURCE DATA TABULATION

PAGE 191

LTV44-559(CA26) 747/1 ATY 02 S1 (ORBITER DATA)

(8FE030) ( 18 NOV 75 )

## REFERENCE DATA

SREF = 2690.0000 SQ FT. XMRP = 1109.0000 IN. XO  
 LREF = 474.8100 IN. YMRP = .0000 IN. YO  
 BREF = 936.6800 IN. ZMRP = 375.0000 IN. ZO  
 SCALE = .0125

## PARAMETRIC DATA

ALPHAC = .000 BETAC = .000  
 STAB = 5.000 ELEVON = 5.000  
 RUDDER = .000 DX = .000  
 DY = .000 IORB = 4.000  
 BETAO = .000 DPHI = .000

RUN NO. 30/ 0 RN/L = .00 GRADIENT INTERVAL = -5.00/ 5.00

MACH	DZ	CPCO	CPB1	CPB2	CPB3	CPS1	CPS2	ALPHA	BETAO	INCID	ALPHAC
.627	1.460	.03000	-.21500	-.26900	-.24100	-.11500	-.16000	3.94000	.05000	3.85755	.07000
.625	2.760	.02300	-.22100	-.27000	-.24000	-.11500	-.16200	3.92000	.04000	3.82988	.07000
.625	4.050	.02300	-.22100	-.27300	-.24100	-.11500	-.16200	3.92000	.05000	3.82227	.07000
.626	5.350	.02900	-.21600	-.26900	-.24100	-.11700	-.16100	3.92000	.06000	3.80460	.08000
.624	6.650	.02700	-.21900	-.27300	-.24500	-.11900	-.16400	3.89000	.07000	3.77693	.07000
.624	7.950	.02700	-.21900	-.27300	-.24300	-.12000	-.16200	3.92000	.08000	3.79932	.07000
.627	9.240	.02300	-.22100	-.27300	-.24300	-.11400	-.15900	3.91000	.08000	3.77165	.08000
.628	10.540	.02700	-.22100	-.26800	-.24100	-.10500	-.15800	3.88000	.04000	3.74404	.07000
.625	11.830	.03000	-.22000	-.26900	-.24300	-.10600	-.16100	3.89000	.08000	3.74637	.07000
.624	13.130	.02900	-.22100	-.27400	-.24500	-.10900	-.16200	3.86000	.06000	3.70870	.07000
.623	14.420	.02900	-.22300	-.27300	-.24400	-.10700	-.16000	3.89000	.08000	3.73103	.07000
.625	15.720	.02700	-.22200	-.27000	-.24400	-.10700	-.16100	3.88000	.07000	3.71342	.07000
.625	17.020	.03100	-.22200	-.27300	-.24500	-.10600	-.16000	3.84000	.05000	3.66575	.07000
.627	18.320	.02900	-.22200	-.27100	-.24200	-.10600	-.16100	3.86000	.06000	3.67814	.07000
.627	19.610	.02700	-.22300	-.26800	-.24000	-.10300	-.15800	3.80000	.05000	3.61047	.07000
.625	20.910	.03000	-.22200	-.27000	-.24300	-.10400	-.16500	3.84000	.06000	3.64286	.07000
.623	22.200	.03200	-.22300	-.27200	-.24200	-.10200	-.16100	3.82000	.08000	3.61524	.07000
.624	23.490	.02700	-.22400	-.27200	-.24600	-.10800	-.16400	3.79000	.02000	3.57757	.07000
.624	24.790	.02900	-.22300	-.27000	-.24300	-.10300	-.15800	3.78000	.04000	3.54990	.08000
.625	26.080	.02800	-.22600	-.26900	-.24600	-.10800	-.16400	3.80000	.05000	3.56223	.08000
.627	27.380	.03200	-.21900	-.26800	-.24000	-.10400	-.15700	3.81000	.04000	3.56462	.08000
.626	28.680	.03100	-.22000	-.27000	-.24100	-.10100	-.15700	3.77000	.05000	3.51695	.08000
.626	29.970	.03300	-.22100	-.26800	-.24000	-.10000	-.15700	3.80000	.04000	3.53934	.08000
.625	31.270	.03200	-.22100	-.26700	-.24200	-.10200	-.15900	3.78000	.03000	3.52167	.07000
.626	32.570	.03200	-.22800	-.26700	-.24500	-.10500	-.16000	3.75000	.01000	3.47406	.08000
.626	33.860	.03400	-.22600	-.26800	-.24500	-.10200	-.16000	3.74000	.02000	3.46639	.07000
.628	35.160	.03600	-.22100	-.26600	-.24000	-.10300	-.15800	3.75000	.03000	3.46878	.07000
.626	36.460	.03600	-.22200	-.26500	-.24100	-.10300	-.15600	3.74000	.05000	3.44105	.08000
.628	37.750	.03100	-.22500	-.26900	-.24400	-.10400	-.16200	3.73000	.03000	3.43344	.07000
.625	39.050	.03200	-.22200	-.26700	-.23900	-.10300	-.16000	3.73000	.03000	3.42577	.07000
.627	40.340	.03500	-.22400	-.26600	-.24400	-.10100	-.16000	3.73000	.04000	3.41816	.07000
.626	41.640	.03400	-.22200	-.26700	-.24200	-.10300	-.15800	3.71000	.02000	3.38049	.08000
.623	42.940	.03500	-.22600	-.26900	-.24600	-.10300	-.16200	3.69000	.00000	3.36288	.07000
.626	44.240	.03600	-.22300	-.26800	-.24100	-.10200	-.16000	3.68000	.01000	3.34521	.07000
.625	45.530	.03300	-.22100	-.26800	-.24000	-.10200	-.15900	3.70000	.05000	3.35754	.07000
.625	46.830	.03600	-.22800	-.26500	-.24400	-.10300	-.15900	3.69000	.04000	3.32993	.08000
.626	48.120	.03300	-.22500	-.26500	-.24300	-.10300	-.16200	3.67000	.02000	.00000	.08000
GRADIENT		-.00271	-.00232	-.00154	.00000	.00000	-.00077	-.00773	-.00001	-.01363	-.00000

ORIGINAL PAGE IS  
OF POOR QUALITY

LTV44-559(CA26) 747/1 ATY 02 S1 (ORBITER DATA)

(BFE031) ( 18 NOV 75 )

## REFERENCE DATA

SREF = 2690.0000 SQ.FT. XMRP = 1109.0000 IN. XO  
 LREF = 474.8100 IN. YMRP = .0000 IN. YO  
 BREF = 936.6800 IN. ZMRP = 375.0000 IN. ZO  
 SCALE = .0125

## PARAMETRIC DATA

ALPHAC = .000 BETAC = .000  
 STAB = 5.000 ELEVON = 5.000  
 RUDDER = .000 DX = .000  
 DY = .000 IORB = 6.000  
 BETAO = .000 DPFI = .000

RUN NO. 1030/ 0 RN/L = .00 GRADIENT INTERVAL = -5.00/ 5.00

MACH	DZ	CPCO	CPB1	CPB2	CPB3	CPS1	CPS2	ALPHAO	BETAO	INCID	ALPHAC
.622	1.480	.04500	-.19500	-.21700	-.20100	-.08700	-.14900	5.99000	.03000	.00000	.12000
.625	2.050	.04700	-.19000	-.21700	-.19800	-.08500	-.14700	5.97000	.04000	5.84127	.12000
.625	3.210	.04700	-.18600	-.21500	-.19800	-.08300	-.14900	5.99000	.05000	5.85448	.12000
.623	4.370	.04400	-.19400	-.21800	-.20500	-.08700	-.15100	5.98000	.03000	5.83764	.12000
.625	5.530	.04300	-.19000	-.21500	-.20200	-.08400	-.15000	5.94000	.06000	5.79080	.12000
.621	6.690	.04300	-.19600	-.21900	-.20800	-.09000	-.15300	5.95000	.04000	5.81395	.10000
.625	7.850	.04500	-.19100	-.22000	-.20200	-.08800	-.15000	5.92000	.04000	5.77711	.10000
.623	9.010	.04400	-.19600	-.22100	-.20400	-.08900	-.15200	5.93000	.05000	5.78026	.10000
.626	10.170	.04400	-.19600	-.22300	-.20600	-.09100	-.15300	5.90000	.02000	5.74342	.10000
.625	11.330	.04100	-.19700	-.22300	-.21000	-.09000	-.15400	5.90000	.03000	5.73658	.10000
.626	12.480	.04400	-.19600	-.22200	-.20700	-.08900	-.15100	5.92000	.05000	5.74979	.10000
.626	13.640	.04300	-.18900	-.21800	-.20500	-.08600	-.15100	5.88000	.05000	5.70295	.10000
.624	14.800	.04400	-.19100	-.21900	-.20800	-.08700	-.15100	5.87000	.03000	5.68610	.10000
.624	15.960	.04400	-.19900	-.22700	-.21100	-.09500	-.15500	5.88000	.04000	5.69926	.09000
.624	17.120	.04500	-.19800	-.22900	-.21100	-.09400	-.15500	5.89000	.04000	5.70241	.08000
.626	18.280	.04100	-.19500	-.22700	-.21100	-.08900	-.15500	5.84000	.03000	5.64557	.09000
.625	19.440	.04200	-.19500	-.22700	-.20900	-.08900	-.15300	5.84000	.02000	5.63873	.09000
.625	20.600	.04200	-.19600	-.22800	-.21300	-.09000	-.15400	5.83000	.02000	5.62188	.09000
.623	21.750	.04000	-.19900	-.24000	-.21600	-.09500	-.15900	5.85000	.04000	5.63504	.09000
.623	22.910	.04000	-.19900	-.23600	-.21300	-.09500	-.15700	5.81000	.03000	5.59825	.08000
.623	24.070	.04100	-.20200	-.23400	-.21600	-.09500	-.15600	5.80000	.02000	5.58141	.08000
.624	25.230	.03900	-.19900	-.23300	-.21500	-.09200	-.15800	5.81000	.04000	5.58457	.08000
.623	26.390	.03700	-.20000	-.23800	-.21800	-.09500	-.16000	5.82000	.03000	5.58772	.08000
.624	27.550	.03900	-.20200	-.23800	-.21900	-.09800	-.15800	5.78000	.05000	5.53088	.09000
.624	28.710	.03900	-.20400	-.23800	-.21900	-.10000	-.15900	5.79000	.04000	5.54403	.08000
.626	29.870	.04000	-.20300	-.23200	-.21900	-.09300	-.15700	5.76000	.05000	5.50719	.08000
.623	31.030	.03400	-.20500	-.24400	-.22200	-.10100	-.15900	5.79000	.00000	5.53035	.08000
.624	32.180	.03700	-.20700	-.24300	-.22100	-.10100	-.15800	5.75000	.06000	5.48350	.08000
.624	33.340	.03600	-.20700	-.24200	-.22300	-.10200	-.16000	5.76000	.00000	5.48672	.08000
.624	34.500	.03500	-.20500	-.24100	-.22300	-.09800	-.16000	5.72000	.01000	5.43987	.08000
.625	35.660	.03900	-.20700	-.24200	-.22300	-.10100	-.15600	5.74000	.05000	5.46303	.07000
.625	36.820	.04000	-.20700	-.24200	-.22300	-.09700	-.16000	5.76000	.00000	5.46618	.08000
.623	37.980	.03100	-.20700	-.24500	-.22600	-.10400	-.16400	5.73000	.00000	5.41934	.09000
.625	39.140	.03800	-.20800	-.24200	-.22600	-.09800	-.16000	5.75000	.01000	5.44250	.08000
.623	40.300	.03300	-.21200	-.24900	-.22800	-.10500	-.16300	5.73000	.03000	5.41565	.08000
.624	41.460	.03400	-.21100	-.25100	-.22700	-.10400	-.16100	5.69000	.04000	5.36881	.08000
.627	42.610	.03600	-.20900	-.24500	-.22900	-.10000	-.16000	5.72000	.01000	5.39202	.08000
.625	43.780	.03600	-.21200	-.24500	-.22700	-.10000	-.16000	5.67000	.07000	5.34518	.07000
.626	44.940	.02900	-.21100	-.24900	-.22700	-.10700	-.16200	5.72000	.01000	5.36828	.09000
.623	46.100	.03290	-.21500	-.25000	-.22900	-.10800	-.16400	5.67000	.05000	5.31143	.09000
.624	47.260	.03300	-.21400	-.25000	-.22900	-.10700	-.16100	5.67000	.06000	5.31459	.08000
.626	48.420	.03400	-.21600	-.25000	-.23200	-.10700	-.16100	5.69000	.00000	5.32774	.08000

DATE 22 MAR 76

CA-26 FORCE SOURCE DATA TABULATION

PAGE 193

LTV44-559(CA26) 747/1 ATY 02 S1 (ORBITER DATA)

(BFE031) ( 18 NOV 75 )

## REFERENCE DATA

SREF = 2690.0000 SQ.FT. XMRP = 1109.0000 IN. XO  
 LREF = 474.8100 IN. YMRP = .0000 IN. YO  
 BREF = 936.6800 IN. ZMRP = 375.0000 IN. ZO  
 SCALE = .0125

## PARAMETRIC DATA

ALPHAC = .000 BETAC = .000  
 STAB = 5.000 ELEVON = 5.000  
 RUDDER = .000 DX = .000  
 DY = .000 TORB = 6.000  
 BETA0 = .000 OPFI = .000

RUN NO. 1030/ 0 RN/L = .00 GRADIENT INTERVAL = -5.00/ 5.00

MACH	DZ	CPCO	CPB1	CPB2	CPB3	CPS1	CPS2	ALPHA0	BETA0	INCID	ALPHAC
.623	49.570	.03000	-.21600	-.25600	-.23500	-.10900	-.16500	5.65000	.00000	5.28096	.08000
.624	50.730	.02900	-.21400	-.25700	-.23200	-.11000	-.16400	5.69000	.03000	5.31412	.08000
.623	51.890	.02800	-.21700	-.25700	-.23500	-.10900	-.16700	5.64000	-.01000	5.25727	.08000
.623	53.050	.02800	-.21800	-.25600	-.23300	-.10900	-.17000	5.66000	.06000	5.26043	.09000
.625	54.210	.03200	-.21600	-.25400	-.23200	-.10700	-.16400	5.44000	.03000	5.04358	.08000
	GRADIENT	-.00044	.00037	-.00024	-.00147	.00006	-.00094	-.00028	.00028	1.53549	.00000

LTV44-559(CA26) 747/1 ATY 02 S1 (ORBITER DATA)

(BFE032) ( 18 NOV 75 )

## REFERENCE DATA

SREF = 2690.0000 SQ.FT. XMRP = 1109.0000 IN. XO  
 LREF = 474.8100 IN. YMRP = .0000 IN. YO  
 BREF = 936.6800 IN. ZMRP = 375.0000 IN. ZO  
 SCALE = .0125

## PARAMETRIC DATA

ALPHAC = .000 BETAC = .000  
 STAB = 5.000 ELEVON = 5.000  
 RUDDER = .000 DX = .000  
 DY = .000 IORB = 6.000  
 BETAO = .000 DPHI = .000

RUN NO. 2030/ 0 RN/L = .00 GRADIENT INTERVAL = -5.00/ 5.00

MACH	DZ	CPCO	CPB1	CPB2	CPB3	CPS1	CPS2	ALPHAO	BETAO	INCID	ALPHAC
.622	2.050	.04300	-.18900	-.21700	-.20100	-.08300	-.15000	6.00000	.06000	5.87448	.11000
.624	3.210	.04900	-.18800	-.21700	-.19700	-.08400	-.14800	5.98000	.03000	5.84764	.11000
.626	4.370	.04900	-.18800	-.21300	-.19500	-.08500	-.14600	5.94000	.04000	5.80080	.11000
.625	5.530	.05100	-.18500	-.21100	-.19300	-.08300	-.14500	5.95000	.05000	5.79395	.12000
.626	6.690	.05000	-.18700	-.21100	-.19600	-.08400	-.14600	5.95000	.04000	5.78711	.12000
.624	7.850	.04600	-.18900	-.21300	-.20000	-.08200	-.15000	5.94000	.04000	5.78026	.11000
.624	9.010	.04600	-.18700	-.21200	-.20000	-.08100	-.14900	5.94000	.04000	5.77342	.11000
.626	10.170	.04600	-.18800	-.21200	-.20100	-.08400	-.14700	5.91000	.06000	5.73659	.11000
.624	11.330	.04400	-.18600	-.21500	-.20200	-.08300	-.14900	5.89000	.05000	5.71979	.10000
.627	12.490	.04800	-.18700	-.21100	-.19600	-.08200	-.14700	5.91000	.04000	5.73289	.10000
.625	13.650	.04800	-.19000	-.21600	-.19700	-.08300	-.14900	5.89000	.04000	5.70604	.10000
.625	14.810	.04700	-.19300	-.21900	-.20100	-.08300	-.15200	5.87000	.03000	5.67920	.10000
.627	15.970	.04800	-.18800	-.20800	-.19600	-.08400	-.14700	5.89000	.04000	5.70236	.09000
.626	17.130	.05000	-.18800	-.21700	-.20100	-.07900	-.15100	5.87000	.05000	5.67551	.09000
.624	18.280	.05000	-.19100	-.21700	-.20200	-.08000	-.15000	5.85000	.06000	5.65873	.08000
.624	19.440	.04500	-.19500	-.21700	-.20200	-.08600	-.15200	5.82000	.03000	5.62188	.08000
.623	20.600	.05000	-.19000	-.21400	-.19900	-.08200	-.14600	5.83000	.03000	5.61504	.09000
.621	21.750	.04700	-.19600	-.22100	-.20100	-.08400	-.15300	5.86000	.04000	5.63825	.09000
.627	22.910	.05100	-.18800	-.21400	-.20100	-.07900	-.14600	5.80000	.05000	5.57135	.09000
.626	24.080	.04900	-.18800	-.21200	-.20100	-.08100	-.14700	5.82000	.04000	5.59451	.08000
.626	25.240	.05200	-.18900	-.21500	-.20100	-.07800	-.14600	5.81000	.05000	5.57766	.08000
.626	26.400	.05300	-.18900	-.21100	-.19900	-.07800	-.14600	5.81000	.05000	5.57082	.08000
.624	27.560	.04500	-.19700	-.21700	-.20200	-.08400	-.15100	5.78000	.03000	5.53397	.08000
.624	28.710	.04900	-.19300	-.21600	-.20400	-.08400	-.15100	5.77000	.06000	5.51719	.08000
.626	29.870	.04900	-.18900	-.21300	-.19500	-.07900	-.14800	5.79000	.04000	5.53035	.08000
.626	31.030	.05000	-.19200	-.21600	-.19700	-.07600	-.14900	5.75000	.03000	5.48350	.08000
.624	32.190	.04900	-.19500	-.21800	-.20400	-.08400	-.15000	5.79000	.03000	5.51666	.08000
.626	33.350	.05100	-.19300	-.21500	-.20100	-.08000	-.14800	5.76000	.03000	5.47981	.08000
.626	34.520	.05000	-.19100	-.21200	-.19700	-.07700	-.14800	5.76000	.04000	5.47297	.08000
.627	35.670	.04800	-.19000	-.21000	-.19800	-.07900	-.15000	5.76000	.06000	5.46613	.08000
.627	36.830	.05300	-.19300	-.21600	-.20200	-.08000	-.14900	5.74000	.03000	5.44928	.07000
.626	37.990	.05100	-.19100	-.21300	-.19900	-.07700	-.14900	5.71000	.01000	5.40244	.08000
.628	39.150	.04700	-.19400	-.21400	-.20000	-.07600	-.14800	5.73000	.04000	5.41559	.08000
.624	40.310	.05000	-.19200	-.21400	-.20100	-.07800	-.15100	5.72000	.01000	5.40875	.07000
.623	41.470	.05200	-.19300	-.21600	-.20100	-.07700	-.15000	5.71000	.04000	5.38191	.08000
.626	42.630	.04900	-.19500	-.21600	-.19900	-.07500	-.14800	5.69000	.00000	5.36506	.07000
.624	43.790	.05000	-.19500	-.21400	-.20000	-.07900	-.15000	5.71000	.02000	5.37822	.07000
.625	44.950	.05400	-.19100	-.21100	-.19700	-.07400	-.14500	5.68000	.01000	5.33143	.08000
.627	46.110	.05600	-.18800	-.20700	-.19500	-.07400	-.14500	5.69000	.00000	5.33453	.08000
.627	47.270	.05300	-.19100	-.21000	-.19600	-.07800	-.14500	5.69000	.05000	5.33769	.07000
.624	48.430	.05600	-.19100	-.20900	-.19600	-.07600	-.14400	5.65000	-.01000	5.28084	.08000
.626	49.590	.05000	-.19700	-.21400	-.20100	-.08100	-.14600	5.65000	.04000	5.28400	.07000



LTV44-559(CA26) 747/1 ATY 02 S1 (ORBITER DATA)

(BFE032) ( 18 NOV 75 )

## REFERENCE DATA

SREF = 2690.0000 SQ.FT. XMRP = 1109.0000 IN. XO  
 LREF = 474.8100 IN. YMRP = .0000 IN. YO  
 BREF = 936.6800 IN. ZMRP = 375.0000 IN. ZO  
 SCALE = .0125

## PARAMETRIC DATA

ALPHAC = .000 BETAC = .000  
 STAB = 5.000 ELEVON = 5.000  
 RUDDER = .000 DX = .000  
 DY = .000 IORB = 6.000  
 BETA0 = .000 DPHI = .000

RUN NO. 2030/ 0 RN/L = .00 GRADIENT INTERVAL = -5.00/ 5.00

MACH	DZ	CPCO	CPB1	CPB2	CPB3	CPS1	CPS2	ALPHAO	BETA0	INCID	ALPHAC
.626	50.750	.04900	-.19800	-.21600	-.20100	-.07700	-.14900	5.64000	.02000	5.26715	.07000
.626	51.900	.05000	-.19800	-.21600	-.20100	-.07600	-.15000	5.65000	-.01000	5.26037	.08000
.623	53.060	.05300	-.19600	-.21400	-.20100	-.07700	-.14800	5.66000	.03000	5.27352	.07000
.625	54.220	.05400	-.19300	-.21100	-.19700	-.07800	-.14200	5.62000	.04000	5.22668	.07000
.622	54.800	.05300	-.19500	-.21200	-.19800	-.07600	-.14600	5.64000	.02000	.00000	.07000
	GRADIENT	.00259	.00043	.00172	.00259	-.00086	.00172	-.02586	-.00862	-.03176	.00000

LTV44-559(CA26) 747/1 ATY 02 S1 (ORBITER DATA)

(BFE033) ( 18 NOV 75 )

## REFERENCE DATA

SREF = 2690.0000 SQ.FT. XMRP = 1109.0000 IN. XO  
 LREF = 474.8100 IN. YMRP = .0000 IN. YO  
 BREF = 936.6800 IN. ZMRP = 375.0000 IN. ZO  
 SCALE = .0125

## PARAMETRIC DATA

ALPHAC = .000 BETAC = .000  
 STAB = 5.000 ELEVON = 5.000  
 BDFLAP = .000 DX = .000  
 DY = .000 IORB = 6.000  
 BETA0 = .000 RUDDER = .000

RUN NO. 1034/ 0 RN/L = .00 GRADIENT INTERVAL = -5.00/ 5.00

MACH	DZ	CPCO	CPB1	CPB2	CPB3	CPS1	CPS2	ALPHAO	BETA0	INCID	ALPHAC
.617	1.480	-.07800	-.30600	-.43300	-.36800	-.23900	-.26100	6.00000	.04000	5.89000	.11000
.619	1.680	-.07700	-.30600	-.43100	-.36900	-.23700	-.25900	5.94000	.04000	5.83000	.11000
.619	2.080	-.07400	-.30100	-.42800	-.36800	-.23600	-.25400	5.96000	.04000	5.86000	.10000
.617	2.480	-.08400	-.30800	-.43700	-.37800	-.24600	-.26200	5.95000	.06000	5.84000	.12000
.619	3.290	-.07800	-.30100	-.43000	-.36700	-.23900	-.25700	5.98000	.07000	5.88000	.12000
.617	4.110	-.08100	-.30400	-.43800	-.37600	-.23900	-.26300	5.96000	.05000	5.87000	.11000
.620	4.910	-.08200	-.30300	-.42800	-.37200	-.24100	-.25700	5.93000	.08000	5.85000	.11000
.617	5.730	-.08500	-.30700	-.43300	-.37700	-.24700	-.26200	5.95000	.03000	5.87000	.11000
.617	6.540	-.08200	-.30400	-.43800	-.37900	-.24500	-.26400	5.95000	.04000	5.87000	.11000
.616	7.350	-.08100	-.30900	-.43900	-.37900	-.24500	-.26400	5.96000	.09000	5.89000	.11000
.617	8.170	-.08000	-.30900	-.43800	-.37800	-.24300	-.26200	5.91000	.05000	5.85000	.11000
.620	8.980	-.08100	-.30400	-.43100	-.37400	-.24400	-.26000	5.90000	.06000	5.84000	.10000
	GRADIENT	-.00140	.00076	.00005	-.00128	-.00061	-.00000	-.00807	.00997	.00022	.00083

LTV44-559(CA26) 747/1 ATY 02 S1 (ORBITER DATA)

(BFE034) ( 18 NOV 75 )

## REFERENCE DATA

SREF = 2690.0000 SQ.FT. XMRP = 1109.0000 IN. XO  
 LREF = 474.8100 IN. YMRP = .0000 IN. YO  
 BREF = 936.6800 IN. ZMRP = 375.0000 IN. ZO  
 SCALE = .0125

## PARAMETRIC DATA

ALPHAC = .000 BETAC = .000  
 STAB = 5.000 ELEVON = 5.000  
 BDFLAP = .000 DX = .000  
 DY = .000 IORB = 8.000  
 BETAD = .000 RUDDER = .000

RUN NO. 31/ 0 RN/L = .00 GRADIENT INTERVAL = -5.00/ 5.00

MACH	DZ	CPCO	CPB1	CPB2	CPB3	CPS1	CPS2	ALPHAO	BETAO	INCID	ALPHAC
.624	1.460	-.03500	-.25300	-.33900	-.28300	-.15600	-.24800	8.02000	.02000	7.86000	.15000
.625	2.770	-.03100	-.24900	-.33800	-.28700	-.15700	-.24500	7.99000	.00000	7.84000	.15000
.625	4.070	-.03600	-.25700	-.34100	-.28500	-.15600	-.24600	7.99000	.01000	7.86000	.15000
.625	5.370	-.03800	-.25700	-.34400	-.28800	-.16000	-.24800	7.98000	.04000	7.86000	.15000
.628	6.680	-.03900	-.25500	-.34600	-.28800	-.15800	-.24700	7.96000	.02000	7.85000	.15000
.626	7.990	-.03500	-.25300	-.34200	-.29100	-.16100	-.24600	7.99000	.02000	7.88000	.15000
.625	9.290	-.03900	-.25700	-.34800	-.29100	-.16400	-.24800	7.99000	.04000	7.90000	.14000
.626	10.600	-.03700	-.25400	-.35100	-.29500	-.16200	-.24600	7.93000	.00000	7.84000	.15000
.624	11.900	-.04100	-.26400	-.35500	-.29300	-.16600	-.25100	7.96000	.04000	7.89000	.14000
.625	13.200	-.03900	-.26100	-.35600	-.29800	-.16400	-.24900	7.91000	.00000	7.85000	.13000
.625	14.510	-.03900	-.25900	-.35700	-.29800	-.16700	-.25000	7.92000	.03000	7.87000	.12000
.626	15.810	-.04100	-.26400	-.36100	-.29900	-.16900	-.25100	7.88000	-.01000	7.85000	.12000
.626	17.110	-.04400	-.26900	-.36300	-.30200	-.17300	-.25100	7.91000	.02000	7.89000	.11000
.624	18.420	-.04400	-.26500	-.36700	-.30500	-.17300	-.25200	7.88000	.03000	7.87000	.11000
.626	19.720	-.04400	-.27000	-.37100	-.30500	-.17300	-.25300	7.88000	.04000	7.88000	.12000
.625	21.030	-.03900	-.26500	-.37200	-.30600	-.17100	-.24800	7.85000	-.01000	7.87000	.11000
.626	22.330	-.04600	-.27100	-.37000	-.30700	-.17500	-.25300	7.87000	.03000	7.89000	.11000
.625	23.630	-.04900	-.27300	-.37300	-.31000	-.17700	-.25400	7.82000	.02000	7.86000	.10000
.624	24.940	-.04200	-.27200	-.37700	-.31000	-.17300	-.25100	7.84000	.03000	7.87000	.11000
.625	26.240	-.04700	-.27200	-.37700	-.31200	-.18100	-.25500	7.83000	.02000	7.88000	.10000
.627	27.540	-.04500	-.27200	-.37700	-.31300	-.18000	-.25100	7.84000	.03000	7.90000	.10000
.624	28.850	-.04900	-.27700	-.38300	-.31600	-.18300	-.25400	7.83000	.02000	7.89000	.10000
.623	30.150	-.04900	-.27500	-.38400	-.31700	-.18200	-.25600	7.81000	.02000	7.89000	.09000
.626	31.460	-.04700	-.27500	-.38200	-.31800	-.18300	-.25300	7.79000	.00000	7.88000	.09000
.624	32.760	-.05200	-.28200	-.38800	-.32000	-.18400	-.25400	7.78000	.00000	7.88000	.09000
.623	34.070	-.05100	-.28400	-.39100	-.32200	-.18400	-.25300	7.75000	.00000	7.86000	.08000
.627	35.370	-.05000	-.27600	-.38100	-.31400	-.18200	-.25000	7.76000	.00000	7.88000	.09000
.624	36.680	-.05100	-.28300	-.39000	-.32400	-.19200	-.25500	7.75000	.00000	7.87000	.08000
.624	37.980	-.05400	-.28300	-.38900	-.31900	-.18800	-.25600	7.75000	.03000	7.88000	.08000
.626	39.280	-.04700	-.27800	-.38700	-.32000	-.18800	-.24900	7.71000	-.02000	7.86000	.09000
.627	40.590	-.04900	-.27700	-.38600	-.32100	-.19000	-.24700	7.72000	-.03000	7.87000	.09000
.626	41.890	-.05200	-.28500	-.39500	-.32300	-.18900	-.25300	7.75000	.03000	7.91000	.09000
.627	43.200	-.05000	-.27900	-.38400	-.32000	-.19000	-.24700	7.73000	.01000	7.90000	.08000
.627	44.500	-.05300	-.28000	-.38600	-.31500	-.19100	-.24700	7.70000	.00000	7.87000	.09000
.625	45.800	-.05300	-.28100	-.39000	-.32500	-.19100	-.24700	7.71000	.00000	7.88000	.09000
.626	47.110	-.05300	-.28400	-.39500	-.32600	-.19100	-.25000	7.71000	.00000	7.90000	.09000
.624	48.420	-.05200	-.28800	-.40100	-.32800	-.19800	-.25300	7.68000	-.03000	7.88000	.08000
.626	49.720	-.05400	-.28700	-.39400	-.32700	-.19600	-.24900	7.66000	-.01000	7.87000	.08000
.625	51.030	-.05400	-.28800	-.39800	-.32500	-.20100	-.24700	7.69000	-.02000	7.91000	.08000
.625	52.330	-.05700	-.28800	-.39800	-.33100	-.19700	-.24800	7.63000	-.01000	7.86000	.08000
.626	53.630	-.05700	-.28600	-.40100	-.33200	-.19900	-.24600	7.63000	.00000	7.87000	.08000
.627	54.940	-.05600	-.28800	-.39600	-.32800	-.20000	-.24500	7.61000	-.01000	7.85000	.08000

DATE 22 MAR 76

## CA-26 FORCE SOURCE DATA TABULATION

PAGE 197

LTV44-559(CA26) 747/1 ATY 02 S1 (ORBITER DATA)

(BFE034) ( 18 NOV 75 )

## REFERENCE DATA

SREF = 2690.0000 SQ.FT. XMRP = 1109.0000 IN. XO  
 LREF = 474.8100 IN. YMRP = .0000 IN. YO  
 BREF = 936.6800 IN. ZMRP = 375.0000 IN. ZO  
 SCALE = .0125

## PARAMETRIC DATA

ALPHAC = .000 BETAC = .000  
 STAB = 5.000 ELEVON = 5.000  
 BDFLAP = .000 DX = .000  
 DY = .000 IORB = 8.000  
 BETAO = .000 RUDDER = .000

RUN NO. 31/ 0 RN/L = .00 GRADIENT INTERVAL = -5.00/ 5.00

MACH	DZ	CPCO	CPB1	CPB2	CPB3	CPS1	CPS2	ALPHAO	BETAO	INCID	ALPHAC
.626	56.240	-.05400	-.28900	-.39700	-.32500	-.19600	-.24800	7.61000	.00000	7.85000	.08000
.625	57.540	-.05300	-.29000	-.40100	-.32800	-.19900	-.24800	7.61000	-.02000	7.85000	.08000
.624	58.850	-.05300	-.29100	-.40300	-.33000	-.19900	-.25000	7.59000	.00000	7.84000	.09000
.626	60.150	-.05400	-.29200	-.40300	-.32900	-.20000	-.24700	7.60000	.00000	7.87000	.09000
.626	61.460	-.05300	-.28700	-.40500	-.33100	-.20000	-.24700	7.63000	-.01000	7.90000	.08000
	GRADIENT	-.00038	-.00153	-.00076	-.00077	-.00000	.00077	-.01151	-.00385	-.00769	.00000

LTV44-559(CA26) 747/1 ATY 02 S1 (ORBITER DATA)

(BFE035) ( 18 NOV 75 )

## REFERENCE DATA

SREF = 2690.0000 SQ.FT. XMRP = 1109.0000 IN. XO  
 LREF = 474.8100 IN. YMRP = .0000 IN. YO  
 BREF = 936.6800 IN. ZMRP = 375.0000 IN. ZO  
 SCALE = .0125

## PARAMETRIC DATA

ALPHAC = .000 BETAC = .000  
 STAB = 5.000 ELEVON = 5.000  
 BDFLAP = .000 DX = .000  
 DY = .000 TORB = 4.000  
 BETAO = 5.000 RUDDER = .000

RUN NO. 33/ 0 RN/L = .00 GRADIENT INTERVAL = -5.00/ 5.00

MACH	DZ	CPCO	CPB1	CPB2	CPB3	CPS1	CPS2	ALPHA0	BETAO	INCID	ALPHAC
.628	1.460	-.06800	-.26200	-.39000	-.33400	-.00100	-.50000	3.97000	4.90000	3.90000	.07000
.627	2.760	-.07000	-.26700	-.39800	-.33800	-.00300	-.50700	3.94000	4.90000	3.87000	.07000
.627	4.050	-.07100	-.27000	-.40000	-.34100	-.00600	-.50200	3.92000	4.92000	3.87000	.07000
.628	5.350	-.06900	-.26800	-.39800	-.33800	-.00300	-.50300	3.94000	4.93000	3.89000	.08000
.629	6.650	-.07200	-.27400	-.39700	-.34000	-.00900	-.50300	3.92000	4.91000	3.88000	.08000
.627	7.950	-.07500	-.28100	-.40500	-.34500	-.01000	-.50700	3.91000	4.94000	3.88000	.07000
.627	9.240	-.07100	-.27600	-.40200	-.34200	-.00700	-.50400	3.92000	4.91000	3.89000	.08000
.628	10.540	-.07500	-.28000	-.40700	-.34600	-.01300	-.50600	3.89000	4.89000	3.87000	.08000
.627	11.830	-.07300	-.28000	-.40800	-.34600	-.01000	-.50700	3.89000	4.94000	3.88000	.07000
.628	13.130	-.07400	-.28000	-.41000	-.34600	-.01000	-.50900	3.90000	4.94000	3.89000	.08000
.627	14.420	-.07500	-.28200	-.41200	-.34700	-.01300	-.51200	3.89000	4.91000	3.89000	.08000
.627	15.720	-.07700	-.28600	-.41600	-.35100	-.01500	-.50900	3.90000	4.89000	3.91000	.08000
.627	17.020	-.07600	-.28700	-.41600	-.35000	-.01700	-.50300	3.89000	4.92000	3.91000	.08000
.627	18.320	-.07200	-.28400	-.41600	-.35200	-.01800	-.50800	3.89000	4.90000	3.92000	.08000
.629	19.610	-.08100	-.29100	-.42000	-.35500	-.02200	-.50800	3.85000	4.88000	3.89000	.07000
.628	20.910	-.07600	-.28600	-.42000	-.35400	-.02200	-.50500	3.82000	4.90000	3.86000	.07000
.628	22.200	-.07800	-.28800	-.42000	-.35400	-.02300	-.50300	3.95000	4.87000	3.90000	.07000
.628	23.490	-.08100	-.29100	-.42400	-.36000	-.02700	-.50700	3.60000	4.89000	3.86000	.07000
.629	24.790	-.08100	-.29200	-.42400	-.35700	-.02400	-.51000	3.82000	4.86000	3.88000	.07000
.628	26.080	-.07700	-.29300	-.42600	-.35800	-.02200	-.50300	3.81000	4.87000	3.88000	.07000
.627	27.380	-.07800	-.29500	-.42800	-.36200	-.02700	-.50600	3.81000	4.90000	3.89000	.08000
.628	28.680	-.08100	-.29700	-.42600	-.36100	-.02700	-.51000	3.79000	4.89000	3.89000	.07000
.630	29.970	-.07900	-.29800	-.43000	-.36100	-.02500	-.50400	3.76000	4.91000	3.86000	.07000
.627	31.270	-.08100	-.30000	-.43400	-.36400	-.03000	-.50700	3.79000	4.83000	3.90000	.07000
.628	32.570	-.08000	-.29600	-.43300	-.36500	-.03100	-.50400	3.75000	4.89000	3.86000	.07000
.628	33.860	-.08300	-.29700	-.43200	-.36400	-.03100	-.51000	3.79000	4.85000	3.91000	.07000
.628	35.160	-.08100	-.30000	-.43600	-.36800	-.03100	-.51900	3.75000	4.90000	3.88000	.07000
.630	36.460	-.08500	-.29800	-.43400	-.36700	-.03400	-.52000	3.74000	4.93000	3.87000	.08000
.628	37.750	-.08500	-.29900	-.43800	-.37100	-.03700	-.50800	3.76000	4.82000	3.90000	.07000
.627	39.050	-.08400	-.30300	-.43900	-.37200	-.03700	-.50800	3.72000	4.91000	3.87000	.07000
.627	40.340	-.08500	-.30300	-.44300	-.37200	-.03500	-.52200	3.72000	4.91000	3.88000	.07000
.629	41.640	-.08500	-.30600	-.44200	-.37000	-.03700	-.52400	3.71000	4.91000	3.88000	.07000
.628	42.940	-.08800	-.30800	-.44400	-.37200	-.04100	-.51700	3.70000	4.89000	3.87000	.07000
.629	44.240	-.08700	-.30400	-.44400	-.37500	-.03900	-.52000	3.72000	4.86000	3.91000	.07000
.628	45.530	-.08800	-.30900	-.44600	-.37700	-.04200	-.52800	3.67000	4.89000	3.87000	.07000
.627	46.830	-.08700	-.30800	-.44600	-.37900	-.04200	-.52600	3.69000	4.91000	3.89000	.07000
.627	48.120	-.09000	-.31200	-.45200	-.37800	-.04600	-.52900	3.67000	4.90000	3.88000	.07000
	GRADIENT	-.00116	-.00309	-.00386	-.00270	-.00193	-.00078	-.01931	.00771	-.01160	-.00000

LTV44-559(CA26) 747/1 ATY 02 S1 (ORBITER DATA)

(BFE036) ( 18 NOV 75 )

## REFERENCE DATA

SREF = 2690.0000 SQ.FT. XMRP = 1109.0000 IN. XO  
 LREF = 474.8100 IN. YMRP = .0000 IN. YO  
 BREF = 936.6800 IN. ZMRP = 375.0000 IN. ZO  
 SCALE = .0125

## PARAMETRIC DATA

ALPHAC = .000 BETAC = .000  
 STAB = 5.000 ELEVON = 5.000  
 BDFLAP = .000 DX = .000  
 DY = .000 TORB = 6.000  
 BETA0 = 5.000 RUDDER = .000

RUN NO. 1033/ 0 RN/L = .00 GRADIENT INTERVAL = -5.00/ 5.00

MACH	DZ	CP00	CP01	CP02	CP03	CP04	CP05	CP06	ALPHA0	BETA0	INCID	ALPHAC
.628	2.050	-.10900	-.29500	-.44400	-.37400	-.07000	-.45100	5.96000	4.87000	5.85000	.12000	
.624	3.210	-.11300	-.30500	-.44600	-.38400	-.07300	-.45900	5.98000	4.86000	5.87000	.12000	
.625	4.370	-.11300	-.29900	-.44700	-.39100	-.07100	-.45600	5.98000	4.85000	5.89000	.11000	
.625	5.530	-.11100	-.30100	-.44700	-.39400	-.06800	-.45900	5.96000	4.86000	5.89000	.10000	
.628	6.690	-.11100	-.29800	-.44300	-.37800	-.07100	-.45500	5.94000	4.86000	5.86000	.11000	
.627	7.850	-.11100	-.30000	-.44000	-.37900	-.07000	-.45100	5.98000	4.91000	5.91000	.11000	
.626	9.010	-.11100	-.30700	-.44900	-.38200	-.07800	-.46000	5.93000	4.88000	5.87000	.11000	
.629	10.170	-.10900	-.29900	-.44500	-.37800	-.07100	-.45700	5.92000	4.86000	5.87000	.10000	
.626	11.330	-.11200	-.30700	-.44800	-.38500	-.07600	-.45900	5.96000	4.89000	5.92000	.10000	
.626	12.490	-.11100	-.30500	-.45300	-.38400	-.07500	-.45600	5.92000	4.88000	5.90000	.09000	
.626	13.650	-.11200	-.30700	-.44900	-.38600	-.07600	-.45900	5.91000	4.88000	5.90000	.09000	
.625	14.810	-.11300	-.31100	-.45100	-.38900	-.07800	-.45800	5.89000	4.88000	5.88000	.09000	
.625	15.970	-.11100	-.31100	-.45000	-.38800	-.08100	-.45600	5.88000	4.89000	5.88000	.09000	
.629	17.130	-.11100	-.30500	-.44700	-.38400	-.07500	-.45400	5.90000	4.89000	5.91000	.09000	
.628	18.290	-.11000	-.30900	-.44800	-.38600	-.07800	-.45900	5.87000	4.88000	5.88000	.09000	
.626	19.440	-.11300	-.31000	-.45400	-.39100	-.07800	-.46200	5.87000	4.88000	5.90000	.09000	
.627	20.600	-.10900	-.30800	-.45200	-.38600	-.07600	-.45800	5.83000	4.86000	5.86000	.08000	
.629	21.750	-.10700	-.30700	-.45000	-.38200	-.07900	-.45200	5.87000	4.86000	5.91000	.08000	
.628	22.910	-.11300	-.31100	-.44800	-.38900	-.07900	-.45300	5.82000	4.86000	5.87000	.08000	
.628	24.080	-.10800	-.31200	-.45000	-.38400	-.07800	-.45200	5.81000	4.87000	5.86000	.09000	
.626	25.240	-.11400	-.31700	-.45500	-.38900	-.08400	-.45400	5.84000	4.86000	5.90000	.08000	
.627	26.400	-.10900	-.31200	-.45100	-.39700	-.07800	-.46200	5.80000	4.86000	5.87000	.08000	
.626	27.560	-.11400	-.31700	-.45300	-.39900	-.08000	-.46400	5.83000	4.88000	5.90000	.09000	
.628	28.710	-.11300	-.31600	-.45300	-.39000	-.08100	-.45600	5.83000	4.85000	5.91000	.08000	
.629	29.870	-.11000	-.31200	-.45100	-.39800	-.08000	-.45400	5.80000	4.84000	5.89000	.08000	
.627	31.030	-.10800	-.31300	-.45400	-.39200	-.08000	-.44900	5.80000	4.87000	5.90000	.09000	
.627	32.190	-.11100	-.31400	-.45500	-.39200	-.08300	-.45500	5.76000	4.85000	5.86000	.08000	
.627	33.350	-.11200	-.31800	-.45600	-.39400	-.08300	-.45600	5.80000	4.85000	5.91000	.09000	
.627	34.510	-.11200	-.31600	-.45600	-.39300	-.08200	-.46200	5.76000	4.85000	5.87000	.09000	
.628	35.670	-.10700	-.31200	-.45000	-.39100	-.08300	-.45400	5.75000	4.84000	5.88000	.08000	
.629	36.830	-.10700	-.31000	-.45100	-.38900	-.08200	-.45500	5.78000	4.85000	5.91000	.08000	
.627	37.990	-.11000	-.31700	-.45500	-.39200	-.08100	-.47700	5.76000	4.87000	5.89000	.09000	
.629	39.150	-.11000	-.31200	-.45300	-.39500	-.08100	-.46800	5.74000	4.83000	5.88000	.08000	
.627	40.310	-.10600	-.31700	-.45200	-.39300	-.08300	-.46200	5.72000	4.86000	5.88000	.08000	
.629	41.470	-.11100	-.31300	-.45200	-.39400	-.08400	-.45900	5.71000	4.83000	5.87000	.08000	
.628	42.630	-.10500	-.31500	-.45500	-.39100	-.08300	-.46800	5.73000	4.86000	5.90000	.07000	
.628	43.790	-.10900	-.31600	-.45200	-.39500	-.08300	-.47400	5.71000	4.86000	5.89000	.07000	
.628	44.950	-.11000	-.31800	-.45500	-.39600	-.08800	-.46100	5.71000	4.85000	5.89000	.08000	
.628	46.110	-.10800	-.31500	-.45200	-.38900	-.07900	-.46800	5.70000	4.85000	5.90000	.08000	
.626	47.270	-.10800	-.31600	-.45600	-.39900	-.08800	-.46300	5.68000	4.84000	5.87000	.08000	
.627	48.430	-.11000	-.31700	-.45400	-.39400	-.08500	-.45800	5.67000	4.86000	5.87000	.08000	
.626	49.590	-.10800	-.32100	-.45600	-.39900	-.08300	-.48700	5.67000	4.86000	5.88000	.08000	

LTV44-559(CA26) 747/1 ATY 02 S1 (ORBITER DATA)

(BFE036) ( 18 NOV 75 )

## REFERENCE DATA

SREF = 2690.0000 SQ.FT. XMRP = 1109.0000 IN. XO  
 LREF = 474.8100 IN. YMRP = .0000 IN. YO  
 BREF = 936.6800 IN. ZMRP = 375.0000 IN. ZO  
 SCALE = .0125

## PARAMETRIC DATA

ALPHAC = .000 BETAC = .000  
 STAB = 5.000 ELEVON = 5.000  
 BDFLAP = .000 DX = .000  
 DY = .000 TORB = 6.000  
 BETA0 = 5.000 RUDDER = .000

RUN NO. 1033/ 0 RN/L = .00 GRADIENT INTERVAL = -5.00/ 5.00

MACH	DZ	CPCO	CPB1	CPB2	CPB3	CPS1	CPS2	ALPHA0	BETA0	INCID	ALPHAC
.628	50.750	-.10600	-.31500	-.45400	-.39400	-.08700	-.47000	5.66000	4.89000	5.87000	.08000
.627	51.900	-.10800	-.31600	-.45100	-.39300	-.08400	-.45600	5.68000	4.85000	5.90000	.08000
.629	53.050	-.10400	-.31200	-.44800	-.39100	-.08300	-.47200	5.65000	4.86000	5.88000	.08000
.631	54.220	-.10200	-.31100	-.44900	-.39300	-.08500	-.45500	5.63000	4.87000	5.87000	.08000
.628	54.800	-.10900	-.31800	-.45100	-.39500	-.08400	-.47700	5.60000	4.86000	5.84000	.08000
	GRADIENT	-.00172	-.00172	-.00129	-.00302	-.00043	-.00216	.00862	-.00862	.01724	-.00431

LTV44-559(CA26) 747/1 ATY O2 S1 (ORBITER DATA)

(BFE037) ( 18 NOV 75 )

## REFERENCE DATA

SREF = 2690.0000 SQ.FT. XMRP = 1109.0000 IN. XO  
 LREF = 474.8100 IN. YMRP = .0000 IN. YO  
 BREF = 936.6800 IN. ZMRP = 375.0000 IN. ZO  
 SCALE = .0125

## PARAMETRIC DATA

ALPHAC = .000 BETAC = .000  
 STAB = 5.000 ELEVON = 5.000  
 BDFLAP = .000 DX = .000  
 DY = .000 IORB = 8.000  
 BETA0 = 5.000 RUDDER = .000

RUN NO. 34/ 0 RN/L = .00 GRADIENT INTERVAL = -5.00/ 5.00

MACH	DZ	CPCO	CPB1	CPB2	CPB3	CPS1	CPS2	ALPHA0	BETA0	INCID	ALPHAC
.617	1.460	-.11600	-.26700	-.38400	-.34100	-.02200	-.41300	8.05000	4.84000	7.90000	.15000
.619	2.770	-.11500	-.26500	-.38400	-.33800	-.01900	-.41300	8.01000	4.88000	7.87000	.15000
.617	4.070	-.11600	-.27100	-.38800	-.34100	-.02400	-.41700	8.01000	4.86000	7.88000	.15000
.618	5.370	-.11400	-.27000	-.38800	-.34000	-.02800	-.41300	7.97000	4.90000	7.84000	.15000
.616	6.680	-.11800	-.27300	-.39800	-.34400	-.03100	-.42200	8.01000	4.86000	7.89000	.15000
.618	7.990	-.11800	-.27200	-.39100	-.34400	-.02800	-.41500	8.02000	4.92000	7.92000	.14000
.616	9.290	-.12100	-.27600	-.40100	-.35000	-.02800	-.43000	7.98000	4.86000	7.90000	.14000
.620	10.600	-.11500	-.27500	-.39400	-.34400	-.02800	-.41900	7.97000	4.95000	7.90000	.13000
.620	11.900	-.11700	-.27500	-.39800	-.34600	-.03300	-.42300	7.93000	4.88000	7.87000	.13000
.618	13.200	-.12300	-.27900	-.40700	-.35300	-.03100	-.42800	7.96000	4.94000	7.91000	.12000
.620	14.510	-.11800	-.28000	-.40500	-.35000	-.03200	-.42600	7.89000	4.88000	7.86000	.11000
.620	15.810	-.11800	-.28100	-.40500	-.35200	-.03200	-.43000	7.89000	4.90000	7.87000	.11000
.618	17.110	-.12000	-.28300	-.41000	-.35600	-.03500	-.43100	7.91000	4.90000	7.91000	.10000
.618	18.420	-.12100	-.28100	-.41300	-.35600	-.03400	-.43300	7.87000	4.86000	7.87000	.10000
.619	19.720	-.11900	-.28400	-.41300	-.35300	-.03700	-.43100	7.88000	4.91000	7.89000	.10000
.621	21.030	-.12100	-.28100	-.41600	-.35300	-.03400	-.42800	7.87000	4.90000	7.89000	.10000
.620	22.330	-.12300	-.28400	-.41900	-.35500	-.04100	-.43000	7.87000	4.91000	7.89000	.10000
.618	23.630	-.12100	-.29000	-.41700	-.36300	-.03600	-.43900	7.85000	4.90000	7.89000	.09000
.619	24.940	-.12300	-.29000	-.42300	-.36100	-.04000	-.43800	7.83000	4.89000	7.88000	.09000
.618	26.240	-.12200	-.29100	-.42900	-.36100	-.04400	-.44100	7.82000	4.84000	7.87000	.09000
.620	27.540	-.12100	-.29000	-.42400	-.36500	-.04200	-.43200	7.79000	4.86000	7.85000	.09000
.620	28.850	-.12500	-.29100	-.42700	-.36200	-.04400	-.43800	7.81000	4.85000	7.88000	.09000
.619	30.150	-.12500	-.29200	-.42900	-.36400	-.04600	-.43300	7.79000	4.86000	7.87000	.10000
.620	31.460	-.11900	-.29500	-.42600	-.36700	-.04100	-.43000	7.77000	4.85000	7.87000	.08000
.617	32.760	-.12800	-.29900	-.43900	-.37200	-.05000	-.44400	7.81000	4.89000	7.91000	.09000
.620	34.070	-.12300	-.29800	-.43400	-.37100	-.04900	-.43900	7.77000	4.84000	7.88000	.09000
.619	35.370	-.12400	-.29800	-.43500	-.37000	-.05100	-.43900	7.76000	4.84000	7.88000	.08000
.618	36.680	-.12500	-.30400	-.43800	-.37400	-.05400	-.44000	7.77000	4.86000	7.90000	.08000
.617	37.980	-.12700	-.30600	-.44400	-.37700	-.05700	-.44500	7.71000	4.83000	7.85000	.08000
.617	39.280	-.12600	-.30600	-.44300	-.37500	-.05300	-.44800	7.72000	4.83000	7.87000	.08000
.619	40.590	-.12100	-.30200	-.43700	-.37600	-.05400	-.44800	7.72000	4.88000	7.87000	.08000
.619	41.890	-.12300	-.30100	-.44100	-.37100	-.05500	-.44800	7.73000	4.87000	7.90000	.07000
.618	43.200	-.12500	-.30400	-.44600	-.37500	-.05900	-.44300	7.71000	4.86000	7.88000	.08000
.618	44.500	-.12600	-.31000	-.44700	-.38100	-.06200	-.45000	7.72000	4.88000	7.90000	.08000
.618	45.800	-.12400	-.30800	-.44700	-.38100	-.06100	-.44900	7.72000	4.87000	7.90000	.08000
.619	47.110	-.12700	-.30300	-.44800	-.37600	-.06000	-.44300	7.71000	4.83000	7.90000	.08000
.618	48.420	-.12500	-.31100	-.44800	-.38300	-.05800	-.46200	7.67000	4.87000	7.87000	.08000
.619	49.720	-.12200	-.30800	-.44500	-.37900	-.05900	-.45000	7.67000	4.84000	7.88000	.07000
.619	51.030	-.12300	-.31100	-.44900	-.38000	-.06400	-.45100	7.67000	4.89000	7.89000	.08000
.617	52.330	-.13000	-.31400	-.45800	-.38800	-.06500	-.47700	7.66000	4.83000	7.88000	.08000
.620	53.630	-.12600	-.30900	-.44700	-.38300	-.06300	-.45200	7.63000	4.84000	7.86000	.08000
.619	54.940	-.12500	-.31400	-.45300	-.38400	-.06900	-.45400	7.63000	4.84000	7.88000	.08000

LTV44-559(CA26) 747/1 ATY 02 S1 (ORBITER DATA)

(BFE037) ( 18 NOV 75 )

## REFERENCE DATA

SREF = 2690.0000 SQ.FT. XMRP = 1109.0000 IN. XO  
 LREF = 474.8100 IN. YMRP = .0000 IN. YO  
 BREF = 936.6800 IN. ZMRP = 375.0000 IN. ZO  
 SCALE = .0125

## PARAMETRIC DATA

ALPHAC = .000 BETAC = .000  
 STAB = 5.000 ELEVON = 5.000  
 BDFLAP = .000 DX = .000  
 DY = .000 IORB = 8.000  
 BETAO = 5.000 RUDDER = .000

RUN NO. 34/ 0 RN/L = .00 GRADIENT INTERVAL = -5.00/ 5.00

MACH	DZ	CPCO	CPB1	CPB2	CPB3	CPS1	CPS2	ALPHAO	BETAO	INCID	ALPHAC
.619	56.240	-.12500	-.31100	-.45500	-.38500	-.06300	-.46500	7.60000	4.87000	7.86000	.07000
.618	57.540	-.12400	-.31700	-.45800	-.38700	-.06600	-.47200	7.61000	4.86000	7.86000	.08000
.618	58.850	-.12500	-.31700	-.45600	-.39000	-.06700	-.47900	7.62000	4.86000	7.89000	.08000
.616	60.150	-.12900	-.32000	-.45900	-.39200	-.07200	-.46900	7.60000	4.83000	7.87000	.08000
.617	61.460	-.12900	-.32000	-.46000	-.39100	-.07100	-.48500	7.60000	4.86000	7.88000	.08000
	GRADIENT	.00000	-.00153	-.00153	.00000	-.00076	-.00153	-.01535	.00769	-.00768	.00000



DATE 22 MAR 76

## CA-26 FORCE SOURCE DATA TABULATION

PAGE 203

LTV44-559(CA26) 747/1 ATY 02 S1 (ORBITER DATA)

(BFED38) ( 18 NOV 75 )

## REFERENCE DATA

SREF = 2690.0000 SQ.FT. XMRP = 1109.0000 IN. XO  
 LREF = 474.8100 IN. YMRP = .0000 IN. YO  
 BREF = 936.6800 IN. ZMRP = 375.0000 IN. ZO  
 SCALE = .0125

## PARAMETRIC DATA

ALPHAC = .000 BETAC = .000  
 STAB = -1.000 CLEVON = 5.000  
 BDFLAP = .000 DX = .000  
 DY = .000 IORB = 4.000  
 BETAO = .000 RUDDER = .000

RUN NO. 35/ 0 RN/L = .00 GRADIENT INTERVAL = -5.00/ 5.00

MACH	DZ	CPCO	CPB1	CPB2	CPB3	CPS1	CPS2	ALPHAO	BETAO	INC10	ALPHAC
.625	1.460	-.05700	-.27800	-.41500	-.34600	-.17300	-.29200	4.32000	.00000	3.92000	.41000
.625	2.760	-.05600	-.28000	-.41700	-.34300	-.17400	-.29300	4.31000	.00000	3.92000	.41000
.627	4.050	-.05500	-.28200	-.41000	-.34000	-.17700	-.28800	4.31000	.01000	3.92000	.41000
.625	5.350	-.05900	-.28600	-.42000	-.34700	-.18100	-.29500	4.29000	.00000	3.90000	.42000
.626	6.650	-.06200	-.28600	-.42000	-.35300	-.18300	-.29300	4.30000	.00000	3.91000	.42000
.624	7.950	-.06200	-.29000	-.42500	-.35400	-.18300	-.29600	4.26000	.00000	3.88000	.42000
.626	9.240	-.06200	-.28900	-.42300	-.35000	-.18300	-.29400	4.26000	.00000	3.89000	.42000
.627	10.540	-.06000	-.29100	-.42000	-.34900	-.18800	-.29100	4.28000	.02000	3.92000	.41000
.624	11.830	-.06400	-.29200	-.43400	-.35700	-.19100	-.29700	4.24000	.01000	3.89000	.42000
.627	13.130	-.06500	-.29200	-.42500	-.35600	-.19000	-.29000	4.26000	.03000	3.92000	.42000
.626	14.420	-.06500	-.29400	-.43400	-.35800	-.18800	-.29400	4.23000	.00000	3.89000	.42000
.625	15.720	-.06500	-.29900	-.43500	-.35800	-.19500	-.29700	4.23000	.03000	3.90000	.42000
.626	17.020	-.06900	-.30000	-.43700	-.36300	-.19300	-.29700	4.21000	.00000	3.89000	.42000
.626	18.320	-.06500	-.30100	-.44200	-.36300	-.19700	-.29600	4.21000	.01000	3.89000	.42000
.627	19.610	-.06900	-.29800	-.44000	-.36500	-.19700	-.29400	4.21000	.01000	3.91000	.42000
.627	20.910	-.06700	-.30100	-.43900	-.36100	-.19700	-.29200	4.21000	.01000	3.92000	.41000
.625	22.200	-.06900	-.30400	-.44700	-.36800	-.20100	-.29800	4.17000	.00000	3.88000	.41000
.627	23.490	-.06900	-.30400	-.43800	-.36200	-.20100	-.29100	4.20000	.03000	3.92000	.42000
.627	24.790	-.07000	-.30200	-.43900	-.36500	-.20300	-.29100	4.20000	.03000	3.93000	.42000
.628	26.080	-.07000	-.30700	-.44500	-.36600	-.20500	-.29400	4.18000	.00000	3.91000	.41000
.625	27.380	-.07000	-.30900	-.45200	-.37000	-.20600	-.29400	4.15000	.00000	3.90000	.41000
.627	28.680	-.07200	-.30900	-.44800	-.37100	-.20700	-.29000	4.17000	.02000	3.93000	.41000
.626	29.970	-.07300	-.31400	-.46000	-.37700	-.20800	-.29700	4.13000	.01000	3.89000	.41000
.629	31.270	-.07300	-.30700	-.45200	-.37400	-.20900	-.29100	4.16000	.03000	3.92000	.42000
.627	32.570	-.07200	-.31200	-.46000	-.37800	-.21100	-.29700	4.12000	-.02000	3.90000	.41000
.626	33.860	-.07400	-.31500	-.46400	-.37900	-.21000	-.29500	4.12000	-.01000	3.90000	.41000
.627	35.160	-.07500	-.31400	-.45900	-.37500	-.21300	-.29200	4.12000	.01000	3.90000	.41000
.629	36.460	-.07700	-.31200	-.46000	-.37600	-.21500	-.29200	4.12000	.00000	3.92000	.41000
.627	37.750	-.07500	-.31600	-.46600	-.38300	-.21500	-.29500	4.09000	.01000	3.89000	.42000
.629	39.050	-.07200	-.30900	-.46000	-.37900	-.21500	-.28900	4.12000	.02000	3.93000	.42000
.628	40.340	-.07300	-.31100	-.46100	-.38000	-.21300	-.29000	4.12000	.01000	3.93000	.42000
.628	41.640	-.07300	-.31000	-.45700	-.38100	-.21700	-.28800	4.10000	.02000	3.93000	.42000
.626	42.940	-.07700	-.31900	-.46400	-.38400	-.22200	-.29300	4.07000	.01000	3.90000	.42000
.627	44.240	-.07500	-.31500	-.46500	-.38600	-.22200	-.28700	4.09000	.00000	3.92000	.42000
.627	45.530	-.07900	-.32100	-.46900	-.38600	-.22000	-.28900	4.09000	.01000	3.93000	.42000
.629	46.830	-.07700	-.32000	-.46700	-.38400	-.21800	-.28400	4.07000	.02000	3.93000	.42000
.626	48.120	-.07800	-.32400	-.47100	-.38700	-.22800	-.28900	4.03000	.00000	3.89000	.42000
	GRADIENT	.00077	-.00154	.00193	.00232	-.00154	.00154	-.00387	.00386	-.00000	.00000

ORIGINAL PAGE IS  
 OF POOR QUALITY

LTV44-559(CA26) 747/1 ATY 02 S1 (ORBITER DATA)

(BFE039) ( 18 NOV 75 )

## REFERENCE DATA

SREF = 2690.0000 SQ.FT. XMRP = 1109.0000 IN. XO  
 LREF = 474.8100 IN. YMRP = .0000 IN. YO  
 BREF = 936.6800 IN. ZMRP = 375.0000 IN. ZO  
 SCALE = .0125

## PARAMETRIC DATA

ALPHAC = .000 BETAC = .000  
 STAB = -1.000 ELEVON = 5.000  
 BDFLAP = .000 DX = .000  
 DY = .000 IORB = 6.000  
 BETA0 = .000 RUDDER = .000

RUN NO. 1035/ 0 RN/L = .00 GRADIENT INTERVAL = -5.00/ 5.00

MACH	DZ	CP00	CP01	CP02	CP03	CPS1	CPS2	ALPHA0	BETA0	INCID	ALPHAC
.627	2.050	-.08700	-.30700	-.44800	-.37300	-.24400	-.26300	6.27000	.00000	5.83000	.45000
.625	3.210	-.08700	-.31100	-.45500	-.37800	-.24900	-.26700	6.31000	.05000	5.88000	.44000
.623	4.370	-.08700	-.31000	-.45300	-.37800	-.24900	-.26700	6.29000	.00000	5.86000	.45000
.626	5.530	-.08900	-.30600	-.45200	-.37600	-.24800	-.26500	6.30000	.06000	5.89000	.44000
.625	6.690	-.08900	-.31200	-.45500	-.38200	-.25200	-.26800	6.27000	.09000	5.87000	.44000
.627	7.850	-.08900	-.30800	-.45000	-.37700	-.25000	-.26700	6.27000	.03000	5.87000	.45000
.626	9.010	-.08900	-.31200	-.45200	-.37900	-.24900	-.26500	6.28000	.06000	5.89000	.44000
.627	10.170	-.08900	-.31200	-.45300	-.38300	-.25600	-.26800	6.28000	.01000	5.90000	.44000
.626	11.330	-.09000	-.31200	-.45400	-.38100	-.25100	-.26500	6.25000	.05000	5.88000	.43000
.625	12.490	-.08600	-.31300	-.45800	-.38500	-.25300	-.26700	6.21000	.06000	5.85000	.43000
.625	13.650	-.09500	-.31800	-.46100	-.38800	-.25900	-.27500	6.25000	.04000	5.90000	.43000
.626	14.810	-.08700	-.31500	-.45900	-.38700	-.25300	-.26700	6.20000	.06000	5.85000	.43000
.626	15.970	-.08600	-.31400	-.45700	-.38500	-.25600	-.26600	6.20000	.06000	5.86000	.43000
.627	17.130	-.09200	-.31600	-.45700	-.38600	-.25600	-.26800	6.23000	.01000	5.90000	.43000
.629	18.290	-.08500	-.31300	-.45500	-.38600	-.25400	-.26400	6.22000	.02000	5.90000	.42000
.627	19.440	-.08900	-.31700	-.45900	-.38600	-.25300	-.26700	6.20000	.07000	5.88000	.43000
.627	20.600	-.08700	-.31700	-.45800	-.38800	-.25600	-.26700	6.19000	.05000	5.88000	.43000
.627	21.750	-.08500	-.31600	-.45600	-.38700	-.25700	-.26500	6.17000	.03000	5.87000	.42000
.627	22.910	-.09100	-.32000	-.46000	-.38900	-.25700	-.26700	6.19000	.05000	5.91000	.42000
.628	24.080	-.08700	-.31300	-.46000	-.39000	-.25800	-.26600	6.16000	.06000	5.88000	.42000
.629	25.240	-.09100	-.31700	-.45700	-.38900	-.25700	-.26700	6.16000	.04000	5.88000	.42000
.627	26.400	-.08900	-.31700	-.45900	-.39000	-.25800	-.26700	6.15000	.05000	5.88000	.42000
.626	27.560	-.08500	-.31500	-.46200	-.39400	-.26000	-.26600	6.13000	.00000	5.86000	.42000
.629	28.710	-.09000	-.31600	-.45800	-.39000	-.26100	-.26700	6.16000	.04000	5.90000	.42000
.628	29.870	-.08500	-.31400	-.45700	-.39000	-.25900	-.26200	6.13000	.01000	5.88000	.43000
.627	31.030	-.09100	-.32100	-.46200	-.39400	-.25800	-.26800	6.10000	.02000	5.86000	.42000
.626	32.190	-.08800	-.31500	-.45900	-.39300	-.26100	-.26600	6.12000	.05000	5.89000	.42000
.626	33.350	-.08600	-.31700	-.45900	-.39600	-.26200	-.26500	6.13000	.03000	5.90000	.42000
.627	34.510	-.08900	-.32500	-.46500	-.39600	-.26100	-.26600	6.10000	.00000	5.87000	.43000
.627	35.670	-.08700	-.31800	-.45900	-.39500	-.26100	-.26300	6.12000	.03000	5.90000	.42000
.626	36.830	-.08800	-.31900	-.46400	-.39900	-.26400	-.26500	6.11000	.00000	5.90000	.43000
.628	37.990	-.09000	-.32300	-.46300	-.39500	-.26200	-.26600	6.08000	.00000	5.88000	.42000
.627	39.150	-.08600	-.31700	-.46300	-.39800	-.26400	-.26400	6.10000	-.02000	5.90000	.42000
.628	40.310	-.08700	-.31700	-.46000	-.39700	-.26300	-.26200	6.09000	-.03000	5.90000	.42000
.625	41.470	-.08900	-.32500	-.46600	-.39900	-.26200	-.26600	6.05000	.04000	5.87000	.42000
.627	42.630	-.08600	-.32100	-.46200	-.39800	-.26300	-.26300	6.07000	-.03000	5.90000	.42000
.624	43.790	-.08800	-.32100	-.46000	-.40000	-.26700	-.26300	6.07000	-.03000	5.90000	.42000
.627	44.950	-.08400	-.32100	-.46200	-.39900	-.26400	-.25900	6.05000	-.02000	5.89000	.42000
.628	46.110	-.08900	-.32400	-.46200	-.39700	-.26300	-.26300	6.02000	.06000	5.87000	.42000
.630	47.270	-.08700	-.31800	-.46100	-.39800	-.26200	-.25800	6.03000	-.01000	5.88000	.42000
.627	48.430	-.08700	-.32100	-.46100	-.39900	-.26300	-.26000	6.03000	.00000	5.89000	.42000
.628	49.590	-.08700	-.31900	-.46400	-.40000	-.26300	-.26100	6.02000	.00000	5.89000	.42000

DATE 22 MAR 76

CA-26 FORCE SOURCE DATA TABULATION

PAGE 205

LTV44-559(CA26) 747/1 ATY 02 S1 (ORBITER DATA)

(BFE039) ( 18 NOV 75 )

## REFERENCE DATA

SREF = 2690.0000 SQ.FT. XMRP = 1109.0000 IN. XO  
 LREF = 474.8100 IN. YMRP = .0000 IN. YO  
 BREF = 936.6800 IN. ZMRP = 375.0000 IN. ZO  
 SCALE = .0125

## PARAMETRIC DATA

ALPHAC = .000 BETAC = .000  
 STAB = -1.000 ELEVON = 5.000  
 BDFLAP = .000 DX = .000  
 DY = .000 IORB = 6.000  
 BETA0 = .000 RUDDER = .000

RUN NO. 1035/ 0 RN/L = .00 GRADIENT INTERVAL = -5.00/ 5.00

MACH	DZ	CPCO	CPB1	CPB2	CPB3	CPS1	CPS2	ALPHAO	BETA0	INCID	ALPHAC
.628	50.750	-.08600	-.32100	-.46200	-.40100	-.26400	-.25900	6.02000	-.01000	5.90000	.42000
.628	51.900	-.08400	-.31900	-.45800	-.39800	-.26400	-.25700	6.03000	-.02000	5.90000	.43000
.627	53.060	-.08500	-.32000	-.46300	-.40200	-.26600	-.25500	5.99000	.00000	5.87000	.43000
.625	54.220	-.08700	-.32500	-.46800	-.40600	-.26800	-.25700	5.97000	.04000	5.86000	.42000
.626	54.800	-.08400	-.32400	-.46300	-.39800	-.26200	-.25500	6.01000	-.01000	5.90000	.43000
	GRADIENT	-.00000	-.00129	-.00216	-.00216	-.00216	.00172	.00862	.00000	.01293	.00000

LTV44-559(CA26) 747/1 ATY 02 S1 (ORBITER DATA)

(BFEO40) ( 18 NOV 75 )

## REFERENCE DATA

SREF = 2690.0000 SQ.FT. XMRP = 1109.0000 IN. XO  
 LREF = 474.8100 IN. YMRP = .0000 IN. YO  
 BREF = 936.6800 IN. ZMRP = 375.0000 IN. ZO  
 SCALE = .0125

## PARAMETRIC DATA

ALPHAC = .000 BETAC = .000  
 STAB = -1.000 ELEVON = 5.000  
 BDFLAP = .000 DX = .000  
 DY = .000 TORB = 8.000  
 BETA0 = .000 RUDDER = .000

RUN NO. 36/ 0 RN/L = .00 GRADIENT INTERVAL = -5.00/ 5.00

MACH	DZ	CPCO	CPB1	CPB2	CPB3	CPS1	CPS2	ALPHAO	BETA0	INCID	ALPHAC
.622	1.460	-.07200	-.27800	-.39800	-.33600	-.19100	-.30100	8.34000	.03000	7.87000	.47000
.623	2.770	-.07100	-.27800	-.39900	-.33500	-.18900	-.30100	8.32000	.00000	7.87000	.46000
.620	4.070	-.08100	-.28500	-.40500	-.34900	-.20000	-.30400	8.30000	.04000	7.86000	.46000
.622	5.370	-.08000	-.28100	-.40600	-.34400	-.19600	-.30400	8.31000	.05000	7.87000	.47000
.623	6.680	-.07500	-.28000	-.40800	-.34200	-.19700	-.30000	8.28000	.00000	7.85000	.47000
.621	7.990	-.08100	-.28100	-.41200	-.34900	-.19800	-.30300	8.31000	.04000	7.89000	.47000
.621	9.290	-.08600	-.28700	-.41500	-.35500	-.20300	-.30500	8.30000	.06000	7.89000	.46000
.621	10.600	-.08400	-.29000	-.42100	-.35600	-.20700	-.30600	8.26000	.04000	7.86000	.46000
.621	11.900	-.08400	-.29400	-.42200	-.35600	-.20700	-.30600	8.25000	.02000	7.86000	.45000
.621	13.200	-.08700	-.29400	-.42200	-.36000	-.21000	-.30600	8.24000	.00000	7.86000	.45000
.624	14.510	-.08300	-.28700	-.42300	-.35500	-.20400	-.30200	8.26000	.01000	7.90000	.44000
.621	15.810	-.08500	-.29500	-.42300	-.36000	-.21300	-.30700	8.25000	.02000	7.89000	.44000
.624	17.110	-.08500	-.28800	-.42300	-.35500	-.20600	-.30100	8.20000	.05000	7.86000	.44000
.624	18.420	-.08800	-.29100	-.42600	-.36100	-.21000	-.30200	8.20000	.04000	7.87000	.44000
.623	19.720	-.08700	-.29800	-.43100	-.36200	-.21600	-.30300	8.20000	.04000	7.87000	.44000
.623	21.030	-.08700	-.29600	-.43000	-.36300	-.21100	-.30100	8.17000	.03000	7.85000	.43000
.622	22.330	-.08900	-.30200	-.43300	-.36500	-.22200	-.30500	8.20000	.02000	7.90000	.43000
.622	23.630	-.09300	-.30000	-.44000	-.37000	-.22000	-.30600	8.17000	.03000	7.87000	.43000
.622	24.940	-.09300	-.30500	-.43700	-.37000	-.22500	-.30300	8.16000	.02000	7.87000	.43000
.625	26.240	-.08900	-.30400	-.43700	-.36700	-.22100	-.30000	8.14000	.03000	7.86000	.43000
.622	27.540	-.09400	-.31000	-.44200	-.37500	-.22300	-.30500	8.14000	.00000	7.87000	.43000
.623	28.850	-.09400	-.30500	-.43900	-.37200	-.22100	-.30300	8.12000	.00000	7.87000	.42000
.622	30.150	-.09800	-.30700	-.44700	-.37700	-.22500	-.30700	8.12000	.05000	7.87000	.42000
.621	31.460	-.09800	-.31200	-.44900	-.37900	-.22800	-.30600	8.11000	.02000	7.87000	.42000
.621	32.760	-.10000	-.31500	-.45200	-.38400	-.23300	-.30900	8.11000	.02000	7.88000	.42000
.622	34.070	-.09800	-.31300	-.45100	-.38100	-.23400	-.30400	8.10000	.02000	7.87000	.43000
.623	35.370	-.09300	-.31300	-.45300	-.37800	-.23600	-.30100	8.10000	.04000	7.88000	.42000
.623	36.680	-.10000	-.31400	-.45600	-.38300	-.23600	-.30500	8.07000	.01000	7.86000	.42000
.621	37.980	-.10200	-.31800	-.45700	-.38900	-.24000	-.30700	8.06000	.00000	7.86000	.42000
.623	39.280	-.09700	-.31600	-.45700	-.38200	-.24300	-.30100	8.09000	.05000	7.89000	.43000
.623	40.590	-.09700	-.31600	-.46100	-.38400	-.24100	-.30200	8.07000	.05000	7.87000	.43000
.623	41.890	-.10000	-.31600	-.45600	-.38500	-.24200	-.29900	8.06000	.00000	7.88000	.42000
.622	43.200	-.10400	-.32000	-.46500	-.39200	-.24500	-.30300	8.03000	.00000	7.86000	.42000
.621	44.500	-.10400	-.32400	-.46700	-.39400	-.24900	-.30500	8.05000	.04000	7.88000	.42000
.623	45.800	-.09700	-.32000	-.46300	-.38400	-.24400	-.29700	8.03000	.03000	7.87000	.42000
.621	47.110	-.09900	-.32200	-.46300	-.39700	-.25100	-.29800	8.03000	.05000	7.88000	.43000
.620	48.420	-.10500	-.32800	-.46800	-.39800	-.25300	-.30500	8.03000	.04000	7.88000	.42000
	GRADIENT	-.00344	-.00268	-.00268	-.00497	-.00344	-.00115	-.01533	.00380	-.00383	-.00384

LTV44-559(CA26) 747/1 ATY 02 S1 (ORBITER DATA)

(BFE041) ( 18 NOV 75 )

## REFERENCE DATA

SREF = 2690.0000 SQ.FT. XMRP = 1109.0000 IN. XO  
 LREF = 474.8100 IN. YMRP = .0000 IN. YO  
 BREF = 936.6800 IN. ZMRP = 375.0000 IN. ZO  
 SCALE = .0125

## PARAMETRIC DATA

ALPHAC = 2.000 BETAC = .000  
 STAB = -1.000 ELEVON = 5.000  
 BDFLAP = .000 DX = .000  
 DY = .000 IORB = 4.000  
 BETAO = .000 RUDDER = .000

RUN NO. 37/ 0 RN/L = .00 GRADIENT INTERVAL = -5.00/ 5.00

MACH	DZ	CPCO	CPB1	CPB2	CPB3	CPS1	CPS2	ALPHAC	BETAO	INCID	ALPHAC
.595	1.470	.03500	-.20800	-.21400	-.22500	-.09300	-.15100	6.94000	.12000	3.96000	2.98000
.597	1.770	.03400	-.20600	-.21200	-.22000	-.09000	-.14900	6.89000	.11000	3.91000	2.99000
.596	2.370	.03300	-.20800	-.21700	-.22500	-.09500	-.15100	6.88000	.11000	3.91000	2.98000
.594	2.970	.03500	-.21000	-.22200	-.23000	-.09600	-.15100	6.87000	.08000	3.90000	2.98000
.597	3.970	.02800	-.21400	-.22600	-.22800	-.09300	-.15100	6.86000	.07000	3.89000	2.99000
.596	4.960	.02600	-.21600	-.22600	-.22800	-.09900	-.15600	6.89000	.09000	3.92000	2.99000
.594	6.210	.02200	-.23100	-.23100	-.23300	-.10300	-.16200	6.84000	.08000	3.89000	2.99000
.592	7.460	.02100	-.22500	-.23500	-.23600	-.10700	-.16300	6.88000	.09000	3.94000	2.98000
.595	8.710	.02100	-.22100	-.23500	-.23200	-.10300	-.16000	6.86000	.06000	3.92000	2.99000
.592	9.960	.02800	-.21700	-.23600	-.23600	-.10300	-.15700	6.83000	.08000	3.90000	2.98000
.583	11.170	.02100	-.22800	-.24800	-.24500	-.11100	-.16500	6.82000	.06000	3.90000	2.97000
.581	12.370	.02100	-.22700	-.24400	-.24200	-.11100	-.16400	6.84000	.10000	3.93000	2.98000
.581	13.570	.01900	-.22700	-.24400	-.24200	-.11200	-.16500	6.82000	.05000	3.92000	2.98000
.580	14.770	.02000	-.23000	-.25000	-.24200	-.10900	-.16900	6.80000	.08000	3.90000	2.98000
.580	15.970	.02100	-.22700	-.25000	-.24600	-.10800	-.16700	6.79000	.07000	3.91000	2.98000
.582	17.170	.02000	-.23300	-.25000	-.24400	-.11000	-.16700	6.79000	.10000	3.91000	2.98000
.582	18.370	.01800	-.23200	-.25500	-.24700	-.10900	-.17000	6.81000	.12000	3.93000	2.98000
.587	19.570	.02000	-.23100	-.25800	-.24900	-.10900	-.16800	6.81000	.10000	3.93000	2.99000
.590	20.770	.01500	-.23100	-.25800	-.25100	-.11300	-.16800	6.76000	.10000	3.89000	2.99000
.596	21.970	.02000	-.23500	-.25700	-.24700	-.11000	-.16800	6.81000	.09000	3.94000	2.99000
.600	23.170	.01700	-.23600	-.25500	-.24600	-.11300	-.16700	6.79000	.10000	3.92000	3.00000
.603	24.370	.01300	-.24000	-.26100	-.25300	-.11700	-.17500	6.76000	.06000	3.91000	3.00000
.608	25.570	.01700	-.23700	-.26800	-.25400	-.11600	-.17500	6.80000	.10000	3.94000	3.01000
.611	26.770	.01500	-.23600	-.26300	-.25300	-.11700	-.17200	6.78000	.11000	3.93000	3.01000
.610	27.970	.01700	-.23700	-.26800	-.25400	-.11800	-.17600	6.77000	.04000	3.92000	3.01000
.608	29.170	.01200	-.24900	-.27400	-.25800	-.12800	-.17900	6.76000	.04000	3.92000	3.01000
.612	30.370	.01400	-.24000	-.27200	-.25600	-.12100	-.17500	6.75000	.03000	3.91000	3.01000
.613	31.570	.01000	-.24200	-.26900	-.25900	-.12200	-.17800	6.74000	.10000	3.91000	3.01000
.611	32.780	.01000	-.24600	-.27500	-.26100	-.12600	-.18300	6.76000	.08000	3.93000	3.02000
.612	33.980	.01100	-.24300	-.27000	-.25900	-.12600	-.17700	6.74000	.04000	3.93000	3.01000
.613	35.180	.01300	-.24500	-.27300	-.25600	-.12300	-.18000	6.71000	.05000	3.90000	3.02000
.611	36.380	.01300	-.24100	-.27600	-.26100	-.12100	-.18100	6.75000	.08000	3.95000	3.01000
.612	37.580	.00800	-.24600	-.27600	-.26200	-.12500	-.18500	6.72000	.02000	3.93000	3.01000
.612	38.780	.01100	-.24600	-.27900	-.26000	-.12700	-.18400	6.71000	.09000	3.92000	3.02000
.613	39.980	.01000	-.24600	-.28000	-.25900	-.12600	-.18600	6.70000	.04000	3.91000	3.02000
.610	41.180	.00500	-.25100	-.28700	-.26900	-.12800	-.18800	6.72000	.07000	3.95000	3.01000
.611	42.380	.00400	-.25000	-.28800	-.26900	-.12900	-.18900	6.72000	.10000	3.95000	3.02000
.611	43.580	.00300	-.25200	-.29100	-.27100	-.13200	-.18900	6.71000	.07000	3.95000	3.02000
.613	44.780	.00700	-.25100	-.28900	-.26400	-.13000	-.19100	6.69000	.09000	3.93000	3.02000
	GRADIENT	-.00261	-.00278	-.00425	-.00170	-.00164	-.00139	-.01106	-.01100	-.00818	.00216

LTV44-559(CA26) 747/1 ATY 02 S1 (ORBITER DATA)

(BFEO42) ( 18 NOV 75 )

## REFERENCE DATA

SREF = 2690.0000 SQ.FT. XMRP = 1109.0000 IN. XO  
 LREF = 474.8100 IN. YMRP = .0000 IN. YO  
 BREF = 936.6800 IN. ZMRP = 375.0000 IN. ZO  
 SCALE = .0125

## PARAMETRIC DATA

ALPHAC = 2.000 BETAC = .000  
 STAB = -1.000 ELEVON = 5.000  
 BDFLAP = .000 DX = .000  
 DY = .000 IORB = 6.000  
 BETAO = .000 RUDDER = .000

RUN NO. 1037/ 0 RN/L = .00 GRADIENT INTERVAL = -5.00/ 5.00

MACH	DZ	CPCO	CPB1	CPB2	CPB3	CPS1	CPS2	ALPHAO	BETAO	INCID	ALPHAC
.592	1.470	.03300	-.20700	-.19900	-.21400	-.08800	-.14900	8.96000	.08000	5.99000	2.98000
.596	2.070	.04200	-.19400	-.18800	-.20600	-.08400	-.14300	8.97000	.09000	6.00000	2.97000
.595	2.670	.04000	-.19900	-.19400	-.21200	-.08700	-.14600	8.88000	.11000	5.91000	2.98000
.595	3.470	.04200	-.19400	-.18200	-.20300	-.07900	-.14300	8.87000	.12000	5.87000	3.01000
.597	4.470	.03800	-.19800	-.18800	-.20500	-.07900	-.14300	8.87000	.09000	5.88000	3.01000
.596	5.600	.04400	-.19300	-.18500	-.20300	-.07700	-.14400	8.90000	.12000	5.92000	3.01000
.593	6.850	.04200	-.19500	-.18200	-.20300	-.07600	-.14600	8.87000	.08000	5.89000	3.01000
.594	8.100	.04200	-.19300	-.18200	-.20600	-.07900	-.14600	8.90000	.12000	5.93000	3.01000
.594	9.350	.04100	-.19400	-.18100	-.20500	-.07700	-.14600	8.86000	.11000	5.90000	3.01000
.596	10.580	.04500	-.19200	-.18300	-.20800	-.07600	-.14500	8.85000	.09000	5.90000	3.01000
.594	11.800	.04200	-.19500	-.18200	-.20400	-.07300	-.14900	8.85000	.11000	5.91000	3.01000
.595	13.020	.04100	-.19600	-.18000	-.20400	-.07100	-.14700	8.84000	.10000	5.90000	3.00000
.595	14.240	.04500	-.19400	-.17900	-.20200	-.07000	-.14500	8.84000	.10000	5.92000	3.00000
.596	15.460	.04300	-.19800	-.18100	-.20500	-.07000	-.14800	8.85000	.12000	5.93000	3.00000
.594	16.680	.04300	-.19800	-.18000	-.20800	-.07400	-.15200	8.82000	.08000	5.92000	3.00000
.594	17.900	.04200	-.19400	-.18500	-.21100	-.07500	-.15100	8.81000	.08000	5.91000	3.00000
.598	19.120	.04700	-.19500	-.18300	-.20600	-.07200	-.14900	8.79000	.10000	5.90000	3.00000
.596	20.340	.04400	-.19700	-.17900	-.20500	-.07000	-.14900	8.79000	.07000	5.91000	3.00000
.592	21.560	.04800	-.19400	-.17800	-.20800	-.07000	-.15100	8.78000	.08000	5.90000	3.00000
.595	22.780	.04500	-.19600	-.17600	-.20800	-.07300	-.15100	8.79000	.08000	5.92000	3.00000
.597	24.000	.04500	-.19200	-.18100	-.20400	-.06700	-.14900	8.75000	.09000	5.89000	3.00000
.596	25.220	.04700	-.19600	-.18200	-.20700	-.07000	-.14800	8.74000	.07000	5.89000	3.00000
.596	26.440	.04500	-.20000	-.18000	-.21000	-.07300	-.15200	8.75000	.09000	5.90000	3.00000
.597	27.660	.04600	-.19500	-.18200	-.20600	-.06900	-.15100	8.74000	.07000	5.90000	3.00000
.595	28.880	.04700	-.19600	-.18200	-.20700	-.07200	-.15100	8.74000	.07000	5.91000	2.99000
.596	30.100	.04900	-.19600	-.17800	-.20900	-.06600	-.14900	8.72000	.06000	5.90000	2.99000
.595	31.330	.04800	-.19100	-.18100	-.20500	-.06500	-.15100	8.70000	.08000	5.89000	2.99000
.597	32.540	.05400	-.19000	-.17100	-.20300	-.05900	-.14700	8.71000	.07000	5.91000	2.99000
.595	33.770	.04500	-.20000	-.18000	-.21200	-.06600	-.15400	8.70000	.05000	5.90000	3.06000
.595	34.980	.05000	-.19600	-.17800	-.20800	-.06100	-.15200	8.70000	.07000	5.91000	2.99000
.596	36.210	.04800	-.19300	-.18200	-.20400	-.06600	-.15100	8.72000	.08000	5.93000	3.00000
.596	37.430	.04800	-.19300	-.17900	-.20500	-.06600	-.15000	8.71000	.06000	5.92000	3.00000
.595	38.650	.05000	-.19500	-.18000	-.20500	-.06500	-.15000	8.67000	.06000	5.89000	3.00000
.595	39.870	.04900	-.19700	-.18100	-.20800	-.06700	-.15300	8.65000	.04000	5.89000	3.00000
.595	41.090	.05200	-.19500	-.17700	-.20700	-.06500	-.15100	8.67000	.05000	5.91000	3.00000
.596	42.310	.04700	-.19100	-.17900	-.20700	-.06200	-.15400	8.66000	.05000	5.90000	3.00000
.594	43.530	.04800	-.19700	-.18100	-.20700	-.06400	-.15700	8.68000	.06000	5.92000	3.00000
.596	44.750	.05300	-.19600	-.17300	-.20600	-.05700	-.15000	8.63000	.05000	5.89000	3.00000
.595	45.970	.05200	-.19500	-.17800	-.20500	-.06200	-.15500	8.67000	.08000	5.94000	3.00000
.597	47.190	.05400	-.19300	-.17300	-.20500	-.05600	-.15500	8.64000	.09000	5.92000	3.00000
.597	48.420	.05600	-.19200	-.17400	-.20400	-.05600	-.15500	8.65000	.08000	5.93000	3.00000
.594	49.630	.05000	-.19300	-.18000	-.20600	-.06100	-.15800	8.61000	.06000	5.90000	3.00000

DATE 22 MAR 76

CA-26 FORCE SOURCE DATA TABULATION

PAGE 209

LTV44-559(CA26) 747/1 ATY 02 S1 (ORBITER DATA)

(BFE042) ( 18 NOV 75 )

## REFERENCE DATA

## PARAMETRIC DATA

SREF = 2690.0000 SQ.FT. XMRP = 1109.0000 IN. XO  
 LREF = 474.8100 IN. YMRP = .0000 IN. YO  
 BREF = 936.6800 IN. ZMRP = 375.0000 IN. ZO  
 SCALE = .0125

ALPHAC = 2.000 BETAC = .000  
 STAB = -1.000 ELEVON = 5.000  
 BDFLAP = .000 DX = .000  
 DY = .000 TORB = 6.000  
 BETAO = .000 RUDDER = .000

RUN NO. 10377 0 RN/L = .00 GRADIENT INTERVAL = -5.00/ 5.00

MACH	DZ	CPCO	CPB1	CPB2	CPB3	CPS1	CPS2	ALPHA0	BETA0	INCID	ALPHAC
.597	50.860	.05200	-.19300	-.17300	-.20500	-.05600	-.15500	8.62000	.06000	5.91000	3.01000
.596	51.470	.05100	-.19200	-.17700	-.20400	-.05900	-.15500	8.63000	.03000	5.92000	3.01000
	GRADIENT	.00108	.00215	.00356	.00277	.00312	.00156	-.03602	.00533	-.04539	.01369

LTV44-559(CA26) 747/1 ATY 02 S1 (ORBITER DATA)

(BFED45) ( 18 NOV 75 )

## REFERENCE DATA

SREF = 2690.0000 SQ.FT. XMRP = 1109.0000 IN. XO  
 LREF = 474.8100 IN. YMRP = .0000 IN. YO  
 BREF = 936.6800 IN. ZMRP = 375.0000 IN. ZO  
 SCALE = .0125

## PARAMETRIC DATA

ALPHAC = 2.000 BETAC = .000  
 STAB = 5.000 ELEVON = 5.000  
 BDFLAP = .000 DX = .000  
 DY = .000 TORB = 4.000  
 BETAO = .000 RUDDER = .000

RUN NO. 39/ 0 RN/L = .00 GRADIENT INTERVAL = -5.00/ 5.00

MACH	DZ	CPCO	CPB1	CPB2	CPB3	CPS1	CPS2	ALPHA0	BETAO	INCID	ALPHAC
.600	1.470	-.03200	-.25600	-.35300	-.30900	-.17100	-.24600	6.64000	.01000	3.98000	2.66000
.600	1.770	-.03300	-.25100	-.35100	-.30900	-.17000	-.24800	6.65000	.04000	3.99000	2.67000
.601	2.370	-.03400	-.25300	-.34900	-.30800	-.17000	-.24800	6.66000	.04000	4.00000	2.67000
.604	2.970	-.03400	-.25200	-.34500	-.30200	-.16600	-.24500	6.63000	.02000	3.98000	2.67000
.601	3.970	-.03300	-.25700	-.35000	-.30400	-.16300	-.24800	6.62000	.02000	3.97000	2.67000
.602	4.960	-.03100	-.25600	-.34700	-.30600	-.16400	-.24800	6.64000	.04000	4.00000	2.67000
.601	6.210	-.03700	-.25700	-.34900	-.30700	-.16900	-.25500	6.61000	.01000	3.97000	2.67000
.601	7.460	-.03100	-.25200	-.35000	-.31000	-.16500	-.25000	6.62000	.05000	3.99000	2.67000
.601	8.710	-.02900	-.25700	-.34500	-.30200	-.16000	-.25000	6.61000	.04000	3.99000	2.67000
.601	9.960	-.02800	-.25100	-.34500	-.30500	-.16000	-.24800	6.63000	.04000	4.01000	2.67000
.599	11.170	-.02700	-.25500	-.34600	-.30700	-.16000	-.25100	6.60000	.06000	3.99000	2.67000
.602	12.370	-.02900	-.25700	-.34400	-.30300	-.16000	-.25300	6.60000	.04000	4.00000	2.67000
.603	13.570	-.03100	-.25400	-.34100	-.30000	-.16200	-.25300	6.60000	.04000	4.00000	2.67000
.601	14.770	-.02600	-.25100	-.34100	-.30400	-.15900	-.25200	6.58000	.01000	3.99000	2.67000
.600	15.970	-.03000	-.25700	-.34000	-.30400	-.16200	-.25300	6.59000	.07000	4.00000	2.68000
.603	17.170	-.03100	-.25800	-.34200	-.30600	-.16300	-.25500	6.55000	.01000	3.97000	2.67000
.601	18.370	-.02500	-.25200	-.34300	-.30700	-.15800	-.25300	6.55000	.00000	3.98000	2.66000
.600	19.570	-.02800	-.25600	-.34700	-.30500	-.15900	-.25600	6.57000	.03000	4.00000	2.67000
.603	20.770	-.02700	-.25600	-.34300	-.30300	-.15900	-.25400	6.55000	.00000	3.99000	2.67000
.603	21.970	-.01800	-.25000	-.33600	-.29800	-.15200	-.24700	6.56000	.04000	4.00000	2.67000
.602	23.170	-.03000	-.25400	-.33800	-.30200	-.16300	-.25400	6.56000	.03000	4.01000	2.67000
.601	24.370	-.02300	-.24900	-.33600	-.30300	-.16000	-.25200	6.53000	.00000	3.99000	2.67000
.601	25.570	-.02700	-.25400	-.33800	-.30100	-.15800	-.25200	6.53000	.00000	4.00000	2.67000
.600	26.770	-.02300	-.24900	-.33500	-.30300	-.15700	-.25200	6.52000	.00000	3.99000	2.68000
.599	27.970	-.02200	-.24900	-.33600	-.30300	-.15700	-.25400	6.51000	.00000	3.99000	2.67000
.602	29.170	-.02700	-.25200	-.32800	-.29700	-.15700	-.25400	6.50000	.02000	3.99000	2.68000
.599	30.370	-.02300	-.25000	-.32900	-.30000	-.15900	-.25400	6.48000	.00000	3.98000	2.67000
.600	31.570	-.02200	-.25400	-.33500	-.30100	-.15100	-.25900	6.50000	.00000	3.99000	2.68000
.598	32.780	-.02200	-.24800	-.33100	-.30100	-.15500	-.25500	6.51000	.03000	4.01000	2.68000
.601	33.980	-.01900	-.24600	-.32900	-.29900	-.15400	-.24900	6.48000	.02000	4.00000	2.67000
.601	35.180	-.02300	-.25200	-.32900	-.29800	-.15400	-.25600	6.49000	.01000	4.02000	2.67000
.602	36.380	-.01600	-.24500	-.32700	-.29700	-.14800	-.25100	6.50000	.02000	4.02000	2.67000
.602	37.580	-.01400	-.24800	-.33000	-.29800	-.14700	-.25200	6.48000	.04000	4.01000	2.68000
.602	38.780	-.02000	-.24700	-.32800	-.29900	-.15400	-.25200	6.44000	.00000	3.98000	2.68000
.603	39.980	-.02200	-.25200	-.32600	-.29700	-.15100	-.25800	6.44000	.00000	4.00000	2.68000
.602	41.180	-.02000	-.24800	-.32300	-.29800	-.14800	-.25800	6.44000	.00000	4.00000	2.68000
.602	42.380	-.01800	-.24300	-.32300	-.29900	-.14800	-.25600	6.41000	.00000	3.97000	2.68000
.601	43.580	-.01900	-.24700	-.32000	-.29400	-.15000	-.25400	6.41000	.00000	3.98000	2.68000
.601	44.780	-.01400	-.24500	-.32300	-.29700	-.14700	-.25300	6.42000	.00000	4.00000	2.68000
GRADIENT		.00035	-.00092	.00126	.00124	.00236	-.00030	-.00489	.00238	.00087	.00161



LTV44-559(CA26) 747/1 ATY 02 S1 (ORBITER DATA)

(BFEO46) ( 18 NOV 75 )

## REFERENCE DATA

SREF = 2690.0000 SQ.FT. XMRP = 1109.0000 IN. XO  
 LREF = 474.8100 IN. YMRP = .0000 IN. YO  
 BREF = 936.6800 IN. ZMRP = 375.0000 IN. ZO  
 SCALE = .0125

## PARAMETRIC DATA

ALPHAC = 2.000 BETAC = .000  
 STAB = 5.000 ELEVON = 5.000  
 BDFLAP = .000 DX = .000  
 DY = .000 IORB = 6.000  
 BETAO = .000 RUDDER = .000

RUN NO. 44/ 0 RN/L = .00 GRADIENT INTERVAL = -5.00/ 5.00

MACH	DZ	CPCO	CPB1	CPB2	CPB3	CPS1	CPS2	ALPHAO	BETAO	INCID	ALPHAC
.329	1.460	-.08500	-.27300	-.56700	-.39900	-.24000	-.26900	8.63000	.05000	5.95000	2.68000
.325	2.060	-.09600	-.27200	-.57900	-.40800	-.24700	-.27800	8.65000	.05000	5.98000	2.68000
.324	2.660	-.09900	-.27200	-.59600	-.40900	-.25200	-.27900	8.63000	.02000	5.96000	2.68000
.315	3.360	-.12000	-.30200	-.61200	-.44800	-.26900	-.29100	8.64000	.03000	5.98000	2.68000
.315	4.160	-.12300	-.30400	-.63300	-.45200	-.27300	-.29500	8.62000	.03000	5.97000	2.67000
.317	4.960	-.10700	-.28700	-.65200	-.42800	-.28000	-.28000	8.60000	.00000	5.95000	2.67000
.312	5.960	-.12200	-.31400	-.65400	-.45200	-.29900	-.29100	8.59000	.00000	5.94000	2.68000
.310	6.960	-.14000	-.31100	-.65700	-.47100	-.29500	-.29700	8.59000	.01000	5.96000	2.67000
.309	7.970	-.14800	-.32200	-.66800	-.48600	-.30900	-.30500	8.60000	.00000	5.97000	2.67000
.311	8.960	-.12900	-.30900	-.67200	-.46300	-.30600	-.29900	8.56000	.00000	5.94000	2.67000
.308	9.960	-.13500	-.33300	-.69000	-.47700	-.32200	-.30500	8.60000	.01000	5.99000	2.67000
.309	11.150	-.13500	-.33000	-.69100	-.47300	-.32300	-.30200	8.58000	.02000	5.97000	2.67000
.306	12.330	-.14400	-.33500	-.74600	-.49900	-.33200	-.31700	8.56000	.00000	5.95000	2.67000
.309	13.520	-.14900	-.33000	-.75400	-.50200	-.33300	-.30700	8.55000	.00000	5.95000	2.67000
.306	14.700	-.15900	-.35900	-.75000	-.50800	-.34600	-.32100	8.53000	-.01000	5.94000	2.67000
.309	15.900	-.15000	-.33500	-.71900	-.49300	-.34700	-.30400	8.56000	.02000	5.98000	2.66000
.306	17.080	-.15500	-.34500	-.73000	-.51100	-.36500	-.31800	8.54000	.01000	5.97000	2.66000
.306	18.270	-.15800	-.35400	-.71900	-.51500	-.36400	-.32200	8.52000	.00000	5.95000	2.67000
.311	19.450	-.14900	-.34100	-.70700	-.49500	-.35300	-.30900	8.51000	.02000	5.95000	2.67000
.312	20.640	-.15100	-.34400	-.71000	-.50100	-.35800	-.30500	8.53000	.04000	5.97000	2.67000
.307	21.810	-.17900	-.37400	-.75300	-.52700	-.38000	-.32700	8.47000	.01000	5.93000	2.67000
.312	23.000	-.15300	-.36100	-.75600	-.51400	-.36300	-.30600	8.51000	.02000	5.97000	2.67000
.307	24.190	-.15800	-.35700	-.77900	-.52800	-.37600	-.30800	8.50000	.02000	5.97000	2.66000
.308	25.370	-.16300	-.37700	-.76900	-.52400	-.37100	-.30800	8.45000	.01000	5.93000	2.66000
.305	26.560	-.17700	-.38100	-.76900	-.53800	-.39900	-.32600	8.46000	.01000	5.95000	2.67000
.309	27.740	-.17100	-.36900	-.77400	-.53200	-.37900	-.31600	8.48000	.04000	5.97000	2.67000
.309	28.930	-.17300	-.37300	-.75300	-.51600	-.38700	-.30800	8.43000	.02000	5.93000	2.66000
.310	30.110	-.17400	-.36400	-.74900	-.52000	-.37200	-.30600	8.47000	.03000	5.98000	2.66000
.311	31.310	-.17900	-.37900	-.75200	-.53600	-.39700	-.31400	8.42000	.01000	5.93000	2.66000
.309	32.490	-.18100	-.38000	-.75900	-.52700	-.37500	-.30500	8.43000	.04000	5.95000	2.67000
.312	33.680	-.18100	-.38600	-.77400	-.54100	-.39500	-.31100	8.44000	.04000	5.97000	2.67000
.315	34.860	-.17600	-.37200	-.73600	-.51900	-.37500	-.29600	8.42000	.04000	5.96000	2.67000
.314	36.050	-.18000	-.38100	-.74700	-.53100	-.37600	-.30100	8.39000	.01000	5.94000	2.66000
.315	37.230	-.18600	-.38200	-.75600	-.53000	-.38300	-.31400	8.43000	.03000	5.98000	2.66000
.309	38.420	-.18600	-.40100	-.79500	-.56400	-.41100	-.32300	8.39000	.04000	5.96000	2.66000
.313	39.610	-.18300	-.38200	-.76900	-.54200	-.40400	-.31300	8.40000	.05000	5.95000	2.67000
.313	40.790	-.18400	-.37900	-.76500	-.53200	-.39000	-.30200	8.38000	.02000	5.95000	2.66000
.314	41.980	-.18400	-.38200	-.76400	-.52900	-.38300	-.30200	8.39000	.03000	5.97000	2.67000
.317	43.160	-.18000	-.38100	-.75100	-.53500	-.40000	-.30600	8.36000	.00000	5.94000	2.67000
.313	44.350	-.18700	-.39100	-.77400	-.53400	-.38900	-.30000	8.37000	.04000	5.97000	2.66000
.313	45.530	-.18700	-.39500	-.77100	-.54300	-.38700	-.30000	8.35000	.07000	5.95000	2.66000
.314	46.720	-.19300	-.39100	-.76700	-.54400	-.39700	-.30500	8.35000	-.01000	5.96000	2.66000

ORIGINAL PAGE IS  
OF POOR QUALITY

LTV44-559(CA26) 747/1 ATY 02 S1 (ORBITER DATA)

(BFE046) ( 18 NOV 75 )

## REFERENCE DATA

SREF = 2590.0000 SQ.FT. XMRP = 1109.0000 IN. XO  
 LREF = 474.8100 IN. YMRP = .0000 IN. YO  
 BREF = 936.6800 IN. ZMRP = 375.0000 IN. ZO  
 SCALE = .0125

## PARAMETRIC DATA

ALPHAC = 2.000 BETAC = .000  
 STAB = 5.000 ELEVON = 5.000  
 BDFLAP = .000 DX = .000  
 DY = .000 TORB = 6.000  
 BETA0 = .000 RUDDER = .000

RUN NO. 447 0 RN/L = .00 GRADIENT INTERVAL = -5.00/ 5.00

MACH	DZ	CPCO	CPB1	CPB2	CPB3	CPS1	CPS2	ALPHA0	BETA0	INCID	ALPHAC
.314	47.910	-.18400	-.39300	-.76200	-.53400	-.38700	-.29200	8.34000	.08000	5.94000	2.67000
.313	49.090	-.19600	-.39600	-.76800	-.54700	-.40300	-.31500	8.32000	.00000	5.94000	2.67000
.314	50.280	-.19500	-.39900	-.77300	-.54400	-.39500	-.30700	8.34000	.01000	5.97000	2.66000
.311	51.460	-.19300	-.39600	-.78800	-.55500	-.42400	-.30200	8.33000	.02000	5.96000	2.67000
	GRADIENT	-.00830	-.00780	-.02463	-.01249	-.01194	-.00455	-.00981	-.01219	-.00087	-.00337

LTV44-559(CA26) 747/1 ATY 02 S1 (ORBITER DATA)

(BFE046) ( 18 NOV 75 )

## REFERENCE DATA

SREF = 2690.0000 SQ.FT. XMRP = 1109.0000 IN. XO  
 LREF = 474.8100 IN. YMRP = .0000 IN. YO  
 BREF = 936.6800 IN. ZMRP = 375.0000 IN. ZO  
 SCALE = .0125

## PARAMETRIC DATA

ALPHAC = 2.000 BETAC = .000  
 STAB = 5.000 ELEVON = 5.000  
 BDFLAP = .000 DX = .000  
 DY = .000 IORB = 6.000  
 BETAO = .000 RUDDER = .000

RUN NO. 43/ 0 RN/L = .00 GRADIENT INTERVAL = -5.00/ 5.00

MACH	DZ	CPCO	CPB1	CPB2	CPB3	CPS1	CPS2	ALPHAO	BETAO	INCID	ALPHAC
.501	1.460	-.07800	-.27300	-.45000	-.34100	-.22400	-.30300	8.64000	.05000	5.96000	2.69000
.512	2.060	-.07500	-.27100	-.44500	-.32900	-.21200	-.29300	8.62000	.03000	5.94000	2.69000
.506	2.660	-.08700	-.28400	-.46100	-.34600	-.23100	-.30600	8.65000	.04000	5.97000	2.69000
.510	3.360	-.08500	-.28800	-.46500	-.34300	-.22700	-.30100	8.62000	.03000	5.95000	2.69000
.508	4.160	-.08900	-.29200	-.47000	-.35000	-.23400	-.30600	8.64000	.04000	5.97000	2.69000
.506	4.960	-.09500	-.29400	-.50200	-.35200	-.24000	-.30700	8.62000	.06000	5.96000	2.68000
.506	5.960	-.09700	-.29700	-.47900	-.35400	-.24300	-.30900	8.64000	.08000	5.98000	2.69000
.506	6.960	-.09500	-.29400	-.47500	-.35600	-.24800	-.30700	8.61000	.04000	5.96000	2.68000
.505	7.970	-.09900	-.30300	-.48600	-.36600	-.24700	-.31100	8.61000	.06000	5.97000	2.68000
.507	8.960	-.09900	-.30000	-.48100	-.35900	-.24900	-.30800	8.61000	.07000	5.98000	2.68000
.506	9.960	-.10400	-.30500	-.48900	-.36500	-.25400	-.31000	8.58000	.02000	5.95000	2.68000
.506	11.150	-.10800	-.31200	-.50200	-.37400	-.26400	-.31300	8.58000	.06000	5.96000	2.68000
.505	12.330	-.10100	-.30600	-.49900	-.37000	-.25800	-.30900	8.55000	.03000	5.94000	2.68000
.506	13.520	-.10100	-.30600	-.49900	-.37200	-.26500	-.30800	8.53000	.02000	5.93000	2.68000
.505	14.700	-.11400	-.31500	-.50800	-.37900	-.26800	-.31400	8.56000	.08000	5.96000	2.68000
.508	15.900	-.10700	-.31300	-.50200	-.37400	-.26800	-.30900	8.53000	.02000	5.94000	2.67000
.505	17.080	-.11100	-.31500	-.50800	-.38200	-.27100	-.31500	8.56000	.06000	5.98000	2.67000
.508	18.270	-.10700	-.31000	-.50700	-.37800	-.27300	-.30900	8.50000	.02000	5.93000	2.67000
.509	19.450	-.10900	-.31500	-.51900	-.37800	-.26700	-.30600	8.53000	.07000	5.97000	2.67000
.504	20.640	-.11400	-.32400	-.52800	-.39300	-.28300	-.32000	8.52000	.08000	5.97000	2.67000
.506	21.810	-.11600	-.32300	-.52000	-.38700	-.27900	-.31300	8.52000	.09000	5.97000	2.67000
.507	23.000	-.11400	-.31700	-.52100	-.38900	-.28200	-.31500	8.50000	.05000	5.96000	2.67000
.508	24.190	-.11500	-.32200	-.53300	-.38600	-.28000	-.31100	8.47000	.02000	5.93000	2.67000
.508	25.370	-.11500	-.32500	-.53100	-.39200	-.28500	-.31000	8.46000	.05000	5.94000	2.67000
.506	26.560	-.11700	-.32600	-.52200	-.38900	-.28200	-.31100	8.48000	.03000	5.96000	2.67000
.505	27.740	-.12000	-.33200	-.52900	-.39700	-.28900	-.31600	8.45000	.05000	5.94000	2.67000
.505	28.930	-.12100	-.33400	-.53800	-.39900	-.28700	-.31300	8.45000	.05000	5.95000	2.67000
.506	30.110	-.11700	-.33200	-.53600	-.39600	-.28400	-.31000	8.44000	.03000	5.94000	2.67000
.507	31.310	-.11700	-.33500	-.54000	-.40300	-.29100	-.31300	8.43000	.01000	5.94000	2.67000
.507	32.490	-.12000	-.33400	-.54100	-.40500	-.29100	-.31400	8.42000	.01000	5.94000	2.67000
.505	33.680	-.12200	-.33700	-.54300	-.40100	-.29000	-.31200	8.42000	.04000	5.95000	2.67000
.508	34.860	-.12000	-.33500	-.53300	-.39900	-.29000	-.30600	8.41000	.06000	5.94000	2.67000
.507	36.050	-.12000	-.33800	-.54100	-.40400	-.29400	-.30500	8.39000	.03000	5.93000	2.67000
.507	37.230	-.11700	-.33300	-.53100	-.39900	-.29600	-.30300	8.42000	.05000	5.97000	2.67000
.506	38.420	-.12100	-.33500	-.53200	-.40500	-.29700	-.31200	8.40000	.03000	5.95000	2.67000
.506	39.610	-.12800	-.34200	-.54200	-.40800	-.30400	-.31100	8.40000	.00000	5.96000	2.67000
.506	40.790	-.12100	-.33800	-.53900	-.40600	-.29700	-.30400	8.37000	.06000	5.93000	2.67000
.507	41.980	-.12400	-.33800	-.53500	-.40400	-.29700	-.30400	8.39000	.05000	5.96000	2.67000
.506	43.160	-.12700	-.33900	-.54000	-.41100	-.30400	-.31000	8.39000	.00000	5.97000	2.67000
.507	44.350	-.12200	-.34000	-.54100	-.40900	-.29800	-.30400	8.35000	.06000	5.94000	2.67000
.509	45.530	-.13000	-.34200	-.53900	-.40500	-.29700	-.30900	8.37000	.04000	5.96000	2.67000
.510	46.720	-.13000	-.34300	-.54100	-.40700	-.30000	-.30800	8.37000	.05000	5.96000	2.67000

LTV44-559(CA26) 747/1 ATY 02 S1 (ORBITER DATA)

(BF046) ( 18 NOV 75 )

## REFERENCE DATA

SREF = 2690.0000 SQ.FT. XMRP = 1109.0000 IN. XO  
 LREF = 474.8100 IN. YMRP = .0000 IN. YO  
 BREF = 936.6800 IN. ZMRP = 375.0000 IN. ZO  
 SCALE = .0125

## PARAMETRIC DATA

ALPHAC = 2.000 BETAC = .000  
 STAB = 5.000 ELEVON = 5.000  
 BDFLAP = .000 DX = .000  
 DY = .000 TORB = 6.000  
 BETAO = .000 RUDDER = .000

RUN NO. 43/ 0 RN/L = .00 GRADIENT INTERVAL = -5.00/ 5.00

MACH	DZ	CPCO	CPB1	CPB2	CPB3	CPS1	CPS2	ALPHAO	BETAO	INCLD	ALPHAC
.508	47.910	-.12800	-.34700	-.54700	-.41400	-.30200	-.30900	8.35000	.06000	5.95000	2.68000
.508	49.090	-.12900	-.35000	-.54900	-.41500	-.30500	-.30700	8.36000	.04000	5.97000	2.68000
.508	50.280	-.13000	-.35000	-.54900	-.41500	-.30300	-.30500	8.35000	.05000	5.97000	2.67000
.508	51.460	-.13100	-.35200	-.55600	-.41900	-.31000	-.29700	8.32000	.04000	5.95000	2.67000
	GRADIENT	-.00509	-.00693	-.01407	-.00472	-.00584	-.00223	-.00296	.00331	.00284	-.00215

LTV44-559(CA26) 747/1 ATY 02 S1 (ORBITER DATA)

(BFE046) ( 18 NOV 75 )

## REFERENCE DATA

SREF = 2690.0000 SQ.FT. XMRP = 1109.0000 IN. XO  
 LREF = 474.8100 IN. YMRP = .0000 IN. YO  
 BREF = 936.6800 IN. ZMRP = 375.0000 IN. ZO  
 SCALE = .0125

## PARAMETRIC DATA

ALPHAC = 2.000 BETAC = .000  
 STAB = 5.000 ELEVON = 5.000  
 BDFLAP = .000 OX = .000  
 DY = .000 IORB = 6.000  
 BETAO = .000 RUDDER = .000

RUN NO. 1039/ C RN/L = .00 GRADIENT INTERVAL = -5.00/ 5.00

MACH	DZ	CPCO	CPB1	CPB2	CPB3	CPS1	CPS2	ALPHAO	BETAO	INCID	ALPHAC
.604	1.470	-.04000	-.25600	-.34400	-.30300	-.18000	-.24700	8.64000	.04000	5.93000	2.71000
.602	2.070	-.04100	-.25900	-.34800	-.30700	-.18200	-.24700	8.67000	.03000	5.97000	2.71000
.601	2.670	-.04000	-.25700	-.34600	-.30300	-.17800	-.24500	8.66000	.04000	5.97000	2.70000
.600	3.470	-.04600	-.26600	-.35600	-.31200	-.18400	-.24800	8.66000	.03000	5.97000	2.70000
.600	4.470	-.04100	-.26400	-.35200	-.31000	-.18200	-.24600	8.66000	.04000	5.98000	2.70000
.603	5.600	-.04300	-.26100	-.35300	-.30900	-.18500	-.24400	8.66000	.03000	5.99000	2.70000
.601	6.850	-.04500	-.26600	-.35700	-.31400	-.19100	-.24700	8.62000	.04000	5.96000	2.70000
.604	8.100	-.04800	-.26600	-.35400	-.31200	-.18900	-.24600	8.63000	.05000	5.97000	2.70000
.603	9.350	-.04200	-.26200	-.35200	-.30800	-.18400	-.24500	8.64000	.03000	5.99000	2.70000
.603	10.580	-.04600	-.26800	-.35900	-.31600	-.19200	-.24700	8.61000	.02000	5.97000	2.69000
.601	11.800	-.05200	-.27300	-.36400	-.31900	-.19300	-.25100	8.61000	.03000	5.98000	2.69000
.601	13.020	-.04900	-.27100	-.36500	-.32200	-.19500	-.25000	8.58000	.03000	5.96000	2.69000
.601	14.240	-.05100	-.27300	-.36300	-.31900	-.19300	-.24900	8.59000	.04000	5.98000	2.69000
.600	15.460	-.04800	-.27000	-.36300	-.32100	-.19400	-.24900	8.59000	.06000	5.99000	2.69000
.600	16.680	-.05100	-.27300	-.36500	-.31800	-.19600	-.24900	8.58000	.05000	5.98000	2.69000
.601	17.900	-.04700	-.27500	-.36700	-.32200	-.19400	-.24700	8.58000	.03000	6.00000	2.68000
.602	19.120	-.04700	-.27200	-.36700	-.32200	-.19300	-.24700	8.56000	.04000	5.99000	2.68000
.602	20.340	-.04900	-.27100	-.36300	-.32100	-.19600	-.24500	8.54000	.04000	5.97000	2.68000
.602	21.560	-.04800	-.27000	-.36100	-.32100	-.19600	-.24300	8.52000	.03000	5.96000	2.68000
.601	22.780	-.05000	-.27300	-.36600	-.32200	-.19900	-.24500	8.52000	.03000	5.96000	2.68000
.603	24.000	-.04900	-.27300	-.36300	-.32200	-.19900	-.24200	8.53000	.02000	5.99000	2.68000
.604	25.220	-.04900	-.27000	-.36500	-.32400	-.19700	-.24200	8.53000	.02000	6.00000	2.68000
.600	25.440	-.04900	-.27800	-.37000	-.32700	-.20300	-.24700	8.52000	.04000	5.99000	2.68000
.602	27.660	-.05000	-.27700	-.37000	-.32500	-.20100	-.24700	8.50000	.01000	5.98000	2.68000
.603	28.880	-.05200	-.27600	-.36600	-.32500	-.20200	-.24400	8.52000	.03000	6.00000	2.68000
.602	30.100	-.04900	-.27600	-.37100	-.32900	-.19900	-.24600	8.50000	.01000	6.00000	2.67000
.605	31.330	-.05100	-.27400	-.36400	-.32200	-.19900	-.24200	8.49000	.02000	6.00000	2.69000
.603	32.540	-.05000	-.27500	-.36600	-.32700	-.20100	-.24300	8.48000	.01000	5.99000	2.68000
.603	33.770	-.04800	-.27900	-.37100	-.32600	-.20100	-.24300	8.48000	.01000	6.00000	2.68000
.600	34.980	-.04900	-.27900	-.37500	-.32900	-.20100	-.24800	8.43000	.03000	5.96000	2.67000
.603	36.210	-.05000	-.27400	-.36700	-.32700	-.20100	-.24400	8.44000	.02000	5.98000	2.67000
.600	37.430	-.05300	-.28000	-.37500	-.33500	-.20400	-.24600	8.43000	.01000	5.97000	2.67000
.602	38.650	-.04700	-.27900	-.37200	-.32700	-.20100	-.24100	8.42000	.02000	5.97000	2.68000
.600	39.870	-.05300	-.27800	-.37700	-.33400	-.20400	-.24700	8.42000	.03000	5.97000	2.68000
.600	41.090	-.05200	-.28100	-.37700	-.33600	-.20400	-.24600	8.42000	.00000	5.98000	2.68000
.602	42.310	-.04900	-.28100	-.37600	-.33100	-.20300	-.24300	8.43000	.00000	6.00000	2.67000
.600	43.530	-.05100	-.28300	-.38000	-.33700	-.20600	-.24400	8.40000	.02000	5.98000	2.68000
.602	44.750	-.05300	-.28200	-.37700	-.33300	-.20600	-.24200	8.38000	.03000	5.96000	2.68000
.601	45.970	-.04800	-.28000	-.37500	-.32800	-.20600	-.24400	8.39000	.01000	5.98000	2.68000
.601	47.190	-.05600	-.28200	-.37500	-.33700	-.20800	-.24500	8.39000	.01000	5.98000	2.68000
.603	48.420	-.05100	-.28200	-.37300	-.32900	-.20600	-.24100	8.38000	.02000	5.98000	2.68000
.603	49.630	-.05100	-.28200	-.37100	-.33100	-.20300	-.24400	8.36000	.02000	5.97000	2.68000

DATE 22 MAR 76

## CA-26 FORCE SOURCE DATA TABULATION

PAGE 216

LTV44-559(CA26) 747/1 ATY 02 S1 (ORBITER DATA)

(8FE046) ( 18 NOV 75 )

## REFERENCE DATA

SREF = 2690.0000 SQ.FT. XMRP = 1109.0000 IN. XO  
 LREF = 474.8100 IN. YMRP = .0000 IN. YO  
 BREF = 936.6800 IN. ZMRP = 375.0000 IN. ZO  
 SCALE = .0125

## PARAMETRIC DATA

ALPHAC = 2.000 BETAC = .000  
 STAB = 5.000 ELEVON = 5.000  
 BDFLAP = .000 OX = .000  
 DY = .000 TORB = 6.000  
 BETAO = .000 RUDDER = .000

RUN NO. 1039/ 0 RN/L = .00 GRADIENT INTERVAL = -5.00/ 5.00

MACH	DZ	CPCO	CPB1	CPB2	CPB3	CPS1	CPS2	ALPHAO	BETAO	INCID	ALPHAC
.603	50.860	-.05300	-.27900	-.37400	-.33500	-.20200	-.24400	8.36000	.00000	5.97000	2.68000
.603	51.470	-.04800	-.27900	-.37400	-.33000	-.20100	-.24200	8.35000	.01000	5.96000	2.68000
	GRADIENT	-.00085	-.00308	-.00314	-.00256	-.00084	.00012	.00353	.00022	.01275	-.00382

LTV44-559(CA26) 747/1 ATY 02 S1 (ORBITER DATA)

(BFE046) ( 18 NOV 75 )

## REFERENCE DATA

SREF = 2690.0000 SQ.FT. XMRP = 1109.0000 IN. XO  
 LREF = 474.8100 IN. YMRP = .0000 IN. YO  
 BREF = 936.6800 IN. ZMRP = 375.0000 IN. ZO  
 SCALE = .0125

## PARAMETRIC DATA

ALPHAC = 2.000 BETAC = .000  
 STAB = 5.000 ELEVON = 5.000  
 BDFLAP = .000 DX = .000  
 DY = .000 IORB = 6.000  
 BETAO = .000 RUDDER = .000

RUN NO. 42/ 0 RN/L = .00 GRADIENT INTERVAL = -5.00/ 5.00

MACH	DZ	CPCO	CPB1	CPB2	CPB3	CPS1	CPS2	ALPHAO	BETAO	INCID	ALPHAC
.698	1.460	-.02900	-.26000	-.31400	-.28700	-.15800	-.24500	8.63000	.05000	5.95000	2.68000
.696	2.060	-.03000	-.26500	-.32200	-.29300	-.16100	-.24700	8.65000	.04000	5.98000	2.68000
.695	2.860	-.02800	-.26700	-.32800	-.29400	-.16400	-.24700	8.63000	.04000	5.96000	2.68000
.698	3.360	-.03000	-.26500	-.32400	-.29600	-.16400	-.24700	8.62000	.04000	5.95000	2.68000
.697	4.160	-.03300	-.26300	-.32100	-.29400	-.16500	-.24800	8.60000	.03000	5.94000	2.68000
.700	4.960	-.03500	-.26700	-.33700	-.29600	-.16800	-.24900	8.61000	.05000	5.96000	2.68000
.699	5.960	-.03400	-.26700	-.34600	-.29800	-.16700	-.24900	8.62000	.09000	5.97000	2.68000
.700	6.960	-.03100	-.26900	-.36700	-.29400	-.16400	-.24600	8.58000	.02000	5.94000	2.67000
.700	7.970	-.03600	-.26900	-.39200	-.30000	-.17000	-.24800	8.57000	.02000	5.94000	2.68000
.703	8.960	-.03600	-.27000	-.37400	-.29500	-.16800	-.24800	8.57000	.05000	5.94000	2.67000
.699	9.960	-.03700	-.27200	-.32800	-.30400	-.17100	-.25200	8.59000	.07000	5.97000	2.67000
.699	11.150	-.03900	-.27600	-.32900	-.30200	-.17100	-.25200	8.54000	.05000	5.93000	2.67000
.699	12.330	-.03500	-.27200	-.33100	-.30300	-.16900	-.25000	8.57000	.06000	5.97000	2.67000
.698	13.520	-.03400	-.26900	-.33200	-.30400	-.16900	-.24900	8.57000	.06000	5.97000	2.67000
.698	14.700	-.03500	-.27000	-.33300	-.30500	-.17200	-.25000	8.56000	.06000	5.97000	2.67000
.699	15.900	-.03700	-.27400	-.33200	-.30600	-.17500	-.25100	8.54000	.07000	5.96000	2.67000
.699	17.080	-.04000	-.27700	-.33500	-.30400	-.17500	-.25400	8.51000	.03000	5.94000	2.67000
.698	18.270	-.03600	-.27700	-.33500	-.30900	-.17200	-.25200	8.52000	.08000	5.95000	2.66000
.698	19.450	-.03600	-.27600	-.33300	-.31000	-.17500	-.25300	8.51000	.04000	5.95000	2.67000
.698	20.640	-.03600	-.27800	-.33100	-.30500	-.17600	-.25200	8.49000	.00000	5.94000	2.66000
.699	21.810	-.03800	-.28000	-.34500	-.31000	-.17500	-.25300	8.46000	.01000	5.93000	2.66000
.700	23.000	-.03500	-.28100	-.34500	-.31100	-.17500	-.25100	8.49000	.02000	5.96000	2.66000
.699	24.190	-.03700	-.27900	-.34100	-.31100	-.17600	-.25100	8.47000	.03000	5.94000	2.67000
.700	25.370	-.04000	-.28300	-.34200	-.31200	-.17600	-.25200	8.49000	.04000	5.97000	2.66000
.699	26.560	-.04100	-.28400	-.34200	-.31100	-.18000	-.25400	8.47000	.01000	5.96000	2.66000
.701	27.740	-.03900	-.27900	-.34000	-.30800	-.17800	-.25300	8.45000	.00000	5.95000	2.66000
.700	28.930	-.04100	-.28400	-.34400	-.31300	-.17700	-.25300	8.46000	.03000	5.97000	2.66000
.702	30.110	-.03700	-.27800	-.34200	-.31100	-.17800	-.25200	8.43000	.04000	5.95000	2.66000
.699	31.310	-.04000	-.28200	-.34600	-.31500	-.17600	-.25700	8.45000	.03000	5.96000	2.67000
.700	32.490	-.04200	-.28600	-.34700	-.31600	-.18100	-.25400	8.45000	.02000	5.98000	2.66000
.700	33.680	-.03800	-.28300	-.34700	-.31500	-.18000	-.25400	8.44000	.03000	5.98000	2.66000
.698	34.860	-.03800	-.28200	-.34600	-.31600	-.18100	-.25500	8.40000	.00000	5.94000	2.66000
.698	36.050	-.04200	-.28700	-.34700	-.31500	-.18200	-.25500	8.42000	.03000	5.97000	2.66000
.699	37.230	-.04200	-.28700	-.35000	-.31900	-.18400	-.25500	8.40000	.03000	5.96000	2.66000
.700	38.420	-.04300	-.28800	-.35000	-.31900	-.18500	-.25300	8.39000	.01000	5.96000	2.66000
.699	39.610	-.04300	-.28700	-.35000	-.31800	-.18300	-.25500	8.39000	.03000	5.96000	2.66000
.699	40.790	-.04200	-.28900	-.35000	-.31800	-.18100	-.25500	8.38000	.04000	5.95000	2.67000
.699	41.980	-.03800	-.28600	-.34800	-.31500	-.18300	-.25400	8.36000	.00000	5.93000	2.67000
.699	43.160	-.04100	-.29000	-.35400	-.31800	-.18100	-.25500	8.38000	.02000	5.97000	2.66000
.699	44.350	-.04400	-.28900	-.35400	-.32100	-.18300	-.25500	8.38000	.05000	5.98000	2.66000
.699	45.530	-.04200	-.29000	-.35300	-.32100	-.18600	-.25400	8.38000	.03000	5.98000	2.66000
.697	46.720	-.04100	-.28900	-.35400	-.32000	-.18700	-.25700	8.35000	.01000	5.96000	2.66000

ORIGINAL PAGE IS  
OF POOR QUALITY

LTV44-559(CA26) 747/1 ATY 02 S1 (ORBITER DATA)

(8FE046) ( 18 NOV 75 )

## REFERENCE DATA

SREF = 2690.0000 SQ.FT. XMRP = 1109.0000 IN. XO  
 LREF = 474.8100 IN. YMRP = .0000 IN. YO  
 BREF = 936.6800 IN. ZMRP = 375.0000 IN. ZO  
 SCALE = .0125

## PARAMETRIC DATA

ALPHAC = 2.000 BETAC = .000  
 STAB = 5.000 ELEVON = 5.000  
 BDFLAP = .000 DX = .000  
 DY = .000 IORB = 6.000  
 BETAO = .000 RUDDER = .000

RUN NO. 42/ 0 RN/L = .00 GRADIENT INTERVAL = -5.00/ 5.00

MACH	DZ	CPCO	CPB1	CPB2	CPB3	CPS1	CPS2	ALPHAO	BETAO	INCID	ALPHAC
.700	47.910	-.04400	-.29300	-.35400	-.32400	-.18600	-.25500	8.35000	.03000	5.96000	2.67000
.699	49.090	-.03800	-.28700	-.34600	-.31700	-.18400	-.25300	8.33000	.00000	5.95000	2.67000
.698	50.280	-.03900	-.28700	-.34800	-.31700	-.18100	-.25700	8.34000	.04000	5.95000	2.67000
.697	51.460	-.04100	-.29000	-.35400	-.32100	-.18500	-.25500	8.30000	.01000	5.93000	2.67000
	GRADIENT	-.00174	-.00104	-.00438	-.00195	-.00250	-.00093	-.01068	-.00099	-.00325	.00000



LTV44-559(CA26) 747/1 ATY 02 S1 (ORBITER DATA)

(BFED47) ( 18 NOV 75 )

## REFERENCE DATA

SREF = 2690.0000 SQ.FT. XMRP = 1109.0000 IN. XO  
 LREF = 474.8100 IN. YMRP = .0000 IN. YO  
 BREF = 936.6800 IN. ZMRP = 375.0000 IN. ZO  
 SCALE = .0125

## PARAMETRIC DATA

ALPHAC = 2.000 BETAC = .000  
 STAB = 5.000 ELEVON = 5.000  
 BDFLAP = .000 DX = .000  
 DY = .000 IORB = 8.000  
 BETA0 = .000 RUDDER = .000

RUN NO. 40/ 0 RN/L = .00 GRADIENT INTERVAL = -5.00/ 5.00

MACH	DZ	CPC0	CPB1	CPB2	CPB3	CPS1	CPS2	ALPHA0	BETA0	INCID	ALPHAC
.599	1.480	-.00300	-.23200	-.29100	-.25900	-.13700	-.20300	10.73000	.02000	8.00000	2.74000
.600	1.770	-.00700	-.23400	-.28800	-.25700	-.14000	-.20200	10.68000	.06000	7.95000	2.73000
.598	2.370	-.00600	-.23400	-.29400	-.26300	-.13800	-.20400	10.66000	.02000	7.94000	2.73000
.599	2.970	-.00100	-.23400	-.29100	-.25600	-.13400	-.20200	10.66000	.02000	7.94000	2.73000
.598	3.980	-.00400	-.23800	-.29300	-.25700	-.13500	-.20400	10.64000	.03000	7.93000	2.73000
.598	4.970	-.00800	-.23700	-.29000	-.25800	-.13800	-.20500	10.64000	.03000	7.93000	2.73000
.599	6.220	-.00500	-.23800	-.29800	-.26100	-.13500	-.20800	10.61000	.02000	7.93000	2.72000
.600	7.470	-.00800	-.23500	-.29000	-.25900	-.13700	-.20700	10.61000	.03000	7.94000	2.71000
.601	8.720	-.00700	-.23500	-.29100	-.26100	-.13900	-.20700	10.62000	.04000	7.96000	2.71000
.602	9.970	-.00700	-.23600	-.29200	-.26500	-.13800	-.20600	10.62000	.01000	7.95000	2.71000
.600	11.390	-.00600	-.23800	-.30100	-.26800	-.14000	-.21000	10.59000	.01000	7.95000	2.70000
.600	12.800	-.00900	-.24300	-.30100	-.26800	-.13800	-.21100	10.58000	.00000	7.95000	2.70000
.599	14.220	-.01000	-.24500	-.30000	-.26800	-.13700	-.21400	10.53000	.00000	7.91000	2.70000
.599	15.640	-.00700	-.24000	-.30000	-.27000	-.14100	-.21400	10.54000	.05000	7.93000	2.69000
.601	17.050	-.01300	-.24300	-.30200	-.26800	-.13900	-.21500	10.51000	.02000	7.92000	2.69000
.599	18.470	-.01100	-.24100	-.30400	-.27300	-.14200	-.21900	10.54000	.05000	7.95000	2.69000
.599	19.890	-.01200	-.24100	-.30000	-.26900	-.14100	-.21800	10.50000	.08000	7.93000	2.68000
.600	21.310	-.01100	-.24100	-.30300	-.26800	-.13900	-.21700	10.51000	.04000	7.95000	2.68000
.597	22.710	-.00900	-.24400	-.30800	-.27500	-.14300	-.21900	10.47000	.00000	7.92000	2.68000
.599	24.130	-.00700	-.24200	-.30500	-.27100	-.13800	-.21500	10.46000	.01000	7.92000	2.68000
.600	25.540	-.01100	-.24400	-.30300	-.26800	-.13800	-.21500	10.48000	.04000	7.95000	2.68000
.600	26.960	-.00800	-.24200	-.30700	-.27400	-.14100	-.21800	10.47000	.04000	7.94000	2.68000
.597	28.380	-.00900	-.24400	-.30900	-.27800	-.14400	-.22200	10.45000	.01000	7.93000	2.68000
.599	29.800	-.01200	-.24700	-.30800	-.27500	-.13900	-.22000	10.44000	.03000	7.93000	2.68000
.596	31.210	-.01100	-.24600	-.30800	-.27400	-.14000	-.22300	10.44000	.01000	7.94000	2.68000
.599	32.630	-.01300	-.24900	-.31000	-.27700	-.14500	-.22200	10.40000	.01000	7.91000	2.67000
.598	34.050	-.01300	-.24900	-.31000	-.27900	-.14700	-.22200	10.39000	.00000	7.91000	2.67000
.600	35.460	-.01000	-.24200	-.29900	-.27000	-.13700	-.21800	10.43000	.06000	7.95000	2.68000
.600	36.880	-.00900	-.24400	-.30500	-.27600	-.14500	-.22100	10.42000	.01000	7.95000	2.68000
.602	38.290	-.00800	-.24400	-.30500	-.27400	-.13900	-.22100	10.39000	.00000	7.94000	2.68000
.601	39.710	-.00900	-.24600	-.30700	-.27700	-.14000	-.22500	10.41000	.03000	7.97000	2.67000
.598	41.120	-.01400	-.24900	-.30600	-.27800	-.14400	-.22900	10.40000	.01000	7.96000	2.67000
.600	42.540	-.00900	-.24600	-.30800	-.28000	-.14300	-.22600	10.37000	-.01000	7.94000	2.67000
.601	43.960	-.01300	-.24500	-.30700	-.27600	-.14200	-.23100	10.38000	.05000	7.96000	2.68000
.600	45.370	-.01400	-.24500	-.30600	-.28100	-.14300	-.23100	10.35000	.02000	7.93000	2.68000
.600	46.790	-.00900	-.24500	-.30400	-.27300	-.14300	-.22300	10.35000	.00000	7.94000	2.68000
.600	48.210	-.01100	-.24700	-.30500	-.27900	-.14200	-.22700	10.33000	-.01000	7.94000	2.67000
.599	49.630	-.01300	-.24800	-.30900	-.28000	-.14200	-.22800	10.32000	-.01000	7.93000	2.68000
.598	51.040	-.01200	-.24200	-.30600	-.28100	-.13900	-.23000	10.31000	-.01000	7.94000	2.67000
.598	52.460	-.01300	-.24400	-.30400	-.27800	-.14000	-.23100	10.31000	.01000	7.94000	2.67000
.597	53.870	-.01300	-.24200	-.30400	-.27900	-.14000	-.23300	10.30000	.01000	7.93000	2.68000
.597	55.290	-.01000	-.24000	-.29900	-.27500	-.13800	-.22900	10.28000	.00000	7.92000	2.68000

ORIGINAL PAGE IS  
OF POOR QUALITY

LTV44-559(CA26) 747/1 ATY 02 S1 (ORBITER DATA)

(BFE047) ( 18 NOV 75 )

## REFERENCE DATA

SREF = 2690.0000 SQ.FT. XMRP = 1109.0000 IN. XO  
 LREF = 474.8100 IN. YMRP = .0000 IN. YO  
 BREF = 936.6800 IN. ZMRP = 375.0000 IN. ZO  
 SCALE = .0125

## PARAMETRIC DATA

ALPHAC = 2.000 BETAC = .000  
 STAB = 5.000 ELEVON = 5.000  
 BDFLAP = .000 DX = .000  
 DY = .000 IORB = 8.000  
 BETAO = .000 RUDDER = .000

RUN NO. 40/ G RN/L = .00 GRADIENT INTERVAL = -5.00/ 5.00

MACH	DZ	CPCO	CPB1	CPB2	CPB3	CPS1	CPS2	ALPHAO	BETAO	INCID	ALPHAC
.597	56.710	-.01000	-.24500	-.30300	-.27500	-.14000	-.23100	10.30000	.02000	7.96000	2.68000
.598	58.120	-.01300	-.24400	-.30800	-.27900	-.13800	-.23300	10.27000	.01000	7.94000	2.67000
	GRADIENT	-.00055	-.00147	-.00021	.00047	.00047	-.00063	-.02062	-.00167	-.01431	-.00160

LTV44-559(CA26) 747/1 ATY 02 S1 (ORBITER DATA)

(BF048) ( 18 NOV 75 )

## REFERENCE DATA

SREF = 2690.0000 SQ.FT. XMRP = 1109.0000 IN. XO  
 LREF = 474.8100 IN. YMRP = .0000 IN. YO  
 BREF = 936.6800 IN. ZMRP = 375.0000 IN. ZO  
 SCALE = .0125

## PARAMETRIC DATA

ALPHAC = 2.000 BETAC = .000  
 STAB = 5.000 ELEVON = 5.000  
 BDFLAP = .000 DX = .000  
 DY = .000 IORB = 4.000  
 BETAO = 5.000 RUDDER = .000

RUN NO. 41/ 0 RN/L = .00 GRADIENT INTERVAL = -5.00/ 5.00

MACH	OZ	CPCO	CPB1	CPB2	CPB3	CPS1	CPS2	ALPHAO	BETAO	INCID	ALPHAC
.503	1.460	-.06200	-.25400	-.36400	-.31400	-.00300	-.40900	6.62000	4.91000	3.97000	2.65000
.501	2.060	-.06200	-.25600	-.36700	-.31200	-.00500	-.40600	6.61000	4.91000	3.96000	2.65000
.600	2.660	-.06300	-.25800	-.37000	-.31600	-.01000	-.41200	6.59000	4.94000	3.94000	2.66000
.601	3.360	-.06300	-.26700	-.37400	-.32000	-.01400	-.41500	6.60000	4.92000	3.97000	2.65000
.604	4.160	-.06400	-.25900	-.36900	-.31800	-.00300	-.40700	6.57000	4.93000	3.93000	2.65000
.604	4.960	-.06300	-.26700	-.37200	-.31800	-.01300	-.41600	6.60000	4.93000	3.97000	2.65000
.602	6.960	-.06800	-.27100	-.37000	-.32500	-.01600	-.41100	6.54000	4.93000	3.93000	2.65000
.604	8.960	-.06400	-.26400	-.37000	-.32200	-.00900	-.41100	6.55000	4.93000	3.95000	2.65000
.602	10.460	-.06500	-.27000	-.37200	-.32600	-.01400	-.41800	6.56000	4.93000	3.97000	2.65000
.601	11.460	-.06700	-.27300	-.37500	-.32800	-.01900	-.41900	6.56000	4.92000	3.97000	2.65000
.602	12.450	-.06400	-.27000	-.37400	-.32300	-.01600	-.41200	6.53000	4.91000	3.94000	2.66000
.601	13.450	-.06600	-.27100	-.37400	-.32900	-.01400	-.42100	6.53000	4.92000	3.96000	2.65000
.601	14.440	-.06700	-.27500	-.37200	-.32900	-.01900	-.41700	6.55000	4.92000	3.98000	2.66000
.603	15.440	-.06100	-.27100	-.36900	-.32200	-.01800	-.41100	6.53000	4.92000	3.96000	2.65000
.602	16.430	-.06600	-.27700	-.37600	-.32900	-.02200	-.41400	6.53000	4.92000	3.96000	2.66000
.602	17.430	-.06700	-.27600	-.37800	-.33000	-.02000	-.42200	6.53000	4.92000	3.97000	2.66000
.602	18.420	-.06500	-.27700	-.37700	-.32900	-.02200	-.41500	6.54000	4.92000	3.99000	2.66000
.602	19.420	-.06700	-.27700	-.37600	-.33200	-.02100	-.41800	6.51000	4.94000	3.97000	2.65000
.601	20.410	-.06900	-.27700	-.37900	-.33300	-.02200	-.41100	6.49000	4.90000	3.95000	2.66000
.602	21.410	-.06800	-.27700	-.38000	-.33400	-.02100	-.41600	6.51000	4.89000	3.97000	2.65000
.604	22.390	-.06100	-.27500	-.37600	-.32600	-.01900	-.42000	6.50000	4.89000	3.97000	2.66000
.605	23.390	-.06200	-.27500	-.37500	-.32500	-.01700	-.41900	6.50000	4.90000	3.98000	2.66000
.605	24.390	-.05100	-.27500	-.37500	-.32400	-.01800	-.41100	6.50000	4.89000	3.98000	2.66000
.602	25.380	-.06600	-.28100	-.37800	-.33200	-.02200	-.41900	6.49000	4.91000	3.97000	2.66000
.602	26.380	-.06800	-.27900	-.37900	-.33500	-.02400	-.41100	6.45000	4.88000	3.94000	2.66000
.602	27.370	-.06700	-.27700	-.38000	-.33100	-.02200	-.41000	6.46000	4.88000	3.96000	2.66000
.604	28.370	-.06300	-.27200	-.37700	-.33000	-.01700	-.41200	6.46000	4.89000	3.96000	2.66000
.602	29.360	-.06700	-.27600	-.37800	-.33400	-.02000	-.41500	6.42000	4.88000	3.93000	2.66000
.603	30.360	-.06000	-.27600	-.38100	-.32900	-.02400	-.41200	6.44000	4.88000	3.95000	2.66000
.603	31.350	-.06500	-.27500	-.38000	-.33100	-.02100	-.41200	6.43000	4.88000	3.95000	2.66000
.604	32.350	-.06200	-.27700	-.37800	-.33000	-.02500	-.40900	6.47000	4.88000	3.99000	2.66000
.603	33.340	-.06100	-.27800	-.37500	-.32900	-.02400	-.41100	6.45000	4.87000	3.98000	2.66000
.600	34.340	-.06600	-.28400	-.37700	-.33500	-.02500	-.41500	6.44000	4.89000	3.97000	2.67000
.599	35.340	-.06700	-.28300	-.38000	-.33700	-.02900	-.42000	6.43000	4.88000	3.97000	2.66000
.600	36.330	-.06400	-.28200	-.38100	-.33400	-.03000	-.41400	6.41000	4.87000	3.95000	2.66000
.603	37.320	-.06000	-.27800	-.37800	-.33100	-.02300	-.42500	6.41000	4.88000	3.96000	2.66000
.602	38.320	-.06600	-.27700	-.37800	-.33500	-.02300	-.41500	6.39000	4.87000	3.95000	2.66000
.603	39.310	-.06100	-.27600	-.38000	-.33200	-.02900	-.39200	6.37000	4.86000	3.93000	2.67000
.604	40.310	-.05900	-.27800	-.37900	-.33300	-.02800	-.41000	6.38000	4.89000	3.95000	2.67000
.603	41.310	-.06500	-.28300	-.38100	-.33700	-.02800	-.41800	6.41000	4.88000	3.98000	2.67000
.603	42.300	-.06500	-.28000	-.38100	-.33700	-.02000	-.43000	6.36000	4.87000	3.94000	2.66000
.604	43.290	-.06200	-.27900	-.37800	-.33400	-.02000	-.42700	6.38000	4.89000	3.96000	2.67000

DATE 22 MAR 76

CA-26 FORCE SOURCE DATA TABULATION

PAGE 222

LTV44-559(CA26) 747/1 ATY 02 S1 (ORBITER DATA)

(BFEO48) ( 18 NOV 75 )

## REFERENCE DATA

SREF =	2690.0000 SQ.FT.	XMRP =	1109.0000 IN. XO
LREF =	474.8100 IN.	YMRP =	.0000 IN. YO
BREF =	936.6800 IN.	ZMRP =	375.0000 IN. ZO
SCALE =	.0125		

## PARAMETRIC DATA

ALPHAC =	2.000	BETAC =	.000
STAB =	5.000	ELEVON =	5.000
BDFLAP =	.000	DX =	.000
DY =	.000	IORB =	4.000
BETAO =	5.000	RUDDER =	.000

RUN NO.	41/ 0	RN/L =	.00	GRADIENT INTERVAL =	-5.00/ 5.00
---------	-------	--------	-----	---------------------	-------------

MACH	DZ	CPCO	CPB1	CPB2	CPB3	CPS1	CPS2	ALPHAO	BETAO	INC1D	ALPHAC
.603	44.290	-.06600	-.28000	-.38200	-.33800	-.02200	-.42500	6.35000	4.88000	3.94000	2.67000
.603	44.790	-.05900	-.27800	-.37500	-.32900	-.02200	-.42000	6.36000	4.87000	3.95000	2.67000
	GRADIENT	-.00044	-.00333	-.00194	-.00166	-.00234	-.00164	-.00816	.00546	-.00209	-.00244

LTV44-559(CA26) 747/1 ATY 02 S1 (ORBITER DATA)

(BFEO49) ( 18 NOV 75 )

## REFERENCE DATA

SREF = 2690.0000 SQ.FT. XMRP = 1109.0000 IN. XO  
 LREF = 474.8100 IN. YMRP = .0000 IN. YO  
 BREF = 936.6800 IN. ZMRP = 375.0000 IN. ZO  
 SCALE = .0125

## PARAMETRIC DATA

ALPHAC = 2.000 BETAC = .000  
 STAB = 5.000 ELEVON = 5.000  
 BDFLAP = .000 DX = .000  
 DY = .000 IORB = 6.000  
 BETAO = 5.000 RUDDER = .000

RUN NO. 1041/ C RN/L = .00 GRADIENT INTERVAL = -5.00/ 5.00

MACH	DZ	CPCO	CPB1	CPB2	CPB3	CPS1	CPS2	ALPHA0	BETAO	INCID	ALPHAC
.602	1.470	-.09000	-.25100	-.34500	-.31700	-.01600	-.34700	8.65000	4.92000	5.96000	2.69000
.603	2.070	-.09200	-.25100	-.34800	-.31600	-.02000	-.34700	8.63000	4.92000	5.95000	2.69000
.601	2.670	-.09400	-.25500	-.35500	-.32100	-.02100	-.35300	8.63000	4.94000	5.95000	2.69000
.604	3.370	-.09000	-.25400	-.34500	-.31400	-.02200	-.34300	8.62000	4.92000	5.95000	2.69000
.601	4.170	-.09200	-.26000	-.35300	-.31700	-.02200	-.35000	8.60000	4.92000	5.93000	2.69000
.603	4.960	-.09100	-.25400	-.34800	-.31400	-.02300	-.34300	8.64000	4.93000	5.97000	2.69000
.601	6.970	-.09100	-.26300	-.35600	-.32200	-.02600	-.34900	8.58000	4.91000	5.95000	2.67000
.600	8.970	-.09000	-.26500	-.35700	-.32000	-.02500	-.35300	8.55000	4.92000	5.93000	2.67000
.601	10.600	-.08800	-.26300	-.35700	-.32000	-.02100	-.35100	8.54000	4.93000	5.92000	2.67000
.604	11.880	-.09000	-.25800	-.35100	-.31800	-.02400	-.34300	8.57000	4.93000	5.96000	2.67000
.603	13.160	-.09000	-.26100	-.34900	-.31600	-.02500	-.34600	8.54000	4.92000	5.95000	2.67000
.603	14.440	-.09000	-.26100	-.35300	-.31800	-.02400	-.34900	8.53000	4.93000	5.94000	2.67000
.600	15.710	-.09000	-.26900	-.36600	-.32600	-.02600	-.36300	8.50000	4.91000	5.92000	2.66000
.600	16.990	-.09200	-.27000	-.36700	-.32900	-.02500	-.36800	8.52000	4.90000	5.95000	2.66000
.600	18.270	-.09100	-.26900	-.36600	-.32800	-.02500	-.36500	8.49000	4.90000	5.93000	2.66000
.602	19.540	-.09000	-.26800	-.36300	-.32700	-.02300	-.36900	8.48000	4.92000	5.92000	2.67000
.601	20.820	-.09100	-.26900	-.36900	-.32900	-.02500	-.37300	8.45000	4.91000	5.91000	2.67000
.602	22.090	-.09200	-.26700	-.36100	-.32600	-.02700	-.36300	8.49000	4.90000	5.95000	2.67000
.602	23.360	-.09000	-.27100	-.36500	-.32500	-.02500	-.37100	8.48000	4.88000	5.94000	2.67000
.601	24.650	-.09200	-.27300	-.36700	-.32800	-.02600	-.37100	8.47000	4.89000	5.94000	2.67000
.604	25.920	-.09100	-.26600	-.36000	-.32600	-.02500	-.37100	8.47000	4.89000	5.96000	2.67000
.602	27.200	-.09200	-.27200	-.36900	-.33000	-.02700	-.37100	8.46000	4.88000	5.95000	2.66000
.602	28.470	-.09300	-.27600	-.36800	-.32900	-.03100	-.36700	8.44000	4.86000	5.94000	2.67000
.604	29.750	-.09300	-.27100	-.36500	-.33000	-.02900	-.36400	8.45000	4.87000	5.95000	2.67000
.601	31.030	-.09100	-.27600	-.37500	-.33300	-.02800	-.38500	8.41000	4.90000	5.92000	2.67000
.604	32.300	-.08900	-.27200	-.37000	-.32500	-.02500	-.38700	8.44000	4.89000	5.96000	2.67000
.602	33.580	-.09300	-.27200	-.37000	-.33300	-.02800	-.37600	8.44000	4.86000	5.97000	2.67000
.600	34.850	-.09200	-.27600	-.37400	-.33400	-.02900	-.38400	8.40000	4.88000	5.94000	2.67000
.601	36.130	-.09300	-.27600	-.37300	-.33600	-.02900	-.38100	8.40000	4.86000	5.95000	2.66000
.600	37.410	-.08700	-.27600	-.37500	-.33700	-.02800	-.39300	8.39000	4.86000	5.94000	2.67000
.600	38.690	-.08800	-.27600	-.37700	-.33400	-.02600	-.39100	8.38000	4.87000	5.93000	2.67000
.600	39.960	-.08900	-.27900	-.36100	-.33800	-.03000	-.38800	8.40000	4.86000	5.97000	2.67000
.600	41.240	-.08900	-.27700	-.37900	-.33800	-.02500	-.40900	8.35000	4.86000	5.92000	2.67000
.603	42.520	-.08800	-.27500	-.36700	-.32900	-.02700	-.39400	8.40000	4.90000	5.97000	2.67000
.602	43.790	-.08900	-.27800	-.37300	-.33300	-.03000	-.40100	8.38000	4.87000	5.96000	2.67000
.602	45.070	-.08800	-.28100	-.37700	-.33300	-.02300	-.43000	8.36000	4.88000	5.96000	2.66000
.604	46.340	-.08600	-.27300	-.37000	-.33400	-.02200	-.42300	8.35000	4.90000	5.95000	2.67000
.603	47.620	-.08800	-.27600	-.37400	-.33700	-.03000	-.39300	8.33000	4.86000	5.93000	2.67000
.603	48.900	-.08400	-.27900	-.37500	-.33000	-.02900	-.40700	8.33000	4.89000	5.95000	2.67000
.602	50.180	-.08300	-.27800	-.37800	-.33500	-.02100	-.43500	8.32000	4.88000	5.94000	2.67000
.601	51.460	-.08800	-.27800	-.37800	-.33800	-.02400	-.42900	8.32000	4.87000	5.95000	2.67000
	GRADIENT	-.00001	-.00163	-.00074	.00082	-.00166	.00092	-.00567	.00110	-.00008	.00000

LTV44-559(CA26) 747/1 ATY 02 S1 (ORBITER DATA)

(BFED50) ( 18 NOV 75 )

## REFERENCE DATA

SREF = 2690.0000 SQ.FT. XMRP = 1109.0000 IN. XO  
 LREF = 474.8100 IN. YMRP = .0000 IN. YO  
 BREF = 936.6800 IN. ZMRP = 375.0000 IN. ZO  
 SCALE = .0125

## PARAMETRIC DATA

ALPHAC = 2.000 BETAC = .000  
 STAB = 5.000 ELEVON = 5.000  
 BDFLAP = .000 DX = .000  
 DY = .000 IORB = 8.000  
 BETA0 = 5.000 RUDDER = .000

RUN NO. 1040/ 0 RN/L = .00 GRADIENT INTERVAL = -5.00/ 5.00

MACH	DZ	CPC0	CPB1	CPB2	CPB3	CPS1	CPS2	ALPHA0	BETA0	INCID	ALPHAC
.600	1.480	-.06700	-.23600	-.31500	-.28000	.00900	-.32400	10.67000	4.88000	7.93000	2.74000
.600	2.070	-.06600	-.23500	-.31700	-.28600	.00900	-.32500	10.69000	4.92000	7.96000	2.73000
.600	2.670	-.06700	-.23800	-.31800	-.28400	.01100	-.32800	10.68000	4.89000	7.95000	2.74000
.599	3.470	-.06800	-.23900	-.31900	-.28400	.01200	-.32700	10.68000	4.89000	7.96000	2.73000
.599	4.480	-.06700	-.23700	-.31400	-.28100	.01100	-.32600	10.64000	4.87000	7.93000	2.73000
.601	5.810	-.06700	-.23700	-.31200	-.27900	.01100	-.32500	10.64000	4.88000	7.94000	2.73000
.601	7.480	-.06700	-.23800	-.31200	-.28000	.01300	-.32500	10.62000	4.87000	7.93000	2.73000
.601	9.140	-.06800	-.24000	-.31300	-.27900	.01300	-.32500	10.62000	4.88000	7.94000	2.72000
.602	10.600	-.07200	-.23600	-.31300	-.28100	.01000	-.32800	10.59000	4.92000	7.94000	2.71000
.600	11.830	-.06900	-.23900	-.31900	-.28500	.01200	-.33200	10.60000	4.85000	7.96000	2.71000
.599	13.060	-.07100	-.24000	-.31900	-.28500	.01400	-.33300	10.59000	4.89000	7.96000	2.70000
.599	14.300	-.07200	-.24000	-.31900	-.28600	.01300	-.33600	10.56000	4.87000	7.94000	2.70000
.599	15.530	-.07100	-.24200	-.31800	-.28700	.01000	-.33200	10.58000	4.88000	7.98000	2.69000
.599	16.770	-.07000	-.24100	-.31500	-.28100	.01300	-.33100	10.53000	4.91000	7.92000	2.70000
.598	18.000	-.07500	-.24400	-.32000	-.29000	.00600	-.33400	10.57000	4.88000	7.98000	2.69000
.600	19.240	-.06800	-.24000	-.31400	-.28100	.01300	-.33200	10.50000	4.91000	7.92000	2.68000
.600	20.470	-.07300	-.24200	-.31900	-.28800	.00700	-.33300	10.52000	4.92000	7.95000	2.69000
.600	21.700	-.06800	-.24200	-.31500	-.28200	.01200	-.33000	10.51000	4.89000	7.95000	2.69000
.599	22.940	-.06700	-.24200	-.31800	-.28500	.01200	-.33300	10.48000	4.88000	7.93000	2.68000
.598	24.170	-.07300	-.24400	-.32200	-.29000	.01000	-.33700	10.47000	4.87000	7.92000	2.68000
.600	25.410	-.07400	-.24400	-.31800	-.28800	.00700	-.33700	10.51000	4.90000	7.97000	2.68000
.600	26.640	-.07600	-.24400	-.32200	-.29300	.00700	-.33900	10.51000	4.86000	7.98000	2.68000
.601	27.870	-.07600	-.24500	-.31900	-.29000	.00600	-.33800	10.49000	4.86000	7.97000	2.68000
.601	29.110	-.07000	-.24400	-.32100	-.28800	.01200	-.33400	10.45000	4.88000	7.93000	2.68000
.601	30.350	-.07500	-.24500	-.32000	-.29100	.00600	-.33900	10.45000	4.85000	7.94000	2.68000
.602	31.590	-.07600	-.24300	-.31800	-.29100	.00800	-.33800	10.44000	4.83000	7.94000	2.68000
.601	32.820	-.07100	-.24300	-.31700	-.28600	.01700	-.34500	10.43000	4.89000	7.94000	2.68000
.600	34.050	-.06800	-.24500	-.32000	-.28600	.01200	-.33800	10.41000	4.90000	7.93000	2.68000
.599	35.290	-.06900	-.24200	-.31900	-.28800	.01100	-.33400	10.40000	4.86000	7.92000	2.68000
.601	36.520	-.07100	-.24700	-.31700	-.28600	.00900	-.33500	10.44000	4.85000	7.97000	2.67000
.599	37.760	-.07200	-.25600	-.31900	-.29000	.00800	-.33400	10.39000	4.83000	7.93000	2.67000
.598	38.990	-.07300	-.24400	-.32100	-.29200	.00900	-.34200	10.38000	4.88000	7.93000	2.68000
.601	40.230	-.06900	-.24200	-.31600	-.28700	.01400	-.34300	10.40000	4.90000	7.96000	2.68000
.600	41.460	-.06700	-.24300	-.32000	-.28700	.01000	-.33500	10.40000	4.87000	7.96000	2.68000
.600	42.700	-.06500	-.24200	-.31900	-.28500	.01100	-.33300	10.37000	4.89000	7.95000	2.67000
.600	43.940	-.07200	-.24800	-.31700	-.29100	.00200	-.33700	10.39000	4.81000	7.97000	2.67000
.601	45.170	-.07100	-.24800	-.31900	-.28800	.00500	-.33800	10.35000	4.82000	7.93000	2.67000
.601	46.400	-.06600	-.24100	-.31800	-.28900	.01200	-.34000	10.36000	4.88000	7.95000	2.68000
.599	47.640	-.07000	-.24600	-.31900	-.29200	.00900	-.33900	10.36000	4.85000	7.96000	2.68000
.600	48.870	-.07300	-.25000	-.32000	-.29300	.00600	-.34300	10.34000	4.82000	7.95000	2.67000
.601	50.110	-.06900	-.24800	-.31700	-.28800	.00400	-.34000	10.34000	4.83000	7.95000	2.68000
.599	51.340	-.07000	-.24500	-.31900	-.29100	.01300	-.35700	10.32000	4.88000	7.94000	2.68000

DATE 22 MAR 76

CA-26 FORCE SOURCE DATA TABULATION

PAGE 225

LTV44-559(CA26) 747/1 ATY 02 S1 (ORBITER DATA)

(BFE050) ( 18 NOV 75 )

## REFERENCE DATA

SREF = 2600.0000 SQ.FT. XMRP = 1109.0000 IN. XO  
 LREF = 474.8100 IN. YMRP = .0000 IN. YO  
 BREF = 936.6800 IN. ZMRP = 375.0000 IN. ZO  
 SCALE = .0125

## PARAMETRIC DATA

ALPHAC = 2.000 BETAC = .000  
 STAB = 5.000 ELEVON = 5.000  
 BDFLAP = .000 DX = .000  
 DY = .000 TORB = 8.000  
 BETA0 = 5.000 RUDDER = .000

RUN NO. 1040/ 0 RN/L = .00 GRADIENT INTERVAL = -5.00/ 5.00

MACH	DZ	CPCO	CPB1	CPB2	CPB3	CPS1	CPS2	ALPHA0	BETA0	INC10	ALPHAC
.599	52.580	-.06900	-.24500	-.31600	-.29000	.01400	-.38300	10.30000	4.89000	7.93000	2.68000
.600	53.810	-.06700	-.25000	-.31600	-.29100	.00500	-.38400	10.28000	4.82000	7.92000	2.67000
.600	55.050	-.06800	-.24500	-.31400	-.29000	.01400	-.38000	10.31000	4.90000	7.95000	2.68000
.600	56.290	-.06800	-.24200	-.31600	-.28900	.01500	-.36300	10.33000	4.87000	7.98000	2.68000
.601	57.520	-.06700	-.24600	-.31400	-.28500	.01300	-.36700	10.28000	4.82000	7.93000	2.68000
.600	58.140	-.06700	-.24700	-.31400	-.28500	.01400	-.36000	10.27000	4.81000	7.93000	2.68000
	GRADIENT	-.00025	-.00072	.00020	.00019	.00098	-.00068	-.01079	-.00761	-.00128	-.00273

LTV44-559(CA26) 747/1 ATX 02 S1 (ORBITER DATA)

(BFE051) ( 18 NOV 75 )

## REFERENCE DATA

SREF = 2690.0000 SQ.FT. XMRP = 1109.0000 IN. XO  
 LREF = 474.8100 IN. YMRP = .0000 IN. YO  
 BREF = 936.6800 IN. ZMRP = 375.0000 IN. ZO  
 SCALE = .0125

## PARAMETRIC DATA

ALPHAC = 2.000 BETAC = .000  
 STAB = 5.000 ELEVON = 5.000  
 BDFLAP = .000 DX = .000  
 DY = .000 IORB = 4.000  
 BETAO = .000 RUDDER = .000

RUN NO. 45/ 0 RN/L = .00 GRADIENT INTERVAL = -5.00/ 5.00

MACH	DZ	CPCO	CPB1	CPB2	CPB3	CPS1	CPS2	PHAO	BETAO	INCID	ALPHAC
.603	1.460	-.01200	-.23000	-.31200	-.28400	-.13600	-.23200	6.62000	.00000	3.97000	2.65000
.604	2.060	-.01500	-.23400	-.31300	-.28500	-.13700	-.23400	6.60000	.04000	3.96000	2.65000
.604	2.660	-.01600	-.23600	-.31400	-.28800	-.13800	-.23400	6.58000	.01000	3.94000	2.65000
.603	3.360	-.01700	-.24100	-.32900	-.28900	-.13900	-.23600	6.60000	.04000	3.96000	2.65000
.603	4.160	-.01600	-.23800	-.31900	-.28200	-.13700	-.23300	6.58000	.02000	3.94000	2.65000
.604	4.960	-.02000	-.24100	-.32200	-.28600	-.14300	-.23500	6.60000	.04000	3.96000	2.66000
.603	6.960	-.02400	-.24200	-.32200	-.29300	-.14700	-.23700	6.56000	.03000	3.94000	2.65000
.604	8.960	-.02000	-.24100	-.32100	-.28800	-.14300	-.23500	6.59000	.03000	3.99000	2.65000
.605	10.460	-.01900	-.23900	-.32700	-.29300	-.14200	-.23200	6.56000	.01000	3.96000	2.65000
.605	11.460	-.02300	-.24200	-.33400	-.29400	-.14200	-.23400	6.55000	.05000	3.96000	2.65000
.603	12.450	-.02000	-.24800	-.33500	-.29500	-.14800	-.23500	6.52000	.08000	3.94000	2.65000
.604	13.450	-.02500	-.24600	-.33200	-.29600	-.14600	-.23700	6.52000	.07000	3.95000	2.65000
.603	14.440	-.02500	-.24800	-.33800	-.29900	-.14800	-.23900	6.53000	.02000	3.95000	2.65000
.606	15.440	-.02200	-.25000	-.32900	-.29300	-.14900	-.23300	6.53000	.03000	3.97000	2.65000
.603	16.430	-.02500	-.25200	-.33900	-.30000	-.15000	-.23600	6.50000	.09000	3.95000	2.65000
.605	17.430	-.02300	-.24800	-.32900	-.29800	-.14400	-.23600	6.52000	.04000	3.96000	2.65000
.610	18.420	-.02200	-.24100	-.33200	-.29300	-.14300	-.23000	6.48000	.04000	3.94000	2.65000
.604	19.420	-.02400	-.24900	-.34400	-.30200	-.14900	-.23300	6.47000	.03000	3.92000	2.66000
.605	20.410	-.02100	-.24900	-.34100	-.29900	-.14800	-.23100	6.49000	.09000	3.95000	2.65000
.606	21.410	-.02200	-.24900	-.35200	-.29900	-.14700	-.23200	6.46000	.02000	3.93000	2.65000
.605	22.390	-.02100	-.25100	-.36100	-.29700	-.14600	-.23000	6.45000	.04000	3.93000	2.65000
.606	23.390	-.02300	-.24800	-.35600	-.29700	-.15000	-.22900	6.48000	.07000	3.96000	2.65000
.605	24.390	-.02400	-.25400	-.35200	-.30100	-.14900	-.23200	6.48000	.07000	3.97000	2.65000
.602	25.380	-.02200	-.25200	-.33800	-.30300	-.15200	-.23100	6.45000	.09000	3.94000	2.65000
.604	26.380	-.02700	-.25400	-.33600	-.30100	-.15500	-.23300	6.46000	.05000	3.95000	2.65000
.604	27.370	-.02400	-.25300	-.33800	-.30200	-.15700	-.23300	6.42000	.04000	3.92000	2.65000
.602	28.370	-.02700	-.25700	-.34700	-.30300	-.15300	-.23000	6.41000	.03000	3.94000	2.64000
.604	29.360	-.02300	-.25400	-.34400	-.30000	-.15400	-.22600	6.44000	.06000	3.96000	2.65000
.605	30.360	-.02100	-.25300	-.35100	-.30300	-.15300	-.22900	6.43000	.06000	3.95000	2.65000
.603	31.350	-.02200	-.25500	-.34900	-.30500	-.15700	-.23300	6.42000	.07000	3.95000	2.65000
.604	32.350	-.02600	-.25700	-.34600	-.30500	-.15900	-.23400	6.39000	.02000	3.92000	2.65000
.603	33.340	-.02600	-.25900	-.34700	-.30700	-.15600	-.22900	6.40000	.04000	3.94000	2.65000
.604	34.340	-.02800	-.25700	-.35100	-.30800	-.15900	-.23500	6.38000	.03000	3.93000	2.65000
.604	35.340	-.02400	-.25300	-.34400	-.30200	-.15400	-.22900	6.37000	.04000	3.92000	2.65000
.604	36.330	-.02800	-.25800	-.34600	-.30600	-.15800	-.23100	6.38000	.05000	3.94000	2.65000
.604	37.320	-.02600	-.26000	-.34200	-.30700	-.15800	-.23200	6.37000	.05000	3.93000	2.66000
.604	38.320	-.02800	-.25700	-.34500	-.30600	-.15900	-.23200	6.36000	.05000	3.92000	2.66000
.603	39.310	-.02800	-.25900	-.34500	-.30700	-.16100	-.23100	6.39000	.06000	3.96000	2.66000
.604	40.310	-.02200	-.26000	-.34200	-.30800	-.15500	-.22900	6.38000	.05000	3.95000	2.66000
.604	41.310	-.02500	-.25400	-.34000	-.30300	-.15800	-.22700	6.36000	.03000	3.94000	2.66000
.603	42.300	-.02600	-.25600	-.33600	-.30400	-.15500	-.22900	6.36000	.07000	3.94000	2.66000
.603	43.290	-.02500	-.25700	-.34000	-.30400	-.15900	-.22500	6.35000	.01000	3.94000	2.66000



DATE 22 MAR 76

CA-26 FORCE SOURCE DATA TABULATION

PAGE 227

LTV44-559(CA26) 747/1 ATX 02 S1 (ORBITER DATA)

(BFED51) ( 18 NOV 75 )

REFERENCE DATA

SREF = 2690.0000 SQ.FT. XMRP = 1109.0000 IN. XO  
LREF = 474.8100 IN. YMRP = .0000 IN. YO  
BREF = 936.6800 IN. ZMRP = 375.0000 IN. ZO  
SCALE = .0125

PARAMETRIC DATA

ALPHAC = 2.000 BETAC = .000  
STAB = 5.000 ELEVON = 5.000  
BDFLAP = .000 DX = .000  
DY = .000 TORB = 4.000  
BETAO = .000 RUDDER = .000

RUN NO. 45/ 0 RN/L = .00 GRADIENT INTERVAL = -5.00/ 5.00

MACH	DZ	CPCO	CPB1	CPB2	CPB3	CPS1	CPS2	ALPHAO	BETAO	INCID	ALPHAC
.602	44.290	-.02500	-.26500	-.34200	-.31000	-.15600	-.23300	6.32000	.02000	3.92000	2.66000
.605	44.790	-.02500	-.25500	-.33600	-.30200	-.15800	-.22400	6.36000	-.01000	3.96000	2.66000
	GRADIENT	-.00178	-.00286	-.00327	-.00000	-.00149	-.00053	-.00522	.00679	-.00331	.00093

ORIGINAL PAGE IS  
OF POOR QUALITY

LTV44-559(CA26) 747/1 ATX 02 S1 (ORBITER DATA)

(8FE052) ( 18 NOV 75 )

## REFERENCE DATA

SREF = 2690.0000 SQ.FT. XMRP = 1109.0000 IN. XO  
 LREF = 474.8100 IN. YMRP = .0000 IN. YO  
 BREF = 936.6800 IN. ZMRP = 375.0000 IN. ZO  
 SCALE = .0125

## PARAMETRIC DATA

ALPHAC = 2.000 BETAC = .000  
 STAB = 5.000 ELEVON = 5.000  
 BDFLAP = .000 DX = .000  
 DY = .000 IORB = 6.000  
 BETAO = .000 RUDDER = .000

RUN NO. 1045/ 0 RN/L = .00 GRADIENT INTERVAL = -5.00/ 5.00

MACH	DZ	CPCO	CPB1	CPB2	CPB3	CPS1	CPS2	ALPHA	BETAO	INCID	ALPHAC
.604	1.470	-.01700	-.23500	-.29500	-.27700	-.14600	-.20800	8.62000	.03000	5.94000	2.69000
.603	2.070	-.01500	-.23100	-.29400	-.27900	-.14900	-.20800	8.63000	.06000	5.95000	2.68000
.604	2.670	-.01500	-.22900	-.29200	-.27800	-.14900	-.20800	8.63000	.08000	5.95000	2.69000
.602	3.370	-.01900	-.23800	-.29600	-.28500	-.15300	-.21300	8.62000	.06000	5.96000	2.68000
.602	4.170	-.01900	-.23800	-.30600	-.28600	-.15100	-.21000	8.58000	.05000	5.91000	2.68000
.602	4.960	-.01900	-.23700	-.31100	-.28500	-.15300	-.21100	8.61000	.08000	5.95000	2.68000
.605	6.970	-.02000	-.24300	-.30400	-.28100	-.14900	-.21200	8.58000	.08000	5.94000	2.67000
.604	8.970	-.02000	-.24100	-.30500	-.28700	-.15200	-.21200	8.56000	.05000	5.93000	2.67000
.603	10.600	-.02200	-.24600	-.31800	-.28700	-.15400	-.21700	8.54000	.05000	5.94000	2.67000
.604	11.880	-.02000	-.24300	-.31800	-.28700	-.15000	-.21500	8.53000	.04000	5.93000	2.66000
.604	13.160	-.01900	-.24100	-.31500	-.28700	-.15100	-.21400	8.51000	.04000	5.91000	2.67000
.603	14.440	-.02300	-.24800	-.32300	-.29000	-.15600	-.21600	8.53000	.05000	5.95000	2.66000
.601	15.710	-.02500	-.24900	-.31700	-.29200	-.15800	-.21800	8.53000	.04000	5.95000	2.66000
.603	16.990	-.02100	-.24300	-.31700	-.28800	-.15700	-.21500	8.50000	.05000	5.93000	2.66000
.602	18.270	-.02300	-.25200	-.32700	-.29500	-.16000	-.22000	8.48000	.03000	5.92000	2.66000
.603	19.540	-.02400	-.25000	-.33400	-.29400	-.15800	-.22000	8.47000	.05000	5.92000	2.66000
.602	20.820	-.02300	-.24700	-.33100	-.29700	-.15700	-.22100	8.46000	.04000	5.92000	2.66000
.601	22.090	-.02300	-.25100	-.32200	-.29100	-.15900	-.22000	8.48000	.04000	5.94000	2.66000
.603	23.360	-.02000	-.24800	-.32600	-.29200	-.15700	-.21700	8.46000	.04000	5.93000	2.66000
.605	24.650	-.02300	-.24900	-.32100	-.28800	-.15800	-.21400	8.45000	.04000	5.94000	2.65000
.604	25.920	-.02100	-.25000	-.33600	-.29100	-.15900	-.21700	8.44000	.03000	5.93000	2.66000
.606	27.200	-.02400	-.24800	-.32800	-.29300	-.15800	-.21800	8.43000	.04000	5.93000	2.66000
.603	28.470	-.02500	-.24900	-.33200	-.29600	-.15800	-.22000	8.42000	.02000	5.93000	2.65000
.602	29.750	-.02800	-.25400	-.32800	-.29900	-.16000	-.22200	8.41000	.02000	5.93000	2.66000
.604	31.030	-.02400	-.25400	-.32400	-.29400	-.16100	-.22200	8.44000	.02000	5.95000	2.66000
.605	32.300	-.02400	-.24900	-.32700	-.29300	-.15600	-.22000	8.40000	.05000	5.93000	2.66000
.604	33.580	-.02600	-.24800	-.32800	-.29700	-.15600	-.22300	8.39000	.02000	5.93000	2.65000
.603	34.850	-.02500	-.25500	-.32800	-.29600	-.16300	-.22300	8.41000	.02000	5.95000	2.65000
.605	36.130	-.02500	-.24900	-.32700	-.29700	-.15700	-.22100	8.40000	.02000	5.95000	2.66000
.602	37.410	-.02600	-.25900	-.33000	-.30100	-.16600	-.22200	8.38000	.02000	5.94000	2.66000
.603	38.690	-.02400	-.25500	-.32200	-.29800	-.16000	-.21800	8.38000	.00000	5.95000	2.65000
.605	39.960	-.02300	-.25600	-.32800	-.29800	-.16200	-.22200	8.39000	.02000	5.97000	2.66000
.602	41.240	-.02600	-.25900	-.33200	-.30000	-.16600	-.22300	8.37000	.02000	5.95000	2.66000
.602	42.520	-.02400	-.25600	-.32900	-.29700	-.16500	-.22300	8.36000	.02000	5.94000	2.66000
.604	43.790	-.02300	-.25500	-.32700	-.29800	-.16000	-.22300	8.36000	.02000	5.96000	2.66000
.601	45.070	-.03100	-.25700	-.33600	-.30400	-.16300	-.23100	8.31000	.03000	5.92000	2.66000
.605	46.340	-.02400	-.25300	-.32300	-.29800	-.15300	-.22800	8.33000	.03000	5.93000	2.66000
.602	47.620	-.03000	-.25800	-.33100	-.30400	-.16200	-.23100	8.32000	.03000	5.94000	2.66000
.602	48.900	-.02400	-.25700	-.32700	-.29900	-.16400	-.22400	8.33000	.00000	5.96000	2.66000
.606	50.180	-.02300	-.25700	-.32200	-.29700	-.15600	-.22800	8.29000	.02000	5.92000	2.66000
.605	51.460	-.02400	-.25700	-.32300	-.29800	-.16000	-.22500	8.29000	.03000	5.93000	2.66000
GRADIENT		-.00108	-.00169	-.00539	-.00276	-.00180	-.00104	-.00880	.00779	-.00269	-.00244

LTV44-559(CA26) 747/1 ATY 02 S1 (ORBITER DATA)

(BFE053) ( 18 NOV 75 )

## REFERENCE DATA

SREF = 2690.0000 SQ.FT. XMRP = 1109.0000 IN. XO  
 LREF = 474.8100 IN. YMRP = .0000 IN. YO  
 BREF = 936.6800 IN. ZMRP = 375.0000 IN. ZO  
 SCALE = .0125

## PARAMETRIC DATA

ALPHAC = 2.000 BETAC = .000  
 STAB = 5.000 ELEVON = 5.000  
 BDFLA = .000 DX = .000  
 DZ = .000 TORB = 6.000  
 BETAO = .000 RUDDER = .000

RUN NO. 46/ 0 RN/L = .00 GRADIENT INTERVAL = -5.00/ 5.00

MACH	DY	CPCO	CPB1	CPB2	CPB3	CPS1	CPS2	ALPHA0	BETA0	INCID	ALPHAC
.598	-10.000	-.07500	-.29100	-.39200	-.35500	-.21400	-.29000	8.60000	.05000	5.93000	2.67000
.600	-9.420	-.07100	-.28700	-.38700	-.35000	-.20500	-.28600	8.62000	.09000	5.94000	2.68000
.600	-8.850	-.07100	-.28800	-.38800	-.34700	-.20300	-.28500	8.64000	.04000	5.96000	2.68000
.597	-8.280	-.07600	-.29500	-.39500	-.35400	-.20900	-.29300	8.62000	.03000	5.94000	2.68000
.600	-7.710	-.06900	-.28400	-.38600	-.34600	-.20000	-.28700	8.62000	.03000	5.93000	2.69000
.598	-7.140	-.07400	-.28500	-.38400	-.35000	-.20700	-.29200	8.61000	.03000	5.93000	2.69000
.601	-6.560	-.07100	-.27900	-.37800	-.34400	-.20000	-.28600	8.61000	.03000	5.92000	2.69000
.598	-5.990	-.07200	-.28200	-.38400	-.35000	-.20300	-.29100	8.63000	.09000	5.94000	2.69000
.599	-5.420	-.07000	-.28000	-.38100	-.34800	-.20200	-.28900	8.61000	.01000	5.92000	2.69000
.601	-4.850	-.06400	-.27700	-.38200	-.33900	-.19300	-.28700	8.65000	.07000	5.96000	2.69000
.601	-4.280	-.06400	-.28100	-.38400	-.34200	-.19700	-.28900	8.64000	.09000	5.96000	2.69000
.602	-3.710	-.06700	-.27600	-.37700	-.34100	-.19600	-.28500	8.63000	.10000	5.94000	2.69000
.602	-3.130	-.06400	-.27700	-.37900	-.33700	-.19500	-.28800	8.60000	.07000	5.90000	2.70000
.603	-2.570	-.06400	-.27800	-.37900	-.34000	-.19600	-.28900	8.61000	.06000	5.93000	2.69000
.604	-1.990	-.06100	-.27000	-.37200	-.33800	-.18500	-.28200	8.64000	.05000	5.95000	2.69000
.602	-1.420	-.06300	-.27600	-.38100	-.34400	-.19000	-.29000	8.63000	.11000	5.95000	2.69000
.602	-.850	-.06200	-.27300	-.38200	-.34000	-.19200	-.28900	8.62000	.11000	5.93000	2.70000
.602	-.270	-.06200	-.27200	-.38100	-.34100	-.19000	-.29000	8.61000	.13000	5.92000	2.69000
.603	.270	-.05900	-.27400	-.37800	-.33900	-.19200	-.28800	8.63000	.08000	5.94000	2.69000
.601	.850	-.06200	-.28000	-.38800	-.34300	-.19600	-.29300	8.61000	.08000	5.92000	2.69000
.601	1.420	-.06700	-.27700	-.39100	-.34200	-.19500	-.29700	8.65000	.04000	5.96000	2.69000
.600	1.990	-.06800	-.28400	-.39200	-.34900	-.19700	-.29800	8.63000	.02000	5.95000	2.69000
.600	2.560	-.06500	-.28300	-.39200	-.34600	-.19700	-.29800	8.62000	.03000	5.93000	2.69000
.602	3.130	-.06100	-.27600	-.38900	-.33900	-.19000	-.29400	8.61000	.05000	5.93000	2.69000
.600	3.710	-.06500	-.27900	-.38600	-.34600	-.19300	-.29400	8.62000	.00000	5.94000	2.68000
.602	4.280	-.05800	-.27500	-.38300	-.33800	-.18700	-.29100	8.63000	.00000	5.96000	2.68000
.600	4.850	-.06600	-.27600	-.38300	-.34400	-.19100	-.29500	8.64000	.05000	5.96000	2.68000
.599	5.420	-.06200	-.27600	-.38300	-.34400	-.19200	-.29600	8.63000	.01000	5.96000	2.68000
.599	5.990	-.06000	-.27600	-.38400	-.34100	-.18900	-.29700	8.61000	.00000	5.93000	2.68000
.601	6.560	-.06300	-.27300	-.38200	-.34200	-.19300	-.29800	8.61000	.04000	5.94000	2.67000
.599	7.140	-.06600	-.27500	-.39000	-.34700	-.19500	-.30100	8.62000	.03000	5.96000	2.67000
.601	7.700	-.06300	-.27000	-.38300	-.34000	-.19300	-.29700	8.62000	.04000	5.95000	2.66000
.600	8.280	-.06400	-.27300	-.38500	-.34300	-.19500	-.30000	8.61000	.00000	5.95000	2.66000
.600	8.850	-.06000	-.27100	-.38100	-.34100	-.19200	-.29700	8.60000	.03000	5.94000	2.66000
.600	9.420	-.05900	-.27500	-.39200	-.34200	-.18900	-.29800	8.61000	.03000	5.96000	2.66000
.600	10.000	-.06700	-.27900	-.39700	-.34800	-.19500	-.30000	8.60000	.08000	5.95000	2.65000
	GRADIENT	.00007	-.00017	-.00100	-.00043	.00027	-.00106	-.00042	-.00756	.00067	-.00107

LTV44-559(CA26) 747/1 ATY 02 S1 (ORBITER DATA)

(BFE054) ( 18 NOV 75 )

## REFERENCE DATA

SREF = 2690.0000 SQ.FT. XMRP = 1109.0000 IN. XO  
 LRCF = 474.8100 IN. YMRP = .0000 IN. YO  
 BREF = 936.6800 IN. ZMRP = 375.0000 IN. ZO  
 SCALE = .0125

## PARAMETRIC DATA

ALPHAC = 2.000 BETAC = .000  
 STAB = 5.000 ELEVON = 5.000  
 BDFLAP = .000 DX = .000  
 DZ = 15.000 TORB = 6.000  
 BETAO = .000 RUDDER = .000

RUN NO. 1046/ 0 RN/L = .00 GRADIENT INTERVAL = -5.00/ 5.00

MACH	DY	CPCO	CPB1	CPB2	CPB3	CPS1	CPS2	ALPHAO	BETAO	INCID	ALPHAC
.599	-9.420	-.08300	-.30300	-.41100	-.37200	-.22500	-.29400	8.51000	.10000	5.93000	2.67000
.600	-8.850	-.07900	-.30300	-.40600	-.36900	-.22200	-.29300	8.53000	.05000	5.95000	2.67000
.599	-8.280	-.08500	-.30500	-.41100	-.37200	-.22700	-.29500	8.51000	.12000	5.93000	2.67000
.600	-7.710	-.08300	-.30000	-.41300	-.36800	-.22700	-.29000	8.53000	.05000	5.95000	2.67000
.601	-7.140	-.08100	-.30100	-.40900	-.37100	-.22300	-.29100	8.53000	.10000	5.95000	2.67000
.603	-6.560	-.07800	-.29600	-.40700	-.36600	-.22200	-.28500	8.52000	.06000	5.94000	2.67000
.602	-5.990	-.08300	-.29700	-.41200	-.37000	-.22600	-.28800	8.54000	.07000	5.96000	2.67000
.601	-5.420	-.08000	-.30000	-.41100	-.37400	-.22400	-.29200	8.54000	.04000	5.96000	2.67000
.599	-4.850	-.08600	-.30200	-.41900	-.37600	-.23000	-.29500	8.52000	.08000	5.94000	2.67000
.601	-4.280	-.08200	-.29700	-.41500	-.37100	-.22700	-.28900	8.54000	.06000	5.96000	2.67000
.603	-3.710	-.07900	-.30000	-.40800	-.37200	-.22500	-.28900	8.52000	.07000	5.93000	2.67000
.601	-3.140	-.08600	-.30900	-.42200	-.38000	-.23400	-.29600	8.53000	.07000	5.95000	2.68000
.601	-2.570	-.08200	-.30300	-.41900	-.37200	-.23100	-.28900	8.53000	.05000	5.95000	2.67000
.600	-1.990	-.08600	-.30400	-.42000	-.37500	-.23400	-.29300	8.52000	.03000	5.94000	2.67000
.602	-1.420	-.08200	-.30200	-.41300	-.37400	-.22500	-.28800	8.54000	.06000	5.95000	2.67000
.600	-.850	-.08400	-.30500	-.42300	-.37700	-.23300	-.29100	8.52000	.04000	5.94000	2.67000
.602	-.280	-.08300	-.30300	-.41500	-.37600	-.22900	-.28900	8.54000	.05000	5.96000	2.68000
.601	.270	-.08300	-.30300	-.41500	-.37600	-.23100	-.28900	8.51000	.05000	5.93000	2.67000
.602	.850	-.08500	-.30200	-.42100	-.37600	-.23200	-.29100	8.53000	.04000	5.95000	2.67000
.603	1.410	-.08500	-.29900	-.41900	-.37700	-.22800	-.28900	8.55000	.04000	5.96000	2.68000
.603	1.990	-.08600	-.29800	-.42000	-.37600	-.22700	-.29000	8.53000	.05000	5.95000	2.68000
.603	2.560	-.07700	-.29600	-.41400	-.36900	-.22700	-.28400	8.51000	.05000	5.93000	2.67000
.602	3.130	-.08600	-.29800	-.41900	-.37700	-.22700	-.29100	8.52000	.05000	5.93000	2.68000
.602	3.700	-.08600	-.29900	-.42500	-.37600	-.22700	-.29200	8.55000	.06000	5.96000	2.68000
.600	4.270	-.08800	-.30400	-.42700	-.38000	-.23200	-.29400	8.49000	.07000	5.90000	2.68000
.602	4.850	-.08600	-.29800	-.42800	-.37600	-.22600	-.29000	8.52000	.05000	5.95000	2.67000
.602	5.420	-.08500	-.30100	-.43000	-.37700	-.23300	-.29200	8.54000	.03000	5.96000	2.67000
.602	5.980	-.08500	-.29600	-.42200	-.37700	-.23100	-.29200	8.52000	.04000	5.95000	2.67000
.600	6.560	-.08900	-.30200	-.42500	-.38400	-.23500	-.29600	8.54000	.05000	5.96000	2.67000
.599	7.130	-.09200	-.30800	-.42700	-.38800	-.23900	-.29600	8.54000	.03000	5.95000	2.67000
.601	7.700	-.08700	-.30200	-.42600	-.38100	-.23400	-.29400	8.53000	.04000	5.94000	2.68000
.598	8.270	-.09000	-.30500	-.43100	-.38800	-.23800	-.29600	8.54000	.03000	5.96000	2.67000
.599	8.840	-.08800	-.30600	-.43200	-.38600	-.23800	-.29600	8.53000	.04000	5.95000	2.67000
.601	9.420	-.08500	-.30500	-.43300	-.37800	-.23600	-.29200	8.54000	.02000	5.96000	2.67000
.599	9.990	-.09000	-.30500	-.44100	-.38600	-.23900	-.29700	8.52000	.03000	5.94000	2.67000
	GRADIENT	-.00028	.00041	-.00091	-.00026	.00021	.00016	-.00096	-.00121	-.00112	.00071

DATE 22 MAR 76

CA-26 FORCE SOURCE DATA TABULATION

PAGE 231

LTV44-559(CA26) 747/1 ATY 02 S1 (ORBITER DATA)

(BFE055) ( 18 NOV 75 )

## REFERENCE DATA

SREF = 2690.0000 SQ.FT. XMRP = 1109.0000 IN. XO  
 LREF = 474.8100 IN. YMRP = .0000 IN. YO  
 BREF = 936.6800 IN. ZMRP = 375.0000 IN. ZO  
 SCALE = .0125

## PARAMETRIC DATA

ALPHAC = 2.000 BETAC = .000  
 STAB = 5.000 ELEVON = 5.000  
 BDFLAP = .000 DX = .000  
 DZ = 60.000 IORB = 6.000  
 BETA0 = .000 RUDDER = .000

RUN NO. 2046/ 0 RN/L = .00 GRADIENT INTERVAL = -5.00/ 5.00

MACH	DY	CPC0	CPB1	CPB2	CPB3	CPS1	CPS2	ALPHA0	BETA0	INCID	ALPHAC
.599	-10.000	-.10000	-.32500	-.43600	-.40500	-.26000	-.28600	8.31000	.06000	5.94000	2.67000
.600	-9.430	-.09400	-.32200	-.43500	-.40100	-.25400	-.27800	8.31000	.04000	5.94000	2.67000
.599	-8.860	-.09800	-.32300	-.43600	-.40300	-.26000	-.28400	8.32000	.09000	5.95000	2.67000
.600	-8.280	-.09400	-.31900	-.43700	-.40400	-.25900	-.28300	8.33000	.09000	5.96000	2.67000
.599	-7.710	-.09300	-.32300	-.44500	-.40200	-.25800	-.27900	8.31000	.07000	5.94000	2.67000
.600	-7.140	-.09500	-.32000	-.44000	-.40600	-.26100	-.28300	8.34000	.05000	5.96000	2.67000
.599	-6.570	-.09500	-.32400	-.44300	-.40800	-.25900	-.28300	8.33000	.04000	5.96000	2.67000
.598	-6.000	-.09900	-.32900	-.44900	-.41400	-.26500	-.28900	8.34000	.04000	5.96000	2.67000
.600	-5.420	-.09400	-.32200	-.43900	-.40500	-.25700	-.28000	8.34000	.02000	5.97000	2.68000
.600	-4.850	-.09500	-.32300	-.44300	-.40800	-.26100	-.28400	8.32000	.01000	5.95000	2.68000
.600	-4.290	-.09700	-.32300	-.44200	-.40800	-.26000	-.28700	8.32000	.04000	5.94000	2.67000
.601	-3.710	-.09500	-.32300	-.44000	-.40800	-.25700	-.28000	8.34000	.03000	5.96000	2.67000
.601	-3.140	-.09300	-.32000	-.43600	-.40500	-.25900	-.28600	8.32000	.02000	5.94000	2.67000
.601	-2.570	-.09500	-.32300	-.44000	-.40900	-.26100	-.28200	8.34000	.00000	5.96000	2.67000
.603	-2.000	-.09000	-.31700	-.43400	-.40200	-.25500	-.27600	8.34000	-.02000	5.96000	2.67000
.601	-1.430	-.09600	-.32300	-.43900	-.40500	-.25700	-.28200	8.34000	.02000	5.96000	2.67000
.603	-.850	-.09900	-.32400	-.44100	-.40800	-.25800	-.28900	8.33000	.00000	5.96000	2.68000
.601	-.280	-.09600	-.32200	-.44000	-.40700	-.25800	-.28700	8.34000	.04000	5.97000	2.68000
.601	.270	-.09600	-.32600	-.44300	-.40900	-.26300	-.28400	8.31000	.00000	5.94000	2.67000
.598	.840	-.09600	-.32800	-.44700	-.41200	-.26700	-.28800	8.33000	.03000	5.96000	2.67000
.601	1.410	-.09800	-.32900	-.43900	-.40800	-.26400	-.28000	8.31000	-.01000	5.93000	2.67000
.601	1.990	-.09500	-.32300	-.43700	-.40400	-.25900	-.27900	8.32000	.00000	5.94000	2.67000
.602	2.560	-.09500	-.32200	-.44100	-.40700	-.25900	-.28200	8.34000	.00000	5.97000	2.67000
.601	3.130	-.09700	-.32300	-.44200	-.40600	-.25700	-.28900	8.34000	.04000	5.97000	2.68000
.600	3.700	-.09400	-.32500	-.44300	-.40700	-.25700	-.28800	8.32000	.03000	5.95000	2.67000
.599	4.270	-.10000	-.33200	-.44900	-.41300	-.26700	-.28500	8.32000	.00000	5.95000	2.67000
.600	4.850	-.09500	-.32600	-.44400	-.40700	-.26100	-.27900	8.29000	-.03000	5.92000	2.67000
.601	5.410	-.09700	-.32500	-.44500	-.40700	-.26100	-.28200	8.33000	-.02000	5.96000	2.67000
.600	5.980	-.09400	-.32200	-.44700	-.40500	-.25600	-.28500	8.35000	.00000	5.98000	2.67000
.600	6.560	-.09500	-.32300	-.44600	-.40700	-.25700	-.28900	8.33000	-.03000	5.95000	2.67000
.600	7.130	-.09900	-.32500	-.45000	-.41000	-.26000	-.29000	8.32000	.00000	5.95000	2.67000
.602	7.700	-.09700	-.32300	-.44300	-.40400	-.25700	-.28500	8.31000	.00000	5.94000	2.67000
.601	8.270	-.09800	-.32500	-.44800	-.40800	-.26100	-.28500	8.31000	-.03000	5.94000	2.67000
.602	8.840	-.09400	-.32000	-.44300	-.40300	-.25900	-.28100	8.32000	-.03000	5.94000	2.67000
.601	9.420	-.09700	-.32500	-.44900	-.40500	-.26300	-.28400	8.35000	.01000	5.98000	2.67000
	GRADIENT	-.00020	-.00059	-.00050	-.00013	-.00029	.00016	-.00157	-.00185	-.00070	-.00018

ORIGINAL PAGE IS  
OF POOR QUALITY

LTV44-559(CA26) 747/1 ATY 02 S1 (ORBITER DATA)

(BFE056) ( 18 NOV 75 )

## REFERENCE DATA

SREF = 2690.0000 SQ.FT. XMRP = 1109.0000 IN. XO  
 LREF = 474.8100 IN. YMRP = .0000 IN. YO  
 BREF = 936.6800 IN. ZMRP = 375.0000 IN. ZO  
 SCALE = .0125

## PARAMETRIC DATA

ALPHAC = 2.000 BETAC = .000  
 STAB = 5.000 ELEVON = 5.000  
 BDFLAP = .000 DX = .000  
 DZ = .000 IORB = 6.000  
 BETAO = 5.000 RUDDER = .000

RUN NO. 47/ 0 RN/L = .00 GRADIENT INTERVAL = -5.00/ 5.00

MACH	DY	CPCO	CPB1	CPB2	CPB3	CPS1	CPS2	ALPHA0	BETA0	INC10	ALPHAC
.611	-10.000	-.12100	-.27400	-.40500	-.34200	-.04000	-.40600	8.68000	4.89000	5.99000	2.69000
.610	-9.420	-.12500	-.27700	-.40700	-.34800	-.04200	-.41000	8.65000	4.88000	5.95000	2.70000
.609	-8.850	-.12900	-.27200	-.40900	-.35300	-.03900	-.41400	8.68000	4.86000	5.98000	2.70000
.608	-8.280	-.12900	-.27300	-.40700	-.35100	-.03800	-.41500	8.66000	4.86000	5.97000	2.70000
.609	-7.710	-.12600	-.26900	-.40700	-.34800	-.03400	-.41600	8.67000	4.86000	5.98000	2.70000
.611	-7.140	-.12000	-.26900	-.40400	-.34200	-.03500	-.40800	8.66000	4.86000	5.99000	2.70000
.609	-6.560	-.12100	-.27100	-.40800	-.34600	-.03700	-.41200	8.67000	4.86000	5.98000	2.70000
.607	-5.990	-.12500	-.26700	-.41000	-.34800	-.03100	-.41400	8.67000	4.87000	5.97000	2.70000
.610	-5.420	-.11900	-.26500	-.40300	-.34200	-.03000	-.41100	8.64000	4.86000	5.94000	2.70000
.609	-4.850	-.12000	-.26600	-.40700	-.34400	-.03000	-.41400	8.63000	4.87000	5.94000	2.70000
.608	-4.280	-.12200	-.26900	-.40400	-.34700	-.03100	-.41700	8.68000	4.86000	6.00000	2.69000
.609	-3.710	-.12000	-.26600	-.40500	-.34400	-.02600	-.41600	8.65000	4.90000	5.95000	2.70000
.610	-3.130	-.11700	-.26200	-.39800	-.34200	-.02400	-.41800	8.67000	4.88000	5.98000	2.69000
.611	-2.570	-.11800	-.26500	-.39700	-.34200	-.02600	-.41500	8.65000	4.88000	5.96000	2.69000
.610	-1.990	-.12000	-.26300	-.40700	-.34400	-.02200	-.41900	8.65000	4.89000	5.96000	2.70000
.609	-1.420	-.12100	-.26900	-.40700	-.34800	-.02800	-.42100	8.66000	4.95000	5.97000	2.69000
.608	-.850	-.12400	-.26500	-.41200	-.35100	-.02500	-.42800	8.63000	4.92000	5.93000	2.70000
.611	-.270	-.11900	-.26400	-.40600	-.34600	-.02700	-.42500	8.66000	4.88000	5.97000	2.69000
.610	.270	-.11600	-.26500	-.40500	-.34300	-.02400	-.42400	8.65000	4.89000	5.96000	2.69000
.610	.850	-.11800	-.26300	-.40400	-.34300	-.02300	-.42700	8.66000	4.88000	5.97000	2.69000
.608	1.420	-.12100	-.26600	-.40500	-.34600	-.02000	-.43000	8.63000	4.88000	5.94000	2.69000
.608	1.990	-.12400	-.26700	-.40300	-.35000	-.02000	-.43200	8.62000	4.89000	5.94000	2.69000
.610	2.560	-.11700	-.26500	-.39900	-.34100	-.02000	-.43100	8.64000	4.87000	5.96000	2.68000
.610	3.130	-.12300	-.26800	-.39700	-.34900	-.02100	-.43400	8.62000	4.87000	5.94000	2.68000
.609	3.710	-.11500	-.26600	-.39700	-.34100	-.01800	-.43400	8.63000	4.89000	5.96000	2.68000
.609	4.280	-.12000	-.26300	-.39700	-.34300	-.01500	-.43600	8.61000	4.87000	5.94000	2.67000
.610	4.850	-.11700	-.26300	-.39500	-.34200	-.01700	-.43000	8.63000	4.90000	5.96000	2.67000
.611	5.420	-.11500	-.26300	-.39000	-.33900	-.01700	-.43100	8.62000	4.86000	5.96000	2.66000
.609	5.990	-.11700	-.26200	-.39600	-.34000	-.01300	-.43900	8.62000	4.85000	5.97000	2.66000
.609	6.560	-.11700	-.26400	-.39400	-.33900	-.01400	-.44000	8.63000	4.88000	5.97000	2.66000
.607	7.140	-.12400	-.26600	-.39600	-.35000	-.01300	-.44800	8.59000	4.85000	5.93000	2.65000
.609	7.700	-.11800	-.26300	-.39400	-.33700	-.01100	-.44400	8.61000	4.89000	5.97000	2.65000
.609	8.280	-.11900	-.26500	-.38800	-.34100	-.01200	-.43900	8.60000	4.85000	5.96000	2.65000
.608	8.850	-.12200	-.26300	-.39200	-.34300	-.00900	-.44300	8.59000	4.89000	5.95000	2.65000
.608	9.420	-.12100	-.26300	-.39100	-.34300	-.00800	-.44700	8.59000	4.85000	5.95000	2.64000
.611	10.000	-.11900	-.26000	-.38700	-.33800	-.01000	-.44100	8.61000	4.86000	5.97000	2.65000
	GRADIENT	.00015	.00012	.00086	.00011	.00129	-.00225	-.00403	-.00036	-.00190	-.00248

LTV44-559(CA26) 747/1 ATY 02 S1 (ORBITER DATA)

(BFE057) ( 18 NOV 75 )

## REFERENCE DATA

SREF = 2690.0000 SQ.FT. XMRP = 1109.0000 IN. XO  
 LREF = 474.8100 IN. YMRP = .0000 IN. YO  
 BREF = 936.6900 IN. ZMRP = 375.0000 IN. ZO  
 SCALE = .0125

## PARAMETRIC DATA

ALPHAC = 2.000 BETAC = .000  
 STAB = 5.000 ELEVON = 5.000  
 BDFLAP = .000 DX = .000  
 DZ = 15.000 IORB = 6.000  
 BETAO = 5.000 RUDDER = .000

RUN NO. 1047/ 0 RN/L = .00 GRADIENT INTERVAL = -5.00/ 5.00

MACH	DY	CPCO	CPB1	CPB2	CPB3	CPS1	CPS2	ALPHAO	BETAO	INCID	ALPHAC
.609	-9.420	-.13200	-.28500	-.42900	-.36900	-.05100	-.42500	8.54000	4.88000	5.94000	2.68000
.610	-8.850	-.13200	-.28700	-.42900	-.36800	-.05500	-.42200	8.55000	4.89000	5.96000	2.68000
.609	-8.280	-.13300	-.29300	-.42600	-.37200	-.05600	-.42100	8.55000	4.88000	5.95000	2.68000
.609	-7.710	-.13100	-.29300	-.42900	-.37100	-.05900	-.42700	8.57000	4.89000	5.98000	2.68000
.607	-7.140	-.13700	-.29600	-.42900	-.37600	-.05900	-.43000	8.56000	4.90000	5.96000	2.68000
.610	-6.560	-.13200	-.29100	-.42800	-.36900	-.05800	-.42700	8.58000	4.91000	5.99000	2.67000
.608	-5.990	-.13500	-.29100	-.42900	-.37300	-.05000	-.43200	8.54000	4.89000	5.95000	2.68000
.609	-5.420	-.13300	-.28800	-.43100	-.37200	-.05300	-.42900	8.54000	4.91000	5.94000	2.68000
.607	-4.850	-.13900	-.29900	-.43600	-.37900	-.06300	-.43000	8.57000	4.91000	5.98000	2.68000
.609	-4.280	-.13500	-.29800	-.43700	-.37200	-.06000	-.42700	8.57000	4.89000	5.98000	2.67000
.610	-3.710	-.13400	-.28800	-.43300	-.37100	-.05500	-.42700	8.55000	4.90000	5.95000	2.67000
.607	-3.140	-.14000	-.29700	-.43800	-.37900	-.05900	-.43100	8.56000	4.89000	5.97000	2.68000
.610	-2.570	-.13400	-.28900	-.43800	-.37300	-.05700	-.42800	8.54000	4.90000	5.95000	2.68000
.609	-1.990	-.13600	-.29000	-.43800	-.37300	-.05800	-.42700	8.53000	4.91000	5.93000	2.68000
.608	-1.420	-.14100	-.29400	-.44100	-.38000	-.06000	-.43400	8.53000	4.91000	5.93000	2.68000
.610	-.850	-.13700	-.29100	-.44500	-.37500	-.06100	-.42800	8.53000	4.89000	5.93000	2.68000
.608	-.280	-.14000	-.29600	-.44600	-.37900	-.05900	-.43400	8.54000	4.87000	5.94000	2.68000
.610	.270	-.13700	-.29400	-.44200	-.37400	-.06000	-.43200	8.57000	4.92000	5.98000	2.67000
.611	.850	-.13500	-.29400	-.44400	-.37500	-.06200	-.43200	8.55000	4.91000	5.97000	2.67000
.610	1.410	-.13800	-.29900	-.44700	-.37900	-.06500	-.43800	8.57000	4.87000	5.98000	2.67000
.608	1.990	-.13800	-.30200	-.45500	-.38300	-.06500	-.45300	8.56000	4.89000	5.97000	2.67000
.609	2.560	-.14000	-.30200	-.45500	-.38300	-.06100	-.45800	8.54000	4.92000	5.95000	2.67000
.610	3.130	-.13900	-.29800	-.45000	-.38200	-.06000	-.45000	8.55000	4.89000	5.96000	2.67000
.609	3.700	-.13900	-.30200	-.45500	-.38100	-.06600	-.44500	8.56000	4.89000	5.98000	2.67000
.611	4.270	-.13700	-.29500	-.45400	-.37700	-.06200	-.44300	8.56000	4.88000	5.98000	2.67000
.610	4.850	-.14000	-.29700	-.45700	-.37700	-.06100	-.44500	8.54000	4.90000	5.95000	2.67000
.611	5.420	-.13900	-.29900	-.45700	-.37800	-.06300	-.44500	8.56000	4.90000	5.98000	2.67000
.609	5.980	-.14300	-.30000	-.45900	-.38600	-.06100	-.45300	8.56000	4.84000	5.97000	2.67000
.608	6.560	-.14600	-.30300	-.46100	-.38800	-.06400	-.45000	8.56000	4.89000	5.97000	2.67000
.609	7.130	-.14300	-.29800	-.45200	-.38500	-.06200	-.44300	8.53000	4.86000	5.95000	2.67000
.610	7.700	-.14400	-.29800	-.44600	-.38100	-.06300	-.43700	8.55000	4.87000	5.97000	2.67000
.608	8.270	-.14600	-.30400	-.44700	-.39000	-.06900	-.44600	8.55000	4.82000	5.96000	2.67000
.610	8.840	-.14300	-.29600	-.44400	-.38100	-.06100	-.44600	8.54000	4.89000	5.95000	2.67000
.610	9.420	-.14100	-.29500	-.44400	-.38300	-.06500	-.44600	8.53000	4.86000	5.95000	2.67000
.611	9.990	-.14200	-.29600	-.44200	-.38200	-.06400	-.44500	8.54000	4.89000	5.95000	2.66000
GRADIENT		-.00026	-.00063	-.00240	-.00064	-.00048	-.00257	-.00026	-.00091	.00059	-.00096

LTV44-559(CA26) 747/1 ATY 02 S1 (ORBITER DATA)

(BFE05B) ( 18 NOV 75 )

## REFERENCE DATA

SREF = 2690.0000 SQ.FT. XMRP = 1109.0000 IN. XO  
 LREF = 474.8100 IN. YMRP = .0000 IN. YO  
 BREF = 936.6800 IN. ZMRP = 375.0000 IN. ZO  
 SCALE = .0125

## PARAMETRIC DATA

ALPHAC = 2.000 BETAC = .000  
 STAB = 5.000 ELEVON = 5.000  
 BDFLAP = .000 DX = .000  
 DZ = 60.000 IORB = 6.000  
 BETA0 = 5.000 RUDDER = .000

RUN NO. 2047/ 0 RN/L = .00 GRADIENT INTERVAL = -5.00/ 5.00

MACH	DY	CP00	CP01	CP02	CP03	CPS1	CPS2	ALPHA0	BETA0	INCID	ALPHAC
.607	-10.000	-.14700	-.32100	-.46700	-.41200	-.08900	-.47900	8.32000	4.88000	5.95000	2.67000
.611	-9.430	-.13900	-.31900	-.45600	-.40500	-.09300	-.46600	8.35000	4.85000	5.98000	2.67000
.608	-8.860	-.14300	-.32300	-.46700	-.41100	-.09400	-.47100	8.35000	4.87000	5.97000	2.67000
.607	-8.280	-.14700	-.32300	-.46700	-.41500	-.09200	-.48500	8.36000	4.84000	5.98000	2.67000
.609	-7.710	-.14300	-.32300	-.46000	-.41000	-.09600	-.47100	8.35000	4.87000	5.98000	2.67000
.607	-7.140	-.14600	-.32100	-.46600	-.41300	-.09600	-.47200	8.37000	4.86000	5.99000	2.67000
.609	-6.570	-.14300	-.32100	-.45900	-.40800	-.09700	-.45700	8.35000	4.84000	5.98000	2.67000
.605	-6.000	-.14600	-.32200	-.46800	-.41500	-.09300	-.46800	8.34000	4.82000	5.97000	2.67000
.610	-5.420	-.13800	-.31700	-.45900	-.40500	-.08800	-.47100	8.35000	4.83000	5.98000	2.67000
.608	-4.850	-.14200	-.31900	-.46300	-.41100	-.08600	-.48500	8.37000	4.84000	6.00000	2.67000
.608	-4.290	-.14300	-.32000	-.46200	-.41400	-.08800	-.49600	8.35000	4.83000	5.98000	2.67000
.611	-3.710	-.13500	-.31700	-.45500	-.40400	-.08900	-.48300	8.38000	4.82000	6.01000	2.67000
.611	-3.140	-.13700	-.31800	-.45900	-.40500	-.09000	-.47700	8.32000	4.85000	5.95000	2.67000
.611	-2.570	-.13600	-.31900	-.45900	-.40300	-.08800	-.47300	8.36000	4.83000	5.98000	2.67000
.611	-2.000	-.13700	-.31600	-.45500	-.40400	-.09200	-.46400	8.33000	4.83000	5.96000	2.67000
.611	-1.430	-.13700	-.32200	-.45800	-.40600	-.09000	-.47900	8.33000	4.81000	5.95000	2.67000
.610	-.850	-.13900	-.31800	-.45900	-.41200	-.08600	-.49000	8.35000	4.82000	5.98000	2.67000
.608	-.280	-.14400	-.32200	-.46100	-.41500	-.09300	-.48600	8.35000	4.83000	5.98000	2.67000
.609	.270	-.14300	-.31900	-.45900	-.41200	-.09400	-.47200	8.34000	4.82000	5.97000	2.67000
.609	.840	-.14200	-.32000	-.46300	-.41400	-.09500	-.48400	8.35000	4.81000	5.98000	2.67000
.609	1.410	-.14400	-.32300	-.46100	-.41300	-.10400	-.44800	8.37000	4.78000	5.99000	2.67000
.612	1.990	-.13300	-.31800	-.45800	-.40100	-.09300	-.45200	8.33000	4.79000	5.96000	2.67000
.610	2.560	-.14500	-.32100	-.46400	-.41300	-.09700	-.45800	8.34000	4.80000	5.97000	2.67000
.611	3.130	-.14100	-.32400	-.46600	-.41200	-.09700	-.48200	8.32000	4.80000	5.94000	2.67000
.610	3.700	-.14100	-.32200	-.47400	-.41300	-.09400	-.47500	8.37000	4.80000	6.00000	2.67000
.612	4.270	-.13600	-.32000	-.48200	-.40500	-.09600	-.46300	8.35000	4.78000	5.98000	2.67000
.610	4.850	-.14500	-.32100	-.50000	-.41400	-.10200	-.44800	8.34000	4.80000	5.96000	2.67000
.611	5.410	-.13900	-.31300	-.52300	-.40400	-.09600	-.44200	8.34000	4.80000	5.97000	2.67000
.609	5.980	-.14300	-.31600	-.51700	-.41100	-.09900	-.44200	8.31000	4.77000	5.94000	2.67000
.611	6.560	-.14000	-.31600	-.50900	-.40300	-.10400	-.42500	8.35000	4.75000	5.98000	2.67000
.609	7.130	-.14500	-.32100	-.50700	-.41100	-.10700	-.42600	8.33000	4.79000	5.96000	2.67000
.611	7.700	-.14100	-.31800	-.50500	-.40600	-.10000	-.42900	8.32000	4.79000	5.95000	2.67000
.609	8.270	-.14100	-.31600	-.51400	-.40400	-.09300	-.44200	8.34000	4.75000	5.97000	2.67000
.608	8.840	-.14400	-.31700	-.51100	-.40900	-.09900	-.44100	8.32000	4.79000	5.95000	2.67000
.610	9.420	-.13800	-.31400	-.49700	-.40300	-.10000	-.42900	8.31000	4.78000	5.94000	2.67000
GRADIENT		-.00030	-.00037	-.00243	-.00039	-.00130	.00286	-.00114	-.00539	-.00149	-.00000



LTV44-559(CA26) 747/1 ATY 02 S1 (ORBITER DATA)

(BFE059) ( 18 NOV 75 )

## REFERENCE DATA

SREF = 2690.0000 SQ.FT. XMRP = 1109.0000 IN. XO  
 LREF = 474.8100 IN. YMRP = .0000 IN. YO  
 BREF = 936.6800 IN. ZMRP = 375.0000 IN. ZO  
 SCALE = .0125

## PARAMETRIC DATA

ALPHAC = 2.000 BETAC = .000  
 STAB = 5.000 ELEVON = 5.000  
 BDFLAP = .000 DX = 10.000  
 DZ = .000 IORB = 6.000  
 BETAO = .000 RUDDER = .000

RUN NO. 48/ 0 RN/L = .00 GRADIENT INTERVAL = -5.00/ 5.00

MACH	DY	CPCO	CPB1	CPB2	CPB3	CPS1	CPS2	ALPHAO	BETAO	INCID.	ALPHAC
.603	-10.000	-.06700	-.28000	-.39900	-.34300	-.20900	-.29000	8.65000	.00000	5.95000	2.70000
.605	-9.420	-.06300	-.27700	-.39900	-.33900	-.20100	-.28500	8.66000	.04000	5.95000	2.71000
.604	-8.850	-.06200	-.27500	-.40500	-.34200	-.20400	-.28800	8.68000	.01000	5.98000	2.71000
.605	-8.280	-.06400	-.27700	-.40700	-.33900	-.20000	-.28700	8.68000	.01000	5.98000	2.71000
.603	-7.710	-.06700	-.28200	-.41000	-.34600	-.20700	-.29400	8.68000	.00000	5.97000	2.71000
.604	-7.140	-.06300	-.27700	-.39800	-.34200	-.20300	-.29000	8.66000	.01000	5.95000	2.71000
.607	-6.560	-.06200	-.27400	-.39000	-.33300	-.19300	-.28400	8.66000	.00000	5.95000	2.71000
.605	-5.990	-.06100	-.27300	-.39100	-.33800	-.20100	-.28800	8.67000	.00000	5.95000	2.72000
.606	-5.420	-.05900	-.27100	-.39000	-.33700	-.20000	-.28800	8.68000	.00000	5.97000	2.72000
.607	-4.850	-.05600	-.26400	-.38600	-.32800	-.19500	-.28400	8.65000	.02000	5.94000	2.72000
.605	-4.280	-.05700	-.27000	-.39400	-.33500	-.19700	-.29000	8.67000	.01000	5.96000	2.72000
.608	-3.710	-.05800	-.26600	-.38800	-.32900	-.19100	-.28800	8.66000	.01000	5.95000	2.71000
.607	-3.130	-.05600	-.26800	-.38900	-.33400	-.18900	-.28600	8.69000	.03000	5.98000	2.72000
.606	-2.560	-.05900	-.26800	-.38700	-.33700	-.19500	-.29200	8.69000	.02000	5.98000	2.72000
.606	-1.990	-.06000	-.26800	-.38700	-.33600	-.19400	-.29300	8.65000	.02000	5.94000	2.71000
.608	-1.410	-.05700	-.26300	-.37800	-.32700	-.18200	-.28600	8.68000	.07000	5.97000	2.71000
.605	-.840	-.05600	-.26600	-.38400	-.33800	-.19300	-.29400	8.68000	.04000	5.96000	2.72000
.608	-.260	-.05200	-.26200	-.37500	-.33100	-.18400	-.28600	8.68000	.05000	5.97000	2.72000
.608	.290	-.05600	-.26300	-.37400	-.33000	-.18800	-.29100	8.64000	.02000	5.93000	2.72000
.606	.860	-.05600	-.26900	-.38200	-.33800	-.19000	-.29300	8.68000	.04000	5.96000	2.72000
.608	1.430	-.05600	-.26500	-.37500	-.33100	-.18400	-.29000	8.67000	.05000	5.96000	2.71000
.609	2.010	-.05700	-.26600	-.37500	-.33100	-.18100	-.28900	8.67000	.06000	5.95000	2.72000
.608	2.570	-.05800	-.26800	-.37500	-.33300	-.18600	-.29400	8.64000	.01000	5.93000	2.71000
.607	3.150	-.05700	-.27100	-.37900	-.33500	-.18400	-.29200	8.67000	.04000	5.97000	2.71000
.606	3.720	-.05600	-.27200	-.37800	-.33600	-.18700	-.29500	8.67000	.05000	5.96000	2.71000
.607	4.290	-.05800	-.26500	-.37400	-.33200	-.18800	-.29500	8.65000	.01000	5.96000	2.71000
.609	4.860	-.05500	-.26200	-.37200	-.33000	-.18400	-.29300	8.64000	.00000	5.94000	2.70000
.607	5.430	-.05800	-.26800	-.38000	-.33700	-.18800	-.29800	8.66000	.01000	5.96000	2.70000
.606	6.000	-.05600	-.26900	-.38600	-.34200	-.19000	-.29900	8.64000	.00000	5.95000	2.70000
.606	6.580	-.05600	-.26900	-.38000	-.33700	-.18300	-.29500	8.66000	.02000	5.96000	2.70000
.608	7.150	-.05400	-.26700	-.37400	-.33300	-.17900	-.29400	8.64000	.02000	5.96000	2.69000
.608	7.720	-.05500	-.26400	-.37100	-.33200	-.18300	-.29700	8.63000	.00000	5.95000	2.69000
.607	8.290	-.05500	-.26500	-.37300	-.33200	-.17800	-.29400	8.66000	.02000	5.98000	2.68000
.605	8.860	-.05400	-.26400	-.37800	-.34000	-.18700	-.30000	8.63000	.00000	5.94000	2.69000
.605	9.440	-.05200	-.26600	-.37900	-.33900	-.18600	-.29800	8.63000	.01000	5.95000	2.69000
.605	10.010	-.05400	-.26300	-.37600	-.33700	-.18500	-.29700	8.66000	.03000	5.98000	2.68000
.607	GRADIENT	.00009	-.00001	.00179	-.00007	.00108	-.00072	-.00146	.00187	-.00081	-.00112

ORIGINAL PAGE IS  
 OF POOR QUALITY

LTV44-559(CA26) 747/1 ATY 02 S1 (ORBITER DATA)

(BFE060) ( 18 NOV 75 )

## REFERENCE DATA

SREF = 2690.0000 SQ.FT. XMRP = 1109.0000 IN. XO  
 LREF = 474.8100 IN. YMRP = .0000 IN. YO  
 BREF = 936.6800 IN. ZMRP = 375.0000 IN. ZO  
 SCALE = .0125

## PARAMETRIC DATA

ALPHAC = 2.000 BETAC = .000  
 STAB = 5.000 ELEVON = 5.000  
 BDFLAP = .000 DX = 10.000  
 OZ = 15.000 TORB = 6.000  
 BETAO = .000 RUDDER = .000

RUN NO. 1048/ 0 RN/L = .00 GRADIENT INTERVAL = -5.00/ 5.00

MACH	DY	CPCO	CPB1	CPB2	CPB3	CPS1	CPS2	ALPHAO	BETAO	INCID	ALPHAC
.608	-9.420	-.07600	-.29600	-.42400	-.35200	-.21700	-.28900	8.55000	.01000	5.95000	2.68000
.608	-8.850	-.07400	-.29400	-.42200	-.35200	-.21600	-.28800	8.54000	.04000	5.95000	2.68000
.606	-8.280	-.07800	-.29800	-.42700	-.35700	-.22000	-.29200	8.54000	.01000	5.95000	2.68000
.607	-7.710	-.07400	-.29400	-.42500	-.35700	-.22300	-.29000	8.55000	.04000	5.95000	2.68000
.606	-7.140	-.07600	-.29700	-.42300	-.35800	-.22200	-.29100	8.53000	.01000	5.94000	2.68000
.607	-6.560	-.07700	-.29600	-.42000	-.35800	-.22100	-.29100	8.53000	.01000	5.94000	2.68000
.605	-5.990	-.08200	-.30000	-.42400	-.36000	-.22700	-.29800	8.55000	.03000	5.96000	2.68000
.606	-5.420	-.08000	-.29800	-.42400	-.35800	-.22500	-.29400	8.57000	.04000	5.98000	2.68000
.608	-4.850	-.07600	-.29100	-.41700	-.35600	-.22400	-.28700	8.56000	.03000	5.97000	2.68000
.608	-4.280	-.07400	-.29000	-.41700	-.35700	-.22300	-.28600	8.57000	.01000	5.98000	2.67000
.607	-3.710	-.07900	-.29400	-.42200	-.35800	-.22500	-.29000	8.56000	.04000	5.97000	2.67000
.606	-3.140	-.08000	-.29600	-.42700	-.36100	-.22900	-.29400	8.58000	.03000	5.98000	2.68000
.608	-2.570	-.07500	-.29100	-.42400	-.36200	-.22700	-.28900	8.54000	.00000	5.94000	2.68000
.607	-1.990	-.07800	-.29300	-.42100	-.35900	-.22900	-.28500	8.56000	.01000	5.97000	2.67000
.607	-1.410	-.07900	-.29800	-.43200	-.36400	-.22800	-.29100	8.52000	.00000	5.92000	2.68000
.606	-.850	-.07900	-.29800	-.43000	-.36200	-.22600	-.29100	8.57000	.04000	5.97000	2.68000
.606	-.270	-.08000	-.29800	-.43100	-.35900	-.22800	-.29100	8.57000	.04000	5.98000	2.68000
.608	.280	-.08000	-.29300	-.43200	-.36700	-.22900	-.29000	8.55000	.00000	5.96000	2.67000
.607	.850	-.07900	-.29500	-.43700	-.36600	-.22600	-.29100	8.54000	.00000	5.94000	2.68000
.607	1.420	-.07900	-.29800	-.43400	-.36100	-.22700	-.29000	8.58000	.06000	5.98000	2.68000
.605	1.990	-.07700	-.29800	-.44200	-.36600	-.22600	-.29200	8.56000	.03000	5.97000	2.68000
.606	2.570	-.08000	-.30100	-.44300	-.36300	-.22600	-.29300	8.57000	.06000	5.98000	2.68000
.608	3.140	-.08200	-.29700	-.43400	-.36700	-.22800	-.29000	8.54000	.02000	5.95000	2.68000
.607	3.710	-.07500	-.29900	-.43500	-.36200	-.23000	-.29300	8.58000	.03000	5.99000	2.67000
.605	4.280	-.08100	-.30200	-.43800	-.36900	-.23100	-.29800	8.57000	.00000	5.97000	2.68000
.606	4.850	-.08500	-.30100	-.43200	-.36900	-.23100	-.29500	8.57000	.00000	5.98000	2.68000
.605	5.420	-.08500	-.30000	-.44200	-.37400	-.23500	-.29900	8.56000	.00000	5.96000	2.68000
.607	5.990	-.08200	-.29900	-.43800	-.36500	-.23400	-.29200	8.55000	.01000	5.96000	2.68000
.607	6.560	-.08400	-.29900	-.44000	-.36800	-.23300	-.29200	8.54000	.00000	5.94000	2.68000
.607	7.140	-.08200	-.30000	-.44000	-.36600	-.23400	-.29300	8.56000	.00000	5.96000	2.68000
.608	7.710	-.08300	-.29900	-.43700	-.36400	-.23300	-.29200	8.54000	.01000	5.95000	2.68000
.605	8.280	-.08500	-.30000	-.44500	-.37300	-.23500	-.29700	8.56000	.00000	5.96000	2.68000
.607	8.850	-.08200	-.30100	-.43500	-.36600	-.23400	-.29100	8.54000	.00000	5.95000	2.68000
.606	9.420	-.08600	-.30300	-.43800	-.37300	-.23400	-.29500	8.52000	.00000	5.93000	2.68000
.607	10.000	-.08500	-.30200	-.43700	-.37200	-.23700	-.29500	8.58000	.00000	5.98000	2.68000
GRADIENT		-.00058	-.00097	-.00211	-.00105	-.00047	-.00071	.00081	-.00014	.00090	.00038

LTV44-559(CA26) 747/1 ATY O2 S1 (ORBITER DATA)

(BFE061) ( 18 NOV 75 )

## REFERENCE DATA

SREF = 2690.0000 SQ.FT. XMRP = 1109.0000 IN. XO  
 LREF = 474.8100 IN. YMRP = .0000 IN. YO  
 BREF = 936.6800 IN. ZMRP = 375.0000 IN. ZO  
 SCALE = .0125

## PARAMETRIC DATA

ALPHAC = 2.000 BETAC = .000  
 STAB = 5.000 ELEVON = 5.000  
 BDFLAP = .000 DX = 10.000  
 DZ = 60.000 IORB = 6.000  
 BETA0 = .000 RUDDER = .000

RUN NO. 2048/ 0 RN/L = .00 GRADIENT INTERVAL = -5.00/ 5.00

MACH	DY	CPCO	CPB1	CPB2	CPB3	CPS1	CPS2	ALPHA0	BETA0	INCID	ALPHAC
.607	-10.000	-.09200	-.32100	-.44800	-.39100	-.26200	-.28500	8.31000	.01000	5.94000	2.67000
.607	-9.420	-.09500	-.31900	-.45100	-.39300	-.26100	-.28900	8.32000	.01000	5.95000	2.67000
.605	-8.850	-.09500	-.32500	-.45200	-.39700	-.26400	-.28900	8.32000	.02000	5.95000	2.67000
.607	-8.280	-.09300	-.31600	-.45300	-.38900	-.26000	-.28500	8.32000	.03000	5.95000	2.68000
.606	-7.700	-.09100	-.31800	-.45600	-.39300	-.26000	-.28400	8.35000	.04000	5.97000	2.68000
.605	-7.140	-.09500	-.32700	-.46000	-.39900	-.26600	-.28700	8.34000	.04000	5.96000	2.68000
.607	-6.560	-.09300	-.31800	-.45800	-.39100	-.25900	-.28500	8.32000	.00000	5.94000	2.68000
.606	-5.990	-.09000	-.32300	-.46500	-.39300	-.26200	-.28300	8.34000	.01000	5.97000	2.67000
.605	-5.420	-.09400	-.32400	-.47200	-.39600	-.26800	-.28400	8.34000	.02000	5.96000	2.68000
.607	-4.850	-.09100	-.32100	-.46000	-.39200	-.26400	-.28200	8.34000	-.01000	5.97000	2.67000
.604	-4.280	-.09400	-.32500	-.46300	-.39900	-.26600	-.28800	8.35000	.03000	5.98000	2.67000
.603	-3.710	-.09700	-.32700	-.46300	-.40100	-.26800	-.28700	8.33000	-.02000	5.96000	2.67000
.605	-3.130	-.09300	-.32300	-.46000	-.39400	-.26500	-.28400	8.33000	-.02000	5.96000	2.67000
.607	-2.560	-.08900	-.31200	-.45100	-.38900	-.25300	-.27700	8.32000	-.04000	5.94000	2.67000
.606	-2.000	-.09200	-.31800	-.45800	-.39000	-.25600	-.28200	8.35000	-.02000	5.97000	2.67000
.608	-1.430	-.09200	-.31700	-.45700	-.39000	-.25600	-.28100	8.33000	-.04000	5.96000	2.67000
.607	-.850	-.09200	-.32300	-.46300	-.39100	-.26300	-.28300	8.35000	-.02000	5.98000	2.67000
.605	-.280	-.09500	-.32300	-.47000	-.39800	-.26100	-.28700	8.35000	-.03000	5.97000	2.67000
.608	.270	-.09000	-.31800	-.46500	-.38700	-.25800	-.28300	8.35000	-.02000	5.97000	2.67000
.607	.840	-.09200	-.32000	-.47200	-.39000	-.25700	-.28800	8.32000	-.01000	5.95000	2.67000
.606	1.410	-.09400	-.31500	-.46500	-.39400	-.25600	-.28600	8.36000	-.03000	5.99000	2.67000
.608	1.990	-.08900	-.31800	-.46000	-.38800	-.25400	-.28200	8.33000	-.04000	5.95000	2.67000
.605	2.560	-.09700	-.32300	-.46000	-.39700	-.26100	-.28800	8.31000	-.02000	5.94000	2.67000
.607	3.130	-.09300	-.32300	-.45700	-.39400	-.26100	-.28800	8.31000	-.03000	5.93000	2.68000
.606	3.700	-.09600	-.31900	-.46400	-.39700	-.26000	-.28600	8.34000	-.02000	5.97000	2.67000
.607	4.270	-.09300	-.31800	-.46400	-.39400	-.25900	-.28100	8.34000	-.02000	5.97000	2.67000
.607	4.850	-.09500	-.32100	-.46200	-.39300	-.26300	-.27700	8.33000	-.05000	5.96000	2.67000
.607	5.410	-.09300	-.31900	-.45900	-.39200	-.26200	-.27600	8.34000	-.06000	5.97000	2.67000
.607	5.980	-.09500	-.32300	-.45600	-.39200	-.26600	-.28100	8.34000	-.06000	5.96000	2.68000
.607	6.560	-.09500	-.31900	-.45900	-.39200	-.26000	-.28300	8.33000	-.04000	5.96000	2.67000
.608	7.130	-.09100	-.32100	-.45600	-.38700	-.26000	-.28100	8.35000	-.05000	5.97000	2.68000
.605	7.700	-.09800	-.32300	-.46300	-.39800	-.26400	-.28500	8.32000	-.06000	5.95000	2.67000
.607	8.270	-.09300	-.31700	-.46300	-.39100	-.25800	-.28300	8.35000	-.06000	5.97000	2.67000
.606	8.840	-.09400	-.32100	-.45800	-.39300	-.26000	-.28600	8.33000	-.07000	5.96000	2.67000
.607	9.420	-.09200	-.32100	-.45700	-.39200	-.26000	-.28500	8.36000	-.04000	5.99000	2.67000
GRADIENT		-.00017	.00024	-.00034	.00008	.00042	.00004	-.00105	-.00256	-.00109	.00020

LTV44-559(CA26) 747/1 ATY 02 S1 (ORBITER DATA)

(BFE062) ( 18 NOV 75 )

## REFERENCE DATA

## PARAMETRIC DATA

SREF = 2690.0000 SQ.FT. XMRP = 1109.0000 IN. XO  
 LREF = 474.8100 IN. YMRP = .0000 IN. YO  
 BREF = 936.6800 IN. ZMRP = 375.0000 IN. ZO  
 SCALE = .0125

ALPHAC = 2.000 BETAC = .000  
 STAB = 5.000 ELEVON = 5.000  
 BDFLAP = .000 DY = .000  
 DZ = .000 IORB = 6.000  
 BETAO = .000 RUDDER = .000

RUN NO. 49/ 0 RN/L = .00 GRADIENT INTERVAL = -5.00/ 5.00

MACH	DX	CPCO	CPB1	CPB2	CPB3	CPS1	CPS2	ALPHAO	BETAO	INCID	ALPHAC
.608	-.010	-.06700	-.27700	-.40400	-.34000	-.18900	-.30600	8.63000	.07000	5.94000	2.69000
.609	.550	-.06300	-.27400	-.39900	-.33700	-.19200	-.30600	8.62000	.03000	5.93000	2.69000
.608	1.130	-.06500	-.27600	-.39900	-.33700	-.19400	-.30700	8.63000	.05000	5.95000	2.69000
.611	1.700	-.05800	-.27300	-.39500	-.33400	-.19100	-.30100	8.63000	.03000	5.94000	2.69000
.609	2.270	-.06300	-.27600	-.39700	-.33600	-.19400	-.30500	8.62000	.02000	5.93000	2.69000
.609	2.850	-.06200	-.27500	-.39800	-.33800	-.19400	-.30500	8.63000	.02000	5.94000	2.69000
.608	3.420	-.06600	-.28000	-.40000	-.33800	-.19700	-.30700	8.66000	.05000	5.97000	2.69000
.610	3.990	-.06000	-.27300	-.39600	-.33300	-.19100	-.30100	8.63000	.04000	5.94000	2.69000
.609	4.570	-.06400	-.28000	-.40400	-.34000	-.19700	-.30500	8.66000	.04000	5.96000	2.69000
.609	5.140	-.06500	-.28200	-.40900	-.34500	-.20000	-.30500	8.64000	.03000	5.94000	2.70000
.608	5.710	-.06300	-.28200	-.40900	-.34600	-.20100	-.30600	8.64000	.02000	5.94000	2.70000
.608	6.280	-.06100	-.27500	-.39800	-.33900	-.19500	-.30000	8.66000	.04000	5.96000	2.70000
.610	6.860	-.06400	-.27700	-.39900	-.33700	-.19400	-.30000	8.65000	.05000	5.95000	2.70000
.611	7.430	-.06400	-.27900	-.40500	-.34000	-.19800	-.30000	8.66000	.01000	5.95000	2.71000
.610	8.000	-.06200	-.27500	-.40300	-.33800	-.19500	-.29900	8.65000	.02000	5.95000	2.70000
.609	8.580	-.06200	-.27700	-.40700	-.33700	-.19500	-.30000	8.67000	.07000	5.97000	2.71000
.607	9.150	-.06400	-.28300	-.41900	-.34700	-.20400	-.30600	8.64000	.07000	5.93000	2.71000
.607	9.700	-.06800	-.28300	-.41200	-.34500	-.20300	-.30500	8.65000	.05000	5.95000	2.71000
.608	10.270	-.06300	-.27800	-.40500	-.34300	-.19700	-.30000	8.65000	.00000	5.95000	2.71000
.610	10.840	-.06100	-.27700	-.40700	-.34400	-.20200	-.30000	8.66000	.03000	5.96000	2.71000
.608	11.410	-.06400	-.27700	-.40400	-.34300	-.19900	-.30000	8.64000	.01000	5.94000	2.71000
.609	11.990	-.06100	-.27600	-.41000	-.34700	-.20300	-.30200	8.67000	.06000	5.96000	2.71000
.608	12.560	-.06200	-.27700	-.40800	-.34500	-.20400	-.30100	8.66000	.05000	5.95000	2.72000
.609	13.130	-.06600	-.28000	-.40900	-.34900	-.20700	-.30400	8.67000	.03000	5.96000	2.71000
.607	13.710	-.07300	-.29000	-.41900	-.35400	-.21000	-.30900	8.67000	.05000	5.96000	2.71000
.608	14.280	-.06200	-.28000	-.41300	-.34700	-.20400	-.30000	8.67000	.04000	5.97000	2.71000
.608	14.850	-.07100	-.28500	-.42000	-.35400	-.21300	-.30700	8.65000	.02000	5.94000	2.71000
.609	15.420	-.07000	-.28300	-.41600	-.34800	-.20600	-.30200	8.68000	.05000	5.97000	2.71000
.608	16.000	-.06400	-.28000	-.41400	-.34700	-.20400	-.30000	8.68000	.04000	5.97000	2.71000
.608	16.560	-.06700	-.27800	-.40800	-.34800	-.20700	-.30100	8.67000	.04000	5.95000	2.72000
.610	17.140	-.06700	-.28300	-.41200	-.34800	-.20500	-.29900	8.67000	.06000	5.96000	2.72000
.608	17.720	-.06700	-.28400	-.41700	-.35500	-.20900	-.30300	8.67000	.03000	5.96000	2.72000
.607	18.290	-.07000	-.28800	-.42200	-.35700	-.21100	-.30500	8.65000	.02000	5.93000	2.72000
.610	18.820	-.06900	-.28400	-.41900	-.35700	-.21300	-.30200	8.66000	.00000	5.94000	2.72000
.609	19.400	-.06800	-.28300	-.42000	-.35800	-.21400	-.30300	8.65000	.00000	5.93000	2.72000
.610	19.970	-.06800	-.28300	-.42100	-.35600	-.21000	-.30100	8.65000	.01000	5.93000	2.72000
	GRADIENT	.00043	-.00056	.00011	.00017	-.00111	.00044	.00612	-.00289	.00437	.00000

LTV44-559(CA26) 747/1 ATY 02 S1 (ORBITER DATA)

(BFE063) ( 18 NOV 75 )

## REFERENCE DATA

SREF = 2690.0000 SQ.FT. XMRP = 1109.0000 IN. XO  
 LREF = 474.8100 IN. YMRP = .0000 IN. YO  
 BREF = 936.6800 IN. ZMRP = 375.0000 IN. ZO  
 SCALE = .0125

## PARAMETRIC DATA

ALPHAC = 2.000 BETAC = .000  
 STAB = 5.000 ELEVON = 5.000  
 BDFLAP = .000 DY = .000  
 DZ = 15.000 IORB = 6.000  
 BETA0 = .000 RUDDER = .000

RUN NO. 1049/ 0 RN/L = .00 GRADIENT INTERVAL = -5.00/ 5.00

MACH	DX	CPCO	CPB1	CPB2	CPB3	CPS1	CPS2	ALPHAO	BETA0	INCID	ALPHAC
.609	.570	-.08500	-.30700	-.44100	-.37400	-.24100	-.30300	8.55000	.04000	5.96000	2.67000
.606	1.140	-.08100	-.30800	-.44300	-.37000	-.23800	-.30400	8.55000	.00000	5.96000	2.67000
.608	1.710	-.08100	-.30700	-.44700	-.37300	-.23700	-.30300	8.55000	.02000	5.96000	2.67000
.609	2.290	-.08100	-.30700	-.44200	-.37000	-.23600	-.30300	8.55000	.00000	5.96000	2.67000
.611	2.860	-.08200	-.30400	-.43500	-.36600	-.23600	-.29900	8.52000	.02000	5.94000	2.67000
.610	3.430	-.08000	-.30300	-.43500	-.36500	-.23500	-.29800	8.53000	.00000	5.94000	2.68000
.611	4.010	-.08500	-.30600	-.43800	-.36800	-.23900	-.29800	8.53000	.00000	5.93000	2.67000
.608	4.580	-.08800	-.31200	-.45200	-.37500	-.24400	-.30300	8.56000	.05000	5.97000	2.67000
.610	5.150	-.07400	-.30000	-.44500	-.36700	-.23100	-.29100	8.56000	.03000	5.97000	2.67000
.608	5.720	-.08700	-.30800	-.44600	-.37500	-.24500	-.30200	8.51000	.06000	5.92000	2.67000
.609	6.300	-.08400	-.30900	-.44000	-.37300	-.24300	-.29900	8.52000	.02000	5.93000	2.68000
.609	6.870	-.08100	-.30900	-.44200	-.37200	-.24200	-.29900	8.53000	.00000	5.94000	2.68000
.608	7.420	-.08100	-.31000	-.44600	-.37600	-.24200	-.29900	8.58000	.03000	5.99000	2.68000
.610	7.990	-.08700	-.31000	-.44300	-.37600	-.24500	-.30000	8.53000	.05000	5.93000	2.67000
.609	8.560	-.08800	-.31200	-.44700	-.37900	-.24800	-.30000	8.54000	.05000	5.95000	2.67000
.608	9.140	-.08400	-.31200	-.45000	-.37800	-.24300	-.29900	8.55000	.06000	5.96000	2.68000
.610	9.710	-.08200	-.30800	-.44300	-.37200	-.24000	-.29600	8.52000	.00000	5.93000	2.68000
.609	10.280	-.08400	-.30500	-.44700	-.37900	-.24600	-.29800	8.55000	.04000	5.96000	2.67000
.608	10.850	-.08600	-.30800	-.45100	-.38200	-.24600	-.29800	8.55000	.05000	5.96000	2.67000
.610	11.430	-.08500	-.30800	-.44600	-.37600	-.24500	-.29600	8.53000	.04000	5.93000	2.68000
.612	12.000	-.08100	-.30800	-.44900	-.37200	-.24000	-.29400	8.55000	.03000	5.95000	2.67000
.609	12.570	-.08800	-.30900	-.45800	-.38200	-.25000	-.29800	8.54000	.05000	5.95000	2.68000
.608	13.150	-.08300	-.30700	-.46200	-.38100	-.24600	-.29600	8.57000	.00000	5.97000	2.68000
.610	13.720	-.08800	-.31100	-.45400	-.37800	-.24900	-.29600	8.52000	.03000	5.92000	2.68000
.610	14.290	-.08700	-.31000	-.44900	-.37800	-.24800	-.29400	8.54000	.05000	5.94000	2.68000
.610	14.860	-.08500	-.31000	-.44500	-.37600	-.24500	-.29300	8.53000	.07000	5.93000	2.68000
.610	15.440	-.08400	-.31200	-.44800	-.37600	-.24600	-.29300	8.55000	.04000	5.96000	2.68000
.609	16.010	-.08600	-.31100	-.45000	-.38100	-.24800	-.29400	8.52000	.08000	5.93000	2.68000
.609	16.560	-.08900	-.31000	-.45400	-.38400	-.24800	-.29400	8.56000	.07000	5.97000	2.68000
.608	17.130	-.08600	-.31100	-.45600	-.38300	-.24500	-.29500	8.55000	.02000	5.96000	2.68000
.610	17.700	-.08700	-.31200	-.45400	-.38100	-.24900	-.29500	8.53000	.04000	5.94000	2.68000
.610	18.280	-.07800	-.30400	-.45400	-.37700	-.24100	-.28900	8.56000	.00000	5.97000	2.68000
.609	18.850	-.08200	-.31100	-.45700	-.38000	-.24400	-.29200	8.56000	.03000	5.97000	2.68000
.609	19.420	-.08200	-.31000	-.45400	-.38000	-.24500	-.29200	8.57000	.05000	5.98000	2.68000
.610	20.000	-.08200	-.30900	-.45200	-.37800	-.24600	-.29300	8.54000	.06000	5.94000	2.68000
GRADIENT		-.00081	-.00021	-.00019	.00064	-.00042	.00102	-.00249	.00062	-.00332	.00062

LTV44-559(CA26) 747/1 ATY 02 S1 (ORBITER DATA)

(BFE064) ( 18 NOV 75 )

## REFERENCE DATA

SREF = 2690.0000 SQ.FT. XMRP = 1109.0000 IN. XO  
 LREF = 474.8100 IN. YMRP = .0000 IN. YO  
 BREF = 936.6800 IN. ZMRP = 375.0000 IN. ZO  
 SCALE = .0125

## PARAMETRIC DATA

ALPHAC = 2.000 BETAC = .000  
 STAB = 5.000 ELEVON = 5.000  
 BDFLAP = .000 DY = .000  
 DZ = 60.000 IORB = 6.000  
 BETAO = .000 RUDDER = .000

RUN NO. 2049/ 0 RN/L = .00 GRADIENT INTERVAL = -5.00/ 5.00

MACH	DX	CPCO	CPB1	CPB2	CPB3	CPS1	CPS2	ALPHA0	BETAO	INCID	ALPHAC
.611	.590	-.09100	-.32400	-.46500	-.38900	-.26400	-.28900	8.31000	.09000	5.94000	2.67000
.609	1.170	-.09400	-.32800	-.46800	-.39500	-.26600	-.29500	8.34000	.02000	5.96000	2.67000
.611	1.740	-.09100	-.32100	-.46700	-.38800	-.26200	-.29200	8.30000	.08000	5.93000	2.68000
.610	2.310	-.09200	-.32200	-.46600	-.39100	-.26500	-.29100	8.32000	.05000	5.95000	2.67000
.608	2.870	-.09800	-.32900	-.46900	-.39900	-.26800	-.29700	8.32000	.01000	5.95000	2.67000
.610	3.450	-.09600	-.32700	-.46600	-.39700	-.26300	-.29700	8.31000	.00000	5.94000	2.67000
.609	4.020	-.09600	-.32700	-.47200	-.39900	-.26800	-.29600	8.31000	.00000	5.94000	2.67000
.611	4.590	-.09100	-.32700	-.46700	-.39200	-.26300	-.29300	8.32000	.00000	5.95000	2.67000
.611	5.180	-.09300	-.32500	-.46200	-.39300	-.26200	-.29200	8.32000	.00000	5.95000	2.68000
.610	5.720	-.08900	-.32000	-.45900	-.39000	-.25900	-.28700	8.33000	.06000	5.95000	2.67000
.610	6.280	-.09400	-.33100	-.46200	-.39500	-.27200	-.29000	8.31000	.00000	5.94000	2.67000
.609	6.860	-.09300	-.33200	-.46400	-.39500	-.27300	-.28900	8.30000	.02000	5.92000	2.67000
.611	7.430	-.09200	-.32200	-.46100	-.39300	-.26500	-.28400	8.30000	.01000	5.93000	2.67000
.608	8.000	-.09500	-.32900	-.46500	-.39900	-.27100	-.28900	8.33000	.06000	5.97000	2.67000
.609	8.580	-.09600	-.32800	-.46600	-.40000	-.26900	-.29100	8.32000	.09000	5.95000	2.67000
.608	9.150	-.09400	-.32700	-.46500	-.40000	-.27000	-.28800	8.32000	.06000	5.96000	2.67000
.610	9.720	-.09100	-.32300	-.46000	-.39400	-.26700	-.28700	8.29000	.03000	5.92000	2.67000
.611	10.290	-.09200	-.32100	-.45800	-.39400	-.26100	-.28800	8.28000	.08000	5.91000	2.67000
.610	10.870	-.09300	-.32100	-.46000	-.39400	-.25800	-.28900	8.28000	.06000	5.91000	2.67000
.610	11.440	-.09200	-.32100	-.46700	-.39700	-.26100	-.29000	8.29000	.06000	5.92000	2.67000
.607	12.010	-.09500	-.32900	-.47100	-.39900	-.26900	-.29800	8.30000	.02000	5.93000	2.66000
.610	12.590	-.08800	-.32200	-.46200	-.39200	-.25700	-.29400	8.32000	.05000	5.95000	2.67000
.610	13.160	-.09500	-.32700	-.46000	-.39400	-.26200	-.29400	8.31000	.08000	5.94000	2.67000
.610	13.730	-.08700	-.32300	-.46000	-.38700	-.25800	-.28700	8.33000	.05000	5.96000	2.67000
.610	14.300	-.09200	-.32500	-.46500	-.39500	-.26500	-.28600	8.32000	.03000	5.95000	2.67000
.608	14.860	-.09400	-.32800	-.46900	-.39800	-.26800	-.28500	8.30000	.05000	5.93000	2.67000
.611	15.420	-.09100	-.32500	-.46100	-.39200	-.27100	-.27800	8.29000	.01000	5.92000	2.67000
.608	16.000	-.09300	-.32900	-.46900	-.39800	-.27000	-.28700	8.29000	.06000	5.92000	2.67000
.610	16.570	-.09300	-.32500	-.46900	-.39500	-.26500	-.28800	8.32000	.09000	5.95000	2.67000
.611	17.140	-.09000	-.32000	-.47000	-.39700	-.26200	-.28700	8.30000	.04000	5.94000	2.66000
.610	17.720	-.09200	-.32700	-.46900	-.39500	-.26500	-.29000	8.33000	.06000	5.96000	2.67000
.611	18.290	-.08900	-.32300	-.47000	-.39400	-.26000	-.28900	8.31000	.06000	5.93000	2.67000
.609	18.880	-.09300	-.33000	-.47700	-.39800	-.26100	-.29400	8.28000	.04000	5.90000	2.67000
.609	19.440	-.09600	-.33000	-.47100	-.39900	-.26800	-.29100	8.31000	.04000	5.94000	2.67000
.608	20.010	-.09500	-.32700	-.46700	-.39700	-.27000	-.28400	8.29000	.04000	5.92000	2.67000
	GRADIENT	-.00064	-.00085	-.00071	-.00158	-.00019	-.00113	-.00104	-.02107	.00000	-.00062

LTV44-559(CA26) 747/1 ATY 02 S1 (ORBITER DATA)

(BFE065) ( 18 NOV 75 )

## REFERENCE DATA

SREF = 2690.0000 SQ.FT. XMRP = 1109.0000 IN. XO  
 LREF = 474.8100 IN. YMRP = .0000 IN. YO  
 BREF = 936.6800 IN. ZMRP = 375.0000 IN. ZO  
 SCALE = .0125

## PARAMETRIC DATA

ALPHAC = 2.000 BETAC = .000  
 STAB = 5.000 ELEVON = 5.000  
 BDFLAP = .000 OY = .000  
 DZ = .000 IORB = 6.000  
 BETA0 = 5.000 RUDDER = .000

RUN NO. 50/ 0 RN/L = .00 GRADIENT INTERVAL = -.500/ 5.00

MACH	DX	CPCO	CPB1	CPB2	CPB3	CPS1	CPS2	ALPHAO	BETA0	INCID	ALPHAC
.609	-.010	-.12200	-.25900	-.39100	-.33600	-.02200	-.43400	8.66000	4.88000	5.97000	2.69000
.608	.550	-.12200	-.26200	-.39400	-.33600	-.02300	-.43400	8.65000	4.90000	5.96000	2.69000
.609	1.130	-.12200	-.26300	-.40000	-.33600	-.02300	-.43100	8.65000	4.92000	5.96000	2.69000
.610	1.700	-.12000	-.25700	-.39700	-.33600	-.02300	-.42600	8.66000	4.91000	5.98000	2.69000
.608	2.270	-.12400	-.26400	-.39800	-.33900	-.02700	-.43600	8.63000	4.91000	5.94000	2.69000
.610	2.850	-.11900	-.26200	-.39900	-.33500	-.02000	-.43300	8.66000	4.91000	5.97000	2.69000
.610	3.420	-.12100	-.26000	-.40200	-.33800	-.02100	-.43200	8.68000	4.92000	6.00000	2.69000
.610	3.990	-.12300	-.26500	-.40900	-.33900	-.02400	-.43300	8.63000	4.86000	5.94000	2.70000
.609	4.570	-.12400	-.26400	-.40800	-.33900	-.02400	-.43100	8.63000	4.88000	5.94000	2.70000
.610	5.140	-.12100	-.26200	-.40900	-.33900	-.02200	-.42900	9.66000	4.88000	5.96000	2.70000
.610	5.710	-.12100	-.26400	-.41600	-.33700	-.02300	-.43200	8.64000	4.91000	5.95000	2.70000
.608	6.280	-.12200	-.26300	-.41100	-.34000	-.02400	-.43700	8.64000	4.94000	5.94000	2.70000
.608	6.860	-.12300	-.26300	-.40900	-.34300	-.02700	-.43800	8.65000	4.90000	5.95000	2.70000
.609	7.430	-.12400	-.26500	-.39900	-.34200	-.02800	-.43700	8.66000	4.91000	5.95000	2.71000
.608	8.000	-.12600	-.26800	-.39700	-.34400	-.02900	-.43500	8.67000	4.92000	5.97000	2.71000
.611	8.580	-.12200	-.26700	-.39900	-.34200	-.02700	-.43100	8.66000	4.87000	5.96000	2.71000
.609	9.150	-.11900	-.26200	-.40100	-.34500	-.02800	-.43200	8.65000	4.88000	5.94000	2.71000
.610	9.700	-.11800	-.26400	-.40100	-.34200	-.02500	-.43300	8.67000	4.92000	5.97000	2.71000
.609	10.270	-.11900	-.26400	-.40000	-.34100	-.02600	-.43300	8.68000	4.91000	5.97000	2.71000
.608	10.840	-.12000	-.26300	-.40000	-.34500	-.03000	-.43800	8.65000	4.90000	5.94000	2.71000
.608	11.410	-.12400	-.26700	-.40600	-.34800	-.03200	-.44000	8.65000	4.91000	5.94000	2.71000
.610	11.990	-.12300	-.26800	-.40700	-.34400	-.02900	-.43300	8.68000	4.91000	5.97000	2.71000
.610	12.560	-.12000	-.26300	-.40500	-.34600	-.03100	-.43700	8.66000	4.89000	5.95000	2.72000
.608	13.130	-.12200	-.26500	-.40600	-.34700	-.03100	-.43800	8.65000	4.88000	5.94000	2.72000
.608	13.690	-.12000	-.26400	-.40400	-.34800	-.03100	-.43300	8.65000	4.88000	5.93000	2.72000
.608	14.270	-.12000	-.26600	-.40700	-.34800	-.03300	-.43900	8.65000	4.88000	5.93000	2.72000
.608	14.840	-.12300	-.26700	-.40700	-.35000	-.03600	-.44100	8.66000	4.87000	5.94000	2.72000
.610	15.410	-.12000	-.26600	-.40700	-.34800	-.03400	-.43600	8.67000	4.91000	5.95000	2.72000
.610	15.980	-.12000	-.26600	-.40800	-.34900	-.03600	-.43700	8.66000	4.90000	5.94000	2.72000
.609	16.560	-.12000	-.26800	-.41000	-.35100	-.03500	-.43800	8.68000	4.91000	5.96000	2.72000
.608	17.130	-.12500	-.27100	-.41000	-.34800	-.03300	-.44500	8.66000	4.92000	5.94000	2.72000
.610	17.700	-.12300	-.27200	-.41100	-.35000	-.03400	-.44200	8.67000	4.93000	5.95000	2.72000
.609	18.280	-.12500	-.27300	-.41300	-.35400	-.03900	-.44400	8.67000	4.91000	5.95000	2.72000
.608	18.820	-.12400	-.27500	-.41500	-.35100	-.03800	-.44500	8.68000	4.94000	5.96000	2.72000
.607	19.400	-.12900	-.27800	-.42000	-.35600	-.03900	-.44800	8.69000	4.87000	5.97000	2.72000
.608	19.980	-.12700	-.27900	-.42300	-.35600	-.03900	-.44500	8.70000	4.88000	5.98000	2.72000
	GRADIENT	-.00023	-.00081	-.00346	-.00070	-.00011	.00018	-.00348	-.00350	-.00319	.00204

ORIGINAL PAGE IS  
OF POOR QUALITY

LTV44-559(CA26) 747/1 ATY 02 S1 (ORBITER DATA)

(BFE066) ( 18 NOV 75 )

## REFERENCE DATA

SREF = 2690.0000 SQ.FT. XMRP = 1109.0000 IN. XO  
 LREF = 474.8100 IN. YMRP = .0000 IN. YO  
 BREF = 936.6800 IN. ZMRP = 375.0000 IN. ZO  
 SCALE = .0125

## PARAMETRIC DATA

ALPHAC = 2.000 BETAC = .000  
 STAB = 5.000 ELEVON = 5.000  
 BDFLAP = .000 DY = .000  
 OZ = 15.000 IORB = 6.000  
 BETAO = 5.000 RUDDER = .000

RUN NO. 1050/ 0 RN/L = .00 GRADIENT INTERVAL = -5.00/ 5.00

MACH	DX	CPCO	CPB1	CPB2	CPB3	CPS1	CPS2	ALPHA0	BETA0	INCID	ALPHAC
.610	.570	-.14500	-.29700	-.44000	-.37400	-.06400	-.45200	8.57000	4.90000	5.98000	2.67000
.610	1.140	-.14500	-.29200	-.43900	-.37800	-.06100	-.45300	8.56000	4.88000	5.97000	2.67000
.612	1.710	-.14400	-.29200	-.43400	-.37500	-.06100	-.45100	8.56000	4.87000	5.97000	2.67000
.609	2.290	-.14600	-.30200	-.44400	-.38300	-.06300	-.45800	8.54000	4.86000	5.95000	2.67000
.610	2.860	-.14600	-.29800	-.43700	-.37600	-.06700	-.45100	8.54000	4.90000	5.96000	2.67000
.609	3.430	-.14600	-.30100	-.44300	-.37700	-.06100	-.45500	8.55000	4.88000	5.96000	2.67000
.609	4.010	-.14200	-.29800	-.44400	-.37700	-.06000	-.45200	8.56000	4.90000	5.97000	2.67000
.610	4.580	-.14700	-.29800	-.44300	-.38200	-.06600	-.44700	8.58000	4.86000	5.99000	2.68000
.609	5.150	-.14400	-.29700	-.44300	-.37700	-.06500	-.44800	8.53000	4.88000	5.95000	2.67000
.610	5.720	-.14600	-.29400	-.43700	-.37600	-.06600	-.44500	8.53000	4.88000	5.94000	2.67000
.609	6.300	-.14600	-.30000	-.44200	-.37900	-.06900	-.45500	8.53000	4.89000	5.94000	2.67000
.610	6.870	-.14500	-.29800	-.43800	-.37900	-.06700	-.44900	8.52000	4.89000	5.93000	2.67000
.608	7.420	-.14500	-.30100	-.44700	-.38200	-.06600	-.45800	8.56000	4.85000	5.97000	2.67000
.610	7.990	-.14700	-.29900	-.44400	-.38400	-.06700	-.45000	8.53000	4.85000	5.95000	2.67000
.610	8.560	-.14500	-.29800	-.44100	-.38000	-.06400	-.44600	8.54000	4.86000	5.95000	2.67000
.610	9.140	-.14700	-.29900	-.44000	-.38200	-.06700	-.44700	8.52000	4.88000	5.93000	2.67000
.609	9.710	-.14100	-.30100	-.44400	-.37800	-.06700	-.45000	8.55000	4.87000	5.96000	2.68000
.608	10.280	-.14600	-.29900	-.44600	-.38500	-.06600	-.45500	8.52000	4.86000	5.93000	2.67000
.608	10.850	-.14400	-.30200	-.44900	-.38300	-.07000	-.45200	8.56000	4.88000	5.97000	2.67000
.608	11.430	-.14200	-.30200	-.44700	-.38100	-.07000	-.44900	8.55000	4.84000	5.96000	2.68000
.609	12.000	-.14200	-.30100	-.44900	-.38000	-.07200	-.44700	8.56000	4.86000	5.97000	2.68000
.608	12.570	-.14400	-.30200	-.45200	-.38400	-.07200	-.45000	8.56000	4.87000	5.97000	2.67000
.610	13.150	-.14100	-.29900	-.44700	-.37900	-.07100	-.44100	8.55000	4.88000	5.96000	2.67000
.610	13.720	-.14200	-.29800	-.44800	-.38200	-.07300	-.44200	8.55000	4.87000	5.96000	2.67000
.609	14.290	-.14100	-.29900	-.45400	-.38200	-.07000	-.44700	8.53000	4.89000	5.94000	2.67000
.610	14.860	-.14200	-.29900	-.44800	-.38100	-.07300	-.44300	8.56000	4.87000	5.97000	2.67000
.607	15.440	-.14700	-.30100	-.45600	-.38700	-.07200	-.44900	8.55000	4.87000	5.96000	2.67000
.607	16.010	-.14600	-.30000	-.45600	-.38900	-.07300	-.45300	8.53000	4.87000	5.94000	2.67000
.607	16.560	-.14600	-.30200	-.45600	-.38800	-.07100	-.45300	8.53000	4.85000	5.94000	2.67000
.609	17.130	-.14000	-.29800	-.45300	-.38200	-.07200	-.44700	8.54000	4.87000	5.95000	2.67000
.610	17.700	-.13900	-.30100	-.45300	-.38200	-.07200	-.44800	8.55000	4.94000	5.96000	2.67000
.609	18.280	-.14100	-.30100	-.45500	-.38400	-.07200	-.44800	8.52000	4.91000	5.93000	2.67000
.607	18.850	-.14700	-.30300	-.45900	-.39100	-.07400	-.45000	8.56000	4.88000	5.98000	2.67000
.609	19.420	-.14600	-.30600	-.45600	-.39200	-.07800	-.44600	8.55000	4.88000	5.96000	2.68000
.611	20.000	-.13900	-.29900	-.45400	-.38200	-.06900	-.44500	8.54000	4.92000	5.95000	2.68000
	GRADIENT	.00004	-.00125	-.00137	-.00104	-.00027	.00073	.00083	-.00228	.00104	.00145



LTV44-559(CA26) 747/1 ATY 02 S1 (ORBITER DATA)

(BFE067) ( 18 NOV 75 )

## REFERENCE DATA

SREF = 2690.0000 SQ.FT. XMRP = 1109.0000 IN. XO  
 LREF = 474.8100 IN. YMRP = .0000 IN. YO  
 BREF = 936.6800 IN. ZMRP = 375.0000 IN. ZO  
 SCALE = .0125

## PARAMETRIC DATA

ALPHAC = 2.000 BETAC = .000  
 STAB = 5.000 ELEVON = 5.000  
 BDFLAP = .000 DY = .000  
 DZ = 60.000 IORB = 6.000  
 BETA0 = 5.000 RUDDER = .000

RUN NO. 2050/ 0 RN/L = .00 GRADIENT INTERVAL = -5.00/ 5.00

MACH	DX	CPCO	CPB1	CPB2	CPB3	CPS1	CPS2	ALPHA0	BETA0	INCID.	ALPHAC
.609	.580	-.14800	-.32100	-.47600	-.41000	-.09000	-.50400	8.34000	4.87000	5.97000	2.67000
.607	1.150	-.14900	-.32800	-.47900	-.41600	-.09300	-.51000	8.32000	4.91000	5.96000	2.67000
.607	1.730	-.14700	-.32800	-.47800	-.41100	-.09900	-.48500	8.34000	4.83000	5.97000	2.67000
.608	2.300	-.14700	-.32500	-.47500	-.40900	-.10100	-.47200	8.35000	4.81000	5.98000	2.67000
.609	2.870	-.14900	-.32200	-.47000	-.41000	-.10000	-.46100	8.35000	4.84000	5.98000	2.67000
.609	3.450	-.14700	-.31900	-.47000	-.40800	-.09500	-.47300	8.35000	4.85000	5.98000	2.67000
.608	4.020	-.14600	-.32600	-.47100	-.40700	-.09700	-.48700	8.34000	4.87000	5.97000	2.67000
.607	4.590	-.14600	-.32500	-.47800	-.41100	-.09600	-.49700	8.31000	4.87000	5.94000	2.67000
.607	5.160	-.14700	-.32500	-.48000	-.41300	-.09300	-.49400	8.34000	4.88000	5.97000	2.67000
.608	5.710	-.14900	-.32200	-.47600	-.41200	-.09400	-.48000	8.33000	4.86000	5.97000	2.66000
.608	6.280	-.14900	-.32300	-.47200	-.41300	-.09500	-.47000	8.35000	4.83000	5.98000	2.66000
.610	6.860	-.14300	-.32100	-.47400	-.40600	-.09800	-.46600	8.32000	4.86000	5.96000	2.67000
.608	7.430	-.15200	-.32500	-.47700	-.41500	-.10000	-.46300	8.35000	4.82000	5.98000	2.66000
.610	8.000	-.14600	-.31700	-.47300	-.40500	-.09900	-.45900	8.33000	4.86000	5.96000	2.67000
.609	8.580	-.14700	-.31900	-.47600	-.40500	-.09300	-.49000	8.31000	4.91000	5.94000	2.67000
.607	9.150	-.14900	-.32900	-.47900	-.41500	-.09300	-.50600	8.32000	4.85000	5.95000	2.67000
.607	9.720	-.14700	-.32800	-.47800	-.41300	-.09700	-.50100	8.32000	4.88000	5.94000	2.67000
.607	10.290	-.14600	-.32900	-.47600	-.41400	-.09600	-.50300	8.35000	4.88000	5.98000	2.67000
.609	10.870	-.14800	-.32200	-.46800	-.41200	-.09200	-.47900	8.33000	4.86000	5.96000	2.67000
.609	11.440	-.15000	-.32300	-.46600	-.41200	-.09900	-.46400	8.34000	4.84000	5.98000	2.67000
.607	12.010	-.15200	-.32300	-.47400	-.41300	-.10200	-.48100	8.35000	4.85000	5.98000	2.67000
.609	12.590	-.15000	-.32000	-.47000	-.41100	-.09600	-.47500	8.34000	4.84000	5.97000	2.67000
.607	13.160	-.15000	-.32500	-.47700	-.41500	-.10200	-.49500	8.32000	4.85000	5.95000	2.67000
.609	13.730	-.14700	-.32400	-.47000	-.41300	-.09400	-.50200	8.32000	4.88000	5.96000	2.66000
.609	14.300	-.14200	-.32200	-.46900	-.40800	-.09400	-.48600	8.34000	4.89000	5.97000	2.67000
.609	14.850	-.14400	-.32200	-.46800	-.41200	-.09400	-.48800	8.36000	4.90000	5.99000	2.67000
.609	15.420	-.14500	-.32300	-.46900	-.41200	-.09500	-.48300	8.32000	4.88000	5.95000	2.67000
.610	16.000	-.14800	-.32000	-.46800	-.40600	-.09700	-.46200	8.36000	4.87000	5.99000	2.67000
.610	16.570	-.14800	-.32300	-.46500	-.41300	-.10000	-.45700	8.32000	4.83000	5.96000	2.67000
.609	17.140	-.14600	-.32500	-.46900	-.41500	-.09500	-.47100	8.30000	4.87000	5.93000	2.67000
.609	17.720	-.15000	-.32000	-.47300	-.41200	-.09700	-.48500	8.34000	4.90000	5.98000	2.66000
.610	18.290	-.14700	-.32500	-.47000	-.41500	-.09700	-.47200	8.31000	4.88000	5.94000	2.67000
.610	18.860	-.14200	-.32300	-.46800	-.41300	-.09700	-.47600	8.31000	4.91000	5.94000	2.67000
.610	19.440	-.14400	-.32100	-.46800	-.40800	-.09800	-.47300	8.32000	4.85000	5.95000	2.67000
.609	20.010	-.14800	-.32000	-.47400	-.41100	-.10100	-.48200	8.34000	4.88000	5.98000	2.67000
	GRADIENT	.00056	.00025	.00114	.00096	-.00102	.00439	-.00165	-.00231	-.00269	.00000

LTV44-559(CA26) 747/1 ATY 02 S1 (ORBITER DATA)

(BFE068) ( 18 NOV 75 )

## REFERENCE DATA

SREF = 2690.0000 SQ.FT. XMRP = 1109.0000 IN. XO  
 LREF = 474.8100 IN. YMRP = .0000 IN. YO  
 BREF = 936.6800 IN. ZMRP = 375.0000 IN. ZO  
 SCALE = .0125

## PARAMETRIC DATA

ALPHAC = 2.000 BETAC = .000  
 STAB = 5.000 ELEVON = .000  
 BDFLAP = 16.300 DX = .000  
 DY = .000 IORB = 4.000  
 BETA0 = .000 RUDDER = .000

RUN NO. 51/ 0 RN/L = .00 GRADIENT INTERVAL = -5.00/ 5.00

MACH	DZ	CPCO	CPB1	CPB2	CPB3	CPS1	CPS2	ALPHAO	BETA0	INCID	ALPHAC
.602	1.460	-.01300	-.22900	-.32000	-.29000	-.14800	-.22200	6.61000	.01000	3.96000	2.66000
.599	2.060	-.01400	-.23000	-.32200	-.29400	-.14900	-.22600	6.62000	.00000	3.98000	2.65000
.602	2.660	-.01300	-.22500	-.32300	-.29200	-.15100	-.22400	6.62000	.01000	3.98000	2.66000
.600	3.360	-.01500	-.23100	-.32100	-.29400	-.15500	-.22600	6.61000	.00000	3.98000	2.65000
.600	4.160	-.01400	-.23000	-.32000	-.29300	-.15200	-.22200	6.59000	.01000	3.97000	2.65000
.598	4.960	-.01700	-.23900	-.32400	-.30500	-.16300	-.22900	6.58000	-.01000	3.96000	2.64000
.600	6.960	-.01500	-.23400	-.31800	-.29600	-.15400	-.22300	6.57000	.04000	3.96000	2.64000
.602	8.960	-.01700	-.23400	-.31800	-.30000	-.15900	-.22600	6.54000	.03000	3.95000	2.64000
.604	10.460	-.01900	-.23900	-.32600	-.30400	-.16200	-.22600	6.55000	.06000	3.97000	2.64000
.603	11.460	-.01600	-.23500	-.32500	-.29900	-.15600	-.22300	6.50000	.01000	3.92000	2.64000
.604	12.450	-.01400	-.23500	-.32200	-.29900	-.15700	-.22200	6.54000	.05000	3.96000	2.65000
.601	13.450	-.02000	-.24200	-.33100	-.30500	-.16100	-.22600	6.53000	.00000	3.95000	2.65000
.600	14.440	-.01900	-.23700	-.32900	-.30500	-.16000	-.22600	6.51000	.00000	3.94000	2.65000
.600	15.440	-.01600	-.23600	-.33400	-.30400	-.15900	-.22900	6.50000	.02000	3.93000	2.65000
.600	16.430	-.01600	-.24000	-.33000	-.30400	-.16100	-.22600	6.50000	.00000	3.94000	2.65000
.604	17.430	-.01800	-.23700	-.32400	-.29900	-.15800	-.22300	6.50000	.01000	3.95000	2.65000
.600	18.420	-.01800	-.24300	-.32700	-.30700	-.16200	-.22600	6.48000	.00000	3.94000	2.65000
.602	19.420	-.01700	-.23700	-.32200	-.30400	-.16100	-.22300	6.52000	.04000	3.98000	2.64000
.601	20.410	-.01400	-.23600	-.32500	-.30400	-.15900	-.22300	6.51000	.05000	3.98000	2.64000
.601	21.410	-.01400	-.23700	-.32600	-.30200	-.15800	-.22400	6.50000	.03000	3.97000	2.65000
.601	22.390	-.01500	-.23600	-.32400	-.30200	-.16200	-.22200	6.47000	-.01000	3.95000	2.65000
.601	23.390	-.01800	-.24400	-.33000	-.30700	-.16200	-.22200	6.49000	.04000	3.98000	2.64000
.598	24.390	-.01500	-.24500	-.33300	-.30800	-.15800	-.22800	6.48000	.03000	3.98000	2.65000
.602	25.380	-.01500	-.24300	-.33000	-.30400	-.15900	-.22100	6.47000	.02000	3.96000	2.65000
.602	26.380	-.01800	-.24000	-.32800	-.30600	-.16500	-.22500	6.48000	.01000	3.98000	2.65000
.603	27.370	-.01600	-.24000	-.32900	-.30700	-.16500	-.22300	6.47000	.02000	3.98000	2.65000
.601	28.370	-.01600	-.24100	-.32800	-.30400	-.16100	-.22200	6.47000	.03000	3.97000	2.66000
.602	29.360	-.01600	-.23900	-.32400	-.30200	-.15900	-.21900	6.44000	.00000	3.95000	2.65000
.601	30.360	-.01600	-.24200	-.32600	-.30900	-.16200	-.22000	6.45000	.00000	3.97000	2.65000
.603	31.350	-.01700	-.24100	-.32400	-.30600	-.16400	-.21900	6.42000	-.02000	3.95000	2.66000
.601	32.350	-.01200	-.23600	-.32600	-.30200	-.16100	-.21800	6.42000	-.01000	3.95000	2.65000
.601	33.340	-.01600	-.23900	-.33400	-.31000	-.15600	-.22400	6.42000	.01000	3.96000	2.66000
.600	34.340	-.01500	-.24100	-.33200	-.30600	-.16100	-.22100	6.41000	-.01000	3.95000	2.66000
.600	35.340	-.01400	-.23900	-.32700	-.30800	-.16600	-.22100	6.42000	.00000	3.97000	2.66000
.602	36.330	-.01100	-.23600	-.32800	-.30800	-.16100	-.21800	6.39000	-.02000	3.94000	2.66000
.601	37.320	-.01000	-.24000	-.33500	-.30500	-.15900	-.21800	6.40000	-.01000	3.96000	2.66000
.602	38.320	-.01300	-.24100	-.33500	-.30700	-.16000	-.21800	6.41000	.01000	3.97000	2.66000
.602	39.310	-.01500	-.24000	-.32900	-.30500	-.16300	-.21800	6.39000	-.01000	3.95000	2.66000
.603	40.310	-.01400	-.24200	-.33800	-.30700	-.15900	-.22100	6.41000	.00000	3.98000	2.67000
.600	41.310	-.01400	-.24300	-.34000	-.30900	-.15800	-.22400	6.38000	.01000	3.96000	2.67000
.599	42.300	-.01500	-.24200	-.33800	-.31000	-.16200	-.22500	6.37000	-.01000	3.96000	2.66000
.600	43.290	-.01500	-.24600	-.34000	-.31500	-.16400	-.22400	6.39000	-.01000	3.97000	2.67000

DATE 22 MAR 76

CA-26 FORCE SOURCE DATA TABULATION

PAGE 245

LTV44-559(CA26) 747/1 ATY 02 S1 (ORBITER DATA)

(BFE068) ( 18 NOV 75 )

REFERENCE DATA

SREF = 2690.0000 SQ.FT. XMRP = 1109.0000 IN. XO  
LREF = 474.8100 IN. YMRP = .0000 IN. YO  
BREF = 933.6800 IN. ZMRP = 375.0000 IN. ZO  
SCALE = .0125

PARAMETRIC DATA

ALPHAC = 2.000 BETAC = .000  
STAB = 5.000 ELEVON = .000  
BDFLAP = 16.300 DX = .000  
DY = .000 IORB = 4.000  
BETA0 = .000 RUDDER = .000

RUN NO. 51/ 0 RN/L = .00 GRADIENT INTERVAL = -5.00/ 5.00

MACH	DZ	CPC0	CPB1	CPB2	CPB3	CPS1	CPS2	ALPHA0	BETA0	INCID	ALPHAC
.601	44.290	-.01600	-.24200	-.33000	-.31100	-.16400	-.22000	6.40000	.00000	3.99000	2.67000
.602	44.790	-.01500	-.23800	-.32700	-.30600	-.15800	-.21800	6.37000	-.04000	3.97000	2.66000
	GRADIENT	-.00092	-.00241	-.00049	-.00311	-.00363	-.00103	-.01062	-.00337	-.00168	-.00459

LTV44-559(CA26) 747/1 ATY 02 S1 (ORBITER DATA)

(BFE069) ( 18 NOV 75 )

## REFERENCE DATA

SREF = 2690.0000 SQ.FT. XMRP = 1109.0000 IN. XO  
 LREF = 474.8100 IN. YMRP = .0000 IN. YO  
 BREF = 936.6800 IN. ZMRP = 375.0000 IN. ZO  
 SCALE = .0125

## PARAMETRIC DATA

ALPHAC = 2.000 BETAC = .000  
 STAB = 5.000 ELEVON = .000  
 BDFLAP = 16.300 DX = .000  
 DY = .000 IORB = 6.000  
 BETAO = .000 RUDDER = .000

RUN NO. 1051/ 0 RN/L = .00 GRADIENT INTERVAL = -5.00/ 5.00

MACH	DZ	CP00	CP01	CP02	CP03	CPS1	CPS2	ALPHA0	BETA0	INC10	ALPHAC
.603	1.470	.00000	-.19800	-.24900	-.26300	-.14400	-.19900	8.61000	.01000	5.93000	2.69000
.603	2.070	.00000	-.19700	-.25100	-.26300	-.14200	-.19600	8.62000	.08000	5.94000	2.68000
.601	2.670	.00000	-.19900	-.25000	-.26100	-.14100	-.19700	8.62000	.04000	5.94000	2.68000
.601	3.370	-.00200	-.20300	-.25900	-.26600	-.14500	-.19900	8.61000	.05000	5.94000	2.68000
.600	4.170	-.00200	-.20600	-.26200	-.26700	-.14300	-.19800	8.59000	.03000	5.93000	2.67000
.600	4.960	-.00300	-.20600	-.25900	-.26900	-.14800	-.20000	8.58000	.02000	5.93000	2.67000
.601	6.970	-.00200	-.21000	-.27300	-.27600	-.14800	-.20300	8.57000	.08000	5.94000	2.67000
.600	8.970	-.00500	-.21200	-.28000	-.28000	-.15400	-.20500	8.54000	.04000	5.92000	2.67000
.603	10.500	-.00700	-.21600	-.27900	-.28000	-.15400	-.20600	8.53000	.04000	5.92000	2.66000
.601	11.980	-.00700	-.22000	-.28400	-.28200	-.15100	-.20400	8.54000	.05000	5.94000	2.66000
.600	13.160	-.00900	-.22300	-.28800	-.28600	-.15600	-.20800	8.51000	.08000	5.92000	2.66000
.600	14.440	-.00900	-.22000	-.28800	-.28300	-.15500	-.21100	8.52000	.06000	5.94000	2.66000
.601	15.710	-.00800	-.22400	-.28800	-.28300	-.15000	-.20600	8.51000	.06000	5.95000	2.65000
.602	16.990	-.01200	-.22300	-.28900	-.28300	-.15200	-.20600	8.49000	.07000	5.94000	2.65000
.601	18.270	-.00800	-.22400	-.28900	-.28600	-.15300	-.20600	8.48000	.06000	5.92000	2.66000
.601	19.540	-.01300	-.22900	-.29100	-.28800	-.15700	-.20900	8.49000	.06000	5.94000	2.66000
.600	20.820	-.01300	-.22600	-.28900	-.28700	-.15700	-.20800	8.47000	.05000	5.93000	2.65000
.601	22.090	-.01100	-.22700	-.29000	-.29100	-.15800	-.21000	8.45000	.05000	5.92000	2.66000
.600	23.360	-.01300	-.22700	-.29200	-.28800	-.15800	-.20800	8.46000	.06000	5.93000	2.66000
.601	24.650	-.01300	-.23400	-.30100	-.29500	-.15700	-.21300	8.45000	.03000	5.94000	2.66000
.600	25.920	-.01500	-.23200	-.29900	-.28900	-.15800	-.21200	8.46000	.02000	5.95000	2.66000
.602	27.200	-.01200	-.22600	-.29500	-.29200	-.16300	-.21000	8.41000	.06000	5.91000	2.65000
.601	28.470	-.01300	-.22900	-.29400	-.28700	-.16000	-.21000	8.41000	.06000	5.92000	2.66000
.602	29.750	-.01300	-.22800	-.30400	-.29500	-.16200	-.21200	8.43000	.01000	5.95000	2.66000
.602	31.030	-.01200	-.22800	-.30500	-.29600	-.16400	-.21200	8.43000	.01000	5.95000	2.66000
.600	32.300	-.01600	-.23300	-.31100	-.29700	-.16200	-.21300	8.39000	.06000	5.92000	2.66000
.601	33.580	-.01500	-.22600	-.30100	-.29000	-.16000	-.21400	8.41000	.03000	5.94000	2.66000
.600	34.850	-.01800	-.23700	-.30600	-.29600	-.16100	-.21600	8.40000	.00000	5.95000	2.66000
.598	36.130	-.01900	-.23200	-.30700	-.29700	-.16500	-.21800	8.41000	.00000	5.95000	2.66000
.600	37.410	-.01300	-.23300	-.30900	-.29700	-.16300	-.22000	8.36000	.04000	5.91000	2.66000
.602	38.690	-.01500	-.23200	-.31000	-.29800	-.16100	-.21700	8.37000	.05000	5.93000	2.66000
.602	39.960	-.01500	-.23300	-.30500	-.29300	-.16400	-.21000	8.38000	.04000	5.95000	2.66000
.601	41.240	-.01300	-.23500	-.30800	-.29500	-.16300	-.21700	8.38000	.02000	5.96000	2.66000
.600	42.520	-.01600	-.23600	-.30700	-.29700	-.16400	-.21800	8.37000	.02000	5.95000	2.67000
.600	43.790	-.01400	-.23200	-.31200	-.29900	-.16200	-.21600	8.34000	.05000	5.93000	2.67000
.600	45.070	-.01900	-.23500	-.31300	-.29800	-.16500	-.22300	8.33000	.06000	5.91000	2.67000
.600	46.340	-.01500	-.23800	-.32000	-.30400	-.16400	-.22200	8.34000	.10000	5.94000	2.67000
.602	47.620	-.01500	-.23500	-.31800	-.29900	-.16900	-.21000	8.33000	.00000	5.94000	2.66000
.600	48.900	-.01700	-.23600	-.32600	-.30000	-.17000	-.21200	8.34000	.00000	5.95000	2.67000
.602	50.180	-.01900	-.23600	-.32400	-.30300	-.16200	-.22500	8.32000	.03000	5.94000	2.66000
.602	51.460	-.01500	-.23400	-.31800	-.30000	-.16000	-.22200	8.31000	.04000	5.95000	2.66000
.602		-.00095	-.00291	-.00374	-.00197	-.00117	-.00056	-.01064	-.00435	-.00145	-.00529

LTV44-559(CA26) 747/1 ATY 02 S1 (CRBITER DATA)

(BFE070) ( 18 NOV 75 )

## REFERENCE DATA

SREF = 2690.0000 SQ.FT. XMRP = 1109.0000 IN. XO  
 LREF = 474.8100 IN. YMRP = .0000 IN. YO  
 BREF = 936.6800 IN. ZMRP = 375.0000 IN. ZO  
 SCALE = .0125

## PARAMETRIC DATA

ALPHAC = 2.000 BETAC = .000  
 STAB = 5.000 ELEVON = .000  
 BDFLAP = 16.300 DX = .000  
 DY = .000 IORB = 8.000  
 BETA0 = .000 RUDDER = .000

RUN NO. 52/ 0 RN/L = .00 GRADIENT INTERVAL = -5.00/ 5.00

MACH	DZ	CPCO	CPB1	CPB2	CPB3	CPS1	CPS2	ALPHA0	BETA0	INCID	ALPHAC
.597	1.460	-.04800	-.25700	-.39700	-.35500	-.20200	-.27800	10.60000	.04000	7.91000	2.69000
.600	2.060	-.04800	-.25400	-.39000	-.34500	-.19700	-.27200	10.63000	.01000	7.94000	2.69000
.599	2.660	-.05200	-.24800	-.38000	-.34100	-.19900	-.27300	10.62000	.04000	7.93000	2.70000
.602	3.460	-.05400	-.23000	-.35900	-.33100	-.20400	-.27200	10.61000	.07000	7.92000	2.71000
.601	4.460	-.05400	-.22900	-.37700	-.33100	-.20400	-.27300	10.63000	.00000	7.95000	2.71000
.601	5.590	-.05700	-.24900	-.37900	-.34500	-.21000	-.27300	10.60000	.03000	7.93000	2.70000
.600	6.840	-.05900	-.24900	-.37900	-.34400	-.20900	-.27200	10.60000	.00000	7.93000	2.70000
.601	8.090	-.06000	-.25300	-.38100	-.34900	-.21600	-.27500	10.60000	.00000	7.93000	2.70000
.600	9.340	-.06100	-.25600	-.39000	-.35200	-.21300	-.27200	10.55000	.07000	7.90000	2.70000
.600	10.580	-.06400	-.26500	-.40300	-.36100	-.21000	-.27600	10.57000	.00000	7.93000	2.69000
.601	11.810	-.06100	-.26600	-.40000	-.35800	-.21600	-.27100	10.54000	.01000	7.91000	2.69000
.600	13.050	-.06000	-.26600	-.40400	-.36200	-.21800	-.27000	10.57000	.04000	7.95000	2.69000
.600	14.290	-.06800	-.27300	-.40700	-.36300	-.22500	-.27600	10.56000	.03000	7.93000	2.69000
.600	15.520	-.06200	-.27100	-.41500	-.36600	-.22300	-.27400	10.54000	.06000	7.91000	2.68000
.599	16.750	-.06500	-.27300	-.41200	-.36700	-.22700	-.27400	10.51000	.01000	7.93000	2.68000
.599	17.990	-.06900	-.27800	-.41900	-.36800	-.22900	-.27600	10.52000	.00000	7.94000	2.68000
.602	19.230	-.06400	-.27800	-.42200	-.36800	-.22600	-.27200	10.49000	.06000	7.93000	2.67000
.600	20.460	-.06800	-.28200	-.42100	-.37300	-.22600	-.27500	10.50000	.01000	7.94000	2.67000
.599	21.690	-.07000	-.28200	-.42300	-.37500	-.23100	-.27700	10.46000	.03000	7.92000	2.67000
.600	22.930	-.06900	-.28200	-.42500	-.37600	-.22900	-.27400	10.48000	.00000	7.94000	2.67000
.601	24.160	-.06800	-.28000	-.42500	-.37600	-.23200	-.27400	10.48000	.00000	7.94000	2.67000
.601	25.390	-.06900	-.27900	-.42100	-.37700	-.23400	-.27300	10.46000	.02000	7.93000	2.67000
.603	26.630	-.06800	-.27900	-.42300	-.37700	-.23400	-.27200	10.45000	.02000	7.93000	2.67000
.601	27.860	-.06800	-.28500	-.42400	-.37500	-.23400	-.27200	10.43000	.04000	7.92000	2.67000
.600	29.100	-.06900	-.28400	-.42000	-.37500	-.23500	-.27200	10.43000	.04000	7.93000	2.67000
.601	30.340	-.07300	-.27900	-.41900	-.38000	-.23900	-.27200	10.40000	.05000	7.90000	2.67000
.599	31.570	-.07200	-.28500	-.42400	-.38400	-.24000	-.27500	10.43000	.00000	7.94000	2.67000
.598	32.800	-.07100	-.28400	-.42300	-.38500	-.24100	-.27200	10.38000	.06000	7.91000	2.67000
.600	34.040	-.06800	-.28400	-.42200	-.38000	-.23600	-.27100	10.41000	.00000	7.94000	2.66000
.600	35.280	-.07400	-.28700	-.42300	-.38600	-.24500	-.27200	10.37000	.05000	7.91000	2.67000
.602	36.510	-.07200	-.28600	-.42500	-.38300	-.24000	-.26900	10.41000	.00000	7.95000	2.67000
.599	37.740	-.07300	-.28700	-.43000	-.38800	-.24300	-.27100	10.39000	.00000	7.94000	2.67000
.602	38.980	-.07100	-.28900	-.42700	-.38200	-.24100	-.26900	10.39000	.00000	7.94000	2.67000
.600	40.220	-.07000	-.28700	-.42700	-.38200	-.24100	-.26900	10.39000	.00000	7.94000	2.67000
.601	41.450	-.07400	-.28900	-.42700	-.38500	-.24700	-.27300	10.36000	.06000	7.92000	2.67000
.601	42.690	-.07200	-.28800	-.42900	-.38600	-.24100	-.27000	10.37000	.01000	7.94000	2.67000
.601	43.920	-.07300	-.29200	-.42800	-.38400	-.24600	-.27500	10.35000	.01000	7.93000	2.67000
.599	45.150	-.07800	-.29600	-.43200	-.39300	-.25100	-.27700	10.30000	.05000	7.89000	2.67000
.597	46.390	-.07700	-.29000	-.43000	-.39300	-.24700	-.27500	10.34000	.01000	7.94000	2.67000
.601	47.630	-.07300	-.28700	-.42200	-.38800	-.24400	-.26800	10.33000	.00000	7.94000	2.67000
.600	48.860	-.07600	-.29300	-.42800	-.39000	-.25100	-.27100	10.30000	.04000	7.91000	2.67000
.601	50.090	-.07600	-.28700	-.42500	-.38900	-.24500	-.27000	10.30000	.07000	7.91000	2.67000

ORIGINAL PAGE IS  
OF POOR QUALITY

LTV44-559(CA26) 747/1 ATY 02 S1 (ORBITER DATA)

(BFE070) ( 18 NOV 75 )

## REFERENCE DATA

SREF = 2690.0000 SQ.FT. XMRP = 1109.0000 IN. XO  
 LREF = 474.8100 IN. YMRP = .0000 IN. YO  
 BREF = 936.6800 IN. ZMRP = 375.0000 IN. ZO  
 SCALE = .0125

## PARAMETRIC DATA

ALPHAC = 2.000 BETAC = .000  
 STAB = 5.000 ELEVON = .000  
 BDFLAP = 16.300 DX = .000  
 DY = .000 IORB = 8.000  
 BETAO = .000 RUDDER = .000

RUN NO. 52/ 0 RN/L = .00 GRADIENT INTERVAL = -5.00/ 5.00

MACH	DZ	CPCO	CPB1	CPB2	CPB3	CPS1	CPS2	ALPHAO	BETAO	INCID	ALPHAC
.601	51.330	-.07500	-.28900	-.42700	-.39000	-.24700	-.26800	10.31000	.06000	7.93000	2.67000
.600	52.570	-.07600	-.29300	-.43100	-.39100	-.25200	-.26900	10.30000	-.01000	7.93000	2.67000
.599	53.800	-.07900	-.29500	-.43400	-.39100	-.24900	-.27500	10.30000	.03000	7.94000	2.67000
.601	55.040	-.07600	-.29200	-.42700	-.39000	-.24600	-.27000	10.30000	.04000	7.95000	2.67000
.601	56.270	-.07800	-.29500	-.43200	-.39000	-.25100	-.27200	10.27000	.00000	7.92000	2.67000
.599	57.500	-.08000	-.29600	-.43400	-.39800	-.25100	-.27500	10.24000	.02000	7.90000	2.67000
.600	58.120	-.07900	-.29600	-.43200	-.39700	-.24600	-.27500	10.25000	.02000	7.92000	2.67000
	GRADIENT	-.00235	.01071	.00884	.00808	-.00159	.00120	.00533	-.00425	.00829	.00793

LTV44-559(CA26) 747/1 ATY O2 S1 (ORBITER DATA)

(BFE071) ( 18 NOV 75 )

## REFERENCE DATA

SREF = 2690.0000 SQ.FT. XMRP = 1109.0000 IN. XO  
 LREF = 474.8100 IN. YMRP = .0000 IN. YO  
 BREF = 936.6800 IN. ZMRP = 375.0000 IN. ZO  
 SCALE = .0125

## PARAMETRIC DATA

ALPHAC = 2.000 BETAC = .000  
 STAB = 5.000 ELEVON = .000  
 BDFLAP = 5.000 DX = .000  
 DY = .000 IORB = 4.000  
 BETAO = .000 RUDDER = .000

RUN NO. 53/ 0 RM/L = .00 GRADIENT INTERVAL = -5.00/ 5.00

MACH	DZ	CPCO	CPB1	CPB2	CPB3	CPS1	CPS2	ALPHA	BETA	INCID	ALPHAC
.600	1.460	-.04700	-.26200	-.39400	-.33300	-.17500	-.26700	6.55000	.03000	3.93000	2.63000
.599	2.060	-.05200	-.26100	-.39800	-.33300	-.18100	-.27200	6.54000	.05000	3.92000	2.63000
.600	2.660	-.05400	-.26300	-.40500	-.33400	-.18300	-.27200	6.57000	.06000	3.95000	2.64000
.597	3.360	-.05700	-.27000	-.40200	-.34400	-.18900	-.27400	6.57000	.03000	3.95000	2.63000
.600	4.160	-.05200	-.26900	-.39900	-.34000	-.18500	-.27000	6.56000	.06000	3.95000	2.63000
.601	4.960	-.05500	-.26700	-.40500	-.33900	-.19000	-.26900	6.56000	.06000	3.95000	2.63000
.597	6.960	-.06300	-.27200	-.41500	-.35000	-.19500	-.27600	6.51000	.09000	3.92000	2.63000
.601	8.960	-.05500	-.27000	-.40100	-.34400	-.18800	-.26800	6.53000	.03000	3.95000	2.63000
.598	10.460	-.06400	-.27600	-.41800	-.35400	-.19700	-.27600	6.52000	.05000	3.94000	2.64000
.595	11.460	-.06400	-.27900	-.42000	-.35700	-.19900	-.27800	6.53000	.04000	3.95000	2.64000
.597	12.450	-.06100	-.27700	-.41800	-.35500	-.19900	-.27200	6.49000	.04000	3.92000	2.64000
.598	13.450	-.06200	-.28100	-.41600	-.35400	-.20300	-.27300	6.48000	.07000	3.92000	2.64000
.598	14.440	-.06400	-.28100	-.41700	-.35700	-.20300	-.27500	6.49000	.04000	3.93000	2.64000
.597	15.440	-.06600	-.28500	-.42400	-.36100	-.20900	-.27800	6.49000	.05000	3.93000	2.64000
.597	16.430	-.06400	-.28100	-.43000	-.36100	-.20900	-.27400	6.50000	.04000	3.95000	2.65000
.598	17.430	-.06600	-.28600	-.42300	-.36000	-.20700	-.27300	6.47000	.06000	3.92000	2.65000
.600	18.420	-.06500	-.28000	-.42300	-.36100	-.20300	-.27100	6.47000	.06000	3.92000	2.65000
.600	19.420	-.06700	-.28400	-.42500	-.36000	-.21000	-.27500	6.50000	.06000	3.95000	2.65000
.599	20.410	-.06600	-.28800	-.42600	-.36600	-.21100	-.27600	6.48000	.05000	3.95000	2.65000
.599	21.410	-.06800	-.28900	-.42600	-.36200	-.21400	-.27600	6.48000	.06000	3.95000	2.65000
.597	22.390	-.07100	-.29200	-.43000	-.36900	-.21400	-.27700	6.47000	.03000	3.95000	2.65000
.600	23.390	-.06900	-.28300	-.42600	-.36300	-.20900	-.27200	6.45000	.04000	3.93000	2.65000
.597	24.390	-.07200	-.29000	-.43900	-.37000	-.21600	-.27600	6.46000	.03000	3.95000	2.66000
.597	25.380	-.06900	-.29100	-.44100	-.36700	-.21600	-.27300	6.45000	.05000	3.94000	2.65000
.600	26.380	-.06700	-.28500	-.44100	-.36300	-.21200	-.27400	6.43000	.05000	3.93000	2.65000
.596	27.370	-.07200	-.29300	-.45000	-.37400	-.21600	-.27600	6.45000	.05000	3.95000	2.65000
.598	28.370	-.07100	-.29300	-.44100	-.37400	-.21800	-.27300	6.45000	.04000	3.96000	2.66000
.598	29.360	-.07300	-.29400	-.44200	-.37300	-.22100	-.27300	6.43000	.05000	3.94000	2.66000
.600	30.360	-.07000	-.29200	-.44000	-.36800	-.22000	-.27100	6.40000	.08000	3.91000	2.66000
.599	31.350	-.07000	-.29300	-.44100	-.37000	-.22000	-.27100	6.40000	.05000	3.91000	2.66000
.596	32.350	-.07500	-.29600	-.45000	-.38100	-.23000	-.27500	6.42000	.04000	3.94000	2.67000
.600	33.340	-.07100	-.29400	-.44300	-.37300	-.22100	-.27000	6.40000	.04000	3.93000	2.66000
.598	34.340	-.07000	-.29500	-.44700	-.37400	-.22100	-.27300	6.43000	.04000	3.96000	2.67000
.597	35.340	-.07500	-.29500	-.44900	-.37500	-.22300	-.27100	6.39000	.03000	3.93000	2.66000
.598	36.330	-.07500	-.29600	-.45100	-.37700	-.22200	-.27300	6.37000	.05000	3.91000	2.67000
.599	37.320	-.07200	-.29900	-.45200	-.37500	-.22300	-.27200	6.38000	.04000	3.93000	2.67000
.598	38.320	-.07100	-.30100	-.45400	-.37700	-.22500	-.27100	6.38000	.03000	3.93000	2.67000
.598	39.310	-.07200	-.30100	-.45600	-.38000	-.22600	-.27400	6.37000	.04000	3.92000	2.67000
.597	40.310	-.07500	-.30300	-.45600	-.38300	-.22500	-.27600	6.38000	.06000	3.94000	2.67000
.597	41.310	-.07500	-.30300	-.45500	-.37600	-.22700	-.27200	6.37000	.07000	3.93000	2.67000
.599	42.300	-.07300	-.29800	-.46400	-.38000	-.22600	-.26700	6.34000	.02000	3.92000	2.67000
.598	43.290	-.07600	-.30100	-.45700	-.38000	-.22700	-.26900	6.35000	.05000	3.93000	2.67000

LTV44-559(CA26) 747/1 ATY 02 S1 (ORBITER DATA)

(BFEO71) ( 18 NOV 75 )

## REFERENCE DATA

SREF = 2690.0000 SQ.FT. XMRP = 1109.0000 IN. XO  
 LREF = 474.8100 IN. YMRP = .0000 IN. YO  
 BREF = 936.6800 IN. ZMRP = 375.0000 IN. ZO  
 SCALE = .0125

## PARAMETRIC DATA

ALPHAC = 2.000 BETAC = .000  
 STAB = 5.000 ELEVON = .000  
 BDFLAP = 5.000 DX = .000  
 DY = .000 IORB = 4.000  
 BETAO = .000 RUDDER = .000

RUN NO. 53/ 0 RN/L = .00 GRADIENT INTERVAL = -5.00/ 5.00

MACH	DZ	CPCO	CPB1	CPB2	CPB3	CPS1	CPS2	ALPHA0	BETA0	INC10	ALPHAC
.599	44.290	-.07200	-.29900	-.45700	-.38300	-.22500	-.26700	6.33000	.06000	3.91000	2.67000
.602	44.790	-.07500	-.30000	-.43700	-.37700	-.22700	-.26500	6.37000	.05000	3.95000	2.67000
	GRADIENT	-.00164	-.00223	-.00214	-.00241	-.00370	-.00013	.00412	.00609	.00749	-.00052



LTV44-559(CA26) 747/1 ATY 02 S1 (ORBITER DATA)

(BFE072) ( 18 NOV 75 )

## REFERENCE DATA

SREF = 2690.0000 SQ.FT. XMRP = 1109.0000 IN. XO  
 LREF = 474.8100 IN. YMRP = .0000 IN. YO  
 BREF = 936.6800 IN. ZMRP = 375.0000 IN. ZO  
 SCALE = .0125

## PARAMETRIC DATA

ALPHAC = 2.000 BETAC = .000  
 STAB = 5.000 ELEVON = .000  
 BDFLAP = 5.000 DX = .000  
 DY = .000 IORB = 6.000  
 BETAO = .000 RUDDER = .000

RUN NO. 1053/ 0 RN/L = .00 GRADIENT INTERVAL = -5.00/ 5.00

MACH	DZ	CPCO	CPB1	CPB2	CPB3	CPS1	CPS2	ALPHAO	BETAO	INCID.	ALPHAC
.598	1.470	-.07000	-.28500	-.41400	-.36900	-.23200	-.24200	8.60000	.10000	5.93000	2.67000
.598	2.070	-.07500	-.28500	-.41800	-.37000	-.23500	-.24400	8.57000	.09000	5.91000	2.66000
.599	2.670	-.07400	-.28500	-.41100	-.36700	-.23300	-.24500	8.59000	.08000	5.94000	2.66000
.598	3.370	-.07500	-.28900	-.41900	-.37300	-.23500	-.24600	8.58000	.01000	5.93000	2.66000
.599	4.170	-.07400	-.28200	-.41100	-.37200	-.23900	-.24800	8.56000	.07000	5.92000	2.66000
.598	4.960	-.07300	-.28600	-.41300	-.37200	-.23600	-.24500	8.57000	.05000	5.94000	2.66000
.599	6.970	-.07600	-.28900	-.41800	-.37300	-.23800	-.24900	8.55000	.03000	5.93000	2.66000
.599	8.970	-.07700	-.28900	-.41900	-.37200	-.23500	-.24700	8.53000	.07000	5.93000	2.66000
.599	10.600	-.07500	-.28500	-.41800	-.37300	-.23600	-.25000	8.54000	.03000	5.94000	2.65000
.599	11.880	-.07600	-.28600	-.41800	-.37200	-.23900	-.25200	8.52000	.01000	5.93000	2.65000
.598	13.160	-.07700	-.29200	-.42400	-.37800	-.24200	-.25400	8.51000	.06000	5.93000	2.65000
.597	14.440	-.07600	-.29100	-.42000	-.37300	-.23800	-.25100	8.48000	.04000	5.91000	2.65000
.598	15.710	-.07900	-.29300	-.42600	-.37200	-.23600	-.25000	8.51000	.04000	5.95000	2.65000
.598	16.990	-.07500	-.29200	-.42500	-.37700	-.24200	-.25300	8.48000	.04000	5.91000	2.65000
.598	18.270	-.07800	-.29500	-.42900	-.38100	-.24200	-.25400	8.47000	.06000	5.92000	2.66000
.598	19.540	-.08100	-.29800	-.43300	-.37600	-.24000	-.25500	8.46000	.01000	5.92000	2.66000
.598	20.820	-.07600	-.29500	-.42900	-.38100	-.24300	-.25700	8.46000	.06000	5.92000	2.66000
.599	22.090	-.08000	-.29800	-.42500	-.37800	-.24100	-.25500	8.48000	.06000	5.95000	2.66000
.599	23.360	-.07800	-.29400	-.42500	-.37900	-.24300	-.25800	8.46000	.06000	5.92000	2.66000
.599	24.650	-.07900	-.29800	-.42500	-.37700	-.24000	-.25600	8.43000	.03000	5.90000	2.67000
.598	25.920	-.07800	-.29700	-.42400	-.37700	-.24200	-.25300	8.43000	.02000	5.91000	2.66000
.598	27.200	-.07900	-.29700	-.42800	-.38000	-.24200	-.25400	8.44000	.03000	5.93000	2.66000
.599	28.470	-.07900	-.30000	-.42700	-.38100	-.24300	-.25500	8.46000	.03000	5.95000	2.67000
.599	29.750	-.08000	-.30000	-.42600	-.38200	-.24300	-.25700	8.42000	.02000	5.92000	2.67000
.600	31.030	-.07700	-.29500	-.42500	-.38000	-.23900	-.25600	8.42000	.01000	5.93000	2.66000
.597	32.300	-.08000	-.30000	-.42500	-.38100	-.24000	-.26000	8.42000	.04000	5.94000	2.66000
.598	33.580	-.08200	-.29900	-.43100	-.38400	-.24200	-.26000	8.38000	.01000	5.91000	2.66000
.597	34.850	-.08000	-.29800	-.43000	-.38100	-.24200	-.26300	8.39000	.07000	5.92000	2.67000
.599	36.130	-.08000	-.30000	-.43000	-.38100	-.24400	-.26200	8.40000	.05000	5.94000	2.67000
.596	37.410	-.07800	-.30100	-.43300	-.38300	-.24400	-.26300	8.41000	.04000	5.95000	2.67000
.598	38.690	-.08100	-.30400	-.43300	-.38500	-.24600	-.26300	8.37000	.00000	5.92000	2.67000
.597	39.960	-.08100	-.30000	-.43400	-.38200	-.24100	-.26300	8.39000	.05000	5.95000	2.67000
.598	41.240	-.08100	-.30100	-.43500	-.38100	-.24000	-.26800	8.35000	.01000	5.91000	2.67000
.599	42.520	-.08100	-.30100	-.43200	-.38000	-.23700	-.26100	8.36000	.04000	5.93000	2.68000
.597	43.790	-.07900	-.30100	-.43900	-.38400	-.23800	-.26400	8.35000	.04000	5.93000	2.67000
.597	45.070	-.07900	-.29800	-.43400	-.38100	-.24100	-.26700	8.34000	.05000	5.93000	2.68000
.598	46.340	-.07800	-.30000	-.43800	-.38300	-.24000	-.26900	8.36000	.05000	5.95000	2.67000
.598	47.620	-.08200	-.30100	-.44300	-.38200	-.23800	-.27200	8.43000	.06000	6.03000	2.67000
.603	48.900	-.07800	-.29600	-.43500	-.37900	-.23600	-.26300	8.33000	.04000	5.93000	2.68000
.598	50.180	-.08400	-.30700	-.44000	-.38600	-.24100	-.26900	8.31000	.05000	5.93000	2.68000
.599	51.460	-.07600	-.29600	-.43200	-.38200	-.23900	-.26600	8.29000	.00000	5.92000	2.67000
	GRADIENT	-.00046	.00004	.00077	-.00111	-.00139	-.00110	-.00774	-.01479	.00284	-.00192

LTV44-559(CA26) 747/1 ATY 02 S1 (ORBITER DATA)

(BFEO73) ( 18 NOV 75 )

## REFERENCE DATA

SREF = 2690.0000 SQ.FT. XMRP = 1109.0000 IN. XO  
 LREF = 474.8100 IN. YMRP = .0000 IN. YO  
 BREF = 936.6800 IN. ZMRP = 375.0000 IN. ZO  
 SCALE = .0125

## PARAMETRIC DATA

ALPHAC = 2.000 BETAC = .000  
 STAB = 5.000 ELEVON = .000  
 BDFLAP = 5.000 DX = .000  
 DY = .000 TORB = 8.000  
 BETAO = .000 RUDDER = .000

RUN NO. 54/ 0 RN/L = .00 GRADIENT INTERVAL = -5.00/ 5.00

MACH	DZ	CPCO	CPB1	CPB2	CPB3	CPS1	CPS2	ALPHAO	BETAO	INCID	ALPHAC
.599	1.460	-.05700	-.26600	-.39700	-.34200	-.19600	-.29600	10.62000	.05000	7.93000	2.70000
.599	2.060	-.05800	-.26300	-.39300	-.34200	-.19100	-.29100	10.59000	.11000	7.90000	2.69000
.599	2.660	-.06200	-.26900	-.40500	-.34400	-.19900	-.29500	10.60000	.06000	7.92000	2.70000
.599	3.460	-.06700	-.27200	-.42600	-.35000	-.20200	-.29400	10.57000	.09000	7.89000	2.70000
.599	4.460	-.06500	-.27000	-.41500	-.34700	-.20600	-.29300	10.60000	.04000	7.93000	2.70000
.600	5.590	-.06900	-.27700	-.42900	-.35600	-.21000	-.29300	10.59000	.04000	7.92000	2.69000
.599	6.840	-.07000	-.28000	-.42100	-.36000	-.21200	-.29600	10.58000	.03000	7.92000	2.69000
.601	8.090	-.07000	-.27700	-.41900	-.35700	-.21400	-.29200	10.54000	.08000	7.89000	2.68000
.599	9.340	-.07100	-.28100	-.42500	-.36200	-.21300	-.29500	10.54000	.06000	7.91000	2.68000
.602	10.580	-.07300	-.27900	-.42500	-.36000	-.21800	-.28900	10.54000	.06000	7.93000	2.68000
.601	11.810	-.07200	-.28000	-.42500	-.36000	-.21700	-.29000	10.51000	.11000	7.90000	2.68000
.598	13.050	-.07900	-.28900	-.43100	-.37200	-.22500	-.29500	10.48000	.06000	7.88000	2.68000
.601	14.290	-.07200	-.28600	-.42900	-.36500	-.22200	-.29100	10.52000	.08000	7.93000	2.67000
.599	15.520	-.07400	-.29100	-.43400	-.37100	-.22400	-.29400	10.50000	.09000	7.92000	2.67000
.598	16.750	-.07600	-.29300	-.43800	-.37400	-.22600	-.29400	10.49000	.08000	7.90000	2.67000
.597	17.990	-.07600	-.29200	-.44000	-.37500	-.22800	-.29500	10.47000	.11000	7.90000	2.67000
.597	19.230	-.08300	-.29800	-.45200	-.38200	-.23300	-.29700	10.45000	.06000	7.90000	2.66000
.598	20.460	-.08300	-.29700	-.44900	-.38000	-.23500	-.29400	10.46000	.04000	7.92000	2.66000
.600	21.690	-.08000	-.29300	-.44400	-.37500	-.23200	-.29200	10.46000	.03000	7.92000	2.66000
.598	22.930	-.08200	-.30100	-.44600	-.38300	-.23600	-.29900	10.42000	.06000	7.89000	2.66000
.601	24.160	-.07900	-.29900	-.44300	-.38200	-.23300	-.29500	10.44000	.09000	7.92000	2.66000
.600	25.390	-.08100	-.29900	-.44900	-.37900	-.23800	-.29300	10.42000	.05000	7.90000	2.66000
.601	26.630	-.08300	-.30000	-.44700	-.38400	-.23600	-.29300	10.44000	.08000	7.93000	2.66000
.599	27.860	-.08300	-.30400	-.45400	-.38400	-.24300	-.29400	10.39000	.09000	7.89000	2.66000
.600	29.100	-.08400	-.30300	-.46300	-.38600	-.24600	-.29500	10.39000	.06000	7.89000	2.66000
.602	30.340	-.08400	-.30000	-.45400	-.38600	-.24100	-.29100	10.41000	.05000	7.92000	2.66000
.602	31.570	-.08500	-.30400	-.45200	-.38700	-.24300	-.29100	10.41000	.05000	7.88000	2.66000
.600	32.800	-.08500	-.30700	-.45600	-.38900	-.24700	-.29200	10.37000	.09000	7.90000	2.66000
.601	34.040	-.08800	-.30900	-.45500	-.39200	-.24900	-.29100	10.36000	.06000	7.89000	2.66000
.601	35.280	-.08500	-.30400	-.45700	-.39000	-.24400	-.29200	10.36000	.04000	7.90000	2.66000
.599	36.510	-.08800	-.31100	-.45500	-.39400	-.25100	-.29400	10.36000	.08000	7.90000	2.67000
.601	37.740	-.08700	-.30500	-.44700	-.39000	-.24800	-.28800	10.35000	.05000	7.90000	2.67000
.602	38.980	-.08700	-.30500	-.45200	-.39200	-.24700	-.29100	10.34000	.09000	7.90000	2.66000
.600	40.220	-.08600	-.30800	-.45500	-.39200	-.24900	-.29100	10.34000	.05000	7.91000	2.66000
.598	41.450	-.08900	-.31600	-.45600	-.39600	-.25800	-.29100	10.34000	.02000	7.92000	2.67000
.600	42.690	-.08800	-.30700	-.45400	-.39400	-.25000	-.28800	10.31000	.06000	7.89000	2.67000
.602	43.920	-.08400	-.30700	-.45200	-.38800	-.25000	-.28700	10.32000	.09000	7.91000	2.67000
.599	45.150	-.08800	-.30900	-.46400	-.39600	-.25300	-.29400	10.32000	.08000	7.92000	2.67000
.598	46.390	-.09200	-.31400	-.46000	-.40000	-.25900	-.29100	10.31000	.03000	7.91000	2.67000
.601	47.630	-.08700	-.31100	-.46200	-.39500	-.25600	-.28800	10.32000	.07000	7.93000	2.67000
.598	48.860	-.09000	-.31300	-.47000	-.40100	-.25500	-.29300	10.28000	.03000	7.89000	2.67000
.599	50.090	-.09200	-.31300	-.46500	-.40100	-.25800	-.29200	10.30000	.06000	7.92000	2.67000

DATE 22 MAR 76

CA-26 FORCE SOURCE DATA TABULATION

PAGE 253

LTV44-559(CA26) 747/1 ATY 02 S1 (ORBITER DATA)

(BFE073) ( 18 NOV 75 )

## REFERENCE DATA

SREF = 2690.0000 SQ.FT. XMRP = 1109.0000 IN. XO  
 LREF = 474.8100 IN. YMRP = .0000 IN. YO  
 BREF = 936.6800 IN. ZMRP = 375.0000 IN. ZO  
 SCALE = .0125

## PARAMETRIC DATA

ALPHAC = 2.000 BETAC = .000  
 STAB = 5.000 ELEVON = .000  
 BDFLAP = 5.000 DX = .000  
 DY = .000 TORB = 8.000  
 BETA0 = .000 RUDDER = .000

RUN NO. 54/ 0 RN/L = .00 GRADIENT INTERVAL = -5.00/ 5.00

MACH	DZ	CPCO	CPB1	CPB2	CPB3	CPS1	CPS2	ALPHA0	BETA0	INCID	ALPHAC
.599	51.330	-.09100	-.31300	-.46900	-.40300	-.25700	-.29200	10.25000	.04000	7.88000	2.67000
.599	52.570	-.09000	-.31400	-.47000	-.40200	-.26100	-.28600	10.25000	.04000	7.88000	2.67000
.602	53.800	-.09000	-.31200	-.45700	-.39800	-.25700	-.28600	10.27000	.10000	7.91000	2.67000
.601	55.040	-.09100	-.31200	-.46100	-.40000	-.25500	-.29100	10.24000	.09000	7.89000	2.67000
.601	56.270	-.09000	-.31000	-.46800	-.40200	-.25300	-.29000	10.26000	.09000	7.92000	2.67000
.599	57.500	-.09000	-.31900	-.47400	-.40400	-.26000	-.29500	10.23000	.07000	7.90000	2.67000
.599	58.120	-.09300	-.31700	-.46700	-.40500	-.26100	-.28800	10.26000	.04000	7.92000	2.67000
	GRADIENT	-.00323	-.00220	-.00898	-.00234	-.00424	.00040	-.00599	-.00684	-.00022	.00137

LTV44-559(CA26) 747/1 ATY 02 S1 (ORBITER DATA)

(BFEO74) ( 18 NOV 75 )

## REFERENCE DATA

SREF = 2690.0000 SQ.FT. XMRP = 1109.0000 IN. XO  
 LREF = 474.8100 IN. YMRP = .0000 IN. YO  
 BREF = 936.6800 IN. ZMRP = 375.0000 IN. ZO  
 SCALE = .0125

## PARAMETRIC DATA

ALPHAC = 2.000 BETAC = .000  
 STAB = 5.000 ELEVON = .000  
 BDFLAP = .000 DX = .000  
 DY = .000 TORB = 4.000  
 BETAO = .000 RUDDER = .000

RUN NO. 55/ 0 RN/L = .00 GRADIENT INTERVAL = -5.00/ 5.00

MACH	DZ	CPCO	CPB1	CPB2	CPB3	CPS1	CPS2	ALPHAO	BETAO	INCID	ALPHAC
.602	1.460	-.03800	-.25200	-.36300	-.31700	-.16100	-.27500	6.57000	.01000	3.96000	2.61000
.602	2.060	-.03900	-.25100	-.36200	-.31900	-.16000	-.27300	6.55000	.07000	3.94000	2.61000
.601	2.660	-.04100	-.25300	-.36800	-.32300	-.16500	-.27700	6.56000	.01000	3.96000	2.62000
.602	3.360	-.04500	-.26300	-.38200	-.32700	-.17200	-.28000	6.54000	.01000	3.94000	2.62000
.602	4.160	-.04400	-.25600	-.38000	-.32400	-.15600	-.27500	6.54000	.07000	3.94000	2.61000
.602	4.960	-.05300	-.26200	-.38400	-.33300	-.17800	-.28000	6.55000	.03000	3.96000	2.62000
.602	6.960	-.05000	-.26300	-.38400	-.33000	-.17600	-.28000	6.51000	.04000	3.93000	2.62000
.602	8.960	-.05100	-.26500	-.38800	-.33200	-.17800	-.28000	6.51000	.02000	3.94000	2.62000
.602	10.460	-.05300	-.26700	-.39300	-.33700	-.18400	-.28100	6.53000	.00000	3.96000	2.63000
.601	11.460	-.05300	-.27100	-.40000	-.33900	-.18200	-.28100	6.51000	.04000	3.95000	2.63000
.601	12.450	-.05500	-.26900	-.39600	-.34000	-.18500	-.28100	6.50000	.06000	3.94000	2.63000
.602	13.450	-.05700	-.27600	-.40100	-.34300	-.18700	-.28200	6.52000	.00000	3.95000	2.64000
.602	14.440	-.05600	-.27300	-.39800	-.34100	-.18800	-.28100	6.49000	.03000	3.94000	2.63000
.602	15.440	-.05600	-.27400	-.39900	-.34300	-.18800	-.27900	6.49000	.05000	3.94000	2.64000
.601	16.430	-.05900	-.27600	-.40200	-.34300	-.19200	-.28300	6.50000	.01000	3.95000	2.64000
.601	17.430	-.06200	-.28000	-.41200	-.34800	-.19500	-.28500	6.50000	.02000	3.96000	2.64000
.601	18.420	-.05900	-.27700	-.40900	-.34900	-.19600	-.28300	6.49000	.00000	3.95000	2.64000
.603	19.420	-.05900	-.27900	-.40900	-.34900	-.19300	-.28400	6.46000	.07000	3.93000	2.64000
.602	20.410	-.05800	-.28000	-.40900	-.35100	-.19600	-.28000	6.47000	.01000	3.94000	2.64000
.602	21.410	-.06300	-.28100	-.41000	-.35300	-.20100	-.28300	6.48000	.01000	3.95000	2.65000
.601	22.390	-.05900	-.27900	-.41100	-.35500	-.20100	-.28100	6.46000	.01000	3.94000	2.64000
.602	23.390	-.06300	-.28100	-.41800	-.35500	-.20200	-.28300	6.45000	.01000	3.94000	2.65000
.602	24.390	-.06100	-.28200	-.41400	-.35400	-.20300	-.28100	6.44000	.04000	3.93000	2.65000
.600	25.380	-.06300	-.28800	-.41400	-.35500	-.20100	-.27800	6.45000	.04000	3.95000	2.65000
.602	26.380	-.06500	-.28900	-.41800	-.35800	-.20300	-.28200	6.43000	.06000	3.93000	2.65000
.601	27.370	-.06600	-.28700	-.41900	-.35900	-.20800	-.28300	6.45000	.02000	3.95000	2.66000
.600	28.370	-.06600	-.29200	-.41800	-.35600	-.20400	-.27900	6.43000	.05000	3.94000	2.65000
.601	29.360	-.06500	-.29000	-.41900	-.36100	-.21000	-.28100	6.44000	.00000	3.96000	2.65000
.601	30.360	-.06800	-.29200	-.42700	-.36500	-.20900	-.28000	6.41000	.04000	3.93000	2.65000
.602	31.350	-.06700	-.29000	-.42500	-.36300	-.21100	-.27900	6.41000	.04000	3.93000	2.66000
.603	32.350	-.06300	-.28800	-.42300	-.36000	-.21100	-.27500	6.41000	.01000	3.94000	2.66000
.602	33.340	-.06800	-.29000	-.42400	-.36100	-.20900	-.27700	6.43000	.03000	3.97000	2.66000
.601	34.340	-.06900	-.29400	-.42500	-.36300	-.21000	-.27900	6.41000	.02000	3.95000	2.66000
.602	35.340	-.06400	-.29000	-.42400	-.36100	-.20900	-.27700	6.39000	.03000	3.94000	2.66000
.602	36.330	-.06700	-.29500	-.42800	-.36600	-.21400	-.27900	6.41000	.03000	3.96000	2.66000
.601	37.320	-.06900	-.29700	-.43200	-.36800	-.21500	-.28100	6.37000	.02000	3.92000	2.66000
.602	38.320	-.07000	-.29500	-.43000	-.36600	-.21500	-.27700	6.40000	.06000	3.96000	2.66000
.601	39.310	-.06800	-.29500	-.43000	-.36800	-.21600	-.27600	6.39000	.04000	3.96000	2.66000
.601	40.310	-.07100	-.29700	-.43500	-.36900	-.21600	-.27800	6.37000	.04000	3.94000	2.66000
.603	41.310	-.07200	-.29800	-.43400	-.36800	-.21900	-.27500	6.36000	.02000	3.94000	2.66000
.601	42.300	-.06800	-.29500	-.43300	-.36700	-.21700	-.27600	6.37000	.04000	3.95000	2.67000
.601	43.290	-.06800	-.29400	-.42900	-.36500	-.21800	-.27500	6.36000	.04000	3.94000	2.67000

DATE 22 MAR 76

CA-26 FORCE SOURCE DATA TABULATION

PAGE 255

LTV44-559(CA26) 747/1 ATY 02 S1 (ORBITER DATA)

(8FE074) ( 18 NOV 75 )

REFERENCE DATA

SREF = 2690.0000 SQ.FT. XMRP = 1109.0000 IN. XO  
LREF = 474.8100 IN. YMRP = .0000 IN. YO  
BREF = 936.6800 IN. ZMRP = 375.0000 IN. ZO  
SCALE = .0125

PARAMETRIC DATA

ALPHAC = 2.000 BETAC = .000  
STAB = 5.000 ELEVON = .000  
BDFLAP = .000 DX = .000  
DY = .000 IORB = 4.000  
BETA0 = .000 RUDDER = .000

RUN NO. 55/ 0 RN/L = .00 GRADIENT INTERVAL = -5.00/ 5.00

MACH	DZ	CPCO	CPB1	CPB2	CPB3	CPS1	CPS2	ALPHA0	BETA0	INCID	ALPHAC
.600	44.290	-.07000	-.29900	-.43300	-.37000	-.22400	-.27400	6.34000	.00000	3.93000	2.67000
.603	44.790	-.07200	-.30300	-.43500	-.37200	-.22000	-.27400	6.34000	.00000	3.94000	2.67000
	GRADIENT	-.00388	-.00302	-.00699	-.00402	-.00449	-.00136	-.00586	.00429	-.00058	.00192

ORIGINAL PAGE IS  
OF POOR QUALITY

LTV44-559(CA26) 747/1 ATY 02 S1 (ORBITER DATA)

(BFE075) ( 18 NOV 75 )

## REFERENCE DATA

SREF = 2690.0000 SQ.FT. XMRP = 1109.0000 IN. X0  
 LREF = 474.8100 IN. YMRP = .0000 IN. Y0  
 BREF = 936.6800 IN. ZMRP = 375.0000 IN. Z0  
 SCALE = .0125

## PARAMETRIC DATA

ALPHAC = 2.000 BETAC = .000  
 STAB = 5.000 ELEVON = .000  
 BDFLAP = .000 DX = .000  
 DY = .000 IORB = 6.000  
 BETAO = .000 RUDDER = .000

RUN NO. 1055/ 0 RN/L = .00 GRADIENT INTERVAL = -5.00/ 5.00

MACH	DZ	CPCO	CPB1	CPB2	CPB3	CPS1	CPS2	ALPHA0	BETAO	INCID	ALPHAC
.603	1.470	-.07100	-.28500	-.41200	-.36700	-.23800	-.24800	8.57000	.02000	5.92000	2.65000
.601	2.070	-.07100	-.28900	-.41000	-.36700	-.23900	-.25000	8.58000	.03000	5.93000	2.65000
.602	2.670	-.07300	-.29900	-.40900	-.36600	-.23800	-.25000	8.56000	.03000	5.92000	2.65000
.601	3.370	-.07400	-.28800	-.40700	-.36400	-.23400	-.24700	8.58000	.04000	5.95000	2.65000
.602	4.170	-.07400	-.28800	-.40800	-.36500	-.23700	-.25000	8.56000	.04000	5.93000	2.65000
.600	4.960	-.07500	-.29000	-.41400	-.37100	-.24100	-.25300	8.55000	.02000	5.93000	2.65000
.601	6.970	-.07300	-.29200	-.41700	-.36900	-.23900	-.25300	8.54000	.04000	5.93000	2.64000
.602	8.970	-.07500	-.29200	-.41600	-.36500	-.23400	-.24900	8.54000	.05000	5.94000	2.65000
.601	10.600	-.07500	-.29300	-.42100	-.37100	-.24000	-.25500	8.54000	.05000	5.95000	2.64000
.602	11.880	-.07600	-.29400	-.41400	-.36600	-.23500	-.25100	8.52000	.05000	5.94000	2.65000
.602	13.160	-.07700	-.29400	-.41600	-.36600	-.23500	-.25200	8.51000	.03000	5.94000	2.65000
.601	14.440	-.07500	-.29500	-.42000	-.37100	-.23800	-.25400	8.52000	.04000	5.95000	2.65000
.600	15.710	-.07500	-.29500	-.42100	-.37100	-.23800	-.25400	8.51000	.04000	5.95000	2.65000
.601	16.990	-.07600	-.29400	-.42100	-.37200	-.24100	-.25700	8.50000	.03000	5.95000	2.65000
.601	18.270	-.07800	-.29900	-.42000	-.37100	-.24000	-.25700	8.51000	.05000	5.96000	2.65000
.600	19.540	-.08000	-.29900	-.42200	-.37000	-.24100	-.25700	8.49000	.01000	5.94000	2.65000
.599	20.820	-.08000	-.30200	-.42500	-.37500	-.24200	-.26100	8.49000	.05000	5.95000	2.65000
.600	22.090	-.08000	-.30100	-.42300	-.37300	-.24000	-.26000	8.44000	.01000	5.91000	2.65000
.601	23.360	-.07700	-.29800	-.42200	-.37000	-.23800	-.25500	8.45000	.02000	5.93000	2.66000
.603	24.650	-.07500	-.29600	-.42000	-.36900	-.23900	-.25500	8.44000	.01000	5.92000	2.66000
.603	25.920	-.07800	-.29600	-.42300	-.37200	-.23900	-.25800	8.44000	.02000	5.93000	2.66000
.602	27.200	-.07300	-.29600	-.42200	-.37100	-.23900	-.25800	8.43000	.03000	5.93000	2.66000
.602	28.470	-.07800	-.30300	-.42600	-.37200	-.23700	-.25800	8.46000	.02000	5.96000	2.66000
.602	29.750	-.07700	-.30200	-.42500	-.37300	-.24100	-.25800	8.44000	.00000	5.95000	2.66000
.602	31.030	-.07900	-.30300	-.42700	-.37700	-.24200	-.26100	8.43000	.02000	5.95000	2.66000
.599	32.300	-.08300	-.30700	-.43400	-.37900	-.24300	-.26700	8.42000	.03000	5.95000	2.66000
.600	33.580	-.08000	-.30300	-.42900	-.37400	-.24100	-.26200	8.42000	.01000	5.95000	2.66000
.600	34.850	-.07800	-.30200	-.42700	-.37200	-.23600	-.26300	8.40000	.00000	5.94000	2.66000
.604	36.130	-.07500	-.29400	-.42000	-.36600	-.23300	-.26200	8.39000	.02000	5.94000	2.66000
.603	37.410	-.07600	-.29900	-.42300	-.37200	-.23900	-.26200	8.40000	.03000	5.96000	2.66000
.600	38.690	-.08000	-.30600	-.43100	-.37700	-.24100	-.26400	8.39000	.01000	5.95000	2.67000
.599	39.960	-.08200	-.30500	-.43200	-.37800	-.23900	-.26900	8.38000	.02000	5.95000	2.67000
.600	41.240	-.07900	-.30200	-.42900	-.37500	-.23600	-.26700	8.37000	.02000	5.95000	2.66000
.603	42.520	-.07700	-.29900	-.42500	-.37400	-.23800	-.26700	8.37000	.03000	5.95000	2.67000
.602	43.790	-.07800	-.30400	-.42900	-.37300	-.23200	-.26700	8.33000	.00000	5.92000	2.67000
.603	45.070	-.07500	-.30000	-.42600	-.37100	-.23700	-.26700	8.36000	.00000	5.95000	2.66000
.601	46.340	-.07900	-.30300	-.43100	-.37200	-.23100	-.27200	8.36000	.02000	5.95000	2.67000
.603	47.620	-.07400	-.29800	-.42500	-.37100	-.23100	-.27200	8.33000	.01000	5.94000	2.67000
.600	48.900	-.07900	-.30300	-.43300	-.37400	-.23200	-.27000	8.33000	.02000	5.94000	2.67000
.601	50.180	-.07500	-.29600	-.42700	-.36800	-.23400	-.26700	8.31000	.00000	5.93000	2.67000
.602	51.460	-.07800	-.30200	-.43100	-.37100	-.23100	-.27100	8.30000	.00000	5.93000	2.67000
GRADIENT		-.00121	-.00083	-.00019	-.00058	-.00028	-.00094	-.00593	.00129	.00303	.00000

LTV44-559(CA26) 747/1 ATY 02 S1 (ORBITER DATA)

(BFEO76) ( 18 NOV 75 )

## REFERENCE DATA

SREF = 2690.0000 SQ.FT. XMRP = 1109.0000 IN. XO  
 LREF = 474.8100 IN. YMRP = .0000 IN. YO  
 BREF = 936.6800 IN. ZMRP = 375.0000 IN. ZO  
 SCALE = .0125

## PARAMETRIC DATA

ALPHAC = 2.000 BETAC = .000  
 STAB = 5.000 ELEVON = .000  
 BDFLAP = .000 DX = .000  
 DY = .000 IORB = 8.000  
 BETA0 = .000 RUDDER = .000

RUN NO. 56/ 0 RN/L = .00 GRADIENT INTERVAL = -5.00/ 5.00

MACH	OZ	CPCO	CPB1	CPB2	CPB3	CPS1	CPS2	ALPHAO	BETA0	INCID	ALPHAC
.599	1.460	-.04200	-.24600	-.36800	-.31400	-.17700	-.28100	10.60000	.04000	7.92000	2.69000
.599	2.060	-.04500	-.25000	-.37500	-.31800	-.17900	-.28400	10.60000	.06000	7.93000	2.68000
.599	2.660	-.04900	-.25800	-.37600	-.31900	-.18700	-.28500	10.60000	.06000	7.91000	2.69000
.598	3.460	-.05000	-.25500	-.38600	-.31900	-.18600	-.28500	10.61000	.07000	7.93000	2.69000
.598	4.460	-.05400	-.26000	-.40500	-.32400	-.19000	-.28700	10.59000	.05000	7.92000	2.69000
.599	5.590	-.05600	-.26500	-.38600	-.33100	-.19900	-.28800	10.56000	.03000	7.90000	2.69000
.600	6.840	-.05700	-.26700	-.40800	-.33300	-.20000	-.28800	10.58000	.05000	7.94000	2.68000
.598	8.090	-.06000	-.27000	-.40900	-.33200	-.19800	-.28800	10.54000	.02000	7.91000	2.68000
.598	9.340	-.06300	-.27400	-.40800	-.33700	-.20200	-.28900	10.56000	.03000	7.93000	2.68000
.596	10.580	-.06200	-.27500	-.42500	-.34200	-.20800	-.28900	10.55000	.05000	7.93000	2.67000
.599	11.810	-.06400	-.27300	-.41900	-.33600	-.20400	-.28400	10.54000	.00000	7.94000	2.67000
.599	13.050	-.06500	-.27600	-.42900	-.34000	-.20600	-.28700	10.52000	.00000	7.92000	2.67000
.597	14.290	-.06500	-.27700	-.43500	-.34800	-.21600	-.29400	10.52000	.07000	7.93000	2.67000
.599	15.520	-.06400	-.27900	-.42500	-.34500	-.21000	-.28700	10.52000	.02000	7.95000	2.67000
.599	16.750	-.06600	-.28100	-.43400	-.34400	-.21300	-.28700	10.51000	.01000	7.93000	2.67000
.599	17.990	-.06600	-.28300	-.43500	-.34800	-.21500	-.28800	10.51000	.04000	7.94000	2.67000
.600	19.230	-.06700	-.28500	-.42700	-.34900	-.21500	-.28800	10.51000	.05000	7.95000	2.67000
.600	20.460	-.06700	-.28400	-.42900	-.35200	-.21800	-.28900	10.47000	.06000	7.91000	2.67000
.599	21.690	-.06800	-.28400	-.43100	-.35400	-.22200	-.28900	10.45000	.06000	7.90000	2.67000
.598	22.930	-.07400	-.29100	-.42600	-.35500	-.22300	-.28900	10.47000	.00000	7.94000	2.66000
.598	24.160	-.07100	-.29100	-.42900	-.35900	-.22600	-.29200	10.47700	.01000	7.94000	2.67000
.600	25.390	-.07100	-.28800	-.42500	-.35800	-.22500	-.29000	10.46000	.00000	7.94000	2.66000
.599	26.630	-.07500	-.29400	-.43000	-.36100	-.22900	-.29200	10.42000	.02000	7.91000	2.67000
.600	27.860	-.07200	-.28900	-.42500	-.36000	-.22800	-.28800	10.44000	.00000	7.94000	2.66000
.601	29.100	-.07500	-.29100	-.42600	-.35600	-.23000	-.28800	10.44000	.01000	7.94000	2.67000
.599	30.340	-.07600	-.29200	-.44200	-.36300	-.23300	-.29000	10.40000	.06000	7.91000	2.66000
.598	31.570	-.07600	-.29500	-.45100	-.36500	-.23200	-.29300	10.39000	.05000	7.90000	2.67000
.598	32.800	-.07400	-.29400	-.44300	-.36000	-.23000	-.29300	10.40000	.00000	7.93000	2.67000
.599	34.040	-.07700	-.29700	-.44200	-.36500	-.23400	-.29100	10.42000	.00000	7.95000	2.67000
.598	35.280	-.08000	-.29800	-.44100	-.36700	-.24100	-.28900	10.41000	-.01000	7.95000	2.67000
.600	36.510	-.07900	-.30000	-.43800	-.36400	-.23800	-.29000	10.37000	.04000	7.91000	2.66000
.599	37.740	-.08100	-.29900	-.43700	-.36900	-.24200	-.29100	10.39000	.01000	7.94000	2.67000
.599	38.980	-.08200	-.30200	-.43900	-.37000	-.24300	-.29200	10.38000	.02000	7.94000	2.67000
.599	40.220	-.07900	-.30300	-.44200	-.36700	-.24100	-.29000	10.36000	.02000	7.92000	2.67000
.599	41.450	-.08000	-.30400	-.44000	-.36800	-.24400	-.28800	10.37000	-.02000	7.94000	2.67000
.600	42.690	-.07700	-.30000	-.44300	-.36500	-.23800	-.28800	10.35000	.04000	7.93000	2.67000
.600	43.920	-.07900	-.29700	-.44600	-.36700	-.23700	-.28900	10.36000	.04000	7.94000	2.67000
.599	45.150	-.08300	-.30300	-.44800	-.37300	-.24300	-.28700	10.33000	.04000	7.92000	2.67000
.600	46.390	-.08200	-.30100	-.44800	-.37300	-.24400	-.28900	10.34000	.00000	7.93000	2.67000
.600	47.630	-.08200	-.30300	-.45000	-.37500	-.24300	-.29000	10.32000	.00000	7.92000	2.67000
.598	48.860	-.08100	-.31000	-.45200	-.37900	-.24700	-.29100	10.31000	.01000	7.91000	2.68000
.600	50.090	-.08200	-.30600	-.45300	-.37500	-.24400	-.28600	10.30000	.04000	7.92000	2.67000

LTV44-559(CA26) 747/1 ATY 02 S1 (ORBITER DATA)

(BFE076) ( 18 NOV 75 )

## REFERENCE DATA

SREF = 2690.0000 SQ.FT. XMRP = 1109.0000 IN. XO  
 LREF = 474.8100 IN. YMRP = .0000 IN. YO  
 BREF = 936.6800 IN. ZMRP = 375.0000 IN. ZO  
 SCALE = .0125

## PARAMETRIC DATA

ALPHAC = 2.000 BETAC = .000  
 STAB = 5.000 ELEVON = .000  
 BDFLAP = .000 DX = .000  
 DY = .000 TORB = 8.000  
 BETA0 = .000 RUDDER = .000

RUN NO. 56/ 0 RN/L = .00 GRADIENT INTERVAL = -5.00/ 5.00

MACH	DZ	CPCO	CPB1	CPB2	CPB3	CPS1	CPS2	ALPHA0	BETA0	INCID	ALPHAC
.598	51.330	-.08100	-.30700	-.46100	-.37500	-.24500	-.29000	10.29000	.03000	7.91000	2.67000
.599	52.570	-.08700	-.30800	-.45300	-.37800	-.24500	-.29400	10.29000	.01000	7.93000	2.67000
.598	53.800	-.08800	-.31100	-.45900	-.37900	-.25000	-.29300	10.26000	.03000	7.90000	2.67000
.602	55.040	-.08100	-.30800	-.44900	-.37400	-.24900	-.28300	10.30000	.00000	7.94000	2.68000
.598	56.270	-.08600	-.31200	-.45500	-.38100	-.25000	-.29000	10.25000	.05000	7.89000	2.68000
.601	57.500	-.08200	-.30800	-.44700	-.37400	-.24900	-.28900	10.24000	.02000	7.90000	2.68000
.596	58.120	-.08800	-.31900	-.45800	-.38700	-.25600	-.29600	10.28000	.03000	7.94000	2.67000
	GRADIENT	-.00385	-.00428	-.01182	-.00284	-.00432	-.00168	-.00180	.00310	.00007	.00137



LTV44-559(CA26) 747/1 ATY 02 S1 (ORBITER DATA)

(BFE077) ( 18 NOV 75 )

## REFERENCE DATA

SREF = 2690.0000 SQ.FT. XMRP = 1109.0000 IN. XO  
 LREF = 474.8100 IN. YMRP = .0000 IN. YO  
 BREF = 936.6800 IN. ZMRP = 375.0000 IN. ZO  
 SCALE = .0125

## PARAMETRIC DATA

ALPHAC = 2.000 BETAC = .000  
 STAB = 5.000 ELEVON = 10.000  
 BDFLAP = .000 DX = .000  
 DY = .000 TORB = 6.000  
 BETA0 = .000 RUDDER = .000

RUN NO. 57/ 0 RN/L = .00 GRADIENT INTERVAL = -5.00/ 5.00

MACH	DZ	CPCO	CPB1	CPB2	CPB3	CPS1	CPS2	ALPHA0	BETA0	INCID	ALPHAC
.602	1.460	-.03900	-.25400	-.33700	-.30700	-.16700	-.27700	8.72000	.06000	5.96000	2.76000
.601	2.060	-.04500	-.25900	-.34500	-.31500	-.17100	-.28200	8.71000	.06000	5.96000	2.76000
.603	2.660	-.04100	-.25700	-.34200	-.31000	-.16600	-.27800	8.69000	.08000	5.94000	2.76000
.604	3.360	-.04400	-.25600	-.34600	-.31500	-.16500	-.27700	8.68000	.01000	5.94000	2.75000
.602	4.160	-.04300	-.26300	-.35000	-.31500	-.17200	-.27900	8.68000	.00000	5.94000	2.75000
.602	4.960	-.05200	-.26600	-.35900	-.32600	-.17600	-.28500	8.65000	.09000	5.92000	2.75000
.603	5.960	-.04600	-.26600	-.35500	-.32000	-.17700	-.27800	8.65000	.06000	5.94000	2.75000
.603	6.960	-.05000	-.26400	-.35900	-.31900	-.17800	-.27900	8.65000	.09000	5.95000	2.74000
.603	7.970	-.04800	-.27000	-.36000	-.32400	-.17700	-.28100	8.64000	.07000	5.95000	2.74000
.602	8.960	-.05200	-.26600	-.36300	-.32500	-.17700	-.28300	8.62000	.06000	5.94000	2.73000
.603	9.960	-.05400	-.27400	-.36700	-.32600	-.18600	-.28200	8.61000	.07000	5.93000	2.73000
.604	11.150	-.05300	-.27400	-.37000	-.32700	-.18400	-.28200	8.57000	.08000	5.90000	2.73000
.606	12.330	-.04900	-.26500	-.36100	-.32600	-.18000	-.27400	8.58000	.08000	5.92000	2.73000
.598	13.520	-.06100	-.28400	-.38100	-.34000	-.19400	-.29200	8.58000	.05000	5.93000	2.72000
.604	14.700	-.05900	-.27900	-.37800	-.33400	-.18700	-.28500	8.59000	.11000	5.95000	2.72000
.601	15.900	-.05800	-.28000	-.38500	-.34100	-.19500	-.28800	8.54000	.11000	5.91000	2.72000
.601	17.080	-.06000	-.28200	-.38500	-.33800	-.19000	-.28300	8.57000	.11000	5.95000	2.72000
.600	18.270	-.06500	-.28700	-.39000	-.34600	-.19500	-.28600	8.51000	.08000	5.90000	2.71000
.601	19.450	-.05800	-.28200	-.38800	-.34500	-.19900	-.28600	8.54000	.08000	5.94000	2.71000
.600	20.640	-.06000	-.28600	-.38900	-.34800	-.20300	-.28900	8.49000	.07000	5.89000	2.71000
.600	21.810	-.06000	-.28600	-.38700	-.34500	-.20000	-.28500	8.52000	.09000	5.93000	2.71000
.601	23.000	-.06300	-.28600	-.38400	-.34400	-.19700	-.28600	8.49000	.09000	5.92000	2.70000
.602	24.190	-.06200	-.29300	-.38800	-.35100	-.20400	-.28700	8.51000	.08000	5.95000	2.70000
.602	25.370	-.06500	-.29200	-.39300	-.35100	-.20400	-.28800	8.47000	.07000	5.92000	2.70000
.601	26.560	-.06100	-.29400	-.39300	-.35400	-.20400	-.28700	8.48000	.07000	5.93000	2.70000
.602	27.740	-.06400	-.29500	-.39600	-.35200	-.20700	-.28800	8.46000	.12000	5.92000	2.70000
.603	28.930	-.06300	-.28800	-.39400	-.34400	-.20500	-.28100	8.44000	.05000	5.92000	2.69000
.598	30.110	-.06400	-.29300	-.40400	-.35400	-.20900	-.28600	8.47000	.07000	5.95000	2.69000
.602	31.310	-.06000	-.29100	-.39400	-.35300	-.20400	-.28500	8.47000	.08000	5.95000	2.69000
.602	32.490	-.06300	-.29400	-.39600	-.35700	-.20800	-.29000	8.43000	.04000	5.93000	2.69000
.601	33.680	-.06300	-.29600	-.39900	-.35800	-.20800	-.28700	8.45000	.07000	5.95000	2.69000
.600	34.860	-.06700	-.29600	-.40400	-.35700	-.21300	-.28600	8.41000	.05000	5.92000	2.69000
.604	36.050	-.06300	-.29200	-.39700	-.34800	-.21100	-.28000	8.43000	.09000	5.94000	2.69000
.602	37.230	-.06300	-.29900	-.39800	-.35600	-.20700	-.28800	8.41000	.08000	5.94000	2.69000
.602	38.420	-.06400	-.29600	-.39900	-.35200	-.21300	-.28300	8.40000	.00000	5.93000	2.69000
.602	39.610	-.06800	-.29500	-.40900	-.35600	-.21600	-.28400	8.42000	.02000	5.96000	2.69000
.602	40.790	-.06500	-.29800	-.40300	-.35900	-.21100	-.28300	8.36000	.06000	5.91000	2.68000
.601	41.980	-.06600	-.29600	-.40700	-.35600	-.21700	-.28200	8.37000	.06000	5.92000	2.69000
.602	43.160	-.06100	-.29700	-.40200	-.35700	-.21200	-.28100	8.37000	.06000	5.93000	2.68000
.603	44.350	-.06400	-.29900	-.40600	-.35800	-.21500	-.28100	8.38000	.01000	5.95000	2.68000
.601	45.530	-.06600	-.30000	-.41200	-.35900	-.21700	-.28100	8.34000	.05000	5.92000	2.68000
.600	46.720	-.06800	-.30100	-.41000	-.36300	-.21400	-.28700	8.37000	.00000	5.96000	2.68000

ORIGINAL PAGE IS  
OF POOR QUALITY

LTV44-559(CA26) 747/1 ATY 02 S1 (ORBITER DATA)

(BFE077) ( 18 NOV 75 )

## REFERENCE DATA

SREF = 2690.0000 SQ.FT. XMRP = 1109.0000 IN. XO  
 LREF = 474.8100 IN. YMRP = .0000 IN. YO  
 BREF = 936.6800 IN. ZMRP = 375.0000 IN. ZO  
 SCALE = .0125

## PARAMETRIC DATA

ALPHAC = 2.000 BETAC = .000  
 STAB = 5.000 ELEVON = 10.000  
 BDFLAP = .000 DX = .000  
 DY = .000 IORB = 6.000  
 BETAO = .000 RUDDER = .000

RUN NO. 57/ 0 RN/L = .00 GRADIENT INTERVAL = -5.00/ 5.00

MACH	DZ	CPCO	CPB1	CPB2	CPB3	CPS1	CPS2	ALPHAO	BETAO	INCID	ALPHAC
.601	47.910	-.06500	-.30000	-.41100	-.36100	-.21900	-.28200	8.36000	.02000	5.94000	2.69000
.601	49.090	-.06400	-.30200	-.41100	-.36200	-.21700	-.28400	8.32000	.03000	5.92000	2.69000
.602	50.280	-.06200	-.30300	-.40700	-.36400	-.21800	-.28100	8.34000	.04000	5.94000	2.69000
.605	51.460	-.06500	-.30200	-.40700	-.36200	-.21700	-.28200	8.32000	.05000	5.94000	2.68000
	GRADIENT	-.00259	-.00297	-.00533	-.00416	-.00205	-.00130	-.01828	-.00337	-.01056	-.00366

LTV44-559(CA26) 747/1 ATY 02 S1 (ORBITER DATA)

(BFE07B) ( 18 NOV 75 )

## REFERENCE DATA

SREF = 2690.0000 SQ.FT. XMRP = 1109.0000 IN. XO  
 LREF = 474.8100 IN. YMRP = .0000 IN. YO  
 BREF = 936.6800 IN. ZMRP = 375.0000 IN. ZO  
 SCALE = .0125

## PARAMETRIC DATA

ALPHAC = 2.000 BETAC = .000  
 STAB = 5.000 ELEVON = 5.000  
 AILRON = -5.000 DX = .000  
 DY = .000 YORB = 6.000  
 BETAO = .000 DPHI = .000

RUN NO. 58/ 0 RN/L = .00 GRADIENT INTERVAL = -5.00/ 5.00

MACH	DZ	CPCO	CPB1	CPB2	CPB3	CPS1	CPS2	PHAO	BETAO	INCID	ALPHAC
.599	1.460	-.05900	-.27200	-.39000	-.33200	-.20200	-.28200	.00000	.59000	5.91000	2.71000
.594	2.060	-.06200	-.27700	-.39700	-.34300	-.21200	-.29000	.00000	.59000	5.94000	2.71000
.598	2.660	-.05700	-.27000	-.39000	-.34000	-.20700	-.28000	.00000	.59000	5.93000	2.71000
.600	3.360	-.06300	-.27600	-.39000	-.33400	-.20800	-.28000	.03000	.60000	5.94000	2.71000
.597	4.160	-.06500	-.27900	-.39700	-.34500	-.21600	-.28600	.03000	.59000	5.91000	2.71000
.598	4.960	-.06600	-.28200	-.40100	-.34600	-.21100	-.28000	.03000	.59000	5.91000	2.70000
.597	5.960	-.06600	-.28100	-.40300	-.35000	-.22000	-.28500	.03000	.59000	5.91000	2.70000
.599	6.960	-.06400	-.28300	-.40400	-.35000	-.21500	-.28100	.02000	.59000	5.93000	2.70000
.597	7.970	-.06600	-.27600	-.40800	-.35500	-.22300	-.28400	.02000	.59000	5.94000	2.70000
.598	8.960	-.07000	-.28500	-.40600	-.34700	-.21900	-.28100	.02000	.59000	5.93000	2.69000
.599	9.960	-.07100	-.28800	-.41200	-.34900	-.22100	-.28000	.01000	.59000	5.94000	2.69000
.599	11.150	-.06900	-.29000	-.41600	-.35800	-.22600	-.28100	.01000	.59000	5.90000	2.69000
.600	12.330	-.07300	-.29000	-.41600	-.35200	-.22600	-.28100	.01000	.60000	5.91000	2.68000
.595	13.520	-.07400	-.29900	-.42800	-.36800	-.23500	-.28900	.00000	.59000	5.93000	2.68000
.599	14.700	-.07300	-.29400	-.41800	-.35700	-.23000	-.28300	.00000	.59000	5.93000	2.68000
.597	15.900	-.07400	-.29700	-.42400	-.36300	-.23200	-.28300	.00000	.59000	5.92000	2.68000
.599	17.080	-.07300	-.29400	-.42500	-.36500	-.23600	-.28600	.00000	.59000	5.91000	2.67000
.598	18.270	-.07700	-.30100	-.42800	-.36600	-.23500	-.28400	.00000	.59000	5.91000	2.68000
.600	19.450	-.07400	-.29600	-.42400	-.36200	-.23600	-.28000	.00000	.60000	5.95000	2.68000
.596	20.640	-.08000	-.30600	-.43700	-.37300	-.24100	-.28400	-.01000	.59000	5.95000	2.67000
.599	21.810	-.07500	-.29900	-.42700	-.36400	-.23800	-.28200	-.01000	.59000	5.91000	2.68000
.599	23.000	-.07600	-.29800	-.42400	-.36300	-.24000	-.28200	-.01000	.59000	5.92000	2.68000
.597	24.190	-.08000	-.30900	-.43600	-.37600	-.24500	-.28600	-.02000	.59000	5.94000	2.67000
.597	25.370	-.08000	-.30900	-.43700	-.37900	-.24700	-.28800	-.02000	.59000	5.94000	2.67000
.599	26.560	-.07600	-.29900	-.42800	-.36800	-.24200	-.28300	-.02000	.59000	5.91000	2.67000
.596	27.740	-.08100	-.30900	-.43600	-.37500	-.24600	-.28100	-.02000	.59000	5.95000	2.67000
.600	28.930	-.07600	-.30200	-.43300	-.37200	-.24700	-.28000	-.02000	.60000	5.92000	2.67000
.599	30.110	-.07400	-.30100	-.44100	-.37300	-.24700	-.28000	-.02000	.59000	5.96000	2.67000
.599	31.310	-.07800	-.30300	-.44000	-.37500	-.25100	-.28000	-.02000	.59000	5.95000	2.67000
.597	32.490	-.08400	-.30900	-.44200	-.37600	-.25000	-.28100	-.02000	.59000	5.92000	2.67000
.600	33.680	-.07500	-.30300	-.43500	-.37200	-.24900	-.27500	-.02000	.60000	5.94000	2.67000
.598	34.860	-.08100	-.31100	-.43900	-.37500	-.24900	-.27700	-.02000	.59000	5.91000	2.67000
.600	36.050	-.07700	-.30800	-.43700	-.37600	-.24900	-.27800	-.02000	.60000	5.94000	2.67000
.599	37.230	-.07600	-.30500	-.43400	-.37600	-.25200	-.27800	-.01000	.59000	5.95000	2.67000
.597	38.420	-.08100	-.31100	-.43900	-.38000	-.25200	-.27900	-.01000	.59000	5.91000	2.67000
.598	39.610	-.08500	-.31400	-.44400	-.38100	-.25000	-.28100	-.01000	.59000	5.93000	2.67000
.598	40.790	-.07700	-.30800	-.44000	-.38200	-.25200	-.27900	-.01000	.59000	5.91000	2.67000
.597	41.980	-.08300	-.31700	-.44500	-.38400	-.25400	-.28100	-.01000	.59000	5.91000	2.67000
.599	43.160	-.08400	-.31700	-.44600	-.38300	-.25100	-.28000	-.01000	.59000	5.91000	2.67000
.598	44.350	-.08200	-.31300	-.44300	-.38400	-.25500	-.27800	-.01000	.59000	5.92000	2.67000
.596	45.530	-.08000	-.31300	-.44900	-.38800	-.25700	-.28000	.00000	.59000	5.94000	2.67000
.598	46.720	-.08100	-.31300	-.45000	-.38700	-.25500	-.28200	.00000	.59000	5.93000	2.68000

LTV44-559(CA26) 747/1 ATY 02 S1 (ORBITER DATA)

(BFE078) ( 18 NOV 75 )

## REFERENCE DATA

SREF = 2690.0000 SQ.FT. XMRP = 1109.0000 IN. XO  
 LREF = 474.8100 IN. YMRP = .0000 IN. YO  
 BREF = 936.6800 IN. ZMRP = 375.0000 IN. ZO  
 SCALE = .0125

## PARAMETRIC DATA

ALPHAC = 2.000 BETAC = .000  
 STAB = 5.000 ELEVON = 5.000  
 AILRON = -5.000 DX = .000  
 DY = .000 IORB = 6.000  
 BETAO = .000 OPHI = .000

RUN NO. 58/ 0 RN/L = .00 GRADIENT INTERVAL = -5.00/ 5.00

MACH	DZ	CPCO	CPB1	CPB2	CPB3	CPS1	CPS2	ALPHAO	BETAO	INCLD	ALPHAC
.597	47.910	-.08500	-.31700	-.44600	-.38700	-.25600	-.28100	.00000	.59000	5.91000	2.67000
.600	49.090	-.08300	-.31600	-.44200	-.38300	-.25100	-.27400	.00000	.60000	5.90000	2.68000
.600	50.280	-.08300	-.31500	-.44300	-.38500	-.24900	-.27300	.00000	.60000	5.94000	2.68000
.598	51.460	-.08300	-.31500	-.44700	-.39000	-.25900	-.28200	.00000	.59000	5.93000	2.68000
	GRADIENT	-.00209	-.00261	-.00236	-.00289	-.00233	.00087	.00000	.00029	-.00383	-.00215

DATE 22 MAR 76

CA-26 FORCE SOURCE DATA TABULATION

PAGE 263

LTV44-559(CA26) 747/1 ATY 02 S1 (ORBITER DATA)

(BF079) ( 28 JAN 76 )

## REFERENCE DATA

SREF = 2690.0000 SQ.FT. XMRP = 1109.0000 IN. XO  
 LREF = 474.8100 IN. YMRP = .0000 IN. YO  
 BREF = 936.6800 IN. ZMRP = 375.0000 IN. ZO  
 SCALE = .0125

## PARAMETRIC DATA

ALPHAC = 2.000 BETAC = .000  
 STAB = 5.000 RUDDER = 10.000  
 ELEVON = 5.000 DX = .000  
 DY = .000 IORB = 6.000  
 BETA0 = .000 OPHI = .000

RUN NO. 59/ 0 RN/L = .00 GRADIENT INTERVAL = -5.00/ 5.00

MACH	DZ	CPCO	CPB1	CPB2	CPB3	CPS1	CPS2	ALPHA0	BETA0	INCID	ALPHAC
.599	1.460	-.06300	-.26500	-.39000	-.33900	-.19500	-.33800	8.62000	.14000	5.93000	2.70000
.599	2.060	-.06800	-.26600	-.38900	-.34700	-.19600	-.33900	8.63000	.13000	5.94000	2.70000
.599	2.660	-.06400	-.27100	-.39200	-.34300	-.20000	-.33800	8.62000	.12000	5.93000	2.70000
.597	3.360	-.07400	-.28000	-.40500	-.35400	-.20800	-.34800	8.62000	.14000	5.94000	2.70000
.598	4.160	-.07100	-.27900	-.40600	-.35100	-.20800	-.34600	8.63000	.17000	5.95000	2.70000
.600	4.960	-.07400	-.27500	-.40500	-.35600	-.20700	-.34400	8.63000	.16000	5.96000	2.69000
.599	5.960	-.07600	-.27800	-.40700	-.35900	-.21000	-.34500	8.60000	.19000	5.94000	2.69000
.597	6.960	-.08000	-.28400	-.41600	-.36600	-.21700	-.34900	8.58000	.13000	5.93000	2.69000
.598	7.970	-.07700	-.28000	-.41000	-.36000	-.21300	-.34500	8.61000	.16000	5.96000	2.69000
.597	8.960	-.08100	-.28700	-.41500	-.36500	-.21900	-.34800	8.58000	.15000	5.94000	2.69000
.597	9.960	-.08400	-.28900	-.42600	-.37000	-.22300	-.34900	8.60000	.12000	5.97000	2.69000
.598	11.150	-.08000	-.29100	-.41700	-.36900	-.22600	-.34200	8.57000	.17000	5.95000	2.69000
.600	12.330	-.07700	-.28800	-.41500	-.36700	-.22400	-.34000	8.57000	.16000	5.94000	2.69000
.598	13.520	-.08400	-.28900	-.42600	-.37200	-.22400	-.34800	8.55000	.15000	5.93000	2.69000
.599	14.700	-.08000	-.29400	-.42200	-.37100	-.22700	-.34500	8.56000	.16000	5.96000	2.69000
.596	15.900	-.08900	-.29700	-.43200	-.38200	-.23100	-.35100	8.53000	.16000	5.94000	2.69000
.596	17.080	-.08900	-.29900	-.43400	-.38500	-.23300	-.34800	8.52000	.15000	5.93000	2.68000
.598	18.270	-.08300	-.29400	-.43200	-.37600	-.23200	-.34200	8.52000	.14000	5.94000	2.68000
.598	19.450	-.08700	-.30000	-.43400	-.38200	-.23200	-.34300	8.51000	.10000	5.95000	2.68000
.598	20.640	-.08800	-.29800	-.43400	-.38300	-.23400	-.34700	8.51000	.16000	5.94000	2.68000
.600	21.810	-.08500	-.30000	-.42700	-.37800	-.23400	-.34400	8.52000	.15000	5.96000	2.68000
.599	23.000	-.08600	-.30200	-.43300	-.38200	-.23500	-.34500	8.50000	.15000	5.96000	2.68000
.598	24.190	-.08800	-.30200	-.44000	-.38800	-.23900	-.34500	8.51000	.17000	5.97000	2.68000
.600	25.370	-.09100	-.30100	-.43600	-.38700	-.23900	-.34100	8.47000	.13000	5.94000	2.68000
.599	26.560	-.09700	-.30000	-.43800	-.38700	-.24200	-.34100	8.49000	.18000	5.97000	2.68000
.598	27.740	-.08600	-.30400	-.44200	-.38400	-.24500	-.34200	8.47000	.13000	5.94000	2.68000
.598	28.930	-.08700	-.30400	-.44300	-.38600	-.24600	-.34300	8.48000	.17000	5.96000	2.68000
.596	30.110	-.09100	-.30400	-.44900	-.39200	-.24900	-.34500	8.45000	.11000	5.94000	2.68000
.596	31.310	-.09100	-.30900	-.45200	-.39500	-.24600	-.34600	8.43000	.17000	5.93000	2.68000
.601	32.490	-.08500	-.30600	-.43900	-.38700	-.24600	-.33900	8.46000	.12000	5.96000	2.68000
.598	33.680	-.08700	-.30800	-.44700	-.38800	-.24500	-.34600	8.43000	.13000	5.94000	2.68000
.600	34.860	-.08500	-.30700	-.44400	-.38800	-.24900	-.34400	8.43000	.14000	5.95000	2.68000
.595	36.050	-.09500	-.30900	-.45600	-.39700	-.25100	-.35300	8.42000	.13000	5.95000	2.68000
.600	37.230	-.09100	-.30900	-.44500	-.39100	-.24700	-.34500	8.41000	.22000	5.95000	2.68000
.598	38.420	-.09400	-.31200	-.44900	-.39900	-.25300	-.34700	8.41000	.17000	5.95000	2.68000
.597	39.610	-.09200	-.31100	-.45200	-.39400	-.25100	-.34800	8.39000	.14000	5.94000	2.68000
.598	40.790	-.09200	-.31400	-.45500	-.39700	-.25000	-.34500	8.39000	.11000	5.95000	2.68000
.597	41.980	-.09500	-.31500	-.45900	-.40200	-.25300	-.34700	8.40000	.11000	5.96000	2.68000
.598	43.160	-.09500	-.31400	-.45500	-.40000	-.25600	-.34500	8.38000	.11000	5.95000	2.68000
.599	44.350	-.09300	-.31100	-.45300	-.39800	-.25400	-.34300	8.37000	.13000	5.95000	2.68000
.599	45.530	-.09400	-.31800	-.45500	-.40200	-.25700	-.34500	8.34000	.18000	5.92000	2.68000
.597	46.720	-.09500	-.31600	-.45900	-.40300	-.25500	-.34600	8.36000	.12000	5.94000	2.68000

ORIGINAL PAGE IS  
 OF POOR QUALITY

LTV44-559(CA26) 747/1 ATY 02 S1 (ORBITER DATA)

(8FE079) ( 28 JAN 76 )

## REFERENCE DATA

SREF = 2690.0000 SQ.FT. XMRP = 1109.0000 IN. XO  
 LREF = 474.8100 IN. YMRP = .0000 IN. YO  
 BREF = 936.6800 IN. ZMRP = 375.0000 IN. ZO  
 SCALE = .0125

## PARAMETRIC DATA

ALPHAC = 2.000 BETAC = .000  
 STAB = 5.000 RUDDER = 10.000  
 ELEVON = 5.000 DX = .000  
 DY = .000 IORB = 6.000  
 BETAO = .000 DPHI = .000

RUN NO. 59/ 0 RN/L = .00 GRADIENT INTERVAL = -5.00/ 5.00

MACH	DZ	CPCO	CPB1	CPB2	CPB3	CPS1	CPS2	ALPHAO	BETAO	INCID	ALPHAC
.597	47.910	-.09700	-.31800	-.46100	-.40600	-.25600	-.34400	8.37000	.15000	5.97000	2.68000
.597	49.090	-.09800	-.31700	-.46400	-.40400	-.25600	-.34400	8.36000	.15000	5.96000	2.68000
.598	50.280	-.09700	-.31800	-.45700	-.40400	-.25500	-.34100	8.35000	.17000	5.96000	2.68000
.600	51.460	-.09000	-.31600	-.45900	-.40100	-.25700	-.34000	8.33000	.15000	5.95000	2.68000
	GRADIENT	-.00299	-.00361	-.00562	-.00436	-.00416	-.00243	.00215	.01021	.00795	-.00215

LTV44-559(CA26) 747/1 ATY 02 S1 (ORBITER DATA)

(BFE080) ( 28 JAN 76 )

## REFERENCE DATA

SREF = 2690.0000 SQ.FT. XMRP = 1109.0000 IN. XO  
 LREF = 474.8100 IN. YMRP = .0000 IN. YO  
 BREF = 936.6800 IN. ZMRP = 375.0000 IN. ZO  
 SCALE = .0125

## PARAMETRIC DATA

ALPHAC = 2.000 BETAC = -5.000  
 STAB = 5.000 ELEVON = 5.000  
 BDFLAP = .000 DX = .000  
 DY = .000 TORB = 4.000  
 BETAO = -5.000 RUDDER = .000

RUN NO. 60/ 0 RN/L = .00 GRADIENT INTERVAL = -5.00/ 5.00

MACH	DZ	CPCO	CPB1	CPB2	CPB3	CPS1	CPS2	ALPHAO	BETAO	INCID	ALPHAC
.589	1.460	-.09400	-.31100	-.39500	-.34500	-.35300	-.10800	6.59000	-5.26000	3.93000	2.66000
.592	2.060	-.08500	-.30200	-.38300	-.33300	-.35000	-.09800	6.58000	-5.30000	3.93000	2.65000
.592	2.660	-.08700	-.30300	-.37800	-.33800	-.35000	-.10200	6.59000	-5.28000	3.94000	2.66000
.592	3.360	-.08600	-.30700	-.38200	-.33900	-.35300	-.10300	6.58000	-5.25000	3.94000	2.66000
.591	4.160	-.09000	-.30800	-.38500	-.34300	-.35300	-.10500	6.58000	-5.28000	3.94000	2.66000
.591	4.960	-.09200	-.30800	-.38900	-.34700	-.35700	-.10800	6.58000	-5.26000	3.94000	2.66000
.591	6.960	-.09100	-.30600	-.39100	-.34500	-.35700	-.10700	6.55000	-5.26000	3.92000	2.66000
.593	8.960	-.08900	-.31100	-.38700	-.34600	-.35900	-.10500	6.57000	-5.27000	3.96000	2.66000
.591	10.460	-.08900	-.31400	-.40300	-.35000	-.36300	-.10900	6.54000	-5.21000	3.93000	2.66000
.589	11.460	-.09500	-.31700	-.40500	-.35400	-.36600	-.11200	6.54000	-5.24000	3.94000	2.66000
.592	12.450	-.08900	-.31700	-.39800	-.35000	-.36300	-.10700	6.53000	-5.22000	3.94000	2.66000
.591	13.450	-.09400	-.31600	-.40800	-.35100	-.36600	-.11100	6.54000	-5.21000	3.94000	2.67000
.592	14.440	-.08900	-.31800	-.40600	-.35100	-.36700	-.10800	6.55000	-5.21000	3.97000	2.66000
.590	15.440	-.09500	-.31900	-.41500	-.35400	-.36900	-.11300	6.49000	-5.22000	3.92000	2.66000
.593	16.430	-.09000	-.31800	-.40600	-.35300	-.36400	-.10800	6.51000	-5.19000	3.94000	2.66000
.593	17.430	-.08700	-.31600	-.40400	-.35200	-.36500	-.10600	6.52000	-5.21000	3.95000	2.66000
.590	18.420	-.09600	-.32200	-.41500	-.36000	-.37000	-.11300	6.50000	-5.20000	3.95000	2.66000
.589	19.420	-.09300	-.32500	-.41900	-.36000	-.37200	-.11500	6.46000	-5.20000	3.91000	2.66000
.590	20.410	-.09200	-.32600	-.41900	-.36100	-.37500	-.11300	6.46000	-5.21000	3.91000	2.66000
.591	21.410	-.08900	-.32500	-.41700	-.35800	-.37200	-.11200	6.47000	-5.20000	3.93000	2.66000
.590	22.390	-.09200	-.32600	-.41800	-.35900	-.37400	-.11300	6.47000	-5.19000	3.94000	2.66000
.592	23.390	-.09200	-.32600	-.42100	-.36000	-.37400	-.11100	6.47000	-5.19000	3.93000	2.67000
.592	24.390	-.09100	-.32300	-.42000	-.36200	-.36800	-.11000	6.48000	-5.19000	3.95000	2.66000
.591	25.380	-.09100	-.32800	-.42400	-.36400	-.37700	-.11100	6.46000	-5.21000	3.93000	2.67000
.592	26.380	-.09600	-.32600	-.41900	-.36400	-.37200	-.11300	6.48000	-5.18000	3.96000	2.67000
.593	27.370	-.09100	-.32700	-.41900	-.36200	-.37200	-.11200	6.47000	-5.18000	3.95000	2.67000
.593	28.370	-.09700	-.32700	-.42200	-.36300	-.37200	-.11500	6.47000	-5.15000	3.96000	2.67000
.591	29.360	-.10100	-.33200	-.43900	-.37200	-.38200	-.11600	6.43000	-5.21000	3.93000	2.67000
.594	30.360	-.09400	-.32800	-.42700	-.36300	-.37400	-.11100	6.45000	-5.17000	3.96000	2.67000
.591	31.350	-.09400	-.33000	-.43400	-.36600	-.38300	-.11400	6.43000	-5.19000	3.94000	2.67000
.593	32.350	-.09200	-.32800	-.43100	-.36500	-.37600	-.10800	6.45000	-5.18000	3.96000	2.67000
.592	33.340	-.09500	-.33100	-.43600	-.36600	-.38400	-.11000	6.42000	-5.19000	3.94000	2.67000
.591	34.340	-.09800	-.33000	-.43200	-.36300	-.38300	-.11000	6.40000	-5.19000	3.93000	2.67000
.590	35.340	-.10000	-.33100	-.43700	-.36900	-.38600	-.11600	6.41000	-5.19000	3.94000	2.67000
.590	36.330	-.10200	-.33300	-.43500	-.37000	-.38600	-.11500	6.39000	-5.18000	3.93000	2.67000
.591	37.320	-.09800	-.33500	-.42900	-.37100	-.38400	-.10900	6.38000	-5.22000	3.93000	2.67000
.589	38.320	-.10300	-.33700	-.43700	-.37100	-.38700	-.11300	6.38000	-5.21000	3.93000	2.67000
.591	39.310	-.09700	-.33500	-.42800	-.36700	-.38400	-.10800	6.40000	-5.20000	3.96000	2.67000
.591	40.310	-.10200	-.33600	-.42900	-.37300	-.39000	-.10900	6.40000	-5.22000	3.96000	2.67000
.590	41.310	-.10300	-.33700	-.43300	-.37400	-.38900	-.11000	6.38000	-5.20000	3.94000	2.67000
.590	42.300	-.10500	-.33900	-.43600	-.37600	-.39100	-.10900	6.37000	-5.18000	3.94000	2.67000
.593	43.290	-.09600	-.33400	-.43000	-.36600	-.39200	-.10200	6.39000	-5.20000	3.97000	2.67000

DATE 22 MAR 76

CA-26 FORCE SOURCE DATA TABULATION

PAGE 266

LTV44-559(CA26) 747/1 ATY 02 SI (ORBITER DATA)

(BFE080) ( 28 JAN 76 )

REFERENCE DATA

SREF = 2690.0000 SQ.FT. XMRP = 1109.0000 IN. XO  
 LREF = 474.8100 IN. YMRP = .0000 IN. YO  
 BREF = 936.6800 IN. ZMRP = 375.0000 IN. ZO  
 SCALE = .0125

PARAMETRIC DATA

ALPHAC = 2.000 BETAC = -5.000  
 STAB = 5.000 ELEVON = 5.000  
 BDFLAP = .000 OX = .000  
 DY = .000 TORB = 4.000  
 BETAO = -5.000 RUDDER = .000

RUN NO. 60/ 0 RN/L = .00 GRADIENT INTERVAL = -5.00/ 5.00

MACH	DZ	CPCO	CPB1	CPB2	CPB3	CPS1	CPS2	ALPHAO	BETAO	INCID	ALPHAC
.591	44.290	-.10600	-.33800	-.43600	-.37600	-.39300	-.11300	6.39000	-5.21000	3.97000	2.67000
.590	44.790	-.10300	-.34100	-.43700	-.37500	-.40400	-.10200	6.39000	-5.22000	3.97000	2.68000
	GRADIENT	-.00031	-.00039	.00053	-.00184	-.00138	-.00102	-.00244	.00377	.00313	.00122



LTV44-559(CA26) 747/1 ATY 02 S1 (ORBITER DATA)

(BFE081) ( 28 JAN 76 )

## REFERENCE DATA

SREF = 2690.0000 SQ.FT. XMRP = 1109.0000 IN. XO  
 LREF = 474.8100 IN. YMRP = .0000 IN. YO  
 BREF = 936.6800 IN. ZMRP = 375.0000 IN. ZO  
 SCALE = .0125

## PARAMETRIC DATA

ALPHAC = 2.000 BETAC = -5.000  
 STAB = 5.000 ELEVON = 5.000  
 BDFLAP = .000 DX = .000  
 DY = .000 TORB = 6.000  
 BETAO = -5.000 RUDDER = .000

RUN NO. 1060/ 0 RN/L = .00 GRADIENT INTERVAL = -5.00/ 5.00

MACH	DZ	CPCO	CPB1	CPB2	CPB3	CPS1	CPS2	ALPHAO	BETAO	INCID	ALPHAC
.592	1.470	-.13300	-.32500	-.41600	-.36700	-.39700	-.07800	8.64000	-5.26000	5.96000	2.68000
.591	2.070	-.13400	-.32400	-.42000	-.37000	-.39400	-.07900	8.63000	-5.26000	5.96000	2.68000
.591	2.670	-.13200	-.32700	-.42200	-.37100	-.39900	-.08300	8.62000	-5.27000	5.95000	2.68000
.589	3.370	-.13400	-.33100	-.42400	-.37000	-.40400	-.08600	8.60000	-5.23000	5.93000	2.68000
.589	4.170	-.13200	-.33200	-.42700	-.37200	-.40500	-.08400	8.60000	-5.25000	5.94000	2.68000
.593	4.960	-.12900	-.32300	-.42000	-.36500	-.39300	-.08200	8.60000	-5.25000	5.94000	2.68000
.592	6.970	-.12900	-.33000	-.42500	-.37100	-.40000	-.08900	8.58000	-5.24000	5.94000	2.68000
.590	8.970	-.13100	-.33600	-.42800	-.37500	-.40400	-.08900	8.56000	-5.21000	5.92000	2.68000
.592	10.600	-.13200	-.32900	-.42100	-.37400	-.39700	-.09100	8.57000	-5.19000	5.96000	2.67000
.590	11.880	-.13400	-.33300	-.42900	-.37500	-.40100	-.09400	8.53000	-5.19000	5.93000	2.67000
.592	13.160	-.12500	-.33200	-.42800	-.37100	-.39900	-.09000	8.54000	-5.20000	5.94000	2.67000
.590	14.440	-.12600	-.33300	-.43100	-.37500	-.39900	-.09100	8.52000	-5.20000	5.93000	2.67000
.592	15.710	-.12600	-.33300	-.42500	-.37000	-.40200	-.09000	8.54000	-5.22000	5.95000	2.67000
.592	16.990	-.12600	-.32800	-.42500	-.36900	-.39600	-.09300	8.52000	-5.18000	5.93000	2.68000
.592	18.270	-.12500	-.32900	-.42600	-.37200	-.39700	-.09400	8.48000	-5.16000	5.91000	2.67000
.592	19.540	-.12400	-.33300	-.42700	-.36900	-.39600	-.09300	8.47000	-5.18000	5.92000	2.67000
.590	20.820	-.13000	-.33600	-.43400	-.38100	-.40300	-.09500	8.48000	-5.21000	5.93000	2.67000
.590	22.090	-.13100	-.33700	-.43300	-.37900	-.40300	-.09500	8.48000	-5.19000	5.94000	2.67000
.590	23.360	-.13100	-.33800	-.43400	-.38100	-.40300	-.09800	8.47000	-5.19000	5.94000	2.67000
.593	24.650	-.12700	-.33700	-.42800	-.37300	-.40100	-.09600	8.45000	-5.19000	5.92000	2.67000
.590	25.920	-.13200	-.34000	-.43500	-.38200	-.40300	-.09700	8.46000	-5.22000	5.94000	2.67000
.589	27.200	-.13100	-.34100	-.43500	-.38300	-.40500	-.09800	8.45000	-5.20000	5.94000	2.67000
.591	28.470	-.12700	-.33700	-.43800	-.37800	-.40000	-.09600	8.43000	-5.21000	5.93000	2.67000
.589	29.750	-.13200	-.34200	-.44000	-.38400	-.40300	-.09900	8.42000	-5.21000	5.92000	2.67000
.591	31.030	-.12400	-.33600	-.43500	-.37600	-.39800	-.09800	8.40000	-5.20000	5.91000	2.67000
.591	32.300	-.12800	-.34000	-.43200	-.37800	-.40600	-.09700	8.44000	-5.18000	5.95000	2.67000
.590	33.580	-.12700	-.34100	-.43200	-.37800	-.40800	-.09600	8.41000	-5.20000	5.93000	2.67000
.589	34.850	-.12800	-.33800	-.43900	-.38100	-.40200	-.10200	8.42000	-5.20000	5.96000	2.67000
.589	36.130	-.12700	-.34000	-.43700	-.37700	-.40600	-.09900	8.42000	-5.18000	5.96000	2.67000
.592	37.410	-.11900	-.33600	-.43300	-.37200	-.39900	-.09800	8.38000	-5.20000	5.93000	2.67000
.592	38.690	-.12000	-.33500	-.43100	-.37100	-.39600	-.09900	8.36000	-5.20000	5.91000	2.67000
.590	39.960	-.12600	-.33800	-.43400	-.38000	-.39900	-.10200	8.38000	-5.21000	5.93000	2.67000
.591	41.240	-.12500	-.33800	-.43700	-.38000	-.39900	-.10200	8.34000	-5.20000	5.90000	2.67000
.593	42.520	-.12100	-.33200	-.43000	-.37100	-.39500	-.09900	8.36000	-5.18000	5.93000	2.67000
.593	43.790	-.11700	-.33300	-.42900	-.36900	-.39600	-.09900	8.37000	-5.19000	5.94000	2.68000
.592	45.070	-.12000	-.33900	-.43000	-.37100	-.40000	-.10300	8.38000	-5.20000	5.97000	2.67000
.593	46.340	-.11500	-.33300	-.43000	-.36800	-.39300	-.10700	8.32000	-5.20000	5.91000	2.68000
.592	47.620	-.12100	-.33400	-.43200	-.37400	-.39400	-.10500	8.34000	-5.18000	5.95000	2.68000
.593	48.900	-.11800	-.33300	-.43000	-.37000	-.39300	-.10400	8.33000	-5.22000	5.94000	2.67000
.593	50.180	-.12300	-.33400	-.43300	-.37500	-.39500	-.10600	8.33000	-5.23000	5.95000	2.67000
.590	51.460	-.12300	-.34100	-.44000	-.37600	-.40100	-.10800	8.34000	-5.21000	5.96000	2.68000
	GRADIENT	.00102	-.00062	-.00164	.00030	-.00059	-.00145	-.01240	.00478	-.00710	.00000

LTV44-559(CA26) 747/1 ATY 02 S1 (ORBITER DATA)

(BFE082) ( 28 JAN 76 )

## REFERENCE DATA

SREF = 2690.0000 SQ.FT. XMRP = 1109.0000 IN. XO  
 LREF = 474.8100 IN. YMRP = .0000 IN. YO  
 BREF = 936.6800 IN. ZMRP = 375.0000 IN. ZO  
 SCALE = .0125

## PARAMETRIC DATA

ALPHAC = 2.000 BETAC = -5.000  
 STAB = 5.000 ELEVON = 5.000  
 BDFLAP = .000 DX = .000  
 DY = .000 IORB = 8.000  
 BETAO = -5.000 RUDDER = .000

RUN NO. 61/ 0 RN/L = .00 GRADIENT INTERVAL = -5.00/ 5.00

MACH	DZ	CPCO	CPB1	CPB2	CPB3	CPS1	CPS2	ALPHAO	BETAO	INCLD	ALPHAC
.594	1.460	-.14000	-.27700	-.37900	-.35300	-.35200	-.13800	10.62000	-5.22000	7.90000	2.72000
.592	2.060	-.13600	-.28000	-.38800	-.35600	-.35300	-.14100	10.64000	-5.24000	7.93000	2.71000
.594	2.660	-.13700	-.28200	-.38700	-.35300	-.35400	-.14000	10.64000	-5.24000	7.94000	2.71000
.592	3.460	-.14200	-.28400	-.39500	-.35900	-.36100	-.14600	10.61000	-5.22000	7.91000	2.71000
.590	4.460	-.14500	-.28600	-.40300	-.36600	-.36400	-.14900	10.61000	-5.21000	7.92000	2.71000
.593	5.590	-.14500	-.28600	-.40000	-.36600	-.36900	-.14700	10.61000	-5.21000	7.93000	2.71000
.593	6.840	-.14700	-.28900	-.41100	-.37100	-.37000	-.15100	10.60000	-5.22000	7.94000	2.70000
.591	8.090	-.14900	-.29800	-.41800	-.37200	-.37700	-.15500	10.59000	-5.22000	7.93000	2.70000
.593	9.340	-.14900	-.29200	-.41900	-.37500	-.37200	-.15200	10.56000	-5.22000	7.91000	2.70000
.594	10.580	-.15100	-.29600	-.42200	-.37900	-.37900	-.15400	10.56000	-5.21000	7.93000	2.69000
.592	11.810	-.15600	-.30700	-.42900	-.38300	-.38800	-.16200	10.53000	-5.21000	7.90000	2.70000
.592	13.050	-.15900	-.30600	-.42900	-.38500	-.39300	-.15900	10.54000	-5.21000	7.92000	2.69000
.593	14.290	-.15700	-.30900	-.43400	-.38600	-.39300	-.16000	10.54000	-5.23000	7.93000	2.69000
.593	15.520	-.15800	-.30600	-.43300	-.38900	-.39200	-.15800	10.53000	-5.21000	7.93000	2.69000
.593	16.750	-.16100	-.31000	-.43500	-.39000	-.39700	-.16300	10.53000	-5.20000	7.94000	2.68000
.593	17.990	-.15900	-.30800	-.44000	-.39200	-.39700	-.16000	10.49000	-5.17000	7.91000	2.69000
.594	19.230	-.15700	-.31000	-.44800	-.39300	-.39600	-.16200	10.48000	-5.18000	7.90000	2.69000
.593	20.460	-.15700	-.31300	-.45000	-.39200	-.39500	-.15900	10.50000	-5.20000	7.94000	2.68000
.591	21.690	-.16300	-.32100	-.46100	-.39900	-.40500	-.16600	10.45000	-5.19000	7.89000	2.68000
.591	22.930	-.16400	-.31700	-.46000	-.40400	-.40700	-.16400	10.45000	-5.20000	7.90000	2.68000
.591	24.160	-.16400	-.31800	-.46300	-.40300	-.40800	-.16300	10.44000	-5.20000	7.90000	2.68000
.592	25.390	-.16100	-.32000	-.46300	-.40100	-.40500	-.16200	10.46000	-5.19000	7.93000	2.68000
.593	26.630	-.16600	-.32300	-.46400	-.40600	-.41000	-.16400	10.45000	-5.18000	7.92000	2.68000
.594	27.860	-.16800	-.32700	-.46600	-.40400	-.41400	-.16800	10.44000	-5.17000	7.92000	2.68000
.594	29.100	-.16300	-.32300	-.47100	-.40200	-.40900	-.16500	10.43000	-5.17000	7.92000	2.68000
.594	30.340	-.16300	-.32400	-.47100	-.40400	-.41100	-.15800	10.42000	-5.20000	7.92000	2.68000
.595	31.570	-.16700	-.32800	-.46600	-.40100	-.41400	-.16400	10.41000	-5.15000	7.91000	2.68000
.594	32.800	-.17300	-.33100	-.46900	-.40800	-.42200	-.16500	10.43000	-5.15000	7.94000	2.68000
.593	34.040	-.17300	-.33300	-.47000	-.41100	-.42500	-.16400	10.41000	-5.17000	7.93000	2.68000
.592	35.280	-.16800	-.33200	-.47500	-.41300	-.42300	-.16200	10.38000	-5.18000	7.91000	2.67000
.593	36.510	-.17200	-.33400	-.47500	-.40700	-.42100	-.16000	10.40000	-5.20000	7.94000	2.68000
.593	37.740	-.17100	-.33600	-.47900	-.41000	-.42400	-.16400	10.37000	-5.19000	7.91000	2.68000
.592	38.980	-.17100	-.33800	-.48900	-.41800	-.42900	-.16400	10.38000	-5.17000	7.93000	2.68000
.591	40.220	-.17200	-.33900	-.48800	-.41800	-.42900	-.16000	10.37000	-5.17000	7.92000	2.68000
.593	41.450	-.17400	-.33600	-.48400	-.41300	-.42600	-.16000	10.37000	-5.19000	7.93000	2.68000
.591	42.690	-.17300	-.34200	-.49700	-.42200	-.43600	-.15900	10.37000	-5.17000	7.93000	2.68000
.594	43.920	-.17200	-.33800	-.49300	-.42000	-.43700	-.16000	10.33000	-5.18000	7.90000	2.68000
.592	45.150	-.17600	-.34000	-.49900	-.41700	-.43500	-.16000	10.35000	-5.17000	7.93000	2.68000
.593	46.390	-.17500	-.34500	-.50000	-.42400	-.44200	-.15800	10.31000	-5.18000	7.90000	2.68000
.594	47.630	-.17400	-.34400	-.49800	-.42400	-.44200	-.16000	10.32000	-5.19000	7.92000	2.68000
.593	48.860	-.17300	-.34300	-.50100	-.42300	-.44100	-.15800	10.29000	-5.16000	7.90000	2.68000
.593	50.090	-.17900	-.34500	-.51200	-.42700	-.44600	-.16000	10.32000	-5.20000	7.93000	2.68000

DATE 22 MAR 76

CA-26 FORCE SOURCE DATA TABULATION

PAGE 269

LTV44-559(CA26) 747/1 ATY 02 S1 (ORBITER DATA)

(BFE082) ( 28 JAN 76 )

## REFERENCE DATA

SREF = 2690.0000 SQ.FT. XMRP = 1109.0000 IN. XO  
 LREF = 474.8100 IN. YMRP = .0000 IN. YO  
 BREF = 936.6800 IN. ZMRP = 375.0000 IN. ZO  
 SCALE = .0125

## PARAMETRIC DATA

ALPHAC = 2.000 BETAC = -5.000  
 STAB = 5.000 ELEVON = 5.000  
 BDFLAP = .000 DX = .000  
 DY = .000 TORB = 8.000  
 BETA0 = -5.000 RUDDER = .000

RUN NO. 61/ 0 RN/L = .00 GRADIENT INTERVAL = -5.00/ 5.00

MACH	OZ	CPCO	CPB1	CPB2	CPB3	CPS1	CPS2	ALPHA0	BETA0	INCID	ALPHAC
.595	51.330	-.17500	-.34400	-.50000	-.42400	-.44300	-.15600	10.28000	-5.15000	7.90000	2.68000
.593	52.570	-.18000	-.34900	-.49900	-.42300	-.44300	-.16300	10.30000	-5.16000	7.92000	2.68000
.594	53.800	-.17400	-.34800	-.50000	-.42600	-.44200	-.16200	10.29000	-5.18000	7.92000	2.68000
.593	55.040	-.18000	-.34900	-.50000	-.42600	-.44400	-.16500	10.29000	-5.19000	7.93000	2.68000
	GRADIENT	-.00234	-.00291	-.00747	-.00412	-.00439	-.00370	-.00742	.00627	.00180	-.00245

LTV44-559(CA26) 747/1 ATY 02 S1 (ORBITER DATA)

(BFE083) ( 28 JAN 76 )

## REFERENCE DATA

SREF = 2690.0000 SQ.FT. XMRP = 1109.0000 IN. XO  
 LREF = 474.8100 IN. YMRP = .0000 IN. YO  
 BREF = 936.6800 IN. ZMRP = 375.0000 IN. ZO  
 SCALE = .0125

## PARAMETRIC DATA

ALPHAC = 2.000 BETAC = -5.000  
 STAB = 5.000 ELEVON = 5.000  
 BDGLAP = .000 DY = .000  
 DZ = .000 IORB = 6.000  
 BETA0 = .000 RUDDER = .000

RUN NO. 62/ 0 RN/L = .00 GRADIENT INTERVAL = -5.00/ 5.00

MACH	DX	CPCO	CPB1	CPB2	CPB3	CPS1	CPS2	ALPHAO	BETA0	INCID	ALPHAC
.596	.000	-.03900	-.25500	-.32900	-.30700	-.17700	-.25500	8.61000	-.35000	5.94000	2.67000
.597	.570	-.03200	-.25500	-.32300	-.30300	-.17400	-.25100	8.61000	-.34000	5.93000	2.68000
.596	1.140	-.03900	-.25400	-.32800	-.30500	-.18000	-.25400	8.60000	-.33000	5.93000	2.68000
.597	1.710	-.03900	-.25400	-.32900	-.30500	-.18200	-.25400	8.58000	-.35000	5.91000	2.68000
.600	2.290	-.03500	-.25100	-.32700	-.29900	-.17900	-.25000	8.60000	-.39000	5.92000	2.68000
.599	2.860	-.03100	-.25300	-.32400	-.30200	-.17600	-.25100	8.61000	-.34000	5.93000	2.68000
.600	3.430	-.03700	-.25200	-.32700	-.29900	-.18100	-.24900	8.61000	-.38000	5.94000	2.68000
.598	4.010	-.03100	-.25600	-.32400	-.30300	-.17600	-.25100	8.60000	-.33000	5.93000	2.68000
.598	4.570	-.03800	-.25800	-.33100	-.30500	-.18000	-.25300	8.58000	-.35000	5.90000	2.69000
.600	5.140	-.03600	-.25300	-.33100	-.30900	-.18000	-.25000	8.61000	-.39000	5.93000	2.68000
.600	5.710	-.03500	-.25000	-.32800	-.29600	-.17700	-.24800	8.62000	-.35000	5.94000	2.69000
.597	6.300	-.03500	-.26100	-.33200	-.30700	-.18000	-.25500	8.59000	-.34000	5.91000	2.68000
.600	6.860	-.03100	-.25200	-.33200	-.30000	-.17600	-.24900	8.63000	-.34000	5.94000	2.69000
.599	7.430	-.03300	-.25800	-.33200	-.30500	-.17800	-.25200	8.60000	-.32000	5.91000	2.69000
.598	8.000	-.03300	-.26000	-.33400	-.30800	-.17900	-.25400	8.60000	-.36000	5.91000	2.69000
.601	8.580	-.03500	-.25400	-.33200	-.30200	-.18100	-.24900	8.62000	-.38000	5.93000	2.69000
.599	9.150	-.03600	-.26100	-.33300	-.30900	-.18400	-.25400	8.62000	-.38000	5.92000	2.70000
.599	9.700	-.03300	-.25800	-.33200	-.30700	-.17900	-.25200	8.61000	-.31000	5.91000	2.70000
.597	10.270	-.03400	-.26300	-.33500	-.31400	-.18200	-.25600	8.62000	-.37000	5.92000	2.70000
.598	10.840	-.03600	-.25700	-.33600	-.30700	-.18000	-.25300	8.60000	-.31000	5.90000	2.70000
.598	11.410	-.03700	-.26200	-.33600	-.31100	-.18300	-.25500	8.64000	-.38000	5.94000	2.70000
.598	11.990	-.03600	-.25500	-.33800	-.30600	-.18000	-.25300	8.62000	-.34000	5.92000	2.70000
.597	12.560	-.03600	-.26100	-.34100	-.31400	-.18200	-.25600	8.61000	-.33000	5.91000	2.71000
.598	13.130	-.03800	-.25800	-.34300	-.30900	-.18200	-.25300	8.61000	-.33000	5.91000	2.70000
.599	13.710	-.03900	-.25700	-.34300	-.30800	-.18500	-.25000	8.63000	-.33000	5.93000	2.71000
.598	14.280	-.03700	-.26400	-.34400	-.31400	-.18500	-.25200	8.64000	-.39000	5.94000	2.71000
.597	14.850	-.04000	-.26000	-.34900	-.31400	-.18900	-.25400	8.64000	-.40000	5.93000	2.71000
.597	15.420	-.03900	-.25800	-.35200	-.31400	-.18500	-.25300	8.64000	-.39000	5.94000	2.71000
.598	16.000	-.03700	-.26000	-.35200	-.31200	-.18600	-.25100	8.64000	-.36000	5.93000	2.71000
.599	16.570	-.03700	-.25700	-.35100	-.31200	-.18500	-.25100	8.62000	-.32000	5.91000	2.71000
.598	17.140	-.04100	-.25800	-.35600	-.31500	-.18700	-.25400	8.63000	-.35000	5.92000	2.72000
.597	17.720	-.04400	-.26500	-.35000	-.32500	-.18800	-.25900	8.64000	-.37000	5.93000	2.72000
.597	18.290	-.04200	-.26200	-.35900	-.32100	-.18900	-.25500	8.66000	-.38000	5.94000	2.72000
.599	18.840	-.03800	-.26400	-.35500	-.32400	-.18600	-.25400	8.62000	-.29000	5.91000	2.72000
.598	19.410	-.03700	-.26200	-.35700	-.32000	-.18900	-.25200	8.66000	-.36000	5.94000	2.72000
.597	19.980	-.04500	-.26300	-.36200	-.32600	-.19000	-.25800	8.64000	-.33000	5.92000	2.72000
	GRADIENT	.00056	-.00029	-.00011	.00067	-.00041	.00061	-.00290	-.00175	-.00348	.00116

LTV44-559(CA26) 747/1 ATY 02 S1 (ORBITER DATA)

(BFE084) ( 28 JAN 76 )

## REFERENCE DATA

SREF = 2690.0000 SQ.FT. XMRP = 1109.0000 IN. XO  
 LREF = 474.8100 IN. YMRP = .0000 IN. YO  
 BREF = 936.6800 IN. ZMRP = 375.0000 IN. ZO  
 SCALE = .0125

## PARAMETRIC DATA

ALPHAC = 2.000 BETAC = -5.000  
 STAB = 5.000 ELEVON = 5.000  
 BDFLAP = .000 DY = .000  
 DZ = 15.000 TORB = 6.000  
 BETA0 = .000 RUDDER = .000

RUN NO. 1062/ 0 RN/L = .00 GRADIENT INTERVAL = -5.00/ 5.00

MACH	DX	CPCO	CPB1	CPB2	CPB3	CPS1	CPS2	ALPHA0	BETA0	INCID	ALPHAC
.599	.570	-.05200	-.27800	-.36700	-.33200	-.20300	-.25900	8.51000	-.34000	5.92000	2.67000
.599	1.140	-.05500	-.27900	-.37400	-.33100	-.21100	-.26400	8.52000	-.36000	5.93000	2.67000
.598	1.710	-.05400	-.27900	-.37000	-.33500	-.20500	-.26200	8.54000	-.35000	5.96000	2.67000
.598	2.290	-.04800	-.27800	-.37100	-.33000	-.20600	-.25600	8.50000	-.28000	5.91000	2.67000
.596	2.860	-.05300	-.28300	-.38000	-.33600	-.21300	-.26200	8.49000	-.29000	5.91000	2.67000
.596	3.430	-.05600	-.28700	-.38100	-.34000	-.21400	-.26500	8.49000	-.32000	5.90000	2.67000
.597	4.010	-.05100	-.28100	-.37600	-.33400	-.20900	-.26000	8.51000	-.28000	5.92000	2.67000
.598	4.580	-.05000	-.27900	-.37300	-.33100	-.20700	-.25800	8.52000	-.33000	5.93000	2.67000
.599	5.150	-.05200	-.27900	-.37100	-.33300	-.20400	-.25700	8.54000	-.35000	5.95000	2.67000
.600	5.720	-.05000	-.27800	-.36600	-.33200	-.20500	-.25400	8.53000	-.36000	5.94000	2.67000
.599	6.300	-.05700	-.27800	-.37400	-.33500	-.20900	-.25900	8.52000	-.31000	5.93000	2.67000
.599	6.870	-.05000	-.27900	-.36900	-.33200	-.20500	-.25700	8.53000	-.34000	5.94000	2.67000
.597	7.420	-.05700	-.27700	-.38000	-.33600	-.21000	-.26300	8.50000	-.29000	5.91000	2.67000
.598	7.990	-.05700	-.28500	-.38600	-.34000	-.21500	-.26200	8.51000	-.34000	5.93000	2.67000
.599	8.560	-.05700	-.28000	-.38500	-.33800	-.20700	-.26000	8.50000	-.27000	5.92000	2.67000
.601	9.140	-.05300	-.27800	-.37700	-.33600	-.20400	-.25500	8.54000	-.35000	5.96000	2.67000
.600	9.710	-.05000	-.28000	-.37700	-.33500	-.20800	-.25500	8.53000	-.35000	5.94000	2.67000
.600	10.280	-.05100	-.28200	-.37700	-.33700	-.20900	-.25500	8.52000	-.36000	5.93000	2.67000
.600	10.850	-.05600	-.28200	-.38100	-.34000	-.20900	-.25800	8.52000	-.34000	5.94000	2.67000
.599	11.430	-.05300	-.28300	-.37700	-.34000	-.21000	-.25600	8.52000	-.36000	5.93000	2.67000
.600	12.000	-.05400	-.28300	-.37700	-.34000	-.20800	-.25600	8.54000	-.34000	5.95000	2.68000
.598	12.570	-.05300	-.28400	-.38500	-.33900	-.21400	-.25800	8.52000	-.31000	5.93000	2.67000
.599	13.150	-.05600	-.28200	-.38300	-.34100	-.20900	-.25800	8.52000	-.28000	5.93000	2.67000
.598	13.720	-.05900	-.28400	-.38700	-.34400	-.21300	-.26100	8.51000	-.29000	5.93000	2.67000
.599	14.290	-.05400	-.28300	-.38200	-.34200	-.21000	-.25500	8.51000	-.28000	5.92000	2.67000
.598	14.860	-.05500	-.28400	-.38900	-.34500	-.21100	-.25200	8.50000	-.29000	5.91000	2.67000
.599	15.440	-.05300	-.28200	-.38700	-.34400	-.21100	-.25400	8.54000	-.35000	5.95000	2.67000
.600	16.010	-.05100	-.27900	-.38800	-.33600	-.21300	-.25100	8.50000	-.28000	5.91000	2.67000
.600	16.560	-.05200	-.28000	-.38800	-.34300	-.21100	-.25200	8.50000	-.28000	5.92000	2.67000
.600	17.130	-.06100	-.28200	-.39500	-.34500	-.21700	-.25800	8.50000	-.30000	5.91000	2.68000
.599	17.700	-.05900	-.28900	-.39200	-.35000	-.21700	-.25800	8.50000	-.29000	5.91000	2.67000
.599	18.280	-.05300	-.28200	-.39300	-.34100	-.21700	-.25200	8.53000	-.34000	5.93000	2.68000
.599	18.850	-.05600	-.28400	-.39500	-.34400	-.21900	-.25200	8.53000	-.33000	5.93000	2.68000
.597	19.420	-.05900	-.28400	-.39700	-.34800	-.22000	-.25700	8.54000	-.36000	5.94000	2.68000
.601	20.000	-.05500	-.28300	-.38600	-.34800	-.21700	-.25100	8.51000	-.28000	5.92000	2.68000
	GRADIENT	.00048	-.00095	-.00195	-.00060	-.00108	.00025	-.00291	.01145	-.00333	.00000

ORIGINAL PAGE IS  
OF POOR QUALITY

LTV44-559(CA26) 747/1 ATY 02 S1 (ORBITER DATA)

(BFE085) ( 28 JAN 76 )

## REFERENCE DATA

SREF = 2690.0000 SQ.FT. XMRP = 1109.0000 IN. XO  
 LREF = 474.8100 IN. YMRP = .0000 IN. YO  
 BREF = 936.6800 IN. ZMRP = 375.0000 IN. ZO  
 SCALE = .0125

## PARAMETRIC DATA

ALPHAC = 2.000 BETAC = -5.000  
 STAB = 5.000 ELEVON = 5.000  
 BDFLAP = .000 DY = .000  
 DZ = 60.000 IORB = 6.000  
 BETA0 = .000 RUDDER = .000

RUN NO. 2062/ 0 RN/L = .00 GRADIENT INTERVAL = -5.00/ 5.00

MACH	DX	CPCO	CPB1	CPB2	CPB3	CPS1	CPS2	ALPHA0	BETA0	INCID	ALPHAC
.597	.590	-.06400	-.29900	-.40900	-.35900	-.22800	-.26500	8.32000	-.29000	5.95000	2.67000
.598	1.170	-.06000	-.29800	-.40800	-.35700	-.22600	-.26200	8.32000	-.34000	5.94000	2.68000
.601	1.740	-.06000	-.28900	-.40200	-.35400	-.21900	-.25300	8.29000	-.33000	5.91000	2.67000
.599	2.310	-.06100	-.29800	-.40400	-.35500	-.23000	-.25200	8.32000	-.35000	5.94000	2.68000
.599	2.890	-.06800	-.29900	-.40600	-.36400	-.23200	-.25600	8.30000	-.31000	5.93000	2.68000
.601	3.460	-.06100	-.29600	-.40500	-.35400	-.23100	-.25000	8.29000	-.32000	5.91000	2.68000
.599	4.030	-.06200	-.29600	-.40700	-.35600	-.23200	-.24900	8.33000	-.33000	5.95000	2.68000
.602	4.600	-.05900	-.29200	-.40000	-.34900	-.22900	-.24500	8.29000	-.30000	5.92000	2.68000
.601	5.180	-.06500	-.29300	-.40500	-.35800	-.22800	-.25200	8.31000	-.29000	5.93000	2.68000
.599	5.720	-.06500	-.29600	-.40600	-.35800	-.22800	-.25400	8.32000	-.27000	5.94000	2.68000
.600	6.280	-.06300	-.29700	-.40600	-.35500	-.23000	-.25100	8.31000	-.30000	5.94000	2.67000
.600	6.870	-.06500	-.30000	-.40600	-.35700	-.23500	-.25100	8.32000	-.30000	5.95000	2.67000
.600	7.440	-.06100	-.29800	-.40400	-.35000	-.22900	-.25000	8.32000	-.28000	5.94000	2.67000
.601	8.020	-.06200	-.29300	-.40100	-.35400	-.22700	-.24800	8.31000	-.29000	5.93000	2.67000
.600	8.590	-.06400	-.29600	-.40700	-.35300	-.23000	-.24900	8.31000	-.29000	5.94000	2.68000
.600	9.160	-.06500	-.30100	-.41300	-.35700	-.23400	-.24900	8.31000	-.32000	5.93000	2.68000
.601	9.730	-.06400	-.29500	-.40400	-.35800	-.23400	-.24200	8.32000	-.31000	5.95000	2.67000
.597	10.310	-.06600	-.30400	-.41400	-.35800	-.24200	-.24900	8.29000	-.36000	5.91000	2.68000
.597	10.880	-.07000	-.30400	-.41200	-.36400	-.24500	-.24800	8.28000	-.37000	5.90000	2.68000
.598	11.450	-.06500	-.30000	-.41100	-.35900	-.23800	-.24800	8.32000	-.29000	5.94000	2.68000
.598	12.030	-.06600	-.30000	-.41000	-.36000	-.23700	-.25100	8.32000	-.31000	5.94000	2.68000
.598	12.600	-.06700	-.29500	-.41000	-.37600	-.23000	-.25600	8.29000	-.32000	5.91000	2.68000
.597	13.170	-.06500	-.30200	-.41200	-.36200	-.23000	-.25700	8.32000	-.28000	5.94000	2.67000
.597	13.750	-.06800	-.30000	-.41100	-.36500	-.23200	-.25600	8.31000	-.27000	5.93000	2.67000
.596	14.320	-.07000	-.30100	-.41000	-.36800	-.23600	-.25400	8.32000	-.30000	5.94000	2.68000
.598	14.860	-.06500	-.29900	-.40900	-.36100	-.22700	-.25500	8.28000	-.34000	5.90000	2.67000
.598	15.440	-.06200	-.30000	-.40900	-.36200	-.22700	-.25600	8.30000	-.30000	5.92000	2.67000
.599	16.010	-.06500	-.30100	-.40400	-.35500	-.23400	-.25000	8.32000	-.34000	5.94000	2.67000
.599	16.580	-.06400	-.30300	-.40800	-.35800	-.23100	-.25100	8.29000	-.28000	5.92000	2.67000
.601	17.140	-.06300	-.29900	-.40500	-.35700	-.22900	-.25000	8.28000	-.35000	5.91000	2.67000
.595	17.720	-.07000	-.30900	-.42400	-.37300	-.23800	-.26200	8.30000	-.31000	5.93000	2.67000
.598	18.290	-.06700	-.29900	-.41300	-.36700	-.23500	-.25300	8.32000	-.27000	5.95000	2.67000
.600	18.880	-.06400	-.29600	-.40200	-.35700	-.23400	-.24500	8.30000	-.29000	5.92000	2.68000
.599	19.440	-.06400	-.29700	-.40800	-.36400	-.23300	-.24700	8.28000	-.34000	5.91000	2.67000
.598	20.010	-.06400	-.30300	-.41300	-.36600	-.23300	-.25400	8.29000	-.35000	5.92000	2.67000
	GRADIENT	.00031	.00077	.00118	.00137	-.00156	.00436	-.00375	.00103	-.00354	.00208

LTV44-559(CA26) 747/1 ATY 02 SI (ORBITER DATA)

(BFE086) ( 28 JAN 76 )

## REFERENCE DATA

SREF = 2690.0000 SQ.FT. XMRP = 1109.0000 IN. XO  
 LREF = 474.8100 IN. YMRP = .0000 IN. YO  
 BREF = 936.6800 IN. ZMRP = 375.0000 IN. ZO  
 SCALE = .0125

## PARAMETRIC DATA

ALPHAC = 2.000 BETAC = -5.000  
 STAB = 5.000 ELEVON = 5.000  
 BDFLAP = .000 DX = .000  
 DZ = .000 IORB = 6.000  
 BETAO = .000 RUDDER = .000

RUN NO. 63/ 0 RN/L = .00 GRADIENT INTERVAL = -5.00/ 5.00

MACH	DY	CPCO	CPB1	CPB2	CPB3	CPS1	CPS2	ALPHAO	BETAO	INCLD	ALPHAC
.594	-10.000	-.05300	-.27700	-.37900	-.32900	-.21100	-.25200	8.64000	-.39000	5.94000	2.71000
.594	-9.420	-.05200	-.27600	-.37600	-.32100	-.20400	-.25000	8.62000	-.40000	5.92000	2.70000
.592	-8.850	-.05000	-.27500	-.37800	-.32900	-.20700	-.25200	8.65000	-.37000	5.95000	2.71000
.594	-8.280	-.05000	-.27300	-.36500	-.32100	-.20300	-.25100	8.63000	-.38000	5.93000	2.70000
.592	-7.710	-.05000	-.27600	-.37000	-.32700	-.20400	-.25200	8.66000	-.32000	5.96000	2.71000
.593	-7.140	-.04900	-.27400	-.36400	-.31900	-.19700	-.25000	8.64000	-.33000	5.93000	2.71000
.592	-6.560	-.05100	-.27600	-.36700	-.32600	-.20700	-.25500	8.63000	-.35000	5.93000	2.71000
.593	-5.990	-.05000	-.27500	-.35800	-.32100	-.19900	-.25100	8.63000	-.37000	5.92000	2.71000
.594	-5.420	-.05200	-.27500	-.35300	-.32100	-.20200	-.25200	8.65000	-.33000	5.95000	2.70000
.594	-4.850	-.05100	-.27300	-.35400	-.32300	-.20300	-.25200	8.63000	-.37000	5.93000	2.70000
.593	-4.280	-.05000	-.27500	-.35900	-.32600	-.20200	-.25400	8.63000	-.36000	5.93000	2.70000
.594	-3.710	-.05000	-.27300	-.35700	-.32400	-.20200	-.25500	8.62000	-.37000	5.92000	2.70000
.591	-3.130	-.05400	-.28200	-.37000	-.33300	-.20300	-.26200	8.62000	-.32000	5.93000	2.70000
.594	-2.570	-.04900	-.26900	-.35600	-.31900	-.19600	-.25400	8.59000	-.38000	5.90000	2.70000
.595	-1.990	-.04700	-.27300	-.35800	-.31800	-.19400	-.25400	8.59000	-.39000	5.91000	2.69000
.593	-1.420	-.04700	-.27400	-.36500	-.32400	-.19300	-.25500	8.61000	-.36000	5.93000	2.68000
.595	-.850	-.04900	-.27300	-.36200	-.32200	-.19700	-.25600	8.61000	-.34000	5.94000	2.68000
.593	-.270	-.04700	-.27500	-.36200	-.32500	-.19500	-.25700	8.59000	-.34000	5.92000	2.67000
.593	.270	-.04800	-.27700	-.35800	-.32700	-.19800	-.25900	8.61000	-.37000	5.95000	2.67000
.594	.850	-.05000	-.27600	-.35500	-.32500	-.19800	-.25900	8.60000	-.36000	5.94000	2.67000
.596	1.420	-.04700	-.27600	-.35200	-.31900	-.19100	-.25400	8.56000	-.39000	5.90000	2.67000
.593	1.990	-.04400	-.27800	-.35400	-.32300	-.19000	-.25600	8.57000	-.37000	5.91000	2.66000
.594	2.560	-.05000	-.27800	-.35400	-.32600	-.19700	-.26200	8.60000	-.36000	5.94000	2.66000
.593	3.130	-.04800	-.27800	-.35300	-.32600	-.19500	-.26200	8.58000	-.33000	5.93000	2.65000
.595	3.710	-.05000	-.27900	-.35400	-.32000	-.19400	-.26200	8.57000	-.38000	5.92000	2.65000
.594	4.280	-.04400	-.27800	-.35400	-.32300	-.19000	-.26100	8.57000	-.39000	5.92000	2.64000
.596	4.850	-.04800	-.28000	-.35000	-.31700	-.19000	-.26100	8.57000	-.36000	5.93000	2.64000
.593	5.420	-.05000	-.28000	-.35500	-.32600	-.19500	-.26500	8.54000	-.37000	5.90000	2.64000
.595	5.990	-.04900	-.27600	-.34900	-.31900	-.19200	-.26300	8.57000	-.35000	5.93000	2.64000
.594	6.560	-.05000	-.27700	-.35200	-.32200	-.19400	-.26500	8.57000	-.36000	5.94000	2.63000
.594	7.140	-.04900	-.27700	-.35000	-.32100	-.19100	-.26400	8.55000	-.34000	5.92000	2.64000
.594	7.700	-.04000	-.27200	-.35300	-.32000	-.18300	-.26100	8.55000	-.36000	5.93000	2.63000
.592	8.280	-.04600	-.27500	-.35400	-.32400	-.19000	-.26500	8.53000	-.36000	5.91000	2.63000
.595	8.850	-.04200	-.27200	-.35000	-.31600	-.18200	-.26200	8.57000	-.35000	5.94000	2.63000
.595	9.420	-.04500	-.27100	-.34700	-.31800	-.18600	-.26300	8.55000	-.34000	5.93000	2.63000
.594	10.000	-.04000	-.27100	-.34900	-.31500	-.18300	-.26400	8.57000	-.37000	5.94000	2.63000
	GRADIENT	.00039	-.00061	.00079	.00035	.00112	-.00080	-.00601	-.00079	.00016	-.00682

LTV44-559(CA26) 747/1 ATY 02 S1 (ORBITER DATA)

(8FE087) ( 28 JAN 76 )

## REFERENCE DATA

SREF = 2690.0000 SQ.FT. XMRP = 1109.0000 IN. XO  
 LREF = 474.8100 IN. YMRP = .0000 IN. YO  
 BREF = 936.6800 IN. ZMRP = 375.0000 IN. ZO  
 SCALE = .0125

## PARAMETRIC DATA

ALPHAC = 2.000 BETAC = -5.000  
 STAB = 5.000 ELEVON = 5.000  
 BDFLAP = .000 DX = .000  
 DZ = 15.000 IORB = 6.000  
 BETA0 = .000 RUDDER = .000

RUN NO. 1063/ 0 RN/L = .00 GRADIENT INTERVAL = -5.00/ 5.00

MACH	DY	CPC0	CPB1	CPB2	CPB3	CPS1	CPS2	ALPHAO	BETA0	INC1D	ALPHAC
.594	-9.420	-.06300	-.28900	-.38000	-.33800	-.21800	-.26200	8.54000	-.30000	5.93000	2.69000
.592	-8.850	-.05900	-.28700	-.38200	-.33900	-.21500	-.26000	8.52000	-.32000	5.91000	2.70000
.594	-8.280	-.05500	-.28300	-.37900	-.33800	-.21500	-.25800	8.53000	-.32000	5.92000	2.69000
.595	-7.710	-.05500	-.28300	-.37700	-.33400	-.20900	-.25500	8.52000	-.32000	5.91000	2.69000
.595	-7.140	-.05800	-.28700	-.38400	-.34300	-.21600	-.25900	8.56000	-.27000	5.95000	2.69000
.594	-6.560	-.05600	-.28600	-.38300	-.34300	-.21800	-.25900	8.52000	-.30000	5.92000	2.69000
.594	-5.990	-.06200	-.29000	-.38700	-.34400	-.21800	-.26000	8.54000	-.29000	5.93000	2.69000
.593	-5.420	-.06200	-.29100	-.38900	-.34200	-.21700	-.26300	8.55000	-.27000	5.95000	2.69000
.593	-4.850	-.06100	-.29000	-.38700	-.34300	-.21900	-.26400	8.54000	-.28000	5.94000	2.68000
.593	-4.280	-.06200	-.29300	-.38800	-.34500	-.22100	-.26400	8.54000	-.26000	5.94000	2.68000
.593	-3.710	-.06100	-.29000	-.38300	-.34400	-.22000	-.26300	8.53000	-.31000	5.93000	2.68000
.593	-3.140	-.06000	-.29000	-.38400	-.34300	-.22000	-.26300	8.54000	-.30000	5.94000	2.68000
.595	-2.570	-.06200	-.29100	-.38500	-.34400	-.21800	-.26100	8.51000	-.32000	5.91000	2.68000
.592	-1.990	-.05600	-.28900	-.39000	-.34400	-.21900	-.26200	8.53000	-.29000	5.93000	2.68000
.593	-1.420	-.06500	-.29400	-.39100	-.34700	-.22000	-.26500	8.52000	-.31000	5.93000	2.67000
.593	-.850	-.06400	-.29400	-.39000	-.34700	-.22100	-.26500	8.53000	-.28000	5.94000	2.67000
.593	-.280	-.06200	-.29300	-.39500	-.34800	-.22300	-.26400	8.53000	-.30000	5.94000	2.67000
.595	.270	-.06400	-.29300	-.39800	-.34400	-.21700	-.26000	8.50000	-.30000	5.91000	2.67000
.593	.850	-.06700	-.29700	-.40100	-.35100	-.22400	-.26700	8.51000	-.30000	5.93000	2.67000
.593	1.410	-.06100	-.29300	-.39700	-.35200	-.22400	-.26700	8.51000	-.33000	5.92000	2.67000
.594	1.990	-.06500	-.29600	-.40000	-.35000	-.22200	-.26800	8.50000	-.31000	5.91000	2.67000
.595	2.560	-.06500	-.29500	-.39900	-.35100	-.22000	-.26400	8.51000	-.33000	5.92000	2.67000
.593	3.130	-.06100	-.29400	-.39800	-.35200	-.22500	-.26500	8.53000	-.28000	5.94000	2.67000
.592	3.700	-.06500	-.29600	-.39900	-.35800	-.22900	-.26700	8.51000	-.34000	5.93000	2.67000
.593	4.270	-.06300	-.29300	-.39300	-.35000	-.22600	-.26500	8.52000	-.34000	5.93000	2.66000
.595	4.850	-.06800	-.29600	-.39900	-.35500	-.22400	-.26600	8.51000	-.33000	5.94000	2.66000
.595	5.420	-.06400	-.29300	-.39900	-.35200	-.22400	-.26700	8.50000	-.34000	5.92000	2.66000
.595	5.980	-.06500	-.29200	-.40000	-.34800	-.22200	-.26600	8.50000	-.33000	5.92000	2.66000
.595	6.560	-.06600	-.29600	-.40300	-.35100	-.22100	-.26500	8.52000	-.31000	5.95000	2.66000
.594	7.130	-.06400	-.29500	-.40500	-.35500	-.22500	-.26600	8.52000	-.34000	5.95000	2.65000
.595	7.700	-.06700	-.29500	-.40500	-.35300	-.22300	-.26600	8.49000	-.34000	5.92000	2.66000
.594	8.270	-.06500	-.29500	-.40900	-.35400	-.22400	-.26600	8.52000	-.33000	5.95000	2.65000
.595	8.840	-.06400	-.29400	-.41600	-.35200	-.21900	-.26200	8.52000	-.32000	5.95000	2.66000
.594	9.420	-.06500	-.29400	-.41700	-.35400	-.22600	-.26800	8.50000	-.37000	5.93000	2.65000
.594	9.990	-.06500	-.29600	-.41600	-.35900	-.22500	-.26800	8.50000	-.36000	5.93000	2.65000
.593		-.00050	-.00057	-.00163	-.00126	-.00071	-.00037	-.00277	-.00472	-.00056	-.00188



DATE 22 MAR 76

CA-26 FORCE SOURCE DATA TABULATION

PAGE 275

LTV44-559(CA26) 747/1 ATY 02 S1 (ORBITER DATA)

(BFE088) ( 28 JAN 76 )

## REFERENCE DATA

SREF = 2690.0000 SQ.FT. XMRP = 1109.0000 IN. XO  
 LREF = 474.8100 IN. YMRP = .0000 IN. YO  
 BREF = 936.6800 IN. ZMRP = 375.0000 IN. ZO  
 SCALE = .0125

## PARAMETRIC DATA

ALPHAC = 2.000 BETAC = -5.000  
 STAB = 5.000 ELEVON = 5.000  
 BDFLAP = .000 DX = .000  
 DZ = 60.000 IORB = 6.000  
 BETAO = .000 RUDDER = .000

RUN NO. 2063/ 0 RN/L = .00 GRADIENT INTERVAL = -5.00/ 5.00

MACH	DY	CPCD	CPB1	CPB2	CPB3	CPS1	CPS2	ALPHAO	BETAO	INCID	ALPHAC
.594	-10.000	-.07100	-.31100	-.41800	-.37400	-.24500	-.26100	8.30000	-.28000	5.92000	2.68000
.596	-9.430	-.06700	-.30300	-.40800	-.36600	-.23600	-.25400	8.30000	-.29000	5.92000	2.68000
.593	-8.860	-.07700	-.31900	-.42800	-.38400	-.24800	-.26900	8.31000	-.33000	5.93000	2.67000
.594	-8.280	-.07100	-.31200	-.41800	-.37200	-.23700	-.26200	8.33000	-.30000	5.95000	2.68000
.594	-7.710	-.07000	-.31300	-.42200	-.37700	-.24200	-.26000	8.32000	-.33000	5.94000	2.68000
.595	-7.140	-.07000	-.30800	-.42000	-.37700	-.24500	-.25900	8.31000	-.35000	5.93000	2.68000
.595	-6.570	-.07200	-.31100	-.41600	-.36900	-.24100	-.25700	8.33000	-.34000	5.96000	2.68000
.594	-6.000	-.07200	-.31100	-.41600	-.37200	-.24300	-.25500	8.33000	-.35000	5.96000	2.68000
.593	-5.420	-.07300	-.31300	-.41800	-.37300	-.24500	-.25500	8.33000	-.31000	5.95000	2.68000
.594	-4.860	-.07200	-.31400	-.41800	-.37500	-.24400	-.25500	8.33000	-.34000	5.95000	2.68000
.595	-4.290	-.07800	-.31300	-.41700	-.37500	-.24500	-.25700	8.32000	-.28000	5.94000	2.68000
.595	-3.710	-.07300	-.31000	-.41700	-.37700	-.25500	-.25300	8.31000	-.30000	5.94000	2.68000
.594	-3.140	-.07200	-.31300	-.41700	-.37300	-.24700	-.25000	8.31000	-.35000	5.93000	2.68000
.595	-2.570	-.07200	-.31300	-.41900	-.37700	-.25200	-.25500	8.32000	-.30000	5.95000	2.67000
.594	-2.000	-.07400	-.31700	-.42200	-.37400	-.24600	-.25300	8.31000	-.38000	5.93000	2.68000
.594	-1.430	-.07300	-.31500	-.42100	-.37600	-.24700	-.25600	8.32000	-.29000	5.94000	2.68000
.592	-.850	-.07300	-.30900	-.41600	-.37600	-.24800	-.25700	8.32000	-.37000	5.94000	2.68000
.594	-.280	-.07300	-.31300	-.41700	-.37100	-.24400	-.25500	8.33000	-.30000	5.95000	2.68000
.594	.270	-.07200	-.31200	-.41800	-.37500	-.24800	-.25300	8.33000	-.36000	5.95000	2.68000
.594	.840	-.07400	-.31600	-.42300	-.37800	-.25200	-.25500	8.31000	-.40000	5.93000	2.68000
.594	1.410	-.07500	-.31800	-.42000	-.37500	-.25200	-.25100	8.31000	-.40000	5.93000	2.68000
.594	1.990	-.07100	-.31000	-.41500	-.37200	-.24700	-.25200	8.33000	-.35000	5.95000	2.68000
.594	2.560	-.06800	-.30900	-.41500	-.37400	-.24700	-.25400	8.33000	-.33000	5.95000	2.68000
.593	3.130	-.07000	-.30900	-.41600	-.37400	-.24900	-.25300	8.33000	-.34000	5.95000	2.68000
.595	3.700	-.07600	-.31300	-.41700	-.37300	-.24900	-.25100	8.31000	-.42000	5.93000	2.68000
.594	4.270	-.07100	-.31000	-.41900	-.37700	-.25200	-.25600	8.30000	-.38000	5.92000	2.68000
.594	4.850	-.07500	-.31300	-.42000	-.37300	-.24600	-.25600	8.30000	-.40000	5.92000	2.68000
.593	5.410	-.06800	-.30900	-.42000	-.37400	-.24600	-.25500	8.34000	-.36000	5.95000	2.68000
.594	5.980	-.06800	-.30800	-.41800	-.37000	-.24400	-.25500	8.33000	-.35000	5.95000	2.68000
.595	6.560	-.07700	-.31400	-.42100	-.37300	-.24800	-.25300	8.30000	-.39000	5.92000	2.68000
.595	7.130	-.07000	-.30900	-.41700	-.37200	-.24800	-.25200	8.33000	-.41000	5.95000	2.68000
.594	7.700	-.07300	-.31200	-.41900	-.37500	-.25100	-.25600	8.29000	-.36000	5.91000	2.68000
.594	8.270	-.07500	-.31300	-.42100	-.37400	-.25000	-.25300	8.33000	-.34000	5.95000	2.68000
.594	8.840	-.07000	-.31000	-.41900	-.37300	-.25100	-.25100	8.28000	-.41000	5.90000	2.68000
.593	9.420	-.07800	-.31800	-.42100	-.37600	-.25700	-.25400	8.32000	-.36000	5.94000	2.68000
GRADIENT		-.00008	.00021	.00003	.00015	-.00015	.00007	-.00080	-.00855	-.00119	.00016

LTV44-559(CA26) 747/1 ATY 02 S1 (ORBITER DATA)

(BFE089) ( 28 JAN 76 )

## REFERENCE DATA

SREF = 2690.0000 SQ.FT. XMRP = 1109.0000 IN. XO  
 LREF = 474.8100 IN. YMRP = .0000 IN. YO  
 BREF = 936.6800 IN. ZMRP = 375.0000 IN. ZO  
 SCALE = .0125

## PARAMETRIC DATA

ALPHAC = 4.000 BETAC = .000  
 STAB = 5.000 ELEVON = 5.000  
 BDFLAP = .000 DX = .000  
 DY = .000 IORB = 4.000  
 BETA0 = .000 RUDDER = .000

RUN NO. 64/ 0 RN/L = .00 GRADIENT INTERVAL = -5.00/ 5.00

MACH	OZ	CPCO	CPB1	CPB2	CPB3	CPS1	CPS2	ALPHA0	BETA0	INCID	ALPHAC
.599	1.460	-.03800	-.26400	-.35900	-.32200	-.18400	-.24600	7.67000	-.03000	3.94000	3.73000
.599	2.060	-.03900	-.26700	-.35900	-.32200	-.18600	-.24700	7.66000	-.03000	3.94000	3.73000
.598	2.660	-.03700	-.26800	-.36300	-.31900	-.18800	-.25000	7.68000	.00000	3.96000	3.73000
.597	3.260	-.04100	-.27200	-.36600	-.32700	-.19400	-.25100	7.67000	.00000	3.96000	3.73000
.598	4.160	-.04100	-.27000	-.36400	-.32700	-.19400	-.25300	7.65000	-.02000	3.95000	3.73000
.602	4.960	-.04000	-.26800	-.36200	-.32600	-.19300	-.24700	7.66000	.01000	3.95000	3.73000
.600	6.960	-.04400	-.27400	-.36700	-.32800	-.19400	-.25000	7.62000	-.02000	3.93000	3.73000
.597	8.960	-.04300	-.27700	-.36900	-.33300	-.20200	-.25300	7.62000	-.03000	3.93000	3.74000
.601	10.460	-.04800	-.28000	-.37200	-.33200	-.20000	-.25200	7.64000	.00000	3.96000	3.74000
.599	11.460	-.04500	-.27800	-.37400	-.33400	-.20300	-.25300	7.64000	.00000	3.97000	3.74000
.599	12.450	-.04600	-.27800	-.37200	-.33300	-.20300	-.25200	7.63000	.00000	3.96000	3.74000
.600	13.450	-.04600	-.27700	-.37600	-.33600	-.20500	-.25200	7.63000	.00000	3.97000	3.74000
.596	14.440	-.04400	-.27900	-.37800	-.33700	-.20500	-.25100	7.61000	-.05000	3.95000	3.74000
.597	15.440	-.04900	-.28500	-.37900	-.33700	-.20700	-.25300	7.60000	.00000	3.95000	3.74000
.598	16.430	-.04700	-.28500	-.38400	-.33800	-.20400	-.25000	7.57000	-.01000	3.93000	3.74000
.599	17.430	-.04600	-.28300	-.38400	-.34000	-.20400	-.25000	7.57000	-.04000	3.93000	3.74000
.598	18.420	-.05000	-.28800	-.38500	-.34000	-.20600	-.25200	7.56000	.00000	3.92000	3.74000
.599	19.420	-.04800	-.27900	-.37300	-.33400	-.20700	-.24800	7.60000	.00000	3.97000	3.74000
.600	20.410	-.04800	-.28000	-.37800	-.33900	-.20800	-.24800	7.60000	-.02000	3.97000	3.74000
.600	21.410	-.04800	-.28600	-.38000	-.33600	-.20600	-.24900	7.57000	-.03000	3.94000	3.75000
.597	22.390	-.04700	-.28600	-.38700	-.34100	-.20800	-.25000	7.56000	-.03000	3.94000	3.74000
.599	23.390	-.04900	-.28400	-.37900	-.33900	-.21100	-.24800	7.55000	.00000	3.94000	3.74000
.600	24.390	-.04800	-.28600	-.38100	-.33800	-.20800	-.25000	7.54000	.00000	3.94000	3.75000
.599	25.380	-.04500	-.28400	-.38400	-.33900	-.20600	-.24700	7.58000	-.04000	3.97000	3.75000
.600	26.380	-.04500	-.28600	-.38400	-.33900	-.20800	-.24800	7.56000	-.02000	3.96000	3.75000
.597	27.370	-.05100	-.28600	-.38600	-.34900	-.21400	-.25000	7.53000	-.02000	3.94000	3.74000
.597	28.370	-.05200	-.28900	-.38700	-.34900	-.21400	-.25100	7.51000	.00000	3.93000	3.74000
.599	29.360	-.04900	-.28500	-.38400	-.34400	-.20800	-.24900	7.54000	-.01000	3.96000	3.74000
.599	30.360	-.04900	-.29500	-.38400	-.34500	-.20700	-.24800	7.54000	-.05000	3.96000	3.74000
.598	31.350	-.05100	-.29300	-.38700	-.34700	-.21600	-.24900	7.53000	-.02000	3.96000	3.75000
.597	32.350	-.04900	-.29600	-.39400	-.34900	-.21600	-.25300	7.54000	-.01000	3.97000	3.75000
.599	33.340	-.04900	-.29000	-.38600	-.34700	-.20900	-.24800	7.49000	-.04000	3.93000	3.75000
.597	34.340	-.04900	-.28800	-.39200	-.34800	-.21200	-.24900	7.51000	-.02000	3.96000	3.75000
.600	35.340	-.05000	-.28600	-.38600	-.34700	-.21200	-.24500	7.51000	-.01000	3.97000	3.75000
.600	36.330	-.05100	-.28600	-.39000	-.34800	-.21300	-.24800	7.51000	.00000	3.97000	3.75000
.598	37.320	-.05400	-.29300	-.39700	-.35000	-.21700	-.25200	7.47000	-.05000	3.93000	3.75000
.600	38.320	-.05100	-.29100	-.38400	-.34700	-.21400	-.24600	7.49000	-.03000	3.96000	3.76000
.595	39.310	-.05400	-.29200	-.39500	-.35000	-.22000	-.24900	7.46000	-.04000	3.93000	3.75000
.597	40.310	-.05400	-.29200	-.39300	-.35200	-.21500	-.25200	7.45000	-.02000	3.93000	3.75000
.598	41.310	-.05200	-.28800	-.39500	-.34800	-.21200	-.25200	7.48000	-.01000	3.97000	3.75000
.600	42.300	-.05100	-.29300	-.39700	-.34700	-.21200	-.24900	7.46000	-.04000	3.96000	3.75000
.597	43.290	-.05400	-.30000	-.39700	-.35400	-.21800	-.25100	7.47000	.02000	3.96000	3.76000

DATE 22 MAR 76

CA-26 FORCE SOURCE DATA TABULATION

PAGE 277

LTV44-559(CA26) 747/1 ATY 02 S1 (ORBITER DATA)

(BFE089) ( 28 JAN 76 )

REFERENCE DATA

SREF = 2690.0000 SQ.FT. XMRP = 1109.0000 IN. XO  
LREF = 474.8100 IN. YMRP = .0000 IN. YO  
BREF = 936.6800 IN. ZMRP = 375.0000 IN. ZO  
SCALE = .0125

PARAMETRIC DATA

ALPHAC = 4.000 BETAC = .000  
STAB = 5.000 ELEVON = 5.000  
BDFLAP = .000 DX = .000  
DY = .000 TORB = 4.000  
BETA0 = .000 RUDDER = .000

RUN NO. 64/ 0 RN/L = .00 GRADIENT INTERVAL = -5.00/ 5.00

MACH	DZ	CPCO	CPB1	CPB2	CPB3	CPS1	CPS2	ALPHA0	BETA0	INC10	ALPHAC
.600	44.290	-.05000	-.29700	-.39600	-.35000	-.21700	-.24700	7.46000	.00000	3.96000	3.76000
.599	44.790	-.04800	-.29400	-.39100	-.35300	-.21700	-.24300	7.46000	-.02000	3.96000	3.76000
	GRADIENT	-.00081	-.00125	-.00125	-.00177	-.00299	-.00088	-.00389	.00911	.00290	.00000

ORIGINAL PAGE IS  
OF POOR QUALITY

LTV44-559(CA26) 747/1 ATY 02 S1 (ORBITER DATA)

(BFE090) ( 28 JAN 76 )

## REFERENCE DATA

SREF = 2690.0000 SQ.FT. XMRP = 1109.0000 IN. XO  
 LREF = 474.8100 IN. YMRP = .0000 IN. YO  
 BREF = 936.6800 IN. ZMRP = 375.0000 IN. ZO  
 SCALE = .0125

## PARAMETRIC DATA

ALPHAC = 4.000 BETAC = .000  
 STAB = 5.000 ELEVON = 5.000  
 BDFLAP = .000 DX = .000  
 DY = .000 TORB = 6.000  
 BETA0 = .000 RUDDER = .000

RUN NO. 1064/ 0 RN/L = .00 GRADIENT INTERVAL = -5.00/ 5.00

MACH	DZ	CPCO	CPB1	CPB2	CPB3	CPS1	CPS2	ALPHA0	BETA0	INCID	ALPHAC
.598	1.470	-.04300	-.27100	-.36200	-.33400	-.21600	-.22100	9.66000	-.02000	5.91000	3.76000
.599	2.070	-.04300	-.27500	-.36500	-.33100	-.21300	-.22400	9.67000	.00000	5.92000	3.76000
.598	2.670	-.04200	-.26800	-.35700	-.32900	-.21600	-.22100	9.67000	.00000	5.93000	3.75000
.598	3.370	-.04700	-.27100	-.36000	-.33300	-.22100	-.22600	9.64000	-.03000	5.90000	3.75000
.598	4.170	-.04800	-.27600	-.35900	-.33400	-.22100	-.22500	9.68000	-.03000	5.94000	3.76000
.599	4.960	-.04700	-.27400	-.35700	-.33100	-.22000	-.22300	9.65000	-.04000	5.92000	3.76000
.598	6.970	-.04800	-.27600	-.36900	-.33500	-.22100	-.22500	9.67000	-.02000	5.95000	3.75000
.598	8.970	-.04800	-.27600	-.36600	-.33700	-.22200	-.22900	9.65000	.00000	5.94000	3.75000
.599	10.600	-.04800	-.27800	-.36800	-.33800	-.22100	-.23200	9.64000	.00000	5.95000	3.75000
.598	11.880	-.04800	-.27900	-.37800	-.33900	-.22100	-.23300	9.61000	.00000	5.93000	3.75000
.599	13.160	-.04900	-.28100	-.40200	-.34000	-.22200	-.23000	9.62000	.00000	5.94000	3.75000
.599	14.440	-.04900	-.28300	-.38700	-.34100	-.22200	-.23100	9.61000	-.01000	5.94000	3.75000
.597	15.710	-.05100	-.28200	-.37800	-.34200	-.22000	-.23700	9.60000	.00000	5.94000	3.75000
.598	16.990	-.04800	-.28200	-.37600	-.34100	-.22400	-.22900	9.58000	-.02000	5.93000	3.75000
.598	18.270	-.05100	-.28500	-.38000	-.34400	-.22000	-.23300	9.57000	-.02000	5.92000	3.75000
.597	19.540	-.05000	-.28500	-.38200	-.34800	-.23000	-.23600	9.55000	-.02000	5.91000	3.75000
.598	20.820	-.05000	-.28800	-.38100	-.34800	-.22900	-.23400	9.55000	-.01000	5.93000	3.75000
.598	22.090	-.04900	-.28100	-.37400	-.34100	-.22400	-.23200	9.56000	-.03000	5.94000	3.75000
.599	23.360	-.04900	-.28500	-.38200	-.34600	-.22300	-.23300	9.53000	-.01000	5.91000	3.75000
.599	24.650	-.05000	-.28100	-.37800	-.34100	-.22300	-.23200	9.53000	-.01000	5.91000	3.75000
.598	25.920	-.05100	-.28700	-.38200	-.34400	-.22400	-.23400	9.51000	-.02000	5.91000	3.75000
.599	27.200	-.04900	-.28700	-.38400	-.34300	-.22000	-.23300	9.50000	-.01000	5.91000	3.75000
.597	28.470	-.05000	-.28800	-.38800	-.35100	-.22900	-.23700	9.52000	-.02000	5.93000	3.75000
.597	29.750	-.05400	-.29200	-.38400	-.35000	-.22700	-.23700	9.49000	-.03000	5.91000	3.75000
.599	31.030	-.04900	-.29000	-.38200	-.34600	-.22100	-.23500	9.52000	-.02000	5.94000	3.75000
.599	32.300	-.05200	-.28900	-.38100	-.34700	-.22100	-.23400	9.51000	-.03000	5.95000	3.75000
.597	33.580	-.05700	-.29500	-.39000	-.34900	-.22900	-.24100	9.50000	-.03000	5.94000	3.75000
.600	34.850	-.05000	-.28600	-.38600	-.34600	-.22100	-.23300	9.46000	.00000	5.90000	3.76000
.598	36.130	-.05200	-.29200	-.39100	-.34900	-.22600	-.23900	9.48000	.00000	5.93000	3.75000
.597	37.410	-.05400	-.29300	-.39300	-.35400	-.22700	-.24000	9.44000	-.02000	5.90000	3.75000
.599	38.690	-.05200	-.29300	-.38800	-.34700	-.22700	-.23700	9.48000	-.02000	5.95000	3.75000
.598	39.960	-.05300	-.29300	-.39200	-.35000	-.22600	-.24300	9.46000	-.01000	5.94000	3.75000
.598	41.240	-.05700	-.29200	-.38900	-.35200	-.22900	-.24000	9.46000	-.02000	5.95000	3.75000
.598	42.520	-.05500	-.29700	-.39200	-.35000	-.22400	-.24100	9.44000	-.04000	5.94000	3.75000
.597	43.790	-.05700	-.29100	-.39200	-.35400	-.21900	-.24900	9.42000	.00000	5.92000	3.75000
.597	45.070	-.05600	-.30000	-.39900	-.35500	-.22900	-.24900	9.42000	-.01000	5.93000	3.75000
.598	46.340	-.05400	-.29800	-.39700	-.35200	-.22900	-.24600	9.44000	-.03000	5.95000	3.76000
.598	47.620	-.05700	-.29300	-.39700	-.35300	-.22400	-.25000	9.43000	-.01000	5.95000	3.75000
.597	48.900	-.05900	-.29400	-.39900	-.35500	-.22400	-.25300	9.40000	-.02000	5.93000	3.75000
.598	50.180	-.05200	-.29500	-.39300	-.34800	-.22000	-.24500	9.36000	-.02000	5.90000	3.75000
.597	51.460	-.05700	-.29400	-.39900	-.35200	-.22100	-.24800	9.37000	.00000	5.92000	3.76000
	GRADIENT	-.00164	-.00093	.00161	.00005	-.00199	-.00070	-.00203	-.00930	.00326	.00023

LTV44-559(CA26) 747/1 ATY 02 S1 (ORBITER DATA)

(BFE091) ( 28 JAN 76 )

## REFERENCE DATA

SREF = 2690.0000 SQ.FT. XMRP = 1109.0000 IN. XO  
 LREF = 474.9100 IN. YMRP = .0000 IN. YO  
 BREF = 936.6800 IN. ZMRP = 375.0000 IN. ZO  
 SCALE = .0125

## PARAMETRIC DATA

ALPHAC = 4.000 BETAC = .000  
 STAB = 5.000 ELEVON = 5.000  
 BDFLAP = .000 DX = .000  
 DY = .000 IORB = 8.000  
 BETA0 = .000 RUDDER = .000

RUN NO. 65/ 0 RN/L = .00 GRADIENT INTERVAL = -5.00/ 5.00

MACH	DZ	CPCO	CPB1	CPB2	CPB3	CPS1	CPS2	ALPHA0	BETA0	INCID	ALPHAC
.600	1.460	-.05900	-.26500	-.38100	-.32700	-.19300	-.28500	11.73000	-.01000	7.93000	3.81000
.598	2.060	-.05700	-.26500	-.38600	-.33200	-.19800	-.28500	11.74000	-.01000	7.94000	3.81000
.597	2.660	-.06200	-.27000	-.38700	-.33700	-.20200	-.29100	11.73000	-.01000	7.93000	3.81000
.595	3.460	-.06500	-.27100	-.39400	-.34100	-.20500	-.29400	11.72000	.00000	7.93000	3.80000
.599	4.460	-.06400	-.26700	-.38800	-.33700	-.20400	-.28500	11.70000	.00000	7.92000	3.80000
.598	5.590	-.07000	-.28000	-.40800	-.34800	-.21100	-.29500	11.67000	.00000	7.90000	3.79000
.598	6.840	-.07200	-.28000	-.40900	-.35000	-.21300	-.29300	11.65000	-.01000	7.89000	3.80000
.599	8.090	-.07100	-.28200	-.40900	-.35200	-.21500	-.29600	11.67000	.00000	7.92000	3.79000
.599	9.340	-.07300	-.28400	-.41200	-.35400	-.21800	-.29500	11.67000	.00000	7.94000	3.79000
.601	10.560	-.07400	-.28600	-.41400	-.35200	-.22100	-.29100	11.64000	.00000	7.92000	3.78000
.599	11.740	-.07700	-.29000	-.42000	-.35600	-.22500	-.29200	11.65000	.00000	7.93000	3.79000
.600	12.920	-.07600	-.29100	-.42300	-.35600	-.22600	-.29100	11.63000	.00000	7.92000	3.78000
.599	14.110	-.08000	-.29200	-.42600	-.36400	-.22900	-.29300	11.63000	.00000	7.93000	3.78000
.597	15.290	-.08300	-.29900	-.43300	-.37100	-.23300	-.29800	11.60000	-.02000	7.91000	3.77000
.599	16.480	-.08400	-.29500	-.42900	-.37000	-.23100	-.29500	11.60000	.00000	7.92000	3.78000
.597	17.660	-.08400	-.30100	-.43200	-.37100	-.23600	-.29800	11.58000	-.01000	7.91000	3.77000
.598	18.840	-.08200	-.29900	-.43800	-.36900	-.23600	-.29700	11.59000	-.01000	7.93000	3.77000
.602	20.030	-.07600	-.28500	-.42700	-.36300	-.22400	-.28700	11.56000	-.04000	7.91000	3.76000
.600	21.210	-.08400	-.30100	-.43800	-.37400	-.23500	-.29500	11.57000	-.02000	7.93000	3.76000
.600	22.390	-.08400	-.29900	-.43800	-.37400	-.23500	-.29400	11.54000	-.01000	7.91000	3.76000
.597	23.570	-.08600	-.30500	-.45200	-.37600	-.24300	-.30000	11.55000	.00000	7.93000	3.76000
.597	24.760	-.08800	-.30600	-.45000	-.38100	-.24500	-.30000	11.53000	-.02000	7.92000	3.76000
.600	25.940	-.08400	-.30300	-.44000	-.37700	-.23900	-.29300	11.54000	.00000	7.93000	3.76000
.600	27.130	-.08700	-.30400	-.45100	-.37700	-.24700	-.29400	11.53000	.00000	7.93000	3.76000
.601	28.310	-.08300	-.30700	-.44900	-.37600	-.24400	-.29100	11.51000	.00000	7.92000	3.75000
.598	29.490	-.08900	-.31300	-.45800	-.38800	-.24800	-.29800	11.52000	.00000	7.93000	3.75000
.600	30.670	-.08700	-.30300	-.45900	-.37700	-.24600	-.29300	11.48000	-.02000	7.90000	3.76000
.600	31.860	-.09000	-.31100	-.46300	-.38500	-.24700	-.29600	11.48000	-.02000	7.91000	3.76000
.598	33.040	-.09000	-.31300	-.46800	-.38700	-.25400	-.29600	11.51000	.00000	7.94000	3.75000
.597	34.230	-.09100	-.31400	-.46900	-.39000	-.25300	-.30000	11.47000	-.01000	7.92000	3.75000
.599	35.410	-.09200	-.31300	-.46100	-.38900	-.24800	-.29800	11.47000	.00000	7.92000	3.76000
.599	36.590	-.09500	-.31200	-.46800	-.38900	-.25500	-.29700	11.45000	-.04000	7.91000	3.76000
.600	37.780	-.09000	-.31300	-.45700	-.39000	-.25100	-.29400	11.45000	-.01000	7.92000	3.75000
.598	38.960	-.09600	-.31600	-.47200	-.39000	-.25800	-.29700	11.45000	-.03000	7.92000	3.76000
.600	40.150	-.09000	-.31600	-.46800	-.39200	-.25100	-.29300	11.41000	-.04000	7.89000	3.76000
.598	41.330	-.09700	-.31800	-.47100	-.39400	-.25300	-.29600	11.46000	-.01000	7.94000	3.76000
.600	42.520	-.09600	-.31900	-.46800	-.39400	-.25200	-.29500	11.44000	.01000	7.93000	3.75000
.599	43.700	-.09600	-.32000	-.47300	-.39300	-.25200	-.29500	11.39000	-.04000	7.89000	3.75000
.601	44.880	-.09300	-.31400	-.46300	-.39100	-.25500	-.29100	11.43000	-.04000	7.93000	3.76000
.598	45.060	-.09700	-.32200	-.47200	-.39900	-.26500	-.30000	11.40000	-.06000	7.91000	3.76000
.601	47.250	-.09800	-.31900	-.47100	-.39400	-.26300	-.29500	11.42000	-.01000	7.93000	3.76000
.599	48.430	-.09800	-.32000	-.47200	-.39600	-.26600	-.29400	11.41000	-.06000	7.93000	3.76000

LTV44-559(CA26) 747/1 ATY 02 S1 (ORBITER DATA)

(BFE091) ( 28 JAN 76 )

## REFERENCE DATA

SREF = 2690.0000 SQ.FT. XMRP = 1109.0000 IN. XO  
 LREF = 474.8100 IN. YMRP = .0000 IN. YO  
 BREF = 936.6800 IN. ZMRP = 375.0000 IN. ZO  
 SCALE = .0125

## PARAMETRIC DATA

ALPHAC = 4.000 BETAC = .000  
 STAB = 5.000 ELEVON = 5.000  
 BDFLAP = .000 DX = .000  
 DY = .000 IORB = 8.000  
 BETAO = .000 RUDDER = .000

RUN NO. 65/ 0 RN/L = .00 GRADIENT INTERVAL = -5.00/ 5.00

MACH	DZ	CPCO	CPB1	CPB2	CPB3	CPS1	CPS2	ALPHA0	BETA0	INCID	ALPHAC
.600	49.620	-.09800	-.31700	-.47200	-.39600	-.25500	-.29300	11.38000	-.04000	7.90000	3.76000
.598	50.800	-.09700	-.32500	-.47400	-.40100	-.26700	-.29400	11.40000	-.02000	7.94000	3.76000
.600	51.990	-.09600	-.31800	-.47200	-.39500	-.26100	-.29400	11.36000	-.04000	7.90000	3.76000
.598	53.170	-.10000	-.32500	-.47700	-.40400	-.26300	-.30000	11.38000	.00000	7.93000	3.76000
.600	54.350	-.09500	-.32600	-.47200	-.40000	-.26200	-.29400	11.35000	-.02000	7.90000	3.76000
.600	55.540	-.09800	-.32200	-.47200	-.39700	-.26200	-.29700	11.34000	-.01000	7.51000	3.76000
.599	56.130	-.09600	-.32600	-.47400	-.40100	-.26700	-.29500	11.34000	-.05000	7.90000	3.76000
	GRADIENT	-.00236	-.00114	-.00271	-.00360	-.00369	-.00086	-.01138	.00411	-.00432	-.00411

DATE 22 MAR 76

CA-26 FORCE SOURCE DATA TABULATION

PAGE 281

LTV44-559(CA26) 747/1 ATY 02 S1 (ORBITER DATA)

(BFE092) ( 28 JAN 76 )

## REFERENCE DATA

SREF = 2690.0000 SQ.FT. XMRP = 1109.0000 IN. XO  
 LREF = 474.8100 IN. YMRP = .0000 IN. YO  
 BREF = 936.6800 IN. ZMRP = 375.0000 IN. ZO  
 SCALE = .0125

## PARAMETRIC DATA

ALPHAC = 4.000 BETAC = .000  
 STAB = 5.000 ELEVON = 5.000  
 BDFLAP = .000 DX = .000  
 DY = .000 TORB = 4.000  
 BETA0 = 5.000 RUDDER = .000

RUN NO. 66/ 0 RN/L = .00 GRADIENT INTERVAL = -5.00/ 5.00

MACH	DZ	CPCO	CPB1	CPB2	CPB3	CPS1	CPS2	ALPHAO	BETA0	INCID	ALPHAC
.599	1.460	-.08700	-.25700	-.37500	-.32800	-.01800	-.40300	7.70000	4.87000	3.97000	3.73000
.595	2.060	-.09500	-.26200	-.38400	-.33700	-.02100	-.41200	7.66000	4.90000	3.94000	3.73000
.597	2.660	-.09000	-.25600	-.38200	-.33100	-.02200	-.40000	7.65000	4.89000	3.93000	3.73000
.595	3.360	-.09500	-.26700	-.39200	-.34200	-.02600	-.41000	7.66000	4.92000	3.95000	3.73000
.596	4.160	-.09300	-.26400	-.38700	-.33800	-.02900	-.40700	7.65000	4.90000	3.93000	3.73000
.597	4.960	-.09400	-.26900	-.38400	-.33900	-.03000	-.40800	7.65000	4.84000	3.93000	3.74000
.594	6.960	-.10100	-.27400	-.39500	-.34600	-.03400	-.41700	7.63000	4.89000	3.93000	3.73000
.595	8.960	-.10000	-.27500	-.39300	-.34800	-.03200	-.42000	7.61000	4.89000	3.92000	3.73000
.594	10.430	-.10400	-.28000	-.40000	-.34900	-.04200	-.42000	7.62000	4.89000	3.94000	3.74000
.597	11.370	-.09700	-.27700	-.39100	-.34700	-.03500	-.41600	7.62000	4.91000	3.94000	3.74000
.596	12.310	-.10800	-.27700	-.39500	-.34600	-.04000	-.41500	7.60000	4.89000	3.93000	3.74000
.598	13.250	-.09800	-.27800	-.39400	-.35100	-.03600	-.41500	7.63000	4.84000	3.97000	3.73000
.596	14.180	-.10200	-.28200	-.40000	-.35500	-.03800	-.42300	7.60000	4.91000	3.94000	3.74000
.597	15.120	-.10200	-.28200	-.40000	-.35500	-.03800	-.42300	7.60000	4.86000	3.95000	3.74000
.598	16.060	-.09900	-.27900	-.40100	-.35300	-.04100	-.41800	7.59000	4.88000	3.95000	3.74000
.596	17.000	-.10300	-.28200	-.40700	-.35500	-.04300	-.42100	7.59000	4.82000	3.95000	3.74000
.596	17.940	-.10200	-.28300	-.40500	-.35900	-.04100	-.42500	7.56000	4.87000	3.93000	3.74000
.595	18.880	-.10500	-.28500	-.41200	-.36100	-.04800	-.42400	7.59000	4.83000	3.96000	3.74000
.595	19.810	-.10700	-.28600	-.41400	-.36400	-.04800	-.42900	7.57000	4.87000	3.95000	3.74000
.596	20.750	-.10400	-.28400	-.40900	-.35800	-.04600	-.42600	7.59000	4.86000	3.97000	3.74000
.599	21.680	-.10000	-.28500	-.40200	-.35600	-.04300	-.41600	7.56000	4.83000	3.97000	3.74000
.596	22.620	-.10800	-.29700	-.40700	-.36300	-.04800	-.42100	7.59000	4.83000	3.94000	3.74000
.595	23.560	-.10800	-.28800	-.40900	-.36300	-.04900	-.42100	7.58000	4.84000	3.96000	3.75000
.597	24.500	-.10000	-.28600	-.40200	-.36600	-.04500	-.41100	7.56000	4.82000	3.97000	3.74000
.595	25.440	-.10900	-.29200	-.41100	-.36600	-.05000	-.42100	7.56000	4.82000	3.96000	3.74000
.596	26.380	-.10400	-.29300	-.40900	-.36100	-.05100	-.42200	7.53000	4.82000	3.96000	3.74000
.594	27.310	-.11000	-.29300	-.41900	-.36600	-.05500	-.42800	7.52000	4.85000	3.94000	3.75000
.596	28.250	-.10400	-.29300	-.41200	-.36600	-.05400	-.42200	7.52000	4.85000	3.93000	3.75000
.594	29.190	-.11200	-.29300	-.41900	-.37000	-.05900	-.41900	7.52000	4.85000	3.93000	3.75000
.598	30.130	-.10700	-.29300	-.41100	-.36800	-.05200	-.42300	7.54000	4.82000	3.94000	3.75000
.598	31.060	-.10800	-.29900	-.41600	-.37200	-.05700	-.42900	7.51000	4.84000	3.96000	3.75000
.558	32.000	-.10400	-.29200	-.41100	-.36800	-.05100	-.41900	7.51000	4.83000	3.94000	3.75000
.599	32.940	-.10700	-.29500	-.41400	-.37000	-.05300	-.42400	7.53000	4.82000	3.95000	3.75000
.598	33.880	-.10600	-.29400	-.41300	-.37000	-.05300	-.42200	7.51000	4.82000	3.96000	3.75000
.595	34.820	-.10600	-.29800	-.42100	-.37400	-.06000	-.42100	7.51000	4.82000	3.96000	3.75000
.597	35.760	-.10800	-.29500	-.41500	-.37200	-.05800	-.42400	7.47000	4.83000	3.92000	3.75000
.597	36.700	-.10900	-.29300	-.42000	-.37100	-.05700	-.42500	7.49000	4.84000	3.94000	3.75000
.596	37.630	-.10700	-.30000	-.41600	-.37100	-.05800	-.43000	7.51000	4.85000	3.97000	3.75000
.596	38.570	-.11000	-.29700	-.42100	-.37600	-.05800	-.43400	7.47000	4.82000	3.93000	3.75000
.594	39.510	-.10900	-.30400	-.42400	-.37600	-.06000	-.44300	7.45000	4.83000	3.93000	3.75000
.595	40.450	-.10800	-.30300	-.42100	-.37300	-.06000	-.43700	7.45000	4.86000	3.93000	3.75000
.596	41.380	-.10800	-.30200	-.42400	-.37900	-.05700	-.45000	7.44000	4.84000	3.93000	3.75000

DATE 22 MAR 76

CA-26 FORCE SOURCE DATA TABULATION

PAGE 282

LTV44-559(CA26) 7471 ATY 02 S1 (ORBITER DATA)

(8FE092) ( 28 JAN 76 )

## REFERENCE DATA

SREF = 2690.0000 SQ.FT. XMRP = 1109.0000 IN. XO  
 LREF = 474.8100 IN. YMRP = .0000 IN. YO  
 BREF = 936.6800 IN. ZMRP = 375.0000 IN. ZO  
 SCALE = .0125

## PARAMETRIC DATA

ALPHAC = 4.000 BETAC = .000  
 STAB = 5.000 ELEVON = 5.000  
 BDFLAP = .000 DX = .000  
 DY = .000 IORB = 4.000  
 BETAO = 5.000 RUDDER = .000

RUN NO. 66/ 0 RN/L = .00 GRADIENT INTERVAL = -5.00/ 5.00

MACH	OZ	CPCO	CPB1	CPB2	CPB3	CPS1	CPS2	ALPHAO	BETAO	INCID	ALPHAC
.598	42.320	-.10600	-.29700	-.42100	-.37600	-.05600	-.44400	7.44000	4.84000	3.93000	3.75000
.597	42.790	-.11000	-.30000	-.42000	-.37900	-.05900	-.44000	7.42000	4.84000	3.92000	3.75000
	GRADIENT	-.00133	-.00316	-.00243	-.00273	-.00358	-.00082	-.01050	-.00604	-.00830	.00215



LTV44-559(CA26) 747/1 ATY 02 S1 (ORBITER DATA)

(BFE093) ( 28 JAN 76 )

## REFERENCE DATA

SREF = 2690.0000 SQ.FT. XMRP = 1109.0000 IN. XO  
 LREF = 474.8100 IN. YMRP = .0000 IN. YO  
 BREF = 936.6800 IN. ZMRP = 375.0000 IN. ZO  
 SCALE = .0125

## PARAMETRIC DATA

ALPHAC = 4.000 BETAC = .000  
 STAB = 5.000 ELEVON = 5.000  
 BDFLAP = .000 DX = .000  
 DY = .000 IORB = 6.000  
 BETA0 = 5.000 RUDDER = .000

RUN NO. 1066/ 0 RN/L = .00 GRADIENT INTERVAL = -5.00/ 5.00

MACH	DZ	CPCO	CPB1	CPB2	CPB3	CPS1	CPS2	ALPHA0	BETA0	INCID	ALPHAC
.594	1.480	-.13500	-.28500	-.40700	-.37300	-.07600	-.37200	9.68000	4.86000	5.91000	3.77000
.595	2.070	-.14100	-.28500	-.40700	-.37400	-.08200	-.37500	9.69000	4.86000	5.94000	3.76000
.595	2.670	-.13600	-.28800	-.40500	-.37000	-.07500	-.37500	9.66000	4.85000	5.91000	3.76000
.596	3.380	-.13700	-.28900	-.41000	-.37300	-.07400	-.37600	9.66000	4.87000	5.91000	3.76000
.596	4.170	-.13900	-.29000	-.40900	-.37200	-.07500	-.37900	9.65000	4.89000	5.91000	3.76000
.597	4.970	-.13900	-.28900	-.40400	-.36800	-.07500	-.37600	9.65000	4.88000	5.91000	3.76000
.594	6.970	-.13800	-.29300	-.41400	-.37600	-.07700	-.38300	9.63000	4.88000	5.92000	3.75000
.596	8.980	-.14000	-.29300	-.40900	-.37100	-.07500	-.38100	9.61000	4.86000	5.91000	3.75000
.596	10.580	-.13700	-.29500	-.41200	-.37400	-.07400	-.38300	9.60000	4.86000	5.91000	3.75000
.597	11.790	-.13900	-.29500	-.41000	-.37400	-.07600	-.38400	9.60000	4.86000	5.91000	3.75000
.596	13.010	-.14400	-.29800	-.41500	-.37700	-.07900	-.39100	9.59000	4.90000	5.91000	3.75000
.593	14.220	-.14200	-.29500	-.41900	-.38200	-.08100	-.38800	9.60000	4.88000	5.93000	3.75000
.597	15.440	-.14300	-.29800	-.41400	-.37500	-.07900	-.38700	9.60000	4.90000	5.94000	3.75000
.594	16.660	-.14200	-.29900	-.42200	-.38500	-.08200	-.38900	9.57000	4.86000	5.92000	3.74000
.595	17.870	-.14000	-.29900	-.41600	-.37500	-.07900	-.38500	9.58000	4.89000	5.94000	3.75000
.596	19.090	-.14200	-.29800	-.41500	-.37500	-.07600	-.38600	9.54000	4.87000	5.91000	3.74000
.594	20.300	-.13900	-.29600	-.41900	-.38200	-.07800	-.38600	9.56000	4.85000	5.93000	3.74000
.596	21.510	-.14100	-.29800	-.41500	-.37600	-.07700	-.38800	9.57000	4.85000	5.95000	3.75000
.595	22.730	-.13900	-.29600	-.41500	-.37900	-.07900	-.38900	9.53000	4.85000	5.92000	3.75000
.594	23.940	-.14400	-.30000	-.42200	-.38300	-.08200	-.39700	9.51000	4.83000	5.90000	3.75000
.596	25.150	-.13900	-.29500	-.41700	-.38200	-.07700	-.38900	9.53000	4.84000	5.92000	3.75000
.595	26.370	-.14500	-.30400	-.41900	-.38200	-.08200	-.39800	9.55000	4.83000	5.95000	3.75000
.595	27.590	-.14200	-.30700	-.42300	-.38200	-.08300	-.40400	9.48000	4.84000	5.89000	3.75000
.596	28.800	-.13900	-.30300	-.42400	-.38100	-.07900	-.39700	9.51000	4.82000	5.93000	3.75000
.597	30.020	-.13700	-.30000	-.41900	-.38200	-.07700	-.39400	9.47000	4.83000	5.90000	3.75000
.597	31.230	-.13700	-.30000	-.42300	-.38400	-.07800	-.39700	9.48000	4.83000	5.91000	3.75000
.595	32.450	-.14100	-.30800	-.43200	-.38600	-.08200	-.40600	9.50000	4.85000	5.94000	3.75000
.595	33.660	-.14100	-.30400	-.42100	-.38100	-.07800	-.40900	9.47000	4.86000	5.91000	3.75000
.596	34.880	-.14000	-.30000	-.42300	-.38500	-.07400	-.41200	9.49000	4.84000	5.94000	3.75000
.594	36.090	-.14100	-.30500	-.42900	-.38200	-.07400	-.41400	9.48000	4.83000	5.94000	3.75000
.595	37.310	-.13700	-.30300	-.42300	-.37900	-.07300	-.42200	9.46000	4.83000	5.92000	3.75000
.594	38.530	-.13800	-.30400	-.42700	-.38000	-.07400	-.40900	9.42000	4.85000	5.89000	3.75000
.593	39.740	-.14200	-.30200	-.42900	-.38600	-.07700	-.40800	9.44000	4.83000	5.92000	3.75000
.595	40.950	-.13600	-.30300	-.42200	-.37900	-.07500	-.40300	9.46000	4.82000	5.94000	3.75000
.595	42.170	-.14200	-.30200	-.42500	-.38700	-.07300	-.42200	9.45000	4.85000	5.94000	3.76000
.594	43.380	-.14000	-.30600	-.42600	-.38500	-.07400	-.42700	9.44000	4.85000	5.94000	3.75000
.594	44.600	-.14000	-.30300	-.42900	-.38700	-.07300	-.42100	9.42000	4.83000	5.93000	3.75000
.597	45.820	-.13100	-.30300	-.42200	-.37800	-.06900	-.42300	9.39000	4.85000	5.90000	3.76000
.597	47.030	-.13300	-.30300	-.42000	-.37700	-.07000	-.41600	9.42000	4.83000	5.94000	3.76000
.596	48.250	-.13500	-.30100	-.42300	-.37800	-.06600	-.42700	9.41000	4.84000	5.94000	3.76000
.597	49.460	-.13100	-.30000	-.41900	-.37500	-.07100	-.41400	9.38000	4.84000	5.92000	3.75000
GRADIENT		-.00062	-.00143	.00021	.00116	.00108	-.00131	-.01088	.00678	-.00368	-.00191

ORIGINAL PAGE IS  
OF POOR QUALITY

LTV44-559(CA26) 747/1 ATY 02 S1 (ORBITER DATA)

(BFE094) ( 28 JAN 76 )

## REFERENCE DATA

SREF = 2690.0000 SQ.FT. XMRP = 1109.0000 IN. XO  
 LREF = 474.8100 IN. YMRP = .0000 IN. YO  
 BREF = 936.6800 IN. ZMRP = 375.0000 IN. ZO  
 SCALE = .0125

## PARAMETRIC DATA

ALPHAC = 4.000 BETAC = .000  
 STAB = 5.000 ELEVON = 5.000  
 BDFLAP = .000 DX = .000  
 DY = .000 IORB = 8.000  
 BETA0 = 5.000 RUDDER = .000

RUN NO. 67/ 0 RN/L = .00 GRADIENT INTERVAL = -5.00/ 5.00

MACH	DZ	CPCO	CPB1	CPB2	CPB3	CPS1	CPS2	ALPHAO	BETA0	INCID	ALPHAC
.602	1.460	-.10700	-.26100	-.37700	-.32800	-.02800	-.40100	11.72000	4.87000	7.92000	3.80000
.602	2.060	-.11300	-.26400	-.38100	-.32700	-.03400	-.40000	11.73000	4.84000	7.94000	3.79000
.601	2.660	-.11600	-.26700	-.38400	-.33100	-.03800	-.40000	11.71000	4.86000	7.93000	3.79000
.603	3.460	-.12100	-.27000	-.38700	-.33400	-.04200	-.40500	11.73000	4.84000	7.95000	3.79000
.601	4.460	-.11800	-.27200	-.39000	-.33600	-.03700	-.40000	11.69000	4.89000	7.92000	3.79000
.601	5.590	-.12300	-.27400	-.39400	-.34500	-.05000	-.40900	11.67000	4.89000	7.91000	3.78000
.601	6.840	-.12500	-.27600	-.39700	-.34800	-.05200	-.40900	11.64000	4.88000	7.90000	3.78000
.602	8.090	-.12500	-.27700	-.39500	-.34200	-.05000	-.40500	11.65000	4.86000	7.92000	3.78000
.601	9.340	-.12600	-.28100	-.40600	-.35400	-.05200	-.41100	11.65000	4.87000	7.93000	3.78000
.600	10.560	-.13300	-.29000	-.41200	-.35500	-.05900	-.41400	11.60000	4.89000	7.89000	3.77000
.601	11.740	-.13200	-.29000	-.41700	-.35800	-.05900	-.41500	11.62000	4.88000	7.92000	3.77000
.600	12.920	-.13200	-.28900	-.42000	-.36100	-.05700	-.41600	11.62000	4.92000	7.92000	3.77000
.602	14.110	-.12800	-.28600	-.41500	-.35800	-.05700	-.41300	11.61000	4.88000	7.93000	3.76000
.603	15.290	-.13200	-.28800	-.41200	-.35400	-.05900	-.41300	11.58000	4.86000	7.90000	3.76000
.602	16.480	-.13300	-.29000	-.41500	-.35600	-.05900	-.41300	11.60000	4.89000	7.94000	3.76000
.601	17.660	-.13300	-.29400	-.42500	-.36500	-.06500	-.41400	11.58000	4.91000	7.92000	3.76000
.600	18.840	-.13600	-.30000	-.42800	-.36800	-.06800	-.41600	11.55000	4.91000	7.90000	3.76000
.602	20.030	-.13600	-.29600	-.42500	-.36700	-.06800	-.41500	11.54000	4.86000	7.90000	3.75000
.602	21.210	-.13800	-.29800	-.42800	-.37000	-.07300	-.41500	11.53000	4.86000	7.90000	3.75000
.601	22.390	-.14000	-.30000	-.43400	-.37500	-.07300	-.41900	11.52000	4.88000	7.89000	3.75000
.603	23.570	-.13600	-.29900	-.43400	-.37100	-.07400	-.41800	11.54000	4.85000	7.92000	3.75000
.604	24.760	-.13600	-.30100	-.43800	-.37000	-.07000	-.41700	11.55000	4.89000	7.95000	3.75000
.603	25.940	-.13500	-.29900	-.43800	-.37200	-.06900	-.41600	11.54000	4.91000	7.94000	3.75000
.604	27.130	-.13700	-.30300	-.43700	-.37100	-.07400	-.41500	11.52000	4.88000	7.93000	3.75000
.603	28.310	-.13600	-.30500	-.43900	-.37400	-.07100	-.41500	11.48000	4.91000	7.90000	3.75000
.602	29.490	-.14300	-.30900	-.44200	-.38200	-.07600	-.42100	11.47000	4.88000	7.89000	3.75000
.602	30.670	-.14000	-.30500	-.44300	-.37600	-.07400	-.41800	11.49000	4.87000	7.92000	3.75000
.601	31.860	-.14000	-.30800	-.44500	-.37800	-.07400	-.42000	11.47000	4.90000	7.90000	3.75000
.601	33.040	-.14100	-.31000	-.44500	-.38100	-.08400	-.41900	11.48000	4.83000	7.92000	3.75000
.601	34.230	-.14400	-.31300	-.44600	-.38400	-.08400	-.41400	11.48000	4.84000	7.93000	3.75000
.600	35.410	-.14100	-.31000	-.44500	-.38200	-.06100	-.41700	11.47000	4.90000	7.92000	3.75000
.600	36.590	-.14600	-.31500	-.44900	-.39000	-.09000	-.41900	11.45000	4.82000	7.91000	3.75000
.601	37.780	-.15000	-.31500	-.45000	-.39000	-.08900	-.42500	11.45000	4.82000	7.92000	3.75000
.601	38.960	-.14300	-.31500	-.45100	-.38700	-.08400	-.41800	11.45000	4.87000	7.93000	3.75000
.600	40.150	-.14400	-.31900	-.45500	-.39200	-.09300	-.42000	11.41000	4.83000	7.89000	3.75000
.602	41.330	-.14500	-.31100	-.45100	-.38500	-.08300	-.42800	11.43000	4.87000	7.92000	3.75000
.601	42.520	-.15100	-.31900	-.46200	-.39900	-.08500	-.44200	11.41000	4.87000	7.91000	3.75000
.602	43.700	-.14900	-.31600	-.46200	-.39600	-.08900	-.43100	11.39000	4.81000	7.89000	3.75000
.600	44.880	-.15100	-.32300	-.46500	-.40000	-.09400	-.43200	11.41000	4.82000	7.93000	3.75000
.601	46.060	-.15300	-.32300	-.46400	-.40000	-.09200	-.43500	11.41000	4.85000	7.92000	3.75000
.603	47.250	-.14700	-.31600	-.46200	-.39300	-.08800	-.43100	11.41000	4.83000	7.93000	3.76000
.604	48.430	-.14600	-.31600	-.46100	-.39300	-.09100	-.42600	11.42000	4.85000	7.95000	3.75000

DATE 22 MAR 76

CA-26 FORCE SOURCE DATA TABULATION

PAGE 285

LTV44-559(CAPE: 747/1 ATY 02 S1 (ORBITER DATA)

(BFE094) ( 28 JAN 76 )

## REFERENCE DATA

SREF = 2690.0000 SQ.FT. XMRP = 1109.0000 IN. XO  
 LREF = 474.8100 IN. YMRP = .0000 IN. YO  
 BREF = 936.6800 IN. ZMRP = 375.0000 IN. ZO  
 SCALE = .0125

## PARAMETRIC DATA

ALPHAC = 4.000 BETAC = .000  
 STAB = 5.000 ELEVON = 5.000  
 BDFLAP = .000 DX = .000  
 DY = .000 IORB = 8.000  
 BETA0 = 5.000 RUDDER = .000

RUN NO. 67/ 0 RN/L = .00 GRADIENT INTERVAL = -5.00/ 5.00

MACH	DZ	CPCO	CPB1	CPB2	CPB3	CPS1	CPS2	ALPHAO	BETA0	INCID	ALPHAC
.604	49.620	-.14500	-.31400	-.45700	-.39100	-.09300	-.42000	11.39000	4.85000	7.92000	3.75000
.601	50.800	-.15000	-.31700	-.46100	-.40100	-.09100	-.43000	11.36000	4.88000	7.90000	3.75000
.603	51.990	-.15300	-.31900	-.46300	-.39500	-.08400	-.44000	11.36000	4.90000	7.91000	3.75000
.602	53.170	-.14800	-.32100	-.46300	-.39600	-.10100	-.42300	11.36000	4.81000	7.92000	3.75000
.602	54.350	-.15300	-.32300	-.46400	-.39500	-.09400	-.44300	11.33000	4.84000	7.90000	3.75000
.602	55.540	-.15100	-.32300	-.46800	-.39600	-.09700	-.43100	11.33000	4.82000	7.90000	3.75000
.601	56.130	-.15000	-.31800	-.46900	-.40000	-.09200	-.43500	11.34000	4.87000	7.91000	3.75000
	GRADIENT	-.00378	-.00370	-.00424	-.00311	-.00316	-.00140	-.00879	.00684	.00043	-.00245

LTV44-559(CA26) 747/1 ATY 02 S1 (ORBITER DATA)

(BFE095) ( 28 JAN 76 )

## REFERENCE DATA

SREF = 2690.0000 SQ.FT. XMRP = 1109.0000 IN. XO  
 LREF = 474.8100 IN. YMRP = .0000 IN. YO  
 BREF = 936.6800 IN. ZMRP = 375.0000 IN. ZO  
 SCALE = .0125

## PARAMETRIC DATA

ALPHAC = 4.000 BETAC = .000  
 STAB = -1.000 ELEVON = 5.000  
 BDFLAP = .000 DX = .000  
 DY = .000 IORB = 4.000  
 BETA0 = .000 RUDDER = .000

RUN NO. 68/ 0 RN/L = .00 GRADIENT INTERVAL = -5.00/ 5.00

MACH	DZ	CPCO	CPB1	CPB2	CPB3	CPS1	CPS2	ALPHA0	BETA0	INCID	ALPHAC
.597	1.460	-.03500	-.24900	-.46500	-.30000	-.15700	-.26700	8.01000	.00000	3.96000	4.06000
.598	2.060	-.03500	-.24900	-.43800	-.30100	-.15800	-.26600	7.99000	-.01000	3.94000	4.05000
.597	2.660	-.03800	-.25000	-.47200	-.30100	-.16000	-.26800	7.97000	-.02000	3.92000	4.06000
.597	3.360	-.04200	-.25900	-.40500	-.31000	-.16900	-.27100	7.99000	-.02000	3.95000	4.06000
.597	4.160	-.03800	-.25200	-.37300	-.30500	-.16900	-.27100	8.00000	.00000	3.96000	4.06000
.596	4.960	-.04400	-.26700	-.36500	-.31400	-.17900	-.27600	7.97000	-.02000	3.93000	4.06000
.596	6.960	-.04600	-.26600	-.36500	-.31700	-.18100	-.27900	7.97000	-.01000	3.95000	4.06000
.596	8.960	-.04700	-.26200	-.36100	-.31800	-.17600	-.27900	7.99000	-.02000	3.98000	4.06000
.596	10.430	-.04800	-.27300	-.39700	-.32200	-.18700	-.28100	7.93000	-.05000	3.93000	4.06000
.594	11.370	-.05400	-.28100	-.42400	-.33100	-.19400	-.28500	7.93000	-.02000	3.93000	4.06000
.595	12.310	-.05300	-.27400	-.41400	-.33000	-.18600	-.28500	7.96000	.00000	3.96000	4.07000
.597	13.250	-.05200	-.26800	-.41100	-.32400	-.18300	-.28100	7.94000	-.03000	3.95000	4.06000
.598	14.180	-.05000	-.27000	-.42200	-.32100	-.18600	-.27900	7.91000	-.03000	3.92000	4.06000
.596	15.120	-.05400	-.27100	-.42400	-.32900	-.18700	-.28200	7.93000	-.04000	3.95000	4.06000
.598	16.060	-.05400	-.27200	-.41500	-.32600	-.18900	-.28000	7.91000	-.03000	3.94000	4.06000
.596	17.000	-.05800	-.27900	-.41800	-.33500	-.19200	-.28400	7.92000	-.01000	3.95000	4.07000
.594	17.940	-.05700	-.28600	-.43200	-.33700	-.19600	-.28500	7.94000	-.01000	3.97000	4.07000
.595	18.880	-.05800	-.28000	-.44400	-.33700	-.19500	-.28500	7.90000	-.01000	3.94000	4.07000
.598	19.810	-.05600	-.27600	-.42900	-.33100	-.19300	-.28300	7.90000	-.02000	3.95000	4.06000
.594	20.750	-.06000	-.28600	-.43800	-.34400	-.20000	-.28900	7.92000	-.03000	3.97000	4.07000
.596	21.680	-.06100	-.28400	-.43100	-.34100	-.19800	-.28700	7.89000	-.03000	3.95000	4.06000
.596	22.620	-.06000	-.29200	-.43200	-.34400	-.20800	-.28500	7.89000	-.02000	3.95000	4.07000
.597	23.560	-.06200	-.29200	-.43000	-.34500	-.20700	-.28500	7.91000	-.03000	3.97000	4.07000
.595	24.500	-.06400	-.29400	-.44200	-.35200	-.20800	-.28900	7.89000	-.05000	3.96000	4.07000
.597	25.440	-.06100	-.29300	-.44300	-.34700	-.21000	-.28500	7.88000	-.02000	3.95000	4.07000
.599	26.380	-.06200	-.28300	-.43900	-.34400	-.20300	-.28400	7.86000	-.02000	3.94000	4.07000
.598	27.310	-.06300	-.28900	-.44800	-.34900	-.20500	-.28700	7.88000	-.03000	3.97000	4.07000
.600	28.250	-.06100	-.28600	-.45400	-.34600	-.20500	-.28400	7.88000	-.06000	3.97000	4.07000
.597	29.190	-.06600	-.29500	-.45000	-.35400	-.21100	-.28500	7.88000	.00000	3.97000	4.08000
.599	30.130	-.06200	-.29400	-.46600	-.34700	-.21400	-.28300	7.84000	-.04000	3.94000	4.07000
.599	31.060	-.06500	-.29200	-.47700	-.34600	-.21000	-.28200	7.84000	-.02000	3.94000	4.07000
.597	32.000	-.06600	-.29400	-.47300	-.35100	-.21200	-.28300	7.85000	-.03000	3.96000	4.07000
.595	32.940	-.06800	-.29700	-.47500	-.35800	-.21400	-.28700	7.85000	-.02000	3.96000	4.08000
.596	33.880	-.06500	-.29900	-.47300	-.35400	-.22200	-.28300	7.84000	-.04000	3.96000	4.07000
.597	34.820	-.06900	-.29400	-.47700	-.35300	-.21300	-.28600	7.82000	-.02000	3.95000	4.07000
.597	35.760	-.06900	-.29700	-.49100	-.35500	-.21800	-.28400	7.81000	-.01000	3.94000	4.07000
.596	36.700	-.06700	-.30400	-.50300	-.35900	-.22100	-.28800	7.82000	-.04000	3.96000	4.07000
.596	37.630	-.06600	-.30400	-.50600	-.35900	-.22300	-.28500	7.82000	-.04000	3.96000	4.08000
.594	38.570	-.07100	-.30700	-.51600	-.36500	-.22200	-.29400	7.81000	.01000	3.96000	4.08000
.598	39.510	-.06700	-.30200	-.51100	-.35600	-.22400	-.28300	7.79000	-.03000	3.94000	4.07000
.597	40.450	-.06900	-.30000	-.51000	-.35800	-.21900	-.28700	7.78000	-.02000	3.94000	4.07000
.597	41.380	-.07100	-.30000	-.49000	-.36200	-.21900	-.28700	7.80000	-.05000	3.96000	4.08000

DATE 22 MAR 76

CA-26 FORCE SOURCE DATA TABULATION

PAGE 287

LTV44-559(CA26) 747/1 ATY 02 S1 (ORBITER DATA)

(BFE095) ( 28 JAN 76 )

## REFERENCE DATA

SREF = 2690.0000 SQ.FT. XMRP = 1109.0000 IN. XO  
 LREF = 474.8100 IN. YMRP = .0000 IN. YO  
 BREF = 936.6800 IN. ZMRP = 375.0000 IN. ZO  
 SCALE = .0125

## PARAMETRIC DATA

ALPHAC = 4.000 BETAC = .000  
 STAB = -1.000 ELEVON = 5.000  
 BDFLAP = .000 DX = .000  
 DY = .000 TORB = 4.000  
 BETA0 = .000 RUDDER = .000

RUN NO. 68/ 0 RN/L = .00 GRADIENT INTERVAL = -5.00/ 5.00

MACH	DZ	CPCO	CPB1	CPB2	CPB3	CPS1	CPS2	ALPHA0	BETA0	INCID	ALPHAC
.597	42.320	-.07000	-.30900	-.49300	-.36400	-.22800	-.28800	7.80000	-.04000	3.97000	4.08000
.599	42.790	-.07200	-.30100	-.50700	-.35900	-.22800	-.28000	7.78000	-.06000	3.95000	4.08000
	GRADIENT	-.00234	-.00447	.03150	-.00373	-.00626	-.00261	-.00586	-.00261	-.00221	.00122

LTV44-559(CA26) 747/1 ATY 02 S1 (ORBITER DATA)

(BFE096) ( 28 JAN 76 )

REFERENCE DATA

SREF = 2690.0000 SQ.FT. XMRP = 1109.0000 IN. XO  
 LREF = 474.8100 IN. YMRP = .0000 IN. YO  
 BREF = 936.6800 IN. ZMRP = 375.0000 IN. ZO  
 SCALE = .0125

PARAMETRIC DATA

ALPHAC = 4.000 BETAC = .000  
 STAB = -1.000 ELEVON = 5.000  
 BDFLAP = .000 DX = .000  
 DY = .000 IORP = 6.000  
 BETAO = .000 RUDDER = .000

RUN NO. 1068/ 0 RN/L = .00 GRADIENT INTERVAL = -5.00/ 5.00

MACH	DZ	CPCO	CPB1	CPB2	CPB3	CPS1	CPS2	ALPHAO	BETAO	INCID	ALPHAC
.597	1.480	-.07800	-.29700	-.52300	-.35900	-.25600	-.25300	10.02000	-.02000	5.95000	4.07000
.599	2.070	-.07700	-.29500	-.53700	-.35300	-.25500	-.25400	9.98000	-.02000	5.91000	4.08000
.596	2.670	-.08000	-.30400	-.54300	-.36400	-.26000	-.25700	10.02000	-.02000	5.96000	4.07000
.596	3.380	-.08300	-.31000	-.56700	-.36200	-.25700	-.26000	9.99000	-.03000	5.93400	4.08000
.597	4.170	-.07800	-.30100	-.56200	-.35700	-.25800	-.25900	9.99000	-.01000	5.94000	4.07000
.597	4.970	-.08000	-.30000	-.53700	-.36200	-.25300	-.25700	9.98000	-.03000	5.93000	4.08000
.593	6.970	-.09000	-.31500	-.53800	-.37700	-.26700	-.27000	9.99000	-.03000	5.95000	4.07000
.597	8.980	-.08200	-.30300	-.54800	-.36500	-.25400	-.26300	9.96000	-.02000	5.94000	4.07000
.597	10.580	-.07800	-.30500	-.54800	-.36300	-.25800	-.26200	9.96000	-.03000	5.95000	4.07000
.595	11.790	-.08200	-.31300	-.53500	-.36900	-.26400	-.26700	9.93000	-.04000	5.92000	4.07000
.595	13.010	-.08200	-.31000	-.52500	-.36900	-.26100	-.26600	9.94000	-.03000	5.94000	4.06000
.595	14.220	-.08100	-.31400	-.53900	-.37100	-.26200	-.26600	9.93000	-.03000	5.95000	4.06000
.597	15.440	-.08200	-.30600	-.55400	-.36700	-.25200	-.26500	9.93000	-.00000	5.95000	4.07000
.595	16.660	-.08200	-.31500	-.54900	-.37300	-.26400	-.26700	9.92000	-.03000	5.95000	4.06000
.595	17.870	-.08400	-.31200	-.52000	-.37300	-.25800	-.26700	9.91000	-.02000	5.95000	4.06000
.596	19.090	-.08200	-.31200	-.51500	-.37100	-.25500	-.26700	9.88000	-.02000	5.92000	4.06000
.595	20.300	-.08100	-.31700	-.50300	-.36900	-.26100	-.27200	9.89000	-.01000	5.93000	4.07000
.596	21.510	-.08600	-.31200	-.51400	-.37200	-.25900	-.27100	9.87000	-.06000	5.93000	4.07000
.596	22.730	-.08100	-.31500	-.53200	-.36900	-.26000	-.27000	9.88000	-.01000	5.93000	4.07000
.599	23.940	-.08000	-.30800	-.51400	-.36500	-.25300	-.26600	9.89000	-.01000	5.96000	4.07000
.597	25.150	-.08200	-.31700	-.51700	-.37200	-.26000	-.27000	9.87000	-.01000	5.94000	4.07000
.598	26.370	-.08200	-.30900	-.53400	-.37000	-.25300	-.26900	9.83000	-.06000	5.91000	4.07000
.595	27.590	-.08300	-.32200	-.54100	-.37400	-.25900	-.27400	9.85000	-.04000	5.94000	4.07000
.598	28.800	-.08100	-.31200	-.52500	-.36700	-.25400	-.26900	9.84000	-.01000	5.93000	4.07000
.597	30.020	-.08000	-.31400	-.50100	-.37000	-.25700	-.27000	9.82000	-.05000	5.92000	4.07000
.599	31.230	-.07900	-.31000	-.48900	-.36400	-.25100	-.26800	9.82000	-.03000	5.92000	4.07000
.596	32.450	-.08300	-.31800	-.48900	-.37800	-.25500	-.27500	9.82000	-.03000	5.93000	4.07000
.596	33.660	-.08000	-.31600	-.50600	-.37200	-.25700	-.27400	9.84000	-.05000	5.96000	4.08000
.595	34.880	-.08000	-.31500	-.51800	-.37300	-.25400	-.27600	9.82000	-.07000	5.95000	4.07000
.596	36.090	-.08300	-.32000	-.51200	-.37300	-.25700	-.27600	9.82000	-.05000	5.95000	4.07000
.596	37.310	-.08100	-.31800	-.51100	-.37300	-.25500	-.27800	9.82000	-.01000	5.96000	4.08000
.598	38.530	-.08000	-.31100	-.52400	-.36900	-.24900	-.27400	9.78000	-.07000	5.93000	4.08000
.597	39.740	-.08200	-.31000	-.50700	-.37200	-.24600	-.27800	9.77000	-.05000	5.92000	4.08000
.597	40.950	-.08200	-.31100	-.49600	-.37100	-.24500	-.27900	9.78000	-.07000	5.94000	4.08000
.598	42.170	-.07700	-.31000	-.49300	-.36800	-.24800	-.27500	9.80000	-.03000	5.96000	4.08000
.598	43.380	-.07900	-.31000	-.50000	-.36600	-.23900	-.28100	9.79000	-.04000	5.97000	4.07000
.597	44.600	-.08000	-.31500	-.51600	-.37200	-.24800	-.28200	9.75000	-.03000	5.93000	4.08000
.598	45.820	-.07800	-.31400	-.50600	-.37100	-.24700	-.28300	9.76000	-.01000	5.94000	4.08000
.596	47.030	-.08000	-.31800	-.50000	-.37100	-.25000	-.28100	9.74000	-.04000	5.93000	4.08000
.597	48.250	-.07800	-.30900	-.50200	-.36800	-.24000	-.28600	9.72000	-.00000	5.92000	4.08000
.594	49.460	-.08100	-.31400	-.49700	-.37500	-.23700	-.29000	9.73000	-.00000	5.94000	4.08000
	GRADIENT	-.00060	-.00113	-.00631	-.00096	.00046	-.00147	-.00825	-.00123	-.00174	.00122

LTV44-559(CA26) 747/1 ATY 02 S1 (ORBITER DATA)

(BFE097) ( 28 JAN 76 )

## REFERENCE DATA

SREF = 2690.0000 SQ.FT. XMRP = 1109.0000 IN. XO  
 LREF = 474.8100 IN. YMRP = .0000 IN. YO  
 BREF = 936.6800 IN. ZMRP = 375.0000 IN. ZO  
 SCALE = .0125

## PARAMETRIC DATA

ALPHAC = 4.000 BETAC = .000  
 STAB = -1.000 ELEVON = 5.000  
 BDFLAP = .000 DX = .000  
 DY = .000 IORB = 8.000  
 BETAO = .000 RUDDER = .000

RUN NO. 69/ 0 RN/L = .00 GRADIENT INTERVAL = -5.00/ 5.00

MACH	DZ	CP00	CP01	CP02	CP03	CP04	CP05	CP06	ALPHA0	BETA0	INCID	ALPHAC
.594	1.460	-.04700	-.25800	-.39300	-.30800	-.17900	-.27800	12.02000	.01000	7.91000	4.11000	
.595	2.060	-.04600	-.26100	-.38900	-.30900	-.18100	-.27800	12.01000	.01000	7.91000	4.11000	
.597	2.660	-.04300	-.25400	-.38300	-.30300	-.17800	-.27500	12.00000	.02000	7.91000	4.11000	
.594	3.460	-.05300	-.26600	-.39700	-.31600	-.18800	-.28200	12.00000	.01000	7.90000	4.11000	
.596	4.460	-.04900	-.26000	-.40700	-.31300	-.18400	-.27900	12.02000	.00000	7.94000	4.11000	
.597	5.590	-.05300	-.26700	-.46000	-.31900	-.18900	-.28300	11.99000	.01000	7.91000	4.11000	
.595	6.840	-.05800	-.26900	-.49100	-.32500	-.19300	-.28600	11.97000	.00000	7.90000	4.11000	
.595	8.090	-.06100	-.27300	-.53100	-.32900	-.19600	-.28900	11.96000	.00000	7.90000	4.10000	
.597	9.340	-.06200	-.27600	-.52200	-.32800	-.19900	-.28600	11.96000	.02000	7.92000	4.09000	
.598	10.560	-.06000	-.28100	-.45800	-.32800	-.20000	-.28600	11.96000	.02000	7.92000	4.09000	
.597	11.740	-.05800	-.27600	-.45200	-.32900	-.19900	-.28700	11.95000	.01000	7.92000	4.10000	
.597	12.920	-.06700	-.28300	-.44400	-.33700	-.20700	-.28900	11.94000	.01000	7.92000	4.09000	
.596	14.110	-.06600	-.28600	-.45000	-.33900	-.20800	-.28900	11.92000	.01000	7.92000	4.08000	
.593	15.290	-.07000	-.28800	-.46100	-.34700	-.21000	-.29400	11.91000	.02000	7.91000	4.08000	
.595	16.480	-.06600	-.28800	-.47100	-.34100	-.20900	-.29400	11.91000	.03000	7.92000	4.08000	
.595	17.660	-.06800	-.29000	-.47800	-.34300	-.21000	-.29400	11.90000	.01000	7.92000	4.08000	
.597	18.840	-.06400	-.28900	-.47000	-.34200	-.20900	-.29200	11.90000	.01000	7.93000	4.08000	
.598	20.030	-.06800	-.29100	-.46000	-.34300	-.21500	-.28900	11.87000	.01000	7.90000	4.08000	
.597	21.210	-.06600	-.29400	-.45400	-.34200	-.21600	-.29000	11.87000	.02000	7.91000	4.08000	
.596	22.390	-.07000	-.29300	-.46400	-.34800	-.21400	-.29300	11.89000	.02000	7.93000	4.07000	
.595	23.570	-.07400	-.29800	-.46400	-.35600	-.21900	-.29600	11.85000	.01000	7.91000	4.07000	
.595	24.760	-.07600	-.30100	-.46400	-.35800	-.22400	-.29600	11.84000	.00000	7.91000	4.07000	
.596	25.940	-.07300	-.30300	-.45600	-.35300	-.22500	-.29400	11.81000	.00000	7.89000	4.08000	
.592	27.130	-.07900	-.30400	-.46700	-.36400	-.22800	-.30100	11.81000	.01000	7.89000	4.07000	
.598	28.310	-.07000	-.29900	-.46800	-.35200	-.22400	-.29300	11.83000	.00000	7.91000	4.08000	
.595	29.490	-.07800	-.30400	-.47900	-.36200	-.22800	-.29700	11.83000	.00000	7.92000	4.08000	
.597	30.670	-.07300	-.30000	-.48500	-.35400	-.22600	-.29300	11.81000	.03000	7.91000	4.08000	
.596	31.860	-.07500	-.30600	-.47000	-.36100	-.23100	-.29500	11.79000	.01000	7.89000	4.08000	
.595	33.040	-.08100	-.30900	-.44400	-.36500	-.23200	-.29700	11.80000	.01000	7.91000	4.08000	
.597	34.230	-.07700	-.30600	-.44200	-.36100	-.23000	-.29500	11.81000	.00000	7.93000	4.08000	
.597	35.410	-.07900	-.30400	-.44200	-.36300	-.23000	-.29700	11.80000	.02000	7.93000	4.08000	
.595	36.590	-.08200	-.31500	-.44200	-.37000	-.23600	-.29900	11.79000	.00000	7.92000	4.08000	
.595	37.780	-.08400	-.31700	-.44800	-.37100	-.23700	-.30200	11.79000	.01000	7.93000	4.08000	
.595	38.960	-.08300	-.31600	-.44500	-.37100	-.23900	-.30000	11.77000	.00000	7.92000	4.08000	
.597	40.150	-.08200	-.30900	-.44200	-.36700	-.23100	-.29800	11.77000	.01000	7.92000	4.08000	
.597	41.330	-.08100	-.31600	-.44800	-.36700	-.23800	-.30000	11.74000	.00000	7.90000	4.08000	
.596	42.520	-.08400	-.31300	-.44500	-.37100	-.23500	-.29900	11.76000	.00000	7.93000	4.08000	
.594	43.700	-.08500	-.32100	-.45300	-.37500	-.24700	-.30000	11.75000	.00000	7.92000	4.08000	
.596	44.880	-.08600	-.31500	-.44900	-.37500	-.24100	-.29700	11.73000	.00000	7.91000	4.08000	
.595	46.060	-.08600	-.32000	-.45700	-.37700	-.24200	-.29900	11.74000	.01000	7.92000	4.08000	
.594	47.250	-.08600	-.32400	-.45500	-.38000	-.24500	-.30300	11.75000	.02000	7.94000	4.08000	
.598	48.430	-.08600	-.31500	-.45700	-.37400	-.23900	-.29800	11.70000	-.01000	7.90000	4.08000	

ORIGINAL PAGE IS  
OF POOR QUALITY

LTV44-559(CA26) 747/1 ATY 02 S1 (ORBITER DATA)

(BFE097) ( 28 JAN 76 )

## REFERENCE DATA

SREF = 2690.0000 SQ.FT. XMRP = 1109.0000 IN. XO  
 LREF = 474.8100 IN. YMRP = .0000 IN. YO  
 BREF = 936.6800 IN. ZMRP = 375.0000 IN. ZO  
 SCALE = .0125

## PARAMETRIC DATA

ALPHAC = 4.000 BETAC = .000  
 STAB = -1.000 ELEVON = 5.000  
 BDFLAP = .000 DX = .000  
 DY = .000 IORB = 8.000  
 BETAO = .000 RUDDER = .000

RUN NO. 69/ 0 RN/L = .00 GRADIENT INTERVAL = -5.00/ 5.00

MACH	DZ	CPCO	CPB1	CPB2	CPB3	CPS1	CPS2	ALPHAO	BETAO	INCID	ALPHAC
.596	49.620	-.08700	-.32200	-.45600	-.37900	-.24400	-.29800	11.69000	.00000	7.90000	4.08000
.596	50.800	-.08800	-.32100	-.45700	-.37500	-.25200	-.29600	11.71000	.00000	7.92000	4.08000
.597	51.990	-.08700	-.31900	-.45300	-.37600	-.24500	-.29900	11.67000	.00000	7.89000	4.08000
.596	53.170	-.08700	-.32600	-.45200	-.38100	-.24600	-.30400	11.69000	.01000	7.91000	4.08000
.599	54.350	-.08900	-.32000	-.45000	-.37700	-.24300	-.29800	11.68000	.00000	7.92000	4.08000
.595	55.540	-.09300	-.32800	-.46900	-.38500	-.25400	-.30600	11.68000	.00000	7.92000	4.08000
.595	56.130	-.09100	-.32900	-.47000	-.38100	-.25100	-.30500	11.67000	.00000	7.91000	4.09000
	GRADIENT	-.00153	-.00122	-.00543	-.00241	-.00227	-.00084	-.00036	-.00324	.00771	.00000



LTV44-559(CA26) 747/1 ATY 02 S1 (ORBITER DATA)

(BFE09B) ( 28 JAN 76 )

## REFERENCE DATA

SREF = 2690.0000 SQ.FT. XMRP = 1109.0000 IN. XO  
 LREF = 474.8100 IN. YMRP = .0000 IN. YO  
 BREF = 936.6800 IN. ZMRP = 375.0000 IN. ZO  
 SCALE = .0125

## PARAMETRIC DATA

ALPHAC = 4.000 BETAC = .000  
 STAB = 5.000 ELEVON = .000  
 BDFLAP = .000 DX = .000  
 DY = .000 IORB = 4.000  
 BETAO = .000 RUDDER = .000

RUN NO. 70/ 0 RN/L = .00 GRADIENT INTERVAL = -5.00/ 5.00

MACH	DZ	CPCO	CPB1	CPB2	CPB3	CPS1	CPS2	ALPHAO	BETAO	INCID	ALPHAC
.599	1.460	-.03300	-.24800	-.37700	-.29900	-.16100	-.25900	7.63000	-.05000	3.94000	3.70000
.600	2.060	-.03400	-.24600	-.37600	-.30400	-.16300	-.26000	7.63000	.00000	3.94000	3.69000
.602	2.660	-.03400	-.24900	-.36900	-.29900	-.16100	-.25900	7.63000	-.02000	3.94000	3.70000
.599	3.360	-.03800	-.25200	-.36600	-.30400	-.16900	-.26200	7.62000	-.02000	3.94000	3.70000
.599	4.160	-.04000	-.25800	-.37800	-.31000	-.17000	-.26400	7.61000	-.05000	3.93000	3.70000
.599	4.960	-.04200	-.25700	-.38500	-.31300	-.17500	-.26700	7.61000	.00000	3.92000	3.71000
.599	6.960	-.04000	-.25600	-.39100	-.31400	-.17500	-.26600	7.62000	.00000	3.94000	3.71000
.600	8.960	-.03700	-.25500	-.38700	-.31300	-.17600	-.26400	7.60000	-.05000	3.94000	3.71000
.600	10.430	-.04900	-.26800	-.39900	-.31900	-.18100	-.27000	7.59000	-.03000	3.93000	3.72000
.599	11.370	-.04300	-.26100	-.39900	-.32300	-.18400	-.27000	7.59000	.00000	3.94000	3.72000
.600	12.310	-.05000	-.26600	-.39800	-.32200	-.18500	-.27100	7.56000	-.01000	3.91000	3.72000
.600	13.250	-.04900	-.26800	-.40300	-.32100	-.18200	-.26700	7.59000	-.05000	3.94000	3.72000
.599	14.180	-.04500	-.26800	-.40700	-.32800	-.18700	-.26700	7.59000	.01000	3.95000	3.72000
.598	15.120	-.05200	-.27400	-.41200	-.32800	-.18600	-.27100	7.57000	.01000	3.94000	3.72000
.599	16.060	-.05200	-.27200	-.41000	-.32900	-.19100	-.27300	7.55000	-.01000	3.93000	3.72000
.598	17.000	-.05000	-.27300	-.40800	-.32900	-.19500	-.26900	7.58000	.00000	3.95000	3.72000
.599	17.940	-.05300	-.27200	-.40900	-.32900	-.19300	-.27300	7.55000	-.02000	3.93000	3.72000
.600	18.880	-.05200	-.27200	-.41200	-.33000	-.19400	-.27400	7.55000	-.01000	3.93000	3.73000
.599	19.810	-.05400	-.27500	-.41100	-.33200	-.19100	-.27100	7.54000	-.01000	3.93000	3.73000
.599	20.750	-.05500	-.27600	-.41400	-.33600	-.19700	-.27500	7.57000	.00000	3.96000	3.73000
.603	21.680	-.05500	-.27500	-.42000	-.33400	-.19600	-.27300	7.57000	.01000	3.96000	3.73000
.599	22.620	-.05400	-.28100	-.42700	-.33900	-.19800	-.27300	7.54000	-.05000	3.93000	3.73000
.600	23.560	-.05400	-.28100	-.42300	-.33700	-.19800	-.27100	7.54000	-.01000	3.94000	3.73000
.601	24.500	-.05400	-.28200	-.43000	-.33700	-.19800	-.27200	7.55000	-.01000	3.96000	3.73000
.602	25.440	-.05700	-.28200	-.44000	-.34000	-.20200	-.27300	7.55000	.01000	3.96000	3.74000
.597	26.380	-.06000	-.28500	-.44300	-.34700	-.20500	-.27500	7.54000	-.02000	3.95000	3.74000
.599	27.310	-.06200	-.28800	-.44000	-.34400	-.20600	-.27400	7.51000	-.02000	3.93000	3.74000
.601	28.250	-.05600	-.28000	-.43700	-.33900	-.20200	-.27000	7.53000	-.02000	3.95000	3.75000
.599	29.190	-.06000	-.29000	-.44600	-.34700	-.20900	-.27500	7.50000	-.01000	3.92000	3.75000
.598	30.130	-.05700	-.28400	-.44700	-.34300	-.20700	-.27200	7.54000	-.01000	3.96000	3.75000
.601	31.060	-.06000	-.28500	-.44800	-.34400	-.20600	-.26900	7.54000	-.01000	3.97000	3.75000
.600	32.000	-.06000	-.28700	-.45300	-.34800	-.21200	-.27400	7.49000	-.03000	3.92000	3.75000
.600	32.940	-.05900	-.28500	-.45400	-.34400	-.20600	-.26800	7.53000	.00000	3.97000	3.75000
.599	33.880	-.05900	-.28900	-.45100	-.35100	-.21400	-.27000	7.51000	-.02000	3.96000	3.75000
.599	34.820	-.05900	-.28900	-.43800	-.35300	-.21600	-.27300	7.51000	.00000	3.96000	3.75000
.597	35.760	-.06200	-.29200	-.44100	-.35100	-.21800	-.27300	7.48000	-.02000	3.94000	3.75000
.599	36.700	-.06200	-.29200	-.44900	-.34800	-.21300	-.26900	7.47000	-.05000	3.93000	3.75000
.599	37.630	-.06100	-.29100	-.45700	-.35700	-.21500	-.27300	7.46000	-.02000	3.93000	3.75000
.599	38.570	-.06300	-.29000	-.45100	-.35600	-.21700	-.27200	7.48000	-.02000	3.95000	3.75000
.598	39.510	-.06200	-.29500	-.45700	-.35600	-.21700	-.27200	7.45000	-.05000	3.93000	3.75000
.599	40.450	-.06300	-.29800	-.45700	-.35300	-.21800	-.27000	7.45000	-.03000	3.93000	3.76000
.600	41.380	-.06500	-.29500	-.45200	-.35700	-.21900	-.27000	7.46000	-.03000	3.94000	3.75000

DATE 22 MAR 76

CA-25 FORCE SOURCE DATA TABULATION

PAGE 292

LTV44-559(CA26) 747/1 ATY 02 S1 (ORBITER DATA)

(8FE098) ( 28 JAN 76 )

## REFERENCE DATA

SREF = 2690.0000 SQ.FT. XMRP = 1109.0000 IN. XO  
 LREF = 474.8100 IN. YMRP = .0000 IN. YO  
 BREF = 936.6800 IN. ZMRP = 375.0000 IN. ZO  
 SCALE = .0125

## PARAMETRIC DATA

ALPHAC = 4.000 BETAC = .000  
 STAB = 5.000 ELEVON = .000  
 BDFLAP = .000 OX = .000  
 DY = .000 IORB = 4.000  
 BETAO = .000 RUDDER = .000

RUN NO. 70/ 0 RN/L = .00 GRADIENT INTERVAL = -5.00/ 5.00

MACH	DZ	CPCO	CPB1	CPB2	CPB3	CPS1	CPS2	ALPHA0	BETA0	INCID	ALPHAC
.598	42.320	-.06500	-.30000	-.44700	-.35700	-.22200	-.27400	7.44000	-.03000	3.93000	3.76000
.601	42.790	-.06500	-.29600	-.44100	-.36000	-.22400	-.26900	7.48000	-.03000	3.97000	3.76000
	GRADIENT	-.00276	-.00346	-.00206	-.00388	-.00409	-.00229	-.00702	.00395	-.00551	.00337

LTV44-559(CA26) 747/1 ATY 02 S1 (ORBITER DATA)

(BFE099) ( 28 JAN 76 )

## REFERENCE DATA

SREF = 2690.0000 SQ.FT. XMRP = 1109.0000 IN. XO  
 LREF = 474.8100 IN. YMRP = .0000 IN. YO  
 BRFP = 936.6800 IN. ZMRP = 375.0000 IN. ZO  
 SCALE = .0125

## PARAMETRIC DATA

ALPHAC = 4.000 BETAC = .000  
 STAB = 5.000 ELEVON = .000  
 BDFLAP = .000 DX = .000  
 DY = .000 IORB = 6.000  
 BETA0 = .000 RUDDER = .000

RUN NO. 1070/ 0 RN/L = .00 GRADIENT INTERVAL = -5.00/ 5.00

MACH	DZ	CP00	CPB1	CPB2	CPB3	CPS1	CPS2	ALPHA0	BETA0	INCID	ALPHAC
.599	1.480	-.07400	-.29300	-.42800	-.36300	-.24900	-.25000	9.66000	.00000	5.94000	3.73000
.600	2.070	-.07400	-.28900	-.43500	-.36200	-.24900	-.24600	9.65000	-.06000	5.93000	3.72000
.598	2.670	-.07000	-.29100	-.43900	-.36200	-.24900	-.24600	9.63000	-.06000	5.92000	3.72000
.599	3.380	-.07700	-.29100	-.43200	-.36300	-.25000	-.24900	9.67000	-.02000	5.96000	3.72000
.600	4.170	-.07300	-.28900	-.43100	-.35800	-.24800	-.24800	9.66000	-.03000	5.96000	3.72000
.599	4.970	-.07500	-.29400	-.43500	-.36000	-.25500	-.25100	9.66000	-.02000	5.96000	3.72000
.601	6.970	-.07300	-.29200	-.43400	-.35600	-.24500	-.25100	9.64000	-.03000	5.95000	3.72000
.600	8.980	-.07300	-.29100	-.43600	-.36000	-.24500	-.24900	9.64000	-.04000	5.96000	3.72000
.599	10.580	-.07700	-.29600	-.45800	-.36200	-.25100	-.25600	9.59000	-.02000	5.92000	3.73000
.599	11.790	-.07200	-.29800	-.45100	-.35800	-.25300	-.25000	9.59000	-.06000	5.93000	3.73000
.599	13.010	-.07300	-.29600	-.45700	-.35900	-.24900	-.25300	9.57000	-.04000	5.91000	3.73000
.597	14.220	-.08000	-.29800	-.45400	-.36900	-.25200	-.25700	9.60000	-.04000	5.95000	3.73000
.597	15.440	-.07600	-.30100	-.45700	-.36800	-.25000	-.25800	9.60000	-.02000	5.95000	3.73000
.597	16.660	-.07500	-.30000	-.45300	-.36400	-.25100	-.25700	9.60000	-.03000	5.96000	3.74000
.600	17.870	-.07600	-.30000	-.45200	-.36100	-.25100	-.25200	9.55000	-.06000	5.91000	3.74000
.598	19.090	-.07800	-.30200	-.45100	-.36700	-.25000	-.25500	9.55000	-.06000	5.92000	3.74000
.598	20.300	-.07400	-.30400	-.46500	-.36500	-.24700	-.26000	9.57000	-.02000	5.95000	3.74000
.598	21.510	-.07700	-.30600	-.45800	-.36400	-.24800	-.25900	9.57000	-.01000	5.95000	3.74000
.597	22.730	-.07900	-.31000	-.46900	-.37000	-.25300	-.26200	9.56000	-.03000	5.94000	3.74000
.599	23.940	-.07600	-.29300	-.45800	-.36300	-.25000	-.25700	9.54000	-.03000	5.93000	3.74000
.598	25.150	-.07900	-.30600	-.46100	-.36700	-.24800	-.26200	9.55000	-.02000	5.95000	3.74000
.601	26.370	-.07100	-.29500	-.45300	-.36200	-.24500	-.25300	9.51000	-.05000	5.92000	3.74000
.600	27.590	-.07700	-.30300	-.45400	-.35900	-.24700	-.25700	9.52000	-.07000	5.94000	3.74000
.601	28.800	-.07600	-.30400	-.44400	-.36000	-.24300	-.25500	9.51000	-.05000	5.92000	3.75000
.599	30.020	-.07500	-.30200	-.44800	-.36800	-.24900	-.26000	9.51000	-.04000	5.93000	3.75000
.601	31.230	-.07300	-.30100	-.44500	-.36000	-.24100	-.25400	9.52000	-.04000	5.95000	3.75000
.597	32.450	-.07700	-.30800	-.45500	-.37300	-.25300	-.26200	9.51000	-.03000	5.94000	3.75000
.598	33.660	-.07500	-.30400	-.45700	-.36700	-.24700	-.26100	9.50000	-.03000	5.94000	3.75000
.600	34.880	-.07700	-.30600	-.45800	-.36400	-.24400	-.26000	9.48000	-.04000	5.93000	3.75000
.600	36.090	-.07500	-.30300	-.46700	-.36700	-.24700	-.26400	9.48000	-.02000	5.94000	3.75000
.598	37.310	-.07700	-.30800	-.46600	-.36800	-.24400	-.26400	9.49000	-.03000	5.95000	3.75000
.599	38.530	-.07600	-.30300	-.45900	-.36200	-.24200	-.26300	9.50000	-.03000	5.97000	3.75000
.598	39.740	-.07600	-.30600	-.45700	-.37000	-.24300	-.27000	9.46000	-.02000	5.93000	3.75000
.599	40.950	-.07400	-.30400	-.45600	-.36700	-.24500	-.26500	9.44000	-.04000	5.92000	3.75000
.599	42.170	-.07300	-.30000	-.44800	-.36100	-.24000	-.26400	9.45000	-.01000	5.94000	3.75000
.600	43.380	-.07200	-.29800	-.45000	-.35900	-.23900	-.26300	9.45000	-.03000	5.95000	3.75000
.597	44.600	-.07900	-.30900	-.46600	-.37300	-.24600	-.27400	9.41000	-.04000	5.91000	3.76000
.600	45.820	-.07400	-.30400	-.45700	-.36600	-.23900	-.26700	9.41000	-.03000	5.92000	3.76000
.599	47.030	-.07200	-.30100	-.44700	-.36300	-.23700	-.26700	9.41000	-.04000	5.92000	3.76000
.597	48.250	-.07600	-.30300	-.44300	-.36200	-.23600	-.27100	9.41000	-.01000	5.93000	3.76000
.598	49.460	-.07500	-.30400	-.45000	-.36100	-.23400	-.27100	9.42000	-.03000	5.95000	3.76000
GRADIENT		-.00039	-.00026	-.00055	.00108	-.00120	-.00064	.00311	.00197	.00962	-.00191

LTV44-559(CA26) 747/1 ATY 02 S1 (ORBITER DATA)

(BFE100) ( 28 JAN 76 )

## REFERENCE DATA

SREF = 2690.0000 SQ.FT. XMRP = 1109.0000 IN. XO  
 LREF = 474.8100 IN. YMRP = .0000 IN. YO  
 BREF = 936.6800 IN. ZMRP = 375.0000 IN. ZO  
 SCALE = .0125

## PARAMETRIC DATA

ALPHAC = 4.000 BETAC = .000  
 STAB = 5.000 ELEVON = .000  
 BDFLAP = .000 DX = .000  
 DY = .000 IORB = 8.000  
 BETAO = .000 RUDDER = .000

RUN NO. 71/ 0 RN/L = .00 GRADIENT INTERVAL = -5.00/ 5.00.

MACH	DZ	CPCO	CPB1	CPB2	CPB3	CPS1	CPS2	ALPHAO	BETAO	INCID	ALPHAC
.597	1.460	-.04800	-.25300	-.36800	-.31600	-.17600	-.28400	11.67000	-.01000	7.91000	3.76000
.597	2.060	-.04700	-.25200	-.36800	-.32000	-.17900	-.28300	11.66000	-.01000	7.90000	3.76000
.597	2.660	-.04700	-.25500	-.37000	-.31700	-.17800	-.28300	11.66000	-.03000	7.90000	3.77000
.598	3.460	-.04700	-.25900	-.38400	-.31700	-.18200	-.28400	11.67000	-.04000	7.92000	3.76000
.599	4.460	-.05700	-.26100	-.38300	-.32400	-.18900	-.28400	11.65000	.01000	7.91000	3.76000
.598	5.590	-.05600	-.26500	-.38200	-.32300	-.19100	-.28500	11.66000	-.03000	7.93000	3.76000
.596	6.840	-.05900	-.26800	-.39000	-.32800	-.19300	-.28800	11.63000	.02000	7.90000	3.76000
.598	8.090	-.05600	-.26500	-.39300	-.32800	-.19600	-.28600	11.66000	-.04000	7.94000	3.75000
.596	9.340	-.06000	-.26700	-.39900	-.33400	-.19900	-.28500	11.65000	-.05000	7.95000	3.75000
.598	10.560	-.06100	-.27400	-.41100	-.34100	-.20200	-.28900	11.63000	-.01000	7.93000	3.75000
.598	11.740	-.06100	-.27200	-.41300	-.34100	-.20400	-.28800	11.62000	-.02000	7.93000	3.75000
.599	12.920	-.06400	-.28000	-.41900	-.34100	-.20600	-.28900	11.60000	-.02000	7.92000	3.75000
.598	14.110	-.06300	-.27700	-.41300	-.34500	-.20900	-.29000	11.59000	-.02000	7.91000	3.75000
.598	15.290	-.06800	-.28000	-.41300	-.34300	-.21200	-.29300	11.60000	-.01000	7.93000	3.75000
.598	16.480	-.06500	-.28000	-.41600	-.34800	-.21300	-.29200	11.59000	-.01000	7.94000	3.75000
.598	17.660	-.07000	-.28200	-.42600	-.35000	-.21600	-.29500	11.59000	-.02000	7.94000	3.75000
.599	18.840	-.07100	-.28700	-.42400	-.35000	-.21600	-.29300	11.58000	.01000	7.94000	3.75000
.597	20.030	-.06700	-.28400	-.42200	-.35400	-.22000	-.29100	11.57000	-.05000	7.93000	3.75000
.601	21.210	-.06800	-.28500	-.42400	-.35200	-.21900	-.28900	11.54000	-.04000	7.91000	3.75000
.599	22.390	-.07400	-.29400	-.42900	-.35500	-.22300	-.29300	11.54000	.00000	7.92000	3.75000
.596	23.570	-.06900	-.29200	-.43600	-.36000	-.22200	-.29500	11.52000	-.02000	7.91000	3.75000
.596	24.760	-.07500	-.29500	-.43300	-.35700	-.22500	-.29100	11.53000	.01000	7.92000	3.75000
.602	25.940	-.07500	-.29300	-.43200	-.35500	-.22100	-.28600	11.51000	.01000	7.91000	3.75000
.598	27.130	-.07400	-.29300	-.43900	-.36300	-.22900	-.29400	11.54000	-.03000	7.95000	3.74000
.598	28.310	-.07600	-.29900	-.43900	-.36000	-.22500	-.29100	11.49000	.00000	7.90000	3.75000
.598	29.490	-.07500	-.29700	-.43900	-.36100	-.22700	-.28800	11.48000	-.02000	7.90000	3.75000
.599	30.670	-.07500	-.29700	-.44500	-.36600	-.23400	-.29000	11.48000	.00000	7.90000	3.76000
.599	31.860	-.07600	-.30000	-.44200	-.36800	-.23400	-.29400	11.51000	-.02000	7.94000	3.75000
.598	33.040	-.07800	-.30200	-.44300	-.36400	-.23100	-.28800	11.47000	-.01000	7.91000	3.75000
.597	34.230	-.07900	-.30200	-.44700	-.36400	-.23300	-.29300	11.47000	.01000	7.91000	3.75000
.597	35.410	-.07800	-.30500	-.45300	-.37100	-.23600	-.29200	11.47000	.02000	7.92000	3.75000
.597	36.590	-.08000	-.30700	-.45000	-.36800	-.23700	-.28700	11.44000	-.04000	7.91000	3.75000
.599	37.780	-.07800	-.30300	-.44400	-.36700	-.23700	-.28500	11.47000	.00000	7.93000	3.76000
.597	38.960	-.08200	-.31100	-.45400	-.37200	-.23600	-.29100	11.44000	-.02000	7.91000	3.75000
.598	40.150	-.08000	-.30800	-.45000	-.37000	-.23600	-.28700	11.44000	.00000	7.92000	3.76000
.597	41.330	-.08300	-.31200	-.45600	-.37400	-.24600	-.28700	11.42000	-.01000	7.91000	3.75000
.599	42.520	-.08200	-.30700	-.45200	-.37400	-.24600	-.29000	11.43000	-.03000	7.92000	3.76000
.600	43.700	-.08300	-.30600	-.45200	-.37100	-.24000	-.29000	11.41000	-.03000	7.91000	3.76000
.598	44.880	-.08200	-.30900	-.45800	-.37500	-.24600	-.29200	11.40000	-.05000	7.90000	3.76000
.598	46.060	-.08400	-.31500	-.46200	-.38100	-.24800	-.29300	11.40000	-.04000	7.91000	3.76000
.597	47.250	-.08700	-.31400	-.46400	-.38300	-.24800	-.29500	11.41000	.00000	7.92000	3.76000
.596	48.430	-.08600	-.31300	-.45700	-.37600	-.24400	-.29000	11.42000	.00000	7.94000	3.76000

LTV44-559(CA26) 747/1 ATY 02 S1 (ORBITER DATA)

(BFE100) ( 28 JAN 76 )

## REFERENCE DATA

SREF = 2690.0000 SQ.FT. XMRP = 1109.0000 IN. XO  
 LREF = 474.8100 IN. YMRP = .0000 IN. YO  
 BREF = 936.6800 IN. ZMRP = 375.0000 IN. ZO  
 SCALE = .0125

## PARAMETRIC DATA

ALPHAC = 4.000 BETAC = .000  
 STAB = 5.000 ELEVON = .000  
 BDFLAP = .000 DX = .000  
 DY = .000 TORB = 8.000  
 BETA0 = .000 RUDDER = .000

RUN NO. 71/ 0 RN/L = .00 GRADIENT INTERVAL = -5.00/ 5.00

MACH	DZ	CPCO	CPB1	CPB2	CPB3	CPS1	CPS2	ALPHAO	BETA0	INCID	ALPHAC
.596	49.620	-.08900	-.31900	-.47300	-.38200	-.24500	-.29700	11.41000	.01000	7.93000	3.76000
.597	50.800	-.08800	-.31500	-.46300	-.38100	-.24600	-.29500	11.40000	.00000	7.93000	3.76000
.598	51.990	-.08600	-.31100	-.45500	-.37800	-.24900	-.29500	11.37000	-.03000	7.91000	3.76000
.599	53.170	-.08800	-.31800	-.46200	-.38300	-.25100	-.29300	11.39000	.01000	7.94000	3.76000
.600	54.350	-.08900	-.31600	-.46000	-.37900	-.24700	-.28900	11.37000	-.04000	7.91000	3.77000
.600	55.540	-.08900	-.31600	-.45800	-.38000	-.24900	-.28800	11.38000	.00000	7.94000	3.77000
.601	56.130	-.08800	-.31700	-.45600	-.38000	-.25200	-.28500	11.35000	-.06000	7.91000	3.76000
	GRADIENT	-.00271	-.00313	-.00622	-.00190	-.00406	-.00017	-.00425	.00303	.00281	-.00029

LTV44-559(CA26) 747/1 ATY 02 S1 (ORBITER DATA)

(BFE101) ( 28 JAN 76 )

## REFERENCE DATA

SREF = 2690.0000 SQ.FT. XMRP = 1109.0000 IN. XO  
 LREF = 474.8100 IN. YMRP = .0000 IN. YO  
 BREF = 936.6800 IN. ZMRP = 375.0000 IN. ZO  
 SCALE = .0125

## PARAMETRIC DATA

ALPHAC = 4.000 BETAC = -5.000  
 STAB = 5.000 ELEVON = 5.000  
 BDFLAP = .000 DX = .000  
 DY = .000 IORB = 4.000  
 BETAO = -5.000 RUDDER = .000

RUN NO. 72/ 0 RN/L = .00 GRADIENT INTERVAL = -5.00/ 5.00

MACH	DZ	CPCO	CPB1	CPB2	CPB3	CPS1	CPS2	ALPHAO	BETAO	INCID	ALPHAC
.593	1.460	-.08200	-.28700	-.38100	-.32600	-.32600	-.10700	7.68000	-5.38000	3.94000	3.74000
.595	2.060	-.08300	-.28400	-.37900	-.32700	-.33000	-.10600	7.65000	-5.35000	3.91000	3.75000
.595	2.660	-.08100	-.29200	-.39100	-.32600	-.32900	-.10800	7.67000	-5.36000	3.93000	3.75000
.596	3.360	-.09000	-.29300	-.39600	-.33800	-.34100	-.11100	7.63000	-5.33000	3.90000	3.74000
.597	4.160	-.08400	-.29300	-.40800	-.33300	-.33300	-.10900	7.63000	-5.33000	3.91000	3.74000
.597	4.960	-.08700	-.29400	-.39800	-.33400	-.33500	-.11500	7.66000	-5.35000	3.94000	3.74000
.596	6.960	-.09000	-.29600	-.40400	-.34500	-.34200	-.11800	7.63000	-5.33000	3.93000	3.74000
.594	8.960	-.09100	-.29600	-.41600	-.34600	-.34200	-.11700	7.63000	-5.30000	3.94000	3.74000
.595	10.430	-.09300	-.30500	-.41900	-.34700	-.34500	-.12000	7.62000	-5.30000	3.93000	3.74000
.596	11.370	-.08900	-.30100	-.41500	-.34300	-.34200	-.11900	7.62000	-5.28000	3.95000	3.74000
.596	12.310	-.09100	-.30300	-.41500	-.34600	-.34600	-.12100	7.61000	-5.29000	3.93000	3.74000
.596	13.250	-.08400	-.29900	-.40400	-.34300	-.34100	-.11300	7.58000	-5.31000	3.91000	3.74000
.595	14.180	-.09000	-.30500	-.41500	-.35300	-.35000	-.11700	7.58000	-5.28000	3.92000	3.74000
.596	15.120	-.09100	-.30300	-.42600	-.35200	-.34500	-.12000	7.59000	-5.29000	3.93000	3.74000
.596	16.060	-.09100	-.30200	-.42400	-.34800	-.34600	-.12000	7.58000	-5.32000	3.93000	3.74000
.596	17.000	-.08700	-.30800	-.42400	-.35300	-.34600	-.11900	7.59000	-5.30000	3.94000	3.75000
.595	17.940	-.09300	-.31200	-.43200	-.35800	-.35400	-.12300	7.58000	-5.28000	3.94000	3.74000
.596	18.880	-.08700	-.30900	-.42400	-.35500	-.34800	-.12000	7.56000	-5.29000	3.92000	3.74000
.594	19.810	-.09500	-.31100	-.43700	-.35700	-.35500	-.12500	7.58000	-5.27000	3.95000	3.74000
.595	20.750	-.09300	-.31200	-.43400	-.35700	-.35100	-.12600	7.54000	-5.28000	3.92000	3.74000
.593	21.680	-.09200	-.31700	-.43300	-.36100	-.35900	-.12400	7.56000	-5.28000	3.94000	3.74000
.597	22.620	-.09300	-.30900	-.43200	-.35800	-.35400	-.12400	7.53000	-5.30000	3.92000	3.74000
.594	23.560	-.09400	-.31500	-.43800	-.36300	-.35700	-.12300	7.53000	-5.32000	3.92000	3.74000
.594	24.500	-.09300	-.31300	-.43700	-.36200	-.35800	-.12500	7.54000	-5.26000	3.93000	3.75000
.593	25.440	-.09300	-.31800	-.43700	-.36000	-.36500	-.12600	7.54000	-5.28000	3.94000	3.75000
.595	26.380	-.09300	-.31300	-.43100	-.36200	-.35900	-.12100	7.53000	-5.29000	3.94000	3.75000
.596	27.310	-.08900	-.31200	-.43600	-.35600	-.35500	-.12200	7.53000	-5.29000	3.94000	3.75000
.593	28.250	-.09300	-.32000	-.44000	-.36400	-.36700	-.12500	7.54000	-5.27000	3.95000	3.75000
.595	29.190	-.09300	-.31500	-.45100	-.36200	-.36200	-.12700	7.50000	-5.33000	3.92000	3.75000
.595	30.130	-.09100	-.31400	-.45600	-.36100	-.36200	-.12300	7.51000	-5.32000	3.93000	3.75000
.593	31.060	-.09900	-.31900	-.45200	-.37000	-.36900	-.12400	7.49000	-5.31000	3.92000	3.75000
.594	32.000	-.09900	-.32000	-.45400	-.36900	-.36600	-.12500	7.50000	-5.34000	3.93000	3.75000
.594	32.940	-.10000	-.31900	-.45700	-.36900	-.36600	-.12600	7.50000	-5.29000	3.94000	3.75000
.596	33.880	-.09300	-.32100	-.45500	-.36500	-.36800	-.11900	7.50000	-5.31000	3.94000	3.75000
.595	34.820	-.09700	-.32500	-.44400	-.37000	-.37000	-.12300	7.47000	-5.34000	3.92000	3.75000
.594	35.760	-.09800	-.32000	-.44300	-.36700	-.36300	-.12600	7.51000	-5.29000	3.96000	3.75000
.595	36.700	-.10000	-.32100	-.45000	-.37100	-.36900	-.12700	7.51000	-5.30000	3.97000	3.75000
.594	37.630	-.10200	-.32700	-.45700	-.37500	-.37700	-.12200	7.49000	-5.32000	3.95000	3.76000
.597	38.570	-.09200	-.32100	-.45600	-.36500	-.37300	-.11900	7.45000	-5.34000	3.92000	3.76000
.597	39.510	-.09500	-.32300	-.45500	-.36400	-.37400	-.11700	7.44000	-5.33000	3.91000	3.76000
.594	40.450	-.10200	-.32200	-.45800	-.37200	-.37400	-.12400	7.46000	-5.31000	3.94000	3.75000
.598	41.390	-.09400	-.32100	-.44800	-.36400	-.37000	-.12000	7.45000	-5.32000	3.94000	3.76000

DATE 22 MAR 76

CA-26 FORCE SOURCE DATA TABULATION

PAGE 297

LTV44-559(CA26) 747/1 ATY 02 S1 (ORBITER DATA)

(BFE101) ( 28 JAN 76 )

REFERENCE DATA

SREF = 2690.0000 SQ.FT. XMRP = 1109.0000 IN. XO  
LREF = 474.8100 IN. YMRP = .0000 IN. YO  
BREF = 936.6800 IN. ZMRP = 375.0000 IN. ZO  
SCALE = .0125

PARAMETRIC DATA

ALPHAC = 4.000 BETAC = -5.000  
STAB = 5.000 ELEVON = 5.000  
BDFLAP = .000 DX = .000  
DY = .000 TORB = 4.000  
BETA0 = -5.000 RUDDER = .000

RUN NO. 72/ 0 RN/L = .00 GRADIENT INTERVAL = -5.00/ 5.00

MACH	DZ	CPCO	CPB1	CPB2	CPB3	CPS1	CPS2	ALPHA0	BETA0	INC1D	ALPHAC
.596	42.320	-.09400	-.32100	-.44400	-.36600	-.37000	-.12300	7.46000	-5.33000	3.95000	3.76000
.594	42.790	-.10000	-.32800	-.44900	-.36700	-.38200	-.11500	7.47000	-5.33000	3.95000	3.76000
	GRADIENT	-.00148	-.00251	-.00710	-.00280	-.00258	-.00215	-.00766	.00929	-.00364	-.00174

ORIGINAL PAGE IS  
OF POOR QUALITY

LTV44-559(CA26) 7471 ATY 02 S1 (ORBITER DATA)

(BFE102) ( 28 JAN 76 )

## REFERENCE DATA

SREF = 2690.0000 SQ.FT. XMRP = 1109.0000 IN. XO  
 LREF = 474.8100 IN. YMRP = .0000 IN. YO  
 BREF = 936.6800 IN. ZMRP = 375.0000 IN. ZO  
 SCALE = .0125

## PARAMETRIC DATA

ALPHAC = 4.000 BETAC = -5.000  
 STAB = 5.000 ELEVON = 5.000  
 BDFLAP = .000 DX = .000  
 DY = .000 IORB = 6.000  
 BETAO = -5.000 RUDDER = .000

RUN NO. 1072/ 0 RN/L = .00 GRADIENT INTERVAL = -5.00/ 5.00

MACH	DZ	CP00	CPB1	CPB2	CPB3	CPS1	CPS2	ALPHAO	BETAO	INCID	ALPHAC
.593	1.480	-.14100	-.31200	-.43800	-.37100	-.38600	-.09300	9.65000	-5.38000	5.88000	3.78000
.600	2.070	-.13500	-.30300	-.44700	-.36200	-.37900	-.08700	9.69000	-5.36000	5.92000	3.77000
.596	2.670	-.13900	-.30700	-.44400	-.36700	-.38500	-.09100	9.69000	-5.35000	5.92000	3.77000
.592	3.380	-.14100	-.31800	-.44500	-.37700	-.38700	-.10100	9.66000	-5.32000	5.90000	3.77000
.595	4.170	-.13800	-.31300	-.44700	-.36800	-.38700	-.09600	9.69000	-5.38000	5.94000	3.77000
.596	4.970	-.13600	-.30900	-.44000	-.36500	-.38100	-.09200	9.67000	-5.32000	5.92000	3.77000
.594	6.970	-.14100	-.31800	-.44700	-.37700	-.38800	-.10200	9.65000	-5.31000	5.92000	3.76000
.596	8.980	-.13400	-.31800	-.43700	-.37300	-.38700	-.09800	9.66000	-5.35000	5.94000	3.76000
.594	10.580	-.13800	-.32100	-.43800	-.37600	-.38900	-.09900	9.63000	-5.36000	5.93000	3.76000
.593	11.790	-.13800	-.32300	-.45000	-.37400	-.39100	-.10300	9.60000	-5.29000	5.91000	3.76000
.594	13.010	-.13900	-.32100	-.45100	-.37500	-.39100	-.10300	9.60000	-5.27000	5.91000	3.76000
.593	14.220	-.14200	-.32300	-.44100	-.38100	-.39300	-.10500	9.58000	-5.30000	5.90000	3.76000
.595	15.440	-.14100	-.32400	-.44000	-.37700	-.39200	-.10600	9.57000	-5.35000	5.90000	3.76000
.595	16.660	-.13900	-.32400	-.44000	-.37400	-.38900	-.10300	9.60000	-5.32000	5.94000	3.76000
.595	17.870	-.13900	-.32200	-.43900	-.38100	-.39100	-.10600	9.55000	-5.32000	5.90000	3.76000
.595	19.090	-.13200	-.32200	-.44700	-.37200	-.38400	-.10500	9.58000	-5.33000	5.93000	3.75000
.595	20.300	-.13700	-.32300	-.45300	-.37400	-.38800	-.10500	9.55000	-5.31000	5.91000	3.76000
.594	21.510	-.13400	-.32600	-.45200	-.37500	-.38600	-.10800	9.54000	-5.27000	5.90000	3.76000
.596	22.730	-.13500	-.31900	-.43900	-.37200	-.38700	-.10600	9.56000	-5.31000	5.94000	3.75000
.596	23.940	-.13400	-.31900	-.43800	-.37300	-.38500	-.10400	9.56000	-5.31000	5.95000	3.75000
.595	25.150	-.13300	-.31800	-.44200	-.37200	-.38600	-.10400	9.52000	-5.30000	5.91000	3.75000
.594	26.370	-.13500	-.32100	-.44500	-.37500	-.38800	-.10600	9.54000	-5.31000	5.93000	3.75000
.594	27.590	-.13800	-.32700	-.44800	-.37600	-.38900	-.11000	9.54000	-5.31000	5.95000	3.75000
.594	28.800	-.13800	-.32700	-.44200	-.37700	-.39000	-.11000	9.52000	-5.33000	5.93000	3.76000
.594	30.020	-.13800	-.32900	-.44100	-.37800	-.39100	-.10900	9.53000	-5.35000	5.94000	3.76000
.594	31.230	-.13600	-.32600	-.43900	-.37900	-.39300	-.10700	9.52000	-5.36000	5.94000	3.75000
.592	32.450	-.13000	-.32400	-.44100	-.37700	-.38600	-.10500	9.48000	-5.29000	5.91000	3.75000
.594	33.660	-.13600	-.32600	-.43900	-.37600	-.38500	-.11100	9.51000	-5.32000	5.95000	3.75000
.594	34.880	-.13400	-.32700	-.44300	-.37400	-.38400	-.11200	9.47000	-5.31000	5.91000	3.75000
.594	36.090	-.13200	-.32700	-.44800	-.37600	-.38400	-.10800	9.49000	-5.27000	5.94000	3.75000
.593	37.310	-.13100	-.32700	-.44800	-.37800	-.38800	-.11100	9.45000	-5.28000	5.91000	3.75000
.595	38.530	-.13000	-.32500	-.45000	-.37900	-.39000	-.10900	9.47000	-5.29000	5.93000	3.76000
.595	39.740	-.13000	-.32500	-.45500	-.37300	-.38400	-.10600	9.45000	-5.32000	5.92000	3.76000
.595	40.950	-.12800	-.32200	-.45400	-.37300	-.38400	-.11200	9.44000	-5.32000	5.92000	3.76000
.593	42.170	-.13600	-.33000	-.45600	-.37700	-.38800	-.11100	9.44000	-5.29000	5.92000	3.76000
.595	43.380	-.13300	-.33100	-.46200	-.37600	-.38800	-.11100	9.42000	-5.30000	5.90000	3.76000
.596	44.600	-.12700	-.32700	-.45700	-.37900	-.38800	-.11500	9.44000	-5.33000	5.94000	3.76000
.595	45.820	-.13200	-.33100	-.46000	-.37700	-.38300	-.11700	9.44000	-5.28000	5.95000	3.76000
.595	47.030	-.12900	-.32800	-.45200	-.37100	-.38400	-.11500	9.37000	-5.31000	5.89000	3.76000
.597	48.250	-.12600	-.32800	-.45200	-.37200	-.38100	-.11500	9.39000	-5.30000	5.90000	3.76000
.596	49.460	-.13000	-.33000	-.43900	-.37300	-.38200	-.12400	9.37000	-5.31000	5.89000	3.76000
	GRADIENT	.00060	-.00102	-.00032	.00016	.00001	-.00123	.00246	.01066	.00930	-.00191



LTV44-559(CA26) 747/1 ATY 02 S1 (ORBITER DATA)

(BFE103) ( 28 JAN 76 )

## REFERENCE DATA

SREF = 2690.0000 SQ.FT. XMRP = 1109.0000 IN. XO  
 LREF = 474.8100 IN. YMRP = .0000 IN. YO  
 BREF = 936.6900 IN. ZMRP = 375.0000 IN. ZO  
 SCALE = .0125

## PARAMETRIC DATA

ALPHAC = 4.000 BETAC = -5.000  
 STAB = 5.000 ELEVON = 5.000  
 BDFLAP = .000 DX = .000  
 DY = .000 IORB = 8.000  
 BETAO = -5.000 RUDDER = .000

RUN NO. 73/ 0 RN/L = .00 GRADIENT INTERVAL = -5.00/ 5.00

MACH	DZ	CPCO	CPB1	CPB2	CPB3	CPS1	CPS2	ALPHA	BETAO	INCID	ALPHAC
.600	1.460	-.12000	-.27800	-.32900	-.31200	-.32600	-.08500	11.72000	-5.37000	7.93000	3.79000
.601	2.060	-.11800	-.28000	-.33200	-.31100	-.32200	-.08200	11.75000	-5.37000	7.96000	3.79000
.601	2.660	-.12300	-.28500	-.34100	-.31200	-.32400	-.08500	11.72000	-5.40000	7.93000	3.79000
.599	3.460	-.11900	-.28200	-.33400	-.31600	-.33000	-.08600	11.72000	-5.33000	7.94000	3.79000
.599	4.460	-.12100	-.28300	-.32900	-.31500	-.33000	-.08600	11.73000	-5.35000	7.96000	3.79000
.602	5.590	-.11900	-.28300	-.33100	-.31500	-.32900	-.08600	11.70000	-5.36000	7.94000	3.79000
.600	6.840	-.12200	-.28700	-.33800	-.31700	-.33200	-.08800	11.66000	-5.40000	7.91000	3.79000
.600	8.090	-.12100	-.28500	-.34300	-.31800	-.33300	-.08700	11.69000	-5.37000	7.95000	3.78000
.601	9.340	-.12100	-.28400	-.33800	-.31900	-.33400	-.08800	11.69000	-5.35000	7.96000	3.78000
.601	10.560	-.12100	-.28800	-.34100	-.32000	-.33400	-.08700	11.63000	-5.34000	7.91000	3.78000
.601	11.740	-.12000	-.28700	-.33800	-.32200	-.33500	-.08500	11.65000	-5.36000	7.95000	3.77000
.600	12.920	-.12500	-.29600	-.34600	-.32200	-.33700	-.09000	11.62000	-5.36000	7.92000	3.77000
.600	14.110	-.12200	-.29200	-.34100	-.31900	-.33800	-.08700	11.63000	-5.37000	7.94000	3.77000
.601	15.290	-.12000	-.29100	-.34600	-.32400	-.33700	-.08400	11.60000	-5.36000	7.91000	3.77000
.601	16.480	-.12100	-.29300	-.34600	-.32100	-.33800	-.08600	11.61000	-5.37000	7.93000	3.77000
.600	17.660	-.12200	-.29100	-.34500	-.32300	-.34100	-.08800	11.60000	-5.37000	7.93000	3.77000
.600	18.840	-.12300	-.29500	-.35300	-.32300	-.34100	-.09000	11.58000	-5.36000	7.92000	3.76000
.599	20.030	-.12500	-.30000	-.35200	-.32400	-.34100	-.09100	11.57000	-5.33000	7.92000	3.77000
.600	21.210	-.12000	-.29200	-.34400	-.32100	-.34000	-.08700	11.57000	-5.37000	7.93000	3.76000
.601	22.390	-.12300	-.29500	-.35200	-.32500	-.34200	-.08900	11.56000	-5.35000	7.92000	3.77000
.601	23.570	-.11900	-.29300	-.35500	-.32800	-.34200	-.08900	11.56000	-5.36000	7.93000	3.77000
.599	24.760	-.12600	-.30500	-.36100	-.33000	-.34200	-.09100	11.55000	-5.33000	7.93000	3.76000
.601	25.940	-.12100	-.30200	-.36000	-.32800	-.34200	-.09100	11.56000	-5.32000	7.94000	3.76000
.599	27.130	-.12500	-.30400	-.36200	-.32800	-.34600	-.09200	11.56000	-5.34000	7.95000	3.76000
.601	28.310	-.11900	-.29600	-.36000	-.32600	-.34500	-.09000	11.50000	-5.32000	7.90000	3.76000
.600	29.490	-.12100	-.30100	-.36300	-.33000	-.34600	-.09100	11.49000	-5.35000	7.90000	3.76000
.601	30.670	-.12100	-.30300	-.35900	-.33000	-.34300	-.08900	11.55000	-5.34000	7.97000	3.76000
.600	31.860	-.12200	-.30600	-.35800	-.32900	-.34400	-.09000	11.52000	-5.34000	7.94000	3.76000
.600	33.040	-.12200	-.30000	-.35800	-.33200	-.34800	-.08900	11.50000	-5.31000	7.93000	3.77000
.600	34.230	-.12200	-.30600	-.36600	-.32700	-.34300	-.09100	11.50000	-5.36000	7.94000	3.76000
.601	35.410	-.11800	-.30300	-.37200	-.33200	-.34500	-.09000	11.53000	-5.31000	7.97000	3.76000
.601	36.590	-.11600	-.30000	-.37000	-.33100	-.34400	-.08300	11.50000	-5.31000	7.95000	3.76000
.601	37.780	-.12000	-.30500	-.35900	-.33200	-.35100	-.08900	11.47000	-5.34000	7.93000	3.76000
.601	38.960	-.12200	-.30700	-.36000	-.33300	-.35000	-.08500	11.47000	-5.36000	7.93000	3.77000
.601	40.150	-.12400	-.30800	-.36200	-.33100	-.34600	-.08900	11.47000	-5.36000	7.94000	3.77000
.600	41.330	-.11800	-.30100	-.35700	-.33200	-.34800	-.08500	11.44000	-5.31000	7.92000	3.77000
.601	42.520	-.12200	-.30800	-.35900	-.33400	-.34000	-.09200	11.49000	-5.38000	7.97000	3.76000
.602	43.700	-.12000	-.30700	-.35700	-.33000	-.34500	-.08700	11.46000	-5.31000	7.94000	3.77000
.601	44.880	-.11600	-.30400	-.36300	-.33200	-.34700	-.09500	11.42000	-5.34000	7.91000	3.76000
.601	46.060	-.12100	-.30700	-.36200	-.33100	-.34700	-.08900	11.43000	-5.36000	7.93000	3.76000
.601	47.250	-.11700	-.30700	-.35800	-.33000	-.34600	-.09500	11.40000	-5.35000	7.90000	3.77000
.601	48.430	-.12000	-.30900	-.36300	-.33100	-.34900	-.09000	11.41000	-5.37000	7.92000	3.77000

LTV44-559(CA26) 747/1 ATY 02 S1 (ORBITER DATA)

(BFE103) ( 28 JAN 76 )

## REFERENCE DATA

SREF = 2690.0000 SQ.FT. XMRP = 1109.0000 IN. XO  
 LREF = 474.8100 IN. YMRP = .0000 IN. YO  
 BREF = 936.6800 IN. ZMRP = 375.0000 IN. ZO  
 SCALE = .0125

## PARAMETRIC DATA

ALPHAC = 4.000 BETAC = -5.000  
 STAB = 5.000 ELEVON = 5.000  
 BDFLAP = .000 DX = .000  
 DY = .000 IORB = 8.000  
 BETAO = -5.000 RUDDER = .000

RUN NO. 73/ 0 RN/L = .00 GRADIENT INTERVAL = -5.00/ 5.00

MACH	DZ	CPCO	CPB1	CPB2	CPB3	CPS1	CPS2	ALPHAO	BETAO	INCID	ALPHAC
.600	49.620	-.11600	-.30900	-.36000	-.33000	-.35300	-.08500	11.42000	-5.36000	7.94000	3.77000
.600	50.800	-.11700	-.30900	-.36300	-.33600	-.35700	-.09200	11.41000	-5.29000	7.93000	3.77000
.601	51.990	-.11800	-.30800	-.36000	-.33100	-.34900	-.08600	11.41000	-5.33000	7.94000	3.77000
.602	53.170	-.11700	-.30400	-.35700	-.33000	-.34700	-.09000	11.42000	-5.32000	7.95000	3.77000
.601	54.350	-.11300	-.30700	-.36100	-.33200	-.34400	-.09300	11.39000	-5.32000	7.94000	3.77000
.602	55.540	-.11600	-.31000	-.36200	-.33100	-.34500	-.09100	11.37000	-5.33000	7.93000	3.77000
.600	56.130	-.11300	-.31100	-.36700	-.33600	-.34800	-.09800	11.34000	-5.35000	7.90000	3.76000
	GRADIENT	-.00037	-.00146	.00018	-.00148	-.00225	-.00058	-.00115	.01138	.00591	.00000

!TV44-559(CA26) 747/1 ATY 02 S1 (ORBITER DATA)

(BFE104) ( 28 JAN 76 )

## REFERENCE DATA

SREF = 2690.0000 SQ.FT. XMRP = 1109.0000 IN. XO  
 LREF = 474.8100 IN. YMRP = .0000 IN. YO  
 BREF = 936.6800 IN. ZMRP = 375.0000 IN. ZO  
 SCALE = .0125

## PARAMETRIC DATA

ALPHAC = 5.500 BETAC = .000  
 STAB = 5.000 ELEVON = 5.000  
 BDFLAP = .000 DX = .000  
 DY = .000 TORB = 6.000  
 BETA0 = .000 RUDDER = .000

RUN NO. 74/ 0 RN/L = .00 GRADIENT INTERVAL = -5.00/ 5.00

MACH	DZ	CPCO	CPB1	CPB2	CPB3	CPS1	CPS2	ALPHAO	BETA0	INCID	ALPHAC
.599	1.460	-.06000	-.27800	-.36700	-.33700	-.20200	-.27800	11.83000	-.06000	5.92000	5.92000
.597	2.060	-.06300	-.27900	-.37200	-.33800	-.20500	-.28200	11.83000	-.04000	5.92000	5.92000
.599	2.660	-.05900	-.27400	-.36300	-.33500	-.20500	-.27900	11.83000	-.03000	5.92000	5.92000
.598	3.360	-.05700	-.27500	-.37100	-.33800	-.20800	-.27500	11.82000	-.05000	5.92000	5.92000
.597	4.160	-.06100	-.28400	-.38900	-.34000	-.20700	-.27700	11.82000	-.04000	5.92000	5.91000
.596	4.960	-.06500	-.28700	-.37300	-.34600	-.21200	-.28000	11.80000	-.04000	5.91000	5.92000
.600	5.960	-.05600	-.27500	-.36000	-.33800	-.20900	-.27400	11.78000	-.06000	5.90000	5.92000
.599	6.960	-.06100	-.28000	-.36500	-.34300	-.21200	-.27700	11.80000	-.04000	5.91000	5.92000
.598	7.970	-.06200	-.28100	-.37200	-.34000	-.20800	-.27300	11.79000	-.06000	5.91000	5.92000
.597	8.960	-.06300	-.28200	-.38000	-.34500	-.21500	-.27800	11.79000	.00000	5.92000	5.92000
.599	9.960	-.06300	-.28100	-.36200	-.34400	-.21400	-.27500	11.78000	-.03000	5.92000	5.92000
.598	11.150	-.06300	-.28800	-.36800	-.34400	-.21100	-.27500	11.78000	-.02000	5.93000	5.92000
.599	12.330	-.06400	-.28700	-.37000	-.34700	-.21700	-.27600	11.78000	-.02000	5.93000	5.92000
.595	13.520	-.07100	-.29400	-.38200	-.35900	-.23100	-.28700	11.74000	-.03000	5.90000	5.92000
.597	14.700	-.06600	-.29100	-.37800	-.35600	-.22300	-.28000	11.77000	-.01000	5.94000	5.91000
.598	15.900	-.06500	-.29100	-.37400	-.34700	-.21300	-.27600	11.74000	-.06000	5.91000	5.92000
.597	17.080	-.06100	-.28800	-.37800	-.35600	-.21800	-.27600	11.74000	-.03000	5.92000	5.91000
.597	18.270	-.06200	-.29000	-.38000	-.35700	-.22100	-.27800	11.74000	.02000	5.92000	5.92000
.596	19.450	-.06600	-.29300	-.38200	-.35900	-.22600	-.28100	11.72000	-.06000	5.92000	5.91000
.597	20.640	-.06400	-.29200	-.37900	-.35600	-.22600	-.27900	11.74000	.00000	5.93000	5.92000
.598	21.810	-.06600	-.29600	-.38100	-.35600	-.21900	-.27500	11.72000	-.01000	5.93000	5.92000
.597	23.000	-.06700	-.29800	-.38000	-.36000	-.22800	-.28200	11.73000	-.02000	5.94000	5.92000
.599	24.190	-.06300	-.29400	-.38500	-.35500	-.21700	-.27600	11.70000	-.06000	5.92000	5.92000
.598	25.370	-.06600	-.29800	-.39400	-.35900	-.22000	-.27700	11.70000	-.04000	5.93000	5.92000
.596	26.560	-.07100	-.30200	-.38700	-.35900	-.22300	-.28500	11.70000	-.05000	5.93000	5.92000
.598	27.740	-.06300	-.29300	-.37800	-.35800	-.22200	-.27400	11.69000	-.04000	5.93000	5.92000
.596	28.930	-.07000	-.30000	-.37900	-.36200	-.22900	-.28000	11.69000	-.04000	5.93000	5.92000
.599	30.110	-.06400	-.29500	-.37700	-.36000	-.22300	-.27500	11.68000	.01000	5.93000	5.92000
.598	31.310	-.06700	-.29800	-.38100	-.36000	-.22200	-.27700	11.66000	-.05000	5.92000	5.92000
.598	32.490	-.06300	-.29300	-.38000	-.36200	-.22700	-.27400	11.68000	-.06000	5.95000	5.92000
.598	33.680	-.07000	-.30100	-.38100	-.35900	-.22900	-.27900	11.66000	-.02000	5.93000	5.92000
.598	34.860	-.07100	-.30300	-.38500	-.36200	-.22600	-.28000	11.62000	-.03000	5.89000	5.92000
.598	36.050	-.07000	-.30200	-.38500	-.36200	-.22600	-.27900	11.61000	-.05000	5.89000	5.93000
.599	37.230	-.06900	-.30000	-.39000	-.36200	-.22300	-.28100	11.62000	-.03000	5.91000	5.93000
.598	38.420	-.06900	-.30200	-.38300	-.36300	-.22400	-.28200	11.61000	-.05000	5.91000	5.92000
.595	39.610	-.07000	-.30100	-.38100	-.36700	-.23000	-.28200	11.63000	-.03000	5.93000	5.92000
.598	40.790	-.06200	-.29800	-.38600	-.36500	-.22800	-.27400	11.63000	-.03000	5.94000	5.92000
.599	41.980	-.06500	-.29900	-.38300	-.36000	-.22200	-.27600	11.62000	-.01000	5.93000	5.92000
.599	43.160	-.06500	-.30100	-.38000	-.36100	-.22200	-.27500	11.59000	-.06000	5.90000	5.93000
.599	44.350	-.06400	-.30000	-.38100	-.36500	-.22400	-.27600	11.61000	-.05000	5.94000	5.93000
.599	45.530	-.06700	-.30200	-.38200	-.36500	-.22400	-.27800	11.58000	-.03000	5.92000	5.93000
.597	46.720	-.06600	-.30100	-.37400	-.36500	-.23400	-.27000	11.57000	-.10000	5.92000	5.93000

LTV44-559(CA26) 747/1 ATY 02 S1 (ORBITER DATA)

(BFE104) ( 28 JAN 76 )

REFERENCE DATA

SREF = 2690.0000 SQ.FT. XMRP = 1109.0000 IN. XO  
 LREF = 474.8100 IN. YMRP = .0000 IN. YO  
 BREF = 936.6800 IN. ZMRP = 375.0000 IN. ZO  
 SCALE = .0125

PARAMETRIC DATA

ALPHAC = 5.500 BETAC = .000  
 STAB = 5.000 ELEVON = 5.000  
 BDFLAP = .000 DX = .000  
 DY = .000 TORB = 6.000  
 BETAO = .000 RUDDER = .000

RUN NO. 747 0 RN/L = .00 GRADIENT INTERVAL = -5.00/ 5.00

MACH	DZ	CPCO	CPBI	CPB2	CPB3	CPSI	CPS2	ALPHA0	BETAO	INCID	ALPHAC
.597	47.910	-.07000	-.30500	-.37900	-.36300	-.23000	-.27900	11.57000	-.05000	5.92000	5.93000
.597	49.090	-.06600	-.29900	-.38100	-.36900	-.23000	-.27700	11.55000	-.07000	5.91000	5.93000
.599	50.280	-.07000	-.30400	-.38600	-.36600	-.22500	-.27700	11.56000	-.02000	5.92000	5.93000
.600	51.460	-.06000	-.29300	-.37500	-.35800	-.21400	-.27200	11.55000	-.04000	5.92000	5.93000
	GRADIENT	-.00080	-.00266	-.00369	-.00231	-.00241	.00032	-.00795	.00302	-.00215	-.00122

LTV44-559(CA26) 747/1 ATY 02 S1 (ORBITER DATA)

(BFE105) ( 28 JAN 76 )

## REFERENCE DATA

SREF = 2690.0000 SQ.FT. XMRP = 1109.0000 IN. XO  
 LREF = 474.8100 IN. YMRP = .0000 IN. YO  
 BREF = 936.6800 IN. ZMRP = 375.0000 IN. ZO  
 SCALE = .0125

## PARAMETRIC DATA

ALPHAC = .000 BETAC = -5.000  
 STAB = 5.000 ELEVON = 5.000  
 BOFLAP = .000 DX = .000  
 DY = .000 IORB = 4.000  
 BETAO = -5.000 RUDDER = .000

RUN NO. 75/ 0 RN/L = .00 GRADIENT INTERVAL = -5.00/ 5.00

MACH	DZ	CPCO	CPB1	CPB2	CPB3	CPS1	CPS2	ALPHAO	BETAO	INCID	ALPHAC
.602	1.460	-.04800	-.28500	-.34800	-.30100	-.31900	-.07500	3.98000	-5.38000	3.98000	.00000
.603	2.060	-.04800	-.28600	-.34600	-.29900	-.31700	-.07300	3.98000	-5.38000	3.99000	.00000
.602	2.660	-.04800	-.28700	-.35200	-.30300	-.31900	-.07400	3.96000	-5.37000	3.97000	.00000
.602	3.360	-.05200	-.28900	-.34600	-.30000	-.32200	-.07500	3.98000	-5.39000	3.99000	.00000
.602	4.160	-.05300	-.28900	-.34800	-.30300	-.32400	-.07600	3.98000	-5.41000	4.00000	.00000
.603	4.960	-.04600	-.28500	-.35400	-.30000	-.31900	-.07400	3.99000	-5.36000	4.01000	.00000
.601	6.960	-.05100	-.28800	-.35300	-.30700	-.32100	-.07600	3.91000	-5.38000	3.95000	.00000
.604	8.960	-.04600	-.28600	-.35000	-.30100	-.31900	-.07400	3.95000	-5.35000	4.00000	.00000
.601	10.460	-.05100	-.29300	-.35800	-.30900	-.32600	-.08000	3.94000	-5.32000	3.99000	.01000
.601	11.460	-.05200	-.29000	-.35300	-.30800	-.32100	-.07700	3.92000	-5.31000	3.98000	.00000
.603	12.450	-.04700	-.28700	-.35200	-.30200	-.31800	-.07400	3.93000	-5.35000	4.01000	.00000
.601	13.450	-.04600	-.29500	-.35500	-.30600	-.32600	-.07600	3.92000	-5.36000	4.00000	.00000
.603	14.440	-.04900	-.28900	-.35400	-.30400	-.31800	-.07500	3.91000	-5.28000	3.98000	.00000
.601	15.440	-.04500	-.29200	-.35500	-.30800	-.32600	-.07600	3.92000	-5.35000	4.00000	.00000
.601	16.430	-.04600	-.29400	-.35700	-.30700	-.32700	-.08100	3.91000	-5.33000	4.00000	.00000
.602	17.430	-.04400	-.29200	-.35000	-.30600	-.32400	-.07700	3.87000	-5.26000	3.96000	.00000
.603	18.420	-.04800	-.28300	-.35700	-.30600	-.32400	-.07800	3.87000	-5.29000	3.98000	.00000
.602	19.420	-.04900	-.29100	-.35700	-.30600	-.32600	-.08000	3.87000	-5.24000	3.97000	.00000
.603	20.410	-.04900	-.29200	-.35900	-.30600	-.32600	-.08000	3.87000	-5.26000	3.98000	.00000
.602	21.410	-.05000	-.29400	-.36200	-.30800	-.32900	-.08000	3.85000	-5.29000	3.98000	.00000
.603	22.390	-.04600	-.29100	-.35900	-.30500	-.32500	-.07700	3.86000	-5.32000	3.99000	.00000
.604	23.390	-.04400	-.29500	-.35900	-.30800	-.32500	-.07700	3.84000	-5.28000	3.97000	.00000
.605	24.390	-.03700	-.28900	-.35100	-.30300	-.31900	-.07300	3.84000	-5.28000	3.98000	.00000
.601	25.380	-.04700	-.29100	-.36600	-.30900	-.32700	-.07800	3.84000	-5.32000	3.98000	.01000
.603	26.380	-.04200	-.29300	-.35300	-.30400	-.32400	-.07500	3.85000	-5.31000	4.00000	.00000
.604	27.370	-.04200	-.29400	-.35200	-.30500	-.32200	-.07600	3.81000	-5.23000	3.97000	.00000
.601	28.370	-.04500	-.29800	-.36200	-.31000	-.33100	-.08000	3.81000	-5.28000	3.98000	.00000
.603	29.360	-.04500	-.30000	-.35900	-.31100	-.32600	-.07800	3.82000	-5.29000	3.99000	.00000
.604	30.360	-.04100	-.29200	-.35900	-.30300	-.32500	-.07500	3.78000	-5.24000	3.95000	.01000
.604	31.350	-.04700	-.29700	-.36200	-.30800	-.32800	-.07700	3.82000	-5.32000	3.99000	.01000
.605	32.350	-.04500	-.29400	-.36300	-.30500	-.32600	-.07500	3.78000	-5.24000	3.96000	.00000
.605	33.340	-.04300	-.29700	-.36100	-.30700	-.32500	-.07700	3.80000	-5.28000	3.99000	.00000
.602	34.340	-.04600	-.30200	-.36400	-.31300	-.32700	-.08100	3.77000	-5.30000	3.97000	.00000
.602	35.340	-.04500	-.29800	-.35900	-.30700	-.32700	-.07800	3.74000	-5.27000	3.95000	.00000
.603	36.330	-.04700	-.29600	-.35900	-.30900	-.33100	-.07700	3.79000	-5.30000	3.99000	.00000
.601	37.320	-.04400	-.30200	-.36100	-.31500	-.32700	-.08300	3.75000	-5.30000	3.96000	.01000
.602	38.320	-.04400	-.29900	-.36000	-.31100	-.32400	-.07600	3.78000	-5.31000	4.00000	.00000
.602	39.310	-.04300	-.29800	-.36100	-.30900	-.32600	-.07500	3.73000	-5.29000	3.96000	.00000
.601	40.310	-.04400	-.30100	-.36300	-.31300	-.32800	-.07600	3.72000	-5.30000	3.95000	.00000
.602	41.310	-.03900	-.29800	-.36300	-.31000	-.32400	-.07600	3.73000	-5.27000	3.96000	.01000
.602	42.300	-.04300	-.29900	-.36000	-.31100	-.32500	-.07700	3.73000	-5.25000	3.98000	.00000
.605	43.290	-.04400	-.29500	-.36400	-.30500	-.32700	-.07400	3.76000	-5.29000	4.01000	.00000

DATE 22 MAR 76

## CA-26 FORCE SOURCE DATA TABULATION

PAGE 304

LTV44-559(CA26) 747/1 ATY 02 S1 (ORBITER DATA)

(BFE105) ( 28 JAN 76 )

## REFERENCE DATA

SREF =	2690.0000 SQ.FT.	XMRP =	1109.0000 IN. XO
LREF =	474.8100 IN.	YMRP =	.0000 IN. YO
BREF =	936.6800 IN.	ZMRP =	375.0000 IN. ZO
SCALE =	.0125		

## PARAMETRIC DATA

ALPHAC =	.000	BETAC =	-5.000
STAB =	5.000	ELEVON =	5.000
BDFLAP =	.000	DX =	.000
DY =	.000	IORB =	4.000
BETA0 =	-5.000	RUDDER =	.000

RUN NO.	75/ 0	RN/L =	.00	GRADIENT INTERVAL =	-5.00/ 5.00
---------	-------	--------	-----	---------------------	-------------

MACH	DZ	CPCO	CPB1	CPB2	CPB3	CPS1	CPS2	ALPHA0	BETA0	INCID	ALPHAC
.604	44.290	-.04500	-.29700	-.36700	-.30900	-.32600	-.07600	3.72000	-5.32000	3.97000	.01000
.604	44.790	-.03800	-.29500	-.35400	-.30200	-.32400	-.07100	3.71000	-5.29000	3.96000	.01000
	GRADIENT	-.00030	-.00038	-.00127	-.00014	-.00094	-.00020	.00319	-.00017	.00847	.00000

LTV44-559(CA26) 747/1 ATY 02 S1 (ORBITER DATA)

(BFE106) ( 28 JAN 76 )

## REFERENCE DATA

SREF = 2690.0000 SQ.FT. XMRP = 1109.0000 IN. XO  
 LREF = 474.8100 IN. YMRP = .0000 IN. YO  
 BREF = 936.6800 IN. ZMRP = 375.0000 IN. ZO  
 SCALE = .0125

## PARAMETRIC DATA

ALPHAC = .000 BETAC = -5.000  
 STAB = 5.000 ELEVON = 5.000  
 BDFLAP = .000 DX = .000  
 DY = .000 TORB = 6.000  
 BETAO = -5.000 RUDDER = .000

RUN NO. 1075/ 0 RN/L = .00 GRADIENT INTERVAL = -5.00/ 5.00

MACH	DZ	CPCO	CPB1	CPB2	CPB3	CPS1	CPS2	ALPHA0	BETA0	INCID	ALPHAC
.603	1.470	-.04400	-.27500	-.33400	-.28100	-.30600	-.04900	5.01000	-5.36000	5.98000	.02000
.601	2.070	-.04400	-.27900	-.33700	-.28500	-.30700	-.05100	5.97000	-5.33000	5.95000	.03000
.600	2.670	-.04500	-.27900	-.33200	-.28700	-.30800	-.05200	5.99000	-5.32000	5.97000	.03000
.600	3.370	-.04600	-.28000	-.33300	-.28800	-.31100	-.05600	5.97000	-5.29000	5.95000	.03000
.603	4.170	-.04000	-.27600	-.33300	-.28400	-.30400	-.05400	5.95000	-5.35000	5.95000	.02000
.603	4.960	-.04200	-.28000	-.33100	-.28500	-.30800	-.05600	5.99000	-5.32000	5.98000	.03000
.604	5.970	-.04000	-.27900	-.34000	-.28800	-.30400	-.05700	5.94000	-5.32000	5.95000	.03000
.605	8.970	-.03700	-.27700	-.33700	-.28400	-.30200	-.05700	5.95000	-5.30000	5.98000	.02000
.603	10.600	-.04100	-.27900	-.33500	-.29200	-.30600	-.05900	5.93000	-5.31000	5.96000	.02000
.603	11.880	-.03900	-.27700	-.33500	-.29000	-.30500	-.05800	5.94000	-5.27000	5.99000	.02000
.602	13.160	-.04500	-.28600	-.34200	-.29600	-.31300	-.06100	5.89000	-5.32000	5.95000	.02000
.600	14.440	-.04200	-.29100	-.34500	-.29700	-.31300	-.06700	5.90000	-5.30000	5.96000	.02000
.601	15.710	-.04000	-.28800	-.34400	-.29300	-.30900	-.06600	5.88000	-5.24000	5.95000	.02000
.602	16.990	-.04000	-.28700	-.34400	-.29300	-.31100	-.06400	5.90000	-5.29000	5.98000	.02000
.600	18.270	-.04200	-.28600	-.35300	-.30000	-.31100	-.06600	5.85000	-5.31000	5.94000	.01000
.603	19.540	-.04200	-.28700	-.34400	-.29300	-.31100	-.06300	5.87000	-5.23000	5.97000	.01000
.601	20.820	-.04200	-.29100	-.35300	-.29300	-.31400	-.06800	5.85000	-5.30000	5.96000	.01000
.604	22.090	-.04000	-.28600	-.35300	-.29000	-.30800	-.06400	5.84000	-5.25000	5.96000	.01000
.603	23.360	-.04200	-.29000	-.35300	-.29400	-.31100	-.06700	5.82000	-5.25000	5.94000	.01000
.603	24.650	-.04200	-.28800	-.34300	-.29300	-.30900	-.06500	5.82000	-5.24000	5.96000	.00000
.601	25.920	-.04000	-.28900	-.35200	-.29800	-.30900	-.07200	5.83000	-5.26000	5.97000	.00000
.603	27.200	-.04100	-.28300	-.34900	-.29700	-.30600	-.06900	5.81000	-5.24000	5.95000	.01000
.601	28.470	-.04500	-.28900	-.35500	-.30200	-.31200	-.07100	5.80000	-5.29000	5.95000	.01000
.602	29.750	-.04400	-.28900	-.35000	-.30000	-.31400	-.06800	5.80000	-5.30000	5.97000	.01000
.602	31.030	-.04200	-.29200	-.35100	-.29700	-.31500	-.06900	5.79000	-5.31000	5.96000	.01000
.604	32.300	-.04200	-.28700	-.35100	-.29900	-.31100	-.06900	5.81000	-5.26000	6.00000	.00000
.601	33.580	-.04600	-.29700	-.35300	-.30300	-.32000	-.07200	5.79000	-5.29000	5.98000	.01000
.604	34.850	-.04200	-.28900	-.35300	-.29600	-.31300	-.07100	5.74000	-5.26000	5.94000	.00000
.602	36.130	-.04000	-.29200	-.35700	-.29800	-.31600	-.07100	5.78000	-5.31000	5.98000	.00000
.601	37.410	-.04700	-.29400	-.35400	-.30200	-.31800	-.07300	5.77000	-5.25000	5.98000	.01000
.601	38.690	-.04800	-.29400	-.36100	-.30000	-.32000	-.07400	5.76000	-5.25000	5.98000	.01000
.603	39.960	-.04500	-.28900	-.35900	-.30000	-.31400	-.07200	5.73000	-5.26000	5.95000	.00000
.601	41.240	-.04700	-.29300	-.36500	-.30500	-.32000	-.07100	5.75000	-5.29000	5.99000	.00000
.603	42.520	-.04200	-.29100	-.36900	-.29900	-.31600	-.07200	5.74000	-5.27000	5.98000	.01000
.603	43.790	-.04600	-.28900	-.35800	-.30100	-.31500	-.07300	5.72000	-5.30000	5.96000	.01000
.603	45.070	-.04600	-.29000	-.36100	-.30100	-.31600	-.07400	5.69000	-5.29000	5.95000	.00000
.602	46.340	-.04600	-.29500	-.35600	-.30000	-.31900	-.07300	5.72000	-5.31000	5.99000	.01000
.600	47.620	-.04500	-.29500	-.36500	-.30300	-.32300	-.07300	5.72000	-5.27000	5.98000	.02000
.602	48.900	-.04700	-.28700	-.35800	-.29700	-.31300	-.07500	5.71000	-5.31000	5.98000	.01000
.602	50.180	-.04600	-.29100	-.35200	-.30300	-.31300	-.07400	5.67000	-5.29000	5.95000	.02000
.601	51.460	-.04500	-.29400	-.35300	-.29900	-.31900	-.07500	5.68000	-5.30000	5.97000	.01000
GRADIENT		.00091	-.00064	.00106	-.00063	-.00010	-.00192	-.00689	.00611	-.00037	.00070

ORIGINAL PAGE IS  
 OF POOR QUALITY

LTV44-559(CA26) 747/1 ATY 02 S1 (ORBITER DATA)

(BFE107) ( 28 JAN 76 )

## REFERENCE DATA

SREF = 2690.0000 SQ.FT. XMRP = 1109.0000 IN. XO  
 LREF = 474.8100 IN. YMRP = .0000 IN. YO  
 BREF = 936.6800 IN. ZMRP = 375.0000 IN. ZO  
 SCALE = .0125

## PARAMETRIC DATA

ALPHAC = .000 BETAC = -5.000  
 STAB = 5.000 ELEVON = 5.000  
 BDFLAP = .000 DX = .000  
 DY = .000 IORB = 8.000  
 BETAO = -5.000 RUDDER = .000

RUN NO. 76/ 0 RN/L = .00 GRADIENT INTERVAL = -5.00/ 5.00

MACH	DZ	CP00	CP81	CP82	CP83	CPS1	CPS2	ALPHAO	BETAO	INC1D	ALPHAC
.500	1.460	-.08900	-.28600	-.36400	-.32000	-.31700	-.08200	8.00000	-5.36000	7.97000	.04000
.501	2.060	-.09000	-.28700	-.36500	-.32100	-.31800	-.08100	7.99000	-5.32000	7.95000	.05000
.600	2.660	-.08900	-.28900	-.36400	-.31900	-.31900	-.08100	7.98000	-5.37000	7.95000	.04000
.601	3.460	-.08800	-.28900	-.36900	-.32200	-.31900	-.08100	8.01000	-5.37000	7.97000	.05000
.600	4.460	-.09000	-.29100	-.37700	-.32000	-.32200	-.08100	7.99000	-5.33000	7.96000	.05000
.601	5.590	-.08700	-.29500	-.37100	-.32600	-.32100	-.08300	7.99000	-5.37000	7.97000	.05000
.602	6.840	-.08700	-.29200	-.36400	-.32600	-.32400	-.08200	7.97000	-5.39000	7.96000	.05000
.601	8.090	-.09000	-.29500	-.36500	-.32400	-.32600	-.08200	7.97000	-5.34000	7.97000	.04000
.601	9.340	-.09000	-.29400	-.36500	-.32600	-.32700	-.08300	7.97000	-5.33000	7.98000	.04000
.602	10.580	-.08700	-.29800	-.38000	-.33000	-.32700	-.08600	7.91000	-5.37000	7.94000	.03000
.600	11.810	-.08800	-.30100	-.37300	-.32600	-.32700	-.08400	7.94000	-5.29000	7.97000	.03000
.600	13.050	-.08400	-.30200	-.37700	-.33000	-.32900	-.08300	7.91000	-5.32000	7.95000	.03000
.600	14.290	-.08700	-.30200	-.37400	-.32600	-.32900	-.08300	7.91000	-5.31000	7.96000	.03000
.602	15.520	-.08700	-.29900	-.37400	-.32700	-.33000	-.08200	7.90000	-5.38000	7.96000	.02000
.601	16.750	-.08500	-.29800	-.38200	-.33200	-.33000	-.08300	7.87000	-5.31000	7.95000	.02000
.602	17.990	-.08700	-.30000	-.37700	-.33100	-.33000	-.08300	7.87000	-5.34000	7.95000	.02000
.602	19.230	-.08500	-.30100	-.38100	-.33100	-.33200	-.08300	7.85000	-5.35000	7.95000	.01000
.601	20.460	-.08600	-.30300	-.38100	-.33100	-.33200	-.08500	7.85000	-5.28000	7.95000	.01000
.600	21.690	-.08200	-.30500	-.37900	-.33300	-.33100	-.08500	7.86000	-5.30000	7.97000	.01000
.600	22.930	-.08200	-.30600	-.38200	-.33600	-.33400	-.08600	7.83000	-5.28000	7.95000	.01000
.602	24.160	-.08100	-.30500	-.37700	-.33200	-.33000	-.08500	7.84000	-5.34000	7.97000	.01000
.600	25.390	-.08400	-.31000	-.38100	-.33000	-.33300	-.08500	7.83000	-5.28000	7.97000	.01000
.602	26.630	-.08500	-.30500	-.38000	-.33600	-.33600	-.08500	7.83000	-5.31000	7.98000	.01000
.601	27.860	-.08400	-.30500	-.37900	-.33600	-.33500	-.08500	7.79000	-5.32000	7.94000	.01000
.600	29.100	-.08400	-.30900	-.38100	-.33700	-.33800	-.08600	7.78000	-5.29000	7.94000	.01000
.601	30.340	-.08600	-.31100	-.38100	-.33500	-.33800	-.08600	7.80000	-5.33000	7.97000	.01000
.600	31.570	-.08500	-.31300	-.38900	-.34000	-.33700	-.08700	7.77000	-5.28000	7.95000	.00000
.600	32.800	-.08200	-.31200	-.38600	-.33200	-.33600	-.08300	7.76000	-5.26000	7.94000	.01000
.601	34.040	-.08300	-.30500	-.38200	-.33500	-.33700	-.08200	7.79000	-5.33000	7.99000	.00000
.601	35.280	-.08200	-.30700	-.38500	-.33700	-.33800	-.08100	7.77000	-5.34000	7.97000	.00000
.600	36.510	-.08300	-.31300	-.38700	-.33200	-.33700	-.08200	7.76000	-5.27000	7.97000	.01000
.601	37.740	-.08200	-.31300	-.38800	-.33700	-.33800	-.08500	7.76000	-5.33000	7.97000	.01000
.601	38.980	-.08300	-.31500	-.38600	-.33800	-.33700	-.08400	7.76000	-5.33000	7.98000	.01000
.602	40.220	-.08000	-.30700	-.38300	-.33800	-.33600	-.08200	7.71000	-5.33000	7.94000	.00000
.601	41.450	-.08200	-.31200	-.39100	-.33900	-.33800	-.08400	7.75000	-5.34000	7.99000	.00000
.600	42.690	-.08400	-.31300	-.38800	-.33700	-.33900	-.08300	7.73000	-5.30000	7.97000	.00000
.602	43.920	-.08000	-.30900	-.38900	-.33900	-.33700	-.08000	7.73000	-5.34000	7.97000	.01000
.601	45.150	-.08400	-.31000	-.38700	-.34000	-.34100	-.08400	7.69000	-5.30000	7.95000	.00000
.602	46.390	-.08100	-.31100	-.38600	-.33800	-.33800	-.08000	7.68000	-5.32000	7.94000	.01000
.601	47.630	-.07900	-.30600	-.38400	-.33500	-.34000	-.08000	7.71000	-5.32000	7.98000	.01000
.601	48.860	-.08100	-.31000	-.39100	-.33500	-.34000	-.08000	7.68000	-5.27000	7.96000	.00000
.600	50.090	-.08200	-.31300	-.39000	-.33600	-.34100	-.08200	7.70000	-5.26000	7.98000	.01000



DATE 22 MAR 76

CA-26 FORCE SOURCE DATA TABULATION

PAGE 307

LTV44-559(CA26) 747/1 ATY 02 S1 (ORBITER DATA)

(BFE107) ( 28 JAN 76 )

## REFERENCE DATA

SREF = 2690.0000 SQ.FT. XMRP = 1109.0000 IN. XO  
 LREF = 474.8100 IN. YMRP = .0000 IN. YO  
 BREF = 936.6800 IN. ZMRP = 375.0000 IN. ZO  
 SCALE = .0125

## PARAMETRIC DATA

ALPHAC = .000 BETAC = -5.000  
 STAB = 5.000 ELEVON = 5.000  
 BDFLAP = .000 DX = .000  
 DY = .000 IORB = 8.000  
 BETAO = -5.000 RUDDER = .000

RUN NO. 76/ 0 RN/L = .00 GRADIENT INTERVAL = -5.00/ 5.00

MACH	DZ	CPCO	CPB1	CPB2	CPB3	CPS1	CPS2	ALPHAO	BETAO	INCID	ALPHAC
.600	51.330	-.08000	-.31600	-.39400	-.33800	-.33900	-.08200	7.67000	-5.34000	7.96000	.01000
.602	52.570	-.08000	-.31100	-.39200	-.34000	-.34100	-.08100	7.70000	-5.33000	7.99000	.01000
.602	53.800	-.07800	-.31000	-.38700	-.33900	-.34100	-.07900	7.64000	-5.33000	7.94000	.01000
.601	55.040	-.08000	-.31100	-.38600	-.33500	-.34100	-.08100	7.65000	-5.26000	7.97000	.00000
.601	56.270	-.08000	-.31600	-.39200	-.33800	-.34000	-.08300	7.63000	-5.32000	7.96000	.00000
.601	57.500	-.08100	-.31800	-.39300	-.34000	-.34100	-.08000	7.60000	-5.30000	7.93000	.01000
.600	58.120	-.08100	-.31500	-.38900	-.33700	-.34300	-.07800	7.63000	-5.27000	7.97000	.00000
	GRADIENT	-.00004	-.00160	-.00428	-.00012	-.00151	.00024	.00014	.00252	.00036	.00274

LTV44-559(CA26) 747/1 ATY 06 S1 (ORBITER DATA)

(BFE108) ( 28 JAN 76 )

## REFERENCE DATA

SREF = 2690.0000 SQ.FT. XMRP = 1109.0000 IN. XO  
 LREF = 474.8100 IN. YMRP = .0000 IN. YO  
 BREF = 936.6800 IN. ZMRP = 375.0000 IN. ZO  
 SCALE = .0125

## PARAMETRIC DATA

ALPHAC = 2.000 BETAC = .000  
 STAB = 5.000 ELEVON = 5.000  
 AILRON = .000 DX = .000  
 DY = .000 TORB = 6.000  
 BETAO = .000 DPHI = .000

RUN NO. 77/ 0 RN/L = .00 GRADIENT INTERVAL = -5.00/ 5.00

MACH	DZ	CPCO	CPS1	CPS2	ALPHAO	BETAO	INCID	ALPHAC
.600	1.460	-.06700	-.17900	-.27700	8.66300	-.05000	5.94000	2.72000
.602	2.060	-.06900	-.17400	-.27600	8.65000	-.06000	5.94000	2.72000
.601	2.660	-.06700	-.18000	-.27500	8.67000	-.06000	5.96000	2.71000
.600	3.360	-.07100	-.18100	-.27800	8.64000	-.03000	5.94000	2.71000
.602	4.160	-.07200	-.17800	-.27500	8.62000	-.07000	5.93000	2.71000
.600	4.960	-.07400	-.18200	-.27900	8.65000	-.05000	5.97000	2.71000
.603	5.960	-.07300	-.18600	-.27500	8.62000	-.03000	5.94000	2.71000
.601	6.960	-.07600	-.18500	-.27900	8.65000	-.05000	5.97000	2.71000
.598	7.970	-.07900	-.18800	-.28400	8.64000	-.06000	5.97000	2.71000
.603	8.960	-.07300	-.18700	-.27700	8.62000	-.05000	5.96000	2.71000
.600	9.960	-.07700	-.19200	-.28400	8.59000	-.05000	5.94000	2.70000
.602	11.150	-.07800	-.19100	-.27800	8.60000	-.02000	5.95000	2.70000
.606	12.330	-.07700	-.19300	-.27400	8.60000	-.06000	5.96000	2.70000
.602	13.520	-.07800	-.19300	-.28000	8.58000	-.06000	5.96000	2.70000
.601	14.700	-.07800	-.19400	-.27800	8.57000	-.06000	5.95000	2.70000
.601	15.900	-.07800	-.19600	-.27900	8.56000	-.07000	5.95000	2.70000
.598	17.080	-.07900	-.20000	-.28300	8.56000	-.07000	5.95000	2.70000
.601	18.270	-.08000	-.19600	-.27800	8.56000	-.06000	5.97000	2.69000
.599	19.450	-.08100	-.19900	-.28200	8.56000	-.03000	5.97000	2.70000
.601	20.640	-.08000	-.19900	-.27800	8.53000	-.06000	5.95000	2.69000
.600	21.810	-.08200	-.20200	-.28300	8.51000	-.01000	5.94000	2.70000
.600	23.000	-.08300	-.20300	-.28200	8.52000	-.05000	5.96000	2.70000
.603	24.190	-.07900	-.19700	-.27900	8.51000	-.05000	5.96000	2.69000
.601	25.370	-.08200	-.20200	-.28000	8.50000	-.05000	5.96000	2.69000
.602	26.560	-.08200	-.20300	-.27700	8.51000	-.05000	5.97000	2.69000
.603	27.740	-.08300	-.20200	-.27800	8.50000	-.05000	5.97000	2.69000
.601	28.930	-.08000	-.20100	-.28000	8.49000	-.05000	5.96000	2.69000
.603	30.110	-.07900	-.20000	-.27200	8.47000	-.07000	5.96000	2.69000
.603	31.310	-.07900	-.20000	-.27500	8.45000	-.08000	5.94000	2.69000
.602	32.490	-.08300	-.20500	-.27900	8.47000	-.04000	5.97000	2.69000
.600	33.680	-.08300	-.20800	-.28000	8.47000	-.08000	5.98000	2.69000
.602	34.860	-.08000	-.20200	-.27700	8.43000	-.07000	5.94000	2.69000
.602	36.050	-.07700	-.20000	-.27400	8.45000	-.06000	5.97000	2.69000
.602	37.230	-.07800	-.20300	-.27400	8.41000	-.11000	5.94000	2.69000
.602	38.420	-.08400	-.20900	-.27600	8.44000	-.06000	5.97000	2.69000
.602	39.610	-.08100	-.20600	-.27700	8.40000	-.07000	5.94000	2.69000
.600	40.790	-.08400	-.20900	-.27800	8.42000	-.07000	5.97000	2.69000
.599	41.980	-.08500	-.21100	-.27500	8.40000	-.06000	5.95000	2.69000
.602	43.160	-.08000	-.20500	-.27200	8.40000	-.06000	5.96000	2.68000
.600	44.350	-.08500	-.21400	-.27500	8.37000	-.07000	5.94000	2.69000
.598	45.530	-.08600	-.21800	-.27900	8.39000	-.06000	5.97000	2.69000
.602	46.720	-.07800	-.20300	-.27500	8.39000	-.04000	5.97000	2.69000

DATE 22 MAR 76

CA-26 FORCE SOURCE DATA TABULATION

PAGE 309

LTV44-559(CA26) 747/1 ATY 06 S1 (ORBITER DATA)

(BFE108) ( 28 JAN 76 )

REFERENCE DATA

SREF = 2690.0000 SQ.FT. XMRP = 1109.0000 IN. XO  
LREF = 474.8100 IN. YMRP = .0000 IN. YO  
BREF = 936.6800 IN. ZMRP = 375.0000 IN. ZO  
SCALE = .0125

PARAMETRIC DATA

ALPHAC = 2.000 BETAC = .000  
STAB = 5.000 ELEVON = 5.000  
AILRON = .000 DX = .000  
DY = .000 IORB = 6.000  
BETA0 = .000 DPHI = .000

RUN NO. 77/ 0 RN/L = .00 GRADIENT INTERVAL = -5.00/ 5.00

MACH	DZ	CPCO	CPS1	CPS2	ALPHA0	BETA0	INCID	ALPHAC
.602	47.910	-.07900	-.20100	-.27500	8.39000	-.06000	5.98000	2.69000
.602	49.090	-.07900	-.20900	-.27400	8.38000	-.09000	5.98000	2.69000
.601	50.280	-.08300	-.21400	-.27700	8.35000	-.07000	5.94000	2.69000
.601	51.460	-.08300	-.21600	-.27500	8.34000	-.09000	5.96000	2.69000
	GRADIENT	-.00198	-.00114	-.00044	-.00691	-.00012	.00418	-.00313

LTV44-559(CA26) 747/1 ATY 06 S1 (ORBITER DATA)

(BFE109) ( 28 JAN 76 )

## REFERENCE DATA

SREF = 2690.0000 SQ.FT. XMRP = 1109.0000 IN. XO  
 LREF = 474.8100 IN. YMRP = .0000 IN. YO  
 BREF = 936.6800 IN. ZMRP = 375.0000 IN. ZO  
 SCALE = .0125

## PARAMETRIC DATA

ALPHAC = 2.000 BETAC = .000  
 STAB = 5.000 ELEVON = .000  
 AILRON = .000 DX = .000  
 DY = .000 IORB = 4.000  
 BETAO = .000 DPHI = .000

RUN NO. 78/ 0 RN/L = .00 GRADIENT INTERVAL = -5.00/ 5.00

MACH	DZ	CPCO	CPS1	CPS2	ALPHAO	BETAO	INCID	ALPHAC
.601	1.460	-.05100	-.16300	-.26300	6.62000	-.15000	4.01000	2.62000
.603	2.060	-.04900	-.16100	-.26200	6.59000	-.12000	3.98000	2.62000
.600	2.660	-.05000	-.16400	-.26500	6.58000	-.16000	3.97000	2.62000
.602	3.360	-.05000	-.16100	-.26100	6.59000	-.14000	3.98000	2.62000
.601	4.160	-.05100	-.16600	-.26200	6.59000	-.14000	3.99000	2.62000
.602	4.960	-.05300	-.16400	-.26100	6.58000	-.14000	3.98000	2.63000
.600	6.960	-.05300	-.17300	-.26600	6.56000	-.14000	3.97000	2.63000
.601	8.960	-.05200	-.17000	-.26300	6.58000	-.14000	4.00000	2.63000
.600	10.460	-.06100	-.18000	-.27000	6.58000	-.15000	4.00000	2.64000
.602	11.460	-.05400	-.17500	-.26300	6.55000	-.16000	3.97000	2.65000
.604	12.450	-.05100	-.17300	-.25900	6.55000	-.18000	3.97000	2.64000
.600	13.450	-.06100	-.17900	-.27000	6.57000	-.15000	4.00000	2.64000
.601	14.440	-.06000	-.18000	-.26700	6.55000	-.17000	3.98000	2.65000
.600	15.440	-.05900	-.17900	-.26900	6.56000	-.15000	3.99000	2.65000
.601	16.430	-.05700	-.18200	-.26700	6.54000	-.14000	3.98000	2.65000
.602	17.430	-.05700	-.18200	-.26600	6.53000	-.17000	3.97000	2.65000
.603	18.420	-.05800	-.18400	-.26500	6.51000	-.17000	3.96000	2.65000
.602	19.420	-.05700	-.18300	-.26700	6.54000	-.13000	3.99000	2.66000
.603	20.410	-.05900	-.18300	-.26200	6.52000	-.19000	3.98000	2.65000
.602	21.410	-.05800	-.18300	-.26200	6.51000	-.19000	3.97000	2.66000
.601	22.390	-.05800	-.18600	-.26400	6.50000	-.18000	3.97000	2.66000
.602	23.390	-.06100	-.18500	-.26300	6.51000	-.17000	3.98000	2.66000
.601	24.390	-.05900	-.18600	-.26700	6.50000	-.14000	3.98000	2.66000
.600	25.380	-.06300	-.18700	-.26800	6.50000	-.12000	3.99000	2.66000
.601	26.380	-.06300	-.18900	-.26600	6.52000	-.16000	4.00000	2.67000
.603	27.370	-.05600	-.18800	-.26100	6.48000	-.19000	3.97000	2.67000
.603	28.370	-.05900	-.19100	-.26100	6.50000	-.16000	4.00000	2.68000
.602	29.360	-.06100	-.19300	-.26100	6.49000	-.17000	4.00000	2.66000
.601	30.360	-.05700	-.19300	-.26200	6.45000	-.18000	3.95000	2.67000
.605	31.350	-.05400	-.18900	-.25500	6.47000	-.17000	3.98000	2.67000
.602	32.350	-.05700	-.19400	-.25900	6.48000	-.15000	3.99000	2.67000
.601	33.340	-.06400	-.19300	-.26400	6.47000	-.14000	3.99000	2.67000
.601	34.340	-.06500	-.19200	-.26500	6.46000	-.13000	3.98000	2.68000
.602	35.340	-.05700	-.19400	-.26000	6.47000	-.17000	4.01000	2.67000
.600	36.330	-.06400	-.19400	-.26400	6.43000	-.15000	3.97000	2.67000
.599	37.320	-.06600	-.20200	-.26500	6.43000	-.17000	3.97000	2.68000
.602	38.320	-.05800	-.19500	-.25900	6.45000	-.17000	3.99000	2.68000
.600	39.310	-.06400	-.19500	-.26400	6.44000	-.16000	3.99000	2.67000
.605	40.310	-.05900	-.19400	-.26000	6.42000	-.17000	3.98000	2.68000
.601	41.310	-.06300	-.19400	-.26300	6.42000	-.13000	3.98000	2.68000
.604	42.300	-.05900	-.19100	-.26100	6.43000	-.16000	3.99000	2.68000
.603	43.290	-.06100	-.19000	-.26300	6.39000	-.17000	3.96000	2.68000

DATE 22 MAR 76

CA-26 FORCE SOURCE DATA TABULATION

PAGE 311

LTV44-559(CA26) 747/1 ATY 06 S1 (ORBITER DATA)

(8FE109) ( 28 JAN 76 )

REFERENCE DATA

SREF = 2690.0000 SQ.FT. XMRP = 1109.0000 IN. XO  
LREF = 474.8100 IN. YMRP = .0000 IN. YO  
BREF = 936.6800 IN. ZMRP = 375.0000 IN. ZO  
SCALE = .0125

PARAMETRIC DATA

ALPHAC = 2.000 BETAC = .000  
STAB = 5.000 ELEVON = .000  
AILRON = .000 DX = .000  
DY = .000 TORB = 4.000  
BETAO = .000 DPHI = .000

RUN NO. 78/ 0 RN/L = .00 GRADIENT INTERVAL = -5.00/ 5.00

MACH	DZ	CPCD	CPS1	CPS2	ALPHAO	BETAO	INCID	ALPHAC
.603	44.290	-.06200	-.19300	-.26000	6.41000	-.16000	3.99000	2.68000
.603	44.790	-.06200	-.19700	-.25700	6.42000	-.17000	4.00000	2.68000
GRADIENT		-.00070	-.00071	.00059	-.00737	.00052	-.00400	.00215

ORIGINAL PAGE IS  
OF POOR QUALITY

LTV44-559(CA26) 747/1 ATY 06 S1 (ORBITER DATA)

(BFE110) (28 JAN 76)

## REFERENCE DATA

SREF = 2690.0000 SQ.FT. XMRP = 1109.0000 IN. XO  
 LREF = 474.8100 IN. YMRP = .0000 IN. YO  
 BREF = 936.6800 IN. ZMRP = 375.0000 IN. ZO  
 SCALE = .0125

## PARAMETRIC DATA

ALPHAC = 2.000 BETAC = .000  
 STAB = 5.000 JEVON = .000  
 AILRON = .000 DX = .000  
 DY = .000 LORE = 6.000  
 BETAO = .000 DPHI = .000

RUN NO. 1078/ 0 RN/L = .00 GRADIENT INTERVAL = -5.00/ 5.00

MACH	DZ	CPCO	CPS1	CPS2	ALPHAO	BETAO	INCID	ALPHAC
.602	1.470	-.05900	-.20300	-.23200	8.60000	-.12000	5.95000	2.66000
.602	2.070	-.06100	-.20200	-.23500	8.62000	-.10000	5.97000	2.66000
.601	2.670	-.06200	-.20400	-.23900	8.59000	-.12000	5.95000	2.65000
.601	3.370	-.06300	-.20600	-.23600	8.59000	-.12000	5.95000	2.65000
.600	4.170	-.06300	-.20600	-.24200	8.59000	-.08000	5.96000	2.65000
.599	4.960	-.06300	-.20600	-.24300	8.58000	-.13000	5.95000	2.65000
.602	6.970	-.06300	-.20500	-.24200	8.56000	-.13000	5.94000	2.66000
.601	8.970	-.06500	-.20800	-.24300	8.56000	-.15000	5.95000	2.66000
.601	10.600	-.06400	-.20800	-.24500	8.53000	-.16000	5.93000	2.66000
.599	11.880	-.06800	-.20800	-.24800	8.56000	-.11000	5.96000	2.66000
.602	13.160	-.06200	-.20900	-.24100	8.56000	-.10000	5.97000	2.66000
.599	14.440	-.06600	-.20900	-.24600	8.55000	-.13000	5.97000	2.66000
.601	15.710	-.06400	-.20500	-.24400	8.53000	-.13000	5.95000	2.66000
.599	16.990	-.06400	-.21500	-.24900	8.54000	-.12000	5.97000	2.66000
.600	18.270	-.06500	-.21300	-.24600	8.54000	-.14000	5.98000	2.67000
.602	19.540	-.06700	-.20800	-.24700	8.50000	-.16000	5.94000	2.67000
.599	20.820	-.06500	-.21100	-.25000	8.51000	-.12000	5.97000	2.66000
.600	22.090	-.06300	-.21000	-.24600	8.52000	-.13000	5.98000	2.67000
.599	23.360	-.06800	-.21100	-.25100	8.49000	-.16000	5.95000	2.67000
.600	24.650	-.06800	-.21700	-.24900	8.49000	-.19000	5.96000	2.67000
.604	25.920	-.06200	-.20800	-.24400	8.50000	-.16000	5.98000	2.67000
.601	27.200	-.06600	-.20900	-.24900	8.50000	-.15000	5.98000	2.67000
.601	28.470	-.06900	-.21300	-.24900	8.49000	-.17000	5.98000	2.67000
.601	29.750	-.06600	-.21000	-.24900	8.47000	-.15000	5.97000	2.67000
.603	31.030	-.06100	-.20900	-.24800	8.46000	-.15000	5.96000	2.67000
.600	32.300	-.06700	-.21200	-.25400	8.44000	-.11000	5.95000	2.67000
.601	33.580	-.06400	-.20800	-.25000	8.46000	-.16000	5.98000	2.68000
.599	34.850	-.06800	-.21200	-.25400	8.47000	-.18000	5.99000	2.68000
.599	36.130	-.06600	-.21400	-.25200	8.45000	-.16000	5.98000	2.68000
.600	37.410	-.06700	-.21200	-.25500	8.44000	-.15000	5.98000	2.68000
.598	38.690	-.06700	-.21200	-.25600	8.43000	-.10000	5.97000	2.68000
.598	39.960	-.06900	-.21200	-.25500	8.43000	-.12000	5.97000	2.68000
.600	41.240	-.06700	-.21000	-.25500	8.43000	-.17000	5.98000	2.68000
.600	42.520	-.06900	-.20500	-.26100	8.42000	-.12000	5.99000	2.68000
.600	43.790	-.06800	-.20700	-.25900	8.39000	-.14000	5.96000	2.68000
.602	45.070	-.06600	-.20500	-.25600	8.41000	-.15000	5.99000	2.68000
.601	46.340	-.06900	-.20700	-.25800	8.41000	-.17000	5.99000	2.68000
.601	47.620	-.07000	-.20700	-.25900	8.36000	-.18000	5.95000	2.68000
.604	48.900	-.06600	-.20600	-.25900	8.38000	-.12000	5.98000	2.68000
.601	50.180	-.06700	-.21100	-.26000	8.37000	-.16000	5.98000	2.69000
.600	51.460	-.06900	-.20700	-.26300	8.37000	-.19000	5.99000	2.68000
GRADIENT		-.00107	-.00117	-.00297	-.00773	.00031	-.00122	-.00314

LTV44-559(CA26) 747/1 ATY 06 S1 (ORBITER DATA)

(BFE111) ( 28 JAN 76 )

## REFERENCE DATA

SREF = 2690.0000 SQ.FT. XMRP = 1109.0000 IN. XO  
 LREF = 474.8100 IN. YMRP = .0000 IN. YO  
 BREF = 936.6800 IN. ZMRP = 375.0000 IN. ZO  
 SCALE = .0125

## PARAMETRIC DATA

ALPHAC = 2.000 BETAC = .000  
 STAB = 5.000 ELEVON = .000  
 AILRON = .000 DX = .000  
 DY = .000 IORB = 8.000  
 BETAO = .000 DPHI = .000

RUN NO. 79/ 0 RN/L = .00 GRADIENT INTERVAL = -5.00/ 5.00

MACH	OZ	CPCO	CPS1	CPS2	ALPHAO	BETAO	INCID	ALPHAC
.600	1.463	-.08100	-.20100	-.30100	10.64000	-.16000	7.94000	2.70000
.601	2.060	-.07900	-.20100	-.30000	10.62000	-.15000	7.94000	2.70000
.599	2.660	-.08100	-.20500	-.30100	10.63000	-.08000	7.95000	2.70000
.601	3.460	-.08700	-.21300	-.30100	10.65000	-.12000	7.97000	2.70000
.600	4.460	-.08600	-.21100	-.30000	10.62000	-.17000	7.95000	2.69000
.601	5.590	-.09200	-.21900	-.30500	10.60000	-.13000	7.93000	2.69000
.600	6.840	-.09400	-.21700	-.30200	10.59000	-.09000	7.93000	2.70000
.599	8.090	-.09300	-.21800	-.30200	10.57000	-.12000	7.91000	2.69000
.601	9.340	-.09500	-.22300	-.30300	10.61000	-.15000	7.96000	2.69000
.600	10.590	-.09500	-.23000	-.30100	10.58000	-.16000	7.95000	2.69000
.600	11.810	-.09600	-.22800	-.30300	10.56000	-.13000	7.94000	2.69000
.601	13.050	-.10000	-.23300	-.30600	10.55000	-.12000	7.94000	2.69000
.601	14.290	-.09900	-.23100	-.30600	10.57000	-.15000	7.97000	2.68000
.599	15.520	-.10100	-.23600	-.30700	10.53000	-.12000	7.94000	2.68000
.602	16.750	-.09900	-.23700	-.30200	10.52000	-.13000	7.93000	2.68000
.601	17.990	-.10000	-.23500	-.30300	10.52000	-.09000	7.94000	2.68000
.601	19.230	-.10100	-.23500	-.30600	10.51000	-.09000	7.93000	2.68000
.602	20.460	-.10200	-.23700	-.30500	10.50000	-.09000	7.93000	2.68000
.600	21.690	-.10100	-.24000	-.30600	10.50000	-.11000	7.94000	2.68000
.601	22.930	-.10000	-.24100	-.30600	10.51000	-.16000	7.96000	2.68000
.601	24.160	-.10200	-.24500	-.30200	10.49000	-.15000	7.95000	2.68000
.601	25.390	-.10200	-.24500	-.30300	10.47000	-.12000	7.94000	2.68000
.600	26.630	-.10700	-.24700	-.30300	10.46000	-.10000	7.93000	2.68000
.599	27.860	-.10200	-.24400	-.30000	10.47000	-.14000	7.95000	2.68000
.604	29.100	-.10300	-.24300	-.29600	10.46000	-.16000	7.95000	2.68000
.597	30.340	-.11000	-.25400	-.30500	10.46000	-.15000	7.95000	2.68000
.601	31.570	-.10800	-.25200	-.30200	10.46000	-.16000	7.95000	2.68000
.600	32.800	-.10400	-.24900	-.30200	10.41000	-.09000	7.92000	2.68000
.599	34.040	-.11300	-.25700	-.30400	10.43000	-.16000	7.95000	2.68000
.599	35.280	-.10700	-.25200	-.30200	10.39000	-.11000	7.91000	2.68000
.600	36.510	-.10200	-.25000	-.29800	10.43000	-.13000	7.96000	2.68000
.599	37.740	-.10900	-.25800	-.30200	10.39000	-.11000	7.93000	2.68000
.598	38.980	-.10900	-.26100	-.30500	10.42000	-.16000	7.96000	2.68000
.602	40.220	-.11200	-.26100	-.30200	10.41000	-.14000	7.96000	2.68000
.601	41.450	-.11000	-.25600	-.30200	10.37000	-.06000	7.92000	2.68000
.602	42.690	-.10800	-.25800	-.29700	10.38000	-.12000	7.94000	2.68000
.602	43.920	-.10700	-.25600	-.30300	10.38000	-.14000	7.95000	2.69000
.599	45.150	-.10900	-.26100	-.30700	10.39000	-.15000	7.95000	2.68000
.601	46.390	-.11200	-.26000	-.30300	10.35000	-.10000	7.93000	2.68000
.602	47.630	-.11400	-.26300	-.30300	10.35000	-.15000	7.95000	2.69000
.600	48.860	-.11700	-.26600	-.30200	10.37000	-.15000	7.97000	2.69000
.601	50.090	-.10800	-.26000	-.30200	10.35000	-.15000	7.96000	2.69000

LTV44-559(CA26) 747/1 ATY 06 S1 (ORBITER DATA)

(BFE111) ( 28 JAN 76 )

## REFERENCE DATA

SREF = 2690.0000 SQ.FT. XMRP = 1109.0000 IN. XO  
 LREF = 474.8100 IN. YMRP = .0000 IN. YO  
 BREF = 936.6800 IN. ZMRP = 375.0000 IN. ZO  
 SCALE = .0125

## PARAMETRIC DATA

ALPHAC = 2.000 BETAC = .000  
 STAB = 5.000 ELEVON = .000  
 AILRON = .000 DX = .000  
 DY = .000 IORB = 8.000  
 BETAO = .000 DPHI = .000

RUN NO. 79/ 0 RN/L = .00 GRADIENT INTERVAL = -5.00/ 5.00

MACH	DZ	CPCO	CPS1	CPS2	ALPHAO	BETAO	INCID	ALPHAC
.603	51.330	-.10800	-.25700	-.30100	10.32000	-.10000	7.93000	2.69000
.602	52.570	-.11100	-.26600	-.30000	10.33000	-.13000	7.95000	2.69000
.599	53.800	-.11600	-.26500	-.30400	10.33000	-.13000	7.96000	2.69000
.600	55.040	-.11700	-.27300	-.29700	10.32000	-.13000	7.96000	2.69000
.599	56.270	-.11600	-.27500	-.30100	10.30000	-.09000	7.93000	2.69000
.602	57.500	-.11200	-.26500	-.29900	10.28000	-.08000	7.93000	2.69000
.602	58.120	-.11100	-.26500	-.29500	10.31000	-.14000	7.95000	2.69000
GRADIENT		-.00244	-.00422	.00016	-.00173	-.00202	.00612	-.00295



LTV44-559(CA26) 747/1 ATY 06 S1 (ORBITER DATA)

(BFE112) ( 28 JAN 76 )

## REFERENCE DATA

SREF = 2690.0000 SQ.FT. XMRP = 1109.0000 IN. XO  
 LREF = 474.8100 IN. YMRP = .0000 IN. YO  
 BREF = 936.5800 IN. ZMRP = 375.0000 IN. ZO  
 SCALE = .0125

## PARAMETRIC DATA

ALPHAC = 2.000 BETAC = .000  
 STAB = 5.000 RUDDER = .000  
 ELEVON = .000 DY = .000  
 DZ = .000 IORB = 6.000  
 BETAO = .000 DPHI = .000

RUN NO. 81/ 0 RN/L = .00 GRADIENT INTERVAL = -5.00/ 5.00

MACH	DX	CPCO	CPS1	CPS2	ALPHAO	BETAO	INCID	ALPHAC
.601	.000	-.05400	-.16000	-.29100	8.64000	-.16000	5.98000	2.66000
.600	.390	-.05300	-.15400	-.28800	8.58000	-.12000	5.93000	2.66000
.601	.780	-.05200	-.15700	-.29100	8.63000	-.09000	5.98000	2.66000
.599	1.140	-.05100	-.15800	-.29300	8.63000	-.09000	5.98000	2.66000
.600	1.530	-.05300	-.15700	-.29000	8.59000	-.11000	5.93000	2.66000
.601	1.920	-.05600	-.16000	-.29100	8.61000	-.11000	5.96000	2.66000
.601	2.290	-.05500	-.15600	-.28700	8.62000	-.09000	5.96000	2.67000
.602	2.680	-.05400	-.15800	-.28900	8.62000	-.12000	5.97000	2.66000
.602	3.070	-.04600	-.15500	-.28500	8.60000	-.15000	5.95000	2.66000
.600	3.430	-.05300	-.16200	-.29300	8.60000	-.14000	5.95000	2.66000
.598	3.820	-.05600	-.16500	-.29600	8.61000	-.13000	5.95000	2.66000
.602	4.190	-.05800	-.16100	-.29000	8.60000	-.11000	5.94000	2.67000
.600	4.580	-.05800	-.16300	-.29200	8.60000	-.13000	5.93000	2.67000
.600	4.970	-.05600	-.16400	-.29300	8.61000	-.14000	5.95000	2.67000
.601	5.330	-.05700	-.16300	-.29300	8.60000	-.13000	5.94000	2.67000
.601	5.720	-.05500	-.16400	-.29300	8.64000	-.10000	5.98000	2.67000
.602	6.110	-.05900	-.16200	-.29300	8.61000	-.13000	5.95000	2.66000
.602	6.480	-.05800	-.16700	-.29500	8.59000	-.13000	5.93000	2.67000
.601	6.870	-.06100	-.16700	-.29600	8.62000	-.10000	5.96000	2.67000
.600	7.230	-.05600	-.16800	-.29600	8.63000	-.09000	5.97000	2.67000
.601	7.630	-.05700	-.17200	-.29700	8.63000	-.11000	5.96000	2.67000
.602	8.020	-.06000	-.16800	-.29200	8.61000	-.13000	5.95000	2.67000
.601	8.380	-.05800	-.16900	-.29500	8.63000	-.09000	5.97000	2.67000
.602	8.770	-.06200	-.17000	-.29400	8.63000	-.11000	5.96000	2.67000
.602	9.160	-.06300	-.17000	-.29500	8.64000	-.07000	5.97000	2.67000
.601	9.530	-.05900	-.17000	-.29600	8.61000	-.11000	5.95000	2.67000
.602	9.920	-.06200	-.16900	-.29400	8.61000	-.13000	5.94000	2.67000
.602	10.280	-.06200	-.17100	-.29300	8.64000	-.10000	5.97000	2.68000
.602	10.670	-.05700	-.17000	-.29300	8.60000	-.10000	5.93000	2.68000
.603	11.060	-.05900	-.17000	-.29200	8.64000	-.08000	5.96000	2.69000
.603	11.430	-.06200	-.17400	-.29300	8.63000	-.13000	5.95000	2.68000
.601	11.820	-.06200	-.17300	-.29500	8.62000	-.13000	5.94000	2.68000
.602	12.210	-.06100	-.17600	-.29400	8.64000	-.08000	5.97000	2.68000
.600	12.570	-.06300	-.17800	-.29700	8.65000	-.10000	5.98000	2.67000
.600	12.960	-.06500	-.17700	-.29800	8.60000	-.14000	5.93000	2.68000
.602	13.330	-.06000	-.17600	-.29200	8.61000	-.12000	5.94000	2.68000
GRADIENT		-.00080	-.00143	-.00046	-.00323	-.00352	-.00507	.00184

LTV44-559(CA26) 747/1 ATY 06 S1 (ORBITER DATA)

(BFE113) ( 28 JAN 76 )

## REFERENCE DATA

SREF = 2690.0000 SQ.FT. XMRP = 1109.0000 IN. XO  
 LREF = 474.8100 IN. YMRP = .0000 IN. YO  
 BREF = 936.6800 IN. ZMRP = 375.0000 IN. ZO  
 SCALE = .0125

## PARAMETRIC DATA

ALPHAC = 2.000 BETAC = .000  
 STAB = 5.000 RUDDER = .000  
 ELEVON = .000 DY = .000  
 DZ = 15.000 IORB = 6.000  
 BETAO = .000 DPHI = .000

RUN NO. 1081/ 0 RN/L = .00 GRADIENT INTERVAL = -5.00/ 5.00

MACH	DX	CPCO	CPS1	CPS2	ALPHA0	BETA0	INCID	ALPHAC
.600	.390	-.08700	-.21400	-.30700	8.53000	-.09000	5.95000	2.66000
.602	.780	-.08300	-.20800	-.30400	8.54000	-.13000	5.97000	2.66000
.601	1.140	-.09000	-.21600	-.30700	8.54000	-.12000	5.96000	2.66000
.602	1.530	-.08500	-.20900	-.30400	8.56000	-.09000	5.98000	2.66000
.602	1.900	-.08400	-.21000	-.30400	8.55000	-.11000	5.98000	2.66000
.602	2.290	-.09000	-.21800	-.30600	8.52000	-.11000	5.94000	2.66000
.600	2.680	-.08800	-.21800	-.30700	8.52000	-.13000	5.94000	2.66000
.602	3.040	-.08400	-.21100	-.30200	8.55000	-.10000	5.97000	2.66000
.602	3.430	-.08500	-.21300	-.30200	8.55000	-.12000	5.98000	2.66000
.601	3.820	-.08500	-.21300	-.30100	8.54000	-.13000	5.97000	2.66000
.600	4.190	-.08900	-.22000	-.30400	8.54000	-.13000	5.96000	2.66000
.599	4.580	-.09100	-.22200	-.30400	8.53000	-.12000	5.95000	2.66000
.600	4.940	-.09200	-.22300	-.30600	8.52000	-.13000	5.95000	2.66000
.599	5.330	-.09300	-.22400	-.30600	8.50000	-.12000	5.93000	2.66000
.601	5.720	-.08700	-.22000	-.30000	8.55000	-.12000	5.97000	2.66000
.601	6.090	-.08800	-.21800	-.30200	8.54000	-.12000	5.96000	2.66000
.599	6.480	-.09400	-.22800	-.30800	8.53000	-.14000	5.96000	2.66000
.599	6.870	-.09500	-.22800	-.30700	8.54000	-.10000	5.97000	2.66000
.602	7.230	-.08900	-.22100	-.30200	8.52000	-.08000	5.94000	2.66000
.601	7.630	-.09100	-.22400	-.30200	8.54000	-.10000	5.96000	2.66000
.602	7.990	-.09000	-.22000	-.30400	8.50000	-.10000	5.92000	2.66000
.598	8.380	-.10000	-.23500	-.31200	8.54000	-.11000	5.97000	2.66000
.603	8.770	-.09000	-.22200	-.30200	8.52000	-.12000	5.94000	2.66000
.597	9.140	-.09600	-.23200	-.30900	8.55000	-.13000	5.97000	2.66000
.602	9.530	-.09100	-.22400	-.30200	8.51000	-.12000	5.94000	2.66000
.601	9.920	-.09500	-.23000	-.30500	8.55000	-.10000	5.97000	2.66000
.603	10.280	-.09300	-.22700	-.30100	8.52000	-.07000	5.94000	2.66000
.603	10.670	-.09500	-.23100	-.30200	8.52000	-.12000	5.94000	2.66000
.602	11.040	-.09300	-.23100	-.30400	8.55000	-.13000	5.97000	2.66000
.603	11.430	-.09400	-.22900	-.29900	8.52000	-.13000	5.94000	2.66000
.602	11.820	-.09200	-.22900	-.30300	8.54000	-.13000	5.96000	2.66000
.600	12.180	-.09600	-.23400	-.30800	8.54000	-.11000	5.96000	2.66000
.602	12.570	-.09400	-.23200	-.30200	8.52000	-.12000	5.95000	2.66000
.603	12.960	-.09300	-.22900	-.29900	8.53000	-.13000	5.95000	2.66000
.600	13.330	-.09400	-.23200	-.30500	8.55000	-.12000	5.97000	2.67000
GRADIENT		-.00089	-.00218	.00051	-.00203	-.00522	-.00146	.00000

LTV44-559(CA26) 747/1 ATY OS S1 (ORBITER DATA)

(BFE114) (28 JAN 76)

## REFERENCE DATA

SREF = 2690.0000 SQ.FT. XMRP = 1109.0000 IN. XO  
 LREF = 474.8100 IN. YMRP = .0000 IN. YO  
 BREF = 936.6800 IN. ZMRP = 375.0000 IN. ZO  
 SCALE = .0125

## PARAMETRIC DATA

ALPHAC = 2.000 BETAC = .000  
 STAB = 5.000 RUDDER = .000  
 ELEVON = .000 DY = .000  
 DZ = 60.000 TORB = 6.000  
 BETAO = .000 DPHI = .000

RUN NO. 2081/ 0 RN/L = .00 GRADIENT INTERVAL = -5.00/ 5.00

MACH	DX	CPCO	CPS1	CPS2	ALPHA0	BETA0	INCID	ALPHAC
.604	.410	-.10200	-.25300	-.29900	8.35000	-.09000	5.96000	2.68000
.604	.780	-.10000	-.25100	-.29900	8.35000	-.11000	5.97000	2.68000
.602	1.170	-.10500	-.25400	-.30200	8.34000	-.10000	5.95000	2.68000
.600	1.560	-.10800	-.25500	-.30500	8.33000	-.14000	5.95000	2.68000
.601	1.920	-.10400	-.25100	-.30600	8.35000	-.13000	5.96000	2.68000
.603	2.310	-.10300	-.25100	-.30400	8.35000	-.11000	5.97000	2.68000
.603	2.680	-.10500	-.25400	-.30300	8.34000	-.11000	5.95000	2.68000
.601	3.070	-.10900	-.25600	-.29900	8.34000	-.13000	5.96000	2.68000
.603	3.460	-.10500	-.25900	-.29500	8.35000	-.14000	5.98000	2.68000
.603	3.820	-.10400	-.25900	-.29500	8.35000	-.14000	5.97000	2.68000
.600	4.210	-.11000	-.25800	-.30100	8.33000	-.09000	5.95000	2.68000
.601	4.600	-.10700	-.25900	-.30000	8.32000	-.11000	5.94000	2.68000
.602	4.970	-.10400	-.25900	-.29700	8.34000	-.12000	5.96000	2.68000
.601	5.360	-.10800	-.25700	-.30000	8.35000	-.11000	5.97000	2.68000
.600	5.720	-.10800	-.25800	-.30100	8.36000	-.11000	5.98000	2.68000
.600	6.110	-.10900	-.26200	-.29900	8.32000	-.10000	5.94000	2.68000
.602	6.510	-.10500	-.25700	-.29900	8.35000	-.10000	5.97000	2.68000
.601	6.870	-.10600	-.25600	-.30100	8.36000	-.12000	5.98000	2.68000
.600	7.260	-.10800	-.25700	-.30100	8.35000	-.12000	5.97000	2.68000
.600	7.650	-.10700	-.26200	-.30300	8.32000	-.14000	5.93000	2.68000
.602	8.020	-.10200	-.25400	-.30000	8.34000	-.13000	5.96000	2.68000
.599	8.410	-.11100	-.25600	-.31000	8.35000	-.09000	5.97000	2.68000
.601	8.770	-.10600	-.26000	-.30600	8.32000	-.13000	5.94000	2.68000
.599	9.160	-.11100	-.26200	-.30700	8.35000	-.14000	5.97000	2.68000
.600	9.550	-.10700	-.26200	-.30400	8.36000	-.14000	5.98000	2.68000
.600	9.920	-.11000	-.26600	-.30200	8.35000	-.16000	5.97000	2.68000
.600	10.310	-.11000	-.26500	-.30100	8.34000	-.16000	5.96000	2.68000
.600	10.700	-.11000	-.26500	-.29900	8.35000	-.12000	5.97000	2.68000
.603	11.060	-.10300	-.25900	-.29400	8.33000	-.14000	5.95000	2.68000
.600	11.450	-.11100	-.26400	-.29900	8.35000	-.14000	5.98000	2.67000
.603	11.800	-.10500	-.26000	-.29500	8.35000	-.12000	5.98000	2.67000
.601	12.210	-.11100	-.26700	-.29600	8.34000	-.11000	5.97000	2.67000
.603	12.590	-.10700	-.26300	-.29300	8.36000	-.13000	5.99000	2.67000
.605	12.960	-.10100	-.26000	-.29000	8.33000	-.12000	5.95000	2.67000
.603	13.350	-.10600	-.26000	-.29200	8.34000	-.10000	5.97000	2.67000
GRADIENT		-.00091	-.00181	.00098	-.00275	-.00260	-.00087	.00000

LTV44-559(CA26) 747/1 ATY 06 S1 (ORBITER DATA)

(BFE115) ( 28 JAN 76 )

## REFERENCE DATA

SREF = 2690.0000 SQ.FT. XMRP = 1109.0000 IN. XO  
 LREF = 474.8100 IN. YMRP = .0000 IN. YO  
 BREF = 936.6800 IN. ZMRP = 375.0000 IN. ZO  
 SCALE = .0125

## PARAMETRIC DATA

ALPHAC = 2.000 BETAC = .000  
 STAB = 5.000 RUDDER = .000  
 ELEVON = .000 DX = .000  
 DZ = .000 IORB = 6.000  
 BETAO = .000 DPHI = .000

RUN NO. 82/ 0 RN/L = .00 GRADIENT INTERVAL = -5.00/ 5.00

MACH	DY	CPCO	CPS1	CPS2	ALPHAO	BETAO	INCID	ALPHAC
.605	-10.000	-.05000	-.17800	-.27800	8.62000	.00000	5.96000	2.66000
.605	-9.420	-.05000	-.17300	-.27800	8.63000	-.11000	5.98000	2.65000
.605	-8.850	-.05100	-.16900	-.27500	8.61000	-.15000	5.95000	2.66000
.605	-8.280	-.04800	-.17100	-.27600	8.63000	-.15000	5.97000	2.66000
.605	-7.710	-.04800	-.16700	-.27400	8.61000	-.09000	5.96000	2.66000
.607	-7.140	-.04800	-.17000	-.27600	8.64000	-.09000	5.98000	2.66000
.606	-6.560	-.04800	-.16900	-.27500	8.64000	-.11000	5.98000	2.66000
.605	-5.990	-.04600	-.16800	-.27700	8.63000	-.10000	5.97000	2.66000
.606	-5.420	-.04600	-.17000	-.27800	8.62000	-.15000	5.96000	2.67000
.606	-4.850	-.04300	-.16600	-.27500	8.61000	-.14000	5.95000	2.67000
.605	-4.280	-.04400	-.16300	-.27400	8.61000	-.11000	5.95000	2.66000
.605	-3.710	-.04300	-.16400	-.27600	8.59000	-.08000	5.93000	2.66000
.606	-3.130	-.04300	-.16300	-.27500	8.60000	-.13000	5.95000	2.66000
.607	-2.570	-.04400	-.15800	-.27300	8.59000	-.13000	5.93000	2.66000
.604	-1.990	-.03800	-.15800	-.27600	8.62000	-.14000	5.96000	2.67000
.603	-1.420	-.04700	-.16100	-.28000	8.59000	-.15000	5.94000	2.66000
.603	-.850	-.04000	-.15700	-.27800	8.63000	-.11000	5.97000	2.66000
.605	-.270	-.04100	-.15100	-.27500	8.60000	-.12000	5.94000	2.66000
.605	.270	-.04100	-.15500	-.27700	8.63000	-.08000	5.97000	2.66000
.605	.850	-.03700	-.15200	-.27600	8.60000	-.12000	5.94000	2.66000
.605	1.420	-.03900	-.15200	-.27700	8.61000	-.11000	5.95000	2.67000
.605	1.990	-.03800	-.15300	-.27900	8.61000	-.15000	5.95000	2.66000
.605	2.560	-.04200	-.15200	-.27900	8.64000	-.13000	5.97000	2.67000
.605	3.130	-.04000	-.14900	-.27800	8.63000	-.11000	5.97000	2.67000
.604	3.710	-.04300	-.15700	-.28400	8.63000	-.10000	5.97000	2.66000
.605	4.280	-.03900	-.14800	-.27800	8.60000	-.09000	5.94000	2.66000
.605	4.850	-.03700	-.14900	-.27800	8.60000	-.13000	5.94000	2.66000
.605	5.420	-.03600	-.15000	-.27800	8.63000	-.14000	5.97000	2.66000
.605	5.990	-.03900	-.15100	-.26000	8.60000	-.18000	5.93000	2.67000
.605	6.560	-.03800	-.15100	-.28100	8.59000	-.18000	5.93000	2.66000
.605	7.140	-.03600	-.14900	-.27800	8.62000	-.14000	5.97000	2.65000
.605	7.700	-.03400	-.14900	-.28000	8.59000	-.14000	5.95000	2.65000
.606	8.280	-.03800	-.15200	-.28300	8.60000	-.10000	5.95000	2.65000
.606	8.850	-.03400	-.14700	-.27900	8.61000	-.15000	5.96000	2.65000
.605	9.420	-.03300	-.14400	-.27700	8.58000	-.15000	5.94000	2.65000
.605	10.000	-.03300	-.14600	-.27900	8.62000	-.17000	5.98000	2.65000
GRADIENT		.00050	.00164	-.00055	.00172	.00103	.00126	.00002

LTV44-559(CA26) 747/1 ATY 06 S1 (ORBITER DATA)

(BFE116) ( 28 JAN 76 )

## REFERENCE DATA

SREF = 2690.0000 SQ.FT. XMRP = 1109.0000 IN. XO  
 LREF = 474.8100 IN. YMRP = .0000 IN. YO  
 BREF = 936.6800 IN. ZMRP = 375.0000 IN. ZO  
 SCALE = .0125

## PARAMETRIC DATA

ALPHAC = 2.000 BETAC = .000  
 STAB = 5.000 RUDDER = .000  
 ELEVON = .000 DX = .000  
 DZ = 15.000 IORB = 5.000  
 BETA0 = .000 DPHI = .000

RUN NO. 1082/ 0 RN/L = .00 GRADIENT INTERVAL = -5.00/ 5.00

MACH	DY	CPC0	CPS1	CPS2	ALPHAO	BETA0	INCID	ALPHAC
.606	-9.420	-.06300	-.18500	-.28800	8.55000	-.12000	5.97000	2.66000
.607	-8.850	-.05700	-.18300	-.28300	8.52000	-.05000	5.95000	2.66000
.606	-8.280	-.06700	-.19300	-.29000	8.51000	-.06000	5.93000	2.66000
.606	-7.710	-.06300	-.19100	-.28900	8.53000	-.06000	5.95000	2.66000
.606	-7.140	-.06100	-.18900	-.28700	8.53000	-.09000	5.95000	2.66000
.606	-6.560	-.06300	-.18800	-.28700	8.53000	-.09000	5.95000	2.66000
.606	-5.990	-.06500	-.19000	-.28900	8.54000	-.10000	5.96000	2.66000
.606	-5.420	-.06400	-.19000	-.28900	8.54000	-.11000	5.97000	2.66000
.605	-4.850	-.06600	-.19100	-.29100	8.54000	-.10000	5.96000	2.66000
.605	-4.280	-.06600	-.19000	-.29000	8.55000	-.12000	5.97000	2.66000
.606	-3.710	-.06600	-.19100	-.28700	8.53000	-.08000	5.95000	2.66000
.606	-3.140	-.06600	-.19100	-.28800	8.52000	-.04000	5.94000	2.66000
.605	-2.570	-.06700	-.19700	-.29000	8.53000	-.08000	5.95000	2.66000
.605	-1.990	-.07100	-.19700	-.29300	8.54000	-.14000	5.96000	2.66000
.606	-1.420	-.06600	-.19600	-.28800	8.54000	-.11000	5.96000	2.66000
.607	-.850	-.06800	-.19600	-.28900	8.52000	-.08000	5.95000	2.66000
.607	-.280	-.06900	-.19700	-.29100	8.54000	-.13000	5.96000	2.66000
.605	.270	-.06900	-.19600	-.29200	8.53000	-.08000	5.95000	2.66000
.606	.850	-.06700	-.19500	-.28900	8.53000	-.11000	5.96000	2.66000
.605	1.410	-.06700	-.20000	-.29100	8.51000	-.08000	5.93000	2.66000
.604	1.990	-.07000	-.19500	-.28900	8.54000	-.12000	5.96000	2.66000
.604	2.560	-.07200	-.20000	-.29200	8.52000	-.09000	5.94000	2.66000
.605	3.130	-.06900	-.20000	-.29100	8.54000	-.15000	5.96000	2.66000
.603	3.700	-.07300	-.19900	-.29300	8.54000	-.12000	5.97000	2.66000
.603	4.270	-.07400	-.19800	-.29400	8.53000	-.09000	5.96000	2.66000
.603	4.850	-.07500	-.20100	-.29400	8.54000	-.13000	5.97000	2.66000
.605	5.420	-.07100	-.20400	-.29100	8.52000	-.11000	5.95000	2.66000
.604	5.980	-.07400	-.20200	-.29200	8.53000	-.11000	5.95000	2.66000
.604	6.560	-.07400	-.20000	-.29000	8.55000	-.16000	5.99000	2.66000
.606	7.130	-.06900	-.20200	-.29000	8.52000	-.07000	5.93000	2.67000
.603	7.700	-.07100	-.20500	-.29200	8.53000	-.14000	5.95000	2.66000
.605	8.270	-.07000	-.20600	-.29100	8.51000	-.09000	5.93000	2.66000
.606	8.840	-.07200	-.20500	-.29000	8.52000	-.08000	5.94000	2.66000
.605	9.420	-.07200	-.20600	-.29200	8.51000	-.08000	5.93000	2.67000
.605	9.990	-.07400	-.20600	-.29200	8.53000	-.14000	5.95000	2.66000
GRADIENT		-.00079	-.00095	-.00041	-.00031	-.00296	.00051	.00000

ORIGINAL PAGE IS  
 OF POOR QUALITY

LTV44-559(CA26) 747/1 ATY 06 S1 (ORBITER DATA)

(BFE117) (28 JAN 76)

## REFERENCE DATA

SREF = 2690.0000 SQ.FT. XMRP = 1109.0000 IN. XO  
 LREF = 474.8100 IN. YMRP = .0000 IN. YO  
 BREF = 936.6800 IN. ZMRP = 375.0000 IN. ZO  
 SCALE = .0125

## PARAMETRIC DATA

ALPHAC = 2.000 BETAC = .000  
 STAB = 5.000 RUDDER = .000  
 ELEVON = .000 DX = .000  
 BZ = 60.000 TORB = 6.000  
 BETAO = .000 DPFI = .000

RUN NO. 2082/ 0 RN/L = .00 GRADIENT INTERVAL = -5.00/ 5.00

MACH	DY	CPCO	CPS1	CPS2	ALPHA0	BETA0	INCID	ALPHAC
.604	-10.000	-.08800	-.23900	-.28600	8.38000	-.10000	5.99000	2.69000
.605	-9.430	-.08500	-.24500	-.28400	8.33000	-.17000	5.94000	2.69000
.604	-8.860	-.08200	-.23900	-.28500	8.35000	-.15000	5.97000	2.68000
.606	-8.280	-.08500	-.23800	-.28600	8.35000	-.13000	5.97000	2.69000
.604	-7.710	-.08300	-.24000	-.28800	8.35000	-.14000	5.96000	2.69000
.606	-7.140	-.08100	-.24000	-.28100	8.35000	-.14000	5.96000	2.68000
.603	-6.570	-.08700	-.24000	-.28500	8.38000	-.11000	6.00000	2.68000
.605	-6.000	-.08400	-.23700	-.28100	8.36000	-.12000	5.98000	2.68000
.604	-5.420	-.08300	-.24300	-.28400	8.34000	-.16000	5.96000	2.68000
.604	-4.860	-.08800	-.24000	-.28500	8.34000	-.13000	5.96000	2.68000
.604	-4.290	-.08300	-.24200	-.28300	8.37000	-.16000	5.98000	2.69000
.603	-3.710	-.08900	-.24500	-.28900	8.35000	-.15000	5.96000	2.68000
.604	-3.140	-.08700	-.24200	-.28200	8.38000	-.15000	5.99000	2.69000
.606	-2.570	-.08400	-.23800	-.27600	8.36000	-.17000	5.97000	2.69000
.605	-2.000	-.08200	-.24000	-.28000	8.35000	-.18000	5.97000	2.68000
.603	-1.430	-.09100	-.24300	-.29500	8.35000	-.13000	5.96000	2.69000
.605	-.850	-.08500	-.23500	-.29200	8.35000	-.14000	5.96000	2.68000
.606	-.280	-.08200	-.23500	-.28100	8.35000	-.17000	5.96000	2.68000
.606	.270	-.08200	-.23900	-.27800	8.36000	-.18000	5.97000	2.68000
.605	.840	-.08500	-.23900	-.28200	8.36000	-.15000	5.97000	2.69000
.604	1.410	-.08500	-.24100	-.28300	8.35000	-.18000	5.96000	2.69000
.606	1.990	-.08200	-.23900	-.28100	8.38000	-.16000	5.99000	2.69000
.604	2.560	-.08500	-.24000	-.28700	8.35000	-.18000	5.96000	2.68000
.607	3.130	-.08300	-.23300	-.27700	8.37000	-.16000	5.98000	2.69000
.606	3.700	-.08300	-.24100	-.28100	8.34000	-.16000	5.95000	2.68000
.606	4.270	-.08400	-.24200	-.28300	8.36000	-.16000	5.97000	2.68000
.603	4.850	-.09000	-.24400	-.28600	8.38000	-.20000	5.99000	2.69000
.605	5.410	-.08200	-.23400	-.28600	8.38000	-.22000	6.00000	2.69000
.605	5.980	-.08300	-.23500	-.28800	8.36000	-.23000	5.97000	2.69000
.605	6.560	-.08500	-.23800	-.28400	8.34000	-.21000	5.95000	2.69000
.608	7.130	-.08100	-.23400	-.27800	8.33000	-.21000	5.95000	2.68000
.606	7.700	-.08600	-.23600	-.28500	8.35000	-.20000	5.96000	2.69000
.607	8.270	-.08100	-.23500	-.28000	8.34000	-.20000	5.95000	2.68000
.606	8.840	-.07900	-.23200	-.28000	8.36000	-.18000	5.98000	2.68000
.606	9.420	-.09500	-.23600	-.28100	8.37000	-.20000	5.98000	2.69000
GRADIENT		.00017	.00012	.00023	.00081	-.00279	.00038	.00005

LTV44-559(CA26) 747/1 ATY 06 S1 (ORBITER DATA)

(BFE118) ( 28 JAN 76 )

## REFERENCE DATA

SREF = 2690.0000 SQ.FT. XMRP = 1109.0000 IN. XO  
 LREF = 474.8100 IN. YMRP = .0000 IN. YO  
 BREF = 936.6800 IN. ZMRP = 375.0000 IN. ZO  
 SCALE = .0125

## PARAMETRIC DATA

ALPHAC = 2.000 BETAC = .000  
 STAB = -1.000 RUDDER = .000  
 ELEVON = .000 DX = .000  
 DY = .000 IORB = 6.000  
 BETAO = .000 DPHI = .000

RUN NO. 83/ 0 RN/L = .00 GRADIENT INTERVAL = -5.00/ 5.00

MACH	DZ	CPCO	CPS1	CPS2	ALPHA0	BETA0	INCID	ALPHAC
.605	1.460	-.03600	-.14200	-.26400	8.95000	-.11000	5.97000	2.98000
.604	2.060	-.04200	-.14500	-.26900	8.91000	-.14000	5.93000	2.98000
.604	2.660	-.04100	-.14600	-.27000	8.93000	-.12000	5.96000	2.99000
.603	3.360	-.05200	-.15300	-.27800	8.92000	-.10000	5.95000	2.98000
.603	4.160	-.05100	-.15600	-.27600	8.94000	-.12000	5.97000	2.99000
.603	4.960	-.05400	-.16500	-.28000	8.93000	-.11000	5.97000	2.99000
.603	5.960	-.05600	-.16600	-.28200	8.92000	-.12000	5.96000	2.99000
.607	6.960	-.05300	-.15900	-.27600	8.90000	-.14000	5.95000	2.99000
.606	7.970	-.06100	-.16600	-.28400	8.90000	-.12000	5.95000	2.99000
.608	8.960	-.06200	-.16500	-.28300	8.90000	-.12000	5.95000	2.99000
.603	9.960	-.06900	-.18300	-.29500	8.88000	-.13000	5.94000	3.00000
.604	11.150	-.07000	-.17700	-.29200	8.91000	-.10000	5.98000	2.99000
.603	12.330	-.07300	-.18100	-.29300	8.88000	-.11000	5.95000	2.99000
.605	13.520	-.06900	-.17900	-.29100	8.91000	-.11000	5.99000	2.99000
.605	14.700	-.07000	-.17900	-.29400	8.87000	-.09000	5.96000	2.99000
.605	15.900	-.07400	-.18400	-.29700	8.87000	-.12000	5.96000	3.00000
.604	17.080	-.07400	-.18500	-.29700	8.86000	-.11000	5.96000	3.00000
.602	18.270	-.08000	-.19100	-.30000	8.84000	-.14000	5.95000	3.00000
.604	19.450	-.07600	-.19500	-.29700	8.87000	-.12000	5.98000	3.00000
.605	20.640	-.07500	-.19100	-.29600	8.83000	-.14000	5.95000	3.00000
.602	21.810	-.07900	-.19400	-.29900	8.82000	-.14000	5.95000	3.00000
.605	23.000	-.07700	-.19200	-.29700	8.84000	-.11000	5.97000	3.00000
.605	24.190	-.07700	-.19500	-.29600	8.81000	-.09000	5.95000	3.00000
.603	25.370	-.08200	-.20200	-.29900	8.82000	-.11000	5.96000	3.00000
.603	26.560	-.08300	-.20400	-.29800	8.82000	-.10000	5.97000	3.00000
.605	27.740	-.08400	-.20800	-.30000	8.80000	-.13000	5.95000	3.01000
.604	28.930	-.08100	-.20800	-.29800	8.83000	-.13000	5.98000	3.01000
.603	30.110	-.08600	-.20700	-.30300	8.80000	-.14000	5.97000	3.00000
.605	31.310	-.08100	-.20700	-.29900	8.77000	-.12000	5.94000	3.01000
.606	32.490	-.08600	-.21000	-.29800	8.78000	-.13000	5.96000	3.00000
.604	33.680	-.08400	-.20800	-.30300	8.77000	-.15000	5.96000	3.00000
.604	34.860	-.09100	-.21300	-.30200	8.79000	-.13000	5.98000	3.01000
.605	36.050	-.08300	-.21500	-.29800	8.77000	-.12000	5.96000	3.01000
.603	37.230	-.09400	-.21800	-.30600	8.74000	-.15000	5.95000	3.01000
.605	38.420	-.08800	-.21900	-.30200	8.74000	-.14000	5.94000	3.02000
.603	39.610	-.09400	-.22100	-.30300	8.76000	-.15000	5.98000	3.01000
.604	40.790	-.08900	-.21900	-.30000	8.76000	-.14000	5.99000	3.01000
.605	41.980	-.08900	-.22000	-.30200	8.74000	-.13000	5.97000	3.01000
.609	43.160	-.09000	-.21900	-.29800	8.72000	-.12000	5.95000	3.01000
.602	44.350	-.09700	-.22500	-.30600	8.71000	-.15000	5.96000	3.01000
.602	45.530	-.09800	-.22700	-.30700	8.73000	-.13000	5.98000	3.01000
.606	46.720	-.09300	-.22600	-.30200	8.72000	-.11000	5.97000	3.02000

LTV44-559(CA26) 747/1 ATY 06 S1 (ORBITER DATA)

(BFE11B) ( 28 JAN 76 )

## REFERENCE DATA

SREF = 2690.0000 SQ.FT. XMRP = 1109.0000 IN. XO  
 LREF = 474.8100 IN. YMRP = .0000 IN. YO  
 BREF = 936.6800 IN. ZMRP = 375.0000 IN. ZO  
 SCALE = .0125

## PARAMETRIC DATA

ALPHAC = 2.000 BETAC = .000  
 STAB = -1.000 RUDDER = .000  
 ELEVON = .000 DX = .000  
 DY = .000 IORB = 6.000  
 BETAO = .000 DPHI = .000

RUN NO. 83/ 0 RN/L = .00 GRADIENT INTERVAL = -5.00/ 5.00

MACH	DZ	CPCO	CPS1	CPS2	ALPHAO	BETAO	INCID	ALPHAC
.603	47.910	-.09800	-.22800	-.30800	8.71000	-.12000	5.97000	3.01000
.603	49.090	-.09700	-.22800	-.30500	8.69000	-.10000	5.96000	3.02000
.605	50.280	-.09600	-.22800	-.30200	8.69000	-.11000	5.96000	3.02000
.602	51.460	-.09800	-.23400	-.30400	8.69000	-.14000	5.97000	3.02000
	GRADIENT	-.00517	-.00639	-.00438	-.00046	.00325	.00482	.00284



DATE 22 MAR 76

## CA-26 FORCE SOURCE DATA TABULATION

PAGE 323

LTV44-559(CA26) 747/1 ATY 06 S1 (ORBITER DATA)

(BFE119) (28 JAN 76)

## REFERENCE DATA

SREF = 2690.0000 SQ.FT. XMRP = 1109.0000 IN. XO  
 LREF = 474.8100 IN. YMRP = .0000 IN. YO  
 BREF = 936.6800 IN. ZMRP = 375.0000 IN. ZO  
 SCALE = .0125

## PARAMETRIC DATA

ALPHAC = 2.000 BETAC = .000  
 STAB = 5.000 RUDDER = 10.000  
 ELEVON = .000 DX = .000  
 DY = .000 TORB = 6.000  
 BETAO = .000 DPHI = .000

RUN NO. 84/ 0 RN/L = .00 GRADIENT INTERVAL = -5.00/ 5.00

MACH	DZ	CPCO	CPS1	CPS2	ALPHAO	BETAO	INCLD	ALPHAC
.603	1.460	-.04100	-.14700	-.28300	8.59000	.00000	5.92000	2.67000
.603	2.060	-.03800	-.14800	-.28300	8.60000	.01000	5.94000	2.68000
.604	2.660	-.04400	-.15000	-.28500	8.62000	.01000	5.95000	2.68000
.605	3.360	-.04400	-.15200	-.28600	8.58000	.00000	5.93000	2.67000
.607	4.160	-.04400	-.15700	-.28700	8.61000	.01000	5.95000	2.68000
.606	4.960	-.04600	-.15800	-.28800	8.61000	.03000	5.96000	2.68000
.605	5.960	-.05300	-.16200	-.29000	8.58000	.00000	5.94000	2.68000
.607	6.960	-.04700	-.16300	-.28600	8.59000	.03000	5.95000	2.68000
.606	7.970	-.04800	-.16300	-.28900	8.58000	.03000	5.95000	2.68000
.605	8.960	-.05000	-.16600	-.29200	8.56000	.00000	5.94000	2.67000
.602	9.960	-.06000	-.17400	-.29800	8.55000	.01000	5.93000	2.68000
.603	11.150	-.05800	-.17500	-.29800	8.55000	.01000	5.94000	2.68000
.605	12.330	-.05900	-.17000	-.29500	8.54000	.03000	5.93000	2.68000
.605	13.520	-.06000	-.17300	-.29500	8.54000	.02000	5.93000	2.68000
.603	14.700	-.06100	-.18100	-.30000	8.55000	.05000	5.95000	2.68000
.606	15.900	-.06100	-.17400	-.29500	8.54000	.05000	5.95000	2.68000
.604	17.080	-.06400	-.18200	-.30100	8.54000	.03000	5.96000	2.68000
.605	18.270	-.06200	-.18400	-.30100	8.50000	.02000	5.91000	2.68000
.608	19.450	-.06300	-.17900	-.29900	8.51000	.04000	5.94000	2.68000
.606	20.640	-.06400	-.18800	-.30200	8.52000	.06000	5.95000	2.69000
.607	21.810	-.06000	-.18300	-.29700	8.48000	.00000	5.92000	2.68000
.606	23.000	-.06700	-.18900	-.30200	8.50000	.03000	5.95000	2.68000
.604	24.190	-.07100	-.19500	-.30700	8.49000	.00000	5.94000	2.68000
.605	25.370	-.06900	-.19600	-.30200	8.46000	.00000	5.94000	2.68000
.604	26.560	-.07100	-.19600	-.30500	8.46000	-.01000	5.93000	2.69000
.606	27.740	-.06900	-.19500	-.30100	8.49000	.06000	5.96000	2.69000
.606	28.930	-.06900	-.19500	-.29800	8.46000	.03000	5.93000	2.69000
.606	30.110	-.06800	-.19600	-.30200	8.44000	-.01000	5.93000	2.69000
.603	31.310	-.07100	-.19700	-.30700	8.47000	.03000	5.96000	2.69000
.604	32.490	-.07300	-.20200	-.30700	8.47000	.01000	5.96000	2.70000
.603	33.680	-.07600	-.20400	-.30800	8.43000	.03000	5.93000	2.70000
.606	34.860	-.07100	-.20300	-.30300	8.43000	.00000	5.94000	2.69000
.607	36.050	-.07400	-.20300	-.30200	8.42000	-.02000	5.93000	2.70000
.606	37.230	-.07600	-.20800	-.30200	8.43000	.01000	5.95000	2.69000
.604	38.420	-.07800	-.20900	-.30900	8.40000	.00000	5.92000	2.70000
.605	39.610	-.07600	-.20700	-.30700	8.40000	.06000	5.93000	2.70000
.606	40.790	-.07600	-.20700	-.30400	8.41000	.07000	5.94000	2.70000
.604	41.980	-.07700	-.21000	-.30800	8.36000	.01000	5.93000	2.70000
.608	43.160	-.07500	-.20700	-.30000	8.40000	.05000	5.95000	2.70000
.605	44.350	-.08100	-.21300	-.30500	8.37000	.00000	5.92000	2.70000
.605	45.530	-.08200	-.21700	-.30400	8.37000	-.01000	5.93000	2.70000
.605	46.720	-.08000	-.21500	-.30700	8.39000	.01000	5.95000	2.71000

LTV44-559(CA26) 747/1 ATY 06 S1 (ORBITER DATA)

(BFE119) ( 28 JAN 76 )

## REFERENCE DATA

SREF = 2690.0000 SQ.FT. XMRP = 1109.0000 IN. XO  
 LREF = 474.8100 IN. YMRP = .0000 IN. YO  
 BREF = 936.6800 IN. ZMRP = 375.0000 IN. ZO  
 SCALE = .0125

## PARAMETRIC DATA

ALPHAC = 2.000 BETAC = .000  
 STAB = 5.000 RUDDER = 10.000  
 ELEVON = .000 DX = .000  
 DY = .000 TORB = 6.000  
 BETAO = .000 DPHI = .000

RUN NO. 84/ 0 RN/L = .00 GRADIENT INTERVAL = -5.00/ 5.00

MACH	DZ	CPCO	CPS1	CPS2	ALPHAO	BETAO	INCID	ALPHAC
.505	47.910	-.08000	-.21400	-.30100	8.35000	.00000	5.92000	2.70000
.506	49.090	-.07800	-.21600	-.30200	8.38000	.03000	5.96000	2.70000
.505	50.280	-.08000	-.21800	-.30200	8.37000	.04000	5.96000	2.70000
.505	51.460	-.08200	-.21900	-.30100	8.33000	.02000	5.93000	2.70000
	GRADIENT	-.00174	-.00345	-.00154	.00366	.00592	.00853	.00163

LTV44-559(CA26) 747/1 ATY 06 S1 (ORBITER DATA)

(BFE120) ( 28 JAN 76 )

## REFERENCE DATA

SREF = 2690.0000 SQ.FT. XMRP = 1109.0000 IN. XO  
 LREF = 474.8100 IN. YMRP = .0000 IN. YO  
 BREF = 936.6800 IN. ZMRP = 375.0000 IN. ZO  
 SCALE = .0125

## PARAMETRIC DATA

ALPHAC = 2.000 BETAC = -5.000  
 STAB = 5.000 RUDDER = .000  
 ELEVON = .000 DX = .000  
 DY = .000 IORB = 6.000  
 BETAD = -5.000 DPHI = .000

RUN NO. 85/ 0 RN/L = .00 GRADIENT INTERVAL = -5.00/ 5.00

MACH	DZ	CPCO	CPS1	CPS2	ALPHAO	BETAO	INCID	ALPHAC
.600	1.460	-.12000	-.32900	-.14700	8.59000	-5.00000	5.93000	2.66000
.601	2.060	-.12500	-.33000	-.14700	8.63000	-5.06000	5.97000	2.67000
.598	2.660	-.12600	-.32900	-.14700	8.63000	-5.01000	5.98000	2.67000
.598	3.360	-.12800	-.33500	-.15200	8.61000	-5.03000	5.95000	2.67000
.599	4.160	-.12300	-.33500	-.15100	8.61000	-4.99000	5.96000	2.67000
.600	4.960	-.12800	-.34100	-.15200	8.63000	-5.02000	5.98000	2.67000
.599	5.960	-.12900	-.34300	-.15300	8.60000	-4.97000	5.96000	2.67000
.599	6.960	-.12800	-.34100	-.15300	8.60000	-5.01000	5.97000	2.67000
.599	7.970	-.12600	-.33900	-.15500	8.56000	-5.02000	5.93000	2.67000
.597	8.960	-.13300	-.35100	-.16200	8.54000	-4.97000	5.92000	2.67000
.598	9.960	-.13400	-.35000	-.16100	8.58000	-4.97000	5.95000	2.67000
.599	11.150	-.13300	-.34900	-.16000	8.52000	-4.96000	5.91000	2.67000
.600	12.330	-.13100	-.35000	-.15800	8.53000	-4.98000	5.92000	2.68000
.598	13.520	-.13100	-.36000	-.16200	8.55000	-4.96000	5.95000	2.67000
.598	14.700	-.13100	-.35900	-.16100	8.56000	-4.97000	5.97000	2.67000
.600	15.900	-.13500	-.35700	-.16200	8.52000	-4.95000	5.94000	2.67000
.600	17.080	-.13400	-.35200	-.16100	8.51000	-5.02000	5.93000	2.67000
.600	18.270	-.13700	-.35900	-.16500	8.50000	-4.96000	5.93000	2.67000
.600	19.450	-.13800	-.36300	-.16600	8.52000	-5.00000	5.95000	2.68000
.600	20.640	-.13000	-.36100	-.15900	8.49000	-5.02000	5.93000	2.68000
.598	21.810	-.13600	-.36000	-.16500	8.49000	-4.95000	5.94000	2.67000
.598	23.000	-.13000	-.35800	-.16100	8.49000	-4.97000	5.94000	2.68000
.598	24.190	-.13800	-.36500	-.16600	8.51000	-4.94000	5.97000	2.68000
.600	25.370	-.13300	-.35900	-.16200	8.46000	-5.01000	5.93000	2.68000
.600	26.560	-.12900	-.36400	-.16100	8.47000	-4.97000	5.94000	2.68000
.598	27.740	-.13500	-.36300	-.16800	8.48000	-4.94000	5.96000	2.68000
.598	28.930	-.13500	-.36800	-.16800	8.44000	-4.97000	5.93000	2.68000
.598	30.110	-.13100	-.36400	-.16500	8.48000	-4.98000	5.97000	2.68000
.598	31.310	-.13000	-.36700	-.16000	8.46000	-4.93000	5.94000	2.68000
.599	32.490	-.12900	-.36900	-.16200	8.44000	-5.00000	5.94000	2.68000
.598	33.680	-.13300	-.36700	-.16400	8.44000	-4.99000	5.96000	2.68000
.599	34.860	-.13100	-.37000	-.16200	8.43000	-5.01000	5.94000	2.68000
.599	36.050	-.13500	-.36800	-.16400	8.41000	-4.98000	5.94000	2.68000
.599	37.230	-.13600	-.37200	-.16200	8.42000	-4.98000	5.95000	2.68000
.600	38.420	-.13000	-.36200	-.15900	8.41000	-4.99000	5.95000	2.69000
.600	39.610	-.13400	-.36900	-.16300	8.43000	-4.99000	5.97000	2.69000
.601	40.790	-.13100	-.36600	-.16400	8.40000	-4.98000	5.95000	2.69000
.597	41.980	-.13900	-.37900	-.16400	8.41000	-4.93000	5.97000	2.69000
.597	43.160	-.13700	-.37800	-.16600	8.37000	-4.97000	5.93000	2.69000
.601	44.350	-.12800	-.36700	-.15600	8.38000	-4.94000	5.95000	2.69000
.599	45.530	-.13200	-.37200	-.16300	8.37000	-4.96000	5.94000	2.69000
.597	46.720	-.13100	-.37500	-.16300	8.34000	-4.94000	5.92000	2.69000

ORIGINAL PAGE IS  
OF POOR QUALITY

DATE 22 MAR 76

## CA-26 FORCE SOURCE DATA TABULATION

PAGE 326

LTV44-559(CA26) 747/1 ATY 06 S1 (ORBITER DATA)

(BFE120) ( 28 JAN 76 )

## REFERENCE DATA

SREF = 2690.0000 SQ.FT. XMRP = 1109.0000 IN. XO  
 LREF = 474.9100 IN. YMRP = .0000 IN. YO  
 BREF = 936.6800 IN. ZMRP = 375.0000 IN. ZO  
 SCALE = .0125

## PARAMETRIC DATA

ALPHAC = 2.000 BETAC = -5.000  
 STAB = 5.000 RUDDER = .000  
 ELEVON = .000 DX = .000  
 DY = .000 IORB = 6.000  
 BETAO = -5.000 DPHI = .000

RUN NO. 85/ 0 RN/L = .00 GRADIENT INTERVAL = -5.00/ 5.00

MACH	DZ	CPCO	CPS1	CPS2	ALPHAO	BETAO	INCID	ALPHAC
.597	47.910	-.13000	-.37400	-.16300	8.35000	-4.94000	5.94000	2.69000
.598	49.090	-.13300	-.37600	-.16600	8.37000	-4.94000	5.96000	2.69000
.599	50.280	-.13500	-.37800	-.15800	8.34000	-4.95000	5.94000	2.69000
.598	51.460	-.13600	-.37700	-.16400	8.36000	-4.99000	5.96000	2.69000
	GRADIENT	-.00139	-.00336	-.00171	.00464	.00389	.00749	.00192

LTV44-559(CA26) 74771 ATY 06 S1 (ORBITER DATA)

(BFE121) ( 28 JAN 76 )

## REFERENCE DATA

SREF = 2690.0000 SQ.FT. XMRP = 1109.0000 IN. XO  
 LREF = 474.8100 IN. YMRP = .0000 IN. YO  
 BREF = 936.6800 IN. ZMRP = 375.0000 IN. ZO  
 SCALE = .0125

## PARAMETRIC DATA

ALPHAC = 4.000 BETAC = .000  
 STAB = 5.000 RUDDER = .000  
 ELEVON = .000 DX = .000  
 DY = .000 TORB = 4.000  
 BETAO = .000 DPHI = .000

RUN NO. 86/ 0 RN/L = .00 GRADIENT INTERVAL = -5.00/ 5.00

MACH	DZ	CPCO	CPS1	CPS2	ALPHAO	BETAO	INC1D	ALPHAC
.603	1.460	-.03800	-.14500	-.25900	7.67000	-.10000	3.97000	3.70000
.604	2.060	-.04000	-.15300	-.26500	7.63000	-.10000	3.93000	3.70000
.603	2.660	-.04300	-.15200	-.26500	7.66000	-.11000	3.96000	3.70000
.603	3.360	-.04200	-.15700	-.26200	7.65000	-.10000	3.96000	3.71000
.603	4.160	-.04700	-.15900	-.26500	7.66000	-.11000	3.98000	3.71000
.602	4.960	-.05100	-.16300	-.26500	7.66000	-.13000	3.97000	3.71000
.601	5.960	-.04900	-.16200	-.26500	7.63000	-.13000	3.95000	3.71000
.602	6.960	-.04400	-.15800	-.26000	7.63000	-.12000	3.96000	3.71000
.603	7.970	-.04700	-.16600	-.26700	7.65000	-.11000	3.98000	3.72000
.602	8.960	-.05000	-.16800	-.26600	7.61000	-.15000	3.94000	3.72000
.604	9.960	-.04900	-.17100	-.26300	7.66000	-.11000	3.98000	3.73000
.603	10.900	-.04600	-.16900	-.26400	7.62000	-.14000	3.95000	3.73000
.603	11.840	-.04600	-.17000	-.26500	7.61000	-.15000	3.95000	3.73000
.604	12.780	-.05000	-.17200	-.26200	7.63000	-.09000	3.97000	3.73000
.603	13.710	-.04800	-.17100	-.26300	7.61000	-.14000	3.95000	3.73000
.604	14.650	-.05200	-.17100	-.26200	7.60000	-.14000	3.94000	3.73000
.603	15.590	-.05200	-.17300	-.26400	7.62000	-.10000	3.97000	3.74000
.600	16.530	-.05300	-.17800	-.26900	7.62000	-.14000	3.97000	3.74000
.598	17.470	-.05500	-.17900	-.27100	7.60000	-.13000	3.95000	3.74000
.602	18.410	-.04900	-.17400	-.26400	7.60000	-.13000	3.97000	3.74000
.601	19.350	-.05800	-.18100	-.26700	7.59000	-.13000	3.96000	3.74000
.602	20.280	-.05500	-.18100	-.26400	7.59000	-.11000	3.96000	3.74000
.603	21.220	-.05400	-.18000	-.26500	7.57000	-.13000	3.95000	3.74000
.606	22.150	-.05300	-.17900	-.26200	7.60000	-.11000	3.98000	3.74000
.603	23.090	-.05000	-.17700	-.26500	7.57000	-.14000	3.95000	3.75000
.604	24.030	-.05100	-.18000	-.26200	7.56000	-.12000	3.95000	3.75000
.604	24.960	-.05600	-.18200	-.26400	7.56000	-.13000	3.95000	3.75000
.604	25.910	-.05000	-.18100	-.26200	7.56000	-.12000	3.96000	3.75000
.604	26.850	-.05400	-.17800	-.26300	7.58000	-.09000	3.99000	3.75000
.604	27.780	-.05700	-.18200	-.26600	7.56000	-.13000	3.97000	3.75000
.604	28.720	-.05500	-.18500	-.26400	7.52000	-.13000	3.93000	3.75000
.603	29.660	-.05300	-.18300	-.26300	7.53000	-.09000	3.94000	3.75000
.603	30.600	-.05200	-.17900	-.26100	7.55000	-.12000	3.97000	3.76000
.602	31.530	-.05100	-.18100	-.26300	7.55000	-.11000	3.98000	3.76000
.604	32.470	-.04900	-.17700	-.25900	7.56000	-.12000	3.99000	3.76000
.602	33.410	-.05000	-.17900	-.26300	7.55000	-.13000	3.98000	3.76000
.602	34.350	-.05400	-.18500	-.26500	7.55000	-.11000	3.99000	3.76000
.600	35.290	-.05900	-.18900	-.26900	7.51000	-.14000	3.96000	3.76000
.602	36.230	-.05200	-.18400	-.26400	7.50000	-.16000	3.95000	3.76000
.602	37.170	-.05400	-.18600	-.26600	7.49000	-.15000	3.94000	3.76000
.603	38.100	-.05800	-.18900	-.26800	7.53000	-.12000	3.99000	3.76000
.603	39.040	-.05600	-.19800	-.27000	7.50000	-.12000	3.97000	3.76000

LTV44-559(CA26) 747/1 ATY 06 S1 (ORBITER DATA)

(BFE121) ( 28 JAN 76 )

## REFERENCE DATA

## PARAMETRIC DATA

SREF = 2690.0000 SQ.FT. XMRP = 1109.0000 IN. XO  
 LREF = 474.8100 IN. YMRP = .0000 IN. YO  
 BREF = 936.6800 IN. ZMRP = 375.0000 IN. ZO  
 SCALE = .0125

ALPHAC = 4.000 BETAC = .000  
 STAB = 5.000 RUDDER = .000  
 ELEVON = .000 DX = .000  
 DY = .000 IORB = 4.000  
 BETAO = .000 DPFI = .000

RUN NO. 86/ 0 RN/L = .00 GRADIENT INTERVAL = -5.00/ 5.00

MACH	OZ	CPCO	CPS1	CPS2	ALPHAO	BETAO	INCLD	ALPHAC
.603	39.980	-.05600	-.18100	-.26400	7.50000	-.13000	3.97000	3.76000
.603	40.920	-.05400	-.18500	-.26200	7.50000	-.13000	3.98000	3.76000
.605	41.850	-.05500	-.18500	-.25800	7.49000	-.14000	3.98000	3.76000
.604	42.790	-.05600	-.18600	-.25800	7.48000	-.14000	3.96000	3.77000
	GRADIENT	-.00350	-.00458	-.00106	.00145	-.00714	.00633	.00366

LTV44-559(CA26) 747/1 ATY 06 S1 (ORBITER DATA)

(BFE122) ( 28 JAN 76 )

## REFERENCE DATA

SREF = 2690.0000 SQ.FT. XMRP = 1109.0000 IN. XO  
 LREF = 474.8100 IN. YMRP = .0000 IN. YO  
 BREF = 936.6800 IN. ZMRP = 375.0000 IN. ZO  
 SCALE = .0125

## PARAMETRIC DATA

ALPHAC = 4.000 BETAC = .000  
 STAB = 5.000 RUDDER = .000  
 ELEVON = .000 DX = .000  
 DY = .000 IORB = 6.000  
 BETAO = .000 DPFI = .000

RUN NO. 1086/ 0 RN/L = .00 GRADIENT INTERVAL = -5.00/ 5.00

MACH	DZ	CPCO	CPS1	CPS2	ALPHA	BETAO	INCID	ALPHAC
.602	1.480	-.04900	-.18400	-.23500	9.69000	-.13000	5.96000	3.73000
.604	2.070	-.05200	-.18800	-.23500	9.69000	-.14000	5.97000	3.73000
.604	2.670	-.05200	-.19000	-.23600	9.67000	-.15000	5.95000	3.73000
.603	3.380	-.05300	-.18800	-.23900	9.66000	-.16000	5.94000	3.73000
.602	4.180	-.05300	-.19100	-.24400	9.68000	-.13000	5.97000	3.73000
.600	4.980	-.05400	-.19200	-.24000	9.67000	-.16000	5.96000	3.73000
.605	5.970	-.05000	-.18900	-.23700	9.67000	-.12000	5.97000	3.73000
.602	6.980	-.05600	-.19200	-.24600	9.68000	-.13000	5.98000	3.74000
.604	7.970	-.05100	-.18900	-.24000	9.63000	-.16000	5.93000	3.73000
.603	8.980	-.05100	-.19300	-.24300	9.64000	-.14000	5.95000	3.73000
.602	9.970	-.05300	-.19100	-.24100	9.63000	-.15000	5.95000	3.73000
.604	11.290	-.05700	-.19100	-.24600	9.63000	-.14000	5.95000	3.74000
.602	12.610	-.05700	-.19600	-.24900	9.63000	-.12000	5.96000	3.75000
.605	13.920	-.05600	-.18900	-.24400	9.60000	-.16000	5.94000	3.74000
.601	15.240	-.05500	-.19800	-.24700	9.61000	-.15000	5.95000	3.74000
.602	16.550	-.05900	-.19500	-.25100	9.61000	-.14000	5.96000	3.74000
.603	17.870	-.05000	-.19000	-.24600	9.58000	-.16000	5.94000	3.74000
.606	19.190	-.05700	-.19000	-.24500	9.58000	-.14000	5.94000	3.75000
.600	20.500	-.05500	-.20300	-.25200	9.59000	-.13000	5.96000	3.75000
.602	21.810	-.05600	-.20000	-.25200	9.59000	-.13000	5.96000	3.75000
.602	23.130	-.05800	-.19500	-.25100	9.57000	-.15000	5.95000	3.75000
.603	24.450	-.05400	-.19600	-.25100	9.58000	-.12000	5.97000	3.75000
.606	25.770	-.04900	-.18600	-.24200	9.55000	-.16000	5.95000	3.75000
.602	27.080	-.06000	-.19400	-.25100	9.57000	-.12000	5.97000	3.75000
.602	28.400	-.06100	-.19600	-.25300	9.57000	-.10000	5.97000	3.76000
.605	29.710	-.05100	-.19000	-.24700	9.56000	-.12000	5.97000	3.76000
.605	31.030	-.06000	-.19500	-.25000	9.51000	-.17000	5.93000	3.76000
.602	32.350	-.06000	-.19600	-.25300	9.54000	-.14000	5.97000	3.76000
.602	33.660	-.06100	-.19600	-.25800	9.54000	-.12000	5.97000	3.76000
.605	34.980	-.05900	-.19400	-.24900	9.53000	-.11000	5.97000	3.76000
.601	36.290	-.06200	-.19800	-.25500	9.52000	-.13000	5.96000	3.76000
.604	37.610	-.05500	-.19500	-.25300	9.48000	-.16000	5.93000	3.76000
.605	38.930	-.05300	-.19400	-.25100	9.49000	-.16000	5.95000	3.76000
.602	40.240	-.05900	-.19200	-.25700	9.50000	-.14000	5.96000	3.76000
.606	41.560	-.05700	-.19300	-.25400	9.46000	-.14000	5.93000	3.77000
.606	42.870	-.06100	-.19300	-.25900	9.46000	-.14000	5.94000	3.76000
.605	44.200	-.05600	-.19500	-.25600	9.45000	-.18000	5.94000	3.76000
.604	45.510	-.06200	-.19400	-.25400	9.44000	-.14000	5.94000	3.77000
.604	46.830	-.06000	-.19400	-.25900	9.46000	-.14000	5.96000	3.77000
.602	48.140	-.05700	-.19200	-.25900	9.47000	-.13000	5.98000	3.77000
.603	49.460	-.06200	-.19600	-.26400	9.45000	-.14000	5.97000	3.77000
	GRADIENT	-.00115	-.00188	-.00223	-.00533	-.00503	-.00006	.00000

ORIGINAL PAGE IS  
OF POOR QUALITY

LTV44-559(CA26) 747/1 ATY OB S1 (ORBITER DATA)

(BFE123) ( 28 JAN 76 )

## REFERENCE DATA

SREF = 2690.0000 SQ.FT. XMRP = 1109.0000 IN. XO  
 LREF = 474.8100 IN. YMRP = .0000 IN. YO  
 BREF = 936.6800 IN. ZMRP = 375.0000 IN. ZO  
 SCALE = .0125

## PARAMETRIC DATA

ALPHAC = 4.000 BETAC = .000  
 STAB = 5.000 RUDDER = .000  
 ELEVON = .000 DX = .000  
 DY = .000 TORB = 8.000  
 BETAO = .000 DPFI = .000

RUN NO. 87/ 0 RN/L = .00 GRADIENT INTERVAL = -5.00/ 5.00

MACH	DZ	CPCO	CPS1	CPS2	ALPHAO	BETAO	INCID	ALPHAC
.603	1.460	-.06100	-.17100	-.31000	11.70000	-.13000	7.93000	3.77000
.603	2.060	-.06300	-.17300	-.31200	11.71000	-.13000	7.96000	3.77000
.603	2.660	-.06600	-.17400	-.31200	11.67000	-.12000	7.92000	3.77000
.602	3.360	-.07000	-.18600	-.31400	11.69000	-.10000	7.93000	3.77000
.602	4.160	-.07300	-.18800	-.31400	11.70000	-.11000	7.94000	3.77000
.602	4.960	-.08200	-.19700	-.31600	11.67000	-.10000	7.93000	3.77000
.602	5.960	-.08500	-.19800	-.31700	11.67000	-.12000	7.94000	3.76000
.601	6.960	-.08900	-.20800	-.32400	11.67000	-.10000	7.93000	3.77000
.602	7.970	-.08700	-.20600	-.32000	11.64000	-.09000	7.92000	3.77000
.601	8.960	-.08900	-.21100	-.32000	11.63000	-.11000	7.92000	3.76000
.601	9.960	-.09800	-.22300	-.32400	11.65000	-.08000	7.94000	3.76000
.602	11.120	-.09300	-.21700	-.31900	11.61000	-.08000	7.91000	3.76000
.601	12.270	-.09900	-.22100	-.32300	11.63000	-.10000	7.94000	3.76000
.603	13.430	-.09200	-.22000	-.31900	11.61000	-.09000	7.92000	3.76000
.603	14.580	-.09500	-.22600	-.31900	11.59000	-.08000	7.91000	3.76000
.600	15.730	-.10200	-.23000	-.32500	11.61000	-.11000	7.94000	3.76000
.600	16.890	-.10200	-.23000	-.32400	11.60000	-.10000	7.94000	3.76000
.601	18.040	-.09700	-.23100	-.32100	11.57000	-.09000	7.91000	3.76000
.603	19.200	-.10000	-.23400	-.32700	11.59000	-.10000	7.94000	3.76000
.601	20.350	-.10200	-.23700	-.32400	11.59000	-.10000	7.95000	3.76000
.603	21.500	-.10500	-.23700	-.32600	11.58000	-.11000	7.94000	3.76000
.601	22.650	-.10700	-.24100	-.32400	11.56000	-.09000	7.93000	3.76000
.601	23.810	-.10800	-.24200	-.32400	11.55000	-.08000	7.93000	3.76000
.600	24.960	-.10700	-.24300	-.32200	11.56000	-.10000	7.94000	3.76000
.600	26.120	-.10700	-.24600	-.32400	11.53000	-.09000	7.92000	3.76000
.603	27.270	-.10500	-.24500	-.32100	11.55000	-.08000	7.95000	3.76000
.602	28.430	-.11000	-.24900	-.32100	11.50000	-.11000	7.91000	3.76000
.600	29.580	-.11200	-.25300	-.32400	11.53000	-.10000	7.94000	3.76000
.602	30.730	-.11200	-.25300	-.32300	11.52000	-.08000	7.93000	3.76000
.602	31.890	-.11200	-.25300	-.32100	11.52000	-.10000	7.94000	3.76000
.604	33.040	-.10700	-.24700	-.31900	11.50000	-.11000	7.93000	3.76000
.601	34.200	-.10900	-.25200	-.31900	11.50000	-.11000	7.93000	3.76000
.602	35.360	-.11000	-.25200	-.31900	11.50000	-.07000	7.95000	3.76000
.601	36.510	-.11400	-.25800	-.32500	11.49000	-.08000	7.94000	3.76000
.601	37.660	-.11200	-.25900	-.32200	11.47000	-.12000	7.92000	3.77000
.601	38.810	-.11600	-.26000	-.32700	11.46000	-.11000	7.92000	3.77000
.601	39.970	-.11900	-.26300	-.33000	11.46000	-.11000	7.92000	3.76000
.603	41.120	-.11600	-.25900	-.32400	11.46000	-.10000	7.94000	3.77000
.603	42.280	-.11100	-.25700	-.31700	11.47000	-.10000	7.95000	3.77000
.604	43.430	-.11300	-.26100	-.31900	11.44000	-.09000	7.92000	3.77000
.602	44.590	-.11700	-.26600	-.32100	11.43000	-.09000	7.92000	3.77000
.603	45.740	-.11800	-.26000	-.31800	11.41000	-.10000	7.91000	3.77000



DATE 22 MAR 76

CA-26 FORCE SOURCE DATA TABULATION

PAGE 331

LTV44-559(CA26) 747/1 ATY 06 S1 (ORBITER DATA)

(BFE123) ( 28 JAN 76 )

## REFERENCE DATA

SREF = 2690.0000 SQ.FT. XMRP = 1109.0000 IN. XO  
 LREF = 474.8100 IN. YMRP = .0000 IN. YO  
 BREF = 936.6800 IN. ZMRP = 375.0000 IN. ZO  
 SCALE = .0125

## PARAMETRIC DATA

ALPHAC = 4.000 BETAC = .000  
 STAB = 5.000 RUDDER = .000  
 ELEVON = .000 DX = .000  
 DY = .000 IORB = 8.000  
 BETAO = .000 OPHI = .000

RUN NO. 87/ 0 RN/L = .00 GRADIENT INTERVAL = -5.00/ 5.00

MACH	DZ	CPCO	CPS1	CPS2	ALPHA0	BETA0	INCID	ALPHAC
.603	46.900	-.11600	-.26900	-.31900	11.44000	-.11000	7.94000	3.77000
.600	48.050	-.11900	-.26800	-.32500	11.42000	-.07000	7.92000	3.77000
.601	49.200	-.12000	-.26800	-.31800	11.42000	-.11000	7.94000	3.77000
.600	50.360	-.12100	-.27000	-.31900	11.40000	-.14000	7.92000	3.77000
.600	51.510	-.12000	-.27000	-.31800	11.38000	-.12000	7.91000	3.77000
.602	52.670	-.11700	-.27100	-.31800	11.39000	-.09000	7.92000	3.77000
.601	53.820	-.12300	-.27300	-.31900	11.38000	-.12000	7.92000	3.78000
.601	54.980	-.12200	-.26900	-.32400	11.38000	-.11000	7.92000	3.78000
	GRADIENT	-.00573	-.00769	-.00154	-.00638	.00923	-.00192	.00000

LTV44-559(CA26) 747/1 ATY 06 S1 (ORBITER DATA)

(BFE124) ( 28 JAN 76 )

## REFERENCE DATA

## PARAMETRIC DATA

SREF = 2690.0000 SQ.FT. XMRP = 1109.0000 IN. XO  
 LREF = 474.8100 IN. YMRP = .0000 IN. YO  
 BREF = 936.6800 IN. ZMRP = 375.0000 IN. ZO  
 SCALE = .0125

ALPHAC = .000 BETAC = .000  
 STAB = 5.000 RUDDER = .000  
 ELEVON = .000 DX = .000  
 DY = .000 IORB = 4.000  
 BETA0 = .000 DPFI = .000

RUN NO. 88/ 0 RN/L = .00 GRADIENT INTERVAL = -5.00/ 5.00

MACH	DZ	CPC0	CPS1	CPS2	ALPHAO	BETA0	INCID	ALPHAC
.600	1.460	-.02500	-.14100	-.26900	3.92000	-.04000	3.98000	-.04000
.599	2.060	-.02900	-.14100	-.27000	3.88000	-.10000	3.93000	-.03000
.599	2.660	-.03100	-.14300	-.26900	3.91000	-.09000	3.96000	-.03000
.601	3.360	-.03300	-.14600	-.26900	3.91000	-.07000	3.97000	-.03000
.598	4.160	-.03500	-.14900	-.27100	3.91000	-.09000	3.97000	-.03000
.597	4.960	-.03800	-.15100	-.27300	3.92000	-.07000	3.98000	-.03000
.597	6.960	-.03800	-.15200	-.27300	3.91000	-.08000	3.98000	-.03000
.598	8.960	-.03400	-.15200	-.27300	3.89000	-.08000	3.98000	-.02000
.602	10.510	-.03500	-.15800	-.27300	3.87000	-.11000	3.96000	-.02000
.601	11.600	-.03500	-.16200	-.27400	3.88000	-.08000	3.98000	-.02000
.600	12.690	-.04000	-.16700	-.27700	3.88000	-.07000	3.98000	-.02000
.599	13.780	-.04500	-.16800	-.27900	3.86000	-.08000	3.97000	-.02000
.599	14.870	-.04200	-.16800	-.27800	3.87000	-.08000	3.98000	-.02000
.601	15.960	-.03900	-.16200	-.27400	3.86000	-.07000	3.97000	-.01000
.598	17.050	-.04400	-.16300	-.27600	3.84000	-.11000	3.96000	-.02000
.601	18.140	-.04100	-.16900	-.27700	3.86000	-.07000	3.98000	-.01000
.599	19.240	-.04600	-.16900	-.27700	3.82000	-.11000	3.95000	-.01000
.598	20.320	-.04500	-.17400	-.27900	3.82000	-.12000	3.96000	-.01000
.601	21.420	-.04200	-.16700	-.27500	3.85000	-.07000	3.99000	-.01000
.599	22.500	-.04600	-.17600	-.27900	3.81000	-.10000	3.95000	.00000
.602	23.590	-.04600	-.17800	-.27700	3.82000	-.12000	3.96000	.00000
.598	24.680	-.04800	-.17400	-.27800	3.83000	-.06000	3.98000	.00000
.599	25.770	-.04900	-.17300	-.27700	3.80000	-.13000	3.96000	.00000
.600	26.860	-.05000	-.17800	-.28000	3.81000	-.07000	3.98000	.00000
.599	27.950	-.04500	-.17500	-.27400	3.80000	-.11000	3.97000	.00000
.605	29.040	-.04800	-.17200	-.27200	3.79000	-.06000	3.97000	.00000
.599	30.130	-.05100	-.18300	-.28000	3.78000	-.13000	3.96000	.00000
.603	31.220	-.04800	-.17900	-.27500	3.80000	-.07000	3.98000	.00000
.599	32.310	-.05200	-.18600	-.27900	3.80000	-.06000	3.99000	.00000
.603	33.400	-.04700	-.18000	-.27600	3.78000	-.07000	3.98000	.00000
.600	34.500	-.05500	-.18700	-.28300	3.74000	-.10000	3.95000	.00000
.602	35.580	-.04700	-.17800	-.27000	3.76000	-.07000	3.97000	.00000
.601	36.680	-.05100	-.18300	-.27300	3.74000	-.09000	3.96000	.00000
.601	37.760	-.05400	-.18600	-.27700	3.74000	-.09000	3.96000	.00000
.598	38.860	-.05500	-.19400	-.28400	3.71000	-.10000	3.94000	.00000
.598	39.950	-.05400	-.19400	-.28100	3.76000	-.08000	3.99000	.00000
.598	41.040	-.05200	-.19500	-.27900	3.75000	-.10000	3.98000	.00000
.599	42.130	-.05300	-.19400	-.27900	3.70000	-.12000	3.95000	.00000
.601	43.220	-.05800	-.19700	-.28000	3.71000	-.10000	3.96000	.00000
.599	44.310	-.05500	-.19800	-.27900	3.70000	-.12000	3.95000	.00000
.601	45.400	-.05400	-.19100	-.27700	3.71000	-.09000	3.98000	.00000
.602	46.490	-.05600	-.19300	-.27800	3.67000	-.07000	3.94000	.00000

DATE 22 MAR 76

CA-26 FORCE SOURCE DATA TABULATION

PAGE 333

LTV44-559(CA26) 747/1 ATY 06 S1 (ORBITER DATA)

(BFE124) ( 28 JAN 76 )

REFERENCE DATA

SREF = 2690.0000 SQ.FT. XMRP = 1109.0000 IN. XO  
LREF = 474.8100 IN. YMRP = .0000 IN. YO  
BREF = 936.6800 IN. ZMRP = 375.0000 IN. ZO  
SCALE = .0125

PARAMETRIC DATA

ALPHAC = .000 BETAC = .000  
STAB = 5.000 RUDDER = .000  
ELEVON = .000 DX = .000  
DY = .000 IORB = 4.000  
BETA0 = .000 DPHI = .000

RUN NO. 88/ 0 RN/L = .00 GRADIENT INTERVAL = -5.00/ 5.00

MACH	DZ	CPCO	CPS1	CPS2	ALPHA0	BETA0	INCID	ALPHAC
.601	47.580	-.05400	-.19900	-.27500	3.71000	-.09000	3.98000	.00000
.600	48.120	-.05400	-.19800	-.27500	3.67000	-.09000	3.94000	.01000
GRADIENT		-.00325	-.00316	-.00098	.00389	-.00348	.00563	.00192

LTV44-559(CA26) 747/1 ATY 06 S1 (ORBITER DATA)

(BFE125) ( 28 JAN 76 )

## REFERENCE DATA

SREF = 2690.0000 SQ.FT. XMRP = 1109.0000 IN. XO  
 LREF = 474.8100 IN. YMRP = .0000 IN. YO  
 BREF = 936.6900 IN. ZMRP = 375.0000 IN. ZO  
 SCALE = .0125

## PARAMETRIC DATA

ALPHAC = .000 BETAC = .000  
 STAB = 5.000 RUDDER = .000  
 ELEVON = .000 DX = .000  
 DY = .000 IORB = 6.000  
 BETA0 = .000 DPHI = .000

RUN NO. 1088/ 0 RN/L = .00 GRADIENT INTERVAL = -5.00/ 5.00

MACH	DZ	CPCO	CPS1	CPS2	ALPHA0	BETA0	INCID	ALPHAC
.604	1.480	-.05900	-.22000	-.25400	5.94000	-.13000	5.95000	.00000
.600	2.070	-.06600	-.23200	-.26300	5.95000	-.14000	5.96000	.00000
.597	2.670	-.07000	-.23300	-.26400	5.94000	-.07000	5.95000	.00000
.597	3.380	-.06700	-.23300	-.26500	5.94000	-.14000	5.95000	.00000
.600	4.170	-.06600	-.22600	-.26000	5.96000	-.13000	5.98000	.00000
.600	4.970	-.06200	-.22600	-.26000	5.94000	-.13000	5.96000	.00000
.600	6.970	-.07000	-.22800	-.26700	5.95000	-.14000	5.99000	.00000
.602	8.980	-.06700	-.22600	-.26400	5.92000	-.11000	5.97000	.00000
.600	10.660	-.06800	-.22800	-.26600	5.87000	-.06000	5.94000	.00000
.601	12.040	-.06700	-.23000	-.26500	5.88000	-.07000	5.95000	.00000
.600	13.420	-.06800	-.23200	-.26500	5.88000	-.08000	5.95000	.00000
.594	14.800	-.07000	-.23300	-.27300	5.90000	-.14000	5.99000	.00000
.603	16.180	-.06800	-.22800	-.26300	5.88000	-.09000	5.97000	.00000
.601	17.560	-.06800	-.23100	-.26500	5.87000	-.12000	5.97000	.00000
.598	18.940	-.07200	-.23300	-.27000	5.84000	-.11000	5.95000	.00000
.600	20.320	-.06800	-.22900	-.26600	5.86000	-.14000	5.98000	.00000
.599	21.690	-.06500	-.22500	-.26900	5.82000	-.07000	5.95000	.00000
.598	23.070	-.07100	-.23300	-.27100	5.84000	-.15000	5.98000	.00000
.601	24.450	-.06700	-.22300	-.26900	5.84000	-.10000	5.98000	.00000
.598	25.830	-.07000	-.23300	-.27500	5.79000	-.11000	5.94000	.00000
.595	27.200	-.06900	-.23400	-.27700	5.80000	-.08000	5.96000	.00000
.601	28.580	-.06500	-.22200	-.26900	5.80000	-.14000	5.97000	.00000
.601	29.960	-.06900	-.22200	-.27000	5.78000	-.13000	5.95000	.00000
.601	31.340	-.06500	-.22000	-.26800	5.77000	-.14000	5.95000	.00000
.595	32.730	-.06900	-.23100	-.27400	5.79000	-.14000	5.98000	.00000
.598	34.110	-.07200	-.22800	-.27500	5.79000	-.10000	5.96000	.00000
.600	35.490	-.06700	-.22600	-.27100	5.77000	-.06000	5.97000	.01000
.601	36.860	-.06500	-.22300	-.27200	5.74000	-.09000	5.95000	.01000
.600	38.240	-.07100	-.22500	-.27600	5.74000	-.04000	5.95000	.00000
.602	39.620	-.06500	-.22200	-.27100	5.71000	-.09000	5.93000	.01000
.601	41.000	-.06900	-.22400	-.27100	5.71000	-.12000	5.94000	.01000
.601	42.380	-.06300	-.22200	-.27100	5.71000	-.10000	5.96000	.00000
.600	43.760	-.06900	-.22600	-.27600	5.73000	-.09000	5.98000	.00000
.599	45.140	-.06600	-.22200	-.27700	5.72000	-.08000	5.97000	.01000
.600	46.510	-.06700	-.22200	-.27700	5.71000	-.06000	5.97000	.00000
.600	47.890	-.06500	-.22000	-.27500	5.70000	-.07000	5.98000	.00000
.600	49.270	-.06900	-.21800	-.27500	5.69000	-.08000	5.98000	.00000
.597	50.650	-.06900	-.22300	-.28500	5.66000	-.14000	5.95000	.00000
.601	52.030	-.06700	-.21800	-.27600	5.68000	-.09000	5.98000	.00000
.601	53.420	-.06500	-.21400	-.27400	5.67000	-.10000	5.98000	.01000
.602	54.790	-.06400	-.21400	-.27600	5.65000	-.14000	5.96000	.01000
GRADIENT		-.00030	-.00025	-.00072	.00121	-.00224	.00488	.00000

LTV44-559(CA26) 747/1 ATY 06 S1 (ORBITER DATA)

(BFE126) ( 28 JAN 76 )

## REFERENCE DATA

SREF = 2690.0000 SQ.FT. XMRP = 1109.0000 IN. XO  
 LREF = 474.8100 IN. YMRP = .0000 IN. YO  
 BREF = 936.6900 IN. ZMRP = 375.0000 IN. ZO  
 SCALE = .0125

## PARAMETRIC DATA

ALPHAC = .000 BETAC = .000  
 STAB = 5.000 RUDDER = .000  
 ELEVON = .000 DX = .000  
 DY = .000 IORB = 8.000  
 BETAO = .000 DPHI = .000

RUN NO. 89/ 0 RN/L = .00 GRADIENT INTERVAL = -5.00/ 5.00

MACH	DZ	CPCO	CPS1	CPS2	ALPHA0	BETA0	INCID	ALPHAC
.600	1.460	-.04800	-.15900	-.30700	7.97000	-.08000	7.95000	.02000
.598	2.060	-.04900	-.16100	-.31000	7.99000	-.11000	7.97000	.03000
.601	2.660	-.04900	-.16300	-.30700	7.97000	-.13000	7.96000	.02000
.598	3.460	-.05300	-.16800	-.31000	7.98000	-.13000	7.96000	.03000
.600	4.460	-.05600	-.16800	-.31000	7.95000	-.08000	7.93000	.04000
.600	5.590	-.06100	-.17800	-.31200	7.97000	-.14000	7.97000	.03000
.598	6.840	-.05900	-.17500	-.31300	7.93000	-.05000	7.93000	.04000
.600	8.090	-.06300	-.17900	-.31300	7.95000	-.13000	7.96000	.03000
.602	9.340	-.06400	-.18000	-.31100	7.92000	-.11000	7.94000	.03000
.600	10.620	-.06600	-.18300	-.31300	7.93000	-.12000	7.96000	.03000
.598	11.940	-.06700	-.19000	-.31700	7.92000	-.13000	7.96000	.02000
.599	13.270	-.07200	-.19100	-.31800	7.91000	-.10000	7.96000	.03000
.600	14.590	-.06800	-.19200	-.31600	7.90000	-.09000	7.96000	.02000
.598	15.910	-.07400	-.19400	-.32100	7.86000	-.09000	7.93000	.02000
.598	17.220	-.06800	-.19300	-.31600	7.88000	-.14000	7.96000	.01000
.599	18.550	-.07100	-.19700	-.31800	7.87000	-.15000	7.96000	.02000
.597	19.870	-.07200	-.20200	-.32200	7.84000	-.11000	7.94000	.02000
.601	21.190	-.07500	-.19900	-.31900	7.87000	-.15000	7.97000	.02000
.601	22.500	-.08000	-.20400	-.32100	7.85000	-.15000	7.96000	.01000
.600	23.830	-.07700	-.21000	-.32200	7.84000	-.12000	7.97000	.01000
.600	25.150	-.07900	-.21200	-.32300	7.81000	-.11000	7.94000	.01000
.597	26.460	-.07900	-.20800	-.32200	7.83000	-.11000	7.97000	.01000
.600	27.780	-.07900	-.21500	-.32300	7.81000	-.08000	7.96000	.01000
.599	29.110	-.08000	-.21100	-.32100	7.81000	-.13000	7.97000	.01000
.599	30.430	-.08400	-.21500	-.32300	7.80000	-.10000	7.97000	.01000
.599	31.750	-.08100	-.21500	-.32100	7.76000	-.06000	7.93000	.01000
.600	33.070	-.07900	-.21800	-.31800	7.77000	-.15000	7.95000	.01000
.598	34.390	-.08300	-.22200	-.32200	7.75000	-.09000	7.93000	.02000
.600	35.710	-.08800	-.22000	-.32100	7.74000	-.12000	7.94000	.01000
.598	37.030	-.09000	-.22500	-.32300	7.74000	-.14000	7.94000	.02000
.600	38.350	-.08300	-.22000	-.31600	7.75000	-.09000	7.96000	.02000
.598	39.670	-.08600	-.22800	-.32400	7.72000	-.13000	7.94000	.01000
.601	40.990	-.08600	-.22700	-.32000	7.75000	-.11000	7.97000	.01000
.599	42.310	-.09300	-.23500	-.32300	7.70000	-.10000	7.93000	.01000
.599	43.640	-.09000	-.23400	-.31900	7.69000	-.11000	7.93000	.01000
.599	44.950	-.08900	-.23600	-.31900	7.70000	-.09000	7.95000	.01000
.599	46.270	-.09000	-.23600	-.32200	7.68000	-.13000	7.95000	.01000
.598	47.590	-.09100	-.23700	-.31800	7.70000	-.07000	7.97000	.01000
.599	48.920	-.09300	-.24000	-.32100	7.67000	-.12000	7.94000	.02000
.599	50.240	-.09700	-.24600	-.32400	7.68000	-.10000	7.96000	.01000
.601	51.560	-.09300	-.24300	-.31700	7.69000	-.11000	7.97000	.01000
.601	52.880	-.09400	-.24500	-.31900	7.66000	-.13000	7.95000	.01000

LTV44-559(CA26) 747/1 ATY 06 S1 (ORBITER DATA)

(BFE126) ( 28 JAN 76 )

## REFERENCE DATA

## PARAMETRIC DATA

SREF = 2690.0000 SQ.FT. XMRP = 1109.0000 IN. XO  
 LREF = 474.8100 IN. YMRP = .0000 IN. YO  
 BREF = 936.6800 IN. ZMRP = 375.0000 IN. ZO  
 SCALE = .0125

ALPHAC = .000 BETAC = .000  
 STAB = 5.000 RUDDER = .000  
 ELEVON = .000 DX = .000  
 DY = .000 IORB = 8.000  
 BETAO = .000 DPHI = .000

RUN NO. 89/ 0 RN/L = .00 GRADIENT INTERVAL = -5.00/ 5.00

MACH	DZ	CPCO	CPS1	CPS2	ALPHAO	BETAO	INCLD	ALPHAC
.599	54.200	-.09500	-.24600	-.31900	7.65000	-.13000	7.95000	.01000
.599	55.520	-.09500	-.24500	-.31800	7.63000	-.13000	7.95000	.01000
.599	56.840	-.09900	-.24500	-.31900	7.60000	-.15000	7.92000	.01000
.600	58.160	-.09300	-.24300	-.31900	7.63000	-.14000	7.96000	.01000
.599	59.480	-.09500	-.24700	-.31100	7.63000	-.11000	7.96000	.01000
.598	60.800	-.09400	-.25100	-.31800	7.62000	-.10000	7.96000	.01000
.599	61.460	-.09800	-.24900	-.31900	7.59000	-.11000	7.93000	.01000
	GRADIENT	-.00277	-.00331	-.00082	-.00749	-.00022	-.00778	.00569

LTV44-559(CA26) 747/1 ATY 06 S1 (ORBITER DATA)

(BFE127) ( 28 JAN 76 )

## REFERENCE DATA

SREF = 2690.0000 SQ.FT. XMRP = 1109.0000 IN. XO  
 LREF = 474.8100 IN. YMRP = .0000 IN. YO  
 BREF = 936.6800 IN. ZMRP = 375.0000 IN. ZO  
 SCALE = .0125

## PARAMETRIC DATA

ALPHAC = 2.000 BETAC = .000  
 STAB = 5.000 RUDDER = .000  
 ELEVON = .000 DX = .000  
 DY = .000 IORB = 6.000  
 BETAO = .000 DPH1 = 7.500

RUN NO. 90/ 0 RN/L = .00 GRADIENT INTERVAL = -5.00/ 5.00

MACH	DZ	CPCO	CPS1	CPS2	ALPHAO	BETAO	INCID	ALPHAC
.605	1.460	-.02900	-.13100	-.27800	8.61000	.00000	5.95000	2.66000
.604	2.060	-.03300	-.13800	-.28100	8.62000	-.01000	5.95000	2.67000
.604	2.660	-.02800	-.13200	-.27600	8.61000	.00000	5.95000	2.67000
.605	3.360	-.02900	-.13800	-.27900	8.63000	.01000	5.97000	2.67000
.602	4.160	-.03000	-.13800	-.28200	8.61000	-.01000	5.96000	2.67000
.608	4.960	-.03500	-.13800	-.28000	8.62000	.00000	5.97000	2.67000
.604	5.960	-.03400	-.14200	-.28200	8.60000	.01000	5.96000	2.67000
.606	6.960	-.03400	-.14200	-.28000	8.59000	.00000	5.96000	2.67000
.605	7.970	-.03400	-.14800	-.28400	8.60000	.00000	5.97000	2.67000
.605	8.960	-.03700	-.15000	-.28400	8.60000	.01000	5.97000	2.67000
.605	9.960	-.03500	-.14700	-.28000	8.59000	.01000	5.97000	2.67000
.605	11.150	-.03800	-.14800	-.28300	8.55000	.00000	5.94000	2.67000
.606	12.330	-.03300	-.14800	-.28000	8.59000	.00000	5.98000	2.67000
.604	13.520	-.03500	-.14900	-.28100	8.55000	.00000	5.96000	2.67000
.604	14.700	-.03400	-.14900	-.28200	8.57000	.00000	5.98000	2.68000
.607	15.900	-.03700	-.14800	-.27900	8.53000	.00000	5.94000	2.67000
.604	17.080	-.04000	-.15300	-.28400	8.53000	.00000	5.95000	2.67000
.604	18.270	-.03600	-.15000	-.28000	8.54000	.00000	5.97000	2.67000
.605	19.450	-.03400	-.15100	-.27800	8.54000	.02000	5.98000	2.67000
.605	20.640	-.04300	-.15900	-.28400	8.50000	.01000	5.94000	2.68000
.607	21.810	-.03800	-.15500	-.27900	8.50000	.00000	5.95000	2.68000
.605	23.000	-.03600	-.15400	-.27800	8.51000	.00000	5.96000	2.68000
.604	24.190	-.04200	-.15700	-.28300	8.50000	-.01000	5.96000	2.68000
.606	25.370	-.03700	-.15500	-.28000	8.48000	.02000	5.95000	2.68000
.604	26.560	-.03800	-.15600	-.28300	8.49000	.00000	5.97000	2.68000
.604	27.740	-.04200	-.16200	-.28600	8.48000	.02000	5.96000	2.69000
.604	28.930	-.04300	-.16200	-.28300	8.48000	.00000	5.97000	2.68000
.607	30.110	-.04000	-.16200	-.28100	8.50000	.01000	5.99000	2.68000
.607	31.310	-.04400	-.16500	-.28500	8.45000	.01000	5.95000	2.68000
.605	32.490	-.04500	-.16700	-.28600	8.44000	.01000	5.95000	2.68000
.605	33.680	-.04500	-.16700	-.28200	8.46000	-.02000	5.96000	2.69000
.605	34.860	-.04000	-.16500	-.27800	8.45000	.00000	5.97000	2.68000
.605	36.050	-.04500	-.16900	-.28300	8.45000	.01000	5.98000	2.68000
.607	37.230	-.04100	-.16600	-.27600	8.43000	-.01000	5.96000	2.68000
.607	38.420	-.04300	-.16900	-.27300	8.43000	.00000	5.96000	2.69000
.606	39.610	-.03900	-.16500	-.27100	8.40000	.02000	5.94000	2.69000
.605	40.790	-.04000	-.16500	-.27200	8.39000	.01000	5.94000	2.69000
.604	41.980	-.05100	-.17900	-.28100	8.39000	.00000	5.94000	2.69000
.606	43.160	-.04400	-.17000	-.27100	8.39000	.00000	5.95000	2.68000
.604	44.350	-.04300	-.17100	-.27600	8.38000	.00000	5.95000	2.69000
.605	45.530	-.04500	-.16900	-.27500	8.38000	.00000	5.96000	2.69000
.605	46.720	-.04500	-.17100	-.27700	8.37000	-.01000	5.95000	2.69000

ORIGINAL PAGE IS  
OF POOR QUALITY

LTV44-559(CA26) 747/1 ATY 06 SI (ORBITER DATA)

(BFE127) ( 28 JAN 76 )

## REFERENCE DATA

SREF = 2690.0000 SQ.FT. XMRP = 1109.0000 IN. XO  
 LREF = 474.8100 IN. YMRP = .0000 IN. YO  
 BREF = 936.6000 IN. ZMRP = 375.0000 IN. ZO  
 SCALE = .0125

## PARAMETRIC DATA

ALPHAC = 2.000 BETAC = .000  
 STAB = 5.000 RUDDER = .000  
 ELEVON = .000 DX = .000  
 DY = .000 TORB = 5.000  
 BETAO = .000 OPHI = 7.500

RUN NO. 90/ 0 RN/L = .00 GRADIENT INTERVAL = -5.00/ 5.00

MACH	DZ	CPCO	CPS1	CPS2	ALPHA0	BETA0	INCID	ALPHAC
.603	47.910	-.04100	-.17200	-.28100	8.37000	.00000	5.95000	2.69000
.606	49.090	-.03900	-.16600	-.28100	8.38000	.02000	5.97000	2.69000
.606	50.280	-.04200	-.16700	-.27600	8.37000	.00000	5.98000	2.69000
.604	51.460	-.05000	-.17200	-.28500	8.34000	.03000	5.95000	2.69000
	GRADIENT	-.00098	-.00165	-.00068	.00151	.00029	.00609	.00192



LTV44-559(CA26) 747/1 ATY 02 S1 (ORBITER DATA)

(BFE128) ( 28 JAN 76 )

## REFERENCE DATA

SREF = 2690.0000 SQ.FT. XMRP = 1109.0000 IN. XO  
 LREF = 474.8100 IN. YMRP = .0000 IN. YO  
 BREF = 936.6800 IN. ZMRP = 375.0000 IN. ZO  
 SCALE = .0125

## PARAMETRIC DATA

ALPHAC = 2.000 BETAC = .000  
 STAB = 5.000 ELEVON = 5.000  
 RUDDER = .000 DX = .000  
 DY = .000 TORB = 6.000  
 BETA0 = .000 DPHI = 7.500

RUN NO. 91/ 0 RN/L = .00 GRADIENT INTERVAL = -5.00/ 5.00

MACH	DZ	CPCO	CPB1	CPB2	CPB3	CPS1	CPS2	ALPHA0	BETA0	INCID	ALPHAC
.606	1.460	-.03200	-.24800	-.33700	-.29700	-.14700	-.29100	8.60000	.06000	5.91000	2.69000
.606	2.060	-.02800	-.24600	-.34000	-.29100	-.14900	-.29000	8.59000	.05000	5.91000	2.69000
.605	2.660	-.02800	-.24800	-.34200	-.29400	-.14900	-.29100	8.61000	.01000	5.92000	2.69000
.605	3.360	-.02800	-.25100	-.34000	-.29400	-.15300	-.29100	8.60000	.03000	5.92000	2.70000
.606	4.160	-.03900	-.25600	-.34700	-.30400	-.16100	-.29300	8.58000	.05000	5.90000	2.70000
.606	4.960	-.03400	-.25600	-.35300	-.30300	-.15900	-.29400	8.58000	.07000	5.91000	2.70000
.608	5.960	-.03300	-.25300	-.35200	-.30100	-.15800	-.29200	8.59000	.05000	5.93000	2.69000
.606	6.960	-.03200	-.25700	-.34900	-.30300	-.15900	-.29400	8.57000	.06000	5.91000	2.70000
.606	7.970	-.03800	-.25900	-.35200	-.30400	-.16000	-.29500	8.58000	.07000	5.92000	2.70000
.607	8.960	-.03400	-.25900	-.35700	-.30600	-.16000	-.29300	8.58000	.05000	5.93000	2.70000
.605	9.960	-.03700	-.25800	-.35700	-.30500	-.16400	-.29300	8.56000	.05000	5.92000	2.69000
.605	11.150	-.03800	-.26100	-.36100	-.31000	-.16500	-.29300	8.56000	.06000	5.92000	2.69000
.608	12.330	-.03800	-.25800	-.36100	-.31100	-.16900	-.29400	8.56000	.03000	5.94000	2.69000
.608	13.520	-.03800	-.25800	-.36000	-.30900	-.16600	-.29100	8.53000	.07000	5.92000	2.69000
.607	14.700	-.03600	-.26200	-.36000	-.30900	-.16300	-.29000	8.52000	.11000	5.91000	2.69000
.608	15.900	-.04000	-.26000	-.36100	-.31500	-.17200	-.29200	8.53000	.05000	5.93000	2.69000
.606	17.080	-.04000	-.26300	-.36700	-.31800	-.17200	-.29400	8.53000	.03000	5.95000	2.68000
.605	18.270	-.04100	-.26900	-.37400	-.31600	-.17000	-.29500	8.52000	.03000	5.93000	2.68000
.606	19.450	-.04100	-.26500	-.36700	-.31600	-.17300	-.29300	8.50000	.02000	5.93000	2.68000
.607	20.640	-.04100	-.26600	-.36800	-.31800	-.17200	-.29400	8.47000	.09000	5.90000	2.69000
.606	21.810	-.04200	-.27200	-.37600	-.32000	-.17300	-.29700	8.47000	.09000	5.91000	2.69000
.607	23.000	-.04000	-.26700	-.37700	-.32100	-.17300	-.29200	8.46000	.09000	5.91000	2.68000
.608	24.190	-.04100	-.27000	-.37600	-.32000	-.17300	-.29200	8.47000	.07000	5.92000	2.69000
.606	25.370	-.04200	-.27000	-.37100	-.31700	-.17600	-.29200	8.47000	.03000	5.93000	2.69000
.606	26.560	-.04200	-.27300	-.37800	-.32200	-.17500	-.29200	8.47000	.03000	5.94000	2.68000
.607	27.740	-.04000	-.26800	-.37400	-.32200	-.17700	-.28800	8.45000	.02000	5.93000	2.69000
.607	28.930	-.04000	-.27300	-.38100	-.32300	-.17700	-.29100	8.45000	.03000	5.93000	2.68000
.606	30.110	-.04300	-.27100	-.37700	-.32400	-.18000	-.29400	8.43000	.07000	5.92000	2.68000
.606	31.310	-.03900	-.27200	-.38200	-.32200	-.17800	-.28900	8.41000	.07000	5.91000	2.69000
.607	32.490	-.04000	-.27200	-.38200	-.32500	-.17800	-.28900	8.43000	.08000	5.93000	2.68000
.605	33.680	-.04000	-.27300	-.38500	-.32800	-.18100	-.29000	8.43000	.03000	5.94000	2.69000
.606	34.860	-.04100	-.27400	-.38300	-.32800	-.18100	-.29200	8.41000	.02000	5.93000	2.68000
.607	36.050	-.04300	-.27500	-.38400	-.33100	-.18500	-.29200	8.38000	.03000	5.91000	2.68000
.607	37.230	-.04500	-.27400	-.38200	-.32700	-.18200	-.29500	8.37000	.10000	5.90000	2.68000
.606	38.420	-.04000	-.27800	-.38800	-.32900	-.18000	-.29000	8.39000	.02000	5.93000	2.68000
.606	39.610	-.04100	-.27500	-.38600	-.33100	-.18200	-.28900	8.37000	.06000	5.91000	2.69000
.608	40.790	-.04100	-.27600	-.38400	-.32500	-.17900	-.28600	8.39000	.00000	5.93000	2.69000
.607	41.980	-.04700	-.27700	-.38200	-.32700	-.18300	-.29200	8.38000	.03000	5.93000	2.69000
.606	43.160	-.04200	-.27900	-.38500	-.33100	-.18800	-.29100	8.38000	.02000	5.94000	2.69000
.605	44.350	-.04400	-.28100	-.38300	-.33000	-.18400	-.28600	8.36000	.06000	5.93000	2.68000
.606	45.530	-.04500	-.28300	-.39100	-.33400	-.18700	-.29000	8.35000	.02000	5.93000	2.69000
.605	46.720	-.04600	-.28200	-.38900	-.32800	-.18300	-.28600	8.34000	.01000	5.93000	2.69000

LTV44-559(CA26) 747/1 ATY 02 S1 (ORBITER DATA)

(BFE128) ( 28 JAN 76 )

## REFERENCE DATA

## PARAMETRIC DATA

SREF = 2690.0000 SQ.FT. XMRP = 1109.0000 IN. XO  
 LREF = 474.8100 IN. YMRP = .0000 IN. YO  
 BREF = 936.6800 IN. ZMRP = 375.0000 IN. ZO  
 SCALE = .0125

ALPHAC = 2.000 BETAC = .000  
 STAB = 5.000 ELEVON = 5.000  
 RUDDER = .000 DX = .000  
 DY = .000 IORB = 6.000  
 BETAO = .000 DPHI = 7.500

RUN NO. 91/ 0 RN/L = .00 GRADIENT INTERVAL = -5.00/ 5.00

MACH	DZ	CPCO	CPB1	CPB2	CPB3	CPS1	CPS2	ALPHAO	BETAO	INCLD	ALPHAC
.607	47.910	-.04400	-.28100	-.38900	-.33400	-.18900	-.28800	8.34000	.09000	5.92000	2.69000
.606	49.090	-.04700	-.28500	-.38900	-.33400	-.18700	-.28500	8.32000	.01000	5.91000	2.69000
.606	50.280	-.04800	-.28700	-.38900	-.33100	-.18500	-.28600	8.31000	.09000	5.91000	2.68000
.606	51.460	-.04900	-.28500	-.39300	-.33800	-.18700	-.29000	8.30000	.00000	5.92000	2.68000
	GRADIENT	-.00186	-.00302	-.00411	-.00294	-.00411	-.00101	-.00604	.00389	-.00145	.00366

LTV44-559(CA26) 747/1 ATY 02 S1 (ORBITER DATA)

(BFE129) ( 28 JAN 76 )

## REFERENCE DATA

SREF = 2690.0000 SQ.FT. XMRP = 1109.0000 IN. XO  
 LREF = 474.8100 IN. YMRP = .0000 IN. YO  
 BREF = 936.6800 IN. ZMRP = 375.0000 IN. ZO  
 SCALE = .0125

## PARAMETRIC DATA

ALPHAC = 2.000 BETAC = .000  
 STAB = 5.000 ELEVON = 5.000  
 RUDDER = .000 DX = .000  
 DY = .000 IORB = 6.000  
 BETA0 = 5.000 DPH1 = 7.500

RUN NO. 92/ 0 RN/L = .00 GRADIENT INTERVAL = -5.00/ 5.00

MACH	DZ	CP00	CP01	CP02	CP03	CPS1	CPS2	ALPHAO	BETA0	INC10	ALPHAC
.603	1.460	-.08800	-.26600	-.39900	-.33400	-.01000	-.45900	8.66000	4.85000	5.98000	2.69000
.605	2.060	-.08700	-.26800	-.40000	-.33600	-.00900	-.46400	8.62000	4.88000	5.93000	2.69000
.604	2.660	-.08900	-.26500	-.40100	-.33800	-.01200	-.46600	8.63000	4.85000	5.94000	2.70000
.606	3.360	-.08600	-.26900	-.40600	-.34000	-.01100	-.46300	8.63000	4.92000	5.95000	2.70000
.604	4.160	-.09100	-.27100	-.40600	-.34200	-.01500	-.46900	8.61000	4.85000	5.94000	2.70000
.605	4.960	-.08500	-.27200	-.40300	-.34200	-.01700	-.46400	8.64000	4.85000	5.97000	2.70000
.603	5.960	-.08900	-.27400	-.40200	-.34300	-.01800	-.46900	8.63000	4.89000	5.97000	2.69000
.605	6.960	-.03500	-.27500	-.40500	-.34400	-.01700	-.46600	8.63000	4.85000	5.97000	2.70000
.605	7.970	-.08900	-.27800	-.40500	-.34200	-.01800	-.46600	8.63000	4.85000	5.97000	2.70000
.606	8.960	-.08500	-.27400	-.40400	-.34100	-.01700	-.46300	8.62000	4.89000	5.97000	2.70000
.605	9.960	-.08600	-.28200	-.40800	-.34700	-.01900	-.47600	8.59000	4.86000	5.95000	2.69000
.605	11.150	-.08700	-.28100	-.41000	-.34500	-.01900	-.47200	8.59000	4.88000	5.96000	2.69000
.604	12.330	-.08600	-.27400	-.40400	-.34600	-.02300	-.46000	8.59000	4.87000	5.95000	2.68000
.605	13.520	-.08600	-.27400	-.40300	-.34500	-.02400	-.46600	8.58000	4.85000	5.97000	2.69000
.604	14.700	-.08900	-.28100	-.40500	-.34500	-.02100	-.46600	8.55000	4.94000	5.95000	2.69000
.604	15.900	-.08600	-.28100	-.40700	-.34900	-.02100	-.48000	8.56000	4.86000	5.96000	2.69000
.603	17.080	-.08700	-.28500	-.40900	-.34900	-.02300	-.46800	8.53000	4.86000	5.93000	2.69000
.604	18.270	-.08700	-.28300	-.41100	-.35000	-.02500	-.45700	8.53000	4.90000	5.94000	2.69000
.605	19.450	-.08600	-.27900	-.40300	-.34800	-.02600	-.46600	8.54000	4.90000	5.97000	2.68000
.605	20.640	-.08500	-.28300	-.41100	-.35300	-.02500	-.46700	8.51000	4.86000	5.95000	2.68000
.605	21.810	-.08600	-.28400	-.41100	-.35300	-.02900	-.46300	8.51000	4.83000	5.95000	2.69000
.604	23.000	-.08700	-.28700	-.41400	-.35200	-.02800	-.46600	8.50000	4.90000	5.94000	2.69000
.605	24.190	-.08900	-.28400	-.41200	-.35500	-.03000	-.45900	8.50000	4.87000	5.95000	2.69000
.604	25.370	-.08500	-.28900	-.41000	-.35300	-.02800	-.45500	8.47000	4.89000	5.93000	2.69000
.605	26.560	-.08700	-.28700	-.40800	-.35200	-.03000	-.44000	8.49000	4.84000	5.96000	2.68000
.606	27.740	-.08800	-.28400	-.40900	-.35400	-.03100	-.46500	8.49000	4.83000	5.97000	2.68000
.605	28.930	-.08700	-.28800	-.41300	-.35500	-.02800	-.46500	8.47000	4.88000	5.96000	2.68000
.606	30.110	-.08800	-.28500	-.40900	-.35600	-.03200	-.46100	8.47000	4.85000	5.97000	2.68000
.605	31.310	-.08700	-.28400	-.40900	-.35600	-.03100	-.47100	8.45000	4.89000	5.94000	2.68000
.605	32.490	-.08800	-.28600	-.40900	-.35700	-.03400	-.46600	8.44000	4.85000	5.94000	2.69000
.605	33.680	-.08800	-.28800	-.40800	-.35900	-.03800	-.46700	8.43000	4.86000	5.93000	2.69000
.604	34.860	-.08800	-.28700	-.41000	-.35900	-.04000	-.45700	8.43000	4.85000	5.95000	2.69000
.605	36.050	-.08800	-.28700	-.40500	-.35700	-.03600	-.47700	8.43000	4.88000	5.95000	2.69000
.604	37.230	-.08300	-.28800	-.41000	-.35500	-.03400	-.45500	8.45000	4.82000	5.98000	2.68000
.604	38.420	-.08700	-.29000	-.41000	-.35800	-.03300	-.46900	8.43000	4.84000	5.97000	2.68000
.605	39.610	-.08300	-.29000	-.40700	-.36000	-.03700	-.46800	8.42000	4.89000	5.96000	2.68000
.605	40.790	-.08100	-.28800	-.41000	-.35800	-.03000	-.47100	8.44000	4.81000	5.99000	2.69000
.606	41.980	-.08400	-.29000	-.40500	-.35600	-.03400	-.47900	8.36000	4.88000	5.94000	2.68000
.605	43.160	-.08800	-.28900	-.40700	-.36000	-.03800	-.47000	8.40000	4.87000	5.96000	2.69000
.604	44.350	-.08800	-.29000	-.40900	-.36500	-.03500	-.48000	8.38000	4.88000	5.94000	2.69000
.605	45.530	-.08700	-.28700	-.40500	-.36200	-.03800	-.46700	8.38000	4.89000	5.96000	2.69000
.604	46.720	-.08500	-.28900	-.40800	-.36300	-.03700	-.47200	8.37000	4.83000	5.96000	2.69000

LTV44-559(CA26) 747/1 ATY 02 S1 (ORBITER DATA)

(BFE129) ( 28 JAN 76 )

## REFERENCE DATA

SREF = 2690.0000 SQ.FT. XMRP = 1109.0000 IN. XO  
 LREF = 474.8100 IN. YMRP = .0000 IN. YO  
 BREF = 936.6800 IN. ZMRP = 375.0000 IN. ZO  
 SCALE = .0125

## PARAMETRIC DATA

ALPHAC = 2.000 BETAC = .000  
 STAB = 5.000 ELEVON = 5.000  
 RUDDER = .000 DX = .000  
 DY = .000 IORB = 6.000  
 BETA0 = 5.000 DPFI = 7.500

RUN NO. 92/ 0 RN/L = .00 GRADIENT INTERVAL = -5.00/ 5.00

MACH	DZ	CPC0	CPB1	CPB2	CPB3	CPS1	CPS2	ALPHA0	BETA0	INCID	ALPHAC
.605	47.910	-.07600	-.28900	-.40600	-.35700	-.03200	-.46700	8.37000	4.81000	5.96000	2.69000
.606	49.090	-.07700	-.29200	-.40300	-.35600	-.02900	-.50600	8.34000	4.89000	5.94000	2.69000
.604	50.280	-.07800	-.28900	-.40700	-.35900	-.03100	-.47800	8.37000	4.80000	5.97000	2.69000
.604	51.460	-.08200	-.28800	-.40700	-.36400	-.04200	-.45800	8.36000	4.81000	5.97000	2.69000
	GRADIENT	.00021	-.00174	-.00169	-.00241	-.00216	-.00143	-.00482	.01341	.00029	.00313

LTV44-559(CA26) 747/1 ATY 02 S1 (ORBITER DATA)

(BFE130) ( 28 JAN 76 )

## REFERENCE DATA

SREF = 2690.0000 SQ.FT. XMRP = 1109.0000 IN. XO  
 LREF = 474.8100 IN. YMRP = .0000 IN. YO  
 BREF = 936.6000 IN. ZMRP = 375.0000 IN. ZO  
 SCALE = .0125

## PARAMETRIC DATA

ALPHAC = 2.000 BETAC = -5.000  
 STAB = 5.000 ELEVON = 5.000  
 RUDDER = .000 DX = .000  
 DY = .000 IORB = 6.000  
 BETAO = .000 DPH1 = 7.500

RUN NO. 93/ 0 RN/L = .00 GRADIENT INTERVAL = -5.00/ 5.00

MACH	DZ	CPCO	CPB1	CPB2	CPB3	CPS1	CPS2	ALPHAO	BETAO	INCID	ALPHAC
.602	1.460	-.02000	-.25200	-.32300	-.29300	-.14900	-.26100	8.63000	-.04000	5.95000	2.68000
.602	2.060	-.01900	-.25300	-.32300	-.29400	-.14900	-.25900	8.62000	-.04000	5.95000	2.68000
.603	2.660	-.01900	-.25400	-.32800	-.29700	-.14900	-.25900	8.63000	-.02000	5.95000	2.68000
.600	3.360	-.02000	-.26400	-.33100	-.29600	-.15300	-.26400	8.60000	.00000	5.93000	2.69000
.602	4.160	-.01800	-.26500	-.32700	-.29800	-.14900	-.26300	8.62000	-.03000	5.94000	2.69000
.604	4.960	-.02200	-.26200	-.33100	-.29600	-.15200	-.26000	8.60000	.05000	5.94000	2.69000
.603	5.960	-.02200	-.26400	-.33300	-.30000	-.15500	-.26400	8.60000	.02000	5.94000	2.69000
.603	6.960	-.02600	-.27000	-.34000	-.30700	-.16000	-.26700	8.59000	.01000	5.94000	2.69000
.603	7.970	-.01600	-.26000	-.32900	-.29700	-.15200	-.25900	8.56000	.00000	5.92000	2.68000
.602	8.960	-.02100	-.26300	-.33200	-.30000	-.15200	-.26300	8.57000	.03000	5.93000	2.69000
.602	9.960	-.02000	-.26300	-.33100	-.30100	-.15100	-.26000	8.56000	.05000	5.93000	2.68000
.603	11.150	-.01800	-.26200	-.32900	-.30000	-.15000	-.25900	8.55000	.00000	5.93000	2.68000
.602	12.330	-.01900	-.26600	-.33300	-.30200	-.15200	-.26100	8.55000	.05000	5.93000	2.69000
.602	13.520	-.01900	-.26500	-.33300	-.30000	-.15300	-.25900	8.54000	.00000	5.93000	2.68000
.604	14.700	-.01600	-.26400	-.32700	-.29800	-.14900	-.25700	8.58000	.03000	5.98000	2.68000
.603	15.900	-.01600	-.26500	-.32700	-.29900	-.15100	-.25600	8.54000	.04000	5.95000	2.68000
.604	17.080	-.01700	-.26200	-.33000	-.30100	-.15000	-.25700	8.56000	.00000	5.97000	2.68000
.603	18.270	-.01800	-.26600	-.33700	-.30200	-.15600	-.25900	8.52000	.02000	5.94000	2.68000
.602	19.450	-.01900	-.26900	-.33600	-.30300	-.15700	-.26000	8.52000	.06000	5.94000	2.68000
.601	20.640	-.02000	-.26800	-.33400	-.30700	-.15800	-.26000	8.49000	.01000	5.93000	2.68000
.603	21.810	-.01700	-.26100	-.33400	-.29800	-.15300	-.25700	8.49000	.03000	5.93000	2.68000
.600	23.000	-.02200	-.26400	-.33800	-.30700	-.15600	-.25900	8.48000	.01000	5.93000	2.68000
.602	24.190	-.02300	-.26400	-.33700	-.30700	-.15700	-.25800	8.47000	.00000	5.93000	2.68000
.601	25.370	-.01800	-.26600	-.34400	-.30800	-.15700	-.26000	8.48000	.01000	5.95000	2.68000
.601	26.560	-.01900	-.26800	-.34000	-.30400	-.16000	-.25800	8.48000	.00000	5.95000	2.68000
.602	27.740	-.01900	-.26900	-.33900	-.30300	-.15700	-.25600	8.45000	.00000	5.93000	2.68000
.602	28.930	-.01900	-.26400	-.33700	-.30700	-.16000	-.25400	8.44000	.01000	5.93000	2.68000
.602	30.110	-.01700	-.26500	-.34000	-.30800	-.15900	-.25400	8.46000	.01000	5.95000	2.68000
.604	31.310	-.02000	-.26700	-.33500	-.30100	-.15500	-.25400	8.46000	.01000	5.97000	2.68000
.604	32.490	-.01800	-.26200	-.33400	-.30500	-.15900	-.25300	8.45000	.02000	5.95000	2.68000
.603	33.680	-.02300	-.27100	-.34000	-.30700	-.15900	-.25800	8.45000	.02000	5.95000	2.69000
.603	34.860	-.01700	-.26500	-.34000	-.30700	-.16100	-.25300	8.43000	.01000	5.95000	2.69000
.604	36.050	-.01800	-.26400	-.33700	-.30500	-.15800	-.25300	8.44000	.01000	5.95000	2.68000
.604	37.230	-.01500	-.26400	-.33500	-.30300	-.15700	-.24700	8.45000	.00000	5.97000	2.69000
.605	38.420	-.01900	-.26700	-.33600	-.30400	-.16100	-.24500	8.44000	.02000	5.98000	2.69000
.604	39.610	-.01900	-.26800	-.33600	-.30300	-.15900	-.24500	8.45000	.02000	5.99000	2.69000
.603	40.790	-.01900	-.27000	-.33700	-.30400	-.15700	-.24700	8.40000	.00000	5.95000	2.69000
.602	41.980	-.01700	-.26500	-.33400	-.30500	-.16200	-.24700	8.41000	.02000	5.97000	2.69000
.602	43.160	-.02100	-.26700	-.33300	-.30300	-.16000	-.24500	8.36000	.01000	5.92000	2.69000
.602	44.350	-.01900	-.26900	-.33500	-.30400	-.16100	-.24600	8.37000	.03000	5.94000	2.69000
.603	45.530	-.01200	-.26400	-.32800	-.29900	-.15600	-.24100	8.38000	.00000	5.96000	2.68000
.604	46.720	-.01800	-.26600	-.33500	-.30600	-.16100	-.24500	8.34000	.04000	5.93000	2.69000

LTV44-559(CA26) 747/1 ATY 02 S' (ORBITER DATA)

(BFE130) ( 28 JAN 76 )

## REFERENCE DATA

SREF = 2690.0000 SQ.FT. XMRP = 1109.0000 IN. XO  
 LREF = 474.8100 IN. YMRP = .0000 IN. YO  
 BREF = 936.6800 IN. ZMRP = 375.0000 IN. ZO  
 SCALE = .0125

## PARAMETRIC DATA

ALPHAC = 2.000 BETAC = -5.000  
 STAB = 5.000 ELEVON = 5.000  
 RUDDER = .000 DX = .000  
 DY = .000 IORB = 6.000  
 BETA0 = .000 DPHI = 7.500

RUN NO. 93/ 0 RN/L = .00 GRADIENT INTERVAL = -5.00/ 5.00

MACH	DZ	CPCO	CPB1	CPB2	CPB3	CPS1	CPS2	ALPHA0	BETA0	INCID	ALPHAC
.601	47.910	-.02000	-.26800	-.33700	-.30700	-.16500	-.24300	8.35000	.02000	5.94000	2.69000
.601	49.090	-.02600	-.27700	-.33600	-.31100	-.17300	-.24900	8.33000	.05000	5.93000	2.69000
.601	50.280	-.02400	-.27300	-.33200	-.30900	-.16900	-.24900	8.36000	-.01000	5.96000	2.69000
.602	51.460	-.02000	-.27300	-.34200	-.30900	-.16200	-.25200	8.31000	.00000	5.92000	2.69000
	GRADIENT	-.00036	-.00385	-.00218	-.00101	-.00076	-.00046	-.00731	.02066	-.00395	.00366

LTV44-559(CA26) 02 S1

(BFE131) ( 28 JAN 76 )

## REFERENCE DATA

SREF = 2690.0000 SQ.FT. XMRP = 1109.0000 IN. XO  
 LREF = 474.8100 IN. YMRP = .0000 IN. YO  
 BREF = 936.6800 IN. ZMRP = 375.0000 IN. ZO  
 SCALE = .0125

## PARAMETRIC DATA

BETA0 = 5.000 ELEVON = 5.000  
 BDFLAP = .000

RUN NO. 94/ 0 RN/L = .00 GRADIENT INTERVAL = -5.00/ 5.00

MACH	INCID	CPC0	CPS1	CPS2
.598	-2.460	.03100	.06500	-.47200
.599	-2.110	.02700	.06000	-.47900
.601	-1.770	.02800	.06900	-.47900
.602	-1.340	.02400	.06500	-.47600
.603	-.960	.02100	.05800	-.46900
.604	-.550	.01800	.05500	-.46500
.603	-.170	.01600	.05600	-.46900
.604	.250	.01300	.05500	-.45900
.599	.640	.00700	.05500	-.45600
.601	1.040	.00400	.05300	-.44000
.602	1.420	.00000	.04900	-.44700
.601	1.830	-.00300	.04800	-.43200
.600	2.220	-.00400	.04200	-.42800
.600	2.630	-.00900	.04400	-.42900
.600	3.020	-.00900	.04100	-.42100
.600	3.390	-.01500	.03400	-.41300
.598	3.820	-.01900	.03400	-.41600
.599	4.200	-.01900	.03200	-.41200
.598	4.620	-.03400	.02800	-.40700
.599	5.000	-.03300	.02800	-.39200
.599	5.420	-.03900	.02900	-.37800
.599	5.810	-.05900	.02200	-.37600
.602	6.180	-.05800	.02300	-.36100
.602	6.590	-.06500	.02100	-.36000
.601	6.970	-.07400	.01600	-.36700
.602	7.390	-.06500	.02300	-.35800
.602	7.770	-.06600	.02600	-.36200
.600	8.200	-.06100	.02400	-.36300
.600	8.560	-.07000	.01400	-.37200
.600	9.010	-.06300	.02300	-.37300
.600	9.370	-.06200	.02100	-.38200
.600	9.760	-.05800	.02000	-.38000
.600	10.190	-.06000	.02000	-.38800
.600	10.560	-.06000	.01300	-.38700
.599	10.980	-.06500	.00700	-.39800
.600	11.340	-.06100	.00900	-.40100
.599	11.780	-.05900	.00900	-.40200
.601	12.140	-.06100	.00700	-.40500
.600	12.580	-.06200	.00900	-.41100
.601	12.970	-.06800	.00500	-.41600
	GRADIENT	-.00846	-.00527	.01149

ORIGINAL PAGE IS  
 OF POOR QUALITY

LTV44-559(CA26) 02 S1

(BFE132) ( 28 JAN 76 )

## REFERENCE DATA

## PARAMETRIC DATA

SREF = 2690.0000 SQ.FT. XMRP = 1109.0000 IN. XO  
 LREF = 474.8100 IN. YMRP = .0000 IN. YO  
 BREF = 936.6800 IN. ZMRP = 375.0000 IN. ZO  
 SCALE = .0125

BETA0 = .000 ELEVON = 5.000  
 BDFLAP = .000

RUN NO. 1094/ 0 RN/L = .00 GRADIENT INTERVAL = -5.00/ 5.00

MACH	INCID	CPCO	CPS1	CPS2
.601	-1.840	.02100	-.12200	-.23400
.601	-1.430	.01500	-.12200	-.23900
.601	-1.040	.01800	-.12700	-.23700
.599	-.610	.01200	-.12600	-.23800
.599	-.260	.01000	-.12700	-.24000
.599	.170	.00600	-.13100	-.24100
.599	.540	.00400	-.13500	-.24200
.601	.940	.00600	-.12900	-.23800
.603	1.360	.00700	-.12900	-.23800
.601	1.720	.00100	-.13700	-.24300
.602	2.140	.00100	-.13300	-.24000
.599	2.530	-.00400	-.13900	-.24900
.600	2.920	-.00300	-.14100	-.24900
.599	3.300	-.00500	-.14000	-.24900
.599	3.710	-.00400	-.14600	-.25000
.600	4.130	.00000	-.14200	-.24500
.599	4.520	-.00600	-.14300	-.25000
.599	4.910	-.00800	-.14600	-.25000
.600	5.300	-.00300	-.14700	-.24800
.600	5.720	-.00300	-.14400	-.25000
.600	6.100	-.00600	-.14600	-.24600
.599	6.520	-.00900	-.14900	-.25000
.601	6.890	-.00900	-.14800	-.25100
.601	7.280	-.00700	-.14600	-.25000
.600	7.640	-.00500	-.14900	-.25000
.601	8.100	-.00700	-.14900	-.25100
.600	8.440	-.01000	-.15300	-.25500
.603	8.880	-.00600	-.14100	-.25000
.601	9.260	-.00200	-.14600	-.24900
.603	9.700	-.00600	-.15300	-.25100
.600	10.090	-.00900	-.15500	-.25600
.601	10.490	-.00700	-.14900	-.25200
.603	10.850	-.01000	-.14800	-.25300
.601	11.280	-.01300	-.15500	-.25700
.600	11.680	-.01200	-.15100	-.25500
.602	12.070	-.00900	-.15500	-.25300
.601	12.460	-.01200	-.15500	-.26000
.601	12.870	-.01600	-.15700	-.26000
.600	13.410	-.01400	-.15600	-.27300
	GRADIENT	-.00384	-.00355	-.00223



DATE 22 MAR 76

## CA-26 FORCE SOURCE DATA TABULATION

PAGE 347

LTV44-559(CA26) 02 S1

(BFE133) ( 28 JAN 76 )

## REFERENCE DATA

SREF = 2690.0000 SQ.FT. XMRP = 1109.0000 IN. XO  
 LREF = 474.8100 IN. YMRP = .0000 IN. YO  
 BREF = 936.6800 IN. ZMRP = 375.0000 IN. ZO  
 SCALE = .0125

## PARAMETRIC DATA

BETA0 = -5.000 ELEVON = 5.000  
 BDFLAP = .000

RUN NO. 2094/ 0 RN/L = .00 GRADIENT INTERVAL = -5.00/ 5.00

MACH	INCID	CPCO	CPS1	CPS2
.599	-2.490	.00000	-.29300	-.10500
.600	-1.920	-.00200	-.23300	-.09200
.599	-1.550	-.01500	-.23400	-.10400
.601	-1.140	-.00600	-.23400	-.09500
.600	-.750	-.01700	-.29600	-.10000
.600	-.370	-.02000	-.29600	-.10100
.600	.030	-.02000	-.29900	-.10100
.598	.410	-.02700	-.30100	-.10400
.599	.820	-.02200	-.29800	-.10300
.599	1.220	-.03200	-.29800	-.10600
.599	1.630	-.03300	-.29700	-.10400
.600	2.010	-.03300	-.30100	-.10700
.601	2.440	-.03200	-.29700	-.10200
.599	2.800	-.04100	-.29900	-.10500
.601	3.210	-.03300	-.29600	-.09900
.601	3.620	-.04300	-.29800	-.10700
.599	3.990	-.04500	-.30000	-.10900
.601	4.420	-.04200	-.30000	-.10500
.601	4.820	-.04500	-.29800	-.10200
.600	5.200	-.05500	-.33200	-.10500
.600	5.610	-.05800	-.33100	-.09900
.597	5.990	-.07400	-.33800	-.10900
.599	6.380	-.07700	-.33600	-.10500
.598	6.770	-.07600	-.33400	-.10300
.601	7.210	-.07700	-.33800	-.09900
.602	7.610	-.07800	-.30600	-.09700
.599	8.010	-.09100	-.31200	-.10200
.600	8.370	-.08700	-.31200	-.09900
.601	8.770	-.08600	-.31900	-.09900
.600	9.160	-.08200	-.31700	-.10000
.599	9.570	-.08400	-.32000	-.10000
.602	10.000	-.07500	-.32200	-.09600
.601	10.390	-.07100	-.32200	-.09600
.598	10.790	-.07700	-.32700	-.09700
.601	11.170	-.06900	-.32300	-.09500
.599	11.560	-.07100	-.33500	-.09700
.597	11.970	-.07500	-.33600	-.09700
.598	12.360	-.07400	-.33700	-.09600
.597	12.770	-.07600	-.34500	-.09500
	GRADIENT	-.00606	-.00116	-.00089

LTV44-559(CA26) 02 S1

(BFE134) ( 18 NOV 75 )

REFERENCE DATA

SREF = 2690.0000 SQ.FT. XMRP = 1109.0000 IN. XO  
 LREF = 474.8100 IN. YMRP = .0000 IN. YO  
 BREF = 936.6800 IN. ZMRP = 375.0000 IN. ZO  
 SCALE = .0125

PARAMETRIC DATA

BETA0 = .000 ELEVON = .000  
 BDFLAP = .000

RUN NO. 13/ 0 RN/L = .00 GRADIENT INTERVAL = -5.00/ 5.00

MACH	ALPHA	CPCO	CPB1	CPB2	CPB3	CPS1	CPS2
.592	.050	-.19200	-.22200	-.27800	-.27500	-.08300	-.18000
.591	.610	-.19300	-.22600	-.28300	-.27600	-.08800	-.18600
.593	1.020	-.19000	-.22400	-.27800	-.27300	-.08700	-.18300
.592	1.500	-.19200	-.22400	-.28000	-.27100	-.09200	-.18800
.593	1.900	-.19000	-.22600	-.27600	-.27100	-.09100	-.18500
.593	2.340	-.19000	-.22400	-.27700	-.26900	-.09400	-.18400
.591	2.790	-.19000	-.22000	-.27900	-.26700	-.09500	-.18700
.591	3.240	-.19200	-.22500	-.27900	-.26800	-.09500	-.19100
.590	3.670	-.19100	-.22400	-.27800	-.26900	-.09800	-.19100
.592	4.090	-.19000	-.22200	-.27500	-.26500	-.10300	-.18900
.591	4.540	-.19000	-.22000	-.27500	-.26600	-.10200	-.19200
.590	4.990	-.18900	-.22100	-.27400	-.26400	-.10100	-.19000
.590	5.410	-.18700	-.21600	-.27200	-.26200	-.10100	-.19100
.590	5.860	-.18800	-.21600	-.27000	-.26100	-.10300	-.19400
.592	6.300	-.18700	-.21300	-.27200	-.25700	-.10600	-.19200
.592	6.740	-.18900	-.21800	-.27400	-.25900	-.11000	-.19400
.592	7.180	-.18800	-.21400	-.27300	-.25600	-.11100	-.19300
.592	7.620	-.18900	-.21500	-.27200	-.25400	-.11200	-.19200
.591	8.050	-.18500	-.21400	-.27000	-.25500	-.10900	-.19200
.592	8.500	-.18500	-.21500	-.27200	-.25500	-.11200	-.19300
.591	8.910	-.18600	-.21800	-.27300	-.25700	-.11400	-.19600
.592	9.360	-.18400	-.21700	-.27300	-.25600	-.11500	-.19500
.592	9.820	-.18300	-.21700	-.27500	-.25600	-.11600	-.19500
.591	10.270	-.19100	-.22100	-.28000	-.25700	-.12200	-.19600
.591	10.690	-.18600	-.22200	-.27800	-.26000	-.12000	-.19400
.590	11.160	-.18800	-.22100	-.28400	-.25900	-.12600	-.19300
.592	11.600	-.18800	-.22400	-.28600	-.26300	-.12500	-.19300
.592	12.060	-.18800	-.22700	-.28800	-.26400	-.12700	-.19300
.591	12.520	-.19700	-.23000	-.29500	-.26800	-.13100	-.19400
.591	12.950	-.19300	-.23400	-.29700	-.27100	-.13200	-.19500
.591	13.400	-.20000	-.23600	-.30400	-.27600	-.13800	-.19700
.591	13.840	-.19900	-.24000	-.30400	-.27700	-.13300	-.19600
.591	14.290	-.20400	-.24400	-.30900	-.28100	-.13500	-.19800
.591	14.730	-.20600	-.24800	-.31600	-.28700	-.14000	-.20000
.591	15.180	-.20900	-.25100	-.31800	-.28900	-.13900	-.20000
.591	15.610	-.21400	-.25400	-.32200	-.29400	-.14200	-.20100
.590	16.040	-.21800	-.26500	-.33400	-.30200	-.14800	-.20300
.590	16.490	-.21900	-.26800	-.33900	-.30700	-.15000	-.20300
.591	16.950	-.22800	-.27000	-.34800	-.31400	-.15000	-.20300
.589	17.150	-.22800	-.27900	-.35500	-.31900	-.15700	-.20500
GRADIENT		.00046	.00067	.00106	.00227	-.00379	-.00193

LTV44-559(CA26) 04 S

(WFE001) ( 18 NOV 75 )

## REFERENCE DATA

SREF = 2690.0000 SQ.FT. XMRP = 1109.0000 IN. XO  
 LREF = 474.8100 IN. YMRP = .0000 IN. YO  
 BREF = 936.6800 IN. ZMRP = 375.0000 IN. ZO  
 SCALE = .0125

## PARAMETRIC DATA

BETA0 = .000 ELEVON = .000  
 BDFLAP = .000

RUN NO. 1/ 0 RN/L = .00 GRADIENT INTERVAL = -5.00/ 5.00

MACH	ALPHA0	BETA0	CN	CLM	CA	CY	CYN	CBL	CL	CD
.601	.130	.02000	-.05360	.02040	.04800	-.00820	-.00050	-.00090	-.05370	.04790
.601	.440	.04000	-.03730	.02140	.04730	-.00860	-.00040	-.00090	-.03770	.04700
.602	.660	.03000	-.01480	.02270	.04650	-.00790	-.00050	-.00080	-.01550	.04630
.600	1.300	.00000	.00530	.02370	.04570	-.00810	-.00040	-.00080	.00430	.04580
.599	1.750	.00000	.02900	.02510	.04430	-.00740	-.00040	-.00080	.02760	.04520
.598	2.190	.00000	.05220	.02650	.04300	-.00730	-.00040	-.00090	.05050	.04500
.600	2.620	.02000	.07370	.02770	.04140	-.00680	-.00050	-.00100	.07170	.04470
.600	3.050	.02000	.09460	.02880	.03990	-.00660	-.00050	-.00100	.09240	.04490
.599	3.510	.00000	.11640	.03020	.03800	-.00670	-.00050	-.00100	.11390	.04510
.599	3.940	.00000	.14050	.03160	.03590	-.00630	-.00050	-.00110	.13760	.04550
.601	4.380	.01000	.16120	.03270	.03360	-.00580	-.00060	-.00120	.15810	.04590
.599	4.810	.02000	.18270	.03380	.03150	-.00620	-.00050	-.00110	.17940	.04670
.600	5.270	.00000	.20720	.03490	.02860	-.00600	-.00060	-.00110	.20370	.04750
.599	5.690	.01000	.22950	.03550	.02600	-.00620	-.00050	-.00110	.22580	.04870
.599	6.140	.00000	.25190	.03650	.02310	-.00530	-.00050	-.00110	.24800	.05000
.599	6.580	.00000	.27640	.03780	.01990	-.00510	-.00060	-.00110	.27230	.05150
.599	7.010	.02000	.29670	.03890	.01680	-.00510	-.00050	-.00120	.29240	.05290
.599	7.460	.00000	.32050	.04060	.01360	-.00470	-.00060	-.00100	.31600	.05510
.601	7.910	.02000	.34310	.04260	.00990	-.00480	-.00050	-.00100	.33850	.05710
.600	8.350	.00000	.36250	.04460	.00660	-.00420	-.00060	-.00100	.35770	.05920
.600	8.770	.01000	.38370	.04660	.00300	-.00480	-.00060	-.00120	.37870	.06150
.599	9.230	-.01000	.40550	.04870	-.00050	-.00440	-.00050	-.00110	.40030	.06450
.599	9.660	.00000	.42990	.05020	-.00390	-.00450	-.00050	-.00100	.42440	.06630
.599	10.110	.01000	.45710	.05150	-.00770	-.00420	-.00070	-.00120	.45130	.07260
.599	10.550	.01000	.48290	.05230	-.01070	-.00340	-.00070	-.00110	.47670	.07790
.599	11.000	.01000	.51040	.05250	-.01310	-.00340	-.00060	-.00130	.50350	.08450
.599	11.470	.00000	.54080	.05360	-.01550	-.00400	-.00040	-.00140	.53310	.09220
.599	11.920	.00000	.57230	.05410	-.01710	-.00450	-.00030	-.00160	.56360	.10140
.600	12.350	.00000	.59830	.05380	-.01750	-.00370	-.00020	-.00150	.58820	.11090
.598	12.800	.01000	.62830	.05360	-.01730	-.00380	-.00020	-.00110	.61650	.12230
.598	13.260	-.02000	.65240	.05430	-.01710	-.00360	-.00030	-.00090	.63890	.13300
.598	13.680	.00000	.67410	.05510	-.01660	-.00400	-.00040	-.00090	.65890	.14330
.598	14.130	.00000	.69820	.05690	-.01660	-.00360	-.00040	-.00070	.68110	.15430
.597	14.560	.00000	.72150	.05800	-.01600	-.00440	-.00030	-.00060	.70240	.16590
.597	15.000	-.01000	.74240	.05920	-.01540	-.00360	-.00030	-.00030	.72110	.17720
.598	15.450	-.01000	.76550	.05950	-.01450	-.00370	-.00030	-.00040	.74170	.18990
.598	15.880	.01000	.79270	.06030	-.01390	-.00410	-.00010	-.00020	.76630	.20350
.597	16.320	.01000	.81800	.06000	-.01300	-.00470	-.00020	-.00020	.78870	.21730
.598	16.760	.00000	.84490	.05870	-.01150	-.00460	-.00040	.00000	.81230	.23270
.598	17.210	.00000	.87230	.05820	-.01160	-.00520	.00000	.00000	.83670	.24710
	GRADIENT	-.00324	.05042	.00288	-.00350	.00055	-.00002	-.00007	.04973	-.00026

LTV44-559(CA26) 04 S

(WFE002) ( 18 NOV 75 )

## REFERENCE DATA

SREF = 2690.0000 SQ.FT. XMRP = 1109.0000 IN. XO  
 LREF = 474.8100 IN. YMRP = .0000 IN. YO  
 BREF = 936.6800 IN. ZMRP = 375.0000 IN. ZO  
 SCALE = .0125

## PARAMETRIC DATA

BETA0 = .000 ELEVON = .000  
 BDFLAP = 16.300

RUN NO. 2/ 0 RN/L = .00 GRADIENT INTERVAL = -5.00/ 5.00

MACH	ALPHA	BETA0	CN	CLM	CA	CY	CYN	CBL	CL	CD
.597	.080	.06000	-.00370	-.00580	.05380	-.00680	-.00030	-.00060	-.00980	.05380
.598	.650	.07000	.01930	-.00390	.05250	-.00570	-.00040	-.00060	.01870	.05270
.596	1.090	.08000	.04130	-.00290	.05190	-.00630	-.00040	-.00070	.04030	.05270
.597	1.500	.06000	.06290	-.00180	.05080	-.00600	-.00040	-.00070	.06150	.05250
.596	1.960	.07000	.08500	-.00070	.05000	-.00510	-.00040	-.00070	.08330	.05290
.596	2.380	.05000	.10820	.00030	.04850	-.00560	-.00030	-.00080	.10600	.05300
.596	2.840	.08000	.12990	.00150	.04700	-.00550	-.00040	-.00080	.12740	.05340
.596	3.270	.08000	.15250	.00230	.04550	-.00540	-.00040	-.00090	.14960	.05420
.595	3.710	.08000	.17630	.00380	.04370	-.00490	-.00040	-.00090	.17310	.05500
.595	4.150	.07000	.19720	.00480	.04170	-.00460	-.00050	-.00090	.19360	.05590
.594	4.590	.07000	.22190	.00550	.03930	-.00510	-.00030	-.00100	.21800	.05700
.593	5.020	.05000	.24430	.00620	.03730	-.00490	-.00030	-.00110	.24010	.05860
.594	5.480	.08000	.26840	.00730	.03460	-.00470	-.00040	-.00100	.26390	.06020
.594	5.920	.05000	.29080	.00770	.03200	-.00440	-.00030	-.00100	.28590	.06190
.595	6.360	.08000	.31280	.00900	.02900	-.00380	-.00030	-.00080	.30760	.06340
.596	6.780	.05000	.33430	.01030	.02570	-.00360	-.00030	-.00100	.32890	.06510
.595	7.220	.08000	.35770	.01170	.02290	-.00390	-.00030	-.00100	.35200	.06770
.595	7.660	.05000	.37860	.01330	.01950	-.00340	-.00030	-.00070	.37260	.06980
.595	8.100	.05000	.39940	.01550	.01610	-.00350	-.00040	-.00090	.39310	.07230
.596	8.550	.05000	.42000	.01760	.01260	-.00340	-.00040	-.00100	.41350	.07490
.594	8.980	.04000	.44470	.01900	.00930	-.00360	-.00030	-.00110	.43780	.07870
.595	9.440	.05000	.46580	.02060	.00570	-.00360	-.00040	-.00100	.45850	.08210
.595	9.880	.07000	.49070	.02140	.00230	-.00330	-.00040	-.00100	.48310	.08650
.594	10.310	.05000	.51550	.02310	-.00110	-.00230	-.00050	-.00110	.50730	.09110
.594	10.780	.06000	.54500	.02400	-.00400	-.00180	-.00050	-.00100	.53620	.09800
.593	11.220	.09000	.57490	.02410	-.00670	-.00250	-.00040	-.00140	.56520	.10530
.594	11.660	.05000	.60120	.02450	-.00850	-.00300	-.00020	-.00150	.59050	.11310
.594	12.130	.08000	.63160	.02520	-.01020	-.00280	.00000	-.00140	.61970	.12270
.593	12.560	.10000	.66200	.02520	-.01080	-.00340	.00000	-.00110	.64850	.13340
.592	13.000	.04000	.69010	.02510	-.01090	-.00330	-.00010	-.00090	.67490	.14460
.593	13.440	.08000	.71010	.02590	-.01080	-.00320	-.00030	-.00090	.69320	.15450
.591	13.900	.03000	.73690	.02790	-.01130	-.00330	-.00030	-.00080	.71800	.16590
.592	14.330	.04000	.75650	.02900	-.01140	-.00230	-.00030	-.00070	.73580	.17610
.592	14.770	.08000	.77680	.03060	-.01100	-.00340	-.00020	-.00060	.75390	.18740
.593	15.200	.07000	.79620	.03200	-.01060	-.00360	-.00020	-.00050	.77110	.19850
.591	15.640	.04000	.82030	.03290	-.00960	-.00340	.00000	-.00050	.79250	.21180
.591	16.090	.06000	.84670	.03430	-.01010	-.00300	.00000	-.00090	.81630	.22490
.592	16.510	.04000	.86780	.03410	-.00940	-.00210	-.00050	-.00120	.83470	.23760
.593	16.960	.04000	.89180	.03410	-.00810	-.00330	-.00020	-.00070	.85530	.25250
.593	17.170	.06000	.90800	.03380	-.00800	-.00290	.00010	-.00060	.86990	.26040
	GRADIENT	.00211	.05117	.00250	-.00315	.00037	-.00001	-.00009	.05032	.00080

DATE 22 MAR 76

CA-26 FORCE SOURCE DATA TABULATION

PAGE 351

LTV44-559(CA26) 04 S

(WFE003) ( 18 NOV 75 )

## REFERENCE DATA

SREF = 2650.0000 SQ.FT. XMRP = 1109.0000 IN. XO  
 LREF = 474.8100 IN. YMRP = .0000 IN. YO  
 BREF = 936.6800 IN. ZMRP = 375.0000 IN. ZO  
 SCALE = .0125

## PARAMETRIC DATA

BETA0 = .000 ELEVON = 5.000  
 BDFLAP = .000

RUN NO. 4/ 0 RN/L = .00 GRADIENT INTERVAL = -5.00/ 5.00

MACH	ALPHA	BETA0	CN	CLM	CA	CY	CYN	CBL	CL	CD
.598	.180	.02000	.03770	-.01620	.05160	-.00690	-.00030	-.00040	.03750	.05170
.598	.750	.03000	.06700	-.01420	.05030	-.00670	-.00030	-.00050	.06640	.05120
.597	1.170	.02000	.08620	-.01320	.04930	-.00660	-.00030	-.00050	.08510	.05100
.597	1.600	.02000	.10740	-.01200	.04820	-.00620	-.00030	-.00040	.10600	.05110
.597	2.060	.02000	.13030	-.01060	.04660	-.00700	-.00020	-.00060	.12860	.05130
.596	2.460	.02000	.15470	-.00910	.04520	-.00680	-.00030	-.00050	.15260	.05180
.596	2.930	.04000	.17760	-.00770	.04310	-.00640	-.00030	-.00060	.17510	.05210
.596	3.340	.01000	.19880	-.00650	.04120	-.00610	-.00030	-.00050	.19600	.05270
.595	3.810	.01000	.22070	-.00540	.03930	-.00560	-.00030	-.00060	.21760	.05400
.594	4.240	.01000	.24160	-.00420	.03730	-.00550	-.00040	-.00050	.23820	.05500
.595	4.680	.00000	.26340	-.00270	.03410	-.00580	-.00030	-.00060	.25970	.05550
.594	5.110	.01000	.28730	-.00140	.03190	-.00540	-.00040	-.00050	.28330	.05740
.595	5.560	.00000	.30710	-.00070	.02930	-.00450	-.00030	-.00050	.30280	.05900
.595	6.010	.01000	.32980	.00060	.02630	-.00510	-.00030	-.00060	.32520	.06070
.595	6.430	.03000	.35090	.00180	.02310	-.00460	-.00040	-.00060	.34610	.06230
.594	6.880	.01000	.37630	.00260	.02000	-.00480	-.00040	-.00050	.37120	.06500
.595	7.320	.03000	.39610	.00370	.01660	-.00480	-.00030	-.00070	.39080	.06700
.594	7.740	.03000	.42020	.00530	.01320	-.00490	-.00030	-.00080	.41460	.06980
.593	8.200	.02000	.44320	.00650	.00980	-.00400	-.00030	-.00080	.43720	.07290
.592	8.630	.00000	.46720	.00800	.00600	-.00470	-.00030	-.00090	.46100	.07600
.594	9.080	.03000	.48650	.01000	.00230	-.00480	-.00030	-.00100	.48010	.07910
.594	9.530	.04000	.51030	.01110	-.00100	-.00480	-.00030	-.00090	.50350	.08340
.595	9.970	.01000	.53550	.01300	-.00460	-.00430	-.00040	-.00080	.52820	.08810
.594	10.420	.01000	.56360	.01430	-.00760	-.00430	-.00040	-.00100	.55570	.09430
.594	10.860	.02000	.58900	.01500	-.00980	-.00380	-.00030	-.00060	.58030	.10130
.592	11.310	.02000	.62190	.01580	-.01230	-.00440	-.00010	-.00100	.61230	.10980
.594	11.750	.01000	.64530	.01640	-.01390	-.00440	-.00010	-.00100	.63460	.11780
.592	12.200	.01000	.67680	.01670	-.01470	-.00320	.00000	-.00110	.66460	.12860
.591	12.650	.00000	.70730	.01680	-.01520	-.00460	.00000	-.00100	.69350	.14000
.591	13.100	.01000	.73200	.01750	-.01450	-.00510	-.00010	-.00040	.71620	.15170
.593	13.530	.01000	.74830	.01780	-.01340	-.00490	-.00020	-.00020	.73060	.16200
.592	13.970	.01000	.77310	.01890	-.01270	-.00540	.00000	.00020	.75330	.17430
.592	14.410	.01000	.80070	.01960	-.01170	-.00570	.00020	.00070	.77840	.18790
.591	14.860	.00000	.82870	.01990	-.01060	-.00570	.00030	.00110	.80370	.20220
.593	15.290	.00000	.84590	.02060	-.00940	-.00510	.00010	.00060	.81840	.21400
.591	15.720	.02000	.87220	.02090	-.00790	-.00610	.00010	.00040	.84170	.22870
.593	16.160	.03000	.89380	.02110	-.00690	-.00620	.00020	.00040	.86040	.24210
.593	16.620	.00000	.92110	.02020	-.00650	-.00580	.00020	.00060	.88450	.25730
.593	17.070	.00000	.95170	.02010	-.00660	-.00630	.00040	.00050	.91170	.27310
.592	17.300	.03000	.96850	.01980	-.00640	-.00620	.00040	.00040	.92650	.28190
	GRADIENT	-.00426	.05049	.00297	-.00383	.00029	-.00001	-.00003	.04970	.00096

LTV44-559(CA26) 04 S

(WFED04) ( 18 NOV 75 )

## REFERENCE DATA

SREF = 2690.0000 SQ.FT. XMRP = 1109.0000 IN. XO  
 LREF = 474.8100 IN. YMRP = .0000 IN. YO  
 BREF = 936.6800 IN. ZMRP = 375.0000 IN. ZO  
 SCALE = .0125

## PARAMETRIC DATA

BETA0 = -5.000 ELEVON = 5.000  
 BDFLAP = .000

RUN NO. 1004/ 0 RN/L = .00 GRADIENT INTERVAL = -5.00/ 5.00

MACH	ALPHA0	BETA0	CN	CLM	CA	CY	CYN	CBL	CL	CD
.595	.200	-5.08000	.04030	-.02120	.05030	.08890	-.00510	.00500	.04010	.05050
.594	.520	-5.08000	.05770	-.02000	.04980	.08920	-.00510	.00520	.05730	.05030
.595	.930	-5.08000	.07660	-.01900	.04880	.08880	-.00500	.00550	.07580	.05000
.594	1.360	-5.08000	.09840	-.01810	.04800	.08900	-.00500	.00570	.09720	.05040
.593	1.810	-5.05000	.12110	-.01600	.04660	.08950	-.00510	.00600	.11960	.05040
.594	2.230	-5.08000	.14130	-.01510	.04510	.08900	-.00500	.00630	.13940	.05060
.595	2.680	-5.09000	.16470	-.01350	.04330	.08880	-.00500	.00660	.16250	.05090
.594	3.120	-5.08000	.18410	-.01230	.04180	.08950	-.00490	.00680	.18160	.05180
.593	3.550	-5.06000	.20510	-.01130	.04030	.08920	-.00480	.00710	.20220	.05300
.594	3.990	-5.09000	.22760	-.00990	.03800	.08920	-.00470	.00730	.22440	.05370
.593	4.430	-5.08000	.25080	-.00800	.03590	.08890	-.00460	.00740	.24730	.05520
.592	4.870	-5.08000	.27090	-.00690	.03380	.08820	-.00440	.00750	.26700	.05670
.593	5.300	-5.07000	.29150	-.00570	.03120	.08700	-.00440	.00770	.28730	.05810
.592	5.740	-5.06000	.31420	-.00430	.02840	.08750	-.00420	.00800	.30970	.05980
.592	6.180	-5.08000	.33690	-.00310	.02560	.08770	-.00430	.00840	.33220	.06180
.592	6.620	-5.09000	.35670	-.00200	.02260	.08770	-.00440	.00870	.35170	.06360
.591	7.070	-5.07000	.38040	-.00030	.01970	.08880	-.00470	.00910	.37510	.06650
.593	7.500	-5.08000	.40090	.00030	.01690	.08800	-.00480	.00960	.39530	.06910
.593	7.950	-5.04000	.42470	.00160	.01340	.08790	-.00490	.00990	.41880	.07210
.591	8.390	-5.06000	.45080	.00310	.01040	.08870	-.00500	.01030	.44440	.07610
.593	8.820	-5.05000	.46910	.00370	.00690	.08750	-.00490	.01050	.46250	.07880
.594	9.270	-5.06000	.49570	.00540	.00300	.08870	-.00510	.01090	.48870	.08280
.592	9.720	-5.08000	.52270	.00630	-.00040	.08880	-.00510	.01110	.51520	.08780
.594	10.160	-5.06000	.54480	.00750	-.00380	.08840	-.00530	.01120	.53690	.09240
.592	10.610	-5.06000	.57080	.00780	-.00670	.08890	-.00530	.01150	.56230	.09850
.593	11.040	-5.07000	.59880	.00830	-.00910	.08930	-.00520	.01180	.58950	.10580
.593	11.510	-5.07000	.62770	.00820	-.01160	.08930	-.00510	.01210	.61740	.11380
.592	11.940	-5.09000	.65600	.00870	-.01350	.08930	-.00500	.01210	.64460	.12260
.592	12.400	-5.06000	.68130	.00880	-.01420	.08930	-.00550	.01200	.66840	.13240
.592	12.840	-5.06000	.70630	.00940	-.01460	.09040	-.00610	.01180	.69190	.14260
.591	13.280	-5.08000	.73500	.00970	-.01460	.09200	-.00670	.01110	.71870	.15450
.593	13.720	-5.07000	.75420	.01060	-.01430	.09310	-.00710	.01080	.73600	.16500
.592	14.160	-5.08000	.77960	.01290	-.01420	.09440	-.00750	.01100	.75940	.17690
.591	14.600	-5.07000	.80570	.01450	-.01340	.09530	-.00770	.01080	.78310	.19010
.590	15.030	-5.10000	.82740	.01480	-.01250	.09620	-.00810	.01040	.80230	.20250
.592	15.460	-5.10000	.84670	.01520	-.01080	.09660	-.00820	.01010	.81890	.21530
.592	15.910	-5.10000	.86660	.01580	-.00790	.09540	-.00770	.01140	.83560	.23000
.590	16.350	-5.08000	.88490	.01590	-.00590	.09530	-.00730	.01260	.86040	.24620
.591	16.800	-5.07000	.91970	.01600	-.00590	.09550	-.00740	.01300	.88200	.26100
.592	17.230	-5.10000	.94470	.01650	-.00680	.09680	-.00770	.01300	.90430	.27340
GRADIENT		-.00059	.04928	.00305	-.00355	-.00006	.00013	.00056	.04849	.00127

LTV44-559(CA26) 02 S1

(WFE005) ( 18 NOV 75 )

## REFERENCE DATA

SREF = 2690.0000 SQ.FT. XMRP = 1109.0000 IN. XO  
 LREF = 474.8100 IN. YMRP = .0000 IN. YO  
 BREF = 936.6800 IN. ZMRP = 375.0000 IN. ZO  
 SCALE = .0125

## PARAMETRIC DATA

BETA0 = .000 ELEVON = 5.000  
 BDFLAP = .000

RUN NO. 7/ 0 RN/L = .00 GRADIENT INTERVAL = -5.00/ 5.00

MACH	ALPHA0	BETA0	CN	CLM	CA	CY	CYN	CBL	CL	CD
.598	.150	.09000	.01690	-.01280	.06270	-.00610	-.00140	.00030	.01680	.06280
.597	.700	.09000	.04230	-.01080	.06140	-.00640	-.00140	.00020	.04150	.06190
.597	1.100	.08000	.06280	-.01000	.06050	-.00560	-.00140	.00010	.05160	.06170
.595	1.540	.07000	.08200	-.00870	.05940	-.00570	-.00130	.00020	.08040	.06160
.595	2.010	.08000	.10300	-.00730	.05790	-.00560	-.00110	.00020	.10090	.06150
.595	2.440	.08000	.12610	-.00610	.05620	-.00560	-.00120	.00010	.12360	.06150
.594	2.890	.09000	.14600	-.00480	.05480	-.00550	-.00130	.00020	.14310	.06210
.594	3.320	.07000	.16460	-.00350	.05350	-.00500	-.00130	.00010	.16120	.06300
.594	3.760	.08000	.18590	-.00230	.05150	-.00410	-.00120	.00010	.18210	.06360
.594	4.210	.08000	.20670	-.00070	.04910	-.00390	-.00110	.00010	.20250	.06420
.594	4.620	.06000	.22650	.00020	.04690	-.00390	-.00100	.00010	.22200	.06510
.593	5.070	.04000	.24910	.00120	.04440	-.00320	-.00110	.00000	.24420	.06630
.593	5.520	.07000	.26950	.00280	.04200	-.00340	-.00100	.00000	.26420	.06770
.593	5.960	.07000	.29020	.00370	.03910	-.00360	-.00110	.00010	.28450	.06900
.592	6.380	.02000	.31080	.00500	.03670	-.00240	-.00100	.00000	.30480	.07110
.592	6.850	.06000	.33250	.00590	.03320	-.00230	-.00110	.00000	.32620	.07270
.591	7.280	.08000	.35160	.00680	.03080	-.00250	-.00090	.00000	.34490	.07510
.593	7.710	.06000	.37260	.00790	.02740	-.00150	-.00080	.00000	.36550	.07720
.592	8.160	.04000	.39570	.00940	.02390	-.00250	-.00090	.00000	.38820	.07980
.592	8.610	.03000	.41670	.01120	.02080	-.00220	-.00090	.00000	.40890	.08300
.592	9.050	.04000	.43670	.01260	.01720	-.00170	-.00080	.00010	.42860	.08570
.592	9.490	.01000	.45760	.01420	.01410	-.00170	-.00080	.00010	.44900	.08940
.590	9.910	.04000	.48270	.01620	.01090	-.00190	-.00080	.00000	.47360	.09380
.591	10.360	.06000	.50140	.01670	.00750	-.00210	-.00080	-.00020	.49180	.09760
.590	10.800	.01000	.52700	.01850	.00420	-.00120	-.00070	.00000	.51690	.10300
.590	11.260	.04000	.55330	.01950	.00150	-.00060	-.00060	-.00010	.54240	.10950
.592	11.730	.02000	.57610	.02070	-.00050	-.00100	-.00060	-.00040	.56410	.11660
.589	12.160	.02000	.60660	.02100	-.00280	-.00090	-.00050	-.00070	.59360	.12510
.590	12.630	.01000	.63050	.02140	-.00420	-.00030	-.00040	-.00060	.61610	.13370
.588	13.070	.02000	.65900	.02250	-.00550	-.00040	-.00030	-.00070	.64320	.14360
.590	13.520	.00000	.68060	.02260	-.00600	-.00050	-.00040	-.00040	.66310	.15320
.590	13.960	.00000	.70790	.02250	-.00560	.00000	-.00050	-.00020	.68830	.16540
.589	14.410	-.02000	.73130	.02290	-.00430	.00080	-.00050	-.00010	.70940	.17780
.589	14.830	.01000	.75220	.02410	-.00360	-.00530	-.00060	.00010	.72810	.18900
.590	15.280	.04000	.77300	.02440	-.00300	-.00050	-.00040	.00060	.74640	.20080
.589	15.710	.06000	.79910	.02520	-.00230	-.00040	-.00010	.00110	.76990	.21410
.589	16.170	.00000	.81770	.02510	-.00090	-.00120	-.00020	.00150	.78560	.22690
.589	16.620	.00000	.84060	.02540	.00070	-.00160	.00000	.00130	.80530	.24110
.590	17.060	-.01000	.85270	.02560	.00210	-.00070	.00010	.00130	.82410	.25520
.589	17.260	.01000	.87650	.02540	.00280	-.00050	.00020	.00130	.83620	.26280
	GRADIENT	-.00366	.04677	.00290	-.00348	.00055	.00007	-.00003	.04579	.00060

ORIGINAL PAGE IS  
 OF POOR QUALITY

LTV44-559(CA26) 02 S1

(WFE005) ( 18 NOV 75 )

## REFERENCE DATA

SREF = 2690.0000 SQ.FT. XMRP = 1109.0000 IN. XO  
 LREF = 474.8100 IN. YMRP = .0000 IN. YO  
 BREF = 936.6800 IN. ZMRP = 375.0000 IN. ZO  
 SCALE = .0125

## PARAMETRIC DATA

BETA0 = -5.000 ELEVON = 5.000  
 BDFLAP = .000

RUN NO. 1007/ 0 RN/L = .00 GRADIENT INTERVAL = -5.00/ 5.00

MACH	ALPHA0	BETA0	CN	CLM	CA	CY	CYN	CBL	CL	CD
.590	.290	-5.22000	.01740	-.01520	.05940	.05540	.01030	-.00590	.01710	.05950
.591	.660	-5.22000	.03590	-.01360	.05820	.05600	.01030	-.00560	.03520	.05860
.591	1.050	-5.23000	.05470	-.01260	.05710	.05670	.01030	-.00540	.05360	.05810
.591	1.540	-5.22000	.07420	-.01150	.05630	.05550	.01020	-.00500	.07270	.05820
.590	1.970	-5.23000	.09750	-.01000	.05540	.05660	.01030	-.00460	.09560	.05870
.591	2.410	-5.22000	.11590	-.00830	.05410	.05620	.01020	-.00440	.11350	.05900
.591	2.870	-5.23000	.13740	-.00710	.05260	.05700	.01020	-.00400	.13460	.05950
.591	3.290	-5.23000	.15590	-.00620	.05130	.05720	.01020	-.00370	.15270	.06010
.592	3.740	-5.22000	.17700	-.00470	.04910	.05750	.01010	-.00340	.17340	.06060
.591	4.160	-5.22000	.19600	-.00340	.04740	.05790	.01020	-.00310	.19200	.06150
.589	4.610	-5.23000	.21800	-.00240	.04580	.05810	.01010	-.00270	.21360	.06320
.590	5.040	-5.22000	.23600	-.00100	.04340	.05780	.01000	-.00240	.23120	.06400
.590	5.470	-5.23000	.25670	.00000	.04190	.05820	.01000	-.00220	.25150	.06620
.589	5.920	-5.25000	.27780	.00140	.03940	.05950	.01020	-.00190	.27220	.06790
.589	6.370	-5.23000	.29890	.00310	.03700	.05850	.01010	-.00140	.29300	.07000
.589	6.810	-5.22000	.32100	.00450	.03410	.05910	.01020	-.00110	.31470	.07200
.589	7.250	-5.22000	.33990	.00600	.03210	.05830	.01010	-.00060	.33320	.07480
.588	7.680	-5.22000	.36100	.00700	.02950	.05860	.01010	-.00020	.35360	.07750
.589	8.110	-5.24000	.38070	.00800	.02630	.05860	.01010	.00000	.37320	.07980
.589	8.560	-5.23000	.40430	.00910	.02310	.05980	.01010	.00050	.39630	.08310
.589	9.010	-5.24000	.42640	.01030	.01960	.05940	.01010	.00070	.41800	.08610
.589	9.470	-5.24000	.44980	.01150	.01660	.06000	.01020	.00110	.44090	.09040
.590	9.890	-5.25000	.47250	.01270	.01290	.05970	.01010	.00130	.46320	.09390
.590	10.340	-5.26000	.49430	.01390	.01000	.06050	.01020	.00150	.48440	.09870
.589	10.800	-5.25000	.51680	.01520	.00660	.05920	.01020	.00160	.50640	.10330
.588	11.240	-5.23000	.54120	.01650	.00340	.05950	.01020	.00190	.53010	.10880
.588	11.670	-5.24000	.56140	.01700	.00080	.06060	.01030	.00200	.54960	.11440
.588	12.110	-5.24000	.58860	.01780	-.00240	.05990	.01050	.00200	.57600	.12110
.590	12.590	-5.24000	.61400	.01810	-.00480	.05970	.01070	.00220	.60030	.12900
.589	13.040	-5.25000	.64130	.01890	-.00730	.05100	.01080	.00230	.62640	.13760
.589	13.450	-5.26000	.66030	.01930	-.00960	.05950	.01030	.00220	.64420	.14510
.588	13.910	-5.25000	.68480	.01990	-.00940	.06100	.00980	.00220	.66700	.15550
.588	14.370	-5.26000	.71140	.02010	-.00940	.06290	.00950	.00150	.69150	.16740
.587	14.790	-5.28000	.73740	.02070	-.00950	.06350	.00920	.00110	.71540	.17900
.587	15.230	-5.25000	.75700	.02120	-.00920	.06470	.00890	.00070	.73280	.18990
.587	15.670	-5.27000	.77810	.02240	-.00880	.06660	.00880	.00060	.75160	.20170
.588	16.120	-5.26000	.79990	.02350	-.00830	.06630	.00840	.00030	.77070	.21410
.587	16.570	-5.27000	.82600	.02520	-.00790	.06810	.00840	.00010	.79400	.22800
.587	17.000	-5.24000	.84410	.02610	-.00720	.06830	.00850	.00030	.80930	.23990
.586	17.220	-5.28000	.85610	.02590	-.00710	.06860	.00850	.00020	.81980	.24660
GRADIENT		-.00081	.04604	.00295	-.00308	.00057	-.00004	.00073	.04510	.00088



LTV44-559(CA26) 02 S1

(WFE007) ( 18 NOV 75 )

## REFERENCE DATA

## PARAMETRIC DATA

SREF = 2690.0000 SQ.FT. XMRP = 1109.0000 IN. XO  
 LREF = 474.8100 IN. YMRP = .0000 IN. YO  
 BREF = 936.6800 IN. ZMRP = 375.0000 IN. ZO  
 SCALE = .0125

ALPHA0 = 8.000 BETA0 = .000  
 ELEVON = 5.000 BOFLAP = .000

RUN NO. 8/ 0 RN/L = .00 GRADIENT INTERVAL = -5.00/ 5.00

MACH	DZ	DY	DX	CN	CLM	CA	CY	CYN	CBL	CL	CD
.590	.650	.00000	.00000	.44740	.01470	.01450	.00110	-.00040	.00000	.43970	.08410
.592	2.650	.00000	.00000	.44600	.01460	.01450	.00000	-.00040	.00000	.43830	.08390
.591	3.990	.00000	.00000	.44870	.01490	.01430	.00000	-.00040	.00000	.44090	.08410
.593	5.320	.00000	.00000	.44580	.01480	.01460	.00060	-.00040	.00000	.43800	.08390
.592	6.660	.00000	.00000	.44760	.01500	.01470	.00050	-.00050	-.00010	.43980	.08430
.591	7.980	.00000	.00000	.44690	.01450	.01460	.00000	-.00040	.00000	.43920	.08390
.591	9.320	.00000	.00000	.44660	.01480	.01480	.00010	-.00050	.00000	.43890	.08390
.592	10.650	.00000	.00000	.44600	.01480	.01460	.00040	-.00050	.00000	.43830	.08360
.593	11.990	.00000	.00000	.44240	.01430	.01540	.00060	-.00050	.00000	.43460	.08360
.592	13.320	.00000	.00000	.44520	.01440	.01520	-.00050	-.00060	.00000	.43750	.08410
.592	14.650	.00000	.00000	.44430	.01440	.01510	-.00040	-.00040	.00030	.43660	.08370
.593	15.990	.00000	.00000	.43940	.01420	.01570	-.00040	-.00040	.00010	.43160	.08350
.592	17.320	.00000	.00000	.44040	.01400	.01550	-.00020	-.00050	.00000	.43270	.08320
.593	18.650	.00000	.00000	.43880	.01390	.01580	-.00080	-.00050	.00000	.43110	.08330
.593	19.990	.00000	.00000	.43890	.01400	.01560	-.00020	-.00040	.00010	.43120	.08310
.593	21.320	.00000	.00000	.44020	.01390	.01570	-.00100	-.00040	.00010	.43250	.08340
.593	22.650	.00000	.00000	.43940	.01370	.01570	-.00050	-.00040	.00010	.43170	.08320
.593	23.990	.00000	.00000	.43850	.01370	.01590	.00000	-.00040	.00010	.43090	.08300
.592	25.320	.00000	.00000	.43800	.01390	.01610	-.00030	-.00040	.00020	.43030	.08300
.593	26.660	.00000	.00000	.43780	.01370	.01590	-.00060	-.00050	.00010	.43020	.08280
.593	27.980	.00000	.00000	.43810	.01410	.01590	-.00070	-.00040	.00020	.43050	.08270
.593	29.320	.00000	.00000	.43510	.01350	.01620	-.00050	-.00040	.00020	.42750	.08260
.593	30.650	.00000	.00000	.43730	.01370	.01630	-.00090	-.00040	.00010	.42960	.08300
.593	31.990	.00000	.00000	.43590	.01360	.01620	-.00080	-.00040	.00000	.42830	.08260
.593	33.320	.00000	.00000	.43410	.01330	.01660	-.00190	-.00050	.00000	.42650	.08260
.594	34.650	.00000	.00000	.43380	.01370	.01640	-.00070	-.00040	.00010	.42620	.08250
.593	35.980	.00000	.00000	.43480	.01350	.01690	-.00070	-.00040	.00000	.42710	.08300
.594	37.320	.00000	.00000	.43170	.01340	.01680	-.00030	-.00040	.00010	.42420	.08230
.593	38.650	.00000	.00000	.43380	.01330	.01660	-.00050	-.00030	.00000	.42630	.08220
.593	39.990	.00000	.00000	.43240	.01330	.01660	-.00050	-.00030	.00000	.42490	.08210
.594	41.320	.00000	.00000	.43190	.01330	.01680	-.00110	-.00040	.00010	.42430	.08200
.593	42.650	.00000	.00000	.43040	.01290	.01720	-.00100	-.00040	.00010	.42280	.08220
.593	43.990	.00000	.00000	.42950	.01280	.01740	-.00090	-.00040	.00020	.42190	.08230
.593	45.320	.00000	.00000	.43100	.01290	.01730	-.00150	-.00040	.00000	.42350	.08200
.593	46.660	.00000	.00000	.42870	.01270	.01760	-.00180	-.00050	.00000	.42110	.08190
.593	48.650	.00000	.00000	.42950	.01260	.01740	-.00060	-.00050	.00020	.42200	.08190
.594	50.650	.00000	.00000	.42750	.01300	.01730	-.00200	-.00070	.00020	.42010	.08150
.595	52.650	.00000	.00000	.42490	.01230	.01770	-.00090	-.00050	.00000	.41740	.08140
.594	54.650	.00000	.00000	.42700	.01290	.01750	-.00140	-.00050	.00010	.41960	.08150
.593	56.650	.00000	.00000	.42700	.01300	.01760	-.00170	-.00060	.00030	.41970	.08130
.593	58.650	.00000	.00000	.42630	.01200	.01800	-.00280	-.00070	.00020	.41890	.08160
.594	60.650	.00000	.00000	.42280	.01210	.01840	-.00180	-.00050	.00030	.41530	.08140
.594	62.650	.00000	.00000	.42580	.01230	.01830	-.00280	-.00060	.00030	.41840	.08140

LTV44-559(CA26) 02 S1

(WFE007) ( 18 NOV 75 )

## REFERENCE DATA

SREF = 2690.0000 SQ.FT. XMRP = 1109.0000 IN. XO  
 LREF = 474.8100 IN. YMRP = .0000 IN. YO  
 BREF = 936.6800 IN. ZMRP = 375.0000 IN. ZO  
 SCALE = .0125

## PARAMETRIC DATA

ALPHAO = 8.000 BETA0 = .000  
 ELEVON = 5.000 BDFLAP = .000

RUN NO. B/ D RN/L = .00 GRADIENT INTERVAL = -5.00/ 5.00

MACH	DZ	DY	DX	CN	CLM	CA	CY	CYN	CBL	CL	CD
.593	64.650	.00000	.00000	.42240	.01170	.01890	-.00280	-.00060	.00040	.41480	.08150
.594	66.650	.00000	.00000	.42120	.01150	.01870	-.00320	-.00070	.00040	.41380	.08110
.594	68.650	.00000	.00000	.42510	.01250	.01820	-.00190	-.00050	.00030	.41770	.08120
.594	70.650	.00000	.00000	.42320	.01190	.01870	-.00440	-.00070	.00080	.41580	.08130
.594	72.650	.00000	.00000	.42120	.01130	.01890	-.00410	-.00060	.00060	.41380	.08090
	GRADIENT	.00000	.00000	.00030	.00005	-.00006	-.00035	.00000	.00000	.00028	-.00001

DATE 22 MAR 76

CA-26 FORCE SOURCE DATA TABULATION

PAGE 357

LTV44-559(CA26) 02 S1

(WFE008) ( 18 NOV 75 )

## REFERENCE DATA

SREF = 2690.0000 SQ.FT. XMRP = 1109.0000 IN. XO  
 LREF = 474.8100 IN. YMRP = .0000 IN. YO  
 BREF = 936.6800 IN. ZMRP = 375.0000 IN. ZO  
 SCALE = .0125

## PARAMETRIC DATA

BETA0 = .000 ELEVON = .000  
 BDFLAP = .000

RUN NO. 9/ 0 RN/L = .00 GRADIENT INTERVAL = -5.00/ 5.00

MACH	ALPHA0	BETA0	CN	CLM	CA	CY	CYN	CBL	CL	CD
.594	.060	.04000	-.06670	.02190	.05800	-.00690	-.00150	.00010	-.06680	.05790
.592	.610	.03000	-.03880	.02360	.05710	-.00590	-.00140	.00000	-.03940	.05670
.593	1.050	.03000	-.02010	.02480	.05630	-.00640	-.00130	.00000	-.02110	.05600
.594	1.490	.03000	-.00080	.02580	.05530	-.00640	-.00140	-.00010	-.00220	.05520
.592	1.920	.05000	.02170	.02750	.05410	-.00510	-.00120	-.00010	.01980	.05480
.592	2.370	.01000	.04210	.02850	.05260	-.00470	-.00120	-.00020	.03990	.05430
.592	2.840	.04000	.06450	.03010	.05060	-.00480	-.00120	-.00020	.06190	.05380
.592	3.250	.05000	.08440	.03110	.04920	-.00460	-.00120	-.00030	.08140	.05390
.592	3.660	.02000	.10480	.03230	.04740	-.00450	-.00130	-.00040	.10160	.05400
.592	4.090	.02000	.12430	.03330	.04610	-.00340	-.00130	-.00030	.12070	.05400
.591	4.570	.03000	.14510	.03440	.04360	-.00340	-.00110	-.00030	.14120	.05500
.590	5.010	.03000	.16600	.03570	.04120	-.00320	-.00110	-.00040	.16170	.05550
.591	5.430	.02000	.18530	.03670	.03900	-.00320	-.00110	-.00020	.18080	.05630
.591	5.870	.00000	.20840	.03770	.03610	-.00280	-.00110	-.00030	.20360	.05720
.590	6.300	.00000	.22820	.03870	.03380	-.00240	-.00110	-.00040	.22310	.05860
.590	6.760	.02000	.25130	.03970	.03040	-.00230	-.00110	-.00040	.24590	.05980
.590	7.180	.04000	.27140	.04070	.02740	-.00280	-.00100	-.00040	.26590	.06110
.590	7.620	.01000	.29110	.04190	.02480	-.00270	-.00100	-.00030	.28520	.06320
.590	8.070	.01000	.31120	.04330	.02120	-.00220	-.00090	-.00030	.30510	.06480
.589	8.500	.00000	.33350	.04510	.01830	-.00170	-.00080	-.00020	.32710	.06740
.590	8.940	.01000	.35300	.04710	.01500	-.00180	-.00090	-.00020	.34640	.06970
.591	9.410	.01000	.37250	.04950	.01130	-.00190	-.00080	-.00020	.36560	.07210
.590	9.830	.00000	.39390	.05120	.00820	-.00150	-.00070	-.00020	.38670	.07530
.590	10.290	.00000	.41430	.05280	.00490	-.00160	-.00080	-.00010	.40680	.07880
.589	10.710	.02000	.43630	.05410	.00210	-.00120	-.00080	-.00020	.42830	.08320
.589	11.170	.01000	.46010	.05530	-.00120	-.00070	-.00080	-.00020	.45160	.08790
.590	11.620	.00000	.48680	.05600	-.00400	-.00030	-.00070	-.00040	.47770	.09400
.589	12.060	-.01000	.51290	.05690	-.00660	-.00010	-.00060	-.00070	.50300	.10070
.588	12.510	.00000	.53980	.05740	-.00800	-.00030	-.00060	-.00080	.52870	.10900
.589	12.960	.00000	.56420	.05790	-.00940	-.00020	-.00030	-.00100	.55190	.11730
.589	13.400	.00000	.59150	.05800	-.01030	-.00030	-.00030	-.00080	.57770	.12700
.589	13.840	.00000	.61850	.05780	-.01020	-.00070	-.00010	-.00060	.60300	.13800
.589	14.290	-.01000	.64050	.05820	-.00930	-.00070	-.00020	-.00030	.62290	.14910
.589	14.750	.00000	.66310	.05880	-.00930	-.00010	-.00040	-.00010	.64360	.15990
.589	15.200	.00000	.68440	.06000	-.00880	-.00010	-.00040	-.00010	.66280	.17090
.589	15.620	.00000	.70570	.06100	-.00790	.00000	-.00030	.00010	.68170	.18240
.589	16.060	.01000	.72700	.06220	-.00740	-.00080	.00060	.00060	.70060	.19390
.588	16.500	.00000	.74820	.06310	-.00680	-.00030	-.00010	.00040	.71990	.20620
.588	16.920	.00000	.77330	.06340	-.00520	-.00010	.00000	.00050	.74130	.22010
.588	17.140	.01000	.78370	.06350	-.00430	-.00090	.00000	.00050	.75010	.22680
GRADIENT		-.00183	.04717	.00281	-.00324	.00076	.00006	-.00010	.04632	-.00065

LTV44-559(CA26) 02 51

(WFE009) ( 18 NOV 75 )

## REFERENCE DATA

SREF = 2690.0000 SQ.FT. XMRP = 1109.0000 IN. XO  
 LREF = 474.8100 IN. YMRP = .0000 IN. YO  
 BREF = 936.6800 IN. ZMRP = 375.0000 IN. ZO  
 SCALE = .0125

## PARAMETRIC DATA

BETA0 = .000 ELEVON = .000  
 BDFLAP = 16.300

RUN NO. 10/ 0 RN/L = .00 GRADIENT INTERVAL = -5.00/ 5.00

MACH	ALPHA0	BETA0	CN	CLM	CA	CY	CYN	CBL	CL	CD
.590	.230	.06000	-.02640	-.00100	.05990	-.00560	-.00170	.00000	-.02670	.05980
.591	.620	.06000	-.00540	.00000	.05880	-.00570	-.00170	.00000	-.00600	.05870
.589	1.060	.05000	.01380	.00100	.05850	-.00440	-.00160	.00000	.01270	.05870
.589	1.490	.06000	.03570	.00270	.05750	-.00530	-.00160	.00000	.03420	.05840
.591	1.930	.02000	.05600	.00380	.05580	-.00420	-.00140	-.00010	.05400	.05760
.592	2.350	.05000	.07650	.00520	.05420	-.00410	-.00150	-.00020	.07420	.05730
.591	2.820	.07000	.09730	.00640	.05250	-.00430	-.00140	-.00020	.09460	.05730
.592	3.230	.05000	.11810	.00750	.05070	-.00380	-.00140	-.00030	.11500	.05730
.591	3.680	.06000	.13670	.00850	.04930	-.00310	-.00130	-.00030	.13330	.05800
.591	4.110	.04000	.15860	.00990	.04700	-.00340	-.00130	-.00030	.15480	.05830
.590	4.560	.04000	.17990	.01100	.04480	-.00280	-.00120	-.00040	.17580	.05900
.590	5.000	.03000	.19990	.01190	.04240	-.00310	-.00130	-.00040	.19550	.05970
.591	5.450	.04000	.22160	.01320	.04010	-.00280	-.00120	-.00040	.21680	.06100
.590	5.880	.05000	.24310	.01400	.03700	-.00240	-.00110	-.00040	.23800	.06170
.588	6.320	.04000	.26530	.01500	.03450	-.00260	-.00120	-.00030	.25990	.06360
.590	6.770	.04000	.28570	.01600	.03140	-.00280	-.00110	-.00040	.28000	.06490
.590	7.210	.03000	.30550	.01690	.02850	-.00180	-.00110	-.00030	.29950	.06670
.590	7.630	.03000	.32540	.01810	.02600	-.00160	-.00120	-.00030	.31900	.06900
.589	8.070	.04000	.34730	.01990	.02240	-.00160	-.00100	-.00020	.34070	.07100
.589	8.540	.04000	.36660	.02210	.01930	-.00220	-.00100	-.00020	.35970	.07350
.589	8.960	.04000	.38860	.02380	.01570	-.00140	-.00080	-.00010	.38140	.07600
.591	9.400	.04000	.40560	.02550	.01270	-.00150	-.00090	-.00020	.39800	.07880
.590	9.850	.03000	.42770	.02720	.00930	-.00190	-.00090	.00000	.41970	.08240
.588	10.300	.01000	.45280	.02860	.00620	-.00040	-.00080	-.00010	.44440	.08710
.589	10.740	.02000	.47370	.03010	.00300	-.00020	-.00080	-.00010	.46490	.09130
.590	11.160	.03000	.49660	.03160	.00000	-.00130	-.00090	-.00040	.48720	.09620
.591	11.610	.03000	.52100	.03230	-.00230	-.00050	-.00090	-.00050	.51080	.10260
.591	12.070	.01000	.54670	.03280	-.00440	.00000	-.00070	-.00070	.53560	.11000
.588	12.520	.02000	.57870	.03320	-.00570	-.00100	-.00050	-.00120	.56620	.11990
.588	12.990	.02000	.60430	.03350	-.00640	-.00040	-.00040	-.00100	.59020	.12960
.590	13.400	.01000	.62610	.03310	-.00680	-.00030	-.00030	-.00080	.61060	.13850
.591	13.870	.02000	.65350	.03330	-.00550	-.00080	-.00050	-.00040	.63570	.15120
.588	14.320	.02000	.67940	.03370	-.00480	-.00110	-.00070	-.00030	.65940	.16330
.588	14.760	.01000	.70050	.03430	-.00420	-.00040	-.00060	-.00020	.67850	.17440
.588	15.190	.00000	.72000	.03540	-.00360	.00020	-.00070	.00000	.69580	.18510
.588	15.620	.00000	.74020	.03600	-.00310	.00060	-.00030	.00020	.71370	.19630
.588	16.050	.01000	.76360	.03720	-.00190	-.00030	-.00020	.00060	.73440	.20940
.586	16.490	.02000	.79050	.03780	-.00060	-.00070	-.00010	.00070	.75810	.22380
.588	16.950	.02000	.81240	.03790	.00040	-.00090	.00000	.00090	.77690	.23730
.589	17.180	.01000	.82100	.03760	.00110	-.00090	-.00010	.00090	.78400	.24350
	GRADIENT	-.00376	.04721	.00276	-.00367	.00058	.00010	-.00010	.04634	-.00003

DATE 22 MAR 76

CA-26 FORCE SOURCE DATA TABULATION

PAGE 359

LTV44-559(CA26) 02 S1

(WFE010) ( 18 NOV 75 )

## REFERENCE DATA

SREF = 2690.0000 SQ.FT. XMRP = 1109.0000 IN. XO  
 LREF = 474.8100 IN. YMRP = .0000 IN. YO  
 BREF = 936.6800 IN. ZMRP = 375.0000 IN. ZO  
 SCALE = .0125

## PARAMETRIC DATA

BETA0 = .000 ELEVON = .000  
 BDFLAP = -11.700

RUN NO. 11/ 0 RN/L = .00 GRADIENT INTERVAL = -5.00/ 5.00

MACH	ALPHA0	BETA0	CN	CLM	CA	CY	CYN	CBL	CL	CD
.595	.020	.06000	-.09590	.03780	.06340	-.00840	-.00160	.00000	-.09590	.06330
.597	.590	.06000	-.05740	.03970	.06220	-.00790	-.00160	.00000	-.06800	.06150
.597	.990	.10000	-.04740	.04090	.06130	-.00730	-.00140	-.00010	-.04840	.06050
.596	1.420	.09000	-.02870	.04240	.06060	-.00720	-.00140	-.00010	-.03020	.05980
.595	1.850	.08000	-.00740	.04410	.05930	-.00730	-.00140	-.00020	-.00940	.05910
.596	2.310	.07000	.01230	.04520	.05820	-.00740	-.00150	-.00030	.00990	.05870
.596	2.750	.07000	.03400	.04670	.05650	-.00660	-.00140	-.00030	.03120	.05800
.597	3.180	.07000	.05330	.04790	.05480	-.00600	-.00130	-.00040	.05020	.05770
.596	3.620	.07000	.07240	.04910	.05300	-.00560	-.00140	-.00050	.06890	.05750
.595	4.060	.07000	.09470	.05070	.05100	-.00480	-.00130	-.00050	.09080	.05760
.595	4.500	.08000	.11510	.05230	.04870	-.00570	-.00130	-.00050	.11090	.05760
.594	4.930	.07000	.13580	.05320	.04680	-.00500	-.00130	-.00060	.13130	.05830
.594	5.390	.04000	.15680	.05450	.04400	-.00520	-.00140	-.00040	.15200	.05850
.595	5.820	.07000	.17840	.05560	.04130	-.00480	-.00130	-.00060	.17330	.05920
.594	6.270	.04000	.20000	.05700	.03840	-.00390	-.00110	-.00060	.19460	.06010
.596	6.710	.04000	.22100	.05760	.03520	-.00440	-.00120	-.00050	.21540	.06080
.596	7.150	.04000	.24260	.05870	.03210	-.00460	-.00120	-.00060	.23670	.06210
.595	7.590	.03000	.26320	.06000	.02960	-.00310	-.00110	-.00060	.25790	.06410
.596	8.060	.05000	.28500	.06180	.02580	-.00310	-.00110	-.00050	.27850	.06550
.594	8.500	.05000	.30720	.06410	.02240	-.00330	-.00100	-.00050	.30050	.06760
.595	8.930	.03000	.32670	.06580	.01920	-.00370	-.00100	-.00030	.31980	.06970
.595	9.360	.01000	.34690	.06810	.01590	-.00300	-.00100	-.00030	.33970	.07220
.596	9.820	.00000	.36510	.06980	.01240	-.00310	-.00100	-.00030	.35760	.07450
.596	10.280	.03000	.38860	.07190	.00840	-.00300	-.00100	-.00030	.38090	.07770
.596	10.710	.01000	.40970	.07310	.00540	-.00270	-.00100	-.00040	.40150	.08150
.595	11.140	.00000	.43650	.07430	.00190	-.00160	-.00090	-.00050	.42790	.08630
.595	11.620	.01000	.46190	.07460	-.00030	-.00140	-.00110	-.00070	.45250	.09260
.596	12.050	.00000	.48800	.07540	-.00270	-.00120	-.00090	-.00090	.47780	.09910
.594	12.510	-.01000	.51600	.07530	-.00460	-.00060	-.00060	-.00110	.50470	.10730
.596	12.980	.00000	.54040	.07620	-.00570	-.00060	-.00060	-.00110	.52790	.11580
.596	13.420	.00000	.56500	.07620	-.00610	-.00130	-.00050	-.00100	.55100	.12510
.594	13.860	-.01000	.59550	.07600	-.00560	-.00060	-.00050	-.00060	.57950	.13720
.595	14.320	.00000	.61980	.07680	-.00540	-.00050	-.00060	-.00050	.60190	.14810
.596	14.760	.00000	.64050	.07760	-.00510	-.00060	-.00060	-.00030	.62070	.15830
.595	15.180	-.02000	.66330	.07840	-.00510	.00050	-.00060	-.00010	.64140	.16880
.595	15.640	-.03000	.68410	.07990	-.00540	.00090	-.00080	.00000	.66020	.17920
.595	16.080	-.02000	.70640	.08160	-.00520	-.00010	-.00080	.00010	.68020	.19070
.594	16.530	-.02000	.72600	.08210	-.00400	-.00050	-.00070	.00020	.69720	.20270
.594	16.970	-.03000	.75270	.08240	-.00240	.00010	-.00020	.00040	.72060	.21740
.595	17.180	-.02000	.76250	.08200	-.00180	-.00060	-.00030	.00040	.72900	.22350
GRADIENT		-.00037	.04675	.00315	-.00340	.00069	.00006	-.00013	.04583	-.00101

LTV44-559(CA26) 02 S1

(WFE011) ( 18 NOV 75 )

## REFERENCE DATA

SREF = 2690.0000 SQ.FT. XMRP = 1109.0000 IN. XO  
 LREF = 474.8100 IN. YMRP = .0000 IN. YO  
 BREF = 936.6800 IN. ZMRP = 375.0000 IN. ZO  
 SCALE = .0125

## PARAMETRIC DATA

BETA0 = .000 ELEVON = .000  
 BDFLAP = 5.000

RUN NO. 12/ 0 RN/L = .00 GRADIENT INTERVAL = -5.00/ 5.00

MACH	ALPHA0	BETA0	CN	CLM	CA	CY	CYN	CBL	CL	CD
.594	.080	.06000	-.05420	.01410	.05770	-.00650	-.00110	.00010	-.05430	.05760
.594	.420	.03000	-.03750	.01560	.05650	-.00680	-.00120	.00010	-.03790	.05630
.594	.820	.04000	-.01990	.01660	.05610	-.00660	-.00120	.00010	-.02070	.05580
.594	1.280	.05000	-.00040	.01770	.05520	-.00570	-.00100	.00000	-.00160	.05520
.594	1.720	.01000	.02270	.01950	.05420	-.00460	-.00100	.00000	.02110	.05480
.594	2.140	.04000	.04360	.02060	.05320	-.00470	-.00100	.00000	.04160	.05480
.595	2.590	.04000	.06620	.02200	.05130	-.00480	-.00100	.00000	.06380	.05420
.594	3.020	.07000	.08630	.02310	.04970	-.00400	-.00090	-.00010	.08360	.05420
.593	3.470	.04000	.10580	.02400	.04770	-.00440	-.00100	-.00020	.10270	.05410
.593	3.890	.04000	.12570	.02510	.04610	-.00370	-.00090	-.00020	.12230	.05450
.593	4.330	.04000	.14590	.02620	.04430	-.00370	-.00090	-.00020	.14210	.05520
.593	4.790	.03000	.16670	.02770	.04190	-.00280	-.00080	-.00040	.16260	.05570
.594	5.220	.04000	.19030	.02850	.03920	-.00310	-.00080	-.00040	.18590	.05610
.594	5.660	.00000	.21040	.02970	.03700	-.00280	-.00090	-.00030	.20570	.05760
.593	6.090	.03000	.23120	.03060	.03410	-.00340	-.00090	-.00030	.22630	.05850
.593	6.560	.01000	.25250	.03160	.03110	-.00220	-.00090	-.00020	.24730	.05980
.592	6.970	.02000	.27530	.03280	.02820	-.00240	-.00080	-.00040	.26980	.06140
.593	7.420	.01000	.29430	.03370	.02510	-.00200	-.00070	-.00030	.28650	.06290
.592	7.880	.00000	.31630	.03500	.02230	-.00180	-.00070	-.00020	.31020	.06540
.593	8.300	.00000	.33410	.03670	.01900	-.00140	-.00060	-.00010	.32790	.06710
.593	8.740	.02000	.35500	.03870	.01600	-.00180	-.00060	-.00010	.34840	.06980
.593	9.190	.00000	.37500	.04070	.01260	-.00140	-.00060	.00000	.36820	.07240
.593	9.630	.01000	.39540	.04250	.00920	-.00130	-.00050	.00000	.38830	.07530
.594	10.080	.00000	.41550	.04450	.00570	-.00080	-.00050	.00000	.40810	.07830
.593	10.510	.03000	.43980	.04610	.00220	-.00120	-.00060	.00010	.43200	.08250
.592	10.940	.00000	.46290	.04720	-.00060	-.00060	-.00050	.00000	.45460	.08720
.594	11.410	.01000	.48740	.04840	-.00320	.00030	-.00050	-.00030	.47840	.09330
.593	11.850	.02000	.51450	.04900	-.00540	.00070	-.00060	-.00040	.50470	.10030
.593	12.290	.01000	.54030	.04920	-.00710	-.00030	-.00050	-.00070	.52950	.10810
.593	12.750	.00000	.56790	.05010	-.00930	-.00030	-.00020	-.00090	.55590	.11620
.593	13.190	.01000	.59300	.05030	-.00990	.00000	.00000	-.00090	.57950	.12570
.592	13.640	.00000	.61990	.04970	-.00950	-.00050	-.00010	-.00030	.60470	.13690
.591	14.110	.00000	.64590	.05010	-.00880	.00010	-.00020	-.00020	.62860	.14890
.592	14.540	.01000	.66750	.05080	-.00850	.00100	-.00030	-.00030	.64820	.15930
.592	14.970	.00000	.69160	.05180	-.00800	.00040	-.00030	-.00010	.67010	.17100
.592	15.420	.00000	.71210	.05350	-.00760	-.00020	-.00030	.00010	.68840	.18200
.592	15.850	.00000	.73240	.05470	-.00800	.00150	-.00020	.00050	.70670	.19240
.592	16.300	.01000	.75360	.05590	-.00730	.00130	-.00010	.00040	.72530	.20440
.593	16.750	.00000	.77480	.05590	-.00520	.00040	.00010	.00050	.74340	.21830
.592	17.170	.00000	.80020	.05560	-.00380	.00050	.00040	.00090	.76560	.23260
GRADIENT		-.00084	.04721	.00281	-.00329	.00075	.00007	-.00009	.04635	-.00038

LTV44-559(CA26) 06 S1

(WFE012) ( 18 NOV 75 )

## REFERENCE DATA

## PARAMETRIC DATA

SREF = 2690.0000 SQ.FT. XMRP = 1109.0000 IN. XO  
 LREF = 474.8100 IN. YMRP = .0000 IN. YO  
 BREF = 936.6800 IN. ZMRP = 375.0000 IN. ZO  
 SCALE = .0125

BETA0 = .000 ELEVON = .000

RUN NO. 14/ 0 RN/L = .00 GRADIENT INTERVAL = -5.00/ 5.00

MACH	ALPHA0	BETA0	CN	CLM	CA	CY	CYN	CBL	CL	CD
.591	.040	.04000	-.05270	-.00500	.03860	-.00370	-.00280	.00000	-.05270	.03860
.592	.600	.05000	-.02830	-.00240	.03790	-.00320	-.00270	.00000	-.02870	.03760
.591	1.030	.05000	-.00960	-.00070	.03760	-.00280	-.00280	-.00020	-.01030	.03750
.592	1.470	.01000	.00880	.00110	.03690	-.00230	-.00290	-.00020	.00790	.03710
.592	1.910	.00000	.03060	.00310	.03560	-.00130	-.00280	-.00020	.02940	.03670
.591	2.350	.01000	.05200	.00530	.03460	-.00160	-.00270	-.00020	.05050	.03670
.590	2.790	.02000	.07260	.00750	.03320	-.00150	-.00260	-.00040	.07090	.03670
.591	3.200	.04000	.09070	.00940	.03190	-.00100	-.00270	-.00040	.08870	.03690
.591	3.660	.04000	.11140	.01130	.03020	-.00080	-.00260	-.00040	.10930	.03730
.590	4.110	-.01000	.13210	.01250	.02800	-.00000	-.00260	-.00050	.12980	.03740
.590	4.520	.03000	.15180	.01440	.02620	-.00020	-.00250	-.00040	.14920	.03810
.591	4.970	.02000	.17100	.01610	.02370	-.00010	-.00230	-.00050	.16830	.03850
.590	5.410	.02000	.19070	.01740	.02130	-.00030	-.00240	-.00060	.18780	.03920
.590	5.860	.03000	.21250	.01980	.01870	.00020	-.00250	-.00060	.20950	.04040
.591	6.280	.02000	.23280	.02120	.01600	.00090	-.00230	-.00040	.22960	.04140
.590	6.730	.01000	.25530	.02270	.01320	.00060	-.00230	-.00070	.25200	.04310
.591	7.190	.00000	.27540	.02390	.01020	.00070	-.00220	-.00070	.27190	.04460
.591	7.610	.00000	.29500	.02570	.00730	.00120	-.00200	-.00060	.29250	.04640
.591	8.060	.00000	.31470	.02720	.00430	.00060	-.00210	-.00060	.31100	.04840
.592	8.490	.01000	.33450	.03020	.00100	.00040	-.00200	-.00040	.33060	.05040
.590	8.950	.01000	.35640	.03270	-.00220	.00080	-.00200	-.00040	.35240	.05320
.590	9.370	.01000	.37740	.03490	-.00610	.00180	-.00200	-.00040	.37340	.05540
.590	9.830	.00000	.39500	.03680	-.00910	.00120	-.00200	-.00040	.39080	.05840
.591	10.270	.02000	.41640	.03870	-.01280	.00120	-.00200	-.00040	.41210	.06160
.591	10.710	.02000	.43740	.04000	-.01600	.00120	-.00190	-.00060	.43280	.06550
.589	11.150	.02000	.46310	.04190	-.01970	.00180	-.00200	-.00060	.45820	.07020
.590	11.580	.00000	.48810	.04210	-.02280	.00310	-.00200	-.00080	.48270	.07560
.591	12.030	-.02000	.51270	.04150	-.02530	.00280	-.00190	-.00100	.50670	.08210
.589	12.500	-.03000	.54220	.04220	-.02780	.00300	-.00170	-.00110	.53530	.09010
.590	12.930	-.01000	.56850	.04220	-.02930	.00250	-.00150	-.00130	.56070	.09860
.589	13.390	-.02000	.59810	.04140	-.03060	.00210	-.00130	-.00100	.58900	.10870
.588	13.840	-.02000	.62460	.03990	-.03050	.00250	-.00120	-.00060	.61370	.11970
.589	14.300	-.02000	.64710	.04010	-.03030	.00220	-.00140	-.00060	.63460	.13040
.591	14.720	-.03000	.66800	.04010	-.03030	.00280	-.00130	-.00050	.65380	.14050
.592	15.170	-.01000	.69080	.04030	-.03030	.00270	-.00110	-.00020	.67470	.15150
.590	15.600	-.02000	.71140	.04040	-.03010	.00190	-.00110	.00000	.69330	.16230
.589	16.030	-.01000	.73620	.04110	-.03070	.00240	-.00110	.00000	.71600	.17380
.589	16.500	.00000	.76040	.04140	-.03080	.00140	-.00080	.00030	.73780	.18640
.589	16.950	.00000	.78510	.04080	-.03020	.00050	-.00040	.00080	.75980	.20000
.589	17.160	-.03000	.79530	.04020	-.02980	.00030	-.00020	.00090	.76870	.20610
	GRADIENT	-.00433	.04580	.00434	-.00302	.00075	.00008	-.00010	.04526	.00003

ORIGINAL PAGE IS  
OF POOR QUALITY

LTV44-559(CA26) 06 S1

(WFE013) ( 18 NOV 75 )

## REFERENCE DATA

SREF = 2690.0000 SQ.FT. XMRP = 1109.0000 IN. XO  
 LREF = 474.8100 IN. YMRP = .0000 IN. YO  
 BREF = 936.6800 IN. ZMRP = 375.0000 IN. ZO  
 SCALE = .0125

## PARAMETRIC DATA

BETA0 = -5.000 ELEVON = .000

MACH	ALPHA0	BETA0	CN	CLM	CA	CY	CYN	CBL	CL	CD
.593	.040	-5.20000	-.04530	-.01330	.02900	.04770	.01430	-.00910	-.04530	.02900
.593	.610	-5.22000	-.01960	-.01080	.02860	.04860	.01430	-.00760	-.01990	.02840
.594	1.030	-5.22000	-.00010	-.00890	.02810	.04830	.01430	-.00720	-.00060	.02810
.593	1.470	-5.23000	.01750	-.00730	.02770	.04860	.01440	-.00690	.01680	.02820
.593	1.890	-5.20000	.03790	-.00610	.02670	.04890	.01450	-.00660	.03690	.02800
.592	2.320	-5.18000	.05720	-.00360	.02600	.04910	.01450	-.00630	.05610	.02830
.594	2.770	-5.25000	.07800	-.00110	.02460	.04830	.01450	-.00590	.07680	.02830
.594	3.200	-5.24000	.09550	.00030	.02370	.04900	.01470	-.00560	.09410	.02900
.593	3.630	-5.20000	.11660	.00270	.02220	.04940	.01500	-.00550	.11500	.02960
.593	4.070	-5.20000	.13710	.00450	.02050	.04900	.01520	-.00510	.13520	.03020
.593	4.520	-5.24000	.15720	.00610	.01870	.04860	.01520	-.00480	.15530	.03100
.594	4.970	-5.26000	.17650	.00790	.01700	.04840	.01520	-.00460	.17440	.03230
.592	5.410	-5.20000	.19620	.00960	.01520	.04870	.01540	-.00430	.19390	.03360
.592	5.830	-5.21000	.21740	.01170	.01260	.04830	.01550	-.00390	.21500	.03460
.591	6.280	-5.20000	.23550	.01330	.01080	.04880	.01580	-.00360	.23290	.03550
.592	6.730	-5.25000	.25410	.01590	.00860	.04940	.01580	-.00310	.25130	.03830
.591	7.140	-5.23000	.27440	.01770	.00600	.04860	.01580	-.00250	.27150	.04010
.593	7.590	-5.25000	.29440	.01910	.00280	.04850	.01600	-.00200	.29150	.04170
.593	8.050	-5.24000	.32050	.02040	-.00130	.04870	.01630	-.00150	.31750	.04350
.593	8.490	-5.23000	.34120	.02090	-.00420	.04790	.01650	-.00110	.33810	.04610
.593	8.930	-5.23000	.36430	.02220	-.00810	.04780	.01660	-.00080	.36110	.04850
.592	9.390	-5.25000	.38670	.02320	-.01200	.04740	.01690	-.00050	.38350	.05120
.593	9.830	-5.21000	.41050	.02510	-.01560	.04740	.01700	-.00020	.40710	.05470
.593	10.270	-5.21000	.43140	.02710	-.01940	.04770	.01710	.00000	.42800	.05770
.594	10.710	-5.21000	.45370	.02860	-.02290	.04780	.01720	.00010	.45010	.06180
.594	11.140	-5.20000	.47550	.02980	-.02660	.04710	.01720	.00030	.47160	.06580
.594	11.600	-5.23000	.49970	.03110	-.03020	.04750	.01740	.00030	.49560	.07090
.594	12.060	-5.21000	.52610	.03200	-.03380	.04760	.01770	.00050	.52160	.07690
.593	12.500	-5.22000	.55260	.03240	-.03680	.04730	.01800	.00070	.54750	.08360
.593	12.940	-5.23000	.57670	.03290	-.03940	.04670	.01820	.00080	.57090	.09070
.593	13.390	-5.21000	.59950	.03400	-.04120	.04640	.01830	.00060	.59280	.09870
.591	13.840	-5.26000	.62650	.03380	-.04270	.04700	.01840	.00040	.61850	.10840
.592	14.290	-5.23000	.65130	.03400	-.04310	.04760	.01830	.00000	.64180	.11890
.591	14.720	-5.23000	.67210	.03480	-.04340	.04810	.01840	.00000	.66110	.12880
.592	15.170	-5.23000	.69390	.03600	-.04410	.04790	.01820	.00010	.68130	.13900
.593	15.620	-5.24000	.71510	.03690	-.04420	.04820	.01790	.00020	.70050	.14990
.592	16.050	-5.22000	.73880	.03730	-.04450	.04920	.01780	.00030	.72240	.16140
.592	16.510	-5.23000	.76360	.03740	-.04290	.04930	.01830	.00100	.74430	.17590
.592	16.950	-5.25000	.78530	.03710	-.04020	.04740	.01900	.00240	.76290	.19050
.593	17.150	-5.26000	.79370	.03640	-.03960	.04730	.01920	.00250	.77000	.19620
	GRADIENT	-.00598	.04512	.00438	-.00248	.00013	.00022	.00071	.04470	.00067



LTV44-559(CA26) 06 S1

(WFE014) ( 18 NOV 75 )

## REFERENCE DATA

SREF = 2690.0000 SQ.FT. XMRP = 1109.0000 IN. XO  
 LREF = 474.8100 IN. YMRP = .0000 IN. YO  
 BREF = 936.6800 IN. ZMRP = 375.0000 IN. ZO  
 SCALE = .0125

## PARAMETRIC DATA

BETA0 = .000 ELEVON = 5.000

RUN NO. 16/ 0 RN/L = .00 GRADIENT INTERVAL = -5.00/ 5.00

MACH	INCID	CN	CLM	CA	CY	CYN	CBL	CL	CD
.594	.180	.04410	-.04680	.04140	-.00380	-.00220	.00010	.04400	.04160
.594	.740	.07000	-.04430	.04040	-.00330	-.00200	.00000	.06940	.04130
.595	1.160	.08830	-.04230	.03970	-.00430	-.00210	.00000	.08750	.04140
.594	1.590	.10690	-.04020	.03870	-.00250	-.00200	.00000	.10580	.04160
.594	2.020	.12830	-.03850	.03750	-.00350	-.00200	-.00010	.12690	.04200
.593	2.440	.14830	-.03620	.03640	-.00320	-.00210	-.00020	.14660	.04270
.593	2.920	.16790	-.03440	.03470	-.00260	-.00190	-.00030	.16590	.04320
.594	3.350	.18890	-.03180	.03280	-.00240	-.00190	-.00030	.18670	.04380
.594	3.770	.20790	-.03060	.03090	-.00260	-.00170	-.00030	.20540	.04460
.594	4.220	.22770	-.02930	.02880	-.00200	-.00160	-.00040	.22490	.04550
.594	4.680	.25020	-.02660	.02650	-.00180	-.00140	-.00040	.24720	.04680
.594	5.100	.26770	-.02540	.02410	-.00180	-.00150	-.00040	.26450	.04780
.594	5.540	.28730	-.02340	.02170	-.00180	-.00130	-.00050	.28390	.04940
.593	5.990	.30900	-.02170	.01900	-.00110	-.00130	-.00020	.30530	.05120
.594	6.440	.33000	-.01990	.01630	-.00150	-.00150	-.00050	.32610	.05320
.592	6.880	.35160	-.01800	.01360	-.00120	-.00140	-.00040	.34750	.05560
.594	7.300	.37050	-.01610	.01060	-.00120	-.00140	-.00040	.36620	.05760
.593	7.740	.39230	-.01440	.00770	-.00130	-.00130	-.00040	.38760	.06050
.594	8.190	.41480	-.01270	.00390	-.00080	-.00140	-.00040	.41000	.06300
.594	8.630	.43510	-.01100	.00110	-.00090	-.00120	-.00030	.43000	.06640
.593	9.090	.45620	-.00940	-.00240	-.00120	-.00100	-.00050	.45090	.06970
.594	9.530	.47650	-.00820	-.00600	-.00080	-.00100	-.00010	.47090	.07280
.593	9.960	.49990	-.00670	-.00940	-.00130	-.00090	-.00040	.49400	.07710
.594	10.400	.52140	-.00600	-.01290	-.00030	-.00080	-.00040	.51520	.08140
.594	10.850	.54520	-.00470	-.01620	-.00030	-.00110	-.00030	.53850	.08670
.593	11.300	.57000	-.00330	-.01890	-.00080	-.00120	-.00040	.56260	.09310
.593	11.730	.59650	-.00260	-.02110	.00000	-.00090	-.00040	.58840	.10060
.594	12.210	.62290	-.00250	-.02340	.00030	-.00080	-.00100	.61380	.10880
.594	12.660	.64950	-.00190	-.02540	.00050	-.00060	-.00110	.63930	.11740
.593	13.080	.67430	-.00190	-.02650	.00020	-.00040	-.00120	.66280	.12680
.592	13.550	.70250	-.00190	-.02730	-.00020	-.00040	-.00100	.68930	.13790
.592	13.980	.72590	-.00220	-.02720	-.00030	-.00040	-.00040	.71100	.14890
.592	14.420	.74950	-.00170	-.02690	-.00050	-.00070	-.00020	.73260	.16060
.594	14.890	.77030	-.00110	-.02680	-.00060	-.00050	.00020	.75130	.17210
.593	15.320	.79150	-.00150	-.02650	-.00160	-.00030	.00080	.77040	.18340
.593	15.750	.81320	-.00140	-.02610	-.00210	.00000	.00130	.78970	.19550
.593	16.200	.83610	-.00080	-.02560	-.00140	.00000	.00120	.81010	.20860
.593	16.640	.85680	-.00040	-.02490	-.00180	-.00020	.00110	.82810	.22150
.593	17.080	.87810	-.00060	-.02410	-.00230	.00000	.00100	.84650	.23490
.592	17.300	.89470	-.00050	-.02380	-.00090	.00010	.00100	.86130	.24340
GRADIENT		.04669	.00446	-.00332	.00044	.00015	-.00012	.04505	.00119

LTV44-559(CA26) 06 S1

(WFE015) ( 18 NOV 75 )

## REFERENCE DATA

## PARAMETRIC DATA

SREF = 2690.0000 SQ.FT. XMRP = 1109.0000 IN. XO  
 LREF = 474.8100 IN. YMRP = .0000 IN. YO  
 BREF = 936.6800 IN. ZMRP = 375.0000 IN. ZO  
 SCALE = .0125

BETA0 = -5.000 ELEVON = 5.000

RUN NO. 1016/ 0 RN/L = .00 GRADIENT INTERVAL = -5.00/ 5.00

MACH	INCID	CN	CLM	CA	CY	CYN	CBL	CL	CD
.597	.190	.04780	-.05220	.03220	.04730	.01430	-.00680	.04770	.03230
.598	.510	.06080	-.05050	.03190	.04640	.01420	-.00660	.06050	.03250
.596	.930	.07910	-.04900	.03170	.04700	.01440	-.00630	.07860	.03300
.596	1.340	.09870	-.04670	.03100	.04680	.01430	-.00600	.09790	.03330
.596	1.810	.11840	-.04490	.03000	.04850	.01470	-.00560	.11740	.03370
.595	2.250	.13830	-.04320	.02880	.04680	.01460	-.00530	.13710	.03420
.595	2.680	.15830	-.04070	.02790	.04700	.01480	-.00490	.15680	.03520
.595	3.110	.17620	-.03840	.02630	.04600	.01490	-.00470	.17450	.03580
.595	3.550	.19470	-.03630	.02500	.04680	.01510	-.00440	.19270	.03700
.594	4.000	.21580	-.03410	.02320	.04680	.01530	-.00400	.21360	.03820
.594	4.430	.23680	-.03170	.02150	.04710	.01530	-.00360	.23440	.03980
.594	4.860	.25370	-.03020	.01950	.04660	.01560	-.00340	.25110	.04090
.594	5.300	.27310	-.02800	.01750	.04650	.01560	-.00310	.27030	.04270
.594	5.750	.29360	-.02670	.01560	.04630	.01580	-.00270	.29050	.04490
.594	6.190	.31310	-.02490	.01330	.04630	.01600	-.00250	.30980	.04700
.594	6.620	.33120	-.02270	.01110	.04550	.01610	-.00210	.32770	.04920
.594	7.070	.35390	-.02050	.00800	.04550	.01630	-.00170	.35020	.05150
.594	7.500	.37500	-.01900	.00480	.04500	.01650	-.00150	.37120	.05380
.593	7.950	.39910	-.01800	.00110	.04480	.01690	-.00090	.39510	.05630
.594	8.390	.41780	-.01700	-.00200	.04470	.01710	-.00060	.41360	.05890
.594	8.850	.44310	-.01570	-.00600	.04420	.01720	-.00040	.43880	.06220
.595	9.270	.46450	-.01480	-.00950	.04340	.01730	-.00010	.46990	.06640
.595	9.740	.48850	-.01310	-.01320	.04410	.01740	.00000	.48370	.06950
.594	10.190	.51270	-.01270	-.01660	.04390	.01760	.00020	.50760	.07430
.594	10.620	.53590	-.01140	-.02070	.04410	.01780	.00050	.53060	.07840
.593	11.070	.55900	-.00990	-.02360	.04410	.01790	.00060	.55310	.08410
.593	11.500	.58230	-.00950	-.02730	.04380	.01820	.00060	.57610	.08930
.592	11.960	.61070	-.00860	-.03100	.04310	.01850	.00090	.60390	.09610
.593	12.390	.63440	-.00830	-.03380	.04230	.01900	.00100	.62690	.10310
.594	12.860	.66030	-.00760	-.03600	.04180	.01920	.00100	.65180	.11180
.593	13.310	.68830	-.00690	-.03850	.04340	.01950	.00090	.67870	.12100
.593	13.740	.71270	-.00720	-.03940	.04380	.01900	.00070	.70160	.13110
.591	14.190	.73740	-.00680	-.04010	.04400	.01660	.00010	.72480	.14180
.592	14.640	.75930	-.00690	-.04040	.04480	.01880	-.00030	.74490	.15260
.592	15.080	.78080	-.00660	-.04070	.04440	.01860	-.00020	.76450	.16380
.593	15.540	.80240	-.00590	-.04030	.04580	.01840	-.00030	.78380	.17610
.593	15.970	.82350	-.00600	-.04000	.04800	.01830	-.00060	.80270	.18810
.592	16.400	.84760	-.00610	-.04000	.04700	.01800	-.00070	.82440	.20090
.592	16.830	.86570	-.00460	-.03620	.04600	.01860	.00080	.83970	.21420
.591	17.270	.88820	-.00370	-.02770	.04670	.01890	.00210	.85940	.22760
GRADIENT		.04436	.00477	-.00272	-.00008	.00029	.00074	.04392	.00181

LTV44-559(CA26) 747/1 ATY 02 51 (ORBITER DATA)

(WFE030) ( 18 NOV 75 )

REFERENCE DATA

SREF = 2690.0000 SQ.FT. XMRP = 1109.0000 IN. XO  
 LREF = 474.8100 IN. YMRP = .0000 IN. YO  
 BREF = 936.6800 IN. ZMRP = 375.0000 IN. ZO  
 SCALE = .0125

PARAMETRIC DATA

ALPHAC = .000 BETAC = .000  
 STAB = 5.000 ELEVON = 5.000  
 RUDDER = .000 DX = .000  
 DY = .000 IORB = 4.000  
 BETAO = .000 DPHI = .000

RUN NO. 30/ 0 RN/L = .00 GRADIENT INTERVAL = -5.00/ 5.00

MACH	DZ	DY	DX	CN	CLM	CA	CY	CYN	CEL	CL	CD
.622	2.110	.00000	-.05000	.17590	.01580	.04810	-.00290	-.00090	-.00020	.17220	.06010
.626	3.410	.00000	-.05000	.17280	.01540	.04800	-.00280	-.00100	-.00010	.16910	.05980
.626	4.700	.00000	-.05000	.17380	.01490	.04850	-.00260	-.00110	-.00030	.17010	.06030
.625	6.000	.00000	-.05000	.17520	.01220	.04890	-.00290	-.00110	-.00040	.17150	.06080
.626	7.300	.00000	-.03000	.17530	.01140	.04910	-.00330	-.00110	-.00050	.17150	.06090
.625	8.590	.00000	-.03000	.17680	.00990	.04930	-.00270	-.00110	-.00060	.17310	.06120
.627	9.890	.00000	-.03000	.17720	.00900	.04930	-.00260	-.00100	-.00050	.17340	.06130
.626	11.180	.00000	-.03000	.17960	.00900	.04980	-.00320	-.00100	-.00050	.17580	.06190
.624	12.480	.00000	-.02000	.17770	.00740	.05030	-.00350	-.00100	-.00050	.17390	.06220
.626	13.780	.00000	-.02000	.17670	.00660	.04990	-.00330	-.00090	-.00040	.17290	.06170
.622	15.080	.00000	-.02000	.18020	.00670	.05070	-.00310	-.00090	-.00050	.17630	.06280
.625	16.370	.00000	-.02000	.17920	.00560	.05060	-.00330	-.00100	-.00050	.17540	.06250
.626	17.670	.00000	-.01000	.17970	.00580	.05090	-.00330	-.00090	-.00040	.17590	.06290
.626	18.960	.00000	-.01000	.18090	.00530	.05080	-.00290	-.00090	-.00040	.17710	.06280
.627	20.260	.00000	-.01000	.17830	.00450	.05090	-.00330	-.00090	-.00040	.17450	.06270
.625	21.550	.00000	.00000	.18020	.00500	.05120	-.00380	-.00090	-.00020	.17640	.06310
.624	22.840	.00000	.00000	.18020	.00440	.05160	-.00350	-.00090	-.00030	.17630	.06340
.626	24.140	.00000	.00000	.18080	.00350	.05160	-.00290	-.00090	-.00040	.17690	.06350
.624	25.440	.00000	.00000	.18330	.00340	.05180	-.00400	-.00090	-.00040	.17950	.06380
.626	26.740	.00000	.01000	.18190	.00360	.05200	-.00320	-.00090	-.00040	.17810	.06390
.626	28.030	.00000	.01000	.18360	.00350	.05220	-.00300	-.00090	-.00040	.17970	.06420
.626	29.330	.00000	.01000	.18380	.00320	.05220	-.00310	-.00090	-.00040	.17990	.06420
.627	30.620	.00000	.01000	.18280	.00270	.05250	-.00420	-.00110	-.00030	.17900	.06440
.624	31.920	.00000	.02000	.18430	.00240	.05320	-.00330	-.00090	-.00030	.18040	.06520
.626	33.210	.00000	.02000	.18280	.00220	.05270	-.00340	-.00090	-.00030	.17900	.06460
.627	34.510	.00000	.02000	.18410	.00260	.05260	-.00380	-.00100	-.00030	.18030	.06450
.626	35.800	.00000	.03000	.18460	.00220	.05280	-.00350	-.00090	-.00030	.18070	.06470
.622	37.110	.00000	.03000	.18620	.00230	.05350	-.00370	-.00090	-.00020	.18230	.06550
.624	38.400	.00000	.03000	.18600	.00260	.05320	-.00380	-.00090	-.00020	.18220	.06520
.626	39.700	.00000	.03000	.18390	.00160	.05350	-.00340	-.00090	-.00020	.18000	.06540
.625	40.990	.00000	.05000	.18560	.00190	.05350	-.00420	-.00090	-.00020	.18170	.06550
.625	42.290	.00000	.05000	.18700	.00210	.05350	-.00360	-.00100	-.00030	.18320	.06550
.624	43.580	.00000	.05000	.18760	.00140	.05390	-.00380	-.00100	-.00020	.18370	.06590
.626	44.880	.00000	.05000	.18500	.00140	.05400	-.00440	-.00100	-.00010	.18120	.06590
.622	46.180	.00000	.06000	.18720	.00130	.05470	-.00330	-.00080	-.00010	.18330	.06670
.622	47.470	.00000	.06000	.18720	.00070	.05490	-.00390	-.00100	-.00010	.18330	.06690
.626	48.120	.00000	.06000	.18520	.00090	.05420	-.00390	-.00100	.00000	.18130	.06600
GRADIENT		.00000	-.00000	-.00081	-.00073	.00015	.00012	-.00008	-.00004	-.00081	.00008

ORIGINAL PAGE IS OF POOR QUALITY

LTV44-559(CA26) 747/1 ATY 02 S1 (ORBITER DATA)

(WFE031) ( 18 NOV 75 )

## REFERENCE DATA

SREF = 2690.0000 SQ.FT. XMRP = 1109.0000 IN. XO  
 LREF = 474.8100 IN. YMRP = .0000 IN. YO  
 BREF = 936.6800 IN. ZMRP = 375.0000 IN. ZO  
 SCALE = .0125

## PARAMETRIC DATA

ALPHAC = .000 BETAC = .000  
 STAB = 5.000 ELEVON = 5.000  
 RUDDER = .000 DX = .000  
 DY = .000 IORB = 6.000  
 BETA0 = .000 DPHJ = .000

RUN NO. 1030/ 0 RN/L = .00 GRADIENT INTERVAL = -5.00/ 5.00

MACH	DZ	DY	DX	CN	CLM	CA	CY	CYN	CBL	CL	CD
.622	1.480	.00000	-.03000	.28570	.01990	.03880	-.00120	-.00090	-.00080	.28010	.06840
.624	2.630	.00000	-.03000	.28600	.01850	.03880	-.00200	-.00100	-.00070	.28040	.06850
.623	3.790	.00000	-.03000	.28540	.01670	.03910	-.00250	-.00100	-.00070	.27970	.06870
.624	4.950	.00000	-.03000	.28370	.01600	.03920	-.00140	-.00090	-.00070	.27810	.06840
.626	6.110	.00000	-.03000	.28250	.01510	.03920	-.00190	-.00090	-.00070	.27700	.06820
.625	7.270	.00000	-.03000	.28230	.01420	.03950	-.00240	-.00090	-.00070	.27670	.06850
.624	8.430	.00000	-.03000	.28220	.01380	.04000	-.00270	-.00100	-.00070	.27660	.06890
.625	9.590	.00000	-.03000	.28160	.01330	.04010	-.00240	-.00090	-.00070	.27600	.06890
.625	10.750	.00000	-.02000	.28110	.01280	.04060	-.00240	-.00090	-.00070	.27540	.06940
.626	11.900	.00000	-.02000	.28340	.01230	.04050	-.00240	-.00100	-.00070	.27770	.06960
.627	13.060	.00000	-.02000	.28130	.01170	.04070	-.00280	-.00090	-.00060	.27560	.06950
.624	14.220	.00000	-.02000	.28210	.01160	.04110	-.00180	-.00090	-.00060	.27630	.06990
.625	15.380	.00000	-.02000	.28180	.01090	.04100	-.00250	-.00090	-.00060	.27620	.06970
.629	16.540	.00000	-.01000	.27810	.01050	.04070	-.00280	-.00080	-.00060	.27250	.06890
.626	17.700	.00000	-.01000	.28150	.01010	.04140	-.00260	-.00090	-.00060	.27580	.07000
.622	18.860	.00000	-.01000	.28350	.01010	.04210	-.00240	-.00080	-.00060	.27780	.07080
.626	20.020	.00000	-.01000	.28010	.01020	.04160	-.00250	-.00070	-.00060	.27450	.06990
.626	21.180	.00000	-.01000	.29010	.00970	.04200	-.00250	-.00080	-.00060	.27440	.07040
.622	22.330	.00000	.00000	.28350	.00920	.04250	-.00250	-.00090	-.00060	.27770	.07120
.624	23.490	.00000	.00000	.28090	.00940	.04250	-.00220	-.00080	-.00060	.27520	.07080
.625	24.650	.00000	.00000	.28190	.00880	.04260	-.00250	-.00070	-.00050	.27610	.07100
.626	25.810	.00000	.00000	.28000	.00880	.04250	-.00330	-.00080	-.00050	.27430	.07060
.624	26.970	.00000	.01000	.28340	.00920	.04260	-.00290	-.00090	-.00050	.27770	.07120
.626	28.130	.00000	.01000	.28240	.00870	.04300	-.00220	-.00080	-.00050	.27660	.07130
.624	29.290	.00000	.01000	.28350	.00860	.04340	-.00250	-.00070	-.00050	.27770	.07180
.623	30.450	.00000	.01000	.28430	.00790	.04330	-.00260	-.00080	-.00050	.27850	.07160
.623	31.610	.00000	.02000	.28530	.00790	.04370	-.00230	-.00090	-.00050	.27940	.07230
.625	32.760	.00000	.02000	.28130	.00740	.04370	-.00300	-.00080	-.00040	.27540	.07180
.625	33.920	.00000	.02000	.28300	.00770	.04340	-.00250	-.00080	-.00050	.27720	.07170
.623	35.080	.00000	.02000	.28440	.00740	.04390	-.00310	-.00080	-.00040	.27850	.07220
.624	36.240	.00000	.02000	.28410	.00790	.04390	-.00290	-.00080	-.00050	.27830	.07220
.625	37.400	.00000	.03000	.28180	.00720	.04380	-.00370	-.00090	-.00040	.27600	.07170
.626	38.560	.00000	.03000	.28250	.00720	.04380	-.00280	-.00080	-.00030	.27680	.07170
.626	39.720	.00000	.03000	.28140	.00660	.04410	-.00360	-.00090	-.00030	.27560	.07180
.629	40.880	.00000	.03000	.27780	.00660	.04410	-.00350	-.00090	-.00030	.27200	.07160
.624	42.030	.00000	.05000	.28230	.00670	.04460	-.00310	-.00080	-.00030	.27700	.07260
.624	43.190	.00000	.05000	.28480	.00690	.04490	-.00320	-.00080	-.00030	.27900	.07290
.625	44.360	.00000	.05000	.28270	.00620	.04450	-.00350	-.00090	-.00030	.27680	.07250
.626	45.520	.00000	.05000	.28260	.00620	.04450	-.00310	-.00080	-.00030	.27680	.07240
.623	46.680	.00000	.05000	.28490	.00660	.04500	-.00380	-.00090	-.00020	.27900	.07310
.625	47.840	.00000	.06000	.28390	.00600	.04500	-.00270	-.00090	-.00030	.27800	.07300
.624	48.990	.00000	.06000	.28400	.00600	.04540	-.00330	-.00090	-.00020	.27810	.07330

DATE 22 MAR 76

CA-26 FORCE SOURCE DATA TABULATION

PAGE 367

LTV44-559(CA26) 747/1 ATY 02 S1 (ORBITER DATA)

(WFE031) ( 18 NOV 75 )

## REFERENCE DATA

SREF = 2690.0000 SQ.FT. XMRP = 1109.0000 IN. XO  
 LREF = 474.8100 IN. YMRP = .0000 IN. YO  
 BREF = 936.6800 IN. ZMRP = 375.0000 IN. ZO  
 SCALE = .0125

## PARAMETRIC DATA

ALPHAC = .000 BETAC = .000  
 STAB = 5.000 ELEVON = 5.000  
 RUDDER = .000 DX = .000  
 DY = .000 IORB = 6.000  
 BETAO = .000 DPHI = .000

RUN NO. 1030/ 0 RN/L = .00 GRADIENT INTERVAL = -5.00/ 5.00

MACH	DZ	DY	DX	CN	CLM	CA	CY	CYN	CBL	CL	CD
.624	50.150	.00000	.06000	.28340	.00620	.04540	-.00370	-.00080	-.00020	.27760	.07320
.624	51.310	.00000	.07000	.28480	.00620	.04560	-.00310	-.00070	-.00030	.27890	.07340
.625	52.470	.00000	.06000	.28350	.00570	.04490	-.00410	-.00080	.00000	.27780	.07250
.623	53.630	.00000	.07000	.28200	.00610	.04520	-.00520	-.00090	.00010	.27620	.07250
	GRADIENT	.00000	-.00000	-.00057	-.00117	.00013	-.00009	.00000	.00003	-.00058	.00002

LTV44-559(CA26) 747/1 ATY 02 S1 (ORBITER DATA)

(WFE032) ( 18 NOV 75 )

## REFERENCE DATA

SREF = 2690.0000 SQ.FT. XMRP = 1109.0000 IN. XO  
 LREF = 474.8100 IN. YMRP = .0000 IN. YO  
 BREF = 936.6800 IN. ZMRP = 375.0000 IN. ZO  
 SCALE = .0125

## PARAMETRIC DATA

ALPHAC = .000 BETAC = .000  
 STAB = 5.000 ELEVON = 5.000  
 RUDDER = .000 DX = .000  
 DY = .000 IORB = 6.000  
 BETAD = .000 DPFI = .000

RUN NO. 2030/ 0 RN/L = .00 GRADIENT INTERVAL = -5.00/ 5.00

MACH	DZ	DY	DX	CN	CLM	CA	CY	CYN	CBL	CL	CD
.624	2.630	.00000	-.03000	.28640	.02050	.03660	-.00220	-.00100	-.00050	.28090	.06820
.624	3.790	.00000	-.03000	.28590	.02050	.03650	-.00150	-.00090	-.00050	.28030	.06800
.622	4.950	.00000	-.03000	.28600	.01970	.03660	-.00170	-.00100	-.00070	.28040	.06810
.625	6.110	.00000	-.03000	.28260	.01820	.03980	-.00180	-.00100	-.00080	.27700	.06800
.624	7.270	.00000	-.03000	.28440	.01690	.03910	-.00210	-.00110	-.00090	.27890	.06840
.625	8.430	.00000	-.03000	.28440	.01560	.03930	-.00230	-.00100	-.00080	.27880	.06840
.626	9.590	.00000	-.02000	.28250	.01450	.03970	-.00200	-.00100	-.00090	.27690	.06860
.625	10.750	.00000	-.02000	.28200	.01380	.03990	-.00220	-.00090	-.00080	.27640	.06870
.626	11.900	.00000	-.02000	.28160	.01320	.03990	-.00250	-.00090	-.00070	.27600	.06860
.626	13.070	.00000	-.02000	.28120	.01300	.04020	-.00240	-.00090	-.00070	.27550	.06900
.625	14.230	.00000	-.02000	.28130	.01260	.04070	-.00180	-.00070	-.00070	.27570	.06930
.628	15.390	.00000	-.02000	.28110	.01230	.04040	-.00260	-.00080	-.00070	.27540	.06910
.625	16.550	.00000	-.01000	.28220	.01180	.04110	-.00250	-.00090	-.00070	.27540	.06970
.625	17.710	.00000	-.01000	.28260	.01140	.04140	-.00220	-.00080	-.00050	.27690	.07010
.626	18.860	.00000	-.01000	.27990	.01090	.04140	-.00250	-.00080	-.00060	.27420	.06990
.624	20.020	.00000	-.01000	.28230	.01040	.04180	-.00280	-.00080	-.00070	.27660	.07040
.625	21.180	.00000	-.01000	.28180	.01020	.04180	-.00210	-.00070	-.00060	.27600	.07020
.625	22.330	.00000	.00000	.28240	.01060	.04210	-.00320	-.00080	-.00060	.27660	.07060
.625	23.500	.00000	.00000	.28220	.01060	.04220	-.00280	-.00070	-.00060	.27650	.07060
.625	24.660	.00000	.00000	.28140	.01020	.04240	-.00310	-.00080	-.00050	.27560	.07070
.625	25.820	.00000	.00000	.28110	.00970	.04270	-.00250	-.00070	-.00050	.27540	.07080
.627	26.980	.00000	.01000	.27990	.00930	.04240	-.00190	-.00070	-.00050	.27420	.07050
.623	28.140	.00000	.01000	.28210	.00910	.04300	-.00240	-.00070	-.00070	.27630	.07120
.625	29.290	.00000	.01000	.28120	.00900	.04260	-.00170	-.00070	-.00050	.27550	.07080
.624	30.450	.00000	.01000	.28360	.00880	.04310	-.00200	-.00060	-.00060	.27780	.07150
.624	31.610	.00000	.01000	.28300	.00890	.04330	-.00310	-.00080	-.00060	.27720	.07150
.626	32.770	.00000	.02000	.28140	.00860	.04300	-.00270	-.00070	-.00060	.27570	.07100
.625	33.930	.00000	.02000	.28340	.00870	.04330	-.00270	-.00070	-.00070	.27760	.07150
.625	35.090	.00000	.02000	.28430	.00830	.04350	-.00300	-.00080	-.00050	.27850	.07180
.627	36.250	.00000	.03000	.28010	.00790	.04380	-.00340	-.00070	-.00040	.27430	.07160
.627	37.410	.00000	.03000	.27980	.00770	.04390	-.00320	-.00080	-.00050	.27400	.07160
.626	38.570	.00000	.03000	.28110	.00780	.04420	-.00400	-.00080	-.00050	.27530	.07200
.625	39.730	.00000	.03000	.28090	.00780	.04430	-.00300	-.00070	-.00040	.27520	.07200
.626	40.890	.00000	.03000	.28150	.00750	.04440	-.00400	-.00090	-.00030	.27560	.07230
.624	42.050	.00000	.05000	.28310	.00750	.04450	-.00350	-.00070	-.00020	.27730	.07240
.626	43.210	.00000	.05000	.28110	.00730	.04400	-.00400	-.00080	-.00030	.27540	.07160
.625	44.370	.00000	.05000	.28400	.00770	.04400	-.00380	-.00080	-.00030	.27820	.07200
.626	45.520	.00000	.05000	.28270	.00730	.04430	-.00250	-.00070	-.00030	.27690	.07220
.627	46.690	.00000	.06000	.28310	.00720	.04430	-.00310	-.00080	-.00030	.27730	.07220
.626	47.850	.00000	.06000	.28480	.00720	.04440	-.00350	-.00080	-.00040	.27900	.07250
.627	49.010	.00000	.06000	.28080	.00660	.04490	-.00250	-.00060	-.00050	.27500	.07240
.627	50.170	.00000	.06000	.28020	.00670	.04460	-.00470	-.00090	-.00040	.27440	.07200

DATE 22 MAR 76

## CA-26 FORCE SOURCE DATA TABULATION

PAGE 369

LTV44-559(CA26) 747/1 ATY 02 S1 (ORBITER DATA)

(WFE032) ( 18 NOV 75 )

## REFERENCE DATA

SREF = 2690.0000 SQ.FT. XMRP = 1109.0000 IN. XO  
 LREF = 474.8100 IN. YMRP = .0000 IN. YO  
 BREF = 936.6800 IN. ZMRP = 375.0000 IN. ZO  
 SCALE = .0125

## PARAMETRIC DATA

ALPHAC = .000 BETAC = .000  
 STAB = 5.000 ELEVON = 5.000  
 RUDDER = .000 DX = .000  
 DY = .000 IORB = 6.000  
 BETAO = .000 DPFI = .000

RUN NO. 2030/ 0 RN/L = .00 GRADIENT INTERVAL = -5.00/ 5.00

MACH	DZ	DY	DX	CN	CLM	CA	CY	CYN	CBL	CL	CD
.626	51.330	.00000	.07000	.28150	.00640	.04480	-.00420	-.00070	-.00030	.27580	.07220
.626	52.480	.00000	.07000	.28250	.00620	.04510	-.00230	-.00070	-.00020	.27660	.07270
.626	53.640	.00000	.07000	.28040	.00590	.04510	-.00250	-.00050	-.00040	.27460	.07240
.622	54.800	.00000	.09000	.28420	.00620	.04590	-.00340	-.00060	-.00030	.27830	.07360
	GRADIENT	.00000	.00000	-.00017	-.00034	.00000	.00022	.00000	-.00004	-.00022	-.00004

LTV44-559(CA26) 747/1 ATY 02 S1 (ORBITER DATA)

(WFE033) ( 18 NOV 75 )

## REFERENCE DATA

SREF = 2690.0000 SQ.FT. XMRP = 1109.0000 IN. XO  
 LREF = 474.8100 IN. YMRP = .0000 IN. YO  
 BREF = 936.6800 IN. ZMRP = 375.0000 IN. ZO  
 SCALE = .0125

## PARAMETRIC DATA

ALPHAC = .000 BETAC = .000  
 STAB = 5.000 ELEVON = 5.000  
 BDFLAP = .000 DX = .000  
 DY = .000 IORB = 6.000  
 BETAO = .000 RUDDER = .000

RUN NO. 1034/ 0 RN/L = .00 GRADIENT INTERVAL = -5.00/ 5.00

MACH	DZ	DY	DX	CN	CLM	CA	CY	CYN	CBL	CL	CD
.619	1.580	.00000	-.03000	.29940	.01740	.04010	-.00230	-.00120	-.00080	.29350	.07120
.618	1.780	.00000	-.05000	.29460	.01890	.04020	-.00260	-.00120	-.00050	.28880	.07060
.618	1.980	.00000	-.05000	.29060	.02040	.04000	-.00190	-.00110	-.00040	.28490	.06990
.620	2.180	.00000	-.05000	.28730	.02110	.04010	-.00170	-.00130	-.00050	.28150	.06980
.618	2.880	.00000	-.03000	.28560	.02070	.03990	-.00190	-.00130	-.00050	.27990	.06940
.618	3.700	.00000	-.03000	.28590	.02060	.04020	-.00280	-.00130	-.00040	.28010	.06980
.620	4.510	.00000	-.03000	.28220	.01910	.04020	-.00270	-.00130	-.00050	.27650	.06910
.617	5.320	.00000	-.03000	.28480	.01810	.04070	-.00260	-.00120	-.00050	.27910	.06990
.617	6.140	.00000	-.03000	.28400	.01690	.04050	-.00270	-.00120	-.00050	.27830	.06960
.616	6.940	.00000	-.03000	.28620	.01630	.04100	-.00310	-.00130	-.00070	.28040	.07030
.616	7.760	.00000	-.03000	.28480	.01570	.04120	-.00350	-.00130	-.00070	.27900	.07050
.622	8.570	.00000	-.02000	.27990	.01480	.04050	-.00350	-.00120	-.00060	.27420	.06930
.620	8.980	.00000	-.03000	.28340	.01380	.04100	-.00310	-.00120	-.00060	.27770	.06990
	GRADIENT	.00000	.00567	-.00459	.00029	.00003	-.00020	-.00005	.00005	-.00456	-.00051

LTV44-559(CA26) 747/1 ATY 02 S1 (ORBITER DATA)

(WFED034) ( 18 NOV 75 )

## REFERENCE DATA

SREF = 2690.0000 SQ.FT. XMRP = 1109.0000 IN. XO  
 LREF = 474.8100 IN. YMRP = .0000 IN. YO  
 BREF = 936.6800 IN. ZMRP = 375.0000 IN. ZO  
 SCALE = .0125

## PARAMETRIC DATA

ALPHAC = .000 BETAC = .000  
 STAB = 5.000 ELEVON = 5.000  
 BDFLAP = .000 DX = .000  
 DY = .000 IORB = 8.000  
 BETAO = .000 RUDDER = .000

RUN NO. 31/ 0 RN/L = .00 GRADIENT INTERVAL = -5.00/ 5.00

MACH	DZ	DY	DX	CN	CLM	CA	CY	CYN	CBL	CL	CD
.623	2.110	.00000	-.03000	.40970	.02400	.02510	-.00150	-.00120	-.00060	.40220	.08190
.625	3.420	.00000	-.02000	.40090	.02470	.02530	-.00200	-.00120	-.00060	.39350	.08080
.625	4.720	.00000	-.02000	.39730	.02450	.02570	-.00210	-.00120	-.00060	.38990	.08060
.624	6.030	.00000	-.02000	.39410	.02330	.02590	-.00230	-.00120	-.00060	.38660	.08050
.625	7.330	.00000	-.02000	.39260	.02210	.02600	-.00150	-.00110	-.00060	.38520	.08020
.626	8.640	.00000	-.02000	.39230	.02060	.02610	-.00190	-.00120	-.00070	.38490	.08040
.625	9.940	.00000	-.02000	.39010	.01960	.02670	-.00290	-.00110	-.00080	.38270	.08050
.625	11.250	.00000	-.02000	.39170	.01920	.02680	-.00290	-.00110	-.00080	.38420	.08090
.624	12.550	.00000	-.02000	.39150	.01860	.02710	-.00230	-.00100	-.00070	.38400	.08110
.625	13.860	.00000	-.02000	.38940	.01800	.02750	-.00260	-.00100	-.00070	.38180	.08110
.625	15.160	.00000	-.01000	.38690	.01720	.02790	-.00300	-.00110	-.00060	.37940	.08080
.626	16.460	.00000	-.01000	.38540	.01680	.02850	-.00270	-.00100	-.00070	.37780	.08110
.625	17.770	.00000	-.01000	.38600	.01610	.02900	-.00280	-.00110	-.00070	.37830	.08170
.628	19.070	.00000	-.01000	.38420	.01610	.02860	-.00320	-.00110	-.00070	.37660	.08100
.622	20.370	.00000	-.01000	.39040	.01610	.02960	-.00270	-.00100	-.00070	.38260	.08270
.623	21.680	.00000	.00000	.38860	.01580	.02960	-.00300	-.00100	-.00070	.38090	.08250
.625	22.980	.00000	.00000	.38570	.01520	.03010	-.00340	-.00110	-.00070	.37800	.08260
.624	24.280	.00000	.00000	.38590	.01490	.03020	-.00310	-.00100	-.00070	.37820	.08270
.625	25.590	.00000	.00000	.38510	.01470	.03030	-.00300	-.00100	-.00060	.37730	.08250
.625	26.890	.00000	.00000	.38410	.01440	.03020	-.00310	-.00110	-.00060	.37650	.08200
.626	28.190	.00000	.01000	.38440	.01410	.03050	-.00310	-.00100	-.00060	.37670	.08240
.624	29.500	.00000	.01000	.38570	.01380	.03080	-.00310	-.00100	-.00060	.37790	.08310
.624	30.800	.00000	.01000	.38580	.01390	.03080	-.00280	-.00110	-.00060	.37810	.08300
.627	32.110	.00000	.01000	.38380	.01340	.03130	-.00300	-.00110	-.00050	.37610	.08290
.624	33.420	.00000	.02000	.38530	.01310	.03130	-.00330	-.00110	-.00060	.37750	.08300
.625	34.720	.00000	.02000	.38400	.01300	.03140	-.00330	-.00100	-.00070	.37620	.08290
.626	36.030	.00000	.02000	.38380	.01300	.03150	-.00290	-.00090	-.00060	.37600	.08310
.627	37.330	.00000	.03000	.38420	.01270	.03130	-.00310	-.00100	-.00060	.37640	.08290
.627	38.630	.00000	.03000	.38020	.01230	.03190	-.00350	-.00110	-.00050	.37250	.08280
.627	39.940	.00000	.03000	.38100	.01190	.03240	-.00250	-.00110	-.00040	.37310	.08350
.629	41.240	.00000	.03000	.38210	.01220	.03200	-.00380	-.00120	-.00050	.37430	.08320
.625	42.540	.00000	.05000	.38750	.01210	.03210	-.00300	-.00110	-.00040	.37970	.08380
.625	43.850	.00000	.05000	.38480	.01190	.03220	-.00270	-.00090	-.00050	.37700	.08350
.625	45.150	.00000	.05000	.38320	.01170	.03240	-.00310	-.00100	-.00030	.37540	.08340
.626	46.460	.00000	.05000	.38290	.01170	.03240	-.00390	-.00110	-.00020	.37510	.08360
.627	47.760	.00000	.05000	.38280	.01140	.03240	-.00300	-.00100	-.00030	.37500	.08340
.625	49.070	.00000	.06000	.38580	.01130	.03260	-.00350	-.00100	-.00020	.37800	.08390
.626	50.370	.00000	.06000	.38570	.01140	.03290	-.00410	-.00100	-.00030	.37790	.08420
.626	51.680	.00000	.07000	.38570	.01140	.03280	-.00320	-.00090	-.00020	.37780	.08410
.624	52.980	.00000	.07000	.38530	.01090	.03320	-.00340	-.00100	-.00030	.37750	.08410
.627	54.290	.00000	.07000	.38140	.01050	.03320	-.00360	-.00100	-.00030	.37360	.08370
.625	55.590	.00000	.07000	.38630	.01080	.03320	-.00460	-.00110	-.00010	.37840	.08430



DATE 22 MAR 76

CA-26 FORCE SOURCE DATA TABULATION

PAGE 371

LTV44-559(CA26) 747/1 ATY 02 S1 (ORBITER DATA)

(WFE034) ( 18 NOV 75 )

## REFERENCE DATA

SREF = 2690.0000 SQ.FT. XMRP = 1109.0000 IN. XO  
 LREF = 474.8100 IN. YMRP = .0000 IN. YO  
 BREF = 936.6800 IN. ZMRP = 375.0000 IN. ZO  
 SCALE = .0125

## PARAMETRIC DATA

ALPHAC = .000 BETAC = .000  
 STAB = 5.000 ELEVON = 5.000  
 BDFLAP = .000 DX = .000  
 DY = .000 TORB = 8.000  
 BETA0 = .000 RUDDER = .000

RUN NO. 31/ 0 RN/L = .00 GRADIENT INTERVAL = -5.00/ 5.00

MACH	DZ	DY	DX	CN	CLM	CA	CY	CYN	CBL	CL	CD
.624	56.890	.00000	.09000	.38140	.01010	.03390	-.00470	-.00120	-.00030	.37350	.08410
.623	58.200	.00000	.09000	.38510	.01040	.03350	-.00300	-.00090	-.00030	.37720	.08430
.625	59.500	.00000	.09000	.38140	.00980	.03380	-.00400	-.00100	-.00020	.37360	.08400
.627	60.800	.00000	.09000	.38280	.01000	.03350	-.00340	-.00090	-.00010	.37490	.08400
.626	61.460	.00000	.09000	.38410	.01020	.03370	-.00390	-.00100	.00000	.37620	.08440
	GRADIENT	.00000	.00384	-.00475	.00019	.00023	-.00023	.00000	.00000	-.00472	-.00050

ORIGINAL PAGE IS  
 OF POOR QUALITY

LTV44-559(CA26) 747/1 ATY 02 S1 (ORBITER DATA)

(WFE035) ( 18 NOV 75 )

## REFERENCE DATA

SREF = 2690.0000 SQ.FT. XMRP = 1109.0000 IN. XO  
 LREF = 474.8100 IN. YMRP = .0000 IN. YO  
 BREF = 936.6800 IN. ZMRP = 375.0000 IN. ZO  
 SCALE = .0125

## PARAMETRIC DATA

ALPHAC = .000 BETAC = .000  
 STAB = 5.000 ELEVON = 5.000  
 BDFLAP = .000 DX = .000  
 DY = .000 TORB = 4.000  
 BETA0 = 5.000 RUDDER = .000

RUN NO. 33/ 0 RN/L = .00 GRADIENT INTERVAL = -5.00/ 5.00

MACH	DZ	DY	DX	CN	CLM	CA	CY	CYN	CBL	CL	CD
.628	2.110	.00000	-.06000	.18650	.01420	.04720	-.06320	-.01280	.00140	.18280	.06010
.628	3.410	.00000	-.05000	.18650	.01360	.04730	-.06290	-.01270	.00160	.18290	.06010
.627	4.700	.00000	-.05000	.18630	.01170	.04770	-.06370	-.01280	.00170	.18260	.06030
.629	6.000	.00000	-.05000	.18720	.00970	.04770	-.06240	-.01260	.00210	.18350	.06040
.627	7.300	.00000	-.03000	.18840	.00840	.04920	-.06310	-.01260	.00220	.18460	.06110
.627	8.590	.00000	-.03000	.18770	.00710	.04830	-.06320	-.01260	.00240	.18390	.06100
.627	9.890	.00000	-.03000	.18820	.00610	.04850	-.06420	-.01270	.00240	.18440	.06130
.629	11.180	.00000	-.03000	.18760	.00530	.04860	-.06380	-.01260	.00250	.18390	.06130
.627	12.480	.00000	-.02000	.18930	.00450	.04910	-.06400	-.01270	.00270	.18560	.06180
.627	13.780	.00000	-.02000	.19020	.00380	.04920	-.06360	-.01250	.00290	.18640	.06200
.627	15.080	.00000	-.02000	.18980	.00340	.04930	-.06380	-.01250	.00300	.18600	.06210
.628	16.370	.00000	-.02000	.18730	.00290	.04960	-.06440	-.01260	.00310	.18360	.06220
.627	17.670	.00000	-.01000	.19130	.00300	.04970	-.06370	-.01250	.00300	.18750	.06260
.628	18.960	.00000	-.01000	.18990	.00210	.04960	-.06320	-.01250	.00310	.18610	.06230
.628	20.260	.00000	-.01000	.19200	.00200	.05010	-.06400	-.01240	.00310	.18820	.06290
.628	21.550	.00000	.00000	.19090	.00140	.05030	-.06320	-.01240	.00320	.18710	.06290
.627	22.840	.00000	.00000	.19070	.00140	.05060	-.06380	-.01250	.00330	.18690	.06320
.630	24.140	.00000	.00000	.19120	.00100	.05020	-.06270	-.01230	.00330	.18740	.06290
.627	25.440	.00000	.00000	.19130	.00050	.05110	-.06350	-.01240	.00330	.18740	.06380
.628	26.740	.00000	.01000	.19240	.00070	.05110	-.06340	-.01230	.00330	.18860	.06370
.628	28.030	.00000	.01000	.19200	.00030	.05110	-.06390	-.01230	.00330	.18820	.06370
.629	29.330	.00000	.01000	.19110	.00000	.05150	-.06350	-.01240	.00340	.18730	.06390
.628	30.620	.00000	.01000	.19360	.00040	.05150	-.06360	-.01240	.00350	.18980	.06420
.628	31.920	.00000	.02000	.19240	-.00020	.05150	-.06450	-.01240	.00340	.18860	.06410
.628	33.210	.00000	.02000	.19310	-.00020	.05160	-.06430	-.01230	.00350	.18930	.06420
.628	34.510	.00000	.02000	.19290	-.00060	.05170	-.06420	-.01240	.00350	.18910	.06420
.630	35.800	.00000	.03000	.19110	-.00030	.05160	-.06450	-.01240	.00360	.18740	.06390
.629	37.110	.00000	.03000	.19170	-.00090	.05190	-.06350	-.01220	.00350	.18790	.06440
.627	38.400	.00000	.03000	.19400	-.00080	.05210	-.06370	-.01230	.00360	.19020	.06470
.627	39.700	.00000	.03000	.19420	-.00070	.05200	-.06420	-.01240	.00360	.19040	.06450
.627	40.990	.00000	.05000	.19300	-.00090	.05220	-.06510	-.01250	.00380	.18920	.06460
.628	42.290	.00000	.05000	.19290	-.00120	.05220	-.06570	-.01240	.00370	.18910	.06460
.629	43.580	.00000	.05000	.19340	-.00150	.05210	-.06480	-.01230	.00370	.18970	.06450
.629	44.880	.00000	.06000	.19100	-.00190	.05220	-.06440	-.01240	.00380	.18720	.06440
.629	46.180	.00000	.06000	.18950	-.00170	.05230	-.06600	-.01270	.00390	.18580	.06450
.628	47.470	.00000	.06000	.19360	-.00160	.05240	-.06490	-.01240	.00390	.18980	.06470
.627	48.120	.00000	.06000	.19410	-.00210	.05260	-.06460	-.01230	.00400	.19030	.06490
	GRADIENT	.00000	.00387	-.00008	-.00096	.00019	-.00019	.00000	.00012	-.00008	.00008

DATE 22 MAR 76

CA-26 FORCE SOURCE DATA TABULATION

PAGE 373

LTV44-559(CA26) 747/1 ATY 02 S1 (ORBITER DATA)

(WFED36) ( 18 NOV 75 )

## REFERENCE DATA

SREF = 2690.0000 SQ.FT. XMRP = 1109.0000 IN. XO  
 LREF = 474.8100 IN. YMRP = .0000 IN. YO  
 BREF = 936.6800 IN. ZMRP = 375.0000 IN. ZO  
 SCALE = .0125

## PARAMETRIC DATA

ALPHAC = .000 BETAC = .000  
 STAB = 5.000 ELEVON = 5.000  
 BDFLAP = .000 DX = .000  
 DY = .000 IORB = 6.000  
 BETAO = 5.000 RUDDER = .000

RUN NO. 1033/ 0 RN/L = .00 GRADIENT INTERVAL = -5.00/ 5.00

MACH	DZ	DY	DX	CN	CLM	CA	CY	CYN	CBL	CL	CD
.625	2.630	.00000	-.03000	.29630	.01850	.03870	-.06200	-.01270	-.00120	.29070	.06950
.627	3.790	.00000	-.03000	.29470	.01830	.03840	-.06200	-.01260	-.00100	.28900	.06910
.628	4.950	.00000	-.03000	.29250	.01650	.03870	-.06200	-.01240	-.00060	.28690	.06890
.627	6.110	.00000	-.03000	.29270	.01500	.03880	-.06250	-.01240	-.00030	.28710	.06910
.626	7.270	.00000	-.03000	.29330	.01420	.03910	-.06230	-.01240	-.00020	.28770	.06950
.628	8.430	.00000	-.03000	.29140	.01360	.03920	-.06240	-.01240	-.00010	.28570	.06930
.627	9.590	.00000	-.03000	.29300	.01250	.03980	-.06270	-.01230	.00000	.28730	.06990
.629	10.750	.00000	-.02000	.29040	.01110	.03960	-.06220	-.01220	.00030	.28480	.06940
.625	11.900	.00000	-.02000	.29430	.01120	.04010	-.06300	-.01240	.00030	.28480	.06940
.628	13.070	.00000	-.02000	.29090	.01010	.03980	-.06250	-.01220	.00050	.28520	.06960
.627	14.230	.00000	-.02000	.29130	.00970	.04050	-.06230	-.01220	.00050	.28560	.07030
.626	15.390	.00000	-.02000	.29140	.00950	.04070	-.06270	-.01220	.00060	.28570	.07040
.626	16.550	.00000	-.01000	.29180	.00870	.04100	-.06330	-.01210	.00070	.28610	.07050
.627	17.710	.00000	-.01000	.29060	.00830	.04110	-.06260	-.01210	.00080	.28490	.07050
.626	18.860	.00000	-.01000	.29220	.00840	.04150	-.06370	-.01220	.00090	.28640	.07120
.629	20.020	.00000	-.01000	.28940	.00790	.04090	-.06270	-.01210	.00100	.28370	.07010
.628	21.180	.00000	-.01000	.29060	.00750	.04140	-.06230	-.01200	.00100	.28480	.07090
.626	22.330	.00000	.00000	.29110	.00730	.04170	-.06310	-.01220	.00110	.28530	.07120
.627	23.490	.00000	.00000	.29040	.00710	.04180	-.06230	-.01200	.00120	.28460	.07110
.629	24.660	.00000	.00000	.29030	.00710	.04170	-.06180	-.01190	.00120	.28450	.07110
.626	25.820	.00000	.00000	.29330	.00730	.04230	-.06380	-.01210	.00120	.28750	.07190
.628	26.980	.00000	.01000	.29180	.00700	.04230	-.06310	-.01210	.00140	.28590	.07180
.630	28.140	.00000	.01000	.29050	.00660	.04210	-.06280	-.01200	.00130	.28470	.07130
.627	29.290	.00000	.01000	.29070	.00610	.04270	-.06290	-.01210	.00140	.28490	.07200
.628	30.450	.00000	.01000	.29070	.00630	.04230	-.06270	-.01190	.00130	.28490	.07160
.628	31.610	.00000	.01000	.29000	.00570	.04270	-.06270	-.01190	.00140	.28430	.07170
.627	32.770	.00000	.02000	.29230	.00580	.04270	-.06240	-.01180	.00130	.28650	.07190
.629	33.930	.00000	.02000	.28890	.00570	.04270	-.06300	-.01210	.00140	.28310	.07150
.628	35.090	.00000	.02000	.29200	.00570	.04250	-.06320	-.01210	.00150	.28620	.07170
.630	36.250	.00000	.03000	.28920	.00520	.04270	-.06180	-.01180	.00140	.28340	.07150
.627	37.410	.00000	.03000	.29260	.00550	.04330	-.06410	-.01200	.00150	.28670	.07250
.628	38.570	.00000	.03000	.29060	.00510	.04320	-.06500	-.01200	.00180	.28480	.07220
.627	39.730	.00000	.03000	.29020	.00480	.04360	-.06350	-.01200	.00170	.28440	.07240
.628	40.890	.00000	.05000	.29070	.00490	.04330	-.06410	-.01200	.00160	.28490	.07210
.629	42.050	.00000	.05000	.29090	.00480	.04320	-.06470	-.01200	.00160	.28520	.07190
.628	43.210	.00000	.05000	.29090	.00430	.04360	-.06490	-.01210	.00190	.28510	.07240
.628	44.370	.00000	.05000	.29050	.00420	.04340	-.06380	-.01200	.00180	.28470	.07200
.628	45.520	.00000	.05000	.29170	.00420	.04360	-.06290	-.01190	.00180	.28600	.07230
.627	46.690	.00000	.06000	.29100	.00440	.04380	-.06490	-.01210	.00190	.28520	.07240
.626	47.850	.00000	.06000	.29110	.00410	.04390	-.06380	-.01200	.00180	.28530	.07260
.628	49.010	.00000	.06000	.29200	.00400	.04370	-.06300	-.01180	.00180	.28630	.07240
.626	50.170	.00000	.06000	.28910	.00350	.04450	-.06450	-.01210	.00200	.28330	.07300

DATE 22 MAR 76

CA-26 FORCE SOURCE DATA TABULATION

PAGE 374

LTV44-559(CA26) 747/1 ATY 02 S1 (ORBITER DATA)

(WFE036) ( 18 NOV 75 )

## REFERENCE DATA

SREF = 2690.0000 SQ.FT. XMRP = 1109.0000 IN. XO  
 LREF = 474.8100 IN. YMRP = .0000 IN. YO  
 BREF = 936.6800 IN. ZMRP = 375.0000 IN. ZO  
 SCALE = .0125

## PARAMETRIC DATA

ALPHAC = .000 BETAC = .000  
 STAB = 5.000 ELEVON = 5.000  
 BDFLAP = .000 DX = .000  
 DY = .000 IORB = 6.000  
 BETAO = 5.000 RUDDER = .000

RUN NO. 1033/ 0 RN/L = .00 GRADIENT INTERVAL = -5.00/ 5.00

MACH	DZ	DY	DX	CN	CLM	CA	CY	CYN	CBL	CL	CD
.627	51.330	.00000	.06000	.29320	.03390	.04400	-.06280	-.01190	.00200	.26740	.07290
.628	52.480	.00000	.07000	.29320	.03380	.04390	-.06290	-.01190	.00190	.26750	.07270
.627	53.640	.00000	.07000	.29440	.00370	.04430	-.06460	-.01210	.00210	.26860	.07320
.628	54.800	.00000	.07000	.29200	.00350	.04430	-.06400	-.01190	.00210	.26630	.07260
	GRADIENT	.00000	.00000	-.00164	-.00091	.00000	-.00000	.00013	.00026	-.00164	-.00026

LTV44-559(CA26) 747/1 ATY 02 S1 (ORBITER DATA)

(WFE037) ( 18 NOV 75 )

## REFERENCE DATA

SREF = 2690.0000 SQ.FT. XMRP = 1109.0000 IN. XO  
 LREF = 474.8100 IN. YMRP = .0000 IN. YO  
 BREF = 936.6800 IN. ZMRP = 375.0000 IN. ZO  
 SCALE = .0125

## PARAMETRIC DATA

ALPHAC = .000 BETAC = .000  
 STAB = 5.000 ELEVON = 5.000  
 BDFLAP = .000 DX = .000  
 DY = .000 IORB = 8.000  
 BETAO = 5.00<sup>11</sup> RUDDER = .000

RUN NO. 34/ 0 RN/L = .00 GRADIENT INTERVAL = -5.00/ 5.00

MACH	DZ	DY	DX	CN	CLM	CA	CY	CYN	CBL	CL	CD
.619	2.110	.00000	-.02000	.41360	.02370	.02710	-.05940	-.01210	-.00380	.40570	.08480
.618	3.420	.00000	-.02000	.41270	.02390	.02740	-.06020	-.01210	-.00380	.40490	.08470
.616	4.720	.00000	-.02000	.41040	.02280	.02790	-.05980	-.01210	-.00350	.40260	.08460
.619	6.030	.00000	-.02000	.40550	.02130	.02790	-.05930	-.01190	-.00310	.39770	.08400
.616	7.330	.00000	-.02000	.40850	.02010	.02810	-.06030	-.01210	-.00280	.40060	.08460
.618	8.640	.00000	-.02000	.40380	.01930	.02850	-.05950	-.01190	-.00260	.39590	.08440
.619	9.940	.00000	-.02000	.40210	.01750	.02870	-.06050	-.01190	-.00250	.39420	.08430
.620	11.250	.00000	-.02000	.40250	.01720	.02880	-.06050	-.01180	-.00220	.39470	.08430
.619	12.550	.00000	-.02000	.40150	.01660	.02910	-.06080	-.01170	-.00200	.39370	.08430
.620	13.860	.00000	-.02000	.39900	.01590	.02930	-.06070	-.01180	-.00190	.39110	.08400
.620	15.160	.00000	-.01000	.39810	.01600	.02970	-.06120	-.01170	-.00180	.39020	.08420
.620	16.460	.00000	-.01000	.39710	.01550	.03000	-.06140	-.01170	-.00160	.38920	.08430
.617	17.770	.00000	-.01000	.39920	.01500	.03060	-.06130	-.01160	-.00150	.39020	.08500
.619	19.070	.00000	-.01000	.39590	.01470	.03060	-.06050	-.01160	-.00150	.38800	.08450
.620	20.370	.00000	-.01000	.39510	.01440	.03090	-.06140	-.01170	-.00150	.38720	.08460
.620	21.680	.00000	.00000	.39640	.01370	.03120	-.06090	-.01170	-.00140	.38840	.08520
.619	22.980	.00000	.00000	.39640	.01370	.03120	-.06070	-.01160	-.00130	.38840	.08500
.618	24.280	.00000	.00000	.39630	.01340	.03170	-.06200	-.01180	-.00120	.38830	.08540
.618	25.590	.00000	.00000	.39560	.01360	.03180	-.06200	-.01170	-.00100	.38750	.08550
.617	26.890	.00000	.01000	.39500	.01280	.03230	-.06130	-.01180	-.00110	.38690	.08580
.617	28.190	.00000	.01000	.39650	.01260	.03220	-.06080	-.01160	-.00110	.38840	.08560
.617	29.500	.00000	.01000	.39740	.01260	.03230	-.06160	-.01170	-.00110	.38930	.08610
.618	30.800	.00000	.01000	.39590	.01230	.03240	-.06170	-.01170	-.00110	.38780	.08590
.619	32.110	.00000	.02000	.39420	.01210	.03270	-.06200	-.01170	-.00090	.38610	.08570
.617	33.420	.00000	.02000	.39740	.01260	.03280	-.06210	-.01170	-.00090	.38930	.08630
.618	34.720	.00000	.02000	.39480	.01240	.03290	-.06190	-.01150	-.00080	.38670	.08580
.618	36.030	.00000	.02000	.39510	.01220	.03270	-.06210	-.01160	-.00080	.38710	.08570
.618	37.330	.00000	.03000	.39330	.01170	.03300	-.06130	-.01150	-.00080	.38520	.08570
.617	38.630	.00000	.03000	.39470	.01200	.03320	-.06210	-.01160	-.00060	.38660	.08620
.619	39.940	.00000	.03000	.39250	.01150	.03330	-.06190	-.01170	-.00070	.38440	.08600
.618	41.240	.00000	.03000	.39320	.01090	.03350	-.06380	-.01180	-.00060	.38510	.08620
.619	42.540	.00000	.05000	.39330	.01120	.03370	-.06170	-.01160	-.00050	.38520	.08610
.621	43.850	.00000	.05000	.39190	.01130	.03350	-.06180	-.01160	-.00060	.38390	.08570
.618	45.150	.00000	.05000	.39600	.01110	.03380	-.06290	-.01170	-.00050	.38780	.08680
.617	46.460	.00000	.06000	.39550	.01130	.03380	-.06140	-.01150	-.00060	.38740	.08640
.618	47.760	.00000	.06000	.39480	.01110	.03400	-.06250	-.01150	-.00050	.38660	.08660
.617	49.070	.00000	.06000	.39440	.01090	.03410	-.06330	-.01160	-.00020	.38630	.08670
.618	50.370	.00000	.06000	.39240	.01040	.03430	-.06310	-.01150	-.00030	.38430	.08630
.617	51.680	.00000	.07000	.39390	.01050	.03430	-.06400	-.01170	.00000	.38580	.08650
.619	52.980	.00000	.07000	.39240	.01020	.03420	-.06340	-.01160	-.00020	.38440	.08600
.619	54.290	.00000	.07000	.39370	.01010	.03400	-.06290	-.01150	-.00020	.38570	.08620
.619	55.590	.00000	.07000	.39170	.00990	.03460	-.06410	-.01160	.00000	.38360	.08640

LTV44-559(CA26) 747/1 ATY 02 S1 (ORBITER DATA)

(WFE037) ( 18 NOV 75 )

## REFERENCE DATA

SREF = 2690.0000 SQ.FT. XMRP = 1109.0000 IN. XO  
 LREF = 474.8100 IN. YMRP = .0000 IN. YO  
 BREF = 936.6800 IN. ZMRP = 375.0000 IN. ZO  
 SCALE = .0125

## PARAMETRIC DATA

ALPHAC = .000 BETAC = .000  
 STAB = 5.000 ELEVON = 5.000  
 BDFLAP = .000 DX = .000  
 DY = .000 IORB = 8.000  
 BETA0 = 5.000 RUDDER = .000

RUN NO. 34/ 0 RN/L = .00 GRADIENT INTERVAL = -5.00/ 5.00

MACH	DZ	DY	DX	CN	CLM	CA	CY	CYN	CBL	CL	CD
.619	56.890	.00000	.09000	.39100	.00980	.03450	-.06370	-.01160	-.00010	.38290	.08610
.619	58.200	.00000	.09000	.39230	.00980	.03480	-.06400	-.01160	.00010	.38420	.08680
.619	59.500	.00000	.09000	.39200	.00960	.03490	-.06430	-.01170	.00010	.38390	.08640
.618	60.800	.00000	.09000	.39140	.00960	.03480	-.06360	-.01170	.00000	.38340	.08630
.617	61.460	.00000	.10000	.39060	.00920	.03520	-.06530	-.01190	.00000	.38250	.08660
	GRADIENT	.00000	.00000	-.00123	-.00034	.00031	-.00015	.00000	.00011	-.00119	-.00008

LTV44-559(CA26) 747/1 ATY 02 S1 (ORBITER DATA)

(WFE038) ( 18 NOV 75 )

## REFERENCE DATA

SREF = 2690.0000 SQ.FT. XMRP = 1109.0000 IN. XO  
 LREF = 474.8100 IN. YMRP = .0000 IN. YO  
 BREF = 936.6800 IN. ZMRP = 375.0000 IN. ZO  
 SCALE = .0125

## PARAMETRIC DATA

ALPHAC = .000 BETAC = .000  
 STAB = -.000 ELEVON = 5.000  
 BDFLAP = .000 DX = .000  
 DY = .000 TORB = 4.000  
 BETA0 = .000 RUDDER = .000

RUN NO. 35/ 0 RN/L = .00 GRADIENT INTERVAL = -5.00/ 5.00

MACH	DZ	DY	DX	CN	CLM	CA	CY	CYN	CBL	CL	CD
.627	2.110	.00000	.05000	.17760	.01810	.04730	-.00430	-.00130	-.00020	.17350	.06060
.626	3.410	.00000	.05000	.17850	.01770	.04740	-.00410	-.00120	-.00030	.17450	.06070
.626	4.700	.00000	.05000	.17760	.01550	.04800	-.00360	-.00130	-.00030	.17360	.06110
.627	6.000	.00000	.03000	.18150	.01380	.04820	-.00400	-.00140	-.00040	.17730	.06180
.626	7.300	.00000	.03000	.18110	.01200	.04840	-.00320	-.00140	-.00040	.17700	.06180
.626	8.590	.00000	.03000	.18260	.01110	.04870	-.00400	-.00140	-.00050	.17850	.06220
.626	9.890	.00000	.02000	.18400	.01020	.04890	-.00390	-.00140	-.00050	.17990	.06250
.627	11.180	.00000	.02000	.18380	.00940	.04910	-.00430	-.00150	-.00050	.17970	.06270
.626	12.480	.00000	.02000	.18370	.00840	.04930	-.00330	-.00140	-.00040	.17950	.06270
.626	13.780	.00000	.01000	.18580	.00820	.04980	-.00400	-.00140	-.00050	.18160	.06350
.627	15.080	.00000	.01000	.18620	.00770	.04990	-.00370	-.00130	-.00040	.18200	.06360
.626	16.370	.00000	.01000	.18710	.00710	.05000	-.00380	-.00130	-.00040	.18300	.06360
.626	17.670	.00000	.00000	.18820	.00660	.05020	-.00320	-.00130	-.00040	.18400	.06380
.626	18.960	.00000	.00000	.18750	.00640	.05070	-.00370	-.00130	-.00050	.18320	.06440
.628	20.260	.00000	.00000	.18640	.00590	.05070	-.00370	-.00140	-.00030	.18210	.06440
.625	21.550	.00000	-.01000	.19010	.00570	.05110	-.00370	-.00120	-.00030	.18580	.06490
.627	22.840	.00000	-.01000	.19050	.00610	.05090	-.00350	-.00120	-.00040	.18620	.06470
.629	24.140	.00000	-.01000	.18670	.00490	.05080	-.00370	-.00120	-.00030	.18250	.06430
.627	25.440	.00000	-.02000	.18850	.00470	.05120	-.00310	-.00120	-.00020	.18430	.06480
.627	26.740	.00000	-.02000	.18930	.00450	.05140	-.00340	-.00130	-.00040	.18510	.06500
.627	28.030	.00000	-.02000	.18970	.00420	.05160	-.00390	-.00130	-.00040	.18540	.06530
.627	29.330	.00000	-.02000	.19140	.00420	.05200	-.00310	-.00120	-.00040	.18710	.06570
.626	30.620	.00000	-.03000	.19090	.00410	.05220	-.00470	-.00130	-.00040	.18670	.06590
.629	31.920	.00000	-.03000	.19060	.00370	.05200	-.00360	-.00130	-.00020	.18630	.06570
.627	33.210	.00000	-.03000	.19080	.00340	.05270	-.00400	-.00140	-.00020	.18650	.06630
.627	34.510	.00000	-.05000	.19140	.00340	.05270	-.00420	-.00130	-.00040	.18710	.06630
.627	35.800	.00000	-.05000	.19330	.00330	.05270	-.00350	-.00130	-.00020	.18900	.06650
.628	37.110	.00000	-.06000	.19360	.00330	.05260	-.00510	-.00140	-.00020	.18930	.06650
.625	38.410	.00000	-.06000	.19460	.00310	.05330	-.00410	-.00140	-.00010	.19030	.06710
.629	39.700	.00000	-.06000	.19110	.00280	.05280	-.00460	-.00140	-.00010	.18680	.06640
.626	40.990	.00000	-.07000	.19530	.00260	.05330	-.00480	-.00140	.00000	.19100	.06700
.627	42.290	.00000	-.07000	.19440	.00240	.05320	-.00370	-.00130	-.00010	.19010	.06690
.627	43.580	.00000	-.07000	.19360	.00250	.05330	-.00520	-.00140	-.00020	.18930	.06690
.625	44.880	.00000	-.09000	.19580	.00220	.05340	-.00340	-.00120	-.00020	.19160	.06720
.626	46.180	.00000	-.09000	.19570	.00260	.05340	-.00560	-.00140	.00000	.19140	.06710
.627	47.470	.00000	-.09000	.19450	.00200	.05360	-.00390	-.00130	.00000	.19020	.06730
.626	48.120	.00000	-.09000	.19790	.00220	.05360	-.00390	-.00110	-.00020	.19370	.06740
GRADIENT		.00000	.00000	.00000	-.00100	.00027	.00027	.00000	-.00004	.00004	.00019

LTV44-559(CA26) 747/1 ATY 02 S1 (ORBITER DATA)

(WFE039) ( 18 NOV 75 )

REFERENCE DATA

SREF = 2690.0000 SQ.FT. XMRP = 1109.0000 IN. XO  
 LREF = 474.8100 IN. YMRP = .0000 IN. YO  
 BREF = 936.6800 IN. ZMRP = 375.0000 IN. ZO  
 SCALE = .0125

PARAMETRIC DATA

ALPHAC = .000 BETAC = .000  
 STAB = -1.000 ELEVON = 5.000  
 BDFLAP = .000 DX = .000  
 DY = .000 IORB = 6.000  
 BETAO = .000 RUDDER = .000

RUN NO. 1035' 0 RN/L = .00 GRADIENT INTERVAL = -5.00/ 5.00

MACH	DZ	DY	DX	CN	CLM	CA	CY	CYN	CBL	CL	CD
.627	2.630	.00000	.06000	.28950	.02150	.03640	-.00200	-.00110	-.00050	.28370	.06790
.628	3.790	.00000	.06000	.28890	.02160	.03670	-.00220	-.00120	-.00050	.28310	.06810
.626	4.950	.00000	.05000	.28850	.02010	.03710	-.00190	-.00120	-.00070	.28270	.06850
.625	6.110	.00000	.05000	.28820	.01880	.03740	-.00250	-.00120	-.00070	.28240	.06860
.626	7.270	.00000	.05000	.28930	.01740	.03760	-.00290	-.00130	-.00080	.28340	.06910
.626	8.430	.00000	.03000	.28870	.01650	.03780	-.00220	-.00130	-.00070	.28280	.06920
.626	9.590	.00000	.03000	.28900	.01560	.03810	-.00210	-.00120	-.00070	.28210	.06940
.626	10.750	.00000	.03000	.28750	.01490	.03830	-.00240	-.00130	-.00070	.28150	.06940
.626	11.900	.00000	.02000	.28740	.01420	.03840	-.00270	-.00120	-.00070	.28150	.06950
.626	13.070	.00000	.02000	.28800	.01410	.03880	-.00320	-.00130	-.00070	.28210	.06980
.627	14.230	.00000	.01000	.28730	.01310	.03900	-.00230	-.00120	-.00070	.28130	.07000
.625	15.390	.00000	.01000	.28910	.01300	.03940	-.00330	-.00120	-.00080	.28310	.07050
.626	16.550	.00000	.01000	.28760	.01260	.03940	-.00280	-.00120	-.00070	.28160	.07030
.628	17.710	.00000	.01000	.28600	.01210	.03960	-.00220	-.00110	-.00070	.28000	.07040
.628	18.860	.00000	.00000	.28680	.01190	.04000	-.00220	-.00120	-.00060	.28080	.07080
.626	20.020	.00000	.00000	.28980	.01160	.04030	-.00310	-.00110	-.00070	.28380	.07120
.630	21.180	.00000	.00000	.28510	.01170	.03980	-.00290	-.00110	-.00060	.27920	.07040
.627	22.330	.00000	-.01000	.28850	.01110	.04030	-.00260	-.00100	-.00070	.28250	.07100
.627	23.490	.00000	-.01000	.28870	.01080	.04070	-.00310	-.00110	-.00070	.28270	.07150
.627	24.660	.00000	-.01000	.28890	.01090	.04100	-.00280	-.00110	-.00060	.28280	.07190
.627	25.820	.00000	-.02000	.28880	.01080	.04110	-.00230	-.00110	-.00060	.28270	.07200
.627	26.980	.00000	-.02000	.29000	.01030	.04120	-.00260	-.00110	-.00070	.28400	.07190
.626	28.140	.00000	-.02000	.28890	.01010	.04170	-.00300	-.00120	-.00060	.28270	.07240
.628	29.290	.00000	-.02000	.28970	.01010	.04160	-.00280	-.00110	-.00060	.28370	.07200
.628	30.450	.00000	-.03000	.29090	.00960	.04190	-.00300	-.00110	-.00070	.28480	.07270
.626	31.610	.00000	-.03000	.28950	.00980	.04200	-.00300	-.00120	-.00060	.28340	.07280
.626	32.770	.00000	-.03000	.29070	.00960	.04210	-.00270	-.00110	-.00060	.28460	.07280
.627	33.930	.00000	-.05000	.28790	.00890	.04230	-.00290	-.00100	-.00060	.28180	.07260
.627	35.090	.00000	-.05000	.28900	.00920	.04210	-.00310	-.00120	-.00060	.28280	.07270
.627	36.250	.00000	-.06000	.29090	.00890	.04240	-.00250	-.00100	-.00060	.28470	.07310
.627	37.410	.00000	-.06000	.29230	.00950	.04210	-.00340	-.00120	-.00050	.28620	.07290
.627	38.570	.00000	-.06000	.29140	.00850	.04250	-.00360	-.00120	-.00040	.28530	.07320
.626	39.730	.00000	-.06000	.29210	.00850	.04260	-.00270	-.00100	-.00050	.28590	.07320
.627	40.890	.00000	-.07000	.29210	.00820	.04290	-.00370	-.00120	-.00050	.28590	.07350
.626	42.050	.00000	-.07000	.29370	.00830	.04310	-.00340	-.00110	-.00040	.28750	.07390
.626	43.210	.00000	-.07000	.29280	.00820	.04290	-.00360	-.00110	-.00040	.28670	.07360
.626	44.370	.00000	-.07000	.29330	.00800	.04340	-.00310	-.00100	-.00050	.28710	.07410
.626	45.520	.00000	-.09000	.29340	.00780	.04360	-.00270	-.00100	-.00050	.28720	.07410
.627	46.690	.00000	-.09000	.29210	.00760	.04370	-.00350	-.00120	-.00030	.28590	.07420
.627	47.850	.00000	-.09000	.29340	.00790	.04340	-.00450	-.00130	-.00020	.28720	.07410
.628	49.010	.00000	-.10000	.29210	.00730	.04340	-.00370	-.00120	-.00010	.28590	.07400
.626	50.170	.00000	-.10000	.29530	.00730	.04400	-.00370	-.00110	-.00030	.28910	.07470



DATE 22 MAR 76

CA-26 FORCE SOURCE DATA TABULATION

PAGE 379

LTV44-559(CA26) 747/1 ATY 02 S1 (ORBITER DATA)

(WFE039) ( 18 NOV 75 )

REFERENCE DATA

SREF = 2690.0000 SQ.FT. XMRP = 1109.0000 IN. XO  
LREF = 474.8100 IN. YMRP = .0000 IN. YO  
BREF = 936.6800 IN. ZMRP = 375.0000 IN. ZO  
SCALE = .0125

PARAMETRIC DATA

ALPHAC = .000 BETAC = .000  
STAB = -1.000 ELEVON = 5.000  
EDFLAP = .000 DX = .000  
DY = .000 TORB = 6.000  
BETA0 = .000 RUDDER = .000

RUN NO. 1035/ 0 RN/L = .00 GRADIENT INTERVAL = -5.00/ 5.00

MACH	DZ	DY	DX	CN	CLM	CA	CY	CYN	CBL	CL	CD
.626	51.330	.00000	-.10000	.29460	.00730	.04370	-.00300	-.00100	-.00030	.28840	.07420
.627	52.480	.00000	-.11000	.29440	.00760	.04380	-.00240	-.00100	-.00040	.28820	.07450
.627	53.640	.00000	-.11000	.29150	.00710	.04390	-.00350	-.00110	-.00050	.28530	.07420
.626	54.800	.00000	-.11000	.29330	.00670	.04430	-.00200	-.00090	-.00040	.28700	.07480
	GRADIENT	.00000	-.00431	-.00043	-.00060	.00030	.00004	-.00004	-.00004	-.00043	.00026

ORIGINAL PAGE IS  
OF POOR QUALITY

LTV44-559(CA26) 747/1 ATY 02 S1 (ORBITER DATA)

(WFE040) ( 18 NOV 75 }

## REFERENCE DATA

SREF = 2690.0000 SQ.FT. XMRP = 1109.0000 IN. XO  
 LREF = 474.8100 IN. YMRP = .0000 IN. YO  
 BREF = 936.6800 IN. ZMRP = 375.0300 IN. ZO  
 SCALE = .0125

## PARAMETRIC DATA

ALPHAC = .000 BETAC = .000  
 STAB = -1.000 ELEVON = 5.000  
 BDFLAP = .000 DX = .000  
 DY = .000 IORB = 8.000  
 BETA0 = .000 RUDDER = .000

RUN NO. 36/ 0 RN/L = .00 GRADIENT INTERVAL = -5.00/ 5.00

MACH	DZ	DY	DX	CN	CLM	CA	CY	CYN	CBL	CL	CD
.619	2.110	.00000	.07000	.41580	.02770	.02430	-.00110	-.00100	-.00050	.40790	.08450
.621	3.420	.00000	.06000	.41010	.02740	.02460	-.00110	-.00120	-.00050	.40220	.08360
.621	4.720	.00000	.06000	.40590	.02720	.02510	-.00120	-.00110	-.00060	.39800	.08340
.621	6.030	.00000	.05000	.40540	.02590	.02520	-.00140	-.00110	-.00060	.39750	.08350
.621	7.330	.00000	.05000	.40350	.02420	.02550	-.00210	-.00110	-.00060	.39560	.08360
.619	8.640	.00000	.05000	.40410	.02330	.02580	-.00130	-.00100	-.00060	.39620	.08400
.624	9.940	.00000	.03000	.39900	.02230	.02600	-.00150	-.00100	-.00060	.39100	.08330
.621	11.250	.00000	.03000	.40280	.02170	.02640	-.00270	-.00120	-.00070	.39480	.08410
.624	12.550	.00000	.02000	.39760	.02030	.02640	-.00300	-.00110	-.00060	.38970	.08320
.621	13.860	.00000	.02000	.40060	.02040	.02740	-.00190	-.00100	-.00050	.39250	.08470
.621	15.160	.00000	.01000	.39990	.02010	.02760	-.00270	-.00100	-.00060	.39190	.08460
.621	16.460	.00000	.01000	.40020	.01940	.02790	-.00250	-.00100	-.00060	.39200	.08500
.620	17.770	.00000	.01000	.39930	.01910	.02780	-.00140	-.00090	-.00060	.39150	.08470
.623	19.070	.00000	.00000	.39630	.01790	.02810	-.00260	-.00100	-.00050	.38920	.08430
.621	20.370	.00000	.00000	.39860	.01820	.02830	-.00250	-.00100	-.00060	.39040	.08500
.622	21.680	.00000	-.01000	.39700	.01810	.02860	-.00170	-.00080	-.00050	.38880	.08480
.623	22.980	.00000	-.01000	.39650	.01760	.02860	-.00220	-.00090	-.00060	.38840	.08460
.621	24.280	.00000	-.01000	.39930	.01720	.02890	-.00160	-.00090	-.00050	.39120	.08550
.622	25.590	.00000	-.02000	.39800	.01700	.02910	-.00080	-.00070	-.00050	.38980	.08530
.623	26.890	.00000	-.02000	.39600	.01670	.02930	-.00210	-.00090	-.00050	.38780	.08520
.621	28.190	.00000	-.02000	.39870	.01630	.02970	-.00280	-.00100	-.00050	.39050	.08580
.625	29.500	.00000	-.03000	.39440	.01610	.02990	-.00200	-.00080	-.00040	.38620	.08530
.624	30.800	.00000	-.03000	.39590	.01640	.02960	-.00150	-.00090	-.00050	.38770	.08540
.621	32.110	.00000	-.03000	.39830	.01570	.03030	-.00260	-.00090	-.00050	.39000	.08630
.624	33.420	.00000	-.05000	.39590	.01520	.03020	-.00300	-.00110	-.00040	.38770	.08570
.624	34.720	.00000	-.05000	.39530	.01540	.03020	-.00180	-.00100	-.00040	.38810	.08570
.624	36.030	.00000	-.05000	.39570	.01470	.03050	-.00260	-.00100	-.00040	.38740	.08590
.624	37.330	.00000	-.06000	.39600	.01520	.03050	-.00270	-.00100	-.00040	.38770	.08590
.621	38.630	.00000	-.06000	.40050	.01440	.03100	-.00140	-.00080	-.00040	.39220	.08690
.624	39.940	.00000	-.06000	.39710	.01440	.03080	-.00210	-.00100	-.00050	.38880	.08630
.622	41.240	.00000	-.07000	.40000	.01430	.03110	-.00270	-.00100	-.00040	.39160	.08680
.623	42.540	.00000	-.07000	.39960	.01430	.03100	-.00250	-.00090	-.00030	.39140	.08660
.624	43.850	.00000	-.07000	.39850	.01410	.03100	-.00220	-.00100	-.00030	.39020	.08660
.622	45.150	.00000	-.09000	.39850	.01400	.03190	-.00310	-.00110	-.00020	.39010	.08740
.623	46.460	.00000	-.09000	.39890	.01380	.03150	-.00290	-.00110	-.00020	.39060	.08700
.621	47.760	.00000	-.10000	.39820	.01380	.03200	-.00260	-.00100	-.00030	.38980	.08730
.620	48.420	.00000	-.10000	.39750	.01330	.03250	-.00290	-.00100	-.00010	.38910	.08780
GRADIENT		.00000	-.00384	-.00379	-.00019	.00031	-.00004	-.00004	-.00004	-.00379	-.00042

LTV44-559(CA26) 747/1 ATY 02 S1 (ORBITER DATA)

(WFE041) ( 18 NOV 75 )

## REFERENCE DATA

SREF = 2690.0000 SQ.FT. XMRP = 1109.0000 IN. XO  
 LREF = 474.8100 IN. YMRP = .0000 IN. YO  
 BREF = 936.6800 IN. ZMRP = 375.0000 IN. ZO  
 SCALE = .0125

## PARAMETRIC DATA

ALPHAC = 2.000 BETAC = .000  
 STAB = -1.000 ELEVON = 5.000  
 BDFLAP = .000 DX = .000  
 DY = .000 LORB = 4.000  
 BETAO = .000 RUDDER = .000

RUN NO. 37/ 0 RN/L = .00 GRADIENT INTERVAL = -5.00/ 5.00

MACH	DZ	DY	DX	CN	CLM	CA	CY	CYN	CBL	CL	CD
.595	1.470	.00000	.10000	.30700	.00150	.04290	-.00680	-.00050	-.00470	.29950	.07970
.595	2.070	.00000	.10000	.25730	.02200	.04360	-.00340	-.00180	-.00110	.25020	.07420
.594	2.670	.00000	.10000	.25720	.02230	.04400	-.00240	-.00140	-.00110	.25000	.07460
.596	3.470	.00000	.10000	.25950	.01950	.04380	-.00220	-.00130	-.00120	.25240	.07460
.596	4.470	.00000	.09000	.25950	.01940	.04410	-.00200	-.00130	-.00110	.25230	.07500
.595	5.590	.00000	.09000	.26130	.01690	.04450	-.00150	-.00120	-.00090	.25410	.07550
.592	6.840	.00000	.07000	.26710	.01650	.04470	-.00250	-.00130	-.00110	.25990	.07630
.593	8.090	.00000	.07000	.26750	.01640	.04480	-.00210	-.00110	-.00100	.26020	.07650
.590	9.340	.00000	.06000	.26960	.01590	.04510	-.00230	-.00120	-.00100	.26230	.07690
.584	10.560	.00000	.05000	.26840	.01440	.04610	-.00240	-.00120	-.00090	.26100	.07770
.583	11.770	.00000	.05000	.26880	.01370	.04570	-.00220	-.00120	-.00080	.26140	.07730
.580	12.970	.00000	.03000	.27250	.01370	.04590	-.00300	-.00120	-.00080	.26510	.07800
.581	14.170	.00000	.03000	.27420	.01350	.04580	-.00380	-.00130	-.00080	.26680	.07800
.580	15.370	.00000	.02000	.27520	.01310	.04560	-.00220	-.00110	-.00070	.26780	.07800
.583	16.570	.00000	.02000	.27440	.01240	.04620	-.00290	-.00110	-.00070	.26700	.07830
.581	17.770	.00070	.01000	.27990	.01280	.04640	-.00400	-.00130	-.00070	.27240	.07920
.587	18.980	.00000	.01000	.27870	.01230	.04590	-.00320	-.00120	-.00050	.27130	.07870
.591	20.170	.00000	.00000	.27950	.01240	.04600	-.00300	-.00120	-.00080	.27200	.07880
.593	21.370	.00000	.00000	.28480	.01220	.04640	-.00250	-.00110	-.00080	.27730	.07970
.600	22.570	.00000	-.01000	.28410	.01190	.04620	-.00250	-.00110	-.00080	.27660	.07950
.604	23.770	.00000	-.02000	.28640	.01200	.04620	-.00350	-.00110	-.00080	.27890	.07980
.608	24.970	.00000	-.02000	.28420	.01130	.04650	-.00370	-.00130	-.00060	.27670	.07980
.610	26.170	.00000	-.03000	.28810	.01170	.04700	-.00250	-.00110	-.00070	.28050	.08080
.609	27.370	.00000	-.03000	.28990	.01140	.04730	-.00330	-.00110	-.00070	.28230	.08120
.611	28.570	.00000	-.05000	.28770	.01120	.04690	-.00390	-.00120	-.00060	.28010	.08050
.610	29.780	.00000	-.06000	.29160	.01120	.04730	-.00380	-.00120	-.00060	.28400	.08120
.613	30.970	.00000	-.06000	.29170	.01100	.04740	-.00280	-.00110	-.00050	.28410	.08130
.613	32.180	.00000	-.07000	.29360	.01060	.04720	-.00500	-.00130	-.00040	.28600	.08140
.612	33.380	.00000	-.07000	.29580	.01080	.04730	-.00290	-.00100	-.00060	.28810	.08180
.610	34.570	.00000	-.09000	.29750	.01070	.04760	-.00300	-.00120	-.00050	.28980	.08240
.611	35.780	.00000	-.10000	.29710	.01030	.04830	-.00420	-.00120	-.00040	.28930	.08280
.610	36.980	.00000	-.10000	.29820	.01020	.04810	-.00400	-.00120	-.00020	.29050	.08280
.612	38.180	.00000	-.11000	.29910	.01040	.04800	-.00420	-.00110	-.00030	.29140	.08270
.613	39.380	.00000	-.11000	.29880	.00980	.04790	-.00410	-.00110	-.00030	.29120	.08250
.610	40.580	.00000	-.13000	.29800	.00930	.04860	-.00370	-.00110	-.00030	.29020	.08310
.614	41.780	.00000	-.14000	.30000	.00950	.04810	-.00450	-.00120	-.00040	.29240	.08280
.614	42.990	.00000	-.14000	.30120	.00900	.04810	-.00220	-.00090	-.00040	.29360	.08290
.612	44.180	.00000	-.15000	.29910	.00890	.04880	-.00390	-.00110	-.00030	.29130	.08320
	GRADIENT	.00000	-.00295	-.01127	.00396	.00033	.00136	-.00012	.00087	-.01122	-.00108

LTV44-559(CA26) 747/1 ATY 02 S1 (ORBITER DATA)

(WFE042) ( 18 NOV 75 )

## REFERENCE DATA

SREF = 2690.0000 SQ.FT. XMRP = 1109.0000 IN. XO  
 LREF = 474.8100 IN. YMRP = .0000 IN. YO  
 BREF = 936.6800 IN. ZMRP = 375.0000 IN. ZO  
 SCALE = .0125

## PARAMETRIC DATA

ALPHAC = 2.000 BETAC = .000  
 STAB = -1.000 ELEVON = 5.000  
 BDFLAP = .000 DX = .000  
 DY = .000 IORB = 6.000  
 BETAO = .000 RUDDER = .000

RUN NO. 1037/ 0 RN\_ = .00 GRADIENT INTERVAL = -5.00/ 5.00

MACH	DZ	DY	DX	CN	CLM	CA	CY	CYN	CBL	CL	CD
.595	1.770	.00000	.10000	.64240	-.09400	.04210	-.02080	.00440	-.02140	.62800	.14170
.595	2.370	.00000	.10000	.65740	-.09790	.02190	-.01790	.00220	-.02260	.64610	.12340
.594	2.970	.00000	.11000	.37400	.02460	.03090	-.00150	-.00070	-.00200	.36490	.08780
.593	3.970	.00000	.10000	.36860	.02850	.03140	-.00070	-.00110	-.00130	.35930	.08800
.593	4.970	.00000	.10000	.37240	.02670	.03080	-.00010	-.00100	-.00110	.36310	.08800
.593	6.220	.00000	.09000	.37140	.02720	.03080	-.00040	-.00100	-.00110	.36220	.08780
.596	7.470	.00000	.07000	.36880	.02570	.03110	-.00090	-.00100	-.00100	.35950	.08770
.597	8.720	.00000	.07000	.36850	.02450	.03090	-.00070	-.00100	-.00100	.35920	.08750
.595	9.970	.00000	.06000	.37480	.02280	.03170	-.00050	-.00090	-.00090	.35540	.08920
.595	11.190	.00000	.05000	.37470	.02280	.03210	-.00090	-.00100	-.00090	.36530	.08940
.596	12.410	.00000	.05000	.37380	.02290	.03150	-.00140	-.00090	-.00090	.36440	.08870
.598	13.630	.00000	.03000	.37250	.02180	.03150	-.00070	-.00080	-.00090	.36320	.08840
.594	14.850	.00000	.03000	.37840	.02200	.03220	-.00120	-.00090	-.00090	.36890	.08990
.595	16.070	.00000	.02000	.37820	.02160	.03270	-.00110	-.00090	-.00080	.36870	.09030
.594	17.300	.00000	.01000	.38070	.02150	.03260	-.00140	-.00090	-.00070	.37120	.09070
.596	18.510	.00000	.01000	.38010	.02060	.03290	-.00140	-.00090	-.00070	.37050	.09070
.595	19.740	.00000	.00000	.38180	.02050	.03290	-.00230	-.00090	-.00070	.37220	.09080
.596	20.950	.00000	.00000	.38290	.01970	.03340	-.00170	-.00100	-.00070	.37330	.09160
.596	22.170	.00000	-.01000	.38380	.01970	.03330	-.00130	-.00090	-.00070	.37410	.09160
.595	23.390	.00000	-.01000	.38560	.01960	.03390	-.00150	-.00090	-.00070	.37600	.09230
.595	24.610	.00000	-.02000	.38710	.01930	.03370	-.00120	-.00070	-.00060	.37750	.09230
.595	25.830	.00000	-.03000	.38880	.01880	.03380	-.00160	-.00090	-.00070	.37720	.09220
.596	27.050	.00000	-.03000	.38830	.01890	.03410	-.00150	-.00100	-.00070	.37860	.09280
.592	28.270	.00000	-.05000	.39270	.01830	.03480	-.00100	-.00090	-.00070	.38280	.09430
.596	29.500	.00000	-.05000	.38950	.01810	.03430	-.00120	-.00080	-.00060	.37970	.09310
.594	30.710	.00000	-.05000	.39050	.01800	.03490	-.00190	-.00090	-.00040	.38060	.09390
.596	31.940	.00000	-.06000	.38850	.01710	.03480	-.00230	-.00100	-.00070	.37870	.09320
.595	33.150	.00000	-.07000	.39420	.01800	.03480	-.00190	-.00090	-.00060	.38440	.09400
.595	34.380	.00000	-.09000	.39400	.01710	.03470	-.00150	-.00080	-.00040	.38420	.09410
.593	35.600	.00000	-.09000	.39860	.01780	.03520	-.00220	-.00090	-.00040	.38860	.09530
.596	36.820	.00000	-.10000	.39590	.01730	.03530	-.00170	-.00070	-.00050	.38600	.09490
.596	38.040	.00000	-.10000	.39500	.01660	.03510	-.00180	-.00070	-.00030	.38610	.09470
.593	39.260	.00000	-.11000	.40070	.01620	.03560	-.00220	-.00080	-.00030	.39070	.09570
.594	40.480	.00000	-.13000	.40040	.01640	.03500	-.00220	-.00060	-.00030	.39040	.09520
.595	41.700	.00000	-.13000	.40010	.01580	.03530	-.00320	-.00090	-.00020	.39020	.09540
.593	42.920	.00000	-.14000	.40360	.01590	.03570	-.00160	-.00070	-.00020	.39360	.09630
.594	44.140	.00000	-.14000	.40230	.01590	.03580	-.00310	-.00090	-.00010	.39230	.09590
.595	45.360	.00000	-.15000	.40170	.01570	.03600	-.00300	-.00080	.00000	.39170	.09620
.596	46.590	.00000	-.15000	.40140	.01540	.03570	-.00450	-.00110	.00030	.39140	.09580
.593	47.800	.00000	-.16000	.40470	.01520	.03620	-.00370	-.00090	.00000	.39470	.09670
.597	49.030	.00000	-.18000	.40050	.01450	.03610	-.00440	-.00100	.00000	.39060	.09580
.596	50.240	.00000	-.18000	.40480	.01530	.03580	-.00250	-.00060	-.00020	.39480	.09620

DATE 22 MAR 76

CA-26 FORCE SOURCE DATA TABULATION

PAGE 383

LTV44-559(CA26) 747/1 ATY 02 S1 (ORBITER DATA)

(WFE042) ( 18 NOV 75 )

REFERENCE DATA

SREF = 2690.0000 SQ.FT. XMRP = 1109.0000 IN. XO  
LREF = 474.8100 IN. YMRP = .0000 IN. YO  
BREF = 936.6800 IN. ZMRP = 375.0000 IN. ZO  
SCALE = .0125

PARAMETRIC DATA

ALPHAC = 2.000 BETAC = .000  
STAB = -1.000 ELEVON = 5.000  
BDFLAP = .000 DX = .000  
DY = .000 IORB = 6.000  
BETAO = .000 RUDDER = .000

RUN NO. 1037/ 0 RN/L = .00 GRADIENT INTERVAL = -5.00/ 5.00

MACH	DZ	DY	DX	CN	CLM	CA	CY	CYN	CBL	CL	CD
.596	51.470	.00000	-.19000	.40650	.01540	.03580	-.00290	-.00060	-.00020	.39650	.09640
	GRADIENT	.00000	-.00037	-.09697	.04305	-.00128	.00686	-.00163	.00727	-.09559	-.01643

LTV44-559(CA26) 747/1 ATY 02 S1 (ORBITER DATA)

(WFE045) ( 18 NOV 75 )

## REFERENCE DATA

SREF = 2690.0000 SQ.FT. XMRP = 1109.0000 IN. XO  
 LREF = 474.8100 IN. YMRP = .0000 IN. YO  
 BREF = 936.6800 IN. ZMRP = 375.0000 IN. ZO  
 SCALE = .0125

## PARAMETRIC DATA

ALPHAC = 2.000 BETAC = .000  
 STAB = 5.000 ELEVON = 5.000  
 BDFLAP = .000 DX = .000  
 DY = .000 TORB = 4.000  
 BETAO = .000 RUDDER = .000

RUN NO. 39/ 0 RN/L = .00 GRADIENT INTERVAL = -5.00/ 5.00

MACH	DZ	DY	DX	CN	CLM	CA	CY	CYN	CBL	CL	CD
.600	1.470	.00000	.01000	.24670	.02160	.04330	-.00060	-.00120	-.00100	.24010	.07160
.600	2.070	.00000	.01000	.24960	.02050	.04350	-.00060	-.00140	-.00110	.24290	.07220
.602	2.670	.00000	.01000	.24960	.02010	.04390	-.00130	-.00130	-.00100	.24280	.07260
.602	3.470	.00000	.01000	.25120	.01760	.04400	-.00040	-.00120	-.00100	.24450	.07270
.601	4.470	.00000	.01000	.25400	.01800	.04410	-.00160	-.00130	-.00100	.24720	.07310
.603	5.590	.00000	.01000	.25490	.01580	.04420	-.00080	-.00120	-.00090	.24810	.07340
.605	6.840	.00000	.01000	.25390	.01480	.04400	-.00100	-.00110	-.00090	.24710	.07300
.600	8.090	.00000	.01000	.26060	.01430	.04490	-.00160	-.00120	-.00100	.25370	.07470
.601	9.340	.00000	.00000	.25940	.01420	.04470	-.00110	-.00110	-.00100	.25250	.07440
.601	10.560	.00000	.00000	.26170	.01400	.04500	-.00180	-.00120	-.00090	.25480	.07480
.600	11.770	.00000	.00000	.26270	.01340	.04540	-.00150	-.00110	-.00090	.25570	.07530
.600	12.970	.00000	.00000	.26700	.01310	.04550	-.00040	-.00110	-.00090	.26000	.07600
.601	14.170	.00000	.00000	.26690	.01250	.04530	-.00160	-.00100	-.00100	.25990	.07570
.601	15.370	.00000	.00000	.26760	.01220	.04560	-.00200	-.00110	-.00090	.26060	.07610
.599	16.570	.00000	.00000	.27040	.01220	.04650	-.00150	-.00100	-.00090	.26330	.07720
.602	17.770	.00000	.00000	.26890	.01150	.04650	-.00210	-.00110	-.00080	.26170	.07700
.603	18.980	.00000	.00000	.26930	.01200	.04570	-.00150	-.00110	-.00070	.26230	.07620
.601	20.170	.00000	.00000	.27150	.01190	.04630	-.00130	-.00100	-.00080	.26450	.07700
.601	21.370	.00000	.00000	.27260	.01180	.04650	-.00160	-.00110	-.00080	.26550	.07730
.603	22.570	.00000	-.01000	.27510	.01160	.04630	-.00160	-.00110	-.00070	.26810	.07740
.601	23.770	.00000	-.01000	.27860	.01100	.04650	-.00120	-.00090	-.00080	.26950	.07770
.601	24.970	.00000	-.01000	.27690	.01160	.04640	-.00310	-.00120	-.00060	.27180	.07780
.599	26.170	.00000	-.01000	.27910	.01090	.04670	-.00200	-.00100	-.00060	.27190	.07810
.600	27.370	.00000	-.01000	.27920	.01080	.04700	-.00270	-.00110	-.00050	.27210	.07840
.601	28.570	.00000	-.01000	.27950	.01060	.04660	-.00270	-.00110	-.00050	.27240	.07810
.599	29.780	.00000	-.01000	.28190	.01030	.04690	-.00100	-.00090	-.00060	.27480	.07660
.600	30.970	.00000	-.01000	.28050	.01050	.04690	-.00220	-.00120	-.00030	.27340	.07840
.599	32.180	.00000	-.02000	.28000	.00940	.04790	-.00300	-.00110	-.00040	.27280	.07930
.599	33.380	.00000	-.02000	.28400	.01010	.04730	-.00180	-.00100	-.00060	.27680	.07910
.602	34.570	.00000	-.02000	.28520	.01040	.04690	-.00210	-.00100	-.00050	.27810	.07880
.600	35.780	.00000	-.02000	.28720	.01020	.04760	-.00300	-.00110	-.00040	.28000	.07960
.603	36.980	.00000	-.02000	.28570	.00970	.04760	-.00230	-.00100	-.00040	.27850	.07940
.603	38.180	.00000	-.02000	.28590	.00900	.04790	-.00210	-.00090	-.00040	.27870	.07990
.602	39.380	.00000	-.02000	.28980	.00900	.04780	-.00210	-.00090	-.00040	.28260	.08010
.603	40.580	.00000	-.02000	.28730	.00870	.04840	-.00310	-.00090	-.00010	.28000	.08040
.602	41.780	.00000	-.03000	.28610	.00860	.04860	-.00300	-.00100	-.00020	.27890	.08040
.602	42.990	.00000	-.03000	.28900	.00890	.04760	-.00400	-.00110	-.00020	.28180	.07980
.602	44.180	.00000	-.03000	.28820	.00870	.04820	-.00240	-.00090	-.00030	.28100	.08020
GRADIENT		.00000	-.00000	.00219	-.00133	.00027	-.00025	.00000	.00001	.00214	.00045

LTV44-559(CA26) 747/1 ATY 02 S1 (ORBITER DATA)

(WFE046) ( 18 NOV 75 )

REFERENCE DATA

SREF = 2690.0000 SQ.FT. XMRP = 1109.0000 IN. XO  
 LREF = 474.8100 IN. YMRP = .0000 IN. YO  
 BREF = 936.6800 IN. ZMRP = 375.0000 IN. ZO  
 SCALE = .0125

PARAMETRIC DATA

ALPHAC = 2.000 BETAC = .000  
 STAB = 5.000 ELEVON = 5.000  
 BDFLAP = .000 DX = .000  
 DY = .000 TORB = 6.000  
 BETAO = .000 RUDDER = .000

RUN NO. 447 0 RN/L = .00 GRADIENT INTERVAL = -5.00/ 5.00

MACH	DZ	DY	DX	CN	CLM	CA	CY	CYN	CBL	CL	CD
.326	1.760	.00000	.00000	.33410	.02640	.02020	-.00110	-.00100	-.00100	.32720	.07020
.325	2.360	.00000	.00000	.32990	.02860	.02030	.00000	-.00110	-.00130	.32310	.06950
.317	2.970	.00000	.00000	.33610	.02490	.02060	-.00030	-.00140	-.00110	.32930	.07060
.313	3.760	.00000	.00000	.33620	.02680	.02100	-.00080	-.00100	-.00130	.32920	.07110
.314	4.560	.00000	.00000	.33510	.02460	.02070	-.00010	-.00110	-.00100	.32820	.07080
.314	5.470	.00000	.00000	.33270	.02460	.01990	.00070	-.00140	-.00110	.32600	.06940
.311	6.460	.00000	.00000	.33470	.02430	.02030	-.00010	-.00130	-.00110	.32790	.07010
.314	7.460	.00000	.00000	.32340	.02340	.02050	.00140	-.00120	-.00120	.31670	.06860
.315	8.460	.00000	.00000	.32270	.02250	.02060	.00140	-.00120	-.00120	.31600	.06850
.312	9.460	.00000	.00000	.32910	.02190	.02070	.00090	-.00090	-.00120	.32230	.06960
.308	10.560	.00000	.00000	.33780	.02190	.02050	.00090	-.00100	-.00100	.33100	.07060
.310	11.740	.00000	.00000	.32360	.01890	.02050	.00170	-.00090	-.00090	.31690	.06840
.309	12.930	.00000	.00000	.33650	.02200	.02070	-.00070	-.00090	-.00130	.32970	.07050
.308	14.110	.00000	.00000	.33220	.02010	.02130	.00050	-.00100	-.00090	.32530	.07050
.311	15.300	.00000	.00000	.33690	.02150	.02110	.00060	-.00110	-.00120	.33000	.07100
.310	16.490	.00000	.00000	.32840	.02040	.02130	-.00020	-.00140	-.00080	.32150	.06980
.307	17.670	.00000	.00000	.33960	.02180	.02120	-.00150	-.00130	-.00100	.33270	.07140
.311	18.860	.00000	.00000	.33010	.01910	.02060	.00000	-.00090	-.00090	.32330	.06930
.310	20.040	.00000	.00000	.33240	.01970	.02060	.00000	-.00100	-.00110	.32560	.06970
.310	21.230	.00000	.00000	.33870	.01990	.02140	.00020	-.00090	-.00090	.33170	.07130
.310	22.410	.00000	-.01000	.33950	.01940	.02200	.00000	-.00100	-.00080	.33250	.07210
.310	23.600	.00000	-.01000	.34100	.01900	.02200	.00140	-.00110	-.00100	.33400	.07210
.306	24.780	.00000	-.01000	.34740	.01930	.02170	.00100	-.00130	-.00080	.34040	.07280
.308	25.970	.00000	-.01000	.33720	.01680	.02140	-.00070	-.00110	-.00100	.33040	.07090
.306	27.150	.00000	-.01000	.34730	.01930	.02210	.00290	-.00090	-.00070	.34020	.07300
.308	28.340	.00000	-.01000	.34900	.01910	.02180	.00020	-.00100	-.00090	.34200	.07280
.308	29.520	.00000	-.01000	.34540	.01880	.02190	-.00120	-.00130	-.00100	.33840	.07240
.310	30.710	.00000	-.01000	.34640	.01860	.02150	.00000	-.00100	-.00100	.33950	.07200
.308	31.900	.00000	-.01000	.35830	.01900	.02230	-.00070	-.00110	-.00130	.35110	.07470
.309	33.080	.00000	-.01000	.35660	.01840	.02220	.00010	-.00120	-.00100	.34950	.07420
.312	34.270	.00000	-.01000	.34940	.01880	.02200	-.00210	-.00110	-.00120	.34240	.07300
.310	35.450	.00000	-.01000	.36260	.01920	.02170	-.00110	-.00100	-.00110	.35550	.07470
.311	36.640	.00000	-.01000	.35520	.01790	.02250	-.00180	-.00140	-.00060	.34810	.07410
.314	37.820	.00000	-.01000	.35090	.01740	.02220	-.00180	-.00140	-.00040	.34390	.07330
.316	39.010	.00000	-.01000	.35090	.01830	.02160	-.00250	-.00120	-.00100	.34380	.07260
.313	40.200	.00000	-.01000	.35650	.01780	.02220	.00040	-.00120	-.00080	.34950	.07390
.314	41.380	.00000	-.01000	.35310	.01860	.02310	-.00010	-.00090	-.00090	.34590	.07440
.315	42.570	.00000	-.01000	.35030	.01690	.02330	-.00190	-.00120	-.00070	.34320	.07410
.313	43.750	.00000	-.01000	.35620	.01670	.02310	-.00220	-.00130	-.00050	.34910	.07480
.317	44.940	.00000	-.01000	.35120	.01640	.02210	-.00230	-.00130	-.00040	.34420	.07310
.313	46.130	.00000	-.01000	.36340	.01760	.02250	-.00210	-.00120	-.00080	.35630	.07510
.314	47.310	.00000	-.01000	.35500	.01730	.02290	-.00330	-.00150	-.00060	.34800	.07410

ORIGINAL PAGE IS OF POOR QUALITY

LTV44-559(CA26) 747/1 ATY 02 S1 (ORBITER DATA)

(WFE046) ( 18 NOV 75 )

## REFERENCE DATA

SREF = 2690.0000 SQ. FT. XMRP = 1109.0000 IN. XO  
 LREF = 474.9100 IN. YMRP = .0000 IN. YO  
 BREF = 936.6800 IN. ZMRP = 375.0000 IN. ZO  
 SCALE = .0125

## PARAMETRIC DATA

ALPHAC = 2.000 BETAC = .000  
 STAB = 5.000 ELEVON = 5.000  
 BDFLAP = .000 DX = .000  
 DY = .000 IORB = 6.000  
 BETAO = .000 RUDDER = .000

RUN NO. 44/ 0 RN/L = .00 GRAD ENT INTERVAL = -5.00/ 5.00

MACH	DZ	DY	DX	CN	CLM	CA	CY	CYN	CBL	CL	CD
.313	48.500	.00000	-.01000	.35460	.01690	.72330	-.00320	-.00140	-.00040	.34740	.07450
.311	49.680	.00000	-.01000	.35950	.01520	.0.360	-.00190	-.00130	-.00040	.35230	.07530
.312	50.870	.00000	-.01000	.35190	.01460	.02370	.00010	-.00140	-.00040	.34470	.07440
.311	51.460	.00000	-.01000	.36360	.01780	.02210	-.00100	-.00120	-.00030	.35650	.07460
	GRADIENT	.00000	.00000	.00116	-.00077	.00024	.00016	-.00001	.00000	.00113	.00040



DATE 22 MAR 76

CA-26 FORCE SOURCE DATA TABULATION

PAGE 387

LTV44-559(CA26) 747/1 ATY 02 S1 (ORBITER DATA)

(WFE046) ( 18 NOV 75 )

## REFERENCE DATA

SREF = 2690.0000 SQ.FT. XMRP = 1109.0000 IN. XO  
 LREF = 474.8100 IN. YMRP = .0000 IN. YO  
 BREF = 936.6800 IN. ZMRP = 375.0000 IN. ZO  
 SCALE = .0125

## PARAMETRIC DATA

ALPHAC = 2.000 BETAC = .000  
 STAB = 5.000 ELEVON = 5.000  
 BDFLAP = .000 DX = .000  
 DY = .000 IORB = 6.000  
 BETAO = .000 RUDDER = .000

RUN NO. 43/ 0 RN/L = .00 GRADIENT INTERVAL = -5.00/ 5.00

MACH	DZ	DY	DX	CN	CLM	CA	CY	CYN	CBL	CL	CD
.505	1.760	.00000	.01000	.34630	.02720	.02570	.00020	-.00060	-.00150	.33850	.07730
.506	2.360	.00000	.01000	.34340	.02670	.02550	-.00080	-.00080	-.00150	.33570	.07670
.507	2.970	.00000	.01000	.34440	.02520	.02580	-.00070	-.00080	-.00150	.33660	.07720
.510	3.760	.00000	.00000	.34120	.02480	.02580	.00000	-.00070	-.00150	.33350	.07660
.509	4.560	.00000	.00000	.34300	.02410	.02600	-.00070	-.00080	-.00150	.33520	.07730
.508	5.470	.00000	.00000	.34510	.02280	.02610	-.00190	-.00090	-.00140	.33730	.07750
.507	6.460	.00000	.00000	.34630	.02260	.02600	.00000	-.00070	-.00150	.33850	.07760
.507	7.460	.00000	.00000	.34410	.02150	.02600	-.00070	-.00060	-.00150	.33640	.07710
.507	8.460	.00000	.00000	.34700	.02130	.02650	-.00050	-.00070	-.00140	.33910	.07800
.507	9.460	.00000	.00000	.35040	.02110	.02630	-.00030	-.00070	-.00140	.34250	.07840
.508	10.560	.00000	.00000	.34850	.02010	.02650	-.00140	-.00060	-.00140	.34060	.07800
.507	11.740	.00000	.00000	.34650	.01980	.02670	-.00150	-.00070	-.00140	.33870	.07810
.507	12.930	.00000	.00000	.34970	.01980	.02660	-.00100	-.00060	-.00130	.34180	.07830
.504	14.110	.00000	.00000	.35730	.01930	.02700	-.00050	-.00070	-.00140	.34930	.07990
.508	15.300	.00000	.00000	.35080	.01870	.02710	-.00030	-.00060	-.00130	.34290	.07900
.504	16.490	.00000	.00000	.35630	.01900	.02740	-.00200	-.00070	-.00150	.34820	.08020
.503	17.670	.00000	.00000	.35820	.01830	.02780	-.00150	-.00070	-.00130	.35010	.08050
.508	18.860	.00000	.00000	.35440	.01820	.02730	-.00060	-.00050	-.00130	.34650	.07940
.506	20.040	.00000	.00000	.35820	.01810	.02790	-.00170	-.00070	-.00130	.35010	.08060
.506	21.230	.00000	.00000	.35860	.01820	.02800	-.00240	-.00090	-.00120	.35050	.08090
.507	22.410	.00000	-.01000	.35830	.01800	.02750	-.00070	-.00060	-.00130	.35030	.08010
.503	23.600	.00000	-.01000	.36570	.01770	.02840	-.00120	-.00080	-.00120	.35740	.08210
.507	24.780	.00000	-.01000	.36050	.01770	.02810	-.00130	-.00070	-.00130	.35240	.08100
.507	25.970	.00000	-.01000	.36110	.01740	.02830	-.00160	-.00050	-.00130	.35300	.08130
.506	27.150	.00000	-.01000	.36130	.01730	.02840	-.00260	-.00070	-.00120	.35320	.08130
.507	28.340	.00000	-.01000	.36200	.01680	.02820	-.00350	-.00080	-.00120	.35390	.08110
.507	29.520	.00000	-.01000	.36360	.01620	.02880	-.00140	-.00060	-.00110	.35540	.08210
.508	30.710	.00000	-.01000	.36490	.01690	.02860	-.00270	-.00070	-.00120	.35570	.08190
.508	31.900	.00000	-.01000	.36560	.01700	.02910	-.00260	-.00090	-.00120	.35730	.08230
.508	33.080	.00000	-.01000	.36820	.01640	.02880	-.00240	-.00070	-.00100	.35990	.08270
.507	34.270	.00000	-.01000	.36850	.01640	.02940	-.00300	-.00070	-.00100	.36020	.08300
.508	35.450	.00000	-.01000	.36710	.01600	.02890	-.00190	-.00070	-.00110	.35880	.08240
.506	36.640	.00000	-.01000	.37110	.01630	.02900	-.00220	-.00070	-.00110	.36280	.08290
.507	37.820	.00000	-.01000	.37150	.01590	.02850	-.00240	-.00070	-.00100	.36330	.08270
.507	39.010	.00000	-.01000	.36940	.01580	.02880	-.00130	-.00060	-.00100	.36120	.08250
.506	40.200	.00000	-.01000	.36900	.01550	.02910	-.00130	-.00060	-.00110	.36080	.08270
.506	41.390	.00000	-.01000	.37230	.01570	.02920	-.00220	-.00070	-.00100	.36410	.08310
.508	42.570	.00000	-.01000	.36650	.01480	.02890	-.00150	-.00060	-.00090	.35840	.08210
.507	43.750	.00000	-.01000	.37420	.01450	.02950	-.00120	-.00060	-.00090	.36590	.08370
.506	44.940	.00000	-.01000	.37580	.01590	.02980	-.00260	-.00070	-.00080	.36750	.08400
.506	46.130	.00000	-.01000	.37330	.01450	.03000	-.00300	-.00080	-.00070	.36500	.08380
.507	47.310	.00000	-.01000	.37120	.01470	.02970	-.00360	-.00090	-.00040	.36290	.08340

DATE 22 MAR 76

## CA-26 FORCE SOURCE DATA TABULATION

PAGE 388

LTV44-559(CA26) 747/1 ATY 02 S1 (ORBITER DATA)

(WFED46) ( 18 NOV 75 )

## REFERENCE DATA

SREF = 2690.0000 SQ.FT. XMRP = 1109.0000 IN. XO  
 LREF = 474.8100 IN. YMRP = .0000 IN. YO  
 BREF = 936.6800 IN. ZMRP = 375.0000 IN. ZO  
 SCALE = .0125

## PARAMETRIC DATA

ALPHAC = 2.000 BETAC = .000  
 STAB = 5.000 ELEVON = 5.000  
 BDFLAP = .000 DX = .000  
 DY = .000 TORB = 6.000  
 BETA0 = .000 RUDDER = .000

RUN NO. 43/ 0 RN/L = .00 GRADIENT INTERVAL = -5.00/ 5.00

MACH	DZ	DY	DX	CN	CLM	CA	CY	CYN	CBL	CL	CD
.508	48.500	.00000	-.01000	.37260	.01440	.03010	-.00350	-.00080	-.00050	.36420	.08390
.508	49.680	.00000	-.01000	.37520	.01480	.02950	-.00190	-.00050	-.00070	.36690	.08370
.507	50.870	.00000	-.02000	.37220	.01390	.03030	-.00290	-.00070	-.00060	.36380	.08400
.508	51.460	.00000	-.01000	.37590	.01420	.02990	-.00100	-.00030	-.00110	.36760	.08400
	GRADIENT	.00000	-.00438	-.00122	-.00114	.00013	-.00013	-.00004	-.00000	-.00122	-.00001

LTV44-559(CA26) 747/1 ATY 02 S1 (ORBITER DATA)

(WFED46) ( 18 NOV 75 )

## REFERENCE DATA

SREF = 2690.0000 SQ.FT. XMRP = 1109.0000 IN. XO  
 LREF = 474.8100 IN. YMRP = .0000 IN. YO  
 BREF = 936.6800 IN. ZMRP = 375.0000 IN. ZO  
 SCALE = .0125

## PARAMETRIC DATA

ALPHAC = 2.000 BETAC = .000  
 STAB = 5.000 ELEVON = 5.000  
 BDFLAP = .000 DX = .000  
 DY = .000 IORB = 6.000  
 BETAO = .000 RUDDER = .000

RUN NO. 1039/ 0 RN/L = .00 GRADIENT INTERVAL = -5.00/ 5.00

MACH	DZ	DY	DX	CN	CLM	CA	CY	CYN	CBL	CL	CD
.601	1.770	.00000	.02000	.35890	.02890	.03150	.00010	-.00110	-.00100	.35000	.08520
.603	2.370	.00000	.02000	.35710	.02890	.03110	.00020	-.00100	-.00100	.34830	.08470
.601	2.970	.00000	.02000	.35620	.02690	.03160	.00030	-.00100	-.00110	.34740	.08480
.601	3.970	.00000	.02000	.35650	.02690	.03160	-.00040	-.00120	-.00110	.34770	.08490
.600	4.970	.00000	.01000	.36070	.02450	.03210	.00020	-.00100	-.00110	.35170	.08600
.606	6.220	.00000	.01000	.35450	.02420	.03150	-.00140	-.00110	-.00120	.34580	.08440
.603	7.470	.00000	.01000	.36000	.02380	.03170	-.00040	-.00100	-.00110	.35110	.08540
.603	8.720	.00000	.01000	.36060	.02310	.03190	-.00070	-.00090	-.00110	.35170	.08580
.604	9.970	.00000	.01000	.36150	.02110	.03240	-.00150	-.00090	-.00090	.35250	.08630
.603	11.190	.00000	.01000	.36220	.02120	.03250	-.00090	-.00090	-.00100	.35330	.08630
.602	12.410	.00000	.00000	.36320	.02060	.03270	-.00180	-.00090	-.00110	.35420	.08660
.603	13.630	.00000	.00000	.36160	.02020	.03300	-.00090	-.00090	-.00100	.35260	.08660
.603	14.850	.00000	.00000	.36420	.01980	.03300	-.00100	-.00080	-.00100	.35510	.08700
.602	16.070	.00000	.00000	.36620	.01960	.03290	-.00220	-.00090	-.00110	.35720	.08700
.604	17.300	.00000	.00000	.36410	.01920	.03300	-.00100	-.00070	-.00090	.35510	.08680
.600	18.510	.00000	.00000	.36990	.01930	.03330	-.00170	-.00080	-.00090	.36080	.08810
.601	19.740	.00000	.00000	.37090	.01890	.03360	-.00150	-.00080	-.00090	.36180	.08850
.603	20.950	.00000	.00000	.37160	.01860	.03350	-.00050	-.00070	-.00080	.36260	.08820
.602	22.170	.00000	-.01000	.37050	.01820	.03350	-.00090	-.00080	-.00080	.36140	.08810
.601	23.390	.00000	-.01000	.37400	.01820	.03410	-.00140	-.00080	-.00090	.36480	.08910
.601	24.610	.00000	-.01000	.37630	.01810	.03400	-.00130	-.00080	-.00090	.36710	.08940
.604	25.830	.00000	-.01000	.37390	.01760	.03410	-.00210	-.00080	-.00080	.36470	.08910
.603	27.050	.00000	-.01000	.37410	.01730	.03420	-.00170	-.00080	-.00070	.36490	.08920
.602	28.270	.00000	-.01000	.37660	.01710	.03440	-.00190	-.00080	-.00070	.36730	.08980
.605	29.500	.00000	-.01000	.37600	.01730	.03370	-.00190	-.00080	-.00080	.36690	.08880
.602	30.710	.00000	-.01000	.38090	.01720	.03420	-.00210	-.00080	-.00070	.37170	.09000
.600	31.940	.00000	-.01000	.38080	.01690	.03470	-.00210	-.00070	-.00050	.37160	.09040
.601	33.150	.00000	-.02000	.38100	.01660	.03490	-.00340	-.00080	-.00070	.37180	.09050
.605	34.380	.00000	-.02000	.37960	.01640	.03450	-.00180	-.00080	-.00050	.37040	.09020
.603	35.600	.00000	-.02000	.38160	.01640	.03460	-.00390	-.00100	-.00050	.37230	.09040
.600	36.820	.00000	-.02000	.38450	.01600	.03520	-.00280	-.00080	-.00050	.37510	.09130
.598	38.040	.00000	-.02000	.38830	.01620	.03560	-.00210	-.00080	-.00050	.37880	.09230
.603	39.260	.00000	-.02000	.38160	.01550	.03510	-.00320	-.00080	-.00050	.37230	.09090
.601	40.480	.00000	-.02000	.38440	.01540	.03530	-.00300	-.00090	-.00030	.37500	.09120
.602	41.700	.00000	-.02000	.38270	.01510	.03520	-.00160	-.00070	-.00030	.37350	.09090
.603	42.920	.00000	-.03000	.38200	.01510	.03550	-.00250	-.00070	-.00040	.37260	.09110
.601	44.140	.00000	-.03000	.38790	.01500	.03580	-.00290	-.00080	-.00040	.37850	.09230
.602	45.360	.00000	-.03000	.38470	.01470	.03580	-.00310	-.00080	-.00030	.37540	.09150
.602	46.590	.00000	-.03000	.38120	.01390	.03600	-.00320	-.00080	.00000	.37190	.09110
.602	47.800	.00000	-.03000	.38560	.01400	.03580	-.00230	-.00070	-.00010	.37630	.09170
.600	49.030	.00000	-.03000	.38970	.01390	.03620	-.00310	-.00080	.00000	.38020	.09270
.602	50.240	.00000	-.03000	.38950	.01390	.03610	-.00440	-.00080	.00010	.38000	.09250

ORIGINAL PAGE IS  
OF POOR QUALITY

DATE 22 MAR 76

CA-26 FORCE SOURCE DATA TABULATION

PAGE 390

LTV44-559(CA26) 747/1 ATY 02 S1 (ORBITER DATA)

(WFE046) ( 18 NOV 75 )

REFERENCE DATA

SREF = 2690.0000 SQ.FT. XMRP = 1109.0000 IN. XO  
LREF = 474.8100 IN. YMRP = .0000 IN. YO  
BREF = 936.6800 IN. ZMRP = 375.0000 IN. ZO  
SCALE = .0125

PARAMETRIC DATA

ALPHAC = 2.000 BETAC = .000  
STAB = 5.000 ELEVON = 5.000  
BDFLAP = .000 DX = .000  
DY = .000 TORB = 6.000  
BETA0 = .000 RUDDER = .000

RUN NO. 1039/ 0 RN/L = .00 GRADIENT INTERVAL = -5.00/ 5.00

MACH	DZ	DY	DX	CN	CLM	CA	CY	CYN	CBL	CL	CD
.603	51.470	.00000	-.05000	.38900	.01400	.03570	-.00420	-.00090	.00000	.37970	.09180
	GRADIENT	.00000	-.00270	.00054	-.00135	.00022	-.00005	-.00000	-.00004	.00051	.00026

LTV44-559(CA26) 747/1 ATY 02 S1 (ORBITER DATA)

(WFED46) ( 18 NOV 75 )

## REFERENCE DATA

SREF = 2690.0000 SQ.FT. XMRP = 1109.0000 IN. XO  
 LREF = 474.8100 IN. YMRP = .0000 IN. YO  
 BREF = 936.6800 IN. ZMRP = 375.0000 IN. ZO  
 SCALE = .0125

## PARAMETRIC DATA

ALPHAC = 2.000 BETAC = .000  
 STAB = 5.000 ELEVON = 5.000  
 BDFLAP = .000 DX = .000  
 DY = .000 TORB = 6.000  
 BETA0 = .000 RUDDER = .000

RUN NO. 42/ 0 RN/L = .00 GRADIENT INTERVAL = -5.00/ 5.00

MACH	DZ	DY	DX	CN	CLM	CA	CY	CYN	CBL	CL	CD
.697	1.760	.00000	.01000	.36510	.03080	.03070	-.00130	-.00120	-.00210	.35630	.08540
.696	2.360	.00000	.00000	.36450	.03090	.03090	-.00050	-.00110	-.00210	.35570	.08510
.698	2.970	.00000	.00000	.36190	.03020	.03130	-.00110	-.00120	-.00210	.35310	.08520
.699	3.760	.00000	.00000	.35940	.02990	.03110	-.00110	-.00120	-.00200	.35070	.08470
.698	4.560	.00000	.00000	.36050	.02900	.03150	-.00110	-.00120	-.00210	.35170	.08510
.699	5.470	.00000	.00000	.36410	.02700	.03140	-.00120	-.00110	-.00200	.35530	.08570
.700	6.460	.00000	.00000	.36290	.02650	.03160	-.00090	-.00110	-.00190	.35420	.08540
.700	7.460	.00000	.00000	.36490	.02600	.03170	-.00060	-.00100	-.00200	.35600	.08600
.698	8.460	.00000	.00000	.36600	.02520	.03200	-.00150	-.00110	-.00190	.35710	.08630
.699	9.460	.00000	.00000	.36650	.02450	.03200	-.00140	-.00100	-.00190	.35760	.08640
.699	10.560	.00000	.00000	.36800	.02320	.03220	-.00140	-.00100	-.00180	.35910	.08670
.699	11.740	.00000	.00000	.36760	.02290	.03240	-.00200	-.00110	-.00180	.35860	.08690
.699	12.930	.00000	.00000	.36920	.02250	.03270	-.00100	-.00100	-.00170	.36020	.08740
.697	14.110	.00000	.00000	.36960	.02200	.03290	-.00180	-.00100	-.00180	.36060	.08760
.699	15.300	.00000	.00000	.37080	.02150	.03310	-.00180	-.00110	-.00170	.36180	.08790
.700	16.490	.00000	.00000	.37220	.02130	.03310	-.00080	-.00100	-.00170	.36320	.08810
.698	17.670	.00000	.00000	.37190	.02080	.03360	-.00200	-.00100	-.00170	.36280	.08830
.698	18.860	.00000	.00000	.37280	.02040	.03390	-.00220	-.00110	-.00150	.36370	.08860
.698	20.040	.00000	.00000	.37470	.02030	.03390	-.00080	-.00090	-.00160	.36560	.08900
.698	21.230	.00000	.00000	.37610	.02010	.03400	-.00170	-.00110	-.00160	.36690	.08930
.699	22.410	.00000	-.01000	.37590	.01990	.03420	-.00210	-.00110	-.00170	.36670	.08940
.700	23.600	.00000	-.01000	.37810	.01970	.03420	-.00090	-.00100	-.00160	.36830	.08960
.699	24.780	.00000	-.01000	.37980	.01950	.03450	-.00120	-.00100	-.00150	.37050	.09030
.699	25.970	.00000	-.01000	.37860	.01910	.03460	-.00240	-.00110	-.00170	.36940	.08990
.700	27.150	.00000	-.01000	.37980	.01890	.03460	-.00230	-.00110	-.00140	.37050	.09030
.699	28.340	.00000	-.01000	.38260	.01880	.03460	-.00210	-.00110	-.00160	.37340	.09060
.699	29.520	.00000	-.01000	.38220	.01870	.03470	-.00220	-.00100	-.00150	.37300	.09040
.700	30.710	.00000	-.01000	.38190	.01820	.03510	-.00300	-.00110	-.00140	.37250	.09090
.698	31.900	.00000	-.01000	.38580	.01800	.03540	-.00180	-.00100	-.00130	.37630	.09180
.700	33.080	.00000	-.01000	.38430	.01770	.03530	-.00270	-.00110	-.00130	.37500	.09140
.699	34.270	.00000	-.01000	.38400	.01720	.03580	-.00220	-.00110	-.00130	.37460	.09170
.698	35.450	.00000	-.01000	.38570	.01730	.03560	-.00180	-.00100	-.00140	.37640	.09160
.699	36.640	.00000	-.01000	.38740	.01730	.03550	-.00310	-.00110	-.00130	.37810	.09190
.699	37.820	.00000	-.01000	.38770	.01700	.03590	-.00200	-.00100	-.00140	.37830	.09220
.699	39.010	.00000	-.01000	.38850	.01710	.03560	-.00320	-.00100	-.00140	.37910	.09190
.701	40.200	.00000	-.01000	.38690	.01620	.03620	-.00230	-.00100	-.00130	.37750	.09230
.700	41.380	.00000	-.01000	.38880	.01640	.03580	-.00200	-.00090	-.00140	.37940	.09220
.697	42.570	.00000	-.01000	.38960	.01580	.03640	-.00290	-.00100	-.00120	.38020	.09270
.697	43.750	.00000	-.01000	.39120	.01580	.03640	-.00310	-.00100	-.00110	.38180	.09280
.699	44.940	.00000	-.01000	.39080	.01540	.03670	-.00270	-.00100	-.00110	.38130	.09300
.701	46.130	.00000	-.01000	.39080	.01540	.03640	-.00320	-.00100	-.00120	.38130	.09290
.699	47.310	.00000	-.01000	.39170	.01490	.03680	-.00170	-.00090	-.00100	.38220	.09330

LTV44-559(CA26) 747/1 ATY 02 S1 (ORBITER DATA)

(WFE046) ( 18 NOV 75 )

## REFERENCE DATA

SREF = 2690.0000 SQ.FT. XMRP = 1109.0000 IN. XO  
 LREF = 474.8100 IN. YMRP = .0000 IN. YO  
 BREF = 936.6800 IN. ZMRP = 375.0000 IN. ZO  
 SCALE = .0125

## PARAMETRIC DATA

ALPHAC = 2.000 BETAC = .000  
 STAB = 5.000 ELEVON = 5.000  
 BDFLAP = .000 DX = .000  
 DY = .000 IORB = 6.000  
 BETAO = .000 RUDDER = .000

RUN NO. 42/ 0 RN/L = .00 GRADIENT INTERVAL = -5.00/ 5.00

MACH	DZ	DY	DX	CN	CLM	CA	CY	CYN	CBL	CL	CD
.702	48.500	.00000	-.01000	.38730	.01450	.03670	-.00280	-.00090	-.00100	.37790	.09240
.700	49.680	.00000	-.01000	.39490	.01520	.03620	-.00200	-.00080	-.00120	.38550	.09310
.699	50.870	.00000	-.01000	.39340	.01460	.03660	-.00320	-.00100	-.00120	.38390	.09330
.697	51.460	.00000	-.02000	.39520	.01460	.03670	-.00310	-.00090	-.00110	.38570	.09340
	GRADIENT	.00000	-.00268	-.00200	-.00067	.00025	-.00003	-.00001	.00001	-.00199	-.00014

DATE 22 MAR 76

CA-26 FORCE SOURCE DATA TABULATION

PAGE 393

LTV44-559(CA26) 747/1 ATY 02 S1 (ORBITER DATA)

(WFE047) ( 18 NOV 75 )

## REFERENCE DATA

SREF = 2690.0000 SQ.FT. XMRP = 1109.0000 IN. XO  
 LREF = 474.8100 IN. YMRP = .0000 IN. YO  
 BREF = 936.6800 IN. ZMRP = 375.0000 IN. ZO  
 SCALE = .0125

## PARAMETRIC DATA

ALPHAC = 2.000 BETAC = .000  
 STAB = 5.000 ELEVON = 5.000  
 BDFLAP = .000 DX = .000  
 DY = .000 IORB = 8.000  
 BETAO = .000 RUDDER = .000

RUN NO. 40/ 0 RN/L = .00 GRADIENT INTERVAL = -5.00/ 5.00

MACH	DZ	DY	DX	CN	CLM	CA	CY	CYN	CBL	CL	CD
.599	1.480	.00000	-.02000	.49560	.02570	.01670	-.00040	-.00120	-.00350	.48380	.10880
.598	2.070	.00000	-.02000	.46480	.03520	.01750	.00110	-.00130	-.00210	.45350	.10310
.598	2.670	.00000	-.02000	.46490	.03550	.01770	.00170	-.00140	-.00210	.45350	.10350
.599	3.470	.00000	-.02000	.46480	.03300	.01760	.00090	-.00120	-.00200	.45350	.10330
.598	4.480	.00000	-.01000	.46440	.03310	.01770	.00090	-.00130	-.00200	.45310	.10340
.599	5.600	.00000	-.01000	.46450	.03030	.01820	.00010	-.00130	-.00180	.45320	.10350
.599	6.850	.00000	-.01000	.46520	.02940	.01830	.00000	-.00120	-.00180	.45390	.10350
.601	8.100	.00000	-.01000	.46370	.02820	.01840	.00050	-.00100	-.00190	.45240	.10340
.600	9.350	.00000	-.01000	.46690	.02890	.01850	.00000	-.00120	-.00180	.45560	.10400
.601	10.680	.00000	.00000	.46470	.02730	.01910	-.00020	-.00110	-.00180	.45320	.10410
.601	12.100	.00000	.00000	.46610	.02750	.01920	-.00100	-.00130	-.00170	.45460	.10460
.599	13.510	.00000	.00000	.46660	.02660	.01940	-.00020	-.00120	-.00170	.45520	.10460
.600	14.930	.00000	.00000	.46600	.02620	.01940	-.00010	-.00110	-.00170	.45450	.10450
.600	16.340	.00000	.00000	.46650	.02580	.01970	-.00080	-.00120	-.00160	.45510	.10460
.601	17.760	.00000	.00000	.46960	.02550	.01990	-.00130	-.00120	-.00160	.45800	.10550
.597	19.180	.00000	.00000	.47190	.02540	.02010	-.00070	-.00120	-.00150	.46030	.10590
.600	20.600	.00000	.00000	.47150	.02480	.01990	-.00050	-.00110	-.00160	.45990	.10580
.600	22.000	.00000	.01000	.46820	.02420	.02040	-.00030	-.00110	-.00150	.45670	.10530
.597	23.420	.00000	.01000	.47120	.02400	.02080	-.00160	-.00120	-.00150	.45960	.10610
.599	24.840	.00000	.01000	.47270	.02370	.02050	-.00060	-.00110	-.00150	.46110	.10630
.598	26.250	.00000	.01000	.47260	.02320	.02130	-.00170	-.00120	-.00140	.46080	.10680
.597	27.670	.00000	.01000	.47580	.02340	.02120	-.00150	-.00110	-.00140	.46400	.10700
.598	29.090	.00000	.01000	.47390	.02340	.02120	-.00190	-.00110	-.00130	.46220	.10700
.600	30.500	.00000	.01000	.47550	.02300	.02100	-.00130	-.00100	-.00130	.46380	.10690
.600	31.920	.00000	.01000	.47470	.02230	.02140	-.00100	-.00110	-.00120	.46300	.10700
.598	33.340	.00000	.01000	.47860	.02240	.02140	-.00030	-.00090	-.00130	.46680	.10750
.599	34.750	.00000	.01000	.47840	.02260	.02130	-.00110	-.00100	-.00130	.46670	.10730
.601	36.170	.00000	.01000	.48110	.02230	.02130	-.00090	-.00090	-.00130	.46930	.10810
.602	37.590	.00000	.01000	.48060	.02210	.02150	-.00170	-.00100	-.00120	.46880	.10790
.600	39.000	.00000	.01000	.48260	.02160	.02160	-.00140	-.00110	-.00100	.47080	.10860
.602	40.420	.00000	.01000	.47970	.02090	.02180	-.00210	-.00100	-.00100	.46790	.10810
.598	41.830	.00000	.01000	.48770	.02120	.02190	-.00150	-.00110	-.00100	.47580	.10930
.601	43.250	.00000	.01000	.48160	.02020	.02210	-.00110	-.00100	-.00070	.46980	.10840
.603	44.670	.00000	.02000	.47620	.01940	.02220	-.00250	-.00120	-.00060	.46440	.10750
.601	46.080	.00000	.02000	.48250	.02000	.02210	-.00070	-.00100	-.00090	.47070	.10850
.600	47.500	.00000	.01000	.48480	.01990	.02220	-.00160	-.00100	-.00100	.47300	.10890
.600	48.920	.00000	.02000	.48350	.02020	.02190	-.00160	-.00090	-.00080	.47170	.10820
.599	50.340	.00000	.02000	.48430	.01970	.02220	-.00270	-.00110	-.00050	.47240	.10860
.599	51.750	.00000	.02000	.48360	.01930	.02220	-.00270	-.00110	-.00020	.47180	.10850
.597	53.170	.00000	.02000	.48380	.01880	.02280	-.00370	-.00120	-.00050	.47190	.10900
.596	54.580	.00000	.02000	.48710	.01910	.02260	-.00330	-.00120	-.00040	.47510	.10950
.598	56.000	.00000	.02000	.48690	.01890	.02200	-.00150	-.00100	-.00030	.47510	.10870

DATE 22 MAR 76

CA-26 FORCE SOURCE DATA TABULATION

PAGE 394

LTV44-559(CA26) 747/1 ATY 02 S1 (ORBITER DATA)

(WFE047) ( 18 NOV 75 )

## REFERENCE DATA

SREF = 2690.0000 SQ.FT. XMRP = 1109.0000 IN. XO  
 LREF = 474.8100 IN. YMRP = .0000 IN. YO  
 BREF = 936.6800 IN. ZMRP = 375.0000 IN. ZO  
 SCALE = .0125

## PARAMETRIC DATA

ALPHAC = 2.000 BETAC = .000  
 STAB = 5.000 ELEVON = 5.000  
 BDFLAP = .000 DX = .000  
 DY = .000 TORB = 8.000  
 BETAO = .000 RUDDER = .000

RUN NO. 40/ 0 RN/L = .00 GRADIENT INTERVAL = -5.00/ 5.00

MACH	DZ	DY	DX	CN	CLM	CA	CY	CYN	CBL	CL	CD
.598	57.410	.00000	.02000	.48410	.01810	.02240	-.00220	-.00110	-.00040	.47230	.10870
	GRADIENT	.00000	.00296	-.00763	.00143	.00026	.00027	-.00001	.00038	-.00750	-.00129



DATE 22 MAR 76

## CA-26 FORCE SOURCE DATA TABULATION

PAGE 395

LTV44-559(CA26) 747/1 ATY 02 S1 (ORBITER DATA)

(WFE048) ( 18 NOV 75 )

## REFERENCE DATA

SREF = 2690.0000 SQ.FT. XMRP = 1109.0000 IN. XO  
 LREF = 474.8100 IN. YMRP = .0000 IN. YO  
 BREF = 936.6800 IN. ZMRP = 375.0000 IN. ZO  
 SCALE = .0125

## PARAMETRIC DATA

ALPHAC = 2.000 BETAC = .000  
 STAB = 5.000 ELEVON = 5.000  
 BDFLAP = .000 DX = .000  
 DY = .000 IORB = 4.000  
 BETAD = 5.000 RUDDER = .000

RUN NO. 41/ 0 RN/L = .00 GRADIENT INTERVAL = -5.00/ 5.00

MACH	DZ	DY	DX	CN	CLM	CA	CY	CYN	CBL	CL	CD
.600	1.760	.00000	.00000	.25210	.02230	.04020	-.06140	-.01230	-.00050	.24580	.06890
.598	2.360	.00000	.00000	.25230	.02180	.04000	-.06180	-.01230	-.00040	.24600	.06870
.602	2.970	.00000	.00000	.25180	.01930	.04020	-.06110	-.01220	-.00020	.24550	.06890
.601	3.760	.00000	.00000	.25240	.01970	.04050	-.06040	-.01230	-.00020	.24610	.06910
.601	4.560	.00000	.00000	.25330	.01920	.04050	-.06200	-.01230	-.00020	.24700	.06930
.604	5.960	.00000	.00000	.25490	.01750	.04030	-.06090	-.01220	.00000	.24850	.06940
.603	7.970	.00000	.00000	.25480	.01630	.04080	-.06110	-.01220	.00000	.24850	.06950
.601	9.960	.00000	.00000	.26260	.01400	.04140	-.06070	-.01200	.00030	.25610	.07120
.601	10.960	.00000	.00000	.26160	.01380	.04150	-.06170	-.01220	.00030	.25520	.07110
.602	11.960	.00000	.00000	.26090	.01370	.04120	-.06060	-.01200	.00040	.25450	.07070
.603	12.950	.00000	.00000	.26140	.01370	.04120	-.06040	-.01190	.00040	.25500	.07070
.602	13.940	.00000	.00000	.26290	.01310	.04150	-.06170	-.01210	.00050	.25640	.07110
.601	14.940	.00000	.00000	.26600	.01260	.04170	-.06130	-.01200	.00060	.25950	.07170
.603	15.930	.00000	.00000	.26550	.01280	.04140	-.06070	-.01200	.00040	.25910	.07130
.603	16.930	.00000	.00000	.26560	.01260	.04150	-.06080	-.01190	.00050	.25920	.07140
.602	17.930	.00000	.00000	.26730	.01230	.04180	-.06100	-.01200	.00060	.26080	.07190
.604	18.920	.00000	.00000	.26780	.01180	.04180	-.06160	-.01200	.00060	.26130	.07190
.601	19.910	.00000	.00000	.26970	.01120	.04250	-.06070	-.01180	.00050	.26320	.07280
.601	20.910	.00000	.00000	.27090	.01120	.04240	-.06150	-.01190	.00050	.26430	.07280
.602	21.900	.00000	.01000	.27210	.01140	.04230	-.06160	-.01190	.00070	.26560	.07280
.604	22.890	.00000	.01000	.27160	.01150	.04210	-.06180	-.01200	.00070	.26510	.07250
.605	23.890	.00000	.01000	.27210	.01140	.04230	-.06120	-.01190	.00080	.26550	.07280
.603	24.890	.00000	.01000	.27420	.01120	.04270	-.06120	-.01180	.00070	.26760	.07340
.603	25.880	.00000	.01000	.27470	.01090	.04290	-.06200	-.01190	.00060	.26810	.07370
.602	26.870	.00000	.01000	.27640	.01040	.04310	-.06130	-.01190	.00060	.26970	.07410
.604	27.870	.00000	.01000	.27650	.01090	.04250	-.06060	-.01170	.00070	.26990	.07330
.602	28.860	.00000	.01000	.28040	.01070	.04280	-.06240	-.01180	.00080	.27380	.07400
.604	29.850	.00000	.01000	.27720	.01070	.04270	-.06170	-.01180	.00080	.27060	.07380
.603	30.850	.00000	.01000	.27890	.01060	.04290	-.06020	-.01150	.00070	.27230	.07400
.602	31.850	.00000	.01000	.28120	.01030	.04300	-.06210	-.01180	.00070	.27470	.07420
.604	32.840	.00000	.01000	.27960	.01040	.04270	-.06190	-.01180	.00080	.27310	.07390
.604	33.840	.00000	.01000	.28160	.01040	.04290	-.06120	-.01170	.00070	.27500	.07430
.599	34.830	.00000	.01000	.28310	.01000	.04340	-.06240	-.01180	.00090	.27650	.07490
.599	35.830	.00000	.01000	.28350	.00960	.04360	-.06250	-.01180	.00090	.27700	.07500
.601	36.830	.00000	.01000	.28450	.00930	.04330	-.06180	-.01170	.00100	.27790	.07480
.602	37.820	.00000	.01000	.28550	.01000	.04310	-.06320	-.01190	.00100	.27890	.07470
.600	38.820	.00000	.01000	.28710	.00930	.04370	-.06220	-.01160	.00070	.28040	.07540
.601	39.810	.00000	.01000	.28620	.00900	.04390	-.06230	-.01170	.00070	.27950	.07550
.603	40.800	.00000	.01000	.28650	.00930	.04370	-.06260	-.01170	.00090	.27980	.07550
.604	41.800	.00000	.01000	.28520	.00910	.04380	-.06230	-.01160	.00110	.27860	.07520
.604	42.800	.00000	.01000	.28590	.00930	.04380	-.06280	-.01180	.00110	.27930	.07520
.605	43.790	.00000	.01000	.28570	.00930	.04360	-.06380	-.01200	.00120	.27910	.07520

LTV44-559(CA26) 747/1 ATY 02 S1 (ORBITER DATA)

(WFE048) ( 18 NOV 75 )

## REFERENCE DATA

SREF = 2690.0000 SQ.FT. XMRP = 1109.0000 IN. XO  
 LREF = 474.8100 IN. YMRP = .0000 IN. YO  
 BREF = 936.6800 IN. ZMRP = 375.0000 IN. ZO  
 SCALE = .0125

## PARAMETRIC DATA

ALPHAC = 2.000 BETAC = .000  
 STAB = 5.000 ELEVON = 5.000  
 BDFLAP = .000 DX = .000  
 DY = .000 IORB = 4.000  
 BETA0 = 5.000 RUDDER = .000

RUN NO. 41/ 0 RN/L = .00 GRADIENT INTERVAL = -5.00/ 5.00

MACH	DZ	DY	DX	CN	CLM	CA	CY	CYN	CBL	CL	CD
.603	44.790	.00000	.01000	.28710	.00880	.04350	-.06280	-.01180	.00100	.28050	.07510
	GRADIENT	.00000	.00000	.00038	-.00115	.00016	.00025	-.00000	.00011	.00038	.00018

ORIGINAL PAGE IS  
 OF POOR QUALITY

LTV44-559(CA26) 747/1 ATY 02 S1 (ORBITER DATA)

(WFE049) ( 18 NOV 75 )

## REFERENCE DATA

SREF = 2590.0000 SQ.FT. XMRP = 1109.0000 IN. XO  
 LREF = 474.8100 IN. YMRP = .0000 IN. YO  
 BREF = 936.6800 IN. ZMRP = 375.0000 IN. ZO  
 SCALE = .0125

## PARAMETRIC DATA

ALPHAC = 2.000 BETAC = .000  
 STAB = 5.000 ELEVON = 5.000  
 BDFLAP = .000 DX = .000  
 DY = .000 IORB = 6.000  
 BETAO = 5.000 RUDDER = .000

RUN NO. 1041/ 0 RN/L = .00 GRADIENT INTERVAL = -5.00/ 5.00

MACH	DZ	DY	DX	CN	CLM	CA	CY	CYN	CBL	CL	CD
.602	1.470	.00000	-.01000	.36370	.02800	.02910	-.05850	-.01220	-.00310	.35520	.08350
.604	1.770	.00000	-.01000	.36490	.02640	.02930	-.05800	-.01210	-.00300	.35630	.08390
.602	2.370	.00000	-.01000	.36590	.02580	.02960	-.05860	-.01210	-.00290	.35730	.08430
.601	2.970	.00000	-.01000	.36560	.02610	.02950	-.05880	-.01220	-.00290	.35710	.08390
.602	3.770	.00000	.00000	.36730	.02380	.02950	-.05770	-.01210	-.00280	.35870	.08410
.601	4.570	.00000	.00000	.36700	.02360	.02990	-.05800	-.01210	-.00280	.35840	.08470
.601	5.970	.00000	.00000	.36910	.02130	.02980	-.05730	-.01190	-.00230	.36050	.08460
.602	7.970	.00000	.00000	.36880	.02080	.03020	-.05810	-.01180	-.00210	.36010	.08490
.604	9.960	.00000	.00000	.36680	.02090	.03000	-.05830	-.01190	-.00200	.35820	.08440
.604	11.240	.00000	.00000	.37020	.01980	.03030	-.05820	-.01180	-.00200	.36160	.08500
.603	12.620	.00000	.00000	.36980	.01930	.03050	-.05770	-.01160	-.00190	.36120	.08510
.603	13.800	.00000	.00000	.37040	.01880	.03040	-.05790	-.01160	-.00190	.36180	.08510
.601	15.080	.00000	.00000	.37330	.01870	.03090	-.05860	-.01180	-.00180	.36460	.08600
.601	16.350	.00000	.00000	.37420	.01830	.03130	-.05920	-.01180	-.00160	.36540	.08650
.599	17.630	.00000	.00000	.37600	.01780	.03160	-.05990	-.01180	-.00140	.36720	.08680
.602	18.900	.00000	.00000	.37410	.01780	.03120	-.05920	-.01180	-.00140	.36540	.08630
.600	20.180	.00000	.00000	.37890	.01730	.03190	-.05920	-.01180	-.00140	.37010	.08750
.601	21.460	.00000	.00000	.37780	.01720	.03200	-.05970	-.01180	-.00130	.36900	.08740
.603	22.730	.00000	.01000	.37810	.01740	.03160	-.05900	-.01160	-.00120	.36930	.08690
.603	24.000	.00000	.01000	.37810	.01690	.03200	-.05940	-.01170	-.00120	.36930	.08750
.602	25.280	.00000	.01000	.38330	.01660	.03200	-.05970	-.01160	-.00130	.37440	.08810
.601	26.560	.00000	.01000	.38310	.01660	.03230	-.05980	-.01180	-.00100	.37420	.08820
.604	27.840	.00000	.01000	.38180	.01640	.03220	-.05990	-.01160	-.00120	.37290	.08800
.604	29.110	.00000	.01000	.38330	.01650	.03200	-.05970	-.01160	-.00110	.37440	.08810
.602	30.390	.00000	.01000	.38550	.01620	.03240	-.06010	-.01160	-.00110	.37650	.08860
.604	31.660	.00000	.01000	.38370	.01600	.03240	-.06170	-.01180	-.00080	.37480	.08840
.602	32.940	.00000	.01000	.38740	.01580	.03270	-.06050	-.01160	-.00100	.37830	.08930
.602	34.220	.00000	.01000	.38800	.01590	.03230	-.06020	-.01160	-.00100	.37910	.08870
.600	35.490	.00000	.01000	.39070	.01580	.03270	-.06160	-.01190	-.00090	.38170	.08950
.600	36.770	.00000	.01000	.38810	.01500	.03320	-.06020	-.01160	-.00080	.37900	.08970
.602	38.050	.00000	.01000	.38810	.01470	.03330	-.06090	-.01160	-.00070	.37900	.08970
.600	39.330	.00000	.01000	.38860	.01460	.03310	-.06200	-.01180	-.00090	.37960	.08950
.601	40.600	.00000	.01000	.38880	.01480	.03320	-.06090	-.01170	-.00070	.37980	.08950
.601	41.880	.00000	.01000	.39080	.01490	.03290	-.06140	-.01180	-.00050	.38180	.08960
.601	43.150	.00000	.01000	.39150	.01410	.03330	-.06220	-.01180	-.00070	.38240	.09000
.603	44.430	.00000	.01000	.38940	.01440	.03340	-.06210	-.01180	-.00030	.38040	.08970
.602	45.710	.00000	.01000	.39140	.01380	.03370	-.06270	-.01190	-.00010	.38230	.09030
.605	46.990	.00000	.01000	.39080	.01390	.03330	-.06150	-.01170	-.00060	.38180	.08970
.604	48.260	.00000	.01000	.39160	.01340	.03340	-.06120	-.01160	-.00040	.38260	.08980
.601	49.540	.00000	.01000	.39470	.01380	.03350	-.06150	-.01190	-.00030	.38570	.09050
.602	50.820	.00000	.01000	.39310	.01350	.03340	-.06180	-.01180	-.00040	.38410	.08990
	GRADIENT	.00000	.00379	.00102	-.00131	.00020	.00016	.00002	.00009	.00100	.00027

LTV44-559(CA26) 747/1 ATY 02 S1 (ORBITER DATA)

(WFE050) ( 18 NOV 75 )

## REFERENCE DATA

SREF = 2590.0000 SQ.FT. XMRP = 1109.0000 IN. XO  
 LREF = 474.8100 IN. YMRP = .0000 IN. YO  
 BREF = 936.6800 IN. ZMRP = 375.0000 IN. ZO  
 SCALE = .0125

## PARAMETRIC DATA

ALPHAC = 2.000 BETAC = .000  
 STAB = 5.000 ELEVON = 5.000  
 BDFLAP = .000 DX = .000  
 DY = .000 TORB = 8.000  
 BETA0 = 5.000 RUDDER = .000

RUN NO. 1040/ 0 RN/L = .00 GRADIENT INTERVAL = -5.00/ 5.00

MACH	DZ	DY	DX	CN	CLM	CA	CY	CYN	CBL	CL	CD
.599	1.770	.00000	-.02000	.48540	.03250	.01870	-.05720	-.01190	-.00440	.47360	.10830
.599	2.370	.00000	-.02000	.48630	.03250	.01860	-.05680	-.01180	-.00440	.47450	.10820
.600	2.970	.00000	-.02000	.48190	.03140	.01870	-.05710	-.01180	-.00410	.47010	.10740
.599	3.980	.00000	-.01000	.48230	.03150	.01890	-.05680	-.01190	-.00420	.47050	.10790
.599	4.980	.00000	-.01000	.48300	.02990	.01880	-.05660	-.01170	-.00390	.47110	.10790
.601	6.640	.00000	-.01000	.48130	.02930	.01900	-.05660	-.01170	-.00380	.46950	.10740
.602	8.310	.00000	-.01000	.48030	.02880	.01890	-.05730	-.01180	-.00360	.46860	.10730
.603	9.980	.00000	.00000	.48280	.02680	.01920	-.05750	-.01160	-.00310	.47100	.10770
.602	11.210	.00000	.00000	.48230	.02620	.01930	-.05710	-.01150	-.00310	.47050	.10770
.600	12.450	.00000	.00000	.48300	.02610	.01970	-.05670	-.01160	-.00310	.47110	.10830
.599	13.680	.00000	.00000	.48280	.02580	.01970	-.05760	-.01160	-.00290	.47090	.10800
.599	14.910	.00000	.00000	.48200	.02510	.02010	-.05780	-.01160	-.00290	.47010	.10830
.599	16.150	.00000	.00000	.48280	.02460	.01980	-.05750	-.01140	-.00280	.47100	.10790
.598	17.390	.00000	.00000	.48590	.02460	.02010	-.05720	-.01150	-.00280	.47400	.10870
.598	18.620	.00000	.00000	.48680	.02420	.02030	-.05730	-.01150	-.00280	.47490	.10900
.599	19.850	.00000	.00000	.48430	.02340	.02070	-.05710	-.01140	-.00270	.47240	.10870
.601	21.090	.00000	.00000	.48400	.02300	.02090	-.05720	-.01140	-.00270	.47200	.10910
.600	22.320	.00000	.01000	.48540	.02320	.02080	-.05730	-.01130	-.00270	.47350	.10890
.598	23.550	.00000	.01000	.48720	.02300	.02120	-.05750	-.01150	-.00240	.47520	.10950
.601	24.790	.00000	.01000	.48590	.02260	.02110	-.05750	-.01130	-.00250	.47390	.10930
.600	26.030	.00000	.01000	.48760	.02220	.02120	-.05880	-.01150	-.00240	.47550	.10970
.601	27.260	.00000	.01000	.49160	.02290	.02150	-.05790	-.01150	-.00240	.47950	.11050
.601	28.490	.00000	.01000	.48950	.02220	.02190	-.05790	-.01150	-.00230	.47740	.11020
.601	29.730	.00000	.01000	.49150	.02150	.02200	-.05880	-.01160	-.00220	.47940	.11080
.600	30.970	.00000	.01000	.49470	.02230	.02190	-.05900	-.01170	-.00210	.48250	.11110
.602	32.200	.00000	.01000	.49230	.02130	.02170	-.05900	-.01150	-.00200	.48020	.11080
.601	33.430	.00000	.01000	.49160	.02130	.02210	-.05810	-.01140	-.00200	.47940	.11060
.601	34.670	.00000	.01000	.49200	.02100	.02220	-.05780	-.01130	-.00210	.47990	.11100
.599	35.900	.00000	.01000	.49550	.02140	.02200	-.05860	-.01140	-.00200	.48440	.11140
.600	37.140	.00000	.01000	.49300	.02080	.02200	-.05870	-.01130	-.00200	.48280	.11120
.599	38.380	.00000	.01000	.49870	.02060	.02220	-.05800	-.01140	-.00210	.48650	.11190
.600	39.610	.00000	.01000	.49470	.02030	.02260	-.05920	-.01160	-.00190	.48250	.11160
.601	40.840	.00000	.01000	.49510	.01970	.02260	-.05810	-.01130	-.00200	.48290	.11170
.600	42.080	.00000	.01000	.49890	.02040	.02220	-.05860	-.01130	-.00200	.48670	.11170
.599	43.320	.00000	.01000	.50120	.02000	.02260	-.05780	-.01120	-.00200	.48890	.11260
.599	44.550	.00000	.01000	.50050	.01950	.02300	-.05880	-.01140	-.00190	.48810	.11280
.599	45.780	.00000	.01000	.50200	.01950	.02270	-.05870	-.01130	-.00190	.48980	.11250
.600	47.020	.00000	.02000	.50150	.01920	.02280	-.05870	-.01140	-.00180	.48920	.11260
.601	48.260	.00000	.02000	.49990	.01890	.02290	-.05820	-.01130	-.00170	.48760	.11250
.600	49.490	.00000	.01000	.50250	.01860	.02280	-.05930	-.01140	-.00180	.49030	.11260
.601	50.730	.00000	.02000	.49830	.01830	.02300	-.06060	-.01170	-.00150	.48610	.11210
.601	51.960	.00000	.02000	.49790	.01820	.02300	-.05890	-.01150	-.00150	.48570	.11210

DATE 22 MAR 76

CA-26 FORCE SOURCE DATA TABULATION

PAGE 399

LTV44-559(CA26) 747/1 ATY 02 S1 (ORBITER DATA)

(WFE050) ( 18 NOV 75 )

## REFERENCE DATA

SREF = 2690.0000 SQ.FT. XMRP = 1109.0000 IN. XO  
 LREF = 474.8100 IN. YMRP = .0000 IN. YO  
 BREF = 936.6800 IN. ZMRP = 375.0000 IN. ZO  
 SCALE = .0125

## PARAMETRIC DATA

ALPHAC = 2.000 BETAC = .000  
 STAB = 5.000 ELEVON = 5.000  
 BDFLAP = .000 DX = .000  
 DY = .000 IORB = 8.000  
 BETAO = 5.000 RUDDER = .000

RUN NO. 1040/ 0 RN/L = .00 GRADIENT INTERVAL = -5.00/ 5.00

MACH	DZ	DY	DX	CN	CLM	CA	CY	CYN	CBL	CL	CD
.600	53.190	.00000	.02000	.49600	.01650	.02380	-.06150	-.01200	-.00140	.48380	.11220
.599	54.430	.00000	.02000	.49440	.01540	.02450	-.06130	-.01230	-.00150	.48200	.11270
.600	55.670	.00000	.02000	.50330	.01690	.02330	-.06050	-.01170	-.00140	.49090	.11310
.601	56.900	.00000	.02000	.50140	.01770	.02320	-.05970	-.01160	-.00150	.48910	.11260
.600	58.140	.00000	.02000	.50070	.01790	.02320	-.06030	-.01170	-.00110	.48860	.11220
	GRADIENT	.00000	.00386	-.00099	-.00078	.00006	.00015	.00004	.00015	-.00102	-.00011

ORIGINAL PAGE IS  
 OF POOR QUALITY

LTV44-559(CA26) 747/1 ATX 02 S1 (ORBITER DATA)

(WFE051) ( 18 NOV 75 )

## REFERENCE DATA

SREF = 2690.0000 SQ.FT. XMRP = 1109.0000 IN. XO  
 LREF = 474.8100 IN. YMRP = .0000 IN. YO  
 BREF = 936.6800 IN. ZMRP = 375.0000 IN. ZO  
 SCALE = .0125

## PARAMETRIC DATA

ALPHAC = 2.000 BETAC = .000  
 STAB = 5.000 ELEVON = 5.000  
 BDFLAP = .000 DX = .000  
 DY = .000 TORB = 4.000  
 BETAO = .600 RUDDER = .000

RUN NO. 45/ 0 RN/L = .00 GRADIENT INTERVAL = -5.00/ 5.00

MACH	DZ	DY	DX	CN	CLM	CA	CY	CYN	CEL	CL	CD
.605	1.760	.00000	.00000	.23950	.02130	.03960	-.00190	-.00100	-.00050	.23340	.06590
.603	2.360	.00000	.00000	.23840	.02080	.04030	-.00210	-.00100	-.00050	.23220	.06740
.604	2.970	.00000	.00000	.24050	.01920	.04020	-.00150	-.00090	-.00050	.23430	.06760
.603	3.760	.00000	.00000	.24150	.01920	.04020	-.00200	-.00090	-.00050	.23530	.06770
.604	4.560	.00000	.00000	.24010	.01870	.04020	-.00230	-.00100	-.00050	.23390	.06750
.602	5.960	.00000	.00000	.24530	.01670	.04070	-.00190	-.00100	-.00050	.23910	.06850
.602	7.970	.00000	.00000	.24540	.01630	.04090	-.00170	-.00090	-.00040	.23910	.06860
.605	9.960	.00000	.00000	.25010	.01440	.04130	-.00140	-.00080	-.00060	.24380	.06960
.603	10.960	.00000	.00000	.25080	.01410	.04150	-.00260	-.00090	-.00050	.24450	.06990
.603	11.960	.00000	.00000	.25060	.01430	.04160	-.00210	-.00090	-.00040	.24420	.06990
.606	12.950	.00000	.00000	.25160	.01410	.04150	-.00140	-.00080	-.00050	.24520	.07000
.606	13.940	.00000	.00000	.25200	.01330	.04170	-.00240	-.00080	-.00050	.24560	.07020
.603	14.940	.00000	.00000	.25500	.01340	.04210	-.00280	-.00090	-.00050	.24860	.07090
.605	15.930	.00000	.00000	.25700	.01380	.04200	-.00130	-.00080	-.00050	.25060	.07090
.605	16.930	.00000	.00000	.25590	.01270	.04220	-.00240	-.00100	-.00050	.24950	.07100
.604	17.930	.00000	.00000	.25870	.01260	.04250	-.00340	-.00100	-.00040	.25220	.07160
.606	18.920	.00000	.00000	.25860	.01250	.04220	-.00130	-.00080	-.00060	.25220	.07110
.605	19.910	.00000	.00000	.25920	.01220	.04260	-.00210	-.00080	-.00070	.25270	.07170
.607	20.910	.00000	.00000	.25630	.01160	.04260	-.00240	-.00090	-.00050	.24980	.07130
.605	21.900	.00000	-.01000	.26050	.01210	.04280	-.00290	-.00090	-.00050	.25400	.07190
.603	22.890	.00000	-.01000	.26430	.01170	.04340	-.00270	-.00100	-.00040	.25770	.07290
.605	23.890	.00000	-.01000	.26440	.01170	.04280	-.00190	-.00080	-.00040	.25790	.07240
.606	24.890	.00000	-.01000	.26300	.01130	.04310	-.00260	-.00080	-.00050	.25650	.07230
.607	25.880	.00000	-.01000	.26280	.01140	.04250	-.00220	-.00080	-.00050	.25640	.07170
.604	26.870	.00000	-.01000	.26520	.01140	.04310	-.00360	-.00100	-.00050	.25860	.07270
.603	27.870	.00000	-.01000	.26690	.01110	.04370	-.00260	-.00090	-.00060	.26030	.07330
.604	28.860	.00000	-.01000	.27060	.01150	.04330	-.00190	-.00070	-.00060	.26400	.07330
.605	29.860	.00000	-.01000	.26830	.01110	.04400	-.00300	-.00080	-.00060	.26170	.07390
.605	30.860	.00000	-.01000	.26960	.01140	.04340	-.00250	-.00080	-.00040	.26300	.07330
.604	31.850	.00000	-.01000	.26900	.01080	.04410	-.00260	-.00080	-.00040	.26240	.07390
.604	32.840	.00000	-.01000	.27060	.01020	.04400	-.00300	-.00100	-.00050	.26400	.07400
.605	33.840	.00000	-.01000	.26970	.01000	.04420	-.00390	-.00100	-.00040	.26310	.07390
.604	34.830	.00000	-.01000	.27260	.01030	.04420	-.00360	-.00090	-.00030	.26600	.07430
.606	35.830	.00000	-.01000	.27330	.01080	.04340	-.00320	-.00080	-.00040	.26670	.07360
.604	36.830	.00000	-.01000	.27420	.01020	.04410	-.00340	-.00090	-.00030	.26760	.07440
.604	37.820	.00000	-.01000	.27340	.01020	.04440	-.00330	-.00070	-.00030	.26680	.07460
.604	38.820	.00000	-.01000	.27600	.01020	.04450	-.00330	-.00070	-.00020	.26940	.07480
.604	39.810	.00000	-.01000	.27670	.00970	.04420	-.00330	-.00080	-.00040	.27000	.07460
.604	40.800	.00000	-.01000	.27780	.01020	.04430	-.00360	-.00080	-.00030	.27110	.07480
.604	41.800	.00000	-.01000	.27640	.00940	.04460	-.00420	-.00090	-.00010	.26970	.07510
.606	42.800	.00000	-.01000	.27680	.00950	.04420	-.00270	-.00070	-.00030	.27020	.07450
.605	43.790	.00000	-.01000	.27860	.01000	.04440	-.00230	-.00060	-.00030	.27190	.07500

DATE 22 MAR 76

CA-26 FORCE SOURCE DATA TABULATION

PAGE 401

LTV44-559(CA26) 747/1 ATX 02 S1 (ORBITER DATA)

(WFE051) ( 18 NOV 75 )

REFERENCE DATA

PARAMETRIC DATA

SREF = 2690.0000 SQ.FT. XMRP = 1109.0000 IN. XO  
LREF = 474.8100 IN. YMRP = .0000 IN. YO  
BREF = 936.6800 IN. ZMRP = 375.0000 IN. ZO  
SCALE = .0125

ALPHAC = 2.000 BETAC = .000  
STAB = 5.000 ELEVON = 5.000  
BDFLAP = .000 DX = .000  
DY = .000 IORB = 4.000  
BETAO = .000 RUDDER = .000

RUN NO. 45/ 0 RN/L = .00 GRADIENT INTERVAL = -5.00/ 5.00

MACH	DZ	DY	DX	CN	CLM	CA	CY	CYN	CBL	CL	CD
.605	44.790	.00000	-.01000	.28420	.01000	.04400	-.00360	-.00080	-.00030	.27750	.07520
	GRADIENT	.00000	.00000	.00059	-.00095	.00015	-.00011	.00001	-.00000	.00057	.00020

LTV44-559(CA26) 747/1 ATX 02 S1 (ORBITER DATA)

(WFE052) ( 18 NOV 75 )

## REFERENCE DATA

SREF = 2690.0000 SQ.FT. XMRP = 1109.0000 IN. XO  
 LREF = 474.8100 IN. YMRP = .0000 IN. YO  
 BREF = 936.6800 IN. ZMRP = 375.0000 IN. ZO  
 SCALE = .0125

## PARAMETRIC DATA

ALPHAC = 2.000 BETAC = .000  
 STAB = 5.000 ELEVON = 5.000  
 BDFLAP = .000 DX = .000  
 DY = .000 TORB = 6.000  
 BETA0 = .000 RUDDER = .000

RUN NO. 1045/ 0 RN/L = .00 GRADIENT INTERVAL = -5.00/ 5.00

MACH	DZ	DY	DX	CN	CLM	CA	CY	CYN	CBL	CL	CD
.604	1.470	.00000	.01000	.34830	.02890	.02810	-.00100	-.00090	-.00140	.34020	.08000
.602	1.770	.00000	.01000	.34990	.02820	.02840	-.00100	-.00090	-.00130	.34170	.08070
.602	2.370	.00000	.01000	.35040	.02750	.02830	-.00080	-.00070	-.00120	.34220	.08050
.602	2.970	.00000	.00000	.34920	.02730	.02850	-.00120	-.00090	-.00130	.34100	.08040
.603	3.770	.00000	.00000	.35140	.02550	.02830	-.00210	-.00080	-.00130	.34320	.08050
.603	4.570	.00000	.00000	.35110	.02540	.02870	-.00140	-.00070	-.00130	.34290	.08100
.602	5.970	.00000	.00000	.35570	.02280	.02910	-.00130	-.00070	-.00120	.34740	.08170
.604	7.970	.00000	.00000	.35690	.02230	.02930	-.00160	-.00080	-.00120	.34850	.08210
.606	9.960	.00000	.00000	.35000	.02180	.02920	-.00150	-.00070	-.00120	.34180	.08080
.606	11.240	.00000	.00000	.35410	.02100	.02970	-.00170	-.00070	-.00110	.34570	.08200
.605	12.520	.00000	.00000	.35520	.02050	.03000	-.00240	-.00080	-.00110	.34680	.08240
.602	13.800	.00000	.00000	.36110	.02040	.03040	-.00130	-.00070	-.00120	.35260	.08370
.604	15.080	.00000	.00000	.35930	.02000	.03050	-.00140	-.00070	-.00110	.35080	.08330
.601	16.350	.00000	.00000	.36250	.01940	.03100	-.00210	-.00080	-.00110	.35390	.08420
.603	17.630	.00000	.00000	.36220	.01960	.03060	-.00150	-.00080	-.00130	.35370	.08380
.605	18.900	.00000	.00000	.36090	.01930	.03090	-.00090	-.00080	-.00110	.35230	.08390
.602	20.180	.00000	.00000	.36490	.01900	.03100	-.00120	-.00070	-.00120	.35630	.08450
.603	21.460	.00000	.00000	.36520	.01880	.03080	-.00250	-.00080	-.00110	.35670	.08430
.603	22.730	.00000	-.01000	.36560	.01830	.03130	-.00180	-.00070	-.00110	.35700	.08470
.602	24.000	.00000	-.01000	.36930	.01870	.03140	-.00290	-.00090	-.00110	.36070	.08550
.602	25.280	.00000	-.01000	.37160	.01830	.03140	-.00180	-.00070	-.00110	.36290	.08580
.605	26.560	.00000	-.01000	.36700	.01750	.03170	-.00160	-.00070	-.00110	.35840	.08520
.604	27.840	.00000	-.01000	.36900	.01770	.03150	-.00340	-.00090	-.00100	.36040	.08530
.605	29.110	.00000	-.01000	.36700	.01710	.03200	-.00150	-.00060	-.00120	.35840	.08550
.601	30.390	.00000	-.01000	.37340	.01740	.03210	-.00260	-.00090	-.00090	.36470	.08650
.606	31.660	.00000	-.01000	.36740	.01700	.03220	-.00370	-.00100	-.00080	.35870	.08580
.604	32.940	.00000	-.01000	.37090	.01660	.03240	-.00270	-.00080	-.00090	.36210	.08620
.604	34.220	.00000	-.01000	.37180	.01600	.03260	-.00290	-.00080	-.00090	.36310	.08650
.602	35.490	.00000	-.01000	.37470	.01660	.03250	-.00260	-.00090	-.00100	.36590	.08680
.604	36.770	.00000	-.01000	.37380	.01600	.03250	-.00260	-.00080	-.00090	.36500	.08680
.602	38.050	.00000	-.01000	.37850	.01670	.03240	-.00150	-.00070	-.00110	.36970	.08720
.604	39.330	.00000	-.01000	.37510	.01550	.03300	-.00280	-.00080	-.00090	.36630	.08720
.602	40.600	.00000	-.01000	.37920	.01620	.03250	-.00290	-.00080	-.00090	.37040	.08750
.601	41.880	.00000	-.01000	.37750	.01550	.03350	-.00240	-.00070	-.00090	.36860	.08810
.602	43.150	.00000	-.01000	.37910	.01540	.03280	-.00260	-.00070	-.00080	.37030	.08760
.601	44.430	.00000	-.01000	.37850	.01470	.03340	-.00370	-.00090	-.00050	.35970	.08770
.604	45.710	.00000	-.01000	.38300	.01550	.03270	-.00340	-.00100	-.00060	.37420	.08790
.603	46.980	.00000	-.01000	.38260	.01480	.03330	-.00270	-.00100	-.00060	.37370	.08850
.605	48.260	.00000	-.01000	.38010	.01440	.03280	-.00230	-.00080	-.00090	.37130	.08750
.603	49.540	.00000	-.01000	.38070	.01450	.03350	-.00180	-.00070	-.00080	.37190	.08810
.605	50.820	.00000	-.01000	.38130	.01480	.03250	-.00290	-.00070	-.00060	.37250	.08730
GRADIENT		.00000	-.00401	.00075	-.00116	.00013	-.00026	.00005	.00001	.00073	.00019



LTV44-559(CA26) 747/1 ATY 02 S1 (ORBITER DATA)

(WFE053) ( 18 NOV 75 )

## REFERENCE DATA

SREF = 2690.0000 SQ.FT. XMRP = 1109.0000 IN. XO  
 LREF = 474.8100 IN. YMRP = .0000 IN. YO  
 BREF = 936.6800 IN. ZMRP = 375.0000 IN. ZO  
 SCALE = .0125

## PARAMETRIC DATA

ALPHAC = 2.000 BETAC = .000  
 STAB = 5.000 ELEVON = 5.000  
 BDFLAP = .000 DX = .000  
 DZ = .000 IORB = 6.000  
 BETA0 = .000 RUDDER = .000

RUN NO. 46/ 0 RN/L = .00 GRADIENT INTERVAL = -5.00/ 5.00

MACH	DY	DX	DZ	CN	CLM	CA	CY	CYN	CBL	CL	CD
.598	-10.000	.01000	1.46000	.35350	.02870	.02800	-.00370	.00050	.00100	.34530	.01060
.600	-9.420	.01000	1.46000	.35100	.02840	.02780	-.00410	.00040	.00080	.34290	.08010
.600	-8.850	.01000	1.46000	.35130	.02840	.02790	-.00180	.00060	.00060	.34310	.08030
.597	-8.280	.01000	1.46000	.35350	.02850	.02810	-.00160	.00060	.00040	.34530	.08080
.600	-7.710	.02000	1.46000	.35090	.02850	.02770	-.00280	.00040	.00020	.34280	.08000
.598	-7.140	.02000	1.46000	.35410	.02890	.02790	-.00300	.00020	.00000	.34590	.08060
.601	-6.560	.02000	1.46000	.34990	.02860	.02780	-.00290	.00010	.00000	.34180	.07980
.598	-5.990	.02000	1.46000	.35240	.02900	.02810	-.00180	.00010	-.00020	.34420	.08070
.599	-5.420	.02000	1.46000	.34980	.02910	.02790	-.00080	.00000	-.00020	.34170	.07990
.601	-4.850	.02000	1.46000	.34990	.02940	.02780	-.00130	.00000	-.00050	.34170	.08010
.601	-4.280	.02000	1.46000	.35020	.02940	.02800	-.00140	-.00020	-.00070	.34200	.08030
.602	-3.710	.02000	1.46000	.34910	.02970	.02760	-.00120	-.00050	-.00090	.34100	.07970
.602	-3.130	.01000	1.46000	.34920	.02920	.02750	-.00130	-.00060	-.00110	.34120	.07950
.603	-2.570	.01000	1.46000	.34790	.02910	.02760	-.00040	-.00070	-.00130	.33980	.07950
.604	-1.990	.01000	1.46000	.34910	.02900	.02780	.00080	-.00070	-.00150	.34100	.07990
.602	-1.420	.01000	1.46000	.35110	.02900	.02790	.00060	-.00090	-.00170	.34290	.08030
.602	-.850	.01000	1.46000	.35130	.02930	.02750	.00060	-.00110	-.00190	.34320	.08000
.602	-.270	.01000	1.46000	.35290	.02900	.02760	-.00010	-.00140	-.00220	.34480	.08020
.603	.270	.02000	1.46000	.35140	.02870	.02770	.00030	-.00150	-.00240	.34320	.08010
.601	.850	.02000	1.46000	.35480	.02790	.02800	.00080	-.00160	-.00250	.34650	.08080
.601	1.420	.02000	1.46000	.35540	.02790	.02770	.00120	-.00170	-.00260	.34720	.08090
.600	1.990	.02000	1.46000	.35750	.02800	.02790	.00150	-.00180	-.00280	.34920	.08130
.600	2.560	.02000	1.46000	.35800	.02800	.02780	.00240	-.00180	-.00300	.34990	.08110
.602	3.130	.02000	1.46000	.35570	.02700	.02770	.00170	-.00200	-.00310	.34750	.08070
.600	3.710	.02000	1.46000	.35770	.02760	.02830	.00210	-.00190	-.00340	.34940	.08160
.602	4.280	.01000	1.46000	.35670	.02680	.02780	.00220	-.00210	-.00350	.34850	.08110
.600	4.850	.01000	1.46000	.35880	.02690	.02780	.00240	-.00210	-.00360	.35060	.08140
.599	5.420	.01000	1.46000	.35980	.02680	.02780	.00240	-.00220	-.00380	.35150	.08150
.599	5.990	.01000	1.46000	.35940	.02720	.02780	.00260	-.00220	-.00400	.35120	.08130
.601	6.560	.01000	1.46000	.35810	.02660	.02770	.00140	-.00240	-.00410	.34990	.08100
.599	7.140	.01000	1.46000	.36130	.02720	.02760	.00180	-.00260	-.00430	.35300	.08150
.601	7.700	.01000	1.46000	.36060	.02690	.02740	.00110	-.00270	-.00450	.35240	.08120
.600	8.280	.01000	1.46000	.36220	.02730	.02750	.00160	-.00290	-.00470	.35400	.08150
.600	8.850	.01000	1.46000	.36260	.02720	.02760	.00210	-.00270	-.00480	.35440	.08150
.600	9.420	.01000	1.46000	.36180	.02670	.02780	.00210	-.00270	-.00490	.35360	.08170
.600	10.000	.01000	1.46000	.35950	.02680	.02750	.00110	-.00280	-.00490	.35130	.08100
GRADIENT		.00007	-.00000	.00111	-.00029	.00002	.00041	-.00022	-.00033	.00109	.00018

LTV44-559(CA26) 747/1 ATY 02 S1 (ORBITER DATA)

(WFED54) ( 18 NOV 75 )

## REFERENCE DATA

SREF = 2690.0000 SQ.FT. XMRP = 1109.0000 IN. XO  
 LREF = 474.8100 IN. YMRP = .0000 IN. YO  
 BREF = 936.6800 IN. ZMRP = 375.0000 IN. ZO  
 SCALE = .0125

## PARAMETRIC DATA

ALPHAC = 2.000 BETAC = .000  
 STAB = 5.000 ELEVON = 5.000  
 BDFLAP = .000 DX = .000  
 DZ = 15.000 TORB = 6.000  
 BETA0 = .000 RUDDER = .000

RUN NO. 1046/ D RN/L = .00 GRADIENT INTERVAL = -5.00/ 5.00

MACH	DY	DX	DZ	CN	CLM	CA	CY	CYN	CBL	CL	CD
.599	-9.420	.01000	16.46000	.36270	.02020	.03000	-.00060	-.00010	.00010	.35420	.08340
.600	-8.850	.01000	16.46000	.36270	.02000	.02970	-.00150	-.00010	.00010	.35420	.08320
.599	-8.280	.01000	16.46000	.36400	.02000	.02990	-.00120	-.00020	.00000	.35550	.08350
.600	-7.710	.01000	16.46000	.36260	.02040	.02980	-.00060	-.00010	.00000	.35410	.08330
.601	-7.140	.01000	16.46000	.36110	.01950	.02990	.00020	-.00020	-.00020	.35260	.08320
.603	-6.560	.01000	16.46000	.36010	.01980	.02970	-.00040	-.00020	-.00020	.35170	.08270
.602	-5.990	.01000	16.46000	.36200	.02030	.02990	-.00010	-.00020	-.00030	.35350	.08340
.601	-5.420	.01000	16.46000	.36230	.01970	.02990	-.00100	-.00040	-.00030	.35390	.08340
.599	-4.850	.01000	16.46000	.36340	.02020	.03030	-.00010	-.00030	-.00050	.35490	.08380
.601	-4.280	.01000	16.46000	.36100	.02000	.03020	-.00040	-.00030	-.00050	.35250	.08350
.603	-3.710	.01000	16.46000	.35890	.01930	.02980	-.00170	-.00050	-.00060	.35050	.08270
.601	-3.140	.01000	16.46000	.36050	.01930	.03000	-.00130	-.00050	-.00070	.35200	.08320
.601	-2.570	.01000	16.46000	.36080	.01930	.02990	-.00080	-.00040	-.00080	.35230	.08310
.600	-1.990	.00000	16.46000	.36180	.01950	.02990	.00000	-.00050	-.00080	.35340	.08320
.602	-1.420	.00000	16.46000	.35950	.01990	.03000	-.00040	-.00070	-.00100	.35110	.08300
.600	-.850	.00000	16.46000	.36220	.01940	.02990	-.00070	-.00070	-.00110	.35370	.08330
.602	-.280	.00000	16.46000	.36080	.02000	.02970	-.00050	-.00080	-.00120	.35240	.08300
.601	.270	.01000	16.46000	.36220	.01980	.02980	-.00040	-.00080	-.00130	.35370	.08310
.602	.850	.01000	16.46000	.36090	.01930	.02970	-.00050	-.00070	-.00140	.35250	.08290
.603	1.410	.01000	16.46000	.36080	.01970	.02950	-.00050	-.00080	-.00150	.35240	.08290
.603	1.990	.01000	16.46000	.36100	.01960	.02950	-.00130	-.00090	-.00170	.35260	.08270
.603	2.560	.01000	16.46000	.36120	.01980	.02960	-.00060	-.00110	-.00170	.35290	.08280
.602	3.130	.01000	16.46000	.36130	.01950	.02980	-.00150	-.00110	-.00170	.35290	.08300
.602	3.700	.01000	16.46000	.36160	.01940	.02960	-.00180	-.00110	-.00180	.35320	.08310
.600	4.270	.01000	16.46000	.36330	.01950	.02990	-.00140	-.00110	-.00190	.35490	.08320
.602	4.850	.01000	16.46000	.36220	.01940	.02940	-.00160	-.00110	-.00200	.35380	.08280
.602	5.420	.01000	16.46000	.36350	.02000	.02930	-.00100	-.00120	-.00220	.35510	.08300
.602	5.990	.01000	16.46000	.36290	.01950	.02950	-.00220	-.00130	-.00220	.35450	.08300
.600	6.560	.01000	16.46000	.36450	.01980	.02970	-.00200	-.00140	-.00230	.35610	.08350
.599	7.130	.01000	16.46000	.36590	.01940	.02980	-.00100	-.00130	-.00250	.35740	.08380
.601	7.700	.01000	16.46000	.36520	.02010	.02920	-.00090	-.00140	-.00250	.35680	.08310
.598	8.270	.01000	16.46000	.36650	.02000	.02970	-.00150	-.00150	-.00270	.35800	.08380
.599	8.840	.01000	16.46000	.36520	.01980	.02960	-.00150	-.00160	-.00280	.35680	.08340
.601	9.420	.01000	16.46000	.36260	.01950	.02940	-.00200	-.00160	-.00290	.35420	.08290
.599	9.990	.01000	16.46000	.36710	.02010	.02950	-.00230	-.00180	-.00290	.35870	.08360
GRADIENT		.00029	.00000	.00011	-.00003	-.00006	-.00009	-.00009	-.00015	.00012	-.00005

LTV44-559(CA26) 747/1 ATY 02 S1 (ORBITER DATA)

(WFE055) ( 18 NOV 75 )

## REFERENCE DATA

SREF = 2690.0000 SQ.FT. XMRP = 1109.0000 IN. XO  
 LREF = 474.8100 IN. YMRP = .0000 IN. YO  
 BREF = 936.6800 IN. ZMRP = 375.0000 IN. ZO  
 SCALE = .0125

## PARAMETRIC DATA

ALPHAC = 2.000 BETAC = .000  
 STAB = 5.000 ELEVON = 5.000  
 BDFLAP = .000 DX = .000  
 DZ = 60.000 IORB = 6.000  
 BETAO = .000 RUDDER = .000

RUN NO. 2046/ 0 RN/L = .00 GRADIENT INTERVAL = -5.00/ 5.00

MACH	DY	DX	DZ	CN	CLM	CA	CY	CYN	CBL	CL	CD
.599	-10.000	-.01000	51.46000	.38150	.01520	.03220	-.00360	-.00100	.00000	.37280	.08700
.600	-9.430	-.01000	51.46000	.38390	.01540	.03180	-.00250	-.00080	-.00030	.37520	.08700
.599	-8.860	-.01000	51.46000	.38300	.01550	.03180	-.00310	-.00090	-.00030	.37430	.08690
.600	-8.280	-.01000	51.46000	.38190	.01490	.03210	-.00430	-.00110	-.00040	.37320	.08710
.599	-7.710	-.01000	51.46000	.38380	.01540	.03250	-.00270	-.00090	-.00040	.37510	.08760
.600	-7.140	-.01000	51.46000	.38190	.01480	.03240	-.00170	-.00070	-.00030	.37310	.08740
.599	-6.570	-.01000	51.46000	.38370	.01510	.03260	-.00270	-.00090	-.00030	.37490	.08790
.598	-6.000	-.01000	51.46000	.38550	.01530	.03250	-.00480	-.00110	-.00040	.37670	.08810
.600	-5.420	-.02000	51.46000	.38510	.01540	.03220	-.00340	-.00090	-.00050	.37630	.08770
.600	-4.860	-.02000	51.46000	.38280	.01470	.03250	-.00190	-.00080	-.00050	.37400	.08770
.600	-4.290	-.02000	51.46000	.38160	.01420	.03250	-.00040	-.00060	-.00060	.37280	.08740
.601	-3.710	-.02000	51.46000	.37960	.01440	.03280	-.00420	-.00110	-.00050	.37080	.08760
.601	-3.140	-.02000	51.46000	.38110	.01430	.03300	-.00490	-.00110	-.00060	.37230	.08780
.601	-2.570	-.02000	51.46000	.38040	.01420	.03300	-.00220	-.00080	-.00100	.37150	.08780
.603	-2.000	-.01000	51.46000	.38070	.01440	.03250	-.00070	-.00070	-.00080	.37190	.08740
.601	-1.430	-.01000	51.46000	.38240	.01410	.03270	-.00070	-.00080	-.00080	.37360	.08780
.603	-.850	-.02000	51.46000	.37880	.01390	.03250	-.00340	-.00120	-.00070	.37010	.08710
.601	-.280	-.01000	51.46000	.38260	.01400	.03270	-.00340	-.00110	-.00090	.37380	.08790
.601	.270	-.02000	51.46000	.38160	.01400	.03310	-.00130	-.00080	-.00090	.37270	.08790
.598	.840	-.01000	51.46000	.38350	.01400	.03360	-.00150	-.00090	-.00100	.37460	.08890
.601	1.410	-.02000	51.46000	.38150	.01350	.03300	.00010	-.00060	-.00130	.37270	.08780
.601	1.990	-.02000	51.46000	.38430	.01440	.03230	-.00150	-.00080	-.00150	.37550	.08760
.602	2.560	-.02000	51.46000	.37980	.01360	.03260	-.00170	-.00090	-.00130	.37110	.08740
.601	3.130	-.02000	51.46000	.38010	.01330	.03330	-.00220	-.00100	-.00120	.37120	.08810
.600	3.700	-.02000	51.46000	.37760	.01260	.03390	-.00290	-.00110	-.00120	.36880	.08820
.599	4.270	-.01000	51.46000	.38030	.01290	.03360	-.00050	-.00070	-.00180	.37140	.08830
.600	4.850	-.01000	51.46000	.37780	.01280	.03390	.00040	-.00060	-.00210	.36890	.08810
.601	5.410	-.02000	51.46000	.38090	.01350	.03270	.00000	-.00070	-.00160	.37210	.08760
.600	5.980	-.02000	51.46000	.38330	.01390	.03260	-.00140	-.00090	-.00150	.37450	.08800
.600	6.560	-.02000	51.46000	.38280	.01390	.03250	-.00250	-.00110	-.00170	.37400	.08770
.600	7.130	-.02000	51.46000	.38480	.01390	.03240	-.00240	-.00110	-.00170	.37600	.08780
.602	7.700	-.01000	51.46000	.38050	.01350	.03260	-.00330	-.00110	-.00180	.37180	.08730
.601	8.270	-.01000	51.46000	.38560	.01420	.03230	-.00080	-.00080	-.00180	.37690	.08780
.602	8.840	-.02000	51.46000	.38420	.01420	.03190	-.00100	-.00080	-.00190	.37550	.08720
.601	9.420	-.02000	51.46000	.38600	.01460	.03170	-.00310	-.00100	-.00190	.37730	.08750
	GRADIENT	.00040	-.00000	-.00021	-.00017	.00011	.00017	.00001	-.00013	-.00021	.00006

LTV44-559(CA26) 747/1 ATY U2 S1 (ORBITER DATA)

(WFE056) ( 18 NOV 75 )

## REFERENCE DATA

SREF = 2690.0000 SQ.FT. XMRP = 1109.0000 IN. XO  
 LREF = 474.8100 IN. YMRP = .0000 IN. YO  
 BREF = 936.6800 IN. ZMRP = 375.0000 IN. ZO  
 SCALE = .0125

## PARAMETRIC DATA

ALPHAC = 2.000 BETAC = .000  
 STAB = 5.000 ELEVON = 5.000  
 BDFLAP = .000 DX = .000  
 DZ = .000 IORB = 6.000  
 BETAO = 5.000 RUDDER = .000

RUN NO. 47/ 0 RN/L = .00 GRADIENT INTERVAL = -5.00/ 5.00

MACH	DY	DX	DZ	CN	CLM	CA	CY	CYN	CBL	CL	CD
.611	-10.000	.02000	1.46000	.36700	.02650	.02830	-.05950	-.01080	-.00030	.35850	.08340
.610	-9.420	.02000	1.46000	.36830	.02670	.02860	-.05990	-.01090	-.00050	.35980	.08370
.609	-8.850	.02000	1.46000	.36940	.02660	.02830	-.06120	-.01110	-.00060	.35990	.08360
.608	-8.280	.02000	1.46000	.36740	.02650	.02860	-.06080	-.01120	-.00090	.35990	.08360
.609	-7.710	.02000	1.46000	.36740	.02650	.02840	-.06090	-.01140	-.00090	.35890	.08350
.611	-7.140	.02000	1.46000	.36350	.02700	.02820	-.05950	-.01130	-.00110	.35500	.08280
.609	-6.560	.02000	1.46000	.36440	.02720	.02840	-.05960	-.01150	-.00130	.35600	.08310
.607	-5.990	.02000	1.46000	.36550	.02690	.02860	-.06080	-.01170	-.00140	.35700	.08340
.610	-5.420	.01000	1.46000	.36290	.02710	.02820	-.06010	-.01180	-.00160	.35450	.08240
.609	-4.850	.01000	1.46000	.36310	.02730	.02830	-.05940	-.01180	-.00170	.35480	.08250
.608	-4.280	.01000	1.46000	.36340	.02710	.02870	-.05900	-.01170	-.00190	.35490	.08330
.609	-3.710	.01000	1.46000	.36550	.02710	.02840	-.05990	-.01200	-.00210	.35710	.08310
.610	-3.130	.01000	1.46000	.36320	.02690	.02850	-.06030	-.01230	-.00230	.35470	.08290
.611	-2.570	.01000	1.46000	.36340	.02680	.02850	-.05880	-.01220	-.00260	.35500	.08290
.610	-1.990	.01000	1.46000	.36720	.02700	.02840	-.05870	-.01230	-.00280	.35870	.08340
.609	-1.420	.01000	1.46000	.36610	.02650	.02870	-.05860	-.01240	-.00310	.35760	.08350
.608	-.850	.01000	1.46000	.36640	.02610	.02890	-.06000	-.01270	-.00320	.35790	.08350
.611	-.270	.01000	1.46000	.36200	.02570	.02880	-.05870	-.01260	-.00340	.35350	.08300
.610	.270	.02000	1.46000	.36450	.02570	.02890	-.05810	-.01270	-.00370	.35600	.08340
.610	.850	.02000	1.46000	.36490	.02540	.02880	-.05730	-.01270	-.00380	.35640	.08350
.608	1.420	.02000	1.46000	.36860	.02540	.02910	-.05800	-.01290	-.00400	.36000	.08410
.608	1.990	.02000	1.46000	.37000	.02510	.02900	-.05960	-.01300	-.00420	.36150	.08420
.610	2.560	.01000	1.46000	.36560	.02450	.02880	-.05820	-.01300	-.00430	.35710	.08350
.610	3.130	.01000	1.46000	.36790	.02410	.02900	-.05810	-.01310	-.00440	.35940	.08380
.610	3.710	.01000	1.46000	.36670	.02410	.02910	-.05770	-.01320	-.00460	.35810	.08390
.609	4.280	.01000	1.46000	.37040	.02420	.02900	-.05780	-.01330	-.00480	.36190	.08410
.610	4.850	.01000	1.46000	.36900	.02390	.02900	-.05680	-.01340	-.00510	.36050	.08400
.611	5.420	.01000	1.46000	.36760	.02330	.02870	-.05680	-.01340	-.00520	.35910	.08360
.609	5.990	.01000	1.46000	.37150	.02370	.02850	-.05690	-.01360	-.00540	.36310	.08390
.609	6.560	.01000	1.46000	.37120	.02350	.02830	-.05650	-.01360	-.00560	.36270	.08370
.607	7.140	.01000	1.46000	.37380	.02320	.02850	-.05720	-.01370	-.00580	.36540	.08400
.609	7.700	.01000	1.46000	.37110	.02310	.02850	-.05730	-.01380	-.00600	.36260	.08380
.609	8.280	.01000	1.46000	.37080	.02260	.02860	-.05670	-.01370	-.00620	.36230	.08380
.608	8.850	.01000	1.46000	.37530	.02300	.02820	-.05640	-.01370	-.00640	.36690	.08400
.608	9.420	.00000	1.46000	.37580	.02320	.02810	-.05760	-.01390	-.00640	.36740	.08390
.611	10.000	.01000	1.46000	.37070	.02300	.02780	-.05690	-.01380	-.00630	.36230	.08300
GRADIENT		.00029	-.00000	.00058	-.00038	.00007	.00024	-.00016	-.00034	.00057	.00013

LTV44-559(CA26) 747/1 ATY 02 S1 (ORBITER DATA)

(WFE057) ( 18 NOV 75 )

## REFERENCE DATA

SREF = 2690.0000 SQ.FT. XMRP = 1109.0000 IN. XO  
 LREF = 474.8100 IN. YMRP = .0000 IN. YO  
 BREF = 936.6800 IN. ZMRP = 375.0000 IN. ZO  
 SCALE = .0125

## PARAMETRIC DATA

ALPHAC = 2.000 BETAC = .000  
 STAB = 5.000 ELEVON = 5.000  
 BDFLAP = .000 DX = .000  
 DZ = 15.000 IORB = 6.000  
 BETAO = 5.000 RUDDER = .000

RUN NO. 1047/ 0 RN/L = .00 GRADIENT INTERVAL = -5.00/ 5.00

MACH	DY	DX	DZ	CN	CLM	CA	CY	CYN	CBL	CL	CD
.609	-9.420	.01000	15.00000	.37320	.01870	.03010	-.05000	-.01120	.00030	.36460	.08520
.610	-8.850	.01000	15.00000	.37350	.01870	.02990	-.05980	-.01120	.00020	.36490	.08520
.608	-8.280	.00000	15.00000	.37510	.01890	.03040	-.05840	-.01110	.00010	.36640	.08580
.609	-7.710	.00000	15.00000	.37470	.01900	.03030	-.05860	-.01120	.00010	.36600	.08590
.607	-7.140	.00000	15.00000	.37470	.01870	.03050	-.05940	-.01130	.00000	.36600	.08600
.610	-6.560	.00000	15.00000	.37240	.01880	.03020	-.05920	-.01140	.00000	.36370	.08550
.608	-5.990	.00000	15.00000	.37380	.01830	.03040	-.06000	-.01140	-.00010	.36510	.08570
.609	-5.420	.00000	15.00000	.37370	.01830	.03030	-.05990	-.01150	-.00020	.36500	.08540
.607	-4.850	.00000	15.00000	.37410	.01880	.03060	-.05890	-.01150	-.00030	.36540	.08610
.609	-4.280	.00000	15.00000	.37290	.01870	.03050	-.05830	-.01150	-.00040	.36420	.08560
.610	-3.710	.00000	15.00000	.37210	.01810	.03010	-.05880	-.01150	-.00050	.36350	.08510
.607	-3.140	.00000	15.00000	.37440	.01830	.03040	-.05930	-.01150	-.00060	.36570	.08590
.610	-2.570	.00000	15.00000	.37290	.01820	.03000	-.05970	-.01170	-.00070	.36430	.08510
.609	-1.990	.00000	15.00000	.37310	.01820	.02990	-.05930	-.01160	-.00080	.36450	.08500
.608	-1.420	.00000	15.00000	.37460	.01810	.03020	-.05900	-.01170	-.00090	.36590	.08540
.610	-.850	.00000	15.00000	.37190	.01780	.03000	-.05840	-.01170	-.00100	.36330	.08490
.608	-.280	.00000	15.00000	.37460	.01800	.03040	-.05960	-.01180	-.00110	.36600	.08570
.610	.270	.01000	15.00000	.37330	.01800	.03020	-.06000	-.01200	-.00120	.36460	.08550
.611	.850	.01000	15.00000	.37260	.01810	.03020	-.05910	-.01190	-.00130	.36390	.08530
.610	1.410	.01000	15.00000	.37370	.01830	.03020	-.05910	-.01200	-.00140	.36500	.08550
.608	1.990	.01000	15.00000	.37420	.01810	.03060	-.05930	-.01220	-.00140	.36550	.08600
.609	2.560	.01000	15.00000	.37230	.01770	.03090	-.05990	-.01230	-.00140	.36360	.08590
.610	3.130	.01000	15.00000	.37140	.01750	.03040	-.06020	-.01220	-.00160	.36270	.08530
.609	3.700	.01000	15.00000	.37420	.01810	.03000	-.05960	-.01230	-.00180	.36550	.08540
.611	4.270	.01000	15.00000	.37450	.01760	.02980	-.05940	-.01230	-.00180	.36590	.08530
.610	4.850	.01000	15.00000	.37460	.01760	.02980	-.05980	-.01240	-.00190	.36600	.08510
.611	5.420	.01000	15.00000	.37430	.01790	.02990	-.05950	-.01240	-.00200	.36560	.08540
.609	5.990	.01000	15.00000	.37580	.01750	.03010	-.06020	-.01240	-.00200	.36710	.08580
.608	6.560	.01000	15.00000	.37650	.01770	.03030	-.05980	-.01250	-.00220	.36780	.08600
.609	7.130	.01000	15.00000	.37600	.01720	.03010	-.06000	-.01260	-.00230	.36740	.08560
.610	7.700	.01000	15.00000	.37610	.01720	.02990	-.05930	-.01250	-.00260	.36750	.08560
.608	8.270	.01000	15.00000	.37660	.01740	.03020	-.05980	-.01260	-.00270	.36790	.08590
.610	8.840	.01000	15.00000	.37610	.01710	.02980	-.06040	-.01260	-.00270	.36750	.08530
.610	9.420	.01000	15.00000	.37640	.01710	.02970	-.05940	-.01260	-.00270	.36780	.08530
.611	9.990	.01000	15.00000	.37720	.01730	.02970	-.05910	-.01260	-.00280	.36860	.08530
GRADIENT		.00147	-.00000	.00005	-.00009	-.00002	-.00010	-.00010	-.00016	.00005	-.00002

LTV44-559(CA26) 747/1 ATY 02 S1 (ORBITER DATA)

(WFE058) ( 18 NOV 75 )

## REFERENCE DATA

SREF = 2690.0000 SQ.FT. XMRP = 1109.0000 IN. XO  
 LREF = 474.8100 IN. YMRP = .0000 IN. YO  
 BREF = 936.6800 IN. ZMRP = 375.0000 IN. ZO  
 SCALE = .0125

## PARAMETRIC DATA

ALPHAC = 2.000 BETAC = .000  
 STAB = 5.000 ELEVON = 5.000  
 BDFLAP = .000 DX = .000  
 DZ = 60.000 TORB = 6.000  
 BETAO = 5.000 RUDDER = .000

RUN NO. 2047/ 0 RN/L = .00 GRADIENT INTERVAL = -5.00/ 5.00

MACH	DY	DX	DZ	CN	CLM	CA	CY	CYN	CBL	CL	CD
.607	-10.000	-.02000	51.46000	.39860	.01400	.03250	-.06380	-.01190	.00040	.38970	.09000
.611	-9.430	-.02000	51.46000	.39320	.01370	.03220	-.06240	-.01190	.00020	.38440	.08900
.608	-8.860	-.02000	51.46000	.39670	.01380	.03240	-.06190	-.01190	.00020	.38780	.08970
.607	-8.280	-.02000	51.46000	.39720	.01370	.03250	-.06360	-.01210	.00030	.38830	.09000
.609	-7.710	-.02000	51.46000	.39220	.01310	.03240	-.06330	-.01200	.00010	.38330	.08910
.607	-7.140	-.02000	51.46000	.39650	.01350	.03260	-.06370	-.01220	.00010	.38750	.08990
.609	-6.570	.00000	51.46000	.39250	.01350	.03240	-.06090	-.01170	.00000	.38360	.08910
.606	-6.000	.00000	51.46000	.39540	.01300	.03290	-.06170	-.01190	.00000	.38640	.09000
.610	-5.420	.00000	51.46000	.39190	.01320	.03250	-.06230	-.01210	.00000	.38300	.08910
.608	-4.850	.00000	51.46000	.39640	.01320	.03240	-.06340	-.01220	.00010	.38750	.08980
.608	-4.290	.00000	51.46000	.39500	.01290	.03270	-.06380	-.01220	.00020	.38610	.08970
.611	-3.710	.00000	51.46000	.39170	.01310	.03240	-.06170	-.01200	.00010	.39280	.08920
.611	-3.140	.00000	51.46000	.39260	.01310	.03240	-.06380	-.01220	.00000	.38380	.08890
.611	-2.570	-.01000	51.46000	.39180	.01300	.03270	-.06340	-.01220	.00000	.38290	.08930
.611	-2.000	-.01000	51.46000	.39260	.01310	.03240	-.06220	-.01210	-.00020	.38380	.08900
.611	-1.430	.00000	51.46000	.39280	.01320	.03220	-.06200	-.01210	-.00010	.38400	.08880
.610	-.850	.00000	51.46000	.39520	.01290	.03230	-.06370	-.01220	.00000	.38630	.08940
.608	-.280	.00000	51.46000	.39520	.01270	.03260	-.06470	-.01230	-.00020	.38620	.08970
.609	.270	-.01000	51.46000	.39520	.01240	.03270	-.06330	-.01220	-.00040	.38630	.08970
.609	.840	-.01000	51.46000	.39340	.01190	.03310	-.06200	-.01220	-.00050	.38440	.09000
.609	1.410	-.01000	51.46000	.39400	.01240	.03280	-.05880	-.01170	-.00090	.38510	.08980
.612	1.990	-.02000	51.46000	.39190	.01230	.03250	-.06200	-.01220	-.00080	.38310	.08900
.610	2.560	-.01000	51.46000	.39580	.01220	.03260	-.06240	-.01220	-.00090	.38690	.08970
.611	3.130	-.01000	51.46000	.39270	.01220	.03290	-.06210	-.01230	-.00050	.38380	.08940
.610	3.700	-.01000	51.46000	.39470	.01190	.03300	-.06060	-.01190	-.00050	.38570	.09020
.612	4.270	-.01000	51.46000	.39180	.01190	.03270	-.06080	-.01200	-.00080	.38290	.08930
.610	4.850	-.02000	51.46000	.39430	.01190	.03300	-.06150	-.01200	-.00100	.38530	.08990
.611	5.410	-.01000	51.46000	.39230	.01210	.03270	-.06190	-.01210	-.00090	.38340	.08930
.609	5.980	-.01000	51.46000	.39430	.01200	.03280	-.06050	-.01190	-.00100	.38540	.08950
.611	6.560	-.01000	51.46000	.39480	.01270	.03190	-.05800	-.01160	-.00130	.38600	.08890
.609	7.130	-.02000	51.46000	.39750	.01250	.03210	-.05880	-.01170	-.00160	.38860	.08940
.611	7.700	-.01000	51.46000	.39590	.01220	.03200	-.05960	-.01180	-.00150	.38710	.08900
.609	8.270	-.02000	51.46000	.39680	.01190	.03240	-.06110	-.01200	-.00140	.38790	.08970
.608	8.840	-.02000	51.46000	.39570	.01170	.03280	-.05920	-.01180	-.00160	.38670	.08980
.610	9.420	-.01000	51.46000	.39270	.01130	.03270	-.05920	-.01170	-.00180	.38380	.08910
GRADIENT	-.00161	-.00000	-.00002	-.00002	-.00015	.00005	.00026	.00001	-.00012	-.00003	.00004

LTV44-559(CA26) 747/1 ATY 02 S1 (ORBITER DATA)

(WFE059) ( 18 NOV 75 )

## REFERENCE DATA

SREF = 2690.0000 SQ.FT. XMRP = 1109.0000 IN. XO  
 LREF = 474.8100 IN. YMRP = .0000 IN. YO  
 BREF = 936.6800 IN. ZMRP = 375.0000 IN. ZO  
 SCALE = .0125

## PARAMETRIC DATA

ALPHAC = 2.000 BETAC = .000  
 STAB = 5.000 ELEVON = 5.000  
 BDFLAP = .000 DX = 10.000  
 DZ = .000 IORB = 6.000  
 BETA0 = .000 RUDDER = .000

RUN NO. 48/ 0 RN/L = .00 GRADIENT INTERVAL = -5.00/ 5.00

MACH	DY	DX	DZ	CN	CLM	CA	CY	CYN	CBL	CL	CD
.603	-10.000	9.97000	1.46000	.35300	.02060	.03090	-.00310	.00010	.00030	.34430	.08370
.605	-9.420	9.97000	1.46000	.35130	.02130	.03080	-.00340	.00000	.00030	.34260	.08330
.604	-8.850	9.97000	1.46000	.35310	.02140	.03080	-.00260	.00000	.00010	.34440	.08380
.605	-8.280	9.97000	1.46000	.35210	.02160	.03080	-.00220	.00000	.00000	.34340	.08360
.603	-7.710	9.97000	1.46000	.35480	.02160	.03090	-.00220	.00000	-.00010	.34610	.08410
.604	-7.140	9.97000	1.46000	.35440	.02180	.03060	-.00240	-.00010	-.00030	.34570	.08370
.607	-6.560	9.97000	1.46000	.35030	.02200	.03020	-.00160	-.00020	-.00030	.34180	.08270
.605	-5.990	9.97000	1.46000	.35380	.02210	.03030	-.00160	-.00010	-.00060	.34520	.08330
.606	-5.420	9.97000	1.46000	.35380	.02240	.03030	-.00100	-.00010	-.00070	.34520	.08340
.607	-4.850	9.97000	1.46000	.35070	.02190	.02990	-.00040	-.00010	-.00090	.34220	.08240
.605	-4.280	9.97000	1.46000	.35340	.02210	.03040	-.00170	-.00040	-.00090	.34470	.08330
.608	-3.710	9.97000	1.46000	.34950	.02190	.03010	-.00160	-.00050	-.00110	.34100	.08230
.607	-3.130	9.98000	1.46000	.35190	.02250	.03020	-.00170	-.00070	-.00120	.34330	.08310
.606	-2.560	9.98000	1.46000	.35370	.02230	.03040	-.00030	-.00070	-.00140	.34500	.08360
.606	-1.990	9.98000	1.46000	.35280	.02200	.03030	-.00050	-.00080	-.00150	.34420	.08300
.608	-1.410	9.98000	1.46000	.35120	.02250	.02990	-.00140	-.00100	-.00160	.34270	.08260
.605	-.840	9.98000	1.46000	.35560	.02230	.03040	-.00130	-.00100	-.00190	.34700	.08370
.608	-.260	9.98000	1.46000	.35290	.02240	.03030	-.00050	-.00110	-.00190	.34430	.08330
.608	.290	9.97000	1.46000	.35120	.02170	.03000	-.00020	-.00100	-.00220	.34270	.08250
.606	.860	9.97000	1.46000	.35530	.02210	.03040	.00000	-.00120	-.00230	.34670	.08370
.608	1.430	9.97000	1.46000	.35260	.02190	.03030	-.00030	-.00130	-.00240	.34400	.08310
.609	2.010	9.97000	1.46000	.35260	.02180	.03020	-.00040	-.00150	-.00250	.34400	.08300
.608	2.570	9.97000	1.46000	.35360	.02130	.03020	-.00020	-.00130	-.00270	.34500	.08300
.607	3.150	9.97000	1.46000	.35610	.02130	.03060	.00010	-.00140	-.00270	.34740	.08400
.606	3.720	9.97000	1.46000	.35750	.02090	.03080	.00000	-.00150	-.00290	.34870	.08440
.607	4.290	9.97000	1.46000	.35530	.02030	.03050	.00010	-.00160	-.00310	.34660	.08370
.609	4.860	9.97000	1.46000	.35340	.02000	.03050	.00040	-.00160	-.00320	.34480	.08330
.607	5.430	9.97000	1.46000	.35570	.01980	.03060	.00120	-.00160	-.00330	.34700	.08380
.606	6.000	9.97000	1.46000	.35870	.02000	.03090	.00070	-.00170	-.00350	.34990	.08450
.606	6.580	9.97000	1.46000	.35840	.02010	.03070	-.00020	-.00190	-.00360	.34970	.08440
.608	7.150	9.97000	1.46000	.35710	.01980	.03050	-.00030	-.00200	-.00370	.34850	.08390
.608	7.720	9.97000	1.46000	.35680	.01910	.03030	.00020	-.00200	-.00390	.34820	.08360
.607	8.290	9.97000	1.46000	.35800	.01930	.03030	.00080	-.00200	-.00390	.34930	.08390
.605	8.860	9.97000	1.46000	.36220	.01920	.03070	.00040	-.00210	-.00400	.35350	.08470
.605	9.440	9.97000	1.46000	.36200	.01920	.03060	-.00060	-.00220	-.00410	.35330	.08460
.607	10.010	9.98000	1.46000	.35790	.01920	.03030	-.00100	-.00230	-.00410	.34920	.08390
GRADIENT		-.00065	.00000	.00041	-.00018	.00004	.00017	-.00014	-.00025	.00040	.00010

ORIGINAL PAGE IS  
OF POOR QUALITY

LTV44-559(CA26) 747/1 ATY 02 S1 (ORBITER DATA)

(WFE060) ( 18 NOV 75 )

## REFERENCE DATA

SREF = 2690.0000 SQ.FT. XMRP = 1109.0000 IN. XO  
 LREF = 474.8100 IN. YMRP = .0000 IN. YO  
 BREF = 936.6800 IN. ZMRP = 375.0000 IN. ZO  
 SCALE = .0125

## PARAMETRIC DATA

ALPHAC = 2.000 BETAC = .000  
 STAB = 5.000 ELEVON = 5.000  
 BDFLAP = .000 DX = 10.000  
 DZ = 15.000 TORB = 6.000  
 BETA0 = .000 RUDDER = .000

RUN NO. 1048/ 0 RN/L = .00 GRADIENT INTERVAL = -5.00/ 5.00

MACH	DY	DX	DZ	CN	CLM	CA	CY	CYN	CBL	CL	CD
.608	-9.420	9.98000	15.00000	.35730	.01640	.03130	-.00080	.00000	.00020	.34860	.08410
.608	-8.850	9.98000	15.00000	.35790	.01660	.03130	-.00250	-.00010	.00010	.34920	.08410
.606	-8.280	9.98000	15.00000	.35840	.01650	.03150	-.00130	.00000	.00010	.34970	.08440
.607	-7.710	9.98000	15.00000	.35830	.01680	.03150	-.00120	.00000	.00000	.34960	.08440
.606	-7.140	9.98000	15.00000	.35710	.01630	.03160	-.00030	.00000	.00000	.34840	.08420
.607	-6.560	9.98000	15.00000	.35540	.01630	.03140	-.00100	-.00010	.00000	.34680	.08380
.605	-5.990	9.98000	15.00000	.35750	.01600	.03160	-.00180	-.00040	-.00010	.34880	.08450
.606	-5.420	9.98000	15.00000	.35820	.01620	.03180	-.00160	-.00040	-.00020	.34940	.08480
.608	-4.850	9.98000	15.00000	.35730	.01640	.03130	-.00080	-.00020	-.00050	.34870	.08410
.608	-4.280	9.98000	15.00000	.35780	.01640	.03130	-.00050	-.00020	-.00050	.34910	.08410
.607	-3.710	9.98000	15.00000	.35710	.01620	.03130	-.00190	-.00050	-.00050	.34850	.08410
.606	-3.140	9.98000	15.00000	.35910	.01630	.03150	-.00170	-.00050	-.00060	.35040	.08470
.608	-2.570	9.98000	15.00000	.35760	.01660	.03130	-.00100	-.00050	-.00080	.34900	.08410
.607	-1.990	9.98000	15.00000	.35770	.01630	.03150	-.00060	-.00030	-.00100	.34900	.08440
.607	-1.410	10.00000	15.00000	.35630	.01630	.03170	-.00100	-.00070	-.00100	.34770	.08410
.606	-.850	10.00000	15.00000	.35750	.01620	.03160	-.00120	-.00080	-.00100	.34880	.08460
.606	-.270	10.00000	15.00000	.35660	.01610	.03160	-.00130	-.00080	-.00120	.34790	.08440
.608	.280	9.98000	15.00000	.35700	.01630	.03130	-.00080	-.00060	-.00140	.34840	.08410
.607	.850	9.98000	15.00000	.35800	.01660	.03140	-.00130	-.00070	-.00150	.34930	.08420
.607	1.420	9.98000	15.00000	.35740	.01630	.03130	-.00140	-.00080	-.00150	.34870	.08430
.605	1.990	9.98000	15.00000	.35890	.01650	.03150	-.00200	-.00090	-.00160	.35020	.08460
.606	2.570	9.98000	15.00000	.35900	.01650	.03120	-.00250	-.00100	-.00170	.35030	.08490
.608	3.140	9.98000	15.00000	.35930	.01640	.03080	-.00100	-.00090	-.00180	.35070	.08390
.607	3.710	9.98000	15.00000	.35880	.01640	.03130	-.00110	-.00100	-.00180	.35010	.08450
.605	4.280	9.98000	15.00000	.36130	.01660	.03120	-.00150	-.00110	-.00190	.35260	.08480
.606	4.850	9.98000	15.00000	.35900	.01620	.03080	-.00220	-.00120	-.00200	.35030	.08400
.605	5.420	9.98000	15.00000	.36220	.01640	.03100	-.00170	-.00120	-.00210	.35350	.08460
.607	5.990	9.98000	15.00000	.35830	.01620	.03110	-.00190	-.00130	-.00210	.34970	.08400
.607	6.560	9.98000	15.00000	.35900	.01600	.03100	-.00090	-.00120	-.00220	.35040	.08400
.607	7.140	9.98000	15.00000	.35960	.01610	.03110	-.00200	-.00130	-.00230	.35090	.08430
.608	7.710	9.98000	15.00000	.35860	.01610	.03080	-.00230	-.00140	-.00240	.35000	.08380
.605	8.280	9.98000	15.00000	.36170	.01620	.03110	-.00160	-.00140	-.00260	.35310	.08460
.607	8.850	9.98000	15.00000	.35920	.01630	.03110	-.00180	-.00140	-.00260	.35060	.08420
.606	9.420	9.98000	15.00000	.36070	.01620	.03110	-.00280	-.00160	-.00280	.35210	.08420
.607	10.000	9.98000	15.00000	.36150	.01660	.03090	-.00330	-.00170	-.00290	.35280	.08460
	GRADIENT	-.00032	-.00000	.00024	.00001	-.00004	-.00010	-.00009	-.00017	.00024	.00001



LTV44-559(CA26) 747/1 ATY 02 S1 (ORBITER DATA)

(WFED61) ( 18 NOV 75 )

## REFERENCE DATA

SREF = 2690.0000 SQ.FT. XMRP = 1109.0000 IN. XO  
 LREF = 474.8100 IN. YMRP = .0000 IN. YO  
 BREF = 936.6800 IN. ZMRP = 375.0000 IN. ZO  
 SCALE = .0125

## PARAMETRIC DATA

ALPHAC = 2.000 BETAC = .000  
 STAB = 5.000 ELEVON = 5.000  
 BDFLAP = .000 DX = 10.000  
 DZ = 60.000 IORB = 6.000  
 BETA0 = .000 RUDDER = .000

RUN NO. 2048/ 0 RN/L = .00 GRADIENT INTERVAL = -5.00/ 5.00

MACH	DY	DX	DZ	CN	CLM	CA	CY	CYN	CBL	CL	CL1
.607	-10.000	10.02000	51.46000	.37790	.01370	.03380	-.00460	-.00090	.00010	.36900	.08810
.607	-9.420	10.02000	51.46000	.37780	.01340	.03370	-.00560	-.00100	.00020	.36890	.08810
.605	-8.850	10.01000	51.46000	.37970	.01420	.03370	-.00540	-.00100	.00000	.37080	.08830
.607	-8.280	10.02000	51.46000	.37620	.01290	.03380	-.00460	-.00090	.00000	.36730	.08790
.606	-7.700	10.02000	51.46000	.37700	.01320	.03370	-.00350	-.00090	-.00010	.36810	.08810
.605	-7.140	10.02000	51.46000	.37960	.01390	.03390	-.00280	-.00080	-.00020	.37060	.08860
.607	-6.560	10.02000	51.46000	.38040	.01380	.03330	-.00480	-.00090	-.00020	.37150	.08800
.606	-5.990	10.02000	51.46000	.37990	.01410	.03370	-.00390	-.00090	-.00050	.37100	.08850
.605	-5.420	10.02000	51.46000	.38420	.01410	.03350	-.00240	-.00060	-.00070	.37520	.08890
.607	-4.850	10.01000	51.46000	.38180	.01430	.03320	-.00300	-.00070	-.00050	.37300	.08820
.604	-4.280	10.01000	51.46000	.38420	.01440	.03360	-.00410	-.00090	-.00050	.37530	.08910
.603	-3.710	10.01000	51.46000	.38370	.01420	.03360	-.00350	-.00080	-.00060	.37470	.08890
.605	-3.130	10.01000	51.46000	.38220	.01420	.03350	-.00390	-.00090	-.00070	.37330	.08860
.607	-2.560	10.02000	51.46000	.37870	.01320	.03350	-.00210	-.00070	-.00080	.36980	.08800
.606	-2.000	10.01000	51.46000	.38030	.01330	.03350	-.00200	-.00060	-.00080	.37140	.08840
.608	-1.430	10.01000	51.46000	.38010	.01360	.03310	-.00300	-.00070	-.00080	.37130	.08780
.607	-.850	10.01000	51.46000	.38030	.01390	.03310	-.00260	-.00080	-.00080	.37140	.08800
.605	-.280	10.02000	51.46000	.38340	.01380	.03350	-.00400	-.00080	-.00060	.37450	.08880
.608	.270	10.02000	51.46000	.37900	.01370	.03320	-.00360	-.00090	-.00070	.37020	.08790
.607	.840	10.02000	51.46000	.37870	.01340	.03350	-.00520	-.00110	-.00080	.36990	.08810
.606	1.410	10.01000	51.46000	.38040	.01250	.03380	-.00290	-.00080	-.00100	.37140	.08880
.608	1.990	10.02000	51.46000	.37820	.01290	.03380	-.00210	-.00070	-.00120	.36930	.08830
.605	2.560	10.02000	51.46000	.37880	.01250	.03450	-.00210	-.00080	-.00140	.36980	.08900
.607	3.130	10.02000	51.46000	.37700	.01250	.03450	-.00360	-.00100	-.00130	.36800	.08870
.606	3.700	10.01000	51.46000	.38100	.01260	.03390	-.00280	-.00080	-.00150	.37200	.08890
.607	4.270	10.01000	51.46000	.38230	.01270	.03400	-.00160	-.00060	-.00170	.37330	.08910
.607	4.850	10.01000	51.46000	.38210	.01270	.03390	.00000	-.00030	-.00190	.37320	.08890
.607	5.410	10.02000	51.46000	.38220	.01300	.03350	-.00070	-.00050	-.00200	.37330	.08860
.607	5.980	10.02000	51.46000	.38290	.01360	.03320	-.00080	-.00060	-.00190	.37400	.08850
.607	6.560	10.02000	51.46000	.38180	.01270	.03360	-.00200	-.00080	-.00190	.37290	.08870
.608	7.130	10.02000	51.46000	.37880	.01300	.03380	-.00190	-.00090	-.00190	.36990	.08850
.605	7.700	10.01000	51.46000	.38320	.01280	.03380	-.00260	-.00070	-.00180	.37430	.08890
.607	8.270	10.01000	51.46000	.38500	.01310	.03300	-.00170	-.00070	-.00190	.37610	.08860
.606	8.840	10.01000	51.46000	.38380	.01350	.03300	-.00100	-.00060	-.00200	.37450	.08830
.607	9.420	10.01000	51.46000	.38250	.01320	.03290	-.00240	-.00080	-.00200	.37370	.08830
	GRADIENT	.00038	-.00000	-.00025	-.00020	.00009	.00017	.00001	-.00013	-.00026	.00005

ORIGINAL PAGE IS  
OF POOR QUALITY

LTV44-559(CA26) 747/1 ATY 02 S1 (ORBITER DATA)

(WFE062) ( 18 NOV 75 )

## REFERENCE DATA

SREF = 2690.0000 SQ.FT. XMRP = 1109.0000 IN. XO  
 LREF = 474.8100 IN. YMRP = .0000 IN. YO  
 BREF = 936.6800 IN. ZMRP = 375.0000 IN. ZO  
 SCALE = .0125

## PARAMETRIC DATA

ALPHAC = 2.000 BETAC = .000  
 STAB = 5.000 ELEVON = 5.000  
 BDFLAP = .000 DY = .000  
 DZ = .000 IORB = 6.000  
 BETA0 = .000 RUDDER = .000

RUN NO. 49/ 0 RN/L = .00 GRADIENT INTERVAL = -5.00/ 5.00

MACH	DX	DY	DZ	CN	CLM	CA	CY	CYN	CBL	CL	CD
.608	-.010	.00000	1.46000	.35330	.02870	.02840	-.00090	-.00100	-.00160	.34500	.08110
.609	.550	.00000	1.46000	.35370	.02890	.02820	-.00070	-.00110	-.00160	.34550	.08100
.608	1.130	.00000	1.46000	.35390	.02900	.02820	-.00050	-.00110	-.00160	.34560	.08100
.611	1.700	.00000	1.46000	.35110	.02890	.02810	-.00050	-.00100	-.00170	.34290	.08050
.609	2.270	.00000	1.46000	.35160	.02830	.02830	-.00010	-.00100	-.00160	.34330	.08070
.609	2.850	.00000	1.46000	.35250	.02830	.02850	-.00080	-.00110	-.00160	.34420	.08110
.608	3.420	.00000	1.46000	.35080	.02790	.02850	-.00010	-.00110	-.00160	.34250	.08100
.610	3.990	.00000	1.46000	.35060	.02730	.02840	-.00040	-.00100	-.00160	.34240	.08080
.609	4.570	.00000	1.46000	.35080	.02710	.02870	.00000	-.00100	-.00150	.34240	.08120
.609	5.140	.00000	1.46000	.35140	.02690	.02890	-.00060	-.00100	-.00140	.34300	.08140
.608	5.710	.00000	1.46000	.35340	.02660	.02900	-.00080	-.00100	-.00140	.34500	.08180
.608	6.280	.00000	1.46000	.35270	.02570	.02870	-.00050	-.00090	-.00150	.34440	.08150
.610	6.860	.00000	1.46000	.35000	.02540	.02860	.00000	-.00090	-.00150	.34170	.08090
.611	7.430	.00000	1.46000	.35110	.02510	.02890	.00020	-.00090	-.00150	.34270	.08150
.610	8.000	.00000	1.46000	.35200	.02430	.02910	.00030	-.00090	-.00150	.34360	.08170
.609	8.580	.00000	1.46000	.35180	.02390	.02920	-.00040	-.00100	-.00140	.34340	.08190
.607	9.150	.00000	1.46000	.35490	.02380	.02960	-.00090	-.00100	-.00140	.34640	.08260
.607	9.700	.00000	1.46000	.35360	.02330	.02950	-.00020	-.00100	-.00140	.34520	.08240
.608	10.270	.00000	1.46000	.35330	.02300	.02970	.00050	-.00100	-.00140	.34480	.08260
.610	10.840	.00000	1.46000	.35280	.02260	.02980	-.00010	-.00090	-.00140	.34430	.08260
.608	11.410	.00000	1.46000	.35350	.02230	.02980	.00030	-.00100	-.00140	.34490	.08270
.609	11.990	.00000	1.46000	.35350	.02160	.03000	-.00060	-.00100	-.00150	.34500	.08300
.608	12.560	.00000	1.46000	.35400	.02130	.03010	-.00030	-.00100	-.00140	.34540	.08320
.609	13.130	.00000	1.46000	.35220	.02090	.03020	.00070	-.00090	-.00140	.34360	.08300
.607	13.710	.00000	1.46000	.35550	.02100	.03080	-.00050	-.00100	-.00130	.34680	.08410
.608	14.280	.00000	1.46000	.35460	.02030	.03090	-.00060	-.00090	-.00140	.34580	.08410
.608	14.850	.00000	1.46000	.35310	.02010	.03090	-.00010	-.00100	-.00130	.34440	.08360
.609	15.420	.01000	1.46000	.35350	.02000	.03100	-.00020	-.00100	-.00130	.34480	.08410
.608	16.000	.00000	1.46000	.35420	.01940	.03120	-.00030	-.00090	-.00140	.34550	.08430
.608	16.560	.01000	1.44000	.35330	.01940	.03130	-.00010	-.00090	-.00130	.34460	.08420
.610	17.140	.01000	1.44000	.35240	.01890	.03130	-.00070	-.00090	-.00130	.34360	.08420
.608	17.720	.01000	1.44000	.35440	.01830	.03170	-.00040	-.00100	-.00130	.34550	.08480
.607	18.290	.01000	1.44000	.35730	.01830	.03190	-.00080	-.00090	-.00130	.34840	.08530
.610	18.820	.01000	1.44000	.35240	.01750	.03180	.00000	-.00080	-.00130	.34360	.08460
.609	19.400	.01000	1.44000	.35290	.01720	.03230	-.00010	-.00080	-.00130	.34400	.08500
.610	19.970	.01000	1.44000	.35300	.01700	.03220	-.00060	-.00090	-.00130	.34410	.08500
GRADIENT		.00000	.00000	-.00070	-.00041	.00008	.00015	.00001	.00002	-.00072	.00001

LTV44-559(CA26) 747/1 ATY 02 S1 (ORBITER DATA)

(WFE053) ( 18 NOV 75 )

## REFERENCE DATA

SREF = 2690.0000 SQ.FT. XMRP = 1109.0000 IN. XO  
 LREF = 474.8100 IN. YMRP = .0000 IN. YO  
 BREF = 936.6800 IN. ZMRP = 375.0000 IN. ZO  
 SCALE = .0125

## PARAMETRIC DATA

ALPHAC = 2.000 BETAC = .000  
 STAB = 5.000 ELEVON = 5.000  
 BDFLAP = .000 DY = .000  
 DZ = 15.000 TORB = 6.000  
 BETA0 = .000 RUDDER = .000

RUN NO. 1049/ 0 RN/L = .00 GRADIENT INTERVAL = -5.00/ 5.60

MACH	DX	DY	DZ	CN	CLM	CA	CY	CYN	CBL	CL	CD
.609	.570	.00000	15.00000	.36180	.02040	.03030	-.00060	-.00090	-.00130	.35330	.08370
.606	1.140	.00000	15.00000	.36640	.02050	.03060	-.00010	-.00070	-.00130	.35770	.08470
.608	1.710	.00000	15.00000	.36460	.02060	.03060	-.00060	-.00090	-.00130	.35600	.08450
.609	2.290	.00000	15.00000	.36290	.02010	.03070	-.00130	-.00090	-.00130	.35430	.08430
.611	2.860	.00000	15.00000	.36240	.01970	.03040	-.00100	-.00090	-.00130	.35390	.08380
.610	3.430	.00000	15.00000	.36260	.01960	.03030	-.00010	-.00080	-.00130	.35410	.08380
.611	4.010	.00000	15.00000	.36170	.01930	.03030	-.00020	-.00080	-.00130	.35320	.08370
.608	4.580	.00000	15.00000	.36450	.01930	.03080	-.00030	-.00070	-.00140	.35590	.08480
.610	5.150	.00000	15.00000	.36110	.01940	.03050	-.00010	-.00080	-.00140	.35250	.08390
.608	5.720	.00000	15.00000	.36110	.01860	.03050	-.00170	-.00090	-.00130	.35260	.08360
.609	6.300	.00000	15.00000	.35970	.01840	.03050	-.00100	-.00080	-.00120	.35120	.08350
.609	6.870	.00000	15.00000	.36000	.01860	.03090	.00000	-.00070	-.00120	.35140	.08400
.608	7.420	.00000	15.00000	.36140	.01870	.03090	.00040	-.00080	-.00120	.35270	.08450
.610	7.990	.00000	15.00000	.36020	.01770	.03080	-.00070	-.00090	-.00120	.35160	.08380
.609	8.560	.00000	15.00000	.36060	.01760	.03080	-.00110	-.00100	-.00120	.35200	.08410
.608	9.140	.00000	15.00000	.36180	.01790	.03090	-.00110	-.00100	-.00120	.35310	.08440
.610	9.710	.00000	15.00000	.35940	.01740	.03080	-.00080	-.00080	-.00130	.35090	.08380
.609	10.280	.00000	15.00000	.36070	.01700	.03090	-.00030	-.00080	-.00120	.35210	.08420
.608	10.850	.00000	15.00000	.36200	.01690	.03100	-.00030	-.00080	-.00120	.35340	.08450
.610	11.430	.00000	15.00000	.35850	.01620	.03110	-.00050	-.00070	-.00120	.34990	.08400
.612	12.000	.00000	15.00000	.35730	.01640	.03120	-.00050	-.00080	-.00120	.34870	.08400
.609	12.570	.00000	14.99000	.36050	.01580	.03110	-.00080	-.00090	-.00120	.35180	.08430
.608	13.150	.00000	14.99000	.36270	.01610	.03100	-.00090	-.00090	-.00120	.35400	.08470
.610	13.720	.00000	14.99000	.35920	.01530	.03110	-.00010	-.00070	-.00120	.35060	.08400
.610	14.290	.00000	14.99000	.36040	.01510	.03120	.00000	-.00070	-.00120	.35180	.08440
.610	14.860	.00000	14.99000	.35930	.01490	.03110	-.00010	-.00070	-.00120	.35070	.08410
.610	15.440	.00000	14.99000	.35980	.01520	.03140	-.00050	-.00080	-.00130	.35110	.08460
.609	16.010	.00000	14.99000	.36170	.01440	.03150	-.00090	-.00080	-.00110	.35300	.08490
.609	16.560	.00000	14.99000	.36150	.01420	.03170	-.00050	-.00080	-.00120	.35270	.08520
.608	17.130	.00000	14.99000	.36180	.01370	.03200	-.00020	-.00090	-.00120	.35300	.08550
.610	17.700	.00000	14.99000	.35950	.01360	.03210	-.00060	-.00080	-.00110	.34980	.08490
.610	18.280	.00000	14.99000	.36050	.01350	.03200	-.00080	-.00100	-.00120	.35170	.08530
.609	18.850	.00000	14.99000	.36230	.01350	.03200	-.00090	-.00100	-.00120	.35340	.08560
.609	19.420	.00000	14.99000	.36360	.01320	.03190	-.00070	-.00090	-.00120	.35470	.08580
.610	20.000	.00000	14.99000	.36110	.01280	.03210	-.00030	-.00090	-.00120	.35230	.08540
GRADIENT		.00000	.00000	-.00023	-.00036	.00002	.00007	.00002	-.00001	-.00022	.00000

LTV44-559(CA26) 747/1 ATY 02 S1 (ORBITER DATA)

(WFE064) ( 18 NOV 75 )

## REFERENCE DATA

SREF = 2690.0000 SQ.FT. XMRP = 1109.0000 IN. XO  
 LREF = 474.8100 IN. YMRP = .0000 IN. YO  
 BREF = 936.6900 IN. ZMRP = 375.0000 IN. ZO  
 SCALE = .0125

## PARAMETRIC DATA

ALPHAC = 2.000 BETAC = .000  
 STAB = 5.000 ELEVON = 5.000  
 BDFLAP = .000 DY = .000  
 DZ = 60.000 TORB = 6.000  
 BETAO = .000 RUDDER = .000

RUN NO. 2049/ 0 RN/L = .00 GRADIENT INTERVAL = -5.00/ 5.00

MACH	DX	DY	DZ	CN	CLM	CA	CY	CYN	CBL	CL	CD
.611	.590	.00000	51.46000	.38330	.01520	.03270	-.00200	-.00070	-.00080	.37450	.08780
.609	1.170	.00000	51.46000	.38520	.01510	.03310	-.00280	-.00090	-.00060	.37630	.08860
.611	1.740	.00000	51.46000	.38360	.01510	.03310	-.00310	-.00090	-.00050	.37480	.08810
.610	2.310	.00000	51.46000	.38270	.01470	.03320	-.00250	-.00080	-.00060	.37390	.08830
.608	2.870	.00000	51.46000	.38440	.01480	.03320	-.00350	-.00090	-.00040	.37550	.08850
.610	3.450	.00000	51.46000	.38010	.01370	.03360	-.00420	-.00100	-.00020	.37120	.08820
.609	4.020	.00000	51.46000	.38230	.01420	.03360	-.00300	-.00100	-.00040	.37340	.08850
.611	4.590	.00000	51.46000	.37880	.01390	.03350	-.00310	-.00100	-.00040	.36990	.08800
.611	5.180	.00000	51.46000	.38180	.01430	.03310	-.00390	-.00100	-.00030	.37300	.08810
.610	5.720	.00000	51.46000	.38540	.01480	.03300	-.00280	-.00090	-.00050	.37650	.08850
.610	6.280	.00000	51.46000	.38350	.01430	.03280	-.00110	-.00060	-.00080	.37470	.08790
.609	6.860	.00000	51.46000	.38490	.01450	.03270	-.00100	-.00060	-.00090	.37620	.08790
.611	7.430	.00000	51.46000	.38200	.01450	.03270	-.00070	-.00060	-.00070	.37330	.08750
.608	8.000	.00000	51.46000	.38650	.01470	.03300	-.00220	-.00070	-.00080	.37760	.08870
.609	8.580	.00000	51.46000	.38260	.01430	.03320	-.00250	-.00090	-.00080	.37370	.08820
.608	9.150	.00000	51.46000	.38360	.01410	.03330	-.00210	-.00080	-.00090	.37480	.08850
.610	9.720	.00000	51.46000	.37890	.01320	.03370	-.00300	-.00090	-.00070	.37010	.08800
.611	10.290	.00000	51.46000	.37580	.01310	.03370	-.00340	-.00110	-.00030	.36710	.08750
.610	10.870	.00000	51.46000	.37750	.01330	.03330	-.00310	-.00100	-.00040	.36880	.08740
.610	11.440	.00000	51.46000	.37990	.01320	.03280	-.00240	-.00100	-.00050	.37120	.08730
.607	12.010	.00000	51.46000	.38450	.01380	.03320	-.00380	-.00110	-.00030	.37570	.08840
.610	12.590	.00000	51.46000	.37810	.01330	.03320	-.00610	-.00140	.00000	.36930	.08760
.610	13.160	.00000	51.46000	.37700	.01340	.03350	-.00500	-.00120	.00000	.36820	.08770
.610	13.730	.00000	51.46000	.37790	.01310	.03360	-.00370	-.00100	-.00040	.36910	.08800
.610	14.300	.00000	51.46000	.37750	.01260	.03340	-.00270	-.00090	-.00050	.36860	.08770
.608	14.860	.00000	51.45000	.37930	.01250	.03370	-.00150	-.00080	-.00080	.37040	.08820
.611	15.420	.00000	51.45000	.37550	.01210	.03370	-.00020	-.00060	-.00100	.36670	.08750
.608	16.000	.00000	51.46000	.37710	.01180	.03440	-.00250	-.00090	-.00070	.36820	.08840
.610	16.570	.00000	51.45000	.37650	.01200	.03370	-.00230	-.00100	-.00050	.36770	.08790
.611	17.140	.00000	51.46000	.37950	.01260	.03320	-.00370	-.00110	-.00060	.37080	.08770
.610	17.720	.00000	51.46000	.37770	.01170	.03410	-.00400	-.00110	-.00020	.36880	.08840
.611	18.290	.00000	51.45000	.37450	.01170	.03400	-.00480	-.00130	.00000	.36560	.08780
.609	18.880	.00000	51.45000	.37710	.01160	.03410	-.00480	-.00120	.00000	.36820	.08810
.609	19.440	.00000	51.45000	.38040	.01220	.03370	-.00290	-.00100	-.00010	.37150	.08840
.608	20.010	.00000	51.45000	.38170	.01220	.03360	-.00240	-.00080	-.00050	.37290	.08830
GRADIENT		.00000	.00000	-.00114	-.00037	.00020	-.00027	-.00006	.00010	-.00117	.00003

LTV44-559(CA26) 747/1 ATY 02 S1 (ORBITER DATA)

(WFE065) ( 18 NOV 75 )

## REFERENCE DATA

SREF = 2690.0000 SQ.FT. XMRP = 1109.0000 IN. XO  
 LREF = 474.8100 IN. YMRP = .0000 IN. YO  
 BREF = 936.6800 IN. ZMRP = 375.0000 IN. ZO  
 SCALE = .0125

## PARAMETRIC DATA

ALPHAC = 2.000 BETAC = .000  
 STAB = 5.000 ELEVON = 5.000  
 BDFLAP = .000 DY = .000  
 DZ = .000 TORB = 6.000  
 BETAO = 5.000 RUDDER = .000

RUN NO. 50/ 0 RN/L = .00 GRADIENT INTERVAL = -5.00/ 5.00

MACH	DX	DY	DZ	CN	CLM	CA	CY	CYN	CBL	CL	CD
.608	.550	.00000	1.46000	.36850	.02590	.02950	-.05860	-.01230	-.00280	.35980	.08460
.609	1.130	.00000	1.46000	.36670	.02580	.02920	-.05910	-.01230	-.00300	.35810	.08410
.610	1.700	.00000	1.46000	.36780	.02560	.02910	-.05830	-.01220	-.00290	.35920	.08420
.608	2.270	.00000	1.46000	.36660	.02520	.02940	-.05960	-.01240	-.00280	.35800	.08410
.610	2.850	.00000	1.46000	.36590	.02510	.02920	-.05950	-.01230	-.00270	.35730	.08410
.610	3.420	.00000	1.46000	.36630	.02490	.02940	-.05940	-.01230	-.00260	.35770	.08440
.610	3.990	.00000	1.46000	.36520	.02430	.02940	-.05940	-.01230	-.00260	.35660	.08390
.609	4.570	.00000	1.46000	.36530	.02390	.02960	-.05950	-.01230	-.00240	.35670	.08410
.610	5.140	.00000	1.46000	.36480	.02340	.02960	-.05950	-.01230	-.00240	.35620	.08420
.610	5.710	.00000	1.46000	.36500	.02300	.02960	-.05970	-.01240	-.00230	.35640	.08410
.608	6.280	.00000	1.46000	.36530	.02240	.03000	-.06010	-.01250	-.00220	.35670	.08450
.608	6.860	.00000	1.46000	.36650	.02210	.03000	-.05950	-.01240	-.00210	.35780	.08480
.609	7.430	.00000	1.46000	.36520	.02180	.02990	-.05970	-.01240	-.00210	.35650	.08460
.608	8.000	.00000	1.46000	.36640	.02130	.02990	-.05970	-.01250	-.00200	.35770	.08480
.611	8.580	.00000	1.46000	.36420	.02080	.02990	-.05900	-.01240	-.00200	.35560	.08450
.609	9.150	.00000	1.46000	.36540	.02030	.03000	-.05920	-.01250	-.00190	.35680	.08460
.610	9.700	.00000	1.46000	.36410	.01980	.03020	-.05940	-.01240	-.00190	.35540	.08480
.609	10.270	.00000	1.46000	.36380	.01930	.03030	-.05930	-.01230	-.00180	.35500	.08490
.608	10.840	.01000	1.46000	.36510	.01920	.03030	-.05970	-.01240	-.00180	.35630	.08490
.608	11.410	.01000	1.45000	.36540	.01870	.03050	-.05970	-.01250	-.00170	.35660	.08520
.610	11.990	.01000	1.45000	.36490	.01840	.03080	-.05930	-.01240	-.00170	.35610	.08550
.610	12.560	.01000	1.45000	.36470	.01780	.03060	-.05990	-.01260	-.00170	.35590	.08530
.608	13.130	.01000	1.45000	.36590	.01760	.03080	-.05980	-.01260	-.00160	.35700	.08560
.608	13.690	.01000	1.45000	.36360	.01700	.03090	-.05970	-.01250	-.00160	.35480	.08530
.608	14.270	.01000	1.45000	.36440	.01680	.03100	-.05950	-.01250	-.00150	.35550	.08550
.608	14.840	.01000	1.45000	.36380	.01660	.03110	-.05900	-.01240	-.00140	.35490	.08560
.610	15.410	.01000	1.44000	.36310	.01610	.03110	-.05890	-.01230	-.00150	.35420	.08550
.610	15.980	.01000	1.44000	.36220	.01570	.03130	-.05890	-.01230	-.00150	.35330	.08550
.609	16.560	.01000	1.44000	.36260	.01550	.03150	-.05960	-.01240	-.00150	.35370	.08580
.608	17.130	.01000	1.44000	.36470	.01540	.03140	-.06060	-.01260	-.00140	.35580	.08600
.610	17.700	.01000	1.44000	.36370	.01480	.03150	-.06010	-.01240	-.00140	.35480	.08600
.609	18.280	.01000	1.44000	.36370	.01450	.03150	-.05980	-.01230	-.00140	.35480	.08590
.608	18.820	.01000	1.44000	.36340	.01420	.03170	-.05960	-.01230	-.00130	.35450	.08620
.607	19.400	.01000	1.44000	.36500	.01410	.03210	-.05960	-.01240	-.00120	.35590	.08690
.608	19.980	.01000	1.44000	.36620	.01390	.03210	-.06020	-.01240	-.00130	.35710	.08720
	GRADIENT	.00000	.00000	-.00073	-.00049	.00005	-.00023	-.00000	.00012	-.00071	-.00008

LTV44-559(CA26) 747/1 ATY 02 S1 (ORBITER DATA)

(WFE066) ( 18 NOV 75 )

## REFERENCE DATA

SREF = 2690.0000 SQ.FT. XMRP = 1109.0000 IN. XO  
 LREF = 474.8100 IN. YMRP = .0000 IN. YO  
 BREF = 936.6800 IN. ZMRP = 375.0000 IN. ZO  
 SCALE = .0125

## PARAMETRIC DATA

ALPHAC = 2.000 BETAC = .000  
 STAB = 5.000 ELEVON = 5.000  
 BDFLAP = .000 DY = .000  
 DZ = 15.000 TORB = 6.000  
 BETAO = 5.000 RUDDER = .000

RUN NO. 1050/ 0 RN/L = .00 GRADIENT INTERVAL = -5.00/ 5.00

MACH	DX	DY	DZ	CN	CLM	CA	CY	CYN	CBL	CL	CD
.610	.570	.00000	15.00000	.37540	.01710	.03060	-.05820	-.01180	-.00130	.36660	.08630
.610	1.140	.00000	15.00000	.37610	.01740	.03050	-.05960	-.01190	-.00140	.36740	.08620
.612	1.710	.00000	15.00000	.37590	.01740	.03050	-.05910	-.01190	-.00130	.36710	.08610
.609	2.290	.00000	15.00000	.37690	.01730	.03100	-.06000	-.01200	-.00140	.36810	.08660
.610	2.860	.00000	15.00000	.37530	.01700	.03090	-.05920	-.01190	-.00120	.36650	.08630
.609	3.430	.00000	15.00000	.37630	.01690	.03110	-.05950	-.01200	-.00130	.36750	.08670
.609	4.010	.00000	15.00000	.37680	.01690	.03110	-.05970	-.01200	-.00130	.36790	.08690
.610	4.580	.00000	15.00000	.37620	.01660	.03100	-.05860	-.01190	-.00130	.36730	.08680
.609	5.150	.00000	15.00000	.37510	.01630	.03120	-.05910	-.01200	-.00130	.36630	.08650
.610	5.720	.00000	15.00000	.37290	.01590	.03100	-.05910	-.01190	-.00120	.36420	.08590
.609	6.300	.00000	15.00000	.37420	.01600	.03120	-.05930	-.01200	-.00110	.36540	.08630
.610	6.870	.00000	15.00000	.37170	.01550	.03120	-.05900	-.01190	-.00110	.36290	.08590
.608	7.420	.00000	15.00000	.37570	.01530	.03130	-.05920	-.01200	-.00110	.36680	.08690
.610	7.990	.00000	15.00000	.37290	.01500	.03120	-.05840	-.01200	-.00100	.36410	.08620
.610	8.560	.00000	15.00000	.37310	.01480	.03120	-.05890	-.01200	-.00100	.36430	.08630
.610	9.140	.00000	15.00000	.37300	.01480	.03130	-.05920	-.01200	-.00100	.36420	.08630
.609	9.710	.00000	15.00000	.37380	.01450	.03150	-.05900	-.01190	-.00100	.36500	.08670
.608	10.280	.00000	15.00000	.37280	.01440	.03160	-.05950	-.01210	-.00090	.36400	.08650
.608	10.850	.00000	15.00000	.37280	.01380	.03170	-.05910	-.01200	-.00090	.36390	.08690
.608	11.430	.00000	15.00000	.37180	.01360	.03160	-.05880	-.01200	-.00090	.36300	.08660
.609	12.000	.01000	15.00000	.37250	.01350	.03140	-.05820	-.01190	-.00090	.36360	.08650
.608	12.570	.01000	14.99000	.37290	.01330	.03160	-.05840	-.01200	-.00080	.36400	.08680
.610	13.150	.01000	15.00000	.37210	.01300	.03140	-.05800	-.01180	-.00090	.36330	.08640
.610	13.720	.01000	14.99000	.37190	.01270	.03160	-.05900	-.01190	-.00090	.36310	.08660
.609	14.290	.01000	14.99000	.37250	.01270	.03140	-.05910	-.01200	-.00080	.36370	.08630
.610	14.860	.01000	14.99000	.37170	.01240	.03130	-.05850	-.01180	-.00080	.36290	.08630
.607	15.440	.01000	14.99000	.37560	.01240	.03180	-.05900	-.01190	-.00070	.36670	.08740
.607	16.010	.01000	14.99000	.37430	.01180	.03200	-.05900	-.01190	-.00070	.36540	.08720
.607	16.560	.01000	14.99000	.37350	.01150	.03210	-.05910	-.01190	-.00070	.36460	.08720
.609	17.130	.01000	14.99000	.37140	.01170	.03190	-.05930	-.01200	-.00070	.36260	.08670
.610	17.700	.01000	14.99000	.37100	.01130	.03200	-.05930	-.01200	-.00060	.36210	.08680
.609	18.280	.01000	14.99000	.37150	.01100	.03210	-.05970	-.01200	-.00070	.36260	.08690
.607	18.850	.01000	14.99000	.37430	.01050	.03230	-.05920	-.01190	-.00060	.36530	.08780
.609	19.420	.01000	14.99000	.37330	.01070	.03230	-.05860	-.01180	-.00070	.36430	.08750
.611	20.000	.01000	14.99000	.37260	.01030	.03220	-.05910	-.01190	-.00050	.36370	.08720
GRADIENT		.00000	.00000	.00018	-.00016	.00016	-.00008	-.00003	.00001	.00015	.00018

DATE 22 MAR 76

## CA-26 FORCE SOURCE DATA TABULATION

PAGE 417

LTV44-559(CA26) 747/1 ATY 02 S1 (ORBITER DATA)

(WFE067) ( 18 NOV 75 )

## REFERENCE DATA

SREF = 2690.0000 SQ.FT. XMRP = 1109.0000 IN. XO  
 LREF = 474.8100 IN. YMRP = .0000 IN. YO  
 BREF = 936.6800 IN. ZMRP = 375.0000 IN. ZO  
 SCALE = .0125

## PARAMETRIC DATA

ALPHAC = 2.000 BETAC = .000  
 STAB = 5.000 ELEVON = 5.000  
 BDFLAP = .000 DY = .000  
 DZ = 60.000 IORB = 6.000  
 BETAO = 5.000 RUDDER = .000

RUN NO. 2050/ 0 RN/L = .00 GRADIENT INTERVAL = -5.00/ 5.00

MACH	DX	DY	DZ	CN	CLM	CA	CY	CYN	CBL	CL	CD
.609	.580	.00000	51.46000	.39300	.01180	.03350	-.06330	-.01220	-.00010	.38390	.09020
.607	1.150	.00000	51.46000	.39510	.01200	.03410	-.06500	-.01260	-.00020	.38600	.09100
.607	1.730	.00000	51.46000	.39890	.01230	.03360	-.06280	-.01220	-.00040	.38980	.09110
.608	2.300	.00000	51.46000	.39860	.01230	.03340	-.06130	-.01200	-.00050	.38950	.09100
.609	2.870	.00000	51.46000	.39700	.01230	.03320	-.05970	-.01170	-.00060	.38800	.09060
.609	3.450	.00000	51.46000	.39610	.01210	.03300	-.06180	-.01180	-.00050	.38710	.09020
.608	4.020	.00000	51.46000	.39630	.01240	.03320	-.06350	-.01220	-.00050	.38730	.09040
.607	4.590	.00000	51.46000	.39550	.01140	.03360	-.06350	-.01230	-.00030	.38650	.09050
.607	5.160	.00000	51.46000	.39640	.01150	.03380	-.06330	-.01230	-.00020	.38730	.09090
.608	5.710	.00000	51.46000	.39600	.01150	.03350	-.06210	-.01200	-.00020	.38690	.09060
.608	6.280	.00000	51.46000	.39590	.01170	.03350	-.06090	-.01190	-.00050	.38680	.09070
.610	6.860	.00000	51.46000	.39380	.01180	.03310	-.06070	-.01200	-.00040	.38480	.08980
.608	7.430	.00000	51.46000	.39690	.01140	.03340	-.06150	-.01190	-.00060	.38780	.09070
.610	8.000	.00000	51.46000	.39450	.01130	.03300	-.06180	-.01200	-.00040	.38560	.08980
.609	8.580	.00000	51.46000	.39370	.01120	.03330	-.06380	-.01220	-.00010	.38470	.08990
.607	9.150	.00000	51.46000	.39380	.01150	.03380	-.06380	-.01230	-.00010	.38480	.09050
.607	9.720	.00000	51.46000	.39320	.01100	.03380	-.06340	-.01230	.00000	.38420	.09040
.609	10.290	.00000	51.46000	.39210	.01100	.03410	-.06270	-.01230	.00000	.38300	.09080
.609	10.870	.00000	51.46000	.39360	.01110	.03340	-.06140	-.01190	-.00010	.38460	.09010
.609	11.440	.00000	51.46000	.39440	.01140	.03280	-.06200	-.01190	-.00040	.38540	.08970
.607	12.010	.00000	51.46000	.39730	.01090	.03300	-.06400	-.01220	-.00020	.38830	.09040
.609	12.590	.00000	51.46000	.39430	.01080	.03300	-.06220	-.01190	-.00030	.38530	.08980
.607	13.160	.00000	51.46000	.39390	.01050	.03340	-.06210	-.01200	.00000	.38490	.09010
.609	13.730	.00000	51.46000	.39040	.01070	.03370	-.06260	-.01210	.00000	.38140	.08990
.609	14.300	.00000	51.46000	.39220	.01090	.03330	-.06340	-.01220	-.00010	.38320	.08990
.609	14.850	.00000	51.46000	.39360	.01130	.03330	-.06420	-.01220	.00000	.38450	.09020
.609	15.420	.00000	51.45000	.39540	.01120	.03330	-.06340	-.01210	.00000	.38640	.09020
.610	16.000	.00000	51.46000	.39230	.01070	.03330	-.06070	-.01170	-.00020	.38330	.09000
.610	16.570	.00000	51.46000	.39550	.01110	.03280	-.05990	-.01160	-.00030	.38660	.08980
.609	17.140	.00000	51.46000	.39700	.01080	.03320	-.06200	-.01200	-.00020	.38800	.09020
.609	17.720	.00000	51.46000	.39460	.01040	.03340	-.06360	-.01210	.00000	.38560	.09030
.610	18.290	.00000	51.45000	.39420	.01000	.03320	-.06290	-.01210	-.00020	.38530	.08990
.610	18.860	.00000	51.46000	.39130	.00930	.03360	-.06300	-.01230	-.00020	.38230	.08980
.610	19.440	.00000	51.45000	.39240	.01010	.03340	-.06110	-.01190	-.00020	.38340	.08990
.609	20.010	.00000	51.45000	.39490	.01010	.03320	-.06080	-.01180	-.00020	.38580	.09020
GRADIENT	.00000	.00000	.00000	.00028	-.00003	-.00012	.00022	.00006	-.00007	.00031	-.00008

LTV44-559(CA26) 747/1 ATY 02 S1 (ORBITER DATA)

(WFE088) ( 18 NOV 75 )

## REFERENCE DATA

SREF = 2690.0000 SQ.FT. XMRP = 1109.0000 IN. XO  
 LREF = 474.8100 IN. YMRP = .0000 IN. YO  
 BREF = 936.6800 IN. ZMRP = 375.0000 IN. ZO  
 SCALE = .0125

## PARAMETRIC DATA

ALPHAC = 2.000 BETAC = .000  
 STAB = 5.000 ELEVON = .000  
 BDFLAP = 16.300 DX = .000  
 DY = .000 IORB = 4.000  
 BETA0 = .000 RUDDER = .000

RUN NO. 51/ 0 RN/L = .00 GRADIENT INTERVAL = -5.00/ 5.00

MACH	DZ	DY	DX	CN	CLM	CA	CY	CYN	CBL	CL	CD
.602	1.760	.00000	.00000	.20570	.02760	.04030	-.00160	-.00090	-.00080	.19960	.06370
.601	2.360	.00000	.00000	.20400	.02720	.03990	-.00220	-.00100	-.00080	.19800	.06320
.600	2.970	.00000	.00000	.20420	.02710	.04060	-.00210	-.00100	-.00080	.19820	.06390
.600	3.760	.00000	.00000	.20440	.02780	.04060	-.00250	-.00090	-.00090	.19840	.06380
.599	4.560	.00000	.01000	.20450	.02710	.04100	-.00150	-.00090	-.00080	.19850	.06410
.599	5.960	.00000	.01000	.20590	.02610	.04130	-.00280	-.00100	-.00090	.19980	.06460
.602	7.970	.00000	.01000	.20330	.02570	.04120	-.00270	-.00100	-.00090	.19720	.06420
.603	9.960	.00000	.01000	.21010	.02430	.04200	-.00240	-.00080	-.00090	.20390	.06570
.604	10.960	.00000	.01000	.20660	.02380	.04220	-.00280	-.00090	-.00070	.20040	.06550
.602	11.960	.00000	.00000	.21110	.02420	.04230	-.00210	-.00080	-.00090	.20490	.06610
.607	12.960	.00000	.00000	.20730	.02350	.04170	-.00240	-.00080	-.00080	.20120	.06500
.602	13.940	.00000	.00000	.21110	.02350	.04250	-.00280	-.00090	-.00080	.20490	.06620
.600	14.940	.00000	.00000	.21370	.02330	.04270	-.00260	-.00100	-.00060	.20750	.06680
.600	15.930	.00000	.00000	.21220	.02280	.04290	-.00240	-.00090	-.00060	.20600	.06660
.601	16.930	.00000	.00000	.21470	.02280	.04300	-.00260	-.00090	-.00070	.20850	.06700
.598	17.930	.00000	.00000	.21710	.02320	.04360	-.00170	-.00090	-.00060	.21080	.06790
.600	18.920	.00000	.00000	.21580	.02240	.04350	-.00240	-.00100	-.00060	.20950	.06760
.600	19.910	.00000	.01000	.21800	.02250	.04350	-.00270	-.00100	-.00060	.21170	.06800
.601	20.910	.00000	.00000	.21900	.02240	.04370	-.00300	-.00100	-.00060	.21260	.06830
.601	21.900	.00000	.01000	.22010	.02240	.04320	-.00300	-.00100	-.00070	.21370	.06790
.600	22.890	.00000	.00000	.22010	.02200	.04400	-.00180	-.00090	-.00060	.21380	.06850
.603	24.890	.00000	.00000	.21930	.02170	.04460	-.00320	-.00090	-.00060	.21290	.06910
.602	25.880	.00000	.01000	.22040	.02170	.04400	-.00330	-.00100	-.00040	.21400	.06860
.602	26.870	.00000	.01000	.22280	.02130	.04430	-.00260	-.00090	-.00050	.21630	.06910
.602	27.870	.00000	.01000	.22550	.02180	.04390	-.00240	-.00090	-.00060	.21910	.06900
.602	28.860	.00000	.01000	.22510	.02130	.04390	-.00180	-.00080	-.00050	.21870	.06900
.602	29.860	.00000	.01000	.22760	.02160	.04390	-.00330	-.00100	-.00050	.22120	.06920
.603	30.860	.00000	.01000	.22580	.02090	.04450	-.00230	-.00100	-.00040	.21930	.06960
.603	31.850	.00000	.01000	.22620	.02120	.04410	-.00240	-.00090	-.00050	.21980	.06910
.601	32.840	.00000	.01000	.22740	.02120	.04420	-.00330	-.00090	-.00060	.22100	.06940
.602	33.840	.00000	.01000	.22900	.02090	.04390	-.00340	-.00090	-.00050	.22270	.06930
.602	34.830	.00000	.01000	.22920	.02090	.04420	-.00370	-.00100	-.00030	.22280	.06960
.600	35.830	.00000	.01000	.23060	.02050	.04440	-.00360	-.00100	-.00020	.22410	.06990
.601	36.830	.00000	.01000	.23390	.02070	.04480	-.00290	-.00090	-.00030	.22730	.07080
.600	37.820	.00000	.01000	.23000	.01990	.04460	-.00260	-.00090	-.00040	.22360	.07000
.602	38.820	.00000	.01000	.23390	.02030	.04480	-.00220	-.00080	-.00040	.22740	.07070
.602	39.810	.00000	.01000	.23380	.01990	.04460	-.00230	-.00080	-.00030	.22740	.07050
.602	40.800	.00000	.01000	.23350	.01960	.04510	-.00300	-.00080	-.00040	.22700	.07090
.600	41.800	.00000	.01000	.23450	.01970	.04560	-.00450	-.00100	-.00010	.22800	.07140
.600	42.800	.00000	.01000	.23650	.01960	.04530	-.00380	-.00090	.00000	.23000	.07140
.601	43.790	.00000	.01000	.23590	.01990	.04560	-.00420	-.00100	.00000	.22940	.07150
.601				.23760	.01980	.04530	-.00220	-.00080	-.00030	.23100	.07160



DATE 22 MAR 76

CA-26 FORCE SOURCE DATA TABULATION

PAGE 419

LTV44-559(CA26) 747/1 ATY 02 S1 (ORBITER DATA)

(WFE068) ( 18 NOV 75 )

REFERENCE DATA

SREF = 2690.0000 SQ.FT. XMRP = 1109.0000 IN. XO  
LREF = 474.8100 IN. YMRP = .0000 IN. YO  
BREF = 936.6800 IN. ZMRP = 375.0000 IN. ZO  
SCALE = .0125

PARAMETRIC DATA

ALPHAC = 2.000 BETAC = .000  
STAB = 5.000 ELEVON = .000  
BDFLAP = 16.300 DX = .000  
DY = .000 IORB = 4.000  
BETAO = .000 RUDDER = .000

RUN NO. 51/ 0 RN/L = .00 GRADIENT INTERVAL = -5.00/ 5.00

MACH	DZ	DY	DX	CN	CLM	CA	CY	CYN	CBL	CL	CD
.602	44.790	.00000	.01000	.23690	.01920	.04510	-.00370	-.00080	-.00010	.23050	.07120
	GRADIENT	.00000	.00300	-.00026	-.00005	.00030	.00001	.00002	-.00001	-.00023	.00020

ORIGINAL PAGE IS  
OF POOR QUALITY

LTV44-559(CA26) 747/1 ATY 02 S1 (ORBITER DATA)

(WFE069) ( 18 NOV 75 )

## REFERENCE DATA

SREF = 2690.0000 SQ.FT. XMRP = 1109.0000 IN. XO  
 LREF = 474.8100 IN. YMRP = .0000 IN. YO  
 BREF = 936.6800 IN. ZMRP = 375.0000 IN. ZO  
 SCALE = .0125

## PARAMETRIC DATA

ALPHAC = 2.000 BETAC = .000  
 STAB = 5.000 ELEVON = .000  
 BDFLAP = 16.300 DX = .000  
 DY = .000 IORB = 6.000  
 BETAO = .000 RUDDER = .000

RUN NO. 1051/ 0 RN/L = .00 GRADIENT INTERVAL = -5.00/ 5.00

MACH	DZ	DY	DX	CN	CLM	CA	CY	CYN	CBL	CL	CD
.603	1.470	.00000	-.01000	.32170	.03253	.02710	-.00030	-.00080	-.00130	.31400	.07500
.601	1.770	.00000	-.01000	.31830	.03339	.02750	-.00030	-.00080	-.00140	.31050	.07480
.598	2.370	.00000	.00000	.32050	.03373	.02770	-.00090	-.00090	-.00140	.31270	.07550
.601	2.970	.00000	.00000	.31850	.03353	.02730	-.00040	-.00080	-.00150	.31090	.07470
.601	3.770	.00000	.00000	.31470	.03300	.02770	-.00070	-.00090	-.00140	.30700	.07460
.601	4.570	.00000	.00000	.31440	.03310	.02820	-.00130	-.00100	-.00150	.30670	.07480
.602	5.970	.00000	.00000	.31470	.03180	.02910	-.00070	-.00080	-.00130	.30680	.07570
.599	7.970	.00000	.00000	.31870	.03240	.02980	-.00170	-.00080	-.00140	.31080	.07690
.603	9.960	.00000	.00000	.31330	.03170	.02990	-.00050	-.00080	-.00130	.30540	.07620
.601	11.240	.00000	.00000	.31680	.03140	.03030	-.00150	-.00090	-.00130	.30880	.07700
.602	12.520	.00000	.00000	.31720	.03060	.03050	-.00140	-.00080	-.00130	.30910	.07730
.601	13.800	.00000	.00000	.31720	.03010	.03060	-.00070	-.00070	-.00130	.30920	.07730
.601	15.080	.00000	.00000	.31890	.03000	.03080	-.00140	-.00080	-.00130	.31080	.07760
.602	16.350	.00000	.00000	.31680	.02970	.03070	-.00180	-.00090	-.00130	.30870	.07730
.600	17.630	.00000	.00000	.32120	.03000	.03090	-.00120	-.00090	-.00130	.31310	.07820
.600	18.900	.00000	.00000	.31890	.02930	.03160	-.00150	-.00080	-.00120	.31070	.07830
.601	20.180	.00000	.00000	.32100	.02980	.03100	-.00210	-.00080	-.00130	.31290	.07810
.601	21.460	.00000	.00000	.32150	.02940	.03130	-.00160	-.00080	-.00120	.31340	.07830
.602	22.730	.00000	.01000	.32160	.02930	.03150	-.00250	-.00100	-.00120	.31350	.07860
.602	24.000	.00000	.01000	.32130	.02870	.03180	-.00180	-.00090	-.00120	.31310	.07870
.603	25.280	.00000	.01000	.32310	.02090	.03190	-.00260	-.00090	-.00110	.31500	.07900
.601	26.560	.00000	.01000	.32640	.02880	.03150	-.00170	-.00080	-.00120	.31830	.07910
.602	27.840	.00000	.01000	.32510	.02820	.03170	-.00120	-.00070	-.00120	.31690	.07900
.601	29.110	.00000	.01000	.32630	.02790	.03240	-.00290	-.00100	-.00120	.31810	.07980
.602	30.390	.00000	.01000	.32630	.02820	.03210	-.00240	-.00100	-.00110	.31810	.07950
.600	31.660	.00000	.01000	.32820	.02800	.03210	-.00180	-.00080	-.00120	.32000	.07980
.601	32.940	.00000	.01000	.32690	.02720	.03250	-.00260	-.00080	-.00110	.31860	.08000
.600	34.220	.00000	.01000	.33010	.02760	.03240	-.00250	-.00070	-.00100	.32180	.08040
.600	35.490	.00000	.01000	.33190	.02690	.03210	-.00330	-.00090	-.00110	.32370	.08030
.601	36.770	.00000	.01000	.33000	.02690	.03280	-.00260	-.00080	-.00100	.32170	.08050
.600	38.050	.00000	.01000	.33130	.02680	.03290	-.00330	-.00090	-.00100	.32300	.08070
.599	39.330	.00000	.01000	.33440	.02710	.03300	-.00390	-.00090	-.00090	.32600	.08120
.602	40.600	.00000	.01000	.33220	.02680	.03220	-.00230	-.00070	-.00100	.32390	.08030
.601	41.880	.00000	.01000	.33300	.02660	.03250	-.00420	-.00090	-.00080	.32470	.08080
.600	43.150	.00000	.01000	.33400	.02610	.03270	-.00370	-.00090	-.00070	.32570	.08110
.601	44.430	.00000	.01000	.33290	.02560	.03280	-.00310	-.00080	-.00070	.32460	.08070
.600	45.710	.00000	.01000	.33790	.02560	.03280	-.00410	-.00100	-.00050	.32950	.08160
.601	46.980	.00000	.01000	.33540	.02500	.03340	-.00360	-.00100	-.00070	.32700	.08160
.602	48.260	.00000	.01000	.33510	.02450	.03340	-.00210	-.00060	-.00110	.32670	.08170
.602	49.540	.00000	.01000	.33530	.02420	.03340	-.00190	-.00070	-.00080	.32690	.08160
.601	50.820	.00000	.01000	.33370	.02400	.03400	-.00450	-.00120	-.00050	.32530	.08180
GRADIENT		.00000	.00337	-.00222	.00004	.00026	-.00026	-.00006	-.00005	-.00220	-.00011

LTV44-559(CA26) 747/1 ATY 02 S1 (ORBITER DATA)

(WFE070) ( 18 NOV 75 )

## REFERENCE DATA

SREF = 2690.0000 SQ.FT. XMRP = 1109.0000 IN. XO  
 LREF = 474.8100 IN. YMRP = .0000 IN. YO  
 BREF = 936.6800 IN. ZMRP = 375.0000 IN. ZO  
 SCALE = .0125

## PARAMETRIC DATA

ALPHAC = 2.000 BETAC = .000  
 STAB = 5.000 ELEVON = .000  
 BDFLAP = 16.300 DX = .000  
 DY = .000 IORB = 8.000  
 BETAO = .000 RUDDER = .000

RUN NO. 52/ 0 RN/L = .00 GRADIENT INTERVAL = -5.00/ 5.00

MACH	DZ	DY	DX	CN	CLM	CA	CY	CYN	CBL	CL	CD
.600	1.760	.00000	-.01000	.43360	.03690	.01560	-.00040	-.00120	-.00180	.42320	.09530
.601	2.360	.00000	-.01000	.43210	.03780	.01480	.00000	-.00110	-.00170	.42200	.09410
.601	2.970	.00000	-.01000	.42850	.03990	.01230	.00060	-.00130	-.00180	.41890	.09110
.601	3.960	.00000	-.01000	.42870	.03990	.01310	.00080	-.00120	-.00180	.41890	.09190
.601	4.960	.00000	-.01000	.42200	.04090	.01400	.00040	-.00120	-.00190	.41220	.09150
.600	6.210	.00000	-.01000	.42200	.04110	.01430	-.00030	-.00120	-.00190	.41220	.09160
.602	7.460	.00000	-.01000	.41880	.04050	.01440	.00040	-.00120	-.00180	.40910	.09100
.600	8.710	.00000	.00000	.41890	.04070	.01510	.00060	-.00110	-.00180	.40910	.09170
.599	9.960	.00000	.00000	.41780	.04050	.01600	.00020	-.00120	-.00170	.40770	.09230
.600	11.200	.00000	.00000	.41740	.04070	.01590	-.00010	-.00120	-.00170	.40750	.09210
.600	12.430	.00000	.00000	.42020	.04070	.01620	.00030	-.00100	-.00170	.41010	.09300
.600	13.670	.00000	.00000	.41890	.04030	.01660	-.00050	-.00110	-.00170	.40880	.09300
.601	14.910	.00000	.00000	.41770	.04000	.01700	.00010	-.00100	-.00160	.40760	.09310
.599	16.140	.00000	.00000	.41920	.04020	.01650	.00020	-.00100	-.00160	.40910	.09270
.601	17.370	.00000	.00000	.41840	.03970	.01720	-.00010	-.00100	-.00170	.40830	.09330
.599	18.610	.00000	.00000	.42010	.03980	.01740	.00030	-.00100	-.00150	.40980	.09380
.600	19.840	.00000	.00000	.41950	.03920	.01730	.00080	-.00100	-.00160	.40930	.09340
.599	21.080	.00000	.00000	.42200	.03930	.01780	.00000	-.00110	-.00150	.41170	.09410
.599	22.310	.00000	.01000	.42220	.03890	.01790	.00010	-.00110	-.00150	.41190	.09430
.601	23.550	.00000	.01000	.42240	.03890	.01780	.00040	-.00100	-.00150	.41210	.09440
.600	24.780	.00000	.01000	.42130	.03780	.01850	.00000	-.00100	-.00150	.41090	.09450
.600	26.010	.00000	.01000	.42750	.03890	.01810	.00030	-.00100	-.00150	.41710	.09530
.601	27.250	.00000	.01000	.42390	.03760	.01840	.00030	-.00110	-.00150	.41350	.09480
.602	28.480	.00000	.01000	.42340	.03760	.01860	.00020	-.00100	-.00140	.41300	.09520
.602	29.720	.00000	.01000	.42440	.03760	.01780	.00060	-.00100	-.00140	.41420	.09410
.600	30.950	.00000	.01000	.42700	.03730	.01830	-.00030	-.00100	-.00140	.41670	.09520
.600	32.180	.00000	.01000	.42510	.03730	.01850	-.00060	-.00110	-.00130	.41480	.09490
.600	33.420	.00000	.01000	.42620	.03670	.01860	-.00020	-.00090	-.00140	.41580	.09520
.597	34.660	.00000	.01000	.43120	.03700	.01890	-.00100	-.00110	-.00120	.42070	.09650
.599	35.900	.00000	.01000	.43010	.03670	.01900	-.00080	-.00100	-.00120	.41960	.09630
.602	37.130	.00000	.01000	.42720	.03600	.01870	-.00130	-.00100	-.00120	.41680	.09540
.600	38.360	.00000	.01000	.43040	.03590	.01900	-.00140	-.00110	-.00110	.41990	.09640
.604	39.600	.00000	.01000	.42590	.03590	.01870	-.00090	-.00100	-.00110	.41560	.09500
.600	40.830	.00000	.01000	.43040	.03560	.01900	-.00030	-.00100	-.00100	.42000	.09610
.600	42.070	.00000	.01000	.42780	.03440	.01990	-.00140	-.00100	-.00100	.41720	.09660
.601	43.300	.00000	.01000	.43050	.03470	.01920	-.00150	-.00100	-.00110	.42000	.09640
.600	44.540	.00000	.01000	.43110	.03450	.01980	-.00220	-.00120	-.00080	.42060	.09680
.599	45.770	.00000	.01000	.43030	.03410	.02040	-.00230	-.00120	-.00080	.41970	.09730
.600	47.010	.00000	.01000	.43390	.03450	.01950	-.00180	-.00110	-.00080	.42330	.09720
.600	48.250	.00000	.02000	.43840	.03520	.01900	-.00070	-.00080	-.00090	.42780	.09750
.599	49.480	.00000	.01000	.43740	.03420	.01940	-.00190	-.00110	-.00080	.42690	.09740
.600	50.710	.00000	.01000	.43610	.03440	.01960	-.00240	-.00110	-.00080	.42550	.09740

LTV44-559(CA26) 747/1 ATY 02 S1 (ORBITER DATA)

(WFE070) ( 18 NOV 75 )

## REFERENCE DATA

SREF = 2690.0000 SQ.FT. XMRP = 1109.0000 IN. XO  
 LREF = 474.8100 IN. YMRP = .0000 IN. YO  
 BREF = 936.6600 IN. ZMRP = 375.0000 IN. ZO  
 SCALE = .0125

## PARAMETRIC DATA

ALPHAC = 2.000 BETAC = .000  
 STAB = 5.000 ELEVON = .000  
 BDFLAP = 16.300 DX = .000  
 DY = .000 TORB = 8.000  
 BETA0 = .000 RUDDER = .000

RUN NO. 52/ 0 RN/L = .00 GRADIENT INTERVAL = -5.00/ 5.00

MACH	OZ	DY	DX	CN	CLM	CA	CY	CYN	CBL	CL	CD
.602	51.950	.00000	.02000	.43440	.03420	.01950	.00020	-.00060	-.00100	.42390	.09680
.599	53.180	.00000	.02000	.43240	.03210	.02060	-.00240	-.00110	-.00080	.42170	.09740
.600	54.420	.00000	.02000	.43420	.03310	.01970	-.00310	-.00120	-.00060	.42370	.09700
.604	55.650	.00000	.02000	.42760	.03170	.01950	-.00330	-.00120	-.00020	.41720	.09560
.600	56.890	.00000	.02000	.43160	.03110	.02070	-.00160	-.00110	-.00050	.42100	.09730
.600	58.120	.00000	.02000	.43260	.03100	.02110	-.00300	-.00130	-.00040	.42190	.09780
	GRADIENT	.00000	-.00000	-.00333	.00121	-.00050	.00027	-.00001	-.00004	-.00316	-.00112

LTV44-559(CA26) 747/1 ATY 02 S1 (ORBITER DATA)

(WFE071) ( 18 NOV 75 )

## REFERENCE DATA

SREF = 2690.0000 SQ.FT. XMRP = 1109.0000 IN. XO  
 LREF = 474.8100 IN. YMRP = .0000 IN. YO  
 BREF = 936.6800 IN. ZMRP = 375.0000 IN. ZO  
 SCALE = .0125

## PARAMETRIC DATA

ALPHAC = 2.000 BETAC = .000  
 STAB = 5.000 ELEVON = .000  
 BDFLAP = 5.000 DX = .000  
 DY = .000 TORB = 4.000  
 BETA0 = .000 RUDDER = .000

RUN NO. 53/ 0 RN/L = .00 GRADIENT INTERVAL = -5.00/ 5.00

MACH	DZ	DY	DX	CN	CLM	CA	CY	CYN	CBL	CL	CD
.597	1.760	.00000	.01000	.17830	.04680	.04160	-.00190	-.00100	-.00080	.17240	.06160
.597	2.360	.00000	.01000	.17800	.04680	.04200	-.00300	-.00100	-.00080	.17200	.06210
.600	2.970	.00000	.01000	.17650	.04570	.04210	-.00210	-.00090	-.00070	.17050	.06200
.598	3.760	.00000	.01000	.17830	.04660	.04220	-.00220	-.00090	-.00080	.17230	.06240
.600	4.560	.00000	.01000	.17610	.04530	.04200	-.00300	-.00090	-.00080	.17020	.06180
.598	5.960	.00000	.01000	.17960	.04450	.04220	-.00230	-.00100	-.00080	.17350	.06250
.600	7.970	.00000	.01000	.17630	.04350	.04240	-.00210	-.00090	-.00080	.17040	.06210
.597	9.960	.00000	.01000	.18410	.04200	.04280	-.00210	-.00080	-.00070	.17810	.06340
.600	10.960	.00000	.01000	.18270	.04160	.04230	-.00290	-.00100	-.00070	.17670	.06280
.600	11.960	.00000	.01000	.18220	.04150	.04290	-.00290	-.00100	-.00070	.17620	.06330
.600	12.950	.00000	.01000	.18540	.04200	.04310	-.00190	-.00080	-.00080	.17930	.06390
.596	13.940	.00000	.01000	.18560	.04110	.04350	-.00230	-.00090	-.00070	.18040	.06430
.599	14.940	.00000	.01000	.18560	.04090	.04350	-.00260	-.00090	-.00060	.17940	.06420
.600	15.930	.00000	.01000	.18740	.04090	.04340	-.00220	-.00090	-.00080	.18130	.06430
.600	15.930	.00000	.01000	.18940	.04030	.04330	-.00220	-.00070	-.00070	.18320	.06440
.599	17.930	.00000	.00000	.19130	.04020	.04390	-.00240	-.00080	-.00080	.18510	.06520
.601	18.920	.00000	.00000	.19110	.04000	.04390	-.00160	-.00080	-.00080	.18490	.06520
.601	19.910	.00000	.00000	.19350	.04020	.04370	-.00410	-.00100	-.00070	.18730	.06540
.600	20.910	.00000	.00000	.19330	.03960	.04380	-.00190	-.00090	-.00070	.18710	.06530
.598	21.900	.00000	.01000	.19520	.04000	.04420	-.00330	-.00100	-.00070	.18900	.06590
.599	22.890	.00000	.01000	.19630	.04010	.04420	-.00360	-.00100	-.00060	.19000	.06610
.598	23.890	.00000	.01000	.19740	.03960	.04430	-.00300	-.00080	-.00070	.19120	.06630
.599	24.890	.00000	.01000	.19920	.03920	.04370	-.00270	-.00080	-.00070	.19300	.06580
.599	25.880	.00000	.01000	.19810	.03900	.04470	-.00350	-.00090	-.00050	.19180	.06670
.600	26.870	.00000	.01000	.19840	.03880	.04430	-.00380	-.00100	-.00040	.19210	.06640
.601	27.870	.00000	.01000	.20170	.03960	.04410	-.00240	-.00080	-.00060	.19550	.06650
.598	28.860	.00000	.01000	.20210	.03880	.04490	-.00270	-.00080	-.00060	.19580	.06730
.599	29.860	.00000	.01000	.20400	.03910	.04490	-.00340	-.00090	-.00060	.19770	.06740
.601	30.860	.00000	.01000	.20250	.03860	.04460	-.00300	-.00080	-.00060	.19530	.06700
.599	31.850	.00000	.01000	.20210	.03840	.04490	-.00230	-.00070	-.00050	.19580	.06720
.598	32.840	.00000	.01000	.20550	.03820	.04490	-.00280	-.00070	-.00050	.19920	.06760
.597	33.840	.00000	.01000	.20700	.03870	.04500	-.00350	-.00090	-.00040	.20070	.06790
.600	34.830	.00000	.01000	.20840	.03830	.04480	-.00350	-.00080	-.00050	.20200	.06790
.600	35.830	.00000	.01000	.20870	.03800	.04470	-.00290	-.00080	-.00060	.20240	.06770
.600	36.830	.00000	.01000	.20700	.03800	.04510	-.00410	-.00090	-.00030	.20060	.06790
.600	37.820	.00000	.01000	.20980	.03800	.04470	-.00310	-.00090	-.00020	.20350	.06780
.598	38.820	.00000	.01000	.20920	.03790	.04560	-.00360	-.00090	-.00020	.20280	.06860
.600	39.810	.00000	.01000	.20860	.03760	.04530	-.00430	-.00100	-.00000	.20230	.06830
.596	40.800	.00000	.01000	.21210	.03760	.04620	-.00360	-.00090	-.00010	.20570	.06940
.597	41.800	.00000	.01000	.21320	.03770	.04570	-.00400	-.00090	-.00020	.20680	.06910
.599	42.800	.00000	.01000	.21220	.03730	.04540	-.00330	-.00080	-.00020	.20580	.06850
.599	43.790	.00000	.01000	.21090	.03670	.04610	-.00250	-.00080	-.00020	.20450	.06910

ORIGINAL PAGE IS  
 OF POOR QUALITY

LTV44-559(CA26) 747/1 ATY 02 S1 (ORBITER DATA)

(WFE071) ( 18 NOV 75 )

## REFERENCE DATA

SREF = 2690.0000 SQ.FT. XMRP = 1109.0000 IN. XO  
 LREF = 474.8100 IN. YMRP = .0000 IN. YO  
 BREF = 936.6800 IN. ZMRP = 375.0000 IN. ZO  
 SCALE = .0125

## PARAMETRIC DATA

ALPHAC = 2.000 BETAC = .000  
 STAB = 5.000 ELEVON = .000  
 BDFLAP = 5.000 DX = .000  
 DY = .000 IORB = 4.000  
 BETAO = .000 RUDDER = .000

RUN NO. 53/ 0 RN/L = .00 GRADIENT INTERVAL = -5.00/ 5.00

MACH	DZ	DY	DX	CN	CLM	CA	CY	CYN	CEL	CL	CD
.602	44.790	.00000	.01000	.21070	.03660	.04560	-.00390	-.00090	-.00010	.20430	.06870
	GRADIENT	.00000	.00000	-.00058	-.00045	.00013	-.00021	.00004	-.00000	-.00057	.00009

LTV44-559(CA26) 747/1 ATY 02 S1 (ORBITER DATA)

(WFE072) ( 18 NOV 75 )

## REFERENCE DATA

SREF = 2690.0000 SQ.FT. XMRP = 1109.0000 IN. XO  
 LREF = 474.8100 IN. YMRP = .0000 IN. YO  
 BREF = 936.6800 IN. ZMRP = 375.0000 IN. ZO  
 SCALE = .0125

## PARAMETRIC DATA

ALPHAC = 2.000 BETAC = .000  
 STAB = 5.000 ELEVON = .000  
 BDFLAP = 5.000 DX = .000  
 DY = .000 TORB = 6.000  
 BETAO = .000 RUDDER = .000

RUN NO. 1053/ 0 RN/L = .00 GRADIENT INTERVAL = -5.00/ 5.00

MACH	DZ	DY	DX	CN	CLM	CA	CY	CYN	CBL	CL	CD
.598	1.470	.00000	.00000	.29340	.05320	.02960	-.00160	-.00090	-.00140	.28570	.07320
.598	1.770	.00000	.00000	.29170	.05280	.02970	-.00180	-.00090	-.00160	.28400	.07300
.598	2.370	.00000	.00000	.29210	.05260	.02980	-.00090	-.00080	-.00160	.28430	.07320
.598	2.970	.00000	.00000	.28900	.05240	.03000	-.00120	-.00090	-.00150	.28130	.07290
.598	3.770	.00000	.00000	.28990	.05150	.03010	-.00180	-.00090	-.00160	.28220	.07290
.599	4.570	.00000	.00000	.28890	.05130	.03020	-.00040	-.00080	-.00150	.28110	.07290
.598	5.970	.00000	.00000	.29000	.05010	.03090	-.00220	-.00090	-.00140	.28210	.07360
.597	7.970	.00000	.00000	.29210	.04960	.03090	-.00100	-.00080	-.00150	.28430	.07400
.598	9.960	.00000	.00000	.29060	.04930	.03110	-.00100	-.00080	-.00150	.28270	.07390
.599	11.240	.00000	.00000	.29080	.04880	.03110	-.00180	-.00070	-.00140	.28290	.07390
.597	12.520	.00000	.00000	.29310	.04870	.03130	-.00240	-.00090	-.00140	.28520	.07430
.598	13.800	.00000	.00000	.29120	.04790	.03150	-.00130	-.00090	-.00130	.28330	.07420
.597	15.080	.00000	.00000	.29620	.04820	.03160	-.00170	-.00080	-.00140	.28930	.07500
.598	16.350	.00000	.00000	.29700	.04780	.03160	-.00200	-.00090	-.00140	.28910	.07510
.600	17.630	.00000	.00000	.29520	.04720	.03160	-.00170	-.00080	-.00140	.28730	.07490
.598	18.900	.00000	.00000	.29650	.04720	.03210	-.00170	-.00080	-.00120	.28860	.07550
.599	20.180	.00000	.00000	.29610	.04640	.03210	-.00200	-.00090	-.00110	.28820	.07530
.595	21.460	.00000	.00000	.30200	.04690	.03280	-.00120	-.00090	-.00120	.29390	.07700
.598	22.730	.00000	.01000	.29960	.04640	.03250	-.00200	-.00090	-.00120	.29150	.07630
.599	24.000	.00000	.01000	.29920	.04600	.03250	-.00110	-.00080	-.00110	.29120	.07620
.599	25.280	.00000	.01000	.29970	.04570	.03290	-.00180	-.00080	-.00120	.29170	.07650
.598	26.560	.00000	.01000	.30480	.04650	.03260	-.00210	-.00080	-.00140	.29670	.07710
.599	27.840	.00000	.01000	.30510	.04610	.03280	-.00150	-.00080	-.00130	.29700	.07730
.600	29.110	.00000	.01000	.30310	.04540	.03290	-.00150	-.00080	-.00120	.29490	.07710
.599	30.390	.00000	.01000	.30520	.04580	.03300	-.00270	-.00090	-.00120	.29700	.07750
.599	31.660	.00000	.01000	.30460	.04530	.03290	-.00290	-.00090	-.00110	.29650	.07710
.597	32.940	.00000	.01000	.30790	.04500	.03350	-.00170	-.00070	-.00100	.29970	.07620
.598	34.220	.00000	.01000	.30850	.04500	.03300	-.00210	-.00080	-.00100	.30040	.07760
.596	35.490	.00000	.01000	.31020	.04450	.03380	-.00350	-.00100	-.00090	.30190	.07860
.599	36.770	.00000	.01000	.30970	.04450	.03340	-.00180	-.00080	-.00100	.30150	.07820
.600	38.050	.00000	.01000	.30930	.04410	.03360	-.00220	-.00080	-.00090	.30110	.07850
.596	39.330	.00000	.01000	.31120	.04390	.03370	-.00310	-.00080	-.00090	.30290	.07860
.596	40.600	.00000	.01000	.30970	.04320	.03430	-.00360	-.00090	-.00080	.30140	.07900
.598	41.880	.00000	.01000	.31160	.04350	.03350	-.00330	-.00080	-.00080	.30350	.07850
.597	43.150	.00000	.01000	.30570	.04300	.03410	-.00400	-.00100	-.00070	.30140	.07890
.596	44.430	.00000	.01000	.31120	.04280	.03430	-.00290	-.00080	-.00080	.30290	.07920
.599	45.710	.00000	.01000	.31390	.04270	.03370	-.00430	-.00090	-.00060	.30560	.07890
.600	46.980	.00000	.01000	.31500	.04250	.03400	-.00270	-.00080	-.00070	.30670	.07930
.600	48.260	.00000	.02000	.31180	.04160	.03470	-.00360	-.00100	-.00040	.30350	.07940
.597	49.540	.00000	.02000	.31740	.04280	.03450	-.00210	-.00070	-.00070	.30910	.08010
.598	50.820	.00000	.02000	.31310	.04190	.03480	-.00380	-.00090	-.00050	.30490	.07960
GRADIENT		.00000	.00000	-.00133	-.00061	.00020	.00026	.00002	-.00001	-.00135	-.00009

LTV44-559(CA26) 747/1 ATY 02 S1 (ORBITER DATA)

(WFE073) ( 18 NOV 75 )

## REFERENCE DATA

SREF = 2690.0000 SQ.FT. XMRP = 1109.0000 IN. XO  
 LREF = 474.8100 IN. YMRP = .0000 IN. YO  
 BREF = 936.6800 IN. ZMRP = 375.0000 IN. ZO  
 SCALE = .0125

## PARAMETRIC DATA

ALPHAC = 2.000 BETAC = .000  
 STAB = 5.000 ELEVON = .000  
 BDFLAP = 5.000 DX = .000  
 DY = .000 IORB = 8.000  
 BETAC = .000 RUDDER = .000

RUN NO. 54/ 0 RN/L = .00 GRADIENT INTERVAL = -5.00/ 5.00

MACH	DZ	DY	DX	CN	CLM	CA	CY	CYN	CBL	CL	CD
.599	1.760	.00000	-.01000	.40350	.05980	.01570	.00070	-.00100	-.60160	.39370	.08980
.599	2.360	.00000	-.01000	.40140	.05940	.01590	.00040	-.00090	-.00160	.39160	.08950
.600	2.970	.00000	-.01000	.39640	.06070	.01610	.00110	-.00090	-.00170	.38660	.08890
.599	3.960	.00000	-.01000	.39660	.06040	.01610	.00000	-.00090	-.00160	.38690	.08870
.601	4.960	.00000	-.01000	.39030	.05980	.01670	.00070	-.00090	-.00170	.38060	.08800
.599	6.210	.00000	.00000	.39340	.05980	.01690	.00020	-.00090	-.00170	.38360	.08680
.599	7.460	.00000	.00000	.39190	.05990	.01710	.00030	-.00090	-.00170	.38210	.08870
.598	8.710	.00000	.00000	.39230	.05970	.01740	.00060	-.00090	-.00170	.38240	.08900
.600	9.960	.00000	.00000	.39070	.05780	.01810	-.00010	-.00090	-.00160	.38080	.08910
.602	11.200	.00000	.00000	.38920	.05810	.01800	.00020	-.00090	-.00150	.37930	.08890
.599	12.430	.00000	.00000	.39030	.05810	.01820	.00080	-.00070	-.00160	.38040	.08900
.601	13.670	.00000	.00000	.38810	.05780	.01810	-.00010	-.00090	-.00150	.37830	.08880
.600	14.910	.00000	.00000	.39260	.05740	.01820	-.00030	-.00080	-.00150	.38270	.08850
.600	16.140	.00000	.00000	.39020	.05700	.01850	.00010	-.00090	-.00140	.38030	.08930
.598	17.370	.00000	.00000	.39190	.05680	.01860	-.00030	-.00090	-.00140	.38190	.08960
.598	18.610	.00000	.00000	.39220	.05700	.01850	-.00050	-.00100	-.00140	.38230	.08950
.597	19.840	.00000	.00000	.39390	.05630	.01930	-.00040	-.00090	-.00140	.38390	.09040
.599	21.080	.00000	.00000	.39390	.05600	.01910	-.00040	-.00090	-.00140	.38390	.09040
.599	22.310	.00000	.01000	.39610	.05590	.01930	-.00040	-.00090	-.00130	.38610	.09080
.600	23.550	.00000	.01000	.39410	.05520	.01980	-.00050	-.00100	-.00130	.38400	.09090
.602	24.780	.00000	.01000	.39450	.05520	.01960	.00000	-.00100	-.00130	.38440	.09080
.600	26.010	.00000	.01000	.39640	.05460	.01990	-.00020	-.00090	-.00130	.38620	.09140
.601	27.250	.00000	.01000	.39550	.05460	.02000	-.00020	-.00100	-.00130	.38530	.09130
.601	28.480	.00000	.01000	.39550	.05430	.01990	-.00050	-.00090	-.00130	.38540	.09100
.600	29.720	.00000	.01000	.40020	.05490	.02000	-.00010	-.00090	-.00120	.39000	.09210
.601	30.950	.00000	.01000	.39980	.05410	.02010	-.00050	-.00090	-.00120	.38950	.09200
.600	32.180	.00000	.01000	.40080	.05440	.02020	.00000	-.00090	-.00120	.39060	.09210
.602	33.420	.00000	.01000	.40000	.05370	.02030	.00000	-.00080	-.00130	.38980	.09200
.599	34.660	.00000	.01000	.40120	.05350	.02060	.00000	-.00080	-.00120	.39090	.09240
.601	35.900	.00000	.01000	.39980	.05290	.02070	-.00240	-.00110	-.00080	.38950	.09230
.601	37.130	.00000	.01000	.40240	.05330	.02020	-.00050	-.00090	-.00090	.39220	.09230
.602	38.360	.00000	.01000	.40200	.05300	.02030	.00000	-.00080	-.00110	.39180	.09210
.601	39.600	.00000	.01000	.40280	.05290	.02030	-.00170	-.00100	-.00090	.39260	.09230
.599	40.830	.00000	.01000	.40460	.05260	.02070	-.00040	-.00080	-.00090	.39430	.09310
.600	42.070	.00000	.01000	.40290	.05220	.02060	-.00090	-.00090	-.00090	.39270	.09240
.600	43.300	.00000	.01000	.40560	.05240	.02020	-.00180	-.00100	-.00090	.39540	.09270
.599	44.540	.00000	.01000	.40690	.05220	.02070	-.00150	-.00100	-.00060	.39660	.09330
.601	45.770	.00000	.01000	.40430	.05130	.02100	-.00160	-.00090	-.00070	.39400	.09290
.601	47.010	.00000	.01000	.40800	.05170	.02050	-.00200	-.00090	-.00070	.39780	.09330
.600	48.250	.00000	.01000	.40870	.05160	.02070	.00000	-.00060	-.00070	.39840	.09360
.599	49.480	.00000	.01000	.40770	.05110	.02100	-.00260	-.00100	-.00050	.39740	.09350
.599	50.710	.00000	.01000	.40830	.05060	.02100	-.00290	-.00110	-.00040	.39800	.09370



DATE 22 MAR 75

CA-25 FORCE SOURCE DATA TABULATION

PAGE 427

LTV44-559(CA25) 747/1 ATY 02 S1 (ORBITER DATA)

(WFE073) ( 18 NOV 75 )

## REFERENCE DATA

SREF = 2690.0000 SQ.FT. XMRP = 1109.0000 IN. XO  
 LREF = 474.8100 IN. YMRP = .0000 IN. YO  
 BREF = 936.6800 IN. ZMRP = 375.0000 IN. ZO  
 SCALE = .0125

## PARAMETRIC DATA

ALPHAC = 2.000 BETAC = .000  
 STAB = 5.000 ELEVON = .000  
 BDFLAP = 5.000 DX = .000  
 DY = .000 IORB = 8.000  
 BETA0 = .000 RUDDER = .000

RUN NO. 54/ 0 RN/L = .00 GRADIENT INTERVAL = -5.00/ 5.00

MACH	DZ	DY	DX	CN	CLM	CA	CY	CYN	CBL	CL	CD
.599	51.950	.00000	.01000	.40800	.05000	.02170	-.00070	-.00080	-.00060	.39750	.09420
.600	53.180	.00000	.02000	.40430	.04920	.02150	.00020	-.00060	-.00080	.39390	.09320
.599	54.420	.00000	.02000	.41030	.04990	.02110	-.00250	-.00100	-.00050	.40000	.09380
.601	55.650	.00000	.02000	.40150	.04820	.02210	-.00420	-.00120	.00020	.39120	.09330
.599	56.890	.00000	.02000	.40680	.04850	.02190	-.00330	-.00130	-.00010	.39640	.09390
.599	58.120	.00000	.02000	.40710	.04810	.02220	-.00230	-.00110	-.00050	.39660	.09440
	GRADIENT	.00000	-.00000	-.00384	.00009	.00028	-.00006	.00002	-.00002	-.00381	-.00054

ORIGINAL PAGE IS  
 OF POOR QUALITY

LTV44-559(CA26) 747/1 ATY 02 S1 (ORBITER DATA)

(WFE074) ( 18 NOV 75 )

## REFERENCE DATA

SREF = 2690.0000 SQ.FT. XMRP = 1109.0000 IN. XO  
 LREF = 474.8100 IN. YMRP = .0000 IN. YO  
 BREF = 936.6800 IN. ZMRP = 375.0000 IN. ZO  
 SCALE = .0125

## PARAMETRIC DATA

ALPHAC = 2.000 BETAC = .000  
 STAB = 5.000 ELEVON = .000  
 BDFLAP = .000 DX = .000  
 DY = .000 IORB = 4.000  
 BETAO = .000 RUDDER = .000

RUN NO. 55/ 0 RN/L = .00 GRADIENT INTERVAL = -5.00/ 5.00

MACH	DZ	DY	DX	CN	CLM	CA	CY	CYN	CBL	CL	CD
.600	1.760	.00000	.01000	.15950	.05500	.04220	-.00340	-.00110	-.00080	.15350	.06020
.599	2.360	.00000	.01000	.16040	.05500	.04220	-.00250	-.00100	-.00080	.15450	.06030
.602	2.970	.00000	.01000	.15940	.05420	.04250	-.00250	-.00100	-.00090	.15350	.06040
.603	3.760	.00000	.01000	.15830	.05400	.04270	-.00320	-.00110	-.00080	.15240	.06050
.602	4.560	.00000	.01000	.15890	.05390	.04290	-.00210	-.00100	-.00080	.15300	.06080
.601	5.960	.00000	.01000	.16130	.05270	.04310	-.00340	-.00110	-.00070	.15530	.06130
.601	7.970	.00000	.01000	.16080	.05230	.04320	-.00320	-.00100	-.00070	.15490	.06120
.601	9.960	.00000	.01000	.16690	.05040	.04330	-.00320	-.00100	-.00070	.16090	.06200
.601	10.960	.00000	.01000	.16780	.05030	.04360	-.00350	-.00100	-.00070	.16180	.06230
.600	11.960	.00000	.01000	.16810	.04990	.04370	-.00280	-.00090	-.00080	.16210	.06250
.602	12.950	.00000	.01000	.16830	.04990	.04350	-.00300	-.00100	-.00070	.16230	.06230
.602	13.940	.00000	.01000	.16800	.04910	.04370	-.00270	-.00090	-.00080	.16200	.06250
.602	14.940	.00000	.01000	.16950	.04870	.04390	-.00300	-.00090	-.00080	.16340	.06290
.602	15.930	.00000	.01000	.17250	.04890	.04370	-.00290	-.00090	-.00080	.16650	.06300
.601	16.930	.00000	.01000	.17070	.04830	.04450	-.00270	-.00100	-.00070	.16460	.06350
.602	17.930	.00000	.01000	.17480	.04830	.04410	-.00310	-.00100	-.00070	.16870	.06360
.602	18.920	.00000	.01000	.17440	.04780	.04470	-.00420	-.00110	-.00070	.16820	.06400
.602	19.910	.00000	.01000	.17530	.04780	.04440	-.00330	-.00100	-.00060	.16910	.06400
.602	20.910	.00000	.01000	.17800	.04810	.04420	-.00310	-.00090	-.00070	.17190	.06410
.602	21.900	.00000	.00000	.17710	.04720	.04450	-.00320	-.00100	-.00070	.17090	.06430
.602	22.890	.00000	.00000	.17920	.04740	.04440	-.00270	-.00090	-.00070	.17300	.06430
.602	23.890	.00000	.00000	.18040	.04710	.04450	-.00340	-.00090	-.00070	.17430	.06450
.602	24.890	.00000	.00000	.18120	.04720	.04460	-.00320	-.00100	-.00060	.17500	.06470
.602	25.880	.00000	.01000	.18340	.04740	.04480	-.00380	-.00100	-.00060	.17720	.06510
.601	26.870	.00000	.01000	.18460	.04700	.04480	-.00390	-.00090	-.00070	.17840	.06530
.600	27.870	.00000	.01000	.18290	.04650	.04530	-.00350	-.00100	-.00050	.17670	.06550
.601	28.860	.00000	.01000	.18480	.04660	.04530	-.00340	-.00090	-.00060	.17850	.06580
.600	29.860	.00000	.01000	.18790	.04660	.04520	-.00390	-.00100	-.00070	.18170	.06600
.601	30.860	.00000	.01000	.18870	.04660	.04540	-.00330	-.00090	-.00060	.18240	.06630
.602	31.850	.00000	.01000	.18920	.04630	.04520	-.00330	-.00100	-.00060	.18290	.06620
.603	32.840	.00000	.01000	.18790	.04580	.04540	-.00300	-.00090	-.00060	.18160	.06610
.602	33.840	.00000	.01000	.18810	.04600	.04570	-.00420	-.00110	-.00040	.18180	.06640
.601	34.830	.00000	.01000	.19120	.04620	.04560	-.00450	-.00110	-.00050	.18490	.06660
.602	35.830	.00000	.01000	.18920	.04560	.04570	-.00340	-.00100	-.00060	.18290	.06650
.602	36.830	.00000	.01000	.19160	.04570	.04580	-.00290	-.00090	-.00040	.18530	.06690
.602	37.820	.00000	.01000	.19320	.04570	.04560	-.00460	-.00110	-.00030	.18690	.06690
.601	38.820	.00000	.01000	.19290	.04550	.04600	-.00360	-.00100	-.00040	.18660	.06720
.601	39.810	.00000	.01000	.19390	.04540	.04580	-.00360	-.00090	-.00040	.18760	.06720
.603	40.800	.00000	.01000	.19310	.04500	.04610	-.00380	-.00090	-.00030	.18680	.06720
.602	41.800	.00000	.01000	.19730	.04580	.04560	-.00460	-.00100	-.00030	.19100	.06720
.601	42.800	.00000	.01000	.19740	.04510	.04610	-.00450	-.00110	-.00000	.19110	.06770
.601	43.790	.00000	.01000	.19800	.04500	.04570	-.00360	-.00090	-.00040	.19180	.06740

DATE 22 MAR 76

CA-26 FORCE SOURCE DATA TABULATION

PAGE 429

LTV44-559(CA26) 747/1 ATY 02 S1 (ORBITER DATA)

(WFE074) ( 18 NOV 75 )

REFERENCE DATA

SREF = 2690.0000 SQ.FT. XMRP = 1109.0000 IN. XO  
LREF = 474.8100 IN. YMRP = .0000 IN. YO  
BREF = 936.6800 IN. ZMRP = 375.0000 IN. ZO  
SCALE = .0125

PARAMETRIC DATA

ALPHAC = 2.000 BETAC = .000  
STAB = 5.000 ELEVON = .000  
BOFLAP = .000 DX = .000  
DY = .000 TORB = 4.000  
BETA0 = .000 RUDDER = .000

RUN NO. 55/ 0 RN/L = .00 GRADIENT INTERVAL = -5.00/ 5.00

MACH	DZ	DY	DX	CN	CLM	CA	CY	CYN	CBL	CL	CD
.603	44.790	.00000	.01000	.19590	.04420	.04660	-.00410	-.00100	.00000	.18950	.06790
	GRADIENT	.00000	.00000	-.00047	-.00045	.00027	.00027	.00001	.00000	-.00047	.00020

LTV44-559(CA26) 747/1 ATY 02 S1 (ORBITER DATA)

(WFE075) ( 18 NOV 75 )

## REFERENCE DATA

SREF = 2690.0000 SQ.FT. XMRP = 1109.0000 IN. XO  
 LREF = 474.8100 IN. YMRP = .0000 IN. YO  
 BREF = 936.6800 IN. ZMRP = 375.0000 IN. ZO  
 SCALE = .0125

## PARAMETRIC DATA

ALPHAC = 2.000 BETAC = .000  
 STAB = 5.000 ELEVON = .000  
 BDFLAP = .000 DX = .000  
 DY = .000 IORB = 6.000  
 BETAO = .000 RUDDER = .000

RUN NO. 1055/ 0 RN/L = .00 GRADIENT INTERVAL = -5.00/ 5.00

MACH	DZ	DY	DX	CN	CLM	CA	CY	CYN	CBL	CL	CD
.603	1.470	.00000	.00000	.27600	.06160	.03000	-.00070	-.00090	-.00140	.26850	.07080
.602	1.770	.00000	.00000	.27090	.06110	.03010	-.00160	-.00100	-.00150	.26340	.07030
.603	2.370	.00000	.00000	.27060	.06080	.03020	-.00210	-.00110	-.00160	.26310	.07030
.601	2.970	.00000	.00000	.27170	.06100	.03020	-.00100	-.00090	-.00160	.26420	.07030
.601	3.770	.00000	.01000	.27250	.06000	.03060	-.00100	-.00100	-.00160	.26490	.07080
.600	4.570	.00000	.00000	.27270	.06000	.03060	-.00190	-.00100	-.00160	.26510	.07100
.601	5.970	.00000	.01000	.27300	.05810	.03110	-.00180	-.00090	-.00150	.26530	.07140
.602	7.970	.00000	.00000	.27140	.05730	.03120	-.00220	-.00100	-.00150	.26380	.07130
.601	9.960	.00000	.01000	.27270	.05740	.03110	-.00130	-.00090	-.00150	.26510	.07130
.601	11.240	.00000	.00000	.27630	.05660	.03140	-.00090	-.00080	-.00150	.26860	.07210
.603	12.520	.00000	.00000	.27490	.05600	.03140	-.00160	-.00100	-.00140	.26720	.07180
.600	13.800	.00000	.01000	.27730	.05550	.03200	-.00190	-.00100	-.00150	.26950	.07270
.602	15.080	.00000	.00000	.27470	.05490	.03200	-.00140	-.00100	-.00140	.26690	.07220
.602	16.360	.00000	.00000	.27600	.05480	.03200	-.00140	-.00100	-.00140	.26830	.07240
.600	17.630	.00000	.00000	.27950	.05490	.03230	-.00150	-.00090	-.00140	.27160	.07330
.599	18.900	.00000	.00000	.28170	.05510	.03230	-.00130	-.00090	-.00140	.27380	.07350
.601	20.180	.00000	.00000	.28010	.05430	.03270	-.00210	-.00100	-.00130	.27230	.07360
.599	21.460	.00000	.00000	.28210	.05420	.03280	-.00190	-.00100	-.00130	.27420	.07410
.602	22.730	.00000	.01000	.28290	.05400	.03260	-.00240	-.00100	-.00140	.27510	.07390
.600	24.000	.00000	.01000	.28640	.05400	.03270	-.00210	-.00090	-.00140	.27840	.07450
.603	25.280	.00000	.01000	.28570	.05370	.03270	-.00200	-.00090	-.00130	.27780	.07440
.601	26.560	.00000	.01000	.28610	.05350	.03300	-.00240	-.00090	-.00130	.27810	.07470
.604	27.840	.00000	.01000	.28710	.05340	.03270	-.00280	-.00100	-.00140	.27920	.07440
.601	29.110	.00000	.01000	.28990	.05330	.03290	-.00160	-.00070	-.00140	.28190	.07510
.602	30.390	.00000	.01000	.28950	.05300	.03310	-.00250	-.00080	-.00120	.28150	.07520
.601	31.660	.00000	.01000	.28910	.05250	.03370	-.00320	-.00090	-.00120	.28100	.07570
.601	32.940	.00000	.01000	.28920	.05260	.03340	-.00170	-.00080	-.00100	.28110	.07540
.602	34.220	.00000	.01000	.28980	.05240	.03340	-.00230	-.00090	-.00110	.28170	.07550
.602	35.490	.00000	.01000	.29100	.05230	.03370	-.00350	-.00100	-.00100	.28300	.07590
.602	36.770	.00000	.01000	.29120	.05200	.03360	-.00330	-.00090	-.00100	.28320	.07580
.601	38.050	.00000	.01000	.29250	.05170	.03410	-.00300	-.00090	-.00100	.28430	.07640
.602	39.330	.00000	.01000	.29500	.05180	.03360	-.00350	-.00090	-.00100	.28700	.07620
.601	40.600	.00000	.01000	.29370	.05160	.03380	-.00370	-.00110	-.00090	.28560	.07630
.601	41.880	.00000	.01000	.29490	.05100	.03410	-.00210	-.00080	-.00100	.28680	.07660
.603	43.150	.00000	.01000	.29080	.05010	.03470	-.00410	-.00110	-.00080	.28260	.07660
.602	44.430	.00000	.01000	.29700	.05060	.03440	-.00250	-.00080	-.00100	.28890	.07700
.603	45.710	.00000	.01000	.29650	.05040	.03420	-.00410	-.00100	-.00060	.28840	.07700
.602	46.980	.00000	.01000	.29680	.05000	.03440	-.00520	-.00130	-.00030	.28860	.07720
.602	48.260	.00000	.01000	.29820	.05010	.03440	-.00360	-.00090	-.00070	.29010	.07710
.602	49.540	.00000	.01000	.29580	.04980	.03470	-.00350	-.00090	-.00070	.28770	.07710
.602	50.820	.00000	.01000	.29770	.05040	.03410	-.00300	-.00090	-.00060	.28960	.07680
GRADIENT		.00000	.00134	-.00028	-.00050	.00020	-.00012	-.00001	-.00005	-.00031	.00014

LTV44-559(CA26) 747/1 ATY 02 S1 (ORBITER DATA)

(WFE076) ( 18 NOV 75 )

## REFERENCE DATA

SREF = 2690.0000 SQ.FT. XMRP = 1109.0000 IN. XO  
 LREF = 474.8100 IN. YMRP = .0000 IN. YO  
 BREF = 936.6800 IN. ZMRP = 375.0000 IN. ZO  
 SCALE = .0125

## PARAMETRIC DATA

ALPHAC = 2.000 BETAC = .000  
 STAB = 5.000 ELEVON = .000  
 BDFLAP = .000 DX = .000  
 DY = .000 TORB = 8.000  
 BETAO = .000 RUDDER = .000

RUN NO. 56/ 0 RN/L = .00 GRADIENT INTERVAL = -5.00/ 5.00

MACH	DZ	DY	DX	CN	CLM	CA	CY	CYN	CBL	CL	CD
.598	1.760	.00000	-.01000	.38470	.07060	.01650	-.00010	-.00090	-.00170	.37500	.08720
.598	2.360	.00000	-.01000	.38390	.07070	.01660	-.00110	-.00090	-.00170	.37430	.08710
.598	2.970	.00000	-.01000	.38000	.07080	.01680	-.00090	-.00090	-.00170	.37040	.08650
.600	3.960	.00000	-.01000	.37830	.07030	.01710	.00010	-.00090	-.00160	.36870	.08620
.600	4.960	.00000	.00000	.37820	.06970	.01710	-.00020	-.00090	-.00180	.36860	.08640
.600	6.210	.00000	.00000	.37380	.06900	.01770	-.00060	-.00100	-.00170	.36410	.08600
.600	7.460	.00000	.00000	.37430	.06880	.01770	-.00030	-.00090	-.00170	.36470	.08620
.598	8.710	.00000	.00000	.37670	.06840	.01810	.00000	-.00080	-.00160	.36700	.08680
.599	9.960	.00000	.00000	.37580	.06740	.01820	-.00050	-.00090	-.00160	.36600	.08680
.598	11.200	.00000	.00000	.37660	.06770	.01840	-.00050	-.00090	-.00160	.36680	.08700
.598	12.430	.00000	.00000	.37680	.06740	.01850	-.00070	-.00080	-.00170	.36710	.08710
.598	13.670	.00000	.00000	.37690	.06680	.01910	-.00140	-.00090	-.00150	.36700	.08770
.599	14.910	.00000	.00000	.37640	.06650	.01910	-.00110	-.00090	-.00150	.36660	.08750
.598	16.140	.00000	.00000	.37910	.06630	.01900	-.00070	-.00080	-.00170	.36920	.08800
.598	17.370	.00000	.00000	.37940	.06610	.01930	-.00090	-.00090	-.00160	.36950	.08820
.599	18.610	.00000	.00000	.37890	.06550	.01920	-.00030	-.00080	-.00150	.36910	.08780
.598	19.840	.00000	.00000	.38290	.06590	.01960	-.00020	-.00090	-.00140	.37290	.08890
.600	21.080	.00000	.00000	.38010	.06510	.01950	-.00120	-.00090	-.00140	.37020	.08850
.600	22.310	.00000	.01000	.38120	.06440	.01950	-.00110	-.00080	-.00140	.37130	.08850
.598	23.550	.00000	.01000	.38310	.06490	.01980	.00000	-.00070	-.00150	.37320	.08890
.599	24.780	.00000	.01000	.38240	.06410	.02000	-.00090	-.00080	-.00140	.37240	.08910
.599	26.010	.00000	.01000	.38490	.06430	.02020	-.00150	-.00100	-.00130	.37480	.08960
.599	27.250	.00000	.01000	.38530	.06380	.02010	-.00080	-.00080	-.00140	.37530	.08970
.598	28.480	.00000	.01000	.38570	.06350	.02010	-.00090	-.00080	-.00120	.37570	.08950
.598	29.720	.00000	.01000	.38590	.06350	.02040	-.00110	-.00080	-.00130	.37590	.08980
.599	30.950	.00000	.01000	.38650	.06320	.02030	-.00110	-.00090	-.00120	.37640	.08990
.599	32.180	.00000	.01000	.38250	.06210	.02100	-.00180	-.00100	-.00090	.37240	.08960
.597	33.420	.00000	.01000	.38720	.06280	.02070	-.00130	-.00100	-.00100	.37710	.09050
.598	34.660	.00000	.01000	.38940	.06280	.02060	-.00120	-.00100	-.00110	.37930	.09070
.600	35.900	.00000	.01000	.38770	.06150	.02080	-.00120	-.00080	-.00110	.37760	.09030
.598	37.130	.00000	.01000	.39170	.06200	.02070	-.00180	-.00090	-.00110	.38160	.09100
.600	38.360	.00000	.01000	.38860	.06140	.02090	-.00230	-.00080	-.00090	.37850	.09070
.600	39.600	.00000	.01000	.38620	.06080	.02120	-.00270	-.00090	-.00090	.37600	.09040
.598	40.830	.00000	.01000	.39170	.06120	.02090	-.00090	-.00060	-.00110	.38160	.09090
.600	42.070	.00000	.01000	.39050	.06110	.02070	-.00140	-.00070	-.00100	.38040	.09070
.596	43.300	.00000	.01000	.39410	.06070	.02150	-.00400	-.00110	-.00070	.38380	.09190
.600	44.540	.00000	.01000	.39100	.05990	.02120	-.00270	-.00090	-.00070	.38080	.09120
.602	45.770	.00000	.01000	.38810	.05930	.02130	-.00260	-.00100	-.00070	.37790	.09060
.601	47.010	.00000	.01000	.38940	.05920	.02150	-.00330	-.00100	-.00060	.37930	.09100
.599	48.250	.00000	.01000	.39300	.05980	.02160	-.00320	-.00100	-.00040	.38280	.09180
.600	49.480	.00000	.02000	.39190	.05890	.02170	-.00280	-.00100	-.00050	.38170	.09140
.599	50.710	.00000	.02000	.39590	.05930	.02120	-.00260	-.00100	-.00040	.38570	.09180

LTV44-559(CA26) 747/1 ATY 02 S1 (ORBITER DATA)

(WFE076) ( 18 NOV 75 )

## REFERENCE DATA

SREF = 2690.0000 SQ.FT. XMRP = 1109.0000 IN. XO  
 LREF = 474.8100 IN. YMRP = .0000 IN. YO  
 BREF = 936.6800 IN. ZMRP = 375.0000 IN. ZO  
 SCALE = .0125

## PARAMETRIC DATA

ALPHAC = 2.000 BETAC = .000  
 STAB = 5.000 ELEVON = .000  
 BDFLAP = .000 DX = .000  
 DY = .000 IORB = 8.000  
 BETA0 = .000 RUDDER = .000

RUN NO. 56/ 0 RN/L = .00 GRADIENT INTERVAL = -5.00/ 5.00

MACH	DZ	DY	DX	CN	CLM	CA	CY	CYN	CBL	CL	CD
.599	51.950	.00000	.01000	.39210	.05870	.02190	-.00410	-.00110	-.00030	.38190	.09170
.595	53.180	.00000	.02000	.39590	.05880	.02220	-.00220	-.00080	-.00040	.38560	.09250
.598	54.420	.00000	.02000	.39440	.05830	.02180	-.00290	-.00090	-.00030	.38410	.09200
.600	55.650	.00000	.02000	.39550	.05850	.02130	-.00270	-.00090	-.00060	.38530	.09160
.600	56.890	.00000	.02000	.39240	.05740	.02210	-.00270	-.00090	-.00030	.38220	.09170
.596	58.120	.00000	.02000	.39950	.05770	.02200	-.00250	-.00100	-.00030	.38920	.09300
	GRADIENT	.00000	.00270	-.00223	-.00030	.00021	.00015	-.00000	-.00002	-.00221	-.00029

LTV44-559(CA26) 747/1 ATY 02 S1 (ORBITER DATA)

(WFE077) ( 18 NOV 75 )

## REFERENCE DATA

SREF = 2690.0000 SQ.FT. XMRP = 1109.0000 IN. XO  
 LREF = 474.8100 IN. YMRP = .0000 IN. YO  
 BREF = 936.6800 IN. ZMRP = 375.0000 IN. ZO  
 SCALE = .0125

## PARAMETRIC DATA

ALPHAC = 2.000 BETAC = .000  
 STAB = 5.000 ELEVON = 10.000  
 BDFLAP = .000 DX = .000  
 DY = .000 IORB = 6.000  
 BETAO = .000 RUDDER = .000

RUN NO. 57/ 0 RN/L = .00 GRADIENT INTERVAL = -5.00/ 5.00

MACH	DZ	DY	DX	CN	CLM	CA	CY	CYN	CBL	CL	CD
.600	1.760	.00000	-.03000	.44360	-.00970	.03860	-.00010	-.00060	-.00160	.43270	.10520
.601	2.360	.00000	-.02000	.44420	-.00990	.03880	-.00040	-.00070	-.00150	.43320	.10560
.602	2.970	.00000	-.02000	.44190	-.01160	.03950	-.00130	-.00070	-.00140	.43080	.10580
.602	3.760	.00000	-.02000	.44170	-.01230	.03920	-.00040	-.00080	-.00150	.43080	.10530
.600	4.560	.00000	-.02000	.44310	-.01310	.03960	.00020	-.00070	-.00150	.43200	.10600
.602	5.470	.00000	-.02000	.44360	-.01440	.03930	-.00090	-.00070	-.00150	.43270	.10570
.601	6.460	.00000	-.02000	.44510	-.01480	.03970	-.00110	-.00080	-.00140	.43400	.10530
.603	7.460	.00000	-.01000	.44440	-.01580	.03960	-.00060	-.00070	-.00140	.43340	.10590
.602	8.460	.00000	-.01000	.44740	-.01720	.04010	-.00140	-.00060	-.00130	.43630	.10690
.601	9.460	.00000	-.01000	.44850	-.01800	.04000	-.00150	-.00050	-.00130	.43750	.10670
.600	10.560	.00000	-.01000	.45090	-.01950	.04080	-.00120	-.00070	-.00130	.43970	.10770
.601	11.740	.00000	-.01000	.45120	-.01900	.04070	-.00130	-.00070	-.00130	.44000	.10760
.602	12.930	.00000	.00000	.45170	-.02020	.04100	-.00070	-.00050	-.00120	.44050	.10800
.601	14.110	.00000	.00000	.45280	-.02050	.04100	-.00110	-.00070	-.00120	.44160	.10830
.603	15.300	.00000	.00000	.45340	-.02060	.04100	-.00170	-.00060	-.00130	.44220	.10820
.603	16.490	.00000	.00000	.45210	-.02100	.04110	-.00150	-.00050	-.00130	.44090	.10790
.602	17.670	.00000	.00000	.45420	-.02120	.04150	-.00110	-.00060	-.00120	.44300	.10860
.601	18.860	.00000	.00000	.45640	-.02210	.04170	-.00170	-.00070	-.00130	.44510	.10920
.603	20.040	.00000	.00000	.45480	-.02200	.04180	-.00130	-.00060	-.00120	.44360	.10860
.600	21.230	.00000	.00000	.45810	-.02250	.04220	-.00140	-.00060	-.00110	.44680	.10970
.600	22.410	.00000	.01000	.46210	-.02240	.04210	-.00070	-.00060	-.00110	.45080	.11020
.601	23.600	.00000	.01000	.46110	-.02360	.04290	-.00070	-.00070	-.00120	.44980	.11050
.602	24.780	.00000	.01000	.46050	-.02300	.04260	-.00090	-.00050	-.00110	.44920	.11030
.601	25.970	.00000	.01000	.46390	-.02340	.04290	-.00170	-.00070	-.00120	.45250	.11110
.600	27.150	.00000	.01000	.46450	-.02430	.04350	-.00140	-.00070	-.00120	.45300	.11130
.601	28.340	.00000	.01000	.46430	-.02390	.04330	-.00160	-.00060	-.00100	.45280	.11120
.603	29.520	.00000	.01000	.46490	-.02400	.04320	-.00170	-.00080	-.00110	.45340	.11120
.602	30.710	.00000	.01000	.46530	-.02430	.04340	-.00200	-.00070	-.00100	.45380	.11150
.601	31.900	.00000	.01000	.46690	-.02470	.04330	-.00230	-.00060	-.00090	.45560	.11130
.601	33.080	.00000	.01000	.46800	-.02510	.04390	-.00170	-.00070	-.00080	.45660	.11190
.599	34.270	.00000	.01000	.47060	-.02560	.04430	-.00110	-.00070	-.00080	.45900	.11290
.600	35.450	.00000	.01000	.47120	-.02510	.04370	-.00250	-.00070	-.00100	.45970	.11230
.602	36.640	.00000	.01000	.46970	-.02500	.04310	-.00270	-.00070	-.00080	.45840	.11140
.603	37.820	.00000	.01000	.46950	-.02470	.04360	-.00310	-.00070	-.00060	.45810	.11170
.602	39.010	.00000	.02000	.47210	-.02490	.04370	-.00190	-.00060	-.00080	.46060	.11240
.603	40.200	.00000	.01000	.47130	-.02610	.04410	-.00230	-.00070	-.00090	.45980	.11260
.603	41.380	.00000	.02000	.47010	-.02590	.04390	-.00120	-.00050	-.00080	.45870	.11190
.601	42.570	.00000	.02000	.47530	-.02570	.04380	-.00240	-.00070	-.00080	.46380	.11260
.601	43.750	.00000	.02000	.47350	-.02610	.04410	-.00240	-.00070	-.00060	.46200	.11260
.603	44.940	.00000	.02000	.46930	-.02670	.04450	-.00210	-.00060	-.00060	.45790	.11220
.600	46.130	.00000	.02000	.47860	-.02630	.04480	-.00210	-.00060	-.00060	.46700	.11400
.602	47.310	.00000	.02000	.47330	-.02680	.04460	-.00160	-.00050	-.00060	.46180	.11290

LTV44-559(CA26) 747/1 ATY 02 S1 (ORBITER DATA)

(WFE077) ( 18 NOV 75 )

## REFERENCE DATA

SREF = 2690.0000 SQ.FT. XMRP = 1109.0000 IN. XO  
 LREF = 474.8100 IN. YMRP = .0000 IN. YO  
 BREF = 936.6800 IN. ZMRP = 375.0000 IN. ZO  
 SCALE = .0125

## PARAMETRIC DATA

ALPHAC = 2.000 BETAC = .000  
 STAB = 5.000 ELEVON = 10.000  
 BDFLAP = .000 DX = .000  
 DY = .000 IORB = 6.000  
 BETAO = .000 RUDDER = .000

RUN NO. 57/ 0 RN/L = .00 GRADIENT INTERVAL = -5.00/ 5.00

MACH	DZ	DY	DX	CN	CLM	CA	CY	CYN	CBL	CL	CD
.604	48.500	.00000	.02000	.46860	-.02680	.04400	-.00240	-.00060	-.00070	.45720	.11160
.605	49.680	.00000	.02000	.46810	-.02670	.04460	-.00200	-.00050	-.00060	.45660	.11210
.603	50.870	.00000	.02000	.47070	-.02790	.04480	-.00170	-.00040	-.00070	.45930	.11230
.605	51.460	.00000	.02000	.47640	-.02680	.04400	-.00340	-.00080	-.00060	.46500	.11260
	GRADIENT	.00000	.00268	-.00046	-.00131	.00033	.00012	-.00004	.00002	-.00050	.00018



LTV44-559(CA26) 747/1 ATY 02 S1 (ORBITER DATA)

(WFE078) ( 18 NOV 75 )

## REFERENCE DATA

SREF = 2690.0000 SQ.FT. XMRP = 1109.0000 IN. XO  
 LREF = 474.8100 IN. YMRP = .0000 IN. YO  
 BREF = 936.6800 IN. ZMRP = 375.0000 IN. ZO  
 SCALE = .0125

## PARAMETRIC DATA

ALPHAC = 2.000 BETAC = .000  
 STAB = 5.000 ELEVON = 5.000  
 AILRON = -5.000 DX = .000  
 DY = .000 IORB = 6.000  
 BETAO = .000 DPHI = .000

RUN NO. 58/ 0 RN/L = .00 GRADIENT INTERVAL = -5.00/ 5.00

MACH	DZ	DY	DX	CN	CLM	CA	CY	CYN	CBL	CL	CD
.599	1.760	.00000	-.01000	.36230	.02630	.03460	.01450	-.00280	-.02130	.35300	.08880
.597	2.360	.00000	-.01000	.36430	.02640	.03500	.01450	-.00290	-.02140	.35490	.08910
.600	2.970	.00000	-.01000	.35790	.02500	.03480	.01530	-.00290	-.02130	.34860	.08820
.600	3.760	.00000	-.01000	.35600	.02460	.03510	.01480	-.00290	-.02140	.34670	.08810
.596	4.560	.00000	-.01000	.36150	.02450	.03560	.01500	-.00300	-.02150	.35210	.08930
.598	5.470	.00000	-.01000	.35920	.02290	.03540	.01470	-.00300	-.02150	.34980	.08870
.598	6.460	.00000	-.01000	.35780	.02260	.03550	.01580	-.00290	-.02130	.34850	.08850
.596	7.460	.00000	.00000	.36080	.02220	.03610	.01470	-.00300	-.02160	.35130	.08960
.599	8.460	.00000	.00000	.35970	.02130	.03570	.01500	-.00300	-.02140	.35030	.08910
.597	9.460	.00000	.00000	.36190	.02090	.03610	.01520	-.00300	-.02150	.35240	.08980
.600	10.560	.00000	.00000	.36280	.01980	.03590	.01610	-.00290	-.02120	.35340	.08940
.600	11.740	.00000	.00000	.36300	.01950	.03630	.01650	-.00290	-.02130	.35350	.09000
.598	12.930	.00000	.00000	.36440	.01920	.03660	.01580	-.00290	-.02130	.35490	.09040
.599	14.110	.00000	.00000	.36340	.01850	.03670	.01540	-.00290	-.02130	.35390	.09030
.596	15.300	.00000	.00000	.36890	.01830	.03720	.01660	-.00290	-.02150	.35930	.09140
.598	16.490	.00000	.00000	.36640	.01790	.03710	.01490	-.00300	-.02140	.35680	.09110
.597	17.670	.00000	.00000	.36700	.01750	.03760	.01540	-.00300	-.02130	.35740	.09140
.600	18.860	.00000	.00000	.36720	.01760	.03720	.01490	-.00300	-.02120	.35760	.09110
.599	20.040	.00000	.00000	.36770	.01680	.03770	.01640	-.00280	-.02140	.35810	.09140
.598	21.230	.00000	.00000	.36830	.01680	.03800	.01450	-.00300	-.02130	.35860	.09200
.598	22.410	.00000	.01000	.37300	.01690	.03770	.01560	-.00290	-.02140	.36340	.09220
.601	23.600	.00000	.01000	.36930	.01640	.03770	.01510	-.00290	-.02100	.35970	.09170
.597	24.780	.00000	.01000	.37230	.01610	.03860	.01490	-.00310	-.02110	.36250	.09310
.596	25.970	.00000	.01000	.37570	.01630	.03860	.01460	-.00310	-.02120	.36590	.09350
.597	27.150	.00000	.01000	.37560	.01550	.03820	.01600	-.00280	-.02130	.36590	.09310
.598	28.340	.00000	.01000	.37370	.01570	.03840	.01510	-.00290	-.02110	.36400	.09280
.600	29.520	.00000	.01000	.37460	.01550	.03870	.01490	-.00310	-.02110	.36490	.09330
.599	30.710	.00000	.01000	.37530	.01510	.03870	.01640	-.00280	-.02110	.36560	.09350
.598	31.900	.00000	.01000	.37790	.01540	.03870	.01560	-.00290	-.02130	.36820	.09360
.600	33.080	.00000	.01000	.37930	.01510	.03870	.01520	-.00300	-.02120	.36950	.09390
.601	34.270	.00000	.01000	.37910	.01500	.03840	.01590	-.00280	-.02120	.36940	.09330
.600	35.450	.00000	.01000	.37820	.01440	.03900	.01530	-.00290	-.02110	.36840	.09370
.600	36.640	.00000	.01000	.37930	.01470	.03900	.01560	-.00290	-.02100	.36950	.09390
.599	37.820	.00000	.01000	.38050	.01420	.03910	.01530	-.00290	-.02090	.37070	.09430
.598	39.010	.00000	.01000	.38040	.01360	.03950	.01390	-.00310	-.02080	.37060	.09450
.597	40.200	.00000	.01000	.38330	.01400	.03960	.01380	-.00310	-.02100	.37350	.09490
.597	41.380	.00000	.01000	.38310	.01360	.03990	.01440	-.00300	-.02090	.37320	.09530
.598	42.570	.00000	.01000	.38520	.01400	.03970	.01500	-.00290	-.02100	.37530	.09510
.596	43.750	.00000	.01000	.38550	.01310	.04000	.01450	-.00290	-.02090	.37560	.09570
.597	44.940	.00000	.01000	.38310	.01310	.04010	.01540	-.00280	-.02090	.37320	.09520
.598	46.130	.00000	.01000	.38290	.01220	.04020	.01370	-.00310	-.02050	.37300	.09520
.598	47.310	.00000	.02000	.38540	.01310	.04020	.01240	-.00310	-.02040	.37540	.09570

ORIGINAL PAGE IS  
 OF POOR QUALITY

LTV44-559(CA26) 747/1 ATY 02 S1 (ORBITER DATA)

(WFE078) ( 18 NOV 75 )

## REFERENCE DATA

SREF =	2690.0000 SQ.FT.	XMRP =	1109.0000 IN. XO
LREF =	474.8100 IN.	YMRP =	.0000 IN. YO
BREF =	936.6800 IN.	ZMRP =	375.0000 IN. ZO
SCALE =	.0125		

## PARAMETRIC DATA

ALPHAC =	2.000	BETAC =	.000
STAB =	5.000	ELEVON =	5.000
AILRON =	-5.000	DX =	.000
DY =	.000	IORB =	6.000
BETA0 =	.000	DPHI =	.000

RUN NO.	58/ 0	RN/L =	.00	GRADIENT INTERVAL =	-5.00/ 5.00
---------	-------	--------	-----	---------------------	-------------

MACH	DZ	DY	DX	CN	CLM	CA	CY	CYN	CBL	CL	CD
.599	48.500	.00000	.02000	.38650	.01250	.03970	.01490	-.00290	-.02060	.37670	.09540
.600	49.680	.00000	.02000	.38480	.01230	.03990	.01370	-.00290	-.02060	.37500	.09510
.597	50.870	.00000	.02000	.39140	.01250	.04020	.01430	-.00290	-.02100	.38150	.09630
	GRADIENT	.00000	.00000	-.00130	-.00076	.00031	.00017	-.00006	-.00006	-.00132	.00002

DATE 22 MAR 76

CA-26 FORCE SOURCE DATA TABULATION

PAGE 437

LTV44-559(CA26) 747/1 ATY 02 S1 (ORBITER DATA)

(WFE079) ( 29 JAN 76 )

## REFERENCE DATA

SREF = 2690.0000 SQ.FT. XMRP = 1109.0000 IN. XO  
 LREF = 474.8100 IN. YMRP = .0000 IN. YO  
 BREF = 936.6800 IN. ZMRP = 375.0000 IN. ZO  
 SCALE = .0125

## PARAMETRIC DATA

ALPHAC \* = 2.000 BETAC = .000  
 STAB = 5.000 RUDDER = 10.000  
 ELEVON = 5.000 DX = .000  
 DY = .000 IORB = 6.000  
 BETA0 = .000 DPHI = .000

RUN NO. 59/ 0 RN/L = .00 GRADIENT INTERVAL = -5.00/ 5.00

MACH	DZ	DY	DX	CN	CLM	CA	CY	CYN	CBL	CL	CD
.599	1.760	.00000	-.01000	.35070	.02890	.03160	-.00320	-.00090	-.00130	.34200	.08380
.599	2.360	.00000	-.01000	.34890	.02880	.03160	-.00400	-.00100	-.00140	.34020	.08350
.600	2.970	.00000	-.01000	.34880	.02740	.03190	-.00390	-.00100	-.00150	.34010	.08380
.599	3.760	.00000	-.01000	.34830	.02740	.03200	-.00410	-.00100	-.00140	.33960	.08390
.597	4.560	.00000	-.01000	.35060	.02630	.03220	-.00400	-.00110	-.00150	.34180	.08440
.599	5.470	.00000	-.01000	.35120	.02440	.03240	-.00410	-.00120	-.00150	.34240	.08470
.600	6.460	.00000	.00000	.34960	.02400	.03240	-.00360	-.00100	-.00140	.34080	.08450
.599	7.460	.00000	.00000	.35100	.02340	.03250	-.00390	-.00100	-.00130	.34220	.08470
.597	8.460	.00000	.00000	.35400	.02330	.03270	-.00390	-.00110	-.00130	.34510	.08530
.599	9.460	.00000	.00000	.35360	.02200	.03280	-.00450	-.00110	-.00140	.34480	.08520
.599	10.560	.00000	.00000	.35530	.02120	.03270	-.00410	-.00100	-.00140	.34650	.08530
.597	11.740	.00000	.00000	.35730	.02170	.03320	-.00410	-.00100	-.00140	.34830	.08620
.598	12.930	.00000	.00000	.35800	.02130	.03350	-.00350	-.00100	-.00130	.34900	.08660
.597	14.110	.00000	.00000	.35930	.02050	.03370	-.00430	-.00100	-.00130	.35030	.08670
.598	15.300	.00000	.00000	.35860	.02010	.03390	-.00390	-.00110	-.00140	.34960	.08680
.597	16.490	.00000	.00000	.36010	.02010	.03410	-.00400	-.00110	-.00130	.35100	.08730
.599	17.670	.00000	.00000	.35970	.01960	.03400	-.00440	-.00110	-.00130	.35060	.08720
.598	18.860	.00000	.00000	.36170	.01930	.03450	-.00390	-.00100	-.00130	.35260	.08770
.600	20.040	.00000	.00000	.36180	.01890	.03430	-.00480	-.00120	-.00130	.35270	.08770
.599	21.230	.00000	.00000	.36520	.01840	.03420	-.00470	-.00110	-.00130	.35610	.08790
.599	22.410	.00000	.01000	.36590	.01870	.03420	-.00390	-.00110	-.00120	.35680	.08790
.596	23.600	.00000	.01000	.36800	.01850	.03490	-.00420	-.00100	-.00130	.35880	.08870
.596	24.780	.00000	.01000	.36860	.01860	.03500	-.00440	-.00110	-.00130	.35940	.08900
.600	25.970	.00000	.01000	.36560	.01800	.03460	-.00390	-.00100	-.00120	.35650	.08810
.599	27.150	.00000	.01000	.37000	.01760	.03460	-.00460	-.00110	-.00110	.36080	.08890
.598	28.340	.00000	.01000	.36940	.01720	.03550	-.00500	-.00110	-.00120	.36010	.08950
.593	29.520	.00000	.01000	.37520	.01790	.03580	-.00380	-.00100	-.00120	.36590	.09060
.599	30.710	.00000	.01000	.36920	.01750	.03530	-.00450	-.00110	-.00110	.35990	.08940
.597	31.900	.00000	.01000	.37410	.01740	.03570	-.00480	-.00100	-.00110	.36480	.09030
.597	33.080	.00000	.01000	.37490	.01700	.03550	-.00400	-.00100	-.00110	.36560	.09010
.598	34.270	.00000	.01000	.37400	.01680	.03540	-.00490	-.00110	-.00100	.36540	.09000
.599	35.450	.00000	.01000	.37350	.01710	.03540	-.00550	-.00120	-.00090	.36420	.08990
.598	36.640	.00000	.01000	.37300	.01590	.03580	-.00590	-.00120	-.00060	.36370	.08990
.599	37.820	.00000	.01000	.37490	.01610	.03560	-.00630	-.00130	-.00080	.36570	.09000
.597	39.010	.00000	.01000	.37670	.01640	.03660	-.00520	-.00120	-.00090	.36730	.09130
.600	40.200	.00000	.01000	.37400	.01570	.03620	-.00470	-.00110	-.00090	.36470	.09040
.597	41.380	.00000	.01000	.37660	.01540	.03660	-.00580	-.00110	-.00080	.36720	.09130
.597	42.570	.00000	.01000	.37910	.01570	.03630	-.00550	-.00120	-.00080	.36970	.09130
.599	43.750	.00000	.02000	.37980	.01550	.03610	-.00520	-.00110	-.00080	.37050	.09110
.599	44.940	.00000	.01000	.37870	.01560	.03660	-.00600	-.00130	-.00070	.36930	.09140
.598	46.130	.00000	.02000	.37630	.01410	.03710	-.00650	-.00120	-.00050	.36690	.09140
.596	47.310	.00000	.02000	.38010	.01480	.03650	-.00570	-.00110	-.00060	.37070	.09140

DATE 22 MAR 76

CA-25 FORCE SOURCE DATA TABULATION

PAGE 438

LTV44-559(CA26) 747/1 ATY 02 S1 (ORBITER DATA)

(WFE079) ( 29 JAN 76 )

## REFERENCE DATA

SREF =	2690.0000 SQ.FT.	XMRP =	1109.0000 IN. XO
LREF =	474.8100 IN.	YMRP =	.0000 IN. YO
BREF =	936.6800 IN.	ZMRP =	375.0000 IN. ZO
SCALE =	.0125		

## PARAMETRIC DATA

ALPHAC =	2.000	BETAC =	.000
STAB =	5.000	RUDDER =	10.000
ELEVON =	5.000	DX =	.000
DY =	.000	IORB =	6.000
BETA0 =	.000	DPHI =	.000

RUN NO.	59/ 0	RN/L =	.00	GRADIENT INTERVAL =	-5.00/ 5.00
---------	-------	--------	-----	---------------------	-------------

MACH	DZ	DY	DX	CN	CLM	CA	CY	CYN	CBL	CL	CD
.599	48.500	.00000	.02000	.38030	.01510	.03650	-.00570	-.00120	-.00070	.37090	.09150
.601	49.680	.00000	.02000	.37760	.01420	.03660	-.00670	-.00130	-.00040	.36830	.09100
.597	50.870	.00000	.02000	.38120	.01390	.03730	-.00550	-.00100	-.00060	.37180	.09210
.600	51.460	.00000	.02000	.38010	.01340	.03660	-.00640	-.00120	-.00040	.37080	.09140
	GRADIENT	.00000	.00000	-.00005	-.00094	.00023	-.00023	-.00006	-.00005	-.00008	.00024

LTV44-559(CA26) 747/1 ATY 02 S1 (ORBITER DATA)

(WFE080) ( 29 JAN 76 )

## REFERENCE DATA

SREF = 2690.0000 SQ.FT. XMRP = 1109.0000 IN. XO  
 LREF = 474.8100 IN. YMRP = .0000 IN. YO  
 BREF = 936.6800 IN. ZMRP = 375.0000 IN. ZO  
 SCALE = .0125

## PARAMETRIC DATA

ALPHAC = 2.000 BETAC = -5.000  
 STAB = 5.000 ELEVON = 5.000  
 BDFLAP = .000 DX = .000  
 DY = .000 IORB = 4.000  
 BETAO = -5.000 RUDDER = .000

RUN NO. 60/ 0 RN/L = .00 GRADIENT INTERVAL = -5.00/ 5.00

MACH	DZ	DY	DX	CN	CLM	CA	CY	CYN	CBL	CL	CD
.592	1.760	.00000	.00000	.22300	.01660	.04480	.05600	.01350	.00610	.21630	.07010
.591	2.360	.00000	.00000	.22430	.01630	.04470	.05530	.01350	.00600	.21760	.07030
.592	2.970	.00000	.00000	.22250	.01610	.04490	.05550	.01330	.00480	.21590	.07020
.591	3.760	.00000	.00000	.22220	.01550	.04520	.05560	.01330	.00480	.21550	.07060
.590	4.560	.00000	.00000	.22340	.01540	.04540	.05620	.01330	.00430	.21680	.07070
.593	5.960	.00000	.00000	.22510	.01470	.04490	.05600	.01280	.00330	.21850	.07050
.590	7.970	.00000	.00000	.22470	.01350	.04580	.05650	.01300	.00310	.21800	.07120
.591	9.960	.00000	.00000	.23380	.01210	.04630	.05800	.01250	.00110	.22700	.07270
.592	10.960	.00000	.00000	.23290	.01220	.04590	.05710	.01230	.00100	.22610	.07230
.589	11.960	.00000	.00000	.23650	.01160	.04650	.05810	.01250	.00090	.22970	.07310
.593	12.950	.00000	.00000	.23650	.01190	.04600	.05810	.01220	.00060	.22970	.07270
.593	13.940	.00000	.00000	.23890	.01170	.04610	.05850	.01210	.00040	.23200	.07310
.590	14.940	.00000	.00000	.24170	.01130	.04680	.05890	.01230	.00010	.23480	.07390
.590	15.930	.00000	.00000	.24300	.01080	.04690	.05910	.01220	.00000	.23610	.07420
.592	16.930	.00000	.00000	.24430	.01110	.04660	.05850	.01200	-.00010	.23740	.07400
.593	17.930	.00000	.00000	.24420	.01080	.04680	.05970	.01210	-.00030	.23740	.07420
.593	18.920	.00000	.00000	.24400	.01040	.04700	.05900	.01190	-.00040	.23710	.07440
.592	19.910	.00000	.00000	.24540	.01040	.04710	.05830	.01170	-.00060	.23850	.07460
.592	20.910	.00000	.00000	.24610	.01010	.04710	.05900	.01180	-.00070	.23920	.07480
.589	21.900	.00000	.01000	.25040	.00960	.04760	.05930	.01190	-.00070	.24340	.07560
.592	22.890	.00000	.01000	.24980	.01000	.04720	.05860	.01170	-.00090	.24280	.07520
.589	23.890	.00000	.01000	.25380	.00950	.04790	.05970	.01180	-.00100	.24670	.07630
.591	24.890	.00000	.01000	.25280	.00940	.04800	.05960	.01170	-.00110	.24570	.07610
.592	25.880	.00000	.01000	.25420	.00960	.04800	.05950	.01160	-.00120	.24720	.07630
.593	26.870	.00000	.01000	.25380	.00930	.04790	.05920	.01150	-.00110	.24680	.07610
.590	27.870	.00000	.01000	.25800	.00940	.04820	.05930	.01140	-.00130	.25100	.07690
.593	28.860	.00000	.01000	.25630	.00850	.04820	.05940	.01150	-.00130	.24930	.07670
.595	29.860	.00000	.01000	.25700	.00910	.04780	.05950	.01150	-.00150	.25000	.07640
.593	30.860	.00000	.01000	.25860	.00910	.04800	.05930	.01130	-.00140	.25150	.07660
.591	31.850	.00000	.01000	.26180	.00860	.04820	.05990	.01140	-.00140	.25480	.07720
.590	32.840	.00000	.01000	.26070	.00840	.04840	.06060	.01150	-.00160	.25360	.07730
.592	33.840	.00000	.01000	.26260	.00870	.04840	.06020	.01140	-.00180	.25560	.07740
.592	34.830	.00000	.01000	.26200	.00850	.04830	.05990	.01140	-.00170	.25490	.07740
.593	35.830	.00000	.01000	.26140	.00810	.04840	.05930	.01120	-.00160	.25430	.07740
.591	36.830	.00000	.01000	.26370	.00770	.04840	.05960	.01130	-.00160	.25660	.07760
.591	37.820	.00000	.01000	.26500	.00760	.04850	.05950	.01140	-.00170	.25790	.07790
.589	38.820	.00000	.01000	.26450	.00740	.04910	.05980	.01130	-.00160	.25730	.07840
.591	39.810	.00000	.01000	.26710	.00780	.04850	.06080	.01130	-.00170	.26000	.07800
.591	40.800	.00000	.01000	.26690	.00710	.04860	.06050	.01130	-.00170	.25980	.07810
.592	41.800	.00000	.01000	.26820	.00720	.04850	.05920	.01110	-.00170	.26120	.07790
.592	42.800	.00000	.01000	.26810	.00750	.04850	.06060	.01120	-.00200	.26100	.07800
.593	43.790	.00000	.01000	.26710	.00720	.04850	.06160	.01140	-.00190	.26000	.07800

LTV44-559(CA26) 747/1 ATY 02 S1 (ORBITER DATA)

(WFE080) ( 29 JAN 76 )

## REFERENCE DATA

SREF = 2690.0000 SQ.FT. XMRP = 1109.0000 IN. XO  
 LREF = 474.8100 IN. YMRP = .0000 IN. YO  
 BREF = 936.6800 IN. ZMRP = 375.0000 IN. ZO  
 SCALE = .0125

## PARAMETRIC DATA

ALPHAC = 2.000 BETAC = -5.000  
 STAB = 5.000 ELEVON = 5.000  
 BDFLAP = .000 DX = .000  
 DY = .000 IORB = 4.000  
 BETAO = -5.000 RUDDER = .000

RUN NO. 60/ 0 RN/L = .00 GRADIENT INTERVAL = -5.00/ 5.00

MACH	DZ	DY	DX	CN	CLM	CA	CY	CYN	CBL	CL	CD
.590	44.790	.00000	.01000	.27200	.00710	.04880	.06210	.01140	-.00200	.26490	.07880
	GRADIENT	.00000	.00000	-.00017	-.00046	.00025	.00012	-.00008	-.00067	-.00014	.00022

ORIGINAL PAGE IS  
 OF POOR QUALITY

LTV44-559(CA26) 747/1 ATY 02 S1 (ORBITER DATA)

(WFE081) ( 29 JAN 76 )

## REFERENCE DATA

SREF = 2690.0000 SQ.FT. XMRP = 1109.0000 IN. XO  
 LREF = 474.8100 IN. YMRP = .0000 IN. YO  
 BREF = 936.6800 IN. ZMRP = 375.0000 IN. ZO  
 SCALE = .0125

## PARAMETRIC DATA

ALPHAC = 2.000 BETAC = -5.000  
 STAB = 5.000 ELEVON = 5.000  
 BDFLAP = .000 DX = .000  
 DY = .000 IORB = 6.000  
 BETA0 = -5.000 RUDDER = .000

RUN NO. 1060/ 0 RN/L = .00 GRADIENT INTERVAL = -5.00/ 5.00

MACH	DZ	DY	DX	CN	CLM	CA	CY	CYN	CBL	CL	CD
.592	1.470	.00000	.00000	.33720	.02490	.03380	.05540	.01310	.00800	.32830	.08410
.589	1.770	.00000	.00000	.33750	.02420	.03420	.05590	.01320	.00720	.32850	.08440
.590	2.370	.00000	.00000	.33630	.02360	.03450	.05660	.01330	.00700	.32740	.08450
.589	2.970	.00000	.00000	.33610	.02390	.03450	.05500	.01310	.00700	.32720	.08440
.589	3.770	.00000	.00000	.33540	.02280	.03440	.05720	.01300	.00570	.32650	.08420
.591	4.570	.00000	.00000	.33470	.02260	.03450	.05680	.01280	.00560	.32580	.08420
.592	5.970	.00000	.00000	.34080	.02070	.03490	.05820	.01250	.00400	.33180	.08540
.590	7.970	.00000	.00000	.34270	.01970	.03560	.05870	.01260	.00350	.33360	.08630
.590	9.960	.00000	.00000	.34040	.01950	.03560	.05790	.01240	.00340	.33130	.08580
.590	11.240	.00000	.00000	.34580	.01890	.03580	.05830	.01220	.00280	.33660	.08700
.590	12.520	.00000	.00000	.34820	.01850	.03640	.05890	.01220	.00240	.33890	.08770
.593	13.800	.00000	.00000	.34400	.01810	.03590	.05920	.01200	.00200	.33480	.08670
.592	15.080	.00000	.00000	.34580	.01780	.03610	.05960	.01190	.00170	.33660	.08700
.592	16.350	.00000	.00000	.34810	.01780	.03630	.06000	.01190	.00160	.33890	.08740
.592	17.630	.00000	.00000	.34950	.01700	.03660	.05950	.01180	.00150	.34030	.08790
.591	18.900	.00000	.00000	.35070	.01690	.03660	.05880	.01170	.00130	.34140	.08810
.592	20.180	.00000	.00000	.35270	.01710	.03650	.05980	.01160	.00110	.34340	.08800
.591	21.460	.00000	.00000	.35520	.01660	.03700	.06110	.01170	.00090	.34590	.08890
.590	22.730	.00000	.01000	.35750	.01630	.03710	.05970	.01140	.00090	.34810	.08950
.591	24.000	.00000	.01000	.35900	.01670	.03690	.06050	.01150	.00080	.34970	.08920
.592	25.280	.00000	.01000	.35820	.01620	.03670	.06010	.01150	.00070	.34880	.08900
.590	26.560	.00000	.01000	.36010	.01610	.03760	.05930	.01140	.00060	.35070	.09010
.592	27.840	.00000	.01000	.35730	.01550	.03740	.06020	.01150	.00040	.34790	.08950
.589	29.110	.00000	.01000	.36390	.01580	.03750	.06020	.01150	.00050	.35450	.09050
.590	30.390	.00000	.01000	.36230	.01500	.03800	.06090	.01140	.00040	.35280	.09070
.592	31.660	.00000	.01000	.36100	.01500	.03730	.05990	.01130	.00030	.35160	.08970
.592	32.940	.00000	.01000	.35930	.01460	.03800	.06070	.01140	.00010	.34990	.09010
.592	34.220	.00000	.01000	.36290	.01430	.03770	.06070	.01130	.00010	.35340	.09040
.589	35.490	.00000	.01000	.36620	.01440	.03820	.06100	.01130	.00020	.35670	.09120
.591	36.770	.00000	.01000	.36170	.01370	.03790	.06030	.01130	.00010	.35230	.09020
.590	38.050	.00000	.01000	.36410	.01310	.03860	.06080	.01130	.00010	.35450	.09130
.589	39.330	.00000	.01000	.37030	.01380	.03820	.06090	.01130	.00000	.36080	.09190
.590	40.600	.00000	.01000	.36740	.01310	.03860	.05990	.01110	.00010	.35780	.09180
.593	41.880	.00000	.01000	.36590	.01290	.03820	.06070	.01120	.00000	.35650	.09090
.591	43.150	.00000	.01000	.37090	.01270	.03840	.06150	.01140	.00000	.36140	.09180
.593	44.430	.00000	.02000	.37060	.01260	.03760	.05980	.01100	.00000	.36120	.09100
.593	45.710	.00000	.01000	.36520	.01140	.03850	.06100	.01110	-.00020	.35570	.09100
.592	46.980	.00000	.02000	.36770	.01180	.03850	.06110	.01120	.00000	.35820	.09140
.590	48.250	.00000	.02000	.37080	.01190	.03880	.06150	.01130	-.00010	.36120	.09220
.592	49.540	.00000	.02000	.37000	.01240	.03820	.06200	.01130	-.00020	.36050	.09130
.589	50.820	.00000	.02000	.37320	.01240	.03880	.06090	.01120	.00000	.36360	.09250
GRADIENT		.00000	.00000	-.00087	-.00068	.00016	.00043	-.00011	-.00074	-.00085	-.00003

LTV44-559(CA26) 747/1 ATY 02 S1 (ORBITER DATA)

(WFE082) ( 29 JAN 76 )

## REFERENCE DATA

SREF = 2690.0000 SQ.FT. XMRP = 1109.0000 IN. XO  
 LREF = 474.8100 IN. YMRP = .0000 IN. YO  
 BREF = 936.6800 IN. ZMRP = 375.0000 IN. ZO  
 SCALE = .0125

## PARAMETRIC DATA

ALPHAC = 2.000 BETAC = -5.000  
 STAB = 5.000 ELEVON = 5.000  
 BDFLAP = .600 DX = .000  
 DY = .000 IORB = 8.000  
 BETA0 = -5.000 RUDDER = .000

RUN NO. 61/ 0 RN/L = .00 GRADIENT INTERVAL = -5.00/ 5.00

MACH	DZ	DY	DX	CN	CLM	CA	CY	CYN	CBL	CL	CD
.594	1.760	.00000	-.01000	.44740	.03290	.01880	.05540	.01210	.00890	.43620	.10100
.592	2.360	.00000	-.01000	.44820	.03310	.01900	.05590	.01220	.00890	.43700	.10130
.590	2.970	.00000	-.01000	.44590	.03130	.01920	.05630	.01230	.00800	.43480	.10100
.590	3.960	.00000	-.01000	.44480	.03100	.01920	.05550	.01240	.00790	.43380	.10070
.593	4.960	.00000	-.01000	.44400	.02970	.01920	.05550	.01210	.00660	.43290	.10050
.592	6.210	.00000	-.01000	.44570	.02960	.01950	.05500	.01210	.00660	.43460	.10090
.594	7.460	.00000	-.01000	.44320	.02900	.01950	.05600	.01200	.00610	.43210	.10070
.592	8.710	.00000	.00000	.44670	.02840	.02000	.05660	.01200	.00540	.43540	.10170
.591	9.960	.00000	.00000	.44970	.02710	.02060	.05700	.01170	.00440	.43840	.10260
.593	11.200	.00000	.00000	.44470	.02670	.02030	.05660	.01160	.00450	.43340	.10150
.592	12.430	.00000	.00000	.44870	.02670	.02060	.05720	.01170	.00420	.43730	.10250
.592	13.670	.00000	.00000	.44910	.02610	.02080	.05810	.01160	.00390	.43770	.10260
.594	14.910	.00000	.00000	.44740	.02540	.02120	.05760	.01150	.00360	.43600	.10250
.592	16.140	.00000	.00000	.45160	.02550	.02100	.05880	.01150	.00340	.44020	.10300
.593	17.370	.00000	.00000	.45100	.02510	.02120	.05860	.01140	.00310	.43960	.10290
.592	18.610	.00000	.00000	.45290	.02470	.02130	.05860	.01130	.00290	.44150	.10350
.591	19.840	.00000	.00000	.45180	.02410	.02200	.05900	.01120	.00270	.44030	.10380
.593	21.080	.00000	.00000	.45290	.02420	.02150	.05880	.01110	.00230	.44140	.10370
.591	22.310	.00000	.01000	.45530	.02370	.02190	.05890	.01110	.00230	.44370	.10440
.594	23.550	.00000	.01000	.45370	.02380	.02170	.05850	.01090	.00210	.44220	.10400
.591	24.780	.00000	.01000	.45830	.02320	.02230	.06020	.01110	.00190	.44670	.10490
.592	26.010	.00000	.01000	.45570	.02290	.02220	.05940	.01090	.00200	.44410	.10450
.591	27.250	.00000	.01000	.46070	.02300	.02250	.05990	.01100	.00170	.44900	.10580
.593	28.480	.00000	.01000	.45530	.02170	.02330	.05830	.01080	.00170	.44350	.10540
.593	29.720	.00000	.01000	.45930	.02220	.02240	.06090	.01090	.00160	.44760	.10530
.593	30.950	.00000	.01000	.46340	.02210	.02250	.06100	.01100	.00140	.45170	.10590
.594	32.180	.00000	.01000	.46140	.02200	.02270	.05870	.01070	.00140	.44970	.10570
.593	33.420	.00000	.01000	.46090	.02130	.02280	.06060	.01080	.00120	.44920	.10580
.594	34.660	.00000	.01000	.46130	.02100	.02320	.06030	.01080	.00120	.44950	.10620
.592	35.900	.00000	.01000	.46670	.02130	.02270	.06020	.01080	.00110	.45490	.10670
.591	37.130	.00000	.01000	.46670	.02140	.02300	.06090	.01080	.00100	.45500	.10670
.592	38.360	.00000	.01000	.46630	.02090	.02330	.06030	.01080	.00110	.45450	.10680
.593	39.600	.00000	.01000	.46640	.02050	.02300	.06020	.01060	.00110	.45470	.10650
.594	40.830	.00000	.01000	.46420	.01990	.02330	.06060	.01060	.00100	.45240	.10660
.592	42.070	.00000	.01000	.46900	.02020	.02340	.06080	.01070	.00090	.45710	.10750
.593	43.300	.00000	.01000	.46690	.01980	.02350	.06060	.01080	.00070	.45510	.10690
.592	44.540	.00000	.02000	.46980	.01940	.02340	.06150	.01090	.00100	.45800	.10730
.592	45.770	.00000	.02000	.47040	.01930	.02360	.06150	.01090	.00080	.45850	.10770
.593	47.010	.00000	.02000	.46820	.01900	.02390	.06200	.01100	.00060	.45630	.10760
.592	48.250	.00000	.02000	.47180	.01900	.02370	.06100	.01080	.00080	.45990	.10800
.592	49.480	.00000	.02000	.46970	.01820	.02440	.06390	.01120	.00040	.45770	.10810
.592	50.710	.00000	.02000	.47260	.01840	.02370	.06200	.01100	.00040	.46080	.10790



DATE 22 MAR 76

CA-26 FORCE SOURCE DATA TABULATION

PAGE 443

LTV44-559(CA26) 747/1 ATY 02 S1 (ORBITER DATA)

(WFE082) ( 29 JAN 76 )

## REFERENCE DATA

SREF = 2690.0000 SQ.FT. XMRP = 1109.0000 IN. XO  
 LREF = 474.8100 IN. YMRP = .0000 IN. YO  
 BREF = 936.6800 IN. ZMRP = 375.0000 IN. ZO  
 SCALE = .0125

## PARAMETRIC DATA

ALPHAC = 2.000 BETAC = -5.000  
 STAB = 5.000 ELEVON = 5.000  
 BOFLAP = .000 DX = .000  
 DY = .000 IORB = 8.000  
 BETA0 = -5.000 RUDDER = .000

RUN NO. 61/ 0 RN/L = .00 GRADIENT INTERVAL = -5.00/ 5.00

MACH	DZ	DY	DX	CN	CLM	CA	CY	CYN	CBL	CL	CD
.594	51.950	.00000	.02000	.46800	.01760	.02410	.06010	.01070	.00080	.45620	.10740
.592	53.180	.00000	.02000	.47200	.01750	.02390	.05950	.01060	.00110	.46020	.10760
.593	54.420	.00000	.02000	.46910	.01670	.02410	.05960	.01060	.00110	.45720	.10750
.593	55.040	.00000	.02000	.46970	.01660	.02400	.06070	.01070	.00110	.45780	.10760
	GRADIENT	.00000	-.00000	-.00126	-.00105	.00011	-.00006	.00001	-.00071	-.00122	-.00021

ORIGINAL PAGE IS  
 OF POOR QUALITY

LTV44-559(CA26) 747/1 ATY 02 S1 (ORBITER DATA)

(WFE083) ( 29 JAN 76 )

## REFERENCE DATA

SREF = 2690.0000 SQ.FT. XMRP = 1109.0000 IN. XO  
 LREF = 474.8100 IN. YMRP = .0000 IN. YO  
 BREF = 936.6600 IN. ZMRP = 375.0000 IN. ZO  
 SCALE = .0125

## PARAMETRIC DATA

ALPHAC = 2.000 BETAC = -5.000  
 STAB = 5.000 ELEVON = 5.000  
 BDFLAP = .000 DY = .000  
 DZ = .000 TORB = 6.000  
 BETAO = .000 RUDDER = .000

RUN NO. 62/ 0 RN/L = .00 GRADIENT INTERVAL = -5.00/ 5.00

MACH	DX	DY	DZ	CN	CLM	CA	CY	CYN	CBL	CL	CD
.597	.570	.00000	1.46000	.34350	.02960	.03040	-.00040	.00220	.00640	.33500	.08150
.596	1.140	.00000	1.46000	.34660	.02980	.03040	-.00150	.00210	.00660	.33820	.08200
.597	1.710	.00000	1.46000	.34570	.02960	.03030	-.00160	.00210	.00660	.33730	.08160
.600	2.290	.00000	1.46000	.34110	.02950	.02990	-.00160	.00210	.00650	.33280	.08060
.599	2.860	.00000	1.46000	.34200	.02930	.03010	-.00110	.00220	.00650	.33360	.08100
.600	3.430	.00000	1.46000	.34280	.02870	.03000	-.00150	.00220	.00660	.33440	.08110
.598	4.010	.00000	1.46000	.34300	.02870	.03010	-.00100	.00210	.00660	.33460	.08110
.598	4.570	.00000	1.46000	.34260	.02790	.03050	-.00130	.00210	.00670	.33420	.08130
.600	5.140	.00000	1.46000	.34140	.02760	.03030	-.00160	.00200	.00660	.33300	.08110
.600	5.710	.00000	1.46000	.33950	.02700	.03040	-.00170	.00200	.00660	.33110	.08090
.597	6.300	.00000	1.46000	.34230	.02640	.03090	-.00100	.00210	.00660	.33390	.08170
.600	6.860	.00000	1.46000	.34000	.02600	.03060	-.00160	.00190	.00650	.33150	.08130
.599	7.430	.00000	1.46000	.34150	.02580	.03070	-.00080	.00200	.00660	.33300	.08140
.598	8.000	.00000	1.46000	.34270	.02530	.03090	-.00110	.00200	.00660	.33420	.08190
.601	8.580	.00000	1.46000	.33790	.02380	.03120	-.00130	.00200	.00650	.32940	.08150
.599	9.150	.00000	1.46000	.34120	.02400	.03130	-.00110	.00200	.00650	.33260	.08210
.599	9.700	.00000	1.46000	.34200	.02370	.03140	-.00140	.00190	.00640	.33350	.08220
.597	10.270	.00000	1.46000	.34300	.02320	.03170	-.00160	.00190	.00650	.33430	.08280
.598	10.840	.00000	1.46000	.34310	.02230	.03170	-.00180	.00190	.00650	.33450	.08270
.598	11.410	.00000	1.46000	.34150	.02230	.03160	-.00160	.00180	.00640	.33290	.08260
.598	11.990	.00000	1.46000	.34280	.02150	.03190	-.00210	.00180	.00640	.33410	.08290
.597	12.560	.00000	1.45000	.34460	.02160	.03210	-.00200	.00170	.00630	.33580	.08330
.598	13.130	.00000	1.45000	.34280	.02050	.03230	-.00210	.00180	.00620	.33410	.08330
.599	13.710	.00000	1.45000	.33970	.02000	.03250	-.00110	.00180	.00610	.33090	.08310
.598	14.280	.00000	1.45000	.34090	.02010	.03270	-.00120	.00170	.00610	.33210	.08360
.597	14.850	.00000	1.45000	.34140	.01950	.03330	-.00100	.00180	.00600	.33250	.08420
.597	15.420	.00000	1.45000	.34130	.01890	.03350	-.00140	.00180	.00600	.33240	.08450
.598	16.000	.00000	1.45000	.34220	.01910	.03320	-.00180	.00160	.00590	.33330	.08430
.599	16.570	.00000	1.45000	.34000	.01860	.03340	-.00140	.00170	.00600	.33110	.08400
.598	17.140	.00000	1.44000	.34020	.01810	.03380	-.00130	.00170	.00590	.33120	.08450
.597	17.720	.00000	1.44000	.34200	.01750	.03410	-.00130	.00180	.00600	.33300	.08510
.597	18.290	.00000	1.44000	.34330	.01770	.03420	-.00120	.00170	.00590	.33430	.08550
.599	18.840	.00000	1.44000	.34160	.01670	.03430	-.00210	.00170	.00590	.33250	.08510
.598	19.410	.00000	1.44000	.34320	.01670	.03460	-.00220	.00160	.00590	.33400	.08590
.597	19.980	.00000	1.44000	.34380	.01690	.03520	-.00170	.00170	.00590	.33460	.08650
GRADIENT		.00000	.00000	-.00067	-.00042	-.00003	-.00006	-.00001	.00004	-.00066	-.00015

LTV44-559(CA26) 747/1 ATY 02 S1 (ORBITER DATA)

(WFE084) ( 29 JAN 76 )

## REFERENCE DATA

SREF = 2690.0000 SQ.FT. XMRP = 1109.0000 IN. XO  
 LREF = 474.8100 IN. YMRP = .0000 IN. YO  
 BREF = 936.6800 IN. ZMRP = 375.0000 IN. ZO  
 SCALE = .0125

## PARAMETRIC DATA

ALPHAC = 2.000 BETAC = -5.000  
 STAB = 5.000 ELEVON = 5.000  
 BDFLAP = .000 DY = .000  
 DZ = 15.000 TORB = 6.000  
 BETAO = .000 RUDDER = .000

RUN NO. 1062/ 0 RN/L = .00 GRADIENT INTERVAL = -5.00/ 5.00

MACH	DX	DY	DZ	CN	CLM	CA	CY	CYN	CBL	CL	CD
.599	.570	.00000	15.00000	.35320	.02070	.03200	.00190	.00120	.00210	.34460	.08400
.599	1.140	.00000	15.00000	.35300	.02020	.03170	.00120	.00120	.00220	.34440	.08370
.598	1.710	.00000	15.00000	.35420	.02090	.03150	.00180	.00120	.00210	.34550	.08380
.598	2.290	.00000	15.00000	.35440	.02040	.03190	.00190	.00130	.00210	.34580	.08390
.596	2.860	.00000	15.00000	.35480	.02000	.03240	.00210	.00130	.00220	.34620	.08450
.596	3.430	.00000	15.00000	.35400	.01970	.03230	.00150	.00130	.00220	.34530	.08430
.597	4.010	.00000	15.00000	.35510	.02000	.03210	.00150	.00130	.00220	.34640	.08430
.598	4.580	.00000	15.00000	.35330	.01940	.03170	.00150	.00130	.00210	.34470	.08380
.599	5.150	.00000	15.00000	.35350	.01940	.03180	.00170	.00120	.00210	.34490	.08390
.600	5.720	.00000	15.00000	.35190	.01900	.03190	.00200	.00120	.00210	.34320	.08380
.599	6.300	.00000	15.00000	.35440	.01930	.03230	.00200	.00110	.00210	.34570	.08450
.599	6.870	.00000	15.00000	.35350	.01880	.03210	.00130	.00110	.00220	.34490	.08420
.597	7.420	.00000	15.00000	.35600	.01890	.03230	.00180	.00110	.00220	.34730	.08460
.598	7.990	.00000	15.00000	.35480	.01800	.03240	.00130	.00110	.00220	.34610	.08460
.599	8.560	.00000	15.00000	.35310	.01820	.03260	.00150	.00100	.00210	.34430	.08450
.601	9.140	.00000	15.00000	.35300	.01810	.03240	.00190	.00100	.00220	.34420	.08450
.600	9.710	.00000	15.00000	.35300	.01730	.03230	.00200	.00110	.00220	.34430	.08430
.600	10.280	.00000	15.00000	.35230	.01720	.03240	.00210	.00110	.00220	.34360	.08430
.600	10.850	.00000	15.00000	.35290	.01720	.03270	.00180	.00100	.00210	.34410	.08470
.599	11.430	.01000	15.00000	.35240	.01660	.03260	.00190	.00110	.00210	.34370	.08450
.600	12.000	.01000	15.00000	.35200	.01660	.03240	.00130	.00100	.00210	.34320	.08430
.598	12.570	.01000	15.00000	.35450	.01590	.03280	.00110	.00090	.00220	.34580	.08500
.599	13.150	.01000	15.00000	.35180	.01590	.03290	.00160	.00100	.00210	.34300	.08470
.598	13.720	.01000	15.00000	.35450	.01590	.03310	.00220	.00100	.00210	.34560	.08520
.599	14.290	.01000	14.99000	.35300	.01510	.03290	.00220	.00110	.00210	.34430	.08480
.598	14.860	.01000	14.99000	.35370	.01480	.03340	.00200	.00100	.00210	.34490	.08540
.599	15.440	.01000	14.99000	.35330	.01470	.03350	.00180	.00100	.00220	.34440	.08560
.600	16.010	.01000	14.99000	.35120	.01450	.03340	.00170	.00090	.00210	.34240	.08500
.600	16.560	.01000	14.99000	.35230	.01390	.03340	.00120	.00090	.00220	.34340	.08520
.600	17.130	.01000	14.99000	.35130	.01380	.03360	.00240	.00110	.00220	.34240	.08520
.599	17.700	.01000	14.99000	.35340	.01330	.03350	.00260	.00110	.00220	.34460	.08550
.599	18.280	.01000	14.99000	.35360	.01360	.03380	.00260	.00090	.00220	.34470	.08590
.599	18.850	.01000	14.99000	.35340	.01340	.03400	.00200	.00090	.00210	.34450	.08610
.597	19.420	.01000	14.99000	.35370	.01270	.03440	.00230	.00100	.00210	.34470	.08650
.601	20.000	.01000	14.99000	.35250	.01250	.03380	.00210	.00100	.00210	.34360	.08570
GRADIENT		.00000	.00000	.00023	-.00029	.00006	-.00004	.00003	.00001	.00022	.00008

LTV44-559(CA26) 747/1 ATY O2 S1 (ORBITER DATA)

(WFE085) ( 29 JAN 76 )

## REFERENCE DATA

SREF = 2690.0000 SQ.FT. XMRP = 1109.0000 IN. XO  
 LREF = 474.8100 IN. YMRP = .0000 IN. YO  
 BREF = 936.6800 IN. ZMRP = 375.0000 IN. ZO  
 SCALE = .0125

## PARAMETRIC DATA

ALPHAC = 2.000 BETAC = -5.000  
 STAB = 5.000 ELEVON = 5.000  
 BDFLAP = .000 DY = .000  
 DZ = 60.000 IORB = 6.000  
 BETAO = .000 RUDDER = .000

RUN NO. 2062/ 0 RN/L = .00 GRADIENT INTERVAL = -5.00/ 5.00

MACH	DX	DY	DZ	CN	CLM	CA	CY	CYN	CBL	CL	CD
.597	.590	.00000	51.46000	.37760	.01320	.03450	.00240	.00010	.00010	.36860	.08890
.598	1.170	.00000	51.46000	.37840	.01350	.03450	.00230	.00010	.00020	.36940	.08890
.601	1.740	.00000	51.46000	.37510	.01360	.03430	.00290	.00020	.00010	.36620	.08800
.599	2.310	.00000	51.46000	.37850	.01340	.03460	.00380	.00040	.00010	.36950	.08900
.599	2.890	.00000	51.46000	.37820	.01360	.03470	.00390	.00050	.00020	.36920	.08900
.601	3.460	.00000	51.46000	.37580	.01310	.03480	.00440	.00060	.00000	.36680	.08870
.599	4.030	.00000	51.46000	.37840	.01330	.03480	.00480	.00060	-.00020	.36930	.08930
.602	4.600	.00000	51.46000	.37650	.01340	.03420	.00340	.00040	-.00010	.36760	.08820
.601	5.180	.00000	51.46000	.37500	.01330	.03430	.00470	.00040	.00000	.36610	.08810
.599	5.720	.00000	51.46000	.37610	.01320	.03460	.00360	.00040	.00000	.36710	.08870
.600	6.280	.00000	51.46000	.37690	.01320	.03440	.00450	.00060	.00000	.36800	.08850
.600	6.870	.00000	51.46000	.37880	.01360	.03410	.00330	.00000	.00000	.36990	.08860
.601	7.440	.00000	51.46000	.37660	.01330	.03440	.00190	.00030	.00000	.36770	.08860
.601	8.020	.00000	51.46000	.37470	.01340	.03430	.00210	.00020	.00010	.36580	.08810
.600	8.590	.00000	51.46000	.37460	.01290	.03440	.00240	.00040	.00010	.36570	.08830
.600	9.160	.00000	51.46000	.37760	.01310	.03440	.00310	.00050	.00000	.36870	.08870
.601	9.730	.00000	51.46000	.37440	.01310	.03460	.00450	.00060	-.00010	.36550	.08840
.597	10.310	.00000	51.46000	.37790	.01280	.03490	.00390	.00060	-.00020	.36890	.08910
.597	10.880	.00000	51.46000	.37540	.01250	.03510	.00530	.00070	-.00030	.36640	.08880
.598	11.450	.00000	51.46000	.37630	.01270	.03470	.00440	.00060	-.00030	.36740	.08880
.598	12.030	.00000	51.46000	.37590	.01250	.03470	.00300	.00030	-.00010	.36690	.08880
.598	12.600	.00000	51.45000	.37170	.01160	.03480	.00210	.00010	.00020	.36280	.08800
.597	13.170	.00000	51.46000	.37500	.01200	.03480	.00210	.00010	.00030	.36600	.08870
.597	13.750	.00000	51.45000	.37600	.01200	.03430	.00300	.00020	.00040	.36710	.08830
.596	14.320	.00000	51.45000	.37450	.01150	.03460	.00270	.00020	.00030	.36550	.08850
.598	14.860	.00000	51.45000	.36930	.01050	.03540	.00140	.00000	.00040	.36040	.08830
.599	15.440	.01000	51.45000	.37120	.01120	.03520	.00150	.00010	.00020	.36220	.08850
.599	16.010	.01000	51.45000	.37240	.01160	.03480	.00330	.00030	.00010	.36340	.08840
.599	16.580	.01000	51.45000	.36910	.01070	.03530	.00380	.00030	.00000	.36020	.08820
.601	17.140	.01000	51.45000	.36710	.01050	.03540	.00330	.00030	.00010	.35810	.08790
.595	17.720	.01000	51.45000	.37710	.01130	.03510	.00280	.00030	.00010	.36800	.08920
.598	18.290	.01000	51.45000	.37770	.01150	.03430	.00230	.00030	.00010	.36870	.08860
.600	18.880	.01000	51.45000	.37320	.01130	.03400	.00270	.00030	.00000	.36430	.08750
.599	19.440	.01000	51.45000	.37360	.01090	.03460	.00390	.00040	.00000	.36470	.08810
.598	20.010	.01000	51.45000	.37370	.01060	.03530	.00380	.00040	.00010	.36470	.08890
GRADIENT		.00000	.00000	-.00012	-.00002	.00002	.00050	.00012	-.00007	-.00012	-.00002

LTV44-559(CA26) 747/1 ATY 02 S1 (ORBITER DATA)

(WFE086) ( 29 JAN 76 )

## REFERENCE DATA

SREF = 2890.0000 SQ.FT. XMRP = 1109.0000 IN. XO  
 LREF = 474.8100 IN. YMRP = .0000 IN. YO  
 BREF = 935.6800 IN. ZMRP = 375.0000 IN. ZO  
 SCALE = .0125

## PARAMETRIC DATA

ALPHAC = 2.000 BETAC = -5.000  
 STAB = 5.000 ELEVON = 5.000  
 BDFLAP = .000 DX = .000  
 DZ = .000 TORB = 6.000  
 BETAO = .000 RUDDER = .000

RUN NO. 63/ 0 RN/L = .00 GRADIENT INTERVAL = -5.00/ 5.00

MACH	DY	DX	DZ	CN	CLM	CA	CY	CYN	CBL	CL	CD
.594	-10.000	-.02000	1.46000	.35560	.03520	.02850	.00120	.00420	.00870	.34730	.08160
.594	-9.420	-.02000	1.46000	.35310	.03460	.02850	.00180	.00410	.00880	.34480	.08120
.592	-8.850	-.02000	1.46000	.35400	.03470	.02890	.00050	.00410	.00880	.34560	.08190
.594	-8.280	-.02000	1.46000	.35110	.03410	.02890	.00040	.00400	.00860	.34280	.08130
.592	-7.710	-.02000	1.46000	.35250	.03420	.02900	-.00060	.00370	.00840	.34410	.08180
.593	-7.140	-.02000	1.46000	.34900	.03350	.02910	-.00030	.00360	.00840	.34060	.08120
.592	-6.560	-.02000	1.46000	.35040	.03340	.02920	-.00060	.00350	.00810	.34200	.08150
.593	-5.990	-.02000	1.46000	.34700	.03270	.02930	-.00030	.00330	.00800	.33870	.08100
.594	-5.420	-.02000	1.46000	.34660	.03220	.02930	-.00030	.00320	.00780	.33820	.08110
.594	-4.850	-.02000	1.46000	.34640	.03190	.02950	-.00040	.00310	.00760	.33810	.08110
.593	-4.280	-.02000	1.46000	.34730	.03180	.02970	-.00100	.00290	.00740	.33900	.08150
.594	-3.710	-.02000	1.46000	.34480	.03120	.02960	-.00080	.00280	.00720	.33650	.08090
.591	-3.130	-.02000	1.46000	.34760	.03130	.03010	-.00170	.00260	.00710	.33920	.08190
.594	-2.570	-.02000	1.46000	.34280	.03030	.02980	-.00080	.00240	.00690	.33440	.08070
.595	-1.990	-.02000	1.46000	.34190	.03010	.03000	-.00060	.00230	.00680	.33360	.08080
.593	-1.420	-.01000	1.46000	.34550	.02960	.03060	-.00050	.00220	.00650	.33700	.08200
.595	-.850	-.01000	1.46000	.34120	.02930	.03050	-.00070	.00200	.00620	.33270	.08120
.593	-.270	-.01000	1.46000	.34340	.02960	.03060	-.00140	.00180	.00590	.33500	.08160
.593	.270	.00000	1.46000	.34470	.02930	.03070	-.00090	.00170	.00570	.33620	.08200
.594	.850	.00000	1.46000	.34280	.02870	.03070	.00030	.00170	.00540	.33440	.08170
.596	1.420	.00000	1.46000	.33960	.02820	.03060	.00020	.00150	.00510	.33120	.08090
.593	1.990	.00000	1.46000	.34320	.02830	.03090	-.00090	.00130	.00480	.33470	.08180
.594	2.560	.00000	1.46000	.34250	.02740	.03090	-.00070	.00110	.00460	.33410	.08180
.593	3.130	.00000	1.46000	.34350	.02720	.03110	-.00090	.00090	.00440	.33500	.08210
.595	3.710	.00000	1.46000	.34060	.02640	.03090	.00060	.00090	.00420	.33220	.08130
.594	4.280	.00000	1.46000	.34390	.02640	.03120	.00030	.00080	.00400	.33540	.08210
.596	4.850	.00000	1.46000	.34070	.02570	.03090	-.00060	.00050	.00370	.33230	.08140
.593	5.420	.00000	1.46000	.34610	.02520	.03120	-.00020	.00050	.00340	.33760	.08230
.595	5.990	.00000	1.46000	.34420	.02450	.03110	.00040	.00040	.00320	.33570	.08210
.594	6.560	.00000	1.46000	.34520	.02430	.03130	.00070	.00050	.00290	.33660	.08240
.594	7.140	.00000	1.46000	.34570	.02400	.03120	.00030	.00030	.00270	.33720	.08230
.594	7.700	.00000	1.46000	.34710	.02410	.03110	-.00090	.00010	.00240	.33850	.08250
.592	8.280	.00000	1.46000	.34820	.02360	.03130	.00030	.00010	.00230	.33970	.08260
.595	8.850	.00000	1.46000	.34570	.02370	.03110	.00060	.00010	.00220	.33720	.08230
.595	9.420	.00000	1.46000	.34450	.02330	.03100	-.00040	.00000	.00210	.33610	.08200
.594	10.000	.00000	1.46000	.34650	.02380	.03110	.00000	.00000	.00210	.33800	.08240
GRADIENT		.00277	-.00000	-.00048	-.00062	.00016	.00009	-.00026	-.00042	-.00049	.00006

LTV44-559(CA26) 747/1 ATY 02 S1 (ORBITER DATA)

(WFE087) ( 29 JAN 76 )

## REFERENCE DATA

SREF = 2690.0000 SQ.FT. XMRP = 1109.0000 IN. XO  
 LREF = 474.8100 IN. YMRP = .0000 IN. YO  
 BREF = 936.6800 IN. ZMRP = 375.0000 IN. ZO  
 SCALE = .0125

## PARAMETRIC DATA

ALPHAC = 2.000 BETAC = -5.000  
 STAB = 5.000 ELEVON = 5.000  
 BDFLAP = .000 DX = .000  
 DZ = 15.000 IORB = 6.000  
 BETAO = .000 RUDDER = .000

RUN NO. 1063/ 0 RN/L = .00 GRADIENT INTERVAL = -5.00/ 5.00

MACH	DY	DX	DZ	CN	CLM	CA	CY	CYN	CBL	CL	CD
.594	-9.420	.00000	15.00000	.36190	.02390	.03040	.00300	.00200	.00350	.35330	.08380
.592	-8.850	.00000	15.00000	.36480	.02390	.03070	.00260	.00190	.00340	.35620	.08450
.594	-8.280	.00000	15.00000	.35970	.02320	.03100	.00260	.00190	.00330	.35110	.08410
.595	-7.710	.00000	15.00000	.35930	.02310	.03090	.00250	.00180	.00330	.35070	.08390
.595	-7.140	.00000	15.00000	.35670	.02280	.03130	.00290	.00180	.00330	.34810	.08400
.594	-6.560	.00000	15.00000	.35780	.02270	.03130	.00270	.00170	.00330	.34920	.08410
.594	-5.990	.00000	15.00000	.35990	.02300	.03100	.00330	.00180	.00320	.35120	.08420
.593	-5.420	.00000	15.00000	.35940	.02280	.03120	.00190	.00160	.00300	.35070	.08430
.593	-4.850	.00000	15.00000	.35760	.02250	.03140	.00160	.00150	.00300	.34900	.08420
.593	-4.280	.00000	15.00000	.35800	.02240	.03140	.00190	.00160	.00280	.34940	.08420
.593	-3.710	.00000	15.00000	.35720	.02240	.03120	.00200	.00160	.00280	.34860	.08390
.593	-3.140	.00000	15.00000	.35660	.02220	.03140	.00210	.00160	.00270	.34800	.08410
.595	-2.570	.00000	15.00000	.35570	.02210	.03110	.00200	.00150	.00270	.34720	.08340
.592	-1.990	.00000	15.00000	.35800	.02220	.03150	.00130	.00140	.00270	.34930	.08430
.593	-1.420	.00000	15.00000	.35520	.02200	.03140	.00090	.00140	.00250	.34660	.08370
.593	-.850	.00000	15.00000	.35530	.02180	.03150	.00130	.00140	.00230	.34670	.08390
.593	-.280	.00000	15.00000	.35550	.02180	.03150	.00180	.00140	.00230	.34690	.08390
.595	.270	-.01000	15.00000	.35430	.02150	.03130	.00150	.00140	.00220	.34580	.08340
.593	.850	-.01000	15.00000	.35560	.02140	.03180	.00080	.00130	.00210	.34700	.08420
.593	1.410	-.01000	15.00000	.35640	.02130	.03200	.00130	.00120	.00200	.34770	.08440
.594	1.990	-.01000	15.00000	.35430	.02110	.03170	.00050	.00110	.00190	.34570	.08380
.595	2.560	-.01000	15.00000	.35330	.02080	.03190	.00060	.00110	.00180	.34470	.08390
.593	3.130	-.01000	15.00000	.35770	.02110	.03230	.00130	.00110	.00170	.34890	.08500
.592	3.700	-.01000	15.00000	.35810	.02110	.03220	.00130	.00110	.00160	.34940	.08490
.593	4.270	-.01000	15.00000	.35730	.02110	.03190	.00190	.00110	.00160	.34860	.08450
.595	4.850	-.01000	15.00000	.35490	.02070	.03170	.00070	.00090	.00130	.34620	.08400
.595	5.420	-.01000	15.00000	.35510	.02050	.03190	.00030	.00080	.00130	.34650	.08410
.595	5.980	-.01000	15.00000	.35340	.02010	.03210	-.00100	.00060	.00120	.34480	.08400
.594	6.560	-.01000	15.00000	.35440	.02010	.03190	-.00040	.00060	.00100	.34570	.08410
.594	7.130	-.01000	15.00000	.35650	.02030	.03180	.00090	.00070	.00100	.34780	.08430
.595	7.700	-.01000	15.00000	.35460	.02000	.03190	.00070	.00070	.00080	.34600	.08400
.594	8.270	-.01000	15.00000	.35500	.02000	.03230	.00130	.00070	.00070	.34630	.08460
.595	8.840	-.01000	15.00000	.35480	.02000	.03190	.00020	.00050	.00050	.34620	.08420
.594	9.420	-.01000	15.00000	.35870	.02010	.03200	.00040	.00040	.00050	.35000	.08470
.593	9.990	-.01000	15.00000	.35700	.01970	.03220	-.00080	.00030	.00030	.34830	.08470
GRADIENT	-.00147	-.00000	-.00013	-.00019	.00009	-.00009	-.00007	-.00016	-.00015	.00005	.00005

LTV44-559(CA26) 747/1 ATY 02 S1 (ORBITER DATA)

(WFE088) ( 29 JAN 76 )

## REFERENCE DATA

SREF = 2690.0000 SQ.FT. XMRP = 1109.0000 IN. XO  
 LREF = 474.8100 IN. YMRP = .0000 IN. YO  
 BREF = 936.6800 IN. ZMRP = 375.0000 IN. ZO  
 SCALE = .0125

## PARAMETRIC DATA

ALPHAC = 2.000 BETAC = -5.000  
 STAB = 5.000 ELEVON = 5.000  
 BDFLAP = .000 DX = .000  
 DZ = 60.000 IORB = 6.000  
 BETAO = .000 RUDDER = .000

RUN NO. 2063/ 0 RN/L = .00 GRADIENT INTERVAL = -5.00/ 5.00

MACH	DY	DX	DZ	CN	CLM	CA	CY	CYN	CBL	CL	CD
.594	-10.000	.02000	51.46000	.38130	.01510	.03360	.00120	.00020	.00100	.37240	.08840
.596	-9.430	.02000	51.46000	.37630	.01500	.03370	.00220	.00020	.00100	.36750	.08770
.593	-8.860	.02000	51.46000	.37940	.01440	.03470	.00140	.00020	.00090	.37040	.08920
.594	-8.280	.02000	51.46000	.37730	.01460	.03460	.00170	.00010	.00090	.36830	.08890
.594	-7.710	.02000	51.46000	.37930	.01460	.03480	.00260	.00030	.00070	.37020	.08940
.595	-7.140	.02000	51.46000	.37830	.01430	.03450	.00350	.00050	.00060	.36930	.08880
.595	-6.570	.02000	51.46000	.37830	.01460	.03440	.00370	.00040	.00060	.36930	.08900
.594	-6.000	.02000	51.46000	.38030	.01510	.03420	.00250	.00030	.00070	.37130	.08900
.593	-5.420	.02000	51.46000	.37990	.01480	.03460	.00280	.00030	.00050	.37090	.08930
.594	-4.860	.02000	51.46000	.37800	.01460	.03500	.00250	.00030	.00050	.36900	.08940
.595	-4.290	.02000	51.46000	.37990	.01480	.03440	.00200	.00020	.00050	.37090	.08910
.595	-3.710	.02000	51.46000	.38030	.01490	.03400	.00470	.00070	.00010	.37140	.08870
.594	-3.140	.02000	51.46000	.38100	.01520	.03410	.00400	.00050	.00010	.37200	.08880
.595	-2.570	.02000	51.46000	.37900	.01470	.03420	.00330	.00040	.00000	.37000	.08880
.594	-2.000	.02000	51.46000	.37730	.01450	.03500	.00380	.00030	-.00010	.36830	.08920
.594	-1.430	.02000	51.46000	.37620	.01430	.03500	.00390	.00040	-.00010	.36720	.08910
.592	-.850	.02000	51.46000	.38100	.01450	.03440	.00410	.00050	.00000	.37200	.08920
.594	-.280	.02000	51.46000	.37830	.01470	.03410	.00290	.00020	-.00010	.36930	.08860
.594	.270	.01000	51.46000	.37800	.01460	.03420	.00430	.00040	-.00040	.36900	.08860
.594	.840	.01000	51.46000	.37710	.01420	.03500	.00540	.00050	-.00040	.36810	.08910
.594	1.410	.01000	51.46000	.37560	.01390	.03520	.00660	.00070	-.00050	.36660	.08920
.594	1.990	.01000	51.46000	.37970	.01430	.03470	.00450	.00050	-.00040	.37070	.08940
.594	2.560	.01000	51.46000	.38030	.01470	.03450	.00270	.00020	-.00050	.37130	.08930
.593	3.130	.01000	51.46000	.38190	.01470	.03440	.00290	.00030	-.00050	.37280	.08940
.595	3.700	.01000	51.46000	.37850	.01420	.03420	.00540	.00060	-.00040	.36960	.08860
.594	4.270	.01000	51.46000	.37950	.01440	.03480	.00450	.00050	-.00040	.37050	.08920
.594	4.850	.01000	51.46000	.37900	.01390	.03450	.00340	.00030	-.00040	.37010	.08890
.593	5.410	.01000	51.46000	.38150	.01480	.03450	.00220	.00020	-.00050	.37250	.08940
.594	5.980	.01000	51.46000	.38140	.01440	.03460	.00250	.00030	-.00060	.37230	.08950
.595	6.560	.01000	51.46000	.37840	.01370	.03430	.00560	.00060	-.00090	.36950	.08850
.595	7.130	.01000	51.46000	.37890	.01430	.03470	.00520	.00060	-.00100	.36980	.08920
.594	7.700	.01000	51.46000	.37860	.01420	.03470	.00410	.00040	-.00100	.36960	.08890
.594	8.270	.01000	51.46000	.38030	.01410	.03430	.00450	.00050	-.00090	.37130	.08910
.594	8.840	.01000	51.46000	.37930	.01430	.03470	.00530	.00060	-.00090	.37030	.08900
.594	9.420	.01000	51.46000	.38010	.01390	.03460	.00550	.00060	-.00100	.37110	.08920
.593											
	GRADIENT	-.00146	-.00000	.00002	-.00007	.00001	.00012	.00000	-.00009	.00002	.00001

LTV44-559(CA26) 747/1 ATY 02 S1 (ORBITER DATA)

(WFE089) ( 29 JAN 76 )

## REFERENCE DATA

SREF = 2690.0000 SQ.FT. XMRP = 1109.0000 IN. XO  
 LREF = 474.8100 IN. YMRP = .0000 IN. YO  
 BREF = 936.6800 IN. ZMRP = 375.0000 IN. ZO  
 SCALE = .0125

## PARAMETRIC DATA

ALPHAC = 4.000 BETAC = .000  
 STAB = 5.000 ELEVON = 5.000  
 BDFLAP = .000 DX = .000  
 DY = .000 IORB = 4.000  
 BETAO = .000 RUDDER = .000

RUN NO. 64/ 0 RN/L = .00 GRADIENT INTERVAL = -5.00/ 5.00

MACH	DZ	DY	DX	CN	CLM	CA	CY	CYN	CBL	CL	CD
.599	1.760	.00000	-.02000	.25970	.02580	.03750	.00240	.00000	-.00070	.25230	.07190
.599	2.360	.00000	-.02000	.26100	.02510	.03730	.00230	.00010	-.00080	.25360	.07180
.599	2.970	.00000	-.02000	.26550	.02340	.03750	.00240	.00000	-.00080	.25810	.07260
.599	3.760	.00000	-.01000	.26450	.02320	.03730	.00260	.00010	-.00070	.25710	.07230
.599	4.560	.00000	-.01000	.26290	.02240	.03760	.00270	.00000	-.00070	.25550	.07240
.599	5.960	.00000	-.01000	.26890	.02100	.03780	.00150	.00000	-.00070	.26140	.07340
.600	7.970	.00000	-.01000	.26710	.02020	.03770	.00270	.00010	-.00070	.25970	.07300
.600	9.960	.00000	-.01000	.27830	.01850	.03830	.00210	.00000	-.00060	.27070	.07490
.600	10.960	.00000	-.01000	.27940	.01850	.03850	.00210	.00010	-.00060	.27180	.07520
.600	11.960	.00000	-.01000	.27930	.01830	.03830	.00240	.00000	-.00070	.27180	.07500
.600	12.950	.00000	-.01000	.28100	.01810	.03830	.00200	.00000	-.00070	.27340	.07510
.598	13.940	.00000	.00000	.28200	.01730	.03850	.00280	.00010	-.00080	.27440	.07560
.599	14.940	.00000	.00000	.28250	.01700	.03880	.00310	.00010	-.00060	.27490	.07590
.597	15.930	.00000	.00000	.28630	.01720	.03920	.00210	.00000	-.00080	.27860	.07680
.598	16.930	.00000	.00000	.28520	.01650	.03920	.00300	.00010	-.00070	.27750	.07650
.597	17.930	.00000	.00000	.28800	.01670	.03950	.00250	.00000	-.00060	.28020	.07730
.599	18.920	.00000	.00000	.28970	.01660	.03900	.00160	.00000	-.00060	.28200	.07690
.597	19.910	.00000	.00000	.29240	.01610	.03910	.00190	.00010	-.00060	.28470	.07730
.598	20.910	.00000	.00000	.29320	.01620	.03940	.00200	.00010	-.00060	.28550	.07770
.599	21.900	.00000	.01000	.29360	.01630	.03940	.00220	.00000	-.00060	.28580	.07780
.598	22.890	.00000	.01000	.29450	.01540	.03980	.00190	.00010	-.00060	.28670	.07820
.598	23.890	.00000	.01000	.29650	.01580	.03980	.00320	.00020	-.00070	.28870	.07840
.599	24.890	.00000	.01000	.29660	.01550	.03970	.00240	.00010	-.00050	.28880	.07840
.598	25.880	.00000	.01000	.30060	.01540	.03960	.00180	.00000	-.00050	.29280	.07880
.598	26.870	.00000	.01000	.30140	.01540	.03980	.00150	.00000	-.00040	.29360	.07900
.598	27.870	.00000	.01000	.30070	.01470	.03990	.00170	.00000	-.00050	.29290	.07900
.597	28.860	.00000	.01000	.30210	.01510	.04010	.00170	.00000	-.00040	.29420	.07930
.599	29.860	.00000	.02000	.30260	.01510	.04030	.00150	.00000	-.00030	.29470	.07960
.599	30.860	.00000	.02000	.30480	.01480	.04010	.00200	.00000	-.00030	.29690	.07980
.601	31.850	.00000	.02000	.30530	.01490	.03980	.00210	.00010	-.00030	.29740	.07950
.602	32.840	.00000	.02000	.30220	.01410	.03980	.00030	.00000	-.00020	.29440	.07890
.600	33.840	.00000	.02000	.30680	.01460	.04030	.00140	.00010	-.00030	.29990	.08000
.595	34.830	.00000	.02000	.31350	.01420	.04080	.00170	.00010	-.00030	.30550	.08150
.600	35.830	.00000	.02000	.31050	.01470	.04020	.00130	.00000	-.00030	.30260	.08050
.600	36.830	.00000	.03000	.31170	.01440	.04000	.00160	.00010	-.00020	.30380	.08030
.598	37.820	.00000	.03000	.31470	.01490	.04020	.00140	.00010	-.00020	.30680	.08080
.597	38.820	.00000	.03000	.31680	.01490	.04020	.00240	.00030	-.00040	.30890	.08100
.597	39.810	.00000	.03000	.31750	.01450	.04040	.00140	.00020	-.00030	.30960	.08130
.599	40.800	.00000	.03000	.31420	.01330	.04030	.00020	.00000	.00000	.30620	.08090
.599	41.800	.00000	.03000	.31140	.01290	.04110	-.00020	.00000	.00020	.30340	.08120
.599	42.800	.00000	.05000	.31330	.01310	.04110	.00060	.00010	.00000	.30530	.08150
.596	43.790	.00000	.05000	.31930	.01320	.04100	.00090	.00000	.00000	.31120	.08210



DATE 22 MAR 76

CA-26 FORCE SOURCE DATA TABULATION

PAGE 451

LTV44-559(CA26) 747/1 ATY 02 S1 (ORBITER DATA)

(WFE089) ( 29 JAN 76 )

REFERENCE DATA

SREF = 2690.0000 SQ.FT. XMRP = 1109.0000 IN. XO  
LREF = 474.8100 IN. YMRP = .0000 IN. YO  
BREF = 936.6800 IN. ZMRP = 375.0000 IN. ZO  
SCALE = .0125

PARAMETRIC DATA

ALPHAC = 4.000 BETAC = .000  
STAB = 5.000 ELEVON = 5.000  
BDFLAP = .000 DX = .000  
DY = .000 TORB = 4.000  
BETA0 = .000 RUDDER = .000

RUN NO. 64/ 0 RN/L = .00 GRADIENT INTERVAL = -5.00/ 5.00

MACH	DZ	DY	DX	CN	CLM	CA	CY	CYN	CBL	CL	CD
.599	44.790	.00000	.05000	.31760	.01310	.04080	.00150	.00030	-.00010	.30960	.08170
	GRADIENT	.00000	.00438	.00130	-.00122	.00003	.00013	-.00000	.00002	.00130	.00020

ORIGINAL PAGE IS  
OF POOR QUALITY

LTV44-559(CA26) 747/1 ATY 02 S1 (ORBITER DATA)

(WFE090) ( 29 JAN 76 )

## REFERENCE DATA

SREF = 2690.0000 SQ.FT. XMRP = 1109.0000 IN. XO  
 LREF = 474.8100 IN. YMRP = .0000 IN. YO  
 BREF = 936.6800 IN. ZMRP = 375.0000 IN. ZO  
 SCALE = .0125

## PARAMETRIC DATA

ALPHAC = 4.000 BETAC = .000  
 STAB = 5.000 ELEVON = 5.000  
 BDFLAP = .000 DX = .000  
 DY = .000 IORB = 6.000  
 BETAO = .000 RUDDER = .000

RUN NO. 1064/ 0 RN/L = .00 GRADIENT INTERVAL = -5.00/ 5.00

MACH	DZ	DY	DX	CN	CLM	CA	CY	CYN	CBL	CL	CD
.598	1.470	.00000	-.02000	.37750	.03500	.02450	.00540	.00020	-.00110	.36800	.08750
.599	1.770	.00000	-.02000	.37730	.03300	.02490	.00460	.00010	-.00110	.36770	.08800
.598	2.370	.00000	-.02000	.37810	.03280	.02490	.00470	.00000	-.00100	.36850	.08830
.597	2.970	.00000	-.02000	.37990	.03250	.02500	.00440	.00010	-.00110	.37030	.08850
.599	3.770	.00000	-.02000	.37850	.02980	.02480	.00510	.00020	-.00120	.36890	.08800
.598	4.570	.00000	-.02000	.38050	.02990	.02510	.00480	.00010	-.00120	.37090	.08860
.597	5.970	.00000	-.02000	.38680	.02800	.02540	.00390	.00010	-.00110	.37710	.08980
.598	7.970	.00000	-.01000	.38580	.02700	.02550	.00550	.00030	-.00100	.37600	.08990
.599	9.960	.00000	-.01000	.38450	.02680	.02570	.00360	.00010	-.00100	.37480	.08970
.598	11.240	.00000	-.01000	.38850	.02610	.02610	.00220	.00000	-.00100	.37860	.09080
.599	12.520	.00000	-.01000	.38910	.02540	.02590	.00370	.00000	-.00100	.37930	.09050
.598	13.800	.00000	-.01000	.39080	.02500	.02630	.00450	.00010	-.00090	.38090	.09130
.598	15.080	.00000	.00000	.39330	.02500	.02620	.00260	.00000	-.00100	.38340	.09140
.599	16.350	.00000	.00000	.39470	.02510	.02630	.00260	.00000	-.00100	.38480	.09160
.597	17.630	.00000	.00000	.39740	.02470	.02660	.00430	.00000	-.00100	.38740	.09240
.598	18.900	.00000	.00000	.39560	.02430	.02660	.00220	-.00010	-.00080	.38560	.09210
.598	20.180	.00000	.00000	.40000	.02440	.02640	.00300	.00010	-.00100	.39010	.09240
.597	21.460	.00000	.00000	.40040	.02390	.02690	.00340	.00000	-.00100	.39040	.09280
.598	22.730	.00000	.01000	.40260	.02410	.02690	.00300	.00000	-.00090	.39260	.09320
.600	24.000	.00000	.01000	.40330	.02350	.02660	.00370	.00000	-.00070	.39330	.09300
.599	25.280	.00000	.01000	.40210	.02300	.02680	.00360	.00010	-.00090	.39220	.09290
.597	26.560	.00000	.01000	.40910	.02320	.02710	.00380	.00010	-.00090	.39890	.09460
.598	27.840	.00000	.01000	.40510	.02230	.02750	.00210	.00000	-.00070	.39490	.09430
.598	29.110	.00000	.02000	.40640	.02230	.02740	.00270	.00010	-.00070	.39630	.09420
.595	30.390	.00000	.02000	.41210	.02230	.02750	.00300	.00010	-.00070	.40190	.09510
.598	31.660	.00000	.02000	.41000	.02240	.02720	.00230	.00000	-.00060	.39980	.09450
.598	32.940	.00000	.02000	.41120	.02140	.02770	.00280	.00010	-.00060	.40100	.09500
.600	34.220	.00000	.02000	.40990	.02130	.02760	.00310	.00020	-.00080	.39980	.09470
.597	35.490	.00000	.03000	.41540	.02150	.02770	.00220	.00010	-.00060	.40520	.09580
.598	36.770	.00000	.03000	.41480	.02150	.02780	.00240	.00010	-.00070	.40450	.09570
.598	38.050	.00000	.03000	.41600	.02110	.02810	.00210	.00010	-.00060	.40570	.09620
.597	39.330	.00000	.03000	.41820	.02080	.02790	.00170	.00000	-.00050	.40790	.09630
.598	40.600	.00000	.03000	.41710	.02010	.02830	.00290	.00020	-.00060	.40670	.09640
.599	41.880	.00000	.03000	.41910	.02060	.02780	.00340	.00030	-.00060	.40890	.09610
.597	43.150	.00000	.05000	.42080	.01960	.02820	.00190	.00010	-.00040	.41040	.09690
.600	44.430	.00000	.05000	.41770	.01910	.02830	.00080	-.00010	-.00010	.40740	.09630
.599	45.710	.00000	.05000	.42330	.01900	.02800	.00250	.00010	-.00020	.41300	.09690
.599	46.980	.00000	.05000	.42080	.01830	.02800	.00150	.00000	.00000	.41050	.09660
.597	48.260	.00000	.05000	.42080	.01830	.02800	.00150	.00000	.00000	.40880	.09700
.599	49.540	.00000	.05000	.41920	.01770	.02890	.00050	.00000	-.00010	.40640	.09690
.598	50.820	.00000	.05000	.41670	.01750	.02900	.00250	.00010	-.00010	.40560	.09630
GRADIENT		.00000	.00000	.00091	-.00157	.00011	-.00005	.00000	-.00004	.00089	.00023

LTV44-559(CA26) 747/1 ATY 02 S1 (ORBITER DATA)

(WFE091) ( 29 JAN 76 )

## REFERENCE DATA

SREF = 2590.0000 SQ.FT. XMRP = 1109.0000 IN. XO  
 LREF = 474.8100 IN. YMRP = .0000 IN. YO  
 BREF = 936.6800 IN. ZMRP = 375.0000 IN. ZO  
 SCALE = .0125

## PARAMETRIC DATA

ALPHAC = 4.000 BETAC = .000  
 STAB = 5.000 ELEVON = 5.000  
 BDFLAP = .000 DX = .000  
 DY = .000 IORB = 0.000  
 BETA0 = .000 RUDDER = .000

RUN NO. 65/ 0 RN/L = .00 GRADIENT INTERVAL = -5.00/ 5.00

MACH	DZ	DY	DX	CN	CLM	CA	CY	CYN	CBL	CL	CD
.598	1.760	.00000	-.05000	.49970	.04130	.01070	.00620	.00010	-.00060	.48710	.11200
.598	2.360	.00000	-.05000	.49530	.04090	.01080	.00620	.00010	-.00070	.48280	.11100
.597	2.970	.00000	-.03000	.49460	.03970	.01090	.00540	.00000	-.00070	.48210	.11090
.597	3.960	.00000	-.03000	.49600	.03960	.01110	.00630	.00000	-.00060	.48350	.11160
.600	4.960	.00000	-.03000	.49210	.03700	.01140	.00570	.00000	-.00060	.47950	.11110
.601	6.210	.00000	-.03000	.49400	.03700	.01130	.00580	.00000	-.00060	.48140	.11130
.599	7.460	.00000	-.02000	.49880	.03690	.01130	.00570	.00000	-.00070	.48620	.11200
.598	8.710	.00000	-.02000	.49680	.03560	.01200	.00520	.00000	-.00050	.48420	.11210
.601	9.960	.00000	-.02000	.49600	.03420	.01210	.00500	.00000	-.00070	.48330	.11190
.600	11.150	.00000	-.01000	.49680	.03410	.01200	.00470	-.00010	-.00060	.48420	.11220
.597	12.330	.00000	-.01000	.50370	.03440	.01220	.00570	.00000	-.00070	.49090	.11340
.600	13.510	.00000	-.01000	.49830	.03350	.01240	.00580	.00000	-.00060	.48560	.11260
.600	14.700	.00000	-.01000	.49780	.03270	.01260	.00550	.00000	-.00070	.48500	.11250
.598	15.880	.00000	.00000	.50120	.03240	.01270	.00510	-.00010	-.00060	.48840	.11320
.600	17.070	.00000	.00000	.50130	.03200	.01260	.00540	.00000	-.00060	.48850	.11320
.598	18.250	.00000	.00000	.50660	.03180	.01310	.00450	.00000	-.00040	.49350	.11480
.599	19.440	.00000	.00000	.50620	.03150	.01310	.00420	.00000	-.00030	.49320	.11460
.600	20.620	.00000	.00000	.50440	.03080	.01320	.00330	-.00020	-.00030	.49150	.11400
.600	21.790	.00000	.01000	.50640	.03130	.01320	.00400	-.00020	-.00030	.49340	.11450
.600	22.980	.00000	.01000	.50610	.03040	.01370	.00450	.00000	-.00020	.49320	.11470
.598	24.160	.00000	.01000	.50980	.03030	.01400	.00400	-.00010	-.00020	.49670	.11580
.599	25.350	.00000	.01000	.51210	.03020	.01380	.00480	.00000	-.00030	.49890	.11600
.599	26.530	.00000	.01000	.51460	.03060	.01400	.00470	-.00010	-.00030	.50140	.11660
.597	27.720	.00000	.01000	.51740	.03000	.01380	.00500	-.00010	-.00020	.50420	.11690
.600	28.900	.00000	.02000	.51380	.02950	.01370	.00460	.00000	-.00020	.50080	.11570
.597	30.080	.00000	.02000	.51900	.02920	.01430	.00350	-.00020	.00000	.50570	.11750
.597	31.270	.00000	.02000	.51720	.02900	.01430	.00340	-.00020	.00000	.50390	.11720
.601	32.450	.00000	.02000	.51250	.02890	.01460	.00410	.00000	-.00010	.49930	.11640
.600	33.640	.00000	.02000	.51660	.02890	.01450	.00350	-.00020	-.00010	.50330	.11720
.597	34.820	.00000	.02000	.52010	.02800	.01470	.00290	-.00020	.00000	.50680	.11770
.600	36.010	.00000	.03000	.51490	.02740	.01540	.00280	-.00030	.00020	.50160	.11740
.599	37.180	.00000	.03000	.51850	.02730	.01470	.00470	.00010	.00000	.50510	.11760
.598	38.370	.00000	.03000	.52420	.02810	.01470	.00250	-.00020	.00020	.51080	.11860
.600	39.550	.00000	.03000	.52330	.02710	.01450	.00360	-.00010	.00010	.51000	.11790
.599	40.740	.00000	.03000	.52410	.02770	.01480	.00410	.00000	.00010	.51070	.11850
.598	41.920	.00000	.03000	.52820	.02730	.01450	.00370	-.00010	.00010	.51480	.11910
.600	43.110	.00000	.05000	.52350	.02660	.01490	.00380	.00000	.00000	.51020	.11820
.599	44.290	.00000	.05000	.52590	.02620	.01530	.00320	-.00010	.00020	.51250	.11890
.599	45.470	.00000	.05000	.52910	.02700	.01480	.00280	-.00010	.00050	.51570	.11940
.599	46.660	.00000	.05000	.52650	.02590	.01530	.00210	-.00030	.00050	.51310	.11910
.600	47.840	.00000	.05000	.52590	.02490	.01540	.00320	-.00020	.00030	.51250	.11900
.602	49.030	.00000	.06000	.52540	.02500	.01560	.00210	-.00020	.00050	.51190	.11930

LTV44-559(CA26) 747/1 ATY 02 S1 (ORBITER DATA)

(WF091) ( 29 JAN 76 )

## REFERENCE DATA

SREF = 2690.0000 SQ.FT. XMRP = 1109.0000 IN. XO  
 LREF = 474.8100 IN. YMRP = .0000 IN. YO  
 BREF = 936.6800 IN. ZMRP = 375.0000 IN. ZO  
 SCALE = .0125

## PARAMETRIC DATA

ALPHAC = 4.000 BETAC = .000  
 STAB = 5.000 ELEVON = 5.000  
 BDFLAP = .000 DX = .000  
 DY = .000 IORB = 8.000  
 BETA0 = .000 RUDDER = .000

RUN NO. 65/ 0 R3/L = .00 GRADIENT INTERVAL = -5.00/ 5.00

MACH	DZ	DY	DX	CN	CLM	CA	CY	CYN	CBL	CL	CD
.600	50.210	.00000	.06000	.52660	.02520	.01540	.00270	.00000	.00050	.51320	.11910
.598	51.400	.00000	.06000	.52890	.02430	.01580	.00320	-.00010	.00040	.51530	.11990
.598	52.580	.00000	.06000	.52910	.02420	.01550	.00130	-.00040	.00060	.51560	.11960
.600	53.760	.00000	.06000	.52620	.02380	.01570	.00210	-.00020	.00090	.51280	.11900
.600	54.950	.00000	.07000	.52790	.02390	.01540	.00110	-.00040	.00100	.51450	.11920
.599	56.130	.00000	.07000	.52780	.02330	.01570	.00120	-.00030	.00110	.51440	.11920
	GRADIENT	.00000	.00702	-.00173	-.00125	.00022	-.00009	-.00004	.00002	-.00174	-.00012

LTV44-559(CA26) 747/1 ATY 02 S1 (ORBITER DATA)

(WFED92) ( 29 JAN 76 )

## REFERENCE DATA

SREF = 2690.0000 SQ.FT. XMRP = 1109.0000 IN. XO  
 LREF = 474.8100 IN. YMRP = .0000 IN. YO  
 BREF = 936.6800 IN. ZMRP = 375.0000 IN. ZO  
 SCALE = .0125

## PARAMETRIC DATA

ALPHAC = 4.000 BETAC = .000  
 STAB = 5.000 ELEVON = 5.000  
 BDFLAP = .000 DX = .000  
 DY = .000 IORB = 4.000  
 BETAO = 5.000 RUDDER = .000

RUN NO. 66/ 0 RN/L = .00 GRADIENT INTERVAL = -5.00/ 5.00

MACH	DZ	DY	DX	CLM	CA	CY	CYN	CBL	CL	CD
.596	1.760	.00000	-.02000	.27990	.02510	.03610	-.05850	-.01120	.27260	.07330
.597	2.360	.00000	.02000	.27780	.02530	.03580	-.05840	-.01090	.27050	.07270
.595	2.970	.00000	-.02000	.28270	.02320	.03620	-.05850	-.01100	.27530	.07360
.594	3.760	.00000	-.02000	.28280	.02290	.03530	-.05840	-.01100	.27540	.07370
.594	4.560	.00000	-.01000	.28360	.02200	.03650	-.05800	-.01110	.27620	.07400
.596	5.960	.00000	-.01000	.28450	.02030	.03620	-.05800	-.01090	.27720	.07390
.595	7.970	.00000	-.01000	.28710	.02040	.03660	-.05820	-.01100	.27970	.07450
.595	9.960	.00000	-.01000	.29540	.01820	.03700	-.05820	-.01090	.28780	.07590
.596	10.900	.00000	-.01000	.29410	.01750	.03680	-.05770	-.01090	.28660	.07560
.595	11.840	.00000	-.01000	.29520	.01780	.03720	-.05750	-.01090	.28760	.07600
.595	12.780	.00000	-.01000	.29820	.01770	.03710	-.05800	-.01090	.29070	.07620
.595	13.710	.00000	.00000	.30010	.01720	.03730	-.05770	-.01100	.29250	.07680
.596	14.650	.00000	.00000	.29890	.01690	.03720	-.05750	-.01080	.29130	.07660
.598	15.590	.00000	.00000	.29900	.01640	.03710	-.05760	-.01080	.29150	.07640
.596	16.530	.00000	.00000	.30310	.01650	.03750	-.05830	-.01090	.29540	.07740
.596	17.470	.00000	.00000	.30360	.01620	.03760	-.05780	-.01090	.29600	.07730
.597	18.410	.00000	.00000	.30390	.01610	.03760	-.05730	-.01090	.29630	.07740
.598	19.350	.00000	.00000	.30400	.01520	.03750	-.05830	-.01100	.29640	.07720
.597	20.280	.00000	.00000	.30590	.01570	.03770	-.05810	-.01090	.29820	.07780
.598	21.220	.00000	.00000	.30790	.01520	.03760	-.05850	-.01100	.30020	.07790
.595	22.150	.00000	.01000	.31210	.01570	.03790	-.05830	-.01090	.30440	.07870
.595	23.090	.00000	.01000	.31220	.01550	.03790	-.05810	-.01090	.30440	.07880
.593	24.030	.00000	.01000	.31450	.01520	.03790	-.05730	-.01080	.30680	.07890
.596	24.960	.00000	.01000	.31200	.01510	.03790	-.05790	-.01080	.30430	.07870
.594	25.910	.00000	.01000	.31590	.01500	.03800	-.05840	-.01080	.30820	.07910
.596	26.850	.00000	.01000	.31530	.01440	.03800	-.05820	-.01090	.30760	.07900
.596	27.780	.00000	.01000	.31580	.01460	.03810	-.05790	-.01090	.30810	.07920
.596	28.720	.00000	.01000	.31920	.01460	.03810	-.05810	-.01080	.31150	.07960
.595	29.660	.00000	.02000	.32250	.01480	.03820	-.05700	-.01070	.31470	.08010
.598	30.600	.00000	.02000	.32040	.01450	.03840	-.05850	-.01090	.31260	.08020
.598	31.530	.00000	.02000	.32160	.01390	.03820	-.05910	-.01100	.31380	.08000
.598	32.470	.00000	.02000	.32120	.01420	.03850	-.05840	-.01090	.31340	.08030
.598	33.410	.00000	.02000	.32320	.01420	.03840	-.05800	-.01080	.31540	.08030
.595	34.350	.00000	.02000	.32660	.01380	.03860	-.05890	-.01090	.31880	.08080
.596	35.290	.00000	.02000	.32510	.01390	.03840	-.05820	-.01090	.31730	.08050
.594	36.230	.00000	.03000	.32420	.01280	.03910	-.05930	-.01100	.31630	.08100
.595	37.170	.00000	.03000	.32710	.01320	.03870	-.05930	-.01090	.31920	.08110
.596	38.100	.00000	.03000	.32560	.01290	.03900	-.05950	-.01100	.31780	.08110
.597	39.040	.00000	.03000	.32710	.01350	.03880	-.05980	-.01100	.31930	.08100
.596	39.980	.00000	.03000	.32890	.01340	.03870	-.05970	-.01100	.32110	.08110
.595	40.920	.00000	.03000	.32960	.01270	.03930	-.06110	-.01130	.32170	.08170
.596	41.860	.00000	.03000	.33250	.01270	.03900	-.05960	-.01100	.32460	.08190

DATE 22 MAR 76

CA-26 FORCE SOURCE DATA TABULATION

PAGE 456

LTV44-559(CA26) 747/1 ATY 02 S1 (ORBITER DATA)

(WFE092) ( 29 JAN 76 )

REFERENCE DATA

SREF = 2690.0000 SQ.FT. XMRP = 1109.0000 IN. XO  
LREF = 474.8100 IN. YMRP = .0000 IN. YO  
BREF = 936.6800 IN. ZMRP = 375.0000 IN. ZO  
SCALE = .0125

PARAMETRIC DATA

ALPHAC = 4.000 BETAC = .000  
STAB = 5.000 ELEVON = 5.000  
BDFLAP = .000 DX = .000  
DY = .000 IORB = 4.000  
BETAO = 5.000 RUDDER = .000

RUN NO. 66/ 0 RN/L = .00 GRADIENT INTERVAL = -5.00/ 5.00

MACH	DZ	DY	DX	CN	CLM	CA	CY	CYN	CBL	CL	CD
.597	42.790	.00000	.05000	.32870	.01180	.03940	-.06030	-.01110	.00120	.32090	.08150
	GRADIENT	.00000	.00300	.00175	-.00122	.00019	.00015	.00001	.00004	.00171	.00035

DATE 22 MAR 76

CA-26 FORCE SOURCE DATA TABULATION

PAGE 457

LTV44-559(CA26) 747/1 ATY 02 S1 (ORBITER DATA)

(WFE093) ( 29 JAN 76 )

## REFERENCE DATA

SREF = 2690.0000 SQ.FT. XMRP = 1109.0000 IN. XO  
 LREF = 474.8100 IN. YMRP = .0000 IN. YO  
 BREF = 936.6800 IN. ZMRP = 375.0000 IN. ZO  
 SCALE = .0125

## PARAMETRIC DATA

ALPHAC = 4.000 BETAC = .000  
 STAB = 5.000 ELEVON = 5.000  
 BDFLAP = .000 DX = .000  
 DY = .000 IORB = 6.000  
 BETA0 = 5.000 RUDDER = .000

RUN NO. 1066/ 0 RN/L = .00 GRADIENT INTERVAL = -5.00/ 5.00

MACH	DZ	DY	DX	CN	CLM	CA	CY	CYN	CBL	CL	CD
.594	1.480	.00000	-.03000	.39770	.03190	.02410	-.05650	-.01110	-.00230	.38800	.09060
.594	1.770	.00000	-.02000	.39880	.03020	.02410	-.05640	-.01100	-.00210	.38900	.09090
.594	2.370	.00000	-.02000	.40100	.02980	.02400	-.05580	-.01090	-.00210	.39120	.09120
.594	2.970	.00000	-.02000	.40170	.02980	.02420	-.05640	-.01100	-.00210	.39190	.09140
.597	3.770	.00000	-.02000	.39960	.02750	.02380	-.05530	-.01090	-.00180	.38990	.09080
.595	4.570	.00000	-.02000	.40310	.02760	.02430	-.05530	-.01080	-.00200	.39330	.09190
.595	5.970	.00000	-.02000	.40640	.02560	.02440	-.05630	-.01090	-.00150	.39650	.09210
.595	7.970	.00000	-.01000	.40730	.02470	.02480	-.05600	-.01090	-.00130	.39740	.09270
.595	9.970	.00000	-.01000	.40960	.02490	.02490	-.05550	-.01080	-.00140	.39960	.09310
.596	11.190	.00000	-.01000	.40720	.02350	.02500	-.05520	-.01080	-.00120	.39730	.09250
.594	12.410	.00000	-.01000	.41100	.02340	.02540	-.05730	-.01090	-.00120	.40100	.09360
.594	13.620	.00000	-.01000	.41370	.02320	.02540	-.05700	-.01090	-.00110	.40370	.09400
.594	14.830	.00000	.00000	.41400	.02250	.02550	-.05550	-.01080	-.00110	.40400	.09410
.594	16.050	.00000	.00000	.41610	.02230	.02570	-.05610	-.01080	-.00110	.40600	.09460
.596	17.260	.00000	.00000	.41350	.02200	.02560	-.05460	-.01060	-.00110	.40340	.09400
.593	18.480	.00000	.00000	.41960	.02200	.02570	-.05590	-.01080	-.00110	.40950	.09500
.596	19.690	.00000	.00000	.41780	.02190	.02560	-.05550	-.01070	-.00090	.40770	.09470
.595	20.910	.00000	.00000	.42290	.02180	.02550	-.05530	-.01070	-.00100	.41280	.09540
.597	22.120	.00000	.01000	.42170	.02160	.02580	-.05630	-.01070	-.00090	.41150	.09550
.595	23.330	.00000	.01000	.42320	.02140	.02580	-.05630	-.01070	-.00080	.41310	.09550
.597	24.550	.00000	.01000	.42460	.02120	.02610	-.05700	-.01070	-.00080	.41440	.09620
.597	25.770	.00000	.01000	.42730	.02110	.02590	-.05650	-.01060	-.00090	.41710	.09640
.595	26.980	.00000	.01000	.42710	.02060	.02610	-.05680	-.01070	-.00070	.41690	.09650
.597	28.190	.00000	.01000	.42750	.02010	.02600	-.05530	-.01040	-.00100	.41730	.09640
.595	29.410	.00000	.02000	.43100	.02050	.02660	-.05780	-.01070	-.00070	.42070	.09750
.595	30.620	.00000	.02000	.43230	.02040	.02650	-.05780	-.01080	-.00080	.42190	.09770
.595	31.840	.00000	.02000	.43150	.01970	.02710	-.05700	-.01080	-.00070	.42110	.09800
.595	33.060	.00000	.02000	.43270	.01940	.02660	-.05740	-.01070	-.00070	.42230	.09770
.594	34.270	.00000	.02000	.43700	.01970	.02660	-.05850	-.01080	-.00060	.42660	.09820
.593	35.490	.00000	.02000	.43650	.01910	.02670	-.05780	-.01070	-.00050	.42620	.09810
.594	36.700	.00000	.03000	.43640	.01910	.02680	-.05910	-.01100	-.00030	.42600	.09820
.594	37.910	.00000	.03000	.43620	.01870	.02680	-.05810	-.01080	-.00050	.42590	.09810
.595	39.130	.00000	.03000	.43670	.01870	.02690	-.05910	-.01090	-.00050	.42630	.09840
.595	40.350	.00000	.03000	.43790	.01840	.02690	-.05820	-.01070	-.00050	.42740	.09880
.597	41.560	.00000	.03000	.43790	.01830	.02660	-.05830	-.01060	-.00040	.42760	.09810
.596	42.780	.00000	.03000	.43660	.01780	.02710	-.06060	-.01120	-.00020	.42620	.09830
.595	43.990	.00000	.05000	.43800	.01720	.02740	-.05890	-.01110	-.00030	.42760	.09890
.594	45.210	.00000	.05000	.44310	.01770	.02740	-.06080	-.01110	.00000	.43260	.09970
.595	46.420	.00000	.05000	.43830	.01680	.02790	-.06010	-.01120	.00000	.42780	.09920
.597	47.630	.00000	.05000	.44090	.01770	.02670	-.05920	-.01090	.00000	.43060	.09850
.595	48.850	.00000	.05000	.44510	.01750	.02720	-.05970	-.01090	-.00010	.43470	.09950
GRADIENT	.00000	.00000	.00189	.00130	-.00131	.00002	.00040	.00008	.00010	.00129	.00028

LTV44-559(CA26) 747/1 ATY 02 S1 (ORBITER DATA)

(WFE094) ( 29 JAN 76 )

## REFERENCE DATA

SREF = 2690.0000 SQ.FT. XMRP = 1109.0000 IN. XO  
 LREF = 474.8100 IN. YMRP = .0000 IN. YO  
 BREF = 936.6800 IN. ZMRP = 375.0000 IN. ZO  
 SCALE = .0125

## PARAMETRIC DATA

ALPHAC = 4.000 BETAC = .000  
 STAB = 5.000 ELEVON = 5.000  
 BDFLAP = .000 DX = .000  
 DY = .000 IORB = 8.000  
 BETAO = 5.000 RUDDER = .000

RUN NO. 67/ 0 RN/L = .00 GRADIENT INTERVAL = -5.00/ 5.00

MACH	DZ	DY	DX	CN	CLM	CA	CY	CYN	CBL	CL	CD
.601	1.760	.00000	-.03000	.50910	.03700	.00950	-.05470	-.01060	-.00340	.49660	.11270
.603	2.360	.00000	-.03000	.50490	.03670	.00960	-.05460	-.01060	-.00340	.49240	.11210
.603	2.970	.00000	-.03000	.50830	.03560	.00940	-.05510	-.01070	-.00310	.49590	.11210
.602	3.960	.00000	-.03000	.50730	.03560	.00960	-.05430	-.01050	-.00310	.49480	.11230
.603	4.960	.00000	-.03000	.50770	.03430	.00940	-.05430	-.01060	-.00290	.49520	.11210
.601	6.210	.00000	-.02000	.50980	.03370	.00990	-.05420	-.01050	-.00290	.49720	.11290
.601	7.460	.00000	-.02000	.51030	.03320	.01010	-.05440	-.01060	-.00280	.49770	.11310
.601	8.710	.00000	-.02000	.51180	.03260	.01020	-.05510	-.01070	-.00270	.49910	.11350
.603	9.960	.00000	-.01000	.50960	.03150	.01060	-.05410	-.01040	-.00260	.49700	.11310
.602	11.150	.00000	-.01000	.51090	.03130	.01050	-.05430	-.01060	-.00250	.49830	.11340
.602	12.330	.00000	-.01000	.51160	.03160	.01090	-.05410	-.01050	-.00250	.49890	.11390
.602	13.510	.00000	-.01000	.51190	.03070	.01110	-.05460	-.01060	-.00230	.49910	.11410
.600	14.700	.00000	-.01000	.51500	.02990	.01160	-.05550	-.01060	-.00240	.50220	.11480
.603	15.880	.00000	.00000	.51220	.02980	.01160	-.05520	-.01070	-.00230	.49930	.11440
.600	17.070	.00000	.00000	.51680	.02970	.01150	-.05370	-.01040	-.00240	.50390	.11500
.601	18.250	.00000	.00000	.51590	.02940	.01190	-.05390	-.01040	-.00240	.50300	.11530
.602	19.440	.00000	.00000	.51550	.02880	.01200	-.05480	-.01060	-.00220	.50270	.11510
.600	20.620	.00000	.00000	.52140	.02920	.01190	-.05510	-.01060	-.00230	.50840	.11630
.601	21.790	.00000	.01000	.52160	.02820	.01210	-.05420	-.01040	-.00220	.50860	.11610
.602	22.980	.00000	.01000	.51960	.02750	.01260	-.05520	-.01050	-.00220	.50670	.11600
.602	24.160	.00000	.01000	.52360	.02790	.01240	-.05500	-.01040	-.00220	.51050	.11690
.603	25.350	.00000	.01000	.52340	.02770	.01260	-.05570	-.01060	-.00190	.51030	.11720
.603	26.530	.00000	.01000	.52460	.02740	.01230	-.05490	-.01040	-.00210	.51150	.11690
.604	27.720	.00000	.01000	.52660	.02740	.01260	-.05500	-.01050	-.00200	.51350	.11740
.604	28.900	.00000	.02000	.52770	.02720	.01270	-.05550	-.01060	-.00190	.51460	.11750
.603	30.080	.00000	.02000	.52520	.02630	.01320	-.05660	-.01070	-.00180	.51200	.11750
.601	31.270	.00000	.02000	.52680	.02640	.01320	-.05610	-.01070	-.00170	.51360	.11790
.602	32.450	.00000	.02000	.52590	.02650	.01300	-.05510	-.01050	-.00180	.51290	.11720
.600	33.640	.00000	.02000	.52800	.02540	.01370	-.05640	-.01070	-.00190	.51480	.11830
.600	34.820	.00000	.02000	.53190	.02580	.01330	-.05500	-.01060	-.00200	.51870	.11870
.600	36.010	.00000	.03000	.53300	.02610	.01310	-.05510	-.01050	-.00190	.51980	.11870
.601	37.180	.00000	.03000	.53280	.02570	.01330	-.05560	-.01060	-.00180	.51950	.11900
.602	38.370	.00000	.03000	.53180	.02520	.01340	-.05560	-.01060	-.00170	.51850	.11890
.600	39.550	.00000	.03000	.53880	.02560	.01350	-.05570	-.01070	-.00190	.52540	.12030
.602	40.740	.00000	.03000	.53500	.02480	.01370	-.05570	-.01070	-.00170	.52160	.11950
.601	41.920	.00000	.03000	.53290	.02340	.01480	-.05780	-.01110	-.00110	.51930	.12020
.601	43.110	.00000	.03000	.53620	.02380	.01440	-.05790	-.01110	-.00120	.52270	.12050
.602	44.290	.00000	.05000	.53380	.02320	.01460	-.05730	-.01090	-.00130	.52040	.11990
.603	45.470	.00000	.05000	.53500	.02360	.01410	-.05650	-.01090	-.00130	.52160	.11990
.602	46.660	.00000	.05000	.53570	.02240	.01440	-.05800	-.01120	-.00130	.52220	.11990
.603	47.840	.00000	.05000	.53910	.02290	.01380	-.05590	-.01080	-.00170	.52570	.12000
.604	49.030	.00000	.05000	.53790	.02300	.01440	-.05560	-.01080	-.00150	.52450	.12010



DATE 22 MAR 76

CA-26 FORCE SOURCE DATA TABULATION

PAGE 459

LTV44-559(CA26) 747/1 ATY 02 S1 (ORBITER DATA)

(WFE094) ( 29 JAN 76 )

## REFERENCE DATA

SREF = 2690.0000 SQ.FT. XMRP = 1109.0000 IN. XO  
 LREF = 474.8100 IN. YMRP = .0000 IN. YO  
 BREF = 936.6800 IN. ZMRP = 375.0000 IN. ZO  
 SCALE = .0125

## PARAMETRIC DATA

ALPHAC = 4.000 BETAC = .000  
 STAB = 5.000 ELEVON = 5.000  
 BDFLAP = .000 DX = .000  
 DY = .000 TORB = 8.000  
 BETA0 = 5.000 RUDDER = .000

RUN NO. 67/ 0 RN/L = .00 GRADIENT INTERVAL = -5.00/ 5.00

MACH	DZ	DY	DX	CN	CLM	CA	CY	CYN	CBL	CL	CD
.602	50.210	.00000	.06000	.54350	.02370	.01380	-.05590	-.01070	-.00140	.53010	.12070
.603	51.400	.00000	.06000	.53890	.02240	.01410	-.05700	-.01100	-.00120	.52560	.11990
.602	52.580	.00000	.06000	.54410	.02290	.01390	-.05780	-.01100	-.00110	.53070	.12090
.601	53.760	.00000	.06000	.54220	.02230	.01440	-.05830	-.01110	-.00110	.52880	.12100
.599	54.950	.00000	.06000	.54480	.02180	.01420	-.05790	-.01110	-.00140	.53140	.12110
.601	56.130	.00000	.06000	.54170	.02150	.01440	-.05750	-.01120	-.00100	.52830	.12070
	GRADIENT	.00000	-.00000	-.00002	-.00080	-.00002	.00016	.00002	.00016	-.00002	-.00011

ORIGINAL PAGE IS  
 OF POOR QUALITY

LTV44-559(CA26) 747/1 ATY 02 S1 (ORBITER DATA)

(WFE095) ( 29 JAN 76 )

## REFERENCE DATA

SREF = 2690.0000 SQ.FT. XMRP = 1109.0000 IN. XO  
 LREF = 474.8100 IN. YMRP = .0000 IN. YO  
 BREF = 936.6800 IN. ZMRP = 375.0000 IN. ZO  
 SCALE = .0125

## PARAMETRIC DATA

ALPHAC = 4.000 BETAC = .000  
 STAB = -1.000 ELEVON = 5.000  
 BDFLAP = .000 DX = .000  
 DY = .000 IORB = 4.000  
 BETAO = .000 RUDDER = .000

RUN NO. 68/ 0 RN/L = .00 GRADIENT INTERVAL = -5.00/ 5.00

MACH	DZ	DY	DX	CN	CLM	CA	CY	CYN	CBL	CL	CD
.596	1.760	.00000	-.13000	.27410	.02690	.03350	.00090	.00000	-.00080	.26670	.07130
.597	2.360	.00000	-.13000	.27100	.02680	.03360	.00150	.00010	-.00090	.26360	.07100
.595	2.970	.00000	-.13000	.27860	.02530	.03380	.00160	.00010	-.00090	.27110	.07230
.600	3.760	.00000	-.11000	.27360	.02430	.03360	.00030	.00000	-.00090	.26620	.07130
.597	4.560	.00000	-.11000	.27670	.02400	.03390	.00120	.00010	-.00080	.26930	.07210
.595	5.960	.00000	-.10000	.28330	.02270	.03400	.00090	.00010	-.00080	.27580	.07300
.599	7.970	.00000	-.09000	.28040	.02280	.03390	.00130	.00010	-.00090	.27300	.07250
.598	9.960	.00000	-.07000	.29020	.02050	.03460	.00130	.00010	-.00080	.28260	.07450
.598	10.900	.00000	-.06000	.28990	.02060	.03440	.00070	.00010	-.00080	.28230	.07430
.595	11.840	.00000	-.06000	.29380	.02020	.03480	.00160	.00010	-.00090	.28610	.07510
.598	12.780	.00000	-.05000	.29150	.02000	.03460	.00120	.00020	-.00070	.28390	.07460
.596	13.710	.00000	-.05000	.29670	.01950	.03460	.00100	.00000	-.00070	.28910	.07530
.595	14.650	.00000	-.03000	.29740	.01910	.03510	.00040	.00000	-.00090	.28970	.07590
.594	15.590	.00000	-.03000	.29960	.01900	.03500	.00180	.00010	-.00080	.29190	.07600
.598	16.530	.00000	-.02000	.29860	.01920	.03470	.00170	.00010	-.00080	.29090	.07560
.595	17.470	.00000	-.02000	.30350	.01870	.03530	.00070	.00000	-.00080	.29570	.07690
.597	18.410	.00000	-.01000	.30310	.01850	.03480	.00080	.00000	-.00080	.29530	.07630
.598	19.350	.00000	-.01000	.30260	.01870	.03550	.00080	.00010	-.00070	.29480	.07680
.598	20.280	.00000	.00000	.30420	.01820	.03500	.00060	.00010	-.00060	.29650	.07640
.595	21.220	.00000	.00000	.30700	.01850	.03590	.00060	.00000	-.00070	.29910	.07790
.595	22.150	.00000	.01000	.30910	.01760	.03580	.00070	.00010	-.00060	.30120	.07790
.596	23.090	.00000	.01000	.30970	.01830	.03600	.00060	.00000	-.00080	.30190	.07820
.597	24.030	.00000	.02000	.31030	.01730	.03580	.00030	.00000	-.00070	.30240	.07800
.597	24.960	.00000	.02000	.31150	.01710	.03610	.00080	.00000	-.00070	.30360	.07860
.600	25.910	.00000	.03000	.31340	.01790	.03600	.00070	.00010	-.00060	.30550	.07860
.599	26.850	.00000	.05000	.31510	.01710	.03590	.00020	.00000	-.00050	.30720	.07870
.600	27.780	.00000	.05000	.31320	.01680	.03640	.00120	.00020	-.00050	.30530	.07880
.598	28.720	.00000	.06000	.31770	.01670	.03670	.00000	.00000	-.00050	.30960	.07990
.599	29.660	.00000	.06000	.31640	.01710	.03640	.00020	.00000	-.00060	.30850	.07940
.596	30.600	.00000	.07000	.31820	.01660	.03730	.00060	.00000	-.00050	.31010	.08050
.599	31.530	.00000	.07000	.31760	.01670	.03620	.00080	.00020	-.00050	.30960	.07920
.598	32.470	.00000	.09000	.31850	.01630	.03650	-.00060	.00000	-.00050	.31060	.07950
.597	33.410	.00000	.09000	.32080	.01590	.03660	.00080	.00020	-.00060	.31280	.08000
.595	34.350	.00000	.10000	.32380	.01610	.03710	-.00070	-.00010	-.00050	.31570	.08100
.594	35.290	.00000	.10000	.32640	.01600	.03710	.00020	.00000	-.00050	.31820	.08130
.597	36.230	.00000	.11000	.32310	.01620	.03690	.00000	.00010	-.00030	.31510	.08060
.598	37.170	.00000	.13000	.32510	.01630	.03670	-.00020	.00000	-.00020	.31710	.08050
.597	38.100	.00000	.13000	.32660	.01590	.03650	-.00010	.00010	-.00010	.31860	.08050
.598	39.040	.00000	.14000	.32560	.01540	.03700	-.00030	.00010	-.00020	.31760	.08080
.594	39.980	.00000	.14000	.33080	.01560	.03750	-.00160	.00000	-.00010	.32270	.08210
.599	40.920	.00000	.15000	.32550	.01520	.03730	-.00090	.00000	.00000	.31750	.08120
.596	41.850	.00000	.15000	.33280	.01540	.03750	-.00080	-.00010	-.00010	.32460	.08240

DATE 22 MAR 76

CA-26 FORCE SOURCE DATA TABULATION

PAGE 461

LTV44-559(CA26) 747/1 ATY 02 S1 (ORBITER DATA)

(WFE095) ( 29 JAN 76 )

REFERENCE DATA

SREF = 2690.0000 SQ.FT. XMRP = 1109.0000 IN. XO  
LREF = 474.8100 IN. YMRP = .0000 IN. YO  
BREF = 936.6900 IN. ZMRP = 375.0000 IN. ZO  
SCALE = .0125

PARAMETRIC DATA

ALPHAC = 4.000 BETAC = .000  
STAB = -1.000 ELEVON = 5.000  
BDFLAP = .000 DX = .000  
DY = .000 YORB = 4.000  
BETA0 = .000 RUDDER = .000

RUN NO. 68/ 0 RN/L = .00 GRADIENT INTERVAL = -5.00/ 5.00

MACH	DZ	DY	DX	CN	CLM	CA	CY	CYN	CBL	CL	CD
.599	42.790	.00000	.16000	.33140	.01510	.03710	-.00010	.00010	-.00030	.32330	.08160
	GRADIENT	.00000	.00875	.00106	-.00118	.00011	-.00010	.00001	.00000	.00107	.00026

LTV44-559(CA26) 747/1 ATY 02 S1 (ORBITER DATA)

(WFE096) ( 29 JAN 76 )

## REFERENCE DATA

SREF = 2690.0000 SQ.FT. XMRP = 1109.0000 IN. XO  
 LREF = 474.8100 IN. YMRP = .0000 IN. YO  
 BREF = 936.6800 IN. ZMRP = 375.0000 IN. ZO  
 SCALE = .0125

## PARAMETRIC DATA

ALPHAC = 4.000 BETAC = .000  
 STAB = -1.000 ELEVON = 5.000  
 BDFLAP = .000 DX = .000  
 DY = .000 IORB = 6.000  
 BETA0 = .000 RUDDER = .000

RUN NO. 1068/ 0 RN/L = .00 GRADIENT INTERVAL = -5.00/ 5.00

MACH	DZ	DY	DX	CN	CLM	CA	CY	CYN	CBL	CL	CD
.597	1.480	.00000	-.14000	.38370	.03710	.02060	.00320	.00030	-.00120	.37430	.08700
.596	1.770	.00000	-.14000	.38650	.03550	.02020	.00260	.00020	-.00120	.37710	.08710
.599	2.370	.00000	-.14000	.38360	.03470	.02030	.00360	.00040	-.00120	.37430	.08660
.597	2.970	.00000	-.13000	.38570	.03470	.02060	.00260	.00020	-.00120	.37620	.08740
.598	3.770	.00000	-.13000	.38640	.03250	.02090	.00260	.00020	-.00120	.37690	.08780
.597	4.570	.00000	-.11000	.38810	.03270	.02110	.00280	.00020	-.00120	.37850	.08830
.598	5.970	.00000	-.10000	.39160	.03000	.02110	.00220	.00010	-.00120	.38200	.08880
.597	7.970	.00000	-.09000	.39290	.02920	.02150	.00250	.00010	-.00110	.38320	.08940
.595	9.970	.00000	-.07000	.39590	.02970	.02190	.00280	.00000	-.00130	.38620	.08990
.595	11.190	.00000	-.06000	.39940	.02870	.02210	.00230	.00000	-.00130	.38950	.09070
.597	12.410	.00000	-.06000	.39960	.02770	.02190	.00210	.00000	-.00110	.38980	.09050
.598	13.620	.00000	-.05000	.39930	.02740	.02200	.00280	.00010	-.00110	.38960	.09060
.597	14.830	.00000	-.03000	.40290	.02790	.02250	.00210	.00000	-.00110	.39290	.09170
.595	16.050	.00000	-.03000	.40710	.02750	.02270	.00260	.00000	-.00120	.39710	.09260
.597	17.260	.00000	-.02000	.40530	.02670	.02260	.00280	.00010	-.00110	.39540	.09200
.596	18.480	.00000	-.01000	.40660	.02670	.02320	.00190	.00000	-.00110	.39650	.09280
.597	19.690	.00000	-.01000	.40880	.02610	.02270	.00160	.00000	-.00100	.39890	.09250
.595	20.910	.00000	.00000	.41380	.02660	.02290	.00240	.00000	-.00110	.40370	.09370
.598	22.120	.00000	.01000	.41250	.02620	.02300	.00230	.00010	-.00100	.40240	.09360
.599	23.330	.00000	.02000	.41200	.02560	.02300	.00170	.00000	-.00090	.40200	.09340
.596	24.550	.00000	.02000	.41390	.02510	.02300	.00280	.00010	-.00090	.40380	.09380
.596	25.770	.00000	.03000	.41830	.02590	.02340	.00190	.00000	-.00090	.40810	.09490
.597	26.980	.00000	.05000	.41920	.02540	.02340	.00120	.00000	-.00100	.40890	.09500
.594	28.190	.00000	.05000	.42240	.02510	.02400	.00210	.00000	-.00080	.41200	.09600
.596	29.410	.00000	.06000	.42110	.02480	.02410	.00180	.00000	-.00090	.41070	.09580
.595	30.620	.00000	.07000	.42460	.02490	.02400	.00170	.00000	-.00090	.41420	.09640
.596	31.840	.00000	.09000	.42550	.02420	.02380	.00180	.00010	-.00090	.41520	.09630
.597	33.060	.00000	.09000	.42480	.02360	.02400	.00050	.00000	-.00060	.41440	.09620
.596	34.270	.00000	.10000	.42690	.02350	.02400	.00040	.00000	-.00060	.41660	.09650
.597	35.490	.00000	.11000	.42600	.02290	.02400	.00020	.00000	-.00050	.41560	.09630
.596	36.700	.00000	.11000	.42780	.02270	.02440	.00030	-.00010	-.00060	.41740	.09710
.596	37.910	.00000	.13000	.42800	.02250	.02460	.00060	.00000	-.00060	.41760	.09700
.595	39.130	.00000	.14000	.43310	.02250	.02460	.00060	.00000	-.00040	.42260	.09790
.595	40.350	.00000	.15000	.43510	.02320	.02450	.00090	.00000	-.00040	.42470	.09910
.597	41.560	.00000	.15000	.43590	.02290	.02430	.00000	-.00010	-.00030	.42550	.09780
.599	42.780	.00000	.16000	.43320	.02180	.02410	.00060	.00000	-.00020	.42280	.09740
.599	43.990	.00000	.16000	.43200	.02120	.02470	.00050	.00000	-.00010	.42150	.09780
.597	45.210	.00000	.18000	.43550	.02110	.02460	-.00050	-.00020	-.00020	.42500	.09790
.595	46.420	.00000	.19000	.43880	.02130	.02460	.00140	.00000	-.00040	.42820	.09860
.597	47.630	.00000	.20000	.43430	.01980	.02480	.00200	.00010	-.00070	.42380	.09810
.597	48.850	.00000	.20000	.43120	.01970	.02530	.00000	-.00010	-.00010	.42070	.09790
	GRADIENT	.00000	.00895	.00108	-.00136	.00024	-.00013	-.00003	-.00000	.00101	.00045

LTV44-559(CA26) 747/1 ATY 02 S1 (ORBITER DATA)

(WFE097) ( 29 JAN 76 )

## REFERENCE DATA

SREF = 2690.0000 SQ.FT. XMRP = 1109.0000 IN. XO  
 LREF = 474.8100 IN. YMRP = .0000 IN. YO  
 BREF = 935.6800 IN. ZMRP = 375.0000 IN. ZO  
 SCALE = .0125

## PARAMETRIC DATA

ALPHAC = 4.000 BETAC = .000  
 STAB = -1.000 ELEVON = 5.000  
 BDFLAP = .000 DX = .000  
 DY = .000 IORB = 8.000  
 BETAO = .000 RUDDER = .000

RUN NO. 69/ 0 RN/L = .00 GRADIENT INTERVAL = -5.00/ 5.00

MACH	DZ	DY	DX	CN	CLM	CA	CY	CYN	CBL	CL	CD
.596	1.760	.00000	-.15000	.50870	.04340	.00730	.00400	.00000	-.00080	.49600	.11300
.597	2.360	.00000	-.14000	.50710	.04330	.00730	.00360	-.00010	-.00080	.49450	.11250
.596	2.970	.00000	-.14000	.50920	.04160	.00760	.00430	.00000	-.00080	.49640	.11350
.596	3.960	.00000	-.13000	.50750	.04160	.00780	.00410	.00000	-.00090	.49480	.11300
.597	4.960	.00000	-.13000	.51190	.03980	.00800	.00390	.00000	-.00080	.49900	.11440
.597	6.210	.00000	-.11000	.50570	.03900	.00810	.00390	.00000	-.00080	.49300	.11290
.596	7.460	.00000	-.10000	.50790	.03840	.00830	.00340	.00000	-.00080	.49510	.11350
.595	8.710	.00000	-.09000	.51510	.03930	.00820	.00350	-.00010	-.00080	.50220	.11470
.596	9.960	.00000	-.07000	.51900	.03690	.00850	.00360	-.00010	-.00070	.50600	.11590
.596	11.150	.00000	-.07000	.51520	.03640	.00880	.00300	-.00010	-.00060	.50220	.11520
.596	12.330	.00000	-.06000	.51550	.03640	.00870	.00340	-.00010	-.00070	.50250	.11520
.598	13.510	.00000	-.05000	.51420	.03530	.00910	.00380	.00000	-.00080	.50120	.11530
.597	14.700	.00000	-.03000	.51350	.03470	.00950	.00390	.00000	-.00070	.50050	.11540
.596	15.880	.00000	-.03000	.51830	.03490	.00960	.00330	-.00020	-.00070	.50520	.11640
.594	17.070	.00000	-.02000	.52120	.03450	.01000	.00320	-.00010	-.00050	.50790	.11740
.596	18.250	.00000	-.01000	.51960	.03360	.01010	.00370	.00000	-.00060	.50630	.11690
.598	19.440	.00000	-.01000	.51910	.03360	.01020	.00400	.00000	-.00070	.50580	.11700
.595	20.620	.00000	.00000	.52760	.03360	.01020	.00340	.00000	-.00060	.51420	.11840
.596	21.790	.00000	.01000	.52650	.03360	.01030	.00330	-.00010	-.00060	.51310	.11850
.597	22.980	.00000	.01000	.52510	.03300	.01060	.00370	.00000	-.00070	.51170	.11830
.596	24.160	.00000	.02000	.52880	.03280	.01100	.00300	.00000	-.00050	.51530	.11950
.597	25.350	.00000	.03000	.52760	.03270	.01080	.00320	-.00010	-.00040	.51410	.11890
.595	26.530	.00000	.03000	.53060	.03230	.01110	.00210	-.00020	-.00040	.51700	.11970
.595	27.720	.00000	.05000	.53300	.03160	.01130	.00280	-.00010	-.00030	.51940	.12030
.598	28.900	.00000	.06000	.53020	.03160	.01110	.00440	.00000	-.00040	.51670	.11970
.596	30.080	.00000	.07000	.53250	.03150	.01150	.00370	-.00010	-.00050	.51890	.12010
.594	31.270	.00000	.07000	.53610	.03090	.01180	.00270	-.00010	-.00030	.52230	.12110
.598	32.450	.00000	.09000	.53160	.03070	.01170	.00380	.00000	-.00040	.51800	.12020
.598	33.640	.00000	.10000	.53430	.03050	.01160	.00360	.00000	-.00020	.52060	.12070
.594	34.820	.00000	.10000	.54100	.03000	.01180	.00190	-.00010	-.00020	.52710	.12230
.597	36.010	.00000	.11000	.53620	.02910	.01230	.00100	-.00030	.00000	.52240	.12160
.596	37.180	.00000	.13000	.54110	.02930	.01210	.00210	-.00010	-.00010	.52720	.12250
.596	38.370	.00000	.13000	.54140	.02950	.01240	.00290	-.00010	.00000	.52740	.12270
.598	39.550	.00000	.14000	.53930	.02910	.01210	.00190	-.00020	.00000	.52550	.12170
.597	40.740	.00000	.15000	.54420	.02900	.01250	.00150	-.00030	.00010	.53020	.12310
.598	41.920	.00000	.15000	.54320	.02840	.01200	.00250	-.00010	.00010	.52930	.12240
.595	43.110	.00000	.16000	.54750	.02850	.01260	.00190	-.00010	.00030	.53340	.12400
.595	44.290	.00000	.18000	.54420	.02780	.01310	.00320	.00000	.00000	.53020	.12360
.596	45.470	.00000	.19000	.54420	.02770	.01300	.00320	.00000	.00000	.53010	.12340
.594	46.660	.00000	.19000	.54970	.02760	.01320	.00010	-.00050	.00030	.53550	.12500
.597	47.840	.00000	.20000	.54590	.02630	.01300	.00190	-.00020	.00030	.53190	.12360
.595	49.030	.00000	.22000	.54920	.02650	.01330	.00160	-.00030	.00040	.53510	.12460

LTV44-559(CA26) 747/1 ATY 02 S1 (ORBITER DATA)

(WFE097) ( 29 JAN 76 )

## REFERENCE DATA

SREF = 2690.0000 SQ.FT. XMRP = 1109.0000 IN. XO  
 LREF = 474.8100 IN. YMRP = .0000 IN. YO  
 BREF = 936.6800 IN. ZMRP = 375.0000 IN. ZO  
 SCALE = .0125

## PARAMETRIC DATA

ALPHAC = 4.000 BETAC = .000  
 STAB = -1.000 ELEVON = 5.000  
 BDFLAP = .000 DX = .000  
 DY = .000 IORB = 8.000  
 BETA0 = .000 RUDDER = .000

RUN NO. 69/ 0 RN/L = .00 GRADIENT INTERVAL = -5.00/ 5.00

MACH	DZ	DY	DX	CN	CLM	CA	CY	CYN	CBL	CL	CD
.597	50.210	.00000	.22000	.54970	.02630	.01280	.00210	.00000	.00020	.53570	.12400
.595	51.400	.00000	.23000	.55460	.02650	.01310	.00170	-.00030	.00030	.54040	.12560
.595	52.580	.00000	.24000	.54930	.02520	.01400	.00100	-.00040	.00050	.53510	.12500
.598	53.760	.00000	.26000	.54860	.02560	.01360	.00060	-.00050	.00070	.53450	.12440
.596	54.950	.00000	.26000	.54870	.02410	.01360	-.00130	-.00070	.00100	.53450	.12440
.595	56.130	.00000	.27000	.54930	.02350	.01400	-.00070	-.00050	.00090	.53510	.12490
	GRADIENT	.00000	.00608	.00091	-.00111	.00024	.00003	.00001	-.00001	.00085	.00043

ORIGINAL PAGE IS  
 OF POOR QUALITY

LTV44-559(CA26) 747/1 ATY 02 S1 (ORBITER DATA)

(WFE098) ( 29 JAN 76 )

## REFERENCE DATA

SREF = 2690.0000 SQ.FT. XMRP = 1109.0000 IN. XO  
 LREF = 474.8100 IN. YMRP = .0000 IN. YO  
 BREF = 936.6800 IN. ZMRP = 375.0000 IN. ZO  
 SCALE = .0125

## PARAMETRIC DATA

ALPHAC = 4.000 BETAC = .000  
 STAB = 5.000 ELEVON = .000  
 BDFLAP = .000 DX = .000  
 DY = .000 TORB = 4.000  
 BETAO = .000 RUDDER = .000

RUN NO. 70/ 0 RN/L = .00 GRADIENT INTERVAL = -5.00/ 5.00

MACH	DZ	DY	DX	CN	CLM	CA	CY	CYN	CBL	CL	CD
.600	1.760	.00000	-.01000	.18240	.05940	.03450	.00150	.00000	-.00110	.17620	.05840
.600	2.360	.00000	-.01000	.18190	.05910	.03460	.00230	.00010	-.00110	.17570	.05850
.600	2.970	.00000	-.01000	.18500	.05810	.03500	.00200	.00010	-.00110	.17670	.05930
.599	3.760	.00000	-.01000	.18360	.05790	.03530	.00150	.00000	-.00120	.17730	.05940
.599	4.560	.00000	-.01000	.18350	.05790	.03520	.00250	.00010	-.00110	.17720	.05920
.599	5.960	.00000	-.01000	.18570	.05690	.03540	.00200	.00010	-.00110	.17930	.05970
.599	7.970	.00000	-.01000	.18580	.05640	.03530	.00190	.00010	-.00110	.17950	.05970
.599	9.960	.00000	.00000	.19470	.05420	.03560	.00150	.00000	-.00120	.18630	.06110
.600	10.900	.00000	.00000	.19360	.05410	.03560	.00170	.00010	-.00110	.18720	.06090
.600	11.840	.00000	.00000	.19550	.05440	.03550	.00120	.00000	-.00110	.18900	.06110
.600	12.780	.00000	.00000	.19590	.05380	.03560	.00280	.00010	-.00110	.18950	.06100
.599	13.710	.00000	.00000	.19700	.05330	.03590	.00270	.00010	-.00120	.19060	.06160
.598	14.650	.00000	.00000	.19960	.05330	.03620	.00200	.00000	-.00120	.19310	.06220
.598	15.590	.00000	.00000	.20140	.05310	.03600	.00210	.00000	-.00110	.19480	.06240
.599	16.530	.00000	.00000	.20280	.05280	.03560	.00240	.00010	-.00120	.19630	.06200
.598	17.470	.00000	.00000	.20510	.05320	.03600	.00090	.00000	-.00120	.19850	.06280
.599	18.410	.00000	.00000	.20480	.05270	.03620	.00190	.00000	-.00100	.19820	.06280
.598	19.350	.00000	.00000	.20770	.05280	.03630	.00110	.00000	-.00100	.20110	.06340
.598	20.280	.00000	.00000	.20780	.05250	.03660	.00040	-.00010	-.00100	.20120	.06360
.598	21.220	.00000	.00000	.20920	.05250	.03660	.00120	-.00010	-.00100	.20260	.06390
.600	22.150	.00000	.01000	.20860	.05170	.03640	.00150	.00000	-.00090	.20200	.06350
.600	23.090	.00000	.01000	.21330	.05240	.03630	.00130	.00000	-.00090	.20670	.06400
.598	24.030	.00000	.01000	.21550	.05240	.03650	.00040	.00000	-.00110	.20890	.06440
.598	24.960	.00000	.01000	.21420	.05150	.03680	.00140	.00000	-.00090	.20750	.06460
.598	25.910	.00000	.01000	.21900	.05210	.03700	.00140	.00000	-.00090	.21220	.06540
.604	26.850	.00000	.01000	.21400	.05090	.03630	.00100	.00000	-.00090	.20730	.06410
.602	27.780	.00000	.01000	.22050	.05200	.03640	.00130	-.00010	-.00090	.21380	.06510
.602	28.720	.00000	.01000	.21900	.05100	.03700	.00090	.00000	-.00090	.21220	.06540
.600	29.660	.00000	.02000	.21900	.05090	.03670	.00090	-.00010	-.00080	.21230	.06500
.603	30.600	.00000	.02000	.22190	.05070	.03620	.00140	.00000	-.00090	.21520	.06500
.600	31.530	.00000	.02000	.22500	.05110	.03670	.00110	.00000	-.00090	.21830	.06590
.601	32.470	.00000	.02000	.22420	.05070	.03680	.00000	.00000	-.00080	.21740	.06580
.600	33.410	.00000	.02000	.22560	.05090	.03690	.00100	.00000	-.00080	.21880	.06600
.599	34.350	.00000	.02000	.22700	.05060	.03700	.00150	.00000	-.00080	.22020	.06630
.599	35.290	.00000	.02000	.22610	.05040	.03740	.00020	-.00020	-.00070	.21930	.06660
.600	36.230	.00000	.03000	.22870	.05010	.03690	.00200	.00000	-.00100	.22190	.06640
.599	37.170	.00000	.03000	.22780	.04980	.03750	.00090	.00000	-.00060	.22100	.06690
.598	38.100	.00000	.03000	.22850	.04970	.03760	.00090	-.00010	-.00050	.22160	.06690
.601	39.040	.00000	.03000	.22660	.04920	.03730	.00150	.00000	-.00060	.21950	.06640
.599	39.980	.00000	.03000	.23050	.04950	.03760	-.00020	-.00010	-.00070	.22360	.06720
.600	40.920	.00000	.03000	.23270	.04940	.03740	.00060	.00000	-.00070	.22580	.06730
.599	41.850	.00000	.03000	.23360	.04940	.03740	.00220	.00010	-.00070	.22680	.06740

LTV44-559(CA26) 747/1 ATY 02 S1 (ORBITER DATA)

(WFE098) ( 29 JAN 76 )

## REFERENCE DATA

SREF =	2690.0000 SQ.FT.	XMRP =	1109.0000 IN. XO
LREF =	474.8100 IN.	YMRP =	.0000 IN. YO
BREF =	936.6800 IN.	ZMRP =	375.0000 IN. ZO
SCALE =	.0125		

## PARAMETRIC DATA

ALPHAC =	4.000	BETAC =	.000
STAB =	5.000	ELEVON =	.000
BDFLAP =	.000	DX =	.000
DY =	.000	YORB =	4.000
BETA0 =	.000	RUDDER =	.000

RUN NO.	70/ 0	RN/L =	.00	GRADIENT INTERVAL =	-5.00/ 5.00
---------	-------	--------	-----	---------------------	-------------

MACH	DZ	DY	DX	CN	CLM	CA	CY	CYN	CBL	CL	CD
.601	42.790	.00000	.05000	.23480	.04900	.03750	.00130	.00000	-.00040	.22790	.06770
	GRADIENT	.00000	.00000	.00051	-.00058	.00029	.00017	.00001	-.00001	.00047	.00034



LTV44-559(CA26) 747/1 ATY 02 S1 (ORBITER DATA)

(WFE099) ( 29 JAN 76 )

## REFERENCE DATA

SREF = 2690.0000 SQ.FT. XMRP = 1109.0000 IN. XO  
 LREF = 474.8100 IN. YMRP = .0000 IN. YO  
 BREF = 936.6800 IN. ZMRP = 375.0000 IN. ZO  
 SCALE = .0125

## PARAMETRIC DATA

ALPHAC = 4.000 BETAC = .000  
 STAB = 5.000 ELEVON = .000  
 BDFLAP = .000 DX = .000  
 OY = .000 TORB = 6.000  
 BETAO = .000 RUDDER = .000

RUN NO. 1070/ 0 RN/L = .00 GRADIENT INTERVAL = -5.00/ 5.00

MACH	DZ	DY	DX	CN	CLM	CA	CY	CYN	CBL	CL	CD
.599	1.480	.00000	-.02000	.29280	.06870	.02250	.00380	.00000	-.00130	.28480	.07140
.603	1.770	.00000	-.02000	.29630	.06900	.02210	.00380	.00000	-.00150	.28830	.07160
.600	2.370	.00000	-.01000	.29270	.06720	.02230	.00370	.00000	-.00150	.28480	.07110
.599	2.970	.00000	-.01000	.29190	.06710	.02250	.00370	.00000	-.00150	.28410	.07100
.597	3.770	.00000	-.01000	.29480	.06730	.02270	.00370	.00000	-.00150	.28680	.07180
.597	4.570	.00000	-.01000	.29450	.06710	.02300	.00380	.00000	-.00150	.28660	.07190
.600	5.970	.00000	-.01000	.29600	.06440	.02300	.00320	.00000	-.00140	.28800	.07230
.600	7.970	.00000	-.01000	.30030	.06470	.02290	.00390	.00000	-.00150	.29230	.07270
.599	9.970	.00000	-.01000	.29790	.06480	.02310	.00390	.00000	-.00150	.28980	.07260
.600	11.190	.00000	-.01000	.29830	.06290	.02320	.00340	.00000	-.00150	.29020	.07270
.598	12.410	.00000	.00000	.30320	.06310	.02360	.00380	.00000	-.00150	.29500	.07400
.596	13.620	.00000	.00000	.30380	.06320	.02360	.00370	.00000	-.00150	.29560	.07400
.597	14.830	.00000	.00000	.30450	.06260	.02340	.00330	-.00010	-.00150	.29630	.07390
.594	16.050	.00000	.00000	.31100	.06320	.02390	.00440	.00000	-.00150	.30270	.07550
.598	17.260	.00000	.00000	.30720	.06210	.02400	.00300	.00000	-.00150	.29890	.07470
.598	18.480	.00000	.00000	.30760	.06190	.02390	.00310	-.00010	-.00140	.29930	.07480
.600	19.690	.00000	.00000	.30780	.06110	.02370	.00350	-.00010	-.00130	.29960	.07440
.597	20.910	.00000	.00000	.31120	.06170	.02420	.00240	-.00010	-.00130	.30290	.07570
.596	22.120	.00000	.01000	.31290	.06150	.02430	.00320	.00000	-.00130	.30450	.07600
.600	23.330	.00000	.01000	.31240	.06040	.02420	.00300	.00000	-.00130	.30400	.07580
.599	24.550	.00000	.01000	.31520	.06060	.02440	.00320	.00000	-.00130	.30680	.07630
.597	25.770	.00000	.01000	.31630	.06050	.02470	.00270	-.00010	-.00110	.30780	.07690
.600	26.980	.00000	.01000	.31720	.06050	.02430	.00150	-.00020	-.00130	.30880	.07650
.601	28.190	.00000	.01000	.31690	.06040	.02400	.00260	-.00010	-.00120	.30860	.07600
.600	29.410	.00000	.02000	.32000	.06000	.02460	.00180	-.00010	-.00120	.31150	.07710
.595	30.620	.00000	.02000	.32620	.06060	.02510	.00230	.00000	-.00130	.31750	.07880
.599	31.840	.00000	.02000	.32480	.05980	.02450	.00240	.00000	-.00120	.31630	.07790
.601	33.060	.00000	.02000	.32080	.05890	.02460	.00270	.00000	-.00120	.31230	.07720
.599	34.270	.00000	.02000	.32020	.05800	.02510	.00210	.00000	-.00120	.31170	.07750
.600	35.490	.00000	.02000	.32210	.05840	.02470	.00150	.00000	-.00110	.31360	.07740
.599	36.700	.00000	.03000	.32510	.05790	.02540	.00120	-.00010	-.00100	.31640	.07860
.598	37.910	.00000	.03000	.32890	.05860	.02500	.00220	.00000	-.00100	.32030	.07880
.600	39.130	.00000	.03000	.32590	.05800	.02490	.00060	-.00020	-.00100	.31730	.07810
.600	40.350	.00000	.03000	.32570	.05760	.02530	.00220	-.00010	-.00090	.31710	.07840
.598	41.560	.00000	.03000	.33140	.05810	.02510	.00250	.00000	-.00090	.32270	.07930
.599	42.780	.00000	.05000	.32970	.05730	.02520	.00270	.00010	-.00090	.32110	.07890
.597	43.990	.00000	.05000	.33310	.05750	.02530	.00140	.00000	-.00080	.32440	.07970
.597	45.210	.00000	.05000	.33250	.05700	.02570	-.00030	-.00020	-.00050	.32370	.08000
.598	46.420	.00000	.05000	.33410	.05690	.02560	.00200	.00000	-.00080	.32540	.08020
.597	47.630	.00000	.05000	.33520	.05680	.02560	.00090	-.00010	-.00050	.32650	.08010
.601	48.850	.00000	.06000	.33100	.05630	.02520	.00070	-.00020	-.00060	.32240	.07910
GRADIENT		.00000	.00338	.00016	.00056	.00022	-.00001	.00000	-.00004	.00018	.00016

LTV44-559(CA26) 747/1 ATY 02 S1 (ORBITER DATA)

(WFE100) ( 29 JAN 76 )

## REFERENCE DATA

SREF = 2690.0000 SQ.FT. XMRP = 1109.0000 IN. XO  
 LREF = 474.8100 IN. YMRP = .0000 IN. YO  
 BREF = 936.6800 IN. ZMRP = 375.0000 IN. ZO  
 SCALE = .0125

## PARAMETRIC DATA

ALPHAC = 4.000 BETAC = .000  
 STAB = 5.000 ELEVON = .000  
 BDFLAP = .000 DX = .000  
 DY = .000 IORB = 8.000  
 BETAO = .000 RUDDER = .000

RUN NO. 71/ 0 RN/L = .00 GRADIENT INTERVAL = -5.00/ 5.00

MACH	DZ	DY	DX	CN	CLM	CA	CY	CYN	CBL	CL	CD
.597	1.760	.00000	-.03000	.41280	.07690	.00910	.00490	.00000	-.00150	.40240	.09240
.597	2.360	.00000	-.02000	.41090	.07660	.00930	.00520	.00000	-.00150	.40050	.09230
.597	2.970	.00000	-.02000	.40670	.07720	.00950	.00510	.00000	-.00160	.39630	.09180
.597	3.960	.00000	-.02000	.40660	.07700	.00970	.00500	.00000	-.00160	.39620	.09170
.599	4.960	.00000	-.02000	.40340	.07570	.00990	.00570	.00000	-.00170	.39310	.09120
.598	6.210	.00000	-.02000	.40400	.07550	.00990	.00460	.00000	-.00160	.39370	.09140
.597	7.460	.00000	-.02000	.40370	.07470	.01040	.00430	.00000	-.00170	.39320	.09170
.595	8.710	.00000	-.01000	.40710	.07480	.01020	.00510	.00000	-.00170	.39670	.09200
.598	9.960	.00000	-.01000	.40490	.07290	.01040	.00500	.00000	-.00160	.39450	.09180
.598	11.150	.00000	-.01000	.40430	.07290	.01060	.00450	.00000	-.00160	.39390	.09180
.600	12.330	.00000	-.01000	.40250	.07250	.01060	.00410	.00000	-.00150	.39210	.09140
.597	13.510	.00000	-.01000	.40790	.07270	.01100	.00460	.00000	-.00150	.39740	.09280
.598	14.700	.00000	.00000	.40850	.07220	.01070	.00470	-.00010	-.00160	.39790	.09270
.598	15.880	.00000	.00000	.41070	.07200	.01060	.00450	-.00010	-.00150	.40010	.09310
.598	17.070	.00000	.00000	.41010	.07130	.01120	.00440	.00000	-.00130	.39940	.09340
.598	18.250	.00000	.00000	.41140	.07070	.01140	.00420	.00000	-.00130	.40080	.09360
.598	19.440	.00000	.00000	.41300	.07120	.01120	.00450	-.00010	-.00130	.40230	.09390
.595	20.620	.00000	.00000	.41730	.07130	.01140	.00460	-.00010	-.00130	.40650	.09490
.598	21.790	.00000	.01000	.41570	.07050	.01130	.00420	.00000	-.00140	.40500	.09440
.597	22.980	.00000	.01000	.41520	.06980	.01160	.00420	.00000	-.00130	.40450	.09450
.601	24.160	.00000	.01000	.41170	.06930	.01160	.00300	-.00020	-.00120	.40110	.09370
.598	25.350	.00000	.01000	.41680	.06950	.01180	.00560	.00000	-.00130	.40610	.09480
.600	26.530	.00000	.01000	.41680	.06910	.01160	.00380	-.00010	-.00110	.40610	.09460
.597	27.720	.00000	.01000	.42230	.06950	.01190	.00250	-.00010	-.00110	.41160	.09510
.597	28.900	.00000	.02000	.42310	.06930	.01190	.00350	.00000	-.00100	.41230	.09590
.598	30.080	.00000	.02000	.42460	.06850	.01190	.00400	.00000	-.00110	.41360	.09640
.598	31.270	.00000	.02000	.42430	.06850	.01250	.00140	-.00030	-.00070	.41320	.09700
.598	32.450	.00000	.02000	.42650	.06820	.01200	.00340	.00000	-.00090	.41550	.09680
.597	33.640	.00000	.02000	.42480	.06790	.01250	.00210	-.00020	-.00080	.41380	.09690
.598	34.820	.00000	.02000	.42490	.06690	.01230	.00230	-.00010	-.00090	.41400	.09650
.597	36.010	.00000	.03000	.42800	.06760	.01220	.00260	-.00010	-.00100	.41700	.09720
.598	37.180	.00000	.03000	.42870	.06720	.01240	.00310	-.00010	-.00090	.41770	.09730
.599	38.370	.00000	.03000	.43030	.06680	.01230	.00300	-.00010	-.00100	.41930	.09770
.598	39.550	.00000	.03000	.42890	.06590	.01290	.00240	-.00010	-.00080	.41780	.09780
.596	40.740	.00000	.03000	.43650	.06710	.01270	.00350	.00000	-.00090	.42520	.09930
.597	41.920	.00000	.03000	.43370	.06570	.01240	.00370	.00010	-.00100	.42260	.09830
.599	43.110	.00000	.05000	.43190	.06570	.01250	.00180	-.00020	-.00040	.42090	.09780
.597	44.290	.00000	.05000	.43220	.06510	.01280	.00170	-.00030	-.00030	.42110	.09820
.599	45.470	.00000	.05000	.43070	.06470	.01300	.00200	-.00020	-.00050	.41960	.09790
.597	46.660	.00000	.05000	.43360	.06450	.01310	.00230	-.00020	-.00030	.42250	.09860
.598	47.840	.00000	.05000	.43280	.06410	.01310	.00120	-.00030	-.00010	.42170	.09840
.596	49.030	.00000	.06000	.43770	.06410	.01290	.00260	-.00020	-.00040	.42650	.09930

DATE 22 MAR 76

CA-26 FORCE SOURCE DATA TABULATION

PAGE 469

LTV44-559(CA26) 747/1 ATY 02 S1 (ORBITER DATA)

(WFE100) ( 29 JAN 76 )

## REFERENCE DATA

SREF = 2690.0000 SQ.FT. XMRP = 1109.0000 IN. XO  
 LREF = 474.8100 IN. YMRP = .0000 IN. YO  
 BREF = 936.6800 IN. ZMRP = 375.0000 IN. ZO  
 SCALE = .0125

## PARAMETRIC DATA

ALPHAC = 4.000 BETAC = .000  
 STAB = 5.000 ELEVON = .000  
 BDFLAP = .000 DX = .000  
 DY = .000 YORB = 8.000  
 BETAO = .000 RUDDER = .000

RUN NO. 71/ 0 RN/L = .00 GRADIENT INTERVAL = -5.00/ 5.00

MACH	DZ	DY	DX	CN	CLM	CA	CY	CYN	CBL	CL	CD
.599	50.210	.00000	.06000	.43040	.06210	.01350	.00150	-.00040	-.00030	.41920	.09820
.595	51.400	.00000	.06000	.43790	.06360	.01320	.00110	-.00030	-.00010	.42660	.09950
.597	52.580	.00000	.06000	.43930	.06310	.01300	.00150	-.00040	-.00020	.42810	.09950
.598	53.760	.00000	.07000	.43840	.06280	.01310	.00190	-.00020	-.00010	.42710	.09960
.600	54.950	.00000	.07000	.43680	.06180	.01350	.00070	-.00050	-.00020	.42560	.09930
.601	56.130	.00000	.07000	.43540	.06130	.01350	.00340	-.00010	-.00020	.42420	.09900
GRADIENT		.00000	.00222	-.00280	-.00028	.00025	.00018	.00000	-.00006	-.00277	-.00037

ORIGINAL PAGE IS  
 OF POOR QUALITY

LTV44-559(CA26) 747/1 ATY 02 S1 (ORBITER DATA)

(WFE101) ( 29 JAN 76 )

## REFERENCE DATA

## PARAMETRIC DATA

SREF = 2690.0000 SQ.FT. XMRP = 1109.0000 IN. XO  
 LREF = 474.8100 IN. YMRP = .0000 IN. YO  
 BREF = 936.0000 IN. ZMRP = 375.0000 IN. ZO  
 SCALE = .0125

ALPHAC = 4.000 BETAC = -5.000  
 STAB = 5.000 ELEVON = 5.000  
 BDFLAP = .000 DX = .000  
 DY = .000 IORB = 4.000  
 BETAO = -5.000 RUDDER = .000

RUN NO. 72/ 0 RN/L = .00 GRADIENT INTERVAL = -5.00/ 5.00

MACH	DZ	DY	DX	CN	CLM	CA	CY	CYN	CBL	CL	CD
.594	1.760	.00000	-.02000	.24940	.01360	.03960	.05260	.01250	.00620	.24190	.07260
.595	2.360	.00000	-.02000	.24840	.01340	.03970	.05370	.01260	.00590	.24080	.07260
.596	2.970	.00000	-.02000	.24570	.01320	.04000	.05290	.01240	.00460	.23820	.07240
.596	3.760	.00000	-.02000	.24420	.01310	.04000	.05310	.01240	.00450	.23670	.07210
.597	4.560	.00000	-.02000	.24550	.01330	.03990	.05310	.01230	.00410	.23800	.07220
.596	5.960	.00000	-.01000	.24730	.01230	.04010	.05390	.01220	.00310	.23980	.07260
.595	7.970	.00000	-.01000	.24670	.01170	.04040	.05420	.01220	.00280	.23910	.07280
.595	9.960	.00000	-.01000	.25540	.01100	.04080	.05560	.01180	.00120	.24770	.07400
.595	10.900	.00000	-.01000	.25480	.01140	.04070	.05560	.01190	.00120	.24720	.07400
.594	11.840	.00000	-.01000	.25810	.01100	.04070	.05630	.01180	.00100	.25050	.07450
.596	12.780	.00000	-.01000	.25740	.01050	.04090	.05610	.01160	.00070	.24970	.07460
.596	13.710	.00000	.00000	.26030	.01100	.04060	.05650	.01170	.00050	.25260	.07480
.596	14.650	.00000	.00000	.26010	.01100	.04100	.05670	.01170	.00030	.25240	.07510
.595	15.590	.00000	.00000	.26440	.01040	.04110	.05690	.01160	.00010	.25670	.07570
.595	16.530	.00000	.00000	.26460	.01060	.04110	.05710	.01160	.00000	.25690	.07560
.596	17.470	.00000	.00000	.26820	.01100	.04150	.05750	.01150	.00000	.26040	.07650
.595	18.410	.00000	.00000	.27070	.01080	.04150	.05740	.01140	-.00010	.26290	.07680
.597	19.350	.00000	.00000	.26950	.01050	.04130	.05720	.01140	-.00030	.26160	.07660
.593	20.280	.00000	.00000	.27230	.01020	.04200	.05730	.01150	-.00030	.26440	.07750
.597	21.220	.00000	.00000	.27070	.01020	.04160	.05730	.01140	-.00040	.26280	.07690
.596	22.150	.00000	.01000	.27310	.00970	.04170	.05700	.01130	-.00040	.26520	.07720
.596	23.090	.00000	.01000	.27460	.01020	.04160	.05740	.01130	-.00070	.26670	.07740
.595	24.030	.00000	.01000	.27710	.01060	.04180	.05820	.01120	-.00080	.26920	.07780
.593	24.960	.00000	.01000	.28010	.01040	.04210	.05830	.01110	-.00070	.27210	.07860
.595	25.910	.00000	.01000	.27900	.01040	.04210	.05890	.01140	-.00090	.27110	.07820
.593	26.850	.00000	.01000	.28170	.01030	.04250	.05850	.01130	-.00090	.27370	.07900
.594	27.780	.00000	.01000	.28390	.01060	.04230	.05860	.01130	-.00100	.27580	.07930
.595	28.720	.00000	.01000	.28430	.01080	.04200	.05740	.01110	-.00080	.27630	.07900
.597	29.660	.00000	.02000	.28480	.01000	.04190	.05780	.01100	-.00090	.27680	.07880
.593	30.600	.00000	.02000	.28650	.00990	.04260	.05860	.01120	-.00100	.27850	.07970
.594	31.530	.00000	.02000	.28690	.00970	.04250	.05890	.01120	-.00110	.27890	.07970
.595	32.470	.00000	.02000	.28890	.01000	.04220	.05860	.01100	-.00110	.28090	.07970
.595	33.410	.00000	.02000	.29030	.00990	.04230	.05890	.01100	-.00110	.28230	.07980
.597	34.350	.00000	.02000	.28880	.01020	.04230	.05890	.01100	-.00120	.28070	.07970
.595	35.290	.00000	.03000	.29110	.00950	.04280	.05910	.01110	-.00120	.28300	.08040
.595	36.230	.00000	.03000	.29230	.00950	.04280	.05900	.01100	-.00110	.28420	.08060
.596	37.170	.00000	.03000	.29330	.00960	.04240	.05910	.01100	-.00130	.28530	.08040
.596	38.100	.00000	.03000	.29480	.00950	.04250	.05900	.01100	-.00140	.28680	.08060
.595	39.040	.00000	.03000	.29580	.00940	.04280	.06030	.01120	-.00140	.28770	.08100
.596	39.980	.00000	.03000	.29730	.00950	.04270	.05810	.01080	-.00120	.28920	.08100
.597	40.920	.00000	.03000	.29560	.00930	.04260	.05990	.01090	-.00130	.28750	.08070
.597	41.850	.00000	.05000	.29720	.00920	.04250	.05860	.01100	-.00120	.28920	.08090

DATE 22 MAR 76

CA-26 FORCE SOURCE DATA TABULATION

PAGE 471

LTV44-559(CA26) 747/1 ATY 02 S1 (ORBITER DATA)

(WFE101) ( 29 JAN 76 )

REFERENCE DATA

SREF = 2690.0000 SQ.FT. XMRP = 1109.0000 IN. XO  
LREF = 474.8100 IN. YMRP = .0000 IN. YO  
BREF = 936.6800 IN. ZMRP = 375.0000 IN. ZO  
SCALE = .0125

PARAMETRIC DATA

ALPHAC = 4.000 BETAC = -5.000  
STAB = 5.000 ELTVON = 5.000  
BDFLAP = .000 DX = .000  
DY = .000 IORB = 4.000  
BETA0 = -5.000 RUDDER = .000

RUN NO. 72/ 0 RN/L = .00 GRADIENT INTERVAL = -5.00/ 5.00

MACH	DZ	DY	DX	CN	CLM	CA	CY	CYN	CBL	CL	CD
.594	7.790	.00000	.05000	.29810	.00890	.04310	.06110	.01110	-.00150	.28990	.08150
	GRADIENT	.00000	.00000	-.00166	-.00012	.00012	.00005	-.00009	-.00078	-.00164	-.00018

LTV44-559(CA26) 747/1 ATY 02 S1 (ORBITER DATA)

(WFE102) ( 29 JAN 76 )

REFERENCE DATA

SREF = 2690.0000 SQ.FT. XMRP = 1109.0000 IN. XC  
 LREF = 474.8100 IN. YMRP = .0000 IN. YO  
 BREF = 936.6800 IN. ZMRP = 375.0000 IN. ZO  
 SCALE = .0125

PARAMETRIC DATA

ALPHAC = 4.000 BETAC = -5.000  
 STAB = 5.000 ELEVON = 5.000  
 BDFLAP = .000 DX = .000  
 DY = .000 IORB = 6.000  
 BETAO = -5.000 RUDDER = .000

RUN NO. 1072/ 0 RN/L = .00 GRADIENT INTERVAL = -5.00/ 5.00

MACH	DZ	DY	DX	CN	CLM	CA	CY	CYN	CBL	CL	CD
.593	1.480	.00000	-.03000	.35880	.02340	.02720	.05380	.01240	.00770	.34910	.08700
.598	1.770	.00000	-.03000	.35590	.02310	.02770	.05470	.01240	.00670	.34620	.08730
.597	2.370	.00000	-.03000	.35580	.02230	.02770	.05460	.01240	.00650	.34600	.08720
.593	2.970	.00000	-.03000	.35640	.02230	.02770	.05460	.01250	.00650	.34660	.08720
.592	3.770	.00000	-.02000	.35790	.02140	.02810	.05530	.01230	.00530	.34820	.08770
.593	4.570	.00000	-.02000	.35720	.02130	.02850	.05590	.01230	.00520	.34740	.08800
.596	5.970	.00000	-.02000	.36020	.02060	.02840	.05680	.01200	.00380	.35030	.08860
.594	7.970	.00000	-.01000	.36320	.02000	.02890	.05800	.01210	.00330	.35320	.08940
.595	9.970	.00000	-.01000	.36210	.02000	.02880	.05680	.01190	.00320	.35220	.08900
.593	11.190	.00000	-.01000	.35820	.01960	.02890	.05800	.01170	.00250	.35820	.09000
.594	12.410	.00000	-.01000	.37000	.01930	.02910	.05770	.01170	.00230	.35990	.09040
.593	13.620	.00000	-.01000	.37090	.01890	.02930	.05770	.01160	.00200	.36080	.09090
.595	14.830	.00000	.00000	.37180	.01880	.02920	.05780	.01140	.00180	.36170	.09090
.595	16.050	.00000	.00000	.37370	.01870	.02920	.05860	.01150	.00160	.36360	.09090
.595	17.260	.00000	.00000	.37440	.01790	.02950	.05840	.01150	.00150	.36420	.09140
.595	18.480	.00000	.00000	.37810	.01850	.02970	.05920	.01140	.00130	.36790	.09210
.595	19.690	.00000	.00000	.37870	.01820	.02980	.05890	.01130	.00120	.36840	.09240
.594	20.910	.00000	.00000	.38170	.01850	.02960	.05960	.01130	.00110	.37150	.09260
.594	22.120	.00000	.01000	.38250	.01780	.02980	.05890	.01120	.00100	.37230	.09270
.595	23.330	.00000	.01000	.38460	.01810	.02980	.05870	.01110	.00100	.37430	.09310
.596	24.550	.00000	.01000	.38410	.01750	.02960	.05910	.01110	.00080	.37390	.09280
.595	25.770	.00000	.01000	.38980	.01800	.02990	.05830	.01100	.00070	.37840	.09410
.594	26.980	.00000	.01000	.38910	.01770	.03000	.05980	.01110	.00080	.37870	.09400
.594	28.190	.00000	.01000	.38980	.01740	.03000	.05900	.01100	.00060	.37950	.09390
.595	29.410	.00000	.02000	.39180	.01730	.03020	.05820	.01090	.00050	.38140	.09470
.595	30.620	.00000	.02000	.39240	.01750	.03030	.06070	.01120	.00020	.38200	.09480
.593	31.840	.00000	.02000	.39470	.01740	.03040	.05840	.01080	.00040	.38430	.09500
.594	33.060	.00000	.02000	.39420	.01710	.03000	.05910	.01080	.00040	.38390	.09470
.593	34.270	.00000	.02000	.39600	.01670	.03060	.05880	.01100	.00020	.38560	.09530
.593	35.490	.00000	.03000	.39790	.01630	.03050	.05970	.01110	.00020	.38740	.09550
.595	36.700	.00000	.03000	.39660	.01640	.03020	.06030	.01100	.00020	.38620	.09520
.595	37.910	.00000	.03000	.39750	.01600	.03050	.05990	.01110	.00020	.38700	.09570
.595	39.130	.00000	.03000	.40140	.01640	.03020	.06000	.01100	.00010	.39100	.09590
.593	40.350	.00000	.03000	.40250	.01600	.03090	.05990	.01100	.00000	.39200	.09660
.595	41.560	.00000	.05000	.40100	.01560	.03030	.05970	.01090	.00030	.39060	.09580
.597	42.780	.00000	.05000	.40070	.01520	.03040	.06010	.01100	.00000	.39030	.09570
.597	43.990	.00000	.05000	.40350	.01560	.03070	.05930	.01090	.00000	.39290	.09660
.596	45.210	.00000	.05000	.40130	.01460	.03110	.06080	.01110	-.00010	.39090	.09620
.595	46.420	.00000	.05000	.40670	.01450	.03110	.06040	.01100	.00000	.39550	.09720
.597	47.630	.00000	.05000	.40300	.01420	.03090	.06010	.01100	.00000	.39250	.09660
.595	48.850	.00000	.06000	.40220	.01360	.03160	.06180	.01120	.00000	.39160	.09690
GRADIENT		.00000	.00380	.00006	-.00069	.00035	.00055	-.00004	-.00074	.00004	.00029

LTV44-559(CA26) 7471 ATY 02 S1 (ORBITER DATA)

(WFE103) ( 29 JAN 76 )

## REFERENCE DATA

SREF = 2690.0000 SQ.FT. XMRP = 1109.0000 IN. XO  
 LREF = 474.8100 IN. YMRP = .0000 IN. YO  
 BREF = 936.6800 IN. ZMRP = 375.0000 IN. ZO  
 SCALE = .0125

## PARAMETRIC DATA

ALPHAC = 4.000 BETAC = -5.000  
 STAB = 5.000 ELEVON = 5.000  
 BDFLAP = .000 DX = .000  
 DY = .000 TORB = 8.000  
 BETA0 = -5.000 RUDDER = .000

RUN NO. 73/ 0 RN/L = .00 GRADIENT INTERVAL = -5.00/ 5.00

MACH	OZ	DY	DX	CN	CLM	CA	CY	CYN	CBL	CL	CD
.599	1.760	.00000	-.03000	.49140	.03570	.01640	.05650	.01190	.00940	.47780	.11580
.600	2.360	.00000	-.03000	.48940	.03580	.01660	.05630	.01190	.00920	.47580	.11580
.599	2.970	.00000	-.03000	.48470	.03500	.01690	.05650	.01210	.00840	.47120	.11480
.599	3.960	.00000	-.03000	.48240	.03470	.01690	.05560	.01200	.00840	.46890	.11450
.601	4.950	.00000	-.03000	.48430	.03320	.01690	.05570	.01190	.00700	.47080	.11480
.600	6.210	.00000	-.02000	.48410	.03350	.01670	.05590	.01190	.00710	.47060	.11450
.599	7.460	.00000	-.02000	.48430	.03280	.01760	.05660	.01190	.00660	.47080	.11520
.600	8.710	.00000	-.02000	.48370	.03160	.01750	.05690	.01190	.00590	.47010	.11490
.601	9.960	.00000	-.01000	.48670	.03080	.01770	.05770	.01160	.00480	.47310	.11550
.599	11.150	.00000	-.01000	.48940	.03070	.01810	.05740	.01170	.00470	.47560	.11650
.600	12.330	.00000	-.01000	.48700	.03000	.01820	.05860	.01170	.00440	.47330	.11610
.601	13.510	.00000	-.01000	.48910	.02980	.01860	.05940	.01170	.00420	.47530	.11680
.601	14.700	.00000	-.01000	.48790	.02910	.01840	.05940	.01160	.00370	.47420	.11610
.601	16.880	.00000	.00000	.49230	.02920	.01870	.05890	.01140	.00350	.47840	.11740
.600	17.070	.00000	.00000	.49530	.02870	.01900	.05940	.01150	.00330	.48130	.11840
.601	18.250	.00000	.00000	.49620	.02890	.01890	.05960	.01130	.00320	.48220	.11820
.600	19.440	.00000	.00000	.49590	.02800	.01890	.05990	.01130	.00300	.48230	.11800
.600	20.620	.00000	.00000	.49960	.02850	.01900	.05990	.01120	.00280	.48470	.11860
.601	21.790	.00000	.01000	.49920	.02740	.01900	.06030	.01120	.00260	.48510	.11910
.600	22.980	.00000	.01000	.50180	.02700	.01900	.06060	.01120	.00260	.48760	.12010
.601	24.160	.00000	.01000	.50090	.02700	.01900	.06050	.01100	.00250	.48680	.11950
.600	25.350	.00000	.01000	.50170	.02680	.01960	.06100	.01110	.00230	.48760	.11960
.600	26.530	.00000	.01000	.50700	.02660	.01960	.06080	.01110	.00220	.49280	.12100
.599	27.720	.00000	.01000	.50800	.02630	.01980	.06020	.01110	.00230	.49370	.12100
.601	28.900	.00000	.02000	.50560	.02540	.02010	.06040	.01100	.00210	.49140	.12090
.600	30.080	.00000	.02000	.51060	.02630	.02000	.06100	.01100	.00210	.49630	.12170
.602	31.270	.00000	.02000	.50870	.02530	.02000	.06110	.01110	.00180	.49440	.12130
.600	32.450	.00000	.02000	.51110	.02540	.02040	.06170	.01110	.00180	.49680	.12200
.599	33.640	.00000	.02000	.51250	.02520	.02010	.06150	.01090	.00180	.49620	.12180
.599	34.820	.00000	.03000	.51330	.02450	.02020	.06150	.01100	.00190	.49900	.12200
.601	36.010	.00000	.03000	.51300	.02440	.02060	.06090	.01090	.00170	.49850	.12260
.601	37.180	.00000	.03000	.51320	.02390	.02050	.06050	.01080	.00180	.49880	.12240
.601	38.370	.00000	.03000	.51400	.02390	.02060	.06260	.01130	.00130	.49960	.12250
.600	39.550	.00000	.03000	.51680	.02310	.02110	.06380	.01150	.00110	.50220	.12340
.601	40.740	.00000	.05000	.51760	.02360	.02080	.06130	.01090	.00150	.50300	.12340
.601	41.920	.00000	.05000	.51570	.02280	.02140	.06320	.01120	.00130	.50120	.12360
.600	43.110	.00000	.05000	.52130	.02290	.02090	.06340	.01100	.00150	.50670	.12400
.601	44.290	.00000	.05000	.51850	.02160	.02170	.06270	.01110	.00150	.50390	.12420
.601	45.470	.00000	.05000	.51760	.02100	.02130	.06170	.01080	.00190	.50300	.12350
.601	46.660	.00000	.06000	.51890	.02100	.02100	.06350	.01110	.00150	.50440	.12350
.600	47.840	.00000	.06000	.51900	.02040	.02170	.06270	.01100	.00140	.50440	.12420
.601	49.030	.00000	.06000	.51890	.01990	.02170	.06510	.01140	.00130	.50430	.12430

ORIGINAL PAGE IS  
OF POOR QUALITY

DATE 22 MAR 76

## CA-26 FORCE SOURCE DATA TABULATION

PAGE 474

LTV44-559(CA26) 747/1 ATY 02 51 (ORBITER DATA)

(WFE103) ( 29 JAN 76 )

## REFERENCE DATA

SREF = 2690.0000 SQ.FT. XMRP = 1109.0000 IN. XO  
 LREF = 474.8100 IN. YMRP = .0000 IN. YO  
 BREF = 936.6800 IN. ZMRP = 375.0000 IN. ZO  
 SCALE = .0125

## PARAMETRIC DATA

ALPHAC = 4.000 BETAC = -5.000  
 STAB = 5.000 ELEVON = 5.000  
 BDFLAP = .000 DX = .000  
 DY = .000 TORB = 8.000  
 BETA0 = -5.000 RUDDER = .000

RUN NO. 73/ 0 RN/L = .00 GRADIENT INTERVAL = -5.00/ 5.00

MACH	DZ	DY	DX	CN	CLM	CA	CY	CYN	CBL	CL	CD
.601	50.210	.00000	.06000	.51850	.01910	.02200	.06460	.01130	.00110	.50200	.12350
.599	51.400	.00000	.06000	.52350	.01993	.02130	.06150	.01100	.00150	.50890	.12460
.601	52.580	.00000	.07000	.52560	.02060	.02100	.06320	.01120	.00110	.51110	.12470
.600	53.760	.00000	.07000	.52020	.01900	.02100	.06320	.01120	.00110	.51110	.12470
.601	54.950	.00000	.07000	.52170	.01860	.02190	.06480	.01110	.00100	.50560	.12440
.600	56.130	.00000	.07000	.52050	.01760	.02200	.06390	.01120	.00120	.50710	.12450
	GRADIENT	.00000	-.00000	-.00247	-.00078	.00015	-.00030	.00000	-.00070	-.00243	-.00039



LTV#4-559(CA26) 747/1 ATY 02 S1 (ORBITER DATA)

(WFE104) (29 JAN 76)

## REFERENCE DATA

SREF = 2690.0000 SQ.FT. XMRP = 1109.0000 IN. XO  
 LREF = 474.8100 IN. YMRP = .0000 IN. YO  
 BREF = 936.6800 IN. ZMRP = 375.0000 IN. ZO  
 SCALE = .0125

## PARAMETRIC DATA

ALPHAC = 5.500 BETAC = .000  
 STAB = 5.000 ELEVON = 5.000  
 BDFLAP = .000 DX = .000  
 DY = .000 TORB = 6.000  
 BETAO = .000 RUDDER = .000

RUN NO. 74/ 0 RN/L = .00 GRADIENT INTERVAL = -5.00/ 5.00

MACH	DZ	DY	DX	CN	CLM	CA	CY	CYN	CBL	CL	CD
.598	1.760	.00000	-.09000	.44660	.04270	.01690	.00120	-.00080	-.00100	.43360	.10810
.597	2.360	.00000	-.09000	.44490	.04290	.01670	.00120	-.00080	-.00120	.43210	.10750
.598	2.970	.00000	-.07000	.44320	.04170	.01700	.00150	-.00080	-.00110	.43020	.10760
.597	3.760	.00000	-.07000	.44510	.04200	.01710	.00220	-.00070	-.00110	.43220	.10790
.597	4.560	.00000	-.07000	.44680	.04070	.01670	.00140	-.00080	-.00120	.43390	.10790
.596	5.470	.00000	-.06000	.44990	.03920	.01710	.00100	-.00080	-.00110	.43680	.10890
.598	6.460	.00000	-.06000	.45060	.03870	.01680	.00100	-.00080	-.00120	.43760	.10870
.598	7.460	.00000	-.06000	.45390	.03840	.01670	.00230	-.00070	-.00110	.44090	.10920
.596	8.460	.00000	-.05000	.45720	.03770	.01700	.00260	-.00070	-.00110	.44400	.11020
.599	9.460	.00000	-.05000	.45410	.03710	.01690	.00080	-.00090	-.00120	.44110	.10920
.597	10.560	.00000	-.03000	.45910	.03600	.01740	.00090	-.00090	-.00110	.44590	.11080
.597	11.740	.00000	-.03000	.45960	.03570	.01750	.00040	-.00100	-.00100	.44640	.11080
.596	12.930	.00000	-.03000	.46590	.03580	.01730	.00060	-.00100	-.00100	.45250	.11180
.598	14.110	.00000	-.02000	.46610	.03520	.01710	.00130	-.00090	-.00110	.45290	.11170
.598	15.300	.00000	-.02000	.46760	.03460	.01740	.00070	-.00090	-.00110	.45440	.11240
.597	16.490	.00000	-.01000	.47000	.03450	.01740	.00120	-.00090	-.00110	.45670	.11250
.598	17.670	.00000	-.01000	.47390	.03450	.01720	.00060	-.00100	-.00110	.46050	.11340
.598	18.860	.00000	.00000	.47370	.03390	.01750	.00110	-.00100	-.00090	.46020	.11350
.598	20.040	.00000	.00000	.47910	.03390	.01760	.00160	-.00080	-.00110	.46540	.11470
.597	21.230	.00000	.00000	.48390	.03400	.01790	.00050	-.00100	-.00090	.47000	.11580
.599	22.410	.00000	.01000	.48020	.03280	.01810	.00050	-.00100	-.00070	.46650	.11530
.597	23.600	.00000	.01000	.48530	.03290	.01800	.00040	-.00100	-.00070	.47160	.11600
.598	24.780	.00000	.02000	.48570	.03250	.01830	.00090	-.00100	-.00060	.47190	.11640
.596	25.970	.00000	.02000	.49010	.03240	.01820	-.00030	-.00110	-.00050	.47620	.11730
.596	27.150	.00000	.03000	.49060	.03180	.01850	-.00050	-.00110	-.00050	.47670	.11750
.597	28.340	.00000	.03000	.48970	.03140	.01880	.00060	-.00100	-.00070	.47580	.11760
.599	29.520	.00000	.03000	.49260	.03160	.01810	.00150	-.00100	-.00050	.47670	.11760
.597	30.710	.00000	.05000	.49950	.03150	.01800	-.00090	-.00120	-.00040	.48540	.11880
.602	31.900	.00000	.05000	.49170	.03090	.01800	.00030	-.00100	-.00030	.47780	.11710
.598	33.080	.00000	.06000	.49970	.03100	.01840	.00130	-.00080	-.00040	.48570	.11880
.598	34.270	.00000	.06000	.49830	.03060	.01930	-.00070	-.00110	-.00030	.48410	.11940
.597	35.450	.00000	.07000	.50700	.03070	.01850	.00000	-.00100	-.00050	.49280	.12060
.599	36.640	.00000	.07000	.50620	.03050	.01810	-.00130	-.00110	-.00030	.49210	.12010
.596	37.820	.00000	.09000	.50940	.02990	.01890	-.00040	-.00110	-.00010	.49510	.12120
.595	39.010	.00000	.09000	.51070	.02960	.01900	-.00130	-.00120	.00000	.49640	.12150
.597	40.200	.00000	.09000	.50720	.02910	.01880	-.00140	-.00120	-.00010	.49290	.12060
.598	41.380	.00000	.10000	.50850	.02860	.01890	.00000	-.00100	.00000	.49430	.12090
.597	42.570	.00000	.10000	.51700	.02870	.01870	-.00050	-.00100	.00010	.50270	.12220
.599	43.750	.00000	.11000	.51130	.02900	.01900	-.00200	-.00120	.00040	.49710	.12130
.598	44.940	.00000	.11000	.51500	.02790	.01920	-.00120	-.00110	.00040	.50060	.12230
.599	46.130	.00000	.13000	.51230	.02720	.01930	.00060	-.00100	.00000	.49800	.12180
.602	47.310	.00000	.13000	.51090	.02730	.01970	.00110	-.00070	-.00030	.49680	.12070

LTV44-559(CA26) 747/1 ATY. 02 S1 (ORBITER DATA)

(WFE104) ( 29 JAN 76 )

## REFERENCE DATA

SREF = 2690.0000 SQ.FT. XMRP = 1109.0000 IN. XO  
 LREF = 474.8100 IN. YMRP = .0000 IN. YO  
 BREF = 936.6800 IN. ZMRP = 375.0000 IN. ZO  
 SCALE = .0125

## PARAMETRIC DATA

ALPHAC = 5.500 BETAC = .000  
 STAB = 5.000 ELEVON = 5.000  
 BDFLAP = .000 DX = .000  
 DY = .000 IORB = 6.000  
 BETA0 = .000 RUDDER = .000

RUN NO. 74/ 0 RN/L = .00 GRADIENT INTERVAL = -5.00/ 5.00

MACH	DZ	DY	DX	CN	CLM	CA	CY	CYN	CBL	CL	CD
.597	48.500	.00000	.14000	.52280	.02770	.01900	-.00060	-.00100	-.00020	.50830	.12350
.598	49.680	.00000	.14000	.52020	.02670	.01950	-.00010	-.00100	.00000	.50570	.12340
.599	50.870	.00000	.15000	.51980	.02560	.02010	-.00080	-.00120	.00030	.50510	.12440
.600	51.460	.00000	.15000	.51820	.02580	.01910	-.00270	-.00140	.00070	.50390	.12260
	GRADIENT	.00000	.00830	.00018	-.00070	-.00001	.00019	.00001	-.00004	.00019	.00001

DATE 22 MAR 76

CA-26 FORCE SOURCE DATA TABULATION

PAGE 477

LTV44-559(CA26) 747/1 ATY 02 S1 (ORBITER DATA)

(WFE105) ( 29 JAN 76 )

## REFERENCE DATA

SREF = 2090.0000 SQ.FT. XMRP = 1109.0000 IN. XO  
 LREF = 474.8100 IN. YMRP = .0000 IN. YO  
 BREF = 936.6800 IN. ZMRP = 375.0000 IN. ZO  
 SCALE = .0125

## PARAMETRIC DATA

ALPHAC = .000 BETAC = -5.000  
 STAB = 5.000 ELEVON = 5.000  
 BDFLAP = .000 DX = .000  
 DY = .000 TORB = 4.000  
 BETA0 = -5.000 RUDDER = .000

RUN NO. 75/ 0 RN/L = .00 GRADIENT INTERVAL = -5.00/ 5.00

MACH	DZ	DY	DX	CN	CLM	CA	CY	CYN	CBL	CL	CD
.603	1.760	.00000	.05000	.16020	.01080	.05560	.06030	.01390	.00550	.15590	.06650
.601	2.360	.00000	.05000	.15990	.01050	.05600	.06050	.01390	.00530	.15570	.06690
.603	2.970	.00000	.05000	.15570	.00960	.05600	.05890	.01360	.00410	.15150	.06670
.602	3.760	.00000	.05000	.15620	.01020	.05610	.05940	.01360	.00400	.15200	.06670
.601	4.560	.00000	.05000	.15600	.00960	.05630	.05980	.01340	.00350	.15170	.06690
.603	5.960	.00000	.05000	.15740	.00790	.05600	.05920	.01310	.00260	.15320	.06670
.603	7.970	.00000	.03000	.15770	.00730	.05630	.05910	.01310	.00230	.15350	.06700
.602	9.960	.00000	.03000	.16260	.00530	.05740	.05980	.01260	.00030	.15830	.06840
.602	10.960	.00000	.02000	.16130	.00460	.05710	.05950	.01240	.00020	.15700	.06810
.601	11.950	.00000	.02000	.16300	.00460	.05760	.06060	.01250	.00000	.15870	.06860
.602	12.950	.00000	.02000	.16300	.00390	.05780	.05990	.01220	-.00030	.15870	.06880
.601	13.940	.00000	.02000	.16380	.00410	.05800	.06000	.01220	-.00050	.15950	.06910
.603	14.940	.00000	.02000	.16380	.00310	.05800	.06010	.01210	-.00070	.15940	.06900
.601	15.930	.00000	.02000	.16420	.00300	.05800	.05950	.01200	-.00090	.15930	.06900
.601	16.930	.00000	.01000	.16470	.00320	.05840	.05940	.01200	-.00110	.16040	.06940
.603	17.930	.00000	.01000	.16530	.00320	.05820	.06000	.01190	-.00140	.16100	.06920
.601	18.920	.00000	.01000	.16640	.00240	.05870	.06060	.01190	-.00160	.16210	.06980
.604	19.910	.00000	.01000	.16580	.00220	.05850	.05980	.01170	-.00180	.16150	.06950
.604	20.910	.00000	.01000	.16630	.00220	.05850	.06050	.01170	-.00180	.16200	.06960
.601	21.900	.00000	.00000	.16820	.00200	.05940	.06110	.01170	-.00210	.16390	.07060
.603	22.890	.00000	.00000	.16720	.00130	.05900	.05950	.01160	-.00220	.16290	.07010
.602	23.890	.00000	.00000	.16750	.00130	.05920	.06080	.01170	-.00230	.16310	.07030
.603	24.890	.00000	.00000	.16740	.00160	.05870	.06000	.01150	-.00250	.16310	.06980
.602	25.880	.00000	.00000	.16930	.00100	.05940	.06020	.01150	-.00250	.16490	.07060
.602	26.870	.00000	-.01000	.16920	.00060	.05930	.06050	.01150	-.00260	.16490	.07050
.602	27.870	.00000	-.01000	.16920	.00090	.05980	.05990	.01120	-.00270	.16480	.07100
.602	28.860	.00000	-.01000	.16990	.00030	.05970	.06010	.01140	-.00280	.16540	.07090
.603	29.860	.00000	-.01000	.16880	.00030	.05950	.05990	.01140	-.00290	.16450	.07050
.602	30.860	.00000	-.01000	.17090	.00080	.05950	.06360	.01130	-.00300	.16260	.07070
.603	31.850	.00000	-.01000	.17180	.00020	.05970	.06070	.01130	-.00300	.16750	.07090
.603	32.840	.00000	-.02000	.17420	.00050	.06010	.06000	.01110	-.00300	.16980	.07150
.604	33.840	.00000	-.02000	.17120	-.00010	.06000	.05910	.01110	-.00310	.16930	.07110
.605	34.830	.00000	-.02000	.17070	-.00020	.05990	.05970	.01110	-.00310	.16540	.07100
.602	35.830	.00000	-.02000	.17150	.00000	.06010	.06080	.01110	-.00320	.16720	.07120
.602	36.830	.00000	-.02000	.17170	.00000	.06030	.06040	.01110	-.00330	.15740	.07140
.603	37.820	.00000	-.03000	.17340	.00000	.06020	.06040	.01100	-.00330	.16910	.07150
.602	38.820	.00000	-.03000	.17380	.00000	.06030	.05380	.01090	-.00340	.16950	.07160
.601	39.810	.00000	-.03000	.17330	-.00010	.06050	.06150	.01110	-.00360	.16900	.07170
.604	40.800	.00000	-.03000	.17390	-.00040	.06000	.05990	.01090	-.00340	.16360	.07130
.601	41.800	.00000	-.03000	.17410	-.00100	.06080	.05910	.01090	-.00350	.16980	.07200
.603	42.800	.00000	-.05000	.17260	-.00080	.06040	.06030	.01100	-.00350	.16330	.07160
.602	43.790	.00000	-.05000	.17360	-.00100	.06070	.06040	.01110	-.00370	.16330	.07180

DATE 22 MAR 76

CA 26 FORCE SOURCE DATA TABULATION

PAGE 478

LTV44-559(CA26) 747/1 ATY 02 S1 (CPBITER DATA)

(WFE105) ( 29 JAN 76 )

## REFERENCE DATA

## PARAMETRIC DATA

SREF = 2690.0000 SQ.FT. XMRP = 1109.0000 IN. XO  
 LREF = 474.8100 IN. YMRP = .0000 IN. YO  
 BREF = 936.6800 IN. ZMRP = 375.0000 IN. ZO  
 SCALE = .0125

ALPHAC = .000 BETAC = -5.000  
 STAB = 5.000 ELEVON = 5.000  
 BDFLAP = .000 DX = .000  
 DY = .000 TORB = 4.000  
 BETAO = -5.000 RUDDER = .000

RUN NO. 75/ 0 RN/L = .00 GRADIENT INTERVAL = -5.00/ 5.00

MACH	DZ	DY	DX	CN	CLM	CA	CY	CYN	CBL	CL	CD
.604	44.790	.00000	-.05000	.17420	-.00070	.06020	.06010	.01090	-.00360	.17000	.07140
	GRADIENT	.00000	.00000	-.00166	-.00038	.00021	-.00027	-.00018	-.00075	-.00167	.00008

LTV44-559(CA26) 7471 ATY 02 S1 (ORBITER DATA)

(WFE106) (29 JAN 76)

## REFERENCE DATA

SREF = 2690.0000 SQ.FT. XMRP = 1109.0000 IN. XO  
 LREF = 474.8100 IN. YMRP = .0000 IN. YO  
 BREF = 936.6800 IN. ZMRP = 375.0000 IN. ZO  
 SCALE = .0125

## PARAMETRIC DATA

ALPHAC = .000 BETAC = -5.000  
 STAB = 5.000 ELEVON = 5.000  
 BDFLAP = .000 DX = .000  
 DY = .000 IORB = 6.000  
 BETA0 = -5.000 RUDDER = .000

RUN NO. 1075/ 0 RN/L = .00 GRADIENT INTERVAL = -5.00/ 5.00

MACH	DZ	DY	DX	CN	CLM	CA	CY	CYN	CBL	CL	CD
.603	1.470	.00000	.05000	.26820	.01790	.04760	.05910	.01340	.00710	.26180	.07540
.601	1.770	.00000	.05000	.26460	.01710	.04790	.05820	.01330	.00610	.25810	.07530
.600	2.370	.00000	.03000	.26450	.01650	.04840	.05870	.01340	.00580	.25800	.07570
.602	2.970	.00000	.03000	.26190	.01650	.04830	.05790	.01330	.00570	.25540	.07530
.602	3.770	.00000	.03000	.26150	.01490	.04840	.05790	.01300	.00440	.25500	.07550
.604	4.570	.00000	.03000	.25950	.01440	.04820	.05880	.01290	.00440	.25320	.07490
.602	5.970	.00000	.03000	.26300	.01210	.04920	.05990	.01240	.00260	.25650	.07610
.604	7.970	.03000	.03000	.26370	.01140	.04920	.06020	.01230	.00190	.25720	.07640
.602	9.960	.00000	.02000	.26210	.01120	.04940	.06000	.01220	.00200	.25560	.07610
.603	11.240	.00000	.02000	.26460	.01020	.04970	.05950	.01200	.00120	.25810	.07670
.603	12.520	.00000	.02000	.26320	.00960	.04980	.06090	.01190	.00080	.25660	.07670
.601	13.800	.00000	.02000	.26550	.00930	.05060	.06040	.01190	.00040	.25900	.07770
.601	15.080	.00000	.02000	.26580	.00920	.05060	.06020	.01190	.00020	.26020	.07770
.601	16.350	.01000	.01000	.26590	.00840	.05080	.06120	.01150	.00000	.25930	.07790
.604	17.630	.00000	.01000	.26260	.00830	.05040	.06060	.01150	-.00020	.25300	.07710
.602	18.900	.00000	.01000	.26490	.00820	.05120	.05990	.01150	-.00040	.25970	.07810
.601	20.180	.00000	.01000	.26640	.00810	.05130	.06120	.01150	-.00050	.25770	.07820
.603	21.460	.00000	.01000	.26650	.00780	.05120	.06010	.01130	-.00060	.25990	.07810
.604	22.730	.00000	.00000	.26620	.00760	.05120	.05960	.01120	-.00080	.25950	.07810
.604	24.000	.00000	.00000	.26610	.00720	.05140	.06070	.01130	-.00090	.25950	.07810
.600	25.280	.00000	.00000	.26590	.00670	.05200	.06080	.01120	-.00100	.25910	.07870
.601	26.560	.00000	.00000	.26770	.00700	.05190	.06010	.01110	-.00110	.26100	.07880
.601	27.840	.00000	-.01000	.26960	.00730	.05220	.06080	.01100	-.00120	.26290	.07940
.601	29.110	.00000	-.01000	.26990	.00650	.05240	.06120	.01110	-.00130	.26320	.07940
.601	30.390	.00000	-.01000	.26980	.00600	.05250	.06150	.01110	-.00150	.26210	.07940
.602	31.660	.00000	-.01000	.26970	.00610	.05230	.06120	.01100	-.00160	.26200	.07930
.603	32.940	.00000	-.02000	.26540	.00560	.05230	.06120	.01100	-.00170	.25670	.07880
.601	34.220	.00000	-.02000	.26770	.00540	.05300	.06150	.01100	-.00170	.26100	.07970
.600	35.490	.00000	-.02000	.26980	.00530	.05290	.06170	.01100	-.00180	.26210	.07960
.603	36.770	.00000	-.02000	.27030	.00580	.05240	.06060	.01080	-.00170	.26370	.07920
.600	38.050	.00000	-.03000	.26920	.00520	.05330	.06080	.01100	-.00190	.26250	.08010
.604	39.330	.00000	-.03000	.26660	.00550	.05250	.06040	.01070	-.00180	.26030	.07890
.602	40.600	.00000	-.03000	.26640	.00510	.05300	.06170	.01080	-.00200	.26170	.07970
.602	41.880	.00000	-.03000	.27020	.00500	.05300	.06130	.01080	-.00200	.26350	.07990
.604	43.150	.00000	-.05000	.26890	.00490	.05260	.06050	.01070	-.00200	.26210	.07920
.604	44.430	.00000	-.05000	.26930	.00480	.05250	.06090	.01070	-.00200	.26280	.07900
.601	45.710	.00000	-.05000	.27050	.00420	.05330	.06140	.01080	-.00210	.26390	.08000
.603	46.990	.00000	-.05000	.26900	.00430	.05290	.06040	.01060	-.00200	.26240	.07930
.600	48.260	.00000	-.05000	.26960	.00400	.05330	.06200	.01090	-.00220	.26300	.07990
.603	49.540	.00000	-.05000	.26860	.00380	.05320	.06350	.01060	-.00200	.26200	.07960
.601	50.820	.00000	-.06000	.27020	.00400	.05330	.06040	.01060	-.00210	.26360	.07980
GRADIENT		.00000	-.00675	-.00238	-.00109	.00017	-.00010	-.00016	-.00082	-.00237	-.00012

ORIGINAL PAGE IS  
 OF POOR QUALITY

LTV44-559(CA26) 747/1 ATY 02 S1 (ORBITER DATA)

(WFE107) ( 29 JAN 76 )

REFERENCE DATA

PARAMETRIC DATA

SREF = 2690.0000 SQ.FT. XMRP = 1109.0000 IN. XO  
 LREF = 474.8100 IN. YMRP = .0000 IN. YO  
 BREF = 936.6800 IN. ZMRP = 375.0000 IN. ZO  
 SCALE = .0125

ALPHAC = .000 BETAC = -5.000  
 STAB = 5.000 ELEVON = 5.000  
 BDFLAP = .000 DX = .000  
 DY = .000 IORB = 8.000  
 BETAO = -5.000 RUDDER = .000

RUN NO. 76/ 0 RN/L = .00 GRADIENT INTERVAL = -5.00/ 5.00

MACH	DZ	DY	DX	CN	CLM	CA	CY	CYN	CBL	CL	CD
.599	1.760	.00000	.03000	.37000	.02590	.03600	.05740	.01280	.00850	.36140	.08720
.601	2.360	.00000	.03000	.36750	.02560	.03610	.05700	.01270	.00830	.35890	.08700
.600	2.970	.00000	.03000	.36520	.02410	.03660	.05690	.01280	.00750	.35650	.08720
.601	3.960	.00000	.03000	.36240	.02340	.03660	.05660	.01270	.00730	.35380	.08690
.600	4.960	.00000	.03000	.36000	.02190	.03670	.05720	.01260	.00600	.35140	.08640
.600	6.210	.00000	.03000	.36140	.02150	.03710	.05700	.01270	.00590	.35270	.08680
.600	7.460	.00000	.02000	.36200	.02120	.03740	.05780	.01250	.00550	.35330	.08740
.601	8.710	.00000	.02000	.36040	.02010	.03750	.05730	.01230	.00490	.35170	.08720
.600	9.960	.00000	.02000	.36020	.01850	.03840	.05770	.01210	.00360	.35140	.08770
.600	11.200	.00000	.02000	.35850	.01810	.03840	.05780	.01210	.00360	.34980	.08750
.602	12.430	.00000	.02000	.35600	.01810	.03810	.05780	.01200	.00330	.34730	.08680
.602	13.670	.00000	.02000	.35650	.01790	.03820	.05830	.01190	.00290	.34780	.08700
.600	14.910	.00000	.02000	.35940	.01750	.03870	.05920	.01180	.00270	.35060	.08780
.600	16.140	.00000	.01000	.35960	.01660	.03890	.05920	.01180	.00210	.35080	.08800
.601	17.370	.00000	.01000	.35680	.01670	.03900	.05920	.01160	.00190	.34810	.08740
.601	18.610	.00000	.01000	.35540	.01590	.03950	.05990	.01160	.00160	.34660	.08780
.599	19.840	.00000	.01000	.35610	.01540	.04010	.05950	.01160	.00140	.34730	.08840
.601	21.080	.00000	.01000	.35580	.01540	.03970	.05890	.01130	.00130	.34700	.08610
.602	22.310	.00000	.00000	.35480	.01530	.04000	.05980	.01130	.00110	.34600	.08800
.601	23.550	.00000	.00000	.35520	.01490	.04020	.06040	.01130	.00090	.34650	.08820
.600	24.780	.00000	.00000	.35640	.01450	.04060	.05930	.01130	.00070	.34750	.08890
.600	26.010	.00000	.00000	.35770	.01430	.04050	.06010	.01120	.00050	.34890	.08880
.601	27.250	.00000	-.01000	.35590	.01440	.04050	.05960	.01110	.00040	.34710	.08850
.601	28.480	.00000	-.01000	.35280	.01410	.04100	.05950	.01110	.00030	.34790	.08910
.602	29.720	.00000	-.01000	.35700	.01430	.04070	.05940	.01100	.00020	.34810	.08890
.601	30.950	.00000	-.01000	.35790	.01420	.04100	.05980	.01090	.00000	.34900	.08910
.601	32.180	.00000	-.02000	.35610	.01410	.04100	.06070	.01090	.00000	.34730	.08890
.600	33.420	.00000	-.02000	.35850	.01370	.04150	.06020	.01090	-.00010	.34950	.08970
.602	34.660	.00000	-.02000	.35590	.01370	.04120	.06060	.01090	-.00020	.34700	.08910
.600	35.900	.00000	-.02000	.35640	.01290	.04200	.06060	.01090	-.00040	.34750	.08970
.602	37.130	.00000	-.02000	.35530	.01330	.04140	.06130	.01090	-.00030	.34650	.08910
.601	38.360	.00000	-.03000	.35650	.01310	.04140	.06060	.01070	-.00040	.34770	.08910
.602	39.600	.00000	-.03000	.35770	.01310	.04180	.06050	.01070	-.00030	.34870	.08970
.601	40.830	.00000	-.03000	.35880	.01270	.04200	.06030	.01070	-.00040	.34880	.09000
.601	42.070	.00000	-.03000	.35730	.01290	.04170	.06000	.01050	-.00040	.34840	.08930
.601	43.300	.00000	-.05000	.35850	.01300	.04190	.06060	.01070	-.00060	.34960	.08970
.602	44.540	.00000	-.05000	.35660	.01240	.04200	.06020	.01060	-.00060	.34780	.08930
.600	45.770	.00000	-.05000	.35930	.01250	.04210	.06000	.01060	-.00050	.34940	.08990
.601	47.010	.00000	-.05000	.35700	.01240	.04190	.06070	.01070	-.00070	.34800	.08970
.600	48.250	.00000	-.05000	.35070	.01210	.04230	.06020	.01070	-.00060	.35170	.09030
.599	49.480	.00000	-.06000	.36010	.01180	.04270	.06080	.01070	-.00070	.35110	.09050
.600	50.710	.00000	-.06000	.35780	.01130	.04260	.06140	.01090	-.00090	.34690	.09000

DATE 22 MAR 76

CA-26 FORCE SOURCE DATA TABULATION

PAGE 481

LTV44-559(CA26) 747/1 ATY 02 S1 (ORBITER DATA)

(WFE107) ( 29 JAN 76 )

## REFERENCE DATA

SREF = 2690.0000 SQ.FT. XMRP = 1109.0000 IN. XO  
 LREF = 474.8100 IN. YMRP = .0000 IN. YO  
 BREF = 936.6800 IN. ZMRP = 375.0000 IN. ZO  
 SCALE = .0125

## PARAMETRIC DATA

ALPHAC = .000 BETAC = -5.000  
 STAB = 5.000 ELEVON = 5.000  
 BDFLAP = .000 DX = .000  
 DY = .000 IORB = 8.000  
 BETAO = -5.000 RUDDER = .000

RUN NO. 76/ 0 RN/L = .00 GRADIENT INTERVAL = -5.00/ 5.00

MACH	OZ	DY	DX	CN	CLM	CA	CY	CYN	CBL	CL	CD
.601	51.950	.00000	-.06000	.35550	.01140	.04250	.06080	.01070	-.00090	.34660	.08970
.602	53.180	.00000	-.06000	.35550	.01120	.04240	.06110	.01070	-.00090	.34670	.08950
.602	54.420	.00000	-.07000	.35570	.01060	.04260	.05980	.01060	-.00070	.34690	.08960
.601	55.650	.00000	-.07000	.35840	.01070	.04280	.06090	.01080	-.00080	.34950	.09010
.602	56.890	.00000	-.07000	.35650	.01090	.04280	.06090	.01070	-.00080	.34760	.08990
.600	58.120	.00000	-.07000	.36000	.01110	.04280	.06050	.01070	-.00090	.35110	.09030
	GRADIENT	.00000	.00000	-.00309	-.00127	.00022	-.00006	-.00005	-.00075	-.00309	-.00024

LTV44-559(CA26) 747/1 ATY 06 S1 (ORBITER DATA)

(WFE10B) ( 29 JAN 75 )

REFERENCE DATA

SREF = 2690.0000 SQ.FT. XMRP = 1109.0000 IN. XO  
 LREF = 474.8100 IN. YMRP = .0000 IN. YO  
 BREF = 936.6800 IN. ZMRP = 375.0000 IN. ZO  
 SCALE = .0125

PARAMETRIC DATA

ALPHAC = 2.000 BETAC = .000  
 STAB = 5.000 ELEVON = 5.000  
 AILRON = .000 DX = .000  
 DY = .000 ORB = 6.000  
 BETAO = .000 DPHI = .000

RUN NO. 77/ 0 RN/L = .00 GRADIENT INTERVAL = -5.00/ 5.00

MACH	DZ	DY	DX	CN	CLM	CA	CY	CYN	CBL	CL	CO
.601	1.760	.00000	-.01000	.36050	.01000	.00980	.00220	-.00140	-.00100	.35490	.06400
.601	2.360	.00000	-.01000	.36190	.01000	.00980	.00310	-.00150	-.00100	.35630	.06410
.601	2.970	.00000	-.01000	.36000	.00700	.00990	.00210	-.00150	-.00110	.35440	.06400
.601	3.760	.00000	-.01000	.35900	.00670	.01000	.00150	-.00160	-.00110	.35340	.06370
.602	4.560	.00000	-.01000	.35950	.00800	.00950	.00300	-.00160	-.00110	.35400	.06360
.601	5.470	.00000	-.01000	.36450	.00330	.00950	.00260	-.00160	-.00110	.35890	.06430
.601	6.460	.00000	-.01000	.36420	.00170	.00980	.00290	-.00160	-.00100	.35860	.06430
.601	7.460	.00000	-.01000	.36650	.00140	.00970	.00320	-.00150	-.00100	.36090	.06470
.600	8.460	.00000	-.01000	.36980	-.00020	.00970	.00320	-.00140	-.00100	.36410	.06510
.603	9.460	.00000	.00000	.36700	-.00090	.00920	.00240	-.00150	-.00120	.36140	.06480
.604	10.560	.00000	.00000	.36920	-.00270	.00960	.00210	-.00150	-.00110	.36360	.06470
.602	11.740	.00000	.00000	.37050	-.00250	.01000	.00290	-.00150	-.00110	.36490	.06530
.604	12.930	.00000	.00000	.37090	-.00300	.00990	.00250	-.00160	-.00100	.36620	.06540
.604	14.110	.00000	.00000	.36940	-.00340	.01050	.00240	-.00150	-.00100	.36370	.06560
.601	15.300	.00000	.00000	.37330	-.00430	.01090	.00250	-.00130	-.00090	.36750	.06540
.600	16.490	.00000	.00000	.37780	-.00450	.01050	.00160	-.00140	-.00100	.37200	.06670
.599	17.670	.00000	.00000	.37750	-.00490	.01060	.00160	-.00150	-.00100	.37180	.06640
.599	18.860	.00000	.00000	.37860	-.00550	.01060	.00220	-.00150	-.00090	.37280	.06680
.599	20.040	.00000	.00000	.38010	-.00560	.01110	.00150	-.00150	-.00090	.37420	.06730
.601	21.230	.00000	.00000	.37960	-.00540	.01120	.00190	-.00140	-.00090	.37380	.06750
.601	22.410	.00000	.01000	.37920	-.00620	.01170	.00250	-.00140	-.00100	.37320	.06780
.601	23.600	.00000	.01000	.38250	-.00570	.01140	.00210	-.00160	-.00100	.37660	.06790
.601	24.780	.00000	.01000	.38240	-.00610	.01160	.00180	-.00170	-.00080	.37650	.06800
.603	25.970	.00000	.01000	.38150	-.00610	.01170	.00260	-.00160	-.00090	.37560	.06790
.603	27.150	.00000	.01000	.38350	-.00650	.01180	.00320	-.00130	-.00090	.37750	.06840
.600	28.340	.00000	.01000	.38740	-.00690	.01190	.00110	-.00160	-.00080	.38140	.06890
.600	29.520	.00000	.01000	.38900	-.00680	.01230	.00140	-.00150	-.00090	.38290	.06960
.601	30.710	.00000	.01000	.38860	-.00650	.01240	.00160	-.00150	-.00070	.38240	.06970
.602	31.900	.00000	.01000	.38610	-.00760	.01240	.00160	-.00150	-.00070	.38000	.06920
.602	33.080	.00000	.01000	.38700	-.00770	.01240	.00250	-.00140	-.00090	.38100	.06920
.601	34.270	.00000	.01000	.38630	-.00800	.01290	.00180	-.00150	-.00070	.38190	.06970
.601	35.450	.00000	.01000	.38770	-.00830	.01300	.00120	-.00160	-.00050	.38150	.06990
.601	36.640	.00000	.01000	.39170	-.00780	.01260	.00140	-.00140	-.00070	.38560	.07000
.602	37.820	.00000	.01000	.38970	-.00790	.01230	.00110	-.00150	-.00060	.38370	.06930
.601	39.010	.00000	.01000	.39300	-.00790	.01240	.00210	-.00140	-.00070	.38690	.06980
.600	40.200	.00000	.02000	.39240	-.00840	.01300	.00040	-.00160	-.00040	.38620	.07040
.601	41.380	.00000	.02000	.39290	-.00810	.01300	.00150	-.00130	-.00050	.38670	.07030
.601	42.570	.00000	.02000	.39310	-.00900	.01310	.00190	-.00130	-.00080	.38700	.07050
.602	43.750	.00000	.02000	.39430	-.00850	.01330	.00250	-.00120	-.00060	.38820	.07090
.601	44.940	.00000	.02000	.39360	-.00910	.01330	.00190	-.00150	-.00060	.38750	.07050
.601	46.130	.00000	.02000	.39520	-.00970	.01330	.00140	-.00140	-.00030	.38910	.07070
.601	47.310	.00000	.02000	.39480	-.00980	.01390	-.00050	-.00160	.00000	.38860	.07140



DATE 22 MAR 76

CA-26 FORCE SOURCE DATA TABULATION

PAGE 483

LTV44-559(CA26) 747/1 ATY 06 SI (ORBITER DATA)

(WFE108) ( 29 JAN 76 )

## REFERENCE DATA

SREF = 2690.0000 SQ.FT. XMRP = 1109.0000 IN. XO  
 LREF = 474.8100 IN. YMRP = .0000 IN. YO  
 BREF = 936.6800 IN. ZMRP = 375.0000 IN. ZO  
 SCALE = .0125

## PARAMETRIC DATA

ALPHAC = 2.000 BETAC = .000  
 STAB = 5.000 ELEVON = 5.000  
 AILRON = .000 DX = .000  
 DY = .000 IORB = 6.000  
 BETA0 = .000 DPFI = .000

RUN NO. 77/ 0 RN/L = .00 GRADIENT INTERVAL = -5.00/ 5.00

MACH	DZ	DY	DX	CN	CLM	CA	CY	CYN	CBL	CL	CD
.600	48.500	.00000	.02000	.39820	-.01020	.01330	.00160	-.00140	-.00020	.39200	.07100
.603	49.680	.00000	.02000	.39300	-.01030	.01340	.00150	-.00140	-.00030	.38690	.07040
.602	50.870	.00000	.02000	.39610	-.01050	.01350	.00050	-.00140	-.00030	.38990	.07090
.601	51.460	.00000	.02000	.39890	-.01030	.01360	.00220	-.00120	-.00020	.39270	.07140
	GRADIENT	.00000	.00000	-.00070	-.00159	-.00006	.00001	-.00007	-.00004	-.00067	-.00018

LTV44-559(CA26) 747/1 ATY 06 S1 (ORBITER DATA)

(WFE109) ( 29 JAN 76 )

## REFERENCE DATA

SREF = 2690.0000 SQ.FT. XMRP = 1109.0000 IN. XO  
 LREF = 474.8100 IN. YMRP = .0000 IN. YO  
 BREF = 936.6800 IN. ZMRP = 375.0000 IN. ZO  
 SCALE = .0125

## PARAMETRIC DATA

ALPHAC = 2.000 BETAC = .000  
 STAB = 5.000 ELEVON = .000  
 AILRON = .000 DX = .000  
 DY = .000 IORB = 4.000  
 BETAD = .000 DPFI = .000

RUN NO. 78/ 0 RN/L = .00 GRADIENT INTERVAL = -5.00/ 5.00

MACH	DZ	DY	DX	CN	CLM	CA	CY	CYN	CBL	CL	CD
.603	1.760	.00000	.01000	.16440	.03580	.02030	.00350	-.00210	-.00110	.16100	.03900
.601	2.360	.00000	.01000	.16510	.03570	.02050	.00300	-.00200	-.00110	.16160	.03940
.600	2.970	.00000	.01000	.16510	.03560	.02120	.00370	-.00210	-.00120	.16150	.04000
.601	3.760	.00000	.01000	.16410	.03630	.02130	.00300	-.00230	-.00120	.16060	.04000
.600	4.560	.00000	.01000	.16530	.03580	.02140	.00340	-.00220	-.00120	.16180	.04030
.600	5.960	.00000	.01000	.16800	.03420	.02170	.00350	-.00230	-.00110	.16440	.04090
.602	7.970	.00000	.01000	.16480	.03310	.02120	.00430	-.00220	-.00120	.16130	.03990
.600	9.960	.00000	.01000	.17730	.02910	.02130	.00380	-.00230	-.00120	.17370	.04150
.600	10.960	.00000	.01000	.17570	.02890	.02150	.00410	-.00210	-.00120	.17210	.04150
.602	11.960	.00000	.01000	.17650	.02890	.02160	.00400	-.00210	-.00120	.17280	.04160
.601	12.950	.00000	.01000	.17790	.02920	.02210	.00360	-.00220	-.00120	.17420	.04240
.599	13.940	.00000	.01000	.18040	.02840	.02220	.00400	-.00210	-.00120	.17670	.04270
.599	14.940	.00000	.00000	.18260	.02790	.02210	.00430	-.00220	-.00110	.17890	.04280
.606	15.930	.00000	.00000	.17940	.02710	.02170	.00370	-.00210	-.00110	.17570	.04200
.603	16.930	.00000	.00000	.18210	.02720	.02230	.00450	-.00210	-.00110	.17830	.04290
.601	17.930	.00000	.00000	.18300	.02700	.02250	.00390	-.00220	-.00110	.17920	.04320
.602	18.920	.00000	.00000	.18420	.02650	.02260	.00380	-.00220	-.00100	.18040	.04340
.603	19.910	.00000	.00000	.18690	.02590	.02260	.00440	-.00220	-.00110	.18310	.04370
.602	20.910	.00000	.00000	.18570	.02590	.02270	.00340	-.00230	-.00110	.18190	.04370
.602	21.900	.00000	.01000	.18600	.02620	.02280	.00260	-.00230	-.00100	.18220	.04370
.601	22.890	.00000	.01000	.19090	.02670	.02300	.00370	-.00220	-.00110	.18710	.04460
.599	23.890	.00000	.01000	.19200	.02660	.02310	.00340	-.00240	-.00100	.18810	.04480
.601	24.890	.00000	.01000	.19250	.02630	.02320	.00300	-.00210	-.00100	.18860	.04490
.603	25.880	.00000	.01000	.19070	.02600	.02320	.00330	-.00220	-.00110	.18680	.04470
.603	26.870	.00000	.01000	.19580	.02590	.02310	.00370	-.00230	-.00110	.19190	.04510
.601	27.870	.00000	.01000	.19510	.02550	.02350	.00310	-.00240	-.00090	.19120	.04550
.603	28.860	.00000	.01000	.19630	.02530	.02310	.00320	-.00230	-.00100	.19240	.04520
.601	29.860	.00000	.01000	.19470	.02510	.02370	.00340	-.00230	-.00090	.19080	.04550
.601	30.860	.00000	.01000	.19660	.02560	.02420	.00230	-.00230	-.00100	.19260	.04630
.600	31.850	.00000	.01000	.19800	.02500	.02420	.00240	-.00230	-.00090	.19400	.04640
.602	32.840	.00000	.01000	.19780	.02470	.02390	.00390	-.00220	-.00100	.19390	.04590
.603	33.840	.00000	.01000	.19760	.02450	.02370	.00300	-.00240	-.00080	.19370	.04590
.601	34.830	.00000	.01000	.20260	.02510	.02390	.00280	-.00250	-.00080	.19860	.04660
.599	35.830	.00000	.01000	.20060	.02480	.02460	.00360	-.00220	-.00080	.19660	.04700
.599	36.830	.00000	.01000	.20310	.02460	.02450	.00400	-.00220	-.00100	.19900	.04720
.600	37.820	.00000	.01000	.20390	.02400	.02420	.00270	-.00230	-.00070	.19990	.04690
.604	38.820	.00000	.01000	.20270	.02420	.02370	.00240	-.00230	-.00060	.19870	.04630
.603	39.810	.00000	.01000	.20240	.02520	.02440	.00250	-.00240	-.00050	.19840	.04680
.601	40.800	.00000	.01000	.20430	.02500	.02470	.00210	-.00240	-.00050	.20020	.04740
.601	41.800	.00000	.01000	.20490	.02470	.02480	.00230	-.00230	-.00030	.20080	.04770
.601	42.800	.00000	.01000	.20690	.02440	.02490	.00090	-.00250	-.00040	.20280	.04800
.603	43.790	.00000	.01000	.20570	.02330	.02430	.00210	-.00220	-.00040	.20170	.04710

DATE 22 MAR 76

CA-26 FORCE SOURCE DATA TABULATION

PAGE 485

LTV44-559(CA26) 747/1 ATY 06 S1 (ORBITER DATA)

(WFE109) ( 29 JAN 76 )

REFERENCE DATA

SREF = 2690.0000 SQ.FT. XMRP = 1109.0000 IN. XO  
LREF = 474.8100 IN. YMRP = .0000 IN. YO  
BREF = 936.6800 IN. ZMRP = 375.0000 IN. ZO  
SCALE = .0125

PARAMETRIC DATA

ALPHAC = 2.000 BETAC = .000  
STAB = 5.000 ELEVON = .000  
A1LRON = .000 DX = .000  
DY = .000 IORB = 4.000  
BETA0 = .000 DPHI = .000

RUN NO. 78/ 0 RN/L = .00 GRADIENT INTERVAL = -5.00/ 5.00

MACH	DZ	DY	DX	CN	CLM	CA	CY	CYN	CBL	CL	CD
.603	44.790	.00000	.01000	.20630	.02290	.02450	.00380	-.00200	-.00060	.20220	.04750
	GRADIENT	.00000	.00000	.00011	.00009	.00042	-.00003	-.00007	-.00004	.00008	.00045

LTV44-559(CA26) 747/1 ATY 06 S1 (ORBITER DATA)

(WFE110) ( 29 JAN 76 )

## REFERENCE DATA

SREF = 2690.0000 SQ.FT. XMRP = 1109.0000 IN. XO  
 LREF = 474.8100 IN. YMRP = .0000 IN. YO  
 BREF = 936.6800 IN. ZMRP = 375.0000 IN. ZO  
 SCALE = .0125

## PARAMETRIC DATA

ALPHAC = 2.000 BETAC = .000  
 STAB = 5.000 ELEVON = .000  
 ALLRON = .000 DX = .000  
 DY = .000 TORB = 6.000  
 BETA0 = .000 DPHI = .000

RUN NO. 1078/ 0 RN/L = .00 GRADIENT INTERVAL = -5.00/ 5.00

MACH	DZ	DY	DX	CN	CLM	CA	CY	CYN	CBL	CL	CD
.602	1.470	.00000	.00000	.27510	.04670	.01010	.00380	-.00170	-.00190	.27050	.05120
.600	1.770	.00000	.00000	.27310	.04660	.01040	.00370	-.00200	-.00190	.26840	.05120
.602	2.370	.00000	.00000	.27170	.04640	.01010	.00410	-.00200	-.00190	.26720	.05070
.599	2.970	.00000	.00000	.27170	.04700	.01060	.00420	-.00200	-.00190	.26700	.05100
.601	3.770	.00000	.00000	.27330	.04440	.01050	.00430	-.00220	-.00200	.26660	.05120
.600	4.570	.00000	.00000	.27370	.04360	.01040	.00390	-.00220	-.00200	.26910	.05110
.601	5.970	.00000	.00000	.27720	.04100	.01070	.00430	-.00220	-.00200	.27250	.05200
.600	7.970	.00000	.00000	.27990	.03950	.01050	.00440	-.00210	-.00200	.27520	.05210
.602	9.950	.00000	.00000	.27590	.03890	.01070	.00450	-.00210	-.00190	.27130	.05170
.601	11.240	.00000	.00000	.28050	.03790	.01100	.00360	-.00230	-.00170	.27580	.05260
.603	12.520	.00000	.00000	.28100	.03700	.01080	.00400	-.00220	-.00170	.27630	.05240
.598	13.800	.00000	.00000	.28660	.03740	.01120	.00390	-.00220	-.00180	.28180	.05360
.600	15.080	.00000	.00000	.28480	.03650	.01130	.00470	-.00220	-.00180	.27990	.05350
.599	16.350	.00000	.00000	.28750	.03600	.01110	.00400	-.00230	-.00170	.28270	.05370
.600	17.630	.00000	.00000	.28670	.03610	.01170	.00450	-.00220	-.00180	.28180	.05410
.601	18.900	.00000	.00000	.28900	.03540	.01120	.00440	-.00210	-.00170	.28410	.05380
.599	20.180	.00000	.00000	.29110	.03560	.01140	.00480	-.00210	-.00170	.28630	.05430
.601	21.460	.00000	.00000	.28910	.03530	.01160	.00390	-.00210	-.00170	.28420	.05430
.602	22.730	.00000	.01000	.28970	.03480	.01190	.00450	-.00200	-.00170	.28480	.05460
.602	24.000	.00000	.01000	.29050	.03460	.01220	.00390	-.00210	-.00170	.28540	.05510
.601	25.280	.00000	.01000	.29460	.03410	.01200	.00470	-.00210	-.00180	.28960	.05530
.602	26.560	.00000	.01000	.29330	.03410	.01220	.00390	-.00220	-.00170	.28830	.05530
.602	27.840	.00000	.01000	.29420	.03400	.01210	.00380	-.00220	-.00160	.28920	.05530
.600	29.110	.00000	.01000	.29740	.03490	.01260	.00430	-.00230	-.00160	.29230	.05640
.605	30.390	.00000	.01000	.29340	.03370	.01210	.00430	-.00200	-.00150	.28850	.05520
.602	31.660	.00000	.01000	.29530	.03340	.01280	.00210	-.00230	-.00130	.29020	.05600
.600	32.940	.00000	.01000	.29930	.03420	.01290	.00300	-.00220	-.00130	.29410	.05680
.601	34.220	.00000	.01000	.30150	.03370	.01230	.00350	-.00230	-.00150	.29540	.05650
.600	35.490	.00000	.01000	.30100	.03370	.01290	.00400	-.00210	-.00150	.29580	.05700
.601	36.770	.00000	.01000	.29810	.03210	.01320	.00320	-.00210	-.00130	.29300	.05670
.598	38.050	.00000	.01000	.30110	.03250	.01330	.00290	-.00220	-.00120	.29580	.05730
.599	39.330	.00000	.01000	.30270	.03280	.01300	.00280	-.00210	-.00130	.29750	.05730
.601	40.600	.00000	.01000	.30260	.03210	.01280	.00310	-.00200	-.00110	.29750	.05700
.601	41.880	.00000	.01000	.30180	.03180	.01350	.00260	-.00230	-.00100	.29660	.05740
.601	43.150	.00000	.01000	.30080	.03050	.01330	.00220	-.00220	-.00100	.29560	.05700
.602	44.430	.00000	.02000	.30700	.03240	.01250	.00320	-.00220	-.00120	.30190	.05720
.600	45.710	.00000	.02000	.30740	.03190	.01330	.00240	-.00220	-.00100	.30210	.05810
.601	46.980	.00000	.02000	.30940	.03180	.01260	.00350	-.00180	-.00110	.30420	.05770
.601	48.260	.00000	.02000	.30560	.03080	.01350	.00180	-.00210	-.00100	.30040	.05780
.602	49.540	.00000	.02000	.30630	.03090	.01300	.00110	-.00220	-.00090	.30120	.05730
.604	50.820	.00000	.02000	.30670	.03100	.01280	.00280	-.00180	-.00110	.30150	.05730
GRADIENT		.00000	.00000	-.00015	-.00103	.00009	.00010	-.00013	-.00004	-.00015	.00000

LTV44-559(CA26) 747/1 ATY 06 S1 (ORBITER DATA)

(WFE111) ( 29 JAN 76 )

## REFERENCE DATA

SREF = 2690.0000 SQ.FT. XMRP = 1109.0000 IN. XO  
 LREF = 474.8100 IN. YMRP = .0000 IN. YO  
 BREF = 936.6800 IN. ZMRP = 375.0000 IN. ZO  
 SCALE = .0125

## PARAMETRIC DATA

ALPHAC = 2.000 BETAC = .000  
 STAB = 5.000 ELEVON = .000  
 AILRON = .000 DX = .000  
 DY = .000 IORB = 8.000  
 BETAO = .000 DPHI = .000

RUN NO. 79/ 0 RN/L = .00 GRADIENT INTERVAL = -5.00/ 5.00

MACH	OZ	DY	DX	CN	CLM	CA	CY	CYN	CBL	CL	CD
.600	1.760	.00000	-.01000	.37930	.06030	-.00330	.00520	-.00160	-.00180	.37340	.06680
.599	2.360	.00000	-.01000	.37860	.06060	-.00330	.00520	-.00170	-.00180	.37270	.06660
.600	2.970	.00000	-.01000	.37690	.05900	-.00320	.00550	-.00170	-.00190	.37110	.06620
.600	3.960	.00000	-.01000	.37620	.05920	-.00330	.00540	-.00160	-.00180	.37040	.06590
.601	4.960	.00000	-.01000	.37730	.05680	-.00330	.00510	-.00190	-.00190	.37150	.06630
.600	6.210	.00000	.00000	.37430	.05590	-.00310	.00550	-.00190	-.00190	.36850	.06570
.600	7.460	.00000	.00000	.37450	.05530	-.00300	.00530	-.00200	-.00190	.36870	.06570
.599	8.710	.00000	.00000	.37640	.05490	-.00280	.00530	-.00190	-.00200	.37050	.06640
.600	9.960	.00000	.00000	.37810	.05240	-.00270	.00540	-.00190	-.00190	.37220	.06660
.600	11.200	.00000	.00000	.37840	.05210	-.00280	.00420	-.00210	-.00190	.37250	.06640
.600	12.430	.00000	.00000	.37710	.05140	-.00250	.00520	-.00190	-.00190	.37110	.06660
.601	13.670	.00000	.00000	.37960	.05150	-.00250	.00490	-.00180	-.00180	.37360	.06720
.601	14.910	.00000	.00000	.37940	.05040	-.00210	.00410	-.00190	-.00180	.37330	.06740
.601	16.140	.00000	.00000	.38240	.05000	-.00240	.00500	-.00190	-.00180	.37630	.06760
.601	17.370	.00000	.00000	.38230	.04890	-.00210	.00570	-.00170	-.00190	.37630	.06760
.604	18.610	.00000	.00000	.37960	.04900	-.00180	.00450	-.00190	-.00180	.37350	.06750
.603	19.840	.00000	.00000	.38070	.04860	-.00210	.00440	-.00190	-.00170	.37470	.06740
.601	21.080	.00000	.00000	.38250	.04850	-.00180	.00560	-.00190	-.00170	.37640	.06780
.601	22.310	.00000	.01000	.38510	.04780	-.00210	.00440	-.00200	-.00180	.37910	.06800
.601	23.550	.00000	.01000	.38590	.04730	-.00180	.00480	-.00190	-.00190	.37880	.06830
.600	24.780	.00000	.01000	.38780	.04730	-.00160	.00570	-.00180	-.00180	.38160	.06900
.601	26.010	.00000	.01000	.38750	.04730	-.00150	.00350	-.00210	-.00170	.38130	.06890
.599	27.250	.00000	.01000	.38720	.04760	-.00130	.00390	-.00200	-.00170	.38100	.06900
.600	28.480	.00000	.01000	.38810	.04740	-.00150	.00480	-.00180	-.00180	.38190	.06900
.601	29.720	.00000	.01000	.38900	.04710	-.00110	.00380	-.00200	-.00160	.38280	.06930
.600	30.950	.00000	.01000	.38980	.04500	-.00110	.00380	-.00190	-.00170	.38350	.06940
.603	32.180	.00000	.01000	.38710	.04380	-.00100	.00360	-.00200	-.00150	.38090	.06900
.600	33.420	.00000	.01000	.39230	.04580	-.00120	.00330	-.00200	-.00160	.38610	.06960
.598	34.660	.00000	.01000	.39260	.04600	-.00090	.00420	-.00190	-.00160	.38630	.07000
.598	35.900	.00000	.01000	.39300	.04620	-.00060	.00430	-.00200	-.00150	.38670	.07030
.601	37.130	.00000	.01000	.39270	.04570	-.00060	.00300	-.00200	-.00150	.38630	.07040
.601	38.360	.00000	.01000	.39510	.04470	-.00080	.00280	-.00200	-.00140	.38880	.07050
.603	39.600	.00000	.01000	.39250	.04430	-.00030	.00330	-.00190	-.00150	.38910	.07060
.603	40.830	.00000	.01000	.39650	.04450	-.00060	.00280	-.00200	-.00140	.39010	.07100
.602	42.070	.00000	.02000	.39710	.04420	-.00030	.00260	-.00200	-.00140	.39060	.07130
.602	43.300	.00000	.02000	.39650	.04400	-.00040	.00320	-.00180	-.00150	.39010	.07090
.602	44.540	.00000	.02000	.39690	.04320	-.00020	.00220	-.00220	-.00110	.39050	.07120
.601	45.770	.00000	.02000	.39770	.04330	-.00030	.00230	-.00210	-.00120	.39130	.07120
.602	47.010	.00000	.02000	.39710	.04300	-.00020	.00230	-.00200	-.00120	.39060	.07120
.600	48.250	.00000	.02000	.39810	.04320	.00000	.00340	-.00180	-.00120	.39160	.07140
.600	49.480	.00000	.02000	.40040	.04350	-.00010	.00300	-.00200	-.00110	.39390	.07180
.600	50.710	.00000	.02000	.39940	.04300	-.00010	.00130	-.00230	-.00080	.39300	.07160

INTERNAL PAGE IS  
 OF POOR QUALITY

LTV44-559(CA26) 747/1 ATY 06 S1 (ORBITER DATA)

(WFE111) ( 29 JAN 76 )

## REFERENCE DATA

SREF = 2690.0000 SQ.FT. XMRP = 1109.0000 IN. XO  
 LREF = 474.8100 IN. YMRP = .0000 IN. YO  
 BREF = 936.6800 IN. ZMRP = 375.0000 IN. ZO  
 SCALE = .0125

## PARAMETRIC DATA

ALPHAC = 2.000 BETAC = .000  
 STAB = 5.000 ELEVON = .000  
 AILRON = .000 DX = .000  
 DY = .000 TORB = 8.000  
 BETAD = .000 DPHI = .000

RUN NO. 79/ 0 RN/L = .00 GRADIENT INTERVAL = -5.00/ 5.00

MACH	DZ	DY	DX	CN	CLM	CA	CY	CYN	CBL	CL	CD
.601	51.950	.00000	.02000	.39800	.04130	.00000	.00390	-.00170	-.00120	.39160	.07130
.601	53.180	.00000	.02000	.39670	.04070	.00030	.00230	-.00190	-.00110	.39030	.07140
.601	54.420	.00000	.02000	.39660	.04070	.00040	.00270	-.00210	-.00120	.39010	.07150
.601	55.660	.00000	.03000	.39900	.04140	.00000	.00390	-.00170	-.00120	.39250	.07150
.604	56.890	.00000	.02000	.39380	.03970	.00030	.00210	-.00190	-.00090	.38740	.07070
.602	58.120	.00000	.03000	.39970	.04030	.00020	.00340	-.00170	-.00120	.39320	.07180
	GRADIENT	.00000	-.00000	-.00073	-.00107	-.00000	-.00001	-.00006	-.00002	-.00069	-.00019

DATE 22 MAR 76

CA-26 FORCE SOURCE DATA TABULATION

PAGE 489

LTV44-559(CA26) 7471 ATY 06 S1 (ORBITER DATA)

(WFE112) ( 29 JAN 76 )

## REFERENCE DATA

SREF = 2690.0000 SQ.FT. XMRP = 1109.0000 IN. XO  
 LREF = 474.8100 IN. YMRP = .0000 IN. YO  
 BREF = 936.6800 IN. ZMRP = 375.0000 IN. ZO  
 SCALE = .0125

## PARAMETRIC DATA

ALPHAC = 2.000 BETAC = .000  
 STAB = 5.000 RUDDER = .000  
 ELEVON = .000 DY = .000  
 DZ = .000 IORB = 6.000  
 BETAO = .000 DPHI = .000

RUN NO. 81/ 0 RN/L = .00 GRADIENT INTERVAL = -5.00/ 5.00

MACH	DX	DY	DZ	CN	CLM	CA	CY	CYN	CBL	CL	CD
.601	.000	.00000	1.46000	.27430	.04740	.00660	.00330	-.01170	-.00180	.27020	.04770
.600	.390	.00000	1.46000	.27420	.04750	.00650	.00300	-.00170	-.00190	.27020	.04740
.601	.780	.00000	1.46000	.27450	.04750	.00670	.00320	-.00180	-.00170	.27040	.04790
.599	1.140	.00000	1.46000	.27640	.04780	.00690	.00290	-.00170	-.00180	.27220	.04830
.600	1.530	.00000	1.46000	.27310	.04730	.00670	.00210	-.00180	-.00180	.26910	.04750
.601	1.920	.00000	1.46000	.27280	.04700	.00650	.00270	-.00170	-.00170	.26870	.04730
.601	2.290	.00000	1.46000	.27210	.04700	.00650	.00270	-.00160	-.00180	.26900	.04720
.602	2.680	.00000	1.46000	.27210	.04670	.00670	.00360	-.00170	-.00170	.26800	.04750
.602	3.070	.00000	1.46000	.27360	.04660	.00680	.00380	-.00180	-.00170	.26950	.04770
.600	3.430	.00000	1.46000	.27560	.04640	.00680	.00290	-.00180	-.00170	.27150	.04790
.599	3.820	.00000	1.46000	.27720	.04620	.00670	.00380	-.00180	-.00170	.27310	.04820
.602	4.190	.00000	1.46000	.27210	.04500	.00640	.00300	-.00170	-.00180	.26810	.04710
.600	4.580	.00000	1.46000	.27370	.04490	.00680	.00350	-.00170	-.00190	.26950	.04770
.600	4.970	.00000	1.46000	.27480	.04470	.00700	.00390	-.00160	-.00180	.27080	.04810
.601	5.330	.00000	1.46000	.27350	.04440	.00700	.00280	-.00170	-.00190	.26940	.04790
.601	5.720	.00000	1.46000	.27580	.04420	.00710	.00330	-.00170	-.00190	.27160	.04840
.602	6.110	.00000	1.46000	.27280	.04360	.00710	.00230	-.00170	-.00190	.26870	.04790
.602	6.480	.00000	1.46000	.27450	.04350	.00730	.00310	-.00160	-.00170	.27030	.04820
.601	6.870	.00000	1.46000	.27370	.04320	.00730	.00230	-.00170	-.00180	.26950	.04830
.600	7.230	.00000	1.46000	.27560	.04290	.00760	.00310	-.00160	-.00170	.27130	.04890
.601	7.630	.00000	1.46000	.27530	.04230	.00750	.00310	-.00160	-.00170	.27110	.04870
.602	8.020	.00000	1.46000	.27450	.04190	.00750	.00350	-.00160	-.00170	.27030	.04850
.601	8.380	.00000	1.46000	.27430	.04170	.00770	.00250	-.00170	-.00180	.27000	.04880
.602	8.770	.00000	1.46000	.27550	.04150	.00780	.00370	-.00170	-.00170	.27120	.04910
.602	9.160	.00000	1.46000	.27550	.04110	.00760	.00310	-.00170	-.00170	.27120	.04890
.601	9.530	.00000	1.46000	.27420	.04070	.00780	.00230	-.00180	-.00180	.27160	.04930
.602	9.920	.00000	1.46000	.27600	.04070	.00800	.00310	-.00180	-.00170	.27120	.04950
.602	10.280	.00000	1.46000	.27560	.04050	.00820	.00340	-.00170	-.00170	.27120	.04950
.602	10.670	.00000	1.46000	.27280	.04010	.00840	.00270	-.00180	-.00170	.26840	.04920
.603	11.060	.00000	1.46000	.27250	.03970	.00850	.00310	-.00190	-.00160	.26810	.04940
.603	11.430	.00000	1.46000	.27480	.03930	.00820	.00340	-.00180	-.00170	.27040	.04940
.601	11.820	.00000	1.46000	.27590	.03920	.00810	.00320	-.00180	-.00180	.27160	.04940
.602	12.210	.00000	1.46000	.27410	.03870	.00830	.00320	-.00180	-.00170	.26970	.04940
.600	12.570	.00000	1.46000	.27440	.03860	.00830	.00240	-.00190	-.00180	.27000	.04950
.600	12.960	.00000	1.46000	.27530	.03820	.00930	.00330	-.00190	-.00180	.27090	.04940
.602	13.330	.00000	1.46000	.27290	.03740	.00830	.00390	-.00190	-.00160	.26850	.04910
GRADIENT		.00000	.00000	-.00000	-.00050	.00003	.00015	.00001	.00000	-.00001	.00002

LTV44-559(CA26) 747/1 ATY 06 S1 (ORBITER DATA)

(WFE113) ( 29 JAN 76 )

## REFERENCE DATA

SREF = 2690.0000 SQ.FT. XMRP = 1109.0000 IN. XO  
 LREF = 474.8100 IN. YMRP = .0000 IN. YO  
 BREF = 936.6800 IN. ZMRP = 375.0000 IN. ZO  
 SCALE = .0125

## PARAMETRIC DATA

ALPHAC = 2.000 BETAC = .000  
 STAB = 5.000 RUDDER = .000  
 ELEVON = .000 DY = .000  
 DZ = 15.000 IORB = 6.000  
 BETAO = .000 DPHI = .000

RUN NO. 1081/ D RN/L = .00 GRADIENT INTERVAL = -5.00/ 5.00

MACH	DX	DY	DZ	CN	CLM	CA	CY	CYN	CBL	CL	CD
.600	.390	.00000	15.00000	.28530	.03590	.00740	.00320	-.00190	-.00190	.28110	.04970
.602	.780	.00000	15.00000	.28420	.03700	.00760	.00330	-.00190	-.00180	.27990	.04980
.601	1.140	.00000	15.00000	.28470	.03700	.00740	.00420	-.00180	-.00180	.28040	.04960
.602	1.530	.00000	15.00000	.28420	.03670	.00750	.00290	-.00200	-.00180	.27990	.04970
.602	1.900	.00000	15.00000	.28400	.03620	.00750	.00270	-.00210	-.00180	.27970	.04970
.602	2.290	.00000	15.00000	.28320	.03590	.00760	.00340	-.00200	-.00180	.27890	.04950
.600	2.680	.00000	15.00000	.28430	.03600	.00790	.00340	-.00210	-.00180	.28000	.04990
.602	3.040	.00000	15.00000	.28340	.03590	.00780	.00310	-.00190	-.00190	.27910	.04980
.602	3.430	.00000	15.00000	.28420	.03580	.00750	.00350	-.00190	-.00180	.27990	.04970
.601	3.820	.00000	15.00000	.28510	.03590	.00760	.00340	-.00180	-.00190	.28080	.04990
.600	4.190	.00000	15.00000	.28350	.03520	.00790	.00380	-.00180	-.00190	.27920	.04990
.601	4.580	.00000	15.00000	.28270	.03510	.00800	.00310	-.00190	-.00180	.27840	.04990
.600	4.940	.00000	15.00000	.28370	.03510	.00780	.00330	-.00190	-.00180	.27940	.04970
.601	5.330	.00000	15.00000	.28430	.03470	.00750	.00340	-.00190	-.00180	.28000	.04950
.601	5.720	.00000	15.00000	.28280	.03420	.00750	.00410	-.00180	-.00180	.27860	.04950
.601	6.090	.00000	15.00000	.28170	.03370	.00790	.00360	-.00190	-.00180	.27740	.04970
.601	6.400	.00000	15.00000	.28270	.03380	.00790	.00370	-.00190	-.00180	.27840	.04980
.601	6.870	.00000	15.00000	.28330	.03220	.00770	.00340	-.00190	-.00190	.27900	.04970
.602	7.230	.00000	15.00000	.28300	.03300	.00750	.00320	-.00180	-.00190	.27870	.04940
.601	7.630	.00000	15.00000	.28190	.03290	.00770	.00310	-.00190	-.00180	.27760	.04950
.602	7.990	.00000	15.00000	.28250	.03290	.00780	.00280	-.00190	-.00180	.27820	.04950
.601	8.380	.00000	15.00000	.28480	.03360	.00790	.00340	-.00190	-.00170	.28050	.05020
.603	8.770	.00000	15.00000	.28300	.03270	.00770	.00360	-.00180	-.00180	.27870	.04960
.601	9.140	.00000	15.00000	.28780	.03340	.00790	.00350	-.00190	-.00170	.28340	.05070
.602	9.530	.00000	15.00000	.28240	.03190	.00780	.00360	-.00190	-.00170	.27810	.04960
.601	9.920	.00000	15.00000	.28470	.03240	.00810	.00200	-.00210	-.00170	.28030	.05030
.603	10.280	.00000	15.00000	.28280	.03170	.00770	.00310	-.00200	-.00170	.27850	.04960
.603	10.670	.00000	15.00000	.28380	.03190	.00790	.00340	-.00200	-.00170	.27950	.04990
.602	11.040	.00000	15.00000	.28450	.03150	.00840	.00390	-.00180	-.00170	.28010	.05060
.603	11.430	.00000	15.00000	.28180	.03130	.00810	.00390	-.00190	-.00160	.27740	.04980
.602	11.820	.00000	15.00000	.28300	.03100	.00820	.00330	-.00180	-.00180	.27860	.05020
.600	12.180	.00000	15.00000	.28490	.03090	.00840	.00240	-.00200	-.00170	.28040	.05060
.602	12.570	.00000	15.00000	.28350	.03100	.00840	.00240	-.00200	-.00160	.27910	.05030
.603	12.960	.00000	15.00000	.28150	.03090	.00810	.00320	-.00190	-.00160	.27730	.04980
.600	13.330	.00000	15.00000	.28540	.03070	.00840	.00340	-.00170	-.00170	.28100	.05080
GRADIENT		.00000	.00000	-.00027	-.00044	.00010	.00001	.00002	-.00000	-.00028	.00004



LTV44-559(CA26) 747/1 ATY 06 S1 (ORBITER DATA)

(WFE114) (29 JAN 76)

## REFERENCE DATA

SREF = 2690.0000 SQ.FT. XMRP = 1109.0000 IN. XO  
 LREF = 474.8100 IN. YMRP = .0000 IN. YO  
 BREF = 936.6800 IN. ZMRP = 375.0000 IN. ZO  
 SCALE = .0125

## PARAMETRIC DATA

ALPHAC = 2.000 BETAC = .000  
 STAB = 5.000 RUDDER = .000  
 ELEVON = .000 DY = .000  
 DZ = 60.000 IORB = 6.000  
 BETAO = .000 DPHI = .000

RUN NO. 2081/ 0 RN/L = .00 GRADIENT INTERVAL = -5.00/ 5.00

MACH	DX	DY	DZ	CN	CLM	CA	CY	CYN	CBL	CL	CD
.604	.410	.00000	51.46000	.30320	.03090	.01000	.00180	-.00180	-.00110	.29860	.05400
.604	.780	.00000	51.46000	.30580	.03100	.00990	.00060	-.00200	-.00100	.30110	.05420
.602	1.170	.00000	51.46000	.30700	.03100	.01000	.00050	-.00200	-.00100	.30220	.05450
.600	1.560	.00000	51.46000	.30780	.03120	.01030	.00120	-.00200	-.00090	.30300	.05480
.601	1.920	.00000	51.46000	.30480	.03050	.01050	.00020	-.00210	-.00060	.30010	.05470
.603	2.310	.00000	51.46000	.30470	.03100	.01000	.00020	-.00220	-.00060	.30000	.05430
.603	2.680	.00000	51.46000	.30440	.03090	.00990	.00000	-.00210	-.00070	.29980	.05400
.601	3.070	.00000	51.46000	.30690	.03050	.00980	.00370	-.00140	-.00100	.30220	.05430
.603	3.460	.00000	51.46000	.30710	.03130	.00950	.00330	-.00160	-.00130	.30250	.05410
.603	3.820	.00000	51.46000	.30800	.03160	.00960	.00290	-.00170	-.00130	.30340	.05430
.600	4.210	.00000	51.46000	.30990	.03160	.00970	.00030	-.00200	-.00100	.30520	.05450
.601	4.600	.00000	51.46000	.30780	.03120	.01000	.00080	-.00200	-.00100	.30310	.05440
.602	4.970	.00000	51.46000	.30640	.03110	.00970	.00220	-.00170	-.00110	.30170	.05410
.601	5.360	.00000	51.46000	.30920	.03150	.00950	.00150	-.00180	-.00110	.30450	.05430
.600	5.720	.00000	51.46000	.31040	.03150	.00950	.00190	-.00190	-.00100	.30580	.05450
.600	6.110	.00000	51.46000	.30830	.03120	.00970	.00150	-.00190	-.00110	.30370	.05420
.602	6.510	.00000	51.46000	.30470	.03100	.00990	.00000	-.00210	-.00090	.30010	.05410
.601	6.870	.00000	51.46000	.30720	.03090	.00990	.00000	-.00210	-.00060	.30250	.05450
.600	7.260	.00000	51.46000	.30710	.03060	.00980	.00000	-.00210	-.00070	.30240	.05440
.600	7.650	.00000	51.46000	.30510	.03080	.01000	.00110	-.00210	-.00060	.30050	.05410
.602	8.020	.00000	51.46000	.30310	.02990	.01020	.00030	-.00230	-.00060	.29840	.05410
.599	8.410	.00000	51.46000	.30310	.02890	.01060	-.00140	-.00260	-.00050	.29840	.05450
.601	8.770	.00000	51.46000	.30010	.02880	.01040	-.00050	-.00250	-.00040	.29550	.05380
.599	9.160	.00000	51.46000	.30520	.02900	.01020	-.00040	-.00220	-.00050	.30050	.05440
.600	9.550	.00000	51.46000	.30690	.02990	.00940	-.00020	-.00220	-.00060	.30230	.05390
.600	9.920	.00000	51.46000	.30710	.03010	.00970	.00070	-.00190	-.00080	.30240	.05430
.600	10.310	.00000	51.46000	.30640	.02980	.01020	.00040	-.00190	-.00080	.30170	.05460
.600	10.700	.00000	51.46000	.30640	.02960	.01020	.00030	-.00200	-.00090	.30160	.05470
.603	11.060	.00000	51.46000	.30520	.03020	.00980	.00090	-.00200	-.00090	.30050	.05400
.600	11.450	.00000	51.46000	.30710	.02960	.00980	.00180	-.00180	-.00090	.30240	.05430
.603	11.800	.00000	51.46000	.30510	.02950	.00970	.00140	-.00190	-.00100	.30040	.05390
.601	12.210	.00000	51.46000	.30750	.02950	.00970	.00110	-.00170	-.00110	.30280	.05430
.603	12.590	.00000	51.46000	.30670	.03000	.00960	.00010	-.00200	-.00090	.30200	.05420
.605	12.960	.00000	51.46000	.30260	.02980	.01010	.00140	-.00190	-.00110	.29800	.05390
.603	13.350	.00000	51.46000	.30540	.02980	.01020	.00230	-.00170	-.00110	.30070	.05450
	GRADIENT	.00000	.00000	.00070	.00010	-.00010	.00025	.00005	-.00004	.00071	-.00002

LTV44-559(CA26) 747/1 ATY 06 S1 (ORBITER DATA)

(WFE115) ( 29 JAN 76 )

## REFERENCE DATA

SREF = 2690.0000 SQ.FT. XMRP = 1109.0000 IN. XO  
 LREF = 474.8100 IN. YMRP = .0000 IN. YO  
 BRFP = 936.6800 IN. ZMRP = 375.0000 IN. ZO  
 SCALE = .0125

## PARAMETRIC DATA

ALPHAC = 2.000 BETAC = .000  
 STAB = 5.000 RUDDER = .000  
 ELEVON = .000 DX = .000  
 DZ = .000 TORB = 6.000  
 BETAO = .000 OPHI = .000

RUN NO. 92/ 0 RN/L = .00 GRADIENT INTERVAL = -5.00/ 5.00

MACH	DY	DX	DZ	CN	CLM	CA	CY	CYN	CBL	CL	CD
.605	-10.000	-.01000	1.46000	.27290	.04660	.00600	.00090	-.00040	.00040	.26890	.04690
.605	-9.420	-.01000	1.46000	.27350	.04650	.00620	.00210	-.00050	.00020	.26940	.04720
.605	-8.850	-.01000	1.46000	.27240	.04690	.00630	.00300	-.00070	.00000	.26840	.04700
.605	-8.280	-.01000	1.46000	.27340	.04690	.00630	.00230	-.00080	-.00020	.26940	.04730
.605	-7.710	-.01000	1.46000	.27270	.04760	.00640	.00200	-.00110	-.00030	.26870	.04720
.607	-7.140	-.01000	1.46000	.27250	.04750	.00620	.00150	-.00120	-.00050	.26850	.04710
.606	-6.560	-.01000	1.46000	.27140	.04750	.00630	.00270	-.00130	-.00050	.26740	.04700
.605	-5.990	-.01000	1.46000	.27140	.04790	.00650	.00360	-.00130	-.00060	.26730	.04710
.606	-5.420	-.01000	1.46000	.27100	.04810	.00660	.00320	-.00140	-.00080	.26700	.04720
.606	-4.850	-.01000	1.46000	.27110	.04820	.00690	.00240	-.00170	-.00090	.26700	.04740
.605	-4.280	-.01000	1.46000	.27290	.04790	.00640	.00360	-.00170	-.00110	.26890	.04720
.605	-3.710	-.01000	1.46000	.27240	.04780	.00630	.00430	-.00170	-.00130	.26840	.04700
.606	-3.130	.00000	1.46000	.27150	.04750	.00650	.00440	-.00180	-.00140	.26740	.04700
.607	-2.570	.00000	1.46000	.26990	.04700	.00640	.00340	-.00190	-.00160	.26590	.04660
.604	-1.990	.00000	1.46000	.27300	.04760	.00630	.00290	-.00190	-.00180	.26900	.04720
.603	-1.420	.00000	1.46000	.27270	.04770	.00640	.00430	-.00180	-.00180	.26970	.04710
.603	-.850	.00000	1.46000	.27250	.04830	.00660	.00330	-.00190	-.00190	.26840	.04750
.605	-.270	.00000	1.46000	.27250	.04800	.00670	.00270	-.00190	-.00210	.26840	.04740
.605	.270	-.01000	1.46000	.27210	.04780	.00670	.00330	-.00200	-.00210	.26900	.04740
.605	.850	-.01000	1.46000	.27360	.04810	.00650	.00280	-.00210	-.00230	.26950	.04740
.605	1.420	-.01000	1.46000	.27500	.04760	.00620	.00350	-.00220	-.00240	.27090	.04730
.605	1.990	-.01000	1.46000	.27450	.04760	.00640	.00410	-.00230	-.00250	.27040	.04740
.605	2.560	-.01000	1.46000	.27530	.04770	.00620	.00450	-.00240	-.00270	.27120	.04750
.605	3.130	-.01000	1.46000	.27520	.04760	.00650	.00390	-.00260	-.00290	.27110	.04780
.604	3.710	-.01000	1.46000	.27390	.04710	.00640	.00410	-.00290	-.00300	.26990	.04750
.605	4.280	-.01000	1.46000	.27570	.04700	.00620	.00390	-.00310	-.00320	.27160	.04740
.605	4.850	-.01000	1.46000	.27560	.04640	.00610	.00470	-.00310	-.00340	.27150	.04720
.605	5.420	-.01000	1.46000	.27670	.04620	.00600	.00610	-.00310	-.00360	.27270	.04750
.605	5.990	-.01000	1.46000	.27620	.04560	.00590	.00670	-.00330	-.00370	.27220	.04720
.605	6.560	-.01000	1.46000	.27560	.04500	.00570	.00620	-.00350	-.00390	.27170	.04690
.605	7.140	-.01000	1.46000	.27730	.04540	.00580	.00500	-.00360	-.00420	.27330	.04730
.605	7.700	-.01000	1.46000	.27730	.04520	.00560	.00460	-.00380	-.00430	.27300	.04700
.606	8.280	-.01000	1.46000	.27790	.04490	.00540	.00510	-.00400	-.00400	.27400	.04690
.606	8.850	-.01000	1.46000	.27810	.04540	.00550	.00560	-.00400	-.00440	.27410	.04720
.605	9.420	-.01000	1.46000	.27970	.04560	.00560	.00570	-.00390	-.00440	.27570	.04730
.605	10.000	-.01000	1.46000	.28010	.04550	.00520	.00510	-.00400	-.00460	.27620	.04720
	GRADIENT	-.00065	-.00000	.00046	-.00009	-.00003	.00009	-.00014	-.00024	.00045	.00005

LTV44-559(CA25) 747/1 ATY 06 S1 (ORBITER DATA)

(WFE116) (29 JAN 76)

## REFERENCE DATA

SREF = 2690.0000 SQ.FT. XMRP = 1109.0000 IN. XO  
 LREF = 474.8100 IN. YMRP = .0000 IN. YO  
 BREF = 936.6800 IN. ZMRP = 375.0000 IN. ZO  
 SCALE = .0125

## PARAMETRIC DATA

ALPHAC = 2.000 BETAC = .000  
 STAB = 5.000 RUDDER = .000  
 ELEVON = .000 DX = .000  
 DZ = 15.000 TORB = 6.000  
 BETAO = .000 DPHI = .000

RUN NO. 1082/ 0 RN/L = .00 GRADIENT INTERVAL = -5.00/ 5.00

MACH	DY	DX	DZ	CN	CLM	CA	CY	CYN	CBL	CL	CD
.606	-9.420	.00000	15.00000	.27920	.03700	.00720	.00230	-.00100	-.00010	.27500	.04870
.607	-8.850	.00000	15.00000	.28090	.03680	.00710	.00120	-.00110	-.00020	.27670	.04870
.606	-8.280	.00000	15.00000	.28060	.03680	.00690	.00220	-.00100	-.00020	.27650	.04840
.606	-7.710	.00000	15.00000	.28010	.03670	.00710	.00230	-.00110	-.00020	.27600	.04860
.606	-7.140	.00000	15.00000	.28130	.03660	.00710	.00270	-.00110	-.00040	.27710	.04880
.606	-6.560	.00000	15.00000	.28000	.03660	.00710	.00260	-.00120	-.00040	.27580	.04860
.606	-5.990	.00000	15.00000	.27900	.03660	.00740	.00250	-.00140	-.00050	.27480	.04870
.606	-5.420	.00000	15.00000	.27900	.03650	.00730	.00220	-.00140	-.00060	.27480	.04870
.605	-4.850	.00000	15.00000	.28000	.03690	.00730	.00240	-.00150	-.00070	.27580	.04880
.605	-4.280	.00000	15.00000	.27970	.03690	.00730	.00270	-.00160	-.00080	.27550	.04880
.606	-3.710	.00000	15.00000	.27900	.03660	.00710	.00310	-.00150	-.00090	.27480	.04840
.606	-3.140	.00000	15.00000	.27940	.03630	.00700	.00270	-.00160	-.00110	.27530	.04830
.605	-2.570	.00000	15.00000	.27940	.03680	.00740	.00230	-.00160	-.00120	.27520	.04880
.605	-1.990	.00000	15.00000	.27980	.03640	.00730	.00260	-.00170	-.00130	.27560	.04890
.606	-1.420	.00000	15.00000	.27960	.03650	.00730	.00260	-.00190	-.00140	.27540	.04870
.607	-.850	.00000	15.00000	.27940	.03690	.00720	.00300	-.00180	-.00140	.27530	.04850
.607	-.280	.00000	15.00000	.27710	.03640	.00740	.00220	-.00200	-.00140	.27290	.04850
.605	.270	-.01000	15.00000	.27960	.03630	.00750	.00240	-.00200	-.00150	.27530	.04890
.606	.850	-.01000	15.00000	.27820	.03650	.00760	.00250	-.00210	-.00160	.27400	.04880
.605	1.410	-.01000	15.00000	.27990	.03660	.00740	.00260	-.00210	-.00180	.27570	.04880
.604	1.990	-.01000	15.00000	.28110	.03670	.00730	.00290	-.00220	-.00190	.27680	.04900
.604	2.560	-.01000	15.00000	.28000	.03670	.00720	.00330	-.00220	-.00190	.27580	.04870
.605	3.130	-.01000	15.00000	.27900	.03620	.00730	.00310	-.00240	-.00200	.27480	.04870
.603	3.700	-.01000	15.00000	.28130	.03650	.00730	.00220	-.00260	-.00220	.27700	.04900
.603	4.270	-.01000	15.00000	.27980	.03640	.00730	.00220	-.00270	-.00230	.27560	.04880
.603	4.850	-.01000	15.00000	.28050	.03600	.00750	.00260	-.00270	-.00240	.27630	.04910
.605	5.420	-.01000	15.00000	.28030	.03630	.00720	.00300	-.00260	-.00240	.27610	.04870
.604	5.990	-.01000	15.00000	.28170	.03650	.00720	.00300	-.00270	-.00260	.27750	.04890
.604	6.560	-.01000	15.00000	.28350	.03710	.00710	.00250	-.00270	-.00270	.27930	.04930
.606	7.130	-.01000	15.00000	.28080	.03650	.00680	.00240	-.00280	-.00280	.27670	.04830
.603	7.700	-.01000	15.00000	.28300	.03680	.00680	.00330	-.00290	-.00290	.27890	.04880
.605	8.270	-.01000	15.00000	.28310	.03670	.00680	.00350	-.00280	-.00290	.27890	.04860
.606	8.840	-.01000	15.00000	.28310	.03680	.00650	.00250	-.00300	-.00300	.27900	.04840
.605	9.420	-.01000	15.00000	.28370	.03660	.00670	.00220	-.00300	-.00310	.27950	.04850
.605	9.990	-.01000	15.00000	.28390	.03720	.00660	.00240	-.00320	-.00320	.27970	.04870
.605	GRADIENT	-.00147	-.00000	.00009	-.00004	.00002	.00001	-.00013	-.00017	.00008	.00004

ORIGINAL PAGE IS  
OF POOR QUALITY

LTV44-559(CA26) 747/1 ATY 06 S1 (ORBITER DATA)

(WFE117) ( 29 JAN 76 )

## REFERENCE DATA

SREF = 2690.0000 SQ.FT. XMRP = 1109.0000 IN. XO  
 LREF = 474.8100 IN. YMRP = .0000 IN. YO  
 BREF = 936.6800 IN. ZMRP = 375.0000 IN. ZO  
 SCALE = .0125

## PARAMETRIC DATA

ALPHAC = 2.000 BETAC = .000  
 STAB = 5.000 RUDDER = .000  
 ELEVON = .000 DX = .000  
 DZ = 60.000 TORB = 6.000  
 BETAO = .000 DPFI = .000

RUN NO. 2082/ 0 RN/L = .00 GRADIENT INTERVAL = -5.00/ 5.00

MACH	DY	DX	DZ	CN	CLM	CA	CY	CYN	CBL	CL	CD
.604	-10.000	.02000	51.46000	.30730	.03280	.00930	.00000	-.00210	-.00020	.30270	.05400
.605	-9.430	.02000	51.46000	.30490	.03260	.00920	.00180	-.00190	-.00050	.30030	.05330
.604	-8.860	.02000	51.46000	.30640	.03330	.00920	.00090	-.00220	-.00030	.30180	.05370
.606	-8.280	.02000	51.46000	.30440	.03210	.00950	-.00030	-.00220	-.00030	.29970	.05370
.604	-7.710	.02000	51.46000	.30560	.03250	.00930	-.00050	-.00230	-.00030	.30100	.05370
.606	-7.140	.02000	51.46000	.30390	.03190	.00930	.00120	-.00210	-.00050	.29940	.05340
.603	-6.570	.02000	51.46000	.30790	.03230	.00930	.00060	-.00220	-.00070	.30320	.05420
.605	-6.000	.02000	51.46000	.30640	.03220	.00960	.00090	-.00210	-.00080	.30170	.05400
.604	-5.420	.02000	51.46000	.30660	.03260	.00950	.00170	-.00200	-.00080	.30200	.05390
.604	-4.860	.02000	51.46000	.30480	.03190	.00950	.00140	-.00190	-.00080	.30010	.05360
.604	-4.290	.02000	51.46000	.30450	.03270	.00940	.00040	-.00220	-.00080	.29990	.05360
.603	-3.710	.02000	51.46000	.30680	.03190	.00940	.00000	-.00230	-.00080	.30220	.05380
.604	-3.140	.02000	51.46000	.30520	.03140	.00960	.00250	-.00190	-.00110	.30050	.05400
.606	-2.570	.02000	51.46000	.30330	.03160	.00950	.00390	-.00160	-.00110	.29860	.05350
.605	-2.000	.02000	51.46000	.30490	.03190	.00940	.00180	-.00200	-.00100	.30030	.05350
.603	-1.430	.02000	51.46000	.30640	.03150	.00940	-.00110	-.00250	-.00070	.30170	.05390
.605	-.850	.02000	51.46000	.30490	.03150	.00950	-.00150	-.00260	-.00050	.30030	.05370
.606	-.280	.02000	51.46000	.30410	.03200	.00930	.00070	-.00230	-.00070	.29950	.05340
.606	.270	.01000	51.46000	.30610	.03240	.00920	.00270	-.00200	-.00130	.30150	.05360
.605	.840	.01000	51.46000	.30750	.03190	.00930	.00230	-.00200	-.00140	.30290	.05390
.604	1.410	.01000	51.46000	.30770	.03180	.00920	.00220	-.00200	-.00140	.30300	.05380
.606	1.990	.01000	51.46000	.30580	.03200	.00930	.00120	-.00220	-.00140	.30120	.05380
.604	2.560	.01000	51.46000	.30650	.03090	.00960	.00130	-.00220	-.00140	.30180	.05400
.607	3.130	.01000	51.46000	.30090	.03020	.01000	.00160	-.00200	-.00140	.29620	.05370
.606	3.700	.01000	51.46000	.30160	.03030	.01010	.00250	-.00200	-.00160	.29690	.05370
.606	4.270	.01000	51.46000	.30270	.03020	.01000	.00210	-.00210	-.00180	.29810	.05390
.603	4.850	.01000	51.46000	.30670	.02980	.00940	.00290	-.00180	-.00190	.30210	.05400
.605	5.410	.01000	51.46000	.30410	.02950	.00950	.00190	-.00210	-.00180	.29940	.05370
.605	5.980	.01000	51.46000	.30370	.02980	.00980	.00250	-.00200	-.00190	.29900	.05390
.605	6.560	.01000	51.46000	.30370	.02990	.00980	.00230	-.00190	-.00190	.29900	.05380
.608	7.130	.02000	51.46000	.30310	.02970	.00940	.00190	-.00220	-.00190	.29850	.05320
.606	7.700	.01000	51.46000	.30390	.02900	.00960	.00170	-.00220	-.00200	.29930	.05360
.607	8.270	.02000	51.46000	.30160	.03040	.01000	.00280	-.00210	-.00200	.29690	.05370
.606	8.840	.02000	51.46000	.30290	.03080	.00980	.00320	-.00200	-.00220	.29830	.05380
.606	9.420	.02000	51.46000	.30470	.03100	.00940	.00220	-.00210	-.00220	.30010	.05370
GRADIENT		-.00146	-.00000	-.00011	-.00020	.00003	.00014	.00001	-.00011	-.00010	.00002

LTV44-559(CA26) 747/1 ATY 06 SI (ORBITER DATA)

(WFE118) 1 29 JAN 76 )

## REFERENCE DATA

SREF = 2690.0000 SQ.FT. XMRP = 1109.0000 IN. XO  
 LREF = 474.8100 IN. YMRP = .0000 IN. YO  
 BREF = 936.6800 IN. ZMRP = 375.0000 IN. ZO  
 SCALE = .0125

## PARAMETRIC DATA

ALPHAC = 2.000 BETAC = .000  
 STAB = -1.000 RUDDER = .000  
 ELEVON = .000 DX = .000  
 DY = .000 IORB = 6.000  
 BETAO = .000 DPHI = .000

RUN NO. 83/ 0 RN/L = .00 GRADIENT INTERVAL = -5.00/ 5.00

MACH	DZ	DY	DX	CN	CLM	CA	CY	CYN	CBL	CL	CD
.605	1.760	.00000	-.10000	.27750	.05090	.00440	.00440	-.00210	-.00190	-.27340	.04750
.602	2.360	.00000	-.10000	.27780	.05050	.00460	.00440	-.00190	-.00200	.27380	.04760
.605	2.970	.00000	-.10000	.27650	.04920	.00460	.00490	-.00210	-.00210	.27240	.04760
.605	3.760	.00000	-.10000	.27520	.04940	.00470	.00400	-.00230	-.00210	.27110	.04730
.603	4.560	.00000	-.09000	.27520	.04930	.00490	.00540	-.00220	-.00210	.27110	.04740
.602	5.470	.00000	-.09000	.27960	.04710	.00480	.00460	-.00220	-.00210	.27540	.04810
.605	6.460	.00000	-.07000	.27760	.04600	.00500	.00410	-.00220	-.00200	.27340	.04790
.603	7.460	.00000	-.07000	.28150	.04580	.00460	.00440	-.00230	-.00200	.27730	.04830
.604	8.460	.00000	-.07000	.28270	.04410	.00460	.00420	-.00220	-.00190	.27850	.04840
.603	9.460	.00000	-.06000	.28420	.04340	.00500	.00390	-.00220	-.00190	.28000	.04900
.605	10.560	.00000	-.06000	.28730	.04150	.00470	.00380	-.00230	-.00190	.28310	.04920
.606	11.740	.00000	-.05000	.28580	.04140	.00460	.00390	-.00240	-.00190	.28160	.04880
.605	12.930	.00000	-.05000	.28830	.04080	.00480	.00400	-.00210	-.00200	.28410	.04940
.604	14.110	.00000	-.03000	.29090	.04050	.00510	.00430	-.00230	-.00190	.28670	.04990
.606	15.300	.00000	-.02000	.29000	.03940	.00490	.00330	-.00230	-.00180	.28580	.04970
.605	16.490	.00000	-.02000	.29020	.03920	.00500	.00380	-.00240	-.00180	.28590	.04970
.604	17.670	.00000	-.01000	.29610	.03900	.00520	.00380	-.00230	-.00190	.29180	.05090
.602	18.860	.00000	-.01000	.29610	.03870	.00540	.00310	-.00240	-.00180	.29170	.05090
.603	20.040	.00000	.00000	.29580	.03870	.00550	.00340	-.00230	-.00180	.29140	.05090
.603	21.230	.00000	.00000	.29950	.03890	.00550	.00490	-.00210	-.00180	.29510	.05140
.604	22.410	.00000	.01000	.29850	.03860	.00550	.00370	-.00220	-.00180	.29410	.05130
.605	23.600	.00000	.02000	.29970	.03800	.00570	.00430	-.00200	-.00180	.29530	.05170
.605	24.780	.00000	.02000	.29750	.03740	.00600	.00370	-.00220	-.00180	.29300	.05160
.605	25.970	.00000	.03000	.30030	.03730	.00590	.00320	-.00230	-.00180	.29580	.05190
.602	27.150	.00000	.03000	.30260	.03760	.00610	.00310	-.00220	-.00180	.29810	.05240
.605	28.340	.00000	.05000	.30230	.03690	.00620	.00380	-.00220	-.00170	.29780	.05250
.605	29.520	.00000	.05000	.30360	.03700	.00600	.00320	-.00230	-.00170	.29900	.05250
.602	30.710	.00000	.06000	.30980	.03700	.00610	.00420	-.00220	-.00160	.30420	.05330
.603	31.900	.00000	.07000	.30870	.03650	.00600	.00350	-.00240	-.00150	.30420	.05310
.604	33.080	.00000	.07000	.30900	.03700	.00660	.00320	-.00240	-.00160	.30430	.05380
.603	34.270	.00000	.09000	.31270	.03680	.00640	.00320	-.00240	-.00150	.30810	.05420
.605	35.450	.00000	.09000	.30920	.03700	.00640	.00300	-.00240	-.00160	.30460	.05340
.605	36.640	.00000	.10000	.30970	.03600	.00630	.00270	-.00220	-.00150	.30510	.05330
.602	37.820	.00000	.11000	.31210	.03610	.00680	.00270	-.00220	-.00150	.30740	.05430
.603	39.010	.00000	.11000	.31340	.03610	.00680	.00230	-.00230	-.00140	.30870	.05450
.605	40.200	.00000	.13000	.31340	.03590	.00670	.00340	-.00220	-.00150	.30880	.05430
.605	41.380	.00000	.13000	.31600	.03610	.00650	.00160	-.00240	-.00140	.31140	.05470
.603	42.570	.00000	.14000	.31600	.03570	.00670	.00270	-.00240	-.00120	.31130	.05470
.603	43.750	.00000	.15000	.31720	.03540	.00690	.00180	-.00240	-.00130	.31250	.05490
.604	44.940	.00000	.15000	.31700	.03510	.00720	.00210	-.00220	-.00120	.31220	.05510
.603	46.130	.00000	.16000	.31560	.03410	.00690	.00220	-.00220	-.00120	.31190	.05480
.606	47.310	.00000	.16000	.31520	.03360	.00740	.00160	-.00230	-.00110	.31040	.05500

LTV44-559(CA26) 747/1 ATY 06 S1 (ORBITER DATA)

(WFE118) ( 29 JAN 76 )

## REFERENCE DATA

SREF =	2690.0000 SQ.FT.	XMRP =	1109.0000 IN. XO
LREF =	474.8100 IN.	YMRP =	.0000 IN. YO
BREF =	936.6800 IN.	ZMRP =	375.0000 IN. ZO
SCALE =	.0125		

## PARAMETRIC DATA

ALPHAC =	2.000	BETAC =	.000
STAB =	-1.000	RUDDER =	.000
ELEVON =	.000	DX =	.000
DY =	.000	10RB =	6.000
BETA0 =	.000	DPHI =	.000

RUN NO. 83/ 0 RN/L = .00 GRADIENT INTERVAL = -5.00/ 5.00

MACH	DZ	DY	DX	CN	CLM	CA	CY	CYN	CBL	CL	CD
.603	48.500	.00000	.18000	.31630	.03320	.00760	.00210	-.00230	-.00110	.31150	.05540
.606	49.680	.00000	.19000	.31890	.03450	.00680	.00140	-.00220	-.00120	.31420	.05490
.602	50.870	.00000	.19000	.31970	.03370	.00770	.00220	-.00230	-.00110	.31480	.05600
.602	51.460	.00000	.19000	.32090	.03330	.00740	.00320	-.00200	-.00120	.31610	.05580
	GRADIENT	.00000	.00300	-.00103	-.00059	.00016	.00023	-.00009	-.00007	-.00104	-.00007

LTV44-559(CA26) 74711 ATY 06 S1 (ORBITER DATA)

(WFE119) ( 29 JAN 76 )

## REFERENCE DATA

SREF = 2690.0000 SQ.FT. XMRP = 1109.0000 IN. XO  
 LREF = 474.8100 IN. YMRP = .0000 IN. YO  
 BREF = 936.6800 IN. ZMRP = 375.0000 IN. ZO  
 SCALE = .0125

## PARAMETRIC DATA

ALPHAC = 2.000 BETAC = .000  
 STAB = 5.000 RUDDER = 10.000  
 ELEVON = .000 DX = .000  
 DY = .000 IORB = 6.000  
 BETA0 = .000 DPHI = .000

RUN NO. 84/ 0 RN/L = .00 GRADIENT INTERVAL = -5.00/ 5.00

MACH	DZ	DY	DX	CN	CLM	CA	CY	CYN	CBL	CL	CD
.602	1.760	.00000	.00000	.27880	.04760	.00730	.00350	-.00220	-.00200	.27460	.04900
.606	2.360	.00000	.00000	.27530	.04690	.00700	.00340	-.00220	-.00200	.27110	.04820
.606	2.970	.00000	.00000	.27510	.04620	.00740	.00370	-.00230	-.00200	.27090	.04850
.605	3.760	.00000	.00000	.27710	.04640	.00730	.00290	-.00240	-.00220	.27290	.04880
.607	4.560	.00000	.00000	.27580	.04480	.00720	.00430	-.00230	-.00200	.27160	.04850
.607	5.470	.00000	.00000	.27620	.04370	.00750	.00350	-.00240	-.00210	.27200	.04860
.605	6.460	.00000	.00000	.27730	.04340	.00750	.00330	-.00250	-.00210	.27300	.04890
.604	7.460	.00000	.00000	.27970	.04250	.00730	.00440	-.00240	-.00200	.27550	.04900
.605	8.460	.00000	.00000	.27850	.04100	.00710	.00320	-.00250	-.00210	.27430	.04850
.605	9.460	.00000	.00000	.28000	.04030	.00720	.00360	-.00260	-.00190	.27580	.04890
.604	10.560	.00000	.00000	.28140	.03900	.00750	.00340	-.00250	-.00190	.27720	.04940
.605	11.740	.00000	.00000	.28210	.03850	.00750	.00430	-.00240	-.00180	.27780	.04930
.603	12.930	.00000	.00000	.28460	.03810	.00760	.00320	-.00270	-.00200	.28030	.04990
.603	14.110	.00000	.00000	.28460	.03760	.00800	.00340	-.00250	-.00200	.28030	.05010
.604	15.300	.00000	.00000	.28620	.03720	.00820	.00410	-.00260	-.00190	.28170	.05060
.606	16.490	.00000	.00000	.28490	.03660	.00840	.00330	-.00270	-.00180	.28050	.05050
.605	17.670	.00000	.00000	.28770	.03530	.00820	.00310	-.00260	-.00180	.28320	.05090
.605	18.860	.00000	.00000	.28850	.03610	.00830	.00330	-.00260	-.00190	.28420	.05100
.607	20.040	.00000	.00000	.28950	.03600	.00830	.00290	-.00250	-.00180	.28510	.05110
.606	21.230	.00000	.00000	.29290	.03600	.00820	.00260	-.00250	-.00200	.28850	.05140
.603	22.410	.00000	.01000	.29370	.03550	.00880	.00330	-.00250	-.00180	.28920	.05220
.608	23.600	.00000	.01000	.28980	.03460	.00880	.00290	-.00260	-.00170	.28530	.05150
.606	24.780	.00000	.01000	.29170	.03460	.00890	.00220	-.00270	-.00170	.28720	.05190
.604	25.970	.00000	.01000	.29620	.03490	.00860	.00330	-.00240	-.00170	.29170	.05210
.607	27.150	.00000	.01000	.29490	.03460	.00870	.00360	-.00230	-.00170	.29040	.05220
.604	28.340	.00000	.01000	.29570	.03490	.00910	.00210	-.00250	-.00170	.29110	.05270
.605	29.520	.00000	.01000	.29350	.03410	.00970	.00290	-.00260	-.00160	.28890	.05280
.604	30.710	.00000	.01000	.29910	.03410	.00930	.00200	-.00260	-.00160	.29450	.05330
.605	31.900	.00000	.01000	.30030	.03420	.00910	.00180	-.00260	-.00140	.29570	.05310
.603	33.080	.00000	.01000	.30070	.03360	.00930	.00260	-.00250	-.00150	.29600	.05330
.603	34.270	.00000	.01000	.30070	.03340	.00960	.00150	-.00270	-.00130	.29600	.05370
.607	35.450	.00000	.01000	.30300	.03370	.00930	.00260	-.00250	-.00140	.29830	.05380
.604	36.640	.00000	.01000	.30490	.03400	.00950	.00180	-.00260	-.00150	.30020	.05420
.607	37.820	.00000	.02000	.30220	.03320	.00970	.00250	-.00250	-.00140	.29750	.05390
.604	39.010	.00000	.02000	.30590	.03330	.00970	.00150	-.00260	-.00130	.30220	.05450
.604	40.200	.00000	.02000	.30480	.03180	.00980	.00200	-.00260	-.00140	.30010	.05420
.606	41.380	.00000	.02000	.30580	.03280	.00950	.00350	-.00240	-.00140	.30120	.05400
.604	42.570	.00000	.02000	.30800	.03360	.00990	.00170	-.00260	-.00120	.30330	.05470
.608	43.750	.00000	.02000	.30520	.03290	.00990	.00190	-.00240	-.00130	.30050	.05430
.607	44.940	.00000	.02000	.30570	.03310	.01010	.00280	-.00230	-.00120	.30190	.05480
.607	46.130	.00000	.02000	.30700	.03250	.01040	.00100	-.00240	-.00120	.30220	.05510
.605	47.310	.00000	.02000	.31120	.03300	.01000	.00100	-.00260	-.00110	.30640	.05520

LTV44-559(CA26) 747/1 ATY 06 S1 (ORBITER DATA)

(WFE119) ( 29 JAN 76 )

## REFERENCE DATA

SREF = 2690.0000 SQ.FT. XMRP = 1109.0000 IN. XO  
 LREF = 474.8100 IN. YMRP = .0000 IN. YO  
 BREF = 936.6800 IN. ZMRP = 375.0000 IN. ZO  
 SCALE = .0125

## PARAMETRIC DATA

ALPHAC = 2.000 BETAC = .000  
 STAB = 5.000 RUDDER = 10.000  
 ELEVON = .000 DX = .000  
 DY = .000 TORB = 6.000  
 BETAO = .000 DPHI = .000

RUN NO. 847 0 RN/L = .00 GRADIENT INTERVAL = -5.00/ 5.00

MACH	DZ	DY	DX	CN	CLM	CA	CY	CYN	CBL	CL	CD
.604	48.500	.00000	.03000	.30930	.03180	.01010	.00350	-.00230	-.00130	.30460	.05490
.603	49.680	.00000	.03000	.31050	.03180	.01000	.00240	-.00240	-.00120	.30570	.05510
.606	50.870	.00000	.03000	.30970	.03130	.01010	.00330	-.00200	-.00150	.30490	.05510
.605	51.460	.00000	.03000	.30830	.03030	.01060	.00110	-.00240	-.00090	.30350	.05520
	GRADIENT	.00000	.00000	-.00054	-.00087	.00001	.00017	-.00006	-.00003	-.00054	-.00005



LTV44-559(CA26) 747/1 ATY 05 S1 (ORBITER DATA)

(WFE120) (29 JAN 76)

## REFERENCE DATA

SREF = 2690.0000 SQ.FT. XMRP = 1109.0000 IN. XO  
 LREF = 474.8100 IN. YMRP = .0000 IN. YO  
 BREF = 936.6800 IN. ZMRP = 375.0000 IN. ZO  
 SCALE = .0125

## PARAMETRIC DATA

ALPHAC = 2.000 BETAC = -5.000  
 STAB = 5.000 RUDDER = .000  
 ELEVON = .000 DX = .000  
 DY = .000 IORB = 6.000  
 BETAO = -5.000 DPHI = .000

RUN NO. 85/ 0 RN/L = .00 GRADIENT INTERVAL = -5.00/ 5.00

MACH	DZ	DY	DX	CN	CLM	CA	CY	CYN	CBL	CL	CD
.600	1.760	.00000	.00000	.26910	.03930	.00480	.03910	.01890	.00580	.26540	.04490
.600	2.360	.00000	.00000	.26770	.03940	.00480	.03910	.01890	.00570	.26390	.04490
.599	2.970	.00000	.00000	.26560	.03890	.00510	.03840	.01890	.00470	.26180	.04480
.599	3.760	.00000	.00000	.26530	.03960	.00500	.03910	.01890	.00470	.26150	.04460
.599	4.560	.00000	.00000	.26470	.03820	.00530	.03920	.01890	.00440	.26090	.04480
.600	5.470	.00000	.00000	.26880	.03600	.00470	.03940	.01870	.00350	.26510	.04480
.598	6.460	.00000	.00000	.26950	.03660	.00510	.04000	.01870	.00340	.26570	.04520
.597	7.460	.00000	.00000	.27070	.03550	.00580	.04070	.01860	.00310	.26580	.04620
.599	8.460	.00000	.00000	.27020	.03400	.00490	.04020	.01840	.00270	.26650	.04510
.599	9.460	.00000	.00000	.27210	.03280	.00540	.04070	.01830	.00220	.26830	.04590
.598	10.560	.00000	.00000	.27560	.03190	.00560	.04160	.01810	.00170	.27170	.04660
.600	11.740	.00000	.00000	.27460	.03230	.00550	.04170	.01810	.00160	.27070	.04620
.599	12.930	.00000	.00000	.27670	.03130	.00560	.04250	.01800	.00130	.27280	.04660
.600	14.110	.00000	.00000	.27860	.03120	.00560	.04260	.01770	.00100	.27460	.04690
.600	15.300	.00000	.00000	.28080	.03030	.00600	.04300	.01740	.00080	.27680	.04750
.600	16.490	.00000	.00000	.28070	.03040	.00630	.04390	.01740	.00070	.27670	.04780
.599	17.670	.00000	.00000	.28320	.03010	.00630	.04460	.01730	.00040	.27920	.04800
.598	18.860	.00000	.00000	.28540	.02990	.00610	.04460	.01720	.00030	.28130	.04840
.599	20.040	.00000	.00000	.28710	.02890	.00600	.04510	.01710	.00010	.28300	.04850
.597	21.230	.00000	.00000	.28640	.02900	.00700	.04560	.01700	.00000	.28220	.04930
.599	22.410	.00000	.01000	.28630	.02830	.00670	.04480	.01680	.00000	.28220	.04880
.599	23.600	.00000	.01000	.28800	.02860	.00720	.04500	.01660	-.00020	.28380	.04950
.600	24.780	.00000	.01000	.29050	.02830	.00660	.04560	.01670	-.00030	.28640	.04930
.599	25.970	.00000	.01000	.29220	.02840	.00660	.04520	.01660	-.00030	.28800	.04990
.598	27.150	.00000	.01000	.29320	.02830	.00730	.04600	.01660	-.00040	.28890	.05050
.599	28.340	.00000	.01000	.29350	.02780	.00690	.04470	.01620	-.00050	.28940	.04990
.596	29.520	.00000	.01000	.29700	.02810	.00720	.04560	.01620	-.00050	.29270	.05090
.600	30.710	.00000	.01000	.29440	.02760	.00720	.04580	.01630	-.00070	.29010	.05040
.600	31.900	.00000	.01000	.29520	.02680	.00730	.04600	.01630	-.00080	.29090	.05050
.598	33.080	.00000	.01000	.29890	.02720	.00710	.04580	.01610	-.00090	.29460	.05090
.599	34.270	.00000	.01000	.29790	.02660	.00720	.04560	.01600	-.00080	.29360	.05080
.599	35.450	.00000	.01000	.29900	.02660	.00750	.04580	.01620	-.00090	.29470	.05120
.598	36.640	.00000	.01000	.30140	.02760	.00820	.04590	.01610	-.00100	.29690	.05230
.601	37.820	.00000	.01000	.29780	.02620	.00820	.04740	.01610	-.00110	.29340	.05170
.598	39.010	.00000	.01000	.30400	.02760	.00820	.04670	.01590	-.00100	.29950	.05270
.601	40.200	.00000	.02000	.30120	.02580	.00790	.04540	.01580	-.00090	.29680	.05180
.598	41.380	.00000	.02000	.30430	.02600	.00790	.04620	.01600	-.00100	.29990	.05220
.599	42.570	.00000	.02000	.30260	.02590	.00920	.04730	.01620	-.00130	.29810	.05230
.598	43.750	.00000	.02000	.30370	.02650	.00880	.04740	.01600	-.00120	.29910	.05310
.601	44.940	.00000	.02000	.30220	.02580	.00880	.04730	.01600	-.00120	.29770	.05270
.598	46.130	.00000	.02000	.30580	.02610	.00880	.04700	.01580	-.00110	.30120	.05330
.597	47.310	.00000	.02000	.30360	.02540	.00910	.04730	.01590	-.00100	.29910	.05310

LTV44-559(CA26) 747/1 ATY 06 S1 (ORBITER DATA)

(WFE120) ( 29 JAN 76 )

## REFERENCE DATA

SREF = 2690.0000 SQ.FT. XMRP = 1109.0000 IN. XO  
 LREF = 474.8100 IN. YMRP = .0000 IN. YO  
 BREF = 936.6800 IN. ZMRP = 375.0000 IN. ZO  
 SCALE = .0125

## PARAMETRIC DATA

ALPHAC = 2.000 BETAC = -5.000  
 STAB = 5.000 RUDDER = .000  
 ELEVON = .000 DX = .000  
 DY = .000 TORB = 6.000  
 BETA0 = -5.000 DPH1 = .000

RUN NO. 85/ 0 RN/L = .00 GRADIENT INTERVAL = -5.00/ 5.00

MACH	DZ	DY	DX	CN	CLM	CA	CY	CYN	CBL	CL	CD
.598	48.500	.00000	.02000	.30710	.02510	.00860	.04730	.01600	-.00110	.30250	.05310
.598	49.680	.00000	.02000	.31000	.02530	.00800	.04720	.01590	-.00130	.30550	.05300
.599	50.870	.00000	.02000	.30790	.02540	.00890	.04880	.01610	-.00160	.30330	.05360
.598	51.460	.00000	.02000	.30910	.02440	.00890	.04640	.01590	-.00110	.30450	.05380
	GRADIENT	.00000	.00000	-.00156	-.00029	.00017	.00005	.00000	-.00053	-.00159	-.00007

DATE 22 MAR 76

CA-26 FORCE SOURCE DATA TABULATION

PAGE 501

LTV44-559(CA26) 747/1 ATY 06 SI (ORBITER DATA)

(WFE121) ( 29 JAN 76 )

## REFERENCE DATA

SREF = 2690.0000 SQ.FT. XMRP = 1109.0000 IN. XO  
 LREF = 474.8100 IN. YMRP = .0000 IN. YO  
 BREF = 936.6800 IN. ZMRP = 375.0000 IN. ZO  
 SCALE = .0125

## PARAMETRIC DATA

ALPHAC = 4.000 BETAC = .000  
 STAB = 5.000 RUDDER = .000  
 ELEVON = .000 DX = .000  
 DY = .000 IORB = 4.000  
 BETAO = .000 OPHI = .000

RUN NO. 86/ 0 RN/L = .00 GRADIENT INTERVAL = -5.00/ 5.00

MACH	DZ	DY	DX	CN	CLM	CA	CY	CYN	CBL	CL	CD
.604	1.760	.00000	-.01000	.19310	.03980	.01340	.00180	-.00210	-.00140	.18960	.03900
.604	2.360	.00000	-.01000	.19430	.03950	.01360	.00190	-.00210	-.00140	.19070	.03940
.602	2.970	.00000	-.01000	.19430	.03940	.01380	.00180	-.00210	-.00160	.19070	.03960
.602	3.760	.00000	-.01000	.19300	.03890	.01380	.00260	-.00220	-.00150	.18950	.03930
.602	4.560	.00000	-.01000	.19560	.03900	.01400	.00210	-.00220	-.00160	.19200	.03990
.602	5.470	.00000	-.01000	.19810	.03760	.01380	.00210	-.00220	-.00160	.19450	.04000
.603	6.460	.00000	-.01000	.19660	.03680	.01400	.00260	-.00220	-.00150	.19300	.04010
.603	7.460	.00000	-.01000	.19960	.03610	.01380	.00200	-.00220	-.00150	.19600	.04030
.599	8.460	.00000	-.01000	.20440	.03500	.01370	.00220	-.00230	-.00150	.20080	.04080
.603	9.460	.00000	-.01000	.20640	.03370	.01370	.00250	-.00220	-.00150	.20270	.04100
.605	10.430	.00000	-.01000	.20930	.03270	.01380	.00320	-.00210	-.00150	.20560	.04150
.604	11.370	.00000	-.01000	.20830	.03240	.01390	.00150	-.00240	-.00150	.20460	.04140
.604	12.310	.00000	.00000	.20940	.03250	.01410	.00210	-.00230	-.00150	.20570	.04180
.604	13.250	.00000	.00000	.21220	.03220	.01410	.00260	-.00220	-.00150	.20850	.04210
.604	14.180	.00000	.00000	.21460	.03240	.01450	.00230	-.00220	-.00150	.21080	.04280
.602	15.120	.00000	.00000	.21460	.03150	.01460	.00210	-.00210	-.00150	.21090	.04270
.601	16.060	.00000	.00000	.21800	.03150	.01460	.00180	-.00220	-.00140	.21410	.04340
.601	17.000	.00000	.00000	.21740	.03050	.01450	.00210	-.00210	-.00140	.21350	.04310
.603	17.940	.00000	.00000	.22070	.03070	.01450	.00240	-.00210	-.00140	.21680	.04360
.602	18.880	.00000	.00000	.22130	.03080	.01490	.00220	-.00220	-.00130	.21740	.04390
.602	19.810	.00000	.00000	.22230	.03070	.01490	.00200	-.00230	-.00140	.21840	.04430
.603	20.750	.00000	.00000	.22510	.03060	.01450	.00150	-.00250	-.00140	.22120	.04420
.604	21.680	.00000	.01000	.22520	.02990	.01480	.00130	-.00230	-.00140	.22120	.04450
.604	22.620	.00000	.01000	.22600	.03040	.01500	.00180	-.00210	-.00140	.22200	.04480
.603	23.560	.00000	.01000	.22610	.02980	.01530	.00140	-.00220	-.00140	.22210	.04500
.604	24.500	.00000	.01000	.22800	.02940	.01520	.00130	-.00230	-.00140	.22390	.04510
.602	25.440	.00000	.01000	.23190	.02990	.01540	.00230	-.00220	-.00120	.22780	.04580
.604	26.380	.00000	.01000	.23250	.03000	.01550	.00170	-.00230	-.00120	.22840	.04600
.604	27.310	.00000	.01000	.23190	.03000	.01560	.00130	-.00240	-.00110	.22780	.04590
.604	28.250	.00000	.01000	.23200	.02980	.01570	.00140	-.00230	-.00120	.22800	.04600
.604	29.190	.00000	.02000	.23360	.02930	.01550	.00120	-.00230	-.00120	.22950	.04600
.604	30.130	.00000	.02000	.23520	.02940	.01560	.00170	-.00220	-.00130	.23120	.04640
.603	31.060	.00000	.02000	.23460	.02940	.01580	-.00020	-.00240	-.00110	.23050	.04640
.604	32.000	.00000	.02000	.23810	.02920	.01570	.00130	-.00230	-.00090	.23400	.04680
.604	32.940	.00000	.02000	.23820	.02860	.01580	.00060	-.00230	-.00100	.23410	.04690
.604	33.880	.00000	.02000	.24160	.02910	.01590	.00140	-.00230	-.00090	.23740	.04740
.602	34.820	.00000	.03000	.23890	.02870	.01610	.00090	-.00220	-.00110	.23470	.04740
.602	35.760	.00000	.03000	.24020	.02810	.01620	.00050	-.00240	-.00080	.23600	.04750
.603	36.700	.00000	.03000	.24190	.02820	.01570	.00040	-.00220	-.00100	.23770	.04730
.603	37.630	.00000	.03000	.24080	.02750	.01660	.00020	-.00230	-.00080	.23660	.04790
.602	38.570	.00000	.03000	.24540	.02800	.01590	.00020	-.00240	-.00080	.24120	.04790
.603	39.510	.00000	.03000	.24270	.02740	.01640	.00020	-.00230	-.00060	.23850	.04800

LTV44-559(CA26) 747/1 ATY 06 S1 (ORBITER DATA)

(WFE121) ( 29 JAN 76 )

## REFERENCE DATA

SREF = 2690.0000 SQ.FT. XMRP = 1109.0000 IN. XO  
 LREF = 474.8100 IN. YMRP = .0000 IN. YO  
 BREF = 936.6800 IN. ZMRP = 375.0000 IN. ZO  
 SCALE = .0125

## PARAMETRIC DATA

ALPHAC = 4.000 BETAC = .000  
 STAB = 5.000 RUDDER = .000  
 ELEVON = .000 DX = .000  
 DY = .000 TORB = 4.000  
 BETA0 = .000 DPHI = .000

RUN NO. 86/ 0 RN/L = .00 GRADIENT INTERVAL = -5.00/ 5.00

MACH	DZ	DY	DX	CN	CLM	CA	CY	CYN	CBL	CL	CD
.603	40.450	.00000	.03000	.24420	.02760	.01660	.00080	-.00220	-.00080	.23990	.04840
.604	41.380	.00000	.05000	.24640	.02790	.01640	.00050	-.00210	-.00100	.24210	.04850
.603	42.320	.00000	.05000	.24730	.02750	.01680	.00180	-.00190	-.00090	.24300	.04890
.604	42.790	.00000	.05000	.24870	.02750	.01610	.00090	-.00200	-.00080	.24440	.04840
	GRADIENT	.00000	.00000	.00053	-.00031	.00020	.00021	-.00004	-.00007	.00052	.00024

LTV44-559(CA26) 747/1 ATY 06 S1 (ORBITER DATA)

(NFE122) 29 JAN 76 )

## REFERENCE DATA

SREF = 2690.0000 SQ.FT. XMRP = 1109.0000 IN. XO  
 LREF = 474.8100 IN. YMRP = .0000 IN. YO  
 BREF = 936.6800 IN. ZMRP = 375.0000 IN. ZO  
 SCALE = .0125

## PARAMETRIC DATA

ALPHAC = 4.000 BETAC = .000  
 STAB = 5.000 RUDDER = .000  
 ELEVON = .000 DX = .000  
 DY = .000 TORR = 6.000  
 BETAO = .000 DPHI = .000

RUN NO. 1086/ 0 RN/L = .00 GRADIENT INTERVAL = -5.00/ 5.00

MACH	DZ	DY	DX	CN	CLM	CA	CY	CYN	CBL	CL	CD
.602	1.480	.00000	-.02000	.30040	.05390	.00170	.00340	-.00190	-.00200	.29580	.05230
.604	1.770	.00000	-.02000	.30120	.05290	.00200	.00370	-.00200	-.00210	.29650	.05270
.602	2.370	.00000	-.02000	.30140	.05270	.00200	.00370	-.00190	-.00220	.29670	.05280
.603	2.970	.00000	-.01000	.30080	.05230	.00220	.00340	-.00200	-.00220	.29610	.05280
.603	3.770	.00000	-.01000	.30250	.05000	.00190	.00360	-.00190	-.00220	.29780	.05280
.600	4.570	.00000	-.01000	.30510	.05040	.00180	.00300	-.00190	-.00220	.30050	.05310
.604	5.470	.00000	-.01000	.30210	.04810	.00250	.00360	-.00210	-.00210	.29740	.05320
.603	6.480	.00000	-.01000	.30710	.04730	.00180	.00380	-.00200	-.00220	.30250	.05320
.604	7.470	.00000	-.01000	.30970	.04700	.00200	.00400	-.00220	-.00200	.30490	.05400
.601	8.470	.00000	-.01000	.31230	.04600	.00180	.00350	-.00230	-.00210	.30760	.05420
.602	9.480	.00000	-.01000	.31220	.04590	.00180	.00380	-.00220	-.00210	.30740	.05420
.603	10.630	.00000	-.01000	.31440	.04510	.00240	.00350	-.00220	-.00200	.30950	.05510
.602	11.950	.00000	-.01000	.31500	.04380	.00220	.00300	-.00230	-.00200	.31020	.05490
.605	13.270	.00000	-.01000	.31320	.04330	.00250	.00320	-.00230	-.00200	.30840	.05490
.603	14.580	.00000	.00000	.31810	.04320	.00270	.00350	-.00230	-.00190	.31310	.05580
.603	15.900	.00000	.00000	.31980	.04260	.00250	.00360	-.00230	-.00190	.31490	.05580
.601	17.210	.00000	.00000	.32120	.04220	.00300	.00340	-.00220	-.00180	.31620	.05660
.603	18.530	.00000	.00000	.32300	.04240	.00250	.00260	-.00230	-.00200	.31800	.05640
.603	19.850	.00000	.00000	.32340	.04150	.00280	.00310	-.00220	-.00200	.31840	.05660
.603	21.160	.00000	.00000	.32440	.04140	.00270	.00360	-.00220	-.00180	.31940	.05650
.601	22.470	.00000	.01000	.32770	.04150	.00290	.00390	-.00220	-.00180	.32260	.05750
.602	23.790	.00000	.01000	.32920	.04120	.00310	.00240	-.00230	-.00190	.32410	.05770
.602	25.110	.00000	.01000	.32940	.04130	.00350	.00340	-.00230	-.00170	.32420	.05820
.601	26.420	.00000	.01000	.33300	.04140	.00340	.00320	-.00220	-.00190	.32780	.05870
.604	27.740	.00000	.01000	.33500	.04150	.00290	.00230	-.00230	-.00180	.32980	.05860
.604	29.050	.00000	.02000	.33150	.04050	.00350	.00220	-.00210	-.00170	.32630	.05840
.605	30.370	.00000	.02000	.33260	.04020	.00330	.00300	-.00200	-.00170	.32740	.05840
.601	31.690	.00000	.02000	.33700	.04030	.00320	.00170	-.00230	-.00150	.33180	.05910
.604	33.000	.00000	.02000	.33690	.03970	.00350	.00090	-.00230	-.00140	.33170	.05930
.602	34.320	.00000	.02000	.33890	.03920	.00370	.00080	-.00230	-.00150	.33360	.05980
.600	35.640	.00000	.03000	.34170	.03960	.00340	.00200	-.00220	-.00170	.33640	.05990
.601	36.960	.00000	.03000	.34200	.03920	.00380	.00270	-.00210	-.00160	.33670	.06020
.602	38.270	.00000	.03000	.34430	.04000	.00340	.00180	-.00220	-.00150	.33900	.06010
.604	39.590	.00000	.03000	.34030	.03900	.00430	.00200	-.00220	-.00140	.33500	.06030
.602	40.900	.00000	.05000	.34060	.03810	.00450	.00110	-.00240	-.00120	.33620	.06060
.602	42.220	.00000	.05000	.34660	.03800	.00410	.00180	-.00220	-.00140	.34120	.06110
.603	43.540	.00000	.05000	.34670	.03790	.00390	.00090	-.00220	-.00140	.34130	.06110
.604	44.850	.00000	.05000	.34600	.03840	.00370	.00270	-.00200	-.00150	.34070	.06060
.603	46.170	.00000	.05000	.34830	.03800	.00400	.00120	-.00200	-.00130	.34290	.06130
.603	47.480	.00000	.06000	.34720	.03790	.00440	.00140	-.00200	-.00140	.34180	.06130
.605	48.800	.00000	.06000	.34480	.03710	.00410	.00090	-.00200	-.00110	.33940	.06070
GRADIENT	.00000	.00000	.00401	.00127	-.00119	-.00000	-.00014	.00001	-.00005	.00127	.00018

LTV44-559(CA26) 747/1 ATY 06 S1 (ORBITER DATA)

(WFE123) ( 29 JAN 76 )

## REFERENCE DATA

SREF = 2690.0000 SQ.FT. XMRP = 1109.0000 IN. XO  
 LREF = 474.8100 IN. YMRP = .0000 IN. YO  
 BREF = 936.6800 IN. ZMRP = 375.0000 IN. ZO  
 SCALE = .0125

## PARAMETRIC DATA

ALPHAC = 4.000 BETAC = .000  
 STAB = 5.000 RUDDER = .000  
 ELEVON = .000 DX = .000  
 DY = .000 IORB = 8.000  
 BETAO = .000 DPHI = .000

RUN NO. 87/ 0 RN/L = .00 GRADIENT INTERVAL = -5.00/ 5.00

MACH	DZ	DY	DX	CN	CLM	CA	CY	CYN	CBL	CL	CD
.600	1.760	.00000	-.03000	.41970	.06550	-.01240	.00520	-.00170	-.00220	.41350	.07290
.604	2.360	.00000	-.03000	.41230	.06500	-.01190	.00480	-.00160	-.00210	.40620	.07190
.601	2.970	.00000	-.03000	.41230	.06340	-.01230	.00480	-.00180	-.00210	.40630	.07120
.602	3.760	.00000	-.02000	.41040	.06360	-.01210	.00510	-.00170	-.00220	.40430	.07130
.602	4.560	.00000	-.02000	.41190	.06380	-.01230	.00500	-.00180	-.00220	.40590	.07130
.600	5.470	.00000	-.02000	.41300	.06110	-.01250	.00520	-.00180	-.00220	.40690	.07130
.603	6.460	.00000	-.02000	.41030	.06070	-.01200	.00520	-.00190	-.00220	.40430	.07100
.603	7.460	.00000	-.02000	.41090	.05950	-.01220	.00500	-.00200	-.00220	.40490	.07090
.600	8.460	.00000	-.02000	.41670	.05930	-.01230	.00520	-.00220	-.00220	.41060	.07210
.600	9.460	.00000	-.01000	.41730	.05880	-.01220	.00550	-.00210	-.00210	.41120	.07210
.601	10.540	.00000	-.01000	.41850	.05700	-.01210	.00500	-.00190	-.00200	.41230	.07250
.602	11.700	.00000	-.01000	.41520	.05610	-.01170	.00540	-.00190	-.00200	.40910	.07210
.602	12.850	.00000	-.01000	.41920	.05610	-.01200	.00440	-.00210	-.00180	.41300	.07270
.602	14.000	.00000	-.01000	.42120	.05530	-.01210	.00430	-.00230	-.00170	.41510	.07290
.600	15.160	.00000	.00000	.42190	.05460	-.01160	.00510	-.00200	-.00180	.41570	.07340
.603	16.310	.00000	.00000	.42050	.05360	-.01150	.00500	-.00190	-.00170	.41420	.07320
.600	17.460	.00000	.00000	.42650	.05430	-.01170	.00430	-.00210	-.00170	.42010	.07420
.602	18.620	.00000	.00000	.42240	.05290	-.01130	.00470	-.00200	-.00160	.41610	.07380
.600	19.780	.00000	.00000	.42810	.05320	-.01180	.00430	-.00220	-.00140	.42180	.07420
.602	20.930	.00000	.00000	.42750	.05200	-.01150	.00390	-.00210	-.00150	.42110	.07460
.602	22.080	.00000	.01000	.43000	.05190	-.01130	.00460	-.00190	-.00150	.42360	.07510
.600	23.230	.00000	.01000	.43040	.05170	-.01130	.00520	-.00200	-.00150	.42400	.07500
.599	24.390	.00000	.01000	.43390	.05200	-.01120	.00390	-.00220	-.00140	.42740	.07570
.603	25.540	.00000	.01000	.43070	.05170	-.01090	.00390	-.00210	-.00120	.42420	.07540
.602	26.700	.00000	.01000	.43280	.05080	-.01080	.00480	-.00210	-.00120	.42620	.07600
.602	27.850	.00000	.01000	.43560	.05060	-.01090	.00370	-.00220	-.00130	.42890	.07650
.602	29.000	.00000	.02000	.43690	.05040	-.01080	.00430	-.00200	-.00140	.43020	.07670
.602	30.160	.00000	.02000	.43210	.04920	-.01020	.00360	-.00220	-.00110	.42550	.07610
.603	31.310	.00000	.02000	.43690	.04980	-.01060	.00360	-.00210	-.00110	.43020	.07690
.604	32.460	.00000	.02000	.43980	.04990	-.01060	.00440	-.00200	-.00120	.43310	.07720
.601	33.620	.00000	.02000	.44050	.04990	-.01030	.00340	-.00210	-.00130	.43380	.07770
.600	34.780	.00000	.03000	.44110	.04960	-.01030	.00410	-.00210	-.00110	.43440	.07780
.601	35.930	.00000	.03000	.44190	.04900	-.01090	.00380	-.00210	-.00100	.43530	.07720
.600	37.080	.00000	.03000	.44720	.04940	-.01080	.00390	-.00200	-.00090	.44040	.07830
.601	38.240	.00000	.03000	.44560	.04880	-.01020	.00250	-.00220	-.00070	.43870	.07870
.601	39.390	.00000	.03000	.44620	.04820	-.01020	.00100	-.00240	-.00060	.43930	.07870
.602	40.540	.00000	.03000	.44500	.04760	-.01030	.00220	-.00230	-.00050	.43820	.07840
.605	41.700	.00000	.05000	.44460	.04760	-.01040	.00240	-.00220	-.00050	.43780	.07800
.601	42.860	.00000	.05000	.44910	.04810	-.01000	.00250	-.00200	-.00070	.44220	.07930
.603	44.010	.00000	.05000	.44740	.04740	-.00990	.00330	-.00200	-.00060	.44050	.07910
.602	45.170	.00000	.05000	.45090	.04680	-.01020	.00320	-.00180	-.00080	.44400	.07940
.604	46.320	.00000	.06000	.44980	.04640	-.01000	.00340	-.00180	-.00080	.44290	.07930

DATE 22 MAR 76

CA-26 FORCE SOURCE DATA TABULATION

PAGE 605

LTV44-559(CA26) 747/1 ATY 06 S1 (ORBITER DATA)

(WFE123) ( 29 JAN 76 )

## REFERENCE DATA

SREF = 2690.0000 SQ.FT. XMRP = 1109.0000 IN. XO  
 LREF = 474.8100 IN. YMRP = .0000 IN. YO  
 BREF = 936.6800 IN. ZMRP = 375.0000 IN. ZO  
 SCALE = .0125

## PARAMETRIC DATA

ALPHAC = 4.000 BETAC = .000  
 STAB = 5.000 RUDDER = .000  
 ELEVON = .000 DX = .000  
 DY = .000 TORB = 8.000  
 BETAO = .000 OPHI = .000

RUN NO. 87/ 0 RN/L = .00 GRADIENT INTERVAL = -5.00/ 5.00

MACH	DZ	DY	DX	CN	CLM	CA	CY	CYN	CBL	CL	CD
.602	47.470	.00000	.06000	.45050	.04620	-.00980	.00280	-.00210	-.00050	.44360	.07960
.602	48.630	.00000	.06000	.44750	.04530	-.00960	.00290	-.00200	-.00040	.44050	.07890
.602	49.780	.00000	.06000	.44950	.04520	-.00990	.00270	-.00190	-.00080	.44260	.07900
.602	50.930	.00000	.06000	.45110	.04520	-.00970	.00180	-.00210	-.00080	.44400	.07980
.603	52.090	.00000	.07000	.44700	.04380	-.00910	.00270	-.00210	-.00040	.44000	.07940
.602	53.250	.00000	.07000	.45120	.04450	-.00900	.00110	-.00220	-.00020	.44410	.08030
.601	54.400	.00000	.07000	.45620	.04390	-.00980	.00310	-.00200	-.00040	.44920	.08030
.602	55.550	.00000	.07000	.45280	.04280	-.00950	.00180	-.00210	-.00020	.44580	.07980
	GRADIENT	.00000	.00438	-.00237	-.00065	-.00000	-.00001	-.00004	-.00002	-.00231	-.00052

ORIGINAL DATA IN  
 OF POOR QUALITY

LTV44-559(CA26) 747/1 ATY 06 S1 (ORBITER DATA)

(WFE124) (29 JAN 76)

## REFERENCE DATA

SREF = 2690.0000 SQ.FT. XMRP = 1109.0000 IN. XO  
 LREF = 474.8100 IN. YMRP = .0000 IN. YO  
 BREF = 936.6800 IN. ZMRP = 375.0000 IN. ZO  
 SCALE = .0125

## PARAMETRIC DATA

ALPHAC = .000 BETAC = .000  
 STAB = 5.000 RUDDER = .000  
 ELEVON = .000 DX = .000  
 DY = .000 IORB = 4.000  
 BETAO = .000 DPHI = .000

RUN NO. 88/ 0 RN/L = .00 GRADIENT INTERVAL = -5.00/ 5.00

MACH	DZ	DY	DX	CN	CLM	CA	CY	CYN	CBL	CL	CD
.600	1.760	.00000	.07000	.09670	.03030	.02690	.00030	-.00190	-.00060	.09470	.03350
.599	2.360	.00000	.06000	.09720	.02950	.02670	.00050	-.00200	-.00070	.09520	.03330
.601	2.970	.00000	.06000	.09520	.02840	.02730	.00130	-.00220	-.00060	.09310	.03370
.599	3.760	.00000	.06000	.09760	.02930	.02710	.00030	-.00220	-.00060	.09550	.03370
.599	4.560	.00000	.06000	.09480	.02850	.02750	.00110	-.00210	-.00070	.09270	.03390
.599	5.960	.00000	.05000	.09490	.02630	.02760	-.00040	-.00210	-.00060	.09280	.03400
.598	7.970	.00000	.05000	.09600	.02530	.02760	.00120	-.00210	-.00050	.09390	.03410
.601	9.960	.00000	.03000	.10030	.02180	.02810	.00110	-.00220	-.00060	.09820	.03480
.603	11.050	.00000	.03000	.09890	.02160	.02790	.00070	-.00220	-.00060	.09680	.03460
.599	12.150	.00000	.03000	.10010	.02030	.02840	.00170	-.00210	-.00060	.09800	.03520
.601	13.230	.00000	.02000	.10170	.02020	.02840	.00100	-.00220	-.00060	.09950	.03520
.601	14.330	.00000	.02000	.10070	.01920	.02820	.00050	-.00220	-.00070	.09850	.03490
.598	15.410	.00000	.02000	.10240	.01910	.02870	.00140	-.00220	-.00060	.10030	.03550
.599	16.510	.00000	.02000	.10100	.01890	.02910	.00100	-.00220	-.00060	.09880	.03560
.601	17.590	.00000	.01000	.10110	.01840	.02880	.00020	-.00210	-.00060	.09900	.03550
.600	18.690	.00000	.01000	.10410	.01830	.02900	.00100	-.00220	-.00050	.10190	.03590
.599	19.780	.00000	.01000	.10370	.01800	.02930	.00170	-.00220	-.00050	.10160	.03620
.600	20.870	.00000	.01000	.10180	.01730	.02930	.00000	-.00220	-.00060	.09960	.03600
.601	21.950	.00000	.00000	.10570	.01770	.02910	.00100	-.00210	-.00060	.10360	.03610
.600	23.040	.00000	.00000	.10470	.01690	.02930	.00020	-.00220	-.00050	.10250	.03620
.599	24.130	.00000	.00000	.10570	.01660	.02930	.00030	-.00210	-.00070	.10350	.03630
.599	25.230	.00000	.00000	.10600	.01610	.02930	-.00010	-.00210	-.00060	.10380	.03630
.598	26.310	.00000	.00000	.10590	.01590	.02990	.00040	-.00220	-.00050	.10370	.03690
.601	27.410	.00000	-.01000	.10510	.01580	.02980	.00070	-.00220	-.00060	.10290	.03670
.602	28.490	.00000	-.01000	.10500	.01550	.03010	.00090	-.00210	-.00060	.10270	.03690
.598	29.590	.00000	-.01000	.10780	.01600	.03030	.00140	-.00200	-.00060	.10550	.03740
.598	30.670	.00000	-.01000	.10820	.01600	.03030	.00050	-.00210	-.00060	.10600	.03740
.600	31.770	.00000	-.02000	.10740	.01580	.03020	.00050	-.00220	-.00060	.10520	.03730
.601	32.860	.00000	-.02000	.10640	.01510	.03050	.00050	-.00210	-.00040	.10420	.03740
.599	33.950	.00000	-.02000	.10780	.01490	.03060	.00000	-.00220	-.00040	.10550	.03760
.600	35.040	.00000	-.02000	.10620	.01510	.03060	.00040	-.00220	-.00050	.10390	.03750
.595	36.130	.00000	-.02000	.10900	.01600	.03130	.00030	-.00220	-.00060	.10670	.03840
.599	37.220	.00000	-.03000	.10960	.01540	.03090	.00080	-.00210	-.00060	.10740	.03800
.598	38.310	.00000	-.03000	.10920	.01480	.03090	.00000	-.00220	-.00040	.10700	.03800
.601	39.400	.00000	-.03000	.10610	.01390	.03090	.00000	-.00220	-.00030	.10390	.03780
.599	40.490	.00000	-.03000	.10960	.01460	.03110	.00010	-.00210	-.00030	.10730	.03810
.599	41.580	.00000	-.03000	.10950	.01440	.03110	.00000	-.00210	-.00050	.10720	.03810
.599	42.670	.00000	-.05000	.11050	.01430	.03080	-.00010	-.00210	-.00040	.10820	.03800
.602	43.760	.00000	-.05000	.10890	.01380	.03100	.00060	-.00220	-.00030	.10670	.03800
.602	44.850	.00000	-.05000	.11000	.01370	.03080	.00040	-.00220	-.00030	.10780	.03790
.600	45.940	.00000	-.05000	.11070	.01400	.03110	-.00040	-.00240	-.00020	.10840	.03820
.599	47.030	.00000	-.05000	.10780	.01320	.03160	-.00080	-.00230	-.00030	.10560	.03850



DATE 22 MAR 76

CA-26 FORCE SOURCE DATA TABULATION

PAGE 507

LTV44-559(CA26) 747/1 ATY 06 S1 (ORBITER DATA)

(WFE124) ( 29 JAN 76 )

REFERENCE DATA

SREF = 2690.0000 SQ.FT. XMRP = 1109.0000 IN. XO  
LREF = 474.8100 IN. YMRP = .0000 IN. YO  
BREF = 936.6800 IN. ZMRP = 375.0000 IN. ZO  
SCALE = .0125

PARAMETRIC DATA

ALPHAC = .000 BETAC = .000  
STAB = 5.000 RUDDER = .000  
ELEVON = .000 DX = .000  
DY = .000 TORB = 4.000  
BETAO = .000 DPHI = .000

RUN NO. 88/ 0 RN/L = .00 GRADIENT INTERVAL = -5.00/ 5.00

MACH	DZ	DY	DX	CN	CLM	CA	CY	CYN	CBL	CL	CD
.600	48.120	.00000	-.06000	.10840	.01320	.03120	-.00120	-.00240	.00000	.10620	.03810
	GRADIENT	.00000	-.00268	-.00049	-.00052	.00023	.00019	-.00008	-.00002	-.00053	.00017

LTV44-559(CA26) 747/1 ATY 05 S1 (ORBITER DATA)

(WFE125) ( 29 JAN 76 )

## REFERENCE DATA

SREF = 2690.0000 SQ.FT. XMRP = 1109.0000 IN. XO  
 LREF = 474.8100 IN. YMRP = .0000 IN. YO  
 BREF = 936.6800 IN. ZMRP = 375.0000 IN. ZO  
 SCALE = .0125

## PARAMETRIC DATA

ALPHAC = .000 BETAC = .000  
 STAB = 5.000 RUDDER = .000  
 ELEVON = .000 DX = .000  
 DY = .000 IORB = 6.000  
 BETAO = .000 DPHI = .000

RUN NO. 1088/ 0 RN/L = .00 GRADIENT INTERVAL = -5.00/ 5.00

MACH	DZ	DY	DX	CN	CLM	CA	CY	CYN	CBL	CL	CD
.604	1.480	.00000	.06000	.20390	.03810	.01840	.00150	-.00180	-.00080	..20090	.03940
.600	1.770	.00000	.05000	.20460	.03720	.01850	.00210	-.00190	-.00090	.20150	.03970
.598	2.370	.00000	.05000	.20410	.03740	.01890	.00240	-.00180	-.00080	.20180	.04000
.598	2.970	.00000	.05000	.20340	.03650	.01870	.00230	-.00190	-.00080	.20040	.03980
.599	3.770	.00000	.05000	.20280	.03410	.01880	.00250	-.00190	-.00100	.19970	.03950
.601	4.570	.00000	.05000	.20120	.03350	.01880	.00200	-.00200	-.00090	.19820	.03980
.601	5.970	.00000	.03000	.20330	.03030	.01920	.00190	-.00200	-.00100	.20020	.04010
.599	7.970	.00000	.03000	.20340	.02900	.01970	.00280	-.00200	-.00100	.20020	.04070
.600	9.970	.00000	.03000	.20220	.02870	.01980	.00230	-.00200	-.00100	.19900	.04050
.601	11.350	.00000	.03000	.20290	.02750	.01990	.00340	-.00200	-.00100	.19970	.04070
.600	12.730	.00000	.02000	.20300	.02590	.01970	.00180	-.00210	-.00100	.19990	.04040
.598	14.110	.00000	.02000	.20340	.02640	.02030	.00260	-.00200	-.00100	.20020	.04110
.594	15.490	.00000	.02000	.20680	.02580	.02040	.00250	-.00220	-.00100	.20360	.04150
.599	16.870	.00000	.01000	.20520	.02550	.02030	.00240	-.00200	-.00090	.20200	.04110
.597	18.250	.00000	.01000	.20490	.02510	.02060	.00270	-.00190	-.00100	.20170	.04140
.600	19.630	.00000	.01000	.20350	.02470	.02050	.00220	-.00200	-.00080	.20030	.04120
.599	21.010	.00000	.01000	.20480	.02410	.02110	.00130	-.00200	-.00080	.20160	.04180
.599	22.390	.00000	.00000	.20450	.02400	.02100	.00190	-.00210	-.00080	.20140	.04180
.597	23.760	.00000	.00000	.20610	.02380	.02130	.00170	-.00200	-.00070	.20290	.04210
.601	25.140	.00000	.00000	.20500	.02380	.02130	.00130	-.00210	-.00070	.20170	.04200
.600	26.510	.00000	-.01000	.20580	.02310	.02130	.00240	-.00190	-.00080	.20260	.04200
.599	27.890	.00000	-.01000	.20740	.02350	.02120	.00230	-.00200	-.00070	.20410	.04210
.600	29.270	.00000	-.01000	.20660	.02260	.02130	.00190	-.00200	-.00090	.20340	.04200
.602	30.650	.00000	-.01000	.20590	.02260	.02160	.00120	-.00210	-.00080	.20270	.04230
.601	32.030	.00000	-.02000	.20480	.02260	.02210	.00230	-.00180	-.00090	.20150	.04260
.601	33.420	.00000	-.02000	.20490	.02230	.02180	.00090	-.00210	-.00070	.20170	.04220
.601	34.800	.00000	-.02000	.20720	.02170	.02190	.00150	-.00190	-.00080	.20390	.04260
.601	36.170	.00000	-.02000	.20590	.02130	.02180	.00190	-.00200	-.00080	.20270	.04230
.600	37.550	.00000	-.02000	.20590	.02090	.02200	.00140	-.00200	-.00090	.20270	.04250
.599	38.930	.00000	-.03000	.20710	.02130	.02200	.00170	-.00200	-.00070	.20380	.04270
.599	40.310	.00000	-.03000	.20620	.02190	.02260	.00130	-.00210	-.00060	.20290	.04310
.601	41.690	.00000	-.03000	.20670	.02120	.02270	.00090	-.00210	-.00070	.20340	.04330
.601	43.070	.00000	-.05000	.20670	.02110	.02260	-.00100	-.00170	-.00070	.20340	.04310
.597	44.450	.00000	-.05000	.20700	.02080	.02260	.00090	-.00210	-.00060	.20380	.04310
.600	45.820	.00000	-.05000	.20720	.02130	.02260	-.00080	-.00220	-.00040	.20400	.04300
.598	47.200	.00000	-.05000	.20720	.02080	.02260	.00170	-.00200	-.00050	.20400	.04290
.599	48.580	.00000	-.06000	.20700	.02080	.02260	-.00020	-.00210	-.00040	.20370	.04300
.599	49.960	.00000	-.06000	.20680	.02010	.02320	.00010	-.00200	-.00030	.20350	.04350
.597	51.340	.00000	-.06000	.20870	.01990	.02300	.00000	-.00210	-.00030	.20540	.04350
.600	52.730	.00000	-.06000	.20820	.02040	.02260	.00050	-.00200	-.00040	.20500	.04300
.598	54.110	.00000	-.07000	.21060	.02120	.02320	.00030	-.00200	-.00050	.20730	.04380
GRADIENT		.00000	-.00189	-.00054	-.00153	.00011	.00013	-.00005	-.00004	-.00093	.00000

LTV44-559(CA26) 747/1 ATY 06 S1 (ORBITER DATA)

(WFE126) ( 29 JAN 76 )

## REFERENCE DATA

SREF = 2690.0000 SQ.FT. XMRP = 1109.0000 IN. XO  
 LREF = 474.8100 IN. YMRP = .0000 IN. YO  
 BREF = 936.6800 IN. ZMRP = 375.0000 IN. ZO  
 SCALE = .0125

## PARAMETRIC DATA

ALPHAC = .000 BETAC = .000  
 STAB = 5.000 RUDDER = .000  
 ELEVON = .000 DX = .000  
 DY = .000 IORB = 8.000  
 BETAO = .000 DPFI = .000

RUN NO. 89/ 0 RN/L = .00 GRADIENT INTERVAL = -5.00/ 5.00

MACH	DZ	DY	DX	CN	CLM	CA	CY	CYN	CBL	CL	CD
.599	1.760	.00000	.05000	.30750	.04740	.00710	.00090	-.00160	-.00180	.30360	.04980
.600	2.360	.00000	.05000	.30630	.04730	.00710	.00100	-.00150	-.00170	.30240	.04940
.600	2.970	.00000	.03000	.30220	.04560	.00730	.00190	-.00170	-.00180	.29830	.04930
.600	3.960	.00000	.03000	.30440	.04600	.00710	.00120	-.00160	-.00180	.30050	.04930
.599	4.960	.00000	.03000	.30390	.04360	.00730	.00250	-.00180	-.00190	.29990	.04930
.598	6.210	.00000	.03000	.30320	.04320	.00770	.00240	-.00180	-.00190	.29930	.04950
.598	7.460	.00000	.03000	.30230	.04250	.00770	.00190	-.00190	-.00180	.29840	.04930
.600	8.710	.00000	.02000	.29990	.04080	.00760	.00240	-.00200	-.00180	.29600	.04880
.598	9.960	.00000	.02000	.30450	.03810	.00810	.00220	-.00170	-.00180	.30050	.05000
.599	11.290	.00000	.02000	.30010	.03770	.00790	.00260	-.00190	-.00180	.29620	.04900
.600	12.600	.00000	.02000	.30020	.03720	.00840	.00280	-.00180	-.00180	.29620	.04950
.599	13.920	.00000	.02000	.30140	.03650	.00830	.00300	-.00180	-.00180	.29740	.04970
.599	15.240	.00000	.02000	.30140	.03540	.00880	.00220	-.00190	-.00180	.29740	.05010
.599	16.570	.00000	.01000	.30060	.03490	.00930	.00230	-.00170	-.00170	.29650	.05050
.600	17.890	.00000	.01000	.30160	.03450	.00900	.00180	-.00170	-.00160	.29750	.05030
.600	19.210	.00000	.01000	.30070	.03430	.00920	.00170	-.00190	-.00170	.29660	.05030
.601	20.530	.00000	.01000	.30110	.03380	.00950	.00210	-.00180	-.00150	.29700	.05070
.601	21.840	.00000	.00000	.30140	.03290	.00920	.00290	-.00180	-.00160	.29730	.05030
.600	23.160	.00000	.00000	.30480	.03270	.00940	.00260	-.00170	-.00170	.30070	.05090
.600	24.480	.00000	.00000	.30250	.03250	.00970	.00260	-.00160	-.00160	.29830	.05100
.600	25.800	.00000	.00000	.30300	.03260	.00970	.00250	-.00170	-.00150	.29880	.05090
.600	27.130	.00000	-.01000	.30160	.03180	.00990	.00230	-.00180	-.00150	.29750	.05090
.600	28.450	.00000	-.01000	.30150	.03170	.01030	.00130	-.00180	-.00150	.29730	.05120
.599	29.770	.00000	-.01000	.30260	.03150	.01030	.00180	-.00180	-.00160	.29840	.05140
.599	31.080	.00000	-.01000	.30160	.03120	.01040	.00230	-.00170	-.00150	.29740	.05110
.598	32.410	.00000	-.02000	.30180	.03130	.01070	.00260	-.00180	-.00140	.29750	.05150
.602	33.730	.00000	-.02000	.29910	.03070	.01030	.00280	-.00170	-.00150	.29490	.05070
.602	35.050	.00000	-.02000	.29900	.03090	.01080	.00120	-.00180	-.00140	.29480	.05100
.599	36.370	.00000	-.02000	.30310	.03090	.01090	.00210	-.00180	-.00150	.29890	.05180
.598	37.690	.00000	-.02000	.30280	.02990	.01090	.00130	-.00190	-.00140	.29860	.05150
.599	39.010	.00000	-.03000	.30030	.02980	.01120	.00130	-.00200	-.00130	.29610	.05150
.598	40.330	.00000	-.03000	.30450	.03000	.01110	.00150	-.00180	-.00120	.30020	.05210
.599	41.650	.00000	-.03000	.30340	.02930	.01130	.00120	-.00190	-.00130	.29920	.05200
.599	42.970	.00000	-.03000	.30460	.02950	.01140	.00220	-.00190	-.00140	.30030	.05220
.600	44.290	.00000	-.05000	.30280	.02900	.01120	.00230	-.00170	-.00130	.29860	.05180
.599	45.620	.00000	-.05000	.30350	.02950	.01160	.00240	-.00180	-.00120	.29920	.05220
.600	46.940	.00000	-.05000	.30310	.02890	.01150	.00170	-.00180	-.00120	.29890	.05200
.600	48.260	.00000	-.05000	.30210	.02910	.01200	.00130	-.00170	-.00130	.29780	.05230
.598	49.570	.00000	-.05000	.30300	.02890	.01190	.00160	-.00180	-.00120	.29860	.05240
.601	50.890	.00000	-.06000	.30130	.02830	.01170	.00040	-.00190	-.00110	.29700	.05170
.601	52.220	.00000	-.06000	.30260	.02890	.01150	.00100	-.00170	-.00120	.29830	.05190
.601	53.540	.00000	-.06000	.30300	.02840	.01180	.00160	-.00170	-.00100	.29880	.05210

ORIGINAL PAGE IS  
 OF POOR QUALITY

LTV44-559(CA26) 747/1 ATY 06 S1 (ORBITER DATA)

(WFE126) ( 29 JAN 76 )

## REFERENCE DATA

SREF = 2690.0000 SQ.FT. XMRP = 1109.0000 IN. XO  
 LREF = 474.8100 IN. YMRP = .0000 IN. YO  
 BREF = 936.6800 IN. ZMRP = 375.0000 IN. ZO  
 SCALE = .0125

## PARAMETRIC DATA

ALPHAC = .000 BETAC = .000  
 STAB = 5.000 RUDDER = .000  
 ELEVON = .000 DX = .000  
 DY = .000 TORB = 8.000  
 BETAO = .000 DPHI = .000

RUN NO. 89/ 0 RN/L = .00 GRADIENT INTERVAL = -5.00/ 5.00

MACH	DZ	DY	DX	CN	CLM	CA	CY	CYN	CBL	CL	CD
.600	54.860	.00000	-.07000	.30300	.02850	.01210	.00180	-.00180	-.00100	.29860	.05250
.599	56.180	.00000	-.07000	.30150	.02770	.01220	.00020	-.00190	-.00100	.29720	.05200
.599	57.500	.00000	-.07000	.30240	.02780	.01220	.00090	-.00180	-.00090	.29810	.05210
.599	58.820	.00000	-.09000	.30310	.02790	.01240	.00180	-.00150	-.00100	.29870	.05260
.599	60.140	.00000	-.09000	.30150	.02690	.01330	.00160	-.00170	-.00100	.29710	.05290
.599	61.460	.00000	-.09000	.30050	.02710	.01250	-.00010	-.00170	-.00090	.29620	.05210
	GRADIENT	.00000	-.00702	-.00099	-.00111	.00005	.00042	-.00006	-.00004	-.00102	-.00012

LTV44-559(CA26) 747/1 ATY 05 S1 (ORBITER DATA)

(WFE127) ( 29 JAN 76 )

## REFERENCE DATA

SREF = 2690.0000 SQ.FT. XMRP = 1109.0000 IN. XO  
 LREF = 474.8100 IN. YMRP = .0000 IN. YO  
 BREF = 936.6800 IN. ZMRP = 375.0000 IN. ZO  
 SCALE = .0125

## PARAMETRIC DATA

ALPHAC = 2.000 BETAC = .000  
 STAB = 5.000 RUDDER = .000  
 ELEVON = .000 DX = .000  
 DY = .000 IORB = 6.000  
 BETAO = .000 DPHI = 7.500

RUN NO. 90/ 0 RN/L = .00 GRADIENT INTERVAL = -5.00/ 5.00

MACH	DZ	DY	DX	CN	CLM	CA	CY	CYN	CBL	CL	CD
.605	1.760	.00000	.00000	.28030	.04630	.00710	.00120	-.00250	-.00110	.27610	.04910
.605	2.360	.00000	.00000	.28020	.04760	.00740	.00060	-.00250	-.00090	.27590	.04930
.604	2.970	.00000	.00000	.27520	.04810	.00730	-.00060	-.00230	-.00050	.27100	.04840
.606	3.760	.00000	.00000	.27300	.04770	.00760	-.00020	-.00240	-.00040	.26870	.04850
.604	4.560	.00000	.00000	.27670	.04660	.00760	-.00040	-.00230	-.00050	.27240	.04890
.604	5.470	.00000	.00000	.27750	.04550	.00770	-.00030	-.00240	-.00040	.27320	.04930
.606	6.460	.00000	.00000	.27580	.04430	.00780	.00010	-.00230	-.00050	.27160	.04990
.605	7.460	.00000	.00000	.27670	.04390	.00770	.00000	-.00240	-.00050	.27240	.04890
.605	8.460	.00000	.00000	.27870	.04260	.00790	-.00030	-.00250	-.00050	.27440	.04960
.605	9.460	.00000	.00000	.27940	.04170	.00780	-.00030	-.00240	-.00060	.27510	.04950
.605	10.560	.00000	.00000	.28010	.03970	.00780	.00030	-.00260	-.00060	.27590	.04950
.605	11.740	.00000	.00000	.28020	.04000	.00790	.00100	-.00260	-.00060	.27590	.04960
.605	12.930	.00000	.00000	.28220	.03940	.00790	.00130	-.00240	-.00070	.27790	.04990
.605	14.110	.00000	.00000	.28410	.03990	.00790	.00070	-.00260	-.00060	.27980	.05010
.604	15.300	.00000	.00000	.28580	.03820	.00820	-.00020	-.00270	-.00080	.28140	.05070
.605	16.490	.00000	.00000	.28610	.03790	.00840	.00020	-.00250	-.00070	.28160	.05090
.602	17.670	.00000	.00000	.28850	.03820	.00850	.00010	-.00270	-.00070	.28400	.05120
.604	18.860	.00000	.00000	.28770	.03770	.00850	.00000	-.00260	-.00070	.28320	.05110
.605	20.040	.00000	.00000	.28830	.03710	.00900	.00020	-.00260	-.00080	.28380	.05170
.605	21.230	.00000	.00000	.28990	.03690	.00870	-.00070	-.00270	-.00080	.28540	.05160
.605	22.410	.00000	.01000	.29060	.03660	.00900	-.00060	-.00270	-.00070	.28610	.05200
.604	23.600	.00000	.01000	.29150	.03600	.00910	.00100	-.00250	-.00090	.28690	.05220
.606	24.780	.00000	.01000	.28970	.03600	.00930	-.00060	-.00270	-.00070	.28510	.05210
.605	25.970	.00000	.01000	.29220	.03640	.00880	-.00010	-.00250	-.00070	.28770	.05180
.604	27.150	.00000	.01000	.29230	.03560	.00920	-.00080	-.00250	-.00070	.28770	.05240
.606	28.340	.00000	.01000	.29390	.03570	.00940	-.00060	-.00260	-.00070	.28920	.05280
.605	29.520	.00000	.01000	.29610	.03510	.00950	.00020	-.00230	-.00090	.29140	.05310
.607	30.710	.00000	.01000	.29730	.03490	.00920	-.00020	-.00270	-.00080	.29270	.05290
.606	31.900	.00000	.01000	.29630	.03510	.00950	-.00090	-.00260	-.00070	.29170	.05300
.605	33.080	.00000	.01000	.29800	.03460	.00970	-.00090	-.00260	-.00070	.29330	.05350
.608	34.270	.00000	.01000	.29640	.03430	.00970	-.00100	-.00250	-.00090	.29170	.05330
.607	35.450	.00000	.01000	.29850	.03430	.01000	-.00140	-.00290	-.00080	.29380	.05370
.606	36.640	.00000	.01000	.30110	.03400	.01000	.00040	-.00270	-.00080	.29630	.05410
.605	37.820	.00000	.01000	.30240	.03470	.00980	.00040	-.00290	-.00090	.29760	.05410
.605	39.010	.00000	.01000	.30520	.03530	.00970	.00060	-.00290	-.00100	.30050	.05440
.606	40.200	.00000	.02000	.30260	.03420	.01000	.00080	-.00280	-.00090	.29780	.05430
.606	41.380	.00000	.02000	.30190	.03410	.01040	.00040	-.00280	-.00100	.29710	.05450
.605	42.570	.00000	.02000	.30340	.03220	.01020	.00030	-.00280	-.00110	.29860	.05450
.605	43.750	.00000	.02000	.30430	.03320	.01040	.00010	-.00270	-.00090	.29950	.05480
.603	44.940	.00000	.02000	.30670	.03340	.01040	-.00120	-.00270	-.00080	.30190	.05500
.604	46.130	.00000	.02000	.30700	.03310	.01050	-.00210	-.00280	-.00090	.30210	.05530
.603	47.310	.00000	.02000	.30690	.03270	.01120	-.00050	-.00270	-.00080	.30200	.05570

LTV44-559(CA26) 747/1 ATY 06 S1 (ORBITER DATA)

(WFE127) ( 29 JAN 76 )

## REFERENCE DATA

SREF = 2690.0000 SQ.FT. XMRP = 1109.0000 IN. XO  
 LREF = 474.8100 IN. YMRP = .0000 IN. YO  
 BREF = 936.6800 IN. ZMRP = 375.0000 IN. ZO  
 SCALE = .0125

## PARAMETRIC DATA

ALPHAC = 2.000 BETAC = .000  
 STAB = 5.000 RUDDER = .000  
 ELEVON = .000 DX = .000  
 DY = .000 IORB = 6.000  
 BETA0 = .000 DPH1 = 7.500

RUN NO. 90/ 0 RN/L = .00 GRADIENT INTERVAL = -5.00/ 5.00

MACH	DZ	DY	DX	CN	CLM	CA	CY	CYN	CBL	CL	CD
.603	48.500	.00000	.02000	.30540	.03150	.01100	-.00250	-.00290	-.00060	.30050	.05520
.606	49.680	.00000	.02000	.30410	.03070	.01110	-.00040	-.00250	-.00070	.29930	.05530
.604	50.870	.00000	.02000	.30770	.03210	.01090	-.00170	-.00260	-.00080	.30290	.05560
.604	51.460	.00000	.02000	.30860	.03100	.01080	-.00260	-.00260	-.00090	.30370	.05550
	GRADIENT	.00000	.00000	-.00195	.00005	.00017	-.00054	.00007	.00023	-.00198	-.00016

LTV44-559(CA26) 747/1 ATY 02 S1 (ORBITER DATA)

(WFE128) ( 29 JAN 76 )

## REFERENCE DATA

SREF = 2690.0000 SQ.FT. XMRP = 1109.0000 IN. XO  
 LREF = 474.8100 IN. YMRP = .0000 IN. YO  
 BREF = 936.6800 IN. ZMRP = 375.0000 IN. ZO  
 SCALE = .0125

## PARAMETRIC DATA

ALPHAC = 2.000 BETAC = .000  
 STAB = 5.000 ELEVON = 5.000  
 RUDDER = .000 DX = .000  
 DY = .000 IORB = 6.000  
 BETAC = .000 OPHI = 7.500

RUN NO. 917 0 RN/L = .00 GRADIENT INTERVAL = -5.00/ 5.00

MACH	DZ	DY	DX	CN	CLM	CA	CY	CYN	CBL	-CL	CD
.605	1.760	.00000	-.01000	.34730	.02800	.02840	-.00550	-.00120	-.00010	.33920	.08020
.605	2.360	.00000	-.01000	.34670	.02790	.02840	-.00540	-.00110	.00000	.33860	.07990
.605	2.970	.00000	-.01000	.34900	.02720	.02860	-.00530	-.00100	-.00010	.34080	.08050
.605	3.760	.00000	-.01000	.34660	.02690	.02890	-.00540	-.00110	-.00010	.33840	.08030
.606	4.560	.00000	-.01000	.34760	.02560	.02880	-.00570	-.00130	-.00020	.33940	.08050
.606	5.470	.00000	-.01000	.34940	.02450	.02890	-.00610	-.00140	-.00020	.34110	.08070
.607	6.460	.00000	-.01000	.34770	.02400	.02920	-.00520	-.00110	-.00020	.33940	.08080
.609	7.460	.00000	.00000	.34740	.02390	.02890	-.00450	-.00120	-.00020	.33910	.08060
.607	8.460	.00000	.00000	.35130	.02360	.02920	-.00530	-.00120	-.00030	.34300	.08120
.606	9.460	.00000	.00000	.35170	.02260	.02970	-.00590	-.00130	-.00030	.34330	.08190
.607	10.560	.00000	.00000	.35040	.02210	.02950	-.00550	-.00130	-.00030	.34210	.08140
.606	11.740	.00000	.00000	.35130	.02150	.02990	-.00480	-.00120	-.00020	.34290	.08180
.606	12.930	.00000	.00000	.35340	.02120	.03000	-.00520	-.00130	-.00030	.34510	.08210
.605	14.110	.00000	.00000	.35330	.02080	.03060	-.00520	-.00120	-.00040	.34480	.08270
.606	15.300	.00000	.00000	.35550	.02120	.03030	-.00570	-.00130	-.00040	.34710	.08270
.608	16.490	.00000	.00000	.35420	.02030	.03040	-.00480	-.00110	-.00050	.34570	.08270
.607	17.670	.00000	.00000	.35820	.01990	.03060	-.00510	-.00120	-.00050	.34770	.08280
.606	18.860	.00000	.00000	.35900	.01980	.03080	-.00450	-.00110	-.00060	.34950	.08340
.607	20.040	.00000	.00000	.35610	.01930	.03120	-.00560	-.00130	-.00050	.34760	.08330
.607	21.230	.00000	.00000	.35810	.01880	.03130	-.00520	-.00120	-.00050	.34950	.08380
.606	22.410	.00000	.01000	.35910	.01880	.03150	-.00520	-.00120	-.00050	.35050	.08430
.607	23.600	.00000	.01000	.36060	.01880	.03130	-.00460	-.00120	-.00050	.35200	.08420
.606	24.780	.00000	.01000	.36170	.01860	.03150	-.00410	-.00110	-.00060	.35310	.08450
.604	25.970	.00000	.01000	.36340	.01880	.03170	-.00530	-.00120	-.00060	.35480	.08480
.606	27.150	.00000	.01000	.36310	.01840	.03170	-.00550	-.00130	-.00070	.35440	.08490
.606	28.340	.00000	.01000	.36330	.01770	.03200	-.00430	-.00120	-.00050	.35460	.08500
.606	29.520	.00000	.01000	.36520	.01800	.03170	-.00580	-.00120	-.00060	.35660	.08490
.606	30.710	.00000	.01000	.36710	.01770	.03210	-.00560	-.00130	-.00040	.35840	.08570
.607	31.900	.00000	.01000	.36810	.01760	.03200	-.00470	-.00110	-.00060	.35950	.08560
.607	33.080	.00000	.01000	.36740	.01720	.03200	-.00470	-.00110	-.00070	.35880	.08540
.606	34.270	.00000	.01000	.36860	.01740	.03260	-.00650	-.00130	-.00050	.35990	.08600
.604	35.450	.00000	.01000	.37240	.01690	.03290	-.00400	-.00110	-.00070	.36360	.08700
.607	36.640	.00000	.01000	.36870	.01640	.03300	-.00540	-.00120	-.00060	.35990	.08660
.607	37.820	.00000	.01000	.37050	.01650	.03300	-.00590	-.00130	-.00040	.36170	.08680
.606	39.010	.00000	.01000	.37200	.01630	.03290	-.00590	-.00120	-.00050	.36320	.08680
.608	40.200	.00000	.01000	.37200	.01650	.03260	-.00520	-.00130	-.00060	.36320	.08660
.608	41.380	.00000	.02000	.37120	.01620	.03260	-.00630	-.00130	-.00050	.36250	.08630
.607	42.570	.00000	.02000	.37270	.01620	.03270	-.00520	-.00120	-.00050	.36400	.08640
.606	43.750	.00000	.02000	.37480	.01650	.03270	-.00590	-.00130	-.00040	.36610	.08680
.606	44.940	.00000	.02000	.37270	.01560	.03340	-.00620	-.00130	-.00050	.36390	.08730
.606	46.130	.00000	.02000	.37450	.01530	.03330	-.00480	-.00120	-.00040	.36570	.08740
.607	47.310	.00000	.02000	.37690	.01540	.03310	-.00530	-.00120	-.00070	.36800	.08750

LTV44-559(CA26) 747/1 ATY 02 S1 (ORBITER DATA)

(WFE128) ( 29 JAN 76 )

## REFERENCE DATA

SREF = 2690.0000 SQ.FT. XMRP = 1109.0000 IN. XO  
 LREF = 474.8100 IN. YMRP = .0000 IN. YO  
 BREF = 936.6800 IN. ZMRP = 375.0000 IN. ZO  
 SCALE = .0125

## PARAMETRIC DATA

ALPHAC = 2.000 BETAC = .000  
 STAB = 5.000 ELEVON = 5.000  
 RUDDER = .000 DX = .000  
 DY = .000 TORB = 6.000  
 BETA0 = .000 DPHI = 7.500

RUN NO. 91/ 0 RN/L = .00 GRADIENT INTERVAL = -5.00/ 5.00

MACH	DZ	DY	DX	CN	CLM	CA	CY	CYN	CBL	CL	CD
.506	48.500	.00000	.02000	.37950	.01560	.03270	-.00440	-.00110	-.00070	.37070	.08750
.606	49.680	.00000	.02000	.37760	.01520	.03350	-.00390	-.00100	-.00070	.36870	.08790
.606	50.870	.00000	.02000	.37480	.01470	.03400	-.00560	-.00130	-.00040	.36590	.08800
.606	51.460	.00000	.02000	.37270	.01340	.03400	-.00590	-.00140	-.00030	.36390	.08750
	GRADIENT	.00000	.00000	.00004	-.00084	.00018	-.00007	-.00004	-.00004	.00000	.00014



LTV44-559(CA26) 747/1 ATY 02 S1 (ORBITER DATA)

(WFE129) ( 29 JAN 76 )

## REFERENCE DATA

SREF = 2690.0000 SQ.FT. XMRP = 1109.0000 IN. XO  
 LREF = 474.8100 IN. YMRP = .0000 IN. YO  
 BREF = 936.6800 IN. ZMRP = 375.0000 IN. ZO  
 SCALE = .0125

## PARAMETRIC DATA

ALPHAC = 2.000 BETAC = .000  
 STAB = 5.000 ELEVON = 5.000  
 RUDDER = .000 DX = .000  
 DY = .000 TORB = 6.000  
 BETAO = 5.000 DPH1 = 7.500

RUN NO. 92/ 0 RN/L = .00 GRADIENT INTERVAL = -5.00/ 5.00

MACH	DZ	DY	DX	CN	CLM	CA	CY	CYN	CBL	CL	CD
.604	1.760	.00000	-.01000	.32440	.02370	.03650	-.06110	-.01260	-.00050	.31520	.08480
.604	2.360	.00000	-.01000	.32460	.02330	.03700	-.06140	-.01280	-.00040	.31540	.08540
.605	2.970	.00000	-.01000	.32650	.02200	.03720	-.06160	-.01280	-.00010	.31720	.08580
.605	3.760	.00000	-.01000	.32420	.02130	.03740	-.06110	-.01270	-.00020	.31500	.08550
.604	4.560	.00000	-.01000	.32530	.02140	.03710	-.06140	-.01280	-.00010	.31610	.08550
.603	5.470	.00000	-.01000	.32880	.02020	.03720	-.06180	-.01280	.00000	.31950	.08610
.605	6.460	.00000	.00000	.32440	.01920	.03720	-.06120	-.01260	.00000	.31510	.08540
.605	7.460	.00000	.00000	.32740	.01910	.03690	-.06070	-.01250	.00000	.31820	.08560
.605	8.460	.00000	.00000	.33050	.01870	.03700	-.06160	-.01260	.00010	.32130	.08600
.604	9.460	.00000	.00000	.33120	.01780	.03730	-.06230	-.01270	.00010	.32190	.08640
.604	10.560	.00000	.00000	.33200	.01690	.03770	-.06230	-.01270	.00020	.32270	.08680
.605	11.740	.00000	.00000	.32940	.01720	.03750	-.06100	-.01250	.00020	.32010	.08630
.602	12.930	.00000	.00000	.33310	.01650	.03780	-.06100	-.01240	.00010	.32380	.08700
.603	14.110	.00000	.00000	.33340	.01630	.03780	-.06110	-.01240	.00010	.32410	.08690
.605	15.300	.00000	.00000	.33310	.01610	.03770	-.06100	-.01260	.00040	.32370	.08690
.605	16.490	.00000	.00000	.33270	.01560	.03780	-.06090	-.01250	.00030	.32340	.08690
.605	17.670	.00000	.00000	.33590	.01550	.03910	-.06090	-.01260	.00040	.32640	.08780
.605	18.860	.00000	.00000	.33890	.01510	.03830	-.06060	-.01240	.00020	.32940	.08830
.605	20.040	.00000	.00000	.33690	.01520	.03840	-.06090	-.01240	.00030	.32740	.08790
.604	21.230	.00000	.00000	.33990	.01440	.03880	-.06190	-.01250	.00020	.33040	.08870
.605	22.410	.00000	.01000	.33930	.01430	.03880	-.06070	-.01240	.00030	.32980	.08870
.605	23.600	.00000	.01000	.33990	.01400	.03900	-.06080	-.01240	.00020	.33040	.08880
.605	24.780	.00000	.01000	.34170	.01400	.03880	-.06070	-.01240	.00020	.33220	.08890
.605	25.970	.00000	.01000	.34260	.01380	.03920	-.06030	-.01230	.00020	.33310	.08930
.606	27.150	.00000	.01000	.34470	.01410	.03880	-.06180	-.01250	.00030	.33510	.08940
.605	28.340	.00000	.01000	.34600	.01400	.03900	-.06120	-.01230	.00030	.33650	.08950
.604	29.520	.00000	.01000	.34850	.01360	.03910	-.06170	-.01240	.00020	.33890	.09010
.606	30.710	.00000	.01000	.34610	.01340	.03910	-.06170	-.01240	.00030	.33660	.08960
.605	31.900	.00000	.01000	.34670	.01260	.03950	-.06250	-.01240	.00040	.33710	.09020
.605	33.080	.00000	.01000	.34790	.01260	.03950	-.06250	-.01240	.00040	.33830	.09040
.605	34.270	.00000	.01000	.34810	.01280	.03940	-.06090	-.01220	.00020	.33840	.09020
.604	35.450	.00000	.01000	.34950	.01290	.03950	-.06160	-.01230	.00020	.34000	.09030
.605	36.640	.00000	.01000	.34850	.01230	.03980	-.06300	-.01240	.00040	.33890	.09050
.604	37.820	.00000	.01000	.35020	.01230	.03970	-.06170	-.01200	.00020	.34050	.09070
.604	39.010	.00000	.01000	.35390	.01290	.03950	-.06100	-.01210	.00020	.34430	.09100
.606	40.200	.00000	.02000	.35220	.01220	.03960	-.06260	-.01230	.00030	.34260	.09060
.605	41.380	.00000	.01000	.35270	.01230	.03970	-.06260	-.01230	.00040	.34310	.09090
.605	42.570	.00000	.01000	.35090	.01130	.04020	-.06240	-.01220	.00040	.34130	.09090
.605	43.750	.00000	.02000	.35600	.01220	.03980	-.06350	-.01240	.00040	.34640	.09120
.605	44.940	.00000	.02000	.35430	.01140	.04000	-.06280	-.01210	.00040	.34470	.09120
.605	46.130	.00000	.02000	.35350	.01150	.04010	-.06150	-.01210	.00040	.34390	.09120
.607	47.310	.00000	.02000	.35090	.01070	.04020	-.06200	-.01220	.00020	.34130	.09080

ORIGINAL PAGE IS  
OF POOR QUALITY

LTV44-559(CA26) 747/1 ATY 02 S1 (ORBITER DATA)

(WFE129) ( 29 JAN 76 )

## REFERENCE DATA

SREF = 2690.0000 SQ.FT. XMRP = 1109.0000 IN. XO  
 LREF = 474.8100 IN. YMRP = .0000 IN. YO  
 BREF = 936.6800 IN. ZMRP = 375.0000 IN. ZO  
 SCALE = .0125

## PARAMETRIC DATA

ALPHAC = 2.000 BETAC = .000  
 STAB = 5.000 ELEVON = 5.000  
 RUDDER = .000 DX = .000  
 DY = .000 IORB = 6.000  
 BETA0 = 5.000 DPHI = 7.500

RUN NO. 92/ 0 RN/L = .00 GRADIENT INTERVAL = -5.00/ 5.00

MACH	DZ	DY	DX	CN	CLM	CA	CY	CYN	CBL	CL	CD
.605	48.500	.00000	.02000	.35220	.01080	.04060	-.06370	-.01270	.00040	.34260	.09140
.606	49.680	.00000	.02000	.34970	.00980	.04060	-.06320	-.01260	.00050	.34010	.09100
.606	50.870	.00000	.02000	.35450	.01020	.04020	-.06010	-.01210	.00000	.34480	.09140
.604	51.460	.00000	.02000	.35450	.00920	.04080	-.06210	-.01250	.00020	.34480	.09190
	GRADIENT	.00000	.00000	.00017	-.00092	.00021	-.00003	-.00004	.00014	.00017	.00020

LTV44-559(CA26) 747/1 ATY 02 S1 (ORBITER DATA)

(WFE130) ( 29 JAN 76 )

## REFERENCE DATA

SREF = 2690.0000 SQ.FT. XMRP = 1109.0000 IN. XO  
 LREF = 474.8100 IN. YMRP = .0000 IN. YO  
 BREF = 936.6800 IN. ZMRP = 375.0000 IN. ZO  
 SCALE = .0125

## PARAMETRIC DATA

ALPHAC = 2.000 BETAC = -5.000  
 STAB = 5.000 ELEVON = 5.000  
 RUDDER = .000 DX = .000  
 DY = .000 TORB = 6.000  
 BETAO = .000 DPHI = 7.500

RUN NO. 93/ 0 RN/L = .00 GRADIENT INTERVAL = -5.00/ 5.00

MACH	DZ	DY	DX	CN	CLM	CA	CY	CYN	CBL	CL	CD
.602	1.760	10.00000	-.01000	.33750	.02940	.03360	-.00940	.00090	.00680	.32860	.08390
.603	2.360	10.00000	.00000	.33630	.02980	.03360	-.00940	.00090	.00670	.32750	.08360
.601	2.970	10.00000	-.01000	.33430	.02910	.03370	-.00960	.00080	.00590	.32550	.08340
.603	3.760	10.00000	.00000	.33380	.02870	.03350	-.00890	.00070	.00590	.32500	.08300
.604	4.560	10.00000	.00000	.33340	.02850	.03350	-.00900	.00070	.00550	.32460	.08310
.604	5.470	10.00000	-.01000	.33540	.02680	.03390	-.00940	.00050	.00480	.32650	.08380
.603	6.460	10.00000	-.01000	.33690	.02670	.03370	-.00890	.00050	.00460	.32810	.08360
.603	7.460	10.00000	-.01000	.33960	.02570	.03390	-.00780	.00060	.00430	.33070	.08440
.602	8.460	10.00000	-.01000	.34070	.02550	.03420	-.00830	.00050	.00380	.33180	.08470
.603	9.460	10.00000	-.01000	.34050	.02460	.03400	-.00850	.00040	.00360	.33170	.08430
.603	10.560	10.00000	-.01000	.34200	.02420	.03430	-.00790	.00030	.00310	.33310	.08500
.603	11.740	10.00000	-.01000	.34160	.02390	.03460	-.00810	.00030	.00310	.33260	.08510
.601	12.930	10.00000	-.01000	.34740	.02340	.03460	-.00780	.00010	.00280	.33840	.08590
.603	14.110	10.00000	-.01000	.34550	.02280	.03420	-.00710	.00020	.00260	.33650	.08520
.601	15.300	10.00000	-.01000	.34730	.02290	.03500	-.00750	.00020	.00240	.33930	.08620
.601	16.490	10.00000	-.01000	.34920	.02220	.03510	-.00700	.00010	.00210	.34010	.08660
.602	17.670	10.00000	-.01000	.35250	.02200	.03490	-.00700	.00000	.00190	.34350	.08670
.602	18.860	10.00000	-.01000	.35430	.02200	.03500	-.00620	.00000	.00160	.34520	.08710
.603	20.040	10.00000	-.01000	.35290	.02150	.03500	-.00610	-.00010	.00140	.34380	.08700
.604	21.230	10.00000	-.01000	.35290	.02140	.03480	-.00750	-.00020	.00130	.34380	.08660
.601	22.410	10.00000	.00000	.35480	.02060	.03540	-.00710	-.00010	.00120	.34560	.08740
.600	23.600	10.00000	.00000	.35740	.02060	.03580	-.00640	-.00020	.00110	.34820	.08810
.602	24.780	10.00000	.00000	.35540	.02010	.03600	-.00660	-.00020	.00100	.34620	.08800
.604	25.970	10.00000	.00000	.35530	.02000	.03550	-.00640	-.00040	.00080	.34620	.08760
.603	27.150	10.00000	.00000	.35660	.01950	.03570	-.00590	-.00020	.00060	.34740	.08770
.602	28.340	10.00000	.00000	.36030	.01960	.03570	-.00610	-.00030	.00050	.35110	.08850
.603	29.520	10.00000	.00000	.35920	.01950	.03580	-.00610	-.00040	.00040	.35000	.08820
.603	30.710	10.00000	.00000	.36180	.01930	.03600	-.00670	-.00050	.00030	.35250	.08890
.604	31.900	10.00000	.00000	.36130	.01900	.03590	-.00620	-.00050	.00020	.35210	.08870
.603	33.080	10.00000	.00000	.36190	.01850	.03630	-.00750	-.00070	.00020	.35260	.08890
.604	34.270	10.00000	.00000	.36080	.01800	.03640	-.00670	-.00060	.00020	.35160	.08890
.604	35.460	10.00000	.00000	.36430	.01800	.03660	-.00520	-.00050	.00000	.35500	.08960
.604	36.640	10.00000	.00000	.36220	.01760	.03670	-.00610	-.00060	.00000	.35290	.08940
.603	37.820	10.00000	.00000	.36690	.01810	.03640	-.00420	-.00030	-.00040	.35760	.08980
.603	39.010	10.00000	.00000	.36970	.01790	.03630	-.00440	-.00040	-.00030	.36040	.08990
.604	40.200	10.00000	.01000	.36460	.01700	.03590	-.00390	-.00040	-.00040	.35530	.08970
.602	41.380	10.00000	.01000	.36800	.01700	.03660	-.00400	-.00050	-.00040	.35870	.08980
.602	42.570	10.00000	.01000	.36750	.01700	.03650	-.00450	-.00070	-.00030	.35820	.08970
.602	43.750	10.00000	.01000	.36600	.01570	.03750	-.00360	-.00050	-.00060	.35660	.09040
.603	44.940	10.00000	.01000	.36730	.01590	.03660	-.00430	-.00050	-.00050	.35810	.08970
.602	46.130	10.00000	.01000	.37160	.01620	.03660	-.00510	-.00060	-.00040	.36240	.09030
.603	47.310	10.00000	.01000	.36780	.01570	.03690	-.00280	-.00030	-.00070	.35850	.09010

LTV44-559(CA26) 747/1 ATY 02 S1 (ORBITER DATA)

(WFE130) ( 29 JAN 76 )

## REFERENCE DATA

SREF = 2690.0000 SQ.FT. XMRP = 1109.0000 IN. XO  
 LREF = 474.8100 IN. YMRP = .0000 IN. YO  
 BREF = 936.6800 IN. ZMRP = 375.0000 IN. ZO  
 SCALE = .0125

## PARAMETRIC DATA

ALPHAC = 2.000 BETAC = -5.000  
 STAB = 5.000 ELEVON = 5.000  
 RUDDER = .000 DX = .000  
 DY = .000 IORB = 6.000  
 BETAO = .000 OPFI = 7.500

RUN NO. 93/ 0 RN/L = .00 GRADIENT INTERVAL = -5.00/ 5.00

MACH	DZ	DY	DX	CN	CLM	CA	CY	CYN	CBL	CL	CD
.600	48.500	10.00000	.01000	.37060	.01540	.03730	-.00360	-.00030	-.00080	.36130	.09060
.602	49.680	10.00000	.01000	.37050	.01570	.03660	-.00420	-.00050	-.00070	.36120	.09010
.602	50.870	10.00000	.01000	.37440	.01570	.03640	-.00430	-.00050	-.00060	.36510	.09040
.602	51.460	10.00000	.01000	.37010	.01450	.03780	-.00650	-.00090	-.00050	.36080	.09100
	GRADIENT	.00000	.00291	-.00149	-.03042	-.00005	.00019	-.00009	-.00048	-.00146	-.00031

LTV44-559(CA26) 02 S1

(WFE131) ( 29 JAN 76 )

REFERENCE DATA

SREF = 2690.0000 SQ.FT. XMRP = 1109.0000 IN. XO  
 LREF = 474.8100 IN. YMRP = .0000 IN. YO  
 BREF = 936.6800 IN. ZMRP = 375.0000 IN. ZO  
 SCALE = .0125

PARAMETRIC DATA

BETA0 = 5.000 ELEVON = 5.000  
 BDFLAP = .000

RUN NO. 94/ 0 RN/L = .00 GRADIENT INTERVAL = -5.00/ 5.00

MACH	INCID	CN	CLM	CA	CY	CYN	CBL	CL	CD
.597	-2.340	.03150	-.01370	.06090	-.06520	-.01250	.00720	.03140	.06100
.599	-1.950	.04990	-.01250	.06030	-.06600	-.01260	.00690	.04930	.06080
.601	-1.540	.06630	-.01200	.05960	-.06540	-.01240	.00630	.06530	.06070
.604	-1.140	.08510	-.00990	.05890	-.06420	-.01230	.00610	.08360	.06090
.603	-.750	.10490	-.00910	.05840	-.06470	-.01220	.00550	.10310	.06150
.603	-.360	.12330	-.00770	.05710	-.06430	-.01220	.00520	.12100	.06170
.604	.050	.14100	-.00630	.05630	-.06470	-.01210	.00480	.13840	.06260
.603	.440	.16100	-.00530	.05520	-.06430	-.01200	.00430	.15800	.06340
.603	.830	.17970	-.00410	.05360	-.06430	-.01180	.00390	.17620	.06410
.604	1.220	.19930	-.00240	.05230	-.06420	-.01180	.00350	.19540	.06520
.603	1.620	.21270	-.00210	.05110	-.06360	-.01160	.00310	.20850	.06640
.599	2.030	.23460	.00010	.04950	-.06340	-.01170	.00280	.23000	.06800
.600	2.410	.25180	.00060	.04780	-.06350	-.01150	.00240	.24670	.06930
.598	2.800	.27170	.00230	.04630	-.06310	-.01150	.00190	.26630	.07140
.601	3.200	.28820	.00300	.04390	-.06200	-.01120	.00140	.28230	.07250
.600	3.610	.30620	.00470	.04250	-.06130	-.01120	.00100	.29990	.07500
.600	3.990	.32480	.00540	.04060	-.06070	-.01120	.00070	.31810	.07720
.599	4.390	.34590	.00650	.03870	-.06110	-.01120	.00020	.33870	.08010
.598	4.800	.36400	.00740	.03690	-.06110	-.01120	-.00020	.35630	.08300
.600	5.190	.38390	.00900	.03390	-.05980	-.01110	-.00060	.37590	.08520
.601	5.600	.40520	.01030	.03140	-.05950	-.01100	-.00110	.39670	.08840
.601	6.000	.42780	.01080	.02900	-.05980	-.01090	-.00140	.41870	.09210
.600	6.410	.44950	.01170	.02580	-.05970	-.01100	-.00160	.43980	.09630
.602	6.770	.46490	.01260	.02470	-.05940	-.01090	-.00170	.45480	.09950
.601	7.210	.48890	.01410	.02210	-.05910	-.01100	-.00190	.47810	.10450
.600	7.590	.50990	.01520	.01940	-.05880	-.01120	-.00200	.49860	.10870
.602	7.980	.53030	.01640	.01690	-.05850	-.01110	-.00230	.51830	.11320
.601	8.380	.55040	.01730	.01520	-.05780	-.01100	-.00250	.53760	.11910
.600	8.800	.57640	.01750	.01260	-.05860	-.01130	-.00270	.56270	.12560
.598	9.190	.59980	.01820	.01100	-.05910	-.01140	-.00300	.58510	.13260
.600	9.590	.62180	.01830	.00880	-.05870	-.01100	-.00290	.60610	.13910
.600	9.960	.64050	.01860	.00690	-.05920	-.01070	-.00290	.62390	.14520
.601	10.380	.66190	.01890	.00620	-.05950	-.01040	-.00260	.64380	.15380
.599	10.780	.68980	.01970	.00520	-.05990	-.01000	-.00200	.67000	.16390
.600	11.170	.70990	.02060	.00540	-.06180	-.00970	-.00140	.68840	.17340
.598	11.570	.73280	.02130	.00530	-.06230	-.00930	-.00110	.70940	.18370
.601	11.970	.74750	.02130	.00550	-.06210	-.00920	-.00090	.72230	.19250
.602	12.360	.76570	.02230	.00610	-.06370	-.00920	-.00050	.73840	.20260
.599	12.750	.79090	.02370	.00710	-.06380	-.00900	-.00010	.75100	.21520
.601	12.970	.79570	.02330	.00750	-.06410	-.00890	.00010	.76470	.21980
	GRADIENT	.04662	.00304	-.00344	.00067	.00021	-.00104	.04558	.00300

ORIGINAL PAGE IS  
OF POOR QUALITY

LTV44-559(CA26) 02 S1

(WFE132) ( 29 JAN 76 )

## REFERENCE DATA

SREF = 2690.0000 SQ.FT. XMRP = 1109.0000 IN. XO  
 LREF = 474.8100 IN. YMRP = .0000 IN. YO  
 BREF = 936.6800 IN. ZMRP = 375.0000 IN. ZO  
 SCALE = .0125

## PARAMETRIC DATA

BETA0 = .000 ELEVON = 5.000  
 BDFLAP = .000

RUN NO. 1094/ 0 RN/L = .00 GRADIENT INTERVAL = -5.00/ 5.00

MACH	INCID	CN	CLM	CA	CY	CYN	CBL	CL	CD
.601	-2.010	.03580	-.00900	.06350	-.00540	-.00110	.00040	.03530	.06380
.603	-1.610	.05670	-.00730	.06280	-.00500	-.00110	.00030	.05570	.06370
.600	-1.230	.07500	-.00690	.06260	-.00530	-.00110	.00020	.07360	.06430
.598	-.830	.09320	-.00560	.06220	-.00420	-.00090	.00010	.09130	.06490
.601	-.440	.11100	-.00440	.06060	-.00510	-.00110	.00000	.10870	.06460
.602	-.060	.13050	-.00290	.05990	-.00370	-.00090	-.00010	.12780	.06550
.600	.360	.15180	-.00120	.05910	-.00450	-.00090	-.00010	.14660	.06570
.601	.740	.16770	-.00050	.05750	-.00440	-.00090	-.00020	.16420	.06700
.601	1.150	.18790	.00080	.05550	-.00350	.00070	-.00030	.18400	.06750
.601	1.550	.20570	.00160	.05440	-.00390	-.00090	-.00040	.20130	.06890
.599	1.940	.22510	.00270	.05300	-.00330	-.00080	-.00050	.22020	.07040
.600	2.340	.24430	.00420	.05060	-.00370	-.00080	-.00060	.23910	.07120
.602	2.740	.25920	.00550	.04890	-.00330	-.00080	-.00060	.25360	.07250
.599	3.140	.27890	.00700	.04690	-.00340	-.00070	-.00060	.27290	.07420
.602	3.520	.29640	.00830	.04420	-.00340	-.00080	-.00060	.29010	.07520
.600	3.900	.31850	.00950	.04200	-.00240	-.00060	-.00060	.31180	.07740
.599	4.330	.33790	.01010	.03970	-.00270	-.00060	-.00080	.33080	.07980
.599	4.720	.35600	.01140	.03730	-.00280	-.00060	-.00100	.34840	.08200
.600	5.090	.37260	.01270	.03520	-.00170	-.00060	-.00130	.36460	.08420
.601	5.530	.39170	.01360	.03180	-.00280	-.00070	-.00130	.38340	.08630
.600	5.900	.41450	.01530	.02910	-.00230	-.00060	-.00150	.40580	.08860
.601	6.310	.43010	.01690	.02670	-.00160	-.00060	-.00140	.42090	.09240
.601	6.720	.44970	.01780	.02380	-.00210	-.00060	-.00120	.44000	.09580
.600	7.080	.47180	.01890	.02140	-.00150	-.00070	-.00120	.46160	.09990
.601	7.480	.49150	.01950	.01850	-.00190	-.00070	-.00090	.48080	.10360
.601	7.890	.51080	.02050	.01630	-.00200	-.00080	-.00100	.49940	.10840
.600	8.270	.53580	.02080	.01380	-.00130	-.00070	-.00080	.52370	.11400
.600	8.630	.55890	.02110	.01210	-.00210	-.00080	-.00070	.54600	.12020
.603	9.080	.58020	.02190	.01050	-.00180	-.00070	-.00080	.56620	.12700
.601	9.470	.60940	.02220	.00920	-.00090	-.00060	-.00090	.59420	.13570
.601	9.890	.63040	.02320	.00790	-.00080	-.00040	-.00120	.61390	.14320
.600	10.260	.65040	.02300	.00750	-.00190	-.00040	-.00100	.63260	.15140
.603	10.690	.66990	.02420	.00690	-.00180	-.00030	-.00090	.65060	.15990
.601	11.070	.69940	.02470	.00660	-.00170	-.00010	-.00130	.67820	.17090
.601	11.440	.71830	.02490	.00700	-.00210	-.00010	-.00070	.69540	.18020
.602	11.880	.74060	.02510	.00790	-.00130	-.00010	.00000	.71530	.19190
.601	12.250	.75850	.02620	.00880	-.00130	-.00020	.00030	.73110	.20210
.601	12.650	.78030	.02670	.00980	-.00290	-.00030	.00080	.75050	.21390
.600	13.070	.80150	.02600	.01120	-.00040	.00000	.00140	.76900	.22620
.601	13.380	.81630	.02580	.01220	-.00360	-.00020	.00190	.78130	.23550
	GRADIENT	.04723	.00306	-.00395	.00039	.00007	-.00018	.04620	.00262

LTV44-559(CA26) 02 SI

(WFE133) ( 29 JAN 76 )

REFERENCE DATA

PARAMETRIC DATA

SREF = 2690.0000 SQ.FT. XMRP = 1109.0000 IN. XO  
 LREF = 474.8100 IN. YMRP = .0000 IN. YO  
 BREF = 936.6800 IN. ZMRP = 375.0000 IN. ZO  
 SCALE = .0125

BETA0 = -5.000 ELEVON = 5.000  
 BOFLAP = .000

RUN NO. 2094/ 0 RN/L = .00 GRADIENT INTERVAL = -5.00/ 5.00

MACH	INCID	CN	CLM	CA	CY	CYN	CBL	CL	CD
.598	-2.470	.00810	-.01350	.06360	.05000	.00940	-.00650	.00810	.06360
.600	-2.120	.02630	-.01200	.06250	.05240	.00970	-.00650	.02590	.06270
.599	-1.740	.04040	-.01150	.06270	.05100	.00940	-.00610	.03960	.06330
.600	-1.340	.06090	-.01040	.06200	.05140	.00950	-.00590	.05960	.06320
.600	-.950	.08000	-.00920	.06130	.05210	.00950	-.00560	.07830	.06350
.601	-.550	.09630	-.00780	.06050	.05220	.00950	-.00550	.09420	.06380
.600	-.150	.11400	-.00650	.06010	.05230	.00960	-.00510	.11140	.06470
.605	.250	.13410	-.00520	.05790	.05230	.00940	-.00480	.13110	.06430
.599	.610	.15320	-.00480	.05800	.05280	.00960	-.00450	.14980	.06630
.601	1.050	.17200	-.00270	.05610	.05290	.00950	-.00420	.16820	.06670
.601	1.450	.19070	-.00120	.05470	.05280	.00940	-.00400	.18640	.06780
.601	1.840	.20720	-.00050	.05360	.05390	.00950	-.00370	.20260	.06920
.599	2.210	.22570	.00000	.05270	.05390	.00960	-.00340	.22060	.07110
.601	2.600	.24620	.00120	.05040	.05420	.00950	-.00320	.24070	.07220
.601	3.030	.26320	.00260	.04870	.05410	.00940	-.00310	.25720	.07400
.602	3.420	.28000	.00330	.04740	.05450	.00940	-.00290	.27350	.07620
.602	3.830	.30000	.00490	.04500	.05440	.00940	-.00250	.29320	.07800
.601	4.220	.31950	.00630	.04320	.05460	.00940	-.00210	.31220	.08050
.599	4.580	.34030	.00750	.04140	.05450	.00940	-.00170	.33250	.08320
.600	5.000	.35660	.00840	.03890	.05460	.00940	-.00150	.34840	.08530
.597	5.400	.38230	.01000	.03620	.05510	.00950	-.00120	.37370	.08860
.599	5.780	.39540	.01040	.03440	.05530	.00940	-.00090	.38620	.09120
.600	6.200	.41390	.01230	.03170	.05480	.00940	-.00070	.40420	.09410
.599	6.580	.43640	.01330	.02870	.05470	.00940	-.00050	.42630	.09740
.600	6.990	.45430	.01470	.02640	.05540	.00940	-.00050	.44370	.10120
.599	7.390	.47910	.01520	.02350	.05570	.00940	-.00030	.46790	.10570
.599	7.800	.49720	.01630	.02100	.05610	.00940	-.00030	.48540	.10990
.599	8.180	.51830	.01710	.01860	.05670	.00950	-.00010	.50580	.11460
.602	8.580	.53540	.01770	.01620	.05570	.00920	.00010	.52220	.11910
.600	9.010	.55330	.01790	.01400	.05620	.00950	.00060	.54910	.12640
.601	9.370	.58270	.01840	.01190	.05590	.00950	.00100	.56770	.13180
.601	9.770	.60600	.01840	.01050	.05630	.00970	.00120	.58980	.13930
.599	10.180	.63430	.01920	.00850	.05630	.00960	.00120	.61690	.14790
.598	10.580	.65600	.01990	.00740	.05750	.00960	.00130	.63720	.15610
.600	10.970	.67390	.02060	.00640	.05780	.00920	.00130	.65380	.16350
.599	11.350	.69750	.02070	.00640	.05930	.00870	.00110	.67550	.17370
.600	11.800	.71760	.02130	.00610	.06020	.00840	.00090	.69370	.18350
.599	12.140	.73950	.02040	.00680	.05930	.00850	.00030	.71360	.19390
.599	12.580	.75790	.02220	.00710	.05990	.00820	.00010	.72980	.20440
.600	12.930	.77870	.02300	.00780	.06090	.00810	-.00010	.74820	.21580
	GRADIENT	.04662	.00293	-.00325	.00054	-.00002	.00067	.04653	.00293

LTV44-559(CA26) 02 S1

(WFE134) ( 18 NOV 75 )

REFERENCE DATA

SREF = 2690.0000 SQ.FT. XMRP = 1109.0000 IN. XO  
 LREF = 474.8100 IN. YMRP = .0000 IN. YO  
 BREF = 936.6800 IN. ZMRP = 375.0000 IN. ZO  
 SCALE = .0125

PARAMETRIC DATA

BETA0 = .000 ELEVON = .000  
 BDFLAP = .000

RUN NO. 13/ 0 RN/L = .00 GRADIENT INTERVAL = -5.00/ 5.00

MACH	ALPHA0	BETA0	CN	CLM	CA	CY	CYN	CBL	CL	CD
.592	.070	.04000	-.06640	.02050	.05840	-.00770	-.00120	.00000	-.06650	.05830
.591	.420	.08000	-.05130	.02180	.05730	-.00820	-.00130	.00000	-.05170	.05690
.591	.800	.06000	-.03390	.02280	.05690	-.00700	-.00120	.00000	-.03470	.05540
.591	1.260	.07000	-.01010	.02410	.05560	-.00680	-.00120	.00000	-.01130	.05540
.591	1.690	.06000	.00990	.02540	.05460	-.00580	-.00110	.00000	.00830	.05490
.592	2.150	.06000	.02930	.02660	.05330	-.00590	-.00120	-.00020	.02730	.05440
.591	2.580	.06000	.05040	.02820	.05180	-.00590	-.00110	-.00020	.04800	.05400
.591	3.010	.05000	.07020	.02950	.05000	-.00530	-.00110	-.00020	.06750	.05360
.591	3.440	.03000	.09160	.03050	.04820	-.00600	-.00100	-.00010	.08850	.05360
.591	3.870	.03000	.11110	.03190	.04620	-.00500	-.00100	-.00030	.10780	.05360
.592	4.310	.03000	.13130	.03300	.04380	-.00460	-.00100	-.00030	.12760	.05360
.590	4.760	.05000	.15350	.03490	.04150	-.00470	-.00090	-.00020	.14950	.05410
.591	5.180	.03000	.17220	.03610	.03900	-.00400	-.00090	-.00030	.16800	.05440
.592	5.650	.07000	.19390	.03730	.03620	-.00480	-.00100	-.00040	.18940	.05510
.591	6.090	.06000	.21300	.03810	.03380	-.00400	-.00100	-.00060	.20820	.05620
.592	6.490	.04000	.23470	.03900	.03100	-.00430	-.00090	-.00040	.22970	.05740
.592	6.940	.06000	.25650	.04000	.02800	-.00350	-.00090	-.00040	.25120	.05880
.591	7.390	.04000	.27970	.04160	.02490	-.00330	-.00080	-.00030	.27420	.06070
.592	7.840	.05000	.29800	.04270	.02130	-.00290	-.00070	-.00040	.29230	.06180
.592	8.270	.04000	.31800	.04390	.01840	-.00280	-.00070	-.00030	.31210	.06400
.591	8.720	.03000	.34140	.04660	.01470	-.00350	-.00060	-.00020	.33520	.06630
.591	9.160	.02000	.35970	.04870	.01160	-.00350	-.00070	-.00010	.35320	.06880
.592	9.590	.05000	.37850	.05020	.00810	-.00290	-.00060	-.00020	.37180	.07110
.590	10.020	.01000	.39950	.05240	.00510	-.00270	-.00060	-.00020	.39250	.07460
.591	10.480	.03000	.42160	.05400	.00130	-.00260	-.00050	-.00020	.41430	.07800
.589	10.910	.04000	.44530	.05570	-.00170	-.00220	-.00050	-.00030	.43760	.08250
.591	11.380	.07000	.46720	.05620	-.00480	-.00110	-.00060	-.00040	.45900	.08750
.590	11.800	.02000	.49950	.05700	-.00760	-.00140	-.00070	-.00080	.48960	.09450
.591	12.260	.03000	.52450	.05740	-.01010	-.00070	-.00050	-.00100	.51470	.10150
.590	12.700	.02000	.54790	.05770	-.01130	-.00120	-.00030	-.00120	.53700	.10930
.590	13.160	.01000	.57410	.05770	-.01270	-.00110	-.00020	-.00100	.56190	.11830
.592	13.630	.04000	.59960	.05770	-.01300	-.00070	.00000	-.00060	.58580	.12860
.591	14.070	.01000	.62670	.05770	-.01230	-.00120	-.00030	-.00050	.61090	.14040
.590	14.500	.02000	.65170	.05830	-.01190	-.00120	-.00050	-.00040	.63390	.15160
.590	14.940	.02000	.67390	.05940	-.01180	-.00080	-.00050	-.00030	.65420	.16230
.590	15.400	.05000	.69370	.06030	-.01140	-.00100	-.00030	.00000	.67180	.17320
.591	15.830	.05000	.71340	.06180	-.01060	-.00120	-.00010	.00020	.68920	.18440
.590	16.280	.02000	.73740	.06310	-.01050	-.00050	-.00010	.00040	.71070	.19360
.590	16.710	.02000	.76090	.06350	-.00930	-.00100	.00000	.00050	.73150	.20990
.589	17.150	.01000	.78590	.06350	-.00800	-.00160	.00030	.00080	.75330	.22410
GRADIENT		-.00640	.04691	.00299	-.00353	.00069	.00007	-.00007	.04608	-.00088



LTV44-559(CA26) 04 S

(XFE001) ( 18 NOV 75 )

REFERENCE DATA

SREF = 2690.0000 SQ.FT. XMRP = 1109.0000 IN. XO  
 LREF = 474.8100 IN. YMRP = .0000 IN. YO  
 BREF = 936.6800 IN. ZMRP = 375.0000 IN. ZO  
 SCALE = .0125

PARAMETRIC DATA

BETA0 = .000 ELEVON = .000  
 BCFCLAP = .000

RUN NO. 1 / 0 RN/L = .00 GRADIENT INTERVAL = -5.00/ 5.00

MACH	ALPHA	CPC0	CPB1	CPB2	CPB3
.601	.130	-.16400	-.15200	-.21500	-.19800
.601	.440	-.16300	-.15500	-.21800	-.19700
.602	.860	-.16400	-.15300	-.21700	-.19800
.600	1.300	-.15300	-.15200	-.21600	-.19600
.599	1.750	-.15100	-.15100	-.21700	-.19400
.598	2.190	-.15100	-.15100	-.21900	-.19500
.600	2.620	-.15000	-.15100	-.22100	-.19700
.600	3.050	-.15000	-.15200	-.22200	-.19700
.599	3.510	-.15100	-.15000	-.21900	-.19400
.599	3.940	-.16300	-.15100	-.22000	-.19400
.601	4.380	-.15800	-.14700	-.21800	-.19300
.599	4.810	-.16100	-.15100	-.22100	-.19400
.600	5.270	-.16000	-.14900	-.22100	-.19300
.599	5.690	-.16000	-.15200	-.22400	-.19600
.599	6.140	-.15900	-.14800	-.22500	-.19600
.599	6.580	-.16100	-.15000	-.22400	-.19500
.599	7.010	-.15900	-.15100	-.22700	-.19500
.599	7.460	-.16100	-.15300	-.22600	-.19600
.601	7.910	-.16200	-.15500	-.23000	-.19700
.600	8.350	-.16000	-.15200	-.22700	-.19800
.600	8.770	-.16100	-.15400	-.23000	-.19700
.599	9.230	-.15800	-.15200	-.23200	-.20000
.599	9.660	-.16300	-.15400	-.23400	-.20100
.599	10.110	-.16400	-.15600	-.23800	-.20300
.599	10.550	-.16200	-.15600	-.24200	-.20600
.599	11.000	-.16400	-.15700	-.24300	-.20600
.599	11.470	-.15700	-.15500	-.24300	-.20700
.599	11.920	-.15900	-.15800	-.24700	-.21000
.600	12.350	-.17000	-.16100	-.25100	-.21500
.598	12.800	-.17600	-.17000	-.25800	-.22200
.598	13.260	-.18000	-.17300	-.25900	-.22500
.598	13.680	-.18300	-.17700	-.26600	-.23000
.598	14.130	-.18700	-.17700	-.26800	-.23300
.597	14.560	-.19300	-.18700	-.27300	-.23800
.597	15.000	-.19500	-.18800	-.27700	-.24300
.598	15.450	-.20200	-.19700	-.28400	-.24900
.598	15.880	-.20700	-.20000	-.29300	-.25600
.597	16.320	-.21600	-.20900	-.30300	-.26500
.598	16.760	-.22200	-.21500	-.30900	-.27000
.598	17.210	-.22700	-.22100	-.31600	-.27500
GRADIENT		.00080	.00085	-.00095	.00086

ORIGINAL PAGE IS  
OF POOR QUALITY

LTV44-559(CA26) 04 S

(XFE002) ( 18 NOV 75 )

## REFERENCE DATA

SREF = 2690.0000 SQ.FT. XMRP = 1109.0000 IN. XO  
 LREF = 474.8100 IN. YMRP = .0000 IN. YO  
 BREF = 936.6800 IN. ZMRP = 375.0000 IN. ZO  
 SCALE = .0125

## PARAMETRIC DATA

BETA0 = .000 ELEVON = .000  
 BDFLAP = 16.300

RUN NO. 2/ 0 RN/L = .00 GRADIENT INTERVAL = -5.00/ 5.00

MACH	ALPHA0	CP00	CPB1	CPB2	CPB3
.597	.080	-.17800	-.18700	-.19700	-.20400
.598	.650	-.18000	-.19000	-.19600	-.20700
.596	1.090	-.17900	-.18900	-.19400	-.20300
.597	1.500	-.18200	-.19100	-.19500	-.20400
.596	1.960	-.17900	-.19000	-.19600	-.20300
.596	2.380	-.17900	-.19000	-.19300	-.19900
.596	2.840	-.18300	-.19000	-.19200	-.20300
.596	3.270	-.18200	-.19700	-.19200	-.19900
.595	3.710	-.18600	-.19400	-.19200	-.20100
.595	4.150	-.18600	-.19500	-.19100	-.20200
.594	4.590	-.18600	-.19700	-.19500	-.20300
.593	5.020	-.19300	-.20000	-.19500	-.20300
.594	5.480	-.18400	-.19300	-.19300	-.20300
.594	5.920	-.19000	-.19800	-.19300	-.20200
.595	6.360	-.18800	-.19700	-.19400	-.20400
.596	6.780	-.18700	-.19600	-.19500	-.20200
.595	7.220	-.18900	-.20200	-.19200	-.20200
.595	7.660	-.18800	-.19900	-.19300	-.20400
.595	8.100	-.18700	-.20100	-.19000	-.20200
.596	8.550	-.18700	-.20400	-.19300	-.20400
.594	8.980	-.18800	-.19900	-.19200	-.20400
.595	9.440	-.18600	-.19800	-.19000	-.20300
.595	9.880	-.18900	-.19700	-.19200	-.20500
.594	10.310	-.18500	-.19600	-.19700	-.20700
.594	10.780	-.18400	-.19600	-.19600	-.20600
.593	11.220	-.18600	-.19500	-.19900	-.20900
.594	11.660	-.18300	-.19700	-.19900	-.20800
.594	12.130	-.18900	-.19900	-.20000	-.21100
.593	12.560	-.18800	-.19800	-.20300	-.21400
.592	13.000	-.18500	-.19500	-.20900	-.21600
.593	13.440	-.18200	-.19500	-.21300	-.21800
.591	13.900	-.18300	-.18900	-.21700	-.22300
.592	14.330	-.18000	-.18800	-.22400	-.22500
.592	14.770	-.18000	-.18200	-.22900	-.22500
.593	15.200	-.17700	-.18400	-.23500	-.22400
.591	15.640	-.18400	-.19100	-.24500	-.23300
.591	16.090	-.18700	-.19200	-.25200	-.23900
.592	16.510	-.19100	-.20200	-.25700	-.24200
.593	16.960	-.19500	-.20800	-.26400	-.24800
.593	17.170	-.19900	-.20700	-.26700	-.25300
	GRADIENT	-.00182	-.00199	.00095	.00083

DATE 22 MAR 75

CA-26 FORCE SOURCE DATA TABULATION

PAGE 525

LTV44-559(CA26) 04 S

(XFE003) ( 18 NOV 75 )

## REFERENCE DATA

SREF = 2690.0000 SQ.FT. XMRP = 1109.0000 IN. XO  
 LREF = 474.8100 IN. YMRP = .0000 IN. YO  
 BREF = 936.6800 IN. ZMRP = 375.0000 IN. ZO  
 SCALE = .0125

## PARAMETRIC DATA

BETA0 = .000 ELEVON = 5.000  
 BDFLAP = .000

RUN NO. 4/ 0 RN/L = .00 GRADIENT INTERVAL = -5.00/ 5.00

MACH	ALPHA0	CPCO	CPB1	CPB2	CPB3
.598	.180	-.17700	-.15800	-.23400	-.21700
.598	.750	-.17600	-.15800	-.23700	-.21700
.597	1.170	-.17600	-.15800	-.24000	-.21800
.597	1.600	-.17700	-.15800	-.24100	-.21900
.597	2.060	-.17700	-.15900	-.24200	-.21800
.596	2.460	-.16300	-.16200	-.24600	-.22300
.596	2.930	-.17900	-.16100	-.24600	-.22000
.596	3.340	-.18100	-.15800	-.25000	-.22200
.595	3.810	-.18000	-.16000	-.25100	-.21900
.594	4.240	-.18300	-.16300	-.25300	-.22200
.595	4.680	-.18100	-.15800	-.25500	-.21900
.594	5.110	-.18200	-.16300	-.25700	-.22500
.595	5.560	-.17900	-.16100	-.26000	-.22300
.595	6.010	-.18100	-.16300	-.26000	-.22000
.595	6.430	-.18200	-.16200	-.26300	-.22300
.594	6.880	-.18400	-.16700	-.26900	-.22900
.595	7.320	-.18100	-.16500	-.26900	-.22500
.594	7.740	-.18600	-.16500	-.27000	-.22900
.593	8.200	-.18200	-.16400	-.27500	-.22800
.592	8.630	-.19100	-.17100	-.28000	-.23400
.594	9.080	-.18500	-.16200	-.28200	-.23200
.594	9.530	-.18500	-.16700	-.28600	-.23300
.595	9.970	-.18800	-.16500	-.28800	-.23400
.594	10.420	-.16700	-.16600	-.29200	-.23500
.594	10.860	-.19400	-.17000	-.29700	-.24100
.592	11.310	-.18700	-.17900	-.30300	-.24700
.594	11.750	-.19700	-.17600	-.30400	-.24600
.592	12.200	-.20300	-.18600	-.31400	-.25400
.591	12.650	-.20900	-.18900	-.31800	-.26100
.591	13.100	-.21000	-.18800	-.32400	-.26300
.593	13.530	-.21200	-.19300	-.32800	-.26600
.592	13.970	-.21900	-.19400	-.33500	-.26900
.592	14.410	-.22700	-.20700	-.34300	-.28200
.591	14.850	-.23200	-.21200	-.35100	-.28700
.593	15.290	-.23300	-.21500	-.35700	-.28800
.591	15.720	-.24700	-.22600	-.36500	-.30000
.593	16.180	-.25300	-.23300	-.37800	-.30700
.593	16.620	-.26000	-.23900	-.38700	-.31500
.593	17.070	-.26800	-.24900	-.39700	-.32400
.592	17.300	-.27400	-.25700	-.40100	-.32800
	GRADIENT	-.00142	-.00057	-.00460	-.00084

LTV44-559(CA26) 04 S

(XFE004) ( 18 NOV 75 )

## REFERENCE DATA

SREF = 2690.0000 SQ.FT. XMRP = 1109.0000 IN. XO  
 LREF = 474.8100 IN. YMRP = .0000 IN. YO  
 BREF = 936.6800 IN. ZMRP = 375.0000 IN. ZO  
 SCALE = .0125

## PARAMETRIC DATA

BETA0 = -5.000 ELEVON = 5.000  
 BDFLAP = .000

RUN NO. 1004/ 0 RN/L = .00 GRADIENT INTERVAL = -5.00/ 5.00

MACH	ALPHA	CPCO	CPB1	CPB2	CPB3
.595	.200	-.25900	-.25200	-.38400	-.30600
.594	.520	-.26100	-.25400	-.38400	-.31100
.595	.930	-.26100	-.25300	-.38400	-.30900
.594	1.360	-.26300	-.25500	-.38500	-.31100
.593	1.810	-.26000	-.25600	-.38600	-.31200
.594	2.230	-.26000	-.24900	-.38600	-.30800
.595	2.680	-.25700	-.25000	-.38300	-.30700
.594	3.120	-.26000	-.25000	-.38600	-.30900
.593	3.550	-.26200	-.25200	-.38500	-.31000
.594	3.990	-.25900	-.25000	-.38500	-.30700
.593	4.430	-.26000	-.25300	-.38600	-.31200
.592	4.870	-.25700	-.25100	-.38800	-.31200
.593	5.300	-.25400	-.24900	-.38700	-.31100
.592	5.740	-.25100	-.24700	-.39100	-.31300
.592	6.180	-.25100	-.24500	-.39200	-.31300
.592	6.620	-.24600	-.24100	-.39000	-.30900
.591	7.070	-.25300	-.23900	-.39300	-.31400
.593	7.500	-.25400	-.24600	-.39000	-.31200
.593	7.950	-.25200	-.24600	-.38900	-.31200
.591	8.390	-.26000	-.25100	-.39200	-.31700
.593	8.820	-.25400	-.24500	-.39100	-.31300
.594	9.270	-.25600	-.24600	-.39200	-.31300
.592	9.720	-.25400	-.25400	-.39400	-.31500
.594	10.160	-.25500	-.25400	-.39200	-.31300
.592	10.610	-.25900	-.25900	-.39500	-.31600
.593	11.040	-.26500	-.26200	-.39500	-.32200
.593	11.510	-.26900	-.26700	-.39800	-.32300
.592	11.940	-.27100	-.27100	-.40100	-.32800
.592	12.400	-.27800	-.27500	-.40800	-.33400
.592	12.840	-.28000	-.27500	-.40900	-.33600
.591	13.280	-.28700	-.28600	-.41500	-.34400
.593	13.720	-.28600	-.28300	-.41400	-.34100
.592	14.160	-.29000	-.28800	-.41800	-.34500
.591	14.600	-.29300	-.29100	-.42100	-.35200
.590	15.030	-.29600	-.29600	-.42200	-.35400
.592	15.460	-.29900	-.29700	-.42600	-.35800
.592	15.910	-.30600	-.30000	-.43000	-.36300
.590	16.350	-.31500	-.31000	-.43700	-.37500
.591	16.800	-.32100	-.31400	-.44000	-.37900
.592	17.230	-.32300	-.31900	-.44000	-.38300
	GRADIENT	.00044	.00050	-.00054	-.00036

LTV44-559(CA26) 02 S1

(XFE005) ( 18 NOV 75 )

## REFERENCE DATA

## PARAMETRIC DATA

SREF = 2690.0000 SQ.FT. XMRP = 1109.0000 IN. XO  
 LREF = 474.8100 IN. YMRP = .0000 IN. YO  
 BREF = 936.6800 IN. ZMRP = 375.0000 IN. ZO  
 SCALE = .0125

BETA0 = .000 ELEVON = 5.000  
 BDFLAP = .000

RUN NO. 7/ 0 RN/L = .00 GRADIENT INTERVAL = -5.00/ 5.00

MACH	ALPHA0	CPCO	CPB1	CPB2	CPB3	CPS1	CPS2
.598	.150	.04300	-.23200	-.30300	-.27900	-.08500	-.15500
.597	.700	.03800	-.22800	-.30500	-.27800	-.08800	-.15600
.597	1.100	.03200	-.23100	-.30700	-.28000	-.09400	-.15800
.595	1.540	.03100	-.23000	-.30200	-.27500	-.09300	-.15800
.595	2.010	.02800	-.23100	-.30000	-.27500	-.09700	-.16000
.595	2.440	.02300	-.22800	-.30000	-.27400	-.10000	-.16000
.594	2.890	.02400	-.22500	-.29600	-.26800	-.09600	-.15800
.594	3.320	.02500	-.22700	-.29300	-.26900	-.10000	-.16000
.594	3.760	.01700	-.22500	-.29600	-.26800	-.10300	-.16200
.594	4.210	.01700	-.22300	-.29400	-.26700	-.10200	-.16000
.594	4.620	.01400	-.22500	-.29500	-.26600	-.10800	-.16200
.593	5.070	.01400	-.22300	-.29300	-.26600	-.10600	-.16000
.593	5.520	.01200	-.22200	-.29700	-.26600	-.10900	-.16200
.593	5.960	.01300	-.22000	-.29100	-.26100	-.10900	-.16100
.592	6.390	.01200	-.21900	-.28900	-.26000	-.11000	-.16100
.592	6.850	.01100	-.21900	-.28600	-.26100	-.11400	-.16300
.591	7.280	.01100	-.22200	-.29000	-.26000	-.11600	-.16000
.593	7.710	.01000	-.22100	-.28300	-.25600	-.11500	-.15800
.592	8.160	.00600	-.22600	-.28800	-.25900	-.12100	-.16400
.592	8.610	.00600	-.22100	-.28200	-.25600	-.11600	-.16100
.592	9.050	.00700	-.21900	-.27900	-.25000	-.11700	-.15900
.592	9.490	.00800	-.22000	-.27700	-.24800	-.11800	-.15700
.590	9.910	.00200	-.22500	-.29100	-.25800	-.12400	-.16300
.591	10.360	.00600	-.22500	-.28300	-.25600	-.12100	-.16000
.590	10.800	.00400	-.22500	-.29100	-.25600	-.12600	-.15900
.590	11.260	.00300	-.23100	-.29500	-.26200	-.12900	-.15900
.592	11.730	.00300	-.22400	-.29300	-.25900	-.12300	-.15500
.589	12.160	.00600	-.23000	-.29800	-.26300	-.12700	-.15600
.590	12.630	.00400	-.23400	-.30000	-.26400	-.13100	-.15800
.589	13.070	.00400	-.23800	-.30600	-.26700	-.13100	-.15800
.590	13.520	.00200	-.23700	-.30500	-.26800	-.13000	-.15700
.590	13.960	.00100	-.24100	-.31200	-.27400	-.12900	-.15700
.589	14.410	.00200	-.24500	-.32000	-.27800	-.13600	-.15800
.589	14.830	-.00300	-.24900	-.32600	-.29100	-.13700	-.16000
.590	15.280	-.00400	-.25100	-.32700	-.28200	-.13700	-.16000
.589	15.710	-.00500	-.25500	-.33400	-.29000	-.14400	-.16200
.589	16.170	-.00200	-.25800	-.33700	-.29600	-.14200	-.16200
.589	16.620	-.00200	-.26600	-.34800	-.30300	-.14400	-.16100
.590	17.060	-.00500	-.27200	-.35300	-.31000	-.14700	-.16200
.589	17.260	-.00700	-.27800	-.36000	-.31600	-.14900	-.16400
GRADIENT		-.00595	.00175	.00284	.00336	-.00432	-.00133

LTV44-559(CA26) 02 S1

(XFE006) ( 18 NOV 75 )

## REFERENCE DATA

SREF = 2690.0000 SQ.FT. XMRP = 1109.0000 IN. XO  
 LREF = 474.8100 IN. YMRP = .0000 IN. YO  
 BREF = 936.6800 IN. ZMRP = 375.0000 IN. ZO  
 SCALE = .0125

## PARAMETRIC DATA

BETA0 = -5.000 ELEVON = 5.000  
 BDFLAP = .000

RUN NO. 1007/ 0 RN/L = .00 GRADIENT INTERVAL = -5.00/ 5.00

MACH	ALPHA0	CPCO	CPB1	CPB2	CPB3	CPS1	CPS2
.590	.290	.00500	-.27500	-.32300	-.28100	-.28600	.04700
.591	.660	.00300	-.27300	-.32400	-.27500	-.28700	.04500
.591	1.050	.00100	-.27000	-.31800	-.27200	-.28600	.04600
.591	1.540	-.00100	-.26900	-.31200	-.26900	-.28600	.04600
.590	1.970	-.00400	-.26900	-.31600	-.27300	-.28900	.04400
.591	2.410	-.00800	-.26700	-.31100	-.27100	-.28800	.04500
.591	2.870	-.01100	-.26600	-.30700	-.26700	-.28900	.04500
.591	3.290	-.01200	-.26500	-.31000	-.26600	-.28700	.04100
.592	3.740	-.01500	-.25900	-.30200	-.26200	-.28500	.04400
.591	4.160	-.01900	-.25900	-.30000	-.26300	-.28700	.04200
.589	4.610	-.01900	-.26300	-.30700	-.26300	-.28700	.03700
.590	5.040	-.02100	-.25700	-.30000	-.26100	-.28500	.03900
.590	5.470	-.02000	-.26000	-.30100	-.26000	-.28500	.03900
.589	5.920	-.02000	-.26100	-.30200	-.26100	-.28500	.04000
.589	6.370	-.02000	-.26100	-.30100	-.26000	-.28500	.03700
.589	6.810	-.02100	-.25900	-.29900	-.25900	-.28500	.03900
.589	7.250	-.02200	-.25900	-.29900	-.25900	-.28000	.03900
.588	7.680	-.02500	-.25700	-.29800	-.25900	-.28200	.04000
.589	8.110	-.03400	-.25700	-.29800	-.26000	-.28500	.03900
.589	8.560	-.04200	-.25700	-.29600	-.25900	-.28300	.04200
.589	9.010	-.05200	-.25400	-.28900	-.25600	-.28300	.04100
.589	9.470	-.05800	-.25600	-.29100	-.25900	-.28300	.04200
.590	9.890	-.05700	-.25100	-.28500	-.25400	-.28300	.04300
.590	10.340	-.06200	-.25400	-.28700	-.25600	-.28400	.04400
.589	10.800	-.06300	-.25000	-.28100	-.25100	-.28300	.04500
.588	11.240	-.06600	-.24900	-.28200	-.25400	-.28600	.04700
.588	11.670	-.06600	-.24800	-.27900	-.25200	-.28800	.04900
.588	12.110	-.06700	-.24800	-.27700	-.25200	-.29400	.04800
.590	12.590	-.06500	-.24400	-.27200	-.24900	-.29600	.04800
.589	13.040	-.06600	-.24900	-.27500	-.25200	-.30300	.04800
.589	13.450	-.06100	-.24800	-.27400	-.25000	-.30600	.04700
.588	13.910	-.06000	-.24900	-.27600	-.25200	-.30900	.04600
.588	14.370	-.05800	-.25100	-.27600	-.25200	-.31100	.04900
.587	14.790	-.06200	-.25700	-.28000	-.25600	-.31200	.05100
.587	15.230	-.06300	-.25800	-.28000	-.25900	-.31600	.05100
.587	15.670	-.06400	-.25900	-.28000	-.26000	-.31400	.05300
.588	16.120	-.06700	-.26300	-.28400	-.26300	-.31900	.05300
.587	16.570	-.07300	-.26900	-.29000	-.27100	-.32500	.05400
.587	17.000	-.07700	-.27200	-.29100	-.27100	-.32200	.05600
.586	17.220	-.07700	-.27200	-.29000	-.27200	-.32600	.05900
	GRADIENT	-.00593	.00332	.00493	.00373	-.00008	-.00160

LTV44-559(CA26) 02 S1

(XFE007) ( 18 NOV 75 )

## REFERENCE DATA

## PARAMETRIC DATA

SREF = 2590.0000 SQ.FT. XMRP = 1109.0000 IN. XO  
 LREF = 474.8100 IN. YMRP = .0000 IN. YO  
 BREF = 936.6800 IN. ZMRP = 375.0000 IN. ZO  
 SCALE = .0125

ALPHAO = 8.000 BETAO = .000  
 ELEVON = 5.000 BDFLAP = .000

RUN NO. 8/ 0 RN/L = .00 GRADIENT INTERVAL = -5.00/ 5.00

MACH	DZ	CPCO	CPB1	CPB2	CPB3	CPS1	CPS2	ALPHAO	BETAO
.590	.650	-.01000	-.21700	-.29600	-.26700	-.12000	-.20500	8.97000	.01000
.592	2.650	-.00800	-.21400	-.29600	-.26700	-.12200	-.20700	8.97000	.02000
.591	3.990	-.01000	-.21500	-.29900	-.26600	-.11900	-.20700	8.96000	.01000
.593	5.320	-.01200	-.21600	-.29900	-.26700	-.12100	-.20800	8.96000	.01000
.592	6.660	-.01700	-.22100	-.30500	-.27200	-.12400	-.21200	8.95000	.01000
.591	7.980	-.01500	-.22100	-.30600	-.27200	-.12600	-.21200	8.94000	.00000
.591	9.320	-.01400	-.21900	-.30700	-.27000	-.12700	-.21500	8.93000	.00000
.592	10.650	-.01700	-.22300	-.31100	-.27300	-.12800	-.21800	8.92000	.01000
.593	11.990	-.01700	-.22100	-.31200	-.27100	-.12600	-.21600	8.92000	.00000
.592	13.320	-.01600	-.22000	-.31400	-.27300	-.12800	-.21600	8.92000	.02000
.592	14.650	-.01700	-.22200	-.31400	-.27100	-.12800	-.21600	8.90000	.02000
.593	15.980	-.01900	-.22100	-.31700	-.27400	-.12900	-.21800	8.90000	.03000
.592	17.320	-.01900	-.22400	-.32000	-.27600	-.13100	-.22100	8.86000	.00000
.593	18.650	-.02000	-.22600	-.32100	-.27600	-.13200	-.22100	8.87000	.02000
.593	19.990	-.02400	-.23000	-.32600	-.28000	-.13700	-.22300	8.87000	.01000
.593	21.320	-.02200	-.22800	-.32600	-.27700	-.13200	-.22000	8.86000	.01000
.593	22.650	-.02100	-.22800	-.32900	-.28000	-.13500	-.22100	8.86000	.02000
.593	23.990	-.02300	-.22600	-.33200	-.27900	-.13600	-.22200	8.83000	.00000
.592	25.320	-.02200	-.22900	-.33300	-.28000	-.13800	-.22300	8.81000	.00000
.593	26.660	-.02400	-.22900	-.33500	-.27900	-.13700	-.22500	8.81000	.01000
.593	27.980	-.02700	-.23400	-.34200	-.28600	-.14100	-.22600	8.80000	.01000
.593	29.320	-.02600	-.23200	-.33900	-.28200	-.13900	-.22500	8.79000	.00000
.593	30.650	-.02600	-.23700	-.34200	-.28700	-.14400	-.22800	8.79000	.00000
.593	31.990	-.02700	-.23300	-.34100	-.28600	-.14400	-.22700	8.78000	.00000
.593	33.320	-.03000	-.23800	-.34800	-.29000	-.14600	-.23000	8.76000	.04000
.594	34.650	-.03100	-.23900	-.34500	-.28500	-.14600	-.22800	8.78000	.02000
.593	35.980	-.03200	-.24100	-.35100	-.28900	-.14800	-.22800	8.76000	.01000
.594	37.320	-.03200	-.24100	-.35100	-.28800	-.14800	-.22900	8.75000	.00000
.593	38.650	-.02900	-.23600	-.35300	-.28900	-.14800	-.22600	8.72000	.03000
.593	39.990	-.03100	-.23900	-.35300	-.28700	-.14900	-.22600	8.73000	.01000
.594	41.320	-.03600	-.24300	-.35700	-.29000	-.15100	-.22800	8.70000	.03000
.593	42.650	-.03700	-.24400	-.36100	-.29400	-.15400	-.23000	8.70000	.00000
.593	43.990	-.03700	-.24700	-.36300	-.29500	-.15500	-.23100	8.70000	.00000
.593	46.320	-.03800	-.24700	-.36500	-.29500	-.15700	-.22900	8.67000	.05000
.593	46.650	-.03800	-.24800	-.37000	-.30000	-.15900	-.23000	8.65000	.06000
.593	48.650	-.03800	-.24800	-.37200	-.29700	-.15800	-.22800	8.67000	.01000
.594	50.650	-.04200	-.24900	-.36900	-.29800	-.16400	-.22900	8.66000	.01000
.595	52.650	-.03900	-.25100	-.37300	-.29600	-.16100	-.22500	8.65000	.01000
.594	54.650	-.04100	-.25100	-.37900	-.30000	-.16400	-.22600	8.64000	.00000
.593	56.650	-.04700	-.25700	-.38200	-.30600	-.17300	-.22800	8.60000	.04000
.593	58.650	-.04800	-.26100	-.38700	-.30600	-.17300	-.23100	8.60000	.02000
.594	60.650	-.04500	-.25900	-.38500	-.30600	-.17300	-.22700	8.59000	.02000
.594	62.650	-.04700	-.26200	-.39000	-.30800	-.17600	-.22600	8.58000	.00000

DATE 22 MAR 76

## CA-26 FORCE SOURCE DATA TABULATION

PAGE 530

LTV4H-559(CA26) 02 51

(XFED07) ( 18 NOV 75 )

## REFERENCE DATA

SREF = 2690.0000 SQ.FT. XMRP = 1109.0000 IN. XO  
 LREF = 474.8100 IN. YMRP = .0000 IN. YO  
 BREF = 936.6800 IN. ZMRP = 375.0000 IN. ZO  
 SCALE = .0125

## PARAMETRIC DATA

ALPHA0 = 8.000 BETA0 = .000  
 ELEVON = 5.000 BDFLAP = .000

RUN NO. 8/ 0 RN/L = .00 GRADIENT INTERVAL = -5.00/ 5.00

MACH	OZ	CPCO	CPB1	CPB2	CPB3	CPS1	CPS2	ALPHA0	BETA0
.593	64.660	-.05000	-.26600	-.39300	-.31100	-.18000	-.23200	8.55000	.05000
.594	66.660	-.04900	-.26200	-.39200	-.30900	-.17800	-.22700	8.53000	.05000
.594	68.650	-.05100	-.26300	-.39300	-.31000	-.18100	-.22400	8.55000	.04000
.594	70.650	-.05300	-.26400	-.39700	-.31300	-.18300	-.23000	8.54000	.03000
.594	72.650	-.05000	-.26800	-.39800	-.31400	-.18300	-.22800	8.50000	.06000
	GRADIENT	.00008	.00067	-.00083	.00028	.00020	-.00063	-.00276	.00039



LTV44-559(CA26) 02 S1

(XFE008) ( 18 NOV 75 )

## REFERENCE DATA

SREF = 2690.0000 SQ.FT. XMRP = 1109.0000 IN. XO  
 LREF = 474.8100 IN. YMRP = .0000 IN. YO  
 BREF = 938.6800 IN. ZMRP = 375.0000 IN. ZO  
 SCALE = .0125

## PARAMETRIC DATA

BETA0 = .000 ELEVON = .000  
 BDFLAP = .000

RUN NO. 9/ 0 RN/L = .00 GRADIENT INTERVAL = -5.00/ 5.00

MACH	ALPHA0	CPC0	CPB1	CPB2	CPB3	CPS1	CPS2
.594	.050	.03500	-.22000	-.29900	-.27100	-.08600	-.16700
.592	.610	.03700	-.21200	-.29800	-.27000	-.08800	-.16300
.593	1.050	.03000	-.21700	-.29800	-.27000	-.09000	-.16600
.594	1.490	.02900	-.21500	-.29800	-.26800	-.09000	-.16500
.592	1.920	.02800	-.21200	-.29700	-.26400	-.09300	-.16700
.592	2.370	.02500	-.20900	-.29300	-.26300	-.09600	-.16800
.592	2.840	.01900	-.20900	-.29400	-.26100	-.09700	-.16800
.592	3.250	.02000	-.20800	-.29200	-.25800	-.09500	-.16900
.592	3.660	.01300	-.21200	-.29500	-.26200	-.10000	-.17100
.592	4.090	.01700	-.20700	-.28700	-.25700	-.10100	-.17100
.591	4.570	.01500	-.20700	-.28700	-.25500	-.10000	-.17000
.590	5.010	.01400	-.20500	-.28800	-.25500	-.10300	-.17200
.591	5.430	.00800	-.20800	-.29000	-.25700	-.10800	-.17700
.591	5.870	.00800	-.20500	-.29000	-.25700	-.11000	-.17700
.590	6.300	.00600	-.20600	-.28900	-.25600	-.11300	-.17900
.590	6.760	.00700	-.20300	-.28400	-.25000	-.11000	-.17600
.590	7.180	.00400	-.20500	-.28400	-.25100	-.11400	-.17900
.590	7.620	.00000	-.20600	-.28500	-.25300	-.11700	-.18100
.590	8.070	.00000	-.20500	-.28700	-.25300	-.11900	-.18100
.589	8.500	.00000	-.20500	-.28800	-.25200	-.12000	-.18100
.590	8.940	.00000	-.20700	-.28800	-.25100	-.11900	-.18100
.591	9.410	-.00100	-.20700	-.28900	-.25300	-.12200	-.18000
.590	9.830	.00100	-.20500	-.28500	-.25000	-.11800	-.17700
.590	10.290	.00000	-.21100	-.28900	-.25300	-.12500	-.18000
.589	10.710	-.00200	-.21000	-.29400	-.25300	-.12400	-.18000
.589	11.170	-.00200	-.21200	-.29500	-.25600	-.12700	-.18100
.590	11.620	-.00200	-.21300	-.29800	-.25600	-.12600	-.17700
.589	12.060	-.00400	-.21700	-.30700	-.26200	-.13100	-.18100
.588	12.510	-.00700	-.22200	-.31200	-.26500	-.13200	-.18200
.589	12.960	-.00600	-.22200	-.31300	-.26700	-.13400	-.18100
.589	13.400	-.00600	-.22600	-.31900	-.27100	-.13400	-.18200
.589	13.840	-.01000	-.23400	-.32600	-.27700	-.14000	-.18400
.589	14.290	-.01000	-.23700	-.33000	-.27800	-.13900	-.18200
.589	14.750	-.01400	-.24100	-.33300	-.28300	-.14300	-.18500
.589	15.200	-.01500	-.24500	-.33800	-.28600	-.14400	-.18600
.589	15.620	-.01400	-.24900	-.34300	-.29200	-.14600	-.18500
.589	16.060	-.01700	-.25400	-.35000	-.29600	-.14500	-.18600
.588	16.500	-.02100	-.26200	-.36300	-.30500	-.15200	-.18800
.588	16.920	-.01800	-.26600	-.37000	-.31000	-.15300	-.18500
.588	17.140	-.01700	-.27200	-.37300	-.31300	-.15200	-.18600
GRADIENT		-.00529	.00242	.00262	.00367	-.00341	-.00144

ORIGINAL PAGE IS  
 OF POOR QUALITY

LTV44-559(CA26) 02 S1

(XFED09) ( 18 NOV 75 )

## REFERENCE DATA

SREF = 2690.0000 SQ.FT. XMRP = 1109.0000 IN. XO  
 LREF = 474.8100 IN. YMRP = .0000 IN. YO  
 BREF = 936.6800 IN. ZMRP = 375.0000 IN. ZO  
 SCALE = .0125

## PARAMETRIC DATA

BETA0 = .000 ELEVON = .000  
 BDFLAP = 16.300

RUN NO. 10/ 0 RN/L = .00 GRADIENT INTERVAL = -5.00/ 5.00

MACH	ALPHA	CP00	CPB1	CPB2	CPB3	CPS1	CPS2
.590	.230	.03100	-.21500	-.31000	-.28300	-.09200	-.17600
.591	.620	.03000	-.21600	-.30700	-.27700	-.09500	-.17500
.589	1.060	.02500	-.21800	-.31200	-.28300	-.09700	-.17900
.589	1.490	.02200	-.21600	-.31000	-.28200	-.09900	-.18100
.591	1.930	.02300	-.21300	-.30300	-.27600	-.10000	-.17800
.592	2.350	.01800	-.21500	-.30100	-.27600	-.10300	-.17700
.591	2.820	.01200	-.21300	-.30400	-.27700	-.10700	-.18200
.592	3.230	.01200	-.21100	-.30100	-.27300	-.10800	-.18300
.591	3.680	.01000	-.20900	-.29900	-.27.00	-.10800	-.18400
.591	4.110	.00600	-.21200	-.29400	-.27400	-.11200	-.18400
.590	4.560	.00600	-.21000	-.29300	-.27300	-.11200	-.18700
.590	5.000	.00600	-.20700	-.29300	-.27000	-.11500	-.18900
.591	5.450	.00200	-.20900	-.28600	-.27000	-.11800	-.18600
.590	5.880	.00100	-.20600	-.28700	-.26900	-.12000	-.18900
.588	6.320	-.00400	-.20800	-.29200	-.27500	-.12500	-.19400
.590	6.770	-.00100	-.20200	-.28000	-.26500	-.12300	-.18900
.590	7.210	-.00400	-.19900	-.28000	-.26500	-.12600	-.19000
.590	7.630	-.00300	-.20300	-.28100	-.26500	-.12700	-.19100
.589	8.070	-.00700	-.20500	-.28900	-.27100	-.12900	-.19400
.589	8.540	-.00800	-.20600	-.28500	-.27000	-.13100	-.19200
.589	8.950	-.00800	-.20500	-.28600	-.26800	-.13300	-.19300
.591	9.400	-.01000	-.20600	-.28800	-.27100	-.13600	-.19000
.590	9.850	-.01000	-.20600	-.29100	-.27400	-.13700	-.19200
.588	10.300	-.00800	-.20800	-.29700	-.27400	-.13800	-.19400
.589	10.740	-.01300	-.21200	-.30200	-.27900	-.14100	-.19500
.590	11.160	-.01100	-.21200	-.29800	-.27400	-.14000	-.19200
.591	11.610	-.01000	-.21200	-.30200	-.27600	-.14000	-.19000
.591	12.070	-.01200	-.21600	-.31200	-.28100	-.14100	-.19000
.588	12.520	-.01500	-.22600	-.32700	-.28900	-.14500	-.19600
.588	12.990	-.01500	-.23100	-.33500	-.29300	-.14800	-.19600
.590	13.400	-.01800	-.23300	-.33400	-.29500	-.14900	-.19400
.591	13.870	-.01900	-.24000	-.34300	-.29800	-.15200	-.19600
.588	14.320	-.02200	-.25000	-.35600	-.30700	-.15400	-.20200
.588	14.760	-.02400	-.25900	-.36700	-.31200	-.15900	-.20400
.588	15.190	-.02500	-.26100	-.37100	-.31700	-.16000	-.20100
.588	15.620	-.02500	-.26500	-.37700	-.32100	-.16100	-.20000
.588	16.050	-.02700	-.27100	-.36700	-.32900	-.16300	-.20400
.586	16.490	-.03300	-.28600	-.40100	-.33900	-.17100	-.20900
.588	16.950	-.03500	-.29100	-.40800	-.34600	-.17300	-.21000
.589	17.180	-.03300	-.29000	-.40300	-.34500	-.17000	-.20500
GRADIENT		-.00580	.00183	.00399	.00232	-.00469	-.00258

LTV44-559(CA26) 02 S1

(XFE010) ( 18 NOV 75 )

## REFERENCE DATA

SREF = 2690.0000 SQ.FT. XMRP = 1109.0000 IN. XO  
 LREF = 474.8100 IN. YMRP = .0000 IN. YO  
 BREF = 936.6800 IN. ZMRP = 375.0000 IN. ZO  
 SCALE = .0125

## PARAMETRIC DATA

BETA0 = .000 ELEVON = .000  
 BDFLAP = -11.700

RUN NO. 11/ 0 RN/L = .00 GRADIENT INTERVAL = -5.00/ 5.00

MACH	ALPHA	CPCO	CPB1	CPB2	CPB3	CPS1	CPS2
.595	.020	.02900	-.22400	-.30400	-.28300	-.08700	-.17500
.597	.590	.03200	-.21900	-.30200	-.27900	-.08200	-.17100
.597	.990	.02500	-.22700	-.30200	-.27700	-.08400	-.17300
.596	1.420	.02300	-.22100	-.30400	-.27800	-.08700	-.17500
.595	1.850	.01600	-.22700	-.30400	-.27900	-.09400	-.17700
.596	2.310	.01600	-.21900	-.30300	-.27400	-.09500	-.17900
.596	2.750	.01400	-.21900	-.30100	-.27700	-.09700	-.17800
.597	3.180	.01300	-.21700	-.29200	-.27200	-.09500	-.17600
.596	3.620	.00800	-.21300	-.29000	-.27100	-.09800	-.17900
.595	4.050	.00600	-.21400	-.29300	-.26900	-.10400	-.18000
.595	4.500	.00700	-.21300	-.28900	-.27000	-.10200	-.18100
.594	4.930	.00100	-.21000	-.29400	-.26800	-.10800	-.18200
.594	5.390	.00000	-.21500	-.29700	-.27300	-.10900	-.18900
.595	5.820	.00000	-.21300	-.29200	-.26800	-.11000	-.18700
.594	6.270	.00000	-.20900	-.28600	-.26300	-.11400	-.18500
.596	6.710	.00000	-.20900	-.28800	-.26300	-.11200	-.18400
.595	7.150	.00000	-.20800	-.28800	-.26200	-.11500	-.18700
.595	7.590	-.00300	-.20800	-.28800	-.26000	-.11600	-.18500
.596	8.060	-.00500	-.20400	-.28300	-.25700	-.11500	-.18400
.594	8.500	-.00900	-.21000	-.28800	-.26200	-.11600	-.18800
.595	8.930	-.00600	-.20600	-.28400	-.26000	-.11500	-.18500
.595	9.360	-.00900	-.21000	-.28500	-.26000	-.11900	-.18700
.596	9.820	-.00900	-.20600	-.28600	-.25600	-.12300	-.18600
.596	10.280	-.01000	-.20400	-.28200	-.25500	-.11900	-.18600
.596	10.710	-.01000	-.20300	-.28700	-.25800	-.12200	-.18700
.595	11.140	-.01100	-.20700	-.29200	-.26000	-.12400	-.18700
.595	11.620	-.01000	-.21000	-.29000	-.26000	-.12800	-.18400
.596	12.050	-.01100	-.20800	-.29200	-.26300	-.12700	-.18400
.594	12.510	-.01400	-.21700	-.30400	-.27100	-.13400	-.18800
.596	12.980	-.01400	-.21700	-.30400	-.27100	-.13100	-.18600
.596	13.420	-.01400	-.21700	-.30700	-.27300	-.13100	-.18600
.594	13.860	-.01500	-.22800	-.31300	-.28000	-.13500	-.18800
.595	14.320	-.01900	-.23400	-.32000	-.28600	-.14100	-.19100
.596	14.760	-.02000	-.23300	-.32000	-.28500	-.13700	-.19000
.595	15.180	-.02100	-.23700	-.32800	-.29200	-.14400	-.19200
.595	15.640	-.01900	-.23900	-.33500	-.29300	-.14500	-.19100
.595	16.080	-.02200	-.24500	-.33600	-.30000	-.14200	-.19000
.594	16.530	-.02300	-.25200	-.34400	-.30600	-.14900	-.19400
.594	16.970	-.03000	-.26200	-.36000	-.31900	-.15500	-.19600
.595	17.180	-.02800	-.26400	-.35600	-.32000	-.15400	-.19500
GRADIENT		-.00595	.00246	.00315	.00282	-.00482	-.00183

LTV44-559(CA26) 02 S1

(XFED11) ( 18 NOV 75 )

## REFERENCE DATA

SREF = 2690.0000 SQ.FT. XMRP = 1109.0000 IN. XO  
 LREF = 474.8100 IN. YMRP = .0000 IN. YO  
 BREF = 936.6800 IN. ZMRP = 375.0000 IN. ZO  
 SCALE = .0125

## PARAMETRIC DATA

BETA0 = .000 ELEVON = .000  
 BDFLAP = 5.000

RUN NO. 12/ 0 RN/L = .00 GRADIENT INTERVAL = -5.00/ 5.00

MACH	ALPHA0	CPC0	CPB1	CPB2	CPB3	CPS1	CPS2
.594	.080	.02900	-.21300	-.31200	-.28400	-.09200	-.19200
.594	.420	.02000	-.21700	-.31300	-.28300	-.09600	-.19600
.594	.820	.01700	-.21600	-.31400	-.28300	-.09600	-.19700
.594	1.280	.01500	-.21500	-.31700	-.28400	-.09800	-.19600
.594	1.720	.01000	-.21700	-.31600	-.28300	-.10100	-.19800
.594	2.140	.00600	-.22000	-.31700	-.28200	-.10400	-.19900
.595	2.590	.00400	-.22000	-.31800	-.28000	-.10400	-.20000
.594	3.020	.00500	-.21600	-.31600	-.27900	-.10600	-.20000
.593	3.470	-.00100	-.21900	-.31800	-.27900	-.10900	-.20500
.593	3.890	-.00100	-.21700	-.31500	-.27600	-.10900	-.20400
.593	4.330	-.00500	-.21900	-.31800	-.27900	-.11300	-.20700
.593	4.790	-.00700	-.21400	-.31700	-.27800	-.11600	-.20800
.594	5.220	-.00700	-.21400	-.31800	-.27500	-.11600	-.20700
.594	5.660	-.00900	-.21300	-.31700	-.27400	-.11800	-.20700
.593	6.090	-.01100	-.21500	-.31400	-.27300	-.12000	-.21100
.593	6.560	-.01500	-.21300	-.31100	-.27300	-.12700	-.21500
.592	6.970	-.01600	-.21500	-.31400	-.27300	-.12600	-.21500
.593	7.420	-.01500	-.21300	-.31200	-.27100	-.12700	-.21100
.592	7.880	-.02100	-.22000	-.31800	-.27400	-.13100	-.21700
.593	8.300	-.01700	-.21300	-.31500	-.27300	-.13000	-.21400
.593	8.740	-.02000	-.21600	-.31600	-.27200	-.13100	-.21400
.593	9.190	-.02300	-.21800	-.31700	-.27300	-.13400	-.21600
.593	9.630	-.02500	-.22000	-.31900	-.27500	-.13700	-.21800
.594	10.080	-.02700	-.22100	-.32100	-.27500	-.14000	-.21900
.593	10.510	-.02500	-.22000	-.32300	-.27700	-.14100	-.21900
.592	10.940	-.02500	-.22500	-.33000	-.27900	-.14100	-.21800
.594	11.410	-.02800	-.22700	-.33100	-.27800	-.14100	-.21500
.593	11.850	-.02700	-.23200	-.34200	-.28500	-.14500	-.21900
.593	12.290	-.02800	-.23200	-.34300	-.28600	-.14700	-.22000
.593	12.750	-.03300	-.23900	-.35100	-.29100	-.14800	-.22100
.593	13.190	-.03400	-.24000	-.35500	-.29100	-.15000	-.22100
.592	13.640	-.03700	-.24800	-.36300	-.30000	-.15600	-.22500
.591	14.110	-.03600	-.25400	-.36700	-.30400	-.15600	-.22400
.592	14.540	-.03800	-.25400	-.37000	-.30500	-.15800	-.22300
.592	14.970	-.03900	-.25800	-.38100	-.31500	-.16300	-.22800
.592	15.420	-.04400	-.26800	-.38700	-.31900	-.16300	-.22900
.592	15.850	-.04500	-.27000	-.39400	-.32600	-.16900	-.23000
.592	16.300	-.04900	-.27400	-.39900	-.33000	-.17200	-.23100
.593	16.750	-.04900	-.28200	-.40600	-.33500	-.17400	-.23100
.592	17.170	-.05100	-.28900	-.41700	-.34200	-.17600	-.23200
GRADIENT		-.00679	-.00041	-.00091	.00154	-.00467	-.00303

DATE 22 MAR 76

CA-26 FORCE SOURCE DATA TABULATION

PAGE 535

LTV44-559(CA26) 06 S1

(XFE012) ( 18 NOV 75 )

## REFERENCE DATA

SREF = 2690.0000 SQ.FT. XMRP = 1109.0000 IN. XO  
 LREF = 474.8100 IN. YMRP = .0000 IN. YO  
 BREF = 936.6800 IN. ZMRP = 375.0000 IN. ZO  
 SCALE = .0125

## PARAMETRIC DATA

BETA0 = .000 ELEVON = .000

RUN NO. 14/ 0 RN/L = .00 GRADIENT INTERVAL = -5.00/ 5.00

MACH	ALPHA0	CPC0	CPS1	CPS2
.591	.040	-.01500	-.09800	-.20500
.592	.600	-.02000	-.10100	-.20600
.591	1.030	-.01900	-.09900	-.20500
.592	1.470	-.02400	-.10400	-.20700
.592	1.910	-.02500	-.10600	-.20700
.591	2.350	-.03000	-.10900	-.20900
.590	2.790	-.03000	-.11200	-.21000
.591	3.200	-.03400	-.11400	-.21200
.591	3.660	-.03300	-.11200	-.20900
.590	4.110	-.03800	-.11800	-.21400
.590	4.520	-.04100	-.11700	-.21500
.591	4.970	-.04500	-.12000	-.21700
.590	5.410	-.04400	-.12500	-.21900
.590	5.860	-.04500	-.12800	-.21800
.591	6.280	-.04800	-.13000	-.22000
.590	6.730	-.05200	-.13200	-.22100
.591	7.190	-.04900	-.13200	-.21800
.591	7.610	-.05200	-.13200	-.21900
.591	8.060	-.05300	-.13800	-.22300
.592	8.490	-.05600	-.13500	-.22100
.590	8.950	-.05000	-.13400	-.22100
.590	9.370	-.05900	-.13900	-.22500
.590	9.830	-.05300	-.13900	-.22100
.591	10.270	-.05600	-.14100	-.22200
.591	10.710	-.06000	-.14300	-.22300
.589	11.150	-.06400	-.14700	-.22600
.590	11.580	-.06300	-.15000	-.22600
.591	12.030	-.06300	-.15000	-.22600
.589	12.500	-.06600	-.15300	-.22600
.590	12.930	-.07000	-.15700	-.22900
.589	13.390	-.07000	-.15500	-.22900
.588	13.840	-.07400	-.15900	-.23100
.589	14.300	-.07400	-.15900	-.23000
.591	14.720	-.07500	-.16300	-.23300
.592	15.170	-.08000	-.16700	-.23400
.590	15.600	-.08300	-.17100	-.23800
.589	16.030	-.08700	-.17500	-.24100
.589	16.500	-.08600	-.17600	-.24000
.589	16.950	-.09000	-.18100	-.24400
.589	17.160	-.08500	-.17900	-.24200
	GRADIENT	-.00573	-.00464	-.00238

LTV44-559(CA26) 06 S1

(XFE013) ( 18 NOV 75 )

## REFERENCE DATA

SREF = 2690.0000 SQ.FT. XMRP = 1109.0000 IN. XO  
 LREF = 474.8100 IN. YMRP = .0000 IN. YO  
 BREF = 936.6800 IN. ZMRP = 375.0000 IN. ZO  
 SCALE = .0125

## PARAMETRIC DATA

BETA0 = -5.000 ELEVON = .000

RUN NO. 15/ 0 RN/L = .00 GRADIENT INTERVAL = -5.00/ 5.00

MACH	ALPHA0	CPC0	CPS1	CPS2
.593	.040	-.06300	-.32100	-.04100
.593	.610	-.06900	-.32800	-.04400
.594	1.030	-.07000	-.32700	-.04500
.593	1.470	-.07100	-.32600	-.04900
.593	1.890	-.07500	-.32900	-.04900
.592	2.320	-.07600	-.32500	-.05400
.594	2.770	-.08100	-.32400	-.05500
.594	3.200	-.08300	-.32400	-.05600
.593	3.630	-.08300	-.32000	-.05600
.593	4.070	-.08500	-.31500	-.05700
.593	4.520	-.09200	-.32000	-.06100
.594	4.970	-.09100	-.31600	-.06300
.592	5.410	-.09300	-.31300	-.06600
.592	5.830	-.09500	-.31500	-.06600
.591	6.280	-.09200	-.31300	-.06500
.592	6.730	-.09200	-.31300	-.06500
.591	7.140	-.09400	-.31600	-.06700
.593	7.590	-.09700	-.31900	-.07000
.593	8.050	-.10700	-.32800	-.07100
.593	8.490	-.11700	-.33200	-.07500
.593	8.930	-.12700	-.33700	-.07700
.592	9.390	-.13600	-.34700	-.07800
.593	9.830	-.14500	-.34900	-.07500
.593	10.270	-.15200	-.35300	-.07600
.594	10.710	-.15700	-.35600	-.07400
.594	11.140	-.16500	-.36100	-.07700
.594	11.600	-.17000	-.36700	-.07400
.594	12.060	-.17800	-.37700	-.07600
.593	12.500	-.18200	-.38600	-.07900
.593	12.940	-.18400	-.39500	-.08200
.593	13.390	-.18100	-.40000	-.08200
.591	13.840	-.18300	-.40700	-.08700
.592	14.290	-.18300	-.41100	-.08500
.591	14.720	-.18300	-.41600	-.08600
.592	15.170	-.18100	-.41700	-.08600
.593	15.620	-.18000	-.42200	-.08600
.592	16.050	-.18400	-.42600	-.08500
.592	16.510	-.18700	-.42900	-.08500
.592	16.950	-.19100	-.43400	-.08700
.593	17.150	-.19200	-.43300	-.08800
	GRADIENT	-.00564	.00201	-.00426

LTV44-559(CA26) 06 S1

(XFED14) ( 18 NOV 75 )

## REFERENCE DATA

## PARAMETRIC DATA

SREF = 2690.0000 SQ.FT. XMRP = 1109.0000 IN. XO  
 LREF = 474.8100 IN. YMRP = .0000 IN. YO  
 BREF = 936.6800 IN. ZMRP = 375.0000 IN. ZO  
 SCALE = .0125

BETA0 = .000 ELEVON = 5.000

RUN NO. 16/ 0 RN/L = .00 GRADIENT INTERVAL = -5.00/ 5.00

MACH	INCID	CPC0	CPS1	CPS2
.594	.180	-.01900	-.10100	-.20900
.594	.740	-.02500	-.10600	-.21100
.595	1.160	-.02700	-.10700	-.21300
.594	1.590	-.03000	-.10900	-.21300
.594	2.020	-.03100	-.10500	-.21200
.593	2.440	-.03500	-.11000	-.21400
.593	2.920	-.04000	-.11100	-.21500
.594	3.350	-.04000	-.11600	-.21600
.594	3.770	-.04000	-.11500	-.21500
.594	4.220	-.04300	-.11500	-.21500
.594	4.680	-.04800	-.12100	-.21900
.594	5.100	-.04500	-.11900	-.21900
.594	5.540	-.04700	-.12100	-.22000
.593	5.990	-.05300	-.12900	-.22400
.594	6.440	-.05300	-.13100	-.22500
.592	6.880	-.05600	-.13300	-.22600
.594	7.300	-.05400	-.13000	-.22400
.593	7.740	-.05800	-.13200	-.22400
.594	8.190	-.05800	-.13500	-.22600
.594	8.630	-.05800	-.13400	-.22400
.593	9.090	-.05700	-.13600	-.22500
.594	9.530	-.06000	-.13400	-.22400
.593	9.960	-.05700	-.13700	-.22500
.594	10.400	-.06400	-.14200	-.22900
.594	10.850	-.06600	-.14500	-.23100
.593	11.300	-.06500	-.14700	-.23300
.593	11.730	-.06700	-.14500	-.22900
.594	12.210	-.06700	-.14900	-.22900
.594	12.660	-.06800	-.14700	-.22700
.593	13.080	-.07100	-.14900	-.22800
.592	13.550	-.07400	-.15300	-.23300
.592	13.980	-.07300	-.15200	-.23200
.592	14.420	-.07800	-.15300	-.23600
.594	14.890	-.07900	-.15800	-.23900
.593	15.320	-.07700	-.15500	-.23800
.593	15.750	-.08000	-.16000	-.24000
.593	16.200	-.08400	-.16700	-.24400
.593	16.640	-.08400	-.16800	-.24600
.593	17.080	-.08200	-.16900	-.24400
.592	17.300	-.08800	-.17600	-.24700
	GRADIENT	-.00587	-.00371	-.00167

LTV44-559(CA26) 06 S1

(XFE015) ( 18 NOV 75 )

## REFERENCE DATA

SREF = 2690.0000 SQ.FT. XMRP = 1109.0000 IN. XO  
 LREF = 474.8100 IN. YMRP = .0000 IN. YO  
 BREF = 936.6600 IN. ZMRP = 375.0000 IN. ZO  
 SCALE = .0125

## PARAMETRIC DATA

BETA0 = -5.000 ELEVON = 5.000

RUN NO. 1016/ 0 RN/L = .00 GRADIENT INTERVAL = -5.00/ 5.00

MACH	INCID	CPCO	CPS1	CPS2
.597	.190	-.11500	-.36800	-.05500
.598	.510	-.11500	-.36700	-.05600
.596	.930	-.11700	-.37000	-.05700
.596	1.340	-.11600	-.36800	-.05800
.596	1.810	-.11800	-.36800	-.05500
.595	2.250	-.11800	-.36500	-.05700
.595	2.680	-.12200	-.37000	-.05900
.595	3.110	-.12500	-.37300	-.06000
.595	3.550	-.12200	-.36800	-.05700
.594	4.000	-.12500	-.37100	-.05700
.594	4.430	-.12500	-.36500	-.05900
.594	4.860	-.12700	-.36900	-.06000
.594	5.300	-.12600	-.36500	-.05900
.594	5.750	-.12700	-.36300	-.05800
.594	6.190	-.13000	-.36300	-.05900
.594	6.620	-.12700	-.36100	-.06100
.594	7.070	-.12500	-.36200	-.05800
.594	7.500	-.13100	-.36700	-.05800
.593	7.950	-.14100	-.37200	-.05900
.594	8.390	-.15000	-.38100	-.06300
.594	8.850	-.15700	-.38300	-.06300
.595	9.270	-.16800	-.38700	-.06400
.595	9.740	-.16800	-.38600	-.06000
.594	10.190	-.17400	-.39000	-.05900
.594	10.620	-.18600	-.39500	-.06100
.593	11.070	-.18700	-.39600	-.05800
.593	11.500	-.19500	-.40700	-.05800
.592	11.960	-.20300	-.42100	-.06400
.593	12.390	-.20100	-.42300	-.06400
.594	12.860	-.19800	-.42900	-.06400
.593	13.310	-.20200	-.43700	-.06500
.593	13.740	-.20500	-.44400	-.06700
.591	14.190	-.20600	-.45000	-.07000
.592	14.640	-.20300	-.44900	-.06900
.592	15.080	-.20400	-.45400	-.07000
.593	15.540	-.20200	-.45400	-.06900
.593	15.970	-.20500	-.45800	-.06900
.592	16.400	-.21100	-.46400	-.07100
.592	16.830	-.21200	-.46500	-.06900
.591	17.270	-.21000	-.46300	-.06800
	GRADIENT	-.00270	-.00016	-.00075



LTV44-559(CA26) 747/1 ATY 02 S1 (ORBITER DATA)

(XFE030) ( 18 NOV 75 )

## REFERENCE DATA

SREF = 2690.0000 SQ.FT. XMRP = 1109.0000 IN. XO  
 LREF = 474.8100 IN. YMRP = .0000 IN. YO  
 BREF = 936.6800 IN. ZMRP = 375.0000 IN. ZO  
 SCALE = .0125

## PARAMETRIC DATA

ALPHAC = .000 BETAC = .000  
 STAB = 5.000 ELEVON = 5.000  
 RUDDER = .000 DX = .000  
 DY = .000 IORB = 4.000  
 BETA0 = .000 DPHI = .000

RUN NO. 30/ 0 RN/L = .00 GRADIENT INTERVAL = -5.00/ 5.00

MACH	DZ	CPCO	CPB1	CPB2	CPB3	CPS1	CPS2	ALPHA0	BETA0	INC1D	ALPHAC
.622	2.110	.02300	-.22200	-.27100	-.24100	-.11700	-.16400	3.93000	.03000	3.83372	.08000
.626	3.410	.02700	-.21700	-.27100	-.24000	-.11300	-.15800	3.94000	.07000	3.84611	.07000
.626	4.700	.02900	-.21600	-.27000	-.24000	-.11600	-.16100	3.91000	.06000	3.79844	.08000
.625	6.000	.03100	-.21600	-.27100	-.24300	-.11600	-.16100	3.92000	.05000	3.80077	.08000
.626	7.300	.02300	-.22400	-.27200	-.24100	-.11600	-.16100	3.89000	.07000	3.76309	.08000
.625	8.590	.02400	-.22100	-.27400	-.24300	-.11800	-.16300	3.91000	.08000	3.77548	.08000
.627	9.890	.02400	-.22300	-.27100	-.24300	-.10900	-.15900	3.90000	.06000	3.75781	.08000
.626	11.180	.02900	-.22100	-.26800	-.24200	-.10800	-.16000	3.88000	.07000	3.74020	.07000
.624	12.480	.02900	-.22000	-.27200	-.24500	-.10800	-.16200	3.87000	.07000	3.72253	.07000
.626	13.780	.02500	-.22200	-.27100	-.24400	-.11200	-.16400	3.87000	.08000	3.70492	.08000
.622	15.080	.03000	-.22100	-.26900	-.24400	-.11000	-.16300	3.86000	.05000	3.69725	.07000
.625	16.370	.02500	-.22600	-.27400	-.24400	-.10800	-.16400	3.83000	.04000	3.65958	.07000
.626	17.670	.02600	-.22400	-.27200	-.24400	-.10700	-.16400	3.86000	.08000	3.68191	.07000
.626	18.960	.03200	-.22100	-.26700	-.24200	-.10800	-.15800	3.83000	.04000	3.64430	.07000
.627	20.260	.03000	-.22200	-.26700	-.23900	-.10300	-.16000	3.80000	.03000	3.60663	.07000
.625	21.550	.03100	-.22300	-.27200	-.24200	-.10300	-.16200	3.83000	.06000	3.62902	.07000
.624	22.840	.02700	-.22200	-.26900	-.24300	-.10700	-.16300	3.80000	.03000	3.59141	.07000
.626	24.140	.03100	-.22400	-.27200	-.24400	-.10500	-.15900	3.81000	.05000	3.58374	.08000
.624	25.440	.02900	-.22700	-.27100	-.24700	-.11000	-.16400	3.79000	.05000	3.55613	.08000
.626	26.740	.02600	-.22400	-.26800	-.24400	-.10800	-.16200	3.79000	.02000	3.54846	.08000
.626	28.030	.02900	-.22100	-.27200	-.24500	-.10800	-.16100	3.80000	.04000	3.55079	.08000
.626	29.330	.03200	-.22400	-.26900	-.24100	-.10300	-.15800	3.78000	.03000	3.53318	.07000
.627	30.620	.02800	-.22300	-.26700	-.24400	-.10300	-.16100	3.78000	.06000	3.52551	.07000
.624	31.920	.03000	-.22700	-.26900	-.24700	-.10600	-.16300	3.76000	.04000	3.49784	.07000
.626	33.210	.03200	-.22800	-.26800	-.24600	-.10300	-.16000	3.75000	.02000	3.48023	.07000
.627	34.510	.02900	-.22100	-.26900	-.24100	-.10600	-.16100	3.74000	.03000	3.45256	.08000
.626	35.800	.03300	-.22400	-.26800	-.24400	-.10600	-.16100	3.73000	.02000	3.44489	.07000
.622	37.110	.03300	-.22900	-.27200	-.24800	-.10700	-.16400	3.72000	.00000	3.41728	.08000
.624	38.400	.03200	-.22200	-.27100	-.24300	-.10500	-.16100	3.73000	.03000	3.41961	.08000
.626	39.700	.03400	-.22500	-.26500	-.24300	-.10000	-.16100	3.73000	.06000	3.42199	.07000
.625	40.990	.03400	-.22300	-.26900	-.24400	-.10500	-.16000	3.73000	.04000	3.41432	.07000
.625	42.290	.03200	-.22200	-.26800	-.24100	-.10400	-.15900	3.69000	.00000	3.36665	.07000
.624	43.580	.03400	-.22600	-.26800	-.24500	-.10200	-.16200	3.72000	.07000	3.39898	.07000
.626	44.880	.03300	-.22100	-.26800	-.24100	-.10200	-.16100	3.70000	.03000	3.36137	.07000
.622	46.180	.03500	-.22300	-.26900	-.24300	-.10500	-.15900	3.70000	.05000	3.34370	.08000
.622	47.470	.03500	-.22600	-.26600	-.24500	-.10200	-.16100	3.70000	.04000	3.34609	.07000
.626	48.120	.03300	-.22500	-.26500	-.24300	-.10300	-.16200	3.67000	.02000	.00000	.08000
GRADIENT		.00193	.00232	.00039	.00039	.00039	.00116	-.00770	.01161	.01359	-.00001

ORIGINAL PAGE IS  
 OF POOR QUALITY

LTV44-559(CA26) 747/1 ATY 02 S1 (ORBITER DATA)

(XFE031) ( 18 NOV 75 )

## REFERENCE DATA

SREF = 2690.0000 SQ.FT. XMRP = 1109.0000 IN. XO  
 LREF = 474.800 IN. YMRP = .0000 IN. YO  
 BREF = 936.6800 IN. ZMRP = 375.0000 IN. ZO  
 SCALE = .0125

## PARAMETRIC DATA

ALPHAC = .000 BETAC = .000  
 STAB = 5.000 ELEVON = 5.000  
 RUDDER = .000 DX = .000  
 DY = .000 IORB = 6.000  
 BETA0 = .000 DPHI = .000

RUN NO. 1030/ 0 RN/L = .00 GRADIENT INTERVAL = -5.00/ 5.00

MACH	DZ	CPCO	CPB1	CPB2	CPB3	CPS1	CPS2	ALPHA0	BETA0	INC10	ALPHAC
.622	1.480	.04500	-.19500	-.21700	-.20100	-.08700	-.14900	5.99000	.03000	.00000	.12000
.624	2.630	.04700	-.18900	-.21900	-.20200	-.08300	-.14900	5.99000	.03000	5.85791	.12000
.623	3.790	.04100	-.19000	-.21900	-.20500	-.08700	-.15100	5.99000	.04000	5.85106	.12000
.624	4.950	.04500	-.19400	-.21700	-.20200	-.08900	-.15000	5.95000	.03000	5.80422	.12000
.626	6.110	.04700	-.19300	-.21500	-.19900	-.08900	-.14900	5.94000	.03000	5.79737	.11000
.625	7.270	.04600	-.18900	-.21900	-.20000	-.08700	-.14900	5.92000	.03000	5.78053	.10000
.624	8.430	.04700	-.19200	-.22300	-.20300	-.08900	-.15200	5.91000	.03000	5.76369	.10000
.625	9.590	.04500	-.19300	-.22000	-.20400	-.09000	-.15200	5.90000	.04000	5.74684	.10000
.625	10.750	.04200	-.19900	-.22400	-.20900	-.09200	-.15500	5.91000	.02000	5.75000	.10000
.626	11.900	.04400	-.19400	-.22500	-.20500	-.08900	-.15200	5.91000	.04000	5.75315	.09000
.627	13.060	.04400	-.19100	-.21900	-.20600	-.08600	-.15100	5.91000	.04000	5.73637	.10000
.624	14.220	.04400	-.19800	-.22400	-.20900	-.09400	-.15400	5.90000	.04000	5.72952	.09000
.625	15.380	.04300	-.19300	-.22400	-.20700	-.09100	-.15200	5.89000	.03000	5.69268	.10000
.629	16.540	.04200	-.18900	-.22400	-.20600	-.08800	-.15200	5.85000	.04000	5.66584	.09000
.626	17.700	.04200	-.19200	-.22500	-.21000	-.08900	-.15400	5.85000	.03000	5.65899	.09000
.622	18.860	.04100	-.20200	-.22800	-.21500	-.09300	-.15700	5.86000	.03000	5.66215	.09000
.626	20.020	.04000	-.19900	-.22400	-.21300	-.09100	-.15400	5.83000	.03000	5.62530	.09000
.626	21.180	.04100	-.19500	-.23100	-.21400	-.08800	-.15400	5.86000	.03000	5.65846	.08000
.622	22.330	.04000	-.20000	-.23900	-.21500	-.09700	-.15800	5.84000	.02000	5.62168	.09000
.624	23.490	.04000	-.20000	-.23100	-.21600	-.09200	-.15500	5.81000	.02000	5.59483	.08000
.625	24.650	.03800	-.19900	-.23300	-.21500	-.09300	-.15800	5.82000	.02000	5.59799	.08000
.626	25.810	.03800	-.19700	-.23200	-.21500	-.09400	-.15800	5.80000	.02000	5.57114	.08000
.624	26.970	.04100	-.20000	-.23200	-.21800	-.09100	-.15700	5.79000	.01000	5.54430	.09000
.626	28.130	.04000	-.20200	-.23400	-.22000	-.09300	-.15700	5.78000	.01000	5.52745	.09000
.624	29.290	.03900	-.20400	-.23800	-.21900	-.09600	-.16000	5.80000	.00000	5.55061	.08000
.623	30.450	.03900	-.20600	-.24000	-.22000	-.10100	-.15900	5.75000	.05000	5.49377	.08000
.623	31.610	.04100	-.20400	-.23800	-.22100	-.09700	-.15700	5.79000	.03000	5.52692	.08000
.625	32.760	.04000	-.20500	-.24100	-.22100	-.10100	-.15800	5.77000	.00000	5.50014	.08000
.625	33.920	.04000	-.20700	-.23900	-.22000	-.09900	-.15700	5.77000	.00000	5.49329	.08000
.623	35.080	.03900	-.20600	-.24300	-.22200	-.10000	-.15800	5.75000	.03000	5.46645	.08000
.624	36.240	.03300	-.20700	-.24800	-.22600	-.10100	-.16200	5.76000	.05000	5.46961	.08000
.625	37.400	.03900	-.20600	-.23900	-.22100	-.09600	-.15900	5.73000	.06000	5.43276	.08000
.626	38.560	.03700	-.20700	-.23900	-.22400	-.09700	-.15900	5.72000	.02000	5.41592	.08000
.626	39.720	.03800	-.20800	-.24200	-.22400	-.09800	-.15900	5.70000	.04000	5.38907	.08000
.629	40.880	.03500	-.20700	-.24000	-.22500	-.09700	-.15900	5.72000	.00000	5.40223	.08000
.624	42.030	.03400	-.21100	-.25000	-.22700	-.10600	-.16100	5.72000	.02000	5.39539	.08000
.624	43.190	.03300	-.21100	-.25200	-.22900	-.10700	-.16300	5.68000	.04000	5.34860	.08000
.625	44.350	.03600	-.21000	-.24300	-.22800	-.10100	-.16000	5.72000	.06000	5.38170	.08000
.626	45.520	.03600	-.21200	-.24200	-.22600	-.10000	-.15900	5.71000	.03000	5.36485	.08000
.623	46.680	.03000	-.21400	-.25200	-.23000	-.10700	-.16400	5.69000	.04000	5.33801	.08000
.625	47.840	.03200	-.21200	-.24800	-.23000	-.10600	-.16100	5.70000	.00000	5.34117	.08000
.624	48.990	.03000	-.21400	-.25500	-.23400	-.10700	-.16500	5.67000	.05000	5.30432	.08000

DATE 22 MAR 76

CA-26 FORCE SOURCE DATA TABULATION

PAGE 541

LTV44-559(CA26) 747/1 ATY 02 S1 (ORBITER DATA)

(XFE031) ( 18 NOV 75 )

## REFERENCE DATA

SREF = 2690.0000 SQ.FT. XMRP = 1109.0000 IN. XO  
 LREF = 474.8100 IN. YMRP = .0000 IN. YO  
 BREF = 936.6800 IN. ZMRP = 375.0000 IN. ZO  
 SCALE = .0125

## PARAMETRIC DATA

ALPHAC = .000 BETAC = .000  
 STAB = 5.000 ELEVON = 5.000  
 RUDDER = .000 DX = .000  
 DY = .000 TORB = 6.000  
 BETAO = .000 DPHI = .000

RUN NO. 1030/ 0 RN/L = .00 GRADIENT INTERVAL = -5.00/ 5.00

MACH	DZ	CPCO	CPB1	CPB2	CPB3	CPS1	CPS2	ALPHAO	BETAO	INCID	ALPHAC
.624	50.150	.03200	-.21700	-.25500	-.23100	-.11000	-.16200	5.66000	.00000	5.28754	.08000
.624	51.310	.03000	-.21500	-.25600	-.23300	-.10900	-.16300	5.64000	-.01000	5.26069	.08000
.625	52.470	.03000	-.21800	-.25200	-.23500	-.10500	-.16700	5.62000	.00000	5.22385	.09000
.623	53.630	.02700	-.21800	-.25700	-.23400	-.10800	-.17100	5.59000	.06000	5.19701	.08000
	GRADIENT	-.00052	.00008	.00000	-.00052	-.00087	-.00043	-.01038	.00086	1.50174	.00000

LTV44-559(CA26) 747/1 ATY 02 51 (ORBITER DATA)

(XFE032) ( 18 NOV 75 )

## REFERENCE DATA

SREF = 2690.0000 SQ.FT. XMRP = 1109.0000 IN. XO  
 LREF = 474.8100 IN. YMRP = .0000 IN. YO  
 BREF = 936.6800 IN. ZMRP = 375.0000 IN. ZO  
 SCALE = .0125

## PARAMETRIC DATA

ALPHAC = .000 BETAC = .000  
 STAB = 5.000 ELEVON = 5.000  
 RUDDER = .000 DX = .000  
 DY = .000 IORB = 6.000  
 BETAO = .000 OPHI = .000

RUN NO. 2030/ 0 RN/L = .00 GRADIENT INTERVAL = -5.00/ 5.00

MACH	DZ	CP00	CP01	CP02	CP03	CPS1	CPS2	ALPHA0	BETA0	INCID	ALPHAC
.624	2.630	.04500	-.19100	-.21600	-.20100	-.08700	-.14900	5.97000	.03000	5.84106	.11000
.624	3.790	.04600	-.19000	-.21300	-.19900	-.08600	-.14700	5.96000	.03000	5.82422	.11000
.622	4.950	.04600	-.18600	-.21600	-.20000	-.08100	-.14800	5.95000	.05000	5.80737	.11000
.625	6.110	.05000	-.18600	-.21400	-.19600	-.08200	-.14700	5.95000	.05000	5.79053	.12000
.624	7.270	.04600	-.18800	-.21600	-.20200	-.08300	-.14900	5.95000	.04000	5.79369	.11000
.625	8.430	.04500	-.18800	-.21000	-.19900	-.08400	-.14900	5.92000	.04000	5.75684	.11000
.626	9.590	.04700	-.18700	-.20900	-.19900	-.08400	-.14600	5.91000	.03000	5.74000	.11000
.625	10.750	.05000	-.18800	-.21400	-.19600	-.08300	-.14700	5.91000	.03000	5.74315	.10000
.626	11.900	.04600	-.18800	-.21200	-.19900	-.08400	-.14700	5.90000	.04000	5.72631	.10000
.626	13.070	.05100	-.18800	-.21200	-.19500	-.08100	-.14600	5.92000	.04000	5.73947	.10000
.625	14.230	.04900	-.19200	-.21600	-.19800	-.08400	-.15000	5.88000	.02000	5.70262	.09000
.628	15.390	.04600	-.18900	-.21000	-.19600	-.08300	-.14600	5.90000	.04000	5.70578	.10000
.625	16.550	.04900	-.19000	-.21700	-.20300	-.08300	-.15200	5.86000	.05000	5.66893	.09000
.625	17.710	.04900	-.18800	-.21100	-.19900	-.08100	-.14700	5.87000	.02000	5.67215	.09000
.626	18.860	.04800	-.18900	-.21300	-.19600	-.08100	-.14800	5.86000	.04000	5.65530	.09000
.624	20.020	.04700	-.19500	-.21800	-.19900	-.08400	-.15200	5.85000	.05000	5.63846	.09000
.625	21.180	.05000	-.19200	-.21800	-.20100	-.08000	-.14900	5.82000	.04000	5.60168	.09000
.625	22.330	.04900	-.19200	-.21500	-.19800	-.08200	-.14900	5.83000	.06000	5.60483	.09000
.625	23.500	.04700	-.19500	-.21500	-.20000	-.08200	-.15200	5.82000	.03000	5.58793	.09000
.625	24.660	.04500	-.19500	-.21700	-.20200	-.08500	-.15300	5.81000	.03000	5.58108	.08000
.625	25.820	.04700	-.19600	-.21600	-.20100	-.08400	-.15200	5.79000	.02000	5.55424	.08000
.627	26.980	.04800	-.19000	-.21300	-.20100	-.08300	-.14700	5.80000	.03000	5.54740	.09000
.623	28.140	.04900	-.19400	-.21600	-.20300	-.08400	-.15000	5.77000	.03000	5.52061	.08000
.625	29.290	.04600	-.19100	-.21400	-.20000	-.08300	-.15100	5.79000	.04000	5.53377	.08000
.624	30.450	.04800	-.19100	-.21700	-.20200	-.08300	-.15100	5.79000	.06000	5.52692	.08000
.624	31.610	.05000	-.19500	-.21800	-.20100	-.07800	-.15000	5.76000	.02000	5.49008	.08000
.626	32.770	.04900	-.19500	-.21200	-.19700	-.07700	-.14700	5.73000	.01000	5.45324	.08000
.625	33.930	.05100	-.19400	-.21400	-.20100	-.08200	-.14800	5.76000	.01000	5.47633	.08000
.625	35.090	.04900	-.19200	-.21400	-.19800	-.07500	-.14900	5.75000	.04000	5.46955	.07000
.627	36.250	.05200	-.19200	-.21400	-.20200	-.08000	-.15100	5.74000	.03000	5.45270	.07000
.627	37.410	.05200	-.18900	-.21500	-.20000	-.07900	-.14800	5.73000	.02000	5.42586	.08000
.626	38.570	.05500	-.18900	-.21400	-.20000	-.07700	-.14900	5.71000	.02000	5.39902	.08000
.625	39.730	.05300	-.19200	-.21500	-.20200	-.08000	-.14900	5.69000	-.01000	5.37217	.08000
.626	40.890	.05500	-.19000	-.21400	-.20000	-.07600	-.14800	5.72000	.04000	5.39533	.09000
.624	42.050	.05100	-.19300	-.21700	-.20000	-.07600	-.14900	5.71000	.01000	5.38848	.07000
.626	43.210	.04800	-.19500	-.21400	-.19800	-.07500	-.14900	5.67000	.00000	5.34164	.07000
.625	44.370	.05100	-.19200	-.21100	-.19700	-.07600	-.14900	5.69000	.00000	5.34480	.08000
.626	45.520	.05200	-.19100	-.21000	-.19700	-.07900	-.14700	5.70000	.03000	5.34795	.08000
.627	46.690	.05100	-.19300	-.21200	-.19700	-.07800	-.14800	5.70000	.04000	5.34111	.08000
.626	47.850	.05100	-.19400	-.21400	-.19900	-.07900	-.14500	5.70000	.01000	5.34426	.07000
.627	49.010	.05100	-.19500	-.21200	-.19900	-.07800	-.14400	5.65000	.00000	5.28742	.07000
.627	50.170	.05200	-.19300	-.21100	-.19700	-.07500	-.14700	5.64000	.01000	5.26057	.08000

DATE 22 MAR 76

CA-26 FORCE SOURCE DATA TABULATION

PAGE 543

LTV44-559(CA26) 747/1 ATY 02 S1 (ORBITER DATA)

(XFE032) ( 18 NOV 75 )

## REFERENCE DATA

SREF = 2690.0000 SQ.FT. XMRP = 1109.0000 IN. XO  
 LREF = 474.8100 IN. YMRP = .0000 IN. YO  
 BREF = 936.6800 IN. ZMRP = 375.0000 IN. ZO  
 SCALE = .0125

## PARAMETRIC DATA

ALPHAC = .000 BETAC = .000  
 STAB = 5.000 ELEVON = 5.000  
 RUDDER = .000 DX = .000  
 DY = .000 TORB = 6.000  
 BETAO = .000 DPH1 = .000

RUN NO. 2030/ 0 RN/L = .00 GRADIENT INTERVAL = -5.00/ 5.00

MACH	DZ	CPCO	CPB1	CPB2	CPB3	CPS1	CPS2	ALPHAO	BETAO	INCID	ALPHAC
.626	51.330	.05000	-.19500	-.21600	-.19900	-.07400	-.14900	5.63000	.00000	5.25379	.07000
.626	52.480	.05100	-.19500	-.21200	-.19800	-.07700	-.14600	5.66000	-.01000	5.27695	.07000
.626	53.640	.05100	-.19700	-.21300	-.20000	-.08000	-.14400	5.64000	.00000	5.25010	.07000
.622	54.800	.05300	-.19500	-.21200	-.19800	-.07600	-.14600	5.64000	.02000	.00000	.07000
	GRADIENT	.00043	.00216	-.00000	.00043	.00259	.00043	-.00862	.00862	-.01452	.00000

LTV44-559(CA26) 747/1 ATY 02 S1 (ORBITER DATA)

(XFE033) ( 18 NOV 75 )

## REFERENCE DATA

SREF = 2690.0000 SQ.FT. XMRP = 1109.0000 IN. XO  
 LREF = 474.8100 IN. YMRP = .0000 IN. YO  
 BREF = 936.6800 IN. ZMRP = 375.0000 IN. ZO  
 SCALE = .0125

## PARAMETRIC DATA

ALPHAC = .000 BETAC = .000  
 STAB = 5.000 ELEVON = 5.000  
 BDFLAP = .000 DX = .000  
 DY = .000 TORB = 6.000  
 BETAO = .000 RUDDER = .000

RUN NO. 1034/ 0 RN/L = .00 GRADIENT INTERVAL = -5.00/ 5.00

MACH	DZ	CPCO	CPB1	CPB2	CPB3	CPS1	CPS2	ALPHAO	BETAO	INCID	ALPHAC
.619	1.580	-.07500	-.30500	-.43100	-.36700	-.23600	-.25800	6.00000	.05000	5.88000	.12000
.618	1.780	-.07900	-.30100	-.43000	-.37200	-.23500	-.25800	5.96000	.03000	5.85000	.11000
.618	1.980	-.07800	-.30700	-.43400	-.37100	-.24200	-.26100	5.94000	.07000	5.84000	.11000
.620	2.180	-.07800	-.30000	-.42900	-.37000	-.23500	-.25600	5.97000	.07000	5.87000	.11000
.618	2.880	-.07700	-.30200	-.43400	-.36900	-.24100	-.25800	5.98000	.09000	5.87000	.12000
.618	3.700	-.08200	-.30100	-.43400	-.37400	-.24000	-.26100	5.97000	.09000	5.88000	.11000
.620	4.510	-.08000	-.30000	-.42800	-.37000	-.23700	-.25800	5.92000	.06000	5.83000	.11000
.617	5.320	-.08400	-.30700	-.43300	-.37900	-.24400	-.26100	5.93000	.04000	5.85000	.11000
.617	6.140	-.08300	-.30500	-.43200	-.37700	-.24700	-.26100	5.92000	.09000	5.84000	.11000
.616	6.940	-.08200	-.30700	-.44000	-.37900	-.24400	-.26500	5.92000	.04000	5.85000	.11000
.616	7.760	-.08200	-.30900	-.43700	-.38000	-.24500	-.26400	5.95000	.10000	5.88000	.11000
.622	8.570	-.07700	-.30000	-.42900	-.37300	-.24000	-.25600	5.94000	.10000	5.87000	.11000
.620	8.980	-.08100	-.30400	-.43100	-.37400	-.24400	-.26000	5.90000	.06000	5.84000	.10000
	GRADIENT	-.00139	.00133	.00027	-.00066	-.00061	-.00028	-.01302	.00883	-.00508	-.00119

LTV44-559(CA26) 747/1 ATY 02 S1 (ORBITER DATA)

(XFE034) ( 18 NOV 75 )

## REFERENCE DATA

SREF = 2690.0000 SQ.FT. XMRP = 1109.0000 IN. XO  
 LREF = 474.8100 IN. YMRP = .0000 IN. YO  
 BREF = 936.6800 IN. ZMRP = 375.0000 IN. ZO  
 SCALE = .0125

## PARAMETRIC DATA

ALPHAC = .000 BETAC = .000  
 STAB = 5.000 ELEVON = 5.000  
 BDFLAP = .000 DX = .000  
 DY = .000 IORB = 8.000  
 BETA0 = .000 RUDDER = .000

RUN NO. 31/ 0 RN/L = .00 GRADIENT INTERVAL = -5.00/ 5.00

MACH	DZ	CPCO	CPB1	CPB2	CPB3	CPS1	CPS2	ALPHA0	BETA0	INCID	ALPHAC
.623	2.110	-.03400	-.25300	-.34200	-.28700	-.15800	-.25000	8.00000	.01000	7.87000	.14000
.625	3.420	-.03200	-.24900	-.33700	-.28400	-.15800	-.24500	8.00000	.02000	7.86000	.15000
.625	4.720	-.03600	-.25400	-.34200	-.28800	-.15700	-.24600	7.98000	.01000	7.86000	.15000
.624	6.030	-.03700	-.25400	-.34300	-.28600	-.15800	-.24700	7.99000	.04000	7.87000	.15000
.625	7.330	-.03900	-.25700	-.34800	-.29100	-.16100	-.25000	7.97000	.01000	7.86000	.15000
.626	8.640	-.04000	-.26000	-.34900	-.29100	-.16400	-.25000	7.99000	.03000	7.89000	.14000
.625	9.940	-.03800	-.25600	-.34900	-.29500	-.16400	-.24600	7.96000	.03000	7.87000	.15000
.625	11.250	-.04200	-.26200	-.35400	-.29200	-.16600	-.25000	7.96000	.05000	7.88000	.15000
.624	12.550	-.04200	-.26200	-.35300	-.29600	-.16800	-.25000	7.97000	.03000	7.90000	.13000
.625	13.860	-.04200	-.26400	-.35700	-.29400	-.16900	-.25200	7.95000	.04000	7.90000	.12000
.625	15.160	-.03900	-.26000	-.36200	-.30000	-.16600	-.25000	7.89000	.01000	7.85000	.12000
.626	16.460	-.04000	-.26100	-.36200	-.30200	-.16800	-.24900	7.88000	.00000	7.85000	.12000
.625	17.770	-.04700	-.27300	-.37000	-.30700	-.17500	-.25700	7.89000	.03000	7.87000	.11000
.628	19.070	-.04600	-.26600	-.36400	-.30400	-.17300	-.25100	7.88000	.05000	7.88000	.11000
.622	20.370	-.04300	-.26700	-.37400	-.30800	-.17400	-.25200	7.86000	.00000	7.86000	.11000
.623	21.680	-.04200	-.27000	-.37500	-.30900	-.17200	-.25100	7.85000	.00000	7.87000	.11000
.625	22.980	-.04000	-.27100	-.37200	-.30500	-.17000	-.25000	7.85000	.02000	7.88000	.11000
.624	24.280	-.04100	-.27200	-.37400	-.30800	-.17200	-.25000	7.85000	.03000	7.88000	.11000
.625	25.590	-.04400	-.27200	-.37600	-.30800	-.17400	-.25100	7.83000	.04000	7.87000	.10000
.625	26.890	-.05000	-.27500	-.37600	-.31300	-.18100	-.25500	7.80000	.00000	7.85000	.10000
.626	28.190	-.04700	-.27500	-.37700	-.31200	-.17600	-.24900	7.79000	.00000	7.84000	.10000
.624	29.500	-.04700	-.27500	-.38200	-.31500	-.18300	-.25600	7.82000	.02000	7.90000	.09000
.624	30.800	-.05100	-.27600	-.38300	-.31700	-.18100	-.25400	7.81000	.03000	7.89000	.09000
.627	32.110	-.04600	-.27500	-.38300	-.31700	-.18100	-.25100	7.77000	.00000	7.87000	.09000
.624	33.420	-.04900	-.27800	-.38300	-.31400	-.18000	-.25300	7.75000	.00000	7.85000	.09000
.625	34.720	-.04900	-.27700	-.38300	-.31500	-.18000	-.25100	7.75000	.00000	7.86000	.09000
.626	36.030	-.04800	-.27800	-.38100	-.31500	-.18100	-.25000	7.76000	.02000	7.88000	.09000
.627	37.330	-.05000	-.28000	-.38400	-.31400	-.18200	-.24800	7.75000	.02000	7.89000	.08000
.627	38.630	-.04900	-.27800	-.38700	-.31900	-.18600	-.25000	7.73000	-.01000	7.87000	.08000
.627	39.940	-.05100	-.28200	-.39100	-.32200	-.18700	-.25000	7.74000	.00000	7.89000	.09000
.629	41.240	-.04600	-.27600	-.38700	-.31800	-.18500	-.24500	7.75000	.00000	7.89000	.09000
.625	42.540	-.05300	-.28300	-.38600	-.32000	-.19100	-.24900	7.71000	-.03000	7.87000	.09000
.625	43.850	-.05200	-.27900	-.38600	-.32200	-.18600	-.24800	7.69000	-.01000	7.87000	.08000
.625	45.150	-.05400	-.28000	-.39000	-.32200	-.18900	-.24800	7.70000	.00000	7.87000	.09000
.626	46.450	-.05400	-.28100	-.39300	-.32500	-.19100	-.24800	7.72000	.00000	7.90000	.08000
.627	47.760	-.05400	-.28500	-.39400	-.32500	-.19300	-.24700	7.70000	.00000	7.89000	.09000
.625	49.070	-.05400	-.28800	-.40200	-.32900	-.19500	-.25300	7.66000	.00000	7.87000	.08000
.626	50.370	-.05200	-.28900	-.39400	-.32500	-.19500	-.24500	7.69000	-.01000	7.90000	.08000
.626	51.680	-.05200	-.28900	-.39300	-.32400	-.19800	-.24500	7.68000	-.03000	7.91000	.08000
.624	52.980	-.05300	-.29000	-.40300	-.32900	-.20100	-.25100	7.64000	-.04000	7.87000	.08000
.627	54.290	-.05200	-.28500	-.39500	-.32600	-.19700	-.24400	7.65000	.00000	7.88000	.08000
.625	55.590	-.05800	-.28800	-.40400	-.33300	-.19900	-.25100	7.63000	.00000	7.87000	.08000

DATE 22 MAR 76

CA-26 FORCE SOURCE DATA TABULATION

PAGE 545

LTV44-559(CA26) 747/1 ATY 02 S1 (ORBITER DATA)

(XFE034) ( 18 NOV 75 )

## REFERENCE DATA

SREF = 2690.0000 SQ.FT. XMRP = 1109.0000 IN. XO  
 LREF = 474.8100 IN. YMRP = .0000 IN. YO  
 BREF = 936.6800 IN. ZMRP = 375.0000 IN. ZO  
 SCALE = .0125

## PARAMETRIC DATA

ALPHAC = .000 BETAC = .000  
 STAB = 5.000 ELEVON = 5.000  
 BDFLAP = .000 DX = .000  
 DY = .000 LORB = 8.000  
 BETAO = .000 RUDDER = .000

RUN NO. 31/ 0 RN/L = .00 GRADIENT INTERVAL = -5.00/ 5.00

MACH	DZ	CPCO	CPB1	CPB2	CPB3	CPS1	CPS2	ALPHA0	BETA0	INCID	ALPHAC
.624	56.890	-.05800	-.29700	-.40600	-.33400	-.20400	-.25500	7.60000	-.01000	7.86000	.08000
.623	58.200	-.05700	-.29300	-.40500	-.33300	-.20100	-.24900	7.62000	-.02000	7.87000	.08000
.625	59.500	-.05900	-.29400	-.40300	-.33300	-.20400	-.24900	7.60000	-.01000	7.86000	.09000
.627	60.800	-.05800	-.29200	-.40200	-.33200	-.20400	-.24600	7.62000	-.02000	7.89000	.09000
.626	61.460	-.05300	-.28700	-.40500	-.33100	-.20000	-.24700	7.63000	-.01000	7.90000	.08000
	GRADIENT	-.00076	-.00038	.00000	-.00038	.00038	.00154	-.00765	.00001	-.00384	.00384

LTV44-559(CA26) 747/1 ATY 02 S1 (ORBITER DATA)

(XFE035) ( 18 NOV 75 )

## REFERENCE DATA

SPEF = 2690.0000 SQ.FT. XMRP = 1109.0000 IN. XO  
 LREF = 474.8100 IN. YMRP = .0000 IN. YO  
 BREF = 936.6800 IN. ZMRP = 375.0000 IN. ZO  
 SCALE = .0125

## PARAMETRIC DATA

ALPHAC = .000 BETAC = .000  
 STAB = 5.000 ELEVON = 5.000  
 BDFLAP = .000 DX = .000  
 DY = .000 IORB = 4.000  
 BETA0 = 5.000 RUDDER = .000

RUN NO. 33/ 0 RN/L = .00 GRADIENT INTERVAL = -5.00/ 5.00

MACH	DZ	CPCO	CPB1	CPB2	CPB3	CPS1	CPS2	ALPHAO	BETA0	INCID	ALPHAC
.628	2.110	-.06900	-.26600	-.39400	-.33500	-.00100	-.50100	3.99000	4.93000	3.92000	.07000
.628	3.410	-.06900	-.26600	-.39500	-.33500	-.00200	-.50300	3.95000	4.93000	3.90000	.08000
.627	4.700	-.07300	-.27100	-.40300	-.34200	-.00700	-.50300	3.91000	4.90000	3.86000	.08000
.629	6.000	-.06900	-.26900	-.39600	-.33500	-.00400	-.50200	3.91000	4.91000	3.86000	.08000
.627	7.300	-.07300	-.27700	-.39900	-.33900	-.00700	-.50300	3.94000	4.91000	3.90000	.07000
.627	8.590	-.06800	-.27100	-.39900	-.33900	-.00200	-.49800	3.91000	4.90000	3.88000	.08000
.627	9.890	-.07700	-.28200	-.40700	-.34700	-.01200	-.50800	3.92000	4.94000	3.90000	.07000
.629	11.180	-.07200	-.27800	-.40700	-.34400	-.01000	-.50400	3.92000	4.92000	3.90000	.07000
.627	12.480	-.07500	-.28300	-.41100	-.34800	-.01000	-.51200	3.89000	4.91000	3.87000	.08000
.627	13.780	-.07400	-.28000	-.41200	-.34700	-.01200	-.51100	3.89000	4.91000	3.89000	.07000
.627	15.080	-.07600	-.28400	-.41400	-.35000	-.01300	-.50800	3.89000	4.88000	3.89000	.08000
.628	16.370	-.07800	-.28800	-.41800	-.35400	-.02000	-.51000	3.87000	4.95000	3.88000	.08000
.627	17.670	-.07300	-.28400	-.41400	-.35100	-.01800	-.50500	3.89000	4.91000	3.91000	.08000
.628	18.960	-.08000	-.28900	-.41800	-.35200	-.01800	-.50900	3.85000	4.87000	3.89000	.07000
.628	20.260	-.07500	-.28500	-.41700	-.35300	-.02000	-.50400	3.85000	4.94000	3.89000	.07000
.628	21.550	-.07900	-.28900	-.42100	-.35400	-.02000	-.50200	3.82000	4.86000	3.87000	.07000
.627	22.840	-.07900	-.29300	-.42400	-.35600	-.02100	-.50500	3.81000	4.87000	3.87000	.08000
.630	24.140	-.07600	-.28600	-.41900	-.35500	-.02300	-.50400	3.81000	4.89000	3.88000	.07000
.627	25.440	-.08400	-.29900	-.43300	-.36600	-.03100	-.51300	3.93000	4.88000	3.90000	.07000
.628	26.740	-.07600	-.29400	-.42700	-.35900	-.02200	-.50000	3.79000	4.88000	3.86000	.08000
.628	28.030	-.07600	-.29500	-.42600	-.36100	-.02400	-.50300	3.80000	4.86000	3.89000	.07000
.629	29.330	-.07600	-.29600	-.42800	-.36300	-.02600	-.50600	3.78000	4.84000	3.87000	.07000
.628	30.620	-.08100	-.29500	-.43100	-.36100	-.02600	-.50600	3.79000	4.84000	3.90000	.07000
.628	31.920	-.08300	-.30200	-.43600	-.36300	-.02800	-.50600	3.77000	4.85000	3.88000	.07000
.628	33.210	-.08400	-.30000	-.43400	-.36200	-.03000	-.51300	3.75000	4.92000	3.87000	.07000
.628	34.510	-.08200	-.30200	-.43700	-.36500	-.02900	-.51200	3.74000	4.91000	3.87000	.07000
.630	35.800	-.08300	-.29800	-.43500	-.36900	-.03400	-.51400	3.74000	4.91000	3.87000	.07000
.629	37.110	-.08200	-.30000	-.43300	-.36400	-.03400	-.50800	3.74000	4.88000	3.89000	.07000
.627	38.400	-.08700	-.30600	-.43900	-.37000	-.04100	-.51300	3.75000	4.84000	3.91000	.07000
.627	39.700	-.08700	-.30300	-.44200	-.37400	-.03900	-.50900	3.72000	4.88000	3.87000	.07000
.627	40.990	-.08800	-.30600	-.44500	-.37600	-.03700	-.52500	3.72000	4.91000	3.88000	.07000
.628	42.290	-.08800	-.30800	-.44500	-.37400	-.04000	-.51900	3.72000	4.91000	3.89000	.08000
.629	43.580	-.08500	-.30700	-.44500	-.37100	-.03900	-.52100	3.70000	4.90000	3.88000	.07000
.629	44.880	-.08500	-.30300	-.44500	-.37400	-.03700	-.52200	3.68000	4.90000	3.87000	.07000
.629	46.180	-.08700	-.30600	-.44300	-.37500	-.04100	-.52600	3.69000	4.87000	3.89000	.07000
.628	47.470	-.08500	-.30600	-.44800	-.37700	-.04100	-.51800	3.69000	4.90000	3.89000	.07000
.627	48.120	-.09000	-.31200	-.45200	-.37800	-.04600	-.52900	3.67000	4.90000	3.88000	.07000
GRADIENT		-.00154	-.00193	-.00347	-.00270	-.00231	-.00077	-.03088	-.01157	-.02316	.00387



LTV44-559(CA26) 747/1 ATY 02 S1 (ORBITER DATA)

(XFE036) ( 18 NOV 75 )

## REFERENCE DATA

SREF = 2690.0000 SQ.FT. XMRP = 1109.0000 IN. XO  
 LREF = 474.8100 IN. YMRP = .0000 IN. YO  
 BREF = 936.6800 IN. ZMRP = 375.0000 IN. ZO  
 SCALE = .0125

## PARAMETRIC DATA

ALPHAC = .000 BETAC = .000  
 STAB = 5.000 ELEVON = 5.000  
 BDFLAP = .000 DX = .000  
 DY = .000 IORB = 6.000  
 BETAO = 5.000 RUDDER = .000

RUN NO. 1033/ 0 RN/L = .00 GRADIENT INTERVAL = -5.00/ 5.00

MACH	DZ	CPCD	CPB1	CPB2	CPB3	CPS1	CPS2	ALPHAO	BETAO	INCID	ALPHAC
.625	2.630	-.11300	-.30400	-.44500	-.38200	-.07300	-.45800	5.00000	4.86000	5.89000	.12000
.627	3.790	-.11000	-.30200	-.44300	-.37800	-.07400	-.45300	6.02000	4.88000	5.92000	.12000
.628	4.950	-.11100	-.29700	-.44500	-.37600	-.07200	-.45300	5.96000	4.87000	5.87000	.11000
.627	6.110	-.11000	-.30100	-.44100	-.37600	-.07500	-.45600	5.98000	4.89000	5.90000	.11000
.626	7.270	-.11000	-.30500	-.44200	-.38000	-.07600	-.45400	5.98000	4.87000	5.90000	.11000
.628	8.430	-.10900	-.30300	-.43900	-.38000	-.07300	-.45600	5.97000	4.90000	5.90000	.11000
.627	9.590	-.10900	-.30300	-.44300	-.38200	-.07100	-.45700	5.93000	4.86000	5.88000	.10000
.629	10.750	-.10900	-.29900	-.44600	-.37800	-.07100	-.45400	5.92000	4.88000	5.87000	.10000
.625	11.900	-.11300	-.31200	-.45100	-.38600	-.08000	-.45900	5.92000	4.87000	5.89000	.10000
.628	13.070	-.10800	-.30200	-.44700	-.37900	-.07500	-.45500	5.92000	4.89000	5.89000	.10000
.627	14.230	-.11200	-.30600	-.44800	-.38400	-.07400	-.45300	5.90000	4.89000	5.89000	.09000
.626	15.390	-.10900	-.31000	-.44900	-.38700	-.08000	-.45900	5.89000	4.89000	5.88000	.09000
.626	16.550	-.11300	-.30900	-.45100	-.38800	-.07700	-.45700	5.85000	4.91000	5.85000	.09000
.627	17.710	-.11000	-.31100	-.45000	-.38900	-.07800	-.45700	5.85000	4.88000	5.87000	.09000
.626	18.860	-.11300	-.31100	-.45300	-.39200	-.07700	-.46200	5.87000	4.89000	5.89000	.09000
.629	20.020	-.10600	-.30700	-.44700	-.38100	-.07900	-.45500	5.84000	4.87000	5.86000	.09000
.628	21.180	-.10600	-.30800	-.44900	-.38100	-.07700	-.45300	5.85000	4.85000	5.89000	.08000
.626	22.330	-.11400	-.31300	-.45400	-.39000	-.08000	-.46100	5.84000	4.89000	5.88000	.08000
.627	23.490	-.11300	-.31300	-.45000	-.39100	-.08200	-.45200	5.84000	4.87000	5.89000	.09000
.629	24.650	-.11100	-.31200	-.44800	-.38400	-.08000	-.44700	5.86000	4.84000	5.92000	.09000
.626	25.820	-.10900	-.31300	-.45700	-.39300	-.07800	-.46400	5.83000	4.88000	5.89000	.08000
.628	26.980	-.10900	-.31100	-.45400	-.39100	-.09000	-.46100	5.85000	4.85000	5.93000	.08000
.630	28.140	-.10600	-.30900	-.45000	-.38800	-.08000	-.45100	5.80000	4.85000	5.86000	.08000
.627	29.290	-.11200	-.31700	-.45300	-.39000	-.08100	-.45900	5.82000	4.84000	5.91000	.08000
.628	30.450	-.11200	-.31300	-.45200	-.39000	-.08300	-.45500	5.83000	4.86000	5.92000	.08000
.628	31.610	-.11000	-.31300	-.45400	-.39000	-.08100	-.44700	5.76000	4.86000	5.86000	.08000
.627	32.770	-.10900	-.31400	-.45800	-.39500	-.08700	-.45600	5.77000	4.84000	5.87000	.08000
.629	33.930	-.10700	-.30800	-.44900	-.39000	-.08300	-.45800	5.76000	4.84000	5.87000	.08000
.628	35.090	-.10900	-.31000	-.44900	-.38900	-.08200	-.45900	5.78000	4.84000	5.90000	.08000
.630	36.250	-.10500	-.30800	-.44800	-.38600	-.08000	-.44800	5.76000	4.84000	5.90000	.08000
.627	37.410	-.11100	-.31900	-.45700	-.39200	-.08200	-.46700	5.75000	4.85000	5.88000	.09000
.628	38.570	-.10900	-.31600	-.45300	-.39100	-.07800	-.49200	5.76000	4.86000	5.90000	.08000
.627	39.730	-.10900	-.31500	-.45100	-.39200	-.08400	-.46200	5.73000	4.84000	5.88000	.07000
.628	40.890	-.10900	-.31500	-.45400	-.39200	-.08000	-.46600	5.73000	4.84000	5.89000	.08000
.629	42.050	-.11000	-.31400	-.45500	-.39300	-.08300	-.46300	5.69000	4.85000	5.86000	.07000
.628	43.210	-.10700	-.31300	-.45400	-.39100	-.07900	-.47100	5.71000	4.86000	5.89000	.07000
.628	44.370	-.10900	-.31600	-.45200	-.39100	-.08500	-.46500	5.69000	4.85000	5.87000	.07000
.628	45.520	-.10700	-.31600	-.45400	-.39200	-.08200	-.46200	5.69000	4.82000	5.87000	.08000
.627	46.690	-.10500	-.31400	-.45200	-.39500	-.08400	-.47100	5.68000	4.87000	5.88000	.07000
.626	47.850	-.10800	-.31600	-.45500	-.39500	-.08600	-.45900	5.69000	4.85000	5.89000	.08000
.628	49.010	-.10800	-.31600	-.45000	-.39100	-.08200	-.45500	5.69000	4.86000	5.89000	.08000
.626	50.170	-.10800	-.31900	-.45700	-.40000	-.08700	-.47500	5.68000	4.86000	5.89000	.08000

LTV44-559(CA26) 747/1 ATY 02 S1 (ORBITER DATA)

(XF036) ( 18 NOV 75 )

## REFERENCE DATA

SREF = 2690.0000 SQ.FT. XMRP = 1109.0000 IN. XO  
 LREF = 474.8100 IN. YMRP = .0000 IN. YO  
 BREF = 936.6800 IN. ZMRP = 375.0000 IN. ZO  
 SCALE = .0125

## PARAMETRIC DATA

ALPHAC = .000 BETAC = .000  
 STAB = 5.000 ELEVON = 5.000  
 BDFLAP = .000 DX = .000  
 DY = .000 TORB = 6.000  
 BETAO = 5.000 RUDDER = .000

RUN NO. 1033/ 0 RN/L = .00 GRADIENT INTERVAL = -5.00/ 5.00

MACH	DZ	CPCO	CPB1	CPB2	CPB3	CPS1	CPS2	ALPHAO	BETAO	INCID	ALPHAC
.627	51.330	-.10900	-.31700	-.45300	-.39300	-.08300	-.46300	5.70000	4.84000	5.92000	.08000
.628	52.480	-.10600	-.31300	-.44700	-.38900	-.08200	-.45700	5.66000	4.89000	5.89000	.08000
.627	53.640	-.10700	-.31500	-.45200	-.39500	-.08300	-.47600	5.66000	4.85000	5.90000	.08000
.628	54.800	-.10900	-.31800	-.45100	-.39500	-.08400	-.47700	5.60000	4.86000	5.84000	.08000
	GRADIENT	.00086	.00302	.00000	.00259	.00043	.00216	-.01724	.00431	-.00862	-.00431

LTV44-559(CA26) 747/1 ATY 02 S1 (ORBITER DATA)

(XFE037) ( 18 NOV 75 )

## REFERENCE DATA

SREF = 2690.0000 SQ.FT. XMRP = 1109.0000 IN. XO  
 LREF = 474.8100 IN. YMRP = .0000 IN. YO  
 BREF = 936.6800 IN. ZMRP = 375.0000 IN. ZO  
 SCALE = .0125

## PARAMETRIC DATA

ALPHAC = .000 BETAC = .000  
 STAB = 5.000 ELEVON = 5.000  
 BOFLAP = .000 DX = .000  
 DY = .000 TORB = 8.000  
 BETAO = 5.000 RUDDER = .000

RUN NO. 34/ 0 RN/L = .00 GRADIENT INTERVAL = -5.00/ 5.00

MACH	DZ	CPCO	CPB1	CPB2	CPB3	CPS1	CPS2	ALPHAO	BETAO	INCID	ALPHAC
.619	2.110	-.11500	-.26500	-.38300	-.33700	-.02100	-.41300	8.05000	4.90000	7.90000	.15000
.618	3.420	-.11700	-.26700	-.38300	-.34000	-.02200	-.41300	8.01000	4.87000	7.87000	.15000
.616	4.720	-.11600	-.27100	-.39000	-.34100	-.02600	-.41500	7.97000	4.83000	7.85000	.15000
.619	6.030	-.11800	-.26700	-.38900	-.34200	-.02500	-.41400	7.99000	4.92000	7.87000	.15000
.616	7.330	-.12100	-.27700	-.39400	-.34600	-.03100	-.42200	7.98000	4.87000	7.87000	.15000
.616	8.640	-.12100	-.27200	-.39400	-.34600	-.02700	-.42100	7.99000	4.86000	7.90000	.14000
.619	9.940	-.11600	-.27400	-.39300	-.34600	-.02900	-.42100	7.98000	4.89000	7.90000	.13000
.620	11.250	-.11500	-.27500	-.39500	-.34500	-.03000	-.41900	7.96000	4.89000	7.89000	.13000
.619	12.550	-.11600	-.27500	-.39900	-.34500	-.03000	-.42100	7.93000	4.91000	7.89000	.12000
.620	13.860	-.11900	-.27800	-.40100	-.35100	-.03200	-.42400	7.92000	4.87000	7.87000	.12000
.620	15.160	-.11800	-.27700	-.40500	-.34700	-.03200	-.42900	7.90000	4.87000	7.87000	.11000
.620	16.460	-.11800	-.27900	-.40700	-.34900	-.03300	-.42700	7.89000	4.89000	7.88000	.10000
.617	17.770	-.12100	-.28800	-.41400	-.35800	-.03600	-.43300	7.90000	4.91000	7.90000	.10000
.619	19.070	-.12000	-.28100	-.41100	-.35300	-.03700	-.43000	7.87000	4.90000	7.87000	.10000
.620	20.370	-.12000	-.28100	-.41500	-.35400	-.03900	-.43000	7.85000	4.90000	7.86000	.10000
.620	21.680	-.12100	-.28300	-.41800	-.35400	-.03500	-.42900	7.82000	4.91000	7.89000	.10000
.619	22.980	-.12100	-.28600	-.41600	-.35900	-.03400	-.43000	7.84000	4.90000	7.87000	.10000
.618	24.280	-.12500	-.29100	-.42400	-.36200	-.04300	-.44000	7.82000	4.89000	7.87000	.09000
.618	25.580	-.12000	-.29300	-.42500	-.36600	-.04100	-.44600	7.84000	4.90000	7.89000	.09000
.617	26.880	-.12500	-.29200	-.43100	-.36700	-.04800	-.43900	7.83000	4.84000	7.89000	.09000
.617	28.190	-.12500	-.29500	-.43200	-.36600	-.04900	-.43700	7.78000	4.86000	7.85000	.09000
.617	29.500	-.12700	-.29600	-.43300	-.36700	-.05000	-.43900	7.82000	4.91000	7.90000	.09000
.618	30.800	-.12400	-.29700	-.43200	-.36800	-.04700	-.43600	7.81000	4.91000	7.90000	.09000
.619	32.110	-.12200	-.29900	-.43200	-.36700	-.04300	-.44100	7.77000	4.85000	7.87000	.08000
.617	33.420	-.12800	-.29900	-.44200	-.37400	-.05100	-.44100	7.78000	4.86000	7.88000	.09000
.618	34.720	-.12700	-.30100	-.43900	-.37400	-.05000	-.44100	7.74000	4.88000	7.86000	.09000
.618	36.030	-.12400	-.30200	-.43900	-.37400	-.05000	-.44200	7.75000	4.89000	7.87000	.08000
.618	37.330	-.12400	-.30200	-.43500	-.37400	-.05500	-.43900	7.74000	4.90000	7.87000	.08000
.617	38.630	-.12600	-.30400	-.44300	-.37500	-.05600	-.44900	7.76000	4.82000	7.91000	.08000
.619	39.940	-.12400	-.29900	-.44300	-.37200	-.05600	-.43900	7.75000	4.86000	7.91000	.08000
.618	41.240	-.12300	-.30900	-.44100	-.38000	-.05600	-.46000	7.73000	4.84000	7.89000	.08000
.619	42.540	-.12200	-.30400	-.44000	-.37700	-.05600	-.44700	7.70000	4.83000	7.85000	.08000
.621	43.850	-.12800	-.30100	-.44500	-.37500	-.05900	-.44500	7.69000	4.84000	7.87000	.08000
.618	45.150	-.12700	-.31100	-.44600	-.38500	-.06000	-.45400	7.73000	4.87000	7.91000	.08000
.617	46.460	-.12800	-.30900	-.44500	-.38300	-.06100	-.44400	7.68000	4.86000	7.87000	.08000
.618	47.760	-.12800	-.30700	-.45000	-.38200	-.06000	-.45000	7.69000	4.87000	7.69000	.08000
.617	49.070	-.12900	-.31000	-.45200	-.38400	-.06000	-.46500	7.69000	4.85000	7.90000	.08000
.618	50.370	-.12700	-.30800	-.45000	-.38300	-.06200	-.45200	7.67000	4.87000	7.88000	.08000
.617	51.680	-.12800	-.31400	-.45500	-.38600	-.06400	-.47400	7.66000	4.84000	7.88000	.08000
.619	52.980	-.12900	-.31000	-.45200	-.38600	-.06300	-.45700	7.63000	4.86000	7.85000	.08000
.619	54.290	-.12700	-.30900	-.45000	-.38400	-.06400	-.45200	7.66000	4.86000	7.89000	.08000
.619	55.590	-.12800	-.31100	-.45500	-.38600	-.06400	-.46900	7.64000	4.86000	7.88000	.08000

ORIGINAL PAGE IS  
 OF POOR QUALITY

LTV44-559(CA26) 747/1 ATY 02 S1 (ORBITER DATA)

(XFE037) ( 18 NOV 75 )

## REFERENCE DATA

SREF = 2690.0000 SQ.FT. XMRP = 1109.0000 IN. XO  
 LREF = 474.8100 IN. YMRP = .0000 IN. YO  
 BREF = 936.6800 IN. ZMRP = 375.0000 IN. ZO  
 SCALE = .0125

## PARAMETRIC DATA

ALPHAC = .000 BETAC = .000  
 STAB = 5.000 ELEVON = 5.000  
 BDFLAP = .000 DX = .000  
 DY = .000 TORB = 8.000  
 BETAO = 5.000 RUDDER = .000

RUN NO. 34/ 0 RN/L = .00 GRADIENT INTERVAL = -5.00/ 5.00

MACH	DZ	CPCO	CPB1	CPB2	CPB3	CPS1	CPS2	ALPHAO	BETAO	INCIO	ALPHAC
.619	56.890	-.12500	-.31100	-.45200	-.38500	-.06300	-.45700	7.63000	4.86000	7.89000	.07000
.619	58.200	-.12700	-.31500	-.45300	-.38800	-.06300	-.47700	7.66000	4.87000	7.92000	.08000
.619	59.500	-.12700	-.31300	-.45500	-.38900	-.06400	-.47300	7.59000	4.86000	7.86000	.08000
.618	60.800	-.12800	-.31200	-.45900	-.39100	-.06800	-.46700	7.60000	4.85000	7.88000	.08000
.617	61.460	-.12900	-.32000	-.46000	-.39100	-.07100	-.48500	7.60000	4.86000	7.88000	.08000
	GRADIENT	-.00038	-.00230	-.00268	-.00153	-.00191	-.00077	-.03065	-.02681	-.01916	.00000

LTV44-559(CA26) 747/1 ATY 02 S1 (ORBITER DATA)

(XFED38) ( 18 NOV 75 )

## REFERENCE DATA

SREF = 2690.0000 SQ.FT. XMRP = 1109.0000 IN. XO  
 LREF = 474.8100 IN. YMRP = .0000 IN. YO  
 BREF = 936.6800 IN. ZMRP = 375.0000 IN. ZO  
 SCALE = .0125

## PARAMETRIC DATA

ALPHAC = .000 BETAC = .000  
 STAB = -1.000 ELEVON = 5.000  
 BDFLAP = .000 DX = .000  
 DY = .000 IORB = 4.000  
 BETA0 = .000 RUDDER = .000

RUN NO. 35/ 0 RN/L = .00 GRADIENT INTERVAL = -5.00/ 5.00

MACH	OZ	CPCO	CPB1	CPB2	CPB3	CPS1	CPS2	ALPHAO	BETA0	INCID	ALPHAC
.627	2.110	-.05400	-.27700	-.40600	-.33700	-.17500	-.28700	4.32000	.02000	3.92000	.40000
.626	3.410	-.05500	-.28100	-.41100	-.34100	-.17800	-.28800	4.31000	.01000	3.91000	.41000
.626	4.700	-.05900	-.28400	-.41800	-.34700	-.17600	-.29200	4.29000	-.01000	3.89000	.42000
.627	6.000	-.05600	-.28400	-.41400	-.34200	-.17900	-.28800	4.32000	.01000	3.93000	.42000
.626	7.300	-.06300	-.28800	-.42300	-.35200	-.18400	-.23400	4.26000	.00000	3.88000	.42000
.626	8.590	-.06000	-.29000	-.42200	-.34800	-.18600	-.29200	4.28000	.05000	3.91000	.42000
.626	9.890	-.06100	-.29300	-.42400	-.34800	-.18800	-.29300	4.27000	.02000	3.91000	.41000
.627	11.180	-.06100	-.29200	-.42700	-.35100	-.19000	-.29300	4.28000	.03000	3.93000	.41000
.626	12.480	-.06400	-.29000	-.43000	-.35500	-.18600	-.29200	4.24000	.01000	3.90000	.42000
.626	13.780	-.06300	-.29500	-.43100	-.35400	-.19200	-.29300	4.26000	.02000	3.92000	.41000
.627	15.080	-.06300	-.29400	-.42900	-.35500	-.19200	-.29100	4.25000	.01000	3.92000	.42000
.626	16.370	-.06800	-.30000	-.43700	-.36400	-.19300	-.29700	4.20000	.00000	3.87000	.42000
.626	17.670	-.06700	-.29700	-.43900	-.36300	-.19200	-.29500	4.20000	.00000	3.88000	.42000
.626	18.960	-.06500	-.30200	-.43900	-.36000	-.19700	-.29300	4.21000	.01000	3.90000	.42000
.629	20.260	-.06700	-.29900	-.43600	-.36100	-.19700	-.29300	4.23000	.02000	3.93000	.41000
.625	21.550	-.07000	-.30300	-.44800	-.36600	-.20100	-.29900	4.18000	.00000	3.89000	.41000
.627	22.840	-.07100	-.30200	-.44200	-.36800	-.20100	-.29200	4.20000	.01000	3.91000	.42000
.629	24.140	-.07000	-.30100	-.43600	-.36400	-.20000	-.29000	4.17000	.00000	3.89000	.42000
.627	25.440	-.07100	-.30300	-.44100	-.36800	-.20200	-.29100	4.19000	.02000	3.92000	.42000
.627	26.740	-.07300	-.30600	-.45000	-.37300	-.20600	-.29300	4.15000	-.01000	3.89000	.41000
.627	28.030	-.07000	-.30800	-.44600	-.36900	-.20700	-.29000	4.18000	.03000	3.93000	.41000
.627	29.330	-.07300	-.30900	-.45500	-.37700	-.20800	-.29400	4.14000	-.01000	3.90000	.41000
.626	30.620	-.07200	-.31200	-.46100	-.37800	-.20700	-.29700	4.13000	.00000	3.90000	.41000
.629	31.920	-.07300	-.30600	-.45300	-.37300	-.20900	-.29400	4.16000	.03000	3.92000	.42000
.627	33.210	-.07400	-.31300	-.45800	-.37300	-.21200	-.29400	4.13000	.00000	3.90000	.41000
.627	34.510	-.07400	-.31300	-.46400	-.38000	-.21100	-.29400	4.11000	-.01000	3.89000	.42000
.627	35.800	-.07500	-.31200	-.45900	-.37700	-.21400	-.29100	4.13000	.01000	3.92000	.42000
.628	37.110	-.07400	-.31200	-.46200	-.38000	-.21300	-.29200	4.13000	.03000	3.93000	.42000
.625	38.400	-.07900	-.31900	-.46600	-.38400	-.22200	-.29700	4.10000	-.01000	3.91000	.42000
.629	39.700	-.07300	-.30900	-.46000	-.38000	-.21400	-.28900	4.11000	.04000	3.92000	.42000
.626	40.990	-.07900	-.31800	-.46600	-.38300	-.22000	-.29700	4.08000	-.02000	3.90000	.42000
.627	42.290	-.07700	-.32000	-.46400	-.38300	-.21700	-.29000	4.08000	-.01000	3.91000	.42000
.627	43.580	-.07500	-.31500	-.46300	-.38200	-.21800	-.28900	4.09000	.03000	3.91000	.42000
.625	44.880	-.08100	-.32200	-.47000	-.38700	-.22300	-.29300	4.06000	-.01000	3.90000	.42000
.626	46.180	-.07900	-.32200	-.47400	-.39100	-.22800	-.29300	4.05000	.00000	3.90000	.42000
.627	47.470	-.07800	-.32200	-.46800	-.38600	-.22200	-.28500	4.07000	.02000	3.92000	.42000
.626	48.120	-.07800	-.32400	-.47100	-.38700	-.22800	-.28900	4.03000	.00000	3.89000	.42000
	GRADIENT	-.00193	-.00270	-.00463	-.00386	-.00039	-.00193	-.01543	-.01158	-.01543	.00772

LTV44-559(CA26) 747/1 ATY 02 S1 (ORBITER DATA)

(XFE039) ( 18 NOV 75 )

## REFERENCE DATA

SREF = 2690.0000 SQ.FT. XMRP = 1109.0000 IN. XO  
 LREF = 474.8100 IN. YMRP = .0000 IN. YO  
 BREF = 936.6800 IN. ZMRP = 375.0000 IN. ZO  
 SCALE = .0125

## PARAMETRIC DATA

ALPHAC = .000 BETAC = .000  
 STAB = -1.000 ELEVON = 5.000  
 BDFLAP = .000 DX = .000  
 DY = .000 IORB = 6.000  
 BETAO = .000 RUDDER = .000

RUN NO. 1035/ 0 RN/L = .00 GRADIENT INTERVAL = -5.00/ 5.00

MACH	DZ	CPCO	CPB1	CPB2	CPB3	CPS1	CPS2	ALPHAO	BETAO	INC1D	ALPHAC
.627	2.630	-.08800	-.30600	-.44600	-.37200	-.24400	-.26400	6.28000	.01000	5.85000	.44000
.628	3.790	-.08700	-.30800	-.44900	-.37500	-.24700	-.26500	6.29000	.02000	5.86000	.45000
.626	4.950	-.08800	-.30800	-.45300	-.37700	-.24700	-.26400	6.29000	.01000	5.87000	.44000
.625	6.110	-.08800	-.31000	-.45600	-.38400	-.25500	-.26900	6.26000	.03000	5.84000	.44000
.626	7.270	-.08700	-.30700	-.45000	-.37900	-.24900	-.26600	6.29000	.02000	5.88000	.45000
.626	8.430	-.08800	-.31200	-.45400	-.38000	-.25000	-.26500	6.27000	.00000	5.87000	.44000
.626	9.590	-.09000	-.31500	-.45400	-.38100	-.25100	-.26500	6.28000	.07000	5.93000	.44000
.626	10.750	-.08800	-.31400	-.45400	-.38100	-.25100	-.26500	6.25000	.07000	5.87000	.44000
.626	11.900	-.09000	-.31100	-.45300	-.38000	-.25100	-.26600	6.26000	.07000	5.89000	.43000
.626	13.070	-.08700	-.31200	-.45600	-.38300	-.25200	-.26600	6.21000	.08000	5.85000	.43000
.627	14.230	-.09200	-.31500	-.45500	-.38500	-.25600	-.27000	6.25000	.02000	5.90000	.43000
.625	15.390	-.08800	-.31500	-.45800	-.38800	-.25900	-.26900	6.21000	.07000	5.87000	.43000
.626	16.550	-.09200	-.31700	-.45800	-.38700	-.25400	-.26800	6.21000	.05000	5.87000	.43000
.628	17.710	-.09100	-.31500	-.45400	-.38500	-.25600	-.26700	6.23000	.01000	5.90000	.43000
.628	18.860	-.09200	-.31700	-.45600	-.38600	-.25700	-.26900	6.22000	.00000	5.90000	.42000
.626	20.020	-.08700	-.31600	-.45900	-.38900	-.25700	-.26700	6.18000	.04000	5.87000	.42000
.630	21.180	-.09100	-.31700	-.45300	-.38400	-.25500	-.26600	6.20000	.05000	5.90000	.43000
.627	22.330	-.08500	-.31400	-.45700	-.39000	-.25700	-.26500	6.15000	.00000	5.86000	.42000
.627	23.490	-.08700	-.31700	-.46200	-.39000	-.25600	-.26600	6.17000	.06000	5.89000	.42000
.627	24.650	-.09100	-.31900	-.46200	-.39200	-.26100	-.27000	6.18000	.04000	5.90000	.42000
.627	25.820	-.09100	-.31900	-.46000	-.39200	-.26200	-.26900	6.17000	.03000	5.89000	.42000
.627	26.980	-.08700	-.31700	-.46200	-.39300	-.25900	-.26500	6.12000	.00000	5.86000	.42000
.626	28.140	-.08900	-.31600	-.46000	-.39400	-.26200	-.26800	6.15000	.03000	5.89000	.43000
.628	29.290	-.09000	-.32000	-.46000	-.38800	-.25700	-.26600	6.08000	.07000	5.83000	.42000
.628	30.450	-.08500	-.31600	-.46000	-.39100	-.25700	-.26300	6.12000	.00000	5.87000	.42000
.626	31.610	-.08900	-.31600	-.45700	-.39200	-.26200	-.26700	6.13000	.05000	5.90000	.42000
.626	32.770	-.09000	-.32300	-.46200	-.39500	-.26000	-.26700	6.10000	.01000	5.87000	.42000
.627	33.930	-.08700	-.32200	-.46600	-.39800	-.26100	-.26500	6.08000	.00000	5.85000	.42000
.627	35.090	-.08600	-.31900	-.45800	-.39400	-.26200	-.26300	6.13000	.00000	5.90000	.43000
.627	36.250	-.08800	-.32300	-.46500	-.39700	-.26100	-.26500	6.09000	.00000	5.87000	.43000
.627	37.410	-.09000	-.32200	-.46000	-.39300	-.26200	-.26500	6.10000	.05000	5.89000	.43000
.627	38.570	-.08900	-.32400	-.46700	-.40000	-.26300	-.26700	6.08000	-.01000	5.89000	.42000
.626	39.730	-.08800	-.32400	-.46500	-.39700	-.26300	-.26400	6.07000	.00000	5.87000	.43000
.627	40.890	-.08700	-.32400	-.46500	-.39900	-.26200	-.26400	6.06000	.00000	5.88000	.42000
.626	42.050	-.08900	-.32400	-.46300	-.39200	-.26300	-.26500	6.05000	.01000	5.87000	.42000
.626	43.210	-.09000	-.32700	-.46400	-.40000	-.26400	-.26500	6.04000	.01000	5.87000	.42000
.626	44.370	-.08700	-.32500	-.46100	-.39700	-.26300	-.26100	6.05000	.04000	5.89000	.42000
.626	45.520	-.08800	-.32700	-.46300	-.39900	-.26200	-.26500	6.01000	.05000	5.86000	.42000
.627	46.690	-.08800	-.32300	-.46500	-.39900	-.26400	-.26300	6.03000	.04000	5.88000	.42000
.627	47.850	-.08800	-.32300	-.45800	-.39500	-.26400	-.26100	6.04000	.02000	5.90000	.42000
.628	49.010	-.08600	-.32100	-.45800	-.39600	-.26300	-.26000	6.05000	-.01000	5.91000	.42000
.626	50.170	-.08700	-.32400	-.46000	-.39900	-.26300	-.26100	6.01000	.04000	5.88000	.42000

DATE 22 MAR 76

CA-26 FORCE SOURCE DATA TABULATION

PAGE 553

LTV44-559(CA26) 747/1 ATY 02 S1 (ORBITER DATA)

(XFE039) ( 18 NOV 75 )

## REFERENCE DATA

SREF = 2690.0000 SQ.FT. XMRP = 1109.0000 IN. XO  
 LREF = 474.8100 IN. YMRP = .0000 IN. YO  
 BREF = 936.6800 IN. ZMRP = 375.0000 IN. ZO  
 SCALE = .0125

## PARAMETRIC DATA

ALPHAC = .000 BETAC = .000  
 STAB = -1.000 ELEVON = 5.000  
 BDFLAP = .000 DX = .000  
 DY = .000 TORB = 6.000  
 BETAO = .000 RUDDER = .000

RUN NO. 1035/ 0 RN/L = .00 GRADIENT INTERVAL = -5.00/ 5.00

MACH	DZ	CPCO	CPB1	CPB2	CPB3	CPS1	CPS2	ALPHAO	BETAO	INCID	ALPHAC
.626	51.330	-.08600	-.32600	-.46500	-.40100	-.26300	-.26000	5.98000	.03000	5.85000	.43000
.627	52.480	-.08500	-.31900	-.45800	-.39700	-.26500	-.25500	6.02000	-.01000	5.90000	.43000
.627	53.640	-.08500	-.32000	-.45800	-.39900	-.26600	-.25500	6.00000	-.02000	5.89000	.42000
.626	54.800	-.08400	-.32400	-.46300	-.39800	-.26200	-.25500	6.01000	-.01000	5.90000	.43000
	GRADIENT	-.00000	-.00086	-.00302	-.00216	-.00129	.00000	.00431	-.00000	.00862	.00000

LTV44-559(CA26) 747/1 ATY 02 S1 (ORBITER DATA)

(XFE040) ( 18 NOV 75 )

## REFERENCE DATA

SREF = 2690.0000 SQ.FT. XMRP = 1109.0000 IN. XO  
 LREF = 474.8100 IN. YMRP = .0000 IN. YO  
 BREF = 936.6800 IN. ZMRP = 375.0000 IN. ZO  
 SCALE = .0125

## PARAMETRIC DATA

ALPHAC = .000 BETAC = .000  
 STAB = -1.000 ELEVON = 5.000  
 BDFLAP = .000 DX = .000  
 DY = .000 IORB = 8.000  
 BETAO = .000 RUDDER = .000

RUN NO. 36/ 0 RN/L = .00 GRADIENT INTERVAL = -5.00/ 5.00

MACH	DZ	CPCO	CPB1	CPB2	CPB3	CPS1	CPS2	ALPHAO	BETAO	INCID	ALPHAC
.619	2.110	-.07900	-.27900	-.40300	-.34500	-.19300	-.30600	8.35000	.01000	7.89000	.47000
.621	3.420	-.07900	-.28600	-.40800	-.34600	-.20100	-.30800	8.31000	-.01000	7.87000	.46000
.621	4.720	-.07900	-.28500	-.40400	-.34400	-.19800	-.30400	8.29000	.04000	7.84000	.47000
.621	6.030	-.08200	-.28500	-.40800	-.34900	-.20200	-.30500	8.30000	.05000	7.86000	.47000
.621	7.330	-.08500	-.28300	-.41400	-.35200	-.20000	-.30500	8.32000	.05000	7.89000	.47000
.619	8.640	-.08700	-.28700	-.41600	-.35500	-.20200	-.30600	8.30000	.04000	7.89000	.46000
.624	9.940	-.08500	-.28500	-.41400	-.35300	-.20300	-.30300	8.29000	.07000	7.88000	.46000
.621	11.250	-.08400	-.29200	-.42200	-.35700	-.20800	-.30700	8.26000	.01000	7.86000	.46000
.624	12.550	-.08000	-.28500	-.41800	-.34900	-.19900	-.30200	8.26000	.04000	7.88000	.45000
.621	13.860	-.08400	-.29500	-.42700	-.35800	-.21200	-.30700	8.26000	.01000	7.89000	.45000
.621	15.160	-.08600	-.29800	-.42900	-.36100	-.21200	-.30600	8.22000	.00000	7.86000	.44000
.621	16.460	-.08500	-.29700	-.43100	-.36000	-.21400	-.30700	8.24000	.01000	7.90000	.44000
.620	17.770	-.09300	-.30300	-.43400	-.36900	-.22200	-.31000	8.22000	.00000	7.88000	.44000
.623	19.070	-.08700	-.29200	-.43000	-.36200	-.21000	-.30300	8.20000	.05000	7.87000	.44000
.621	20.370	-.08700	-.30000	-.43500	-.36500	-.21700	-.30700	8.22000	.05000	7.89000	.44000
.622	21.680	-.09100	-.30000	-.43100	-.36500	-.21800	-.30300	8.18000	.00000	7.87000	.43000
.623	22.980	-.09200	-.29900	-.43200	-.36700	-.21800	-.30100	8.16000	.00000	7.86000	.43000
.621	24.280	-.09200	-.30500	-.44200	-.36900	-.22400	-.30700	8.18000	.05000	7.89000	.43000
.622	25.590	-.09300	-.30300	-.43800	-.37400	-.22200	-.30300	8.16000	.00000	7.86000	.43000
.623	26.890	-.09200	-.30700	-.44400	-.36900	-.22500	-.30600	8.16000	.03000	7.89000	.43000
.621	28.190	-.09500	-.30900	-.44900	-.37600	-.22400	-.30800	8.13000	.04000	7.87000	.42000
.625	29.500	-.09100	-.30400	-.44000	-.37100	-.22200	-.30000	8.12000	.04000	7.86000	.42000
.624	30.800	-.09000	-.30500	-.44000	-.36800	-.22700	-.29900	8.14000	.04000	7.89000	.43000
.621	32.110	-.09800	-.31300	-.44600	-.38100	-.23100	-.30600	8.12000	.03000	7.88000	.42000
.624	33.420	-.09600	-.31000	-.45000	-.37600	-.23200	-.30500	8.10000	.06000	7.87000	.43000
.624	34.720	-.09300	-.31000	-.45200	-.37500	-.23400	-.30100	8.10000	.05000	7.87000	.43000
.624	36.030	-.09700	-.31200	-.45700	-.37900	-.23600	-.30400	8.08000	.04000	7.86000	.43000
.624	37.330	-.09500	-.31400	-.45100	-.37700	-.23600	-.30200	8.09000	.06000	7.86000	.43000
.621	38.630	-.10400	-.31800	-.46200	-.39000	-.24200	-.30700	8.05000	.00000	7.85000	.42000
.624	39.940	-.09700	-.31400	-.45700	-.38000	-.24200	-.30100	8.07000	.04000	7.86000	.42000
.622	41.240	-.10300	-.31800	-.46200	-.39000	-.24200	-.30400	8.05000	.00000	7.86000	.43000
.623	42.540	-.10400	-.31900	-.46200	-.39000	-.24300	-.30300	8.04000	.00000	7.87000	.42000
.624	43.850	-.09700	-.31700	-.46300	-.38400	-.24500	-.29900	8.05000	.03000	7.88000	.42000
.622	45.150	-.09900	-.32300	-.46700	-.38800	-.24800	-.30100	8.04000	.04000	7.88000	.43000
.623	46.460	-.09900	-.31900	-.46300	-.38700	-.24800	-.29800	8.03000	.03000	7.87000	.43000
.621	47.760	-.10100	-.32300	-.46400	-.38900	-.25200	-.29900	8.02000	.00000	7.87000	.43000
.620	48.420	-.10500	-.32800	-.46800	-.39600	-.25300	-.30500	8.03000	.04000	7.88000	.42000
	GRADIENT	.00000	-.00269	-.00039	.00038	-.00192	.00076	-.02300	.01146	-.01915	-.00001



LTV44-559(CA26) 747/1 ATY 02 S1 (ORBITER DATA)

(XFE041) ( 18 NOV 75 )

## REFERENCE DATA

SREF = 2690.0000 SQ.FT. XMRP = 1109.0000 IN. XO  
 LREF = 474.8100 IN. YMRP = .0000 IN. YO  
 BREF = 936.6800 IN. ZMRP = 375.0000 IN. ZO  
 SCALE = .0125

## PARAMETRIC DATA

ALPHAC = 2.000 BETAC = .000  
 STAB = -1.000 ELEVON = 5.000  
 BDFLAP = .000 DX = .000  
 DY = .000 TORB = 4.000  
 BETA0 = .000 RUDDER = .000

RUN NO. 37/ 0 RN/L = .00 GRADIENT INTERVAL = -5.00/ 5.00

MACH	DZ	CP00	CP01	CP02	CP03	CPS1	CPS2	ALPHA0	BETA0	INCID	ALPHAC
.595	1.470	.03500	-.20800	-.21400	-.22500	-.09300	-.15100	6.94000	.12000	3.96000	2.98000
.595	2.070	.03300	-.21000	-.21600	-.22100	-.08800	-.14700	6.91000	.12000	3.93000	2.98000
.594	2.670	.03400	-.21100	-.22300	-.23000	-.09600	-.15200	6.88000	.08000	3.91000	2.98000
.596	3.470	.03000	-.21300	-.22300	-.22800	-.09900	-.15400	6.88000	.08000	3.91000	2.99000
.596	4.470	.02800	-.21300	-.22500	-.22900	-.09900	-.15600	6.90000	.11000	3.93000	2.99000
.595	5.590	.02700	-.22000	-.23000	-.23000	-.09900	-.15600	6.88000	.07000	3.92000	2.98000
.592	6.840	.02300	-.22300	-.23200	-.23500	-.10600	-.16300	6.87000	.09000	3.91000	2.99000
.593	8.090	.02800	-.21700	-.23300	-.23500	-.10300	-.15600	6.88000	.12000	3.94000	2.98000
.590	9.340	.02400	-.22000	-.23500	-.23700	-.10700	-.16100	6.84000	.10000	3.90000	2.98000
.584	10.560	.02100	-.22800	-.24700	-.24100	-.11000	-.16400	6.82000	.08000	3.90000	2.98000
.583	11.770	.02100	-.22900	-.24800	-.24400	-.10900	-.16500	6.83000	.12000	3.92000	2.98000
.580	12.970	.01900	-.23000	-.24800	-.24200	-.11100	-.16700	6.84000	.07000	3.93000	2.98000
.581	14.170	.02100	-.22700	-.24800	-.24600	-.10700	-.16600	6.80000	.07000	3.90000	2.98000
.580	15.370	.01800	-.22500	-.24500	-.24200	-.11000	-.16600	6.83000	.11000	3.94000	2.98000
.583	16.570	.02100	-.22400	-.24300	-.24200	-.11000	-.16200	6.78000	.08000	3.90000	2.98000
.581	17.770	.01900	-.23300	-.25400	-.24600	-.11000	-.17000	6.80000	.14000	3.92000	2.98000
.587	18.980	.01800	-.22900	-.25000	-.24300	-.11000	-.16500	6.81000	.07000	3.93000	2.99000
.591	20.170	.02100	-.22900	-.25000	-.23800	-.10800	-.16300	6.80000	.10000	3.93000	2.99000
.593	21.370	.01600	-.23100	-.25500	-.24900	-.11200	-.16600	6.79000	.11000	3.91000	3.00000
.603	22.570	.01700	-.23200	-.25200	-.24500	-.11300	-.16500	6.80000	.05000	3.93000	3.00000
.604	23.770	.02000	-.23400	-.25700	-.24400	-.11100	-.16800	6.80000	.09000	3.94000	3.00000
.608	24.970	.01500	-.23500	-.26400	-.25400	-.11400	-.17500	6.78000	.05000	3.92000	3.00000
.610	26.170	.01800	-.23800	-.26700	-.25200	-.11800	-.17300	6.78000	.08000	3.92000	3.01000
.609	27.370	.01600	-.24200	-.27000	-.25500	-.12200	-.17700	6.76000	.04000	3.91000	3.01000
.611	28.570	.01300	-.23600	-.26700	-.25600	-.11800	-.17500	6.75000	.08000	3.90000	3.01000
.610	29.780	.00900	-.24400	-.27100	-.26000	-.12400	-.17800	6.75000	.04000	3.91000	3.01000
.613	30.970	.01200	-.23900	-.27000	-.25800	-.12100	-.17500	6.74000	.07000	3.91000	3.01000
.613	32.180	.01100	-.24100	-.26400	-.25600	-.12200	-.17700	6.74000	.10000	3.91000	3.01000
.612	33.380	.01000	-.24700	-.27300	-.25600	-.12800	-.18100	6.76000	.10000	3.94000	3.02000
.610	34.570	.01000	-.24800	-.27900	-.26300	-.12600	-.18300	6.74000	.03000	3.93000	3.01000
.611	35.780	.01100	-.24900	-.28100	-.26200	-.12700	-.18500	6.74000	.09000	3.93000	3.02000
.610	36.980	.00800	-.24700	-.28300	-.26600	-.12500	-.18800	6.73000	.07000	3.93000	3.01000
.612	38.180	.01200	-.24300	-.27200	-.25900	-.12500	-.17900	6.72000	.04000	3.93000	3.01000
.613	39.380	.01100	-.24600	-.27600	-.25800	-.12600	-.18400	6.71000	.04000	3.92000	3.02000
.610	40.580	.00600	-.25000	-.28800	-.26600	-.12800	-.19200	6.70000	.10000	3.92000	3.02000
.614	41.780	.00900	-.24800	-.27900	-.26000	-.12700	-.18400	6.69000	.05000	3.91000	3.02000
.614	42.980	.01000	-.24800	-.28200	-.26000	-.13000	-.18400	6.69000	.03000	3.92000	3.02000
.612	44.180	.00500	-.25000	-.29000	-.26700	-.12900	-.19000	6.68000	.09000	3.92000	3.02000
GRADIENT		-.06234	-.00169	-.00375	-.00193	-.00366	-.00234	-.01290	-.00641	-.00908	.00411

ORIGINAL PAGE IS  
OF POOR QUALITY

LTV44-559(CA26) 747/1 ATY 02 S1 (ORBITER DATA)

(XFE042) ( 18 NOV 75 )

## REFERENCE DATA

SREF = 2690.0000 SQ.FT. XMRP = 1109.0000 IN. XO  
 LREF = 474.8100 IN. YMRP = .0000 IN. YO  
 BREF = 936.6800 IN. ZMRP = 375.0000 IN. ZO  
 SCALE = .0125

## PARAMETRIC DATA

ALPHAC = 2.000 BETAC = .000  
 STAB = -1.000 ELEVON = 5.000  
 BDFLAP = .000 DX = .000  
 OY = .000 IORB = 6.000  
 BETA0 = .000 RUDDER = .000

RUN NO. 1037/ 0 RN/L = .00 GRADIENT INTERVAL = -5.00/ 5.00

MACH	OZ	CPCO	CPB1	CPB2	CPB3	CPS1	CPS2	ALPHA0	BETA0	INCID	ALPHAC
.595	1.770	.04200	-.19600	-.19000	-.20400	-.08100	-.14300	8.96000	.06000	5.99000	2.98000
.595	2.370	.04000	-.19600	-.18800	-.20600	-.08200	-.14400	8.91000	.06000	5.93000	2.98000
.594	2.970	.04100	-.20100	-.18900	-.20800	-.08300	-.14400	8.80000	.06000	5.80000	3.01000
.593	3.970	.03900	-.20000	-.19100	-.21000	-.08000	-.14600	8.89000	.13000	5.90000	3.01000
.593	4.970	.04300	-.19300	-.18300	-.20600	-.08000	-.14500	8.89000	.09000	5.90000	3.01000
.593	6.220	.04100	-.19400	-.18000	-.20300	-.07600	-.14600	8.89000	.09000	5.90000	3.02000
.596	7.470	.04600	-.19100	-.18100	-.20300	-.07600	-.14200	8.89000	.12000	5.92000	3.01000
.597	8.720	.03900	-.19600	-.18400	-.20300	-.07500	-.14500	8.88000	.13000	5.92000	3.01000
.595	9.970	.03900	-.20000	-.18600	-.20800	-.07400	-.14700	8.87000	.11000	5.92000	3.01000
.595	11.190	.04400	-.19400	-.18100	-.20700	-.07600	-.14600	8.86000	.10000	5.91000	3.00000
.596	12.410	.04100	-.19500	-.17900	-.20400	-.07100	-.14800	8.86000	.11000	5.92000	3.01000
.598	13.630	.04300	-.19400	-.17900	-.20200	-.07000	-.14700	8.85000	.10000	5.92000	3.00000
.594	14.850	.04400	-.19600	-.18100	-.20300	-.07200	-.14700	8.85000	.08000	5.90000	3.00000
.595	16.070	.04400	-.19400	-.17800	-.20700	-.07300	-.14800	8.81000	.07000	5.90000	3.00000
.594	17.300	.04500	-.19300	-.18200	-.20700	-.07300	-.15100	8.83000	.09000	5.93000	3.00000
.596	18.510	.05100	-.19500	-.18300	-.20500	-.06800	-.14500	8.80000	.08000	5.90000	3.00000
.595	19.740	.04600	-.19600	-.18500	-.20800	-.07200	-.14900	8.78000	.10000	5.89000	3.00000
.596	20.950	.04700	-.19700	-.17800	-.20600	-.07200	-.15100	8.78000	.08000	5.92000	2.99000
.596	22.170	.04200	-.19400	-.18100	-.20900	-.07000	-.15100	8.78000	.08000	5.91000	3.00000
.595	23.390	.04800	-.19400	-.17600	-.20800	-.07000	-.14900	8.76000	.08000	5.90000	2.99000
.595	24.610	.05100	-.19300	-.18000	-.20600	-.06800	-.14700	8.76000	.08000	5.91000	2.99000
.595	25.830	.04700	-.19800	-.17900	-.20900	-.07200	-.15100	8.74000	.10000	5.89000	3.00000
.596	27.050	.04700	-.19600	-.18000	-.20700	-.06700	-.15100	8.74000	.10000	5.90000	3.00000
.592	28.270	.04700	-.20100	-.18100	-.21100	-.07000	-.15200	8.76000	.07000	5.93000	2.99000
.596	29.500	.04900	-.19600	-.17700	-.20900	-.06700	-.15000	8.73000	.07000	5.91000	2.99000
.594	30.710	.04900	-.19500	-.18100	-.20700	-.06800	-.15100	8.75000	.09000	5.93000	2.99000
.596	31.940	.04700	-.19400	-.17800	-.21000	-.06400	-.15100	8.73000	.06000	5.89000	2.99000
.595	33.150	.04700	-.19600	-.17900	-.20600	-.06400	-.15200	8.72000	.05000	5.91000	3.00000
.595	34.380	.05300	-.19600	-.17500	-.20600	-.06500	-.15000	8.72000	.06000	5.92000	2.99000
.593	35.600	.04400	-.19800	-.18600	-.21100	-.06800	-.15600	8.73000	.07000	5.93000	3.00000
.596	36.820	.04700	-.19500	-.18200	-.20900	-.06500	-.15300	8.70000	.05000	5.91000	3.00000
.596	38.040	.05000	-.19700	-.18100	-.20800	-.06700	-.15200	8.70000	.05000	5.92000	3.00000
.593	39.260	.05100	-.19900	-.17700	-.20900	-.06200	-.15400	8.68000	.05000	5.91000	2.99000
.594	40.480	.05200	-.19600	-.17700	-.20700	-.06700	-.15100	8.70000	.07000	5.94000	3.00000
.595	41.700	.05400	-.19300	-.17700	-.20700	-.06100	-.15300	8.69000	.09000	5.93000	3.00000
.593	42.920	.05500	-.19600	-.17600	-.20800	-.06200	-.15200	8.68000	.04000	5.93000	3.00000
.594	44.140	.04800	-.19800	-.18200	-.20800	-.06600	-.15700	8.64000	.05000	5.90000	3.00000
.595	45.360	.04900	-.19600	-.18200	-.20700	-.06300	-.15700	8.67000	.08000	5.93000	3.00000
.596	46.580	.04900	-.19200	-.17800	-.20500	-.05800	-.15900	8.66000	.08000	5.93000	3.00000
.593	47.800	.05100	-.19700	-.18200	-.20900	-.06200	-.15600	8.65000	.08000	5.92000	3.00000
.597	49.030	.05200	-.19200	-.17500	-.20600	-.05300	-.15700	8.62000	.05000	5.91000	3.00000
.596	50.240	.05100	-.19300	-.17900	-.20400	-.05100	-.15500	8.63000	.07000	5.92000	3.00000

DATE 22 MAR 76

CA-26 FORCE SOURCE DATA TABULATION

PAGE 557

LTV44-559(CA26) 747/1 ATY 02 S1 (ORBITER DATA)

(XFE042) ( 18 NOV 75 )

REFERENCE DATA

SREF = 2690.0000 SQ.FT. XMRP = 1109.0000 IN. XO  
LREF = 474.8100 IN. YMRP = .0000 IN. YO  
BREF = 936.6800 IN. ZMRP = 375.0000 IN. ZO  
SCALE = .0125

PARAMETRIC DATA

ALPHAC = 2.000 BETAC = .000  
STAB = -1.000 ELEVON = 5.000  
BDFLAP = .000 DX = .000  
DY = .000 IORB = 6.000  
BETA0 = .000 RUDDER = .000

RUN NO. 1037/ 0 RN/L = .00 GRADIENT INTERVAL = -5.00/ 5.00

MACH	DZ	CPCO	CPB1	CPB2	CPB3	CPS1	CPS2	ALPHA0	BETA0	INCID	ALPHAC
.596	51.470	.05100	-.19200	-.17700	-.20400	-.05900	-.15500	8.63000	.03000	5.92000	3.01000
	GRADIENT	.00021	.00053	.00148	-.00084	.00059	-.00072	-.01474	.01628	-.02009	.01050

LTV44-559(CA26) 747/1 ATY 02 S1 (ORBITER DATA)

(XFE045) ( 18 NOV 75 )

## REFERENCE DATA

SREF = 2690.0000 SQ.FT. XMRP = 1109.0000 IN. XO  
 LREF = 474.8100 IN. YMRP = .0000 IN. YO  
 BREF = 936.6800 IN. ZMRP = 375.0000 IN. ZO  
 SCALE = .0125

## PARAMETRIC DATA

ALPHAC = 2.000 BETAC = .000  
 STAB = 5.000 ELEVON = 5.000  
 BDFLAP = .000 DX = .000  
 DY = .000 TORB = 4.000  
 BETAO = .000 RUDDER = .000

RUN NO. 39/ 0 RN/L = .00 GRADIENT INTERVAL = -5.00/ 5.00

MACH	DZ	CP00	CP01	CP02	CP03	CPS1	CPS2	ALPHAO	BETAO	INCID	ALPHAC
.600	1.470	-.03200	-.25600	-.35300	-.30900	-.17100	-.24600	6.64000	.01000	3.98000	2.66000
.600	2.070	-.03500	-.25300	-.34800	-.30800	-.17100	-.24800	6.66000	.05000	4.00000	2.67000
.602	2.670	-.03500	-.25800	-.35100	-.30500	-.16700	-.24800	6.65000	.04000	4.00000	2.66000
.602	3.470	-.03400	-.25600	-.35500	-.31100	-.16800	-.25000	6.62000	.02000	3.96000	2.67000
.601	4.470	-.03300	-.25700	-.34600	-.30300	-.16400	-.24900	6.63000	.07000	3.98000	2.67000
.603	5.590	-.03600	-.25400	-.34700	-.30700	-.16800	-.25200	6.64000	.03000	4.00000	2.67000
.605	6.840	-.03100	-.24900	-.34400	-.30500	-.16400	-.24700	6.61000	.05000	3.98000	2.67000
.600	8.090	-.03000	-.25500	-.34800	-.30600	-.16200	-.25100	6.62000	.04000	4.00000	2.67000
.601	9.340	-.02700	-.25300	-.34400	-.30400	-.16000	-.24700	6.63000	.05000	4.02000	2.66000
.601	10.560	-.03100	-.25600	-.34200	-.30500	-.16300	-.25200	6.59000	.00000	3.98000	2.67000
.600	11.770	-.02600	-.25200	-.34400	-.30400	-.16100	-.25100	6.60000	.03000	4.00000	2.67000
.600	12.970	-.02800	-.25300	-.34400	-.30600	-.16200	-.25200	6.60000	.03000	4.01000	2.67000
.601	14.170	-.02700	-.25200	-.34100	-.30300	-.15900	-.25100	6.60000	.04000	4.00000	2.67000
.601	15.370	-.02500	-.25300	-.34200	-.30400	-.15700	-.25100	6.59000	.03000	4.01000	2.67000
.599	16.570	-.02800	-.26000	-.34900	-.30900	-.16100	-.25600	6.57000	.03000	4.00000	2.67000
.602	17.770	-.02700	-.25600	-.34500	-.30600	-.15800	-.25500	6.58000	.04000	4.01000	2.67000
.603	18.980	-.02600	-.24800	-.33900	-.30400	-.15700	-.25200	6.56000	.03000	4.00000	2.67000
.601	20.170	-.02500	-.24900	-.33900	-.30500	-.15900	-.25100	6.54000	.00000	3.99000	2.67000
.601	21.370	-.02500	-.25200	-.33600	-.30100	-.16100	-.25000	6.53000	.00000	3.98000	2.67000
.603	22.570	-.02800	-.25200	-.33600	-.30000	-.16100	-.25300	6.53000	.00000	3.99000	2.67000
.601	23.770	-.02300	-.25200	-.34000	-.30300	-.15700	-.25200	6.54000	.03000	4.00000	2.68000
.601	24.970	-.02600	-.25100	-.33700	-.30200	-.15900	-.25400	6.52000	.00000	3.99000	2.67000
.599	26.170	-.02200	-.25000	-.33700	-.30300	-.15500	-.25300	6.52000	.03000	3.99000	2.68000
.600	27.370	-.02600	-.25400	-.33500	-.29900	-.15700	-.25600	6.51000	.00000	4.00000	2.67000
.601	28.570	-.02200	-.24700	-.33200	-.30000	-.15600	-.25200	6.53000	.03000	4.01000	2.68000
.599	29.780	-.02200	-.25000	-.33200	-.30100	-.15500	-.25300	6.51000	.00000	4.00000	2.68000
.600	30.970	-.02500	-.25000	-.33000	-.30000	-.15800	-.25700	6.49000	.01000	4.00000	2.68000
.599	32.180	-.02000	-.24900	-.33300	-.30200	-.15100	-.25600	6.50000	.03000	4.00000	2.68000
.599	33.380	-.02000	-.24500	-.32700	-.29900	-.15300	-.25100	6.48000	.00000	4.00000	2.67000
.602	34.570	-.02200	-.24600	-.32600	-.29600	-.15400	-.25100	6.47000	.00000	3.99000	2.68000
.600	35.780	-.02500	-.25400	-.33200	-.30100	-.15600	-.25700	6.47000	.00000	4.00000	2.67000
.603	36.980	-.02000	-.24900	-.32700	-.29900	-.15300	-.25400	6.44000	.00000	3.98000	2.68000
.603	38.180	-.01900	-.24700	-.32600	-.29900	-.15300	-.25100	6.47000	.02000	4.02000	2.67000
.602	39.380	-.01900	-.24700	-.32900	-.30100	-.15500	-.25300	6.44000	.00000	3.99000	2.68000
.603	40.580	-.01900	-.25100	-.33100	-.30000	-.14700	-.26000	6.45000	.02000	4.00000	2.68000
.602	41.780	-.02100	-.25100	-.32700	-.29600	-.14800	-.25800	6.42000	.01000	3.98000	2.68000
.602	42.990	-.01500	-.24600	-.32700	-.29800	-.14600	-.25600	6.45000	.01000	4.02000	2.68000
.602	44.180	-.01700	-.24900	-.32600	-.29600	-.14800	-.25400	6.44000	.01000	4.02000	2.68000
	GRADIENT	-.00003	-.00065	.00110	.00129	.00230	-.00102	-.00829	.01254	-.00562	.00274

LTV44-559(CA26) 747/1 ATY 02 S1 (ORBITER DATA)

(XFE046) ( 18 NOV 75 )

## REFERENCE DATA

SREF = 2690.0000 SQ.FT. XMRP = 1109.0000 IN. XO  
 LREF = 474.8100 IN. YMRP = .0000 IN. YO  
 BREF = 936.6800 IN. ZMRP = 375.0000 IN. ZO  
 SCALE = .0125

## PARAMETRIC DATA

ALPHAC = 2.000 BETAC = .000  
 STAB = 5.000 ELEVON = 5.000  
 BDFLAP = .000 DX = .000  
 DY = .000 TORB = 6.000  
 BETAO = .000 RUDDER = .000

RUN NO. 44/ 0 RN/L = .00 GRADIENT INTERVAL = -5.00/ 5.00

MACH	DZ	CP00	CPB1	CPB2	CPB3	CPS1	CPS2	ALPHA0	BETA0	INCID	ALPHAC
.326	1.760	-.09200	-.27400	-.57900	-.40600	-.25000	-.27700	8.63000	.03000	5.96000	2.68000
.325	2.360	-.10200	-.28400	-.57500	-.42500	-.25100	-.27900	8.61000	.02000	5.94000	2.68000
.317	2.970	-.11500	-.28600	-.62300	-.43500	-.26000	-.29000	8.59000	.00000	5.92000	2.68000
.313	3.760	-.12200	-.30500	-.62800	-.45500	-.26800	-.29400	8.62000	.04000	5.96000	2.67000
.314	4.560	-.12000	-.29100	-.65600	-.44600	-.26600	-.29100	8.63000	.03000	5.98000	2.68000
.314	5.470	-.10900	-.29100	-.65000	-.43600	-.27900	-.28000	8.59000	.00000	5.94000	2.67000
.311	6.460	-.12800	-.30100	-.66400	-.45900	-.28800	-.29400	8.59000	.01000	5.95000	2.68000
.314	7.460	-.12100	-.31100	-.63700	-.44700	-.29700	-.28600	8.60000	.00000	5.97000	2.67000
.315	8.460	-.11400	-.30500	-.64000	-.44300	-.29500	-.28300	8.57000	.00000	5.95000	2.67000
.312	9.460	-.13400	-.31200	-.65100	-.46700	-.30300	-.28700	8.59000	.00000	5.96000	2.67000
.308	10.560	-.14800	-.33000	-.69000	-.48900	-.31800	-.31000	8.57000	.00000	5.95000	2.67000
.310	11.740	-.15100	-.32900	-.70300	-.48900	-.32400	-.30000	8.54000	.00000	5.94000	2.67000
.309	12.930	-.14900	-.33200	-.74900	-.49800	-.33500	-.31100	8.56000	.01000	5.94000	2.67000
.308	14.110	-.15200	-.34700	-.73700	-.48600	-.33600	-.30900	8.55000	.04000	5.96000	2.67000
.311	15.300	-.14500	-.32400	-.70700	-.48000	-.33900	-.29700	8.57000	.03000	5.99000	2.67000
.310	16.490	-.15000	-.34300	-.72100	-.49100	-.32900	-.29900	8.54000	.01000	5.96000	2.67000
.307	17.670	-.15400	-.35100	-.72600	-.51500	-.35600	-.31000	8.53000	.02000	5.96000	2.67000
.311	18.860	-.15500	-.33900	-.70600	-.49300	-.33700	-.30500	8.53000	.01000	5.97000	2.66000
.310	20.040	-.15500	-.34300	-.70300	-.49100	-.35000	-.30700	8.52000	.06000	5.96000	2.67000
.310	21.230	-.15400	-.35700	-.74300	-.51600	-.36500	-.31000	8.51000	.03000	5.97000	2.67000
.310	22.410	-.17300	-.37500	-.75600	-.52100	-.36500	-.31900	8.51000	.06000	5.97000	2.66000
.310	23.600	-.16000	-.36700	-.77000	-.51900	-.36900	-.30700	8.48000	.01000	5.95000	2.66000
.306	24.780	-.16900	-.36500	-.78000	-.53300	-.38200	-.31600	8.49000	.06000	5.97000	2.67000
.308	25.970	-.16700	-.36000	-.76000	-.52400	-.37200	-.30600	8.48000	.05000	5.96000	2.66000
.306	27.150	-.17600	-.38300	-.75800	-.53500	-.39500	-.31900	8.46000	.01000	5.95000	2.67000
.308	28.340	-.18000	-.38200	-.76100	-.52400	-.38700	-.31200	8.45000	.03000	5.95000	2.67000
.308	29.520	-.18200	-.38100	-.76800	-.54500	-.39800	-.31300	8.45000	.02000	5.95000	2.67000
.310	30.710	-.19300	-.38600	-.76900	-.54300	-.39600	-.31500	8.42000	.01000	5.93000	2.67000
.308	31.900	-.18500	-.38800	-.76500	-.53900	-.37900	-.30800	8.44000	.03000	5.96000	2.66000
.309	33.080	-.19300	-.39100	-.77900	-.54000	-.38900	-.31100	8.42000	.01000	5.95000	2.67000
.312	34.270	-.16500	-.36300	-.74300	-.52400	-.37400	-.29800	8.42000	.01000	5.95000	2.66000
.310	35.450	-.16500	-.38500	-.75700	-.53600	-.38500	-.31000	8.43000	.04000	5.97000	2.67000
.311	36.640	-.17700	-.38700	-.77100	-.54200	-.38600	-.30900	8.40000	.02000	5.94000	2.66000
.314	37.820	-.17800	-.38100	-.76000	-.52800	-.37700	-.30500	8.39000	.01000	5.95000	2.66000
.316	39.010	-.17900	-.37600	-.74700	-.52700	-.39300	-.30600	8.40000	.04000	5.95000	2.67000
.313	40.200	-.18300	-.38100	-.76600	-.52900	-.39300	-.29600	8.38000	.00000	5.94000	2.67000
.314	41.380	-.18400	-.38200	-.76600	-.53200	-.39100	-.30300	8.39000	.00000	5.96000	2.67000
.315	42.570	-.19000	-.39100	-.77300	-.54200	-.39200	-.30100	8.36000	.06000	5.95000	2.66000
.313	43.750	-.18500	-.38800	-.77400	-.54000	-.38000	-.29900	8.38000	.05000	5.97000	2.66000
.317	44.940	-.18500	-.38300	-.75800	-.53000	-.39100	-.30300	8.38000	.00000	5.98000	2.66000
.313	46.130	-.18000	-.38200	-.76700	-.55300	-.40800	-.30500	8.35000	.00000	5.95000	2.67000
.314	47.310	-.18100	-.39300	-.76200	-.54200	-.39200	-.29400	8.33000	.06000	5.94000	2.67000

LTV44-559(CA26) 747/1 ATY 02 S1 (ORBITER DATA)

(XFE046) ( 18 NOV 75 )

## REFERENCE DATA

SREF = 2690.0000 SQ.FT. XMRP = 1109.0000 IN. XO  
 LREF = 474.8100 IN. YMRP = .0000 IN. YO  
 BREF = 936.6800 IN. ZMRP = 375.0000 IN. ZO  
 SCALE = .0125

## PARAMETRIC DATA

ALPHAC = 2.000 BETAC = .000  
 STAB = 5.000 ELEVON = 5.000  
 BDFLAP = .000 DX = .000  
 DY = .000 TORB = 6.000  
 BETA0 = .000 RUDDER = .000

RUN NO. 44/ 0 RN/L = .00 GRADIENT INTERVAL = -5.00/ 5.00

MACH	DZ	CPCO	CPB1	CPB2	CPB3	CPS1	CPS2	ALPHA0	BETA0	INCID	ALPHAC
.313	48.500	-.17600	-.39100	-.76500	-.54600	-.39100	-.29600	8.33000	.07000	5.95000	2.67000
.311	49.680	-.18700	-.39600	-.77800	-.56200	-.41300	-.31200	8.32000	.01000	5.94000	2.66000
.312	50.870	-.19400	-.39700	-.76900	-.55400	-.41300	-.31200	8.32000	.02000	5.95000	2.67000
.311	51.460	-.19300	-.39600	-.78800	-.55500	-.42400	-.30200	8.33000	.02000	5.96000	2.67000
	GRADIENT	-.01054	-.00763	-.02944	-.01530	-.00690	-.00595	.00247	.00352	.00984	-.00138

LTV44-559(CA26) 747/1 ATY 02 S1 (ORBITER DATA)

(XFE046) ( 18 NOV 75 )

## REFERENCE DATA

SREF = 2690.0000 SQ.FT. XMRP = 1109.0000 IN. XO  
 LREF = 474.8100 IN. YMRP = .0000 IN. YO  
 BREF = 936.6800 IN. ZMRP = 375.0000 IN. ZO  
 SCALE = .0125

## PARAMETRIC DATA

ALPHAC = 2.000 BETAC = .000  
 STAB = 5.000 ELEVON = 5.000  
 BDFLAP = .000 DX = .000  
 DY = .000 IORB = 6.000  
 BETAO = .000 RUDDER = .000

RUN NO. 43/ 0 RN/L = .00 GRADIENT INTERVAL = -5.00/ 5.00

MACH	DZ	CPCO	CPB1	CPB2	CPB3	CPS1	CPS2	ALPHAO	BETAO	INCID	ALPHAC
.505	1.760	-.07400	-.27400	-.44900	-.33700	-.21700	-.29700	8.62000	.04000	5.93000	2.69000
.506	2.360	-.08600	-.28200	-.46000	-.33800	-.22300	-.30500	8.62000	.04000	5.93000	2.69000
.507	2.970	-.09000	-.28900	-.46400	-.34600	-.23500	-.30700	8.62000	.02000	5.94000	2.69000
.510	3.760	-.08800	-.28700	-.46200	-.34500	-.23500	-.30100	8.61000	.02000	5.94000	2.69000
.509	4.560	-.08500	-.28700	-.46700	-.34700	-.23000	-.30100	8.64000	.06000	5.98000	2.69000
.508	5.470	-.09200	-.28900	-.48300	-.35800	-.24000	-.30500	8.60000	.05000	5.94000	2.69000
.507	6.460	-.09700	-.29600	-.47800	-.36200	-.24300	-.30800	8.61000	.04000	5.96000	2.69000
.507	7.460	-.09500	-.29400	-.47400	-.35700	-.24900	-.30700	8.59000	.03000	5.94000	2.69000
.507	8.460	-.09900	-.30300	-.48700	-.36800	-.25300	-.31000	8.58000	.03000	5.94000	2.68000
.507	9.460	-.10200	-.30600	-.48700	-.36200	-.25600	-.31000	8.58000	.04000	5.95000	2.68000
.508	10.560	-.10200	-.30500	-.48900	-.36600	-.25600	-.31000	8.55000	.04000	5.93000	2.68000
.507	11.740	-.10200	-.30500	-.49500	-.37000	-.26300	-.30900	8.58000	.06000	5.96000	2.68000
.507	12.930	-.10100	-.30300	-.49400	-.36900	-.26300	-.30900	8.55000	.04000	5.95000	2.68000
.504	14.110	-.11300	-.31700	-.51200	-.37900	-.26800	-.31500	8.57000	.06000	5.97000	2.68000
.508	15.300	-.11000	-.31300	-.50300	-.37600	-.26900	-.31000	8.56000	.06000	5.97000	2.68000
.504	16.490	-.11000	-.31400	-.50800	-.38300	-.27400	-.31600	8.55000	.07000	5.98000	2.67000
.503	17.670	-.10800	-.31400	-.51500	-.38500	-.27500	-.31600	8.51000	.05000	5.94000	2.67000
.508	18.860	-.11300	-.31600	-.51900	-.37700	-.26800	-.30800	8.49000	.02000	5.92000	2.67000
.506	20.040	-.11400	-.32000	-.52500	-.38800	-.27300	-.31800	8.50000	.05000	5.95000	2.67000
.506	21.230	-.11400	-.32200	-.52300	-.38900	-.27900	-.31500	8.53000	.07000	5.97000	2.67000
.507	22.410	-.11100	-.31800	-.52100	-.39000	-.28200	-.31400	8.49000	.03000	5.94000	2.67000
.503	23.600	-.11800	-.33200	-.54100	-.39600	-.28700	-.31800	8.50000	.08000	5.96000	2.67000
.507	24.780	-.11500	-.32400	-.53200	-.39300	-.28700	-.31300	8.47000	.02000	5.94000	2.67000
.507	25.970	-.11600	-.32300	-.52200	-.38900	-.28400	-.31300	8.47000	.02000	5.95000	2.67000
.506	27.150	-.11700	-.32800	-.52700	-.39700	-.28900	-.31500	8.45000	.01000	5.93000	2.67000
.507	28.340	-.11700	-.32400	-.52500	-.39100	-.28500	-.31400	8.45000	.04000	5.94000	2.67000
.507	29.520	-.12000	-.33000	-.53400	-.39600	-.28700	-.31500	8.47000	.01000	5.97000	2.67000
.509	30.710	-.12000	-.33300	-.53500	-.40000	-.29300	-.31500	8.45000	.00000	5.95000	2.67000
.508	31.900	-.12200	-.33500	-.53700	-.39700	-.28500	-.31200	8.42000	.06000	5.94000	2.67000
.508	33.080	-.11900	-.33200	-.53900	-.40300	-.29400	-.31500	8.45000	.00000	5.97000	2.67000
.507	34.270	-.11900	-.33600	-.54200	-.40500	-.29400	-.31200	8.41000	.00000	5.94000	2.67000
.508	35.450	-.12400	-.33800	-.53200	-.39800	-.29000	-.30700	8.42000	.09000	5.96000	2.67000
.506	36.640	-.11900	-.33600	-.53600	-.40200	-.29700	-.30500	8.40000	.06000	5.93000	2.67000
.507	37.820	-.12300	-.33300	-.53100	-.40100	-.29900	-.31000	8.43000	.01000	5.98000	2.67000
.507	39.010	-.12300	-.33600	-.53700	-.40000	-.29000	-.30400	8.40000	.06000	5.96000	2.67000
.506	40.200	-.12600	-.34100	-.53700	-.40500	-.29500	-.30700	8.40000	.03000	5.96000	2.67000
.506	41.380	-.12500	-.34100	-.53900	-.40700	-.30000	-.30400	8.36000	.07000	5.93000	2.67000
.509	42.570	-.12900	-.33900	-.53200	-.40300	-.30100	-.30900	8.39000	.02000	5.97000	2.67000
.507	43.750	-.12400	-.33900	-.54100	-.41100	-.30500	-.30900	8.37000	-.01000	5.95000	2.67000
.506	44.940	-.12400	-.34100	-.54700	-.41000	-.29900	-.30700	8.34000	.05000	5.93000	2.67000
.506	46.130	-.12200	-.33800	-.54800	-.41500	-.30200	-.30800	8.33000	.02000	5.93000	2.67000
.507	47.310	-.13200	-.34800	-.54900	-.41300	-.30600	-.31400	8.37000	.02000	5.97000	2.67000

LTV44-559(CA26) 747/1 ATY 02 S1 (ORBITER DATA)

(XFE046) ( 18 NOV 75 )

## REFERENCE DATA

SREF = 2690.0000 SQ.FT. XMRP = 1109.0000 IN. XO  
 LREF = 474.8100 IN. YMRP = .0000 IN. YO  
 BREF = 936.6800 IN. ZMRP = 375.0000 IN. ZO  
 SCALE = .0125

## PARAMETRIC DATA

ALPHAC = 2.000 BETAC = .000  
 STAB = 5.000 ELEVON = 5.000  
 BDFLAP = .000 DX = .000  
 DY = .000 TORR = 6.000  
 BETA0 = .000 RUDDER = .000

RUN NO. 43/ 0 RN/L = .00 GRADIENT INTERVAL = -5.00/ 5.00

MACH	DZ	CPCO	CPB1	CPB2	CPB3	CPS1	CPS2	ALPHA0	BETA0	INCID	ALPHAC
.508	48.500	-.12500	-.34800	-.55000	-.41600	-.30500	-.30700	8.34000	.04000	5.95000	2.67000
.508	49.680	-.12500	-.34600	-.54500	-.41300	-.30300	-.30100	8.34000	.05000	5.96000	2.67000
.507	50.870	-.13100	-.35000	-.54900	-.41500	-.30200	-.30600	8.34000	.06000	5.97000	2.67000
.508	51.460	-.13100	-.35200	-.55600	-.41900	-.31000	-.29700	8.32000	.04000	5.95000	2.67000
	GRADIENT	-.00310	-.00418	-.00524	-.00375	-.00509	-.00035	.00463	.00370	.01615	.00000



LTV44-559(CA26) 747/1 ATY O2 S1 (ORBITER DATA)

(XFE046) ( 18 NOV 75 )

## REFERENCE DATA

SREF = 2690.0000 SQ.FT. XMRP = 1109.0000 IN. XO  
 LREF = 474.8100 IN. YMRP = .0000 IN. YO  
 BREF = 936.6800 IN. ZMRP = 375.0000 IN. ZO  
 SCALE = .0125

## PARAMETRIC DATA

ALPHAC = 2.000 BETAC = .000  
 STAB = 5.000 ELEVON = 5.000  
 BDFLAP = .000 DX = .000  
 DY = .000 IORB = 6.000  
 BETAO = .000 RUDDER = .000

RUN NO. 1039/ 0 RN/L = .00 GRADIENT INTERVAL = -5.00/ 5.00

MACH	DZ	CPCO	CPB1	CPB2	CPB3	CPS1	CPS2	ALPHAO	BETAO	INC10	ALPHAC
.601	1.770	-.04200	-.26100	-.35000	-.30900	-.18300	-.24900	8.66000	.04000	5.96000	2.71000
.603	2.370	-.04000	-.25900	-.34800	-.30800	-.18100	-.24500	8.69000	.04000	5.99000	2.71000
.601	2.970	-.04400	-.26300	-.35500	-.30900	-.18300	-.24600	8.64000	.05000	5.95000	2.70000
.601	3.970	-.04400	-.26300	-.35200	-.30800	-.18200	-.24700	8.64000	.05000	5.96000	2.71000
.600	4.970	-.04200	-.26200	-.35400	-.31400	-.18900	-.24900	8.65000	.03000	5.98000	2.70000
.606	6.220	-.04400	-.25900	-.34900	-.30700	-.18200	-.24000	8.64000	.05000	5.97000	2.70000
.603	7.470	-.04100	-.25700	-.34900	-.30600	-.18200	-.24400	8.63000	.04000	5.97000	2.70000
.603	8.720	-.04600	-.26600	-.35300	-.31000	-.18400	-.24400	8.64000	.02000	5.98000	2.70000
.604	9.970	-.04700	-.26600	-.36000	-.31500	-.18700	-.24500	8.63000	.04000	5.99000	2.69000
.603	11.190	-.04900	-.27100	-.35900	-.31400	-.18900	-.24600	8.59000	.04000	5.96000	2.69000
.602	12.410	-.04900	-.26900	-.35900	-.31800	-.19000	-.24900	8.58000	.05000	5.96000	2.69000
.603	13.630	-.04400	-.26300	-.35800	-.31800	-.19000	-.24300	8.58000	.03000	5.97000	2.69000
.603	14.850	-.04300	-.26500	-.36000	-.31800	-.18900	-.24300	8.59000	.03000	5.99000	2.68000
.602	16.070	-.04600	-.26500	-.35900	-.31500	-.19200	-.24300	8.55000	.07000	5.96000	2.68000
.604	17.300	-.04500	-.26800	-.36100	-.31900	-.19200	-.24200	8.55000	.04000	5.96000	2.68000
.600	18.510	-.04800	-.27500	-.36900	-.32400	-.19500	-.24900	8.57000	.03000	5.99000	2.68000
.601	19.740	-.04800	-.27200	-.37200	-.32400	-.19500	-.24800	8.57000	.03000	6.00000	2.68000
.603	20.950	-.04700	-.26900	-.36700	-.32000	-.19300	-.24200	8.53000	.02000	5.97000	2.69000
.602	22.170	-.04600	-.26900	-.36100	-.32100	-.19700	-.24300	8.53000	.02000	5.97000	2.69000
.601	23.390	-.04700	-.27500	-.36800	-.32200	-.20000	-.24700	8.52000	.02000	5.97000	2.68000
.601	24.610	-.05100	-.27700	-.37100	-.32400	-.19800	-.24700	8.51000	.03000	5.97000	2.68000
.604	25.830	-.04600	-.27200	-.36400	-.32200	-.19900	-.24200	8.52000	.05000	5.99000	2.69000
.603	27.050	-.05100	-.27500	-.36700	-.32500	-.20000	-.24400	8.52000	.03000	6.00000	2.68000
.602	28.270	-.04900	-.27600	-.36600	-.32500	-.20000	-.24200	8.51000	.01000	5.99000	2.68000
.605	29.500	-.04900	-.27500	-.36500	-.32100	-.19800	-.24200	8.49000	.03000	5.97000	2.68000
.602	30.710	-.05000	-.27700	-.36900	-.32300	-.19900	-.24400	8.48000	.00000	5.97000	2.68000
.600	31.940	-.05300	-.28000	-.37700	-.33400	-.20200	-.24900	8.46000	.01000	5.97000	2.67000
.601	33.150	-.05000	-.28000	-.37400	-.32700	-.20200	-.24700	8.45000	.04000	5.96000	2.68000
.605	34.380	-.04900	-.27500	-.36200	-.32400	-.19900	-.23900	8.48000	.02000	6.00000	2.68000
.603	35.600	-.05000	-.27600	-.36500	-.32500	-.20100	-.24200	8.46000	.04000	5.98000	2.68000
.600	36.820	-.04900	-.28000	-.37500	-.33000	-.20200	-.24700	8.44000	.02000	5.98000	2.67000
.598	38.040	-.05000	-.28300	-.37700	-.33100	-.20500	-.24700	8.45000	.06000	6.00000	2.67000
.603	39.260	-.05000	-.27700	-.36900	-.32600	-.20200	-.24000	8.45000	.03000	6.00000	2.68000
.601	40.480	-.05300	-.27800	-.37200	-.33300	-.20300	-.24300	8.42000	.01000	5.97000	2.68000
.602	41.700	-.04900	-.28000	-.37000	-.32700	-.20300	-.24100	8.41000	.00000	5.98000	2.67000
.603	42.920	-.04900	-.28000	-.37000	-.32800	-.20400	-.24000	8.42000	.02000	5.99000	2.69000
.601	44.140	-.04800	-.28300	-.37900	-.33100	-.20500	-.24300	8.43000	.2000	6.01000	2.68000
.602	45.360	-.05200	-.28100	-.37500	-.33300	-.20600	-.24100	8.39000	.01000	5.97000	2.68000
.602	46.590	-.05200	-.28100	-.37000	-.33000	-.20600	-.24300	8.36000	.01000	5.95000	2.69000
.602	47.800	-.04700	-.28100	-.37400	-.33000	-.20500	-.24100	8.39000	.00000	5.99000	2.68000
.600	49.030	-.04900	-.28400	-.37900	-.33500	-.20400	-.24700	8.40000	.01000	6.01000	2.68000
.602	50.240	-.04800	-.28000	-.37300	-.32900	-.20100	-.24600	8.37000	.03000	5.99000	2.68000

ORIGINAL PAGE IS  
OF POOR QUALITY

DATE 22 MAR 76

CA-26 FORCE SOURCE DATA TABULATION

PAGE 564

LTV44-559(CA26) 747/1 ATY 02 S1 (ORBITER DATA)

(XFE046) ( 18 NOV 75 )

REFERENCE DATA

SREF = 2690.0000 SQ.FT. XMRP = 1109.0000 IN. XO  
LREF = 474.8100 IN. YMRP = .0000 IN. YO  
BREF = 936.6800 IN. ZMRP = 375.0000 IN. ZO  
SCALE = .0125

PARAMETRIC DATA

ALPHAC = 2.000 BETAC = .000  
STAB = 5.000 FLAVON = 5.000  
BDFLAP = .000 DX = .000  
DY = .000 TORB = 5.000  
BETA0 = .000 RUDDER = .000

RUN NO. 1039/ 0 RN/L = .00 GRADIENT INTERVAL = -5.00/ 5.00

MACH	DZ	CPC0	CPB1	CPB2	CPB3	CPS1	CPS2	ALPHA0	BETA0	INCID	ALPHAC
.603	51.470	-.04800	-.27900	-.37400	-.33000	-.20100	-.24200	8.35000	.01000	5.96000	2.68000
	GRADIENT	-.00042	-.00069	-.00139	-.00162	-.00176	-.00039	-.00817	-.00190	.00190	-.00233

LTV44-559(CA26) 747/1 ATY O2 S1 (ORBITER DATA)

(XFE046) ( 18 NOV 75 )

## REFERENCE DATA

SREF = 2690.0000 SQ.FT. XMRP = 1109.0000 IN. XO  
 LREF = 474.8100 IN. YMRP = .0000 IN. YO  
 BREF = 936.6800 IN. ZMRP = 375.0000 IN. ZO  
 SCALE = .0125

## PARAMETRIC DATA

ALPHAC = 2.000 BETAC = .000  
 STAB = 5.000 ELEVON = 5.000  
 BDFLAP = .000 DX = .000  
 DY = .000 IORB = 6.000  
 BETA0 = .000 RUDDER = .000

RUN NO. 42/ 0 RN/L = .00 GRADIENT INTERVAL = -5.00/ 5.00

MACH	DZ	CPC0	CPB1	CPB2	CPB3	CPS1	CPS2	ALPHA0	BETA0	INCID	ALPHAC
.697	1.760	-.02700	-.26500	-.32200	-.29000	-.15700	-.24300	8.65000	.06000	5.97000	2.68000
.696	2.360	-.02900	-.26600	-.32400	-.29500	-.16500	-.24800	8.60000	.03000	5.93000	2.68000
.698	2.970	-.02800	-.26500	-.32300	-.29400	-.16100	-.24600	8.61000	.03000	5.94000	2.68000
.699	3.760	-.03200	-.26300	-.31800	-.29100	-.16100	-.24500	8.63000	.07000	5.97000	2.68000
.698	4.560	-.02900	-.26400	-.32100	-.29300	-.16000	-.24300	8.61000	.03000	5.95000	2.68000
.699	5.470	-.03600	-.26700	-.34400	-.30000	-.17000	-.25000	8.62000	.07000	5.97000	2.68000
.700	6.460	-.03300	-.27000	-.34900	-.29300	-.16600	-.24800	8.58000	.05000	5.94000	2.67000
.700	7.460	-.03500	-.26900	-.38700	-.30000	-.17100	-.24800	8.61000	.06000	5.97000	2.67000
.698	8.460	-.03300	-.27000	-.40700	-.29900	-.16700	-.24800	8.59000	.07000	5.96000	2.67000
.699	9.460	-.03600	-.27300	-.36100	-.30200	-.17100	-.25000	8.59000	.07000	5.96000	2.68000
.699	10.560	-.03600	-.27500	-.32700	-.30000	-.17100	-.25200	8.56000	.05000	5.95000	2.67000
.699	11.740	-.03600	-.27000	-.32700	-.30300	-.17100	-.24900	8.57000	.07000	5.97000	2.67000
.699	12.930	-.03500	-.27200	-.33100	-.30200	-.17100	-.25000	8.56000	.06000	5.97000	2.67000
.697	14.110	-.03300	-.27200	-.33500	-.30400	-.17100	-.24900	8.56000	.07000	5.97000	2.66000
.699	15.300	-.03400	-.27200	-.33400	-.30400	-.16800	-.25100	8.55000	.08000	5.96000	2.67000
.700	16.490	-.03500	-.27400	-.33500	-.30100	-.17000	-.24900	8.54000	.07000	5.97000	2.67000
.698	17.670	-.03700	-.27700	-.33400	-.30600	-.17300	-.25200	8.51000	.04000	5.95000	2.67000
.698	18.860	-.03600	-.27700	-.33400	-.30800	-.17400	-.25400	8.49000	.05000	5.93000	2.67000
.698	20.040	-.03600	-.27800	-.33200	-.30900	-.17600	-.24900	8.51000	.04000	5.96000	2.66000
.698	21.230	-.03600	-.27600	-.33900	-.30900	-.17400	-.25200	8.51000	.07000	5.97000	2.66000
.699	22.410	-.04100	-.28200	-.34500	-.30900	-.17700	-.25400	8.50000	.05000	5.96000	2.67000
.700	23.600	-.03600	-.27800	-.34100	-.30800	-.17700	-.25100	8.47000	.03000	5.94000	2.67000
.699	24.780	-.03700	-.28100	-.34300	-.31200	-.17600	-.25200	8.50000	.06000	5.98000	2.66000
.699	25.970	-.04100	-.28400	-.34200	-.31200	-.18200	-.25300	8.45000	.01000	5.93000	2.66000
.700	27.150	-.04100	-.28500	-.34400	-.31300	-.17600	-.25600	8.48000	.03000	5.98000	2.66000
.699	28.340	-.04100	-.28300	-.34400	-.31200	-.17800	-.25400	8.47000	.01000	5.97000	2.66000
.699	29.520	-.04000	-.28200	-.34200	-.31100	-.17900	-.25400	8.47000	.00000	5.93000	2.66000
.700	30.710	-.04300	-.28500	-.34900	-.31600	-.17700	-.25700	8.46000	.04000	5.98000	2.66000
.698	31.900	-.04300	-.28600	-.34800	-.31600	-.18000	-.25700	8.46000	.03000	5.98000	2.66000
.700	33.080	-.04200	-.28500	-.34800	-.31600	-.18100	-.25500	8.45000	.04000	5.98000	2.66000
.699	34.270	-.04300	-.28600	-.34900	-.31800	-.18200	-.25600	8.43000	.03000	5.97000	2.66000
.698	35.450	-.03700	-.28400	-.34500	-.31400	-.18300	-.25300	8.39000	-.01000	5.93000	2.66000
.699	36.640	-.04300	-.28800	-.35000	-.31900	-.18400	-.25600	8.41000	.05000	5.96000	2.66000
.699	37.820	-.04000	-.28600	-.34600	-.31400	-.18200	-.25500	8.40000	.02000	5.95000	2.66000
.699	39.010	-.04100	-.28700	-.35000	-.31500	-.18100	-.25400	8.38000	.02000	5.94000	2.67000
.701	40.200	-.04100	-.28700	-.34900	-.31800	-.18300	-.25400	8.39000	.05000	5.96000	2.66000
.700	41.380	-.04300	-.29000	-.34900	-.31800	-.18500	-.25300	8.39000	.04000	5.96000	2.67000
.697	42.570	-.04000	-.28600	-.35000	-.31600	-.18400	-.25600	8.35000	.00000	5.93000	2.67000
.697	43.750	-.04000	-.28800	-.35400	-.31800	-.18100	-.25700	8.34000	.01000	5.93000	2.66000
.699	44.940	-.04000	-.28700	-.35000	-.31800	-.18400	-.25600	8.34000	.00000	5.94000	2.66000
.701	46.130	-.04500	-.29200	-.35600	-.32100	-.18500	-.25600	8.37000	.05000	5.98000	2.66000
.699	47.310	-.03700	-.28300	-.35100	-.31800	-.18300	-.25500	8.34000	.00000	5.95000	2.66000

LTV44-559(CA26) 747/1 ATY 02 S1 (ORBITER DATA)

(XFEO46) ( 18 NOV 75 )

## REFERENCE DATA

SREF = 2690.0000 SQ.FT. XMRP = 1109.0000 IN. XO  
 LREF = 474.8100 IN. YMRP = .0000 IN. YO  
 BREF = 936.6800 IN. ZMRP = 375.0000 IN. ZO  
 SCALE = .0125

## PARAMETRIC DATA

ALPHAC = 2.000 BETAC = .000  
 STAB = 5.000 ELEVON = 5.000  
 BDFLAP = .000 DX = .000  
 DY = .000 TORB = 6.000  
 BETA0 = .000 RUDDER = .000

RUN NO. 42/ 0 RN/L = .00 GRADIENT INTERVAL = -5.00/ 5.00

MACH	DZ	CPC0	CPB1	CPB2	CPB3	CPS1	CPS2	ALPHA0	BETA0	INCID	ALPHAC
.702	48.500	-.03800	-.28500	-.34300	-.31600	-.18200	-.25200	8.32000	.00000	5.93000	2.67000
.700	49.680	-.04200	-.29100	-.35100	-.32100	-.18700	-.25300	8.34000	.01000	5.96000	2.67000
.699	50.870	-.04200	-.28900	-.35200	-.32100	-.18300	-.25900	8.33000	.02000	5.96000	2.67000
.697	51.460	-.04100	-.29000	-.35400	-.32100	-.18500	-.25500	8.30000	.01000	5.93000	2.67000
	GRADIENT	-.00097	.00072	.00117	-.00021	-.00019	.00053	-.00652	-.00255	.00054	.00000

LTV44-559(CA26) 747/1 ATY 02 S1 (ORBITER DATA)

(XFE047) ( 18 NOV 75 )

## REFERENCE DATA

SREF = 2690.0000 SQ.FT. XMRP = 1109.0000 IN. XO  
 LREF = 474.8100 IN. YMRP = .0000 IN. YO  
 BREF = 936.6800 IN. ZMRP = 375.0000 IN. ZO  
 SCALE = .0125

## PARAMETRIC DATA

ALPHAC = 2.000 BETAC = .000  
 STAB = 5.000 ELEVON = 5.000  
 BDFLAP = .000 DX = .000  
 DY = .000 IORB = 8.000  
 BETAO = .000 RUDDER = .000

RUN NO. 40/ 0 RN/L = .00 GRADIENT INTERVAL = -5.00/ 5.00

MACH	DZ	CPCO	CPB1	CPB2	CPB3	CPS1	CPS2	ALPHA0	BETA0	INCID	ALPHAC
.599	1.480	-.00300	-.23200	-.29100	-.25900	-.13700	-.20300	10.73000	.02000	8.00000	2.74000
.598	2.070	-.00300	-.23600	-.29000	-.25500	-.13800	-.20200	10.65000	.07000	7.92000	2.73000
.598	2.670	-.00100	-.23400	-.29200	-.25700	-.13500	-.20200	10.66000	.00000	7.94000	2.73000
.599	3.470	-.00600	-.23900	-.29100	-.25600	-.13600	-.20400	10.65000	.03000	7.94000	2.73000
.598	4.480	-.00600	-.23800	-.29700	-.26300	-.13600	-.20500	10.66000	.03000	7.96000	2.73000
.599	5.600	-.00700	-.23600	-.29500	-.26000	-.13500	-.20700	10.61000	.00000	7.92000	2.72000
.599	6.850	-.00600	-.23900	-.29600	-.26100	-.13600	-.20900	10.59000	.00000	7.91000	2.72000
.601	8.100	-.00700	-.24000	-.29700	-.26200	-.13800	-.20900	10.60000	.01000	7.93000	2.71000
.600	9.350	-.01100	-.24200	-.29700	-.26500	-.13900	-.21100	10.59000	.01000	7.93000	2.71000
.601	10.680	-.00800	-.24000	-.30300	-.26700	-.13900	-.21100	10.57000	.00000	7.93000	2.70000
.601	12.100	-.01200	-.24400	-.30100	-.26700	-.13800	-.21400	10.59000	-.01000	7.96000	2.70000
.599	13.510	-.01000	-.24100	-.29800	-.26800	-.14100	-.21400	10.56000	.05000	7.93000	2.70000
.600	14.930	-.00800	-.23800	-.29500	-.26700	-.14200	-.21300	10.56000	.04000	7.95000	2.70000
.600	16.340	-.01500	-.24600	-.30300	-.26900	-.14200	-.21700	10.51000	.06000	7.91000	2.69000
.601	17.760	-.00700	-.23900	-.30300	-.27100	-.13700	-.21400	10.54000	.01000	7.95000	2.69000
.597	19.180	-.01400	-.24400	-.30600	-.27200	-.14000	-.21900	10.50000	.03000	7.93000	2.69000
.600	20.600	-.01100	-.24000	-.30000	-.27000	-.14300	-.21700	10.53000	.04000	7.96000	2.68000
.600	22.000	-.01200	-.24500	-.30400	-.26900	-.13900	-.21600	10.49000	.03000	7.93000	2.68000
.597	23.420	-.01100	-.24500	-.30600	-.27200	-.14200	-.22000	10.46000	.00000	7.91000	2.68000
.599	24.840	-.01200	-.24300	-.30300	-.27000	-.14100	-.21800	10.49000	.04000	7.95000	2.68000
.598	26.250	-.00700	-.24300	-.30900	-.27500	-.14200	-.21700	10.45000	.00000	7.92000	2.68000
.597	27.670	-.01100	-.24600	-.31000	-.27800	-.14500	-.22400	10.43000	.00000	7.91000	2.68000
.598	29.090	-.00700	-.24200	-.30500	-.27400	-.14200	-.21900	10.46000	.04000	7.95000	2.68000
.600	30.500	-.00700	-.24200	-.30500	-.27400	-.14200	-.21900	10.44000	.04000	7.94000	2.68000
.600	31.920	-.01000	-.24700	-.30800	-.27700	-.14300	-.22200	10.42000	.02000	7.93000	2.67000
.598	33.340	-.01300	-.24300	-.30900	-.27500	-.14400	-.21900	10.40000	.00000	7.92000	2.67000
.599	34.750	-.01000	-.24800	-.30600	-.27700	-.14500	-.22200	10.39000	.00000	7.92000	2.67000
.601	36.170	-.00800	-.24200	-.30000	-.27000	-.13900	-.21700	10.43000	.03000	7.96000	2.68000
.602	37.590	-.00900	-.24400	-.30500	-.27400	-.14400	-.22200	10.40000	.00000	7.94000	2.68000
.600	39.000	-.01000	-.24700	-.30700	-.27800	-.14200	-.22300	10.42000	.00000	7.97000	2.68000
.602	40.420	-.01100	-.24400	-.30300	-.27500	-.14000	-.22700	10.40000	.01000	7.96000	2.67000
.598	41.830	-.00800	-.24800	-.30600	-.27900	-.14000	-.22500	10.36000	-.01000	7.93000	2.68000
.601	43.250	-.00900	-.24600	-.31000	-.27800	-.13800	-.22600	10.36000	-.04000	7.93000	2.68000
.603	44.670	-.01100	-.24200	-.30400	-.27100	-.13600	-.22600	10.37000	.03000	7.94000	2.68000
.601	46.080	-.01200	-.24600	-.30300	-.27400	-.14300	-.22500	10.36000	.02000	7.95000	2.68000
.600	47.500	-.01200	-.24700	-.30500	-.28100	-.14400	-.22600	10.33000	.00000	7.94000	2.67000
.600	48.920	-.01200	-.24600	-.30600	-.27900	-.14200	-.22600	10.32000	-.01000	7.93000	2.67000
.599	50.340	-.01300	-.24400	-.30400	-.27800	-.13900	-.22700	10.31000	.00000	7.92000	2.68000
.599	51.750	-.01300	-.24300	-.30400	-.27700	-.13800	-.23000	10.31000	.00000	7.94000	2.68000
.597	53.170	-.01200	-.24600	-.31100	-.27900	-.13800	-.23600	10.31000	.02000	7.94000	2.67000
.596	54.580	-.00900	-.24700	-.30600	-.27600	-.13900	-.23500	10.32000	.03000	7.96000	2.67000
.598	56.000	-.01000	-.23900	-.30300	-.27500	-.13800	-.22700	10.29000	.00000	7.94000	2.68000

DATE 22 MAR 76

CA-26 FORCE SOURCE DATA TABULATION

PAGE 568

LTV44-559(CA26) 747/1 ATY 02 S1 (ORBITER DATA)

(XFE047) ( 18 NOV 75 )

REFERENCE DATA

SREF = 2690.0000 SQ.FT. XMRP = 1109.0000 IN. XO  
LREF = 474.8100 IN. YMRP = .0000 IN. YO  
BREF = 936.6900 IN. ZMRP = 375.0000 IN. ZO  
SCALE = .0125

PARAMETRIC DATA

ALPHAC = 2.000 BETAC = .000  
STAB = 5.000 ELEVON = 5.000  
BDFLAP = .000 DX = .000  
DY = .000 TORB = 8.000  
BETA0 = .000 RUDDER = .000

RUN NO. 40/ 0 RN/L = .00 GRADIENT INTERVAL = -5.00/ 5.00

MACH	DZ	CPCO	CPB1	CPB2	CPB3	CPS1	CPS2	ALPHA0	BETA0	INCID	ALPHAC
.598	57.410	-.01100	-.24400	-.30600	-.27800	-.13600	-.23100	10.31000	.03900	7.97000	2.68000
	GRADIENT	-.00129	-.00197	-.00188	-.00145	.00049	-.00087	-.01682	-.00218	.00594	-.00244

LTV44-559(CA26) 747/1 ATY 02 S1 (ORBITER DATA)

(XFE04B) ( 18 NOV 75 )

## REFERENCE DATA

SREF = 2690.0000 SQ.FT. XMRP = 1109.0000 IN. XO  
 LREF = 474.8100 IN. YMRP = .0000 IN. YO  
 BREF = 936.6800 IN. ZMRP = 375.0000 IN. ZO  
 SCALE = .0125

## PARAMETRIC DATA

ALPHAC = 2.000 BETAC = .000  
 STAB = 5.000 ELEVON = 5.000  
 BDFLAP = .000 DX = .000  
 DY = .000 TORB = 4.000  
 BETAO = 5.000 RUDDER = .000

RUN NO. 41/ 0 RN/L = .00 GRADIENT INTERVAL = -5.00/ 5.00

MACH	DZ	CPCO	CPB1	CPB2	CPB3	CPS1	CPS2	ALPHA0	BETA0	INCID	ALPHAC
.600	1.760	-.06100	-.26200	-.36900	-.31800	-.01000	-.41000	6.59000	4.91000	3.94000	2.65000
.598	2.360	-.06500	-.26000	-.37400	-.31900	-.01000	-.41600	6.58000	4.92000	3.94000	2.65000
.602	2.970	-.06500	-.26300	-.36900	-.32100	-.00800	-.41600	6.59000	4.91000	3.95000	2.65000
.601	3.760	-.06400	-.26800	-.37500	-.32200	-.01500	-.41200	6.56000	4.92000	3.92000	2.65000
.601	4.560	-.06600	-.26900	-.37300	-.32300	-.01500	-.41600	6.57000	4.96000	3.94000	2.66000
.604	5.960	-.06100	-.26500	-.37000	-.31800	-.01400	-.41100	6.60000	4.92000	3.98000	2.65000
.603	7.970	-.06600	-.26800	-.36900	-.32300	-.01100	-.41100	6.56000	4.93000	3.95000	2.65000
.601	9.960	-.06800	-.27500	-.37500	-.32900	-.01800	-.41900	6.56000	4.91000	3.96000	2.65000
.601	10.960	-.06700	-.27300	-.37500	-.32800	-.01700	-.42100	6.54000	4.92000	3.95000	2.65000
.602	11.960	-.06600	-.26800	-.37200	-.32400	-.01500	-.41300	6.54000	4.93000	3.95000	2.66000
.603	12.950	-.06200	-.27200	-.37100	-.32200	-.01800	-.41300	6.55000	4.91000	3.97000	2.66000
.602	13.940	-.06300	-.26900	-.37000	-.32300	-.01400	-.41700	6.52000	4.95000	3.95000	2.65000
.601	14.940	-.06700	-.27400	-.37200	-.33100	-.01700	-.41800	6.53000	4.93000	3.96000	2.65000
.603	15.930	-.06300	-.27000	-.37200	-.32400	-.01500	-.41200	6.52000	4.93000	3.95000	2.66000
.603	16.930	-.06100	-.27000	-.37300	-.32200	-.01700	-.41300	6.52000	4.92000	3.95000	2.66000
.602	17.930	-.06500	-.27100	-.37900	-.32800	-.01600	-.41900	6.51000	4.92000	3.96000	2.65000
.604	18.920	-.06400	-.27000	-.37500	-.32600	-.01400	-.41700	6.51000	4.92000	3.96000	2.65000
.601	19.910	-.06700	-.27800	-.37600	-.33200	-.02200	-.40900	6.50000	4.92000	3.96000	2.65000
.601	20.910	-.06900	-.28200	-.38000	-.33500	-.02500	-.41900	6.50000	4.90000	3.96000	2.65000
.602	21.900	-.06600	-.27400	-.37800	-.33000	-.01700	-.42100	6.49000	4.91000	3.96000	2.65000
.604	22.890	-.06400	-.27400	-.37400	-.32600	-.01700	-.42000	6.48000	4.89000	3.95000	2.65000
.605	23.890	-.06100	-.27200	-.37600	-.32600	-.01600	-.41300	6.48000	4.88000	3.96000	2.66000
.603	24.890	-.06300	-.27900	-.37700	-.32900	-.02000	-.41400	6.47000	4.89000	3.96000	2.66000
.603	25.880	-.06300	-.28000	-.37700	-.33100	-.02200	-.41500	6.49000	4.89000	3.98000	2.66000
.602	26.870	-.06700	-.27900	-.38100	-.33400	-.02200	-.40900	6.48000	4.87000	3.98000	2.66000
.604	27.870	-.06400	-.27900	-.37600	-.32700	-.02400	-.41100	6.46000	4.90000	3.95000	2.67000
.602	28.860	-.06700	-.27700	-.37800	-.33500	-.02100	-.41300	6.44000	4.88000	3.95000	2.66000
.604	29.860	-.06600	-.27400	-.37800	-.32700	-.02100	-.41100	6.48000	4.88000	3.99000	2.66000
.603	30.860	-.06300	-.27800	-.38000	-.33000	-.02600	-.40800	6.46000	4.88000	3.98000	2.66000
.602	31.850	-.06500	-.27800	-.37700	-.33400	-.02300	-.40900	6.41000	4.88000	3.93000	2.66000
.604	32.840	-.06100	-.27500	-.37300	-.32700	-.02300	-.41000	6.45000	4.89000	3.97000	2.66000
.604	33.840	-.06000	-.27700	-.37100	-.32600	-.02300	-.40600	6.45000	4.87000	3.98000	2.67000
.599	34.830	-.06600	-.28400	-.38000	-.33700	-.02900	-.41700	6.42000	4.87000	3.96000	2.67000
.599	35.830	-.06600	-.28100	-.38000	-.33800	-.02700	-.42100	6.41000	4.87000	3.95000	2.66000
.601	36.830	-.06600	-.27800	-.37800	-.33600	-.02300	-.42000	6.40000	4.87000	3.95000	2.66000
.602	37.820	-.06400	-.27500	-.37900	-.33600	-.02000	-.42400	6.40000	4.87000	3.95000	2.66000
.600	38.820	-.06600	-.28000	-.38400	-.33900	-.02800	-.40600	6.39000	4.86000	3.95000	2.66000
.601	39.810	-.06600	-.28200	-.38300	-.34100	-.03000	-.40600	6.38000	4.88000	3.95000	2.67000
.603	40.800	-.06400	-.28300	-.38100	-.33600	-.03000	-.41400	6.41000	4.89000	3.98000	2.67000
.604	41.800	-.06400	-.28400	-.37900	-.33600	-.02500	-.42700	6.38000	4.88000	3.96000	2.67000
.604	42.800	-.06000	-.28100	-.38000	-.33400	-.02300	-.43000	6.35000	4.88000	3.94000	2.67000
.605	43.790	-.06000	-.28000	-.37500	-.33100	-.02000	-.43300	6.39000	4.89000	3.97000	2.67000

LTV44-559(CA26) 747/1 ATY 02 S1 (ORBITER DATA)

(XFE048) ( 18 NOV 75 )

## REFERENCE DATA

SREF = 2690.0000 SQ.FT. XMRP = 1109.0000 IN. XO  
 LREF = 474.8100 IN. YMRP = .0000 IN. YO  
 BREF = 936.6800 IN. ZMRP = 375.0000 IN. ZO  
 SCALE = .0125

## PARAMETRIC DATA

ALPHAC = 2.000 BETAC = .000  
 STAB = 5.000 ELEVON = 5.000  
 SDFLAP = .000 DX = .000  
 DY = .000 TORB = 4.000  
 BETA0 = 5.000 RUDDER = .000

RUN NO. 41/ 0 RN/L = .00 GRADIENT INTERVAL = -5.00/ 5.00

MACH	DZ	CPCO	CPB1	CPB2	CPB3	CPS1	CPS2	ALPHA0	BETA0	INCID	ALPHAC
.603	44.790	-.05900	-.27800	-.37500	-.32900	-.02200	-.42000	6.36000	4.87000	3.95000	2.67000
	GRADIENT	-.00124	-.00320	-.00129	-.00184	-.00223	-.00106	-.00598	.01491	-.00298	.00300



LTV44-559(CA26) 747/1 ATY 02 S1 (ORBITER DATA)

(XFE049) ( 18 NOV 75 )

## REFERENCE DATA

SREF = 2690.0000 SQ.FT. XMRP = 1109.0000 IN. XO  
 LREF = 474.8100 IN. YMRP = .0000 IN. YO  
 BREF = 936.6800 IN. ZMRP = 375.0000 IN. ZO  
 SCALE = .0125

## PARAMETRIC DATA

ALPHAC = 2.000 BETAC = .000  
 STAB = 5.000 ELEVON = 5.000  
 BDFLAP = .000 DX = .000  
 DY = .000 IORB = 6.000  
 BETA0 = 5.000 RUDDER = .000

RUN NO. 1041 / 0 RN/L = .00 GRADIENT INTERVAL = -5.00 / 5.00

MACH	DZ	CPCO	CPB1	CPB2	CPB3	CPS1	CPS2	ALPHA0	BETA0	INCID	ALPHAC
.602	1.470	-.09000	-.25100	-.34500	-.31700	-.01600	-.34700	8.65000	4.92000	5.96000	2.69000
.604	1.770	-.09000	-.25000	-.34100	-.31200	-.02200	-.34200	8.65000	4.94000	5.96000	2.69000
.602	2.370	-.09100	-.25500	-.34800	-.31500	-.02300	-.34900	8.64000	4.95000	5.96000	2.69000
.601	2.970	-.09300	-.25500	-.35500	-.32100	-.02100	-.35200	8.61000	4.93000	5.93000	2.69000
.602	3.770	-.09300	-.25800	-.35300	-.31900	-.02100	-.34700	8.60000	4.93000	5.93000	2.69000
.601	4.570	-.09100	-.26000	-.35500	-.31700	-.02200	-.35000	8.63000	4.92000	5.96000	2.69000
.601	5.970	-.08900	-.26300	-.35300	-.32100	-.02500	-.34800	8.59000	4.92000	5.94000	2.67000
.602	7.970	-.08800	-.26200	-.35200	-.31600	-.02400	-.34700	8.58000	4.92000	5.95000	2.67000
.604	9.960	-.08800	-.25700	-.34600	-.31400	-.02300	-.34600	8.58000	4.93000	5.96000	2.68000
.604	11.240	-.08900	-.26100	-.35000	-.31800	-.02300	-.34400	8.55000	4.93000	5.93000	2.68000
.603	12.520	-.08900	-.25800	-.34800	-.31500	-.02500	-.34300	8.55000	4.92000	5.95000	2.67000
.603	13.800	-.08700	-.26100	-.35600	-.31900	-.02300	-.34800	8.54000	4.93000	5.96000	2.66000
.601	15.080	-.09000	-.26800	-.36200	-.32100	-.02500	-.35700	8.53000	4.93000	5.95000	2.67000
.601	16.350	-.08900	-.26600	-.35900	-.32300	-.02600	-.36200	8.53000	4.90000	5.95000	2.67000
.599	17.630	-.09100	-.27300	-.36800	-.32800	-.02500	-.37200	8.48000	4.92000	5.91000	2.67000
.602	18.900	-.09100	-.26400	-.35900	-.32400	-.02400	-.36200	8.50000	4.92000	5.94000	2.67000
.600	20.180	-.09100	-.27400	-.36900	-.32900	-.02600	-.37500	8.49000	4.90000	5.94000	2.67000
.601	21.460	-.09000	-.27000	-.36600	-.32700	-.02500	-.37200	8.48000	4.89000	5.93000	2.67000
.603	22.730	-.09200	-.26800	-.36400	-.32900	-.02500	-.36500	8.47000	4.90000	5.93000	2.67000
.603	24.000	-.09300	-.26900	-.36500	-.33000	-.02600	-.36900	8.49000	4.89000	5.96000	2.67000
.602	25.280	-.09000	-.27200	-.36800	-.32700	-.02600	-.36900	8.47000	4.87000	5.95000	2.67000
.601	26.560	-.09600	-.27100	-.36900	-.33400	-.02800	-.37700	8.45000	4.88000	5.93000	2.66000
.604	27.840	-.09000	-.26800	-.36100	-.32700	-.02700	-.35900	8.46000	4.88000	5.96000	2.67000
.604	29.110	-.09300	-.27000	-.36800	-.33100	-.02700	-.36700	8.45000	4.89000	5.95000	2.67000
.602	30.390	-.09100	-.27400	-.36700	-.32800	-.03000	-.37100	8.43000	4.86000	5.94000	2.67000
.604	31.660	-.09000	-.27000	-.36900	-.33000	-.02500	-.38400	8.45000	4.88000	5.97000	2.67000
.602	32.940	-.09100	-.27400	-.37300	-.33000	-.02800	-.38500	8.45000	4.87000	5.98000	2.67000
.602	34.220	-.09000	-.27200	-.36900	-.33300	-.02800	-.37100	8.41000	4.89000	5.94000	2.67000
.600	35.490	-.09500	-.27600	-.37200	-.33600	-.03200	-.38500	8.40000	4.88000	5.94000	2.67000
.600	36.770	-.08900	-.27900	-.37400	-.33300	-.02900	-.38800	8.42000	4.86000	5.97000	2.67000
.602	38.050	-.08700	-.27400	-.36900	-.33000	-.02700	-.38800	8.42000	4.87000	5.96000	2.67000
.600	39.330	-.08800	-.27700	-.37800	-.33400	-.02900	-.39100	8.39000	4.87000	5.95000	2.67000
.601	40.600	-.09000	-.27500	-.37600	-.33700	-.02600	-.39400	8.37000	4.86000	5.94000	2.67000
.601	41.880	-.09100	-.27600	-.37200	-.33600	-.02600	-.40400	8.38000	4.87000	5.95000	2.67000
.601	43.150	-.08700	-.27800	-.37600	-.33200	-.02800	-.39600	8.37000	4.88000	5.95000	2.67000
.603	44.430	-.08800	-.27700	-.37000	-.33300	-.02500	-.41200	8.37000	4.88000	5.96000	2.67000
.602	45.710	-.08700	-.28000	-.37300	-.33300	-.02300	-.42600	8.36000	4.89000	5.96000	2.67000
.605	46.990	-.08800	-.27400	-.37000	-.33200	-.02800	-.39600	8.35000	4.89000	5.95000	2.67000
.604	48.260	-.08700	-.27800	-.37200	-.33200	-.02900	-.40100	8.33000	4.87000	5.94000	2.67000
.601	49.540	-.08800	-.27800	-.37800	-.33800	-.02500	-.41800	8.36000	4.87000	5.98000	2.67000
.602	50.820	-.08800	-.27600	-.37300	-.33600	-.02600	-.40900	8.31000	4.88000	5.93000	2.67000
	GRADIENT	-.00065	-.00313	-.00414	-.00122	-.00092	-.00145	-.01181	-.00330	-.00464	.00000

ORIGINAL PAGE IS  
 OF POOR QUALITY

LTV44-559(CA26) 747/1 ATY 02 S1 (ORBITER DATA)

(XFE050) ( 18 NOV 75 )

## REFERENCE DATA

SREF = 2690.0000 SQ.FT. XMRP = 1109.0000 IN. XO  
 LREF = 474.8100 IN. YMRP = .0000 IN. YO  
 BREF = 936.6800 IN. ZMRP = 375.0000 IN. ZO  
 SCALE = .0125

## PARAMETRIC DATA

ALPHAC = 2.000 BETAC = .000  
 STAB = 5.000 ELEVON = 5.000  
 BDFLAP = .000 DX = .000  
 OY = .000 TORB = 8.000  
 BETAO = 5.000 RUDDER = .000

RUN NO. 1040/ 0 RN/L = .00 GRADIENT INTERVAL = -5.00/ 5.00

MACH	DZ	CPCO	CPB1	CPB2	CPB3	CPS1	CPS2	ALPHA0	BETA0	INC10	ALPHAC
.599	1.770	-.06600	-.23800	-.32100	-.28500	.01100	-.32700	10.67000	4.93000	7.94000	2.74000
.599	2.370	-.06500	-.23600	-.31700	-.28300	.01300	-.32700	10.66000	4.87000	7.93000	2.74000
.600	2.970	-.06700	-.23800	-.31200	-.27900	.01200	-.32400	10.63000	4.89000	7.91000	2.73000
.599	3.980	-.06700	-.23900	-.31900	-.28500	.01200	-.32800	10.66000	4.90000	7.95000	2.73000
.599	4.980	-.06800	-.23900	-.31900	-.28500	.01200	-.32700	10.66000	4.91000	7.96000	2.73000
.601	6.640	-.06700	-.23600	-.31200	-.28000	.01200	-.32400	10.62000	4.90000	7.92000	2.73000
.602	8.310	-.07200	-.23900	-.31200	-.28200	.00800	-.32600	10.63000	4.91000	7.95000	2.72000
.603	9.980	-.07300	-.23700	-.31500	-.28500	.00900	-.32800	10.61000	4.93000	7.95000	2.71000
.602	11.210	-.07200	-.23800	-.31400	-.28500	.00700	-.32900	10.59000	4.93000	7.94000	2.71000
.600	12.450	-.06900	-.23800	-.31600	-.28300	.01400	-.33100	10.60000	4.85000	7.96000	2.71000
.599	13.680	-.07400	-.24000	-.32000	-.28900	.01000	-.33700	10.58000	4.90000	7.96000	2.70000
.599	14.910	-.07400	-.24200	-.31900	-.28800	.00900	-.33300	10.58000	4.88000	7.97000	2.70000
.599	16.150	-.07000	-.24100	-.31300	-.28000	.01200	-.33100	10.55000	4.89000	7.94000	2.70000
.598	17.390	-.06900	-.24200	-.31800	-.28400	.01200	-.33300	10.54000	4.88000	7.95000	2.69000
.593	18.620	-.07400	-.24300	-.32000	-.29000	.00700	-.33400	10.54000	4.87000	7.96000	2.69000
.599	19.850	-.06900	-.24200	-.31800	-.28200	.01200	-.33300	10.50000	4.91000	7.93000	2.69000
.601	21.090	-.07500	-.24300	-.31500	-.28500	.00600	-.33200	10.53000	4.93000	7.93000	2.69000
.600	22.320	-.06900	-.24400	-.31500	-.28300	.01100	-.33000	10.49000	4.90000	7.93000	2.69000
.598	23.550	-.07200	-.24200	-.32000	-.28800	.01300	-.33600	10.47000	4.85000	7.93000	2.68000
.601	24.790	-.07000	-.24300	-.31600	-.28400	.00900	-.33300	10.50000	4.93000	7.96000	2.68000
.600	26.030	-.07100	-.24300	-.31700	-.28300	.01300	-.33700	10.49000	4.94000	7.95000	2.68000
.601	27.260	-.07000	-.24400	-.32000	-.28800	.01300	-.33500	10.46000	4.87000	7.94000	2.68000
.601	28.490	-.06900	-.24600	-.31900	-.28500	.01200	-.33400	10.43000	4.91000	7.92000	2.67000
.601	29.730	-.07500	-.24500	-.32100	-.29100	.00600	-.33900	10.45000	4.85000	7.94000	2.68000
.600	30.970	-.07100	-.24200	-.32200	-.28900	.01300	-.33900	10.43000	4.86000	7.93000	2.68000
.602	32.200	-.07600	-.24600	-.31500	-.28600	.01000	-.34000	10.46000	4.85000	7.97000	2.68000
.601	33.430	-.07100	-.24900	-.32000	-.28700	.01100	-.34300	10.43000	4.89000	7.95000	2.68000
.601	34.670	-.07000	-.24700	-.31900	-.28600	.00700	-.33700	10.44000	4.87000	7.96000	2.67000
.599	35.900	-.06800	-.24100	-.32100	-.28800	.01400	-.33400	10.41000	4.88000	7.94000	2.68000
.600	37.140	-.07500	-.24600	-.31500	-.28900	.00500	-.33400	10.43000	4.86000	7.96000	2.68000
.599	38.380	-.07100	-.24200	-.32000	-.29000	.01000	-.33500	10.41000	4.88000	7.95000	2.67000
.600	39.610	-.07000	-.24500	-.31900	-.28800	.01300	-.34300	10.41000	4.90000	7.95000	2.68000
.601	40.840	-.07200	-.24700	-.31700	-.28900	.00600	-.34200	10.40000	4.81000	7.96000	2.67000
.600	42.080	-.06800	-.24600	-.32000	-.28500	.00900	-.33800	10.37000	4.89000	7.94000	2.67000
.599	43.320	-.07100	-.24700	-.31800	-.29100	.00400	-.33200	10.38000	4.85000	7.95000	2.68000
.599	44.550	-.07200	-.24700	-.31900	-.29200	.00700	-.33800	10.38000	4.86000	7.96000	2.67000
.599	45.780	-.07100	-.24800	-.31800	-.29100	.00400	-.33600	10.34000	4.86000	7.93000	2.67000
.600	47.020	-.06800	-.24200	-.31500	-.28900	.01200	-.34000	10.35000	4.87000	7.95000	2.68000
.601	48.260	-.07200	-.25000	-.31600	-.28800	.00600	-.34100	10.36000	4.81000	7.97000	2.67000
.600	49.490	-.07400	-.25000	-.31900	-.29200	.00400	-.34200	10.32000	4.85000	7.94000	2.67000
.601	50.730	-.06700	-.24500	-.31600	-.28500	.01200	-.35200	10.34000	4.87000	7.96000	2.68000
.601	51.960	-.06600	-.24500	-.31600	-.28400	.01100	-.35600	10.34000	4.80000	7.96000	2.68000

DATE 22 MAR 76

CA-26 FORCE SOURCE DATA TABULATION

PAGE 573

LTV44-559(CA26) 747/1 ATY 02 S1 (ORBITER DATA)

(XFE050) ( 18 NOV 75 )

## REFERENCE DATA

SREF = 2690.0000 SQ.FT. XMRP = 1109.0000 IN. XO  
 LREF = 474.8100 IN. YMRP = .0000 IN. YO  
 BREF = 936.6800 IN. ZMRP = 375.0000 IN. ZO  
 SCALE = .0125

## PARAMETRIC DATA

ALPHAC = 2.000 BETAC = .000  
 STAR = 5.000 ELEVON = 5.000  
 BDFLAP = .000 DX = .000  
 DY = .000 TORB = 8.000  
 BETAO = 5.000 RUDDER = .000

RUN NO. 1040/ 0 RN/L = .00 GRADIENT INTERVAL = -5.00/ 5.00

MACH	DZ	CPCO	CPB1	CPB2	CPB3	CPS1	CPS2	ALPHAO	BETAO	INCID	ALPHAC
.600	53.190	-.06800	-.24500	-.31700	-.29100	.01200	-.38200	10.31000	4.90000	7.94000	2.68000
.599	54.430	-.06800	-.24600	-.31500	-.29300	.01300	-.39900	10.31000	4.84000	7.95000	2.67000
.600	55.670	-.07000	-.24400	-.31400	-.29000	.01300	-.36400	10.33000	4.88000	7.97000	2.68000
.601	56.900	-.06400	-.24500	-.31500	-.28400	.01200	-.35300	10.31000	4.82000	7.97000	2.68000
.600	58.140	-.06700	-.24700	-.31400	-.28500	.01400	-.36000	10.27000	4.81000	7.93000	2.68000
	GRADIENT	-.00075	-.00064	-.00008	-.00048	.00009	-.00023	-.00108	.00032	.00895	-.00349

LTV44-559(CA26) 747/1 ATX 02 S1 (ORBITER DATA)

(XFE051) ( 18 NOV 75 )

## REFERENCE DATA

SREF = 2690.0000 SQ.FT. XMRP = 1109.0000 IN. XO  
 LREF = 474.8100 IN. YMRP = .0000 IN. YO  
 BREF = 936.6800 IN. ZMRP = 375.0000 IN. ZO  
 SCALE = .0125

## PARAMETRIC DATA

ALPHAC = 2.000 BETAC = .000  
 STAB = 5.000 ELEVON = 5.000  
 BDFLAP = .000 DX = .000  
 DY = .000 TORB = 4.000  
 BETAO = .000 RUDDER = .000

RUN NO. 45/ 0 RN/L = .00 GRADIENT INTERVAL = -5.00/ 5.00

MACH	DZ	CPCO	CPB1	CPB2	CPB3	CPS1	CPS2	ALPHAO	BETAO	INCID	ALPHAC
.605	1.760	-.01900	-.23500	-.31000	-.28000	-.13500	-.23400	6.59000	.03000	3.95000	2.65000
.603	2.360	-.01600	-.23300	-.31300	-.28600	-.13900	-.23400	6.58000	.06000	3.94000	2.65000
.604	2.970	-.01700	-.23900	-.32400	-.28900	-.13800	-.23400	6.60000	.04000	3.96000	2.65000
.603	3.760	-.01700	-.23800	-.32000	-.28200	-.13700	-.23300	6.58000	.01000	3.94000	2.65000
.604	4.560	-.02100	-.23600	-.31700	-.28600	-.14000	-.23400	6.58000	.03000	3.95000	2.65000
.602	5.960	-.02300	-.24000	-.32400	-.29300	-.14600	-.23700	6.56000	.02000	3.94000	2.65000
.602	7.970	-.02000	-.23800	-.32200	-.29300	-.14100	-.23400	6.55000	.02000	3.94000	2.65000
.605	9.960	-.02200	-.24300	-.32300	-.29300	-.14600	-.23200	6.55000	.08000	3.96000	2.65000
.603	10.960	-.02100	-.25100	-.33500	-.29400	-.14900	-.23700	6.53000	.08000	3.93000	2.66000
.603	11.960	-.02400	-.24700	-.34200	-.29400	-.14800	-.23800	6.53000	.05000	3.95000	2.65000
.606	12.950	-.02300	-.24500	-.32700	-.29400	-.14400	-.23400	6.55000	.02000	3.98000	2.65000
.606	13.940	-.02200	-.24700	-.33100	-.29600	-.14500	-.23400	6.54000	.03000	3.97000	2.65000
.603	14.340	-.02300	-.25400	-.33300	-.30000	-.14800	-.23900	6.53000	.05000	3.96000	2.65000
.605	15.930	-.01800	-.25000	-.33000	-.29500	-.14400	-.23300	6.50000	.06000	3.94000	2.65000
.605	16.930	-.01800	-.24800	-.33200	-.29500	-.14400	-.23300	6.52000	.05000	3.96000	2.65000
.604	17.930	-.02400	-.24700	-.33300	-.29600	-.14500	-.23500	6.51000	.06000	3.96000	2.65000
.606	18.920	-.01900	-.24500	-.34200	-.29400	-.14700	-.23000	6.47000	.02000	3.93000	2.65000
.605	19.910	-.02200	-.25000	-.34100	-.29800	-.14900	-.23300	6.50000	.05000	3.96000	2.65000
.607	20.910	-.02200	-.24700	-.34200	-.29700	-.14700	-.22900	6.49000	.05000	3.96000	2.65000
.605	21.900	-.02300	-.25300	-.35400	-.29600	-.15000	-.23200	6.48000	.04000	3.94000	2.66000
.603	22.890	-.02600	-.25300	-.35700	-.30300	-.15300	-.23400	6.46000	.01000	3.94000	2.65000
.605	23.890	-.02600	-.25000	-.35600	-.29600	-.15100	-.23100	6.48000	.07000	3.96000	2.65000
.606	24.890	-.02200	-.25200	-.34100	-.30000	-.14800	-.22700	6.43000	.02000	3.93000	2.65000
.607	25.880	-.02500	-.25200	-.33100	-.29600	-.15000	-.23000	6.43000	.05000	3.92000	2.65000
.604	26.870	-.02700	-.25300	-.33600	-.30000	-.15600	-.23400	6.46000	.07000	3.96000	2.65000
.603	27.870	-.02300	-.25300	-.34100	-.30500	-.15700	-.23000	6.42000	.02000	3.93000	2.65000
.604	28.860	-.02900	-.25900	-.35000	-.30500	-.15500	-.22900	6.43000	.04000	3.95000	2.65000
.605	29.860	-.02100	-.25300	-.34800	-.30200	-.15300	-.22800	6.44000	.07000	3.96000	2.65000
.605	30.850	-.02400	-.25500	-.34900	-.30300	-.15400	-.22900	6.41000	.05000	3.94000	2.65000
.604	31.850	-.02400	-.25600	-.35000	-.30500	-.15600	-.22900	6.42000	.06000	3.95000	2.65000
.604	32.840	-.02400	-.25600	-.34500	-.30400	-.15400	-.22900	6.41000	.05000	3.94000	2.65000
.605	33.840	-.02200	-.25100	-.34300	-.30300	-.15400	-.23100	6.38000	.04000	3.93000	2.65000
.604	34.830	-.02800	-.25700	-.35000	-.30800	-.16100	-.23400	6.38000	.04000	3.93000	2.65000
.606	35.830	-.02500	-.26000	-.34800	-.30600	-.16000	-.23100	6.39000	.06000	3.94000	2.65000
.604	36.830	-.02600	-.25800	-.34300	-.30200	-.15500	-.23000	6.40000	.04000	3.96000	2.65000
.604	37.820	-.02500	-.26200	-.34800	-.30800	-.15900	-.23100	6.38000	.05000	3.95000	2.65000
.604	38.820	-.02000	-.25700	-.34000	-.30600	-.15300	-.22800	6.37000	.06000	3.94000	2.65000
.604	39.810	-.02500	-.25600	-.34200	-.30300	-.15700	-.22600	6.35000	.01000	3.93000	2.66000
.604	40.800	-.02500	-.25800	-.34200	-.30600	-.15800	-.22900	6.36000	.03700	3.94000	2.66000
.604	41.800	-.02500	-.25400	-.33700	-.30400	-.15500	-.23000	6.36000	.08000	3.96000	2.66000
.606	42.800	-.02000	-.25600	-.33300	-.30300	-.15100	-.22400	6.34000	.00000	3.93000	2.66000
.605	43.790	-.02300	-.26300	-.33500	-.30600	-.15500	-.22600	6.36000	.05000	3.96000	2.66000

DATE 22 MAR 76

CA-26 FORCE SOURCE DATA TABULATION

PAGE 575

LTV44-559(CA26) 747/1 ATX 02 S1 (ORBITER DATA)

(XFED51) ( 18 NOV 75 )

REFERENCE DATA

SREF = 2690.0000 SQ.FT. XMRP = 1109.0000 IN. XO  
LREF = 474.8100 IN. YMRP = .0000 IN. YO  
BREF = 936.6800 IN. ZMRP = 375.0000 IN. ZO  
SCALE = .0125

PARAMETRIC DATA

ALPHAC = 2.000 BETAC = .000  
STAB = 5.000 ELEVON = 5.000  
BDFLAP = .000 DX = .000  
DY = .000 TORB = 4.000  
BETAO = .000 RUDDER = .000

RUN NO. 45/ 0 RN/L = .00 GRADIENT INTERVAL = -5.00/ 5.00

MACH	OZ	CPCO	CPB1	CPB2	CPB3	CPS1	CPS2	ALPHAO	BETAO	INCID	ALPHAC
.605	44.790	-.02500	-.25500	-.33600	-.30200	-.15800	-.22400	6.36000	-.01000	3.96000	2.66000
	GRADIENT	-.00081	-.00092	-.00272	-.00099	-.00112	.00014	-.00314	-.00738	-.00014	.00000

LTV44-759(CA26) 747/1 ATX 02 S1 (ORBITER DATA)

(XFE052) ( 18 NOV 75 )

## REFERENCE DATA

SREF = 2690.0000 SQ.FT. XMRP = 1109.0000 IN. XO  
 LREF = 474.8100 IN. YMRP = .0000 IN. YO  
 BREF = 936.6800 IN. ZMRP = 375.0000 IN. ZO  
 SCALE = .0125

## PARAMETRIC DATA

ALPHAC = 2.000 BETAC = .000  
 STAB = 5.000 ELEVON = 5.000  
 BDFLAP = .000 DX = .000  
 DY = .000 TORB = 6.000  
 BETAO = .000 RUDDER = .000

RUN NO. 1045/ 0 RN/L = .00 GRADIENT INTERVAL = -5.00/ 5.00

MACH	DZ	CPCO	CPB1	CPB2	CPB3	CPS1	CPS2	ALPHA0	BETAO	INCID	ALPHAC
.604	1.470	-.01700	-.23500	-.29500	-.27700	-.14600	-.20800	8.62000	.03000	5.94000	2.69000
.602	1.770	-.01700	-.23500	-.29900	-.28100	-.15000	-.21000	8.64000	.06000	5.96000	2.69000
.602	2.370	-.02000	-.23900	-.29900	-.28000	-.14600	-.20900	8.61000	.03000	5.93000	2.69000
.602	2.970	-.01900	-.23900	-.30100	-.28200	-.14800	-.21000	8.61000	.02000	5.93000	2.69000
.603	3.770	-.02000	-.23600	-.30000	-.28100	-.15100	-.21100	8.60000	.04000	5.93000	2.68000
.603	4.570	-.02100	-.23700	-.30400	-.28400	-.15300	-.21300	8.62000	.06000	5.96000	2.68000
.602	5.970	-.02100	-.24100	-.30400	-.28600	-.15400	-.21400	8.56000	.04000	5.92000	2.67000
.604	7.970	-.01800	-.24000	-.30700	-.28500	-.15000	-.21100	8.57000	.04000	5.94000	2.67000
.606	9.960	-.02400	-.24100	-.30400	-.28400	-.15200	-.21200	8.53000	.04000	5.91000	2.67000
.606	11.240	-.02300	-.24500	-.31600	-.28500	-.15300	-.21600	8.55000	.05000	5.94000	2.67000
.605	12.520	-.02500	-.24300	-.31400	-.28700	-.15500	-.21500	8.53000	.07000	5.94000	2.66000
.602	13.800	-.02300	-.24900	-.32000	-.28900	-.15900	-.21700	8.53000	.04000	5.94000	2.66000
.604	15.080	-.02300	-.24300	-.31200	-.28800	-.15400	-.21200	8.49000	.04000	5.92000	2.66000
.601	16.350	-.02400	-.25000	-.32300	-.29300	-.15900	-.22100	8.49000	.04000	5.92000	2.66000
.603	17.630	-.02400	-.24700	-.32500	-.29500	-.15700	-.21800	8.49000	.05000	5.93000	2.66000
.605	18.900	-.02400	-.24700	-.32800	-.29400	-.15700	-.21600	8.49000	.03000	5.93000	2.66000
.602	20.180	-.02400	-.25100	-.33600	-.29700	-.15900	-.22000	8.47000	.03000	5.93000	2.66000
.603	21.460	-.02500	-.24800	-.31800	-.29400	-.15700	-.21800	8.47000	.04000	5.93000	2.66000
.603	22.730	-.02600	-.24900	-.32400	-.29400	-.15900	-.21700	8.44000	.04000	5.91000	2.66000
.602	24.000	-.02500	-.24900	-.32900	-.29700	-.15700	-.22100	8.47000	.04000	5.95000	2.66000
.602	25.280	-.02600	-.25000	-.33000	-.29600	-.15900	-.21900	8.46000	.03000	5.95000	2.66000
.605	26.560	-.02300	-.25200	-.33200	-.29200	-.16200	-.21600	8.43000	.03000	5.93000	2.66000
.604	27.840	-.02200	-.24900	-.32900	-.29300	-.15800	-.21900	8.43000	.04000	5.93000	2.66000
.605	29.110	-.02300	-.25300	-.32500	-.29200	-.16300	-.21700	8.43000	.03000	5.94000	2.66000
.601	30.390	-.02700	-.26200	-.32900	-.29900	-.16300	-.22500	8.42000	.02000	5.93000	2.66000
.606	31.660	-.02400	-.25200	-.32600	-.29300	-.15900	-.22100	8.43000	.03000	5.95000	2.66000
.604	32.940	-.02800	-.25400	-.32900	-.30000	-.16100	-.22300	8.39000	.02000	5.92000	2.66000
.604	34.220	-.02600	-.25100	-.32400	-.29700	-.15700	-.22200	8.39000	.01000	5.92000	2.66000
.602	35.490	-.02600	-.25700	-.32900	-.29800	-.16300	-.22300	8.38000	.02000	5.93000	2.66000
.604	36.770	-.02300	-.24900	-.32800	-.29500	-.16000	-.22100	8.40000	.02000	5.96000	2.66000
.602	38.050	-.02600	-.26000	-.32700	-.29900	-.16700	-.22000	8.37000	.02000	5.93000	2.65000
.604	39.330	-.02700	-.25400	-.33200	-.29900	-.16400	-.22300	8.36000	.02000	5.93000	2.66000
.602	40.600	-.02500	-.25800	-.32700	-.29200	-.16500	-.22300	8.38000	.02000	5.95000	2.66000
.601	41.880	-.02400	-.25600	-.32700	-.30200	-.16000	-.22300	8.37000	.01000	5.95000	2.66000
.602	43.150	-.02500	-.25700	-.33000	-.29800	-.16400	-.22200	8.36000	.02000	5.95000	2.66000
.601	44.430	-.03000	-.25500	-.33500	-.30100	-.16400	-.22800	8.31000	.04000	5.90000	2.66000
.604	45.710	-.02900	-.25300	-.32700	-.30000	-.15600	-.22800	8.33000	.02000	5.93000	2.66000
.603	46.980	-.02700	-.25400	-.33100	-.29900	-.16100	-.22800	8.35000	.03000	5.96000	2.66000
.605	48.260	-.02300	-.25300	-.32200	-.29700	-.15800	-.22400	8.31000	.01000	5.93000	2.66000
.603	49.540	-.03100	-.25900	-.33000	-.30100	-.16300	-.22900	8.29000	-.03000	5.92000	2.66000
.605	50.820	-.02400	-.25600	-.32200	-.29600	-.16100	-.22200	8.31000	.01000	5.94000	2.66000
GRADIENT		-.00124	-.00052	-.00216	-.00158	-.00184	-.00131	-.00520	.00408	.00105	-.00379

LTV44-559(CA26) 747/1 ATY 02 S1 (ORBITER DATA)

(XFE053) ( 18 NOV 75 )

## REFERENCE DATA

SREF = 2690.0000 SQ.FT. XMRP = 1109.0000 IN. XO  
 LREF = 474.8100 IN. YMRP = .0000 IN. YO  
 BREF = 936.6800 IN. ZMRP = 375.0000 IN. ZO  
 SCALE = .0125

## PARAMETRIC DATA

ALPHAC = 2.000 BETAC = .000  
 STAB = 5.000 ELEVON = 5.000  
 BDFLAP = .000 DX = .000  
 DZ = .000 IORB = 6.000  
 BETAO = .000 RUDDER = .000

RUN NO. 46/ 0 RN/L = .00 GRADIENT INTERVAL = -5.00/ 5.00

MACH	DY	CPCO	CPB1	CPB2	CPB3	CPS1	CPS2	ALPHAO	BETAO	INCID	ALPHAC
.599	-10.000	-.07500	-.29100	-.39200	-.35500	-.21400	-.29000	8.60000	.06000	5.93000	2.67000
.600	-9.420	-.07100	-.28700	-.38700	-.35000	-.20500	-.28600	8.62000	.09000	5.94000	2.68000
.600	-8.850	-.07100	-.28800	-.38800	-.34700	-.20300	-.28500	8.64000	.08000	5.96000	2.68000
.597	-8.280	-.07600	-.29500	-.39500	-.35400	-.20900	-.29300	8.62000	.03000	5.94000	2.68000
.600	-7.710	-.05900	-.28400	-.38600	-.34600	-.20000	-.28700	8.62000	.03000	5.93000	2.69000
.599	-7.140	-.07400	-.28500	-.38400	-.35000	-.20700	-.29200	8.61000	.03000	5.93000	2.69000
.601	-6.560	-.07100	-.27900	-.37800	-.34400	-.20000	-.28600	8.61000	.03000	5.92000	2.69000
.599	-5.990	-.07200	-.28200	-.38400	-.35000	-.20300	-.29100	8.63000	.09000	5.94000	2.69000
.599	-5.420	-.07000	-.28000	-.38100	-.34800	-.20200	-.28900	8.61000	.01000	5.92000	2.69000
.601	-4.850	-.06400	-.27700	-.38200	-.33900	-.19300	-.28700	8.65000	.07000	5.96000	2.69000
.601	-4.280	-.06400	-.29100	-.38400	-.34200	-.19700	-.28900	8.64000	.09000	5.96000	2.69000
.602	-3.710	-.06700	-.27600	-.37700	-.34100	-.19600	-.28500	8.63000	.10000	5.94000	2.69000
.602	-3.130	-.06400	-.27700	-.37900	-.33700	-.19500	-.28800	8.60000	.07000	5.90000	2.70000
.603	-2.570	-.06400	-.27800	-.37900	-.34000	-.19600	-.28900	8.61000	.06000	5.93000	2.69000
.604	-1.990	-.06100	-.27000	-.37200	-.33800	-.18500	-.28200	8.64000	.05000	5.95000	2.69000
.602	-1.420	-.06300	-.27600	-.38100	-.34400	-.19000	-.29000	8.63000	.11000	5.95000	2.69000
.603	-.850	-.06200	-.27300	-.38200	-.34000	-.19200	-.28900	8.62000	.11000	5.93000	2.70000
.602	-.270	-.06200	-.27200	-.38100	-.34100	-.19000	-.29000	8.61000	.13000	5.92000	2.69000
.603	.270	-.05900	-.27400	-.37800	-.33900	-.19200	-.28800	8.63000	.08000	5.94000	2.69000
.601	.850	-.06200	-.28000	-.38800	-.34300	-.19600	-.29300	8.61000	.08000	5.93000	2.69000
.601	1.420	-.06700	-.27700	-.39100	-.34200	-.19500	-.29700	8.65000	.04000	5.96000	2.69000
.600	1.990	-.06800	-.28400	-.39200	-.34900	-.19700	-.29800	8.63000	.02000	5.95000	2.69000
.600	2.560	-.06500	-.28300	-.39200	-.34600	-.19700	-.28800	8.62000	.03000	5.93000	2.69000
.602	3.130	-.06100	-.27600	-.38900	-.33900	-.19000	-.29400	8.61000	.05000	5.93000	2.69000
.600	3.710	-.06500	-.27900	-.38600	-.34600	-.19300	-.29400	8.62000	.00000	5.94000	2.68000
.602	4.280	-.05900	-.27500	-.38300	-.33600	-.18700	-.29100	8.63000	.00000	5.96000	2.68000
.600	4.850	-.06600	-.27600	-.38300	-.34400	-.19100	-.29500	8.64000	.05000	5.96000	2.68000
.599	5.420	-.06200	-.27600	-.38300	-.34400	-.19200	-.29600	8.63000	.01000	5.86000	2.68000
.602	5.990	-.06000	-.27600	-.38400	-.34100	-.18900	-.29700	8.61000	.00000	5.93000	2.69000
.601	6.560	-.06300	-.27300	-.38200	-.34200	-.19300	-.29800	8.61000	.04000	5.94000	2.67000
.599	7.140	-.06600	-.27500	-.39000	-.34700	-.19500	-.30100	8.62000	.03000	5.96000	2.67000
.601	7.700	-.06300	-.27000	-.38300	-.34000	-.19300	-.29700	8.62000	.04000	5.95000	2.66000
.600	8.280	-.06400	-.27300	-.38500	-.34300	-.19500	-.30000	8.61000	.00000	5.95000	2.66000
.601	8.850	-.06300	-.27100	-.38100	-.34100	-.19200	-.29700	8.60000	.03000	5.94000	2.66000
.600	9.420	-.05900	-.27500	-.39200	-.34200	-.19000	-.29800	8.61000	.03000	5.96000	2.66000
.600	10.000	-.06700	-.27900	-.39700	-.34800	-.19500	-.30000	8.60000	.08000	5.95000	2.65000
	GRADIENT	.00007	-.00017	-.00100	-.00043	.00027	-.00106	-.00042	-.00756	.00067	-.00107

LTV44-559(CA26) 747/1 ATY 02 S1 (ORBITER DATA)

(XFE054) ( 18 NOV 75 )

REFERENCE DATA

SREF = 2690.0000 SQ.FT. XMRP = 1109.0000 IN. XO  
 LREF = 474.8100 IN. YMRP = .0000 IN. YO  
 BREF = 936.6800 IN. ZMRP = 375.0000 IN. ZO  
 SCALE = .0125

PARAMETRIC DATA

ALPHAC = 2.000 BETAC = .000  
 STAB = 5.000 ELEVON = 5.000  
 BDFLAP = .000 DX = .000  
 DZ = 15.000 IORB = 6.000  
 BT-AO = .000 RUDDER = .000

RUN NO. 1046/ 0 RN/L = .00 GRADIENT INTERVAL = -5.00/ 5.00

MACH	DY	CPLO	CPB1	CPB2	CPB3	CPS1	CPS2	ALPHAO	BETAO	INCID	ALPHAC
.599	-9.420	-.08300	-.30300	-.41100	-.37200	-.22500	-.29400	8.51000	.10000	5.93000	2.67000
.600	-8.850	-.07900	-.30300	-.40600	-.36900	-.22200	-.29300	8.53000	.05000	5.95000	2.67000
.599	-8.280	-.08500	-.30500	-.41100	-.37200	-.22700	-.29500	8.51000	.12000	5.93000	2.67000
.600	-7.710	-.08300	-.30000	-.41300	-.36800	-.22700	-.29000	8.53000	.05000	5.95000	2.67000
.601	-7.140	-.08100	-.30100	-.40900	-.37100	-.22300	-.29100	8.53000	.10000	5.95000	2.67000
.603	-6.560	-.07800	-.29600	-.40700	-.36600	-.22200	-.28500	8.52000	.06000	5.94000	2.67000
.602	-5.990	-.08300	-.29700	-.41200	-.37000	-.22600	-.28800	8.54000	.07000	5.96000	2.67000
.601	-5.420	-.08000	-.30000	-.41100	-.37400	-.22400	-.29200	8.54000	.04000	5.96000	2.67000
.599	-4.850	-.08600	-.30200	-.41900	-.37600	-.23000	-.29500	8.52000	.08000	5.94000	2.67000
.601	-4.280	-.08200	-.29700	-.41500	-.37100	-.22700	-.28900	8.54000	.06000	5.96000	2.67000
.603	-3.710	-.07900	-.30000	-.40800	-.37200	-.22500	-.28900	8.52000	.07000	5.93000	2.67000
.601	-3.140	-.08600	-.30900	-.42200	-.38000	-.23400	-.29600	8.53000	.07000	5.95000	2.68000
.601	-2.570	-.08200	-.30300	-.41900	-.37200	-.23100	-.28900	8.53000	.05000	5.95000	2.67000
.600	-1.990	-.09600	-.30400	-.42000	-.37500	-.23400	-.29300	8.52000	.03000	5.94000	2.67000
.602	-1.420	-.08200	-.30200	-.41300	-.37400	-.22500	-.28800	8.54000	.06000	5.95000	2.67000
.600	-.850	-.08400	-.30500	-.42300	-.37700	-.23300	-.29100	8.52000	.04000	5.94000	2.67000
.602	-.280	-.08300	-.30300	-.41500	-.37600	-.22900	-.28900	8.54000	.05000	5.96000	2.68000
.601	.270	-.08300	-.30300	-.41500	-.37600	-.23100	-.28900	8.51000	.05000	5.93000	2.67000
.602	.850	-.08500	-.30200	-.42100	-.37600	-.23200	-.29100	8.53000	.04000	5.95000	2.67000
.603	1.410	-.08500	-.29900	-.41900	-.37700	-.22800	-.28300	8.55000	.04000	5.96000	2.68000
.603	1.990	-.08600	-.29800	-.42000	-.37600	-.22700	-.25000	8.53000	.05000	5.95000	2.68000
.603	2.560	-.07700	-.29600	-.41400	-.36900	-.22700	-.28400	8.51000	.05000	5.93000	2.67000
.602	3.130	-.08600	-.29800	-.41900	-.37700	-.22700	-.29100	8.52000	.05000	5.93000	2.68000
.602	3.700	-.08600	-.29900	-.42500	-.37600	-.22700	-.29300	8.56000	.06000	5.96000	2.68000
.600	4.270	-.08800	-.30400	-.42700	-.39000	-.23200	-.29400	8.49000	.07000	5.90000	2.68000
.602	4.850	-.08600	-.29800	-.42800	-.37600	-.22600	-.29000	8.52000	.05000	5.95000	2.67000
.602	5.420	-.08500	-.30100	-.43000	-.37700	-.23300	-.29200	8.54000	.03000	5.96000	2.67000
.602	5.980	-.08500	-.29600	-.42200	-.37700	-.23100	-.29200	8.52000	.04000	5.95000	2.67000
.600	6.560	-.08900	-.30200	-.42500	-.38400	-.23500	-.29600	8.54000	.05000	5.96000	2.67000
.599	7.130	-.09200	-.30800	-.42700	-.38800	-.23900	-.29600	8.54000	.03000	5.95000	2.67000
.601	7.700	-.08700	-.30200	-.42600	-.38100	-.23400	-.29400	8.53000	.04000	5.94000	2.68000
.598	8.270	-.09000	-.30500	-.43100	-.38800	-.23800	-.29600	8.54000	.03000	5.96000	2.67000
.599	8.840	-.08800	-.30600	-.43200	-.38600	-.23800	-.29500	8.53000	.04000	5.95000	2.67000
.601	9.420	-.08500	-.30500	-.43300	-.37800	-.23600	-.29200	8.54000	.02000	5.96000	2.67000
.599	9.990	-.09000	-.30500	-.44100	-.38600	-.23900	-.29700	8.52000	.03000	5.94000	2.67000
GRADIENT		-.00028	.00041	-.00091	-.00026	.00021	.00016	-.00096	-.00121	-.00112	.00071



LTV44-559(CA26) 747/1 ATY 02 S1 (ORBITER DATA)

(XFE055) ( 18 NOV 75 )

## REFERENCE DATA

SREF = 2690.0000 SQ.FT. XMRP = 1109.0000 IN. XO  
 LREF = 474.8100 IN. YMRP = .0000 IN. YO  
 BREF = 936.6800 IN. ZMRP = 375.0000 IN. ZO  
 SCALE = .0125

## PARAMETRIC DATA

ALPHAC = 2.000 BETAC = .000  
 STAB = 5.000 ELEVON = 5.000  
 BDFLAP = .000 DX = .000  
 DZ = 60.000 IORB = 6.000  
 BETAO = .000 RUDDER = .000

RUN NO. 2046/ 0 RN/L = .00 GRADIENT INTERVAL = -5.00/ 5.00

MACH	DY	CPCO	CPB1	CPB2	CPB3	CPS1	CPS2	ALPHA0	BETAO	INCLD	ALPHAC
.599	-10.000	-.10000	-.32500	-.43600	-.40500	-.26000	-.28600	8.31000	.06000	5.94000	2.67000
.600	-9.430	-.09400	-.32200	-.43500	-.40100	-.25400	-.27800	8.31000	.04000	5.94000	2.67000
.599	-8.860	-.09800	-.32300	-.43600	-.40300	-.26000	-.28400	8.32000	.09000	5.95000	2.67000
.600	-8.280	-.09400	-.31900	-.43700	-.40400	-.25900	-.28300	8.33000	.09000	5.96000	2.67000
.599	-7.710	-.09300	-.32300	-.44500	-.40200	-.25800	-.27900	8.31000	.07000	5.94000	2.67000
.600	-7.140	-.09500	-.32000	-.44000	-.40600	-.26100	-.28300	8.34000	.05000	5.96000	2.67000
.599	-6.570	-.09500	-.32400	-.44300	-.40800	-.25900	-.28300	8.33000	.04000	5.96000	2.67000
.598	-6.000	-.09900	-.32900	-.44900	-.41400	-.26500	-.28900	8.34000	.04000	5.96000	2.67000
.600	-5.420	-.09400	-.32200	-.43900	-.40500	-.25700	-.28000	8.34000	.02000	5.97000	2.68000
.600	-4.860	-.09500	-.32300	-.44300	-.40800	-.26100	-.28400	8.32000	.01000	5.95000	2.68000
.600	-4.290	-.09700	-.32300	-.44200	-.40800	-.26000	-.28700	8.32000	.04000	5.94000	2.67000
.601	-3.710	-.09500	-.32300	-.44000	-.40800	-.25700	-.28800	8.34000	.03000	5.96000	2.67000
.601	-3.140	-.09300	-.32000	-.43600	-.40600	-.25900	-.28600	8.32000	.02000	5.94000	2.67000
.601	-2.570	-.09500	-.32300	-.44000	-.40900	-.26100	-.28200	8.34000	.00000	5.96000	2.67000
.603	-2.000	-.09000	-.31700	-.43400	-.40200	-.25500	-.27600	8.34000	-.02000	5.96000	2.67000
.601	-1.430	-.09600	-.32300	-.43900	-.40500	-.25700	-.28200	8.34000	.02000	5.96000	2.67000
.603	-.850	-.09900	-.32400	-.44100	-.40800	-.25800	-.28900	8.33000	.00000	5.96000	2.68000
.601	-.280	-.09600	-.32200	-.44000	-.40700	-.25600	-.28700	8.34000	.04000	5.97000	2.68000
.601	.270	-.09600	-.32600	-.44300	-.40900	-.26300	-.28400	8.31000	.00000	5.94000	2.67000
.598	.840	-.09600	-.32800	-.44700	-.41200	-.26700	-.28800	8.33000	.03000	5.96000	2.67000
.601	1.410	-.09600	-.32900	-.43900	-.40800	-.26400	-.28000	8.31000	-.01000	5.93000	2.67000
.601	1.990	-.09500	-.32300	-.43700	-.40400	-.25900	-.27900	8.32000	.00000	5.94000	2.67000
.602	2.560	-.09500	-.32200	-.44100	-.40700	-.25900	-.28200	8.34000	.00000	5.97000	2.67000
.601	3.130	-.09700	-.32300	-.44200	-.40600	-.25700	-.28800	8.34000	.04000	5.97000	2.68000
.600	3.700	-.09400	-.32500	-.44300	-.40700	-.25700	-.28800	8.32000	.03000	5.95000	2.67000
.599	4.270	-.10000	-.33200	-.44900	-.41300	-.26700	-.28500	8.32000	.00000	5.95000	2.67000
.600	4.850	-.09500	-.32600	-.44400	-.40700	-.26100	-.27900	8.29000	-.03000	5.92000	2.67000
.601	5.410	-.09700	-.32500	-.44500	-.40700	-.26100	-.28200	8.33000	-.02000	5.96000	2.67000
.600	5.980	-.09400	-.32200	-.44700	-.40500	-.25600	-.28500	8.35000	.00000	5.98000	2.67000
.600	6.560	-.09500	-.32300	-.44600	-.40700	-.25700	-.28900	8.33000	-.03000	5.95000	2.67000
.600	7.130	-.09900	-.32500	-.45000	-.41000	-.26000	-.29000	8.32000	.00000	5.95000	2.67000
.602	7.700	-.09700	-.32300	-.44300	-.40400	-.25700	-.28500	8.31000	.00000	5.94000	2.67000
.601	8.270	-.09600	-.32500	-.44800	-.40800	-.26100	-.28500	8.31000	-.03000	5.94000	2.67000
.602	8.840	-.09400	-.32000	-.44300	-.40300	-.25900	-.28100	8.32000	-.03000	5.94000	2.67000
.601	9.420	-.09700	-.32500	-.44900	-.40500	-.26300	-.28400	8.35000	.01000	5.98000	2.67000
	GRADIENT	-.00020	-.00059	-.00050	-.00013	-.00029	.00016	-.00157	-.00185	-.00070	-.00018

LTV44-559(CA26) 747/1 ATY 02 S1 (ORBITER DATA)

(XFE056) ( 18 NOV 75 )

## REFERENCE DATA

SREF = 2690.0000 SQ.FT. XMRP = 1109.0000 IN. XO  
 LREF = 474.8100 IN. YMRP = .0000 IN. YO  
 BREF = 936.6800 IN. ZMRP = 375.0000 IN. ZO  
 SCALE = .0125

## PARAMETRIC DATA

ALPHAC = 2.000 BETAC = .000  
 STAB = 5.000 ELEVON = 5.000  
 BDFLAP = .000 DX = .000  
 DZ = .000 1ORB = 6.000  
 BETA0 = 5.000 RUDDER = .000

RUN NO. 47/ 0 RN/L = .00 GRADIENT INTERVAL = -5.00/ 5.00

MACH	DY	CPCO	CPB1	CPB2	CPB3	CPS1	CPS2	ALPHAO	BETA0	INCID	ALPHAC
.611	-10.000	-.12100	-.27400	-.40500	-.34200	-.02000	-.40600	8.68000	4.89000	5.99000	2.69000
.610	-9.420	-.12500	-.27700	-.40700	-.34800	-.02200	-.41000	8.65000	4.89000	5.95000	2.70000
.609	-8.850	-.12900	-.27200	-.40900	-.35300	-.03100	-.41400	8.62000	4.86000	5.98000	2.70000
.608	-8.290	-.12900	-.27300	-.40700	-.35100	-.03600	-.41500	8.66000	4.86000	5.97000	2.70000
.609	-7.710	-.12600	-.26900	-.40700	-.34800	-.03400	-.41600	8.67000	4.86000	5.98000	2.70000
.611	-7.140	-.12000	-.26900	-.40400	-.34200	-.03500	-.40800	8.62000	4.86000	5.99000	2.70000
.609	-6.560	-.12100	-.27100	-.40800	-.34600	-.03700	-.41200	8.67000	4.86000	5.98000	2.70000
.607	-5.990	-.12500	-.26700	-.41000	-.34800	-.03100	-.41400	8.67000	4.87000	5.97000	2.70000
.610	-5.420	-.11900	-.26500	-.40300	-.34200	-.03000	-.41100	8.64000	4.86000	5.94000	2.70000
.609	-4.850	-.12000	-.26600	-.40700	-.34400	-.03000	-.41400	8.63000	4.87000	5.94000	2.70000
.608	-4.280	-.12200	-.26900	-.40400	-.34700	-.03100	-.41700	8.68000	4.86000	6.00000	2.69000
.609	-3.710	-.12000	-.26600	-.40500	-.34400	-.02600	-.41600	8.65000	4.90000	5.95000	2.70000
.610	-3.130	-.11700	-.26200	-.39800	-.34200	-.02400	-.41800	8.67000	4.88000	5.98000	2.69000
.611	-2.570	-.11800	-.26500	-.39700	-.34200	-.02600	-.41500	8.65000	4.88000	5.96000	2.69000
.610	-1.990	-.12000	-.26300	-.40700	-.34400	-.02200	-.41900	8.65000	4.89000	5.96000	2.70000
.609	-1.420	-.12100	-.26900	-.40700	-.34800	-.02800	-.42100	8.66000	4.95000	5.97000	2.69000
.608	-.850	-.12400	-.26500	-.41200	-.35100	-.02500	-.42800	8.63000	4.92000	5.93000	2.70000
.611	-.270	-.11900	-.26400	-.40600	-.34600	-.02700	-.42500	8.66000	4.88000	5.97000	2.69000
.610	.270	-.11600	-.26500	-.40500	-.34300	-.02400	-.42400	8.65000	4.89000	5.96000	2.69000
.610	.850	-.11800	-.26300	-.40400	-.34300	-.02300	-.42700	8.66000	4.88000	5.97000	2.69000
.608	1.420	-.12100	-.26600	-.40500	-.34600	-.02000	-.43000	8.63000	4.88000	5.94000	2.69000
.608	1.990	-.12400	-.26700	-.40300	-.35000	-.02000	-.43200	8.62000	4.88000	5.94000	2.69000
.610	2.560	-.11700	-.26500	-.39800	-.34100	-.02000	-.43100	8.64000	4.87000	5.96000	2.68000
.610	3.130	-.12300	-.26800	-.39700	-.34900	-.02100	-.43400	8.62000	4.87000	5.94000	2.68000
.610	3.710	-.11500	-.26600	-.39700	-.34100	-.01800	-.43400	8.63000	4.89000	5.96000	2.68000
.609	4.280	-.12000	-.26300	-.39700	-.34300	-.01500	-.43600	8.61000	4.87000	5.94000	2.67000
.610	4.850	-.11700	-.26300	-.39500	-.34200	-.01700	-.43000	8.63000	4.90000	5.96000	2.67000
.611	5.420	-.11500	-.26300	-.39000	-.33900	-.01700	-.43100	8.62000	4.86000	5.96000	2.66000
.609	5.990	-.11700	-.26200	-.39600	-.34000	-.01300	-.43900	8.62000	4.85000	5.97000	2.66000
.609	6.560	-.11700	-.26400	-.39400	-.33900	-.01400	-.44000	8.63000	4.89000	5.97000	2.66000
.607	7.140	-.12400	-.26600	-.39600	-.35000	-.01300	-.44800	8.59000	4.85000	5.93000	2.65000
.609	7.700	-.11800	-.26300	-.39400	-.33700	-.01100	-.44400	8.61000	4.89000	5.97000	2.65000
.609	8.280	-.11900	-.26600	-.39800	-.34100	-.01200	-.43900	8.60000	4.85000	5.96000	2.65000
.608	8.850	-.12200	-.26300	-.39200	-.34300	-.00900	-.44300	8.59000	4.89000	5.95000	2.65000
.608	9.420	-.12100	-.26300	-.39100	-.34300	-.00800	-.44700	8.59000	4.85000	5.95000	2.64000
.611	10.000	-.11900	-.26000	-.38700	-.33800	-.01000	-.44100	8.61000	4.86000	5.97000	2.65000
	GRADIENT	.00015	.00012	.00086	.00011	.00129	.00225	-.00403	-.00036	-.00190	-.00248

LTV44-559(CA26) 747/1 ATY 02 S1 (ORBITER DATA)

(XFE057) ( 18 NOV 75 )

## REFERENCE DATA

SREF = 2690.0000 SQ.FT. XMRP = 1109.0000 IN. XO  
 LREF = 474.8100 IN. YMRP = .0000 IN. YO  
 BREF = 936.6800 IN. ZMRP = 375.0000 IN. ZO  
 SCALE = .0125

## PARAMETRIC DATA

ALPHAC = 2.000 BETAC = .000  
 STAB = 5.000 ELEVON = 5.000  
 BDFLAP = .000 DX = .000  
 DZ = 15.000 IORB = 6.000  
 BETA0 = 5.000 RUDDER = .000

RUN NO. 1047/ 0 RN/L = .00 GRADIENT INTERVAL = -5.00/ 5.00

MACH	DY	CPC0	CPB1	CPB2	CPB3	CPS1	CPS2	ALPHA0	BETA0	INCID	ALPHAC
.609	-9.420	-.13200	-.28500	-.42900	-.36900	-.05100	-.42500	8.54000	4.88000	5.94000	2.68000
.610	-8.850	-.13200	-.28700	-.42900	-.36800	-.05500	-.42200	8.55000	4.89000	5.96000	2.68000
.608	-8.280	-.13300	-.29300	-.42600	-.37200	-.05600	-.42100	8.55000	4.88000	5.95000	2.68000
.609	-7.710	-.13100	-.29300	-.42900	-.37100	-.05900	-.42700	8.57000	4.89000	5.98000	2.68000
.607	-7.140	-.13700	-.29600	-.42900	-.37600	-.05900	-.43000	8.56000	4.90000	5.96000	2.68000
.610	-6.560	-.13200	-.29100	-.42800	-.36900	-.05800	-.42700	8.58000	4.91000	5.99000	2.67000
.608	-5.990	-.13500	-.29100	-.42900	-.37300	-.05000	-.43200	8.54000	4.89000	5.95000	2.68000
.609	-5.420	-.13300	-.28800	-.43100	-.37200	-.05300	-.42900	8.54000	4.91000	5.94000	2.68000
.607	-4.850	-.13900	-.29900	-.43600	-.37900	-.06300	-.43000	8.57000	4.91000	5.98000	2.68000
.609	-4.280	-.13500	-.29800	-.43700	-.37200	-.06000	-.42700	8.57000	4.89000	5.98000	2.67000
.610	-3.710	-.13400	-.28800	-.43300	-.37100	-.05500	-.42700	8.55000	4.90000	5.96000	2.67000
.607	-3.140	-.14000	-.29700	-.43800	-.37900	-.05900	-.43100	8.56000	4.89000	5.97000	2.68000
.610	-2.570	-.13400	-.28900	-.43900	-.37300	-.05700	-.42800	8.54000	4.90000	5.95000	2.68000
.609	-1.990	-.13600	-.29000	-.43800	-.37300	-.05800	-.42700	8.53000	4.91000	5.93000	2.68000
.608	-1.420	-.14100	-.29400	-.44100	-.38000	-.06000	-.43400	8.53000	4.91000	5.93000	2.68000
.610	-.850	-.13700	-.29100	-.44500	-.37500	-.06100	-.42800	8.53000	4.89000	5.93000	2.68000
.608	-.280	-.14000	-.29600	-.44600	-.37900	-.05900	-.43400	8.54000	4.87000	5.94000	2.68000
.610	.270	-.13700	-.29400	-.44200	-.37400	-.06000	-.43200	8.57000	4.92000	5.99000	2.67000
.611	.850	-.13500	-.29400	-.44400	-.37500	-.06200	-.43200	8.55000	4.91000	5.97000	2.67000
.610	1.410	-.13800	-.29900	-.44700	-.37900	-.06500	-.43800	8.57000	4.87000	5.98000	2.67000
.608	1.990	-.13800	-.30200	-.45500	-.38300	-.06500	-.45300	8.56000	4.89000	5.97000	2.67000
.609	2.560	-.14000	-.30200	-.45500	-.38300	-.06100	-.45800	8.54000	4.92000	5.95000	2.67000
.610	3.130	-.13900	-.29800	-.45000	-.38200	-.06000	-.45000	8.55000	4.89000	5.96000	2.67000
.609	3.700	-.13900	-.30200	-.45500	-.38100	-.06600	-.44500	8.56000	4.89000	5.98000	2.67000
.611	4.270	-.13700	-.29500	-.45400	-.37700	-.06200	-.44300	8.56000	4.88000	5.98000	2.67000
.610	4.850	-.14000	-.29700	-.45700	-.37700	-.06100	-.44500	8.54000	4.90000	5.95000	2.67000
.611	5.420	-.13900	-.29900	-.45700	-.37800	-.06300	-.44500	8.56000	4.90000	5.98000	2.67000
.609	5.990	-.14300	-.30000	-.45900	-.38600	-.06100	-.45300	8.56000	4.84000	5.97000	2.67000
.608	6.560	-.14600	-.30300	-.46100	-.38900	-.06400	-.45000	8.56000	4.89000	5.97000	2.67000
.609	7.130	-.14300	-.29800	-.46200	-.38500	-.06200	-.44300	8.53000	4.86000	5.95000	2.67000
.610	7.700	-.14400	-.29800	-.44600	-.38100	-.06300	-.43700	8.55000	4.87000	5.97000	2.67000
.608	8.270	-.14600	-.30400	-.44700	-.39000	-.06900	-.44600	8.55000	4.82000	5.96000	2.67000
.610	8.840	-.14300	-.29600	-.44400	-.38100	-.06100	-.44600	8.54000	4.89000	5.95000	2.67000
.610	9.420	-.14100	-.29500	-.44400	-.38300	-.06500	-.44600	8.53000	4.86000	5.95000	2.67000
.611	9.990	-.14200	-.29600	-.44200	-.38200	-.06400	-.44500	8.54000	4.89000	5.95000	2.66000
GRADIENT		-.00026	-.00063	-.00240	-.00064	-.00048	-.00257	-.00026	-.00091	.00059	-.00096

LTV44-559(CA26) 747/1 ATY 02 S1 (ORBITER DATA)

(XFE058) ( 18 NOV 75 )

## REFERENCE DATA

SREF = 2690.0000 SQ.FT. XMRP = 1109.0000 IN. XO  
 LREF = 474.8100 IN. YMRP = .0000 IN. YO  
 BREF = 936.6800 IN. ZMRP = 375.0000 IN. ZO  
 SCALE = .0125

## PARAMETRIC DATA

ALPHAC = 2.000 BETAC = .000  
 STAB = 5.000 ELEVON = 5.000  
 BOFLAP = .000 DX = .000  
 DZ = 60.000 IORB = 6.000  
 BETA0 = 5.000 RUDDER = .000

RUN NO. 2047/ 0 RN/L = .00 GRADIENT INTERVAL = -5.00/ 5.00

MACH	DY	CPC0	CPB1	CPB2	CPB3	CPS1	CPS2	ALPHA0	BETA0	INC10	ALPHAC
.607	-10.000	-.14700	-.32100	-.46700	-.41200	-.08900	-.47900	8.32000	4.88000	5.95000	2.67000
.611	-9.430	-.13900	-.31900	-.45600	-.40500	-.09300	-.46500	8.35000	4.85000	5.98000	2.67000
.608	-8.860	-.14300	-.32300	-.46700	-.41100	-.09400	-.47100	8.35000	4.87000	5.97000	2.67000
.607	-8.280	-.14700	-.32300	-.46700	-.41500	-.09200	-.48500	8.36000	4.84000	5.98000	2.67000
.609	-7.710	-.14300	-.32300	-.46000	-.41000	-.09500	-.47100	8.35000	4.87000	5.98000	2.67000
.607	-7.140	-.14600	-.32100	-.46600	-.41300	-.09600	-.47200	8.37000	4.86000	5.99000	2.67000
.609	-6.570	-.14300	-.32100	-.45900	-.40800	-.09700	-.45700	8.35000	4.84000	5.98000	2.67000
.606	-6.000	-.14600	-.32200	-.46800	-.41500	-.09300	-.46800	8.34000	4.82000	5.97000	2.67000
.610	-5.420	-.13800	-.31700	-.45900	-.40500	-.08800	-.47100	8.35000	4.83000	5.98000	2.67000
.608	-4.860	-.14200	-.31900	-.46300	-.41100	-.08600	-.48500	8.37000	4.84000	6.00000	2.67000
.609	-4.290	-.14300	-.32000	-.46200	-.41400	-.08800	-.49500	8.35000	4.83000	5.98000	2.67000
.611	-3.710	-.13500	-.31700	-.45500	-.40400	-.08900	-.48300	8.38000	4.82000	6.01000	2.67000
.611	-3.140	-.13700	-.31800	-.45900	-.40500	-.09000	-.47700	8.32000	4.85000	5.95000	2.67000
.611	-2.570	-.13600	-.31900	-.45900	-.40300	-.08800	-.47300	8.36000	4.83000	5.98000	2.67000
.611	-2.000	-.13700	-.31600	-.45500	-.40400	-.09200	-.46400	8.33000	4.83000	5.96000	2.67000
.611	-1.430	-.13700	-.32200	-.45800	-.40600	-.09000	-.47900	8.33000	4.81000	5.95000	2.67000
.610	-.850	-.13900	-.31800	-.45900	-.41200	-.08600	-.49000	8.35000	4.82000	5.98000	2.67000
.608	-.280	-.14400	-.32200	-.46100	-.41500	-.09300	-.48500	8.35000	4.83000	5.98000	2.67000
.609	.270	-.14300	-.31900	-.45900	-.41200	-.09400	-.47200	8.34000	4.82000	5.97000	2.67000
.609	.840	-.14200	-.32000	-.46300	-.41400	-.09500	-.48400	8.35000	4.81000	5.98000	2.67000
.609	1.410	-.14400	-.32300	-.46100	-.41300	-.10400	-.44800	8.37000	4.78000	5.99000	2.67000
.612	1.990	-.13300	-.31800	-.45800	-.40100	-.09300	-.45200	8.33000	4.79000	5.96000	2.67000
.610	2.560	-.14500	-.32100	-.45400	-.41300	-.09700	-.45800	8.34000	4.80000	5.97000	2.67000
.611	3.130	-.14100	-.32400	-.46600	-.41200	-.09700	-.48200	8.32000	4.80000	5.94000	2.67000
.610	3.700	-.14100	-.32200	-.47400	-.41300	-.09400	-.47500	8.37000	4.80000	6.00000	2.67000
.612	4.270	-.13600	-.32000	-.48200	-.40500	-.09600	-.46300	8.35000	4.78000	5.98000	2.67000
.610	4.850	-.14500	-.32100	-.50000	-.41400	-.10200	-.44800	8.34000	4.80000	5.96000	2.67000
.611	5.410	-.13900	-.31300	-.52300	-.40400	-.09600	-.44200	8.34000	4.80000	5.97000	2.67000
.609	5.980	-.14300	-.31600	-.51700	-.41100	-.09900	-.44200	8.31000	4.77000	5.94000	2.67000
.611	6.560	-.14000	-.31600	-.50900	-.40300	-.10400	-.42500	8.35000	4.75000	5.98000	2.67000
.609	7.130	-.14500	-.32100	-.50700	-.41100	-.10700	-.42600	8.33000	4.79000	5.96000	2.67000
.611	7.700	-.14100	-.31800	-.50500	-.40600	-.10000	-.42900	8.32000	4.79000	5.95000	2.67000
.609	8.270	-.14100	-.31600	-.51400	-.40400	-.09300	-.44200	8.34000	4.76000	5.97000	2.67000
.608	8.840	-.14400	-.31700	-.51100	-.40900	-.09900	-.44100	8.32000	4.79000	5.95000	2.67000
.610	9.420	-.13800	-.31400	-.49700	-.40300	-.10000	-.42900	8.31000	4.78000	5.94000	2.67000
GRADIENT		-.00030	-.00037	-.00243	-.00039	-.00130	.00266	-.00114	-.00539	-.00149	-.00000

LTV44-559(CA26) 747/1 ATY 02 S1 (ORBITER DATA)

(XFE059) ( 18 NOV 75 )

## REFERENCE DATA

SREF = 2690.0000 SQ.FT. XMRP = 1109.0000 IN. XO  
 LREF = 474.8100 IN. YMRP = .0000 IN. YO  
 BREF = 936.6800 IN. ZMRP = 375.0000 IN. ZO  
 SCALE = .0125

## PARAMETRIC DATA

ALPHAC = 2.000 BETAC = .000  
 STAB = 5.000 ELEVON = 5.000  
 BDFLAP = .000 DX = 10.000  
 OZ = .000 IORB = 6.000  
 BETAO = .000 RUDDER = .000

RUN NO. 48/ 0 RN/L = .00 GRADIENT INTERVAL = -5.00/ 5.00

MACH	DY	CPCO	CPB1	CPB2	CPB3	CPS1	CPS2	ALPHAO	BETAO	INC1D	ALPHAC
.603	-10.000	-.06700	-.28000	-.39900	-.34300	-.20900	-.29000	8.65000	.00000	5.95000	2.70000
.605	-9.420	-.06300	-.27700	-.39900	-.33900	-.20100	-.29500	8.66000	.04000	5.95000	2.71000
.604	-8.850	-.06200	-.27500	-.40500	-.34200	-.20400	-.28800	8.68000	.01000	5.98000	2.71000
.605	-8.280	-.06400	-.27700	-.40700	-.33900	-.20000	-.28700	8.68000	.01000	5.98000	2.71000
.603	-7.710	-.06700	-.28200	-.41000	-.34600	-.20700	-.29400	8.68000	.00000	5.97000	2.71000
.604	-7.140	-.06300	-.27700	-.39800	-.34200	-.20300	-.29000	8.66000	.01000	5.95000	2.71000
.607	-6.560	-.06200	-.27400	-.39000	-.33300	-.19300	-.28400	8.66000	.00000	5.95000	2.71000
.605	-5.990	-.06100	-.27300	-.39100	-.33800	-.20100	-.28800	8.67000	.00000	5.95000	2.72000
.606	-5.420	-.05900	-.27100	-.39000	-.33700	-.20000	-.28800	8.68000	.00000	5.97000	2.72000
.607	-4.850	-.05600	-.26400	-.38600	-.32800	-.19500	-.28400	8.65000	.02000	5.94000	2.72000
.605	-4.280	-.05700	-.27000	-.39400	-.33500	-.19700	-.29000	8.67000	.01000	5.96000	2.72000
.608	-3.710	-.05800	-.26600	-.38800	-.32900	-.19100	-.28800	8.66000	.01000	5.95000	2.71000
.607	-3.130	-.05600	-.26800	-.38900	-.33400	-.18900	-.28600	8.69000	.03000	5.98000	2.72000
.606	-2.560	-.05900	-.26800	-.38700	-.33700	-.19500	-.29200	8.69000	.02000	5.98000	2.72000
.606	-1.990	-.06000	-.26800	-.38700	-.33600	-.19400	-.29300	8.65000	.02000	5.94000	2.71000
.608	-1.410	-.05700	-.26300	-.37800	-.32700	-.18200	-.28600	8.68000	.07000	5.97000	2.71000
.605	-.840	-.05600	-.26600	-.38400	-.33800	-.19300	-.29400	8.68000	.04000	5.96000	2.72000
.608	-.260	-.05200	-.26200	-.37500	-.33100	-.18400	-.28600	8.68000	.05000	5.97000	2.72000
.608	.290	-.05600	-.26300	-.37400	-.33000	-.18800	-.29100	8.64000	.02000	5.93000	2.72000
.606	.860	-.05600	-.26900	-.38200	-.33800	-.19000	-.29300	8.68000	.04000	5.96000	2.72000
.608	1.430	-.05600	-.26500	-.37500	-.33100	-.18400	-.29000	8.67000	.05000	5.96000	2.71000
.609	2.010	-.05700	-.26600	-.37500	-.33100	-.18100	-.28900	8.67000	.06000	5.95000	2.72000
.608	2.570	-.05800	-.26800	-.37500	-.33300	-.18600	-.29400	8.64000	.01000	5.93000	2.71000
.607	3.150	-.05700	-.27100	-.37900	-.33500	-.18400	-.29200	8.67000	.04000	5.97000	2.71000
.606	3.720	-.05600	-.27200	-.37800	-.32600	-.18700	-.29500	8.67000	.05000	5.96000	2.71000
.607	4.290	-.05800	-.26500	-.37400	-.33200	-.18600	-.29500	8.66000	.01000	5.96000	2.71000
.609	4.860	-.05500	-.26200	-.37200	-.33000	-.18400	-.29300	8.64000	.00000	5.94000	2.70000
.607	5.430	-.05800	-.26800	-.38000	-.33700	-.18800	-.29800	8.66000	.01000	5.96000	2.70000
.606	6.000	-.05500	-.26900	-.38600	-.34200	-.19000	-.29900	8.64000	.00000	5.95000	2.70000
.606	6.580	-.05600	-.26900	-.38000	-.33700	-.18300	-.29500	8.66000	.02000	5.96000	2.70000
.609	7.150	-.05400	-.26700	-.37400	-.33300	-.17900	-.29400	8.64000	.02000	5.96000	2.69000
.608	7.720	-.05500	-.26400	-.37100	-.33200	-.18300	-.29700	8.63000	.00000	5.95000	2.69000
.607	8.290	-.05500	-.26500	-.37300	-.33200	-.17800	-.29400	8.66000	.02000	5.98000	2.68000
.605	8.860	-.05400	-.26400	-.37800	-.34000	-.18700	-.30000	8.63000	.00000	5.94000	2.69000
.605	9.440	-.05200	-.26600	-.37900	-.33900	-.18600	-.29800	8.63000	.01000	5.95000	2.69000
.607	10.010	-.05400	-.26300	-.37600	-.33700	-.18500	-.29700	8.66000	.03000	5.98000	2.68000
GRADIENT		.00009	-.00001	.00179	-.00007	.00108	-.00072	-.00146	.00187	-.00081	-.00112

ORIGINAL PAGE IS  
OF POOR QUALITY

LTV44-559(CA26) 747/1 ATY 02 S1 (ORBITER DATA)

(XFEO60) ( 18 NOV 75 )

## REFERENCE DATA

SREF = 2690.0000 SQ.FT. XMRP = 1109.0000 IN. XO  
 LREF = 474.8100 IN. YMRP = .0000 IN. YO  
 BREF = 936.6800 IN. ZMRP = 375.0000 IN. ZO  
 SCALE = .0125

## PARAMETRIC DATA

ALPHAC = 2.000 BETAC = .000  
 STAB = 5.000 ELEVON = 5.000  
 BDFLAP = .000 DX = 10.000  
 DZ = 15.000 ICRB = 6.000  
 BETAO = .000 RUDDER = .000

RUN NO. 1048/ 0 RN/L = .00 GRADIENT INTERVAL = -5.00/ 5.00

MACH	DY	CPCO	CPB1	CPB2	CPB3	CPS1	CPS2	ALPHAO	BETAO	INCID	ALPHAC
.608	-9.420	-.07600	-.29500	-.42400	-.35200	-.21700	-.28900	8.55000	.01000	5.95000	2.68000
.608	-8.850	-.07400	-.29400	-.42200	-.35200	-.21500	-.28800	8.54000	.04000	5.95000	2.68000
.606	-8.280	-.07800	-.29800	-.42700	-.35700	-.22000	-.29200	8.54000	.01000	5.95000	2.68000
.607	-7.710	-.07400	-.29400	-.42500	-.35700	-.22300	-.29000	8.55000	.04000	5.95000	2.68000
.606	-7.140	-.07600	-.29700	-.42300	-.35800	-.22200	-.29100	8.53000	.01000	5.94000	2.68000
.607	-6.560	-.07700	-.29600	-.42000	-.35800	-.22100	-.29100	8.53000	.01000	5.94000	2.68000
.605	-5.990	-.08200	-.30000	-.42400	-.36000	-.22700	-.29800	8.55000	.03000	5.98000	2.68000
.606	-5.420	-.08000	-.29800	-.42400	-.35800	-.22500	-.29400	8.57000	.04000	5.98000	2.68000
.608	-4.850	-.07600	-.29100	-.41700	-.35600	-.22400	-.28700	8.56000	.03000	5.97000	2.68000
.608	-4.280	-.07400	-.29000	-.41700	-.35700	-.22300	-.28600	8.57000	.01000	5.98000	2.67000
.607	-3.710	-.07900	-.29400	-.42200	-.35800	-.22500	-.29000	8.57000	.04000	5.97000	2.67000
.606	-3.140	-.08000	-.29600	-.42700	-.36100	-.22900	-.29400	8.58000	.03000	5.98000	2.68000
.608	-2.570	-.07500	-.29100	-.42400	-.36200	-.22700	-.28900	8.54000	.00000	5.94000	2.68000
.607	-1.990	-.07900	-.29300	-.42100	-.35900	-.22900	-.28900	8.54000	.01000	5.97000	2.67000
.607	-1.410	-.07900	-.29800	-.43200	-.36400	-.22800	-.29100	8.52000	.00000	5.92000	2.68000
.606	-.850	-.07900	-.29800	-.43000	-.36200	-.22600	-.29100	8.57000	.04000	5.97000	2.68000
.606	-.270	-.08000	-.29800	-.43100	-.35900	-.22800	-.29100	8.57000	.04000	5.98000	2.68000
.608	.280	-.08000	-.29300	-.43200	-.36700	-.22900	-.29000	8.55000	.00000	5.95000	2.67000
.607	.850	-.07900	-.29500	-.43700	-.36600	-.22600	-.29100	8.54000	.00000	5.94000	2.68000
.607	1.420	-.07900	-.29800	-.43400	-.36100	-.22700	-.29000	8.58000	.06000	5.98000	2.69000
.605	1.990	-.07700	-.29800	-.44200	-.36600	-.22600	-.29200	8.56000	.03000	5.97000	2.68000
.606	2.570	-.08000	-.30100	-.44300	-.36300	-.22600	-.29300	8.57000	.05000	5.98000	2.68000
.608	3.140	-.08200	-.29700	-.43400	-.36700	-.22800	-.29000	8.54000	.02000	5.95000	2.68000
.607	3.710	-.07900	-.29900	-.43500	-.36200	-.23000	-.29300	8.58000	.03000	5.99000	2.67000
.605	4.280	-.08100	-.30200	-.43800	-.36900	-.23100	-.29800	8.57000	.00000	5.97000	2.68000
.606	4.850	-.08500	-.30100	-.43200	-.36900	-.23100	-.29500	8.57000	.00000	5.98000	2.68000
.605	5.420	-.08500	-.30000	-.44200	-.37400	-.23500	-.29900	8.56000	.00000	5.95000	2.69000
.607	5.990	-.08200	-.29900	-.43800	-.36500	-.23400	-.29200	8.55000	.01000	5.95000	2.68000
.607	6.560	-.08400	-.29900	-.44000	-.36800	-.23300	-.29200	8.54000	.00000	5.94000	2.68000
.607	7.140	-.08200	-.30000	-.44000	-.36600	-.23400	-.29300	8.56000	.00000	5.95000	2.68000
.608	7.710	-.08300	-.29900	-.43700	-.36400	-.23300	-.29200	8.54000	.01000	5.95000	2.68000
.605	8.290	-.08500	-.30000	-.44500	-.37300	-.23500	-.29700	8.56000	.00000	5.96000	2.68000
.607	8.850	-.08200	-.30100	-.43500	-.36600	-.23400	-.29100	8.54000	.00000	5.95000	2.68000
.606	9.420	-.08600	-.30300	-.43800	-.37300	-.23400	-.29500	8.52000	.00000	5.93000	2.68000
.607	10.000	-.08500	-.30200	-.43700	-.37200	-.23700	-.29500	8.58000	.00000	5.98000	2.68000
	GRADIENT	-.00058	-.00097	-.00211	-.00105	-.00047	-.00071	.00081	-.00014	.00090	.00038

LTV44-559(CA26) 747/1 ATY 02 S1 (ORBITER DATA)

(XFE061) (18 NOV 75)

## REFERENCE DATA

SREF = 2690.0000 SQ.FT. XMRP = 1109.0000 IN. XO  
 LREF = 474.8100 IN. YMRP = .0000 IN. YO  
 BREF = 936.6800 IN. ZMRP = 375.0000 IN. ZO  
 SCALE = .0125

## PARAMETRIC DATA

ALPHAC = 2.000 BETAC = .000  
 STAB = 5.000 ELEVON = 5.000  
 BDFLAP = .000 DX = 10.000  
 DZ = 60.000 TORB = 6.000  
 BETAO = .000 RUDDER = .000

RUN NO. 2048/ 0 RN/L = .00 GRADIENT INTERVAL = -5.00/ 5.00

MACH	DY	CPCO	CPB1	CPB2	CPB3	CPS1	CPS2	ALPHAO	BETAO	INCID	ALPHAC
.607	-10.000	-.09200	-.32100	-.44800	-.39100	-.26200	-.28500	8.31000	.01000	5.94000	2.67000
.607	-9.420	-.09500	-.31900	-.45100	-.39300	-.26100	-.28900	8.32000	.01000	5.95000	2.67000
.605	-8.850	-.09500	-.32500	-.45200	-.39700	-.26400	-.28900	8.32000	.02000	5.95000	2.67000
.607	-8.280	-.09300	-.31600	-.45300	-.38900	-.26000	-.28500	8.32000	.03000	5.95000	2.68000
.606	-7.700	-.09100	-.31800	-.45600	-.39300	-.26000	-.28400	8.35000	.04000	5.97000	2.68000
.605	-7.140	-.09500	-.32700	-.46000	-.39900	-.26600	-.28700	8.34000	.04000	5.96000	2.68000
.607	-6.560	-.09300	-.31800	-.45800	-.39100	-.25900	-.28500	8.32000	.00000	5.94000	2.68000
.606	-5.990	-.09000	-.32300	-.46500	-.39300	-.26200	-.28300	8.34000	.01000	5.97000	2.67000
.605	-5.420	-.09400	-.32400	-.47200	-.39600	-.26800	-.28400	8.34000	.02000	5.96000	2.68000
.607	-4.850	-.09100	-.32100	-.46000	-.39200	-.26400	-.28200	8.34000	-.01000	5.97000	2.67000
.604	-4.280	-.09400	-.32500	-.46300	-.39900	-.26600	-.28800	8.35000	.03000	5.98000	2.67000
.603	-3.710	-.09700	-.32700	-.46300	-.40100	-.26800	-.28700	8.33000	-.02000	5.96000	2.67000
.605	-3.130	-.09300	-.32300	-.46000	-.39400	-.26500	-.28400	8.33000	-.02000	5.96000	2.67000
.607	-2.560	-.08900	-.31200	-.45100	-.38900	-.25300	-.27700	8.32000	-.04000	5.94000	2.67000
.606	-2.000	-.09200	-.31800	-.45800	-.39000	-.25600	-.28300	8.35000	-.02000	5.97000	2.67000
.608	-1.430	-.09200	-.31700	-.45700	-.39000	-.25600	-.28100	8.33000	-.04000	5.96000	2.67000
.607	-.850	-.09200	-.32300	-.46300	-.39100	-.26300	-.28300	8.35000	-.02000	5.98000	2.67000
.605	-.280	-.09500	-.32300	-.47000	-.39800	-.26100	-.28700	8.35000	-.03000	5.97000	2.67000
.608	.270	-.09000	-.31800	-.46500	-.38700	-.25800	-.28300	8.35000	-.02000	5.97000	2.67000
.607	.840	-.09200	-.32000	-.47200	-.39000	-.25700	-.28800	8.32000	-.01000	5.95000	2.67000
.606	1.410	-.09400	-.31500	-.46500	-.39400	-.25600	-.28600	8.36000	-.03000	5.99000	2.67000
.608	1.990	-.08900	-.31800	-.46000	-.38800	-.25400	-.28200	8.33000	-.04000	5.95000	2.67000
.605	2.560	-.09700	-.32300	-.46000	-.39700	-.26100	-.28800	8.31000	-.02000	5.94000	2.67000
.607	3.130	-.09300	-.32300	-.45700	-.39400	-.26100	-.28800	8.31000	-.03000	5.93000	2.68000
.606	3.700	-.09500	-.31900	-.46400	-.39700	-.26000	-.28600	8.34000	-.02000	5.97000	2.67000
.607	4.270	-.09300	-.31800	-.46400	-.39400	-.25900	-.28100	8.34000	-.02000	5.97000	2.67000
.607	4.850	-.09500	-.32100	-.46200	-.39300	-.26300	-.27700	8.33000	-.05000	5.96000	2.67000
.607	5.410	-.09300	-.31900	-.45900	-.39200	-.26200	-.27600	8.34000	-.06000	5.97000	2.67000
.607	5.980	-.09500	-.32300	-.45600	-.39200	-.26600	-.28100	8.34000	-.06000	5.96000	2.68000
.607	6.560	-.09500	-.31900	-.45900	-.39200	-.26000	-.28300	8.33000	-.04000	5.96000	2.67000
.608	7.130	-.09100	-.32100	-.45600	-.38700	-.26000	-.28100	8.35000	-.05000	5.97000	2.68000
.605	7.700	-.09800	-.32300	-.46300	-.39800	-.26400	-.26500	8.32000	-.06000	5.95000	2.67000
.607	8.270	-.09300	-.31700	-.46300	-.39100	-.25800	-.28300	8.35000	-.06000	5.97000	2.67000
.606	8.840	-.09400	-.32100	-.45800	-.39300	-.26000	-.28600	8.33000	-.07000	5.96000	2.67000
.607	9.420	-.09200	-.32100	-.45700	-.39200	-.26000	-.28600	8.36000	-.04000	5.99000	2.67000
GRADIENT		-.00017	.00024	-.00034	.00008	.00042	.00004	-.00105	-.00256	-.00109	.00020

LTV44-559(CA26) 747/1 ATY 02 S1 (ORBITER DATA)

(XFE062) ( 18 NOV 75 )

## REFERENCE DATA

SREF = 2690.0000 SQ.FT. XMRP = 1109.0000 IN. XO  
 LREF = 474.8100 IN. YMRP = .0000 IN. YO  
 BREF = 936.6800 IN. ZMRP = 375.0000 IN. ZO  
 SCALE = .0125

## PARAMETRIC DATA

ALPHAC = 2.000 BETAC = .000  
 STAB = 5.000 ELEVON = 5.000  
 BDFLAP = .000 DY = .000  
 DZ = .000 IORB = 6.000  
 BETAO = .000 RUDDER = .000

RUN NO. 49/ 0 RN/L = .00 GRADIENT INTERVAL = -5.00/ 5.00

MACH	DX	CPCO	CPB1	CPB2	CPB3	CPS1	CPS2	ALPHAO	BETAO	INCID	ALPHAC
.608	-.010	-.06700	-.27700	-.40400	-.34000	-.18900	-.30600	8.63000	.07000	5.94000	2.69000
.609	.550	-.06300	-.27400	-.39900	-.33700	-.19200	-.30600	8.62000	.03000	5.93000	2.69000
.608	1.130	-.06500	-.27600	-.39900	-.33700	-.19400	-.30700	8.63000	.05000	5.95000	2.69000
.611	1.700	-.05800	-.27300	-.39500	-.33400	-.19100	-.30100	8.63000	.03000	5.94000	2.69000
.609	2.270	-.06300	-.27600	-.39700	-.33600	-.19400	-.30500	8.62000	.02000	5.93000	2.69000
.609	2.850	-.06200	-.27500	-.39800	-.33800	-.19400	-.30500	8.63000	.02000	5.94000	2.69000
.608	3.420	-.06600	-.28000	-.40000	-.33800	-.19700	-.30700	8.66000	.05000	5.97000	2.69000
.610	3.990	-.06000	-.27300	-.39600	-.33300	-.19100	-.30100	8.63000	.04000	5.96000	2.69000
.609	4.570	-.06400	-.28000	-.40400	-.34000	-.19700	-.30500	8.66000	.04000	5.96000	2.69000
.609	5.140	-.06500	-.28200	-.40900	-.34500	-.20000	-.30500	8.64000	.03000	5.94000	2.70000
.608	5.710	-.06300	-.28200	-.40900	-.34600	-.20100	-.30600	8.64000	.02000	5.94000	2.70000
.608	6.280	-.06100	-.27500	-.39800	-.33900	-.19500	-.30000	8.66000	.04000	5.96000	2.70000
.610	6.860	-.06400	-.27700	-.39900	-.33700	-.19400	-.30000	8.65000	.05000	5.95000	2.70000
.611	7.430	-.06400	-.27900	-.40500	-.34000	-.19800	-.30000	8.66000	.01000	5.95000	2.71000
.610	8.000	-.06200	-.27500	-.40300	-.33800	-.19500	-.29900	8.65000	.02000	5.95000	2.70000
.609	8.580	-.06200	-.27700	-.40700	-.33700	-.19500	-.30000	8.67000	.07000	5.97000	2.71000
.607	9.150	-.06400	-.28300	-.41900	-.34700	-.20400	-.30600	8.64000	.07000	5.93000	2.71000
.607	9.700	-.06800	-.28300	-.41200	-.34500	-.20300	-.30500	8.65000	.05000	5.95000	2.71000
.608	10.270	-.06300	-.27800	-.40500	-.34300	-.19700	-.30000	8.65000	.00000	5.95000	2.71000
.610	10.840	-.06100	-.27700	-.40700	-.34400	-.20200	-.30000	8.66000	.03000	5.96000	2.71000
.608	11.410	-.06100	-.27700	-.40400	-.34300	-.19900	-.30000	8.64000	.01000	5.94000	2.71000
.609	11.990	-.06100	-.27600	-.41000	-.34700	-.20300	-.30200	8.67000	.06000	5.96000	2.71000
.608	12.560	-.06200	-.27700	-.40800	-.34500	-.20400	-.30100	8.66000	.05000	5.95000	2.72000
.609	13.130	-.06600	-.28000	-.40900	-.34900	-.20700	-.30400	8.67000	.03000	5.96000	2.71000
.607	13.710	-.07300	-.29000	-.41900	-.35400	-.21000	-.30900	8.67000	.05000	5.96000	2.71000
.608	14.280	-.06200	-.28000	-.41300	-.34700	-.20400	-.30000	8.67000	.04000	5.97000	2.71000
.608	14.850	-.07100	-.28500	-.42000	-.35400	-.21300	-.30700	8.65000	.02000	5.94000	2.71000
.609	15.420	-.07000	-.28300	-.41600	-.34800	-.20600	-.30200	8.68000	.05000	5.97000	2.71000
.608	16.000	-.06400	-.28000	-.41400	-.34700	-.20400	-.30000	8.68000	.04000	5.97000	2.71000
.608	16.560	-.06700	-.27800	-.40800	-.34800	-.20700	-.30100	8.67000	.04000	5.95000	2.72000
.610	17.140	-.06700	-.28300	-.41200	-.34800	-.20500	-.29900	8.67000	.06000	5.96000	2.72000
.608	17.720	-.06700	-.28400	-.41700	-.35500	-.20900	-.30300	8.67000	.03000	5.96000	2.72000
.607	18.290	-.07000	-.28800	-.42200	-.35700	-.21100	-.30500	8.65000	.02000	5.93000	2.72000
.610	18.820	-.06900	-.28400	-.41900	-.35700	-.21300	-.30200	8.66000	.00000	5.94000	2.72000
.609	19.400	-.06800	-.28300	-.42000	-.35800	-.21400	-.30300	8.65000	.00000	5.93000	2.72000
.610	19.970	-.06800	-.28300	-.42100	-.35600	-.21000	-.30100	8.65000	.01000	5.93000	2.72000
	GRADIENT	.00043	-.00056	.00011	.00017	-.00111	.00044	.00612	-.00289	.00437	.00000



LTV44-559(CA26) 747/1 ATY 02 S1 (ORBITER DATA)

(XFE063) ( 18 NOV 75 )

## REFERENCE DATA

SREF = 2690.0000 SQ. FT. XMRP = 1109.0000 IN. XO  
 LREF = 474.8100 IN. YMRP = .0000 IN. YO  
 BREF = 936.6800 IN. ZMRP = 375.0000 IN. ZO  
 SCALE = .0125

## PARAMETRIC DATA

ALPHAC = 2.000 BETAC = .000  
 STAB = 5.000 ELEVON = 5.000  
 BDFLAP = .000 DY = .000  
 OZ = 15.000 IORB = 6.000  
 BETAO = .000 RUDDER = .000

RUN NO. 1049/ 0 RN/L = .00 GRADIENT INTERVAL = -5.00/ 5.00

MACH	DX	CPCO	CPB1	CPB2	CPB3	CPS1	CPS2	ALPHAO	BETAO	INCID	ALPHAC
.609	.570	-.08500	-.30700	-.44100	-.37400	-.24100	-.30300	8.55000	.04000	5.95000	2.67000
.606	1.140	-.08100	-.30800	-.44300	-.37000	-.23800	-.30400	8.55000	.00000	5.96000	2.67000
.608	1.710	-.08100	-.30700	-.44700	-.37300	-.23700	-.30300	8.55000	.02000	5.96000	2.67000
.609	2.290	-.08100	-.30700	-.44200	-.37000	-.23600	-.30300	8.55000	.00000	5.96000	2.67000
.611	2.860	-.08200	-.30400	-.43500	-.36600	-.23600	-.29900	8.52000	.02000	5.94000	2.67000
.610	3.430	-.08000	-.30300	-.43500	-.36500	-.23500	-.29800	8.53000	.00000	5.94000	2.68000
.611	4.010	-.08500	-.30600	-.43800	-.36800	-.23900	-.29800	8.53000	.00000	5.93000	2.67000
.608	4.580	-.08800	-.31200	-.45200	-.37500	-.24400	-.30300	8.56000	.05000	5.97000	2.67000
.610	5.150	-.07400	-.30000	-.44500	-.36700	-.23100	-.29100	8.56000	.03000	5.97000	2.67000
.608	5.720	-.08700	-.30800	-.44600	-.37500	-.24500	-.30200	8.51000	.06000	5.92000	2.67000
.609	6.300	-.08400	-.30900	-.44000	-.37300	-.24300	-.29900	8.52000	.02000	5.93000	2.68000
.609	6.870	-.08100	-.30900	-.44200	-.37200	-.24200	-.29900	8.53000	.00000	5.94000	2.68000
.608	7.420	-.08100	-.31000	-.44600	-.37600	-.24200	-.29900	8.58000	.03000	5.99000	2.68000
.610	7.990	-.08700	-.31000	-.44300	-.37600	-.24500	-.30000	8.53000	.05000	5.93000	2.67000
.609	8.560	-.08800	-.31200	-.44700	-.37900	-.24800	-.30000	8.54000	.05000	5.95000	2.67000
.608	9.140	-.08400	-.31200	-.45000	-.37800	-.24300	-.29900	8.55000	.06000	5.96000	2.68000
.610	9.710	-.08200	-.30800	-.44300	-.37200	-.24000	-.29600	8.52000	.00000	5.93000	2.68000
.609	10.280	-.08400	-.30500	-.44700	-.37900	-.24600	-.29600	8.55000	.04000	5.96000	2.67000
.608	10.850	-.08600	-.30800	-.45100	-.38200	-.24600	-.29800	8.55000	.05000	5.96000	2.67000
.610	11.430	-.08500	-.30800	-.44600	-.37600	-.24500	-.29600	8.53000	.04000	5.93000	2.68000
.612	12.000	-.08100	-.30800	-.44900	-.37200	-.24000	-.29400	8.55000	.03000	5.95000	2.67000
.609	12.570	-.08800	-.30900	-.45800	-.38200	-.25000	-.29800	8.54000	.05000	5.95000	2.68000
.608	13.150	-.08300	-.30700	-.46200	-.38100	-.24600	-.29600	8.57000	.00000	5.97000	2.68000
.610	13.720	-.08800	-.31100	-.45400	-.37800	-.24900	-.29600	8.52000	.03000	5.92000	2.68000
.610	14.290	-.08700	-.31000	-.44900	-.37800	-.24800	-.29400	8.54000	.05000	5.94000	2.68000
.610	14.860	-.08500	-.31000	-.44500	-.37600	-.24500	-.29300	8.53000	.07000	5.93000	2.68000
.610	15.440	-.08400	-.31200	-.44800	-.37600	-.24600	-.29300	8.55000	.04000	5.96000	2.68000
.609	16.010	-.08600	-.31100	-.45000	-.38100	-.24900	-.29400	8.52000	.08000	5.93000	2.68000
.609	16.580	-.08800	-.31000	-.45400	-.38400	-.24800	-.29400	8.56000	.07000	5.97000	2.68000
.608	17.130	-.08600	-.31100	-.45600	-.38300	-.24500	-.29500	8.55000	.02000	5.96000	2.68000
.610	17.700	-.08700	-.31200	-.45400	-.38100	-.24900	-.29500	8.53000	.04000	5.94000	2.68000
.610	18.280	-.07800	-.30400	-.45400	-.37700	-.24100	-.28900	8.55000	.00000	5.97000	2.68000
.609	18.850	-.08200	-.31100	-.45700	-.38000	-.24400	-.29200	8.56000	.03000	5.97000	2.68000
.609	19.420	-.08200	-.31000	-.45400	-.38000	-.24500	-.29200	8.57000	.05000	5.98000	2.68000
.610	20.000	-.08200	-.30900	-.45200	-.37800	-.24600	-.29300	8.54000	.06000	5.94000	2.68000
GRADIENT		-.00081	-.00021	-.00019	.00054	-.00042	.00102	-.00249	.00062	-.00332	.00062

LTV44-559(CA26) 747/1 ATY 02 S1 (ORBITER DATA)

(XFE064) ( 18 NOV 75 )

## REFERENCE DATA

SREF = 2690.0000 SQ.FT. XMRP = 1109.0000 IN. XO  
 LREF = 474.8100 IN. YMRP = .0000 IN. YO  
 BREF = 936.6800 IN. ZMRP = 375.0000 IN. ZO  
 SCALE = .0125

## PARAMETRIC DATA

ALPHAC = 2.000 BETAC = .000  
 STAB = 5.000 ELEVON = 5.000  
 BDFLAP = .000 DY = .000  
 DZ = 60.000 TORB = 6.000  
 BETA0 = .000 RUDDER = .000

RUN NO. 2049/ 0 RN/L = .00 GRADIENT INTERVAL = -5.00/ 5.00

MACH	DX	CPCO	CPB1	CPB2	CPB3	CPS1	CPS2	ALPHA0	BETA0	INCID	ALPHAC
.611	.590	-.09100	-.32400	-.46500	-.38900	-.26400	-.28900	8.31000	.09000	5.94000	2.67000
.609	1.170	-.09400	-.32800	-.46800	-.39500	-.26600	-.29500	8.34000	.02000	5.96000	2.67000
.611	1.740	-.09100	-.32100	-.46700	-.38800	-.26200	-.29200	8.30000	.08000	5.93000	2.68000
.610	2.310	-.09200	-.32200	-.46600	-.39100	-.26500	-.29100	8.32000	.05000	5.95000	2.67000
.608	2.870	-.09800	-.32900	-.46900	-.39900	-.26800	-.29700	8.32000	.01000	5.95000	2.67000
.610	3.450	-.09600	-.32700	-.46600	-.39700	-.26300	-.29700	8.31000	.00000	5.94000	2.67000
.609	4.020	-.09600	-.32700	-.47200	-.39900	-.26800	-.29600	8.31000	.00000	5.94000	2.67000
.611	4.590	-.09100	-.32700	-.46700	-.39200	-.26300	-.29300	8.32000	.00000	5.95000	2.67000
.611	5.180	-.09300	-.32500	-.46200	-.39300	-.26200	-.29200	8.32000	.00000	5.95000	2.68000
.610	5.720	-.08900	-.32000	-.46900	-.39300	-.25900	-.28700	8.33000	.06000	5.95000	2.67000
.610	6.280	-.09400	-.33100	-.46200	-.39500	-.27200	-.28600	8.31000	.00000	5.94000	2.67000
.609	6.860	-.09300	-.33200	-.46400	-.39500	-.27300	-.28900	8.30000	.02000	5.92000	2.67000
.611	7.430	-.09200	-.32200	-.46100	-.39300	-.26500	-.28400	8.30000	.01000	5.93000	2.67000
.608	8.000	-.09600	-.32900	-.46500	-.39900	-.27100	-.28900	8.33000	.06000	5.97000	2.67000
.609	8.580	-.09600	-.32800	-.46600	-.40000	-.26900	-.29100	8.32000	.09000	5.95000	2.67000
.608	9.150	-.09400	-.32700	-.46500	-.40000	-.27000	-.28800	8.32000	.06000	5.96000	2.67000
.610	9.720	-.09100	-.32300	-.46000	-.39400	-.26700	-.28700	8.29000	.03000	5.92000	2.67000
.611	10.290	-.09200	-.32100	-.46800	-.39400	-.26100	-.28200	8.28000	.08000	5.91000	2.67000
.610	10.870	-.09300	-.32100	-.46000	-.39400	-.25800	-.28900	8.28000	.06000	5.91000	2.67000
.610	11.440	-.09200	-.32100	-.46700	-.39700	-.26100	-.29000	8.29000	.06000	5.92000	2.67000
.607	12.010	-.09500	-.32900	-.47100	-.39900	-.26900	-.29800	8.30000	.02000	5.93000	2.66000
.610	12.590	-.08800	-.32200	-.46200	-.39200	-.25700	-.29400	8.32000	.05000	5.95000	2.67000
.610	13.160	-.09500	-.32700	-.46000	-.39400	-.26200	-.29400	8.31000	.08000	5.94000	2.67000
.610	13.730	-.08700	-.32300	-.46000	-.38700	-.25600	-.28700	8.33000	.05000	5.96000	2.67000
.610	14.300	-.09200	-.32500	-.46500	-.39500	-.26500	-.28600	8.32000	.03000	5.95000	2.67000
.608	14.860	-.09400	-.32800	-.46900	-.39900	-.26300	-.28500	8.30000	.05000	5.93000	2.67000
.611	15.420	-.09100	-.32500	-.46100	-.39200	-.27100	-.27800	8.29000	.01000	5.92000	2.67000
.608	16.000	-.09300	-.32900	-.46900	-.39900	-.27000	-.28700	8.29000	.06000	5.92000	2.67000
.610	16.570	-.09300	-.32500	-.46900	-.39500	-.26500	-.28800	8.32000	.09000	5.95000	2.67000
.611	17.140	-.09000	-.32000	-.47000	-.39700	-.26200	-.28700	8.30000	.04000	5.94000	2.66000
.610	17.720	-.09200	-.32700	-.46900	-.39500	-.26500	-.29000	8.33000	.06000	5.96000	2.67000
.611	18.290	-.08300	-.32300	-.47000	-.39400	-.26000	-.28900	8.31000	.06000	5.93000	2.67000
.609	18.880	-.09300	-.33000	-.47700	-.39800	-.26100	-.29400	8.28000	.04000	5.90000	2.67000
.609	19.440	-.09600	-.33000	-.47100	-.39900	-.26900	-.29100	8.31000	.04000	5.94000	2.67000
.608	20.010	-.09500	-.32700	-.46700	-.39700	-.27000	-.28400	8.29000	.04000	5.92000	2.67000
	GRADIENT	-.00064	-.00085	-.00071	-.00158	-.00019	-.00113	-.00104	-.02107	.00000	-.00062

LTV44-559(CA26) 747/1 ATY 02 S1 (ORBITER DATA)

(XFE065) ( 18 NOV 75 )

## REFERENCE DATA

SREF = 2690.0000 SQ.FT. XMRP = 1109.0000 IN. XO  
 LREF = 474.8100 IN. YMRP = .0000 IN. YO  
 BREF = 936.6800 IN. ZMRP = 375.0000 IN. ZO  
 SCALE = .0125

## PARAMETRIC DATA

ALPHAC = 2.000 BETAC = .000  
 STAB = 5.000 ELEVON = 5.000  
 BDFLAP = .000 DY = .000  
 DZ = .000 IORB = 6.000  
 BETA0 = 5.000 RUDDER = .000

RUN NO. 50/ 0 RN/L = .00 GRADIENT INTERVAL = -5.00/ 5.00

MACH	DX	CPC0	CPB1	CPB2	CPB3	CPS1	CPS2	ALPHA0	BETA0	INCID	ALPHAC
.608	.550	-.12200	-.26200	-.39400	-.33600	-.02300	-.43400	8.65000	4.90000	5.96000	2.69000
.609	1.130	-.12200	-.26300	-.40000	-.33600	-.02300	-.43100	8.65000	4.92000	5.96000	2.69000
.610	1.700	-.12000	-.25700	-.39700	-.33600	-.02300	-.42600	8.66000	4.91000	5.98000	2.69000
.608	2.270	-.12400	-.26400	-.39800	-.33900	-.02700	-.43600	8.63000	4.91000	5.94000	2.69000
.610	2.850	-.11900	-.26200	-.39900	-.33500	-.02000	-.43300	8.66000	4.91000	5.97000	2.69000
.610	3.420	-.12100	-.26000	-.40200	-.33800	-.02100	-.43200	8.68000	4.92000	6.00000	2.69000
.610	3.990	-.12300	-.26500	-.40900	-.33900	-.02400	-.43300	8.63000	4.86000	5.94000	2.70000
.609	4.570	-.12400	-.26400	-.40800	-.33900	-.02400	-.43100	8.63000	4.88000	5.94000	2.70000
.610	5.140	-.12100	-.26200	-.40900	-.33900	-.02200	-.42900	8.66000	4.88000	5.96000	2.70000
.610	5.710	-.12100	-.26400	-.41600	-.33700	-.02300	-.43200	8.64000	4.91000	5.95000	2.70000
.608	6.280	-.12200	-.26300	-.41100	-.34000	-.02400	-.43700	8.64000	4.94000	5.94000	2.70000
.608	6.860	-.12300	-.26300	-.40900	-.34300	-.02700	-.43800	8.65000	4.90000	5.95000	2.70000
.609	7.430	-.12400	-.26500	-.39900	-.34200	-.02800	-.43700	8.66000	4.91000	5.95000	2.71000
.608	8.000	-.12600	-.26800	-.39700	-.34400	-.02900	-.43500	8.67000	4.92000	5.97000	2.71000
.611	8.580	-.12200	-.26700	-.39900	-.34200	-.02700	-.43100	8.66000	4.87000	5.96000	2.71000
.609	9.150	-.11900	-.26200	-.40100	-.34500	-.02900	-.43200	8.65000	4.88000	5.94000	2.71000
.610	9.700	-.11800	-.26400	-.40100	-.34200	-.02500	-.43300	8.67000	4.92000	5.97000	2.71000
.609	10.270	-.11900	-.26400	-.40000	-.34100	-.02600	-.43300	8.68000	4.91000	5.97000	2.71000
.608	10.840	-.12000	-.26300	-.40000	-.34500	-.03000	-.43800	8.65000	4.90000	5.94000	2.71000
.608	11.410	-.12400	-.26700	-.40600	-.34E00	-.03200	-.44000	8.65000	4.91000	5.94000	2.71000
.610	11.990	-.12300	-.26800	-.40700	-.34400	-.02900	-.43300	8.68000	4.91000	5.97000	2.71000
.610	12.560	-.12000	-.26300	-.40500	-.34600	-.03100	-.43700	8.66000	4.89000	5.95000	2.72000
.608	13.130	-.12200	-.26500	-.40600	-.34700	-.03100	-.43800	8.65000	4.88000	5.94000	2.72000
.608	13.690	-.12000	-.26400	-.40400	-.34800	-.03100	-.43300	8.65000	4.88000	5.93000	2.72000
.608	14.270	-.12000	-.26500	-.40700	-.34800	-.03300	-.43900	8.65000	4.88000	5.93000	2.72000
.608	14.840	-.12300	-.26700	-.40700	-.35000	-.03600	-.44100	8.66000	4.87000	5.94000	2.72000
.610	15.410	-.12000	-.26600	-.40700	-.34800	-.03400	-.43600	8.67000	4.91000	5.95000	2.72000
.610	15.980	-.12000	-.26600	-.40800	-.34900	-.03600	-.43700	8.66000	4.90000	5.94000	2.72000
.609	16.560	-.12000	-.26800	-.41000	-.35100	-.03500	-.43600	8.68000	4.91000	5.96000	2.72000
.608	17.130	-.12500	-.27100	-.41000	-.34800	-.03300	-.44500	8.68000	4.92000	5.94000	2.72000
.610	17.700	-.12300	-.27200	-.41100	-.35000	-.03400	-.44200	8.67000	4.93000	5.95000	2.72000
.609	18.280	-.12500	-.27300	-.41300	-.35400	-.03900	-.44400	8.67000	4.91000	5.95000	2.72000
.608	18.820	-.12400	-.27500	-.41500	-.35100	-.03800	-.44500	8.69000	4.94000	5.96000	2.72000
.607	19.400	-.12900	-.27800	-.42000	-.35600	-.03900	-.44900	8.69000	4.87000	5.97000	2.72000
.608	19.980	-.12700	-.27900	-.42300	-.35600	-.03900	-.44500	8.70000	4.88000	5.98000	2.72000
	GRADIENT	-.00035	-.00064	-.00330	-.00079	.00002	-.00009	-.00310	-.00850	-.00310	.00249

ORIGINAL PAGE IS  
OF POOR QUALITY

LTV44-559(CA26) 747/1 ATY 02 S1 (ORBITER DATA)

(XFE066) ( 18 NOV 75 )

## REFERENCE DATA

SREF = 2690.0000 SQ.FT. XMRP = 1109.0000 IN. XO  
 LREF = 474.8100 IN. YMRP = .0000 IN. YO  
 BREF = 936.6800 IN. ZMRP = 375.0000 IN. ZO  
 SCALE = .0125

## PARAMETRIC DATA

ALPHAC = 2.000 BETAC = .000  
 STAB = 5.000 ELEVON = 5.000  
 BDFLAP = .000 DY = .000  
 DZ = 15.000 IORB = 6.000  
 BETAO = 5.000 RUDDER = .000

RUN NO. 1050/ 0 RN/L = .00 GRADIENT INTERVAL = -5.00/ 5.00

MACH	DX	CPCO	CPB1	CPB2	CPB3	CPS1	CPS2	ALPHAO	BETAO	INCID	ALPHAC
.610	.570	-.14600	-.29700	-.44000	-.37400	-.06400	-.45200	8.57000	4.90000	5.98000	2.67000
.610	1.140	-.14500	-.29200	-.43900	-.37800	-.06100	-.45300	8.56000	4.88000	5.97000	2.67000
.612	1.710	-.14400	-.29200	-.43400	-.37500	-.06100	-.45100	8.56000	4.87000	5.97000	2.67000
.609	2.290	-.14600	-.30200	-.44400	-.38300	-.06300	-.45800	8.54000	4.86000	5.95000	2.67000
.610	2.860	-.14600	-.29800	-.43700	-.37600	-.06700	-.45100	8.54000	4.90000	5.96000	2.67000
.609	3.430	-.14600	-.30100	-.44300	-.37700	-.06100	-.45500	8.55000	4.88000	5.96000	2.67000
.609	4.010	-.14200	-.29800	-.44400	-.37700	-.06000	-.45200	8.56000	4.90000	5.97000	2.67000
.610	4.580	-.14700	-.29800	-.44300	-.38200	-.06600	-.44700	8.58000	4.86000	5.99000	2.68000
.609	5.150	-.14400	-.29700	-.44300	-.37700	-.06500	-.44800	8.53000	4.86000	5.95000	2.67000
.610	5.720	-.14600	-.29400	-.43700	-.37600	-.06600	-.44500	8.53000	4.88000	5.94000	2.67000
.609	6.300	-.14600	-.30000	-.44200	-.37900	-.06900	-.45500	8.53000	4.89000	5.94000	2.67000
.610	6.870	-.14500	-.29800	-.43800	-.37900	-.06700	-.44900	8.52000	4.89000	5.93000	2.67000
.608	7.420	-.14500	-.30100	-.44700	-.38200	-.06600	-.45800	8.56000	4.85000	5.97000	2.67000
.610	7.990	-.14700	-.29900	-.44400	-.38400	-.06700	-.45000	8.53000	4.85000	5.95000	2.67000
.610	8.560	-.14500	-.29800	-.44100	-.38000	-.06400	-.44600	8.54000	4.86000	5.95000	2.67000
.610	9.140	-.14700	-.29900	-.44000	-.38200	-.06700	-.44700	8.52000	4.88000	5.93000	2.67000
.609	9.710	-.14100	-.30100	-.44400	-.37800	-.06700	-.45000	8.55000	4.87000	5.96000	2.68000
.608	10.290	-.14600	-.29900	-.44600	-.38500	-.06600	-.45500	8.52000	4.86000	5.93000	2.67000
.608	10.850	-.14400	-.30200	-.44900	-.38300	-.07000	-.45200	8.56000	4.88000	5.97000	2.67000
.608	11.430	-.14200	-.30200	-.44700	-.38100	-.07000	-.44900	8.55000	4.84000	5.96000	2.68000
.609	12.000	-.14200	-.30100	-.44900	-.38000	-.07200	-.44700	8.56000	4.86000	5.97000	2.68000
.608	12.570	-.14400	-.30200	-.45200	-.38400	-.07200	-.45000	8.56000	4.87000	5.97000	2.67000
.610	13.150	-.14100	-.29900	-.44700	-.37900	-.07100	-.44100	8.55000	4.88000	5.96000	2.67000
.610	13.720	-.14200	-.29800	-.44800	-.38200	-.07300	-.44200	8.55000	4.87000	5.96000	2.67000
.609	14.290	-.14100	-.29900	-.45400	-.38200	-.07000	-.44700	8.53000	4.89000	5.94000	2.67000
.610	14.860	-.14200	-.29900	-.44800	-.38100	-.07300	-.44300	8.56000	4.87000	5.97000	2.67000
.607	15.440	-.14700	-.30100	-.45600	-.38700	-.07200	-.44900	8.55000	4.87000	5.96000	2.67000
.607	16.010	-.14600	-.30000	-.45600	-.38900	-.07300	-.45300	8.53000	4.87000	5.96000	2.67000
.607	16.560	-.14600	-.30200	-.45600	-.38800	-.07100	-.45300	8.53000	4.85000	5.94000	2.67000
.609	17.130	-.14000	-.29800	-.45300	-.38200	-.07200	-.44700	8.54000	4.87000	5.95000	2.67000
.610	17.700	-.13900	-.30100	-.45300	-.38200	-.07200	-.44800	8.55000	4.94000	5.96000	2.67000
.609	18.280	-.14100	-.30100	-.45500	-.38400	-.07200	-.44800	8.52000	4.91000	5.93000	2.67000
.607	18.850	-.14700	-.30300	-.45900	-.39100	-.07400	-.45000	8.56000	4.88000	5.98000	2.67000
.609	19.420	-.14600	-.30600	-.45600	-.39200	-.07800	-.44600	8.55000	4.88000	5.96000	2.68000
.611	20.000	-.13900	-.29900	-.45400	-.38200	-.06900	-.44500	8.54000	4.92000	5.95000	2.68000
	GRADIENT	.00004	-.00125	-.00137	-.00104	-.00027	.00073	.00083	-.00228	.00104	.00145

LTV44-559(CA26) 747/1 ATY 02 S1 (ORBITER DATA)

(XFE067) ( 18 NOV 75 )

## REFERENCE DATA

SREF = 2690.0000 SQ.FT. XMRP = 1109.0000 IN. XO  
 LREF = 474.8100 IN. YMRP = .0000 IN. YO  
 BREF = 936.6800 IN. ZMRP = 375.0000 IN. ZO  
 SCALE = .0125

## PARAMETRIC DATA

ALPHAC = 2.000 BETAC = .000  
 STAB = 5.000 ELEVON = 5.000  
 BDFLAP = .000 DY = .000  
 OZ = 60.000 IORB = 6.000  
 BETAO = 5.000 RUDDER = .000

RUN NO. 2050/ 0 RN/L = .00 GRADIENT INTERVAL = -5.00/ 5.00

MACH	OX	CPCO	CPB1	CPB2	CPB3	CPS1	CPS2	ALPHAO	BETAO	INCID	ALPHAC
.609	.580	-.14800	-.32100	-.47600	-.41000	-.09000	-.50400	8.34000	4.87000	5.97000	2.67000
.607	1.150	-.14900	-.32800	-.47900	-.41600	-.09300	-.51000	8.32000	4.91000	5.96000	2.67000
.607	1.730	-.14700	-.32800	-.47800	-.41100	-.09900	-.48500	8.34000	4.83000	5.97000	2.67000
.608	2.300	-.14700	-.32500	-.47500	-.40900	-.10100	-.47200	8.35000	4.81000	5.98000	2.67000
.609	2.870	-.14900	-.32200	-.47000	-.41000	-.10000	-.46100	8.35000	4.84000	5.98000	2.67000
.609	3.450	-.14700	-.31900	-.47000	-.40800	-.09500	-.47300	8.35000	4.85000	5.98000	2.67000
.608	4.020	-.14600	-.32600	-.47100	-.40700	-.09700	-.48700	8.34000	4.87000	5.97000	2.67000
.607	4.590	-.14600	-.32500	-.47800	-.41100	-.09600	-.49700	8.31000	4.87000	5.94000	2.67000
.607	5.160	-.14700	-.32500	-.48000	-.41300	-.09300	-.49400	8.34000	4.88000	5.97000	2.67000
.608	5.710	-.14900	-.32200	-.47600	-.41200	-.09400	-.48000	8.33000	4.86000	5.97000	2.66000
.608	6.280	-.14900	-.32300	-.47200	-.41300	-.09500	-.47000	8.35000	4.83000	5.98000	2.66000
.610	6.860	-.14300	-.32100	-.47400	-.40600	-.09800	-.46600	8.32000	4.86000	5.96000	2.67000
.608	7.430	-.15200	-.32500	-.47700	-.41500	-.10000	-.46300	8.35000	4.82000	5.98000	2.66000
.610	8.000	-.14600	-.31700	-.47300	-.40500	-.09900	-.45900	8.33000	4.86000	5.96000	2.67000
.609	8.580	-.14700	-.31900	-.47600	-.40500	-.09300	-.49000	8.31000	4.91000	5.94000	2.67000
.607	9.150	-.14900	-.32900	-.47900	-.41500	-.09300	-.50600	8.32000	4.85000	5.95000	2.67000
.607	9.720	-.14700	-.32800	-.47800	-.41300	-.09700	-.50100	8.32000	4.88000	5.94000	2.67000
.607	10.290	-.14600	-.32900	-.47600	-.41400	-.09600	-.50300	8.35000	4.88000	5.98000	2.67000
.609	10.870	-.14800	-.32200	-.46800	-.41200	-.09200	-.47900	8.33000	4.86000	5.96000	2.67000
.609	11.440	-.15000	-.32300	-.46600	-.41200	-.09900	-.46400	8.34000	4.84000	5.98000	2.67000
.607	12.010	-.15200	-.32300	-.47400	-.41300	-.10200	-.48100	8.35000	4.85000	5.98000	2.67000
.609	12.590	-.15000	-.32000	-.47000	-.41100	-.09600	-.47500	8.34000	4.84000	5.97000	2.67000
.607	13.160	-.15000	-.32500	-.47700	-.41500	-.10200	-.49500	8.32000	4.85000	5.95000	2.67000
.609	13.730	-.14700	-.32400	-.47000	-.41300	-.09400	-.50200	8.32000	4.88000	5.96000	2.66000
.609	14.300	-.14200	-.32200	-.46900	-.40800	-.09400	-.48600	8.34000	4.89000	5.97000	2.67000
.609	14.850	-.14400	-.32200	-.46800	-.41200	-.09400	-.48800	8.36000	4.90000	5.99000	2.67000
.609	15.420	-.14500	-.32300	-.46900	-.41200	-.09500	-.48300	8.32000	4.88000	5.95000	2.67000
.610	16.000	-.14800	-.32000	-.46800	-.40600	-.09700	-.46200	8.36000	4.87000	5.99000	2.67000
.610	16.570	-.14800	-.32300	-.46500	-.41300	-.10000	-.45700	8.32000	4.83000	5.96000	2.67000
.609	17.140	-.14600	-.32500	-.46900	-.41500	-.09500	-.47100	8.30000	4.87000	5.93000	2.67000
.609	17.720	-.15000	-.32000	-.47300	-.41200	-.09700	-.48500	8.34000	4.90000	5.99000	2.66000
.610	18.290	-.14700	-.32500	-.47000	-.41500	-.09700	-.47200	8.31000	4.89000	5.94000	2.67000
.610	18.860	-.14200	-.32300	-.46800	-.41300	-.09700	-.47600	8.31000	4.91000	5.94000	2.67000
.610	19.440	-.14400	-.32100	-.46800	-.40800	-.09800	-.47300	8.32000	4.85000	5.95000	2.67000
.609	20.010	-.14800	-.32000	-.47400	-.41100	-.10100	-.48200	8.34000	4.88000	5.98000	2.67000
	GRADIENT	.00056	.00025	.00114	.00096	-.00102	.00439	-.00165	-.00231	-.00269	.00000

LTV44-559(CA26) 747/1 ATY 02 S1 (ORBITER DATA)

(XFED69) ( 18 NOV 75 )

## REFERENCE DATA

SREF = 2690.0000 SQ.FT. XMRP = 1109.0000 IN. XO  
 LREF = 474.8100 IN. YMRP = .0000 IN. YO  
 BREF = 936.6800 IN. ZMRP = 375.0000 IN. ZO  
 SCALE = .0125

## PARAMETRIC DATA

ALPHAC = 2.000 BETAC = .000  
 STAB = 5.000 ELEVON = .000  
 BDFLAP = 16.300 OX = .000  
 DY = .000 IORB = 4.000  
 BETA0 = .000 RUDDER = .000

RUN NO. 5170 RN/L = .00 GRADIENT INTERVAL = -5.00/ 5.00

MACH	DZ	CP00	CPB1	CPB2	CPB3	CPS1	CPS2	ALPHAO	BETA0	INCID	ALPHAC
.602	1.760	-.01200	-.22800	-.32200	-.29500	-.15100	-.22500	6.61000	.00000	3.95000	2.66000
.601	2.360	-.01500	-.22700	-.32200	-.29200	-.15100	-.22700	6.61000	.00000	3.96000	2.65000
.600	2.970	-.01500	-.22900	-.31800	-.29300	-.15400	-.22600	6.60000	.01000	3.97000	2.65000
.600	3.760	-.01500	-.22900	-.32300	-.29700	-.15700	-.22600	6.59000	.00000	3.96000	2.65000
.599	4.560	-.01700	-.23400	-.32500	-.29700	-.15300	-.22300	6.55000	.07000	3.93000	2.64000
.599	5.960	-.01600	-.23400	-.32000	-.29900	-.15700	-.22600	6.58000	.02000	3.96000	2.64000
.602	7.970	-.01600	-.23500	-.31800	-.30000	-.15900	-.22600	6.56000	.00000	3.96000	2.64000
.603	9.960	-.01500	-.23500	-.32100	-.29900	-.15600	-.22200	6.55000	.02000	3.97000	2.64000
.604	10.960	-.01500	-.23400	-.32300	-.30200	-.15800	-.22400	6.53000	.05000	3.95000	2.64000
.602	11.960	-.02000	-.24300	-.32800	-.30500	-.16000	-.22600	6.54000	.02000	3.96000	2.65000
.607	12.950	-.01600	-.23500	-.32400	-.29900	-.15800	-.22300	6.53000	.06000	3.95000	2.65000
.602	13.940	-.01400	-.23300	-.32500	-.29800	-.15400	-.22100	6.52000	.05000	3.95000	2.65000
.600	14.940	-.01900	-.24100	-.33300	-.30500	-.16200	-.22900	6.52000	.03000	3.95000	2.65000
.600	15.930	-.01500	-.23800	-.33500	-.30500	-.16200	-.23000	6.50000	.03000	3.94000	2.65000
.601	16.930	-.01500	-.23700	-.32900	-.30200	-.16000	-.22300	6.50000	.02000	3.94000	2.65000
.599	17.930	-.01600	-.24100	-.32700	-.30500	-.16100	-.22700	6.49000	.02000	3.94000	2.65000
.600	18.920	-.01400	-.23700	-.32200	-.30300	-.15900	-.22500	6.48000	.03000	3.95000	2.65000
.600	19.910	-.01400	-.23500	-.32600	-.30500	-.16000	-.22500	6.51000	.04000	3.97000	2.64000
.601	20.910	-.01400	-.23600	-.32600	-.30200	-.15700	-.22300	6.51000	.03000	3.98000	2.65000
.601	21.900	-.01700	-.23800	-.32900	-.30200	-.16000	-.22400	6.51000	.03000	3.98000	2.65000
.601	22.890	-.01600	-.24000	-.32900	-.30600	-.16400	-.22200	6.46000	-.02000	3.94000	2.65000
.600	23.890	-.01300	-.24300	-.33400	-.31000	-.16300	-.22400	6.48000	.03000	3.97000	2.65000
.603	24.890	-.01900	-.24500	-.33000	-.30100	-.16000	-.22600	6.47000	.04000	3.96000	2.65000
.602	25.880	-.01400	-.24200	-.32900	-.30200	-.15900	-.22100	6.47000	.03000	3.96000	2.65000
.602	26.870	-.01600	-.24000	-.32400	-.30000	-.15800	-.21800	6.45000	-.01000	3.96000	2.65000
.602	27.870	-.01600	-.24000	-.32700	-.30200	-.15900	-.21900	6.45000	.00000	3.96000	2.65000
.602	28.860	-.01500	-.23900	-.32900	-.30800	-.16500	-.22500	6.45000	.00000	3.96000	2.65000
.602	29.860	-.01600	-.24100	-.32600	-.30600	-.16300	-.22000	6.45000	.00000	3.97000	2.65000
.603	30.860	-.01600	-.24000	-.32200	-.30500	-.16300	-.22000	6.42000	.00000	3.95000	2.66000
.603	31.850	-.01400	-.23600	-.32400	-.30100	-.16000	-.21800	6.44000	.01000	3.97000	2.65000
.601	32.840	-.01100	-.23500	-.32800	-.30100	-.15900	-.21600	6.41000	-.01000	3.95000	2.65000
.602	33.840	-.01300	-.23800	-.32800	-.30400	-.16300	-.22100	6.43000	.01000	3.97000	2.66000
.602	34.830	-.01500	-.24100	-.32800	-.30300	-.15900	-.22200	6.42000	.00000	3.96000	2.66000
.600	35.830	-.01700	-.24200	-.32600	-.30700	-.16700	-.22200	6.44000	.00000	3.98000	2.66000
.601	36.830	-.01300	-.23900	-.33200	-.30800	-.16100	-.21900	6.39000	-.03000	3.94000	2.65000
.600	37.820	-.01600	-.24300	-.33400	-.31000	-.16600	-.21800	6.40000	-.03000	3.95000	2.66000
.602	38.820	-.01200	-.23600	-.33000	-.30500	-.16000	-.21700	6.40000	-.03000	3.97000	2.66000
.602	39.810	-.01200	-.24400	-.33700	-.30700	-.16100	-.22100	6.41000	.00000	3.98000	2.66000
.602	40.800	-.01400	-.24300	-.33200	-.30500	-.15900	-.22000	6.38000	.00000	3.95000	2.66000
.600	41.800	-.01100	-.24500	-.33200	-.30400	-.15900	-.22300	6.40000	-.01000	3.98000	2.66000
.600	42.800	-.01700	-.24500	-.33600	-.31200	-.16200	-.22400	6.37000	.00000	3.95000	2.67000
.601	43.790	-.01200	-.24200	-.33600	-.31000	-.16300	-.22000	6.40000	-.03000	3.99000	2.67000

DATE 22 MAR 75

CA-26 FORCE SOURCE DATA TABULATION

PAGE 593

LTV44-559(CA26) 747/1 ATY 02 S1 (ORBITER DATA)

(XFE068) ( 18 NOV 75 )

REFERENCE DATA

SREF = 2690.0000 SQ.FT. XMRP = 1109.0000 IN. XO  
LREF = 474.8100 IN. YMRP = .0000 IN. YO  
BREF = 936.6800 IN. ZMRP = 375.0000 IN. ZO  
SCALE = .0125

PARAMETRIC DATA

ALPHAC = 2.000 BETAC = .000  
STAB = 5.000 ELEVON = .000  
BDFLAP = 16.300 DX = .000  
DY = .000 TORB = 4.000  
BETAO = .000 RUDDER = .000

RUN NO. 51/ 0 RN/L = .00 GRADIENT INTERVAL = -5.00/ 5.00

MACH	DZ	CPCO	CPB1	CPB2	CPB3	CPS1	CPS2	ALPHAO	BETAO	INCID	ALPHAC
.502	44.790	-.01500	-.23800	-.32700	-.30600	-.15800	-.21800	6.37000	-.04000	3.97000	2.66000
	GRADIENT	-.00141	-.00200	-.00113	-.00136	-.00136	.00078	-.02053	.02078	-.00655	-.00568

ORIGINAL PAGE IS  
OF POOR QUALITY

LTV44-559(CA26) 747/1 ATY 02 S1 (ORBITER DATA)

(XFE069) ( 18 NOV 75 )

## REFERENCE DATA

SREF = 2690.0000 SQ.FT. XMRP = 1109.0000 IN. XO  
 LREF = 474.8100 IN. YMRP = .0000 IN. YO  
 BREF = 936.6800 IN. ZMRP = 375.0000 IN. ZO  
 SCALE = .0125

## PARAMETRIC DATA

ALPHAC = 2.000 BETAC = .000  
 STAB = 5.000 ELEVON = .000  
 BDFLAP = 16.300 DX = .000  
 DY = .000 IORB = 6.000  
 BETAO = .000 RUDDER = .000

RUN NO. 1051/ 0 RN/L = .00 GRADIENT INTERVAL = -5.00/ 5.00

MACH	DZ	CPCO	CPB1	CPB2	CPB3	CPS1	CPS2	ALPHAO	BETAO	INCID	ALPHAC
.603	1.470	.00000	-.19900	-.24900	-.26300	-.14400	-.19900	8.61000	.01000	5.93000	2.69000
.601	1.770	.00200	-.19900	-.24900	-.26100	-.14100	-.19500	8.60000	.03000	5.92000	2.69000
.598	2.370	.00100	-.19800	-.25100	-.26300	-.14300	-.19800	8.62000	.04000	5.95000	2.69000
.601	2.970	-.00500	-.20500	-.25600	-.26700	-.15000	-.20000	8.60000	.03000	5.93000	2.68000
.601	3.770	-.00200	-.20200	-.25800	-.26600	-.14500	-.20100	8.62000	.06000	5.96000	2.68000
.601	4.570	-.00100	-.20300	-.25600	-.26800	-.14700	-.19900	8.58000	.06000	5.93000	2.67000
.602	5.970	-.01000	-.21500	-.27300	-.27700	-.14900	-.20400	8.57000	.02000	5.94000	2.66000
.599	7.970	-.00400	-.21500	-.28100	-.28200	-.15300	-.20500	8.56000	.05000	5.93000	2.67000
.603	9.960	-.00500	-.21300	-.27800	-.27800	-.15300	-.20400	8.55000	.00000	5.94000	2.66000
.601	11.240	-.00700	-.22000	-.28100	-.28100	-.15100	-.20400	8.55000	.01000	5.95000	2.66000
.602	12.520	-.00700	-.21900	-.28300	-.28400	-.15500	-.20700	8.55000	.01000	5.95000	2.66000
.601	13.800	-.00800	-.22000	-.28900	-.28600	-.15700	-.20900	8.53000	.04000	5.94000	2.66000
.601	15.080	-.00900	-.22300	-.28900	-.28700	-.15600	-.21000	8.49000	.06000	5.92000	2.66000
.602	16.350	-.00900	-.21900	-.28700	-.28500	-.15600	-.20800	8.50000	.06000	5.94000	2.65000
.600	17.630	-.00700	-.22200	-.28700	-.28600	-.15400	-.20600	8.52000	.02000	5.96000	2.66000
.600	18.900	-.01100	-.22400	-.28600	-.28700	-.15600	-.20800	8.49000	.01000	5.94000	2.66000
.601	20.180	-.01100	-.22900	-.29100	-.28600	-.15300	-.20700	8.48000	.01000	5.94000	2.66000
.601	21.460	-.01400	-.23100	-.29300	-.28800	-.15500	-.21000	8.45000	.06000	5.92000	2.65000
.602	22.730	-.01200	-.22900	-.29200	-.29000	-.15700	-.20900	8.47000	.04000	5.93000	2.66000
.602	24.000	-.01200	-.22900	-.29700	-.29400	-.15800	-.21000	8.45000	.06000	5.92000	2.66000
.603	25.280	-.01400	-.23300	-.30200	-.29500	-.15900	-.21200	8.43000	.08000	5.92000	2.66000
.601	26.560	-.01100	-.22600	-.29700	-.28900	-.15900	-.21000	8.43000	.03000	5.93000	2.66000
.602	27.840	-.01200	-.22600	-.29500	-.29000	-.16200	-.20900	8.42000	.04000	5.93000	2.65000
.601	29.110	-.01300	-.23100	-.29900	-.29000	-.16000	-.21200	8.41000	.06000	5.92000	2.66000
.602	30.390	-.01400	-.23100	-.30900	-.29500	-.16300	-.21200	8.41000	.04000	5.93000	2.66000
.600	31.660	-.01600	-.23400	-.30900	-.29600	-.16400	-.21400	8.40000	.02000	5.93000	2.66000
.601	32.940	-.01400	-.22800	-.30400	-.29200	-.16200	-.21300	8.41000	.00000	5.94000	2.66000
.600	34.220	-.01100	-.23300	-.30600	-.29300	-.15900	-.21700	8.41000	.00000	5.95000	2.66000
.600	35.490	-.01700	-.22900	-.30400	-.29500	-.16400	-.21700	8.40000	.00000	5.95000	2.66000
.601	36.770	-.01200	-.23300	-.30200	-.29700	-.16400	-.21500	8.36000	.05000	5.92000	2.66000
.600	38.050	-.01700	-.23700	-.30800	-.29500	-.16200	-.21900	8.36000	.05000	5.92000	2.66000
.598	39.330	-.01700	-.23400	-.31100	-.30100	-.16300	-.21900	8.35000	.03000	5.92000	2.66000
.602	40.600	-.01400	-.22900	-.30500	-.29400	-.16100	-.21200	8.39000	.02000	5.95000	2.66000
.601	41.880	-.01800	-.23200	-.31000	-.30100	-.16500	-.21600	8.38000	.01000	5.95000	2.67000
.600	43.150	-.01400	-.23300	-.31100	-.29700	-.16000	-.21500	8.38000	.01000	5.96000	2.67000
.601	44.430	-.01900	-.23700	-.31500	-.29800	-.16700	-.21900	8.33000	.01000	5.91000	2.67000
.600	45.710	-.01500	-.23600	-.31400	-.29900	-.16300	-.22100	8.35000	.07000	5.94000	2.67000
.601	46.980	-.01800	-.23400	-.32400	-.30000	-.16700	-.21900	8.32000	.02000	5.92000	2.67000
.602	48.260	-.01400	-.23700	-.32200	-.30300	-.16800	-.21400	8.34000	.01000	5.96000	2.67000
.602	49.540	-.01600	-.23100	-.32400	-.29500	-.16500	-.21400	8.33000	-.01000	5.95000	2.67000
.601	50.820	-.01600	-.23800	-.32400	-.30500	-.16100	-.22800	8.29000	.05000	5.92000	2.66000
GRADIENT		-.00098	-.00176	-.00294	-.00201	-.00150	-.00079	-.00541	.01455	.00422	-.00583



LTV44-559(CA26) 747/1 ATY 02 S1 (ORBITER DATA)

(XFED70) ( 18 NOV 75 )

## REFERENCE DATA

SREF = 2690.0000 SQ.FT. XMRP = 1109.0000 IN. XO  
 LREF = 474.8100 IN. YMRP = .0000 IN. YO  
 BREF = 936.6800 IN. ZMRP = 375.0000 IN. ZO  
 SCALE = .0125

## PARAMETRIC DATA

ALPHAC = 2.000 BETAC = .000  
 STAB = 5.000 ELEVON = .000  
 BDFLAP = 16.300 OX = .000  
 DY = .000 IORB = 8.000  
 BETAO = .000 RUDDER = .000

RUN NO. 52/ 0 RN/L = .00 GRADIENT INTERVAL = -5.00/ 5.00

MACH	DZ	CPCO	CPB1	CPB2	CPB3	CPS1	CPS2	ALPHAO	BETAO	INCID	ALPHAC
.600	1.750	-.04800	-.25200	-.39100	-.34800	-.20000	-.27400	10.0000	.02000	7.93000	2.69000
.601	2.350	-.04900	-.25100	-.38500	-.34800	-.20200	-.27400	10.0000	.04000	7.91000	2.70000
.601	2.970	-.05400	-.22700	-.35300	-.32800	-.20400	-.27300	10.61000	.07000	7.92000	2.71000
.601	3.960	-.05300	-.23200	-.36500	-.33200	-.20400	-.27300	10.62000	.04000	7.93000	2.71000
.601	4.960	-.05600	-.24700	-.37800	-.34400	-.20800	-.27200	10.61000	.00000	7.93000	2.70000
.600	6.210	-.05900	-.24900	-.38100	-.35000	-.21500	-.27700	10.58000	.07000	7.91000	2.70000
.602	7.460	-.06000	-.24800	-.37700	-.34500	-.21300	-.27300	10.57000	.07000	7.90000	2.70000
.600	8.710	-.05900	-.25500	-.38600	-.35100	-.21500	-.27400	10.55000	.04000	7.91000	2.70000
.599	9.960	-.06400	-.26800	-.40300	-.35900	-.21600	-.27400	10.55000	.01000	7.93000	2.69000
.600	11.200	-.06500	-.26500	-.40100	-.35500	-.21700	-.27400	10.55000	.04000	7.92000	2.69000
.600	12.430	-.06000	-.26400	-.40100	-.36100	-.21900	-.27100	10.55000	.05000	7.94000	2.69000
.600	13.670	-.06100	-.26800	-.40600	-.36100	-.22000	-.27100	10.55000	.05000	7.94000	2.68000
.601	14.910	-.06200	-.26900	-.41100	-.36400	-.22200	-.27200	10.53000	.05000	7.93000	2.68000
.599	16.140	-.06800	-.27500	-.41200	-.36500	-.22600	-.27500	10.51000	.00000	7.91000	2.69000
.601	17.370	-.06500	-.27700	-.41800	-.36600	-.22400	-.27100	10.51000	.04000	7.93000	2.68000
.599	18.610	-.06700	-.27800	-.42200	-.37100	-.22900	-.27600	10.50000	.00000	7.93000	2.67000
.600	19.840	-.06300	-.27600	-.42000	-.37300	-.22900	-.27100	10.48000	.07000	7.92000	2.68000
.599	21.080	-.06800	-.28000	-.42000	-.37400	-.23100	-.27500	10.46000	.05000	7.91000	2.67000
.599	22.310	-.06800	-.28000	-.42100	-.37200	-.23200	-.27500	10.46000	.03000	7.91000	2.67000
.601	23.550	-.06700	-.27600	-.42000	-.37500	-.23300	-.27200	10.49000	.02000	7.95000	2.67000
.600	24.780	-.07000	-.28500	-.42900	-.37900	-.23200	-.27500	10.44000	.02000	7.91000	2.67000
.600	26.010	-.06900	-.28500	-.42800	-.37800	-.23400	-.27400	10.43000	.05000	7.91000	2.67000
.601	27.250	-.06700	-.28300	-.42700	-.37900	-.23400	-.27500	10.43000	.05000	7.91000	2.67000
.602	28.480	-.07000	-.28100	-.41900	-.37700	-.23700	-.27000	10.45000	-.01000	7.95000	2.67000
.602	29.720	-.07100	-.27800	-.42000	-.39000	-.23800	-.27100	10.40000	.04000	7.90000	2.67000
.600	30.950	-.07200	-.28300	-.41600	-.37700	-.23900	-.27200	10.42000	.00000	7.93000	2.67000
.600	32.180	-.07300	-.28300	-.42100	-.38300	-.24100	-.27100	10.39000	.08000	7.91000	2.67000
.600	33.420	-.07300	-.28400	-.41600	-.39100	-.24500	-.27100	10.39000	.05000	7.92000	2.67000
.597	34.660	-.07600	-.28900	-.43000	-.39100	-.24600	-.27600	10.40000	.00000	7.94000	2.67000
.599	35.900	-.07400	-.28900	-.43000	-.38900	-.24200	-.27200	10.39000	.02000	7.93000	2.67000
.602	37.130	-.07500	-.28700	-.42300	-.38100	-.24400	-.27000	10.38000	.05000	7.93000	2.67000
.600	38.360	-.07500	-.28900	-.43100	-.39000	-.24500	-.27100	10.39000	.00000	7.94000	2.67000
.604	39.600	-.06900	-.28800	-.42400	-.37900	-.23800	-.26700	10.35000	.05000	7.91000	2.67000
.600	40.830	-.07100	-.28600	-.42600	-.38300	-.24200	-.27100	10.36000	.04000	7.92000	2.67000
.600	42.070	-.07700	-.29300	-.43000	-.38900	-.24800	-.27600	10.36000	-.01000	7.94000	2.67000
.601	43.300	-.07100	-.28900	-.42800	-.38700	-.24200	-.26800	10.37000	.02000	7.95000	2.67000
.600	44.540	-.07300	-.29400	-.43000	-.38800	-.24800	-.27600	10.32000	.02000	7.91000	2.67000
.599	45.770	-.07800	-.29600	-.42900	-.39000	-.25100	-.27700	10.33000	.06000	7.92000	2.67000
.600	47.010	-.07400	-.28900	-.42400	-.39000	-.24700	-.27000	10.35000	-.01000	7.95000	2.67000
.600	48.250	-.07600	-.29200	-.42300	-.39100	-.25000	-.26900	10.34000	.00000	7.94000	2.68000
.599	49.480	-.07500	-.29400	-.42900	-.39100	-.25200	-.27300	10.30000	.01000	7.92000	2.67000
.600	50.710	-.07500	-.29000	-.42400	-.38900	-.24800	-.26700	10.30000	.03000	7.93000	2.67000

LTV44-559(CA26) 747/1 ATY 02 S1 (ORBITER DATA)

(XFED70) ( 18 NOV 75 )

## REFERENCE DATA

SREF = 2690.0000 SQ.FT. XMRP = 1109.0000 IN. XO  
 LREF = 474.8100 IN. YMRP = .0000 IN. YO  
 BREF = 936.6800 IN. ZMRP = 375.0000 IN. ZO  
 SCALE = .0125

## PARAMETRIC DATA

ALPHAC = 2.000 BETAC = .000  
 STAB = 5.000 ELEVON = .000  
 BDFLAP = 16.300 DX = .000  
 DY = .000 TORB = 8.000  
 BETA0 = .000 RUDDER = .000

RUN NO. 52/ 0 RN/L = .00 GRADIENT INTERVAL = -5.00/ 5.00

MACH	DZ	CPCO	CPB1	CPB2	CPB3	CPS1	CPS2	ALPHA0	BETA0	INC10	ALPHAC
.602	51.950	-.07500	-.28900	-.42300	-.38600	-.24800	-.26400	10.29000	.05000	7.92000	2.67000
.599	53.180	-.07400	-.29600	-.43000	-.38800	-.25100	-.27200	10.27000	.04000	7.91000	2.67000
.600	54.420	-.08000	-.29400	-.43200	-.39400	-.24700	-.27300	10.28000	.02000	7.93000	2.67000
.604	55.650	-.07300	-.29000	-.42200	-.38500	-.24600	-.26600	10.26000	.07000	7.93000	2.67000
.600	56.890	-.07300	-.29600	-.42900	-.38300	-.24900	-.26700	10.27000	.05000	7.93000	2.67000
.600	58.120	-.07900	-.29600	-.43200	-.39700	-.24600	-.27500	10.25000	.02000	7.92000	2.67000
	GRADIENT	-.00240	.00266	.00441	.00223	-.00223	.00062	.00024	-.00744	.00294	.00302

LTV44-559(CA26) 747/1 ATY 02 S1 (ORBITER DATA)

(XFE071) ( 18 NOV 75 )

## REFERENCE DATA

SREF = 2690.0000 SQ.FT. XMRP = 1109.0000 IN. XO  
 LREF = 474.8100 IN. YMRP = .0000 IN. YO  
 BREF = 936.6800 IN. ZMRP = 375.0000 IN. ZO  
 SCALE = .0125

## PARAMETRIC DATA

ALPHAC = 2.000 BETAC = .000  
 STAB = 5.000 ELEVON = .000  
 BDFLAP = 5.000 DX = .000  
 DY = .000 TORB = 4.000  
 BETA0 = .000 RUDDER = .000

RUN NO. 53/ 0 RN/L = .00 GRADIENT INTERVAL = -5.00/ 5.00

MACH	DZ	CPCO	CPB1	CPB2	CPB3	CPS1	CPS2	ALPHAO	BETA0	INCID	ALPHAC
.597	1.760	-.05400	-.26400	-.40200	-.33700	-.18200	-.27400	6.56000	.05000	3.92000	2.63000
.597	2.360	-.05300	-.26600	-.40900	-.33400	-.18300	-.27400	6.57000	.03000	3.95000	2.63000
.600	2.970	-.05300	-.26900	-.39600	-.34200	-.18500	-.27100	6.56000	.02000	3.94000	2.63000
.598	3.760	-.05800	-.26900	-.40300	-.31400	-.18900	-.27400	6.57000	.03000	3.95000	2.63000
.600	4.560	-.05300	-.26800	-.40100	-.34000	-.18300	-.27000	6.52000	.08000	3.91000	2.63000
.598	5.960	-.05700	-.27000	-.41000	-.34600	-.19300	-.27300	6.55000	.06000	3.95000	2.63000
.600	7.970	-.05500	-.27100	-.40500	-.34600	-.18900	-.26900	6.50000	.04000	3.91000	2.63000
.597	9.960	-.05900	-.27500	-.42000	-.35200	-.20000	-.27400	6.51000	.04000	3.93000	2.63000
.600	10.960	-.06200	-.27800	-.41500	-.35100	-.20000	-.27300	6.51000	.07000	3.93000	2.64000
.600	11.960	-.05800	-.27600	-.41300	-.35100	-.19600	-.27100	6.50000	.06000	3.93000	2.64000
.600	12.950	-.06000	-.27400	-.41200	-.35300	-.19600	-.27000	6.52000	.03000	3.95000	2.64000
.596	13.940	-.06600	-.28300	-.42500	-.35900	-.20800	-.27800	6.48000	.04000	3.92000	2.64000
.599	14.940	-.06500	-.27700	-.41500	-.35400	-.19800	-.27600	6.51000	.05000	3.95000	2.64000
.600	16.930	-.06300	-.28000	-.41500	-.35600	-.20200	-.27000	6.48000	.05000	3.92000	2.64000
.600	16.930	-.06600	-.27700	-.42300	-.35700	-.20200	-.27100	6.50000	.06000	3.95000	2.65000
.599	17.930	-.06700	-.28100	-.42500	-.35800	-.20600	-.27300	6.49000	.07000	3.94000	2.65000
.601	18.920	-.06700	-.28100	-.42300	-.36200	-.20300	-.27200	6.47000	.04000	3.92000	2.65000
.601	19.910	-.06700	-.28300	-.42300	-.36100	-.20800	-.27400	6.49000	.08000	3.96000	2.65000
.600	20.910	-.06900	-.28200	-.42400	-.36300	-.20700	-.27300	6.45000	.03000	3.91000	2.65000
.598	21.900	-.07000	-.29100	-.42600	-.36800	-.21300	-.27600	6.45000	.05000	3.93000	2.65000
.599	22.890	-.06600	-.28900	-.42900	-.36100	-.21200	-.27500	6.48000	.05000	3.96000	2.65000
.598	23.890	-.06900	-.28500	-.43100	-.36700	-.21000	-.27300	6.45000	.05000	3.93000	2.66000
.599	24.890	-.07000	-.28200	-.43300	-.36400	-.20900	-.27100	6.45000	.06000	3.93000	2.65000
.599	25.890	-.07100	-.28700	-.43900	-.37000	-.21200	-.27500	6.45000	.04000	3.94000	2.65000
.600	26.870	-.06800	-.28800	-.44800	-.36500	-.21400	-.27500	6.45000	.05000	3.95000	2.66000
.601	27.870	-.06600	-.29100	-.43700	-.36300	-.21500	-.26900	6.43000	.06000	3.93000	2.66000
.598	28.860	-.07200	-.29300	-.43800	-.37000	-.22000	-.27300	6.45000	.04000	3.95000	2.66000
.599	29.860	-.07300	-.29400	-.44400	-.37300	-.22200	-.27300	6.41000	.04000	3.92000	2.66000
.601	30.860	-.06700	-.28700	-.43700	-.36600	-.21800	-.26800	6.42000	.04000	3.94000	2.66000
.599	31.850	-.06700	-.29100	-.44200	-.36900	-.21800	-.26900	6.42000	.04000	3.93000	2.66000
.598	32.840	-.07300	-.29400	-.44300	-.37400	-.22200	-.27100	6.40000	.04000	3.93000	2.67000
.597	33.840	-.07300	-.29700	-.45100	-.37600	-.22200	-.27500	6.42000	.06000	3.95000	2.67000
.600	34.830	-.07100	-.29300	-.44100	-.37100	-.22100	-.26700	6.43000	.06000	3.96000	2.66000
.600	35.830	-.07300	-.29400	-.44400	-.37300	-.22300	-.26600	6.39000	.04000	3.94000	2.66000
.600	36.830	-.07400	-.29400	-.44300	-.37200	-.22000	-.26700	6.41000	.05000	3.95000	2.67000
.600	37.820	-.07500	-.29600	-.44600	-.37500	-.22300	-.26700	6.40000	.05000	3.95000	2.67000
.598	38.820	-.07400	-.30000	-.45200	-.37900	-.22500	-.27200	6.37000	.05000	3.93000	2.67000
.600	39.810	-.07300	-.29400	-.44500	-.37700	-.22200	-.26800	6.39000	.05000	3.95000	2.67000
.596	40.800	-.07400	-.30500	-.45700	-.38000	-.22700	-.27500	6.36000	.04000	3.93000	2.67000
.597	41.800	-.07200	-.30000	-.45800	-.37800	-.22700	-.26800	6.36000	.03000	3.94000	2.67000
.599	42.800	-.07500	-.29800	-.46400	-.38000	-.22600	-.26700	6.34000	.04000	3.92000	2.67000
.599	43.790	-.07500	-.29800	-.45600	-.38300	-.22800	-.26700	6.34000	.05000	3.92000	2.67000

ORIGINAL PAGE IS  
OF POOR QUALITY

LTV44-559(CA26) 747/1 ATY 02 S1 (ORBITER DATA)

(XFE071) ( 18 NOV 75 )

## REFERENCE DATA

SREF = 2690.0000 SQ.FT. XMRP = 1109.0000 IN. XO  
 LREF = 474.8100 IN. YMRP = .0000 IN. YO  
 BREF = 936.6800 IN. ZMRP = 375.0000 IN. ZO  
 SCALE = .0125

## PARAMETRIC DATA

ALPHAC = 2.000 BETAC = .000  
 STAB = 5.000 ELEVON = .000  
 BDFLAP = 5.000 DX = .000  
 DY = .000 TORB = 4.000  
 BETAO = .000 RUDDER = .000

RUN NO. 53/ 0 RN/L = .00 GRADIENT INTERVAL = -5.00/ 5.00

MACH	DZ	CPCO	CPB1	CPB2	CPB3	CPS1	CPS2	ALPHAO	BETAO	INCID	ALPHAC
.602	44.790	-.07500	-.30000	-.43700	-.37700	-.22700	-.26500	6.37000	.05000	3.95000	2.67000
	GRADIENT	-.00042	-.00148	.00105	-.00219	-.00105	.00113	-.00941	.00986	-.00372	.00000

LTV44-559(CA25) 747/1 ATY O2 S1 (ORBITER DATA)

(XFE072) ( 18 NOV 75 )

## REFERENCE DATA

SREF = 2690.0000 SQ.FT. XMRP = 1109.0000 IN. XO  
 LREF = 474.8100 IN. YMRP = .0000 IN. YO  
 BREF = 936.6800 IN. ZMRP = 375.0000 IN. ZO  
 SCALE = .0125

## PARAMETRIC DATA

ALPHAC = 2.000 BETAC = .000  
 STAB = 5.000 ELEVON = .000  
 BDFLAP = 5.000 DX = .000  
 DY = .000 IORB = 6.000  
 BETAO = .000 RUDDER = .000

RUN NO. 1053/ 0 RN/L = .00 GRADIENT INTERVAL = -5.00/ 5.00

MACH	DZ	CP00	CP01	CP02	CP03	CPS1	CPS2	ALPHA0	BETA0	INCID	ALPHAC
.598	1.470	-.07000	-.28500	-.41400	-.36900	-.23200	-.24200	8.60000	.10000	5.93000	2.67000
.598	1.770	-.07100	-.28300	-.41700	-.37000	-.23700	-.24500	8.59000	.03000	5.93000	2.66000
.598	2.370	-.07100	-.28300	-.41600	-.37300	-.23900	-.24700	8.60000	.00000	5.95000	2.66000
.598	2.970	-.07600	-.28800	-.41300	-.37000	-.23500	-.24500	8.60000	.06000	5.95000	2.67000
.598	3.770	-.07500	-.28400	-.41800	-.37400	-.23900	-.24900	8.55000	.08000	5.91000	2.66000
.599	4.570	-.07600	-.28500	-.41300	-.37600	-.24100	-.24900	8.57000	.07000	5.93000	2.65000
.598	5.970	-.07700	-.29100	-.42000	-.37600	-.24000	-.25100	8.54000	.02000	5.92000	2.65000
.597	7.970	-.07800	-.29100	-.42200	-.37400	-.23400	-.24800	8.55000	.06000	5.94000	2.65000
.598	9.960	-.07600	-.29100	-.42500	-.37900	-.24200	-.25100	8.53000	.02000	5.93000	2.65000
.599	11.240	-.07700	-.29000	-.42400	-.37600	-.23800	-.25200	8.52000	.06000	5.93000	2.65000
.597	12.520	-.07700	-.29300	-.42500	-.37900	-.24200	-.25500	8.51000	.07000	5.92000	2.65000
.598	13.800	-.07800	-.29300	-.42200	-.37200	-.23700	-.25100	8.51000	.06000	5.93000	2.65000
.597	15.080	-.07600	-.29200	-.42600	-.37600	-.24100	-.25300	8.47000	.09000	5.90000	2.65000
.598	16.350	-.07500	-.28800	-.42300	-.37700	-.24100	-.25300	8.48000	.02000	5.92000	2.66000
.600	17.630	-.07800	-.29900	-.42100	-.37300	-.23600	-.25200	8.51000	.05000	5.95000	2.66000
.598	18.900	-.07700	-.29600	-.43300	-.38200	-.23900	-.25500	8.47000	.00000	5.92000	2.66000
.599	20.180	-.08200	-.29800	-.43000	-.37900	-.24100	-.25700	8.45000	.05000	5.91000	2.66000
.595	21.460	-.08200	-.30400	-.43400	-.38500	-.24600	-.26000	8.48000	.05000	5.95000	2.65000
.598	22.730	-.07500	-.29400	-.42500	-.37500	-.24100	-.25500	8.46000	.02000	5.93000	2.66000
.599	24.000	-.07700	-.29200	-.42400	-.37800	-.24200	-.25600	8.45000	.05000	5.93000	2.66000
.599	25.280	-.07600	-.29700	-.42400	-.37600	-.24200	-.25600	8.43000	.07000	5.91000	2.67000
.598	26.560	-.08000	-.30000	-.42800	-.38100	-.24300	-.25400	8.45000	.07000	5.94000	2.66000
.599	27.840	-.08000	-.29900	-.42700	-.38000	-.24200	-.25400	8.45000	.07000	5.95000	2.67000
.600	29.110	-.07600	-.29600	-.42400	-.37800	-.24200	-.25500	8.44000	.03000	5.94000	2.67000
.599	30.390	-.07700	-.29700	-.42400	-.37900	-.24100	-.25500	8.44000	.04000	5.95000	2.66000
.599	31.660	-.07900	-.29700	-.42700	-.38200	-.24400	-.26000	8.40000	.01000	5.92000	2.66000
.597	32.940	-.07700	-.29600	-.42900	-.38100	-.24100	-.25900	8.42000	.03000	5.95000	2.66000
.598	34.220	-.07700	-.29300	-.42600	-.37700	-.23800	-.25800	8.37000	.06000	5.91000	2.66000
.596	35.490	-.08200	-.30300	-.43400	-.38500	-.24200	-.26400	8.38000	.03000	5.92000	2.66000
.599	36.770	-.07700	-.29700	-.42700	-.37800	-.23800	-.25800	8.38000	.02000	5.93000	2.67000
.600	38.050	-.07700	-.29800	-.42600	-.37700	-.24000	-.25800	8.41000	.06000	5.96000	2.67000
.596	39.330	-.08200	-.30500	-.43600	-.38500	-.24500	-.26400	8.36000	.02000	5.92000	2.67000
.596	40.600	-.08200	-.30400	-.43700	-.38500	-.24300	-.26600	8.36000	.02000	5.92000	2.67000
.598	41.880	-.08100	-.30100	-.43500	-.38000	-.23700	-.26200	8.35000	.03000	5.92000	2.67000
.597	43.150	-.08000	-.30100	-.43700	-.38300	-.23600	-.26300	8.36000	.05000	5.94000	2.67000
.596	44.430	-.08200	-.29900	-.43600	-.38200	-.24100	-.26600	8.35000	.04000	5.93000	2.67000
.599	45.710	-.08300	-.30200	-.43300	-.38100	-.23900	-.26700	8.35000	.05000	5.93000	2.68000
.600	46.980	-.08100	-.30100	-.44200	-.38400	-.24000	-.26600	8.32000	.02000	5.92000	2.67000
.600	48.260	-.07800	-.29800	-.43900	-.38100	-.23700	-.26700	8.31000	.03000	5.91000	2.68000
.597	49.540	-.07900	-.30200	-.44000	-.38500	-.24400	-.26700	8.33000	.03000	5.94000	2.67000
.598	50.820	-.08000	-.30100	-.43500	-.38000	-.23900	-.26800	8.29000	.01000	5.91000	2.68000
	GRADIENT	-.00206	-.00035	.00030	-.00261	-.00203	-.00196	-.01258	.00576	-.00351	-.00415

LTV44-559(CA26) 747/1 ATY 02 S1 (ORBITER DATA)

(XFE073) ( 18 NOV 75 )

## REFERENCE DATA

SREF = 2690.0000 SQ.FT. XMRP = 1109.0000 IN. XO  
 LREF = 474.8100 IN. YMRP = .0000 IN. YO  
 BREF = 936.6800 IN. ZMRP = 375.0000 IN. ZO  
 SCALE = .0125

## PARAMETRIC DATA

ALPHAC = 2.000 BETAC = .000  
 STAB = 5.000 ELEVON = .000  
 BDFLAP = 5.000 DX = .000  
 DY = .000 YORB = 8.000  
 BETAO = .000 RUDDER = .000

RUN NO. 54/ 0 RN/L = .00 GRADIENT INTERVAL = -5.00/ 5.00

MACH	DZ	CPCO	CPB1	CPB2	CPB3	CPS1	CPS2	ALPHA0	BETAO	INCID	ALPHAC
.599	1.760	-.05700	-.26700	-.39200	-.34300	-.19600	-.29300	10.62000	.06000	7.93000	2.69000
.599	2.360	-.06200	-.26500	-.39900	-.34400	-.19500	-.29400	10.60000	.02000	7.92000	2.69000
.600	2.970	-.06100	-.27100	-.41200	-.34500	-.20300	-.29000	10.61000	.01000	7.93000	2.70000
.599	3.960	-.06500	-.27400	-.41700	-.35100	-.20300	-.29400	10.58000	.10000	7.90000	2.70000
.601	4.960	-.06700	-.27400	-.43600	-.35100	-.20800	-.29000	10.57000	.09000	7.90000	2.69000
.599	6.210	-.07000	-.27400	-.42400	-.35500	-.21000	-.29500	10.57000	.04000	7.92000	2.69000
.599	7.460	-.06900	-.28000	-.42000	-.36000	-.21200	-.29600	10.56000	.04000	7.91000	2.69000
.598	8.710	-.07100	-.28200	-.42400	-.36400	-.21500	-.29600	10.56000	.03000	7.92000	2.69000
.600	9.960	-.07400	-.28600	-.42700	-.36500	-.21500	-.29400	10.52000	.09000	7.90000	2.67000
.602	11.200	-.07100	-.27900	-.42500	-.35900	-.21700	-.28800	10.53000	.09000	7.92000	2.68000
.599	12.430	-.07700	-.28900	-.42800	-.37000	-.22200	-.29400	10.49000	.05000	7.89000	2.67000
.601	13.670	-.07500	-.28400	-.43000	-.36500	-.22400	-.29100	10.52000	.05000	7.92000	2.67000
.600	14.910	-.07900	-.28800	-.43600	-.37000	-.22800	-.29300	10.51000	.05000	7.92000	2.67000
.600	16.140	-.07800	-.28700	-.43700	-.36600	-.22900	-.29200	10.50000	.04000	7.92000	2.67000
.598	17.370	-.08000	-.29000	-.44200	-.37200	-.23200	-.29400	10.48000	.04000	7.91000	2.67000
.599	18.610	-.07600	-.29400	-.44300	-.37400	-.22800	-.29300	10.48000	.10000	7.91000	2.67000
.597	19.840	-.08400	-.29800	-.44700	-.38100	-.23300	-.29700	10.45000	.07000	7.89000	2.66000
.599	21.080	-.08200	-.29400	-.44900	-.37700	-.23400	-.29300	10.46000	.02000	7.92000	2.66000
.599	22.310	-.08400	-.29800	-.44400	-.38100	-.23500	-.29600	10.43000	.07000	7.90000	2.66000
.600	23.550	-.08100	-.29900	-.44500	-.38300	-.23400	-.29700	10.44000	.09000	7.91000	2.66000
.602	24.780	-.07800	-.29700	-.44300	-.37800	-.23300	-.29200	10.45000	.05000	7.93000	2.66000
.600	26.010	-.08400	-.29900	-.44600	-.38300	-.23500	-.29400	10.44000	.06000	7.93000	2.66000
.601	27.250	-.08200	-.30200	-.44800	-.38300	-.23800	-.29100	10.43000	.05000	7.93000	2.66000
.601	28.480	-.08100	-.30100	-.45100	-.39200	-.24100	-.29200	10.40000	.03000	7.90000	2.66000
.600	29.720	-.08300	-.30300	-.46500	-.38700	-.24500	-.29300	10.42000	.09000	7.93000	2.66000
.601	30.960	-.08400	-.30100	-.45500	-.38700	-.24000	-.29100	10.40000	.07000	7.92000	2.66000
.600	32.180	-.08400	-.30700	-.45900	-.38700	-.24900	-.29300	10.37000	.08000	7.90000	2.66000
.602	33.420	-.08500	-.30500	-.45200	-.38800	-.24500	-.28800	10.37000	.04000	7.90000	2.66000
.599	34.660	-.08600	-.31200	-.45900	-.39100	-.25200	-.29200	10.35000	.06000	7.89000	2.66000
.601	35.900	-.08700	-.30600	-.45300	-.39100	-.24600	-.29300	10.37000	.04000	7.91000	2.66000
.601	37.130	-.08200	-.30300	-.45200	-.38600	-.24600	-.28800	10.37000	.02000	7.92000	2.66000
.602	38.360	-.08400	-.30300	-.45100	-.38900	-.24600	-.28500	10.33000	.03000	7.89000	2.66000
.601	39.600	-.08400	-.30700	-.45200	-.38900	-.24800	-.28900	10.33000	.05000	7.90000	2.66000
.599	40.830	-.09000	-.31100	-.45400	-.39600	-.25200	-.29200	10.34000	.08000	7.91000	2.67000
.600	42.070	-.08500	-.30500	-.45300	-.39100	-.25000	-.28900	10.31000	.05000	7.89000	2.66000
.600	43.300	-.08600	-.30800	-.45900	-.39400	-.25200	-.28900	10.33000	.09000	7.92000	2.67000
.599	44.540	-.09100	-.31000	-.45900	-.39800	-.25400	-.29400	10.33000	.08000	7.92000	2.66000
.601	45.770	-.08700	-.31000	-.45700	-.39100	-.25400	-.28800	10.29000	.05000	7.89000	2.67000
.601	47.010	-.08600	-.31100	-.46000	-.39400	-.25500	-.28900	10.31000	.10000	7.91000	2.67000
.600	48.250	-.08700	-.31400	-.46400	-.39500	-.25700	-.28700	10.31000	.07000	7.92000	2.67000
.599	49.480	-.08900	-.31400	-.46900	-.39800	-.25400	-.29200	10.29000	.09000	7.91000	2.67000
.599	50.710	-.09100	-.31300	-.46600	-.40200	-.25600	-.29400	10.29000	.07000	7.92000	2.67000

LTV44-559(CA25) 747/1 ATY 02 S1 (ORBITER DATA)

(XFE073) ( 18 NOV 75 )

## REFERENCE DATA

SREF = 2690.0000 SQ.FT. XMRP = 1109.0000 IN. XO  
 LREF = 474.8100 IN. YMRP = .0000 IN. YO  
 BREF = 936.6800 IN. ZMRP = 375.0000 IN. ZO  
 SCALE = .0125

## PARAMETRIC DATA

ALPHAC = 2.000 BETAC = .000  
 STAB = 5.000 ELEVON = .000  
 BDFLAP = 5.000 DX = .000  
 DY = .000 IORB = 8.000  
 BETAO = .000 RUDDER = .000

RUN NO. 54/ 0 RN/L = .00 GRADIENT INTERVAL = -5.00/ 5.00

MACH	DZ	CPCO	CPB1	CPB2	CPB3	CPS1	CPS2	ALPHAO	BETAO	INCLD	ALPHAC
.599	51.950	-.08900	-.31500	-.47400	-.40200	-.26000	-.29100	10.28000	.03000	7.91000	2.67000
.600	53.180	-.08900	-.31300	-.46500	-.39900	-.25800	-.28300	10.27000	.07000	7.90000	2.67000
.599	54.420	-.09100	-.31700	-.46700	-.40100	-.25900	-.29400	10.25000	.07000	7.89000	2.67000
.601	55.650	-.09000	-.31000	-.46500	-.40100	-.25300	-.28900	10.26000	.12000	7.91000	2.67000
.599	56.890	-.09500	-.31900	-.47000	-.40700	-.26100	-.29600	10.23000	.03000	7.89000	2.67000
.599	58.120	-.09300	-.31700	-.46700	-.40500	-.26100	-.28800	10.26000	.04000	7.92000	2.67000
	GRADIENT	-.00284	-.00282	-.01318	-.00289	-.00394	.00072	-.01522	.01972	-.01031	.00081

ORIGINAL PAGE IS  
 OF POOR QUALITY

LTV44-559(CA26) 747/1 ATY 02 S1 (ORBITER DATA)

(XFE074) ( 18 NOV 75 )

## REFERENCE DATA

SREF = 2690.0000 SQ.FT. XMRP = 1109.0000 IN. XO  
 LREF = 474.8100 IN. YMRP = .0000 IN. YO  
 BREF = 935.6800 IN. ZMRP = 375.0000 IN. ZO  
 SCALE = .0125

## PARAMETRIC DATA

ALPHAC = 2.000 BETAC = .000  
 STAB = 5.000 ELEVON = .000  
 BDFLAP = .000 DX = .000  
 DY = .000 TORB = 4.000  
 BETA0 = .000 RUDDER = .000

RUN NO. 55/ 0 RN/L = .00 GRADIENT INTERVAL = -5.00/ 5.00

MACH	DZ	CPC0	CPB1	CPB2	CPB3	CPS1	CPS2	ALPHA0	BETA0	INCID	ALPHAC
.600	1.760	-.04000	-.25300	-.36600	-.31900	-.16300	-.27700	6.56000	.03000	3.96000	2.61000
.600	2.360	-.04300	-.25700	-.37200	-.32400	-.16800	-.28000	6.56000	.04000	3.95000	2.61000
.602	2.970	-.04400	-.25900	-.37900	-.32400	-.16900	-.27900	6.56000	.00000	3.95000	2.62000
.603	3.760	-.04300	-.25600	-.38100	-.32400	-.16700	-.27700	6.56000	.02000	3.97000	2.61000
.602	4.560	-.04700	-.26200	-.38100	-.32600	-.17300	-.28000	6.55000	.00000	3.96000	2.62000
.601	5.960	-.05100	-.26100	-.38700	-.33400	-.17600	-.28100	6.55000	.02000	3.96000	2.62000
.601	7.970	-.05300	-.26300	-.39200	-.33800	-.17800	-.28100	6.53000	.03000	3.96000	2.62000
.601	9.960	-.05500	-.26900	-.39700	-.34200	-.18400	-.28300	6.51000	.06000	3.93000	2.63000
.601	10.960	-.05300	-.27100	-.39400	-.33600	-.18200	-.28100	6.51000	.07000	3.94000	2.63000
.600	11.960	-.05600	-.27300	-.40300	-.34100	-.18400	-.28200	6.50000	.05000	3.93000	2.63000
.602	12.960	-.05600	-.27000	-.39700	-.34000	-.18600	-.28100	6.50000	.07000	3.94000	2.63000
.602	13.940	-.05500	-.27300	-.39900	-.34300	-.18600	-.28100	6.51000	.03000	3.95000	2.64000
.602	14.940	-.05600	-.27500	-.40200	-.34300	-.18700	-.27900	6.51000	.01000	3.96000	2.64000
.602	15.930	-.05600	-.27400	-.40000	-.34300	-.18900	-.27900	6.50000	.03000	3.95000	2.64000
.601	16.930	-.05800	-.27400	-.40700	-.34700	-.19400	-.28200	6.48000	.03000	3.93000	2.64000
.602	17.930	-.05900	-.28000	-.41100	-.34700	-.19100	-.28100	6.47000	.07000	3.94000	2.64000
.602	18.920	-.05600	-.27600	-.40900	-.34700	-.19200	-.28100	6.46000	.03000	3.92000	2.64000
.602	19.910	-.06300	-.28300	-.41900	-.34800	-.19600	-.28400	6.50000	.03000	3.97000	2.64000
.602	20.910	-.06100	-.28200	-.41000	-.34800	-.19500	-.28000	6.48000	.03000	3.95000	2.65000
.602	21.900	-.06400	-.28300	-.41000	-.35300	-.19900	-.28300	6.48000	.02000	3.95000	2.65000
.602	22.890	-.06300	-.28200	-.41300	-.35200	-.19800	-.28000	6.47000	.03000	3.96000	2.65000
.602	23.890	-.06400	-.28200	-.41600	-.35500	-.20300	-.28200	6.45000	.00000	3.94000	2.65000
.602	24.890	-.06300	-.28400	-.41100	-.35100	-.19800	-.27800	6.47000	.01000	3.97000	2.65000
.602	25.880	-.06200	-.28700	-.41300	-.35500	-.20100	-.27900	6.44000	.07000	3.93000	2.65000
.601	26.870	-.06500	-.28600	-.41700	-.35600	-.20400	-.26200	6.46000	.00000	3.96000	2.65000
.600	27.870	-.06700	-.29100	-.41900	-.35700	-.20400	-.28100	6.43000	.05000	3.94000	2.65000
.601	28.860	-.06400	-.28900	-.41500	-.35700	-.20600	-.28000	6.45000	.00000	3.97000	2.65000
.600	29.860	-.06600	-.28900	-.42000	-.35900	-.20700	-.27900	6.44000	.04000	3.95000	2.66000
.601	30.860	-.06500	-.28700	-.42200	-.35900	-.20700	-.27800	6.44000	.03000	3.96000	2.66000
.602	31.850	-.06500	-.28800	-.42100	-.35700	-.20600	-.27500	6.44000	.04000	3.96000	2.66000
.603	32.840	-.06800	-.29200	-.42500	-.36100	-.21100	-.27500	6.42000	.06000	3.95000	2.66000
.602	33.840	-.06500	-.28300	-.42200	-.36100	-.20900	-.27700	6.41000	.00000	3.95000	2.66000
.601	34.830	-.06900	-.29400	-.42500	-.36200	-.21000	-.27800	6.39000	.02000	3.93000	2.66000
.602	35.830	-.06600	-.29200	-.42500	-.36200	-.21000	-.27500	6.39000	.02000	3.93000	2.66000
.602	36.830	-.06900	-.29700	-.43100	-.36700	-.21600	-.27900	6.40000	.02000	3.95000	2.66000
.602	37.820	-.06900	-.29500	-.43100	-.36600	-.21200	-.27800	6.40000	.06000	3.96000	2.66000
.601	38.820	-.06700	-.29100	-.43000	-.36700	-.21600	-.27700	6.40000	.04000	3.96000	2.66000
.601	39.810	-.06700	-.29400	-.43000	-.36600	-.21600	-.27600	6.40000	.05000	3.96000	2.66000
.603	40.800	-.07100	-.29900	-.43700	-.37000	-.21900	-.27600	6.36000	.02000	3.93000	2.66000
.602	41.800	-.07200	-.29900	-.43500	-.36800	-.21800	-.27600	6.38000	.05000	3.95000	2.67000
.601	42.800	-.06900	-.29500	-.43200	-.36700	-.21700	-.27700	6.36000	.03000	3.94000	2.67000
.601	43.790	-.07300	-.30000	-.43400	-.37000	-.22100	-.27300	6.36000	.03000	3.94000	2.66000



DATE 22 MAR 76

CA-26 FORCE SOURCE DATA TABULATION

PAGE 603

LTV44-559(CA26) 747/1 ATY 02 S1 (ORBITER DATA)

(XFE074) ( 18 NOV 75 )

REFERENCE DATA

SREF = 2690.0000 SQ.FT. XMRP = 1109.0000 IN. XO  
LREF = 474.8100 IN. YMRP = .0000 IN. YO  
BREF = 936.6800 IN. ZMRP = 375.0000 IN. ZO  
SCALE = .0125

PARAMETRIC DATA

ALPHAC = 2.000 BETAC = .000  
STAB = 5.000 ELEVON = .000  
BDFLAP = .000 DX = .000  
DY = .000 TORB = 4.000  
BETA0 = .000 RUDDER = .000

RUN NO. 55/ 0 RN/L = .00 GRADIENT INTERVAL = -5.00/ 5.00

MACH	DZ	CPCO	CPB1	CPB2	CPB3	CPS1	CPS2	ALPHA0	BETA0	INCID	ALPHAC
.603	44.790	-.07200	-.30300	-.43500	-.37200	-.22000	-.27400	6.34000	.00000	3.94000	2.67000
	GRADIENT	-.00198	-.00267	-.00539	-.00254	-.00268	-.00041	-.00300	-.01116	.00307	.00277

LTV44-559(CA26) 747/1 ATY 02 S1 (ORBITER DATA)

(XFE075) ( 18 NOV 75 )

## REFERENCE DATA

SREF = 2690.0000 SQ.FT. XMRP = 1109.0000 IN. XO  
 LREF = 474.8100 IN. YMRP = .0000 IN. YO  
 BREF = 936.6800 IN. ZMRP = 375.0000 IN. ZO  
 SCALE = .0125

## PARAMETRIC DATA

ALPHAC = 2.000 BETAC = .000  
 STAB = 5.000 ELEVON = .000  
 BDFLAP = .000 DX = .000  
 DY = .000 TORB = 6.000  
 BETAO = .000 RUDDER = .000

RUN NO. 1055/ 0 RN/L = .00 GRADIENT INTERVAL = -5.00/ 5.00

MACH	DZ	CPCO	CPB1	CPB2	CPB3	CPS1	CPS2	ALPHA0	BETAO	INC10	ALPHAC
.603	1.470	-.07100	-.28500	-.41200	-.36700	-.23800	-.24800	8.57000	.02000	5.92000	2.65000
.602	1.770	-.07200	-.28800	-.40700	-.36200	-.23300	-.24500	8.59000	.05000	5.94000	2.65000
.603	2.370	-.07100	-.28700	-.41000	-.36500	-.23800	-.24900	8.57000	.02000	5.93000	2.65000
.601	2.970	-.07400	-.29000	-.40900	-.36900	-.24000	-.25200	8.56000	.03000	5.92000	2.65000
.601	3.770	-.07400	-.28900	-.41100	-.36900	-.23800	-.25100	8.56000	.02000	5.94000	2.64000
.600	4.570	-.07300	-.29200	-.41300	-.37000	-.24000	-.25100	8.58000	.04000	5.96000	2.65000
.601	5.970	-.07600	-.29200	-.41600	-.37200	-.24100	-.25500	8.55000	.02000	5.94000	2.64000
.602	7.970	-.07500	-.29100	-.41600	-.36500	-.23500	-.25000	8.55000	.05000	5.95000	2.65000
.601	9.960	-.07700	-.29200	-.41700	-.36900	-.24000	-.25400	8.53000	.03000	5.94000	2.64000
.601	11.240	-.07500	-.29400	-.41700	-.37200	-.24200	-.25600	8.54000	.03000	5.95000	2.65000
.603	12.520	-.07600	-.29400	-.41500	-.36700	-.23600	-.25200	8.51000	.03000	5.93000	2.65000
.600	13.800	-.07500	-.29600	-.42200	-.37400	-.24000	-.25600	8.51000	.02000	5.94000	2.65000
.602	15.080	-.07700	-.29300	-.41500	-.36500	-.23500	-.25200	8.49000	.01000	5.92000	2.65000
.602	16.350	-.07600	-.29200	-.41700	-.36600	-.23400	-.25100	8.48000	.02000	5.92000	2.65000
.600	17.630	-.07800	-.29800	-.42200	-.37100	-.24100	-.25800	8.50000	.04000	5.95000	2.65000
.599	18.900	-.07900	-.30000	-.42100	-.37100	-.24200	-.25900	8.47000	.00000	5.93000	2.65000
.601	20.180	-.07600	-.29900	-.42200	-.37200	-.24200	-.25700	8.46000	.02000	5.92000	2.65000
.599	21.460	-.07800	-.29900	-.42200	-.37300	-.24200	-.26100	8.48000	.04000	5.95000	2.65000
.602	22.730	-.07400	-.29500	-.41900	-.36700	-.23900	-.25600	8.45000	.03000	5.92000	2.65000
.600	24.000	-.07700	-.29900	-.42200	-.37000	-.23800	-.25700	8.46000	.03000	5.94000	2.66000
.603	25.280	-.07300	-.29400	-.41800	-.36900	-.23800	-.25700	8.45000	.02000	5.95000	2.66000
.601	26.560	-.07800	-.29700	-.42300	-.37200	-.24000	-.26000	8.46000	.03000	5.95000	2.66000
.604	27.840	-.07300	-.29600	-.41800	-.36500	-.23600	-.25500	8.43000	.01000	5.93000	2.66000
.601	29.110	-.07500	-.29900	-.42200	-.37100	-.24000	-.25900	8.43000	.01000	5.94000	2.66000
.602	30.390	-.07500	-.29700	-.42200	-.37100	-.24000	-.25900	8.42000	.00000	5.93000	2.66000
.601	31.660	-.07600	-.29900	-.42300	-.37200	-.23900	-.26100	8.41000	.01000	5.93000	2.66000
.601	32.940	-.07900	-.30200	-.42800	-.37300	-.24200	-.26200	8.43000	.01000	5.96000	2.66000
.602	34.220	-.07600	-.30000	-.42500	-.37300	-.24000	-.26100	8.42000	.00000	5.96000	2.66000
.602	35.490	-.07400	-.29600	-.42400	-.37100	-.23700	-.26300	8.40000	.01000	5.95000	2.66000
.602	36.770	-.07600	-.29700	-.42300	-.36900	-.23600	-.26300	8.40000	.03000	5.95000	2.66000
.601	38.050	-.08000	-.30600	-.43100	-.37800	-.24200	-.26500	8.39000	.03000	5.94000	2.67000
.602	39.330	-.07600	-.29800	-.42200	-.36900	-.23300	-.26300	8.37000	.00000	5.93000	2.67000
.601	40.600	-.07700	-.29700	-.42400	-.37100	-.23600	-.26600	8.39000	.03000	5.96000	2.66000
.601	41.880	-.07800	-.30000	-.42600	-.37000	-.23300	-.26200	8.35000	.00000	5.93000	2.67000
.603	43.150	-.07600	-.30000	-.42300	-.37000	-.23300	-.26800	8.35000	.04000	5.93000	2.67000
.602	44.430	-.07600	-.30200	-.42600	-.37100	-.23400	-.26400	8.33000	.00000	5.92000	2.67000
.603	45.710	-.07500	-.29500	-.42400	-.36800	-.23100	-.26800	8.35000	.01000	5.95000	2.67000
.602	46.980	-.07900	-.30300	-.43200	-.37600	-.23100	-.27600	8.36000	.04000	5.96000	2.67000
.602	48.260	-.07700	-.30200	-.42700	-.36900	-.22900	-.26900	8.31000	.01000	5.92000	2.67000
.602	49.540	-.07300	-.29600	-.42700	-.37000	-.23400	-.26500	8.30000	.00000	5.92000	2.67000
.602	50.820	-.07500	-.29700	-.42700	-.37000	-.23200	-.26900	8.30000	.00000	5.93000	2.67000
	GRADIENT	-.00081	-.00179	-.00091	-.00191	-.00127	-.00160	-.00204	.00070	.00893	-.00134

LTV44-559(CA26) 747/1 ATY 02 S1 (ORBITER DATA)

(XFE076) ( 18 NOV 75 )

## REFERENCE DATA

SREF = 2690.0000 SQ.FT. XMRP = 1109.0000 IN. XO  
 LREF = 474.8100 IN. YMRP = .0000 IN. YO  
 BREF = 936.6800 IN. ZMRP = 375.0000 IN. ZO  
 SCALE = .0125

## PARAMETRIC DATA

ALPHAC = 2.000 BETAC = .000  
 STAB = 5.000 ELEVON = .000  
 BDFLAP = .000 DX = .000  
 DY = .000 IORB = 8.000  
 BETAO = .000 RUDDER = .000

RUN NO. 56/ 0 RN/L = .00 GRADIENT INTERVAL = -.5.00/ 5.00

MACH	OZ	CPCO	CPB1	CPB2	CPB3	CPS1	CPS2	ALPHAO	BETAO	INCLD	ALPHAC
.599	1.760	-.04500	-.24900	-.37100	-.31800	-.18100	-.28300	10.62000	.06000	7.93000	2.69000
.599	2.360	-.05000	-.25600	-.37400	-.32000	-.18600	-.28700	10.61000	.07000	7.93000	2.69000
.599	2.970	-.05300	-.25900	-.38600	-.32100	-.18800	-.28500	10.61000	.09000	7.94000	2.69000
.600	3.960	-.05000	-.25600	-.39600	-.32200	-.18900	-.28400	10.56000	.04000	7.89000	2.69000
.600	4.960	-.05500	-.26200	-.38100	-.32300	-.19200	-.28300	10.59000	.07000	7.93000	2.69000
.600	6.210	-.05500	-.26400	-.39200	-.32800	-.19700	-.28600	10.56000	.05000	7.91000	2.68000
.600	7.460	-.05700	-.26800	-.41300	-.33300	-.20000	-.28700	10.58000	.07000	7.94000	2.68000
.599	8.710	-.06200	-.27200	-.40800	-.33500	-.20000	-.28800	10.55000	.03000	7.92000	2.67000
.599	9.960	-.06100	-.27300	-.42300	-.33700	-.20400	-.28600	10.55000	.01000	7.94000	2.67000
.599	11.200	-.06200	-.27300	-.42700	-.33900	-.20600	-.28600	10.55000	.01000	7.94000	2.67000
.599	12.430	-.06300	-.27400	-.42400	-.34200	-.21000	-.28800	10.53000	.06000	7.92000	2.68000
.599	13.670	-.06200	-.27600	-.43000	-.34400	-.20900	-.28900	10.54000	.04000	7.94000	2.67000
.599	14.910	-.06700	-.28000	-.42900	-.34300	-.20900	-.28900	10.51000	.01000	7.93000	2.67000
.599	16.140	-.06300	-.27800	-.43000	-.34600	-.21400	-.28700	10.52000	.06000	7.94000	2.67000
.599	17.370	-.06600	-.28300	-.43800	-.34500	-.21500	-.28800	10.52000	.06000	7.95000	2.67000
.599	18.610	-.07000	-.28300	-.42800	-.34700	-.21800	-.29100	10.47000	.03000	7.91000	2.67000
.599	19.840	-.07300	-.28800	-.43100	-.35300	-.22200	-.29300	10.48000	.02000	7.92000	2.67000
.600	21.080	-.07200	-.28800	-.42600	-.35100	-.21900	-.29100	10.49000	.03000	7.94000	2.67000
.600	22.310	-.07000	-.28800	-.42900	-.35600	-.22200	-.29000	10.46000	.06000	7.92000	2.67000
.599	23.550	-.07300	-.28900	-.42100	-.35400	-.22600	-.29000	10.43000	.04000	7.90000	2.66000
.599	24.780	-.07300	-.29200	-.43000	-.35800	-.22500	-.29100	10.46000	.01000	7.93000	2.67000
.599	26.010	-.07400	-.29200	-.42500	-.35600	-.22600	-.29100	10.43000	.08000	7.92000	2.66000
.599	27.250	-.07300	-.29200	-.42000	-.35300	-.22600	-.28900	10.44000	.06000	7.93000	2.66000
.599	28.480	-.07400	-.29500	-.43200	-.36100	-.22900	-.29300	10.40000	.06000	7.90000	2.66000
.599	29.720	-.07400	-.29500	-.44400	-.36100	-.23100	-.29100	10.41000	.07000	7.91000	2.67000
.599	30.950	-.07700	-.29400	-.43900	-.36300	-.23500	-.29000	10.42000	.02000	7.93000	2.67000
.599	32.180	-.07800	-.29300	-.44700	-.36400	-.23300	-.29300	10.38000	.05000	7.90000	2.67000
.597	33.420	-.07800	-.29600	-.44800	-.36600	-.23500	-.29400	10.42000	.01000	7.95000	2.67000
.599	34.660	-.07600	-.29700	-.44400	-.36700	-.23500	-.29000	10.42000	.00000	7.95000	2.67000
.600	35.900	-.07900	-.29800	-.43700	-.36300	-.23900	-.28800	10.37000	.04000	7.91000	2.66000
.599	37.130	-.08200	-.30000	-.44000	-.37100	-.24200	-.29200	10.38000	.03000	7.93000	2.67000
.600	38.360	-.08100	-.30000	-.43600	-.36800	-.24300	-.29000	10.38000	.03000	7.94000	2.67000
.600	39.600	-.08000	-.30100	-.43800	-.36600	-.24000	-.29200	10.37000	.05000	7.93000	2.67000
.599	40.830	-.08100	-.30100	-.44000	-.37000	-.24200	-.28600	10.35000	.04000	7.91000	2.67000
.600	42.070	-.07800	-.30100	-.43900	-.36600	-.24300	-.28600	10.37000	.01000	7.94000	2.67000
.599	43.300	-.08300	-.30200	-.44700	-.37400	-.24400	-.29300	10.34000	.06000	7.92000	2.67000
.600	44.540	-.08000	-.30100	-.45000	-.37000	-.24000	-.29100	10.36000	.03000	7.94000	2.67000
.602	45.770	-.08100	-.30300	-.45100	-.36900	-.24200	-.29100	10.33000	.00000	7.92000	2.67000
.601	47.010	-.08200	-.30200	-.44900	-.37200	-.24200	-.29300	10.33000	.01000	7.93000	2.67000
.599	48.250	-.08200	-.30600	-.44800	-.37500	-.24600	-.29000	10.33000	.04000	7.94000	2.67000
.600	49.480	-.08400	-.30900	-.45700	-.37500	-.24600	-.29200	10.29000	.04000	7.91000	2.68000
.599	50.710	-.08500	-.30800	-.46400	-.37600	-.24600	-.29300	10.32000	.04000	7.94000	2.68000

ORIGINAL PAGE IS  
OF POOR QUALITY

LTV44-559(CA26) 747/1 ATY 02 S1 (ORBITER DATA)

(XFE076) ( 18 NOV 75 )

## REFERENCE DATA

SREF = 2690.0000 SQ.FT. XMRP = 1109.0000 IN. XO  
 LREF = 474.8100 IN. YMRP = .0000 IN. YO  
 BREF = 936.6800 IN. ZMRP = 375.0000 IN. ZO  
 SCALE = .0125

## PARAMETRIC DATA

ALPHAC = 2.000 BETAC = .000  
 STAB = 5.000 ELEVON = .000  
 BDFLAP = .000 DX = .000  
 DY = .000 IORB = 8.000  
 BETAO = .000 RUDDER = .000

RUN NO. 56/ 0 RN/L = .00 GRADIENT INTERVAL = -5.00/ 5.00

MACH	DZ	CPCO	CPB1	CPB2	CPB3	CPS1	CP32	ALPHAO	BETAO	INCID	ALPHAC
.599	51.950	-.08700	-.30600	-.45600	-.37800	-.24500	-.29500	10.31000	.02000	7.94000	2.67000
.595	53.180	-.08900	-.31400	-.46100	-.38300	-.25200	-.29800	10.27000	.01000	7.90000	2.68000
.598	54.420	-.08300	-.30800	-.45800	-.37600	-.25000	-.29000	10.30000	.05000	7.94000	2.67000
.600	55.650	-.08100	-.30800	-.45300	-.37400	-.25200	-.28500	10.27000	.02000	7.92000	2.68000
.600	56.890	-.08400	-.30700	-.45000	-.37500	-.25100	-.28900	10.26000	.01000	7.91000	2.68000
.596	58.120	-.08800	-.31900	-.45800	-.38700	-.25600	-.29600	10.28000	.03000	7.94000	2.67000
	GRADIENT	-.00235	-.00307	-.00469	-.00145	-.00301	.00047	-.01344	-.00199	-.00502	.00000

LTV44-559(CA26) 747/1 ATY 02 S1 (ORBITER DATA)

(XFE077) ( 18 NOV 75 )

## REFERENCE DATA

SREF = 2690.0000 SQ.FT. XMRP = 1109.0000 IN. XO  
 LREF = 474.8100 IN. YMRP = .0000 IN. YO  
 BREF = 936.6800 IN. ZMRP = 375.0000 IN. ZO  
 SCALE = .0125

## PARAMETRIC DATA

ALPHAC = 2.000 BETAC = .000  
 STAB = 5.000 ELEVON = 10.000  
 BDFLAP = .000 DX = .000  
 DY = .000 TORB = 6.000  
 BETA0 = .000 RUDDER = .000

RUN NO. 57/ 0 RN/L = .00 GRADIENT INTERVAL = -5.00/ 5.00

MACH	DZ	CPCO	CPB1	CPB2	CPB3	CPS1	CPS2	ALPHAO	BETA0	INCLD	ALPHAC
.600	1.760	-.03800	-.25600	-.34300	-.30900	-.16200	-.27800	8.69000	.03000	5.93000	2.76000
.601	2.360	-.04300	-.25700	-.34600	-.31600	-.17100	-.28000	8.70000	.05000	5.95000	2.76000
.602	2.970	-.04700	-.26000	-.34700	-.31800	-.17300	-.28100	8.69000	.09000	5.95000	2.75000
.602	3.760	-.04300	-.26100	-.34800	-.31400	-.17000	-.28000	8.66000	.04000	5.93000	2.75000
.600	4.560	-.04700	-.26600	-.35200	-.32000	-.17700	-.28200	8.67000	.09000	5.94000	2.75000
.602	5.470	-.04300	-.26400	-.35600	-.31900	-.17700	-.27900	8.65000	.06000	5.93000	2.75000
.601	6.460	-.04900	-.27200	-.35800	-.32600	-.17600	-.28500	8.67000	.04000	5.95000	2.75000
.603	7.460	-.04200	-.26000	-.35400	-.31900	-.17100	-.27600	8.63000	.08000	5.93000	2.74000
.602	8.460	-.05000	-.26600	-.36000	-.32700	-.17500	-.28300	8.65000	.04000	5.95000	2.74000
.601	9.460	-.05500	-.27300	-.36300	-.33000	-.18500	-.28500	8.60000	.09000	5.92000	2.74000
.600	10.560	-.05700	-.27600	-.37600	-.33400	-.18800	-.28700	8.60000	.09000	5.92000	2.73000
.601	11.740	-.05600	-.27800	-.37900	-.33700	-.18600	-.28800	8.59000	.05000	5.92000	2.73000
.602	12.930	-.05700	-.27600	-.37100	-.33500	-.19100	-.28600	8.59000	.06000	5.93000	2.73000
.601	14.110	-.05800	-.27800	-.37900	-.33300	-.18700	-.28600	8.59000	.11000	5.95000	2.72000
.603	15.300	-.05800	-.27900	-.37700	-.33200	-.18700	-.28200	8.57000	.08000	5.93000	2.72000
.603	16.490	-.05300	-.27200	-.37600	-.33300	-.18900	-.28000	8.55000	.05000	5.92000	2.72000
.602	17.670	-.05500	-.28100	-.38600	-.33900	-.19500	-.28400	8.54000	.06000	5.93000	2.71000
.601	18.860	-.06200	-.28700	-.39100	-.34400	-.19500	-.28600	8.55000	.10000	5.95000	2.71000
.603	20.040	-.06100	-.28200	-.38300	-.34100	-.19400	-.28200	8.50000	.07000	5.91000	2.71000
.600	21.230	-.06300	-.28400	-.38700	-.34400	-.19900	-.28400	8.52000	.07000	5.94000	2.71000
.600	22.410	-.06200	-.28700	-.38500	-.34600	-.20000	-.28300	8.52000	.07000	5.95000	2.70000
.601	23.600	-.06100	-.28900	-.38600	-.35000	-.20400	-.28700	8.49000	.06000	5.92000	2.70000
.602	24.780	-.06100	-.29400	-.38600	-.34800	-.20600	-.28800	8.51000	.07000	5.94000	2.71000
.601	25.970	-.06600	-.29200	-.39800	-.35200	-.20800	-.28900	8.51000	.07000	5.96000	2.70000
.600	27.150	-.06200	-.29300	-.39600	-.35300	-.20600	-.28800	8.46000	.04000	5.91000	2.70000
.601	28.340	-.06500	-.30000	-.39900	-.35700	-.20900	-.29000	8.46000	.06000	5.93000	2.70000
.603	29.520	-.06500	-.29000	-.40000	-.35000	-.20900	-.28400	8.46000	.05000	5.94000	2.70000
.602	30.710	-.06000	-.29200	-.39700	-.35300	-.20500	-.28500	8.47000	.07000	5.95000	2.70000
.601	31.900	-.06100	-.29300	-.39300	-.35200	-.20400	-.28600	8.42000	.05000	5.91000	2.69000
.601	33.080	-.06600	-.29100	-.40000	-.35500	-.21000	-.28800	8.41000	.02000	5.91000	2.69000
.599	34.270	-.06800	-.29800	-.40500	-.36100	-.21400	-.28800	8.43000	.05000	5.94000	2.69000
.600	35.450	-.06700	-.29600	-.40300	-.36600	-.21300	-.28700	8.43000	.09000	5.95000	2.69000
.602	36.640	-.06200	-.29500	-.39700	-.35500	-.20800	-.28300	8.42000	.08000	5.94000	2.69000
.603	37.820	-.06700	-.29500	-.39900	-.35400	-.21000	-.28300	8.39000	.00000	5.92000	2.69000
.602	39.010	-.06500	-.29400	-.40200	-.35100	-.21400	-.28200	8.42000	.03000	5.95000	2.69000
.603	40.200	-.06300	-.29700	-.40100	-.35500	-.20900	-.28200	8.40000	.05000	5.95000	2.69000
.603	41.380	-.06300	-.29600	-.40200	-.35500	-.21300	-.28100	8.36000	.08000	5.91000	2.69000
.601	42.570	-.06700	-.29800	-.40500	-.36000	-.21700	-.28500	8.37000	.06000	5.93000	2.69000
.601	43.750	-.06600	-.30100	-.40500	-.35900	-.21300	-.28500	8.37000	.08000	5.94000	2.68000
.603	44.940	-.06200	-.29900	-.40600	-.35700	-.21200	-.28000	8.34000	.08000	5.92000	2.68000
.600	46.130	-.06900	-.30300	-.41300	-.36200	-.21700	-.28600	8.36000	.07000	5.94000	2.68000
.602	47.310	-.06600	-.30100	-.41000	-.35900	-.21700	-.28200	8.35000	.07000	5.94000	2.68000

LTV44-559(CA26) 747/1 ATY 02 S1 (ORBITER DATA)

(XFE077) ( 18 NOV 75 )

## REFERENCE DATA

SREF = 2690.0000 SQ.FT. XMRP = 1109.0000 IN. XO  
 LREF = 474.8100 IN. YMRP = .0000 IN. YO  
 BREF = 936.6800 IN. ZMRP = 375.0000 IN. ZO  
 SCALE = .0125

## PARAMETRIC DATA

ALPHAC = 2.000 BETAC = .000  
 STAB = 5.000 ELEVON = 10.000  
 BDFLAP = .000 DX = .000  
 DY = .000 TORB = 6.000  
 BETAO = .000 RUDDER = .000

RUN NO. 57/ 0 RN/L = .00 GRADIENT INTERVAL = -5.00/ 5.00

MACH	DZ	CPCD	CPB1	CPB2	CPB3	CPS1	CPS2	ALPHAO	BETAO	INCID	ALPHAC
.604	48.500	-.06500	-.29800	-.40600	-.35800	-.21600	-.27900	8.35000	.02000	5.94000	2.69000
.605	49.680	-.06600	-.30100	-.40700	-.36300	-.21300	-.28300	8.35000	.05000	5.95000	2.69000
.603	50.870	-.06700	-.30300	-.41100	-.36300	-.22100	-.28000	8.30000	.05000	5.91000	2.68000
.605	51.460	-.06500	-.30200	-.40700	-.36200	-.21700	-.28200	8.32000	.05000	5.94000	2.68000
	GRADIENT	-.00245	-.00345	-.00286	-.00276	-.00403	-.00111	-.01160	.01508	-.00039	-.00415

LTV44-559(CA26) 747/1 ATY 02 S1 (ORBITER DATA)

(XFE07B) ( 18 NOV 75 )

## REFERENCE DATA

SREF = 2690.0000 SQ.FT. XMRP = 1109.0000 IN. XO  
 LREF = 474.8100 IN. YMRP = .0000 IN. YO  
 BREF = 936.6900 IN. ZMRP = 375.0000 IN. ZO  
 SCALE = .0125

## PARAMETRIC DATA

ALPHAC = 2.000 BETAC = .000  
 STAB = 5.000 ELEVON = 5.000  
 AILRON = -5.000 DX = .000  
 DY = .000 IORB = 6.000  
 BETAO = .000 DPHI = .000

RUN NO. 58/ 0 RN/L = .00 GRADIENT INTERVAL = -5.00/ 5.00

MACH	OZ	CPCO	CPB1	CPB2	CPB3	CPS1	CPS2	ALPHAO	BETAO	INCID	ALPHAC
.599	1.760	-.06100	-.27500	-.39200	-.33600	-.20500	-.28500	.03000	.59000	5.95000	2.71000
.597	2.360	-.05900	-.27400	-.39200	-.34000	-.21000	-.28500	.03000	.59000	5.91000	2.71000
.600	2.970	-.06100	-.27300	-.38800	-.33600	-.20500	-.27800	.03000	.60000	5.95000	2.71000
.600	3.760	-.05800	-.27300	-.39100	-.33600	-.20500	-.27700	.03000	.60000	5.93000	2.71000
.596	4.560	-.06700	-.28000	-.40300	-.34300	-.21200	-.28400	.03000	.59000	5.93000	2.70000
.598	5.470	-.06900	-.28000	-.40100	-.34200	-.21400	-.28300	.03000	.59000	5.92000	2.70000
.598	6.460	-.06500	-.28100	-.40300	-.34800	-.21500	-.28100	.03000	.59000	5.91000	2.70000
.596	7.460	-.06900	-.28600	-.40800	-.35700	-.22400	-.28700	.02000	.59000	5.93000	2.70000
.599	8.460	-.07000	-.28500	-.40400	-.34400	-.22000	-.28300	.02000	.59000	5.94000	2.69000
.597	9.460	-.07000	-.28800	-.41100	-.35700	-.22500	-.28500	.02000	.59000	5.95000	2.69000
.600	10.560	-.07200	-.29100	-.41300	-.35300	-.22300	-.28300	.01000	.60000	5.91000	2.69000
.600	11.740	-.07200	-.29200	-.41400	-.35500	-.22500	-.27800	.01000	.60000	5.94000	2.68000
.598	12.930	-.07400	-.29100	-.41800	-.35500	-.22500	-.28200	.00000	.59000	5.94000	2.68000
.599	14.110	-.07300	-.29400	-.42100	-.36200	-.23300	-.28600	.00000	.59000	5.93000	2.68000
.596	15.300	-.07800	-.30200	-.42800	-.36900	-.23700	-.28600	.00000	.59000	5.91000	2.68000
.598	16.490	-.07500	-.29500	-.42600	-.36600	-.23600	-.28500	.00000	.59000	5.94000	2.68000
.597	17.670	-.07600	-.30000	-.42800	-.37100	-.24000	-.28800	.00000	.59000	5.93000	2.68000
.600	18.860	-.07500	-.29500	-.42500	-.36200	-.23500	-.28300	.00000	.60000	5.94000	2.68000
.599	20.040	-.07400	-.29600	-.42500	-.36500	-.23800	-.28100	-.01000	.59000	5.90000	2.68000
.598	21.230	-.07500	-.30000	-.43200	-.36700	-.24100	-.28400	-.01000	.59000	5.93000	2.67000
.598	22.410	-.07800	-.30200	-.42800	-.36700	-.23800	-.28100	-.01000	.59000	5.92000	2.68000
.601	23.600	-.07500	-.29800	-.42200	-.36300	-.23400	-.27900	-.01000	.60000	5.94000	2.67000
.597	24.780	-.07800	-.30600	-.43500	-.37600	-.24800	-.28700	-.02000	.59000	5.94000	2.67000
.596	25.970	-.07900	-.31000	-.43800	-.37800	-.24400	-.28600	-.02000	.59000	5.94000	2.67000
.597	27.150	-.08000	-.30600	-.43300	-.37200	-.24200	-.28100	-.02000	.59000	5.94000	2.67000
.598	28.340	-.07600	-.30300	-.43400	-.37400	-.24800	-.28100	-.02000	.59000	5.92000	2.67000
.600	29.520	-.07600	-.30300	-.43300	-.37200	-.24600	-.27900	-.02000	.60000	5.94000	2.67000
.599	30.710	-.07700	-.30500	-.44000	-.37400	-.24700	-.27900	-.02000	.59000	5.96000	2.67000
.598	31.900	-.08200	-.30900	-.43900	-.37400	-.24900	-.28000	-.02000	.59000	5.93000	2.67000
.600	33.080	-.07700	-.30300	-.43800	-.37500	-.25100	-.27700	-.02000	.60000	5.96000	2.67000
.601	34.270	-.08000	-.30600	-.43300	-.37100	-.24600	-.27400	-.02000	.60000	5.92000	2.67000
.600	35.450	-.07600	-.30400	-.43300	-.37500	-.25000	-.27600	-.02000	.60000	5.91000	2.67000
.600	36.640	-.08000	-.30700	-.43600	-.37600	-.25000	-.27700	-.01000	.60000	5.93000	2.67000
.599	37.820	-.07900	-.30900	-.43300	-.38000	-.25300	-.27800	-.01000	.59000	5.94000	2.67000
.598	39.010	-.07900	-.30700	-.43800	-.37900	-.25200	-.28000	-.01000	.59000	5.91000	2.67000
.597	40.200	-.08300	-.31300	-.44200	-.37900	-.25000	-.28000	-.01000	.59000	5.92000	2.67000
.597	41.390	-.08100	-.31300	-.44400	-.38300	-.25200	-.28200	-.01000	.59000	5.94000	2.67000
.598	42.570	-.07800	-.31000	-.44300	-.38000	-.25400	-.27800	-.01000	.59000	5.92000	2.67000
.596	43.750	-.08200	-.31800	-.44700	-.38500	-.25600	-.28200	-.01000	.59000	5.93000	2.67000
.597	44.940	-.08500	-.31800	-.45000	-.38500	-.25500	-.28000	-.01000	.59000	5.92000	2.67000
.598	46.130	-.08200	-.31400	-.45300	-.38500	-.25300	-.28000	-.01000	.59000	5.91000	2.67000
.598	47.310	-.08000	-.31100	-.44800	-.38500	-.25300	-.28100	.00000	.59000	5.94000	2.68000

LTV44-559(CA26) 747/1 ATY 02 S1 (ORBITER DATA)

(XFE078) ( 18 NOV 75 )

## REFERENCE DATA

SREF = 2690.0000 SQ.FT. XMRP = 1109.0000 IN. XO  
 LREF = 474.8100 IN. YMRP = .0000 IN. YO  
 BREF = 936.6800 IN. ZMRP = 375.0000 IN. ZO  
 SCALE = .0125

## PARAMETRIC DATA

ALPHAC = 2.000 BETAC = .000  
 STAB = 5.000 ELEVON = 5.000  
 AILRON = -5.000 DX = .000  
 DY = .000 TORB = 6.000  
 BETAO = .000 DPHI = .000

RUN NO. 58/ 0 RN/L = .00 GRADIENT INTERVAL = -5.00/ 5.00

MACH	DZ	CPCO	CPB1	CPB2	CPB3	CPS1	CPS2	ALPHA0	BETA0	INC1D	ALPHAC
.599	48.500	-.08400	-.31600	-.44200	-.38500	-.25300	-.27500	.00000	.59000	5.95000	2.67000
.600	49.680	-.08300	-.31700	-.44400	-.38300	-.25000	-.27700	.00000	.60000	5.91000	2.68000
.597	50.870	-.08100	-.31600	-.44500	-.39000	-.26100	-.27800	.00000	.59000	5.91000	2.68000
	GRADIENT	-.00168	-.00142	-.00325	-.00151	-.00137	.00124	.00000	.00115	-.00289	-.00300



LTV44-559(CA26) 747/1 ATY 02 S1 (ORBITER DATA)

(XFE079) ( 29 JAN 76 )

## REFERENCE DATA

SREF = 2690.0000 SQ.FT. XMRP = 1109.0000 IN. XO  
 LREF = 474.8100 IN. YMRP = .0000 IN. YO  
 BREF = 936.6800 IN. ZMRP = 375.0000 IN. ZO  
 SCALE = .0125

## PARAMETRIC DATA

ALPHAC = 2.000 BETAC = .000  
 STAB = 5.000 RUDDER = 10.000  
 ELEVON = 5.000 DX = .000  
 DY = .000 IORB = 6.000  
 BETAO = .000 DPHI = .000

RUN NO. 59/ 0 RN/L = .00 GRADIENT INTERVAL = -5.00/ 5.00

MACH	DZ	CP00	CP01	CP02	CP03	CP04	CP05	CP06	ALPHA0	BETA0	INCID	ALPHAC
.599	1.460	-.06300	-.26500	-.39000	-.33900	-.19500	-.33800	8.62000	.14000	5.93000	2.70000	
.599	2.060	-.06800	-.26800	-.38900	-.34700	-.19600	-.33900	8.63000	.13000	5.94000	2.70000	
.599	2.660	-.06400	-.27100	-.39200	-.34300	-.20000	-.33800	8.62000	.12000	5.93000	2.70000	
.597	3.360	-.07400	-.28000	-.40500	-.35400	-.20800	-.34800	8.62000	.14000	5.94000	2.70000	
.599	4.160	-.07100	-.27900	-.40600	-.35100	-.20800	-.34600	8.63000	.17000	5.95000	2.70000	
.600	4.960	-.07400	-.27500	-.40500	-.35600	-.20700	-.34400	8.63000	.16000	5.96000	2.69000	
.599	5.960	-.07600	-.27800	-.40700	-.35900	-.21000	-.34500	8.60000	.19000	5.94000	2.69000	
.597	6.960	-.08000	-.28400	-.41600	-.36600	-.21700	-.34900	8.58000	.13000	5.93000	2.69000	
.598	7.970	-.07700	-.28000	-.41000	-.36000	-.21300	-.34500	8.61000	.16000	5.96000	2.69000	
.597	8.960	-.08100	-.28700	-.41500	-.36500	-.21900	-.34800	8.58000	.15000	5.94000	2.69000	
.596	9.960	-.08400	-.28900	-.42600	-.37000	-.22300	-.34900	8.60000	.12000	5.97000	2.69000	
.598	11.150	-.08000	-.29100	-.41700	-.36900	-.22600	-.34200	8.57000	.17000	5.95000	2.69000	
.600	12.330	-.07700	-.28800	-.41500	-.36700	-.22400	-.34000	8.57000	.16000	5.94000	2.69000	
.598	13.520	-.08400	-.28900	-.42600	-.37200	-.22400	-.34800	8.55000	.15000	5.93000	2.69000	
.599	14.700	-.08000	-.29400	-.42200	-.37100	-.22700	-.34500	8.56000	.16000	5.96000	2.69000	
.596	15.900	-.08900	-.29700	-.43200	-.38200	-.23100	-.35100	8.53000	.16000	5.94000	2.69000	
.596	17.080	-.08900	-.29900	-.43400	-.38500	-.23300	-.34800	8.52000	.15000	5.93000	2.69000	
.598	18.270	-.08300	-.29400	-.43200	-.37600	-.23200	-.34200	8.52000	.14000	5.94000	2.68000	
.598	19.450	-.08700	-.30000	-.43400	-.38200	-.23200	-.34300	8.51000	.10000	5.95000	2.68000	
.598	20.640	-.08800	-.29800	-.43400	-.38300	-.23400	-.34700	8.51000	.16000	5.94000	2.68000	
.600	21.810	-.08500	-.30000	-.42700	-.37800	-.23400	-.34400	8.52000	.15000	5.96000	2.68000	
.599	23.000	-.08600	-.30200	-.43300	-.38200	-.23500	-.34500	8.50000	.15000	5.96000	2.68000	
.598	24.190	-.08800	-.30200	-.44000	-.38800	-.23900	-.34500	8.51000	.17000	5.97000	2.68000	
.600	25.370	-.09100	-.30100	-.43600	-.38700	-.23900	-.34100	8.47000	.13000	5.94000	2.68000	
.599	26.560	-.08700	-.30000	-.43800	-.38700	-.24200	-.34100	8.49000	.18000	5.97000	2.68000	
.598	27.740	-.08600	-.30400	-.44200	-.38400	-.24500	-.34200	8.47000	.13000	5.94000	2.68000	
.598	28.930	-.08700	-.30400	-.44300	-.38600	-.24600	-.34300	8.48000	.17000	5.96000	2.68000	
.596	30.110	-.09100	-.30400	-.44900	-.39200	-.24900	-.34500	8.45000	.11000	5.94000	2.68000	
.596	31.310	-.09100	-.30900	-.45200	-.39500	-.24600	-.34600	8.43000	.17000	5.93000	2.68000	
.601	32.490	-.09500	-.30600	-.43900	-.38700	-.24600	-.33900	8.46000	.12000	5.96000	2.68000	
.598	33.680	-.08700	-.30800	-.44700	-.38900	-.24500	-.34600	8.43000	.13000	5.94000	2.68000	
.600	34.860	-.08500	-.30700	-.44400	-.38600	-.24900	-.34400	8.43000	.14000	5.95000	2.68000	
.595	36.050	-.09500	-.30900	-.45600	-.39700	-.25100	-.35300	8.42000	.13000	5.95000	2.68000	
.600	37.230	-.09100	-.30900	-.44500	-.39100	-.24700	-.34500	8.41000	.22000	5.95000	2.68000	
.598	38.420	-.09400	-.31200	-.44900	-.39900	-.25300	-.34700	8.41000	.17000	5.95000	2.68000	
.597	39.610	-.09200	-.31100	-.45200	-.39400	-.25100	-.34800	8.39000	.14000	5.94000	2.68000	
.598	40.790	-.09200	-.31400	-.45500	-.39700	-.25000	-.34500	8.39000	.11000	5.95000	2.68000	
.597	41.980	-.09500	-.31500	-.45900	-.40200	-.25300	-.34700	8.40000	.11000	5.96000	2.68000	
.598	43.160	-.09500	-.31400	-.45500	-.40000	-.25600	-.34500	8.38000	.11000	5.95000	2.68000	
.599	44.350	-.09300	-.31100	-.45300	-.39800	-.25400	-.34300	8.37000	.13000	5.95000	2.68000	
.599	45.530	-.09400	-.31800	-.45500	-.40200	-.25700	-.34500	8.34000	.18000	5.92000	2.68000	
.597	46.720	-.09500	-.31600	-.45900	-.40300	-.25500	-.34600	8.36000	.12000	5.94000	2.68000	

LTV44-559(CA26) 747/1 ATY 02 S1 (ORBITER DATA)

(XFE079) ( 29 JAN 76 )

## REFERENCE DATA

SREF = 2690.0000 SQ.FT. XMRP = 1109.0000 IN. XO  
 LREF = 474.8100 IN. YMRP = .0000 IN. YO  
 BREF = 936.6800 IN. ZMRP = 375.0000 IN. ZO  
 SCALE = .0125

## PARAMETRIC DATA

ALPHAC = 2.000 BETAC = .000  
 STAB = 5.000 RUDDER = 10.000  
 ELEVON = 5.000 DX = .000  
 DY = .000 TORB = 6.000  
 BETAO = .000 DPHI = .000

RUN NO. 59/ 0 RN/L = .00 GRADIENT INTERVAL = -5.00/ 5.00

MACH	DZ	CP0	CP1	CP2	CP3	CP51	CP52	ALPHAO	BETAO	INC1D	ALPHAC
.597	47.910	-.09700	-.31800	-.46100	-.40600	-.25600	-.34400	8.37000	.15000	5.97000	2.68000
.597	49.090	-.09800	-.31700	-.46400	-.40400	-.25600	-.34400	8.36000	.15000	5.95000	2.68000
.598	50.280	-.09700	-.31800	-.45700	-.40400	-.25500	-.34100	8.35000	.17000	5.96000	2.68000
.600	51.460	-.09000	-.31600	-.45900	-.40100	-.25700	-.34000	8.33000	.15000	5.95000	2.68000
	GRADIENT	-.00299	-.00361	-.00562	-.00436	-.00416	-.00243	.00215	.01021	.00795	-.00215

LTV44-559(CA26) 747/1 ATY 02 S1 (ORBITER DATA)

(XFE080) ( 29 JAN 76 )

## REFERENCE DATA

SREF = 2690.0000 SQ.FT. XMRP = 1109.0000 IN. XO  
 LREF = 474.8100 IN. YMRP = .0000 IN. YO  
 BREF = 936.6800 IN. ZMRP = 375.0000 IN. ZO  
 SCALE = .0125

## PARAMETRIC DATA

ALPHAC = 2.000 BETAC = -5.000  
 STAB = 5.000 ELEVON = 5.000  
 BDFLAP = .000 DX = .000  
 DY = .000 TORB = 4.000  
 BETA0 = -5.000 RUDDER = .000

RUN NO. 60/ 0 RN/L = .00 GRADIENT INTERVAL = -5.00/ 5.00

MACH	DZ	CPCO	CPB1	CPB2	CPB3	CPS1	CPS2	ALPHA0	BETA0	INCID	ALPHAC
.589	1.460	-.09400	-.31100	-.39500	-.34500	-.35300	-.10800	6.59000	-5.26000	3.93000	2.66000
.592	2.060	-.08500	-.30200	-.38300	-.33300	-.35000	-.09800	6.58000	-5.30000	3.93000	2.66000
.592	2.660	-.08700	-.30300	-.37800	-.33800	-.35000	-.10200	6.59000	-5.28000	3.94000	2.66000
.592	3.360	-.08600	-.30700	-.38200	-.33900	-.35300	-.10300	6.58000	-5.25000	3.94000	2.66000
.591	4.160	-.09000	-.30800	-.38500	-.34300	-.35300	-.10500	6.58000	-5.28000	3.94000	2.66000
.591	4.960	-.09200	-.30800	-.38900	-.34700	-.35700	-.10800	6.58000	-5.26000	3.94000	2.66000
.591	6.960	-.09100	-.30600	-.39100	-.34500	-.35700	-.10700	6.55000	-5.26000	3.92000	2.66000
.593	8.960	-.08900	-.31100	-.38700	-.34600	-.35900	-.10500	6.57000	-5.27000	3.96000	2.66000
.591	10.460	-.08900	-.31400	-.40300	-.35000	-.36300	-.10900	6.54000	-5.21000	3.93000	2.66000
.589	11.460	-.09500	-.31700	-.40500	-.35400	-.36600	-.11200	6.54000	-5.24000	3.94000	2.66000
.592	12.450	-.08900	-.31700	-.39800	-.35000	-.36300	-.10700	6.53000	-5.22000	3.94000	2.66000
.591	13.450	-.09400	-.31600	-.40800	-.35100	-.36600	-.11100	6.54000	-5.21000	3.94000	2.67000
.592	14.440	-.08900	-.31800	-.40600	-.35100	-.36700	-.10800	6.55000	-5.21000	3.97000	2.66000
.590	15.440	-.09500	-.31900	-.41500	-.35400	-.36900	-.11300	6.49000	-5.22000	3.92000	2.66000
.593	16.430	-.09000	-.31800	-.40600	-.35300	-.36400	-.10800	6.51000	-5.19000	3.94000	2.66000
.593	17.430	-.08700	-.31600	-.40400	-.35200	-.36500	-.10600	6.52000	-5.21000	3.95000	2.66000
.590	18.420	-.09600	-.32200	-.41500	-.36000	-.37000	-.11300	6.50000	-5.20000	3.95000	2.66000
.589	19.420	-.09300	-.32500	-.41900	-.36000	-.37200	-.11500	6.46000	-5.20000	3.91000	2.66000
.590	20.410	-.09200	-.32600	-.41900	-.36100	-.37500	-.11300	6.46000	-5.21000	3.91000	2.66000
.591	21.410	-.08900	-.32500	-.41700	-.35800	-.37200	-.11200	6.47000	-5.20000	3.93000	2.66000
.590	22.390	-.09200	-.32600	-.41800	-.35800	-.37400	-.11300	6.47000	-5.19000	3.94000	2.66000
.592	23.390	-.09200	-.32600	-.42100	-.36000	-.37400	-.11100	6.47000	-5.19000	3.93000	2.67000
.592	24.390	-.09100	-.32300	-.42000	-.36200	-.36800	-.11000	6.48000	-5.19000	3.95000	2.66000
.591	25.380	-.09100	-.32800	-.42400	-.36400	-.37700	-.11100	6.46000	-5.21000	3.93000	2.67000
.592	26.380	-.09600	-.32600	-.41900	-.36400	-.37200	-.11300	6.48000	-5.18000	3.96000	2.67000
.593	27.370	-.09100	-.32700	-.41900	-.36200	-.37200	-.11200	6.47000	-5.18000	3.95000	2.67000
.593	28.370	-.09700	-.32700	-.42200	-.36300	-.37200	-.11500	6.47000	-5.15000	3.96000	2.67000
.591	29.360	-.10100	-.33200	-.43900	-.37200	-.38200	-.11600	6.43000	-5.21000	3.93000	2.67000
.594	30.360	-.09400	-.32800	-.42700	-.36300	-.37400	-.11100	6.45000	-5.17000	3.96000	2.67000
.591	31.350	-.09400	-.33000	-.43400	-.36600	-.38300	-.11400	6.43000	-5.19000	3.94000	2.67000
.593	32.350	-.09200	-.32800	-.43100	-.36600	-.37600	-.10800	6.45000	-5.18000	3.96000	2.67000
.592	33.340	-.09500	-.33100	-.43600	-.36600	-.38400	-.11000	6.42000	-5.19000	3.94000	2.67000
.591	34.340	-.09800	-.33000	-.43200	-.36300	-.38300	-.11000	6.40000	-5.19000	3.93000	2.67000
.590	35.340	-.10000	-.33100	-.43700	-.36900	-.38600	-.11600	6.41000	-5.19000	3.94000	2.67000
.590	36.330	-.10200	-.33300	-.43500	-.37000	-.38600	-.11500	6.39000	-5.18000	3.93000	2.67000
.591	37.320	-.09800	-.33500	-.42900	-.37100	-.39400	-.10900	6.38000	-5.22000	3.93000	2.67000
.589	38.320	-.10300	-.33700	-.43700	-.37100	-.38700	-.11300	6.38000	-5.21000	3.93000	2.67000
.591	39.310	-.09700	-.33500	-.42800	-.36700	-.38400	-.10800	6.40000	-5.20000	3.96000	2.67000
.591	40.310	-.10200	-.33600	-.42900	-.37300	-.39000	-.10900	6.40000	-5.22000	3.96000	2.67000
.590	41.310	-.10300	-.33700	-.43300	-.37400	-.38900	-.11000	6.38000	-5.20000	3.94000	2.67000
.590	42.300	-.10500	-.33900	-.43600	-.37600	-.39100	-.10900	6.37000	-5.18000	3.94000	2.67000
.593	43.290	-.09600	-.33400	-.43000	-.36600	-.39200	-.10200	6.39000	-5.20000	3.97000	2.67000

ORIGINAL PAGE IS  
OF POOR QUALITY

LTV44-559(CA26) 747/1 ATY 02 S1 (ORBITER DATA)

(XFE080) ( 29 JAN 76 )

## REFERENCE DATA

SREF = 2690.0000 SQ.FT. XMRP = 1109.0000 IN. XO  
 LREF = 474.8100 IN. YMRP = .0000 IN. YO  
 BREF = 936.6800 IN. ZMRP = 375.0000 IN. ZO  
 SCALE = .0125

## PARAMETRIC DATA

ALPHAC = 2.000 BETAC = -5.000  
 STAB = 5.000 ELEVON = 5.000  
 BDFLAP = .000 DX = .000  
 DY = .000 IOFB = 4.000  
 BETAO = -5.000 RUDDER = .000

RUN NO. 60/ 0 RN/L = .00 GRADIENT INTERVAL = -5.00/ 5.00

MACH	DZ	CPCO	CPB1	CPB2	CPB3	CPS1	CPS2	ALPHAO	BETAO	INCID	ALPHAC
.591	44.290	-.10500	-.33800	-.43600	-.37600	-.39300	-.11300	6.39000	-5.21000	3.97000	2.67000
.590	44.790	-.10300	-.34100	-.43700	-.37500	-.40400	-.10200	6.39000	-5.22000	3.97000	2.68000
	GRADIENT	-.00031	-.00039	.00053	-.00184	-.00138	-.00102	-.00244	.00377	.00313	.00122

LTV44-559(CA26) 747/1 ATY 02 S1 (ORBITER DATA)

(XFE081) ( 29 JAN 76 )

## REFERENCE DATA

SREF = 2690.0000 SQ.FT. XMRP = 1109.0000 IN. XO  
 LREF = 474.8100 IN. YMRP = .0000 IN. YO  
 BREF = 936.6800 IN. ZMRP = 375.0000 IN. ZO  
 SCALE = .0125

## PARAMETRIC DATA

ALPHAC = 2.000 BETAC = -5.000  
 STAB = 5.000 ELEVON = 5.000  
 BDFLAP = .000 DX = .000  
 DY = .000 TORB = 6.000  
 BETAO = -5.000 RUDDER = .000

RUN NO. 1060/ 0 RN/L = .00 GRADIENT INTERVAL = -5.00/ 5.00

MACH	DZ	CPCO	CPB1	CPB2	CPB3	CPS1	CPS2	ALPHAO	BETAO	INCID	ALPHAC
.592	1.470	-.13300	-.32500	-.41600	-.36700	-.39700	-.07800	8.64000	-5.26000	5.96000	2.68000
.591	2.070	-.13400	-.32400	-.42000	-.37000	-.39400	-.07900	8.63000	-5.26000	5.96000	2.68000
.591	2.670	-.13200	-.32700	-.42200	-.37100	-.39900	-.08300	8.62000	-5.27000	5.95000	2.68000
.589	3.370	-.13400	-.33100	-.42400	-.37000	-.40400	-.08600	8.60000	-5.23000	5.93000	2.68000
.589	4.170	-.13200	-.33200	-.42700	-.37200	-.40500	-.08400	8.60000	-5.25000	5.94000	2.68000
.593	4.960	-.12900	-.32300	-.42000	-.36500	-.39300	-.08200	8.60000	-5.25000	5.94000	2.68000
.592	5.970	-.12900	-.33000	-.42500	-.37100	-.40000	-.08900	8.58000	-5.24000	5.94000	2.68000
.590	8.970	-.13100	-.33600	-.42900	-.37500	-.40400	-.08900	8.56000	-5.21000	5.92000	2.68000
.592	10.600	-.13200	-.32900	-.42100	-.37400	-.39700	-.09100	8.57000	-5.19000	5.96000	2.67000
.590	11.880	-.13400	-.33300	-.42900	-.37500	-.40100	-.09400	8.53000	-5.19000	5.93000	2.67000
.592	13.160	-.12500	-.33200	-.42800	-.37100	-.39900	-.09000	8.54000	-5.20000	5.94000	2.67000
.590	14.440	-.12600	-.33300	-.43100	-.37500	-.39900	-.09100	8.52000	-5.20000	5.93000	2.67000
.592	15.710	-.12600	-.33300	-.42500	-.37000	-.40200	-.09000	8.54000	-5.22000	5.95000	2.67000
.592	16.990	-.12600	-.32800	-.42500	-.36900	-.39500	-.09300	8.52000	-5.18000	5.93000	2.68000
.592	18.270	-.12500	-.32900	-.42600	-.37200	-.39700	-.09400	8.48000	-5.16000	5.91000	2.67000
.592	19.540	-.12400	-.33300	-.42700	-.36900	-.39600	-.09300	8.47000	-5.18000	5.92000	2.67000
.590	20.820	-.13000	-.33600	-.43400	-.38100	-.40300	-.09500	8.48000	-5.21000	5.93000	2.67000
.590	22.090	-.13100	-.33700	-.43300	-.37900	-.40300	-.09500	8.48000	-5.19000	5.94000	2.67000
.590	23.360	-.13100	-.33800	-.43400	-.38100	-.40300	-.09800	8.47000	-5.19000	5.94000	2.67000
.593	24.650	-.12700	-.33700	-.42800	-.37300	-.40100	-.09600	8.45000	-5.19000	5.92000	2.67000
.590	25.920	-.13200	-.34000	-.42500	-.38200	-.40300	-.09700	8.46000	-5.22000	5.94000	2.67000
.589	27.200	-.13100	-.34100	-.43500	-.38300	-.40500	-.09800	8.45000	-5.20000	5.94000	2.67000
.591	28.470	-.12700	-.33700	-.43800	-.37800	-.40000	-.09600	8.43000	-5.21000	5.93000	2.67000
.589	29.750	-.13200	-.34200	-.44000	-.38400	-.40300	-.09900	8.42000	-5.21000	5.92000	2.67000
.591	31.030	-.12400	-.33600	-.43500	-.37600	-.39800	-.09800	8.40000	-5.20000	5.91000	2.67000
.591	32.300	-.12800	-.34000	-.43200	-.37800	-.40600	-.09700	8.44000	-5.18000	5.95000	2.67000
.590	33.580	-.12700	-.34100	-.43200	-.37800	-.40800	-.09600	8.41000	-5.20000	5.93000	2.67000
.589	34.850	-.12800	-.33800	-.43900	-.38100	-.40200	-.10200	8.42000	-5.20000	5.96000	2.67000
.589	36.130	-.12700	-.34000	-.43700	-.37700	-.40600	-.09900	8.42000	-5.18000	5.96000	2.67000
.592	37.410	-.11900	-.33600	-.43300	-.37200	-.39900	-.09800	8.38000	-5.20000	5.93000	2.67000
.592	38.690	-.12000	-.33500	-.43100	-.37100	-.39500	-.09500	8.36000	-5.20000	5.91000	2.67000
.590	39.960	-.12600	-.33800	-.43400	-.38000	-.39500	-.10200	8.38000	-5.21000	5.93000	2.67000
.591	41.240	-.12500	-.33800	-.43700	-.38000	-.39900	-.10200	8.34000	-5.20000	5.90000	2.67000
.593	42.520	-.12100	-.33200	-.43000	-.37100	-.39500	-.09900	8.36000	-5.18000	5.93000	2.67000
.593	43.790	-.11700	-.33300	-.42900	-.36900	-.39600	-.09900	8.37000	-5.19000	5.94000	2.68000
.592	45.070	-.12000	-.33900	-.43000	-.37100	-.40000	-.10300	8.38000	-5.20000	5.97000	2.67000
.593	46.340	-.11500	-.33300	-.43000	-.36800	-.39300	-.10700	8.32000	-5.20000	5.91000	2.68000
.592	47.620	-.12100	-.33400	-.43200	-.37400	-.39400	-.10500	8.34000	-5.18000	5.95000	2.68000
.593	48.900	-.11800	-.33300	-.43000	-.37000	-.39300	-.10400	8.33000	-5.22000	5.94000	2.67000
.593	50.180	-.12300	-.33400	-.43300	-.37500	-.39500	-.10600	8.33000	-5.23000	5.95000	2.67000
.590	51.460	-.12300	-.34100	-.44000	-.37600	-.40100	-.10800	8.34000	-5.21000	5.96000	2.68000
GRADIENT		.00102	-.00062	-.00164	.00030	-.00059	-.00145	-.01240	.00078	-.00710	.00000

LTV41-559(CA26) 747/1 ATY 02 S1 (ORBITER DATA)

(XFE082) ( 29 JAN 76 )

## REFERENCE DATA

SREF = 2690.0000 SQ.FT. XMRP = 1109.0000 IN. XO  
 LREF = 474.8100 IN. YMRP = .0000 IN. YO  
 BREF = 936.6800 IN. ZMRP = 375.0000 IN. ZO  
 SCALE = .0125

## PARAMETRIC DATA

ALPHAC = 2.000 BETAC = -5.000  
 STAB = 5.000 ELEVON = 5.000  
 BDFLAP = .000 DX = .000  
 DY = .000 IORB = 8.000  
 BETAO = -5.000 RUDDER = .000

RUN NO. 61/ 0 RN/L = .00 GRADIENT INTERVAL = -5.00/ 5.00

MACH	DZ	CPCO	CPB1	CPB2	CPB3	CPS1	CPS2	ALPHAO	BETAO	INCID	ALPHAC
.594	1.460	-.14000	-.27700	-.37900	-.35300	-.35200	-.13800	10.62000	-5.22000	7.90000	2.72000
.592	2.060	-.13600	-.28000	-.38800	-.35600	-.35300	-.14100	10.64000	-5.24000	7.93000	2.71000
.594	2.660	-.13700	-.28200	-.38700	-.35300	-.35400	-.14000	10.64000	-5.24000	7.94000	2.71000
.592	3.460	-.14200	-.28400	-.39500	-.35900	-.36100	-.14600	10.61000	-5.22000	7.91000	2.71000
.590	4.460	-.14500	-.28600	-.40300	-.36600	-.36400	-.14900	10.61000	-5.21000	7.92000	2.71000
.593	5.590	-.14500	-.28600	-.40000	-.36600	-.36900	-.14700	10.61000	-5.21000	7.93000	2.71000
.593	6.840	-.14700	-.28900	-.41100	-.37100	-.37000	-.15100	10.60000	-5.22000	7.94000	2.70000
.591	8.090	-.14900	-.29800	-.41800	-.37200	-.37700	-.15500	10.59000	-5.22000	7.93000	2.70000
.593	9.340	-.14900	-.29200	-.41900	-.37500	-.37200	-.15200	10.56000	-5.22000	7.91000	2.70000
.594	10.580	-.15100	-.29600	-.42200	-.37900	-.37900	-.15400	10.56000	-5.21000	7.93000	2.69000
.592	11.810	-.15600	-.30700	-.42900	-.38300	-.38800	-.16200	10.53000	-5.21000	7.90000	2.70000
.592	13.050	-.15900	-.30600	-.42900	-.38500	-.39300	-.15900	10.54000	-5.21000	7.92000	2.69000
.593	14.290	-.15700	-.30900	-.43400	-.38600	-.39300	-.16000	10.54000	-5.23000	7.93000	2.69000
.593	15.520	-.15800	-.30600	-.43300	-.38900	-.39200	-.15800	10.53000	-5.21000	7.93000	2.69000
.593	16.750	-.16100	-.31000	-.43600	-.39000	-.39700	-.16300	10.53000	-5.20000	7.94000	2.68000
.593	17.990	-.15900	-.30800	-.44000	-.39200	-.39700	-.16000	10.49000	-5.17000	7.91000	2.69000
.594	19.230	-.15700	-.31000	-.44800	-.39300	-.39600	-.16200	10.48000	-5.18000	7.90000	2.69000
.593	20.460	-.15700	-.31300	-.45000	-.39200	-.39500	-.15900	10.50000	-5.20000	7.94000	2.68000
.591	21.690	-.16300	-.32100	-.46100	-.39900	-.40500	-.16600	10.45000	-5.19000	7.89000	2.68000
.591	22.930	-.16400	-.31700	-.46000	-.40400	-.40700	-.16400	10.45000	-5.20000	7.90000	2.68000
.591	24.160	-.16400	-.31800	-.46300	-.40300	-.40800	-.16300	10.44000	-5.20000	7.90000	2.68000
.592	25.390	-.16100	-.32000	-.46300	-.40100	-.40500	-.16200	10.46000	-5.19000	7.93000	2.68000
.593	26.630	-.16600	-.32300	-.46400	-.40600	-.41000	-.16400	10.45000	-5.18000	7.92000	2.68000
.594	27.860	-.16800	-.32700	-.46600	-.40400	-.41400	-.16600	10.44000	-5.17000	7.92000	2.68000
.594	29.100	-.16300	-.32300	-.47100	-.40200	-.40900	-.16500	10.43000	-5.17000	7.92000	2.68000
.594	30.340	-.16300	-.32400	-.47100	-.40400	-.41100	-.15800	10.42000	-5.20000	7.92000	2.68000
.595	31.570	-.16700	-.32800	-.46600	-.40100	-.41400	-.16400	10.41000	-5.15000	7.91000	2.68000
.594	32.800	-.17300	-.33100	-.46900	-.40800	-.42200	-.16500	10.43000	-5.15000	7.94000	2.68000
.593	34.040	-.17300	-.33300	-.47000	-.41100	-.42500	-.16400	10.41000	-5.17000	7.93000	2.68000
.592	35.280	-.16800	-.33200	-.47500	-.41300	-.42300	-.16200	10.38000	-5.18000	7.91000	2.67000
.593	36.510	-.17200	-.33400	-.47500	-.40700	-.42100	-.16000	10.40000	-5.20000	7.94000	2.68000
.593	37.740	-.17100	-.33600	-.47900	-.41000	-.42400	-.16400	10.37000	-5.19000	7.91000	2.68000
.592	38.980	-.17100	-.33800	-.48900	-.41800	-.42900	-.16400	10.38000	-5.17000	7.93000	2.68000
.591	40.220	-.17200	-.33900	-.48800	-.41800	-.42900	-.16000	10.37000	-5.17000	7.92000	2.68000
.593	41.450	-.17400	-.33600	-.48400	-.41300	-.42600	-.16000	10.37000	-5.19000	7.93000	2.68000
.591	42.690	-.17300	-.34200	-.49700	-.42200	-.43600	-.15900	10.37000	-5.17000	7.93000	2.68000
.594	43.920	-.17200	-.33800	-.49300	-.42000	-.43700	-.16000	10.33000	-5.18000	7.90000	2.68000
.592	45.150	-.17600	-.34000	-.49900	-.41700	-.43500	-.16000	10.35000	-5.17000	7.93000	2.68000
.593	46.390	-.17500	-.34500	-.50000	-.42400	-.44200	-.15800	10.31000	-5.18000	7.90000	2.68000
.594	47.630	-.17400	-.34400	-.49800	-.42400	-.44200	-.16000	10.32000	-5.19000	7.92000	2.68000
.593	48.860	-.17300	-.34300	-.50100	-.42300	-.44100	-.15800	10.29000	-5.16000	7.90000	2.68000
.593	50.090	-.17900	-.34500	-.51200	-.42700	-.44600	-.16000	10.32000	-5.20000	7.93000	2.68000

DATE 22 MAR 76

CA-26 FORCE SOURCE DATA TABULATION

PAGE 617

LTV44-559(CA26) 747/1 ATY 02 S1 (ORBITER DATA)

(XFE082) ( 29 JAN 76 )

## REFERENCE DATA

SREF = 2690.0000 SQ.FT. XMRP = 1109.0000 IN. XO  
 LREF = 474.8100 IN. YMRP = .0000 IN. YO  
 BREF = 936.6800 IN. ZMRP = 375.0000 IN. ZO  
 SCALE = .0125

## PARAMETRIC DATA

ALPHAC = 2.000 BETAC = -5.000  
 STAB = 5.000 ELEVON = 5.000  
 BOFLAP = .000 DX = .000  
 DY = .000 IORB = 8.000  
 BETA0 = -5.000 RUDDER = .000

RUN NO. 61/ 0 RN/L = .00 GRADIENT INTERVAL = -5.00/ 5.00

MACH	DZ	CPCO	CPB1	CPB2	CPB3	CPS1	CPS2	ALPHA0	BETA0	INCID	ALPHAC
.595	51.330	-.17500	-.34400	-.50000	-.42400	-.44300	-.15600	10.28000	-5.15000	7.90000	2.68000
.593	52.570	-.18000	-.34900	-.49900	-.42300	-.44300	-.16300	10.30000	-5.16000	7.92000	2.68000
.594	53.800	-.17400	-.34800	-.50000	-.42600	-.44200	-.16200	10.29000	-5.18000	7.92000	2.68000
.593	55.040	-.18000	-.34900	-.50000	-.42600	-.44400	-.16500	10.29000	-5.19000	7.93000	2.68000
	GRADIENT	-.00234	-.00291	-.00747	-.00412	-.00439	-.00370	-.00742	.00627	.00180	-.00245

LTV44-559(CA26) 747/1 ATY 02 S1 (ORBITER DATA)

(XFE0B3) ( 29 JAN 76 )

## REFERENCE DATA

SREF = 2690.0000 SQ.FT. XMRP = 1109.0000 IN. XO  
 LREF = 474.8100 IN. YMRP = .0000 IN. YO  
 BREF = 936.6800 IN. ZMRP = 375.0000 IN. ZO  
 SCALE = .0125

## PARAMETRIC DATA

ALPHAC = 2.000 BETAC = -5.000  
 STAB = 5.000 ELEVON = 5.000  
 BDFLAP = .000 DY = .000  
 DZ = .000 IOR9 = 6.000  
 BETA0 = .000 RUDDER = .000

RUN NO. 62/ 0 RN/L = .00 GRADIENT INTERVAL = -5.00/ 5.00

MACH	DX	CPCO	CPB1	CPB2	CPB3	CPS1	CPS2	ALPHA0	BETA0	INCID	ALPHAC
.596	.000	-.03900	-.25500	-.32900	-.30700	-.17700	-.25500	8.61000	-.35000	5.94000	2.67000
.597	.570	-.03200	-.25500	-.32300	-.30300	-.17400	-.25100	8.61000	-.34000	5.93000	2.69000
.596	1.140	-.03900	-.25400	-.32800	-.30500	-.18000	-.25400	8.62000	-.33000	5.93000	2.68000
.597	1.710	-.03900	-.25400	-.32900	-.30500	-.18200	-.25400	8.58000	-.35000	5.91000	2.69000
.600	2.290	-.03500	-.25100	-.32700	-.29900	-.17900	-.25000	8.60000	-.39000	5.92000	2.68000
.599	2.860	-.03100	-.25300	-.32400	-.30200	-.17600	-.25100	8.61000	-.34000	5.93000	2.68000
.600	3.430	-.03700	-.25200	-.32700	-.29900	-.18100	-.24900	8.61000	-.38000	5.94000	2.68000
.598	4.010	-.03100	-.25600	-.32400	-.30300	-.17600	-.25100	8.60000	-.33000	5.93000	2.68000
.598	4.570	-.03800	-.25800	-.33100	-.30500	-.18000	-.25300	8.58000	-.35000	5.90000	2.68000
.600	5.140	-.03600	-.25300	-.33100	-.30000	-.18000	-.25000	8.61000	-.39000	5.93000	2.69000
.600	5.710	-.03500	-.25000	-.32800	-.29600	-.17700	-.24800	8.62000	-.35000	5.94000	2.69000
.597	6.300	-.03500	-.26100	-.33200	-.30700	-.18000	-.25500	8.59000	-.34000	5.91000	2.68000
.600	6.860	-.03100	-.25200	-.33200	-.30000	-.17600	-.24900	8.63000	-.34000	5.94000	2.69000
.599	7.430	-.03300	-.25800	-.33200	-.30500	-.17800	-.25200	8.60000	-.32000	5.91000	2.69000
.598	8.000	-.03300	-.26000	-.33400	-.30800	-.17900	-.25400	8.60000	-.36000	5.91000	2.69000
.601	8.580	-.03500	-.25400	-.33200	-.30200	-.18100	-.24900	8.62000	-.38000	5.93000	2.69000
.599	9.150	-.03600	-.26100	-.33300	-.30900	-.18400	-.25400	8.62000	-.38000	5.92000	2.70000
.599	9.700	-.03300	-.25800	-.33200	-.30700	-.17900	-.25200	8.61000	-.31000	5.91000	2.70000
.597	10.270	-.03400	-.26300	-.33600	-.31400	-.18200	-.25600	8.62000	-.37000	5.92000	2.70000
.598	10.840	-.03600	-.25700	-.33600	-.30700	-.18000	-.25300	8.60000	-.31000	5.90000	2.70000
.598	11.410	-.03700	-.26200	-.33600	-.31100	-.18300	-.25500	8.64000	-.38000	5.94000	2.70000
.598	11.990	-.03600	-.25500	-.33800	-.30600	-.18000	-.25300	8.62000	-.34000	5.92000	2.70000
.597	12.560	-.03600	-.26100	-.34100	-.31400	-.18200	-.25600	8.61000	-.33000	5.91000	2.71000
.598	13.130	-.03800	-.25900	-.34300	-.30900	-.18200	-.25300	8.61000	-.33000	5.91000	2.70000
.599	13.710	-.03900	-.25700	-.34300	-.30800	-.18500	-.25000	8.63000	-.33000	5.93000	2.71000
.598	14.280	-.03700	-.26400	-.34400	-.31400	-.18500	-.25200	8.64000	-.39000	5.94000	2.71000
.597	14.850	-.04000	-.26000	-.34900	-.31400	-.18900	-.25400	8.64000	-.40000	5.93000	2.71000
.597	15.420	-.03900	-.25800	-.35200	-.31400	-.18500	-.25300	8.64000	-.39000	5.94000	2.71000
.599	16.000	-.03700	-.25000	-.35200	-.31200	-.18600	-.25100	8.64000	-.36000	5.93000	2.71000
.599	16.570	-.03700	-.25700	-.35100	-.31200	-.18500	-.25100	8.62000	-.32000	5.91000	2.71000
.598	17.140	-.04100	-.25800	-.35600	-.31500	-.18700	-.25400	8.63000	-.35000	5.92000	2.72000
.597	17.720	-.04400	-.26500	-.36000	-.32500	-.18900	-.25900	8.64000	-.37000	5.93000	2.72000
.597	18.290	-.04200	-.26200	-.35900	-.32100	-.18900	-.25500	8.66000	-.38000	5.94000	2.72000
.599	18.840	-.03800	-.26400	-.35500	-.32400	-.18600	-.25400	8.62000	-.29000	5.91000	2.72000
.598	19.410	-.03700	-.26200	-.35700	-.32000	-.18900	-.25200	8.66000	-.36000	5.94000	2.72000
.597	19.980	-.04500	-.26300	-.36200	-.32600	-.19000	-.25800	8.64000	-.33000	5.92000	2.72000
GRADIENT		.00056	-.00029	-.00011	.00067	-.00041	.00061	-.00290	-.00175	-.00348	.00116



LTV44-559(CA26) 747/1 ATY 02 S1 (ORBITER DATA)

(XFE084) (29 JAN 76)

## REFERENCE DATA

SREF = 2690.0000 SQ.FT. XMRP = 1109.0000 IN. XO  
 LREF = 474.8100 IN. YMRP = .0000 IN. YO  
 BREF = 936.6800 IN. ZMRP = 375.0000 IN. ZO  
 SCALE = .0125

## PARAMETRIC DATA

ALPHAC = 2.000 BETAC = -5.000  
 STAB = 5.000 ELEVON = 5.000  
 BDFLAP = .000 DY = .000  
 DZ = 15.000 ICRB = 6.000  
 BETAO = .000 RUDDER = .000

RUN NO. 1062/ 0 RN/L = .00 GRADIENT INTERVAL = -5.00/ 5.00

MACH	DX	CPCO	CPB1	CPB2	CPB3	CPS1	CPS2	ALPHAO	BETAO	INCID	ALPHAC
.599	.570	-.05200	-.27800	-.36700	-.33200	-.20300	-.25900	8.51000	-.34000	5.92000	2.67000
.599	1.140	-.05500	-.27900	-.37400	-.33100	-.21100	-.26400	8.52000	-.36000	5.93000	2.67000
.598	1.710	-.05400	-.27900	-.37000	-.33500	-.20500	-.26200	8.54000	-.35000	5.95000	2.67000
.598	2.290	-.04800	-.27800	-.37100	-.33000	-.20600	-.25600	8.50000	-.28000	5.91000	2.67000
.596	2.860	-.05300	-.28300	-.38000	-.33600	-.21300	-.26200	8.49000	-.29000	5.91000	2.67000
.596	3.430	-.05600	-.28700	-.38100	-.34000	-.21400	-.26500	8.49000	-.32000	5.90000	2.67000
.597	4.010	-.05100	-.28100	-.37600	-.33400	-.20900	-.26000	8.51000	-.28000	5.92000	2.67000
.598	4.580	-.05000	-.27900	-.37300	-.33100	-.20700	-.25800	8.52000	-.33000	5.93000	2.67000
.599	5.150	-.05200	-.27900	-.37100	-.33300	-.20400	-.25700	8.54000	-.35000	5.95000	2.67000
.600	5.720	-.05000	-.27800	-.36600	-.33200	-.20500	-.25400	8.53000	-.36000	5.94000	2.67000
.599	6.300	-.05700	-.27800	-.37400	-.33500	-.20900	-.25900	8.52000	-.31000	5.93000	2.67000
.599	6.870	-.05000	-.27900	-.36900	-.33200	-.20500	-.25700	8.53000	-.34000	5.94000	2.67000
.597	7.420	-.05700	-.27700	-.38000	-.33600	-.21000	-.26300	8.50000	-.29000	5.91000	2.67000
.598	7.990	-.05700	-.28500	-.38600	-.34000	-.21500	-.26200	8.51000	-.34000	5.93000	2.67000
.599	8.560	-.05700	-.28000	-.38500	-.33800	-.20700	-.26000	8.50000	-.27000	5.92000	2.67000
.601	9.140	-.05300	-.27800	-.37700	-.33600	-.20400	-.25500	8.54000	-.35000	5.95000	2.67000
.600	9.710	-.05000	-.28000	-.37700	-.33500	-.20800	-.25500	8.53000	-.35000	5.94000	2.67000
.600	10.280	-.05100	-.28200	-.37700	-.33700	-.20900	-.25500	8.52000	-.36000	5.93000	2.67000
.600	10.850	-.05600	-.28200	-.38100	-.34000	-.20900	-.25800	8.52000	-.34000	5.94000	2.67000
.599	11.430	-.05300	-.28300	-.37700	-.34000	-.21000	-.25600	8.52000	-.36000	5.93000	2.67000
.600	12.000	-.05400	-.28300	-.37700	-.34000	-.20800	-.25600	8.54000	-.34000	5.95000	2.68000
.598	12.570	-.05300	-.28400	-.38500	-.33900	-.21400	-.25800	8.52000	-.31000	5.93000	2.67000
.599	13.150	-.05600	-.28200	-.38300	-.34100	-.20900	-.25600	8.52000	-.28000	5.93000	2.67000
.598	13.720	-.05900	-.28400	-.38700	-.34400	-.21300	-.26100	8.51000	-.29000	5.93000	2.67000
.599	14.290	-.05400	-.28300	-.38200	-.34200	-.21000	-.25500	8.51000	-.28000	5.92000	2.67000
.598	14.860	-.05500	-.28400	-.38900	-.34500	-.21100	-.25800	8.50000	-.29000	5.91000	2.67000
.599	15.440	-.05300	-.28200	-.38700	-.34400	-.21100	-.25400	8.54000	-.35000	5.95000	2.67000
.600	16.010	-.05100	-.27900	-.38800	-.33600	-.21300	-.25100	8.50000	-.28000	5.91000	2.67000
.600	16.560	-.05200	-.28000	-.38800	-.34300	-.21100	-.25200	8.50000	-.28000	5.92000	2.67000
.600	17.130	-.06100	-.28200	-.39500	-.34500	-.21700	-.25800	8.50000	-.30000	5.91000	2.68000
.599	17.700	-.05900	-.28900	-.39200	-.35000	-.21700	-.25800	8.50000	-.29000	5.91000	2.67000
.599	18.280	-.05300	-.28200	-.39300	-.34100	-.21700	-.25200	8.53000	-.34000	5.93000	2.68000
.599	18.850	-.05600	-.28400	-.39500	-.34400	-.21900	-.25200	8.53000	-.33000	5.93000	2.68000
.597	19.420	-.05900	-.28400	-.39700	-.34800	-.22000	-.25700	8.54000	-.36000	5.94000	2.68000
.601	20.000	-.05500	-.28900	-.38800	-.34800	-.21700	-.25100	8.51000	-.28000	5.92000	2.68000
	GRADIENT	.00048	-.00095	-.00195	-.00060	-.00108	.00025	-.00291	.01145	-.00333	.00000

LTV44-559(CA26) 747/1 ATY 02 S1 (ORBITER DATA)

(XFED85) ( 29 JAN 76 )

## REFERENCE DATA

SREF = 2690.0000 SQ.FT. XMRP = 1109.0000 IN. XO  
 LREF = 474.9100 IN. YMRP = .0000 IN. YO  
 BREF = 936.6800 IN. ZMRP = 375.0000 IN. ZO  
 SCALE = .0125

## PARAMETRIC DATA

ALPHAC = 2.000 BETAC = -5.000  
 STAB = 5.000 ELEVON = 5.000  
 BDFLAP = .000 DY = .000  
 DZ = 60.000 TORB = 6.000  
 BETA0 = .000 RUDDER = .000

RUN NO. 2062/ 0 RN/L = .00 GRADIENT INTERVAL = -5.00/ 5.00

MACH	DX	CP00	CPB1	CPB2	CPB3	CPS1	CPS2	ALPHA0	BETA0	INC1D	ALPHAC
.597	.590	-.06400	-.29900	-.40900	-.35900	-.22800	-.26500	8.32000	-.29000	5.95000	2.67000
.598	1.170	-.06000	-.29800	-.40800	-.35700	-.22600	-.26200	8.32000	-.34000	5.94000	2.68000
.601	1.740	-.06000	-.28900	-.40200	-.35400	-.21900	-.25300	8.29000	-.33000	5.91000	2.67000
.599	2.310	-.06100	-.29800	-.40400	-.35500	-.23000	-.25200	8.32000	-.35000	5.94000	2.68000
.599	2.890	-.06800	-.29900	-.40600	-.36400	-.23200	-.25600	8.30000	-.31000	5.93000	2.68000
.601	3.460	-.06100	-.29600	-.40500	-.35400	-.23100	-.25000	8.29000	-.32000	5.91000	2.68000
.599	4.030	-.06200	-.29600	-.40700	-.35600	-.23200	-.24900	8.33000	-.33000	5.95000	2.68000
.602	4.600	-.05900	-.29200	-.40000	-.34900	-.22900	-.24500	8.29000	-.30000	5.92000	2.68000
.601	5.180	-.06500	-.29300	-.40500	-.35800	-.22800	-.25200	8.31000	-.29000	5.93000	2.68000
.599	5.720	-.06500	-.29600	-.40600	-.35800	-.22800	-.25400	8.32000	-.27000	5.94000	2.68000
.600	6.280	-.06300	-.29700	-.40600	-.35500	-.23000	-.25100	8.31000	-.30000	5.94000	2.67000
.600	6.870	-.06500	-.30000	-.40600	-.35700	-.23500	-.25100	8.32000	-.30000	5.95000	2.67000
.600	7.440	-.06100	-.29800	-.40400	-.35000	-.22900	-.25000	8.32000	-.28000	5.94000	2.67000
.601	8.020	-.06200	-.29300	-.40100	-.35400	-.22700	-.24800	8.31000	-.29000	5.93000	2.67000
.600	8.590	-.06400	-.29600	-.40700	-.35300	-.23000	-.24900	8.31000	-.29000	5.94000	2.68000
.600	9.160	-.06500	-.30100	-.41300	-.35700	-.23400	-.24900	8.31000	-.32000	5.93000	2.68000
.601	9.730	-.06400	-.29500	-.40400	-.35200	-.23400	-.24200	8.32000	-.31000	5.95000	2.67000
.597	10.310	-.06600	-.30400	-.41400	-.35800	-.24200	-.24900	8.29000	-.36000	5.91000	2.68000
.597	10.890	-.07000	-.30400	-.41200	-.36400	-.24500	-.24800	8.28000	-.37000	5.90000	2.68000
.599	11.450	-.06500	-.30000	-.41100	-.35900	-.23800	-.24800	8.32000	-.29000	5.94000	2.68000
.599	12.030	-.06600	-.30000	-.41000	-.36000	-.23700	-.25100	8.32000	-.31000	5.94000	2.68000
.599	12.600	-.06700	-.29500	-.41000	-.37600	-.23000	-.25600	8.29000	-.32000	5.91000	2.68000
.597	13.170	-.06500	-.30200	-.41200	-.36200	-.23000	-.25700	8.32000	-.28000	5.94000	2.67000
.597	13.750	-.06800	-.30000	-.41100	-.36500	-.23200	-.25600	8.31000	-.27000	5.93000	2.67000
.596	14.320	-.07000	-.30100	-.41000	-.36800	-.23600	-.25400	8.32000	-.30000	5.94000	2.68000
.599	14.860	-.06500	-.29900	-.40900	-.36100	-.22700	-.25500	8.28000	-.34000	5.90000	2.67000
.598	15.440	-.06200	-.30000	-.40900	-.36200	-.22700	-.25600	8.30000	-.30000	5.92000	2.67000
.599	16.010	-.06500	-.30100	-.40400	-.35500	-.23400	-.25000	8.32000	-.34000	5.94000	2.67000
.599	16.580	-.06400	-.30300	-.40800	-.35800	-.23100	-.25100	8.29000	-.28000	5.92000	2.67000
.601	17.140	-.05300	-.29900	-.40500	-.35700	-.22900	-.25000	8.28000	-.35000	5.91000	2.67000
.595	17.720	-.07000	-.30900	-.42400	-.37300	-.23800	-.26200	8.30000	-.31000	5.93000	2.67000
.599	18.290	-.06700	-.29900	-.41300	-.36700	-.23500	-.25300	8.32000	-.27000	5.95000	2.67000
.600	18.880	-.06400	-.29600	-.40200	-.35700	-.23400	-.24500	8.30000	-.29000	5.92000	2.68000
.599	19.440	-.06400	-.29700	-.40800	-.36400	-.23300	-.24700	8.28000	-.34000	5.91000	2.67000
.599	20.010	-.06400	-.30300	-.41300	-.36600	-.23300	-.25400	8.29000	-.35000	5.92000	2.67000
GRADIENT		.00031	.00077	.00118	.00137	-.00156	.00436	-.00375	.00103	-.00354	.00208

LTV44-559(CA26) 747/1 ATY 02 S1 (ORBITER DATA)

(XFED86) ( 29 JAN 76 )

## REFERENCE DATA

SREF = 2690.0000 SQ.FT. XMRP = 1109.0000 IN. XO  
 LREF = 474.8100 IN. YMRP = .0000 IN. YO  
 BREF = 936.6800 IN. ZMRP = 375.0000 IN. ZO  
 SCALE = .0125

## PARAMETRIC DATA

ALPHAC = 2.000 BETAC = -5.000  
 STAB = 5.000 ELEVON = 5.000  
 BDFLAP = .000 DX = .000  
 DZ = .000 IORB = 6.000  
 BETAO = .000 RUDDER = .000

RUN NO. 63/ 0 RN/L = .00 GRADIENT INTERVAL = -5.00/ 5.00

MACH	DY	CPCO	CPB1	CPB2	CPB3	CPS1	CPS2	ALPHAO	BETAO	INCID	ALPHAC
.594	-10.000	-.05300	-.27700	-.37900	-.32900	-.21100	-.25200	8.64000	-.39000	5.94000	2.71000
.594	-9.420	-.05200	-.27600	-.37600	-.32100	-.20400	-.25000	8.62000	-.40000	5.92000	2.70000
.592	-8.850	-.05000	-.27500	-.37800	-.32900	-.20700	-.25200	8.65000	-.37000	5.95000	2.71000
.594	-8.280	-.05000	-.27300	-.36500	-.32100	-.20300	-.25100	8.63000	-.38000	5.93000	2.70000
.592	-7.710	-.05000	-.27600	-.37000	-.32700	-.20400	-.25200	8.66000	-.32000	5.96000	2.71000
.593	-7.140	-.04900	-.27400	-.36400	-.31900	-.19700	-.25000	8.64000	-.33000	5.93000	2.71000
.592	-6.560	-.05100	-.27600	-.36700	-.32800	-.20700	-.25500	8.63000	-.35000	5.93000	2.71000
.593	-5.990	-.05000	-.27500	-.35800	-.32100	-.19900	-.25100	8.63000	-.37000	5.92000	2.71000
.594	-5.420	-.05200	-.27500	-.35300	-.32100	-.20200	-.25200	8.65000	-.33000	5.95000	2.70000
.594	-4.850	-.05100	-.27300	-.35400	-.32300	-.20300	-.25200	8.63000	-.37000	5.93000	2.70000
.593	-4.280	-.05000	-.27500	-.35900	-.32600	-.20200	-.25400	8.63000	-.36000	5.93000	2.70000
.594	-3.710	-.05000	-.27300	-.35700	-.32400	-.20200	-.25500	8.62000	-.37000	5.92000	2.70000
.591	-3.130	-.05400	-.28200	-.37000	-.33300	-.20300	-.26200	8.62000	-.32000	5.93000	2.70000
.594	-2.570	-.04900	-.26900	-.35600	-.31900	-.19600	-.25400	8.59000	-.38000	5.90000	2.70000
.595	-1.990	-.04700	-.27300	-.35800	-.31800	-.19400	-.25400	8.59000	-.39000	5.91000	2.69000
.593	-1.420	-.04700	-.27400	-.36500	-.32400	-.19300	-.25500	8.61000	-.36000	5.93000	2.68000
.595	-.850	-.04900	-.27300	-.36200	-.32200	-.19700	-.25600	8.61000	-.34000	5.94000	2.69000
.593	-.270	-.04700	-.27500	-.36200	-.32500	-.19500	-.25700	8.59000	-.34000	5.92000	2.67000
.593	.270	-.04800	-.27700	-.35800	-.32700	-.19800	-.25900	8.61000	-.37000	5.95000	2.67000
.594	.850	-.05000	-.27600	-.35500	-.32500	-.19800	-.25900	8.60000	-.36000	5.94000	2.67000
.596	1.420	-.04700	-.27600	-.35200	-.31900	-.19100	-.25400	8.56000	-.39000	5.90000	2.67000
.593	1.990	-.04400	-.27800	-.35400	-.32300	-.19000	-.25600	8.57000	-.37000	5.91000	2.66000
.594	2.560	-.05000	-.27800	-.35400	-.32600	-.19700	-.26200	8.60000	-.36000	5.94000	2.66000
.593	3.130	-.04800	-.27800	-.35900	-.32600	-.19500	-.26200	8.59000	-.33000	5.93000	2.65000
.595	3.710	-.05000	-.27900	-.35400	-.32000	-.19400	-.26200	8.57000	-.38000	5.92000	2.65000
.594	4.280	-.04400	-.27800	-.35400	-.32300	-.19000	-.26100	8.57000	-.39000	5.92000	2.64000
.596	4.850	-.04800	-.28000	-.35000	-.31700	-.19000	-.26100	8.57000	-.36000	5.93000	2.64000
.593	5.420	-.05000	-.28000	-.35500	-.32600	-.19500	-.26500	8.54000	-.37000	5.90000	2.64000
.595	5.990	-.04900	-.27600	-.34900	-.31900	-.19200	-.26300	8.57000	-.35000	5.93000	2.64000
.594	6.560	-.05000	-.27700	-.35200	-.32200	-.19400	-.26500	8.57000	-.36000	5.94000	2.63000
.594	7.140	-.04900	-.27700	-.35000	-.32100	-.19100	-.26400	8.55000	-.34000	5.92000	2.64000
.594	7.700	-.04000	-.27200	-.35300	-.32000	-.18300	-.26100	8.55000	-.36000	5.93000	2.63000
.592	8.280	-.04600	-.27500	-.35400	-.32400	-.19000	-.26500	8.53000	-.36000	5.91000	2.63000
.595	8.850	-.04200	-.27200	-.35000	-.31600	-.18200	-.26200	8.57000	-.35000	5.94000	2.63000
.595	9.420	-.04500	-.27100	-.34700	-.31800	-.18600	-.26300	8.55000	-.34000	5.93000	2.63000
.594	10.000	-.04000	-.27100	-.34900	-.31500	-.18300	-.26400	8.57000	-.37000	5.94000	2.63000
	GRADIENT	.00039	-.00061	.00079	.00035	.00112	-.00080	-.00601	-.00079	.00016	-.00682

LTV44-559(CA26) 747/1 ATY 02 S1 (ORBITER DATA)

(XFE087) ( 29 JAN 76 )

## REFERENCE DATA

SREF = 2690.0000 SQ.FT. XMRP = 1109.0000 IN. XO  
 LREF = 474.8100 IN. YMRP = .0000 IN. YO  
 BREF = 936.6800 IN. ZMRP = 375.0000 IN. ZO  
 SCALE = .0125

## PARAMETRIC DATA

ALPHAC = 2.000 BETAC = -5.000  
 STAB = 5.000 ELEVON = 5.000  
 BDFLAP = .000 DX = .000  
 OZ = 15.000 IORB = 6.000  
 BETA0 = .000 RUDDER = .000

RUN NO. 1063/ 0 RN/L = .00 GRADIENT INTERVAL = -5.00/ 5.00

MACH	DY	CPCO	CPB1	CPB2	CPB3	CPS1	CPS2	ALPHA	BETA0	INC10	ALPHAC
.594	-9.420	-.06300	-.28900	-.38000	-.33800	-.21800	-.26200	8.54000	-.30000	5.93000	2.69000
.592	-8.850	-.05900	-.28700	-.38200	-.33900	-.21500	-.26000	8.52000	-.32000	5.91000	2.70000
.594	-8.280	-.05500	-.28300	-.37900	-.33800	-.21500	-.25800	8.53000	-.32000	5.92000	2.69000
.595	-7.710	-.05500	-.28300	-.37700	-.33400	-.20900	-.25500	8.52000	-.32000	5.91000	2.69000
.595	-7.140	-.05800	-.28700	-.38400	-.34300	-.21600	-.25900	8.56000	-.27000	5.95000	2.69000
.594	-6.560	-.05600	-.28600	-.38300	-.34300	-.21800	-.25900	8.52000	-.30000	5.92000	2.69000
.594	-5.990	-.06200	-.29000	-.38700	-.34400	-.21800	-.26000	8.54000	-.29000	5.93000	2.69000
.593	-5.420	-.06200	-.29100	-.38900	-.34200	-.21700	-.26300	8.55000	-.27000	5.95000	2.69000
.593	-4.850	-.06100	-.29000	-.38700	-.34300	-.21900	-.26400	8.54000	-.28000	5.94000	2.68000
.593	-4.280	-.06200	-.29300	-.38800	-.34500	-.22100	-.26400	8.54000	-.26000	5.94000	2.68000
.593	-3.710	-.06100	-.29000	-.38300	-.34400	-.22000	-.26300	8.53000	-.31000	5.93000	2.68000
.593	-3.140	-.06000	-.29000	-.38400	-.34300	-.22000	-.26300	8.54000	-.30000	5.94000	2.68000
.595	-2.570	-.06200	-.29100	-.38500	-.34400	-.21800	-.26100	8.51000	-.32000	5.91000	2.68000
.592	-1.990	-.05600	-.28900	-.39000	-.34400	-.21900	-.26200	8.53000	-.29000	5.93000	2.68000
.593	-1.420	-.06500	-.29400	-.39100	-.34700	-.22000	-.26500	8.52000	-.31000	5.93000	2.67000
.593	-.850	-.06400	-.29400	-.39000	-.34700	-.22100	-.26500	8.53000	-.28000	5.94000	2.67000
.593	-.280	-.06200	-.29300	-.39500	-.34800	-.22300	-.26400	8.53000	-.30000	5.94000	2.67000
.595	.270	-.06400	-.29300	-.39800	-.34400	-.21700	-.26000	8.50000	-.30000	5.91000	2.67000
.593	.850	-.06700	-.29700	-.40100	-.35100	-.22400	-.26700	8.51000	-.30000	5.93000	2.67000
.593	1.410	-.06100	-.29300	-.39700	-.35200	-.22400	-.26700	8.51000	-.33000	5.92000	2.67000
.594	1.990	-.06500	-.29500	-.40000	-.35000	-.22200	-.26800	8.50000	-.31000	5.91000	2.67000
.595	2.560	-.06500	-.29500	-.39900	-.35100	-.22000	-.26400	8.51000	-.33000	5.92000	2.67000
.593	3.130	-.06100	-.29400	-.39800	-.35200	-.22500	-.26500	8.53000	-.28000	5.94000	2.67000
.592	3.700	-.06500	-.29600	-.39900	-.35800	-.22900	-.26700	8.51000	-.34000	5.93000	2.67000
.593	4.270	-.06300	-.29300	-.39300	-.35000	-.22600	-.26500	8.52000	-.34000	5.93000	2.66000
.595	4.850	-.06800	-.29600	-.39900	-.35500	-.22400	-.26600	8.51000	-.33000	5.94000	2.66000
.595	5.420	-.06400	-.29300	-.39900	-.35200	-.22400	-.26700	8.50000	-.34000	5.92000	2.66000
.595	5.980	-.06500	-.29200	-.40000	-.34800	-.22200	-.26600	8.50000	-.33000	5.92000	2.66000
.595	6.560	-.06600	-.29600	-.40300	-.35100	-.22100	-.26500	8.52000	-.31000	5.95000	2.66000
.594	7.130	-.06400	-.29500	-.40500	-.35500	-.22500	-.26500	8.52000	-.34000	5.95000	2.65000
.595	7.700	-.06700	-.29500	-.40500	-.35300	-.22300	-.26600	8.49000	-.34000	5.92000	2.66000
.594	8.270	-.06500	-.29500	-.40900	-.35400	-.22400	-.26600	8.52000	-.33000	5.95000	2.65000
.595	8.840	-.06400	-.29400	-.41600	-.35200	-.21900	-.26200	8.52000	-.32000	5.95000	2.65000
.594	9.420	-.06500	-.29400	-.41700	-.35400	-.22600	-.26800	8.50000	-.37000	5.93000	2.65000
.593	9.990	-.06500	-.29600	-.41600	-.35900	-.22500	-.26800	8.50000	-.36000	5.93000	2.65000
GRADIENT		-.00050	-.00057	-.00163	-.00126	-.00071	-.00037	-.00277	-.00472	-.00056	-.00188

LTV44-559(CA26) 747/1 ATY 02 S1 (ORBITER DATA)

(XFE088) ( 29 JAN 76 )

## REFERENCE DATA

SREF = 2690.0000 SQ.FT. XMRP = 1109.0000 IN. XO  
 LREF = 474.8100 IN. YMRP = .0000 IN. YO  
 BREF = 936.6800 IN. ZMRP = 375.0000 IN. ZO  
 SCALE = .0125

## PARAMETRIC DATA

ALPHAC = 2.000 BETAC = -5.000  
 STAB = 5.000 ELEVON = 5.000  
 BDFLAP = .000 DX = .000  
 DZ = 60.000 IORB = 6.000  
 BETA0 = .000 RUDDER = .000

RUN NO. 2063/ 0 RN/L = .00 GRADIENT INTERVAL = -5.00/ 5.00

MACH	DY	CPC0	CPB1	CPB2	CPB3	CPS1	CPS2	ALPHA0	BETA0	INCID	ALPHAC
.594	-10.000	-.07100	-.31100	-.41800	-.37400	-.24500	-.26100	8.30000	-.28000	5.92000	2.68000
.596	-9.430	-.06700	-.30300	-.40800	-.36600	-.23600	-.25400	8.30000	-.29000	5.92000	2.68000
.593	-8.860	-.07700	-.31900	-.42800	-.38400	-.24800	-.26900	8.31000	-.33000	5.93000	2.67000
.594	-8.280	-.07100	-.31200	-.41800	-.37200	-.23700	-.26200	8.33000	-.30000	5.95000	2.68000
.594	-7.710	-.07000	-.31300	-.42200	-.37700	-.24200	-.26000	8.32000	-.33000	5.94000	2.68000
.595	-7.140	-.07000	-.30800	-.42000	-.37700	-.24500	-.25900	8.31000	-.35000	5.93000	2.68000
.595	-6.570	-.07200	-.31100	-.41600	-.36900	-.24100	-.25700	8.33000	-.34000	5.96000	2.68000
.594	-6.000	-.07200	-.31100	-.41600	-.37200	-.24300	-.25500	8.33000	-.35000	5.96000	2.68000
.593	-5.420	-.07300	-.31300	-.41800	-.37300	-.24500	-.25500	8.33000	-.31000	5.95000	2.68000
.594	-4.860	-.07200	-.31400	-.41800	-.37500	-.24400	-.25500	8.33000	-.34000	5.95000	2.68000
.595	-4.290	-.07000	-.31300	-.41700	-.37500	-.24500	-.25700	8.32000	-.28000	5.94000	2.68000
.595	-3.710	-.07300	-.31000	-.41700	-.37700	-.25500	-.25300	8.31000	-.30000	5.94000	2.68000
.594	-3.140	-.07200	-.31300	-.41700	-.37300	-.24700	-.25000	8.31000	-.35000	5.93000	2.68000
.595	-2.570	-.07200	-.31300	-.41900	-.37700	-.25200	-.25500	8.32000	-.30000	5.95000	2.67000
.594	-2.000	-.07400	-.31700	-.42200	-.37400	-.24600	-.25300	8.31000	-.38000	5.93000	2.68000
.594	-1.430	-.07300	-.31500	-.42100	-.37600	-.24700	-.25600	8.32000	-.29000	5.94000	2.68000
.592	-.850	-.07300	-.30900	-.41600	-.37600	-.24800	-.25700	8.32000	-.37000	5.94000	2.68000
.594	-.280	-.07300	-.31300	-.41700	-.37100	-.24400	-.25500	8.33000	-.30000	5.95000	2.68000
.594	.270	-.07200	-.31200	-.41800	-.37500	-.24800	-.25300	8.33000	-.36000	5.95000	2.68000
.594	.840	-.07400	-.31600	-.42300	-.37800	-.25200	-.25500	8.31000	-.40000	5.93000	2.68000
.594	1.410	-.07600	-.31800	-.42000	-.37500	-.25200	-.25100	8.31000	-.40000	5.93000	2.68000
.594	1.990	-.07100	-.31000	-.41500	-.37200	-.24700	-.25200	8.33000	-.35000	5.95000	2.68000
.594	2.560	-.06800	-.30900	-.41500	-.37400	-.24700	-.25400	8.33000	-.33000	5.95000	2.68000
.593	3.130	-.07000	-.30900	-.41600	-.37400	-.24900	-.25300	8.33000	-.34000	5.95000	2.68000
.595	3.700	-.07600	-.31300	-.41700	-.37300	-.24900	-.25100	8.31000	-.42000	5.93000	2.68000
.594	4.270	-.07100	-.31000	-.41900	-.37700	-.25200	-.25600	8.30000	-.38000	5.92000	2.68000
.594	4.850	-.07500	-.31300	-.42000	-.37300	-.24600	-.25600	8.30000	-.40000	5.92000	2.68000
.593	5.410	-.06800	-.30900	-.42000	-.37400	-.24600	-.25500	8.34000	-.36000	5.95000	2.68000
.594	5.980	-.06800	-.30800	-.41800	-.37000	-.24400	-.25500	8.33000	-.35000	5.95000	2.68000
.595	6.560	-.07700	-.31400	-.42100	-.37300	-.24800	-.25300	8.30000	-.39000	5.92000	2.68000
.595	7.130	-.07000	-.30900	-.41700	-.37200	-.24800	-.25200	8.33000	-.41000	5.95000	2.68000
.594	7.700	-.07300	-.31200	-.41900	-.37500	-.25100	-.25600	8.29000	-.36000	5.91000	2.68000
.594	8.270	-.07500	-.31300	-.42100	-.37400	-.25000	-.25300	8.33000	-.34000	5.95000	2.68000
.594	8.840	-.07000	-.31000	-.41900	-.37300	-.25100	-.25100	8.28000	-.41000	5.90000	2.68000
.593	9.420	-.07800	-.31800	-.42100	-.37600	-.25300	-.25400	8.32000	-.36000	5.94000	2.68000
GRADIENT		-.00008	.00021	.00003	.00015	-.00016	.00007	-.00080	-.00855	-.00119	.00016

ORIGINAL PAGE IS  
OF POOR QUALITY

LTV44-559(CA26) 747/1 ATY 02 S1 (ORBITER DATA)

(XFE089) ( 29 JAN 76 )

## REFERENCE DATA

SREF = 2690.0000 SQ.FT. XMRP = 1109.0000 IN. XO  
 LREF = 474.8100 IN. YMRP = .0000 IN. YO  
 BREF = 936.6800 IN. ZMRP = 375.0000 IN. ZO  
 SCALE = .0125

## PARAMETRIC DATA

ALPHAC = 4.000 BETAC = .000  
 STAB = 5.000 ELEVON = 5.000  
 BDFLAP = .000 DX = .000  
 DY = .000 IORB = 4.000  
 BETA0 = .000 RUDDER = .000

RUN NO. 64/ 0 RN/L = .00 GRADIENT INTERVAL = -5.00/ 5.00

MACH	DZ	CP00	CP01	CP02	CP03	CP04	CP05	ALPHAO	BETA0	INCID	ALPHAC
.599	1.460	-.03800	-.26400	-.35900	-.32200	-.18400	-.24600	7.67000	-.03000	3.94000	3.73000
.599	2.060	-.03900	-.26700	-.35900	-.32200	-.18600	-.24700	7.66000	-.03000	3.94000	3.73000
.598	2.660	-.03700	-.26800	-.36300	-.31900	-.18800	-.25000	7.68000	.00000	3.96000	3.73000
.597	3.360	-.04100	-.27200	-.36600	-.32700	-.19400	-.25100	7.67000	.00000	3.96000	3.73000
.598	4.160	-.04100	-.27000	-.36400	-.32700	-.19400	-.25300	7.65000	-.02000	3.95000	3.73000
.602	4.960	-.04000	-.26800	-.36200	-.32600	-.19300	-.24700	7.66000	.01000	3.95000	3.73000
.600	6.960	-.04400	-.27400	-.36700	-.32800	-.19400	-.25000	7.62000	-.02000	3.93000	3.73000
.597	8.960	-.04300	-.27700	-.36900	-.33300	-.20200	-.25300	7.62000	-.03000	3.93000	3.74000
.601	10.460	-.04800	-.28000	-.37200	-.33200	-.20000	-.25200	7.64000	.00000	3.96000	3.74000
.599	11.460	-.04500	-.27800	-.37400	-.33400	-.20300	-.25300	7.64000	.00000	3.97000	3.74000
.599	12.450	-.04600	-.27800	-.37200	-.33300	-.20300	-.25200	7.63000	.00000	3.96000	3.74000
.600	13.450	-.04600	-.27700	-.37600	-.33600	-.20500	-.25200	7.63000	.00000	3.97000	3.74000
.596	14.440	-.04400	-.27900	-.37800	-.33700	-.20500	-.25100	7.61000	-.05000	3.95000	3.74000
.597	15.440	-.04900	-.28500	-.37900	-.33700	-.20700	-.25300	7.60000	.00000	3.95000	3.74000
.598	16.430	-.04700	-.28500	-.38400	-.33800	-.20400	-.25000	7.60000	-.01000	3.93000	3.74000
.599	17.430	-.04600	-.28300	-.38400	-.34000	-.20400	-.25000	7.57000	-.04000	3.93000	3.74000
.598	18.420	-.05000	-.28800	-.38500	-.34000	-.20600	-.25200	7.56000	.00000	3.92000	3.74000
.599	19.420	-.04800	-.27900	-.37300	-.33400	-.20700	-.24800	7.60000	.00000	3.97000	3.74000
.600	20.410	-.04800	-.28000	-.37800	-.33900	-.20800	-.24800	7.60000	-.02000	3.97000	3.74000
.600	21.410	-.04800	-.28600	-.38000	-.33600	-.20600	-.24900	7.57000	-.03000	3.94000	3.75000
.597	22.390	-.04700	-.28600	-.38700	-.34100	-.20800	-.25000	7.56000	-.03000	3.94000	3.74000
.599	23.390	-.04900	-.28400	-.37900	-.33900	-.21100	-.24800	7.55000	.00000	3.94000	3.74000
.600	24.390	-.04800	-.28600	-.38100	-.33800	-.20800	-.25000	7.54000	.00000	3.94000	3.75000
.599	25.380	-.04500	-.28400	-.38400	-.33900	-.20600	-.24700	7.58000	-.04000	3.97000	3.75000
.600	26.380	-.04500	-.28600	-.38400	-.33900	-.20600	-.24800	7.56000	-.02000	3.96000	3.75000
.597	27.370	-.05100	-.28600	-.38600	-.34900	-.21400	-.25000	7.53000	-.02000	3.94000	3.74000
.597	28.370	-.05200	-.28900	-.38700	-.34800	-.21400	-.25100	7.51000	.00000	3.93000	3.74000
.599	29.360	-.04900	-.28500	-.38400	-.34400	-.20800	-.24900	7.54000	-.01000	3.96000	3.74000
.599	30.360	-.04900	-.28500	-.38400	-.34500	-.20700	-.24800	7.54000	-.05000	3.96000	3.74000
.598	31.350	-.05100	-.29300	-.38700	-.34700	-.21600	-.24900	7.53000	-.02000	3.96000	3.75000
.597	32.350	-.04900	-.29600	-.39400	-.34900	-.21600	-.25300	7.54000	-.01000	3.97000	3.75000
.599	33.340	-.04900	-.29000	-.38600	-.34700	-.20900	-.24800	7.49000	-.04000	3.93000	3.75000
.597	34.340	-.04900	-.28800	-.39200	-.34800	-.21200	-.24900	7.51000	-.02000	3.96000	3.75000
.600	35.340	-.05000	-.28600	-.38600	-.34700	-.21200	-.24500	7.51000	-.01000	3.97000	3.75000
.600	36.330	-.05100	-.28600	-.39000	-.34800	-.21300	-.24800	7.51000	.00000	3.97000	3.75000
.598	37.320	-.05400	-.29300	-.39700	-.35000	-.21700	-.25200	7.47000	-.05000	3.93000	3.75000
.600	38.320	-.05100	-.29100	-.38400	-.34700	-.21400	-.24600	7.49000	-.03000	3.96000	3.76000
.595	39.310	-.05400	-.29200	-.39500	-.35000	-.22000	-.24900	7.46000	-.04000	3.93000	3.75000
.597	40.310	-.05400	-.29200	-.39300	-.35200	-.21500	-.25200	7.45000	-.02000	3.93000	3.75000
.598	41.310	-.05200	-.28800	-.39500	-.34800	-.21200	-.25200	7.48000	-.01000	3.97000	3.75000
.600	42.300	-.05100	-.29300	-.39700	-.34700	-.21200	-.24900	7.46000	-.04000	3.96000	3.75000
.597	43.290	-.05400	-.30000	-.39700	-.35400	-.21800	-.25100	7.47000	.02000	3.96000	3.76000

DATE 22 MAR 76

CA-26 FORCE SOURCE DATA TABULATION

PAGE 625

LTV44-559(CA26) 747/1 ATY 02 S1 (ORBITER DATA)

(XFE089) ( 29 JAN 76 )

## REFERENCE DATA

SREF = 2690.0000 SQ.FT. XMRP = 1109.0000 IN. X0  
 LREF = 474.8100 IN. YMRP = .0000 IN. Y0  
 BREF = 936.6800 IN. ZMRP = 375.0000 IN. Z0  
 SCALE = .0125

## PARAMETRIC DATA

ALPHAC = 4.000 BETAC = .000  
 STAB = 5.000 ELEVON = 5.000  
 BDFLAP = .000 DX = .000  
 DY = .000 TORB = 4.000  
 BETAO = .000 RUDDER = .000

RUN NO. 64/ 0 RN/L = .00 GRADIENT INTERVAL = -5.00/ 5.00

MACH	DZ	CPCO	CPB1	CPB2	CPB3	CPS1	CPS2	ALPHAO	BETAO	INCID	ALPHAC
.600	44.290	-.05000	-.29700	-.39600	-.35000	-.21700	-.24700	7.46000	.00000	3.96000	3.76000
.599	44.790	-.04800	-.29400	-.39100	-.35300	-.21700	-.24300	7.46000	-.02000	3.96000	3.76000
	GRADIENT	-.00081	-.00125	-.00125	-.00177	-.00299	-.00088	-.00389	.00911	.00290	.00000

LTV44-559(CA26) 747/1 ATY 02 S1 (ORBITER DATA)

(XFE090) ( 29 JAN 76 )

## REFERENCE DATA

SREF = 2690.0000 SQ.FT. XMRP = 1109.0000 IN. XO  
 LREF = 474.8100 IN. YMRP = .0000 IN. YO  
 BREF = 936.6800 IN. ZMRP = 375.0000 IN. ZO  
 SCALE = .0125

## PARAMETRIC DATA

ALPHAC = 4.000 BETAC = .000  
 STAB = 5.000 ELEVON = 5.000  
 BDFLAP = .000 DX = .000  
 DY = .000 IORB = 6.000  
 BETA0 = .000 RUDDER = .000

RUN NO. 1064/ 0 RN/L = .00 GRADIENT INTERVAL = -5.00/ 5.00

MACH	DZ	CPCO	CPB1	CPB2	CPB3	CPS1	CPS2	ALPHA0	BETA0	INCID	ALPHAC
.598	1.470	-.04300	-.27100	-.36200	-.33400	-.21600	-.22100	9.66000	-.02000	5.91000	3.76000
.599	2.070	-.04300	-.27500	-.36500	-.33100	-.21300	-.22400	9.67000	.00000	5.92000	3.76000
.598	2.670	-.04200	-.26800	-.35700	-.32900	-.21600	-.22100	9.67000	.00000	5.93000	3.75000
.598	3.370	-.04700	-.27100	-.36000	-.33300	-.22100	-.22600	9.64000	-.03000	5.90000	3.75000
.598	4.170	-.04800	-.27600	-.35900	-.33400	-.22100	-.22500	9.68000	-.03000	5.94000	3.76000
.599	4.960	-.04700	-.27400	-.35700	-.33100	-.22000	-.22300	9.65000	-.04000	5.92000	3.76000
.598	6.970	-.04800	-.27600	-.36900	-.33500	-.22100	-.22500	9.67000	-.02000	5.95000	3.75000
.598	8.970	-.04800	-.27600	-.36600	-.33700	-.22200	-.22900	9.65000	.00000	5.94000	3.75000
.599	10.600	-.04800	-.27800	-.36800	-.33800	-.22100	-.23200	9.64000	.00000	5.95000	3.75000
.598	11.880	-.04800	-.27900	-.37800	-.33900	-.22100	-.23300	9.61000	.00000	5.93000	3.75000
.598	13.160	-.04900	-.28100	-.40200	-.34000	-.22200	-.23000	9.62000	.00000	5.94000	3.75000
.598	14.440	-.04900	-.28300	-.38700	-.34100	-.22200	-.23100	9.61000	-.01000	5.94000	3.75000
.597	15.710	-.05100	-.28200	-.37800	-.34200	-.22000	-.23700	9.60000	.00000	5.94000	3.75000
.598	16.990	-.04900	-.28200	-.37600	-.34100	-.22400	-.22900	9.58000	-.02000	5.93000	3.75000
.598	18.270	-.05100	-.28500	-.38000	-.34400	-.22000	-.23300	9.57000	-.02000	5.92000	3.75000
.597	19.540	-.05000	-.28500	-.38200	-.34800	-.23000	-.23600	9.55000	-.02000	5.91000	3.75000
.598	20.820	-.05000	-.28800	-.38100	-.34800	-.22900	-.23400	9.55000	-.01000	5.93000	3.75000
.598	22.090	-.04900	-.28100	-.37400	-.34100	-.22400	-.23200	9.56000	-.03000	5.94000	3.75000
.599	23.360	-.04900	-.28500	-.38200	-.34600	-.22300	-.23300	9.53000	-.01000	5.91000	3.75000
.599	24.650	-.05000	-.28100	-.37800	-.34100	-.22300	-.23200	9.53000	-.01000	5.91000	3.75000
.598	25.920	-.05100	-.28700	-.38200	-.34400	-.22400	-.23400	9.51000	-.02000	5.91000	3.75000
.599	27.200	-.04900	-.28700	-.38400	-.34300	-.22000	-.23300	9.50000	-.01000	5.91000	3.75000
.597	28.470	-.05000	-.28800	-.38800	-.35100	-.22900	-.23700	9.52000	-.02000	5.93000	3.75000
.597	29.750	-.05400	-.29200	-.38400	-.35000	-.22700	-.23700	9.49000	-.03000	5.91000	3.75000
.599	31.030	-.04900	-.29000	-.38200	-.34600	-.22100	-.23500	9.52000	-.02000	5.94000	3.75000
.599	32.300	-.05200	-.28300	-.38100	-.34700	-.22100	-.23400	9.51000	-.03000	5.95000	3.75000
.597	33.580	-.05700	-.29500	-.39000	-.34900	-.22900	-.24100	9.50000	-.03000	5.94000	3.75000
.600	34.850	-.05000	-.28600	-.38600	-.34600	-.22100	-.23300	9.46000	.00000	5.90000	3.76000
.598	36.130	-.05200	-.29200	-.39100	-.34900	-.22600	-.23900	9.48000	.00000	5.93000	3.75000
.597	37.410	-.05400	-.29300	-.39300	-.35400	-.22700	-.24000	9.44000	-.02000	5.90000	3.75000
.599	38.690	-.05200	-.29300	-.38800	-.34700	-.22700	-.23700	9.48000	-.02000	5.95000	3.75000
.598	39.960	-.05300	-.29300	-.39200	-.35000	-.22600	-.24300	9.46000	-.01000	5.94000	3.75000
.598	41.240	-.05700	-.29200	-.38900	-.35200	-.22900	-.24000	9.46000	-.02000	5.95000	3.75000
.598	42.520	-.05500	-.29700	-.39200	-.35000	-.22900	-.24100	9.44000	-.04000	5.94000	3.75000
.597	43.790	-.05700	-.29100	-.39200	-.35400	-.21900	-.24900	9.42000	.00000	5.92000	3.75000
.597	45.070	-.05600	-.30000	-.39900	-.35500	-.22900	-.24900	9.42000	-.01000	5.93000	3.75000
.598	46.340	-.05400	-.29800	-.39700	-.35200	-.22900	-.24600	9.44000	-.03000	5.95000	3.76000
.598	47.620	-.05700	-.29300	-.39700	-.35300	-.22400	-.25000	9.43000	-.01000	5.95000	3.75000
.597	48.900	-.05900	-.29400	-.39900	-.35500	-.22400	-.25300	9.40000	-.02000	5.93000	3.75000
.598	50.180	-.05200	-.29500	-.39300	-.34800	-.22000	-.24500	9.36000	-.02000	5.90000	3.75000
.597	51.460	-.05700	-.29400	-.39900	-.35200	-.22100	-.24800	9.37000	.00000	5.92000	3.76000
GRADIENT		-.00164	-.00033	.00161	.00005	-.00199	-.00070	-.00203	-.00930	.00326	.00023



LTV44-559(CA26) 747/1 ATY 02 S1 (ORBITER DATA)

(XFE091) ( 29 JAN 76 )

## REFERENCE DATA

SREF = 2690.0000 SQ.FT. XMRP = 1109.0000 IN. XO  
 LREF = 474.8100 IN. YMRP = .0000 IN. YO  
 BREF = 936.6800 IN. ZMRP = 375.0000 IN. ZO  
 SCALE = .0125

## PARAMETRIC DATA

ALPHAC = 4.000 BETAC = .000  
 STAB = 5.000 ELEVON = 5.000  
 BDFLAP = .000 DX = .000  
 DY = .000 TORB = 8.000  
 BETAO = .000 RUDDER = .000

RUN NO. 65/ 0 RN/L = .00 GRADIENT INTERVAL = -5.00/ 5.00

MACH	OZ	CPCO	CPB1	CPB2	CPB3	CPS1	CPS2	ALPHA0	BETAO	INCID	ALPHAC
.600	1.460	-.05900	-.26500	-.38100	-.32700	-.19300	-.28500	11.73000	-.01000	7.93000	3.81000
.598	2.060	-.05700	-.26500	-.38600	-.33200	-.19800	-.28500	11.74000	-.01000	7.94000	3.81000
.597	2.660	-.06200	-.27000	-.38700	-.33700	-.20200	-.29100	11.73000	-.01000	7.93000	3.81000
.595	3.460	-.06500	-.27100	-.39400	-.34100	-.20500	-.29400	11.72000	.00000	7.93000	3.80000
.599	4.460	-.06400	-.26700	-.38800	-.33700	-.20400	-.28500	11.70000	.00000	7.92000	3.80000
.598	5.590	-.07000	-.28000	-.40800	-.34800	-.21100	-.29500	11.67000	.00000	7.90000	3.79000
.598	6.840	-.07200	-.28000	-.40900	-.35000	-.21300	-.29300	11.65000	-.01000	7.89000	3.80000
.599	8.090	-.07100	-.28200	-.40900	-.35200	-.21500	-.29600	11.67000	.00000	7.92000	3.79000
.599	9.340	-.07300	-.28400	-.41200	-.35400	-.21800	-.29500	11.67000	.00000	7.94000	3.79000
.601	10.560	-.07400	-.28600	-.41400	-.35200	-.22100	-.29100	11.64000	.00000	7.92000	3.78000
.599	11.740	-.07700	-.29000	-.42000	-.35600	-.22500	-.29200	11.65000	.00000	7.93000	3.79000
.600	12.920	-.07600	-.29100	-.42300	-.35600	-.22600	-.29100	11.63000	.00000	7.92000	3.78000
.599	14.110	-.08000	-.29200	-.42600	-.36400	-.22900	-.29300	11.63000	.00000	7.93000	3.78000
.597	15.290	-.08300	-.29900	-.43300	-.37100	-.23300	-.29900	11.60000	-.02000	7.91000	3.77000
.599	16.480	-.08400	-.29500	-.42900	-.37000	-.23100	-.29500	11.60000	.00000	7.92000	3.78000
.597	17.660	-.08400	-.30100	-.43200	-.37100	-.23600	-.29800	11.58000	-.01000	7.91000	3.77000
.598	18.840	-.08200	-.29900	-.43800	-.36900	-.23600	-.29700	11.59000	-.01000	7.93000	3.77000
.602	20.030	-.07600	-.28500	-.42700	-.36300	-.22400	-.28700	11.56000	-.04000	7.91000	3.76000
.600	21.210	-.08400	-.30100	-.43800	-.37400	-.23500	-.29500	11.57000	-.02000	7.93000	3.76000
.600	22.390	-.08400	-.29900	-.43800	-.37400	-.23500	-.29400	11.54000	-.01000	7.91000	3.76000
.597	23.570	-.08600	-.30500	-.45200	-.37600	-.24300	-.30000	11.55000	.00000	7.93000	3.76000
.597	24.760	-.08800	-.30600	-.45000	-.38100	-.24500	-.30000	11.53000	-.02000	7.92000	3.76000
.600	25.940	-.08400	-.30300	-.44000	-.37700	-.23900	-.29300	11.54000	.00000	7.93000	3.76000
.600	27.130	-.08700	-.30400	-.45100	-.37700	-.24700	-.29400	11.53000	.00000	7.93000	3.76000
.601	28.310	-.08300	-.30700	-.44900	-.37600	-.24400	-.29100	11.51000	.00000	7.92000	3.75000
.598	29.490	-.08900	-.31300	-.45800	-.38800	-.24800	-.29800	11.52000	.00000	7.93000	3.75000
.600	30.670	-.08700	-.30300	-.45900	-.37700	-.24600	-.29300	11.48000	-.02000	7.90000	3.76000
.600	31.860	-.09000	-.31100	-.46300	-.38500	-.24700	-.29600	11.48000	-.02000	7.91000	3.76000
.598	33.040	-.09000	-.31300	-.46800	-.38700	-.25400	-.29600	11.51000	.00000	7.94000	3.75000
.597	34.230	-.09100	-.31400	-.46900	-.39000	-.25300	-.30000	11.47000	-.01000	7.92000	3.75000
.599	35.410	-.09200	-.31300	-.46100	-.38900	-.24800	-.29800	11.47000	.00000	7.92000	3.76000
.599	36.590	-.09500	-.31200	-.46800	-.38900	-.25500	-.29700	11.45000	-.04000	7.91000	3.76000
.600	37.780	-.09000	-.31300	-.45700	-.39000	-.25100	-.29400	11.45000	-.01000	7.92000	3.75000
.598	38.960	-.09600	-.31600	-.47200	-.39000	-.25800	-.29700	11.45000	-.03000	7.92000	3.76000
.600	40.150	-.09000	-.31600	-.46800	-.39200	-.25100	-.29300	11.41000	-.04000	7.89000	3.76000
.598	41.330	-.09700	-.31800	-.47100	-.39400	-.26300	-.29600	11.46000	-.01000	7.94000	3.76000
.600	42.520	-.09600	-.31900	-.46800	-.39400	-.26200	-.29500	11.44000	.01000	7.93000	3.75000
.599	43.700	-.09800	-.32000	-.47300	-.39300	-.26200	-.29500	11.39000	-.04000	7.89000	3.75000
.601	44.880	-.09300	-.31400	-.46300	-.39100	-.25500	-.29100	11.43000	-.04000	7.93000	3.76000
.598	46.060	-.09700	-.32200	-.47200	-.39900	-.26500	-.30000	11.40000	-.06000	7.91000	3.76000
.601	47.250	-.09800	-.31900	-.47100	-.39400	-.26300	-.29500	11.42000	-.01000	7.93000	3.76000
.599	48.430	-.09800	-.32000	-.47200	-.39500	-.26600	-.29400	11.41000	-.06000	7.93000	3.76000

LTV44-559(CA26) 747/1 ATY 02 S1 (ORBITER DATA)

(XFE091) ( 29 JAN 76 )

## REFERENCE DATA

SREF = 2690.0000 SQ.FT. XMRP = 1109.0000 IN. XO  
 LREF = 474.8100 IN. YMRP = .0000 IN. YO  
 BREF = 936.6800 IN. ZMRP = 375.0000 IN. ZO  
 SCALE = .0125

## PARAMETRIC DATA

ALPHAC = 4.000 BETAC = .000  
 STAB = 5.000 ELEVON = 5.000  
 BDFLAP = .000 DX = .000  
 DY = .000 IORB = 8.000  
 BETAO = .000 RUDDER = .000

RUN NO. 65/ 0 RN/L = .00 GRADIENT INTERVAL = -5.00/ 5.00

MACH	DZ	CPCO	CPB1	CPB2	CPB3	CPS1	CPS2	ALPHAO	BETAO	INCID	ALPHAC
.600	49.620	-.09800	-.31700	-.47200	.39600	-.25600	-.29300	11.39000	-.04000	7.90000	3.76000
.598	50.800	-.09700	-.32500	-.47400	-.40100	-.26700	-.29400	11.40000	-.02000	7.94000	3.76000
.600	51.990	-.09600	-.31800	-.47200	-.39500	-.26100	-.29400	11.36000	-.04000	7.90000	3.76000
.598	53.170	-.10000	-.32500	-.47700	-.40400	-.26300	-.30000	11.38000	.00000	7.93000	3.76000
.600	54.350	-.09500	-.32600	-.47200	-.40000	-.26200	-.29400	11.35000	-.02000	7.90000	3.76000
.600	55.540	-.09800	-.32200	-.47200	-.39700	-.26200	-.29700	11.34000	-.01000	7.91000	3.76000
.598	56.130	-.09600	-.32600	-.47400	-.40100	-.26700	-.29500	11.34000	-.05000	7.90000	3.76000
	GRADIENT	-.00236	-.00114	-.00271	-.00360	-.00369	-.00086	-.01138	.00411	-.00432	-.00411

LTV44-559(CA26) 747/1 ATY 02 S1 (ORBITER DATA)

(XFE092) ( 29 JAN 76 )

## REFERENCE DATA

SREF = 2690.0000 SQ.FT. XMRP = 1109.0000 IN. XO  
 LREF = 474.8100 IN. YMRP = .0000 IN. YO  
 BREF = 936.6800 IN. ZMRP = 375.0000 IN. ZO  
 SCALE = .0125

## PARAMETRIC DATA

ALPHAC = 4.000 BETAC = .000  
 STAB = 5.000 ELEVON = 5.000  
 BDFLAP = .000 DX = .000  
 DY = .000 IORB = 4.000  
 BETAO = 5.000 RUDDER = .000

RUN NO. 66/ 0 RN/L = .00 GRADIENT INTERVAL = -5.00/ 5.00

MACH	DZ	CPCO	CPB1	CPB2	CPB3	CPS1	CPS2	ALPHAO	BETAO	INCID	ALPHAC
.599	1.460	-.08700	-.37500	-.32800	-.01800	-.40300	7.70000	4.87000	3.97000	3.73000	3.73000
.595	2.060	-.09500	-.26200	-.38400	-.33700	-.02100	-.41200	7.66000	4.90000	3.94000	3.73000
.597	2.660	-.09000	-.25600	-.38200	-.33100	-.02200	-.40000	7.65000	4.89000	3.93000	3.73000
.595	3.360	-.09500	-.26700	-.39200	-.34200	-.02600	-.41000	7.66000	4.92000	3.95000	3.73000
.596	4.160	-.09300	-.26400	-.38700	-.33800	-.02900	-.40700	7.65000	4.90000	3.93000	3.73000
.597	4.960	-.09400	-.26900	-.38400	-.33900	-.03000	-.40800	7.65000	4.84000	3.93000	3.74000
.594	6.960	-.10100	-.27400	-.39500	-.34600	-.03400	-.41700	7.63000	4.89000	3.93000	3.73000
.595	8.960	-.10000	-.27500	-.39300	-.34800	-.03200	-.42000	7.61000	4.89000	3.92000	3.73000
.594	10.430	-.10400	-.28000	-.40000	-.34900	-.04200	-.42000	7.62000	4.89000	3.94000	3.74000
.597	11.370	-.09700	-.27700	-.39100	-.34700	-.03500	-.41600	7.62000	4.91000	3.94000	3.74000
.596	12.310	-.10000	-.27700	-.39500	-.34600	-.04000	-.41500	7.60000	4.89000	3.93000	3.74000
.598	13.250	-.09800	-.27800	-.39400	-.35100	-.03600	-.41500	7.63000	4.84000	3.97000	3.73000
.596	14.180	-.10200	-.28200	-.39900	-.35400	-.03700	-.42200	7.60000	4.91000	3.94000	3.74000
.597	15.120	-.10200	-.28200	-.40000	-.35500	-.03800	-.42300	7.60000	4.86000	3.95000	3.74000
.598	16.060	-.09900	-.27900	-.40100	-.35300	-.04100	-.41800	7.59000	4.88000	3.95000	3.74000
.596	17.000	-.10300	-.28200	-.40700	-.35500	-.04300	-.42100	7.59000	4.82000	3.95000	3.74000
.596	17.940	-.10200	-.28300	-.40500	-.35900	-.04100	-.42500	7.56000	4.87000	3.93000	3.74000
.595	18.880	-.10500	-.28500	-.41200	-.36100	-.04800	-.42400	7.59000	4.83000	3.96000	3.74000
.595	19.810	-.10700	-.28600	-.41400	-.36400	-.04800	-.42900	7.57000	4.87000	3.95000	3.74000
.596	20.750	-.10400	-.28400	-.40900	-.35800	-.04600	-.42600	7.59000	4.86000	3.97000	3.74000
.599	21.680	-.10000	-.28500	-.40200	-.35600	-.04300	-.41600	7.56000	4.83000	3.94000	3.74000
.596	22.620	-.10800	-.28700	-.40700	-.36300	-.04800	-.42100	7.58000	4.84000	3.96000	3.75000
.595	23.560	-.10800	-.28800	-.40900	-.36300	-.04900	-.42100	7.58000	4.83000	3.97000	3.74000
.597	24.500	-.10000	-.28600	-.40200	-.35600	-.04500	-.41100	7.56000	4.82000	3.96000	3.74000
.595	25.440	-.10900	-.29200	-.41100	-.36600	-.05000	-.42100	7.56000	4.86000	3.96000	3.74000
.596	26.380	-.10400	-.29300	-.40900	-.36100	-.05100	-.42200	7.53000	4.82000	3.94000	3.75000
.594	27.310	-.11000	-.29300	-.41900	-.36500	-.05500	-.42800	7.52000	4.85000	3.93000	3.75000
.596	28.250	-.10400	-.29300	-.41200	-.36600	-.05400	-.42200	7.52000	4.85000	3.93000	3.75000
.594	29.190	-.11200	-.29300	-.41900	-.37000	-.05900	-.41900	7.52000	4.82000	3.94000	3.75000
.598	30.130	-.10700	-.29300	-.41100	-.36800	-.05200	-.42300	7.54000	4.84000	3.96000	3.75000
.598	31.060	-.10800	-.29900	-.41800	-.37200	-.05700	-.42900	7.51000	4.83000	3.94000	3.75000
.598	32.000	-.10400	-.29200	-.41100	-.36800	-.05100	-.41900	7.53000	4.82000	3.96000	3.75000
.599	32.940	-.10700	-.29500	-.41400	-.37000	-.05300	-.42400	7.52000	4.82000	3.96000	3.75000
.598	33.880	-.10600	-.29400	-.41300	-.37000	-.05300	-.42000	7.51000	4.82000	3.96000	3.75000
.595	34.820	-.10600	-.29800	-.42100	-.37400	-.06000	-.42100	7.47000	4.83000	3.92000	3.75000
.597	35.760	-.10800	-.29500	-.41600	-.37200	-.05800	-.42400	7.49000	4.84000	3.94000	3.75000
.597	36.700	-.10900	-.29300	-.42000	-.37100	-.05700	-.42500	7.51000	4.85000	3.97000	3.75000
.596	37.630	-.10700	-.30000	-.41600	-.37100	-.05800	-.43000	7.47000	4.82000	3.93000	3.75000
.596	38.570	-.11000	-.29700	-.42100	-.37600	-.05800	-.43400	7.46000	4.83000	3.93000	3.75000
.594	39.510	-.10900	-.30400	-.42400	-.37600	-.06000	-.44300	7.45000	4.86000	3.93000	3.75000
.595	40.450	-.10800	-.30300	-.42100	-.37300	-.06000	-.43700	7.45000	4.84000	3.93000	3.75000
.596	41.380	-.10800	-.30200	-.42400	-.37900	-.05700	-.45000	7.44000	4.83000	3.93000	3.75000

LTV44-559(CA26) 747/1 ATY 02 S1 (ORBITER DATA)

(XFE092) ( 29 JAN 76 )

## REFERENCE DATA

SREF = 2690.0000 SQ.FT. XMRP = 1109.0000 IN. XO  
 LREF = 474.8100 IN. YMRP = .0000 IN. YO  
 BREF = 936.6800 IN. ZMRP = 375.0000 IN. ZO  
 SCALE = .0125

## PARAMETRIC DATA

ALPHAC = 4.000 BETAC = .000  
 STAB = 5.000 ELEVON = 5.000  
 BDFLAP = .000 DX = .000  
 DY = .000 IORB = 4.000  
 BETAO = 5.000 RUDDER = .000

RUN NO. 66/ 0 RN/L = .00 GRADIENT INTERVAL = -5.00/ 5.00

MACH	DZ	CPCO	CPB1	CPB2	CPB3	CPS1	CPS2	ALPHAO	BETAO	INCID	ALPHAC
.598	42.320	-.10600	-.29700	-.42100	-.37600	-.05600	-.44400	7.44000	4.84000	3.93000	3.75000
.597	42.790	-.11000	-.30000	-.42000	-.37900	-.05900	-.44000	7.42000	4.84000	3.92000	3.75000
	GRADIENT	-.00133	-.00316	-.00243	-.00273	-.00358	-.00082	-.01050	-.00604	-.00830	.00215

LTV44-559(CA26) 747/1 ATY 02 S1 (ORBITER DATA)

(XFE093) ( 29 JAN 76 )

## REFERENCE DATA

SREF = 2690.0000 SQ.FT. XMRP = 1109.0000 IN. XO  
 LREF = 474.8100 IN. YMRP = .0000 IN. YO  
 BREF = 935.6800 IN. ZMRP = 375.0000 IN. ZO  
 SCALE = .0125

## PARAMETRIC DATA

ALPHAC = 4.000 BETAC = .000  
 STAB = 5.000 ELEVON = 5.000  
 BDFLAP = .000 DX = .000  
 DY = .000 IORB = 6.000  
 BETA0 = 5.000 RUDDER = .000

RUN NO. 1066/ 0 RN/L = .00 GRADIENT INTERVAL = -5.00/ 5.00

MACH	DZ	CPCO	CPB1	CPB2	CPB3	CPS1	CPS2	ALPHA0	BETA0	INC1D	ALPHAC
.594	1.480	-.13500	-.28500	-.40700	-.37300	-.07600	-.37200	9.68000	4.86000	5.91000	3.77000
.595	2.070	-.14100	-.28500	-.40700	-.37400	-.08200	-.37500	9.69000	4.86000	5.94000	3.76000
.595	2.670	-.13600	-.28800	-.40500	-.37000	-.07500	-.37500	9.66000	4.85000	5.91000	3.76000
.596	3.380	-.13700	-.28900	-.41000	-.37300	-.07400	-.37600	9.66000	4.87000	5.91000	3.76000
.596	4.170	-.13900	-.29000	-.40900	-.37200	-.07500	-.37900	9.65000	4.89000	5.91000	3.76000
.597	4.970	-.13900	-.28900	-.40400	-.36800	-.07500	-.37600	9.65000	4.88000	5.91000	3.76000
.594	6.970	-.13800	-.29300	-.41400	-.37600	-.07700	-.38300	9.63000	4.88000	5.92000	3.75000
.596	8.980	-.14000	-.29300	-.40900	-.37100	-.07500	-.38100	9.61000	4.86000	5.91000	3.75000
.596	10.580	-.13700	-.29500	-.41200	-.37400	-.07400	-.38300	9.60000	4.86000	5.91000	3.75000
.597	11.790	-.13900	-.29500	-.41000	-.37400	-.07600	-.38400	9.60000	4.86000	5.91000	3.75000
.595	13.010	-.14400	-.29800	-.41500	-.37700	-.07900	-.39100	9.59000	4.90000	5.91000	3.75000
.593	14.220	-.14200	-.29500	-.41900	-.38200	-.08100	-.38800	9.60000	4.88000	5.93000	3.75000
.597	15.440	-.14300	-.29800	-.41400	-.37500	-.07900	-.39700	9.60000	4.90000	5.94000	3.75000
.594	16.660	-.14200	-.29900	-.42200	-.38500	-.08200	-.38900	9.57000	4.86000	5.92000	3.74000
.595	17.870	-.14000	-.29900	-.41600	-.37500	-.07900	-.38500	9.58000	4.89000	5.94000	3.75000
.595	19.090	-.14200	-.29800	-.41500	-.37500	-.07600	-.38600	9.54000	4.87000	5.91000	3.74000
.594	20.300	-.13900	-.29600	-.41900	-.38200	-.07800	-.38600	9.56000	4.85000	5.93000	3.74000
.596	21.510	-.14100	-.29800	-.41500	-.37600	-.07700	-.38800	9.57000	4.85000	5.95000	3.75000
.595	22.730	-.13900	-.29600	-.41500	-.37900	-.07900	-.38900	9.53000	4.85000	5.92000	3.75000
.594	23.940	-.14400	-.30000	-.42200	-.38300	-.08200	-.39700	9.51000	4.83000	5.90000	3.75000
.596	25.150	-.13900	-.29500	-.41700	-.38200	-.07700	-.38900	9.53000	4.84000	5.92000	3.75000
.595	26.370	-.14500	-.30400	-.41900	-.38200	-.08200	-.39800	9.55000	4.83000	5.95000	3.75000
.595	27.590	-.14200	-.30700	-.42300	-.38200	-.08300	-.40400	9.48000	4.84000	5.89000	3.75000
.596	29.800	-.13900	-.30300	-.42400	-.38100	-.07900	-.39700	9.51000	4.82000	5.93000	3.75000
.597	30.020	-.13700	-.30000	-.41900	-.38200	-.07700	-.39400	9.47000	4.83000	5.90000	3.75000
.597	31.230	-.13700	-.30000	-.42300	-.38400	-.07800	-.39700	9.48000	4.83000	5.91000	3.75000
.595	32.450	-.14100	-.30800	-.43200	-.38600	-.08200	-.40600	9.50000	4.85000	5.94000	3.75000
.595	33.660	-.14100	-.30400	-.42100	-.38100	-.07800	-.40900	9.47000	4.86000	5.91000	3.75000
.596	34.880	-.14000	-.30000	-.42300	-.38500	-.07400	-.41200	9.49000	4.84000	5.94000	3.75000
.594	36.090	-.14100	-.30500	-.42900	-.38200	-.07400	-.41400	9.48000	4.83000	5.94000	3.75000
.595	37.310	-.13700	-.30300	-.42300	-.37900	-.07300	-.42200	9.46000	4.83000	5.92000	3.75000
.594	38.530	-.13800	-.30400	-.42700	-.38000	-.07400	-.40900	9.42000	4.85000	5.89000	3.75000
.593	39.750	-.14200	-.30200	-.42900	-.38600	-.07700	-.40800	9.44000	4.83000	5.92000	3.75000
.595	40.970	-.13600	-.30300	-.42200	-.37900	-.07500	-.40300	9.46000	4.82000	5.94000	3.75000
.595	42.190	-.14200	-.30200	-.42500	-.38700	-.07300	-.42200	9.45000	4.85000	5.94000	3.76000
.594	43.410	-.14000	-.30600	-.42600	-.38500	-.07400	-.42700	9.44000	4.85000	5.94000	3.75000
.594	44.630	-.14000	-.30300	-.42900	-.38700	-.07300	-.42100	9.42000	4.83000	5.93000	3.75000
.597	45.850	-.13100	-.30300	-.42200	-.37800	-.06900	-.42300	9.39000	4.85000	5.90000	3.76000
.597	47.070	-.13300	-.30300	-.42000	-.37700	-.07000	-.41600	9.42000	4.83000	5.94000	3.76000
.596	48.290	-.13500	-.30100	-.42300	-.37800	-.06600	-.42700	9.41000	4.84000	5.94000	3.76000
.597	49.510	-.13100	-.30000	-.41900	-.37500	-.07100	-.41400	9.38000	4.84000	5.92000	3.75000
GRADIENT		-.00062	-.00143	.00021	.00116	.00108	-.00131	-.01088	.00878	-.00368	-.00191

ORIGINAL PAGE IS  
 OF POOR QUALITY

LTV44-559(CA26) 747/1 ATY 02 S1 (ORBITER DATA)

(XFE094) ( 29 JAN 76 )

## REFERENCE DATA

SREF = 2690.0000 SQ.FT. XMRP = 1109.0000 IN. XO  
 LREF = 474.8100 IN. YMRP = .0000 IN. YO  
 BREF = 936.6800 IN. ZMRP = 375.0000 IN. ZO  
 SCALE = .0125

## PARAMETRIC DATA

ALPHAC = 4.000 BETAC = .000  
 STAB = 5.000 ELEVON = 5.000  
 BDFLAP = .000 DX = .000  
 DY = .000 IORB = 8.000  
 BETAO = 5.000 RUDDER = .000

RUN NO. 67/ 0 RN/L = .00 GRADIENT INTERVAL = -5.00/ 5.00

MACH	DZ	CPCO	CPB1	CPB2	CPB3	CPS1	CPS2	ALPHAO	BETAO	INCID	ALPHAC
.602	1.460	-.10700	-.26100	-.37700	-.32800	-.02800	-.40100	11.72000	4.87000	7.92000	3.80000
.602	2.060	-.11300	-.26400	-.38100	-.32700	-.03400	-.40000	11.73000	4.84000	7.94000	3.79000
.601	2.660	-.11600	-.26700	-.38400	-.33100	-.03800	-.40400	11.71000	4.86000	7.93000	3.79000
.603	3.460	-.12100	-.27000	-.38700	-.33400	-.04200	-.40500	11.73000	4.84000	7.95000	3.79000
.601	4.460	-.11800	-.27200	-.39000	-.33600	-.03700	-.40400	11.69000	4.89000	7.92000	3.79000
.601	5.590	-.12300	-.27400	-.39400	-.34500	-.05000	-.40900	11.67000	4.89000	7.91000	3.78000
.601	6.840	-.12500	-.27600	-.39700	-.34800	-.05200	-.40900	11.64000	4.88000	7.90000	3.78000
.602	8.090	-.12500	-.27700	-.39500	-.34200	-.05000	-.40500	11.65000	4.86000	7.92000	3.78000
.601	9.340	-.12600	-.29100	-.40600	-.35400	-.05200	-.41100	11.65000	4.87000	7.93000	3.78000
.600	10.560	-.13300	-.29000	-.41200	-.35500	-.05900	-.41400	11.60000	4.89000	7.89000	3.77000
.601	11.740	-.13200	-.29000	-.41700	-.35800	-.05900	-.41500	11.62000	4.88000	7.92000	3.77000
.600	12.920	-.13200	-.28900	-.42000	-.36100	-.05700	-.41600	11.62000	4.92000	7.92000	3.77000
.602	14.110	-.12800	-.28600	-.41500	-.35800	-.05700	-.41300	11.61000	4.88000	7.93000	3.76000
.603	15.290	-.13200	-.28800	-.41200	-.35400	-.05900	-.41300	11.58000	4.86000	7.90000	3.76000
.602	16.480	-.13300	-.29000	-.41500	-.35600	-.05900	-.41300	11.60000	4.89000	7.94000	3.76000
.601	17.660	-.13300	-.29400	-.42500	-.36500	-.06500	-.41400	11.58000	4.91000	7.92000	3.76000
.600	18.840	-.13600	-.30000	-.42800	-.36800	-.06800	-.41600	11.55000	4.91000	7.90000	3.76000
.602	20.030	-.13600	-.29600	-.42500	-.36700	-.06800	-.41500	11.54000	4.86000	7.90000	3.75000
.602	21.210	-.13800	-.29800	-.42800	-.37000	-.07300	-.41500	11.53000	4.86000	7.90000	3.75000
.601	22.390	-.14000	-.30000	-.43400	-.37500	-.07300	-.41900	11.52000	4.88000	7.89000	3.75000
.603	23.570	-.13600	-.29900	-.43400	-.37100	-.07400	-.41800	11.54000	4.85000	7.92000	3.75000
.604	24.760	-.13600	-.30100	-.43800	-.37000	-.07000	-.41700	11.55000	4.89000	7.95000	3.75000
.603	25.940	-.13500	-.29900	-.43800	-.37200	-.06900	-.41600	11.54000	4.91000	7.94000	3.75000
.604	27.130	-.13700	-.30300	-.43700	-.37100	-.07400	-.41500	11.52000	4.88000	7.93000	3.75000
.603	28.310	-.13600	-.30500	-.43900	-.37400	-.07100	-.41500	11.48000	4.91000	7.90000	3.75000
.602	29.490	-.14300	-.30900	-.44200	-.38200	-.07600	-.42100	11.47000	4.88000	7.89000	3.75000
.602	30.670	-.14000	-.30500	-.44300	-.37600	-.07400	-.41800	11.49000	4.87000	7.92000	3.75000
.601	31.860	-.14000	-.30800	-.44500	-.37800	-.07400	-.42000	11.47000	4.90000	7.90000	3.75000
.601	33.040	-.14100	-.31000	-.44500	-.38100	-.08400	-.41900	11.48000	4.83000	7.92000	3.75000
.601	34.230	-.14400	-.31300	-.44600	-.38400	-.08400	-.41400	11.48000	4.84000	7.93000	3.75000
.600	35.410	-.14100	-.31000	-.44500	-.38200	-.08100	-.41700	11.47000	4.90000	7.92000	3.75000
.600	36.590	-.14600	-.31500	-.44900	-.39000	-.09000	-.41900	11.45000	4.82000	7.91000	3.75000
.601	37.780	-.15000	-.31500	-.45000	-.39000	-.08900	-.42500	11.45000	4.82000	7.92000	3.75000
.601	38.960	-.14300	-.31500	-.45100	-.38700	-.08400	-.41800	11.45000	4.87000	7.93000	3.75000
.600	40.150	-.14400	-.31900	-.45500	-.39200	-.09300	-.42000	11.41000	4.83000	7.89000	3.75000
.602	41.330	-.14500	-.31100	-.45100	-.38500	-.08300	-.42800	11.43000	4.87000	7.92000	3.75000
.601	42.520	-.15100	-.31900	-.46200	-.39900	-.08500	-.44200	11.41000	4.87000	7.91000	3.75000
.602	43.700	-.14900	-.31600	-.46200	-.39600	-.08900	-.43100	11.39000	4.81000	7.89000	3.75000
.600	44.880	-.15100	-.32300	-.46500	-.40000	-.09400	-.43200	11.41000	4.82000	7.93000	3.75000
.601	46.060	-.15300	-.32300	-.46400	-.40000	-.09200	-.43900	11.41000	4.85000	7.92000	3.75000
.603	47.250	-.14700	-.31600	-.46200	-.39300	-.08800	-.43100	11.41000	4.83000	7.93000	3.76000
.604	48.430	-.14600	-.31600	-.46100	-.39300	-.09100	-.42600	11.42000	4.85000	7.95000	3.75000

DATE 22 MAR 76

CA-26 FORCE SOURCE DATA TABULATION

PAGE 633

LTV44-559(CA26) 747/1 ATY 02 S1 (ORBITER DATA)

(XFE094) ( 29 JAN 76 )

## REFERENCE DATA

SREF = 2690.0000 SQ.FT. XMRP = 1109.0000 IN. XO  
 LREF = 474.8100 IN. YMRP = .0000 IN. YO  
 BREF = 936.6900 IN. ZMRP = 375.0000 IN. ZO  
 SCALE = .0125

## PARAMETRIC DATA

ALPHAC = 4.000 BETAC = .000  
 STAB = 5.000 ELEVON = 5.000  
 BDFLAP = .000 DX = .000  
 DY = .000 IORB = 8.000  
 BETAO = 5.000 RUDDER = .000

RUN NO. 67/ 0 RN/L = .00 GRADIENT INTERVAL = -5.00/ 5.00

MACH	DZ	CPCO	CPB1	CPB2	CPB3	CPS1	CPS2	ALPHAO	BETAO	INCID	ALPHAC
.604	49.620	-.14500	-.31400	-.45700	-.39100	-.09300	-.42000	11.39000	4.85000	7.92000	3.75000
.601	50.800	-.15000	-.31700	-.46100	-.40100	-.09100	-.43000	11.36000	4.88000	7.90000	3.75000
.603	51.990	-.15300	-.31900	-.46300	-.39500	-.08400	-.44000	11.36000	4.90000	7.91000	3.75000
.602	53.170	-.14800	-.32100	-.46300	-.39600	-.10100	-.42300	11.36000	4.81000	7.92000	3.75000
.602	54.350	-.15300	-.32300	-.46400	-.39500	-.09400	-.44300	11.33000	4.84000	7.90000	3.75000
.602	55.540	-.15100	-.32300	-.46800	-.39600	-.09700	-.43100	11.33000	4.82000	7.90000	3.75000
.601	56.130	-.15000	-.31800	-.46900	-.40000	-.09200	-.43500	11.34000	4.87000	7.91000	3.75000
	GRADIENT	-.00378	-.00370	-.00424	-.00311	-.00316	-.00140	-.00879	.00684	.00043	-.00245

ORIGINAL PAGE IS  
 OF POOR QUALITY

LTV44-559(CA26) 747/1 ATY 02 S1 (ORBITER DATA)

(XFE095) ( 29 JAN 76 )

## REFERENCE DATA

SREF = 2690.0000 SQ.FT. XMRP = 1109.0000 IN. XO  
 LREF = 474.8100 IN. YMRP = .0000 IN. YO  
 BREF = 936.6800 IN. ZMRP = 375.0000 IN. ZO  
 SCALE = .0125

## PARAMETRIC DATA

ALPHAC = 4.000 BETAC = .000  
 STAB = -1.000 ELEVON = 5.000  
 BOFLAP = .000 OX = .000  
 DY = .000 IORB = 4.000  
 BETA0 = .000 RUDDER = .000

RUN NO. 68/ 0 RN/L = .00 GRADIENT INTERVAL = -5.00/ 5.00

MACH	DZ	CPC0	CPB1	CPB2	CPB3	CPS1	CPS2	ALPHAO	BETAO	INCID	ALPHAC
.597	1.460	-.03500	-.24900	-.46500	-.30000	-.15700	-.26700	8.01000	.00000	3.96000	4.06000
.598	2.060	-.03500	-.24900	-.43800	-.30100	-.15800	-.26600	7.99000	-.01300	3.94000	4.05000
.597	2.660	-.03800	-.25000	-.47200	-.30100	-.16000	-.26800	7.97000	-.02000	3.92000	4.06000
.597	3.360	-.04200	-.25900	-.40500	-.31000	-.16900	-.27100	7.99000	-.02000	3.95000	4.06000
.597	4.160	-.03800	-.25200	-.37300	-.30500	-.16900	-.27100	8.00000	.00000	3.96000	4.06000
.596	4.960	-.04400	-.26700	-.36500	-.31400	-.17900	-.27600	7.97000	-.02000	3.93000	4.06000
.596	6.960	-.04600	-.26600	-.36500	-.31700	-.18100	-.27900	7.97000	-.01000	3.95000	4.06000
.596	8.960	-.04700	-.26200	-.36100	-.31800	-.17600	-.27900	7.99000	-.02000	3.98000	4.06000
.596	10.430	-.04800	-.27300	-.39700	-.32200	-.18700	-.28100	7.93000	-.05000	3.93000	4.06000
.594	11.370	-.05400	-.28100	-.42400	-.33100	-.19400	-.28500	7.93000	-.02000	3.93000	4.06000
.595	12.310	-.05300	-.27400	-.41400	-.33000	-.18600	-.28400	7.96000	.00000	3.96000	4.07000
.597	13.250	-.05200	-.26800	-.41100	-.32400	-.18300	-.28100	7.94000	-.03000	3.95000	4.06000
.598	14.180	-.05000	-.27000	-.42200	-.32100	-.18600	-.27900	7.91000	-.03000	3.92000	4.06000
.596	15.120	-.05400	-.27100	-.42400	-.32900	-.18700	-.28000	7.93000	-.04000	3.95000	4.06000
.598	16.060	-.05400	-.27200	-.41500	-.32600	-.18900	-.28000	7.91000	-.03000	3.94000	4.06000
.596	17.000	-.05800	-.27900	-.41800	-.33500	-.19200	-.28400	7.92000	-.01000	3.95000	4.07000
.594	17.940	-.05700	-.28600	-.43200	-.33700	-.19600	-.28500	7.94000	-.01000	3.97000	4.07000
.595	18.880	-.05800	-.28000	-.44400	-.33700	-.19500	-.28500	7.90000	-.01000	3.94000	4.07000
.598	19.810	-.05600	-.27600	-.42900	-.33100	-.19300	-.28300	7.90000	-.02000	3.95000	4.06000
.594	20.750	-.06000	-.28500	-.43800	-.34400	-.20000	-.28900	7.92000	-.03000	3.97000	4.07000
.596	21.680	-.06100	-.28400	-.43100	-.34100	-.19800	-.28700	7.99000	-.03000	3.95000	4.06000
.596	22.620	-.06000	-.29200	-.43200	-.34400	-.20800	-.28500	7.89000	-.02000	3.95000	4.07000
.597	23.560	-.06200	-.29200	-.43000	-.34500	-.20700	-.28500	7.91000	-.03000	3.97000	4.07000
.595	24.500	-.06400	-.29400	-.44200	-.35200	-.20800	-.28900	7.89000	-.05000	3.96000	4.07000
.597	25.440	-.06100	-.29300	-.44300	-.34700	-.21000	-.28500	7.88000	-.02000	3.95000	4.07000
.599	26.380	-.06200	-.28300	-.43900	-.34400	-.20300	-.28400	7.86000	-.02000	3.94000	4.07000
.598	27.310	-.06300	-.28900	-.44800	-.34900	-.20500	-.28700	7.88000	-.03000	3.97000	4.07000
.600	28.250	-.06100	-.28600	-.45400	-.34600	-.20500	-.28400	7.88000	-.06000	3.97000	4.07000
.597	29.190	-.06600	-.29500	-.45000	-.35400	-.21100	-.28500	7.88000	.00000	3.97000	4.08000
.599	30.130	-.06200	-.29400	-.46600	-.34700	-.21400	-.28300	7.84000	-.04000	3.94000	4.07000
.599	31.060	-.06500	-.29200	-.47700	-.34600	-.21000	-.28200	7.84000	-.02000	3.94000	4.07000
.597	32.000	-.06600	-.29400	-.47300	-.35100	-.21200	-.28300	7.85000	-.03000	3.96000	4.07000
.595	32.940	-.06800	-.29700	-.47500	-.35800	-.21400	-.28700	7.85000	-.02000	3.96000	4.08000
.596	33.880	-.06500	-.29900	-.47300	-.35400	-.22200	-.28300	7.84000	-.04000	3.96000	4.07000
.597	34.820	-.06900	-.29400	-.47700	-.35300	-.21300	-.28600	7.82000	-.02000	3.95000	4.07000
.597	35.760	-.06900	-.29700	-.49100	-.35500	-.21800	-.28400	7.81000	-.01000	3.94000	4.07000
.596	36.700	-.06700	-.30400	-.50300	-.35900	-.22100	-.28800	7.82000	-.04000	3.96000	4.08000
.596	37.630	-.06600	-.30400	-.50600	-.35900	-.22300	-.28500	7.82000	-.04000	3.96000	4.08000
.594	38.570	-.07100	-.30700	-.51600	-.36500	-.22200	-.29400	7.81000	.01000	3.96000	4.08000
.598	39.510	-.06700	-.30200	-.51100	-.35600	-.22400	-.28300	7.79000	-.03000	3.94000	4.07000
.597	40.450	-.06900	-.30000	-.51000	-.35800	-.21900	-.28700	7.79000	-.02000	3.94000	4.07000
.597	41.380	-.07100	-.30000	-.49000	-.36200	-.21900	-.28700	7.80000	-.05000	3.96000	4.08000



DATE 22 MAR 76

CA-26 FORCE SOURCE DATA TABULATION

PAGE 635

LTV44-559(CA26) 747/1 ATY 02 S1 (ORBITER DATA)

(XFE095) ( 29 JAN 76 )

## REFERENCE DATA

SREF = 2690.0000 SQ.FT. XMRP = 1109.0000 IN. XO  
 LREF = 474.8100 IN. YMRP = .0000 IN. YO  
 BREF = 936.6800 IN. ZMRP = 375.0000 IN. ZO  
 SCALE = .0125

## PARAMETRIC DATA

ALPHAC = 4.000 BETAC = .000  
 STAB = -1.000 ELEVON = 5.000  
 BDFLAP = .000 DX = .000  
 DY = .000 TORB = 4.000  
 BETAO = .000 RUDDER = .000

RUN NO. 68/ 0 RN/L = .00 GRADIENT INTERVAL = -5.00/ 5.00

MACH	DZ	CPCO	CPB1	CPB2	CPB3	CPS1	CPS2	ALPHA0	BETA0	INCID	ALPHAC
.597	42.320	-.07000	-.30900	-.49300	-.36400	-.22800	-.28800	7.80000	-.04000	3.97000	4.08000
.599	42.790	-.07200	-.30100	-.50700	-.35900	-.22800	-.28000	7.78000	-.06000	3.95000	4.08000
	GRADIENT	-.00234	-.00447	.03150	-.00373	-.00626	-.00261	-.00586	-.00261	-.00221	.00122

LTV44-559(CA26) 747/1 ATY 02 S1 (ORBITER DATA)

(XFE096) ( 29 JAN 76 )

## REFERENCE DATA

SREF = 2690.0000 SQ.FT. XMRP = 1109.0000 IN. XO  
 LREF = 474.8100 IN. YMRP = .0000 IN. YO  
 BREF = 936.6000 IN. ZMRP = 375.0000 IN. ZO  
 SCALE = .0125

## PARAMETRIC DATA

ALPHAC = 4.000 BETAC = .000  
 STAB = -1.000 ELEVON = 5.000  
 BDFLAP = .000 DX = .000  
 DY = .000 TORB = 6.000  
 BETA0 = .000 RUDDER = .000

RUN NO. 1068/ 0 RN/L = .00 GRADIENT INTERVAL = -5.00/ 5.00

MACH	DZ	CPCO	CPB1	CPB2	CPB3	CPS1	CPS2	ALPHA0	BETA0	INCID	ALPHAC
.597	1.480	-.07800	-.29700	-.52300	-.35900	-.25600	-.25300	10.02000	-.02000	5.95000	4.07000
.599	2.070	-.07700	-.29500	-.53700	-.35300	-.25500	-.25400	9.98000	-.02000	5.91000	4.08000
.596	2.670	-.08000	-.30400	-.54300	-.36400	-.26000	-.25700	10.02000	-.02000	5.96000	4.07000
.596	3.380	-.08300	-.30100	-.56700	-.36200	-.25700	-.26000	9.99000	-.03000	5.93000	4.08000
.597	4.170	-.07800	-.30100	-.56200	-.35700	-.25800	-.25900	9.99000	-.01000	5.94000	4.07000
.597	4.970	-.08000	-.30000	-.53700	-.36200	-.25300	-.25700	9.98000	-.03000	5.93000	4.08000
.593	6.970	-.09000	-.31500	-.53800	-.37700	-.26700	-.27000	9.99000	-.03000	5.95000	4.07000
.597	8.980	-.08200	-.30300	-.54800	-.36500	-.25400	-.26300	9.96000	-.02000	5.94000	4.07000
.597	10.580	-.07800	-.30500	-.54800	-.36300	-.25800	-.26200	9.96000	-.03000	5.95000	4.07000
.596	11.790	-.08200	-.31300	-.53500	-.36900	-.26400	-.26700	9.93000	-.04000	5.92000	4.07000
.595	13.010	-.08200	-.31000	-.52500	-.36900	-.26100	-.26600	9.94000	-.03000	5.94000	4.06000
.595	14.220	-.08100	-.31400	-.53900	-.37100	-.26200	-.26600	9.93000	-.03000	5.95000	4.06000
.597	15.440	-.08200	-.30600	-.55400	-.36700	-.25200	-.26500	9.93000	.00000	5.95000	4.07000
.595	16.660	-.08200	-.31500	-.54900	-.37300	-.26400	-.26700	9.92000	-.03000	5.95000	4.06000
.595	17.870	-.08400	-.31200	-.52000	-.37300	-.25800	-.26700	9.91000	-.02000	5.95000	4.06000
.596	19.090	-.08200	-.31200	-.51500	-.37100	-.25500	-.26700	9.88000	-.02000	5.92000	4.06000
.595	20.300	-.08100	-.31700	-.50300	-.36900	-.26100	-.27200	9.89000	-.01000	5.93000	4.07000
.596	21.510	-.08600	-.31200	-.51400	-.37200	-.25900	-.27100	9.87000	-.06000	5.93000	4.07000
.596	22.730	-.08100	-.31500	-.53200	-.36900	-.26000	-.27000	9.88000	-.01000	5.93000	4.07000
.599	23.940	-.08000	-.30800	-.51400	-.36500	-.25300	-.26600	9.89000	-.01000	5.96000	4.07000
.597	25.150	-.08200	-.31700	-.51700	-.37200	-.26000	-.27000	9.87000	-.01000	5.94000	4.07000
.598	26.370	-.08200	-.30900	-.53400	-.37000	-.25300	-.26900	9.83000	-.06000	5.91000	4.07000
.595	27.590	-.08300	-.32200	-.54100	-.37400	-.25900	-.27400	9.85000	-.04000	5.94000	4.07000
.598	28.800	-.08100	-.31200	-.52500	-.36700	-.25400	-.26900	9.84000	-.01000	5.93000	4.07000
.597	30.020	-.08000	-.31400	-.50100	-.37000	-.25700	-.27000	9.82000	-.05000	5.92000	4.07000
.599	31.230	-.07900	-.31000	-.48900	-.36400	-.25100	-.26800	9.82000	-.03000	5.92000	4.07000
.596	32.450	-.08300	-.31800	-.48900	-.37800	-.25500	-.27500	9.82000	-.03000	5.93000	4.07000
.596	33.660	-.08000	-.31600	-.50600	-.37200	-.25700	-.27400	9.84000	-.05000	5.96000	4.08000
.595	34.880	-.08000	-.31500	-.51800	-.37300	-.25400	-.27600	9.82000	-.07000	5.95000	4.07000
.596	36.090	-.08300	-.32000	-.51200	-.37300	-.25700	-.27600	9.82000	-.05000	5.95000	4.07000
.596	37.310	-.08100	-.31800	-.51100	-.37300	-.25500	-.27800	9.82000	-.01000	5.96000	4.08000
.598	38.530	-.08000	-.31100	-.52400	-.36900	-.24900	-.27400	9.78000	-.07000	5.93000	4.08000
.597	39.740	-.08200	-.31000	-.50700	-.37200	-.24600	-.27800	9.77000	-.05000	5.92000	4.08000
.597	40.950	-.08200	-.31100	-.49600	-.37100	-.24500	-.27900	9.78000	-.07000	5.94000	4.08000
.598	42.170	-.07700	-.31000	-.49300	-.36800	-.24800	-.27500	9.80000	-.03000	5.95000	4.08000
.598	43.380	-.07900	-.31000	-.50000	-.36600	-.23900	-.28100	9.79000	-.04000	5.97000	4.07000
.597	44.600	-.08000	-.31500	-.51600	-.37200	-.24800	-.28200	9.75000	-.03000	5.93000	4.08000
.598	45.820	-.07800	-.31400	-.50600	-.37100	-.24700	-.28300	9.76000	.01000	5.94000	4.08000
.596	47.030	-.08000	-.31800	-.50000	-.37100	-.25000	-.28100	9.74000	-.04000	5.93000	4.08000
.597	48.250	-.07800	-.30900	-.50200	-.36800	-.24000	-.28600	9.72000	.00000	5.92000	4.08000
.594	49.460	-.08100	-.31400	-.49700	-.37500	-.23700	-.29000	9.73000	.00000	5.94000	4.08000
	GRADIENT	-.00060	-.00113	-.00631	-.00096	.00046	-.00147	-.00825	-.00123	-.00174	.00122

LTV44-559(CA26) 747/1 ATY 02 S1 (ORBITER DATA)

(XFE097) (29 JAN 76)

## REFERENCE DATA

SREF = 2690.0000 SQ.FT. XMRP = 1109.0000 IN. XO  
 LREF = 474.8100 IN. YMRP = .0000 IN. YO  
 BREF = 936.6800 IN. ZMRP = 375.0000 IN. ZO  
 SCALE = .0125

## PARAMETRIC DATA

ALPHAC = 4.000 BETAC = .000  
 STAB = -1.000 ELEVON = 5.000  
 BDFLAP = .000 DX = .000  
 DY = .000 IORB = 8.000  
 BETAO = .000 RUDDER = .000

RUN NO. 69/ 0 RN/L = .00 GRADIENT INTERVAL = -5.00/ 5.00

MACH	DZ	CPCO	CPB1	CPB2	CPB3	CPS1	CPS2	ALPHA0	BETAO	INCID	ALPHAC
.594	1.460	-.04700	-.25800	-.39300	-.30800	-.17900	-.27800	12.02000	.01000	7.91000	4.11000
.595	2.060	-.04600	-.26100	-.38900	-.30900	-.18100	-.27800	12.01000	.01000	7.91000	4.11000
.597	2.660	-.04300	-.25400	-.38300	-.30300	-.17800	-.27500	12.00000	.02000	7.91000	4.11000
.594	3.460	-.05300	-.26600	-.39700	-.31600	-.18800	-.28200	12.00000	.01000	7.90000	4.11000
.596	4.460	-.04900	-.26000	-.40700	-.31300	-.18400	-.27900	12.02000	.00000	7.94000	4.11000
.597	5.590	-.05300	-.26700	-.46000	-.31900	-.18900	-.28300	11.99000	.01000	7.91000	4.11000
.595	6.840	-.05800	-.26900	-.49100	-.32500	-.19300	-.28800	11.97000	.00000	7.90000	4.11000
.595	8.090	-.06100	-.27300	-.53100	-.32900	-.19500	-.28900	11.96000	.00000	7.90000	4.10000
.597	9.340	-.06200	-.27600	-.52200	-.32800	-.19900	-.28600	11.96000	.02000	7.92000	4.09000
.598	10.560	-.06000	-.28100	-.45800	-.32800	-.20000	-.28600	11.96000	.02000	7.92000	4.09000
.597	11.740	-.05800	-.27600	-.45200	-.32900	-.19900	-.28700	11.95000	.01000	7.92000	4.10000
.597	12.920	-.06700	-.28300	-.44400	-.33700	-.20700	-.28900	11.94000	.01000	7.92000	4.09000
.596	14.110	-.06600	-.28600	-.45000	-.33900	-.20800	-.28900	11.92000	.01000	7.92000	4.08000
.593	15.290	-.07000	-.28800	-.46100	-.34700	-.21000	-.29400	11.91000	.02000	7.91000	4.08000
.595	16.480	-.06600	-.28800	-.47100	-.34100	-.20900	-.29400	11.91000	.03000	7.92000	4.08000
.595	17.660	-.06800	-.29000	-.47800	-.34300	-.21000	-.29400	11.90000	.01000	7.92000	4.08000
.597	18.840	-.06400	-.28900	-.47000	-.34200	-.20900	-.29200	11.90000	.01000	7.93000	4.08000
.598	20.030	-.06800	-.29100	-.46000	-.34300	-.21500	-.28900	11.87000	.01000	7.90000	4.08000
.597	21.210	-.06500	-.29400	-.45400	-.34200	-.21600	-.29000	11.87000	.02000	7.91000	4.08000
.595	22.390	-.07000	-.29300	-.46400	-.34800	-.21400	-.29300	11.88000	.02000	7.93000	4.07000
.595	23.570	-.07400	-.29800	-.46400	-.35600	-.21900	-.29600	11.85000	.01000	7.91000	4.07000
.595	24.760	-.07600	-.30100	-.46400	-.35800	-.22400	-.29600	11.84000	.00000	7.91000	4.07000
.596	25.940	-.07300	-.30300	-.45600	-.35300	-.22500	-.29400	11.81000	.00000	7.89000	4.08000
.592	27.130	-.07900	-.30400	-.46700	-.36400	-.22800	-.30100	11.81000	.01000	7.89000	4.07000
.598	28.310	-.07000	-.29900	-.46800	-.35200	-.22400	-.29300	11.83000	.00000	7.91000	4.08000
.595	29.490	-.07800	-.30400	-.47900	-.36200	-.22600	-.29700	11.83000	.00000	7.92000	4.08000
.597	30.670	-.07300	-.30000	-.48500	-.35400	-.22600	-.29300	11.81000	.03000	7.91000	4.08000
.596	31.860	-.07500	-.30600	-.47000	-.36100	-.23100	-.29500	11.79000	.01000	7.89000	4.08000
.595	33.040	-.08100	-.30900	-.44400	-.36500	-.23200	-.29700	11.80000	.01000	7.91000	4.08000
.597	34.230	-.07700	-.30600	-.44200	-.36100	-.23000	-.29500	11.81000	.00000	7.93000	4.08000
.597	35.410	-.07900	-.30400	-.44200	-.36300	-.23000	-.29700	11.80000	.02000	7.93000	4.08000
.595	36.590	-.08200	-.31500	-.44200	-.37000	-.23600	-.29900	11.79000	.00000	7.92000	4.08000
.595	37.780	-.08400	-.31700	-.44800	-.37100	-.23700	-.30200	11.79000	-.01000	7.93000	4.08000
.595	38.960	-.08300	-.31600	-.44500	-.37100	-.23900	-.30000	11.77000	.00000	7.92000	4.08000
.597	40.150	-.08200	-.30900	-.44200	-.36700	-.23100	-.29800	11.77000	.01000	7.92000	4.08000
.597	41.330	-.08100	-.31600	-.44800	-.36700	-.23900	-.30000	11.74000	.00000	7.90000	4.08000
.596	42.520	-.08400	-.31300	-.44500	-.37100	-.23500	-.29900	11.76000	.00000	7.93000	4.08000
.594	43.700	-.09500	-.32100	-.45300	-.37500	-.24700	-.30000	11.75000	.00000	7.92000	4.08000
.596	44.880	-.08600	-.31500	-.44900	-.37500	-.24100	-.29700	11.73000	.00000	7.91000	4.08000
.595	46.060	-.08600	-.32000	-.45700	-.37700	-.24200	-.29900	11.74000	.01000	7.92000	4.08000
.594	47.250	-.08600	-.32400	-.45500	-.38000	-.24500	-.30000	11.75000	.02000	7.94000	4.08000
.598	48.430	-.08600	-.31500	-.45700	-.37400	-.23900	-.29800	11.76000	-.01000	7.93000	4.08000

LTV44-559(CA26) 747/1 ATY 02 S1 (ORBITER DATA)

(XFE097) ( 29 JAN 76 )

## REFERENCE DATA

SREF = 2690.0000 SQ.FT. XMRP = 1109.0000 IN. XO  
 LREF = 474.8100 IN. YMRP = .0000 IN. YO  
 BREF = 936.6800 IN. ZMRP = 375.0000 IN. ZO  
 SCALE = .0125

## PARAMETRIC DATA

ALPHAC = 4.000 BETAC = .000  
 STAB = -1.000 ELEVON = 5.000  
 BDFLAP = .000 DX = .000  
 DY = .000 IORB = 8.000  
 BETAO = .000 RUDDER = .000

RUN NO. 69/ 0 RN/L = .00 GRADIENT INTERVAL = -5.00/ 5.00

MACH	DZ	CPCO	CPB1	CPB2	CPB3	CPS1	CPS2	ALPHAO	BETAO	INCID	ALPHAC
.596	49.620	-.08700	-.32200	-.45600	-.37900	-.24400	-.29800	11.69000	.00000	7.90000	4.08000
.596	50.800	-.08800	-.32100	-.45700	-.37500	-.25200	-.29600	11.71000	.00000	7.92000	4.08000
.597	51.990	-.08700	-.31900	-.45300	-.37600	-.24500	-.29900	11.67000	.00000	7.89000	4.08000
.596	53.170	-.08700	-.32600	-.45200	-.38100	-.24600	-.30400	11.69000	.01000	7.91000	4.08000
.599	54.350	-.08900	-.32000	-.45000	-.37700	-.24300	-.29800	11.68000	.00000	7.92000	4.08000
.595	55.540	-.09300	-.32000	-.46900	-.38500	-.25400	-.30500	11.68000	.00000	7.92000	4.08000
.595	56.130	-.09100	-.32900	-.47000	-.38100	-.25100	-.30500	11.67000	.00000	7.91000	4.09000
	GRADIENT	-.00153	-.00122	-.00543	-.00241	-.00227	-.00084	-.00036	-.00324	.00771	.00000

LTV44-559(CA26) 747/1 ATY 02 S1 (ORBITER DATA)

(XFE098) ( 29 JAN 76 )

## REFERENCE DATA

SREF = 2690.0000 SQ.FT. XMRP = 1109.0000 IN. XO  
 LREF = 474.8100 IN. YMRP = .0000 IN. YO  
 BREF = 936.6800 IN. ZMRP = 375.0000 IN. ZO  
 SCALE = .0125

## PARAMETRIC DATA

ALPHAC = 4.000 BETAC = .000  
 STAB = 5.000 ELEVON = .000  
 BDFLAP = .000 DX = .000  
 DY = .000 IORB = 4.000  
 BETAO = .000 RUDDER = .000

RUN NO. 70/ 0 RN/L = .00 GRADIENT INTERVAL = -5.00/ 5.00

MACH	DZ	CPCO	CPB1	CPB2	CPB3	CPS1	CPS2	ALPHA0	BETA0	INCID	ALPHAC
.599	1.460	-.03300	-.24800	-.37700	-.29900	-.16100	-.25900	7.63000	-.05000	3.94000	3.70000
.600	2.060	-.03400	-.24600	-.37600	-.30400	-.16300	-.26000	7.63000	.00000	3.94000	3.69000
.602	2.660	-.03400	-.24900	-.36900	-.29900	-.16100	-.25900	7.63000	-.02000	3.94000	3.70000
.599	3.360	-.03800	-.25200	-.36600	-.30400	-.16900	-.26200	7.62000	-.02000	3.94000	3.70000
.599	4.160	-.04000	-.25800	-.37800	-.31000	-.17000	-.26400	7.61000	-.05000	3.93000	3.70000
.599	4.960	-.04200	-.25700	-.39500	-.31300	-.17500	-.26700	7.61000	.00000	3.92000	3.71000
.599	6.960	-.04000	-.25600	-.39100	-.31400	-.17500	-.26600	7.62000	.00000	3.94000	3.71000
.600	8.960	-.03700	-.25500	-.38700	-.31300	-.17600	-.26400	7.60000	-.05000	3.94000	3.71000
.600	10.430	-.04900	-.26800	-.39900	-.31900	-.18100	-.27000	7.59000	-.03000	3.93000	3.72000
.599	11.370	-.04300	-.26100	-.39900	-.32300	-.18400	-.27000	7.59000	.00000	3.94000	3.72000
.600	12.310	-.05000	-.26600	-.39800	-.32200	-.18500	-.27100	7.56000	-.01000	3.91000	3.72000
.600	13.250	-.04900	-.26800	-.40300	-.32100	-.18200	-.26700	7.59000	-.05000	3.94000	3.72000
.599	14.180	-.04500	-.26800	-.40700	-.32900	-.18700	-.26700	7.59000	.01000	3.95000	3.72000
.598	15.120	-.05200	-.27400	-.41200	-.32800	-.18600	-.27100	7.57000	.01000	3.94000	3.72000
.599	16.060	-.05200	-.27200	-.41000	-.32900	-.19100	-.27300	7.55000	-.01000	3.93000	3.72000
.598	17.000	-.05000	-.27300	-.40800	-.32900	-.19500	-.26900	7.58000	.00000	3.95000	3.72000
.599	17.940	-.05300	-.27200	-.40900	-.32900	-.19300	-.27300	7.55000	-.02000	3.93000	3.72000
.600	18.880	-.05200	-.27200	-.41200	-.33000	-.19400	-.27400	7.55000	-.01000	3.93000	3.73000
.599	19.810	-.05400	-.27500	-.41100	-.33200	-.19100	-.27100	7.54000	-.01000	3.93000	3.73000
.599	20.750	-.05500	-.27600	-.41400	-.33600	-.19700	-.27500	7.57000	.00000	3.96000	3.73000
.603	21.680	-.05500	-.27500	-.41000	-.33400	-.19600	-.27300	7.57000	.01000	3.96000	3.73000
.599	22.620	-.05400	-.28100	-.42700	-.33900	-.19900	-.27300	7.54000	-.05000	3.93000	3.73000
.600	23.560	-.05400	-.28100	-.42300	-.33700	-.19800	-.27100	7.54000	-.01000	3.94000	3.73000
.601	24.500	-.05400	-.28200	-.43000	-.33700	-.19800	-.27200	7.55000	-.01000	3.96000	3.73000
.602	25.440	-.05700	-.28200	-.44000	-.34000	-.20200	-.27000	7.55000	.01000	3.96000	3.74000
.597	26.380	-.05000	-.28500	-.44300	-.34700	-.20500	-.27500	7.54000	-.02000	3.95000	3.74000
.599	27.310	-.06200	-.28800	-.44000	-.34400	-.20600	-.27400	7.51000	-.02000	3.93000	3.74000
.601	28.250	-.05500	-.28000	-.43700	-.33900	-.20200	-.27000	7.53000	-.02000	3.95000	3.75000
.599	29.190	-.06000	-.29000	-.44600	-.34700	-.20900	-.27500	7.50000	-.01000	3.92000	3.75000
.598	30.130	-.05700	-.28400	-.44700	-.34300	-.20700	-.27200	7.54000	-.01000	3.96000	3.75000
.601	31.060	-.06000	-.28500	-.44800	-.34400	-.20600	-.26900	7.54000	-.01000	3.97000	3.75000
.600	32.000	-.06000	-.28700	-.46300	-.34900	-.21200	-.27400	7.49000	-.03000	3.92000	3.75000
.600	32.940	-.05900	-.28500	-.45400	-.34400	-.20600	-.26800	7.53000	.00000	3.97000	3.75000
.599	33.880	-.05900	-.28900	-.45100	-.35100	-.21400	-.27000	7.51000	-.02000	3.96000	3.75000
.599	34.820	-.05900	-.28900	-.43800	-.35300	-.21600	-.27300	7.51000	.00000	3.96000	3.75000
.597	35.760	-.06200	-.29200	-.44100	-.35100	-.21800	-.27300	7.48000	-.02000	3.94000	3.75000
.599	36.700	-.06200	-.29200	-.44900	-.34900	-.21300	-.26900	7.47000	-.05000	3.93000	3.75000
.599	37.630	-.06100	-.29100	-.45700	-.35700	-.21500	-.27300	7.46000	-.02000	3.93000	3.75000
.593	38.570	-.06300	-.29000	-.45100	-.35600	-.21700	-.27200	7.48000	-.02000	3.95000	3.75000
.598	39.510	-.06200	-.29500	-.45700	-.35600	-.21700	-.27200	7.45000	-.05000	3.93000	3.75000
.599	40.450	-.06300	-.29800	-.45700	-.35300	-.21900	-.27000	7.45000	-.03000	3.93000	3.76000
.600	41.380	-.06500	-.29500	-.45200	-.35700	-.21900	-.27000	7.46000	-.03000	3.94000	3.75000

DATE 22 MAR 76

CA-26 FORCE SOURCE DATA TABULATION

PAGE 640

LTV44-559(CA26) 747/1 ATY 02 S1 (ORBITER DATA)

(XFE098) ( 29 JAN 76 )

## REFERENCE DATA

SREF = 2690.0000 SQ.FT. XMRP = 1109.0000 IN. XO  
 LREF = 474.8100 IN. YMRP = .0000 IN. YO  
 BREF = 936.6800 IN. ZMRP = 375.0000 IN. ZO  
 SCALE = .0125

## PARAMETRIC DATA

ALPHAC = 4.000 BETAC = .000  
 STAB = 5.000 ELEVON = .000  
 BDFLAP = .000 DX = .000  
 DY = .000 IORB = 4.000  
 BETAO = .000 RUDDER = .000

RUN NO. 70/ 0 RM/L = .00 GRADIENT INTERVAL = -5.00/ 5.00

MACH	OZ	CPCO	CPB1	CPB2	CPB3	CPS1	CPS2	ALPHAO	BETAO	INCID	ALPHAC
.598	42.320	-.06500	-.30000	-.44700	-.35700	-.22200	-.27400	7.44000	-.03000	3.93000	3.76000
.601	42.790	-.06500	-.29600	-.44100	-.36000	-.22400	-.26900	7.48000	-.03000	3.97000	3.76000
	GRADIENT	-.00276	-.00346	-.00206	-.00388	-.00409	-.00229	-.00702	.00395	-.00551	.00337

LTV44-559(CA26) 747/1 ATY 02 S1 (ORBITER DATA)

(XFE099) ( 29 JAN 76 )

## REFERENCE DATA

SREF = 2690.0000 SQ.FT. XMRP = 1109.0000 IN. XO  
 LREF = 474.8100 IN. YMRP = .0000 IN. YO  
 BREF = 936.6800 IN. ZMRP = 375.0000 IN. ZO  
 SCALE = .0125

## PARAMETRIC DATA

ALPHAC = 4.000 BETAC = .000  
 STAB = 5.000 ELEVON = .000  
 BDFLAP = .000 DX = .000  
 DY = .000 TORB = 6.000  
 BETA0 = .000 RUDDER = .000

RUN NO. 1070/ 0 RN/L = .00 GRADIENT INTERVAL = -5.00/ 5.00

MACH	DZ	CFCO	CFB1	CFB2	CFB3	CPS1	CPS2	ALPHA0	BETA0	INCID	ALPHAC
.599	1.480	-.07400	-.29300	-.42800	-.36300	-.24900	-.25000	9.66000	.00000	5.94000	3.73000
.600	2.070	-.07400	-.28900	-.43500	-.36200	-.24900	-.24600	9.65000	-.06000	5.93000	3.72000
.598	2.670	-.07000	-.29100	-.43900	-.36200	-.24900	-.24600	9.63000	-.06000	5.92000	3.72000
.599	3.380	-.07700	-.29100	-.43200	-.36300	-.25000	-.24900	9.67000	-.02000	5.96000	3.72000
.600	4.170	-.07300	-.28900	-.43100	-.35800	-.24800	-.24800	9.66000	-.03000	5.96000	3.72000
.599	4.970	-.07500	-.29400	-.43500	-.36000	-.25500	-.25100	9.66000	-.02000	5.96000	3.72000
.601	6.970	-.07300	-.29200	-.43400	-.35600	-.24500	-.25100	9.64000	-.03000	5.95000	3.72000
.600	8.980	-.07300	-.29100	-.43600	-.36000	-.24500	-.24900	9.64000	-.04000	5.96000	3.72000
.599	10.580	-.07700	-.29600	-.45800	-.36200	-.25100	-.25600	9.59000	-.02000	5.92000	3.73000
.599	11.790	-.07200	-.29800	-.45100	-.35800	-.25300	-.25000	9.59000	-.06000	5.93000	3.73000
.599	13.010	-.07300	-.29600	-.45700	-.35900	-.24900	-.25300	9.57000	-.04000	5.91000	3.73000
.597	14.220	-.08000	-.29800	-.45400	-.36900	-.25200	-.25700	9.60000	-.04000	5.95000	3.73000
.597	15.440	-.07600	-.29100	-.45700	-.36800	-.25000	-.25800	9.60000	-.02000	5.95000	3.73000
.597	16.660	-.07500	-.30000	-.45300	-.36400	-.25100	-.25700	9.60000	-.03000	5.96000	3.74000
.600	17.870	-.07600	-.30000	-.45200	-.36100	-.25100	-.25200	9.55000	-.06000	5.91000	3.74000
.598	19.090	-.07800	-.30200	-.45100	-.36700	-.25000	-.25500	9.55000	-.06000	5.92000	3.74000
.598	20.300	-.07400	-.30400	-.46500	-.36500	-.24700	-.26000	9.57000	-.02000	5.95000	3.74000
.598	21.510	-.07700	-.30600	-.45800	-.36400	-.24800	-.25900	9.57000	-.01000	5.95000	3.74000
.597	22.730	-.07900	-.31000	-.46900	-.37000	-.25300	-.26200	9.56000	-.03000	5.94000	3.74000
.599	23.940	-.07600	-.29900	-.45800	-.36300	-.25000	-.25700	9.54000	-.03000	5.93000	3.74000
.598	25.150	-.07900	-.30600	-.46100	-.36700	-.24800	-.26200	9.55000	-.02000	5.95000	3.74000
.601	26.370	-.07100	-.29500	-.45300	-.36200	-.24500	-.25300	9.51000	-.05000	5.92000	3.74000
.600	27.590	-.07700	-.30300	-.45400	-.35900	-.24700	-.25700	9.52000	-.07000	5.94000	3.74000
.601	28.800	-.07600	-.30400	-.44400	-.36000	-.24300	-.25500	9.51000	-.05000	5.92000	3.75000
.599	30.020	-.07500	-.30200	-.44800	-.36800	-.24900	-.26000	9.51000	-.04000	5.93000	3.75000
.601	31.230	-.07300	-.30100	-.44500	-.36000	-.24100	-.25400	9.52000	-.04000	5.95000	3.75000
.597	32.450	-.07700	-.30800	-.45500	-.37300	-.25300	-.26200	9.51000	-.03000	5.94000	3.75000
.598	33.660	-.07500	-.30400	-.45700	-.36700	-.24700	-.26100	9.50000	-.03000	5.94000	3.75000
.600	34.880	-.07700	-.30600	-.45800	-.36400	-.24400	-.26000	9.48000	-.04000	5.93000	3.75000
.600	36.090	-.07500	-.30300	-.46700	-.36700	-.24700	-.26400	9.48000	-.02000	5.94000	3.75000
.598	37.310	-.07700	-.30800	-.46600	-.36800	-.24400	-.26400	9.49000	-.03000	5.95000	3.75000
.599	38.530	-.07500	-.30300	-.45900	-.36200	-.24200	-.26300	9.50000	-.03000	5.97000	3.75000
.598	39.740	-.07600	-.30600	-.45700	-.37000	-.24300	-.27000	9.46000	-.02000	5.93000	3.75000
.599	40.950	-.07400	-.30400	-.45600	-.36700	-.24500	-.26500	9.44000	-.04000	5.92000	3.75000
.599	42.170	-.07300	-.30000	-.44800	-.36100	-.24000	-.26400	9.45000	-.01000	5.94000	3.75000
.600	43.380	-.07200	-.29800	-.45000	-.35900	-.23900	-.26300	9.45000	-.03000	5.95000	3.75000
.597	44.600	-.07900	-.30900	-.46600	-.37300	-.24600	-.27400	9.41000	-.04000	5.91000	3.76000
.600	45.820	-.07400	-.30400	-.45700	-.36600	-.23800	-.25700	9.41000	-.03000	5.92000	3.76000
.599	47.030	-.07200	-.30100	-.44700	-.36300	-.23700	-.26700	9.41000	-.04000	5.92000	3.76000
.597	48.250	-.07600	-.30300	-.44300	-.36200	-.23600	-.27100	9.41000	-.01000	5.93000	3.76000
.598	49.460	-.07500	-.30400	-.45000	-.36100	-.23400	-.27100	9.42000	-.03000	5.95000	3.76000
	GRADIENT	-.00039	-.00026	-.00055	.00108	-.00120	-.00064	.00311	.00197	.00962	-.00191

ORIGINAL PAGE IS  
OF POOR QUALITY

LTV44-559(CA26) 747/1 ATY 02 S1 (ORBITER DATA)

(XFE100) ( 29 JAN 76 )

## REFERENCE DATA

SREF = 2690.0000 SQ.FT. XMRP = 1109.0000 IN. XO  
 LREF = 474.8100 IN. YMRP = .0000 IN. YO  
 BREF = 936.6800 IN. ZMRP = 375.0000 IN. ZO  
 SCALE = .0125

## PARAMETRIC DATA

ALPHAC = 4.000 BETAC = .000  
 STAB = 5.000 ELEVON = .000  
 BDFLAP = .000 DX = .000  
 DY = .000 IORB = 8.000  
 BETAO = .000 RUDDER = .000

RUN NO. 71/ 0 RN/L = .00 GRADIENT INTERVAL = -5.00/ 5.00

MACH	DZ	CPG0	CPB1	CPB2	CPB3	CF31	CPS2	ALPHA0	BETAO	INCID	ALPHAC
.597	1.460	-.04800	-.25300	-.36800	-.31600	-.17600	-.28400	11.67000	-.01000	7.91000	3.76000
.597	2.060	-.04700	-.25200	-.36800	-.32000	-.17900	-.28300	11.66000	-.01000	7.90000	3.76000
.597	2.660	-.04700	-.25500	-.37000	-.31700	-.17800	-.28300	11.66000	-.03000	7.90000	3.77000
.598	3.460	-.04700	-.25900	-.38400	-.31700	-.18200	-.28400	11.67000	-.04000	7.92000	3.76000
.599	4.460	-.05700	-.26100	-.38300	-.32400	-.18900	-.28400	11.65000	.01000	7.91000	3.76000
.598	5.590	-.05600	-.26500	-.38200	-.32300	-.19100	-.28500	11.66000	-.03000	7.93000	3.76000
.596	6.840	-.05800	-.26800	-.39000	-.32800	-.19300	-.28800	11.63000	.02000	7.90000	3.76000
.598	8.090	-.05600	-.26500	-.39300	-.32800	-.19600	-.28600	11.66000	-.04000	7.94000	3.75000
.596	9.340	-.06000	-.26700	-.39800	-.33400	-.19900	-.28500	11.65000	-.05000	7.95000	3.75000
.598	10.560	-.06100	-.27400	-.41100	-.34100	-.20200	-.28900	11.63000	-.01000	7.93000	3.75000
.598	11.740	-.06100	-.27200	-.41300	-.34100	-.20400	-.28800	11.62000	-.02000	7.93000	3.75000
.599	12.920	-.06400	-.28000	-.41900	-.34100	-.20600	-.28900	11.60000	-.02000	7.92000	3.75000
.598	14.110	-.06300	-.27700	-.41300	-.34500	-.20900	-.29000	11.59000	-.02000	7.91000	3.75000
.598	15.290	-.06800	-.28000	-.41300	-.34300	-.21200	-.29300	11.60000	-.01000	7.93000	3.75000
.598	16.480	-.06500	-.28000	-.41600	-.34800	-.21300	-.29200	11.59000	-.01000	7.94000	3.75000
.598	17.660	-.07000	-.28200	-.42600	-.35000	-.21600	-.29500	11.59000	-.02000	7.94000	3.75000
.599	18.840	-.07100	-.28700	-.42400	-.35000	-.21600	-.29300	11.58000	.01000	7.94000	3.75000
.597	20.030	-.06700	-.28400	-.42200	-.35400	-.22000	-.29100	11.57000	-.05000	7.93000	3.75000
.601	21.210	-.06800	-.28500	-.42400	-.35200	-.21900	-.28900	11.54000	-.04000	7.91000	3.75000
.599	22.390	-.07400	-.29400	-.42900	-.35500	-.22300	-.29300	11.54000	.00000	7.92000	3.75000
.596	23.570	-.06900	-.29200	-.43600	-.36000	-.22200	-.29500	11.52000	-.02000	7.91000	3.75000
.598	24.760	-.07500	-.29500	-.43300	-.35700	-.22500	-.29100	11.53000	.01000	7.92000	3.75000
.602	25.940	-.07500	-.29300	-.43200	-.35500	-.22100	-.28600	11.51000	.01000	7.91000	3.75000
.598	27.130	-.07400	-.29300	-.43900	-.36300	-.22900	-.29400	11.54000	-.03000	7.95000	3.74000
.598	28.310	-.07600	-.29900	-.43900	-.36000	-.22500	-.29100	11.49000	.00000	7.90000	3.75000
.598	29.490	-.07500	-.29700	-.43900	-.36100	-.22700	-.28800	11.48000	-.02000	7.90000	3.75000
.599	30.670	-.07500	-.29700	-.44500	-.36500	-.23400	-.29000	11.48000	.00000	7.90000	3.76000
.599	31.860	-.07600	-.30000	-.44200	-.36800	-.23400	-.29400	11.51000	-.02000	7.94000	3.75000
.598	33.040	-.07800	-.30200	-.44300	-.36400	-.23100	-.28800	11.47000	-.01000	7.91000	3.75000
.597	34.230	-.07900	-.30200	-.44700	-.36400	-.23300	-.29300	11.47000	.01000	7.91000	3.75000
.597	35.410	-.07900	-.30500	-.45300	-.37100	-.23600	-.29200	11.47000	.02000	7.92000	3.75000
.597	36.590	-.08000	-.30700	-.45000	-.36800	-.23700	-.28700	11.44000	-.04000	7.91000	3.75000
.599	37.780	-.07800	-.30300	-.44400	-.36700	-.23700	-.28500	11.47000	.00000	7.93000	3.76000
.597	38.960	-.08200	-.31100	-.45400	-.37200	-.23600	-.29100	11.44000	-.02000	7.91000	3.75000
.598	40.150	-.08000	-.30800	-.45000	-.37000	-.23600	-.28700	11.44000	.00000	7.92000	3.76000
.597	41.330	-.08300	-.31200	-.45600	-.37400	-.24600	-.28700	11.42000	-.01000	7.91000	3.75000
.599	42.520	-.08200	-.30700	-.45200	-.37400	-.24600	-.29000	11.43000	-.03000	7.92000	3.76000
.600	43.700	-.08300	-.30600	-.45200	-.37100	-.24000	-.29000	11.41000	-.03000	7.91000	3.76000
.598	44.880	-.08200	-.30900	-.45800	-.37500	-.24600	-.29200	11.40000	-.05000	7.90000	3.75000
.598	46.060	-.08400	-.31500	-.46200	-.38100	-.24800	-.29300	11.40000	-.04000	7.91000	3.76000
.597	47.250	-.08700	-.31400	-.46400	-.38300	-.24800	-.29500	11.41000	.00000	7.92000	3.76000
.596	48.430	-.08600	-.31300	-.46700	-.37600	-.24400	-.29000	11.42000	.00000	7.94000	3.75000



DATE 22 MAR 76

CA-26 FORCE SOURCE DATA TABULATION

PAGE 643

LTV44-559(CA26) 747/1 ATY 02 S1 (ORBITER DATA)

(XFE100) ( 29 JAN 76 )

## REFERENCE DATA

SREF = 2690.0000 SQ.FT. XMRP = 1109.0000 IN. XO  
 LREF = 474.8100 IN. YMRP = .0000 IN. YO  
 BREF = 936.6800 IN. ZMRP = 375.0000 IN. ZO  
 SCALE = .0125

## PARAMETRIC DATA

ALPHAC = 4.000 BETAC = .000  
 STAB = 5.000 ELEVON = .000  
 BDFLAP = .000 OX = .000  
 DY = .000 TORB = 8.000  
 BETAO = .000 RUDDER = .000

RUN NO. 71/ 0 RN/L = .00 GRADIENT INTERVAL = -5.00/ 5.00

MACH	DZ	CPCO	CPB1	CPB2	CPB3	CPS1	CPS2	ALPHAO	BETAO	INCID	ALPHAC
.596	49.620	-.08900	-.31900	-.47300	-.38200	-.24500	-.29700	11.41000	.01000	7.93000	3.76000
.597	50.800	-.08800	-.31500	-.46300	-.38100	-.24500	-.29500	11.40000	.00000	7.93000	3.76000
.598	51.990	-.08600	-.31100	-.45500	-.37800	-.24900	-.29500	11.37000	-.03000	7.91000	3.76000
.598	53.170	-.08800	-.31800	-.46200	-.38300	-.25100	-.29300	11.39000	.01000	7.94000	3.76000
.600	54.350	-.08900	-.31600	-.46000	-.37900	-.24700	-.28900	11.37000	-.04000	7.91000	3.77000
.600	55.540	-.08900	-.31600	-.45800	-.38000	-.24900	-.28800	11.38000	.00000	7.94000	3.77000
.601	56.130	-.08800	-.31700	-.45600	-.38000	-.25200	-.28500	11.35000	-.06000	7.91000	3.76000
	GRADIENT	-.00271	-.00313	-.00622	-.00190	-.00406	-.00017	-.00425	.00303	.00281	-.00029

LTV44-559(CA23) 747/1 ATY 02 S1 (ORBITER DATA)

(XFE101) (29 JAN 76)

## REFERENCE DATA

SREF = 2690.0000 SQ.FT. XMRP = 1109.0000 IN. XO  
 LREF = 474.8100 IN. YMRP = .0000 IN. YO  
 BREF = 936.6800 IN. ZMRP = 375.0000 IN. ZO  
 SCALE = .0125

## PARAMETRIC DATA

ALPHAC = 4.000 BETAC = -5.000  
 STAB = 5.000 ELEVON = 5.000  
 BDFLAP = .000 DX = .000  
 DY = .000 IORB = 4.000  
 BETAO = -5.000 RUDDER = .000

RUN NO. 72/ 0 RN/L = .00 GRADIENT INTERVAL = -5.00/ 5.00

MACH	DZ	CPCO	CPB1	CPB2	CPB3	CPS1	CPS2	ALPHAO	BETAO	INCLD	ALPHAC
.593	1.460	-.08200	-.28700	-.38100	-.32600	-.32600	-.10700	7.68000	-5.38000	3.94000	3.74000
.595	2.060	-.08300	-.28400	-.37900	-.32700	-.33000	-.10600	7.65000	-5.35000	3.91000	3.75000
.595	2.660	-.08100	-.29200	-.39100	-.32600	-.32900	-.10800	7.67000	-5.36000	3.93000	3.75000
.596	3.360	-.09000	-.29300	-.39600	-.33800	-.34100	-.11100	7.63000	-5.33000	3.90000	3.74000
.597	4.160	-.08400	-.29300	-.40800	-.33300	-.33300	-.10900	7.63000	-5.33000	3.91000	3.74000
.597	4.960	-.08700	-.29400	-.39800	-.33400	-.33500	-.11500	7.66000	-5.35000	3.94000	3.74000
.596	6.960	-.09000	-.29600	-.40400	-.34500	-.34200	-.11800	7.63000	-5.33000	3.93000	3.74000
.594	8.960	-.09100	-.29600	-.41600	-.34600	-.34200	-.11700	7.63000	-5.30000	3.94000	3.74000
.595	10.430	-.09300	-.30500	-.41900	-.34700	-.34500	-.12000	7.62000	-5.30000	3.93000	3.74000
.596	11.370	-.08900	-.30100	-.41500	-.34300	-.34200	-.11900	7.62000	-5.28000	3.95000	3.74000
.596	12.310	-.09100	-.30300	-.41500	-.34600	-.34600	-.12100	7.61000	-5.29000	3.93000	3.74000
.596	13.250	-.08400	-.29900	-.40400	-.34300	-.34100	-.11300	7.59000	-5.31000	3.91000	3.74000
.595	14.180	-.09000	-.30500	-.41500	-.35300	-.35000	-.11700	7.58000	-5.28000	3.92000	3.74000
.596	15.120	-.09100	-.30300	-.42600	-.35200	-.34500	-.12000	7.59000	-5.29000	3.93000	3.74000
.596	16.060	-.09100	-.30200	-.42400	-.34800	-.34600	-.12000	7.58000	-5.32000	3.93000	3.74000
.596	17.000	-.08700	-.30800	-.42400	-.35300	-.34500	-.11900	7.59000	-5.30000	3.94000	3.75000
.595	17.940	-.09300	-.31200	-.43200	-.35800	-.35400	-.12300	7.58000	-5.28000	3.94000	3.74000
.596	18.880	-.08700	-.30900	-.42400	-.35500	-.34800	-.12000	7.56000	-5.29000	3.92000	3.74000
.594	19.810	-.09500	-.31100	-.43700	-.35700	-.35500	-.12500	7.58000	-5.27000	3.95000	3.74000
.595	20.750	-.09300	-.31200	-.43400	-.35700	-.36100	-.12600	7.54000	-5.28000	3.92000	3.74000
.593	21.680	-.09200	-.31700	-.43300	-.36100	-.35900	-.12400	7.56000	-5.28000	3.94000	3.74000
.597	22.620	-.09300	-.30900	-.43200	-.35600	-.35400	-.12400	7.53000	-5.30000	3.92000	3.74000
.594	23.560	-.09400	-.31500	-.43800	-.36300	-.35700	-.12300	7.53000	-5.32000	3.92000	3.74000
.594	24.500	-.09300	-.31300	-.43700	-.36200	-.35800	-.12500	7.54000	-5.26000	3.93000	3.75000
.593	25.440	-.09300	-.31800	-.43700	-.36000	-.36500	-.12600	7.54000	-5.28000	3.94000	3.75000
.595	26.380	-.09300	-.31300	-.43100	-.36200	-.35900	-.12100	7.53000	-5.29000	3.94000	3.75000
.596	27.310	-.08900	-.31200	-.43600	-.35600	-.35500	-.12200	7.53000	-5.29000	3.94000	3.75000
.593	28.250	-.09300	-.32000	-.44000	-.36400	-.36700	-.12500	7.54000	-5.27000	3.95000	3.75000
.595	29.190	-.09300	-.31500	-.45100	-.36200	-.36200	-.12700	7.50000	-5.33000	3.92000	3.75000
.595	30.130	-.09100	-.31400	-.45600	-.36100	-.36200	-.12300	7.51000	-5.32000	3.93000	3.75000
.593	31.060	-.09900	-.31900	-.45200	-.37000	-.36900	-.12400	7.49000	-5.31000	3.92000	3.75000
.594	32.000	-.09900	-.32000	-.45400	-.36900	-.36600	-.12500	7.50000	-5.34000	3.93000	3.75000
.594	32.940	-.10000	-.31900	-.45700	-.36900	-.36600	-.12600	7.50000	-5.29000	3.94000	3.75000
.596	33.880	-.09300	-.32100	-.45500	-.36500	-.36800	-.11900	7.50000	-5.31000	3.94000	3.75000
.595	34.820	-.09700	-.32500	-.44400	-.37000	-.37000	-.12300	7.47000	-5.34000	3.92000	3.75000
.594	35.760	-.09800	-.32000	-.44300	-.36700	-.36300	-.12500	7.51000	-5.29000	3.96000	3.75000
.595	36.700	-.10000	-.32100	-.45000	-.37100	-.36900	-.12700	7.51000	-5.30000	3.97000	3.75000
.594	37.630	-.10200	-.32700	-.45700	-.37500	-.37700	-.12200	7.49000	-5.32000	3.95000	3.76000
.597	38.570	-.09200	-.32100	-.45600	-.36500	-.37300	-.11900	7.45000	-5.34000	3.92000	3.76000
.597	39.510	-.09500	-.32300	-.45500	-.36400	-.37400	-.11700	7.44000	-5.33000	3.91000	3.76000
.594	40.450	-.10200	-.32200	-.45800	-.37200	-.37400	-.12400	7.46000	-5.31000	3.94000	3.75000
.598	41.380	-.09400	-.32100	-.44800	-.36400	-.37000	-.12000	7.45000	-5.32000	3.94000	3.76000

DATE 22 MAR 76

CA-26 FORCE SOURCE DATA TABULATION

PAGE 645

LTV44-559(CA26) 747/1 ATY 02 S1 (ORBITER DATA)

(XFE101) ( 29 JAN 76 )

REFERENCE DATA

SREF = 2690.0000 SQ.FT. XMRP = 1109.0000 IN. XO  
LREF = 474.8100 IN. YMRP = .0000 IN. YO  
BREF = 936.6800 IN. ZMRP = 375.0000 IN. ZO  
SCALE = .0125

PARAMETRIC DATA

ALPHAC = 4.000 BETAC = -5.000  
STAB = 5.000 ELEVON = 5.000  
BDFLAP = .000 DX = .000  
DY = .000 IORB = 4.000  
BETA0 = -5.000 RUDDER = .000

RUN NO. 72/ 0 RN/L = .00 GRADIENT INTERVAL = -5.00/ 5.00

MACH	DZ	CPCO	CPB1	CPB2	CPB3	CPS1	CPS2	ALPHA0	BETA0	INCID	ALPHAC
.596	42.320	-.09400	-.32100	-.44400	-.36600	-.37000	-.12300	7.46000	-5.33000	3.95000	3.76000
.594	42.790	-.10000	-.32800	-.44900	-.36700	-.38200	-.11500	7.47000	-5.33000	3.96000	3.76000
	GRADIENT	-.00148	-.00251	-.00710	-.00280	-.00258	-.00215	-.00766	.00929	-.00064	-.00174

LTV44-559(CA26) 747/1 ATY 02 S1 (ORBITER DATA)

(XFE102) ( 29 JAN 76 )

## REFERENCE DATA

SREF = 2690.0000 SQ.FT. XMRP = 1109.0000 IN. XO  
 LREF = 474.8100 IN. YMRP = .0000 IN. YO  
 BREF = 936.6800 IN. ZMRP = 375.0000 IN. ZO  
 SCALE = .0125

## PARAMETRIC DATA

ALPHAC = 4.000 BETAC = -5.000  
 STAB = 5.000 ELEVON = 5.000  
 BDFLAP = .000 DX = .000  
 DY = .000 TORB = 6.000  
 BETAO = -5.000 RUDDER = .000

RUN NO. 1072/ 0 RN/L = .00 GRADIENT INTERVAL = -5.00/ 5.00

MACH	DZ	CPCO	CPB1	CPB2	CPB3	CPS1	CPS2	ALPHAO	BETAO	INCID	ALPHAC
.593	1.480	-.14100	-.31200	-.43800	-.37100	-.38600	-.09300	9.65000	-5.38000	5.88000	3.78000
.600	2.070	-.13500	-.30300	-.44700	-.36200	-.37900	-.08700	9.69000	-5.36000	5.92000	3.77000
.596	2.670	-.13900	-.30700	-.44400	-.36700	-.38500	-.09100	9.69000	-5.35000	5.92000	3.77000
.592	3.390	-.14100	-.31800	-.44500	-.37700	-.38700	-.10100	9.66000	-5.32000	5.90000	3.77000
.595	4.170	-.13800	-.31300	-.44700	-.36800	-.38700	-.09600	9.69000	-5.38000	5.94000	3.77000
.596	4.970	-.13600	-.30900	-.44000	-.36500	-.38100	-.09200	9.67000	-5.32000	5.92000	3.77000
.594	6.970	-.14100	-.31800	-.44700	-.37700	-.38800	-.10200	9.65000	-5.31000	5.92000	3.76000
.596	8.980	-.13400	-.31800	-.43700	-.37300	-.38700	-.09800	9.66000	-5.35000	5.94000	3.76000
.594	10.580	-.13800	-.32100	-.43800	-.37600	-.38900	-.09900	9.63000	-5.36000	5.93000	3.76000
.593	11.790	-.13800	-.32300	-.45000	-.37400	-.39100	-.10300	9.60000	-5.29000	5.91000	3.76000
.594	13.010	-.13900	-.32100	-.45100	-.37500	-.39100	-.10300	9.60000	-5.27000	5.91000	3.76000
.593	14.220	-.14200	-.32300	-.44100	-.38100	-.39300	-.10500	9.58000	-5.30000	5.90000	3.76000
.595	15.440	-.14100	-.32400	-.44000	-.37700	-.39200	-.10600	9.57000	-5.35000	5.90000	3.76000
.595	16.660	-.13900	-.32400	-.44000	-.37400	-.38900	-.10300	9.60000	-5.32000	5.94000	3.76000
.595	17.870	-.13900	-.32200	-.43900	-.38100	-.39100	-.10600	9.55000	-5.32000	5.90000	3.76000
.595	19.090	-.13200	-.32200	-.44700	-.37200	-.38400	-.10500	9.58000	-5.33000	5.93000	3.75000
.595	20.300	-.13700	-.32300	-.45300	-.37400	-.38800	-.10500	9.55000	-5.31000	5.91000	3.76000
.594	21.510	-.13400	-.32600	-.45200	-.37500	-.38600	-.10800	9.54000	-5.27000	5.90000	3.76000
.595	22.730	-.13500	-.31900	-.43900	-.37200	-.38700	-.10600	9.56000	-5.31000	5.94000	3.75000
.596	23.940	-.13400	-.31900	-.43800	-.37300	-.38500	-.10400	9.56000	-5.31000	5.95000	3.75000
.595	25.150	-.13300	-.31800	-.44200	-.37200	-.38600	-.10400	9.52000	-5.30000	5.91000	3.75000
.594	26.370	-.13500	-.32100	-.44500	-.37500	-.38800	-.10600	9.54000	-5.31000	5.93000	3.75000
.594	27.590	-.13800	-.32700	-.44800	-.37600	-.38900	-.11000	9.54000	-5.31000	5.95000	3.75000
.594	28.800	-.13800	-.32700	-.44200	-.37700	-.39000	-.11000	9.52000	-5.33000	5.93000	3.76000
.594	30.020	-.13800	-.32900	-.44100	-.37800	-.39100	-.10900	9.53000	-5.35000	5.94000	3.76000
.594	31.230	-.13600	-.32600	-.43900	-.37900	-.39300	-.10700	9.52000	-5.35000	5.94000	3.75000
.592	32.450	-.13000	-.32400	-.44100	-.37700	-.38600	-.10500	9.48000	-5.29000	5.91000	3.75000
.594	33.660	-.13600	-.32600	-.43900	-.37600	-.38500	-.11100	9.51000	-5.32000	5.95000	3.75000
.594	34.890	-.13400	-.32700	-.44300	-.37400	-.38400	-.11200	9.47000	-5.31000	5.91000	3.76000
.594	36.090	-.13200	-.32700	-.44800	-.37600	-.38400	-.10800	9.49000	-5.27000	5.94000	3.75000
.593	37.310	-.13100	-.32700	-.44800	-.37800	-.38900	-.11100	9.45000	-5.28000	5.91000	3.76000
.595	38.530	-.13000	-.32500	-.45000	-.37900	-.39000	-.10900	9.47000	-5.29000	5.93000	3.76000
.595	39.740	-.13000	-.32500	-.45500	-.37300	-.38400	-.10600	9.45000	-5.32000	5.92000	3.76000
.595	40.950	-.12800	-.32200	-.45400	-.37300	-.38400	-.11200	9.44000	-5.32000	5.92000	3.76000
.593	42.170	-.13600	-.33000	-.45600	-.37700	-.38800	-.11100	9.44000	-5.29000	5.92000	3.76000
.595	43.380	-.13300	-.33100	-.46200	-.37600	-.38900	-.11100	9.42000	-5.30000	5.90000	3.76000
.596	44.600	-.12700	-.32700	-.45700	-.37900	-.38800	-.11500	9.44000	-5.33000	5.94000	3.76000
.595	45.820	-.13200	-.33100	-.46000	-.37700	-.38300	-.11700	9.44000	-5.28000	5.95000	3.76000
.595	47.030	-.12900	-.32800	-.45200	-.37100	-.38400	-.11500	9.37000	-5.31000	5.89000	3.76000
.597	48.250	-.12600	-.32800	-.45200	-.37200	-.38100	-.11500	9.39000	-5.30000	5.90000	3.76000
.596	49.460	-.13000	-.33000	-.43900	-.37300	-.38200	-.12400	9.37000	-5.31000	5.89000	3.76000
	GRADIENT	.00060	-.00102	-.00032	.00016	.00001	-.00123	.00246	.01066	.00950	-.00191

LTV44-559(CA26) 747/1 ATY 02 S1 (ORBITER DATA)

(XFE103) ( 29 JAN 76 )

## REFERENCE DATA

SREF = 2690.0000 SQ.FT. XMRP = 1109.0000 IN. XO  
 LREF = 474.8100 IN. YMRP = .0000 IN. YO  
 BREF = 936.6800 IN. ZMRP = 375.0000 IN. ZO  
 SCALE = .0125

## PARAMETRIC DATA

ALPHAC = 4.000 BETAC = -5.000  
 STAB = 5.000 ELEVON = 5.000  
 BDFLAP = .000 OX = .000  
 DY = .000 TORB = 8.000  
 BETAO = -5.000 RUDDER = .000

RUN NO. 73/ 0 RN/L = .00 GRADIENT INTERVAL = -5.00/ 5.00

MACH	DZ	CPCO	CPB1	CPB2	CPB3	CPS1	CPS2	ALPHAO	BETAO	INCJD	ALPHAC
.600	1.460	-.12000	-.27800	-.32900	-.31200	-.32500	-.08600	11.72000	-5.37000	7.93000	3.79000
.601	2.060	-.11800	-.28000	-.33200	-.31100	-.32200	-.08200	11.75000	-5.37000	7.95000	3.79000
.601	2.660	-.12300	-.28500	-.34100	-.31200	-.32400	-.08500	11.72000	-5.40000	7.93000	3.79000
.599	3.460	-.11900	-.28200	-.33400	-.31600	-.33000	-.08600	11.72000	-5.33000	7.94000	3.79000
.599	4.460	-.12100	-.28300	-.32900	-.31500	-.33000	-.08600	11.73000	-5.35000	7.96000	3.79000
.602	5.590	-.11900	-.28300	-.33100	-.31500	-.32900	-.08600	11.70000	-5.36000	7.94000	3.79000
.600	6.840	-.12200	-.28700	-.33800	-.31700	-.33200	-.08800	11.66000	-5.40000	7.91000	3.79000
.600	8.090	-.12100	-.28500	-.34300	-.31800	-.33300	-.08700	11.69000	-5.37000	7.95000	3.78000
.601	9.340	-.12100	-.28400	-.33800	-.31900	-.33400	-.08800	11.69000	-5.35000	7.96000	3.78000
.601	10.560	-.12100	-.28800	-.34100	-.32000	-.33400	-.08700	11.63000	-5.34000	7.91000	3.78000
.601	11.740	-.12000	-.28700	-.33800	-.32200	-.33500	-.08500	11.65000	-5.36000	7.95000	3.77000
.600	12.920	-.12500	-.29600	-.34600	-.32200	-.33700	-.09000	11.62000	-5.36000	7.92000	3.77000
.600	14.110	-.12200	-.29200	-.34100	-.31900	-.33800	-.08700	11.63000	-5.37000	7.94000	3.77000
.601	15.290	-.12000	-.29100	-.34600	-.32400	-.33700	-.08400	11.60000	-5.36000	7.91000	3.77000
.601	16.480	-.12100	-.28900	-.34600	-.32100	-.33800	-.08600	11.61000	-5.37000	7.93000	3.77000
.600	17.660	-.12200	-.29100	-.34500	-.32300	-.34100	-.08800	11.60000	-5.37000	7.93000	3.77000
.600	18.840	-.12300	-.29500	-.35300	-.32300	-.34100	-.09000	11.58000	-5.36000	7.92000	3.76000
.599	20.030	-.12500	-.30000	-.35200	-.32400	-.34100	-.09100	11.57000	-5.33000	7.92000	3.77000
.600	21.210	-.12000	-.29200	-.34400	-.32100	-.34000	-.08700	11.57000	-5.37000	7.93000	3.76000
.601	22.390	-.12300	-.29500	-.35200	-.32500	-.34200	-.08900	11.56000	-5.35000	7.92000	3.77000
.601	23.570	-.11900	-.29300	-.35500	-.32800	-.34200	-.08300	11.56000	-5.36000	7.93000	3.77000
.599	24.760	-.12600	-.30500	-.36100	-.33000	-.34200	-.09100	11.55000	-5.33000	7.93000	3.76000
.601	25.940	-.12100	-.30200	-.36000	-.32800	-.34200	-.09100	11.56000	-5.32000	7.94000	3.76000
.599	27.130	-.12500	-.30400	-.36200	-.32800	-.34600	-.09200	11.56000	-5.34000	7.95000	3.76000
.601	28.310	-.11900	-.29600	-.36000	-.32600	-.34500	-.09000	11.50000	-5.32000	7.90000	3.76000
.600	29.490	-.12100	-.30100	-.36300	-.33000	-.34600	-.09100	11.49000	-5.35000	7.90000	3.76000
.601	30.670	-.12100	-.30300	-.35900	-.33000	-.34300	-.08900	11.55000	-5.34000	7.97000	3.76000
.600	31.860	-.12200	-.30600	-.35800	-.32900	-.34400	-.09000	11.52000	-5.34000	7.94000	3.76000
.600	33.040	-.12200	-.30800	-.35800	-.33200	-.34800	-.08900	11.50000	-5.31000	7.93000	3.77000
.600	34.230	-.12200	-.30600	-.36600	-.32700	-.34300	-.09100	11.50000	-5.36000	7.94000	3.76000
.601	35.410	-.11800	-.30300	-.37200	-.33200	-.34500	-.09000	11.53000	-5.31000	7.97000	3.76000
.601	36.590	-.11600	-.30000	-.37000	-.33100	-.34400	-.08300	11.50000	-5.31000	7.95000	3.76000
.601	37.780	-.12000	-.30500	-.35900	-.33200	-.35100	-.08900	11.47000	-5.34000	7.93000	3.76000
.601	38.960	-.12200	-.30700	-.36000	-.33300	-.35000	-.08500	11.47000	-5.36000	7.93000	3.77000
.601	40.150	-.12400	-.30800	-.36200	-.33100	-.34600	-.08900	11.47000	-5.36000	7.94000	3.77000
.600	41.330	-.11900	-.30100	-.35700	-.33200	-.34800	-.08500	11.44000	-5.31000	7.92000	3.77000
.601	42.520	-.12200	-.30800	-.35900	-.33400	-.35100	-.09200	11.49000	-5.38000	7.97000	3.76000
.602	43.700	-.12000	-.30700	-.35700	-.33000	-.34500	-.08700	11.46000	-5.31000	7.94000	3.77000
.601	44.880	-.11600	-.30400	-.36300	-.33200	-.34700	-.09500	11.42000	-5.34000	7.91000	3.76000
.601	46.060	-.12100	-.30700	-.36200	-.33100	-.34700	-.08900	11.43000	-5.36000	7.93000	3.76000
.601	47.250	-.11700	-.30700	-.35800	-.33000	-.34600	-.09500	11.40000	-5.35000	7.90000	3.77000
.601	48.430	-.12000	-.30900	-.36300	-.33100	-.34900	-.09000	11.41000	-5.37000	7.92000	3.77000

LTV44-559(CA26) 747/1 ATY 02 S1 (ORBITER DATA)

(XFE103) ( 29 JAN 76 )

## REFERENCE DATA

SREF = 2690.0000 SQ.FT. XMRP = 1109.0000 IN. XO  
 LREF = 474.8100 IN. YMRP = .0000 IN. YO  
 BREF = 936.6800 IN. ZMRP = 375.0000 IN. ZO  
 SCALE = .0125

## PARAMETRIC DATA

ALPHAC = 4.000 BETAC = -5.000  
 STAB = 5.000 ELE/ON = 5.000  
 BDFLAP = .000 DX = .000  
 DY = .000 LORE = 8.000  
 BETAO = -5.000 RUDDER = .000

RUN NO. 73/ 0 RN/L = .00 GRADIENT INTERVAL = -5.00/ 5.00

MACH	OZ	CPCO	CPB1	CPB2	CPB3	CPS1	CPS2	ALPHA0	BETA0	INC1D	ALPHAC
.600	49.620	-.11600	-.30900	-.36000	-.33000	-.35300	-.08500	11.42000	-5.36000	7.94000	3.77000
.600	50.800	-.11700	-.30900	-.36300	-.33600	-.35700	-.09200	11.41000	-5.29000	7.93000	3.77000
.601	51.990	-.11800	-.30800	-.36000	-.33100	-.34900	-.08600	11.41000	-5.33000	7.94000	3.77000
.602	53.170	-.11700	-.30400	-.35700	-.33000	-.34700	-.09000	11.42000	-5.32000	7.95000	3.77000
.601	54.350	-.11300	-.30700	-.36100	-.33200	-.34400	-.09300	11.39000	-5.32000	7.94000	3.77000
.602	55.542	-.11600	-.31000	-.36200	-.33100	-.34500	-.09100	11.37000	-5.33000	7.93000	3.77000
.600	56.130	-.11300	-.31100	-.36700	-.33600	-.34800	-.09800	11.34000	-5.35000	7.90000	3.76000
	GRADIENT	-.00037	-.00146	.00018	-.00148	-.00225	-.00058	-.00115	.01138	.00591	.00000

LTV44-559(CA26) 747/1 ATY 02 S1 (ORBITER DATA)

(XFE104) ( 29 JAN 76 )

## REFERENCE DATA

SREF = 2690.0000 SQ.FT. XMRP = 1109.0000 IN. XO  
 LREF = 474.8100 IN. YMRP = .0000 IN. YO  
 BREF = 936.6800 IN. ZMRP = 375.0000 IN. ZO  
 SCALE = .0125

## PARAMETRIC DATA

ALPHAC = 5.500 BETAC = .000  
 STAB = 5.000 ELEVON = 5.000  
 BDFLAP = .000 DX = .000  
 DY = .000 IORB = 5.000  
 BETA0 = .000 RUDDER = .000

RUN NO. 74/ 0 RN/L = .00 GRADIENT INTERVAL = -5.00/ 5.00

MACH	DZ	CPCO	CPB1	CPB2	CPB3	CPS1	CPS2	ALPHA0	BETA0	INC10	ALPHAC
.599	1.460	-.06000	-.27800	-.36700	-.33700	-.20200	-.27800	11.83000	-.06000	5.92000	5.92000
.597	2.060	-.06300	-.27900	-.37200	-.33800	-.20500	-.28200	11.83000	-.04000	5.92000	5.92000
.599	2.660	-.05900	-.27400	-.36300	-.33500	-.20500	-.27900	11.83000	-.03000	5.92000	5.92000
.598	3.360	-.05700	-.27500	-.37100	-.33800	-.20800	-.27500	11.82000	-.05000	5.92000	5.92000
.597	4.160	-.06100	-.28400	-.38900	-.34000	-.20700	-.27700	11.82000	-.04000	5.92000	5.91000
.596	4.960	-.06500	-.28700	-.37300	-.34600	-.21200	-.28000	11.80000	-.04000	5.91000	5.92000
.600	5.960	-.05600	-.27500	-.36000	-.33800	-.20900	-.27400	11.78000	-.06000	5.90000	5.92000
.599	6.960	-.06100	-.28000	-.36500	-.34300	-.21200	-.27700	11.80000	-.04000	5.91000	5.92000
.598	7.970	-.06200	-.28100	-.37200	-.34000	-.20800	-.27300	11.79000	-.06000	5.91000	5.92000
.597	8.960	-.06300	-.28200	-.38000	-.34500	-.21500	-.27800	11.79000	.00000	5.92000	5.92000
.599	9.960	-.06300	-.28100	-.36200	-.34400	-.21400	-.27500	11.78000	-.03000	5.92000	5.92000
.598	11.150	-.06300	-.28800	-.36800	-.34400	-.21100	-.27500	11.78000	-.02000	5.93000	5.92000
.599	12.330	-.06400	-.28700	-.37000	-.34700	-.21700	-.27600	11.78000	-.02000	5.93000	5.92000
.595	13.520	-.07100	-.29400	-.38200	-.35900	-.23100	-.28700	11.74000	-.03000	5.90000	5.92000
.597	14.700	-.06600	-.29100	-.37800	-.35600	-.22300	-.28300	11.77000	-.01000	5.94000	5.91000
.598	15.900	-.06500	-.29100	-.37400	-.34700	-.21300	-.27600	11.74000	-.06000	5.91000	5.92000
.597	17.080	-.06100	-.28800	-.37800	-.35600	-.21800	-.27600	11.74000	-.03000	5.92000	5.91000
.597	18.270	-.06200	-.29000	-.38000	-.35700	-.22100	-.27800	11.74000	.02000	5.92000	5.92000
.596	19.450	-.06600	-.29300	-.38200	-.35900	-.22600	-.28100	11.72000	-.06000	5.92000	5.91000
.597	20.640	-.06400	-.29200	-.37900	-.35600	-.22600	-.27900	11.74000	.00000	5.93000	5.92000
.598	21.810	-.06600	-.29600	-.38100	-.35600	-.21900	-.27500	11.72000	-.01000	5.93000	5.92000
.597	23.000	-.06700	-.29300	-.38000	-.36000	-.22900	-.28200	11.73000	-.02000	5.94000	5.92000
.599	24.190	-.06300	-.29400	-.38500	-.35500	-.21700	-.27600	11.70000	-.06000	5.92000	5.92000
.598	25.370	-.06600	-.29800	-.39400	-.35900	-.22000	-.27700	11.70000	-.04000	5.93000	5.92000
.596	26.560	-.07100	-.30200	-.38700	-.35900	-.22300	-.28500	11.70000	-.05000	5.93000	5.92000
.598	27.740	-.06300	-.29300	-.37800	-.35800	-.22200	-.27400	11.69000	-.04000	5.93000	5.92000
.596	28.930	-.07000	-.30000	-.37900	-.36200	-.22900	-.28000	11.69000	-.04000	5.93000	5.92000
.599	30.110	-.06400	-.29500	-.37700	-.36000	-.22300	-.27500	11.68000	.01000	5.93000	5.92000
.598	31.310	-.06700	-.29800	-.38100	-.36000	-.22200	-.27700	11.66000	-.05000	5.92000	5.92000
.598	32.420	-.06300	-.29300	-.38300	-.36200	-.22700	-.27400	11.68000	-.06000	5.95000	5.92000
.598	33.680	-.07000	-.30100	-.38100	-.35900	-.22900	-.27900	11.65000	-.02000	5.93000	5.92000
.598	34.860	-.07100	-.30300	-.38500	-.36200	-.22600	-.28000	11.62000	-.03000	5.89000	5.92000
.598	36.050	-.07000	-.30200	-.38500	-.36200	-.22600	-.27900	11.61000	-.05000	5.89000	5.93000
.599	37.230	-.06900	-.30000	-.39000	-.36200	-.22300	-.29100	11.62000	-.03000	5.91000	5.93000
.598	38.420	-.06900	-.30200	-.38300	-.36300	-.22400	-.28200	11.61000	-.05000	5.91000	5.92000
.595	32.610	-.07000	-.30100	-.38100	-.36700	-.23000	-.28200	11.63000	-.03000	5.93000	5.92000
.598	40.790	-.06200	-.29800	-.38600	-.36500	-.22800	-.27400	11.63000	-.03000	5.94000	5.92000
.599	41.980	-.06500	-.29900	-.38300	-.36000	-.22200	-.27600	11.62000	-.01000	5.93000	5.92000
.599	43.160	-.06500	-.30100	-.38900	-.36100	-.22200	-.27500	11.59000	-.06000	5.93000	5.93000
.599	44.350	-.06400	-.30000	-.38100	-.36500	-.22400	-.27600	11.61000	-.05000	5.94000	5.93000
.599	45.530	-.06700	-.30200	-.38200	-.36500	-.22400	-.27800	11.58000	-.03000	5.92000	5.93000
.597	46.720	-.06500	-.30100	-.37400	-.36500	-.23400	-.27000	11.57000	-.10000	5.92000	5.93000

ORIGINAL PAGE IS  
OF POOR QUALITY

LTV44-559(CA26) 747/1 ATY 02 S1 (ORBITER DATA)

(XFE104) ( 29 JAN 76 )

## REFERENCE DATA

SREF = 2690.0000 SQ.FT. XMRP = 1109.0000 IN. XO  
 LREF = 474.8100 IN. YMRP = .0000 IN. YO  
 BREF = 936.6800 IN. ZMRP = 375.0000 IN. ZO  
 SCALE = .0125

## PARAMETRIC DATA

ALPHAC = 5.500 BETAC = .000  
 STAB = 5.000 ELEVON = 5.000  
 BDFLAP = .000 DX = .000  
 DY = .000 TORB = 6.000  
 BETAO = .000 RUDDER = .000

RUN NO. 74/ 0 RN/L = .00 GRADIENT INTERVAL = -5.00/ 5.00

MACH	DZ	CPCO	CPB1	CPB2	CPB3	CPS1	CPS2	ALPHA0	BETA0	INCID	ALPHAC
.597	47.910	-.07000	-.30500	-.37900	-.36300	-.23000	-.27900	11.57000	-.05000	5.92000	5.93000
.597	49.090	-.06600	-.29900	-.38100	-.36900	-.23000	-.27700	11.55000	-.07000	5.91000	5.93000
.599	50.280	-.07000	-.30400	-.38600	-.36600	-.22500	-.27700	11.56000	-.02000	5.92000	5.93000
.600	51.460	-.06000	-.29300	-.37500	-.35800	-.21400	-.27200	11.55000	-.04000	5.92000	5.93000
	GRADIENT	-.00080	-.00266	-.00369	-.00231	-.00241	.00032	-.00795	.00302	-.00215	-.00122



LTV44-559(CA26) 747/1 ATY 02 S1 (ORBITER DATA)

(XFE105) ( 29 JAN 76 )

## REFERENCE DATA

SREF = 2690.0000 SQ.FT. XMRP = 1109.0000 IN. XO  
 LREF = 474.8100 IN. YMRP = .0000 IN. YO  
 BREF = 936.6800 IN. ZMRP = 375.0000 IN. ZO  
 SCALE = .0125

## PARAMETRIC DATA

ALPHAC = .000 BETAC = -5.000  
 STAB = 5.000 ELEVON = 5.000  
 BDFLAP = .000 DX = .000  
 DY = .000 IORB = 4.000  
 BETA0 = -5.000 RUDDER = .000

RUN NO. 75/ 0 RN/L = .00 GRADIENT INTERVAL = -5.00/ 5.00

MACH	DZ	CPCO	CPB1	CPB2	CPB3	CPS1	CPS2	ALPHA0	BETA0	INCID	ALPHAC
.602	1.460	-.04800	-.28500	-.34800	-.30100	-.31900	-.07500	3.98000	-5.38000	3.98000	.00000
.603	2.060	-.04800	-.28600	-.34600	-.29900	-.31700	-.07300	3.98000	-5.38000	3.99000	.00000
.602	2.660	-.04800	-.28700	-.35200	-.30300	-.31900	-.07400	3.96000	-5.37000	3.97000	.00000
.602	3.360	-.05200	-.28900	-.34600	-.30000	-.32200	-.07500	3.98000	-5.39000	3.99000	.00000
.602	4.160	-.05300	-.28900	-.34800	-.30300	-.32400	-.07600	3.98000	-5.41000	4.00000	.00000
.603	4.960	-.04600	-.28500	-.35400	-.30000	-.31900	-.07400	3.99000	-5.36000	4.01000	.00000
.601	6.960	-.05100	-.28800	-.35300	-.30700	-.32100	-.07600	3.91000	-5.38000	3.95000	.00000
.604	8.960	-.04600	-.28600	-.35000	-.30100	-.31900	-.07400	3.95000	-5.35000	4.00000	.00000
.601	10.460	-.05100	-.29300	-.35800	-.30900	-.32600	-.08000	3.94000	-5.32000	3.99000	.01000
.601	11.460	-.05200	-.29000	-.35300	-.30200	-.32100	-.07700	3.92000	-5.31000	3.98000	.00000
.603	12.450	-.04700	-.28700	-.35200	-.30200	-.31800	-.07400	3.93000	-5.35000	4.01000	.00000
.601	13.450	-.04600	-.29500	-.35500	-.30600	-.32600	-.07600	3.92000	-5.36000	4.00000	.00000
.603	14.440	-.04900	-.28900	-.35400	-.30400	-.31800	-.07500	3.91000	-5.28000	3.98000	.00000
.601	15.440	-.04500	-.29200	-.35500	-.30800	-.32600	-.07600	3.92000	-5.35000	4.00000	.00000
.601	16.430	-.04600	-.29400	-.35700	-.30700	-.32700	-.08100	3.91000	-5.33000	4.00000	.00000
.602	17.430	-.04400	-.29200	-.35000	-.30600	-.32400	-.07700	3.87000	-5.26000	3.96000	.00000
.603	18.420	-.04800	-.28900	-.35700	-.30600	-.32400	-.07800	3.87000	-5.29000	3.98000	.00000
.602	19.420	-.04900	-.29100	-.35700	-.30600	-.32600	-.08000	3.87000	-5.24000	3.97000	.00000
.603	20.410	-.04900	-.29200	-.35900	-.30600	-.32600	-.08000	3.87000	-5.26000	3.98000	.00000
.602	21.410	-.05000	-.29400	-.36200	-.30800	-.32900	-.08200	3.85000	-5.29000	3.98000	.00000
.603	22.390	-.04600	-.29100	-.35900	-.30500	-.32500	-.07700	3.86000	-5.32000	3.99000	.00000
.604	23.390	-.04400	-.29500	-.35900	-.30800	-.32500	-.07700	3.84000	-5.28000	3.97000	.00000
.605	24.390	-.03700	-.28900	-.35100	-.30300	-.31900	-.07300	3.84000	-5.28000	3.98000	.00000
.601	25.380	-.04700	-.29100	-.36600	-.30900	-.32700	-.07800	3.84000	-5.32000	3.98000	.01000
.603	26.380	-.04200	-.29300	-.35300	-.30400	-.32400	-.07500	3.85000	-5.31000	4.00000	.00000
.604	27.370	-.04200	-.29400	-.35200	-.30500	-.32200	-.07600	3.81000	-5.23000	3.97000	.00000
.601	28.370	-.04500	-.29900	-.36200	-.31000	-.33100	-.08000	3.81000	-5.28000	3.98000	.00000
.603	29.360	-.04500	-.30000	-.35900	-.31100	-.32600	-.07800	3.82000	-5.29000	3.99000	.00000
.604	30.360	-.04100	-.29200	-.35900	-.30300	-.32500	-.07500	3.78000	-5.24000	3.95000	.01000
.604	31.350	-.04700	-.29700	-.36200	-.30800	-.32800	-.07700	3.82000	-5.32000	3.99000	.01000
.605	32.350	-.04500	-.29400	-.36300	-.30500	-.32600	-.07500	3.78000	-5.24000	3.96000	.00000
.605	33.340	-.04300	-.29700	-.36100	-.30700	-.32500	-.07700	3.80000	-5.28000	3.99000	.00000
.602	34.340	-.04500	-.30200	-.36400	-.31300	-.32700	-.08100	3.77000	-5.30000	3.97000	.00000
.602	35.340	-.04500	-.29800	-.35900	-.30700	-.32700	-.07800	3.74000	-5.27000	3.95000	.00000
.603	36.330	-.04700	-.29600	-.35900	-.30900	-.33100	-.07700	3.79000	-5.30000	3.99000	.00000
.601	37.320	-.04400	-.30200	-.36100	-.31500	-.32700	-.08300	3.75000	-5.30000	3.96000	.01000
.602	38.320	-.04400	-.29900	-.36000	-.31100	-.32400	-.07600	3.78000	-5.31000	4.00000	.00000
.602	39.310	-.04300	-.29800	-.36100	-.30900	-.32600	-.07500	3.73000	-5.29000	3.96000	.00000
.601	40.310	-.04400	-.30100	-.36300	-.31300	-.32800	-.07600	3.72000	-5.30000	3.95000	.00000
.602	41.310	-.03900	-.29800	-.36300	-.31000	-.32400	-.07500	3.73000	-5.27000	3.96000	.01000
.602	42.300	-.04300	-.29900	-.36000	-.31100	-.32500	-.07700	3.73000	-5.25000	3.98000	.00000
.605	43.290	-.04400	-.29500	-.36400	-.30500	-.32700	-.07400	3.76000	-5.29000	4.01000	.00000

LTV44-559(CA26) 747/1 ATY 02 S1 (ORBITER DATA)

(XFE105) ( 29 JAN 76 )

## REFERENCE DATA

SREF = 2690.0000 SQ.FT. XMRP = 1109.0000 IN. XO  
 LREF = 474.8100 IN. YMRP = .0000 IN. YO  
 BREF = 936.6800 IN. ZMRP = 375.0000 IN. ZO  
 SCALE = .0125

## PARAMETRIC DATA

ALPHAC = .000 BETAC = -5.000  
 STAB = 5.000 ELEVON = 5.000  
 BDFLAP = .000 DX = .000  
 DY = .000 TORB = 4.000  
 BETAO = -5.000 RUDDER = .000

RUN NO. 75/ 0 RN/L = .00 GRADIENT INTERVAL = -5.00/ 5.00

MACH	DZ	CPCO	CPB1	CPB2	CPB3	CPS1	CPS2	ALPHAO	BETAO	INC1D	ALPHAC
.604	44.290	-.04500	-.29700	-.36700	-.30900	-.32600	-.07600	3.72000	-5.32000	3.97000	.01000
.604	44.790	-.03800	-.29500	-.35400	-.30200	-.32400	-.07100	3.71000	-5.29000	3.96000	.01000
	GRADIENT	-.00030	-.00038	-.00127	-.00014	-.00094	-.00020	.00319	-.00017	.00847	.00000

DATE 22 MAR 76

## CA-26 FORCE SOURCE DATA TABULATION

PAGE 653

LTV44-559(CA26) 747/1 ATY 02 S1 (ORBITER DATA)

(XFE106) ( 29 JAN 76 )

## REFERENCE DATA

SREF = 2690.0000 SQ.FT. XMRP = 1109.0000 IN. XO  
 LREF = 474.8100 IN. YMRP = .0000 IN. YO  
 BREF = 936.6800 IN. ZMRP = 375.0000 IN. ZO  
 SCALE = .0125

## PARAMETRIC DATA

ALPHAC = .000 BETAC = -5.000  
 STAB = 5.000 ELEVON = 5.000  
 BDFLAP = .000 DX = .000  
 DY = .000 IORB = 6.000  
 BETA0 = -5.000 RUDDER = .000

RUN NO. 1075/ 0 RN/L = .00 GRADIENT INTERVAL = -5.00/ 5.00

MACH	DZ	CP00	CPB1	CPB2	CPB3	CPS1	CPS2	ALPHAO	BETA0	INCID	ALPHAC
.603	1.470	-.04400	-.27500	-.33400	-.28100	-.30600	-.04900	6.01000	-5.36000	5.98000	.02000
.601	2.070	-.04400	-.27900	-.33700	-.28500	-.30700	-.05100	5.97000	-5.33000	5.95000	.03000
.600	2.670	-.04500	-.27900	-.33200	-.28700	-.30800	-.05200	5.99000	-5.32000	5.97000	.03000
.600	3.370	-.04600	-.28000	-.33300	-.28800	-.31100	-.05600	5.97000	-5.29000	5.95000	.03000
.603	4.170	-.04000	-.27600	-.33300	-.28400	-.30400	-.05400	5.95000	-5.35000	5.95000	.02000
.603	4.960	-.04200	-.28000	-.33100	-.28500	-.30800	-.05600	5.99000	-5.32000	5.98000	.03000
.604	6.970	-.04000	-.27900	-.34000	-.28800	-.30400	-.05700	5.94000	-5.32000	5.95000	.02000
.605	8.970	-.03700	-.27700	-.33700	-.28400	-.30200	-.05700	5.95000	-5.30000	5.98000	.02000
.603	10.600	-.04100	-.27900	-.33500	-.29200	-.30600	-.05900	5.93000	-5.31000	5.96000	.02000
.603	11.880	-.03900	-.27700	-.33500	-.29000	-.30500	-.05800	5.94000	-5.27000	5.99000	.02000
.602	13.160	-.04500	-.28600	-.34200	-.29600	-.31300	-.06100	5.89000	-5.27000	5.95000	.02000
.600	14.440	-.04200	-.29100	-.34500	-.29700	-.31300	-.06700	5.90000	-5.30000	5.96000	.02000
.601	15.710	-.04000	-.28800	-.34400	-.29300	-.30900	-.06600	5.88000	-5.24000	5.95000	.02000
.602	16.990	-.04000	-.28700	-.34400	-.29300	-.31100	-.06400	5.90000	-5.29000	5.98000	.02000
.600	18.270	-.04200	-.28600	-.35300	-.30000	-.31100	-.06600	5.85000	-5.31000	5.94000	.01000
.603	19.540	-.04200	-.28700	-.34400	-.29300	-.31100	-.06300	5.87000	-5.23000	5.97000	.01000
.601	20.820	-.04200	-.29100	-.35300	-.29300	-.31400	-.06800	5.85000	-5.30000	5.96000	.01000
.604	22.090	-.04000	-.28600	-.35300	-.29000	-.30800	-.06400	5.84000	-5.25000	5.96000	.01000
.603	23.360	-.04200	-.29000	-.35300	-.29400	-.31100	-.06700	5.82000	-5.25000	5.94000	.01000
.603	24.650	-.04200	-.28800	-.34300	-.29300	-.30900	-.06500	5.82000	-5.24000	5.96000	.00000
.601	25.920	-.04000	-.28900	-.35200	-.29800	-.30900	-.07200	5.83000	-5.26000	5.97000	.00000
.603	27.200	-.04100	-.28300	-.34900	-.29700	-.30600	-.06900	5.81000	-5.24000	5.95000	.01000
.601	28.470	-.04500	-.28900	-.35500	-.30200	-.31200	-.07100	5.80000	-5.29000	5.95000	.01000
.602	29.750	-.04400	-.28900	-.35000	-.30000	-.31400	-.06800	5.80000	-5.30000	5.97000	.01000
.602	31.030	-.04200	-.29200	-.35100	-.29700	-.31500	-.06900	5.79000	-5.31000	5.96000	.01000
.604	32.300	-.04200	-.28700	-.35100	-.29900	-.31100	-.06900	5.81000	-5.26000	6.00000	.00000
.601	33.580	-.04600	-.29700	-.35300	-.30300	-.32000	-.07200	5.79000	-5.29000	5.98000	.01000
.604	34.850	-.04200	-.28900	-.35300	-.29600	-.31300	-.07100	5.79000	-5.26000	5.94000	.00000
.602	36.130	-.04000	-.29200	-.35700	-.29800	-.31600	-.07100	5.78000	-5.31000	5.98000	.00000
.601	37.410	-.04700	-.29400	-.35400	-.30200	-.31800	-.07300	5.77000	-5.25000	5.98000	.01000
.601	38.690	-.04800	-.29400	-.36100	-.30000	-.32000	-.07400	5.76000	-5.25000	5.99000	.01000
.603	39.960	-.04500	-.28900	-.35900	-.30000	-.31400	-.07200	5.73000	-5.26000	5.95000	.00000
.601	41.240	-.04700	-.29300	-.36500	-.30500	-.32000	-.07100	5.75000	-5.29000	5.99000	.00000
.603	42.520	-.04200	-.29100	-.36900	-.29900	-.31600	-.07200	5.75000	-5.27000	5.98000	.01000
.603	43.790	-.04600	-.28900	-.35800	-.30100	-.31500	-.07300	5.72000	-5.30000	5.96000	.01000
.603	45.070	-.04600	-.29000	-.36100	-.30100	-.31600	-.07400	5.69000	-5.29000	5.95000	.00000
.602	46.340	-.04600	-.29500	-.35600	-.30000	-.31900	-.07400	5.72000	-5.31000	5.99000	.01000
.603	47.620	-.04500	-.29500	-.36500	-.30300	-.32300	-.07300	5.72000	-5.27000	5.98000	.02000
.602	48.900	-.04700	-.28700	-.35800	-.29700	-.31300	-.07500	5.71000	-5.31000	5.98000	.01000
.602	50.180	-.04600	-.29100	-.35200	-.30300	-.31300	-.07400	5.67000	-5.29000	5.95000	.02000
.601	51.460	-.04500	-.29400	-.35300	-.29700	-.31900	-.07500	5.68000	-5.30000	5.97000	.01000
GRADIENT		.00091	-.00064	.00106	-.00063	-.00010	-.00192	-.00689	.00611	-.00037	.00070

LTV44-559(CA26) 747/1 ATY 02 S1 (ORBITER DATA)

(XFE107) ( 29 JAN 76 )

## REFERENCE DATA

SREF = 2690.0000 SQ.FT. XMRP = 1109.0000 IN. XO  
 LREF = 474.8100 IN. YMRP = .0000 IN. YO  
 BREF = 936.6800 IN. ZMRP = 375.0000 IN. ZO  
 SCALE = .0125

## PARAMETRIC DATA

ALPHAC = .000 BETAC = -5.000  
 STAB = 5.000 ELEVON = 5.000  
 BOFLAP = .000 DX = .000  
 DY = .000 10RB = 8.000  
 BETAO = -5.000 RUDDER = .000

RUN NO. 76/ 0 RN/L = .00 GRADIENT INTERVAL = -5.00/ 5.00

MACH	DZ	CPCO	CPB1	CPB2	CPB3	CPS1	CPS2	ALPHA0	BETA0	INCID	ALPHAC
.600	1.460	-.08900	-.28600	-.36400	-.32000	-.31700	-.08200	8.00000	-5.36000	7.97000	.04000
.601	2.060	-.09000	-.28700	-.36500	-.32100	-.31800	-.08100	7.99000	-5.32000	7.95000	.05000
.600	2.660	-.08900	-.28900	-.36400	-.31900	-.31900	-.08100	7.98000	-5.37000	7.95000	.04000
.601	3.460	-.08800	-.28900	-.36900	-.32200	-.31900	-.08100	8.01000	-5.37000	7.97000	.05000
.600	4.460	-.09000	-.29100	-.37700	-.32000	-.32200	-.08100	7.99000	-5.33000	7.96000	.05000
.601	5.590	-.08700	-.29500	-.37100	-.32600	-.32100	-.08300	7.99000	-5.37000	7.97000	.05000
.602	6.840	-.08700	-.29200	-.36400	-.32600	-.32400	-.08200	7.97000	-5.39000	7.96000	.05000
.601	8.090	-.09000	-.29500	-.36500	-.32600	-.32600	-.08200	7.97000	-5.34000	7.97000	.04000
.601	9.340	-.09000	-.29400	-.36500	-.32600	-.32700	-.08300	7.97000	-5.33000	7.98000	.04000
.602	10.580	-.08700	-.29800	-.38000	-.33000	-.32700	-.08600	7.91000	-5.37000	7.94000	.03000
.600	11.810	-.08800	-.30100	-.37300	-.32600	-.32700	-.08400	7.94000	-5.29000	7.97000	.03000
.600	13.050	-.08400	-.30200	-.37700	-.33000	-.32900	-.08300	7.91000	-5.32000	7.95000	.03000
.600	14.290	-.08700	-.30200	-.37400	-.32600	-.32900	-.08300	7.91000	-5.31000	7.96000	.03000
.602	15.520	-.08700	-.29900	-.37400	-.32700	-.33000	-.08200	7.90000	-5.38000	7.96000	.02000
.601	16.750	-.08500	-.29500	-.38200	-.33200	-.33000	-.08300	7.87000	-5.31000	7.95000	.02000
.602	17.990	-.08700	-.30000	-.37700	-.33100	-.33000	-.08300	7.87000	-5.34000	7.95000	.02000
.602	19.230	-.08500	-.30100	-.38100	-.33100	-.33200	-.08300	7.85000	-5.35000	7.95000	.01000
.601	20.460	-.08600	-.30300	-.38100	-.33100	-.33200	-.08500	7.85000	-5.28000	7.95000	.01000
.600	21.690	-.08200	-.30500	-.37900	-.33300	-.33100	-.08500	7.86000	-5.30000	7.97000	.01000
.600	22.930	-.08200	-.30600	-.38200	-.33600	-.33400	-.08600	7.83000	-5.29000	7.95000	.01000
.602	24.160	-.08100	-.30500	-.37700	-.33200	-.33000	-.08500	7.84000	-5.34000	7.97000	.01000
.600	25.390	-.08400	-.31000	-.38100	-.33000	-.33300	-.08500	7.83000	-5.28000	7.97000	.01000
.602	26.630	-.08500	-.30500	-.38000	-.33600	-.33600	-.08500	7.83000	-5.31000	7.98000	.01000
.601	27.860	-.08400	-.30500	-.37900	-.33600	-.33500	-.08500	7.79000	-5.32000	7.94000	.01000
.600	29.100	-.08800	-.30900	-.38100	-.33700	-.33800	-.08600	7.78000	-5.29000	7.94000	.01000
.601	30.340	-.08600	-.31100	-.38100	-.33500	-.33800	-.08500	7.80000	-5.33000	7.97000	.01000
.600	31.570	-.08500	-.31300	-.38900	-.34000	-.33700	-.08700	7.77000	-5.28000	7.95000	.00000
.600	32.800	-.08200	-.31200	-.38600	-.33200	-.33600	-.08300	7.76000	-5.26000	7.94000	.01000
.601	34.040	-.08300	-.30500	-.38200	-.33500	-.33700	-.08200	7.79000	-5.33000	7.99000	.00000
.601	35.280	-.08200	-.30700	-.38500	-.33700	-.33800	-.08100	7.77000	-5.34000	7.97000	.00000
.600	36.510	-.08300	-.31300	-.38700	-.33200	-.33700	-.08200	7.76000	-5.27000	7.97000	.01000
.601	37.740	-.08200	-.31300	-.38900	-.33700	-.33900	-.08500	7.76000	-5.33000	7.97000	.01000
.601	38.980	-.08300	-.31500	-.38500	-.33900	-.33700	-.08400	7.76000	-5.33000	7.98000	.01000
.602	40.220	-.08000	-.30700	-.38300	-.33800	-.33600	-.08200	7.71000	-5.33000	7.94000	.00000
.601	41.450	-.08200	-.31200	-.39100	-.33900	-.33800	-.08400	7.75000	-5.34000	7.99000	.00000
.600	42.690	-.08400	-.31300	-.38900	-.33700	-.33900	-.08300	7.73000	-5.30000	7.97000	.00000
.602	43.920	-.08000	-.30900	-.38900	-.33900	-.33700	-.08000	7.73000	-5.34000	7.97000	.01000
.601	45.150	-.08400	-.31000	-.38700	-.34000	-.34100	-.08400	7.69000	-5.30000	7.95000	.00000
.602	46.390	-.08100	-.31100	-.38600	-.33800	-.33800	-.08000	7.68000	-5.32000	7.94000	.01000
.601	47.630	-.07900	-.30600	-.39400	-.33500	-.34000	-.08000	7.71000	-5.32000	7.98000	.01000
.601	48.860	-.08100	-.31000	-.39100	-.33500	-.34000	-.08000	7.68000	-5.27000	7.96000	.00000
.600	50.090	-.08200	-.31300	-.39000	-.33600	-.34100	-.08200	7.70000	-5.26000	7.98000	.01000

LTV44-559(CA26) 747/1 ATY 02 S1 (ORBITER DATA)

(XFE107) ( 29 JAN 76 )

## REFERENCE DATA

SREF = 2690.0000 SQ.FT. XMRP = 1109.0000 IN. XO  
 LREF = 474.8100 IN. YMRP = .0000 IN. YO  
 BREF = 936.6800 IN. ZMRP = 375.0000 IN. ZO  
 SCALE = .0125

## PARAMETRIC DATA

ALPHAC = .000 BETAC = -5.000  
 STAB = 5.000 ELEVON = 5.000  
 BDFLAP = .000 DX = .000  
 DY = .000 IORB = 8.000  
 BETAO = -5.000 RUDDER = .000

RUN NO. 76/ 0 RN/L = .00 GRADIENT INTERVAL = -5.00/ 5.00

MACH	DZ	CPCD	CPB1	CPB2	CPB3	CPS1	CPS2	ALPHAO	BETAO	INCID	ALPHAC
.600	51.330	-.08000	-.31600	-.39400	-.33800	-.33900	-.08200	7.67000	-5.34000	7.96000	.01000
.602	52.570	-.08000	-.31100	-.39200	-.34000	-.34100	-.08100	7.70000	-5.33000	7.99000	.01000
.602	53.800	-.07800	-.31000	-.38700	-.33900	-.34100	-.07900	7.64000	-5.33000	7.94000	.01000
.601	55.040	-.08000	-.31100	-.38600	-.33500	-.34100	-.08100	7.65000	-5.26000	7.97000	.00000
.601	55.270	-.08000	-.31600	-.39200	-.33800	-.34000	-.08300	7.63000	-5.32000	7.96000	.00000
.601	57.500	-.08100	-.31800	-.39300	-.34000	-.34100	-.09000	7.60000	-5.30000	7.93000	.01000
.600	58.120	-.08100	-.31500	-.38800	-.33700	-.34300	-.07800	7.63000	-5.27000	7.97000	.00000
	GRADIENT	-.00004	-.00160	-.00428	-.00012	-.00151	.00024	.00014	.00252	.00036	.00274

ORIGINAL PAGE IS  
 OF POOR QUALITY

LTV44-559(CA26) 747/1 ATY 06 51 (ORBITER DATA)

(XFE10B) ( 29 JAN 76 )

## REFERENCE DATA

SREF = 2690.0000 SQ.FT. XMRP = 1109.0000 IN. XO  
 LREF = 474.8100 IN. YMRP = .0000 IN. YO  
 BREF = 936.6800 IN. ZMRP = 375.0000 IN. ZO  
 SCALE = .0125

## PARAMETRIC DATA

ALPHAC = 2.000 BETAC = .000  
 STAB = 5.000 ELEVON = 5.000  
 AILRON = .000 DX = .000  
 DY = .000 IORB = 6.000  
 BETAO = .000 DPHI = .000

RUN NO. 77/ 0 RN/L = .00 GRADIENT INTERVAL = -5.00/ 5.00

MACH	DZ	CPCO	CPS1	CPS2	ALPHAO	BETAO	INCID	ALPHAC
.600	1.460	-.06700	-.17900	-.27700	8.66000	-.05000	5.94000	2.72000
.602	2.060	-.06900	-.17400	-.27600	8.65000	-.06000	5.94000	2.72000
.601	2.660	-.06700	-.18000	-.27500	8.67000	-.06000	5.96000	2.71000
.600	3.360	-.07100	-.18100	-.27800	8.64000	-.03000	5.94000	2.71000
.602	4.160	-.07200	-.17800	-.27500	8.62000	-.07000	5.93000	2.71000
.600	4.960	-.07400	-.18200	-.27900	8.65000	-.05000	5.97000	2.71000
.603	5.960	-.07300	-.18600	-.27500	8.62000	-.03000	5.94000	2.71000
.601	6.960	-.07600	-.18500	-.27900	8.65000	-.05000	5.97000	2.71000
.599	7.970	-.07900	-.18800	-.28400	8.64000	-.06000	5.97000	2.71000
.603	8.960	-.07300	-.18700	-.27700	8.62000	-.05000	5.96000	2.71000
.600	9.960	-.07700	-.19200	-.28400	8.59000	-.05000	5.94000	2.70000
.602	11.150	-.07800	-.19100	-.27800	8.60000	-.02000	5.95000	2.70000
.606	12.330	-.07700	-.19300	-.27400	8.60000	-.06000	5.96000	2.70000
.602	13.520	-.07800	-.19300	-.28000	8.58000	-.06000	5.96000	2.70000
.601	14.700	-.07800	-.19400	-.27800	8.57000	-.06000	5.95000	2.70000
.601	15.900	-.07800	-.19600	-.27900	8.56000	-.07000	5.95000	2.70000
.599	17.080	-.07900	-.20000	-.28300	8.56000	-.07000	5.96000	2.70000
.601	18.270	-.08000	-.19600	-.27800	8.56000	-.06000	5.97000	2.69000
.599	19.450	-.08100	-.19300	-.28200	8.56000	-.03000	5.97000	2.70000
.601	20.640	-.08000	-.19900	-.27800	8.53000	-.05000	5.95000	2.69000
.600	21.810	-.08200	-.20200	-.28300	8.51000	-.01000	5.94000	2.70000
.600	23.000	-.08300	-.20300	-.28200	8.52000	-.05000	5.96000	2.70000
.603	24.190	-.07900	-.19700	-.27900	8.51000	-.05000	5.96000	2.69000
.601	25.370	-.08200	-.20200	-.28000	8.50000	-.05000	5.96000	2.69000
.602	26.560	-.08200	-.20300	-.27700	8.51000	-.05000	5.97000	2.69000
.603	27.740	-.08300	-.20200	-.27800	8.50000	-.05000	5.97000	2.69000
.601	28.930	-.08000	-.20100	-.28000	8.49000	-.05000	5.96000	2.69000
.603	30.110	-.07900	-.20000	-.27200	8.47000	-.07000	5.96000	2.69000
.603	31.310	-.07900	-.20000	-.27500	8.45000	-.08000	5.94000	2.69000
.602	32.490	-.08300	-.20500	-.27900	8.47000	-.04000	5.97000	2.69000
.600	33.680	-.08300	-.20800	-.28000	8.47000	-.08000	5.98000	2.69000
.602	34.860	-.08000	-.20200	-.27700	8.43000	-.07000	5.94000	2.69000
.602	36.050	-.07700	-.20000	-.27400	8.45000	-.06000	5.97000	2.69000
.602	37.230	-.07800	-.20300	-.27400	8.41000	-.11000	5.94000	2.69000
.602	38.420	-.08400	-.20900	-.27600	8.44000	-.06000	5.97000	2.69000
.602	39.610	-.08100	-.20600	-.27700	8.40000	-.07000	5.94000	2.69000
.600	40.790	-.08400	-.20900	-.27300	8.42000	-.07000	5.97000	2.69000
.599	41.980	-.08500	-.21100	-.27500	8.40000	-.06000	5.95000	2.69000
.602	43.160	-.08000	-.20500	-.27200	8.40000	-.06000	5.96000	2.69000
.600	44.350	-.08500	-.21400	-.27500	8.37000	-.07000	5.94000	2.69000
.599	45.530	-.08600	-.21800	-.27900	8.39000	-.06000	5.97000	2.69000
.602	46.720	-.07800	-.20300	-.27500	8.39000	-.04000	5.97000	2.69000

DATE 22 MAR 76

CA-26 FORCE SOURCE DATA TABULATION

PAGE 657

LTV44-559(CA26) 747/1 ATY 06 S1 (ORBITER DATA)

(XFE108) ( 29 JAN 76 )

REFERENCE DATA

SREF = 2690.0000 SQ.FT. XMRP = 1109.0000 IN. XO  
LREF = 474.8100 IN. YMRP = .0000 IN. YO  
BREF = 936.6800 IN. ZMRP = 375.0000 IN. ZO  
SCALE = .0125

PARAMETRIC DATA

ALPHAC = 2.000 BETAC = .000  
STAB = 5.000 ELEVON = 5.000  
AILRON = .000 DX = .000  
DY = .000 TORB = 6.000  
BETAO = .000 DPHI = .000

RUN NO. 77/ 0 RN/L = .00 GRADIENT INTERVAL = -5.00/ 5.00

MACH	DZ	CPCO	CPS1	CPS2	ALPHAO	BETAO	INCLD	ALPHAC
.602	47.910	-.07900	-.20100	-.27500	8.39000	-.06000	5.98000	2.69000
.602	49.090	-.07900	-.20900	-.27400	8.38000	-.09000	5.98000	2.69000
.601	50.280	-.08300	-.21400	-.27700	8.35000	-.07000	5.94000	2.69000
.601	51.460	-.08300	-.21600	-.27500	8.34000	-.09000	5.96000	2.69000
	GRADIENT	-.00198	-.00114	-.00044	-.00691	-.00012	.00418	-.00313

LTV44-559(CA26) 747/1 ATY 06 SI (ORBITER DATA)

(XFE109) ( 29 JAN 76 )

## REFERENCE DATA

SREF = 2690.0000 SQ.FT. XMRP = 1109.0000 IN. XO  
 LREF = 474.8100 IN. YMRP = .0000 IN. YO  
 BREF = 936.6800 IN. ZMRP = 375.0000 IN. ZO  
 SCALE = .0125

## PARAMETRIC DATA

ALPHAC = 2.000 BETAC = .000  
 STAB = 5.000 ELEVON = .000  
 AILIRON = .000 DX = .000  
 DY = .000 IORB = 4.000  
 BETAO = .000 DPHI = .000

RUN NO. 78/ 0 RN/L = .00 GRADIENT INTERVAL = -5.00/ 5.00

MACH	DZ	CPCO	CPS1	CPS2	ALPHA0	BETA0	INCID	ALPHAC
.601	1.460	-.05100	-.16300	-.26300	6.62000	-.15000	4.01000	2.62000
.603	2.060	-.04900	-.16100	-.26200	6.59000	-.12000	3.98000	2.62000
.600	2.660	-.05000	-.16400	-.26500	6.58000	-.16000	3.97000	2.62000
.602	3.360	-.05000	-.16100	-.26100	6.59000	-.14000	3.98000	2.62000
.601	4.160	-.05100	-.16600	-.26200	6.59000	-.14000	3.99000	2.62000
.602	4.960	-.05300	-.16400	-.26100	6.58000	-.14000	3.98000	2.63000
.600	6.960	-.05300	-.17300	-.26600	6.56000	-.14000	3.97000	2.63000
.601	8.960	-.05200	-.17000	-.26300	6.58000	-.14000	4.00000	2.63000
.600	10.460	-.06100	-.18000	-.27000	6.58000	-.15000	4.00000	2.64000
.602	11.460	-.05400	-.17500	-.26300	6.55000	-.16000	3.97000	2.65000
.604	12.450	-.05100	-.17300	-.25900	6.55000	-.18000	3.97000	2.64000
.600	13.450	-.06100	-.17900	-.27000	6.57000	-.15000	4.00000	2.64000
.601	14.440	-.06000	-.18000	-.26700	6.55000	-.17000	3.98000	2.65000
.600	15.440	-.05900	-.17900	-.26900	6.56000	-.15000	3.99000	2.65000
.601	16.430	-.05700	-.18200	-.26700	6.54000	-.14000	3.98000	2.65000
.602	17.430	-.05700	-.18200	-.26600	6.53000	-.17000	3.97000	2.65000
.603	18.420	-.05800	-.18400	-.26500	6.51000	-.17000	3.96000	2.65000
.602	19.420	-.05700	-.18300	-.26700	6.54000	-.13000	3.99000	2.66000
.603	20.410	-.05900	-.18300	-.26200	6.52000	-.19000	3.98000	2.65000
.602	21.410	-.05800	-.18300	-.26200	6.51000	-.19000	3.97000	2.66000
.601	22.390	-.05800	-.18600	-.26400	6.50000	-.18000	3.97000	2.66000
.602	23.390	-.06100	-.18500	-.26300	6.51000	-.17000	3.98000	2.66000
.601	24.390	-.05900	-.18600	-.26700	6.50000	-.14000	3.98000	2.66000
.600	25.380	-.06300	-.18700	-.26800	6.50000	-.12000	3.99000	2.66000
.601	26.380	-.06300	-.18900	-.26600	6.52000	-.16000	4.00000	2.67000
.603	27.370	-.05600	-.18800	-.26100	6.48000	-.19000	3.97000	2.67000
.603	28.370	-.05900	-.19100	-.26100	6.50000	-.16000	4.00000	2.66000
.602	29.360	-.06100	-.19300	-.26100	6.49000	-.17000	4.00000	2.66000
.601	30.360	-.05700	-.19300	-.26200	6.45000	-.18000	3.95000	2.67000
.605	31.350	-.05400	-.18900	-.25500	6.47000	-.17000	3.98000	2.67000
.602	32.350	-.05700	-.19400	-.25900	6.48000	-.15000	3.99000	2.67000
.601	33.340	-.06400	-.19300	-.26400	6.47000	-.14000	3.99000	2.67000
.601	34.340	-.06500	-.19200	-.26500	6.46000	-.13000	3.98000	2.68000
.602	35.340	-.05700	-.19400	-.26000	6.47000	-.17000	4.01000	2.67000
.600	36.330	-.06400	-.19400	-.26400	6.43000	-.15000	3.97000	2.67000
.599	37.320	-.06600	-.20200	-.26500	6.43000	-.17000	3.97000	2.68000
.602	38.320	-.05800	-.19500	-.25900	6.45000	-.17000	3.99000	2.68000
.600	39.310	-.06400	-.19500	-.26400	6.44000	-.16000	3.99000	2.67000
.605	40.310	-.05900	-.19400	-.26000	6.42000	-.17000	3.98000	2.68000
.601	41.310	-.06300	-.19400	-.26300	6.42000	-.13000	3.98000	2.68000
.604	42.300	-.05900	-.19100	-.26100	6.43000	-.16000	3.99000	2.68000
.603	43.290	-.06100	-.19000	-.26300	6.39000	-.17000	3.96000	2.69000



DATE 22 MAR 76

CA-26 FORCE SOURCE DATA TABULATION

PAGE 659

LTV44-559(CA26) 747/1 ATY 05 51 (ORBITER DATA)

(XFE109) ( 29 JAN 76 )

REFERENCE DATA

SREF = 2690.0000 SQ.FT. XMRP = 1109.0000 IN. XO  
LREF = 474.8100 IN. YMRP = .0000 IN. YO  
BREF = 936.6800 IN. ZMRP = 375.0000 IN. ZO  
SCALE = .0125

PARAMETRIC DATA

ALPHAC = 2.000 BETAC = .000  
STAB = 5.000 ELEVON = .000  
AILRON = .000 DX = .000  
DY = .000 IORB = 4.000  
BETA0 = .000 DPHI = .000

RUN NO. 78/ 0 RN/L = .00 GRADIENT INTERVAL = -5.00/ 5.00

MACH	DZ	CPC0	CPS1	CPS2	ALPHA0	BETA0	INC10	ALPHAC
.603	44.290	-.06200	-.19300	-.26000	6.41000	-.16000	3.99000	2.68000
.603	44.790	-.06200	-.19700	-.25700	6.42000	-.17000	4.00000	2.68000
	GRADIENT	-.00070	-.00071	.00059	-.00737	.00052	-.00400	.00215

LTV44-559(CA26) 747/1 ATY 06 S1 (ORBITER DATA)

(XFE110) ( 29 JAN 76 )

## REFERENCE DATA

SREF = 2690.0000 SQ.FT. XMRP = 1109.0000 IN. XO  
 LREF = 474.8100 IN. YMRP = .0000 IN. YO  
 BREF = 936.6800 IN. ZMRP = 375.0000 IN. ZO  
 SCALE = .0125

## PARAMETRIC DATA

ALPHAC = 2.000 BETAC = .000  
 STAB = 5.000 ELEVON = .000  
 AILRON = .000 DX = .000  
 DY = .000 IORB = 6.000  
 BETAO = .000 DPHI = .000

RUN NO. 1078/ 0 RN/L = .00 GRADIENT INTERVAL = -5.00/ 5.00

MACH	DZ	CPC0	CPS1	CPS2	ALPHA0	BETA0	INC10	ALPHAC
.602	1.470	-.05900	-.20300	-.23200	8.60000	-.12000	5.95000	2.66000
.602	2.070	-.06100	-.20200	-.23500	8.62000	-.10000	5.97000	2.66000
.601	2.670	-.06200	-.20400	-.23900	8.59000	-.12000	5.95000	2.65000
.601	3.370	-.06300	-.20600	-.23600	8.59000	-.12000	5.95000	2.65000
.600	4.170	-.06300	-.20600	-.24200	8.59000	-.08000	5.96000	2.65000
.599	4.960	-.06300	-.20600	-.24300	8.58000	-.13000	5.95000	2.65000
.602	6.970	-.06300	-.20500	-.24200	8.56000	-.13000	5.94000	2.66000
.601	8.970	-.06500	-.20200	-.24300	8.56000	-.15000	5.95000	2.66000
.601	10.600	-.06400	-.20800	-.24500	8.53000	-.16000	5.93000	2.66000
.599	11.880	-.06800	-.20800	-.24800	8.56000	-.11000	5.96000	2.66000
.602	13.160	-.06200	-.20900	-.24100	8.56000	-.10000	5.97000	2.66000
.599	14.440	-.06600	-.20900	-.24600	8.55000	-.13000	5.97000	2.66000
.601	15.710	-.06400	-.20500	-.24400	8.53000	-.13000	5.95000	2.66000
.599	16.990	-.06400	-.21600	-.24900	8.54000	-.12000	5.97000	2.66000
.600	18.270	-.06500	-.21300	-.24600	8.54000	-.14000	5.98000	2.67000
.602	19.540	-.06700	-.20800	-.24700	8.50000	-.16000	5.94000	2.67000
.599	20.820	-.06500	-.21100	-.25000	8.51000	-.12000	5.97000	2.66000
.600	22.090	-.06300	-.21000	-.24600	8.52000	-.13000	5.96000	2.67000
.599	23.360	-.06800	-.21100	-.25100	8.49000	-.16000	5.95000	2.67000
.600	24.650	-.06800	-.21700	-.24900	8.49000	-.19000	5.96000	2.67000
.604	25.920	-.06200	-.20800	-.24400	8.50000	-.16000	5.98000	2.67000
.601	27.200	-.06500	-.20900	-.24900	8.50000	-.15000	5.98000	2.67000
.601	28.470	-.06900	-.21300	-.24900	8.49000	-.17000	5.98000	2.67000
.601	29.750	-.06600	-.21000	-.24900	8.47000	-.15000	5.97000	2.67000
.603	31.030	-.06100	-.20900	-.24800	8.46000	-.15000	5.96000	2.67000
.600	32.300	-.06700	-.21200	-.25400	8.44000	-.11000	5.95000	2.67000
.601	33.580	-.06400	-.20800	-.25000	8.46000	-.16000	5.98000	2.69000
.599	34.850	-.06800	-.21200	-.25400	8.47000	-.18000	5.99000	2.68000
.599	36.130	-.06600	-.21400	-.25200	8.45000	-.16000	5.98000	2.68000
.600	37.410	-.06700	-.21200	-.25500	8.44000	-.13000	5.98000	2.68000
.598	39.690	-.06700	-.21200	-.25500	8.43000	-.10000	5.97000	2.68000
.598	39.960	-.06900	-.21200	-.25500	8.43000	-.12000	5.97000	2.68000
.600	41.240	-.06700	-.21000	-.25500	8.43000	-.17000	5.98000	2.68000
.600	42.520	-.06900	-.20500	-.26100	8.42000	-.12000	5.99000	2.68000
.600	43.790	-.06800	-.20700	-.25900	8.39000	-.14000	5.95000	2.68000
.602	45.070	-.06600	-.20500	-.25600	8.41000	-.15000	5.99000	2.68000
.601	46.340	-.06900	-.20700	-.25800	8.41000	-.17000	5.99000	2.68000
.601	47.620	-.07000	-.20700	-.25900	8.36000	-.18000	5.95000	2.68000
.604	48.900	-.06600	-.20600	-.25900	8.38000	-.12000	5.98000	2.68000
.601	50.180	-.06700	-.21100	-.25000	8.37000	-.16000	5.99000	2.68000
.600	51.460	-.06900	-.20700	-.25300	8.37000	-.19000	5.99000	2.68000
GRADIENT		-.09107	-.00117	-.00297	-.00773	.00031	-.00122	-.00314

LTV44-559(CA26) 747/1 ATY 06 S1 (ORBITER DATA)

(XFE111) ( 29 JAN 76 )

## REFERENCE DATA

SREF = 2690.0000 SQ.FT. XMRP = 1109.0000 IN. XO  
 LREF = 474.8100 IN. YMRP = .0000 IN. YO  
 BREF = 936.6800 IN. ZMRP = 375.0000 IN. ZO  
 SCALE = .0125

## PARAMETRIC DATA

ALPHAC = 2.000 BETAC = .025  
 STAB = 5.000 ELEVON = .000  
 AILRON = .000 DX = .000  
 DY = .000 ICRB = 8.000  
 BETAO = .000 DPHI = .000

RUN NO. 79/ 0 RN/L = .00 GRADIENT INTERVAL = -5.00/ 5.00

MACH	DZ	CPCO	CPS1	CPS2	ALPHA0	BETA0	INCID	ALPHAC
.600	1.460	-.08100	-.20100	-.30100	10.64000	-.16000	7.94000	2.70000
.601	2.060	-.07900	-.20100	-.30000	10.62000	-.15000	7.94000	2.70000
.599	2.660	-.08100	-.20500	-.30100	10.63000	-.08000	7.95000	2.70000
.601	3.460	-.08700	-.21300	-.30100	10.65000	-.12000	7.97000	2.70000
.600	4.460	-.08600	-.21100	-.30000	10.62000	-.17000	7.95000	2.69000
.601	5.590	-.09200	-.21900	-.30500	10.60000	-.13000	7.93000	2.69000
.600	6.840	-.09400	-.21700	-.30200	10.59000	-.09000	7.93000	2.70000
.599	8.090	-.09300	-.21800	-.30200	10.57000	-.12000	7.91000	2.69000
.601	9.340	-.09500	-.22300	-.30300	10.61000	-.15000	7.96000	2.69000
.600	10.580	-.09500	-.23000	-.30100	10.58000	-.16000	7.95000	2.69000
.600	11.810	-.09600	-.22800	-.30300	10.56000	-.13000	7.94000	2.69000
.601	13.050	-.10000	-.23300	-.30600	10.55000	-.12000	7.94000	2.69000
.601	14.290	-.09900	-.23100	-.30500	10.57000	-.15000	7.97000	2.68000
.599	15.520	-.10100	-.23600	-.30700	10.53000	-.12000	7.94000	2.68000
.602	16.750	-.09900	-.23700	-.30200	10.52000	-.13000	7.93000	2.68000
.601	17.990	-.10000	-.23500	-.30300	10.52000	-.09000	7.94000	2.68000
.601	19.230	-.10100	-.23500	-.30600	10.51000	-.09000	7.93000	2.68000
.602	20.460	-.10200	-.23700	-.30500	10.50000	-.09000	7.93000	2.68000
.600	21.690	-.10100	-.24000	-.30600	10.50000	-.11000	7.94000	2.68000
.601	22.930	-.10000	-.24100	-.30600	10.51000	-.16000	7.96000	2.68000
.601	24.160	-.10200	-.24500	-.30200	10.49000	-.15000	7.95000	2.68000
.601	25.390	-.10200	-.24500	-.30300	10.47000	-.12000	7.94000	2.68000
.600	26.630	-.10700	-.24700	-.30300	10.46000	-.10000	7.93000	2.69000
.599	27.860	-.10200	-.24400	-.30000	10.47000	-.14000	7.95000	2.68000
.604	29.100	-.10300	-.24300	-.29600	10.46000	-.16000	7.95000	2.68000
.597	30.340	-.11000	-.25400	-.30500	10.46000	-.15000	7.95000	2.68000
.601	31.570	-.10900	-.25200	-.30200	10.46000	-.16000	7.96000	2.68000
.600	32.800	-.10400	-.24900	-.30200	10.41000	-.09000	7.92000	2.68000
.599	34.040	-.11300	-.25700	-.30400	10.43000	-.16000	7.95000	2.66000
.599	35.280	-.10700	-.25200	-.30200	10.39000	-.11000	7.91000	2.68000
.600	36.510	-.10200	-.25000	-.29800	10.43000	-.13000	7.96000	2.68000
.599	37.740	-.10900	-.25800	-.30200	10.39000	-.11000	7.93000	2.68000
.598	38.980	-.10900	-.26100	-.30500	10.42000	-.16000	7.96000	2.68000
.602	40.220	-.11200	-.26100	-.30200	10.41000	-.14000	7.96000	2.68000
.601	41.450	-.11000	-.25600	-.30200	10.37000	-.06000	7.92000	2.68000
.602	42.690	-.10800	-.25800	-.29700	10.38000	-.12000	7.94000	2.68000
.602	43.920	-.10700	-.25600	-.30300	10.38000	-.14000	7.05000	2.69000
.599	45.150	-.10900	-.26100	-.30700	10.38000	-.15000	7.96000	2.68000
.601	46.390	-.11200	-.26000	-.30300	10.35000	-.10000	7.93000	2.68000
.602	47.630	-.11400	-.26300	-.30300	10.35000	-.15000	7.95000	2.69000
.600	48.860	-.11700	-.26600	-.30200	10.37000	-.15000	7.97000	2.69000
.601	50.090	-.10800	-.26000	-.30200	10.35000	-.15000	7.96000	2.69000

LTV44-559(CA26) 747/1 ATY 06 S1 (ORBITER DATA)

(XFE111) ( 29 JAN 76 )

## REFERENCE DATA

SREF = 2690.0000 SQ.FT. XMRP = 1109.0000 IN. XO  
 LREF = 474.8100 IN. YMRP = .0000 IN. YO  
 BREF = 936.6800 IN. ZMRP = 375.0000 IN. ZO  
 SCALE = .0125

## PARAMETRIC DATA

ALPHAC = 2.000 BETAC = .000  
 STAB = 5.000 ELEVON = .000  
 AILRON = .000 DX = .000  
 DY = .000 TORB = 8.000  
 BETAO = .000 DPHI = .000

RUN NO. 79/ 0 RN/L = .00 GRADIENT INTERVAL = -5.00/ 5.00

MACH	DZ	CPCD	CPS1	CPS2	ALPHA0	BETA0	INC1D	ALPHAC
.603	51.330	-.10800	-.25700	-.30100	10.32000	-.10000	7.93000	2.69000
.602	52.570	-.11100	-.26600	-.30000	10.33000	-.13000	7.95000	2.69000
.599	53.800	-.11600	-.26500	-.30400	10.33000	-.13000	7.96000	2.69000
.600	55.040	-.11700	-.27300	-.29700	10.32000	-.13000	7.96000	2.69000
.599	56.270	-.11600	-.27500	-.30100	10.30000	-.09000	7.93000	2.69000
.602	57.500	-.11200	-.26500	-.29900	10.28000	-.08000	7.93000	2.69000
.602	58.120	-.11100	-.26500	-.29500	10.31000	-.14000	7.95000	2.69000
GRADIENT		-.00244	-.00422	.00016	-.00173	-.00202	.00612	-.00235

LTV44-559(CA26) 747/1 ATY 06 S1 (ORBITER DATA)

(XFE112) ( 29 JAN 76 )

## REFERENCE DATA

SREF = 2690.0000 SQ.FT. XMRP = 1109.0000 IN. XO  
 LREF = 474.8100 IN. YMRP = .0000 IN. YO  
 BREF = 935.6800 IN. ZMRP = 375.0000 IN. ZO  
 SCALE = .0125

## PARAMETRIC DATA

ALPHAC = 2.000 BETAC = .000  
 STAB = 5.000 RUDDER = .000  
 ELEVON = .000 DY = .000  
 DZ = .000 TORB = 6.000  
 BETAO = .000 DPHI = .000

RUN NO. 81/ 0 RN/L = .00 GRADIENT INTERVAL = -5.00/ 5.00

MACH	DX	CPCO	CPS1	CPS2	ALPHAO	BETAO	INCLD	ALPHAC
.601	.000	-.05400	-.16000	-.29100	8.64000	-.16000	5.98000	2.66000
.600	.390	-.05300	-.15400	-.29800	8.58000	-.12000	5.93000	2.66000
.601	.780	-.05200	-.15700	-.29100	8.63000	-.09000	5.98000	2.66000
.599	1.140	-.05100	-.15800	-.29300	8.63000	-.09000	5.98000	2.66000
.600	1.530	-.05300	-.15700	-.29000	8.59000	-.11000	5.93000	2.66000
.601	1.920	-.05600	-.16000	-.29100	8.61000	-.11000	5.96000	2.66000
.601	2.290	-.05500	-.15500	-.29700	8.62000	-.09000	5.96000	2.67000
.602	2.680	-.05400	-.15800	-.28900	8.62000	-.12000	5.97000	2.66000
.602	3.070	-.04600	-.15500	-.28500	8.60000	-.15000	5.95000	2.66000
.600	3.430	-.05300	-.16200	-.29300	8.60000	-.14000	5.95000	2.66000
.598	3.820	-.05600	-.16500	-.29600	8.61000	-.13000	5.95000	2.66000
.602	4.190	-.05800	-.16100	-.29000	8.60000	-.11000	5.94000	2.67000
.600	4.580	-.05800	-.16300	-.29200	8.60000	-.13000	5.93000	2.67000
.600	4.970	-.05600	-.16400	-.29300	8.61000	-.14000	5.95000	2.67000
.601	5.330	-.05700	-.16300	-.29300	8.60000	-.13000	5.94000	2.67000
.601	5.720	-.05500	-.16400	-.29300	8.64000	-.10000	5.98000	2.67000
.602	6.110	-.05900	-.16200	-.29300	8.61000	-.13000	5.95000	2.66000
.602	6.480	-.05800	-.16700	-.29500	8.59000	-.13000	5.93000	2.67000
.601	6.870	-.06100	-.16700	-.29600	8.62000	-.10000	5.96000	2.67000
.600	7.230	-.05600	-.16800	-.29600	8.63000	-.09000	5.97000	2.67000
.601	7.630	-.05700	-.17200	-.29700	8.63000	-.11000	5.96000	2.67000
.602	8.020	-.06000	-.16800	-.29200	8.61000	-.13000	5.95000	2.67000
.601	8.380	-.05800	-.16900	-.29500	8.63000	-.09000	5.97000	2.67000
.602	8.770	-.06200	-.17000	-.29400	8.63000	-.11000	5.96000	2.67000
.602	9.160	-.06300	-.17000	-.29500	8.64000	-.07000	5.97000	2.67000
.601	9.530	-.05900	-.17000	-.29600	8.61000	-.11000	5.95000	2.67000
.602	9.920	-.06200	-.16900	-.29400	8.61000	-.13000	5.94000	2.67000
.602	10.280	-.06200	-.17100	-.29300	8.64000	-.10000	5.97000	2.68000
.602	10.670	-.05700	-.17000	-.29300	8.60000	-.10000	5.93000	2.68000
.603	11.060	-.05500	-.17000	-.29200	8.64000	-.08000	5.96000	2.68000
.603	11.430	-.06200	-.17400	-.29300	8.63000	-.13000	5.95000	2.68000
.601	11.820	-.06200	-.17300	-.29500	8.62000	-.13000	5.94000	2.68000
.602	12.210	-.06100	-.17600	-.29400	8.64000	-.08000	5.97000	2.68000
.600	12.570	-.06300	-.17800	-.29700	8.65000	-.10000	5.98000	2.67000
.600	12.950	-.06500	-.17700	-.29800	8.60000	-.14000	5.93000	2.68000
.602	13.330	-.06000	-.17600	-.29200	8.61000	-.12000	5.94000	2.68000
GRADIENT		-.00080	-.00143	-.00046	-.00323	-.00352	-.00507	.00194

ORIGINAL PAGE IS  
 OF POOR QUALITY

LTV44-559(CA26) 747/1 ATY 06 S1 (ORBITER DATA)

(XFC113) ( 29 JAN 76 )

## REFERENCE DATA

SREF = 2690.0000 SQ.FT. XMRP = 1109.0000 IN. XO  
 LREF = 474.8100 IN. YMRP = .0000 IN. YO  
 BREF = 936.6800 IN. ZMRP = 375.0000 IN. ZO  
 SCALE = .0125

## PARAMETRIC DATA

ALPHAC = 2.000 BETAC = .000  
 STAB = 5.000 RUDDER = .000  
 ELEVON = .000 DY = .000  
 DZ = 15.000 TORB = 6.000  
 BETA0 = .000 DPHI = .000

RUN NO. 1081/ 0 RN/L = .00 GRADIENT INTERVAL = -5.00/ 5.00

MACH	DX	CPC0	CPS1	CPS2	ALPHA0	BETA0	INCID	ALPHAC
.600	.390	-.08700	-.21400	-.30700	8.53000	-.09000	5.95000	2.66000
.602	.780	-.08300	-.20800	-.30400	8.54000	-.13000	5.97000	2.66000
.601	1.140	-.09000	-.21600	-.30700	8.54000	-.12000	5.96000	2.66000
.602	1.530	-.08500	-.20900	-.30400	8.56000	-.09000	5.98000	2.66000
.602	1.900	-.08400	-.21000	-.30400	8.55000	-.11000	5.98000	2.66000
.602	2.290	-.09000	-.21800	-.30600	8.52000	-.11000	5.94000	2.66000
.600	2.680	-.08800	-.21800	-.30700	8.52000	-.13000	5.94000	2.66000
.602	3.040	-.08400	-.21100	-.30200	8.55000	-.10000	5.97000	2.66000
.602	3.430	-.08600	-.21300	-.30200	8.55000	-.12000	5.98000	2.66000
.601	3.820	-.08500	-.21300	-.30100	8.54000	-.13000	5.97000	2.66000
.600	4.190	-.08900	-.22000	-.30400	8.54000	-.13000	5.96000	2.66000
.599	4.580	-.09100	-.22200	-.30400	8.53000	-.12000	5.95000	2.66000
.600	4.940	-.09200	-.22300	-.30600	8.52000	-.13000	5.95000	2.66000
.599	5.330	-.09300	-.22400	-.30600	8.50000	-.12000	5.93000	2.66000
.601	5.720	-.08700	-.22000	-.30000	8.55000	-.12000	5.97000	2.66000
.601	6.090	-.08800	-.21800	-.30200	8.54000	-.12000	5.96000	2.66000
.599	6.480	-.09400	-.22900	-.30800	8.53000	-.14000	5.96000	2.66000
.599	6.870	-.09500	-.22800	-.30700	8.54000	-.10000	5.97000	2.66000
.602	7.230	-.08900	-.22100	-.30200	8.52000	-.08000	5.94000	2.66000
.601	7.630	-.09100	-.22400	-.30200	8.54000	-.10000	5.96000	2.66000
.602	7.990	-.09000	-.22000	-.30400	8.50000	-.10000	5.92000	2.66000
.598	8.380	-.10000	-.23500	-.31200	8.54000	-.11000	5.97000	2.66000
.603	8.770	-.09000	-.22200	-.30200	8.52000	-.12000	5.94000	2.66000
.597	9.140	-.09600	-.23200	-.30900	8.55000	-.13000	5.97000	2.66000
.602	9.530	-.09100	-.22400	-.30200	8.51000	-.12000	5.94000	2.66000
.601	9.920	-.09500	-.23000	-.30500	8.55000	-.10000	5.97000	2.66000
.603	10.280	-.09300	-.22700	-.30100	8.52000	-.07000	5.94000	2.66000
.603	10.670	-.09500	-.23100	-.30200	8.52000	-.12000	5.94000	2.66000
.602	11.040	-.09300	-.23100	-.30400	8.55000	-.13000	5.97000	2.66000
.603	11.430	-.09400	-.22900	-.29900	8.52000	-.13000	5.94000	2.66000
.602	11.820	-.09200	-.22900	-.30300	8.54000	-.13000	5.96000	2.66000
.600	12.180	-.09500	-.23400	-.30600	8.54000	-.11000	5.96000	2.66000
.602	12.570	-.09400	-.23200	-.30200	8.52000	-.12000	5.95000	2.66000
.603	12.960	-.09300	-.22900	-.29300	8.53000	-.13000	5.95000	2.66000
.600	13.330	-.09400	-.23200	-.30500	8.55000	-.12000	5.97000	2.67000
GRADIENT		-.00089	-.00218	.00051	-.00203	-.00522	-.00146	.00000

LTV44-559(CA26) 747.1 ATY 06 S1 (ORBITER DATA)

(XFE114) ( 29 JAN 76 )

## REFERENCE DATA

SREF = 2690.0000 SQ.FT. XMRP = 1109.0000 IN. XO  
 LREF = 474.8100 IN. YMRP = .0000 IN. YO  
 BREF = 936.6800 IN. ZMRP = 375.0000 IN. ZO  
 SCALE = .0125

## PARAMETRIC DATA

ALPHAC = 2.000 BETAC = .000  
 STAB = 5.000 RUDDER = .000  
 ELEVON = .000 DY = .000  
 DZ = 60.000 TORB = 6.000  
 BETA0 = .000 DPHI = .000

RUN NO. 2081/ 0 RN/L = .00 GRADIENT INTERVAL = -5.00/ 5.00

MACH	DX	CPCO	CPS1	CPS2	ALPHA0	BETA0	INCID	ALPHAC
.604	.410	-.10200	-.25300	-.29900	8.35000	-.09000	5.96000	2.68000
.604	.780	-.10000	-.25100	-.29900	8.35000	-.11000	5.97000	2.68000
.602	1.170	-.10500	-.25400	-.30200	8.34000	-.10000	5.95000	2.68000
.600	1.560	-.10900	-.25500	-.30500	8.33000	-.14000	5.95000	2.68000
.601	1.920	-.10400	-.25100	-.30600	8.35000	-.13000	5.96000	2.68000
.603	2.310	-.10300	-.25100	-.30400	8.36000	-.11000	5.97000	2.68000
.603	2.680	-.10500	-.25400	-.30300	8.34000	-.11000	5.95000	2.68000
.601	3.070	-.10900	-.25600	-.29900	8.34000	-.13000	5.96000	2.68000
.603	3.460	-.10500	-.25900	-.29500	8.36000	-.14000	5.98000	2.68000
.603	3.820	-.10400	-.25900	-.29500	8.35000	-.14000	5.97000	2.68000
.600	4.210	-.11000	-.25800	-.30100	8.33000	-.09000	5.95000	2.68000
.601	4.600	-.10700	-.25900	-.30000	8.32000	-.11000	5.94000	2.68000
.602	4.970	-.10400	-.25900	-.29700	8.34000	-.12000	5.96000	2.68000
.601	5.360	-.10800	-.25700	-.30000	8.35000	-.11000	5.97000	2.68000
.600	5.720	-.10800	-.25800	-.30100	8.36000	-.11000	5.98000	2.68000
.600	6.110	-.10900	-.26200	-.29900	8.32000	-.10000	5.94000	2.68000
.602	6.510	-.10500	-.25700	-.29900	8.35000	-.10000	5.97000	2.68000
.601	6.870	-.10600	-.25600	-.30100	8.36000	-.12000	5.98000	2.68000
.600	7.260	-.10800	-.25700	-.30100	8.35000	-.12000	5.97000	2.68000
.600	7.650	-.10700	-.26200	-.30300	8.32000	-.14000	5.93000	2.68000
.602	8.020	-.10200	-.25400	-.30000	8.34000	-.13000	5.96000	2.68000
.599	8.410	-.11100	-.25600	-.31000	8.35000	-.09000	5.97000	2.68000
.601	8.770	-.10600	-.26000	-.30600	8.32000	-.13000	5.94000	2.68000
.599	9.160	-.11100	-.26200	-.30700	8.35000	-.14000	5.97000	2.68000
.600	9.550	-.10700	-.26200	-.30400	8.36000	-.14000	5.98000	2.68000
.600	9.920	-.11000	-.26600	-.30200	8.35000	-.16000	5.97000	2.68000
.600	10.310	-.11000	-.26500	-.30100	8.34000	-.16000	5.96000	2.68000
.600	10.700	-.11000	-.26500	-.29900	8.35000	-.12000	5.97000	2.68000
.603	11.060	-.10300	-.25900	-.29400	8.33000	-.14000	5.95000	2.68000
.600	11.450	-.11100	-.26400	-.29300	8.35000	-.14000	5.98000	2.67000
.603	11.800	-.10500	-.26000	-.29500	8.35000	-.13000	5.98000	2.67000
.601	12.210	-.11100	-.26700	-.29600	8.34000	-.11000	5.97000	2.67000
.603	12.590	-.10700	-.26300	-.29300	8.36000	-.13000	5.99000	2.67000
.605	12.960	-.10100	-.26000	-.29000	8.33000	-.12000	5.95000	2.67000
.603	13.350	-.10600	-.26000	-.29200	8.34000	-.10000	5.97000	2.67000
GRADIENT		-.00091	-.00181	.00098	-.00275	-.00260	-.00087	.00000

LTV44-559(CA26) 747/1 ATY 06 S1 (ORBITER DATA)

(XFE115) (29 JAN 76)

## REFERENCE DATA

SREF = 2690.0000 SQ.FT. XMRP = 1109.0000 IN. XO  
 LREF = 474.8100 IN. YMRP = .0000 IN. YO  
 BREF = 936.6800 IN. ZMRP = 375.0000 IN. ZO  
 SCALE = .0125

## PARAMETRIC DATA

ALPHAC = 2.000 BETAC = .000  
 STAB = 5.000 RUDDER = .000  
 ELEVON = .000 DX = .000  
 DZ = .000 IORB = 6.000  
 BETAO = .000 DPHI = .000

RUN NO. 82/ 0 RN/L = .00 GRADIENT INTERVAL = -5.00/ 5.00

MACH	DY	CPCO	CPS1	CPS2	ALPHAO	BETAO	INCID	ALPHAC
.605	-10.000	-.05000	-.17800	-.27800	8.62000	.00000	5.96000	2.66000
.605	-9.420	-.05000	-.17300	-.27800	8.63000	-.11000	5.98000	2.65000
.605	-8.850	-.05100	-.16900	-.27500	8.61000	-.15000	5.95000	2.66000
.605	-8.280	-.04800	-.17100	-.27600	8.63000	-.15000	5.97000	2.66000
.605	-7.710	-.04800	-.16700	-.27400	8.61000	-.09000	5.96000	2.66000
.607	-7.140	-.04800	-.17000	-.27600	8.64000	-.09000	5.98000	2.66000
.606	-6.560	-.04800	-.16900	-.27500	8.64000	-.11000	5.98000	2.66000
.605	-5.990	-.04600	-.16800	-.27700	8.63000	-.10000	5.97000	2.66000
.606	-5.420	-.04600	-.17000	-.27800	8.62000	-.15000	5.96000	2.67000
.606	-4.850	-.04300	-.16600	-.27500	8.61000	-.14000	5.95000	2.67000
.605	-4.280	-.04400	-.16300	-.27400	8.61000	-.11000	5.95000	2.66000
.605	-3.710	-.04300	-.16400	-.27600	8.59000	-.08000	5.93000	2.66000
.606	-3.130	-.04300	-.16300	-.27500	8.60000	-.13000	5.95000	2.66000
.607	-2.570	-.04400	-.15800	-.27300	8.59000	-.13000	5.93000	2.66000
.604	-1.990	-.03800	-.15800	-.27500	8.62000	-.14000	5.96000	2.67000
.603	-1.420	-.04700	-.16100	-.28000	8.59000	-.15000	5.94000	2.66000
.603	-.850	-.04000	-.15700	-.27800	8.63000	-.11000	5.97000	2.66000
.605	-.270	-.04100	-.15100	-.27500	8.60000	-.12000	5.94000	2.66000
.605	.270	-.04100	-.15500	-.27700	8.63000	-.08000	5.97000	2.66000
.605	.850	-.03700	-.15200	-.27600	8.60000	-.12000	5.94000	2.66000
.605	1.420	-.03900	-.15200	-.27700	8.61000	-.11000	5.95000	2.67000
.605	1.990	-.03800	-.15300	-.27900	8.61000	-.15000	5.95000	2.66000
.605	2.560	-.04200	-.15200	-.27900	8.64000	-.13000	5.97000	2.67000
.605	3.130	-.04000	-.14900	-.27900	8.63000	-.11000	5.97000	2.67000
.604	3.710	-.04300	-.15700	-.28400	8.63000	-.10000	5.97000	2.66000
.605	4.280	-.03900	-.14800	-.27800	8.60000	-.09000	5.94000	2.66000
.605	4.850	-.03700	-.14900	-.27800	8.60000	-.13000	5.94000	2.66000
.605	5.420	-.03600	-.15000	-.27800	8.63000	-.14000	5.97000	2.66000
.605	5.990	-.03900	-.15100	-.28000	8.60000	-.18000	5.93000	2.67000
.605	6.560	-.03800	-.15100	-.28100	8.59000	-.18000	5.93000	2.66000
.605	7.140	-.03800	-.14900	-.27800	8.62000	-.14000	5.97000	2.65000
.605	7.700	-.03400	-.14900	-.28000	8.59000	-.14000	5.95000	2.65000
.606	8.280	-.03800	-.15200	-.28300	8.60000	-.10000	5.95000	2.65000
.606	8.850	-.03400	-.14700	-.27900	8.61000	-.15000	5.96000	2.65000
.605	9.420	-.03300	-.14400	-.27700	8.58000	-.15000	5.94000	2.65000
.605	10.000	-.03300	-.14600	-.27900	8.62000	-.17000	5.98000	2.65000
GRADIENT		.00050	.00164	-.00055	.00172	.00103	.00126	.00002



LTV44-559(CA26) 747/1 ATY 06 S1 (ORBITER DATA)

(XFE116) ( 29 JAN 76 )

## REFERENCE DATA

SREF = 2690.0000 SQ.FT. XMRP = 1109.0000 IN. XO  
 LREF = 474.8100 IN. YMRP = .0000 IN. YO  
 BREF = 936.6800 IN. ZMRP = 375.0000 IN. ZO  
 SCALE = .0125

## PARAMETRIC DATA

ALPHAC = 2.000 BETAC = .000  
 STAB = 5.000 RUDDER = .000  
 ELEVON = .000 DX = .000  
 DZ = 15.000 IORB = 6.000  
 BETA0 = .000 DPFI = .000

RUN NO. 1082/ 0 RN/L = .00 GRADIENT INTERVAL = -5.00/ 5.00

MACH	DY	CPCO	CPS1	CPS2	ALPHA0	BETA0	INCID	ALPHAC
.606	-9.420	-.06300	-.18500	-.28800	8.55000	-.12000	5.97000	2.66000
.607	-8.850	-.05700	-.18300	-.28300	8.52000	-.05000	5.95000	2.66000
.606	-8.280	-.06700	-.19300	-.29000	8.51000	-.06000	5.93000	2.66000
.606	-7.710	-.06300	-.19100	-.28900	8.53000	-.06000	5.95000	2.66000
.606	-7.140	-.06100	-.18900	-.28700	8.53000	-.09000	5.95000	2.66000
.606	-6.560	-.06300	-.18800	-.28700	8.53000	-.09000	5.95000	2.66000
.606	-5.990	-.06500	-.19000	-.28900	8.54000	-.10000	5.96000	2.66000
.606	-5.420	-.06400	-.19000	-.28900	8.54000	-.11000	5.97000	2.66000
.605	-4.850	-.06600	-.19100	-.29100	8.54000	-.10000	5.96000	2.66000
.605	-4.280	-.06600	-.19000	-.29000	8.55000	-.12000	5.97000	2.66000
.606	-3.710	-.06600	-.19100	-.28700	8.53000	-.08000	5.95000	2.66000
.606	-3.140	-.06600	-.19100	-.28900	8.52000	-.04000	5.94000	2.66000
.605	-2.570	-.06700	-.19700	-.29000	8.53000	-.08000	5.95000	2.66000
.605	-1.990	-.07100	-.19700	-.29300	8.54000	-.14000	5.96000	2.66000
.606	-1.420	-.06600	-.19600	-.28800	8.54000	-.11000	5.96000	2.66000
.607	-.850	-.06800	-.19600	-.28900	8.52000	-.08000	5.95000	2.66000
.607	-.280	-.06900	-.19700	-.29100	8.54000	-.13000	5.96000	2.66000
.605	.270	-.06900	-.19600	-.29200	8.53000	-.08000	5.95000	2.66000
.606	.850	-.06700	-.19500	-.28900	8.53000	-.11000	5.96000	2.66000
.605	1.410	-.06700	-.20000	-.29100	8.51000	-.06000	5.93000	2.66000
.604	1.990	-.07000	-.19500	-.28900	8.54000	-.12000	5.96000	2.66000
.604	2.560	-.07200	-.20000	-.29200	8.52000	-.09000	5.94000	2.66000
.605	3.130	-.06900	-.20000	-.29100	8.53000	-.15000	5.96000	2.66000
.603	3.700	-.07300	-.19900	-.29300	8.53000	-.12000	5.97000	2.66000
.603	4.270	-.07400	-.19800	-.29400	8.53000	-.09000	5.95000	2.66000
.603	4.850	-.07500	-.20100	-.29400	8.54000	-.13000	5.97000	2.66000
.605	5.420	-.07100	-.20400	-.29100	8.52000	-.11000	5.95000	2.66000
.604	5.980	-.07400	-.20200	-.29200	8.53000	-.11000	5.95000	2.66000
.604	6.560	-.07400	-.20000	-.29000	8.55000	-.16000	5.98000	2.66000
.606	7.130	-.06900	-.20200	-.29000	8.52000	-.07000	5.93000	2.67000
.603	7.700	-.07100	-.20500	-.29200	8.53000	-.14000	5.95000	2.66000
.605	8.270	-.07000	-.20600	-.29100	8.51000	-.09000	5.93000	2.66000
.606	8.840	-.07200	-.20500	-.29000	8.52000	-.08000	5.94000	2.66000
.605	9.420	-.07200	-.20600	-.29200	8.51000	-.08000	5.93000	2.67000
.605	9.990	-.07400	-.20600	-.29200	8.53000	-.14000	5.95000	2.66000
GRADIENT		-.00079	-.00095	-.00041	-.00031	-.00296	.00051	.00000

LTV44-559(CA26) 747/1 ATY 06 S1 (ORBITER DATA)

(XFE117) ( 29 JAN 76 )

## REFERENCE DATA

SREF = 2690.0000 SQ.FT. XMRP = 1109.0000 IN. XO  
 LREF = 474.8100 IN. YMRP = .0000 IN. YO  
 BREF = 936.6800 IN. ZMRP = 375.0000 IN. ZO  
 SCALE = .0125

## PARAMETRIC DATA

ALPHAC = 2.000 BETAC = .000  
 STAB = 5.000 RUDDER = .000  
 ELEVON = .000 DX = .000  
 DZ = 60.000 IORB = 6.000  
 BETAO = .000 OPHI = .000

RUN NO. 2082/ 0 RN/L = .00 GRADIENT INTERVAL = -5.00/ 5.00

MACH	DY	CPCO	CPS1	CPS2	ALPHAO	BETAO	INCID	ALPHAC
.604	-10.000	-.08800	-.23900	-.28600	8.38000	-.10000	5.99000	2.69000
.605	-9.430	-.08500	-.24500	-.28400	8.33000	-.17000	5.94000	2.69000
.604	-8.860	-.08200	-.23900	-.28500	8.35000	-.15000	5.97000	2.68000
.606	-8.280	-.08500	-.23800	-.28600	8.35000	-.13000	5.97000	2.69000
.604	-7.710	-.08300	-.24000	-.28800	8.35000	-.14000	5.96000	2.69000
.606	-7.140	-.08100	-.24000	-.28100	8.35000	-.14000	5.96000	2.68000
.603	-6.570	-.08700	-.24000	-.28500	8.38000	-.11000	6.00000	2.68000
.605	-6.000	-.08400	-.23700	-.28100	8.36000	-.12000	5.98000	2.68000
.604	-5.420	-.08300	-.24300	-.28400	8.34000	-.16700	5.96000	2.68000
.604	-4.860	-.08800	-.24000	-.28500	8.34000	-.13600	5.96000	2.68000
.604	-4.290	-.08300	-.24200	-.28300	8.37000	-.16000	5.98000	2.69000
.603	-3.710	-.08900	-.24500	-.28900	8.35000	-.16000	5.96000	2.68000
.604	-3.140	-.08700	-.24200	-.28200	8.38000	-.15000	5.99000	2.69000
.606	-2.570	-.08400	-.23800	-.27600	8.36000	-.17000	5.97000	2.69000
.605	-2.000	-.08200	-.24000	-.28000	8.35000	-.18000	5.97000	2.68000
.603	-1.430	-.09100	-.24300	-.29500	8.35000	-.13000	5.97000	2.69000
.605	-.850	-.08500	-.23500	-.29200	8.35000	-.14000	5.96000	2.68000
.606	-.280	-.08200	-.23500	-.28100	8.35000	-.17000	5.96000	2.58000
.606	.270	-.08200	-.23900	-.27900	8.36000	-.18000	5.97000	2.68000
.605	.840	-.08500	-.23900	-.28200	8.36000	-.15000	5.97000	2.69000
.604	1.410	-.08500	-.24100	-.28300	8.35000	-.18000	5.96000	2.69000
.606	1.990	-.08200	-.23900	-.28100	8.38000	-.16000	5.99000	2.69000
.604	2.560	-.08500	-.24000	-.28700	8.35000	-.18000	5.96000	2.68000
.607	3.130	-.08300	-.23300	-.27700	8.37000	-.16000	5.98000	2.69000
.606	3.700	-.08300	-.24100	-.28100	8.34000	-.16000	5.95000	2.68000
.606	4.270	-.08400	-.24200	-.28300	8.36000	-.16000	5.97000	2.68000
.603	4.850	-.09000	-.24400	-.28600	8.38000	-.20000	5.99000	2.69000
.605	5.410	-.08200	-.23400	-.28600	8.38000	-.22000	6.00000	2.69000
.605	5.980	-.08300	-.23500	-.28800	8.36000	-.23000	5.97000	2.69000
.605	6.560	-.08500	-.23800	-.28400	8.34000	-.21000	5.95000	2.69000
.608	7.130	-.08100	-.23400	-.27800	8.33000	-.21000	5.95000	2.68000
.606	7.700	-.08600	-.23600	-.28500	8.35000	-.20000	5.96000	2.69000
.607	8.270	-.08100	-.23500	-.28000	8.34000	-.20000	5.95000	2.68000
.606	8.840	-.07900	-.23200	-.28000	8.36000	-.18000	5.98000	2.66000
.606	9.420	-.08500	-.23500	-.28100	8.37000	-.20000	5.98000	2.69000
GRADIENT		.00017	.00012	.00023	.00081	-.00279	.00038	.00005

LTV44-559(CA26) 747/1 ATY 06 S1 (ORBITER DATA)

(XFE118) ( 29 JAN 76 )

## REFERENCE DATA

SREF = 2690.0000 SQ.FT. XMRP = 1103.0000 IN. XO  
 LREF = 474.8100 IN. YMRP = .0000 IN. YO  
 BREF = 936.6800 IN. ZMRP = 375.0000 IN. ZO  
 SCALE = .0125

## PARAMETRIC DATA

ALPHAC = 2.000 BETAC = .000  
 STAB = -1.000 RUDDER = .000  
 ELEVON = .000 DX = .000  
 DY = .000 IORB = 6.000  
 BETAO = .000 DPHI = .000

RUN NO. B3/ D RN/L = .00 GRADIENT INTERVAL = -5.00/ 5.00

MACH	DZ	CPCO	CPS1	CPS2	ALPHAO	BETAO	INCID	ALPHAC
.605	1.460	-.03600	-.14200	-.26400	8.95000	-.11000	5.97000	2.98000
.604	2.060	-.04200	-.14500	-.26900	8.91000	-.14000	5.93000	2.98000
.604	2.660	-.04100	-.14600	-.27000	8.93000	-.12000	5.96000	2.99000
.603	3.360	-.05200	-.15300	-.27800	8.92000	-.10000	5.95000	2.98000
.603	4.160	-.05100	-.15600	-.27600	8.94000	-.12000	5.97000	2.99000
.603	4.960	-.05400	-.16500	-.28000	8.93000	-.11000	5.97000	2.99000
.603	5.960	-.05600	-.16600	-.28200	8.92000	-.12000	5.96000	2.93000
.607	6.960	-.05300	-.15900	-.27600	8.90000	-.14000	5.95000	2.99000
.606	7.970	-.06100	-.16600	-.28400	8.90000	-.12000	5.95000	2.99000
.608	8.960	-.06200	-.16500	-.28300	8.90000	-.12000	5.95000	2.99000
.603	9.960	-.06900	-.18300	-.29500	8.88000	-.13000	5.94000	3.00000
.604	11.150	-.07000	-.17700	-.29200	8.91000	-.10000	5.98000	2.99000
.603	12.330	-.07300	-.18100	-.29300	8.88000	-.11000	5.95000	2.99000
.605	13.520	-.06900	-.17900	-.29100	8.91000	-.11000	5.99000	2.99000
.605	14.700	-.07000	-.17900	-.29400	8.87000	-.09000	5.96000	2.99000
.605	15.900	-.07400	-.18400	-.29700	8.87000	-.12000	5.96000	3.00000
.604	17.080	-.07400	-.18500	-.29700	8.86000	-.11000	5.96000	3.00000
.602	18.270	-.08000	-.19100	-.30000	8.84000	-.14000	5.95000	3.00000
.604	19.450	-.07600	-.19500	-.29700	8.87000	-.12000	5.98000	3.00000
.605	20.640	-.07500	-.19100	-.29600	8.83000	-.14000	5.95000	3.00000
.602	21.810	-.07900	-.19400	-.29900	8.82000	-.14000	5.95000	3.00000
.605	23.000	-.07700	-.19200	-.29700	8.84000	-.11000	5.97000	3.00000
.605	24.190	-.07700	-.19500	-.29600	8.81000	-.09000	5.95000	3.00000
.603	25.370	-.08200	-.20200	-.29900	8.82000	-.11000	5.96000	3.00000
.603	26.560	-.08300	-.20400	-.29800	8.82000	-.10000	5.97000	3.00000
.605	27.740	-.08400	-.20800	-.30000	8.80000	-.13000	5.95000	3.01000
.604	28.930	-.08100	-.20800	-.29800	8.83000	-.13000	5.98000	3.01000
.603	30.110	-.08600	-.20700	-.30300	8.80000	-.14000	5.97000	3.00000
.605	31.310	-.08100	-.20700	-.29900	8.77000	-.12000	5.94000	3.01000
.606	32.490	-.08600	-.21000	-.29800	8.78000	-.13000	5.96000	3.00000
.604	33.680	-.08400	-.20800	-.30300	8.77000	-.15000	5.96000	3.00000
.604	34.860	-.09100	-.21300	-.30200	8.79000	-.13000	5.98000	3.01000
.605	36.050	-.08300	-.21500	-.29800	8.77000	-.12000	5.96000	3.01000
.603	37.230	-.09400	-.21800	-.30600	8.74000	-.15000	5.95000	3.01000
.605	38.420	-.08600	-.21800	-.30200	8.74000	-.14000	5.94000	3.02000
.603	39.610	-.09400	-.22100	-.30300	8.76000	-.15000	5.98000	3.01000
.604	40.790	-.08900	-.21900	-.30000	8.76000	-.14000	5.99000	3.01000
.605	41.980	-.08900	-.22000	-.30200	8.74000	-.13000	5.97000	3.01000
.609	43.160	-.09000	-.21900	-.29800	8.72000	-.12000	5.95000	3.01000
.602	44.350	-.09700	-.22500	-.30600	8.71000	-.15000	5.96000	3.01000
.602	45.530	-.09800	-.22700	-.30700	8.73000	-.13000	5.98000	3.01000
.606	46.720	-.09300	-.22600	-.30200	8.72000	-.11000	5.97000	3.02000

LTV44-559(CA26) 747/1 ATY 06 S1 (ORBITER DATA)

(XFE118) ( 29 JAN 76 )

## REFERENCE DATA

SREF = 2690.0000 SQ.FT. XMRP = 1109.0000 IN. XO  
 LREF = 474.8100 IN. YMRP = .0000 IN. YO  
 BREF = 936.6800 IN. ZMRP = 375.0000 IN. ZO  
 SCALE = .0125

## PARAMETRIC DATA

ALPHAC = 2.000 BETAC = .000  
 STAB = -1.000 RUDDER = .000  
 ELEVON = .000 DX = .000  
 DY = .000 IORB = 6.000  
 BETAO = .000 DPHI = .000

RUN NO. 83/ 0 RN/L = .00 GRADIENT INTERVAL = -5.00/ 5.00

MACH	DZ	CPCO	CPS1	CPS2	ALPHAO	BETAO	INCID	ALPHAC
.603	47.910	-.09800	-.22800	-.30800	8.71000	-.12000	5.97000	3.01000
.603	49.090	-.09700	-.22800	-.30500	8.69000	-.10000	5.96000	3.02000
.605	50.280	-.09600	-.22800	-.30200	8.69000	-.11000	5.96000	3.02000
.602	51.460	-.09800	-.23400	-.30400	8.69000	-.14000	5.97000	3.02000
	GRADIENT	-.00517	-.00639	-.00438	-.00046	.00325	.00482	.00284

LTV44-559(CA26) 747/1 ATY 06 S1 (ORBITER DATA)

(XFE119) (29 JAN 76)

## REFERENCE DATA

SREF = 2690.0000 SQ.FT. XMRP = 1109.0000 IN. XO  
 LREF = 474.8100 IN. YMRP = .0000 IN. YO  
 BREF = 936.6800 IN. ZMRP = 375.0000 IN. ZO  
 SCALE = .0125

## PARAMETRIC DATA

ALPHAC = 2.000 BETAC = .000  
 STAB = 5.000 RUDDER = 10.000  
 ELEVON = .000 DX = .000  
 DY = .000 YORB = 6.000  
 BETAO = .000 DPHI = .000

RUN NO. 84/ 0 RN/L = .00 GRADIENT INTERVAL = -5.00/ 5.00

MACH	DZ	CPCO	CPS1	CPS2	ALPHA	BETAO	INCID	ALPHAC
.603	1.460	-.04100	-.14700	-.28300	8.59000	.00000	5.92000	2.67000
.603	2.060	-.03800	-.14800	-.28300	8.60000	.01000	5.94000	2.68000
.604	2.660	-.04400	-.15000	-.28500	8.62000	.01000	5.95000	2.68000
.605	3.360	-.04400	-.15200	-.28600	8.58000	.00000	5.93000	2.67000
.607	4.160	-.04400	-.15700	-.28700	8.61000	.01000	5.95000	2.68000
.606	4.960	-.04600	-.15800	-.28800	8.61000	.03000	5.96000	2.68000
.605	5.960	-.05300	-.16200	-.29000	8.58000	.00000	5.94000	2.68000
.607	6.960	-.04700	-.16300	-.28600	8.59000	.03000	5.95000	2.68000
.606	7.970	-.04800	-.16300	-.28900	8.58000	.03000	5.95000	2.68000
.605	8.960	-.05000	-.16600	-.29200	8.56000	.00000	5.94000	2.67000
.602	9.960	-.06000	-.17400	-.29800	8.55000	.01000	5.93000	2.68000
.603	11.150	-.05800	-.17500	-.29800	8.55000	.01000	5.94000	2.68000
.605	12.330	-.05900	-.17000	-.29500	8.54000	.03000	5.93000	2.68000
.605	13.520	-.06000	-.17300	-.29500	8.54000	.02000	5.93000	2.68000
.603	14.700	-.06100	-.18100	-.30000	8.55000	.05000	5.95000	2.68000
.606	15.900	-.06100	-.17400	-.29500	8.54000	.05000	5.95000	2.68000
.604	17.080	-.06400	-.18200	-.30100	8.54000	.03000	5.96000	2.68000
.605	18.270	-.06200	-.18400	-.30100	8.50000	.02000	5.91000	2.68000
.608	19.450	-.06300	-.17900	-.29900	8.51000	.04000	5.94000	2.68000
.606	20.640	-.06400	-.18800	-.30200	8.52000	.06000	5.95000	2.69000
.607	21.810	-.06000	-.18300	-.29700	8.48000	.00000	5.92000	2.68000
.606	23.000	-.06700	-.18900	-.30200	8.50000	.03000	5.95000	2.68000
.604	24.190	-.07100	-.19500	-.30700	8.49000	.00000	5.94000	2.68000
.605	25.370	-.06900	-.19600	-.30200	8.48000	.00000	5.94000	2.68000
.604	26.560	-.07100	-.19600	-.30500	8.46000	-.01000	5.93000	2.69000
.606	27.740	-.06900	-.19500	-.30100	8.49000	.06000	5.96000	2.69000
.606	28.930	-.06900	-.19500	-.29800	8.46000	.03000	5.93000	2.69000
.606	30.110	-.06800	-.19600	-.30200	8.44000	-.01000	5.93000	2.69000
.603	31.310	-.07100	-.19700	-.30700	8.47000	.03000	5.95000	2.69000
.604	32.490	-.07300	-.20200	-.30700	8.47000	.01000	5.95000	2.70000
.603	33.680	-.07600	-.20400	-.30900	8.43000	.03000	5.93000	2.70000
.606	34.860	-.07100	-.20000	-.30300	8.43000	.00000	5.94000	2.69000
.607	36.050	-.07400	-.20300	-.30200	8.42000	-.02000	5.93000	2.70000
.606	37.230	-.07600	-.20800	-.30200	8.43000	.01000	5.95000	2.69000
.604	38.420	-.07800	-.20900	-.30900	8.40000	.00000	5.92000	2.70000
.605	39.610	-.07600	-.20700	-.30700	8.40000	.06000	5.93000	2.70000
.606	40.790	-.07600	-.20700	-.30400	8.41000	.07000	5.94000	2.70000
.604	41.980	-.07700	-.21000	-.30800	8.38000	.01000	5.93000	2.70000
.608	43.160	-.07500	-.20700	-.30600	8.40000	.06000	5.95000	2.70000
.605	44.350	-.08100	-.21300	-.30500	8.37000	.00000	5.92000	2.70000
.605	45.530	-.08200	-.21700	-.30400	8.37000	-.01000	5.93000	2.70000
.605	46.720	-.08000	-.21500	-.30700	8.39000	.01000	5.95000	2.71000

ORIGINAL PAGE IS  
 OF POOR QUALITY

LTV44-559(CA26) 747/1 ATY 06 S1 (ORBITER DATA)

(XFE119) ( 29 JAN 76 )

## REFERENCE DATA

SREF = 2690.0000 SQ.FT. XMRP = 1109.0000 IN. XO  
 LREF = 474.8100 IN. YMRP = .0000 IN. YO  
 BREF = 936.6800 IN. ZMRP = 375.0000 IN. ZO  
 SCALE = .0125

## PARAMETRIC DATA

ALPHAC = 2.000 BETAC = .000  
 STAB = 5.000 RUDDER = 10.000  
 ELEVON = .000 DX = .000  
 DY = .000 TORB = 6.000  
 BETAO = .000 DPHT = .000

RUN NO. 84/ 0 RN/L = .00 GRADIENT INTERVAL = -5.00/ 5.00

MACH	DZ	CPCO	CPS1	CPS2	ALPHA0	BETA0	INCID	ALPHAC
.605	47.910	-.08000	-.21400	-.30100	8.35000	.00000	5.92000	2.70000
.606	49.090	-.07800	-.21600	-.30200	8.38000	.03000	5.96000	2.70000
.605	50.280	-.08000	-.21800	-.30200	8.37000	.04000	5.96000	2.70000
.605	51.460	-.08200	-.21900	-.30100	8.33000	.02000	5.93000	2.70000
	GRADIENT	-.00174	-.00345	-.00154	.00366	.00592	.00853	.00163

LTV44-559(CA26) 747/1 ATY 06 S1 (ORBITER DATA)

(XFE120) (29 JAN 76)

## REFERENCE DATA

SREF = 2690.0000 SQ.FT. XMRP = 1109.0000 IN. XO  
 LREF = 474.8100 IN. YMRP = .0000 IN. YO  
 BREF = 936.6800 IN. ZMRP = 375.0000 IN. ZO  
 SCALE = .0125

## PARAMETRIC DATA

ALPHAC = 2.000 BETAC = -5.000  
 STAB = 5.000 RUDDER = .000  
 ELEVON = .000 DX = .000  
 DY = .000 IORB = 6.000  
 BETA0 = -5.000 DPH1 = .000

RUN NO. 85/ 0 RN/L = .00 GRADIENT INTERVAL = -5.00/ 5.00

MACH	DZ	CPC0	CPS1	CPS2	ALPHA0	BETA0	INCID	ALPHAC
.600	1.460	-.12000	-.32900	-.14700	8.59000	-5.00000	5.93000	2.66000
.601	2.060	-.12500	-.33000	-.14700	8.63000	-5.06000	5.97000	2.67000
.598	2.660	-.12600	-.32900	-.14700	8.63000	-5.01000	5.98000	2.67000
.598	3.360	-.12800	-.33500	-.15200	8.61000	-5.03000	5.95000	2.67000
.599	4.160	-.12300	-.33500	-.15100	8.61000	-4.99000	5.96000	2.67000
.600	4.960	-.12800	-.34100	-.15200	8.63000	-5.02000	5.98000	2.67000
.599	5.960	-.12900	-.34300	-.15300	8.60000	-4.97000	5.96000	2.67000
.599	6.960	-.12800	-.34100	-.15300	8.60000	-5.01000	5.97000	2.67000
.599	7.970	-.12600	-.33900	-.15500	8.56000	-5.02000	5.93000	2.67000
.597	8.960	-.13300	-.35100	-.16200	8.54000	-4.97000	5.92000	2.67000
.598	9.960	-.13400	-.35000	-.16100	8.58000	-4.97000	5.96000	2.67000
.599	11.150	-.13300	-.34900	-.16000	8.52000	-4.96000	5.91000	2.67000
.600	12.330	-.13100	-.35000	-.15900	8.53000	-4.98000	5.92000	2.68000
.598	13.520	-.13100	-.36000	-.16200	8.55000	-4.96000	5.95000	2.67000
.598	14.700	-.13100	-.35900	-.16100	8.56000	-4.97000	5.97000	2.67000
.600	15.900	-.13500	-.35700	-.16200	8.52000	-4.95000	5.94000	2.67000
.600	17.080	-.13400	-.35200	-.16100	8.51000	-5.02000	5.93000	2.67000
.600	18.270	-.13700	-.35900	-.13500	8.50000	-4.96000	5.93000	2.67000
.600	19.450	-.13800	-.36300	-.16600	8.52000	-5.00000	5.95000	2.68000
.600	20.640	-.13000	-.36100	-.15900	8.49000	-5.02000	5.93000	2.68000
.598	21.810	-.13600	-.36000	-.16500	8.49000	-4.95000	5.94000	2.67000
.598	23.000	-.13000	-.35800	-.16100	8.49000	-4.97000	5.94000	2.68000
.598	24.190	-.13800	-.36500	-.16600	8.51000	-4.94000	5.97000	2.68000
.600	25.370	-.13300	-.35900	-.16200	8.46000	-5.01000	5.93000	2.68000
.600	26.560	-.12900	-.36400	-.16100	8.47000	-4.97000	5.94000	2.68000
.598	27.740	-.13500	-.36300	-.16800	8.48000	-4.94000	5.96000	2.68000
.598	28.930	-.13500	-.36800	-.16800	8.44000	-4.97000	5.93000	2.68000
.598	30.110	-.13100	-.36400	-.16500	8.48000	-4.98000	5.97000	2.68000
.598	31.310	-.13000	-.36700	-.16000	8.45000	-4.93000	5.94000	2.68000
.599	32.490	-.12900	-.36900	-.16200	8.44000	-5.00000	5.94000	2.68000
.598	33.680	-.13300	-.36700	-.16400	8.44000	-4.99000	5.96000	2.68000
.599	34.860	-.13100	-.37000	-.16200	8.43000	-5.01000	5.94000	2.68000
.599	36.050	-.13500	-.36800	-.16400	8.41000	-4.98000	5.94000	2.68000
.599	37.230	-.13600	-.37200	-.16200	8.42000	-4.98000	5.95000	2.68000
.600	38.420	-.13000	-.36200	-.15900	8.41000	-4.99000	5.95000	2.69000
.600	39.610	-.13400	-.36900	-.16300	8.43000	-4.99000	5.97000	2.69000
.601	40.790	-.13100	-.36600	-.16400	8.40000	-4.98000	5.95000	2.69000
.597	41.980	-.13900	-.37900	-.16400	8.41000	-4.93000	5.97000	2.68000
.597	43.160	-.13700	-.37800	-.16600	8.37000	-4.97000	5.93000	2.69000
.601	44.350	-.12800	-.36700	-.15600	8.38000	-4.94000	5.95000	2.69000
.599	45.530	-.13200	-.37200	-.16300	8.37000	-4.96000	5.94000	2.69000
.597	46.720	-.13100	-.37500	-.16300	8.34000	-4.94000	5.92000	2.69000

LTV44-559(CA26) 747/1 ATY OE S1 (ORBITER DATA)

(XFE120) ( 29 JAN 76 )

## REFERENCE DATA

SREF = 2690.0000 SQ.FT. XMRP = 1109.0000 IN. XO  
 LREF = 474.8100 IN. YMRP = .0000 IN. YO  
 BREF = 936.6600 IN. ZMRP = 375.0000 IN. ZO  
 SCALE = .0125

## PARAMETRIC DATA

ALPHAC = 2.000 BETAC = -5.000  
 STAB = 5.000 RUDDER = .000  
 ELEVON = .000 DX = .000  
 DY = .000 TORB = 6.000  
 BETA0 = -5.000 DPHI = .000

RUN NO. 85/ 0 RN/L = .00 GRADIENT INTERVAL = -5.00/ 5.00

MACH	DZ	CPCO	CPS1	CPS2	ALPHA0	BETA0	INCLD	ALPHAC
.597	47.910	-.13000	-.37400	-.16300	8.35000	-4.94000	5.94000	2.69000
.598	49.090	-.13300	-.37600	-.16600	8.37000	-4.94000	5.96000	2.69000
.599	50.280	-.13500	-.37800	-.15800	8.34000	-4.95000	5.94000	2.69000
.598	51.460	-.13600	-.37700	-.16400	8.36000	-4.99000	5.96000	2.69000
GRADIENT		-.00139	-.00336	-.00171	.00464	.00389	.00749	.00192



LTV44-559(CA26) 747/1 ATY 06 S1 (ORBITER DATA)

(XFE121) ( 29 JAN 76 )

## REFERENCE DATA

SREF = 2690.0000 SQ.FT. XMRP = 1109.0000 IN. XO  
 LREF = 474.8100 IN. YMRP = .0000 IN. YO  
 BREF = 936.6800 IN. ZMRP = 375.0000 IN. ZO  
 SCALE = .0125

## PARAMETRIC DATA

ALPHAC = 4.000 BETAC = .000  
 STAB = 5.000 RUDDER = .000  
 ELEVON = .000 DX = .000  
 DY = .000 IORB = 4.000  
 BETAO = .000 DPHI = .000

RUN NO. 86/ 0 RN/L = .00 GRADIENT INTERVAL = -5.00/ 5.00

MACH	DZ	CPCO	CPS1	CPS2	ALPHAO	BETAO	INCID	ALPHAC
.603	1.460	-.03800	-.14500	-.25900	7.67000	-.10000	3.97000	3.70000
.604	2.060	-.04000	-.15300	-.26500	7.63000	-.10000	3.93000	3.70000
.603	2.660	-.04300	-.15200	-.26500	7.66000	-.11000	3.96000	3.70000
.603	3.360	-.04200	-.15700	-.26200	7.65000	-.10000	3.96000	3.71000
.603	4.160	-.04700	-.15900	-.26500	7.66000	-.11000	3.98000	3.71000
.602	4.960	-.05100	-.16300	-.26500	7.66000	-.13000	3.97000	3.71000
.601	5.960	-.04900	-.16200	-.26500	7.63000	-.13000	3.95000	3.71000
.602	6.960	-.04400	-.15800	-.26000	7.63000	-.12000	3.96000	3.71000
.603	7.970	-.04700	-.16600	-.26700	7.65000	-.11000	3.98000	3.72000
.602	8.960	-.05000	-.16800	-.26600	7.61000	-.15000	3.94000	3.72000
.604	9.960	-.04900	-.17100	-.26300	7.66000	-.11000	3.98000	3.73000
.603	10.900	-.04600	-.16900	-.26400	7.62000	-.14000	3.95000	3.73000
.603	11.840	-.04600	-.17000	-.26500	7.61000	-.15000	3.95000	3.73000
.604	12.780	-.05000	-.17200	-.26200	7.63000	-.09000	3.97000	3.73000
.603	13.710	-.04800	-.17100	-.26300	7.61000	-.14000	3.95000	3.73000
.604	14.650	-.05200	-.17100	-.26200	7.60000	-.14000	3.94000	3.73000
.603	15.590	-.05200	-.17300	-.26400	7.62000	-.10000	3.97000	3.74000
.600	16.530	-.05300	-.17800	-.26900	7.62000	-.14000	3.97000	3.74000
.598	17.470	-.05500	-.17900	-.27100	7.60000	-.13000	3.95000	3.74000
.602	18.410	-.04900	-.17400	-.26400	7.60000	-.13000	3.97000	3.74000
.601	19.350	-.05800	-.18100	-.26700	7.59000	-.13000	3.96000	3.74000
.602	20.280	-.05500	-.18100	-.26400	7.59000	-.11000	3.96000	3.74000
.603	21.220	-.05400	-.18000	-.26500	7.57000	-.13000	3.95000	3.74000
.606	22.150	-.05300	-.17900	-.26200	7.60000	-.11000	3.99000	3.74000
.603	23.090	-.05000	-.17700	-.26500	7.57000	-.14000	3.95000	3.75000
.604	24.030	-.05100	-.18000	-.26200	7.56000	-.12000	3.95000	3.75000
.604	24.960	-.05600	-.18200	-.26400	7.56000	-.13000	3.95000	3.75000
.604	25.910	-.05000	-.18100	-.26200	7.56000	-.12000	3.96000	3.75000
.604	26.850	-.05400	-.17800	-.26300	7.58000	-.09000	3.99000	3.75000
.604	27.780	-.05700	-.18200	-.26600	7.56000	-.13000	3.97000	3.75000
.604	28.720	-.05500	-.18500	-.26400	7.52000	-.13000	3.93000	3.75000
.603	29.660	-.05300	-.18300	-.26300	7.53000	-.09000	3.94000	3.75000
.603	30.600	-.05200	-.17900	-.26100	7.55000	-.12000	3.97000	3.76000
.602	31.530	-.05100	-.18100	-.26300	7.55000	-.11000	3.98000	3.76000
.604	32.470	-.04900	-.17700	-.25900	7.56000	-.12000	3.99000	3.76000
.602	33.410	-.05000	-.17900	-.26300	7.55000	-.13000	3.98000	3.76000
.602	34.350	-.05400	-.18500	-.26500	7.55000	-.11000	3.99000	3.76000
.600	35.290	-.05900	-.18900	-.26900	7.51000	-.14000	3.96000	3.76000
.602	36.230	-.05200	-.18400	-.26400	7.50000	-.16000	3.95000	3.76000
.602	37.170	-.05400	-.18600	-.26600	7.49000	-.15000	3.94000	3.76000
.603	38.100	-.05000	-.18900	-.26800	7.53000	-.12000	3.99000	3.76000
.603	39.040	-.05600	-.18800	-.27000	7.50000	-.12000	3.97000	3.76000

LTV44-559(CA26) 747/1 ATY 06 S1 (ORBITER DATA)

(XFE121) ( 29 JAN 76 )

REFERENCE DATA

SREF = 2690.0000 SQ.FT. XMRP = 1109.0000 IN. XO  
 LREF = 474.8100 IN. YMRP = .0000 IN. YO  
 BREF = 936.6800 IN. ZMRP = 375.0000 IN. ZO  
 SCALE = .0125

PARAMETRIC DATA

ALPHAC = 4.000 BETAC = .000  
 STAB = 5.000 RUDDER = .000  
 ELEVON = .000 DX = .000  
 DY = .000 TORB = 4.000  
 BETAO = .000 DPHI = .000

RUN NO. 86/ 0 RN/L = .00 GRADIENT INTERVAL = -5.00/ 5.00

MACH	DZ	CPCO	CPS1	CPS2	ALPHA0	BETAO	INCID	ALPHAC-
.603	39.980	-.05600	-.18100	-.26400	7.50000	-.13000	3.97000	3.76000
.603	40.920	-.05400	-.18500	-.26200	7.50000	-.13000	3.98000	3.76000
.605	41.850	-.05500	-.18500	-.25800	7.49000	-.14000	3.98000	3.76000
.604	42.790	-.05600	-.18600	-.25800	7.48000	-.14000	3.96000	3.77000
	GRADIENT	-.00350	-.00458	-.00106	.00145	-.00714	.00633	.00366

C.9

LTV44-559(CA26) 747/1 ATY 06 S1 (ORBITER DATA)

(XFE122) ( 29 JAN 76 )

## REFERENCE DATA

SREF = 2690.0000 SQ.FT. XMRP = 1109.0000 IN. XO  
 LREF = 474.8100 IN. YMRP = .0000 IN. YO  
 SREF = 936.6800 IN. ZMRP = 375.0000 IN. ZO  
 SCALE = .0125

## PARAMETRIC DATA

ALPHAC = 4.000 BETAC = .000  
 STAB = 5.000 RUDDER = .000  
 ELEVON = .000 DX = .000  
 DY = .000 IORB = 6.000  
 BETAO = .000 DPHI = .000

RUN NO. 1086/ 0 RN/L = .00 GRADIENT INTERVAL = -5.00/ 5.00

MACH	DZ	CPCO	CPS1	CPS2	ALPHAO	BETAO	INCID	ALPHAC
.602	1.480	-.04900	-.18400	-.23500	9.59000	-.13000	5.96000	3.73000
.604	2.070	-.05200	-.18800	-.23500	9.61700	-.14000	5.97000	3.73000
.604	2.670	-.05200	-.19000	-.23600	9.67000	-.15000	5.95000	3.73000
.603	3.380	-.05300	-.18800	-.23900	9.56000	-.16000	5.94000	3.73000
.602	4.180	-.05300	-.19100	-.24400	9.68000	-.13000	5.97000	3.73000
.600	4.980	-.05400	-.19200	-.24000	9.67000	-.16000	5.96000	3.73000
.605	5.970	-.05000	-.18900	-.23700	9.67000	-.12000	5.97000	3.73000
.602	6.990	-.05600	-.19200	-.24600	9.68000	-.13000	5.98000	3.74000
.604	7.970	-.05100	-.18900	-.24000	9.63000	-.16000	5.93000	3.73000
.603	8.980	-.05100	-.19300	-.24300	9.64000	-.14000	5.95000	3.73000
.602	9.970	-.05300	-.19100	-.24100	9.63000	-.15000	5.95000	3.73000
.604	11.290	-.05700	-.19100	-.24600	9.63000	-.14000	5.95000	3.74000
.602	12.610	-.05700	-.19800	-.24900	9.63000	-.12000	5.96000	3.75000
.605	13.920	-.05600	-.18900	-.24400	9.60000	-.16000	5.94000	3.74000
.601	15.240	-.05500	-.19800	-.24700	9.61000	-.15000	5.95000	3.74000
.602	16.550	-.05900	-.19500	-.25100	9.61000	-.14000	5.96000	3.74000
.603	17.870	-.05000	-.19000	-.24600	9.58000	-.16000	5.94000	3.74000
.606	19.190	-.05700	-.19000	-.24500	9.58000	-.14000	5.94000	3.75000
.600	20.500	-.05500	-.20300	-.25200	9.59000	-.13000	5.96000	3.75000
.602	21.810	-.05600	-.20000	-.25200	9.59000	-.13000	5.96000	3.75000
.602	23.130	-.05800	-.19500	-.25100	9.57000	-.15000	5.95000	3.75000
.603	24.450	-.05400	-.19600	-.25100	9.58000	-.12000	5.97000	3.75000
.606	25.770	-.04900	-.18600	-.24200	9.55000	-.16000	5.95000	3.75000
.602	27.080	-.06000	-.19400	-.25100	9.57000	-.12000	5.97000	3.75000
.602	28.400	-.06100	-.19600	-.25300	9.57000	-.10000	5.97000	3.76000
.605	29.710	-.05100	-.19000	-.24700	9.56000	-.12000	5.97000	3.76000
.605	31.030	-.06000	-.19500	-.25000	9.51000	-.17000	5.93000	3.76000
.602	32.350	-.06000	-.19600	-.25300	9.54000	-.14000	5.97000	3.76000
.602	33.660	-.06100	-.19600	-.25800	9.54000	-.12000	5.97000	3.76000
.605	34.980	-.05900	-.19400	-.24900	9.53000	-.11000	5.97000	3.76000
.601	36.290	-.06200	-.19800	-.25500	9.52000	-.13000	5.96000	3.76000
.604	37.610	-.05500	-.19500	-.25300	9.48000	-.16000	5.93000	3.76000
.605	38.930	-.05300	-.19400	-.25100	9.49000	-.16000	5.95000	3.76000
.602	40.240	-.05900	-.19200	-.25700	9.50000	-.14000	5.96000	3.76000
.606	41.560	-.05700	-.19300	-.25400	9.46000	-.14000	5.93000	3.77000
.606	42.870	-.06100	-.19300	-.25900	9.46000	-.14000	5.94000	3.76000
.605	44.200	-.05600	-.19500	-.25600	9.45000	-.18000	5.94000	3.76000
.604	45.510	-.06200	-.19400	-.25400	9.44000	-.14000	5.94000	3.77000
.604	46.830	-.06000	-.19400	-.25900	9.46000	-.14000	5.96000	3.77000
.602	48.140	-.05700	-.19200	-.25900	9.47000	-.13000	5.98000	3.77000
.603	49.460	-.06200	-.19600	-.26400	9.45000	-.14000	5.97000	3.77000
GRADIENT		-.00115	-.00188	-.00223	-.00533	-.00503	-.00006	.00000

ORIGINAL PAGE IS  
OF POOR QUALITY

LTV44-559(CA26) 747/1 ATY 06 S1 (ORBITER DATA)

(XFE123) (29 JAN 76)

## REFERENCE DATA

SREF = 2690.0000 SQ.FT. XMRP = 1109.0000 IN. XO  
 LREF = 474.8100 IN. YMRP = .0000 IN. YO  
 BREF = 936.6800 IN. ZMRP = 375.0000 IN. ZO  
 SCALE = .0125

## PARAMETRIC DATA

ALPHAC = 4.000 BETAC = .000  
 STAB = 5.000 RUDDER = .000  
 ELEVON = .000 DX = .000  
 DY = .000 TORB = 8.000  
 BETAD = .000 DPHI = .000

RUN NO. 87/ 0 RN/L = .00 GRADIENT INTERVAL = -5.00/ 5.00

MACH	DZ	CPCO	CPS1	CPS2	ALPHAO	BETAO	INCID	ALPHAC
.603	1.460	-.06100	-.17100	-.31000	11.70000	-.13000	7.93000	3.77000
.603	2.060	-.06300	-.17300	-.31200	11.71000	-.13000	7.96000	3.77000
.603	2.660	-.06600	-.17400	-.31200	11.67000	-.12000	7.92000	3.77000
.602	3.360	-.07000	-.18600	-.31400	11.69000	-.10000	7.93000	3.77000
.602	4.160	-.07300	-.18800	-.31400	11.70000	-.11000	7.94000	3.77000
.602	4.960	-.08200	-.19700	-.31600	11.67000	-.10000	7.93000	3.77000
.602	5.960	-.08500	-.19800	-.31700	11.67000	-.12000	7.94000	3.76000
.601	6.960	-.08900	-.20800	-.32400	11.67000	-.10000	7.93000	3.77000
.602	7.970	-.08700	-.20600	-.32000	11.64000	-.09000	7.92000	3.77000
.601	8.960	-.08900	-.21100	-.32000	11.63000	-.11000	7.92000	3.76000
.601	9.960	-.09800	-.22300	-.32400	11.65000	-.08000	7.94000	3.76000
.602	11.120	-.09300	-.21700	-.31900	11.61000	-.08000	7.91000	3.76000
.601	12.270	-.09900	-.22100	-.32300	11.63000	-.10000	7.94000	3.76000
.603	13.430	-.09200	-.22000	-.31900	11.61000	-.09000	7.92000	3.76000
.603	14.580	-.09500	-.22600	-.31900	11.59000	-.08000	7.91000	3.76000
.600	15.730	-.10200	-.23000	-.32500	11.61000	-.11000	7.94000	3.76000
.600	16.890	-.10200	-.23000	-.32400	11.60000	-.10000	7.94000	3.76000
.601	18.040	-.09700	-.23100	-.32100	11.57000	-.09000	7.91000	3.76000
.603	19.200	-.10000	-.23400	-.32200	11.59000	-.10000	7.94000	3.76000
.601	20.360	-.10200	-.23700	-.32400	11.59000	-.10000	7.95000	3.76000
.603	21.500	-.10500	-.23700	-.32000	11.58000	-.11000	7.94000	3.76000
.601	22.650	-.10700	-.24100	-.32400	11.56000	-.09000	7.93000	3.76000
.601	23.810	-.10800	-.24200	-.32400	11.55000	-.08000	7.93000	3.76000
.600	24.960	-.10700	-.24300	-.32200	11.56000	-.10000	7.94000	3.76000
.600	26.120	-.10700	-.24600	-.32400	11.53000	-.09000	7.92000	3.76000
.603	27.270	-.10500	-.24500	-.32100	11.55000	-.08000	7.95000	3.76000
.602	28.430	-.11000	-.24900	-.32100	11.50000	-.11000	7.91000	3.76000
.600	29.580	-.11200	-.25300	-.32400	11.53000	-.10000	7.94000	3.76000
.602	30.730	-.11200	-.25300	-.32300	11.52000	-.08000	7.93000	3.76000
.602	31.890	-.11200	-.25300	-.32100	11.52000	-.10000	7.94000	3.76000
.604	33.040	-.10700	-.24700	-.31900	11.50000	-.11000	7.93000	3.76000
.601	34.200	-.10900	-.25200	-.31900	11.50000	-.11000	7.93000	3.76000
.602	35.360	-.11000	-.25200	-.31900	11.50000	-.07000	7.95000	3.76000
.601	36.510	-.11400	-.25800	-.32500	11.49000	-.08000	7.94000	3.76000
.601	37.660	-.11200	-.25900	-.32200	11.47000	-.12000	7.92000	3.77000
.601	38.810	-.11600	-.26000	-.32700	11.46000	-.11000	7.92000	3.77000
.601	39.970	-.11900	-.26300	-.33000	11.46000	-.11000	7.92000	3.76000
.603	41.120	-.11600	-.25900	-.32400	11.46000	-.10000	7.94000	3.77000
.603	42.280	-.11100	-.25700	-.31700	11.47000	-.10000	7.95000	3.77000
.604	43.430	-.11300	-.26100	-.31900	11.44000	-.09000	7.92000	3.77000
.602	44.590	-.11700	-.26600	-.32100	11.43000	-.09000	7.92000	3.77000
.603	45.740	-.11900	-.26000	-.31800	11.41000	-.10000	7.91000	3.77000

DATE 22 MAR 76

CA-26 FORCE SOURCE DATA TABULATION

PAGE 679

'TV44-559(CA26) 747/1 ATY 06 S1 (ORBITER DATA)

(XFE123) ( 29 JAN 76 )

## REFERENCE DATA

SREF = 2690.0000 SQ.FT. XMRP = 1109.0000 IN. XO  
 LREF = 474.8100 IN. YMRP = .0000 IN. YO  
 BREF = 936.6800 IN. ZMRP = 375.0000 IN. ZO  
 SCALE = .0125

## PARAMETRIC DATA

ALPHAC = 4.000 BETAC = .000  
 STAB = 5.000 RUDDER = .000  
 ELEVON = .000 DX = .000  
 DY = .000 IORB = 8.000  
 BETAO = .000 DPHI = .000

RUN NO. 87/ 0 RN/L = .00 GRADIENT INTERVAL = -5.00/ 5.00

MACH	DZ	CPCO	CPS1	CPS2	ALPHAO	BETAO	INCID	ALPHAC
.603	46.900	-.11600	-.26900	-.31900	11.44000	-.11000	7.94000	3.77000
.600	48.050	-.11900	-.26800	-.32500	11.42000	-.07000	7.92000	3.77000
.601	49.200	-.12000	-.26800	-.31800	11.42000	-.11000	7.94000	3.77000
.600	50.360	-.12100	-.27000	-.31900	11.40000	-.14000	7.92000	3.77000
.600	51.510	-.12000	-.27000	-.31800	11.38000	-.12000	7.91000	3.77000
.602	52.670	-.11700	-.27100	-.31800	11.39000	-.09000	7.92000	3.77000
.601	53.820	-.12300	-.27300	-.31900	11.38000	-.12000	7.92000	3.78000
.601	54.980	-.12200	-.26900	-.32400	11.38000	-.11000	7.92000	3.78000
	GRADIENT	-.00573	-.00769	-.00154	-.00638	.00923	-.00192	.00000

LTV44-559(CA26) 747/1 ATY 08 S1 (ORBITER DATA)

(XFE124) ( 29 JAN 76 )

## REFERENCE DATA

SREF = 2690.0000 SQ.FT. XMRP = 1109.0000 IN. XO  
 LREF = 474.8100 IN. YMRP = .0000 IN. YO  
 BREF = 936.6800 IN. ZMRP = 375.0000 IN. ZO  
 SCALE = .0125

## PARAMETRIC DATA

ALPHAC = .000 BETAC = .000  
 STAB = 5.000 RUDDER = .000  
 ELEVON = .000 DX = .000  
 DY = .000 IORB = 4.000  
 BETAO = .000 DPHI = .000

RUN NO. 88/ 0 RN/L = .00 GRADIENT INTERVAL = -5.00/ 5.00

MACH	DZ	CPCO	CPS1	CPS2	ALPHAO	BETAO	INCID	ALPHAC
.600	1.460	-.02600	-.14100	-.26900	3.92000	-.04000	3.98000	-.04000
.599	2.060	-.02900	-.14100	-.27000	3.88000	-.10000	3.93000	-.03000
.599	2.660	-.03100	-.14300	-.26900	3.91000	-.09000	3.96000	-.03000
.601	3.360	-.03300	-.14600	-.26900	3.91000	-.07000	3.97000	-.03000
.598	4.160	-.03500	-.14900	-.27100	3.91000	-.09000	3.97000	-.03000
.597	4.960	-.03800	-.15100	-.27300	3.92000	-.07000	3.98000	-.03000
.597	6.960	-.03800	-.15200	-.27300	3.91000	-.08000	3.98000	-.03000
.598	8.960	-.03400	-.15200	-.27300	3.89000	-.08000	3.98000	-.02000
.602	10.510	-.03500	-.15800	-.27300	3.87000	-.11000	3.96000	-.02000
.601	11.600	-.03500	-.16200	-.27400	3.88000	-.08000	3.98000	-.02000
.600	12.690	-.04000	-.16700	-.27700	3.88000	-.07000	3.98000	-.02000
.599	13.780	-.04500	-.16800	-.27900	3.86000	-.08000	3.97000	-.02000
.599	14.870	-.04200	-.16800	-.27800	3.87000	-.08000	3.98000	-.02000
.601	15.960	-.03900	-.16200	-.27400	3.86000	-.07000	3.97000	-.01000
.598	17.050	-.04400	-.16300	-.27600	3.84000	-.11000	3.96000	-.02000
.601	18.140	-.04100	-.16900	-.27700	3.86000	-.07000	3.98000	-.01000
.599	19.240	-.04600	-.16900	-.27700	3.82000	-.11000	3.95000	-.01000
.598	20.320	-.04500	-.17400	-.27900	3.82000	-.12000	3.96000	-.01000
.601	21.420	-.04200	-.16700	-.27500	3.85000	-.07000	3.99000	-.01000
.599	22.500	-.04600	-.17600	-.27900	3.81000	-.10000	3.95000	.00000
.602	23.590	-.04600	-.17800	-.27700	3.82000	-.12000	3.96000	.00000
.598	24.680	-.04800	-.17400	-.27800	3.83000	-.06000	3.98000	.00000
.599	25.770	-.04900	-.17300	-.27700	3.80000	-.13000	3.96000	.00000
.600	26.860	-.05000	-.17800	-.28000	3.81000	-.07000	3.98000	.00000
.599	27.950	-.04500	-.17500	-.27400	3.80000	-.11000	3.97000	.00000
.605	29.040	-.04800	-.17200	-.27200	3.79000	-.06000	3.97000	.00000
.599	30.130	-.05100	-.18300	-.28000	3.78000	-.13000	3.96000	.00000
.603	31.220	-.04800	-.17900	-.27500	3.80000	-.07000	3.98000	.00000
.599	32.310	-.05200	-.18600	-.27900	3.80000	-.06000	3.99000	.00000
.603	33.400	-.04700	-.18000	-.27600	3.78000	-.07000	3.98000	.00000
.600	34.500	-.05500	-.18700	-.28300	3.74000	-.10000	3.95000	.00000
.602	35.580	-.04700	-.17800	-.27000	3.76000	-.07000	3.97000	.00000
.601	36.680	-.05100	-.18300	-.27300	3.74000	-.09000	3.96000	.00000
.601	37.760	-.05400	-.18600	-.27700	3.74000	-.09000	3.96000	.00000
.598	38.860	-.05500	-.19400	-.28400	3.71000	-.10000	3.94000	.00000
.598	39.950	-.05400	-.19400	-.28100	3.76000	-.08000	3.99000	.00000
.598	41.040	-.05200	-.19500	-.27900	3.75000	-.10000	3.98000	.00000
.599	42.130	-.05300	-.19400	-.27900	3.70000	-.12000	3.95000	.00000
.601	43.220	-.05800	-.19700	-.28000	3.71000	-.10000	3.96000	.00000
.599	44.310	-.05300	-.19800	-.27900	3.70000	-.12000	3.95000	.00000
.601	45.400	-.05400	-.19100	-.27700	3.71000	-.09000	3.98000	.00000
.602	46.490	-.05600	-.19900	-.27800	3.67000	-.07000	3.94000	.00000

DATE 22 MAR 76

CA-26 FORCE SOURCE DATA TABULATION

PAGE 681

LTV44-559(CA26) 747/1 ATY 06 S1 (ORBITER DATA)

(XFE124) ( 29 JAN 76 )

REFERENCE DATA

SREF = 2690.0000 SQ.FT. XMRP = 1109.0000 IN. XO  
LREF = 474.8100 IN. YMRP = .0000 IN. YO  
BREF = 936.6800 IN. ZMRP = 375.0000 IN. ZO  
SCALE = .0125

PARAMETRIC DATA

ALPHAC = .000 BETAC = .000  
STAB = 5.000 RUDDER = .000  
ELEVON = .000 DX = .000  
DY = .000 IORB = 4.000  
BETAO = .000 DPHI = .000

RUN NO. 88/ 0 RN/L = .00 GRADIENT INTERVAL = -5.00/ 5.00

MACH	DZ	CPCO	CPS1	CPS2	ALPHAO	BETAO	INCID	ALPHAC
.601	47.580	-.05400	-.19900	-.27500	3.71000	-.09000	3.98000	.00000
.600	48.120	-.05400	-.19800	-.27500	3.67000	-.09000	3.94000	.01000
	GRADIENT	-.00325	-.00316	-.00098	.00389	-.00348	.00563	.00192

LTV44-559(CA26) 747/1 ATY 06 S1 (ORBITER DATA)

(XFE125) ( 29 JAN 76 )

## REFERENCE DATA

SREF = 2690.0000 SQ.FT. XMRP = 1109.0000 IN. XO  
 LREF = 474.8100 IN. YMRP = .0000 IN. YO  
 BREF = 936.6800 IN. ZMRP = 375.0000 IN. ZO  
 SCALE = .0125

## PARAMETRIC DATA

ALPHAC = .000 BETAC = .000  
 STAB = 5.000 RUDDER = .000  
 ELEVON = .000 DX = .000  
 DY = .000 IORB = 6.000  
 BETAO = .000 DPHI = .000

RUN NO. 1088/ 0 RN/L = .00 GRADIENT INTERVAL = -5.00/ 5.00

MACH	DZ	CPCO	CPS1	CPS2	ALPHAO	BETAO	INCID	ALPHAC
.604	1.480	-.05900	-.22000	-.25400	5.94000	-.13000	5.95000	.00000
.600	2.070	-.06600	-.23200	-.26300	5.95000	-.14000	5.96000	.00000
.597	2.670	-.07000	-.23300	-.26400	5.94000	-.07000	5.95000	.00000
.597	3.380	-.06700	-.23300	-.26500	5.94000	-.14000	5.96000	.00000
.600	4.170	-.06600	-.22600	-.26000	5.96000	-.13000	5.98000	.00000
.600	4.970	-.06200	-.22600	-.26000	5.94000	-.13000	5.96000	.00000
.600	6.970	-.07000	-.22800	-.26700	5.95000	-.14000	5.99000	.00000
.602	8.980	-.06700	-.22600	-.26400	5.92000	-.11000	5.97000	.00000
.600	10.660	-.06800	-.22800	-.26600	5.87000	-.06000	5.94000	.00000
.601	12.040	-.06700	-.23000	-.26500	5.88000	-.07000	5.95000	.00000
.600	13.420	-.06800	-.23200	-.26500	5.88000	-.08000	5.95000	.00000
.594	14.800	-.07000	-.23300	-.27300	5.90000	-.14000	5.99000	.00000
.603	16.180	-.06800	-.22800	-.26300	5.88000	-.09000	5.97000	.00000
.601	17.560	-.06800	-.23100	-.26500	5.87000	-.12000	5.97000	.00000
.598	18.940	-.07200	-.23300	-.27000	5.84000	-.11000	5.95000	.00000
.600	20.320	-.06800	-.22900	-.26600	5.86000	-.14000	5.98000	.00000
.599	21.690	-.06500	-.22500	-.26900	5.82000	-.07000	5.95000	.00000
.598	23.070	-.07100	-.23300	-.27100	5.84000	-.15000	5.98000	.00000
.601	24.450	-.06700	-.22300	-.26900	5.84000	-.10000	5.98000	.00000
.598	25.830	-.07000	-.23300	-.27500	5.79000	-.11000	5.94000	.00000
.595	27.200	-.06900	-.23400	-.27700	5.80000	-.08000	5.96000	.00000
.601	28.580	-.06500	-.22200	-.26900	5.80000	-.14000	5.97000	.00000
.601	29.960	-.06900	-.22200	-.27000	5.78000	-.13000	5.95000	.00000
.601	31.340	-.06500	-.22000	-.26800	5.77000	-.14000	5.95000	.00000
.595	32.730	-.06900	-.23100	-.27400	5.79000	-.14000	5.98000	.00000
.598	34.110	-.07200	-.22800	-.27500	5.79000	-.10000	5.98000	.00000
.600	35.490	-.06700	-.22600	-.27100	5.77000	-.06000	5.97000	.01000
.601	36.860	-.06500	-.22300	-.27200	5.74000	-.09000	5.95000	.01000
.600	38.240	-.07100	-.22500	-.27600	5.74000	-.04000	5.96000	.00000
.602	39.620	-.06500	-.22200	-.27100	5.71000	-.09000	5.93000	.01000
.601	41.000	-.06900	-.22400	-.27100	5.71000	-.12000	5.94000	.01000
.601	42.380	-.06300	-.22200	-.27100	5.71000	-.10000	5.96000	.00000
.600	43.760	-.06900	-.22600	-.27600	5.73000	-.09000	5.98000	.00000
.599	45.140	-.06600	-.22200	-.27700	5.72000	-.08000	5.97000	.01000
.600	46.510	-.06700	-.22200	-.27700	5.71000	-.06000	5.97000	.00000
.600	47.890	-.06500	-.22000	-.27500	5.70000	-.07000	5.98000	.00000
.600	49.270	-.06900	-.21800	-.27500	5.69000	-.08000	5.98000	.00000
.597	50.650	-.06900	-.22300	-.28500	5.66000	-.14000	5.95000	.00000
.601	52.030	-.06700	-.21800	-.27600	5.68000	-.09000	5.98000	.00000
.601	53.420	-.06500	-.21400	-.27400	5.67000	-.10000	5.98000	.01000
.602	54.790	-.06400	-.21400	-.27600	5.65000	-.14000	5.96000	.01000
	GRADIENT	-.00030	-.00025	-.00072	.00121	-.00224	.00488	.00000



LTV44-559(CA26) 747/1 ATY 06 S1 (ORBITER DATA)

(XFE126) ( 29 JAN 76 )

## REFERENCE DATA

SREF = 2690.0000 SQ.FT. XMRP = 1109.0000 IN. XO  
 LREF = 474.8100 IN. YMRP = .0000 IN. YO  
 BREF = 936.6800 IN. ZMRP = 375.0000 IN. ZO  
 SCALE = .0125

## PARAMETRIC DATA

ALPHAC = .000 BETAC = .000  
 STAB = 5.000 RUDDER = .000  
 ELEVON = .000 DX = .000  
 DY = .000 IORB = 8.000  
 BETAO = .000 DPHI = .000

RUN NO. 89/ 0 RN/L = .00 GRADIENT INTERVAL = -5.00/ 5.00

MACH	DZ	CPCO	CPS1	CPS2	ALPHA0	BETAO	INCLD	ALPHAC
.600	1.460	-.04800	-.15900	-.30700	7.97000	-.08000	7.95000	.02000
.598	2.060	-.04900	-.16100	-.31000	7.99000	-.11000	7.97000	.03000
.601	2.660	-.04900	-.16300	-.30700	7.97000	-.13000	7.96000	.02000
.598	3.460	-.05300	-.16800	-.31000	7.98000	-.13000	7.96000	.03000
.600	4.460	-.05600	-.16800	-.31000	7.95000	-.08000	7.93000	.04000
.600	5.590	-.06100	-.17800	-.31200	7.97000	-.14000	7.97000	.03000
.598	6.840	-.05900	-.17500	-.31300	7.93000	-.05000	7.93000	.04000
.600	8.090	-.06300	-.17900	-.31300	7.95000	-.13000	7.96000	.03000
.602	9.340	-.06400	-.18000	-.31100	7.92000	-.11000	7.94000	.03000
.600	10.620	-.06600	-.18300	-.31300	7.93000	-.12000	7.96000	.03000
.598	11.940	-.06700	-.19000	-.31700	7.92000	-.13000	7.96000	.02000
.599	13.270	-.07200	-.19100	-.31800	7.91000	-.10000	7.96000	.03000
.600	14.590	-.06800	-.19200	-.31600	7.90000	-.09000	7.96000	.02000
.598	15.910	-.07400	-.19400	-.32100	7.86000	-.09000	7.93000	.02000
.598	17.220	-.06800	-.19300	-.31600	7.88000	-.14000	7.96000	.01000
.599	18.550	-.07100	-.19700	-.31800	7.87000	-.15000	7.96000	.02000
.597	19.870	-.07200	-.20200	-.32200	7.84000	-.11000	7.94000	.02000
.601	21.190	-.07500	-.19900	-.31900	7.87000	-.15000	7.97000	.02000
.601	22.500	-.08000	-.20400	-.32100	7.85000	-.15000	7.96000	.01000
.600	23.830	-.07700	-.21000	-.32200	7.84000	-.12000	7.97000	.01000
.600	25.150	-.07900	-.21200	-.32300	7.81000	-.11000	7.94000	.01000
.597	26.460	-.07900	-.20800	-.32200	7.83000	-.11000	7.97000	.01000
.600	27.780	-.07900	-.21500	-.32300	7.81000	-.08000	7.96000	.01000
.599	29.110	-.08000	-.21100	-.32100	7.81000	-.13000	7.97000	.01000
.599	30.430	-.08400	-.21500	-.32300	7.80000	-.10000	7.97000	.01000
.599	31.750	-.08100	-.21500	-.32100	7.76000	-.06000	7.93000	.01000
.600	33.070	-.07900	-.21800	-.31800	7.77000	-.15000	7.95000	.01000
.598	34.390	-.08300	-.22200	-.32200	7.75000	-.09000	7.93000	.02000
.600	35.710	-.08800	-.22000	-.32100	7.74000	-.12000	7.94000	.01000
.598	37.030	-.09000	-.22500	-.32300	7.74000	-.14000	7.94000	.02000
.600	38.350	-.08300	-.22000	-.31600	7.75000	-.09000	7.96000	.02000
.598	39.670	-.08600	-.22800	-.32400	7.72000	-.13000	7.94000	.01000
.601	40.990	-.08600	-.22700	-.32000	7.75000	-.11000	7.97000	.01000
.599	42.310	-.09300	-.23500	-.32300	7.70000	-.10000	7.93000	.01000
.599	43.640	-.09000	-.23400	-.31900	7.69000	-.11000	7.93000	.01000
.599	44.960	-.08900	-.23600	-.31900	7.70000	-.09000	7.95000	.01000
.599	46.270	-.09000	-.23600	-.32200	7.68000	-.13000	7.95000	.01000
.598	47.590	-.09100	-.23700	-.31800	7.70000	-.07000	7.97000	.01000
.599	48.920	-.09300	-.24000	-.32100	7.67000	-.12000	7.94000	.02000
.599	50.240	-.09700	-.24600	-.32400	7.68000	-.10000	7.96000	.01000
.601	51.560	-.09300	-.24300	-.31700	7.69000	-.11000	7.97000	.01000
.601	52.880	-.09400	-.24500	-.31900	7.66000	-.13000	7.95000	.01000

ORIGINAL PAGE IS  
OF POOR QUALITY

LTV44-559(CA26) 747/1 ATY 06 S1 (ORBITER DATA)

(XFE126) ( 29 JAN 76 )

## REFERENCE DATA

SREF	=	2690.0000	SQ.FT.	XMRP	=	1109.0000	IN. XO
LREF	=	474.8100	IN.	YMRP	=	.0000	IN. YO
BREF	=	936.6800	IN.	ZMRP	=	375.0000	IN. ZO
SCALE	=	.0125					

## PARAMETRIC DATA

ALPHAC	=	.000	BETAC	=	.000
STAB	=	5.000	RUDDER	=	.000
ELEVON	=	.000	DX	=	.000
DY	=	.000	IORB	=	8.000
BETA0	=	.000	DPHI	=	.000

RUN NO. 89/ 0    RN/L = .00    GRADIENT INTERVAL = -5.00/ 5.00

MACH	DZ	CPC0	CPS1	CPS2	ALPHAO	BETA0	INCID	ALPHAC
.599	54.200	-.09500	-.24600	-.31900	7.65000	-.13000	7.95000	.01000
.599	55.520	-.09500	-.24500	-.31800	7.63000	-.13000	7.95000	.01000
.599	56.840	-.09900	-.24500	-.31900	7.60000	-.15000	7.92000	.01000
.600	58.160	-.09300	-.24300	-.31900	7.63000	-.14000	7.96000	.01000
.599	59.480	-.09500	-.24700	-.31100	7.63000	-.11000	7.96000	.01000
.598	60.800	-.09400	-.25100	-.31800	7.62000	-.10000	7.96000	.01000
.599	61.460	-.09800	-.24900	-.31900	7.59000	-.11000	7.93000	.01000
	GRADIENT	-.00277	-.00331	-.00082	-.00749	-.00022	-.00778	.00569

LTV44-559(CA26) 747/1 ATY 06 S1 (ORBITER DATA)

(XFE127) ( 29 JAN 76 )

## REFERENCE DATA

SREF = 2690.0000 SQ.FT. XMRP = 1109.0000 IN. XO  
 LREF = 474.8100 IN. YMRP = .0000 IN. YO  
 BREF = 936.6800 IN. ZMRP = 375.0000 IN. ZO  
 SCALE = .0125

## PARAMETRIC DATA

ALPHAC = 2.000 BETAC = .000  
 STAB = 5.000 RUDDER = .000  
 ELEVON = .000 DX = .000  
 DY = .000 IORF = 6.000  
 BETAO = .000 OPHI = 7.500

RUN NO. 90/ 0 RN/L = .00 GRADIENT INTERVAL = -5.00/ 5.00

MACH	DZ	CPCO	CPS1	CPS2	ALPHAO	BETAO	INCID	ALPHAC
.605	1.460	-.02900	-.13100	-.27800	8.61000	.00000	5.95000	2.66000
.604	2.060	-.03300	-.13800	-.28100	8.62000	-.01000	5.95000	2.67000
.604	2.660	-.02800	-.13200	-.27600	8.61000	.00000	5.95000	2.67000
.605	3.360	-.02900	-.13800	-.27900	8.63000	.01000	5.97000	2.67000
.602	4.160	-.03000	-.13800	-.28200	8.61000	-.01000	5.96000	2.67000
.608	4.960	-.03500	-.13800	-.28000	8.62000	.00000	5.97000	2.67000
.604	5.960	-.03400	-.14200	-.28200	8.60000	.01000	5.96000	2.67000
.606	6.960	-.03400	-.14200	-.28000	8.59000	.00000	5.96000	2.67000
.605	7.970	-.03400	-.14800	-.28400	8.60000	.00000	5.97000	2.67000
.605	8.960	-.03700	-.15000	-.28400	8.60000	.01000	5.97000	2.67000
.605	9.960	-.03500	-.14700	-.28000	8.59000	.01000	5.97000	2.67000
.605	11.150	-.03800	-.14800	-.28300	8.55000	.00000	5.94000	2.67000
.606	12.330	-.03300	-.14800	-.28000	8.59000	.00000	5.98000	2.67000
.604	13.520	-.03500	-.14900	-.28100	8.55000	.00000	5.96000	2.67000
.604	14.700	-.03400	-.14900	-.28200	8.57000	.00000	5.98000	2.68000
.607	15.900	-.03700	-.14800	-.27900	8.53000	.00000	5.94000	2.67000
.604	17.080	-.04000	-.15300	-.28400	8.53000	.00000	5.95000	2.67000
.604	18.270	-.03600	-.15000	-.28000	8.54000	.00000	5.97000	2.67000
.605	19.450	-.03400	-.15100	-.27800	8.54000	.02000	5.98000	2.67000
.605	20.640	-.04300	-.15900	-.28400	8.50000	.01000	5.94000	2.68000
.607	21.810	-.03900	-.15500	-.27900	8.50000	.00000	5.95000	2.68000
.605	23.000	-.03600	-.15400	-.27800	8.51000	.00000	5.96000	2.68000
.604	24.190	-.04200	-.15700	-.28300	8.50000	-.01000	5.96000	2.68000
.606	25.370	-.03700	-.15500	-.28000	8.48000	.02000	5.95000	2.68000
.604	26.560	-.03800	-.15600	-.28300	8.49000	.00000	5.97000	2.68000
.604	27.740	-.04200	-.16200	-.28600	8.48000	.02000	5.96000	2.69000
.604	28.930	-.04300	-.16200	-.28300	8.48000	.00000	5.97000	2.68000
.607	30.110	-.04000	-.16200	-.28100	8.50000	.01000	5.99000	2.68000
.607	31.310	-.04400	-.16500	-.28500	8.45000	.01000	5.95000	2.68000
.605	32.490	-.04500	-.16700	-.28500	8.44000	.01000	5.95000	2.68000
.605	33.680	-.04500	-.16700	-.28200	8.46000	-.02000	5.96000	2.69000
.605	34.860	-.04000	-.16500	-.27800	8.45000	.00000	5.97000	2.68000
.605	36.050	-.04500	-.16900	-.28300	8.48000	.01000	5.98000	2.68000
.607	37.230	-.04100	-.16600	-.27600	8.43000	-.01000	5.96000	2.68000
.607	38.420	-.04300	-.16900	-.27300	8.43000	.00000	5.96000	2.69000
.606	39.610	-.03900	-.18500	-.27100	8.40000	.02000	5.94000	2.69000
.605	40.790	-.04000	-.16600	-.27200	8.39000	.01000	5.94000	2.69000
.604	41.980	-.05100	-.17900	-.28100	8.39000	.00000	5.94000	2.69000
.606	43.160	-.04400	-.17000	-.27100	8.39000	.00000	5.95000	2.68000
.604	44.350	-.04300	-.17100	-.27600	8.38000	.00000	5.95000	2.69000
.605	45.530	-.04500	-.16900	-.27500	8.38000	.00000	5.96000	2.69000
.605	46.720	-.04500	-.17100	-.27700	8.37000	-.01000	5.95000	2.69000

LTV44-559(CA26) 747/1 ATY 06 S1 (ORBITER DATA)

(XFE127) ( 29 JAN 76 )

## REFERENCE DATA

SREF = 2690.0000 SQ.FT. XMRP = 1109.0000 IN. XO  
 LREF = 474.8100 IN. YMRP = .0000 IN. YO  
 BREF = 936.6800 IN. ZMRP = 375.0000 IN. ZO  
 SCALE = .0125

## PARAMETRIC DATA

ALPHAC = 2.000 BETAC = .000  
 STAB = 5.000 RUDDER = .000  
 ELEVON = .000 DX = .000  
 DY = .000 IORB = 6.000  
 BETAO = .000 DPHI = 7.500

RUN NO. 90/ 0 RN/L = .00 GRADIENT INTERVAL = -5.00/ 5.00

MACH	DZ	CPCO	CPS1	CPS2	ALPHAO	BETAO	INCLD	ALPHAC
.603	47.910	-.04100	-.17200	-.28100	8.37000	.00000	5.95000	2.69000
.606	49.090	-.03900	-.16600	-.28100	8.38000	.02000	5.97000	2.69000
.606	50.280	-.04200	-.16700	-.27600	8.37000	.00000	5.98000	2.69000
.604	51.460	-.05000	-.17200	-.28500	8.34000	.03000	5.95000	2.69000
	GRADIENT	-.00098	-.00165	-.00068	.00151	.00029	.00609	.00192

DATE 22 MAR 76

CA-26 FORCE SOURCE DATA TABULATION

PAGE 687

LTV44-553(CA26) 747/1 ATY 02 S1 (ORBITER DATA)

(XFE12B) ( 29 JAN 76 )

## REFERENCE DATA

SREF = 2690.0000 SQ.FT. XMRP = 1109.0000 IN. XO  
 LREF = 474.8100 IN. YMRP = .0000 IN. YO  
 BREF = 936.6800 IN. ZMRP = 375.0000 IN. ZO  
 SCALE = .0125

## PARAMETRIC DATA

ALPHAC = 2.000 BETAC = .000  
 STAB = 5.000 ELEVON = 5.000  
 RUDDER = .000 DX = .000  
 DY = .000 IORB = 6.000  
 BETAO = .000 DPHI = 7.500

RUN NO. 91/ 0 RN/L = .00 GRADIENT INTERVAL = -5.00/ 5.00

MACH	OZ	CPCO	CPB1	CPB2	CPB3	CPS1	CPS2	ALPHAO	BETAO	INCID	ALPHAC
.605	1.460	-.03200	-.24800	-.33700	-.29700	-.14700	-.29100	8.60000	.06000	5.91000	2.69000
.605	2.060	-.02800	-.24600	-.34000	-.29100	-.14900	-.29000	8.59000	.05000	5.91000	2.69000
.605	2.660	-.02800	-.24800	-.34200	-.29400	-.14900	-.29100	8.61000	.01000	5.92000	2.69000
.605	3.360	-.02800	-.25100	-.34000	-.29400	-.15300	-.29100	8.60000	.03000	5.92000	2.70000
.605	4.160	-.03900	-.25600	-.34700	-.30400	-.16100	-.29300	8.58000	.05000	5.90000	2.70000
.606	4.960	-.03400	-.25600	-.35300	-.30300	-.15900	-.29400	8.58000	.07000	5.91000	2.70000
.606	5.960	-.03300	-.25300	-.35200	-.30100	-.15800	-.29200	8.59000	.05000	5.93000	2.69000
.606	6.960	-.03200	-.25700	-.34900	-.30300	-.15900	-.29400	8.57000	.06000	5.91000	2.70000
.606	7.970	-.03800	-.25900	-.35200	-.30400	-.16000	-.29300	8.58000	.07000	5.92000	2.70000
.607	8.960	-.03400	-.25900	-.35700	-.30600	-.16000	-.29300	8.58000	.05000	5.93000	2.70000
.605	9.960	-.03700	-.25800	-.35700	-.30500	-.16400	-.29300	8.56000	.05000	5.92000	2.69000
.605	11.150	-.03800	-.26100	-.36100	-.31000	-.16500	-.29300	8.56000	.06000	5.92000	2.69000
.608	12.330	-.03800	-.25800	-.36100	-.31100	-.16900	-.29400	8.56000	.03000	5.94000	2.69000
.608	13.620	-.03800	-.25800	-.36000	-.30900	-.16600	-.29100	8.53000	.07000	5.92000	2.69000
.607	14.700	-.03600	-.26200	-.36000	-.30900	-.16300	-.29000	8.52000	.11000	5.91000	2.69000
.608	15.900	-.04000	-.26000	-.36100	-.31500	-.17200	-.29200	8.53000	.05000	5.93000	2.69000
.606	17.080	-.04000	-.26300	-.36700	-.31800	-.17200	-.29400	8.53000	.03000	5.95000	2.68000
.605	18.270	-.04100	-.26900	-.37400	-.31600	-.17000	-.29500	8.52000	.03000	5.93000	2.68000
.606	19.450	-.04100	-.26500	-.36700	-.31600	-.17300	-.29300	8.50000	.02000	5.93000	2.68000
.607	20.640	-.04100	-.26600	-.36800	-.31800	-.17200	-.29400	8.47000	.09000	5.90000	2.69000
.606	21.810	-.04200	-.27200	-.37600	-.32000	-.17300	-.29700	8.47000	.09000	5.91000	2.69000
.607	23.000	-.04000	-.26700	-.37700	-.32100	-.17300	-.29200	8.46000	.09000	5.91000	2.68000
.608	24.190	-.04100	-.27000	-.37600	-.32000	-.17300	-.29200	8.47000	.07000	5.92000	2.69000
.606	25.370	-.04200	-.27000	-.37100	-.31700	-.17600	-.29200	8.47000	.03000	5.93000	2.69000
.606	26.560	-.04200	-.27300	-.37800	-.32200	-.17500	-.29200	8.47000	.03000	5.94000	2.68000
.607	27.740	-.04000	-.26800	-.37400	-.32200	-.17700	-.28800	8.45000	.02000	5.93000	2.68000
.607	28.930	-.04000	-.27300	-.38100	-.32300	-.17700	-.29100	8.45000	.03000	5.93000	2.68000
.606	30.110	-.04300	-.27100	-.37700	-.32400	-.18000	-.29400	8.43000	.07000	5.92000	2.68000
.606	31.310	-.03900	-.27200	-.38200	-.32200	-.17800	-.28900	8.41000	.07000	5.91000	2.69000
.607	32.490	-.04000	-.27200	-.38200	-.32500	-.17800	-.28900	8.43000	.08000	5.93000	2.68000
.605	33.680	-.04000	-.27300	-.38500	-.32800	-.18100	-.29000	8.43000	.03000	5.94000	2.69000
.606	34.860	-.04100	-.27400	-.38300	-.32800	-.18100	-.29200	8.41000	.02000	5.93000	2.68000
.607	36.050	-.04300	-.27500	-.38400	-.33100	-.18500	-.29200	8.38000	.03000	5.91000	2.68000
.607	37.230	-.04500	-.27400	-.38200	-.32700	-.18200	-.29500	8.37000	.10000	5.90000	2.68000
.606	38.420	-.04000	-.27800	-.38900	-.32900	-.18000	-.29000	8.39000	.02000	5.93000	2.68000
.606	39.610	-.04100	-.27500	-.38600	-.33100	-.18200	-.28900	8.37000	.06000	5.91000	2.69000
.608	40.790	-.04100	-.27600	-.38400	-.32500	-.17900	-.28600	8.39000	.00000	5.93000	2.69000
.607	41.980	-.04700	-.27700	-.38200	-.32700	-.18300	-.29200	8.38000	.03000	5.93000	2.69000
.606	43.160	-.04200	-.27900	-.38500	-.33100	-.16800	-.29100	8.38000	.02000	5.94000	2.69000
.605	44.350	-.04400	-.28100	-.38300	-.33000	-.18400	-.28600	8.36000	.06000	5.93000	2.68000
.606	45.530	-.04500	-.28300	-.39100	-.33400	-.16700	-.29000	8.35000	.02000	5.93000	2.69000
.606	46.720	-.04600	-.28200	-.38900	-.32800	-.18300	-.28600	8.34000	.01000	5.93000	2.69000

DATE 22 MAR 76

CA-26 FORCE SOURCE DATA TABULATION

PAGE 688

LTV44-559(CA26) 747/1 ATY 02 S1 (ORBITER DATA)

(XFE128) ( 29 JAN 76 )

## REFERENCE DATA

SREF = 2690.0000 SQ.FT. XMRP = 1109.0000 IN. XO  
 LREF = 474.8100 IN. YMRP = .0000 IN. YO  
 BREF = 936.6800 IN. ZMRP = 375.0000 IN. ZO  
 SCALE = .0125

## PARAMETRIC DATA

ALPHAC = 2.000 BETAC = .000  
 STAB = 5.000 ELEVON = 5.000  
 RUDDER = .000 DX = .000  
 DY = .000 IORB = 6.000  
 BETAO = .000 OPHI = 7.500

RUN NO. 91/ 0 RN/L = .00 GRADIENT INTERVAL = -5.00/ 5.00

MACH	DZ	CPCO	CPB1	CPB2	CPB3	CPS1	CPS2	ALPHA0	BETA0	INCID	ALPHAC
.607	47.910	-.04400	-.28100	-.38900	-.33400	-.18900	-.28800	8.34000	.09000	5.92000	2.69000
.606	49.090	-.04700	-.28500	-.38900	-.33400	-.18700	-.28500	8.32000	.01000	5.91000	2.69000
.605	50.280	-.04800	-.28700	-.38900	-.33100	-.18500	-.28600	8.31000	.09000	5.91000	2.68000
.606	51.460	-.04900	-.28500	-.39300	-.33800	-.18700	-.29000	8.30000	.00000	5.92000	2.68000
	GRADIENT	-.00186	-.00302	-.00411	-.00294	-.00411	-.00101	-.00604	.00369	-.00145	.00366

LTV44-559(CA26) 747/1 ATY 02 S1 (ORBITER DATA)

(XFE129) ( 29 JAN 76 )

## REFERENCE DATA

SREF = 2690.0000 SQ.FT. XMRP = 1109.0000 IN. XO  
 LREF = 474.8100 IN. YMRP = .0000 IN. YO  
 BREF = 936.6800 IN. ZMRP = 375.0000 IN. ZO  
 SCALE = .0125

## PARAMETRIC DATA

ALPHAC = 2.000 BETAC = .000  
 STAB = 5.000 ELEVON = 5.000  
 RUDDER = .000 OX = .000  
 DY = .000 TORB = 6.000  
 BETAO = 5.000 DPHI = 7.500

RUN NO. 92/ 0 RN/L = .00 GRADIENT INTERVAL = -5.00/ 5.00

MACH	DZ	CPCO	CPB1	CPB2	CPB3	CPS1	CPS2	ALPHAO	BETAO	INCID	ALPHAC
.603	1.460	-.08800	-.26600	-.39900	-.33400	-.01000	-.46900	8.66000	4.85000	5.99000	2.69000
.605	2.060	-.08700	-.26800	-.40000	-.33600	-.00900	-.46400	8.62000	4.88000	5.93000	2.69000
.604	2.660	-.08800	-.26600	-.40100	-.33800	-.01200	-.46600	8.63000	4.85000	5.94000	2.70000
.606	3.360	-.08600	-.26900	-.40600	-.34000	-.01100	-.46300	8.63000	4.92000	5.95000	2.70000
.604	4.160	-.09100	-.27100	-.40600	-.34200	-.01500	-.46900	8.61000	4.85000	5.94000	2.70000
.605	4.960	-.08500	-.27200	-.40300	-.34200	-.01700	-.46400	8.64000	4.92000	5.97000	2.70000
.603	5.960	-.08900	-.27400	-.40200	-.34300	-.01800	-.46900	8.63000	4.89000	5.97000	2.69000
.605	6.960	-.08500	-.27500	-.40500	-.34400	-.01700	-.46600	8.63000	4.85000	5.97000	2.70000
.605	7.970	-.08900	-.27800	-.40500	-.34200	-.01800	-.46600	8.63000	4.88000	5.97000	2.70000
.606	8.960	-.08500	-.27400	-.40400	-.34100	-.01700	-.46300	8.62000	4.88000	5.97000	2.70000
.605	9.960	-.08600	-.28200	-.40800	-.34700	-.01900	-.47600	8.59000	4.86000	5.95000	2.69000
.605	11.150	-.08700	-.28100	-.41000	-.34500	-.01900	-.47200	8.59000	4.88000	5.96000	2.69000
.604	12.330	-.08600	-.27400	-.40400	-.34600	-.02300	-.45000	8.59000	4.87000	5.96000	2.68000
.605	13.520	-.08600	-.27400	-.40300	-.34500	-.02400	-.45600	8.59000	4.85000	5.97000	2.69000
.604	14.700	-.08900	-.28100	-.40500	-.34500	-.02100	-.46600	8.55000	4.94000	5.95000	2.69000
.604	15.900	-.08600	-.28100	-.40700	-.34900	-.02100	-.48000	8.56000	4.86000	5.96000	2.69000
.603	17.080	-.08700	-.28500	-.40900	-.34900	-.02300	-.46900	8.53000	4.86000	5.93000	2.69000
.604	18.270	-.08700	-.28300	-.41100	-.35000	-.02500	-.45700	8.53000	4.90000	5.94000	2.69000
.605	19.450	-.08600	-.27900	-.40300	-.34800	-.02600	-.46600	8.54000	4.90000	5.97000	2.68000
.605	20.640	-.08500	-.28300	-.41100	-.35300	-.02500	-.46700	8.51000	4.86000	5.95000	2.68000
.605	21.810	-.08600	-.28400	-.41100	-.35300	-.02900	-.46300	8.51000	4.83000	5.95000	2.69000
.604	23.000	-.08700	-.28700	-.41400	-.35200	-.02800	-.46600	8.50000	4.90000	5.94000	2.69000
.605	24.190	-.08900	-.28400	-.41200	-.35500	-.03000	-.45900	8.50000	4.87000	5.95000	2.68000
.604	25.370	-.08500	-.28900	-.41000	-.35300	-.02800	-.45500	8.47000	4.89000	5.93000	2.69000
.605	26.560	-.08700	-.28700	-.40800	-.35200	-.03000	-.46000	8.49000	4.84000	5.96000	2.68000
.606	27.740	-.08800	-.28400	-.40900	-.35400	-.03100	-.46500	8.49000	4.83000	5.97000	2.68000
.605	28.930	-.08700	-.28800	-.41300	-.35500	-.02800	-.46500	8.47000	4.88000	5.96000	2.68000
.606	30.110	-.08800	-.28500	-.40900	-.35600	-.03200	-.46100	8.47000	4.85000	5.97000	2.68000
.605	31.310	-.08700	-.28400	-.40900	-.35600	-.03100	-.47100	8.45000	4.89000	5.94000	2.69000
.605	32.490	-.08800	-.28600	-.40900	-.35700	-.03400	-.46600	8.44000	4.85000	5.94000	2.69000
.605	33.680	-.08800	-.28800	-.40800	-.35900	-.03800	-.46700	8.43000	4.86000	5.93000	2.69000
.604	34.860	-.08800	-.28700	-.41000	-.35900	-.04000	-.45700	8.43000	4.85000	5.95000	2.69000
.605	36.050	-.08800	-.28700	-.40500	-.35700	-.03600	-.47700	8.43000	4.88000	5.95000	2.69000
.604	37.230	-.08300	-.28800	-.41000	-.35500	-.03400	-.45500	8.45000	4.82000	5.98000	2.68000
.604	38.420	-.08700	-.29000	-.41000	-.35800	-.03300	-.46900	8.43000	4.84000	5.97000	2.68000
.605	39.610	-.08900	-.29000	-.40700	-.36000	-.03700	-.46800	8.42000	4.89000	5.96000	2.68000
.605	40.790	-.08100	-.28800	-.41000	-.35800	-.03000	-.47100	8.44000	4.81000	5.99000	2.69000
.606	41.980	-.08400	-.29000	-.40500	-.35600	-.03400	-.47900	8.38000	4.88000	5.94000	2.68000
.605	43.160	-.08800	-.28900	-.40700	-.36000	-.03800	-.47000	8.40000	4.87000	5.96000	2.69000
.604	44.350	-.08800	-.29000	-.40900	-.36500	-.03500	-.48000	8.39000	4.89000	5.94000	2.69000
.605	45.530	-.08700	-.28700	-.40500	-.35800	-.03800	-.46700	8.39000	4.89000	5.95000	2.69000
.604	46.720	-.08500	-.28900	-.40800	-.36300	-.03700	-.47200	8.37000	4.83000	5.96000	2.69000

ALL DATA TO BE USED IN THIS ANALYSIS IS FROM THE ORIGINAL DATA

LTV44-559(CA26) 747/1 ATY 02 S1 (ORBITER DATA)

(XFE129) ( 29 JAN 76 )

## REFERENCE DATA

SREF = 2590.0000 SQ.FT. XMRP = 1109.0000 IN. XO  
 LREF = 474.8100 IN. YMRP = .0000 IN. YO  
 BREF = 936.6800 IN. ZMRP = 375.0000 IN. ZO  
 SCALE = .0125

## PARAMETER DATA

ALPHAC = 2.000 BETAC = .000  
 STAB = 5.000 ELEVON = 5.000  
 RUDDER = .000 DX = .000  
 DY = .000 IORB = 6.000  
 BETAO = 5.000 DPHI = 7.500

RUN NO. 92/ 0 RN/L = .00 GRADIENT INTERVAL = -5.00/ 5.00

MACH	DZ	CPCO	CPB1	CPB2	CPB3	CPS1	CPS2	ALPHAO	BETAO	INCID	ALPHAC
.605	47.910	-.07600	-.28900	-.40600	-.35700	-.03200	-.46700	8.37000	4.81000	5.96000	2.69000
.606	49.090	-.07700	-.29200	-.40300	-.35600	-.02900	-.50600	8.34000	4.89000	5.94000	2.69000
.604	50.280	-.07800	-.28900	-.40700	-.35900	-.03100	-.47800	8.37000	4.80000	5.97000	2.69000
.604	51.460	-.08200	-.28800	-.40700	-.36400	-.04200	-.45800	8.36000	4.81000	5.97000	2.69000
	GRADIENT	.00021	-.00174	-.00169	-.00241	-.00216	-.00143	-.00482	.01341	.00029	.00313



DATE 22 MAR 76

CA-26 FORCE SOURCE DATA TABULATION

PAGE 691

LTV44-559(CA26) 747/1 ATY 02 S1 (ORBITER DATA)

(XFE130) ( 29 JAN 76 )

## REFERENCE DATA

SREF = 2690.0000 SQ.FT. XMRP = 1109.0000 IN. XO  
 LREF = 474.8100 IN. YMRP = .0000 IN. YO  
 BREF = 936.6800 IN. ZMRP = 375.0000 IN. ZO  
 SCALE = .0125

## PARAMETRIC DATA

ALPHAC = 2.000 BETAC = -5.000  
 STAB = 5.000 ELEVON = 5.000  
 RUDDER = .000 DX = .000  
 DY = .000 IORB = 6.000  
 BETAD = .000 DPHI = 7.500

RUN NO. 93/ 0 RN/L = .00 GRADIENT INTERVAL = -5.00/ 5.00

MACH	DZ	CPCO	CPB1	CPB2	CPB3	CPS1	CPS2	ALPHAO	BETAO	INCID	ALPHAC
.602	1.460	-.02000	-.25200	-.32300	-.29300	-.14900	-.26100	8.63000	-.04000	5.95000	2.68000
.602	2.050	-.01900	-.25300	-.32300	-.29400	-.14900	-.25900	8.62000	-.04000	5.95000	2.68000
.603	2.660	-.01900	-.25400	-.32800	-.29700	-.14900	-.25900	8.63000	-.02000	5.95000	2.68000
.600	3.360	-.02000	-.26400	-.33100	-.29600	-.15300	-.26400	8.60000	.00000	5.93000	2.69000
.602	4.160	-.01800	-.26500	-.32700	-.29800	-.14300	-.26300	8.62000	-.03000	5.94000	2.69000
.604	4.960	-.02200	-.26200	-.33100	-.29600	-.15200	-.26000	8.60000	.05000	5.94000	2.69000
.603	5.960	-.02200	-.26400	-.33300	-.30000	-.15500	-.26400	8.60000	.02000	5.94000	2.69000
.603	6.960	-.02600	-.27000	-.34000	-.30700	-.16000	-.26700	8.59000	.01000	5.94000	2.69000
.603	7.970	-.01600	-.26000	-.32900	-.29700	-.15200	-.25900	8.56000	.00000	5.92000	2.68000
.602	8.960	-.02100	-.26300	-.33200	-.30000	-.15200	-.26300	8.57000	.03000	5.93000	2.69000
.602	9.960	-.02000	-.26300	-.33100	-.30100	-.15100	-.26000	8.56000	.05000	5.93000	2.68000
.603	11.150	-.01800	-.26200	-.32900	-.30000	-.15000	-.25900	8.55000	.00000	5.93000	2.68000
.602	12.330	-.01900	-.26600	-.33300	-.30200	-.15200	-.26100	8.55000	.05000	5.93000	2.69000
.602	13.520	-.01900	-.26500	-.33300	-.30000	-.15300	-.25900	8.54000	.00000	5.93000	2.68000
.604	14.700	-.01600	-.26400	-.32700	-.29800	-.14900	-.25700	8.58000	.03000	5.98000	2.68000
.603	15.900	-.01600	-.26500	-.32700	-.29900	-.15100	-.25600	8.54000	.04000	5.95000	2.68000
.604	17.080	-.01700	-.26200	-.33000	-.30100	-.15000	-.25700	8.56000	.00000	5.97000	2.68000
.603	18.270	-.01800	-.26600	-.33700	-.30200	-.15600	-.25900	8.52000	.02000	5.94000	2.68000
.602	19.450	-.01900	-.26800	-.33600	-.30300	-.15700	-.26000	8.52000	.06000	5.94000	2.68000
.601	20.640	-.02000	-.26800	-.33400	-.30700	-.15800	-.26000	8.49000	.01000	5.93000	2.68000
.603	21.810	-.01700	-.26100	-.33400	-.29800	-.15300	-.25700	8.49000	.03000	5.93000	2.68000
.600	23.000	-.02200	-.26400	-.33800	-.30700	-.15600	-.25900	8.48000	.01000	5.93000	2.68000
.602	24.190	-.02300	-.26400	-.33700	-.30700	-.15700	-.25800	8.47000	.00000	5.93000	2.68000
.601	25.370	-.01800	-.26600	-.34400	-.30800	-.15700	-.26000	8.48000	.01000	5.95000	2.68000
.601	26.560	-.01900	-.26800	-.34000	-.30400	-.16000	-.25800	8.48000	.00000	5.95000	2.68000
.602	27.740	-.01900	-.26900	-.33900	-.30300	-.15700	-.25600	8.45000	.00000	5.93000	2.68000
.602	28.930	-.01900	-.26400	-.33700	-.30700	-.16000	-.25400	8.44000	.01000	5.93000	2.68000
.602	30.110	-.01700	-.26500	-.34000	-.30800	-.15900	-.25400	8.46000	.01000	5.95000	2.68000
.604	31.310	-.02000	-.26700	-.33500	-.30100	-.15500	-.25400	8.46000	.01000	5.97000	2.68000
.604	32.490	-.01800	-.26200	-.33400	-.30500	-.15900	-.25300	8.45000	.02000	5.95000	2.68000
.603	33.680	-.02300	-.27100	-.34000	-.30700	-.15900	-.25900	8.45000	.02000	5.95000	2.69000
.603	34.860	-.01700	-.26500	-.34000	-.30700	-.16100	-.25300	8.43000	.01000	5.95000	2.69000
.604	36.050	-.01800	-.26400	-.33700	-.30500	-.15800	-.25300	8.44000	.01000	5.96000	2.68000
.604	37.230	-.01500	-.26400	-.33500	-.30300	-.15700	-.24700	8.45000	.00000	5.97000	2.69000
.605	38.420	-.01900	-.26700	-.33600	-.30400	-.16100	-.24500	8.44000	.02000	5.98000	2.69000
.604	39.610	-.01900	-.26800	-.33600	-.30300	-.15900	-.24500	8.45000	.02000	5.99000	2.69000
.603	40.790	-.01900	-.27000	-.33700	-.30400	-.15700	-.24700	8.40000	.00000	5.95000	2.69000
.602	41.980	-.01700	-.26500	-.33400	-.30500	-.16200	-.24700	8.41000	.02000	5.97000	2.69000
.602	43.160	-.02100	-.26700	-.33300	-.30300	-.16000	-.24600	8.36000	.01000	5.92000	2.69000
.602	44.350	-.01900	-.26900	-.33500	-.30400	-.16100	-.24600	8.37000	.03000	5.94000	2.69000
.603	45.530	-.01200	-.26400	-.32800	-.29900	-.15600	-.24100	8.38000	.00000	5.96000	2.68000
.604	46.720	-.01800	-.26600	-.33600	-.30600	-.16100	-.24500	8.34000	.04000	5.93000	2.69000

LTV44-559(CA26) 747/1 ATY 02 S1 (ORBITER DATA)

(XFE130) ( 29 JAN 76 )

## REFERENCE DATA

SREF = 2690.0000 SQ.FT. XMRP = 1109.0000 IN. XO  
 LREF = 474.8100 IN. YMRP = .0000 IN. YO  
 BREF = 936.6800 IN. ZMRP = 375.0000 IN. ZO  
 SCALE = .0125

## PARAMETRIC DATA

ALPHAC = 2.000 BETAC = -5.000  
 STAB = 5.000 ELEVON = 5.000  
 RUDDER = .000 DX = .000  
 DY = .000 IORB = 6.000  
 BETAO = .000 DPHI = 7.500

RUN NO. 93/ 0 RN/L = .00 GRADIENT INTERVAL = -5.00/ 5.00

MACH	DZ	CPCO	CPB1	CPB2	CPB3	CPS1	CPS2	ALPHA0	BETA0	INCID	ALPHAC
.601	47.910	-.02000	-.26800	-.33700	-.30700	-.16500	-.24300	8.35000	.02000	5.94000	2.69000
.601	49.090	-.02600	-.27700	-.33600	-.31100	-.17300	-.24900	8.33000	.05000	5.93000	2.69000
.601	50.280	-.02400	-.27300	-.33200	-.30900	-.16900	-.24900	8.36000	-.01000	5.96000	2.69000
.602	51.460	-.02000	-.27300	-.34200	-.30900	-.16200	-.25200	8.31000	.00000	5.92000	2.69000
	GRADIENT	-.00036	-.00385	-.00218	-.00101	-.00376	-.00046	-.00731	.02066	-.00395	.00366

DATE 22 MAR 76

CA-26 FORCE SOURCE DATA TABULATION

PAGE 693

LTV44-559(CA26) 02 S1

(XFE131) ( 29 JAN 76 )

## REFERENCE DATA

SREF = 2690.0000 SQ.FT. XMRP = 1109.0000 IN. XO  
 LREF = 474.8100 IN. YMRP = .0000 IN. YO  
 BREF = 936.6800 IN. ZMRP = 375.0000 IN. ZO  
 SCALE = .0125

## PARAMETRIC DATA

BETAQ = 5.000 ELEVON = 5.000  
 BDFLAP = .000

RUN NO. 94/ 0 RN/L = .00 GRADIENT INTERVAL = -5.00/ 5.00

MACH	INCID	CPCO	CPS1	CPS2
.599	-2.460	.03100	.06500	-.47200
.599	-2.110	.02700	.06000	-.47900
.601	-1.770	.02800	.06900	-.47900
.602	-1.340	.02400	.06500	-.47600
.603	-.960	.02100	.05800	-.46900
.604	-.550	.01800	.05500	-.46500
.603	-.170	.01600	.05600	-.46900
.604	.250	.01300	.05500	-.45900
.599	.640	.00700	.05500	-.45600
.601	1.040	.00400	.05300	-.44000
.602	1.420	.00000	.04900	-.44700
.601	1.830	-.00300	.04800	-.43200
.600	2.220	-.00400	.04200	-.42800
.600	2.630	-.00900	.04400	-.42900
.600	3.020	-.00900	.04100	-.42100
.600	3.390	-.01500	.03400	-.41300
.598	3.820	-.01900	.03400	-.41600
.599	4.200	-.01900	.03200	-.41200
.598	4.620	-.03400	.02800	-.40700
.599	5.000	-.03300	.02800	-.39200
.599	5.420	-.03900	.02900	-.37800
.599	5.810	-.05900	.02200	-.37600
.602	6.180	-.05800	.02300	-.36100
.602	6.590	-.06500	.02100	-.36000
.601	6.970	-.07400	.01600	-.36700
.602	7.390	-.06500	.02300	-.35800
.602	7.770	-.06600	.02600	-.36200
.600	8.200	-.06100	.02400	-.36300
.600	8.560	-.07000	.01400	-.37200
.600	9.010	-.06300	.02300	-.37300
.600	9.370	-.06200	.02100	-.38200
.600	9.760	-.05800	.02000	-.38000
.600	10.190	-.06000	.02000	-.38800
.600	10.560	-.06000	.01300	-.38700
.599	10.980	-.06500	.00700	-.39800
.600	11.340	-.06100	.00900	-.40100
.599	11.780	-.05900	.00900	-.40200
.601	12.140	-.06100	.00700	-.40500
.600	12.580	-.06200	.00900	-.41100
.601	12.970	-.06800	.00500	-.41600
	GRADIENT	-.00846	-.00527	.01149

LTV44-559(CA26) 02 S1

(XFE132) ( 29 JAN 76 )

## REFERENCE DATA

SREF = 2690.0000 SQ.FT. XMRP = 1109.0000 IN. XO  
 LREF = 474.8100 IN. YMRP = .0000 IN. YO  
 BREF = 936.6800 IN. ZMRP = 375.0000 IN. ZO  
 SCALE = .0125

## PARAMETRIC DATA

BETA0 = .000 ELEVON = 5.000  
 BOFLAP = .000

RUN NO. 1094 / 0 RN/L = .00 GRADIENT INTERVAL = -5.00 / 5.00

MACH	INCID	CPCO	CPS1	CPS2
.601	-1.840	.02100	-.12200	-.23400
.601	-1.430	.01500	-.12200	-.23900
.601	-1.040	.01800	-.12700	-.23700
.599	-.610	.01200	-.12600	-.23800
.599	-.260	.01000	-.12700	-.24000
.599	.170	.00600	-.13100	-.24100
.599	.540	.00400	-.13500	-.24200
.601	.940	.00600	-.12900	-.23800
.603	1.360	.00700	-.12900	-.23800
.601	1.720	.00100	-.13700	-.24300
.602	2.140	.00100	-.13300	-.24000
.599	2.530	-.00400	-.13900	-.24900
.600	2.920	-.00300	-.14100	-.24900
.599	3.300	-.00500	-.14000	-.24900
.599	3.710	-.00400	-.14600	-.25000
.600	4.130	.00000	-.14200	-.24500
.599	4.520	-.00600	-.14300	-.25000
.599	4.910	-.00800	-.14600	-.25000
.600	5.300	-.00300	-.14700	-.24800
.600	5.720	-.00300	-.14400	-.25000
.600	6.100	-.00600	-.14600	-.24600
.599	6.520	-.00900	-.14900	-.25000
.601	6.890	-.00900	-.14800	-.25100
.601	7.280	-.00700	-.14600	-.25000
.600	7.640	-.00500	-.14900	-.25000
.601	8.100	-.00700	-.14900	-.25100
.600	8.440	-.01000	-.15300	-.25500
.603	8.880	-.00600	-.14100	-.25000
.601	9.260	-.00200	-.14600	-.24900
.603	9.700	-.00600	-.15300	-.25100
.600	10.090	-.00900	-.15500	-.25500
.601	10.490	-.00700	-.14900	-.25200
.603	10.850	-.01000	-.14800	-.25300
.601	11.280	-.01300	-.15500	-.25700
.600	11.680	-.01200	-.15100	-.25500
.602	12.070	-.00900	-.15500	-.25300
.601	12.460	-.01200	-.15500	-.26000
.601	12.870	-.01600	-.15700	-.26000
.600	13.410	-.01400	-.15600	-.27300
	GRADIENT	-.00384	-.00355	-.00223

DATE 22 MAR 76

CA-26 FORCE SOURCE DATA TABULATION

PAGE 695

LTV44-559(CA26) 02 S1

(XFE133) ( 29 JAN 76 )

## REFERENCE DATA

SREF = 2690.0000 SQ.FT. XMRP = 1109.0000 IN. XO  
 LREF = 474.8100 IN. YMRP = .0000 IN. YO  
 BREF = 936.6800 IN. ZMRP = 375.0000 IN. ZO  
 SCALE = .0125

## PARAMETRIC DATA

BETA0 = -5.000 ELEVON = 5.000  
 BDFLAP = .000

RUN NO. 2094/ C RN/L = .00 GRADIENT INTERVAL = -5.00/ 5.00

MACH	INCLD	CPCO	CPS1	CPS2
.599	-2.490	.00000	-.28300	-.10500
.600	-1.920	-.00200	-.29300	-.09200
.599	-1.550	-.01500	-.29400	-.10400
.601	-1.140	-.00600	-.29400	-.09500
.600	-.750	-.01700	-.29600	-.10000
.600	-.370	-.02000	-.29600	-.10100
.600	.030	-.02000	-.29900	-.10100
.598	.410	-.02700	-.30100	-.10400
.599	.820	-.02200	-.29800	-.10300
.599	1.220	-.03200	-.29800	-.10600
.599	1.630	-.03300	-.29700	-.10400
.600	2.010	-.03300	-.30100	-.10700
.601	2.440	-.03200	-.29700	-.10200
.599	2.800	-.04100	-.29900	-.10500
.601	3.210	-.03300	-.29600	-.09900
.601	3.620	-.04300	-.29800	-.10700
.599	3.990	-.04500	-.30000	-.10900
.601	4.420	-.04200	-.30000	-.10500
.601	4.820	-.04500	-.29800	-.10200
.600	5.200	-.05500	-.30200	-.10500
.600	5.610	-.05800	-.30100	-.09900
.597	5.990	-.07400	-.30800	-.10900
.599	6.380	-.07700	-.30600	-.10500
.598	6.770	-.07600	-.30400	-.10300
.601	7.210	-.07700	-.30800	-.09900
.602	7.610	-.07800	-.30600	-.09700
.599	8.010	-.09100	-.31200	-.10200
.600	8.370	-.08700	-.31200	-.09900
.601	8.770	-.08600	-.31900	-.09900
.600	9.160	-.08200	-.31700	-.10000
.599	9.570	-.08400	-.32000	-.10000
.602	10.000	-.07500	-.32200	-.09600
.601	10.390	-.07100	-.32200	-.09600
.598	10.790	-.07700	-.32700	-.09700
.601	11.170	-.06900	-.32300	-.09500
.599	11.560	-.07100	-.33500	-.09700
.597	11.970	-.07500	-.33600	-.09700
.598	12.360	-.07400	-.33700	-.09600
.597	12.770	-.07600	-.34500	-.09500
	GRADIENT	-.00606	-.00116	-.00089

LTV44-559(CA26) 02 S1

(XFE134) ( 18 NOV 75 )

REFERENCE DATA

SREF = 2690.0000 SQ.FT. XMRP = 1109.0000 IN. XO  
 LREF = 474.8100 IN. YMRP = .0000 IN. YO  
 BREF = 936.6800 IN. ZMRP = 375.0000 IN. ZO  
 SCALE = .0125

PARAMETRIC DATA

BETA0 = .000 ELEVON = .000  
 BDFLAP = .000

RUN NO. 13/ 0 RN/L = .00 GRADIENT INTERVAL = -5.00/ 5.00

MACH	ALPHA0	CPC0	CPB1	CPB2	CPB3	CPS1	CPS2
.592	.070	-.19100	-.22500	-.27800	-.27600	-.08400	-.17900
.591	.420	-.19000	-.22500	-.27900	-.27300	-.08800	-.18400
.591	.800	-.19300	-.22300	-.28300	-.27600	-.08800	-.18600
.591	1.260	-.19300	-.22500	-.28200	-.27200	-.09100	-.18800
.591	1.690	-.19500	-.22500	-.28200	-.27300	-.09300	-.18800
.592	2.150	-.19200	-.22200	-.27900	-.26900	-.09300	-.18600
.591	2.580	-.19200	-.22100	-.28000	-.26900	-.09500	-.18800
.591	3.010	-.19200	-.22200	-.27800	-.26800	-.09500	-.19000
.591	3.440	-.19100	-.22000	-.27900	-.26600	-.09900	-.19000
.591	3.870	-.19100	-.22000	-.27700	-.26200	-.10000	-.18900
.592	4.310	-.18800	-.21600	-.27600	-.26200	-.10300	-.18900
.590	4.760	-.19100	-.22000	-.27700	-.26600	-.10200	-.19300
.591	5.180	-.18800	-.21600	-.27400	-.26100	-.10100	-.19000
.592	5.650	-.18700	-.21400	-.27000	-.25700	-.10300	-.19000
.591	6.090	-.18600	-.21100	-.27100	-.25600	-.10300	-.19100
.592	6.490	-.18800	-.21500	-.27300	-.25900	-.10400	-.19500
.592	6.940	-.18700	-.21400	-.27000	-.25600	-.10800	-.19300
.591	7.390	-.18600	-.21700	-.27000	-.25900	-.10900	-.19300
.592	7.840	-.18600	-.21200	-.27000	-.25300	-.11000	-.19000
.592	8.270	-.18600	-.21600	-.27100	-.25500	-.11100	-.19200
.591	8.720	-.18700	-.21800	-.27400	-.25800	-.11400	-.19500
.591	9.160	-.18700	-.21700	-.27300	-.25700	-.11600	-.19600
.592	9.590	-.18500	-.21800	-.27300	-.25600	-.11600	-.19500
.590	10.020	-.18800	-.22100	-.27700	-.25900	-.11900	-.19700
.591	10.480	-.18600	-.22200	-.27800	-.26000	-.11900	-.19400
.589	10.910	-.19200	-.22500	-.28300	-.26200	-.12600	-.19500
.591	11.380	-.18800	-.22300	-.28200	-.26000	-.12500	-.19300
.590	11.800	-.19200	-.22600	-.29100	-.26700	-.13000	-.19500
.591	12.260	-.19100	-.23100	-.29300	-.26800	-.12900	-.19400
.590	12.700	-.19600	-.23200	-.29800	-.27000	-.13300	-.19700
.590	13.160	-.20000	-.23500	-.30200	-.27400	-.13900	-.19700
.592	13.630	-.19700	-.23800	-.30100	-.27700	-.13400	-.19400
.591	14.070	-.20100	-.24300	-.31000	-.28000	-.13800	-.19900
.590	14.500	-.20500	-.24800	-.31600	-.28400	-.14100	-.19900
.590	14.940	-.21100	-.25100	-.32000	-.28700	-.14300	-.20100
.590	15.400	-.21400	-.25300	-.32500	-.29100	-.14500	-.20100
.591	15.830	-.21700	-.25800	-.33100	-.29600	-.14600	-.20100
.590	16.280	-.22100	-.26300	-.33700	-.30100	-.15000	-.20200
.590	16.710	-.22600	-.26900	-.34700	-.30900	-.15300	-.20300
.589	17.150	-.22800	-.27900	-.35500	-.31900	-.15700	-.20500
	GRADIENT	.00042	.00156	.00088	.00286	-.00376	-.00191