



F2M\_H7A / 120 cells  
320W - 335 W  
Mono-Crystalline PV Module

URE Peach module uses URE state-of-the art cell cutting technology, and advanced module manufacturing experiences.



## Key Features



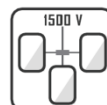
Positive power tolerance  
+0 ~ +4.99 watt



100% EL inline inspection  
Better module reliability



Withstand heavy loading  
front load 5400 Pa & rear load 2400 Pa



Design for 1500 VDC  
Reduce the system BOS effectively



Low hot spot temperature  
higher safety performance

### Electrical Data

Model - STC		F2M320H7A	F2M325H7A	F2M330H7A	F2M335H7A
Maximum Rating Power (Pmax)	[W]	320	325	330	335
Module Efficiency	[%]	18.96	19.26	19.56	19.85
Open Circuit Voltage (Voc)	[V]	39.91	40.25	40.59	40.93
Maximum Power Voltage	[V]	33.17	33.45	33.72	33.99
Short Circuit Current (Isc)	[A]	10.15	10.22	10.29	10.36
Maximum Power Current	[A]	9.56	9.72	9.79	9.86

\*Standard Test Condition (STC): Cell Temperature 25 °C, Irradiance 1000 W/m<sup>2</sup>, AM 1.5

\*Values without tolerance are typical numbers.

### Mechanical Data

Item	Specification
Dimensions	1684 mm (L) <sup>1</sup> x 1002 mm (W) <sup>1</sup> x 35 mm (D) <sup>2</sup>
Weight	19.5 kg
Solar Cell	120 half-cut monocrystalline 6" silicon cells
Front Glass	Anti-reflective tempered solar glass, 3.2 mm thickness
Cell Encapsulation	EVA (Ethylene-Vinyl-Acetate)
Back Cover	Composite film
Junction Box	IP 67 rated
Frame	Anodized aluminum frame, original
Package Configuration	30 pcs per pallet, 780 pcs per 40' HC container

1 : With assembly tolerance of ± 2 mm [± 0.08"]

2 : With assembly tolerance of ± 0.8 mm [± 0.03"]

### Operating Conditions

Item	Specification
Mechanical Load (Test Load)	5400 Pa (Test Load)
Maximum System Voltage	1000 VDC
Series Fuse Rating	15 A
Operating Temperature	-40 to 85 °C

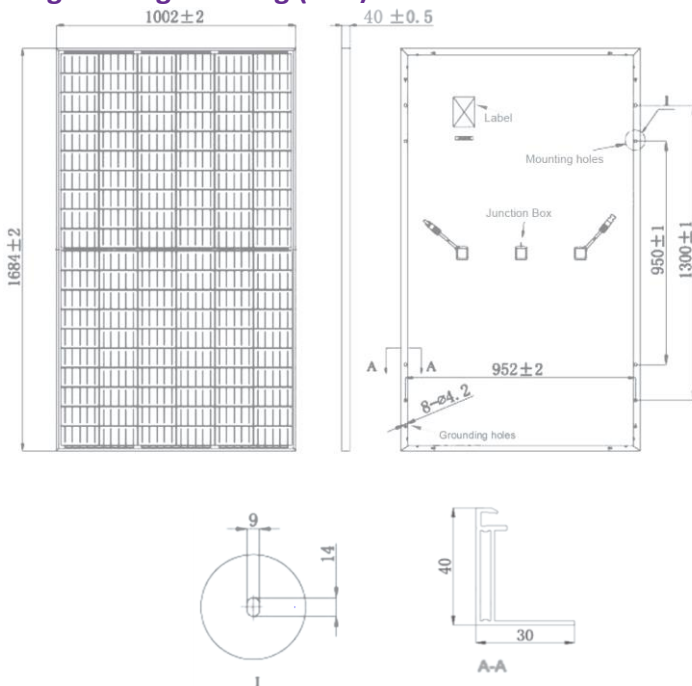
### Temperature Characteristics

Item	Specification
Nominal Module Operating Temperature	41 °C ± 3 °C
Temperature Coefficient of Isc	0.024 % / °C
Temperature Coefficient of Voc	-0.287 % / °C
Temperature Coefficient of Pmax	-0.393 % / °C

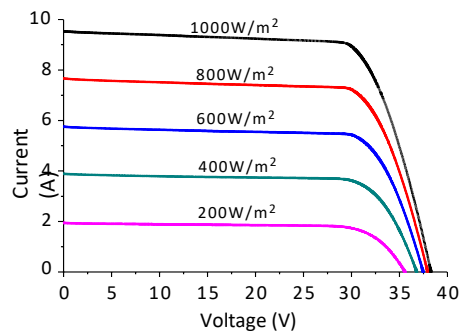
\*Nominal module operating temperature (NMOT): Air mass AM 1.5, irradiance 800W/m<sup>2</sup>, temperature 20 °C, wind speed 1 m/s.

\*Reduction in efficiency from 1000W/m<sup>2</sup> to 200W/m<sup>2</sup> at 25 °C: 3 ± 2%.

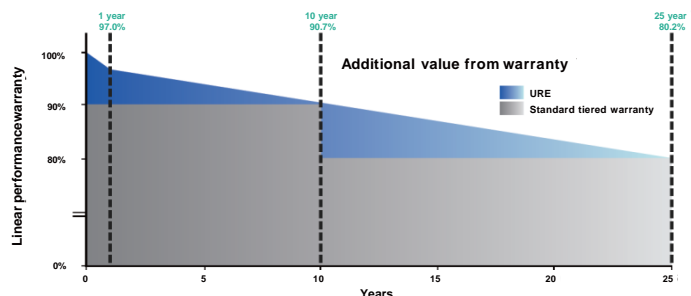
### Engineering Drawing (mm)



### Dependence on Irradiance



### Reliability with Warranty



Output Warranty  
**25**  
Years

Product Guarantee  
**10**  
Years

For more information, please visit us at [www.urecorp.com](http://www.urecorp.com)