

THE
LIGHTING
NEW BIBLE
COLLECTION



 DELTALIGHT

 DELTALIGHT®



MAGNETIC EXTENSIONS

In this New Collection catalogue we extend our Magnetic profiles with new modules offering you more illumination tools.

The magnetic fixation allows the spots to be mounted anywhere in the profile. Different light modules - spots, lines of light and pendants - can be positioned and repositioned tool free into these profiles thanks to their magnetic fixation.

Extend your Magnetic profiles with the new Dot.Corn M module to illuminate your wall or object. Also extendable with the Spy in Punk design or the Vizir in standard and in faceted design. Also discover in this New Collection catalogue the Soft Dim extensions to the Magnetic profiles.

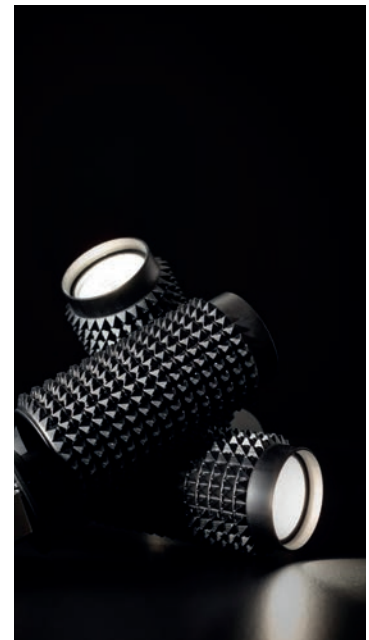


THINGS TO LOOK FOR



ESTABLISHED PRODUCTS NEW LOOK

Colour is an important added value that can enhance the precious features of a luminaire, endowing it with the capacity to arouse emotion. Colour affects us in many ways. Whether warm and bright or cold and dark. At Delta Light® we love experimenting with new colour combinations to see where they can take our established products.



ICONIC PUNK

Punk, an iconic subculture that emerged in the mid 70's, is an artistic style and usually associated with music and fashion. But it still inspires. Punk details infiltrate perfectly in the world of modern architecture to express individualism and urban attitudes. Spikes might look intimidating, but when combined with light, they become so much more refined. The punk design adds a new dimension to the Spy family and will be available on new pendant and wall luminaires in Black, Gold Champagne and Black Pure with an aluminium look.

OPTICAL DESIGN

Within this New Collection we offer a brand-new range of linear wallwash luminaires, integrated in the Dot.Com family. These are available as single fixtures, as modules to use in our magnetic profiles or as a made-to-measure trimless profile, perfect for evenly lit walls.

Also outside, the right effect of light provides the right atmosphere, be it minimalistic and cosy or either functional. The Elbo family can be used for different moods, according to its different optical finishes. With the opal glass it provides a warm and cosy light, finished with a specific lens optic it changes to a functional pathway light as it throws its light both left and right.

Choosing the correct optics not only influences the effect of light, it also impacts light comfort. The slenderness of our new Supernova Flat, combined with the soft uplight effect, improves the visual comfort as it results in a soft glow on the ceiling.

Used with the prismatic optics, glare is further being reduced to an UGR below 19, making it workplace suitable according to DIN EN 12464-1.

ACCENTUATE YOUR SUPERLOOP

The Superloop was launched in The Lighting Bible 12. An extensive range of slim circular and square shapes, offering a multitude of illumination options. The circular Superloop will be extended with our 2 new colours Delta Light® Flemish Gold and Delta Light® Flemish Bronze. The Spy modules will also be available in these new colours. Combine your black Superloop with the new Vizir module with faceted design for a refined eye-catcher. By adding the new Fix modules - a tubular module with clear or frosted glass with up or down-up lighting - you can transform your Superloop into a modern chandelier. Those looking for a more unique, creative and accentuated luminaire, can opt to add the XY180.



THE REVIVAL OF THE DOT.COM

Dot.Com is a new family of recessed luminaires based on the revival of our classic fixture launched in 2008. This minimalistic and discrete luminaire assures optimal optic performance and maximum eye comfort. The recessed leds in aluminium housing offer full focus on the light instead of the luminaire, offering a vast range of high performing and discrete lighting solutions. You can choose from fixed or adjustable, trimless or with trim. The Dot.Com collection is a timeless and highly functional architectural lighting tool. Also available for the magnetic profiles.



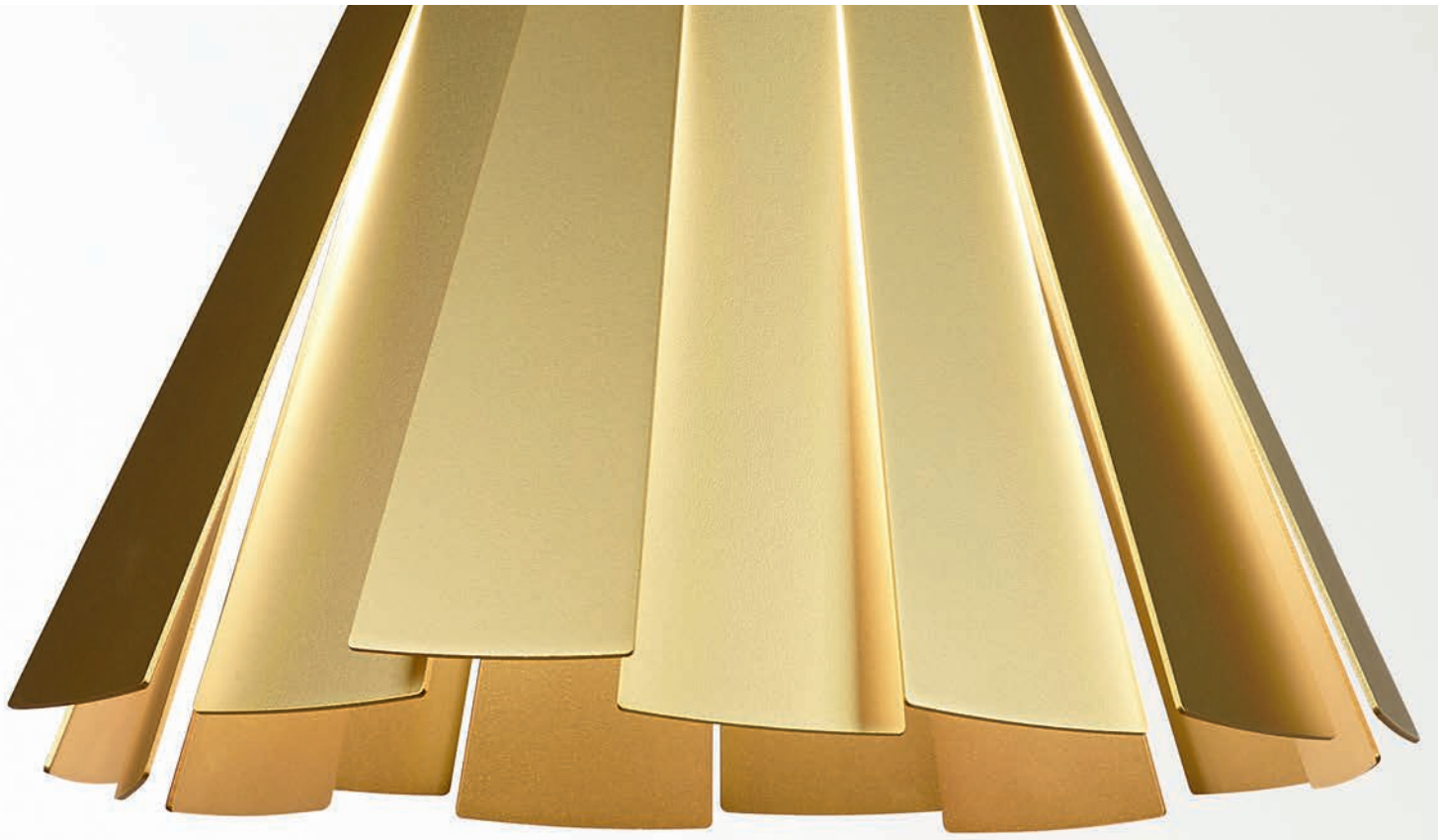
SUBTLE REFLECTIONS

Facets have always been a part of architecture. The consistent geometry creates an intriguing aesthetic appearance. The light hitting the different panes transmits a subtle luminous effect and extra dimension to the object on which the facet form is added. The facet finishing will be available on the new Hedra family, giving the standard tubular spots a sophisticated character. The facet design will also be available on new pendant luminaires in our new colours and finishes.

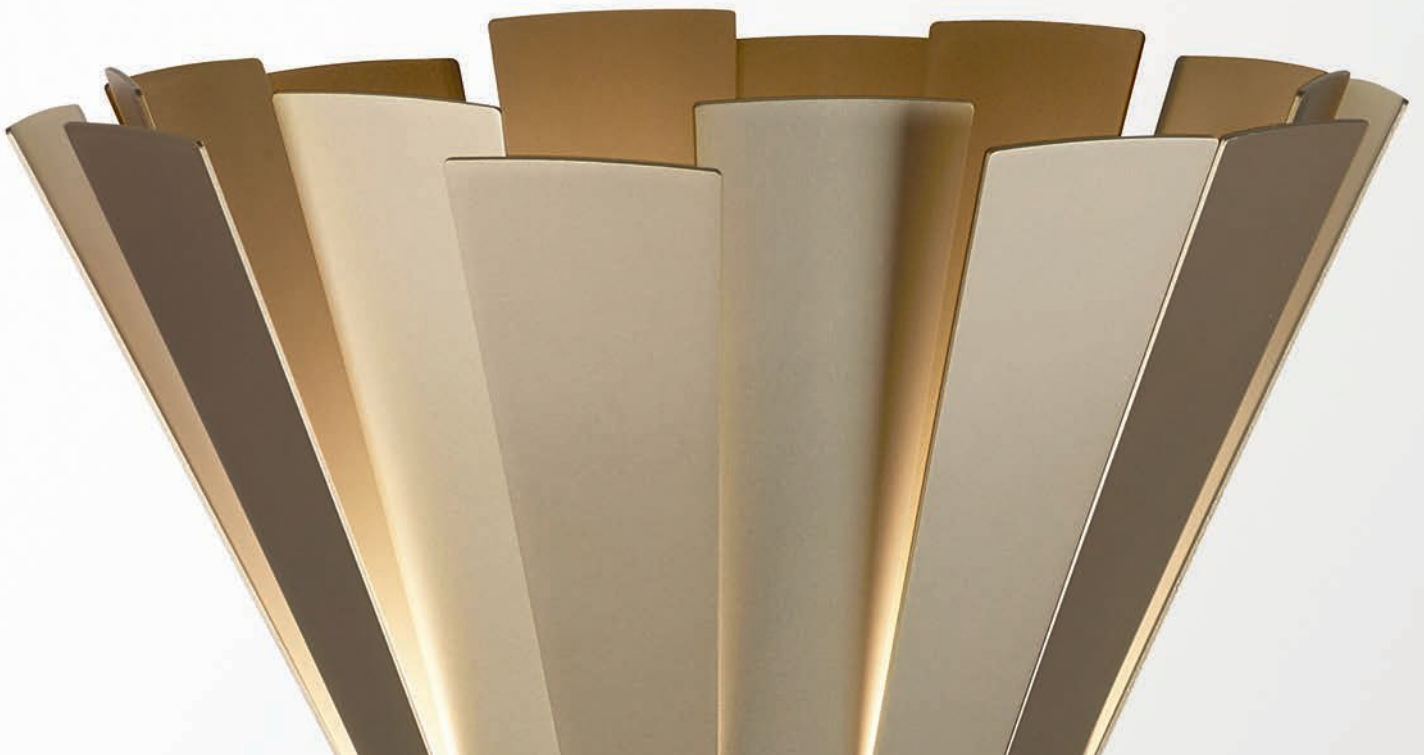
NEW TAGLINE FOR AN ULTRA-MINIMALISTIC LIGHT LINE

The new Tagline profile provides an ultra-minimalistic light line that integrates effortlessly with the architectural lines of a space. The simplicity of the extreme compact measurements of the profile can complement the design in a more artistic way by offering accent lighting or to accentuate the key architectural features of the room. The lines of light can be placed around the ceiling to make the most out of a minimalist space. The Tagline profile is available as surface mounted, as a pendant luminaire and as trimmed and trimless recessed profile. Within the trimless profile, Tagline can be combined with the elegant Microspy for accent lighting.





FLEMISH
COLOURS
& NEW FINISHES



NEW FINISHES AND TRENDY COLOURS__

Delta Light® presents 2 new colours for a range of established products and 3 new finishes for new families. Our new colours Delta Light® Flemish Bronze (FBR) and Delta Light® Flemish Gold (FG) fit perfectly with the minimal style and glam trend. These colours can dress up a room, keeping it minimalistic, yet eclectic. They are created to provide accents or highlights, proving the space with an industrial finish.

For detailed reference numbers on established LB12 products, please consult the index at the back.



BOXY
LB12 INT 269



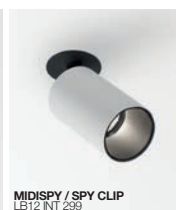
METRONOME
LB12 INT 405



SUPERNOVA XS
LB12 INT 355



MIDISPY / SPY ON
LB12 INT 299



MIDISPY / SPY CLIP
LB12 INT 299



BOXY R
LB12 INT 261



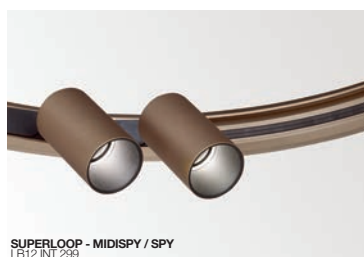
SUPERLOOP VC
LB12 INT 325



SUPERLOOP VR
LB12 INT 327



MAGNETIC PROFILES -
MIDISPY / SPY
LB12 INT 299



SUPERLOOP - MIDISPY / SPY
LB12 INT 299



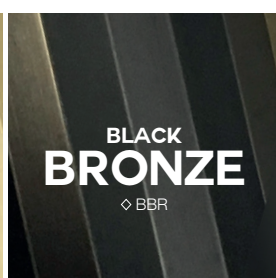
SUPERLOOP HC
LB12 INT 323



MONTUR
LB12 INT 452

Warm metal colours have been the actual protagonists of the past years. Our new metallic anodized Gold Champagne (GC) and Black Bronze (BBR) recall the glamour of the 50's and characterize objects with their warm tactile metal surfaces and merge perfectly with wood and natural materials.

The new Black Pure (BP) finishing accentuates the space with a rough and industrial detail, adding eccentricity to an otherwise conventional interior. All new colours and finishes are available on a range of existing and new products.



INDEX

INTERIOR / PROFILES / EXTERIOR



DOT.COM S
PAG 11



REO RIBS
PAG 21



VIZIR / HEDRA CLIP
PAG 36



HEDRA 62 C
PAG 45



**SUPERNOVA FLAT
DOWN-UP**
PAG 53



SUPERLOOP - SPY SOFT
PAG 61



TAGLINE TRIMLESS
PAG 77



DOT.COM M
PAG 13



MIDISPY
PAG 23



VIZIR / HEDRA ON
PAG 38



HEDRA 62 ON
PAG 45



WINDOW
PAG 55



XY180 S
PAG 65



GALA XL R
PAG 79



DOT.COM L
PAG 15



PUNK 39 CLIP
PAG 27



VIZIR / HEDRA ON
PAG 41



HEDRA 62 W
PAG 47



WINDOW DOWN-UP
PAG 55



XY180 MINI
PAG 67



KASKADE
PAG 81



DOT.COM L WALLWASH
PAG 16



PUNK 45 C
PAG 29



HEDRA 39 C
PAG 43



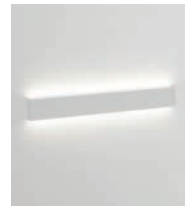
DIRO SBL L ON
PAG 49



**SUPERLOOP
VIZIR / HEDRA**
PAG 58



XY180 PUNK
PAG 69



FEMTOLINE W DOWN-UP
PAG 83



DOT.COM L ON
PAG 19



PUNK 62 C
PAG 30



HEDRA 45 C
PAG 43



SUPERNOVA FLAT
PAG 50



SUPERLOOP FIX
PAG 59



XY180 F
PAG 71



DEEP RINGO RIBS
PAG 20



ORBIT PUNK
PAG 33



HEDRA 45 C E27
PAG 43



**SUPERNOVA FLAT
SMOOTH-UP**
PAG 51



SUPERLOOP - XY180
PAG 61



ONE-AND-ONLY
PAG 75



SHIFTLINE M26
PAG 88



TAGLINE TR
PAG 104



SPLITLINE M20
PAG 88



TAGLINE TRW
PAG 104



SPLITLINE M52
PAG 88



TAGLINE ST
PAG 108



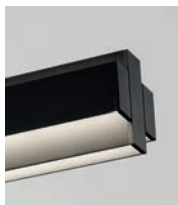
DOT.COM WALLWASH TR
PAG 98



TAGLINE ON
PAG 108



FEMTOLINE W DOWN-UP
PAG 100



ONE-AND-ONLY
PAG 110



FEMTOLINE 55
PAG 102



KASKADE
PAG 112



MICRO DEEP RINGO X
PAG 117



MONTUR MINI S P
PAG 122



LOGO
PAG 119



ELBO SBL P
PAG 123



STIP W R
PAG 120



ELBO P
PAG 123



STIP W S
PAG 120



ELBO BRIDGE P
PAG 125



MONTUR MINI S
PAG 121



POLESANO
PAG 126

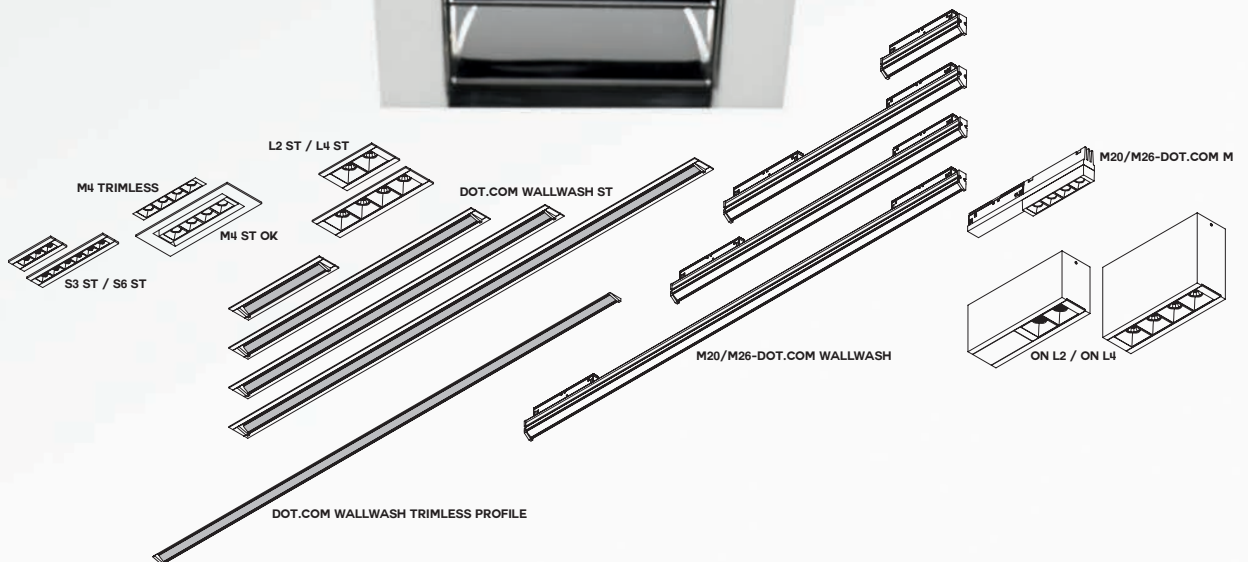


MONTUR MINI M
PAG 121

| | |
|-----------------------------|---------|
| DEEP RINGO RIBS | PAG 20 |
| DIRO SBL L ON | PAG 49 |
| DOT.COM L | PAG 15 |
| DOT.COM L WALLWASH | PAG 16 |
| DOT.COM M | PAG 13 |
| DOT.COM L ON | PAG 19 |
| DOT.COM S | PAG 11 |
| DOT.COM WALLWASH TR | PAG 98 |
| ELBO BRIDGE P | PAG 125 |
| ELBO SBL P | PAG 123 |
| ELBO P | PAG 123 |
| FEMTOLINE 55 | PAG 102 |
| FEMTOLINE W DOWN-UP | PAG 83 |
| FEMTOLINE W DOWN-UP PROFILE | PAG 100 |
| GALA XL R | PAG 79 |
| HEDRA 39 C | PAG 43 |
| HEDRA 45 C | PAG 43 |
| HEDRA 45 C E27 | PAG 43 |
| HEDRA 62 C | PAG 45 |
| HEDRA 62 ON | PAG 45 |
| HEDRA 62 W | PAG 47 |
| HEDRA CLIP | PAG 36 |
| HEDRA ON | PAG 38 |
| HEDRA ON | PAG 41 |
| KASKADE | PAG 81 |
| KASKADE | PAG 112 |
| LOGO | PAG 119 |
| MICRO DEEP RINGO X | PAG 117 |
| MIDISPY | PAG 23 |
| MONTUR MINI M | PAG 121 |
| MONTUR MINI S | PAG 121 |
| MONTUR MINI S P | PAG 122 |
| ONE-AND-ONLY | PAG 75 |
| ONE-AND-ONLY PROFILE | PAG 110 |
| ORBIT PUNK | PAG 33 |
| POLESANO | PAG 126 |
| PUNK 39 CLIP | PAG 27 |
| PUNK 45 C | PAG 29 |
| PUNK 62 C | PAG 30 |
| REO RIBS | PAG 21 |
| SHIFTLINE M26 | PAG 88 |
| SPLITLINE M20 | PAG 88 |
| SPLITLINE M52 | PAG 88 |
| STIP W R | PAG 120 |
| STIP W S | PAG 120 |
| SUPERLOOP - SPY SOFT | PAG 61 |
| SUPERLOOP - XY180 | PAG 61 |
| SUPERLOOP FIX | PAG 59 |
| SUPERLOOP HEDRA | PAG 58 |
| SUPERLOOP VIZIR | PAG 58 |
| SUPERNOVA FLAT | PAG 50 |
| SUPERNOVA FLAT DOWN-UP | PAG 53 |
| SUPERNOVA FLAT SMOOTH-UP | PAG 51 |
| TAGLINE ON | PAG 108 |
| TAGLINE ST | PAG 108 |
| TAGLINE TR | PAG 104 |
| TAGLINE TRIMLESS | PAG 77 |
| TAGLINE TRW | PAG 104 |
| VIZIR CLIP | PAG 36 |
| VIZIR ON | PAG 38 |
| VIZIR ON | PAG 41 |
| WINDOW | PAG 55 |
| WINDOW DOWN-UP | PAG 55 |
| XY180 F | PAG 71 |
| XY180 MINI | PAG 67 |
| XY180 PUNK | PAG 65 |

DOT.COM

FAMILY



DOT.COM_

First introduced in 2004 as a single LED luminaire, upscaled in 2008 as a multiple LED luminaire with 4 or 6 LED dots, implemented in the profile section in 2010 as a module with 4 or 6 LEDs, the history of Dot.Com within the Delta Light® range goes way back. With LEDs being utterly functional and performant nowadays, Dot.Com is up to its second revival, coming as a complete family of luminaires with multiple LED dots to create the most discreet, yet highly functional light settings.

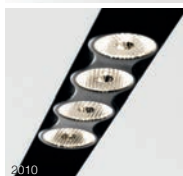
The Small version only needs 25mm of width, a nearly invisible appearance yet with visible impact. The Medium range includes an adjustable version - with tilting possibility of 30° - ideal for instance to emphasize an artwork on the wall. With an output up to 12W per luminaire, the Large range is the most powerful within the Dot.Com series. It comes in both recessed and surface mounted solutions. Furthermore, Dot.Com is not only limited to spotlight beam angles, it also has linear wallwashers in its range for a soft, even light effect on vertical surfaces. These come as single luminaires, as modules to fit in the magnetic profiles and as a bespoke trimless profile solution, perfect to adapt the light to your specific desires.



2004



2008



2010

| |  | DIMENSION |  | LED | PAG |
|---|---|-----------------|---|---|--------|
| S ST  | 58 x 20 | - | - |  | PAG 11 |
| | 112 x 20 | - | - |  | |
| M TRIMLESS  | 127 x 36 | - | - |  | PAG 13 |
| M ST OK  | 136 x 40 | - | ✓ |  | PAG 13 |
| L ST  | 84 x 40 | - | - |  | PAG 15 |
| | 158 x 40 | - | - |  | |
| WALLWASH  | 220 x 40 | - | - | WALLWASH | PAG 16 |
| | 624 x 40 | - | - | WALLWASH | |
| | 824 x 40 | - | - | WALLWASH | |
| | 1224 x 40 | - | - | WALLWASH | |
| L ON  | - | 168 x 50 x 62 | - |  | PAG 19 |
| | - | 168 x 50 x 108 | - |  | |
| M PROFILE  | - | 208 | - |  | PAG 92 |
| | - | 220 | - | WALLWASH | |
| | - | 614 | - | WALLWASH | |
| | - | 814 | - | WALLWASH | |
| | - | 1214 | - | WALLWASH | |
| TRIMLESS WALLWASH  | - | MADE TO MEASURE | - | WALLWASH | PAG 98 |



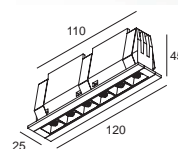
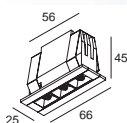
FULL INFO TECHNICAL CHAPTER

OPTIONS

CONTROL GEAR
LED POWER SUPPLY
ALL INFO ON FOLD-OUT COVER



DOT.COM S ST



58 x 20 x 50 / min.8

112 x 20 x 50 / min.8

CRI > 90

DOT.COM S3 ST

DOT.COM S6 ST

3000 K

LED CLUSTER 3W / 303lm / 350mA

LED CLUSTER 6W / 606lm / 350mA



424 211 03 932 ◇
◇ = B-B / W-B

424 211 06 932 ◇
◇ = B-B / W-B



424 211 03 933 ◇
◇ = B-B / W-B

424 211 06 933 ◇
◇ = B-B / W-B

2700 K

LED CLUSTER 3W / 294lm / 350mA

LED CLUSTER 6W / 588lm / 350mA



424 211 03 922 ◇
◇ = B-B / W-B

424 211 06 922 ◇
◇ = B-B / W-B



424 211 03 923 ◇
◇ = B-B / W-B

424 211 06 923 ◇
◇ = B-B / W-B

NON ADJUSTABLE

CE 0.2 IP20

OPTIONS

LED POWER SUPPLY 350mA-DC / DIM

NON ADJUSTABLE

CE 0.3 IP20

OPTIONS

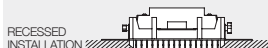
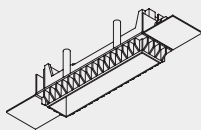
LED POWER SUPPLY 350mA-DC / DIM





FULL INFO TECHNICAL CHAPTER **REQUIREMENTS**

INSTALLATION
MOUNTING KIT 199 x 35 x 43 127 x 36 x 60
DOT.COM M4 TRIMLESS
424 512 04 00
 5 - 22

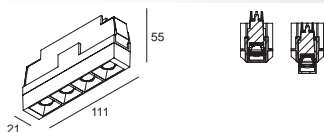


FULL INFO TECHNICAL CHAPTER **OPTIONS**

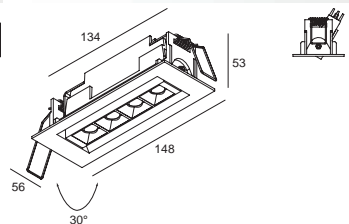
CONTROL GEAR
LED POWER SUPPLY
ALL INFO ON FOLD-OUT COVER



DOT.COM M TRIMLESS



DOT.COM M ST OK



KIT x 60

136 x 40 x 58 / max.25

CRI > 90

DOT.COM M4 TRIMLESS

DOT.COM M4 ST OK

3000 K

LED CLUSTER 5,6W / 628lm / 500mA

LED CLUSTER 5,6W / 628lm / 500mA



424 512 04 931 ◊
 ◊ = B / C / MMAT

424 222 04 931 ◊
 ◊ = B-B / B-C / B-MMAT
 W-B / W-C / W-MMAT



424 512 04 932 ◊
 ◊ = B / C / MMAT

424 222 04 932 ◊
 ◊ = B-B / B-C / B-MMAT
 W-B / W-C / W-MMAT



424 512 04 933 ◊
 ◊ = B / C / MMAT

424 222 04 933 ◊
 ◊ = B-B / B-C / B-MMAT
 W-B / W-C / W-MMAT

2700 K

LED CLUSTER 5,6W / 612lm / 500mA

LED CLUSTER 5,6W / 612lm / 500mA



424 512 04 921 ◊
 ◊ = B / C / MMAT

424 222 04 921 ◊
 ◊ = B-B / B-C / B-MMAT
 W-B / W-C / W-MMAT



424 512 04 922 ◊
 ◊ = B / C / MMAT

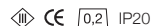
424 222 04 922 ◊
 ◊ = B-B / B-C / B-MMAT
 W-B / W-C / W-MMAT



424 512 04 923 ◊
 ◊ = B / C / MMAT

424 222 04 923 ◊
 ◊ = B-B / B-C / B-MMAT
 W-B / W-C / W-MMAT

NON ADJUSTABLE



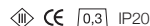
REQUIREMENTS

MOUNTING KIT DOT.COM M4 TRIMLESS

OPTIONS

LED POWER SUPPLY 500mA-DC / DIM

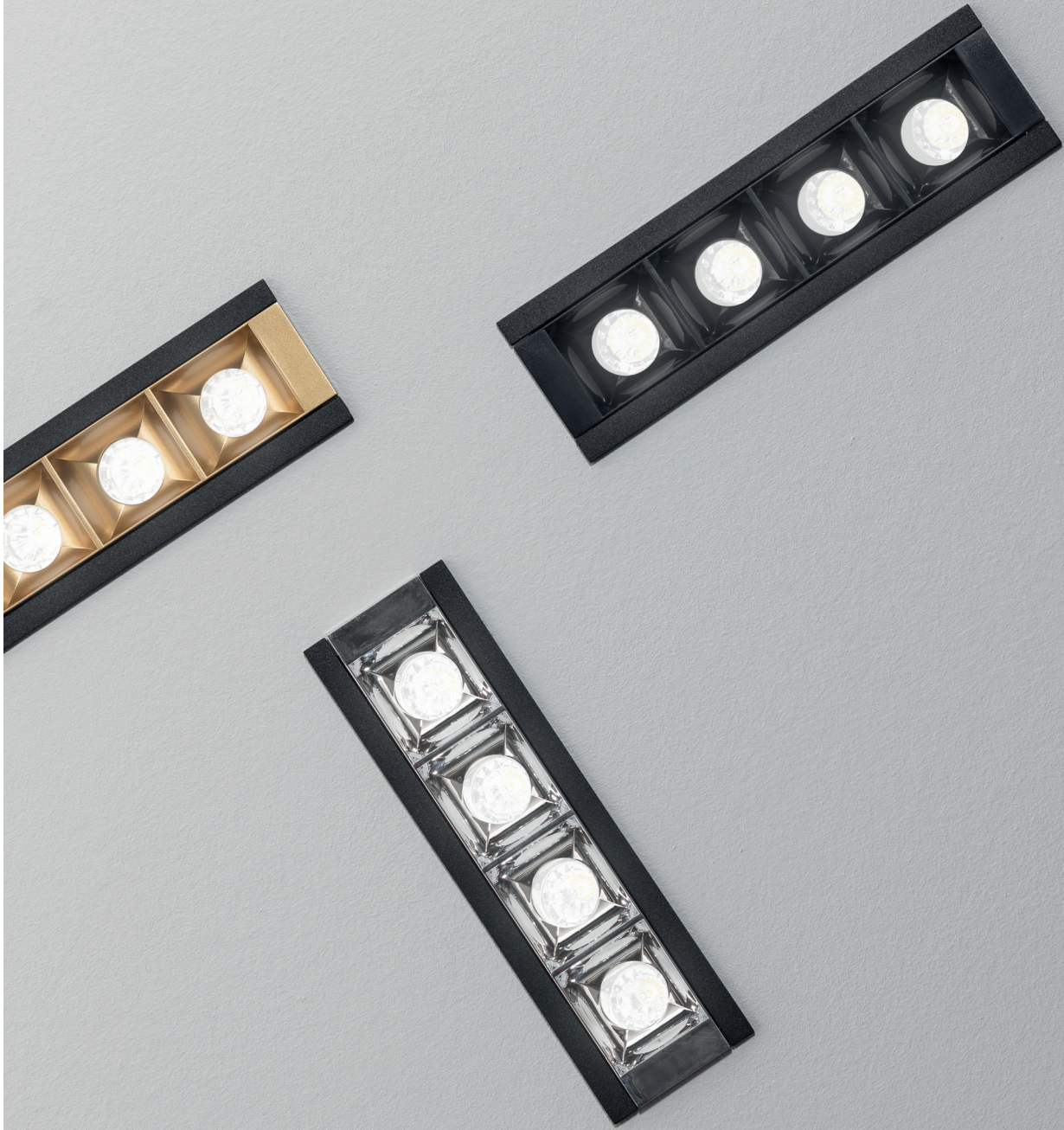
ADJUSTABLE 30°



OPTIONS

LED POWER SUPPLY 500mA-DC / DIM





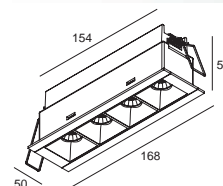
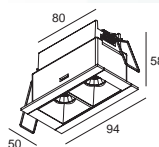
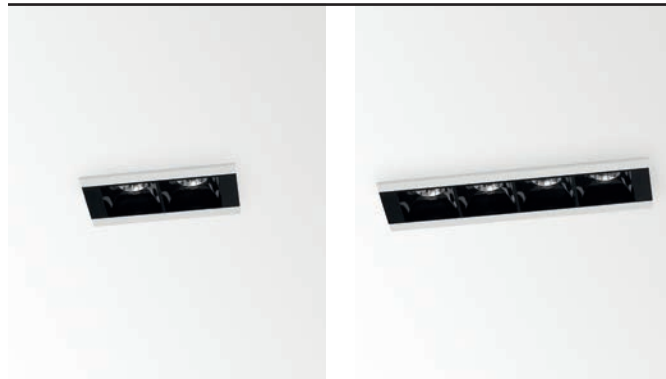
FULL INFO TECHNICAL CHAPTER

OPTIONS

CONTROL GEAR
LED POWER SUPPLY
ALL INFO ON FOLD-OUT COVER



DOT.COM L ST



84 x 40 x 62 / max.30

158 x 40 x 62 / max.30

CRI > 90

DOT.COM L2 ST

DOT.COM L4 ST

3000 K

LED CLUSTER 6,2W / 546lm / 1050mA

LED CLUSTER 12,4W / 1092lm / 1050mA



424 213 02 931 ◊
 ◊ = B-B / B-C / B-MMAT
 W-B / W-C / W-MMAT

424 213 04 931 ◊
 ◊ = B-B / B-C / B-MMAT
 W-B / W-C / W-MMAT



424 213 02 932 ◊
 ◊ = B-B / B-C / B-MMAT
 W-B / W-C / W-MMAT

424 213 04 932 ◊
 ◊ = B-B / B-C / B-MMAT
 W-B / W-C / W-MMAT



424 213 02 933 ◊
 ◊ = B-B / B-C / B-MMAT
 W-B / W-C / W-MMAT

424 213 04 933 ◊
 ◊ = B-B / B-C / B-MMAT
 W-B / W-C / W-MMAT

2700 K

LED CLUSTER 6,2W / 530lm / 1050mA

LED CLUSTER 12,4W / 1060lm / 1050mA



424 213 02 921 ◊
 ◊ = B-B / B-C / B-MMAT
 W-B / W-C / W-MMAT

424 213 04 921 ◊
 ◊ = B-B / B-C / B-MMAT
 W-B / W-C / W-MMAT



424 213 02 922 ◊
 ◊ = B-B / B-C / B-MMAT
 W-B / W-C / W-MMAT

424 213 04 922 ◊
 ◊ = B-B / B-C / B-MMAT
 W-B / W-C / W-MMAT



424 213 02 923 ◊
 ◊ = B-B / B-C / B-MMAT
 W-B / W-C / W-MMAT

424 213 04 923 ◊
 ◊ = B-B / B-C / B-MMAT
 W-B / W-C / W-MMAT

NON ADJUSTABLE

◊ CE 0,3 IP20

OPTIONS

LED POWER SUPPLY 1050mA-DC / DIM

NON ADJUSTABLE

◊ CE 0,4 IP20

OPTIONS

LED POWER SUPPLY 1050mA-DC / DIM

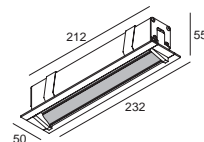
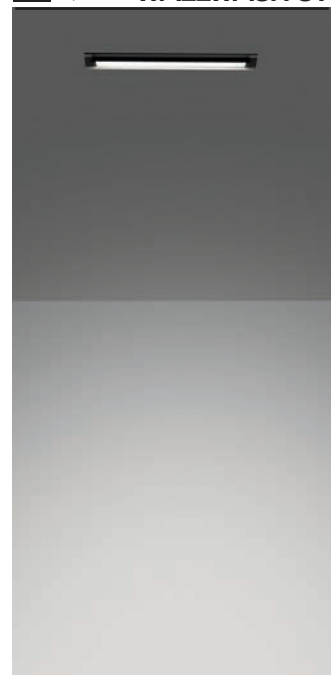


OPTIONS

CONTROL GEAR
LED POWER SUPPLY
ALL INFO ON FOLD-OUT COVER



DOT.COM L WALLWASH ST



220 x 40 x 50 / min.10

CRI > 90

DOT.COM L WALLWASH 02 HO ST

3000 K

LED CLUSTER 10W / 1000lm / 350mA



424 242 02 93 ◇
 ◇ = W-B

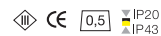
2700 K

LED CLUSTER 10W / 1000lm / 350mA



424 242 02 92 ◇
 ◇ = W-B

NON ADJUSTABLE



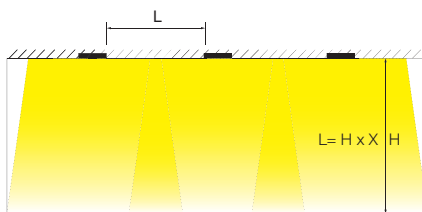
OPTIONS

LED POWER SUPPLY 350mA-DC / DIM

POSITION FOR INSTALLATION



example: H=3000 mm → L= 3000 mm x 0,4 = 1200 mm

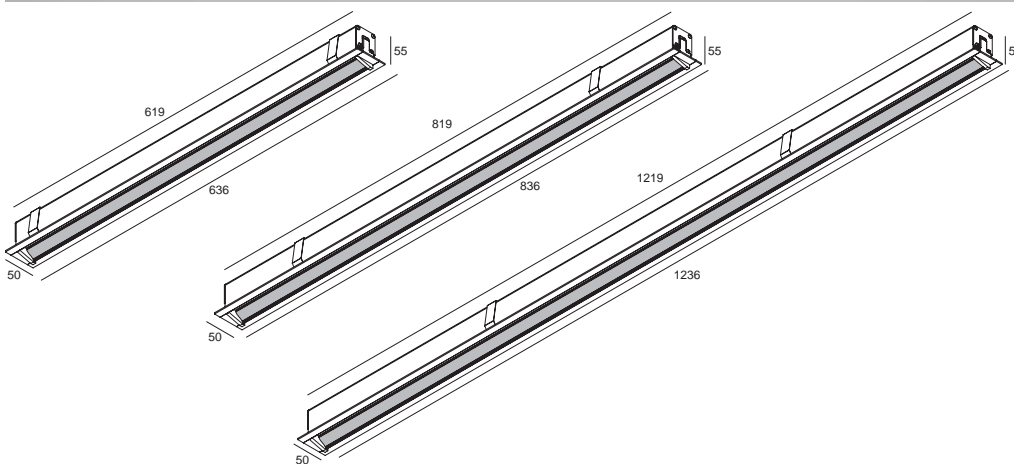
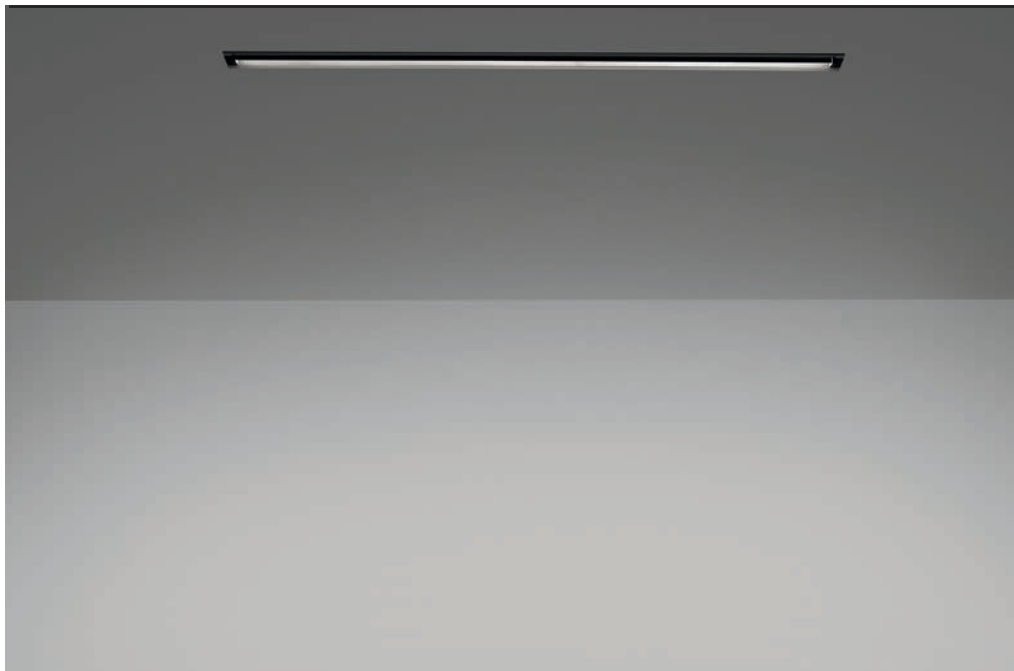


example: H=3000 mm → L= 3000 mm x 0,5 = 1500 mm

| | X |
|-----------------------|------|
| DOT.COM L WALLWASH 02 | 0,5 |
| DOT.COM L WALLWASH 06 | 0,25 |
| DOT.COM L WALLWASH 08 | 0,33 |
| DOT.COM L WALLWASH 12 | 0,5 |



DOT.COM L WALLWASH ST



624 x 40 x 50 / min.10

824 x 40 x 50 / min.10

1224 x 40 x 50 / min.10

CRI > 90

DOT.COM L WALLWASH 06 ST

DOT.COM L WALLWASH 08 ST

DOT.COM L WALLWASH 12 ST

3000 K

LED CLUSTER 4,7W / 600lm / 350mA

LED CLUSTER 6,3W / 800lm / 500mA

LED CLUSTER 9,3W / 1200lm / 700mA



424 242 06 93 ◊
◊ = W-B

424 242 08 93 ◊
◊ = W-B

424 242 12 93 ◊
◊ = W-B

2700 K

LED CLUSTER 4,7W / 600lm / 350mA

LED CLUSTER 6,3W / 800lm / 500mA

LED CLUSTER 9,3W / 1200lm / 700mA



424 242 06 92 ◊
◊ = W-B

424 242 08 92 ◊
◊ = W-B

424 242 12 92 ◊
◊ = W-B

NON ADJUSTABLE

NON ADJUSTABLE

NON ADJUSTABLE

◊ CE 1,4 IP20 IP43

◊ CE 1,8 IP20 IP43

◊ CE 2,5 IP20 IP43

OPTIONS

LED POWER SUPPLY 350mA-DC / DIM

OPTIONS

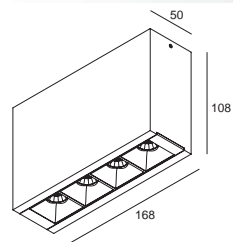
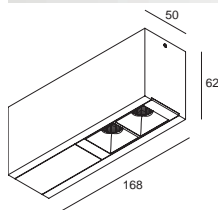
LED POWER SUPPLY 500mA-DC / DIM

OPTIONS

LED POWER SUPPLY 700mA-DC / DIM



DOT.COM L ON



| CRI > 90 | DOT.COM L2 ON | DOT.COM L4 ON |
|---------------------|---|---|
| 3000 K | LED CLUSTER 4W / 420lm / 700mA | LED CLUSTER 12,4W / 1092lm / 1050mA |
| REFL SP 16° | 424 113 02 931 ED8 ◊ ◊ = B-B / W-B | 424 113 04 931 ED8 ◊ ◊ = B-B / W-B |
| REFL FL 32° | 424 113 02 932 ED8 ◊ ◊ = B-B / W-B | 424 113 04 932 ED8 ◊ ◊ = B-B / W-B |
| REFL WFL 46° | 424 113 02 933 ED8 ◊ ◊ = B-B / W-B | 424 113 04 933 ED8 ◊ ◊ = B-B / W-B |
| 2700 K | LED CLUSTER 4W / 408lm / 700mA | LED CLUSTER 12,4W / 1060lm / 1050mA |
| REFL SP 16° | 424 113 02 921 ED8 ◊ ◊ = B-B / W-B | 424 113 04 921 ED8 ◊ ◊ = B-B / W-B |
| REFL FL 32° | 424 113 02 922 ED8 ◊ ◊ = B-B / W-B | 424 113 04 922 ED8 ◊ ◊ = B-B / W-B |
| REFL WFL 46° | 424 113 02 923 ED8 ◊ ◊ = B-B / W-B | 424 113 04 923 ED8 ◊ ◊ = B-B / W-B |
| | NON ADJUSTABLE MAINS DIMMING (FE) 220-240V / 50-60Hz ◊ CE 0,7 IP20 | NON ADJUSTABLE MAINS DIMMING (FE) 220-240V / 50-60Hz ◊ CE 1,0 IP20 |

REQUIREMENTS

CONTROL GEAR



LED POWER SUPPLY
650mA-DC DIM5
300 90 915 ED5

145 x 45 x 30



LED POWER SUPPLY
650mA-DC DIM8
300 90 915 ED8

125 x 45 x 30



SOFT DIM INFO PAG TEC 11

DIM5: DIMMING BY DALI
DIM8: DIMMING BY FALLING EDGE DIMMER

OPTIONS

INSTALLATION



PLASTERKIT 101
202 11 19

205 x 205

80 x 180

CONTROL GEAR



LED POWER SUPPLY
ALL INFO ON FOLD-OUT COVER



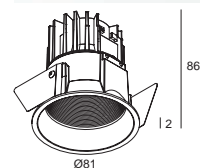
Fixation S1



Fixation S2



DEEP RINGO RIBS



76 x 90 / min.5

76 x 90 / min.5

CRI > 90

DEEP RINGO RIBS

3000 K

LED [H] 7,1W / 774lm / 350mA
LED [H] 10,4W / 1075lm / 500mA



202 274 811 932 ◇
◇ = B / FBR / FG / W

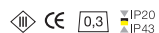
2700 K

LED [H] 7,1W / 743lm / 350mA
LED [H] 10,4W / 1032lm / 500mA



202 274 811 922 ◇
◇ = B / FBR / FG / W

NON ADJUSTABLE



OPTIONS

LED POWER SUPPLY 350-500mA-DC / DIM

DEEP RINGO RIBS IP

LED [H] 7,1W / 774lm / 350mA
LED [H] 10,4W / 1075lm / 500mA

202 275 811 932 ◇
◇ = B / FBR / FG / W

LED [H] 7,1W / 743lm / 350mA
LED [H] 10,4W / 1032lm / 500mA

202 275 811 922 ◇
◇ = B / FBR / FG / W

NON ADJUSTABLE



OPTIONS

LED POWER SUPPLY 350-500mA-DC / DIM

CRI > 90

DEEP RINGO RIBS SOFT

2700 K

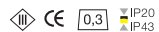


LED 10W / 565lm / 650mA



202 276 1902 ◇
◇ = B / FBR / FG / W

NON ADJUSTABLE

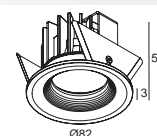
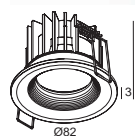


REQUIREMENTS

LED POWER SUPPLY 650mA-DC DIM

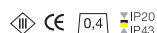


REO RIBS



| | 76 x 55 max.22 | 76 x 55 |
|---------------------|--|--|
| CRI > 90 | REO RIBS S1 | REO RIBS S2 |
| 3000 K | LED [H] 7,1W / 774lm / 350mA LED [H] 10,4W / 1075lm / 500mA | LED [H] 7,1W / 774lm / 350mA LED [H] 10,4W / 1075lm / 500mA |
| REFL FL 33° | 202 263 811 932 ◇ ◇ = FBR / FG / W | 202 2632 811 932 ◇ ◇ = FBR / FG / W |
| REFL WFL 50° | 202 263 811 933 ◇ ◇ = FBR / FG / W | 202 2632 811 933 ◇ ◇ = FBR / FG / W |
| 2700 K | LED [H] 7,1W / 743lm / 350mA LED [H] 10,4W / 1032lm / 500mA | LED [H] 7,1W / 743lm / 350mA LED [H] 10,4W / 1032lm / 500mA |
| REFL FL 33° | 202 263 811 922 ◇ ◇ = FBR / FG / W | 202 2632 811 922 ◇ ◇ = FBR / FG / W |
| REFL WFL 50° | 202 263 811 923 ◇ ◇ = FBR / FG / W | 202 2632 811 923 ◇ ◇ = FBR / FG / W |

NON ADJUSTABLE

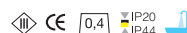


OPTIONS

PLASTERKIT 101 (ONLY FOR S1)
LED POWER SUPPLY 350-500mA-DC / DIM

| | 76 x 55 max.22 | 76 x 55 |
|---------------------|--|--|
| CRI > 90 | REO RIBS IP S1 | REO RIBS IP S2 |
| 3000 K | LED [H] 7,1W / 774lm / 350mA LED [H] 10,4W / 1075lm / 500mA | LED [H] 7,1W / 774lm / 350mA LED [H] 10,4W / 1075lm / 500mA |
| REFL FL 33° | 202 264 811 932 ◇ ◇ = FBR / FG / W | 202 2642 811 932 ◇ ◇ = FBR / FG / W |
| REFL WFL 50° | 202 264 811 933 ◇ ◇ = FBR / FG / W | 202 2642 811 933 ◇ ◇ = FBR / FG / W |
| 2700 K | LED [H] 7,1W / 743lm / 350mA LED [H] 10,4W / 1032lm / 500mA | LED [H] 7,1W / 743lm / 350mA LED [H] 10,4W / 1032lm / 500mA |
| REFL FL 33° | 202 264 811 922 ◇ ◇ = FBR / FG / W | 202 2642 811 922 ◇ ◇ = FBR / FG / W |
| REFL WFL 50° | 202 264 811 923 ◇ ◇ = FBR / FG / W | 202 2642 811 923 ◇ ◇ = FBR / FG / W |

NON ADJUSTABLE

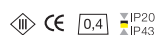


OPTIONS

PLASTERKIT 101 (ONLY FOR S1)
LED POWER SUPPLY 350-500mA-DC / DIM

| | 76 x 55 max.22 | 76 x 55 |
|---------------------|---|--|
| CRI > 90 | REO RIBS SOFT S1 | REO RIBS SOFT S2 |
| 2700 K | LED 10W / 565lm / 650mA | LED 10W / 565lm / 650mA |
| SOFT DIM | | |
| REFL WFL 40° | 202 265 1902 ◇ ◇ = FBR / FG / W | 202 2652 1902 ◇ ◇ = FBR / FG / W |

NON ADJUSTABLE



REQUIREMENTS

LED POWER SUPPLY 650mA-DC DIM

OPTIONS

PLASTERKIT 101 (ONLY FOR S1)



REO RIBS FBR



FULL INFO TECHNICAL CHAPTER

REQUIREMENTS

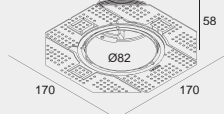
INSTALLATION

MOUNTING KIT MIDISPY TRIMLESS O.F.A.

414 21 00

112 max.25

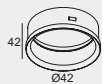
0,4



MIDISPY TUBE ◇

414 03 00 ◇

◇ = B / FBR / FG / MMAT / SG / W



FULL INFO TECHNICAL CHAPTER

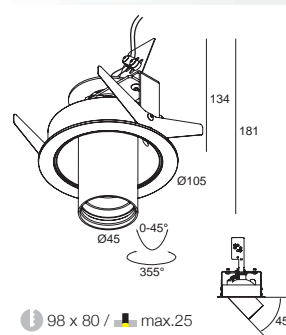
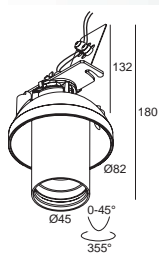
OPTIONS

CONTROL GEAR

LED POWER SUPPLY
ALL INFO ON FOLD-OUT COVER



MIDISPY



ØKIT x 80

98 x 80 / max.25

CRI > 80

MIDISPY TRIMLESS IN

3000 K

LED [C] 4,1W / 425lm / 350mA

LENS FL 20°

414 212 832 ◇
◇ = B / W

2700 K

LED [C] 4,1W / 425lm / 350mA

LENS FL 20°

414 212 822 ◇
◇ = B / W

ADJUSTABLE 0-45° / 355°

IP20

REQUIREMENTS

MOUNTING KIT MIDISPY TRIMLESS O.F.A.
MIDISPY TUBE

OPTIONS

LED POWER SUPPLY 350mA-DC / DIM

MIDISPY ST

LED [C] 4,1W / 425lm / 350mA

414 232 832 ◇
◇ = W-W

LED [C] 4,1W / 425lm / 350mA

414 232 822 ◇
◇ = W-W

ADJUSTABLE 0-45° / 355°

IP20

REQUIREMENTS

MIDISPY TUBE

OPTIONS

LED POWER SUPPLY 350mA-DC / DIM

CRI > 90

3000 K

LED [D] 6,4W / 587lm / 350mA

REFL WFL 40°

414 211 933 ◇
◇ = B / W

2700 K

LED [D] 6,4W / 587lm / 350mA

REFL WFL 40°

414 211 923 ◇
◇ = B / W

ADJUSTABLE 0-45° / 355°

IP20

REQUIREMENTS

MOUNTING KIT MIDISPY TRIMLESS O.F.A.
MIDISPY TUBE

OPTIONS

LED POWER SUPPLY 350mA-DC / DIM

LED [D] 6,4W / 587lm / 350mA

414 231 933 ◇
◇ = W-W

LED [D] 6,4W / 587lm / 350mA

414 231 923 ◇
◇ = W-W

ADJUSTABLE 0-45° / 355°

IP20

REQUIREMENTS

MIDISPY TUBE

OPTIONS

LED POWER SUPPLY 350mA-DC / DIM

PATENTED EX-CENTRIC ROTATION SYSTEM®



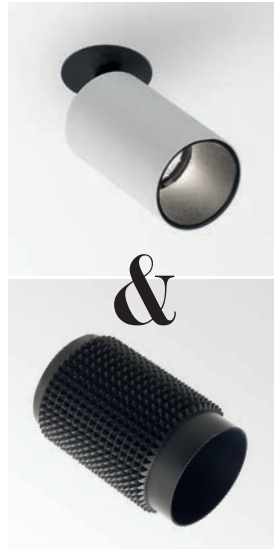
SPY

PUNK SLEEVE

PUNK CONCEPT BY OMA

PUNK – MAY CAUSE CREATIVITY & PERSONALITY

Step away from brave, alter yourself and dare to dare. This brand new design on the well-known Spy family breathes creativity and allows you to play with light and texture. This Punk design has been added within the existing range as a sleeve – for Spy with Ø62mm – or as a single luminaire, leaving you with the familiar optics but adding new experiences. To be able to integrate this experience throughout your project, new pendants and wall luminaires have been launched with Punk design. Available in Black, Gold Champagne and Black Pure, a Black colored finish with pure aluminum topped spikes.



SPY PUNK SLEEVE
414 11 00 ◊
◊ = B / BP / GC



SPY ON
INT 299



SPY CLIP
INT 299



MAGNETIC PROFILES - SPY
INT 299

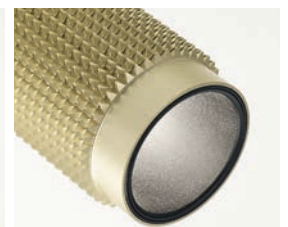


SUPERLOOP - SPY
INT 299

| | Ø BODY | | LAMP | | | | | | |
|--------------------|-----------|---|------------|------------------|------------------|------------------|---|------------------|---|
| PUNK 39 | Ø39 | ✓ | LED | ✓ | - | - | - | - | ✓ |
| PUNK 45 | Ø45 | - | LED | - | - | ✓ | - | - | - |
| PUNK 62 | Ø62 | ✓ | LED | ✓ PUNK SLEEVE | ✓ PUNK SLEEVE | ✓ PUNK SLEEVE | - | ✓ PUNK SLEEVE | - |
| | | - | QPAR 51 | - | - | ✓ | ✓ | - | - |



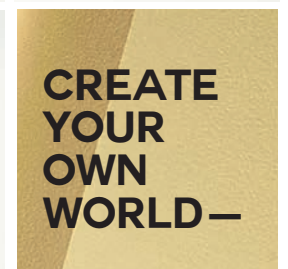
SPY ON &
SPY PUNK SLEEVE B



SPY ON &
SPY PUNK SLEEVE GC



SPY ON &
SPY PUNK SLEEVE BP





FULL INFO TECHNICAL CHAPTER **OPTIONS**

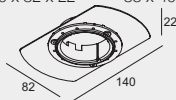
INSTALLATION



MOUNTING KIT FLUSH SPY 140 x 82 x 22 83 x 40
414 90 01

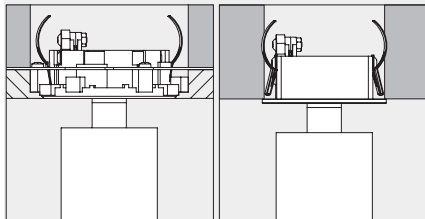
83 9 or 12

0,2



CONTROL GEAR

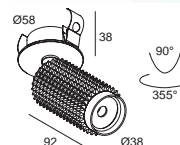
LED POWER SUPPLY
ALL INFO ON FOLD-OUT COVER



PUNK CLIP + MOUNTING KIT FLUSH SPY

PUNK CLIP

PUNK 39 CLIP



50 x 40

CRI > 90

PUNK 39 CLIP

3000 K

LED [H] 7,1W / 774lm / 350mA



471 111 811 931 ◇
 ◇ = B-B

2700 K

LED [H] 7,1W / 743lm / 350mA



471 111 811 921 ◇
 ◇ = B-B

ADJUSTABLE 0-90° / 355°

CE 0,4 IP20

OPTIONS

MOUNTING KIT FLUSH SPY
 LED POWER SUPPLY 350mA-DC / DIM



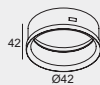
FULL INFO TECHNICAL CHAPTER **REQUIREMENTS**

INSTALLATION

MIDISPY TUBE ◇

414 03 00 ◇

◇ = B / FBR / FG / MMAT / SG / W



FULL INFO TECHNICAL CHAPTER **OPTIONS**

INSTALLATION

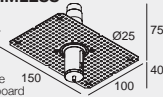
SUSPENSION + CONNECTION TRIMLESS

328 10 02

INCL.1 x AUTOMATIC ADJUSTMENT

INCL.1 x CONNECTOR 3 x 2.5mm²

play.deltalight.com/suspensiontrimlessconcrete
play.deltalight.com/suspensiontrimlessplasterboard

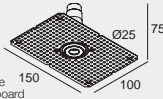


CONNECTION TRIMLESS

328 10 03

INCL.1 x CONNECTOR 3 x 2.5mm²

play.deltalight.com/suspensiontrimlessconcrete
play.deltalight.com/suspensiontrimlessplasterboard



COVERSET R ◇

204 00 90 ◇

Ø90

204 00 100 ◇

Ø100

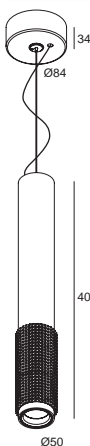
◇ = ANO / B / W



SUSPENSION + CONNECTION TRIMLESS



PUNK 45 C



CRI > 90

PUNK 451 C

3000 K

LED 6,4W / 587lm / 350mA



471 221 932 ED8 ◇

◇ = B / BP / GC

2700 K

LED 6,4W / 587lm / 350mA



471 221 922 ED8 ◇

◇ = B / BP / GC

INCL.1 x CABLE SUSP. SINGLE AUTO. 1.6m
INCL.1 x CABLE 2 x 0.75mm²
MAINS DIMMING (FE)
220-240V / 50-60Hz

◇ CE 0,9 IP20

REQUIREMENTS

MIDISPY TUBE

OPTIONS

SUSPENSION + CONNECTION TRIMLESS
COVERSET R 90-100

PUNK 452 C

LED 6,4W / 587lm / 350mA

471 222 932 ED8 ◇

◇ = B / GC

LED 6,4W / 587lm / 350mA

471 222 922 ED8 ◇

◇ = B / GC

INCL.1 x CABLE SUSP. SINGLE AUTO. 1.6m
INCL.1 x CABLE 2 x 0.75mm²
MAINS DIMMING (FE)
220-240V / 50-60Hz

◇ CE 1,0 IP20

REQUIREMENTS

MIDISPY TUBE

OPTIONS

SUSPENSION + CONNECTION TRIMLESS
COVERSET R 90-100

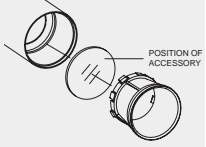


FULL INFO TECHNICAL CHAPTER

REQUIREMENTS**INSTALLATION****SPY TUBE** ◇

414 01 00 ◇

◇ = B / FBR / FG / MMAT / SG / W

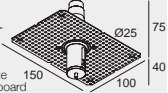


FULL INFO TECHNICAL CHAPTER

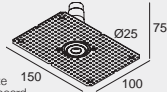
OPTIONS**INSTALLATION****SUSPENSION + CONNECTION TRIMLESS**

328 10 02

INCL. 1 x AUTOMATIC ADJUSTMENT

INCL. 1 x CONNECTOR 3 x 2.5mm²play.deltalight.com/suspensiontrimlessconcreteplay.deltalight.com/suspensiontrimlessplasterboard**CONNECTION TRIMLESS**

328 10 03

INCL. 1 x CONNECTOR 3 x 2.5mm²play.deltalight.com/suspensiontrimlessconcreteplay.deltalight.com/suspensiontrimlessplasterboard**COVERSET R** ◇

204 00 90 ◇

Ø90

204 00 100 ◇

Ø100

◇ = ANO / B / W



SUSPENSION + CONNECTION TRIMLESS

**BP**

PUNK 622 C B + SPY TUBE MMAT

FULL INFO TECHNICAL CHAPTER

ACCESSORIES**HONEYCOMB 50** ◇

Ø50

413 03 01 ◇

◇ = B

**LINEAR SPREAD LENS 50**

Ø50

413 03 02

**SPREAD LENS 50**

Ø50

413 03 03

**SOFTENING LENS 50**

Ø50

413 03 04

**GLASS SBL 50**

Ø50

413 03 05



CRI > 90

PUNK 621 C

3000

K

LED 7,1W / 774lm / 350mA

FE

REFL

FL

33°

471 321 811 932 ED8 ◇

◇ = B / BP / GC

2700

K

LED 7,1W / 743lm / 350mA

FE

REFL

FL

33°

471 321 811 922 ED8 ◇

◇ = B / BP / GC

INCL. 1 x CABLE SUSP. SINGLE AUTO. 1.6m

INCL. 1 x CABLE 2 x 0.75mm²

MAINS DIMMING (FE)

220-240V / 50-60Hz

◇ CE 1,1 IP20

REQUIREMENTS

SPY TUBE

OPTIONS

SUSPENSION + CONNECTION TRIMLESS

COVERSET R 90-100

ACCESSORIES

HONEYCOMB / LENS / GLASS

CRI > 90

PUNK 621 C SOFT

2700

1800

K

LED 10W / 565lm / 650mA

FE

REFL

WFL

40°

471 321 1902 ED8 ◇

◇ = B / BP / GC

INCL. 1 x CABLE SUSP. SINGLE AUTO. 1.6m

INCL. 1 x CABLE 2 x 0.75mm²

MAINS DIMMING (FE)

220-240V / 50-60Hz

◇ CE 1,2 IP20

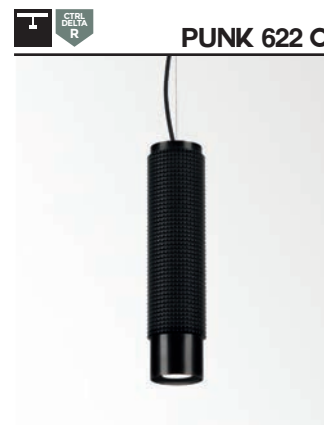
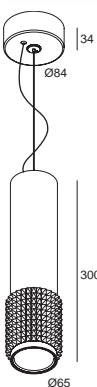
REQUIREMENTS

SPY TUBE

OPTIONS

SUSPENSION + CONNECTION TRIMLESS

COVERSET R 90-100



PUNK 621 C Hi

1 x QPAR51 max.35W

471 321 00 ◊
◊ = B / BP / GC

INCL. 1 x CABLE SUSP. SINGLE AUTO. 1.6m
INCL. 1 x CABLE 2 x 0.75mm²
GU10 / 100-240V / 50-60Hz

◊ CE [0,5] IP20 [0,5]

OPTIONS
SUSPENSION + CONNECTION TRIMLESS
COVERSET R 90-100
LED SOLUTION - PAG TEC 7

PUNK 622 C

CRI > 90

3000 K LED 7,1W / 774lm / 350mA

471 322 811 932 ED8 ◊
◊ = B / GC

2700 K LED 7,1W / 743lm / 350mA

471 322 811 922 ED8 ◊
◊ = B / GC

INCL. 1 x CABLE SUSP. SINGLE AUTO. 1.6m
INCL. 1 x CABLE 2 x 0.75mm²
MAINS DIMMING (FE)
220-240V / 50-60Hz

◊ CE [1,1] IP20

REQUIREMENTS
SPY TUBE

OPTIONS
SUSPENSION + CONNECTION TRIMLESS
COVERSET R 90-100

ACCESSORIES
HONEYCOMB / LENS / GLASS

PUNK 622 C Hi

1 x QPAR51 max.35W

471 322 00 ◊
◊ = B / GC

INCL. 1 x CABLE SUSP. SINGLE AUTO. 1.6m
INCL. 1 x CABLE 2 x 0.75mm²
GU10 / 100-240V / 50-60Hz

◊ CE [1,0] IP20 [0,5]

OPTIONS
SUSPENSION + CONNECTION TRIMLESS
COVERSET R 90-100
LED SOLUTION - PAG TEC 7

PUNK 622 C SOFT

CRI > 90

2700 K SOFT DIM LED 10W / 565lm / 650mA

471 322 1902 ED8 ◊
◊ = B / GC

INCL. 1 x CABLE SUSP. SINGLE AUTO. 1.6m
INCL. 1 x CABLE 2 x 0.75mm²
MAINS DIMMING (FE)
220-240V / 50-60Hz

◊ CE [1,3] IP20

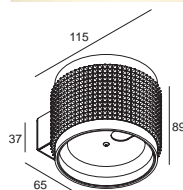
REQUIREMENTS
SPY TUBE

OPTIONS
SUSPENSION + CONNECTION TRIMLESS
COVERSET R 90-100

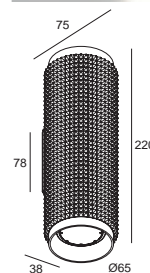
ACCESSORIES
HONEYCOMB / LENS / GLASS



ORBIT PUNK LED



ORBIT PUNK HI



CRI > 90

ORBIT PUNK LED

3000
K

2 x LED 3W / 280lm / 350mA

FE

271 08 93 ED8 ◊
◊ = BP-MMAT / GC-B

2700
K

2 x LED 3W / 252lm / 350mA

FE

271 08 92 ED8 ◊
◊ = BP-MMAT / GC-B

MAINS DIMMING (FE)
220-240V / 0/150-60Hz

CE 0,5 IP20

ORBIT PUNK HI

2 x QPAR51 max.35W

472 361 00 ◊
◊ = BP / GC

GU10 / 100-240V / 50-60Hz

CE 0,6 IP20 0,5

OPTIONS

LED SOLUTION - PAG TEC 7



VIZIR
—
HEDRA

CAPTURE EVERY FACET OF LIGHT –

Vizir and Hedra, two new members of the Delta Light® family, add refinement, finesse and color to the range. Vizir is characterized by its atypical hinge, a design element that not only catches the eye, but also serves as storage for technical parts inside the luminaire.

Next to black and white, Vizir comes in the new Gold Champagne and Black Bronze finishes, either polished or in faceted texture.

This faceted design exists out of many different planes that capture and reflect the ambient light with an ever-changing look as result. It is also the typical design element of the Hedra family, a series of pendant, spotlight and wall mounted luminaires, available as full LED solution or for retrofit bulbs.

| | Ø BODY |  | LAMP |  |  |  |  |  | |
|---|--------|---|--------|---|---|---|---|---|---|
|  VIZIR | Ø39 | - | - | - | - | - | - | - | |
| | Ø50 | ✓ | ✓ | LED | ✓ | ✓ | ✓ | - | ✓ |
| | Ø62 | - | - | - | - | - | - | - | - |
|  HEDRA | Ø39 | ✓ | - | LED | - | - | ✓ | - | - |
| | Ø50 | ✓ | ✓ | LED | ✓ | ✓ | ✓ | - | ✓ |
| | | | | E27 | - | - | ✓ | - | - |
| Ø62 | ✓ | - | QPAR51 | - | ✓ | ✓ | ✓ | - | |

REQUIREMENTS

INSTALLATION

VIZIR TUBE ◊

473 01 00 ◊
◊ = B / FBR / FG / W



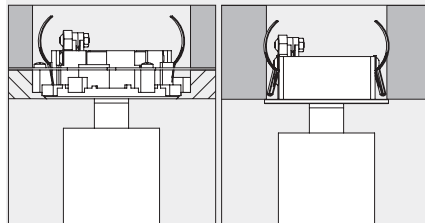
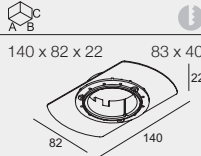
OPTIONS

INSTALLATION

MOUNTING KIT FLUSH SPY 140 x 82 x 22 83 x 40
414 90 01

83 9 or 12

0,2



VIZIR CLIP + MOUNTING KIT FLUSH SPY

VIZIR CLIP

CONTROL GEAR

LED POWER SUPPLY
ALL INFO ON FOLD-OUT COVER



ACCESSORIES

VIZIR HONEYCOMB ◊

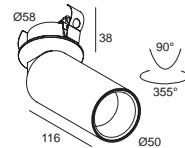
473 03 01 ◊
◊ = B

Ø40

VIZIR SOFTENING LENS

473 03 04

Ø40



50 x 40

CRI > 80

VIZIR CLIP

3000 K

LED [C] 6W / 558lm / 500mA

LENS SP 15°

473 111 831 ◊
◊ = BBR-B / GC-B / W-W

2700 K

LED [C] 6W / 558lm / 500mA

LENS SP 15°

473 111 821 ◊
◊ = BBR-B / GC-B / W-W

ADJUSTABLE 0-90° / 355°

CE 0,4 IP20

REQUIREMENTS

VIZIR TUBE

VIZIR TUBE

OPTIONS

MOUNTING KIT FLUSH SPY

LED POWER SUPPLY 500mA-DC / DIM

ACCESSORIES

HONEYCOMB / LENS

CRI > 90

VIZIR CLIP

3000 K

LED [H] 7,1W / 774lm / 350mA

REFL FL 33°

473 111 811 932 ◊
◊ = BBR-B / GC-B / W-W

2700 K

LED [H] 7,1W / 743lm / 350mA

REFL FL 33°

473 111 811 922 ◊
◊ = BBR-B / GC-B / W-W

ADJUSTABLE 0-90° / 355°

CE 0,4 IP20

REQUIREMENTS

VIZIR TUBE

VIZIR TUBE

OPTIONS

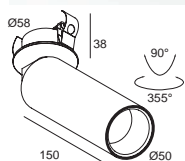
MOUNTING KIT FLUSH SPY

LED POWER SUPPLY 350mA-DC / DIM

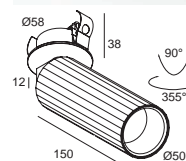
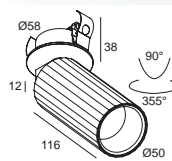
ACCESSORIES

HONEYCOMB / LENS

VIZIR CLIP



HEDRA CLIP



50 x 40

CRI > 80

HEDRA CLIP

3000 K

LED [C] 6W / 558lm / 500mA



473 211 831 ◊
◊ = B-B / BBR-B / GC-B / W-W

2700 K

LED [C] 6W / 558lm / 500mA



473 211 821 ◊
◊ = B-B / BBR-B / GC-B / W-W

ADJUSTABLE 0-90° / 355°

CE 0.3 IP20

REQUIREMENTS

VIZIR TUBE

OPTIONS

MOUNTING KIT FLUSH SPY
LED POWER SUPPLY 500mA-DC / DIM

ACCESSORIES

HONEYCOMB / LENS

50 x 40

VIZIR L CLIP

LED [H] 10,4W / 1075lm / 500mA

473 112 811 932 ◊
◊ = BBR-B / GC-B / W-W

LED [H] 10,4W / 1032lm / 500mA

473 112 811 922 ◊
◊ = BBR-B / GC-B / W-W

ADJUSTABLE 0-90° / 355°

CE 0.4 IP20

REQUIREMENTS

VIZIR TUBE

OPTIONS

MOUNTING KIT FLUSH SPY
LED POWER SUPPLY 500mA-DC / DIM

ACCESSORIES

HONEYCOMB / LENS

CRI > 90

HEDRA CLIP

3000 K

LED [H] 7,1W / 774lm / 350mA



473 211 811 932 ◊
◊ = B-B / BBR-B / GC-B / W-W

2700 K

LED [H] 7,1W / 743lm / 350mA



473 211 811 922 ◊
◊ = B-B / BBR-B / GC-B / W-W

ADJUSTABLE 0-90° / 355°

CE 0.4 IP20

REQUIREMENTS

VIZIR TUBE

OPTIONS

MOUNTING KIT FLUSH SPY
LED POWER SUPPLY 350mA-DC / DIM

ACCESSORIES

HONEYCOMB / LENS

50 x 40

HEDRA L CLIP

LED [H] 10,4W / 1075lm / 500mA

473 212 811 932 ◊
◊ = B-B / BBR-B / GC-B / W-W

LED [H] 10,4W / 1032lm / 500mA

473 212 811 922 ◊
◊ = B-B / BBR-B / GC-B / W-W

ADJUSTABLE 0-90° / 355°

CE 0.4 IP20

REQUIREMENTS

VIZIR TUBE

OPTIONS

MOUNTING KIT FLUSH SPY
LED POWER SUPPLY 500mA-DC / DIM

ACCESSORIES

HONEYCOMB / LENS

FULL INFO TECHNICAL CHAPTER

REQUIREMENTS

INSTALLATION

VIZIR TUBE ◊

473 01 00 ◊
◊ = B / FBR / FG / W



FULL INFO TECHNICAL CHAPTER

OPTIONS

CONTROL GEAR

LED POWER SUPPLY
ALL INFO ON FOLD-OUT COVER



INSTALLATION

COVERSET R ◊

204 00 62 ◊ Ø62
204 00 90 ◊ Ø90
204 00 100 ◊ Ø100
◊ = ANO / B / W



FULL INFO TECHNICAL CHAPTER

ACCESSORIES

VIZIR HONEYCOMB ◊

473 03 01 ◊
◊ = B



Ø40

VIZIR SOFTENING LENS

473 03 04

Ø40

CRI > 80

VIZIR ON

3000
K

LED [C] 6W / 558lm / 500mA

LENS
SP 15°

473 131 831 ◊
◊ = BBR-B / GC-B / W-W

2700
K

LED [C] 6W / 558lm / 500mA

LENS
SP 15°

473 131 821 ◊
◊ = BBR-B / GC-B / W-W

ADJUSTABLE 0-90° / 355°

CE 0.3 IP20

REQUIREMENTS
VIZIR TUBE

OPTIONS
COVERSET R
LED POWER SUPPLY 500mA-DC / DIM

ACCESSORIES
HONEYCOMB / LENS

CRI > 90

VIZIR ON

3000
K

LED [H] 7,1W / 774lm / 350mA

REFL
FL 33°

473 131 811 932 ◊
◊ = BBR-B / GC-B / W-W

2700
K

LED [H] 7,1W / 743lm / 350mA

REFL
FL 33°

473 131 811 922 ◊
◊ = BBR-B / GC-B / W-W

ADJUSTABLE 0-90° / 355°

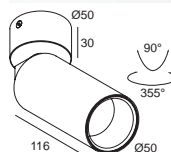
CE 0.3 IP20

REQUIREMENTS
VIZIR TUBE

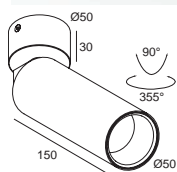
OPTIONS
COVERSET R
LED POWER SUPPLY 350mA-DC / DIM

ACCESSORIES
HONEYCOMB / LENS

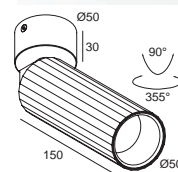
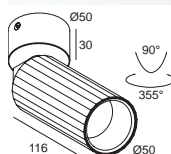
CRI > 90
DELTA
R



VIZIR ON



HEDRA ON



CRI > 80

HEDRA ON

3000 K

LED [C] 6W / 558lm / 500mA



473 231 831 ◊
◊ = B-B / BBR-B / GC-B / W-W

2700 K

LED [C] 6W / 558lm / 500mA



473 231 821 ◊
◊ = B-B / BBR-B / GC-B / W-W

ADJUSTABLE 0-90° / 355°

◊ CE 0.3 IP20

REQUIREMENTS

VIZIR TUBE

OPTIONS

COVERSET R

LED POWER SUPPLY 500mA-DC / DIM

ACCESSORIES

HONEYCOMB / LENS

VIZIR L ON

LED [H] 10,4W / 1075lm / 500mA

473 132 811 932 ◊
◊ = BBR-B / GC-B / W-W

LED [H] 10,4W / 1032lm / 500mA

473 132 811 922 ◊
◊ = BBR-B / GC-B / W-W

ADJUSTABLE 0-90° / 355°

◊ CE 0.4 IP20

REQUIREMENTS

VIZIR TUBE

OPTIONS

COVERSET R

LED POWER SUPPLY 500mA-DC / DIM

ACCESSORIES

HONEYCOMB / LENS

CRI > 90

HEDRA ON

3000 K

LED [H] 7,1W / 774lm / 350mA



473 231 811 932 ◊
◊ = B-B / BBR-B / GC-B / W-W

2700 K

LED [H] 7,1W / 743lm / 350mA



473 231 811 922 ◊
◊ = B-B / BBR-B / GC-B / W-W

ADJUSTABLE 0-90° / 355°

◊ CE 0.3 IP20

REQUIREMENTS

VIZIR TUBE

OPTIONS

COVERSET R

LED POWER SUPPLY 350mA-DC / DIM

ACCESSORIES

HONEYCOMB / LENS

HEDRA L ON

LED [H] 10,4W / 1075lm / 500mA

473 232 811 932 ◊
◊ = B-B / BBR-B / GC-B / W-W

LED [H] 10,4W / 1032lm / 500mA

473 232 811 922 ◊
◊ = B-B / BBR-B / GC-B / W-W

ADJUSTABLE 0-90° / 355°

◊ CE 0.4 IP20

REQUIREMENTS

VIZIR TUBE

OPTIONS

COVERSET R

LED POWER SUPPLY 500mA-DC / DIM

ACCESSORIES

HONEYCOMB / LENS



FULL INFO TECHNICAL CHAPTER

REQUIREMENTS

INSTALLATION

VIZIR TUBE ◊

473 01 00 ◊
◊ = B / FBR / FG / W



FULL INFO TECHNICAL CHAPTER

ACCESSORIES

VIZIR HONEYCOMB ◊

473 03 01 ◊

◊ = B



Ø40

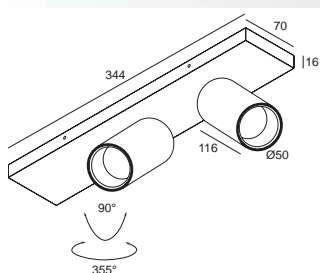
VIZIR SOFTENING LENS

473 03 04

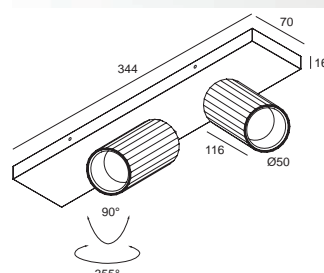
Ø40



VIZIR ON



HEDRA ON



CRI > 90

VIZIR ON 2

3000 K

2 x LED [H] 7,1W / 774lm / 350mA



473 131 812 932 ED1 ◊
◊ = BBR-B / GC-B / W-W

2700 K

2 x LED [H] 7,1W / 743lm / 350mA



473 131 812 922 ED1 ◊
◊ = BBR-B / GC-B / W-W

ADJUSTABLE 0° - 90° / 355°
220-240V / 50-60Hz

◊ CE 0,9 IP20

REQUIREMENTS

2 x VIZIR TUBE

ACCESSORIES

HONEYCOMB / LENS

HEDRA ON 2

2 x LED [H] 7,1W / 774lm / 350mA

473 231 812 932 ED1 ◊
◊ = B-B / BBR-B / GC-B / W-W

2 x LED [H] 7,1W / 743lm / 350mA

473 231 812 922 ED1 ◊
◊ = B-B / BBR-B / GC-B / W-W

ADJUSTABLE 0° - 90° / 355°
220-240V / 50-60Hz

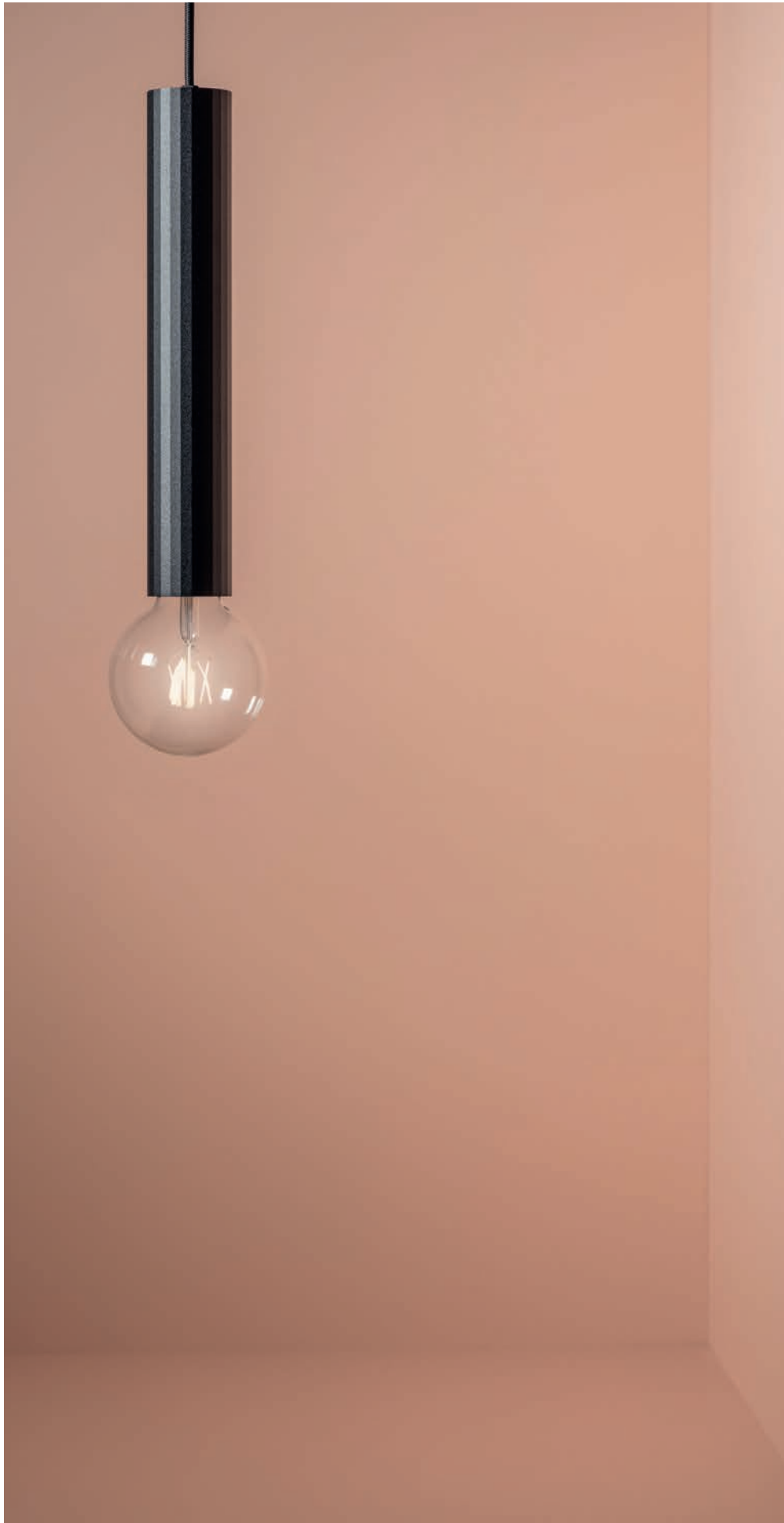
◊ CE 0,9 IP20

REQUIREMENTS

2 x VIZIR TUBE

ACCESSORIES

HONEYCOMB / LENS



FULL INFO TECHNICAL CHAPTER

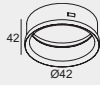
REQUIREMENTS

INSTALLATION

MIDISPY TUBE ◊

414 03 00 ◊

◊ = B / FBR / FG / MMAT / SG / W



FULL INFO TECHNICAL CHAPTER

OPTIONS

INSTALLATION



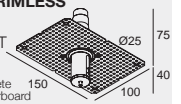
SUSPENSION + CONNECTION TRIMLESS

328 10 02

INCL. 1 x AUTOMATIC ADJUSTMENT

INCL. 1 x CONNECTOR 3 x 2.5mm²

play.deltalight.com/suspensiontrimlessconcrete
play.deltalight.com/suspensiontrimlessplasterboard

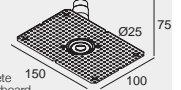


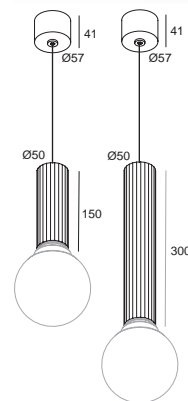
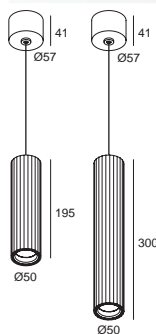
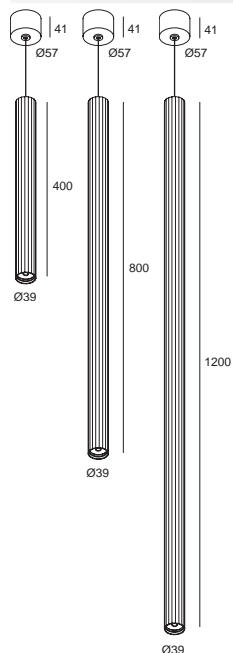
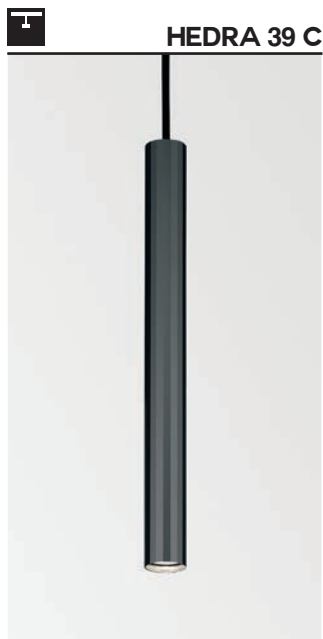
CONNECTION TRIMLESS

328 10 03

INCL. 1 x CONNECTOR 3 x 2.5mm²

play.deltalight.com/suspensiontrimlessconcrete
play.deltalight.com/suspensiontrimlessplasterboard





| CRI > 90 | HEDRA 39 C | |
|--|--------------------------|---|
| 3000 K | LED 7,1W / 774lm / 350mA | |
| REFL FL 24° | 400mm | 472 121 811 931 ◊ ◊ = B / BBR / GC / W |
| | 800mm | 472 122 811 931 ◊ ◊ = B / BBR / GC / W |
| | 1200mm | 472 123 811 931 ◊ ◊ = B / BBR / GC / W |
| 2700 K | LED 7,1W / 743lm / 350mA | |
| REFL FL 24° | 400mm | 472 121 811 921 ◊ ◊ = B / BBR / GC / W |
| | 800mm | 472 122 811 921 ◊ ◊ = B / BBR / GC / W |
| | 1200mm | 472 123 811 921 ◊ ◊ = B / BBR / GC / W |
| INCL. 1 x CABLE 2 x 0.75mm ² / 1.6m 220-240V / 50-60Hz | | |
| ☐ CE IP20 | | |
| OPTIONS CONNECTION TRIMLESS | | |

| CRI > 90 | HEDRA 45 C | |
|--------------------------------|--|---|
| 3000 K | LED 6,4W / 587lm / 350mA | |
| REFL WFL 40° | 195mm | 472 221 932 ED8 ◊ ◊ = B / BBR / GC / W |
| | 300mm | 472 222 932 ED8 ◊ ◊ = B / BBR / GC / W |
| | 2700 K | |
| REFL WFL 40° | 195mm | 472 221 922 ED8 ◊ ◊ = B / BBR / GC / W |
| | 300mm | 472 222 922 ED8 ◊ ◊ = B / BBR / GC / W |
| | INCL. 1 x CABLE 2 x 0.75mm ² / 1.6m 220-240V / 50-60Hz MAINS DIMMING (FE) | |
| ☐ CE IP20 | | |
| REQUIREMENTS MIDISPY TUBE | | |
| OPTIONS CONNECTION TRIMLESS | | |

| HEDRA 45 C E27 | |
|--|--------------------------------------|
| 1 x A60 max.20W | |
| 150mm | 472 221 01 ◊ ◊ = B / BBR / GC / W |
| 300mm | 472 222 01 ◊ ◊ = B / BBR / GC / W |
| INCL. 1 x CABLE 2 x 0.75mm ² / 1.6m E27Ls / 100-240V / 50-60Hz | |
| ☐ CE IP20 | |
| OPTIONS CONNECTION TRIMLESS LED SOLUTION - PAG TEC 7 | |



FULL INFO TECHNICAL CHAPTER

OPTIONS

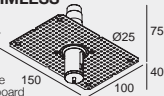
INSTALLATION

SUSPENSION + CONNECTION TRIMLESS

328 10 02

INCL. 1 x AUTOMATIC ADJUSTMENT
INCL. 1 x CONNECTOR 3 x 2.5mm²

play.deltalight.com/suspensiontrimlessconcrete
play.deltalight.com/suspensiontrimlessplasterboard

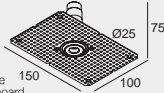


CONNECTION TRIMLESS

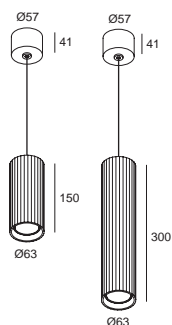
328 10 03

INCL. 1 x CONNECTOR 3 x 2.5mm²

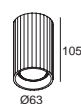
play.deltalight.com/suspensiontrimlessconcrete
play.deltalight.com/suspensiontrimlessplasterboard



HEDRA 62 C HI



HEDRA 62 ON HI



HEDRA 62 C Hi

1 x QPAR51 max.35W

150mm **472 321 00** ◇
◇ = B / BBR / GC / W

300mm **472 322 00** ◇
◇ = B / BBR / GC / W

INCL. 1 x CABLE 2 x 0.75mm² / 1.6m
GU10 / 100-240V / 50-60Hz

CE IP20 (0,5)

OPTIONS

CONNECTION TRIMLESS
LED SOLUTION - PAG TEC 7

HEDRA 62 ON Hi

QPAR51 max.10W

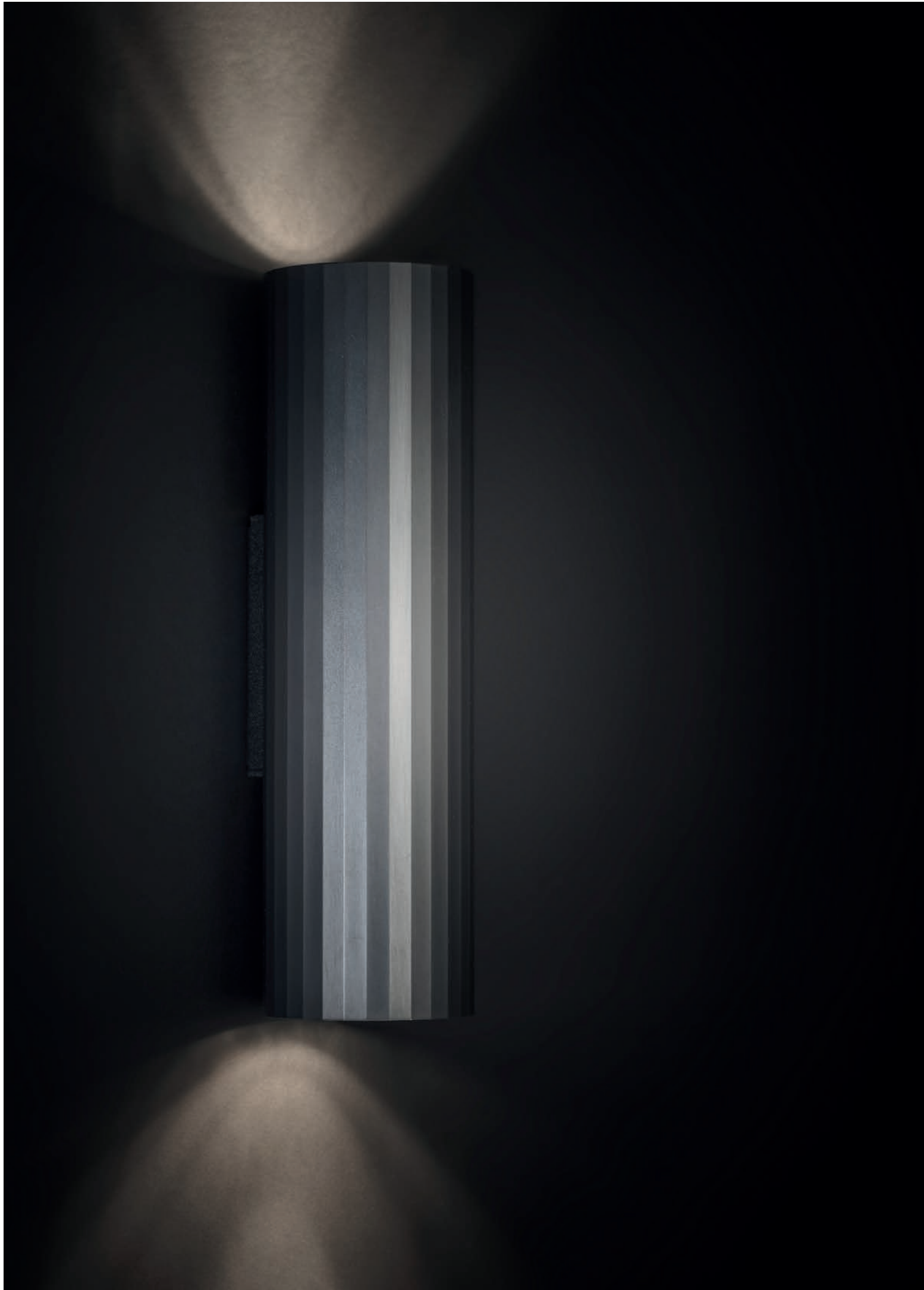
472 331 00 ◇
◇ = B / BBR / GC / W

GU10 / 100-240V / 50-60Hz

CE (0,2) IP20 (0,5)

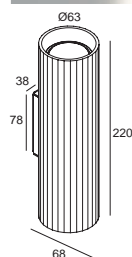
OPTIONS

LED SOLUTION - PAG TEC 7





HEDRA 62 W HI



HEDRA 62 W HI

2 x QPAR51 max.35W

472 362 00 ◇

◇ = B / BBR / GC / W

GU10 / 100-240V / 50-60Hz

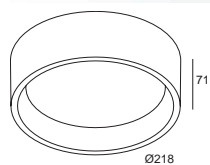
CE 0,7 IP20 0,5

OPTIONS

LED SOLUTION - PAG TEC 7



DIRO SBL L ON



CRI > 80

DIRO SBL L ON

3000
K

LED CLUSTER 17,5W / 2635lm / 1050mA

251 81 83 ◇
◇ = W

NON ADJUSTABLE
100-240V / 50-60Hz

◇ CE 1,7 IP43



OPTIONS

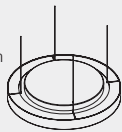
INSTALLATION



SUSPENSION SET 25 3m

328 25 43

INCL. 4 x CABLE SUSP. SINGLE AUTO. 3m
INCL. 1 x CABLE 3 x 0,75mm²



SUSPENSION SET 25 3m ED

328 25 43 ED

INCL. 4 x CABLE SUSP. SINGLE AUTO. 3m
INCL. 1 x CABLE 5 x 0,75mm²

CABLE BASE R ◇

Ø57 x 41

203 99 55 ◇

◇ = ANO / B / W



CABLE BASE S ◇

57 x 57 x 41

203 99 56 ◇

◇ = ANO / B / W



COVERSET R ◇

204 00 62 ◇

Ø62

204 00 90 ◇

Ø90

204 00 100 ◇

Ø100

◇ = ANO / B / W



COVERSET S ◇

204 62 62 ◇

62 x 62

204 80 80 ◇

80 x 80

204 90 90 ◇

90 x 90

◇ = ANO / B / W



CENTRAL ROD SUSPENSION SN FLAT 1m

274 97 10 ◇

◇ = B / W

INCL. CABLE 2 x 0,75mm² + CABLE 3 x 0,75mm²

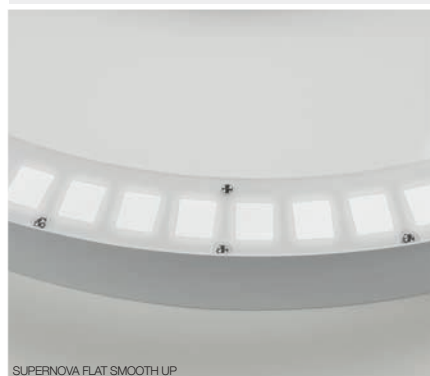
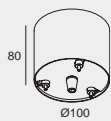


CENTRAL SUSPENSION SN FLAT 3m

328 26 23 ◇

◇ = B / W

INCL. CABLE 5 x 0,75mm²



SUPERNOVA FLAT SMOOTH UP



CENTRAL ROD SUSPENSION

CRI > 80

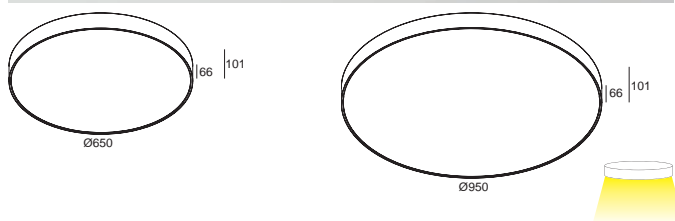
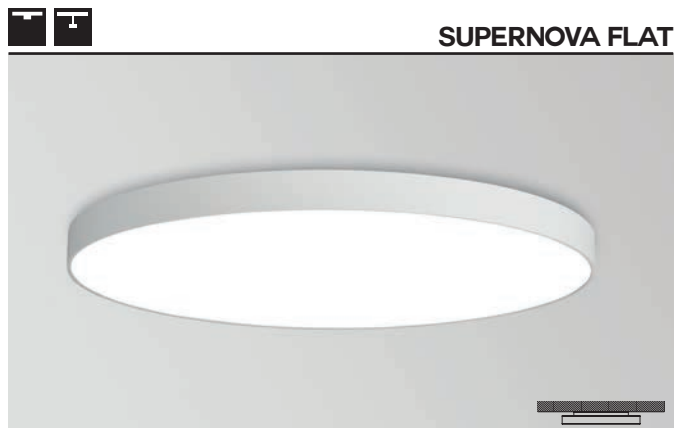
3000 K PC SBL



UGR < 19 CRI > 80

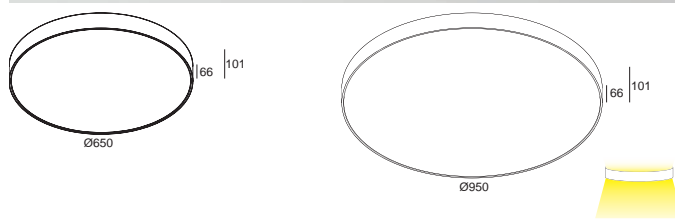
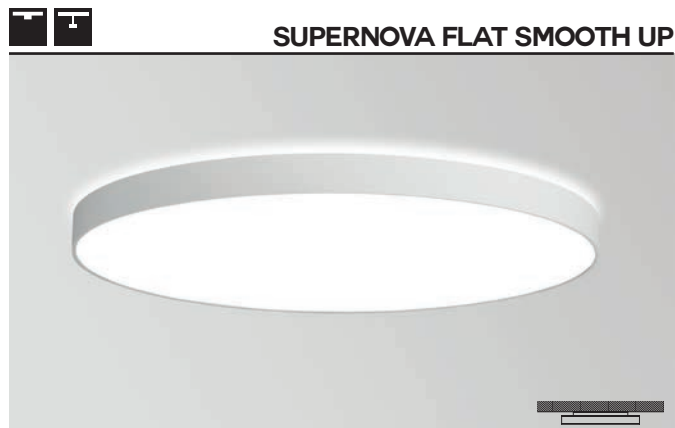
3000 K PC PRIS





| SUPERNOVA FLAT 6583 | SUPERNOVA FLAT 9583 |
|---|---|
| LED CLUSTER 44W / 5247lm / 950mA* LED CLUSTER 68W / 6795lm / 1400mA* | LED CLUSTER 68W / 8491lm / 1400mA* LED CLUSTER 104W / 11565lm / 2200mA* LED CLUSTER 136W / 14979lm / 2800mA* |
| 274 97 6583 ◇ ◇ = B / W | 274 97 9583 ◇ ◇ = B / W |
| 274 97 6583 ED1 ◇ ◇ = B / W | 274 97 9583 ED1 ◇ ◇ = B / W |
| 274 97 6583 ED5 ◇ ◇ = B / W | 274 97 9583 ED5 ◇ ◇ = B / W |
| 220-240V / 0 50-60Hz ◇ CE 110 IP20 | 220-240V / 0 50-60Hz ◇ CE 160 IP20 |
| OPTIONS SUSPENSION SET 25 3m (NON DIM) SUSPENSION SET 25 3m ED (DIM1 / DIM5) CABLE BASE R / S (for SUSPENSION SET) COVERSET R / S (for SUSPENSION SET) CENTRAL ROD SUSPENSION SN FLAT 1m CENTRAL SUSPENSION SN FLAT 3m | OPTIONS SUSPENSION SET 25 3m (NON DIM) SUSPENSION SET 25 3m ED (DIM1 / DIM5) CABLE BASE R / S (for SUSPENSION SET) COVERSET R / S (for SUSPENSION SET) CENTRAL ROD SUSPENSION SN FLAT 1m CENTRAL SUSPENSION SN FLAT 3m |

| SUPERNOVA FLAT 6583 PRISMATIC | SUPERNOVA FLAT 9583 PRISMATIC |
|---|---|
| LED CLUSTER 44W / 5247lm / 950mA | LED CLUSTER 68W / 8491lm / 1400mA* LED CLUSTER 104W / 11565lm / 2200mA* |
| 274 97 6583 PR ◇ ◇ = B / W | 274 97 9583 PR ◇ ◇ = B / W |
| 274 97 6583 PR ED1 ◇ ◇ = B / W | 274 97 9583 PR ED1 ◇ ◇ = B / W |
| 274 97 6583 PR ED5 ◇ ◇ = B / W | 274 97 9583 PR ED5 ◇ ◇ = B / W |
| 220-240V / 0 50-60Hz ◇ CE 110 IP20 | 220-240V / 0 50-60Hz ◇ CE 160 IP20 |
| OPTIONS SUSPENSION SET 25 3m (NON DIM) SUSPENSION SET 25 3m ED (DIM1 / DIM5) CABLE BASE R / S (for SUSPENSION SET) COVERSET R / S (for SUSPENSION SET) CENTRAL ROD SUSPENSION SN FLAT 1m CENTRAL SUSPENSION SN FLAT 3m | OPTIONS SUSPENSION SET 25 3m (NON DIM) SUSPENSION SET 25 3m ED (DIM1 / DIM5) CABLE BASE R / S (for SUSPENSION SET) COVERSET R / S (for SUSPENSION SET) CENTRAL ROD SUSPENSION SN FLAT 1m CENTRAL SUSPENSION SN FLAT 3m |



| SUPERNOVA FLAT 6583 SMOOTH UP | SUPERNOVA FLAT 9583 SMOOTH UP |
|---|---|
| LED CLUSTER 44W / 5247lm / 950mA* LED CLUSTER 68W / 6795lm / 1400mA* | LED CLUSTER 68W / 8491lm / 1400mA* LED CLUSTER 104W / 11565lm / 2200mA* LED CLUSTER 136W / 14979lm / 2800mA* |
| 274 98 6583 ◇ ◇ = B / W | 274 98 9583 ◇ ◇ = B / W |
| 274 98 6583 ED1 ◇ ◇ = B / W | 274 98 9583 ED1 ◇ ◇ = B / W |
| 274 98 6583 ED5 ◇ ◇ = B / W | 274 98 9583 ED5 ◇ ◇ = B / W |
| 220-240V / 0 50-60Hz ◇ CE 8.7 IP20 | 220-240V / 0 50-60Hz ◇ CE 12.7 IP20 |
| OPTIONS SUSPENSION SET 25 3m (NON DIM) SUSPENSION SET 25 3m ED (DIM1 / DIM5) CABLE BASE R / S (for SUSPENSION SET) COVERSET R / S (for SUSPENSION SET) CENTRAL ROD SUSPENSION SN FLAT 1m CENTRAL SUSPENSION SN FLAT 3m | OPTIONS SUSPENSION SET 25 3m (NON DIM) SUSPENSION SET 25 3m ED (DIM1 / DIM5) CABLE BASE R / S (for SUSPENSION SET) COVERSET R / S (for SUSPENSION SET) CENTRAL ROD SUSPENSION SN FLAT 1m CENTRAL SUSPENSION SN FLAT 3m |

| SUPERNOVA FLAT 6583 PRISMATIC SMOOTH UP | SUPERNOVA FLAT 9583 PRISMATIC SMOOTH UP |
|---|---|
| LED CLUSTER 44W / 5247lm / 950mA | LED CLUSTER 68W / 8491lm / 1400mA* LED CLUSTER 104W / 11565lm / 2200mA* |
| 274 98 6583 PR ◇ ◇ = B / W | 274 98 9583 PR ◇ ◇ = B / W |
| 274 98 6583 PR ED1 ◇ ◇ = B / W | 274 98 9583 PR ED1 ◇ ◇ = B / W |
| 274 98 6583 PR ED5 ◇ ◇ = B / W | 274 98 9583 PR ED5 ◇ ◇ = B / W |
| 220-240V / 0 50-60Hz ◇ CE 8.7 IP20 | 220-240V / 0 50-60Hz ◇ CE 12.7 IP20 |
| OPTIONS SUSPENSION SET 25 3m (NON DIM) SUSPENSION SET 25 3m ED (DIM1 / DIM5) CABLE BASE R / S (for SUSPENSION SET) COVERSET R / S (for SUSPENSION SET) CENTRAL ROD SUSPENSION SN FLAT 1m CENTRAL SUSPENSION SN FLAT 3m | OPTIONS SUSPENSION SET 25 3m (NON DIM) SUSPENSION SET 25 3m ED (DIM1 / DIM5) CABLE BASE R / S (for SUSPENSION SET) COVERSET R / S (for SUSPENSION SET) CENTRAL ROD SUSPENSION SN FLAT 1m CENTRAL SUSPENSION SN FLAT 3m |

*MULTIPLE SETTINGS ONLY FOR NON DIM VERSION
DIMMABLE VERSION = HIGHEST CURRENT



FULL INFO TECHNICAL CHAPTER **REQUIREMENTS**

INSTALLATION

SUSPENSION SET 25 3m

328 25 43

INCL. 4 x CABLE SUSP. SINGLE AUTO. 3m
INCL. 1 x CABLE 3 x 0,75mm²

SUSPENSION SET 25 3m ED

328 25 43 ED

INCL. 4 x CABLE SUSP. SINGLE AUTO. 3m
INCL. 1 x CABLE 5 x 0,75mm²

CENTRAL ROD SUSPENSION SN FLAT 1m

274 97 10

◇ = B / W

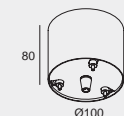
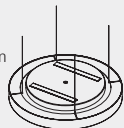
INCL. CABLE 2 x 0,75mm² + CABLE 3 x 0,75mm²

CENTRAL SUSPENSION SN FLAT 3m

328 26 23

◇ = B / W

INCL. CABLE 5 x 0,75mm²



FULL INFO TECHNICAL CHAPTER

OPTIONS

INSTALLATION

CABLE BASE R

Ø57 x 41

203 99 55

◇ = ANO / B / W

CABLE BASE S

57 x 57 x 41

203 99 56

◇ = ANO / B / W

COVERSET R

204 00 62

Ø62

204 00 90

Ø90

204 00 100

Ø100

◇ = ANO / B / W

COVERSET S

204 62 62

62 x 62

204 80 80

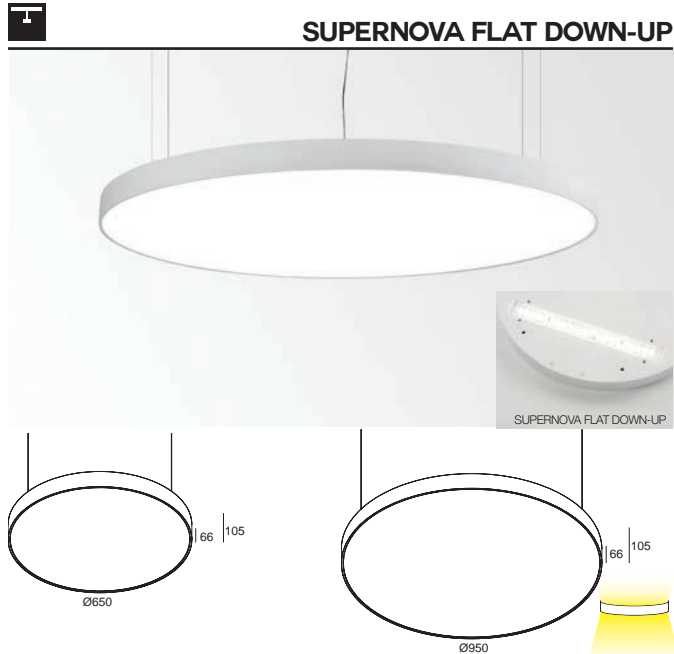
80 x 80

204 90 90

90 x 90

◇ = ANO / B / W

SUPERNOVA FLAT DOWN-UP



| | CRI > 80 | SUPERNOVA FLAT 6583 DOWN-UP | SUPERNOVA FLAT 9583 DOWN-UP |
|----------------------------------|--|--|--|
| 3000 K | PC SBL | LED CLUSTER UP 22W / 2780lm - LED CLUSTER DOWN 44W / 5247lm / 950mA* LED CLUSTER DOWN 68W / 6795lm / 1400mA* | LED CLUSTER UP 22W / 2780lm - LED CLUSTER DOWN 68W / 8491lm / 1400mA* LED CLUSTER DOWN 104W / 11565lm / 2200mA* LED CLUSTER DOWN 136W / 14979lm / 2800mA* |
| NGN DIM | 274 99 6583 ◇ ◇ = B / W | 274 99 9583 ◇ ◇ = B / W | 274 99 9583 ◇ ◇ = B / W |
| 1-10V CTRL DELTA R | 274 99 6583 ED1 ◇ ◇ = B / W | 274 99 9583 ED1 ◇ ◇ = B / W | 274 99 9583 ED1 ◇ ◇ = B / W |
| DALI CTRL DELTA R | 274 99 6583 ED5 ◇ ◇ = B / W 2 DALI ADDRESSES | 274 99 9583 ED5 ◇ ◇ = B / W 2 DALI ADDRESSES | 274 99 9583 ED5 ◇ ◇ = B / W 2 DALI ADDRESSES |
| | 220-240V / 0 50-60Hz ◇ CE 11.0 IP20 | 220-240V / 0 50-60Hz ◇ CE 16.0 IP20 | 220-240V / 0 50-60Hz ◇ CE 16.0 IP20 |
| | REQUIREMENTS SUSPENSION SET 25 3m (NON DIM) SUSPENSION SET 25 3m ED (DIM1 / DIM5) or CENTRAL ROD SUSPENSION SN FLAT 1m or CENTRAL SUSPENSION SN FLAT 3m | REQUIREMENTS SUSPENSION SET 25 3m (NON DIM) SUSPENSION SET 25 3m ED (DIM1 / DIM5) or CENTRAL ROD SUSPENSION SN FLAT 1m or CENTRAL SUSPENSION SN FLAT 3m | REQUIREMENTS SUSPENSION SET 25 3m (NON DIM) SUSPENSION SET 25 3m ED (DIM1 / DIM5) or CENTRAL ROD SUSPENSION SN FLAT 1m or CENTRAL SUSPENSION SN FLAT 3m |
| | OPTIONS CABLE BASE R / S (for SUSPENSION SET) COVERSET R / S (for SUSPENSION SET) | OPTIONS CABLE BASE R / S (for SUSPENSION SET) COVERSET R / S (for SUSPENSION SET) | OPTIONS CABLE BASE R / S (for SUSPENSION SET) COVERSET R / S (for SUSPENSION SET) |
| UGR <19 | CRI > 80 | SUPERNOVA FLAT 6583 PRISMATIC DOWN-UP | SUPERNOVA FLAT 9583 PRISMATIC DOWN-UP |
| 3000 K | PC PRIS | LED CLUSTER UP 22W / 2780lm - LED CLUSTER DOWN 44W / 5247lm / 950mA | LED CLUSTER UP 22W / 2780lm - LED CLUSTER DOWN 68W / 8491lm / 1400mA* LED CLUSTER DOWN 104W / 11565lm / 2200mA* |
| NGN DIM | 274 99 6583 PR ◇ ◇ = B / W | 274 99 9583 PR ◇ ◇ = B / W | 274 99 9583 PR ◇ ◇ = B / W |
| 1-10V CTRL DELTA R | 274 99 6583 PR ED1 ◇ ◇ = B / W | 274 99 9583 PR ED1 ◇ ◇ = B / W | 274 99 9583 PR ED1 ◇ ◇ = B / W |
| DALI CTRL DELTA R | 274 99 6583 PR ED5 ◇ ◇ = B / W 2 DALI ADDRESSES | 274 99 9583 PR ED5 ◇ ◇ = B / W 2 DALI ADDRESSES | 274 99 9583 PR ED5 ◇ ◇ = B / W 2 DALI ADDRESSES |
| | 220-240V / 0 50-60Hz ◇ CE 11.0 IP20 | 220-240V / 0 50-60Hz ◇ CE 16.0 IP20 | 220-240V / 0 50-60Hz ◇ CE 16.0 IP20 |
| | REQUIREMENTS SUSPENSION SET 25 3m (NON DIM) SUSPENSION SET 25 3m ED (DIM1 / DIM5) or CENTRAL ROD SUSPENSION SN FLAT 1m or CENTRAL SUSPENSION SN FLAT 3m | REQUIREMENTS SUSPENSION SET 25 3m (NON DIM) SUSPENSION SET 25 3m ED (DIM1 / DIM5) or CENTRAL ROD SUSPENSION SN FLAT 1m or CENTRAL SUSPENSION SN FLAT 3m | REQUIREMENTS SUSPENSION SET 25 3m (NON DIM) SUSPENSION SET 25 3m ED (DIM1 / DIM5) or CENTRAL ROD SUSPENSION SN FLAT 1m or CENTRAL SUSPENSION SN FLAT 3m |
| | OPTIONS CABLE BASE R / S (for SUSPENSION SET) COVERSET R / S (for SUSPENSION SET) | OPTIONS CABLE BASE R / S (for SUSPENSION SET) COVERSET R / S (for SUSPENSION SET) | OPTIONS CABLE BASE R / S (for SUSPENSION SET) COVERSET R / S (for SUSPENSION SET) |

*MULTIPLE SETTINGS ONLY FOR NON DIM VERSION
DIMMABLE VERSION = HIGHEST CURRENT

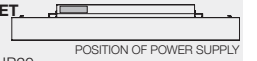


FULL INFO TECHNICAL CHAPTER **REQUIREMENTS**

CONTROL GEAR



LED POWER SUPPLY SET
830mA-DC / 36W
300 90 145



100-240V / 50-60Hz IP20

LED POWER SUPPLY SET
830mA-DC / 36W DIM1
300 90 146 ED1

100-240V / 50-60Hz IP20

LED POWER SUPPLY SET
830mA-DC / 36W DIM5
300 90 147 ED5

100-240V / 50-60Hz IP20

FULL INFO TECHNICAL CHAPTER **OPTIONS**

INSTALLATION



SUSPENSION SET 26 3m
328 26 43

INCL. 4 x CABLE SUSP. SINGLE AUTO. 3m
 INCL. 1 x CABLE 3 x 0,75mm²



SUSPENSION SET 26 3m ED
328 26 43 ED

INCL. 4 x CABLE SUSP. SINGLE AUTO. 3m
 INCL. 1 x CABLE 5 x 0,75mm²

CABLE BASE R ◇ Ø57 x 41
203 99 55 ◇
 ◇ = ANO / B / W



CABLE BASE S ◇ 57 x 57 x 41
203 99 56 ◇
 ◇ = ANO / B / W

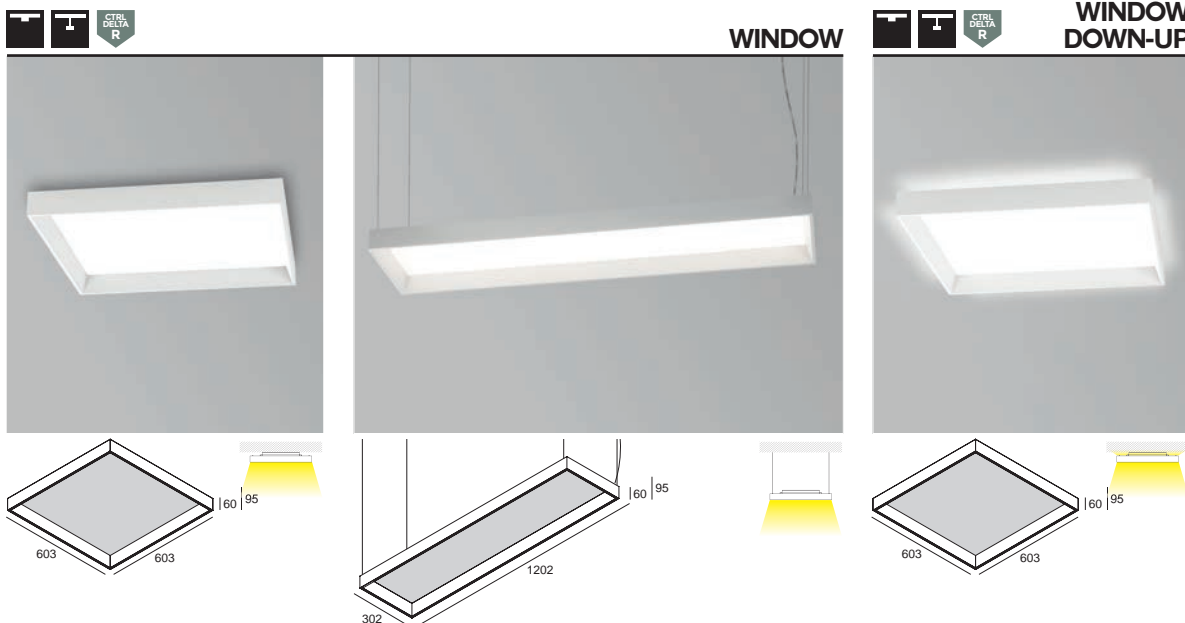


COVERSET R ◇
204 00 62 ◇ Ø62
204 00 90 ◇ Ø90
204 00 100 ◇ Ø100
 ◇ = ANO / B / W



COVERSET S ◇
204 62 62 ◇ 62 x 62
204 80 80 ◇ 80 x 80
204 90 90 ◇ 90 x 90
 ◇ = ANO / B / W





CRI > 80

WINDOW 6060

3000 K

PC SBL

LED CLUSTER 36W / 4150lm

274 106 00 ◇
◇ = B / W

IP20

REQUIREMENTS

LED POWER SUPPLY SET
830mA-DC / 36W
or
LED POWER SUPPLY SET
830mA-DC / 36W DIM1
or
LED POWER SUPPLY SET
830mA-DC / 36W DIM5

OPTIONS

SUSPENSION SET 26 3m (NON DIM)
SUSPENSION SET 26 3m ED (DIM1 / DIM5)
CABLE BASE R / S
COVERSET R / S

WINDOW 30120 C

LED CLUSTER 36W / 4150lm

274 312 00 ◇
◇ = B / W

IP20

REQUIREMENTS

LED POWER SUPPLY SET
830mA-DC / 36W
+
SUSPENSION SET 26 3m (NON DIM)

or

LED POWER SUPPLY SET
830mA-DC / 36W DIM1
+
SUSPENSION SET 26 3m ED (DIM1 / DIM5)

or

LED POWER SUPPLY SET
830mA-DC / 36W DIM5
+
SUSPENSION SET 26 3m ED (DIM1 / DIM5)

OPTIONS

CABLE BASE R / S
COVERSET R / S

WINDOW 6060 DOWN-UP

LED CLUSTER (UP) 14W / 1428lm
LED CLUSTER (DOWN) 36W / 4150lm

274 106 01 ◇
◇ = B / W

INCL. POWER SUPPLY FOR UP (NON DIM)
100-240V / 50-60Hz

IP20

REQUIREMENTS

LED POWER SUPPLY SET
830mA-DC / 36W
or
LED POWER SUPPLY SET
830mA-DC / 36W DIM1
or
LED POWER SUPPLY SET
830mA-DC / 36W DIM5

OPTIONS

SUSPENSION SET 26 3m (NON DIM)
SUSPENSION SET 26 3m ED (DIM1 / DIM5)
CABLE BASE R / S
COVERSET R / S

SUPERLOOP NEW COLOURS_



FULL INFO TECHNICAL CHAPTER

REQUIREMENTS

CONTROL GEAR



| | |
|--|----------------|
| LED POWER SUPPLY 48V / 90W | 314 x 63 x 40 |
| 300 89 48 90 | |
| LED POWER SUPPLY 48V / 100W | 100 x 55 x 90 |
| 300 89 48 100 | |
| LED POWER SUPPLY 48V / 150W | 240 x 60 x 49 |
| 300 89 48 150 | |
| LED POWER SUPPLY 48V / 240W | 114 x 63 x 125 |
| 300 89 48 240 | |

FULL INFO TECHNICAL CHAPTER

OPTIONS

INSTALLATION



CABLE BASE R ◇ Ø57 x 41
 203 99 55 ◇
 ◇ = ANO / B / W



CABLE BASE S ◇ 57 x 57 x 41
 203 99 56 ◇
 ◇ = ANO / B / W



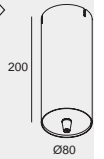
COVERSET R ◇
 204 00 62 ◇ Ø62
 204 00 90 ◇ Ø90
 204 00 100 ◇ Ø100
 ◇ = ANO / B / W



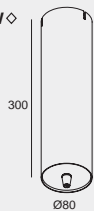
COVERSET S ◇
 204 62 62 ◇ 62 x 62
 204 80 80 ◇ 80 x 80
 204 90 90 ◇ 90 x 90
 ◇ = ANO / B / W



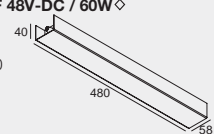
SUPERLOOP POWERBOX L 48V-DC / 50W ◇
 418 48 050 ◇
 ◇ = B
 110-240V / 50-60Hz ◇ IP20



SUPERLOOP POWERBOX H 48V-DC / 100W ◇
 418 48 100 ◇
 ◇ = B
 110-240V / 50-60Hz ◇ IP20



SUPERLOOP POWERBOX F 48V-DC / 60W ◇
 300 48 060 ◇
 ◇ = B
 110-240V / 50-60Hz ◇ IP20



**DIMMABLE
MODULATOR 48V-DC DIM9** 93 x 78 x 56
 300 90 011

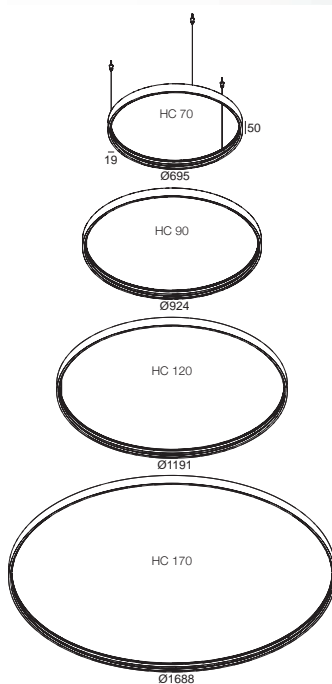


**WIRELESS DIMMABLE
MODULATOR 48V-DC** 93 x 78 x 56
 300 90 012



DIMMABLE MODULATION INFO PAG TEC 6
 DIM9: DIMMING BY 1-10V / DALI / PUSH BUTTON

SUPERLOOP HC MDL



SUPERLOOP HC 70 MDL

418 481 07 ◊
 ◊ = B / FBR / FG
 2,3

SUPERLOOP HC 90 MDL

418 481 09 ◊
 ◊ = B / FBR / FG
 3,0

SUPERLOOP HC 120 MDL

418 481 12 ◊
 ◊ = B / FBR / FG
 3,9

SUPERLOOP HC 170 MDL

418 481 17 ◊
 ◊ = B / FBR / FG
 5,5

INCL.3 x CABLE SUSP. SINGLE AUTO. 3m
 INCL.1 x CABLE 2 x 0,75mm²

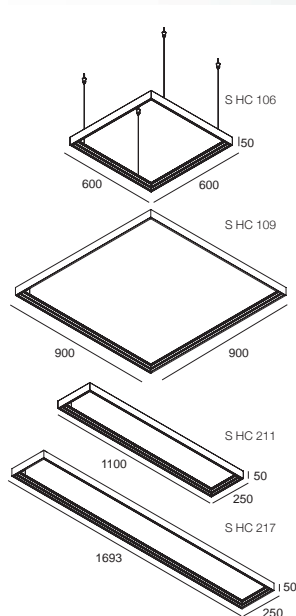
CE IP20

REQUIREMENTS
 SUPERLOOP MODULES (MAX.250W)
 LED POWER SUPPLY 48V-DC

OPTIONS
 CABLE BASE R / S
 COVERSET R / S
 SUPERLOOP POWERBOX 48V-DC
 DIMMABLE MODULATOR

PATENTED

SUPERLOOP S HC MDL



SUPERLOOP S HC 106 MDL

418 482 106 ◊
 ◊ = B
 3,0

SUPERLOOP S HC 109 MDL

418 482 109 ◊
 ◊ = B
 3,7

SUPERLOOP S HC 211 MDL

418 482 211 ◊
 ◊ = B
 3,0

SUPERLOOP S HC 217 MDL

418 482 217 ◊
 ◊ = B
 3,7

INCL.4 x CABLE SUSP. SINGLE AUTO. 3m
 INCL.1 x CABLE 2 x 0,75mm²

CE IP20

REQUIREMENTS
 SUPERLOOP MODULES (MAX.250W)
 LED POWER SUPPLY 48V-DC

OPTIONS
 CABLE BASE R / S
 COVERSET R / S
 SUPERLOOP POWERBOX 48V-DC
 DIMMABLE MODULATOR

PATENTED

SUPERLOOP NEW MODULES

FULL INFO TECHNICAL CHAPTER

REQUIREMENTS

INSTALLATION

VIZIR TUBE ◊

473 01 00 ◊
◊ = B / FBR / FG / W



MIDISPY TUBE ◊

414 03 00 ◊
◊ = B / FBR / FG / MMAT / SG / W



FIX 40 GLASS CLEAR
418 163 01

FIX 40 GLASS FROSTED
418 163 02



FULL INFO TECHNICAL CHAPTER

ACCESSORIES

VIZIR HONEYCOMB ◊

473 03 01 ◊
◊ = B

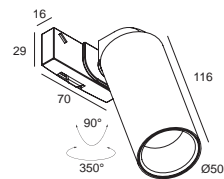


Ø40

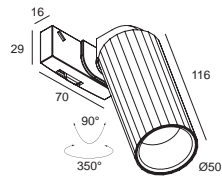
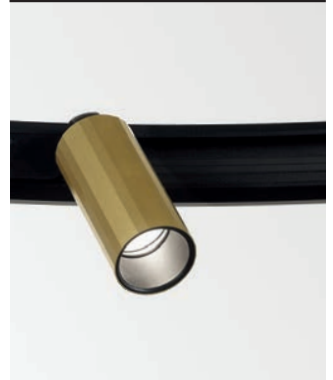
VIZIR SOFTENING LENS
473 03 04

Ø40

SUPERLOOP -VIZIR



SUPERLOOP -HEDRA



CRI > 80

SUPERLOOP-VIZIR MDL

3000
K

LED [C] 6W / 558lm / 48V-DC

LENS
SP
15°

418 367 831 MDL ◊
◊ = BBR / GC

2700
K

LED [C] 6W / 558lm / 48V-DC

LENS
SP
15°

418 367 821 MDL ◊
◊ = BBR / GC

ADJUSTABLE 0-90° / 350°

◊ CE 0.3 IP20

REQUIREMENTS

VIZIR TUBE

ACCESSORIES
HONEYCOMB / LENS

SUPERLOOP-HEDRA MDL

LED [C] 6W / 558lm / 48V-DC

418 368 831 MDL ◊
◊ = BBR / GC

LED [C] 6W / 558lm / 48V-DC

418 368 821 MDL ◊
◊ = BBR / GC

ADJUSTABLE 0-90° / 350°

◊ CE 0.3 IP20

REQUIREMENTS

VIZIR TUBE

ACCESSORIES
HONEYCOMB / LENS

CRI > 90

SUPERLOOP-VIZIR MDL

3000
K

LED [H] 7,1W / 774lm / 48V-DC

REFL
FL
53°

418 367 811 932 MDL ◊
◊ = BBR / GC

2700
K

LED [H] 7,1W / 743lm / 48V-DC

REFL
FL
33°

418 367 811 922 MDL ◊
◊ = BBR / GC

ADJUSTABLE 0-90° / 350°

◊ CE 0.3 IP20

REQUIREMENTS

VIZIR TUBE

ACCESSORIES
HONEYCOMB / LENS

SUPERLOOP-HEDRA MDL

LED [H] 7,1W / 774lm / 48V-DC

418 368 811 932 MDL ◊
◊ = BBR / GC

LED [H] 7,1W / 743lm / 48V-DC

418 368 811 922 MDL ◊
◊ = BBR / GC

ADJUSTABLE 0-90° / 350°

◊ CE 0.3 IP20

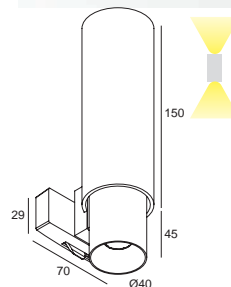
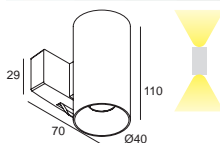
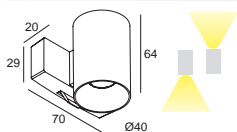
REQUIREMENTS

VIZIR TUBE

ACCESSORIES
HONEYCOMB / LENS



SUPERLOOP FIX



CRI > 80

SUPERLOOP-FIX 40 MDL

3000 K

LED 4,1W / 425lm / 48V-DC



418 161 832 MDL ◊
◊ = B

2700 K

LED 4,1W / 425lm / 48V-DC



418 161 822 MDL ◊
◊ = B

NON ADJUSTABLE
◊ CE 0.2 IP20

SUPERLOOP-FIX 40 DOWN-UP MDL

LED 2,1W / 227lm (UP) / 48V-DC
LED 4,1W / 425lm (DOWN) / 48V-DC

418 162 832 MDL ◊
◊ = B

LED 2,1W / 213lm (UP) / 48V-DC
LED 4,1W / 425lm (DOWN) / 48V-DC

418 162 822 MDL ◊
◊ = B

NON ADJUSTABLE
◊ CE 0.2 IP20

SUPERLOOP-FIX 40 DOWN-UP GT MDL

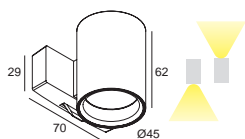
LED 2,1W / 227lm (UP) / 48V-DC
LED 4,1W / 425lm (DOWN) / 48V-DC

418 163 832 MDL ◊
◊ = B

LED 2,1W / 213lm (UP) / 48V-DC
LED 4,1W / 425lm (DOWN) / 48V-DC

418 163 822 MDL ◊
◊ = B

NON ADJUSTABLE
◊ CE 0.2 IP20
REQUIREMENTS
FIX 40 GLASS



CRI > 90

SUPERLOOP-FIX 45 MDL

3000 K

LED 8,4W / 672lm / 48V-DC



418 263 933 MDL ◊
◊ = B

2700 K

LED 8,4W / 672lm / 48V-DC



418 263 923 MDL ◊
◊ = B

NON ADJUSTABLE
◊ CE 0.2 IP20

REQUIREMENTS
MIDISPY TUBE



SUPERLOOP NEW MODULES_

INTERIOR

FULL INFO TECHNICAL CHAPTER REQUIREMENTS

INSTALLATION

SPY TUBE ◊

414 01 00 ◊

◊ = B / FBR / FG / MMAT / SG / W



DIMMABLE MODULATOR 48V-DC DIM9 93 x 78 x 56
300 90 011



WIRELESS DIMMABLE MODULATOR 48V-DC 93 x 78 x 56
300 90 012



DIMMABLE MODULATION INFO PAG.TEC 6
DIM9: DIMMING BY 1-10V / DALI / PUSH BUTTON

FULL INFO TECHNICAL CHAPTER ACCESSORIES

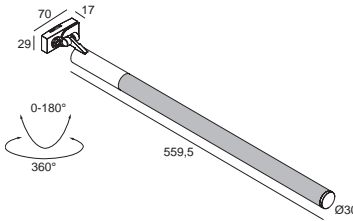
SPY PUNK SLEEVE ◊

414 11 00 ◊

◊ = B / BP / GC



CTRL DELTA IN SMART 48 IN SUPERLOOP - XY180



CRI > 90

SUPERLOOP XY180



LED CLUSTER 8,5W / 1495lm / 48V-DC

418 561 93 MDL ◊
◊ = B

ADJUSTABLE 0-180° / 360°

◊ CE 0,4 IP20

CRI > 90

SUPERLOOP - SPY SOFT



LED 10W / 565lm / 48V-DC



418 361 1902 MDL ◊
◊ = B

ADJUSTABLE 0-90° / 355°

◊ CE 0,5 IP20

REQUIREMENTS

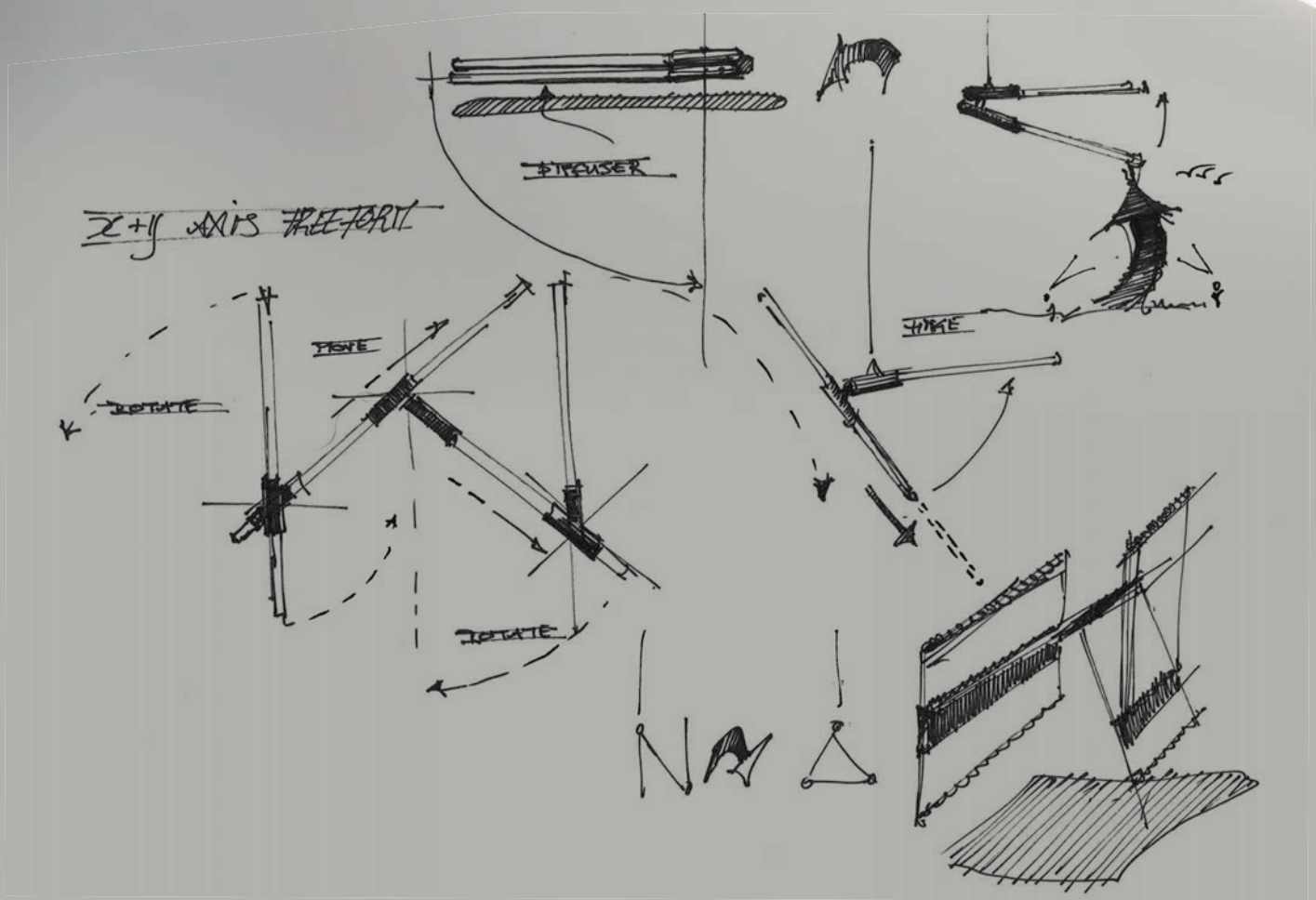
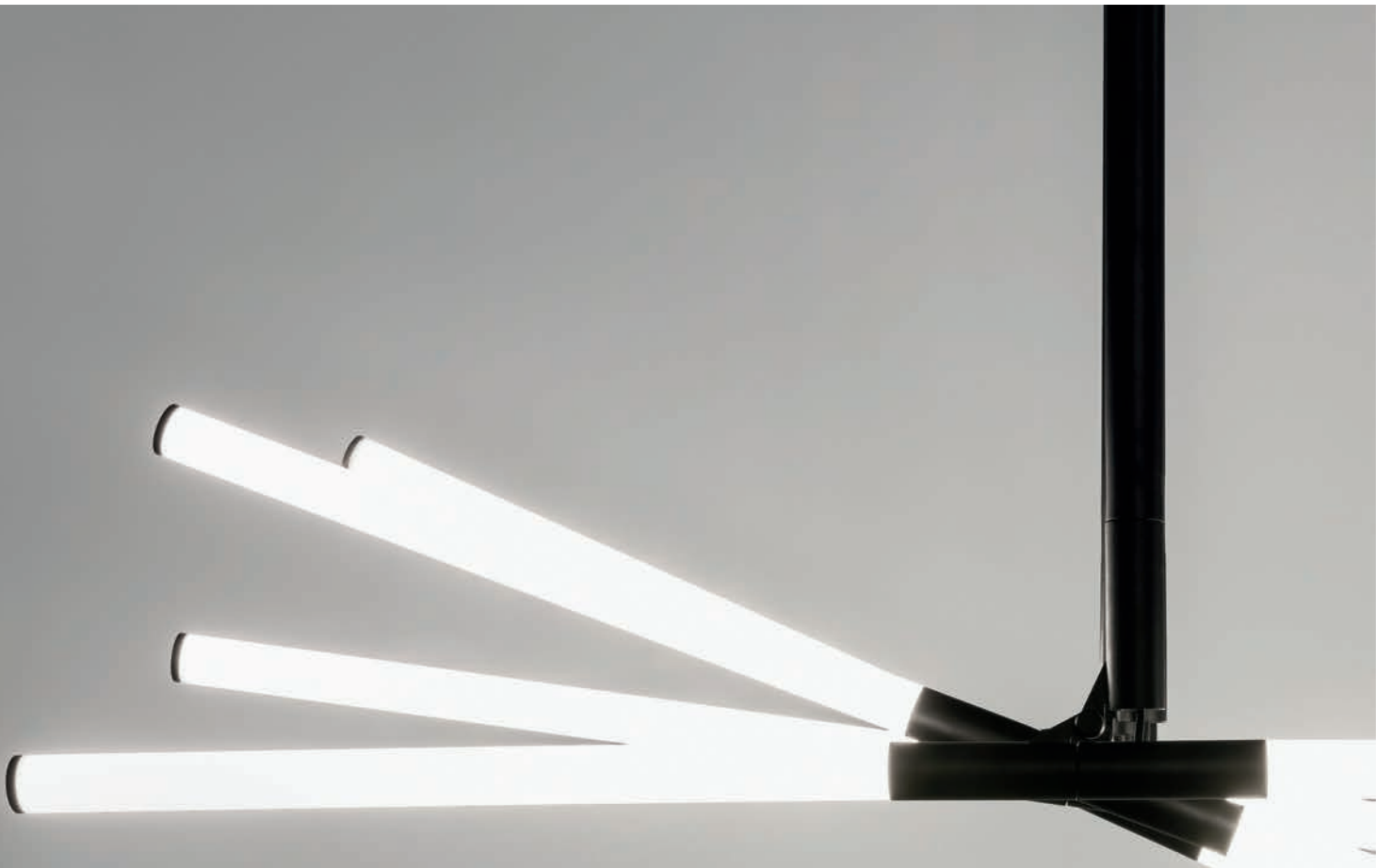
SPY TUBE
LED POWER SUPPLY 48V-DC
DIMMABLE MODULATOR

ACCESSORIES

SPY PUNK SLEEVE



XY180
BY OMA





FULL INFO TECHNICAL CHAPTER

OPTIONS

INSTALLATION

COVERSET R ◊

204 00 90 ◊

Ø90

204 00 100 ◊

Ø100

◊ = B

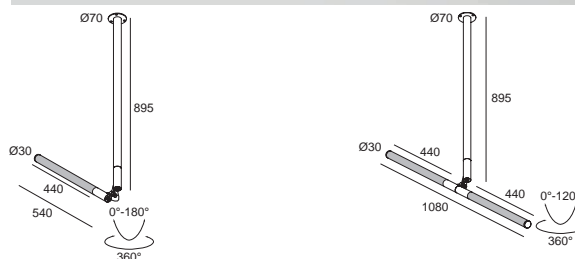
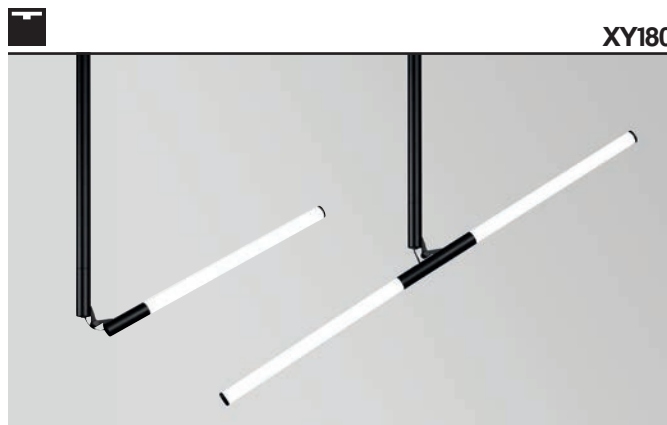
XY180 CONNECTION BOX ◊ Ø76 x H33

422 99 01 ◊

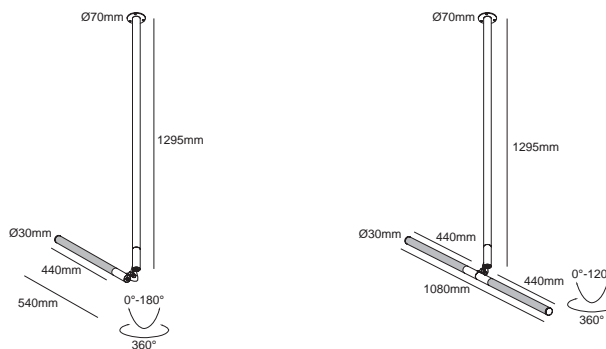
◊ = B



XY180 CONNECTION BOX



| CRI > 90 | XY180 S81 | XY180 S82 |
|----------|---|---|
| | LED CLUSTER 8,5W / 1495lm | 2 x LED CLUSTER 8,5W / 1495lm |
| | 422 111 93 ◊ ◊ = B | 422 121 93 ◊ ◊ = B |
| | 422 111 93 ED1 ◊ ◊ = B | 422 121 93 ED1 ◊ ◊ = B |
| | 422 111 93 ED5 ◊ ◊ = B | 422 121 93 ED5 ◊ ◊ = B |
| | ADJUSTABLE 0-180° / 360° 220-240V / 50-60Hz ◊ CE 0,9 IP20 | ADJUSTABLE 0-180° / 360° 220-240V / 50-60Hz ◊ CE 1,3 IP20 |
| | OPTIONS COVERSET R 90-100 XY180 CONNECTION BOX | OPTIONS COVERSET R 90-100 XY180 CONNECTION BOX |



| CRI > 90 | XY180 S121 | XY180 S122 |
|----------|---|---|
| | LED CLUSTER 8,5W / 1495lm | 2 x LED CLUSTER 8,5W / 1495lm |
| | 422 112 93 ◊ ◊ = B | 422 122 93 ◊ ◊ = B |
| | 422 112 93 ED1 ◊ ◊ = B | 422 122 93 ED1 ◊ ◊ = B |
| | 422 112 93 ED5 ◊ ◊ = B | 422 122 93 ED5 ◊ ◊ = B |
| | ADJUSTABLE 0-180° / 360° 220-240V / 50-60Hz ◊ CE 1,1 IP20 | ADJUSTABLE 0-180° / 360° 220-240V / 50-60Hz ◊ CE 1,5 IP20 |
| | OPTIONS COVERSET R 90-100 XY180 CONNECTION BOX | OPTIONS COVERSET R 90-100 XY180 CONNECTION BOX |

DESIGN BY DELTA LIGHT® & OMA



— Through the choreography of movement and multiplication, the luminaire can manipulate three-dimensional space, entering the domain of architectural space. The modularity of XY180 allows each module or set of modules to be reconfigured and change its impact on the surrounding space—

FULL INFO TECHNICAL CHAPTER

OPTIONS

INSTALLATION

COVERSET R ◊

204 00 90 ◊

Ø90

204 00 100 ◊

Ø100

◊ = B



XY180 CONNECTION BOX ◊ Ø76 x H33

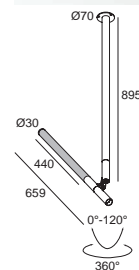
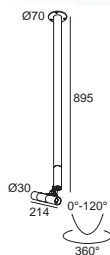
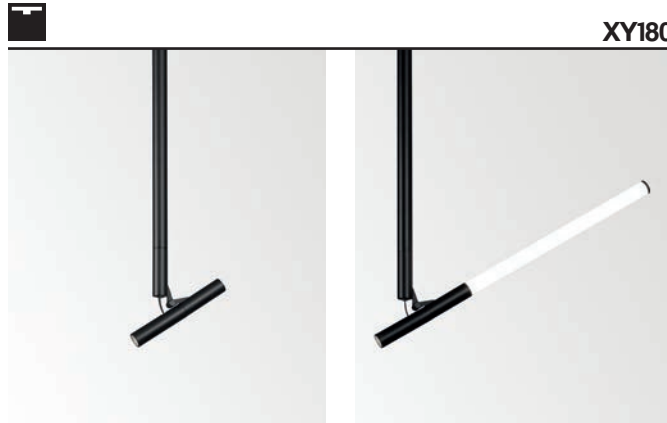
422 99 01 ◊

◊ = B

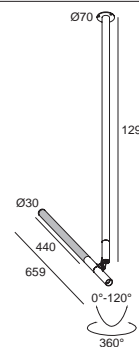
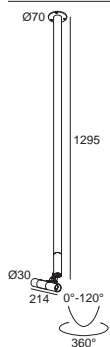


XY180 CONNECTION BOX

XY180



| CRI > 80 CRI > 90 | XY180 S80 MINI | XY180 S81 MINI |
|-----------------------|---|---|
| 3000 K LENS FL 20° | LED 4,1W / 425lm / CRI > 80 | LED CLUSTER 8,5W / 1495lm / CRI > 90 LED 4,1W / 425lm / CRI > 80 |
| NON DIM | 422 131 83 ◊ ◊ = B | 422 141 93 ◊ ◊ = B |
| 1-10V CTRL DELTA R | | 422 141 93 ED1 ◊ ◊ = B |
| DALI CTRL DELTA R | | 422 141 93 ED5 ◊ ◊ = B |
| | ADJUSTABLE 0-180° / 360° 220-240V / 50-60Hz ◊ CE 0,9 IP20 | ADJUSTABLE 0-180° / 360° 220-240V / 50-60Hz ◊ CE 1,2 IP20 |
| | OPTIONS COVERSET R 90-100 XY180 CONNECTION BOX | OPTIONS COVERSET R 90-100 XY180 CONNECTION BOX |



| CRI > 80 CRI > 90 | XY180 S120 MINI | XY180 S121 MINI |
|-----------------------|---|---|
| 3000 K LENS FL 20° | LED 4,1W / 425lm / CRI > 80 | LED CLUSTER 8,5W / 1495lm / CRI > 90 LED 4,1W / 425lm / CRI > 80 |
| NON DIM | 422 132 83 ◊ ◊ = B | 422 142 93 ◊ ◊ = B |
| 1-10V CTRL DELTA R | | 422 142 93 ED1 ◊ ◊ = B |
| DALI CTRL DELTA R | | 422 142 93 ED5 ◊ ◊ = B |
| | ADJUSTABLE 0-180° / 360° 220-240V / 50-60Hz ◊ CE 1,1 IP20 | ADJUSTABLE 0-180° / 360° 220-240V / 50-60Hz ◊ CE 1,4 IP20 |
| | OPTIONS COVERSET R 90-100 XY180 CONNECTION BOX | OPTIONS COVERSET R 90-100 XY180 CONNECTION BOX |

DESIGN BY DELTA LIGHT® & OMA



FULL INFO TECHNICAL CHAPTER

REQUIREMENTS

INSTALLATION

SPY TUBE ◊

414 01 00 ◊

◊ = B / FBR / FG / MMAT / SG / W



FULL INFO TECHNICAL CHAPTER

OPTIONS

INSTALLATION

COVERSET R ◊

204 00 90 ◊

204 00 100 ◊

◊ = B



Ø90

Ø100

XY180 CONNECTION BOX ◊

422 99 01 ◊

◊ = B

Ø76 x H33



XY180 CONNECTION BOX

FULL INFO TECHNICAL CHAPTER

ACCESSORIES

HONEYCOMB 50 ◊

413 03 01 ◊

◊ = B

Ø50

LINEAR SPREAD LENS 50

413 03 02

Ø50

SPREAD LENS 50

413 03 03

Ø50

SOFTENING LENS 50

413 03 04

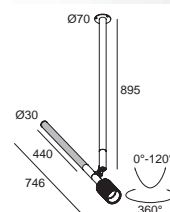
Ø50

GLASS SBL 50

413 03 05

Ø50

XY180



CRI > 90

XY180 S81 PUNK

3000 K REFL FL 33°

LED CLUSTER 8,5W / 1495lm
LED 7,1W / 774lm



422 161 811 932 ◊
◊ = B



422 161 811 932 ED1 ◊
◊ = B



422 161 811 932 ED5 ◊
◊ = B

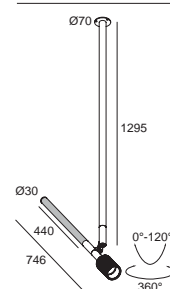
ADJUSTABLE 0-180° / 360°
220-240V / 50-60Hz

◊ CE 1.4 IP20

REQUIREMENTS
SPY TUBE

OPTIONS
COVERSET R 90-100
XY180 CONNECTION BOX

ACCESSORIES
HONEYCOMB / LENS / GLASS



CRI > 90

XY180 S121 PUNK

3000 K REFL FL 33°

LED CLUSTER 8,5W / 1495lm
LED 7,1W / 774lm



422 162 811 932 ◊
◊ = B



422 162 811 932 ED1 ◊
◊ = B



422 162 811 932 ED5 ◊
◊ = B

ADJUSTABLE 0-180° / 360°
220-240V / 50-60Hz

◊ CE 1.6 IP20

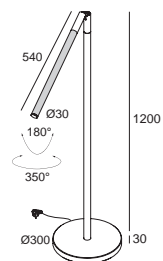
REQUIREMENTS
SPY TUBE

OPTIONS
COVERSET R 90-100
XY180 CONNECTION BOX

ACCESSORIES
HONEYCOMB / LENS / GLASS



XY180 F



CRI > 90

XY180 F120 WDL

3000 K

LED CLUSTER 8,5W / 1495lm / CRI > 90

WDL

422 912 93 WDL ◇
◇ = B

ADJUSTABLE 0-180° / 360°
INCL.CORD 2m + PLUG CEE 7/7
INCL.WIRELESS DIMMABLE CONTROL
110-240V / 50-60Hz

◇ CE 3,9 IP20

DESIGN BY **DELTA LIGHT® & OMA**



— The design
ambition was to
step away from
a luminaire that
simply relied on
shape, towards a
design focused on
performance —

OMA





FULL INFO TECHNICAL CHAPTER

OPTIONS

INSTALLATION



CABLE BASE R ◇

Ø57 x 41



203 99 55 ◇

◇ = ANO / B / W

CABLE BASE S ◇

57 x 57 x 41



203 99 56 ◇

◇ = ANO / B / W

COVERSET R ◇

204 00 62 ◇

Ø62



204 00 90 ◇

Ø90

204 00 100 ◇

Ø100

◇ = ANO / B / W

COVERSET S ◇

204 62 62 ◇

62 x 62



204 80 80 ◇

80 x 80

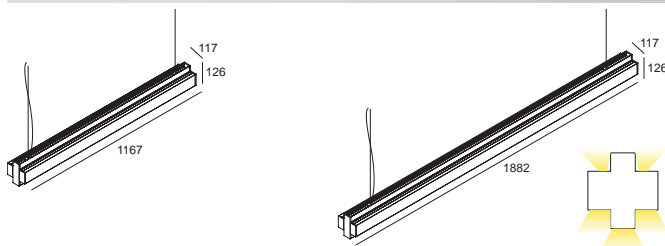
204 90 90 ◇

90 x 90

◇ = ANO / B / W



ONE-AND-ONLY



| CRI > 90 | ONE-AND-ONLY P12 DOWN-UP | ONE-AND-ONLY P20 DOWN-UP |
|----------------|--|---|
| 3000 K | LED CLUSTER UP 23,1W / 2448lm LED CLUSTER DOWN 34,6W / 3672lm | LED CLUSTER UP 37,4W / 3964lm LED CLUSTER DOWN 56,1W / 5946lm |
| NON DIM | 404 12 93 ◇ ◇ = B-B / GC-B / W-W | 404 20 93 ◇ ◇ = B-B / GC-B / W-W |
| 1-10V DELTA R | 404 12 93 ED1 ◇ ◇ = B-B / GC-B / W-W | 404 20 93 ED1 ◇ ◇ = B-B / GC-B / W-W |
| DALI DELTA R | 404 12 93 ED5 ◇ ◇ = B-B / GC-B / W-W | 404 20 93 ED5 ◇ ◇ = B-B / GC-B / W-W |
| | 2 x CABLE SUSP. SINGLE AUTO. 1,6m 1 x CABLE 3 x 0,75mm ² (NON DIM) 1 x CABLE 5 x 0,75mm ² (ED) 220-240V / 50-60Hz ◇ CE 7,5 IP20 | 2 x CABLE SUSP. SINGLE AUTO. 1,6m 1 x CABLE 3 x 0,75mm ² (NON DIM) 1 x CABLE 5 x 0,75mm ² (ED) 220-240V / 50-60Hz ◇ CE 12,0 IP20 |
| | OPTIONS CABLE BASE R / S COVERSET R 62-90-100 / S 62-80-90 | OPTIONS CABLE BASE R / S COVERSET R 62-90-100 / S 62-80-90 |



FULL INFO TECHNICAL CHAPTER **REQUIREMENTS**

INSTALLATION

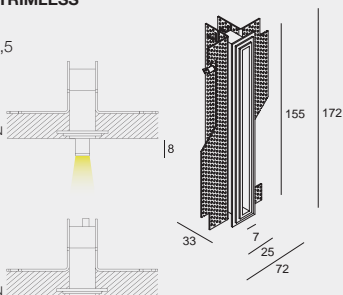


MOUNTING KIT 172 x 72 x 33 174 x 26 x 45
TAGLINE TRIMLESS
304 04 01

min.12,5

0,3

PROTRUDED
INSTALLATION



RECESSED
INSTALLATION

FULL INFO TECHNICAL CHAPTER

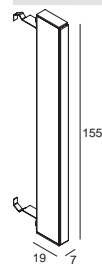
OPTIONS

CONTROL GEAR



LED POWER SUPPLY 146 x 55 x 19
24V-DC / 20W
300 89 24 20

TAGLINE TRIMLESS



KIT x 45

CRI > 90

TAGLINE 155 TRIMLESS

3000 K

LED CLUSTER 1,25W / 121lm / 24V-DC

304 04 15 93 ◇
 ◇ = B

2700 K

LED CLUSTER 1,25W / 121lm / 24V-DC

304 04 15 92 ◇
 ◇ = B

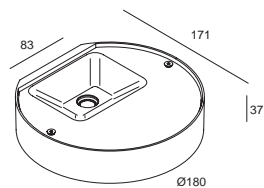
IP20

REQUIREMENTS
 MOUNTING KIT TAGLINE TRIMLESS

OPTIONS
 LED POWER SUPPLY 24V-DC / DIM



GALA XL R



CRI > 90

GALA XL R

3000 K

LED 13,8W / 1232lm / 500mA

1-10V

275 163 93 ED1 ◊
◊ = W

220-240V / 50-60Hz

◊ CE 0.8 IP20

GALA XL R HP

LED 32,6W / 3337lm / 850mA

275 164 93 ED1 ◊
◊ = W

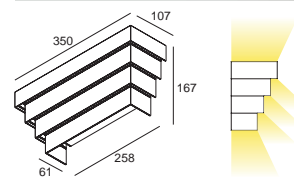
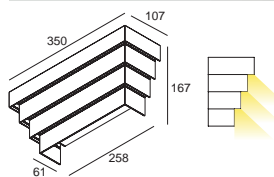
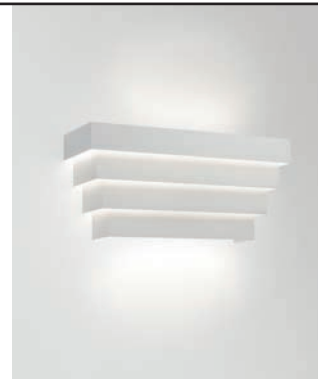
220-240V / 50-60Hz

◊ CE 0.8 IP20





KASKADE



CRI > 90

KASKADE 3DOWN

KASKADE 4DOWN - 1UP



LED CLUSTER 22W / 2200lm / 500mA

LED CLUSTER (UP) 4W / 400lm / 500mA
LED CLUSTER (DOWN) 26W / 2600lm / 500mA

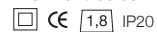
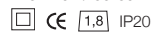


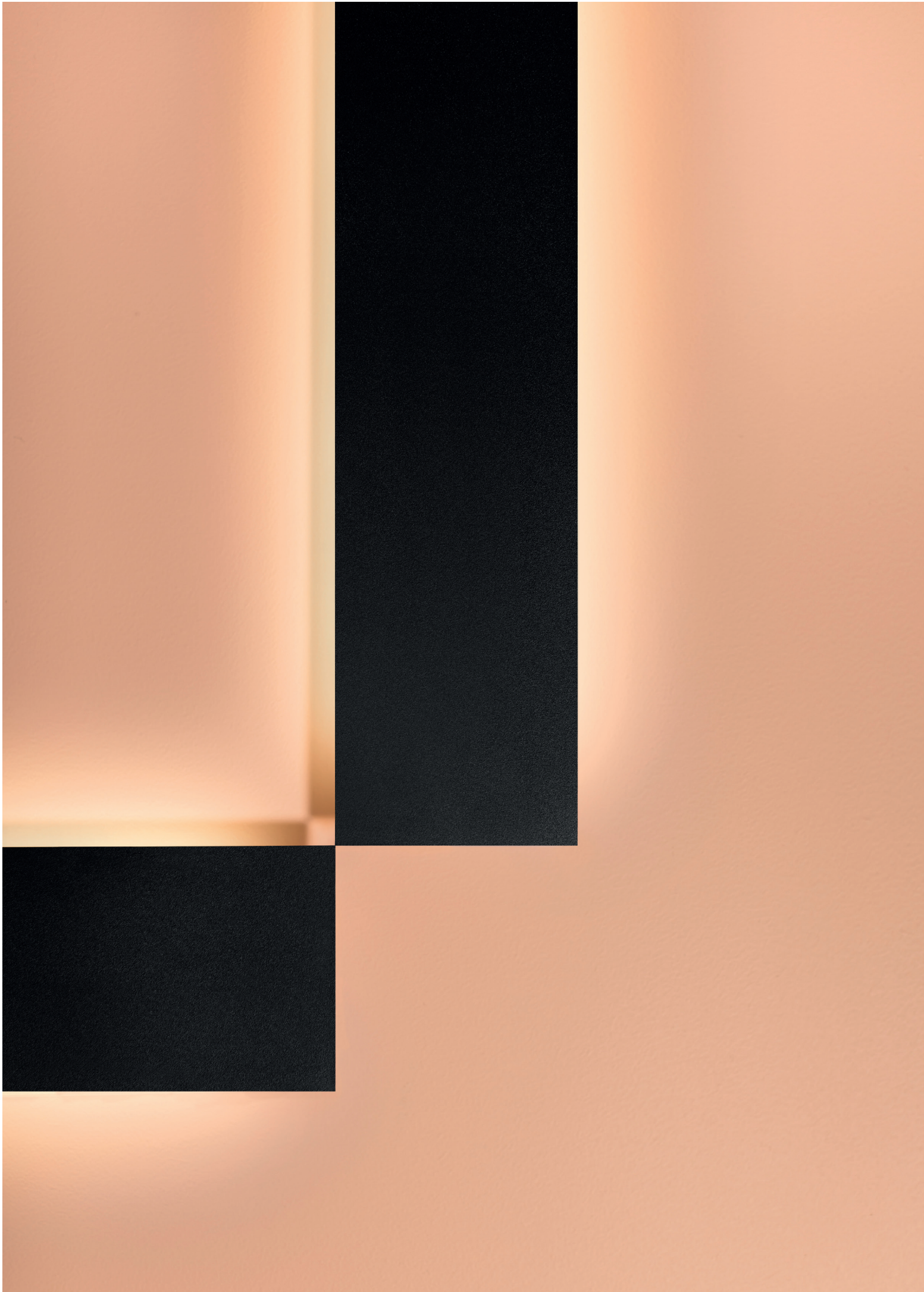
405 35 30 93 ED1 ◇
◇ = B / GC / W

405 35 41 93 ED1 ◇
◇ = B / GC / W

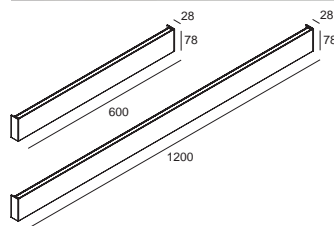
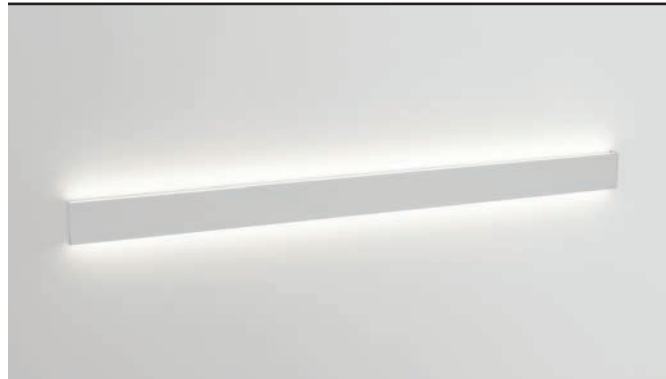
220-240V / 50-60Hz



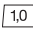

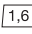
220-240V / 50-60Hz





FEMTOLINE W DOWN-UP



| CRI > 90 | FEMTOLINE W DOWN-UP 60 | FEMTOLINE W DOWN-UP 120 |
|--|--|--|
|  3000K | LED CLUSTER (UP) 9W / 840lm / 24V-DC LED CLUSTER (DOWN) 9W / 840lm / 24V-DC | LED CLUSTER (UP) 18W / 1680lm / 24V-DC LED CLUSTER (DOWN) 18W / 1680lm / 24V-DC |
| | 270 63 06 93 ◇ ◇ = B / W | 270 63 12 93 ◇ ◇ = B / W |
| | 220-240V / 50-60Hz   IP20 | 220-240V / 50-60Hz   IP20 |



PROFILES

—



DOT.COM WALLWASH TR

Be it to accentuate pieces of art or to reduce contrasts by enhancing vertical illumination, wallwash lighting has multiple purposes. The made-to-measure trimless Dot.Com Wallwash profile enables you to customize wallwash lighting to your own preferences and to adapt it perfectly to the dimensions of the room.



KASKADE

Individual wall mounted luminaires are ideal to generate a particular mood in a room. The waterfall of light, created by Kaskade, is such an instant moodmaker. Moreover, as a bespoke light solution, you can choose your own set-up and determine your desired length.



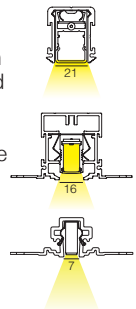
FEMTOLINE ADDITIONS

Femtoline, the most extensive profile family within the Delta Light® range, welcomes two more members to its collection: Femtoline W Down-Up and Femtoline 55. Similar to the other Femtoline profiles, the end user is able to determine the length and LED flex of his preference, even Tunable White or RGB is possible. Femtoline 55 is a surface mounted profile with a limited height of 25mm, resulting in a recessed appearance when installed. Femtoline W Down-Up is a bespoke wall mounted profile for direct-indirect illumination on vertical surfaces. It also comes in fixed lengths of 600 and 1200mm.



TAGLINE

Light that cuts through space as all you see is a slender line of light. Through recent years, Delta Light® continued the process of miniaturization within its profile range, with 21mm of width for Femtoline TR and only 16mm for Splitline 16, without losing sight of functionality. With Tagline, we take it another step further, as the minimalistic design of the Tagline profiles ends up in a stroke of light with a width of only 7mm when applied in the trimless versions. Excellent to form clean light accents or emphasize the borders of a room. Also available with a small trim, as surface mounted or as pendant solution.



ONE-AND-ONLY

A peculiar profile, both functional as decorative. The design of the body allows you to have up to 5 lines of light out of 1 profile, 3 for direct and 2 for indirect lighting, a powerful blend for an eye-catching look.



MAGNETIC
PROFILES






—

With Splitline M20, Splitline M52 and Shiftline M26, Delta Light® takes it to the next level in the profile section. These profiles offer the highest degree of freedom and flexibility, as all modules have a magnetic fixation. Splitline M20 and M52 allow for a neat, trimless installation, while Shiftline M26 can be used for projects where surface mounting is required. To create the optimal light setting, multiple light modules are available: spot modules with different beams and lumen packages going up to 2000lm for accent lighting, linear LED lines for general lighting and pendant modules for an elegant finish of the room. All modules can be placed toolfree into the profile and repositioned afterwards thanks to their magnetic fixation. Simply click the module into the profile and both mechanical and electrical connection are ensured.

As this family of profiles is powered by 48V, Smart 48 can be used for an easy 2-wire dimming/power solution, or even wireless.

In addition to The Lighting Bible 12, new lighting solutions have been added in this New Collection.



| | | | | SPLITLINE M20 | SHIFTLINE M26 | SPLITLINE M52 |
|------------------|---|-------|---|---|--|---|
| | | # LED |  |  |  |  |
| LED LINE |  | - | - | ✓ | ✓ | - |
| DOT.COM M |  | - | - | ✓ | ✓ | - |
| DOT.COM WALLWASH |  | ● | - | ✓ | ✓ | - |
| PUNK 39 |  | ● | ✓ | ✓ | ✓ | - |
| VIZIR / VIZIR L |  | ● | ✓ | ✓ | ✓ | - |
| HEDRA / HEDRA L |  | ● | ✓ | ✓ | ✓ | - |
| SPY SOFT |  | ● | ✓ | ✓ | ✓ | ✓ |
| LED D SOFT |  | ● | - | - | - | ✓ |

SHIFTLINE M26

SPLITLINE M20

PROFILE



SLM26 - PROFILE 1m ◇
420 26 10 00 ◇

SLM26 - PROFILE 2m ◇
420 26 20 00 ◇

SLM26 - PROFILE 3m ◇
420 26 30 00 ◇

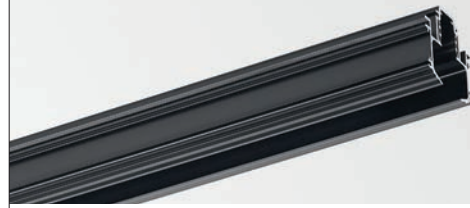
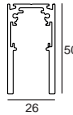
◇ = B
48V-DC (2 CONDUCTORS)
2 DIM CONDUCTORS (FOR INDIVIDUAL DALI DIMMING /
DALI DIMMABLE LUMINAIRES ON REQUEST)

⊕ CE IP20

Kg / m

1,0

TOL EN12020-2



SPM20 - PROFILE 1m ◇
420 20 10 00 ◇

SPM20 - PROFILE 2m ◇
420 20 20 00 ◇

SPM20 - PROFILE 3m ◇
420 20 30 00 ◇

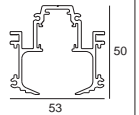
◇ = B
48V-DC (2 CONDUCTORS)
2 DIM CONDUCTORS (FOR INDIVIDUAL DALI DIMMING /
DALI DIMMABLE LUMINAIRES ON REQUEST)

⊕ CE IP20

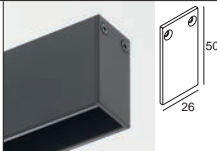
Kg / m

0,2

TOL EN12020-2



END CAP

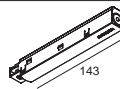


SLM26 - END CAP ◇

420 26 03 01 ◇

◇ = B

0,1

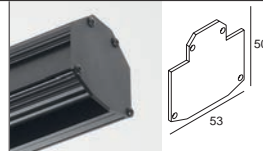


SPM - SUPPLY 48V

420 99 03

48V-DC MAX.200W / SUPPLY / MAX.50m

⊕ CE 0,1 IP20

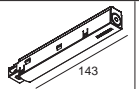


SPM20 - END CAP ◇

420 20 03 01 ◇

◇ = B

0,1



SPM - SUPPLY 48V

420 99 03

48V-DC MAX.200W / SUPPLY / MAX.50m

⊕ CE 0,1 IP20

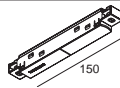
CORNER

SPM - CONNECTOR 48V-180°

420 99 01

48V-DC MAX.200W / SUPPLY / MAX.50m

⊕ CE 0,1 IP20



SPM - CORNER 180°

420 06 01

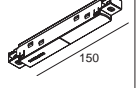
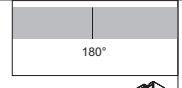
0,1

+ **SPM - CONNECTOR 48V-180°**

420 99 01

48V-DC MAX.200W / SUPPLY / MAX.50m

⊕ CE 0,1 IP20



SPM20 - CORNER SET 90°

420 20 06 06

0,2

SPM20 - CORNER SET V90°

420 20 06 17

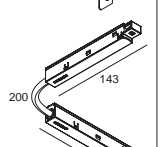
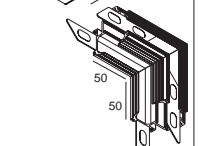
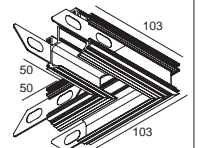
0,2

+ **SPM - CONNECTOR 48V-90°**

420 99 02

48V-DC MAX.200W / SUPPLY / MAX.50m

⊕ CE 0,1 IP20



FIXATION

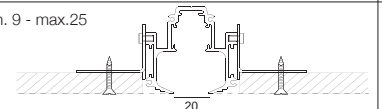
57 x (L + 5) x 85 min. 9 - max.25

SPM20 - FIXATION SET

420 20 14 01

SET OF 2 PCS

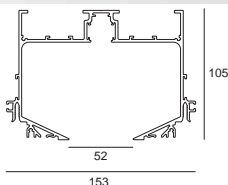
0,2



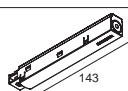
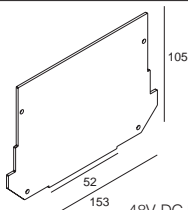
SPLITLINE M52



- SPM52 - PROFILE 1m ◇
420 52 10 00 ◇
- SPM52 - PROFILE 2m ◇
420 52 20 00 ◇
- SPM52 - PROFILE 3m ◇
420 52 30 00 ◇



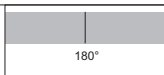
◇ = B
48V-DC (2 CONDUCTORS)
2 DIM CONDUCTORS (FOR INDIVIDUAL DALI DIMMING / DALI DIMMABLE LUMINAIRES ON REQUEST)
◇ IP20
Kg / m
3,7
TOL EN12020-2



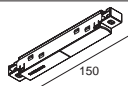
SPM - SUPPLY 48V
420 99 03
48V-DC MAX.200W / SUPPLY / MAX.50m
◇ IP20

SPM52 - END CAP ◇
420 52 03 01 ◇
◇ = B
0,1

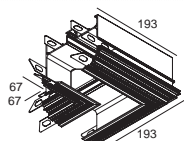
SPM - CORNER 180°
420 06 01
0,1



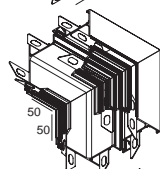
SPM - CONNECTOR 48V-180°
420 99 01
48V-DC MAX.200W / SUPPLY / MAX.50m
◇ IP20



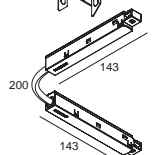
SPM52 - CORNER SET 90°
420 52 06 06
0,9



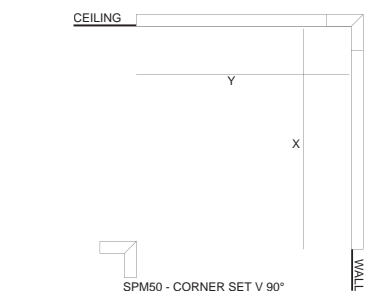
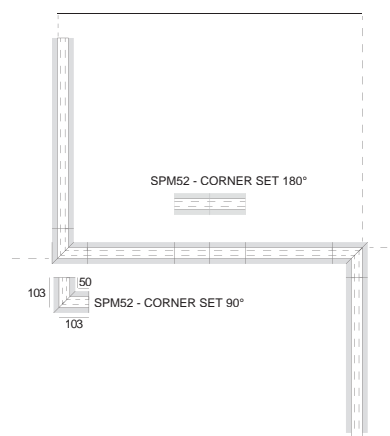
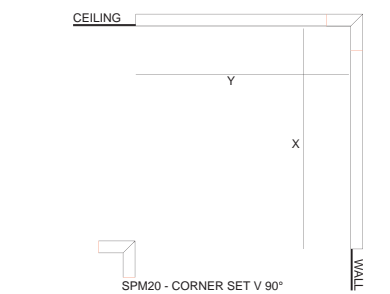
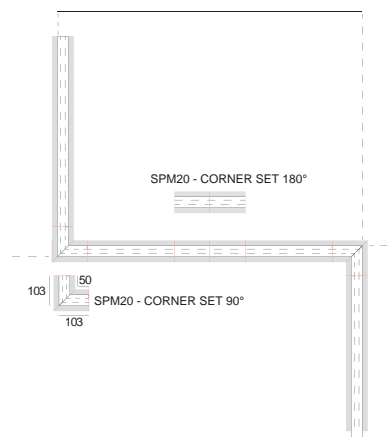
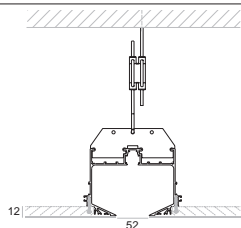
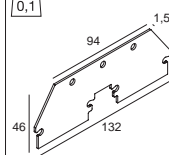
SPM52 - CORNER SET V90°
420 52 06 17
0,8



SPM - CONNECTOR 48V-90°
420 99 02
48V-DC MAX.200W / SUPPLY / MAX.50m
◇ IP20



SPM52 - SUSPENSION BRACKET
420 52 98 01
0,1

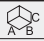







FULL INFO TECHNICAL CHAPTER **REQUIREMENTS**

| CONTROL GEAR | |  |
|--|----------------|---|
| LED POWER SUPPLY 48V / 90W 300 89 48 90 | 314 x 63 x 40 | |
| LED POWER SUPPLY 48V / 100W 300 89 48 100 | 100 x 55 x 90 | |
| LED POWER SUPPLY 48V / 150W 300 89 48 150 | 240 x 60 x 49 | |
| LED POWER SUPPLY 48V / 240W 300 89 48 240 | 114 x 63 x 125 | |

FULL INFO TECHNICAL CHAPTER **OPTIONS**

| CONTROL GEAR | |  | |
|---|--------------|---|---|
| DIMMABLE MODULATOR 48V-DC DIM9 300 90 011 | 93 x 78 x 56 | |  |
| WIRELESS DIMMABLE MODULATOR 48V-DC 300 90 012 | 93 x 78 x 56 | |   |

DIMMABLE MODULATION INFO PAG TEC 6
DIM9: DIMMING BY 1-10V / DALI / PUSH BUTTON



M20 / M26 - LED LINE HE

M20 / M26 - LED LINE HE
 INCL.LEDFLEX 8W/m / 3000K ●
 CRI >90 / 1100lm/m
 EXCL.LED POWER SUPPLY 48V-DC

◊ CE 0.3 IP20

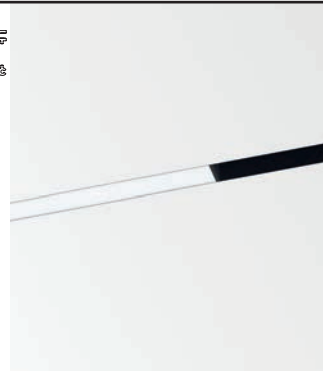
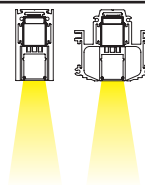
REQUIREMENTS
 LED POWER SUPPLY 48V-DC

OPTIONS
 DIMMABLE MODULATOR

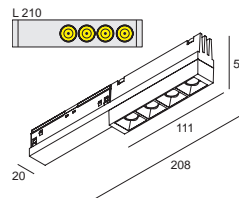
Watt Lmm

| | | |
|---------|------|----------------------------|
| 1 x 5 | 610 | 421 313 06 93 MDL ◊ |
| 1 x 6,5 | 810 | 421 313 08 93 MDL ◊ |
| 1 x 8 | 1010 | 421 313 10 93 MDL ◊ |
| 1 x 9,5 | 1210 | 421 313 12 93 MDL ◊ |

◊ = B



M20 / M26 - DOT.COM M



CRI > 90

M20 / M26 - DOT.COM M4 MDL

3000 K LED CLUSTER 5,6W / 628lm / 48V-DC

MDL REFL SP 14° **424 612 04 931 MDL** ◊
 ◊ = B-B / B-C / B-MMAT

REFL FL 33° **424 612 04 932 MDL** ◊
 ◊ = B-B / B-C / B-MMAT

REFL WFL 49° **424 612 04 933 MDL** ◊
 ◊ = B-B / B-C / B-MMAT

2700 K LED CLUSTER 5,6W / 612lm / 48V-DC

MDL REFL SP 14° **424 612 04 921 MDL** ◊
 ◊ = B-B / B-C / B-MMAT

REFL FL 33° **424 612 04 922 MDL** ◊
 ◊ = B-B / B-C / B-MMAT

REFL WFL 49° **424 612 04 923 MDL** ◊
 ◊ = B-B / B-C / B-MMAT

NON ADJUSTABLE

◊ CE 0.2 IP20

REQUIREMENTS
 LED POWER SUPPLY 48V-DC

OPTIONS
 DIMMABLE MODULATOR

DALI DIMMING (DIM5) ON REQUEST

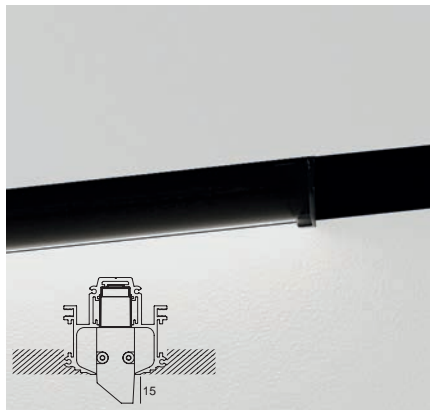
FULL INFO TECHNICAL CHAPTER **REQUIREMENTS**

| CONTROL GEAR | |
|---|----------------|
| LED POWER SUPPLY 48V / 90W 300 89 48 90 | 314 x 63 x 40 |
| LED POWER SUPPLY 48V / 100W 300 89 48 100 | 100 x 55 x 90 |
| LED POWER SUPPLY 48V / 150W 300 89 48 150 | 240 x 60 x 49 |
| LED POWER SUPPLY 48V / 240W 300 89 48 240 | 114 x 63 x 125 |

FULL INFO TECHNICAL CHAPTER **OPTIONS**

| CONTROL GEAR | |
|---|--------------|
| DIMMABLE MODULATOR 48V-DC DIM9 300 90 011 | 93 x 78 x 56 |
| WIRELESS DIMMABLE MODULATOR 48V-DC 300 90 012 | 93 x 78 x 56 |

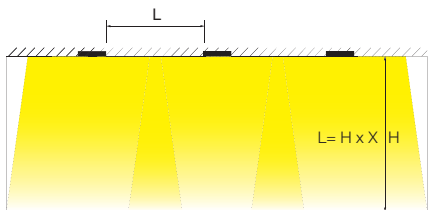
DIMMABLE MODULATION INFO PAG TEC 6
DIM9: DIMMING BY 1-10V / DALI / PUSH BUTTON



POSITION FOR INSTALLATION



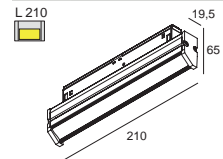
example: H=3000 mm → L= 3000 mm x 0,4 = 1200 mm



example: H=3000 mm → L= 3000 mm x 0,5 = 1500 mm

| | X |
|-----------------------|------|
| DOT.COM L WALLWASH 02 | 0,5 |
| DOT.COM L WALLWASH 06 | 0,25 |
| DOT.COM L WALLWASH 08 | 0,33 |
| DOT.COM L WALLWASH 12 | 0,5 |

M20 / M26 - DOT.COM WALLWASH



CRI > 90

M20 / M26 - DOT.COM WALLWASH 02 HO

| | |
|---------------|-------------------------------------|
| 3000 K | LED CLUSTER 10W / 1000lm / 48V-DC |
| MDL | 424 642 02 93 MDL ◇ ◇ = B |
| 2700 K | LED CLUSTER 10W / 1000lm / 48V-DC |
| MDL | 424 642 02 92 MDL ◇ ◇ = B |

NON ADJUSTABLE

◇ CE 0,3 IP20

REQUIREMENTS
LED POWER SUPPLY 48V-DC

OPTIONS
DIMMABLE MODULATOR

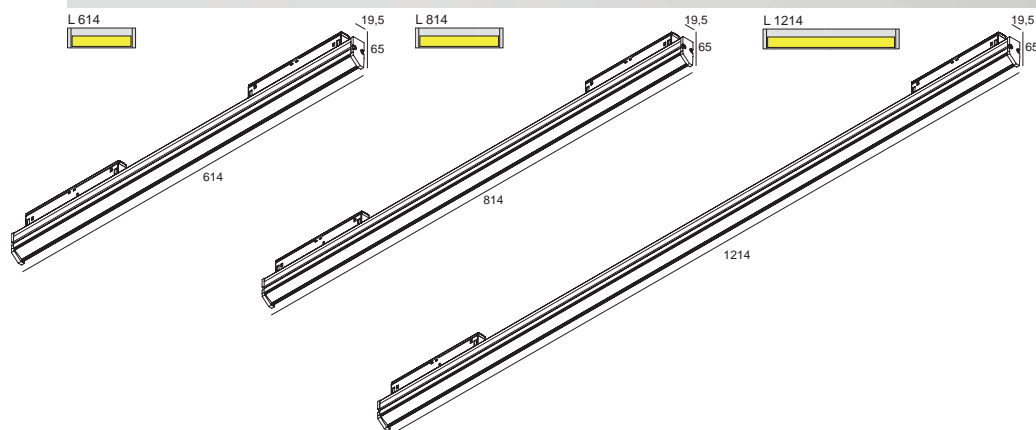
DALI DIMMING (DIM5) ON REQUEST



M20 / M26 - DOT.COM WALLWASH



p



| | M20 / M26 - DOT.COM WALLWASH 06 | M20 / M26 - DOT.COM WALLWASH 08 | M20 / M26 - DOT.COM WALLWASH 12 |
|--------------------|---|---|---|
| CRI > 90 | LED CLUSTER 4,7W / 600lm / 48V-DC | LED CLUSTER 6,3W / 800lm / 48V-DC | LED CLUSTER 9,3W / 1200lm / 48V-DC |
| 3000 K | 424 642 06 93 MDL ◊ ◊ = B | 424 642 08 93 MDL ◊ ◊ = B | 424 642 12 93 MDL ◊ ◊ = B |
| MDL | | | |
| 2700 K | LED CLUSTER 4,7W / 600lm / 48V-DC | LED CLUSTER 6,3W / 800lm / 48V-DC | LED CLUSTER 9,3W / 1200lm / 48V-DC |
| MDL | 424 642 06 92 MDL ◊ ◊ = B | 424 642 08 92 MDL ◊ ◊ = B | 424 642 12 92 MDL ◊ ◊ = B |
| | NON ADJUSTABLE ◊ ◊ CE 1.4 IP20 REQUIREMENTS LED POWER SUPPLY 48V-DC OPTIONS DIMMABLE MODULATOR | NON ADJUSTABLE ◊ ◊ CE 1.8 IP20 REQUIREMENTS LED POWER SUPPLY 48V-DC OPTIONS DIMMABLE MODULATOR | NON ADJUSTABLE ◊ ◊ CE 2.5 IP20 REQUIREMENTS LED POWER SUPPLY 48V-DC OPTIONS DIMMABLE MODULATOR DALI DIMMING (DIM5) ON REQUEST |

REQUIREMENTS

INSTALLATION

VIZIR TUBE ◊

473 01 00 ◊
◊ = B / FBR / FG / W



CONTROL GEAR

| | |
|--|----------------|
| LED POWER SUPPLY 48V / 90W 300 89 48 90 | 314 x 63 x 40 |
| LED POWER SUPPLY 48V / 100W 300 89 48 100 | 100 x 55 x 90 |
| LED POWER SUPPLY 48V / 150W 300 89 48 150 | 240 x 60 x 49 |
| LED POWER SUPPLY 48V / 240W 300 89 48 240 | 114 x 63 x 125 |

OPTIONS

CONTROL GEAR

DIMMABLE MODULATOR 48V-DC DIM9 93 x 78 x 56
300 90 011

WIRELESS DIMMABLE MODULATOR 48V-DC 93 x 78 x 56
300 90 012

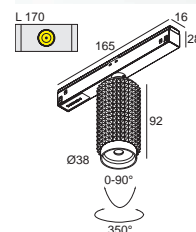
DIMMABLE MODULATION INFO PAG TEC 6
DIM9: DIMMING BY 1-10V / DALI / PUSH BUTTON

ACCESSORIES

VIZIR HONEYCOMB ◊ Ø40
473 03 01 ◊
◊ = B

VIZIR SOFTENING LENS Ø40
473 03 04

M20 / M26- PUNK 39



CRI > 90

M20 / M26 - PUNK 39

3000 K LED 7,1W / 774lm / 48V-DC

MDL REFL FL 24° 471 151 811 931 MDL ◊
◊ = B

2700 K LED 7,1W / 743lm / 48V-DC

MDL REFL FL 24° 471 151 811 921 MDL ◊
◊ = B

ADJUSTABLE 0-90° / 350°

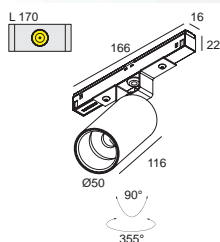
CE 0,2 IP20

REQUIREMENTS
LED POWER SUPPLY 48V-DC

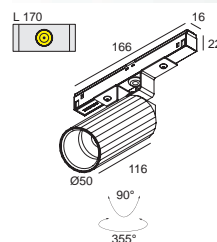
OPTIONS
DIMMABLE MODULATOR

DALI DIMMING (DIM5) ON REQUEST

CTRL DELTA R SMART 48V IN M20 / M26 -VIZIR



CTRL DELTA R SMART 48V IN M20 / M26 - HEDRA



CRI > 80 M20 / M26 - VIZIR

3000 K LED 6W / 558lm / 48V-DC

MDL LENS SP 15° 473 151 831 MDL ◇
◇ = BBR / GC

2700 K LED 6W / 558lm / 48V-DC

MDL LENS SP 15° 473 151 821 MDL ◇
◇ = BBR / GC

ADJUSTABLE 0-90° / 355°

CE 0.3 IP20

REQUIREMENTS
VIZIR TUBE
LED POWER SUPPLY 48V-DC

OPTIONS
DIMMABLE MODULATOR

ACCESSORIES
HONEYCOMB / LENS

CRI > 80 M20 / M26 - HEDRA

3000 K LED 6W / 558lm / 48V-DC

MDL LENS SP 15° 473 251 831 MDL ◇
◇ = BBR / GC

2700 K LED 6W / 558lm / 48V-DC

MDL LENS SP 15° 473 251 821 MDL ◇
◇ = BBR / GC

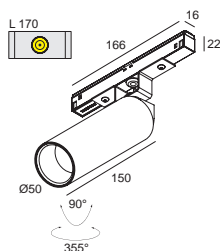
ADJUSTABLE 0-90° / 355°

CE 0.3 IP20

REQUIREMENTS
VIZIR TUBE
LED POWER SUPPLY 48V-DC

OPTIONS
DIMMABLE MODULATOR

ACCESSORIES
HONEYCOMB / LENS



CRI > 90 M20 / M26 - VIZIR L

3000 K LED 10,4W / 1075lm / 48V-DC

MDL REFL FL 33° 473 152 811 932 MDL ◇
◇ = BBR / GC

2700 K LED 10,4W / 1032lm / 48V-DC

MDL REFL FL 33° 473 152 811 922 MDL ◇
◇ = BBR / GC

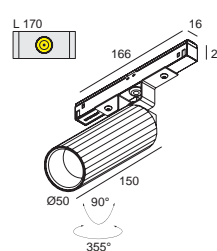
ADJUSTABLE 0-90° / 355°

CE 0.3 IP20

REQUIREMENTS
VIZIR TUBE
LED POWER SUPPLY 48V-DC

OPTIONS
DIMMABLE MODULATOR

ACCESSORIES
HONEYCOMB / LENS



CRI > 90 M20 / M26 - HEDRA L

3000 K LED 10,4W / 1075lm / 48V-DC

MDL REFL FL 33° 473 252 811 932 MDL ◇
◇ = BBR / GC

2700 K LED 10,4W / 1032lm / 48V-DC

MDL REFL FL 33° 473 252 811 922 MDL ◇
◇ = BBR / GC

ADJUSTABLE 0-90° / 355°

CE 0.4 IP20

REQUIREMENTS
VIZIR TUBE
LED POWER SUPPLY 48V-DC

OPTIONS
DIMMABLE MODULATOR

ACCESSORIES
HONEYCOMB / LENS



FULL INFO TECHNICAL CHAPTER

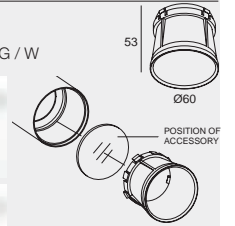
REQUIREMENTS

INSTALLATION

SPY TUBE ◇

414 01 00 ◇

◇ = B / FBR / FG / MMAT / SG / W



CONTROL GEAR



| | |
|--|----------------|
| LED POWER SUPPLY 48V / 90W 300 89 48 90 | 314 x 63 x 40 |
| LED POWER SUPPLY 48V / 100W 300 89 48 100 | 100 x 55 x 90 |
| LED POWER SUPPLY 48V / 150W 300 89 48 150 | 240 x 60 x 49 |
| LED POWER SUPPLY 48V / 240W 300 89 48 240 | 114 x 63 x 125 |

FULL INFO TECHNICAL CHAPTER

OPTIONS

CONTROL GEAR



| | | |
|---|--------------|--|
| DIMMABLE MODULATOR 48V-DC DIM9 300 90 011 | 93 x 78 x 56 | |
| WIRELESS DIMMABLE MODULATOR 48V-DC 300 90 012 | 93 x 78 x 56 | |

DIMMABLE MODULATION INFO PAG TEC 6
DIM9: DIMMING BY 1-10V / DALI / PUSH BUTTON

FULL INFO TECHNICAL CHAPTER

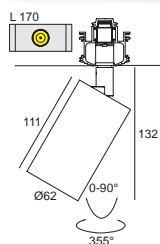
ACCESSORIES

| | | |
|--|-----|--|
| HONEYCOMB 50 ◇ 413 03 01 ◇ ◇ = B | Ø50 | |
| LINEAR SPREAD LENS 50 413 03 02 | Ø50 | |
| SPREAD LENS 50 413 03 03 | Ø50 | |
| SOFTENING LENS 50 413 03 04 | Ø50 | |
| GLASS SBL 50 413 03 05 | Ø50 | |
| SPY PUNK SLEEVE ◇ 414 11 00 ◇ ◇ = B / BP / GC | Ø63 | |

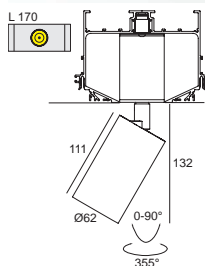
112

Ø63

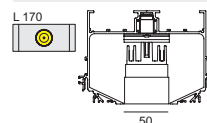
M20 / M26 - SPY



M52 - SPY



M52 - LED



CRI > 90

M20 / M26 - SPY SOFT



LED 10W / 565lm / 48V-DC

421 142 1902 MDL ◊
◊ = B / W

ADJUSTABLE 0-90° / 355°

◊ CE [0.7] IP20

REQUIREMENTS

SPY TUBE
LED POWER SUPPLY 48V-DC
DIMMABLE MODULATOR

ACCESSORIES

HONEYCOMB / LENS / GLASS
SPY PUNK SLEEVE

M52 - SPY SOFT

LED 10W / 565lm / 48V-DC

421 148 1902 MDL ◊
◊ = B / W

ADJUSTABLE 0-90° / 355°

◊ CE [0.7] IP20

REQUIREMENTS

SPY TUBE
LED POWER SUPPLY 48V-DC
DIMMABLE MODULATOR

ACCESSORIES

HONEYCOMB / LENS / GLASS
SPY PUNK SLEEVE

M52 - 1 LED D SOFT

LED 10W / 565lm / 48V-DC

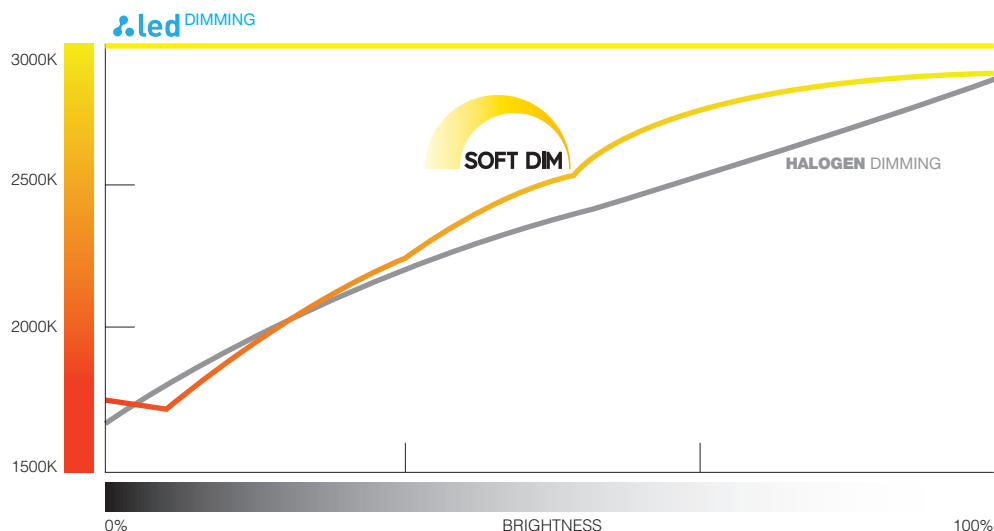
421 228 1902 D MDL

NON ADJUSTABLE

◊ CE [0.3] IP20

REQUIREMENTS

LED POWER SUPPLY 48V-DC
DIMMABLE MODULATOR





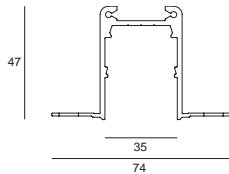
DOT.COM WALLWASH TR

PROFILE



DTC-TR - PROFILE ◇
424 01 00 00 ◇
 ◇ = B
 MAX.L / PROFILE: 6m
 Kg / m

1,0

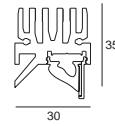


TOL EN12020-2



DTC-LEDLINE - PROFILE ◇
424 02 00 00 ◇
 ◇ = B
 INCL.PC SBL
 INCL. FIXATION CLIPS
 MAX.L / PROFILE: 4m
 Kg / m

◇ 1,0



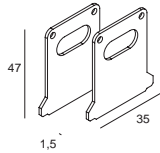
TOL EN12020-2

END CAP



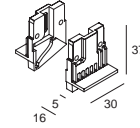
DTC-TR - END CAP SET ◇
424 01 03 01 ◇
 ◇ = B
 SET OF 2 PCS

0,1



DTC-LEDLINE - END CAP SET ◇
424 02 03 01 ◇
 ◇ = B
 SET OF 2 PCS

0,1



NO MODULE IN THIS AREA
6 mm

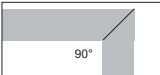


CORNER

DTC-TR - CORNER 180°
424 01 06 01



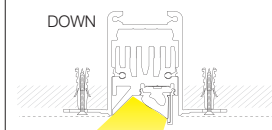
DTC-TR - CORNER 90°
424 01 06 06



FIXATION

36 x (L + 5)

POSITION FOR INSTALLATION



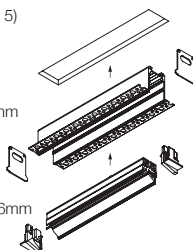
$L = l + 30,5\text{mm}$

$l = (N \times Z) + 6\text{mm}$
 $N = \#$
 $Z = 100\text{mm}$ FOR LEDFLEX IN / FP
 $= 50\text{mm}$ FOR LEDFLEX HP
 $= 33,3\text{mm}$ FOR LEDFLEX TW
 $= 167\text{mm}$ FOR LEDFLEX RGB

36 x (L + 5)

$L = l + 30,5\text{mm}$

$l = (N \times Z) + 6\text{mm}$





LEDFLEX
5m - 24V-DC
0,3

| | | WHITE | | TW | RGB |
|-------------------|----|-------------------------------------|-------------------------------------|--|--|
| | | Dividable per 100mm 70 smd LED/m | Dividable per 50mm 140 smd LED/m | Dividable per 33,3mm 180 smd LED/m | Dividable per 167mm 30 smd LED/m |
| | | 5,1W/m 560lm/m * | 15,1W/m 1400lm/m * | 21,6W/m 2100lm/m * | 14,4W/m 1350lm/m * |
| CRI > 90 | | | | | |
| 4000 K | IN | LEDFLEX IN 940 300 91 52 94 | LEDFLEX IN FP 940 300 91 53 94 | | |
| 3000 K | IN | LEDFLEX IN 930 300 91 52 93 | LEDFLEX IN FP 930 300 91 53 93 | LEDFLEX IN HP 930 300 91 54 93 | |
| 2700 K | IN | LEDFLEX IN 927 300 91 52 92 | LEDFLEX IN FP 927 300 91 53 92 | LEDFLEX IN HP 927 300 91 54 92 | |
| 2700 4000 K | IN | | | LEDFLEX IN TW 300 91 55 2740 | |
| RGB | IN | | | | LEDFLEX IN RGB 300 91 52 33 |

FULL INFO / PAG TEC

| | | | | | |
|--|----------|----------------------------------|-----------------------------------|---|---|
| LED POWER SUPPLY 24V-DC / 20W 300 89 24 20 OPTIONS 24V-DC / 4A DIM UNIT | max.4 m | max.1 m | max.0,9 m | max.1,3 m | ⊗ max.2,4 m |
| LED POWER SUPPLY 24V-DC / 40W 300 89 24 40 OPTIONS 24V-DC / 4A DIM UNIT | max.8 m | max.2,5 m | max.1,8 m | max.2,7 m | ⊗ max.5 m |
| LED POWER SUPPLY 24V-DC / 60W 300 89 24 60 OPTIONS 24V-DC / 4A DIM UNIT | max.12 m | max.4 m (max.3m / Powerline) | max.2,7 m (max.3m / Powerline) | max.4,1 m | ⊗ max.7,36 m |
| LED POWER SUPPLY 24V-DC / 80W DIM1 300 89 24 80 ED1 | max.16 m | max.5 m (max.3m / Powerline) | max.3,6 m (max.3m / Powerline) | max.5,5 m | |
| LED POWER SUPPLY 24V-DC / 150W 300 89 24 150 OPTIONS 24V-DC / 4A DIM UNIT | max.30 m | max.10 m (max.3m / Powerline) | max.6,8 m (max.3m / Powerline) | max.10,4 m | ⊗ max.18,72 m |
| LED POWER SUPPLY MULTI POWER DIM7 300 90 60 | max.4 m | max.1,3 m | max.0,9 m | | |
| LED POWER SUPPLY MULTI POWER DIM6 300 90 61 | max.4 m | max.1,3 m | max.0,9 m | | |
| RGB DRIVER 12/24V-DC 75/150W 300 90 331 | | | | ⊗ use in combination with Led Power Supply 24V-DC | ⊗ use in combination with Led Power Supply 24V-DC |
| TW TOUCH CONTROLLER DMX 300 90 332 | | | | ⊗ use in combination with RGB Driver | |
| RGB TOUCH CONTROLLER DMX 300 90 330 | | | | | ⊗ use in combinati- on with RGB Driver |

DIM1: dimming by 1-10V
DIM6: dimming by push button / falling edge dimmer
DIM7: dimming by push button / 1-10V

*+/- 5%

FULL INFO TECHNICAL CHAPTER

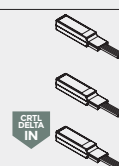
OPTIONS

CONTROL GEAR

24V-DC / 4A DIM1 UNIT 90 x 22 x 17
300 90 003 ED1

24V-DC / 4A DIM5 UNIT 90 x 22 x 17
300 90 003 ED5

24V-DC / 2 x 4A WIRELESS DIM UNIT 90 x 22 x 17
300 90 010






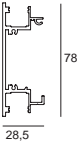
FEMTOLINE W DOWN-UP

p

PROFILE



FTLWDU - PROFILE ◇
426 00 00 ◇
 ◇ = ANO / B / W
 INCL. 2 x PC SBL
 MAX. L / PROFILE: 6m
 Kg / m



◇◇ [0,1]

TOL EN12020-2

END CAP

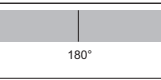



FTLWDU - END CAP SET ◇
426 03 01 ◇
 ◇ = A / B / W
 SET OF 2 PCS

[0,1]

CORNER

FTLWDU - CORNER 180°
426 06 01




[0,1]

180°

FIXATION


FTLWDU - FIXATION SET
426 14 01
 SET OF 2 PCS



[0,2]

CURRENT SUPPLY



| LEDFLEX 5m - 24V-DC 0,3  | | | | | |
|--|----|--------------------------------------|-----------------------------------|---|---|
| WHITE | | | TW | RGB | |
| Dividabile per 100mm 70 smd LED/m | | Dividabile per 50mm 140 smd LED/m | | Dividabile per 33,3mm 180 smd LED/m | Dividabile per 167mm 30 smd LED/m |
| 5,1W/m 560lm/m * | | 15,1W/m 1400lm/m * | | 21,6W/m 2100lm/m * | 14,4W/m 1350lm/m * |
| 8W/m * | | | | | |
| 4000 K | IN | LEDFLEX IN 940 300 91 52 94 | LEDFLEX IN FP 940 300 91 53 94 | | |
| 3000 K | IN | LEDFLEX IN 930 300 91 52 93 | LEDFLEX IN FP 930 300 91 53 93 | LEDFLEX IN HP 930 300 91 54 93 | |
| 2700 K | IN | LEDFLEX IN 927 300 91 52 92 | LEDFLEX IN FP 927 300 91 53 92 | LEDFLEX IN HP 927 300 91 54 92 | |
| 2700 4000 K | IN | | | LEDFLEX IN TW 300 91 55 2740 | |
| RGB | IN | | | | LEDFLEX IN RGB 300 91 52 33 |

FULL INFO / PAG TEC

| | | | | | |
|--|----------|----------------------------------|-----------------------------------|---|---|
| LED POWER SUPPLY 24V-DC / 20W 300 89 24 20 OPTIONS 24V-DC / 4A DIM UNIT | max.4 m | max.1 m | max.0,9 m | max.1,3 m | ⊗ max.2,4 m |
| LED POWER SUPPLY 24V-DC / 40W 300 89 24 40 OPTIONS 24V-DC / 4A DIM UNIT | max.8 m | max.2,5 m | max.1,8 m | max.2,7 m | ⊗ max.5 m |
| LED POWER SUPPLY 24V-DC / 60W 300 89 24 60 OPTIONS 24V-DC / 4A DIM UNIT | max.12 m | max.4 m (max.3m / Powerline) | max.2,7 m (max.3m / Powerline) | max.4,1 m | ⊗ max.7,36 m |
| LED POWER SUPPLY 24V-DC / 80W DIM1 300 89 24 80 ED1 | max.16 m | max.5 m (max.3m / Powerline) | max.3,6 m (max.3m / Powerline) | max.5,5 m | |
| LED POWER SUPPLY 24V-DC / 150W 300 89 24 150 OPTIONS 24V-DC / 4A DIM UNIT | max.30 m | max.10 m (max.3m / Powerline) | max.6,8 m (max.3m / Powerline) | max.10,4 m | ⊗ max.18,72 m |
| LED POWER SUPPLY MULTI POWER DIM7 300 90 60 | max.4 m | max.1,3 m | max.0,9 m | | |
| LED POWER SUPPLY MULTI POWER DIM6 300 90 61 | max.4 m | max.1,3 m | max.0,9 m | | |
| RGB DRIVER 12/24V-DC 75/150W 300 90 331 | | | | ⊗ use in combination with Led Power Supply 24V-DC | ⊗ use in combination with Led Power Supply 24V-DC |
| TW TOUCH CONTROLLER DMX 300 90 332 | | | | ⊗ use in combination with RGB Driver | |
| RGB TOUCH CONTROLLER DMX 300 90 330 | | | | | ⊗ use in combination with RGB Driver |

DIM1: dimming by 1-10V
 DIM6: dimming by push button / falling edge dimmer
 DIM7: dimming by push button / 1-10V

*+/- 5%

FULL INFO TECHNICAL CHAPTER

OPTIONS

CONTROL GEAR

24V-DC / 4A DIM1 UNIT 90 x 22 x 17
 300 90 003 ED1

24V-DC / 4A DIM5 UNIT 90 x 22 x 17
 300 90 003 ED5

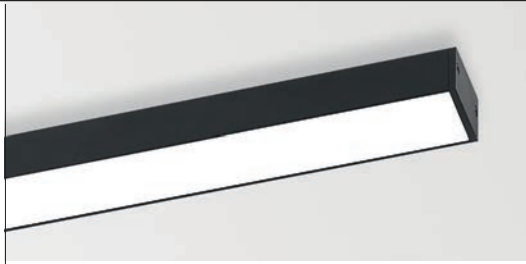
24V-DC / 2 x 4A WIRELESS DIM UNIT 90 x 22 x 17
 300 90 010



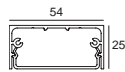


FEMTOLINE 55

PROFILE



FTL55 - PROFILE ◇
392 04 00 00 ◇
 ◇ = ANO / B / W
 INCL.PC SBL
 MAX.L / PROFILE: 6m
 Kg / m

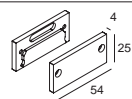


◇◇ [0,6]

TOL EN12020-2

p

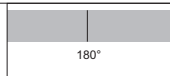
END CAP



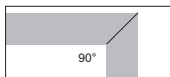
FTL55 - END CAP SET ◇
392 04 03 01 ◇
 ◇ = A / B / W
 SET OF 2 PCS
 [0,1]

CORNER

FTL55 - CORNER 180°
392 04 06 01
 [0,1]

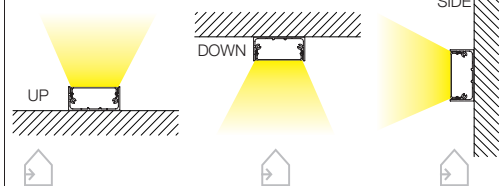


FTL55 - CORNER 90°
392 04 06 06
 [0,1]



FIXATION

POSITION FOR INSTALLATION



CURRENT SUPPLY

LEDFLEX
5m - 24V-DC
0,3



| | | WHITE | | TW | RGB | |
|----------------|----|-------------------------------------|-------------------------------------|--|--|-------|
| | | Dividable per 100mm 70 smd LED/m | Dividable per 50mm 140 smd LED/m | Dividable per 33,3mm 180 smd LED/m | Dividable per 167mm 30 smd LED/m | |
| CRI > 90 | | 5,1W/m 560lm/m* | 15,1W/m 1400lm/m* | 21,6W/m 2100lm/m* | 14,4W/m 1350lm/m* | 8W/m* |
| 4000 K | IN | LEDFLEX IN 940 300 91 52 94 | LEDFLEX IN FP 940 300 91 53 94 | | | |
| 3000 K | IN | LEDFLEX IN 930 300 91 52 93 | LEDFLEX IN FP 930 300 91 53 93 | LEDFLEX IN HP 930 300 91 54 93 | | |
| 2700 K | IN | LEDFLEX IN 927 300 91 52 92 | LEDFLEX IN FP 927 300 91 53 92 | LEDFLEX IN HP 927 300 91 54 92 | | |
| 2700 4000 K | IN | | | LEDFLEX IN TW 300 91 55 2740 | | |
| RGB | IN | | | | LEDFLEX IN RGB 300 91 52 33 | |

FULL INFO / PAG TEC

| | | | | | |
|---|----------|----------------------------------|-----------------------------------|---|---|
| LED POWER SUPPLY 24V-DC / 20W 300 89 24 20 OPTIONS 24V-DC / 4A DIM UNIT | max.4 m | max.1 m | max.0,9 m | max.1,3 m | ⊗ max.2,4 m |
| LED POWER SUPPLY 24V-DC / 40W 300 89 24 40 OPTIONS 24V-DC / 4A DIM UNIT | max.8 m | max.2,5 m | max.1,8 m | max.2,7 m | ⊗ max.5 m |
| LED POWER SUPPLY 24V-DC / 60W 300 89 24 60 OPTIONS 24V-DC / 4A DIM UNIT | max.12 m | max.4 m (max.3m / Powerline) | max.2,7 m (max.3m / Powerline) | max.4,1 m | ⊗ max.7,36 m |
| LED POWER SUPPLY 24V-DC / 80W DIM1 300 89 24 80 ED1 | max.16 m | max.5 m (max.3m / Powerline) | max.3,6 m (max.3m / Powerline) | max.5,5 m | |
| LED POWER SUPPLY 24V-DC / 150W 300 89 24 150 OPTIONS 24V-DC / 4A DIM UNIT | max.30 m | max.10 m (max.3m / Powerline) | max.6,8 m (max.3m / Powerline) | max.10,4 m | ⊗ max.18,72 m |
| LED POWER SUPPLY MULTI POWER DIM7 300 90 60 | max.4 m | max.1,3 m | max.0,9 m | | |
| LED POWER SUPPLY MULTI POWER DIM6 300 90 61 | max.4 m | max.1,3 m | max.0,9 m | | |
| RGB DRIVER 12/24V-DC 75/150W 300 90 331 | | | | ⊗ use in combination with Led Power Supply 24V-DC | ⊗ use in combination with Led Power Supply 24V-DC |
| TW TOUCH CONTROLLER DMX 300 90 332 | | | | ⊗ use in combinati- on with RGB Driver | |
| RGB TOUCH CONTROLLER DMX 300 90 330 | | | | | ⊗ use in combinati- on with RGB Driver |

DIM1: dimming by 1-10V
DIM6: dimming by push button / falling edge dimmer
DIM7: dimming by push button / 1-10V

*+/- 5%

FULL INFO TECHNICAL CHAPTER

OPTIONS

CONTROL GEAR

24V-DC / 4A DIM1 UNIT
300 90 003 ED1

90 x 22 x 17



24V-DC / 4A DIM5 UNIT
300 90 003 ED5

90 x 22 x 17



24V-DC / 2 x 4A
WIRELESS DIM UNIT
300 90 010

90 x 22 x 17





TAGLINE TR

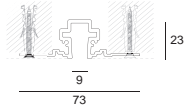


TAGLINE TRW

PROFILE



TGL-TR - PROFILE ◇
425 01 00 00 ◇
 ◇ = B
 MAX.L / PROFILE: 6m
 Kg / m

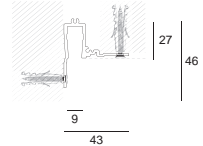


0,3

TOL EN12020-2



TGL-TRW - PROFILE ◇
425 02 00 00 ◇
 ◇ = B
 MAX.L / PROFILE: 6m
 Kg / m



0,4

TOL EN12020-2

END CAP



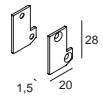
TGL-TR - END CAP SET ◇
425 01 03 01 ◇
 ◇ = B
 SET OF 2 PCS

0,1



TGL-TRW - END CAP SET ◇
425 02 03 01 ◇
 ◇ = B
 SET OF 2 PCS

0,1

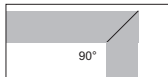


CORNER

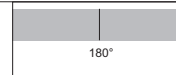
TGL-TR - CORNER 180°
425 01 06 01



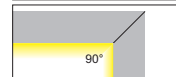
TGL-TR - CORNER 90°
425 01 06 06



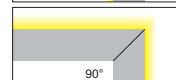
TGL-TRW - CORNER 180°
425 02 06 01



TGL-TRW - CORNER 90° INT
425 02 06 06

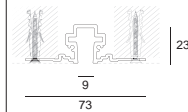


TGL-TRW - CORNER 90° EXT
425 02 06 16

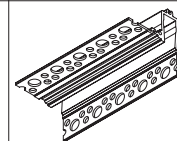
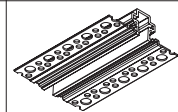
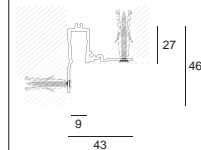


FIXATION

35 x (L + 4)
 POSITION FOR INSTALLATION



25 x (L + 4)
 POSITION FOR INSTALLATION





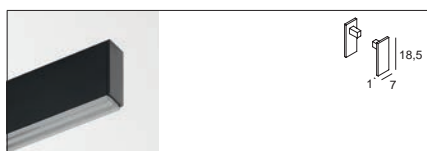
TGL-LEDLINE - PROFILE ◇
425 03 00 00 ◇
 ◇ = B
 INCL. PC SBL
 INCL. FIXATION CLIPS
 MAX.L / PROFILE: 3m
 Kg / m



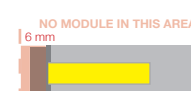
7
19,4

◇ 1,0

TOL EN12020-2

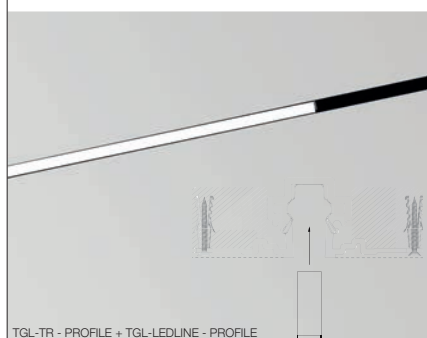


TGL-LEDLINE - END CAP SET ◇
425 03 03 01 ◇
 ◇ = B
 SET OF 2 PCS

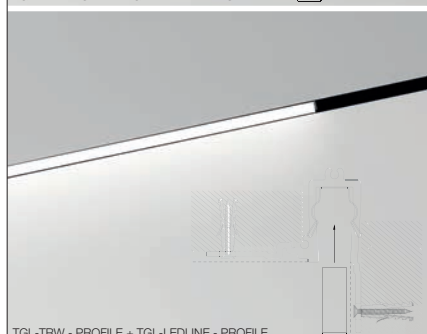


NO MODULE IN THIS AREA
6 mm


◇ 0,1



TGL-TR - PROFILE + TGL-LEDLINE - PROFILE



TGL-TRW - PROFILE + TGL-LEDLINE - PROFILE

| | |
|--|---|
| LEDFLEX  5m - 24V-DC 0,3 | |
| WHITE | |
| Dividable per 29,4mm 238 smd LED/m | |
| 8,5W/m 820lm/m * | |
| CRI > 90 | |
| 4000 K | IN LEDFLEX IN SMALL 940 300 91 51 94 |
| 3000 K | IN LEDFLEX IN SMALL 930 300 91 51 93 |
| 2700 K | IN LEDFLEX IN SMALL 927 300 91 51 92 |

FULL INFO / PAG TEC




| | |
|--|------------------------------------|
| LED POWER SUPPLY 24V-DC / 20W 300 89 24 20 OPTIONS 24V-DC / 4A DIM UNIT | max.2,35m (1,18m / 110V) |
| LED POWER SUPPLY 24V-DC / 40W 300 89 24 40 OPTIONS 24V-DC / 4A DIM UNIT | max.4,71m |
| LED POWER SUPPLY 24V-DC / 60W 300 89 24 60 OPTIONS 24V-DC / 4A DIM UNIT | max.7,06m (max.5m / Powerline) |
| LED POWER SUPPLY 24V-DC / 80W DIM1 300 89 24 80 ED1 | max.9,41m (max.5m / Powerline) |
| LED POWER SUPPLY 24V-DC / 150W 300 89 24 150 OPTIONS 24V-DC / 4A DIM UNIT | max.17,65m (max.5m / Powerline) |
| LED POWER SUPPLY MULTI POWER DIM7 300 90 60 | max.2,35m (1,76m / 110V) |
| LED POWER SUPPLY MULTI POWER DIM6 300 90 61 | max.2,35m |

DIM1: dimming by 1-10V
 DIM6: dimming by push button / falling edge dimmer
 DIM7: dimming by push button / 1-10V

* +/- 5%

FULL INFO TECHNICAL CHAPTER

OPTIONS

| | | |
|---|--------------|---|
| CONTROL GEAR 24V-DC / 4A DIM1 UNIT 300 90 003 ED1 | 90 x 22 x 17 |  |
| 24V-DC / 4A DIM5 UNIT 300 90 003 ED5 | 90 x 22 x 17 |  |
| 24V-DC / 2 x 4A WIRELESS DIM UNIT 300 90 010 | 90 x 22 x 17 |  |

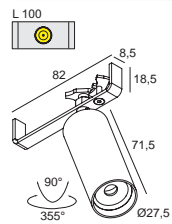
OPTIONS

| | | | [H] |
|--|---------------|---|-----|
| LED PS 300mA / 12W 300 90 30 IP20 $\lambda > 0,55$ | 115 19 34 | min. 38 Input 220-240V / 50-60Hz Output 300mA / 12W / 0-42V-DC | 2 |
| LED PS 300mA / 16W DIM5 300 90 32 IP20 $\lambda > 0,9$ | 118 22 52 | min. 55 Input 220-240V / 50/60Hz Output 300mA / 16W / 10-52V-DC | 2 |
| LED PS 300mA / 16W DIM7 300 90 31 IP20 $\lambda > 0,9$ | 118 22 52 | min. 55 Input 220-240V / 50/60Hz Output 300mA / 16W / 2-54V-DC | 2 |

DIM5: DALI dimming
 DIM7: dimming by push button / 1-10V



TAGLINE TR - MICROSPY 27



CRI > 90

TGL-TR - MICROSPY 271

3000
K

LED [H] 6W / 670lm / 300mA

REFL
FL
24°

425 27 811 931 \diamond
 \diamond = B / W

2700
K

LED [H] 6W / 643lm / 300mA

REFL
FL
24°

425 27 811 921 \diamond
 \diamond = B / W

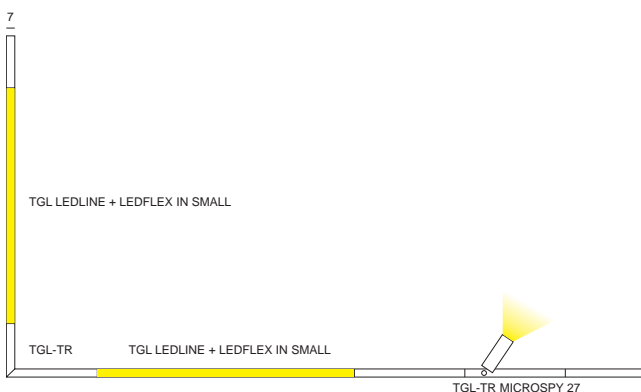
ADJUSTABLE 0-90° / 355°

IP20

OPTIONS

LED POWER SUPPLY 300mA-DC

ONLY FOR TAGLINE TR PROFILE






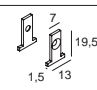

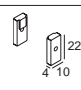
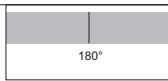
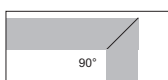
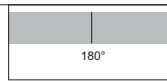
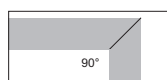
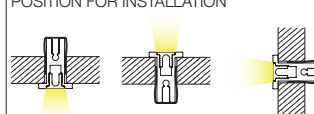


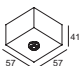


TAGLINE ST




TAGLINE ON

| | | |
|---------|--|--|
| PROFILE |  <p>TGL-ST - PROFILE ◇ 425 05 00 00 ◇ ◇ = B / W MAX.L / PROFILE: 6m Kg / m</p>  <p>19,5 13</p> <p>◇ 0,3</p> <p>TOL EN12020-2</p> |  <p>TGL-ON - PROFILE ◇ 425 04 00 00 ◇ ◇ = B / GC / W MAX.L / PROFILE: 6m Kg / m</p>  <p>22 10</p> <p>◇ 0,4</p> <p>TOL EN12020-2</p> |
|---------|--|--|

| | | |
|----------------|--|--|
| END CAP |   <p>TGL-ST - END CAP SET ◇ 425 05 03 01 ◇ ◇ = B / W SET OF 2 PCS</p> <p>◇ 0,1</p> |   <p>TGL-ON - END CAP SET ◇ 425 04 03 01 ◇ ◇ = B / W SET OF 2 PCS</p> <p>◇ 0,1</p> |
| CORNER | <p>TGL-ST - CORNER 180° 425 05 06 01</p>  <p>180°</p> <p>TGL-ST - CORNER 90° 425 05 06 06</p>  <p>90°</p> | <p>TGL-ON - CORNER 180° 425 04 06 01</p>  <p>180°</p> <p>TGL-ON - CORNER 90° 425 04 06 06</p>  <p>90°</p> |
| FIXATION | <p>9 x (L + 4) / max. 12,5</p> <p>TGL-ST - FIXATION 425 05 14 01 SET OF 2 PCS</p> <p>◇ 0,1</p> <p>POSITION FOR INSTALLATION</p>  | <p>TGL-ON - FIXATION SET 425 04 06 11 SET OF 2 PCS</p> <p>◇ 0,1</p> <p>POSITION FOR INSTALLATION</p>  <p>TGL-ON - CABLE SUSPENSION SINGLE 1,6 425 09 01 L 1,6m</p> <p>◇ 0,1</p> <p>ONLY FOR PROFILE LENGTHS UP TO 2m</p> |
| CURRENT SUPPLY | <p>TGL-ON - POWER CABLE 1,6 425 97 51 L 1,6m / 2 x 0.5mm²</p> <p>◇ 0,1</p> <p>OPTIONS CABLE BASE R/S COVERSET R 62-90-100 / S 62-80-90</p>  <p>41</p> <p>203 99 55 ◇ ◇ = ANO / B / W</p>  <p>41</p> <p>203 99 56 ◇ ◇ = ANO / B / W</p> <p>◇ 0,1</p> | |



| |
|--|
| LEDFLEX 5m - 24V-DC 0,3  |
| WHITE |
| Dividable per 29,4mm 238 smd LED/m |
| 8,5W/m 820lm/m * |

CRI > 90

| | | |
|--------|----|--------------------------------------|
| 4000 K | IN | LEDFLEX IN SMALL 940 300 91 51 94 |
| 3000 K | IN | LEDFLEX IN SMALL 930 300 91 51 93 |
| 2700 K | IN | LEDFLEX IN SMALL 927 300 91 51 92 |

FULL INFO / PAG TEC

| | |
|--|------------------------------------|
| LED POWER SUPPLY 24V-DC / 20W 300 89 24 20 OPTIONS 24V-DC / 4A DIM UNIT | max.2,35m (1,18m / 110V) |
| LED POWER SUPPLY 24V-DC / 40W 300 89 24 40 OPTIONS 24V-DC / 4A DIM UNIT | max.4,71m |
| LED POWER SUPPLY 24V-DC / 60W 300 89 24 60 OPTIONS 24V-DC / 4A DIM UNIT | max.7,06m (max.5m / Powerline) |
| LED POWER SUPPLY 24V-DC / 80W DIM1 300 89 24 80 ED1 | max.9,41m (max.5m / Powerline) |
| LED POWER SUPPLY 24V-DC / 150W 300 89 24 150 OPTIONS 24V-DC / 4A DIM UNIT | max.17,65m (max.5m / Powerline) |
| LED POWER SUPPLY MULTI POWER DIM7 300 90 60 | max.2,35m (1,76m / 110V) |
| LED POWER SUPPLY MULTI POWER DIM6 300 90 61 | max.2,35m |





DIM1: dimming by 1-10V
 DIM6: dimming by push button / falling edge dimmer
 DIM7: dimming by push button / 1-10V

* +/- 5%



FULL INFO TECHNICAL CHAPTER

OPTIONS

| | | |
|---|--------------|---|
| CONTROL GEAR 24V-DC / 4A DIM1 UNIT 300 90 003 ED1 | 90 x 22 x 17 |  |
| 24V-DC / 4A DIM5 UNIT 300 90 003 ED5 | 90 x 22 x 17 |  |
| 24V-DC / 2 x 4A WIRELESS DIM UNIT 300 90 010 | 90 x 22 x 17 |   |



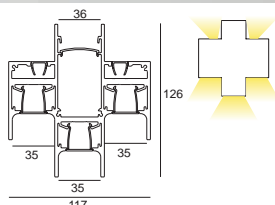
ONE-AND-ONLY

PROFILE



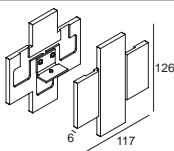
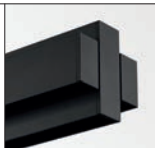
OAO - PROFILE ◇
404 00 00 ◇
 ◇ = B / GC / W
 INCL.PC SBL HE
 MAX.L / PROFILE: 5m
 Kg / m

◇ [5,3]



TOL EN12020-2

END CAP



OAO - END CAP SET ◇
404 03 01 ◇
 ◇ = B / W
 SET OF 2 PCS

[0,4]

CORNER

FIXATION

OAO - CABLE SUSPENSION SINGLE 1,6
404 09 01

L 1,6m

[0,1]

OAO - CENTRAL ROD SUSPENSION 0,4m ◇
328 27 40 ◇

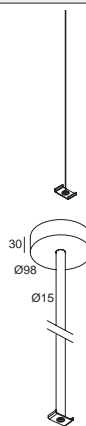
◇ = B / W

[0,1]

OAO - CENTRAL ROD SUSPENSION 0,8m ◇
328 27 80 ◇

◇ = B / W

[0,1]



CURRENT SUPPLY

L 1,6m / 3 x 0,75mm² **377 98 51**

L 6,0m / 3 x 0,75mm² **377 98 56**

L 1,6m / 5 x 0,75mm² **377 99 51**

L 6,0m / 5 x 0,75mm² **377 99 56** [0,3]

OPTIONS

CABLE BASE R/S

COVERSET R 62-90-100 / S 62-80-90



203 99 55 ◇

◇ = ANO / B / W

203 99 56 ◇

◇ = ANO / B / W

[0,1]

CURRENT SUPPLY

LED POWER SUPPLY 24V-DC KIT 60W DIM1

404 24 60 ED1

220-240V / 50-60Hz

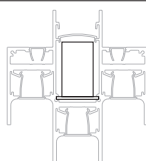
◇ CE [0,1] IP20

LED POWER SUPPLY 24V-DC KIT 100W


404 24 100

220-240V / 50-60Hz

◇ CE [0,1] IP20





| |
|--|
| LEDFLEX 5m - 24V-DC 0,3  |
| WHITE |
| Dividable per 55mm 126 smd LED/m |
| 10W/m 1060lm/m * |

CRI > 90

| | | |
|--------|----|-----------------------------------|
| 4000 K | IN | LEDFLEX IN MP 940 300 91 56 94 |
| 3000 K | IN | LEDFLEX IN MP 930 300 91 56 93 |
| 2700 K | IN | LEDFLEX IN MP 927 300 91 56 92 |

FULL INFO / PAG TEC

| | |
|---|----------------------------------|
| LED POWER SUPPLY 24V-DC / 20W 300 89 24 20 OPTIONS 24V-DC / 4A DIM UNIT | max.2m |
| LED POWER SUPPLY 24V-DC / 40W 300 89 24 40 OPTIONS 24V-DC / 4A DIM UNIT | max.4m |
| LED POWER SUPPLY 24V-DC / 60W 300 89 24 60 OPTIONS 24V-DC / 4A DIM UNIT | max.6m |
| LED POWER SUPPLY 24V-DC / 80W DIM1 300 89 24 80 ED1 | max.8m |
| LED POWER SUPPLY 24V-DC / 150W 300 89 24 150 OPTIONS 24V-DC / 4A DIM UNIT | max.15m (max.10m / Powerline) |
| LED POWER SUPPLY MULTI POWER DIM7 300 90 60 | max.2m |
| LED POWER SUPPLY MULTI POWER DIM6 300 90 61 | max.2m |

DIM1: dimming by 1-10V
DIM6: dimming by push button / falling edge dimmer
DIM7: dimming by push button / 1-10V

*+/- 5%

FULL INFO TECHNICAL CHAPTER

OPTIONS

CONTROL GEAR

24V-DC / 4A DIM1 UNIT 90 x 22 x 17
300 90 003 ED1

24V-DC / 4A DIM5 UNIT 90 x 22 x 17
300 90 003 ED5

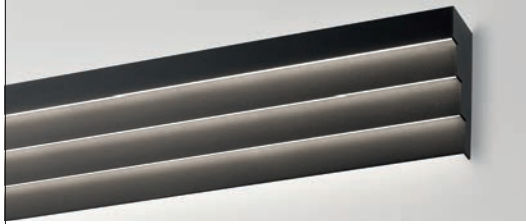
24V-DC / 2 x 4A WIRELESS DIM UNIT 90 x 22 x 17
300 90 010





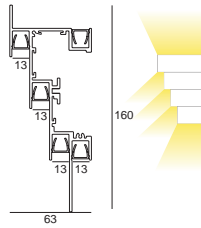
KASKADE

PROFILE



KSK - PROFILE ◇
405 00 00 ◇
◇ = B / GC / W
INCL.PC SBL
MAX.L / PROFILE: 6m
Kg / m

◇◇ 2,4

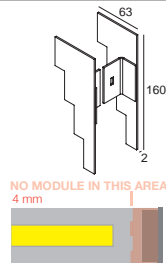


TOL EN12020-2

END CAP

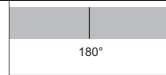


KSK - END CAP SET ◇
405 03 01 ◇
◇ = B / W
SET OF 2 PCS
0,1



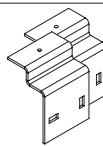
CORNER

KSK - CORNER 180°
405 06 01



FIXATION

KSK - FIXATION SET
405 14 01
SET OF 2 PCS
0,2



CURRENT SUPPLY

FULL INFO TECHNICAL CHAPTER

OPTIONS

CONTROL GEAR

24V-DC / 4A DIM1 UNIT 90 x 22 x 17
300 90 003 ED1



24V-DC / 4A DIM5 UNIT 90 x 22 x 17
300 90 003 ED5



24V-DC / 2 x 4A WIRELESS DIM UNIT 90 x 22 x 17
300 90 010



LEDFLEX

5m - 24V-DC

0,3



WHITE

TW

RGB

Dividable per 100mm
70 smd LED/m

Dividable per
33,3mm
180 smd LED/m

Dividable per
167mm
30 smd LED/m

5,1W/m
560lm/m *

15,1W/m
1400lm/m *

14,4W/m
1350lm/m *

8W/m *

CRI > 90

| | | | | |
|----------------|----|--------------------------------|-----------------------------------|--------------------------------|
| 4000 K | | | | |
| | IN | LEDFLEX IN 940 300 91 52 94 | LEDFLEX IN FP 940 300 91 53 94 | |
| 3000 K | | | | |
| | IN | LEDFLEX IN 930 300 91 52 93 | LEDFLEX IN FP 930 300 91 53 93 | |
| 2700 K | | | | |
| | IN | LEDFLEX IN 927 300 91 52 92 | LEDFLEX IN FP 927 300 91 53 92 | |
| 2700 4000 K | | | | |
| | IN | | LEDFLEX IN TW 300 91 55 2740 | |
| RGB | | | | |
| | IN | | | LEDFLEX IN RGB 300 91 52 33 |

FULL INFO / PAG TEC

| | | | | |
|--|----------|----------------------------------|---|---|
| LED POWER SUPPLY 24V-DC / 20W 300 89 24 20 OPTIONS 24V-DC / 4A DIM UNIT | max.4 m | max.1 m | max.1,3 m | ⊕ max.2,4 m |
| LED POWER SUPPLY 24V-DC / 40W 300 89 24 40 OPTIONS 24V-DC / 4A DIM UNIT | max.8 m | max.2,5 m | max.2,7 m | ⊕ max.5 m |
| LED POWER SUPPLY 24V-DC / 60W 300 89 24 60 OPTIONS 24V-DC / 4A DIM UNIT | max.12 m | max.4 m (max.3m / Powerline) | max.4,1 m | ⊕ max.7,36 m |
| LED POWER SUPPLY 24V-DC / 80W DIM1 300 89 24 80 ED1 | max.16 m | max.5 m (max.3m / Powerline) | max.5,5 m | |
| LED POWER SUPPLY 24V-DC / 150W 300 89 24 150 OPTIONS 24V-DC / 4A DIM UNIT | max.30 m | max.10 m (max.3m / Powerline) | max.10,4 m | ⊕ max.18,72 m |
| LED POWER SUPPLY MULTI POWER DIM7 300 90 60 | max.4 m | max.1,3 m | | |
| LED POWER SUPPLY MULTI POWER DIM6 300 90 61 | max.4 m | max.1,3 m | | |
| RGB DRIVER 12/24V-DC 75/150W 300 90 331 | | | ⊕ use in combination with Led Power Supply 24V-DC | ⊕ use in combination with Led Power Supply 24V-DC |
| TW TOUCH CONTROLLER DMX 300 90 332 | | | ⊕ use in combination with RGB Driver | |
| RGB TOUCH CONTROLLER DMX 300 90 330 | | | | ⊕ use in combination with RGB Driver |

DIM1: dimming by 1-10V
DIM6: dimming by push button / falling edge dimmer
DIM7: dimming by push button / 1-10V

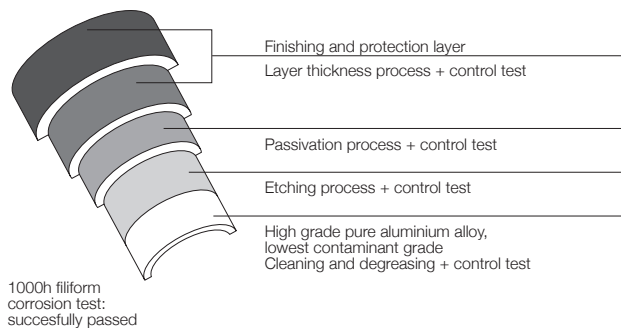
*±/- 5%



EXTERIOR
LIGHTING



To provide complete lighting solutions, Delta Light® also has an extensive outdoor collection in its range. Similar to indoor chapters, this outdoor collection includes ceiling, wall and floor mounted luminaires, either surface or recessed mounted. As outdoor luminaires often need to withstand harsh weather conditions, Delta Light® maintains the highest standards, both in the material choices for finishing the products, as well as in the coating process.



In addition to harsh weather conditions, outdoor luminaires can also be subject to collision. Therefore, the enclosure of the fixture needs to protect the electrical equipment, according to a standard classification. All exterior Delta Light® luminaires have an IK03 classification as a minimum. A selection of Delta Light® luminaires have been tested for higher IK values. These are provided with a label within the next chapters.

www.deltalight.com/products/overview





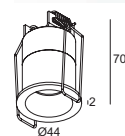
FULL INFO TECHNICAL CHAPTER

OPTIONS

CONTROL GEAR
LED POWER SUPPLY
ALL INFO ON FOLD-OUT COVER



MICRO DEEP RINGO X



38 x 80 / max.35

CRI > 80

MICRO DEEP RINGO S1 X

3000 K

LED [A] 1,1W / 120lm / 350mA
 LED [A] 1,6W / 168lm / 500mA

LENS SP 10°

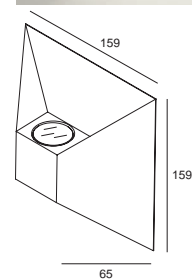
302 222 831 ◊
 ◊ = A / W

NON ADJUSTABLE

CE 0,1 IP20 IP43

OPTIONS
 LED POWER SUPPLY 350-500mA-DC / DIM

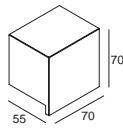
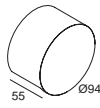
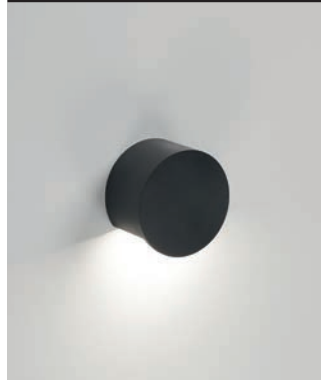




| | |
|--------------------|---|
| CRI > 90 | LOGO |
| 3000 K | 2 x LED 3W / 280lm / 350mA 271 06 93 ◇ ◇ = A / N / W |
| 2700 K | 2 x LED 3W / 252lm / 350mA 271 06 92 ◇ ◇ = A / N / W |
| 100-240V / 50-60Hz | |
| IP55 | |



STIP W



CRI > 80

STIP W R

STIP W S

3000 K

LED 4,1W / 420lm / 350mA

LED 4,1W / 420lm / 350mA

223 54 83 ◊
◊ = A / N

223 55 83 ◊
◊ = A / N

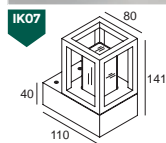
INCL. GLASS
100-240V / 50-60Hz

CE 20 IP55

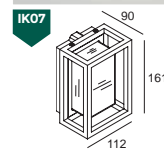
INCL. SYMMETRIC LENS
100-240V / 50-60Hz

CE 20 IP55

MONTUR MINI S



MONTUR MINI M



CRI > 80

MONTUR MINI S

3000
K

LED 7,1W / 928lm / 350mA

232 022 83 ◇
◇ = B

2700
K

LED 7,1W / 895lm / 350mA

232 022 82 ◇
◇ = B

INCL. GLASS OPAL
100-240V / 50-60Hz

□ CE 0,9 IP55

MONTUR MINI M

LED CLUSTER 4,2W / 589lm / 350mA

232 012 83 ◇
◇ = B

LED CLUSTER 4,2W / 589lm / 350mA

232 012 82 ◇
◇ = B

INCL. GLASS OPAL
100-240V / 50-60Hz

◇ CE 0,7 IP65

FULL INFO TECHNICAL CHAPTER

OPTIONS

INSTALLATION

| | | | |
|---|-----------------|-----------------|--|
| CBOX 216 12 00 | 140 x 140 x 173 | 142 x 142 x 300 | |
| IP68 CONNECTION KIT 216 12 01 | 95 x 45 x 25 | | |
| IP68 CONNECTOR 3P 216 12 02 | Ø 23 x 68 | | |
| PIN 2 229 01 02 | 69 x 71 x 280 | | |
| PLATE 2 229 02 02 | 150 x 150 x 3 | | |
| PIN 11 229 01 11 | 41 x 79 x 403 | | |

FULL INFO TECHNICAL CHAPTER

ACCESSORIES

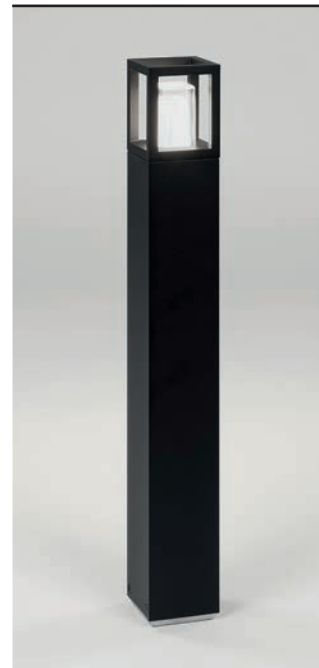
ELBO RASTER ◊
223 99 01 ◊

◊ = B

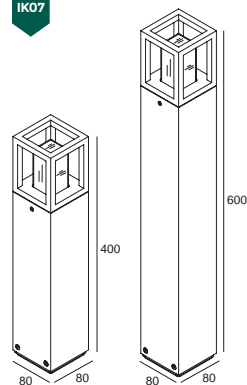


ELBO SBL P 600 B + ELBO RASTER B

MONTUR MINI S P



IK07



CRI > 80

MONTUR MINI S P

3000
K

LED 7,1W / 928lm / 350mA

400mm **232 942 83** ◊
◊ = B

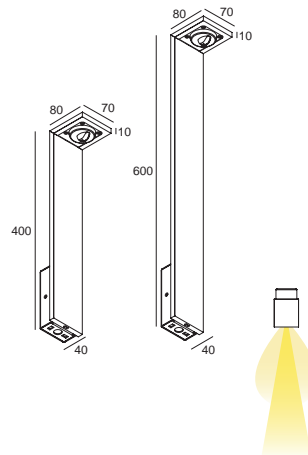
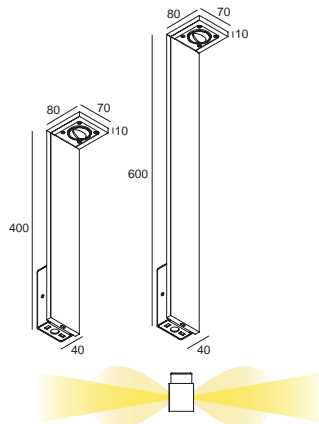
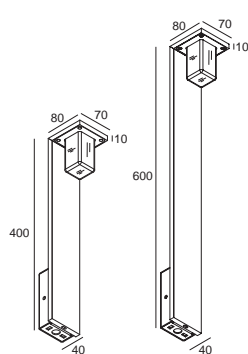
600mm **232 962 83** ◊
◊ = B

100-240V / 50-60Hz

◊ CE IP55

OPTIONS

CBOX
IP68 CONNECTION KIT
IP68 CONNECTOR 3P
PIN 2
PLATE 2



| | |
|--------------------|--|
| CRI > 80 | ELBO SBL P |
| 3000 K | LED 7,1W / 928lm / 350mA |
| | 400mm 223 44 83 ◇ ◇ = A / B 1,1 |
| | 600mm 223 46 83 ◇ ◇ = A / B 1,5 |
| | 100-240V / 50-60Hz |
| | CE IP55 |
| | OPTIONS CBOX IP68 CONNECTION KIT IP68 CONNECTOR 3P PIN 11 |
| | ACCESSORIES ELBO RASTER |

| | |
|--|--|
| | ELBO SYMMETRIC P |
| | LED 4,1W / 420lm / 350mA |
| | 400mm 223 24 83 ◇ ◇ = A / B 1,0 |
| | 600mm 223 26 83 ◇ ◇ = A / B 1,4 |
| | 100-240V / 50-60Hz |
| | CE IP55 |
| | OPTIONS CBOX IP68 CONNECTION KIT IP68 CONNECTOR 3P PIN 11 |

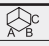
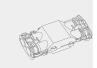


| | |
|--|--|
| | ELBO ASYMMETRIC P |
| | LED 4,1W / 420lm / 350mA |
| | 400mm 223 34 83 ◇ ◇ = A / B 1,0 |
| | 600mm 223 36 83 ◇ ◇ = A / B 1,4 |
| | 100-240V / 50-60Hz |
| | CE IP55 |
| | OPTIONS CBOX IP68 CONNECTION KIT IP68 CONNECTOR 3P PIN 11 |



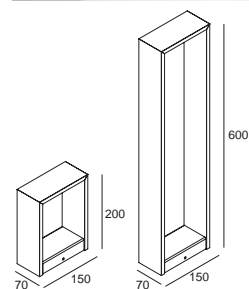
FULL INFO TECHNICAL CHAPTER

OPTIONS

INSTALLATION

| | | | |
|---|-----------------|-----------------|---|
| CBOX 216 12 00 | 140 x 140 x 173 | 142 x 142 x 300 |  |
| IP68 CONNECTION KIT 216 12 01 | 95 x 45 x 25 | |  |
| IP68 CONNECTOR 3P 216 12 02 | Ø 23 x 68 | |  |
| PIN 4 229 01 04 | 55 x 126 x 405 | |  |

ELBO BRIDGE P



CRI > 80

ELBO BRIDGE P

3000
K

LED 4,1W / 420lm / 350mA

200mm **223 122 83** ◇
◇ = A / B

600mm **223 126 83** ◇
◇ = A / B

INCL.SYMMETRIC LENS
100-240V / 50-60Hz

 IP55

OPTIONS

- CBOX
- IP68 CONNECTION KIT
- IP68 CONNECTOR 3P
- PIN 4





POLE SANO

BY DEAN SKIRA

Polesano comes in 4 optics, enabling precise illumination and staging of buildings, decorative elements, paths and streetways.

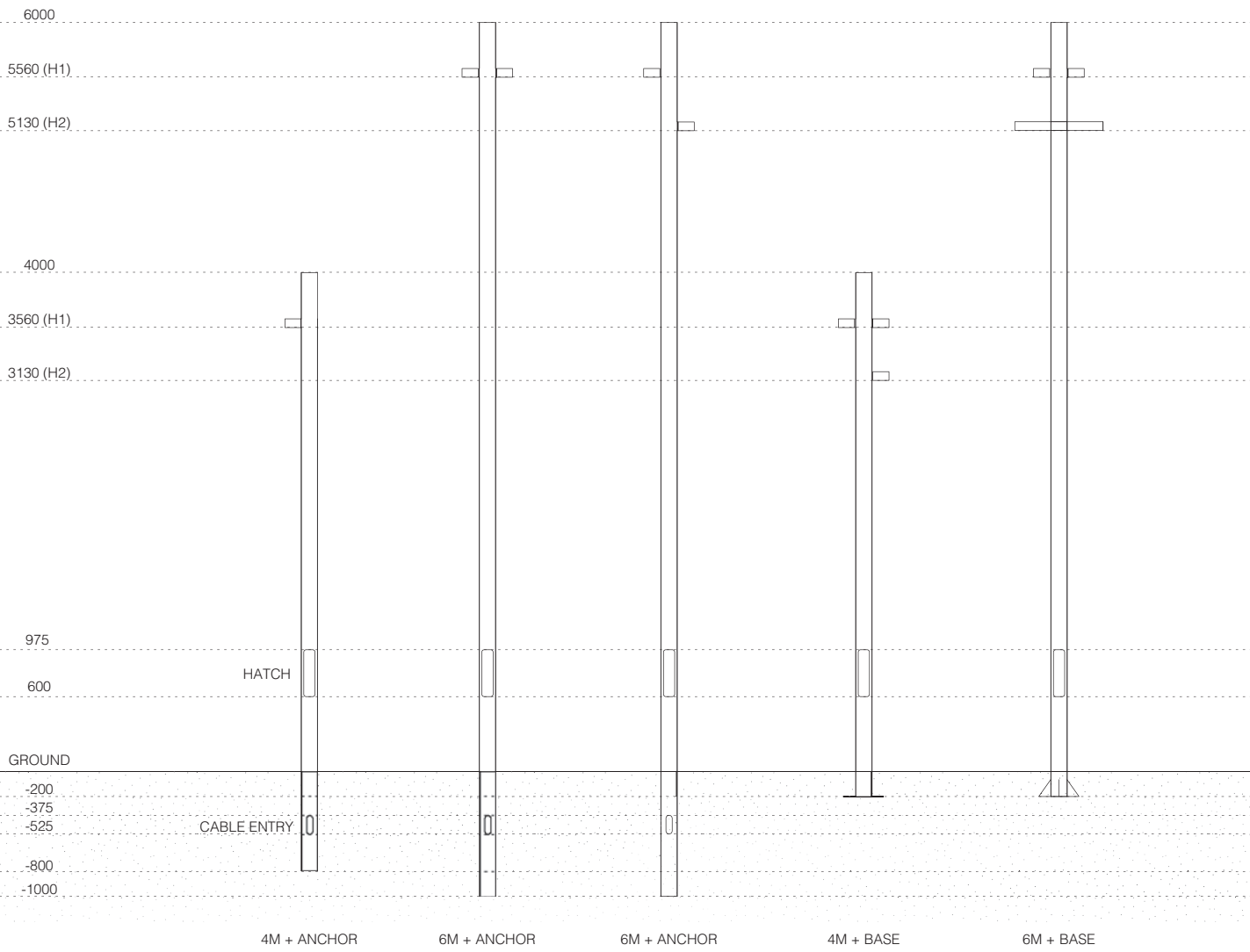
Can be combined with Delta Light®'s unique CTRL DELTA, a user-friendly solution for easy wireless control via mobile devices.

CTRL
DELTA

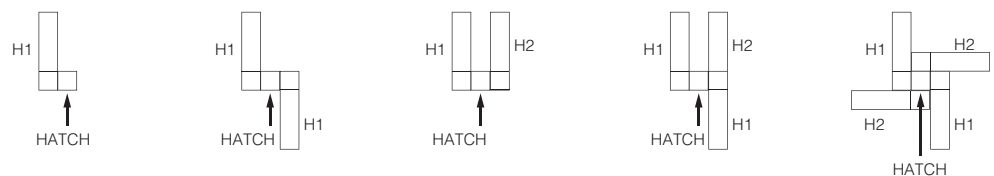
CONFIGURATE TO YOUR NEEDS

You can shape your Polesano according to the specific needs of your project. The pole comes in 2 standard heights, either 4 or 6 meters high. Both heights can be combined with one, two, three or four luminaires. The luminaires can be any mix of the spot, flood, medium or street optics, or a set of the same optics - depending on the specific illumination requirements of its landscape. Besides the height of the pole and the selection of luminaire optics, you can also opt for either anchored installation or with a base.

PRECISE OPTICS



HEAD COMBINATIONS (TOPVIEW) :
(POSSIBLE WITH 4 TYPES OF POLE)



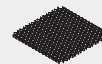


HONEYCOMB S105 ◇
431 03 01 ◇
 ◇ = B

105 x 105



LINEAR SPREAD LENS S105 105 x 105
431 03 02

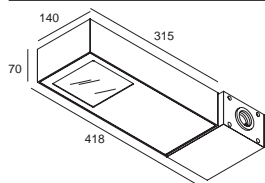


Graduated scale with 5° steps on both horizontal and vertical axis for better alignment of luminaires.





POLESANO



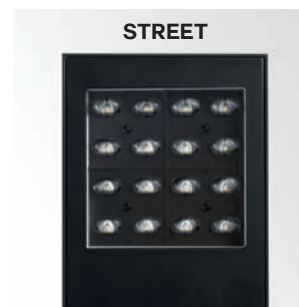
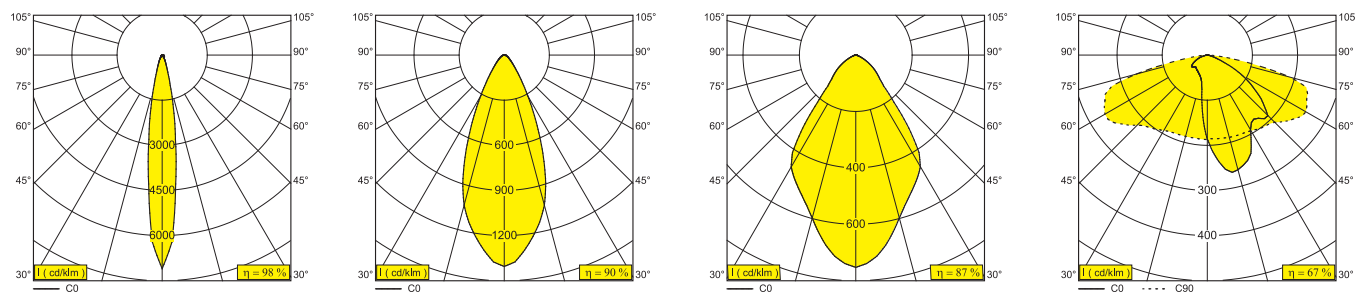
| TYPE | | LUMEN PACKAGE | | CRI | | COLOUR TEMPERATURE | | LIGHT DISTRIBUTION | | FINISH | |
|------|------|---------------|----|--------------|-----|-----------------------|---|--------------------|---|--------------|-----|
| 43 | TYPE | lm | lm | CRI | CRI | K | K | ° | ° | ◇ | |
| 43 | 1 | ADJUSTABLE | 1 | 5214lm / 50W | 7 | CRI > 70 (ON REQUEST) | 3 | 3000K | 1 | SPOT 15° | N-B |
| | | | | | 8 | CRI > 80 | 4 | 4000K | 2 | MEDIUM 43° | A-B |
| | | | | | | | | | 3 | FLOOD 70° | |
| | | | | | | | | | 4 | STREET LIGHT | |

120-277V / 50-60Hz

CE 4,6 IP66

DESIGN BY DELTA LIGHT® & DEAN SKIRA

PHOTOMETRICS





FULL INFO TECHNICAL CHAPTER

OPTIONS

INSTALLATION

FUSE BOX 280 x 71 x 80

431 99 01



IP54 JUNCTION BOX 108 x 65 x 28

431 99 02



IP68 CONNECTOR 3P Ø 23 x 68

216 12 02



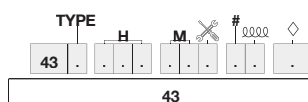
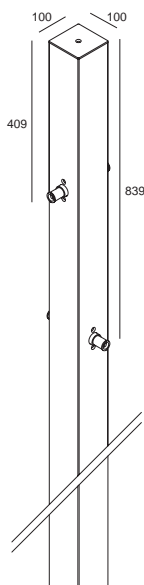
PLATE 11 270 x 270 x 647

229 02 11





POLESANO POLE



| TYPE | HEIGHT | MOUNTING TYPE | SERVICE | # LUMINAIRE | WIRING | FINISH |
|------|--------|---------------|---------|---------------------|--------|--------------------------|
| 43 | H | M | # | ◇ | | |
| 43 | 1 | POLE | 1 | 1 HATCH | 0 | NO WIRING* |
| | 400 | 4000mm | 11 | ANCHORAGE 800mm | 1 | 1 LUMINAIRE |
| | | | 22 | BASE PLATE RECESSED | 1 | INCL. WIRING |
| | 600 | 6000mm | 12 | ANCHORAGE 1000mm | 21 | 2 LUMINAIRES 1 LEVEL |
| | | | 32 | BASE PLATE RECESSED | 22 | 2 LUMINAIRES 2 LEVELS |
| | | | | | 3 | 3 LUMINAIRES |
| | | | | | 4 | 4 LUMINAIRES |

120-277V / 50-60Hz
INCL. 1 x CABLE H05 RN-F 2 x 1mm² / LUMINAIRE

CE 4,4 /m IP54

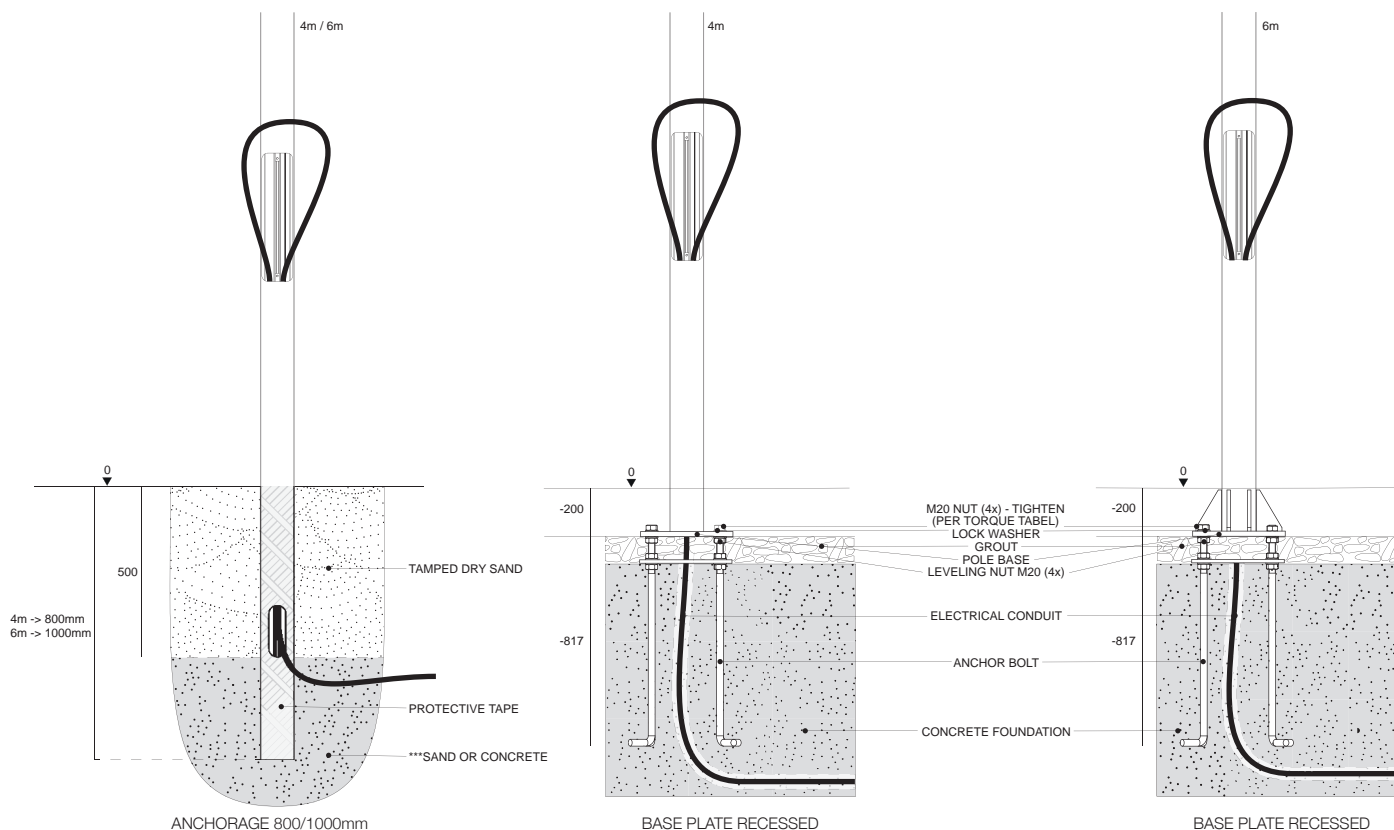
OPTIONS

- FUSE BOX
- IP54 JUNCTION BOX
- IP68 CONNECTION KIT
- PLATE 11 (ONLY FOR VERSION WITH BASE PLATE)

ALL ELECTRICAL CONNECTION NEED TO COMPLY WITH IP53 REGULATIONS

* ON REQUEST

DESIGN BY DELTA LIGHT® & DEAN SKIRA





TECHNICAL

INFO



Lighting is still a fast-changing business due to the evolution in led. On the following pages we inform you on some typical characteristics of led and show you the possibilities on how to connect, switch and dim power supplies in a correct way. Further in this chapter you can find specific technical information on options, requirements and accessories:

OPTIONS

Depending on the material in which the luminaire will be installed, options can be used for the installation of a luminaire but are not necessary.

REQUIREMENTS

Needed for a proper installation of the luminaire.

ACCESSORIES

To modify the beam of the luminaire.

CTRL DELTA WIRELESS CONTROL

Delta Light® introduces **CTRL DELTA**, enabling you to control and manage a selection of LED luminaires via mobile devices (Apple or Android). In essence, all dimmable luminaires can be wireless controlled, as long as the required components are either integrated or installed externally. Throughout Lighting Bible 12®, the symbols below show if wireless control is possible with the luminaire in question.

CTRL DELTA INSIDE
Wireless control is standard and the luminaire has the required component integrated.

CTRL DELTA READY
Luminaire can be wireless controlled, but requires an external component. In order to ensure the best interaction, this component needs to be installed nearby the luminaire. Installation options need to be checked according to the nature of the luminaire and the installation possibilities.

CTRL DELTA CUSTOM
Wireless control for this particular luminaire is on demand and needs to be checked by Delta Light®.

Easy to install. You don't need any new wiring, switches, devices or networks. Plug in the lighting fixture and pair it with your smartphone or tablet. No other configurations needed.

Easy to use. You can control your lights with an intuitive and visual user interface on your smartphone or tablet.

Easy to enjoy. With a tap on your smartphone you can set the ambience. With the Casambi App you can control your luminaires individual or in groups.

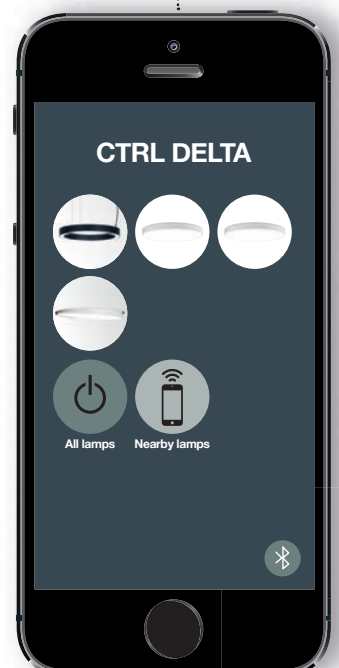
How to in 5 easy steps

1. Order your desired CTRL DELTA unit (not standard included with luminaire)
2. Install the CTRL DELTA unit
3. Download the Casambi App in the App or Play Store.
4. Find your CTRL DELTA unit in the Casambi app, using Bluetooth.
5. Take a picture of your room and place the light controls upon the related pictures. Now you can visually manage your luminaires directly through the picture.

For more information and technical info please go to www.deltalight.com/CTRLDELTA



| CTRL DELTA IDENTITY KIT | |
|----------------------------|---|
| RF TECHNOLOGY | |
| GATEWAY | NO |
| MOBILE PLATFORM | |
| APPLE HOME | COMPATIBLE PENDING |
| WALL SWITCH | WIRELESS SWITCH PUSH BUTTON INTERFACE |
| NODES PER NETWORK | 128 (IN & OUT) |
| IBEAON PROXIMITY | YES |
| AVAILABLE HARDWARE | 1-10V DALI EE DIMMING 4 CHANNEL FLEX INTERFACE |



CTRL DELTA TRANSMITTER



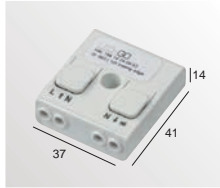
WIRELESS SWITCH
300 90 312 ◊
 ◊ = B / W
 BATTERY POWERED / 5 YEAR LIFETIME
 4 FUNCTIONS

CE 0,1 IP20



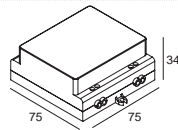
WIRELESS PUSH BUTTON INTERFACE
300 90 009
 BATTERY POWERED / 5 YEAR LIFETIME
 4 FUNCTIONS BY EXTERNAL PUSH BUTTON
 TYPE OF FUNCTION SET BY CTRL DELTA

CE 0,1 IP20



WIRELESS CONTROL DIM8
300 90 004 ED8
 220-240V / 0,6A

CE 0,1 IP20



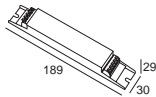
WIRELESS CONTROL 5A DIM1
300 90 016 ED1
 100-240V / 5A

CE 0,1 IP20



WIRELESS CONTROL DIM5
300 90 004 ED5
 220-240V / 0,6A

CE 0,1 IP20



DALI REPEATER
300 90 137
 MAX. 64 DALI DEVICES
 MAX. DISTANCE 300m

CE 0,1 IP20



WIRELESS CONTROL 4 CHANNEL WHITE
300 90 005
 12/24V-DC / 4 x 4A

CE 0,1 IP20

WIRELESS CONTROL 2 CHANNEL TUNABLE WHITE
300 90 006
 12/24V-DC / 2 x 4A

CE 0,1 IP20

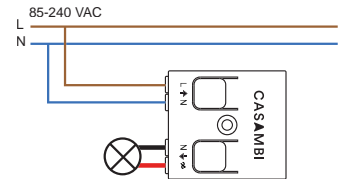
WIRELESS CONTROL RGB
300 90 007
 12/24V-DC / 3 x 4A

CE 0,1 IP20

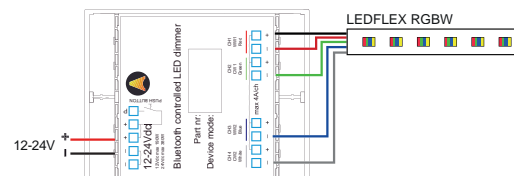
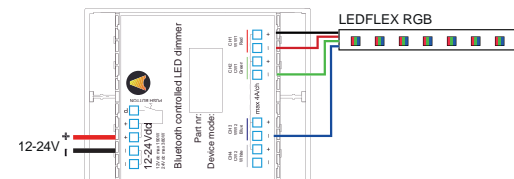
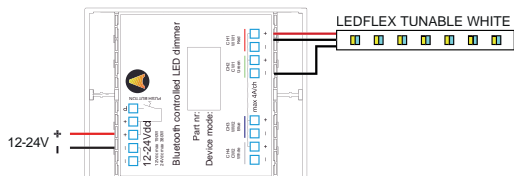
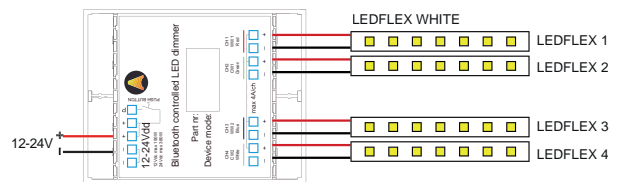
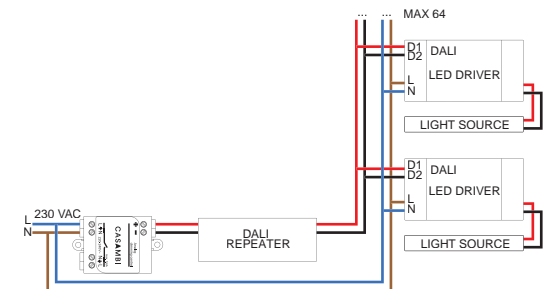
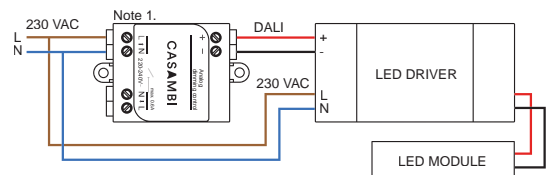
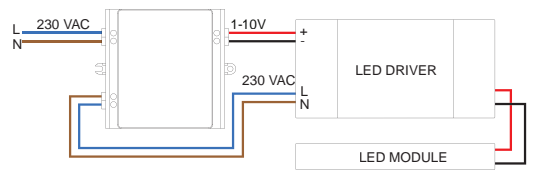
WIRELESS CONTROL RGBW
300 90 008
 12/24V-DC / 4 x 4A

CE 0,1 IP20

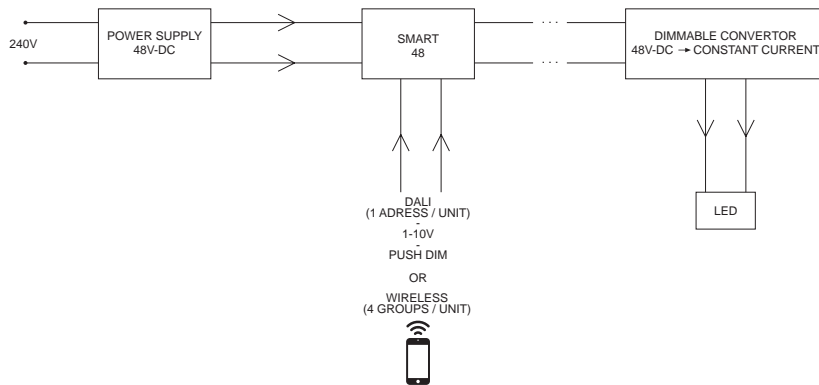
CTRL DELTA RECEIVER



MAINS VOLTAGE E27/GU10 max.150W
 LOW VOLTAGE + ELECTRONIC TRANSFO max.50W
 LED POWER SUPPLY + LED max.50W



SMART 48

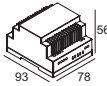

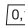


New in Lighting Bible 12 is the possibility to dim 48V luminaires or profiles, thanks to Smart 48. It collects the power from the 48V power supply and combines it with a DALI, 1-10V or Touch Dim input and sends it to the 48V converter in the luminaire. With the Dimmable Modulator 48V-DC DIM9, dimming can be done by only using 2 wires for both power and dimming. Or dimming can be done wireless, by choosing for the Wireless Dimmable Modulator 48V-DC.

PATENT PENDING

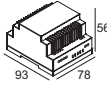

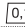


DIMMABLE MODULATOR 48V-DC DIM9

| | |
|----------------------------------|--|
| Type |  |
| DIMMABLE MODULATOR 48V-DC | 48V-DC / DIM9 |
| | 300 90 011 |
| |   IP20 |
| Dimensions (L x W x H) | 93 x 78 x 56 |
| Input | 48V-DC |
| Output | MODULATED 48V-DC + DIM (MAX.200W) |
| DIM | DIM9 (1-10V* / DALI / TOUCH DIM) *1-10V = 1-100% LIGHT / 0V = OFF |

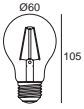


WIRELESS DIMMABLE MODULATOR 48V-DC

| | |
|---|--|
| Type |  |
| WIRELESS DIMMABLE MODULATOR 48V-DC | 48V-DC / WIRELESS DIMMING |
| | 300 90 012 |
| |   IP20 |
| Dimensions (L x W x H) | 93 x 78 x 56 |
| Input | 48V-DC |
| Output | MODULATED 48V-DC + DIM (MAX.200W) |
| DIM | WIRELESS DIMMING |

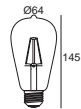
LAMPS

LED SOLUTION - LED FILAMENT



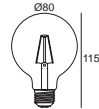
LED FILAMENT 60 E27 6W 2700K
309 109 00 25
 INCL. FILAMENT LED / 2700K ● / CRI>80
 TOTAL POWER 6W / 670lm
 EQUIVALENT OF 53W INCANDESCENT
 NON DIMMABLE
 E27Ls / 220-240V / 50-60Hz

CE [0,1] IP20



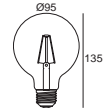
LED FILAMENT T64 E27 8W 2700K
309 109 01 27
 INCL. FILAMENT LED / 2700K ● / CRI>80
 TOTAL POWER 8W / 870lm
 EQUIVALENT OF 60W INCANDESCENT
 NON DIMMABLE
 E27Ls / 220-240V / 50-60Hz

CE [0,1] IP20



LED FILAMENT GL80 E27 8W 2700K
309 109 02 27
 INCL. FILAMENT LED / 2700K ● / CRI>80
 TOTAL POWER 8W / 870lm
 EQUIVALENT OF 60W INCANDESCENT
 NON DIMMABLE
 E27Ls / 220-240V / 50-60Hz

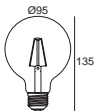
CE [0,1] IP20



LED FILAMENT GL95 E27 8W 2700K
309 109 03 27
 INCL. FILAMENT LED / 2700K ● / CRI>80
 TOTAL POWER 8W / 950lm
 EQUIVALENT OF 60W INCANDESCENT
 NON DIMMABLE
 E27Ls / 220-240V / 50-60Hz

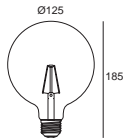
CE [0,1] IP20

LED SOLUTION - LED FILAMENT



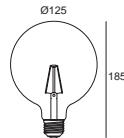
LED FILAMENT GL95 E27 8W 2700K - GOLD
309 109 04 27
 INCL. FILAMENT LED / 2700K ● / CRI>80
 TOTAL POWER 8W / 800lm
 EQUIVALENT OF 60W INCANDESCENT
 NON DIMMABLE
 E27Ls / 120-240V / 50-60Hz

CE [0,1] IP20



LED FILAMENT GL125 E27 8W 2700K
309 109 06 27
 INCL. FILAMENT LED / 2700K ● / CRI>80
 TOTAL POWER 8W / 800lm
 EQUIVALENT OF 60W INCANDESCENT
 NON DIMMABLE
 E27Ls / 120-240V / 50-60Hz

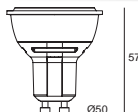
CE [0,1] IP20



LED FILAMENT GL125 E27 8W 2700K - GOLD
309 109 05 27
 INCL. FILAMENT LED / 2700K ● / CRI>80
 TOTAL POWER 8W / 800lm
 EQUIVALENT OF 60W INCANDESCENT
 NON DIMMABLE
 E27Ls / 120-240V / 50-60Hz

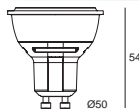
CE [0,1] IP20

LED SOLUTION - HALOLED



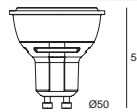
HALOLED Hi - 40° (5,4W) WW
309 107 38 32
 INCL. 1 x LED / 2700K ●
 INCL. 1 x LENS 40°
 TOTAL POWER 5,4W / 402lm
 MAINS DIMMING (FE)
 GU10 / 220-240V / 50-60Hz

CE [0,1] IP20



HALOLED Hi - 36° (5,5W) WW
309 107 38 23
 INCL. 1 x LED / 3000K ● / CRI97
 INCL. 1 x LENS 36°
 TOTAL POWER 5,5W / 375lm
 MAINS DIMMING (FE)
 GU10 / 220-240V / 50-60Hz

CE [0,1] IP20



HALOLED Hi - 36° (7,5W) WW
309 107 38 13
 INCL. 1 x LED / 3000K ● / CRI95
 INCL. 1 x LENS 36°
 TOTAL POWER 7,5W / 435lm
 MAINS DIMMING (FE)
 GU10 / 220-240V / 50-60Hz

CE [0,1] IP20

LED

CRI>90

LEDFLEX 5M



LEDFLEX IN 940 5m
300 92 52 94
70 x SMD LED/m - 4000K

LEDFLEX IN 930 5m
300 92 52 93
70 x SMD LED/m - 3000K

LEDFLEX IN 927 5m
300 92 52 92
70 x SMD LED/m - 2700K

L : 5m / DIVIDABLE PER 100mm
5,1W/m* - 650lm/m
24V-DC
INCL.20 MOUNTING BRACKETS
EXCL.LED POWER SUPPLY 24V-DC

CE [0.2] IP20

OPTIONS

LEDFLEX IN CONNECTION SET
LEDFLEX IN SUPPLY CABLE SET
LEDFLEX IN CONNECTION CLIP SET



LEDFLEX OUT 940 5m
300 92 62 94
70 x SMD LED/m - 4000K

LEDFLEX OUT 930 5m
300 92 62 93
70 x SMD LED/m - 3000K

LEDFLEX OUT 927 5m
300 92 62 92
70 x SMD LED/m - 2700K

L : 5m / DIVIDABLE PER 100mm
5,1W/m* - 650lm/m
24V-DC
INCL.20 MOUNTING BRACKETS
INCL.8 ENDCAPS
EXCL.LED POWER SUPPLY 24V-DC

CE [0.3] IP65

LEDFLEX FP 5M



LEDFLEX IN FP 940 5m
300 92 53 94
70 x SMD LED/m - 4000K

LEDFLEX IN FP 930 5m
300 92 53 93
70 x SMD LED/m - 3000K

LEDFLEX IN FP 927 5m
300 92 53 92
70 x SMD LED/m - 2700K

L : 5m / DIVIDABLE PER 100mm
15,1W/m* - 1400lm/m
24V-DC
INCL.20 MOUNTING BRACKETS
EXCL.LED POWER SUPPLY 24V-DC

CE [0.2] IP20

OPTIONS

LEDFLEX IN CONNECTION SET
LEDFLEX IN SUPPLY CABLE SET
LEDFLEX IN CONNECTION CLIP SET



LEDFLEX OUT FP 940 5m
300 92 63 94
70 x SMD LED/m - 4000K

LEDFLEX OUT FP 930 5m
300 92 63 93
70 x SMD LED/m - 3000K

LEDFLEX OUT FP 927 5m
300 92 63 92
70 x SMD LED/m - 2700K

L : 5m / DIVIDABLE PER 100mm
15,1W/m* - 1400lm/m
24V-DC
INCL.20 MOUNTING BRACKETS
INCL.8 ENDCAPS
EXCL.LED POWER SUPPLY 24V-DC

CE [0.3] IP65

LEDFLEX HP 5M



LEDFLEX IN HP 940 5m
300 92 54 94
140 x SMD LED/m - 4000K

LEDFLEX IN HP 930 5m
300 92 54 93
140 x SMD LED/m - 3000K

LEDFLEX IN HP 927 5m
300 92 54 92
140 x SMD LED/m - 2700K

L : 5m / DIVIDABLE PER 50mm
21,6W/m* - 2100lm/m
24V-DC
INCL.20 MOUNTING BRACKETS
EXCL.LED POWER SUPPLY 24V-DC

CE [0.2] IP20

LEDFLEX TW 5M



LEDFLEX IN TW 2740 5m
300 92 55 2740
180 x DUAL DICE IN ONE SMD LED/m
L : 5m / DIVIDABLE PER 33,3mm
2700K - 4000K / 14,4W/m* / 1350lm/m
COMMON PLUS
24V-DC
INCL.20 MOUNTING BRACKETS
EXCL.LED POWER SUPPLY 24V-DC

CE [0.2] IP20

* +/- 5%

LEDFLEX RGB 5M



LEDFLEX IN RGB 5m
300 92 52 33
 30 x SMD LED/m - RGB
 L : 5m / DIVIDABLE PER 167mm
 8W/m*
 24V-DC
 INCL.20 MOUNTING BRACKETS
 EXCL.LED POWER SUPPLY 24V-DC

CE 0,2 IP20

OPTIONS

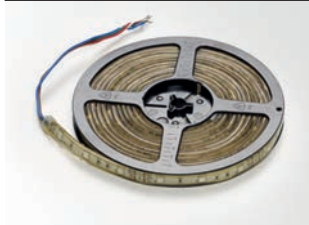
LEDFLEX IN RGB CONNECTION SET
 LEDFLEX IN RGB SUPPLY CABLE SET
 LEDFLEX IN RGB CONNECTION CLIP SET



LEDFLEX OUT RGB 5m
300 92 62 33
 30 x SMD LED/m - RGB
 L : 5m / DIVIDABLE PER 167mm
 8W/m*
 24V-DC
 INCL.20 MOUNTING BRACKETS
 INCL.8 ENDCAPS
 EXCL.LED POWER SUPPLY 24V-DC

CE 0,3 IP65

LEDFLEX RGBW 5M



LEDFLEX IN RGBW 5m
300 92 523 83
 60 x SMD LED/m - RGB - 3000K
 L : 5m / DIVIDABLE PER 100mm
 16,8W/m*
 24V-DC
 INCL.20 MOUNTING BRACKETS
 EXCL.LED POWER SUPPLY 24V-DC

CE 0,2 IP20

OPTIONS LEDFLEX

LEDFLEX IN / FP



LEDFLEX IN SUPPLY CABLE SET
300 92 93 07
 2 x 0.35mm² / 150mm
 SET OF 10 pcs

CE 0,1



LEDFLEX IN CONNECTION SET
300 92 93 08
 2 x 0.35mm² / 150mm
 SET OF 10 pcs

CE 0,1



LEDFLEX IN CONNECTION CLIP SET
300 92 93 09
 SET OF 10 pcs

CE 0,1

LEDFLEX IN RGB



LEDFLEX IN RGB SUPPLY CABLE SET
300 92 93 04
 4 x 0.35mm² / 150mm
 SET OF 10 pcs

CE 0,1



LEDFLEX IN RGB CONNECTION SET
300 92 93 05
 4 x 0.35mm² / 150mm
 SET OF 10 pcs

CE 0,1



LEDFLEX IN RGB CONNECTION CLIP SET
300 92 93 06
 SET OF 10 pcs

CE 0,1

LED

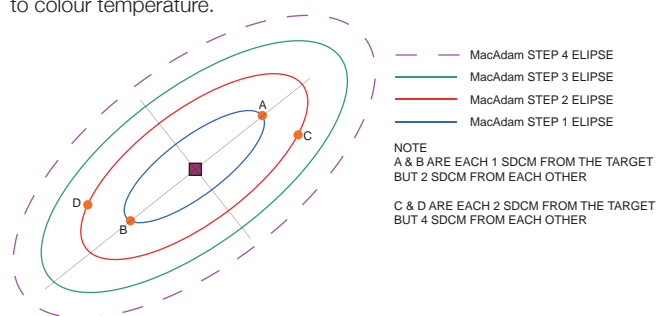
At Delta Light®, we follow the evolution in LED at close range. What appears to be similar quality at first sight, can be totally different when looking at some of the underlying characteristics. These characteristics, like binning, risk factor, thermal management, degradation in luminous flux are part of the DNA of the Light Emitting Diode. These aspects determine the lifespan and the quality of the LED. For this matter, Delta Light® assures it only selects qualitative LEDs from qualitative manufacturers. High quality design cannot be made without high quality components.

COLOUR BINNING TYPICAL VALUES ON PAG TEC 14-15

No 2 LEDs are the same. When LEDs are produced, they vary in light output and in colour temperature, even when they are produced in the same batch. These differences may be small, but they do influence the quality of the LED. That is why manufacturers sort the LEDs, according to these performances, in different 'bins'. By reducing the number of bins to choose from, quality increases as performances are closer to each other.

MACADAM STEP TYPICAL VALUES ON PAG TEC 14-15

The differences in colour temperature between LEDs can be measured by looking at the MacAdam ellipses in Standard Deviation of Colour Matching (SDCM), according to the CIE 1931 Standard. This system looks at the ability of the human eye to perceive colour differences and ranks it on a scale from 0 to 10. Within 1 MacAdam ellipse a colour difference is not noticeable to the human eye under any condition. From 1 to 3 ellipses it is very difficult for the human eye to notice any difference in colour, meaning that up to 3 MacAdam ellipses all LEDs are very homogeneous when it comes to colour temperature.



RISK FACTOR TYPICAL VALUES ON PAG TEC 14-15

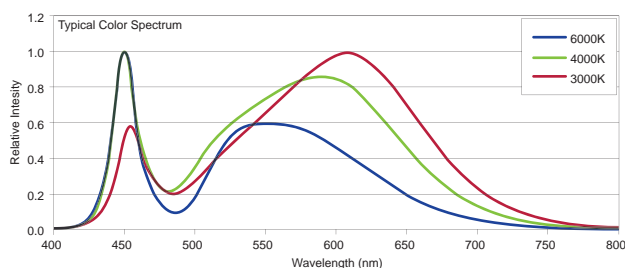
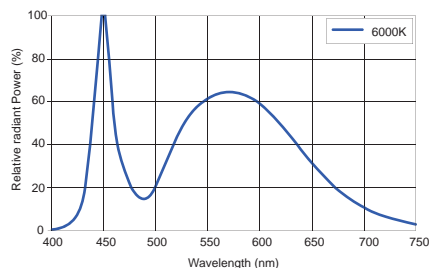
The European standard for photo biological safety EN 62471 describes a measuring method to determine whether a lamp or luminaire carries a risk of eye and skin damage. LED light contains almost no light from the ultraviolet or infrared spectrum, and therefore is not dangerous to the skin. It does however provide a high peak in the blue spectrum which, when looking into a bright light source (for a long period of time), may result in irreversible damage to the retina, the so-called the Blue Light Hazard.

Whether the risk is real, depends on several factors: luminance of the LED, colour temperature, but also light distribution and distance to the luminaire play an important role. When a LED is placed in a luminaire, it is located behind a lens, reflector or diffuser, thus levelling off the luminance.

To allow users to estimate the risk, the standard EN 62471 determines that lamps and luminaries must be divided into four risk groups:

- Risk group 0 ("exempt" group): this means that there is no danger, even with unlimited viewing of the light source.
- Risk group 1: The risk is limited, no more than 10.000 seconds of viewing is allowed (just under 3 hours).
- Risk group 2: up to 100 seconds of viewing is allowed.
- Risk group 3: up to 0.25 seconds of viewing is allowed. This is shorter than the natural aversion reflex of the eye.

For light sources of risk group 3, protective measures are always needed. For the other groups, it depends on the application. If the light sources belong in group 2 or 3, then this must be indicated.

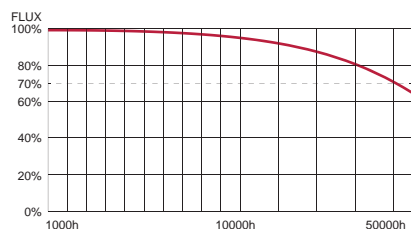


LED LIFESPAN LM-80 – TM-21 TYPICAL VALUES ON PAG TEC 14-15

Conventional light sources mostly burn out before a serious loss of light output is noticeable. As the lifetime of LEDs exceeds the lifetime of conventional light sources, light output degrades over time before burning out. This degradation in luminous flux can be measured according to the L value and the operating period of time:

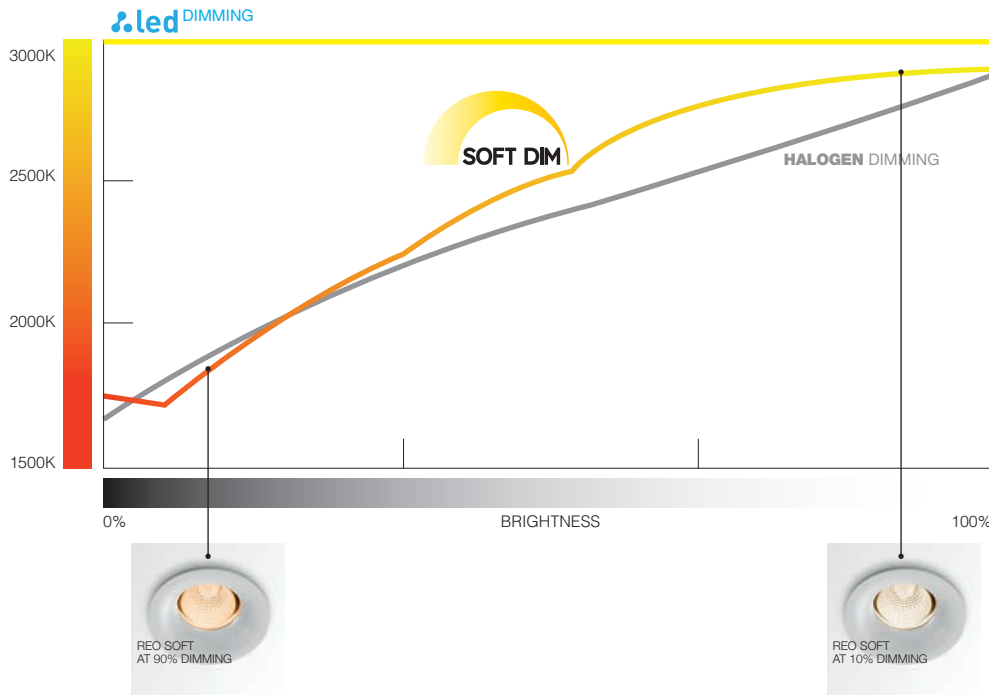
- L value shows the percentage of luminous flux regarding the initial luminous flux over a period of time.
- The operating period of time, expressed in hours.

Example: L_{70} 60.000h means that after 60.000 hours the luminous flux will be at least 70% of the original luminous flux.



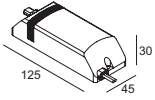

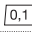

SOFT DIM

DIMMING CURVE

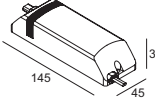

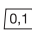



2700-1800K
CRI > 80 / 850lm (10W)
REFLECTOR 40°

LED POWER SUPPLY 650MA DIM8

| | |
|---|--|
| Type |  |
| LED POWER SUPPLY 650mA DIM8 | |
| | 300 90 915 ED8 |
| |   IP20 |
| Dimensions (L x W x H) | 125 x 45 x 35 |
| Input | 220-240V / 50-60Hz |
| Output | 650mA / 10W / 12-16V-DC |
|  | |
| DIM | Falling Edge Dimming |

LED POWER SUPPLY 650MA DIM5

| | |
|---|--|
| Type |  |
| LED POWER SUPPLY 650mA DIM5 | |
| | 300 90 915 ED5 |
| |   IP20 |
| Dimensions (L x W x H) | 145 x 45 x 35 |
| Input | 220-240V / 50-60Hz |
| Output | 650mA / 10W / 12-16V-DC |
|  | |
| DIM | DALI Dimming |

LED SPECIFICATIONS

CRI 80

| CRI | LED | POWER | 2700K ● | 3000K ● | 4000K ● | TYPICAL VALUES | | LIFETIME ¹ | | RISK GROUP ¹ | SDCM ¹ | EMERGENCY ² | |
|----------|-----|-------|---------------------|---------------------|---------------------|------------------|-------------|-----------------------|------------------------------------|-------------------------|-------------------------|------------------------|-------|
| | | | LUMINOUS FLUX @ 70° | LUMINOUS FLUX @ 70° | LUMINOUS FLUX @ 70° | FORW. CUR. | FORW. VOLT. | LXX | HOURS | | | BLF % | |
| CRI > 80 | | | | | | | | | | | | | |
| | | [A] | 1,1W | 115lm - 117lm/W | 120lm - 122lm/W | 130lm - 133lm/W | 350mA | 3,1V* | L ₉₀ | >36000h | - | 3 | - |
| | | | 1,6W | 160lm - 113lm/W | 168lm - 117lm/W | 181lm - 127lm/W | 500mA | 3,2V* | | | | | - |
| | | | 2,3W | 214lm - 105lm/W | 223lm - 110lm/W | 242lm - 119lm/W | 700mA | 3,3V* | | | | | - |
| | | [B] | 3,3W | 294lm - 90lm/W | 307lm - 94lm/W | ON REQUEST | 1050mA | 3,1V* | L ₉₀ | >60500h | - | 3 | - |
| | | [C] | 4,1W | 425lm - 103lm/W | 425lm - 103lm/W | ON REQUEST | 350mA | 11,6V* | L ₉₀ | >45500h | - | 2 | 100 % |
| | | | 6W | 558lm - 94lm/W | 558lm - 94lm/W | ON REQUEST | 500mA | 11,9V* | | | | | 72 % |
| | | [D] | 6,4W | 647lm - 101lm/W | 647lm - 101lm/W | ON REQUEST | 350mA | 18,3V* | L ₉₀ L ₈₀ | >30000h >60500h | RG1 | 2 | 100 % |
| | | | 9,5W | 842lm - 89lm/W | 842lm - 89lm/W | ON REQUEST | 500mA | 19,1V* | | | | | 71 % |
| | | [E] | 4,1W | 420lm - 106lm/W | 420lm - 106lm/W | ON REQUEST | 350mA | 11,8V* | L ₉₀ L ₈₀ | >37300h >51400h | RG2 TRESHOLD 0,6m | 2 | 100 % |
| | | | 6W | 570lm - 98lm/W | 570lm - 98lm/W | ON REQUEST | 500mA | 12,1V* | | | | | 75 % |
| | | | 8,7W | 723lm - 87lm/W | 723lm - 87lm/W | ON REQUEST | 700mA | 12,4V* | | | | | 54 % |
| | | [F] | - | - | - | - | - | - | - | - | - | - | - |
| | | [G] | - | - | - | - | - | - | - | - | - | - | - |
| | | [H] | 6W | 774lm - 136lm/W | 803lm - 142lm/W | 838lm - 148lm/W | 300mA | 20V* | L ₇₀ | >50000h | RG1 | 2 | 100 % |
| | | | 7,1W | 895lm - 134lm/W | 928lm - 139lm/W | 969lm - 145lm/W | 350mA | 20,2V* | | | | | 97 % |
| | | | 10,4W | 1243lm - 127lm/W | 1290lm - 132lm/W | 1347lm - 137lm/W | 500mA | 20,7V* | | | | | 68 % |
| 15W | | | 1673lm - 118lm/W | 1735lm - 122lm/W | 1811lm - 127lm/W | 700mA | 21,4V* | 48 % | | | | | |
| | [I] | - | - | - | - | - | - | - | - | - | - | - | |
| | [J] | 16,8W | 2308lm - 141lm/W | 2404lm - 147lm/W | 2500lm - 153lm/W | 500mA | 33,7V* | L ₇₀ | >50000h | RG1 | 2 | 36 % | |
| | | 20,5W | 2753lm - 138lm/W | 2868lm - 144lm/W | 2983lm - 150lm/W | 600mA | 34,2V* | | | | | 30 % | |
| | | 24,3W | 3183lm - 135lm/W | 3316lm - 141lm/W | 3448lm - 146lm/W | 700mA | 34,7V* | | | | | 25 % | |
| | | 30W | 3788lm - 130lm/W | 3946lm - 136lm/W | 4103lm - 141lm/W | 850mA | 35,3V* | | | | | 20 % | |
| | | 37,9W | 4603lm - 125lm/W | 4796lm - 130lm/W | 4986lm - 136lm/W | 1050mA | 36,1V* | | | | | 16 % | |
| | | 43,9W | 5188lm - 122lm/W | 5405lm - 127lm/W | 5620lm - 132lm/W | 1200mA | 36,6V* | | | | | 14 % | |
| | [K] | - | - | - | - | - | - | - | - | - | - | - | |
| | [L] | - | - | - | - | - | - | - | - | - | - | - | |

* +/- 8%

¹ INFO PAG TEC 12

² INFO PAG TEC 23

All the technical parameters for LED-apply to the entire module.
 In view of the complex manufacturing process for light emitting diodes (LED),
 the typical values given in this **Lighting Bible® 12** are merely statistical values that do not necessarily correspond to the actual technical parameters of an individual product; individual products may vary from the typical values. For most accurate info, please consult: www.deltalight.com/ledspecs.pdf

All lumen values in this catalogue are related to the Led units.
 For more info on the lumen values of the products please visit our website www.deltalight.com

CRI 90 / 95

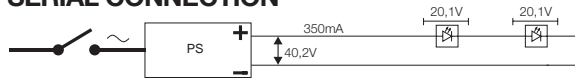
| CRI | LED | POWER | 2700K ● | 3000K ● | 4000K ● | TYPICAL VALUES | | LIFETIME ¹ | | RISK GROUP ¹ | SDCM ¹ | EMERGENCY ² | |
|--------------------|-----|-------|---------------------|---------------------|---------------------|----------------|-------------|-----------------------|------------------------------------|-------------------------|-------------------------|------------------------|-------|
| | | | LUMINOUS FLUX @ 70° | LUMINOUS FLUX @ 70° | LUMINOUS FLUX @ 70° | FORW. CUR. | FORW. VOLT. | L _{xx} | HOURS | | | BLF % | |
| CRI > 90 | | | | | | | | | | | | | |
| | | [A] | 1,1W | NOT AVAILABLE | | | | | | | | | |
| | | | 1,6W | NOT AVAILABLE | | | | | | | | | |
| | | | 2,3W | NOT AVAILABLE | | | | | | | | | |
| | | [B] | 3,3W | ON REQUEST | ON REQUEST | NOT AVAILABLE | 1050mA | 3,1V* | | | - | 3 | - |
| | | [C] | 4,1W | NOT AVAILABLE | NOT AVAILABLE | NOT AVAILABLE | 350mA | 11,6V* | L ₉₀ | >45500h | - | 2 | 100 % |
| | | | 6W | NOT AVAILABLE | NOT AVAILABLE | NOT AVAILABLE | 500mA | 11,9V* | | | | | 72 % |
| | | [D] | 6,4W | 587lm - 92lm/W | 587lm - 92lm/W | NOT AVAILABLE | 350mA | 18,3V* | L ₉₀ L ₈₀ | >30000h >60500h | RG1 | 2 | 100 % |
| | | | 9,5W | 755lm - 79lm/W | 755lm - 79lm/W | NOT AVAILABLE | 500mA | 19,1V* | | | | | 71 % |
| | | [E] | - | | | | | | | | | | |
| | | [F] | 2W | 201lm - 79lm/W | 229lm - 85lm/W | NOT AVAILABLE | 700mA | 2,9V* | L ₈₀ | >36300h | RG2 TRESHOLD 0,8m | 3 | - |
| | | | 3,2W | 280lm - 72lm/W | 319lm - 77lm/W | NOT AVAILABLE | 1050mA | 3,0V* | | | | | - |
| | | | 4,3W | 274lm - 64lm/W | 279lm - 69lm/W | NOT AVAILABLE | 1400mA | 3,1V* | | | | | - |
| | [G] | 3W | 252lm - 84lm/W | 280lm - 93lm/W | NOT AVAILABLE | 350mA | 8,8V* | L ₇₀ | >50000h | RG1 | 2 | 100 % | |
| | | 7W | 453lm - 69lm/W | 502lm - 76lm/W | NOT AVAILABLE | 700mA | 9,4V* | | | | | 51 % | |
| | [H] | 6W | 643lm - 133lm/W | 670lm - 118lm/W | 717lm - 126lm/W | 300mA | 20,0V* | L ₇₀ | >50000h | RG1 | 2 | 100 % | |
| | | 7,1W | 743lm - 111lm/W | 774lm - 116lm/W | 829lm - 124lm/W | 350mA | 20,2V* | | | | | 97 % | |
| | | 10,4W | 1032lm - 105lm/W | 1075lm - 110lm/W | 1148lm - 117lm/W | 500mA | 20,7V* | | | | | 68 % | |
| | | 15W | 1388lm - 98lm/W | 1446lm - 102lm/W | 1544lm - 109lm/W | 700mA | 21,4V* | | | | | 48 % | |
| | [I] | 11,7W | 1414lm - 124lm/W | 1467lm - 129lm/W | NOT AVAILABLE | 350mA | 33,4V* | L ₇₀ | >50000h | RG1 | 2 | 97 % | |
| | [J] | 16,8W | 1923lm - 118lm/W | 1995lm - 122lm/W | 2139lm - 131lm/W | 500mA | 33,7V* | L ₇₀ | >50000h | RG1 | 2 | 36 % | |
| | | 20,5W | 2295lm - 115lm/W | 2380lm - 120lm/W | 2553lm - 128lm/W | 600mA | 34,2V* | | | | | 30 % | |
| | | 24,3W | 2653lm - 113lm/W | 2752lm - 117lm/W | 2951lm - 125lm/W | 700mA | 34,7V* | | | | | 25 % | |
| | | 30W | 3157lm - 108lm/W | 3275lm - 113lm/W | 3512lm - 121lm/W | 850mA | 35,3V* | | | | | 20 % | |
| | | 37,9W | 3837lm - 104lm/W | 3979lm - 108lm/W | 4267lm - 116lm/W | 1050mA | 36,1V* | | | | | 16 % | |
| | | 43,9W | 4324lm - 101lm/W | 4486lm - 105lm/W | 4810lm - 113lm/W | 1200mA | 36,6V* | | | | | 14 % | |
| | [K] | 23,9W | 2766lm - 119lm/W | 2870lm - 123lm/W | 3077lm - 132lm/W | 700mA | 34,2V* | L ₇₀ | >50000h | RG1 | 2 | 25 % | |
| | | 37,2W | 3992lm - 110lm/W | 4142lm - 114lm/W | 4441lm - 122lm/W | 1050mA | 35,4V* | | | | | 17 % | |
| | | 43,1W | 4510lm - 107lm/W | 4680lm - 111lm/W | 5018lm - 119lm/W | 1200mA | 35,9V* | | | | | 14 % | |
| | | 51,1W | 5155lm - 103lm/W | 5349lm - 107lm/W | 5735lm - 115lm/W | 1400mA | 36,5V* | | | | | 12 % | |
| | [L] | 11W | 965lm - 88lm/W | 965lm - 88lm/W | - | 500mA | 22V* | L ₉₀ | >36000h | RG1 | 2 | 58 % | |
| CRI > 95 | | | | | | | | | | | | | |
| | [M] | 10,9W | 700lm - 64lm/W | 700lm - 64lm/W | 700lm - 64lm/W | 500mA | 21V* | L ₉₀ | >36000h | RG1 | 2 | 62 % | |
| | | 13,4W | 832lm - 52lm/W | 832lm - 52lm/W | 832lm - 52lm/W | 600mA | 22,4V* | | | | | 48 % | |
| | [N] | 10,9W | 965lm - 89lm/W | 965lm - 89lm/W | 965lm - 89lm/W | 500mA | 21,7V* | L ₉₀ | >36000h | RG1 | 2 | 53 % | |
| | | 13,3W | 1130lm - 85lm/W | 1130lm - 85lm/W | 1130lm - 85lm/W | 600mA | 22,1V* | | | | | 43 % | |
| | [O] | 13,6W | 800lm - 59lm/W | 800lm - 59lm/W | 800lm - 59lm/W | 500mA | 27,1V* | L ₉₀ | >36000h | RG1 | 2 | 45 % | |
| | | 19,5W | 1110lm - 57lm/W | 1110lm - 57lm/W | 1110lm - 57lm/W | 700mA | 27,8V* | | | | | 30 % | |
| | [P] | 12W | 1055lm - 88lm/W | 1055lm - 88lm/W | 1055lm - 88lm/W | 500mA | 23,8V* | L ₉₀ | >36000h | RG1 | 2 | 52 % | |
| | | 14,4W | 1225lm - 85lm/W | 1225lm - 85lm/W | 1225lm - 85lm/W | 600mA | 24,1V* | | | | | 43 % | |
| | | 17W | 1400lm - 82lm/W | 1400lm - 82lm/W | 1400lm - 82lm/W | 700mA | 24,3V* | | | | | 36 % | |

DO'S & DON'TS

play.deltalight.com/connecteds

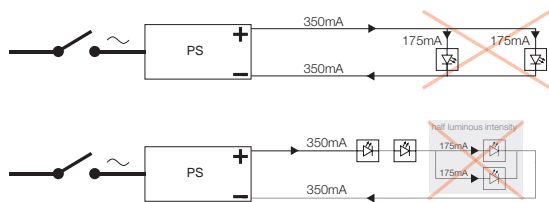
CONNECTION

CORRECT CONNECTION: SERIAL CONNECTION



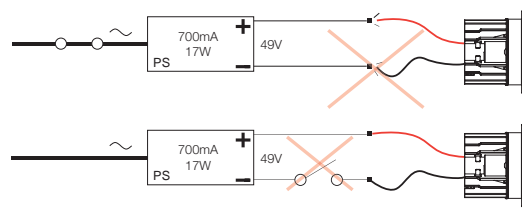
WRONG CONNECTION: PARALLEL CONNECTION

Depending on the number of fixtures the LED modules will function at half (2 LED's), one third (3 LED's) the luminous intensity. Moreover, due to different forward voltages the current will not split in equal part.



WRONG CONNECTION: TESTING OF LED MODULES ON SWITCHED ON POWER SUPPLY

Risk for an output voltage that exceeds the max for the LED.
A power supply that is switched on has max output on the secondary side (eg. 49V). The LED in eg. a Reo 3030 is 7W works at 350mA and 20,1V. 49V is far too high for the Reo 3030 >> LED will be damaged.



WRONG POWER SUPPLY:

Question:

How many Reo (7W) luminaires can be connected to power supply 300 90 914?

$7W \times 4 = 28W >>> \text{max power of } 300\ 90\ 914 = 35W >>> \text{OK}$

$4 \times 20,1V = 80,4V >>> \text{max voltage of } 300\ 90\ 914 = 72V >>> \text{NOT OK}$

Answer:

3 x Reo (7W) luminaires can be connected to power supply 300 90 914

Therefore: **always consult the matrix on FOLD-OUT!**

PROTECTION

| Type | | | | | |
|---------------------------|--------------------|------------------------|------------------------|-------------------|-------------------|
| SURGE PROTECTOR | AC | AC 110-120V DIN | AC 230-240V DIN | DC 30V-DC | DC 75V-DC |
| | 300 90 013 | 300 90 017 | 300 90 018 | 300 90 014 | 300 90 015 |
| | CE 0,1 IP65 | CE 0,1 IP20 | CE 0,1 IP20 | CE 0,1 IP20 | CE 0,1 IP20 |
| Dimensions (L x W x H) | 50 x 48 x 30 | 90 x 18 x 60 | 90 x 18 x 60 | 90 x 18 x 60 | 90 x 18 x 60 |
| Input | 230-240V / 50-60Hz | 110-120V / 50-60Hz | 230-240V / 50-60Hz | 30V-DC | 75V-DC |
| Nominal Discharge Current | 5 kA | 2 kA | 3 kA | 1 kA | 2 kA |
| Max. Discharge Current | 10 kA | 4 kA | 5 kA | 2 kA | 4 kA |

Electrical devices are sensitive for excessive voltage peaks.

Especially outdoor power lines are subject to direct and indirect lightning discharges. Also in industrial or semi-industrial area's the powerlines can be subject to high switching spikes. Therefore Deltalight strongly advises to use proper power line surge protection. Our AC surge protectors are to be installed on the primary side of led power supplies and the DC types on the secondary side. Both as close as possible to the device they have to protect.

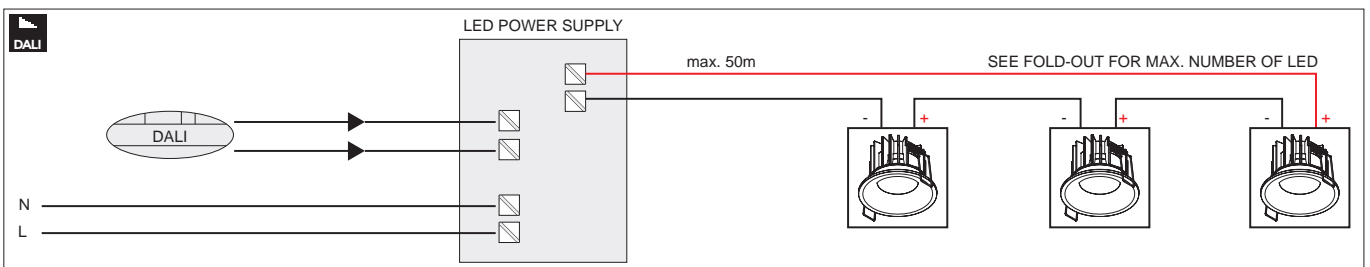
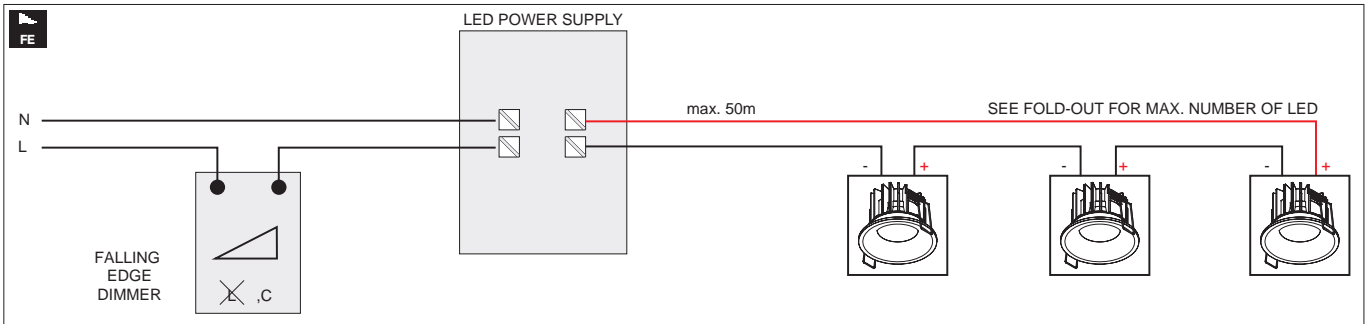
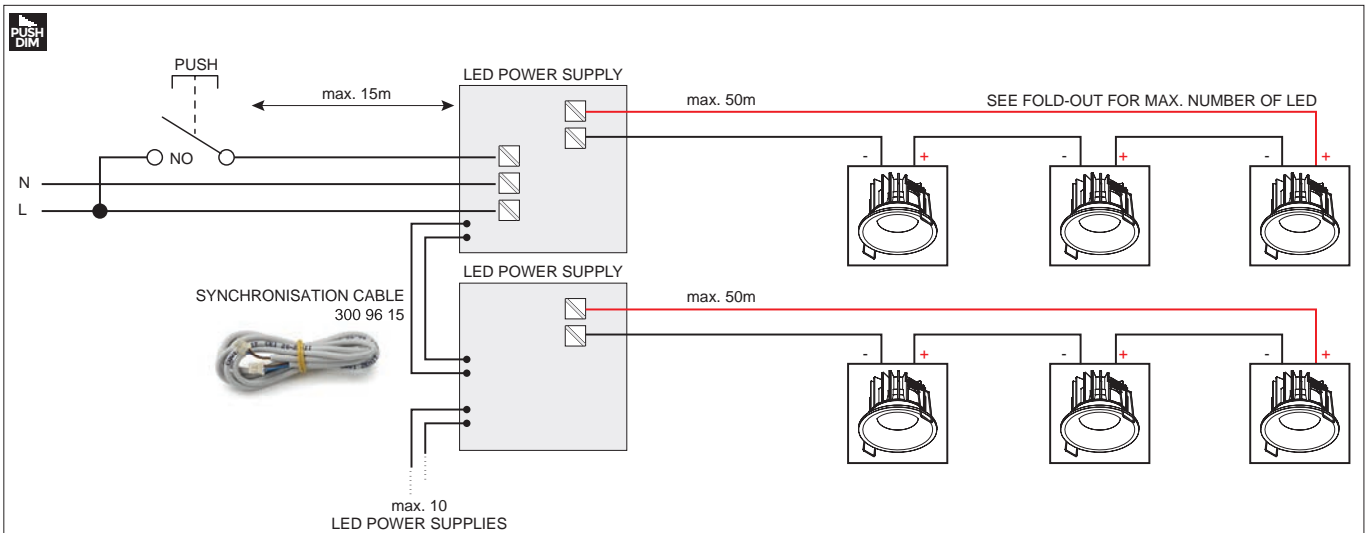
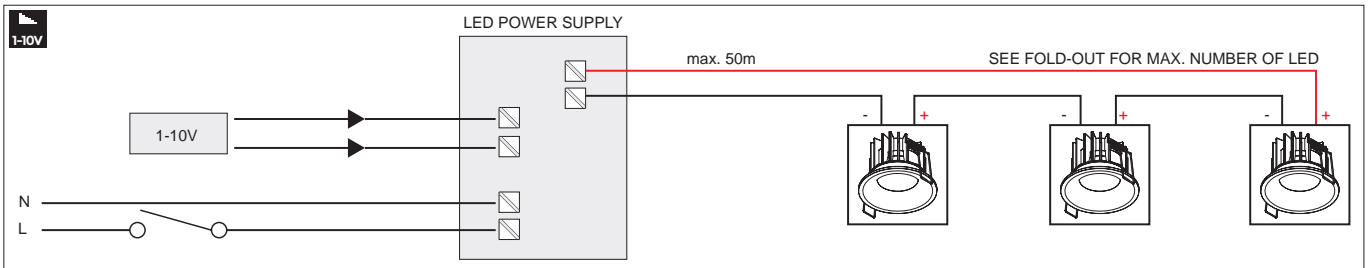


OPTIONS CURRENT CONTROLLED

DIMMABLE LED POWER SUPPLY - INSTALLATION SCHEME

play.deltalight.com/dimleds

- DIM1** 1-10V
- DIM6** SWITCH DIM
- DIM7** 1-10V + SWITCH DIM
- DIM8** FALLING EDGE DIMMING
- DIM9** 1-10V + SWITCH DIM + DALI

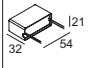
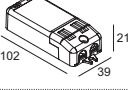
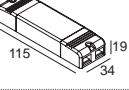
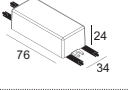
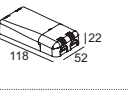
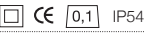

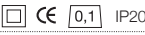




ALL DIAGRAMS ARE TYPICAL, PLEASE CHECK MAXIMUM POWER OF EACH INDIVIDUAL DEVICE FOR PRACTICAL USE.

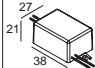
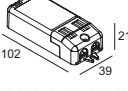
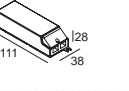
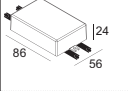
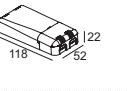
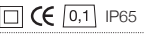

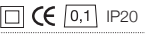


OPTIONS

CURRENT CONTROLLED

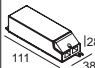
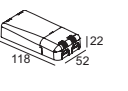
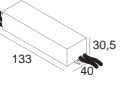
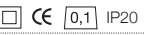


LED POWER SUPPLY 350mA-DC

| | | | | | |
|------------------------|---|---|---|---|---|
| Type |  |  |  |  |  |
| LED POWER SUPPLY... | 350mA / 8W | 350mA / 10W DIM8 | 350mA / 15W (110-120V: 10W) | 350mA / 16W DIM8 | 350mA / 18W DIM8 |
| | 300 90 108 | 300 90 110 | 300 90 91 | 300 90 3112 | 300 90 116 |
| |  |  |  |  |  |
| Dimensions (L x W x H) | 54 x 21 x 32 (⌀ min. 40) | 102 x 38 x 21 (⌀ min. 45) | 115 x 34 x 19 (⌀ min. 38) | 76 x 34 x 24 (⌀ min. 43) | 118 x 52 x 22 (⌀ min. 55) |
| Input | 100-240V / 50-60Hz | 220-240V / 50-60Hz | 100-240V / 50-60Hz | 100-240V / 50-60Hz | 220-240V / 0 50/60Hz |
| Output | 0-25V-DC | 12-28V-DC | 0-43V-DC | 17-46V-DC | 25-51V-DC |
| λ | 0,6 | > 0,9 | 0,54 (240V) - 0,64 (100V) | > 0,9 | > 0,9 |
| DIM | - | DIM8 (10-100%) | - | DIM8 (10-100%) | DIM8 (10-100%) |

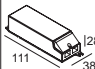
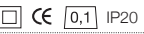
LED POWER SUPPLY 500MA-DC

| | | | | | |
|------------------------|---|---|---|---|---|
| Type |  |  |  |  |  |
| LED POWER SUPPLY... | 500mA / 4W | 500mA / 11W DIM8 | 500mA / 20W (110V: 12W) | 500mA / 22W DIM8 | 500mA / 21W DIM8 |
| | 300 90 22 | 300 90 119 | 300 90 92 | 300 90 5120 | 300 90 121 |
| |  |  |  |  |  |
| Dimensions (L x W x H) | 38 x 27 x 21 (⌀ min. 40) | 102 x 38 x 21 (⌀ min. 45) | 111 x 38 x 28 (⌀ min. 46) | 86 x 56 x 24 (⌀ min. 61) | 118 x 52 x 22 (⌀ min. 55) |
| Input | 120-240V / 50-60Hz | 220-240V / 50/60Hz | 110-240V / 50-60Hz | 110-240V / 0 50/60Hz | 220-240V / 0 50/60Hz |
| Output | 3-8V-DC | 9-22V-DC | 3,5-42V-DC | 24-45V-DC | 16-42V-DC |
| λ | < 0,5 | > 0,9 | 0,57 | > 0,9 | > 0,9 |
| DIM | - | DIM8 (10-100%) | - | DIM8 (10-100%) | DIM8 (10-100%) |

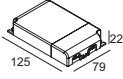

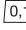

LED POWER SUPPLY 700MA-DC

| | | | |
|------------------------|---|---|---|
| Type |  |  |  |
| LED POWER SUPPLY... | 700mA / 17W (110V: 12W) | 700mA / 20W DIM8 | 700mA / 36W DIM8 |
| | 300 90 93 | 300 90 118 | 300 90 123 |
| |  |  |  |
| Dimensions (L x W x H) | 111 x 38 x 28 (⌀ min. 46) | 118 x 52 x 22 (⌀ min. 55) | 133 x 40 x 30,5 (⌀ min. 50) |
| Input | 110-240V / 50-60Hz | 220-240V / 50-60Hz | 220-240V / 50-60Hz |
| Output | 3,5-26V-DC | 16-28V-DC | 4-52V-DC |
| λ | 0,6 | > 0,9 | 0,97 |
| DIM | - | DIM8 (10-100%) | DIM8 (10-100%) |

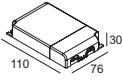

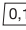

LED POWER SUPPLY 1050MA-DC

| | |
|------------------------|---|
| Type |  |
| LED POWER SUPPLY... | 1050mA / 22W (110V: 12W) |
| | 300 90 148 |
| |  |
| Dimensions (L x W x H) | 111 x 38 x 28 (⌀ min. 46) |
| Input | 110-240V / 50-60Hz |
| Output | 2-21V-DC |
| λ | 0,6 |
| DIM | - |

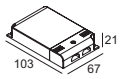

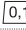

LED POWER SUPPLY MULTI-POWER

| | | | | |
|---|--|------------------------|------------------------|-------------------------|
| Type |  | | | |
| LED POWER SUPPLY MULTI-POWER | 300 90 914 | | | |
| |   IP20 | | | |
| Dimensions (L x W x H) | 124,5 x 79 x 22 (⌀ min. 82) | | | |
| Input | 110-240V / 50-60Hz (110V: 40W) | | | |
| Output | 350mA / 25W / 2-74V-DC | 500mA / 35W / 2-72V-DC | 700mA / 50W / 2-70V-DC | 1050mA / 50W / 2-48V-DC |
|  | > 0,9 | | | |
| DIM | - | | | |

LED POWER SUPPLY MULTI-POWER HV

| | | | | |
|---|--|-------------------------|-------------------------|--------------------------|
| Type |  | | | |
| LED POWER SUPPLY MULTI-POWER HV | 300 90 135 | | | |
| |   IP20 | | | |
| Dimensions (L x W x H) | 110 x 76 x 30 (⌀ min. 90) | | | |
| Input | 220-240V / 50-60Hz | | | |
| Output | 350mA / 30W / 43-85V-DC | 500mA / 40W / 30-85V-DC | 700mA / 60W / 25-86V-DC | 1050mA / 70W / 25-67V-DC |
|  | > 0,95 | | | |
| DIM | - | | | |

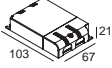

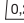

LED POWER SUPPLY MULTI-POWER DIM1

| | | | | |
|---|--|------------------------|------------------------|--|
| Type |  | | | |
| LED POWER SUPPLY MULTI-POWER DIM1 | 300 90 64 | | | |
| |   IP20 | | | |
| Dimensions (L x W x H) | 103 x 67 x 21 (⌀ min. 70) | | | |
| Input | 110-240V / 50-60Hz (110V: 15W) | | | |
| Output | 350mA / 18W / 10-53V-DC | 500mA / 25W / 2-50V-DC | 600mA / 30W / 2-50V-DC | |
|  | > 0,9 | | | |
| DIM | 1-10V | | | |

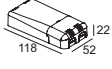

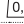

OPTIONS

CURRENT CONTROLLED

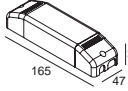



LED POWER SUPPLY MULTI-POWER DIM5

| | | | |
|---|--|------------------------|------------------------|
| Type |  | | |
| LED POWER SUPPLY MULTI-POWER DIM5 | 300 90 68 | | |
| |   IP20 | | |
| Dimensions (L x W x H) | 103 x 67 x 21 (min. 70) | | |
| Input | 110-240V / 50-60Hz (110V: 15W) | | |
| Output | 350mA / 15W / 5-48V-DC | 500mA / 24W / 5-48V-DC | 700mA / 32W / 3-46V-DC |
|  | > 0,9 | | |
| DIM | Dali | | |

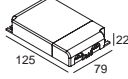

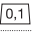

LED POWER SUPPLY MULTI-POWER DIM5

| | | | |
|---|--|------------------------|--|
| Type |  | | |
| LED POWER SUPPLY MULTI-POWER DIM5 | 300 90 125 | | |
| |   IP20 | | |
| Dimensions (L x W x H) | 118 x 52 x 22 (min. 55) | | |
| Input | 110-240V / 50-60Hz (110V: 15W) | | |
| Output | 350mA / 15W / 2-43V-DC | 500mA / 20W / 2-40V-DC | |
|  | > 0,9 | | |
| DIM | Dali | | |





LED POWER SUPPLY MULTI-POWER DIM6

| | | | |
|---|--|------------------------|------------------------|
| Type |  | | |
| LED POWER SUPPLY MULTI-POWER DIM6 | 300 90 61 | | |
| |   IP20 | | |
| Dimensions (L x W x H) | 165 x 47 x 35 (min. 55) | | |
| Input | 220-240V / 50-60Hz | | |
| Output | 350mA / 17W / 2-43V-DC | 500mA / 24W / 2-43V-DC | 700mA / 32W / 2-36V-DC |
|  | > 0,9 | | |
| DIM | Switch DIM / Falling edge dimming (10-100%) | | |

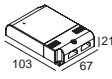



LED POWER SUPPLY MULTI-POWER HV DIM7

| | | | |
|---|--|-------------------------|------------------------|
| Type |  | | |
| LED POWER SUPPLY MULTI-POWER HV DIM7 | 300 90 134 | | |
| |   IP20 | | |
| Dimensions (L x W x H) | 125 x 79 x 22 (⌀ min. 84) | | |
| Input | 110-240V / 50-60Hz (110V: 40W) | | |
| Output | 350mA / 40W / 2-112V-DC | 500mA / 50W / 2-100V-DC | 700mA / 50W / 2-71V-DC |
|  | > 0,9 | | |
| DIM | Switch DIM / 1-10V | | |

LED POWER SUPPLY MULTI-POWER DIM7

| | | | |
|---|--|------------------------|--|
| Type |  | | |
| LED POWER SUPPLY MULTI-POWER DIM7 | 300 90 124 | | |
| |   IP20 | | |
| Dimensions (L x W x H) | 118 x 52 x 22 (⌀ min. 55) | | |
| Input | 110-240V / 50-60Hz (110V: 15W) | | |
| Output | 350mA / 15W / 2-43V-DC | 500mA / 20W / 2-43V-DC | |
|  | > 0,9 | | |
| DIM | Switch DIM / 1-10V | | |

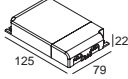

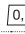

LED POWER SUPPLY MULTI-POWER DIM7

| | | | |
|---|--|------------------------|------------------------|
| Type |  | | |
| LED POWER SUPPLY MULTI-POWER DIM7 | 300 90 60 | | |
| |   IP20 | | |
| Dimensions (L x W x H) | 103 x 67 x 21 (⌀ min. 70) | | |
| Input | 110-240V / 50-60Hz (110V: 15W) | | |
| Output | 350mA / 15W / 2-43V-DC | 500mA / 22W / 2-43V-DC | 700mA / 25W / 2-36V-DC |
|  | > 0,9 | | |
| DIM | Switch DIM / 1-10V | | |

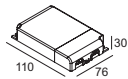

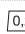

OPTIONS

CURRENT CONTROLLED

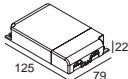

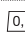

LED POWER SUPPLY MULTI-POWER DIM9

| | | | | |
|---|--|------------------------|------------------------|-------------------------|
| Type |  | | | |
| LED POWER SUPPLY MULTI-POWER DIM9 | | | | |
| | 300 90 63 | | | |
| |   IP20 | | | |
| Dimensions (L x W x H) | 125 x 79 x 22 (⌀ min. 84) | | | |
| Input | 110-240V / 50-60Hz (110V: 40W) | | | |
| Output | 350mA / 25W / 2-74V-DC | 500mA / 35W / 2-72V-DC | 700mA / 50W / 2-71V-DC | 1050mA / 50W / 2-48V-DC |
|  | > 0,9 | | | |
| DIM | Switch DIM / 1-10V / Dali | | | |

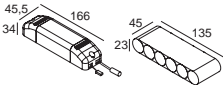
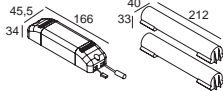

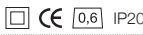
LED POWER SUPPLY MULTI-POWER HC DIM9

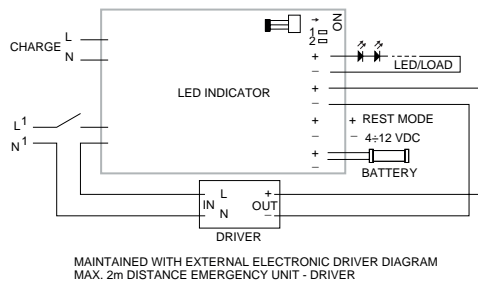
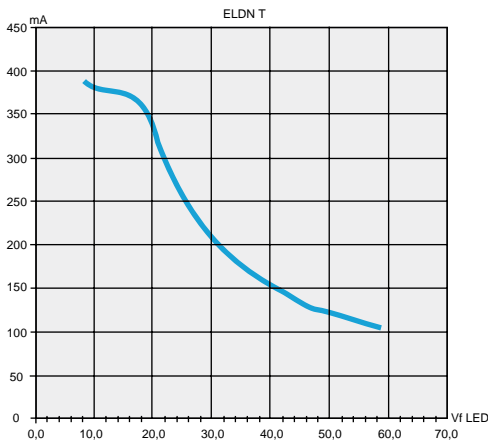
| | | | |
|---|--|-------------------------|-------------------------|
| Type |  | | |
| LED POWER SUPPLY MULTI-POWER HC DIM9 | | | |
| | 300 90 136 | | |
| |   IP20 | | |
| Dimensions (L x W x H) | 110 x 76 x 30 (⌀ min. 90) | | |
| Input | 110-240V / 50-60Hz (110V: 40W) | | |
| Output | 1050mA / 45W / 2-44V-DC | 1200mA / 52W / 2-44V-DC | 1400mA / 55W / 2-43V-DC |
|  | > 0,9 | | |
| DIM | Switch DIM / 1-10V / Dali | | |

LED POWER SUPPLY MULTI-POWER HV DIM9

| | | | |
|---|--|-------------------------|------------------------|
| Type |  | | |
| LED POWER SUPPLY MULTI-POWER HV DIM9 | | | |
| | 300 90 69 | | |
| |   IP20 | | |
| Dimensions (L x W x H) | 125 x 79 x 22 (⌀ min. 84) | | |
| Input | 110-240V / 50-60Hz (110V: 40W) | | |
| Output | 350mA / 40W / 10-112V-DC | 500mA / 50W / 2-100V-DC | 700mA / 50W / 2-71V-DC |
|  | > 0,9 | | |
| DIM | Switch DIM / 1-10V / Dali | | |

EMERGENCY UNITS

| | | |
|------------------------|---|---|
| Type |  |  |
| EMERGENCY UNIT | 7W / 1h | 7W / 3h |
| | 202 91 0701 | 202 91 0703 |
| |  |  |
| Dimensions (L x W x H) | 166 x 46 x 34 + 135 x 45 x 23 | 166 x 46 x 34 + 2 x (212 x 40 x 33) |
| Input | 220-240V / 50-60Hz | 220-240V / 50-60Hz |
| Output | 9-46V-DC / 125-350mA | 9-46V-DC / 125-350mA |
| Battery Type | NI-Cd BATTERY 7,2V - 1,6Ah | NI-Cd BATTERY 7,2V - 4Ah |
| Emergency Operation | 1h | 3h |
| Charging Time | 24h | 24h |

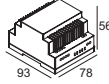

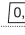



Emergency units are battery powered units that come into force in case of general power failure. In Lighting Bible 12 we offer emergency units specifically for LED luminaires. Thanks to the battery, a luminaire can keep emitting an amount of light, equal to a percentage of the nominal value when the luminaire is emitting at full power. This percentage is determined by the emergency unit and is known as the Ballast-Lumen Factor (BLF). More info on this Ballast Lumen Factor can be found on PAG TEC 14-15 based on the type of LED.

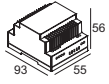

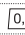

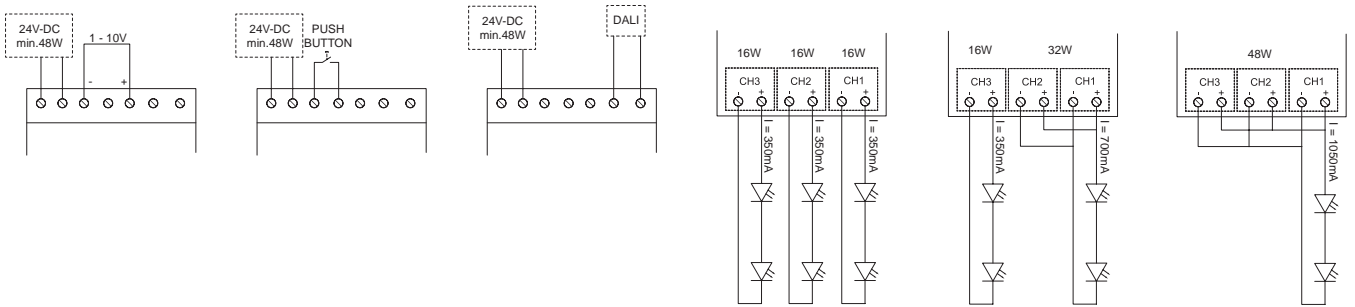
OPTIONS

POWER CONVERTOR

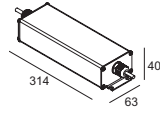
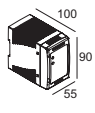
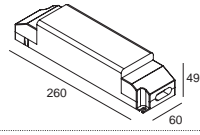
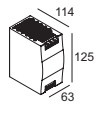

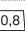

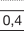

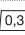

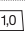

LED POWER SUPPLY 24V-DC

| | |
|---|--|
| Type |  |
| LED POWER SUPPLY 24V-DC | 24V-DC / 60W |
| | 300 89 24 61 |
| |   IP20 |
| Dimensions (L x W x H) | 93 x 78 x 56 |
| Input | 100-240V / 50-60Hz |
| Output | 24V-DC / 60W |
|  | > 0,8 |
| DIM | - |

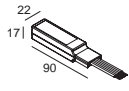
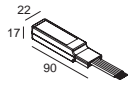
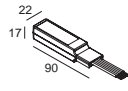

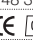

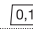


LED POWER CONVERTER 24V-DC → MULTI CURRENT - 48W DIM9

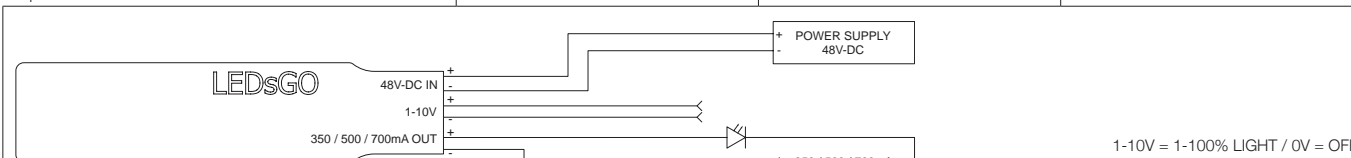
| | |
|--|--|
| Type |  |
| LED POWER CONVERTER 24V-DC → MULTI CURRENT / 48W DIM9 | |
| | 300 90 67 |
| |   IP20 |
| Dimensions (L x W x H) | 93 x 55 x 56 |
| Input | 24V-DC |
| Output | 350mA / 48W 700mA / 32W 1050mA / 48W |
|  | |
| Dim | Switch Dim / 1-10V / Dali |
|  | |

LED POWER SUPPLY 48V-DC

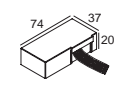
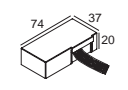

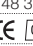

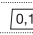
| | | | | |
|---|--|--|---|--|
| Type |  |  |  |  |
| LED POWER SUPPLY 48V-DC | 48V-DC / 90W | 48V-DC / 100W | 48V-DC / 150W | 48V-DC / 240W |
| | 300 89 48 90 | 300 89 48 100 | 300 89 48 150 | 300 89 48 240 |
| |   IP66 |   IP20 |   IP20 |   IP20 |
| Dimensions (L x W x H) | 314 x 63 x 40 | 55 x 90 x 100 | 240 x 60 x 49 | 63 x 125 x 114 |
| Input | 115-230V / 50-60Hz | 100-240V / 50-60Hz | 220-240V / 50-60Hz | 100-240V / 50-60Hz |
| Output | 48V-DC / 90W | 48V-DC / 100W | 48V-DC / 150W | 48V-DC / 240W |
|  | > 0,92 | > 0,93 | > 0,93 | > 0,93 |
| DIM | - | - | - | - |

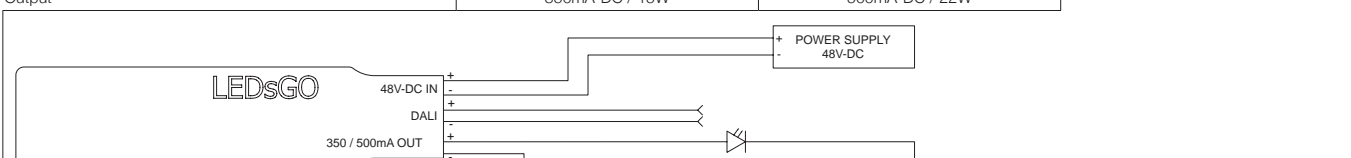
LED POWER CONVERTOR 48V-DC DIM1

| | | | |
|------------------------|--|---|--|
| Type |  |  |  |
| LED POWER CONVERTOR | 48V-DC-> 350mA / 15W DIM1 | 48V-DC-> 500mA / 22W DIM1 | 48V-DC-> 700mA / 25W DIM1 |
| | 300 48 350 ED1   IP20 | 300 48 500 ED1   IP20 | 300 48 700 ED1   IP20 |
| Dimensions (L x W x H) | 90 x 22 x 17 (U min. 30) | 90 x 22 x 17 (U min. 30) | 90 x 22 x 17 (U min. 30) |
| Input | 48V-DC | 48V-DC | 48V-DC |
| Output | 350mA-DC / 15W | 500mA-DC / 22W | 700mA-DC / 25W |

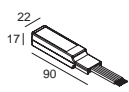
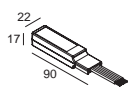
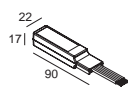

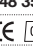

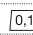

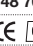


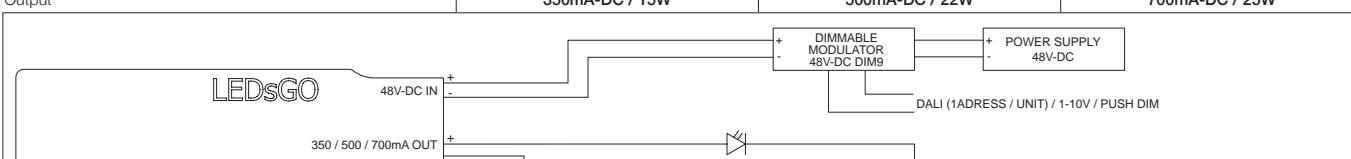
LED POWER CONVERTOR 48V-DC DIM5

| | | | |
|------------------------|--|---|--|
| Type |  |  | |
| LED POWER CONVERTOR | 48V-DC-> 350mA / 15W DIM5 | 48V-DC-> 500mA / 22W DIM5 | |
| | 300 48 350 ED5   IP20 | 300 48 500 ED5   IP20 | |
| Dimensions (L x W x H) | 74 x 36 x 20 (U min. 45) | 74 x 36 x 20 (U min. 45) | |
| Input | 48V-DC | 48V-DC | |
| Output | 350mA-DC / 15W | 500mA-DC / 22W | |

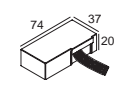
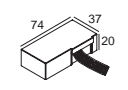
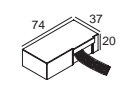

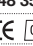

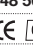

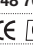


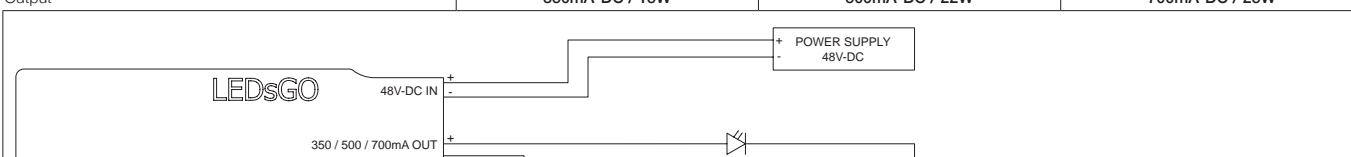
SMART IN LED POWER CONVERTOR 48V-DC MODULATION DIM LOW VOLTAGE (MDL)

| | | | |
|------------------------|--|---|--|
| Type |  |  |  |
| LED POWER CONVERTOR | 48V-DC-> 350mA / 15W MDL | 48V-DC-> 500mA / 22W MDL | 48V-DC-> 700mA / 25W MDL |
| | 300 48 350 MDL   IP20 | 300 48 500 MDL   IP20 | 300 48 700 MDL   IP20 |
| Dimensions (L x W x H) | 90 x 22 x 17 (U min. 30) | 90 x 22 x 17 (U min. 30) | 90 x 22 x 17 (U min. 30) |
| Input | 48V-DC | 48V-DC | 48V-DC |
| Output | 350mA-DC / 15W | 500mA-DC / 22W | 700mA-DC / 25W |



BETA IN LED POWER CONVERTOR 48V-DC WIRELESS DIM LOW VOLTAGE (WDL)

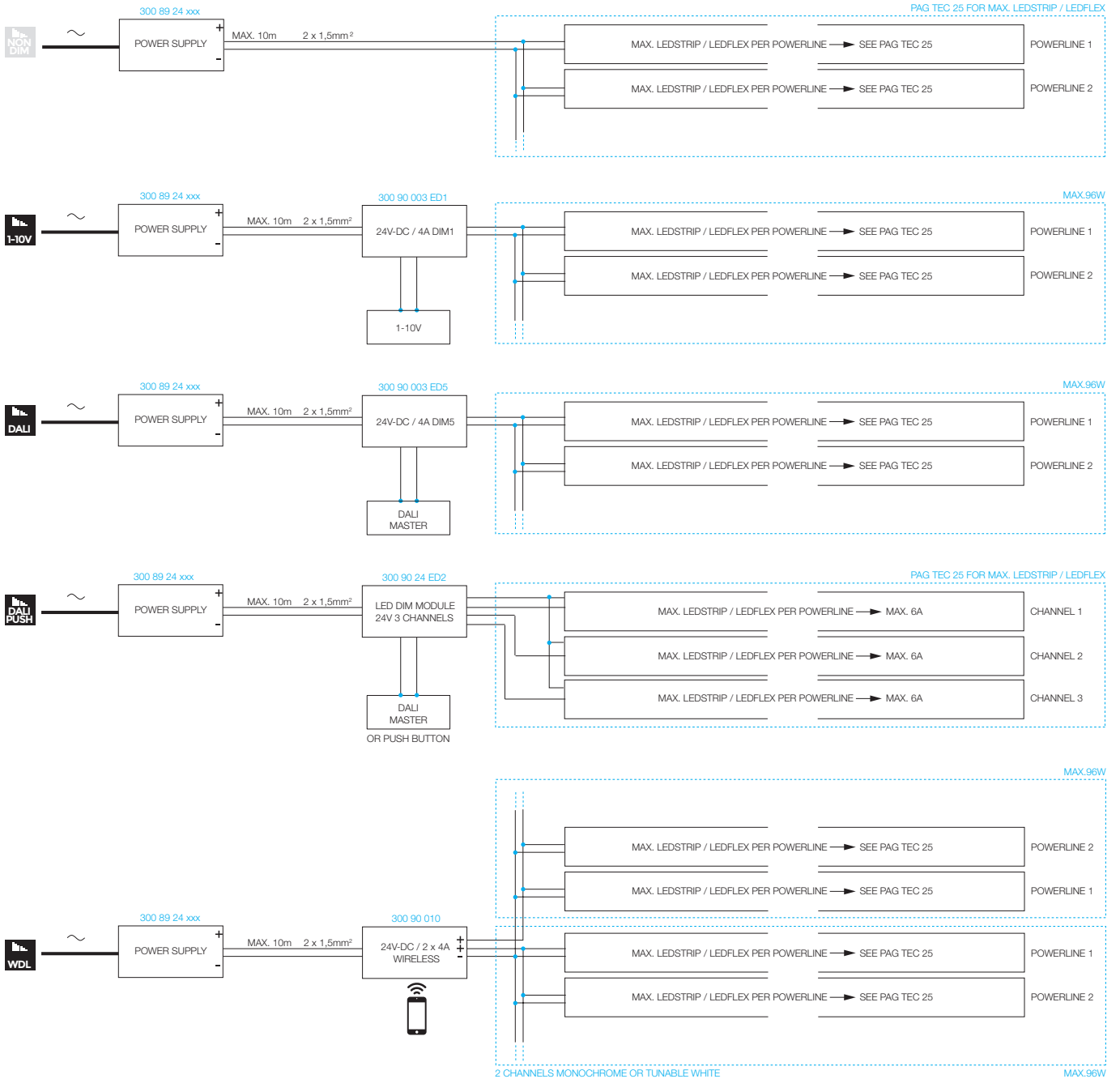
| | | | |
|------------------------|--|---|--|
| Type |  |  |  |
| LED POWER CONVERTOR | 48V-DC-> 350mA / 15W WDL | 48V-DC-> 500mA / 22W WDL | 48V-DC-> 700mA / 25W WDL |
| | 300 48 350 WDL   IP20 | 300 48 500 WDL   IP20 | 300 48 700 WDL   IP20 |
| Dimensions (L x W x H) | 74 x 36 x 20 (U min. 45) | 74 x 36 x 20 (U min. 45) | 74 x 36 x 20 (U min. 45) |
| Input | 48V-DC | 48V-DC | 48V-DC |
| Output | 350mA-DC / 15W | 500mA-DC / 22W | 700mA-DC / 25W |



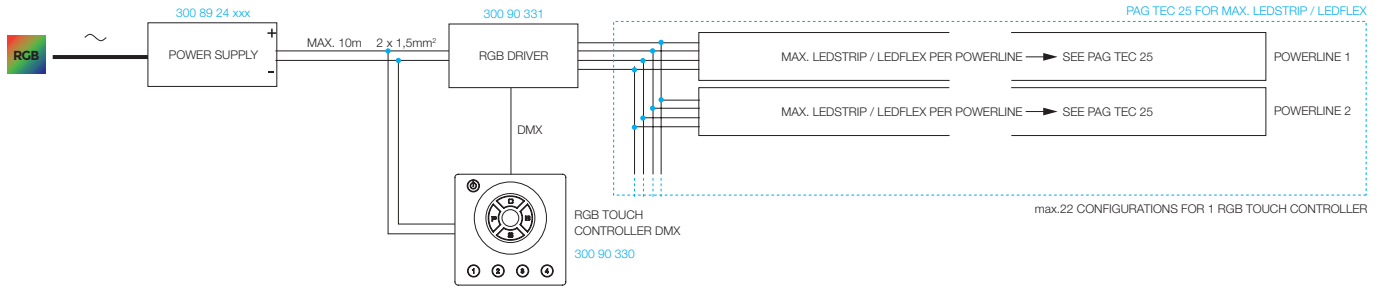
OPTIONS

VOLTAGE CONTROLLED

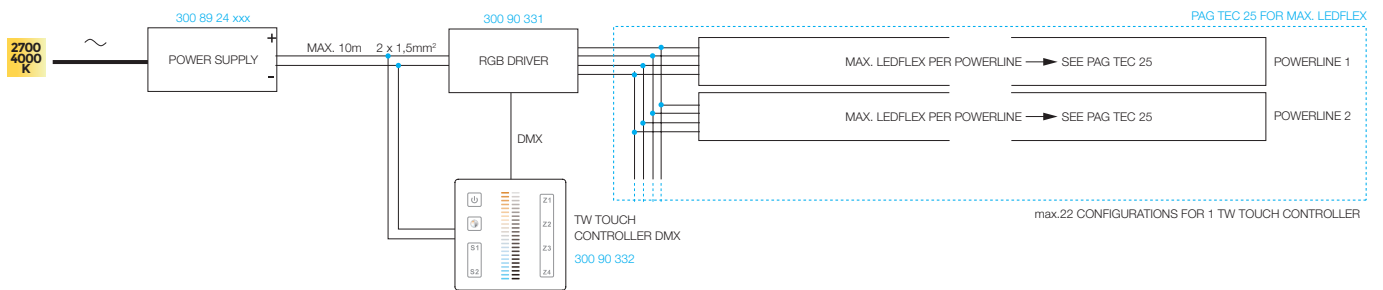
LED POWER SUPPLY 24V-DC - INSTALLATION SCHEME - LEDSTRIP - LEDFLEX WHITE



LED POWER SUPPLY 24V-DC - INSTALLATION SCHEME - LEDSTRIP - LEDFLEX RGB

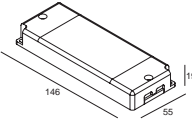
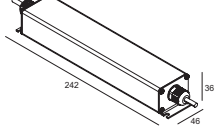
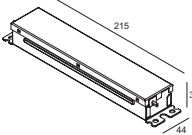
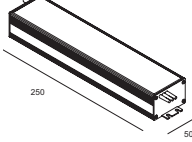
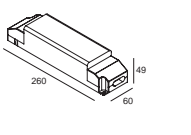


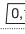


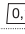


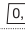


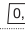


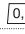


LED POWER SUPPLY 24V-DC - INSTALLATION SCHEME - LEDFLEX TW



ALL DIAGRAMS ARE TYPICAL, PLEASE CHECK MAXIMUM POWER OF EACH INDIVIDUAL DVICE FOR PRACTICAL USE.

LED POWER SUPPLY 24V-DC

| Type |  |  |  |  |  |
|----------------------------|--|--|--|--|--|
| LED POWER SUPPLY... | 24V-DC / 20W | 24V-DC / 40W | 24V-DC / 60W | 24V-DC / 80W | 24V-DC / 150W |
| | 300 89 24 20 | 300 89 24 40 | 300 89 24 60 | 300 89 24 80 ED1 | 300 89 24 150 |
| |    IP20 |    IP67 |    IP67 |    IP67 |    IP20 |
| Dimensions (L x W x H) | 146 x 55 x 19 | 242 x 46 x 36 | 215 x 44 x 31 | 250 x 50 x 34 | 260 x 60 x 49 |
| Input | 110-240V / 50-60Hz | 100-240V / 50-60Hz | 120-240V / 50-60Hz | 220-240V / 50-60Hz | 220-240V / 50-60Hz |
| Output | 24V-DC / 20W (110V: 10W) | 24V-DC / 40W | 24V-DC / 60W | 24V-DC / 80W | 24V-DC / 150W |
| λ | 0,55 | > 0,95 | 0,99 | > 0,90 | 0,98 |
| DIM | - | - | - | DIM 1 | - |

LEDSTRIP

| | 20W | 40W | 60W | 80W | 150W |
|-----------------|------------|--------|--------|---------------------------|---------------------------|
| LEDSTRIP xx F | max.6 (3) | max.13 | max.20 | max.26 (max.20/powerline) | max.50 (max.20/powerline) |
| LEDSTRIP xx FP | max.2 (1) | max.4 | max.6 | max.8 (max.6/powerline) | max.15 (max.6/powerline) |
| LEDSTRIP xx RGB | max.2* (1) | max.5* | max.7* | - | max.18* |

LEDFLEX

| | 20W | 40W | 60W | 80W | 150W |
|-----------------|------------------|---------------------------|----------------------------|-----------------------------|------------------------------|
| LEDFLEX IN | max.4m (2m) | max.8m (max.5m/powerline) | max.12m (max.5m/powerline) | max.16m (max.5m/powerline) | max.30m (max.5m/powerline) |
| LEDFLEX IN FP | max.1m (0,5m) | max.2,5m | max.4m (max.3m/powerline) | max.5m (max.3m/powerline) | max.10m (max.3m/powerline) |
| LEDFLEX IN HP | max.0,9m (0,45m) | max.1,8m | max.2,7m | max.3,6m (max.3m/powerline) | max.6,8m (max.3m/powerline) |
| LEDFLEX IN TW | max.1,3m (0,6m) | max.2,7m | max.4,1m | max.5,5m (max.3m/powerline) | max.10,4m (max.3m/powerline) |
| LEDFLEX IN RGB | max.2,4m* (1,2m) | max.5m* | max.7,36m* | - | max.18,72m* |
| LEDFLEX IN RGBW | max.1,1m | max.2,3m | max.3,5m | max.4,7m | max.8,9m |
| LEDFLEX OUT | max.4m (2m) | max.8m (max.5m/powerline) | max.12m (max.5m/powerline) | max.16m (max.5m/powerline) | max.30m (max.5m/powerline) |
| LEDFLEX OUT FP | max.1m (0,5m) | max.2,5m | max.4m (max.3m/powerline) | max.5m (max.3m/powerline) | max.10m (max.3m/powerline) |
| LEDFLEX OUT RGB | max.2,4m* (1,2m) | max.5m* | max.7,36m* | - | max.18,72m* |

* Use in combination with RGB Driver

OPTIONS

VOLTAGE CONTROLLED

LED DIMMODULE 24V

LED DIMMODULE 24V / 3CH / 6A DIM2

300 90 24 ED2

EXCL. POWER SUPPLY 12V-DC / 24V-DC

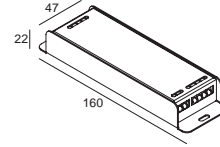
INPUT 12/24V-DC - OUTPUT MAX 432W / 18A (3 DALI CHANNELS OF 6A)

FOR LEDSTRIP / LEDFLEX W

DIMMING BY DALI / SWITCH DIM (ONE UNIT ONLY)

IP20

INSTALLATION SCHEME: TEC23

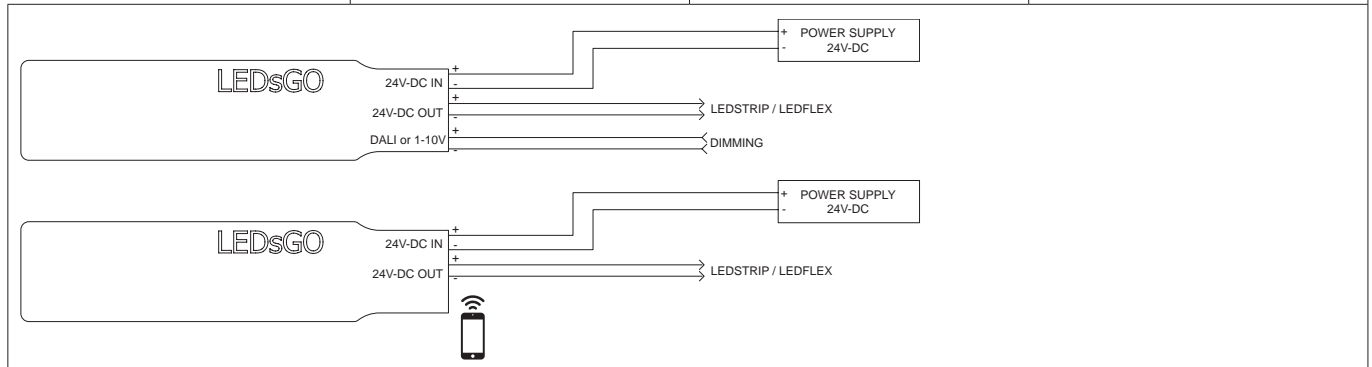


LED POWER SUPPLY 24V-DC / 480W

| | |
|-------------------------|--|
| Type | |
| LED POWER SUPPLY 24V-DC | 24V-DC / 480W 300 89 24 480 |
| | IP20 |
| Dimensions (L x W x H) | 86 x 125 x 128 |
| Input | 100-240V / 50-60Hz |
| Output | 24V-DC / 480W |
| | 0,9 |
| DIM | - |

24V-DC DIM UNIT

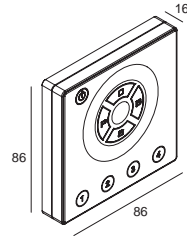
| | | | |
|------------------------|--|--|---|
| Type | | | |
| DIM UNIT | 24V-DC / 4A DIM1 300 90 003 ED1 | 24V-DC / 4A DIM5 300 90 003 ED5 | 24V-DC / 4A WIRELESS DIM UNIT 300 90 010 |
| | IP20 | IP20 | IP20 |
| Dimensions (L x W x H) | 90 x 22 x 17 (min. 30) | 90 x 22 x 17 (min. 30) | 90 x 22 x 17 (min. 30) |
| Input | 24V-DC | 24V-DC | 24V-DC |
| Output | 24V-DC / 4A (max.96W) | 24V-DC / 4A (max.96W) | 24V-DC / 2 x 4A (max.96W) |



RGB TOUCH CONTROLLER DMX

RGB TOUCH CONTROLLER DMX
300 90 330
 EXCL. POWER SUPPLY 12V-DC / 24V-DC
 DUAL MODE STATIC / DYNAMIC
 INPUT 12V-DC / 24V-DC - DMX OUT

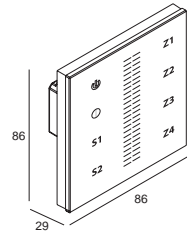
Ⓜ CE 0,1 IP20



TW TOUCH CONTROLLER DMX

TW TOUCH CONTROLLER DMX
300 90 332
 EXCL. POWER SUPPLY 12V-DC / 24V-DC
 STATIC MODE
 INPUT 12V-DC / 24V-DC - DMX OUT

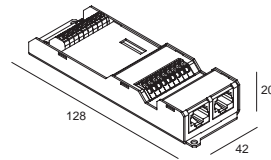
Ⓜ CE 0,1 IP20



RGB DRIVER

RGB DRIVER
300 90 331
 EXCL. POWER SUPPLY 12V-DC / 24V-DC
 INPUT 12V-DC - OUTPUT RGB 75W
 INPUT 24V-DC - OUTPUT RGB 150W
 FOR COMMON ANODE RGB LEDSTRIP / LEDFLEX
 DUAL MODE DMX / STAND ALONE

Ⓜ CE 0,1 IP20



OPTIONS INSTALLATION

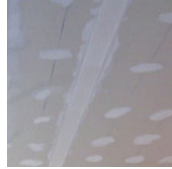
APPLICATION OF MOUNTING OPTIONS

SUSPENDED T-BAR & CEILING TILES (MIN. 8 MM)



APPLY: (replace tile by MDF)
TRIMLESS KIT
MOUNTING KIT 55/64/75
MOUNTING KIT / MOUNTING KIT L
ZB BOX

MF (METAL FRAME) CEILING DRY LINED / GYPROC / MDF



APPLY:
TRIMLESS KIT
MOUNTING KIT 55/64/75
MOUNTING KIT / MOUNTING KIT L
ZB BOX

STUCANET



APPLY:
PLASTERKIT
CONCRETE BOX
TRIMLESS KIT
ZB BOX

EXPOSED CONCRETE



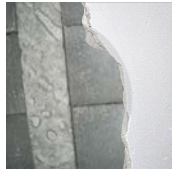
APPLY:
EXPOSED CONCRETE PACK

CONCRETE + PLASTER



APPLY:
PLASTERKIT
CONCRETE BOX
CONCRETE PACK
TRIMLESS KIT
MOUNTING KIT / MOUNTING KIT L
ZB BOX

CONCRETE BEAM & BLOCK + PLASTER



APPLY:
PLASTERKIT
CONCRETE BOX
CONCRETE PACK
TRIMLESS KIT
MOUNTING KIT / MOUNTING KIT L
ZB BOX

PREFABRICATED CONCRETE PLATE



APPLY:
EXPOSED CONCRETE PACK

PREFABRICATED CONCRETE PLATE + PLASTER



APPLY:
PLASTERKIT
CONCRETE BOX
TRIMLESS KIT
MOUNTING KIT / MOUNTING KIT L
ZB BOX

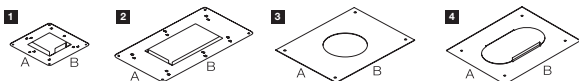
BRICK + PLASTER



APPLY:
PLASTERKIT
CONCRETE BOX
TRIMLESS KIT
MOUNTING KIT / MOUNTING KIT L
ZB BOX

Consult where used list
of mounting options per luminaire:
www.deltalight.com/mountingoptions

PLASTERKIT

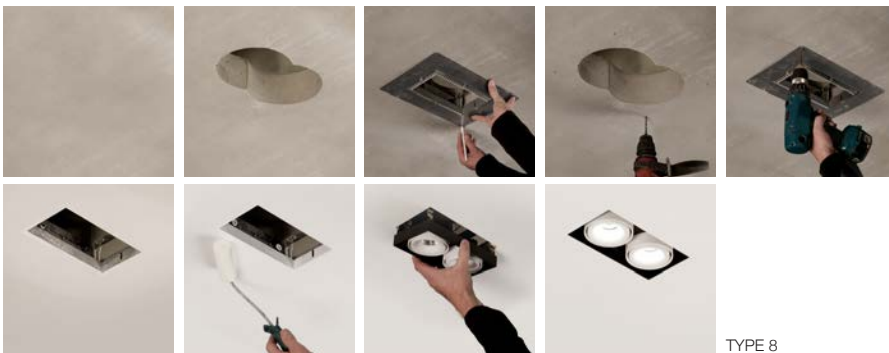


| PLASTERKIT | REFERENCE | A x B | □ | ○ | KG | min. - max. | S1 | S2 | TYPE |
|----------------|-----------|-----------|---|---|-----|-------------|-----------|----|------|
| PLASTERKIT 101 | 202 11 19 | 205 x 205 | □ | ○ | 0.1 | 80 x 180 | 195 - 205 | | 3 |

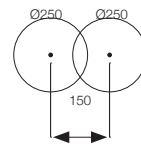
MOUNTING KIT



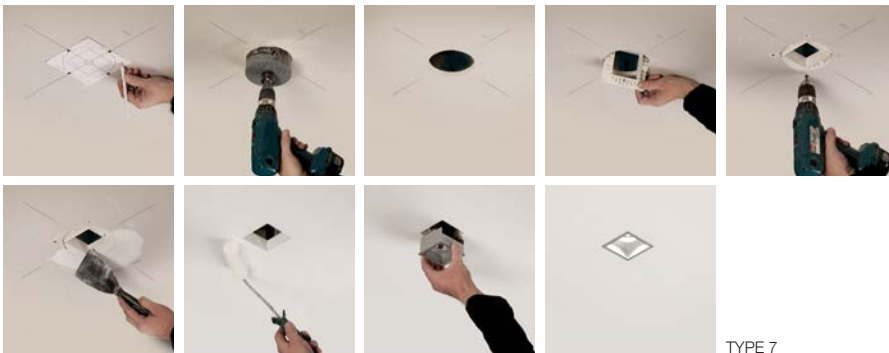
TYPE 6



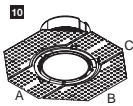
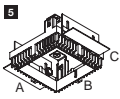
* Ø250 - 150 - Ø250



TYPE 8



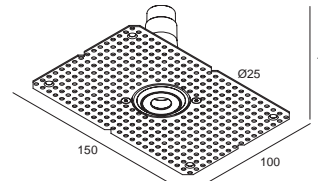
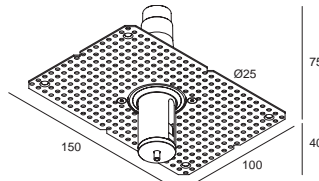
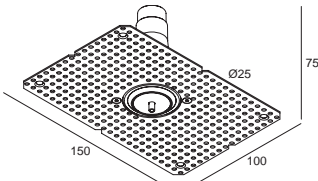
TYPE 7



| MOUNTING KIT | REFERENCE | A x B x C | kg | Hollow material | | | Solid material | Option/ Requirement | TYPE |
|--------------------------------------|---------------|----------------|-----|-----------------|-----------|-------------|----------------|------------------------|------|
| | | | | min. | max. | min. - max. | O/R | | |
| MOUNTING KIT TAGLINE TRIMLESS | 304 04 01 | 172 x 72 x 33 | 0.3 | 174 | 26 x 45 | min.12,5 | R | 5 | |
| MOUNTING KIT MIDISPY TRIMLESS O.F.A. | 414 21 00 | 170 x 170 x 58 | 0.4 | Ø112 | x 60 | max.25 | R | 10 | |
| MOUNTING KIT DOT.COM M4 TRIMLESS | 424 512 04 00 | 199 x 35 x 43 | 0.1 | 127 | x 36 x 60 | 5 - 22 | R | 5 | |
| MOUNTING KIT FLUSH SPY | 414 90 01 | 140 x 82 x 22 | 0.2 | Ø83 | x 40 | max.9 or 12 | O | 10 | |

OPTIONS INSTALLATION

SUSPENSION TRIMLESS + CONNECTION TRIMLESS



- 62 x 80 9 or 12
- 102 x 80 (CONCRETE)

SUSPENSION TRIMLESS O.F.A.
328 10 01

INCL. 1 x AUTOMATIC ADJUSTMENT

0,2

play.deltalight.com/suspensiontrimlessconcrete
play.deltalight.com/suspensiontrimlessplasterboard

- 62 x 80 9 or 12
- 102 x 80 (CONCRETE)

SUSPENSION + CONNECTION TRIMLESS O.F.A.
328 10 02

INCL. 1 x CONNECTOR max. 3x 2,5 mm²
INCL. 1 x AUTOMATIC ADJUSTMENT
4A / 250V

0,2

play.deltalight.com/suspensiontrimlessconcrete
play.deltalight.com/suspensiontrimlessplasterboard

- 62 x 80 9 or 12
- 102 x 80 (CONCRETE)

CONNECTION TRIMLESS O.F.A.
328 10 03

INCL. 1 x CONNECTOR max. 3x 2,5 mm²
4A / 250V

0,2

play.deltalight.com/suspensiontrimlessconcrete
play.deltalight.com/suspensiontrimlessplasterboard

CABLE BASE R



CABLE BASE R ◇

203 99 55 ◇
◇ = ANO / B / W

0,1

OPTIONS
COVERSET R 62-90-100

CABLE BASE S



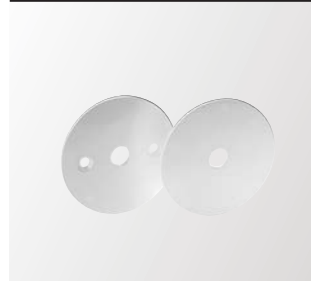
CABLE BASE S ◇

203 99 56 ◇
◇ = ANO / B / W

0,1

OPTIONS
COVERSET S 62-80-90

COVERSET R



COVERSET R 100 ◇

204 00 100 ◇

COVERSET R 62 ◇

204 00 62 ◇

COVERSET R 90 ◇

204 00 90 ◇

◇ = ANO / B / W

0,1

COVERSET S



COVERSET S 62 ◇

204 62 62 ◇

COVERSET S 80 ◇

204 80 80 ◇

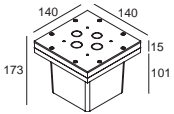
COVERSET S 90 ◇

204 90 90 ◇

◇ = ANO / B / W

0,1

CBOX



L 142 x 142 x 300

CBOX
216 12 00
INCL.2 x PG13,5 / 1 x PG11

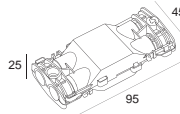
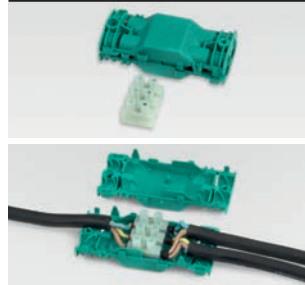
[0,5] IP67

L 142 x 142 x 300

CBOX 350 mA / 10W
216 14 35
INCL.2 x PG13,5 / 2 x PG11
INCL.LED POWER SUPPLY 350mA-DC / 10W
CURRENT CONTROLLED
220-240V / 50-60Hz

[0,7] IP67

IP68 CONNECTION KIT

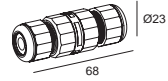


IP68 CONNECTION KIT
216 12 01

CABLE Ø7,5-10 mm
MAX.3 x 4mm²
4A 250V

[0,1] IP68

IP68 CONNECTOR 3P



IP68 CONNECTOR 3P
216 12 02



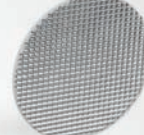







CABLE Ø7,5-12 mm
MAX.3 x 1,5mm²
4A 250V

[0,1] IP68

play.deltalight.com/ip68connector

LIGHT BEAM ACCESSORIES

ACCESSORIES

| ACCESSORIE [0,1] |  HONEYCOMB |  LINEAR SPREAD LENS |  SPREAD LENS |  SOFTENING LENS |  GLASS SBL |
|----------------------------|--|---|--|---|--|
| LIGHT BEAM |  |  |  |  |  |
| Ø40 | VIZIR HONEYCOMB ◇ 473 03 01 ◇ ◇ = B | | | VIZIR SOFTENING LENS 473 03 04 | |
| Ø50 | HONEYCOMB 50 ◇ 413 03 01 ◇ ◇ = B | LINEAR SPREAD LENS 50 413 03 02 | SPREAD LENS 50 413 03 03 | SOFTENING LENS 50 413 03 04 | GLASS SBL 50 413 03 05 |
| S105 | HONEYCOMB S105 ◇ 431 03 01 ◇ ◇ = B | LINEAR SPREAD LENS S105 431 03 02 | | | |

Find out what products these accessories can be used with, by adding its reference number without colour to our website URL to visit the detailpage: for example: www.deltalight.com/2010301

PHOTOMETRICS

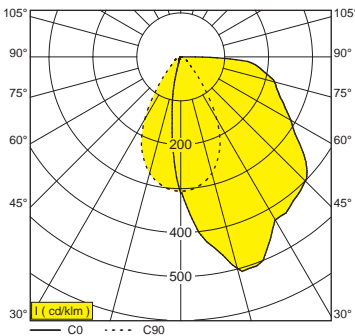
Apart from the lumen output and the power it consumes, a luminaire is characterized by its luminous distribution. At Delta Light® we have the knowledge and infrastructure in-house to determine those characteristics of the luminous distribution.

POLAR DIAGRAM

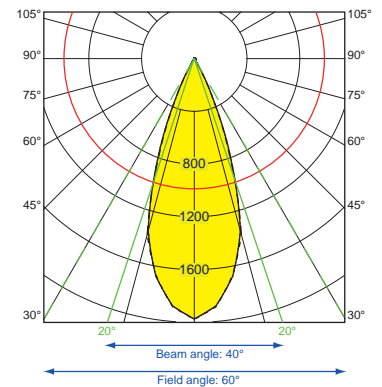
The luminous distribution of a luminaire is shown in a polar diagram, which is a two-dimensional representation of a three-dimensional measurement of the luminaire by the photogoniometer. The curve on this diagram tells us the direction where the light is being emitted, together with the luminous intensity of the light in the different directions, in function of the viewing angle in different planes. The C0-plane is represented by a full line and indicates the luminous distribution of the luminaire, perpendicular to the light source's longitudinal axis. In case of round or square shaped luminaires where no longitudinal axis can be determined, the C0-plane indicates the main direction of the light being emitted.

The C90-plane is represented by a dashed line and indicates the light distribution along the longitudinal axis.

On the diagram each circle represents a value of the light intensity and is expressed in candela per kilolumen (cd/klm). The circles are divided in angles that indicate the direction of the light intensity.



As an example we have the polar diagram of the Sneak-R on the left. The C0-plane shows that almost all of the light is emitted forward and only a small amount of light is emitted backwards (full curve lies between -15° and 90° in the C0-plane). As the curve does not exceed the 90° line, it means that no light is emitted upwards. The peak of the curve is around 15° and shows a value of over 500 cd/klm. On the C90-plane we see a symmetrical curve between -35° and 35° with a peak at 0° and a value of 300 cd/klm.



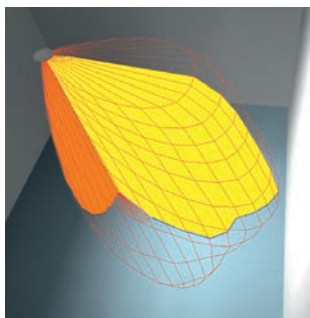
Up-to-date photometrics of the luminaires mentioned in Lighting Bible 12® are available on the website. Photometrics on the new luminaires will be available in the upcoming months.

BEAM ANGLE





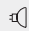




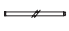

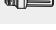
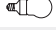
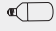
Important to know is how 'beam angle' exactly is defined? It is the degree of width of the light that is emitted by a light source and it is determined by the angle between the 2 points on an axis where the intensity of the light drops down to 50% of the maximum light intensity (I_{max}) of the light source. This 50% of I_{max} determines from which point the light fades and from where the human eye will consider the light as being spill light. The human eye will particularly see the inner circle as highlight, also known as the half value angle or beam angle, whereas the outer circle is known as the field angle.

The example on the right has an I_{max} of 2000 cd/klm.













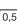









By taking half of this value (1000 cd/klm) and intersecting the curve, we can determine the beam angle, which is 40°. The outer lines of the curves determine the field angle, which is in this case 60°.








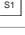
















LAMP INDEX

| | | | | |
|---|-----------|-------|--------------------|------------------------------------|
|  | A60 | E27Ls | 100-240V / 50-60Hz | 15-25-40-60 |
|  | QR-51 ALU | GX5.3 | 12V | 20-35-50 |
|  | QR-C51 | GX5.3 | 12V | 20-35-50 |
|  | QR-CBC51 | GX5.3 | 12V | 20-35-50 |
|  | QR-CB51 | GX5.3 | 12V | 20-35-50 |
|  | QR-LP70 | BA15d | 12V | 20-50 |
|  | QR-LP111 | G53 | 12V | 35-50-75-100 |
|  | QT14 | G9 | 100-240V / 50-60Hz | 25-40-60 |
|  | QPAR51 | GU10 | 100-240V / 50-60Hz | 35-50 |
|  | T16 | G5 | 220-240V / 50-60Hz | 8 14-21-28-35 24-39-49-54-80 |
|  | TC-L | 2G11 | 220-240V / 50-60Hz | 24-36-55 |
|  | T2-MLF | GX53 | 220-240V / 50-60Hz | 9 |
|  | TC-TSE | E27Ls | 100-240V / 50-60Hz | 15-20-23 |
|  | TCA-SE | E27Ls | 100-240V / 50-60Hz | 5-7-10-15-20-23 |
|  | TC-SB | E27Ls | 100-240V / 50-60Hz | 9-12-16 |

LEGENDA

| |  |  |  |  |  |  |
|---|---|---|---|--|---|--|
|  | KLEUR | COULEUR | COLOUR | FARBE | Colour | ColourE |
| A | ALU GRIJS | ALU GRIS | ALU GREY | ALU GRAU | ALU GRIS | ALU GRIGIO |
| ALU | ALUMINIUM | ALUMINIUM | ALUMINIUM | ALUMINIUM | ALUMINIO | ALUMINIO |
| ANO | GEANODISEERD ALU | ALU ANODISE | ALU ANODISED | ALU ELOXIERT | ALU ANODIZADO | ALU ANODIZZATO |
| B | ZWART RAL 9005 | NOIR RAL 9005 | BLACK RAL 9005 | SCHWARZ RAL 9005 | NEGRO RAL 9005 | NERO RAL 9005 |
| BBR | BLACK BRONZE | BLACK BRONZE | BLACK BRONZE | BLACK BRONZE | BLACK BRONZE | BLACK BRONZE |
| BP | BLACK PURE | BLACK PURE | BLACK PURE | BLACK PURE | BLACK PURE | BLACK PURE |
| C | CHROOM | CHROME | CHROMED | CHROM | CROMO | CROMATO |
| FBR | FLEMISH BRONZE | FLEMISH BRONZE | FLEMISH BRONZE | FLEMISH BRONZE | FLEMISH BRONZE | FLEMISH BRONZE |
| FG | FLEMISH GOLD | FLEMISH GOLD | FLEMISH GOLD | FLEMISH GOLD | FLEMISH GOLD | FLEMISH GOLD |
| G | GRIJS BRUIN | GRIS BRUN | GREY BROWN | GRAU BRAUN | GRIS MARRON | GRIGIO BRUNO |
| GC | GOLD CHAMPAGNE | GOLD CHAMPAGNE | GOLD CHAMPAGNE | GOLD CHAMPAGNE | GOLD CHAMPAGNE | GOLD CHAMPAGNE |
| INOX | ROESTVRIJ STAAL | ACIER INOXYDABLE | STAINLESS STEEL | ROSTFREIER STAHL | ACERO INOXIDABLE | ACCIAIO INOSSIDABILE |
| M | VERGULD | DORE | GOLD | VERGOLDET | ORO | ORO |
| N | DONKERGRIJS | GRIS FONCE | DARK GREY | DUNKELGRAU | GRIS OSCURO | GRIGIO SCURO |
| MMAT | VERGULD MAT | LAITON DEPOLI | GOLD MAT | VERGOLDET MAT | ORO MATE | ORO OPACO |
| SG | ZILVERGRIJS | GRIS ARGENTÉ | SILVER GREY | SILBER GRAU | GRIS PLATEADO | GRIGIO ARGENTO |
| PRIM | GRONDLAAG | APPRET | PRIMER | GRUNDIERUNG | PINTURA DE FONDO | MESTICA |
| RAL | KLEUR RAL | COULEUR RAL | COLOUR RAL | FARBE RAL | Colour RAL | ColourE RAL |
| W | WIT RAL 9003 | BLANC RAL 9003 | WHITE RAL 9003 | WEIß RAL 9003 | BLANCO RAL 9003 | BIANCO RAL 9003 |
|  | SCHILDEREN VEREIST | PEINTURE DE FINITION REQUISE | PAINT FINISH REQUIRED | LACKIERUNG ERFORDERLICH | ACABADO DE PINTURA NECESARIO | NECESSITA DI FINITURA |
|  | TOESTEL KLASSE 1 | APPAREIL CLASSE 1 | FIXTURE CLASS 1 | GERÄT KLASSE 1 | APARATO CLASE 1 | APPARECCHIO CLASSE 1 |
|  | TOESTEL KLASSE 2 | APPAREIL CLASSE 2 | FIXTURE CLASS 2 | GERÄT KLASSE 2 | APARATO CLASE 2 | APPARECCHIO CLASSE 2 |
|  | TOESTEL KLASSE 3 | APPAREIL CLASSE 3 | FIXTURE CLASS 3 | GERÄT KLASSE 3 | APARATO CLASE 3 | APPARECCHIO CLASSE 3 |
|  | NORM 01.96 EMC 89 / 336 / EEC | NORM 01.97. LV 73 / 23 / EEC | NORM 01.97. LV 73 / 23 / EEC | NORM 01.97. LV 73 / 23 / EEC | NORM 01.97. LV 73 / 23 / EEC | NORM 01.97. LV 73 / 23 / EEC |
|  | NETTO GEWICHT KG | POIDS NET KG | NET WEIGHT KG | NETTO GEWICHT KG | PESO NETO KG | PESO NETTO KG |
| IP | BESCHERMINGSINDICATIE | INDICE DE PROTECTION | PROTECTION LEVEL | SCHUTZKLASSE | CLASE DE PROTECCIÓN | CLASSE DI PROTEZIONE |
|  | MECHANISCHE IMPACT | IMPACT MÉCANIQUE | MECHANICAL IMPACT | MECHANISCHE EINWIRKUNG | IMPACTO MECÁNICO | URTO MECCANICO |
|  | RONDE OPENING DIAMETER x MIN. INBOUW DIEPTE | DECOUPE RONDE DIAMÈTRE x PROFONDEUR NÉCESSAIRE POUR ENCASTREMENT | ROUND OPENING DIAMETER x MIN. DEPTH FOR RECESSING | RUNDE ÖFFNUNG DIAMETER x MIN. TIEFE FÜR EINBAU | ABERTURA REDONDA DIAMETRO x DISTANCIA MÍNIMA DE EMPOTRAMIENTO | FORO TONDO DIAMETRO x SPESSORE MÍNIMO RICHIESTO PER L'INCASSO |
|  | RECHT-HOEKIGE OPENING LENGTE x BREEDTE x MIN. INBOUW DIEPTE | DECOUPE RECTANGULAIRE LO x LA x PRO. NÉCESSAIRE POUR ENCASTREMENT | RECTANGULAR OPENING LENGTH x WIDTH x MINIMUM DEPTH FOR RECESSING | RECHTECKIGE ÖFFNUNG LÄNGE x BREITE x MINIMUM TIEFE EINBAU | ABERTURA RECTANGULAR LARGO x ANCHO x DISTANCIA MÍNIMA DE EMPOTRAMIENTO | FORO RETTANGOLARE LUNGHEZZA x LARGHEZZA x SPESSORE MÍNIMO RICHIESTO PER L'INCASSO |
|  | MAX. DIKTE MONTAGEOPPERVLAK | EPAISSEUR MAX. DE LA SURFACE DE MONTAGE | MAX. THICKNESS OF THE MOUNTING SURFACE | MAXIMALE STÄRKE DER BEFESTIGUNGSFLÄCHE | ESPESOR MÁXIMO DE LA SUPERFICIE DE MONTAJE | SPESSORE MASSIMO DELLA SUPERFICIE DI MONTAGGIO |
|  | MIN. AFSTAND (M) LAMP - OBJECT | DISTANCE MIN. (M) AMPOULE - OBJET | MIN. DISTANCE (M) LAMP - OBJECT | MIN. DISTANZ (M) LAMP - OBJEKT | DISTANCIA MÍNIMA (M) LAMPARA - OBJETO | DISTANZA MIN. (M) LAMPADA - OGGETTO |
|  | BEVESTIGING VLOER - WAND - PLAFOND OPBOUW | MONTAGE SOL - MUR - PLAFOND APPLIQUE | FIXATION FLOOR - WALL - CEILING SURFACE MOUNTED | MONTAGE BODEN - WAND - DECKE AUFGEBAUT | MONTAJE SUELO - PARED - TECHO MONTADO AL SUPERFICIE | MONTAGGIO PAVIMENTO-PARETE - SOFFITTO MONTATO A SUPERFICIE |
|  | BEVESTIGING VLOER - WAND - PLAFOND INBOUW | MONTAGE SOL - MUR - PLAFOND ENCASTRE | FIXATION FLOOR - WALL - CEILING RECESSED | MONTAGE BODEN - WAND - DECKE EINGEBAUT | MONTAJE SUELO - PARED-TECHO EMPOTRADO | MONTAGGIO PAVIMENTO-PARETE - SOFFITTO-INCASSO |
|  | BEVESTIGING PLAFOND GEPENDELD | MONTAGE PLAFOND SUSPENDU | FIXATION CEILING SUSPENDED | MONTAGE DECKE GEPENDELT | MONTAJE TECHO SUSPENDIDO | MONTAGGIO SOFFITTO SOSPESO |
|  | STAND ALONE | STAND ALONE | STAND ALONE | STAND ALONE | STAND ALONE | STAND ALONE |

| |  |  |  |  |  |  |
|---|---|---|---|--|---|---|
|  | GESCHIKT VOOR BINNEN- EN BUITENGEBRUIK | CONVIENT A USAGE INTERIEUR ET EXTERIEUR | SUITABLE FOR INDOOR AND OUTDOOR USE | EIGNET SICH FÜR INNEN- UND AUßENBEREICH | APTO PARA USO INTERIOR Y EXTERIOR | PER UTILIZZO SIA IN INTERNI CHE DA ESTERNI |
|  | VEREN VOOR HOLLE WAND | RESSORTS PRECONISES POUR FAUX-PLAFONDS | SPRINGS FOR HOLLOW SURFACES | FEDERN FÜR HOHL RAUMDECKE | MUELLES PARA UTILIZAR EN FALSOS TECHOS DE ESCAYOLA Y PLADUR | SISTEMA DI FISSAGGIO PER CONTRO-SOFFITTI IN LASTRE O PANNELLI |
|  | VEREN VOOR VOLLE WAND | RESSORTS PRECONISES POUR PLAFONDS STANDARDS | SPRINGS FOR SOLID SURFACES | FEDERN FÜR VOLL MATERIAL | MUELLES PARA UTILIZAR EN HORMIGON | SISTEMA DI FISSAGGIO PER VANI CHIUSI REALIZZATI NELLA MURATURA |
| EVG | ELEKTRONISCHE VOORSCHAKELAPPARATUUR | BALLAST ELECTRONIQUE | ELECTRONIC BALLAST | ELEKTRONISCHES VORSCHALTGERÄT | BALASTRO ELECTRONICO | REATTORE ELETTRONICO |
| EVG DIMMABLE | DIMBAAR ELEKTRONISCHE VOORSCHAKELAPPARATUUR | BALLAST ELECTRONIQUE DIMMABLE | ELECTRONIC DIMMABLE BALLAST | ELEKTRONISCHES DIMBARES VORSCHALTGERÄT | BALASTRO ELECTRONICO REGULABLE | REATTORE ELETTRONICO DIMMERABILE |
|  | LAMBDA = 0,9 | LAMBDA = 0,9 | LAMBDA = 0,9 | LAMBDA = 0,9 | LAMBDA = 0,9 | LAMBDA = 0,9 |
|  | DIMBAAR 1-10V | VARIATION 1-10V | DIMMABLE 1-10V | DIMBAR 1-10 V | REGULABLE 1-10V | DIMMERABILE 1-10V |
|  | DALI DIMBAAR | VARIATION DALI | DIMMABLE DALI | DIMBAR DALI | REGULABLE DALI | DIMMERABILE DALI |
|  | DIMBAAR FASE AFSNIJDING | COUPE PHASE DESCENDANTE | FALLING EDGE DIMMABLE | PHASENABSCHNITT DIMMUNG | REGULACION DE CORTE DESCENDENTE | REGOLAZIONE CON DIMMER A TAGLIO DI FASE |
|  | MODULATION DIM LOW-VOLTAGE | MODULATION DIM LOW-VOLTAGE | MODULATION DIM LOW-VOLTAGE | MODULATION DIM LOW-VOLTAGE | MODULATION DIM LOW-VOLTAGE | MODULATION DIM LOW-VOLTAGE |
|  | WIRELESS DIM LOW VOLTAGE | WIRELESS DIM LOW VOLTAGE | WIRELESS DIM LOW VOLTAGE | WIRELESS DIM LOW VOLTAGE | WIRELESS DIM LOW VOLTAGE | WIRELESS DIM LOW VOLTAGE |
|  | NIET DIMBAAR | NON DIMMABLE | NON DIMMABLE | NICHT DIMBAR | NO REGULABLE | NON DIMMERABILE |
|  | GESCHIKT VOOR TOEPASSING IN BADKAMERS (**) | APPLICABLE POUR SALLES DE BAINS (**) | SUITABLE FOR USE IN BATHROOM (**) | GEEIGNET FÜR INSTALLATION IM BADEZIMMER (**) | ILUMINACIÓN APTO PARA USO EN BAÑOS (**) | ILLUMINAZIONE ADATTA PER L'AMBIENTE BAGNO (**) |
|  | PAG TEC 13 | PAG TEC 13 | PAG TEC 13 | PAG TEC 13 | PAG TEC 13 | PAG TEC 13 |
|  | PAG TEC 4 | PAG TEC 4 | PAG TEC 4 | PAG TEC 4 | PAG TEC 4 | PAG TEC 4 |
|  | PAG TEC 7 | PAG TEC 7 | PAG TEC 7 | PAG TEC 7 | PAG TEC 7 | PAG TEC 7 |
|  | BEWEGINGS DETECTIE | DÉTECTION DE PRÉSENCE | PRESENCE DETECTION | PRÄSENZMELDER | DETECTOR DE PRESENCIA | RILEVATORE DI PRESENZA |
|  | TUNABLE WHITE | TUNABLE WHITE | TUNABLE WHITE | TUNABLE WHITE | TUNABLE WHITE | TUNABLE WHITE |
| SBL | GEZANDSTRAALD | SABLE | SANDBLASTED | GESANDSTRAHLTES | SATINADO | SATINATO |
| ESG | VEILIGHEIDSGLAS | VERRE DE SECURITE | SAFETY GLASS | EINSCHREIBEN SICHERHEITSGLAS | CRISTAL DE SEGURIDAD | VETRO DI SICUREZZA |
| 95 | AFMETINGEN IN MM | DIMENSIONS EN MM | DIMENSIONS IN MM | ABMESSUNGEN IN MM | DIMENSIONES EN MM | DIMENSIONI IN MM |
| TOL-DIN | TOLERANTIE VOLGENS DIN-NORMEN | TOLERANCE CONFORME AUX NORMES DIN | TOLERANCE ACCORDING TO DIN-SPECIFICATIONS | TOLERANZ NACH DIN-NORMEN | TOLERANCIA SEGUN LAS NORMAS DIN | TOLLERANZE A NORME DIN |
| DIN EN12020-2 | TOLERANTIES EXTRUSIE | TOLERANCES EXTRUSION | TOLERANCES EXTRUSION | TOLERANZEN EXTRUSION | TOLERANCIA EXTRUSION | TOLLERANZA ESTRUSIONE |
| DIN 17.611 | TOLERANTIES ANODISATIE | TOLERANCES ANODISATION | TOLERANCES ANODISATION | TOLERANZEN ELOXIERUNG | TOLERANCIA ANODIZADO | TOLLERANZA ANODIZZATO |
| DIN 55.928 | TOLERANTIES LAKWERK | TOLERANCES LAQUAGE | TOLERANCES COATING | TOLERANZEN LACKIERUNG | TOLERANCIA LACA | TOLLERANZA LACCA |



(*) CEBC is the Belgian certification body in the field of electrical equipment. IT IS PARTICIPATING IN THE CB SCHEME SINCE IT IS ACCREDITED AS A CERTIFICATION BODY FOR THE CERTIFICATION OF PRODUCTS ACCORDING TO EN 45011 AND THE CERTIFICATION OF QUALITY SYSTEMS ACCORDING TO THE STANDARD EN 45012.
 (**) CHECK COMPLIANCE WITH LOCAL REGULATIONS.
 PRODUCTS MANUFACTURED ACCORDING TO IEC/EN 60598-1 AND THE APPLICABLE SECTIONS OF IEC/EN 60598-2



INDEX

—

INDEX BY REFERENCE

| REFERENCE | PAG | REFERENCE | PAG | REFERENCE | PAG | REFERENCE | PAG |
|--------------------|--------|--------------------|--------|-----------------|--------|---------------------|--------|
| 202 11 19 | TEC 28 | 274 97 9583 PR ED1 | 51 | 300 90 136 | TEC 20 | 328 10 02 | TEC 30 |
| 202 263 811 922 | 21 | 274 97 9583 PR ED5 | 51 | 300 90 137 | TEC 5 | 328 10 03 | TEC 30 |
| 202 263 811 923 | 21 | 274 98 6583 ED1 | 51 | 300 90 145 | 54 | 328 25 43 ED | 50 |
| 202 263 811 932 | 21 | 274 98 6583 ED5 | 51 | 300 90 146 | 54 | 328 26 23 | 50 |
| 202 263 811 933 | 21 | 274 98 6583 PR ED1 | 51 | 300 90 147 | 54 | 328 26 43 | 54 |
| 202 2632 811 922 | 21 | 274 98 6583 PR ED5 | 51 | 300 90 148 | TEC 16 | 328 26 43 ED | 54 |
| 202 2632 811 923 | 21 | 274 98 9583 ED1 | 51 | 300 90 22 | TEC 16 | 328 27 40 | 110 |
| 202 2632 811 932 | 21 | 274 98 9583 ED5 | 51 | 300 90 24 ED2 | TEC 26 | 328 27 80 | 110 |
| 202 2632 811 933 | 21 | 274 98 9583 PR ED1 | 51 | 300 90 3112 | TEC 16 | 377 98 51 | 110 |
| 202 264 811 922 | 21 | 274 98 9583 PR ED5 | 51 | 300 90 312 | TEC 5 | 377 98 56 | 110 |
| 202 264 811 923 | 21 | 274 99 6583 ED1 | 53 | 300 90 330 | TEC 27 | 377 99 51 | 110 |
| 202 264 811 932 | 21 | 274 99 6583 ED5 | 53 | 300 90 331 | TEC 27 | 377 99 56 | 110 |
| 202 264 811 933 | 21 | 274 99 6583 PR ED1 | 53 | 300 90 332 | TEC 27 | 392 04 00 00 | 102 |
| 202 2642 811 922 | 21 | 274 99 6583 PR ED5 | 53 | 300 90 5120 | TEC 16 | 392 04 03 01 | 102 |
| 202 2642 811 923 | 21 | 274 99 9583 ED1 | 53 | 300 90 60 | TEC 19 | 392 04 06 01 | 102 |
| 202 2642 811 932 | 21 | 274 99 9583 ED5 | 53 | 300 90 61 | TEC 18 | 392 04 06 06 | 102 |
| 202 2642 811 933 | 21 | 274 99 9583 PR ED1 | 53 | 300 90 63 | TEC 20 | 404 00 00 | 110 |
| 202 265 1902 | 21 | 274 99 9583 PR ED5 | 53 | 300 90 64 | TEC 17 | 404 03 01 | 110 |
| 202 2652 1902 | 21 | 275 163 93 ED1 | 79 | 300 90 67 | TEC 22 | 404 06 01 | 110 |
| 202 274 811 922 | 20 | 275 164 93 ED1 | 79 | 300 90 68 | TEC 18 | 404 09 01 | 110 |
| 202 274 811 932 | 20 | 300 48 060 | 56 | 300 90 69 | TEC 20 | 404 12 93 | 75 |
| 202 275 811 922 | 20 | 300 48 350 ED1 | TEC 23 | 300 90 91 | TEC 16 | 404 12 93 ED1 | 75 |
| 202 275 811 932 | 20 | 300 48 350 ED5 | TEC 23 | 300 90 914 | TEC 17 | 404 20 93 | 75 |
| 202 276 1902 | 20 | 300 48 350 MDL | TEC 23 | 300 90 915 ED5 | TEC 11 | 404 20 93 ED1 | 75 |
| 202 91 0701 | TEC 21 | 300 48 350 WDL | TEC 23 | 300 90 915 ED8 | TEC 11 | 404 20 93 ED5 | 75 |
| 202 91 0703 | TEC 21 | 300 48 500 ED1 | TEC 23 | 300 90 92 | TEC 16 | 404 24 100 | 110 |
| 203 99 55 | TEC 30 | 300 48 500 ED5 | TEC 23 | 300 90 93 | TEC 16 | 404 24 60 ED1 | 110 |
| 203 99 56 | TEC 30 | 300 48 500 MDL | TEC 23 | 300 91 51 92 | 109 | 405 00 00 | 112 |
| 204 00 100 | TEC 30 | 300 48 500 WDL | TEC 23 | 300 91 51 93 | 109 | 405 03 01 | 112 |
| 204 00 62 | TEC 30 | 300 48 700 ED1 | TEC 23 | 300 91 51 94 | 109 | 405 06 01 | 112 |
| 204 00 90 | TEC 30 | 300 48 700 MDL | TEC 23 | 300 91 56 92 | 111 | 405 14 01 | 112 |
| 204 62 62 | TEC 30 | 300 48 700 WDL | TEC 23 | 300 91 56 93 | 111 | 405 35 30 93 ED1 | 81 |
| 204 80 80 | TEC 30 | 300 89 24 150 | TEC 25 | 300 91 56 94 | 111 | 405 35 41 93 ED1 | 81 |
| 204 90 90 | TEC 30 | 300 89 24 20 | TEC 25 | 300 92 52 33 | TEC 9 | 413 03 01 | TEC 31 |
| 216 12 00 | TEC 31 | 300 89 24 40 | TEC 25 | 300 92 52 92 | TEC 8 | 413 03 02 | TEC 31 |
| 216 12 01 | TEC 31 | 300 89 24 480 | TEC 26 | 300 92 52 93 | TEC 8 | 413 03 03 | TEC 31 |
| 216 12 02 | TEC 31 | 300 89 24 60 | TEC 25 | 300 92 52 94 | TEC 8 | 413 03 04 | TEC 31 |
| 216 14 35 | TEC 31 | 300 89 24 61 | TEC 22 | 300 92 52 93 83 | TEC 9 | 413 03 05 | TEC 31 |
| 223 122 83 | 125 | 300 89 24 80 ED1 | TEC 25 | 300 92 53 92 | TEC 8 | 414 01 00 | 30 |
| 223 126 83 | 125 | 300 89 48 100 | TEC 22 | 300 92 53 93 | TEC 8 | 414 03 00 | 29 |
| 223 24 83 | 123 | 300 89 48 150 | TEC 22 | 300 92 53 94 | TEC 8 | 414 11 00 | 25 |
| 223 26 83 | 123 | 300 89 48 240 | TEC 22 | 300 92 54 92 | TEC 8 | 414 21 00 | TEC 29 |
| 223 34 83 | 123 | 300 89 48 90 | TEC 22 | 300 92 54 93 | TEC 8 | 414 211 923 | 23 |
| 223 36 83 | 123 | 300 90 003 ED1 | TEC 26 | 300 92 54 94 | TEC 8 | 414 211 933 | 23 |
| 223 44 83 | 123 | 300 90 003 ED5 | TEC 26 | 300 92 55 2740 | TEC 8 | 414 212 822 | 23 |
| 223 46 83 | 123 | 300 90 004 ED5 | TEC 5 | 300 92 62 33 | TEC 9 | 414 212 832 | 23 |
| 223 54 83 | 120 | 300 90 004 ED8 | TEC 5 | 300 92 62 92 | TEC 8 | 414 231 923 | 23 |
| 223 55 83 | 120 | 300 90 005 | TEC 5 | 300 92 62 93 | TEC 8 | 414 231 933 | 23 |
| 223 99 01 | 122 | 300 90 006 | TEC 5 | 300 92 62 94 | TEC 8 | 414 232 822 | 23 |
| 232 012 82 | 121 | 300 90 007 | TEC 5 | 300 92 63 92 | TEC 8 | 414 232 832 | 23 |
| 232 012 83 | 121 | 300 90 008 | TEC 5 | 300 92 63 93 | TEC 8 | 414 90 01 | 27 |
| 232 022 82 | 121 | 300 90 009 | TEC 5 | 300 92 63 94 | TEC 8 | 418 161 822 MDL | 59 |
| 232 022 83 | 121 | 300 90 010 | TEC 26 | 300 92 93 04 | TEC 9 | 418 161 832 MDL | 59 |
| 232 942 83 | 122 | 300 90 011 | TEC 6 | 300 92 93 05 | TEC 9 | 418 162 822 MDL | 59 |
| 232 962 83 | 122 | 300 90 012 | TEC 6 | 300 92 93 06 | TEC 9 | 418 162 832 MDL | 59 |
| 251 81 83 | 49 | 300 90 013 | TEC 14 | 300 92 93 07 | TEC 9 | 418 163 01 | 58 |
| 270 63 06 93 | 83 | 300 90 014 | TEC 14 | 300 92 93 08 | TEC 9 | 418 163 02 | 58 |
| 270 63 12 93 | 83 | 300 90 015 | TEC 14 | 300 92 93 09 | TEC 9 | 418 163 822 MDL | 59 |
| 271 06 92 | 119 | 300 90 016 ED1 | TEC 5 | 300 96 15 | TEC 15 | 418 163 832 MDL | 59 |
| 271 06 93 | 119 | 300 90 017 | TEC 14 | 302 222 831 | 117 | 418 263 923 MDL | 59 |
| 271 08 92 ED8 | 33 | 300 90 018 | TEC 14 | 304 04 01 | TEC 29 | 418 263 933 MDL | 59 |
| 271 08 93 ED8 | 33 | 300 90 108 | TEC 16 | 304 04 15 92 | 77 | 418 361 1902 MDL | 61 |
| 274 106 00 | 55 | 300 90 110 | TEC 16 | 304 04 15 93 | 77 | 418 367 811 922 MDL | 58 |
| 274 106 01 | 55 | 300 90 116 | TEC 16 | 309 107 38 13 | TEC 7 | 418 367 811 932 MDL | 58 |
| 274 312 00 | 55 | 300 90 118 | TEC 16 | 309 107 38 23 | TEC 7 | 418 367 821 MDL | 58 |
| 274 97 10 | 51 | 300 90 119 | TEC 16 | 309 109 00 25 | TEC 7 | 418 367 831 MDL | 58 |
| 274 97 6583 ED1 | 51 | 300 90 121 | TEC 16 | 309 109 01 27 | TEC 7 | 418 368 811 922 MDL | 58 |
| 274 97 6583 ED5 | 51 | 300 90 123 | TEC 16 | 309 109 02 27 | TEC 7 | 418 368 811 932 MDL | 58 |
| 274 97 6583 PR ED1 | 51 | 300 90 124 | TEC 19 | 309 109 03 27 | TEC 7 | 418 368 821 MDL | 58 |
| 274 97 6583 PR ED5 | 51 | 300 90 125 | TEC 18 | 309 109 04 27 | TEC 7 | 418 368 831 MDL | 58 |
| 274 97 9583 ED1 | 51 | 300 90 134 | TEC 19 | 309 109 05 27 | TEC 7 | 418 48 050 | 56 |
| 274 97 9583 ED5 | 51 | 300 90 135 | TEC 17 | 309 109 06 27 | TEC 7 | 418 48 100 | 56 |

INDEX BY REFERENCE

| REFERENCE | PAG | REFERENCE | PAG | REFERENCE | PAG | REFERENCE | PAG |
|---------------------|-----|--------------------|-----|---------------------|--------|---------------------|--------|
| 418 481 07 | 57 | 424 113 02 921 ED8 | 19 | 425 01 03 01 | 104 | 471 321 1902 ED8 | 30 |
| 418 481 09 | 57 | 424 113 02 922 ED8 | 19 | 425 01 06 01 | 104 | 471 321 811 922 ED8 | 30 |
| 418 481 12 | 57 | 424 113 02 923 ED8 | 19 | 425 01 06 06 | 104 | 471 321 811 932 ED8 | 30 |
| 418 481 17 | 57 | 424 113 02 931 ED8 | 19 | 425 02 00 00 | 104 | 471 322 00 | 31 |
| 418 482 106 | 57 | 424 113 02 932 ED8 | 19 | 425 02 03 01 | 104 | 471 322 1902 ED8 | 31 |
| 418 482 109 | 57 | 424 113 02 933 ED8 | 19 | 425 02 06 01 | 104 | 471 322 811 922 ED8 | 31 |
| 418 482 211 | 57 | 424 113 04 921 ED8 | 19 | 425 02 06 06 | 104 | 471 322 811 932 ED8 | 31 |
| 418 482 217 | 57 | 424 113 04 922 ED8 | 19 | 425 02 06 16 | 104 | 472 121 811 921 | 43 |
| 418 561 93 MDL | 61 | 424 113 04 923 ED8 | 19 | 425 03 00 00 | 105 | 472 121 811 931 | 43 |
| 420 20 03 01 | 88 | 424 113 04 931 ED8 | 19 | 425 03 03 01 | 105 | 472 122 811 921 | 43 |
| 420 20 06 06 | 88 | 424 113 04 932 ED8 | 19 | 425 04 00 00 | 108 | 472 122 811 931 | 43 |
| 420 20 06 17 | 88 | 424 113 04 933 ED8 | 19 | 425 04 03 01 | 108 | 472 123 811 921 | 43 |
| 420 20 10 00 | 88 | 424 211 03 922 | 11 | 425 04 06 01 | 108 | 472 123 811 931 | 43 |
| 420 20 14 01 | 88 | 424 211 03 923 | 11 | 425 04 06 06 | 108 | 472 221 01 | 43 |
| 420 20 20 00 | 88 | 424 211 03 932 | 11 | 425 04 06 11 | 108 | 472 221 922 ED8 | 43 |
| 420 20 30 00 | 88 | 424 211 03 933 | 11 | 425 05 00 00 | 108 | 472 221 932 ED8 | 43 |
| 420 26 03 01 | 88 | 424 211 06 922 | 11 | 425 05 03 01 | 108 | 472 222 01 | 43 |
| 420 26 10 00 | 88 | 424 211 06 923 | 11 | 425 05 06 01 | 108 | 472 222 922 ED8 | 43 |
| 420 26 20 00 | 88 | 424 211 06 932 | 11 | 425 05 06 06 | 108 | 472 222 932 ED8 | 43 |
| 420 26 30 00 | 88 | 424 211 06 933 | 11 | 425 05 14 01 | 108 | 472 321 00 | 45 |
| 420 52 03 01 | 89 | 424 213 02 921 | 15 | 425 09 01 | 108 | 472 322 00 | 45 |
| 420 52 06 06 | 89 | 424 213 02 922 | 15 | 425 27 811 921 | 106 | 472 331 00 | 45 |
| 420 52 06 17 | 89 | 424 213 02 923 | 15 | 425 27 811 931 | 106 | 472 361 00 | 33 |
| 420 52 10 00 | 89 | 424 213 02 931 | 15 | 425 97 51 | 108 | 472 362 00 | 47 |
| 420 52 10 00 | 89 | 424 213 02 932 | 15 | 426 00 00 | 100 | 473 01 00 | 36 |
| 420 52 30 00 | 89 | 424 213 02 933 | 15 | 426 03 01 | 100 | 473 03 01 | TEC 31 |
| 420 52 98 01 | 89 | 424 213 04 921 | 15 | 426 06 01 | 100 | 473 03 04 | TEC 31 |
| 421 142 1902 MDL | 97 | 424 213 04 922 | 15 | 426 14 01 | 100 | 473 111 811 922 | 36 |
| 421 148 1902 MDL | 97 | 424 213 04 923 | 15 | 43 11 831 | 129 | 473 111 811 932 | 36 |
| 421 228 1902 D MDL | 97 | 424 213 04 931 | 15 | 43 11 832 | 129 | 473 111 821 | 36 |
| 421 313 06 93 MDL | 91 | 424 213 04 932 | 15 | 43 11 833 | 129 | 473 111 831 | 36 |
| 421 313 08 93 MDL | 91 | 424 213 04 933 | 15 | 43 11 834 | 129 | 473 112 811 922 | 37 |
| 421 313 10 93 MDL | 91 | 424 222 04 921 | 13 | 43 11 841 | 129 | 473 112 811 932 | 37 |
| 421 313 12 93 MDL | 91 | 424 222 04 922 | 13 | 43 11 842 | 129 | 473 131 811 922 | 38 |
| 422 111 93 | 65 | 424 222 04 923 | 13 | 43 11 843 | 129 | 473 131 811 932 | 38 |
| 422 111 93 ED1 | 65 | 424 222 04 931 | 13 | 43 11 844 | 129 | 473 131 812 922 ED1 | 41 |
| 422 111 93 ED5 | 65 | 424 222 04 932 | 13 | 431 03 01 | TEC 31 | 473 131 812 932 ED1 | 41 |
| 422 112 93 | 65 | 424 222 04 933 | 13 | 431 03 02 | TEC 31 | 473 131 821 | 38 |
| 422 112 93 ED1 | 65 | 424 242 02 92 | 16 | 431 400 111 11 | 131 | 473 131 831 | 38 |
| 422 112 93 ED5 | 65 | 424 242 02 93 | 16 | 431 400 111 211 | 131 | 473 132 811 922 | 39 |
| 422 121 93 | 65 | 424 242 06 92 | 17 | 431 400 111 221 | 131 | 473 132 811 932 | 39 |
| 422 121 93 ED1 | 65 | 424 242 06 93 | 17 | 431 400 111 31 | 131 | 473 151 821 MDL | 95 |
| 422 121 93 ED5 | 65 | 424 242 08 92 | 17 | 431 400 111 41 | 131 | 473 151 831 MDL | 95 |
| 422 122 93 | 65 | 424 242 08 93 | 17 | 431 400 221 11 | 131 | 473 152 811 922 MDL | 95 |
| 422 122 93 ED1 | 65 | 424 242 12 92 | 17 | 431 400 221 211 | 131 | 473 152 811 932 MDL | 95 |
| 422 122 93 ED5 | 65 | 424 242 12 93 | 17 | 431 400 221 221 | 131 | 473 211 811 922 | 37 |
| 422 131 83 | 67 | 424 512 04 00 | 13 | 431 400 221 31 | 131 | 473 211 811 932 | 37 |
| 422 132 83 | 67 | 424 512 04 921 | 13 | 431 400 221 41 | 131 | 473 211 821 | 37 |
| 422 141 93 | 67 | 424 512 04 922 | 13 | 431 600 121 11 | 131 | 473 211 831 | 37 |
| 422 141 93 ED1 | 67 | 424 512 04 923 | 13 | 431 600 121 211 | 131 | 473 212 811 922 | 37 |
| 422 141 93 ED5 | 67 | 424 512 04 931 | 13 | 431 600 121 221 | 131 | 473 212 811 932 | 37 |
| 422 142 93 | 67 | 424 512 04 932 | 13 | 431 600 121 31 | 131 | 473 231 811 922 | 39 |
| 422 142 93 ED1 | 67 | 424 512 04 933 | 13 | 431 600 121 41 | 131 | 473 231 811 932 | 39 |
| 422 142 93 ED5 | 67 | 424 612 04 921 MDL | 91 | 431 600 321 11 | 131 | 473 231 812 922 ED1 | 41 |
| 422 161 811 932 | 69 | 424 612 04 922 MDL | 91 | 431 600 321 211 | 131 | 473 231 812 932 ED1 | 41 |
| 422 161 811 932 ED1 | 69 | 424 612 04 923 MDL | 91 | 431 600 321 221 | 131 | 473 231 821 | 39 |
| 422 161 811 932 ED5 | 69 | 424 612 04 931 MDL | 91 | 431 600 321 31 | 131 | 473 231 831 | 39 |
| 422 162 811 932 | 69 | 424 612 04 932 MDL | 91 | 431 600 321 41 | 131 | 473 232 811 922 | 39 |
| 422 162 811 932 ED1 | 69 | 424 612 04 933 MDL | 91 | 431 99 01 | 131 | 473 232 811 932 | 39 |
| 422 162 811 932 ED5 | 69 | 424 642 02 92 MDL | 92 | 471 111 811 921 | 27 | 473 251 821 MDL | 95 |
| 422 912 93 WDL | 71 | 424 642 02 93 MDL | 92 | 471 111 811 931 | 27 | 473 251 831 MDL | 95 |
| 422 99 01 | 65 | 424 642 06 92 MDL | 93 | 471 151 811 921 MDL | 94 | 473 252 811 922 MDL | 95 |
| 424 01 00 00 | 98 | 424 642 06 93 MDL | 93 | 471 151 811 931 MDL | 94 | 473 252 811 932 MDL | 95 |
| 424 01 03 01 | 98 | 424 642 08 92 MDL | 93 | 471 221 922 ED8 | 29 | | |
| 424 01 06 01 | 98 | 424 642 08 93 MDL | 93 | 471 221 932 ED8 | 29 | | |
| 424 01 06 06 | 98 | 424 642 12 92 MDL | 93 | 471 222 922 ED8 | 29 | | |
| 424 02 00 00 | 98 | 424 642 12 93 MDL | 93 | 471 222 932 ED8 | 29 | | |
| 424 02 03 01 | 98 | 425 01 00 00 | 104 | 471 321 00 | 31 | | |

INDEX

FLEMISH GOLD & FLEMISH BRONZE

Following reference numbers are available in the new colours FG & FBR.



| NAME | REFERENCE | PAG |
|------------------------------------|-------------------------|---------|
| SPY TUBE FBR | 414 01 00 FBR | INT 109 |
| SPY TUBE FG | 414 01 00 FG | INT 109 |
| SPY TUBE S FBR | 414 02 00 FBR | INT 032 |
| SPY TUBE S FG | 414 02 00 FG | INT 032 |
| SUPERLOOP HC 120 MDL FBR | 418 481 12 FBR | INT 331 |
| SUPERLOOP HC 120 MDL FG | 418 481 12 FG | INT 331 |
| SUPERLOOP HC 120 SBL 930 FBR | 321 112 93 FBR | INT 323 |
| SUPERLOOP HC 120 SBL 930 FG | 321 112 93 FG | INT 323 |
| SUPERLOOP HC 120 SPR 930 FBR | 321 212 93 FBR | INT 323 |
| SUPERLOOP HC 120 SPR 930 FG | 321 212 93 FG | INT 323 |
| SUPERLOOP HC 170 MDL FBR | 418 481 17 FBR | INT 331 |
| SUPERLOOP HC 170 MDL FG | 418 481 17 FG | INT 331 |
| SUPERLOOP HC 170 SBL 930 FBR | 321 117 93 FBR | INT 323 |
| SUPERLOOP HC 170 SBL 930 FG | 321 117 93 FG | INT 323 |
| SUPERLOOP HC 170 SPR 930 FBR | 321 217 93 FBR | INT 323 |
| SUPERLOOP HC 170 SPR 930 FG | 321 217 93 FG | INT 323 |
| SUPERLOOP HC 70 MDL FBR | 418 481 07 FBR | INT 331 |
| SUPERLOOP HC 70 MDL FG | 418 481 07 FG | INT 331 |
| SUPERLOOP HC 70 SBL 930 FBR | 321 107 93 FBR | INT 323 |
| SUPERLOOP HC 70 SBL 930 FG | 321 107 93 FG | INT 323 |
| SUPERLOOP HC 70 SPR 930 FBR | 321 207 93 FBR | INT 323 |
| SUPERLOOP HC 70 SPR 930 FG | 321 207 93 FG | INT 323 |
| SUPERLOOP HC 90 MDL FBR | 418 481 09 FBR | INT 331 |
| SUPERLOOP HC 90 MDL FG | 418 481 09 FG | INT 331 |
| SUPERLOOP HC 90 SBL 930 FBR | 321 109 93 FBR | INT 323 |
| SUPERLOOP HC 90 SBL 930 FG | 321 109 93 FG | INT 323 |
| SUPERLOOP HC 90 SPR 930 FBR | 321 209 93 FBR | INT 323 |
| SUPERLOOP HC 90 SPR 930 FG | 321 209 93 FG | INT 323 |
| SUPERLOOP VC 120 SBL 930 FBR | 321 512 93 FBR | INT 325 |
| SUPERLOOP VC 120 SBL 930 FG | 321 512 93 FG | INT 325 |
| SUPERLOOP VC 70 SBL 930 FBR | 321 507 93 FBR | INT 325 |
| SUPERLOOP VC 70 SBL 930 FG | 321 507 93 FG | INT 325 |
| SUPERLOOP VC 90 SBL 930 FBR | 321 509 93 FBR | INT 325 |
| SUPERLOOP VC 90 SBL 930 FG | 321 509 93 FG | INT 325 |
| SUPERLOOP VR 120 SBL 930 FBR | 321 412 93 FBR | INT 327 |
| SUPERLOOP VR 120 SBL 930 FG | 321 412 93 FG | INT 327 |
| SUPERLOOP VR 70 SBL 930 FBR | 321 407 93 FBR | INT 327 |
| SUPERLOOP VR 70 SBL 930 FG | 321 407 93 FG | INT 327 |
| SUPERLOOP VR 90 SBL 930 FBR | 321 409 93 FBR | INT 327 |
| SUPERLOOP VR 90 SBL 930 FG | 321 409 93 FG | INT 327 |
| SUPERLOOP-SPY FOCUS ON 927 MDL FBR | 418 365 811 92 MDL FBR | INT 331 |
| SUPERLOOP-SPY FOCUS ON 927 MDL FG | 418 365 811 92 MDL FG | INT 331 |
| SUPERLOOP-SPY FOCUS ON 930 MDL FBR | 418 365 811 93 MDL FBR | INT 331 |
| SUPERLOOP-SPY FOCUS ON 930 MDL FG | 418 365 811 93 MDL FG | INT 331 |
| SUPERLOOP-SPY ON 92718 MDL FBR | 418 361 811 921 MDL FBR | INT 331 |
| SUPERLOOP-SPY ON 92718 MDL FG | 418 361 811 921 MDL FG | INT 331 |
| SUPERLOOP-SPY ON 92733 MDL FBR | 418 361 811 922 MDL FBR | INT 331 |
| SUPERLOOP-SPY ON 92733 MDL FG | 418 361 811 922 MDL FG | INT 331 |
| SUPERLOOP-SPY ON 93018 MDL FBR | 418 361 811 931 MDL FBR | INT 331 |
| SUPERLOOP-SPY ON 93018 MDL FG | 418 361 811 931 MDL FG | INT 331 |
| SUPERLOOP-SPY ON 93033 MDL FBR | 418 361 811 932 MDL FBR | INT 331 |
| SUPERLOOP-SPY ON 93033 MDL FG | 418 361 811 932 MDL FG | INT 331 |
| SUPERLOOP-SPY ON HP 92733 MDL FBR | 418 361 21 921 MDL FBR | INT 331 |
| SUPERLOOP-SPY ON HP 92733 MDL FG | 418 361 21 921 MDL FG | INT 331 |
| SUPERLOOP-SPY ON HP 93033 MDL FBR | 418 361 21 931 MDL FBR | INT 331 |
| SUPERLOOP-SPY ON HP 93033 MDL FG | 418 361 21 931 MDL FG | INT 331 |
| SUPERNOVA XS 260 DIM1 FBR | 274 87 2515 ED1 FBR | INT 355 |
| SUPERNOVA XS 260 DIM1 FG | 274 87 2515 ED1 FG | INT 355 |
| SUPERNOVA XS 260 DIM5 FBR | 274 87 2515 ED5 FBR | INT 355 |
| SUPERNOVA XS 260 DIM5 FG | 274 87 2515 ED5 FG | INT 355 |
| SUPERNOVA XS 260 FBR | 274 87 2515 FBR | INT 355 |
| SUPERNOVA XS 260 FG | 274 87 2515 FG | INT 355 |
| SUPERNOVA XS 330 DIM1 FBR | 274 87 3224 ED1 FBR | INT 355 |
| SUPERNOVA XS 330 DIM1 FG | 274 87 3224 ED1 FG | INT 355 |
| SUPERNOVA XS 330 DIM5 FBR | 274 87 3224 ED5 FBR | INT 355 |
| SUPERNOVA XS 330 DIM5 FG | 274 87 3224 ED5 FG | INT 355 |
| SUPERNOVA XS 330 FBR | 274 87 3224 FBR | INT 355 |
| SUPERNOVA XS 330 FG | 274 87 3224 FG | INT 355 |

Manufacturer Delta Light® nv

Product Design - Research - Development: Delta Light® Team & Nice 2C
Coordination - Concept: Delta Light® Team & Nice 2C
Graphic Design - Realisation: Delta Light® Team & Nice 2C

Finally, to everyone who contributed in some way
to the realisation of The Lighting Bible® 12 NEW COLLECTION... **Thanks.**

Copyright © Delta Light® nv
03-2018 - First Edition

Made in Belgium

For the latest edition of the Lighting Bible®, please visit **www.deltalight.com**

All information in this catalogue is provided for information purposes only and Delta Light® NV makes no representations about the accuracy or completeness of the information in this catalogue. Delta Light® NV may, in its sole discretion, revise the information and technical data contained herein at any time without notice. The catalogue does not contain any guarantee on the Delta Light® NV products nor any warranty of merchantability or fitness for a particular purpose or use. All Delta Light® products are supplied without lamps and any lamp data is given as a mere example.

The general terms & conditions of Delta Light® NV shall be applicable on each sale of a Delta Light® product. Any trademarks, texts, images, graphics, designs and other information in this catalogue are the sole property and subject to the intellectual property rights of Delta Light® NV and may not be copied, modified or used for any purpose without Delta Light®'s prior written consent.



A FAMILY BUSINESS

Delta Light®'s success is built on the determination, passion and talent of our global team.
We hereby **thank** all our colleagues and partners for their invaluable work.

The lighting industry is evolving and growing at very high speed.
As a family run business we have a personal stake in keeping our clients happy.
As such we are committed to making a difference through original designs,
outstanding service levels, eye for detail and personal contact, striving to be the best in all we do.

Our product development process is based on a combination of creativity and technological innovation.
It's our mission to present the world a portfolio of lighting solutions that satisfy people's desires and needs,
creating a perfect symbiosis between architecture, function and atmosphere.



WORLD WIDE



For additional product information,
technical downloads, project inspiration,
contact details and much more... please go to
www.deltalight.com

Whether you access the site via your desktop
computer or mobile device, an inspiring
platform opens up with up-to-date content,
exciting images, extensive product information,
upgraded user experience...
all in a fresh look & feel.

The **product search engine** will quickly guide
you to the right product page, where you can
download 3D files, Revit files, product data
sheets, manual, IES files and drawings.

The **My Delta Light® Toolbox**
helps you to quickly collect, save, download
and share images and product information.
Start creating your personal shortlists and
share them with your partner, client, architect,
electrical installer or other people involved in
your project. You are free to use this feature
without login, or you can register to save and
edit multiple pinlists.

If you are looking for a contact person in your
region or country please go to
www.deltalight.com/contact

Enjoy your visit.

HQ

Headquarters
Delta Light® nv
Muizelstraat 2
B-8560 Wevelgem (Moorsele)
Belgium
T +32 (0)56 435 735
F +32 (0)56 435 736
info@deltalight.com
www.deltalight.com

OFFICES

Asia
Delta Light Asia
asia@deltalight.com
www.deltalight.asia
Southeast Asia
T +65 9832 3753
Hong Kong – Macau - North East Asia
T +66 980 165 965
China
T +86 138 1070 8782

France
Delta Light SAS
T +33 (0)9 70 73 52 42
T +33 (0)9 70 73 52 43
france@deltalight.com
www.deltalight.fr

Latin America
Delta Light Latin America
M +32 492 724 070
latin@deltalight.com
www.deltalight-latin.com

Colombia
T +57 1 749 5307
M +57 321 202 5501
colombia@deltalight.com

Mexico
M +52 1 55 7391 6933
mexico@deltalight.com

Russia, Eastern Europe, Middle Asia
Delta Light REEMA
reema@deltalight.com
www.deltalight.ru

Moscow
T +7 926 167 76 98
Saint-Petersburg
T +7 921 79 183 88

The Netherlands
Delta Light Nederland B.V.
T +31 (0)88 80 40 600
F +31 (0)88 80 40 699
netherlands@deltalight.com
www.deltalight.nl

Belgium / Luxembourg
Delta Light® nv
T +32 (0)56 435 735
F +32 (0)56 435 736
belux@deltalight.com
www.deltalight.be

Germany / Austria
Delta Line + Light GmbH
T +49 (0)2451 4090-0
F +49 (0)2451 4090-200
germany@deltalight.com
www.deltalight.de

Middle East & North Africa
Delta Light Mena
T +961 1 491 175
mena@deltalight.com
www.deltalight-mena.com

Dubai
Delta Light EMEA
T +971 52 530 35 90

Slovakia
Delta Light Slovakia s.r.o.
T +421 2 6353 0180
F +421 2 6353 0181
slovakia@deltalight.com
www.deltalight.sk

United Kingdom
Delta Light UK LTD
T +44 (0)20 7960 5030
uk@deltalight.com
www.deltalight.co.uk

Canada
Delta Light Canada Inc.
T +1 905 813 6130
F +1 289 805 7388
canada@deltalight.com
www.deltalight.ca

India
Delta Light India
T +91 8130 33 88 17
india@deltalight.com
www.deltalight.com

Poland
Delta Light Poland
T +48 698 33 00 03
poland@deltalight.com
www.deltalight.pl

Spain
Iluminación Delta Light España S.A.
T +34 (0)93 586 19 00
F +34 (0)93 697 95 00
spain@deltalight.com
www.deltalight.es

USA
Delta Light USA, LLC.
T +1 (954) 677 9800
F +1 (954) 677 1007
usa@deltalight.us
www.deltalight.us

New York
T +1 (646) 709 5605
nyc@deltalight.us

Los Angeles
T +1 (213) 509 2580
la@deltalight.us

Chicago
T +1 (646) 709-5605
chicago@deltalight.us

Czech Republic
Delta Light Czech s.r.o.
T¹ +420 241 740 775
T² +420 241 740 776
czech@deltalight.com
www.deltalight.cz

Italy
Delta Light Italia S.r.l.
T¹ +39 0 571 82226
T² +39 0 571 93541
F +39 0 571 83594
italy@deltalight.com
www.deltalight.it

Switzerland
Delta Light AG
T +41 (0)61 485 99 10
F +41 (0)61 485 99 11
switzerland@deltalight.com
www.deltalight.ch

deltalight.com/contact

 DELTALIGHT