

Non-Hold Open High-Efficiency Toilet Flushometer Valve - 1.28 gpf

FEATURES

- Manual operated, non-hold open, toilet flushometer valve complete with 1" angle stop and 1-1/2" vacuum breaker set
- Piston valve action with 1.28 gpf
- Left/right rough-in

MODELS

- TMT1LN#CP
Valve only, Right/Left hand rough
- TMT1LN32#CP (1-1/2" Vacuum breaker)
Right/Left hand rough
Complete set supplied with:
Vacuum breaker & angle stop set - VB9CP-32
 - 1" Angle stop - 10077t3
 - 1-1/2" Vacuum breaker - 10075t1
 - Spud nut & escutcheon - 71051Nt6
 - Sweat solder kit - TH559EDVSJ3
- Optional Parts:
Z-4000-J - Adapter for ground joint angle stops
10075T1L - 24" Long 1-1/2" vacuum breaker tube

COLORS/FINISHES

- #CP Polished Chrome

CODES/STANDARDS

- Meets or exceeds ASSE 1037, CSA B125.3
- Certifications: IAPMO(cUPC), ASSE, State of Massachusetts, City of Los Angeles, and others
- Code Compliance: UPC, IPC, NSPC, NPC Canada, and others
- ADA compliant



PRODUCT SPECIFICATION

TOTO® Model No. _____
Manual toilet flushometer valve, non-hold-open piston type with self-cleaning debris screen and precise flushing capability. Low water consumption of 1.28 gpf / 4.8 lpf Polished Chrome exterior, angle stop with back-check and vacuum breaker included.

TMT1LN Series

Non-Hold Open High-Efficiency Toilet Flushometer Valve - 1.28 gpf

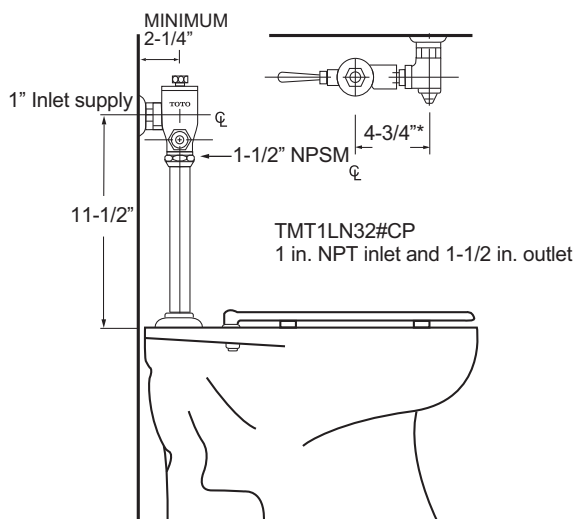
SPECIFICATIONS

- Warranty Three Year Warranty
- Material Bronze casting with polished chrome finish
- Water Supply 1" NPT
- Fixture type Flushometer valve bowl
- Supply water pressure 35 psi (flowing) - 100 psi*
(minimum flow rate of 23 gpm)

These specifications are subject to change without notice.

*Water pressures over 80 psi are not recommended for most plumbing fixtures.

Check your local plumbing code for details.



*Adjustable to + 1/2" from standard

TOTO

These dimensions and specifications are subject to change without notice

Non-Hold Open Toilet Flushometer Valve - 1.6 gpf

FEATURES

- Manual operated, non-hold open, toilet flushometer valve complete with 1" angle stop and 1-1/2" vacuum breaker set
- Piston valve action with 1.6 gpf
- Left/right rough-in

MODELS

- TMT1NNC
Valve only, Right/Left hand rough
- TMT1NNC-32 (1-1/2" Vacuum breaker)
Right/Left hand rough
Complete set supplied with:
Vacuum breaker & angle stop set - VB9CP-32
 - 1" Angle stop - 10077t3
 - 1-1/2" Vacuum breaker - 10075t1
 - Spud nut & escutcheon - 71051Nt6
 - Sweat solder kit - TH559EDVSJ3
- Optional Parts:
Z-4000-J - Adapter for ground joint angle stops
10075T1L - 24" Long 1-1/2" vacuum breaker tube



PRODUCT SPECIFICATION

TOTO® Model No. _____
Manual toilet flushometer valve, non-hold-open piston type with self-cleaning debris screen and precise flushing capability. Low consumption 1.6 gpf models available. Polished Chrome exterior, angle stop with back-check and vacuum breaker included.

COLORS/FINISHES

- #CP Polished Chrome

CODES/STANDARDS

- Meets or exceeds ASSE 1037, CSA B125.3
- Certifications: IAPMO(cUPC), ASSE, State of Massachusetts, City of Los Angeles, and others
- Code Compliance: UPC, IPC, NSPC, NPC Canada, and others
- ADA compliant



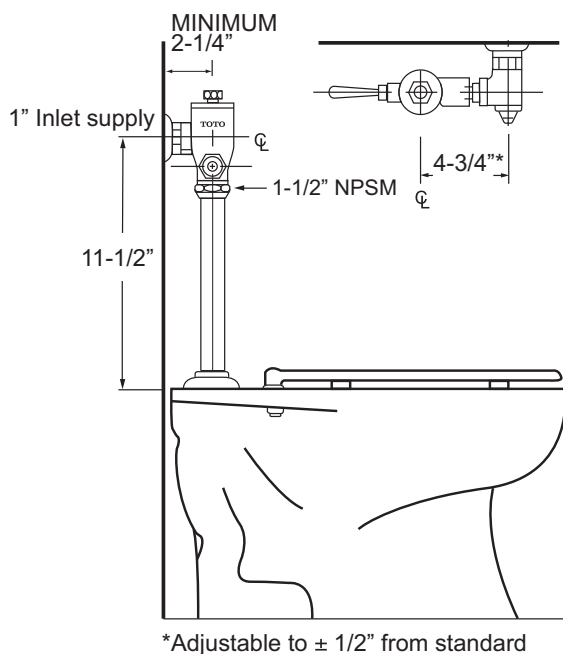
TMT1NNC Series

Non-Hold Open Toilet Flushometer Valve - 1.6 gpf

SPECIFICATIONS

- Warranty Three Year Warranty
- Material Bronze casting with polished chrome finish
- Water Supply 1" NPT
- Fixture type Flushometer valve bowl
- Supply water pressure 1.6 gpf / 6.0 lpf
- Supply water pressure 15 psi - 100 psi*

These specifications are subject to change without notice.
*Water pressures over 80 psi are not recommended for most plumbing fixtures.
Check your local plumbing code for details.



TOTO

These dimensions and specifications are subject to change without notice

EcoPower® High-Efficiency Toilet Flush Valve, 1.28 gpf

FEATURES

- 1.28 GPF
- Self-powered hydroelectric flush valve system
- No minimum daily usage requirement
- Durable chrome plated body with tamper-proof screws and solid bronze valve body
- Self-cleaning piston valve with 360° filter screen
- Neutral rough-in and adjustable tail piece connection
- True mechanical flush override
- Smart sensor with self-adjusting detection range
- 6-second detection time to prevent ghost flushing
- For toilet with 1-1/2" top spud inlet
- Exposed flush valve with 1" angle stop and 1-1/2" vacuum breaker set
- ADA compliant

MODELS

- TET1LA32#CP
 - TET1LA#CP (1.28 gpf flush valve)
 - VB9CP-32 (1-1/2" vacuum breaker tube, 1" angle stop)

COLORS/FINISHES

- #CP Polished Chrome

OPTIONAL ACCESSORIES

- Z-4000-J - Adapter for ground joint angle stops

CODES/STANDARDS

- Meets or exceeds ASSE 1037, CSA B125.3
- Certifications: IAPMO(cUPC), EPA WaterSense, ASSE, State of Massachusetts, and others
- Code Compliance: UPC, IPC, NSPC, NPC Canada, and others
- Complies with CA Title 20 regulations and CalGreen when used with a 1.28 gpf water closet
- ADA compliant



CALGreen



EcoPower



Auto Functions



Piston Valve

PRODUCT SPECIFICATION

TOTO® Model No. _____
 Product shall be 1.28 GPF. Product shall be an automatic infrared sensor-activated, toilet flush valve. Product shall use hydropower, EcoPower flush valve system. Product shall have durable chrome plated body with tamper-proof screws and solid bronze valve body. Product shall have smart sensor with self-adjusting detection range. Product shall have neutral rough-in and adjustable tail piece connection. Product shall have smart sensor with self-adjusting detection range. Product shall have true mechanical flush override. Product shall have 6-second detection time to prevent ghost flushing. Product shall have piston with debris screen and solenoid with self-cleaning mechanism. Product shall be ADA compliant.

TET1LA

EcoPower® High-Efficiency Toilet Flush Valve, 1.28 gpf

SPECIFICATIONS

- Material: Bronze casting
- Power supply: EcoPower
- Sensor detection time: Factory setting at six (6) seconds minimum
- Sensor detection range: Self-adjusting to environment
- Discharge quantity: Preset to 1.28 gpf/ 4.8 lpf
- Operating temperature: 32°-104°F (0°-40°C)
- Water supply pressure: 35 psi - 125 psi*
- Water supply connection: 1" NPT
- Warranty: Three year limited

*Water pressures over 80 psi are not recommended for most plumbing fixtures. Check your local plumbing code for details.

INSTALLATION NOTES

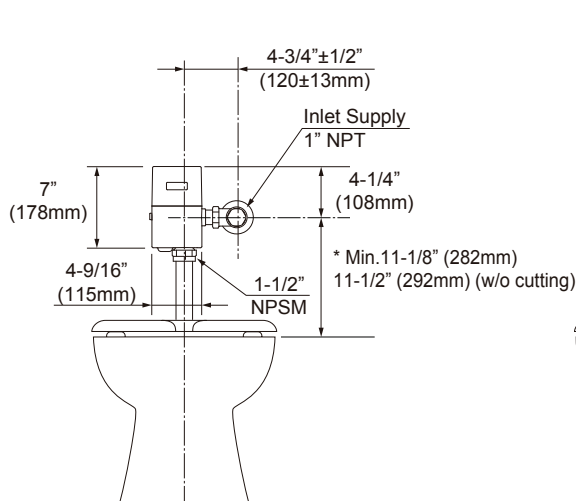
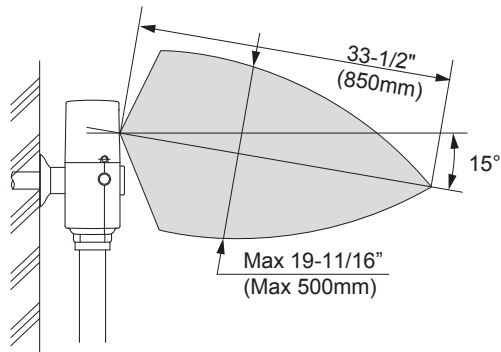
For commercial applications only.
Warning: Failure to properly adjust angle stop to the appropriate level can potentially cause property damage.

For detailed installation instructions, please refer to the installation manual.

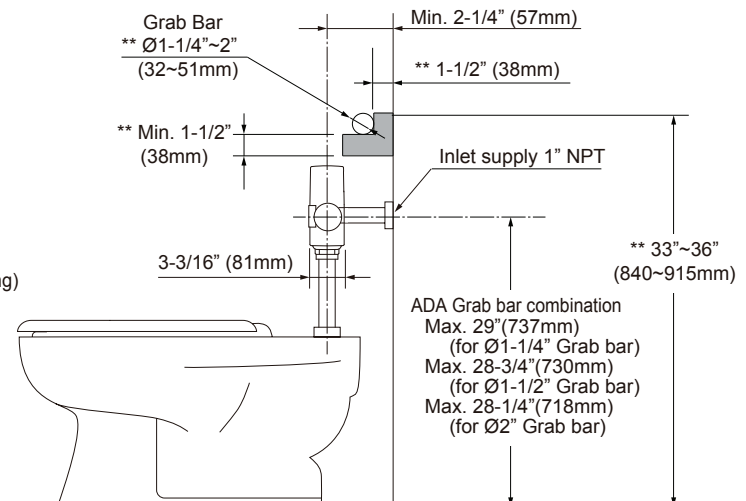
Max flow rate to be used with TET1LA_____: 1.28 gpf

Confirm with local codes and standards for floor drain requirement. Adjust control stop for proper flow rate to the fixture.

DIAGRAM



* Check local codes



** ADA 2010 Section 609

TOTO®

These dimensions and specifications are subject to change without notice

EcoPower® Toilet Flush Valve, 1.6 gpf

FEATURES

- 1.6 GPF
- Self-powered hydroelectric flush valve system
- No minimum daily usage requirement
- Durable chrome plated body with tamper-proof screws and solid bronze valve body
- Self-cleaning piston valve with 360° filter screen
- Neutral rough-in and adjustable tail piece connection
- True mechanical flush override
- Smart Sensor with self-adjusting detection range
- 6-second detection time to prevent ghost flushing
- For toilet with 1-1/2" top spud inlet
- Exposed flush valve with 1" angle stop and 1-1/2" vacuum breaker set
- ADA compliant

MODELS

- TET1GA32#CP
 - TET1GA#CP (1.6 gpf flush valve)
 - VB9CP-32 (1-1/2" vacuum breaker tube, 1" angle stop)

COLORS/FINISHES

- #CP Polished Chrome

OPTIONAL ACCESSORIES

- Z-4000-J - Adapter for ground joint angle stops

CODES/STANDARDS

- Meets or exceeds ASSE 1037, CSA B125.3
- Certifications: IAPMO(cUPC), ASSE, State of Massachusetts, and others
- Code Compliance: UPC, IPC, NSPC, NPC Canada, and others
- ADA compliant



Piston Valve

PRODUCT SPECIFICATION

TOTO® Model No. _____
 Product shall be 1.6 GPF. Product shall be an automatic infrared sensor-activated, toilet flush valve. Product shall use hydropower, EcoPower flush valve system. Product shall have durable chrome plated body with tamper-proof screws and solid bronze valve body. Product shall have smart sensor with self-adjusting detection range. Product shall have neutral rough-in and adjustable tail piece connection. Product shall have smart sensor with self-adjusting detection range. Product shall have true mechanical flush override. Product shall have 6-second detection time to prevent ghost flushing. Product shall have piston with debris screen and solenoid with self-cleaning mechanism. Product shall be ADA compliant.

TET1GA

EcoPower® Toilet Flush Valve, 1.6 gpf

SPECIFICATIONS

- Material: Bronze casting
- Power supply: EcoPower
- Sensor detection time: Factory setting at six (6) seconds minimum
- Sensor detection range: Self-adjusting to environment
- Discharge quantity: Preset to 1.6 gpf/ 6.0 lpf
- Operating temperature: 32°-104°F (0°-40°C)
- Water supply pressure: 15 psi - 125 psi*
- Water supply connection: 1" NPT
- Warranty: Three year limited

*Water pressures over 80 psi are not recommended for most plumbing fixtures. Check your local plumbing code for details.

INSTALLATION NOTES

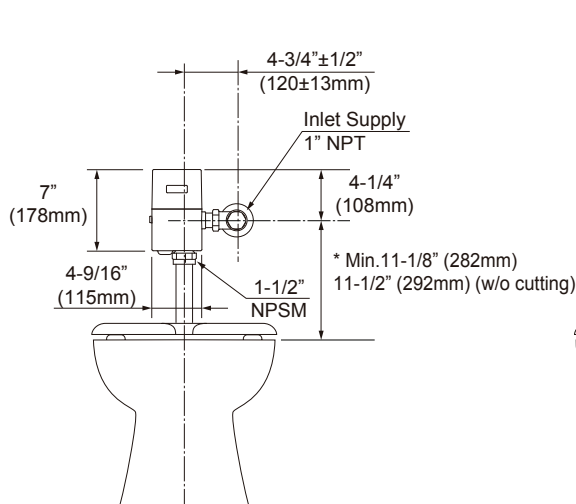
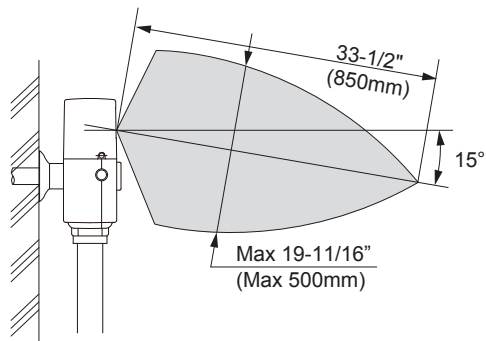
For commercial applications only.
Warning: Failure to properly adjust angle stop to the appropriate level can potentially cause property damage.

For detailed installation instructions, please refer to the installation manual.

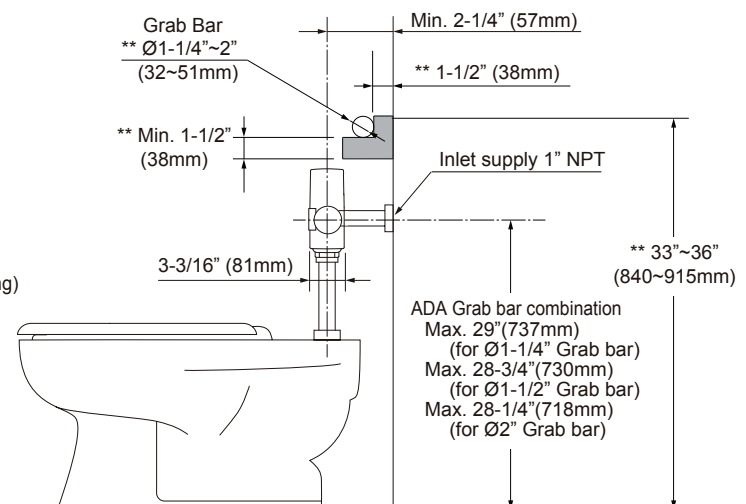
Max flow rate to be used with TET1GA_____: 1.6 gpf

Confirm with local codes and standards for floor drain requirement. Adjust control stop for proper flow rate to the fixture.

DIAGRAM



* Check local codes



** ADA 2010 Section 609

TOTO

These dimensions and specifications are subject to change without notice

EcoPower® Toilet Flush Valve, 1.6 gpf

FEATURES

- 1.6 GPF
- Self-powered hydroelectric flush valve system
- No minimum daily usage requirement
- Durable chrome plated body with tamper-proof screws and solid bronze valve body
- Self-cleaning piston valve with 360° filter screen
- Neutral rough-in and adjustable tail piece connection
- True mechanical flush override
- Smart sensor with self-adjusting detection range
- 6-second detection time to prevent ghost flushing
- For toilet with 1-1/2" top spud inlet using 24" vacuum breaker tube
- Exposed flush valve with 1" angle stop and 1-1/2" vacuum breaker set
- ADA compliant

MODELS

- TET6GA32#CP
 - TET6GA#CP (1.6 gpf flush valve)
 - VBXCP-32 (1-1/2" vacuum breaker tube, 1" angle stop)
 - 10075T1L (24-1/2" Long 1-1/2" Chrome plated vacuum breaker tub)

COLORS/FINISHES

- #CP Polished Chrome

OPTIONAL ACCESSORIES

- Z-4000-J - Adapter for ground joint angle stops

CODES/STANDARDS

- Meets or exceeds ASSE 1037, CSA B125.3
- Certifications: IAPMO(cUPC), ASSE, State of Massachusetts, and others
- Code Compliance: UPC, IPC, NSPC, NPC Canada, and others
- ADA compliant



EcoPower



Auto Functions



Piston Valve

PRODUCT SPECIFICATION

TOTO® Model No. _____

Product shall be 1.6 GPF. Product shall be an automatic infrared sensor-activated, toilet flush valve designed to pair with 24" vacuum breakers. Product shall use hydropower, EcoPower flush valve system. Product shall have durable chrome plated body with tamper-proof screws and solid bronze valve body. Product shall have smart sensor with self-adjusting detection range. Product shall have neutral rough-in and adjustable tail piece connection. Product shall have smart sensor with self-adjusting detection range. Product shall have true mechanical flush override. Product shall have 6-second detection time to prevent ghost flushing. Product shall have piston with debris screen and solenoid with self-cleaning mechanism. Product shall be ADA compliant.

TET6GA

EcoPower® Toilet Flush Valve, 1.6 gpf

SPECIFICATIONS

- Material: Bronze casting
- Power supply: EcoPower
- Sensor detection time: Factory setting at six (6) seconds minimum
- Sensor detection range: Self-adjusting to environment
- Discharge quantity: Preset to 1.6 gpf/ 6.0 lpf
- Operating temperature: 32°-104°F (0°-40°C)
- Water supply pressure: 15 psi - 125 psi*
- Water supply connection: 1" NPT
- Warranty: Three year limited

*Water pressures over 80 psi are not recommended for most plumbing fixtures. Check your local plumbing code for details.

INSTALLATION NOTES

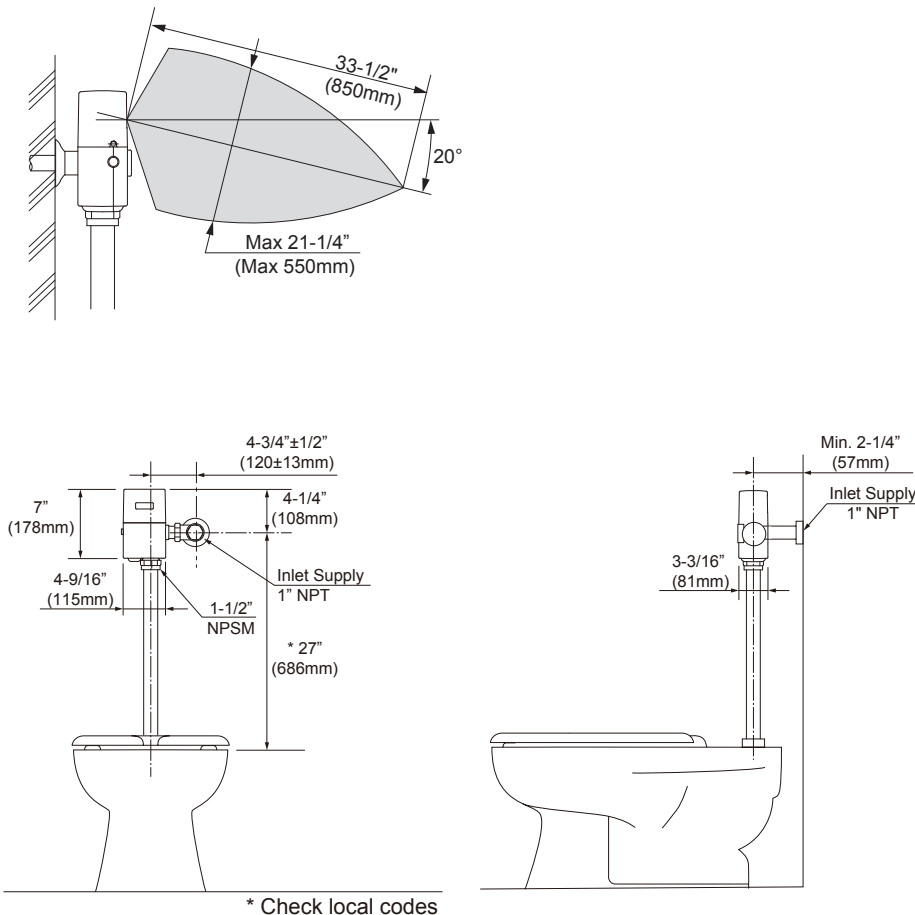
For commercial applications only.
Warning: Failure to properly adjust angle stop to the appropriate level can potentially cause property damage.

For detailed installation instructions, please refer to the installation manual.

Max flow rate to be used with TET6GA_____: 1.6 gpf

Confirm with local codes and standards for floor drain requirement. Adjust control stop for proper flow rate to the fixture.

DIAGRAM



TOTO®

These dimensions and specifications are subject to change without notice

EcoPower® Ultra High-Efficiency Urinal Flush Valve 0.125 gpf

FEATURES

- 0.125 GPF
- Self-powered hydroelectric flush valve system
- No minimum daily usage requirement
- Durable chrome plated body with tamper-proof screws and solid bronze valve body
- Neutral rough-in and adjustable tail piece connection
- True mechanical flush override
- Smart sensor with self-adjusting detection range
- 6-second detection time to prevent ghost flushing
- ADA compliant

MODELS

- TEU1UA12#CP
 - TEU1UA#CP (0.125 gpf flush valve)
 - VB9CP-12 (3/4" vacuum breaker tube, 3/4" angle stop)

COLORS/FINISHES

- #CP Polished Chrome

OPTIONAL ACCESSORIES

- Z-4000-J - Adapter for ground joint angle stops

CODES/STANDARDS

- Meets or exceeds ASSE 1037, CSA B125.3
- Certifications: IAPMO(cUPC), EPA WaterSense, ASSE, State of Massachusetts, and others
- Code Compliance: UPC, IPC, NSPC, NPC Canada, and others
- Complies with CA Title 20 regulations and CalGreen when used with a 0.125 gpf wall mount urinal
- ADA compliant



CALGreen



PRODUCT SPECIFICATION

TOTO® Model No. _____
Product shall be 0.125 GPF. Product shall be an automatic infrared sensor-activated, urinal flush valve. Product shall use hydropower, EcoPower flush valve system. Product shall have durable chrome plated body with tamper-proof screws and solid bronze valve body. Product shall have neutral rough-in and adjustable tail piece connection. Product shall have smart sensor with self-adjusting detection range. Product shall have true mechanical flush override. Product shall have 6-second detection time to prevent ghost flushing. Product shall have solenoid with self-cleaning mechanism. Product shall be ADA compliant.

TEU1UA

EcoPower® Ultra High-Efficiency Urinal Flush Valve, 0.125 gpf

SPECIFICATIONS

- Material: Bronze casting
- Power supply: EcoPower
- Sensor detection time: Factory setting at six (6) seconds minimum
- Sensor detection range: Self-adjusting to environment
- Discharge quantity: Preset to 0.125gpf/ 0.47 lpf
- Operating temperature: 32°-104°F (0°-40°C)
- Water supply pressure: 15 psi - 125 psi*
- Water supply connection: 3/4" NPT
- Warranty: Three year limited

*Water pressures over 80 psi are not recommended for most plumbing fixtures. Check your local plumbing code for details.

INSTALLATION NOTES

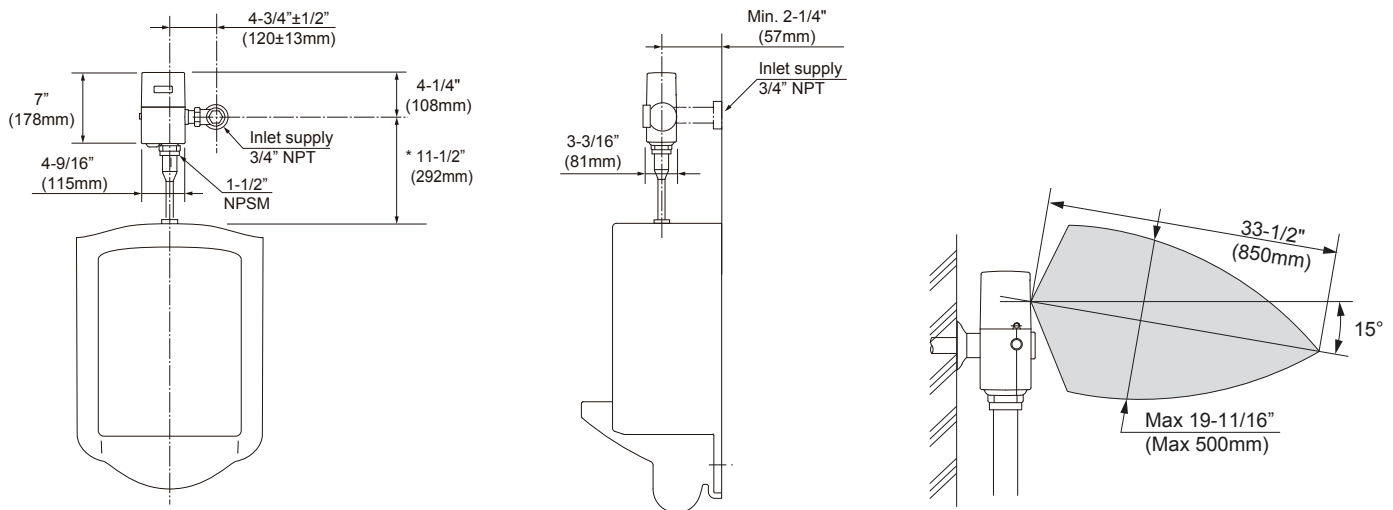
For commercial applications only.
Warning: Failure to properly adjust angle stop to the appropriate level can potentially cause property damage.

For detailed installation instructions, please refer to the installation manual.

Max flow rate to be used with TEU1UA_____: 0.125 gpf

Confirm with local codes and standards for floor drain requirement. Adjust control stop for proper flow rate to the fixture.

DIAGRAM



* Check local codes

TOTO®

These dimensions and specifications are subject to change without notice

EcoPower® High-Efficiency Urinal Flush Valve 0.5 gpf

FEATURES

- 0.5 GPF
- Self-powered hydroelectric flush valve system
- No minimum daily usage requirement
- Durable chrome plated body with tamper-proof screws and solid bronze valve body
- Self-cleaning piston valve with 360° filter screen
- Neutral rough-in and adjustable tail piece connection
- True mechanical flush override
- Smart sensor with self-adjusting detection range
- 6-second detection time to prevent ghost flushing
- ADA compliant

MODELS

- TEU1LA12#CP
 - TEU1LA#CP (0.5 gpf flush valve)
 - VB9CP-12 (3/4" vacuum breaker tube, 3/4" angle stop)
- TEU1LA22#CP
 - TEU1LA#CP (0.5 gpf flush valve)
 - VB9CP-22 (1-1/4" vacuum breaker tube, 3/4" angle stop)

COLORS/FINISHES

- #CP Polished Chrome

OPTIONAL ACCESSORIES

- Z-4000-J - Adapter for ground joint angle stops

CODES/STANDARDS

- Meets or exceeds ASSE 1037, CSA B125.3
- Certifications: IAPMO(cUPC), EPA WaterSense, ASSE, State of Massachusetts, and others
- Code Compliance: UPC, IPC, NSPC, NPC Canada, and others
- ADA compliant



Piston Valve

PRODUCT SPECIFICATION

TOTO® Model No. _____
 Product shall be 0.5 GPF. Product shall be an automatic infrared sensor-activated, urinal flush valve. Product shall use hydropower, EcoPower flush valve system. Product shall have durable chrome plated body with tamper-proof screws and solid bronze valve body. Product shall have neutral rough-in and adjustable tail piece connection. Product shall have smart sensor with self-adjusting detection range. Product shall have true mechanical flush override. Product shall have 6-second detection time to prevent ghost flushing. Product shall have piston with debris screen and solenoid with self-cleaning mechanism. Product shall be ADA compliant.

TEU1LA Series

EcoPower® High-Efficiency Urinal Flush Valve, 0.5 gpf

SPECIFICATIONS

• Material	Bronze casting
• Power supply	EcoPower
• Sensor detection time	Factory setting at six (6) seconds minimum
• Sensor detection range	Self-adjusting to environment
• Discharge quantity	Preset to 0.5gpf
• Operating temperature	32°-104°F (0°-40°C)
• Water supply pressure	15 psi - 125 psi*
• Water supply connection	3/4" NPT
• Warranty	Three year limited

*Water pressures over 80 psi are not recommended for most plumbing fixtures. Check your local plumbing code for details.

INSTALLATION NOTES

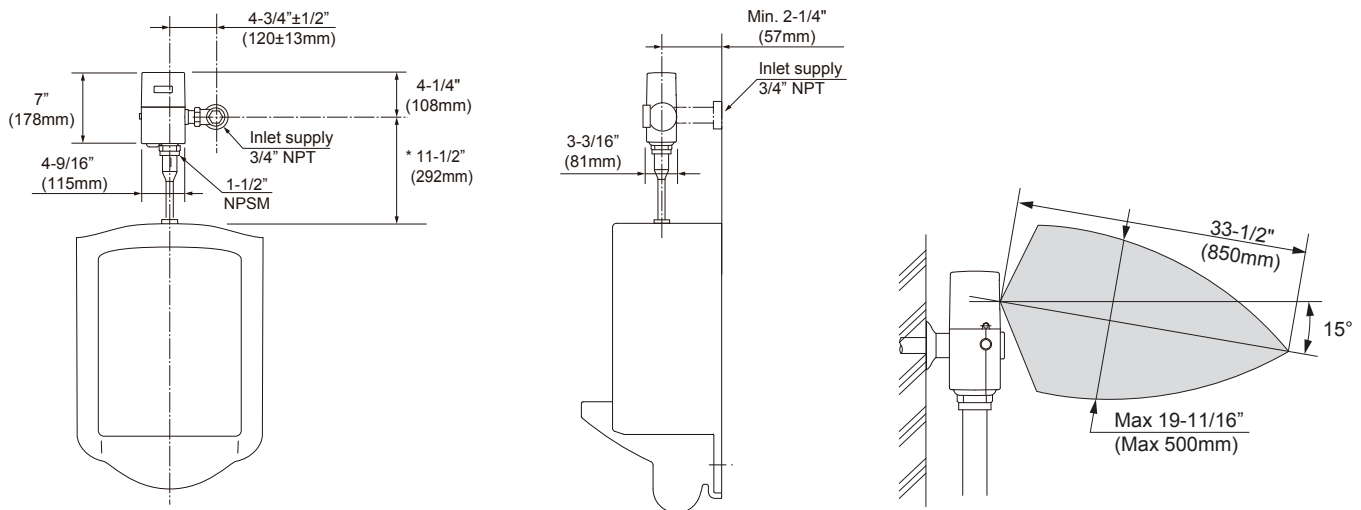
For commercial applications only.
Warning: Failure to properly adjust angle stop to the appropriate level can potentially cause property damage.

For detailed installation instructions, please refer to the installation manual.

Max flow rate to be used with
TEU1LA_____: 0.5 gpf

Confirm with local codes and standards for floor drain requirement. Adjust control stop for proper flow rate to the fixture.

DIAGRAM



* Check local codes

TOTO®

These dimensions and specifications are subject to change without notice

EcoPower® Urinal Flush Valve 1.0 gpf

FEATURES

- 1.0 GPF
- Self-powered hydroelectric flush valve system
- No minimum daily usage requirement
- Durable chrome plated body with tamper-proof screws and solid bronze valve body
- Self-cleaning piston valve with 360° filter screen
- Neutral rough-in and adjustable tail piece connection
- True mechanical flush override
- Smart sensor with self-adjusting detection range and fuzzy logic control to reduce water usage
- 6-second detection time to prevent ghost flushing
- ADA compliant

MODELS

- TEU1GA12#CP
 - TEU1GA#CP (1.0 gpf urinal flush valve)
 - VB9CP-12 (3/4" vacuum breaker tube, 3/4" angle stop,)
- TEU1GA22#CP
 - TEU1GA#CP (1.0 gpf urinal flush valve)
 - VB9CP-22 (1-1/4" vacuum breaker tube, 3/4" angle stop)

COLORS/FINISHES

- #CP Polished Chrome

OPTIONAL ACCESSORIES

- Z-4000-J - Adapter for ground joint angle stops

CODES/STANDARDS

- Meets or exceeds ASSE 1037, CSA B125.3
- Certifications: IAPMO(cUPC), ASSE, State of Massachusetts, and others
- Code Compliance: UPC, IPC, NSPC, NPC Canada, and others
- ADA compliant



Piston Valve

PRODUCT SPECIFICATION

TOTO® Model No. _____
Product shall be 1.0 GPF. Product shall be an automatic infrared sensor-activated, urinal flush valve. Product shall use hydropower, EcoPower flush valve system. Product shall have durable chrome plated body with tamper-proof screws and solid bronze valve body. Product shall have neutral rough-in and adjustable tail piece connection. Product shall have smart sensor with self-adjusting detection range. Product shall have true mechanical flush override. Product shall have 6-second detection time to prevent ghost flushing. Product shall have piston with debris screen and solenoid with self-cleaning mechanism. Product shall be ADA compliant.

TEU1GA

EcoPower® Urinal Flush Valve, 1.0 gpf

SPECIFICATIONS

- Material: Bronze casting
- Power supply: EcoPower
- Sensor detection time: Factory setting at six (6) seconds minimum
- Sensor detection range: Self-adjusting to environment
- Discharge quantity: Preset to 1.0 gpf/ 3.8 lpf
- Operating temperature: 32°-104°F (0°-40°C)
- Water supply pressure: 15 psi - 125 psi*
- Water supply connection: 3/4" NPT
- Warranty: Three year limited

*Water pressures over 80 psi are not recommended for most plumbing fixtures. Check your local plumbing code for details.

INSTALLATION NOTES

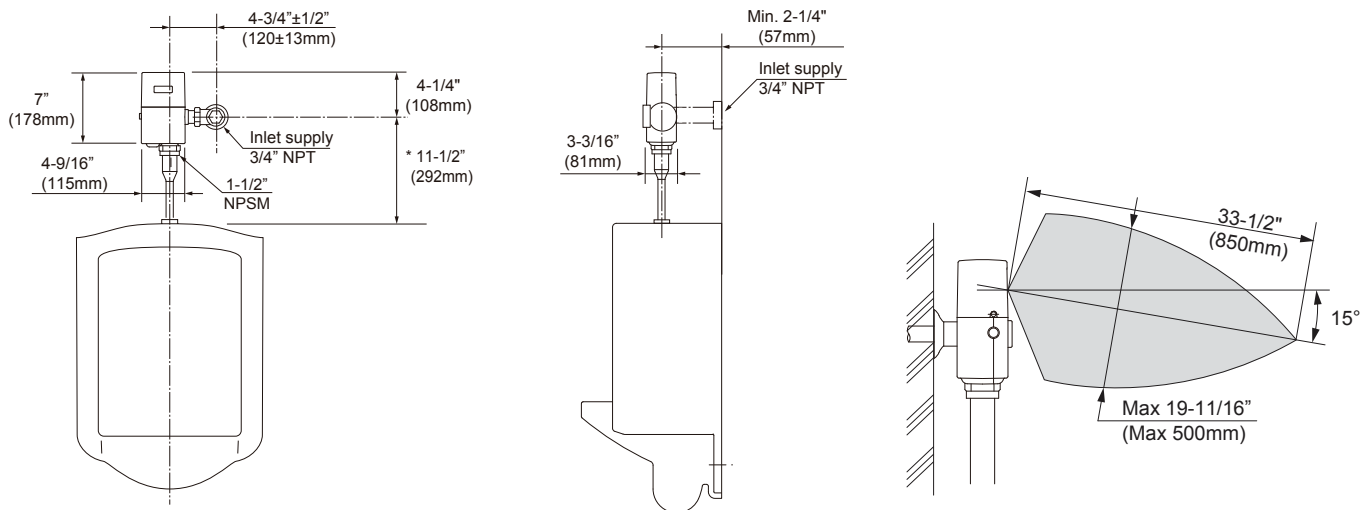
For commercial applications only.
Warning: Failure to properly adjust angle stop to the appropriate level can potentially cause property damage.

For detailed installation instructions, please refer to the installation manual.

Max flow rate to be used with TEU1GA_____: 1.0 gpf

Confirm with local codes and standards for floor drain requirement. Adjust control stop for proper flow rate to the fixture.

DIAGRAM



* Check local codes

TOTO®

These dimensions and specifications are subject to change without notice

Sensor Operated TOTO® Soap Dispenser

FEATURES

- Sensor operated foaming soap dispenser
- Self-adjusting sensor spout with base unit, mounted hardware and supply lines
- Chrome plated
- Single-hole mount
- Required to use TOTO Soap

MODELS

- TES1ADC-05 - One spout
Dispenser and one 1.06 gallon tank with 16' 5" (5m) tube and cord
- TES2ADC-05 - Two spouts
Dispenser and one 1.06 gallon tank with 16' 5" (5m) tube and cord
- TES3ADC-05 - Three spouts
Dispenser and one 1.06 gallon tank with 16' 5" (5m) tube and cord
- TES3ADC-12 - Three Spouts (Special Order)
Dispenser and one 1.06 gallon tank and one 5.8 gallon sub tank with 39' 5" (12m) tube and cord
- TES4ADC-12 - Four Spouts (Special Order)
Dispenser and two 1.06 gallon tanks and one 5.8 gallon sub tank with 39' 5" (12m) tube and cord
- TES5ADC-12 - Five Spouts (Special Order)
Dispenser and two 1.06 gallon tanks and one 5.8 gallon sub tank with 39' 5" (12m) tube and cord
- TES6ADC-12 - Six Spouts (Special Order)
Dispenser and two 1.06 gallon tanks and one 5.8 gallon sub tank with 39' 5" (12m) tube and cord

- Available:
TOTO Soap (Sold Separately)

Product No.	Quantity	Packaging	Notes
TSFB1	4 gallons	Package of 4, 1 gal. each	Antimicrobial Soap (Fragrance Free)
TSFB5	5 gallons	Packaged as 1, 5 gal. container	Antimicrobial Soap (Fragrance Free)
TSFB1-GS	4 gallons	Package of 4, 1 gal. each	TOTO Foam Soap Green Seal™ (Lilac)
TSFB5-GS	5 gallons	Packaged as 1, 5 gal. container	TOTO Foam Soap Green Seal™ (Lilac)
TSFB55	55gallons	Packaged as 1, 55 gal. drum	Antimicrobial Soap (Fragrance Free)



CODES/STANDARDS

- Meets and exceeds UL1951, CSA C22.2 #68
- Certifications: UL
- Code Compliance: NEC, CEC



PRODUCT SPECIFICATION

TOTO® Model No. _____
Automatic infrared sensor activated, soap dispenser with 1.06 gallon soap tank and 5.8 gallon sub tank for special order. Automatic sensor adjustment on installation.

COLORS/FINISHES

- #CP Polished Chrome
- #BN Brushed Nickel
- #PN Polished Nickel

TES_ADC-05 & TES_ADC-12 Series

Sensor Operated TOTO® Soap Dispenser

SPECIFICATIONS

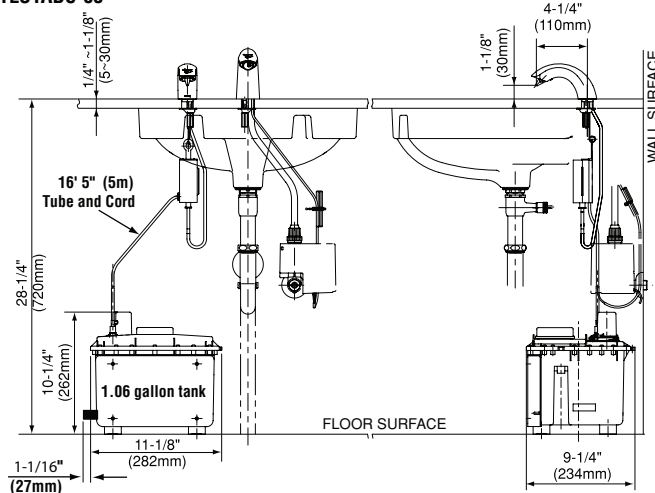
- Warranty** Three Year Warranty*
- TOTO® Soap**
 - TSFB1 - 4 Gallons (Package of 4, 1 gal. ea.)
 - TSFB5 - 5 Gallons (Packaged as one 5 gal. container)
- Power supply** Input: AC 120V 60 Hz
Output: 24V
- Length of Power Supply Cord** 51" (1.3m)
- Tank Capacity** 1.06 Gallon (Optional 5.8 Gallon tank available for total capacity of 6.8 gallons for 3 spout model or 8 gallons with 4+ spout models)
- Soap Dispensing Quantity** Factory setting at 1ml (foam)
- Length of Cord for Tank to Spout** 16' 5" (5m), special order 39' 5" (12m)
- Dispensing Timer Adjustability** Timing controlled from 0.2-20 seconds
- Detection range** 4" (110mm)

These specifications are subject to change without notice.
*Failure to use TOTO Soap will void warranty.

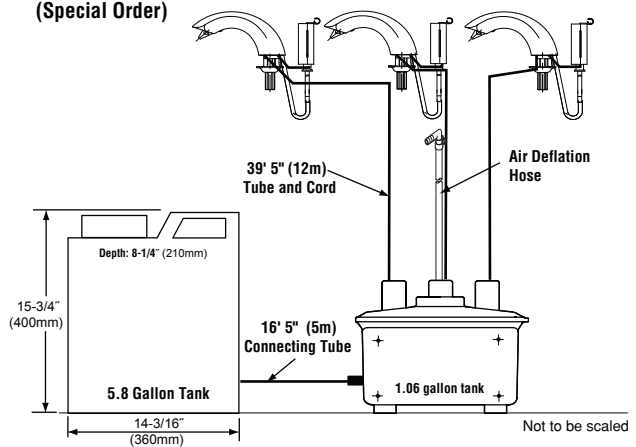
INSTALLATION NOTES

- Dispenser hole diameter:
- Standard = 1" ~ 1-1/8" (25 ~ 28mm)
 - With THP3140#CP Escutcheon = 1-1/8" ~ 1-1/2" (28 ~ 38mm)

TES1ADC-05



TES3ADC-12 (Special Order)



Maximum deck thickness 1-1/8" (30mm)
Leave 2" (50mm) extra space around the 1.06gallon tank for placement of sensor and power supply cords.

TOTO®

These dimensions and specifications are subject to change without notice

Standard EcoPower® Faucet

FEATURES

- Hydropower self-generating system
- Sensor faucet with aerated flow
- Self adjusting faucet with control box and mounting hardware, less supply lines
- 1/2" water supply male threaded
- NSF compliant
- Single-hole mount

MODELS

- TEL3GS10#CP - Single Supply
Discharge: On-demand; Up to 10 seconds while activated.
- TEL5GS10#CP - Thermal Mixing
Discharge: On-demand; Up to 10 seconds while activated.
Controller/Mixer #: TN78-10V510
- TEL3GS60#CP - Single Supply
Discharge: On-demand; Up to 60 seconds while activated.
- TEL5GS60#CP - Thermal Mixing
Discharge: On-demand; Up to 60 seconds while activated.
Controller/Mixer #: TN78-10V560
- Optional Accessories:
1.0 gpm Laminar Flow Nozzle: TH559EDV908
TN71V100S - 4" cc Cover Plate
71244T8CC - 8" cc Cover Plate

COLORS/FINISHES

- #CP Polished Chrome

CODES/STANDARDS

- Exceeds mandatory baseline, 0.20 gallon/cycle, of California Green Building Code, CALGreen, by using TOTO faucets with 10 second cycle
- Meets or exceeds ASME A112.18.1/CSA B125.1, NSF 61-9, and ASSE 1070*
- Certifications: IAPMO(cUPC), ASSE, State of Massachusetts, and others
- Code Compliance: UPC, IPC, NSPC, NPC Canada, and others
- Legislative compliance: California AB 1953 & Vermont S.152, and City of Los Angeles Water Efficiency Ordinance
- ADA compliant



PRODUCT SPECIFICATION

TOTO Model # _____ Automatic infrared sensor activated faucet. Anti-scald, thermal mixing chamber (thermal faucets only). Automatic sensor adjustment on installation. Maximum discharge 0.17 gallons per 10 second cycle. Electrical components separated from spout assembly and sealed in waterproof compartments. Single hole faucet with optional 4" cc and 8" cc cover plates. All TEL5 series use an ASSE 1070 listed controller module with mixing valve. TOTO faucets with 10 second cycle use 0.17 gallon/cycle which is 15% below CALGreen's baseline.

*Note: ASSE 1070 supersedes ASSE1016 for non-shower point of use devices. Applies to TEL5 series models.

TEL3GS & TEL5GS Series

Standard EcoPower® Faucet

SPECIFICATIONS

- **Warranty** Three year warranty
- **Material** Bronze with polished chrome finish
- **Power Supply** Hydropower self-generating system
- **Hot/Cold-water Supply** Minimum required water pressure: 20PSI
Maximum water pressure: 125PSI*
- **Water Supply Connect** 1/2" NPSM
- **Water Consumption** 60 Second Faucet: 1.0 gpm (4.0 lpm)
10 Second Faucet: 0.17 gal. per cycle (max)
- **Water Saving Function** Automatically turns OFF when user removes hands
Maximum continuous run time is 10 or 60 seconds
- **Detection time** ON feature: Immediate
OFF feature: 1 second delay
- **Detection range** Factory set at 2-1/4"
Faucet automatically sets the detection range according to the size of the basin
- **Discharge water temperature control range** Thermal Mixing Faucet: Cold water - 104°F (Max)
(When used under standard conditions)
- **Anti-scald safety feature** Provides the user protection against exposure to excessive water temperature (Thermal mixing faucet, only)

NOTE

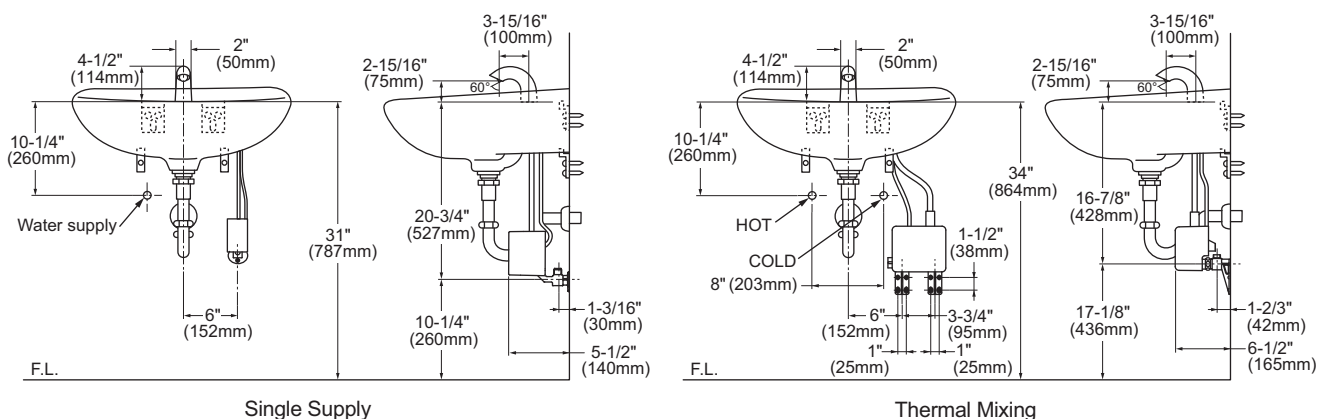
Following the Federal mandate for water efficiency outlined in the Environmental Protection Act of 1992, Faucets can be rated for water consumption based on two categories: flow rate and water consumption.

With the "Water Consumption" standard, a faucet must not use more than 0.25 gallons of water per cycle. The TOTO® faucet with a 10 second cycle uses 0.17 gallons of water. This is a 32% below the base line of 0.25 gallons per cycle.

Furthermore, an innovative design feature incorporated into all TOTO electronic faucets is an "ON-DEMAND" mode. This means that the faucet will only deliver water as needed and will not run the entire duration of its rated cycle - either 10 or 60 seconds. This guarantees additional water savings.

TOTO uses water consumption because it is the most accurate method of measuring water use. This method of measurement can be incorporated into water usage calculations for various efficiency programs. For more information, please consult www.totousa.com.

*Water pressures over 80 psi are not recommended for most plumbing fixtures.



Maximum deck thickness 2" (50mm)

TOTO®

These dimensions and specifications are subject to change without notice

FEATURES

- High speed hand dryer
- Hygienic, touch-free operation
- Splash resistant
- Water tray to prevent slip and fall
- Space saving, compact design
- Low Operating noise 57dB(A)
- Energy Efficient 390W
- AC powered

COLORS/FINISHES

- #WH White

CODES/STANDARDS

- Meets or exceeds ANSI/UL 507, 9th edition, Rev. June 18th 2012 and CSA C22.2 No. 113-12 Oct 2012.
- Certifications: Intertek/ETL
- Code Compliance: NEC, CEC



PRODUCT SPECIFICATION

TOTO Model No. HDR101#WH shall be a high speed hand dryer. The product shall provide hygienic, touch-free operation. The product shall have water tray to prevent wet floor. The product shall have operating noise of 57dB(A) or less. The product shall be AC powered and consume 390 W or less.



HDR101#WH

Clean Dry® High Speed Hand Dryer

SPECIFICATIONS

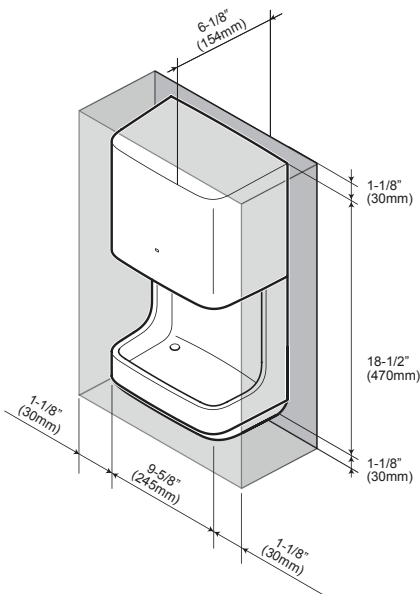
- Warranty One Year Warranty
- Power Connection Hardwired
- Power Rating 120V AC, 3.3Amps, 60 Hz, 390 W
- Power Saving Function Automatically turns OFF when hands are removed or after 60 seconds of use
- Air Speed 220 mph
- Water Tray Capacity 0.15 gal (600 ml)
- Unit Size 9-5/8" x 6-1/8" x 18-1/2"
(245mm x 154mm x 470mm)
- Unit Weight 7.9 lb (3.6 kg)
- Operating Temperature 32F°-113F° (0C°-45C°)
- Shipping Size 20-3/8" x 11-3/8" x 7-1/2"
(518mm x 289mm x 190mm)
- Shipping Weight 10.6lb (4.8kg)

These dimensions and specifications are subject to change without notice.

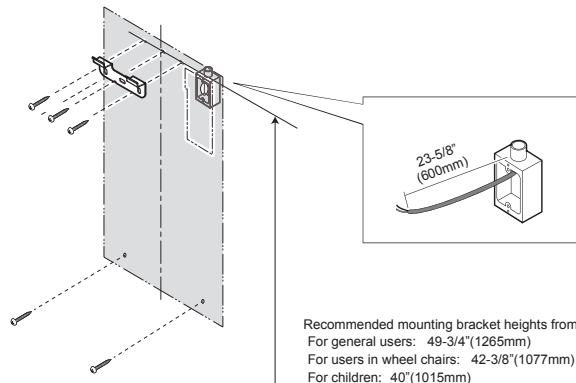
INSTALLATION NOTES

Check local code requirements for additional mounting height details.

ROUGH-IN



For installation/uninstallation and proper functioning of front cover and water tray, keep some empty space around the product. There should be no obstructions within 30 mm from either side, 30 mm from the bottom, or 30 mm from the top of the product.



Recommended mounting bracket heights from floor are as follow

- For general users: 49-3/4" (1265mm)
- For users in wheel chairs: 42-3/8" (1077mm)
- For children: 40" (1015mm)



Meets the American Disabilities Act Guidelines, ANSI A117.1 and CSA B651 requirements when mounted in a recessed wall where the front surface is not more than 4" (102mm) from finished wall and mounting height for U.S. is 48" (1219mm) max to blower outlet from floor, and for Canada is 47-1/4" (1200mm) max to blower outlet from floor. Check local code requirements for additional mounting height details.

TOTO®

These dimensions and specifications are subject to change without notice