



2017



NATIONAL CART CO 2017 PRODUCT CATALOG

**BAKERY
CART CORRALS
DISTRIBUTION
FIXTURES
FOOD SERVICE
MATERIAL HANDLING
MERCHANDISING
PICKING CARTS
SHOPPING CARTS
WAREHOUSE**



National Cart Co. was founded in 1979 as a family owned and operated business. Over three decades later, the company continues to grow and prosper as a second generation family owned and operated business lead by Rob Unnerstall and John Unnerstall. National Cart is a leader in the design, manufacturing, and distribution of material handling products, food service products, and store fixtures. Our main campus is located in St. Charles, Missouri and is home to the corporate office. To better serve our west coast customers, a second manufacturing and distribution facility is located in Reno, Nevada. Total manufacturing and distribution space exceeds 350,000 sq. ft.

Our customer base ranges from single unit retailers to Fortune 100 companies. We serve many industries including supermarket, mass retail, home center, food service, distribution, government, and industrial. Our company motto of “Safer-Better-Faster” represents our commitment to customers, in the products we produce, as well as our associates never-ending pursuit of excellence.

Our Code of Conduct:

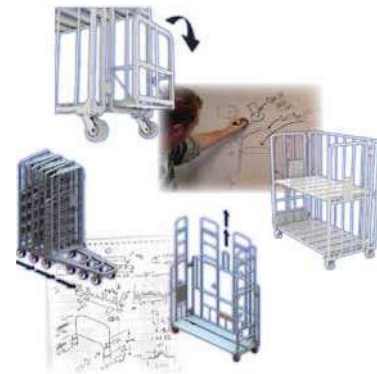
RESPECT OTHERS
TELL THE TRUTH
TRY NEW IDEAS
ASK WHY
KEEP YOUR PROMISES
DO YOUR SHARE



Our Capabilities

Our production facility is well suited for flexible, rapid product development. With the use of laser cutting, tube bending, turret punching, welding, and other “soft tool” fabrication techniques, we are able to put products in front of customers in very short order. Transitions to production volumes are supported by in-house fixture design/build expertise, robotic weld stations, and multi-shift capacity.

We use only top quality aluminum, stainless steel, and steel raw materials in our products. Our tenured global sourcing team continually searches and qualifies sourcing opportunities to help keep costs down and remain competitive. We produce as much of our product as feasible, domestically.



Lean Manufacturing

We employ lean principles in both design and production, and are sensitive to the fact that operating support costs are a factor in every design to reduce the total cost of ownership.

This concept shines through in:

- lower costs**
- higher quality**
- fewer defects**
- with*
- less human effort**
- less space**
- less capital**
- less time**



Custom Manufacturing

Developing new products for our customers is a part of the culture at National Cart Co. Our New Product Development (NPD) process starts and ends with the customers’ needs. Through the NPD process, we take a single idea or “pain” and create solutions that give our customers the greatest ROI. New products that come out of the NPD process are user friendly, cost effective, and meaningful to our customers. Whether your objective is to move product from your distribution center to your stores or to organize your back room and to improve your associates stocking efficiencies, our team will work with you to modify an existing product or design a custom solution to meet your specific needs. The best ideas often come from you, our customer. We encourage new opportunities to continually improve our product offering. Please inquire with one of our customer service representatives or sales representatives to start the design process. Then, let our innovative engineers and design team show you how we can improve your current operation. We would love to hear from you.

Strategy Statement

Our strategy is to design, manufacture, market, and distribute material handling equipment and store fixtures that provide exceptional value to our customers. We will concentrate our efforts on leveraging our associates talents, technology, processes, and facilities to drive cost out of our manufacturing process.

We will seek out market segments and customers where we can produce superior results which capitalize on our geographical locations and provide opportunities of growth for our valued associates and stakeholders alike.

Schedule Attainment

NCC takes its commitment to on-time delivery very seriously at the highest levels in the organization. Our products are often critical path items in larger supply chain rollouts, where delays are unacceptable. Our year-on-year retention of our customers is a testament to our execution and commitment to schedule attainment.

We continue to provide customer service, technical assistance, and a 1 year limited warranty on our products after the sale. We maintain a large inventory of replacement wheels and components to extend the life of your equipment.

It is our service after the sale that completes our reputation of a Best in Class supplier.

Ordering Information

When ordering please specify:

Order Number	Model
Quantity	Full Description of Product
Date Required	Purchase Order Number
Billing Address	Shipping Address
Contact Name	Contact Phone Number

Prices -- quoted F.O.B. plant, unless otherwise specified. All prices and specifications are subject to change without notice. Reference the National Cart Co. website for current pricing.

Shipping - unless otherwise specified, shipment will be made the best and most economical way to meet customer delivery requirements. NCC is not responsible for delays in delivery which are beyond our control. NCC is not responsible for damage while in the hands of the carrier. Buyer must file a claim against carrier for any damage or loss.

Terms - Net 30 Days. Merchandise will be shipped on open account upon credit approval. Accounts over 30 days are subject to 1 ½% per month (18% APR) late charge. NCC accepts Visa, Master Card and American Express for your convenience.

Quotations - unless otherwise specified, are valid for 30 days.

Warranty - All National Cart Co. equipment is warranted to function properly for a period of one (1) year from the date of purchase. NCC reserves the right to repair or replace any defective equipment due to poor workmanship. NCC aluminum products come with a lifetime guarantee against rust and corrosion. This warranty excludes circumstances beyond our control, i.e. product abuse, failure to maintain as instructed, improper weight distribution, improper assembly or acts of God such as flood, fire, earthquake, etc. All warranties exclude wheels and casters which are subject to warranties issued by the manufacturer.

Returned Merchandise - All returned merchandise must receive prior authorization by NCC. All freight charges must be prepaid and merchandise is subject to a 15% restocking charge. Custom designed products are non-refundable.

Safety - For the most current safety information and product operation manuals, see www.nationalcart.com.

National Cart Co. reserves the right to change or modify the design of any product manufactured by NCC and to substitute materials equal to or superior to that originally specified.

Some of National Cart Co.'s products are manufactured and designed with High Sanitary standards certified by NSF International, the most widely recognized and respected independent certification organization for public health safety. For specific items, please refer to latest NSF Listing.

Phone: 800-455-3802 Local Phone: 636-947-3800

E-Mail: sales@nationalcart.com Online: www.nationalcart.com

Mail: 3125 Boschertown Road St. Charles, MO 63301



BAKERY



MATERIAL HANDLING



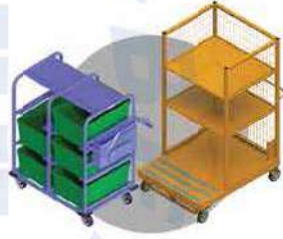
CART CORRALS



MERCHANDISING



DISTRIBUTION CARTS



PICKING CARTS



FIXTURES



SHOPPING CARTS



FOOD SERVICE



WAREHOUSE

BAKERY

Bakery Oven Racks

PRODUCT APPLICATIONS: Bakery Oven Racks. 1-4
 NeXt Bakery Oven Rack. 5-6
 H-Nest Bakery Oven Rack. 7-8

Carts

Aluminum Sani Carts 9-10
 Bussing Cart 11-12
 Icing Cart. 13-14
 Utility Marking Stocking Cart 15-16

Dollies.

Dunnage Racks 19-20
 Plastic Dunnage Rack. 21-22

Pan Racks

Aluminum End Loading Pan Rack. 23-24
 Aluminum Side Loading Pan Rack. 25-26
 Bread Display Rack. 27-28
 Channel Pan Carts. 29-30
 Enclosed Cabinets. 31-32
 Pan Tray Storage Carts. 33-34
 Valuline Platter and Bun Pan Racks. 35-36
 Z-Style Nesting Pan Rack. 37-38

Shelving

Aluminum Wall Shelves 39-40
 Adjustable Sani Shelving 41-42
 Aluminum Cantilevered Shelving 43-44
 Cooler Shelving 45-46
 Mobile Cooler / Freezer Shelf Truck. 47-48
 Mobile Cooling Rack. 49-50

Tables

Preparation Tables 51-52
 Thermal Wrapper. 53-54

CART CORRALS

PRODUCT APPLICATIONS: Quick Change Sign Frame & Custom Signage. 55-56

Accessories

Cart Corral Ballast 57-58
 Standard Signage 59-60

Architectural

Ornamental Cart Corral 61-62
 Ornamental Covered Cart Corral. 63-64

Bumpered Corrals

Snap Too Bumper Corral - Arc Style 65-66
 Snap Too Bumper Corral - Classic Style. 67-68

Covered Corrals

Ornamental Covered Cart Corral. 63-64
 Canvas Covered Cart Corral 69-70
 Metal Covered Cart Corral 71-72

Classic Series

360 Series Cart Corral 73-74
 361 Series Cart Corral. 75-76
 600 Series Cart Corral 77-78
 601 Series Cart Corral 79-80
 602 Series Cart Corral 81-82
 603 Series Cart Corral. 83-84
 720 Series Cart Corral 85-86
 721 Series Cart Corral 87-88
 900 Series Cart Corral 89-90
 901 Series Cart Corral. 91-92

Embedded Cart Corral. 93-94

Express Carts Dual Cart Corral. 95-96
Sidewalk Cart Corral. 97-98
Snap Too Series
 Snap Too 360 Series. 99-100
 Snap Too 720 Series. 101-102
 Snap Too 721 Bidirectional 103-104
 Snap Too 721 Series. 105-106
 Snap Too Bumper Corral - Arc Style 65-66
 Snap Too Bumper Corral - Classic Style. 67-68

DISTRIBUTION CARTS

Lean Distribution Process

2 Shelf Distribution Cart 107-108
 Aluminum Distribution Cart 109-110
 Dairy Distribution Cart 111-112
 Distribution Security Cart. 113-114
 Forklift Order Picking Cart 115-116
 Rocket Cart 117-118
 Rolltainer. 119-120
 Un-Assisted Distribution Cart 121-122

FIXTURES

PRODUCT APPLICATIONS: Parking Lot Signage 123-124

Benches

Industrial Grade Park Bench 125-126
 Metal Wait Bench. 127-128
 Bike Racks 129-130

Corner Guards.

. 131-132

Lockers

Employee Lockers 133-134
 Electronic Storage Cabinet. 135-136
 Till Lockers. 137-138

Poly Bag Stands

. 139-140

Receivers Desks

. 141-142

Safety Barricade Gates

. 143-144

Sampling Stand

. 145-146

Scale Hangers

. 147-148

FOOD SERVICE

Carts

Aluminum Sani Carts. 149-150
 Aluminum Transport Cart 151-152
 Bulk Mover 153-154
 Bussing Cart 155-156
 Produce Stocking Marking Cart. 157-158
 Produce/Stocking Cart. 159-160
 Utility Marking Stocking Cart. 161-162
 Wet Movers 163-164

Can Racks

. 165-166

Dollies

Aluminum Dollies. 167-168
 Chicken Dollies 169-170

Dunnage Racks

Dunnage Racks 171-172
 Plastic Dunnage Rack. 173-174

Pan Racks
 Aluminum End Loading Pan Rack175-176
 Aluminum Side Loading Pan Rack177-178
 Aluminum Z-Style Nesting Pan Rack179-180
 Aluminum Valuline Platter and Bun Pan Rack181-182
 Enclosed Cabinets183-184
 Meat Platter Carts185-186
 Produce Crisping Rack187-188
 Product Lug Carts189-190
 Universal Pan Racks191-192
 Universal Shelf/Platter Carts193-194
Platters and Lugs195-196
Preparation Tables197-198
Shelving
 Adjustable Sani Shelving199-200
 Aluminum Cantilevered Shelving201-202
 Aluminum Wall Shelves203-204
 Boat Rack205-206
 Cooler Shelving207-208
 Mobile Cooler/Freezer Shelf Truck209-210
 Queen Mary211-212
Thermal Wrapper213-214

MATERIAL HANDLING

Carts
 Box Bin Cart215-216
 Foldable Aluminum L-Card217-218
 Furniture Cart219-220
 Metal Platform Trucks (Flat Cart)221-222
 Nesting Carts223-224
 Plastic Flat Carts225-226
 Utility Carts227-228
 Wire Nesting Carts229-230
Dollies
 Lock and Load Dolly231-232
Garden
 Garden Center Cart233-234
 Garden Wagons235-236
 Plastic Deck Garden Cart237-238
Hand Trucks239-240
Lumber Carts
 Flat Lumber Cart241-242
 Lumber Cart243-244
Ladder Cart245-246
Racks
 Garment Racks247-248
Stock Carts
 5 Shelf Back Stock Cart249-250
 Back Stock Carts251-252
 HBC Restock Advantage Cart253-254
 Stock Picker Cart255-256
Security
 Mobile Security Cages257-258
 HBC Restock Advantage Cart253-254
U-Boat
 Aluminum Utility Carts (U-Boat)259-260
 Heavy-Duty U-Boats261-262
 Spring Loaded U-Boat263-264
 U-Pick U-Boat265-266

MERCHANDISING

PRODUCT APPLICATIONS: Sign Frames267-268
Bread Display Rack269-270
Chalkboard Display271-272
Flower & Plant Display Racks
 A-Frame Basket Hanger273-274
 Fold-A-Bench275-276
 Rolling Plant Cart277-278
 Sampling Stand279-280
 Slant Merchandiser281-282
 Stack Basket283-284
 Wire Mini Platform285-286

PICKING CARTS

PRODUCT APPLICATIONS: E-Commerce Picking Cart287-288
Dollies
 Lock and Load Dolly289-290
Forklift Accepting Carts
 Forklift Order Picking Cart291-292
 Stock Picker293-294
Shelf Picking
 2 Shelf Distribution Cart295-296
 Aluminum Distribution Cart297-298
 Bulk Pick Cart299-300
Tote Pick Carts
 Aisle Picking Cart301-302
 Tote Picking Cart w/ Ergonomic Handles303-304
 Tote Picking Cart w/ Stowable Dolly305-306
U-Boat Picking
 Spring Loaded U-Boat307-308
 U-Pick U-Boat309-310

SHOPPING CARTS

PRODUCT APPLICATIONS: ReCoat Shopping Carts311-312
PRODUCT APPLICATIONS: Used Shopping Carts313-314
 Express Shopping Cart315-316
 Hand Baskets317-318
 Recoated Technibilt 6242 Shopping Carts319-320

WAREHOUSE

Dock Plate321-322
Fork Extensions323-324
Lockers
 Employee Lockers325-326
 Electronic Storage Cabinet327-328
 Till Lockers329-330
Mobile Security Cages331-332
Pallet Jacks333-334
Receivers Desks335-336
Safety Barricade Gates337-338

PRODUCT CATALOG 2017

BAKERY



NATIONAL CART CO



Bakery Oven Racks

Product Applications: Bakery Oven Racks.	1-4
NeXt Bakery Oven Rack.	5-6
H-Nest Bakery Oven Rack.	7-8

Carts

Aluminum Sani Carts	9-10
Bussing Cart	11-12
Icing Cart.	13-14
Utility Marking Stocking Cart	15-16

Dollies.	17-18
-------------------------	-------

Dunnage Racks

Dunnage Racks	19-20
Plastic Dunnage Rack.	21-22

Pan Racks

Aluminum End Loading Pan Rack.	23-24
Aluminum Side Loading Pan Rack.	25-26
Bread Display Rack.	27-28
Channel Pan Carts.	29-30
Enclosed Cabinets.	31-32
Pan Tray Storage Carts.	33-34
Valuline Platter and Bun Pan Racks.	35-36
Z-Style Nesting Pan Rack.	37-38

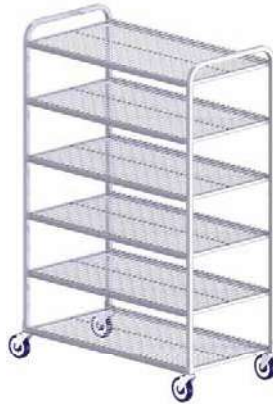
Shelving

Aluminum Wall Shelves	39-40
Adjustable Sani Shelving	41-42
Aluminum Cantilevered Shelving	43-44
Cooler Shelving	45-46
Mobile Cooler / Freezer Shelf Truck.	47-48
Mobile Cooling Rack.	49-50

Tables

Preparation Tables	51-52
------------------------------	-------

Thermal Wrapper.	53-54
---------------------------------	-------



For Product Safety and Operation Manuals please visit our website at www.nationalcart.com



NCC PRODUCT APPLICATIONS - BAKERY OVEN RACKS

These sturdy all welded aluminum racks are used to bake goods in a variety of rotating ovens. Base racks can be equipped with any style lifting or centering device to accommodate any oven make or model.

Due to the large variety of ovens, we have created this guide to assist you in understanding and ordering bakery oven racks.

Features:

Heavy duty caster channel protects the caster from the environment and prolongs the useful life of the casters.

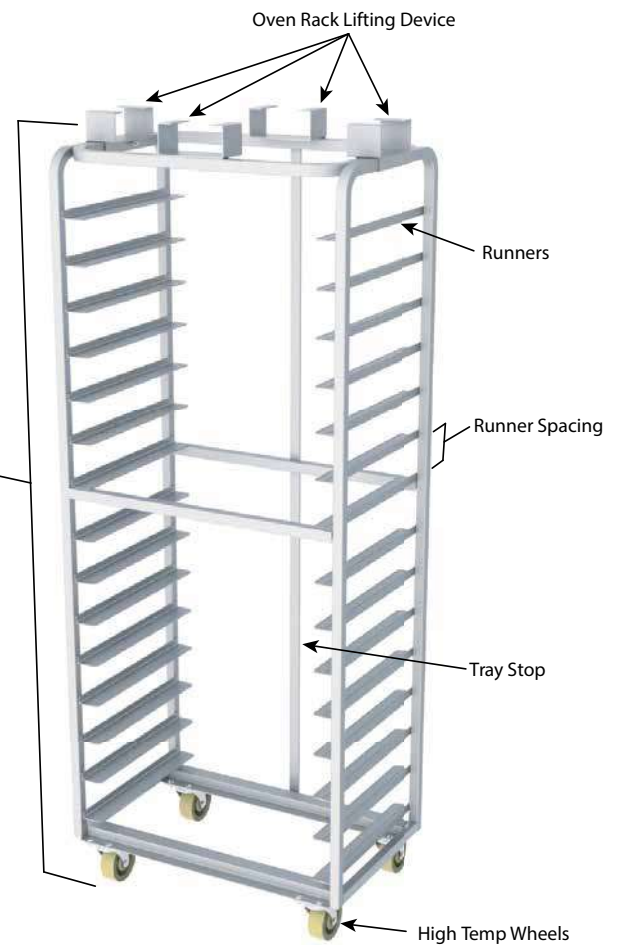
Heavy gauge angle runners to accommodate any style of 18" x 26" baking pans

Ships fully assembled for immediate use



Casters

We offer several options of wheels for our Bakery Oven Racks that include zinc plated and stainless steel models



This image highlights some of the most important features to consider when purchasing a Bakery Oven Rack

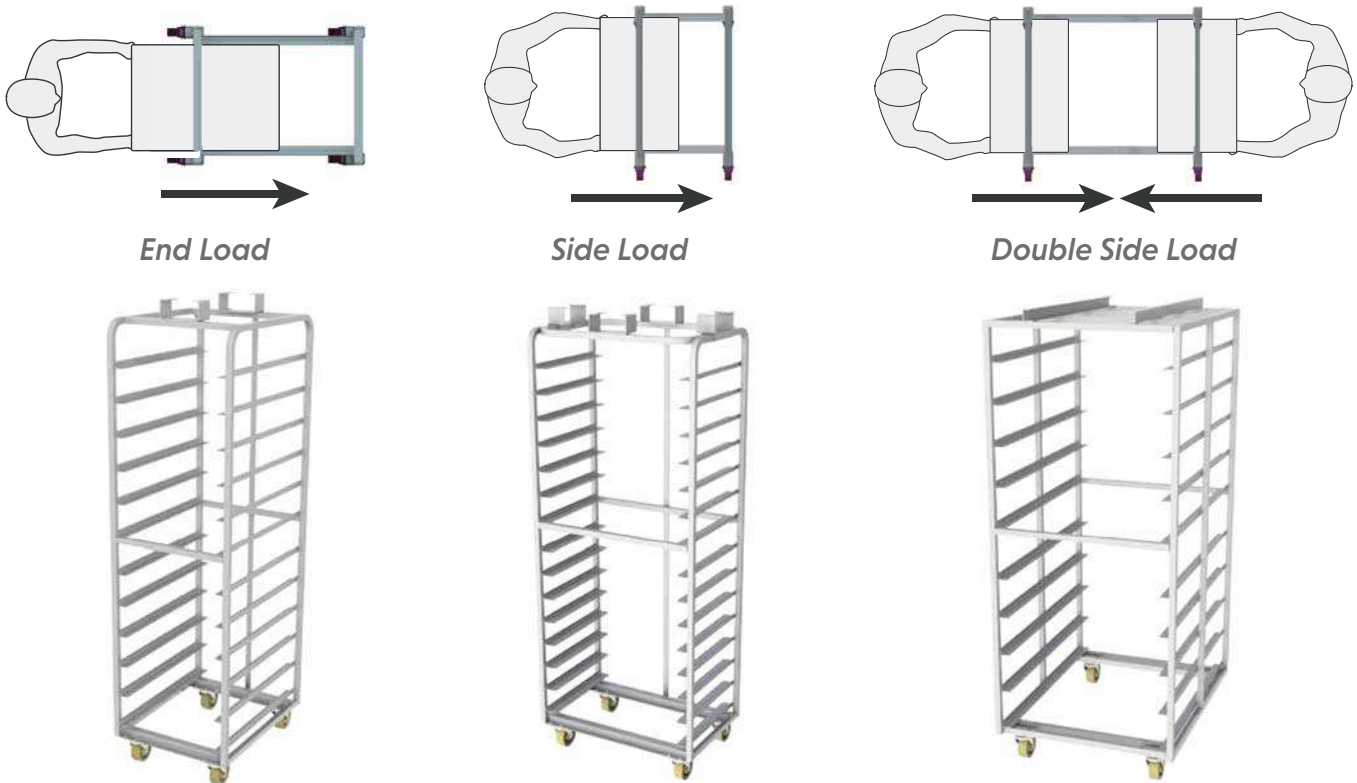


NATIONAL CART CO
1-800-455-3802
nationalcart.com



Loading Styles

The loading style of Bakery Oven Racks largely depends on what type of oven you have. Some ovens are more flexible than others in this regard. For instance, if you have an oven that accommodates a double side load rack, it could possibly work with two single side load racks.



Options

Aluminum vs. Stainless Steel

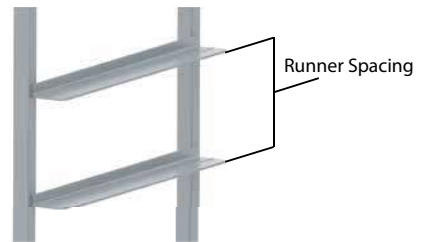
Aluminum Racks offer the same level of sanitation as stainless steel racks but are more economical.

Stainless Steel Racks offer strength, durability and are ideal for industrial baking applications.

Runner Spacing

Runner spacing should be determined by the amount of runners desired and the type of products you will be baking.

A good rule of thumb is to add 1 1/4" to the height of the shortest product you make to provide adequate air flow and allow maximum capacity. (see diagram to right)



Shelf Spacing	Pan Capacity
6"	10
5"	12
4"	15
3"	20

Can't find exactly what you need? Give us a call and we'll help you with the perfect solution!

NCC PRODUCT APPLICATIONS - BAKERY OVEN RACKS

These styles are some of the most common lifting devices. We are not limited to these four styles and can accommodate most any oven type.



A Style Lifting Device



B Style Lifting Device



C Style Lifting Device



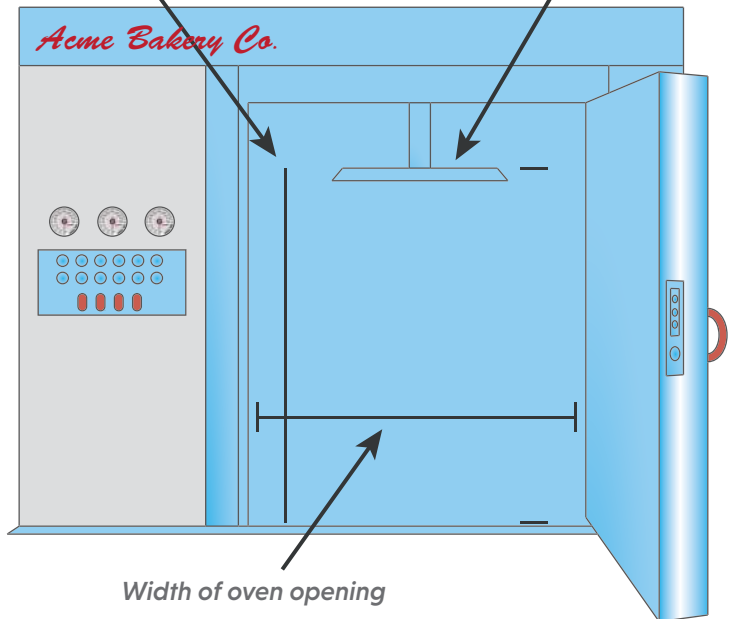
D Style Lifting Device

Key Bakery Oven Info

The illustration to the right highlights the most important factors to determine when ordering Bakery oven Racks. Getting this information right will help ensure the rack you order will work well with your oven. The overall height and lifting device type are the two most important pieces of information that will drive the design of your purchase.

Height from oven floor to where lifting device meets oven rack

Oven Lifting Device



Width of oven opening



NATIONAL CART CO
1-800-455-3802
nationalcart.com



Inspect the lifting device on the drawing to make sure that it matches what your oven works with or what racks you already own for that oven

Dimensions that are critical to working properly with your oven are circled

For Ordering:

Refer to "Bakery Oven Rack Ordering Information and Order Form"

You must sign and approve what you are buying

DRAWING # 8041128

REVISION	DESCRIPTION	AT	AP
0001	CASTER ASSY 4x1-1/2 SWVL W/HIGHTE		
304122	LIFTIN DEVICE-C-STYLE SLB-HB		
0006	WA HE FL		20
0000	16 18 1 CARRIA E BO LT(ZN)		16
0000	/16-1 85 /8" CARRIAGE BOL (Z)		
0000	LOCK NUT 5/16-18		20

APPROVED BY: _____
SIGNATURE: _____
DATE: ____/____/____

AL SEE DETAILS
CRITICAL DIMENSIONS ARE CIRCLED
TOLERANCE UNLESS OTHERWISE SPECIFIED
ANGULAR ±2°
X ±.125 (1/8)
XX ±.063 (1/16)
XXX ±.032 (1/32)

THIRD ANGLE PROJECTION

NATIONAL CART CO.
1110 PRODUCE CENTER DR. ST. CHARLES, MO 63041
PHONE: 636-947-3800 FAX: 636-732-4077

TITLE: AL-1812-BORC-RV-TS
DATE: 6/29/00 NAME: JLH SIZE: A DWG. NO: 8041128
SCALE: 1:20 WEIGHT: 48.73 lbs. SHEET 1 OF 1

Bakery Oven Rack Ordering Information

The following information helps us determine the exact rack for the oven(s) you have.

Oven Manufacturer and Model # _____

Style of Lifting Device _____

Loading Style (circle one) SINGLE SIDE LOAD SINGLE END LOAD DOUBLE SIDE LOAD

Rack Height in Inches (use illustration on the previous page to help determine) _____

Material (circle one) STAINLESS STEEL ALUMINUM

Pan Capacity (circle one) 10 12 15 18 20

Tray Stop (circle one) YES NO

Casters (circle one) STAINLESS STEEL ZINC PLATED STEEL

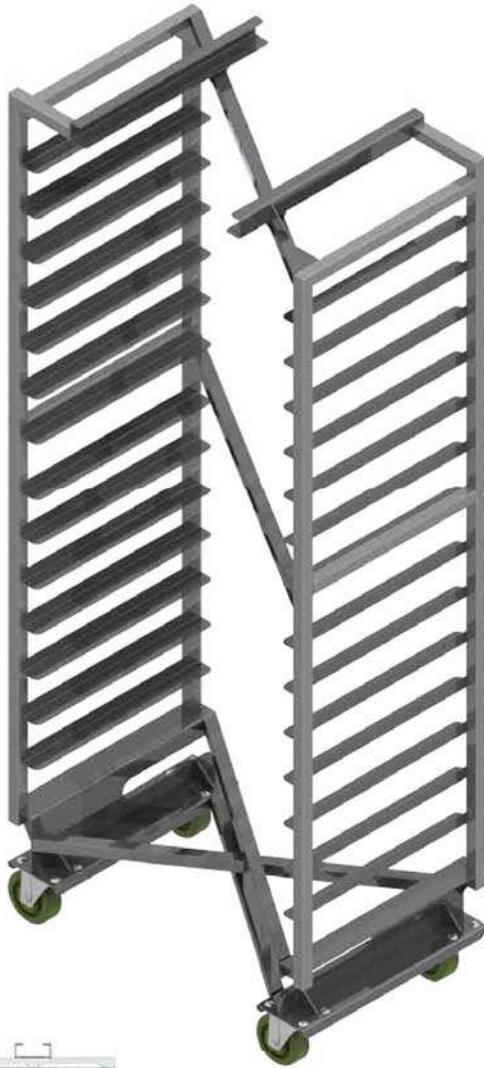
After submitting this form to NCC we will send you a drawing that details the recommended rack for your situation. Carefully inspect the drawing and take notice of all critical measurements and components. The drawing below shows what you can expect and highlights the most important things to double check. If the design is satisfactory, Sign and date it at the bottom and send it back to NCC so that we can start building your racks.

Can't find exactly what you need? Give us a call and we'll help you with the perfect solution!

NEXT BAKERY OVEN RACK

The nesting capability of these bakery oven racks saves valuable space when storing in your bakery or back room.

**60%
SPACE
SAVINGS**



8050104
Patent Pending

FEATURES:

Stainless steel construction

The three-dimensional "X" base increases strength of the rack compared to "Z", "H", or "N" styles.

This rack has increased stability with 30% lower center of gravity compared to traditional bakery oven racks.

No hinges, swing-arms or moving parts to fail

Heavy duty base includes stainless steel base with tubular X-bracing

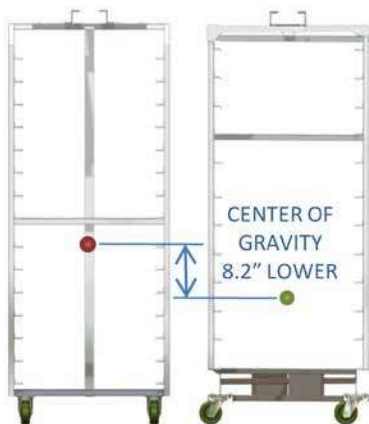
High-temp wheels on stainless steel casters

OPTIONS:

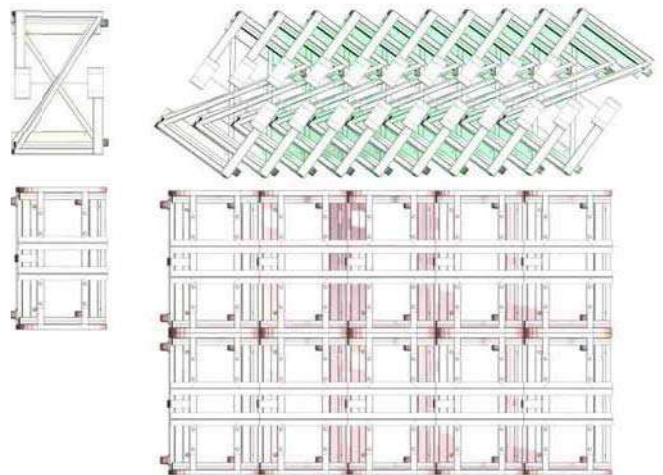
Available in "C" and "B" (shown) lifting styles

Available in pan capacities of 10, 12, 15, and 20

Tray stop available (inquire with your customer service representative)



10 NEXT Racks = 13.5 Sq. Ft.

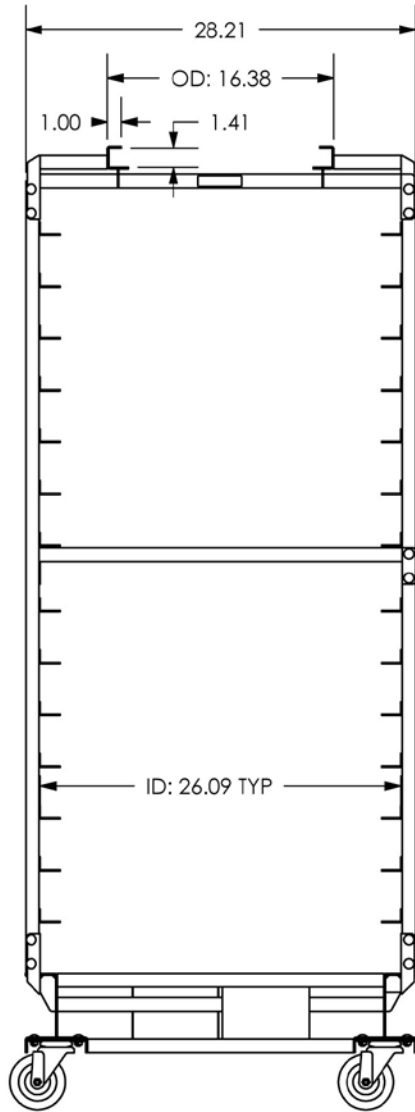


10 Standard Racks = 34.7 Sq. Ft.

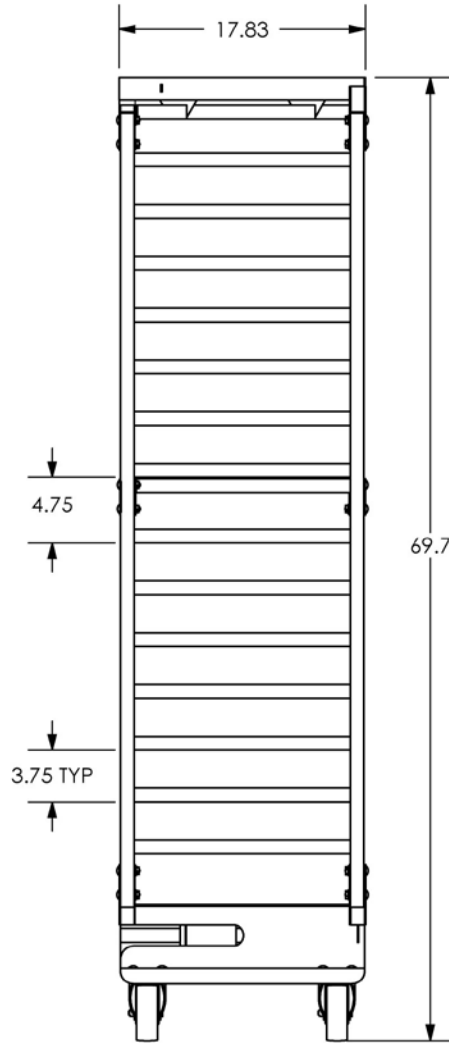


NATIONAL CART CO

1-800-455-3802
nationalcart.com



Freight Class: 300
NMFC Code: 164390-S2



Stainless Steel B-Lift

Order #	Model	W	L	H	Pan Capacity
8050100	SS-2610-BORB; BX SGL-2 SSC.XN	17 3/4"	28 1/4"	69 3/4"	10
8050102	SS-2612-BORB; X-NEST-HOB 2 LIFT DEV	17 3/4"	28 1/4"	69 3/4"	12
8050104	SS-2615-BORB; X-NEST-HOB 2 LIFT DEV	17 3/4"	28 1/4"	69 3/4"	15
8050106	SS-2620-BORB; X-NEST-HOB 2 LIFT DEV	17 3/4"	28 1/4"	69 3/4"	20

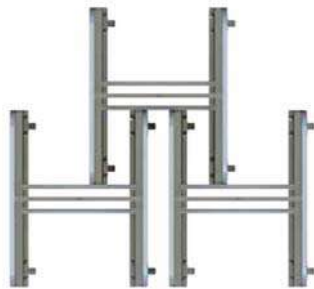
Stainless Steel C-Lift

Order #	Model	W	L	H	Pan Capacity
8050116	SS-2610-BORC; UNIV SGL-2 XN	17 3/4"	28 1/4"	69 3/4"	10
8050117	SS-2612-BORC; UNIV SGL-2 XN	17 3/4"	28 1/4"	69 3/4"	12
8050118	SS-2615-BORC; UNIV SGL-2 XN	17 3/4"	28 1/4"	69 3/4"	15
8050119	SS-2620-BORC; UNIV SGL-2 XN	17 3/4"	28 1/4"	69 3/4"	20

Can't find exactly what you need? Give us a call and we'll help you with the perfect solution!

H-NEST BAKERY OVEN RACKS

The nesting capability of these bakery oven racks saves valuable space when storing in your bakery or back room.



FEATURES:

Heavy duty stainless steel construction

High-temp wheels on stainless steel rigs

OPTIONS:

Available in "A" (shown), "B", "C", and "D" lifting styles

Aluminum or all-stainless steel construction available

Available in pan capacities of 10, 12, 15, and 20

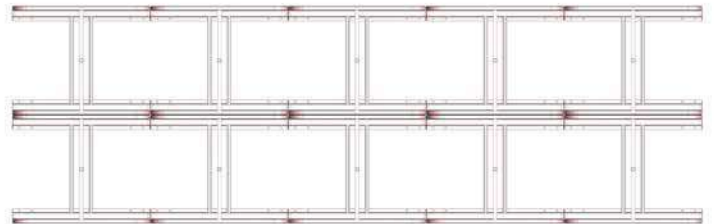
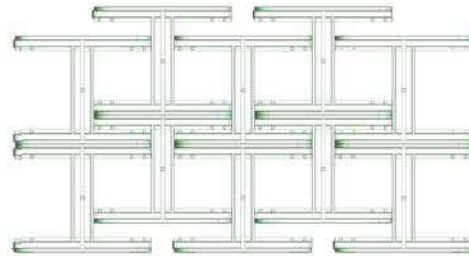
REPLACEMENT PARTS:

(4) 4" x 2" swivel high-temp wheels and caster.
Replacement order #B001405

Zinc Nut. Replacement order #B001225

Carriage Bolt. Replacement order #B000503

5 NEXT Racks = 27.9 Sq. Ft.



5 Standard Racks = 35.9 Sq. Ft.

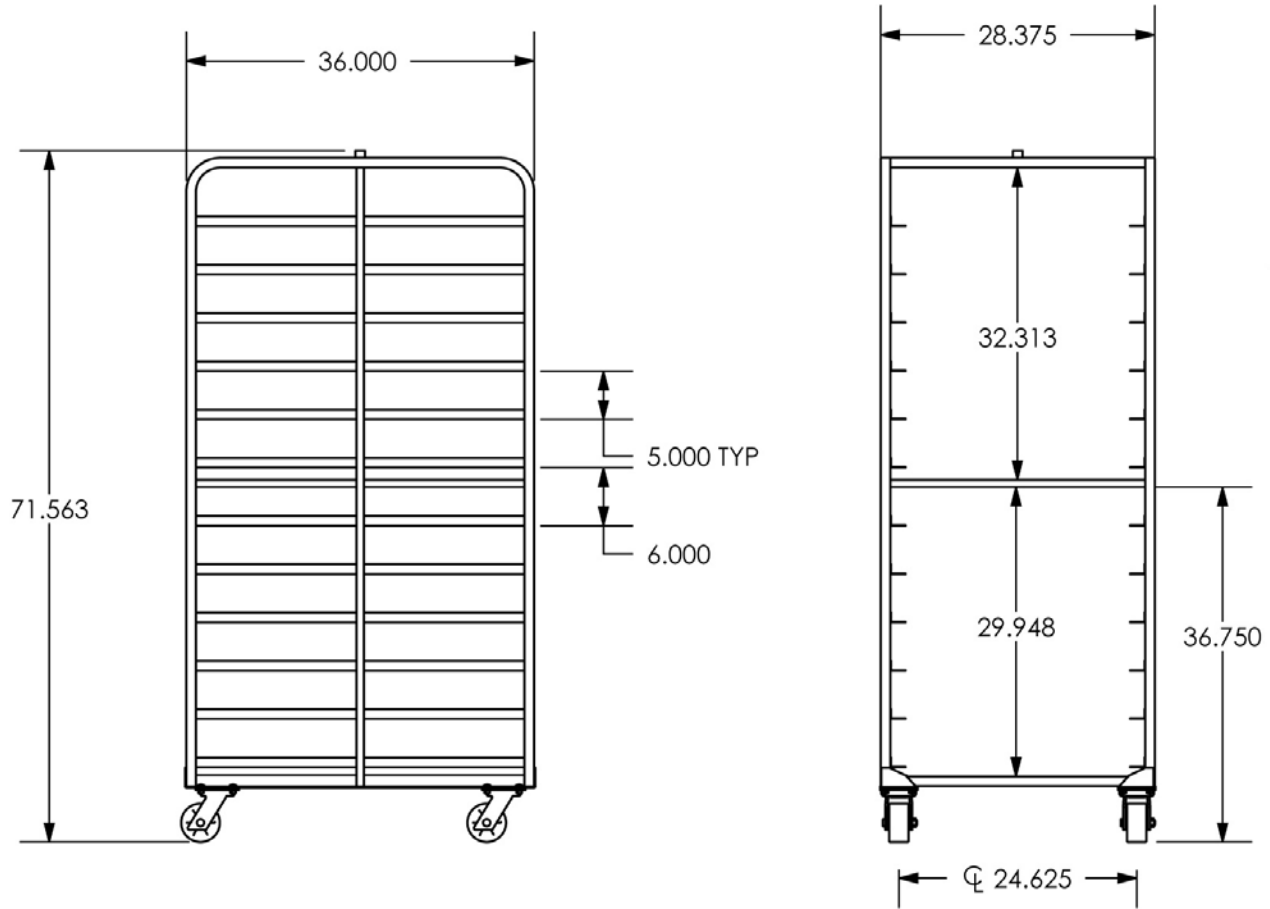


NATIONAL CART CO

1-800-455-3802
nationalcart.com



Freight Class: 300
NMFC Code: 164390-S2



Order #	Model	W	L	H	Pan Capacity
8050017	SS-2610-BORA-RV-DBL-N	28 1/2"	36"	71 1/2"	10
8050063	SS-26-12-BORA-RV-DBL-N, CAL CASTERS	28 1/2"	36"	71 1/2"	12
8050064	SS-2615-BORA-RV-DBL-N, CAL CASTERS	28 1/2"	36"	71 1/2"	15
8050019	SS-26-BORA-RV-DBL-N	28 1/2"	36"	71 1/2"	20

Can't find exactly what you need? Give us a call and we'll help you with the perfect solution!

ALUMINUM SANI CARTS

This versatile sanitary aluminum cart can be used in all departments to transport or store dry goods and perishables.

FEATURES:

Constructed from all welded aluminum rectangular tubing

Optional handle is removable for freight and storage savings (handles sold separately)

REPLACEMENT PARTS:

(2) Front rigid 5" x 1.25" polyurethane wheels. Replacement Order #B000325

(2) Rear swivel 5" x 1.25" polyurethane wheels. Replacement Order #B000312



*8040475 Shown
with 8040380*

*8040479 Shown
with 8040380*

*8040472 Shown
with 8040473*

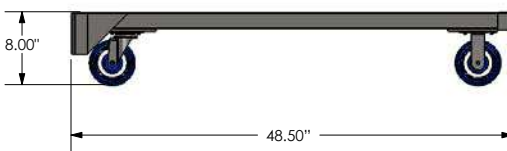
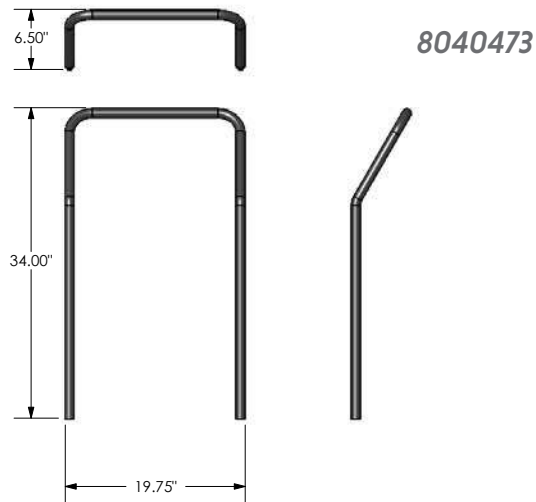
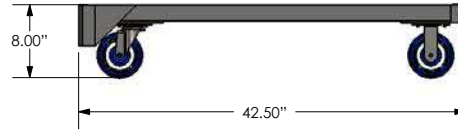
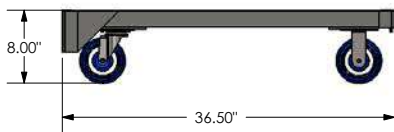
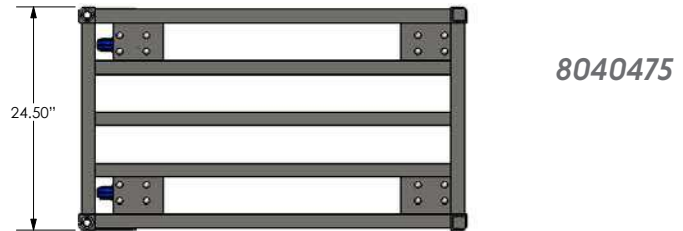
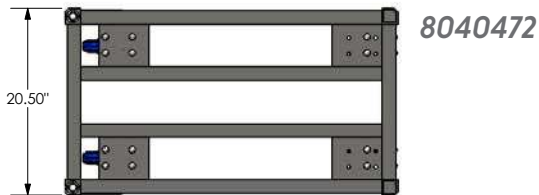


NATIONAL CART CO

1-800-455-3802
nationalcart.com



Freight Class: 300
NMFC Code: 164390-S2



Order #	Model	W	L	H	Weight	Cart Capacity
8040472	AL-SAS-D-2036 SPEED CART DOLLY	20 1/2"	36 1/2"	8"	18 lbs.	750 lbs.
8040474	AL-SAS-D-2436 SPEED CART DOLLY	24 1/2"	36 1/2"	8"	20 lbs.	750 lbs.
8040475	AL-SAS-D-2442 SPEED CART DOLLY	24 1/2"	42 1/2"	8"	22 lbs.	750 lbs.
8040379	AL-SAS-D-2448 SPEED CART DOLLY	24 1/2"	48 1/2"	8"	24 lbs.	750 lbs.
8040473	AL-SAS-H-20 SPEED CART DOLLY HANDLE	19 3/4"	6 1/2"	34"	5 lbs.	-
8040380	AL-SAS-H-24 SPEED CART DOLLY HANDLE	23 3/4"	6 1/2"	34"	5 lbs.	-

Can't find exactly what you need? Give us a call and we'll help you with the perfect solution!

BUSSING CART

Ideal 3 shelf cart for bussing, serving or general stocking. Unit comes in aluminum or stainless steel to fit any customer's need or preference.

The attractive design is appropriate for any occasion.



8040569 Shown

FEATURES:

All welded construction

400 lb. capacity

13" shelf spacing

OPTIONS:

Aluminum or stainless steel construction

REPLACEMENT PARTS:

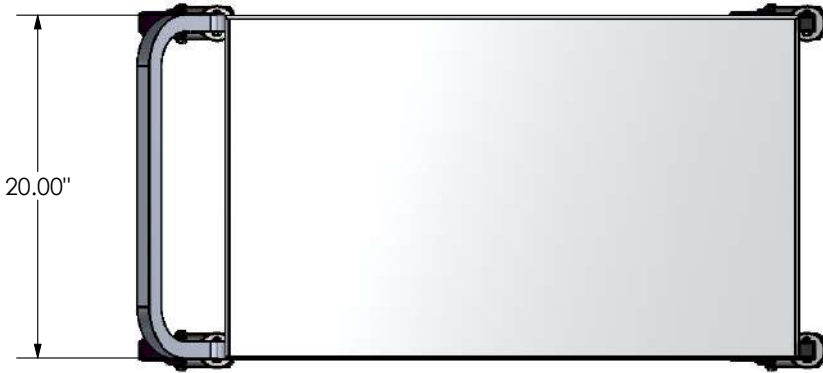
5" x 1.25" polyurethane wheels .

Replacement Order #B000325



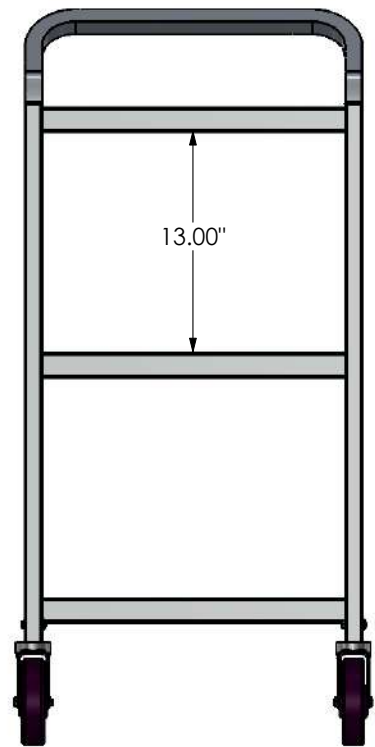
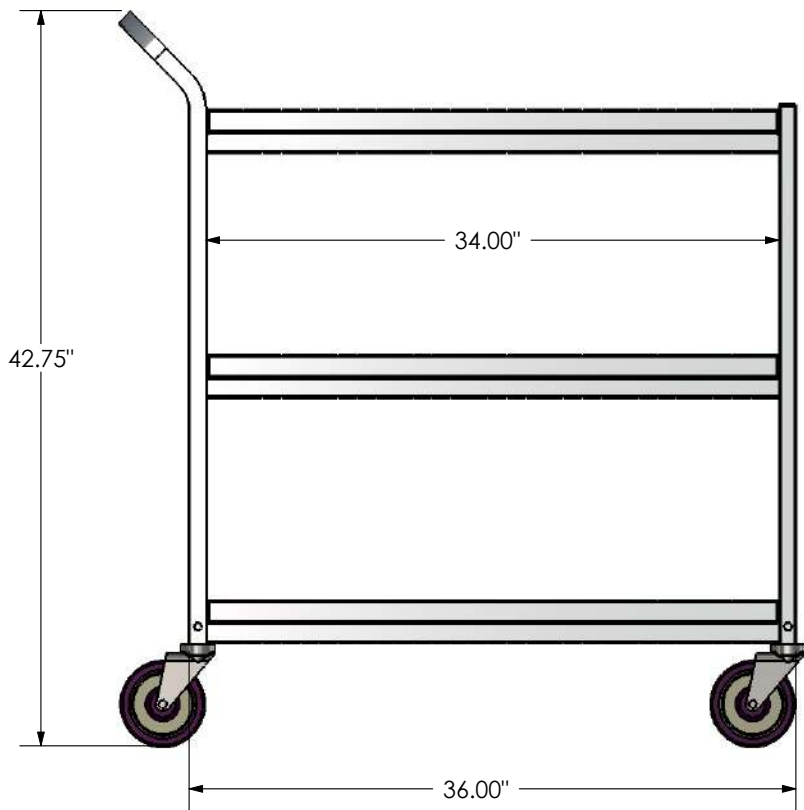
NATIONAL CART CO

1-800-455-3802
nationalcart.com



Freight Class: 300
NMFC Code: 164390-S2

8040569



Order #	Model	W	L	H	Capacity	Weight
8040569	AL-BC-2036-3	20"	36"	42 3/4"	400 lbs.	35 lbs.
8050009	SS-BC-2036-3	20"	36"	42 3/4"	400 lbs.	59 lbs.

Can't find exactly what you need? Give us a call and we'll help you with the perfect solution!

ICING CART

This all-welded sanitary cart is perfect for transporting cakes, tools, icing, and decorations from the bakery, to a vehicle, and to a reception hall, all on one cart.

This cart transfers cakes and food conveniently and safely with raised lips around three sides of the top shelf and on the back of the bottom two shelves. The side rails on the bottom two shelves provide additional protection from possible accidents and carrying heavy cake tiers separately.

The four locking casters make this cart ideal for decorating, transporting and display!

FEATURES:

Four locking brakes to prevent cakes or decorations from possible accidents

Additional protection with raised lips on sides and back on top shelf and raised back on bottom two shelves

Protective side rails for bottom two shelves

Constructed from all welded sanitary aluminum

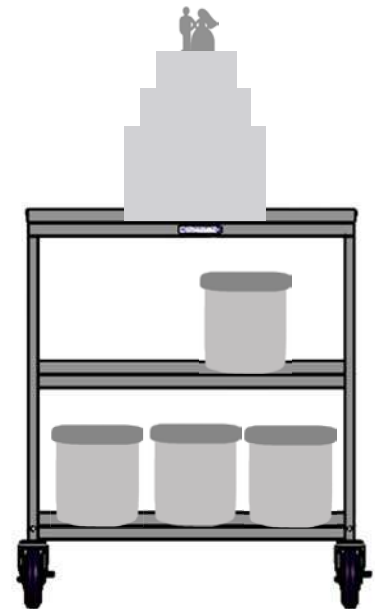
13" shelf spacing

REPLACEMENT PARTS:

(4) 5" x 1.25" polyurethane wheels with brake.
Replacement Order #B000491

Zinc Bolt Replacement Order #B000576

Zinc Nut Replacement Order #B000198



NATIONAL CART CO

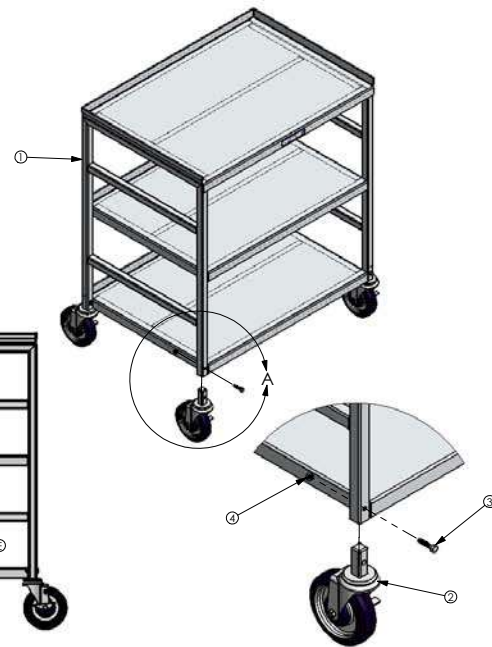
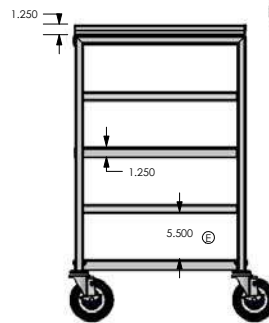
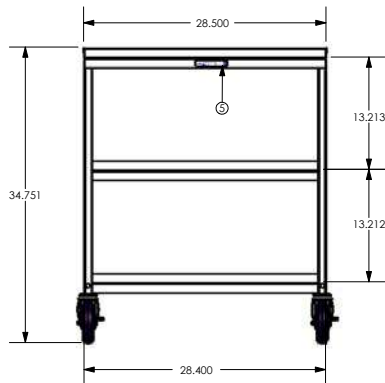
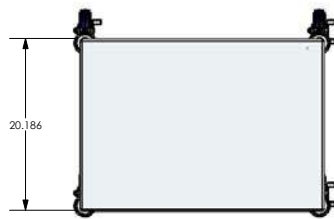
1-800-455-3802
nationalcart.com



Freight Class: 150
NMFC Code: 188560-S4

ITEM	PART #	DESCRIPTION	QTY.
1	2040789	AL-IC-3 FINAL WELD ASSY, CHINA	1
2	8000491	CASTER, SWIVEL, Ø5" x 1.25 POLY-U W/BRAKE	4
3	8000576	BOLT, HEX, Ø1/4-20 x 1.25", ZN	4
4	8000198	NUT, 2-WAY LOCK 1/4-20 UNC, ZN	4
5	WL00002	LABEL, "NSP" NATIONAL CART CO.	1

REVISIONS				
REV.	DESCRIPTION	DATE	APP	ECR
A	REBUILD & UPDATE DRAWING	4/7/2010	JLH	193
B	8000606 REMOVED	6/7/2011	JLH	2125
C	UPDATE OF CONSTRUCTION AND DIMS	4/30/2012	SJ	3010
D	UPDATE PRINT TO USE WELDMENT WITH 48040947 KIT	2/3/2014	DMD	4122
E	UPDATED SIDE WELDMENTS	3/13/2014	RJM	4189



DETAIL A
SCALE 1 : 8

MATERIAL SEE DETAILS	CRITICAL DIMENSIONS ARE CIRCLED	DIMENSIONS ARE ENGLISH	NATIONAL CART CO. <small>3125 BOSCHERTOWN RD. ST. CHARLES, MO. 63301 PHONE: 636-947-3800 FAX: 636-723-4477</small>												
FINISH TYPE:	TOLERANCE UNLESS OTHERWISE NOTED	THIRD ANGLE PROJECTION													
COLOR:	ANGULAR ± 1° X ± .125 (1/8) XX ± .063 (1/16) XXX ± .032 (1/32) XXXX ± .016 (1/64)		TITLE: AL-IC-3, ICING CART												
<small>PROPRIETARY AND CONFIDENTIAL THE INFORMATION CONTAINED IN THIS DRAWING IS THE SOLE PROPERTY OF NATIONAL CART CO. ANY REPRODUCTION IN PART OR AS A WHOLE WITHOUT THE WRITTEN PERMISSION OF NATIONAL CART CO. IS PROHIBITED.</small>		<table border="1"> <tr> <th>DATE</th> <th>NAME</th> <th>DWG. NO.</th> <th>WEIGHT</th> <th>SHEET</th> <th>REV</th> </tr> <tr> <td>4/7/2010</td> <td>JLH</td> <td>8040947</td> <td>53.17 LBS</td> <td>1 OF 1</td> <td>E</td> </tr> </table>	DATE	NAME	DWG. NO.	WEIGHT	SHEET	REV	4/7/2010	JLH	8040947	53.17 LBS	1 OF 1	E	
DATE	NAME	DWG. NO.	WEIGHT	SHEET	REV										
4/7/2010	JLH	8040947	53.17 LBS	1 OF 1	E										

Order #	Model	W	L	H	Weight
8040947	AL-IC-3, ICING CART	20"	28 1/2"	34 3/4"	34 lbs.

Can't find exactly what you need? Give us a call and we'll help you with the perfect solution!

UTILITY MARKING STOCKING CARTS

This versatile stock cart is an excellent transporter for stock room and sales floor. Its heavy duty galvanized construction makes this unit suitable for produce as well as other departments.

The perfect solution to all your transportation requirements.

8000151



8000257

8041242



FEATURES:

All welded square galvanized tube frame

Solid upper shelf and a tube style lower shelf

Straight leg design along with 2 standard front bumpers

Innovative design virtually eliminate any marring or scratching of your cases

Convenient counter height top with large working surface

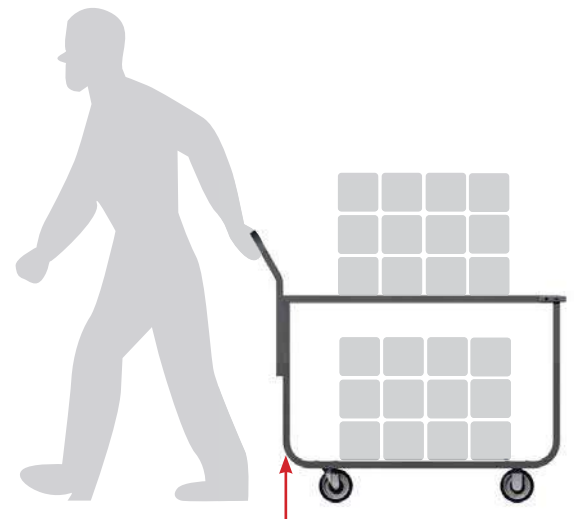
OPTIONS:

Full Perimeter Bumpers (FPB) version available (Contact your customer sales representative)

REPLACEMENT PARTS:

2 rear swivel casters with 5" x 1.25" polyurethane wheels. Replacement Order #B000312

2 front rigid casters with 5" x 1.25" polyurethane wheels. Replacement Order #B000325



Radius bottom corners are Achilles heel friendly

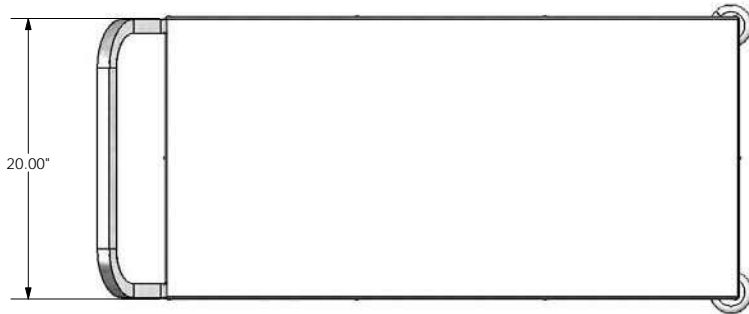


NATIONAL CART CO

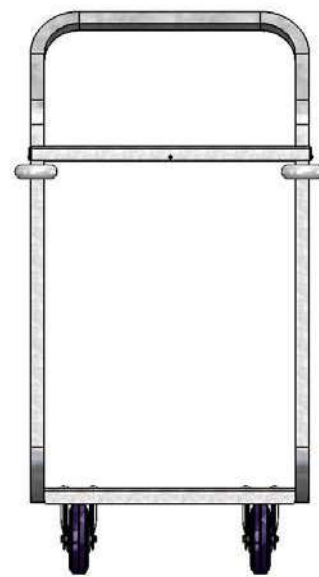
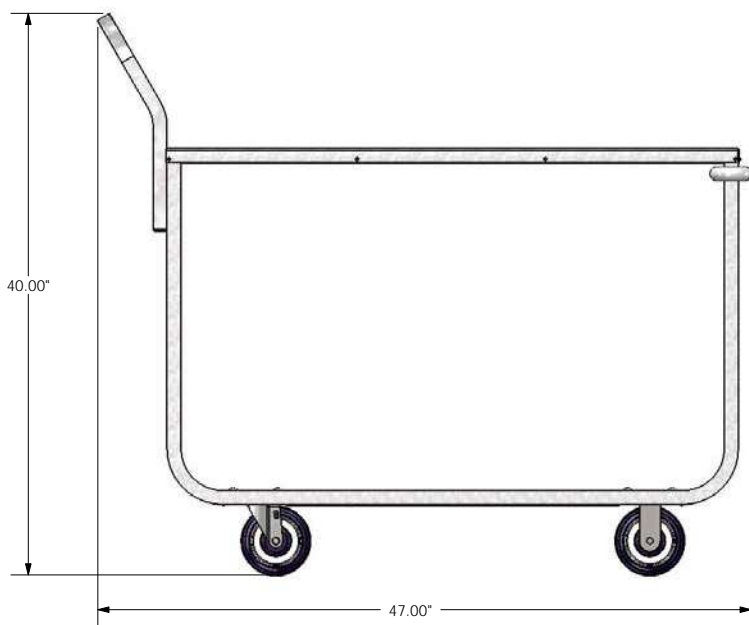
1-800-455-3802
nationalcart.com



Freight Class: 150
 NMFC Code: 188560-S4



8000151

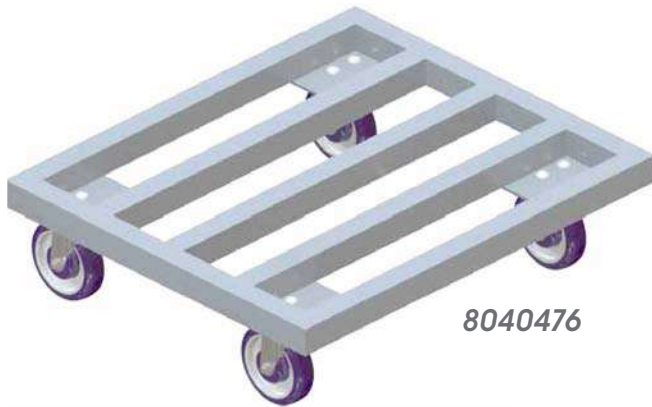


Order #	Model	W	L	H	Cart Capacity	Weight	Full Perimeter Bumpers	Material
8000151	ST-2042-A, HD GALV STOCK TRUCK	20"	47"	40"	1000 lbs.	54 lbs.	No	Steel
8000256	ST-2042-A-FPB HD GALV STOCK TRUCK	20"	47"	40"	1000 lbs.	54 lbs.	Yes	Steel
8000257	ST-1734-A GALV STOCK TRUCK	17"	38"	40"	1000 lbs.	61 lbs.	No	Steel
8041242	AL-ST-2044 AL STOCK TRUCK	20"	49 1/4"	41 1/2"	750 lbs	30 lbs	No	Aluminum

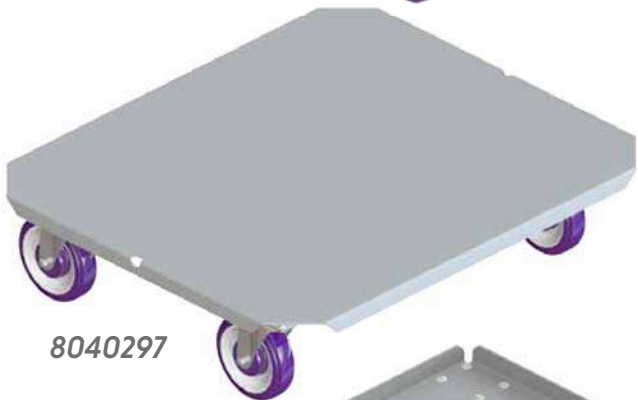
Can't find exactly what you need? Give us a call and we'll help you with the perfect solution!

ALUMINUM DOLLIES

Traditionally used to transport product from loading dock to cooler and cooler to preparation areas. Conveniently sized to provide maximum efficiency while occupying minimal space.



8040476



8040297



8040570



8040408

FEATURES:

Solid unit is designed and constructed from heavy gauge sanitary aluminum

Solid unit comes with a flat surface that features folded edges and hole for an optional pull handle

Tubular unit is all welded heavy duty sanitary aluminum tube that allows for greater capacities and better air circulation

OPTIONS:

Pull Handle (PH) Order #8040408

REPLACEMENT PARTS:

(4) 5" x 1.25" flat plate swivel casters with polyurethane wheels.

Caster/Wheel Replacement Order number for all dollies except 8040476 #B000312. Fasteners Order #B000543 and #B001257.

8040476 Replacement Caster/Wheel Order #B000312. Fasteners Order #B000102 and #B000059.



NATIONAL CART CO

1-800-455-3802
nationalcart.com



Order #8040297, 8040298, 8040408, 8040476

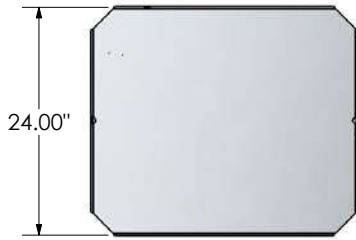
Freight Class: 300

NMFC Code: 164390-S2

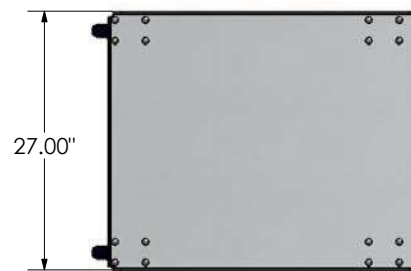
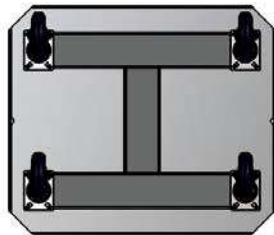
Order #8040300, 8040301, 8040570, 8040299

Freight Class: 100

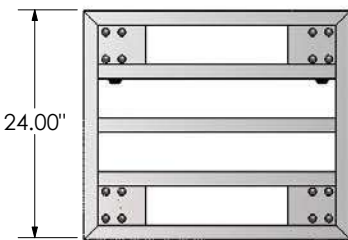
NMFC Code: 188560-S2



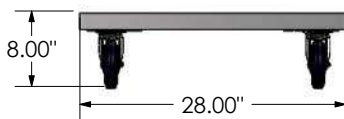
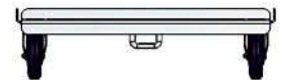
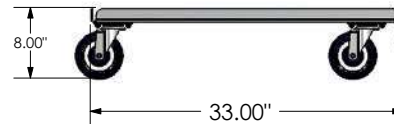
8040297



8040570



8040476



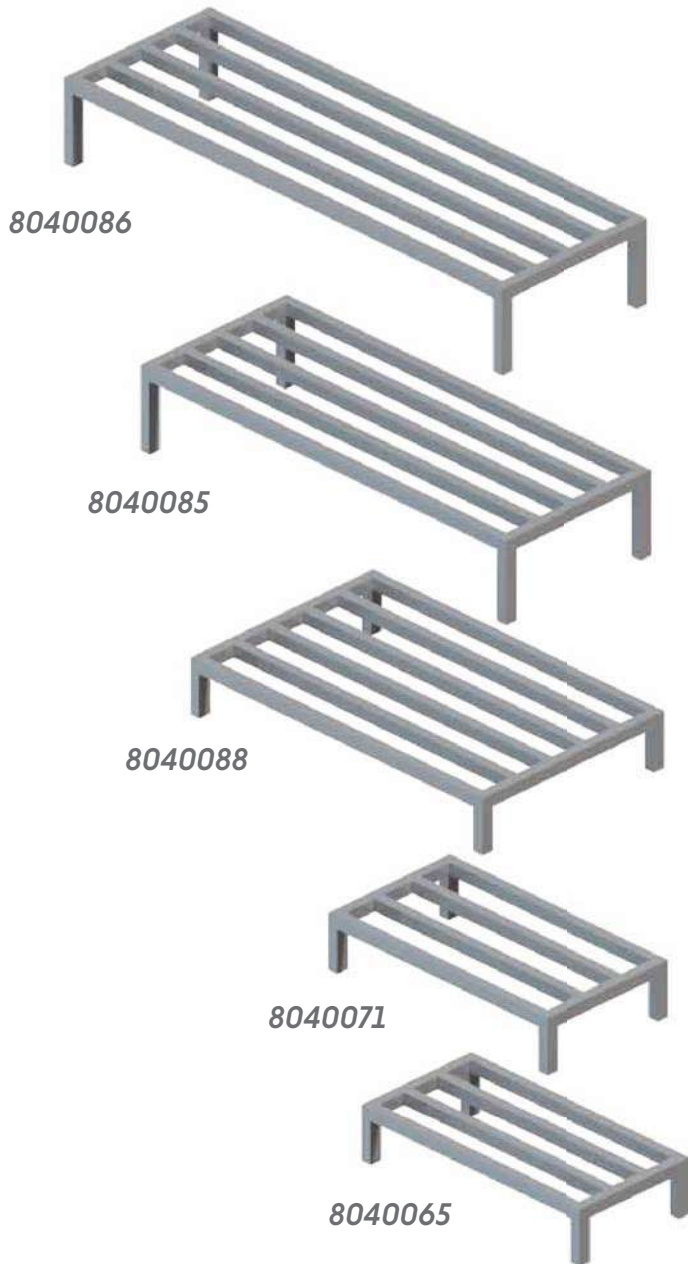
Order #	Model	W	L	H	Capacity	Weight	Platform
8040297	AL-BBD-2428 BOXED BEEF DOLLY	24"	28"	7"	1000 lbs.	20 lbs.	Solid Design
8040298	AL-BBD-2433 BOXED BEEF DOLLY	24"	33"	7"	1000 lbs.	25 lbs.	Solid Design
8040300	AL-BBD-2440 BOXED BEEF DOLLY	24"	40"	7"	1000 lbs.	30 lbs.	Solid Design
8040301	AL-BBD-2733 BOXED BEEF DOLLY	27"	33"	7"	1000 lbs.	25 lbs.	Solid Design
8040299	AL-BBD-2433-T TUBULAR BXD BEEF DOLY	24"	33"	8"	1000 lbs.	20 lbs.	Tube Design
8040476	AL-BBD-2428-T-TBLR BXD BEEF DOLLY	24"	28"	8"	1000 lbs.	19 lbs.	Tube Design
8040570	AL-UDK-2733 ALUM. UNIVERSAL DOLLY	27"	33"	8"	1000 lbs.	20 lbs.	Solid Design
8040408	PH-1 PULL HANDLE FOR CHICKEN DOLLY	-	30"	-	-	2 lbs.	-

Can't find exactly what you need? Give us a call and we'll help you with the perfect solution!

DUNNAGE RACKS

Securely stores product off the floor and allows air to flow around the entire product.

Prolong package life while permitting cleaning under the product.



FEATURES:

All welded sanitary aluminum

Heavy duty tube provides a long and durable, rustproof life

Durable, yet light weight

Wide base for sturdy storage

REPLACEMENT PARTS:

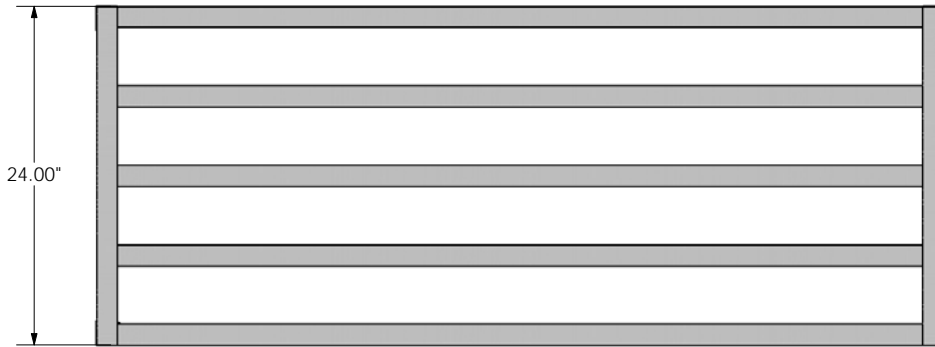
Base cap replacement. Order #B000407



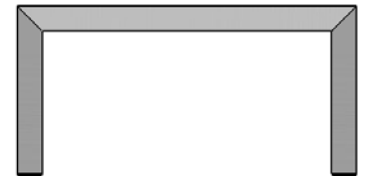
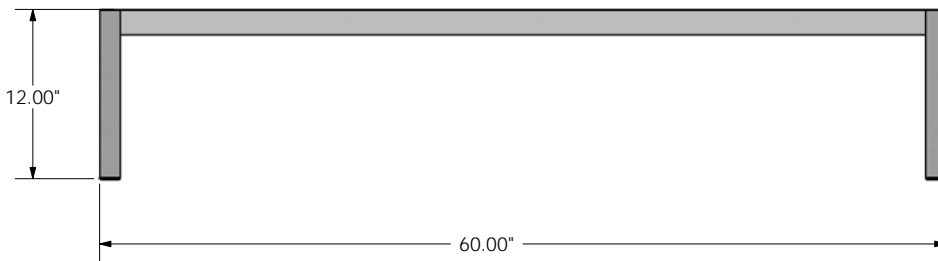
NATIONAL CART CO
1-800-455-3802
nationalcart.com



Freight Class: 300
NMFC Code: 164390-S2



8040085



Order #	Model	W	L	H	Capacity	Weight
8040065	AL-DR18368 DUNNAGE RACK, 3,000 LB	18"	36"	8"	3000 lbs.	9 lbs.
8040066	AL-DR18488 DUNNAGE RACK, 2,500 LB	18"	48"	8"	2500 lbs.	11 lbs.
8040067	AL-DR18608 DUNNAGE RACK, 2,000 LB	18"	60"	8"	2000 lbs.	13 lbs.
8040068	AL-DR183612 DUNNAGE RACK, 3,000 LB	18"	36"	12"	3000 lbs.	10 lbs.
8040069	AL-DR184812 DUNNAGE RACK, 2,500 LB	18"	48"	12"	2500 lbs.	11 lbs.
8040070	AL-DR186012 DUNNAGE RACK, 2,000 LB	18"	60"	12"	2000 lbs.	13 lbs.
8040071	AL-DR20368 DUNNAGE RACK, 3,000 LB	20"	36"	8"	3000 lbs.	9 lbs.
8040072	AL-DR20488 DUNNAGE RACK, 2,500 LB	20"	48"	8"	2500 lbs.	11 lbs.
8040073	AL-DR20608 DUNNAGE RACK, 2,000 LB	20"	60"	8"	2000 lbs.	13 lbs.
8040074	AL-DR20728 DUNNAGE RACK, 2,000 LB	20"	72"	8"	2000 lbs.	15 lbs.
8040075	AL-DR203612 DUNNAGE RACK, 3,000 LB	20"	36"	12"	3000 lbs.	10 lbs.
8040076	AL-DR204812 DUNNAGE RACK, 2,500 LB	20"	48"	12"	2500 lbs.	12 lbs.
8040077	AL-DR206012 DUNNAGE RACK, 2,000 LB	20"	60"	12"	2000 lbs.	14 lbs.
8040078	AL-DR207212 DUNNAGE RACK, 2,000 LB	20"	72"	12"	2000 lbs.	16 lbs.
8040079	AL-DR24368 DUNNAGE RACK, 3,000 LB	24"	36"	8"	3000lbs.	11 lbs.

Order #	Model	W	L	H	Capacity	Weight
48040080	AL-DR24488 DUNNAGE RACK, 2,500 LB	24"	48"	8"	2500 lbs.	13 lbs.
8040081	AL-DR24608 DUNNAGE RACK, 2,000 LB	24"	60"	8"	2000 lbs.	15 lbs.
8040082	AL-DR24728 DUNNAGE RACK, 2,000 LB	24"	72"	8"	2000 lbs.	17 lbs.
8040083	AL-DR243612 DUNNAGE RACK, 3,000 LB	24"	36"	12"	3000 lbs.	11 lbs.
48040084	AL-DR244812 DUNNAGE RACK, 2,500 LB	24"	48"	12"	2500 lbs.	14 lbs.
8040085	AL-DR246012 DUNNAGE RACK, 2,000 LB	24"	60"	12"	2000 lbs.	16 lbs.
8040086	AL-DR247212 DUNNAGE RACK, 2,000 LB	24"	72"	12"	2000 lbs.	21 lbs.
8040087	AL-DR30368 DUNNAGE RACK, 3,000 LB	30"	36"	8"	3000 lbs.	12 lbs.
8040088	AL-DR30488 DUNNAGE RACK, 2,500 LB	30"	48"	8"	2500 lbs.	14 lbs.
8040089	AL-DR30608 DUNNAGE RACK, 2,000 LB	30"	60"	8"	2000 lbs.	16 lbs.
8040090	AL-DR30728 DUNNAGE RACK, 2,000 LB	30"	72"	8"	2000 lbs.	18 lbs.
8040091	AL-DR303612 DUNNAGE RACK, 3,000 LB	30"	36"	12"	3000 lbs.	13 lbs.
8040092	AL-DR304812 DUNNAGE RACK, 2,500 LB	30"	48"	12"	2500 lbs.	16 lbs.
8040093	AL-DR306012 DUNNAGE RACK, 2,000 LB	30"	60"	12"	2000 lbs.	21 lbs.
8040094	AL-DR307212 DUNNAGE RACK, 2,000 LB	30"	72"	12"	2000 lbs.	25 lbs.

Can't find exactly what you need? Give us a call and we'll help you with the perfect solution!

PLASTIC DUNNAGE RACK

Securely stores product off floor as well as permitting air flow around the entire product. Prolong package life while permitting cleaning under the product.

This plastic dunnage rack is very versatile looks great in back rooms and storage areas, or as a display merchandiser on the store floor.



FEATURES:

One piece seamless construction that requires no assembly

Rust and corrosion free

Heavy duty construction can hold up to 3,000 pounds

Molded of 100% recyclable material

Durable, yet light weight

Wide base for sturdy storage

Corner pockets allow dunnage rack to be stackable for storage or shipping needs



Stackable for easy storage

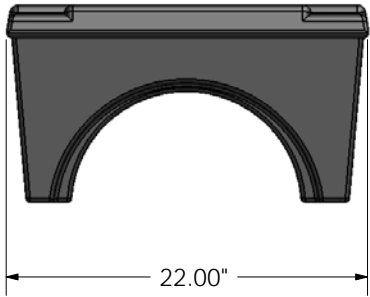
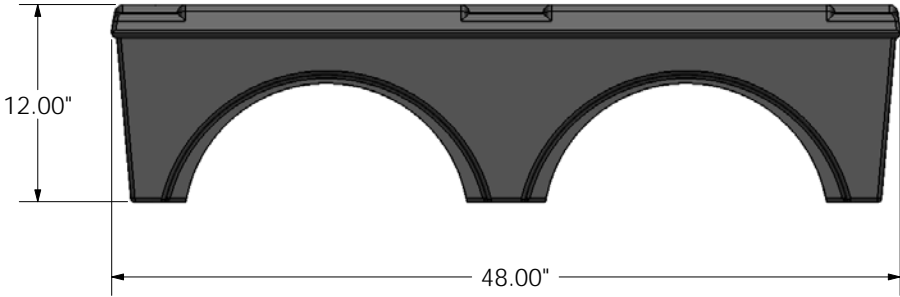
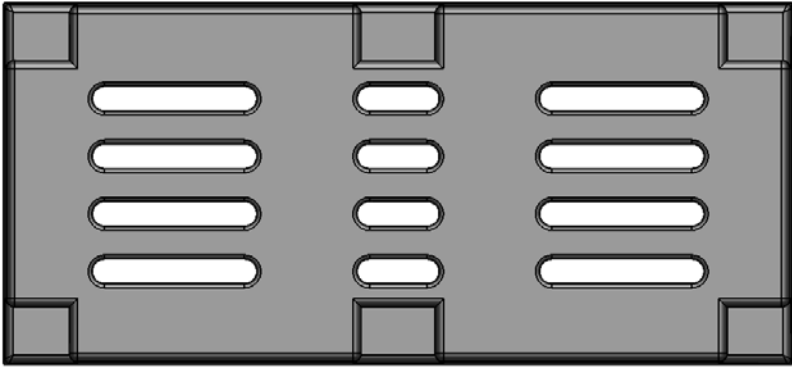


NATIONAL CART CO

1-800-455-3802
nationalcart.com



Freight Class: 100
 NMFC Code:156600-S6



Order #	Model	W	L	H	Capacity	Weight
5000150	PL-DR-224812-BLK, PLASTIC DUNNAGE RACK	22"	48"	12"	3000 lbs.	21 lbs.

Can't find exactly what you need? Give us a call and we'll help you with the perfect solution!

ALUMINUM END LOADING PAN RACK

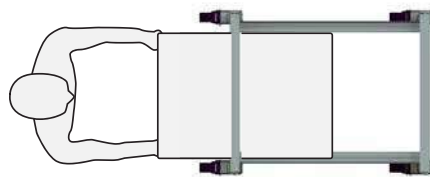
These sturdy aluminum pan racks are suitable for many different applications.

Available in both end loading and side loading models for 18" x 26" pans.



8040959

8040902



End Load

FEATURES:

Sanitary square aluminum tube

Radius corners for comfort when pushing

Heavy gauge aluminum angle runners with two position weld

Standard rack includes (4) swivel casters with polyurethane wheels

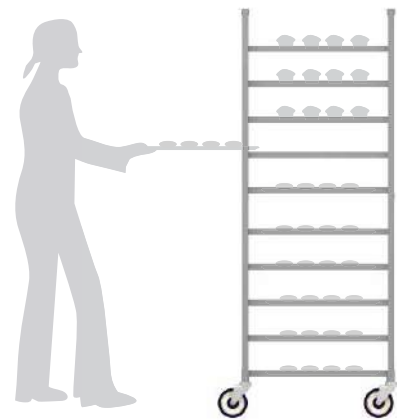
OPTIONS:

(4) 5" x 1.25" flat plate swivel casters with Heavy duty caster channel. Channel protects the caster from the environment and prolongs the useful life of the casters (inquire with your customer service representative)

Tray Stop (inquire with your customer service representative)

REPLACEMENT PARTS:

(4) 5" x 1.25" swivel casters with polyurethane wheels. Replacement order #B000025

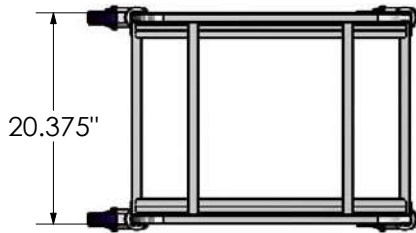


NATIONAL CART CO

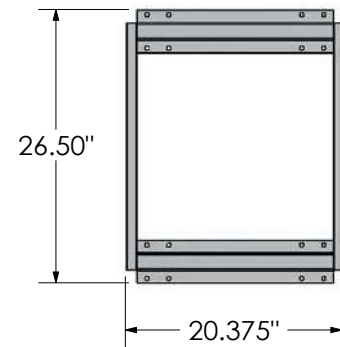
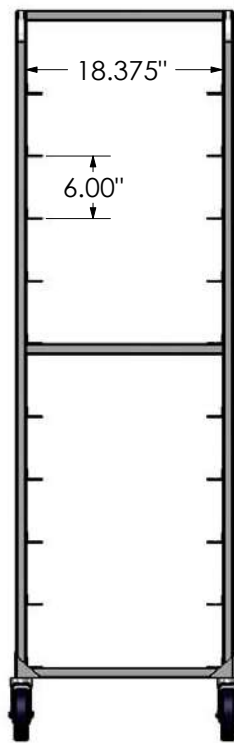
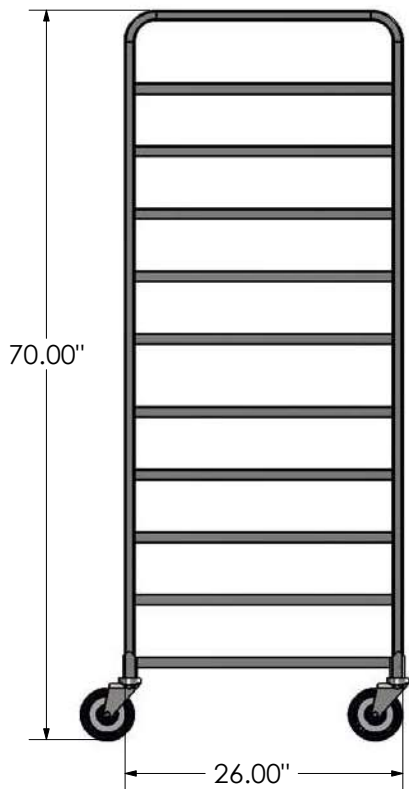
1-800-455-3802
nationalcart.com



Freight Class: 300
NMFC Code: 164390-S2



8040959



Base assembly for plate swivel casters

Order #	Model	W	L	H	Shelf Spacing	Pan Capacity	Weight
8040959	AL-1810B END LOAD PAN RACK	20 3/8"	26"	70"	6"	10	22 lbs.
8040960	AL-1812B END LOAD PAN RACK	20 3/8"	26"	70"	5"	12	37 lbs.
8040902	AL-1815B END LOAD PAN RACK	20 3/8"	26"	70"	4"	15	42 lbs.
8040903	AL-1818B END LOAD PAN RACK	20 3/8"	26"	70"	3"	18	42 lbs.
8040904	AL-1820B END LOAD PAN RACK	20 3/8"	26"	70"	3"	20	48 lbs.
8040905	AL-1830B END LOAD PAN RACK	20 3/8"	26"	70"	2"	30	61 lbs.

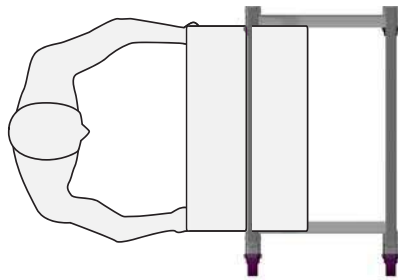
Can't find exactly what you need? Give us a call and we'll help you with the perfect solution!

ALUMINUM SIDE LOADING PAN RACK

These sturdy aluminum pan racks are suitable for many different applications. Available in both end loading and side loading models for 18" x 26" pans.



8040910



Side Load

FEATURES:

Sanitary square aluminum tube

Radius corners for comfort when pushing

Heavy gauge aluminum angle runners

Standard Rack includes (4) swivel casters with polyurethane wheels

OPTIONS:

(4) 5" x 1.25" flat plate swivel casters with Heavy duty caster channel. Channel protects the caster from the environment and prolongs the useful life of the casters (inquire with your customer service representative)

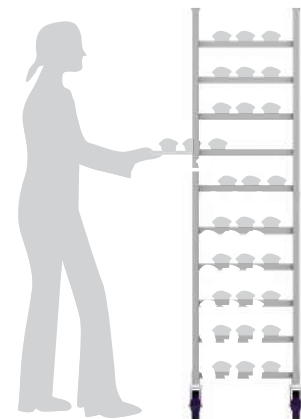
Tray Stop (inquire with your customer service representative)

REPLACEMENT PARTS:

(4) 5" x 1.25" swivel casters with polyurethane wheels. Replacement order #B000025

Shown with optional flat plate swivel casters and protective hat channel.

Contact your customer service representative for more details.

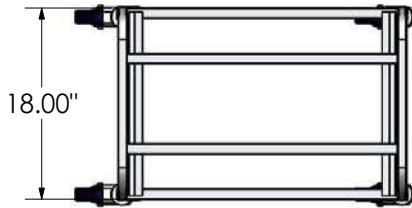


NATIONAL CART CO

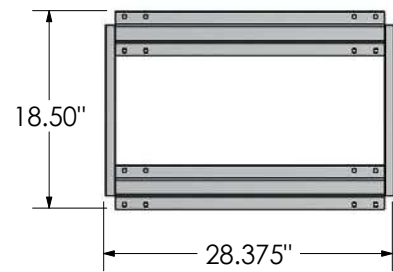
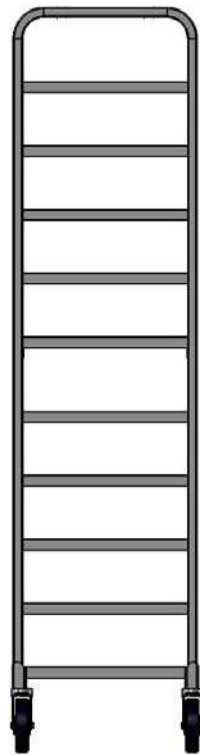
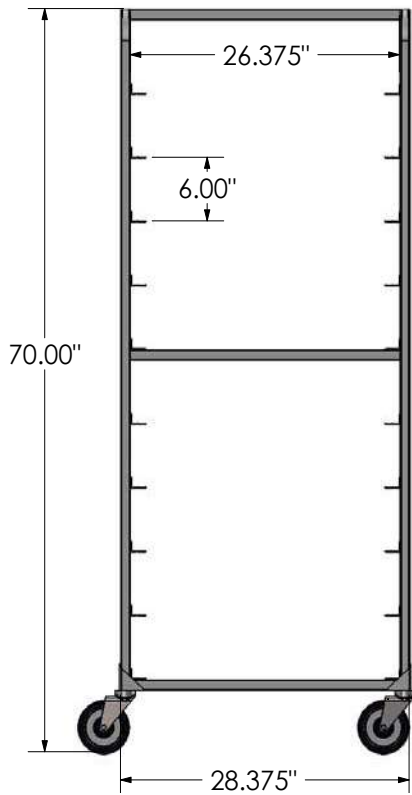
1-800-455-3802
nationalcart.com



Freight Class: 300
NMFC Code: 164390-S2



8040907



Base assembly for plate swivel casters

Order #	Model	W	L	H	Shelf Spacing	Pan Capacity	Weight
8040907	AL-2610B AL SIDE LOAD PAN RACK	28 3/8"	18"	70"	6"	10	32 lbs.
8040961	AL-2612B SIDE LOAD PAN RACK	28 3/8"	18"	70"	5"	12	35 lbs.
8040962	AL-2615B SIDE LOAD PAN RACK	28 3/8"	18"	70"	4"	15	35 lbs.
8040910	AL-2618B SIDE LOAD PAN RACK	28 3/8"	18"	70"	3"	18	37 lbs.
8040911	AL-2620B SIDE LOAD PAN RACK	28 3/8"	18"	70"	3"	20	42 lbs.
8040912	AL-2630B SIDE LOAD PAN RACK	28 3/8"	18"	70"	2"	30	49 lbs.

Can't find exactly what you need? Give us a call and we'll help you with the perfect solution!

BREAD DISPLAY RACK

This adjustable rack is ideal for displaying daily bread specials.

Unit has unique angle design that showcases a product's best features for quick turnover.



8000158 Shown

*Frame easily adjusts
to accommodate different tray sizes*

FEATURES:

Unique adjustable frame fits most bread trays

Durable beige powder coat finish (inquire with your customer service representative for other color options)

(4) 5" swivel casters for easy mobility, (2) with brakes

Ships knocked down for freight savings

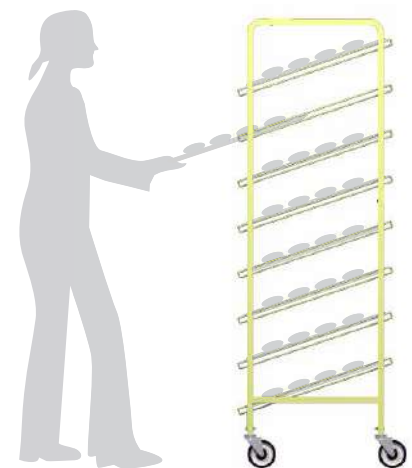
Comes standard with two front brakes

REPLACEMENT PARTS:

(2) 5" x 1.25" swivel caster with polyurethane wheel. Order #B000025

(2) 5" x 1.25" swivel caster with polyurethane wheel and square stem. With Brake. Order #B000491

Fasteners: Hex head cap screw order #B000576 and two way lock nut order #B000198

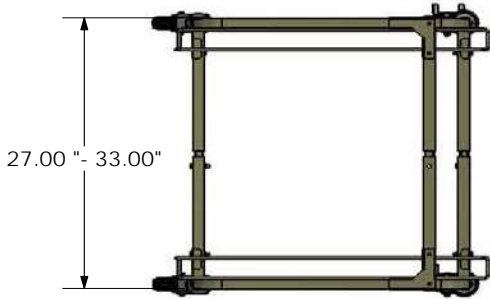


NATIONAL CART CO

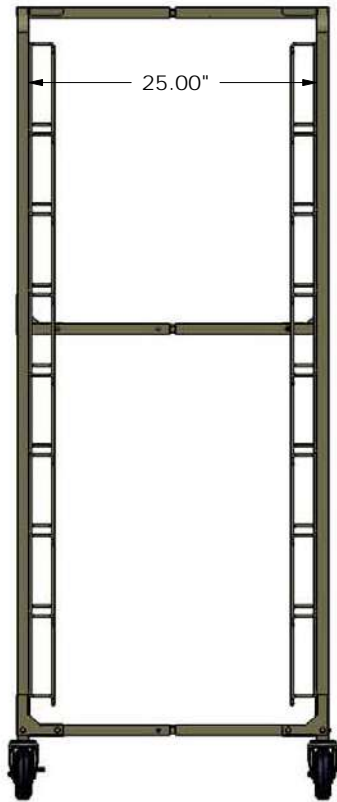
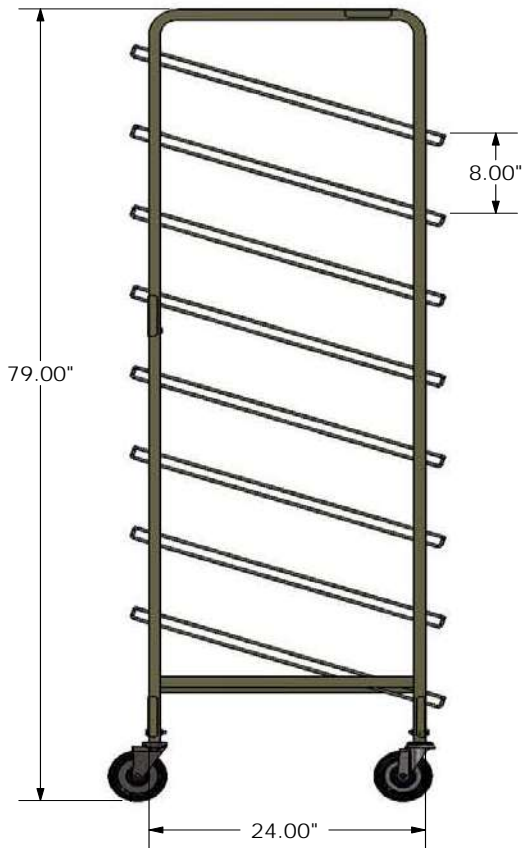
1-800-455-3802
nationalcart.com



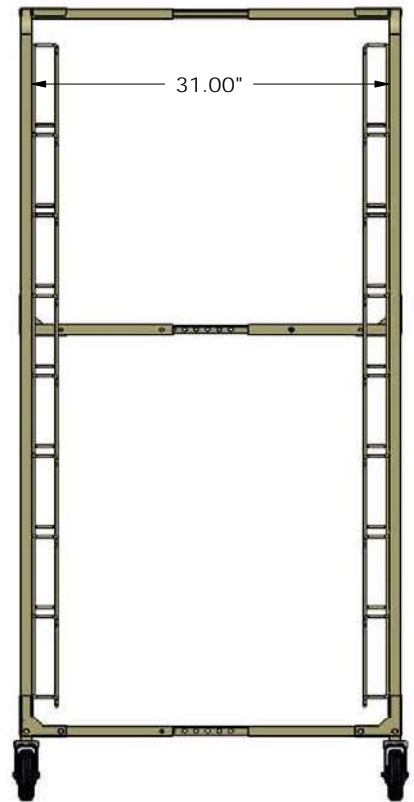
Freight Class: 85
NMFC Code: 163980



8000158



Minimum Size



Maximum Size

Order #	Model	W	L	H	Capacity	Weight
8000158	SAV-8-BR SLANT DISPLAY BREAD RACK	27"-33"	24"	79"	8	87 lbs.

Can't find exactly what you need? Give us a call and we'll help you with the perfect solution!

CHANNEL PAN CART

Channel Pan Carts are ideal for the storage and transportation of low profile products. This Cart can also be used for general storage and transportation of pans and trays.



8040224 Shown

FEATURES:

Sanitary square aluminum tube

Radius corners for comfort when pushing

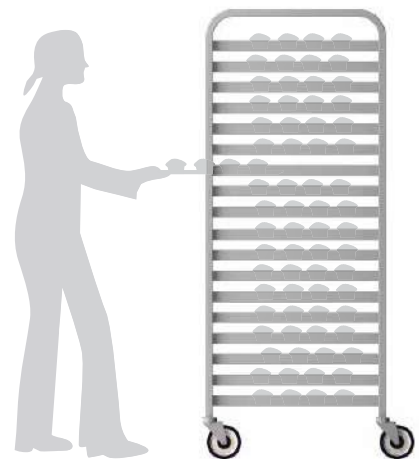
Channels are 5/8" deep and spaced 1.5" apart

OPTIONS:

End load and side load models available

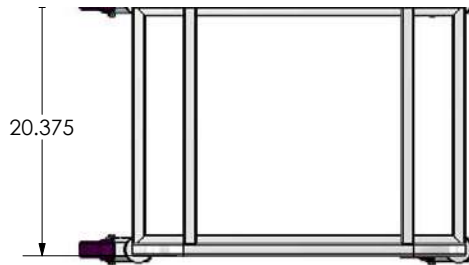
REPLACEMENT PARTS:

(4) 5" x 1.25" swivel casters with polyurethane wheels. Replacement order #B000025



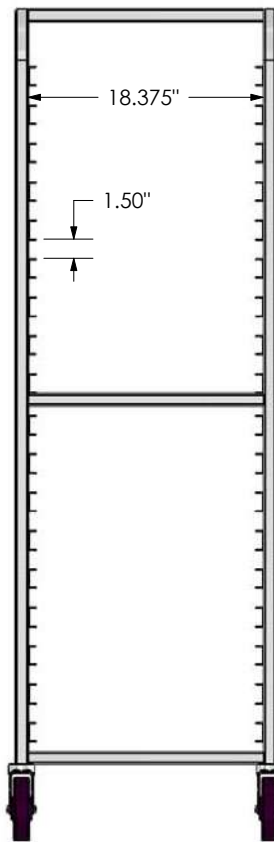
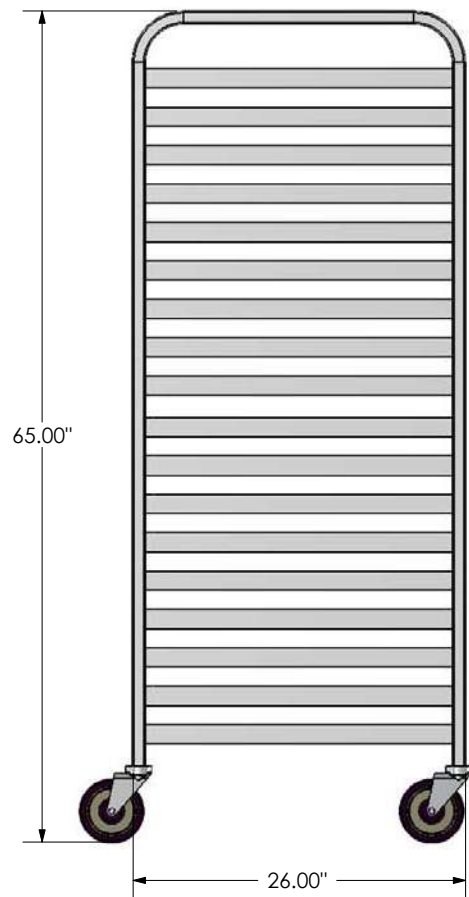
NATIONAL CART CO

1-800-455-3802
nationalcart.com



Freight Class: 300
NMFC Code: 164390-S2

8040224



Order #	Model	W	L	H	Shelf Spacing	Pan Capacity	Weight
8040224	AL-CPC-1836 AL END LOAD 36 PAN CAP	20 3/8"	26"	65"	1.5"	36	32 lbs.
8040225	AL-CPC-1840 AL END LOAD 40 PAN CAP	20 3/8"	26"	70"	1.5"	40	34 lbs.
8040227	AL-CPC-2636 AL SIDE LOAD 36 PAN CAP	28 3/8"	18"	65"	1.5"	36	28 lbs.
8040228	AL-CPC-2640 AL SIDE LOAD 40 PAN CAP	28 3/8"	18"	70"	1.5"	40	32 lbs.

Can't find exactly what you need? Give us a call and we'll help you with the perfect solution!

ENCLOSED CABINETS

These mobile cabinets are ideal for in store use as well as shipping of product from commissary to store.

The cabinet is available in regular and heavy duty models.



8040169

8040552



8040169 Base



8040552 Base - Heavy Duty

FEATURES:

All welded sanitary aluminum

1.5" spacing between pans

Door mounted with 3 heavy duty hinges that assure years of easy operation

Designed for use with pans sized 18 x 26" pan

REGULAR UNIT:

(4) 5" x 1.25" swivel casters with polyurethane wheels. Replacement order #B000312

Fasteners replacement order #B5000543 and #B001257

HEAVY DUTY UNIT:

Reinforced under carriage (heavy duty only)

Heavy duty unit includes extra inside tubular support and 4 aluminum corner bumpers

Extra corner gussets provide increased support (heavy duty only)

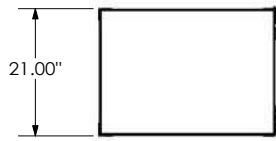
(4) 5" x 2" flat plate swivel casters with polyurethane wheels. Replacement order #B000626

Fasteners replacement order #B000060 and #B001225

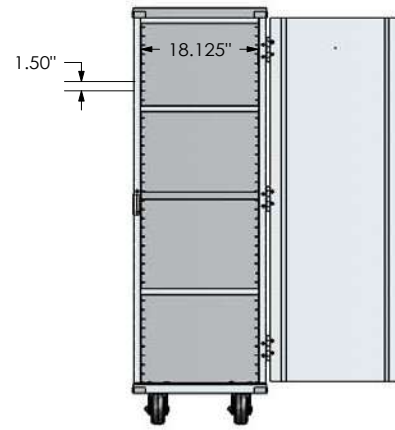
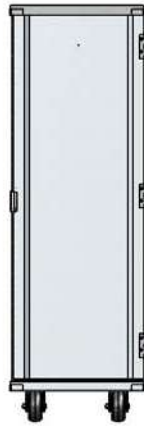
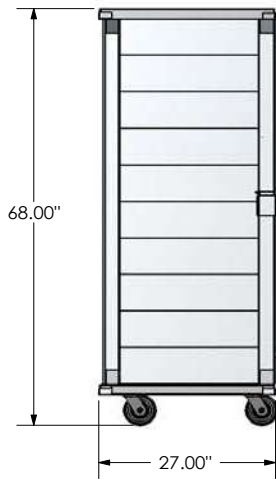


NATIONAL CART CO

1-800-455-3802
nationalcart.com

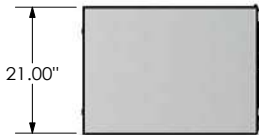


8040552

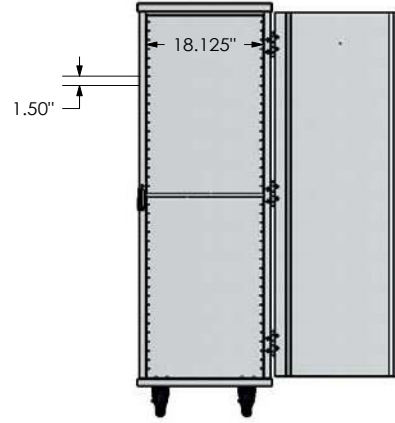
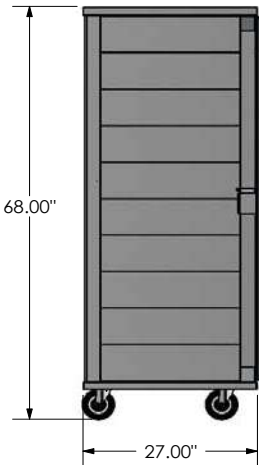


View Shown With Door Open

NOTE: CABINETS ARE DESIGNED FOR USE WITH PANS SIZED 17.813" to 18.125" IN WIDTH



8040169



View Shown With Door Open

Order #	Model	W	L	H	Shelf Spacing	Pan Capacity	Weight
8040169	AL-1840-EC AL. 40 PAN CAP. LT. DUTY	21"	27"	68"	1 1/2"	(40) 18" x 26" Pans	99 lbs.
8040552	AL-1840-EC-HD, ENCL CABINET	21"	27"	68"	1 1/2"	(38) 18" x 26" Pans	118 lbs.

Can't find exactly what you need? Give us a call and we'll help you with the perfect solution!

PAN TRAY STORAGE CARTS

These heavy duty bun pan carts are ideal for the transportation and storage of your trays and bread pan sets.



FEATURES:

All welded frame

Aluminum or galvanized steel construction

OPTIONS:

Pull handle for 8000021 and 8040789 (inquire with your customer service representative)

REPLACEMENT PARTS:

All units roll easily on polyurethane wheels (see table below for more details and replacement ordering)



Part #	Material	Wheels	Wheel and Caster Order #	Fastener Order #
8000021	Galvanized Steel	(4) Plate Swivel 3" x 1.25" Polyurethane	B001166	B000061 B001257
8000022	Galvanized Steel	(4) Plate Swivel 4" x 1.25" Polyurethane	B000617	B000061 B001257
8040004	Aluminum	(2) Rigid and (2) Swivel 5" x 1.25" Polyurethane	B000312 B000325	B000062 B001257
8040789	Aluminum	(4) Swivel 5" x 1.25" Polyurethane	B000312	B000543 B001257

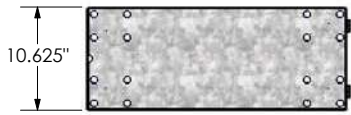


NATIONAL CART CO
1-800-455-3802
nationalcart.com

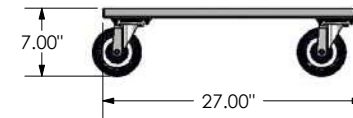
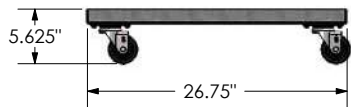
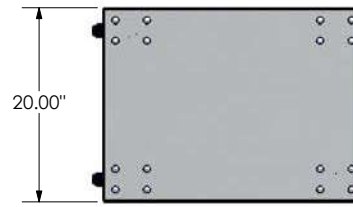


8000021 and 8000022
 Freight Class: 150
 NMFC Code: 188560-S4

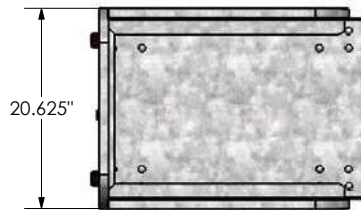
8040004 and 8040789
 Freight Class: 300
 NMFC Code: 164390-S2



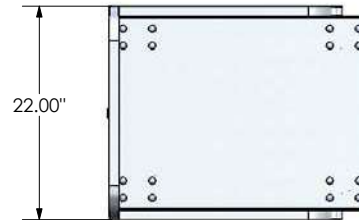
8000021



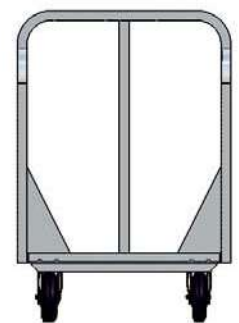
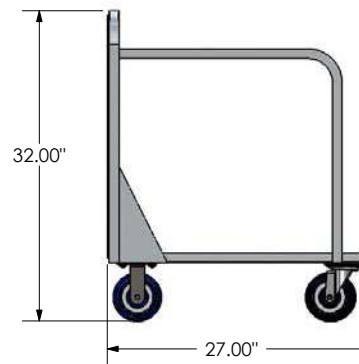
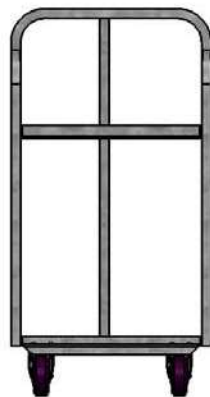
8040789



8000022



8040004



Order #	Model	W	L	H	Capacity	Weight
8000021	BPD-1026, PAN TRAY STORAGE CART	10 5/8"	26 3/4"	5 5/8"	600 lbs.	22 lbs.
8000022	BPD-1826, PAN TRAY STORAGE CART	20 5/8"	27"	40"	850 lbs.	57 lbs.
8040004	AL-BPD-1826, PAN/TRAY STORAGE CART	22"	27"	32"	600 lbs.	25 lbs.
8040789	AL-BPD-2026-WOH, PAN/TRAY STORAGE	20"	27"	7"	600 lbs.	20 lbs.

Can't find exactly what you need? Give us a call and we'll help you with the perfect solution!

VALULINE PLATTER AND BUN PAN RACK

These sturdy aluminum racks offer an economical and durable alternative to transporting and storing product on meat platters and bun pans.

FEATURES:

Sanitary aluminum materials

Valuline racks are 70% pre-assembled

Ship K.D. (knocked down) which saves money and reduces freight damage

Easy and quick assembly

Robotically welded (no rivets)

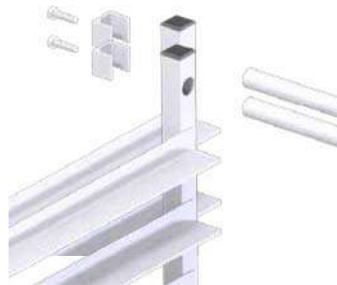
Unique corner clamping design ensures strength and reliability

REPLACEMENT PARTS:

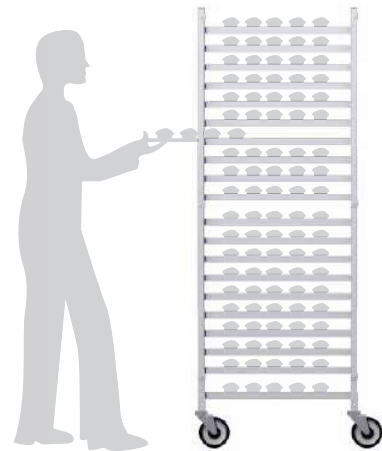
(4) 5 x 1.25" polyurethane stem casters.
Replacement order #B000025



5040001 Shown

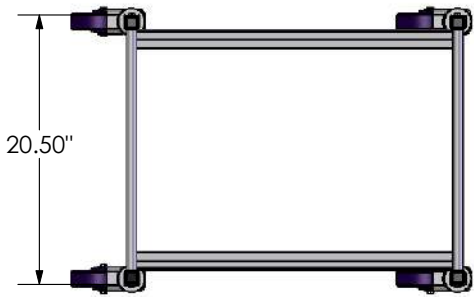


Easy bolt together assembly



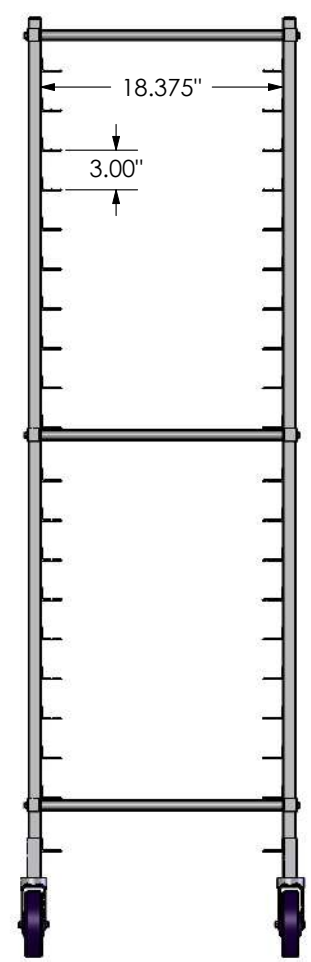
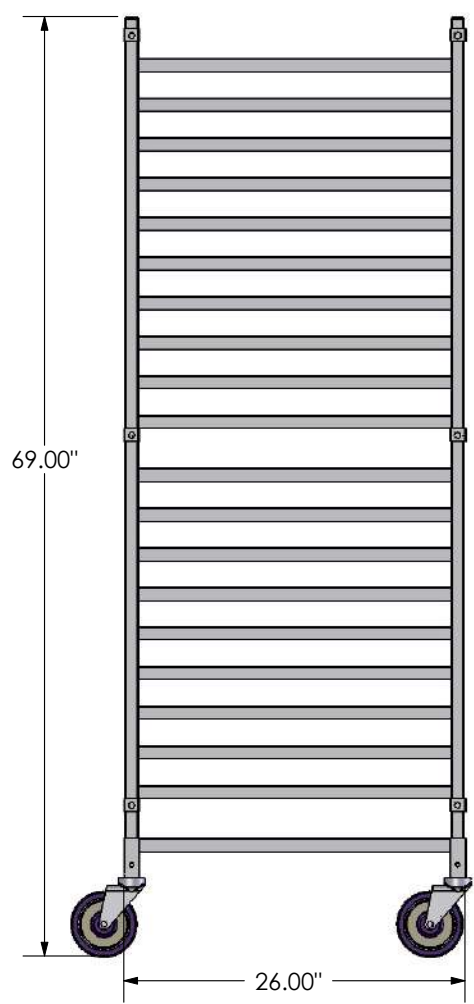
NATIONAL CART CO

1-800-455-3802
nationalcart.com



Freight Class: 85
NMFC Code: 163980

5040001



Order #	Model	W	L	H	Shelf Spacing	Pan Capacity	Weight
5040001	AL-1820-B-KD, KNOCK-DOWN RACK	20 1/2"	26"	69"	3"	20	25 1/2 lbs.

Can't find exactly what you need? Give us a call and we'll help you with the perfect solution!

Z-STYLE NESTING PAN RACK

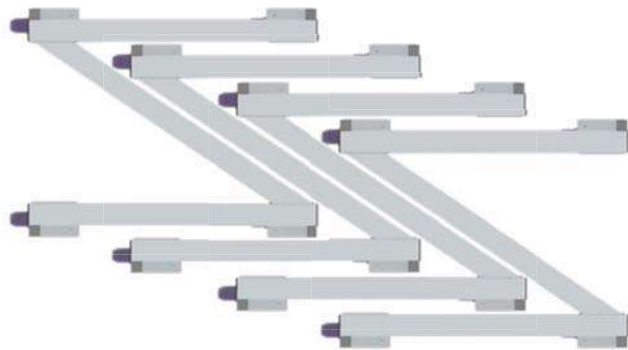
Ideal pan rack for the crowded back rooms. Racks are nestable when not in use to help conserve space, yet equal in strength to standard units.



8041244 Shown



Shown Nested



FEATURES:

Z-Style nesting capabilities

Fully welded aluminum design

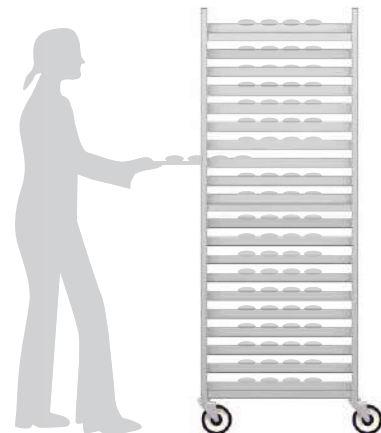
Save valuable space when storing these carts

Heavy duty construction

REPLACEMENT PARTS:

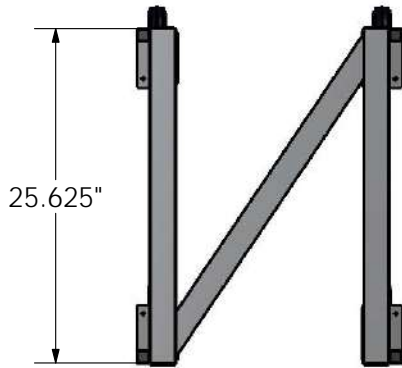
(4) 5" x 1.25" swivel casters with polyurethane wheels. Replacement order #B000312

Fasteners: Hex head cap screw order #B000221 and lock washer order #B000090

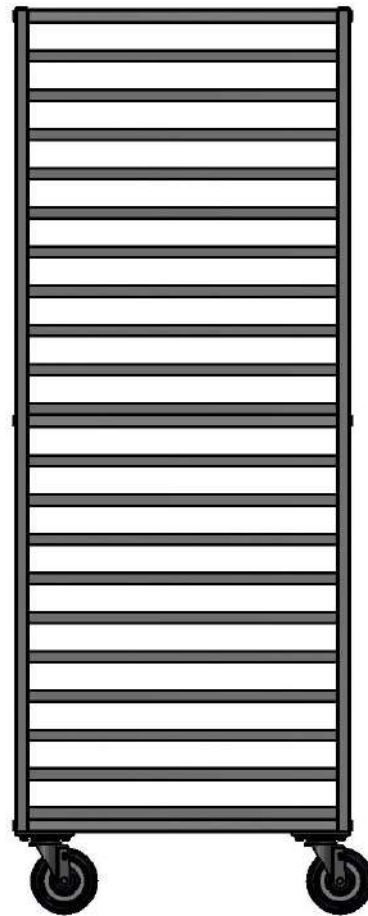
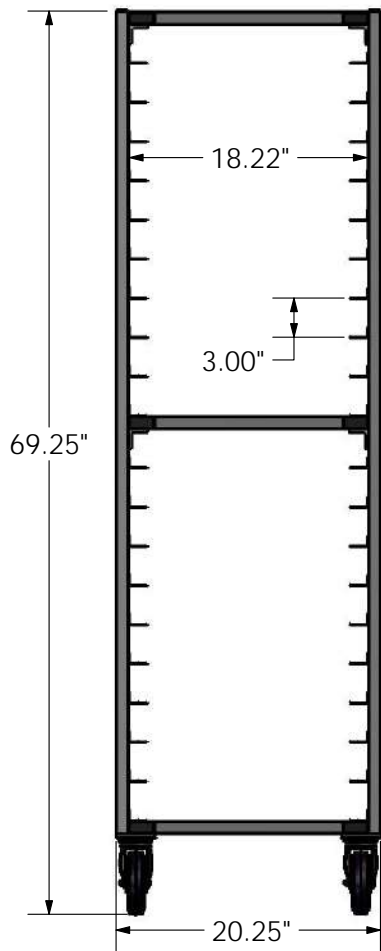


NATIONAL CART CO

1-800-455-3802
nationalcart.com



8041244



Order #	Model	W	L	H	Shelf Spacing	Pan Capacity	Weight
8041244	AL-1820, HD Z RACK	20 3/8"	26 5/8"	69 1/4"	3"	20 pans	55 lbs.

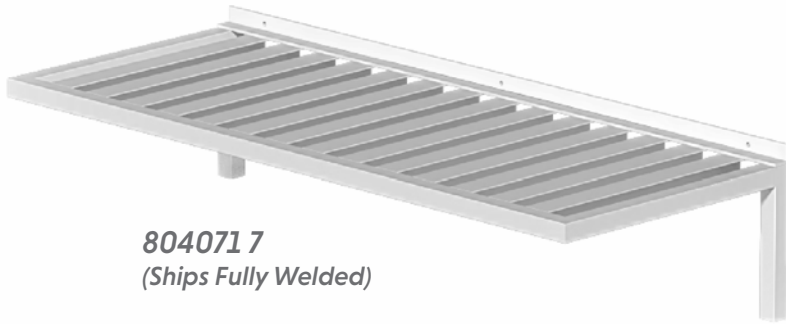
Can't find exactly what you need? Give us a call and we'll help you with the perfect solution!

ALUMINUM WALL SHELVES

Maximize your square footage with an ideal product to help organize any working or storage area. Perfect for use above sinks and working surfaces for storage and organization without using valuable floor space. Creatively install our shelves to fit your individual needs.



8040699
*(Ships Knocked down
and requires assembly)*



8040717
(Ships Fully Welded)



8040719
(Ships fully welded)

FEATURES:

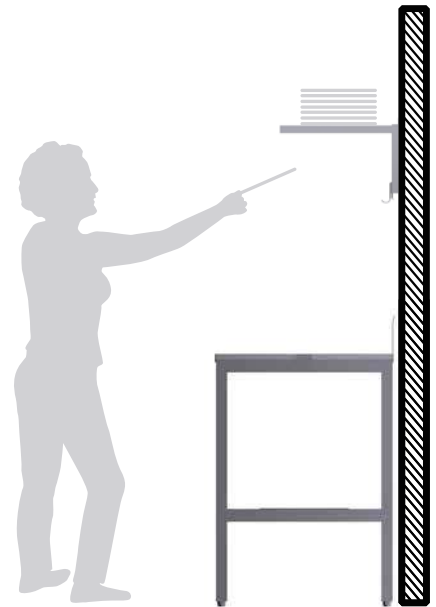
All aluminum construction

All welded sanitary aluminum tube

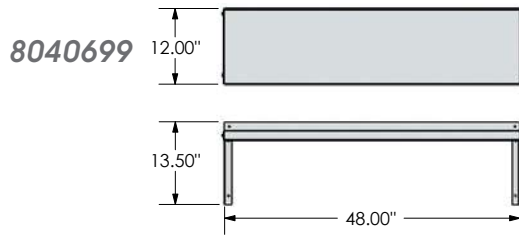
Easy installation

Sizes to fit any need

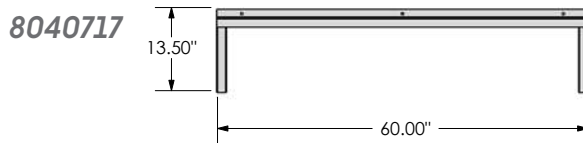
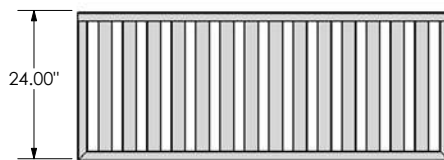
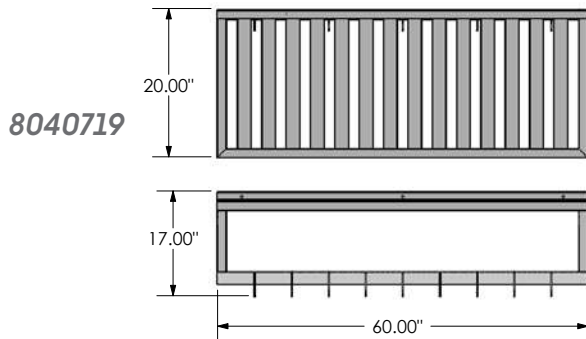
Solid surface shelves ship knocked down and require assembly



NATIONAL CART CO
1-800-455-3802
nationalcart.com



Freight Class: 300
NMFC Code: 164390-S2



Order #	Model	Description	W	D	Shelf Capacity	Weight
8040715	AL-WS-TB-2036, T-BAR WALL SHELF	Tube Shelf	36"	20"	700 lbs.	11 lbs.
8040565	AL-WS-TB-2048, T-BAR WALL SHELF	Tube Shelf	48"	20"	600 lbs.	13 lbs.
8040716	AL-WS-TB-2060, T-BAR WALL SHELF	Tube Shelf	60"	20"	500 lbs.	16 lbs.
8040717	AL-WS-TB-2460, T-BAR WALL SHELF	Tube Shelf	60"	24"	500 lbs.	26 lbs.
8040718	AL-WS-TB-2036-PH, T-BAR WALL SHELF	Shelf With Pot Holders	36"	20"	700 lbs.	15 lbs.
8040566	AL-WS-TB-2048-PH, T-BAR WALL SHELF	Shelf With Pot Holders	48"	20"	600 lbs.	21 lbs.
8040719	AL-WS-TB-2060-PH, T-BAR WALL SHELF	Shelf With Pot Holders	60"	20"	500 lbs.	26 lbs.
8040697	AL-WS-1224-KD SET	Solid Surface Shelf	24"	12"	200 lbs.	6 lbs.
8040698	AL-WS-1236-KD SET	Solid Surface Shelf	36"	12"	150 lbs.	8 lbs.
8040699	AL-WS-1248-KD SET	Solid Surface Shelf	48"	12"	125 lbs.	9 lbs.
8040700	AL-WS-1260-KD SET	Solid Surface Shelf	60"	12"	100 lbs.	10 lbs.

Can't find exactly what you need? Give us a call and we'll help you with the perfect solution!

ADJUSTABLE SANI SHELVING

Adjustable Sani Shelving can be used in all of your departments. These shelves are perfect for coolers, freezers, prep areas, or wherever product or supplies must be stored. This product allows you to design shelving to meet your specific needs or situation, like using a tubular shelf for heavy boxed items on the bottom with solid shelves for small items on the top.



48040165 and 48040131
shown assembled



48040131



8040542



48040157



48040165

FEATURES:

All welded sanitary aluminum tube

Great cleanliness and air circulation

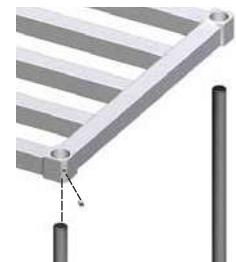
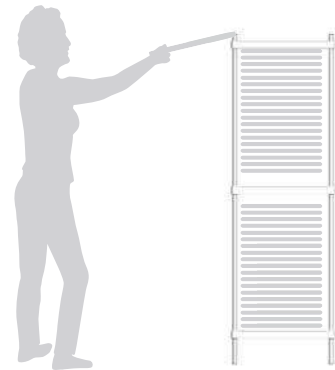
2000 lb. unit capacity with evenly distributed weight

Heavy duty solid reinforced shelves are constructed from aluminum sheet metal with double reinforced and hemmed edges

All shelves of similar length and width are interchangeable

Uprights are made from heavy duty aluminum tube

Casters and wheels can be purchased and installed easily to increase shelf mobility.



To assemble, slide shelves in place and secure with set screw



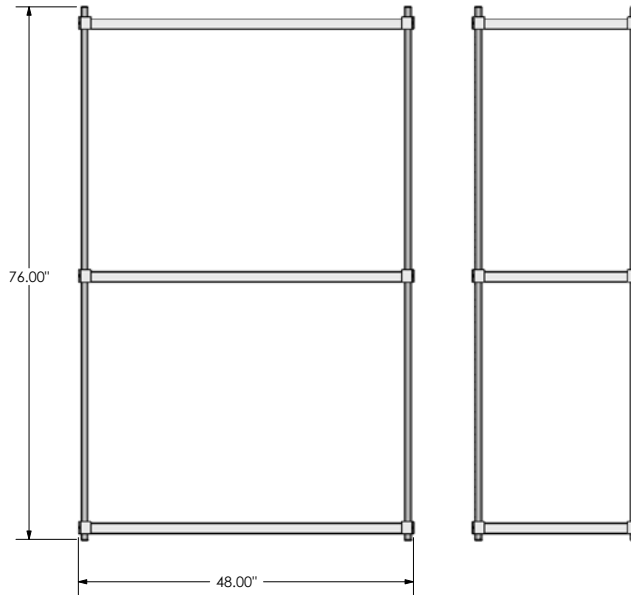
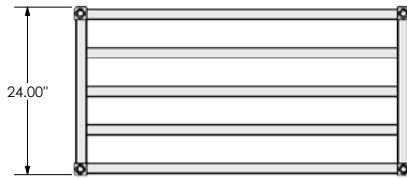
NATIONAL CART CO

1-800-455-3802
nationalcart.com



Freight Class: 110
NMFC Code: 82273-S1

48040165 and 48040131
shown assembled



Order #	Model	Description	W	L	Laterals	Weight
8040103	AL-SAS-T-1530 HD ADJ SANI-SHELF	Tube Style	15"	30"	3	5 lbs.
8040104	AL-SAS-T-1536 HD ADJ SANI-SHELF	Tube Style	15"	36"	3	5 lbs.
8040105	AL-SAS-T-1542 HD ADJ SANI-SHELF	Tube Style	15"	42"	3	7 lbs.
8040106	AL-SAS-T-1548 HD ADJ SANI-SHELF	Tube Style	15"	48"	3	8 lbs.
8040107	AL-SAS-T-1554 HD ADJ SANI-SHELF	Tube Style	15"	54"	3	9 lbs.
8040108	AL-SAS-T-1560 HD ADJ SANI-SHELF	Tube Style	15"	60"	3	9 lbs.
8040109	AL-SAS-T-1566 HD ADJ SANI-SHELF	Tube Style	15"	66"	3	10 lbs.
8040110	AL-SAS-T-1572 HD ADJ SANI-SHELF	Tube Style	15"	72"	3	11 lbs.
8040111	AL-SAS-T-1830 HD ADJ SANI-SHELF	Tube Style	18"	30"	3	7 lbs.
8040112	AL-SAS-T-1836 HD ADJ SANI-SHELF	Tube Style	18"	36"	3	8 lbs.
8040113	AL-SAS-T-1842 HD ADJ SANI-SHELF	Tube Style	18"	42"	3	9 lbs.
8040114	AL-SAS-T-1848 HD ADJ SANI-SHELF	Tube Style	18"	48"	3	10 lbs.
8040115	AL-SAS-T-1854 HD ADJ SANI-SHELF	Tube Style	18"	54"	3	11 lbs.
8040116	AL-SAS-T-1860 HD ADJ SANI-SHELF	Tube Style	18"	60"	3	12 lbs.
8040117	AL-SAS-T-1866 HD ADJ SANI-SHELF	Tube Style	18"	66"	3	13 lbs.
8040118	AL-SAS-T-1872 HD ADJ SANI-SHELF	Tube Style	18"	72"	3	14 lbs.
8040119	AL-SAS-T-2030 HD ADJ SANI-SHELF	Tube Style	20"	30"	4	7 lbs.
8040120	AL-SAS-T-2036 HD ADJ SANI-SHELF	Tube Style	20"	36"	4	8 lbs.
8040121	AL-SAS-T-2042 HD ADJ SANI-SHELF	Tube Style	20"	42"	4	9 lbs.
48040122	AL-SAS-T-2048 HD ADJ SANI-SHELF	Tube Style	20"	48"	4	10 lbs.
8040123	AL-SAS-T-2054 HD ADJ SANI-SHELF	Tube Style	20"	54"	4	11 lbs.
8040124	AL-SAS-T-2060 HD ADJ SANI-SHELF	Tube Style	20"	60"	4	12 lbs.
8040125	AL-SAS-T-2066 HD ADJ SANI-SHELF	Tube Style	20"	66"	4	13 lbs.
8040126	AL-SAS-T-2072 HD ADJ SANI-SHELF	Tube Style	20"	72"	4	14 lbs.
8040127	AL-SAS-T-2096 HD ADJ SANI-SHELF	Tube Style	20"	96"	4	19 lbs.
8040128	AL-SAS-T-2430 HD ADJ SANI-SHELF	Tube Style	24"	30"	5	9 lbs.
8040129	AL-SAS-T-2436 HD ADJ SANI-SHELF	Tube Style	24"	36"	5	10 lbs.
8040130	AL-SAS-T-2442 HD ADJ SANI-SHELF	Tube Style	24"	42"	5	11 lbs.
48040131	AL-SAS-T-2448 HD ADJ SANI-SHELF	Tube Style	24"	48"	5	12 lbs.
8040132	AL-SAS-T-2454 HD ADJ SANI-SHELF	Tube Style	24"	54"	5	14 lbs.
8040133	AL-SAS-T-2460 HD ADJ SANI-SHELF	Tube Style	24"	60"	5	15 lbs.
8040134	AL-SAS-T-2472 HD ADJ SANI-SHELF	Tube Style	24"	72"	5	18 lbs.
8040135	AL-SAS-T-2496 HD ADJ SANI-SHELF	Tube Style	24"	96"	5	24 lbs.
8040136	AL-SAS-SR-1530 HD SLD DK ADJ SANI-S	Solid Reinforced	15"	30"	1	6 lbs.
8040137	AL-SAS-SR-1536 HD SLD DK ADJ SANI-S	Solid Reinforced	15"	36"	1	7 lbs.

Order #	Model	Description	W	L	Laterals	Weight
8040138	AL-SAS-SR-1542 HD SLD DK ADJ SANI-S	Solid Reinforced	15"	42"	1	7 lbs.
8040139	AL-SAS-SR-1548 HD SLD DK ADJ SANI-S	Solid Reinforced	15"	48"	1	8 lbs.
8040140	AL-SAS-SR-1554 HD SLD DK ADJ SANI-S	Solid Reinforced	15"	54"	1	9 lbs.
8040141	AL-SAS-SR-1560 HD SLD DK ADJ SANI-S	Solid Reinforced	15"	60"	2	12 lbs.
8040142	AL-SAS-SR-1830 HD SLD DK ADJ SANI-S	Solid Reinforced	18"	30"	1	6 lbs.
8040143	AL-SAS-SR-1836 HD SLD DK ADJ SANI-S	Solid Reinforced	18"	36"	1	7 lbs.
8040144	AL-SAS-SR-1842 HD SLD DK ADJ SANI-S	Solid Reinforced	18"	42"	1	8 lbs.
8040145	AL-SAS-SR-1848 HD SLD DK ADJ SANI-S	Solid Reinforced	18"	48"	1	9 lbs.
8040146	AL-SAS-SR-1854 HD SLD DK ADJ SANI-S	Solid Reinforced	18"	54"	2	12 lbs.
8040147	AL-SAS-SR-1860 HD SLD DK ADJ SANI-S	Solid Reinforced	18"	60"	2	13 lbs.
8040148	AL-SAS-SR-2030 HD SLD DK ADJ SANI-S	Solid Reinforced	20"	30"	2	8 lbs.
8040149	AL-SAS-SR-2036 HD SLD DK ADJ SANI-S	Solid Reinforced	20"	36"	2	9 lbs.
8040150	AL-SAS-SR-2042 HD SLD DK ADJ SANI-S	Solid Reinforced	20"	42"	2	10 lbs.
8040151	AL-SAS-SR-2048 HD SLD DK ADJ SANI-S	Solid Reinforced	20"	48"	2	11 lbs.
8040152	AL-SAS-SR-2054 HD SLD DK ADJ SANI-S	Solid Reinforced	20"	54"	2	12 lbs.
8040153	AL-SAS-SR-2060 HD SLD DK ADJ SANI-S	Solid Reinforced	20"	60"	2	13 lbs.
8040154	AL-SAS-SR-2430 HD SLD DK ADJ SANI-S	Solid Reinforced	24"	30"	2	8 lbs.
8040155	AL-SAS-SR-2436 HD SLD DK ADJ SANI-S	Solid Reinforced	24"	36"	2	10 lbs.
8040156	AL-SAS-SR-2442 HD SLD DK ADJ SANI-S	Solid Reinforced	24"	42"	2	11 lbs.
48040157	AL-SAS-SR-2448 HD SLD DK ADJ SANI-S	Solid Reinforced	24"	48"	2	12 lbs.
8040158	AL-SAS-SR-2454 HD SLD DK ADJ SANI-S	Solid Reinforced	24"	54"	2	13 lbs.
8040159	AL-SAS-SR-2460 HD SLD DK ADJ SANI-S	Solid Reinforced	24"	60"	2	15 lbs.
8040515	AL-SAS-TB-1536 HD ADJ SANI-SHELF	T-Bar Style	15"	36"	9	7 lbs.
8040522	AL-SAS-TB-1830 HD ADJ SANI-SHELF	T-Bar Style	18"	30"	7	7 lbs.
8040523	AL-SAS-TB-1846 HD ADJ SANI-SHELF	T-Bar Style	18"	36"	9	8 lbs.
8040525	AL-SAS-TB-1848 HD ADJ SANI-SHELF	T-Bar Style	18"	48"	11	10 lbs.
8040526	AL-SAS-TB-1854 HD ADJ SANI-SHELF	T-Bar Style	18"	54"	12	11 lbs.
8040542	AL-SAS-TB-2448 HD ADJ SANI-SHELF	T-Bar Style	24"	48"	11	12 lbs.
8040160	AL-SAS-P12 POLE W/PLUG B.E.	Upright Poles	-	12"	-	1.0 lbs.
8040161	AL-SAS-P34 POLE W/PLUG B.E.	Upright Poles	-	34"	-	2.0 lbs.
8040162	AL-SAS-P48 POLE W/PLUG B.E.	Upright Poles	-	48"	-	2.5 lbs.
48040164	AL-SAS-P68 POLE W/PLUG B.E.	Upright Poles	-	68"	-	3.5 lbs.
48040165	AL-SAS-P76 POLE W/PLUG B.E.	Upright Poles	-	76"	-	4.0 lbs.
48040166	AL-SAS-P84 POLE W/PLUG B.E.	Upright Poles	-	84"	-	4.5 lbs.
1500036	AL-SAS-C5	5 x 1.25" Swivel Caster	-	-	-	2.25 lbs.

Can't find exactly what you need? Give us a call and we'll help you with the perfect solution!

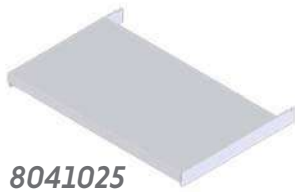
ALUMINUM CANTILEVERED SHELVING

This versatile shelving system can be used in all departments. Its cantilevered design allows easy access from three sides and has a fully welded aluminum frame for extra strength.

These units are usually placed in rows along cooler walls and are perfect for use in freezers, coolers, or preparation areas.



8041022 and 8041027
Shown Assembled



8041025



8041027



8041022



8041026

FEATURES:

Fully welded heavy duty aluminum frame

Custom design shelving system to fit specific areas

Virtually eliminates wasted floor space.

No anchoring required

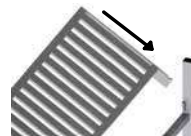
Easily adjustable (no tools required)

700 lb. capacity per shelf

Available in tubular, T-bar, and solid reinforced styles

REPLACEMENT PARTS:

Comes with leg levelers. Replacement Order #B000194



1. Slide Shelf into frame



2. Push shelf down



3. Installation complete

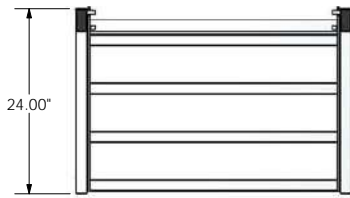


NATIONAL CART CO

1-800-455-3802
nationalcart.com



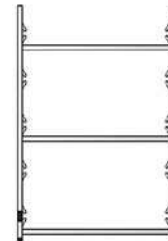
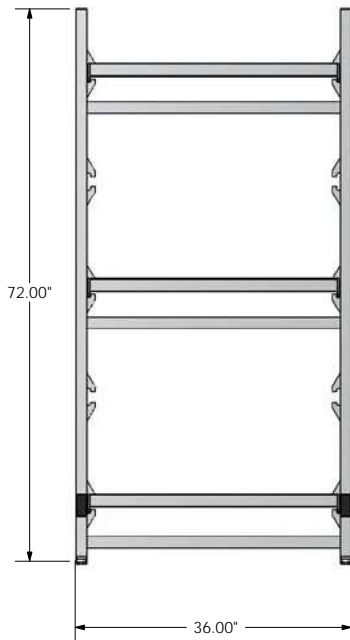
Freight Class: 110
NMFC Code: 82273-S1



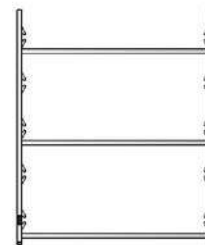
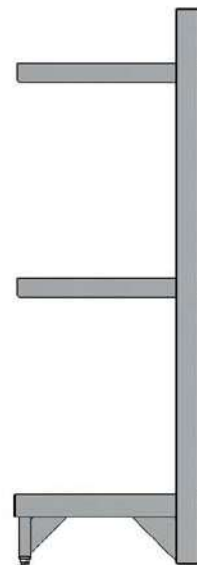
8041022 and 8041027
Shown Assembled



8041022



8041023



8041024

Order #	Model	W	L	H	Weight
8041022	AL-CS-2436 CANTILEVERED SHELF FRAME	24"	36"	72"	26.5 lbs.
8041023	AL-CS-2448 CANTILEVERED SHELF FRAME	24"	48"	72"	28 lbs.
8041024	AL-CS-2460 CANTILEVERED SHELF FRAME	24"	60"	72"	39 lbs.
8041025	AL-2436-SCS, SOLID CANTILEVER SHELF	24"	32 3/4"	2.5"	12.5 lbs.
8041026	AL-2436-TBCS, TBAR CANTILEVER SHELF	24"	32 3/4"	2.5"	11 lbs.
8041027	AL-2436-TUCS, TUBE CANTILEVER SHELF	24"	32 3/4"	2.5"	8.5 lbs.
8041028	AL-2448-SCS, SOLID CANTILEVER SHELF	24"	44 3/4"	2.5"	15.5 lbs.
8041029	AL-2448-TBCS, TBAR CANTILEVER SHELF	24"	44 3/4"	2.5"	13.5 lbs.
8041030	AL-2448-TUCS, TUBE CANTILEVER SHELF	24"	44 3/4"	2.5"	10 lbs.
8041031	AL-2460-SCS, SOLID CANTILEVER SHELF	24"	56 3/4"	2.5"	19 lbs.
8041032	AL-2460-TBCS, TBAR CANTILEVER SHELF	24"	56 3/4"	2.5"	16 lbs.
8041033	AL-2460-TUCS, TUBE CANTILEVER SHELF	24"	56 3/4"	2.5"	24 lbs.

Can't find exactly what you need? Give us a call and we'll help you with the perfect solution!

COOLER SHELVING

This free standing unit is perfect for all coolers and prep rooms.

Cooler Shelving keeps merchandise off of the floor while allowing maximum air flow and maintaining product freshness.

These are also a great way to increase the storage capacity of your walk in coolers.



8040322 Shown

FEATURES

Heavy duty aluminum sanitary tube construction

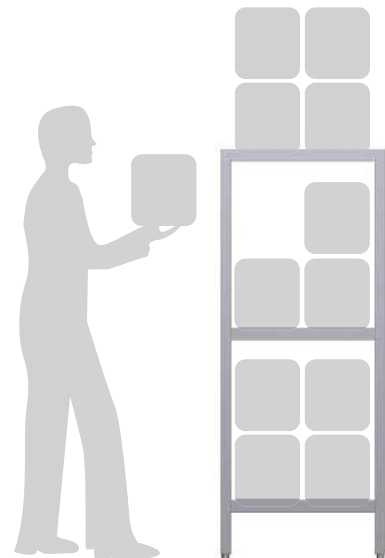
Unit comes fully welded with 4 leg levelers for sloping cooler floors

Spacing of shelves allows for maximum air flow

Convenient shelf height

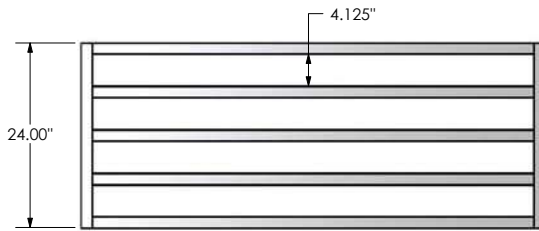
REPLACEMENT PARTS:

Optional leg levelers available. Replacement Order #B000194



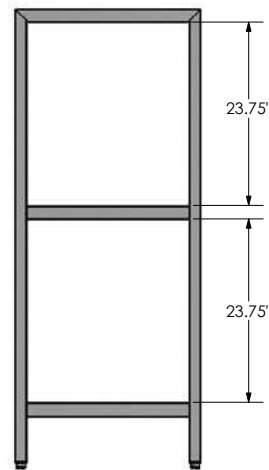
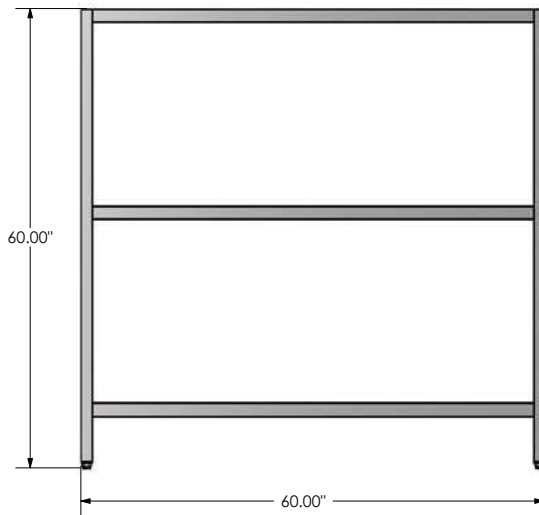
NATIONAL CART CO

1-800-455-3802
nationalcart.com



Freight Class: 150
NMFC Code: 164390-S4

8040322



Order #	Model	W	L	H	# of Shelves	Weight	Capacity per Shelf
8040309	AL-CS-2060-2, AL COOLER SHELF W/2	20"	60"	60"	2	35 lbs.	1,500 lbs.
8040312	AL-CS-2072-2, AL COOLER SHELF W/2	20"	72"	60"	2	38 lbs.	1,500 lbs.
8040315	AL-CS-2436-2, AL COOLER SHELF W/2	24"	36"	60"	2	31 lbs.	1,500 lbs.
8040318	AL-CS-2448-2, AL COOLER SHELF W/2	24"	48"	60"	2	35 lbs.	1,500 lbs.
8040321	AL-CS-2460-2, AL COOLER SHELF W/2	24"	60"	60"	2	40 lbs.	1,500 lbs.
8040324	AL-CS-2472-2, AL COOLER SHELF W/2	24"	72"	60"	2	44 lbs.	1,500 lbs.
8040304	AL-CS-2036-3, AL COOLER SHELF W/3	20"	36"	60"	3	33 lbs.	1,500 lbs.
8040307	AL-CS-2048-3, AL COOLER SHELF W/3	20"	48"	60"	3	39 lbs.	1,500 lbs.
8040310	AL-CS-2060-3, AL COOLER SHELF W/3	20"	60"	60"	3	45 lbs.	1,500 lbs.
8040313	AL-CS-2072-3, AL COOLER SHELF W/3	20"	72"	60"	3	51 lbs.	1,500 lbs.
8040316	AL-CS-2436-3, AL COOLER SHELF W/3	24"	36"	60"	3	39 lbs.	1,500 lbs.
8040319	AL-CS-2448-3, AL COOLER SHELF W/3	24"	48"	60"	3	46 lbs.	1,500 lbs.
8040322	AL-CS-2460-3, AL COOLER SHELF W/3	24"	60"	60"	3	54 lbs.	1,500 lbs.
8040325	AL-CS-2472-3, AL COOLER SHELF W/3	24"	72"	60"	3	61 lbs.	1,500 lbs.
8040323	AL-CS-2460-4, AL COOLER SHELF W/4	24"	60"	60"	4	67 lbs.	1,500 lbs.
8040320	AL-CS-2448-4, AL COOLER SHELF W/4	24"	48"	60"	4	59 lbs.	1,500 lbs.
8040317	AL-CS-2436-4, AL COOLER SHELF W/4	24"	36"	60"	4	47 lbs.	1,500 lbs.

Can't find exactly what you need? Give us a call and we'll help you with the perfect solution!

MOBILE COOLER/FREEZER SHELF TRUCK

This all welded sanitary aluminum shelf truck is perfect for storage in meat, produce, dairy, deli and bakery coolers.

Saves labor by putting your product on wheels.



8040237 Shown

FEATURES:

Constructed from rectangular heavy duty aluminum tube

Moves easily under heavy loads

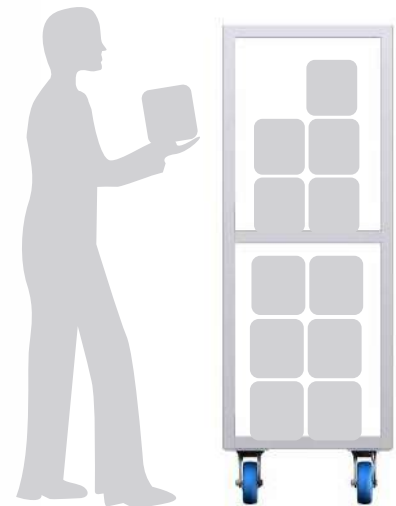
Will withstand drastic temperature changes from freezer to prep area

REPLACEMENT PARTS:

(2) rigid 6" x 2" polyurethane casters.
Replacement Order #B000507.

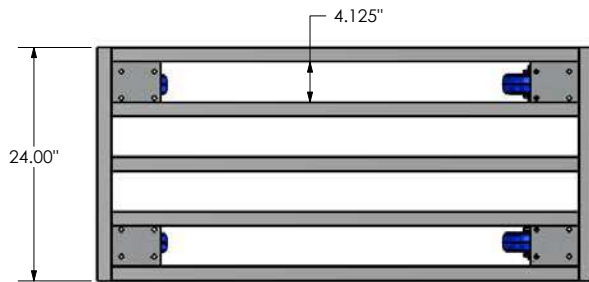
(2) swivel 6" x 2" polyurethane casters.
Replacement Order #B000508.

Fastener Replacement Order #B000060
and #B001225

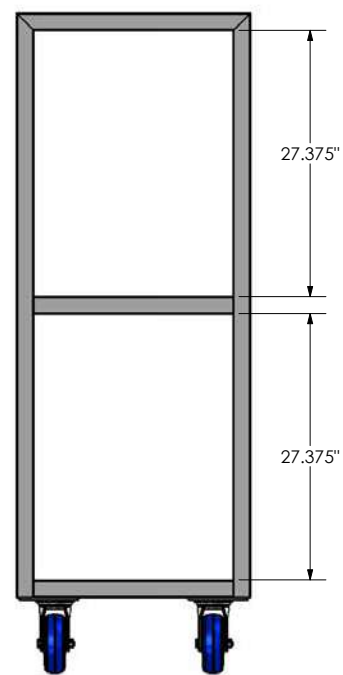
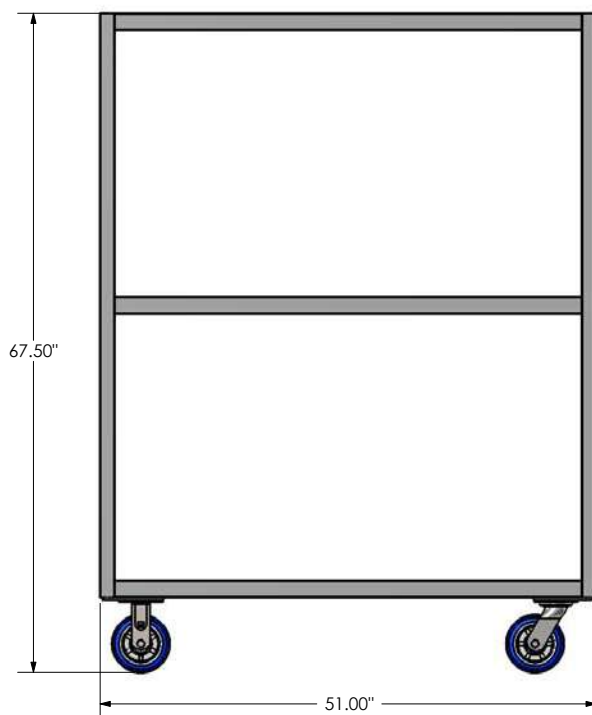


NATIONAL CART CO

1-800-455-3802
nationalcart.com



Freight Class: 150
NMFC Code: 164390-S4

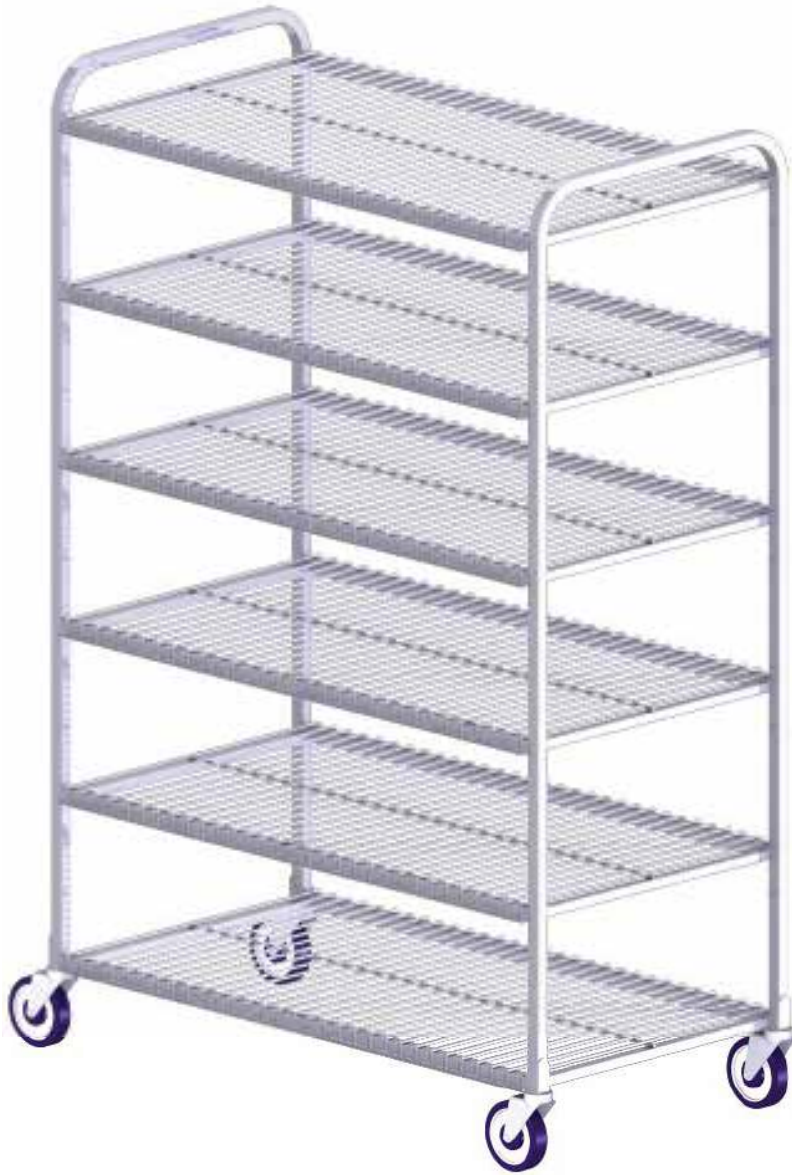


Order #	Model	W	L	H	# of Shelves	Weight	Cart Capacity
8040236	AL-AMC-2051-2 MOBILE COOLER TRUCK	20"	51"	67 1/2"	2	63 lbs.	2000 lbs.
8040237	AL-AMC-2051-3 MOBILE COOLER TRUCK	20"	51"	67 1/2"	3	55 lbs.	2000 lbs.
8040239	AL-AMC-2063-3 MOBILE COOLER TRUCK	20"	63"	67 1/2"	3	65 lbs.	2000 lbs.
8040240	AL-AMC-2451-2 MOBILE COOLER TRUCK	24"	51"	67 1/2"	2	65 lbs.	2000 lbs.
8040382	AL-AMC-2451-3 MOBILE COOLER TRUCK	24"	51"	67 1/2"	3	63 lbs.	2000 lbs.
8040243	AL-AMC-2463-2 MOBILE COOLER TRUCK	24"	63"	67 1/2"	2	65 lbs.	2000 lbs.
8040244	AL-AMC-2463-3 MOBILE COOLER TRUCK	24"	63"	67 1/2"	3	66 lbs.	2000 lbs.
8040246	AL-AMC-2763-2 MOBILE COOLER TRUCK	27"	63"	67 1/2"	2	72 lbs.	2000 lbs.
8040248	AL-AMC-2763-3 MOBILE COOLER TRUCK	27"	63"	67 1/2"	3	65 lbs.	2000 lbs.

Can't find exactly what you need? Give us a call and we'll help you with the perfect solution!

MOBILE COOLING RACK

The ideal rack for the cooling, storage, transporting or merchandising of bakery and other departmental products.



8040170 Shown

FEATURES:

Welded sanitary aluminum tube

Removable shelves constructed from heavy gauge zinc plated steel wire

Shelves allow maximum air circulation and product visibility

OPTIONS:

Two foot brakes on opposite corners of rack (inquire with your customer service representative)

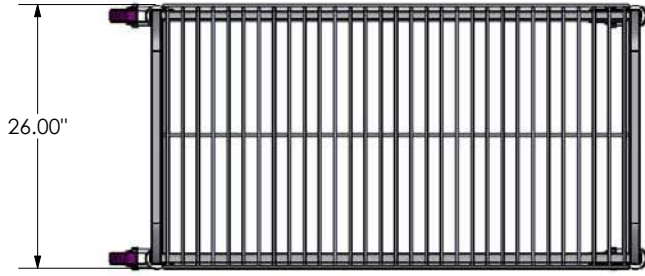
REPLACEMENT PARTS:

(4) 5" x 1.25" swivel stem caster with polyurethane wheel. Replacement order #B000025

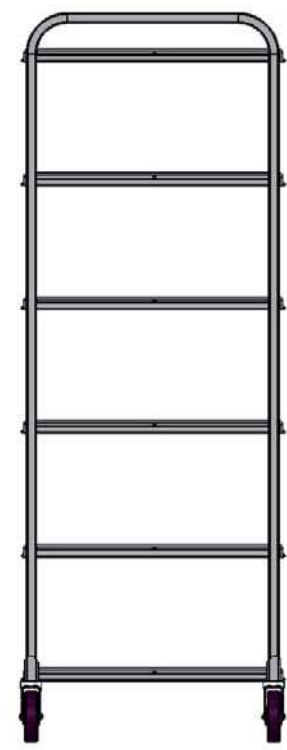
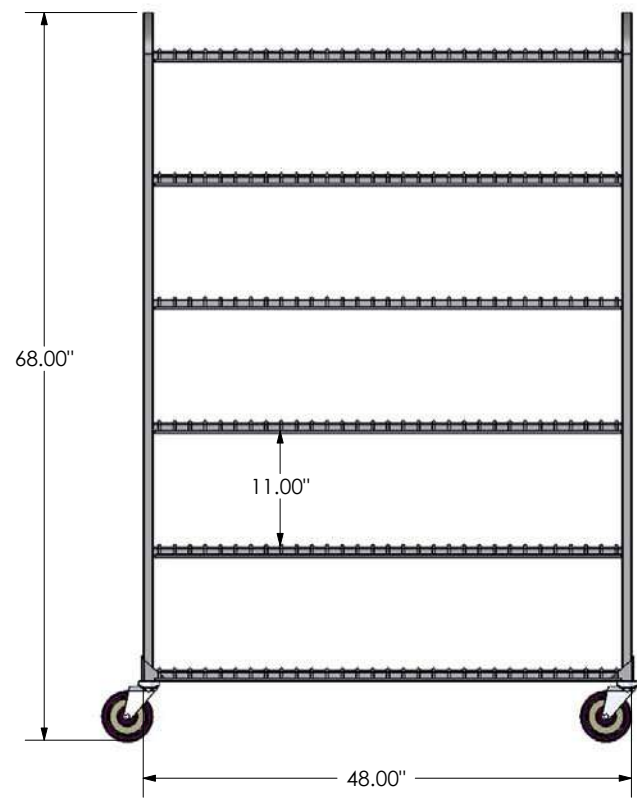
Replacement Shelf #B000163



NATIONAL CART CO
1-800-455-3802
nationalcart.com



8040170



Order #	Model	W	L	H	Shelf Spacing	Weight	Cart Capacity
8040170	AL-CR-2448-6-WS MOBILE COOLING RACK	26"	48"	68"	11"	95 lbs.	800 lbs.

Can't find exactly what you need? Give us a call and we'll help you with the perfect solution!

PREPARATION TABLES

These heavy duty tables are perfect for all departments that require food preparation and will provide the perfect surface for all preparation needs.



8040262 Shown with
8040286 and 8040404
8040404

8040286

8040262

FEATURES:

Table frame constructed from all welded sanitary aluminum tube

Adjustable leg levelers on all models

Unit comes in a variety of sizes and styles

Can be supplied with a stainless steel or thick poly top

Back splashes are constructed from Stainless Steel

Lower shelves are constructed from aluminum

Table Frames with Stainless Steel Top and Backsplash

Order #	Model	W	L	H	Weight
8041018	AL-ATF-2436-ST-BS,SS TOP W/BACKSPSH	24"	36"	40"	20 lbs.
8041035	AL-ATF-2448-ST-BS,SS TOP W/BACKSPSH	24"	48"	40"	22 lbs.
8040973	AL-ATF-2460-ST-BS,SS TOP W/BACKSPSH	24"	60"	40"	24 lbs.
8041136	AL-ATF-2472-ST-BS TABLE W/SS TOP+BS	24"	72"	40"	26 lbs.
8041137	AL-ATF-2484-ST-BS TABLE W/SS TOP+BS	24"	84"	40"	29 lbs.
8041138	AL-ATF-2496-ST-BS TABLE W/SS TOP+BS	24"	96"	40"	31 lbs.
8040974	AL-ATF-3036-ST-BS,SS TOP W/BACKSPSH	30"	36"	40"	21 lbs.
8041134	AL-ATF-3048-ST-BS,SS TOP W/BACKSPSH	30"	48"	40"	23 lbs.
8040975	AL-ATF-3060-ST-BS,SS TOP W/BACKSPSH	30"	60"	40"	25 lbs.
8040976	AL-ATF-3072-ST-BS,SS TOP W/BACKSPSH	30"	72"	40"	27 lbs.
8040977	AL-ATF-3084-ST-BS,SS TOP W/BACKSPSH	30"	84"	40"	30 lbs.
8040978	AL-ATF-3096-ST-BS,SS TOP W/BACKSPSH	30"	96"	40"	32 lbs.

Table Frames with Stainless Steel Top and No Backsplash

Order #	Model	W	L	H	Weight
8040273	AL-ATF-2436-ST TABLE FRAME W/SS TOP	24"	36"	34"	37 lbs.
8040274	AL-ATF-2448-ST TABLE FRAME W/SS TOP	24"	48"	34"	48 lbs.
8040275	AL-ATF-2460-ST TABLE FRAME W/SS TOP	24"	60"	34"	53 lbs.
8040276	AL-ATF-2472-ST TABLE FRAME W/SS TOP	24"	72"	34"	63 lbs.
8040277	AL-ATF-2484-ST TABLE FRAME W/SS TOP	24"	84"	34"	73 lbs.
8040278	AL-ATF-2496-ST TABLE FRAME W/SS TOP	24"	96"	34"	84 lbs.
8040279	AL-ATF-3036-ST TABLE FRAME W/SS TOP	30"	36"	34"	44 lbs.
8040280	AL-ATF-3048-ST TABLE FRAME W/SS TOP	30"	48"	34"	54 lbs.
8040281	AL-ATF-3060-ST TABLE FRAME W/SS TOP	30"	60"	34"	63 lbs.
8040282	AL-ATF-3072-ST TABLE FRAME W/SS TOP	30"	72"	34"	73 lbs.
8040283	AL-ATF-3084-ST TABLE FRAME W/SS TOP	30"	84"	34"	84 lbs.
8040284	AL-ATF-3096-ST TABLE FRAME W/SS TOP	30"	96"	34"	93 lbs.

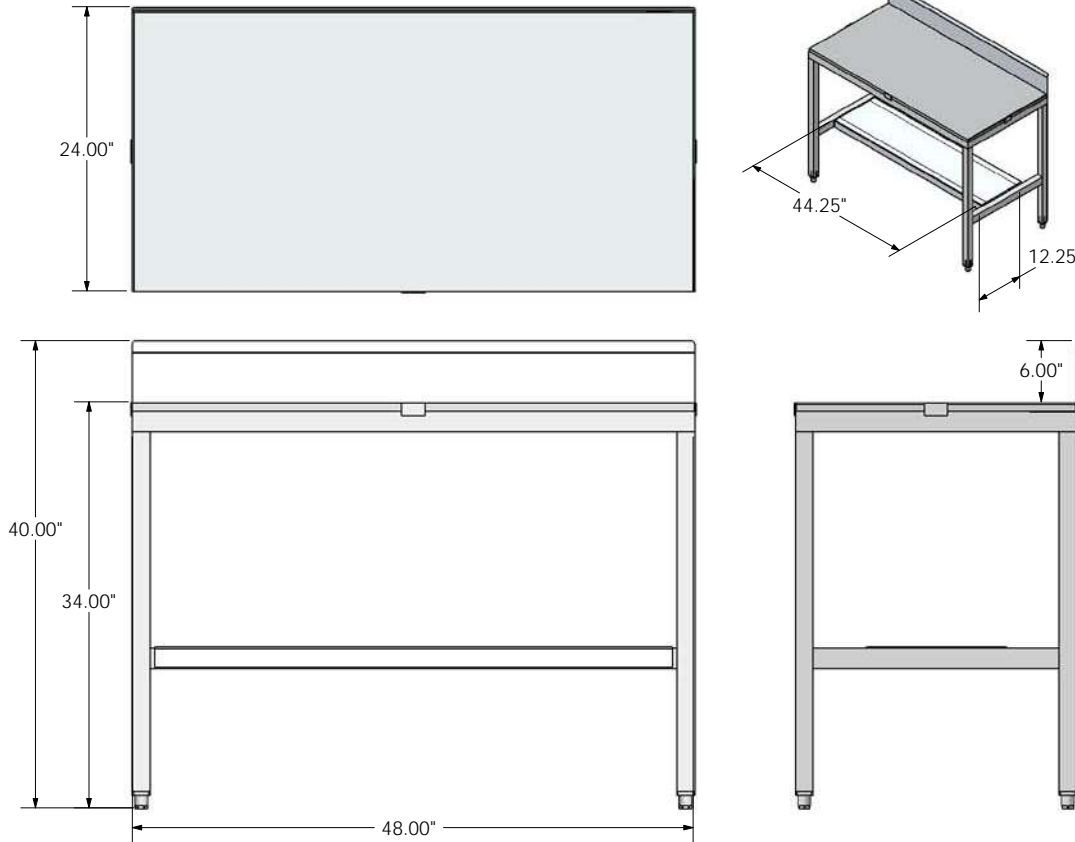


NATIONAL CART CO

1-800-455-3802
nationalcart.com



Freight Class: 200
NMFC Code: 82105-S1



8040262 Shown with
8040286 and
8040404

Table Frames with Poly Top and No Back Splash

Order #	Model	W	L	H	Weight
8040261	AL-ATF-2436-PT TABLE FRAME W/POLY	24"	36"	34"	43 lbs.
8040262	AL-ATF-2448-PT TABLE FRAME W/POLY	24"	48"	34"	53 lbs.
8040263	AL-ATF-2460-PT TABLE FRAME W/POLY	24"	60"	34"	62 lbs.
8040264	AL-ATF-2472-PT TABLE FRAME W/POLY	24"	72"	34"	72 lbs.
8040265	AL-ATF-2484-PT TABLE FRAME W/POLY	24"	84"	34"	83 lbs.
8040266	AL-ATF-2496-PT TABLE FRAME W/POLY	24"	96"	34"	92 lbs.
8040267	AL-ATF-3036-PT TABLE FRAME W/POLY	30"	36"	34"	44 lbs.
8040268	AL-ATF-3048-PT TABLE FRAME W/POLY	30"	48"	34"	54 lbs.
8040269	AL-ATF-3060-PT TABLE FRAME W/POLY	30"	60"	34"	63 lbs.
8040270	AL-ATF-3072-PT TABLE FRAME W/POLY	30"	72"	34"	73 lbs.
8040271	AL-ATF-3084-PT TABLE FRAME W/POLY	30"	84"	34"	84 lbs.
8040272	AL-ATF-3096-PT TABLE FRAME W/POLY	30"	96"	34"	93 lbs.

Under Shelf for Both Sets of Table Frames

Order #	Model	W	L	H	Weight
8040285	AL-AUS-2436 AL. UNDER SHELF	12 1/2"	36"	NA	9 lbs.
8040286	AL-AUS-2448 AL. UNDER SHELF	12 1/2"	48"	NA	11 lbs.
8040287	AL-AUS-2460 AL. UNDER SHELF	12 1/2"	60"	NA	13 lbs.
8040288	AL-AUS-2472 AL. UNDER SHELF	12 1/2"	72"	NA	16 lbs.
8040289	AL-AUS-2484 AL. UNDER SHELF	12 1/2"	84"	NA	18 lbs.
8040290	AL-AUS-2496 AL. UNDER SHELF	12 1/2"	96"	NA	20 lbs.
8040291	AL-AUS-3036 AL. UNDER SHELF	18 1/4"	36"	NA	12 lbs.
8040292	AL-AUS-3048 AL. UNDER SHELF	18 1/4"	48"	NA	14 lbs.
8040293	AL-AUS-3060 AL. UNDER SHELF	18 1/4"	60"	NA	17 lbs.
8040294	AL-AUS-3072 AL. UNDER SHELF	18 1/4"	72"	NA	20 lbs.
8040295	AL-AUS-3084 AL. UNDER SHELF	18 1/4"	84"	NA	23 lbs.
8040296	AL-AUS-3096 AL. UNDER SHELF	18 1/4"	96"	NA	25 lbs.

Backsplashes for Tables with Poly Top

Order #	Model	W	L	H	Weight
8040404	BACKSPLASH, 48.00 SS	NA	48"	6"	13 lbs.
8040405	BACKSPLASH, 36.00 SS	NA	36"	6"	11 lbs.
8040406	BACKSPLASH, 96.00 SS	NA	96"	6"	21 lbs.
8040407	BACKSPLASH, 72.00 SS	NA	72"	6"	17 lbs.
8040409	BACKSPLASH, 60.00 SS	NA	60"	6"	15 lbs.
8040479	BACKSPLASH, 84.0 SS	NA	84"	6"	19 lbs.

WHEN ORDERING SHELVES, MATCH UP THE LENGTH OF YOUR TABLE WITH THE LENGTH OF THE SHELF

Can't find exactly what you need? Give us a call and we'll help you with the perfect solution!

THERMAL WRAPPER

Easily seal in the freshness and prolong the shelf life of your products.

Our new Thermal Wrapping station is an essential edition to any meat, seafood or prepared foods department.



FEATURES:

Constructed from heavy duty aluminum and stainless steel

Heated cut off rod

Non stick Teflon cover on hot plate

Powered by standard US power outlet

Fully assembled and ready to use

Can ship Fed Ex / UPS

1 year warranty

REPLACEMENT PARTS:

Fuse order# 5000148

Cut Off Bar Assembly order# 5000565

Teflon Cover order# 5000553

Hot Plate Assembly order# 5000569

Film Bar Assembly order# 5000573



Stainless steel and aluminum prep tables are also available. Contact your sales representative for more information



(Plastic wrap is not included)

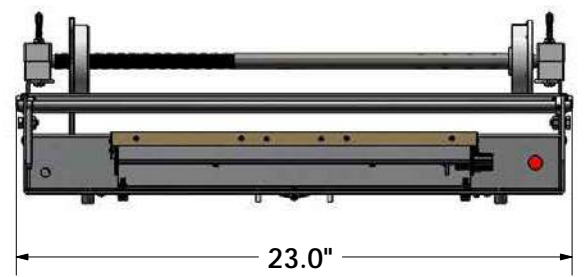
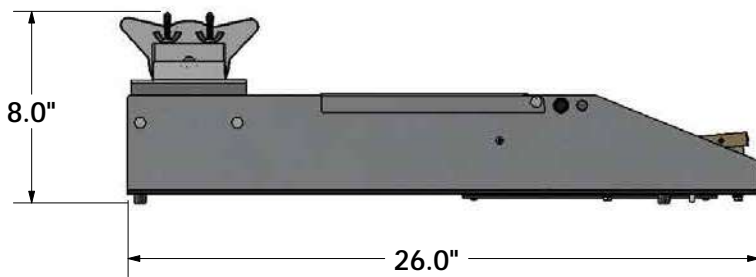
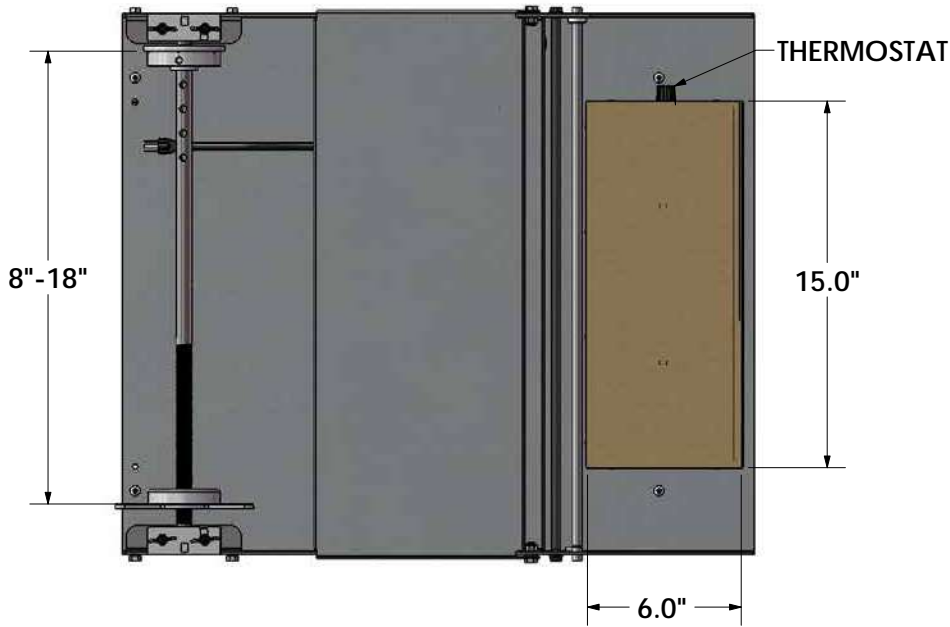


NATIONAL CART CO

1-800-455-3802
nationalcart.com



Freight Class: 85
 NMFC Code: 186590



Order #	Model	W	L	H	Weight
5000156	THERMAL HANDWRAP 1-ROLL	23"	26"	8"	28 lbs.

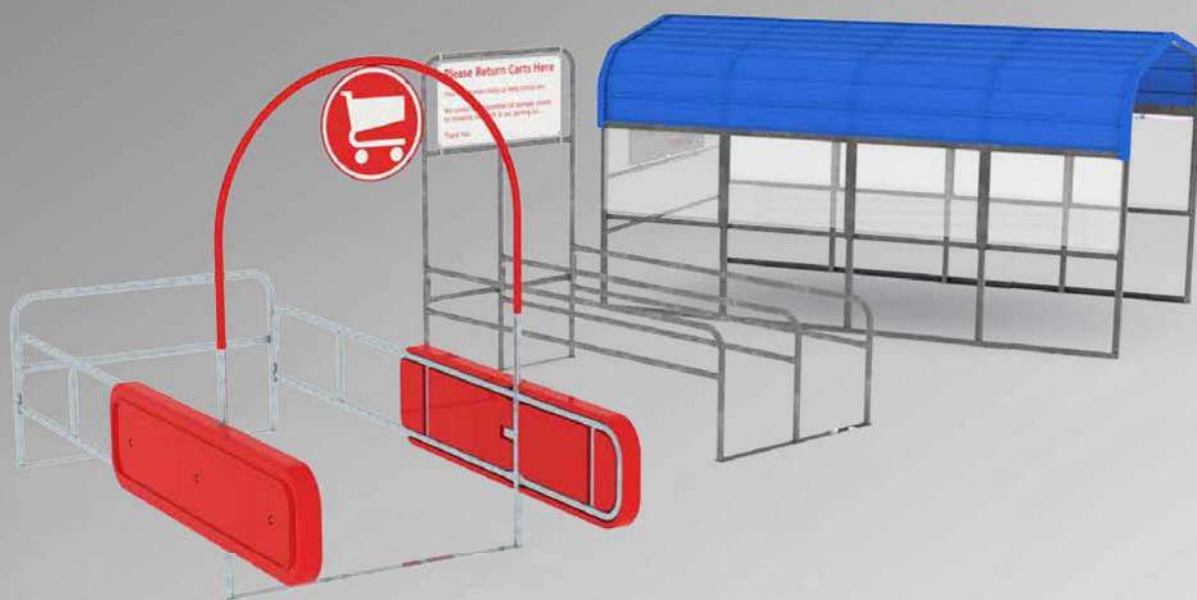
Can't find exactly what you need? Give us a call and we'll help you with the perfect solution!

PRODUCT CATALOG 2017

CART CORRALS



NATIONAL CART CO



PRODUCT APPLICATIONS: Custom Cart Corral Signage.....55-56

Accessories

- Cart Corral Ballast57-58
- Standard Signage59-60

Architectural

- Ornamental Cart Corral61-62
- Ornamental Covered Cart Corral.....63-64

Bumpered Corrals

- Snap Too Bumper Corral - Arc Style 65-66
- Snap Too Bumper Corral - Classic Style.....67-68

Covered Corrals

- Ornamental Covered Cart Corral.....63-64
- Canvas Covered Cart Corral69-70
- Metal Covered Cart Corral71-72

Classic Series

- 360 Series Cart Corral73-74
- 361 Series Cart Corral.....75-76
- 600 Series Cart Corral77-78
- 601 Series Cart Corral79-80
- 602 Series Cart Corral81-82
- 603 Series Cart Corral.....83-84
- 720 Series Cart Corral85-86
- 721 Series Cart Corral87-88
- 900 Series Cart Corral89-90
- 901 Series Cart Corral.....91-92

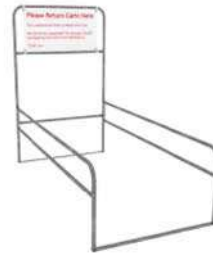
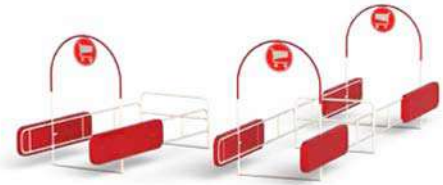
Embedded Cart Corral.....93-94

Express Carts Dual Cart Corral.....95-96

Sidewalk Cart Corral.....97-98

Snap Too Series

- Snap Too 360 Series.....99-100
- Snap Too 720 Series.....101-102
- Snap Too 721 Bidirectional103-104
- Snap Too 721 Series.....105-106
- Snap Too Bumper Corral - Arc Style65-66
- Snap Too Bumper Corral - Classic Style.....67-68



NATIONAL CART CO. CAN REDUCE YOUR FREIGHT COSTS WITH SPECIAL VOLUME AND FREIGHT DISCOUNTS!

Inquire with one of our customer service representatives when ordering.

For Product Safety and Operation Manuals please visit our website at www.nationalcart.com



NATIONAL CART CO
1-800-455-3802
nationalcart.com

QUICK CHANGE SIGN FRAME & CUSTOM SIGNAGE

Quickly customize your cart corral signage and get the most out of your parking lot!

Why not make an impression on your customers right when they enter the parking lot? Get the most out of your cart corral by supporting your branding messages and add additional features to your cart corrals. Cart corral signs and ballards are the perfect height and location to catch customers' attention. The possibilities are endless!

QUICK CHANGE SIGN FRAME:

The quick change sign frame can be mounted to any of our standard cart corrals for the fastest way to update your parking lot signage! Great for advertising store specials or greeting customers during the holidays.



*ADDITIONAL BRACKETS FOR 27" SIGN REPLACEMENT

FEATURES:

Custom signage easily slides in from the side

Mountable retrofit sign frame with hardware included

Holds signs 20" x 55.5"

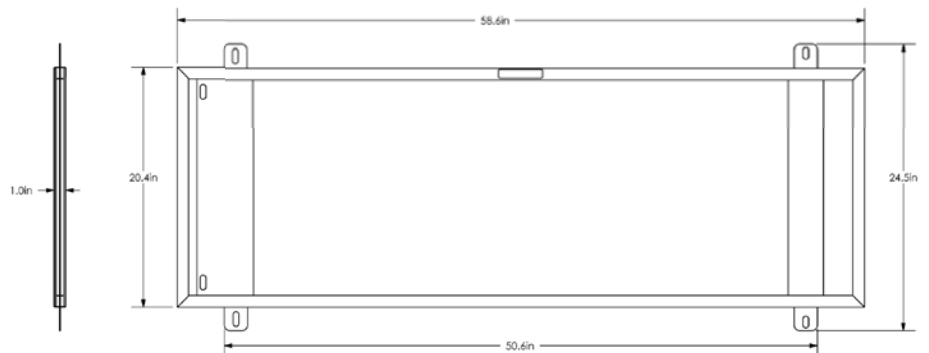
Available for ordering as factory-mounted with cart corral included. Inquire within.

Ship Weight: 15 lbs

Overall Dims: 58.6" W x 20.4" H x 1" D

Order #8030482

Model: CC SIGN FRAME, CHANGEABLE





STORE PROMOTIONS

- "Bring Your Returnable Bags"
- "Get Your Prescription Filled Here"
- "Visit Our Full Service Bakery"



CUSTOM GRAPHICS

- Silk screening and printing option
- Add your stores logo, motto, and branded colors



ADVERTISING

- "Double Coupons"
- Consumer Product Group Advertising opportunities



HOW TO ORDER CUSTOM SIGNAGE:

1. Call your customer service representative
2. Provide your cart corral model and order number
3. Full description of your cart corral signage vision

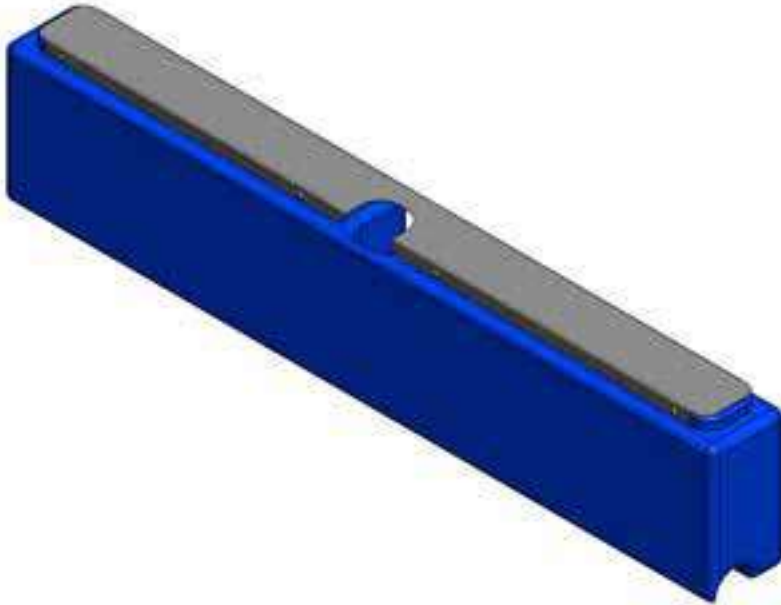
Standard signage is also available.
Refer to our Standard Signage page for options.



Can't find exactly what you need? Give us a call and we'll help you with the perfect solution!

CART CORRAL BALLAST

Provide additional holding power without losing the flexibility of moving your cart corrals. This ballast will save your parking lot from permanent drill holes.



FEATURES:

18-Galv powder-coated lid mounts to plastic ballast using phillips and 8 fasteners provided

Plastic ballast made of polyethylene plastic

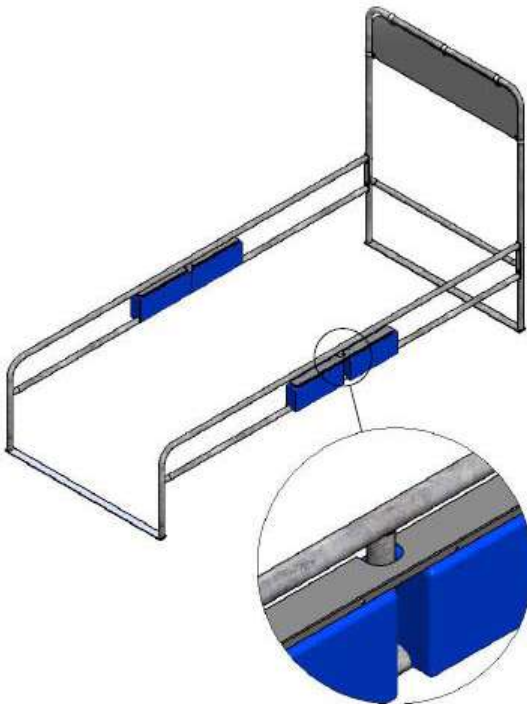
Ballast attaches to cart corral side rail with strategic molded design

No protruding edges to damage vehicles or carts

Ballast is designed to hold 100 lbs. of sand (sand not included)

OPTIONS:

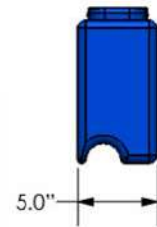
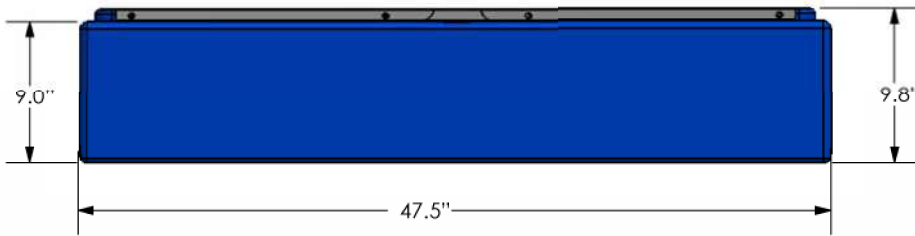
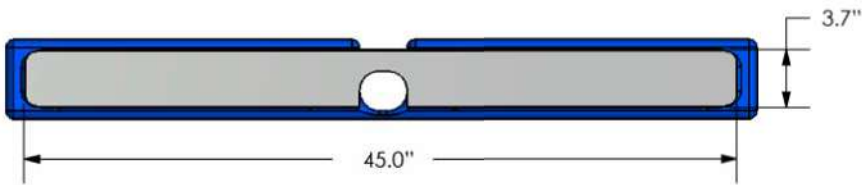
Blue UV protected color (inquire to your customer service representative for additional color options)



**Ballast attaches to
cart corral rail**



Freight Class: 250
 NMFC Code: 164390-S3



Order #	Model	W	L	H	Weight
5030002	CC-BALLAST W/GALV LID, PMS 285C	5"	47.5"	9.8"	16 lbs.

Can't find exactly what you need? Give us a call and we'll help you with the perfect solution!

STANDARD SIGNAGE

Cart Corrals are not complete without our weather resistant signs.

These durable signs are legible from all areas of your parking lot. Custom signage is also available to meet your special needs.

3030051



FEATURES:

Heavy gauge galvanized steel substrate for 24" x 48" & larger

Durable powder coated finish

High quality silk screen printing

OPTIONS:

Custom signage available (Refer to our signage capabilities page for more options)

Bilingual signs available (inquire with your customer service representatives)

3030059



3030054



3030181



3030067



3030288



NATIONAL CART CO

1-800-455-3802
nationalcart.com



Freight Class: 70
NMFC Code: 176050-9



Order #	Model	W	H
3030051	CCS-1216-1030 SIGN, 2-FACED RED/WHT	16"	12"
3030054	CCS-1622-1424 SIGN RED/WHT	22"	16"
3030067	CCS-2448-1424 SIGN RED/WHT	48"	24"
3030059	CCS-2448-0597B, WHT BKG/RED PRNT	48"	24"
3030181	CCS-2766-1424 WHITE BG/RED PRINT	66"	27"
3030288	CCS-2766-0597B, WHT BKG/RED PRNT	66"	27"

Can't find exactly what you need? Give us a call and we'll help you with the perfect solution!

ORNAMENTAL CART CORRAL

Enjoy all of the benefits of our quality cart corrals with added ornamental iron design and durability.

This upscale corral has heavy-duty, durable construction and can endure years of tough usage in parking lots. These units are designed to increase the architectural aesthetics of your parking lot.

Custom Colors Available



FEATURES:

Upscale ornamental iron style

Constructed of heavy-duty galvanized mechanical square tubing that provides years of superior durability

Heavy-duty design helps keep unit in place, but can be moved for snow plow operations or repositioned for traffic flow

Steel is topcoated with Super Durable Siliconized Polyester powder-coat, specifically formulated for outdoor use

Increased visibility with upscale design

Ships knocked down for freight savings

Quick and easy assembly

OPTIONS:

Single or Double entry

Anchors

Header available in the entry or rear of the corral

Shopping cart rub rail can be galvanized finish or powder coat finish

Available with or without center lane divider

Custom signage available, sold separately

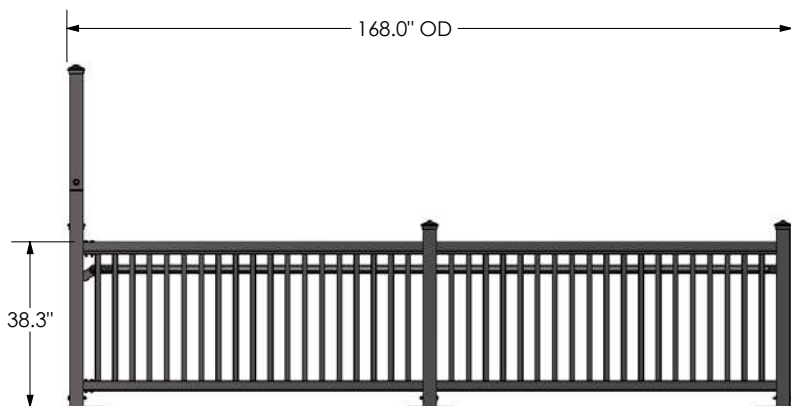


Optional Anchor





Freight Class: 250
NMFC Code: 164390-S3



PLEASE CALL TO ORDER
CUSTOM COLORS, DESIGN, AND HEADER ENTRY'S AVAILABLE
ALSO AVAILABLE IN ROOF STYLE

Can't find exactly what you need? Give us a call and we'll help you with the perfect solution!

ORNAMENTAL COVERED CART CORRAL

National Cart's Ornamental Covered Cart Corral is designed to make a lasting first impression when customers first enter your parking lot.

This upscale corral has a heavy-duty, durable construction that can endure years of tough usage in your parking lot. The architectural styling of the corral can easily be modified to meet local city ordinances and the ornamental, iron look will add style and compliment your store's brand in the parking lot.

Custom Colors Available



Shown with concrete ballast



Shown with decorative lattice and finials



Shown with decorative lattice

FEATURES:

The high visibility of the peaked roof welcomes customers and leads them to proper cart return

Upscale ornamental iron, covered style increases store branding opportunities

Custom engineered pre-cast concrete curbs secure the corral without the need of anchors, core drilling, or pouring cement

Constructed of heavy duty galvanized mechanical square tubing that provides years of interior and exterior corrosion protection

Steel is top coated with Super Durable Siliconized Polyester powder-coat specifically formulated for longevity in outdoor service

Stainless steel hardware and hot-dip galvanized leg levelers allow the corral to be leveled across inconsistent parking lot grade

Tinted twin-wall polycarbonate roof panels let light shine through, while protecting your assets from the elements

Full length exterior and interior bumpers protect car doors and shopping carts

Shopping cart return signage

Ships knocked down for freight savings

OPTIONS:

Additional roof styles, designs, and colors available

Decorative lattice and finials

Decorative flower boxes

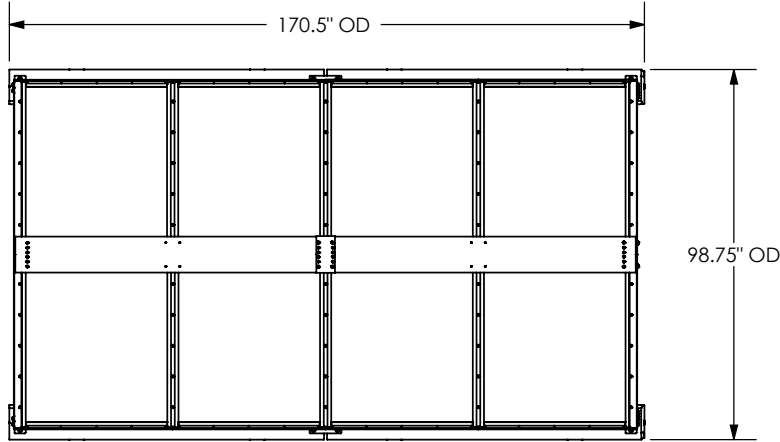
Single or Double entry

Custom Signage Available

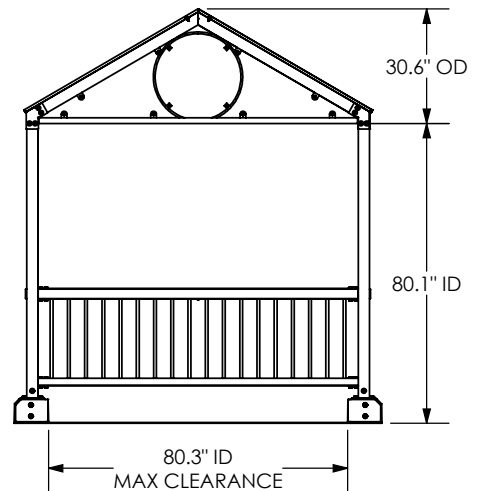
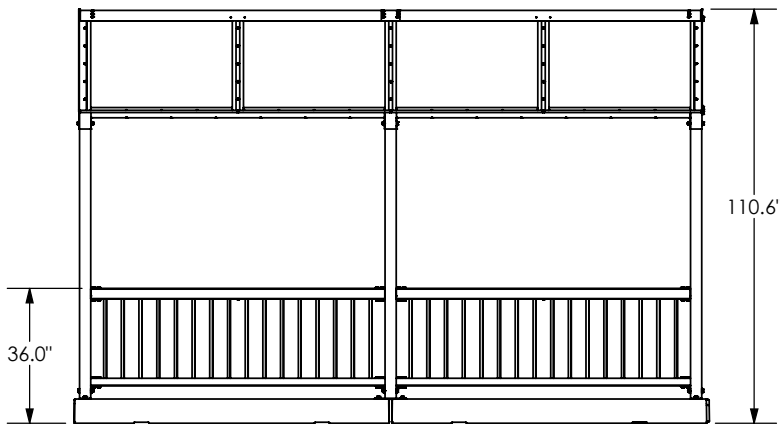


NATIONAL CART CO

1-800-455-3802
nationalcart.com



Freight Class: 250
NMFC Code: 164390-S3



PLEASE CALL TO ORDER.

CUSTOM COLORS, DESIGN, COLORS, AND ROOF STYLES AVAILABLE.

Can't find exactly what you need? Give us a call and we'll help you with the perfect solution!

SNAP TOO BUMPER CORRAL - ARC STYLE

Enjoy all of the benefits of our quality cart corrals with less work. National Cart's SNAP TOO Bumper Cart Corral is specifically designed to reduce damage to your customers car doors.

These units can be designed to match your store's color identity/logo and increase branding opportunities. Just like our other cart corrals, this one has a modular design that makes replacement parts a snap, while providing a hassle free assembly that takes minutes and requires no tools or skilled labor.

Custom Colors Available



FEATURES:

Increased visibility

Bumpered side panels protect your customers car doors from scratches and dents

Keeps loose carts secure while reducing loss prevention claims

Heavy gauge galvanized mechanical steel tubing provides superior durability

Durable powder coat finish on entry hoop and sign frame

Recessed base plate reduces tripping hazard

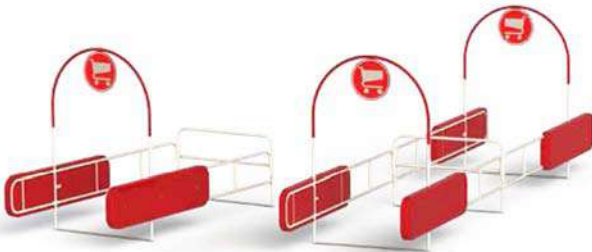
Corral comes with Shopping Cart Sign

OPTIONS:

Single or Double entry

Anchors

Custom Signage Available



Red, Blue, Green, and Gray Standard Colors



Full Colored Graphics available on Side Bumpers



Snap Together Assembly



Optional Anchor



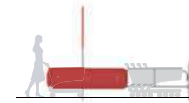
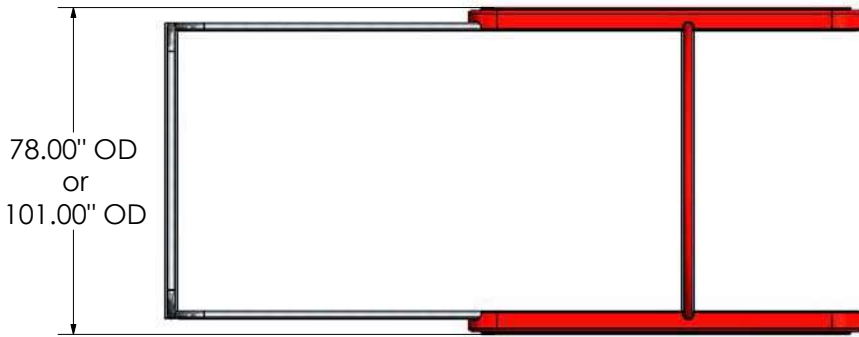
NATIONAL CART CO

1-800-455-3802
nationalcart.com

Cart Corrals



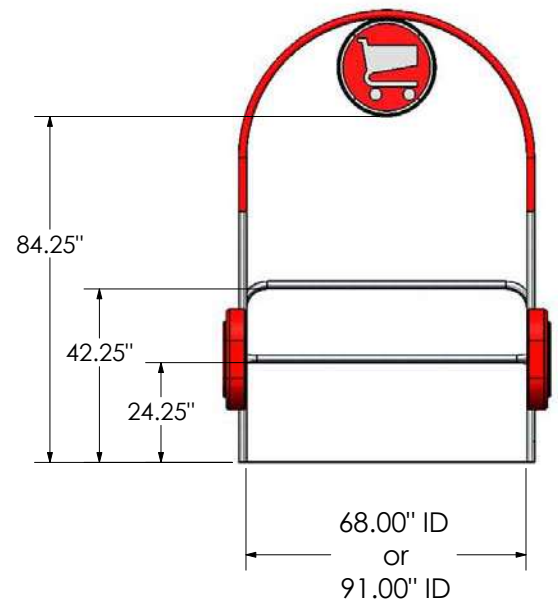
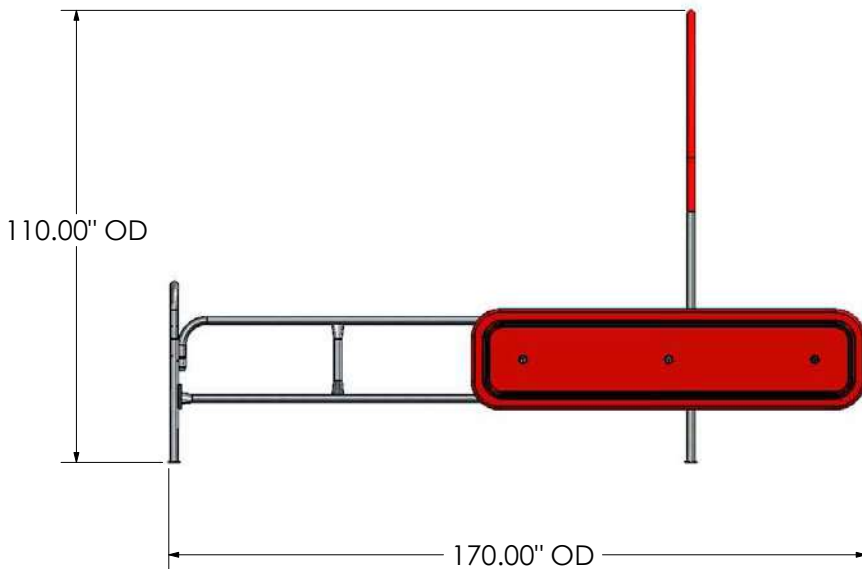
Freight Class: 250
NMFC Code: 164390-S3



Single Entry



Double Entry



Please indicate color when ordering. Red, Blue, Green, and Gray come standard. Custom colors available.

Order #	Model	W	L	H	Entry	Weight
8030390	Snap Too Bumper Corral - Arc Style Two Bay	78"	170"	110"	Single	265 lbs.
8030391	Snap Too Bumper Corral - Arc Style Four Bay	78"	340"	110"	Double	480 lbs.
8030392	Snap Too Bumper Corral - Arc Style Three Bay	101"	170"	110"	Single	281 lbs.
8030393	Snap Too Bumper Corral - Arc Style Six Bay	101"	340"	110"	Double	502 lbs.

Can't find exactly what you need? Give us a call and we'll help you with the perfect solution!

SNAP TOO BUMPER CORRAL - CLASSIC STYLE

Enjoy all of the benefits of our quality cart corrals with less work. National Cart's SNAP TOO Bumper Cart Corral is specifically designed to reduce damage to your customers car doors.

These units can be designed to match your store's color identity/logo and increase branding opportunities. Just like our other cart corrals, this one has a modular design that makes replacement parts a snap while providing a hassle free assembly that takes minutes and requires no tools or skilled labor.

Custom Colors Available



FEATURES:

Increased visibility

Bumpered side panels protect your customers car doors from scratches and dents

Keeps loose carts secure while reducing loss prevention claims

Heavy gauge galvanized mechanical steel tubing provides superior durability

Recessed base plate reduces tripping hazard

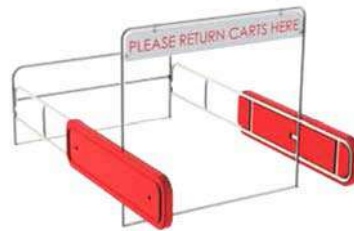
Corral comes with "Please Return Carts Here" sign

OPTIONS:

Single or Double entry

Anchors

Custom Signage Available



Snap Together Assembly



Optional Anchor



Red, Blue, Green, and Gray Standard Colors

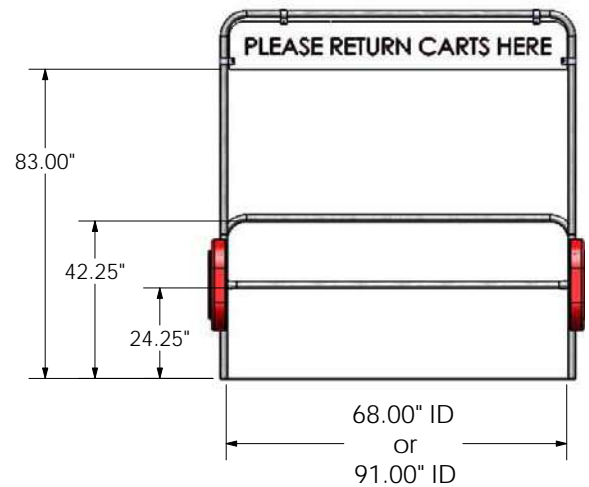
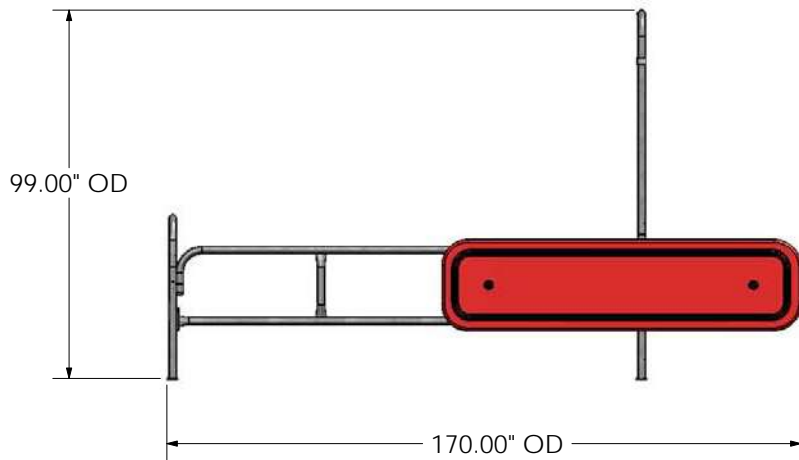
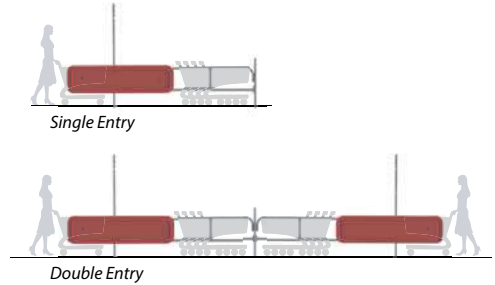
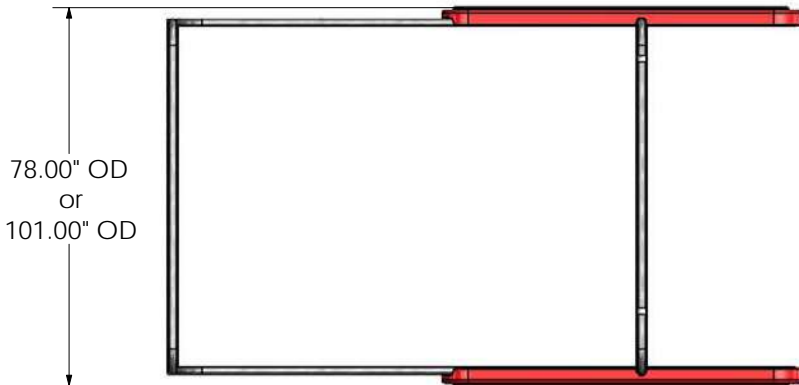
Full Colored Graphics available on Side Bumpers



Cart Corrals



Freight Class: 250
NMFC Code: 164390-S3



Please indicate color when ordering. Red, Blue, Green, and Gray come standard. Custom colors available.

Order #	Model	W	L	H	Entry	Weight
8030394	Snap Too Bumper Corral - Classic Style Two Bay	78"	170"	92"	Single	265 lbs.
8030395	Snap Too Bumper Corral - Classic Style Four Bay	78"	340"	92"	Double	480 lbs.
8030396	Snap Too Bumper Corral - Classic Style Three Bay	101"	170"	92"	Single	281 lbs.
8030397	Snap Too Bumper Corral - Classic Style Six Bay	101"	340"	92"	Double	502 lbs.

Can't find exactly what you need? Give us a call and we'll help you with the perfect solution!

CANVAS COVERED CART CORRAL

Cart Corrals ensure the safety and simplicity of gathering your carts while decreasing damage to customers' vehicles from stray carts. Strategically place our corrals throughout your parking lot to reduce the labor costs of cart retrieval and enhance the shopping experience of your customers.

Covered cart corrals provide superior protection for your carts from harmful weather conditions and ultra violet rays.



8030054 Shown



Bolt Together Assembly

FEATURES:

Heavy duty flow coat galvanized mechanical steel tubing provides superior durability

Canvas roof provides superior protection of carts




18-gauge galvanized steel signs with durable powder coated finish and silk screen printing

Easily assembled and can be anchored for maximum stability

Interior corrosion resistant coating

Comes with required anchors

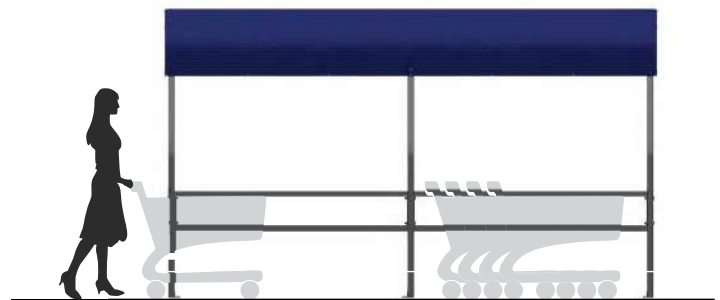
OPTIONS:

Canvas comes in a variety of colors to coordinate with your store identity (red, blue, and green)    (custom colors are also available, inquire with your customer service representative)

Custom signage is available

Installation is available

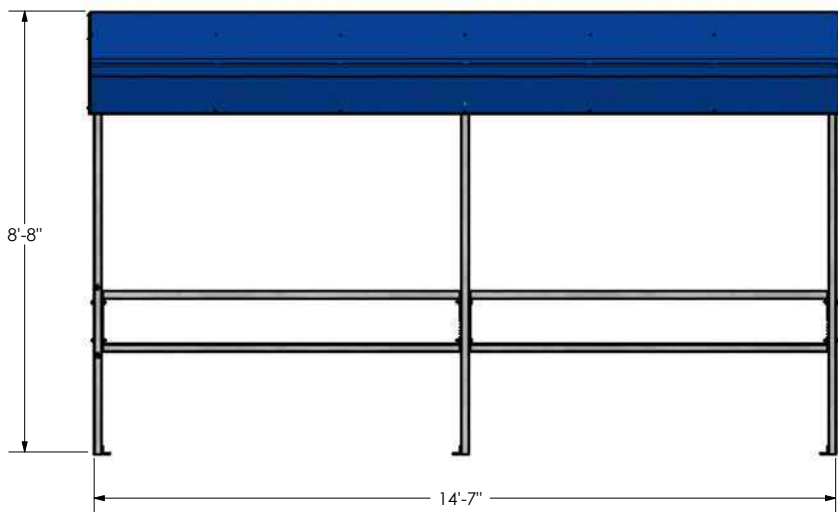
Disclaimer: Check your local wind load ordinance before ordering. Unit may not meet requirements. (Inquire with your local building ordinance)





8030054 Shown

Freight Class: 250
NMFC Code: 164390-S3



Cart Corral Order #	Model	W	L	H	Weight
8030054	CC-NCCT-14 3-BAY,1-ENTRY UNIT WITHOUT CANVAS	7'4"	14' 7"	9'	690 lbs.

When ordering, please indicate the cart corral unit order number and the tarp order number. Custom colors are also available.

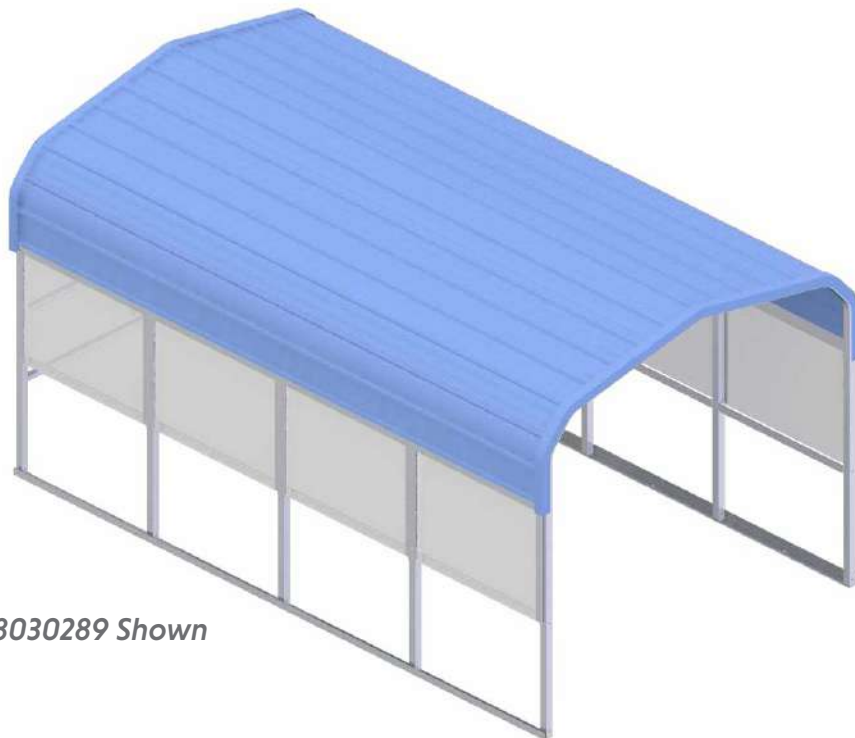
Tarp Order #	Model	W	L	H	Weight
5000541	CANVAS, HUNTER GREEN	15"	30"	15"	20 lbs.
5000542	CANVAS, BLUE	15"	30"	15"	20 lbs.
5000543	CANVAS, RED	15"	30"	15"	20 lbs.

Can't find exactly what you need? Give us a call and we'll help you with the perfect solution!

METAL COVERED CART CORRAL

Cart Corrals ensure the safety and simplicity of gathering your carts while decreasing damage to customers' vehicles from stray carts. Strategically place our corrals throughout your parking lot to reduce the labor costs of cart retrieval and enhance the shopping experience of your customers.

Covered cart corrals provide superior protection for your carts from harmful weather conditions and ultra violet rays.



8030289 Shown

FEATURES:

Engineered to meet most wind load ordinances (inquire with NCC's engineering staff for further details)

Heavy duty galvanized square tube frame

29-gauge corrugated Galvalume roof panels

18-gauge galvanized steel signs with durable powder coated finish and silk screen printing

Easily assembled and anchored (required) for maximum stability. Unit will NOT move like competitors units have while under normal weather conditions

Polycarbonate side panels

OPTIONS:

Roof panels come in a variety of colors to coordinate with your store identity (red, white, or blue) ● ○ ● (custom colors are also available, inquire with your customer service representative)

Installation is available

Standard sign: #3030288
Size 27" x 66" Text Style: 0597B

Disclaimer sign: #3030181
Size 27" x 66" Text Style: 1424

Custom Signage Available



core drill and mix concrete to anchor J-Bolts



bolt together assembly

3030288
standard sign



3030181 disclaimer sign



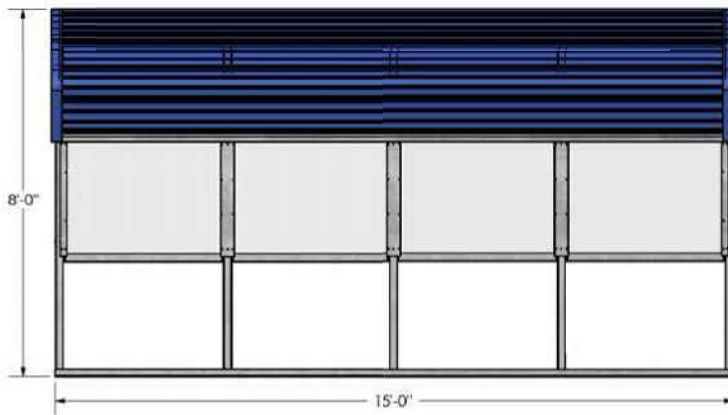
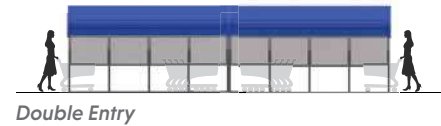
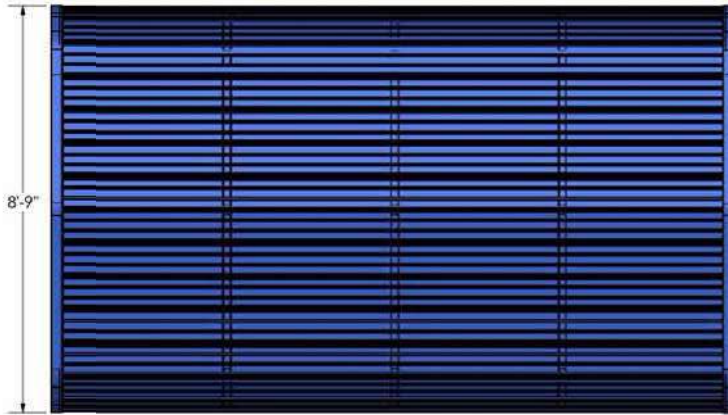
NATIONAL CART CO

1-800-455-3802
nationalcart.com



8030289 Shown

Freight Class: 250
NMFC Code: 164390-S3



Cart Corral Order #	Model	W	L	H	Weight
8030341	CC-COVERED CART CORRAL 30' WHITE TOP	8' 9"	30'	8'	1400 lbs.
8030342	CC-COVERED CART CORRAL 15' WHITE TOP	8' 9"	15'	8'	800 lbs.
8030351	CC-COVERED CART CORRAL 30' RED TOP	8' 9"	30'	8'	1400 lbs.
8030352	CC-COVERED CART CORRAL 15' RED TOP	8' 9"	15'	8'	800 lbs.
8030401	CC-COVERED CART CORRAL 30' BLUE TOP	8' 9"	30'	8'	1400 lbs.
8030289	CC-TYSFMR-15 COVERED CART CORRAL BLUE TOP	8' 9"	15'	8'	700 lbs.

One sign per cart corral is included. Please indicate the sign order number when placing your order. To customize your sign, please contact your service representative. Other sign features are available on our sign page!

Sign Order #	Model	H	W
3030181	CCS-2766-1424 WHITE BG/RED PRINT	27"	66"
3030288	CCS-2766-0597B, WHT BKG/RED PRNT	27"	66"

Can't find exactly what you need? Give us a call and we'll help you with the perfect solution!

360 SERIES CART CORRAL

Cart Corrals ensure the safety and simplicity of gathering your carts while decreasing damage to customers' vehicles from stray carts.

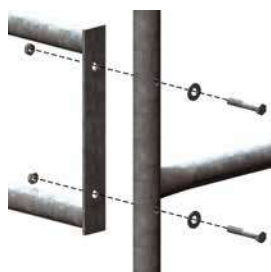
Strategically place our corrals throughout your parking lot to reduce the labor costs of cart retrieval and enhance the shopping experience of your customers.



8030130 Shown



Optional Anchor



Single Entry Assembly



Double Entry Assembly

3030051
standard sign



3030054
disclaimer sign



FEATURES:

Heavy gauge flow coat galvanized mechanical steel tubing provides superior durability

Interior corrosion resistant coating

Hot dipped, galvanized bar base plates

High density polyethylene sign with silk screen printing

Easily assembled and can be anchored for maximum stability

OPTIONS:

Side rail Length: 10 ft., 14 ft.

Single Entry or Double Entry

Anchors

Powder coat finish available (Inquire with your customer service representative)

Standard Sign #3030051
Size 12" x 16" Text Style: 1030

Disclaimer Sign: #3030054
Size 16" x 22" Text Style: 1424

Custom Signage Available



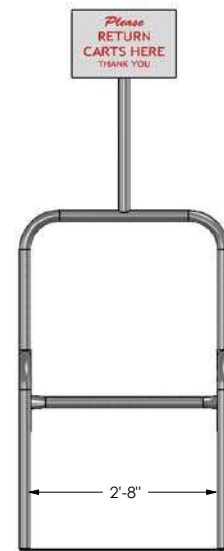
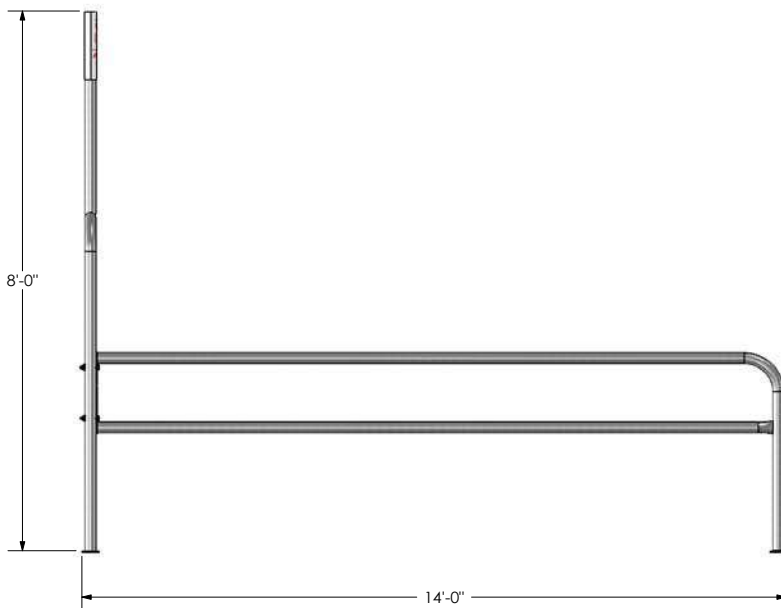
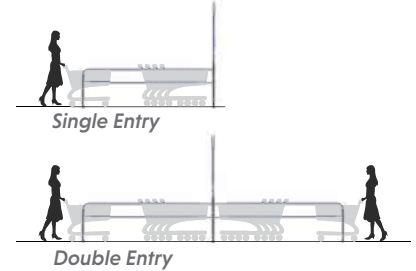
NATIONAL CART CO

1-800-455-3802
nationalcart.com



Freight Class: 250
NMFC Code: 164390-S3

8030130 Shown



Cart Corral Order #	Model	W	L	H	Entry	Weight
8030130	CC-360-10 3Wx10Lx8H SEGP	3'	10'	8'	Single	138 lbs.
8030131	CC-360-14 3Wx14Lx8H SEGP	3'	14'	8'	Single	184 lbs.
8030133	CC-360-20 3Wx20Lx8H DEGP	3'	20'	8'	Double	254 lbs.
8030134	CC-360-28 3Wx28Lx8H DEGP	3'	28'	8'	Double	325 lbs.
B000108	5" Lag Bolt Anchor	-	-	-	-	-

One sign per cart corral is included. Please indicate the sign order number when placing your order. To customize your sign, please contact your customer service representative. Other sign features are available on our sign page!

Sign Order #	Model	H	W
3030051	CCS-1216-1030 SIGN, 2-FACED RED/WHT	12"	16"
3030054	CCS-1622-1424 SIGN RED/WHT	16"	22"

Can't find exactly what you need? Give us a call and we'll help you with the perfect solution!

361 SERIES CART CORRAL

Cart Corrals ensure the safety and simplicity of gathering your carts while decreasing damage to customers' vehicles from stray carts.

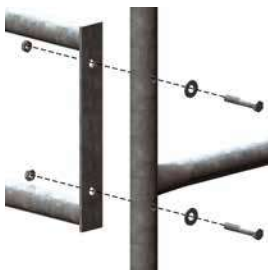
Strategically place our corrals throughout your parking lot to reduce the labor costs of cart retrieval and enhance the shopping experience of your customers.



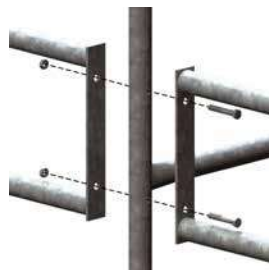
8030136 Shown



Optional Anchor



Single Entry Assembly



Double Entry Assembly

3030059
standard sign



3030067
disclaimer sign



FEATURES:

Heavy gauge flow coat galvanized mechanical steel tubing provides superior durability

Interior corrosion resistant coating

Hot dipped, galvanized bar base plates

18- gauge galvanized steel signs with durable powder coated finish and silk screen printing

Easily assembled and can be anchored for maximum stability

OPTIONS:

Side rail Length: 10 ft., 14 ft.

Single Entry or Double Entry

Anchors

Powder coat finish available (Inquire with your customer service representative)

Standard Sign #3030059
Size 24" x 48" Text Style: 0597B

Disclaimer sign #3030067
Size 24" x 48" Text Style: 1424

Custom Signage Available



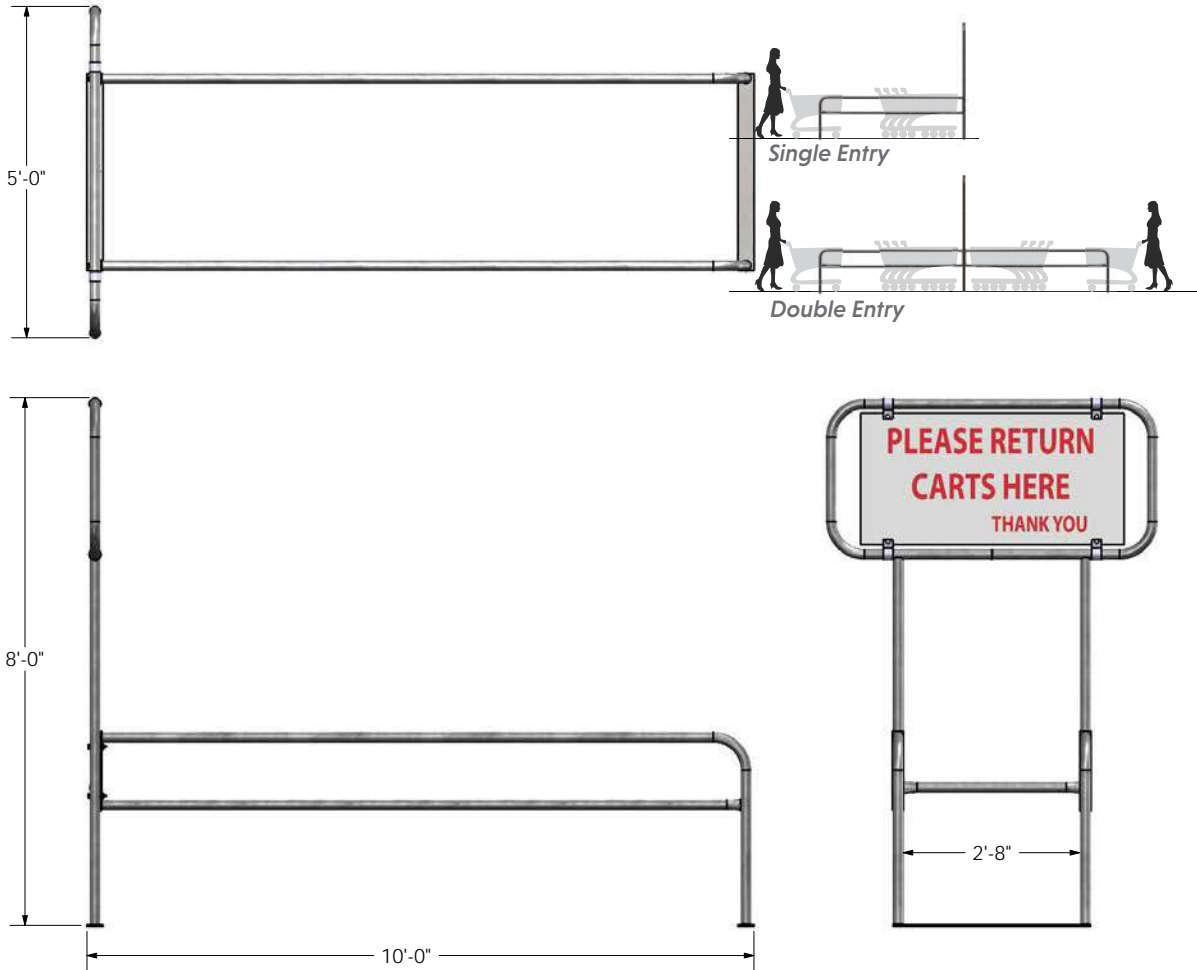
NATIONAL CART CO

1-800-455-3802
nationalcart.com



8030136 Shown

Freight Class: 250
NMFC Code: 164390-S3



Cart Corral Order #	Model	W	L	H	Entry	Weight
8030136	CC-361-10 3Wx10Lx8H SEGP	3'	10'	8'	Single	169 lbs.
8030137	CC-361-14 3Wx14Lx8H SEGP	3'	14'	8'	Single	215 lbs.
8030139	CC-361-20 3Wx20Lx8H DEGP	3'	20'	8'	Double	269 lbs.
8030140	CC-361-28 3Wx28Lx8H DEGP	3'	28'	8'	Double	338 lbs.
B000108	5" Lag Bolt Anchor	-	-	-	-	-

One sign per cart corral is included. Please indicate the sign order number when placing your order. To customize your sign, please contact your service representative. Other sign features are available on our sign page!

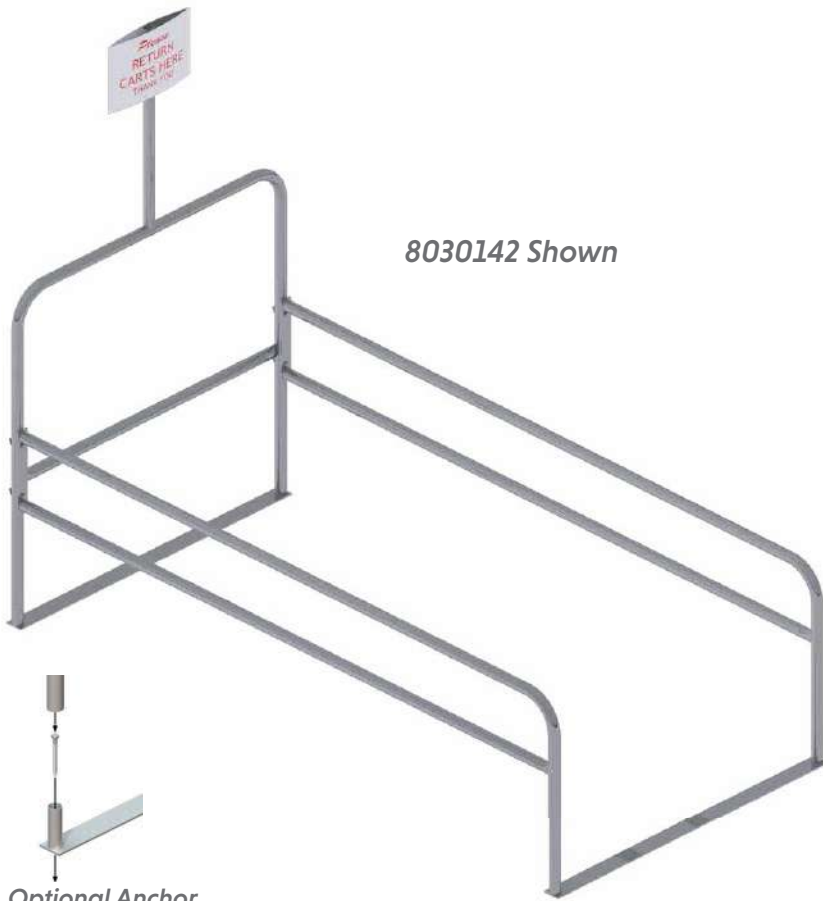
Sign Order #	Model	H	W
3030067	CCS-2448-1424 SIGN RED/WHT	24"	48"
3030059	CCS-2448-0597B, WHT BKG/RED PRNT	24"	48"

Can't find exactly what you need? Give us a call and we'll help you with the perfect solution!

600 SERIES CART CORRAL

Cart Corrals ensure the safety and simplicity of gathering your carts while decreasing damage to customers' vehicles from stray carts.

Strategically place our corrals throughout your parking lot to reduce the labor costs of cart retrieval and enhance the shopping experience of your customers.



8030142 Shown

FEATURES:

Heavy gauge flow coat galvanized mechanical steel tubing provides superior durability

Interior corrosion resistant coating

Hot dipped, galvanized bar base plates

High density polyethylene sign with silk screen printing

Easily assembled and can be anchored for maximum stability

OPTIONS:

Side rail Length: 10 ft., 14 ft.

Single Entry or Double Entry

Anchors

Powder coat finish available (Inquire with your customer service representative)

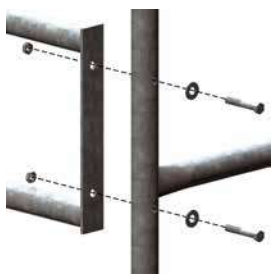
Standard Sign #3030051
Size 12" x 16" Text Style:1030

Disclaimer sign: #3030054
Size 16" x 22" Text Style: 1424

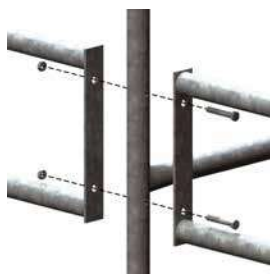
Custom Signage Available



Optional Anchor



Single Entry Assembly

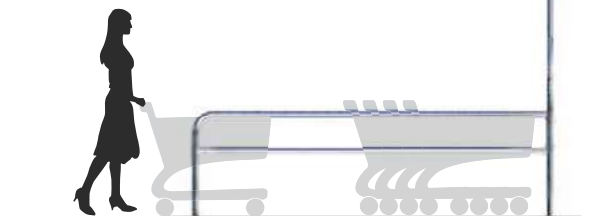


Double Entry Assembly

3030054
disclaimer sign



3030051
standard sign



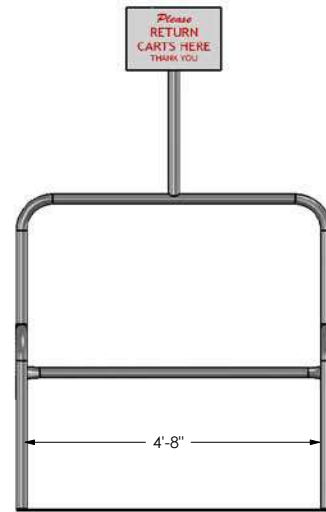
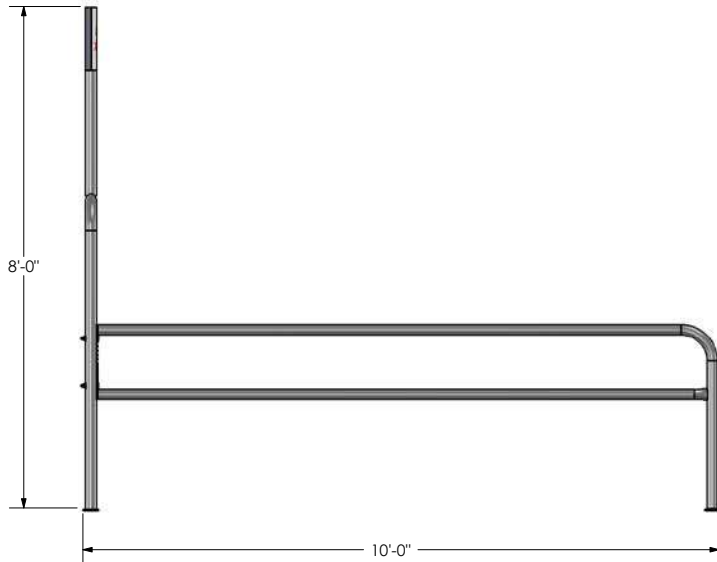
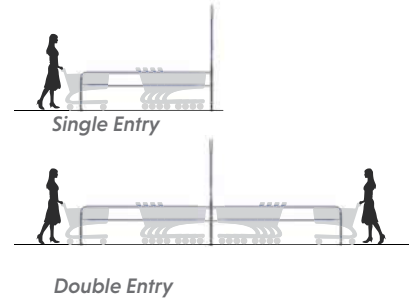
NATIONAL CART CO

1-800-455-3802
nationalcart.com



8030142 Shown

Freight Class: 250
NMFC Code: 164390-S3



Cart Corral Order #	Model	W	L	H	Entry	Weight
8030142	CC-600-10 5Wx10Lx8H SEGP	5'	10'	8'	Single	156 lbs.
8030143	CC-600-14 5Wx14Lx8H SEGP	5'	14'	8'	Single	203 lbs.
8030145	CC-600-20 5Wx20Lx8H DEGP	5'	20'	8'	Double	276 lbs.
8030146	CC-600-28 5Wx28Lx8H DEGP	5'	28'	8'	Double	346 lbs.
B000108	5" Lag Bolt Anchor	-	-	-	-	-

One sign per cart corral is included. Please indicate the sign order number when placing your order. To customize your sign, please contact your service representative. Other sign features are available on our sign page!

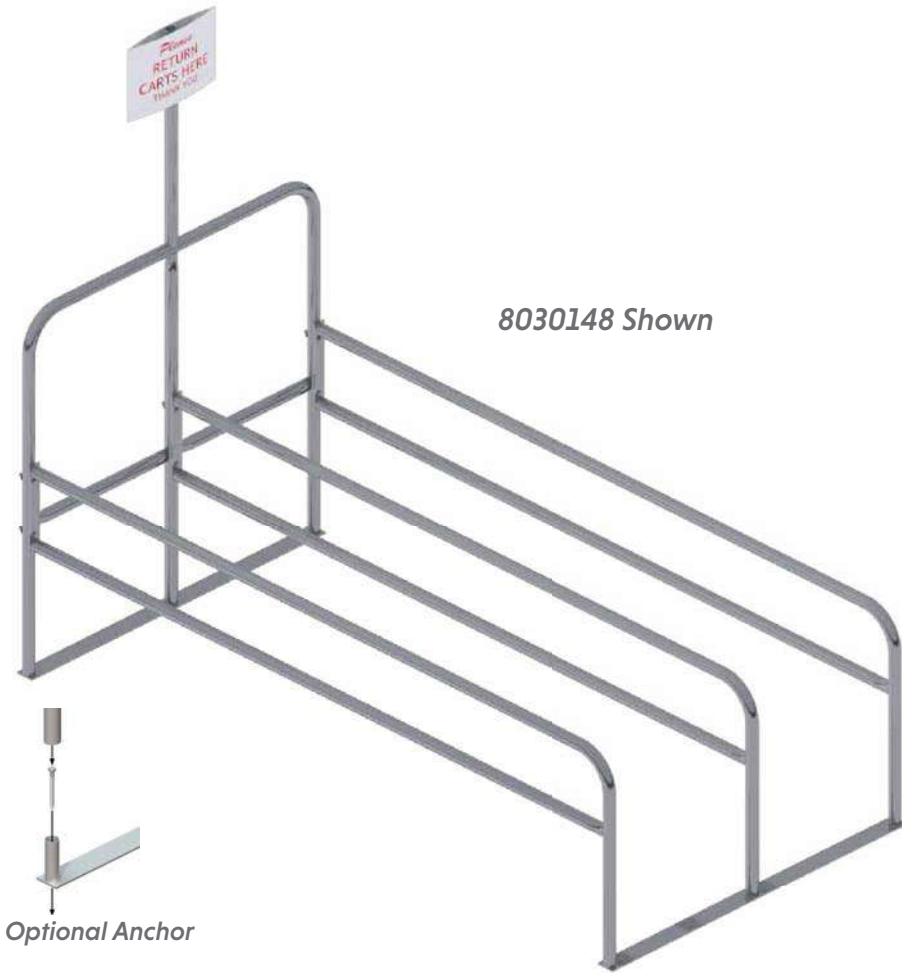
Sign Order #	Model	H	W
3030051	CCS-1216-1030 SIGN, 2-FACED RED/WHT	12"	16"
3030054	CCS-1622-1424 SIGN RED/WHT	16"	22"

Can't find exactly what you need? Give us a call and we'll help you with the perfect solution!

601 SERIES CART CORRAL

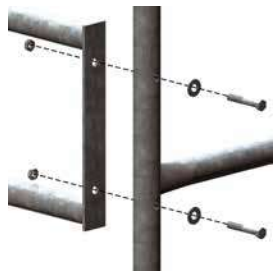
Cart Corrals ensure the safety and simplicity of gathering your carts while decreasing damage to customers' vehicles from stray carts.

Strategically place our corrals throughout your parking lot to reduce the labor costs of cart retrieval and enhance the shopping experience of your customers.



8030148 Shown

Optional Anchor



Single Entry Assembly

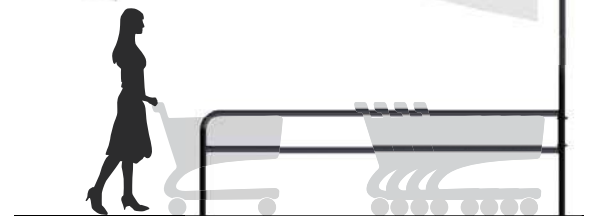


Double Entry Assembly

3030051
standard sign



3030054
disclaimer sign



FEATURES:

Heavy gauge flow coat galvanized mechanical steel tubing provides superior durability

Interior corrosion resistant coating

Hot dipped, galvanized bar base plates

High density polyethylene sign with silk screen printing

Easily assembled and can be anchored for maximum stability

OPTIONS:

Side rail Length: 10 ft., 14 ft.

Single Entry or Double Entry

Anchors

Powder coat finish available (Inquire with your customer service representative)

Standard Sign #3030051
Size 12" x 16" Text Style:1030

Disclaimer sign: #3030054
Size 16" x 22" Text Style: 1424

Custom Signage Available

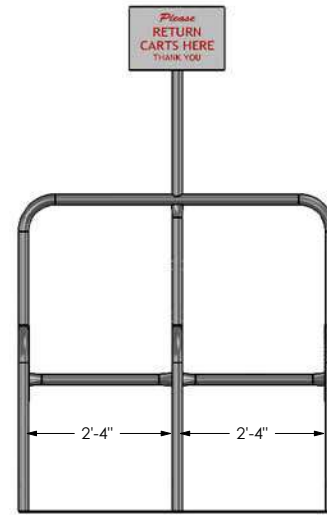
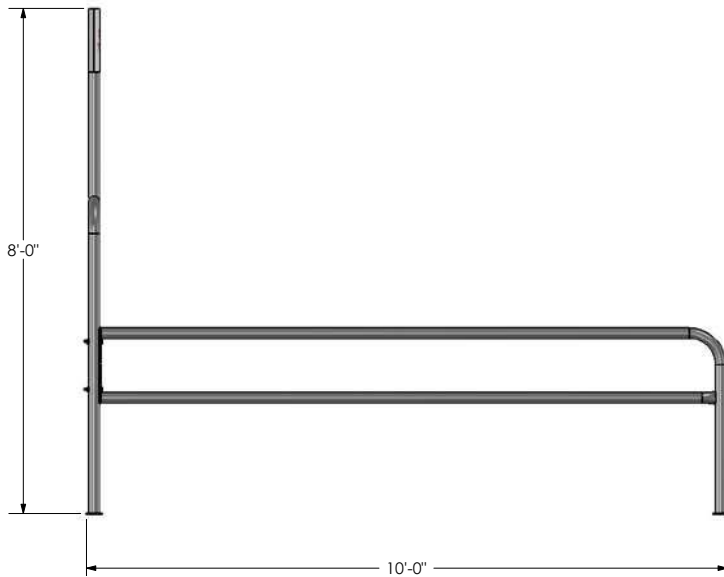
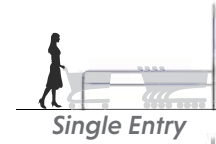


Cart Corrals



8030148 Shown

Freight Class: 250
NMFC Code: 164390-S3



Cart Corral Order #	Model	W	L	H	Entry	Weight
8030148	CC-601-10 5Wx10Lx8H SECLGP	5'	10'	8'	Single	208 lbs.
8030149	CC-601-14 5Wx14Lx8H SECLGP	5'	14'	8'	Single	276 lbs.
8030151	CC-601-20 5Wx20Lx8H DECLGP	5'	20'	8'	Double	284 lbs.
8030152	CC-601-28 5Wx28Lx8H DECLGP	5'	28'	8'	Double	489 lbs.
B000108	5" Lag Bolt Anchor	-	-	-	-	-

One sign per cart corral is included. Please indicate the sign order number when placing your order. To customize your sign, please contact your service representative. Other sign features are available on our sign page!

Sign Order #	Model	H	W
3030051	CCS-1216-1030 SIGN, 2-FACED RED/WHT	12"	16"
3030054	CCS-1622-1424 SIGN RED/WHT	16"	22"

Can't find exactly what you need? Give us a call and we'll help you with the perfect solution!

602 SERIES CART CORRAL

Cart Corrals ensure the safety and simplicity of gathering your carts while decreasing damage to customers' vehicles from stray carts.

Strategically place our corrals throughout your parking lot to reduce the labor costs of cart retrieval and enhance the shopping experience of your customers.

FEATURES:

Heavy gauge flow coat galvanized mechanical steel tubing provides superior durability

Interior corrosion resistant coating

Hot dipped, galvanized bar base plates

18-gauge galvanized steel signs with durable powder coated finish and silk screen printing

Easily assembled and can be anchored for maximum stability

OPTIONS:

Side rail Length: 10 ft., 14 ft.

Single Entry or Double Entry

Anchors

Powder coat finish available (Inquire with your customer service representative)

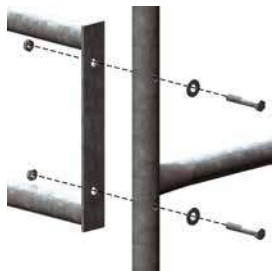
Standard sign: #3030059
Size 24" x 48" Text Style: 0597B

Disclaimer sign: #3030067
Size 24" x 48" Text Style:1424

Custom Signage Available



Optional Anchor



Single Entry Assembly

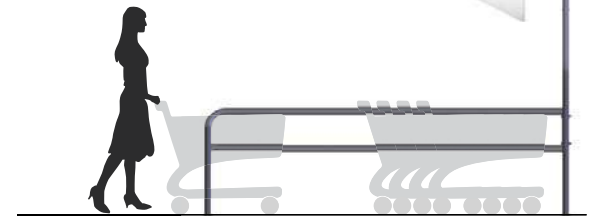


Double Entry Assembly

3030059
standard sign



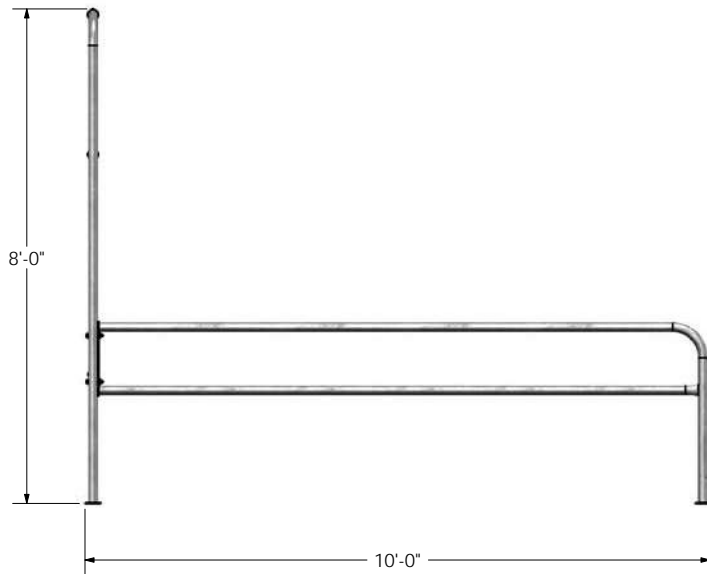
3030067
disclaimer sign



NATIONAL CART CO
1-800-455-3802
nationalcart.com

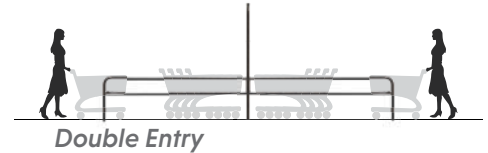
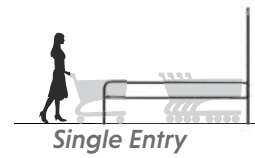


8030154 Shown



Freight Class: 250

NMFC Code: 164390-S3



Cart Corral Order #	Model	W	L	H	Entry	Weight
8030154	CC-602-10 5Wx10Lx8H SEGP	5'	10'	8'	Single	188 lbs.
8030155	CC-602-14 5Wx14Lx8H SEGP	5'	14'	8'	Single	234 lbs.
8030157	CC-602-20 5Wx20Lx8H DEGP	5'	20'	8'	Double	298 lbs.
8030158	CC-602-28 5Wx28Lx8H DEGP	5'	28'	8'	Double	368 lbs.
B000108	5" Lag Bolt	-	-	-	-	-

One sign per cart corral is included. Please indicate the sign order number when placing your order. To customize your sign, please contact your service representative. Other sign features are available on our sign page!

Sign Order #	Model	H	W
3030067	CCS-2448-1424 SIGN RED/WHT	24"	48"
3030059	CCS-2448-0597B, WHT BKG/RED PRNT	24"	48"

Can't find exactly what you need? Give us a call and we'll help you with the perfect solution!

603 SERIES CART CORRAL

Cart Corrals ensure the safety and simplicity of gathering your carts while decreasing damage to customers' vehicles from stray carts.

Strategically place our corrals throughout your parking lot to reduce the labor costs of cart retrieval and enhance the shopping experience of your customers.

FEATURES:

Heavy gauge flow coat galvanized mechanical steel tubing provides superior durability

Interior corrosion resistant coating

Hot dipped, galvanized bar base plates

18-gauge galvanized steel signs with durable powder coated finish and silk screen printing

Easily assembled and can be anchored for maximum stability

OPTIONS:

Side rail Length: 10 ft., 14 ft.

Single Entry or Double Entry

Anchors

Powder coat finish available (Inquire with your customer service representative)

Standard sign: #3030059
Size 24" x 48" Text Style: 0597B

Disclaimer sign #3030067
Size 24" x 48" Text Style:1424

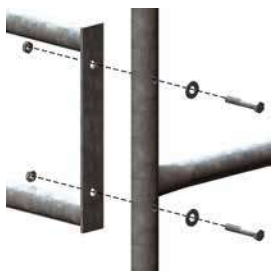
Custom Signage Available



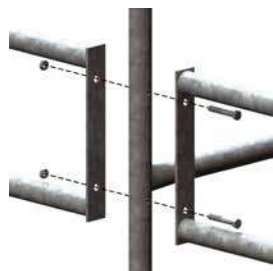
8030160 Shown



Optional Anchor



Single Entry Assembly

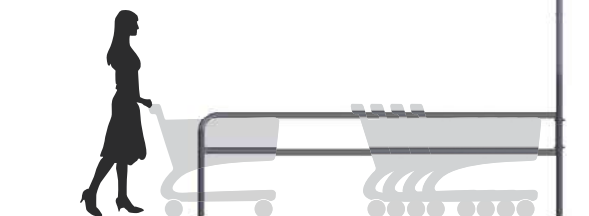


Double Entry Assembly

3030059
standard sign



3030067
disclaimer sign



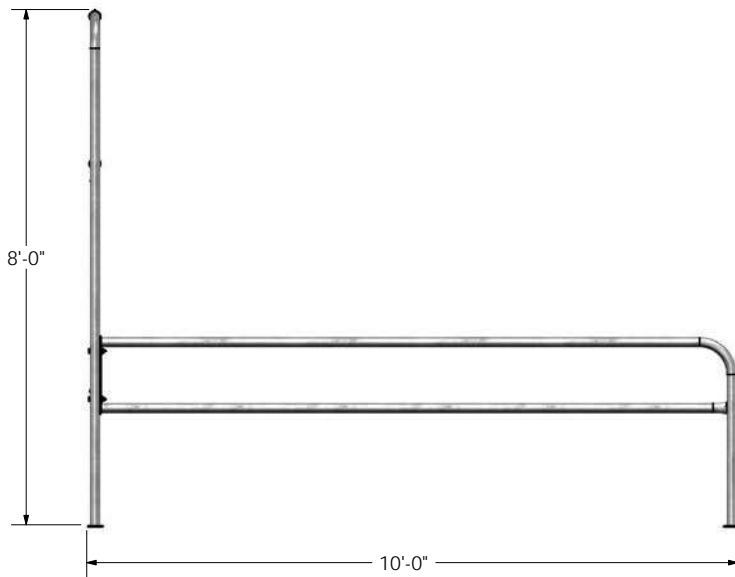
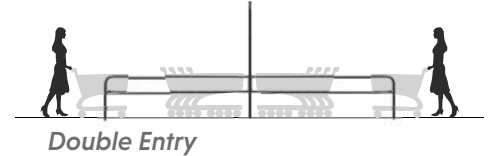
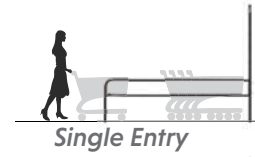
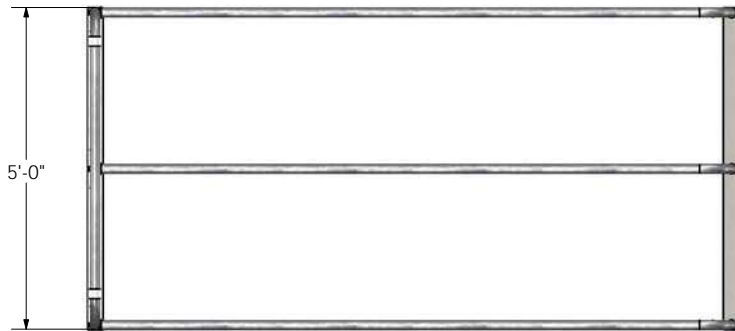
NATIONAL CART CO

1-800-455-3802
nationalcart.com



8030160 Shown

Freight Class: 250
NMFC Code: 164390-S3



Cart Corral Order #	Model	W	L	H	Entry	Weight
8030160	CC-603-10 5Wx10Lx8H SECLGP	5'	10'	8'	Single	240 lbs.
8030161	CC-603-14 5Wx14Lx8H SECLGP	5'	14'	8'	Single	309 lbs.
8030163	CC-603-20 5Wx20Lx8H DECLGP	5'	20'	8'	Double	383 lbs.
8030164	CC-603-28 5Wx28Lx8H DECLGP	5'	28'	8'	Double	521 lbs.
B000108	5" Lag Bolt Anchor	-	-	-	-	-

One sign per cart corral is included. Please indicate the sign order number when placing your order. To customize your sign, please contact your service representative. Other sign features are available on our sign page!

Sign Order #	Model	H	W
3030067	CCS-2448-1424 SIGN RED/WHT	24"	48"
3030059	CCS-2448-0597B, WHT BKG/RED PRNT	24"	48"

Can't find exactly what you need? Give us a call and we'll help you with the perfect solution!

720 SERIES CART CORRAL

Cart Corrals ensure the safety and simplicity of gathering your carts while decreasing damage to customers' vehicles from stray carts.

Strategically place our corrals throughout your parking lot to reduce the labor costs of cart retrieval and enhance the shopping experience of your customers.

FEATURES:

Heavy gauge flow coat galvanized mechanical steel tubing provides superior durability

Interior corrosion resistant coating

Hot dipped, galvanized bar base plates

18-gauge galvanized steel signs with durable powder coated finish and silk screen printing

Easily assembled and can be anchored for maximum stability

OPTIONS:

Side rail Length: 10 ft., 14 ft.

Single Entry or Double Entry

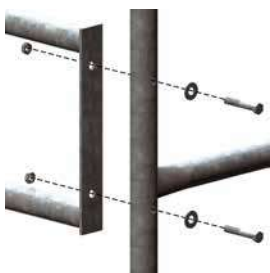
Anchors

Powder coat finish available (Inquire with your customer service representative)

Standard sign: #3030288
Size 27" x 66" Text Style: 0597B

Disclaimer sign: #3030181
Size 27" x 66" Text Style:1424

Custom Signage Available



Single Entry Assembly

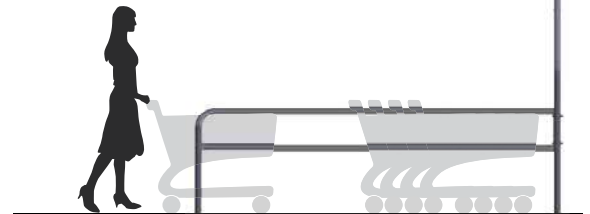


Double Entry Assembly

3030059
standard sign



3030067
disclaimer sign

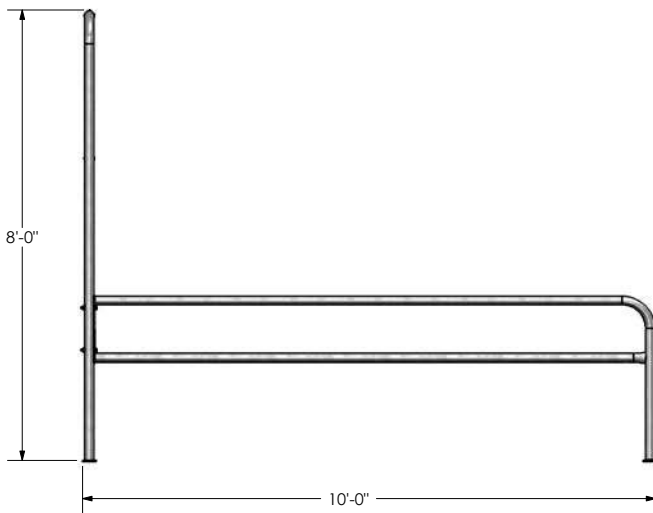
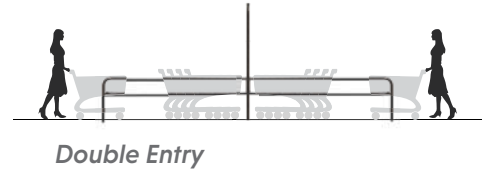
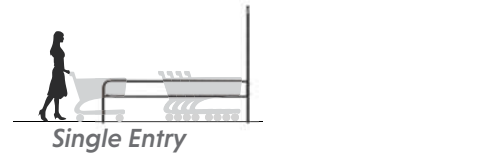


NATIONAL CART CO
1-800-455-3802
nationalcart.com



Freight Class: 250
NMFC Code: 164390-S3

8030166 Shown



Cart Corral Order #	Model	W	L	H	Entry	Weight
8030166	CC-720-10 6Wx10Lx8H 27s SEGP	6'	10'	8'	Single	212 lbs.
8030167	CC-720-14 6Wx14Lx8H 27s SEGP	6'	14'	8'	Single	258 lbs.
8030169	CC-720-20 6Wx20Lx8H 27s DEGP	6'	20'	8'	Double	407 lbs.
8030170	CC-720-28 6Wx28Lx8H 27s DEGP	6'	28'	8'	Double	512 lbs.
B000108	5" Lag Bolt Anchor	-	-	-	-	-

One sign per cart corral is included. Please indicate the sign order number when placing your order. To customize your sign, please contact your service representative. Other sign features are available on our sign page!

Sign Order #	Model	H	W
3030181	CCS-2766-1424 WHITE BG/RED PRINT	27"	66"
3030288	CCS-2766-0597B, WHT BKG/RED PRNT	27"	66"

Can't find exactly what you need? Give us a call and we'll help you with the perfect solution!

721 SERIES CART CORRAL

Cart Corrals ensure the safety and simplicity of gathering your carts while decreasing damage to customers' vehicles from stray carts.

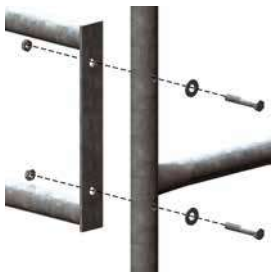
Strategically place our corrals throughout your parking lot to reduce the labor costs of cart retrieval and enhance the shopping experience of your customers.



8030172 Shown



Optional Anchor



Single Entry Assembly

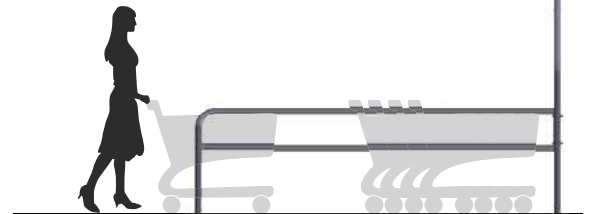


Double Entry Assembly

3030288
standard sign



3030181
disclaimer sign



FEATURES:

Heavy gauge flow coat galvanized mechanical steel tubing provides superior durability

Interior corrosion resistant coating

Hot dipped, galvanized bar base plates

18-gauge galvanized steel signs with durable powder coated finish and silk screen printing

Easily assembled and can be anchored for maximum stability

OPTIONS:

Side rail Length: 10 ft., 14 ft.

Single Entry or Double Entry

Anchors

Powder coat finish available (Inquire with your customer service representative)

Standard sign: #3030288
Size 27" x 66" Text Style: 0597B

Disclaimer sign: #3030181
Size 27" x 66" Text Style:1424

Custom Signage Available



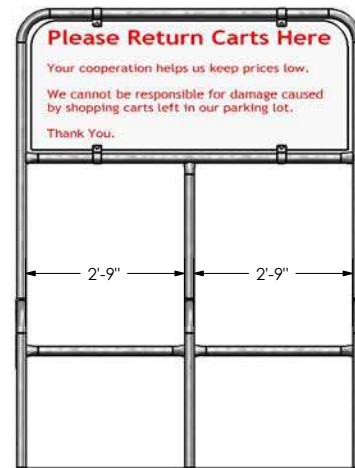
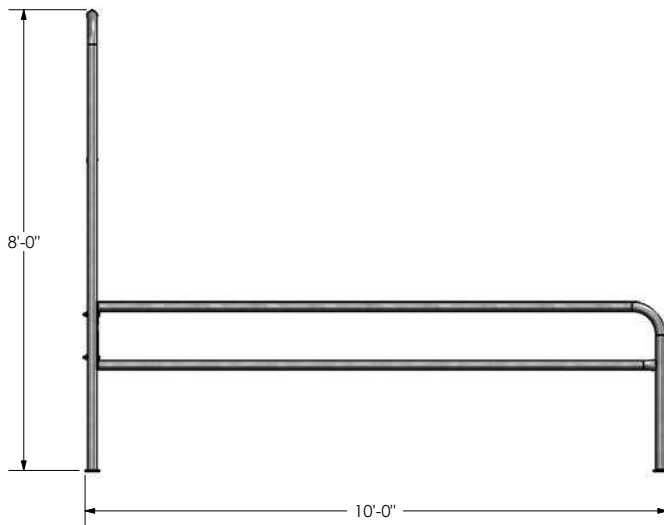
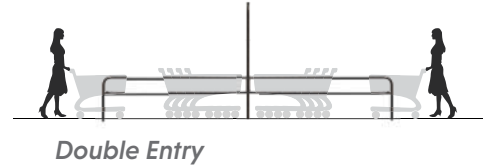
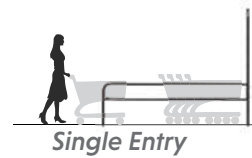
NATIONAL CART CO
1-800-455-3802
nationalcart.com



8030172 Shown



Freight Class: 250
NMFC Code: 164390-S3



Cart Corral Order #	Model	W	L	H	Entry	Weight
8030172	CC-721-10 6Wx10Lx8H 27s SECLGP	6'	10'	8'	Single	266 lbs.
8030173	CC-721-14 6Wx14Lx8H 27s SECLGP	6'	14'	8'	Single	335 lbs.
8030175	CC-721-20 6Wx20Lx8H 27s DECLGP	6'	20'	8'	Double	411 lbs.
8030176	CC-721-28 6Wx28Lx8H 27s DECLGP	6'	28'	8'	Double	549 lbs.
B000108	5" Lag Bolt	-	-	-	-	-

One sign per cart corral is included. Please indicate the sign order number when placing your order. To customize your sign, please contact your service representative. Other sign features are available on our sign page!

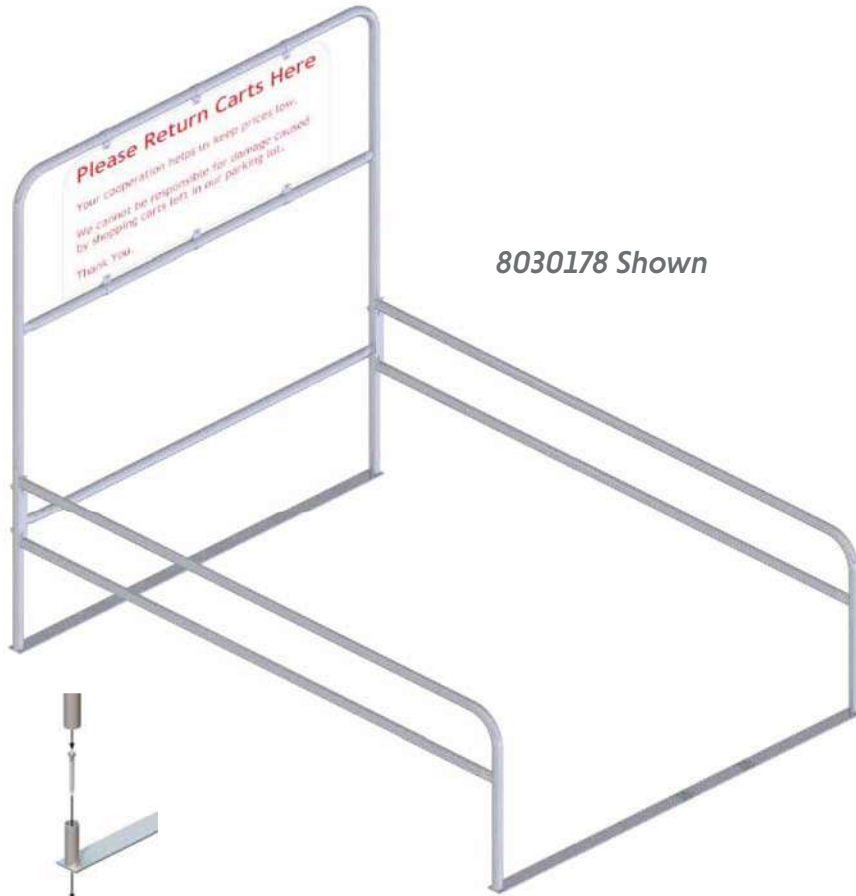
Sign Order #	Model	H	W
3030181	CCS-2766-1424 WHITE BG/RED PRINT	27"	66"
3030288	CCS-2766-0597B, WHT BKG/RED PRNT	27"	66"

Can't find exactly what you need? Give us a call and we'll help you with the perfect solution!

900 SERIES CART CORRAL

Cart Corrals ensure the safety and simplicity of gathering your carts while decreasing damage to customers' vehicles from stray carts.

Strategically place our corrals throughout your parking lot to reduce the labor costs of cart retrieval and enhance the shopping experience of your customers.



8030178 Shown



Optional Anchor

FEATURES:

Heavy gauge flow coat galvanized mechanical steel tubing provides superior durability

Interior corrosion resistant coating

Hot dipped, galvanized bar base plates

18-gauge galvanized steel signs with durable powder coated finish and silk screen printing

Easily assembled and can be anchored for maximum stability

OPTIONS:

Side rail Length: 10 ft., 14 ft.

Single Entry or Double Entry

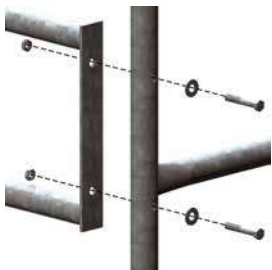
Anchors

Powder coat finish available (Inquire with your customer service representative)

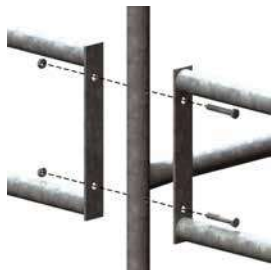
Standard sign: #3030288
Size 27" x 66" Text Style: 0597B

Disclaimer sign: #3030181
Size 27" x 66" Text Style:1424

Custom Signage Available



Single Entry Assembly

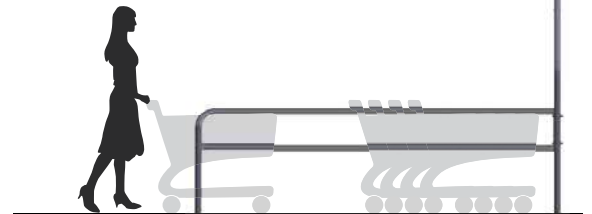


Double Entry Assembly

3030059
standard sign



3030067
disclaimer sign



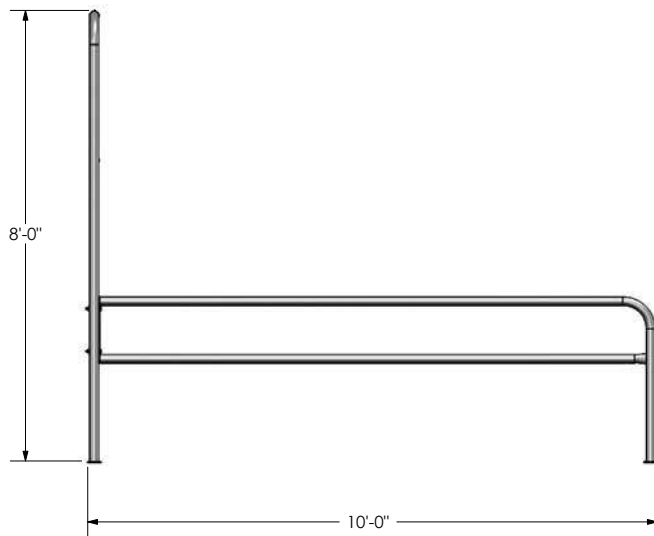
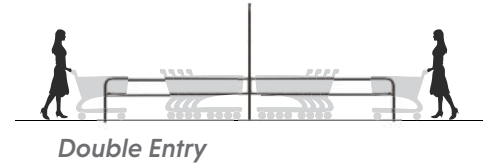
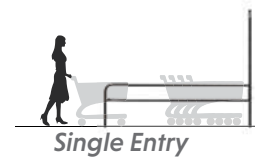
NATIONAL CART CO
1-800-455-3802
nationalcart.com



8030178 Shown



Freight Class: 250
NMFC Code: 164390-S3



Cart Corral Order #	Model	W	L	H	Entry	Weight
8030178	CC-900-10 7.5Wx10Lx8H 27s SEGP	7.5'	10'	8'	Single	224 lbs.
8030179	CC-900-14 7.5Wx14Lx8H 27s SEGP	7.5'	14'	8'	Single	270 lbs.
8030181	CC-900-20 7.5Wx20Lx8H 27s DEGP	7.5'	20'	8'	Double	330 lbs.
8030182	CC-900-28 7.5Wx28Lx8H 27s DEGP	7.5'	28'	8'	Double	404 lbs.
B000108	5" Lag Bolt Anchor	-	-	-	-	-

One sign per cart corral is included. Please indicate the sign order number when placing your order. To customize your sign, please contact your service representative. Other sign features are available on our sign page!

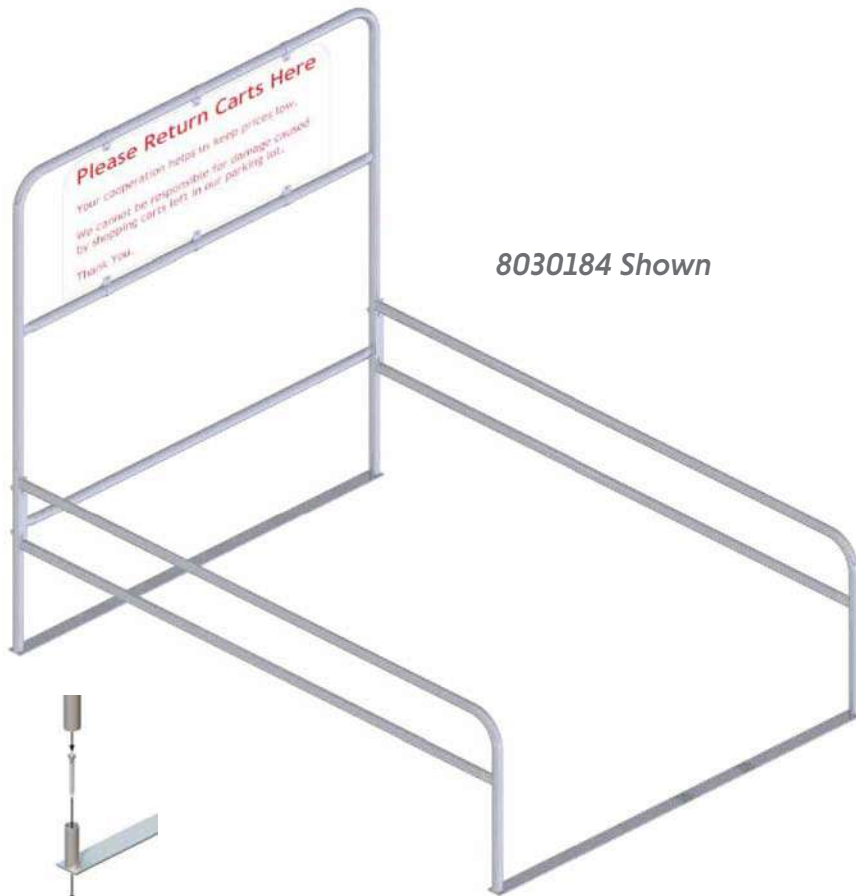
Sign Order #	Model	H	W
3030181	CCS-2766-1424 WHITE BG/RED PRINT	27"	66"
3030288	CCS-2766-0597B, WHT BKG/RED PRNT	27"	66"

Can't find exactly what you need? Give us a call and we'll help you with the perfect solution!

901 SERIES CART CORRAL

Cart Corrals ensure the safety and simplicity of gathering your carts while decreasing damage to customers' vehicles from stray carts.

Strategically place our corrals throughout your parking lot to reduce the labor costs of cart retrieval and enhance the shopping experience of your customers.



8030184 Shown



Optional Anchor

FEATURES:

Heavy gauge flow coat galvanized mechanical steel tubing provides superior durability

Interior corrosion resistant coating

Hot dipped, galvanized bar base plates

18-gauge galvanized steel signs with durable powder coated finish and silk screen printing

Easily assembled and can be anchored for maximum stability

OPTIONS:

Side rail Length: 10 ft., 14 ft.

Single Entry or Double Entry

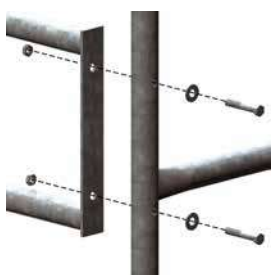
Anchors

Powder coat finish available (Inquire with your customer service representative)

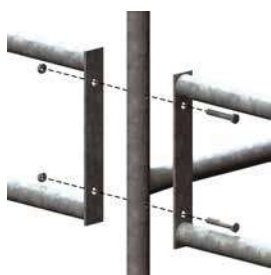
Standard sign: #3030288
Size 27" x 66" Text Style: 0597B

Disclaimer sign: #3030181
Size 27" x 66" Text Style:1424

Custom Signage Available



Single Entry Assembly

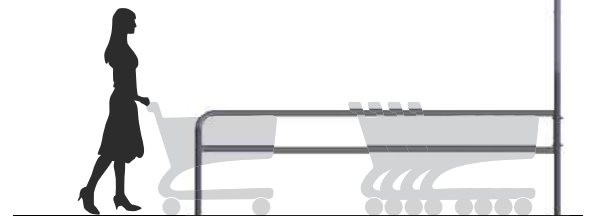


Double Entry Assembly

3030288
standard sign



3030181
disclaimer sign



NATIONAL CART CO

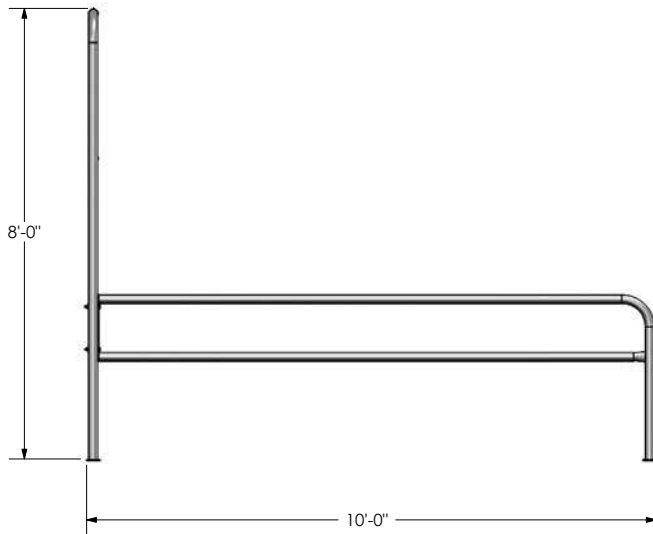
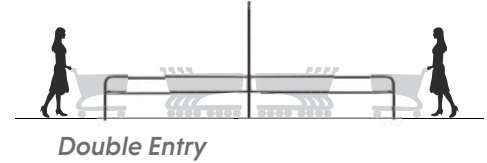
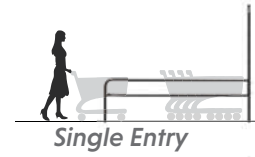
1-800-455-3802
nationalcart.com



8030178 Shown



Freight Class: 250
NMFC Code: 164390-S3



Cart Corral Order #	Model	W	L	H	Entry	Weight
8030184	CC-901-10 7.5Wx10Lx8H 27s SECLGP	7.5'	10'	8'	Single	334 lbs.
8030185	CC-901-14 7.5Wx14Lx8H 27s SECLGP	7.5'	14'	8'	Single	412 lbs.
8030187	CC-901-20 7.5Wx20Lx8H 27s DECLGP	7.5'	20'	8'	Double	551 lbs.
8030188	CC-901-28 7.5Wx28Lx8H 27s DECLGP	7.5'	28'	8'	Double	696 lbs.
B000108	5" Lag Bolt Anchor	-	-	-	-	-

One sign per cart corral is included. Please indicate the sign order number when placing your order. To customize your sign, please contact your service representative. Other sign features are available on our sign page!

Sign Order #	Model	H	W
3030181	CCS-2766-1424 WHITE BG/RED PRINT	27"	66"
3030288	CCS-2766-0597B, WHT BKG/RED PRNT	27"	66"

Can't find exactly what you need? Give us a call and we'll help you with the perfect solution!

EMBEDDED CART CORRAL

Cart corrals ensure the safety and simplicity of gathering your carts while decreasing damage to customers vehicles from stray carts.

Covered cart corrals provide superior protection for your carts from harmful weather conditions and ultra violet rays.

This embedded, covered corral is permanently embedded to the parking lot grade and its corrosive resistant coating is of the highest standard.



FEATURES:

Substantial cart corral is permanently embedded into the parking lot grade for maximum stability

Engineered to meet building code standards

Constructed of heavy-duty hot-dipped galvanized pipe

Corrosive resistant coating is of the highest standard

Corrugated Galvalume roof panels

Increased visibility with covered design

Keeps carts secure while reducing shopping cart claims

Ships knocked down for freight savings

OPTIONS:

Available with or without roof

Single or Double entry

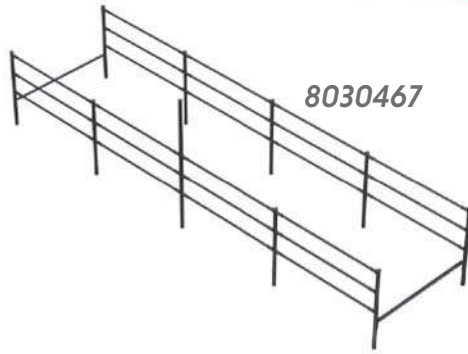
Additional roof styles, designs, and colors available

Custom Signage Available, sold separately

Cart Corrals

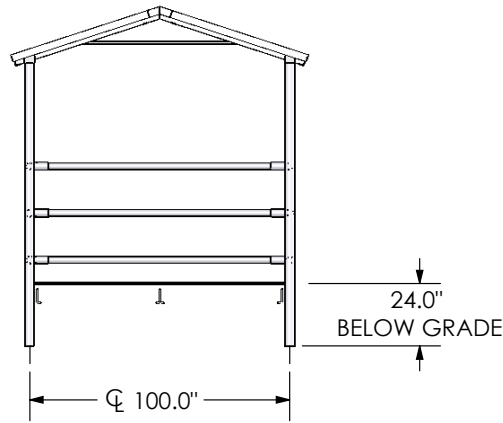


8030466

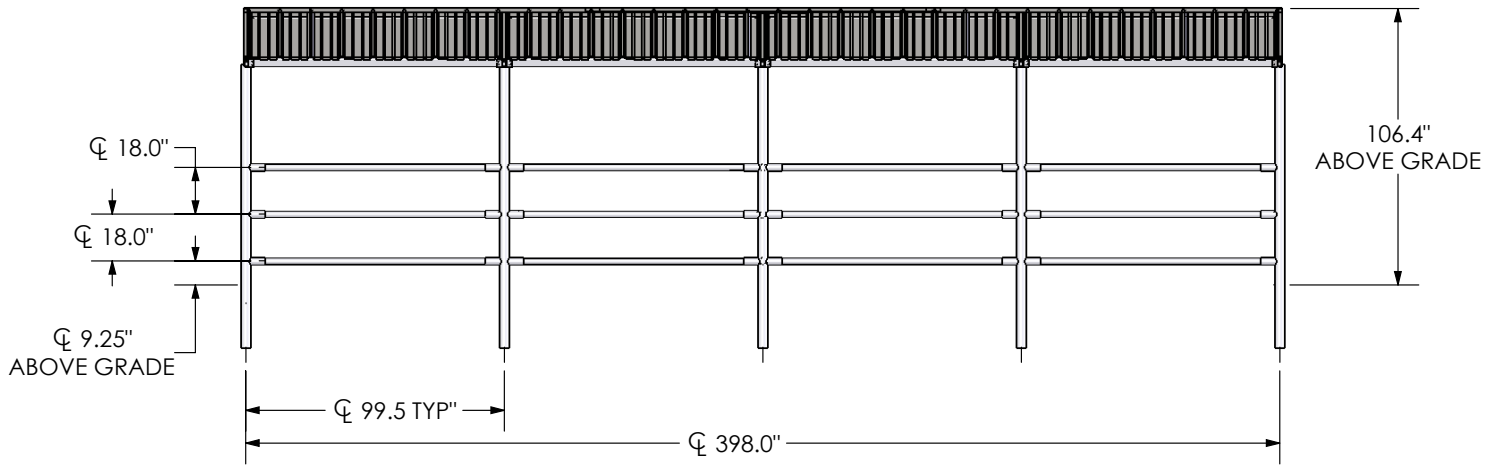


8030467

Freight Class: 250
NMFC Code: 164390-S3



8030477 Shown



Order #	Model	W	L	H	Entry	Roof Style	Weight
8030466	CC-EMBEDDED SINGLE ENTRY CART CORRAL	8' 7"	16' 9"	4'	Single	Open	608 lbs.
8030467	CC-EMBEDDED DOUBLE ENTRY CART CORRAL	8' 7"	33' 5"	4'	Double	Open	984 lbs.
8030487	CC-COVERED EMBEDDED SE CC GRAY TOP	8' 7"	16' 9"	8'	Single	Covered	1,020 lbs.
8030477	CC-COVERED EMBEDDED DE CC GRAY TOP	8' 7"	33'	8'	Double	Covered	1,688 lbs.

Can't find exactly what you need? Give us a call and we'll help you with the perfect solution!

EXPRESS CART DUAL CART CORRAL

This Cart Corral has all the benefits of our quality cart corrals with the addition of a divider to organize express shopping carts and regular shopping carts.

Cart Corrals ensure the safety and simplicity of gathering your carts while decreasing damage to customers' vehicles from stray carts. Strategically place our corrals throughout your parking lot to reduce the labor costs of cart retrieval and enhance the shopping experience of your customers.

FEATURES:

Middle lane divider that organizes express carts from standard shopping carts

Heavy gauge flow coat galvanized mechanical steel tubing provides superior durability

Interior corrosion resistant coating

Hot dipped, galvanized bar base plates

18-gauge galvanized steel signs with durable powder coated finish and silk screen printing and additional Express Cart Sign included

Easily assembled and can be anchored for maximum stability

OPTIONS:

Side rail Length: 10 ft., 14 ft.

Single Entry or Double Entry

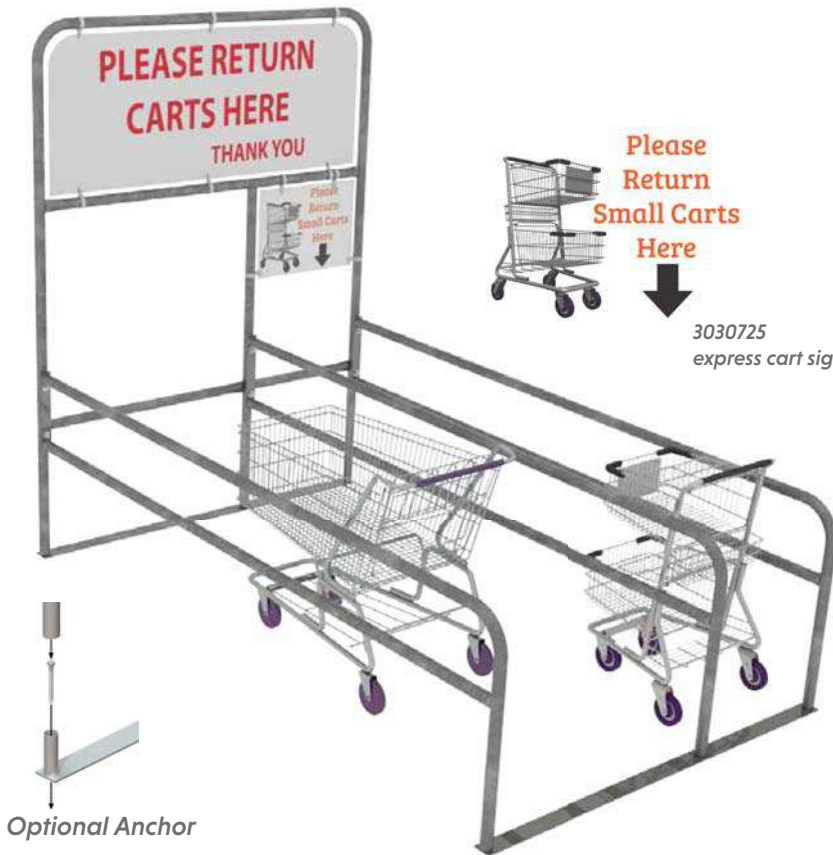
Anchors

Powder coat finish available (Inquire with your customer service representative)

Standard sign: #3030288
Size 27" x 66" Text Style: 0597B

Disclaimer sign: #3030181
Size 27" x 66" Text Style: 1424

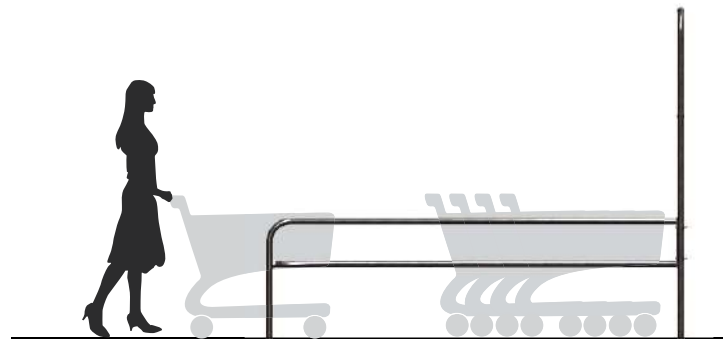
Custom Signage Available



3030288
standard sign

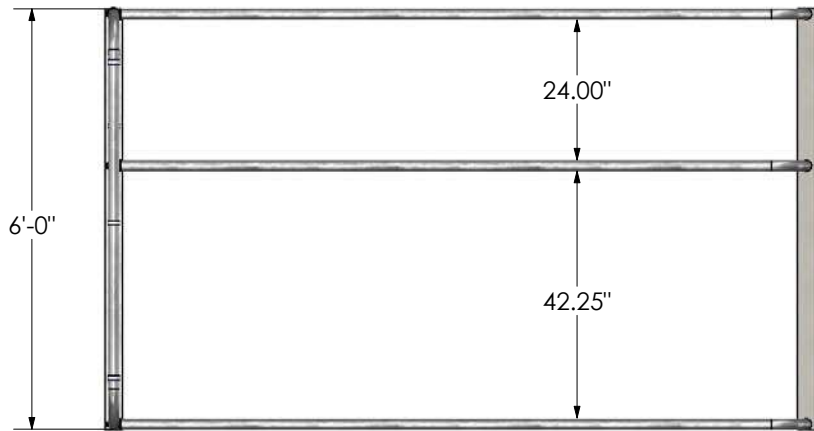


3030181
disclaimer sign

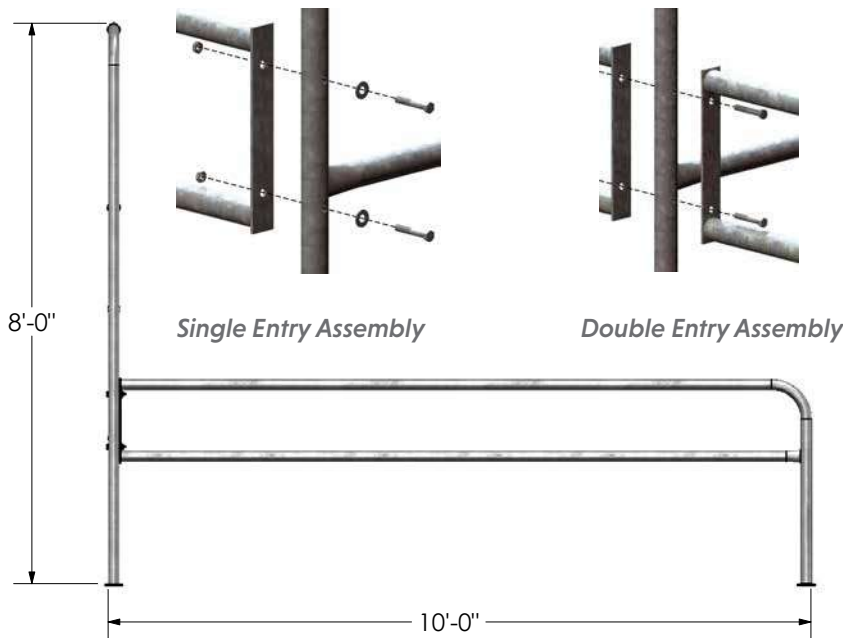
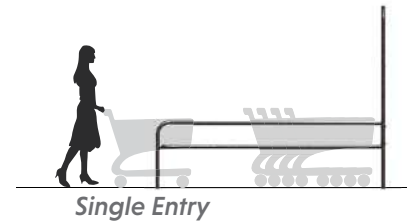


NATIONAL CART CO

1-800-455-3802
nationalcart.com



Freight Class: 250
NMFC Code: 164390-S3



Cart Corral Order #	Model	W	L	H	Entry	Weight
8030441	CC-721-10 6Wx10Lx8H EXP CRT	6'	10'	8'	Single	266 lbs.
B000108	5" Lag Bolt Anchor	-	-	-	-	-

One sign per cart corral is included. Please indicate the sign order number when placing your order. To customize your sign, please contact your customer service representative. Other sign features are available on our sign page!

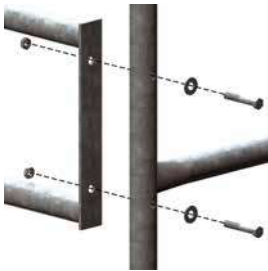
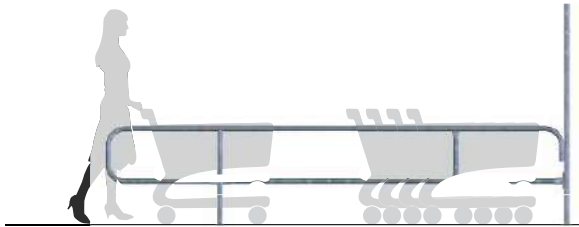
Sign Order #	Model	H	W
3030181	CCS-2766-1424 WHITE BG/RED PRINT	27"	66"
3030288	CCS-2766-0597B, WHT BKG/RED PRNT	27"	66"
3030725	CCS-1722-SMALL CART RETURN	17"	22.5"

Can't find exactly what you need? Give us a call and we'll help you with the perfect solution!

SIDEWALK CART CORRAL

Our new sidewalk cart corral is the perfect size to fit on the sidewalk of any store when limited space is available. This smaller corral will accommodate a single or double row of shopping carts and keep carts from being scattered across a parking lot.

Prevent damage to your customers vehicles and organize your shopping cart retrieval process with National Cart's cart corrals.



Single Entry Assembly



Optional Anchor

FEATURES:

Keeps carts secure while reducing shopping cart claims

Recessed base plate

Ships knocked down for freight savings

Heavy gauge flow coat galvanized mechanical steel tubing provides superior durability

Interior corrosion resistant coating

Hot dipped, galvanized bar base plates

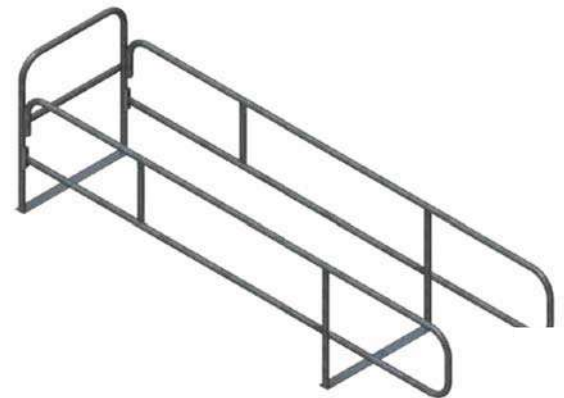
Easily assembled and can be anchored for maximum stability

OPTIONS:

Single Entry or Double Entry

Anchors

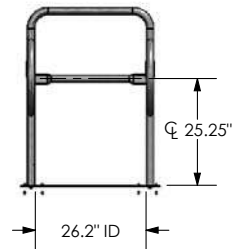
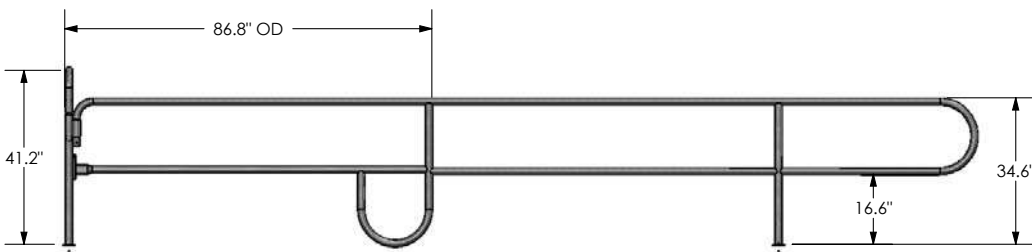
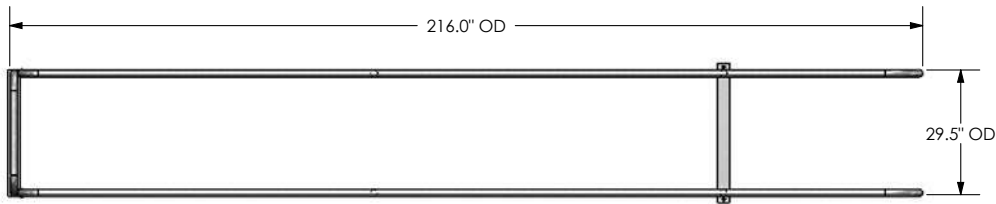
Powder coat finish available (Inquire with your customer service representative)



Cart Corrals



Freight Class: 250
 NMFC Code: 164390-S3

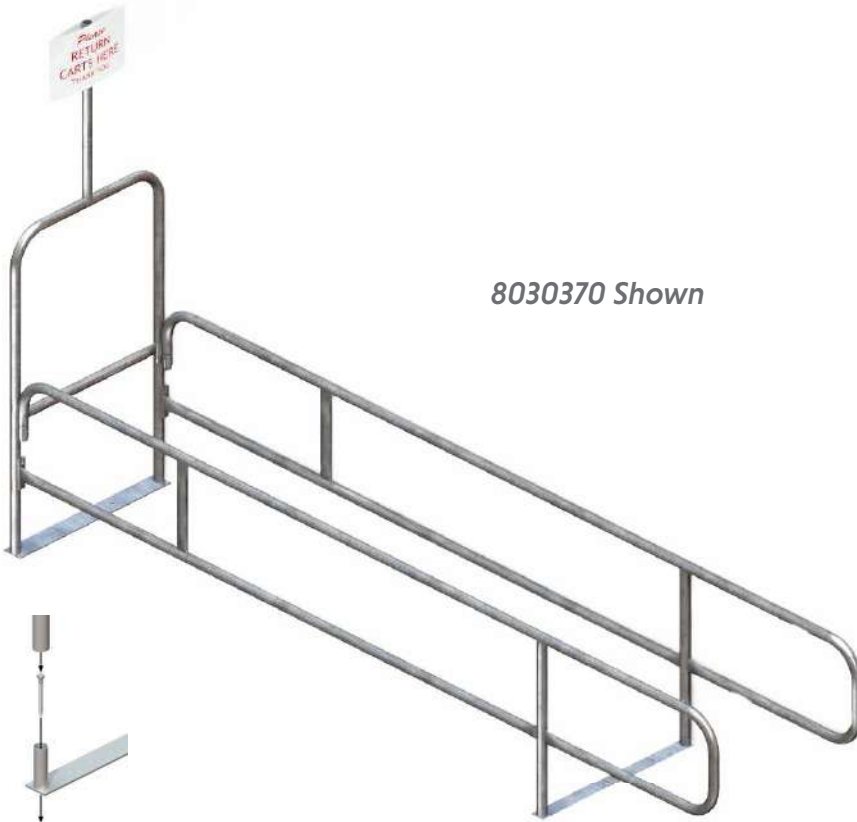


Cart Corral Order #	Model	W	L	H	Entry	Weight
8030405	CC-30-18-ST-SIDEWALK	2' 5"	18'	3'5"	Single	146 lbs.
8030465	CC-60-18-ST-SECLGP-SIDEWALK	5'	18'	3'5'	Single	226 lbs.

Can't find exactly what you need? Give us a call and we'll help you with the perfect solution!

SNAP TOO 360 SERIES CART CORRAL

Enjoy all the benefits of our quality cart corrals with less work. The modular design of National Cart's SNAP TOO cart corral makes replacement parts a snap and provides a hassle free assembly that takes minutes and requires no tools.



8030370 Shown

Optional Anchor

FEATURES:

Heavy gauge flow coat galvanized mechanical steel tubing provides superior durability

High density polyethylene signs with silk screen printing

Modular design allows for easy repairs and replacement parts

Assembles in minutes with NO TOOLS or hardware required

Recessed base plate reduces tripping hazard

Reduced labor cost for installation

OPTIONS:

Single Entry or Double Entry

Anchors

Powder coat finish available (Inquire with your customer service representative)

Standard sign: #3030051
Size 12" x 16" Text Style: 1030

Disclaimer sign: #3030054
Size 16" x 22" Text Style: 1424

Custom Signage Available



Single Entry Assembly



Double Entry Assembly

3030051
standard sign



3030054
disclaimer sign



NATIONAL CART CO

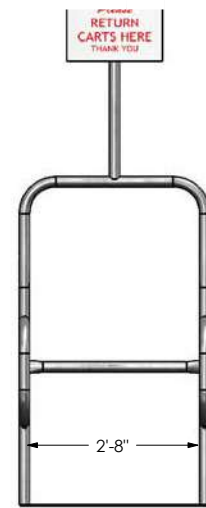
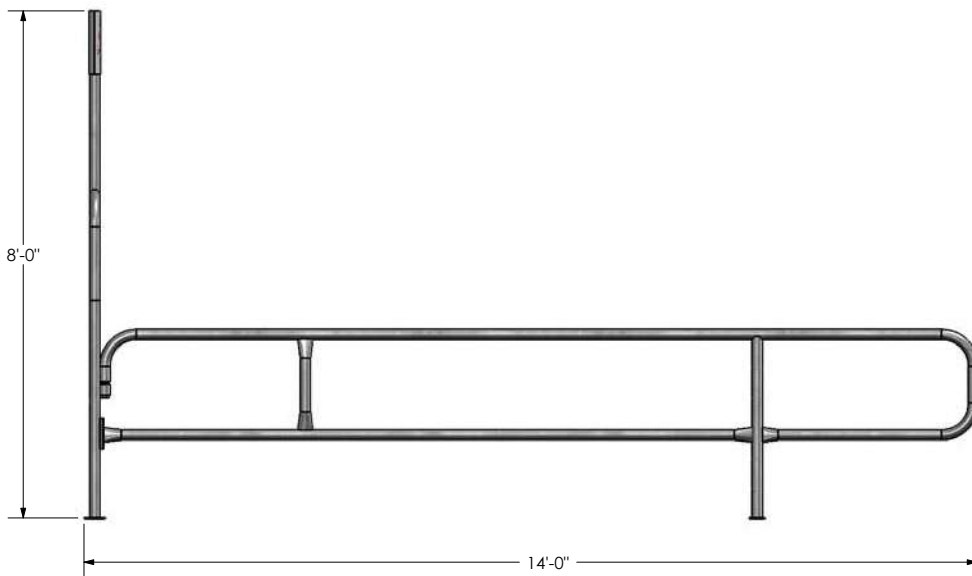
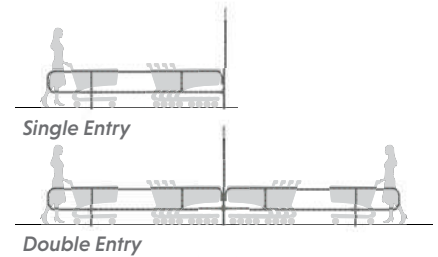
1-800-455-3802
nationalcart.com

Cart Corrals



8030370 Shown

Freight Class: 250
NMFC Code: 164390-S3



Cart Corral Order #	Model	W	L	H	Entry	Weight
8030370	CC-360-14-ST 3"WX14'LX8'H SEGP	3'	14'	8'	Single	169 lbs.
8030371	CC-360-28-ST 3"WX28'LX8'H DEGP	3'	28'	8'	Double	289 lbs.
B000108	5" Lag Bolt Anchor	-	-	-	-	-

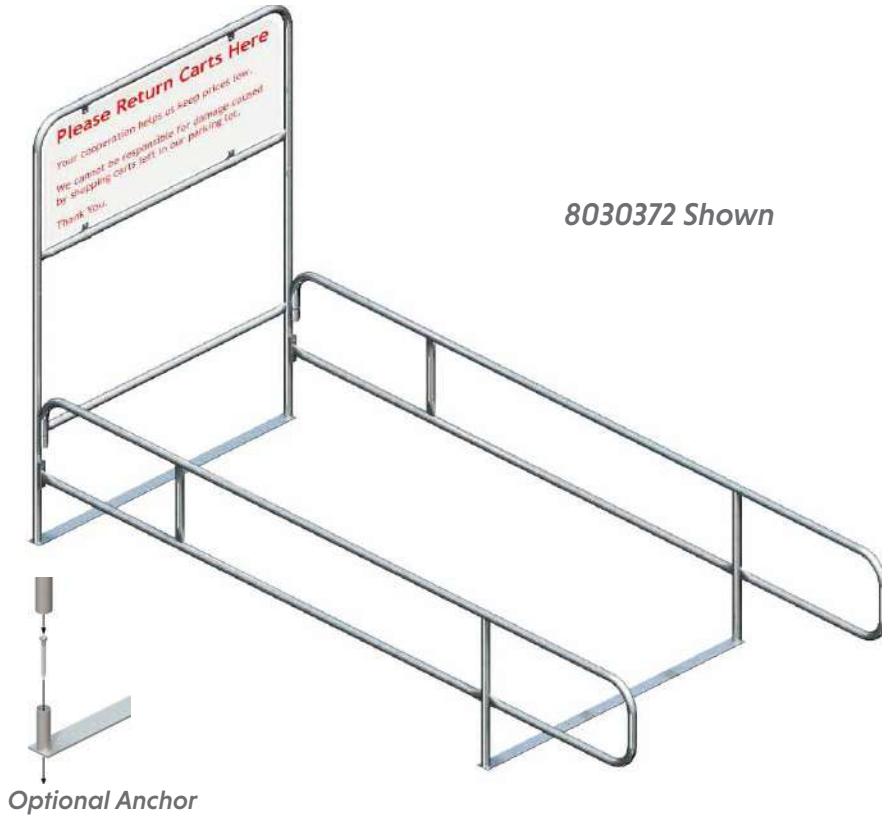
One sign per cart corral is included. Please indicate the sign order number when placing your order.
To customize your sign, please contact your customer service representative.
Other sign features are available on our sign page!

Sign Order #	Model	H	W
3030051	CCS-1216-1030 SIGN, 2-FACED RED/WHT	12"	16"
3030054	CCS-1622-1424 SIGN RED/WHT	16"	22"

Can't find exactly what you need? Give us a call and we'll help you with the perfect solution!

SNAP TOO 720 SERIES CART CORRAL

Enjoy all the benefits of our quality cart corrals with less work. The modular design of National Cart's SNAP TOO cart corral makes replacement parts a snap and provides a hassle free assembly that takes minutes and requires no tools.



FEATURES:

Heavy gauge flow coat galvanized mechanical steel tubing provides superior durability

18-gauge steel signs with durable powder coated finish and silk screen printing

Modular design allows for easy repairs and replacement parts

Assembles in minutes with NO TOOLS or hardware required

Recessed base plate reduces tripping hazard

Reduced labor cost for installation

OPTIONS:

Single Entry or Double Entry

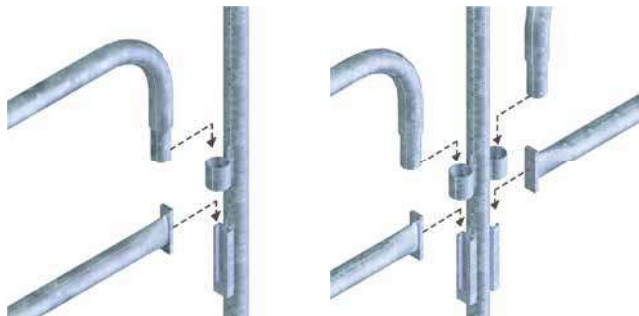
Anchors

Powder coat finish available (Inquire with your customer service representative)

Standard sign: #3030288
Size 27" x 66" Text Style: 0597B

Disclaimer sign: #3030181
Size 27" x 66" Text Style: 1424

Custom Signage Available



Single Entry Assembly

Double Entry Assembly



3030288
standard sign

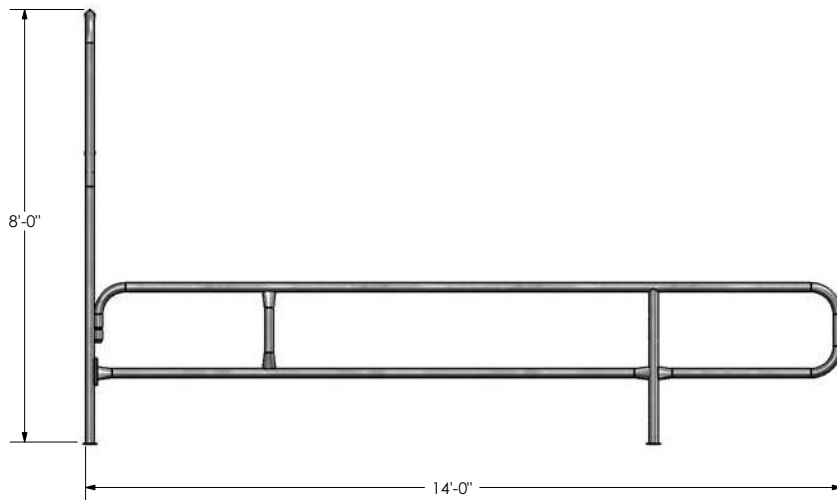
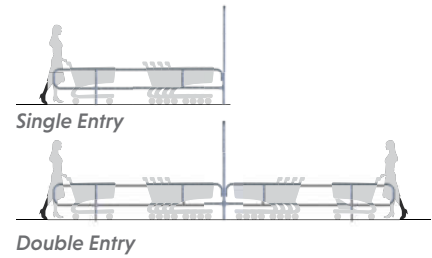
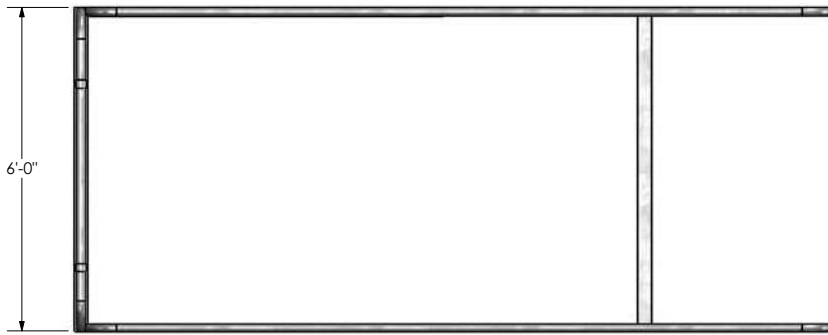


3030181
disclaimer sign



Freight Class: 250
NMFC Code: 164390-S3

8030372 Shown



Cart Corral Order #	Model	W	L	H	Entry	Weight
8030372	CC-720-14-ST 6'WX14'LX8'H SEGP	6'	14'	8'	Single	214 lbs.
8030373	CC-720-28-ST 6'WX28'LX8'H DEGP	6'	28'	8'	Double	345 lbs.
B000108	5" Lag Bolt Anchor	-	-	-	-	-

One sign per cart corral is included. Please indicate the sign order number when placing your order.
To customize your sign, please contact your customer service representative.
Other sign features are available on our sign page!

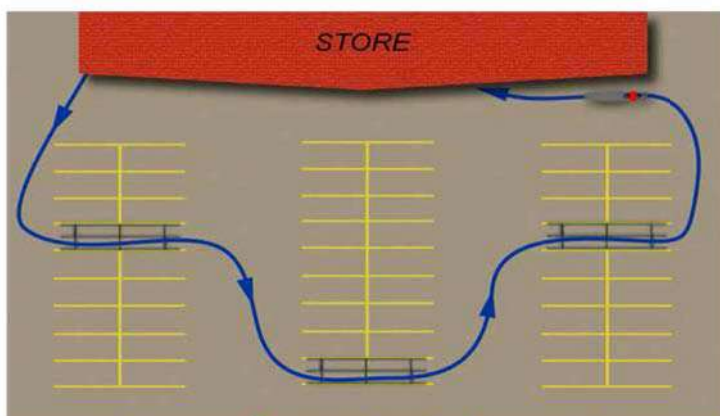
Sign Order #	Model	H	W
3030181	CCS-2766-1424 WHITE BG/RED PRINT	27"	66"
3030288	CCS-2766-0597B, WHT BKG/RED PRNT	27"	66"

Can't find exactly what you need? Give us a call and we'll help you with the perfect solution!

SNAP TOO 721 SERIES BIDIRECTIONAL CART CORRAL

Enjoy all of the benefits of our quality cart corrals while lowering your cost. National Cart's SNAP TOO Bidirectional cart corral is specifically designed for use with electric cart retrieval systems.

These units significantly reduce your labor costs while additionally reducing wear on shopping cart wheels. Just like our other SNAP TOO cart corrals, this one has a modular design that makes replacement parts a snap while providing a hassle free assembly that takes minutes and requires no tools.



Place SNAP TOO Bidirectional Cart Corrals throughout your parking lot to create a cart retrieval flow that will cut labor costs, reduce lane blockage and minimize wear on shopping cart wheels

FEATURES:

Reduction in labor to retrieve carts by up to 50%

Reduces cart blockage of customer drive aisles

Heavy gauge flow coat galvanized mechanical steel tubing provides superior durability

18-gauge steel signs with durable powder coated finish and silk screen printing

Modular design allows for easy repairs and replacement parts

Assembles in minutes with NO TOOLS or hardware required

Recessed base plate reduces tripping hazard

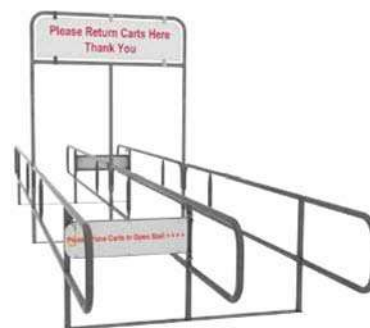
Self closing gate

Cart comes with sign shown. Size 18" x 66"

OPTIONS:

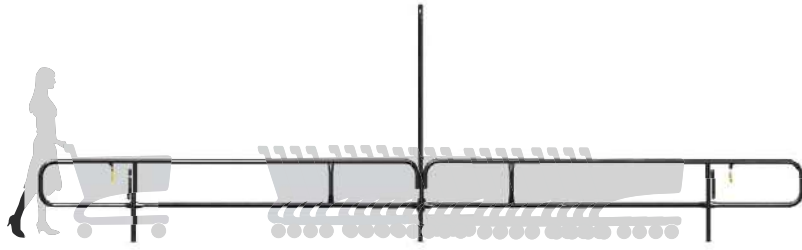
Anchors

Custom Signage Available

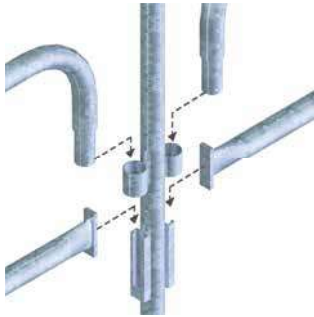


8030376 Shown

Cart Corrals



Freight Class: 250
NMFC Code: 164390-S3

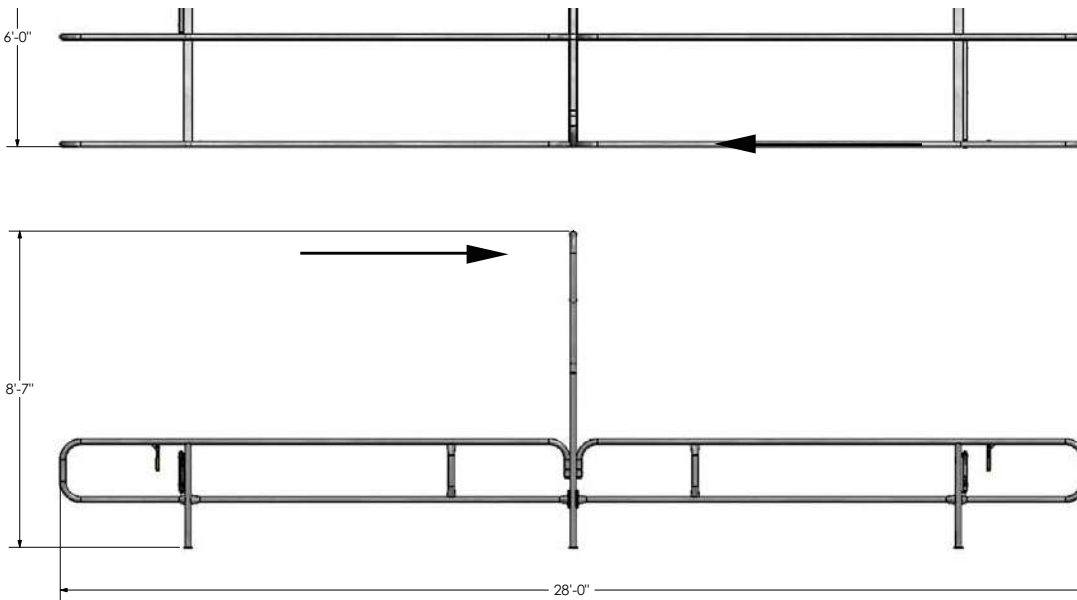


Snap Together Assembly



Optional Anchor

8030376 Shown

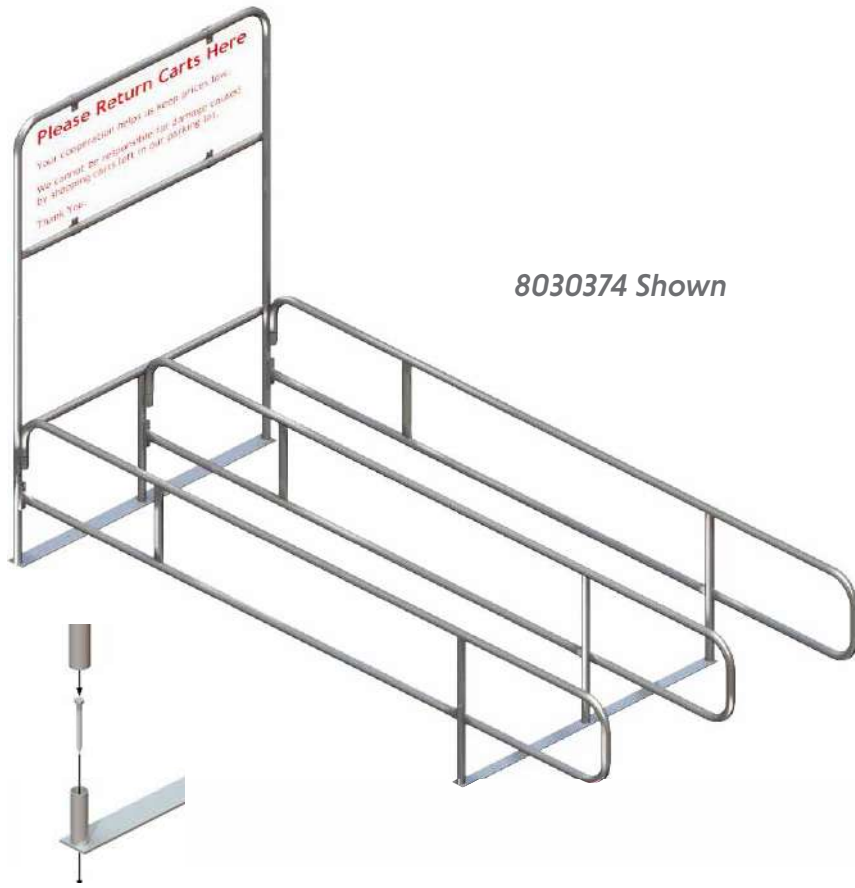


Order #	Model	W	L	H	Entry	Weight
8030376	CC-721-28-ST-BIDIRECTIONAL DEGP	6'	28'	8'	Double	289 lbs.
B000108	5" Lag Bolt	-	-	-	-	-

Can't find exactly what you need? Give us a call and we'll help you with the perfect solution!

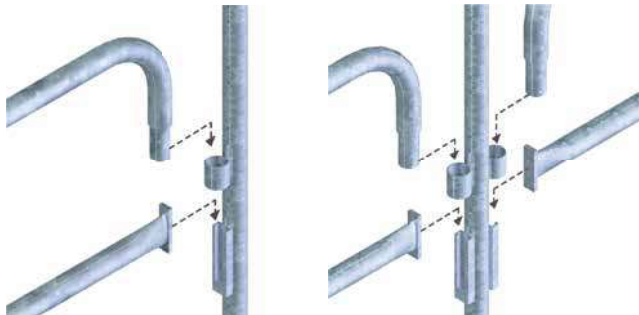
SNAP TOO 721 SERIES CART CORRAL

Enjoy all the benefits of our quality cart corrals with less work. The modular design of National Cart's SNAP TOO cart corral makes replacement parts a snap and provides a hassle free assembly that takes minutes and requires no tools.



8030374 Shown

Optional Anchor



Single Entry Assembly

Double Entry Assembly

FEATURES:

Heavy gauge flow coat galvanized mechanical steel tubing provides superior durability

18-gauge steel signs with durable powder coated finish and silk screen printing

Modular design allows for easy repairs and replacement parts

Assembles in minutes with NO TOOLS or hardware required

Recessed base plate reduces tripping hazard

Reduced labor cost for installation

OPTIONS:

Single Entry or Double Entry

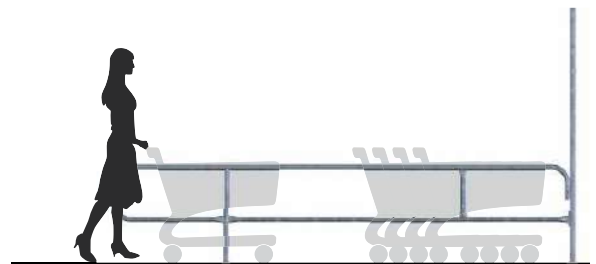
Anchors

Powder coat finish available (Inquire with your customer service representative)

Standard Sign #3030059
Size 24" x 48" Text Style: 0597B

Disclaimer sign #3030067
Size 24" x 48" Text Style: 1424

Custom Signage Available





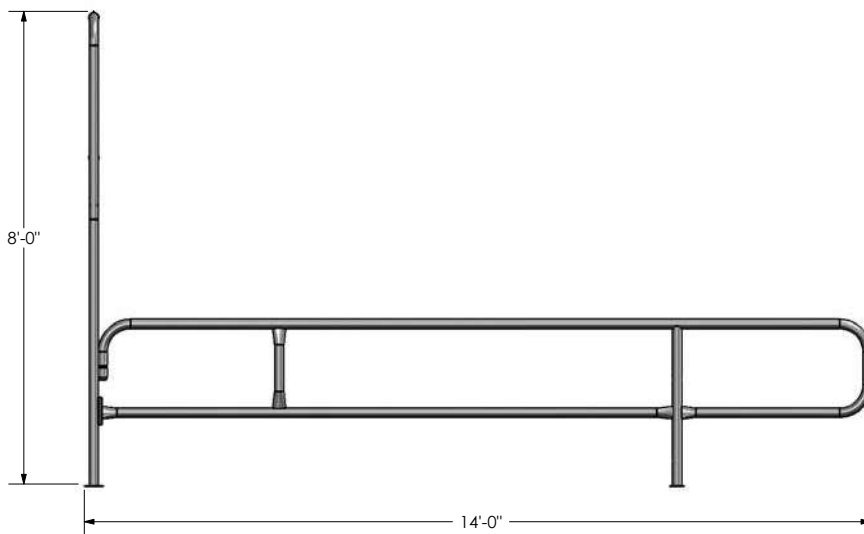
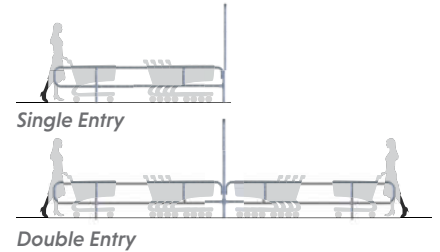
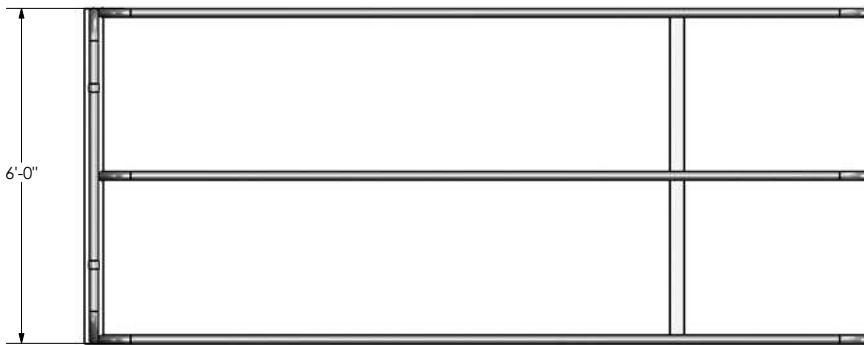
3030288
standard sign



3030181
disclaimer sign

Freight Class: 250
NMFC Code: 164390-S3

8030374 Shown



Cart Corral Order #	Model	W	L	H	Entry	Weight
8030374	CC-721-14-ST 6'WX14'LX8'H SEGP	6'	14'	8'	Single	273 lbs.
8030375	CC-721-28-ST 6'WX28'LX8'H DEGP	6'	28'	8'	Double	460 lbs.
B000108	5" Lag Bolt Anchor	-	-	-	-	-

One sign per cart corral is included. Please indicate the sign order number when placing your order. To customize your sign, please contact your customer service representative. Other sign features are available on our sign page!

Sign Order #	Model	H	W
3030067	CCS-2448-1424 SIGN RED/WHT	24"	48"
3030059	CCS-2448-0597B, WHT BKG/RED PRNT	24"	48"

Can't find exactly what you need? Give us a call and we'll help you with the perfect solution!

PRODUCT CATALOG 2017
DISTRIBUTION



NATIONAL CART CO



Lean Distribution Process

2 Shelf Distribution Cart107-108
Aluminum Distribution Cart109-110
Dairy Distribution Cart111-112
Distribution Security Cart.113-114
Forklift Order Picking Cart115-116
Rocket Cart117-118
Rolltainer.119-120
Un-Assisted Distribution Cart121-122



For Product Safety and Operation Manuals please visit our website at www.nationalcart.com.



NATIONAL CART CO
1-800-455-3802
nationalcart.com



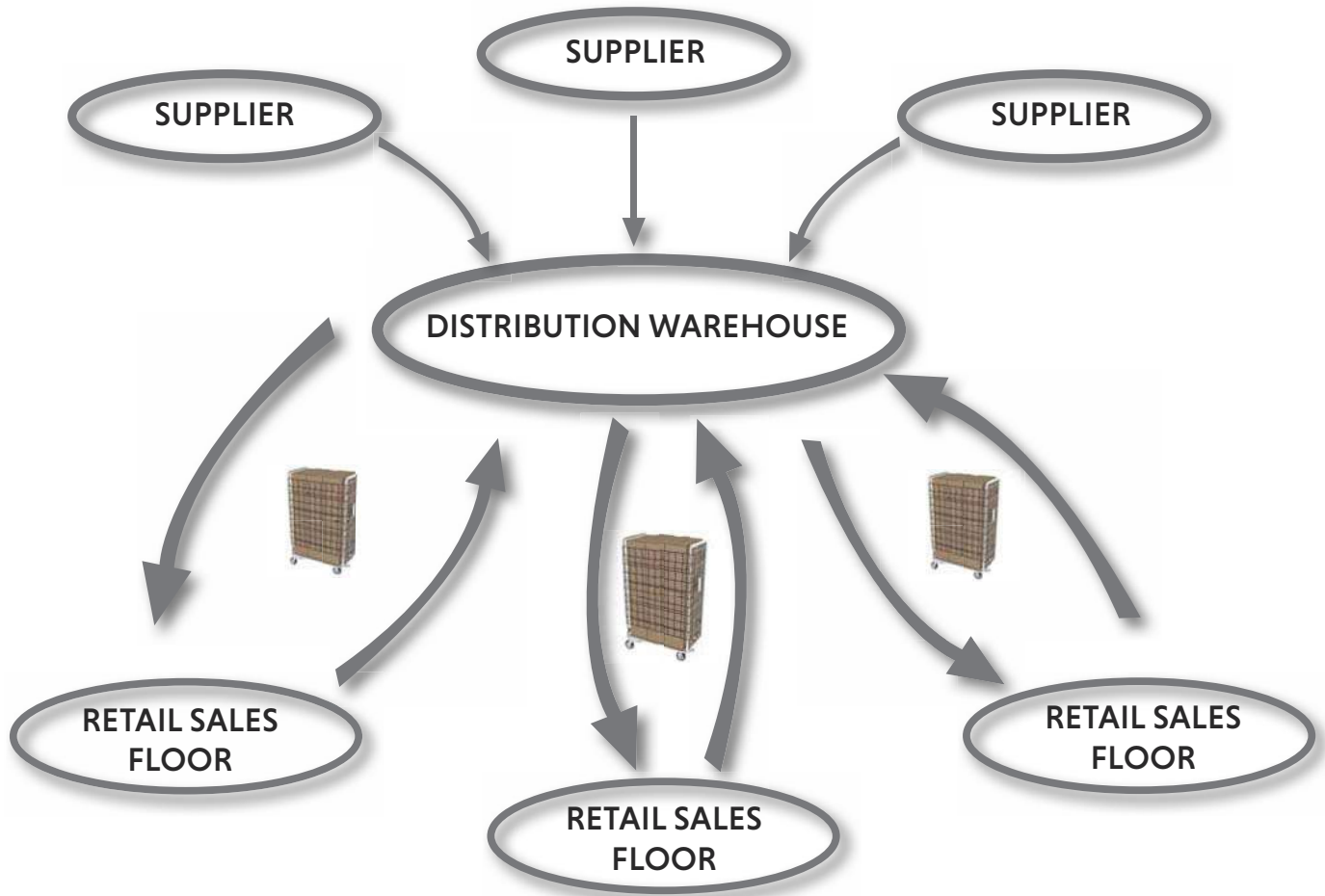
DISTRIBUTION CARTS

LEAN DISTRIBUTION PROCESS:

Our Distribution Carts can help your supply chain evolve from a linear procedure into an efficient system.

Carts are packed by store aisle at distribution centers so that they can immediately be used to stock shelves.

Empty carts are returned to the distribution warehouse for the next rotation.



2 SHELF DISTRIBUTION CART

Invest in your supply chain with our 2 Shelf Distribution Carts. These nestable carts are perfect for replacing your need for pallets, pallet jacks, and shrink wrap while providing extra storage space. They are capable of carrying 500 lbs of goods per shelf from your warehouses to your stores. A durable zinc plated finish and a convenient cardboard holder come standard.



Shown loaded

FEATURES:

Nestable "L" design saves space when nested together

Convenient cardboard holder

Durable zinc plated finish

500 lb. capacity per shelf

Heavy duty steel construction

REPLACEMENT PARTS:

(2) 5" x 2" polyurethane wheels with rigid casters. Replacement Order #B001090.

(2) 5" x 2" polyurethane wheels with swivel casters. Replacement Order #B0001091.

Fasteners Replacement Order #B000543 (bolt) and #B001257 (nut).



Cardboard holder folds out when needed



1. Clear shelf of any material



2. Fold up shelves



3. Fold in left side of cart

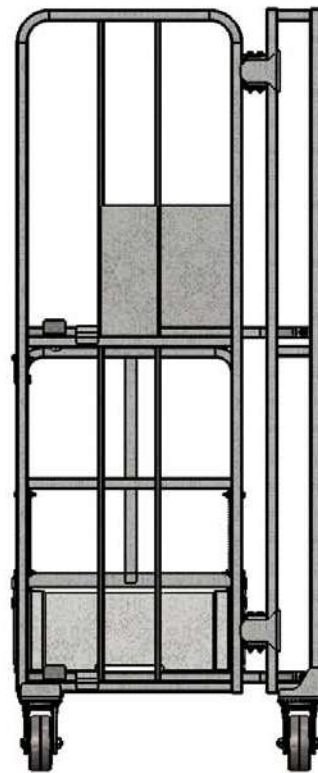
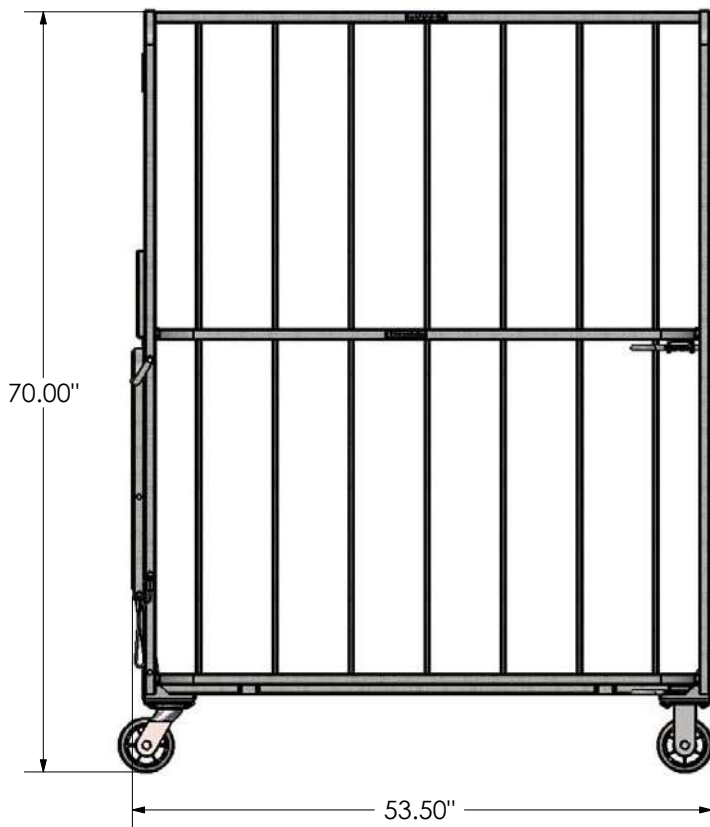
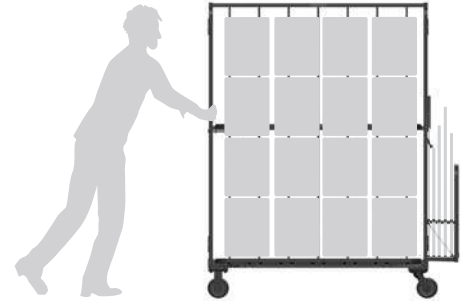
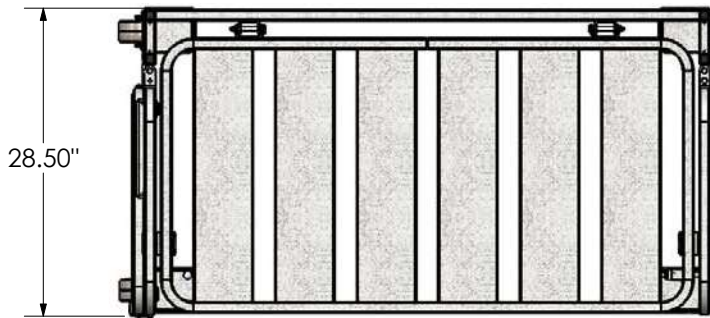


4. Nest carts together for storing

Distribution Carts



Freight Class: 175
 NMFC Code: 189430-S2



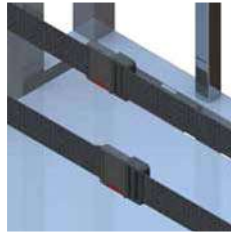
Order #	Description	W	L	H	Cart Capacity	Weight
48000363	HDSC-2852-2S-COL, 2 SHLF STOCK CART	28 1/2"	53 1/2"	70"	1000 lbs.	200 lbs.

Can't find exactly what you need? Give us a call and we'll help you with the perfect solution!

ALUMINUM DISTRIBUTION CART

This Aluminum Distribution Cart is an innovative offering from National Cart that provides you the flexibility and speed needed for applications including warehouse, distribution centers, truck and route delivery.

The lightweight aluminum construction is durable and easy to maneuver, while the heavy duty nylon straps and buckles will ensure a long useful life.



Adjustable nylon straps with buckles

FEATURES:

Lightweight, yet durable aluminum construction

Nestable "L" design saves space when nested together

Ease of mobility reduces damage done to products on the cart and store fixtures

Strong adjustable nylon strapping and buckles keep boxes and totes safely on the cart

1000 lb. capacity

Ergonomic pull handles on both sides of the cart

Ships fully assembled and ready for immediate use

REPLACEMENT PARTS:

Cart moves easily on hard surfaces with (4) 6" x 2" polyurethane wheels with swivel casters. Replacement Order #B000507



1. Release buckles and fold up shelves



2. Fold in left side of cart

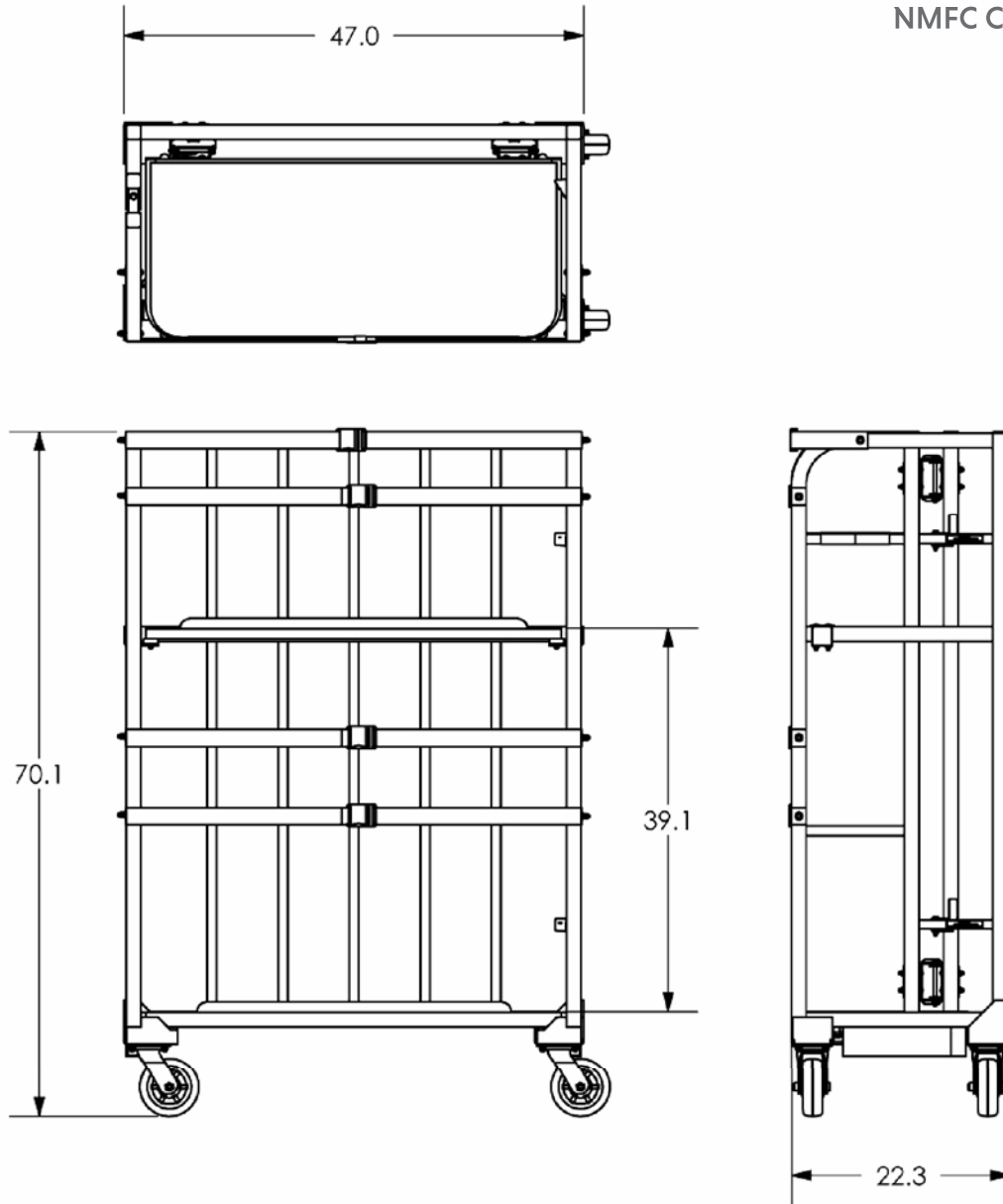


3. Nest carts together for storing





Freight Class: 150
 NMFC Code: 188560-S4



Order #	Model	W	L	H	Cart Capacity	Weight
8041184	AL-FRD-4767	22.3"	47"	70.1"	1000 lbs.	120 lbs.

Can't find exactly what you need? Give us a call and we'll help you with the perfect solution!

DAIRY DISTRIBUTION CART

This distribution cart can be used in a variety of distribution, storage, stocking, and merchandising applications. The dairy industry has used this type of cart for years to transport from the dairy to the retailer, then reverse logistics back to the dairy.



Shown loaded

FEATURES:

Ease of mobility reduces damage done to products on the cart and store fixtures

Shelves are slanted to keep products from falling off cart, but still allows products to be pulled off easily

Nestable design folds completely flat

Durable zinc plated finish

Heavy duty steel construction

1000 lb. capacity

Cart moves easily on hard surfaces with (4) 5" x 2" phenolic wheels with swivel casters. Replacement Order #B001009



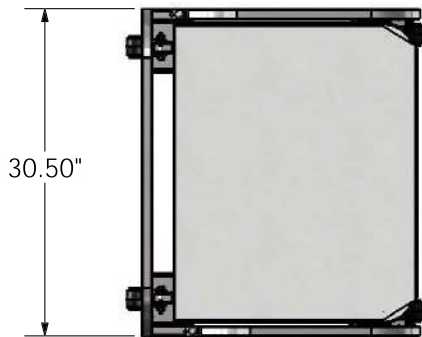
1. Fold up shelves



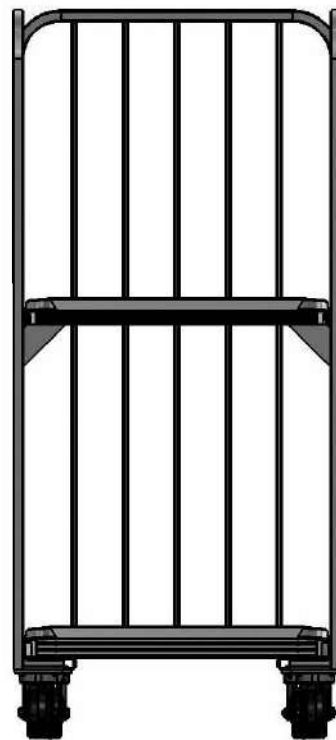
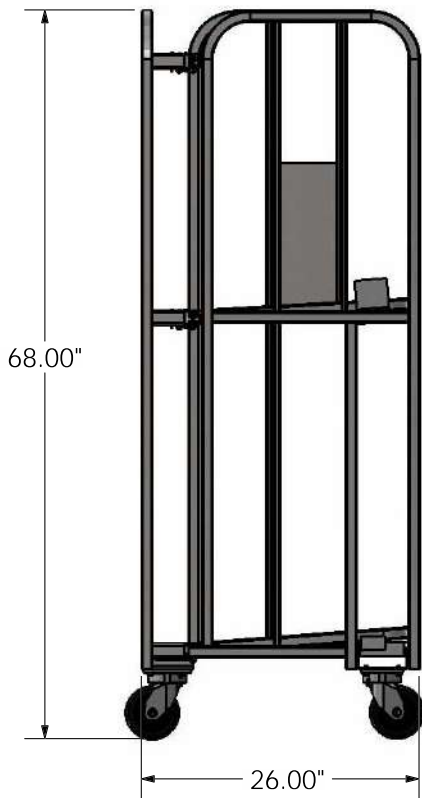
2. Fold in sides individually



3. Secure folded cart when storing



Freight Class: 175
 NMFC Code: 189430-S2



Order #	Model	W	L	H	Cart Capacity	Weight
48000457	DC-2629-2S-ZP, DAIRY CART, 2 SHELF	25 7/8"	30 1/2"	67 7/8"	1000 lbs.	135 lbs.

Can't find exactly what you need? Give us a call and we'll help you with the perfect solution!

DISTRIBUTION SECURITY CART

This cart is the ultimate security cage for all industrial applications. The Distribution Security Cage Cart allows you to sort and transport a wide range of products, all while keeping items secured and locked up when needed. The four sided enclosure offers increased security, while the wire grid on all sides offers complete visibility of products within.



FEATURES:

Heavy-duty electro plated zinc construction

Nestable "L" design saves space when nested or cart folds flat for maximum space reduction

Wire grid is sturdy but lightweight to secure products within cart

Locking handle secures cart

Industrial foot activated floor lock secures cart in place

Document holder with flap cover

Pull handle easily maneuvers cart

Foot release for door increases efficiency

Ships fully assembled and ready for immediate use

High quality polyurethane wheels

1,500 lb. capacity

REPLACEMENT PARTS:

(2) 6" x 2" polyurethane swivel casters, replacement order #B000507

(2) 6" x 2" polyurethane rigid casters, replacement order #B000508.



1. Engage floor lock & fold back right door



2. Fold back left door



3. Slide out shelf



4. Fold up bottom shelf



5. Fold down top piece



6. Fold in left door



7. Nest with other Security Carts

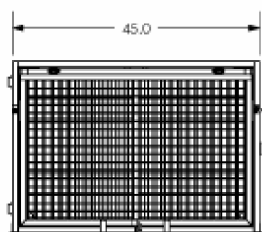


NATIONAL CART CO

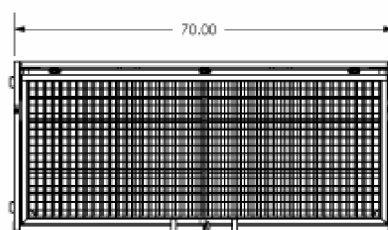
1-800-455-3802
nationalcart.com



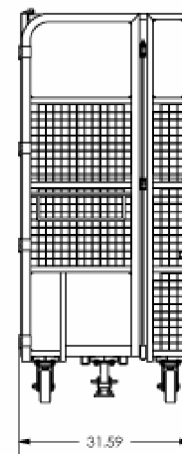
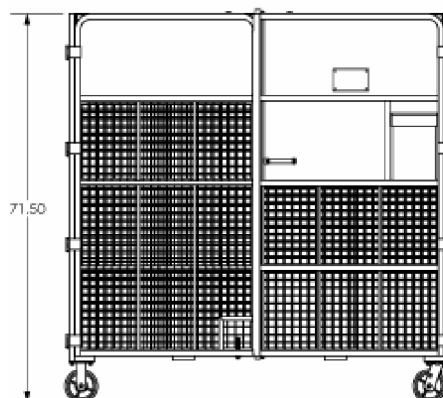
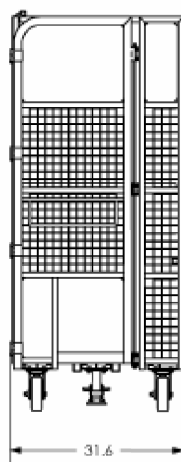
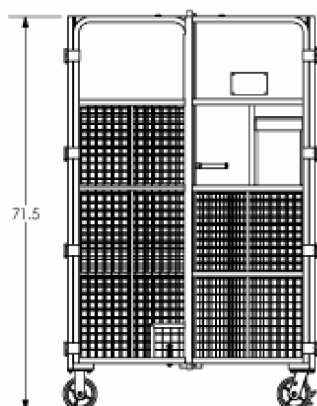
Freight Class: 150
NMFC Code: 188560-S4



5000189



5000188



Order #	Model	W	L	H	Cart Capacity	Weight
5000189	MB 14-034 SMALL SECURITY CART	31.18"	45"	71.5"	1,500 lbs.	48 lbs.
5000188	MB 14-.34 LARGE SECURITY CART	31.18"	70"	71.5"	1,500 lbs.	59 lbs.

Can't find exactly what you need? Give us a call and we'll help you with the perfect solution!

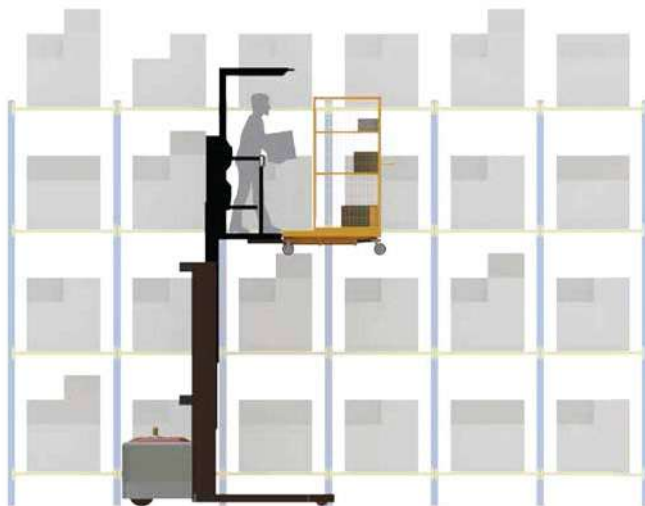
FORKLIFT ORDER PICKING CART

This versatile order picking cart can be adapted for use via man power or vertical forklift. Featuring heavy duty steel pockets that accept forklifts, as well as heavy duty polyurethane and phenolic wheels and casters for man powered movement. The removable and stowable shelves allow you to adjust your cart as needed.

Custom Colors Available



Shelves Stowed



FEATURES:

Heavy duty steel construction

Wire grid is sturdy but lightweight to secure products within cart

Ships fully assembled and ready for immediate use

Designs for Raymond, Crown, and Hyster fork lifts

2" x 4" wooden grip board secures forklift in place

Removable/stowable shelves allow you to adjust your cart as needed

Shelves stow away vertically in the rear of the cart when not in use

Ease of mobility with swivel casters reduces damage done to products on the cart and store fixtures

1000 lb. capacity

REPLACEMENT PARTS:

8000509

(2) 6" x 2" polyurethane swivel casters in the rear, replacement order #B000507.

(2) 6" x 2" polyurethane rigid casters at the front, replacement order #B000508.

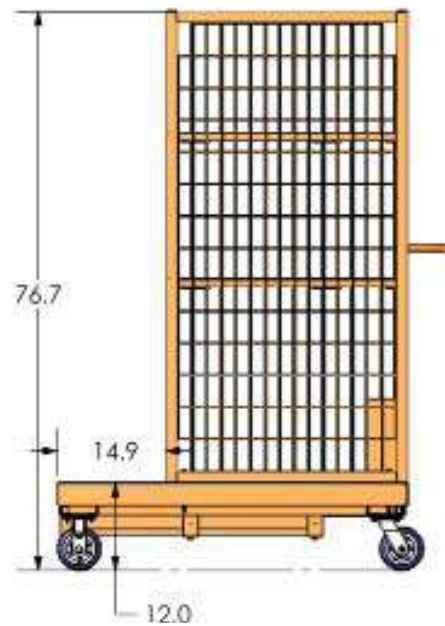
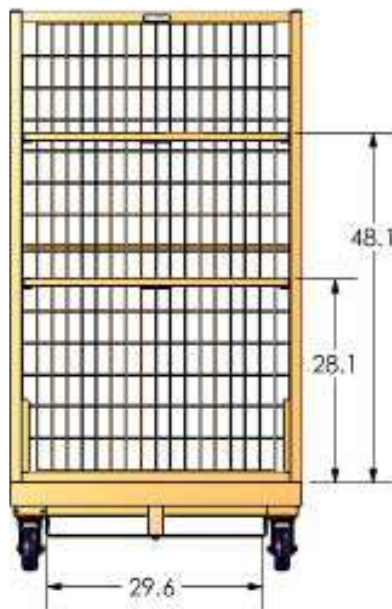
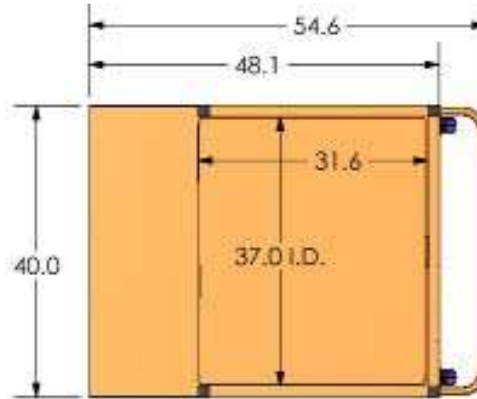
8000574 & 8000575

(2) 6" x 2" phenolic swivel casters in the rear, replacement order #B001242

(2) 6" x 2" phenolic rigid casters at the front, replacement order #B001243



Freight Class: 150
NMFC Code: 188560-S4



Order #	Model	W	L	H	Cart Capacity	Weight	Lift Type
8000509	BLPC-4048-2, PICKING CART, RAYMOND	40"	54.6"	76.7"	1000 lbs.	378 lbs.	Raymond
8000574	BLPC-4048-2, PICK CRT, CROWN, ORNG	40"	54.6"	77.5"	1000 lbs.	390 lbs.	Crown
8000575	BLPC-4048-2, PICK CART, HYSTER,ORNG	40"	54.6"	78.4"	1000 lbs.	403 lbs.	Hyster

Can't find exactly what you need? Give us a call and we'll help you with the perfect solution!

ROCKET CART

The Rocket Cart is the fastest way to get products from your store room and onto store shelves while freeing up space at the same time. The superior ergonomics of this cart allow it to be safer and more mobile in your store than the average pallet. Employees will have everything they need to stock shelves at their fingertips with the included cardboard holder, paper towel holder, pull handle and flat work surface.

FEATURES:

Ease of mobility reduces damage done to store fixtures

Cardboard holder

Second shelf allows for strategically sorting loads

Nestable design

Durable zinc plated finish

Heavy duty steel construction

750 lb. capacity

Integrated paper towel holder

Comes with standard pull handle

REPLACEMENT PARTS:

(2) 5" x 1.25" polyurethane rigid, replacement order #B000001.

(2) 5" x 1.25" polyurethane swivel casters, replacement order #B000312.



Shown loaded



Bonus area for folded boxes or small items



Integrated paper towel holder



1. Clear shelf of any material



2. Fold up shelves



3. Fold in left side of cart



4. Nest carts together for storing

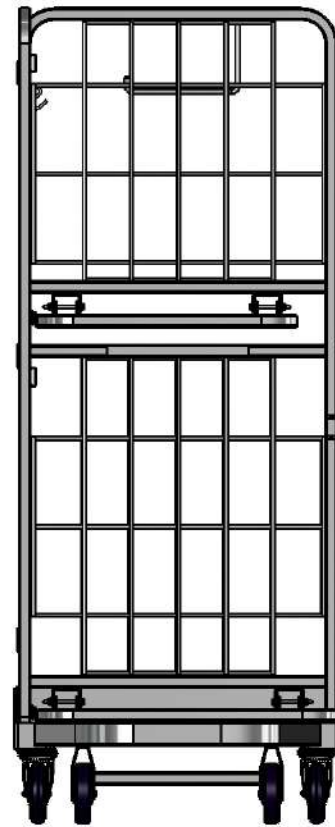
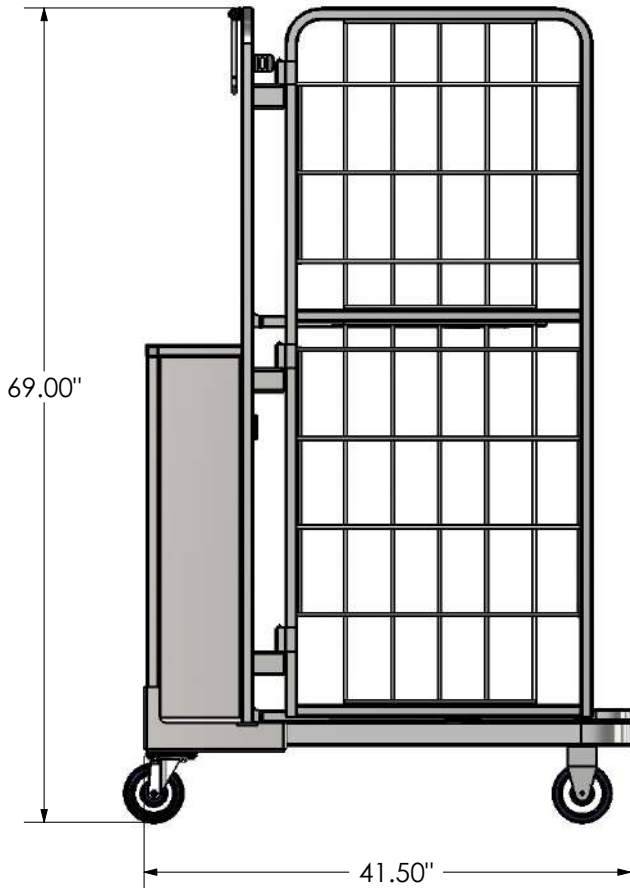
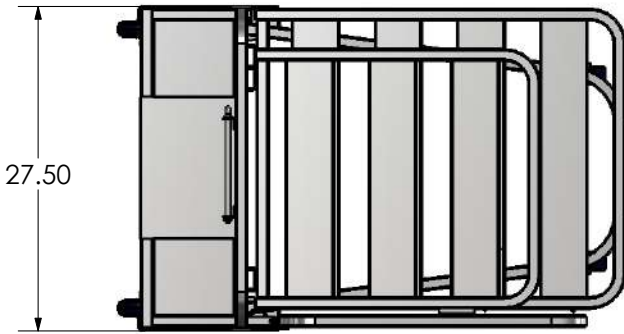


NATIONAL CART CO

1-800-455-3802
nationalcart.com



Freight Class: 175
 NMFC Code: 189430-S2



Order #	Model	W	L	H	Cart Capacity	Weight
48000305	ST-ROCKET CART-MD-ZN 26 INCH W/PH	27 1/2"	41 1/2"	69"	750 lbs.	135 lbs.

Can't find exactly what you need? Give us a call and we'll help you with the perfect solution!

ROLLTAINER

The Rolltainer is an innovative offering from National Cart that provides the fastest way from the warehouse to the shelf. With this cart you can transform your supply chain and stocking methodologies by greatly reducing the need for shrink wrap, pallets, and storage space. A durable zinc plated finish comes standard with the Rolltainer as well as a heavy duty net that will ensure a long useful life.

FEATURES:

Reduce damage done to products while in transit

Nestable folding design

Heavy duty net reduces need for shrink wrap

Rolltainers are towable by themselves or in groups

Durable zinc plated finish

Net stows away when not in use

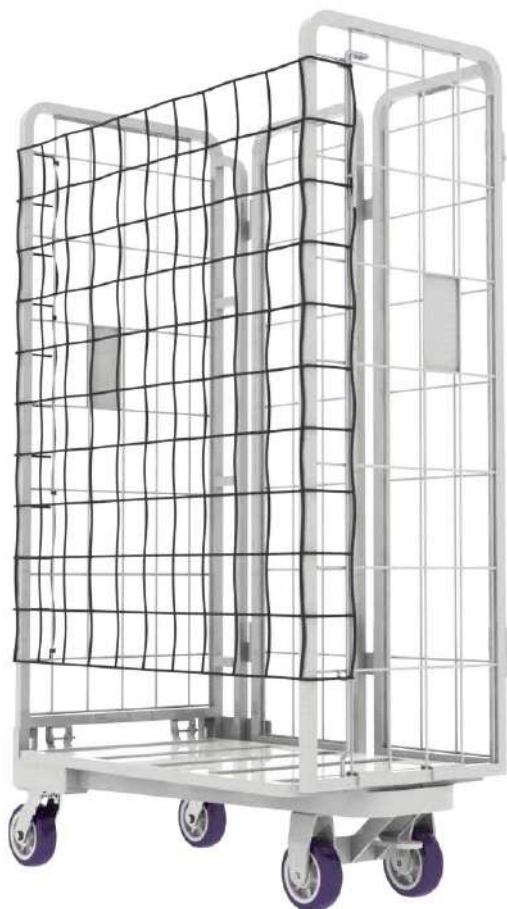
Heavy duty steel construction

1000 lb. capacity

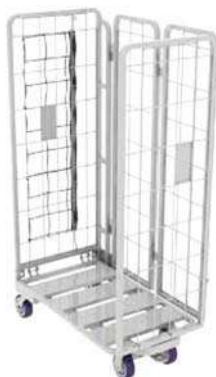
REPLACEMENT PARTS:

(2) 6" x 2" polyurethane wheels.
Replacement Order #B000035

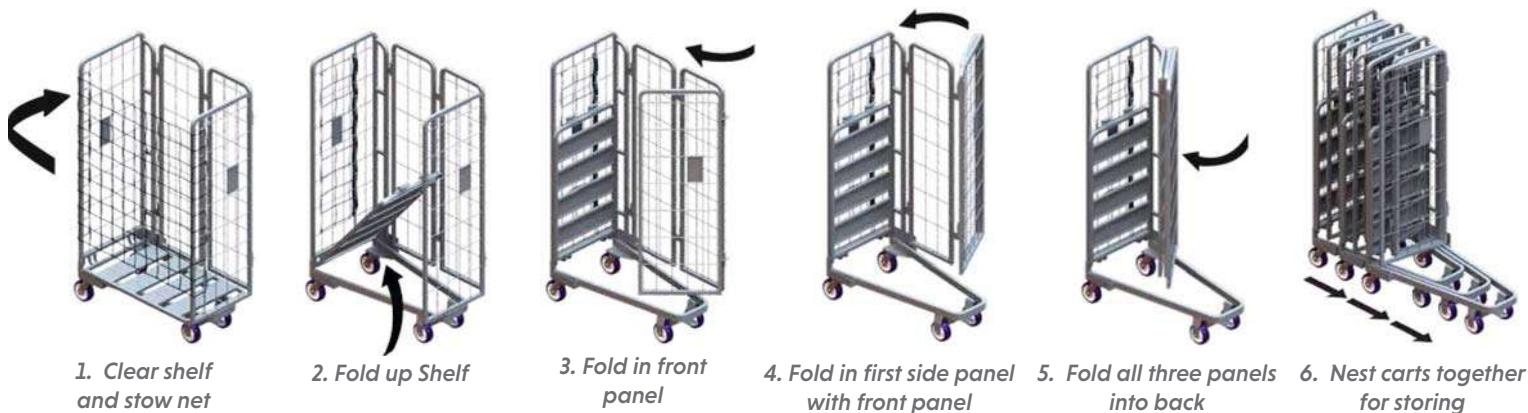
(2) 6" x 2" polyurethane wheel with swivel casters.
Replacement Order #B000507



Shown loaded

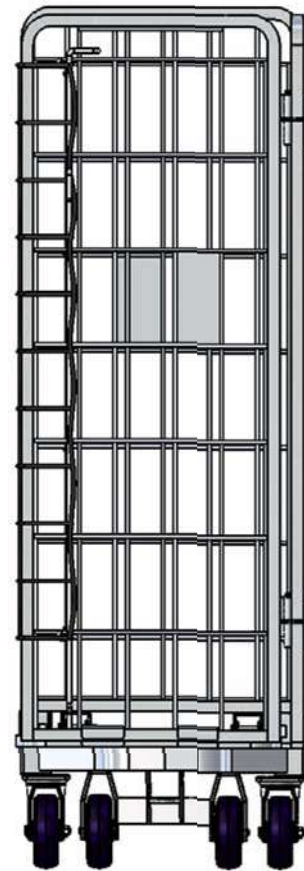
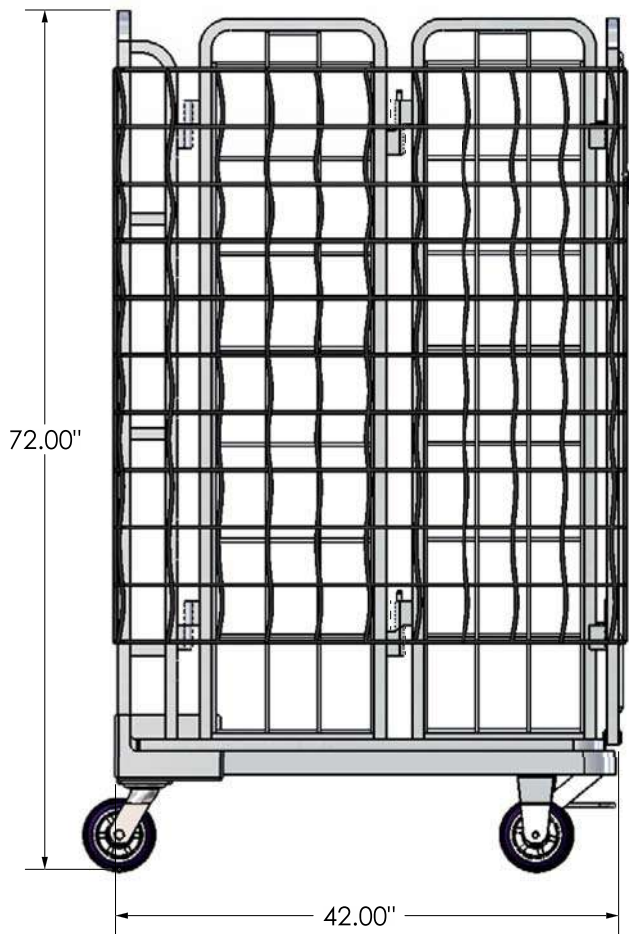
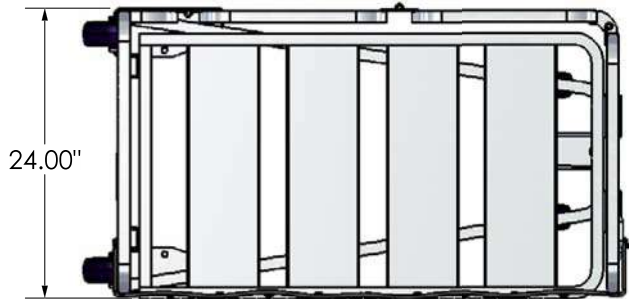


Shown with net stowed





Freight Class: 175
NMFC Code: 189430-S2



Order #	Model	W	L	H	Cart Capacity	Weight
5000566	ROLLTAINER, BLANK LABEL PLATE	24"	42"	72"	1000 lbs.	114 lbs.

Can't find exactly what you need? Give us a call and we'll help you with the perfect solution!

UN-ASSISTED DELIVERY CART

Our Un-Assisted Delivery Carts are the perfect solution for any business looking to save money and increase the efficiency of their supply chain.

These carts feature a heavy duty wrap around net to secure payloads and are designed to work well in both hot and cold environments.

FEATURES:

Heavy duty net eliminates the need for shrink wrap

Convenient lift handle eases access over thresholds

Nestable design

Built to function in both hot and cold environments

Net stows away when not in use

1000 lb. capacity

REPLACEMENT PARTS:

(2) 6" x 2" phenolic wheels with rigid caster. Replacement Order #B001153.

(2) 6" x 2" phenolic wheel with swivel casters and wheel. Replacement Order #B000322.



Tow/lift handle folds out when needed



Wrap-around net holds product secure and in place



1. Clear shelf of any material and stow net



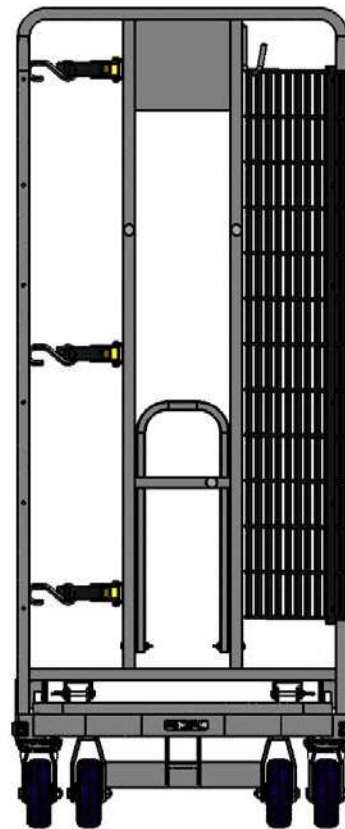
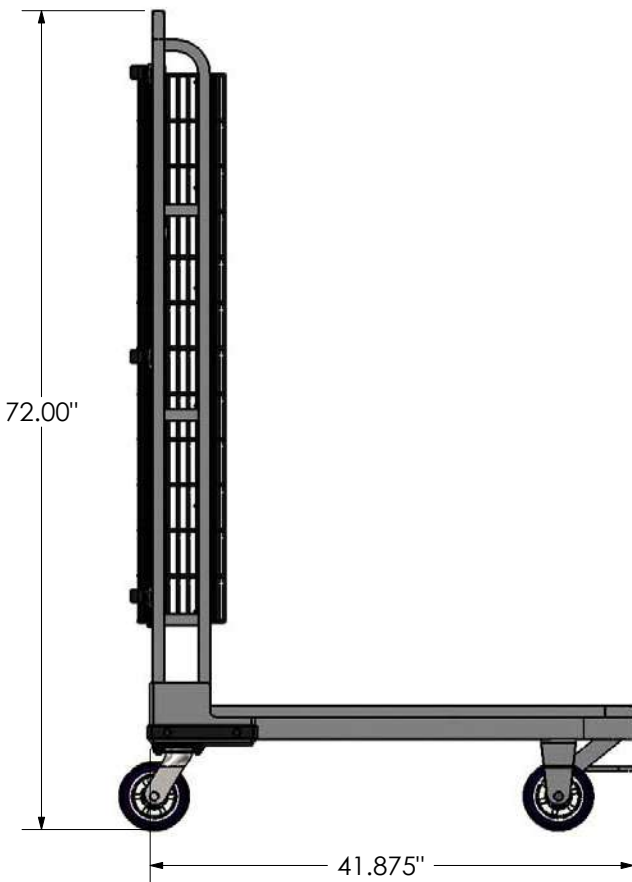
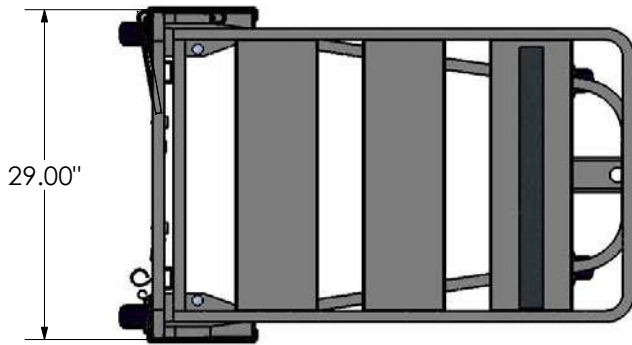
2. Fold up shelf



3. Nest carts together for storing



Freight Class: 175
 NMFC Code: 189430-S2



Order #	Model	W	L	H	Cart Capacity	Weight
48000355	STC-2942-UAD, STEEL TRANSPORT CART	29"	41 7/8"	72"	1000 lbs.	102 lbs.

Can't find exactly what you need? Give us a call and we'll help you with the perfect solution!

PRODUCT CATALOG 2017

FIXTURES



NATIONAL CART CO



PRODUCT APPLICATIONS: Parking Lot Signage123-124

Benches

Industrial Grade Park Bench125-126

Metal Wait Bench.127-128

Bike Racks129-130

Corner Guards.131-132

Lockers

Employee Lockers133-134

Electronic Storage Cabinet.135-136

Till Lockers137-138

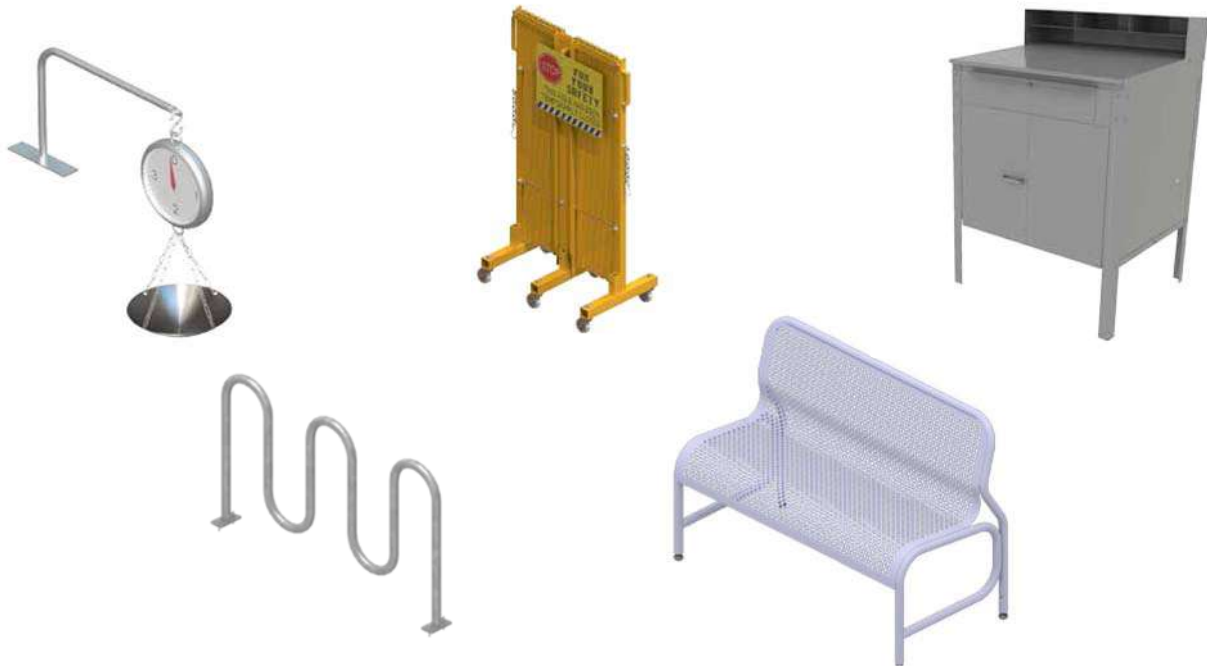
Poly Bag Stands139-140

Receivers Desks141-142

Safety Barricade Gates143-144

Sampling Stand145-146

Scale Hangers147-148



For Product Safety and Operation Manuals please visit our website at www.nationalcart.com



PARKING LOT SIGNAGE

Customize your parking lot signage to reflect the architectural aesthetics of your store!

Why not make an impression on your customers right when they enter the parking lot?!

Get the most out of your parking lot signage by supporting your branding messages.

Parking lot signs and stop signs are the perfect height and location to catch customers' attention.

The possibilities are endless!



STORE PICKUP
"PICK UP HERE"
"ONLINE ORDER PICKUP"
"CUSTOMER PICKUP ONLY"

RESERVED PARKING
Handicap Parking
Expectant Mother Parking
Employee of the Month Parking
Consumer Product Group Advertising





ALL SIGN FEATURES

UV rated silk screening and printing options

Add your stores logo, motto, and branded colors

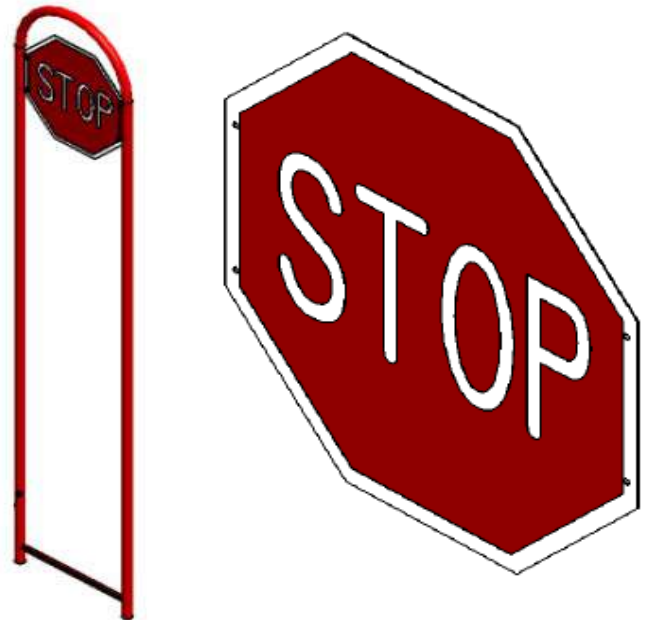
STOP SIGN FEATURES

Available in attractive hoop design or custom

Posts are embedded into the parking lot

Maximum stability

Engineered to meet building code standards



EMBEDDED BASE FEATURES

Posts are embedded into the parking lot

Maximum stability

Break away bolt for easy replacement

Engineered to meet building code standards

UV rated plastics

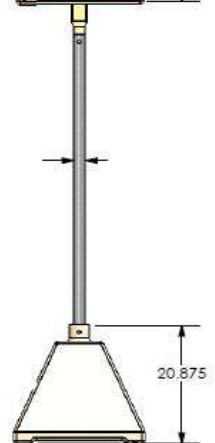
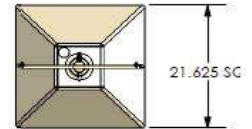
PORTABLE BASE FEATURES

Heavy duty, outdoor rated plastic base

Bases are not mounted, so they are portable

Fill bases with weights to stabilize

Signs can be easily changed



HOW TO ORDER CUSTOM SIGNAGE:

1. Call your customer service representative

2. Provide Type of Signage Needed:

Standard square base, Embedded posts, and/or Stop signs

3. Full description of your parking lot signage vision

Standard signage is also available. Inquire within.

Can't find exactly what you need? Give us a call and we'll help you with the perfect solution!

INDUSTRIAL GRADE PARK BENCH

These high quality industrial grade benches are perfect to show appreciation to your customers, students or visitors.

They are perfect for indoor or outdoor use and will provide an attractive accent to any store, office, park or home.



8020003



8020005

FEATURES:

Heavy duty steel tube frame with black powder coated finish

New plastic seating never has to be refinished

Attractive seating will not crack, chip, or fade

Ships knocked down and must be assembled

Slats can be silk screened or hot stamped with your stores logo and name (inquire with your customer service representative)

REPLACEMENT PARTS:

For 8020003 replacement plastic slats order# B000330

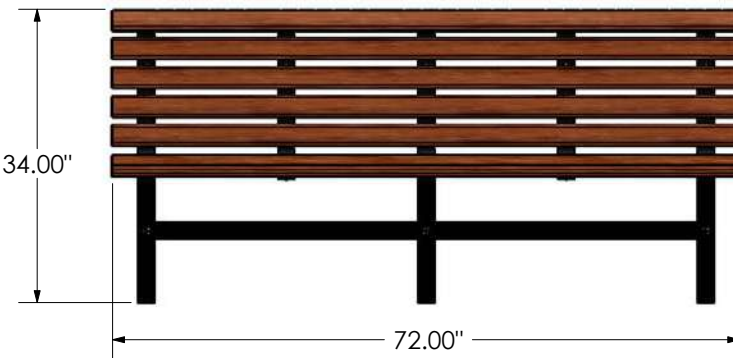
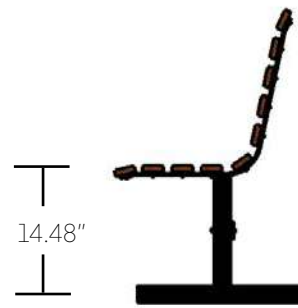
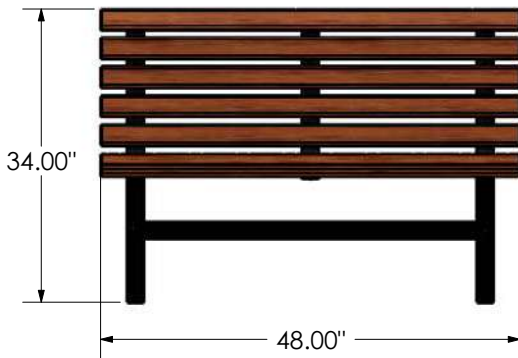
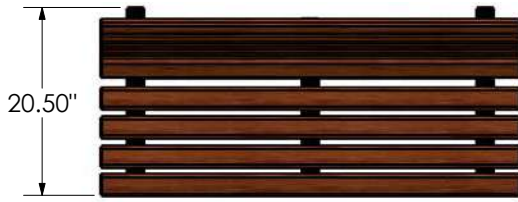
For 8020004 replacement plastic slats order# B000329

For 8020005 replacement plastic slats order# B000328





Freight Class: 85
NMFC Code: 79940-S2



Order #	Model	W	L	H	Weight
8020003	PL-PB-48, 4' PARK BENCH	20 1/2"	48"	34"	65 lbs.
8020004	PL-PB-60, 5' PARK BENCH	20 1/2"	60"	34"	70 lbs.
8020005	PL-PB-72, 6' PARK BENCH	20 1/2"	72"	34"	85 lbs.

Can't find exactly what you need? Give us a call and we'll help you with the perfect solution!

METAL WAIT BENCH

These high quality benches are perfect to show appreciation to your customers, students or visitors. They are perfect for indoor or outdoor use and will provide an attractive accent to any store, office, park or home.

Steel design ensures durability and comfort.

Custom Colors Available



8020066 Shown

FEATURES:

Constructed of heavy gauge steel for strength and durability

Standard black or silver powder coating gives them a durable and attractive finish

Benches are equally appropriate for indoor or outdoor applications

Light design for easy positioning

Comes fully welded, assembled and ready for use

Includes leg levelers

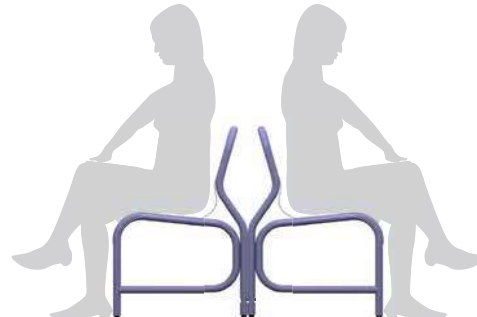
OPTIONS:

Custom colors are available (Inquire with your customer service representative)

Bench is available with or without anchors



Single sided (8020066)



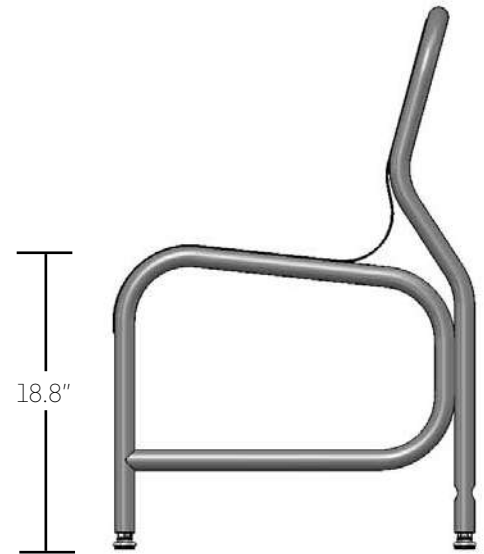
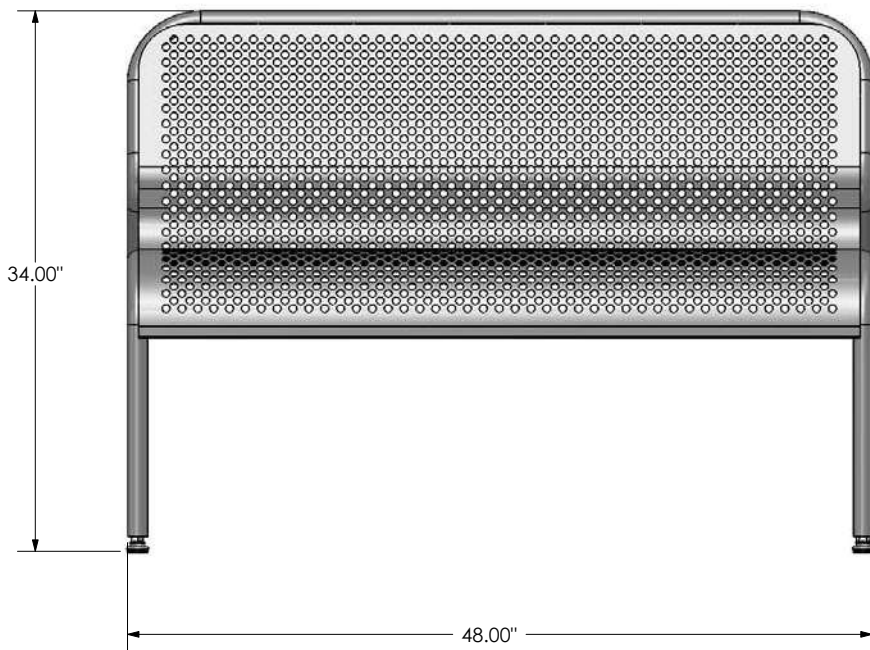
Double sided (8020064)



Freight Class: 85
NMFC Code: 79940-S2



8020066



Order #	Model	W	L	H	Weight	Color	Comes w/ Anchors
8020064	MPB-48-DBL SILV MTL PK BENCH 2/UNIT	46"	48"	34"	76 lbs.	SILVER	NO
8020066	MPB-48-SGL SILV MTL PK BENCH 1/UNIT	23"	48"	34"	38 lbs.	SILVER	NO
8020077	MPB-48-SGL BLK MTL BENCH W/ANCHORS	23"	48"	34"	43 lbs.	BLACK	YES
8020078	MPB-48-SGL SLVR METL BENCH W/ANCHRS	23"	48"	34"	43 lbs.	SILVER	YES

Can't find exactly what you need? Give us a call and we'll help you with the perfect solution!

BIKE RACKS

These attractive bike racks can be placed anywhere to park bikes in selected areas. This fixture will minimize bikes being secured in customer traffic areas. Show your customers and associates that you support alternative modes of transportation and the environment.

Custom Colors Available



8010026



8010027



8010105

also available powder coated in black (8010247)



8010291

powder coated in black

FEATURES:

Constructed from heavy duty corrosive resistant galvanized tube

Offered in various sizes and in one and two way entry units

Feet provide a solid anchoring base

All units ship knocked down for freight savings except 8010105, 8010247 & 8010186 ship fully assembled

Easy assembly

Wedge anchors are included with all

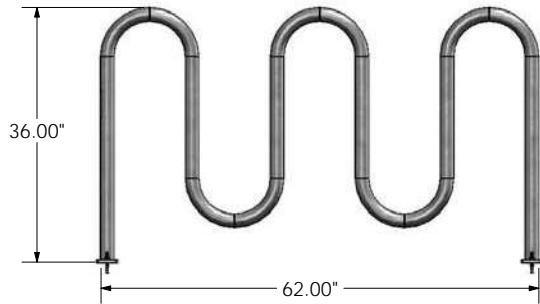
Earth mount design available (inquire with your customer sales representative)

Standard black powder coating applied over galvanized for 8010105 and 8010291

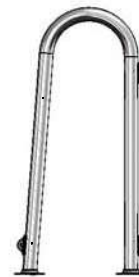
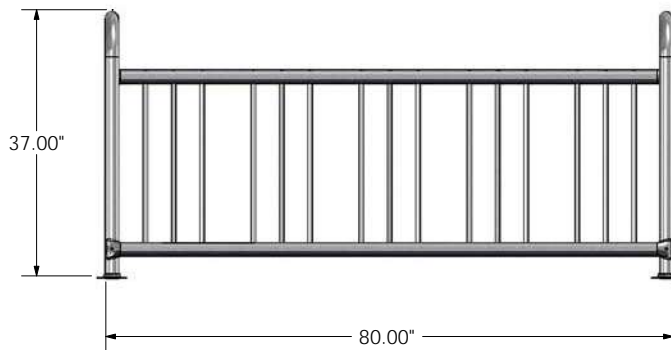




Freight Class: 250
NMFC Code: 164390-S3



8010105



8010026

Order #	Model	W	L	H	Weight	Finish
8010026	BR-105, 5 BIKES 1 WAY ENTRY	18"	80"	37"	79 lbs.	GALVANIZED
8010027	BR-210, 10 BIKES 2 WAY ENTRY	36"	80"	37"	103 lbs.	GALVANIZED
8010028	BR-110, 10 BIKES 1 WAY ENTRY	18"	176"	37"	139 lbs.	GALVANIZED
8010029	BR-220, 20 BIKES 2 WAY ENTRY	36"	176"	37"	163 lbs.	GALVANIZED
8010105	BR-1-7A, 7 BIKE CAPACITY, SERPENTINE	6"	62"	36"	46 lbs.	GALVANIZED
8010247	BR-1-7A-PC, 7 BIKE SERPENTINE, BLK	6"	62"	36"	46 lbs.	POWDER COATED BLACK
8010291	BR-2436,SINGLE BR BLK W/ANCHORS	6"	24"	36"	30 lbs.	POWDER COATED BLACK

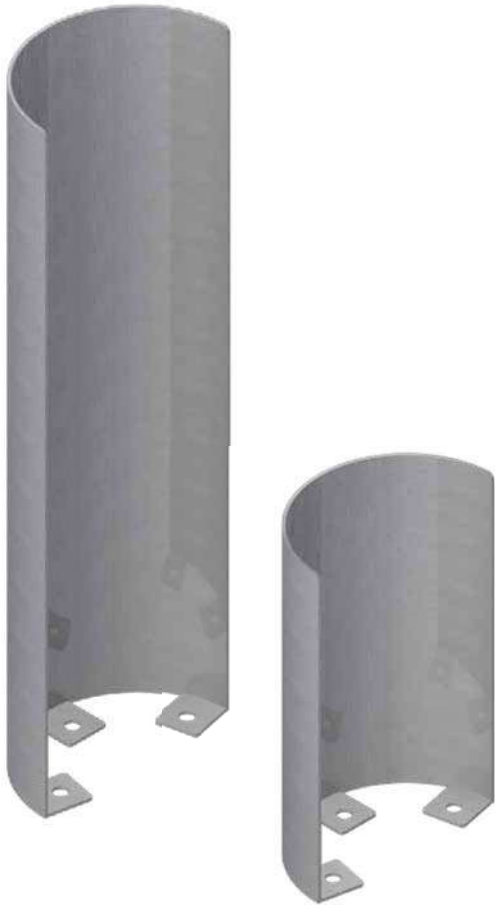
Can't find exactly what you need? Give us a call and we'll help you with the perfect solution!

CORNER GUARDS

These stainless steel corner protectors are typically used to protect your cases, fixtures, and high traffic passage ways.

Case protectors will withstand impacts up to 4000 pounds from floor scrubbers, pallet jacks, etc.

Custom Colors Available



5050003 and 5050002
Shown From Left



5050004
Base is core drilled into floor and top is removable for easy floor cleaning

FEATURES:

High quality stainless steel corner guards will not chip or rust under any conditions

HEAVY DUTY 10 gauge 304 stainless steel Construction

Brushed stainless steel finish enhances the appearance of your store

Comes with expandable anchors for fast and easy installation that is unexposed

5050004 only:

Tubular case guards are core drilled into floor with male and female connection

Sleek removable design allows posts to be removed for cleaning of store floors



NATIONAL CART CO

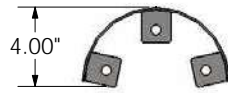
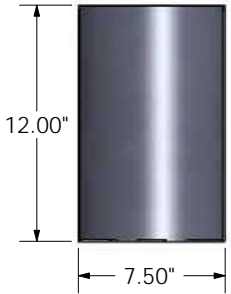
1-800-455-3802
nationalcart.com



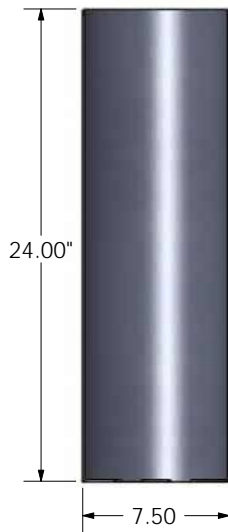
Freight Class: 70
NMFC Code: 95190



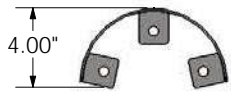
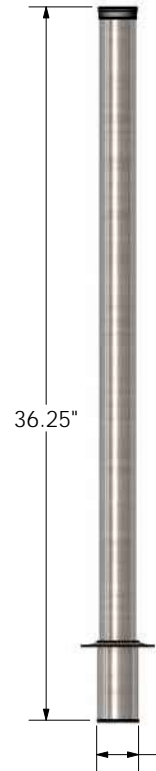
5050002



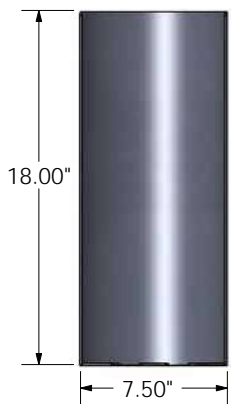
5050003



5050004



5050008



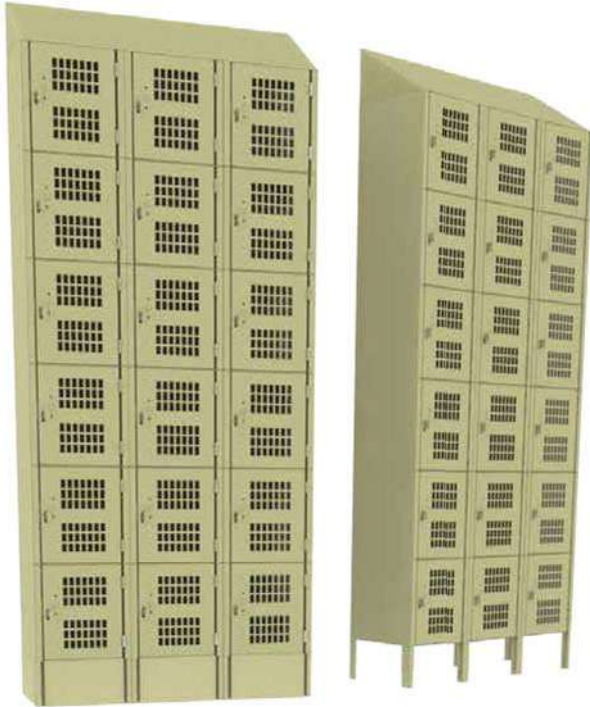
Order #	Model	W	D	H	Weight
5050002	SSCG-12RD, 7.250 DIA. x 12 TALL	7 1/2"	4"	12"	9 lbs.
5050003	SSCG-24RD, 7.250 DIA. x 24 TALL	7 1/2"	4"	24"	17 lbs.
5050008	SSCG-18RD, 7-1/4 DIA. X 18 TALL	7 1/2"	4"	18"	14 lbs.
5050004	SSCG-POST, 2.0 DIA x 36.063 TALL	2 1/8"	2 1/8"	36 1/4"	8 lbs.

Can't find exactly what you need? Give us a call and we'll help you with the perfect solution!

EMPLOYEE LOCKERS

Show your associates you care by protecting the things they care about.

Lockers provide a secure organized storage area for employee personal items. A coat rod can be added to organize employee garments.



5000119

FEATURES:

Grid doors provide secure environment to reduce shrink and allow maximum ventilation

Units ship fully assembled in group of: 18 (NC-618), 18 (NC-618-KP), 6 (NC-600) .

Assembly required: 16 with coat rod (NC-16U-GR)

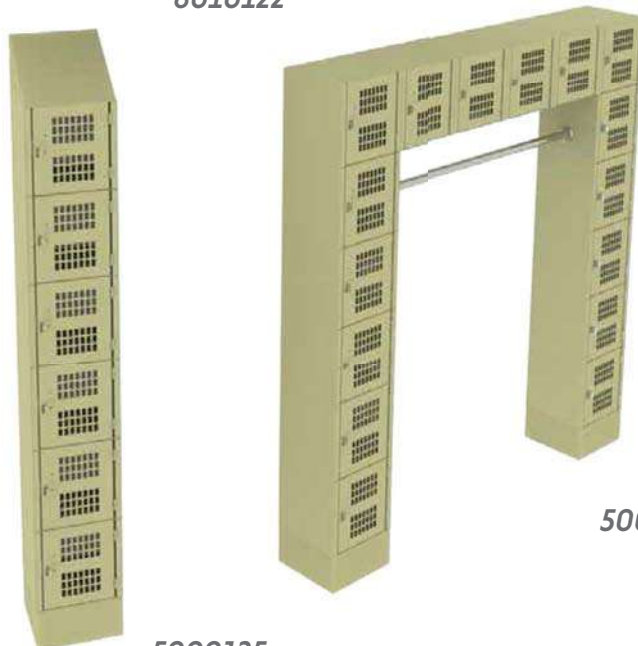
Comes with standard friction catch door hasp with padlock latch. (Padlocks not included)

Can also be fitted with built-in lock

Beige baked enamel finish

For safety purposes we strongly recommend that all lockers be either floor or wall anchored

8010122



5000060

5000125



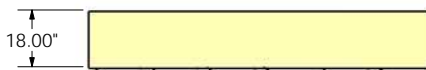
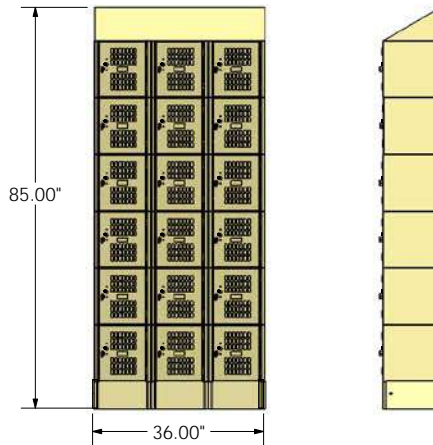
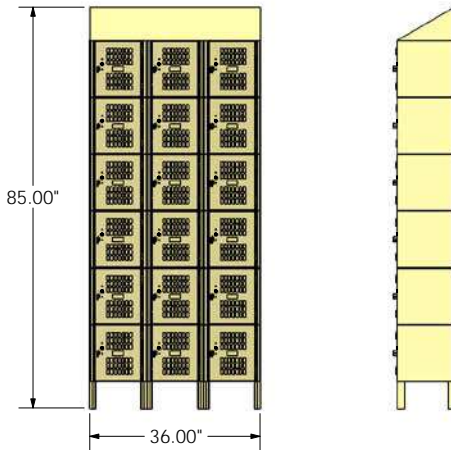
Freight Class: 100
NMFC Code: 111755-S1



5000119



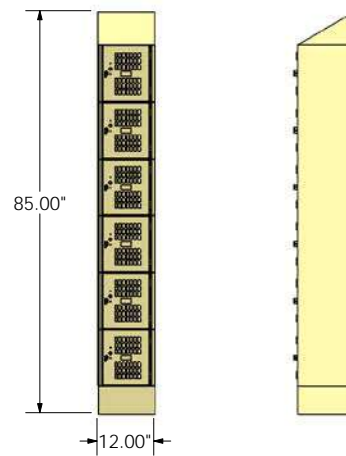
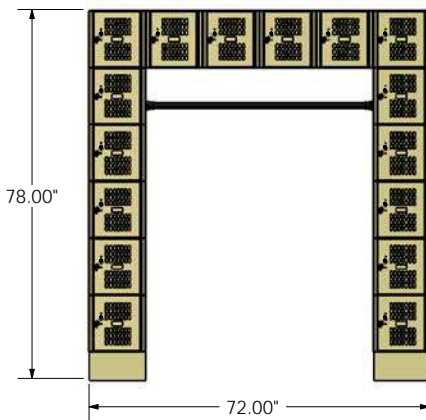
8010122



5000060



5000125



Order #	Model	Description	W	H	D	Weight
5000119	NC-618	18 Lockers, 6 High x 3 Wide	36"	85"	12"	152 lbs.
8010122	NC-618-KP	18 Lockers, 6 High x 3 Wide w/ Kickplate	36 "	85"	12"	160 lbs.
5000125	NC-600-KP	6 Lockers, 6 High x 1 Wide w/ Kickplate	12"	85"	12"	51 lbs.
5000060	NC-16-GR	16 Lockers w/Garment Rod and Kickplate	70"	78"	18"	162 lbs.

Can't find exactly what you need? Give us a call and we'll help you with the perfect solution!

ELECTRONIC STORAGE CABINET

The Electronic Storage Cabinet provides a secure and organized area for store supplies and valuables. The top shelves provide easy access to everyday items, while the lower locked shelves offer a secured environment to reduce shrink.

Lower grid side and rear panels allow maximum ventilation for safe electronic storage.

*Custom Colors
Available*



FEATURES:

(3) Adjustable shelves allow you to customize shelf heights

Fixed center shelf has additional tube support for heavy items

Lower grid side and rear panels allows maximum ventilation for electronics and provide secure environment to reduce shrink

Barrel keyed cam-lock prevents theft and makes it difficult to pick the lock or duplicate keys

Silver smooth powder-coat finish

Units ship fully assembled for immediate use

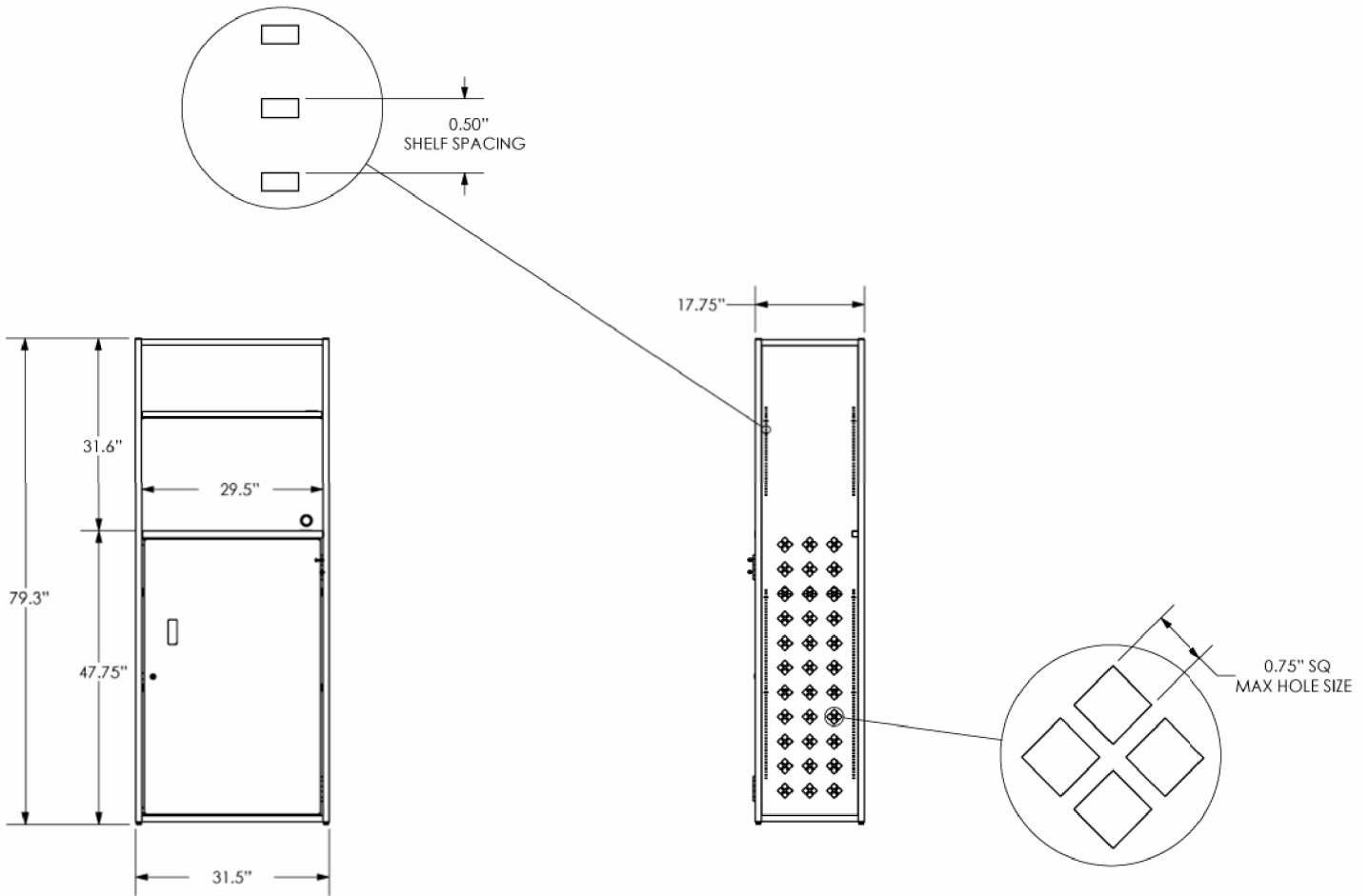
Adjustable leg levelers for sloping floors included

For safety purposes we strongly recommend that all lockers be either floor or wall anchored





Freight Class: 100
 NMFC Code: 111755-S1



Order #	Model	W	L	H	Weight
8010146	1832 LOCKABLE CABINET	17.75"	31.5"	79.3"	690 LBS.

Can't find exactly what you need? Give us a call and we'll help you with the perfect solution!

TILL LOCKERS

Till lockers provide secure storage for cash register trays and other valuables. These till lockers function either as stand alone lockers or can be installed around cabinetry for a finished look.

Custom Colors
Available



8010045



FEATURES:

Units ship fully assembled

Solid panel doors provide secure environment to reduce shrink and theft

For safety and secrecy purposes we strongly recommend that all lockers be either floor or wall anchored

8010045

(2) large single drawers at top of cabinet secure any valuables with lock.

Large drawer dims: 35" W x 20" L x 5.3" H

(12) numbered till lockers lock individually with double lock for additional security. Access requires both a employee and manager key.

Till drawer dims: 17.6" W x 20" L x 4" H

Plastic perimeter bumpers protects locker from damage

Silver smooth powder coat finish

Wedge anchors secure cabinet to the floor

8010137

Standard full piano hinge secure all tills

(10) till drawers lock with single padlock (Padlock not included)

Till drawer dims: 11.75" W x 15.75" L x 3.25" H

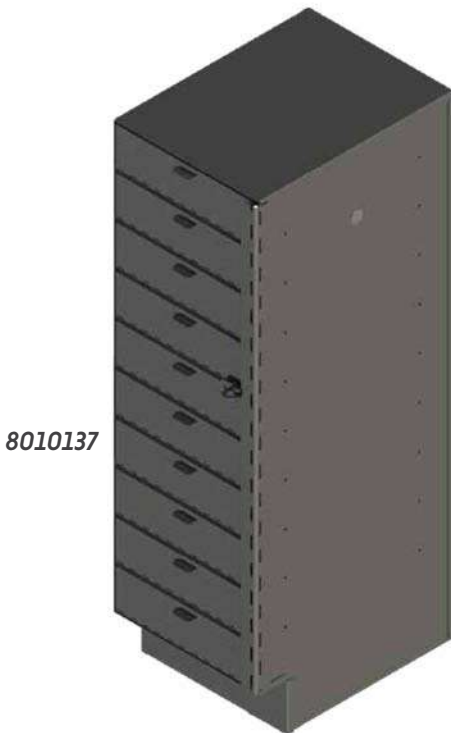
Electric grey powder coat finish

Kick plate protects locker from damage and prevents shin injury

Bolt through anchor points at base secure unit to floor

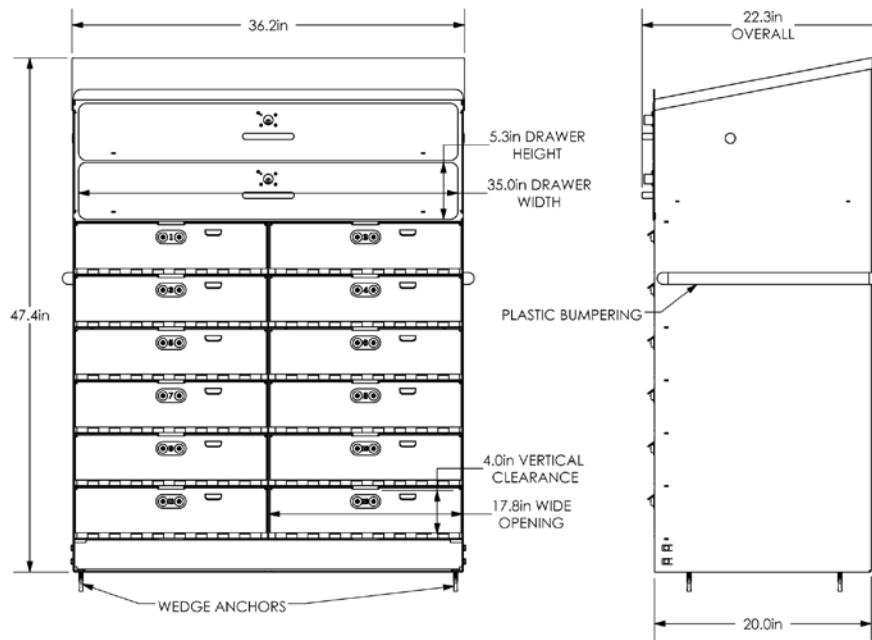
REPLACEMENT PARTS:

For 8010045, replacement anchor wedge order #B000052



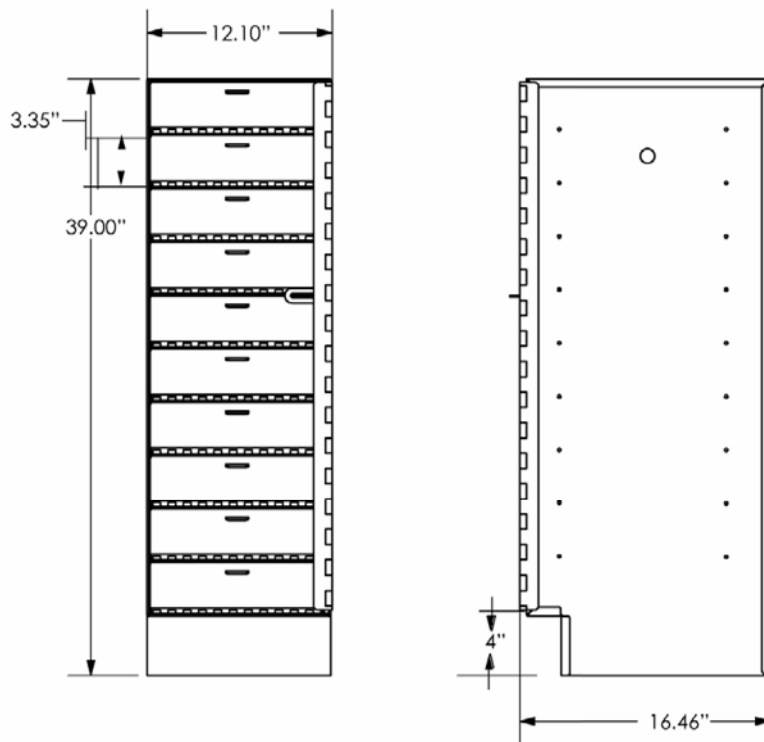
8010137





Freight Class: 100
NMFC Code: 111755-S1

8010045



8010137

Order #	Model	W	L	H	Weight
8010045	TILL LOCKER 12-DRAWER, CSM POD	20"	36.2"	47.4"	420 LB.
8010137	TILLOCKER-SCH-STACKED	12.10"	16.46"	39"	78 LBS.

Can't find exactly what you need? Give us a call and we'll help you with the perfect solution!

POLY BAG STANDS

This attractive fixture conveniently dispenses poly bags to your customers.

An optional bag tie holder is mounted on top of the unit for customer use. This unit is easily moved for changing display options and cleaning purposes.

Custom Colors
Available



8050002

8010020 Shown
with optional bag
tie holder

FEATURES:

All welded steel

Durable black powder coat finish

Heavy duty base provides a free standing unit

No need for required anchors

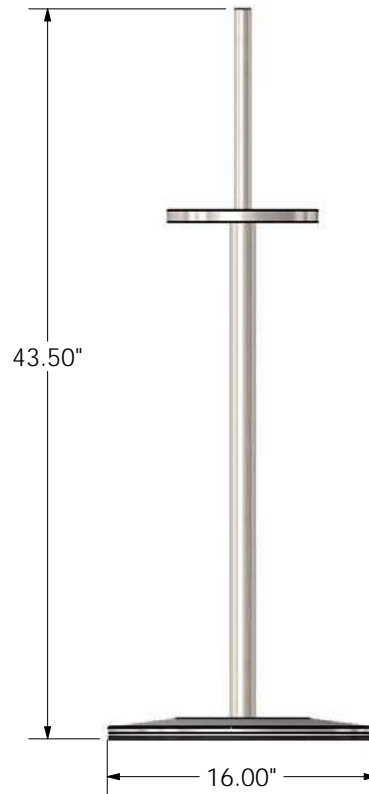
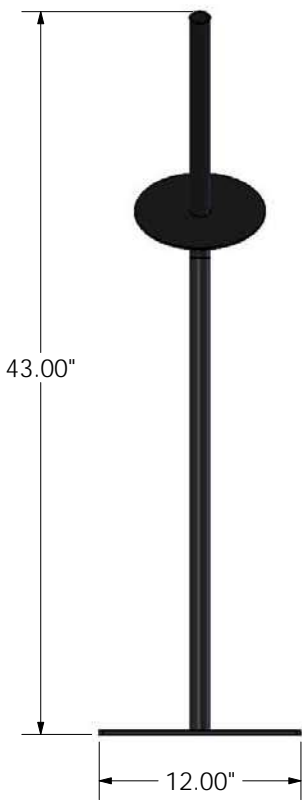
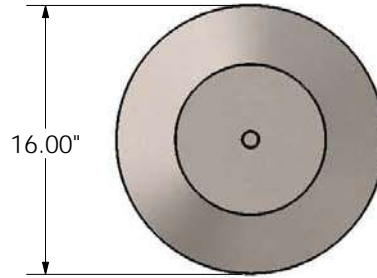
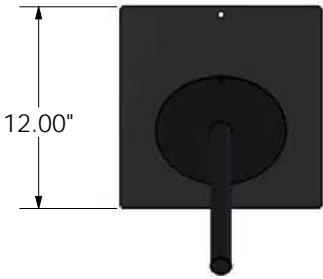
OPTIONS:

Bag Tie Holder (BTH)





Freight Class: 250
 NMFC Code: 178690-S3



Order #	Model #	W	L	H	Capacity	Weight
8010020	FSBH-1A-PC, 1-ROLL POLY BAG STAND	12"	12"	43"	1 roll	24 lbs.
8050002	SS-BS, S/S BAG STAND	16"	16"	43 1/2"	1 roll	25 lbs.
B000619	BAG TIE HOLDER	-	-	-	-	-

Can't find exactly what you need? Give us a call and we'll help you with the perfect solution!

RECEIVERS DESKS

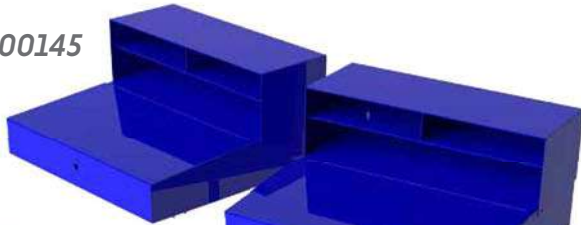
Perfect work desk for receivers and all department managers.

This unit features a convenient work surface height for maximum comfort and can be fitted with casters to provide additional versatility.

Custom Colors
Available



5000145



8000394

8000356

FEATURES:

Sloping front to provide a comfortable and convenient writing surface

Cabinet unit comes with a built-in lock on doors and all units with drawers are lockable

All Units except 8000394 and 8000356 ship knocked down (KD) for freight savings

REPLACEMENT PARTS:

For 8000356. (2) 5" x 1.25" polyurethane swivel casters with brakes. Replacement order #B000491.

(2) 5" x 1.25" polyurethane stem casters, replacement order #B000025. Fasteners replacement order #B000236 (bolt) and #B000198 (nut).

For 8000394. (4) 5" x 1.25" polyurethane swivel casters with brakes. Replacement order #B000491.

Fasteners replacement order #B000236 (bolt) and #B000198 (nut).

For 8000387. (2) 3" x 1" rubber swivel casters with brakes. Replacement order #B000431.

(2) 3" x 1" rubber swivel casters, replacement order #B000432.



5000023



8000387

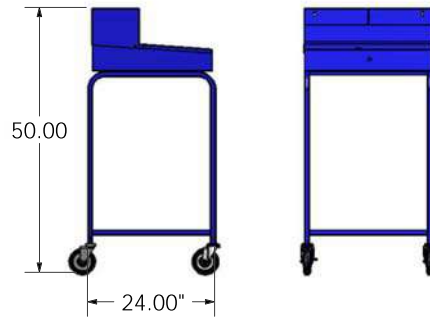
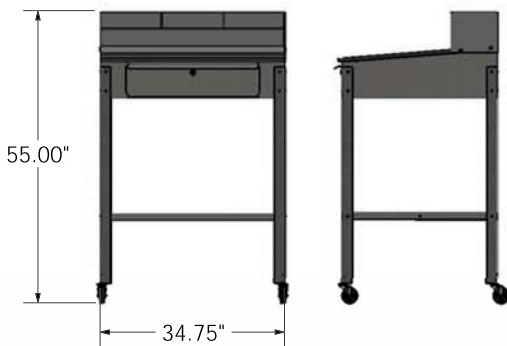
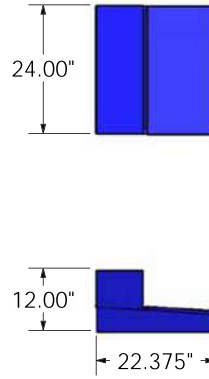
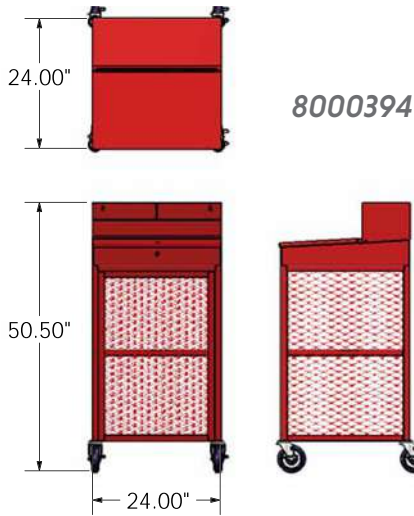


5000049



8000394 & 8000356
 Freight Class: 100
 NMFC Code: 81190-S1

8000387, 5000023, 5000049
 & 5000145
 Freight Class: 85
 NMFC Code: 81190-S2



Order #	Model	W	L	H	Weight	Color	Base Type	Wheels/Size	Drawer
5000145	RD-650 SHOP DESK, WALL MOUNT	24"	22 3/8"	12"	35 lbs.	BLUE	Wall Mount	No	No
5000023	RD-620 SHOP DESK, OPEN	29"	34 7/10"	52"	90 lbs.	GREY	Open Base	No	Yes
5000049	RD-640 SHOP DESK, CABINET, NO WHLS	34 3/4"	29 1/8"	52"	150 lbs.	GREY	Cabinet Base	No	Yes
8000394	ENCLOSED SHOP DESK	24"	24"	50 1/2"	150 lbs.	RED	Cage Base	Yes / 5"	Yes
8000387	RD-620 SHOP DESK WITH WHEELS	34 3/4"	30"	55"	60 lbs.	GREY	Open Base	Yes / 3"	Yes
8000356	RD-620-MU SHOP DESK ROLLING	24"	24"	50"	105 lbs.	BLUE	Open Base	Yes / 5"	No

Can't find exactly what you need? Give us a call and we'll help you with the perfect solution!

SAFETY BARRICADE GATES

This unique product is ideal to temporarily block access to restricted areas.

Keep customers and employees safe with this attractive gate.

Custom Colors Available



Unit Locks when not extended

FEATURES:

Heavy duty steel frame with aluminum slats

8000291 & 8000292 expands up to 20 feet in length and is 45" high when fully open

8000338 expands up to 15 1/2 feet in length and is 40" high when fully open

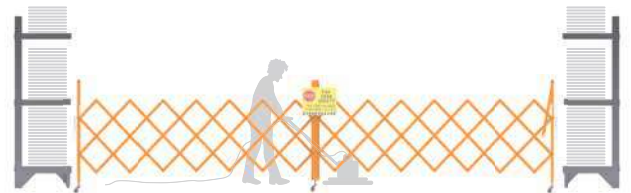
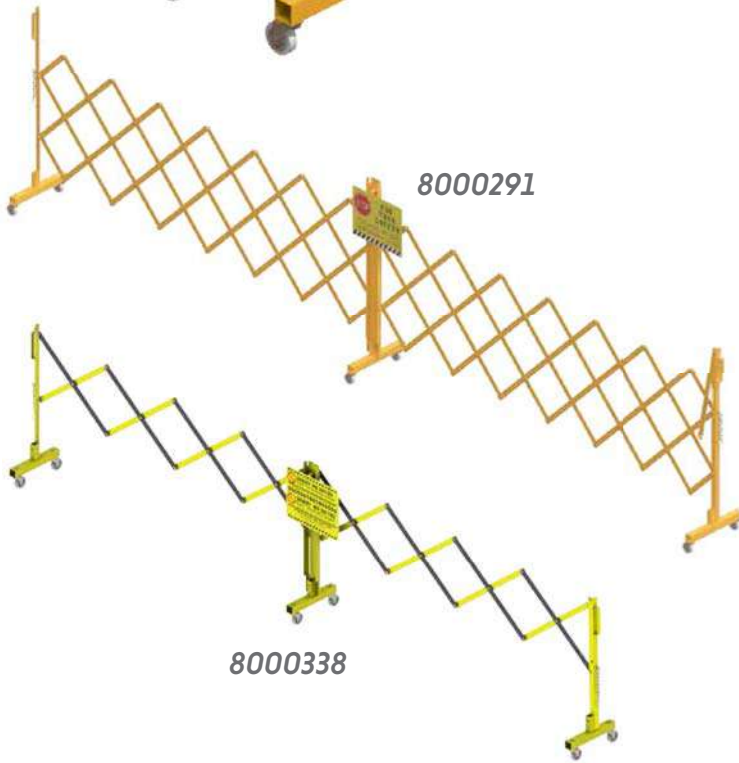
Powder coated in bright safety colors to promote visibility

Comes with standard safety signage

REPLACEMENT PARTS:

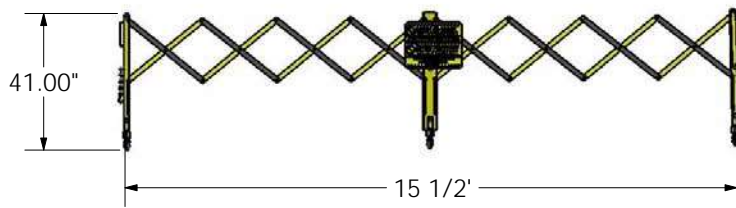
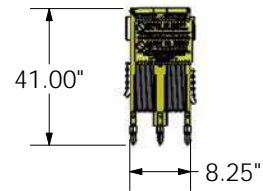
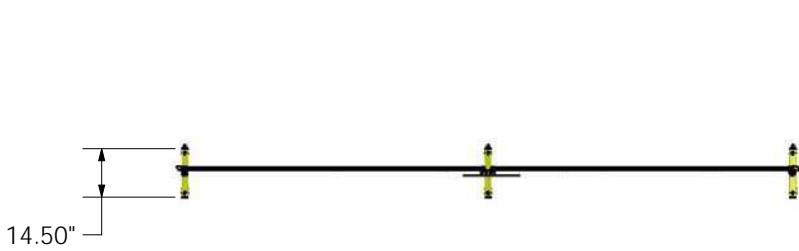
(6) 3" x 1" swivel casters, replacement order #B000684.

Fastener order #B000708 (nut)

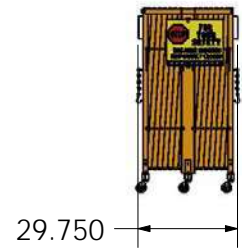
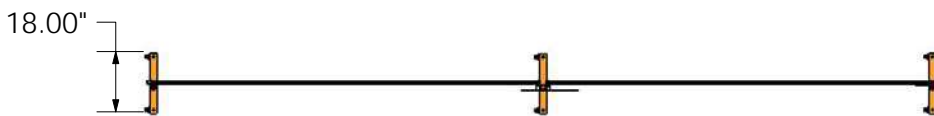




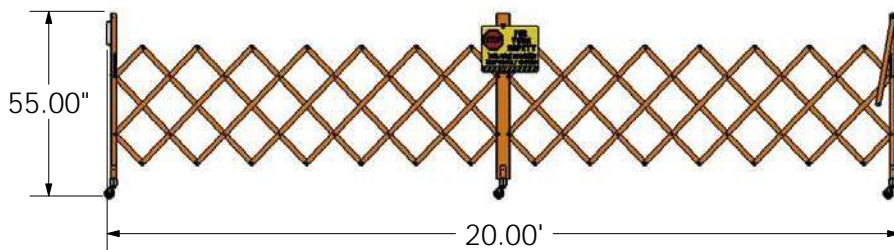
Freight Class: 77.5
NMFC Code: 68025-03



8000338



29.750



8000291

Order #	Model	W	L	H	Max. Length	Weight	Color
8000291	EXPANDABLE SAFTY GATE -THD(ORANGE)	20'	18"	55"	237.00"	116 lbs.	ORANGE
8000292	EXPANDABLE SAFTY GATE -(YELLOW)	20'	18"	55"	237.00"	116 lbs.	YELLOW
8000338	EXPANDABLE GATE, 21 X 41 YELLOW/BLK	15 1/2'	14 1/2"	41"	185.00"	98 lbs.	YELLOW/BLACK

Can't find exactly what you need? Give us a call and we'll help you with the perfect solution!

SAMPLING STAND

This self-service food sampling display is the perfect way to entice customers to try new products and recipes in your store.

Stainless steel construction looks great and is easy to clean and sanitize.

Custom Colors Available



FEATURES:

Made of heavy duty stainless steel construction

The open top design allows customers to access goods from any direction

Anti-slip mat on the base prevents the stand from moving on the floor

Raised edges keep products in place

OPTIONS:

Plastic turn n' serve dome keeps food fresh

Plastic serving tray allows food to be easily transported from prep areas to the sales floor

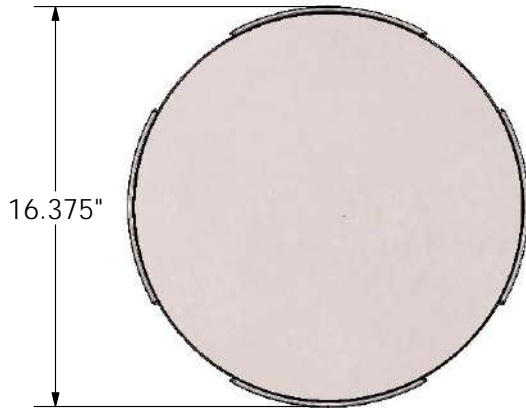


Optional turn n' serve dome #5000128

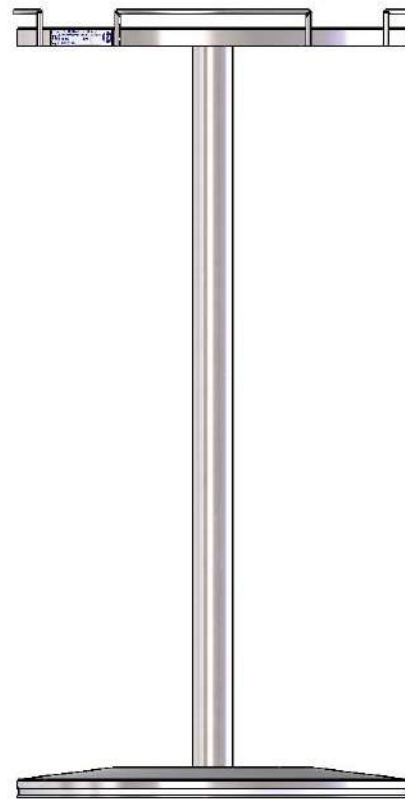
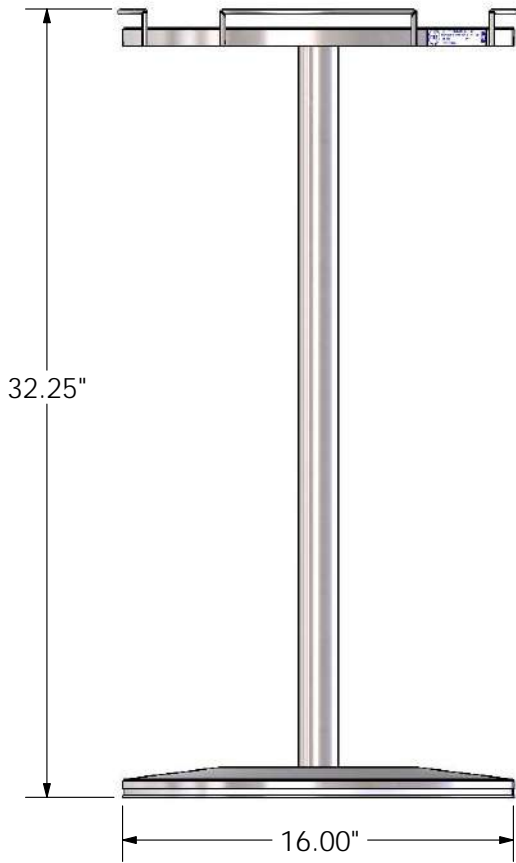


Optional plastic serving tray #5000129





Freight Class: 250
NMFC Code: 178690-S3



Order #	Model	W	H	Weight
8050003	SS-SS, S/S SAMPLING STAND	16 3/8"	32 1/4"	25 lbs.
5000128	PLASTIC TURN N SERVE DOME, 15 X 8	15"	8"	1 lb.
5000129	PLASTIC TRAY, 15 X 1, BLACK	15"	1"	1 lb.

Can't find exactly what you need? Give us a call and we'll help you with the perfect solution!

SCALE HANGERS

These attractive chrome plated scale hangers are designed to enhance your stores appearance while providing a convenient place to hang your scales

**8010014 Shown
(scale not included)**



FEATURES:

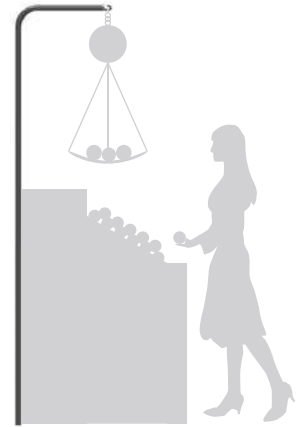
Constructed from heavy duty chrome plated steel

Scales secured in place by hooks

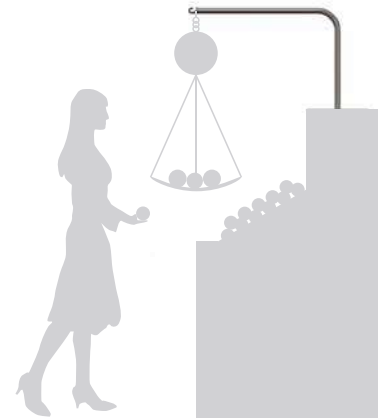
Order #8010014 comes with a welded flat base that allows for easy placement on top of a case

OPTIONS:

Order #8010015 and #8010016 do not come with mounting hardware. Indicate scale hanger mounting kit order #7010007 when placing your order. Includes (2) conduit clamps and (4) screws.



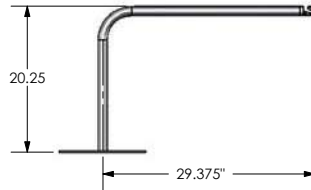
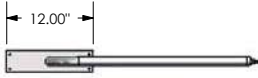
Free-Standing



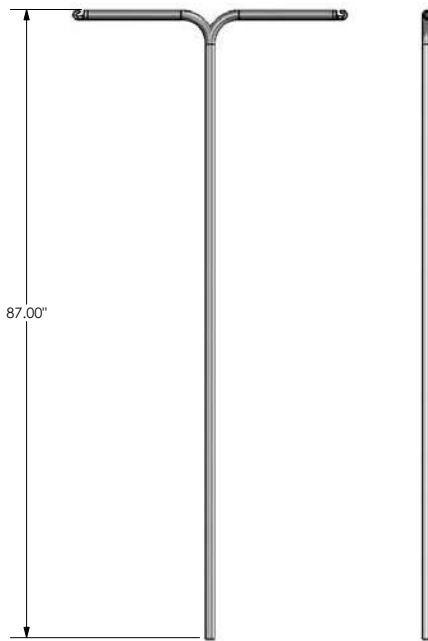
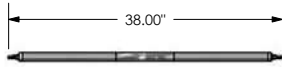
Mounted



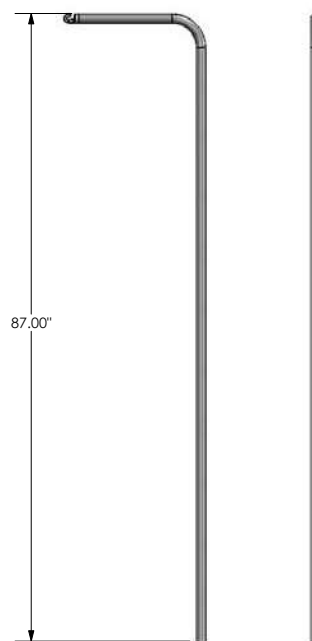
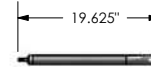
Freight Class: 250
 NMFC Code: 178690-S3



8010014



8010016



8010015

Order #	Model	W	H	Weight	Type
8010014	SH-2028, 1-SCALE HANGER	35 3/8"	20 1/2"	10 LBS.	MOUNTED
8010015	SH-8718, 1-SCALE HANGER	19 5/8"	87"	10 LBS.	FREE-STANDING
8010016	SH-8736, 2-SCALE HANGER	38"	87"	15 LBS.	FREE-STANDING

Can't find exactly what you need? Give us a call and we'll help you with the perfect solution!

PRODUCT CATALOG 2017

FOOD SERVICE



NATIONAL CART CO



Carts

Aluminum Sani Carts.149-150
Aluminum Transport Cart151-152
Bulk Mover153-154
Bussing Cart155-156
Produce Stocking Marking Cart.157-158
Produce/Stocking Cart.159-160
Utility Marking Stocking Cart.161-162
Wet Movers163-164



Can Racks

Can Racks165-166
---------------------	----------

Dollies

Aluminum Dollies.167-168
Chicken Dollies169-170

Dunnage Racks

Dunnage Racks171-172
Plastic Dunnage Rack.173-174



Pan Racks

Aluminum End Loading Pan Rack.175-176
Aluminum Side Loading Pan Rack177-178
Aluminum Z-Style Nesting Pan Rack179-180
Aluminum Valuline Platter and Bun Pan Rack.181-182
Enclosed Cabinets.183-184
Meat Platter Carts.185-186
Produce Crisping Rack.187-188
Product Lug Carts.189-190
Universal Pan Racks191-192
Universal Shelf/Platter Carts193-194

Platters and Lugs.195-196
----------------------------	----------

Preparation Tables.197-198
-----------------------------	----------

Shelving

Adjustable Sani Shelving.199-200
Aluminum Cantilevered Shelving201-202
Aluminum Wall Shelves203-204
Boat Rack.205-206
Cooler Shelving207-208
Mobile Cooler/Freezer Shelf Truck209-210
Queen Mary211-212



Thermal Wrapper213-214
---------------------------	----------

For Product Safety and Operation Manuals please visit our website at www.nationalcart.com



NATIONAL CART CO
 1-800-455-3802
nationalcart.com

ALUMINUM SANI CARTS

This versatile sanitary aluminum cart can be used in all departments to transport or store dry goods and perishables.

FEATURES:

Constructed from all welded aluminum rectangular tubing

Optional handle is removable for freight and storage savings (handles sold separately)

REPLACEMENT PARTS:

(2) Front rigid 5" x 1.25" polyurethane wheels. Replacement Order #B000325

(2) Rear swivel 5" x 1.25" polyurethane wheels. Replacement Order #B000312



*8040472 Shown
with 8040473*

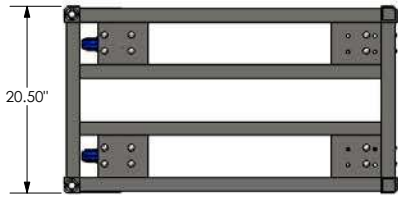
*8040479 Shown
with 8040380*

*8040475 Shown
with 8040380*

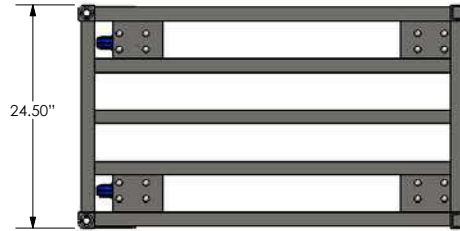




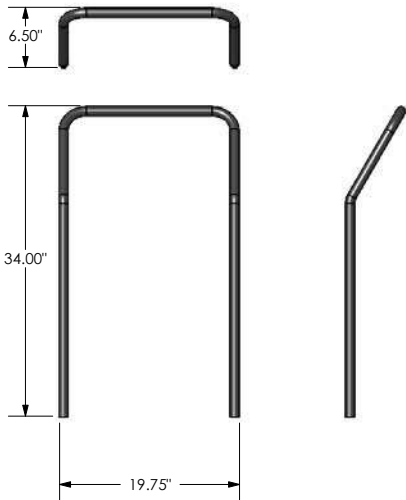
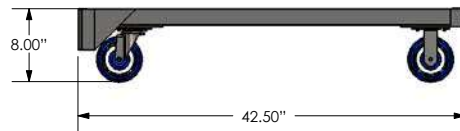
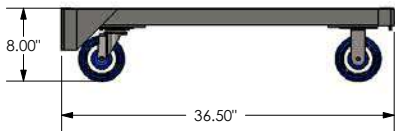
Freight Class: 300
NMFC Code: 164390-S2



8040472



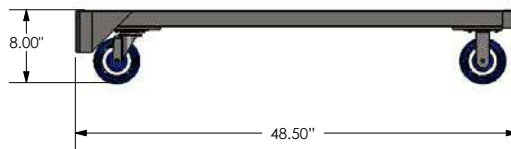
8040475



8040473



8040479

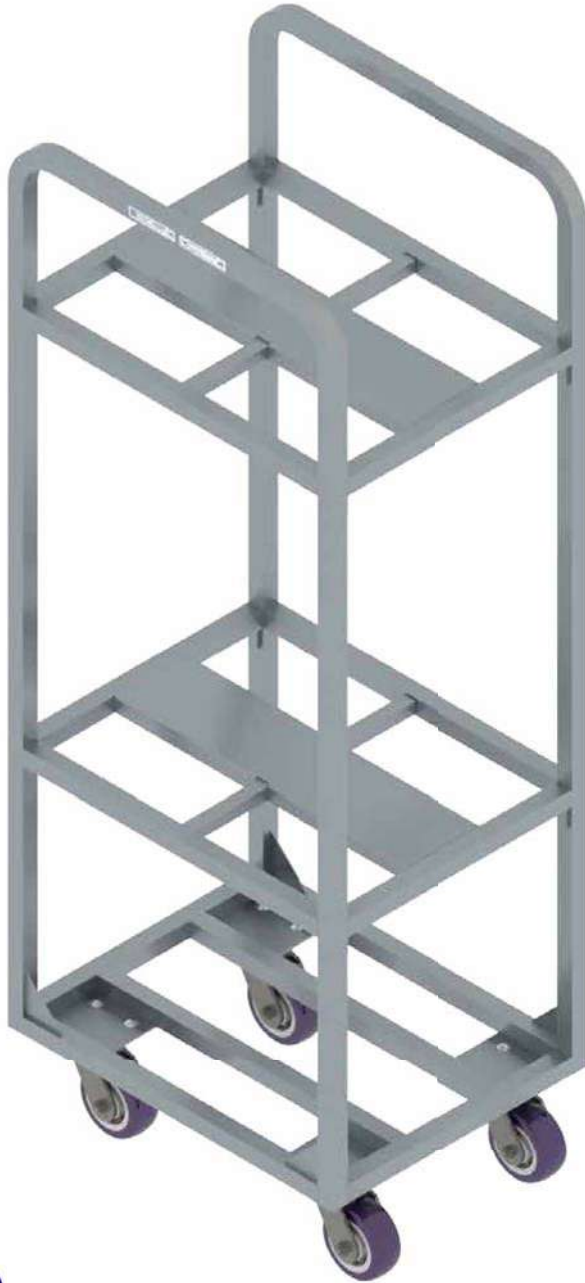


Order #	Model	W	L	H	Weight	Cart Capacity
8040472	AL-SAS-D-2036 SPEED CART DOLLY	20 1/2"	36 1/2"	8"	18 lbs.	750 lbs.
8040474	AL-SAS-D-2436 SPEED CART DOLLY	24 1/2"	36 1/2"	8"	20 lbs.	750 lbs.
8040475	AL-SAS-D-2442 SPEED CART DOLLY	24 1/2"	42 1/2"	8"	22 lbs.	750 lbs.
8040379	AL-SAS-D-2448 SPEED CART DOLLY	24 1/2"	48 1/2"	8"	24 lbs.	750 lbs.
8040473	AL-SAS-H-20 SPEED CART DOLLY HANDLE	19 3/4"	6 1/2"	34"	5 lbs.	-
8040380	AL-SAS-H-24 SPEED CART DOLLY HANDLE	23 3/4"	6 1/2"	34"	5 lbs.	-

Can't find exactly what you need? Give us a call and we'll help you with the perfect solution!

ALUMINUM TRANSPORT CART

The aluminium transport cart is ideal for transporting perishable boxes on and off trucks during distribution. The reinforced frame and heavy-duty plate casters make this cart a breeze to move heavy boxes, lugs or platters.



FEATURES:

Heavy-duty polyurethane wheels with plate casters allow for ease of transportation during distribution

Reinforced heavy-duty frame supports heavy loads

Fully welded sanitary aluminum design

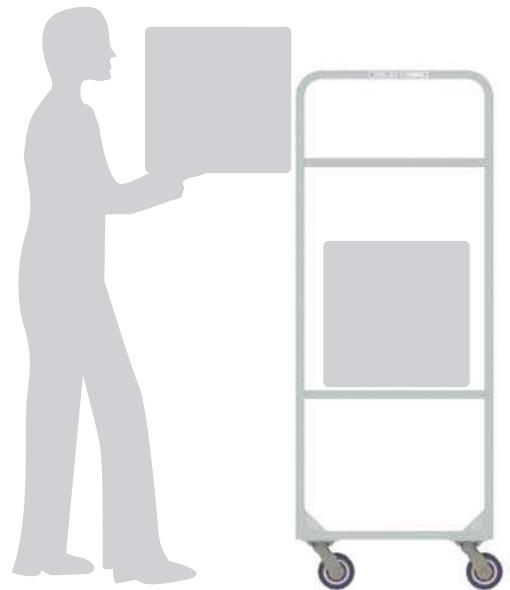
Radius corners for comfort when pushing

Cart suitable for pans, lugs, or boxed goods

750 lbs cart capacity

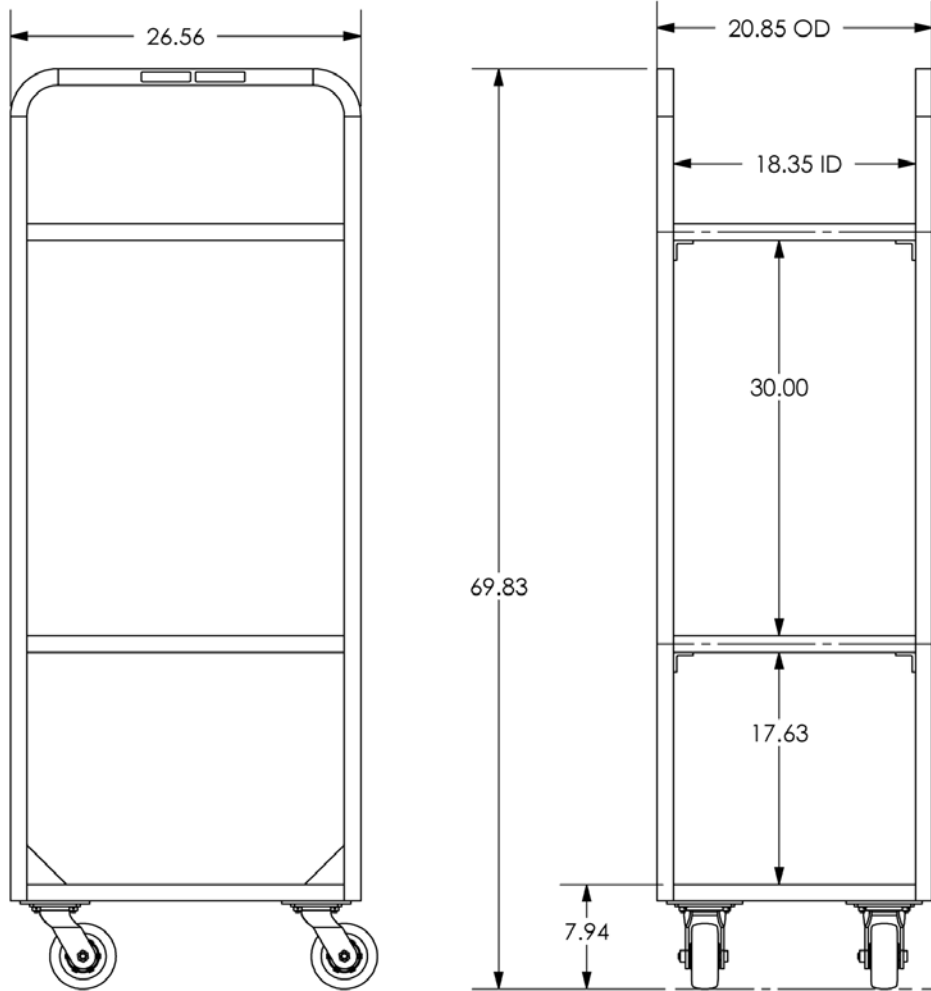
REPLACEMENT PARTS:

(4) 5" x 2" swivel casters with polyurethane wheels. Replacement order #B000626





Freight Class: 300
 NMFC Code: 164390-S2



Order #	Model	W	L	H	Number of Shelves	Weight
8041280	AL-TRPB-2126	20.85"	26.56"	69.83"	3	60 lbs.

Can't find exactly what you need? Give us a call and we'll help you with the perfect solution!

BULK MOVER

This popular pack-out cart is ideal for receiving wrapped and labeled products off conveyors. The Bulk Mover eliminates the use of unsanitary wire shopping carts to move bulk items through your prep room.

This cart is ideal for all departments.



8040012 Shown

FEATURES:

Sanitary aluminum

Legs are reinforced to handle heavy loads

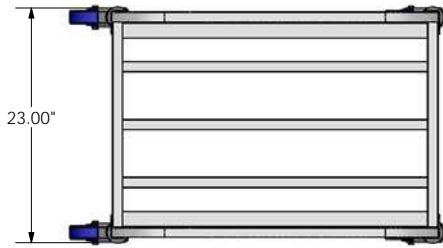
Tub is constructed of sanitary, washable polyethylene

Sanitary aluminum square tube frame

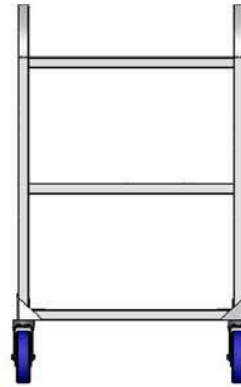
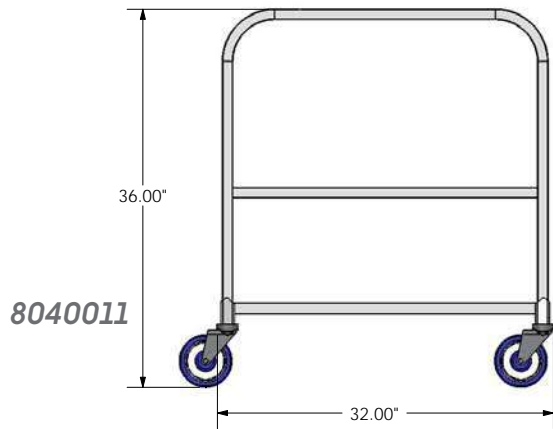
REPLACEMENT PARTS:

Rolls easily on (4) 5" x 1.25" polyurethane swivel casters. Replacement Order #B000025

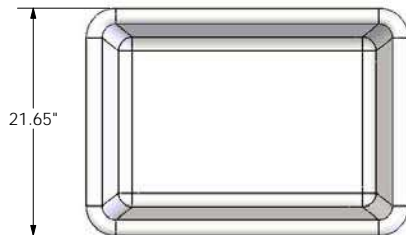




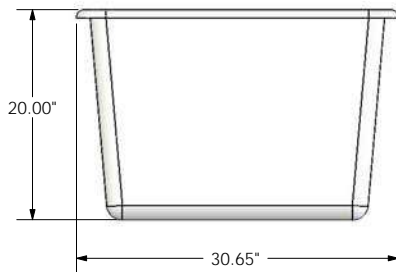
Freight Class: 300
NMFC Code: 164390-S2



8040011



B000167



Order #	Model	Description	W	L	H	Weight
8040011	AL-2029BM, AL 6-BUSHEL BULK MOVER	Frame	20"	28"	28"	22 lbs.
B000167	BULK MOVER TUB, WHT PLASTIC SL-6	Tub	23"	33"	28"	20 lbs.
8040012	2029BMPT, AL 6 BUSHEL BULK MOVER	Frame & Tub	23"	33"	36"	57 lbs.

Can't find exactly what you need? Give us a call and we'll help you with the perfect solution!

BUSSING CART

Ideal 3 shelf cart for bussing, serving or general stocking. Unit comes in aluminum or stainless steel to fit any customer's need or preference.

The attractive design is appropriate for any occasion.



8040569 Shown

FEATURES:

All welded construction

400 lb. capacity

13" shelf spacing

OPTIONS:

Aluminum or stainless steel construction

REPLACEMENT PARTS:

5" x 1.25" polyurethane wheels .

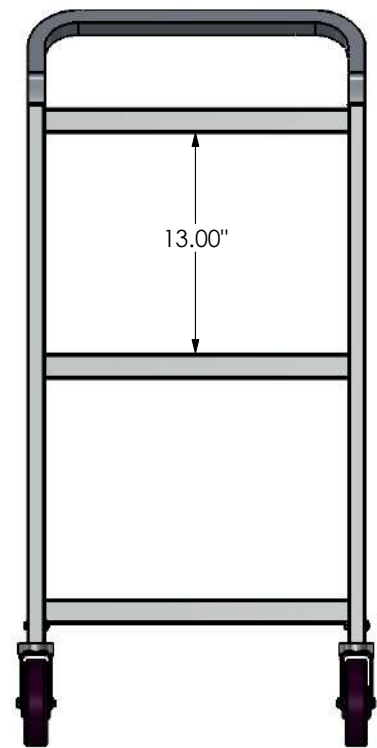
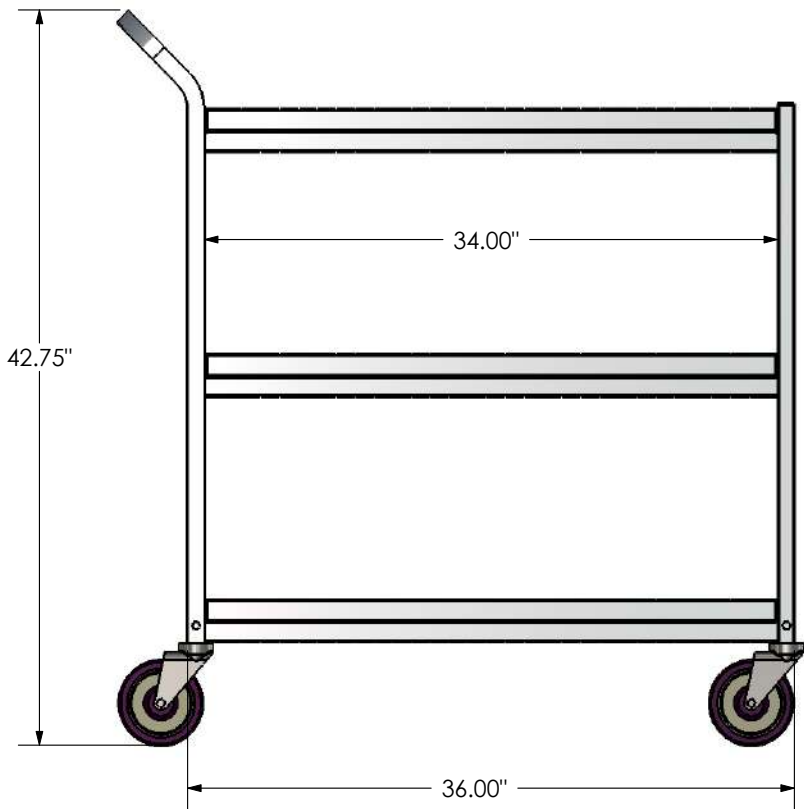
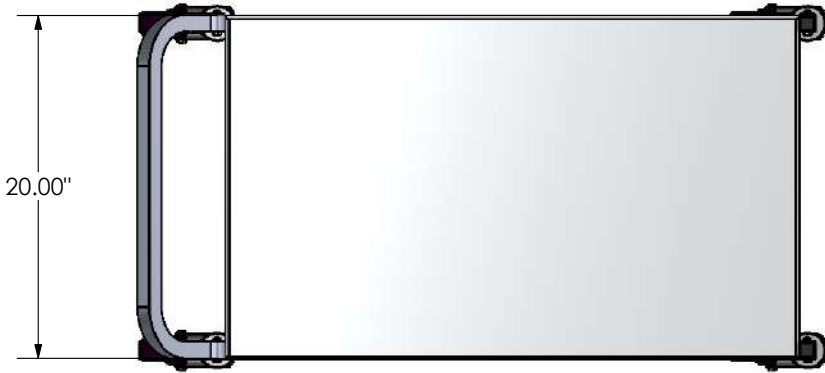
Replacement Order #B000325





8040569

Freight Class: 300
NMFC Code: 164390-S2



Order #	Model	W	L	H	Capacity	Weight
8040569	AL-BC-2036-3	20"	36"	42 3/4"	300 lbs.	35 lbs.
8050009	SS-BC-2036-3	20"	36"	42 3/4"	300 lbs.	59 lbs.

Can't find exactly what you need? Give us a call and we'll help you with the perfect solution!

PRODUCE STOCKING MARKING CARTS

This versatile cart is a transporter of both dry and perishable goods with convenient work height.

Custom Colors Available



8000071

FEATURES:

Constructed from all welded steel tubing.

Economical yet durable cart will provide years of trouble free service

Cart comes powder coated green (Solid top unit comes with galvanized deck 8000071)

OPTIONS:

Full perimeter bumper (inquire with your customer service representative)

Corner bumpers available on no handle unit only

Galvanized deck (inquire with your customer service representative)

8000029



8000166

REPLACEMENT PARTS:

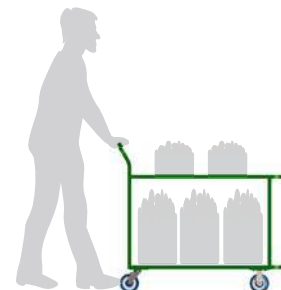
8000029 and Model: (2) 5" x 1.25" rigid casters with polyurethane wheels, Order #B000325 and (2) 5" x 1.25" swivel casters with polyurethane wheels, Order #B000312. Fasteners Replacement Order #B000543 and #B001257.

8000071 Model: (4) 5" x 1.25" swivel casters with polyurethane wheels, Order #B000312. Fasteners Replacement Order #B000543 and #B001257.

8000166 Model: (2) 5" x 1.25" polyurethane swivel casters. Replacement order #B000359. Fasteners replacement order #B000332 (nut) #B000075 (flat washer) . (2) 5" x 1.25" swivel casters with polyurethane wheels, Order #B000312. Fasteners Replacement Order #B000543 and #B001257.



Optional galvanized deck is removable for washing. Only available for 8000071. Order #3000083

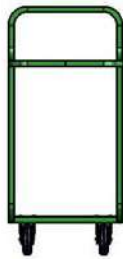
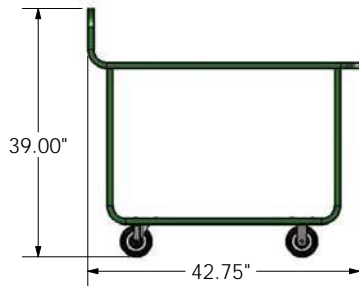
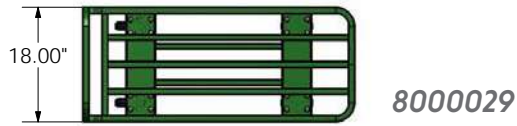


NATIONAL CART CO

1-800-455-3802
nationalcart.com



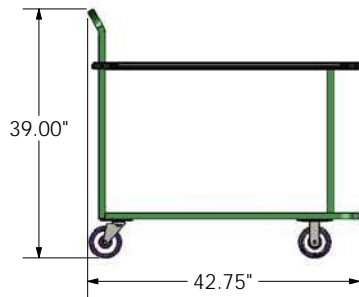
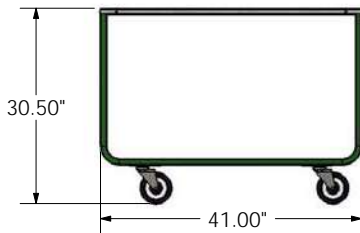
Freight Class: 150
NMFC Code: 188560-S4



8000166



8000071



Order #	Model	W	L	H	Cart Capacity	Weight	Material	Full Perimeter Bumpers
8000029	ST-1841-PC, PRODUCE/STOCK CART	18"	43"	39"	700 lbs.	51 lbs.	Steel	No
8000071	ST-1841-PC-TGNH PRODUCE/STOCK CART	18"	41"	30 1/2"	700 lbs.	60 lbs.	Steel	No
8000166	ST-1841-PC-FPB PRODUCE STOCK CART	20"	43 1/2"	30 1/2"	700 lbs.	65 lbs.	Steel	Yes

Can't find exactly what you need? Give us a call and we'll help you with the perfect solution!

PRODUCE/STOCKING CARTS

This versatile cart is an ideal transporter from back room to sales floor. Its heavy duty all sanitary aluminum construction is suitable for produce as well as other departments.



FEATURES:

All welded sanitary aluminum frame

Heavy duty t-bar cross members

Sanitary cart comes fully assembled for immediate use

Welded handle for superior control

OPTIONS:

Full Perimeter Bumper (FPB) version available (Contact your customer service representative)

REPLACEMENT PARTS:

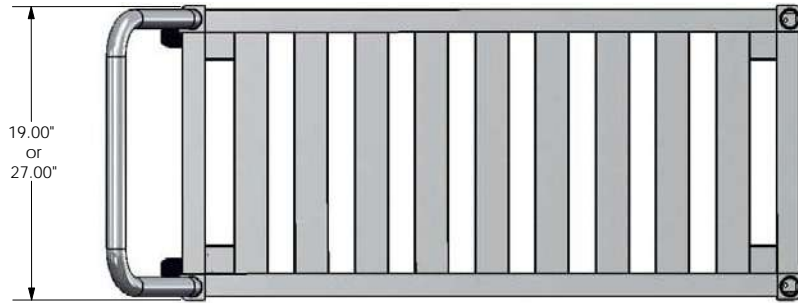
4 Wheel Design: (2) 5" x 1.25" front rigid polyurethane casters and (2) 5" x 1.25" rear swivel polyurethane casters

6 Wheel Design: (2) 5" x 1.25" polyurethane casters and (4) swivel polyurethane corner casters

Rigid Casters Replacement Order #B000325

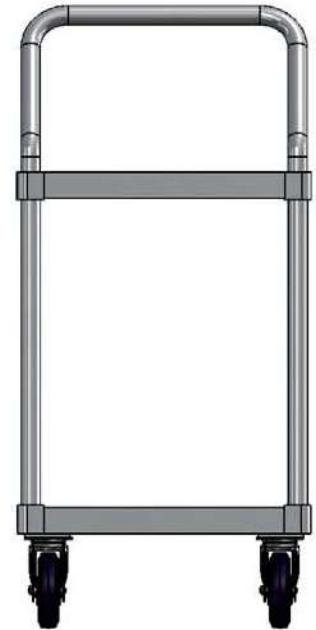
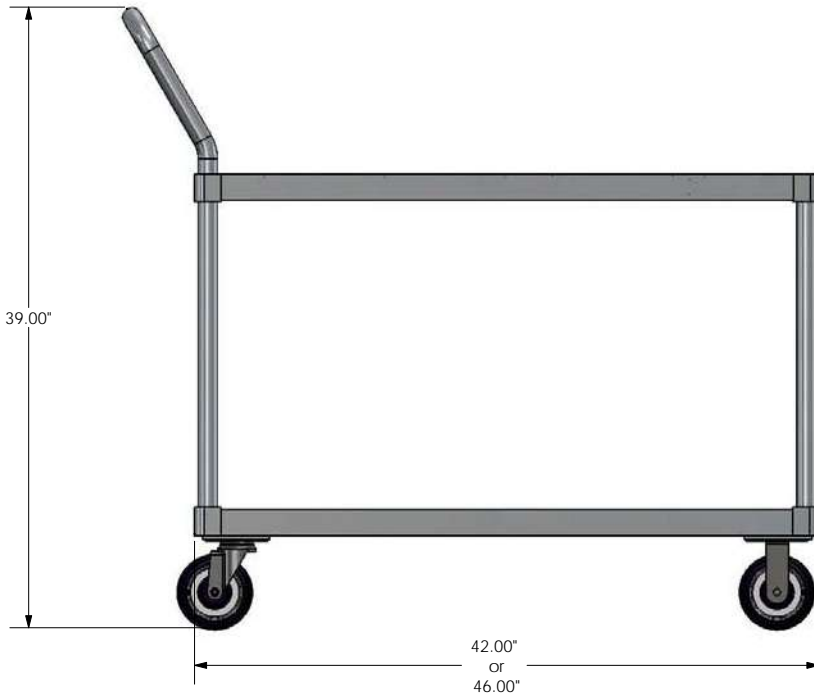
Swivel Casters Replacement Order #B000312

Fasteners Replacement Order #B000221 and #B000090



Freight Class: 300
NMFC Code: 164390-S2

8040328



Order #	Model	W	L	H	Capacity	Weight	Full Perimeter Bumpers
8040328	ST-1942-4-SAS AL STOCK TRUCK	19"	42"	39"	500 lbs.	38 lbs.	No
8041224	ST-1942-4-SAS-FPB AL STOCK TRUCK	19"	42"	39"	500 lbs.	38 lbs.	Yes
8040329	ST-1942-6-SAS AL STOCK TRUCK	19"	42"	39"	750 lbs.	59 lbs.	No
8040330	ST-2746-4-SAS AL STOCK TRUCK	27"	46"	39"	1000 lbs.	61 lbs.	No
8040331	ST-2746-6-SAS AL STOCK TRUCK	27"	46"	39"	1000 lbs.	57 lbs.	No

Can't find exactly what you need? Give us a call and we'll help you with the perfect solution!

UTILITY MARKING STOCKING CARTS

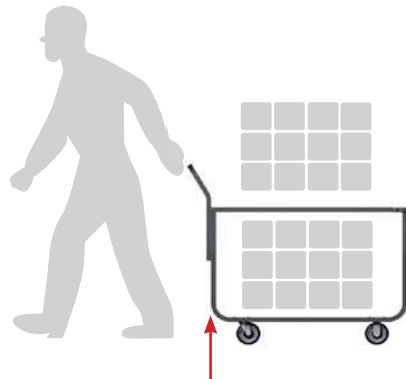
This versatile stock cart is an excellent transporter for stock room and sales floor. Its heavy duty galvanized construction makes this unit suitable for produce as well as other departments.

The perfect solution to all your transportation requirements.

8000151



8041242



Radius bottom corners are Achilles heel friendly

FEATURES:

All welded square galvanized tube frame

Solid upper shelf and a tube style lower shelf

Straight leg design along with 2 standard front bumpers

Innovative design virtually eliminate any marring or scratching of your cases

Convenient counter height top with large working surface

OPTIONS:

Full Perimeter Bumpers (FPB) version available (Contact your customer service representative)

REPLACEMENT PARTS:

2 rear swivel casters with 5" x 1.25" polyurethane wheels. Replacement Order #B000312

2 front rigid casters with 5" x 1.25" polyurethane wheels. Replacement Order #B000325

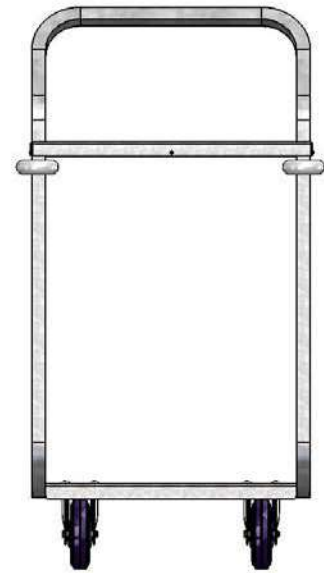
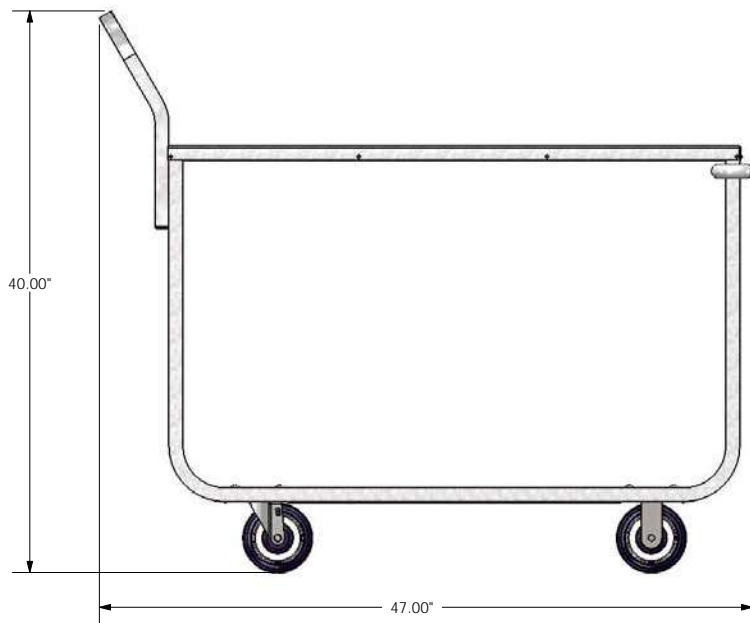
Replacement Bumpers Order #B001075





Freight Class: 150
NMFC Code: 188560-S4

8000151



Order #	Model	W	L	H	Cart Capacity	Weight	Full Perimeter Bumpers	Material
8000151	ST-2042-A, HD GALV STOCK TRUCK	20"	47"	40"	1000 lbs.	54 lbs.	No	Steel
8000256	ST-2042-A-FPB HD GALV STOCK TRUCK	20"	47"	40"	1000 lbs.	54 lbs.	Yes	Steel
8000257	ST-1734-A GALV STOCK TRUCK	17"	38"	40"	1000 lbs.	61 lbs.	No	Steel
8041242	AL-ST2044HD AL STOCK TRUCK	20"	52"	43"	750 lbs	30 lbs	No	Aluminum

Can't find exactly what you need? Give us a call and we'll help you with the perfect solution!

WET MOVERS

Ideal cart to transport wet items such as produce, flowers, or any other products that may leak. Reversible pan design captures moisture and reduces slip and fall accidents while efficiently transporting products.



8040332
Aluminum

8000072
Galvanized



Both shelves are reversible on aluminum models



Top shelf is reversible on galvanized model



ALUMINUM UNIT FEATURES:

(8040332) Constructed from all welded heavy duty sanitary aluminum

Both shelves are removable and reversible for easy cleaning

Cart comes with either (4) wheels or the heavy duty (6) wheel design

Ships fully assembled for immediate use

GALVANIZED UNIT FEATURES:

(8000072) Ships fully assembled for immediate use

All welded heavy duty galvanized steel

Top shelf is removable and reversible for easy cleaning.

OPTIONS:

Full Perimeter Bumper (FPB) (inquire with your customer service representative for ordering)

REPLACEMENT PARTS:

8040332 and 8041059 4-Wheel Model: (2) front 5" x 1.25" rigid casters with polyurethane wheels, Order #B000325 and (2) rear 5" x 1.25" swivel casters with polyurethane wheels, Order #B000312. Fasteners Replacement Order #B000543 and #B001257.

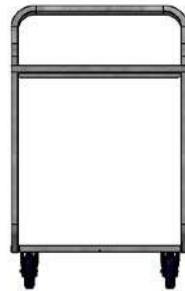
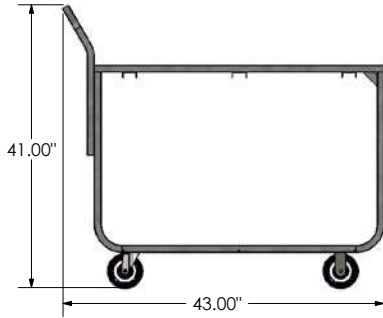
8040333 and 8041060 6-Wheel Model: (2) center 5" x 1.25" rigid casters with polyurethane wheels, Order #B000325. (4) corner 5" x 1.25" swivel casters with polyurethane wheels, Order #B000312. Fasteners Replacement Order #B000543, #B001257, and #B000923.

80000072 4-Wheel Model: (2) front 5" x 1.25" rigid casters with polyurethane wheels, Order #B000325 and (2) rear 5" x 1.25" swivel casters with polyurethane wheels, Order #B000312. Fasteners Replacement Order #B000062 and #B001257.



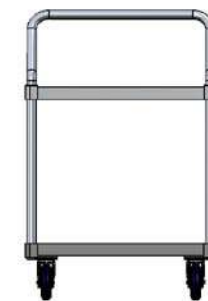
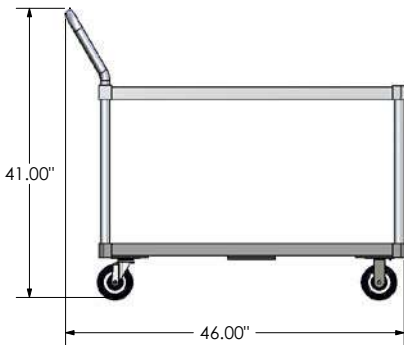
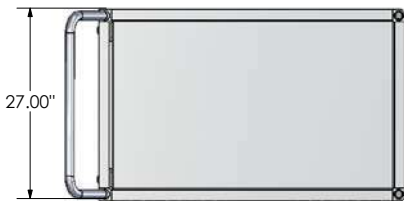
NATIONAL CART CO

1-800-455-3802
nationalcart.com



8000072

Freight Class: 300
NMFC Code: 164390-S2



8040332

Order #	Model	W	L	H	# of Casters	Cart Capacity	Weight	Full Perimeter Bumpers
8040332	AL-WPM-2746-4 WET PRODUCE MOVER	27"	46"	41"	4	750 lbs.	54 lbs.	No
8041059	AL-WPM-2746-4 FPB WET PRODUCE MOVER	27"	46"	41"	4	750 lbs.	54 lbs.	Yes
8040333	AL-WPM-2746-6 WET PRODUCE MOVER	27"	46"	41"	6	1000 lbs.	58 lbs.	No
8041060	AL-WPM-2746-6 FPB WET PRODUCE MOVER	27"	46"	41"	6	1000 lbs.	58 lbs.	Yes

Can't find exactly what you need? Give us a call and we'll help you with the perfect solution!

CAN RACKS

Can racks are the ideal way to organize over crowded shelves. They insure first in, first out stock rotation while allowing easy access to commonly used products.



8040677



8040711

FEATURES:

Units come in half size (54 can) and full size (162 can) models

All models can be equipped with (4) 5" swivel casters (2 locking)

Half size unit available with an optional poly or stainless work top

Gravity feed system allows easy access to cans on all levels

Constructed from heavy wall aluminum tube and heavy duty aluminum runners

Both racks accept #10 cans

OPTIONS:

Poly top on half size model
(Contact your customer sales representative)

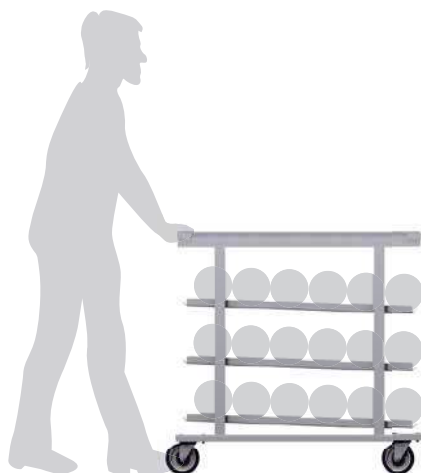
Stainless steel top on half size model
(Contact your customer sales representative)

Mobile unit and stationary unit

REPLACEMENT PARTS:

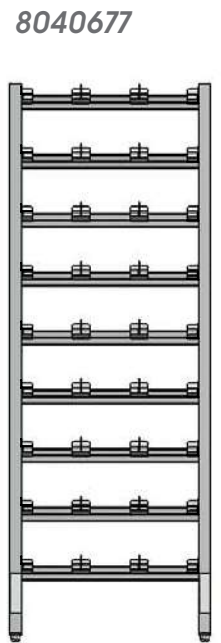
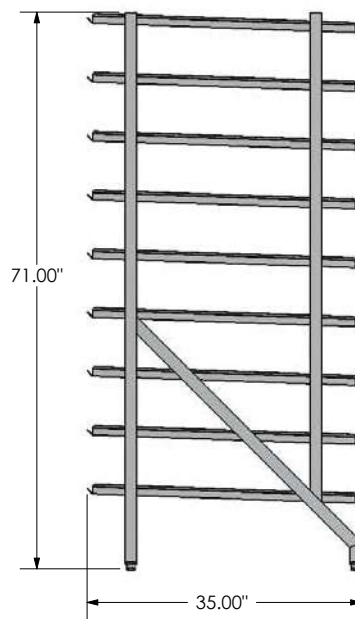
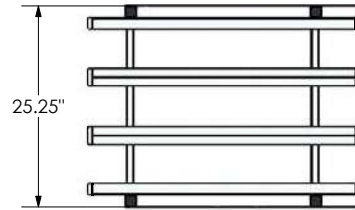
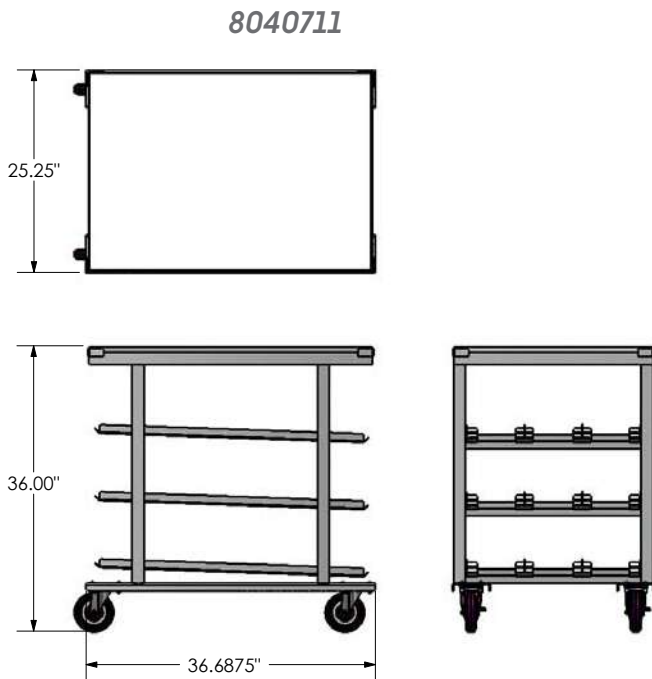
(2) 5" x 1.25" polyurethane wheels replacement order #B000312.

(2) 5" x 1.25" polyurethane wheels with brake replacement order #B000435.





Freight Class: 300
NMFC Code: 164390-S2



Mobile Rack

Order #	Model	W	L	H	Capacity	Weight
8040710	AL-MCR-54-SST-FS	25 1/4"	36 11/16"	36"	54	68 lbs.
8040711	AL-MCR-54-PT-FS	25 1/4"	36 11/16"	36"	54	69 lbs.
8040687	AL-MCR-54-FS	25 1/4"	36 11/16"	36"	54	44 lbs.
8040709	AL-MCR-162-FS CAN RACK	25 1/4"	39 1/2"	77"	162	91 lbs.

Stationary Rack

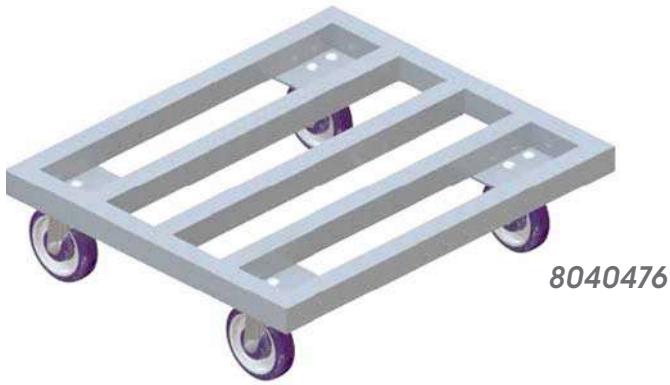
Order #	Model	W	L	H	Capacity	Weight
8040677	AL-CR-162-FS CAN RACK (stationary)	25 1/4"	35"	71"	162	75 lbs.

Can't find exactly what you need? Give us a call and we'll help you with the perfect solution!

ALUMINUM DOLLIES

Traditionally used to transport product from loading dock to cooler and cooler to preparation areas.

Conveniently sized to provide maximum efficiency while occupying minimal space.



FEATURES:

Solid unit is designed and constructed from heavy gauge sanitary aluminum

Solid unit comes with a flat surface that features folded edges and hole for an optional pull handle

Tubular unit is all welded heavy duty sanitary aluminum tube that allows for greater capacities and better air circulation

OPTIONS:

Pull Handle (PH) Order #8040408

REPLACEMENT PARTS:

(4) 5" x 1.25" flat plate swivel casters with polyurethane wheels.

Caster/Wheel Replacement Order number for all dollies except 8040476 #B000312. Fasteners Order #B000543 and #B001257.

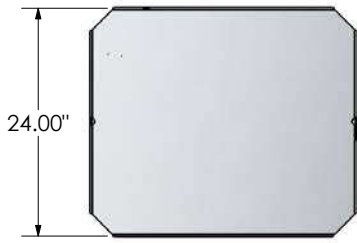
8040476 Replacement Caster/Wheel Order #B000312. Fasteners Order #B000102 and #B000059.



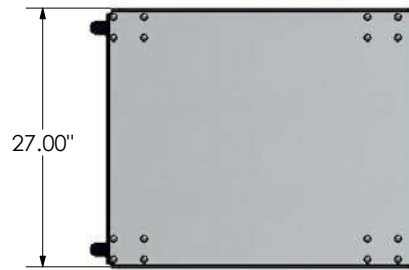
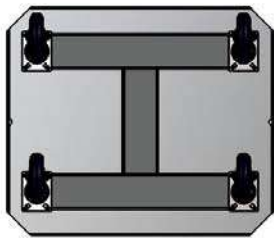


Order #8040297, 8040298, 8040408,
8040476. Freight Class: 300
NMFC Code: 164390-S2

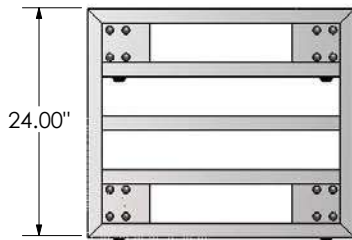
Order #8040300, 8040301, 8040570,
8040299. Freight Class: 100
NMFC Code: 188560-S2



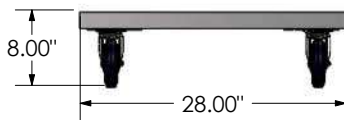
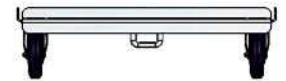
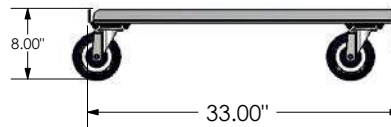
8040297



8040570



8040476



Order #	Model	Description	W	L	H	Cart Capacity	Weight
8040297	AL-BBD-2428 BOXED BEEF DOLLY	Solid Design	24"	28"	7"	1000 lbs.	20 lbs.
8040298	AL-BBD-2433 BOXED BEEF DOLLY	Solid Design	24"	33"	7"	1000 lbs.	25 lbs.
8040300	AL-BBD-2440 BOXED BEEF DOLLY	Solid Design	24"	40"	7"	1000 lbs.	30 lbs.
8040301	AL-BBD-2733 BOXED BEEF DOLLY	Solid Design	27"	33"	7"	1000 lbs.	25 lbs.
8040299	AL-BBD-2433-T TUBULAR BXD BEEF DOLY	Tube Design	24"	33"	8"	1000 lbs.	20 lbs.
8040476	AL-BBD-2428-T TBLR BXD BEEF DOLLY	Tube Design	24"	28"	8"	1000 lbs.	19 lbs.
8040570	AL-UDK-2733 ALUM. UNIVERSAL DOLLY	Solid Design	27"	33"	8"	750 lbs.	20 lbs.
8040408	PH-1 PULL HANDLE FOR CHICKEN DOLLY	-	-	30"	-	-	2 lbs.

Can't find exactly what you need? Give us a call and we'll help you with the perfect solution!

CHICKEN DOLLIES

This durable low profile dolly is perfect for transporting boxed poultry from back room to sales floor.

It can also be used to move fried chicken with the optional drip pan.



8050041
Stainless Steel



8040235
Aluminum



**8040235 shown with
8040408
and 8041004**



8041004



8040408

STAINLESS STEEL FEATURES:

(8050041)

Constructed from all welded stainless steel

Top pan works as a drip free prep area

Runners below fit 18 x 26 pans

ALUMINUM FEATURES: (

8040235)

Constructed from all welded sanitary aluminum tube

Ships fully assembled

Dolly reduces spoilage and permits air circulation

Optional drip pan catches all drippings from thawing boxes (Does not come with dolly. Order separately)

Angular drip flange diverts drippings to drip pan

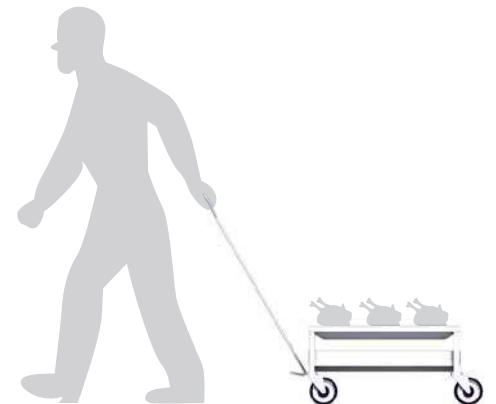
OPTIONS:

Pull Handle (PH-1) Order #8040408

Drip Pan (AL-DP) Order #8041004

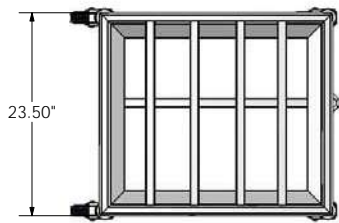
REPLACEMENT PARTS:

Maneuvers easily on (4) 5" x 1.25" swivel casters with polyurethane wheels. Replacement Order #B000025

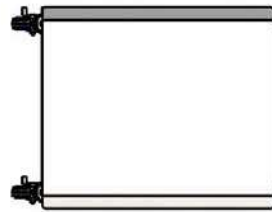




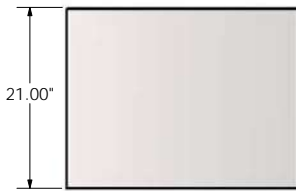
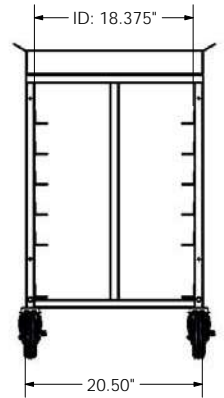
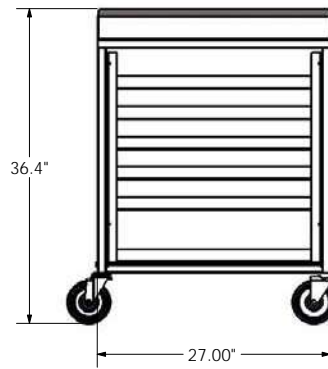
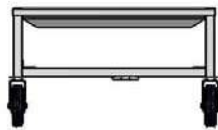
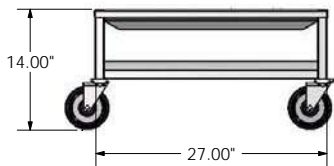
Freight Class: 300
NMFC Code: 164390-S2



8050041
Stainless Steel



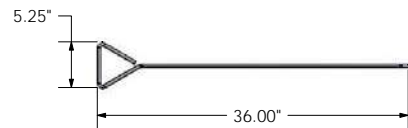
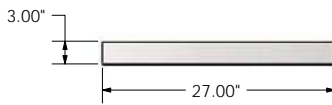
8040235
Aluminum



8041004



8040408



Order #	Model	W	L	H	Capacity	Weight	NSF	Material
8050041	SS-CFD-2027 CHICKEN FRY DOLLY	23"	27"	36.4"	500 lbs.	82 lbs.	NO	Stainless Steel
8040235	SS-CD-2127 CHICKEN DOLLY 500# CAP.	23"	27"	14"	500 lbs.	19 lbs.	YES	Aluminum
8040408	PH-1 PULL HANDLE FOR CHICKEN DOLLY	5"	-	36"	n/a	2 lbs.	NO	Stainless Steel
8041004	AL-DP DRIP PAN, CHICKEN DOLLY	21"	27"	3"	n/a	4 lbs.	NO	Aluminum

Can't find exactly what you need? Give us a call and we'll help you with the perfect solution!

DUNNAGE RACKS

Securely stores product off the floor and allows air to flow around the entire product. Prolong package life while permitting cleaning under the product.



8040086



8040085



8040088



8040071



8040065

FEATURES:

All welded sanitary aluminum

Heavy duty tube provides a long and durable, rustproof life

Durable, yet light weight

Wide base for sturdy storage

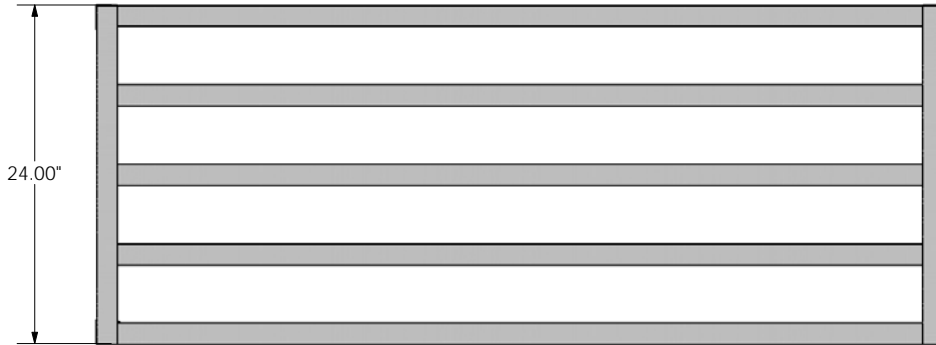
REPLACEMENT PARTS:

Base cap replacement. Order #B000407

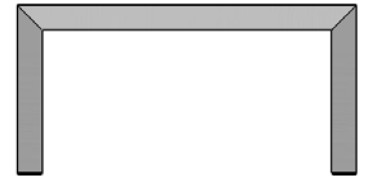
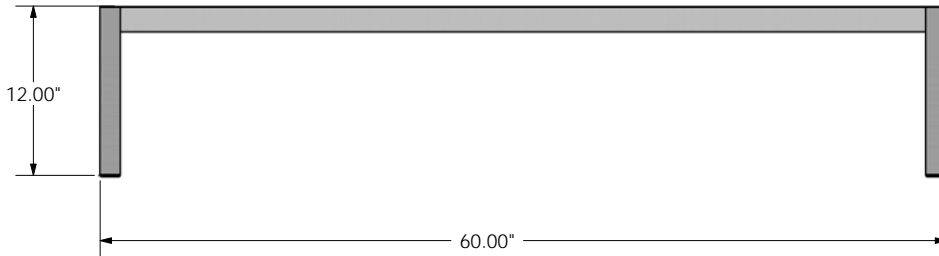




Freight Class: 300
NMFC Code: 164390-S2



8040085



Order #	Model	W	L	H	Capacity	Weight
8040065	AL-DR18368 DUNNAGE RACK, 3,000 LB	18"	36"	8"	3000 lbs.	9 lbs.
8040066	AL-DR18488 DUNNAGE RACK, 2,500 LB	18"	48"	8"	2500 lbs.	11 lbs.
8040067	AL-DR18608 DUNNAGE RACK, 2,000 LB	18"	60"	8"	2000 lbs.	13 lbs.
8040068	AL-DR183612 DUNNAGE RACK, 3,000 LB	18"	36"	12"	3000 lbs.	10 lbs.
8040069	AL-DR184812 DUNNAGE RACK, 2,500 LB	18"	48"	12"	2500 lbs.	11 lbs.
8040070	AL-DR186012 DUNNAGE RACK, 2,000 LB	18"	60"	12"	2000 lbs.	13 lbs.
8040071	AL-DR20368 DUNNAGE RACK, 3,000 LB	20"	36"	8"	3000 lbs.	9 lbs.
8040072	AL-DR20488 DUNNAGE RACK, 2,500 LB	20"	48"	8"	2500 lbs.	11 lbs.
8040073	AL-DR20608 DUNNAGE RACK, 2,000 LB	20"	60"	8"	2000 lbs.	13 lbs.
8040074	AL-DR20728 DUNNAGE RACK, 2,000 LB	20"	72"	8"	2000 lbs.	15 lbs.
8040075	AL-DR203612 DUNNAGE RACK, 3,000 LB	20"	36"	12"	3000 lbs.	10 lbs.
8040076	AL-DR204812 DUNNAGE RACK, 2,500 LB	20"	48"	12"	2500 lbs.	12 lbs.
8040077	AL-DR206012 DUNNAGE RACK, 2,000 LB	20"	60"	12"	2000 lbs.	14 lbs.
8040078	AL-DR207212 DUNNAGE RACK, 2,000 LB	20"	72"	12"	2000 lbs.	16 lbs.
8040079	AL-DR24368 DUNNAGE RACK, 3,000 LB	24"	36"	8"	3000lbs.	11 lbs.

Order #	Model	W	L	H	Capacity	Weight
48040080	AL-DR24488 DUNNAGE RACK, 2,500 LB	24"	48"	8"	2500 lbs.	13 lbs.
8040081	AL-DR24608 DUNNAGE RACK, 2,000 LB	24"	60"	8"	2000 lbs.	15 lbs.
8040082	AL-DR24728 DUNNAGE RACK, 2,000 LB	24"	72"	8"	2000 lbs.	17 lbs.
8040083	AL-DR243612 DUNNAGE RACK, 3,000 LB	24"	36"	12"	3000 lbs.	11 lbs.
48040084	AL-DR244812 DUNNAGE RACK, 2,500 LB	24"	48"	12"	2500 lbs.	14 lbs.
8040085	AL-DR246012 DUNNAGE RACK, 2,000 LB	24"	60"	12"	2000 lbs.	16 lbs.
8040086	AL-DR247212 DUNNAGE RACK, 2,000 LB	24"	72"	12"	2000 lbs.	21 lbs.
8040087	AL-DR30368 DUNNAGE RACK, 3,000 LB	30"	36"	8"	3000 lbs.	12 lbs.
8040088	AL-DR30488 DUNNAGE RACK, 2,500 LB	30"	48"	8"	2500 lbs.	14 lbs.
8040089	AL-DR30608 DUNNAGE RACK, 2,000 LB	30"	60"	8"	2000 lbs.	16 lbs.
8040090	AL-DR30728 DUNNAGE RACK, 2,000 LB	30"	72"	8"	2000 lbs.	18 lbs.
8040091	AL-DR303612 DUNNAGE RACK, 3,000 LB	30"	36"	12"	3000 lbs.	13 lbs.
8040092	AL-DR304812 DUNNAGE RACK, 2,500 LB	30"	48"	12"	2500 lbs.	16 lbs.
8040093	AL-DR306012 DUNNAGE RACK, 2,000 LB	30"	60"	12"	2000 lbs.	21 lbs.
8040094	AL-DR307212 DUNNAGE RACK, 2,000 LB	30"	72"	12"	2000 lbs.	25 lbs.

Can't find exactly what you need? Give us a call and we'll help you with the perfect solution!

PLASTIC DUNNAGE RACK

Securely stores product off floor as well as permitting air flow around the entire product. Prolong package life while permitting cleaning under the product.

This plastic dunnage rack is very versatile looks great in back rooms and storage areas, or as a display merchandiser on the store floor.



FEATURES:

One piece seamless construction that requires no assembly

Rust and corrosion free

Heavy duty construction can hold up to 3,000 pounds

Molded of 100% recyclable material

Durable, yet light weight

Wide base for sturdy storage

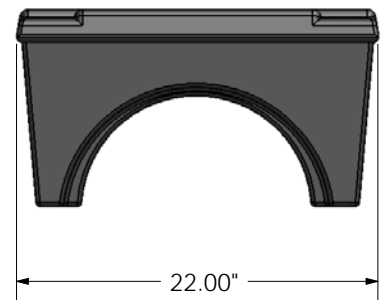
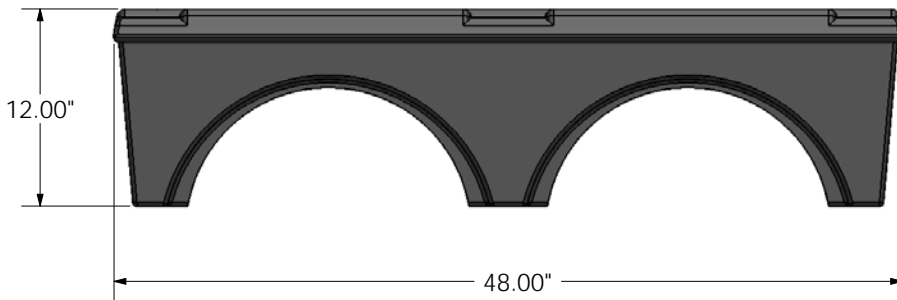
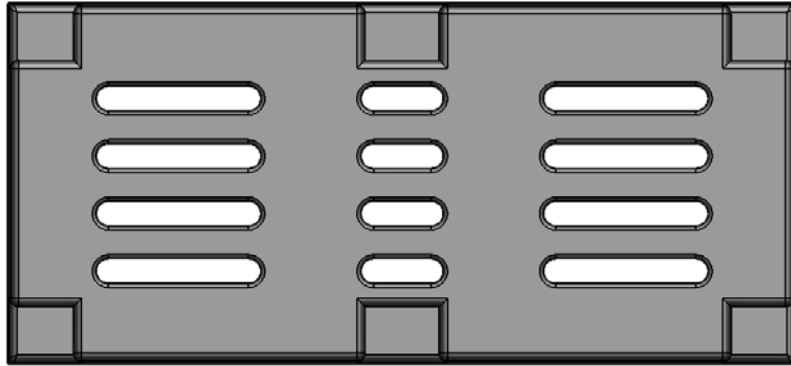
Corner pockets allow dunnage rack to be stackable for storage or shipping needs

Stackable for easy storage





Freight Class: 100
 NMFC Code:156600-S6



Order #	Model	W	L	H	Capacity	Weight
5000150	PL-DR-224812-BLK, PLASTIC DUNNAGE RACK	22"	48"	12"	3000 lbs.	21 lbs.

Can't find exactly what you need? Give us a call and we'll help you with the perfect solution!

ALUMINUM END LOADING PAN RACK

These sturdy aluminum pan racks are suitable for many different applications.

Available in both end loading and side loading models for 18" x 26" pans.



FEATURES:

Sanitary square aluminum tube

Radius corners for comfort when pushing

Heavy gauge aluminum angle runners with two position weld

Standard rack includes (4) swivel casters with polyurethane wheels

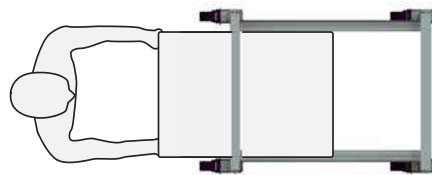
OPTIONS:

(4) 5" x 1.25" flat plate swivel casters with Heavy duty caster channel. Channel protects the caster from the environment and prolongs the useful life of the casters (inquire with your customer service representative)

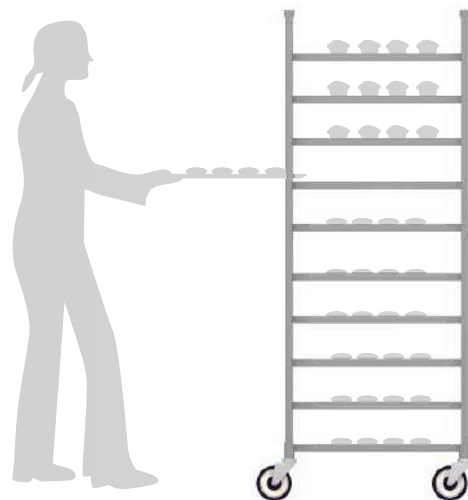
Tray Stop (inquire with your customer service representative)

REPLACEMENT PARTS:

(4) 5" x 1.25" swivel casters with polyurethane wheels. Replacement order #B000025

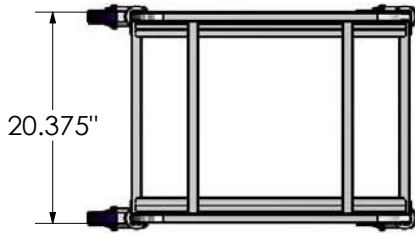


End Load

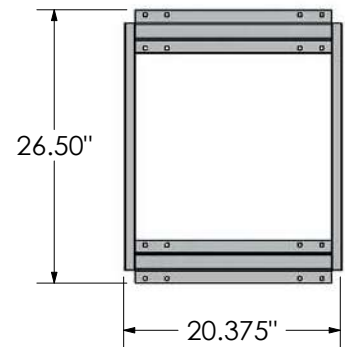
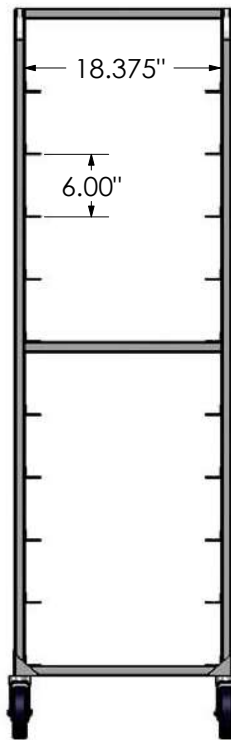
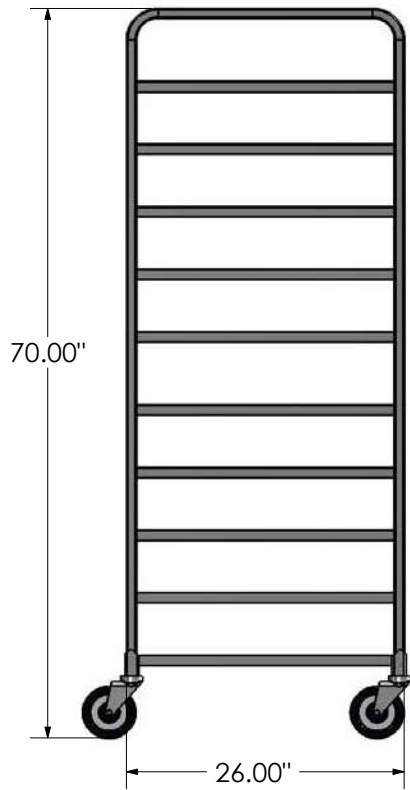




8040959



Freight Class: 300
NMFC Code: 164390-S2



*Base assembly for
plate swivel casters*

Order #	Model	W	L	H	Shelf Spacing	Pan Capacity	Weight
8040959	AL-1810B END LOAD PAN RACK	20 3/8"	26"	70"	6"	10	22 lbs.
8040960	AL-1812B END LOAD PAN RACK	20 3/8"	26"	70"	5"	12	37 lbs.
8040902	AL-1815B END LOAD PAN RACK	20 3/8"	26"	70"	4"	15	42 lbs.
8040903	AL-1818B END LOAD PAN RACK	20 3/8"	26"	70"	3"	18	42 lbs.
8040904	AL-1820B END LOAD PAN RACK	20 3/8"	26"	70"	3"	20	48 lbs.
8040905	AL-1830B END LOAD PAN RACK	20 3/8"	26"	70"	2"	30	61 lbs.

Can't find exactly what you need? Give us a call and we'll help you with the perfect solution!

ALUMINUM SIDE LOADING PAN RACK

These sturdy aluminum pan racks are suitable for many different applications.

Available in both end loading and side loading models for 18" x 26" pans.



8040910

Shown with optional flat plate swivel casters and protective hat channel.

Contact your sales representative for more details.

FEATURES:

Sanitary square aluminum tube

Radius corners for comfort when pushing

Heavy gauge aluminum angle runners

Standard Rack includes (4) swivel casters with polyurethane wheels

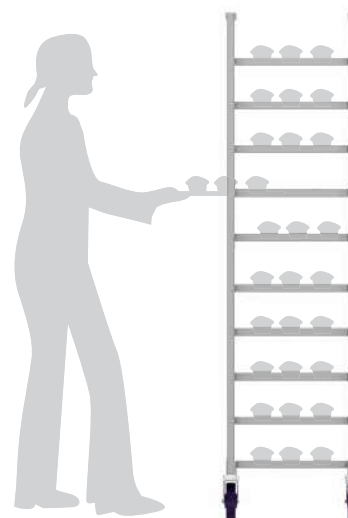
OPTIONS:

(4) 5" x 1.25" flat plate swivel casters with Heavy duty caster channel. Channel protects the caster from the environment and prolongs the useful life of the casters (inquire with your customer service representative)

Tray Stop (inquire with your customer service representative)

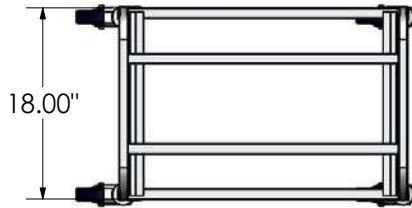
REPLACEMENT PARTS:

(4) 5" x 1.25" swivel casters with polyurethane wheels. Replacement order #B000025

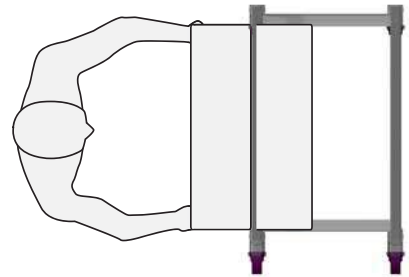




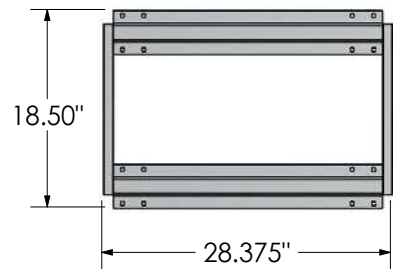
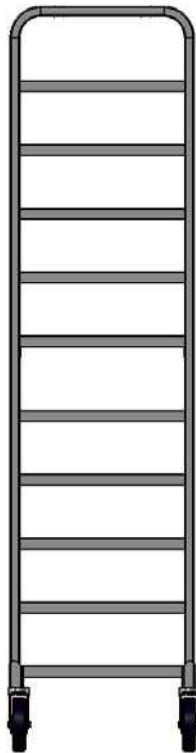
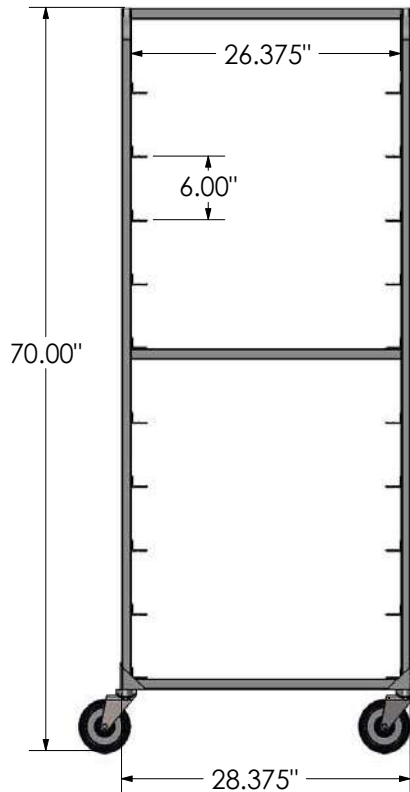
Freight Class: 300
NMFC Code: 164390-S2



8040907



Side Load



Base assembly for
plate swivel casters

Order #	Model	W	L	H	Shelf Spacing	Pan Capacity	Weight
8040907	AL-2610B AL SIDE LOAD PAN RACK	28 3/8"	18"	70"	6"	10	32 lbs.
8040961	AL-2612B SIDE LOAD PAN RACK	28 3/8"	18"	70"	5"	12	35 lbs.
8040962	AL-2615B SIDE LOAD PAN RACK	28 3/8"	18"	70"	4"	15	35 lbs.
8040910	AL-2618B SIDE LOAD PAN RACK	28 3/8"	18"	70"	3"	18	37 lbs.
8040911	AL-2620B SIDE LOAD PAN RACK	28 3/8"	18"	70"	3"	20	42 lbs.
8040912	AL-2630B SIDE LOAD PAN RACK	28 3/8"	18"	70"	2"	30	49 lbs.

Can't find exactly what you need? Give us a call and we'll help you with the perfect solution!

ALUMINUM Z-STYLE NESTING PAN RACK

Ideal pan rack for the crowded back rooms.

Racks are nestable when not in use to help conserve space, yet equal in strength to standard units.



8041244 Shown

FEATURES:

Z-Style nesting capabilities

Fully welded aluminum design

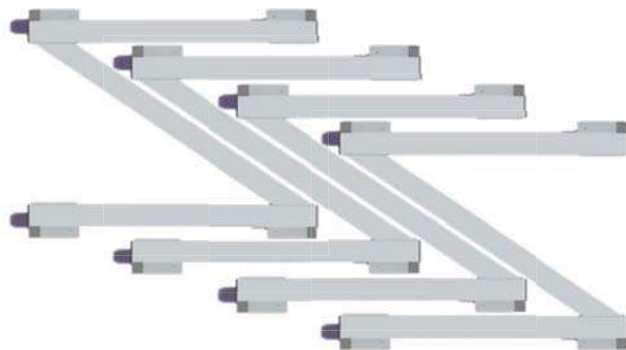
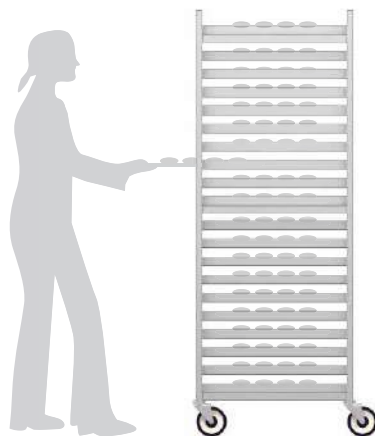
Save valuable space when storing these carts

Heavy duty construction

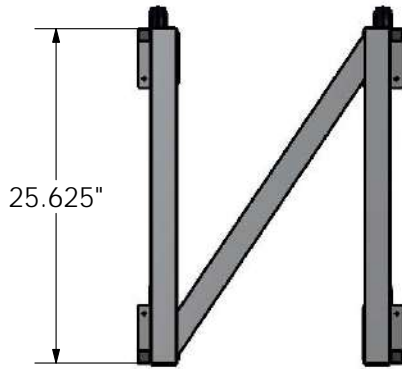
REPLACEMENT PARTS:

(4) 5" x 1.25" swivel casters with polyurethane wheels. Replacement order #B000312

Fasteners: Hex head cap screw order #B000221 and lock washer order #B000090

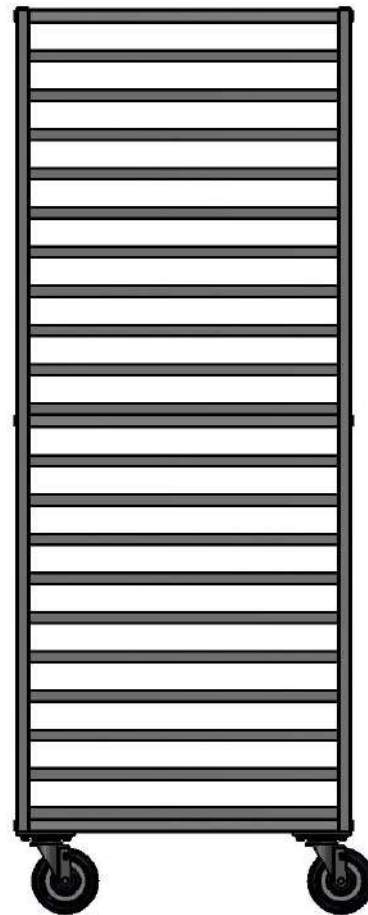
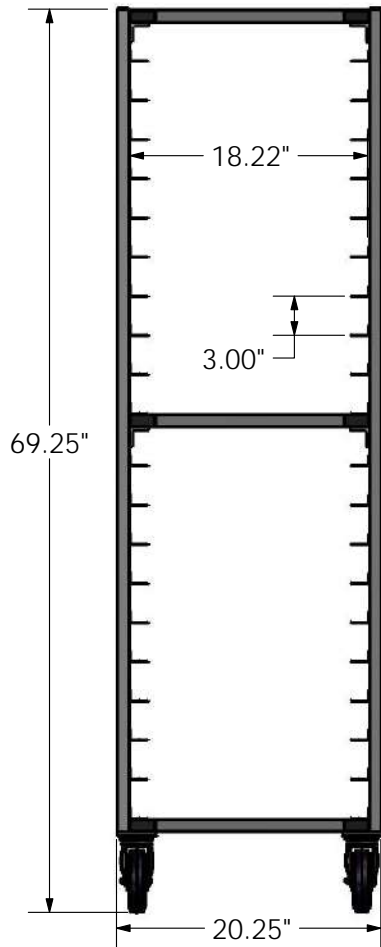


Shown Nested



Freight Class: 300
NMFC Code: 164390-S2

8041244



Order #	Model	W	L	H	Shelf Spacing	Pan Capacity	Weight
8041244	AL-1820, HD Z RACK	20 3/8"	26 5/8"	69 1/4"	3"	20 pans	55 lbs.

Can't find exactly what you need? Give us a call and we'll help you with the perfect solution!

ALUMINUM VALULINE PLATTER AND BUN PAN

These sturdy aluminum racks offer an economical and durable alternative to transporting and storing product on meat platters and bun pans.



5040001 Shown

FEATURES:

Sanitary aluminum materials

Valuline racks are 70% pre-assembled

Ship K.D. (knocked down) which saves money and reduces freight damage

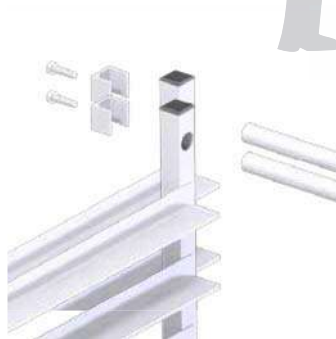
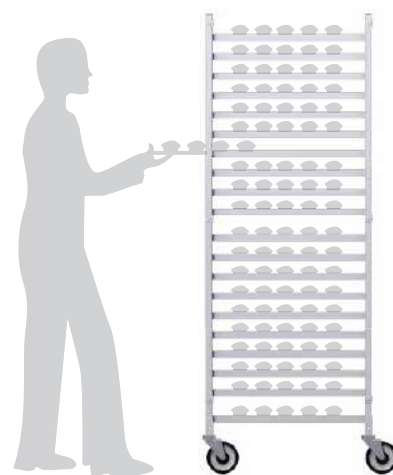
Easy and quick assembly

Robotically welded (no rivets)

Unique corner clamping design ensures strength and reliability

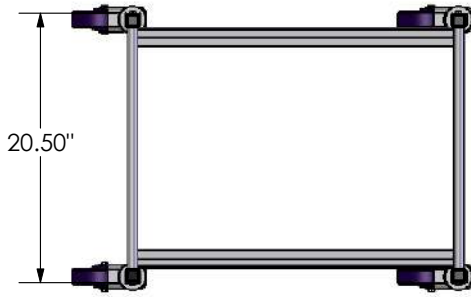
REPLACEMENT PARTS:

(4) 5 x 1.25" polyurethane stem casters.
Replacement order #B000025



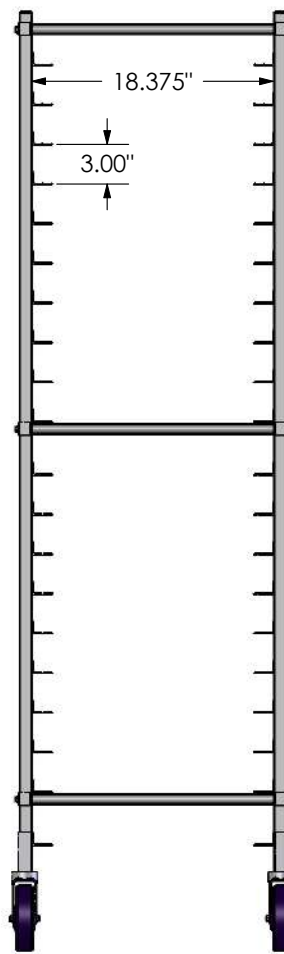
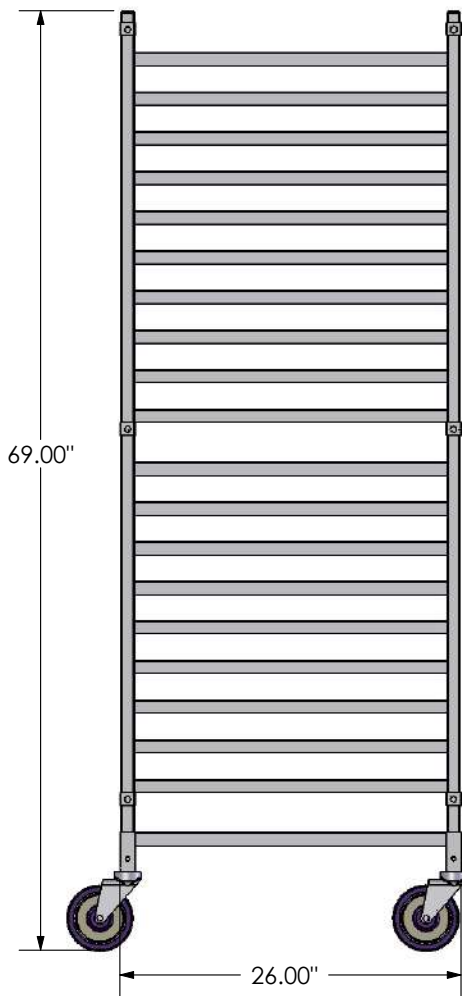
Easy bolt together assembly





Freight Class: 85
NMFC Code: 163980

5040001



Order #	Model	W	L	H	Shelf Spacing	Pan Capacity	Weight
5040001	AL-1820-B-KD, KNOCK-DOWN RACK	20 1/2"	26"	69"	3"	20	25 1/2 lbs.

Can't find exactly what you need? Give us a call and we'll help you with the perfect solution!

ENCLOSED CABINETS

These mobile cabinets are ideal for in store use as well as shipping of product from commissary to store.

The cabinet is available in regular and heavy duty models.

8040552



8040169



8040169 Base



8040552 Base -
Heavy Duty

FEATURES:

All welded sanitary aluminum

1.5" spacing between pans

Door mounted with 3 heavy duty hinges that assure years of easy operation

Designed for use with pans sized 18 x 26" pan

REGULAR UNIT:

(4) 5" x 1.25" swivel casters with polyurethane wheels. Replacement order #B000312

Fasteners replacement order #B5000543 and #B001257

HEAVY DUTY UNIT:

Reinforced under carriage (heavy duty only)

Heavy duty unit includes extra inside tubular support and 4 aluminum corner bumpers

Extra corner gussets provide increased support (heavy duty only)

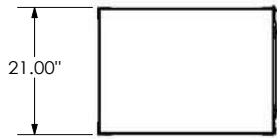
(4) 5" x 2" flat plate swivel casters with polyurethane wheels. Replacement order #B000626

Fasteners replacement order #B000060 and #B001225



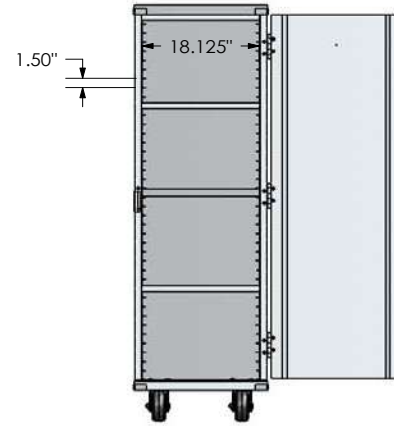
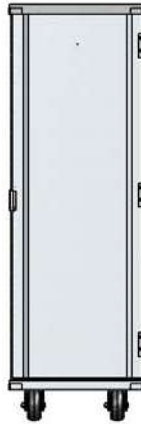
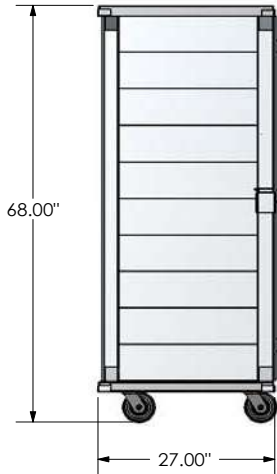
NATIONAL CART CO

1-800-455-3802
nationalcart.com

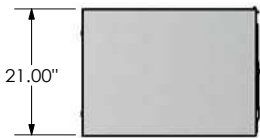


Freight Class: 125
NMFC Code: 081570-S3

8040552

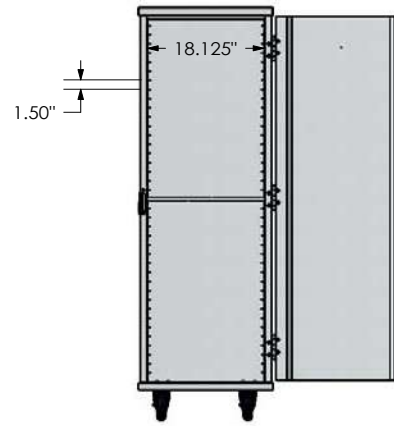
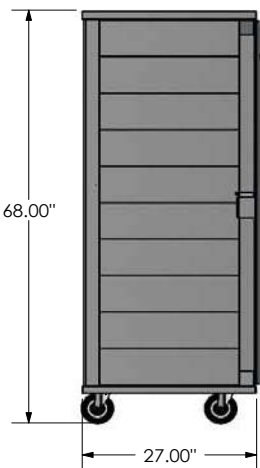


View Shown With Door Open



8040169

View Shown With Door Open



NOTE: CABINETS ARE DESIGNED FOR USE WITH PANS SIZED 17.813" to 18.125" IN WIDTH

Order #	Model	W	L	H	Shelf Spacing	Pan Capacity	Weight
8040169	AL-1840-EC AL. 40 PAN CAP. LT. DUTY	21"	27"	68"	1 1/2"	(40) 18" x 26" Pans	99 lbs.
8040552	AL-1840-EC-HD, ENCL CABINET	21"	27"	68"	1 1/2"	(38) 18" x 26" Pans	118 lbs.

Can't find exactly what you need? Give us a call and we'll help you with the perfect solution!

MEAT PLATTER CARTS

These sturdy aluminum runner platter carts are the most economical way to transport product from the meat room to the sales floor. We carry a variety of models to fit all meat platters.

Spacing allows maximum storage with minimal clutter and confusion.



8040893

8040959

8040892

FEATURES:

Constructed from sanitary aluminum square tube

Radius corners for comfort when pushing

Heavy gauge aluminum platter runners

Unit comes fully welded and assembled for immediate use

Accommodates 10", 12", or 18" wide trays

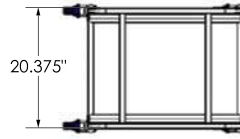
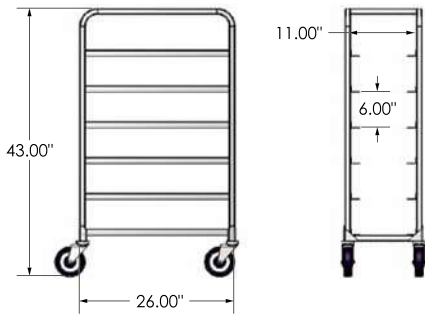
REPLACEMENT PARTS:

(4) 5" x 1.25" swivel casters with polyurethane wheels. Replacement Order #B000025

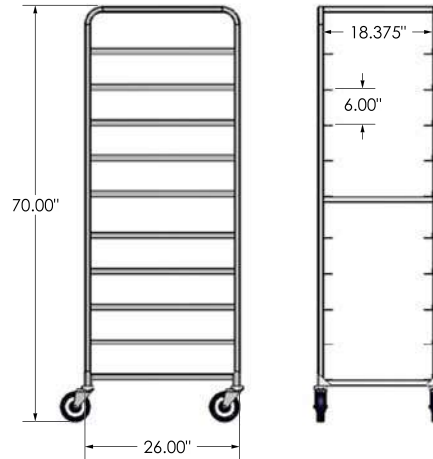
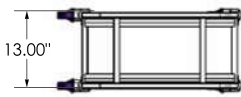




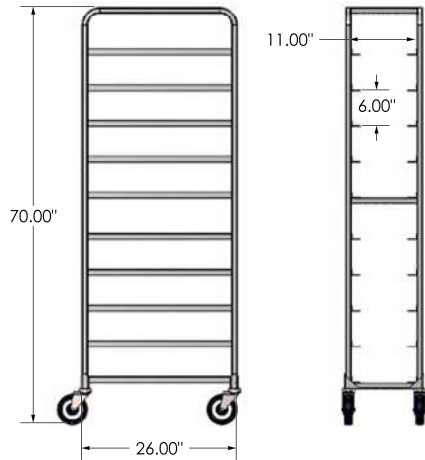
8040892



Freight Class: 300
NMFC Code: 164390-S2



8040959



8040893

Order #	Model	W	L	H	Shelf Spacing	Capacity	Tray Size	Weight
8040892	AL-106 B AL END LOAD RACK	13"	26"	43"	6"	6	10"	37 lbs.
8040893	AL-1010B AL END LOAD RACK	13"	26"	70"	6"	10	10"	37 lbs.
8040894	AL-1012B AL END LOAD RACK	13"	26"	70"	5"	12	10"	47 lbs.
8040895	AL-126 B AL END LOAD RACK	15 1/4"	26"	43"	6"	6	12"	37 lbs.
8040958	AL-1210B-LE END LOAD RACK	15 1/4"	26"	70"	6"	10	12"	31 lbs.
8040897	AL-1212B AL END LOAD RACK	15 1/4"	26"	70"	5"	12	12"	47 lbs.
8040899	AL-186B AL END LOAD RACK	20 3/8"	26"	43"	6"	6	18"	35 lbs.
8040959	AL-1810B END LOAD RACK	20 3/8"	26"	70"	6"	10	18"	22 lbs.
8040960	AL-1812B END LOADRACK	20 3/8"	26"	70"	5"	12	18"	24 lbs.

Can't find exactly what you need? Give us a call and we'll help you with the perfect solution!

PRODUCE CRISPING RACK

Sturdy aluminum racks suitable for storage and transportation of produce from the prep area to the sales floor.

This mobile rack accepts 26" x 29" produce crisping baskets.



FEATURES:

Constructed from heavy duty square aluminum tube

Heavy duty aluminum runners

Fully assembled and ready to use

Drip Tray included

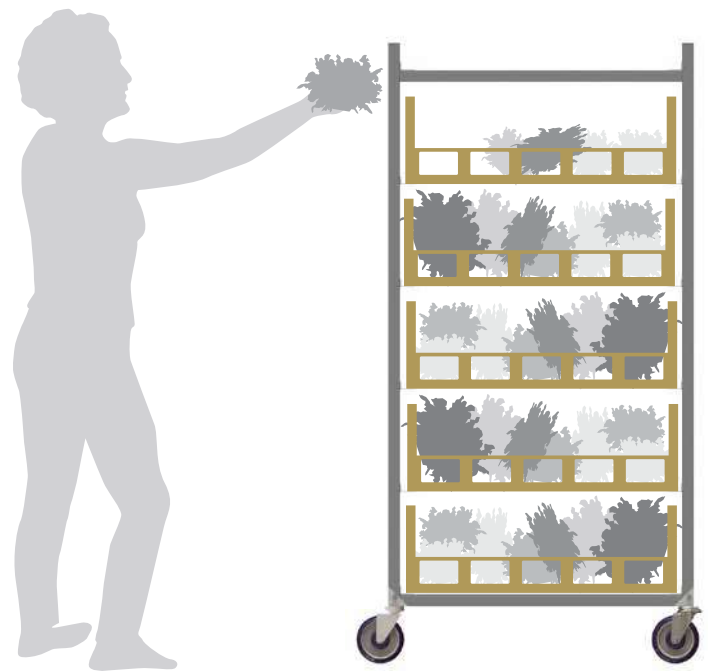
Rack fits 26" x 29" crisping baskets. Rack does not include baskets. Order #5000572

REPLACEMENT PARTS:

(2) Swivel 5" x 1.25" polyurethane wheels with brakes. Replacement Order #B000491

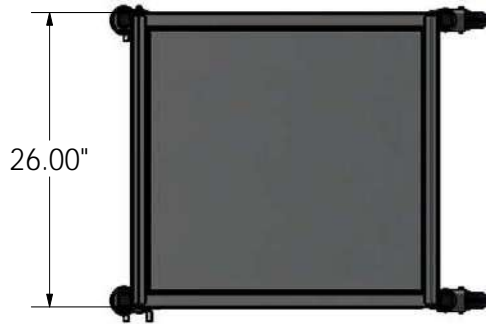
(2) Square stem 5" x 1.25" polyurethane wheels. Replacement Order #B000025.

Fasteners replacement order #B000198 (nut) #B000439 (bolt) and #B000606 (washer)

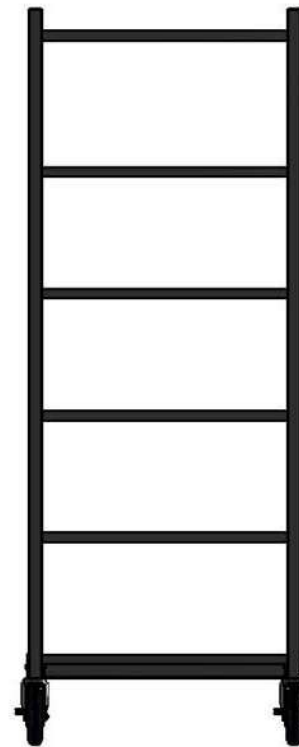
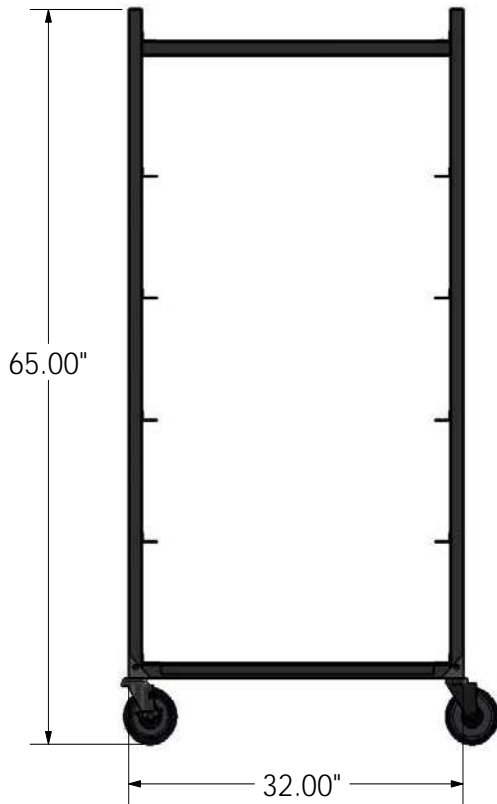


NATIONAL CART CO

1-800-455-3802
nationalcart.com



Freight Class: 300
 NMFC Code: 164390-S2



Order #	Model	W	L	H	Shelf Spacing	# of Shelves	Weight
8041016	AL-PCR-2906 PRODUCE CRISPING RACK	26"	32"	65"	10 3/4"	6	50 lbs.
8041125	AL-PCR-2907 PRODUCE CRISPING RACK	26"	32"	75 3/5"	10 3/4"	7	54 lbs.

Can't find exactly what you need? Give us a call and we'll help you with the perfect solution!

PRODUCT LUG CARTS

Designed for transporting, storing and handling all types of meat, poultry and produce products.



8040344

8040957

8040007

8040402

FEATURES:

Constructed from square aluminum tube with radius corners

All welded heavy duty cart

Gusseted legs for added strength

OPTIONS:

Plastic Lugs shown in image. Order #5000031

REPLACEMENT PARTS:

(4) 5" x 1.25" swivel stem casters with polyurethane wheels. Replacement Order #B000025



All shown with optional lug (5000031)

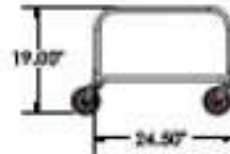


NATIONAL CART CO

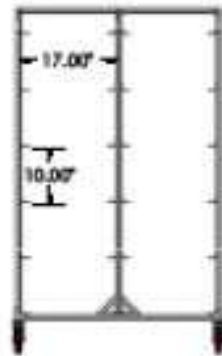
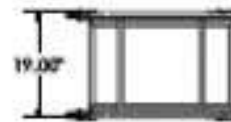
1-800-455-3802
nationalcart.com



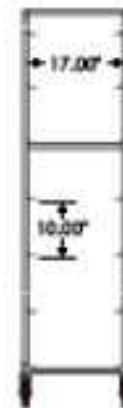
8040007



8040402



8040344



8040957

Freight Class: 300
NMFC Code: 164390-S2

Order #	Model	W	L	H	Capacity (Lugs)	Weight
8040402	AL-L-1-HD (1) LUG CAP, RUNNER STYLE	16"	24 1/2"	19"	1	10 lbs.
8040007	AL-L-2, 2-LUG CAP ALUM	16"	28 1/2"	34 1/2"	2	18 lbs.
8040008	AL-L-3, 3-LUG CAP ALUM RUNNER STYLE	19"	26"	41"	3	25 lbs.
8040009	AL-L-4, 4-LUG CAP ALUM RUNNER STYLE	19"	26"	51"	4	27 lbs.
8040957	AL-L-6-LE, 6-LUG CAPACITY FINAL ASY	19"	26"	71"	6	30 lbs.
8040344	AL-L-10-2, 5 SIDE/SIDE 10 LUG CART	37"	26"	61 1/2"	10	51 lbs.

Can't find exactly what you need? Give us a call and we'll help you with the perfect solution!

UNIVERSAL PAN RACKS

Sturdy aluminum racks suitable for storage and transportation of steam table pans, meat trays, or bun pans.

This rack accepts 12" meat trays, 18" x 26" pans or trays, standard steam table pans and several sizes of oval trays.



FEATURES:

Constructed from heavy duty square aluminum tube

Heavy duty 4" aluminum runners

Fully assembled and ready to use

REPLACEMENT PARTS:

(4) Swivel 5" x 1.25" polyurethane wheels.
Replacement Order #B000312

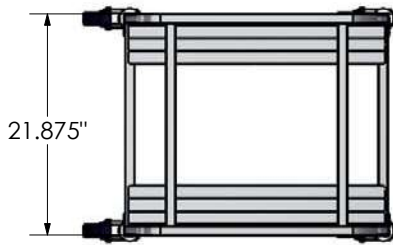


NATIONAL CART CO

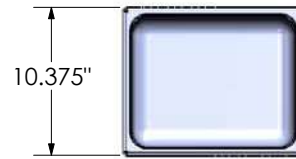
1-800-455-3802
nationalcart.com



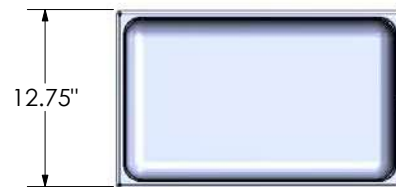
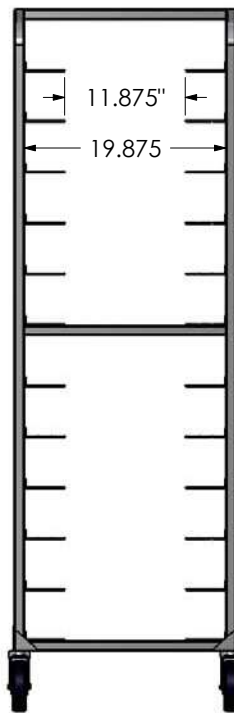
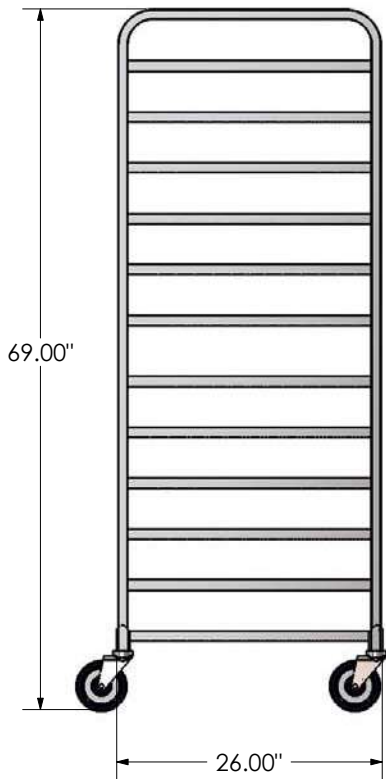
Freight Class: 300
 NMFC Code: 164390-S2



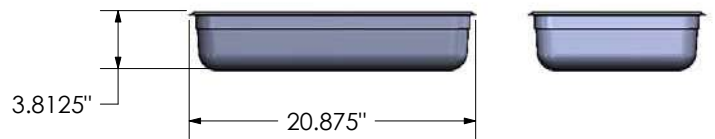
8040704



B001140



B001139



Order #	Model	W	L	H	Shelf Spacing	# of Shelves	Weight
8040704	AL-UPC-12-FS	21 7/8"	26"	69"	5"	12	52 lbs.
8040705	AL-UPC-20-FS	21 7/8"	26"	69"	3"	20	70 lbs.
B001140	Steam Pan 1210	10 3/8"	12 3/4"	4"	NA	NA	2 lbs.
B001139	Steam Pan 1220	12 3/4"	20 7/8"	3 7/8"	NA	NA	4 lbs.

Can't find exactly what you need? Give us a call and we'll help you with the perfect solution!

UNIVERSAL SHELF/PLATTER CARTS

These versatile, durable carts are ideal for all departments: bakery, deli, seafood, salad bars, produce and meat.

This cart transports and stores product from prep areas to sales floor.



8040101

8040098

8040096

Shown with optional platters and lugs

FEATURES:

Constructed from sanitary aluminum tube

Units come fully assembled

Will not rust

Shelves are recessed to hold platters or lugs in place

REPLACEMENT PARTS:

(4) 5" x 1.25" swivel casters with polyurethane wheels. Replacement Order #B000025

OPTIONS:

Plastic Lugs shown in image. Order #5000031

Plastic Platters in image.

10" x 30" Order #5000024

12" x 24" Order #5000025

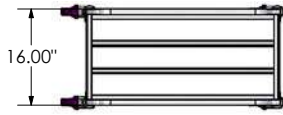
12" x 30" Order #5000026

18" x 26" Order #5000027



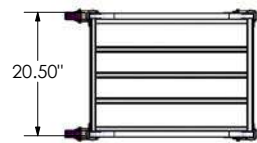
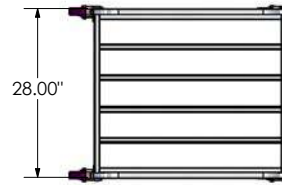
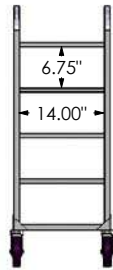
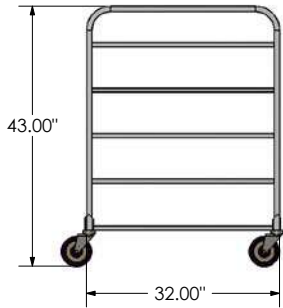
NATIONAL CART CO

1-800-455-3802
nationalcart.com



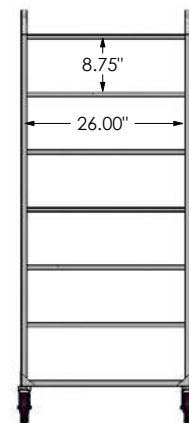
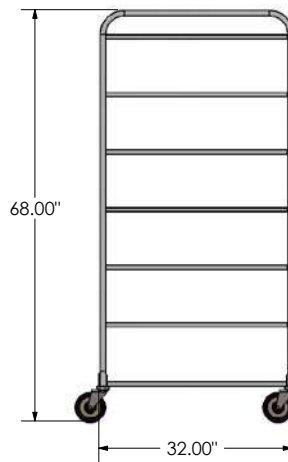
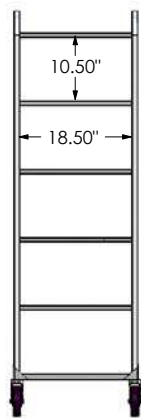
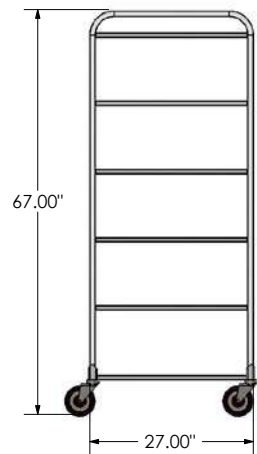
8040098

Freight Class: 300
NMFC Code: 164390-S2



8040096

8040101



Order #	Model	W	L	H	Shelf Spacing	# of Shelves	Weight
8040095	AL-UNAL-4-STD, UNIV STYLE 4 SHELF	20 1/2"	27"	45"	10 1/2"	4	27 lbs.
8040098	AL-UNAL-5-NAR, UNIV STYLE 5 SHELF	16"	32"	43"	6 3/4"	5	30 lbs.
8040096	AL-UNAL-6-STD, UNIV STYLE 6 SHELF	20 1/2"	27"	67"	10 1/2"	6	33 lbs.
8040101	AL-UNAL-7-WD UNIV STYLE 7 SHELF	28"	32"	68"	8 1/2"	7	64 lbs.
8040100	AL-UNAL-8-NAR UNIV STYLE 8 SHELF	16"	32"	67"	6 3/4"	8	39 lbs.
8040097	AL-UNAL-8-STD, UNIV STYLE 8 SHELF	20 1/2"	27"	67"	6 3/4"	8	39 lbs.
8040102	AL-UNAL-8-WD UNIV STYLE 8 SHELF	28"	32"	67"	6 3/4"	8	66 lbs.

Can't find exactly what you need? Give us a call and we'll help you with the perfect solution!

PLATTERS AND LUGS

Store or display your products on our durable platters and in our durable lugs.

FEATURES

Injection molded polystyrene with reinforced front and side edges for added strength

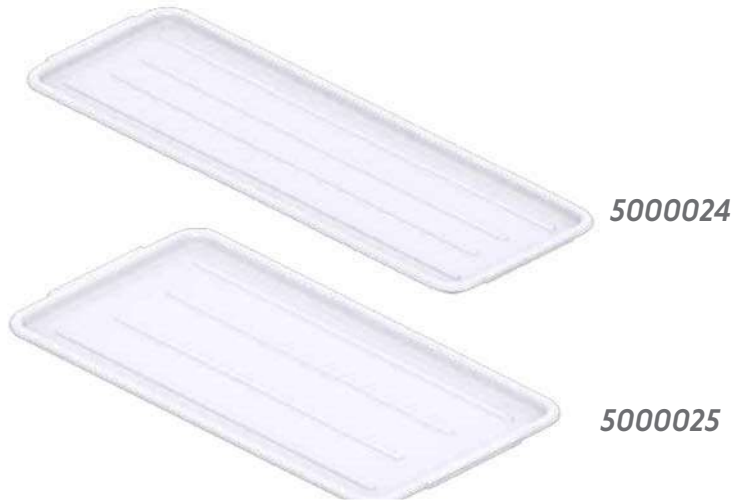
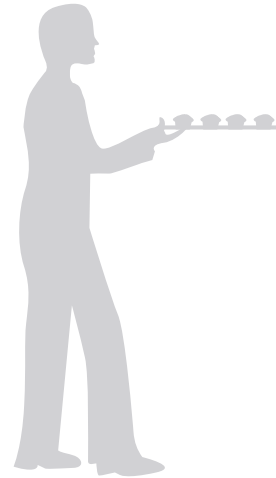
Ideal for use in production settings as well as product display

Fits all standard platter racks and lug carts

Light weight and durable construction

Nesting and cross stacking

Easy to clean - smooth surfaces



5000024

5000025



5000026



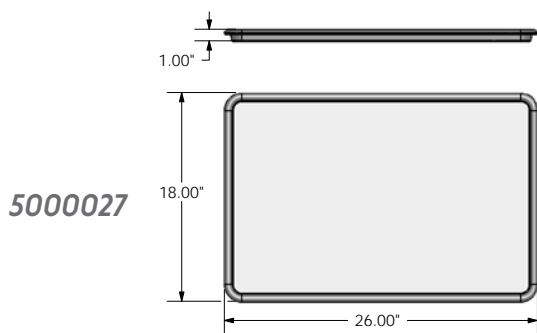
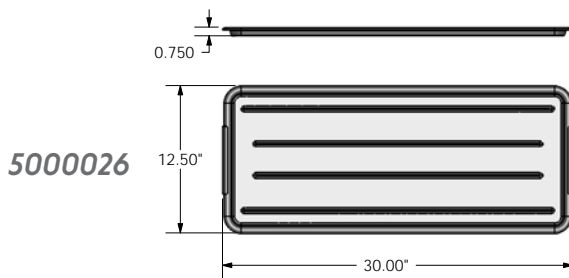
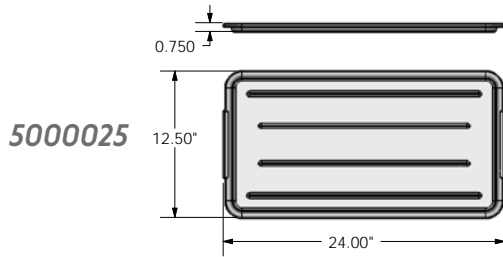
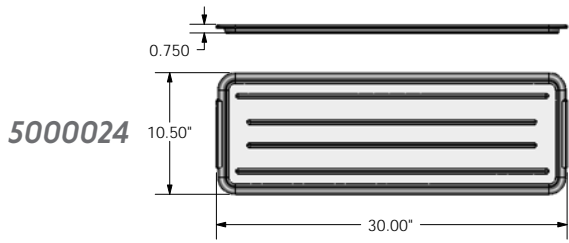
5000027



5000031

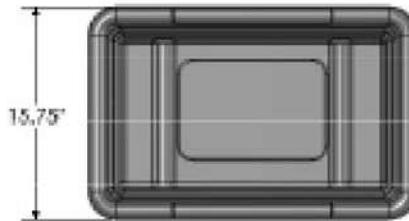


5000079
(Lid for 5000031)

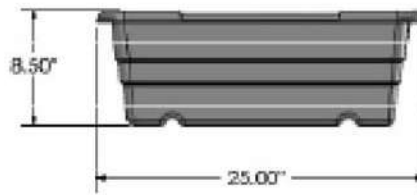


Meat Platters
Freight Class: 85
NMFC Code: 175180-S2

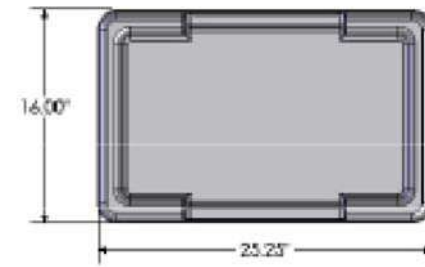
Lug and Lid
Freight Class: 100
NMFC Code: 156600-S6



5000031



5000079



Order #	Model	Description	Color	W	L	D
5000024	P-1030, PLASTIC MEAT PLATTERS, WHT	Meat Platter	White	10 1/2"	30"	3/4"
5000025	P-1224, PLASTIC MEAT PLATTERS, WHT	Meat Platter	White	12 1/2"	24"	3/4"
5000026	P-1230, PLASTIC MEAT PLATTERS, WHT	Meat Platter	White	12 1/2"	30"	3/4"
5000027	P-1826, PLASTIC MEAT PLATTERS, WHT	Meat Platter	White	18"	26"	1"
5000031	SNL-8, GREY PLASTIC LUG	Product Lug	Gray	16"	26 1/2"	8"
5000079	SNL-8-C, LUG LID, GRAY	Lug Lid	Gray	16"	26 1/2"	8"

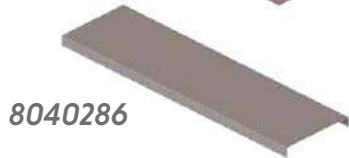
Can't find exactly what you need? Give us a call and we'll help you with the perfect solution!

PREPARATION TABLES

These heavy duty tables are perfect for all departments that require food preparation and will provide the perfect surface for all preparation needs.



8040262 Shown with
8040286 and 8040404



FEATURES:

Table frame constructed from all welded sanitary aluminum tube

Adjustable leg levelers on all models

Unit comes in a variety of sizes and styles

Can be supplied with a stainless steel or thick poly top

Back splashes are constructed from Stainless Steel

Lower shelves are constructed from aluminum

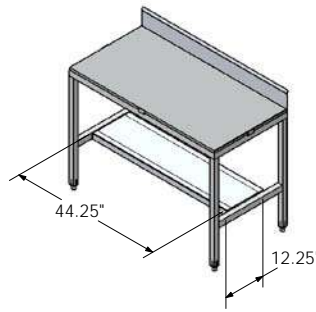
Table Frames with Stainless Steel Top and Backsplash

Order #	Model	W	L	H	Weight
8041018	AL-ATF-2436-ST-BS,SS TOP W/BACKSPSH	24"	36"	40"	20 lbs.
8041035	AL-ATF-2448-ST-BS,SS TOP W/BACKSPSH	24"	48"	40"	22 lbs.
8040973	AL-ATF-2460-ST-BS,SS TOP W/BACKSPSH	24"	60"	40"	24 lbs.
8041136	AL-ATF-2472-ST-BS TABLE W/SS TOP+BS	24"	72"	40"	26 lbs.
8041137	AL-ATF-2484-ST-BS TABLE W/SS TOP+BS	24"	84"	40"	29 lbs.
8041138	AL-ATF-2496-ST-BS TABLE W/SS TOP+BS	24"	96"	40"	31 lbs.
8040974	AL-ATF-3036-ST-BS,SS TOP W/BACKSPSH	30"	36"	40"	21 lbs.
8041134	AL-ATF-3048-ST-BS,SS TOP W/BACKSPSH	30"	48"	40"	23 lbs.
8040975	AL-ATF-3060-ST-BS,SS TOP W/BACKSPSH	30"	60"	40"	25 lbs.
8040976	AL-ATF-3072-ST-BS,SS TOP W/BACKSPSH	30"	72"	40"	27 lbs.
8040977	AL-ATF-3084-ST-BS,SS TOP W/BACKSPSH	30"	84"	40"	30 lbs.
8040978	AL-ATF-3096-ST-BS,SS TOP W/BACKSPSH	30"	96"	40"	32 lbs.

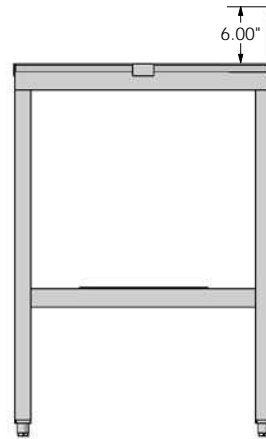
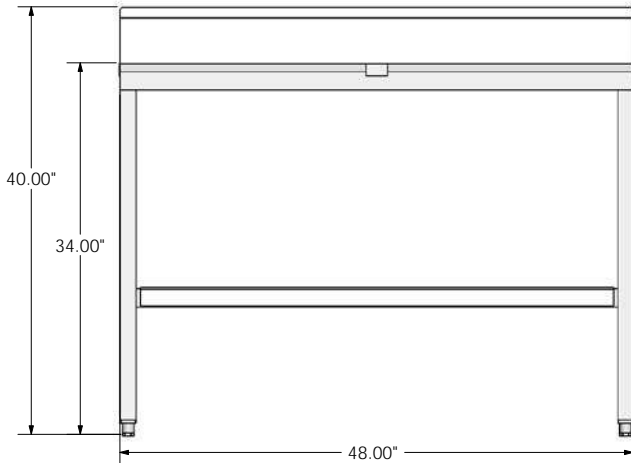


NATIONAL CART CO

1-800-455-3802
nationalcart.com



Freight Class: 200
 NMFC Code: 82105-S1



8040262 Shown with
 8040286 and 8040404

Table Frames with Poly Top and No Backsplash

Order #	Model	W	L	H	Weight
8040261	AL-ATF-2436-PT TABLE FRAME W/POLY	24"	36"	34"	43 lbs.
8040262	AL-ATF-2448-PT TABLE FRAME W/POLY	24"	48"	34"	53 lbs.
8040263	AL-ATF-2460-PT TABLE FRAME W/POLY	24"	60"	34"	62 lbs.
8040264	AL-ATF-2472-PT TABLE FRAME W/POLY	24"	72"	34"	72 lbs.
8040265	AL-ATF-2484-PT TABLE FRAME W/POLY	24"	84"	34"	83 lbs.
8040266	AL-ATF-2496-PT TABLE FRAME W/POLY	24"	96"	34"	92 lbs.
8040267	AL-ATF-3036-PT TABLE FRAME W/POLY	30"	36"	34"	44 lbs.
8040268	AL-ATF-3048-PT TABLE FRAME W/POLY	30"	48"	34"	54 lbs.
8040269	AL-ATF-3060-PT TABLE FRAME W/POLY	30"	60"	34"	63 lbs.
8040270	AL-ATF-3072-PT TABLE FRAME W/POLY	30"	72"	34"	73 lbs.
8040271	AL-ATF-3084-PT TABLE FRAME W/POLY	30"	84"	34"	84 lbs.
8040272	AL-ATF-3096-PT TABLE FRAME W/POLY	30"	96"	34"	93 lbs.

Under Shelf for Both Sets of Table Frames

Order #	Model	W	L	H	Weight
8040285	AL-AUS-2436 AL. UNDER SHELF	12 1/2"	36"	NA	9 lbs.
8040286	AL-AUS-2448 AL. UNDER SHELF	12 1/2"	48"	NA	11 lbs.
8040287	AL-AUS-2460 AL. UNDER SHELF	12 1/2"	60"	NA	13 lbs.
8040288	AL-AUS-2472 AL. UNDER SHELF	12 1/2"	72"	NA	16 lbs.
8040289	AL-AUS-2484 AL. UNDER SHELF	12 1/2"	84"	NA	18 lbs.
8040290	AL-AUS-2496 AL. UNDER SHELF	12 1/2"	96"	NA	20 lbs.
8040291	AL-AUS-3036 AL. UNDER SHELF	18 1/4"	36"	NA	12 lbs.
8040292	AL-AUS-3048 AL. UNDER SHELF	18 1/4"	48"	NA	14 lbs.
8040293	AL-AUS-3060 AL. UNDER SHELF	18 1/4"	60"	NA	17 lbs.
8040294	AL-AUS-3072 AL. UNDER SHELF	18 1/4"	72"	NA	20 lbs.
8040295	AL-AUS-3084 AL. UNDER SHELF	18 1/4"	84"	NA	23 lbs.
8040296	AL-AUS-3096 AL. UNDER SHELF	18 1/4"	96"	NA	25 lbs.

Table Frames with Stainless Steel Top and No Backsplash

Order #	Model	W	L	H	Weight
8040273	AL-ATF-2436-ST TABLE FRAME W/SS TOP	24"	36"	34"	37 lbs.
8040274	AL-ATF-2448-ST TABLE FRAME W/SS TOP	24"	48"	34"	48 lbs.
8040275	AL-ATF-2460-ST TABLE FRAME W/SS TOP	24"	60"	34"	53 lbs.
8040276	AL-ATF-2472-ST TABLE FRAME W/SS TOP	24"	72"	34"	63 lbs.
8040277	AL-ATF-2484-ST TABLE FRAME W/SS TOP	24"	84"	34"	73 lbs.
8040278	AL-ATF-2496-ST TABLE FRAME W/SS TOP	24"	96"	34"	84 lbs.
8040279	AL-ATF-3036-ST TABLE FRAME W/SS TOP	30"	36"	34"	44 lbs.
8040280	AL-ATF-3048-ST TABLE FRAME W/SS TOP	30"	48"	34"	54 lbs.
8040281	AL-ATF-3060-ST TABLE FRAME W/SS TOP	30"	60"	34"	63 lbs.
8040282	AL-ATF-3072-ST TABLE FRAME W/SS TOP	30"	72"	34"	73 lbs.
8040283	AL-ATF-3084-ST TABLE FRAME W/SS TOP	30"	84"	34"	84 lbs.
8040284	AL-ATF-3096-ST TABLE FRAME W/SS TOP	30"	96"	34"	93 lbs.

WHEN ORDERING SHELVES MATCH UP THE LENGTH OF YOUR TABLE WITH THE LENGTH OF THE SHELF

Backsplashes for Tables with Poly Top

Order #	Model	W	L	H	Weight
8040404	BACKSPLASH, 48.00 SS	NA	48"	6"	13 lbs.
8040405	BACKSPLASH, 36.00 SS	NA	36"	6"	11 lbs.
8040406	BACKSPLASH, 96.00 SS	NA	96"	6"	21 lbs.
8040407	BACKSPLASH, 72.00 SS	NA	72"	6"	17 lbs.
8040409	BACKSPLASH, 60.00 SS	NA	60"	6"	15 lbs.
8040479	BACKSPLASH, 84.0 SS	NA	84"	6"	19 lbs.

Can't find exactly what you need? Give us a call and we'll help you with the perfect solution!

ADJUSTABLE SANI SHELVING

Adjustable Sani Shelving can be used in all of your departments. These shelves are perfect for coolers, freezers, prep areas, or wherever product or supplies must be stored.

This product allows you to design shelving to meet your specific needs or situation, like using a tubular shelf for heavy boxed items on the bottom with solid shelves for small items on the top.

FEATURES:

All welded sanitary aluminum tube

Great cleanliness and air circulation

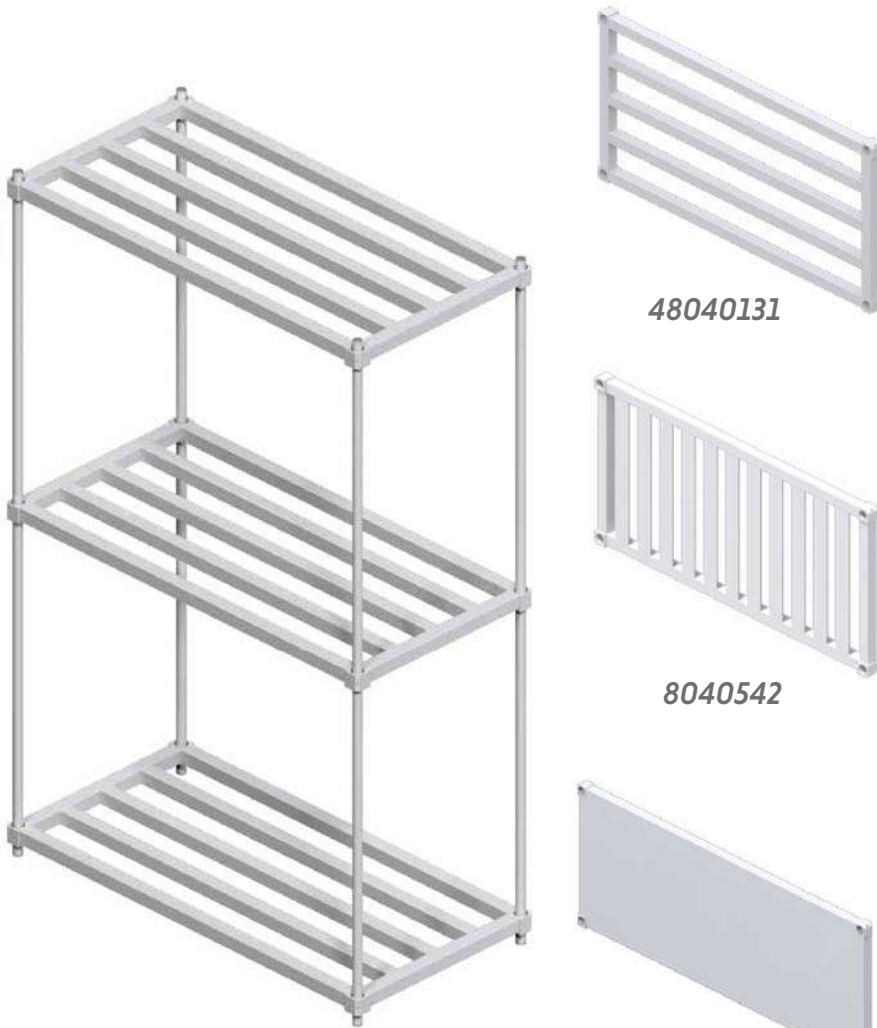
2000 lb. unit capacity with evenly distributed weight

Heavy duty solid reinforced shelves are constructed from aluminum sheet metal with double reinforced and hemmed edges

All shelves of similar length and width are interchangeable

Uprights are made from heavy duty aluminum tube

Casters and wheels can be purchased and installed easily to increase shelf mobility

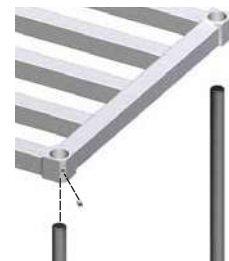
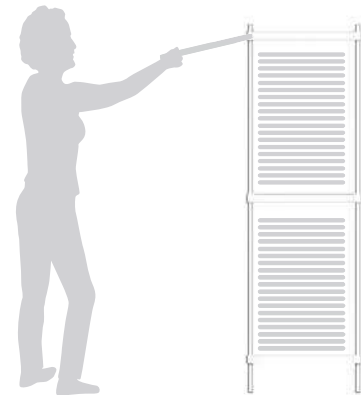


48040165 and 48040131 shown assembled

48040131

8040542

48040157



To assemble, slide shelves into place and secure with set screw

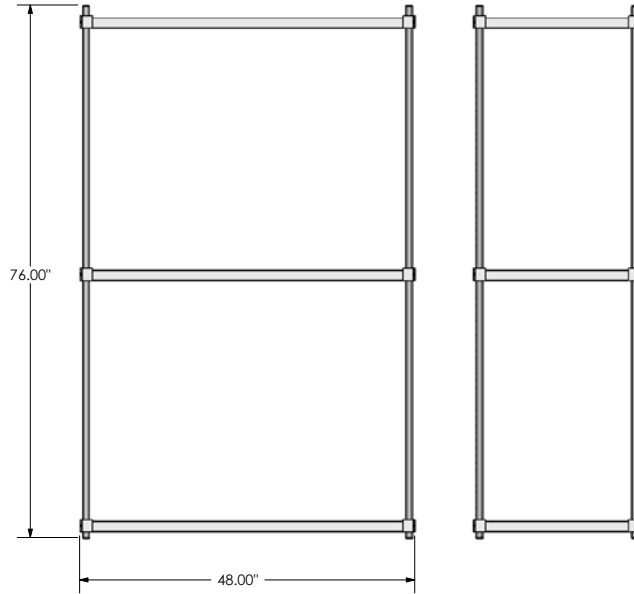
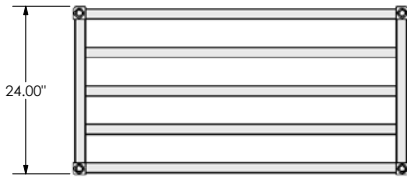


48040165





48040165 and 48040131
shown assembled



Freight Class: 110
NMFC Code: 82273-S1

Order #	Model	Description	W	L	Laterals	Weight
8040103	AL-SAS-T-1530 HD ADJ SANI-SHELF	Tube Style	15"	30"	3	5 lbs.
8040104	AL-SAS-T-1536 HD ADJ SANI-SHELF	Tube Style	15"	36"	3	5 lbs.
8040105	AL-SAS-T-1542 HD ADJ SANI-SHELF	Tube Style	15"	42"	3	7 lbs.
8040106	AL-SAS-T-1548 HD ADJ SANI-SHELF	Tube Style	15"	48"	3	8 lbs.
8040107	AL-SAS-T-1554 HD ADJ SANI-SHELF	Tube Style	15"	54"	3	9 lbs.
8040108	AL-SAS-T-1560 HD ADJ SANI-SHELF	Tube Style	15"	60"	3	9 lbs.
8040109	AL-SAS-T-1566 HD ADJ SANI-SHELF	Tube Style	15"	66"	3	10 lbs.
8040110	AL-SAS-T-1572 HD ADJ SANI-SHELF	Tube Style	15"	72"	3	11 lbs.
8040111	AL-SAS-T-1830 HD ADJ SANI-SHELF	Tube Style	18"	30"	3	7 lbs.
8040112	AL-SAS-T-1836 HD ADJ SANI-SHELF	Tube Style	18"	36"	3	8 lbs.
8040113	AL-SAS-T-1842 HD ADJ SANI-SHELF	Tube Style	18"	42"	3	9 lbs.
8040114	AL-SAS-T-1848 HD ADJ SANI-SHELF	Tube Style	18"	48"	3	10 lbs.
8040115	AL-SAS-T-1854 HD ADJ SANI-SHELF	Tube Style	18"	54"	3	11 lbs.
8040116	AL-SAS-T-1860 HD ADJ SANI-SHELF	Tube Style	18"	60"	3	12 lbs.
8040117	AL-SAS-T-1866 HD ADJ SANI-SHELF	Tube Style	18"	66"	3	13 lbs.
8040118	AL-SAS-T-1872 HD ADJ SANI-SHELF	Tube Style	18"	72"	3	14 lbs.
8040119	AL-SAS-T-2030 HD ADJ SANI-SHELF	Tube Style	20"	30"	4	7 lbs.
8040120	AL-SAS-T-2036 HD ADJ SANI-SHELF	Tube Style	20"	36"	4	8 lbs.
8040121	AL-SAS-T-2042 HD ADJ SANI-SHELF	Tube Style	20"	42"	4	9 lbs.
48040122	AL-SAS-T-2048 HD ADJ SANI-SHELF	Tube Style	20"	48"	4	10 lbs.
8040123	AL-SAS-T-2054 HD ADJ SANI-SHELF	Tube Style	20"	54"	4	11 lbs.
8040124	AL-SAS-T-2060 HD ADJ SANI-SHELF	Tube Style	20"	60"	4	12 lbs.
8040125	AL-SAS-T-2066 HD ADJ SANI-SHELF	Tube Style	20"	66"	4	13 lbs.
8040126	AL-SAS-T-2072 HD ADJ SANI-SHELF	Tube Style	20"	72"	4	14 lbs.
8040127	AL-SAS-T-2096 HD ADJ SANI-SHELF	Tube Style	20"	96"	4	19 lbs.
8040128	AL-SAS-T-2430 HD ADJ SANI-SHELF	Tube Style	24"	30"	5	9 lbs.
8040129	AL-SAS-T-2436 HD ADJ SANI-SHELF	Tube Style	24"	36"	5	10 lbs.
8040130	AL-SAS-T-2442 HD ADJ SANI-SHELF	Tube Style	24"	42"	5	11 lbs.
48040131	AL-SAS-T-2448 HD ADJ SANI-SHELF	Tube Style	24"	48"	5	12 lbs.
8040132	AL-SAS-T-2454 HD ADJ SANI-SHELF	Tube Style	24"	54"	5	14 lbs.
8040133	AL-SAS-T-2460 HD ADJ SANI-SHELF	Tube Style	24"	60"	5	15 lbs.
8040134	AL-SAS-T-2472 HD ADJ SANI-SHELF	Tube Style	24"	72"	5	18 lbs.
8040135	AL-SAS-T-2496 HD ADJ SANI-SHELF	Tube Style	24"	96"	5	24 lbs.
8040136	AL-SAS-SR-1530 HD SLD DK ADJ SANI-S	Solid Reinforced	15"	30"	1	6 lbs.

Order #	Model	Description	W	L	Laterals	Weight
8040138	AL-SAS-SR-1542 HD SLD DK ADJ SANI-S	Solid Reinforced	15"	42"	1	7 lbs.
8040139	AL-SAS-SR-1548 HD SLD DK ADJ SANI-S	Solid Reinforced	15"	48"	1	8 lbs.
8040140	AL-SAS-SR-1554 HD SLD DK ADJ SANI-S	Solid Reinforced	15"	54"	1	9 lbs.
8040141	AL-SAS-SR-1560 HD SLD DK ADJ SANI-S	Solid Reinforced	15"	60"	2	12 lbs.
8040142	AL-SAS-SR-1830 HD SLD DK ADJ SANI-S	Solid Reinforced	18"	30"	1	6 lbs.
8040143	AL-SAS-SR-1836 HD SLD DK ADJ SANI-S	Solid Reinforced	18"	36"	1	7 lbs.
8040144	AL-SAS-SR-1842 HD SLD DK ADJ SANI-S	Solid Reinforced	18"	42"	1	8 lbs.
8040145	AL-SAS-SR-1848 HD SLD DK ADJ SANI-S	Solid Reinforced	18"	48"	1	9 lbs.
8040146	AL-SAS-SR-1854 HD SLD DK ADJ SANI-S	Solid Reinforced	18"	54"	2	12 lbs.
8040147	AL-SAS-SR-1860 HD SLD DK ADJ SANI-S	Solid Reinforced	18"	60"	2	13 lbs.
8040148	AL-SAS-SR-2030 HD SLD DK ADJ SANI-S	Solid Reinforced	20"	30"	2	8 lbs.
8040149	AL-SAS-SR-2036 HD SLD DK ADJ SANI-S	Solid Reinforced	20"	36"	2	9 lbs.
8040150	AL-SAS-SR-2042 HD SLD DK ADJ SANI-S	Solid Reinforced	20"	42"	2	10 lbs.
8040151	AL-SAS-SR-2048 HD SLD DK ADJ SANI-S	Solid Reinforced	20"	48"	2	11 lbs.
8040152	AL-SAS-SR-2054 HD SLD DK ADJ SANI-S	Solid Reinforced	20"	54"	2	12 lbs.
8040153	AL-SAS-SR-2060 HD SLD DK ADJ SANI-S	Solid Reinforced	20"	60"	2	13 lbs.
8040154	AL-SAS-SR-2430 HD SLD DK ADJ SANI-S	Solid Reinforced	24"	30"	2	8 lbs.
8040155	AL-SAS-SR-2436 HD SLD DK ADJ SANI-S	Solid Reinforced	24"	36"	2	10 lbs.
8040156	AL-SAS-SR-2442 HD SLD DK ADJ SANI-S	Solid Reinforced	24"	42"	2	11 lbs.
48040157	AL-SAS-SR-2448 HD SLD DK ADJ SANI-S	Solid Reinforced	24"	48"	2	12 lbs.
8040158	AL-SAS-SR-2454 HD SLD DK ADJ SANI-S	Solid Reinforced	24"	54"	2	13 lbs.
8040159	AL-SAS-SR-2460 HD SLD DK ADJ SANI-S	Solid Reinforced	24"	60"	2	15 lbs.
8040515	AL-SAS-TB-1536 HD ADJ SANI-SHELF	T-Bar Style	15"	36"	9	7 lbs.
8040522	AL-SAS-TB-1830 HD ADJ SANI-SHELF	T-Bar Style	18"	30"	7	7 lbs.
8040523	AL-SAS-TB-1846 HD ADJ SANI-SHELF	T-Bar Style	18"	36"	9	8 lbs.
8040525	AL-SAS-TB-1848 HD ADJ SANI-SHELF	T-Bar Style	18"	48"	11	10 lbs.
8040526	AL-SAS-TB-1854 HD ADJ SANI-SHELF	T-Bar Style	18"	54"	12	11 lbs.
8040542	AL-SAS-TB-2448 HD ADJ SANI-SHELF	T-Bar Style	24"	48"	11	12 lbs.
8040160	AL-SAS-P12 POLE W/PLUG B.E.	Upright Poles	-	12"	-	1.0 lbs.
8040161	AL-SAS-P34 POLE W/PLUG B.E.	Upright Poles	-	34"	-	2.0 lbs.
8040162	AL-SAS-P48 POLE W/PLUG B.E.	Upright Poles	-	48"	-	2.5 lbs.
48040164	AL-SAS-P68 POLE W/PLUG B.E.	Upright Poles	-	68"	-	3.5 lbs.
48040165	AL-SAS-P76 POLE W/PLUG B.E.	Upright Poles	-	76"	-	4.0 lbs.
48040166	AL-SAS-P84 POLE W/PLUG B.E.	Upright Poles	-	84"	-	4.5 lbs.
1500036	AL-SAS-C5	5 x 1.25" Swivel Caster	-	-	-	2.25 lbs.

Can't find exactly what you need? Give us a call and we'll help you with the perfect solution!

ALUMINUM CANTILEVERED SHELVING

This versatile shelving system can be used in all departments. Its cantilevered design allows easy access from three sides and has a fully welded aluminum frame for extra strength.

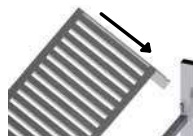
These units are usually placed in rows along cooler walls and are perfect for use in freezers, coolers, or preparation areas.



8041022 and 8041027
Shown Assembled



8041022



1. Slide Shelf into frame



2. Push shelf down



3. Installation complete

FEATURES:

Fully welded heavy duty aluminum frame

Custom design shelving system to fit specific areas

Virtually eliminates wasted floor space.

No anchoring required

Easily adjustable (no tools required)

700 lb. capacity per shelf

Available in tubular, T-bar, and solid reinforced styles

REPLACEMENT PARTS:

Comes with leg levelers. Replacement Order #B000194

8041027



8041026

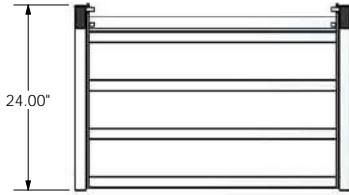


8041025





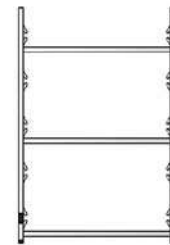
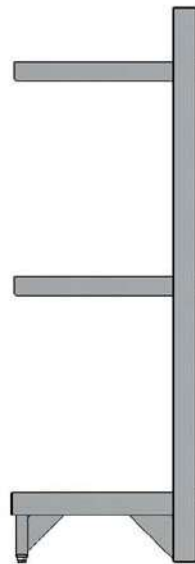
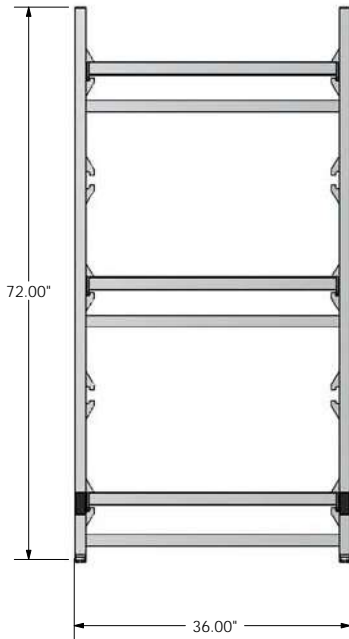
Freight Class: 110
NMFC Code: 82273-S1



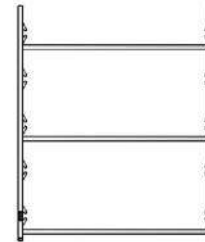
8041022 and 8041027
Shown Assembled



8041022



8041023



8041024

Order #	Model	W	L	H	Weight
8041022	AL-CS-2436 CANTILEVERED SHELF FRAME	24"	36"	72"	26.5 lbs.
8041023	AL-CS-2448 CANTILEVERED SHELF FRAME	24"	48"	72"	28 lbs.
8041024	AL-CS-2460 CANTILEVERED SHELF FRAME	24"	60"	72"	39 lbs.
8041025	AL-2436-SCS, SOLID CANTILEVER SHELF	24"	32 3/4"	2.5"	12.5 lbs.
8041026	AL-2436-TBCS, TBAR CANTILEVER SHELF	24"	32 3/4"	2.5"	11 lbs.
8041027	AL-2436-TUCS, TUBE CANTILEVER SHELF	24"	32 3/4"	2.5"	8.5 lbs.
8041028	AL-2448-SCS, SOLID CANTILEVER SHELF	24"	44 3/4"	2.5"	15.5 lbs.
8041029	AL-2448-TBCS, TBAR CANTILEVER SHELF	24"	44 3/4"	2.5"	13.5 lbs.
8041030	AL-2448-TUCS, TUBE CANTILEVER SHELF	24"	44 3/4"	2.5"	10 lbs.
8041031	AL-2460-SCS, SOLID CANTILEVER SHELF	24"	56 3/4"	2.5"	19 lbs.
8041032	AL-2460-TBCS, TBAR CANTILEVER SHELF	24"	56 3/4"	2.5"	16 lbs.
8041033	AL-2460-TUCS, TUBE CANTILEVER SHELF	24"	56 3/4"	2.5"	24 lbs.

Can't find exactly what you need? Give us a call and we'll help you with the perfect solution!

ALUMINUM WALL SHELVES

Maximize your square footage with an ideal product to help organize any working or storage area. Perfect for use above sinks and working surfaces for storage and organization without using valuable floor space.

Creatively install our shelves to fit your individual needs.

FEATURES:

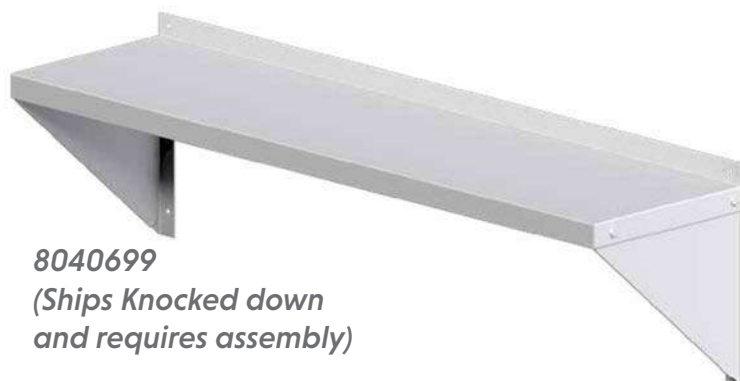
All aluminum construction

All welded sanitary aluminum tube

Easy installation

Sizes to fit any need

Solid surface shelves ship knocked down and require assembly



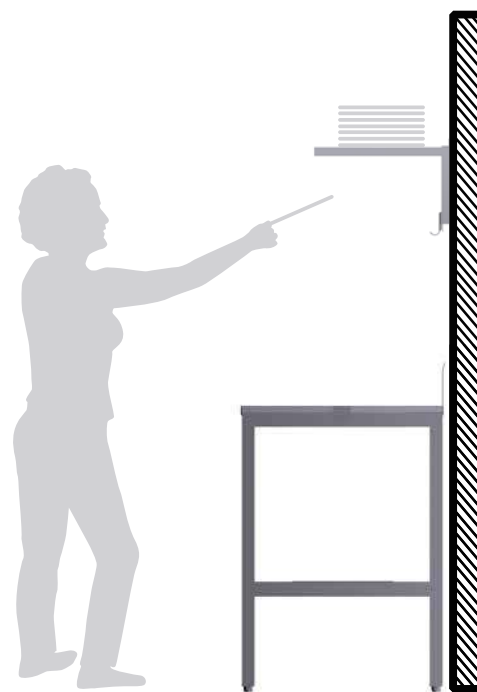
8040699
*(Ships Knocked down
and requires assembly)*



8040717
*(Ships Fully
Welded)*

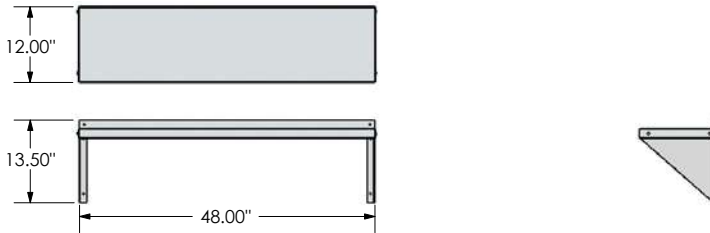


8040719
*(Ships fully
welded)*



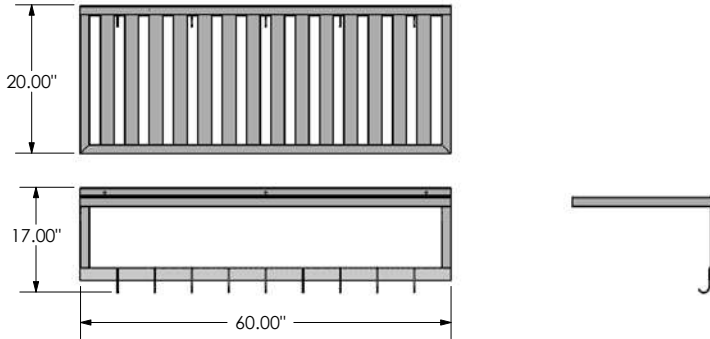


8040699

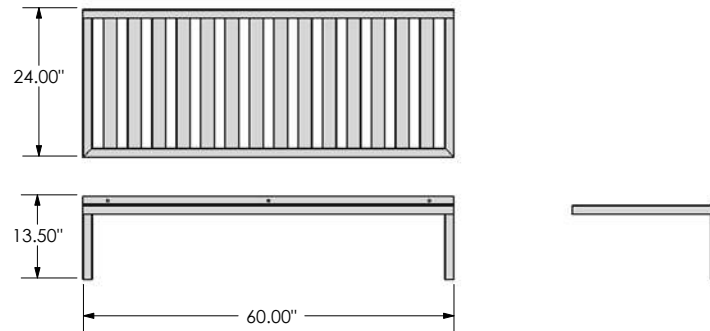


Freight Class: 300
NMFC Code: 164390-S2

8040719



8040717



Order #	Model	Description	W	D	Shelf Capacity	Weight
8040715	AL-WS-TB-2036, T-BAR WALL SHELF	Tube Shelf	36"	20"	700 lbs.	11 lbs.
8040565	AL-WS-TB-2048, T-BAR WALL SHELF	Tube Shelf	48"	20"	600 lbs.	13 lbs.
8040716	AL-WS-TB-2060, T-BAR WALL SHELF	Tube Shelf	60"	20"	500 lbs.	16 lbs.
8040717	AL-WS-TB-2460, T-BAR WALL SHELF	Tube Shelf	60"	24"	500 lbs.	26 lbs.
8040718	AL-WS-TB-2036-PH, T-BAR WALL SHELF	Shelf With Pot Holders	36"	20"	700 lbs.	15 lbs.
8040566	AL-WS-TB-2048-PH, T-BAR WALL SHELF	Shelf With Pot Holders	48"	20"	600 lbs.	21 lbs.
8040719	AL-WS-TB-2060-PH, T-BAR WALL SHELF	Shelf With Pot Holders	60"	20"	500 lbs.	26 lbs.
8040697	AL-WS-1224-KD SET	Solid Surface Shelf	24"	12"	200 lbs.	6 lbs.
8040698	AL-WS-1236-KD SET	Solid Surface Shelf	36"	12"	150 lbs.	8 lbs.
8040699	AL-WS-1248-KD SET	Solid Surface Shelf	48"	12"	125 lbs.	9 lbs.
8040700	AL-WS-1260-KD SET	Solid Surface Shelf	60"	12"	100 lbs.	10 lbs.

Can't find exactly what you need? Give us a call and we'll help you with the perfect solution!

BOAT RACK

Provides a product storage area for Styrofoam boats and trays used to package meats and poultry products.

8040024
(Wall Mount)



FEATURES:

All welded sanitary aluminum tube

Perforated aluminum backing provides a smooth non-bacteria collecting surface

Perfect for organizing scattered trays and boats

OPTIONS:

Ceiling Mount (CL)

Table Mount (TM)

Wall Mount (WAL)

Divider Bracket (BRD)

REPLACEMENT PARTS:

Replacement Hanger Bracket Order #3040291

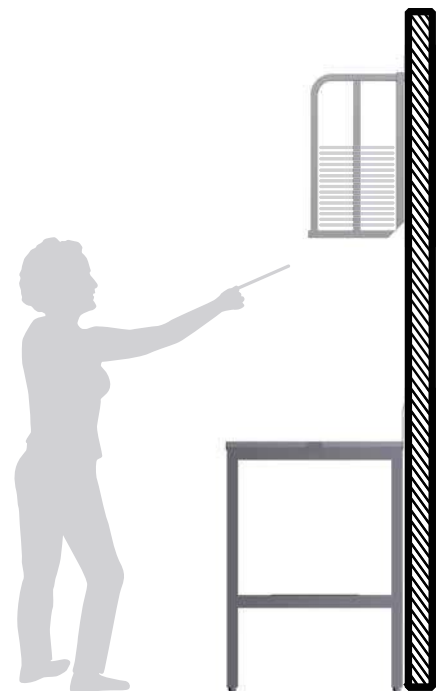
Boat Rack Divider Bracket Order #8040671



8040030
(Table Mount)



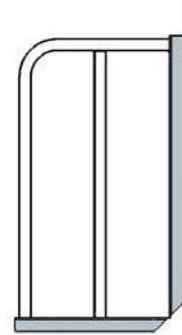
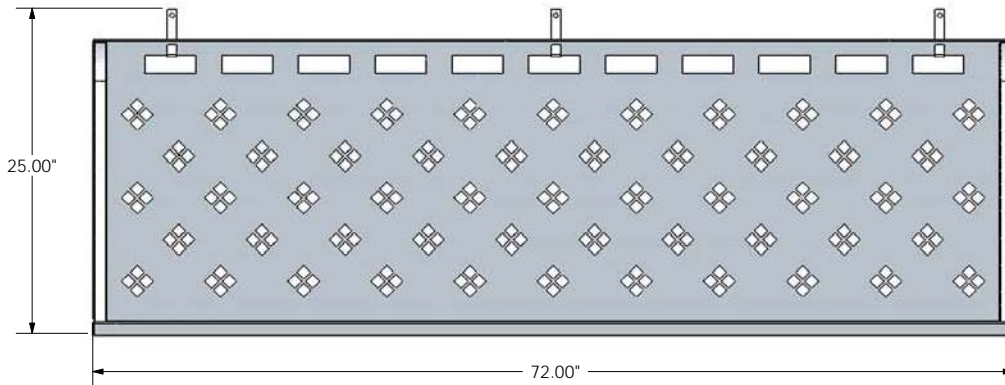
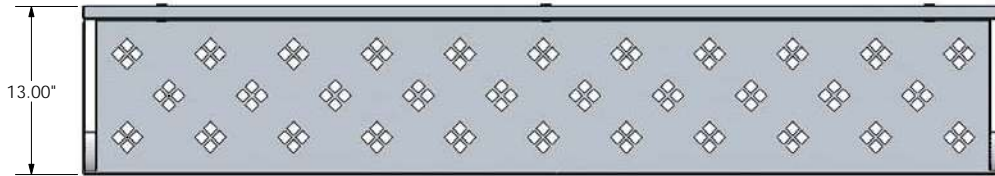
8040671
(Divider Bracket)





Freight Class: 300
NMFC Code: 164390-S2

8040024



Order #	Model	Description	W	L	H	Weight
8040022	AL-1348-BR-WAL 4'BOAT RACK WALL	Wall Mount 48"	13"	48"	25"	14 lbs.
8040023	AL-1360-BR-WAL 5'BOAT RACK WALL	Wall Mount 60"	13"	60"	25"	17 lbs.
8040024	AL-1372-BR-WAL 6'BOAT RACK WALL	Wall Mount 72"	13"	72"	25"	20 lbs.
8040025	AL-1396-BR-WAL 8'BOAT RACK WALL	Wall Mount 96"	13"	96"	25"	23 lbs.
8040026	AL-1348-BR-CL, AL BOAT RACK CEILING	Ceiling Mount 48"	13"	48"	25"	19 lbs.
8040027	AL-1360-BR-CL, AL BOAT RACK CEILING	Ceiling Mount 60"	13"	60"	25"	22 lbs.
8040028	AL-1372-BR-CL, AL BOAT RACK CEILING	Ceiling Mount 72"	13"	72"	25"	25 lbs.
8040029	AL-1396-BR-CL, AL BOAT RACK CEILING	Ceiling Mount 96"	13"	96"	25"	28 lbs.
8040030	AL-1348-BR-TM, AL BOAT RACK TABLE	Table Mount 48"	13"	48"	25"	19 lbs.
8040031	AL-1360-BR-TM, AL BOAT RACK TABLE	Table Mount 60"	13"	60"	25"	22 lbs.
8040032	AL-1372-BR-TM, AL BOAT RACK TABLE	Table Mount 72"	13"	72"	25"	25 lbs.
8040033	AL-1396-BR-TM, AL BOAT RACK TABLE	Table Mount 96"	13"	96"	25"	28 lbs.
8040671	AL SOLID BOAT RACK DIVIDER	Divider	12"	1 1/2"	22"	2 lbs.

Can't find exactly what you need? Give us a call and we'll help you with the perfect solution!

COOLER SHELVING

This free standing unit is perfect for all coolers and prep rooms. Cooler Shelving keeps merchandise off of the floor while allowing maximum air flow and maintaining product freshness.

These are also a great way to increase the storage capacity of your walk in coolers.



8040322 Shown

FEATURES

Heavy duty aluminum sanitary tube construction

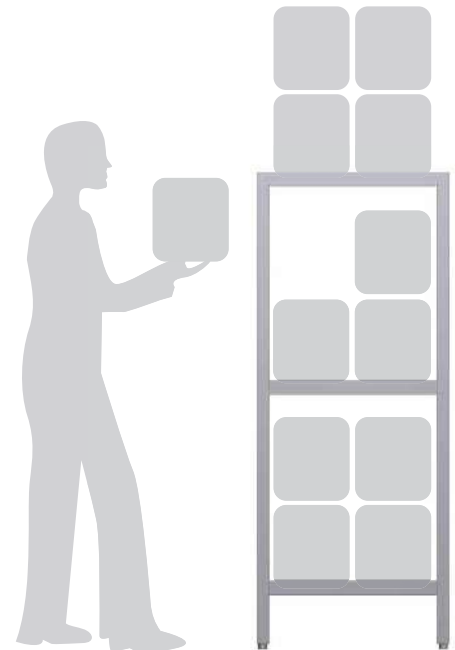
Unit comes fully welded with 4 leg levelers for sloping cooler floors

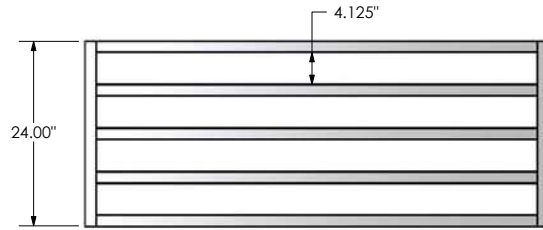
Spacing of shelves allows for maximum air flow

Convenient shelf height

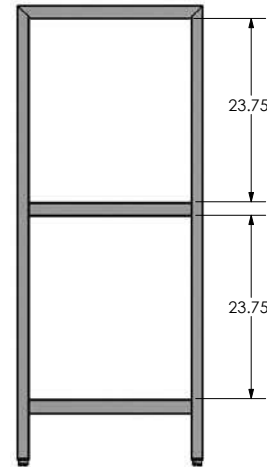
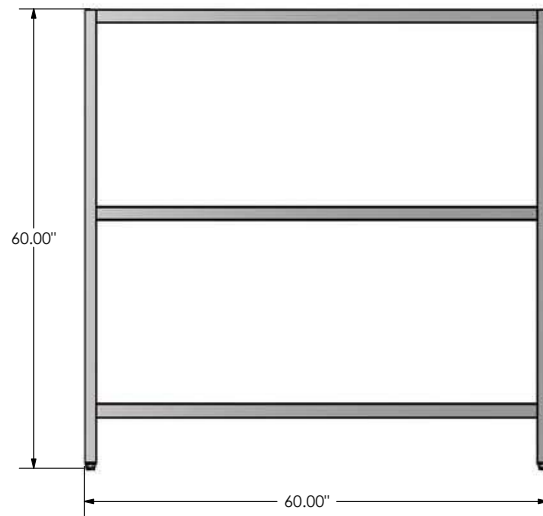
REPLACEMENT PARTS:

Optional leg levelers available.
Replacement Order #B000194





Freight Class: 150
NMFC Code: 164390-S4



8040322

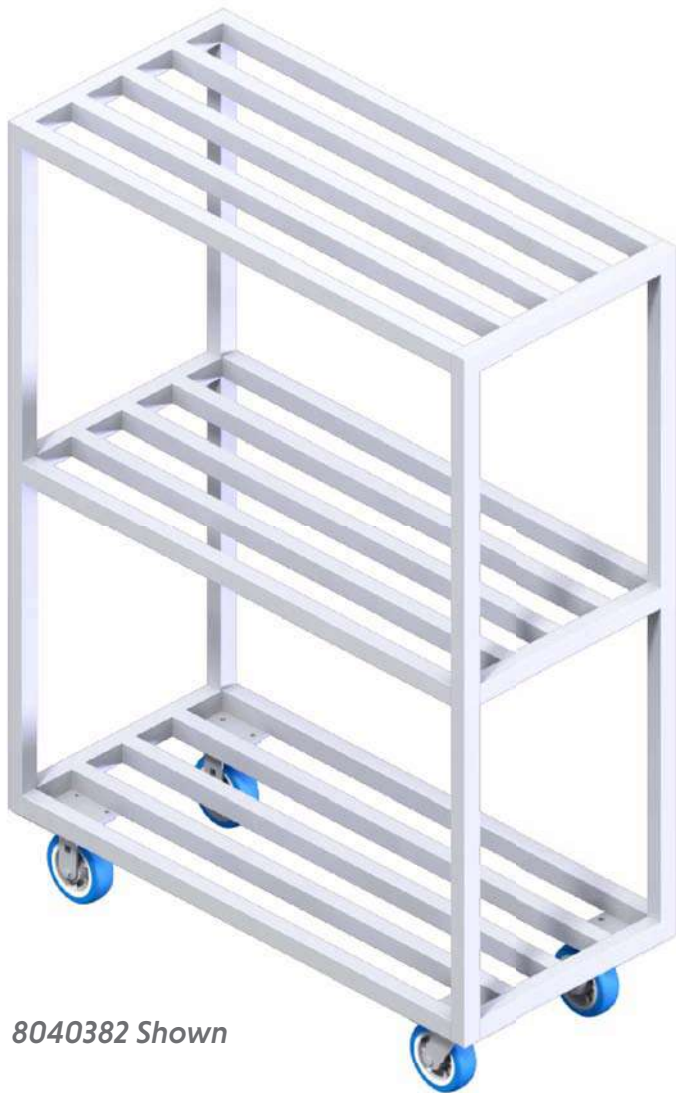
Order #	Model	W	L	H	# of Shelves	Weight	Capacity per Shelf
8040309	AL-CS-2060-2, AL COOLER SHELF W/2	20"	60"	60"	2	35 lbs.	1,500 lbs.
8040312	AL-CS-2072-2, AL COOLER SHELF W/2	20"	72"	60"	2	38 lbs.	1,500 lbs.
8040315	AL-CS-2436-2, AL COOLER SHELF W/2	24"	36"	60"	2	31 lbs.	1,500 lbs.
8040318	AL-CS-2448-2, AL COOLER SHELF W/2	24"	48"	60"	2	35 lbs.	1,500 lbs.
8040321	AL-CS-2460-2, AL COOLER SHELF W/2	24"	60"	60"	2	40 lbs.	1,500 lbs.
8040324	AL-CS-2472-2, AL COOLER SHELF W/2	24"	72"	60"	2	44 lbs.	1,500 lbs.
8040304	AL-CS-2036-3, AL COOLER SHELF W/3	20"	36"	60"	3	33 lbs.	1,500 lbs.
8040307	AL-CS-2048-3, AL COOLER SHELF W/3	20"	48"	60"	3	39 lbs.	1,500 lbs.
8040310	AL-CS-2060-3, AL COOLER SHELF W/3	20"	60"	60"	3	45 lbs.	1,500 lbs.
8040313	AL-CS-2072-3, AL COOLER SHELF W/3	20"	72"	60"	3	51 lbs.	1,500 lbs.
8040316	AL-CS-2436-3, AL COOLER SHELF W/3	24"	36"	60"	3	39 lbs.	1,500 lbs.
8040319	AL-CS-2448-3, AL COOLER SHELF W/3	24"	48"	60"	3	46 lbs.	1,500 lbs.
8040322	AL-CS-2460-3, AL COOLER SHELF W/3	24"	60"	60"	3	54 lbs.	1,500 lbs.
8040325	AL-CS-2472-3, AL COOLER SHELF W/3	24"	72"	60"	3	61 lbs.	1,500 lbs.
8040323	AL-CS-2460-4, AL COOLER SHELF W/4	24"	60"	60"	4	67 lbs.	1,500 lbs.
8040320	AL-CS-2448-4, AL COOLER SHELF W/4	24"	48"	60"	4	59 lbs.	1,500 lbs.
8040317	AL-CS-2436-4, AL COOLER SHELF W/4	24"	36"	60"	4	47 lbs.	1,500 lbs.

Can't find exactly what you need? Give us a call and we'll help you with the perfect solution!

MOBILE COOLER/FREEZER SHELF TRUCK

This all welded sanitary aluminum shelf truck is perfect for storage in meat, produce, dairy, deli and bakery coolers.

Saves labor by putting your product on wheels.



8040382 Shown

FEATURES:

Constructed from rectangular heavy duty aluminum tube

Moves easily under heavy loads

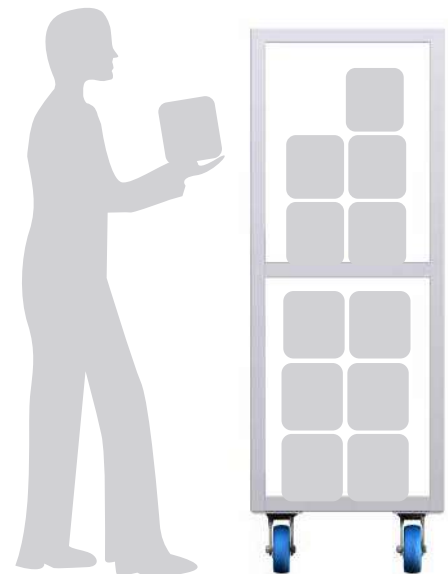
Will withstand drastic temperature changes from freezer to prep area

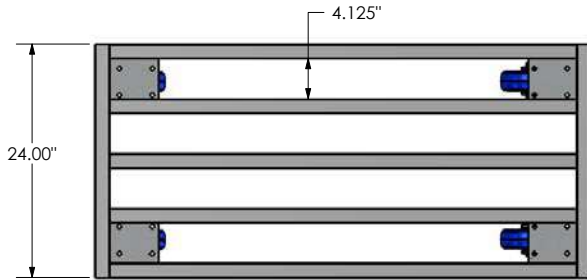
REPLACEMENT PARTS:

(2) rigid 6" x 2" polyurethane casters.
Replacement Order #B000507.

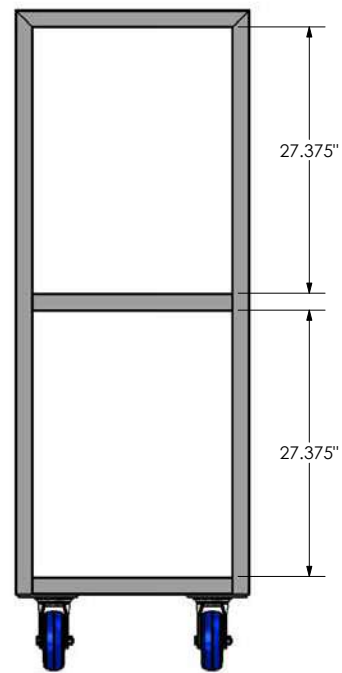
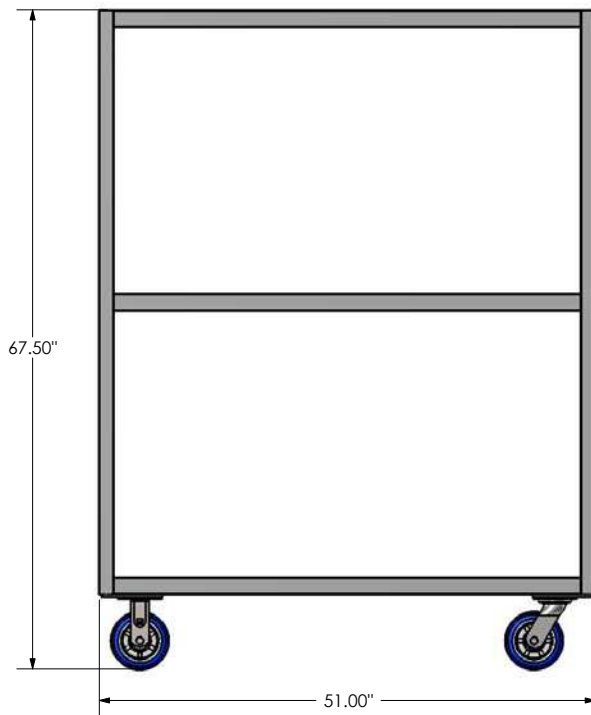
(2) swivel 6" x 2" polyurethane casters.
Replacement Order #B000508.

Fastener Replacement Order #B000060
and #B001225





Freight Class: 150
NMFC Code: 164390-S4



8040382

Order #	Model	W	L	H	# of Shelves	Weight	Cart Capacity
8040236	AL-AMC-2051-2 MOBILE COOLER TRUCK	20"	51"	67 1/2"	2	63 lbs.	2000 lbs.
8040237	AL-AMC-2051-3 MOBILE COOLER TRUCK	20"	51"	67 1/2"	3	55 lbs.	2000 lbs.
8040239	AL-AMC-2063-3 MOBILE COOLER TRUCK	20"	63"	67 1/2"	3	65 lbs.	2000 lbs.
8040240	AL-AMC-2451-2 MOBILE COOLER TRUCK	24"	51"	67 1/2"	2	65 lbs.	2000 lbs.
8040382	AL-AMC-2451-3 MOBILE COOLER TRUCK	24"	51"	67 1/2"	3	63 lbs.	2000 lbs.
8040243	AL-AMC-2463-2 MOBILE COOLER TRUCK	24"	63"	67 1/2"	2	65 lbs.	2000 lbs.
8040244	AL-AMC-2463-3 MOBILE COOLER TRUCK	24"	63"	67 1/2"	3	66 lbs.	2000 lbs.
8040246	AL-AMC-2763-2 MOBILE COOLER TRUCK	27"	63"	67 1/2"	2	72 lbs.	2000 lbs.
8040248	AL-AMC-2763-3 MOBILE COOLER TRUCK	27"	63"	67 1/2"	3	65 lbs.	2000 lbs.

Can't find exactly what you need? Give us a call and we'll help you with the perfect solution!

QUEEN MARY CART

The Queen Mary Cart is ideal for banquets, catering and bussing.

This cart is built to handle the big loads and is a must in any high volume situation.



8040481 Shown

FEATURES:

Fully welded aluminum construction

Tubular reinforced solid shelves

3000 lb. weight capacity

Full perimeter bumpers to protect furnishings

REPLACEMENT PARTS:

(2) Swivel 8" x 2" polyurethane wheels.
Replacement Order #B000312

(2) Rigid 8" x 2" polyurethane wheels.
Replacement Order #B000325



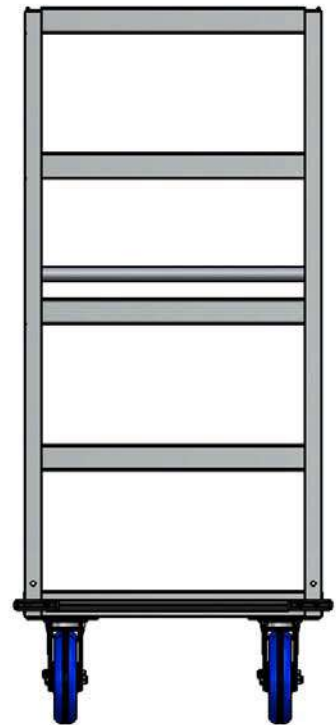
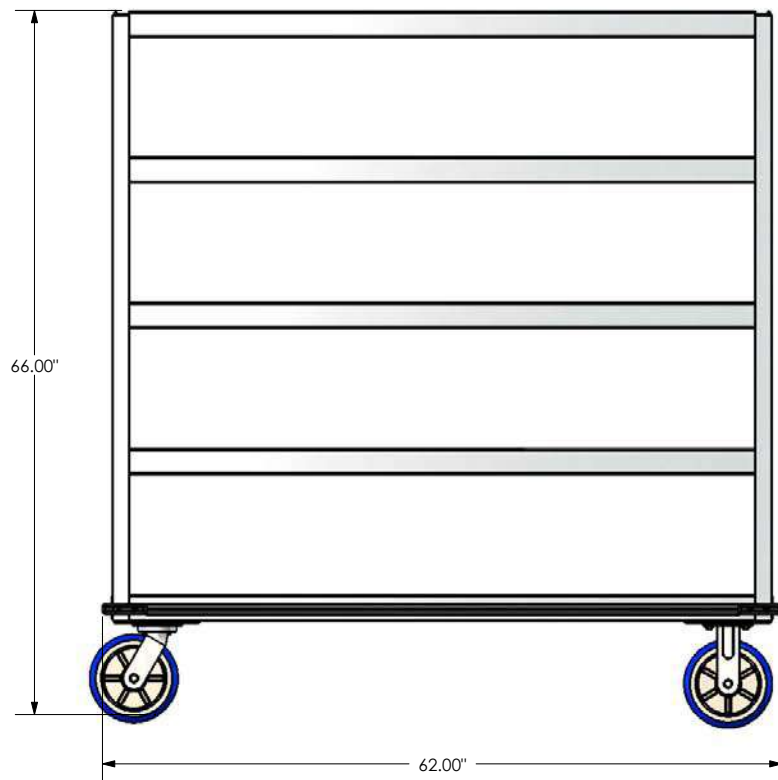
NATIONAL CART CO

1-800-455-3802
nationalcart.com



Freight Class: 300
NMFC Code: 164390-S2

8040481



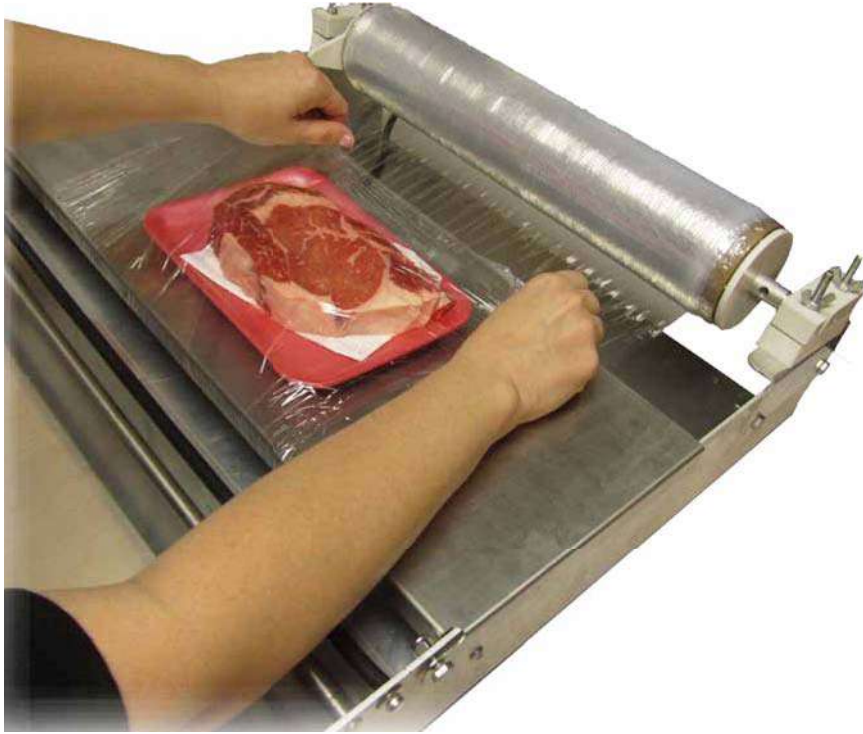
Order #	Model	W	L	H	Shelf Spacing	# of Shelves	Weight
8040481	AL-QMT-2760-5 'QUEEN MARY' SH. TRUCK	29"	62"	66"	12"	5	147 lbs.
8040708	AL-QMT-2760-6 'QUEEN MARY' SH. TRUCK	21 1/2"	62"	69"	9"	6	156 lbs.

Can't find exactly what you need? Give us a call and we'll help you with the perfect solution!

THERMAL WRAPPER

Easily seal in the freshness and prolong the shelf life of your products.

Our new Thermal Wrapping station is an essential edition to any meat, seafood or prepared foods department.



FEATURES:

Constructed from heavy duty aluminum and stainless steel

Heated cut off rod

Non stick Teflon cover on hot plate

Powered by standard US power outlet

Fully assembled and ready to use

Fed Ex / UPS friendly

1 year warranty

UL Listed

REPLACEMENT PARTS:

Fuse order# 5000148

Cut Off Bar Assembly order# 5000565

Teflon Cover order# 5000553

Hot Plate Assembly order# 5000569

Film Bar Assembly order# 5000573



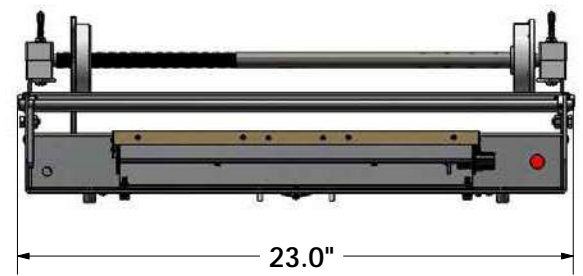
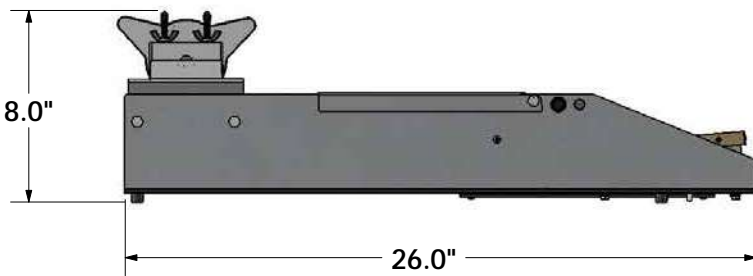
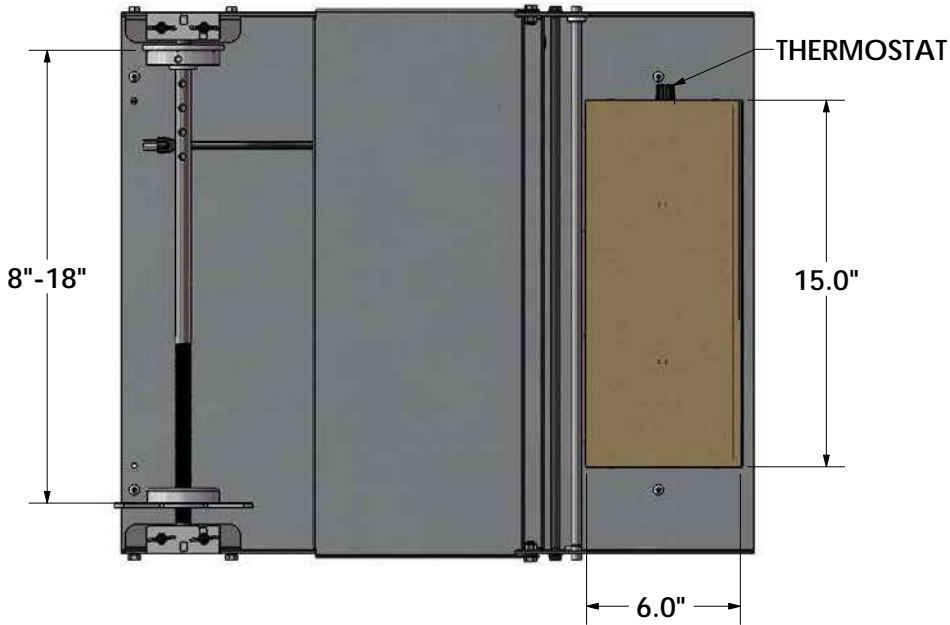
Stainless steel and aluminum prep tables are also available. Contact your sales representative for more information



(Plastic wrap not included)



Freight Class: 85
NMFC Code: 186590



Order #	Model	W	L	H	Weight
5000156	THERMAL HANDWRAP 1-ROLL	23"	26"	8"	28 lbs.

Can't find exactly what you need? Give us a call and we'll help you with the perfect solution!

PRODUCT CATALOG 2017

MATERIAL HANDLING



NATIONAL CART CO



Carts

Box Bin Cart.....	215-216
Foldable Aluminum L-Cart.....	217-218
Furniture Cart.....	219-220
Metal Platform Trucks (Flat Cart).....	221-222
Nesting Carts.....	223-224
Plastic Flat Carts.....	225-226
Utility Carts.....	227-228
Wire Nesting Carts.....	229-230

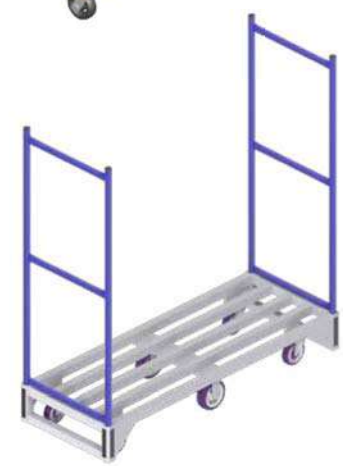


Dollies

Lock and Load Dolly.....	231-232
--------------------------	---------

Garden

Garden Center Cart.....	233-234
Garden Wagons.....	235-236
Plastic Deck Garden Cart.....	237-238



Hand Trucks

.....	239-240
-------	---------

Lumber Carts

Flat Lumber Cart.....	241-242
Lumber Cart.....	243-244

Ladder Carts

.....	245-246
-------	---------

Racks

Garment Racks.....	247-248
--------------------	---------

Stock Carts

5 Shelf Back Stock Cart.....	249-250
Back Stock Carts.....	251-252
HBC Restock Advantage Cart.....	253-254
Stock Picker Cart.....	255-256



Security

Mobile Security Cages.....	257-258
HBC Restock Advantage Cart.....	253-254

U-Boat

Aluminum Utility Carts (U-Boat).....	259-260
Heavy-Duty U-Boats.....	261-262
Spring Loaded U-Boat.....	263-264
U-Pick U-Boat.....	265-266



For Product Safety and Operation Manuals please visit our website at www.nationalcart.com



NATIONAL CART CO
1-800-455-3802
nationalcart.com

BOX BIN CART

This all welded steel box bin is for everyday use to store and transfer cardboard boxes within your facility or take to unload in a dumpster.

The steel construction withstands heavy loads up to 750 pounds and provides years of fuss-free service.

Custom Colors
Available



FEATURES:

All welded steel construction

Durable gray powder coat finish

Large opening and the top and partial opening on the side makes it easy to place cardboard boxes

REPLACEMENT PARTS:

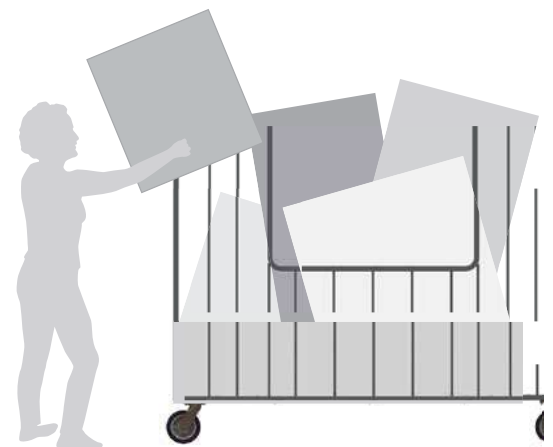
(2) 6" x 2" swivel casters with polyurethane wheels. Replacement order #B000507.

(2) 6" x 2" swivel casters with polyurethane wheels. Replacement order #B000508.

Fasteners order #B001257 (nut) and #B00060 (bolt).

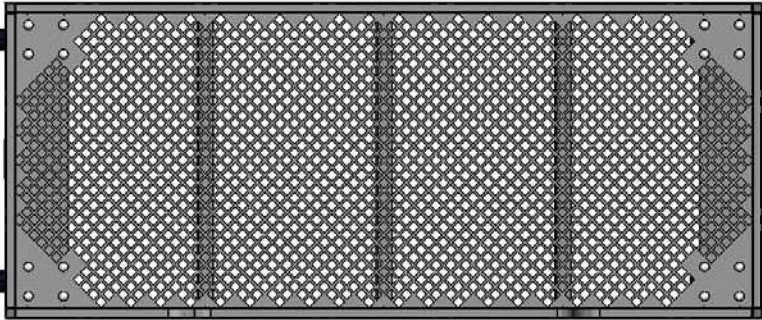


8000376

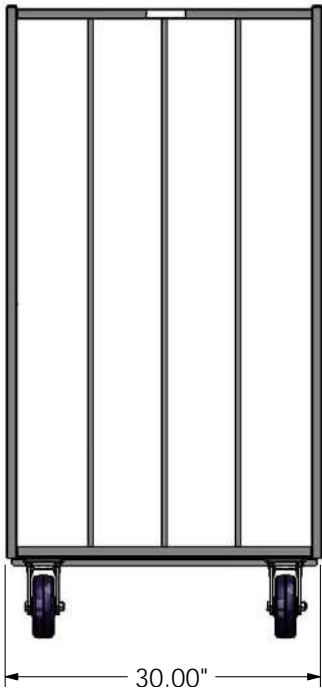
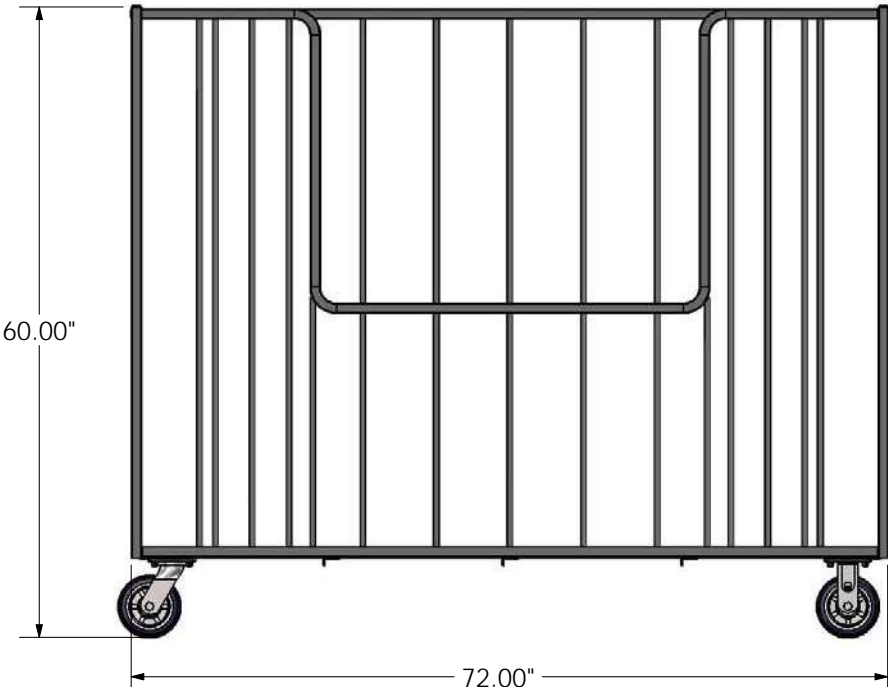




Freight Class: 300
NMFC Code: 164390-S2



8000059



Order #	Model	W	L	H	Capacity	Weight
8000376	BB-3072, BOX BIN CART	30"	72"	60"	750 lbs.	170 lbs.

Can't find exactly what you need? Give us a call and we'll help you with the perfect solution!

FOLDABLE ALUMINUM L-CART

This six wheel L-cart design allow the cart to rotate within its own lengths and be easily maneuvered through busy aisles and tight areas in the back room.

This L-Cart folds up to stand vertically and minimizes valuable storage and shipping space, saving you money!

Custom Colors Available



8001341

FEATURES:

All welded aluminum frame

Durable attractive blue powder coat finish

Traditional six wheel design, 2 center rigid and 4 corner swivel bolt on casters

Handle folds down to collapse and minimize storage and shipping space

L-Cart folds together and stands vertically when not in use

REPLACEMENT PARTS:

(2) 8" x 2" rigid polyurethane center wheels ensure easy rolling and longer life.
Replacement order #B000024

(4) 4" x 1.25" corner swivel casters.
Replacement order #B000027

L-Carts Shown in use



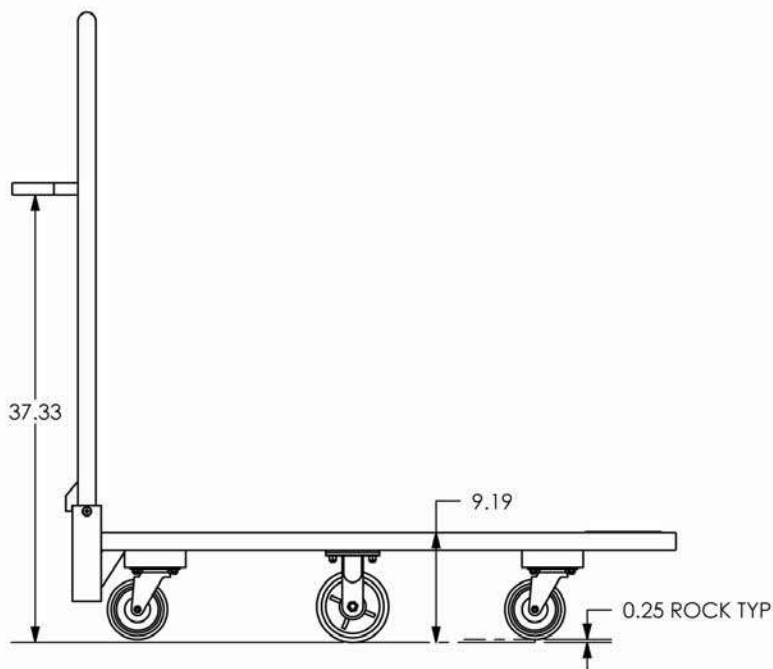
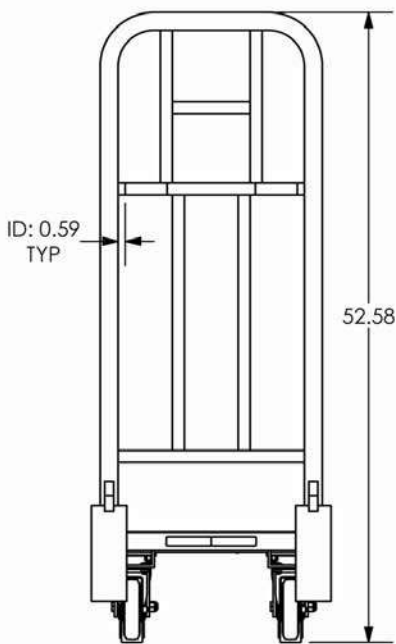
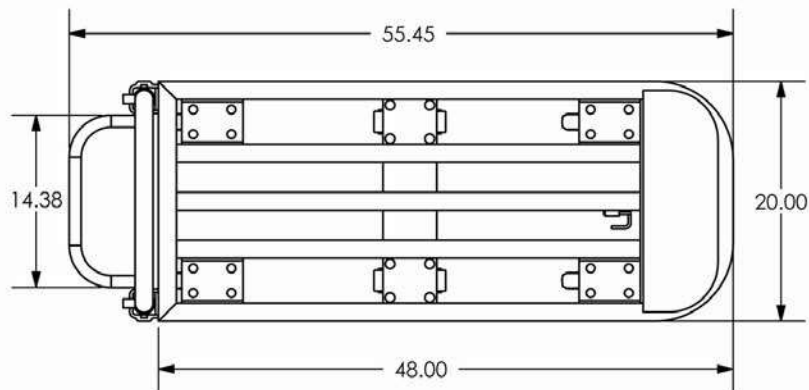
L-Carts Shown Folded for Shipping and Storage





U-Boats
 Freight Class: 70
 NMFC Code: 188560-S2

8001341



Order #	Model	W	L	H	Cart Capacity	Weight
8001341	FSC-2050-ALH; FOLDING STOCK CART	20"	55.45"	52.58"	1000 lbs.	46 lbs.

Can't find exactly what you need? Give us a call and we'll help you with the perfect solution!

FURNITURE CART

This sturdy utility cart will safely transport large, hard to handle boxes of furniture, lumber, doors, etc. Efficiently transports materials from loading dock to sales floor, or sales floor to parking lot.

High steel sides provide superior control over cart and load.

Custom Colors Available



8000056

FEATURES:

All welded heavy duty steel tube construction

Durable and attractive powder coated finish

Traditional 4 wheel design for easy maneuvering

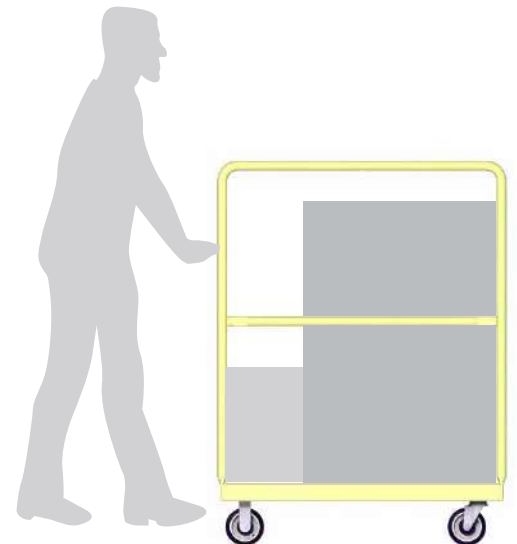
Fully welded side handles to secure load

REPLACEMENT PARTS:

(2) 5" x 1.25" polyurethane swivel casters.
Replacement order #B000312.

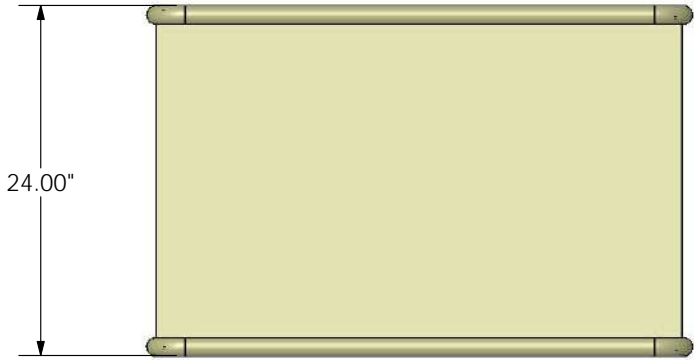
(2) 5" x 1.25" polyurethane rigid casters.
Replacement order #B000325.

Fasteners order #B000689.

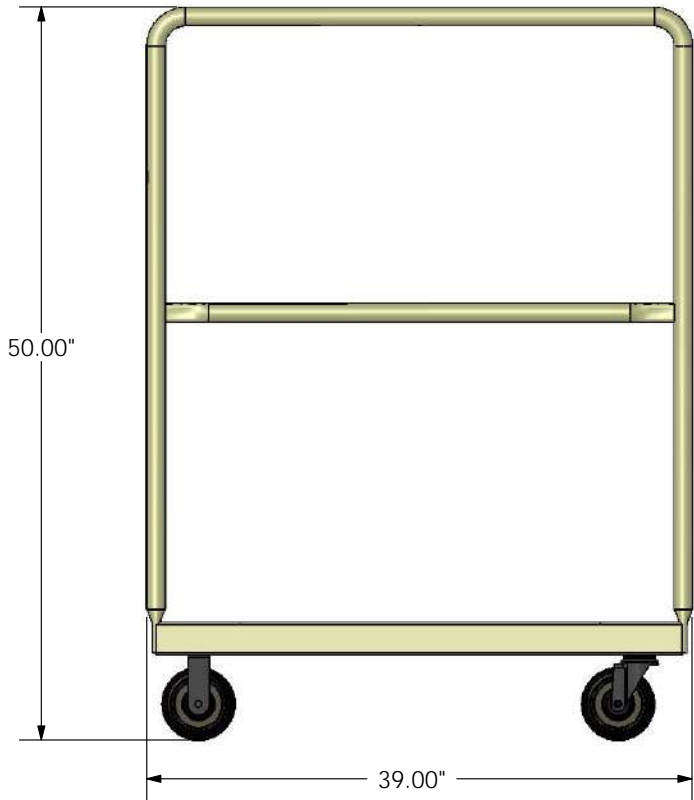




Freight Class: 150
 NMFC Code:188560-S4



8000056



Order #	Model	W	L	H	Cart Capacity	Weight
8000056	FUC-2436, FURNITURE CART BEIGE	24"	39"	50"	1000 lbs.	129 lbs.

Can't find exactly what you need? Give us a call and we'll help you with the perfect solution!

METAL PLATFORM TRUCKS (FLAT CART)

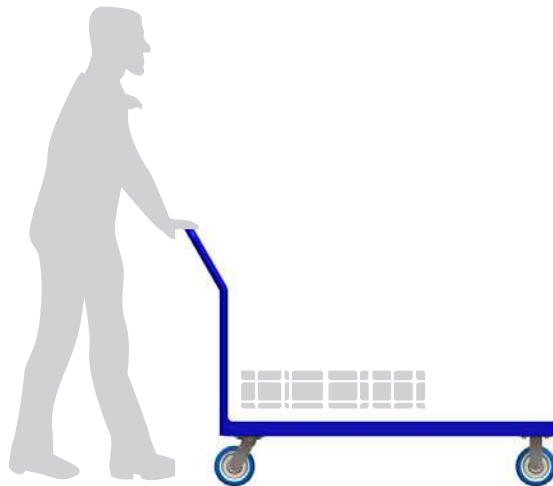
These heavy duty stock trucks won't back down from heavy loads. A variety of sizes are available to handle all of your stocking, storing and transportation needs. From loading dock to sales floor, this cart does it all.

Custom Colors Available



8000026

8000024



FEATURES:

All welded steel deck with steel chassis frame

Heavy duty handle is welded in fixed position

Gusseted and reinforced with pipe socket at the high stress areas

Bolt on casters

OPTIONS:

Front corner bumpers

SST-3060-6 is a 6 wheel version with 8" x 2" polyurethane center wheels

REPLACEMENT PARTS:

4-Wheel Model

(2) 6" x 2" polyurethane rigid casters.
Replacement order #B000508.

(2) 6" x 2" polyurethane swivel casters.
Replacement order #B000507.

Fasteners replacement order #B000696 (bolt)

6-Wheel Model

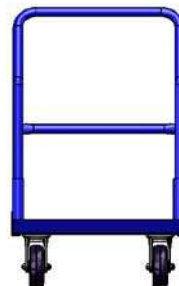
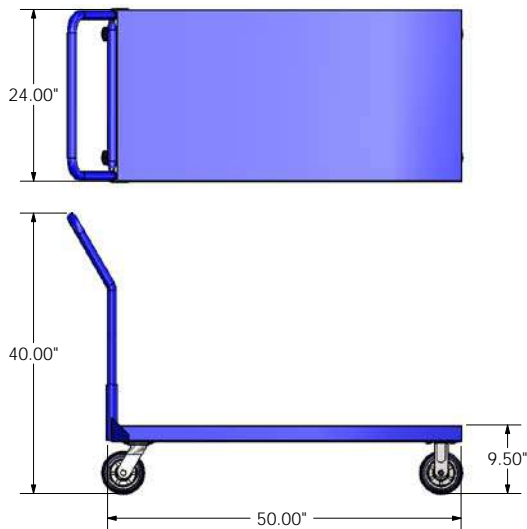
(2) 8" x 2" polyurethane rigid casters.
Replacement order #B000542. (4) 6" x 2"
polyurethane swivel casters.
Replacement order #B000507.

Fasteners replacement order #B000696 (bolt)
and #B000183 (nut).

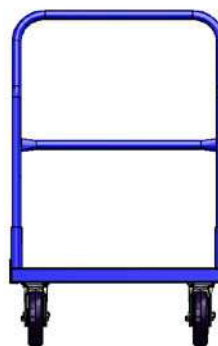
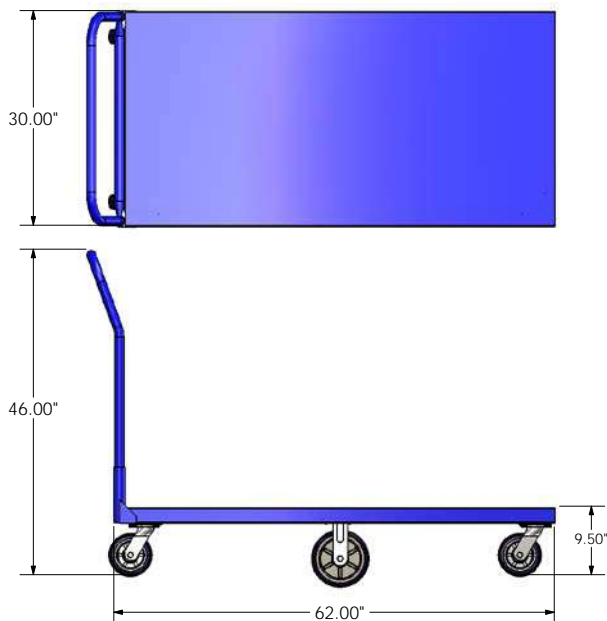


Freight Class: 100
NMFC Code: 188560-S6

8000024



8000026



Order #	Model	W	L	H	Cart Capacity	Weight	Bumpers	# of wheels
8000024	SST-2448-P/U, PLATFORM TRUCK, BLUE	24"	50"	40"	2000 lbs.	80 lbs.	No	4
8000450	SST-2448-CB, PLTFRM TRK, BLU W/BMPR	24"	50"	40"	2000 lbs.	80 lbs.	Yes	4
8000025	SST-2460-P/U, PLATFORM TRUCK, BLUE	24"	62"	40"	2000 lbs.	90 lbs.	No	4
8000026	SST-3060-P/U, PLATFORM TRUCK, BLUE	30"	62"	46"	2000 lbs.	120 lbs.	No	6

Can't find exactly what you need? Give us a call and we'll help you with the perfect solution!

NESTING CARTS

This high quality, versatile cart can be used both by store personnel and your customers. Customers can use the cart for large items, while placing small purchases in the optional mid utility basket. These carts nest into less than 33% of their normal length, thus freeing up valuable floor space.

Custom Colors Available



8000047



8000045

FEATURES:

All welded steel construction

Gusseted and reinforced in high stress areas

Nestable for easy storage

OPTIONS:

Mid Utility Basket (MB)

Zinc plated or powder coated finish for your convenience

REPLACEMENT PARTS:

Model #3060

(2) rear swivel 8" x 2" polyurethane, replacement order #B000541. (2) front rigid 8" x 2" polyurethane, replacement order #B000542.

Fasteners order #B000503 (bolt) and #B000183 (nut).

Model #2448

(2) rear swivel 6" x 2" polyurethane, replacement order #B000507. (2) front rigid 6" x 2" polyurethane, replacement order #B000508.

Fasteners order #B000060 (bolt) and #B001225 (nut).

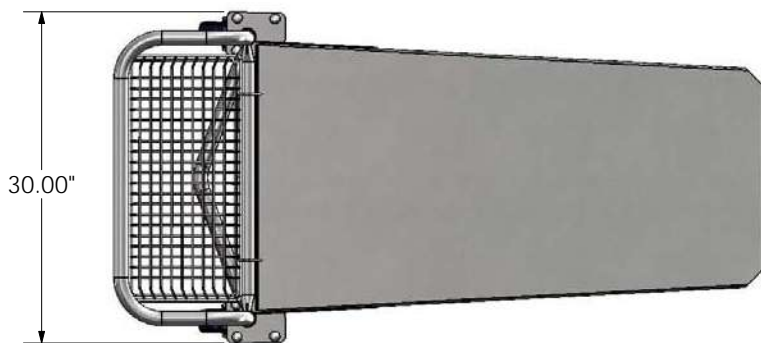


Carts Shown Nested

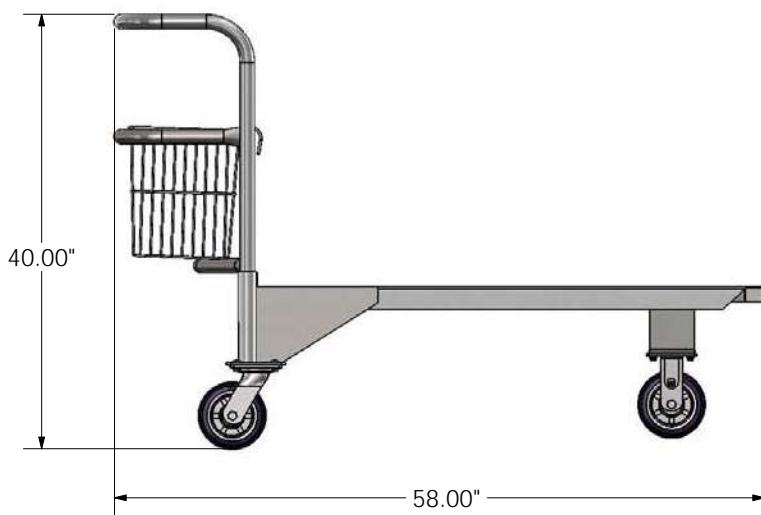




Freight Class: 100
NMFC Code: 188560-S6



8000047



Order #	Model	W	L	H	Cart Capacity	Finish	Color	Accessory	Weight
8000043	2448-NCPC-PU, NESTING CART, BLUE	30"	58"	40"	2000 lbs.	Powder Coated	Blue	-	142 lbs.
8000044	2448-NCZP-PU, NESTING CART	30"	58"	40"	2000 lbs.	Zinc Plated	NA	-	142 lbs.
8000045	3060-NCPC-PU, NESTING CART	36"	70"	40"	2000 lbs.	Powder Coated	Green	-	153 lbs.
8000047	2448-NCZP-PU-MB, NESTING CART W/BSK	30"	58"	40"	2000 lbs.	Zinc Plated	NA	Basket	142 lbs.
8000344	2448-NCPC-PU-MB, NEST CART W/BSK GY	30"	58"	40"	2000 lbs.	Powder Coated	Gray	Basket	142 lbs.
8000048	3060-NCZP-PU-MB NESTING CART W/BSK	36"	70"	40"	2000 lbs.	Zinc Plated	NA	Basket	153 lbs.
8000107	3060-NCPC-PU-MB NESTING CART W/BSK	36"	70"	40"	2000 lbs.	Powder Coated	Green	Basket	153 lbs.

Can't find exactly what you need? Give us a call and we'll help you with the perfect solution!

PLASTIC FLAT CARTS

These heavy duty plastic flat carts won't back down from heavy loads. A variety of sizes are available to handle all of your stocking, storing and transportation needs.

From loading dock to sales floor, this cart does it all.

Custom Colors Available



FEATURES:

Ideal for Indoor and outdoor use.

Plastic deck features a ribbed design for a durable yet light weight product

Anti-skid deck is easy to clean and will look great for years to come

All welded steel tube powder-coated steel chassis

Plastic decks will not chip or rust

Heavy duty steel handle

Bolt on casters

OPTIONS:

Nesting or Non-nesting option available for purchase

REPLACEMENT PARTS:

(2) 6" x 2" cimax rigid casters.
Replacement order #B000652.

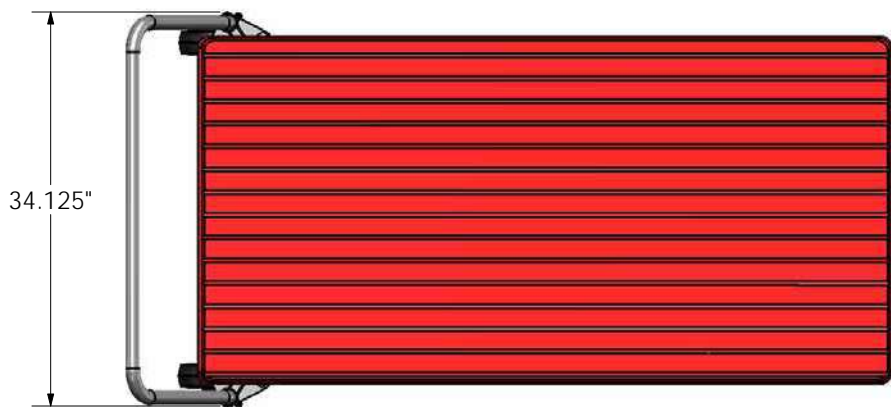
(2) 6" x 2" cimax swivel casters.
Replacement order #B000653.

Fastener replacement order #B000060 (bolt) and #B001257 (nut)

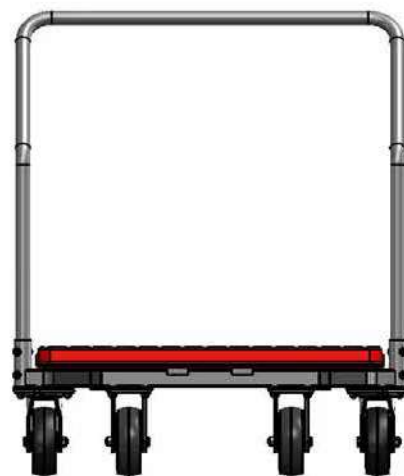
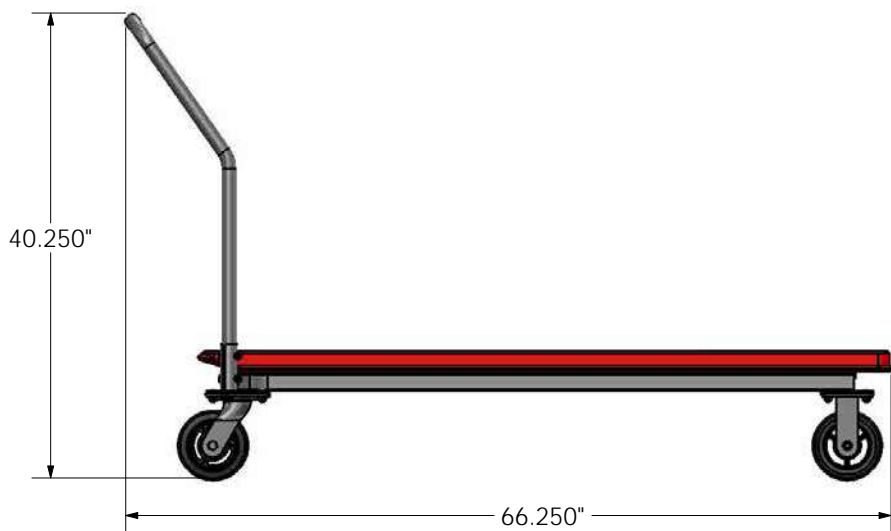


Carts shown nested together





Freight Class: 100
NMFC Code:188560-S6



Nesting Plastic Flat Carts

Order #	Model	W	L	H	Capacity	Weight
8000396	NC-2448-PC NESTING CART WITH DECK	28 1/8"	54 1/4"	40 1/4"	1500 lbs.	68 lbs
8000365	NC-3060-PC NESTING CART WITH DECK	34 1/8"	66 1/4"	40 1/4"	1500 lbs.	105 lbs.

Non-Nesting Plastic Flat Carts

Order #	Model	W	L	H	Capacity	Weight
8000455	PT-2448-PC PLATFORM TRUCK WITH DECK	28 1/8"	54 1/4"	40 1/4"	2200 lbs.	63 lbs.
8000456	PT-3060-PC PLATFORM TRUCK WITH DECK	34 1/8"	66 1/4"	40 1/4"	2200 lbs	99 lbs.

Can't find exactly what you need? Give us a call and we'll help you with the perfect solution!

UTILITY CARTS

This versatile utility cart is perfect for all your material handling needs. Turn the heaviest loads into the easiest jobs.

Custom Colors Available



8041131



8000451

FEATURES:

Constructed from all welded tubing

Rounded corner frame protects doors and fixtures

Maneuvers easily with traditional 6 wheel tilt design

Sturdy handle is removable for freight savings

Cart has a durable powder coat finish

REPLACEMENT PARTS:

8000027 & 8000451

(2) center 8" x 2" polyurethane rigid. Replacement order #B000024

Fasteners Replacement order #B000332 (nut) and #B000021 (axle)

(4) corners 5" x 1.25" polyurethane swivel casters. Replacement order #B000359

Fasteners Replacement order #B000332 (nut) #B000075 (flat washer)

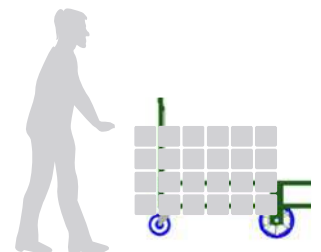
8041131

(2) center 6" x 2" polyurethane rigid with brake. Replacement order #B000334

Fasteners Replacement order #B000060 (bolt) and #B000183 (nut).

(4) corners 5" x 1.25" polyurethane swivel casters. Replacement order #B000312

Fasteners Replacement order #B000062 (bolt) and #B001257 (nut).



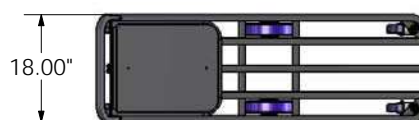
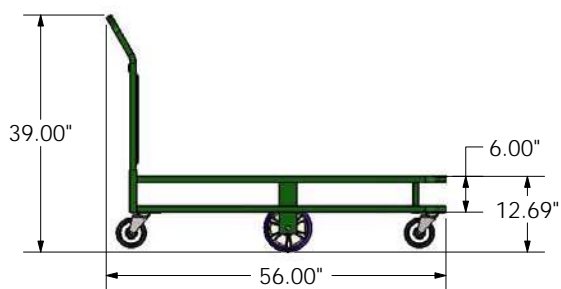


8000027
 Freight Class: 150
 NMFC Code:188560-S4

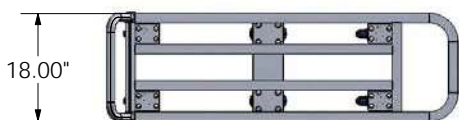


8000027

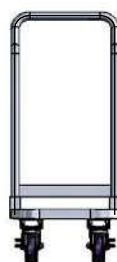
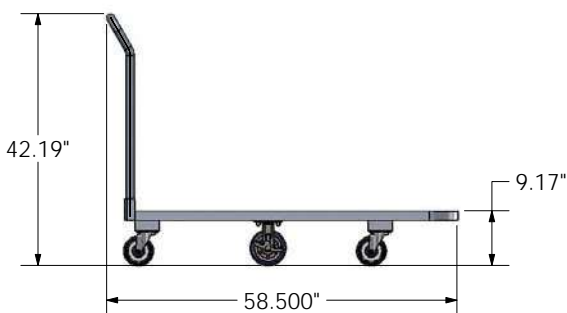
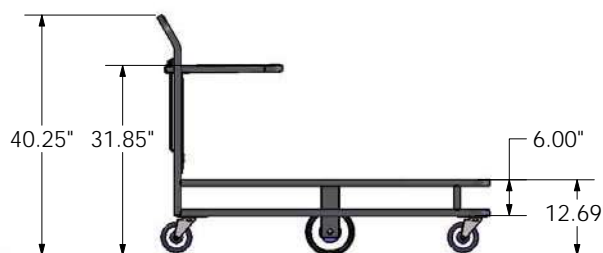
8041131
 Freight Class: 70
 NMFC Code: 188560-S9



8000451



8041131



Order #	Model	W	L	H	Cart Capacity	Weight	Material
8000027	ST-1854-PC, UTILITY CART	18"	56"	39"	1500 lbs.	75 lbs.	Steel
8041131	AL-ST-1854 AL LOW BOY CART	18"	56"	42"	1500 lbs	46 lbs.	Aluminum
8000451	ST-1854-PC, WITH SHELF,STONE FLEX	18"	64 1/2"	40 3/4"	1500 lbs.	95 lbs	Steel

Can't find exactly what you need? Give us a call and we'll help you with the perfect solution!

WIRE NESTING CART

This high quality, versatile cart can be used both by store personnel and your customers. Customers can use the cart for large items, while placing small purchases in the mid utility basket. These carts nest into less than 33% of their normal length, thus freeing up valuable floor space.



5000562



Carts shown nested together

FEATURES:

All welded steel construction

Gusseted and reinforced in high stress areas

Nestable for easy storage

Mid Utility Basket (MB)

Zinc Plated Finish

REPLACEMENT PARTS:

(2) 5" x 1 1/4" casters. Replacement order #B000001. Fastener replacement order #B000332(nut)

(2) 5" x 1 1/4" swivel casters. Replacement order #B00059. Fastener replacement order #B000673 (bolt), B000198 (nut) and B000606 (washer)

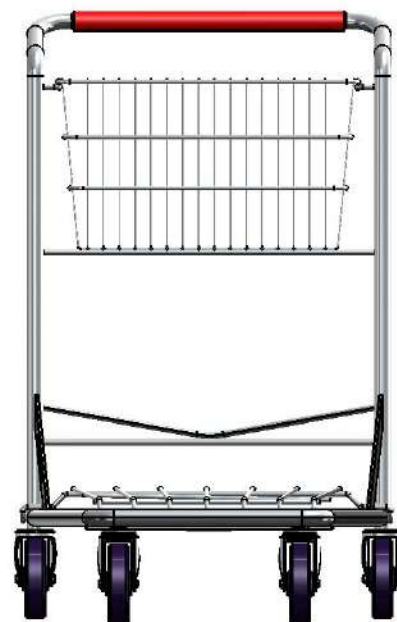
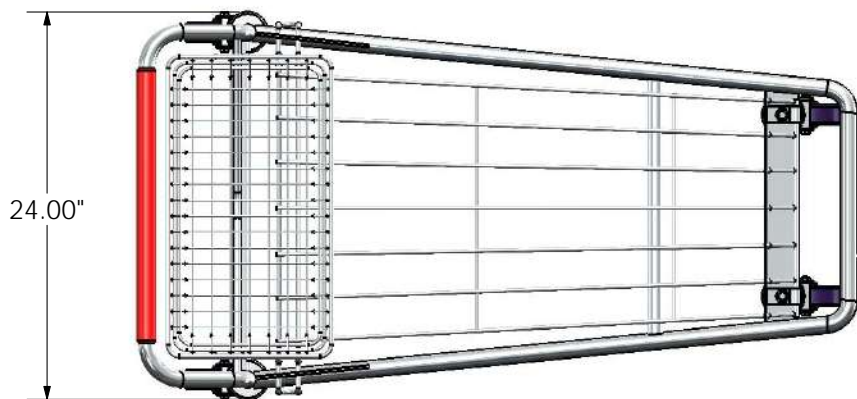
(1) Bottom tray. Replacement order #5000567





Freight Class: 175
NMFC Code: 189430-S2

5000562



Order #	Model	W	L	H	Capacity	Weight
5000562	WIRE NESTING CART	24"	44 1/2"	37 1/2"	300 lbs.	32 lbs.

Can't find exactly what you need? Give us a call and we'll help you with the perfect solution!

LOCK AND LOAD DOLLY

The heavy-duty Lock and Load Dolly is your ultimate tote transporter and is suitable for all departments. The Lock and Load dolly turns transporting heavy loads into a one person job and transports totes and boxes with ease.

The pedal locking mechanism locks the dolly in place for safe loading and unloading of products.

Custom Colors Available



FEATURES:

Heavy-duty steel construction

Powder-coated safety yellow

Red pedal activates brake system

Green pedal deactivates brake system

Carts are stackable when not in-use to reduce storage space

OPTIONS:

23.5"L x 15.625"W Tote (custom sizes available)

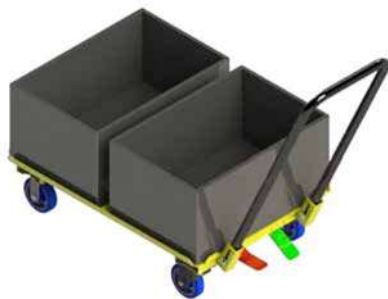
REPLACEMENT PARTS:

(2) 5 x 1.25" Rigid casters

(2) 5" x 1.25" swivel casters with central locking brakes. Brake system total locks front two swivels



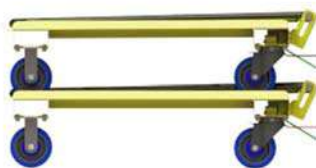
8000564



Two totes in tandem

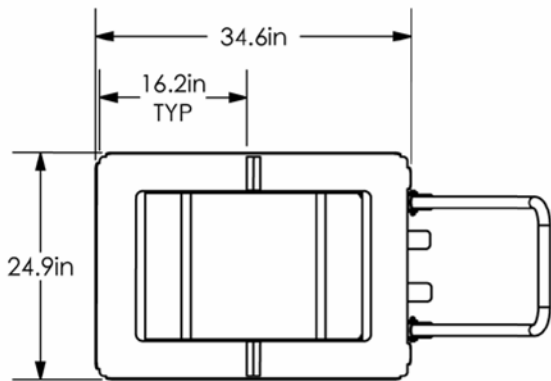


Single tote fit

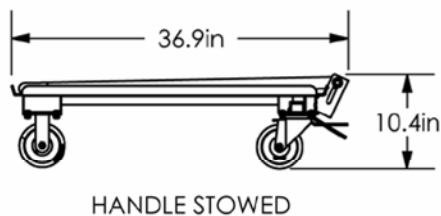
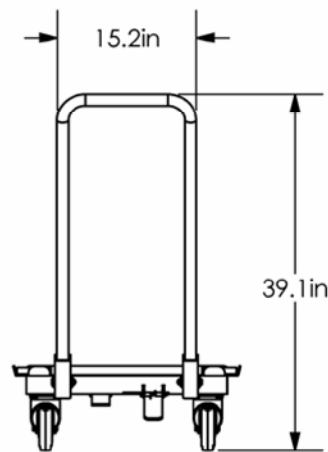
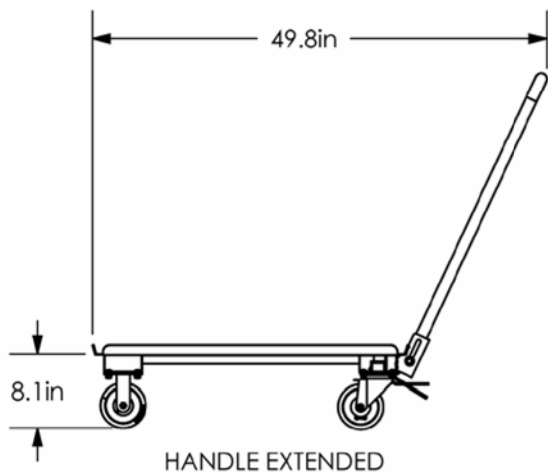


Dollies shown stacked





8000564



Order #	Model	W	L	H	Cart Capacity	Weight
8000564	TD-3224-2-TL, STEEL TOTE DOLLY- RH	24.9"	49.8"	39.1"	500 lbs.	97 lbs.

Can't find exactly what you need? Give us a call and we'll help you with the perfect solution!

GARDEN CENTER CART

This heavy duty cart is perfect for any garden center. Garden Center Carts can be used to transport shrubs, balled trees, flowers, or any pre-bagged material as well as decorative stone edging.

This product features a rugged design and is intended for rugged use.

Custom Colors Available



FEATURES:

Heavy duty steel angle design withstands the heaviest of loads

Perforated deck allows the cart to transport wet products and ensures easy cleaning

Bolt on polyurethane wheels are standard to provide years of easy maneuverability

Large welded handle for superior comfort and control

REPLACEMENT PARTS:

(2) front 6" x 2" rigid wheels, replacement order #B000508

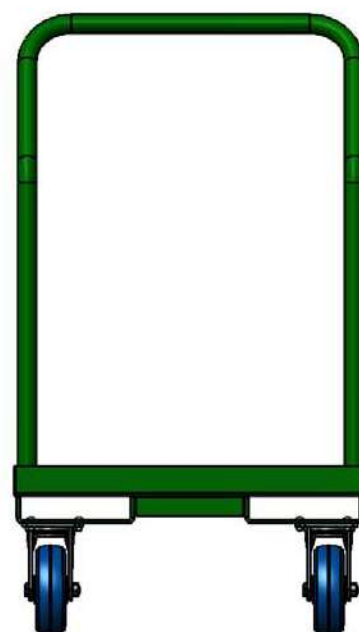
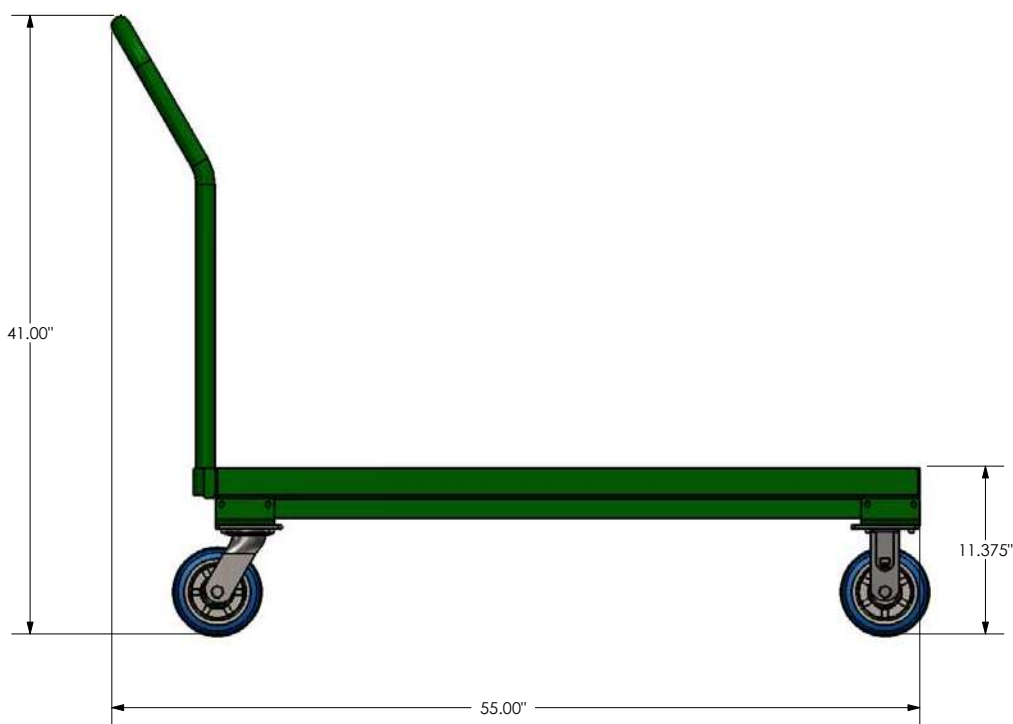
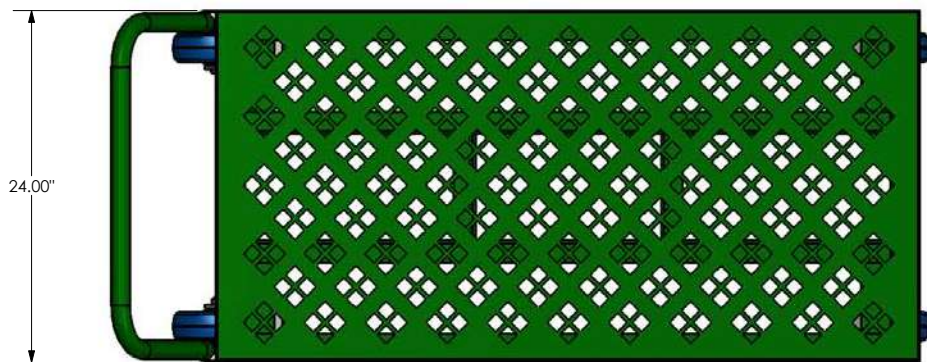
(2) rear 6" x 2" swivel wheels, replacement order #B000507

Fastener replacement order #B001225 (nut) and #B000503 (bolt).





Freight Class: 150
NMFC Code:188560-S4



Order #	Model	W	L	H	Capacity	Weight	Color
8000284	GDC-2448, GARDEN CART	24"	55"	41"	2000 lbs.	82 lbs.	Green
8000331	GDC-2448; GARDEN CART - RED	24"	55"	41"	2000 lbs.	82 lbs.	Red
8000170	GDC-2448; GARDEN CART	24"	55"	41"	2000 lbs.	82 lbs.	Orange

Can't find exactly what you need? Give us a call and we'll help you with the perfect solution!

GARDEN WAGONS

These heavy duty pull wagons are perfect for any garden center. Garden carts can be used to transport shrubs, balled trees, flowers, or any pre-bagged material as well as decorative stone edging.

This product features either plastic honeycombed decking or powder coating over galvanized steel. Both deck types are perfect for wet products and are easy to clean while being able to deliver years of performance.

Custom Colors Available



STEEL FEATURES:

Heavy duty steel frame design withstands the heaviest of loads and handle is welded in a fixed position

Powder coated galvanized steel deck resists corrosion

Bolt on heavy duty casters and wheels come standard to provide years of easy maneuverability

PLASTIC FEATURES:

Heavy duty steel frame design withstands the heaviest of loads

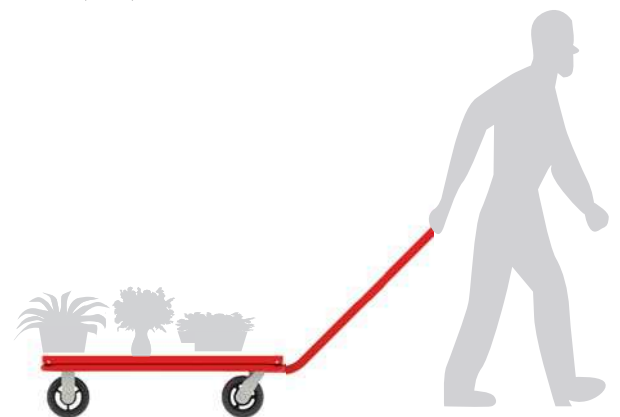
Plastic decks resist corrosion 100% and provide years of performance

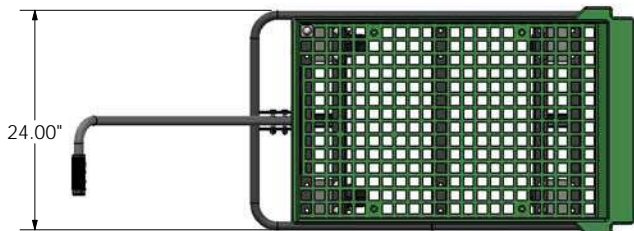
Large retractable handle for superior comfort and control

Bolt on heavy duty casters and wheels come standard to provide years of easy maneuverability

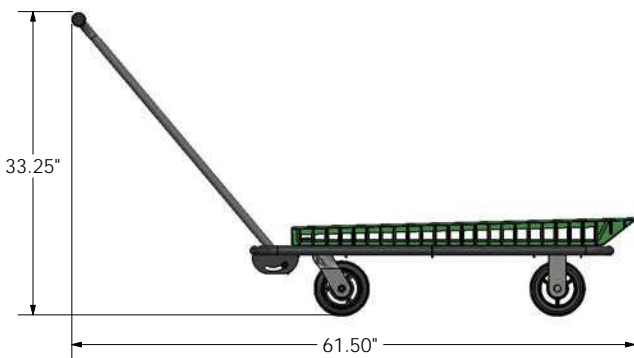
REPLACEMENT PARTS:

(2) 6" x 2" cimax swivel wheels, replacement order #B000653. (2) 6" x 2" cimax rigid wheels, replacement order #B000652. Fastener replacement order #B001225 (nut) and #B000503 (bolt)

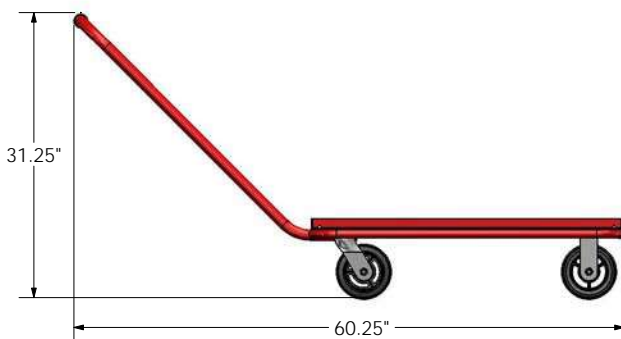
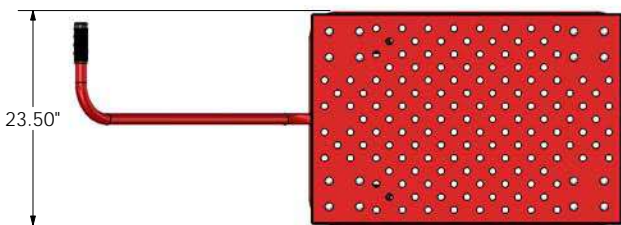




Freight Class: 150
NMFC Code:188560-S4



8000461



8000460

Order #	Model	W	L	H	Deck	Capacity	Weight
8000460	GCPW-2334,PULL WAGON PLAIN DECK	23 1/2"	60 1/4"	31 1/4"	Powder Coated Galvanized Steel	1000 lbs.	60 lbs.
8000461	GCPW-2440,PULL WAGON PLASTIC DECK	24"	61 1/2"	33 1/4"	Plastic	1000 lbs.	65 lbs.

Can't find exactly what you need? Give us a call and we'll help you with the perfect solution!

PLASTIC DECK GARDEN CART

This heavy duty plastic tiered cart is perfect for any garden center. This plastic garden cart can be used to transport shrubs, balled trees, flowers, or any pre-bagged material as well as decorative stone edging.

This product features plastic honeycombed decking that is perfect for wet products and easy cleaning. Retractable top shelf allows loading of the lower shelf and transportation of tall items.



8000366



Custom Colors Available



FEATURES:

Heavy duty steel frame design withstands the heaviest of loads

Honeycombed plastic deck allows rust free life

Bolt on polyurethane wheels are standard to provide years of easy maneuverability

Large welded handle for superior comfort and control

Top shelf is retractable to allow loading of the lower shelf and easy transportation of tall items.

REPLACEMENT PARTS:

(2) 5" x 1.25" polyurethane swivel casters.

Replacement order #B000359.

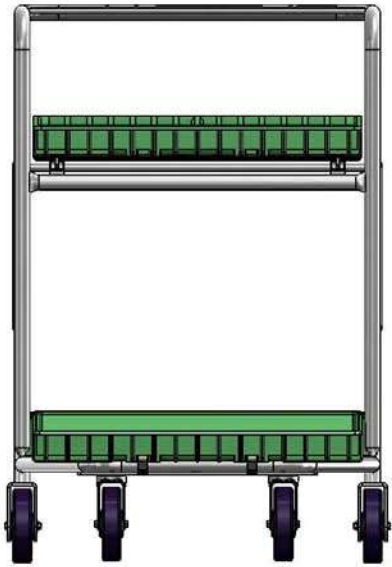
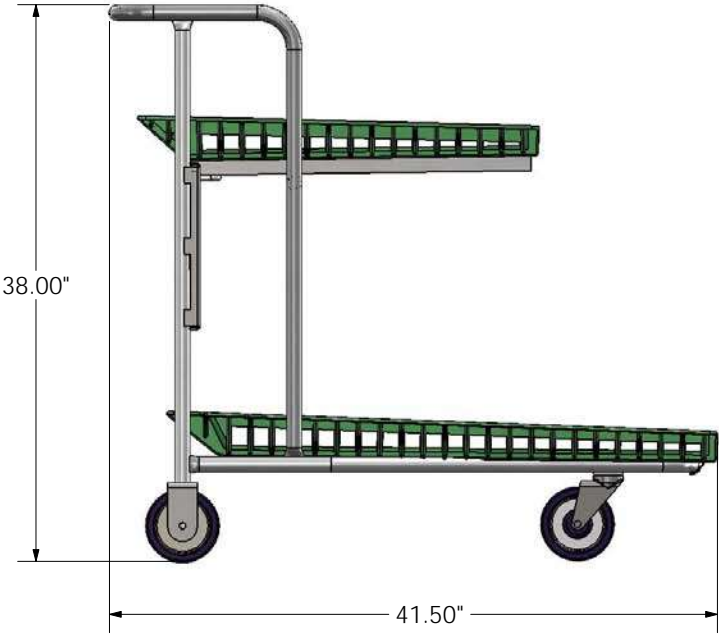
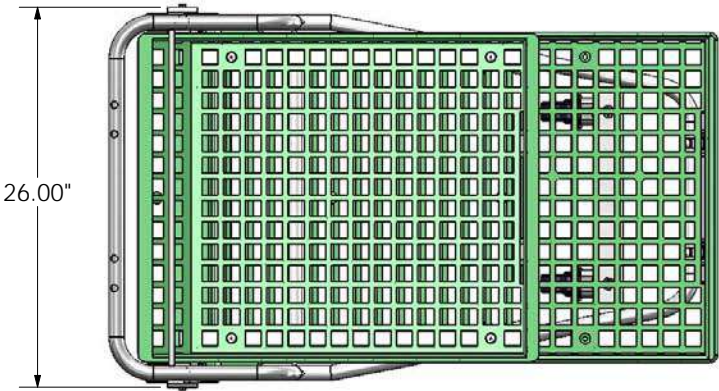
Fastener replacement order #B000332 (nut)

(2) 5" x 1.25" polyurethane wheel, replacement order #B000962. Fastener replacement order #B000673 (bolt), B000198 (nut) and B000606 (washer)





Freight Class: 100
 NMFC Code: 188560-S6



Order #	Model	W	L	H	Capacity	Weight
8000366	GC-2436-PC-5-POLY-U WITH DECKS	26"	41 1/2"	38"	500 lbs.	91 lbs.

Can't find exactly what you need? Give us a call and we'll help you with the perfect solution!

HAND TRUCKS

This heavy duty hand truck is suitable for all departments. Turn transporting heavy loads into a one person job.

Custom Colors Available



8000276



8000385

FEATURES:

Durable powder coated finish

Can be shipped via UPS

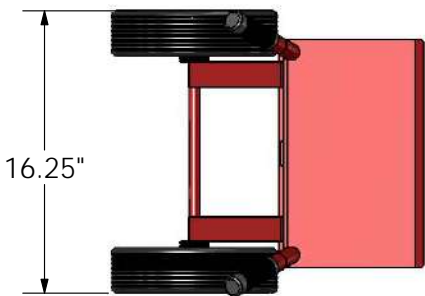
Heavy duty steel construction

Tapered toe plate

REPLACEMENT PARTS:

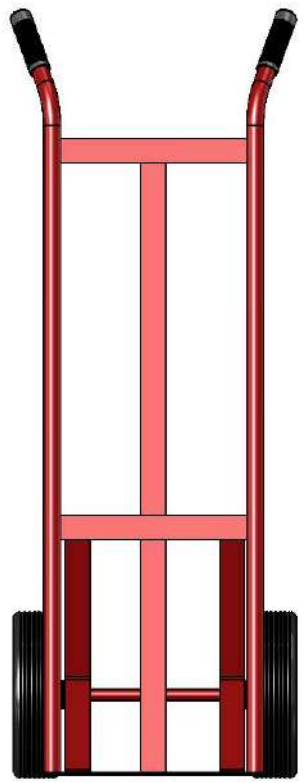
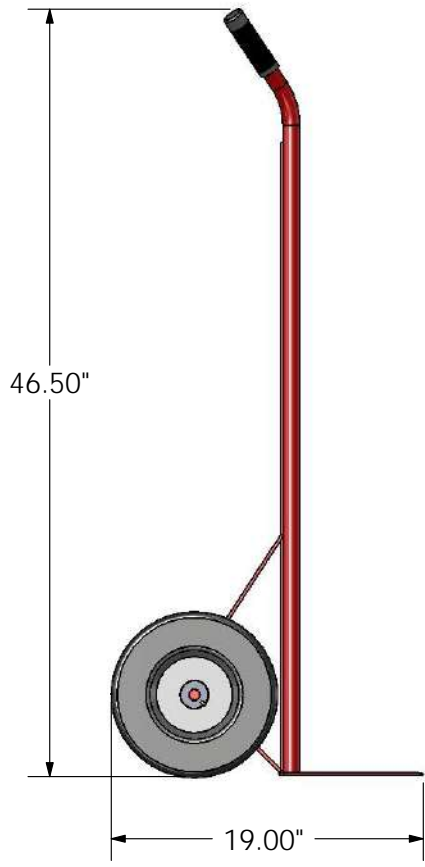
10" semi-pneumatic wheels for easy maneuvering. Replacement order #B000889.





8000276
 Freight Class: 70
 NMFC Code: 189035

8000385
 Freight Class: 100
 NMFC Code: 188560-S6



Order #	Model	W	L	H	Handle Type	Capacity	Weight
8000276	HT2H-10SP, PIN-DOUBLE HT 48	19"	16 1/4"	46 1/2"	Twin	500 lbs.	32 lbs.
8000385	HAND TRUCK W/ WHEEL GUARDS	19"	20 5/8"	46 1/2"	Twin	500 lbs.	43 lbs.

Can't find exactly what you need? Give us a call and we'll help you with the perfect solution!

FLAT LUMBER CART

This heavy duty cart is used to handle lumber, plywood and sheet rock. The 6 wheel design allows easy handling and maneuverability when the cart is heavily loaded.

Flat Lumber Carts are the perfect height for easy and safe maneuvering of heavy loads.

Custom Colors Available



8000500



FEATURES:

All welded heavy duty steel tube chassis design

6 wheel tilt design for easy handling with polyurethane wheels standard

Ships fully assembled ready for use

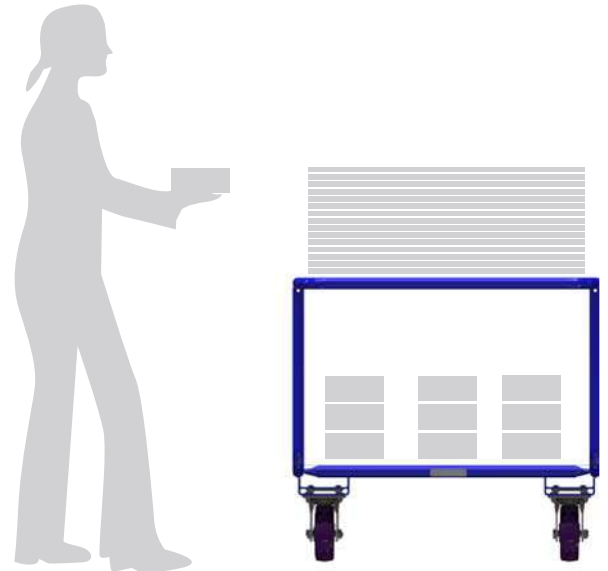
REPLACEMENT PARTS:

(2) 6" x 2" bolt on rigid polyurethane center wheels

Replacement order #B000508.

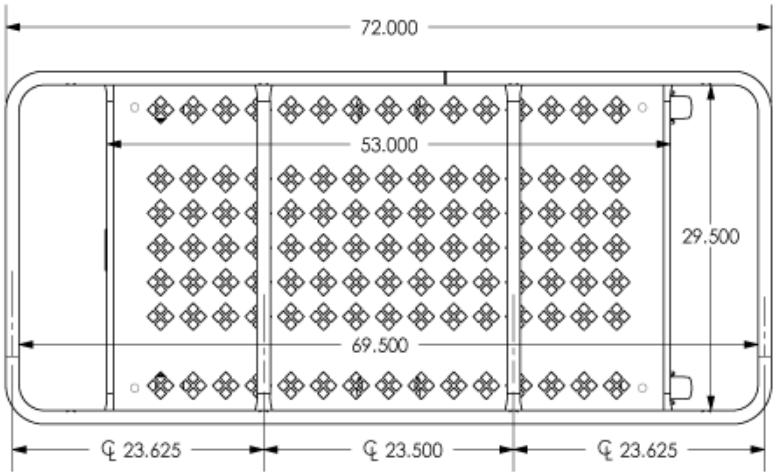
(4) 5" x 2" swivel corner polyurethane wheels.

Replacement order #B001198.

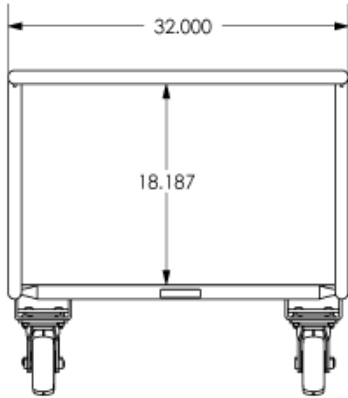
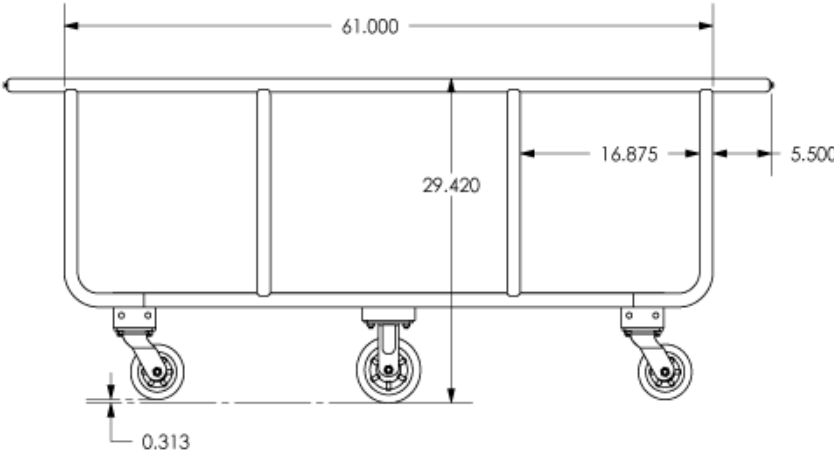




Freight Class: 150
 NMFC Code: 188560-S4
 1885



8000500



Order #	Model	W	L	H	Cart Capacity	Weight
8000500	FLC-3272-L, FLAT LUMBER CART	32"	72"	29.42"	2500 lbs.	120 lbs.

Can't find exactly what you need? Give us a call and we'll help you with the perfect solution!

LUMBER CART

These heavy duty versatile carts will safely handle a variety of products in the hardware and home center industries.

Center bay tube supports will handle sheet material (drywall, plywood, paneling, etc.), while outside tube bay will handle 2 x 4's, pipe, conduit, etc.

Custom Colors
Available



8000055

FEATURES:

All welded heavy duty steel chassis

Six wheel tilt design allows cart to be easily maneuvered with the heaviest of loads

Tube uprights are fully welded and reinforced with pipe sockets at high stress areas

Powder coated blue for a long lasting attractive finish

Polyurethane wheels are standard

REPLACEMENT PARTS:

(2) 8" x 2" bolt on rigid center wheels.
Replacement order #B000542,

(4) 6" x 2" swivel casters. Replacement order #B000507.

Fasteners replacement order #B001225 .

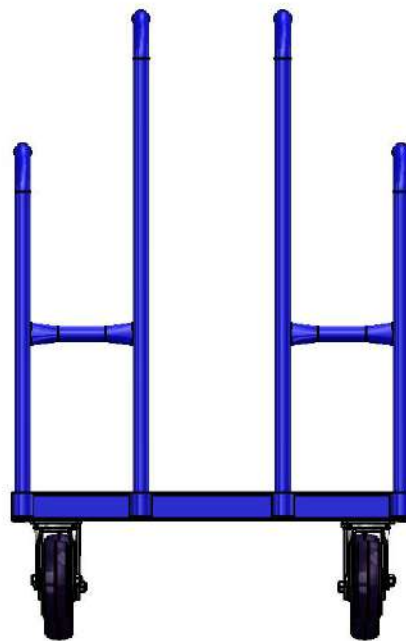
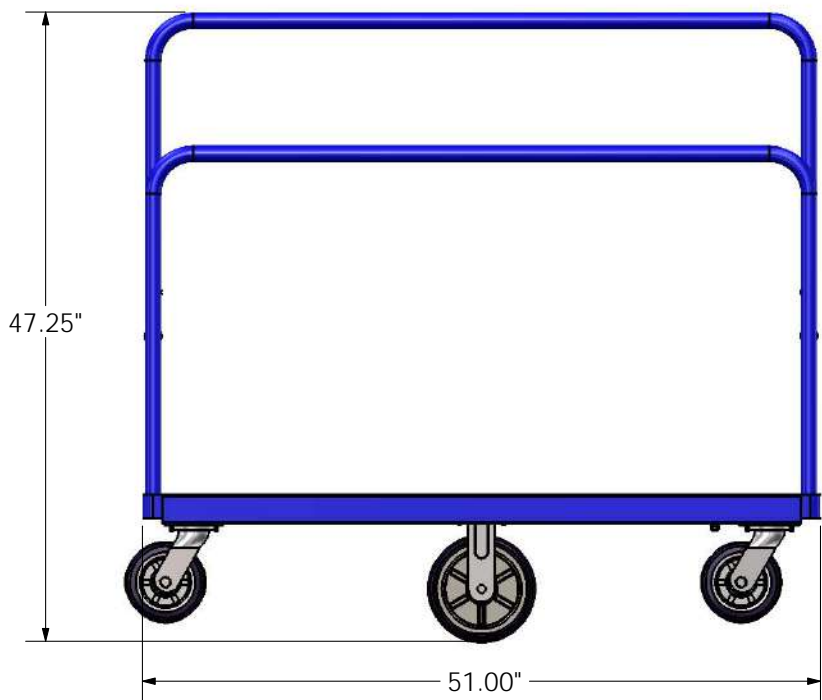




Freight Class: 150
 NMFC Code: 188560-S4



8000055



Order #	Model	W	L	H	Cart Capacity	Weight
8000055	LC-3048PU, LUMBER CART, COMP. BLUE	30"	51"	47 1/4"	2000 lbs.	140 lbs.

Can't find exactly what you need? Give us a call and we'll help you with the perfect solution!

LADDER CART

This heavy-duty ladder cart is the ideal cart for stocking and picking. The ladder cart combines easy access to products while maintaining a stocking cart work environment.

Custom Colors Available



FEATURES:

Heavy-duty steel construction

Cart features a three step, spring-loaded ladder

The welded and bolted extra-wide steps equipped with non-slip safety tape, enhances user safety

Large two-handed handles provide balance when climbing

Fixed casters under ladder, swivel casters in front

Rounded edges to prevent damage to store fixtures

Ladder Capacity: 300 lbs. Shelf Capacity: 350 lbs. per shelf. Total cart capacity: 1,000 lbs.

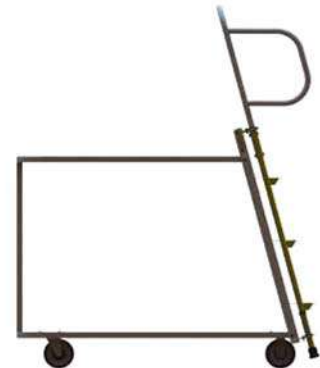
REPLACEMENT PARTS:

(2) 5 x 1.25" polyurethane rigid casters.
Replacement order #B000325

(2) 5" x 1.25" polyurethane swivel casters.
Replacement order #B000312

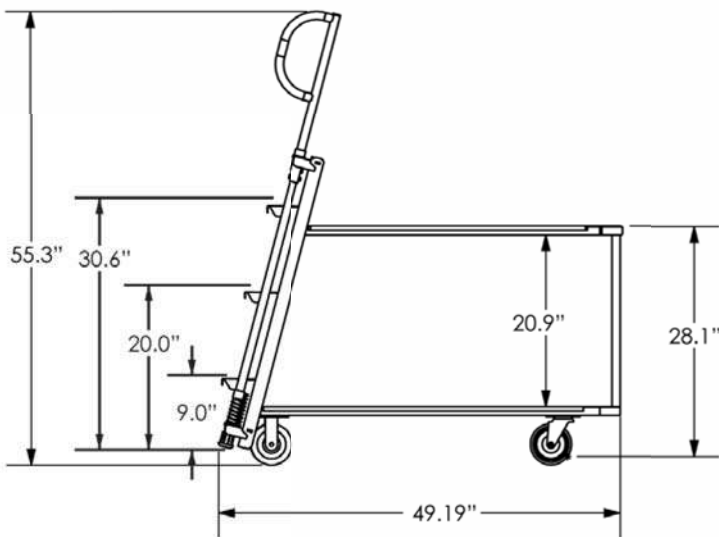
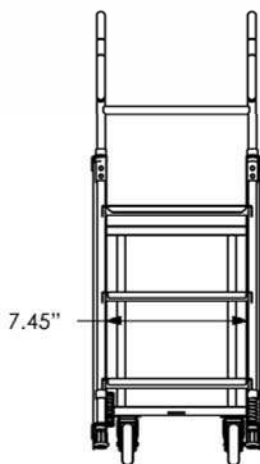
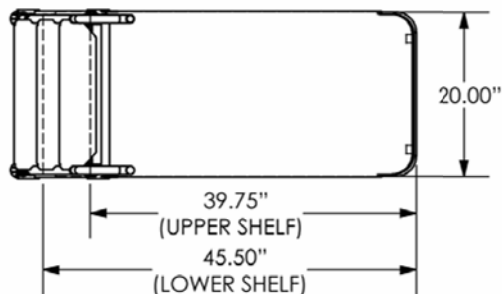


8000546





8000546



Order #	Model	W	L	H	Cart Capacity	Weight
8000546	MLC-2048 MOBILE LADDER CART	20"	49.19"	55.3"	500 lbs.	97 lbs.

Can't find exactly what you need? Give us a call and we'll help you with the perfect solution!

GARMENT RACKS

Ideal rack to transport clothing from back room to sales floor. Unit is often used as display on sales floor. The best way to display and transport your garments.

Custom Colors Available



8000458

Shown with Hanger Bar (7000069)

8000282



Racks Shown Nested

FEATURES:

Fully welded powder coated beige base with galvanized uprights and horizontal bar

Nests cleanly to maximize storage space when not in use

Bottom frame has unique bumpers to protect your doors and fixtures (8000282)

OPTIONS:

Additional hanger bars (inquire with your customer service representative)

REPLACEMENT PARTS:

80000282

(2) 5" x 1.25" polyurethane swivel casters.
Replacement order #B000445.

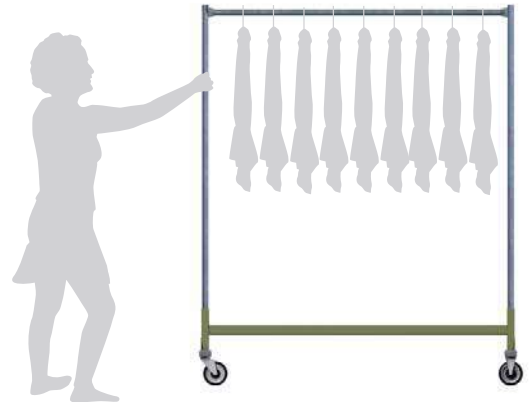
(2) 5" x 1.25" polyurethane rigid caster.
Replacement order #B000444.

Fastener order #B000076 (washer) and #B000077 (nut).

8000458

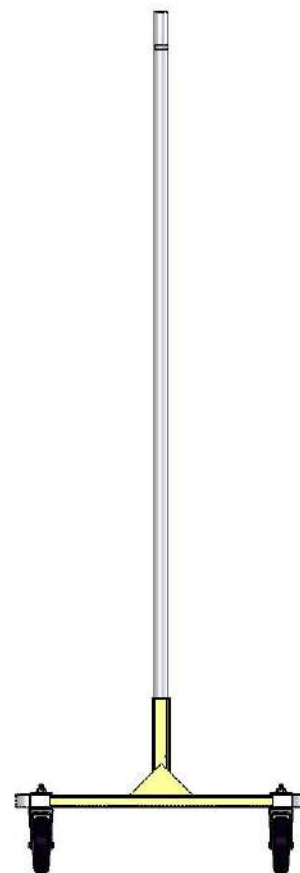
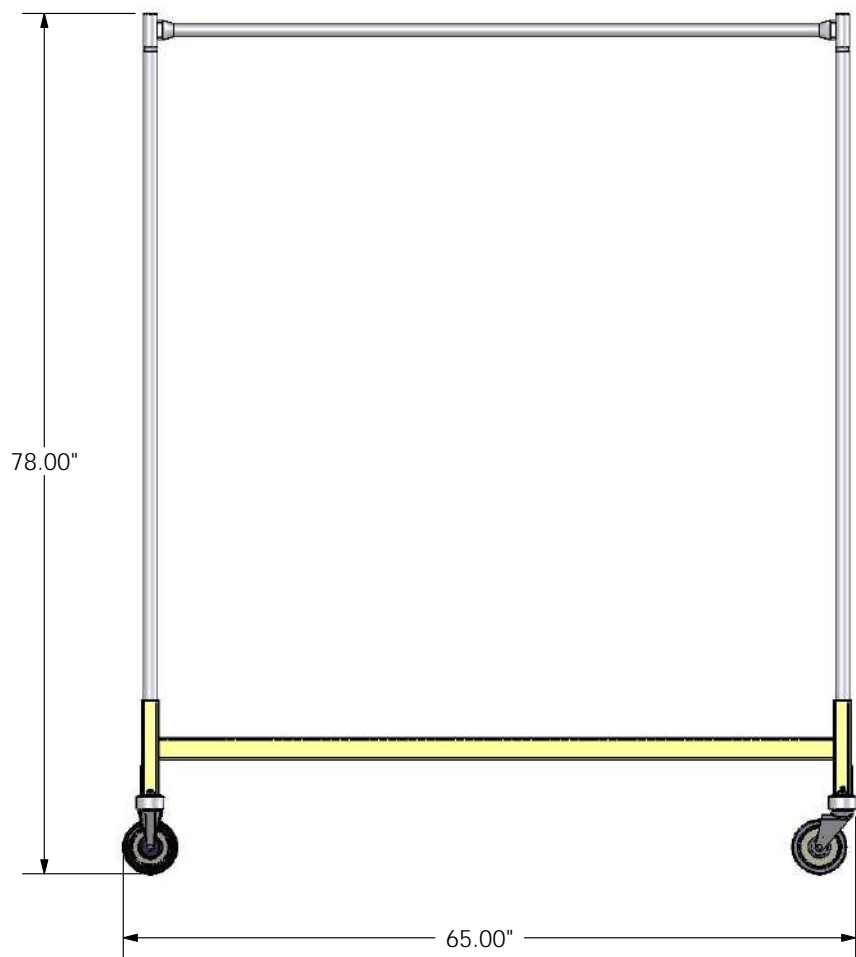
(4) 5" x 1.25" polyurethane swivel casters.
Replacement order #B000445.

Fastener order #B000076 (washer) and #B000077 (nut).





Freight Class: 300
 NMFC Code: 164390-S2



Order #	Model	W	L	H	Cart Capacity	Weight
8000282	I-GR-65, I-GARMENT RACK	24"	65"	78"	300 lbs.	44 lbs.
8000458	Z-GR-65-1, Z-GARMENT RACK	24"	65"	78"	300 lbs.	44 lbs.
7000069	HANGER TUBE ASSY, GR-65 OPTION	1 1/4"	65"	3"	NA	14 lbs.

Can't find exactly what you need? Give us a call and we'll help you with the perfect solution!

5 SHELF BACK STOCK CART

This cart allows you to sort and transport a wide range of products. The three sided enclosure offers increased security while the see through sides and back offer increased visibility.

Custom Colors Available



FEATURES:

Durable powder coat finish

Corner bumpers provide fixture protection

Locking casters secure load while working from cart

Built in handle for easy mobility

3 sided enclosure increases security

See through sides and back

REPLACEMENT PARTS:

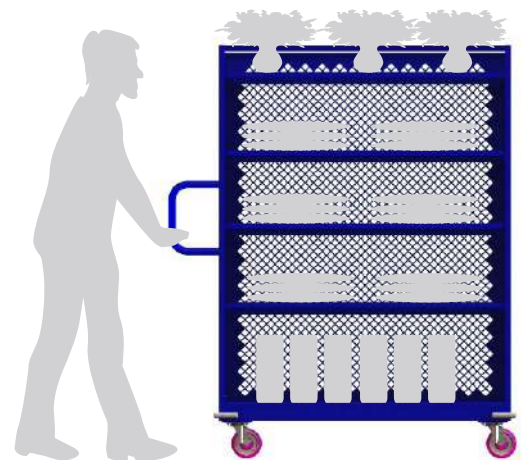
(4) 5" x 1.25" swivel casters. Replacement order #B000312.

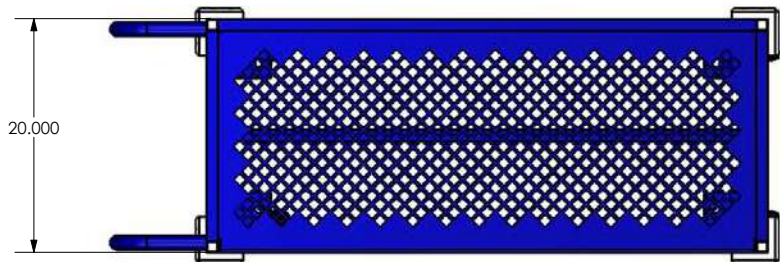
(2) 5" x 1.25" swivel casters with brake. Replacement order #B000435.

Fasteners order #B000543 and #B001257.



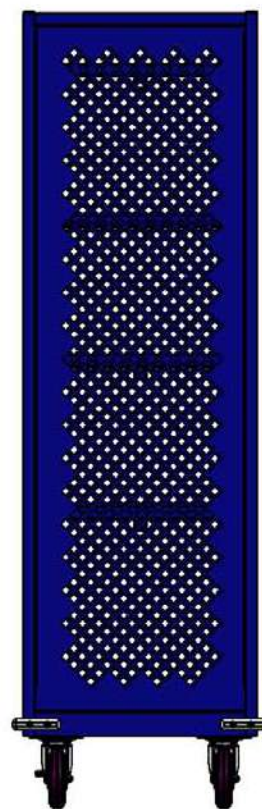
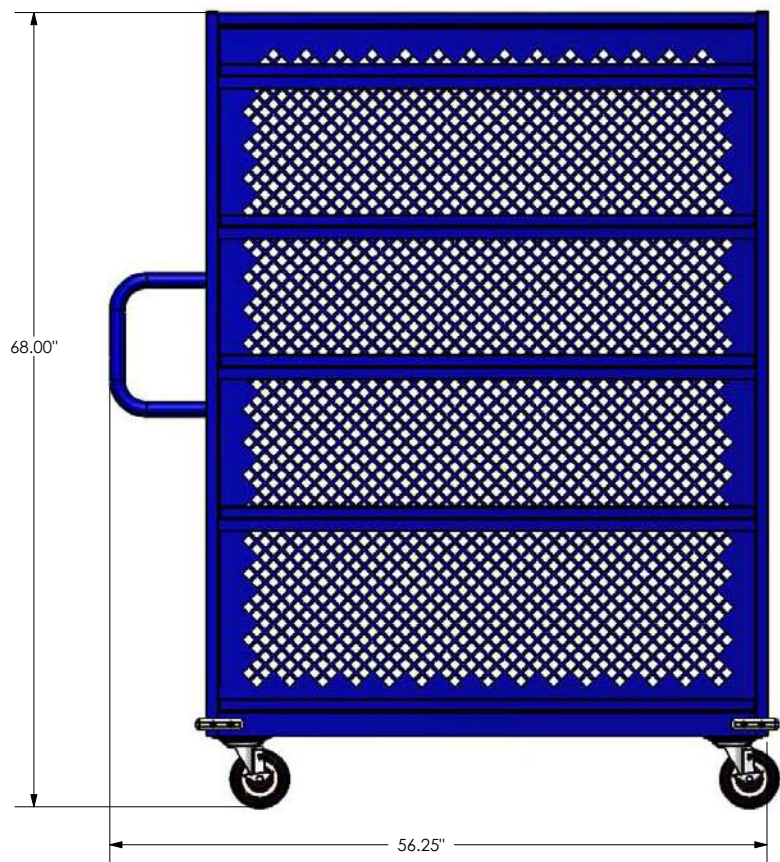
8000318





Freight Class: 150
NMFC Code: 188560-S4

8000318



Order #	Model	W	L	H	Cart Capacity	Weight
8000318	5 SHELF BACK STOCK CART	20"	56 1/4"	68"	1000 lbs.	190 lbs.

Can't find exactly what you need? Give us a call and we'll help you with the perfect solution!

BACK STOCK CARTS

This all purpose mover is ideal for all your stocking needs.

Back Stock Carts come with four heavy duty shelves to sort your products and securely transport them from back room to sales floor.

Custom Colors Available



8000059 with raised shelf lips and heavy duty casters and frame



8000297 with tall raised shelf lips



8000201 with lowered shelf lips



8000351 with raised shelf lips, heavy duty casters and frame and donut bumpers

FEATURES:

Constructed from heavy duty all welded steel

Powder coated shelves are supported by 1" square tube

Heavy duty tube frame under carriage

Large space between shelves accommodates products of all sizes

OPTIONS:

Donut Bumpers (inquire with your customer service representative for ordering)

Raised edge for added strength and security to keep products from sliding (lips up)

Lowered edge to allow products to easily slide on and off the shelf for stocking (lips down)

REPLACEMENT PARTS:

8000059 and 8000351

(2) 6" x 2" polyurethane rigid casters

Replacement order #B000508.

(2) 6" x 2" polyurethane swivel casters.

Replacement order #B000507

Fasteners replacement order #B000183 (nut) and #B000503 (bolt).

8000297

(2) 5" x 1.25" polyurethane rigid casters.

Replacement order #B000325.

(2) 5" x 1.25" polyurethane swivel casters with brakes.

Replacement order #B000435.

Fasteners replacement order #B001257 (nut) and #B000062 (bolt).

8000201

(2) 5" x 1.25" polyurethane swivel casters.

Replacement order #B000312. (2) 6" x 2"

polyurethane swivel casters with brakes.

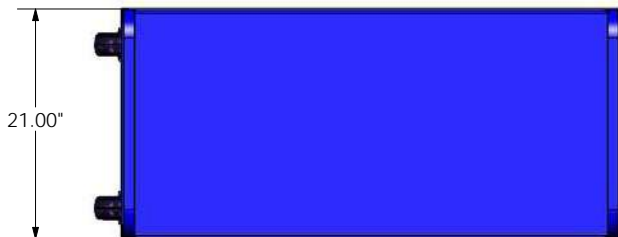
Replacement order #B000435.

Fasteners replacement order #B001257 (nut) and #B000543 (bolt).

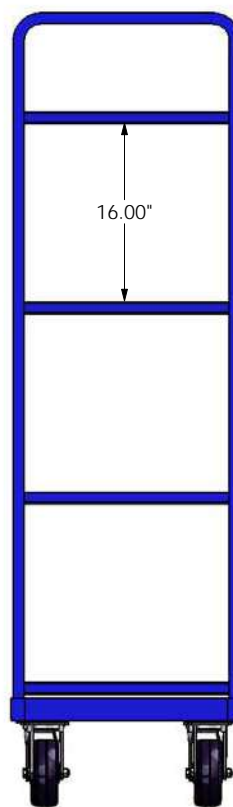
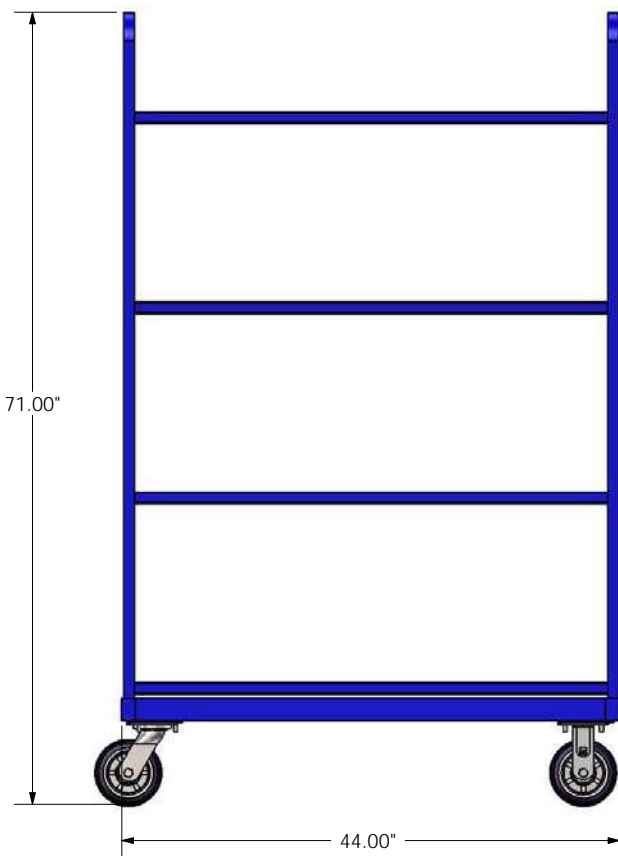


NATIONAL CART CO

1-800-455-3802
nationalcart.com



Freight Class: 150
NMFC Code: 188560-S4



Order #	Model	W	L	H	# of Shelves	Weight	Color	Edge	Bumpers	Capacity
8000201	SUC-3-LD 3 SHELF UTILITY CART	20"	46"	70"	3	98 lbs.	Beige	Lowered	No	1000 lbs.
8000059	SUC-4, 4-SHELF UTILITY CART	21"	44"	71"	4	125 lbs.	Blue	Raised	No	1500 lbs.
8000351	SUC-4-58, 4 SHELF CART, 58 WIDE	20 3/8"	58"	71"	4	125 lbs.	Blue	Raised	Yes	1500 lbs.
8000297	SUC-4-TF-GRN, TALL SHELF FLANGE	18"	50"	64 3/4"	4	138 lbs.	Green	Raised	No	1000 lbs.

Can't find exactly what you need? Give us a call and we'll help you with the perfect solution!

HBC RESTOCK ADVANTAGE CART

These small goods, health and beauty care stocking carts are highly efficient and will give you a Restock Advantage for stocking and replenishing many different types of products. The HBC Restock Advantage Carts will help keep your stocking area lean, clean, and organized. Available for general HBC products, Cosmetics and also a Cosmetics Security Cart.

Custom Colors Available



FEATURES:

Minimize restocking time and maximize productivity for an instant ROI

Highly efficient replenishment process

Reduces backroom inventory and eliminates multiple touches

Adjustable shelves and dividers accommodate various product sizes

Cart features solid surface shelves

Pull out shelves allow easy access to merchandise

Organizes backroom and product groups

Cart boosts visibility of products in the backroom

Fully welded, heavy-duty, metal design provides increased durability

(18) dividers and (80) peg hooks included for each relevant cart

Cosmetics cart and Cosmetics Security cart features hooks to display merchandise

Cosmetics Security Cart features a metal wire-grid cage to secure products when not stocking

Ships fully assembled for immediate use

REPLACEMENT PARTS:

(4) 5" x 1.25" polyurethane swivel casters with brakes

Dividers order #3002402. 18 included per cart

Product hooks order #7000176. 80 included per cart



8000533



8000534



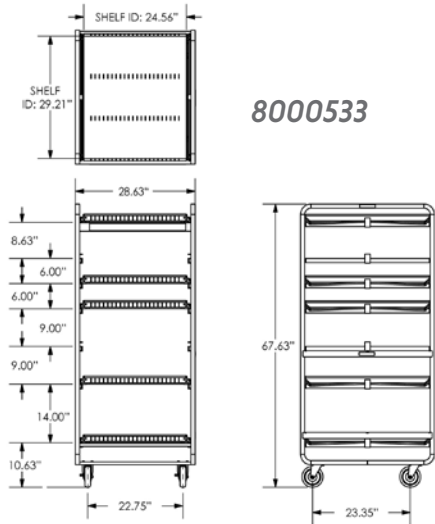
8000536



Side storage area for dividers

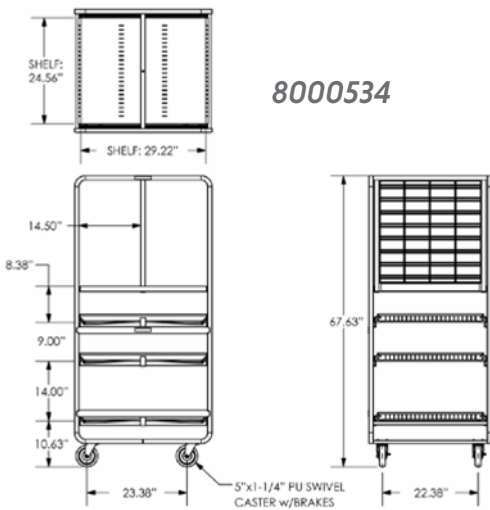


Pull out shelves

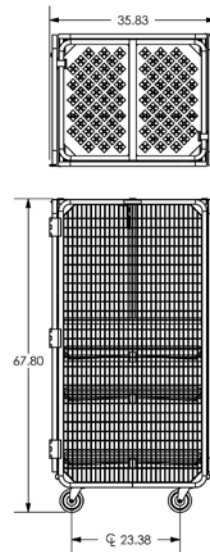


8000533

Freight Class: 100
NMFC Code: 188560-S6



8000534



8000536



Order #	Model	W	L	H	Capacity	Weight
8000533	PBSC-3230-5, PHARM 5 SHELF STK CART	32"	28.63"	67.63"	500 lbs.	150 lbs.
8000534	NHMCC-3230-3, COSMETICS CART	32"	28.63"	67.63"	500 lbs.	115 lbs.
8000536	NHMCC-3230-3, COSMETICS SECURITY CT	32.83"	28.77"	67.8"		231 lbs.

Can't find exactly what you need? Give us a call and we'll help you with the perfect solution!

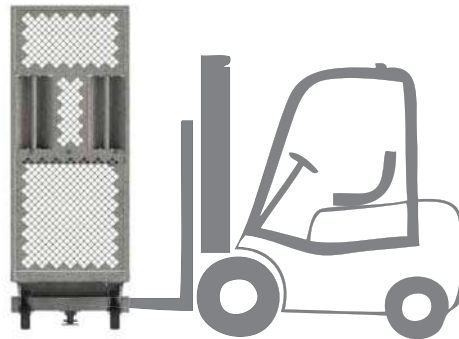
STOCK PICKER

This versatile stock pick cart can be adapted for use via man power or vertical forklift. Featuring heavy duty steel pockets that accept forklifts, as well as heavy duty phenolic wheels and casters for effortless man powered movement. The stowable shelf provides an easily accessible workstation and the inset handle pockets protect associates hands from harm.

Custom Colors Available



Hide away shelf slides easily in and out for use as a workstation



FEATURES:

Heavy duty steel construction powder-coated stone flex

Wire grid is sturdy but lightweight to secure products within cart

Ships fully assembled and ready for immediate use

Universal fork lift accepting pockets for use via verticle forklift

Hide-away shelf slides easily in and out for easy access to the perfect sized work station. Shelf dims 23" x 18"

Inset handle pockets protect employees hands from harm when using the cart in congested areas

Foot activated stomp break safely secures the cart when loading and unloading

Ease of mobility with swivel casters in the rear next to the stomp break prevents damage done to products on the cart and store fixtures

1250 lb. capacity

REPLACEMENT PARTS:

(2) 8" x 2" phenolic swivel casters in the rear next to stomp break, replacement order #B001920

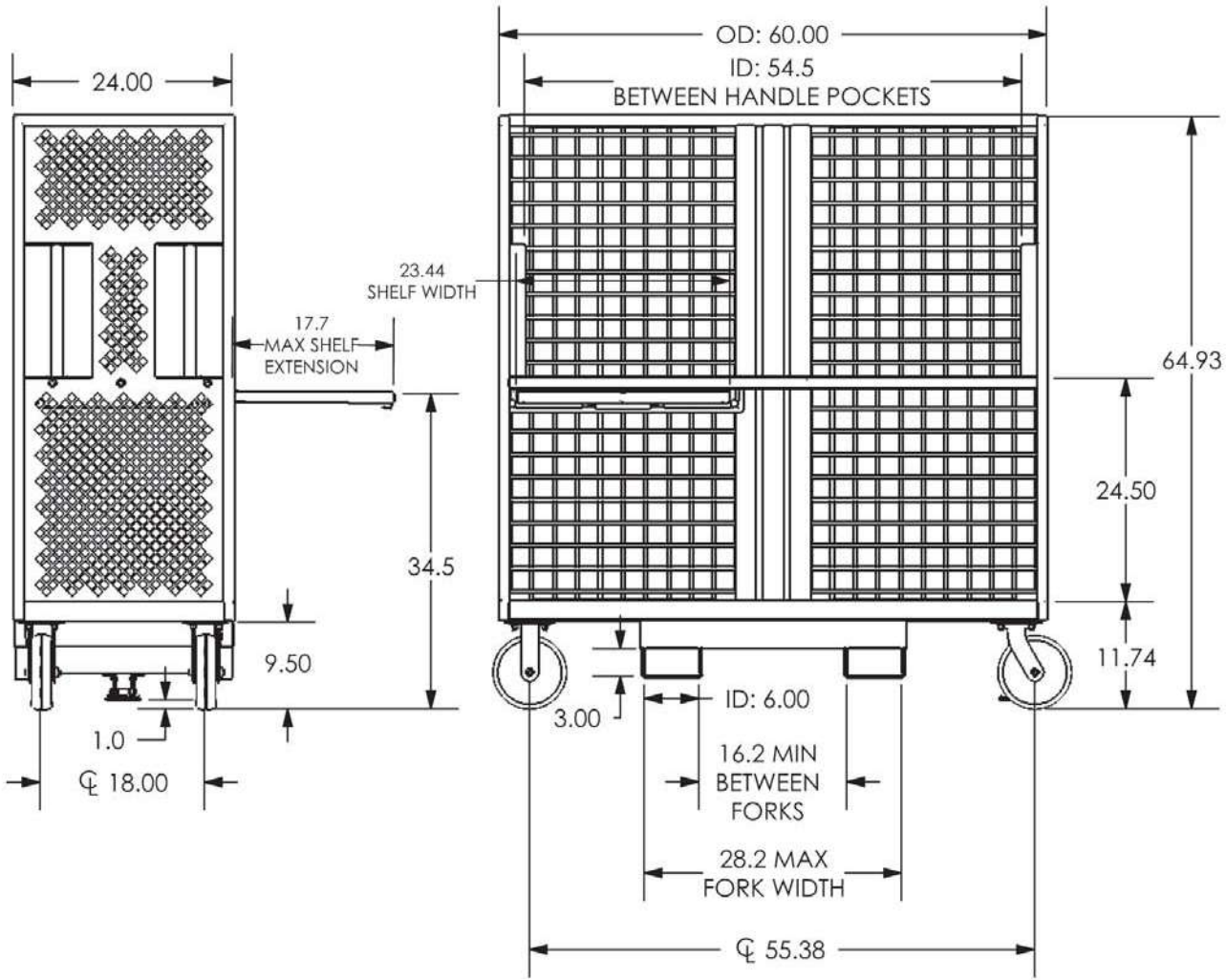
(2) 8" x 2" phenolic rigid casters at the front, replacement order #B001921

(1) Stomp break in rear next to swivel casters, replacement order #B002204





Freight Class: 150
 NMFC Code: 188560-S4



Order #	Model	W	L	H	Cart Capacity	Weight
8000593	STP-2460-1, W/DWR, NO SWIVEL LOCKS	24"	60"	64.93"	1250 lbs.	305 lbs.

Can't find exactly what you need? Give us a call and we'll help you with the perfect solution!

MOBILE SECURITY CAGES

This cart allows you to sort and transport a wide range of products, all while keeping them secured and locked up when needed. The four sided enclosure offers increased security while the see-through sides and backing offer increased visibility.

Custom Colors Available



8000449



8000405

FEATURES:

Four sided enclosure increases security

Units can be secured with pad locks.

See-through sides and back for constant visibility

Heavy duty powder coated steel construction

8000405: Sheet Metal Construction, powder-coated gray

8000449: Wire Metal Construction, powder-coated gray

Moveable and replaceable shelving.

REPLACEMENT PARTS:

8000405:

(2) 6" x 2" phenolic swivel casters with brake.
Replacement order #B001242.

(2) 6" x 2" phenolic rigid caster.
Replacement order #B001243.

Fasteners order #B000060 (bolt) and #B001257 (nut).

Shelf Clip order #B001241

8000449:

(2) 5" x 2" polyurethane swivel casters with brake.
Replacement order #B000880.

(2) 5" x 2" polyurethane swivel caster.
Replacement order #B001168.

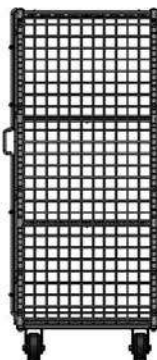
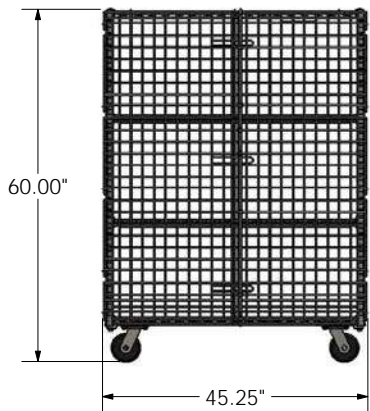
Hardware Kit order #7000001

Shelf Stop Kit order #7000002



8000449

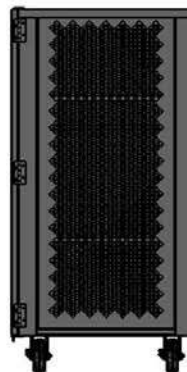
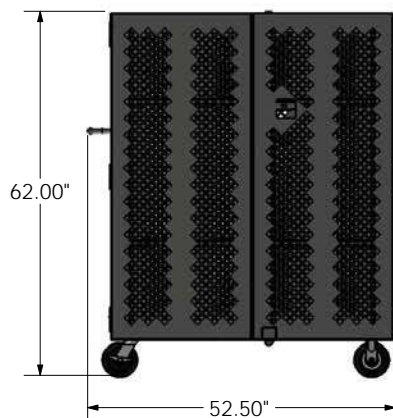
8000449
 Freight Class: 70
 NMFC Code: 95190



8000405
 Freight Class: 150
 NMFC Code: 188560-S4



8000405



Order #	Model	W	L	H	Cart Capacity	Weight
8000449	MSC-2444, MOBILE SEC CAGE-ASSEMBLED	25"	45 1/4"	60"	1000 lbs.	145 lbs.
8000405	SC-3048, SECURITY CART	31 1/4"	52 1/2"	62"	1000 lbs.	115 lbs.

Can't find exactly what you need? Give us a call and we'll help you with the perfect solution!

ALUMINUM UTILITY CARTS (U-BOAT)

This heavy duty cart is slightly larger than its standard counterpart, but is equipped with the same unique features.

The aluminum construction and 6 wheel design provides a durable yet lightweight cart. Great for use in stock rooms and may be stacked to save space when not in use.

High quality design standards allow superior control over cart and load.

FEATURES:

Constructed of heavy duty square sanitary aluminum tube

Heavy duty steel powder coated handles

Light weight cart can be stood on end when not in use in order to maximize space

Unit comes standard with corner bumpers to help prevent fixture damage

REPLACEMENT PARTS:

(2) 6" x 2" polyurethane center swivel casters with brakes, replacement order #B000312 Fasteners order #B000543 (bolt) and #B0001257 (nut)

(4) 5" x 1.25" flat plate bolt on polyurethane corner wheels, replacement order #B000334 Fasteners order #B000006 (bolt) and #B001225 (nut)

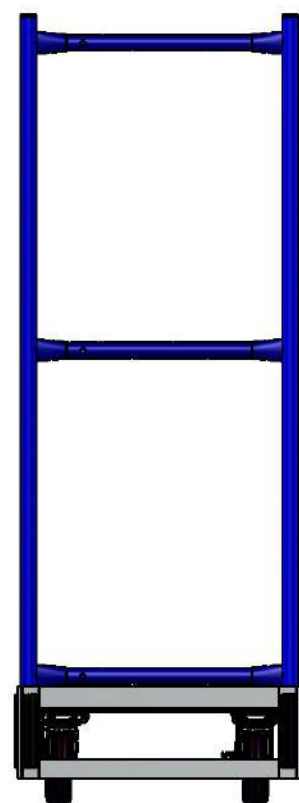
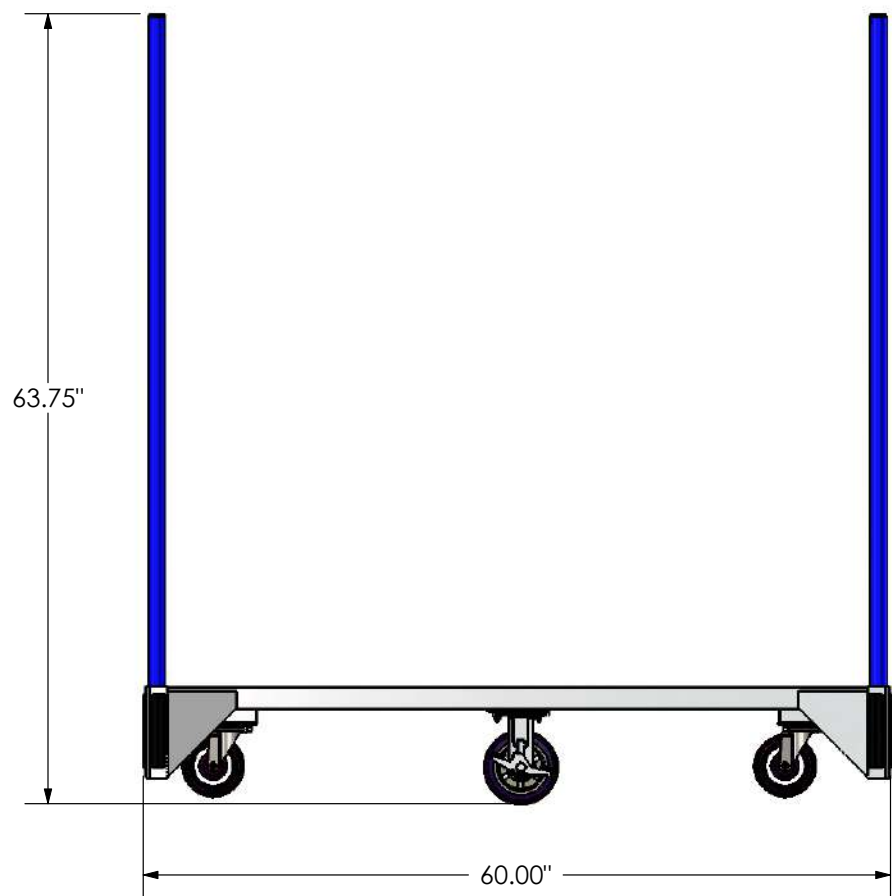
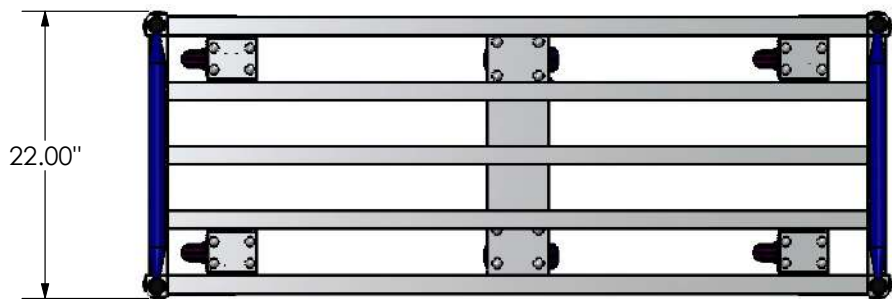


8040590

(Shown with optional cardboard holder. Contact your customer service representative for more information.)

8041021





Order #	Model	W	L	H	Cart Capacity	Weight
8040590	AL-UB-2260-2H U-BOAT W/2 STD.HNDLS	22"	60"	63 3/4"	2000 lbs.	85 lbs.
8040743	AL-UB-2260-W/2 ALUM HANDLES	22"	60"	63 3/4"	2000 lbs.	76 lbs.
8041021	AL-UB-2248-1PH	22"	48"	63 3/4"	2000 lbs.	63 lbs.

Can't find exactly what you need? Give us a call and we'll help you with the perfect solution!

HEAVY DUTY U-BOATS

This style cart has been used by leading grocers and retailers world-wide as the most efficient way to move product from the back room to the sales floor.

High end handles improve handling and help secure merchandise while in transit. The 16" width and six wheel design allow the cart to rotate within its own lengths and be easily maneuvered through busy aisles. Add our heavy duty accessories to customize your U-Boat to fit your specific needs!



5000101 U-Boat Shown with removable shelf #3000068

5000101 U-Boat Shown with Garment Rack #5000229 and Cardboard holder #48010108



5000101 U-Boat shown with Slant Shelf #8010218 great for stocking and picking with bins



Shelves and Slant Shelves are removable

FEATURES:

All welded steel tube frame with heavy duty steel diamond deck

2 Removable heavy gauge steel tube handles

Durable attractive blue powder coat finish

Traditional six wheel design, 2 center rigid and 4 corner swivel bolt on casters

OPTIONS:

Removable shelf (U-Boats will take two additional shelves)

60" Garment Rack

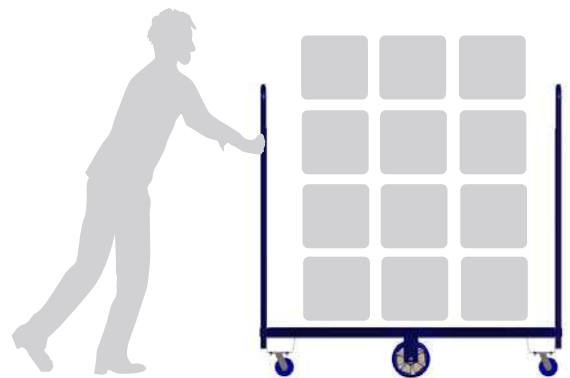
Cardboard holder attachment (attaches to a side handle)

Slant Picking Shelf

REPLACEMENT PARTS:

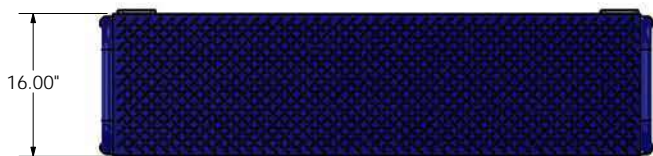
(2) 8" x 2" rigid polyurethane center wheels ensure easy rolling and longer life. Replacement Order #B000024

(4) 4" x 1.25" corner swivel casters. Replacement Order #B000027



NATIONAL CART CO

1-800-455-3802
nationalcart.com



5000101

U-Boats

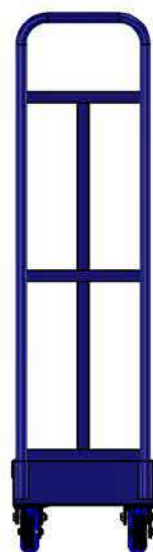
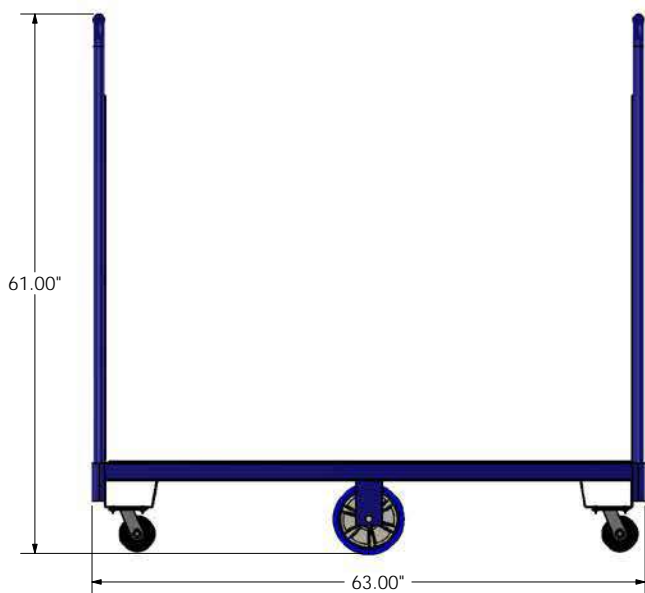
Freight Class: 70

NMFC Code: 188560-S2

Accessories

Freight Class: 70

NMFC Code: 188560-S9



U-Boats

Order #	Model	W	L	H	Cart Capacity	Weight
5000102	1648-DD, STD HNDL 2 ENDS, BLUE	16"	51"	61"	2200 lbs	90 lbs.
5000101	1660-DD, STD HNDL 2 ENDS BLUE UBOAT	16"	63"	61"	2200 lbs.	92 lbs.

U-Boat Accessories

Order #	Model	W	L	H	Compatible U-Boat	Weight
3000340	SHELF, REMOVABLE STEEL U-BOAT 1648	16"	48"	-	5000102	19 lbs.
3000068	SHELF, REMOVABLE STEEL U-BOAT 1660	16"	60"	-	5000101	27 lbs.
5000229	GR-60 - 60" Garment Rack for 16-60DD Uboat	-	60"	-	5000101	6.7 lbs.
8010218	RMS-1660 SLANT SHELF	16"	60"	-	5000101	31 lbs.
48010108	STEEL U-BOAT CARDBOARD HOLDER	14"	9.25"	36"	Both U-Boats	16 lbs.

Can't find exactly what you need? Give us a call and we'll help you with the perfect solution!

SPRING LOADED U-BOAT

Transform your u-boat into the perfect stocking cart with the spring leveling shelf. The heavy-duty spring allows for easy and ergonomic access to merchandise when stocking shelves.

The spring compresses to the perfect ergonomic work height, when loaded with the minimum weight of 400 lbs. The high end handles improve handling and help secure merchandise in place while in transit. The 16" width and six wheel design allow the cart to rotate within its own lengths and be easily maneuvered through busy aisles.



1660 u-boat #5000197 shown with spring leveling shelf #8010159 and cardboard holder attachment #48010108

FEATURES:

All welded steel tube frame with heavy duty steel diamond deck

2 removable heavy gauge steel tube handles

Durable attractive blue powder coat finish

Traditional six wheel design, 2 center rigid and 4 corner swivel bolt on casters

Spring compresses completely when loaded with the minimum weight of 400 pounds

Spring leveled deck travels from 26 inches to 6.3 inches when compressed

OPTIONS:

Spring leveling shelf can be added to your existing 1660 u-boat with the purchase of two handles. Single handle part #1000199

*If adding spring leveling shelf to existing 1660 u-boat (part #5000101) New handles are required to prevent pinch points

Cardboard holder attachment #48010108 (attaches to a side handle)

Ergonomic spring leveling shelf #8010159

REPLACEMENT PARTS:

(2) 8" x 2" rigid polyurethane center wheels ensure easy rolling and longer life. Replacement order #B000024

(4) 4" x 1.25" corner swivel casters. Replacement order #B000027





U-Boats

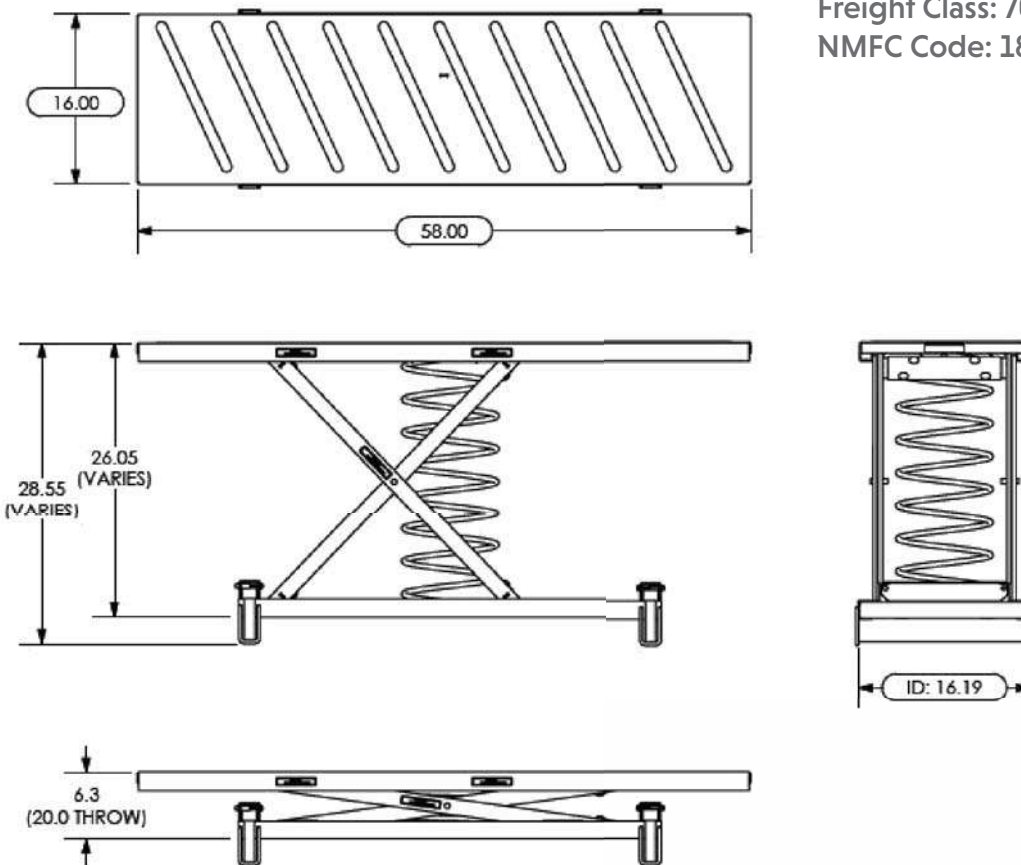
Freight Class: 70

NMFC Code: 188560-S2

Accessories

Freight Class: 70

NMFC Code: 188560-S9



U-Boat

Order #	Model	W	L	H	Cart Capacity	Weight
5000197	1660-DD, TUBULAR HDL BOTH END UBOAT	16"	60"	61"	2200 lbs.	111 lbs.

U-Boat Spring Leveling Shelf

Order #	Model	W	L	H	Compatible U-Boat	Weight
8010159	SHELF, SPRING LOADED, UBOAT 1660	16"	58"	26"	5000197 or 5000101 with added handles	84 lbs.

*The spring leveling shelf can be added to an existing 1660 u-boat (part #5000101) with the purchase of two additional handles. Single handle part #1000199

Can't find exactly what you need? Give us a call and we'll help you with the perfect solution!

U-PICK U-BOAT

Transform your u-boat into the Perfect Picking machine with the U-Pick U-boat! This is the Cadillac of U-Boats with a la carte style customization that allows you to make the perfect picking cart for your specific process.

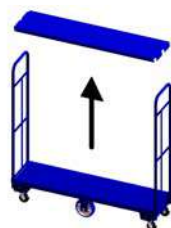
The high end handles improve handling and help secure merchandise in place while in transit. The 16" width and six wheel design allow the cart to rotate within its own lengths and be easily maneuvered through busy aisles. Add our heavy duty accessories to customize your u-boat to fit your specific picking needs!



U-Pick U-boat shown with
two slant shelves #8010218
24" x 16" stack & nest totes #5000190
clipboard holder #1000171
scan gun holder #3002132
pick cart basket #3001572



5000101 Standard U-Boat



Shelves and Slant Shelves are removable



5000101 U-Boat shown with Slant Shelf #8010218 great for stocking and picking with bins



5000101 U-Boat Shown with removable shelf #3000068

5000101 U-Boat Shown with Garment Rack #5000229 and Cardboard holder #48010108

FEATURES:

All welded steel tube frame with heavy duty steel diamond deck

2 removable heavy gauge steel tube handles

Durable attractive blue powder coat finish

Traditional six wheel design, 2 center rigid and 4 corner swivel bolt on casters

OPTIONS:

Removable Shelf #3000068
(U-boats will take two additional shelves)

60" Garment Rack #5000229

Cardboard holder attachment #48010108
(attaches to a side handle)

Slant Picking Shelf #8010218

24" x 16" stack & nest totes #5000190

Picking Cart clip-board holder #1000171

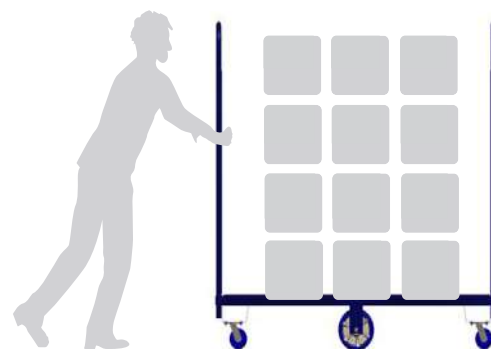
Scan gun holder #3002132

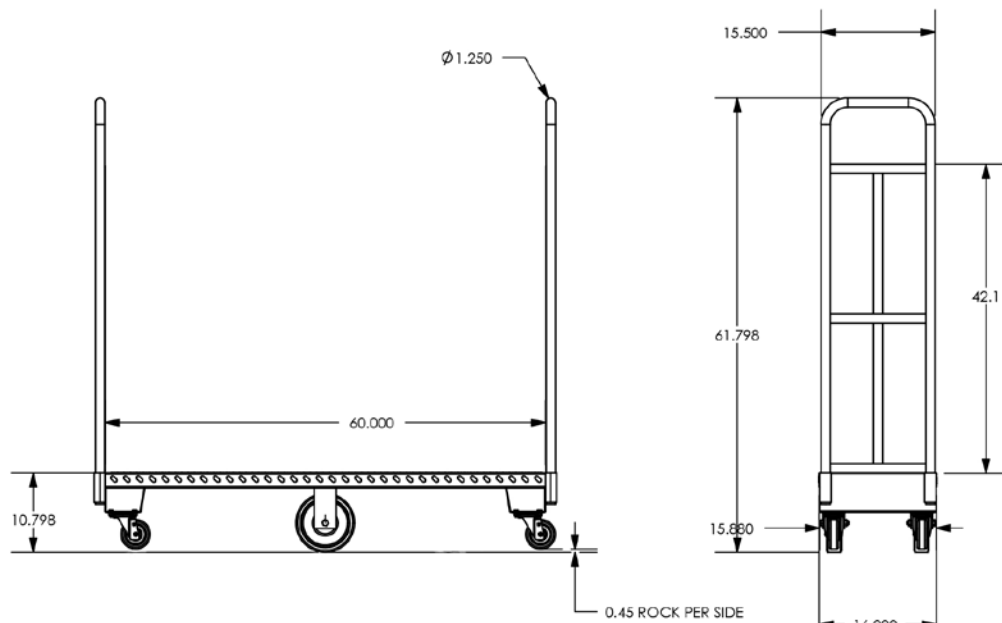
Pick cart basket #3001572

REPLACEMENT PARTS:

(2) 8" x 2" rigid polyurethane center wheels ensure easy rolling and longer life.
Replacement order #B000024

(4) 4" x 1.25" corner swivel casters. Replacement order #B000027





U-Boats

Freight Class: 70

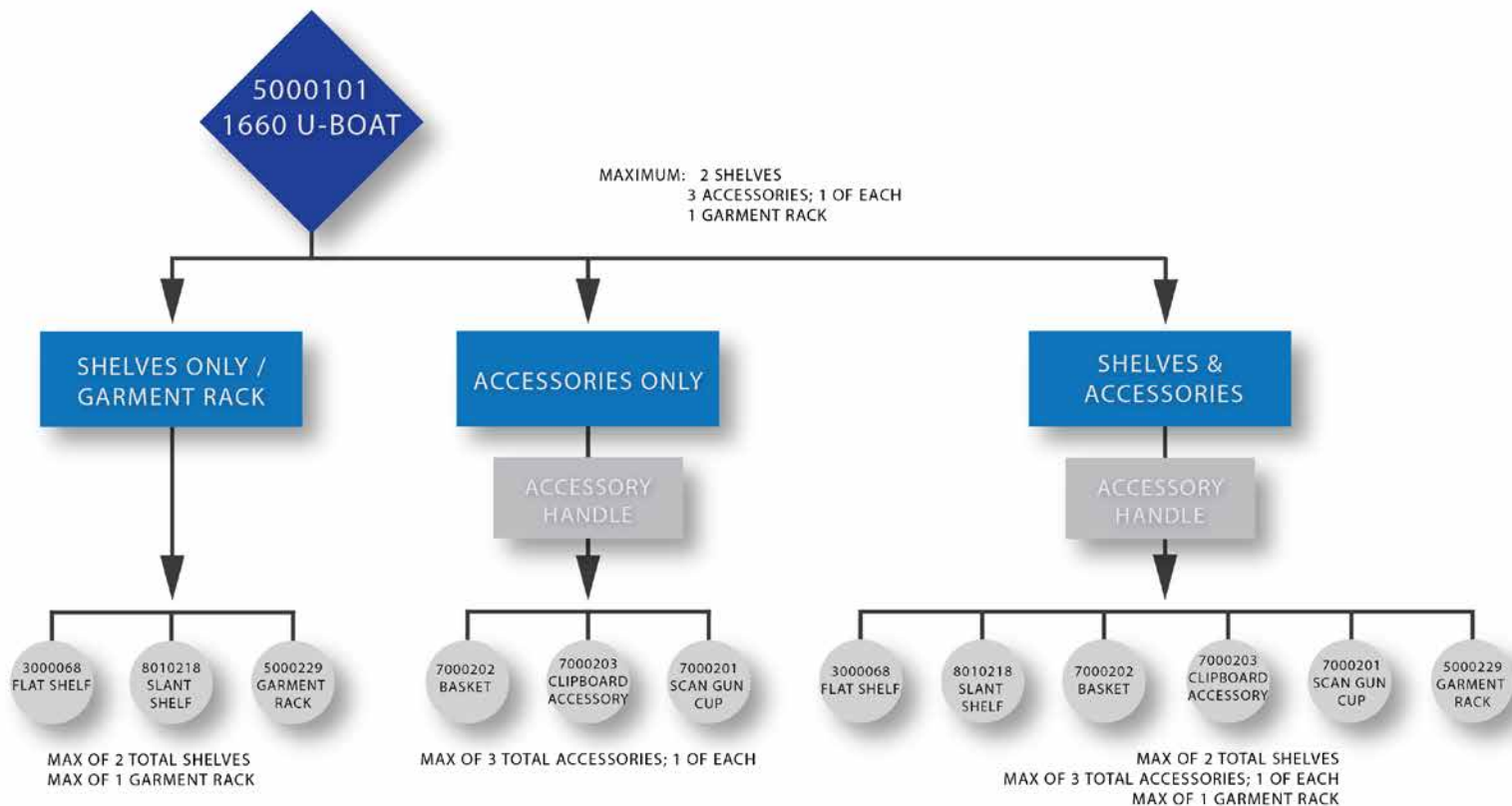
NMFC Code: 188560-S2

Accessories

Freight Class: 70

NMFC Code: 188560-S9

5000101



48010108 - CARDBOARD HOLDER: CAN BE USED IN ANY VARIATION

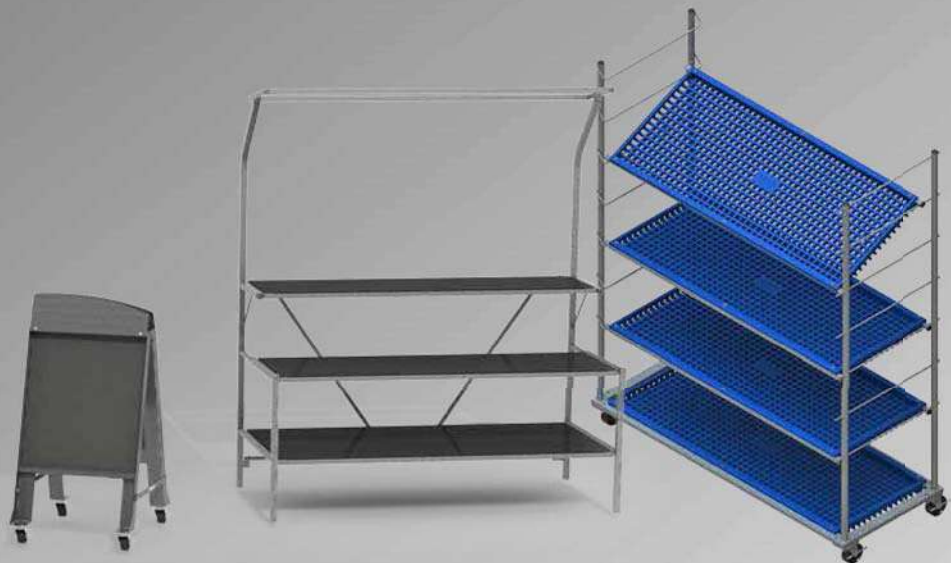
Can't find exactly what you need? Give us a call and we'll help you with the perfect solution!

PRODUCT CATALOG 2017

MERCHANDISING



NATIONAL CART CO



PRODUCT APPLICATIONS: Sign Frames267-268

Bread Display Rack269-270

Chalkboard Display 271-272

Flower & Plant Displays

 A-Frame Basket Hanger273-274

 Fold-A-Bench275-276

 Rolling Plant Cart277-278

Sampling Stand 279-280

Slant Merchandiser.....281-282

Stack Basket283-284

Wire Mini Platform.....285-286



For Product Safety and Operation Manuals please visit our website at www.nationalcart.com.



NATIONAL CART CO
1-800-455-3802
nationalcart.com

NCC PRODUCT APPLICATIONS - SIGN FRAMES

STORE SIGNAGE SOLUTIONS

Display permanent to temporary signage with National Cart's sign frames. These frames make it easy to install and maintain a signage system at your store.

Give your customers an attractive and clear message that flows with their shopping route.

This modular system is available in 3 different lengths and 3 different styles.

HANGING FRAMES AVAILABLE IN 3 DIFFERENT LENGTHS

- Single
- Double
- Quadruple

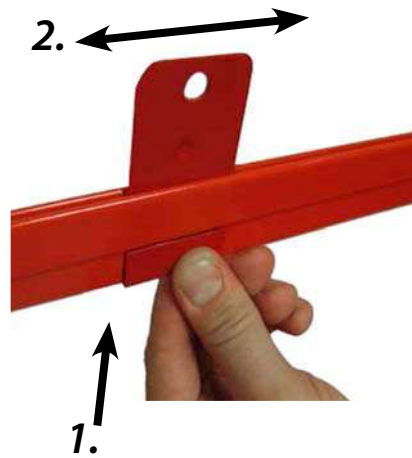


Adjustable Hanging Locations

POINT-OF-PURCHASE SIGN FRAMES AVAILABLE IN 3 DIFFERENT STYLES

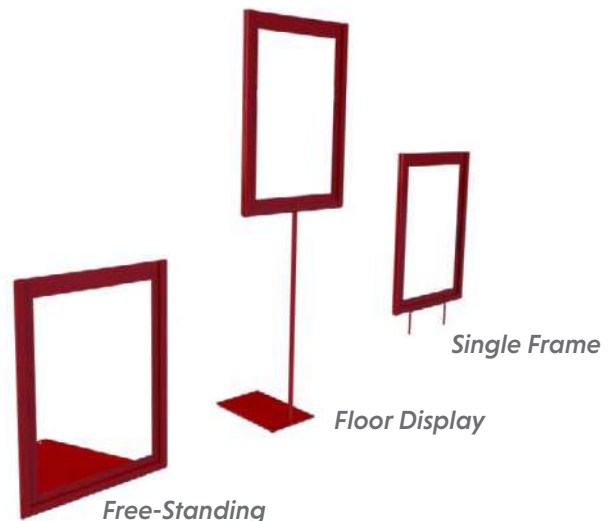
- Free-Standing
- Floor Display
- Single Frame

The adjustable hanging signage allows you to slide and adjust signs to fit your stores current layout



Snap Together Design

Simple snap together design makes assembly fast and eliminates spare parts and the need for tools





Let us Work With You for Your Best In-Store Signage Solution!



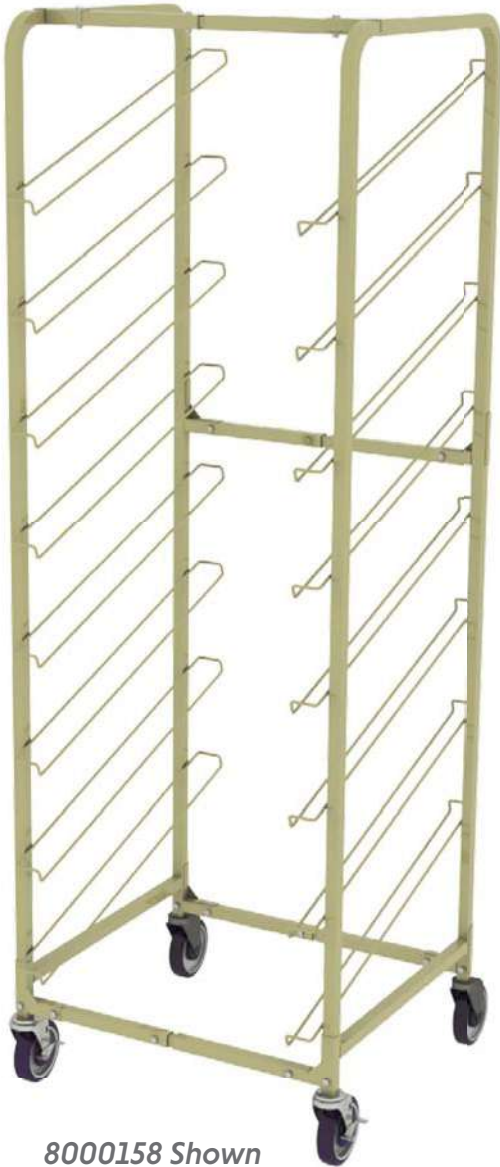
Sign frames for pallets, open refrigerators and free standing displays.

Contact a customer service representative for your custom order!

Can't find exactly what you need? Give us a call and we'll help you with the perfect solution!

BREAD DISPLAY RACK

This adjustable rack is ideal for displaying daily bread specials. Unit has unique angle design that showcases a product's best features for quick turnover.



8000158 Shown



Frame easily adjusts to accommodate

FEATURES:

Unique adjustable frame fits most bread trays

Durable beige powder coat finish (custom colors available, contact your customer service representative)

(4) 5" swivel casters for easy mobility

Ships knocked down for freight savings

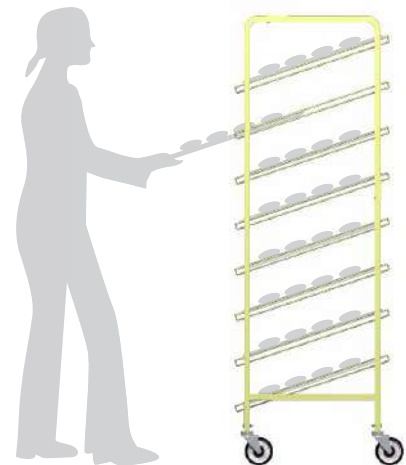
Comes standard with two front brakes

REPLACEMENT PARTS:

(2) 5" x 1.25" swivel caster with polyurethane wheel. Order #B000025

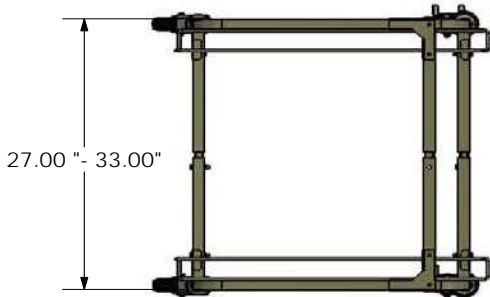
(2) 5" x 1.25" swivel caster with polyurethane wheel, square stem and brake. Order #B000491

Fasteners: Hex head cap screw order #B000576 and two way lock nut order #B000198

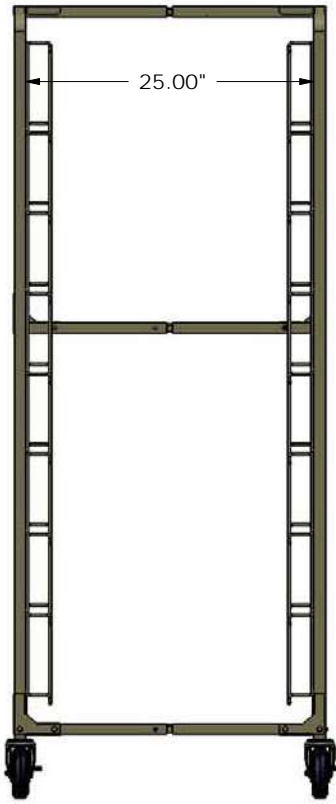
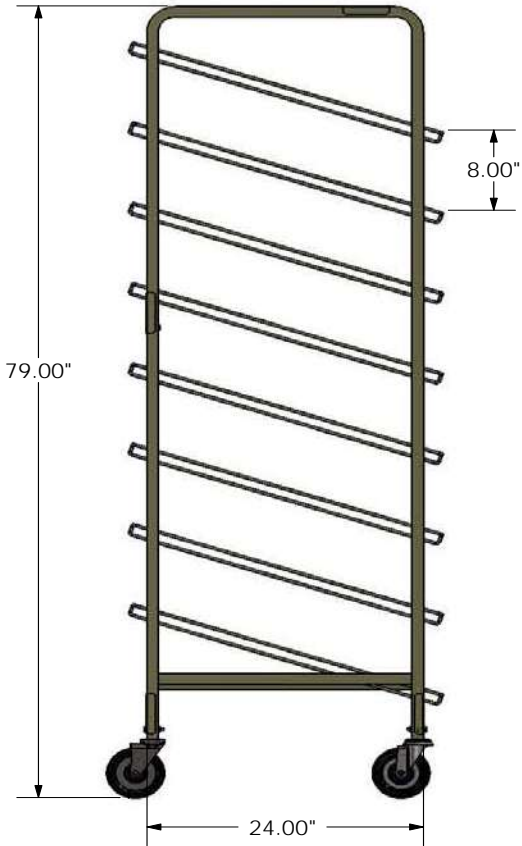




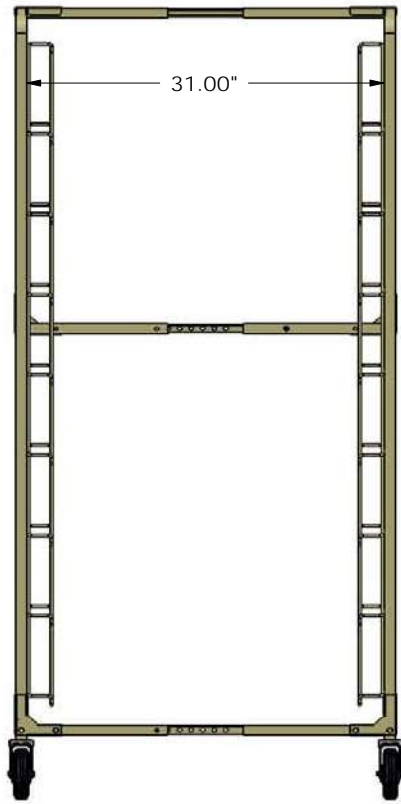
Freight Class: 85
 NMFC Code: 163980



8000158



Minimum Size



Maximum Size

Order #	Model	W	L	H	Capacity	Weight
8000158	SAV-8-BR SLANT DISPLAY BREAD RACK	27"-33"	24"	79"	8	87 lbs.

Can't find exactly what you need? Give us a call and we'll help you with the perfect solution!

CHALKBOARD DISPLAY

A chalkboard display is a great addition to your stores marketing and sales effort.

The display is the perfect size to advertise store specials, new products, and other messages you want to tell the general public. The rust free finish is perfect for inside use or outside that will not corrode.



FEATURES:

Heavy duty steel construction that looks great and will not corrode if displayed outside

Galvanized finish

Fully assembled and ready to use

Chalkboard display is mobile which makes it great for inside and outside use

Wheels come with locking brakes to keep the display from moving

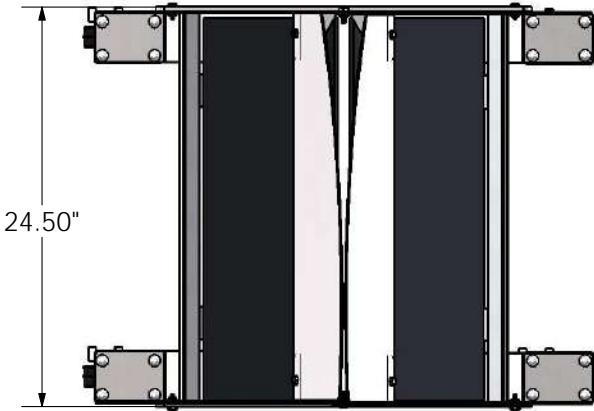
OPTIONS:

Customize your chalkboard stand with your stores name or logo on the top header (inquire with your customer service representative)

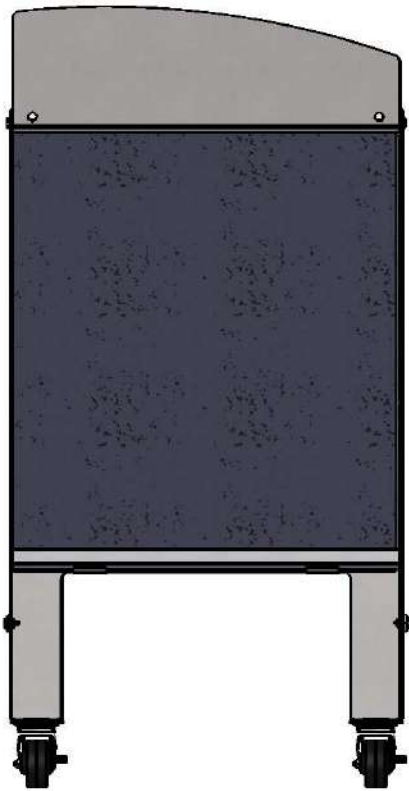
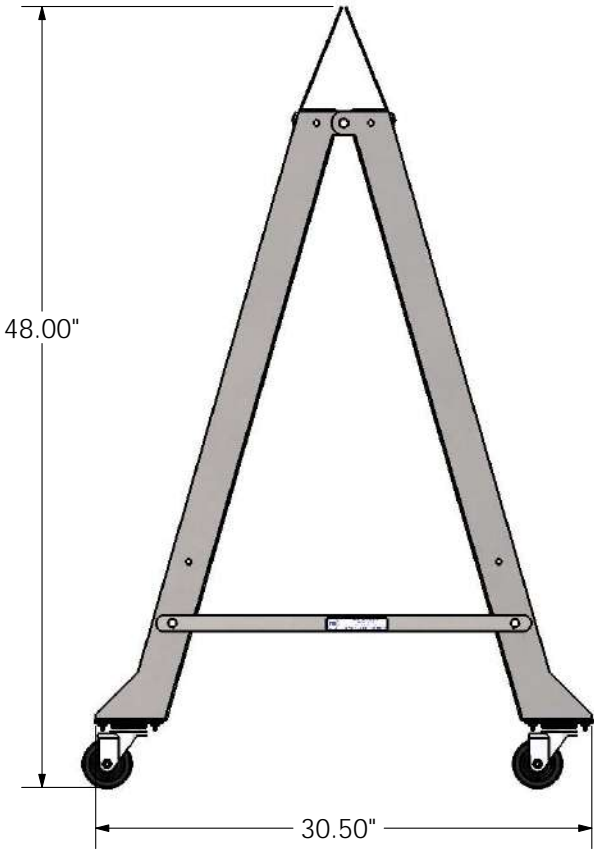
REPLACEMENT PARTS:

(4) heavy duty rubber swivel casters with brakes. Order #B000144





Freight Class: 175
 NMFC Code: 189430-S2



Order #	Model	W	L	H	Weight
8000371	SCS-2449 SIDEWALK CHALKBOARD DISPLY	30 1/2"	24 1/2"	48"	83 lbs.

Can't find exactly what you need? Give us a call and we'll help you with the perfect solution!

A FRAME BASKET HANGER

This mobile free standing floral merchandiser effectively displays hanging baskets.

Merchandiser allows 360 degree viewing of the product while gaining maximum use of space. The design of this unit allows your product to become the center of attention.

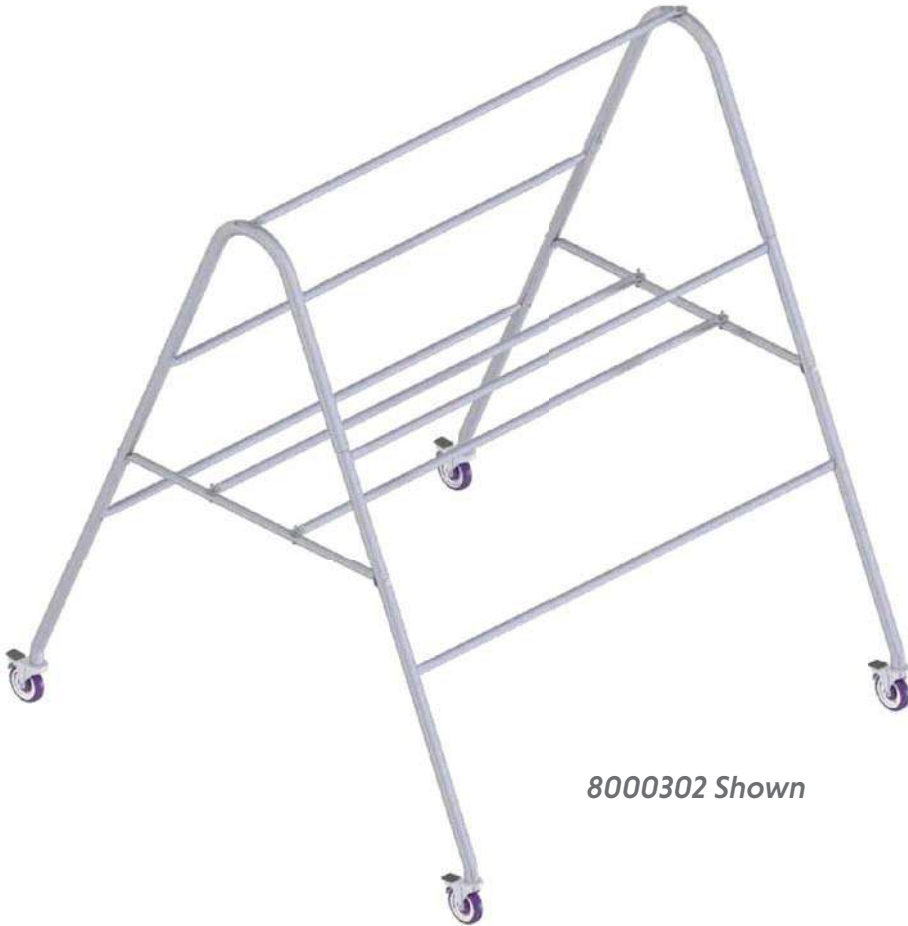
FEATURES:

Sides of frame are made of 1.66" galvanized tubing. Cross members made with 1.16" galvanized tubing.

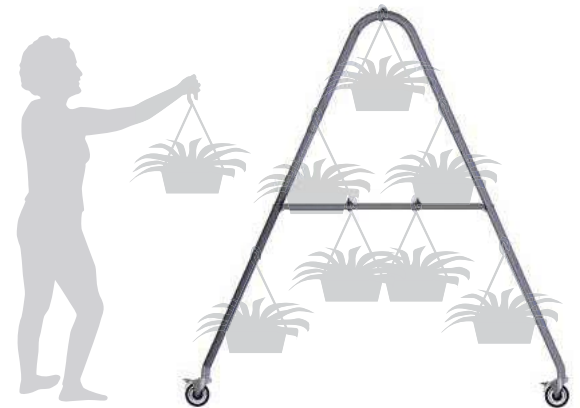
Ships (KD) knock down for freight savings

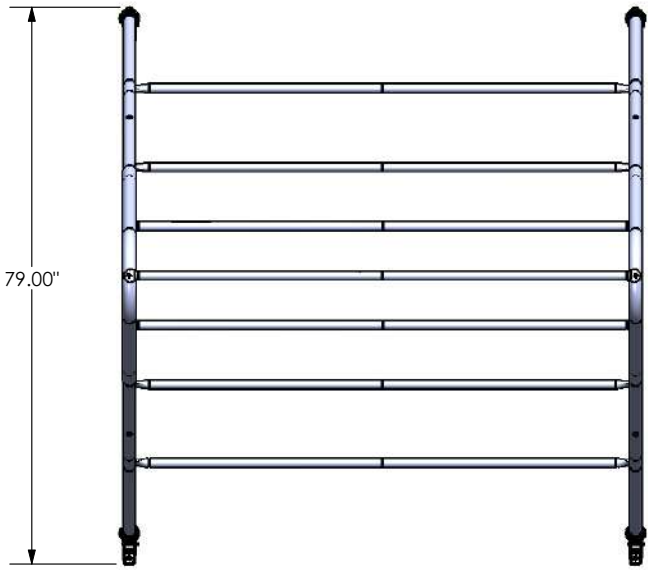
Assembles easily with minimal tools

Unit comes standard with 4 locking casters



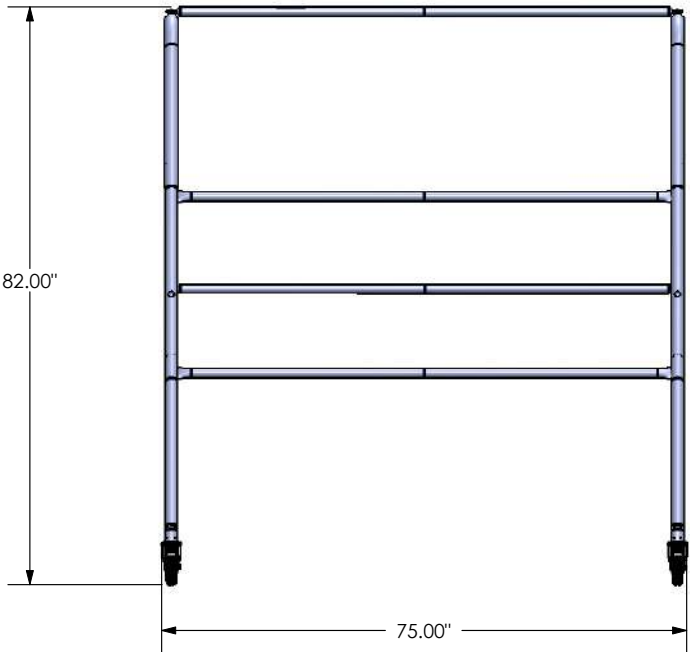
8000302 Shown





Freight Class: 85
NMFC Code: 163980

8000302



Order #	Model	W	L	H	Weight
8000302	A FRAME BASKET HANGER	75"	79"	82"	148 lbs.

Can't find exactly what you need? Give us a call and we'll help you with the perfect solution!

FOLD-A-BENCH

Our Fold-A-Bench is an economical way to merchandise hanging plant baskets, potted plants and bedding trays.

This unit folds up when not in use to reduce storage requirements. The optional wreath hanger allows you to attractively display holiday wreaths.



8010078 Shown



Shown Folded Down



Optional Wreath Hanger



FEATURES:

Folding plant display

Sets up in minutes

No tools required

Folds away for easy storage

Galvanized steel construction

Ships knocked down for freight savings

Creates large displays economically

Holds up to 15 flats, 10-12 hanging baskets, and 6-9 potted plants

Includes corrugated plastic flats

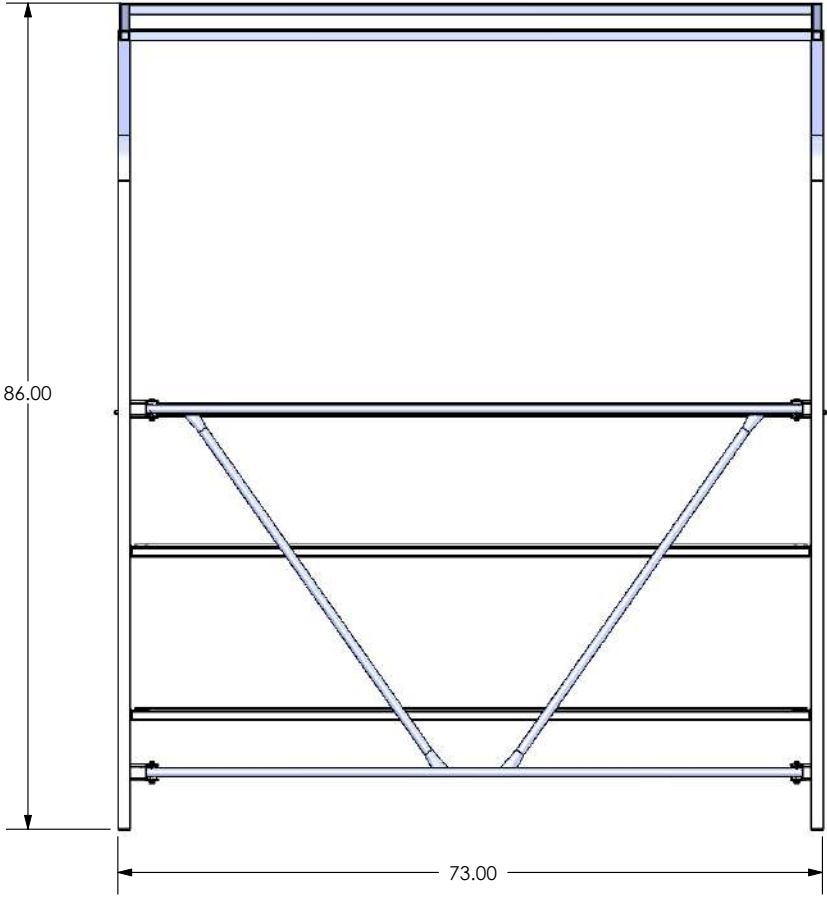
OPTIONS:

Wreath Hanger Display. Attaches onto Fold a Bench with 9 posts to hang wreaths.

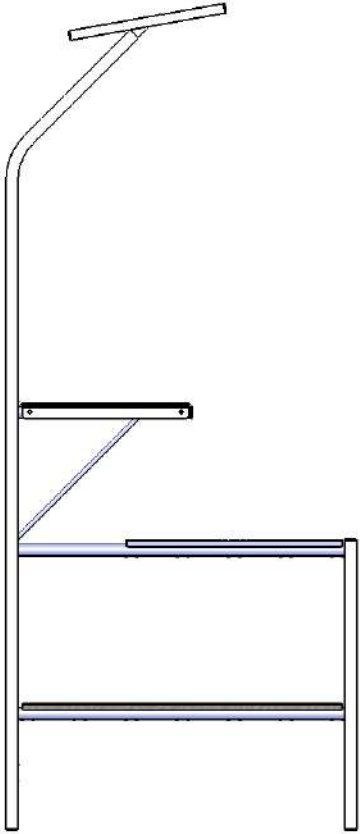


8010078
 Freight Class: 110
 NMFC Code: 82273-S1

8010102
 Freight Class: 250
 NMFC Code: 178690-S3



8010078



Order #	Model	W	L	H	Capacity	Weight
8010078	GFAB-3672-3, FOLDING PLANT DISPLAY	36"	73"	86"	500 lbs.	190 lbs.
8010102	WR-GFB-9, WREATH RACK 9 POST ACSRY	73"	19"	70"	-	40 lbs.

Can't find exactly what you need? Give us a call and we'll help you with the perfect solution!

ROLLING PLANT CART

This mobile plant transport cart is perfect for merchandising potted plants and flowers with adjustable shelves that can be displayed flat or angled for optimal visibility.

The heavy duty perforated plastic desk shelves support heavy loads while ensuring proper drainage during plant watering.

Custom Colors Available



FEATURES:

Ideal for indoor and outdoor use

Heavy duty steel construction, powder-coated gray

Heavy duty plastic deck shelves feature perforated design for proper drainage during watering and easy cleaning

Plastic deck shelves will not chip or rust and are durable yet lightweight product

3 Adjustable shelves can be displayed flat or at a 25 degree angle

7 Adjustable shelf positions

Ships (KD) knock down for freight savings

Assembles easily with minimal tools

250 lb. shelf capacity with 1,000 lbs overall cart capacity

Unit comes standard with two foot-activated brakes

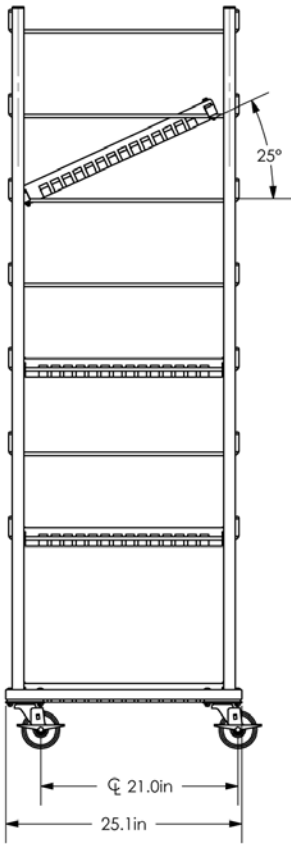
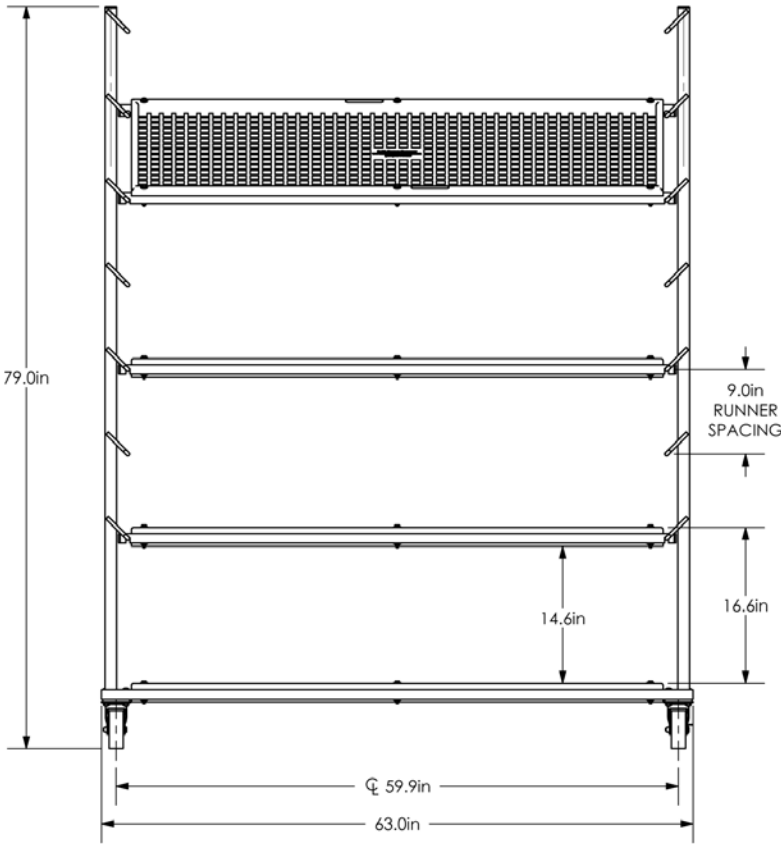
REPLACEMENT PARTS:

(4) 4" x 1.5" swivel casters with phenolic wheels.
Replacement order #B000660.





Freight Class: 85
 NMFC Code: 163980



Order #	Model	W	L	H	Weight
8000577	FPC-2460-4-KD FLOWER POWER CART	25"	63"	79"	205 lbs.

Can't find exactly what you need? Give us a call and we'll help you with the perfect solution!

SAMPLING STAND

This self-service food sampling display is the perfect way to entice customers to try new products and recipes in your store.

Stainless steel construction looks great and is easy to clean and sanitize.



Optional plastic serving tray #5000129



Optional turn n' serve dome #5000128

FEATURES:

Made of heavy duty stainless steel construction

The open top design allows customers to access goods from any direction

Anti-slip mat on the base prevents the stand from moving on the floor

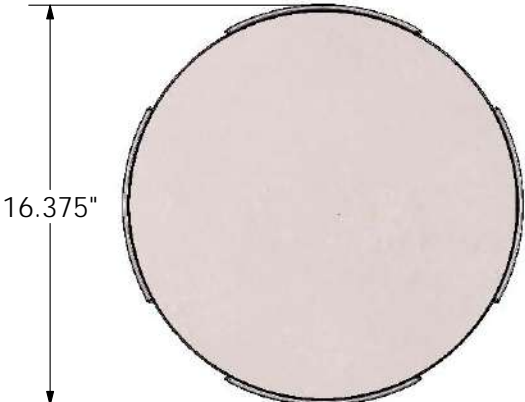
Raised edges keep products in place

OPTIONS:

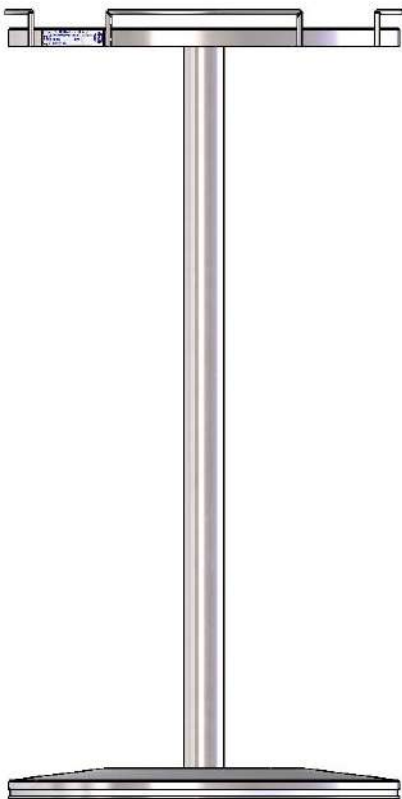
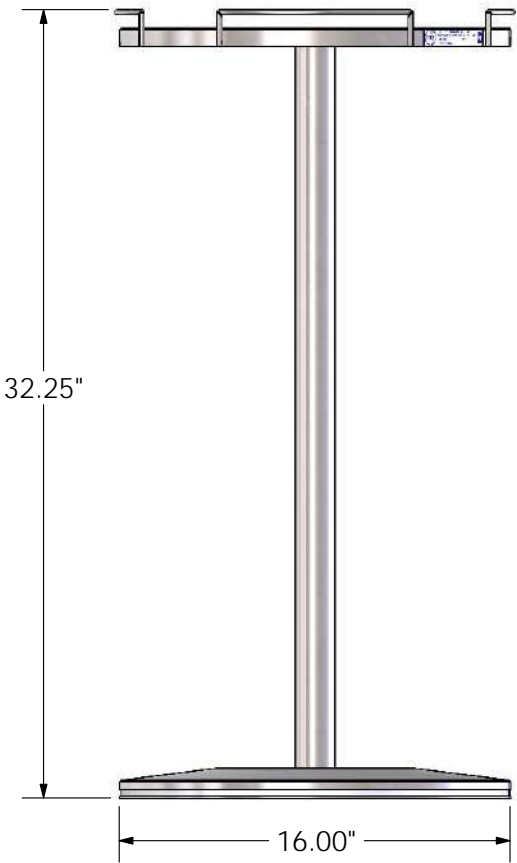
Plastic turn n' serve dome keeps food fresh

Plastic serving tray allows food to be easily transported from prep areas to the sales floor





Freight Class: 250
 NMFC Code: 178690-S3



Order #	Model	W	H	Weight
8050003	SS-SS, S/S SAMPLING STAND	16 3/8"	32 1/4"	25 lbs.
5000128	PLASTIC TURN N SERVE DOME, 15 X 8	15"	8"	1 lb.
5000129	PLASTIC TRAY, 15 X 1, BLACK	15"	1"	1 lb.

Can't find exactly what you need? Give us a call and we'll help you with the perfect solution!

SLANT MERCHANDISER

This attractive merchandiser can be used to showcase products for the entire department or as a spot merchandiser to highlight certain products.

The unit can be easily moved for cleaning or repositioning throughout the store. Deck angle is adjustable for maximum flexibility in product positioning.



8040737

FEATURES:

Increase product visibility

Maximize sales floor space

All aluminum construction

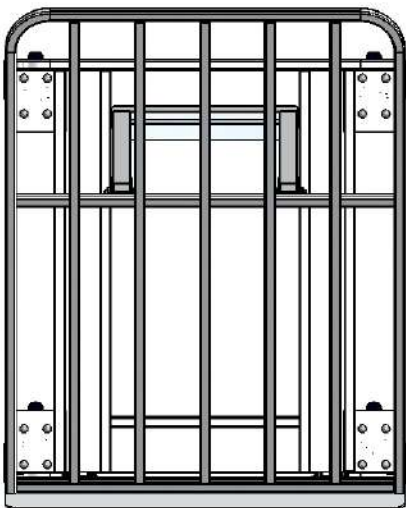
Collapsible design saves space when stored

REPLACEMENT PARTS:

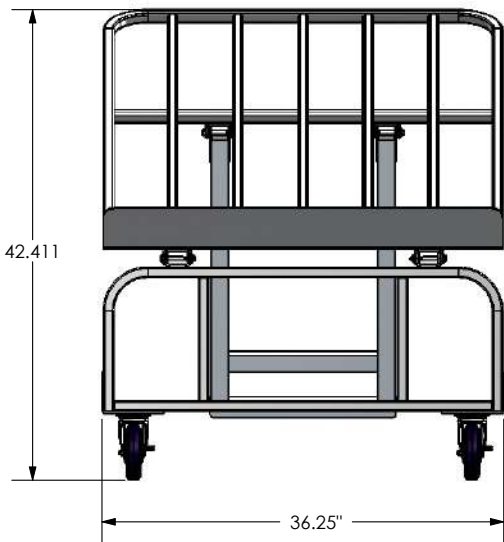
(2) 5" x 1.25" swivel casters with polyurethane wheels. Replacement order #B000312.

(2) 5" x 1.25" swivel casters with polyurethane wheels and brakes. Replacement order #B000435.

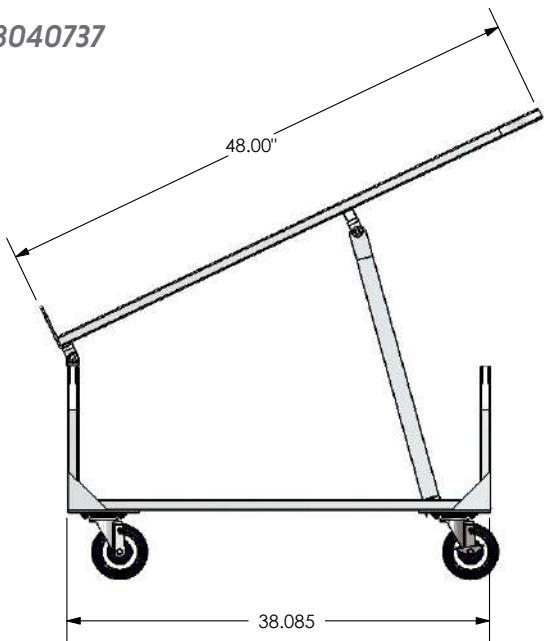




Freight Class: 300
 NMFC Code: 164390-S2



8040737



Order #	Model	W	L	H	Weight
8040953	AL-PSM-2448	24.25"	28"	26"/43"	39 lbs.
8040737	AL-PSM-3648	36.25"	38"	26"/43"	45 lbs
8040967	AL-PSM-4848	48.25"	38"	26"/43"	65 lbs

Can't find exactly what you need? Give us a call and we'll help you with the perfect solution!

STACK BASKET

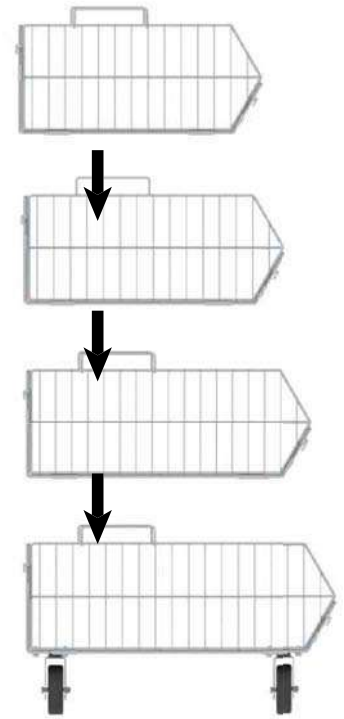
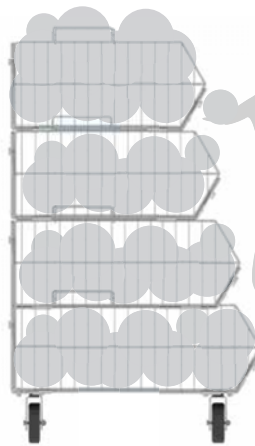
This stack basket set comes on four swivel wheels making it easy to transfer and move products efficiently and with two brakes to lock the cart into place.

The open wire construction provides quick visual checks of inventory and improves air flow around all products.



Back two wheels without brakes

Front two wheels with brakes



Baskets stack on top of each other

FEATURES:

Constructed from heavy duty steel

Zinc plated finish

Front 2 brakes lock this cart safely into place

Ships knocked down for economical shipping

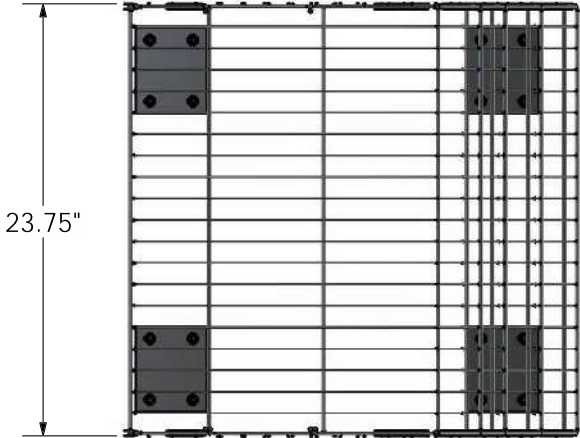
4 stackable baskets

REPLACEMENT PARTS:

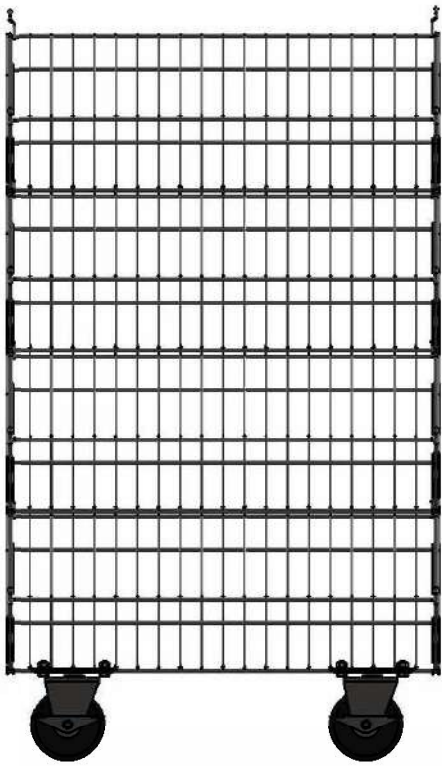
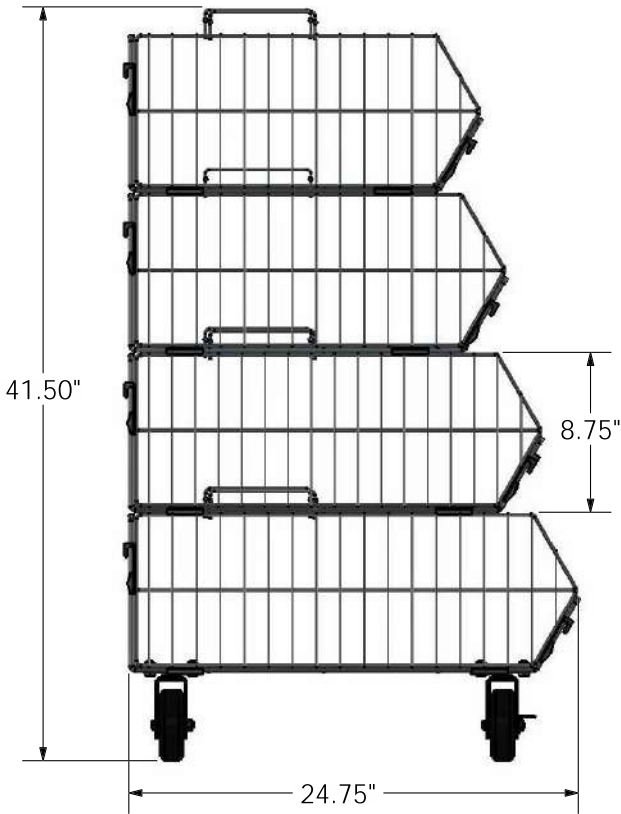
(2) Swivel 4" x 1.25" rubber wheels.
Replacement Order #B000027

(2) Swivel with brakes 4" x 1.25" rubber wheels.
Replacement Order #B000647

Fasteners replacement order #B001257 (nut)
and #B000222 (bolt)



Freight Class: 250
 NMFC Code: 178690-S3



Order #	Model	W	L	H	Shelf Spacing	# of Baskets	Weight
5000555	STACK BASKETS KD W/WHEELS 1 PER BOX	24 3/4"	23 3/4"	41 1/2"	8.5"	4	48 lbs.

Can't find exactly what you need? Give us a call and we'll help you with the perfect solution!

WIRE MINI PLATFORM

The wire mini platform lifts products off from the floor permitting air flow around the entire product.

Prolong package life while permitting cleaning under the product.

Custom Colors Available



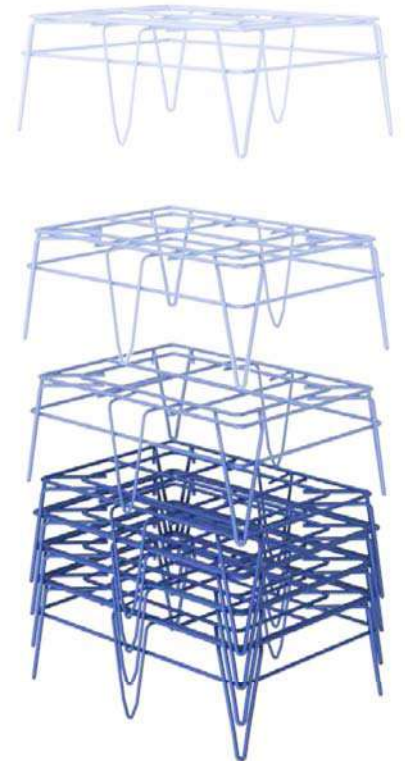
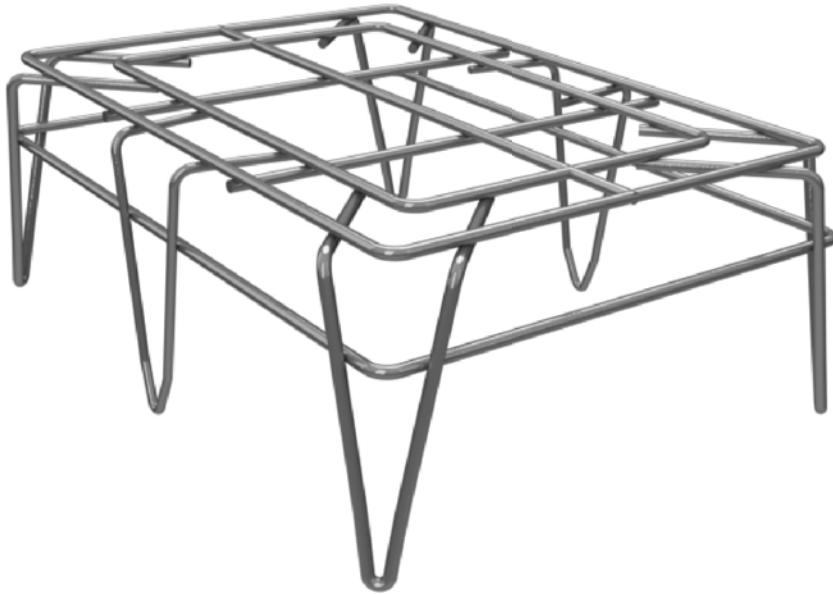
FEATURES:

Solid metal construction

Fully assembled and ready to use

Nestable design takes up less storage space when not in use

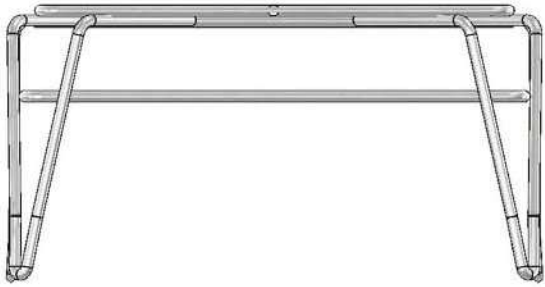
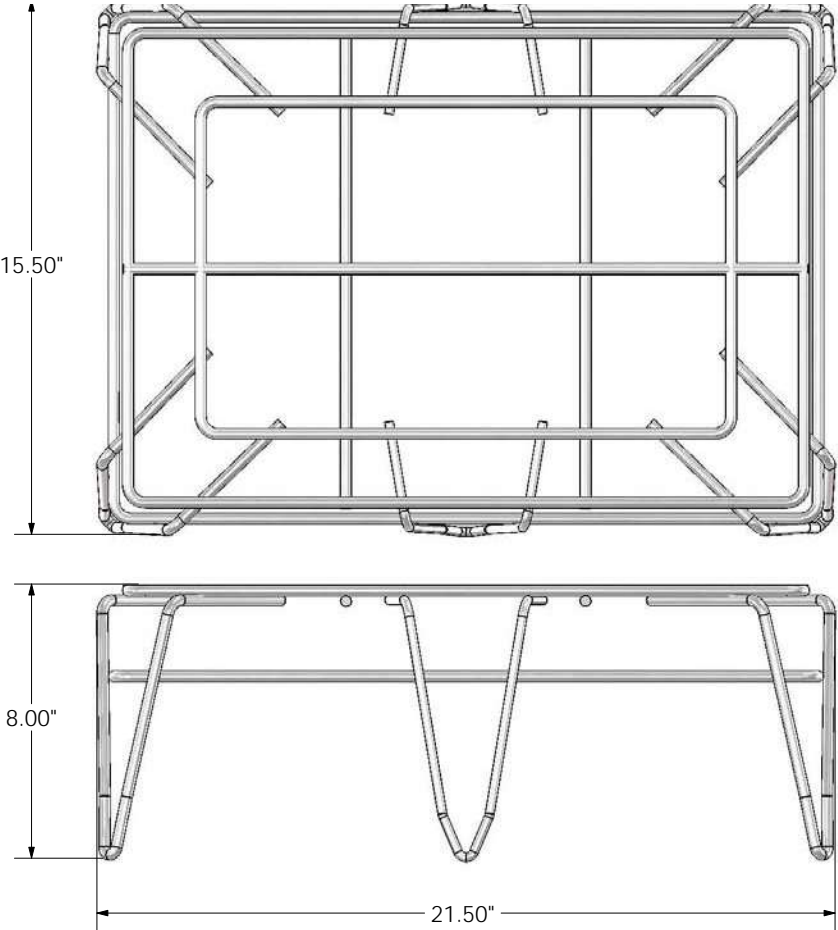
Durable beige powder coat finish (custom colors available contact your customer service representative)



Platforms Nest When Not in Use



Freight Class: 100
NMFC Code: 188560-S6



Order #	Model	W	L	H	Weight
5000161	WMP-1420, WIRE MINI PLATFORM	14"	21"	8"	5 lbs.

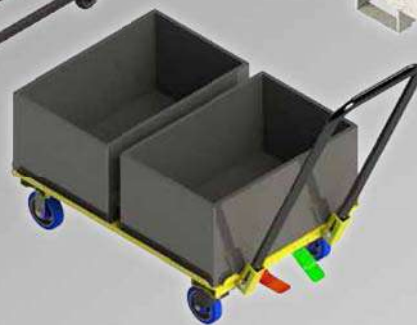
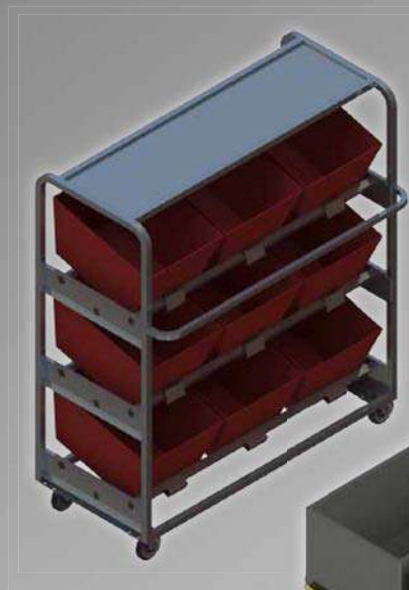
Can't find exactly what you need? Give us a call and we'll help you with the perfect solution!

PRODUCT CATALOG 2017

PICKING CARTS



NATIONAL CART CO



PRODUCT APPLICATIONS: E-Commerce Picking Cart287-288

Dollies

Lock and Load Dolly289-290

Forklift Accepting Carts

Forklift Order Picking Cart291-292

Stock Picker293-294

Shelf Picking

2 Shelf Distribution Cart 295-296

Aluminum Distribution Cart297-298

Bulk Pick Cart299-300

Tote Pick Carts

Aisle Picking Cart301-302

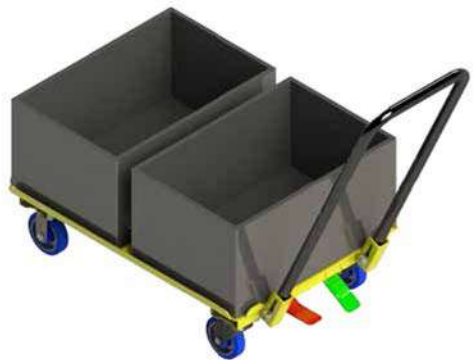
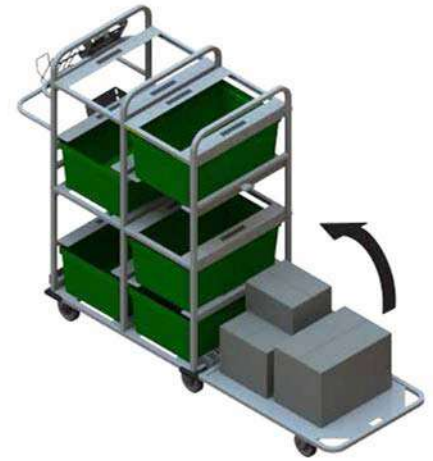
Tote Picking Cart w/ Ergonomic Handles303-304

Tote Picking Cart w/ Stowable Dolly305-306

U-Boat Picking

Spring Loaded U-Boat.307-308

U-Pick U-Boat309-310



PRODUCT APPLICATIONS: E-COMMERCE PICKING CARTS

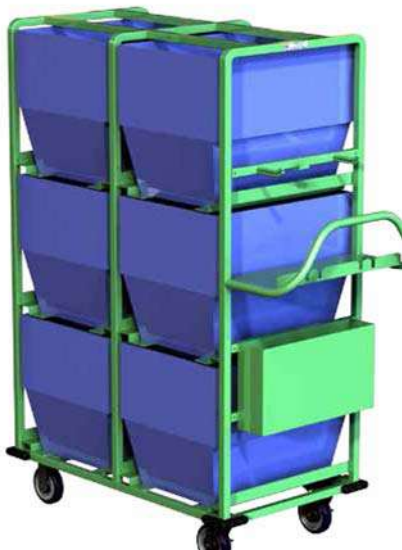
Increase productivity and maximize profits with our ergonomic E-COMMERCE PICKING CARTS!

Our purpose-built picking carts are the perfect solution to increase efficiency in your warehouse or on your sales floor!

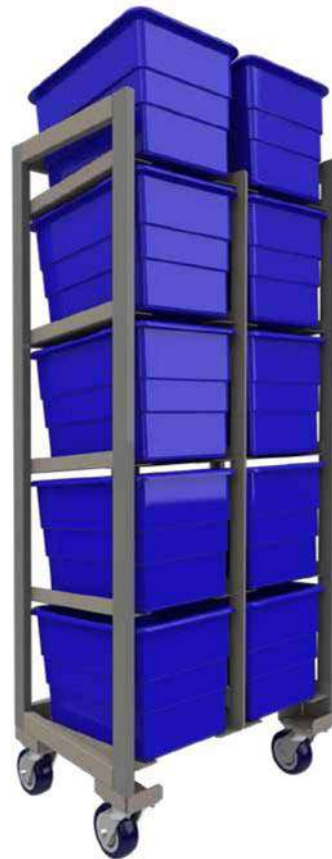
We provide innovative and custom solutions for all types of distribution and sorting outlets.

Let us collaborate with you to increase your ROI.

Custom solutions for tote size, distribution center conveyors, and truck delivery methods.



Reduce work place injuries and worker fatigue with our carts' ergonomic designs and cross-functional use.



Tote and cart combinations provide a superior way to pick, organize, and deliver your e-commerce orders.



YOUR INTERNET ORDER FULFILLMENT CART PROVIDER



CHOOSE FROM A VARIETY OF CART ATTACHMENTS AND ACCESSORIES

- iPad holders
- Work shelves
- Scan gun holder
- Supply trays and bins
- Label holders
- Pen and paper holders

Call for your custom order!



Can't find exactly what you need? Give us a call and we'll help you with the perfect solution!

LOCK AND LOAD DOLLY

The heavy-duty Lock and Load Dolly is your ultimate tote transporter and is suitable for all departments. The Lock and Load dolly turns transporting heavy loads into a one person job and transports totes and boxes with ease.

The pedal locking mechanism locks the dolly in place for safe loading and unloading of products.

Custom Colors Available



FEATURES:

Heavy-duty steel construction

Powder-coated safety yellow

Red pedal activates brake system

Green pedal deactivates brake system

Carts are stackable when not in-use to reduce storage space

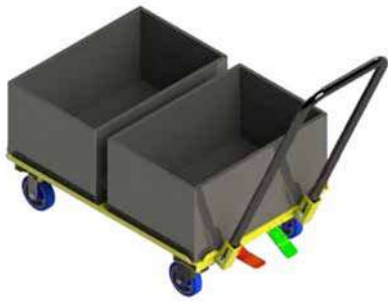
OPTIONS:

23.5" L x 15.625" W Tote (custom sizes available)

REPLACEMENT PARTS:

(2) 5 x 1.25" Rigid casters

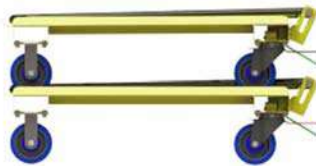
(2) 5" x 1.25" swivel casters with central locking brakes. Brake system total locks front two swivels



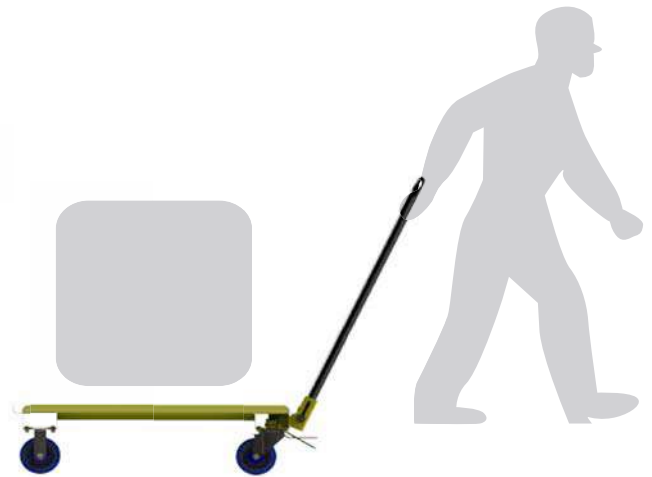
Two totes in tandem



Single tote fit



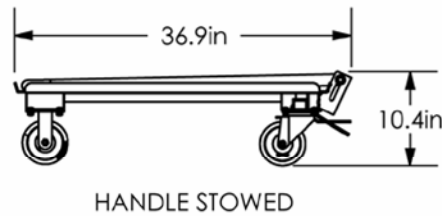
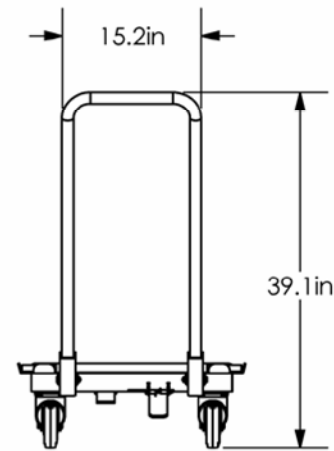
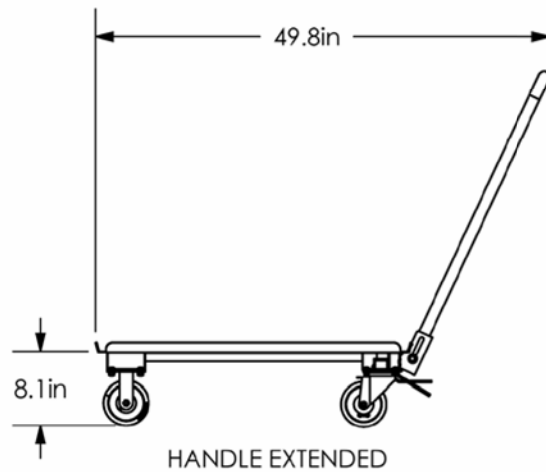
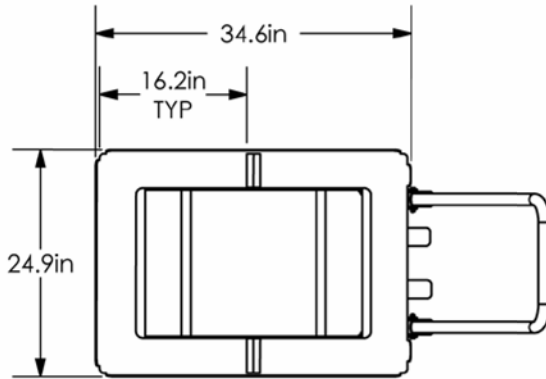
Dollies shown stacked



Picking Carts



Freight Class: 100
 NMFC Code: 188560-S6



Order #	Model	W	L	H	Cart Capacity	Weight
8000564	TD-3224-2-TL, STEEL TOTE DOLLY- RH	24.9"	49.8"	39.1"	500 lbs.	97 lbs.

Can't find exactly what you need? Give us a call and we'll help you with the perfect solution!

FORKLIFT ORDER PICKING CART

This versatile order picking cart can be adapted for use via man power or vertical forklift. Featuring heavy duty steel pockets that accept forklifts, as well as heavy duty polyurethane and phenolic wheels and casters for man powered movement. The removable and stowable shelves allow you to adjust your cart as needed.

Custom Colors
Available



Shelves Stowed

FEATURES:

Heavy duty steel construction

Wire grid is sturdy but lightweight to secure products within cart

Ships fully assembled and ready for immediate use

Designs for Raymond, Crown, and Hyster fork lifts

2" x 4" wooden grip board secures forklift in place

Removable/stowable shelves allow you to adjust your cart as needed

Shelves stow away vertically in the rear of the cart when not in use

Ease of mobility with swivel casters reduces damage done to products on the cart and store fixtures

1000 lb. capacity

REPLACEMENT PARTS:

8000509

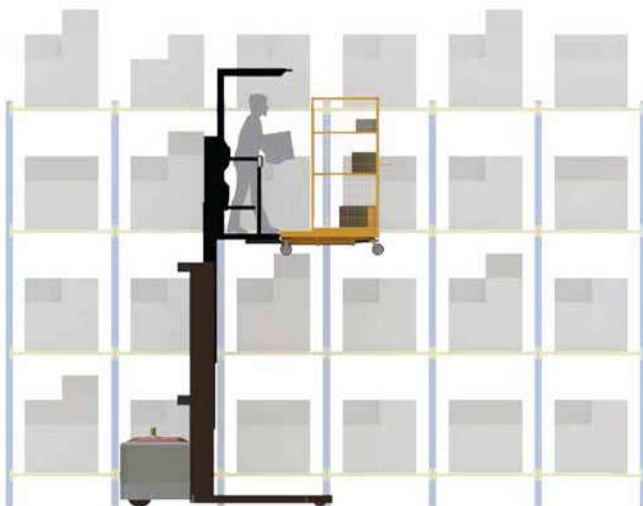
(2) 6" x 2" polyurethane swivel casters in the rear, replacement order #B000507.

(2) 6" x 2" polyurethane rigid casters at the front, replacement order #B000508.

8000574 & 8000575

(2) 6" x 2" phenolic swivel casters in the rear, replacement order #B001242

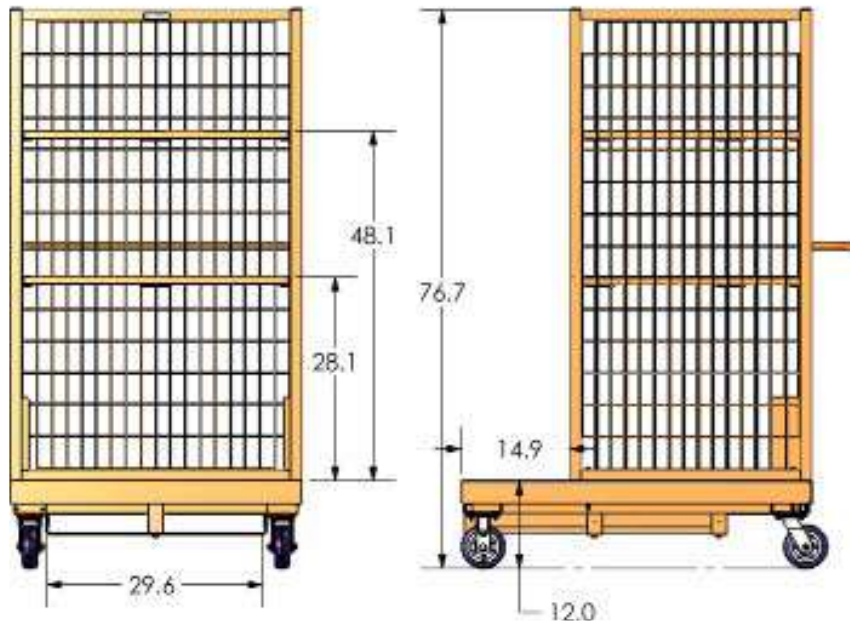
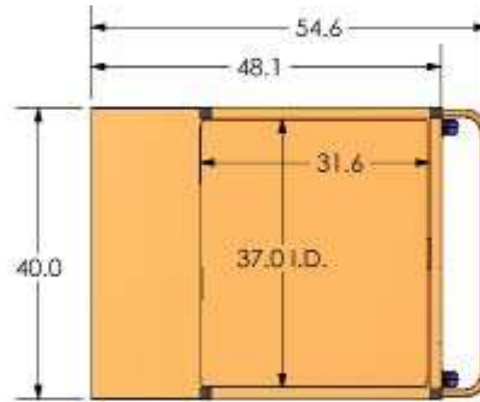
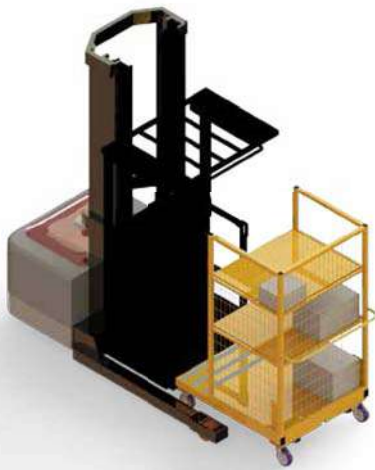
(2) 6" x 2" phenolic rigid casters at the front, replacement order #B001243



Picking Carts



Freight Class: 150
 NMFC Code: 188560-S4



Order #	Model	W	L	H	Cart Capacity	Weight	Lift Type
8000509	BLPC-4048-2, PICKING CART, RAYMOND	40"	54.6"	76.7"	1000 lbs.	378 lbs.	Raymond
8000574	BLPC-4048-2, PICK CRT, CROWN, ORNG	40"	54.6"	77.5"	1000 lbs.	390 lbs.	Crown
8000575	BLPC-4048-2, PICK CART, HYSTER, ORNG	40"	54.6"	78.4"	1000 lbs.	403 lbs.	Hyster

Can't find exactly what you need? Give us a call and we'll help you with the perfect solution!

STOCK PICKER

This versatile stock pick cart can be adapted for use via man power or vertical forklift. Featuring heavy duty steel pockets that accept forklifts, as well as heavy duty phenolic wheels and casters for effortless man powered movement. The stowable shelf provides an easily accessible workstation and the inset handle pockets protect associates hands from harm.

Custom Colors
Available



FEATURES:

Heavy duty steel construction powder-coated gray

Wire grid is sturdy but lightweight to secure products within cart

Ships fully assembled and ready for immediate use

Universal fork lift accepting pockets for use via vertical forklift

Hide-away shelf slides easily in and out for easy access to the perfect sized work station. Shelf dims 23" x 18"

Inset handle pockets protect employees hands from harm when using the cart in congested areas

Foot activated stomp break safely secures the cart when loading and unloading

Ease of mobility with swivel casters in the rear next to the stomp break prevents damage done to products on the cart and store fixtures

1250 lb. capacity

REPLACEMENT PARTS:

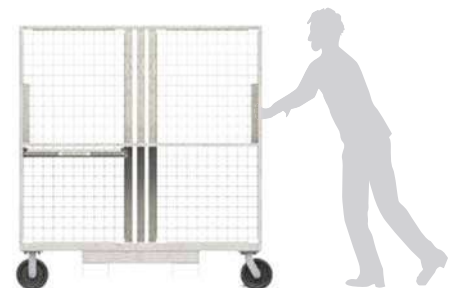
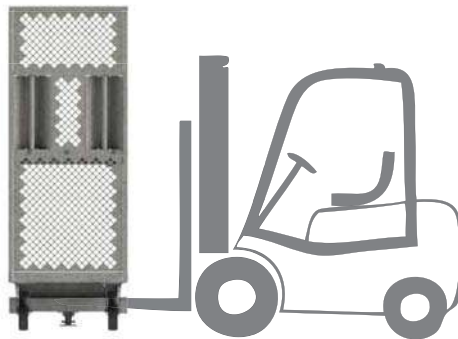
(2) 8" x 2" phenolic swivel casters in the rear next to stomp break, replacement order #B001920

(2) 8" x 2" phenolic rigid casters at the front, replacement order #B001921

(1) Stomp break in rear next to swivel casters, replacement order #B002204



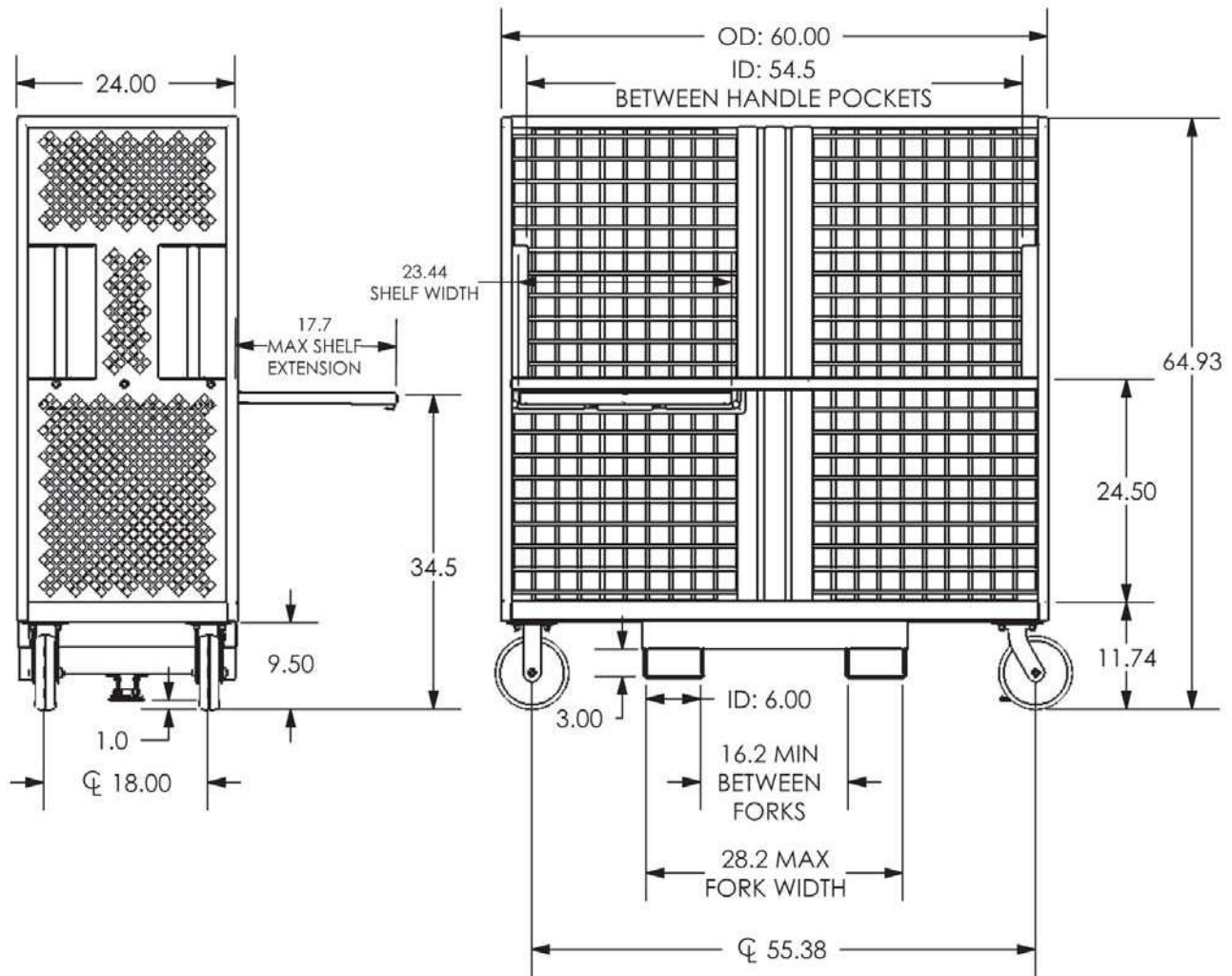
*Hide away shelf
slides easily in
and out for use as
a workstation*



Picking Carts



Freight Class: 150
NMFC Code: 188560-S4



Order #	Model	W	L	H	Cart Capacity	Weight
8000593	STP-2460-1, W/DWR, NO SWIVEL LOCKS	24"	60"	64.93"	1250 lbs.	305 lbs.

Can't find exactly what you need? Give us a call and we'll help you with the perfect solution!

2 SHELF DISTRIBUTION CART

Invest in your supply chain with our 2 Shelf Distribution Carts. These nestable carts are perfect for replacing your need for pallets, pallet jacks, and shrink wrap while providing extra storage space. They are capable of carrying 500 lbs of goods per shelf from your warehouses to your stores. A durable zinc plated finish and a convenient cardboard holder come standard.



Shown loaded

FEATURES:

Nestable "L" design saves space when nested together

Convenient cardboard holder

Durable zinc plated finish

500 lb. capacity per shelf

Heavy duty steel construction

REPLACEMENT PARTS:

(2) 5" x 2" polyurethane wheels with rigid casters. Replacement Order #B001090.

(2) 5" x 2" polyurethane wheels with swivel casters. Replacement Order #B0001091.

Fasteners Replacement Order #B000543 (bolt) and #B001257 (nut).



Cardboard holder folds out when needed



1. Clear shelf of any material



2. Fold up shelves



3. Fold in left side of cart

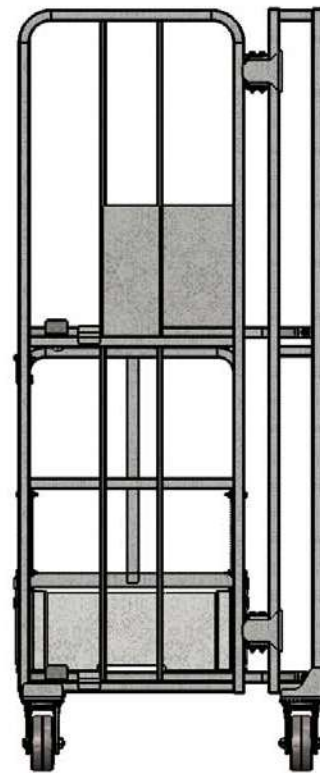
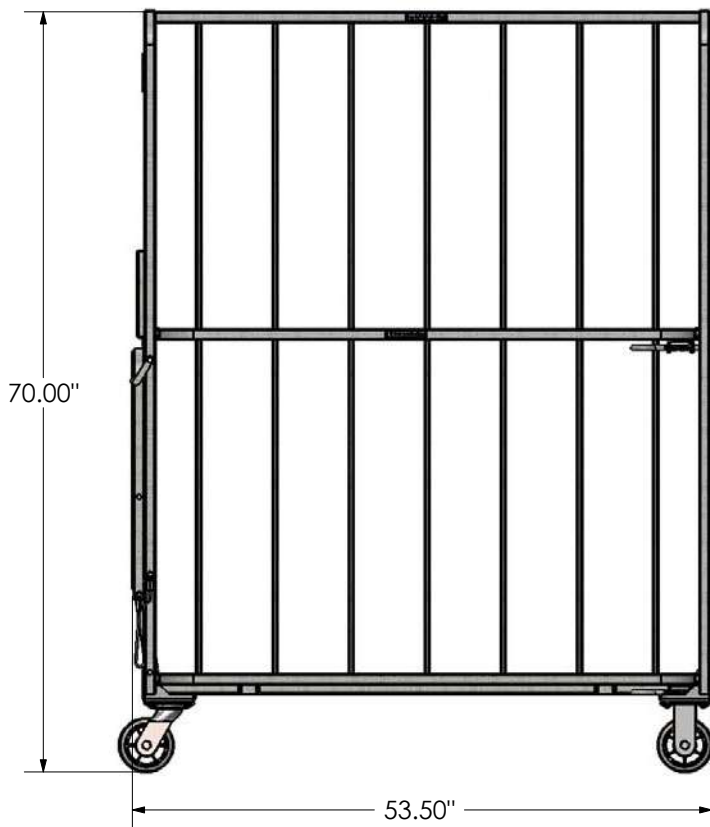
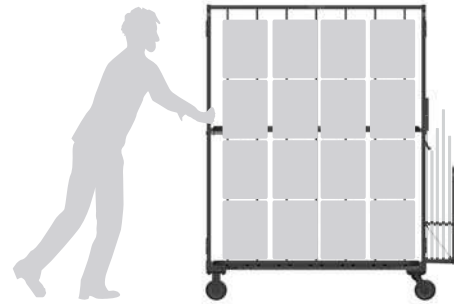
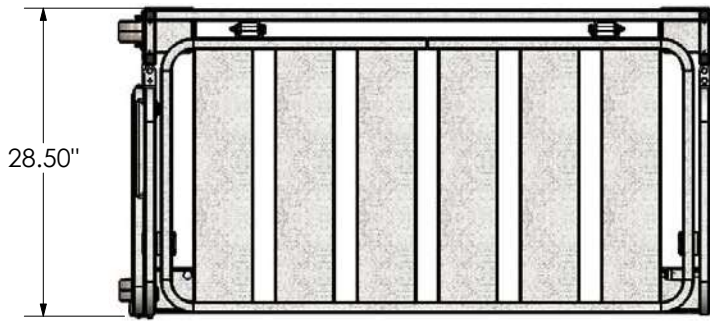


4. Nest carts together for storing

Picking Carts



Freight Class: 175
NMFC Code: 189430-S2



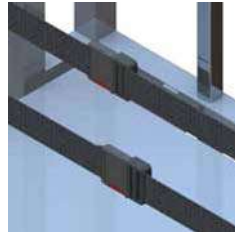
Order #	Description	W	L	H	Cart Capacity	Weight
48000363	HDSC-2852-2S-COL, 2 SHELF STOCK CART	28 1/2"	53 1/2"	70"	1000 lbs.	200 lbs.

Can't find exactly what you need? Give us a call and we'll help you with the perfect solution!

ALUMINUM DISTRIBUTION CART

This Aluminum Distribution Cart is an innovative offering from National Cart that provides you the flexibility and speed needed for applications including warehouse, distribution centers, truck and route delivery.

The lightweight aluminum construction is durable and easy to maneuver, while the heavy duty nylon straps and buckles will ensure a long useful life.



Adjustable nylon straps with buckles

FEATURES:

Lightweight, yet durable aluminum construction

Nestable "L" design saves space when nested together

Ease of mobility reduces damage done to products on the cart and store fixtures

Strong adjustable nylon strapping and buckles keep boxes and totes safely on the cart

1000 lb. capacity

Ergonomic pull handles on both sides of the cart

Ships fully assembled and ready for immediate use

REPLACEMENT PARTS:

Cart moves easily on hard surfaces with (4) 6" x 2" polyurethane wheels with swivel casters. Replacement Order #B000507



1. Release buckles and fold up shelves



2. Fold in left side of cart

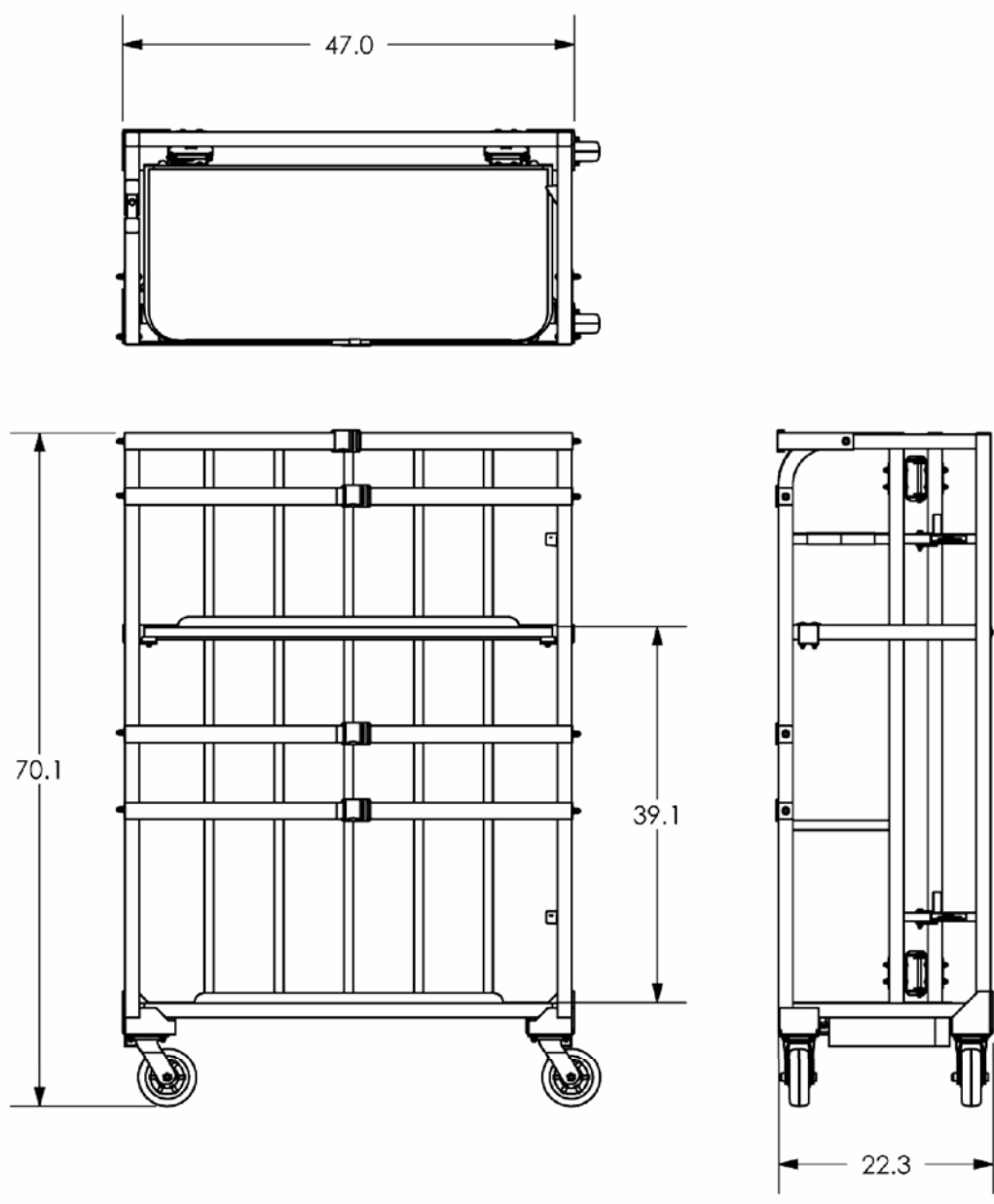


3. Nest carts together for storing

Picking Carts



Freight Class: 150
 NMFC Code: 188560-S4



Order #	Model	W	L	H	Cart Capacity	Weight
8041184	AL-FRD-4767	22.3"	47"	70.1"	1000 lbs.	120 lbs.

Can't find exactly what you need? Give us a call and we'll help you with the perfect solution!

BULK PICKING CART

Increase your productivity with our quality purpose built bulk picking carts. This shelf picking cart provides a superior way to pick, organize, and deliver your bulk e-commerce orders.

The six wheel design allow the picking cart to rotate within its own lengths and be easily maneuvered through busy back rooms and aisles.

Custom Colors Available



8000514



8000513



8000515

FEATURES:

Heavy duty steel construction

Traditional six wheel design, 2 center rigid and 4 corner swivel bolt on casters, allows cart to rotate within its own lengths

Slanted top shelf provides ergonomic access to heavy products. (8000515, not slanted)

Ergonomic handles provide associates ease of handling

Full width length bumpers with reinforced corner bumpers protect cart from damage

Includes storage bin for miscellaneous materials

Ships fully assembled and ready for immediate use

Durable orange powder coat finish

750 lb. capacity

REPLACEMENT PARTS:

(2) 6" x 2" rigid polyurethane center wheels ensure easy rolling and longer life. Replacement order #B000508

(2) 5" x 1.25" polyurethane swivel casters. Replacement order #B000312

(2) 5" x 1.25" polyurethane swivel casters with brakes at end with basket. Replacement order #B000435



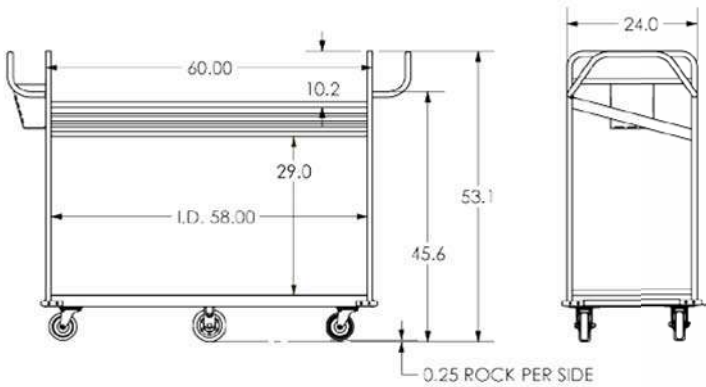
NATIONAL CART CO

1-800-455-3802
nationalcart.com

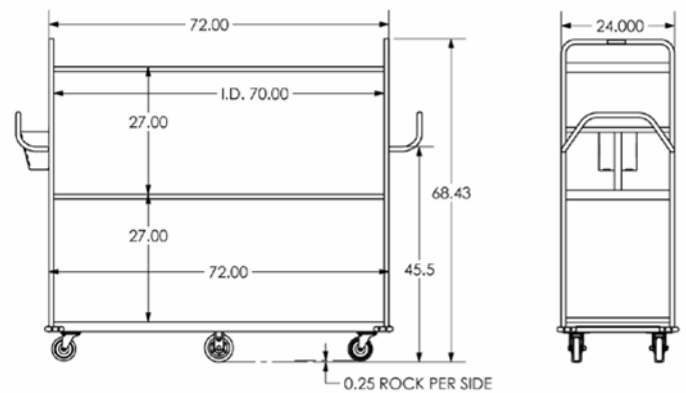
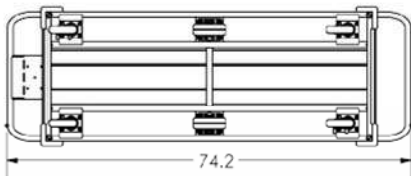
Picking Carts



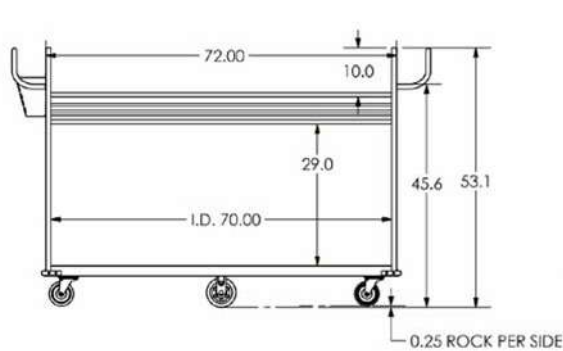
Freight Class: 150
NMFC Code: 188560-S4



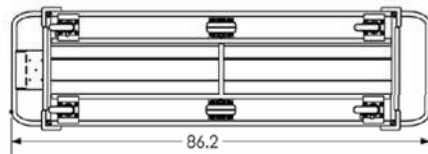
8000513



8000515



8000514



Order #	Model	W	L	H	Cart Capacity	Weight	# of Shelves
8000513	DPC-2460-2-6, DISCRETE PICK CART	24"	60"	53"	750 lbs.	165 lbs.	2
8000514	BPC-2472-2-6, BULK PICK CART	24"	72"	53"	750 lbs.	180 lbs.	2
8000515	RSC-2472-3-6, RESTOCK CART	24"	72"	68.4"	750 lbs.	225 lbs.	3

Can't find exactly what you need? Give us a call and we'll help you with the perfect solution!

AISLE PICKING CART

Increase your productivity with our quality purpose built e-commerce tote picking carts. This pick to tote cart provides a superior way to pick, organize, and deliver your e-commerce orders.



FEATURES:

Light weight aluminum design

Cart designed to be pushed width-wise down an aisle for picking between gondolas

Value engineered with strength in right areas

Ease of mobility with (4) swivel casters gives your associates maximum maneuverability in tight aisles

Ergonomic full length handle provides associates ease of handling

Top storage shelf features 0.5" lip to keep merchandise from falling

9 tote capacity with maximum dims of 17.25 W x 22 L x 13.5 H

2" x 4" tote tag plates keep e-commerce orders organized

Ships fully assembled and ready for immediate use

300 lb. capacity

REPLACEMENT PARTS:

(4) 5" x 1.25" polyurethane swivel casters.
Replacement order #B000312

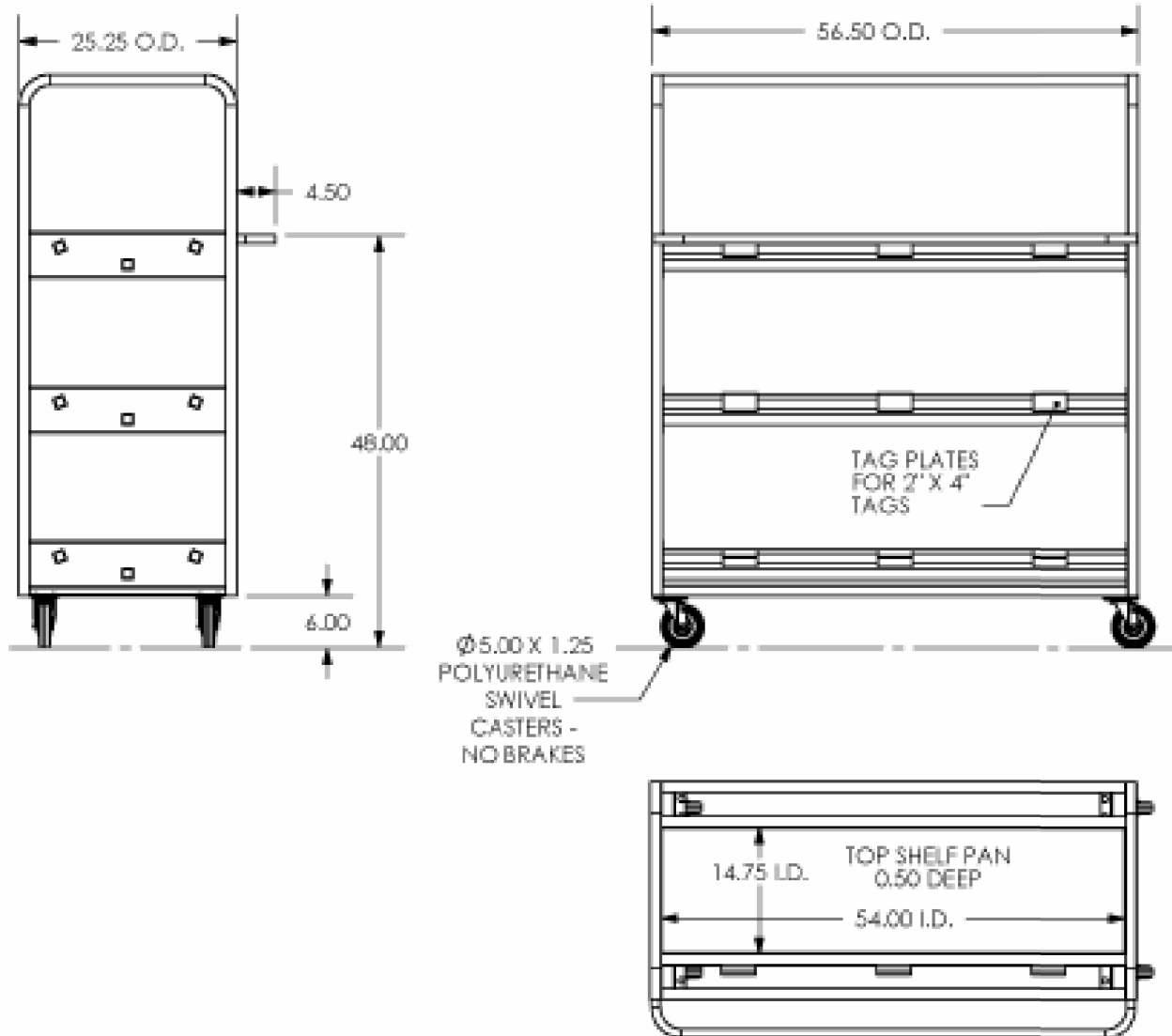
OPTIONS:

Totes not included. Inquire within to order.

Picking Carts



Freight Class: 150
 NMFC Code: 188560-S4



Order #	Description	W	L	H	Cart Capacity	Weight
8041328	AL-SPC-2556-3, PICKING CART, TUBE	25.25"	56.5"	66.6"	300 lbs.	200 lbs.

Can't find exactly what you need? Give us a call and we'll help you with the perfect solution!

TOTE PICKING CART - WITH ERGONOMIC HANDLES

Increase your productivity with our quality purpose built e-commerce tote picking carts. This tote and cart combination provides a superior way to pick, organize, and deliver your e-commerce orders.

Custom Colors Available



FEATURES:

Heavy duty steel construction

Anti-slip tape on runners keeps empty totes in place

Ease of mobility with (4) swivel casters gives your associates maximum maneuverability in tight aisles

Corner bumpers

Ergonomic handle provides associates ease of handling

Top storage shelf features 0.75" lip to keep merchandise from falling

6 tote capacity

Includes bag holder and miscellaneous materials holder

Ships fully assembled and ready for immediate use

1000 lb. capacity

REPLACEMENT PARTS:

(2) 5" x 1.25" polyurethane swivel casters with brake. Replacement order #B000435

(2) 5" x 1.25" polyurethane rigid casters at the handle. Replacement order #B000325

OPTIONS:

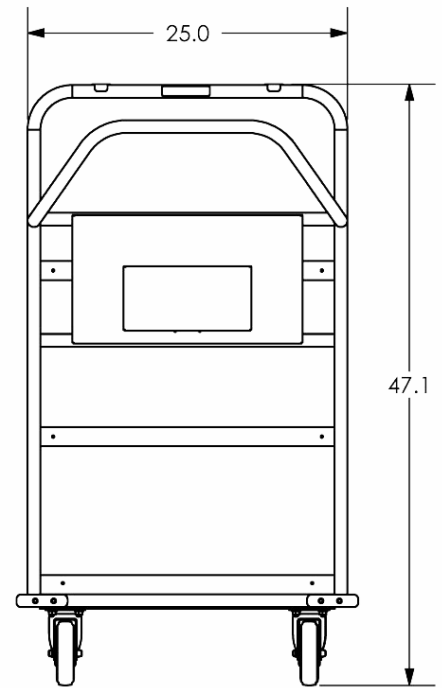
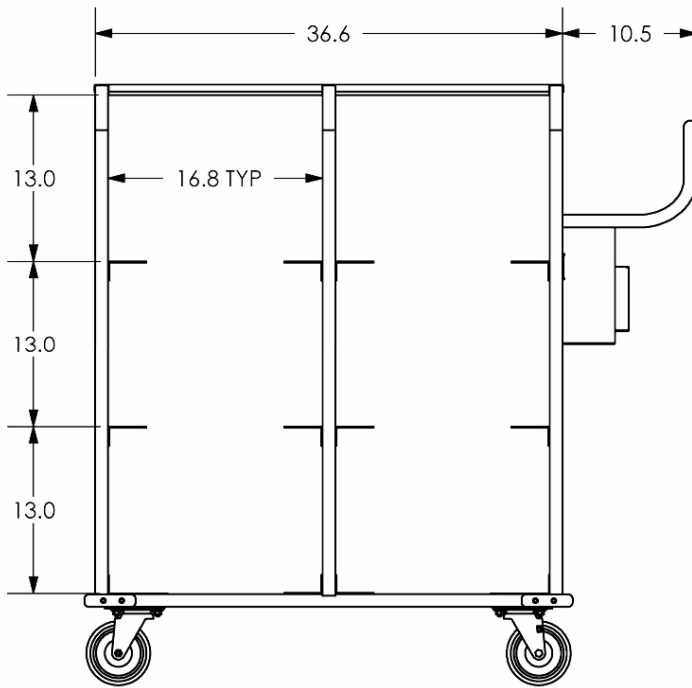
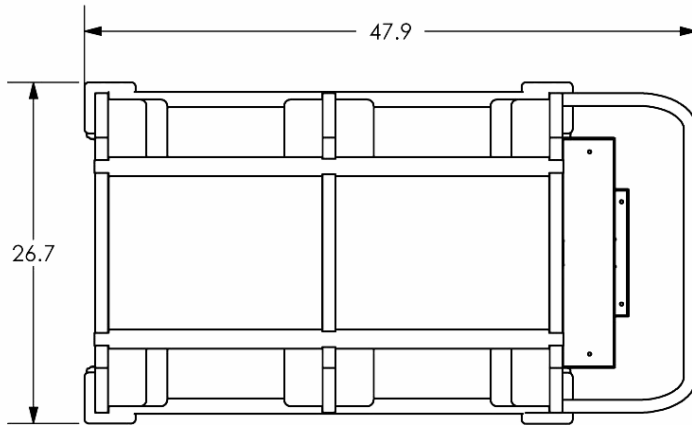
Totes not included, please inquire within to order.



Picking Carts



Freight Class: 150
 NMFC Code: 188560-S4



Order #	Model	W	L	H	Cart Capacity	Weight
8000518	TPC-2536-6	25"	47.9"	47.1"	1000 lbs.	100 lbs.

Can't find exactly what you need? Give us a call and we'll help you with the perfect solution!

TOTE PICKING CART - WITH STOWABLE DOLLY

Increase your productivity with our quality purpose built e-commerce tote picking carts. This tote and cart combination provides a superior way to pick, organize, and deliver your e-commerce orders.



8000524



Adjustable tablet holder, miscellaneous materials holder, and printer holder



lower pocket and upper handle holds mops and brooms



Adjustable palm holder, miscellaneous materials holder, and printer holder



8000510

*Graphic sign frame
(Graphic Not Included)*

FEATURES:

Heavy duty steel construction

Anti-slip tape keeps empty totes in place

Ships fully assembled and ready for immediate use

Durable stone flex powder coat finish

1000 lb. capacity

8000524

10 tote capacity

Stowable drop down dolly for handling additional totes, boxes, or materials too large for totes

Slotted hinges allow dolly to drop into an "UP" position. The "L" bracket secures the dolly when it is folded up.

Includes adjustable tablet holder, miscellaneous materials holder, printer holder, and mop holder

(2) 5" x 1.25" polyurethane rigid casters on dolly, replacement order #B000325

8000510

8 tote capacity

Includes adjustable palm holder, miscellaneous materials holder, printer holder, and sign frame for graphics and advertising

REPLACEMENT PARTS:

(2) 5" x 1.25" polyurethane swivel casters with brakes at handle end of cart, replacement order #B000435

(2) 5" x 1.25" polyurethane swivel casters at the front of the cart, replacement order #B000312

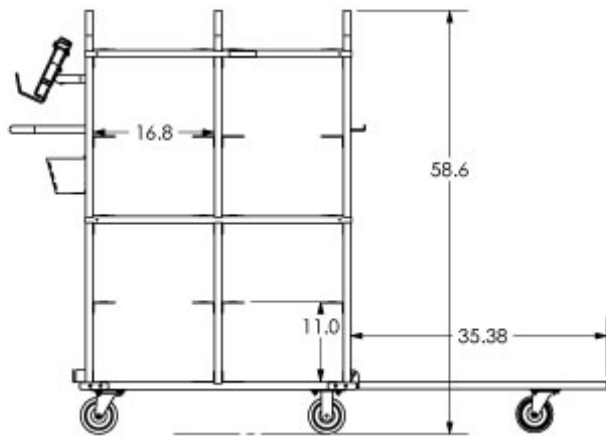
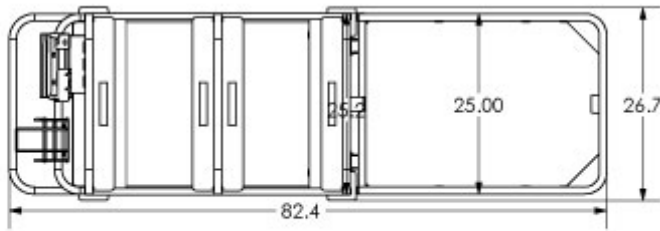
OPTIONS:

24" x 16" Tote with stack and nest features in dark green. Part #5000190

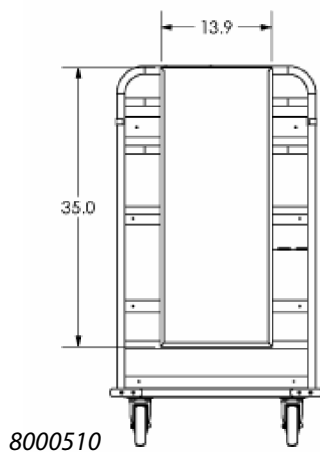
Picking Carts



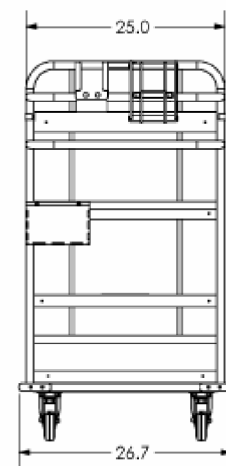
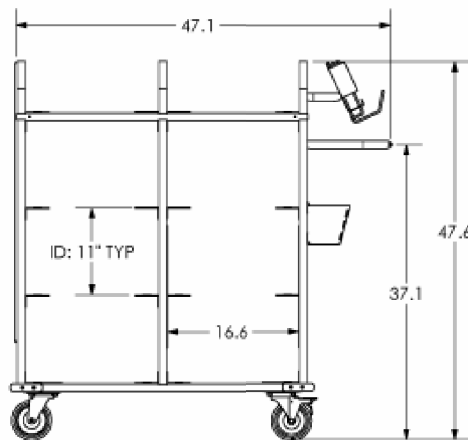
Freight Class: 150
 NMFC Code: 188560-S4



8000524



8000510



Order #	Model	W	L	H	Cart Capacity	Weight	# of Totes
8000524	WMPC-2638-S	26.7"	82.4"	58.6"	1000 lbs.	165 lbs.	10
8000510	WMHDC-2747-8-DL	26.7"	47.1"	47.6"	1000 lbs.	110 lbs.	8

Can't find exactly what you need? Give us a call and we'll help you with the perfect solution!

SPRING LOADED U-BOAT

Transform your u-boat into the perfect stocking cart with the spring leveling shelf. The heavy-duty spring allows for easy and ergonomic access to merchandise when stocking shelves.

The spring compresses to the perfect ergonomic work height, when loaded with the minimum weight of 400 lbs. The high end handles improve handling and help secure merchandise in place while in transit. The 16" width and six wheel design allow the cart to rotate within its own lengths and be easily maneuvered through busy aisles.



FEATURES:

All welded steel tube frame with heavy duty steel diamond deck

2 removable heavy gauge steel tube handles

Durable attractive blue powder coat finish

Traditional six wheel design, 2 center rigid and 4 corner swivel bolt on casters

Spring compresses completely when loaded with the minimum weight of 400 pounds

Spring leveled deck travels from 26 inches to 6.3 inches when compressed

OPTIONS:

Spring leveling shelf can be added to your existing 1660 u-boat with the purchase of two handles. Single handle part #1000199

*If adding spring leveling shelf to existing 1660 u-boat (part #5000101) New handles are required to prevent pinch points

Cardboard holder attachment #48010108 (attaches to a side handle)

Ergonomic spring leveling shelf #8010159

REPLACEMENT PARTS:

(2) 8" x 2" rigid polyurethane center wheels ensure easy rolling and longer life. Replacement order #B000024

(4) 4" x 1.25" corner swivel casters. Replacement order #B000027

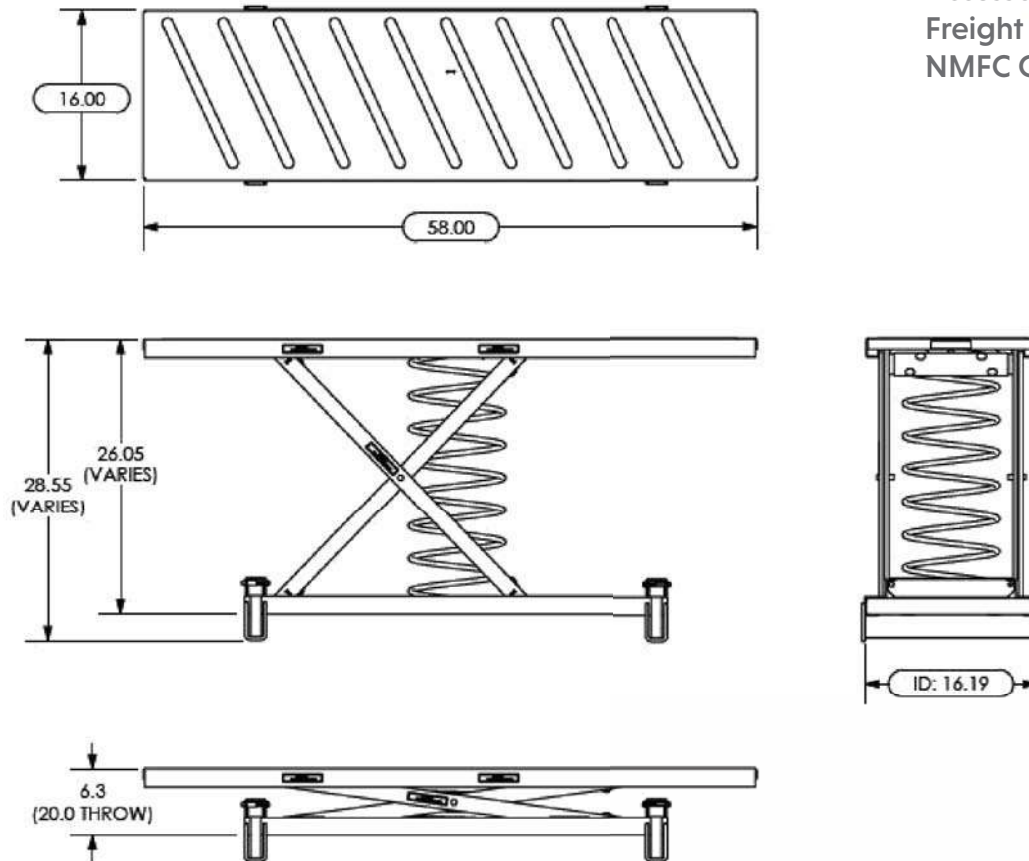


1660 u-boat #5000197 shown with spring leveling shelf #8010159 and cardboard holder attachment #48010108



U-Boats
Freight Class: 70
NMFC Code: 188560-S2

Accessories
Freight Class: 70
NMFC Code: 188560-S9



U-Boat

Order #	Model	W	L	H	Cart Capacity	Weight
5000197	1660-DD, TUBULAR HDL BOTH END UBOAT	16"	60"	61"	2200 lbs.	111 lbs.

U-Boat Spring Leveling Shelf

Order #	Model	W	L	H	Compatible U-Boat	Weight
8010159	SHELF, SPRING LOADED, UBOAT 1660	16"	58"	26"	5000197 or 5000101 with added handles	84 lbs.

*The spring leveling shelf can be added to an existing 1660 u-boat (part #5000101) with the purchase of two additional handles. Single handle part #1000199

Can't find exactly what you need? Give us a call and we'll help you with the perfect solution!

U-PICK U-BOAT

Transform your u-boat into the Perfect Picking machine with the U-Pick U-boat! This is the Cadillac of U-Boats with a la carte style customization that allows you to make the perfect picking cart for your specific process.

The high end handles improve handling and help secure merchandise in place while in transit. The 16" width and six wheel design allow the cart to rotate within its own lengths and be easily maneuvered through busy aisles. Add our heavy duty accessories to customize your u-boat and to fit your specific picking needs!

Custom Colors Available



FEATURES:

All welded steel tube frame with heavy duty steel diamond deck

2 removable heavy gauge steel tube handles

Durable attractive blue powder coat finish

Traditional six wheel design, 2 center rigid and 4 corner swivel bolt on casters

OPTIONS:

Removable Shelf #3000068 (U-boats will take two additional shelves)

60" Garment Rack #5000229

Cardboard holder attachment #48010108 (attaches to a side handle)

Slant Picking Shelf #8010218

24" x 16" stack & nest totes #5000190

Picking Cart clip-board holder #1000171

Scan gun holder #3002132

Pick cart basket #3001572

REPLACEMENT PARTS:

(2) 8" x 2" rigid polyurethane center wheels ensure easy rolling and longer life. Replacement order #B000024

(4) 4" x 1.25" corner swivel casters. Replacement order #B000027



U-Pick U-boat shown with two slant shelves #8010218 24" x 16" stack & nest totes #5000190 clipboard holder #1000171 scan gun holder #3002132 pick cart basket #3001572



5000101 Standard U-Boat



Shelves and Slant Shelves are removable

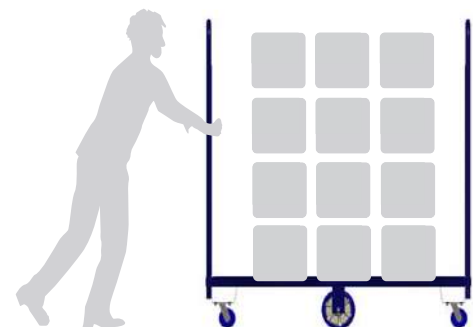


5000101 U-Boat shown with Slant Shelf #8010218 great for stocking and picking with bins



5000101 U-Boat Shown with removable shelf #3000068

5000101 U-Boat Shown with Garment Rack #5000229 and Cardboard holder #48010108



Picking Carts



U-Boats

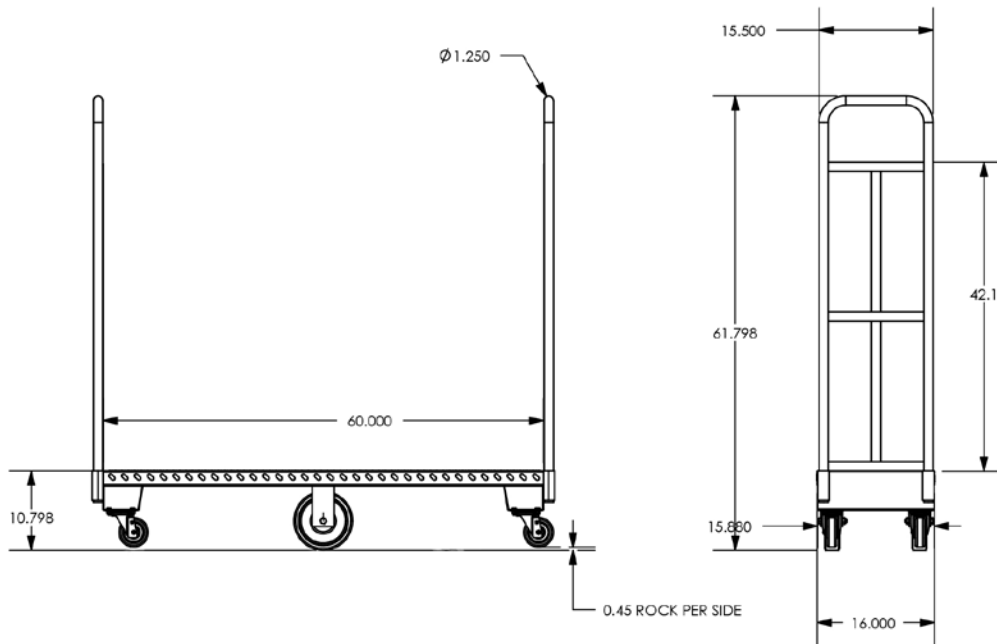
Freight Class: 70

NMFC Code: 188560-S2

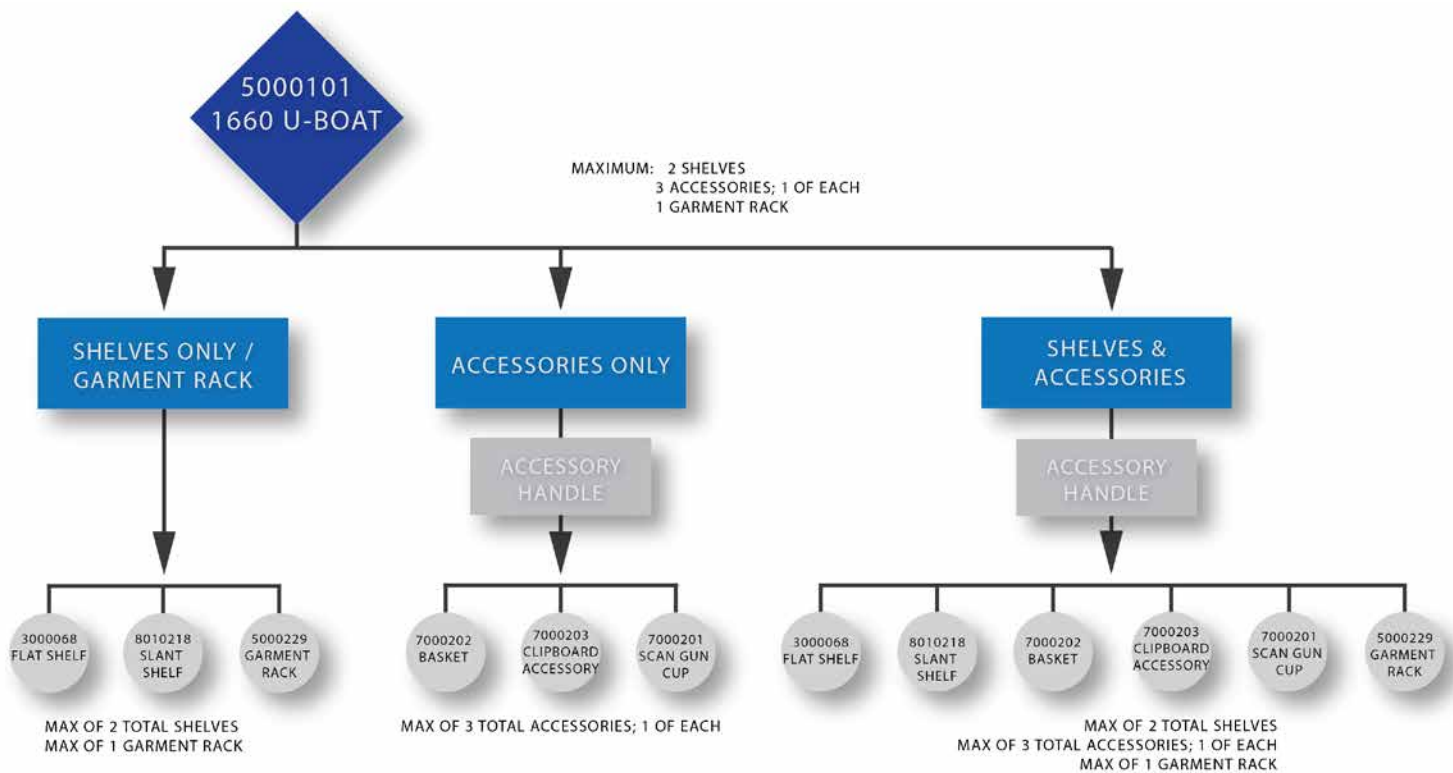
Accessories

Freight Class: 70

NMFC Code: 188560-S9



5000101



48010108 - CARDBOARD HOLDER: CAN BE USED IN ANY VARIATION

Can't find exactly what you need? Give us a call and we'll help you with the perfect solution!

PRODUCT CATALOG 2017

SHOPPING CARTS



NATIONAL CART CO



PRODUCT APPLICATIONS: ReCoat Shopping Carts311-312

PRODUCT APPLICATIONS: Used Shopping Carts313-314

Express Shopping Cart315-316

Hand Baskets317-318

Recoated Technibilt 6242 Shopping Carts319-320



For Product Safety and Operation Manuals please visit our website at www.nationalcart.com



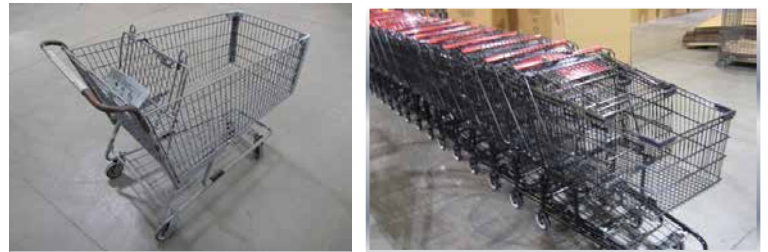
NATIONAL CART CO
1-800-455-3802
nationalcart.com

ReCoat your current fleet of shopping carts to look and perform like NEW!

National Cart can take your old carts and make them look and perform to the quality and standard of NEW carts, for almost HALF the price!

With our proven 8-step process, the life of your current fleet of carts can be extended for up to 7 more years!

Extend the life of your carts up to 7 years, for half the price of NEW!



Recoated carts support green initiatives and decrease your carbon foot print.

Recoated carts appear, perform, and are warranted as new for one full year.

NCC has an inventory of recoated carts in stock if additional carts are needed for your store.

FROM OLD TO NEW!



Independent testing performed by Global Testing Services Inc. Kokomo, IN (report available for review)





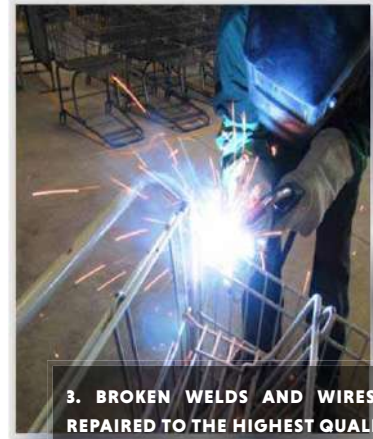
Our 8-Step Process Provides You Shopping Carts SAFER, BETTER, FASTER!



1. NCC FIRST TRANSPORTS YOUR OLD CARTS FROM YOUR FACILITY TO OURS, IN ST. CHARLES, MO.



2. ALL ACCESSORIES ARE REMOVED FROM CART.



3. BROKEN WELDS AND WIRES ARE REPAIRED TO THE HIGHEST QUALITY.



4. CARTS ARE DIPPED IN A HEATED, FLUIDIZED SAND BED THAT REMOVES THE ORIGINAL POWDER COATING, AS WELL AS ANY OTHER MATERIAL THAT ADHERED TO THE FINISH.



5. CARTS ARE BLASTED AND CLEANED IN OUR FIVE STAGE AUTOMATED, REVERSE OSMOSIS WASH SYSTEM.



6. THE PRIME COAT OF POWDER COATING IS FIRST APPLIED. THEN A HIGH-GLOSS TOP COAT IS CHEMICALLY BONDED.



7. THE CART IS ACCESSORIZED WITH NEW CASTERS, WHEELS, HANDLES, BUMPER, BABY SEATS AND LOCKING DEVICES.



8. THE REMANUFACTURED CARTS ARE INSPECTED AND SHIPPED BACK TO YOUR STORE.

Give us a call to **ReCoat** your shopping carts!

Can't find exactly what you need? Give us a call and we'll help you with the perfect solution!

Purchase From Our Large Inventory of **Used** Shopping Carts

National Cart recycles over 100,000 shopping carts per year and an inventory of thousands of used shopping carts available for purchase.

Our used cart inventory includes plastic and metal carts of all different types, with our inventory changing daily. Inquire with your customer service representative for up-to-date inventory.



PRODUCT OFFERING INCLUDES:

- ReCondition
- ReCoat

Trade-in's welcome

ReConditioned process is for metal and plastic carts. Includes repair, cleaning, touch up, and replacement parts.

ReCoat is for metal carts. The used shopping carts are recoated through-out a 8-step process which transforms the used asset to "Like New" condition.

RECOAT CARTS INCLUDE:

- Finish Removal
- Repair of Welds and Wires
- Prime and Top Coat Finish
- New Handles
- New Seat belts
- New Leg Holders
- New Seat
- New Wheels/Casters



Our **Used** Carts Provide You Shopping Carts **SAFER, BETTER, FASTER!**

All carts are prepared to safe operational standards.

Most makes and models are available for purchase. Call a customer service representative for available inventory.

COMMON CART MODELS INCLUDE:

Rehrig

Precision Technibuilt

United Wire & Steel

Unarco

Tote

ReConditioned and ReCoated carts are warranted as new for one full year.



Give us a call to order your used shopping carts!

Can't find exactly what you need? Give us a call and we'll help you with the perfect solution!

EXPRESS SHOPPING CART

These express carts are ideal for crowded aisles and small to medium grocery lists. Give your customers a larger alternative to the standard hand basket.

Includes 3 basket compartments of all different sizes to secure fragile groceries and to maximize storage space while shopping.



FEATURES:

Constructed from heavy duty steel with double wire support in upper and lower baskets

E-Coated adhesion with stone flex, powder-coated top-coat

3 baskets all different sizes to accommodate a wide range of products

Recessed bottom basket and increased wheel base, deters shin contact

Corner bumpers on top and bottom baskets

Gray plastic channels cover top rim of all baskets

Grommets added to reduce noise on closing points while nesting

Perfect for small stores, small to medium grocery lists, and quick trips for customers

High maneuverability makes it great for crowded aisles

Nestable design

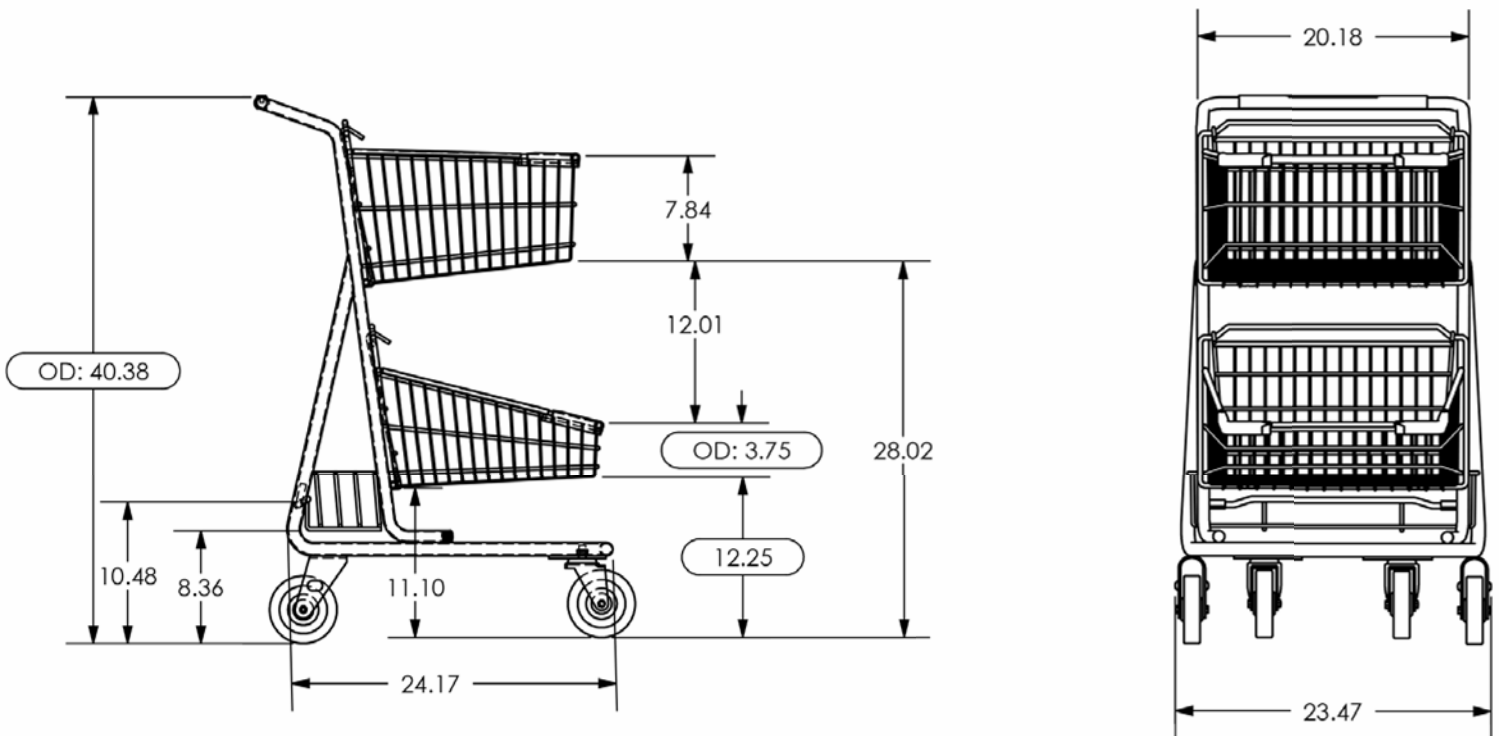
OPTIONS:

Custom handles available (inquire with your customer service representative)





Freight Class: 175
 NMFC Code: 189430-S2



Order #	Model	W	L	H	Weight
6500090	EXPRESS CART - TAPERED LOWER BASKET	23.47"	24.17"	40.38"	39 lbs.

Can't find exactly what you need? Give us a call and we'll help you with the perfect solution!

HAND BASKETS

These hand baskets are made for smaller orders and the customer that needs to just "pick up a few things". Comes in a wide range of colors and custom printing and branding for your store is available.



*Hand Basket Kit
(24 Baskets, Sign, and Stand)*

FEATURES:

Heavy duty full plastic molded basket design

Perfect for small stores, small grocery lists, and quick trips for customers

Great for crowded aisles

Comes with full year parts and labor guarantee

Nestable design

OPTIONS:

Imprinting of company name and logo available

Colors available:



Individual Hand Baskets



Freight Class: 125
 NMFC Code: 156600-S5

When making a custom order please contact one of our customer service representatives.

Every basket is available with or without your stores name and/or logo. Order #'s below do not include imprinting.

Hand Basket Ordering Options:

1. Single Hand basket
3. Kit of 12 hand baskets with a stand and sign

Color	Individual Basket Order #	Hand Basket Kit Order #
Black	6500038	6500055
Blue	6500058	6500044
Green	6500057	6500063
Red	6500049	6500039
Orange	6500067	6500064
Yellow	6500068	6500065
Gray	6500069	6500066

Can't find exactly what you need? Give us a call and we'll help you with the perfect solution!

RE-COATED TECHNIBILT 6242 SHOPPING CARTS

These shopping carts are recoated as well as remanufactured and can be powder coated and accessorized to customers specifications. Cup holder and coupon tray are included at no additional cost. This shopping cart additionally features an extended lower tray that is easily accessible and perfect for heavier items and beverage cases.



FEATURES:

All carts are recoated and remanufactured to customers specifications

Carts look, perform, and are warranted to the standard of new carts

Powder coat color to your specifications

Cup holder and coupon holder available at no additional cost or comes standard

Extended lower tray

Higher base than standard shopping carts

Nests at 12 3/4"

11,300 cubic inches of basket capacity

Large volume available over next two years

Available for quick ship

450 shopping carts per truckload

OPTIONS:

Custom handles available (inquire with your customer service representative)

Optional full length bumpers



Coupon tray/cup holder



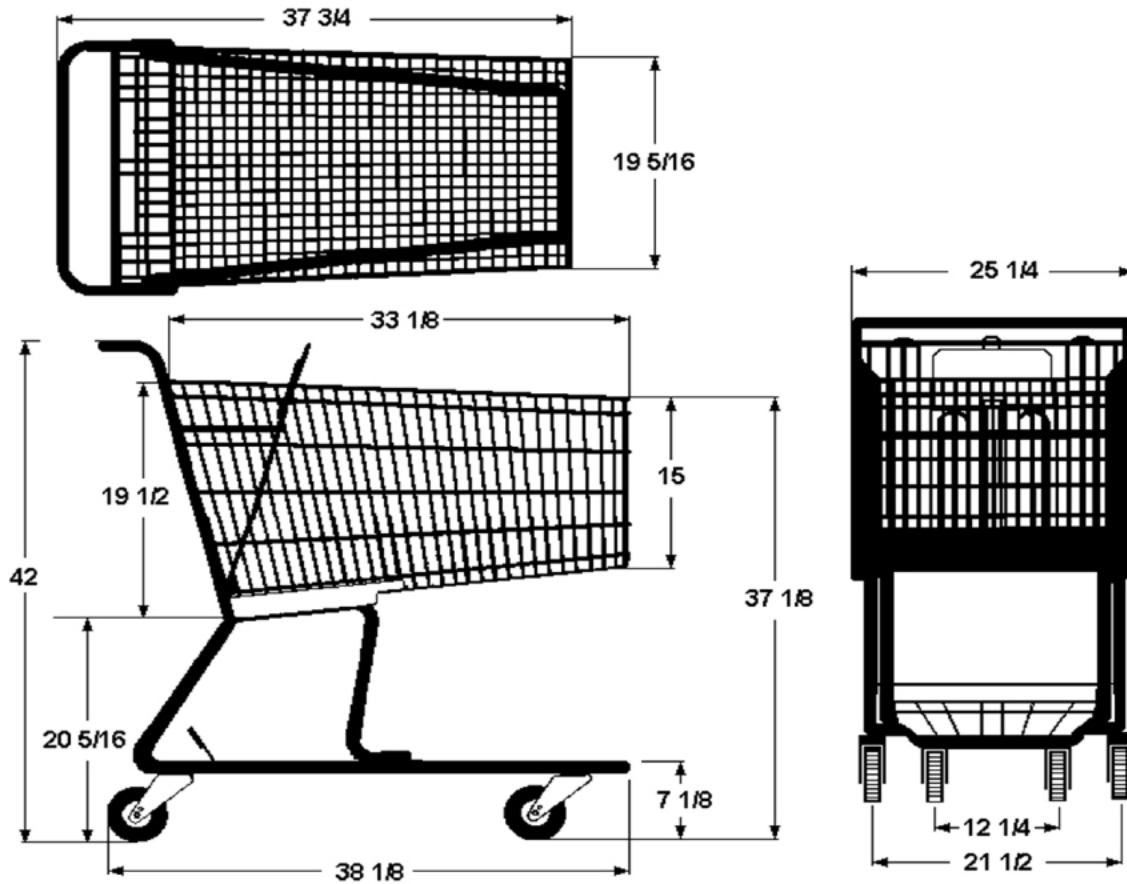
Extended lower tray



Optional full length bumpers



Freight Class: 175
 NMFC Code: 189430-S2



Model	W	L	H	Weight
RECOAT TECHNIBILT 6242	25 1/4"	38 1/8"	42"	61 lbs.

Can't find exactly what you need? Give us a call and we'll help you with the perfect solution!

PRODUCT CATALOG 2017

WAREHOUSE



NATIONAL CART CO



Dock Plate.....321-322

Fork Extensions.....323-324

Lockers

 Employee Lockers..... 325-326

 Electronic Storage Cabinet..... 327-328

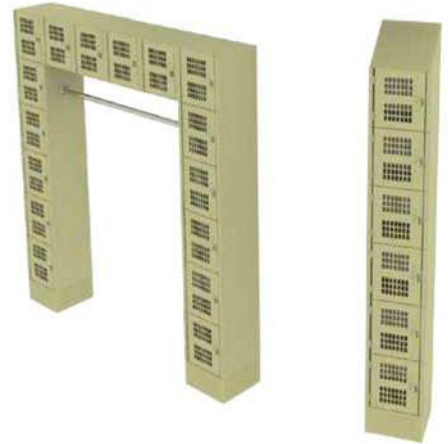
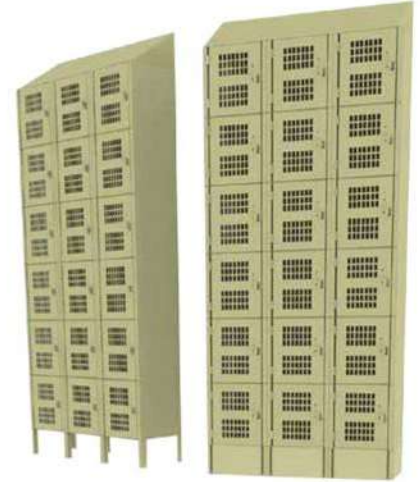
 Till Lockers..... 329-330

Mobile Security Cages 321-332

Pallet Jacks.....333-334

Receivers Desks.....335-336

Safety Barricade Gates.....337-338



For Product Safety and Operation Manuals please visit our website at www.nationalcart.com.



NATIONAL CART CO
1-800-455-3802
nationalcart.com

DOCK PLATES

This heavy duty steel dock plate makes it easy for forklifts to load and unload products on and off trailers. The all welded steel construction withstands heavy loads up to 10,000 pounds and provides years of service. Dock plates speed up loading operations and prevent accidents.

Custom Colors Available



FEATURES:

Heavy duty all welded steel construction

Diamond plate anti-slip surface for maximum safety

Safety curb provides edge to keep wheels and product on plate

Durable black powder coat finish

Adjustment lever for positioning and lifting from the entry end allows for easy fork truck mobility

Beveled end edge provides smooth entry and exit of products

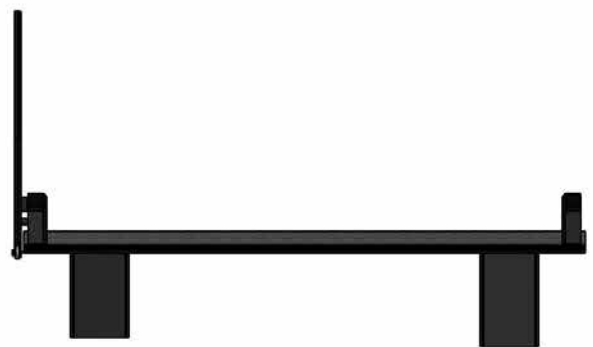
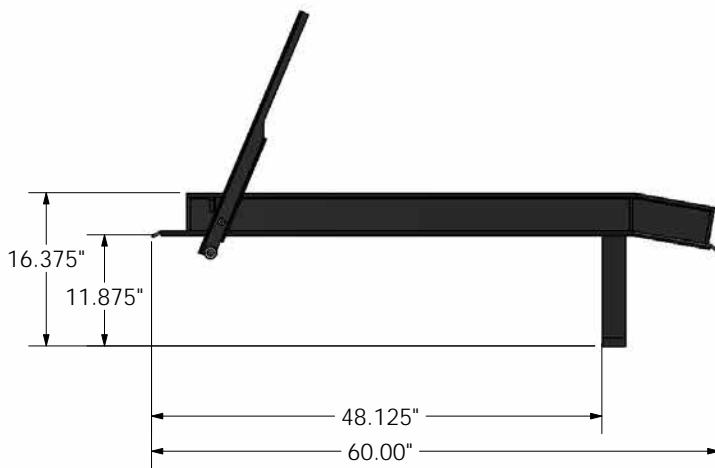
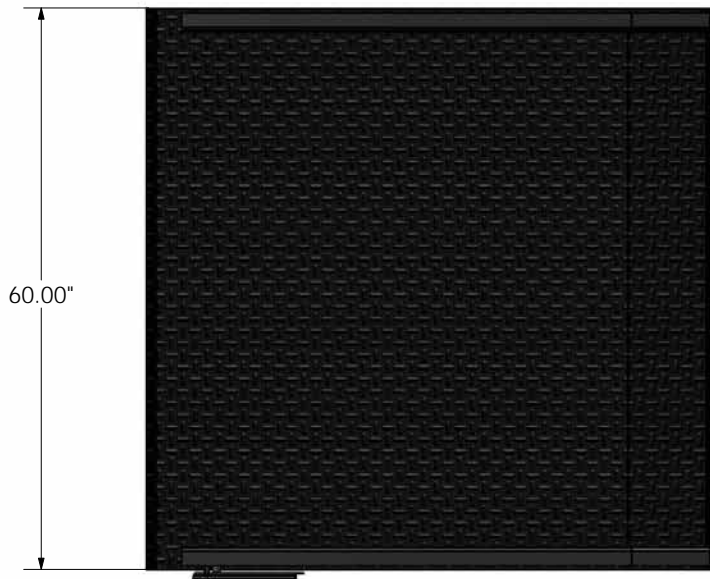


NATIONAL CART CO

1-800-455-3802
nationalcart.com



Freight Class: 85
 NMFC Code: 163980



Order #	Model	W	L	H	Capacity	Weight
5000232	DOCK PLATE	60"	60"	16 3/8"	10,000 lbs.	600 lbs.

Can't find exactly what you need? Give us a call and we'll help you with the perfect solution!

FORK EXTENSIONS

For extra large pallets or large loads, our fork lift extensions provide an economical alternative to purchasing a completely new set of large forks. These fork extensions slide easily in place with little to no labor time to change them out. Work with all standard fork lift forks.

Custom Colors Available



FEATURES:

Heavy duty steel construction

Slide easily onto truck forks

Secured with quick release pins

Economical alternative to new fork truck

Sold in pairs

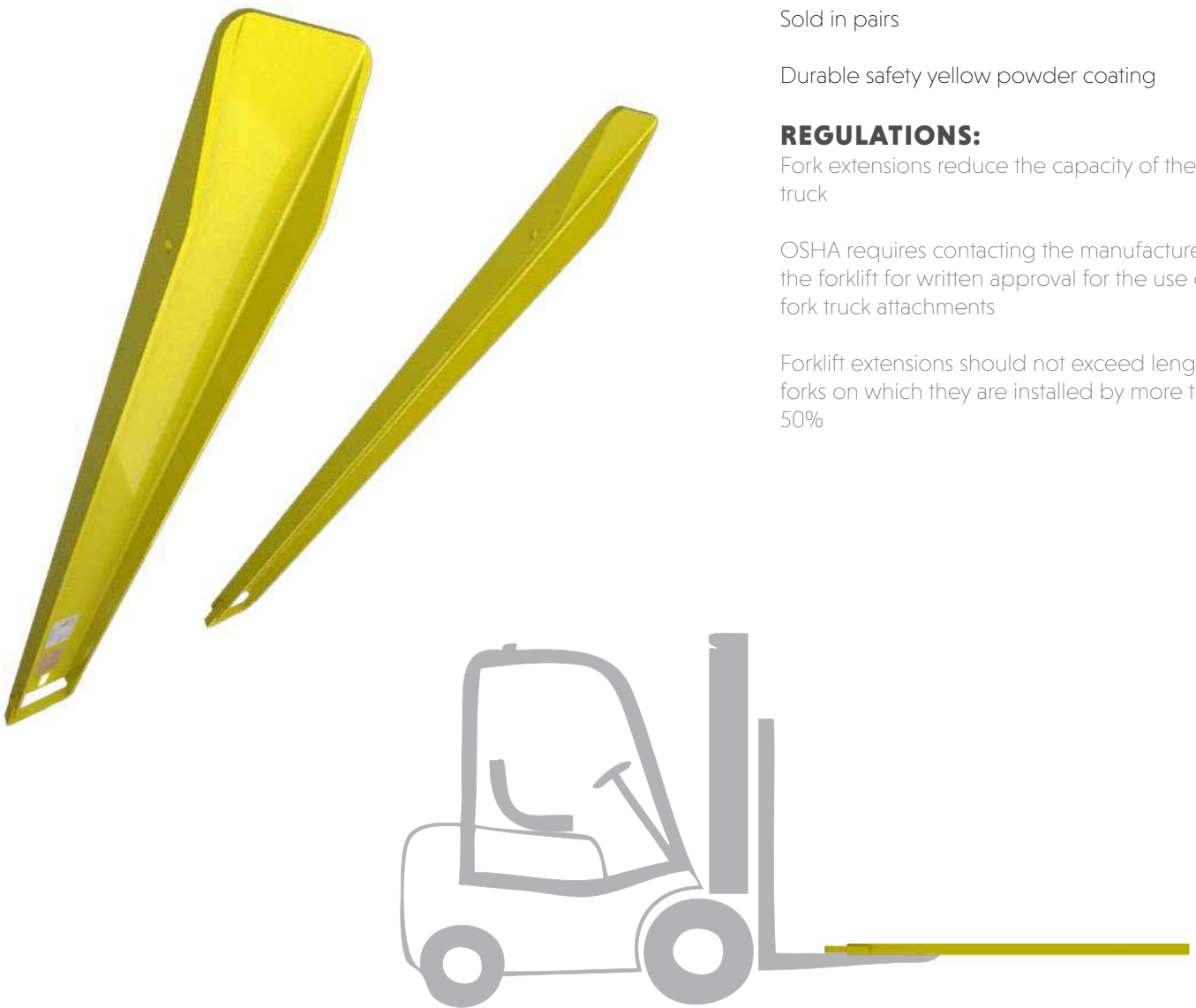
Durable safety yellow powder coating

REGULATIONS:

Fork extensions reduce the capacity of the lift truck

OSHA requires contacting the manufacturer of the forklift for written approval for the use of any fork truck attachments

Forklift extensions should not exceed length of forks on which they are installed by more than 50%

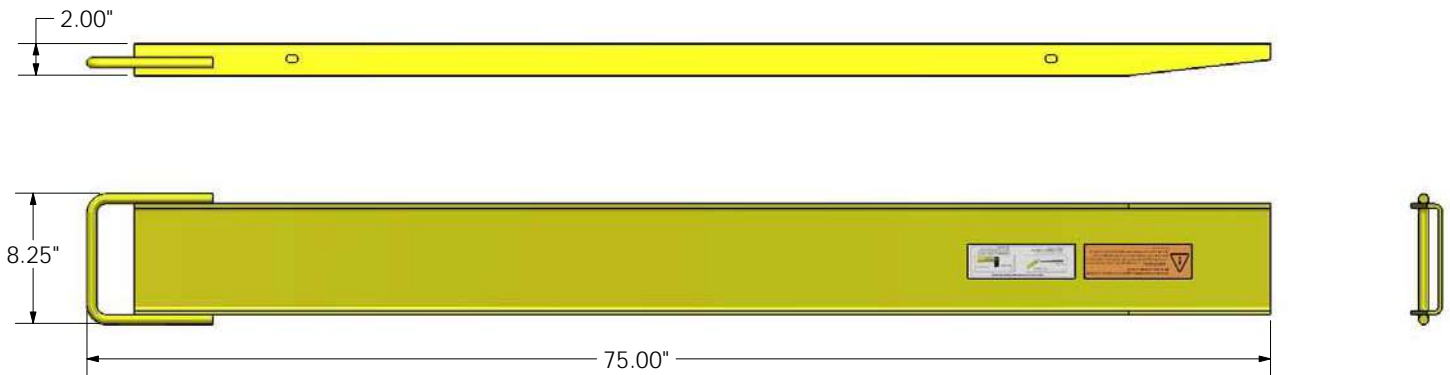


NATIONAL CART CO

1-800-455-3802
nationalcart.com



Freight Class: 85
 NMFC Code: 163980



Order #	Model	W	L	H	Weight
5000237	FORK EXTENSIONS (PAIR)	7"	72"	2"	110 lbs.

Can't find exactly what you need? Give us a call and we'll help you with the perfect solution!

LOCKERS

Show your associates you care by protecting the things they care about. Lockers provide a secure organized storage area for employee personal items. A coat rod can be added to organize employee garments.

Custom Colors Available



8010122



5000119

FEATURES:

Grid doors provide secure environment to reduce shrink and allow maximum ventilation

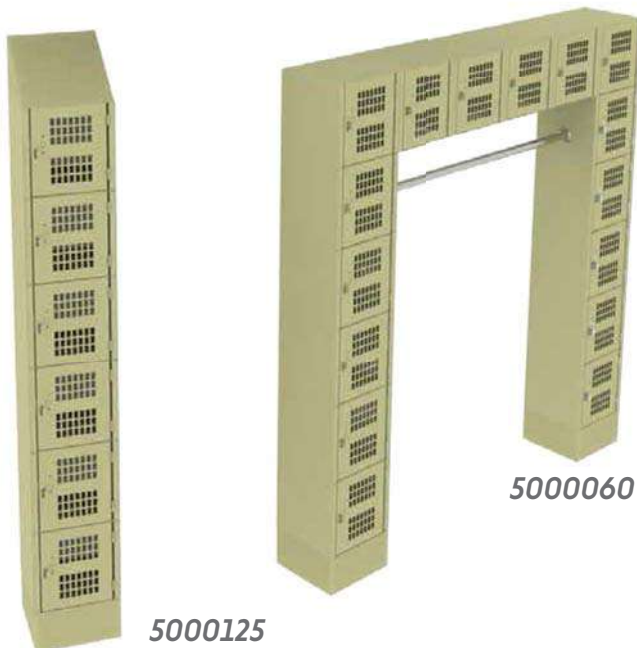
Units ship fully assembled in group of: 18 (NC-618), 18 (NC-618-KP), 6 (NC-600).
Assembly required: 16 with coat rod (NC-16U-GR)

Comes with standard friction catch door hasp with padlock latch (padlocks not included)

Can also be fitted with built-in lock

Beige baked enamel finish

For safety purposes we strongly recommend that all lockers be either floor or wall anchored



5000125



5000060



NATIONAL CART CO

1-800-455-3802
nationalcart.com



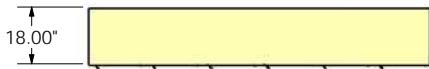
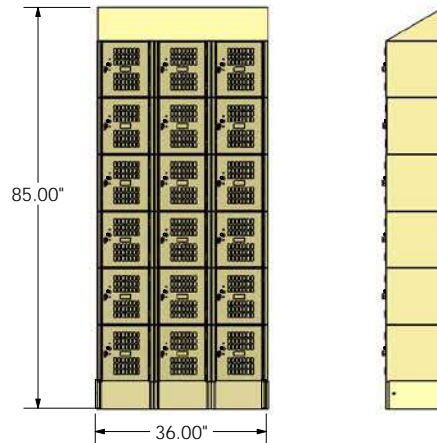
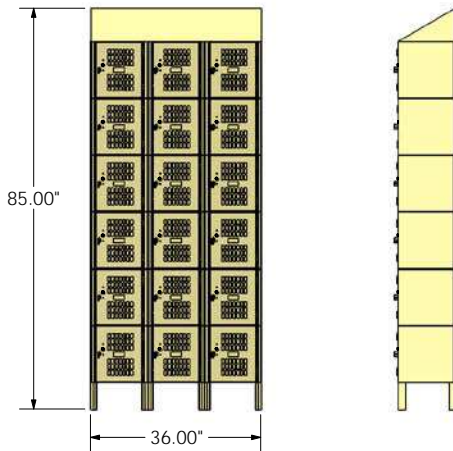
Freight Class: 100
NMFC Code: 111755-S1



5000119



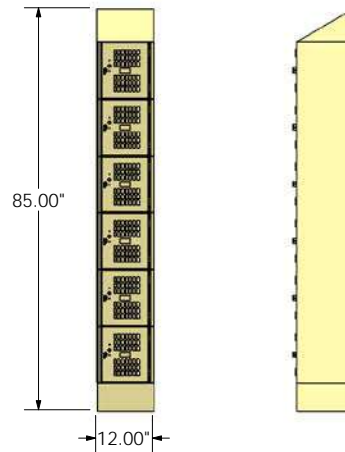
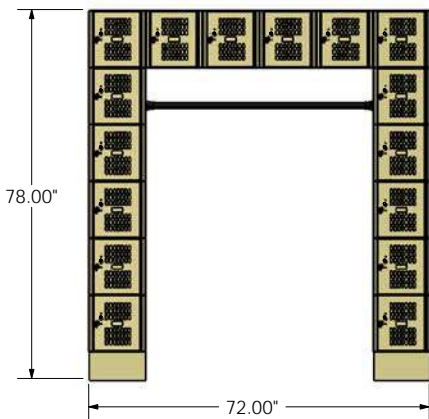
8010122



5000060



5000125



Order #	Model	Description	W	H	D	Weight
5000119	NC-618	18 Lockers, 6 High x 3 Wide	36"	85"	12"	152 lbs.
8010122	NC-618-KP	18 Lockers, 6 High x 3 Wide w/ Kickplate	36 "	85"	12"	160 lbs.
5000125	NC-600-KP	6 Lockers, 6 High x 1 Wide w/ Kickplate	12"	85"	12"	51 lbs.
5000060	NC-16-GR	16 Lockers w/Garment Rod and Kickplate	70"	78"	18"	162 lbs.

Can't find exactly what you need? Give us a call and we'll help you with the perfect solution!

ELECTRONIC STORAGE CABINET

The To Go Storage Cabinet provides a secure and organized area for store supplies and valuables. The top shelves provide easy access to everyday items, while the lower locked shelves offer a secured environment to reduce shrink.

Lower grid side and rear panels allow maximum ventilation for safe electronic storage.



**Custom Colors
Available**



FEATURES:

(3) Adjustable shelves allow you to customize shelf heights

Fixed center shelf has additional tube support for heavy items

Lower grid side and rear panels allows maximum ventilation for electronics and provide secure environment to reduce shrink

Barrel keyed cam-lock prevents theft and makes it difficult to pick the lock or duplicate keys

Silver smooth powder-coat finish

Units ship fully assembled for immediate use

Adjustable leg levelers for sloping floors included

For safety purposes we strongly recommend that all lockers be either floor or wall anchored

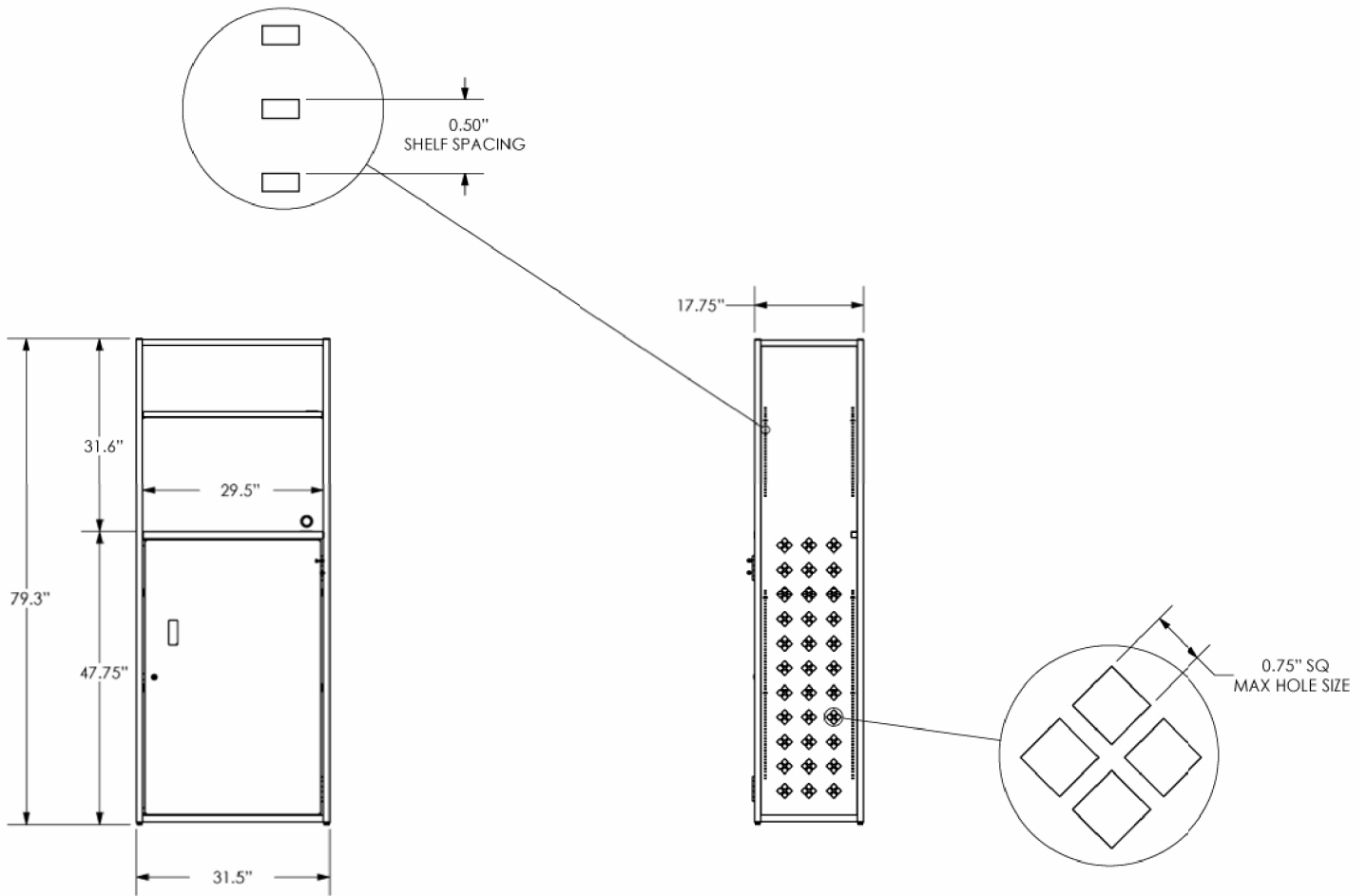


NATIONAL CART CO

1-800-455-3802
nationalcart.com



Freight Class: 100
 NMFC Code: 111755-S1



Order #	Model	W	L	H	Weight
8010146	1832 LOCKABLE CABINET	17.75"	31.5"	79.3"	690 LBS.

Can't find exactly what you need? Give us a call and we'll help you with the perfect solution!

TILL LOCKERS

Till lockers provide secure storage for cash register returns and other valuables. These till lockers function either as stand alone lockers or can be installed around cabinetry for a finished look.

Custom Colors Available



8010045



FEATURES:

Units ship fully assembled

Solid panel doors provide secure environment to reduce shrink and theft

For safety purposes we strongly recommend that all lockers be either floor or wall anchored

8010045

(2) large single drawers at top of cabinet secure any valuables with lock.

Large drawer dims: 35" W x 20" L x 5.3" H

(12) numbered till lockers lock individually with double lock for additional security. Access requires both a employee and manager key.

Till drawer dims: 17.6" W x 20" L x 4" H

Plastic perimeter bumpers protects locker from damage

Silver smooth powder coat finish

Wedge anchors secure cabinet to the floor

8010137

Standard full piano hinge secure all tills

(10) till drawers lock with single padlock (Padlock not included)

Till drawer dims: 11.75" W x 15.75" L x 3.25" H

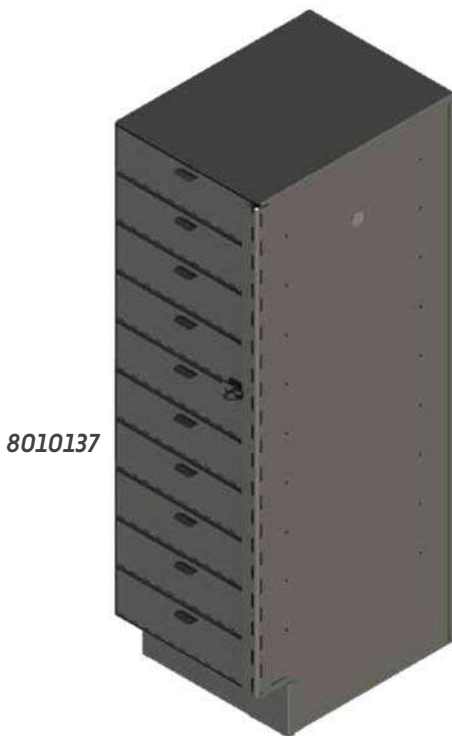
Electric grey powder coat finish

Kick plate protects locker from damage and prevents shin injury

Bolt through anchor points at base secure unit to floor

REPLACEMENT PARTS:

For 8010045, replacement anchor wedge order #B000052

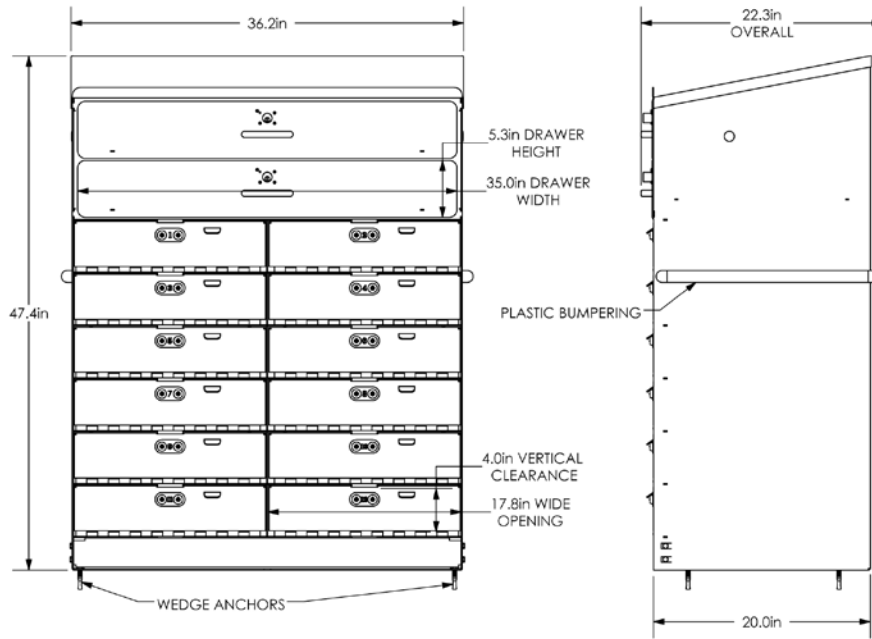


8010137



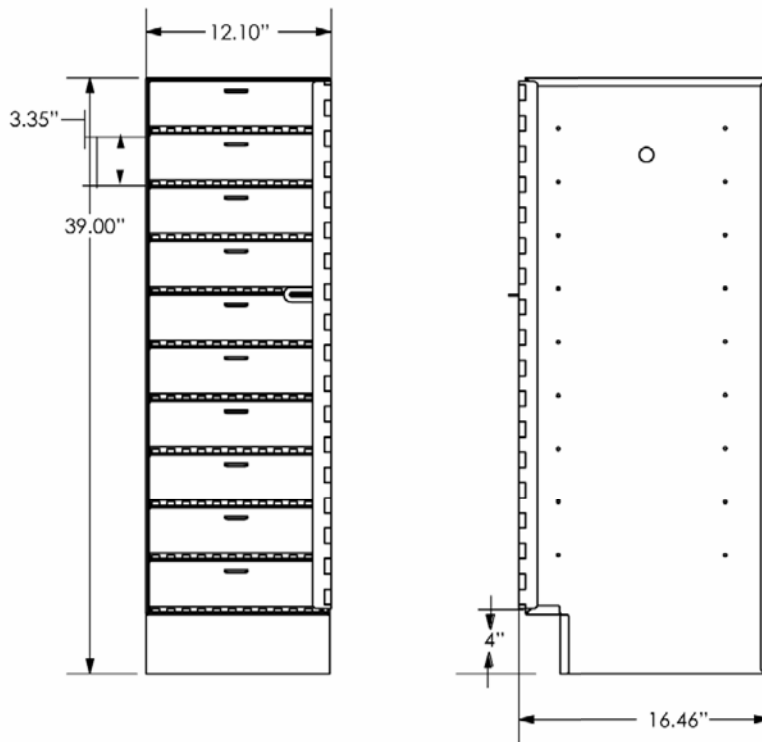
NATIONAL CART CO

1-800-455-3802
nationalcart.com



Freight Class: 100
NMFC Code: 111755-S1

8010045



8010137

Order #	Model	W	L	H	Weight
8010045	TILL LOCKER 12-DRAWER, CSM POD	20"	36.2"	47.4"	420 LB.
8010137	TILLOCKER-SCH-STACKED	12.10"	16.46"	39"	78 LBS.

Can't find exactly what you need? Give us a call and we'll help you with the perfect solution!

MOBILE SECURITY CAGES

This cart allows you to sort and transport a wide range of products, all while keeping them secured and locked up when needed. The four sided enclosure offers increased security while the see-through sides and backing offer increased visibility.

**Custom Colors
Available**



8000449



8000405

FEATURES:

Four sided enclosure increases security

Units can be secured with pad locks.

See-through sides and back for constant visibility

Heavy duty powder coated steel construction

8000405: Sheet Metal Construction, powder coated gray

8000449: Wire Metal Construction, powder coated gray

Moveable and replaceable shelving.

REPLACEMENT PARTS:

8000405:

(2) 6" x 2" phenolic swivel casters with brake.
Replacement order #B001242.

(2) 6" x 2" phenolic rigid caster.
Replacement order #B001243.

Fasteners order #B000060 (bolt) and
#B001257 (nut).

Shelf Clip order #B001241

8000449:

(2) 5" x 2" polyurethane swivel casters with brake.
Replacement order #B000880.

(2) 5" x 2" polyurethane swivel caster.
Replacement order #B001168.

Hardware Kit order #7000001

Shelf Stop Kit order #7000002



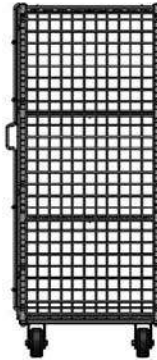
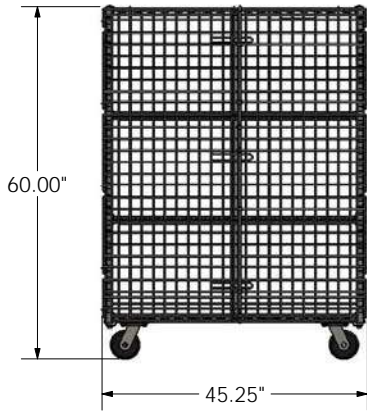
NATIONAL CART CO

1-800-455-3802
nationalcart.com



8000449

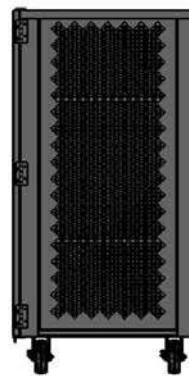
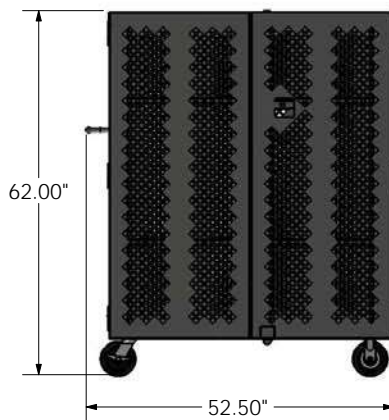
8000449
 Freight Class: 70
 NMFC Code: 95190



8000405
 Freight Class: 150
 NMFC Code: 188560-S4



8000405



Order #	Model	W	L	H	Cart Capacity	Weight
8000449	MSC-2444, MOBILE SEC CAGE-ASSEMBLED	25"	45 1/4"	60"	1000 lbs.	145 lbs.
8000405	SC-3048, SECURITY CART	31 1/4"	52 1/2"	62"	1000 lbs.	115 lbs.

Can't find exactly what you need? Give us a call and we'll help you with the perfect solution!

PALLET JACKS

Pallet Jacks are an essential component of any material handling operation. These provide an easy way to move pallets around without the use of a fork lift in warehouses, shops, or industrial environment. Heavy duty steel frame allows pallet jack to withstand heavy use and provide years of service.

Narrow Version
5000233



FEATURES:

3 function handle control to raise, lower, and neutralise pallet jack

Spring loaded loop handle allows an easy grip from any angle

Made out of heavy duty steel that can hold up to 5,500 pounds

Heavy duty non-marring polyurethane wheels

Powder coated safety yellow

Tapered forks for easy entry into skids

OPTIONS:

Forks available in narrow or wide

Wide Version
5000234



NATIONAL CART CO

1-800-455-3802
nationalcart.com



Narrow Version
5000233



Freight Class: 85
NMFC Code: 156600-S5

Wide Version
5000234



Order #	Model	W	L	H	Capacity	Weight
5000233	PALLET JACK 41246 Narrow	20"	62 1/2"	47 3/4"	5500 lbs.	140 lbs.
5000234	PALLET JACK BEA-00104 Wide	27"	62 1/2"	47 3/4"	5,500 lbs.	242 lbs.

Can't find exactly what you need? Give us a call and we'll help you with the perfect solution!

RECEIVERS DESKS

The perfect work desk for receivers and all department managers. These units feature convenient work surfaces at the most ergonomic height for maximum comfort and can be fitted with casters to provide additional versatility.

Custom Colors Available



5000145



8000356



8000394

FEATURES:

Sloping front to provide a comfortable and convenient writing surface

Cabinet unit comes with a built-in lock on doors and all units with drawers are lockable

All Units except 8000394 and 8000356 ship knocked down (KD) for freight savings

REPLACEMENT PARTS:

For 8000356. (2) 5" x 1.25" polyurethane swivel casters with brakes. Replacement order #B000491.

(2) 5" x 1.25" polyurethane stem casters, replacement order #B000025. Fasteners replacement order #B000236 (bolt) and #B000198 (nut).

For 8000394. (4) 5" x 1.25" polyurethane swivel casters with brakes. Replacement order #B000491.

Fasteners replacement order #B000236 (bolt) and #B000198 (nut).

For 8000387. (2) 3" x 1" rubber swivel casters with brakes. Replacement order #B000431.

(2) 3" x 1." rubber swivel casters. Replacement order #B000432.



5000023



8000387

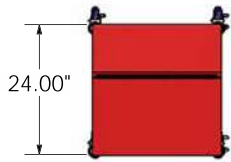


5000049

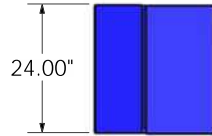
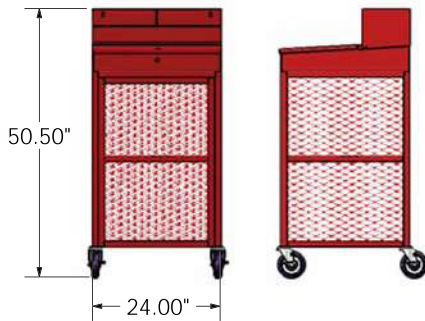


NATIONAL CART CO

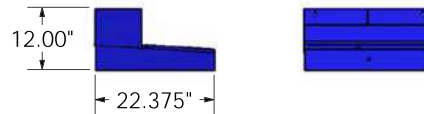
1-800-455-3802
nationalcart.com



8000394

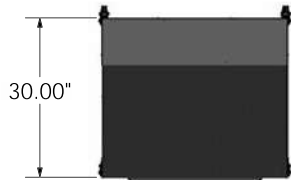


5000145

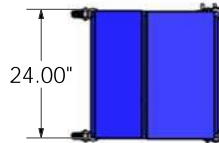


8000394 & 8000356
Freight Class: 100
NMFC Code: 81190-S1

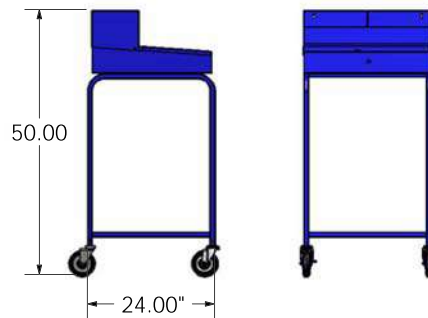
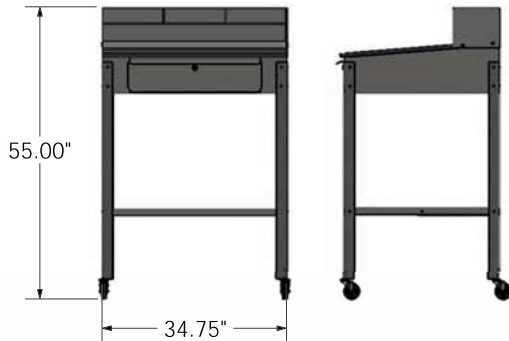
8000387, 5000023,
5000049 & 5000145
Freight Class: 85
NMFC Code: 81190-S2



8000387



8000356



Order #	Model	W	L	H	Weight	Color	Base Type	Wheels/ Size	
5000145	RD-650 SHOP DESK, WALL MOUNT	24"	22 3/8"	12"	35 lbs.	BLUE	Wall Mount	No	No
5000023	RD-620 SHOP DESK, OPEN	29"	34 7/10"	52"	90 lbs.	GREY	Open Base	No	Yes
5000049	RD-640 SHOP DESK, CABINET, NO WHLS	34 3/4"	29 1/8"	52"	150 lbs.	GREY	Cabinet Base	No	Yes
8000394	ENCLOSED SHOP DESK	24"	24"	50 1/2"	150 lbs.	RED	Cage Base	Yes / 5"	Yes
8000387	RD-620 SHOP DESK WITH WHEELS	34 3/4"	30"	55"	60 lbs.	GREY	Open Base	Yes / 3"	Yes
8000356	RD-620-MU SHOP DESK ROLLING	24"	24"	50"	105 lbs.	BLUE	Open Base	Yes / 5"	No

Can't find exactly what you need? Give us a call and we'll help you with the perfect solution!

SAFETY BARRICADE GATES

This unique product is ideal to temporarily block access to restricted areas. Keep customers and employees safe with this attractive gate.



Unit Locks when not extended

FEATURES:

Heavy duty steel frame with aluminum slats

8000291 & 8000292 expands up to 20 feet in length and is 45" high when fully open

8000338 expands up to 15 1/2 feet in length and is 40" high when fully open

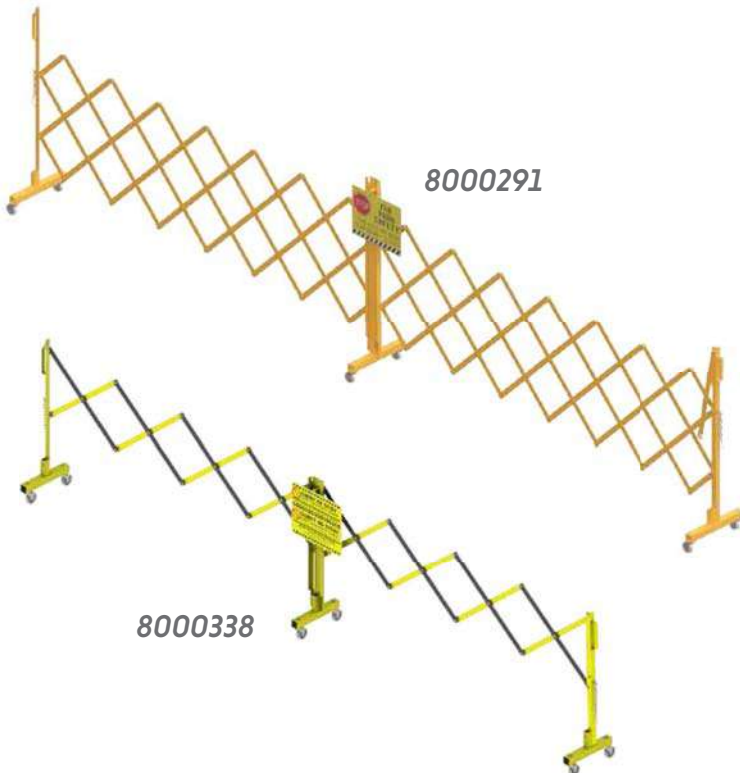
Powder coated in bright safety colors to promote visibility

Comes with standard safety signage

REPLACEMENT PARTS:

(6) 3" x 1" swivel casters.
Replacement order #B000684.

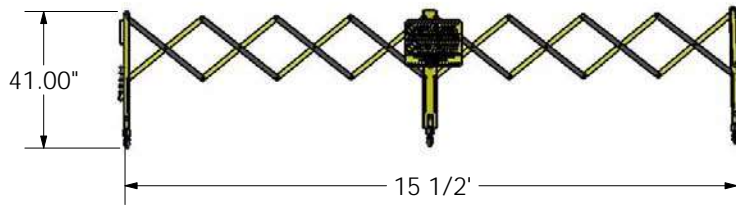
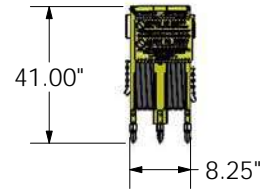
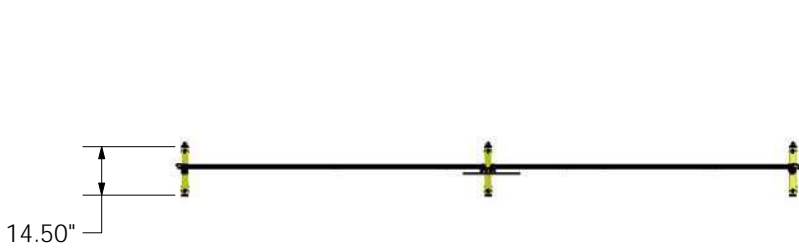
Fastener order #B000708 (nut)



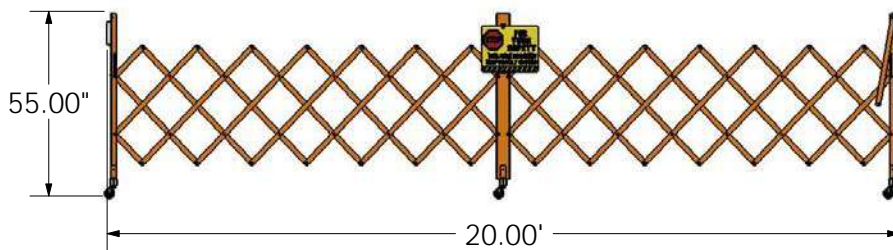
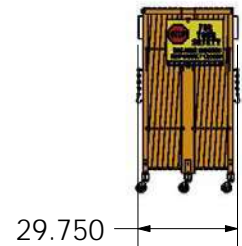
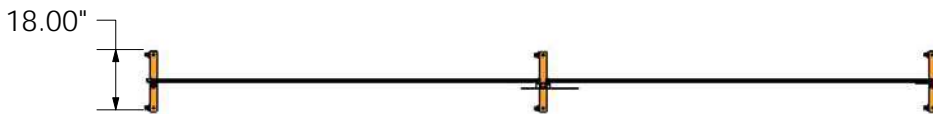
NATIONAL CART CO
1-800-455-3802
nationalcart.com



Freight Class: 77.5
 NMFC Code: 68025-03



8000338



8000291

Order #	Model	W	L	H	Max. Length	Weight	Color
8000291	EXPANDABLE SAFTY GATE -THD(ORANGE)	20'	18"	55"	237.00"	116 lbs.	ORANGE
8000292	EXPANDABLE SAFTY GATE -(YELLOW)	20'	18"	55"	237.00"	116 lbs.	YELLOW
8000338	EXPANDABLE GATE, 21 X 41 YELLOW/BLK	15 1/2'	14 1/2"	41"	185.00"	98 lbs.	YELLOW/BLACK

Can't find exactly what you need? Give us a call and we'll help you with the perfect solution!