

# SUBMITTAL SHEET



AIRCONDITIONING PRODUCTS

SYSTEM INDOOR/OUTDOOR  
**24KHS32** KHS2432/CH2432  
 WALL MOUNTED HEAT PUMP

SS24KHS32-1

**GENERAL DATA (AT 230V)**

POWER V/PH/HZ	230/208/1/60
Circuit Ampacity, Min. (A)	30
Fuse size, Max. (A)	30
<b>COMPRESSOR</b>	
Rotary-Hermetic	
No. used	1
R.L. Amps - L.R. Amps (A)	9.0 - 66.0
Crankcase Heater	30W
<b>OUTDOOR FAN - TYPE</b>	
Propeller	
Dia. (in.) - No. used	18-3/32 - 1
Type Drive - No. speeds	Direct - 2 (AUTO)
No. Poles - RPM (High)	6 - 879
No. Motors - HP	1 - 1/7
CFM (High)	1,840
F.L. Amps. (A)	0.9
<b>OUTDOOR COIL - TYPE</b>	
Aluminum Fin & Copper Pipe	
Fin Type - Pipe Type	Slit Plate - Inner Riffled
Rows - F.P.I.	2 - 14.7
Face Area (sq.ft.)	6.78
Tube Size (in.)	3/8
<b>INDOOR FAN - TYPE</b>	
Cross - Flow	
Dia. & Length (in.) - No. used	4 - 1/3 & 39-1
No. speeds	3 & Auto
No. Poles -RPM (High)	4 - 1,280
No. Motors - HP	1 - 1/25
CFM (HI/MED/LOW)	540/460/380
F.L. Amps (A)	0.4
<b>INDOOR COIL - TYPE</b>	
Aluminum Fin & Copper Pipe	
Fin Type - Pipe type	Slit Plate - Inner Riffled
Rows - F.P.I.	3 - 12.7
Face Area (sq. ft.)	2.57
Tube Size (in.)	3/8
Drain Connection Size (in.)	1-1/4
<b>REFRIGERANT</b>	
R22	
Lbs. - R22 (O.D. Unit)	6.17
Control	Capillary Tube
Connection	Flare
Line Length, Max (ft.)	165
Lift difference, Max (ft.)	100
Line Size - in. O.D. Discharge	1/4
Line Size - in. O.D. Suction	3/4
<b>DIMENSIONS (in.)</b>	
H x W x D	
Indoor Unit -Uncrated	14 -18/32 x 49- 7/32 x 8-9/32
-Crated	18 - 6/32 x 52-23/32 x 10-11/32
Outdoor Unit -Uncrated	28 -5/16 x 37 x 13-3/8
-Crated	32-17/32 x 40 x 16-12/32
<b>WEIGHT</b>	
INDOOR	OUTDOOR
Net (lbs.)	40.0 157.0
Shipping (lbs.)	51.0 170.0
<b>Shipping Volume (cu.ft.)</b>	
5.8	12.3

**PERFORMANCE DATA @ ARI STANDARD CONDITIONS (230/208V)**

<b>COOLING</b>		
Total Capacity (BTU/H)		22,000/21,000
Sensible Capacity (BTU/H)		13,590/12,990
Latent Capacity (BTU/H)		8,410/8,010
SEER		10.0/10.0
Dehumidification (Pints/H)		6.2/6.1
Amps (A)		10.3/10.9
Power Inputs (W)		2,300/2,220
<b>HEATING</b>		
Total Capacity (BTU/H)		25,000/24,300
HSPF		7.0/7.0
Amps (A)		11.3/12.2
Power Inputs (W)		2,500/2,430
Back-up Strip Heater (KW)		1.80/1.47
Outdoor Sound Rating(bels)		7.6

**FEATURE**

Controls	Microprocessor
Remote Controller	LCD Wireless type
Temperature Control	IC Thermostat
Timer	ON/OFF, 24 hours
Night Setback	Built-In
Air Louver	-
	(Horizontal)
	(Vertical)
Power Failure Automatic Restart	Automatic
Self Diagnosis	Built-In
Heating/Cooling Automatic Changeover	Built-In

**OPTION**

Refrigerant Line Set	AP2710BH (30 ft)
	AP2715BH (50 ft)
Low Ambient Control	N/A
Fresh Air Intake	N/A
Central Remote ON-OFF Control	Available
Air duct Extension	N/A
Indoor Frame Extension	N/A
Condensate Drain Pump	Available
Non-Removable Remo-con Bracket	Available

**OPERATING RANGE**

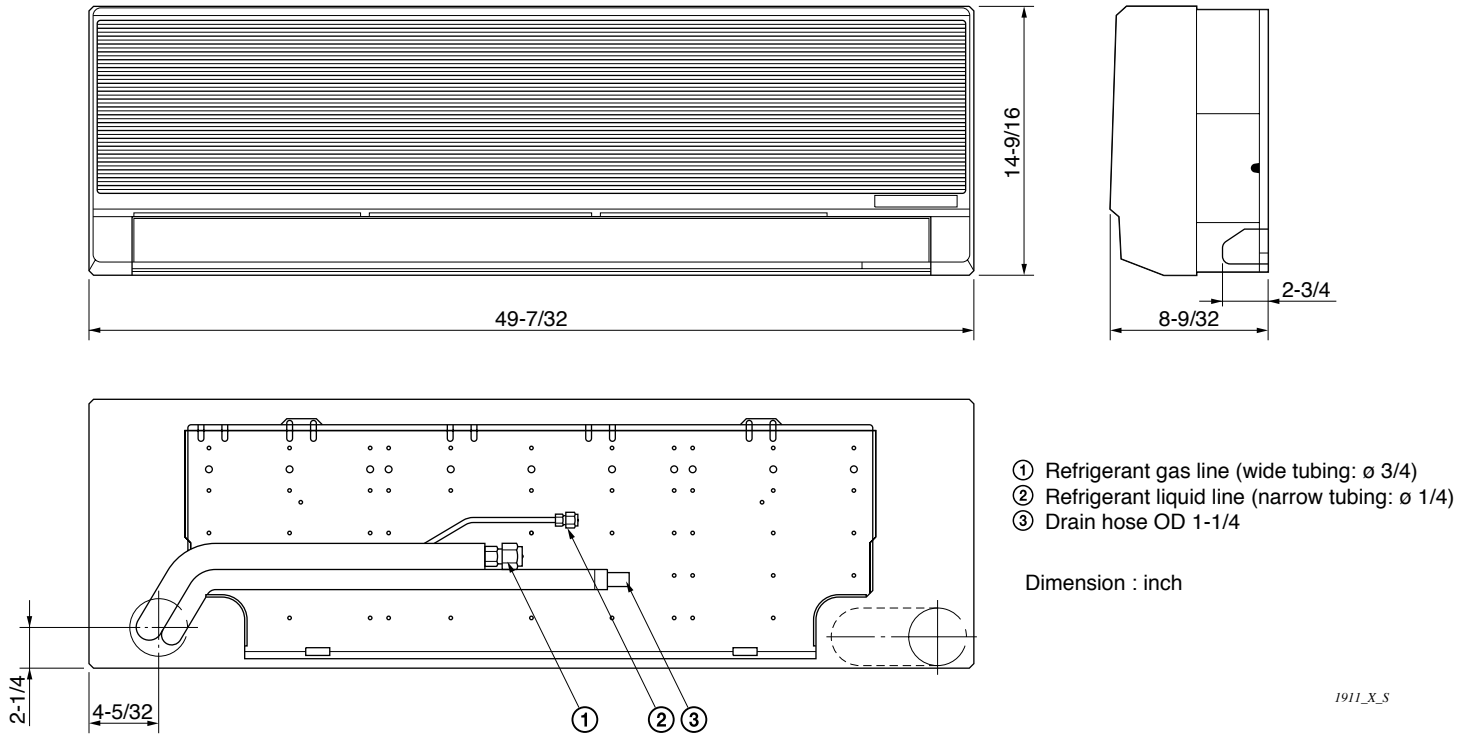
Cooling	Indoor Air	Outdoor Air
	<u>Intake Temp.</u>	<u>Intake Temp.</u>
	Maximum 95 F DB/71 F WB	115 F DB
	Minimum 67 F DB/57 F WB	23 F DB
Heating	Maximum 80 F DB/67F WB	75F DB/ 65 F WB
	Minimum - F DB/ - F WB	17F DB/ 15F WB

**CERTIFICATION**

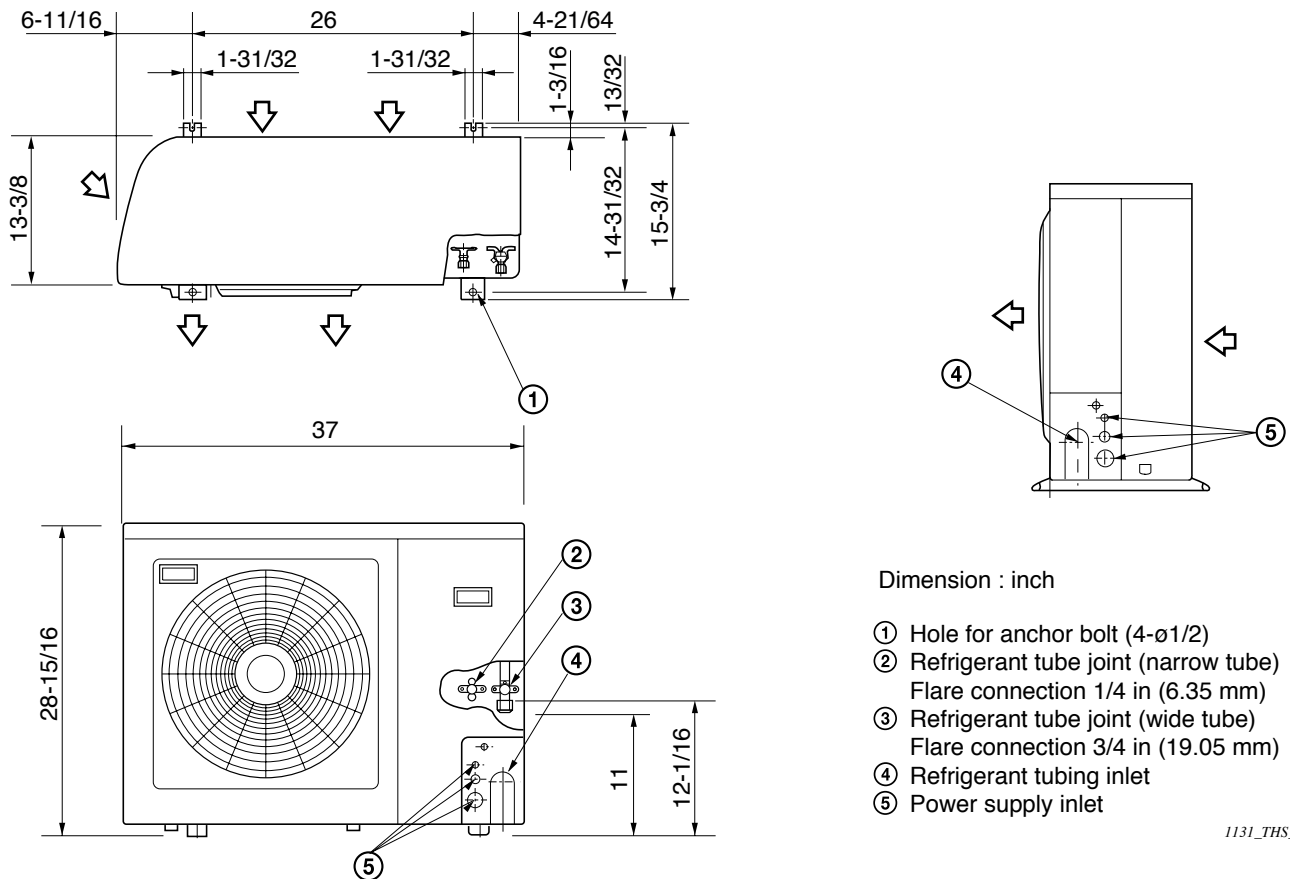


# Dimensional Data

## Outdoor Unit: KHS2432



## Outdoor Unit: C2432, CL2432



### WARRANTY

SANYO products are warranted against defects in materials and workmanship for the period below;

	LABOR	PARTS
Compressor	30 Days	5 Years
Other Components	N/A	1 Year

Because of a policy of continuous product improvements, SANYO reserves the right to change specifications and design without notice.

Full specific warranty rights, conditions, exclusions and obligations are specified in the warranty packed with each products.

### SANYO FISHER COMPANY

A Division of SANYO North America Corporation

21605 Plummer St. Chatsworth, CA 91311

Phone : (818) 998-7322

Fax : (818) 701-4160

Website: <http://www.sanyohvac.com>